

Model: 356 50**Model life 1950>>1959**

ORDER-INFO

THIS PARTS CATALOGUE CONTAINS ALL ORDER INFORMATION OF
TYPES 356 FROM MODEL YEAR 1950 - 1955
356-A FROM MODEL YEAR 1956 - 1959

IT IS AVAILABLE IN TWO EDITIONS IN THE FOLLOWING LANGUAGES:

EDITION

USA, CANADA - *

EDITION

ALL OTHER COUNTRIES - GERMAN

* - ENGLISH

- FRENCH

- ITALIAN

- SPANISH

UPDATING IS BEING PERFORMED BY CHANGING OF UPDATE.

THE EDITION CAN BE RECOGNIZED BY THE CURRENT NO.
IN THE BOTTOM LINE OF SUBJECT UPDATE.

THE PREVIOUS UPDATE SHOULD NO LONGER BE USED.

ALL ILLUSTRATIONS ARE SUBJECT TO CHANGE WITHOUT OBLIGATION.

WE RESERVE THE RIGHT TO SUPPLY A SUBSEQUENTLY
PRODUCED COMPONENT, ON WHICH ADDITIONAL WORK
IS NECESSARY, INSTEAD OF THE COMPONENT LISTED IN
THE CATALOGUE

Model: 356 50 Model life 1950>>1959

SUMMARY TYPES

VEHICLE TYPE	MY	VEHICLE IDENT.NR.	ENGINE TYPE
* 356 COUPE/CABRIO	50	05001>05410	369/1100
* 356 COUPE/CABRIO	51	05132>05162 05411>05600	369/1100
* 356 COUPE/CABRIO	51	10001>10170 10350>10432	506/1300
* 356 COUPE/CABRIO	51	10531>11125	527/1500
* 356 CABRIO	52	10433>10469	367/1100
* 356 COUPE	52	11128>12084	506/1300
* 356 CABRIO	52	12301>12387	527/1500
* 356 COUPE	53	50001>50098	546/1500
* 356 CABRIO	53	15001>15116	528/1500 S
* 356 COUPE	53	50099>51645	369/1100
* 356 CABRIO	53	60001>60394	369/1100
* 356 COUPE	53	50099>51645	506/1300
* 356 CABRIO	53	60001>60394	506/1300
* 356 COUPE	53	50099>51645	546/1500
* 356 CABRIO	53	60001>60394	546/1500
* 356 COUPE	53	50099>51645	528/1500 S
* 356 CABRIO	53	60001>60394	528/1500 S
* 356 COUPE	54	50099>51645	589/1300 S
* 356 CABRIO	54	60001>60394	589/1300 S
* 356 COUPE	54	51648>53008	369/1100
* 356 CABRIO	54	60395>60722	369/1100
* 356 SPEEDSTER 540	54	80001>80200	369/1100
* 356 COUPE	54	51648>53008	506/1300
* 356 CABRIO	54	60395>60722	506/1300
* 356 SPEEDSTER 540	54	80001>80200	506/1300
* 356 COUPE	54	51648>53008	589/1300 S
* 356 CABRIO	54	60395>60722	589/1300 S
* 356 SPEEDSTER 540	54	80001>80200	589/1300 S
* 356 COUPE	54	51648>53008	506/1/1300 A
* 356 CABRIO	54	60395>60722	506/1/1300 A
* 356 SPEEDSTER 540	54	80001>80200	506/1/1300 A
* 356 COUPE	54	51648>53008	546/1500
* 356 CABRIO	54	60395>60722	546/1500
* 356 SPEEDSTER 540	54	80001>80200	546/1500
* 356 COUPE	54	51648>53008	528/1500 S
* 356 CABRIO	54	60395>60722	528/1500 S
* 356 SPEEDSTER 540	54	80001>80200	528/1500 S

* PLEASE NOTE THE LAST PAGE OF
VEHICLE IDENT.-NOS.-SUMMARY

Model: 356 50 Model life 1950>>1959

SUMMARY TYPES

VEHICLE TYPE	MY	VEHICLE IDENT.NR.	ENGINE TYPE
* 356 COUPE	55	51648>53008	506/2/1300
* 356 CABRIO	55	60395>60722	506/2/1300
* 356 SPEDDSTER 540.1 (T.1)	55	80001>80200	506/2/1300
* 356 COUPE	55	51648>53008	589/2/1300 S
* 356 CABRIO	55	60395>60722	589/2/1300 S
* 356 SPEEDSTER 540.1 (T.1)	55	80001>80200	589/2/1300 S
* 356 COUPE	55	51648>53008	546/2/1500
* 356 CABRIO	55	60395>60722	546/2/1500
* 356 SPEEDSTER 540.1 (T.1)	55	80001>80200	546/2/1500
* 356 COUPE	55	51648>53008	528/2/1500 S
* 356 CABRIO	55	60395>60722	528/2/1500 S
* 356 SPEEDSTER 540.1 (T.1)	55	80001>80200	528/2/1500 S
* 356 COUPE	55	53009>55000	506/2/1300
* 356 CABRIO	55	60723>61000	506/2/1300
* 356 SPEEDSTER 540.1 (T.1)	55	80201>81900	506/2/1300
* 356 COUPE	55	53009>55000	589/2/1300 S
* 356 CABRIO	55	60723>61000	589/2/1300 S
* 356 SPEEDSTER 540.1 (T.1)	55	80201>81900	589/2/1300 S
* 356 COUPE	55	53009>55000	546/2/1500
* 356 CABRIO	55	60723>61000	546/2/1500
* 356 SPEEDSTER 540.1 (T.1)	55	80201>81900	546/2/1500
* 356 COUPE	55	53009>55000	528/2/1500 S
* 356 CABRIO	55	60723>61000	528/2/1500 S
* 356 SPEEDSTER 540.1 (T.1)	55	80201>81900	528/2/1500 S
* 356 A COUPE	56	55001>55390	506/2/1300
* 356 A CABRIO	56	61001>61069	506/2/1300
* 356 A SPEEDSTER 540.1 (T.1)	56	81901>82000	506/2/1300
* 356 A COUPE	56	55001>55390	589/2/1300 S
* 356 A CABRIO	56	61001>61069	589/2/1300 S
* 356 A SPEEDSTER 540.1 (T.1)	56	81901>82000	589/2/1300 S
* 356 A COUPE	56	55001>55390	616/1/1600
* 356 A CABRIO	56	61001>61069	616/1/1600
* 356 A SPEEDSTER 540.1 (T.1)	56	81901>82000	616/1/1600
* 356 A COUPE	56	55001>55390	616/2/1600 S
* 356 A CABRIO	56	61001>61069	616/2/1600 S
* 356 A SPEEDSTER 540.1 (T.1)	56	81901>82000	616/2/1600 S
* 356 A COUPE	56	55391>58311	506/2/1300
* 356 A CABRIO	56	61070>61499	506/2/1300
* 356 A SPEEDSTER 540.1 (T.1)	56	82001>82850	506/2/1300
* 356 A COUPE	56	55391>58311	589/2/1300 S
* 356 A CABRIO	56	61070>61499	589/2/1300 S
* 356 A SPEEDSTER 540.1 (T.1)	56	82001>82850	589/2/1300 S
* 356 A COUPE	56	55391>58311	616/1/1600
* 356 A CABRIO	56	61070>61499	616/1/1600
* 356 A SPEEDSTER 540.1 (T.1)	56	82001>82850	616/1/1600
* 356 A COUPE	56	55391>58311	616/2/1600 S
* 356 A CABRIO	56	61070>61499	616/2/1600 S
* 356 A SPEEDSTER 540.1 (T.1)	56	82001>82850	616/2/1600 S

* PLEASE NOTE THE LAST PAGE OF VEHICLE IDENT.-NOS.SUMMARY

Model: 356 50

Model life 1950>>1959

SUMMARY TYPES

VEHICLE TYPE	MY	VEHICLE IDENT.NR.	ENGINE TYPE
* 356 A COUPE	57	058312>059090	506/2/1300
* 356 A CABRIO	57	061500>061700	506/2/1300
* 356 A SPEDDSTER 540.1/T.2)	57	082851>083691	506/2/1300
* 356 A COUPE	57	058312>059090	589/2/1300 S
* 356 A CABRIO	57	061500>061700	589/2/1300 S
* 356 A SPEEDSTER 540.1(T.2)	57	082851>083691	589/2/1300 S
* 356 A COUPE	57	100001>101892	616/1/1600
* 356 A CABRIO	57	061701>061892	616/1/1600
* 356 A SPEEDSTER 540.1(T.2)	57	083692>083791	616/1/1600
* 356 A COUPE	57	100001>101892	616/2/1600 S
* 356 A CABRIO	57	061701>061892	616/2/1600 S
* 356 A SPEEDSTER 540.1(T.2)	57	083692>083791	616/2/1600 S
356 A COUPE	58	102505>106174	616/1/1600
356 A CABRIO	58	150150>151531	616/1/1600
356 A SPEEDSTER	58	084367>084922	616/1/1600
356 A COUPE	58	102505>106174	616/2/1600 S
356 A CABRIO	58	150150>151531	616/2/1600 S
356 A CONVERTIBLE D	58	085501>085886	616/2/1600 S
356 A COUPE	59	106175>108917	616/1/1600
356 A CABRIO	59	151532>152475	616/1/1600
356 A CONVERTIBLE D	59	085887>086830	616/1/1600
356 A COUPE	59	106175>108917	616/2/1600 S
356 A CABRIO	59	151532>152475	616/2/1600 S
356 A CONVERTIBLE D	59	085887>086830	616/2/1600 S

* PLEASE NOTE THE LAST PAGE OF
VEHICLE IDENT.-NOS.SUMMARY

Model: 356 50 **Model life 1950>>1959**

SUMMARY TYPES

VEHICLE TYPE	MY	VEHICLE IDENT.NR.	ENGINE TYPE
356 COUPE	50	005001>005600	
356 CABRIO	50	005015	
356 CABRIO	50	005115	
356 CABRIO	50	005131>005138	
356 CABRIO (GLAESER-HEUER)	50	005001	
356 CABRIO (GLAESER-HEUER)	50	005017	
356 CABRIO (GLAESER-HEUER)	50	005027>005028	
356 CABRIO (GLAESER-HEUER)	50	005105>005130	
356 CABRIO (GLAESER-HEUER)	50	005139>005162	
356 COUPE	51	010531>011360	
356 CABRIO	51	010001>010270	
356 CABRIO (GLAESER-HEUER)	51	010351>010469	
356 COUPE	52	011361>011778	
356 CABRIO	52	010271>010350	
356 CABRIO	52	015001>015072	
356 CABRIO (GLAESER-HEUER)	52	012301>012385	
356 COUPE	53	011779>012084	
356 COUPE	53	050001>052029	
356 CABRIO	53	015073>015115	
356 CABRIO	53	060001>060549	
356 COUPE	54	052030>054223	
356 CABRIO	54	060550>060923	
356 COUPE	55	052030>054223	
356 A COUPE	55	055001>059099	
356 A CABRIO	55	060550>060923	
356 A SPEEDSTER 540	55	080001>081234	
356 A COUPE	56	055001>059099	
356 A CABRIO	56	061001>061618	
356 A SPEEDSTER 540	56	080001>081234	
356 A COUPE (T1)	57	100001>101692	
356 A COUPE (T2)	57	101693>	
356 A CABRIO	57	061701>061892	
356 A SPEEDSTER 540.1 (T1)	57	082001>083791	

Model:	356 50	Model life	1950>>1959
--------	--------	------------	------------

356 A	SPEEDSTER 540.1 (T2)	57	083792>084999
-------	----------------------	----	---------------

356 A	HARDTOP	57	150001>
-------	---------	----	---------

Model: 356 50

Model life 1950>>1959

SUMMARY ENGINES

VEHICLE TYPE		MOTOR TYPE	MY	ENGINE NO.	TECNICAL DATA
356	COUPE/CABRIO	369	50	00101>00411	4ZYL/1, 1L /29 KW
356	COUPE/CABRIO	369	51	00412>00999 10001>10137	4ZYL/1, 1L /29 KW
356	COUPE/CABRIO	506	51	01001>01099 20001>20821	4ZYL/1, 3L /32 KW
356	COUPE/CABRIO	527	52	30001>30737	4ZYL/1, 5L /44 KW
356	CABRIO	369	52	10138>10151	4ZYL/1, 1L /29 KW
356	COUPE	508	52	20822>21297	4ZYL/1, 3L /32 KW
356	CABRIO	527	52	30738>30750	4ZYL/1, 5L /44 KW
356	COUPE	546	53	30751>31025	4ZYL/1, 5L /40 KW
356	CABRIO	528	53	40001>40117	4ZYL/1, 5L /51 KW
356	COUPE/CABRIO	369	53	10152>10161	4ZYL/1, 1L /29 KW
356	COUPE/CABRIO	506	53	21298>21636	4ZYL/1, 3L /32 KW
356	COUPE/CABRIO	546	53	31026>32569	4ZYL/1, 5L /40 KW
356	COUPE/CABRIO	528	53	40118>40685	4ZYL/1, 5L /40 KW
356	COUPE/CABRIOLET	589	54	50001>50017	4ZYL/1, 3L /44 KW
356	COUPE/CABRIO/SPEEDSTER	369	54	10162>10199	4ZYL/1, 1L /29 KW
356	COUPE/CABRIO/SPEEDSTER	506	54	21637>21780	4ZYL/1, 3L /32 KW
356	COUPE/CABRIO/SPEEDSTER	589	54	50018>50019	4ZYL/1, 3L /44 KW
356	COUPE/CABRIO/SPEEDSTER	506/1	54	21781>21999	4ZYL/1, 3L /32 KW
356	COUPE/CABRIO/SPEEDSTER	546	54	32570>33899	4ZYL/1, 5L /40 KW
356	COUPE/CABRIO/SPEEDSTER	528	54	40686>40999	4ZYL/1, 5L /51 KW
356	COUPE/CABRIO/SPEEDSTER	506/2	55	22001>22021	4ZYL/1, 3L /32 KW
356	COUPE/CABRIO/SPEEDSTER	589/2	55	50101>50127	4ZYL/1, 3L /44 KW
356	COUPE/CABRIO/SPEEDSTER	546/2	55	33901>34119	4ZYL/1, 5L /40 KW
356	COUPE/CABRIO/SPEEDSTER	528/2	55	41001>41048	4ZYL/1, 5L /51 KW
356	COUPE/CABRIO/SPEEDSTER	506/2	55	22022>22245	4ZYL/1, 3L /32 KW
356	COUPE/CABRIO/SPEEDSTER	589/2	55	50101>50127	4ZYL/1, 3L /44 KW
356	COUPE/CABRIO/SPEEDSTER	546/2	55	34120>35790	4ZYL/1, 5L /40 KW
356	COUPE/CABRIO/SPEEDSTER	528/2	55	41049>41999	4ZYL/1, 5L /51 KW
356 A	CARRERA GS	547/1	56	P90501>P90959	4ZYL/1, 6L /73/KW
356 A	CARRERA GT	547/1	56	P90501>P90959	4ZYL/1, 6L /80/KW
356 A	COUPE/CABRIO/SPEEDSTER	506/2	56	22246>22273	4ZYL/1, 3L /32 KW
356 A	COUPE/CABRIO/SPEEDSTER	589/2	56	50128>50135	4ZYL/1, 3L /44 KW
356 A	COUPE/CABRIO/SPEEDSTER	616/1	56	60001>60608	4ZYL/1, 6L /44 KW
356 A	COUPE/CABRIO/SPEEDSTER	616/2	56	80001>80110	4ZYL/1, 6L /55 KW
356 A	COUPE/CABRIO/SPEEDSTER	506/2	56	22274>22471	4ZYL/1, 3L /32 KW
356 A	COUPE/CABRIO/SPEEDSTER	589/2	56	50136>50155	4ZYL/1, 3L /44 KW
356 A	COUPE/CABRIO/SPEEDSTER	616/1	56	60609>63926	4ZYL/1, 6L /44 KW
356 A	COUPE/CABRIO/SPEEDSTER	616/2	56	80111>80756	4ZYL/1, 6L /55 KW
356 A	CARRERA GS	547/1	57	P90501/P90959	4ZYL/1, 6L /73 KW
356 A	CARRERA GT	547/1	57	P90501/P90959	4ZYL/1, 6L /80 KW
356 A	COUPE/CABRIO/SPEEDSTER	506/2	57	22472>22999	4ZYL/1, 3L /32 KW
356 A	COUPE/CABRIO/SPEEDSTER	589/2	57	50156>50999	4ZYL/1, 3L /44 KW
356 A	COUPE/CABRIO/SPEEDSTER	616/1	57	63927>66999	4ZYL/1, 6L /44 KW
356 A	COUPE/CABRIO/SPEEDSTER	616/2	57	80757>81199	4ZYL/1, 6L /55 KW

Model: 356 50

Model life 1950>>1959

SUMMARY ENGINES

VEHICLE TYPE	TYPE	MY	ENGINE NO.	TECNICAL DATA
356 A CARRERA GS	547/1	58	P90501>P90959	4ZYL/1,6L /73 KW
356 A CARRERA GT	547/1	58	P90501>P90959	4ZYL/1,6L /80 KW
356 A COUPE/CABRIO/SPEEDSTER	616/1	58	67001>68216	4ZYL/1,6L /44 KW
356 A COUPE/CABRIO/SPEEDSTER	616/2	58	81201>81521	4ZYL/1,6L /55 KW
356 A COUPE/CABRIO/SPEEDSTER	616/1	58	68217>72468	4ZYL/1,6L /44 KW
356 A COUPE/CABRIO/SPEEDSTER	616/2	58	81522>83145	4ZYL/1,6L /55 KW
356 A CARRERA GS	547/1	59	P90501>P90959	4ZYL/1,6L /73 KW
356 A CARRERA GT	547/1	59	P90501>P90959	4ZYL/1,6L /80 KW
356 A CARRERA GT	692/0	59	P91001>P91037	4ZYL/1,6L /80 KW
356 A CARRERA GT	692/1	59	P92001>P92014	4ZYL/1,6L /80 KW
356 A CARRERA GS	692/2	59	P93001>P93062	4ZYL/1,6L /77 KW
356 A COUPE/CABRIO/SPEEDSTER	616/1	59	72469>79999	4ZYL/1,6L /44 KW
356 A COUPE/CABRIO/SPEEDSTER	616/2	59	83146>84770	4ZYL/1,6L /55 KW

Model: 356 50**Model life 1950>>1959**

SUMM. TRANSMISS.

VEHICLE TYPE	TRANSM.		TRANSMISSION NO.	TECNICAL DATA
	TYPE	MY		
356		50		4-SPEED
356 COUPE/CABRIO SPEEDSTER	519	52	>10999	4-SPEED
356 A COUPE/CABRIO SPEEDSTER	519	52	>10999	4-SPEED
356 A COUPE/CABRIO SPEEDSTER CONVERTIBLE	644	57	11001>24999	4-SPEED
356 A COUPE/CABRIO SPEEDSTER CONVERTIBLE	716	59	25001>31999	4-SPEED

Model: 356 50

Model life 1950>>1959

LEGENDS/NOTICES

LEGENDS AND NOTICES

=====

IN COLUMN -S- STATUS

- N NEW ADDITION
- P PART ALREADY IN PROGRAMME, BUT NEW
AT THIS APPLICATION
- E THIS PART NO. IS NO LONGER AVAILABLE FROM PORSCHÉ
- W DELETED AT THIS APPLICATION, BUT CONTINUED, TO BE CARRIED
- A STOCK TO BE USED UP
- U DELETED WITHOUT REPLACEMENT
- * PART ALSO OR ONLY AVAILABLE
IN REPAIR KIT
- > ALSO AVAILABLE IN EXCHANGE

IN COLUMN - ILL. -

- 1 IDENTIFICATION NO. IN ILLUSTRATION
- (1) PART ONLY SIMILAR AS ILLUSTRATED
- PART IS NOT ILLUSTRATED

FIG.-NUMBERS FOR WHICH THERE IS SHOWN NO TEXT ARE
NOT VALID FOR THIS EDITION OF CATALOGUE

IN COLUMN -PART NUMBER/CODE-

000 000 000 00 PART NUMBER EQUALS ORDERING NO., IF A CODE IS
SHOWN, IT WILL HAVE TO BE PART OF ORDERING
NUMBER

01C COLOUR CODE

IN COLUMN -TEXT

INSTALLATION WITH ENGINE OR CHASSIS
NUMBER-RANGE

EXAMPLE:

Model: 356 50**Model life 1950>>1959**

M 640 0391 >> FROM ENGINE NO.

F >> 914043 0391 UP TO CHASSIS NO.

Model: 356 50

Model life 1950>>1959

LEGENDS/NOTICES

IN COLUMN - A -

IDENTIFICATION LETTER FOR PERIOD OF INSTALLATION
THAT IS REPEATED SEVERAL TIMES IN THE CATALOG GROUP.

EXPLANATION PLEASE FIND IN TEXT COLUMN OF THE CATALOG GROUP

IN COLUMN - QU - = NO. OF PIECES

- 1 NUMBER PER APPLICATION
- X NUMBER AS NEEDED
- * AVAILABLE ONLY IN RUNNING LENGTHS 1 = 1 METRE

IN COLUMN - MODEL/SYMBOL -

- M650 OPTIONAL EQUIPMENT - SEE M-NO. LIST
- 94 LIMITATION OF MODEL YEAR FOR INSTANCE: VALID UP TO
END OF MODEL YEAR 1994
- /LL LHD
- /RL RHD
- +
- /V FRONT I
I
- /H REAR I
I----> APPLIES TO
- /L LEFT I DIRECTION OF TRAVEL
I
- /R RIGHT I
-----+
- WW THE PART CAN BE USED INSTEAD OF THE
PRECEDING ONE.

Model: 356 50

Model life 1950>>1959

COUNTRY-EQIPM.

EQUIPMENT BY COUNTRY REGULATIONS

=====

(A)	AUSTRIA
(AUS)	AUSTRALIA
(B)	BELGIUM
(CDN)	CANADA
(CH)	SWITZERLAND
(D)	FEDERAL REPUBLIC OF GERMANY
(DK)	DENMARK
(E)	SPAIN
(F)	FRANCE
(GB)	GREAT BRITAIN
(GR)	GREECE
(HK)	HONGKONG
(I)	ITALY
(J)	JAPAN
(L)	LUXEMBURG
(N)	NORWAY
(NL)	NETHERLANDS
(NZ)	NEW ZEALAND
(P)	PORTUGAL
(RC)	TAIWAN
(S)	SWEDEN
(SA)	SAUDI ARABIA
(SF)	FINLAND
(USA)	UNITED STATES OF AMERICA
(ZA)	SOUTH AFRICA

Model: 356 50

Model life 1950>>1959



Model: 356 50

Model life 1950>>1959

Pos	Part Number	Description	Remark	Qty	Model
-	PCG 143 110 00	Tool And Accessories Grease gun		1	356 / 356A 356
-	356 72 106	Tool Jack		1	
-	356 72 108	Operating rod		1	
-	356 72 103	Tool bag		1	
-	356 72 101 1	Spark plug wrench		1	
-	012 281 A	Ring wrench 36 MM		1	
-		Tyre pressure gauge L 709 024		1	
-	999 571 045 02	Rim wrench Crank		1	
-	999 192 006 50	Narrow v-belt		1	
-	356 72 010	Tool bag with contents Complete		1	
-	644 721 001 02	Tool And Accessories Tool bag with contents Comprising:		1	356 A
-	644 721 010 01	Tool bag		1	
-	644 721 201 03	Spark plug wrench		1	
-	644 721 221 01	Rim wrench 19		1	
-	999 195 011 02	Double-end spanner 8 X 9		1	
-	999 195 012 02	Double-end spanner 10 X 11		1	
-	999 195 013 02	Double-end spanner 12 X 14		1	
-	999 195 015 02	Double-end spanner 17 X 19		1	
-	999 571 002 02	Ring wrench 36		1	
-	999 191 002 02	Screwdriver		1	
-	900 137 001 02	Phillips screwdriver B 2		1	
-	999 107 002 02	Universal pliers 170 MM Long		1	
-	999 192 006 50	Narrow v-belt		1	
-	644 722 201 01	Tyre pressure gauge - MESKO - with Bag		1	
-	N 020 112 1	Ball seat nut Ball seat nut A 14		1	
-	644 721 013 00	Bag with 5 Lock Tool And		1	CARRERA
-	644 721 001 12	Accessories Tool bag with contents Comprising:		1	

Model: 356 50

Model life 1950>>1959

Pos	Part Number	Description	Remark	Qty	Model
-	644 721 010 01	Tool bag		1	
-	644 721 221 01	Rim wrench 19		1	
-	999 195 011 02	Double-end spanner 8 X 9		1	
-	999 195 012 02	Double-end spanner 10 X 11		1	
-	999 195 013 02	Double-end spanner 12 X 14		1	
-	999 195 015 02	Double-end spanner 17 X 19		1	
-	999 191 002 02	Screwdriver		1	
-	900 137 001 02	Phillips screwdriver B 2		1	
-	999 107 002 02	Universal pliers		1	
-	999 192 006 50	Narrow v-belt		1	
-	644 722 201 01	Tyre pressure gauge - MESKO - with Bag		1	
-	N 020 112 1	Ball seat nut Ball seat nut A 14		1	
-	999 571 001 02	Ring wrench 36		1	
-	900 066 002 02	Allen key 6		1	
-	547 721 702 01	Retaining bracket V-belt		1	
-	644 721 261 01	Socket wrench 12		1	
-	644 721 262 01	Socket wrench		1	
-	999 571 025 02	Spark plug wrench Complete Comprising:		1	
-	999 571 026 02	Socket wrench 3/8"		1	
-	999 571 027 02	Extension 4"		1	
-	999 571 028 02	Ball joint Articulated piece		2	
-	999 571 029 02	Double socket wrench		1	
-	644 721 013 00	Bag with 5 Lock		1	
-	644 722 010 00	Jack		1	
-	644 721 263 00	Socket wrench 17		1	

Model: 356 50

Model life 1950>>1959



Model: 356 50 Model life 1950>>1959

Pos	Part Number	Description	Remark	Qty	Model
-	644 631 090 00	Accessories Box with bulbs 6 VOLT		1	
-	000 043 203 09	Charger 6 VOLT		1	
-	000 043 202 43	Charger 12 VOLT		1	
-	980 611 980 00	Charger 12 VOLT		1	
-	644 801 010 02	Bracket with Belt		1	
-	644 801 951 01	Belt for Luggage rack		4	
-	644 802 951 00	Leather strap for Suitcase		X	
-	PCG 043 202 04	Mount Cover with Porsche crest		1	356, 356A Coupe

Model: 356 50

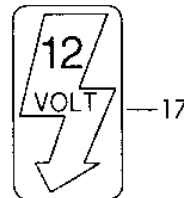
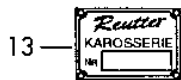
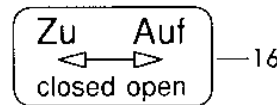
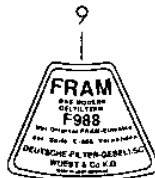
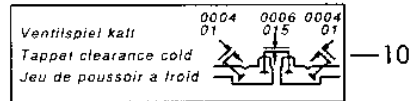
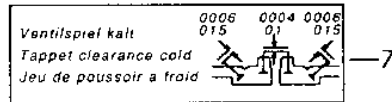
Model life 1950>>1959



3



5

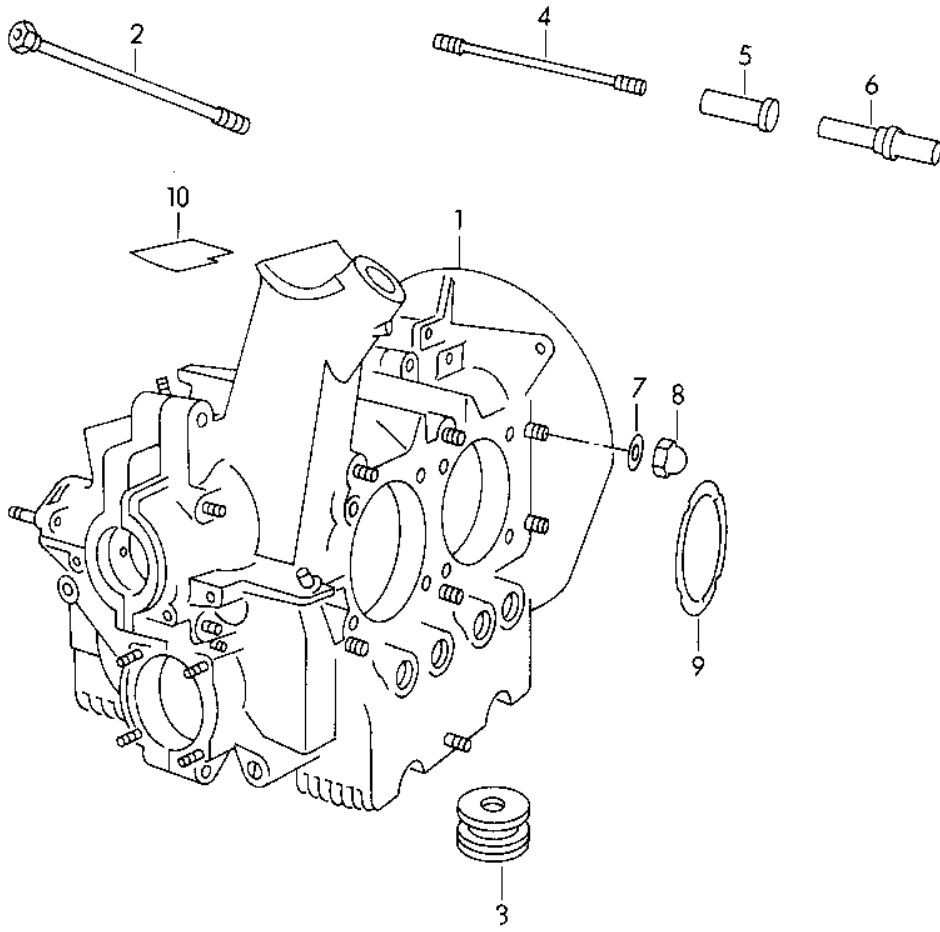


Model: 356 50 Model life 1950>>1959

Pos	Part Number	Description	Remark	Qty	Model
1	PSP 723 111 00	Badge Sticker Set of fastening parts		X	
1	PCG 723 002 00	Badge		X	
1	PSP 723 002 00	Badge		X	
2	PCG 723 003 00	Badge		X	
2	PSP 723 003 00	Badge Export		X	
3	PCG 723 004 00	Badge		X	
3	PSP 723 004 00	Badge		X	
3	PSP 723 006 00	Badge		X	
4	PCG 723 001 00	Badge		X	
4	PSP 723 001 00	Badge		X	
5	PCG 723 011 00	Badge		X	
6	PCG 723 008 00	Badge		X	
7	546 72 203	Sticker Valve clearance		X	
8	PCG 701 003 00	Sticker		X	
9	PCG 701 009 00	Sticker		X	
10	PCG 701 015 00	Decal label		X	
11	PCG 701 008 00	Sticker		X	
12	PCG 701 103 00	Badge		X	
12	PSP 701 103 00	Badge		X	
13	PCG 701 102 00	Badge		X	
13	PSP 701 102 00	Badge		X	
14	PCG 701 104 00	Badge		X	
15	PCG 701 106 00	Badge		X	
16	PCG 701 587 00	Sticker		X	
17	PCG 701 833 00	Sticker		X	
-	PCG 701 004 00	Sticker		X	
-	PCG 701 005 00	Oil filter Intake Colour Silver Sticker Oil filter Intake Colour Red		X	

Model: 356 50

Model life 1950>>1959

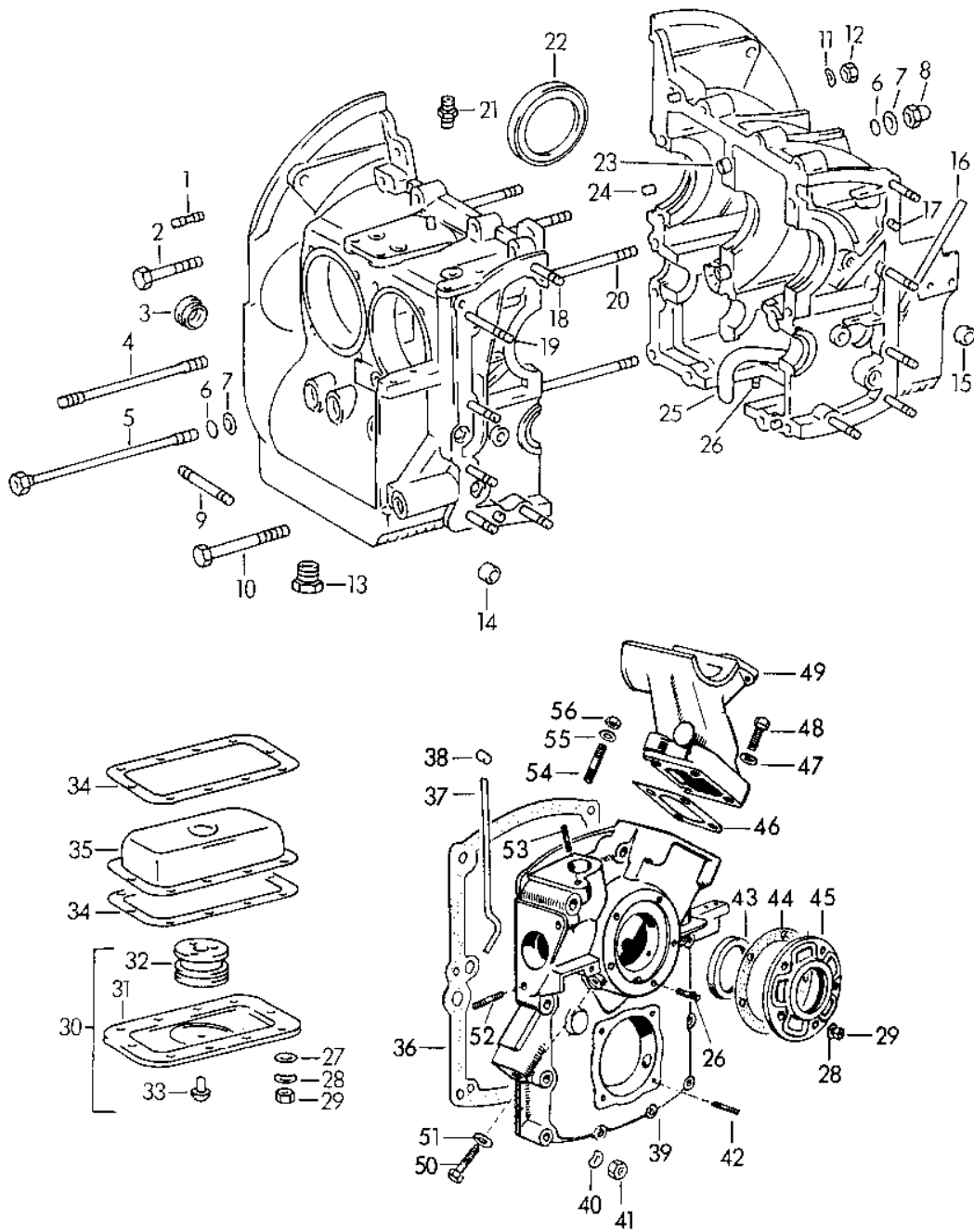


Model: 356 50 Model life 1950>>1959

Pos	Part Number	Description	Remark	Qty	Model
1	506 01 101	Crankcase M >> 10 199 M >> 21 780 M >> 50 099 M >> 21 999 M >> 33 899 M >> 40 999		1	1100 1300 1300 S 1300 A 1500 1500 S 1300
-	111 101 025	Crankcase VW 101 021 for Cylinder 80 MM		1	1100
-	546 01 127	Crankcase		1	1500
-	528 01 101	Crankcase		1	1500 S
2	528 01 107	Hexagon-head bolt Tensioning device		2	1300 1500 /S
3	369 01 101	Magnet		1	
4	369 01 110	Stud		16	
5	369 04 211	Cylinder head nut		4	
6	369 04 210	Cylinder head nut		4	
7	369 01 111	Washer Copper		6	
8	369 01 112 1	Cap nut		6	
(9)	369 04 07 5	Gasket Cylinder \$ 73,5 MM ABIL		4	1100
9	500 04 103	Gasket		4	1300 1500 /S
10	369 01 105	Cylinder \$ 80 MM Copper Gasket		1	

Model: 356 50

Model life 1950>>1959



Model: 356 50 Model life 1950>>1959

Pos	Part Number	Description	Remark	Qty	Model
-	539 01 001 10	Crankcase M 22 001 >> M 50 101 >> M 33 901 >> M 41 001 >> M 60 001 >> M 80 001 >> Crankcase with Housing cover with Bearing 4 And with studs M 22 001 >> 22 489 M 50 101 >> 50 162 M 33 901 >> 35 794 M 41 001 >> 41 425 M 60 001 >> 67 000 M 80 001 >> 81 200		1	1300 1300 S 1500 1500 S 1600 1600 S
-	616 01 001 10	Crankcase with Housing cover with Bearing 4 And with studs M 67 001 >> 68 897 M 81 201 >> 81 707		1	1300 1300 S 1500 1500 S 1600 1600 S
-	616 01 001 20	Crankcase with Housing cover with Bearing 4 And with studs M 68 898 >> 73 326 M 81 708 >> 83 424		1	1600 1600 S
-	616 01 001 21	Crankcase with Housing cover with Bearing 4 And with studs M 73 237 >> M 83 425 >>		1	1600 1600 S
1	999 062 008 02	Stud BM 8 X 25 for Cover Camshaft		2	1600 1600 S
2	900 074 042 02	Hexagon-head bolt M 8 X 60		7	
3	539 01 132	Cover for Camshaft		1	
4	539 01 118	Stud		16	
5	528 01 107	Hexagon-head bolt		1	

Model: 356 50 Model life 1950>>1959

Pos	Part Number	Description	Remark	Qty	Model
-		Tensioning device for Crankcase 539. 01.001.10 Hexagon-head bolt		1	
6	999 701 006 40	Tensioning device for Crankcase 616. ...		7	
7	369 01 111	O-ring		7	
8	999 070 004 02	Washer \$ 10		6	
8	999 070 004 03	Copper		6	
9	539 01 114	Cap nut		2	
10	N 010 388 3	Stud for Mount Transmission		1	
11	900 028 010 01	Hexagon-head bolt M 8 X 90		10	
12	900 076 013 0C	Spring washer B8		10	
12	900 076 025 02	Hexagon nut M 8		10	
12	900 076 064 02	Hexagon nut M 8		10	
13	539 01 133	Hexagon nut M 8		1	
(14)	911 101 123 00	Drain plug		2	
14	616 101 123 00	Sealing ring Oil duct Crankcase 539. 01.001.10		2	
15	539 01 122	Sealing ring Oil duct Crankcase 616. ...		1	
(16)	539 07 729	Gasket for Oil duct Guide tube 178 MM		1	
(16)	539 07 076	Crankcase 539. 01.001.10 Guide tube Oil level dipstick 225 MM		1	
-	999 701 006 40	Crankcase 539.01.001.10 O-ring Guide tube Crankcase 539. 01.001.10		1	
16	539 07 748	Guide tube Oil level dipstick 225 MM Crankcase 616. ...		1	
17	999 012 006 00	Straight pin		2	
18	000 95 105	Stud		10	
19	000 95 106	Stud		1	
20	539 01 119	Stud		4	

Model: 356 50 Model life 1950>>1959

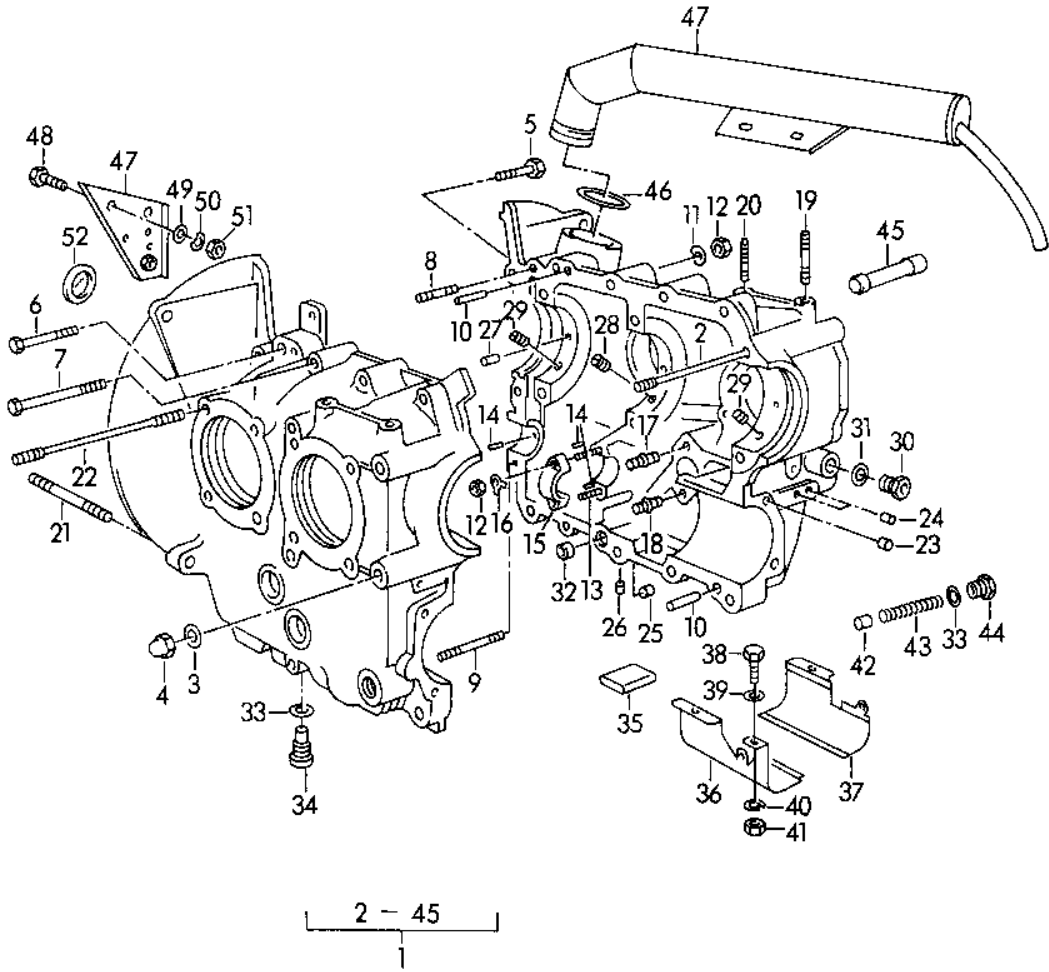
Pos	Part Number	Description	Remark	Qty	Model
21	900 105 001 02	for Crankcase 539. 01.001.10 Screw socket LL 6 M		1	
(21)	PCG 105 001 02	Screw socket LL 6 M		1	
22	999 113 029 50	Radial sealing ring DG 60 X 80 X 10/1		1	
23	901 101 195 00	Dowel sleeve		2	
24	539 01 110	Pin		4	
25	616 01 121	Oil tube		1	
25	616 101 377 00	Oil tube		1	
26	539 01 112	Stud		11	
26	999 061 054 01	Stud		11	
26	999 062 002 02	Stud		11	
27	N 011 524 7	Washer 6,4		10	
27	N 011 524 27	Washer 6,4		10	
28	900 028 008 01	Lock ring B 6		10	
-	N 011 524 7	Washer 6,4		10	
-	N 011 524 27	Washer 6,4		10	
29	900 076 010 02	Nut M 6		10	
29	900 076 010 0B	Nut M 6		10	
30	616 101 039 00	Lid		1	
31	539 01 150	Lid		1	
32	616 101 333 00	Filter element		1	
33	900 055 013 20	Buttonhead rivet 5 X 12		1	
34	539 01 152	Gasket		2	
35	616 101 380 00	Oil strainer		1	
(36)	539 01 124	Gasket Crankcase 539. 01.001.10		1	
36	616 01 124 1	Gasket Crankcase 616. ...		1	
37	616 01 114	Oil tube Crankcase 616. 01.147.2		1	
38	616 01 115	Stopper Crankcase 616. 01.147.2		2	
39		Lid Not available When required order also: 539. 01.001.10		1	
(39)	616 01 147 2	Lid		1	
40	900 028 010 01	Spring washer B 8		11	
41	502 08 310	Hexagon nut M 8		11	
42	539 01 112	Stud		4	
42	999 061 054 01	Stud		4	
42	999 062 002 02	Stud		4	
43	999 113 012 50	Shaft sealing ring DG 48 X 65 X 10/1		1	

Model: 356 50 Model life 1950>>1959

Pos	Part Number	Description	Remark	Qty	Model
44	539 01 106	Gasket Crankcase 539. 01.001.10		1	
45	539 01 154	Cover Crankcase 539. 01.001.10		1	
46	539 01 125	Gasket		1	
47	900 028 010 01	Spring washer B 8		4	
48	900 074 037 02	Hexagon-head bolt M 8 X 35		4	
49	539 01 145	Bracket		1	
50	539 01 115	Screw for Bearing 4		1	
51	900 028 010 01	Spring washer B 8		1	
(52)	616 01 116	Stud Fuel pump Crankcase 616. ...		2	
52	900 061 044 01	Stud Fuel pump Crankcase 539. 01.001.10		2	
53	539 01 116	Stud Distributor Crankcase 539. 01.001.10		1	
(53)	616 01 117	Stud Distributor Crankcase 616. ...		1	
54	999 061 017 02	Stud BM 8 X 30		2	
55	900 028 010 01	Spring washer B 8		2	
56	900 076 013 0C	Hexagon nut M 8		2	
56	900 076 025 02	Hexagon nut M 8		2	
56	900 076 064 02	Hexagon nut M 8		2	

Model: 356 50

Model life 1950>>1959



Model: 356 50 Model life 1950>>1959

Pos	Part Number	Description	Remark	Qty	Model
1	587 101 999 00	Crankcase M 90 501 >> 91 000		1	CARRERA 1500 GS/GT
2	547 01 129	Crankcase Complete		6	
3	900 123 066 30	Stud		6	
		Sealing ring		6	
		A 10 X 16 X 1			
		Copper			
4	999 070 004 02	Cap nut		6	
4	999 070 004 03	Cap nut		6	
5	900 074 038 02	Hexagon-head bolt		2	
		M 8 X 60			
6	900 074 042 02	Hexagon-head bolt		6	
		M 8 X 60			
7	N 010 388 3	Hexagon-head bolt		2	
		M 8 X 90			
8	900 074 037 02	Hexagon-head bolt		2	
		M 8 X 35			
9		Stud		1	
		M 8 X 65			
10	547 01 140	Straight pin		2	
11	N 012 241 1	Spring washer		13	
		B 8			
12	502 08 310	Hexagon nut		15	
13	900 061 026 01	Stud		2	
		M 8 X 22			
14	900 012 033 00	Straight pin		3	
		3 H 8 X 10			
15	547 01 104 1	Housing		1	
-	900 012 032 00	Straight pin		1	
		3 H 8 X 8			
16	999 039 001 00	Tab washer		2	
17	900 061 023 01	Stud		2	
		M 8 X 15			
18	900 061 024 00	Stud		2	
		M 8 X 18			
19	900 061 031 00	Stud		2	
		M 8 X 40			
20	547 01 133	Stud		2	
21	547 01 137	Stud		2	
22	547 01 128	Stud		16	
23	547 01 118	Threaded bush		4	
24	539 01 108	Stopper		2	
25	539 01 111	Stopper		4	
26	547 01 116	Stopper		1	
27	547 01 130	Straight pin		3	
28	547 01 131	Nozzle		1	
		I			
29	547 01 132	Nozzle		2	
		II			
30	547 01 136	Nipple		1	
(30)	900 065 002 02	Oil pressure switch		1	
		Screw plug			
		M 14 X 1,5			
31	N 013 849 2	Sealing ring		1	
		A 14 X 18			
		Copper			
32	911 101 123 00	Sealing ring		1	
33	900 123 009 30	Sealing ring		3	
		Aluminium			
		A 18 X 24 X 1,5			
34	547 07 112	Drain plug		1	
35	547 07 130	Oil strainer		1	

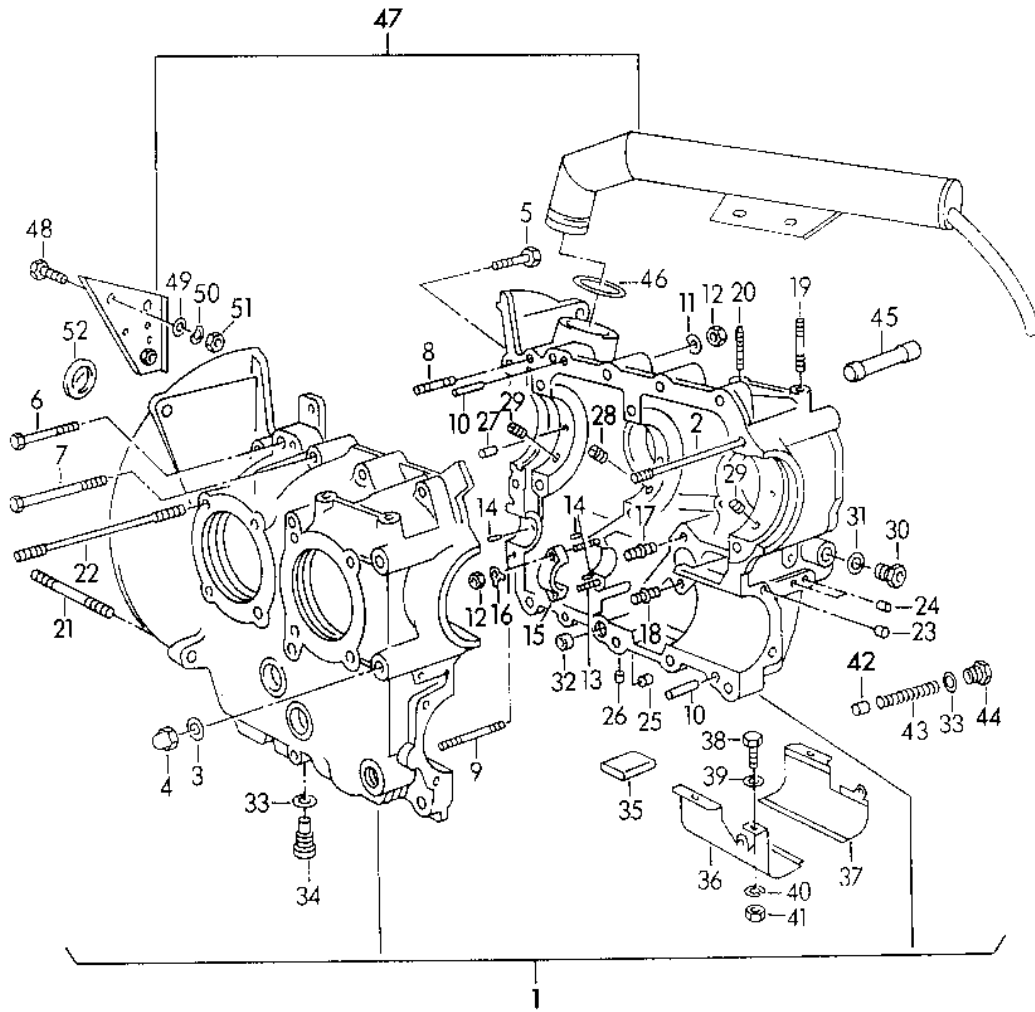
Model: 356 50

Model life 1950>>1959

Pos	Part Number	Description	Remark	Qty	Model
36	547 07 143	Strainer	/L	1	
37	547 07 142	Strainer	/R	1	
38	N 012 215 3	Hexagon-head bolt M 6 X 15		3	
39	999 025 108 02	Washer 6,4 X 14 X 1,5		3	
40	900 027 013 00	Spring washer B 6		3	
41	900 076 010 02	Nut M 6		3	
41	900 076 010 0B	Nut M 6		3	
42	616 107 511 00	Piston Relief valve		2	
42	PCG 107 511 00	Piston Relief valve		2	
43	547 07 113	Spring Relief valve		2	
44	999 064 009 02	Screw plug Relief valve		2	
45	547 01 108	Bush		1	
46	547 01 138	O-ring		1	
47	547 01 135	Bleeder		1	
48	900 075 011 01	Hexagon-head bolt M 6 X 15		1	
49	N 011 524 7	Washer 6,4		4	
49	N 011 524 27	Washer 6,4		4	
50	900 027 013 00	Spring washer B 6		2	
51	900 076 010 02	Nut M 6		2	
51	900 076 010 0B	Nut M 6		2	
52	547 01 107	Cap		1	

Model: 356 50

Model life 1950>>1959



Model: 356 50 Model life 1950>>1959

Pos	Part Number	Description	Remark	Qty	Model
		Crankcase			CARRERA 1600 GS/GT 692/0
-	587 101 999 00	Crankcase Picture NR.1 with NR.14+16,21+22,25-29		1	
-		Crankcase Picture NR.1 with NR.14+16,21+22,25-27		1	692/1/2/3
(1)		Crankcase Complete Picture NR.1-45		1	692/0
(1)		Crankcase Complete Picture NR.1-45		1	692/1/2/3
2	539 01 119	Stud		6	
3	900 123 066 30	Sealing ring A 10 X 16 Copper		6	
4	999 070 004 02	Cap nut		6	
4	999 070 004 03	Cap nut		6	
5	900 074 038 02	Hexagon-head bolt M 8 X 40		2	
6	900 074 042 02	Hexagon-head bolt M 8 X 60		6	
7	N 010 388 3	Hexagon-head bolt M 8 X 90		1	
8	900 061 030 00	Stud M 8 X 35		2	
-	900 061 041 01	Stud M 8 X 50 for Housing cover		1	
9	900 061 035 00	Stud M 8 X 65		1	
10	547 01 140	Straight pin		2	
11	900 028 010 00	Spring washer B 8		12	
12	502 08 310	Hexagon nut		12	
13	900 061 026 02	Stud M 8 X 22		2	
14	900 012 033 00	Straight pin 3 H 8 X 10		3	
15	547 01 104 1	Housing		1	
-	900 012 032 00	Straight pin 3 H 8 X 8		1	
16	999 039 001 00	Tab washer		2	
17	900 061 023 00	Stud M 8 X 15		2	
18	900 061 024 00	Stud M 8 X 18		2	
19	900 061 031 00	Stud M 8 X 40		2	
-	900 061 032 00	Stud M 8 X 45		1	692/1/2/3
20	547 01 133	Stud		2	
21	547 01 137	Stud		2	
22	547 01 128	Stud		16	

Model: 356 50 Model life 1950>>1959

Pos	Part Number	Description	Remark	Qty	Model
23	547 01 118	Threaded bush		4	
-	900 061 027 00	Stud M 8 X 25 for Housing Distributor Driving mechanism		4	
-	900 012 034 00	Straight pin 6 H 8 X 10 for Oil pump		1	
24	539 01 108	Stopper		X	
-	539 01 107	Plug		1	
25	539 01 111	Stopper		4	
26	547 01 116	Stopper		1	692/0
-	692 101 405 01	Stopper		1	692/1/2/3
27	547 01 130	Straight pin		X	
28	547 01 131	Nozzle I		1	
29	547 01 132	Nozzle II		2	
30	900 065 002 02	Screw plug M 14 X 1,5		1	
31	N 013 849 2	Sealing ring A 14 X 18 Copper		1	
32	911 101 123 00	Sealing ring		1	
33	900 123 009 30	Sealing ring A 18 X 24 X 1,5 Aluminium		3	
34	547 07 112	Drain plug		1	
35	692 101 180 00	Oil strainer		1	
-	539 01 129	Lid for Crankcase		1	
-	539 01 130	Gasket for Oil drain lid And Oil strainer		2	
-	900 061 160 0	Stud M 6 X 12 for Oil drain lid		4	
36	547 07 143	Strainer	/L	1	
37	547 07 142	Strainer	/R	1	
38	N 012 512 3	Hexagon-head bolt M 6 X 15		3	
39	999 025 108 02	Washer 6,4		3	
40	900 027 013 00	Spring washer B 6		3	
41	900 076 010 02	Nut M 6		3	
41	900 076 010 0B	Nut M 6		3	
42	547 07 115	Piston Relief valve		2	
43	547 07 113	Spring Relief valve		2	692/0
-	999 521 016 00	\$ 11 X 65 Compression spring Relief valve		1	692/1/2/3

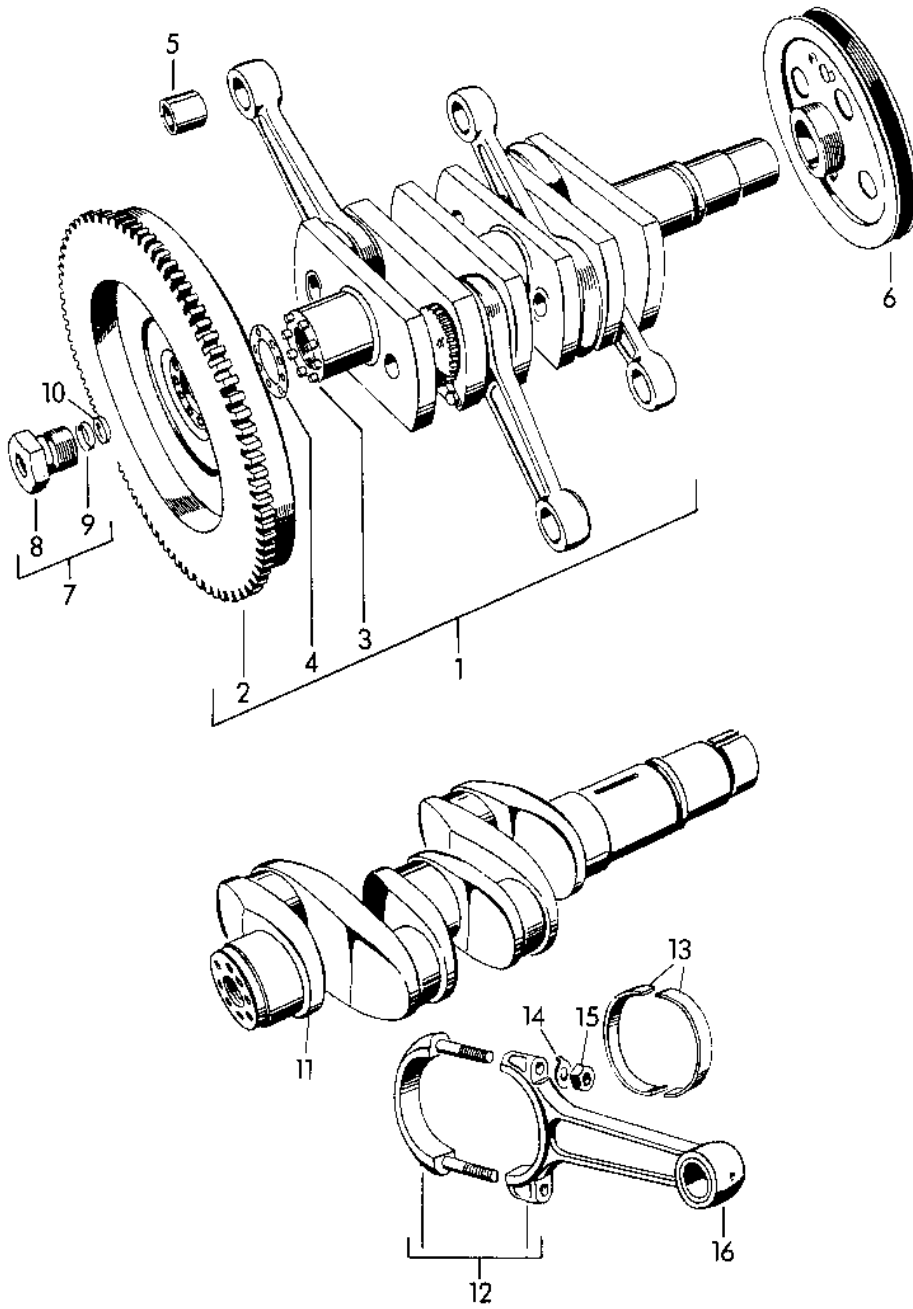
Model: 356 50

Model life 1950>>1959

Pos	Part Number	Description	Remark	Qty	Model
-	999 521 012 00	\$ 12,2 X 66 Compression spring		1	692/1/2/3
44	547 07 114	Relief valve \$ 12,5 X 61,5 Screw plug		2	
45	692 101 124 00	Relief valve Bush		1	
46	547 01 138	O-ring		1	
47	547 01 135	Bleeder		1	692/0
-	692 107 071 00	Bleeder		1	692/1/2
-	692 101 121 00	Filler tube		1	692/1/2/3
-	692 107 079 01	Bleeder		1	692/0/1/2
-	547 01 142	Pot Retaining bracket for Bleeder		1	692/0/1/2
-	547 101 161 00	Cap for Bleeder		1	692/2/3
-	900 081 010 00	Bore Stud BM 6 X 55 for Cap		1	692/2/3
-	900 085 002 02	Cap nut M 6 for Cap		1	692/2/3
-	900 123 028 30	Sealing ring A 6 X 10 for Cap nut		1	692/2/3
-	547 107 077 00	Breather pipe		1	692/2/3
-	900 028 002 00	Lock ring A 5 for Breather pipe		3	692/2/3
-		Hexagon nut M 5 for Breather pipe		3	692/2/3
48	900 075 010 02	Hexagon nut M 6 X 12		1	
48	N 010 212 14	Hexagon-head bolt M 6 X 12		1	
48	999 072 005 09	Hexagon nut M 6 X 12		1	
48	999 072 005 01	Hexagon nut M 6 X 12		1	
49	N 011 524 7	Washer 6,4		4	
49	N 011 524 27	Washer 6,4		4	
50	900 028 008 00	Spring washer B 6		2	
51	900 076 010 02	Nut M 6		2	
51	900 076 010 0B	Nut M 6		2	
52	547 01 107	Cap		1	
-	900 040 001 02	Cover plate for Bleeding		1	

Model: 356 50

Model life 1950>>1959



Model: 356 50 Model life 1950>>1959

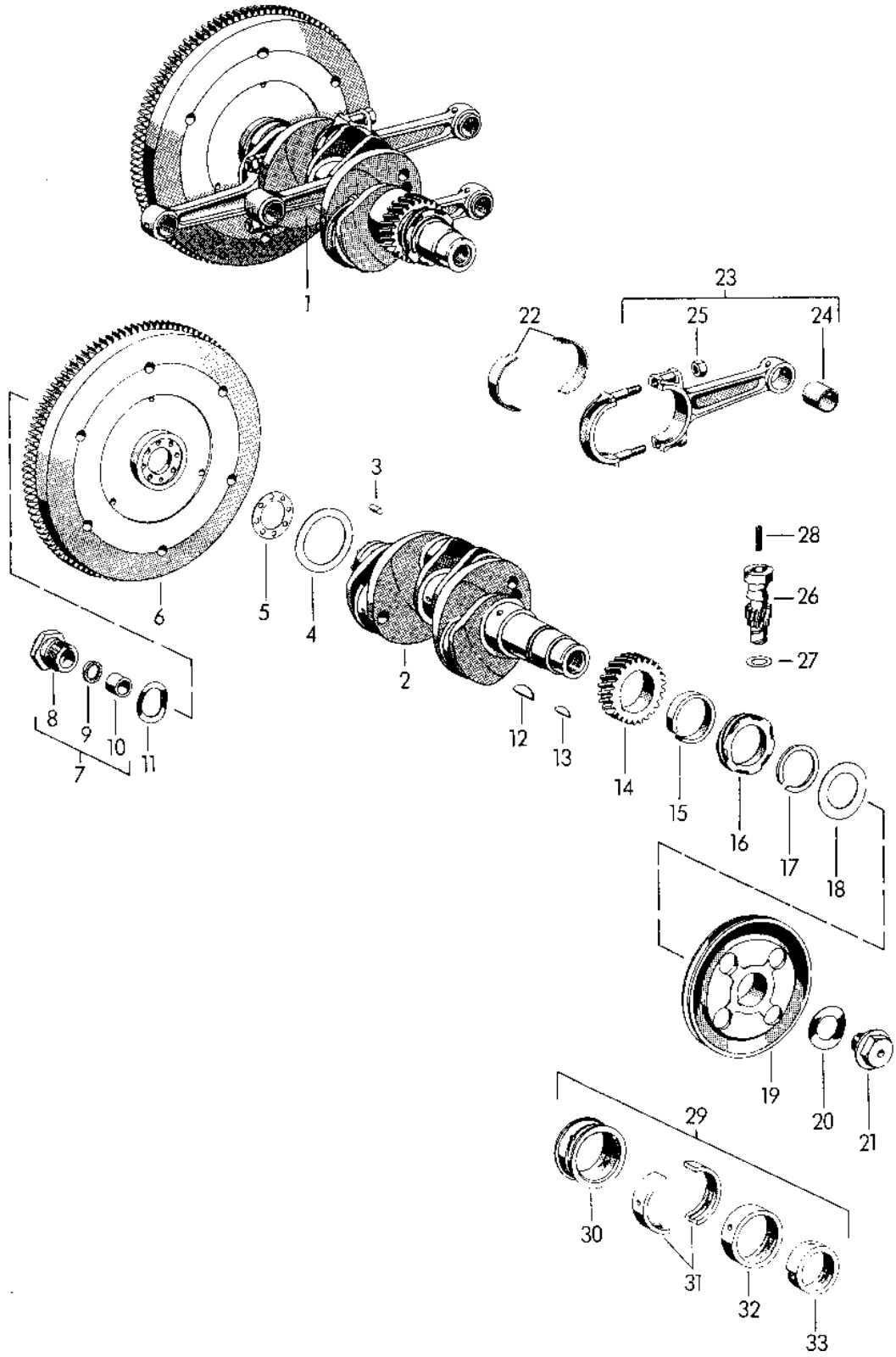
Pos	Part Number	Description	Remark	Qty	Model
		Crankshaft M >> 10 199 M >> 21 780 M >> 50 099 M >> 21 999 M >> 33 899 M >> 40 999			1100 1300 1300 S 1300 A 1500 1500 S
(1)	369 02 013	Crankshaft with Flywheel Ready for installation		1	369/506
1	369 02 012	Crankshaft with Flywheel		1	369/506
(1)	502 02 018	Crankshaft with Flywheel Ready for installation		1	527/528
(1)	502 02 015	Crankshaft with Flywheel		1	527/528
2	502 102 116 00	Flywheel		1	
2	502 102 116 01	Flywheel		1	
3	900 109 004 00	Roller 6 X 12		8	
4	502 02 301	Gasket		1	
5	502 03 113	Connecting rod bush		4	
-	369 02 107	Thrust washer for Crankshaft		X	
-	901 102 115 00	Drive wheel		1	
-	901 102 115 01	Distributor Drive wheel Distributor BRONZE		1	
-	901 102 148 00	Circlip for Crankshaft		1	
6	356 02 102	Pulley		1	369
(6)	356 02 102 1	Pulley \$ 161 MM	528	1	506/546/527
7	616 102 025 01	Banjo bolt with Bush		1	
8		Banjo bolt		1	546
(9)		Banjo bolt		1	
10	901 102 191 00	Sealing ring		1	
(11)	502 02 019	Crankshaft with Flywheel		1	546
(11)	502 02 017	Crankshaft Ready for installation		1	546
12	616 103 012 02	Connecting rod		4	546
12	616 103 012 03	Connecting rod		4	546.
12	616 103 012 03 014	Connecting rod Weight group: 14 = 496-505 GR		4	546.
12	616 103 012 03	Connecting rod		4	546.
	616 103 012 03 017	Connecting rod Weight group: 17 = 505-514 GR		4	546.
12	616 103 012 03	Connecting rod		4	546.
	616 103 012 03 020	Connecting rod Weight group:		4	546.

Model: 356 50 Model life 1950>>1959

Pos	Part Number	Description	Remark	Qty	Model
13	502 03 107	20 = 514-523 GR Bearing shell		8	546
14	502 03 115	Tab washer		8	546
15	502 03 114	Connecting rod nut		8	546
16	502 03 104	Connecting rod bush		4	546

Model: 356 50

Model life 1950>>1959



Model: 356 50 Model life 1950>>1959

Pos	Part Number	Description	Remark	Qty	Model
		Crankshaft			1300
		M 22 001 >>			1300 S
		M 50 101 >>			1500
		M 33 901 >>			1500 S
		M 41 001 >>			1600
		M 60 001 >>			1600 S
		M 80 001 >>			
1	616 100 142 00	Crankshaft with Flywheel And Connecting rod Ready for installation		1	
2	616 102 013 03	Crankshaft		1	
3	900 109 004 00	Roller 6 X 12		8	
-	999 113 029 50	Radial sealing ring		1	
4	369 02 107 1	Crankshaft Thrust washer 0,80 MM		1	
(4)	369 02 107 2	Thrust washer 0,85 MM		1	
(4)	369 02 107 3	Thrust washer 0,90 MM		1	
(4)	369 02 107 4	Thrust washer 0,95 MM		1	
(4)	369 02 107 5	Thrust washer 1,00 MM		1	
(4)	369 02 107 6	Thrust washer 1,05 MM		1	
-	999 113 029 50	Radial sealing ring for Crankshaft		1	
5	502 02 301	Gasket		1	
6	502 102 116 00	Flywheel		1	
6	502 102 116 01	Flywheel		1	
7	616 102 025 00	Banjo bolt Complete		1	
8	616 102 025 01	Banjo bolt		1	
9	901 102 191 00	Sealing ring		1	
10	616 102 025 01	Banjo bolt		1	
11	539 02 103	Lock washer		1	
12	901 102 147 00	Woodruff key for Timing gear		1	
13	N 012 709 1	Spring for Pulley		1	
14	539 02 105	Timing gear		1	
15	539 102 106 00	Intermediate ring		1	
16	546 102 110 00	Drive pinion		1	
16	546 102 110 01	Drive pinion		1	
17	901 102 148 00	Circlip		1	
18	616 102 163 01	Sealing washer		X	
19	539 02 113	Pulley		1	
20	539 02 111	Spring washer		1	
21	539 02 112	Fastening screw		1	
22	616 103 142 02	Bearing shell		8	
(22)	616 103 142 52	Bearing shell Undersize Inner 0,25 MM		X	
(22)	616 103 142 62	Bearing shell		X	

Model: 356 50 Model life 1950>>1959

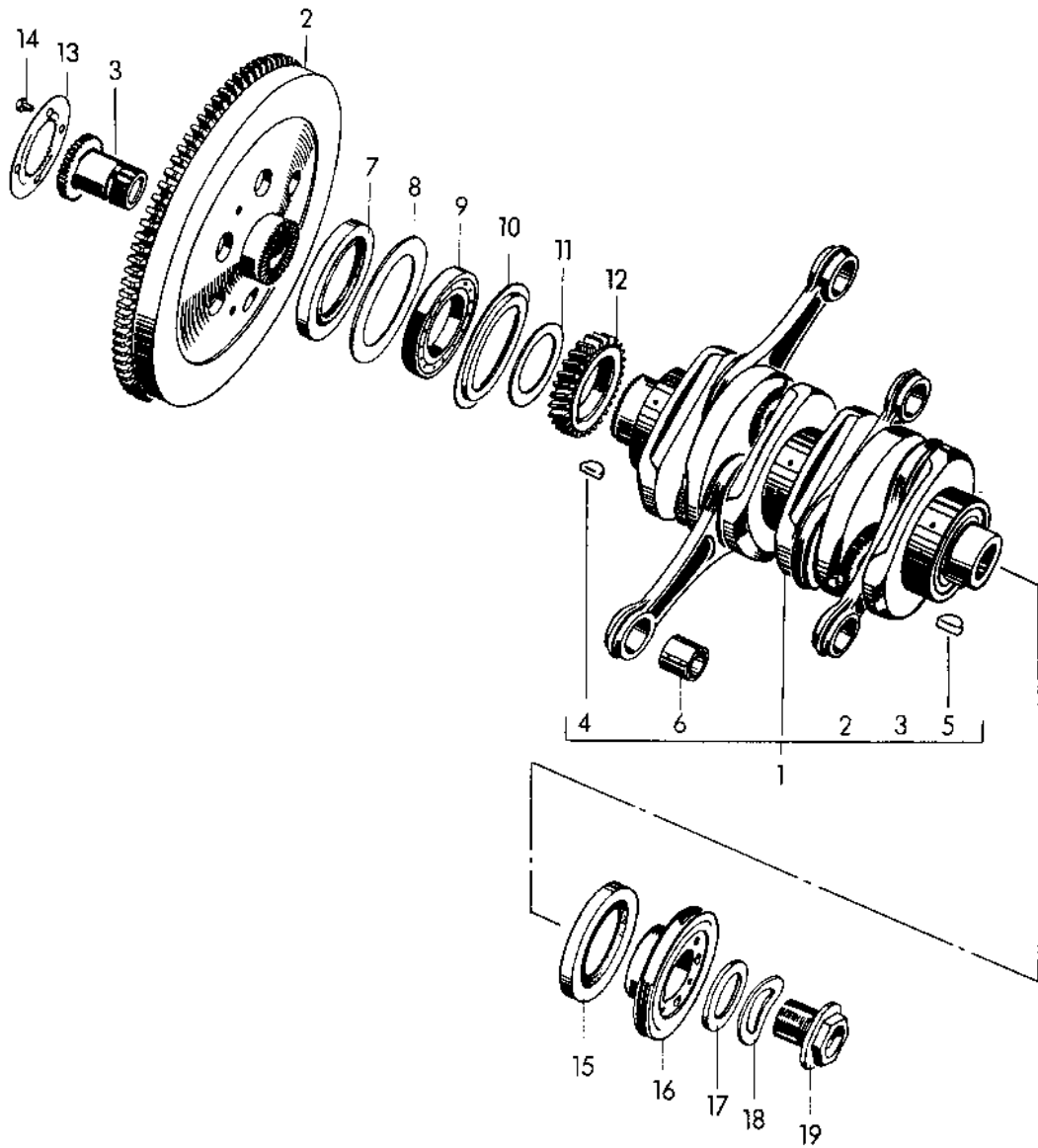
Pos	Part Number	Description	Remark	Qty	Model
(22)	616 103 142 72	Undersize Inner 0,50 MM Bearing shell		X	
23	616 103 012 02	Undersize Inner 0,75 MM Connecting rod Complete without Bearing shell		4	
23	616 103 012 03	Connecting rod		4	
23	616 103 012 03 014	Connecting rod Weight group: 14 = 496-505 GR		4	546.
23	616 103 012 03 017	Connecting rod Weight group: 17 = 505-514 GR		4	546.
23	616 103 012 03 020	Connecting rod Weight group: 20 = 514-523 GR		4	546.
24	616 103 131 00	Connecting rod bush		4	
25	502 03 114	Connecting rod nut		8	
26	539 09 101	Drive shaft		1	
27	539 09 102	Thrust washer		1	
28	539 09 103	Spring		1	
29	546 101 901 00	Bearing set Comprising:		1	
30	546 101 101 00	Bearing sleeve I		1	
31	539 101 174 00	Bearing shell II		2	
32	546 101 103 00	Bearing sleeve III		1	
33	539 101 146 00	Bearing sleeve IV		1	
(29)	546 101 901 50	Set of crankshaft bearings Undersize Inner 0,25 MM Comprising:		1	
(30)	546 101 101 50	Bearing sleeve I Undersize 0,25 MM		1	
(31)	546 101 174 50	Bearing shell II Undersize 0,25 MM		2	
(32)	546 101 103 50	Bearing sleeve III Undersize 0,25 MM		1	
(33)	539 101 146 50	Bearing sleeve IV Undersize 0,25 MM		1	
(29)	546 101 901 60	Set of crankshaft bearings Oversize Outer 0,25 MM Comprising:		1	
(30)	546 101 101 60	Bearing sleeve		1	

Model: 356 50 Model life 1950>>1959

Pos	Part Number	Description	Remark	Qty	Model
(31)	546 101 174 60	I Oversize 0,25 MM Bearing shell		2	
(32)	546 101 103 60	II Oversize 0,25 MM Bearing sleeve		1	
(33)	539 101 146 00	III Oversize 0,25 MM Bearing sleeve		1	
(29)	546 101 901 70	IV Set of crankshaft bearings Oversize Outer 0,25 MM Undersize Inner 0,25 MM		1	
(30)	546 101 101 70	Comprising: Bearing sleeve		1	
(31)	539 101 174 70	I Bearing shell		2	
(32)	546 101 103 70	II Bearing sleeve		1	
(33)	539 101 146 50	III Bearing sleeve Undersize Inner 0,25 MM		1	
(29)	546 101 901 75	Outer Standard dimension Bearing set Oversize 0,25 MM Undersize Inner 0,50 MM		1	
(30)	546 101 101 75	Comprising: Bearing sleeve		1	
(31)	539 101 174 75	I Bearing shell		2	
(32)	546 101 103 75	II Bearing sleeve		1	
(33)	539 101 146 55	III Bearing sleeve IV Undersize Inner 0,50 MM Outer Standard dimension		1	

Model: 356 50

Model life 1950>>1959

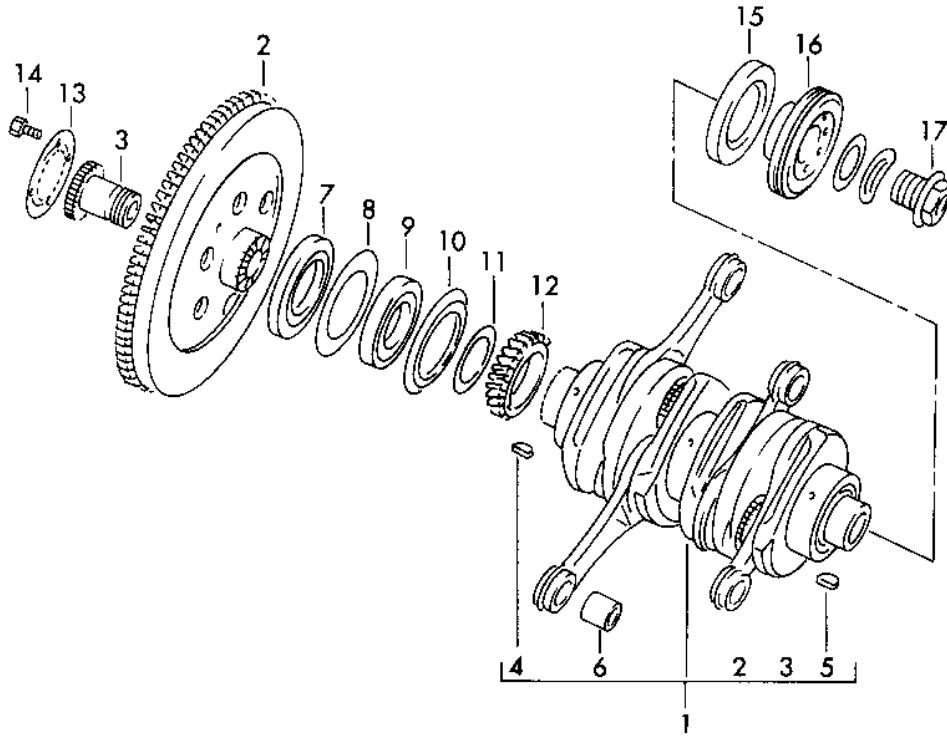


Model: 356 50 Model life 1950>>1959

Pos	Part Number	Description	Remark	Qty	Model
1	547 02 013	Crankshaft M 90 501 >> 91 000		1	CARRERA 1500 GS/GT
2	547 02 306	Crankshaft with Flywheel		1	
3	547 02 031	Flywheel		1	
-	547 02 303	Banjo bolt		1	
-	616 102 025 01	Complete		1	
-	901 102 191 00	Banjo bolt		1	
-	900 040 004 00	Banjo bolt		1	
4	900 117 015 00	Sealing ring		1	
5	900 117 017 00	Cover plate		1	
6	547 03 102	22		1	
7	547 02 123 1	Feather key A 8 X 5 X 14		4	
8	547 02 102	Feather key A 8 X 5 X 18		1	
-	547 02 102 1	Connecting rod bush		1	
-	547 02 102 2	Radial sealing ring		1	
-	547 02 102 3	-S-		X	
-	547 02 102 4	Spacer 2,00 MM		X	
-	547 02 102 5	Spacer 2,05 MM		X	
-	547 02 102 6	Spacer 2,10 MM		X	
9	900 052 010 00	Spacer 2,15 MM		X	
10	547 02 103	Spacer 2,20 MM		X	
11	547 02 124	Spacer 2,25 MM		X	
12		Spacer 2,30 MM		X	
13	547 02 307	Ball bearing		1	
14	000 95 124	Intermediate ring		1	
15	PCG 102 123 00	Intermediate ring		1	
15	PCG 102 123 01	Intermediate ring		1	
16	547 02 105	Timing gear		*	
17	547 02 106	See group 1/03/25			
18	547 02 107	Lock washer		1	
19	547 02 108	Hexagon-head bolt		2	
		Radial sealing ring		1	
		Radial sealing ring		1	
		V-belt pulley		1	
		Washer		1	
		Spring washer		1	
		Fastening screw		1	

Model: 356 50

Model life 1950>>1959



Model: 356 50 Model life 1950>>1959

Pos	Part Number	Description	Remark	Qty	Model
		Crankshaft			CARRERA 1600 GS/GT 692/0
1	547 02 013	Crankshaft with Connecting rod And Flywheel		1	
-	692 102 006 00	Crankshaft with Connecting rod And Flywheel		1	692/1/2/3
-	692 102 005 00	Crankshaft with Flywheel And Stopper		1	692/1/2/3
-	692 102 011 00	Crankshaft without Flywheel with Stopper		1	692/1/2/3
2	547 02 306	Flywheel		1	692/0
-	692 102 201 01	Flywheel		1	692/1/2/3
-	692 103 011 01	Connecting rod Complete		4	692/1/2/3
-	587 103 105 00	Connecting rod bolt		8	692/1/2/3
-	692 103 105 00	Bearing shell		8	692/1/2/3
-	999 041 402 00	Tensioner		3	692/1/2/3
-	692 102 215 03	Spacer sleeve		2	692/1/2/3
3	547 02 031	Banjo bolt Complete		1	692/0
-	692 102 025 00	Banjo bolt Complete		1	692/1/2/3
-	547 02 303	Banjo bolt Complete		1	692/0
-	616 102 025 01	Banjo bolt		1	692/0
-	692 101 136 00	Bearing sleeve I		1	692/1/2/3
-	692 101 135 00	Bearing shell II		2	692/1/2/3
-	692 101 133 00	Bearing sleeve III		1	692/1/2/3
-	900 118 005 00	Woodruff key 4 X 5		1	692/1/2/3
-	901 102 191 00	Sealing ring for Banjo bolt		1	692/0
-	900 040 004 00	Cover plate 22		1	692/0
4	900 117 015 00	Feather key A 8 X 5 X 14		1	692/0
5	900 117 017 00	Feather key A 8 X 5 X 18		1	
6	547 03 102	Connecting rod bush		4	692/0
-	692 103 104 00	Connecting rod bush		4	692/1/2/3
7	PCG 102 123 00	Radial sealing ring "S"		1	692/0
7	PCG 102 123 01	Radial sealing ring "S"		1	692/0
-	999 113 057 52	Radial sealing ring "S"		1	692/1/2/3
8	547 02 102	Spacer		X	692/0

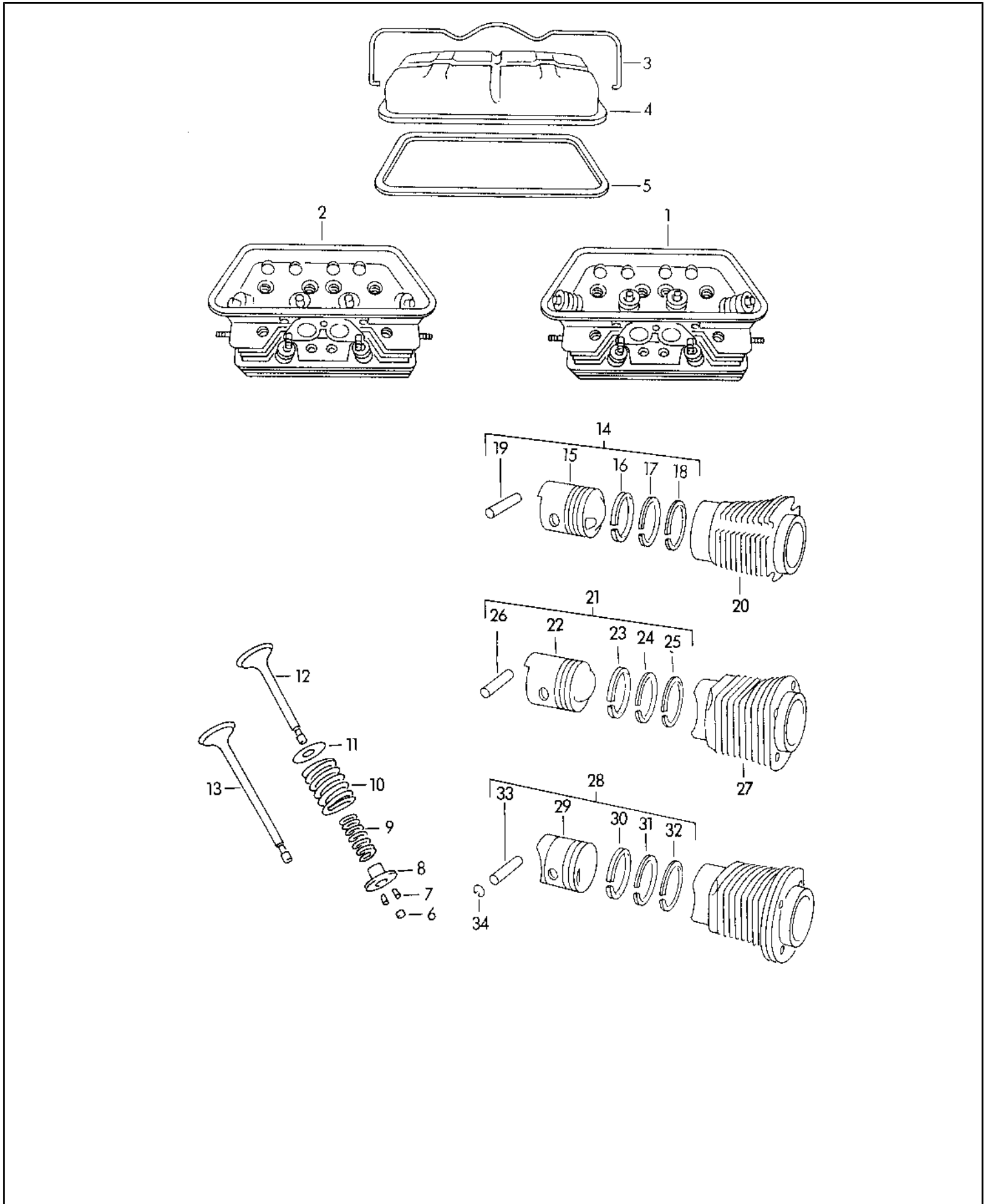
Model: 356 50

Model life 1950>>1959

Pos	Part Number	Description	Remark	Qty	Model
-	547 02 102 1	2,00 MM Spacer		X	692/0
-	547 02 102 2	2,05 MM Spacer		X	692/0
-	547 02 102 3	2,10 MM Spacer		X	692/0
-	547 02 102 4	2,15 MM Spacer		X	692/0
-	547 02 102 5	2,20 MM Spacer		X	692/0
-	547 02 102 6	2,25 MM Spacer		X	692/0
9	900 052 010 00	2,30 MM Ball bearing		1	692/0
10	547 02 103	Intermediate ring		1	692/0
11	547 02 124	Spring washer		1	692/0
12		Timing gear See group 1/03/27		1	
13	547 02 307	Lock washer		1	692/0
-	692 102 181 00	Lock washer		1	692/1/2/3
14	000 95 124	Hexagon-head bolt		2	
15	PCG 102 123 00	Radial sealing ring "K"		1	
15	PCG 102 123 01	Radial sealing ring "K"		1	
16	547 02 105	V-belt pulley		1	
17	692 102 171 00	Fastening screw		1	692/0
-	692 107 171 00	Fastening screw for V-belt pulley		1	692/1/2/3
-	900 027 013 00	Spring washer		2	
-	900 067 006 00	B 6 Pan-head screw Hexagon socket head bolt M 6 X 10		2	

Model: 356 50

Model life 1950>>1959



Model: 356 50 Model life 1950>>1959

Pos	Part Number	Description	Remark	Qty	Model
		Cylinder head Cylinder with piston M >> 10 199 M >> 21 780 M >> 50 099 M >> 21 999 M >> 33 899 M >> 40 999			1100 1300 1300 S 1300 A 1500 1500 S
1	369 04 203 1	Cylinder head with valves Ready for installation 73,5 MM Mount 3 Pin		2	369
-	369 04 203	Cylinder head with valves Ready for installation 73,5 MM Mount 4 Pin		2	369
-	502 04 021	Cylinder head with valves Ready for installation 80 MM		2	506/546/527 528
-	528 04 021	Cylinder head with valves Ready for installation		2	528
-	546 04 022	Cylinder head with valves Ready for installation with Intake Exhaust 10 MM		2	506/546
-	539 04 022	Cylinder head with valves Ready for installation with Intake Exhaust 10 MM		2	527/528
2	369 04 202 2	Cylinder head without valves 73,5 MM Mount 3 Pin		2	369
-	369 04 202 1	Cylinder head without valves 73,5MM Mount 4 Pin		2	369
-	502 04 022	Cylinder head without valves 80 MM		2	506/546/527 528
-	528 04 022	Cylinder head 80 MM		2	528
-	546 04 021	Cylinder head Intake Exhaust		2	506/546

Model: 356 50 Model life 1950>>1959

Pos	Part Number	Description	Remark	Qty	Model
-	539 04 021	10 MM Cylinder head Intake Exhaust		2	527/528
3	369 04 240	10 MM Clamp		2	
4	597 104 305 00	Cylinder head cover		2	
5	616 104 951 00	Gasket		2	
6	369 05 232	Cap 8 MM		X	
-	369 05 277	Valve cap 10 MM		X	
-	528 05 206	Cap		X	528
7	369 05 204 1	Collet Divided		16	
8	369 05 203 1	Concave washer		8	
-	528 05 208	Concave washer with Reinforcement		8	
9	369 05 229 1	1.40 I Valve spring Inner		8	
-	528 05 203	Valve spring Inner with Reinforcement		8	
10	369 05 228 1	0.75 I Valve spring Outer		8	
-	528 05 202	Valve spring Outer with Reinforcement		8	
11	369 04 218	1.25 I Shim		16	
-	539 04 211	Guide washer		X	
12	369 05 201 6	Valve spring Intake valve \$ 8 MM X 117,5 MM		4	
-	369 05 201 4	Intake valve \$ 8 MM X 119,5		4	
-	546 05 203	Intake valve \$ 10 MM X 130,6MM		4	
13	369 05 202 4	Exhaust valve \$ 8 MM X 128,6 MM		4	
-	369 05 202 2	Exhaust valve \$ 8 MM X 130,6 MM		4	
-	616 105 405 50	Exhaust valve \$ 10 MM X 130,6 MM		4	
-	528 05 207	Exhaust valve		4	528
-	546 72 201	Sticker Valve clearance Aluminium 15 : 20		X	
-	539 72 201	Sticker Valve clearance Steel 10 : 10		X	
-	546 72 203	Sticker Valve clearance 0,10 + 0,15		X	
-	369 04 225	Valve guide Exhaust		4	

Model: 356 50 Model life 1950>>1959

Pos	Part Number	Description	Remark	Qty	Model
-	369 04 224	8 X 11 1st oversize Old version Valve guide Intake		4	
-	369 04 248	8 X 11 1st oversize Valve guide Exhaust		4	
-	528 04 203	8 X 14 1st oversize for 502. 04.022 369. 04.202.2 Valve guide Exhaust		4	
14	369 03 205	And Intake 10 X 14 1st oversize for 528. 04.022 Piston Complete \$ 73,5 MM		4	
15	369 03 204	Piston \$ 73,5 MM		4	
16		Oil scraper ring A 73,5 X 5AC		4	
17		Piston rings A 73,5 X 3AC		4	
18		Piston rings Upper B 73,5 X 3AC		4	
19	369 03 215	Piston pin 20 X 63		4	
20	369 04 217	Cylinder \$ 73,5		4	
21	506 03 010	Piston Complete \$ 80		4	
22	506 03 102 3	Piston \$ 80		4	
23	506 03 107	Piston ring A 80 X 5AC		4	
24	506 03 106	Piston ring B 80 X 3AC		4	
25	506 03 105	Piston ring Upper B 80 X 3AC		4	
26	506 03 108	Piston pin 20 X 63		4	
27	527 04 102	Cylinder \$ 80 MM Aluminium		4	
28	502 03 011	Piston Complete \$ 80 MM		4	
29	502 03 101	Piston \$ 80 MM		4	
30		Oil scraper ring A 80 X 5AC		4	
31		Piston rings		4	

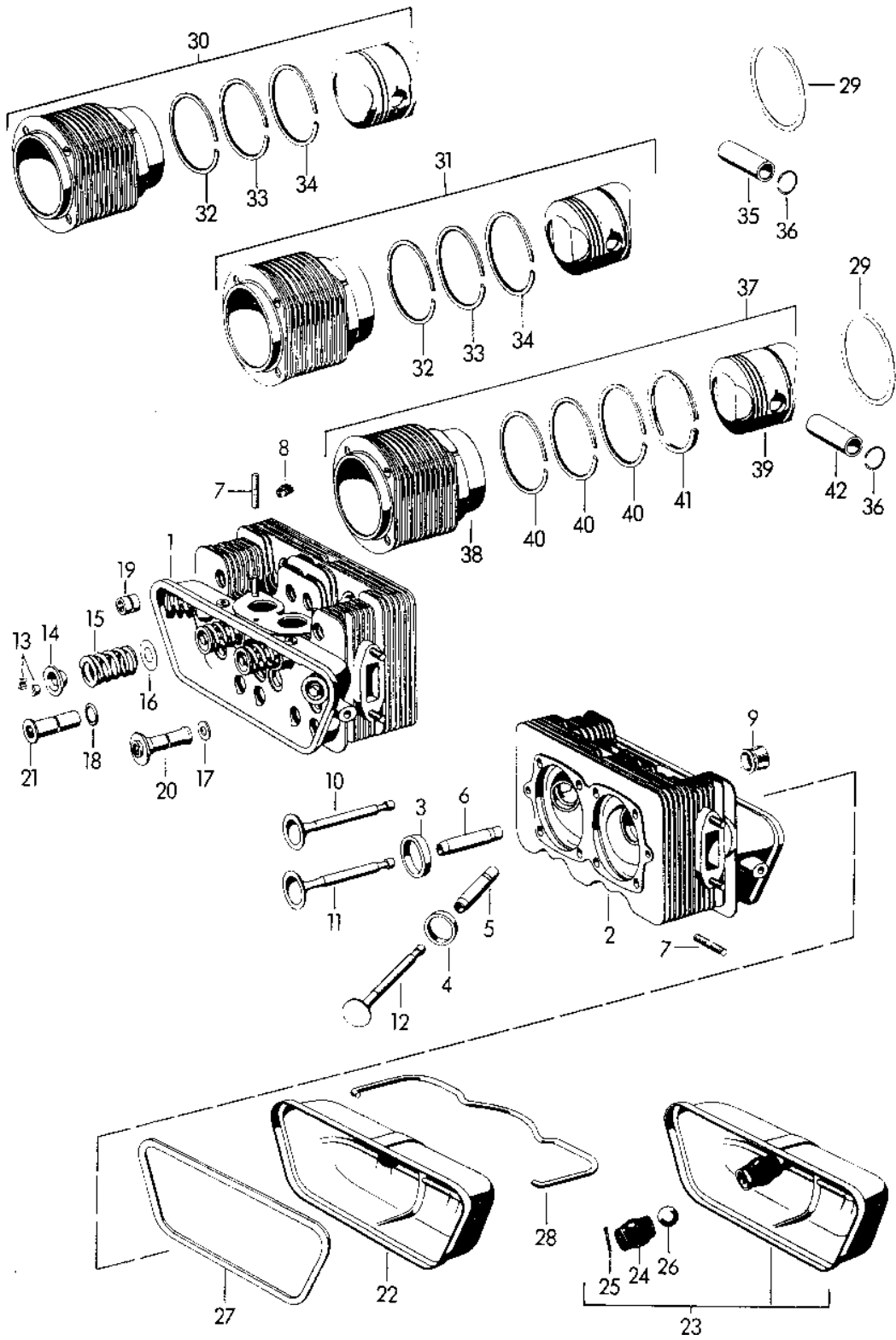
Model: 356 50

Model life 1950>>1959

Pos	Part Number	Description	Remark	Qty	Model
32		B 80 X 3AC Piston rings Upper		4	
33	616 03 208	B 80 X 3AC Piston pin 22 X 69		4	
34		Circlip 22		8	

Model: 356 50

Model life 1950>>1959



Model: 356 50 Model life 1950>>1959

Pos	Part Number	Description	Remark	Qty	Model
		Cylinder head Cylinder with piston M 22 001 >> M 50 101 >> M 33 901 >> M 41 001 >> M 60 001 >> M 80 001 >>			1300 1300 S 1500 1500 S 1600 1600 S 1600 /S
1	616 104 002 00	Cylinder head with valves Ready for installation		2	1600 /S
(1)	616 104 002 X	Cylinder head Exchange with valves Ready for installation		2	1600 /S
2	616 104 032 00	Cylinder head without valves		2	
3	369 104 206 52	Valve seat ring Intake Oversize		X	
4	616 104 315 52	Valve seat ring		X	
4		Valve seat ring Exhaust 2nd oversize		X	
5+6	616 104 322 60	Valve guide 1st oversize Intake And Exhaust		X	
(5+6)		Valve guide 2nd oversize Intake And Exhaust		X	
7	900 068 005 00	Stud BM 8 X 18 for Exhaust manifold		8	
(7)	000 95 129	Stud for Intake manifold		4	
8	616 04 209	Insert M 14 X 1,25 X 8,75 for Spark plug		4	
9	616 105 491 02	Gasket		4	
10+11	546 05 203	Intake valve		4	
12	616 105 405 50	Exhaust valve		4	
13	369 05 204 1	Collet Divided		16	
14	369 05 203 1	Concave washer		8	
15	616 05 207	Valve spring		8	
16	369 04 218	Shim		24	
17	999 031 062 02	Washer		16	
18	539 04 203	Sealing ring		8	
(19)	539 04 202	Cylinder head nut See classic technical information 3/94		8	
(20)	539 04 205	Cylinder head nut See classic technical information 3/94		4	
(21)	369 04 211	Cylinder head nut See classic technical information		4	

Model: 356 50 Model life 1950>>1959

Pos	Part Number	Description	Remark	Qty	Model
		3/94			
22	597 104 305 00	Cylinder head cover		2	
23	616 104 043 01	Cylinder head cover		2	
24	616 104 454 01	Strainer		2	
25	900 021 005 00	Cotter pin		2	
26	900 108 002 00	Ball		2	
27	616 104 951 00	Gasket Cork		2	
28	369 04 240	Clamp		2	
29	539 04 209	Cylinder base gasket Copper		4	
30	616 03 221	Cylinder with piston Complete Aluminium \$ 74,5 MM		4	1300
31	616 03 222	Cylinder with piston Complete Aluminium \$ 74,5 MM		4	1300 S
32	506 03 204	Piston ring Upper \$ 74,5 MM		4	1300 /S
33	506 03 203	Oil scraper ring \$ 74,5 MM		4	1300 /S
34	506 03 202	Piston ring \$ 74,5 MM		4	1300 /S
35	506 03 201	Piston pin		4	1300 /S
36	900 178 001 00	Circlip C 22		8	
37	616 103 903 00	Cylinder with piston Complete		4	1600
(37)	616 103 906 01	Cylinder with piston Complete When required order also: 539. 04.209		4 X	1600 S
(37)	616 103 906 90	Cylinder with piston Complete When required order also: 539. 04.209		4 X	1600 S
38	616 104 104 00	Cylinder \$ 82,5 MM		4	1600 /S
39	616 103 032 00	Piston Complete \$ 82,5 MM		4	1600
(39)	616 103 032 50	Piston Complete \$ 83 MM		4	1600
(39)	616 103 906 01	Repair material Cylinder with piston \$ 82,5 MM When required order also: 539. 04.209		4 X	1600 S
(39)	616 103 906 90	Cylinder with piston \$ 82,5 MM When required order also: 539. 04.209		4 X	1600 S
(39)	616 103 035 51	Piston \$ 83 MM		4	1600 S
(39)	616 103 035 61	Piston \$ 83,5 MM		4	1600 S
40	616 103 311 01	Piston ring Groove 1 Groove 2		12	1600

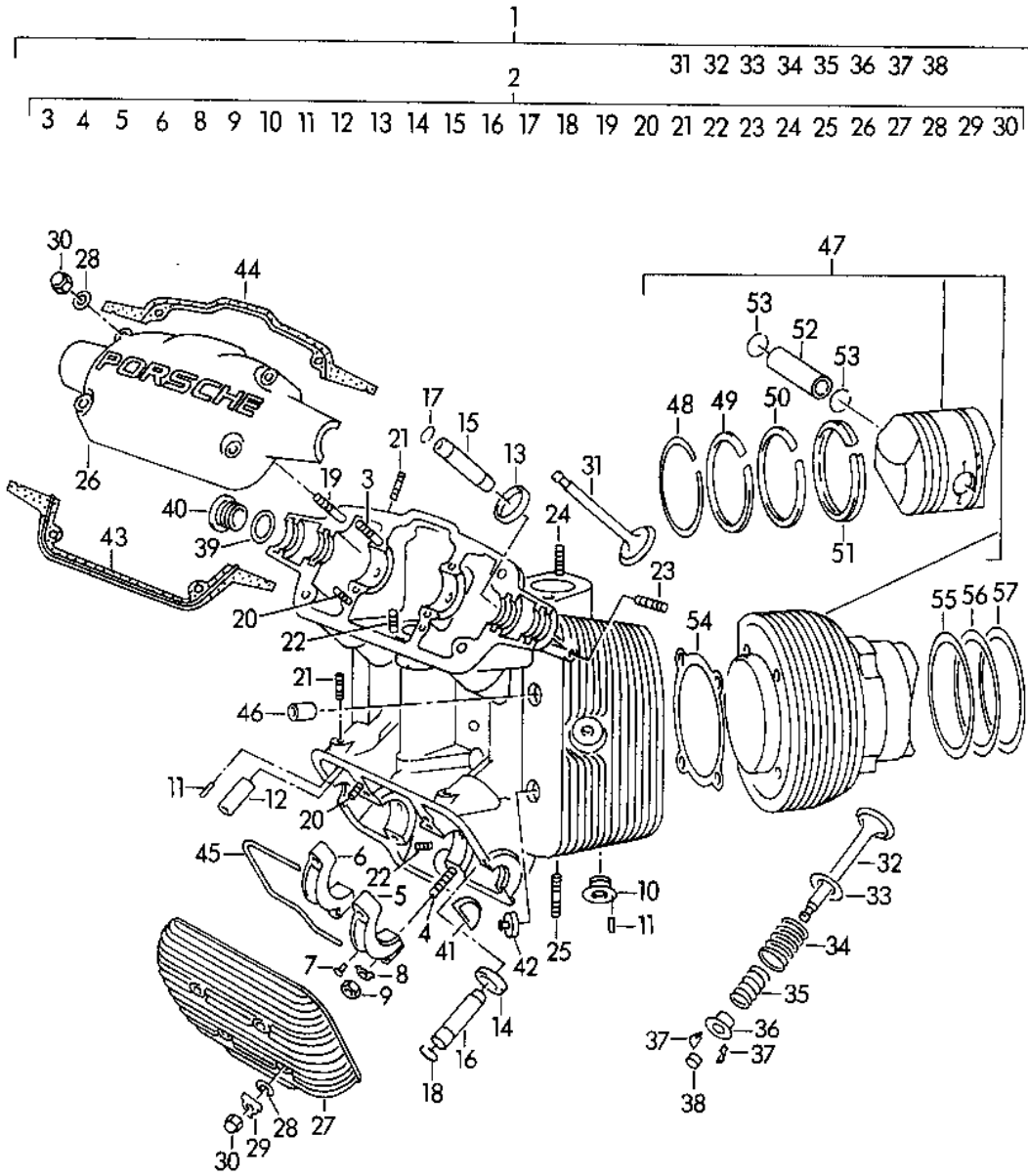
Model: 356 50

Model life 1950>>1959

Pos	Part Number	Description	Remark	Qty	Model
(40)	616 103 311 51	Groove 3 \$ 82,5 MM Piston ring		12	1600 /S
		Groove 1 Groove 2 Groove 3 \$ 83 MM			
(40)	616 103 311 61	Piston ring		12	1600 S
		Groove 1 Groove 2 Groove 3 \$ 83,5 MM			
41	616 103 314 00	Oil scraper ring		4	1600
		\$ 82,5 MM			
(41)	616 103 314 50	Oil scraper ring		4	1600 /S
		\$ 83 MM			
(41)	616 103 314 60	Oil scraper ring		4	1600 S
		\$ 83,5 MM			
42	616 103 321 00	Piston pin		X	1600 /S
		Identification Black			
(42)	616 103 321 01	Piston pin		X	1600 /S
		Identification White			
(42)	616 103 321 50	Piston pin		X	1600 /S
		Oversize Identification Blue			

Model: 356 50

Model life 1950>>1959



Model: 356 50 Model life 1950>>1959

Pos	Part Number	Description	Remark	Qty	Model
		Cylinder head Cylinder with piston M 90 501 >> 91 000			CARRERA 1500 GS/GT
1	547 104 904 00	Cylinder head with valves		2	
2	547 04 023	Cylinder head without		2	
3	900 061 028 00	Valves Stud		8	
4	547 04 211	Housing M 8 X 28 Stud		8	
5	547 04 204 1	Housing And Valve cover		4	
6	547 04 205 1	Camshaft Housing		4	
7	547 04 236	Camshaft Lock		8	
8	999 039 001 00	Housing Tab washer		16	
9	502 08 310	Hexagon nut		16	
10	547 04 231	Threaded bush		8	
11	900 012 032 00	Spark plug Straight pin 3H 8 X 8		16	
12	547 05 320	Threaded bush		8	
-	547 05 202	Threaded bush Old version		8	
13	547 05 206 10	Valve seat ring Intake		4	
14	587 104 315 52	Oversize Valve seat ring Exhaust		4	
15	547 05 211 10	Oversize Valve guide Intake		4	
16	547 05 212 10	Oversize Valve guide Exhaust		4	
17	900 152 003 00	Oversize Circlip 12		4	
18	900 152 005 00	Valve guide Intake Circlip 16		4	
19	900 061 030 00	Valve guide Exhaust Stud		8	
20	900 061 016 00	M 8 X 35 Stud		8	
21	900 081 003 00	M 6 X 12 Stud		8	
22	900 061 023 00	M 6 X 12 Stud		12	
23	900 061 022 00	M 8 X 15 Stud		4	
24	900 061 025 00	M 8 X 12 Stud M 8 X 20		8	

Model: 356 50 Model life 1950>>1959

Pos	Part Number	Description	Remark	Qty	Model
24	900 061 029 00	Old version Stud M 8 X 30 S		8	
25	900 061 025 00	Stud M 8 X 20		8	
26	547 04 225 1	Valve cover Intake		2	
27	547 04 226	Valve cover Exhaust		2	
28	900 123 002 20	Sealing ring A 8 X 14 Copper		32	
29	547 04 235	Tab washer		8	
30	900 070 003 00	Cap nut M 8		16	
31	547 05 209	Valve 118,5 MM		4	
(31)	547 05 209 1	M >> 90 801 Intake valve 119,9 MM		4	
32	547 05 210	M 90 802 >> Exhaust valve 117,4 MM		4	
(32)	547 05 210 1	M >> 90 675 Exhaust valve 118,9 MM		4	
33	547 05 217	M 90 676 >> Washer		24	
34	547 05 216	Valve spring Outer		8	
35	547 05 215	Valve spring Inner		8	
36	547 05 214	Concave washer		8	
37	547 05 213	Valve collet		16	
38	547 05 313	Cap 2,0 MM Mounting length 3 MM		X	
(38)	547 05 314	Valid for Intake valve 547. 05.209 Exhaust valve 507. 05.210 Cap 2,5 MM Mounting length 3 MM		X	
(38)	547 05 315	Valid for Intake valve 547. 05.209 Exhaust valve 507. 05.210 Cap 3,0 MM Mounting length 3 MM		X	
(38)	547 05 316	Valid for Intake valve 547. 05.209 Exhaust valve 507. 05.210 Cap 3,5 MM		X	

Model: 356 50 Model life 1950>>1959

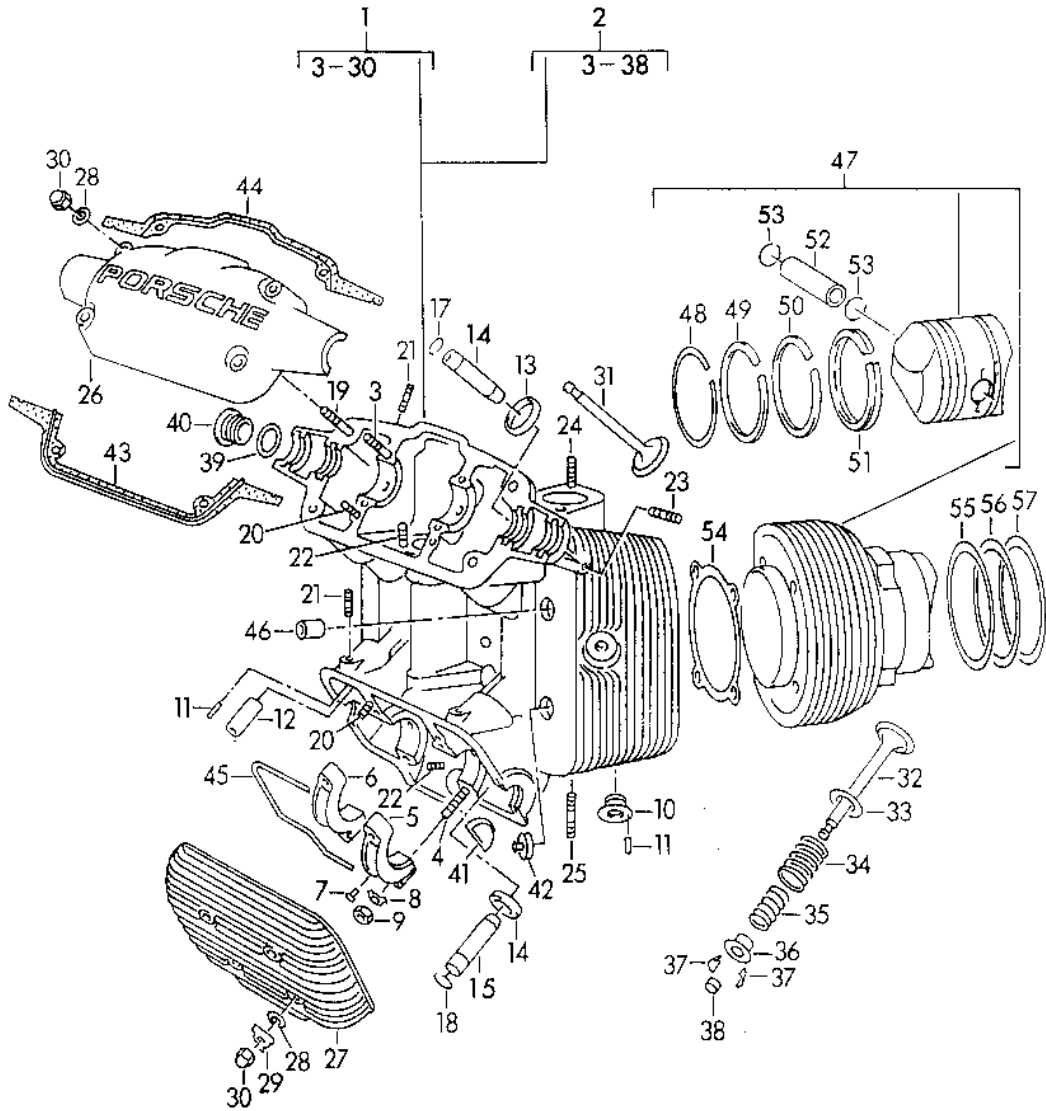
Pos	Part Number	Description	Remark	Qty	Model
(38)	547 05 317	Mounting length 3 MM Valid for Intake valve 547. 05.209 Exhaust valve 507. 05.210 Cap 1,5 MM		X	
(38)	547 05 313 1	Mounting length 3 MM Valid for Intake valve 547. 05.209 Exhaust valve 507. 05.210 Cap 2,0 MM		X	
(38)	547 05 314 1	Mounting length 4 MM Valid for Intake valve 547. 05.209.1 Exhaust valve 547. 05.210.1 Cap 2,5 MM		X	
(38)	547 05 315 1	Mounting length 4 MM Valid for Intake valve 547. 05.209.1 Exhaust valve 547. 05.210.1 Cap 3,0 MM		X	
(38)	547 05 316 1	Mounting length 4 MM Valid for Intake valve 547. 05.209.1 Exhaust valve 547. 05.210.1 Cap 3,5 MM		X	
(38)	547 05 317 1	Mounting length 4 MM Valid for Intake valve 547. 05.209.1 Exhaust valve 547. 05.210.1 Cap 1,5 MM		X	
39	547 05 246	Sealing ring		1	
40	547 05 302	Screw plug		1	

Model: 356 50 Model life 1950>>1959

Pos	Part Number	Description	Remark	Qty	Model
41	547 04 228	Gasket		4	
42	547 04 223	Stopper		16	
		Rubber			
43	547 04 233	Gasket		2	
		I			
44	547 04 234	Gasket		2	
		II			
45	692 104 913 00	Gasket		2	
		Oval			
46	539 04 202	Cylinder head nut		16	
-	547 01 141	Washer		16	
47	547 103 902 00	Cylinder with piston		4	
		Complete			
		\$ 85 MM			
48	547 03 207	Piston ring		4	
		I			
49	547 03 208	Piston ring		4	
		II			
50	547 03 209	Oil scraper ring		4	
		III			
51	547 03 210	Piston ring		4	
		IV			
52	547 03 203	Piston pin		4	
53	547 03 211	Circlip		8	
54	547 04 222	Cylinder head gasket		4	
55	547 04 230	Cylinder head gasket		X	
		0,2 MM			
		for			
		Crankcase			
56	547 04 230 1	Cylinder head gasket		X	
		0,5 MM			
		for			
		Crankcase			
57	547 04 230 2	Cylinder head gasket		X	
		1,0 MM			
		for			
		Crankcase			

Model: 356 50

Model life 1950>>1959



Model: 356 50 Model life 1950>>1959

Pos	Part Number	Description	Remark	Qty	Model
-	692 104 007 00	Cylinder head Cylinder with piston Cylinder head without Valves with Picture NR.3-6,9+10,11-20,22-30		2	CARRERA 1600 GS/GT
1	692 104 006 00	Cylinder head without Valves with Picture NR.3-30		2	
2	692 104 008 00	Cylinder head with Valves with Picture NR.3-38		2	
3	900 061 028 00	Stud M 8 X 20		8	
4	547 04 211	Housing Stud Housing And Valve cover		8	
5	547 04 204 1	Housing Camshaft		4	
6	547 04 205 1	Housing Camshaft		4	
7	547 04 236	Lock Housing		8	
8	999 039 001 00	Tab washer Housing		16	
9	502 08 310	Hexagon nut		16	
10	547 04 231	Threaded bush Spark plug		8	
11	900 012 032 00	Straight pin 3H 8 X 8		16	
12	547 05 320	Threaded bush		8	
13	547 05 206 10	Valve seat ring Intake Oversize		4	
14	587 104 315 52	Valve seat ring Exhaust Oversize		4	
15	547 05 211 10	Valve guide Intake Oversize		4	
16	547 05 212 10	Valve guide Exhaust Oversize		4	
17	900 152 003 00	Circlip 12 Valve guide Intake		4	
18	900 152 005 00	Circlip 16 Valve guide Exhaust		4	
19	900 061 030 00	Stud M 8 X 35		8	

Model: 356 50 Model life 1950>>1959

Pos	Part Number	Description	Remark	Qty	Model
20	900 061 016 00	Stud M 6 X 12		8	
21	900 081 003 00	Stud M 6 X 12		8	
22	900 061 023 00	Stud M 8 X 15		12	
23	900 061 022 00	Stud M 8 X 12		4	
24	900 061 029 00	Stud M 8 X 30		8	
25	900 061 025 00	New design Stud M 8 X 20		8	
26	547 04 225 1	Valve cover Intake		2	
27	547 04 226	Valve cover Exhaust		2	
28	900 123 002 20	Sealing ring A 8 X 14 Copper		32	
29	547 04 235	Tab washer		8	
30	900 070 003 00	Cap nut M 8		16	
31	547 05 209 1	Intake valve 119,9 MM		4	
32	547 05 210 1	Exhaust valve 118,9 MM		4	
33	547 05 217	Washer		24	
34	547 05 216	Valve spring Outer		8	
35	547 05 215	Valve spring Inner		8	
36	547 05 214	Concave washer		8	
37	547 05 213	Valve collet		16	
38	547 05 313 1	Cap 2,0 MM		X	
38	547 05 317 1	Alternative parts: Cap 1,5 MM		X	
39	547 09 205	Sealing ring		1	
40	547 05 302	Screw plug		1	
41	547 04 228	Gasket		4	
42	547 04 223	Stopper Rubber		16	
43	547 04 233	Gasket I		2	
44	547 04 234	Gasket II		2	
45	692 104 913 00	Gasket Oval		2	
46	539 04 202	Cylinder head nut		16	
-	547 01 141	Washer		16	
47	692 103 031 00	Cylinder with piston Complete \$ 85 MM		4	692/0/1
-	692 103 034 01	Cylinder with piston Complete \$ 87,5 MM		4	
48	547 03 207 1	Piston ring \$ 85 MM		4	
-	692 103 312 01	Piston ring \$ 87,5 MM		4	692/2/3
49	547 03 208 1	Piston ring		4	692/0/1

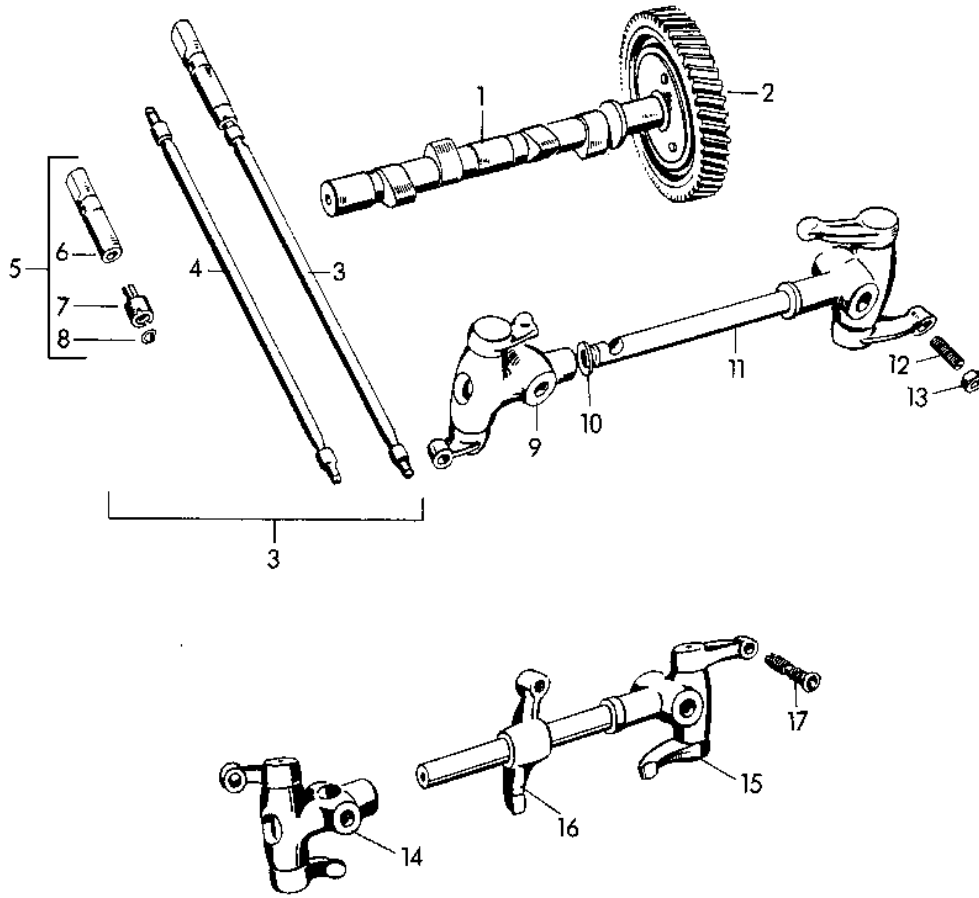
Model: 356 50

Model life 1950>>1959

Pos	Part Number	Description	Remark	Qty	Model
-	692 103 315 00	\$ 85 MM Piston ring Ring		8	692/2/3
50	547 03 209 1	\$ 87,5 MM Oil scraper ring		4	692/0/1
-	692 103 313 01	\$ 85 MM Oil scraper ring		4	692/2/3
51	547 03 210	\$ 87,5 MM Piston ring Ring		4	692/0/1
-	692 103 314 01	\$ 85 MM Piston ring Ring		4	692/2/3
52	547 103 321 00	\$ 87,5 MM Piston pin		4	
53	547 03 211	Circlip		8	
54	PCG 104 191 00	Cylinder head gasket		4	
55	692 104 192 00	Cylinder base gasket Copper for Crankcase 0,2 MM		X	
56	692 104 192 01	Cylinder base gasket Aluminium for Crankcase 0,5 MM		X	
57	692 104 192 02	Cylinder base gasket Aluminium for Crankcase 1,0 MM		X	

Model: 356 50

Model life 1950>>1959



Model: 356 50 Model life 1950>>1959

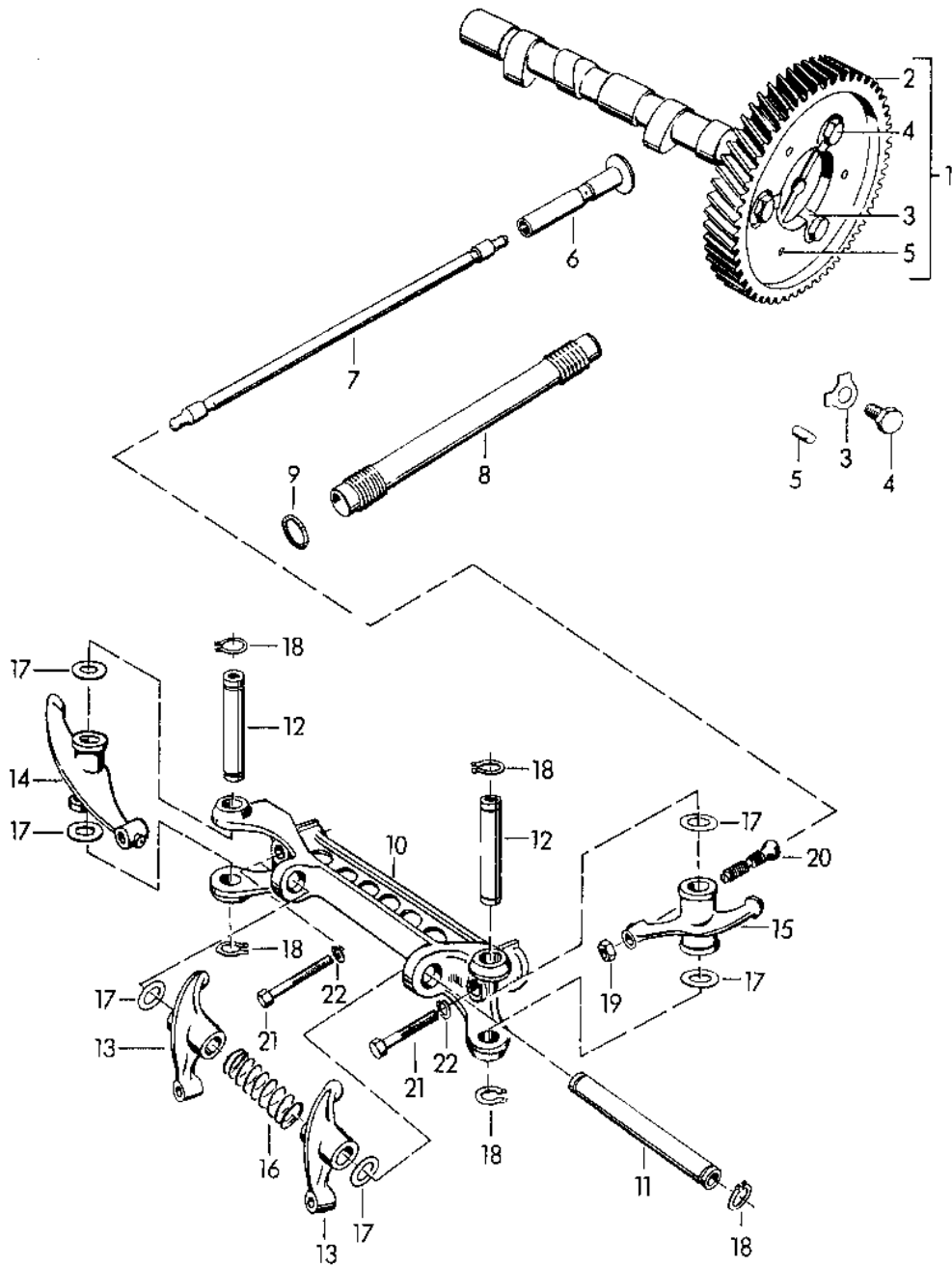
Pos	Part Number	Description	Remark	Qty	Model
		Camshaft M >> 10 199 M >> 21 780 M >> 50 099 M >> 21 999 M >> 33 899 M >> 40 999			1100 1300 1300 S 1300 A 1500 1500 S
-	546 05 010 1	Camshaft - VW -		1	
1	369 05 040	Camshaft Complete with		1	
2	616 105 103 01	Gear wheel Gear wheel Aluminium		1	
2	616 105 103 02	Camshaft timing gear Aluminium		1	
3	369 05 036	Valve pushrod Complete M >> 21 179 M >> 30 529		X	1300 1500
4	539 05 020	Gear shift rod		8	
5	369 05 222	Cam follower		8	
6	546 05 211	Cam follower		8	
7	369 05 208 4	Ball socket		8	
8	546 05 210	Circlip		8	
-	539 05 206	Steering outer tube Valve pushrod M 21 180 >> M 30 530 >>		8	1300 1500
-	616 105 231 01	Protective tube Valve pushrod Stainless steel M 21 180 >> M 30 530 >>		8	1300 1500
9	369 05 225 2	Rocker arm Mounting M >> 21 179 M >> 30 529		2	1300 1500
10	369 05 220	Washer		4	
11	369 05 223 2	Rocker shaft M >> 21 179 M >> 30 529		2	1300 1500
12	369 05 231	Adjusting screw M >> 21 179 M >> 30 529		8	1300 1500
13		Hexagon nut M 8 X 1		8	
14	369 05 037	Rocker arm Mounting M 21 180 >> M 30 530 >>		2	1300 1500
15	369 05 038	Rocker shaft M 21 180 >> M 30 530 >>		2	1300 1500
16	369 05 271	Rocker arm M 21 180 >> M 30 530 >>		4	1300 1500
17	369 05 243	Adjusting screw M 21 180 >> M 30 530 >>		8	1300 1500
-	539 05 205	Spring for		2	

Model: 356 50 Model life 1950>>1959

Pos	Part Number	Description	Remark	Qty	Model
		Rocker arm M 21 180 >> M 30 530 >>			1300 1500

Model: 356 50

Model life 1950>>1959



Model: 356 50 Model life 1950>>1959

Pos	Part Number	Description	Remark	Qty	Model
		Camshaft M 22 001 >> M 50 101 >> M 33 901 >> M 41 001 >> M 60 001 >> M 80 001 >>			1300 1300 S 1500 1500 S 1600 1600 S
1		Camshaft		X	1300/1600
		Alternative parts:			
-	616 105 011 00	Camshaft Complete with Gear wheel Size 0		1	1300/1600
-	616 105 011 10	Camshaft Complete with Gear wheel -1		1	1300/1600
-	616 105 011 20	Camshaft Complete with Gear wheel -2		1	1300/1600
-	616 105 011 30	Camshaft Complete with Gear wheel +1		1	1300/1600
-	616 105 011 40	Camshaft Complete with Gear wheel +2		1	1300/1600
-	616 105 101 00	Camshaft without Gear wheel		1	1300/1600
(1)		Camshaft		X	1300 S 1600 S
		Alternative parts:			
-	616 105 012 00	Camshaft Complete with Gear wheel 0		1	1300 S 1600 S
-	616 105 012 10	Camshaft Complete with Gear wheel -1		1	1300 S 1600 S
-	616 105 012 20	Camshaft Complete with Gear wheel -2		1	1300 S 1600 S
-	616 105 012 30	Camshaft Complete with Gear wheel +1		1	1300 S 1600 6
-	616 105 012 40	Camshaft Complete with		1	1300 S 1600 S

Model: 356 50 Model life 1950>>1959

Pos	Part Number	Description	Remark	Qty	Model
2		Gear wheel +2		X	
-	616 105 103 01	Alternative parts: Gear wheel Aluminium		1	
-	616 105 103 02	Camshaft timing gear 0 Aluminium		1	
-	616 105 103 11	Gear wheel		1	
-	616 105 103 12	Camshaft timing gear -1 Aluminium		1	
-	616 105 103 21	Gear wheel		1	
-	616 105 103 22	Camshaft timing gear -2 Aluminium		1	
-	616 105 103 31	Gear wheel		1	
-	616 105 103 32	Camshaft timing gear +1 Aluminium		1	
-	616 105 103 41	Gear wheel		1	
-	616 105 103 42	Camshaft timing gear		1	
-	616 105 103 41	Gear wheel +2 Aluminium		1	
-	616 105 103 42	Camshaft timing gear +2 Aluminium		1	
3	999 039 001 00	Tab washer		3	
4	900 075 024 00	Hexagon-head bolt M 8 X 13		3	
4	900 075 453 00	Hexagon-head bolt M 8 X 16		3	
5	N 013 199 1	Straight pin 6 X 12		3	
6	616 105 201 00	Cam follower		8	1300/1600
(6)	539 05 210	Cam follower		8	1300 S 1600 S
7	616 105 028 02	Cam follower for cylinder		8	1600/1600 S
(7)	616 105 026 00	Grey cast iron Gear shift rod for cylinder Aluminium		8	
8	616 105 231 01	Protective tube Stainless steel		8	
9	539 05 207	Gasket		8	
10	539 05 223	Bridge adapter		2	
11	539 05 225	Rocker shaft Long		2	
12	539 05 226	Rocker shaft Short		4	
13	369 05 271	Rocker arm		4	
14	539 05 218	Rocker arm Long		2	
15	539 05 219	Rocker arm Short		2	
16	539 05 205	Spring		2	
17	539 05 235	Thrust washer		X	
(17)	539 05 236	Thrust washer 0,50 MM Thrust washer 0,40 MM		X	

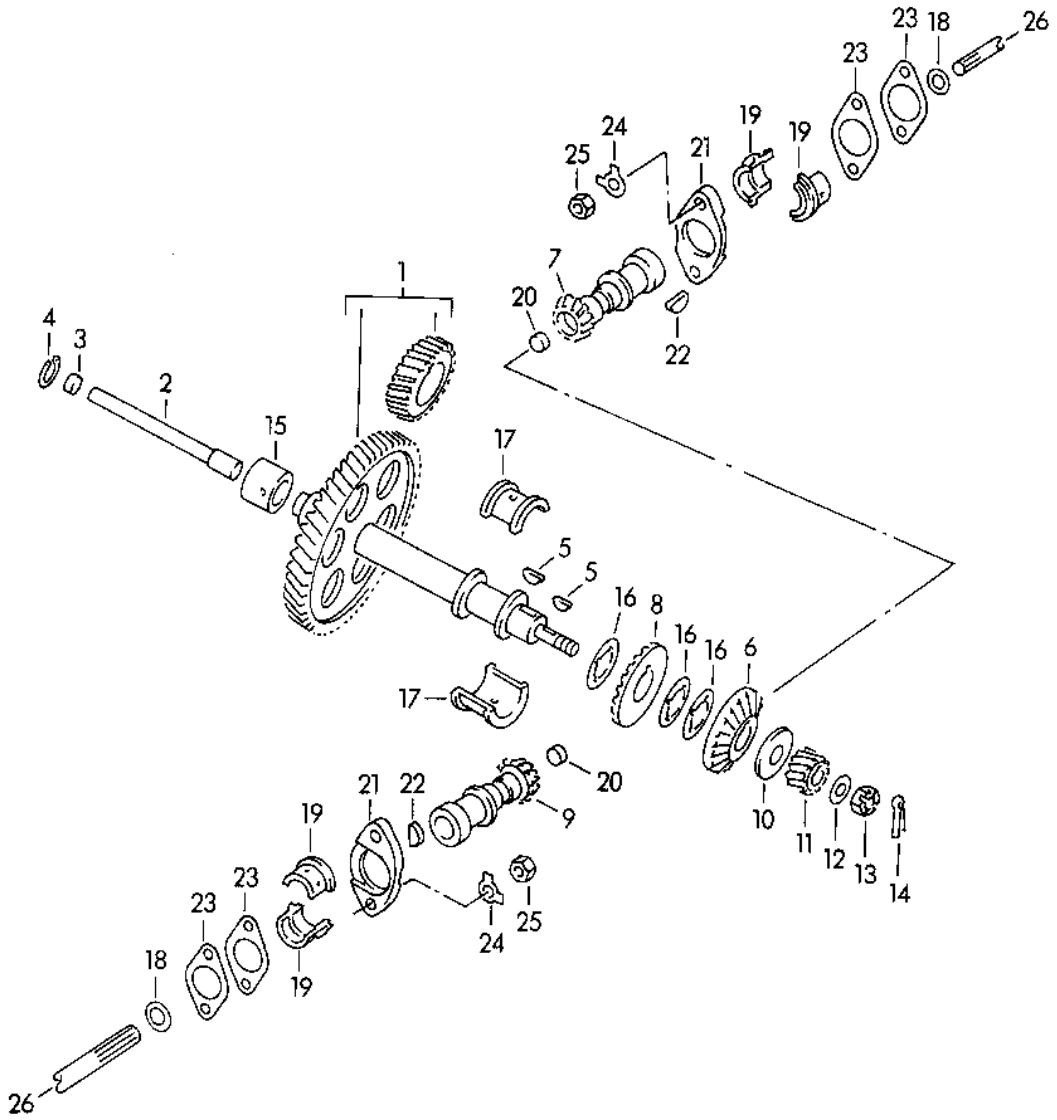
Model: 356 50

Model life 1950>>1959

Pos	Part Number	Description	Remark	Qty	Model
(17)	539 05 237	Thrust washer 0,60 MM		X	
18	N 012 416 1	Circlip 16 X 1		12	
19	900 078 011 00	Hexagon nut M 8 X 1		8	
20	369 05 243	Adjusting screw		8	
21	900 074 061 00	Hexagon-head bolt M 10 X 48		4	
22	900 028 005 01	Lock ring		4	

Model: 356 50

Model life 1950>>1959



Model: 356 50 Model life 1950>>1959

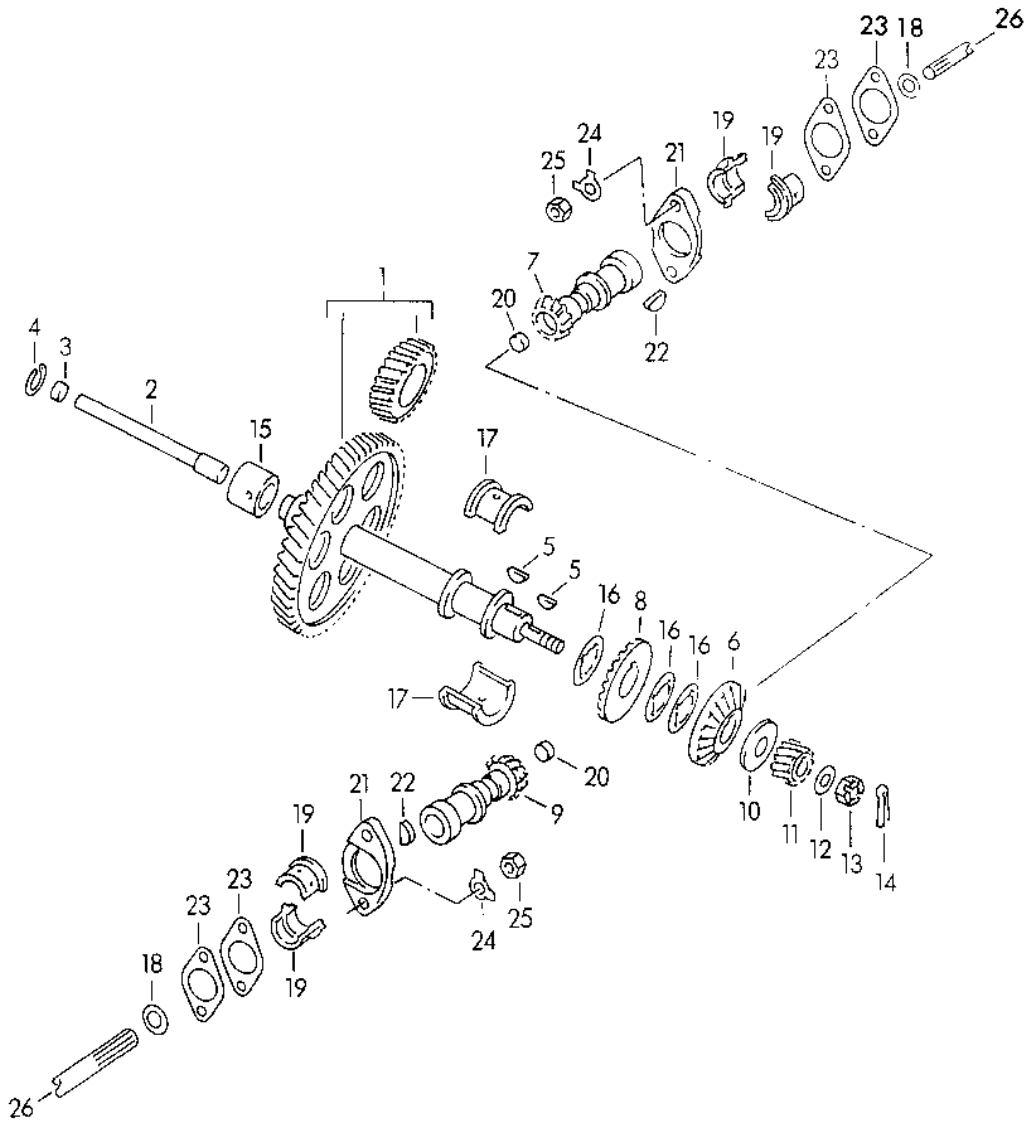
Pos	Part Number	Description	Remark	Qty	Model
		Driving mechanism for Valve control M 90 501 >> 91 000			CARRERA 1500 GS/GT
1	547 05 903	Intermediate shaft with Timing gear		1	
2	547 05 247	Filler rod		1	
3	547 05 248	Plug		1	
4	900 042 003 01	Circlip 20 X 1		1	
5	N 012 713 1	Woodruff key 5 X 6,5 Repair kit Valve control Complete See illustrations 1/98/00R		2	
-	547 05 022	Gear set Comprising: Picture 6 , 7		1	
-	547 05 025	Gear set Comprising: Picture 8 , 9		1	
6	547 05 234 2A	Bevel pinion A Spiral Right Only together with Picture 7		1	
7	547 05 223 1A	Pinion A Spiral Left Only together with Picture 6		1	
8	547 05 234 1D	Bevel pinion D Spiral Left Only together with Picture 9		1	
9	547 05 223 2D	Pinion D Spiral Right Only together with Picture 8		1	
10	547 05 268	Thrust washer		1	
11	547 07 101	Gear wheel Oil pump		1	
12	547 05 269	Washer		1	
13	547 05 286	Castle nut		1	
14	N 012 532 1	Cotter pin 3 X 25		1	
15	547 05 288 0	Bearing sleeve		1	
16	547 05 297	Shim		X	

Model: 356 50 Model life 1950>>1959

Pos	Part Number	Description	Remark	Qty	Model
(16)	547 05 298	0,05 MM Shim		X	
(16)	547 05 299	0,08 MM Shim		X	
(16)	PCG 05 299	0,10 MM Shim		X	
(16)	547 05 300	0,10 MM Shim		X	
17	547 05 912	0,35 MM Bearing shell Set		1	
18	547 05 246	Sealing ring		2	
19	547 05 913	Bearing shell Set		2	
20	547 05 301	Stopper		2	
21	547 05 236	Connecting flange		2	
22	N 012 706 1	Woodruff key 3 X 6,5		2	
23	547 05 270	Shim 0,05 MM		X	
(23)	547 05 271	Shim 0,08 MM		X	
(23)	PCG 05 271	Shim 0,08 MM		X	
(23)	547 05 272	Shim 0,10 MM		X	
(23)	PCG 05 272	Shim 0,10 MM		X	
(23)	547 05 273	Shim 0,35 MM		X	
(23)	PCG 05 273	Shim 0,35 MM		X	
24	999 039 001 00	Tab washer		4	
25	502 08 310	Hexagon nut		4	
26		See group 1/03/30		*	

Model: 356 50

Model life 1950>>1959



Model: 356 50 Model life 1950>>1959

Pos	Part Number	Description	Remark	Qty	Model
		Driving mechanism for			CARRERA 1600 GS/GT
1	547 05 285 1	Valve control Intermediate shaft with		1	692/1
-	547 05 222 1	Timing gear		1	692/1
-	547 05 285 1	Intermediate shaft with		1	692/1/2/3
-	692 102 111 00	Timing gear 692.102.111.00		1	692/1/2/3
-	PCG 102 111 00	Timing gear		1	692/1/2/3
-	900 012 039 00	Straight pin for		1	692/1/2/3
		Timing gear 5 M 6 X 8			
2	547 05 247	Filler rod Wood		1	
3	547 05 248	Plug		1	
4	900 042 003 01	Circlip 20 X 1		1	
5	N 012 713 1	Woodruff key 5 X 6,5		2	
6	547 05 022	Gear set Comprising: Picture 6+7		1	
8	547 05 025	Gear set Comprising: Picture 8+9		1	
10	547 05 268	Thrust washer		1	
11	692 107 153 00	Gear wheel Oil pump		1	
12	547 05 269	Washer		1	
13	547 05 286	Castle nut		1	
14	N 012 532 1	Cotter pin 3 X 25		1	
15	547 05 288 0	Bearing sleeve		1	
16	547 05 297	Shim 0,05 MM		X	
-	547 05 298	Shim 0,08 MM		X	
-	547 05 299	Shim 0,10 MM		X	
-	PCG 05 299	Shim 0,10 MM		X	
-	547 05 300	Shim 0,35 MM		X	
17	547 05 289	Bearing shell Set		1	
17	547 05 290	Bearing shell Set		1	
18	547 05 246	Sealing ring		2	
19	547 05 232	Bearing shell Set		2	
19	547 05 233	Bearing shell Set		2	
20	547 05 301	Stopper		2	
21	547 05 236	Connecting flange		2	
22	N 012 706 1	Woodruff key 3 X 6,5		2	

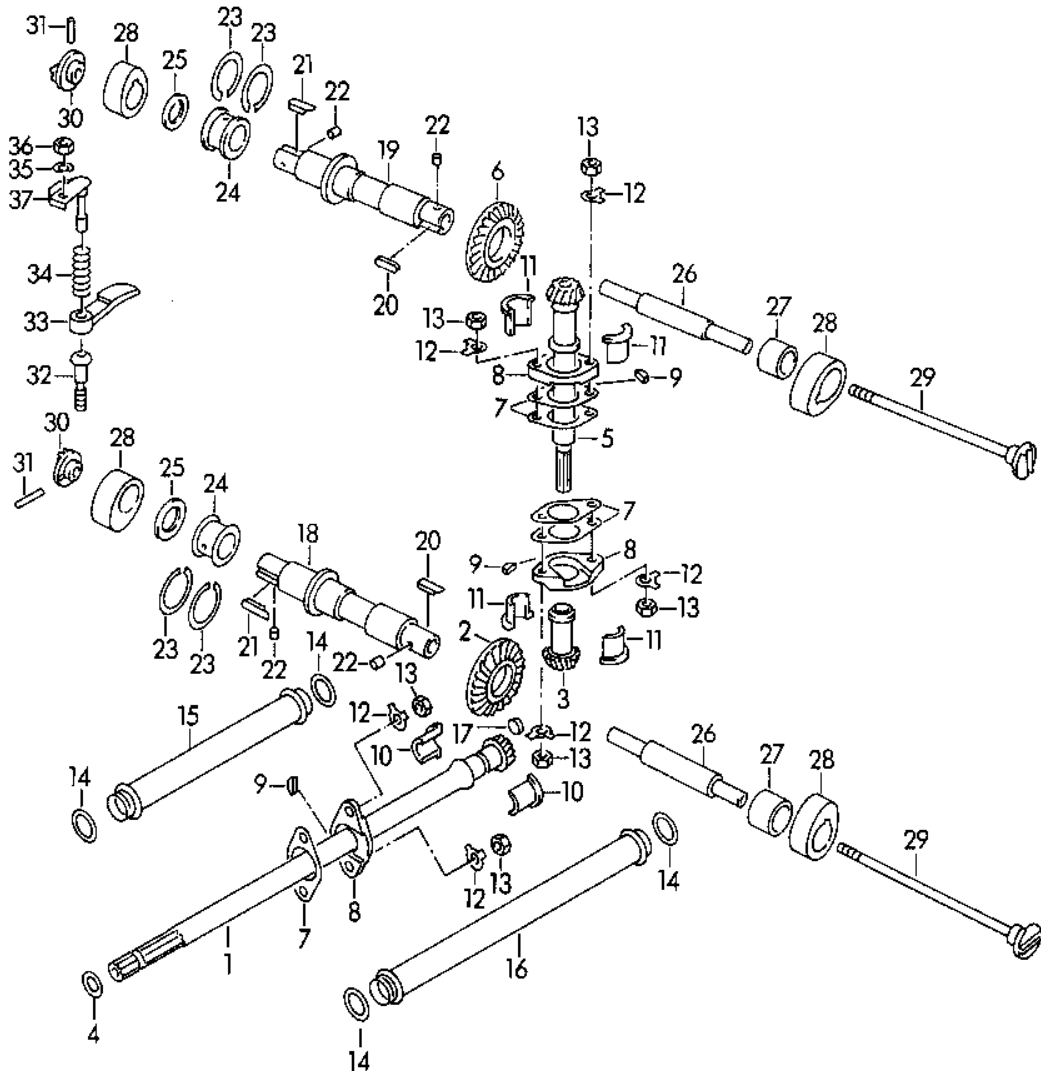
Model: 356 50

Model life 1950>>1959

Pos	Part Number	Description	Remark	Qty	Model
23	547 05 270	Shim 0,05 MM		X	
-	547 05 271	Shim 0,08 MM		X	
-	PCG 05 271	Shim 0,08 MM		X	
-	547 05 272	Shim 0,10 MM		X	
-	PCG 05 272	Shim 0,10 MM		X	
-	547 05 273	Shim 0,35 MM		X	
-	PCG 05 273	Shim 0,35 MM		X	
24	999 039 001 00	Tab washer		4	
25	502 08 310	Hexagon nut		4	
26		See group 1/03/32		*	

Model: 356 50

Model life 1950>>1959



Model: 356 50 Model life 1950>>1959

Pos	Part Number	Description	Remark	Qty	Model
-	547 05 023	Valve control M 90 501 >> 91 000 Repair kit Valve control Complete See illustrations 1/98/00R Set B Comprising: Pos 1 , 2 , 3 Cylinder 1 And Cylinder 2		1	CARRERA 1500 GS/GT
-	547 05 026	Set E Comprising: Pos (1), (2), (3) Cylinder 3 And Cylinder 4		1	
-	547 05 024	Gear set C Comprising: Pos 5 , 6 Cylinder 1 And Cylinder 2		1	
-	547 05 027	Gear set F Comprising: Pos (5) , (6) Cylinder 3 And Cylinder 4		1	
1	547 05 224 1B	Vertical shaft Long B Spiral Left Cylinder 1 And Cylinder 2 Only together with Pos 2 , 3		1	
(1)	547 05 224 2E	Vertical shaft Long E Spiral Right Cylinder 3 And Cylinder 4 Only together with Pos (2) , (3)		1	
2	547 05 235 2B	Bevel pinion B		1	

Model: 356 50 Model life 1950>>1959

Pos	Part Number	Description	Remark	Qty	Model
(2)	547 05 235 1E	Spiral Right Cylinder 1 And Cylinder 2 Only together with Pos 1 , 3 Bevel pinion E		1	
3	547 05 226 1B	Spiral Left Cylinder 3 And Cylinder 4 Only together with Pos (1) , (3) Pinion B		1	
(3)	547 05 226 2E	Spiral Left Cylinder 1 And Cylinder 2 Only together with Pos 1 , 2 Pinion E		1	
4	547 05 246	Spiral Right Cylinder 3 And Cylinder 4 Only together with Pos (1) , (2) Sealing ring		2	
5	547 05 225 2C	Vertical shaft Short C		1	
(5)	547 05 225 1F	Spiral Right Cylinder 1 And Cylinder 2 Only together with Pos 6 Vertical shaft Short F		1	
6	547 05 235 1C	Spiral Left Cylinder 3 And Cylinder 4 Only together with Pos (6) Bevel pinion C		1	

Model: 356 50 Model life 1950>>1959

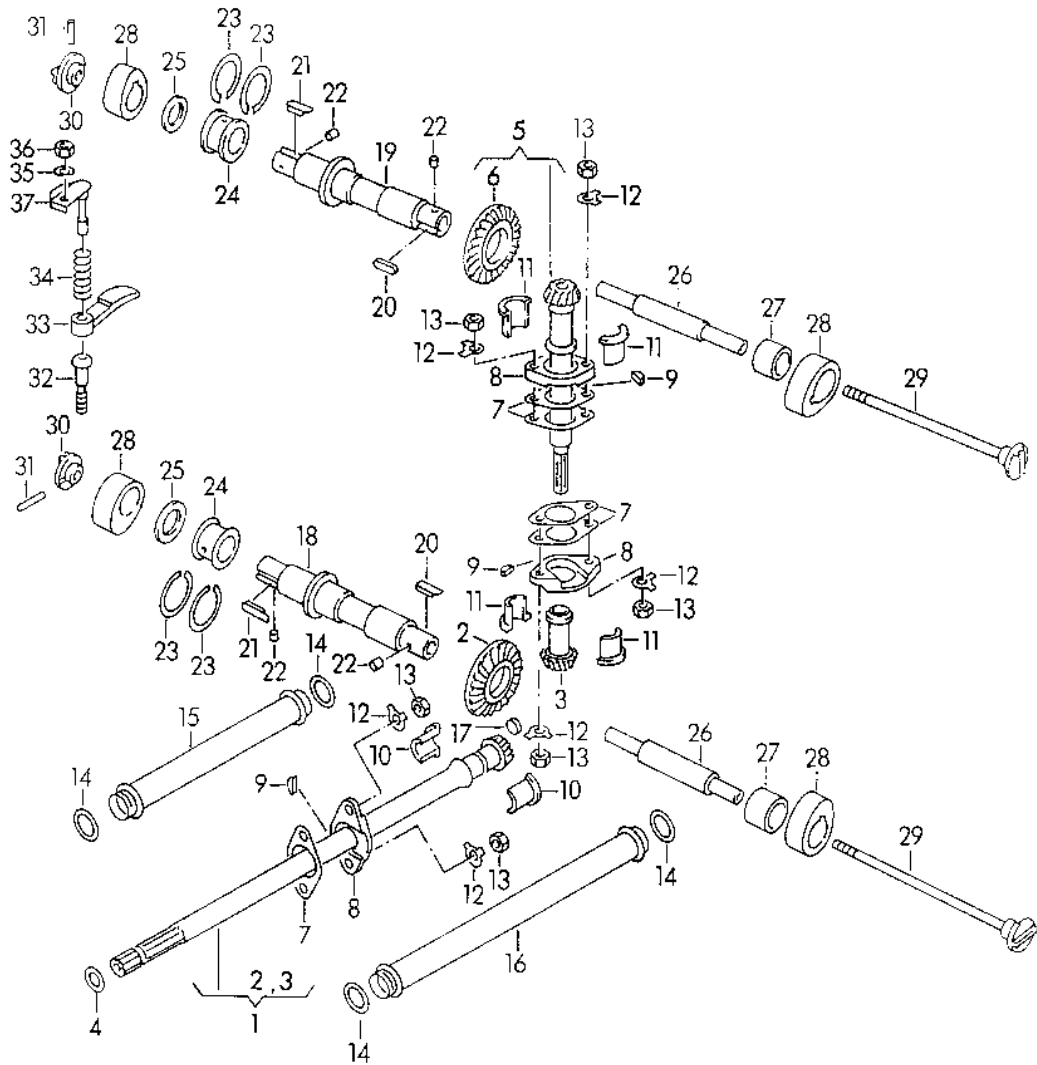
Pos	Part Number	Description	Remark	Qty	Model
(6)	547 05 235 2F	Spiral Left Cylinder 1 And Cylinder 2 Only together with Pos 5 Bevel pinion F		1	
7	547 05 270	Spiral Right Cylinder 3 And Cylinder 4 Only together with Pos (5) Shim		X	
(7)	547 05 271	Shim 0,05 MM		X	
(7)	PCG 05 271	Shim 0,08 MM		X	
(7)	547 05 272	Shim 0,10 MM		X	
(7)	PCG 05 272	Shim 0,10 MM		X	
(7)	547 05 273	Shim 0,35 MM		X	
(7)	PCG 05 273	Shim 0,35 MM		X	
8	547 05 236	Connecting flange		6	
9	N 012 706 1	Woodruff key		6	
10	547 05 913	Bearing shell Set		4	
11		Bearing shell Set		8	
12	999 039 001 00	Tab washer		12	
13	502 08 310	Hexagon nut		12	
14	547 05 244	Sealing ring		8	
15	547 05 309	Steering outer tube Short		2	
16	547 05 310	Steering outer tube Long		2	
17	547 05 301	Stopper		2	
18	547 05 277	Camshaft Exhaust		2	
19	547 05 276	Camshaft Intake		2	
20	900 117 006 00	Feather key A 6 X 4 X 20 for Camshaft Intake Exhaust Cylinder 1 And Cylinder 2		2	
(20)	900 117 005 00	Feather key A 6 X 4 X 16 for Camshaft		2	

Model: 356 50 Model life 1950>>1959

Pos	Part Number	Description	Remark	Qty	Model
21	547 05 283	Intake Exhaust Cylinder 3 And Cylinder 4 Feather key Short for Camshaft		2	
(21)	547 05 282	Intake Exhaust Cylinder 1 And Cylinder 2 Feather key Long Camshaft		2	
22	547 05 284	Intake Exhaust Cylinder 3 And Cylinder 4 Plug		8	
23	547 05 293	Shim 0,05 MM		X	
23	PCG 05 293	Shim 0,05 MM		X	
(23)	547 05 294	Shim 0,08 MM		X	
(23)	PCG 05 294	Shim 0,08 MM		X	
(23)	547 05 295	Shim 0,10 MM		X	
(23)	PCG 05 295	Shim 0,10 MM		X	
(23)	547 05 296	Shim 0,35 MM		X	
(23)	PCG 05 296	Shim 0,35 MM		X	
24	547 05 230	Bearing sleeve		4	
25	547 05 262	Spacer		4	
26	547 05 278	Filler rod		4	
27	547 05 306	Bearing sleeve		4	
28	547 05 266	Control cams		8	
29	547 05 281	Driver with Stud		4	
30	547 05 279	Driver		4	
31	900 095 003 00	Roll pin 2,5 X 16		8	
(32)	547 05 203	Adjusting screw Old version		8	
32	547 05 319	Adjusting screw		8	
33	547 05 219 1	Valve lever		8	
34	547 05 263	Spring Spring		8	
35	900 028 008 01	Lock ring B 6		8	
36	900 076 010 02	Nut M 6		8	
36	900 076 010 0B	Nut M 6		8	
37	547 05 312	Bracket		8	

Model: 356 50

Model life 1950>>1959



Model: 356 50 Model life 1950>>1959

Pos	Part Number	Description	Remark	Qty	Model
1	547 05 023	Valve control Set Long Set B Comprising: Picture 1-3 Cylinder 1 And Cylinder 2		1	CARRERA 1600 GS/GT
(1)	547 05 026	Set Long Set E Comprising: Picture 1-3 Cylinder 3 And Cylinder 4		1	
4	547 05 246	Sealing ring		2	
5	547 05 024	Gear set Short Set C Comprising: Picture 5+6 Cylinder 1 And Cylinder 2		1	
(5)	547 05 027	Gear set Short Set F Comprising: Picture 5+6 Cylinder 3 And Cylinder 4		1	
7	547 05 270	Shim 0,05 MM		X	
-	547 05 271	Shim 0,08 MM		X	
-	PCG 05 271	Shim 0,08 MM		X	
-	547 05 272	Shim 0,10 MM		X	
-	PCG 05 272	Shim 0,10 MM		X	
-	547 05 273	Shim 0,35 MM		X	
-	PCG 05 273	Shim 0,35 MM		X	
8	547 05 236	Connecting flange		6	
9	N 012 706 1	Woodruff key 3 X 6,5		6	
10	547 05 232	Bearing shell Set		2	
10	547 05 233	Bearing shell		2	

Model: 356 50 Model life 1950>>1959

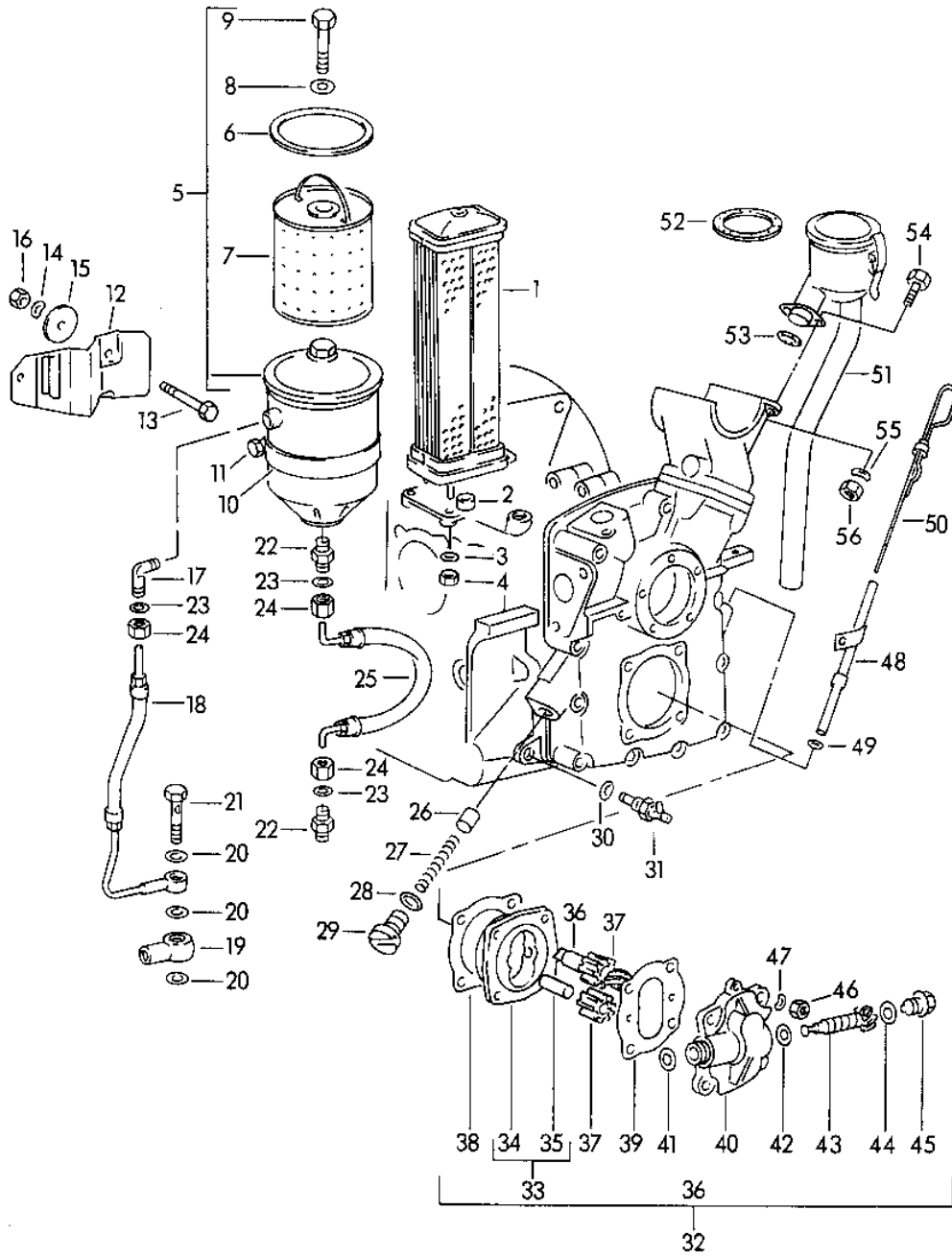
Pos	Part Number	Description	Remark	Qty	Model
11	547 05 913	Set Bearing shell		4	
12	999 039 001 00	Set Tab washer		12	
13	502 08 310	Hexagon nut		12	
14	547 05 244	Sealing ring		8	
15	547 05 309	Steering outer tube Short		2	
16	547 05 310	Steering outer tube Long		2	
17	547 05 301	Stopper		2	
18	547 05 277	Camshaft Exhaust		2	
19	547 05 276	Camshaft Intake		2	
20	900 117 006 00	Feather key A 6 X 4 X 20 for Camshaft Intake Exhaust Cylinder 1 And Cylinder 2		2	
(20)	547 05 282	Feather key Long for Camshaft Intake Exhaust Cylinder 3 And Cylinder 4		2	
21	547 05 283	Feather key Short for Camshaft Intake Exhaust Cylinder 1 And Cylinder 2		2	
(21)	900 117 005 00	Feather key Long Camshaft Intake Exhaust Cylinder 3 And Cylinder 4		2	
22	547 05 284	Plug		8	
23	547 05 293	Shim 0,05 MM		X	
23	PCG 05 293	Shim 0,05 MM		X	
-	547 05 294	Shim 0,08 MM		X	
-	PCG 05 294	Shim 0,08 MM		X	
-	547 05 295	Shim 0,10 MM		X	
-	PCG 05 295	Shim 0,10 MM		X	

Model: 356 50 Model life 1950>>1959

Pos	Part Number	Description	Remark	Qty	Model
-	547 05 296	Shim 0,35 MM		X	
-	PCG 05 296	Shim 0,35 MM		X	
24	547 05 230	Bearing sleeve		4	
25	547 05 262	Spacer		4	
26	547 05 278	Filler rod		4	
27	547 05 306	Bearing sleeve		4	
28	547 05 266	Control cams		8	
29	547 05 281	Driver with Stud		4	
30	547 05 279	Driver		4	
31	900 095 003 00	Roll pin 2,5 X 16		8	
32	547 05 319	Adjusting screw		8	
33	547 05 219	Valve lever		8	
34	547 05 263	Spring Spring		8	
35	900 028 008 00	Spring washer B 6		8	
36	900 076 010 02	Nut M 6		8	
36	900 076 010 0B	Nut M 6		8	
37	547 05 312	Bracket		8	
-		Bracket		8	

Model: 356 50

Model life 1950>>1959



Model: 356 50 Model life 1950>>1959

Pos	Part Number	Description	Remark	Qty	Model
		Engine lubrication M >> 67 000 M >> 81 200			1300 /S 1600 1600 S
1	616 107 041 01	Oil cooler		1	
1	616 107 912 00	Modification kit		1	
1	PCG 107 912 50	Engine oil cooler		1	
2	911 101 123 00	Sealing ring		2	
3	900 028 004 01	Spring washer A 8		2	
4	502 08 310	Hexagon nut		2	
5	546 07 800	Oil filter Complete		1	
-	PCG 701 004 00	Sticker Oil filter Intake Colour Silver		X	
-	PCG 701 005 00	Sticker Oil filter Intake Colour Red		X	
6	546 07 829	Gasket		1	
7	546 07 827	Insert		1	
8	900 123 006 25	Sealing ring A 12X18 CU - FRAM -		1	
8	900 123 019 20	Sealing ring A 16X22 CU - HENGST -		1	
9		Hexagon-head bolt		1	
10	546 09 301	Restraining strap		1	
11	900 074 134 02	Hexagon-head bolt M 8 X 45		1	
12	546 07 820	Support Oil filter		1	
13	900 074 083 02	Hexagon-head bolt M 6 X 28		2	
14	N 012 226 5	Spring washer B 6		1	
15	999 151 003 01	Washer		2	
16	900 076 010 02	Nut M 6		2	
16	900 076 010 0B	Nut M 6		2	
17	900 106 001 02	Screw socket LL 6		1	
18	539 07 818	Breather hose		1	
19	539 07 823	Distributing piece		1	
20	N 013 808 3	Sealing ring A 10 X 16		3	
21	539 07 824	Banjo bolt		1	
22	900 105 001 02	Screw socket LL 6 M		2	
(22)	PCG 105 001 02	Screw socket LL 6 M		1	
23	900 102 001 02	Cutting ring LL 6		X	
24	900 104 001 02	Union nut ALL 8		X	
25	539 07 826	Hose line		1	
25	PCG 07 826	Hose line		1	
26	539 07 201	Piston		1	

Model: 356 50

Model life 1950>>1959

Pos	Part Number	Description	Remark	Qty	Model
27	539 07 202	for Relief valve Spring		1	
28	900 123 024 70	for Relief valve Sealing ring C 16 X 20		1	
29	999 064 010 02	Screw plug		1	
30	900 123 008 30	Sealing ring A 14 X 20 X 1,5		1	
31	616 107 805 01	Remote temperature sensor Oil temperature Electric		1	
31	616 107 805 02	Remote temperature sensor Oil temperature Electric		1	
32	539 07 012	Oil pump		1	
33	539 07 120	Housing with Roller		1	
34	539 07 110	Housing		1	
35	539 07 116	Roller		1	
36	539 07 014	Drive shaft		1	
37	539 07 115	Oil pump gear		1	
38	539 07 108	Gasket		1	
39	539 07 109	Gasket Lid		1	
40	539 07 111	Lid		1	
40	PCG 07 111	Lid		1	
41	539 07 117	Sealing ring		1	
42	369 05 718	Thrust washer 0,8 MM		X	
(42)	369 05 719	Thrust washer 0,6 MM		X	
(42)	369 05 720	Thrust washer 0,5 MM		X	
(42)	369 05 72A	Thrust washer 0,5 MM		X	
43	369 05 702	Pinion		1	
44	900 123 010 20	Sealing ring A 20 X 24 CU		1	
45	369 05 703	Pressure screw		1	
46	900 075 057 02	Hexagon-head bolt M 6		4	
46	900 075 057 03	Hexagon-head bolt M 6		4	
47	900 028 008 01	Lock ring B 6		4	
48	539 07 076	Guide tube Oil level dipstick 225 MM		1	
(48)	539 07 729	Guide tube Oil level dipstick 175 MM		1	
49	999 701 006 40	O-ring		1	
50	616 07 070	Oil level dipstick 315 MM		1	
(50)	539 07 071	Oil level dipstick 225 MM		1	- 1300/S
51	539 07 075	Bleeder Complete		1	
-	502 07 070	Bleeder Connection piece		1	528

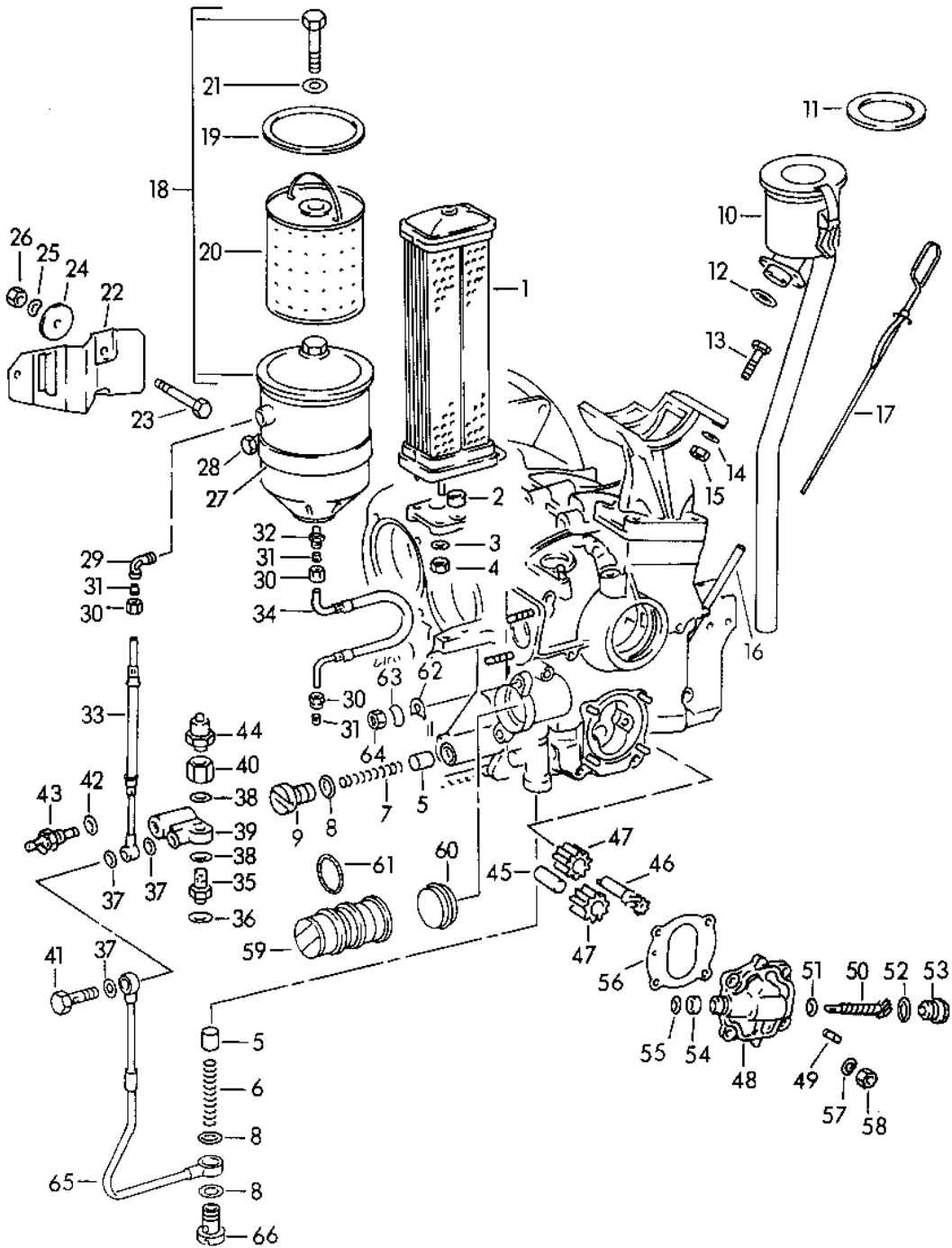
Model: 356 50

Model life 1950>>1959

Pos	Part Number	Description	Remark	Qty	Model
-	369 07 702	Tab for Spring		1	528
-	369 07 703	Sealing ring for Bleeder Connection piece		1	528
52	539 07 726	Sealing ring		1	
53	000 97 301	Sealing ring		1	
54	900 075 017 02	Hexagon-head bolt M 6 X 25		2	
54	900 075 017 03	Hexagon-head bolt M 6 X 25		2	
55	N 011 524 7	Washer 6,4		2	
55	N 011 524 27	Washer 6,4		2	
56	900 076 010 02	Nut M 6		2	
56	900 076 010 0B	Nut M 6		2	
-	369 01 111	Washer		2	

Model: 356 50

Model life 1950>>1959



Model: 356 50 Model life 1950>>1959

Pos	Part Number	Description	Remark	Qty	Model
		Engine lubrication			
		M 67 001 >>			1600
		M 81 201 >>			1600 S
1	616 107 041 01	Oil cooler		1	
1	616 107 912 00	Modification kit		1	
1	PCG 107 912 50	Engine oil cooler		1	
2	616 01 123	Sealing ring		2	
2	616 101 123 00	Sealing ring		2	
3	900 028 008 01	Lock ring		3	
		B6			
-	N 011 524 7	Washer		1	
		6,4			
-	N 011 524 27	Washer		1	
		6,4			
4	900 076 010 02	Nut		3	
		M 6			
4	900 076 010 0B	Nut		3	
		M 6			
5	616 107 511 00	Piston		2	
		for			
		Relief valve			
5	PCG 107 511 00	Piston		2	
		for			
		Relief valve			
6	999 521 016 00	Compression spring		1	
		for			
		Relief valve			
7		Compression spring		1	
		for			
		Relief valve			
8	900 123 025 70	Sealing ring		3	
		C 18 X 24			
(8)		Sealing ring		2	
		C 18 X 24			
		M 67 001 >> 68 897			1600
		M 81 201 >> 81 707			1600 S
9	999 064 010 02	Screw plug		1	
(9)		Screw plug		2	
		M 68 898 >>			1600
		M 81 708 >>			1600 S
10	539 07 075	Bleeder		1	
		Complete			
11	539 07 726	Sealing ring		1	
12	000 97 301	Sealing ring		1	
13	900 074 013 01	Hexagon-head bolt		2	
		M 6 X 22			
14	900 028 008 01	Lock ring		2	
		B 6			
15	900 076 010 02	Nut		2	
		M 6			
15	900 076 010 0B	Nut		2	
		M 6			
16	539 07 748	Guide tube		1	
17	616 07 070	Oil level dipstick		1	
18	546 07 800	Oil filter		1	
		Complete			
-	PCG 701 004 00	Sticker		X	
		Oil filter			
		Intake			
		Colour			
		Silver			
-	PCG 701 005 00	Sticker		X	
		Oil filter			

Model: 356 50 Model life 1950>>1959

Pos	Part Number	Description	Remark	Qty	Model
		Intake Colour Red			
19	546 07 829	Gasket		1	
20	546 07 827	Insert		1	
21	900 123 006 25	Sealing ring A 12 X 18 CU - FRAM -		1	
21	900 123 019 20	Sealing ring A 16 X 22 CU - HENGST -		1	
22	546 07 820	Support for Oil filter		1	
23	900 074 083 02	Hexagon-head bolt M 6 X 78		2	
24	999 151 003 01	Washer		2	
25	900 028 008 01	Lock ring B 6		2	
26	900 076 010 02	Nut M 6		2	
26	900 076 010 0B	Nut M 6		2	
27	546 09 301	Restraining strap		1	
28	900 074 134 02	Hexagon-head bolt M 8 X 45		1	
29	900 106 001 02	Screw socket LL 6 M		1	
30	900 104 001 02	Union nut ALL 6		3	
31	900 102 001 02	Cutting ring LL 6		3	
32	900 105 001 02	Screw socket LL 6 M		1	
(32)	PCG 105 001 02	Screw socket LL 6 M		1	
33	616 07 818	Hose line		1	
34	539 07 826	Hose line		1	
34	PCG 07 826	Hose line		1	
35	999 135 001 02	Screw socket		1	
36	900 123 006 25	Sealing ring A 12 X 18 CU		1	
37	N 013 808 3	Sealing ring A 10 X 16 CU M 67 001 >> 68 897 M 81 201 >> 81 707		2	1600 1600 S
(37)		Sealing ring A 10 X 16 CU M 68 898 >> M 81 708 >>		4	1600 1600 S
38	369 01 111	Washer M 68 898 >> M 81 708 >>		2	1600 1600 S
39	616 07 081	Distributing piece		1	
40	616 07 807	Intermediate piece		1	
41	616 07 808	Banjo bolt M 67 001 >> 68 897 M 81 201 >> 81 707		1	1600 1600 S
(41)	616 07 812	Banjo bolt M 68 898 >> M 81 708 >>		1	1600 1600 S
42	N 013 849 2	Sealing ring A 14 X 20 CU		1	

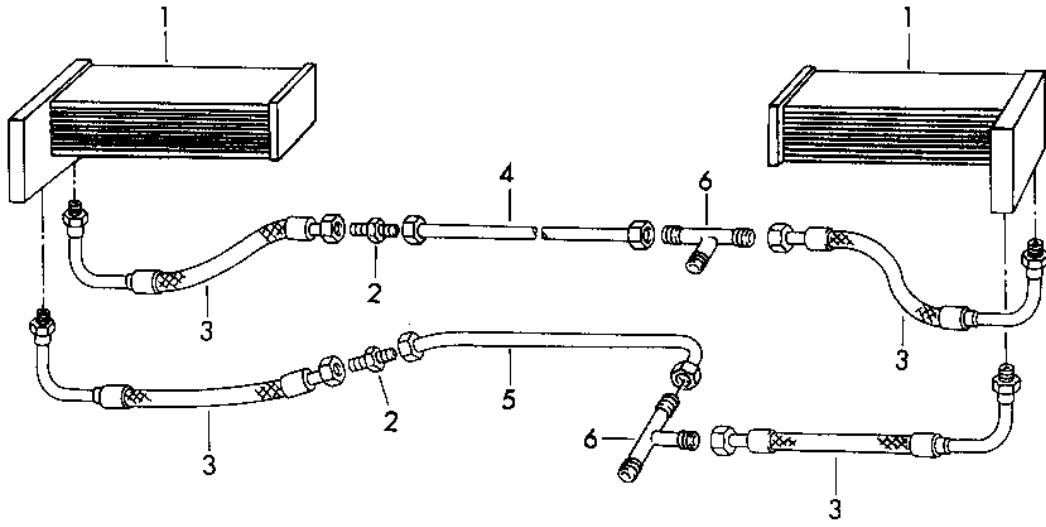
Model: 356 50

Model life 1950>>1959

Pos	Part Number	Description	Remark	Qty	Model
43	616 107 805 01	Remote temperature sensor Oil temperature Electric		1	
43	616 107 805 02	Remote temperature sensor Oil temperature Electric		1	
44	901 613 571 01	Oil pressure switch		1	
45	539 07 116	Roller		1	
46	539 07 014	Drive shaft		1	
47	539 07 115	Oil pump gear		2	
48	539 07 111	Lid		1	
48	PCG 07 111	Lid		1	
49	N 013 207 1	Straight pin 3 M 6 X 8		2	
50	369 05 702	Pinion		1	
51	369 05 718	Thrust washer 0,8 MM		X	
(51)	369 05 719	Thrust washer 0,6 MM		X	
(51)	369 05 720	Thrust washer 0,5 MM		X	
(51)	369 05 72A	Thrust washer 0,5 MM		X	
52	900 123 010 20	Sealing ring A 20 X 24 CU		1	
53	369 05 703	Pressure screw		1	
54	539 07 117	Sealing ring		1	
55	369 05 707	Washer		1	
56	539 07 109	Gasket		1	
57	900 028 008 01	Lock ring B 6		4	
58	900 076 010 02	Nut M 6		4	
58	900 076 010 0B	Nut M 6		4	
59		Deleted			
60	616 01 141	Lid		1	
61	000 97 326	Sealing ring for Lid		1	
62	616 07 715	Retaining bracket		2	
63	900 028 010 01	Spring washer B 8		2	
64	502 08 310	Hexagon nut		2	
65	616 07 076	Breather hose		1	
66	616 07 204	Screw plug		1	

Model: 356 50

Model life 1950>>1959



Model: 356 50 Model life 1950>>1959

Pos	Part Number	Description	Remark	Qty	Model
		Engine lubrication Oil cooler			CARRERA 1600 GS/GT 692/1/2/3
1	616 07 017	Oil cooler		1	
-	692 107 401 01	Plate for Oil cooler		2	
-	900 136 002 02	Union A 13 for Plate		4	
-	900 030 001 10	Tab washer		4	
-	616 101 123 00	Sealing ring		4	
-	900 076 010 02	Nut M 6		4	
-	900 076 010 0B	Nut M 6		4	
-	900 027 013 00	Spring washer B 6		4	
-	692 107 043 00	Bearing for Oil cooler	/L	1	
-	692 107 044 00	Bearing for Oil cooler	/R	1	
-	692 107 491 00	Rubber ply for Oil cooler		2	
-	N 010 215 13	Hexagon-head bolt M 6 X 18		4	
-	N 011 524 7	Washer 6,4		4	
-	N 011 524 27	Washer 6,4		4	
-	900 027 013 00	Spring washer B 6		4	
-	900 076 010 02	Nut M 6		4	
-	900 076 010 0B	Nut M 6		4	
-	692 107 411 00	Air guide Upper Front	/L	1	
-	692 107 412 00	Air baffle plate Upper Front	/R	1	
-	692 107 413 00	Air baffle plate Upper Rear	/L	1	
-	692 107 414 00	Air baffle plate Upper Rear	/R	1	
-	900 076 010 02	Nut M 6		2	
-	900 076 010 0B	Nut M 6		2	
-	900 027 013 00	Spring washer B 6		2	
-	900 075 010 02	Hexagon nut M 6 X 12		6	
-	N 010 212 14	Hexagon-head bolt M 6 X 12		6	
-	999 072 005 09	Hexagon nut		6	

Model: 356 50

Model life 1950>>1959

Pos	Part Number	Description	Remark	Qty	Model
-	999 072 005 01	M 6 X 12 Hexagon nut		6	
-	900 025 013 00	M 6 X 12 Lock ring		6	
-	N 011 524 7	B 6 Washer		6	
-	N 011 524 27	6,4 Washer		6	
-	692 107 415 00	6,4 Air baffle plate Lower	/L	1	
-	692 107 416 00	Air baffle plate Lower	/R	1	
-	N 010 210 13	Hexagon-head bolt M 6 X 10		4	
-	900 027 013 00	Spring washer B 6		4	
-	000 97 502	Rubber sleeve		2	
-	692 107 461 00	Bracket 155 MM for Oil cooler with Long And Round Hole		2	
-	N 010 215 13	Hexagon-head bolt M 6 X 15		2	
-	900 075 014 02	Hexagon-head bolt M 6 X 18		2	
-	900 075 014 03	Hexagon-head bolt M 6 X 18		2	
-	900 027 013 00	Spring washer B 6		4	
-	N 011 524 7	Washer 6,4		4	
-	N 011 524 27	Washer 6,4		4	
-	692 107 463 00	Guide sleeve \$ 15 X 20 MM		4	
-	900 074 019 02	Hexagon-head bolt M 6 X 45		4	
-	900 076 010 02	Nut M 6		4	
-	900 076 010 0B	Nut M 6		4	
-	N 011 524 7	Washer 6,4		8	
-	N 011 524 27	Washer 6,4		8	
-	900 027 013 00	Spring washer B 6		4	
-	N 010 347 5	Hexagon-head bolt M 6 X 35		2	
-	N 011 524 7	Washer 6,4		2	
-	N 011 524 27	Washer 6,4		2	
-	900 027 013 00	Spring washer B 6		2	
-	692 107 465 00	Cover plate for		2	

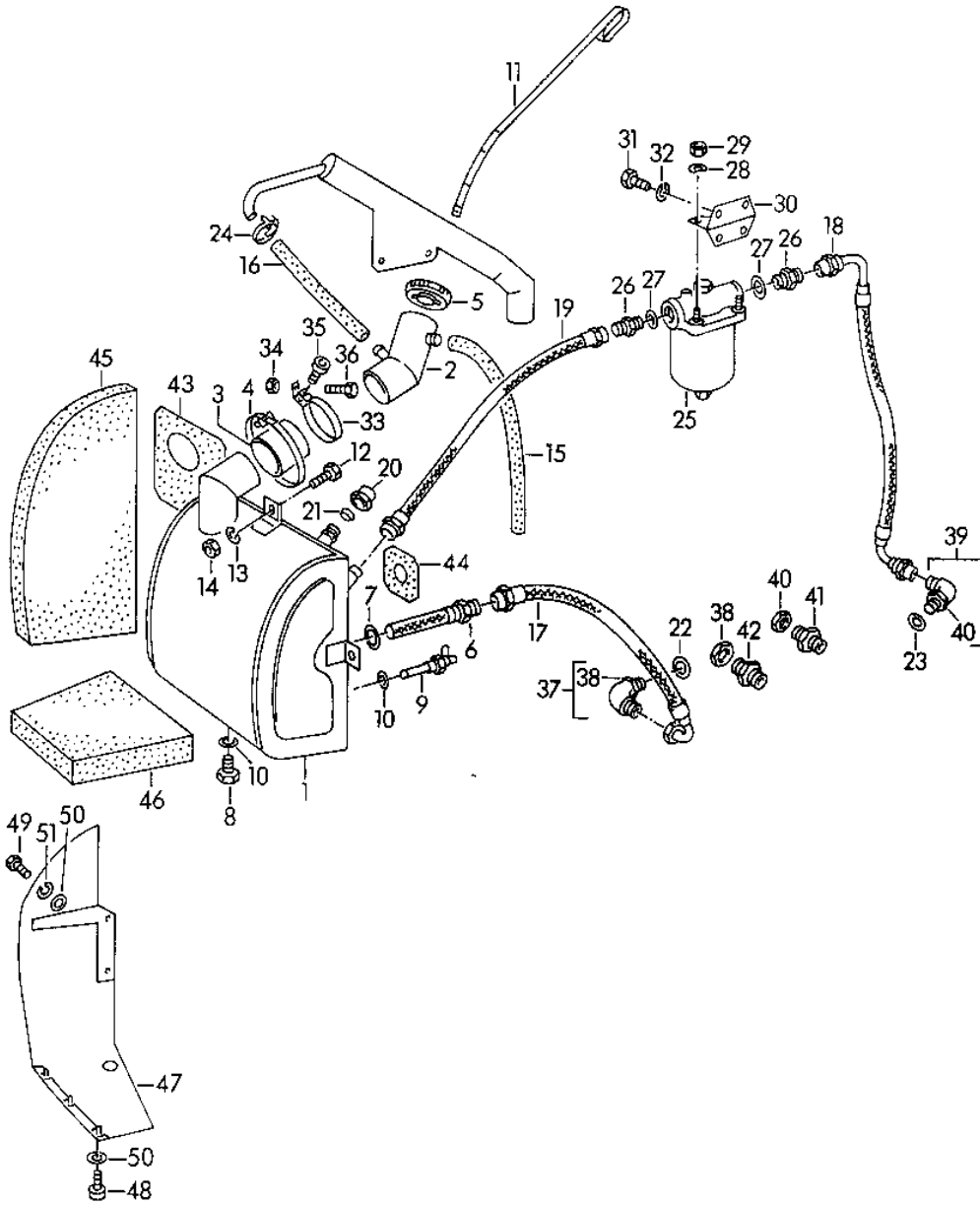
Model: 356 50

Model life 1950>>1959

Pos	Part Number	Description	Remark	Qty	Model
		Oil cooler			
-	900 076 010 02	Nut		4	
-	900 076 010 0B	Nut		4	
2	900 099 001 02	Threaded joint		2	
		EL 15			
3	692 107 325 00	Oil hose		4	
4	692 107 381 00	Pipeline		1	
		I			
5	692 107 382 00	Pipeline		1	
		II			
-	692 107 357 00	Retaining bar		3	
-	900 074 037 02	Hexagon-head bolt		3	
		M 8 X 35			
-	900 027 015 00	Lock ring		3	
		B 8			
-	900 076 013 02	Hexagon nut		3	
		M 8			
-	900 076 025 02	Hexagon nut		3	
		M 8			
-	900 076 064 02	Hexagon nut		3	
		M 8			
-	900 025 007 02	Washer		2	
		8,4			
-	900 025 007 03	Washer		2	
		8,4			
-	999 181 004 50	Hose piece		6	
		14 X 18 X 30 MM			
-	999 702 038 50	Rubber sleeve		2	
		14 X 23 X 7			
6	900 099 003 02	T-connecting socket		2	
		QL 15			

Model: 356 50

Model life 1950>>1959



Model: 356 50 Model life 1950>>1959

Pos	Part Number	Description	Remark	Qty	Model
1	547 07 052	Oil tank M 90 501 >> 91 000		1	CARRERA 1500 GS/GT
(1)	547 07 052 2	Oil tank F 55 008 >> 55 617 F 61 009 >> 61 131 F 80 817 >> 82 030		1	COUPE CABRIO SPEEDSTER
2	547 07 054	Oil tank F 55 618 >> F 61 132 >> F 82 031 >>		1	COUPE CABRIO SPEEDSTER
(2)	547 07 054 1	Filler neck for Oil tank 547.07.052 Oil tank F 55 008 >> 55 617 F 61 009 >> 61 131 F 80 817 >> 82 030		1	COUPE CABRIO SPEEDSTER
3	540 07 535	Filler neck for Oil tank 547.07.052.2 F 55 618 >> F 61 132 >> F 82 031 >>		1	COUPE CABRIO SPEEDSTER
(3)	547 107 921 01	Hose piece for Oil tank 547.07.052 F 55 008 >> 55 617 F 61 009 >> 61 131 F 80 817 >> 82 030		1	COUPE CABRIO SPEEDSTER
4	999 512 121 02	Hose piece for Oil tank 547.07.052.2 F 55 618 >> F 61 132 >> F 82 031 >>		1	COUPE CABRIO SPEEDSTER
5	PCG 207 271 00	Hose clamp		*	
6	547 07 055	Fuel tank cap		1	
7	900 123 016 30	Strainer		1	
8	900 124 003 00	Sealing ring A 30 X 38		1	
9	616 107 805 01	Screw plug CM 14 X 1,5		1	
9	616 107 805 02	Remote temperature sensor		1	
10	900 123 007 30	Remote temperature sensor		1	
11	547 07 535 1	Sealing ring A 14 X 18		2	
12	900 075 027 00	Oil level dipstick		1	
13	900 027 015 00	Hexagon-head bolt M 8 X 20		3	
14	900 076 013 00	Lock ring B 8		3	
15	550 07 416	Hexagon nut M 8		1	
16	550 07 417	Breather hose I		1	
17	356 07 401	Breather hose II		1	
		Breather hose M >> 90 680		1	

Model: 356 50 Model life 1950>>1959

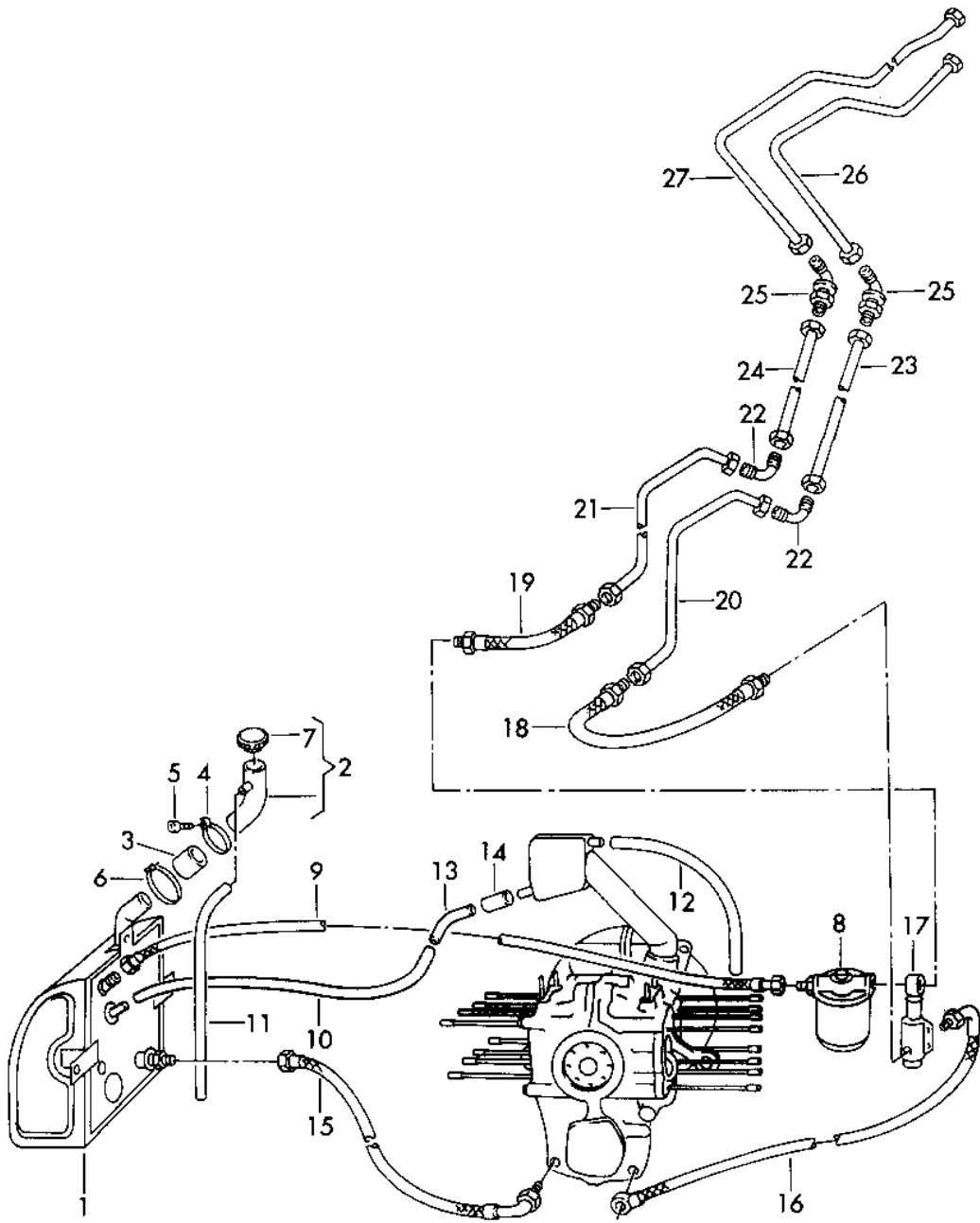
Pos	Part Number	Description	Remark	Qty	Model
(17)	547 07 401	Oil hose M 90 681 >>		1	
18	356 07 404	Oil hose M >> 90 680		1	
(18)	547 07 404	Oil hose M 90 681 >> F >> 100 319 F >> 61 734 F >> 83 284		1	COUPE CABRIO SPEEDSTER
(18)	547 07 404 1	Oil hose F 100 320 >> F 61 735 >> F 83 285 >>		1	COUPE CABRIO SPEEDSTER
19	356 07 403	Oil hose F >> 100 319 F >> 61 734 F >> 83 284		1	COUPE CABRIO SPEEDSTER
(19)	356 07 403 1	Oil hose F 100 320 >> F 61 735 >> F 83 285 >>		1	COUPE CABRIO SPEEDSTER
20	900 125 003 02	Cap nut M 22 X 1,5		1	
21	900 128 001 00	Lid 13		1	
22	900 123 011 30	Sealing ring A 22 X 29		1	
23	900 123 009 30	Sealing ring A 18 X 24		1	
24	999 512 109 02	Hose clamp		3	
25	PCG 107 494 00	Oil filter Complete		1	
-	550 07 494 10	Gasket Gasket Oil filter		1	
26	900 129 001 02	Double socket 13		2	
27	900 123 011 30	Sealing ring A 22 X 29		2	
28	900 027 015 00	Lock ring B 8		2	
29	900 076 013 00	Hexagon nut M 8		2	
30	547 07 043 2	Support		1	
31	900 074 014 00	Hexagon-head bolt M 6 X 25		4	
32	900 027 013 00	Spring washer B 6		4	
33	547 07 507	Clip for Filler neck 547.07.052		1	
(33)	547 07 507 1	Clip for Filler neck 547.07.052.2		1	
34	900 076 010 02	Nut M 6		1	
34	900 076 010 0B	Nut M 6		1	
35	900 014 021 00	Pan-head screw M 6 X 15		1	
36	900 075 011 00	Hexagon-head bolt		1	

Model: 356 50 Model life 1950>>1959

Pos	Part Number	Description	Remark	Qty	Model
37	547 07 411	M 6 X 15 Angled pipe Complete		1	
38	547 07 419	Hexagon nut M 22 X 1,5		1	
39	547 07 415	Angled pipe Complete		1	
40	547 07 418	Hexagon nut M 18 X 1,5		1	
41	900 136 001 02	Union A 13		1	
42	900 136 003 02	Union A 16		1	
43	547 07 544	Insulating piece F 55 008 >> 55 617 F 61 009 >> 61 131 F 80 817 >> 82 030		1	COUPE CABRIO SPEEDSTER
(43)	547 07 544 1	Cover foil F 55 618 >> F 61 132 >> F 82 031 >>		1	COUPE CABRIO SPEEDSTER
44	547 07 545	Insulating piece		2	
45+46		Not available		*	
47	644 504 080 00	Protective plate		1	
48	900 014 020 00	Pan-head screw M 6 X 12		3	
49	900 075 011 00	Hexagon-head bolt M 6 X 15		2	
50	N 011 524 7	Washer 6,4		5	
50	N 011 524 27	Washer 6,4		5	
51	900 027 013 00	Spring washer B 6		2	

Model: 356 50

Model life 1950>>1959



Model: 356 50 Model life 1950>>1959

Pos	Part Number	Description	Remark	Qty	Model
		Oil tank Oil filter			CARRERA 1600 GS/GT 692/1/2/3
1	692 107 063 00	Oil tank Complete		1	
-	644 504 080 00	Protective plate for Oil tank		1	
2	692 107 620 00	Connection piece Complete		1	
3	547 107 921 01	Hose piece		1	
4	547 07 507 1	Clip		1	
5	900 014 021 00	Pan-head screw M 6 X 15		1	
6	999 512 107 02	Hose clamp		X	
7	999 211 001 00	Connection piece		1	
-	547 07 544 1	Cover foil for Filler neck		1	
-	692 107 941 00	Covering plate for Pressure line		1	
-	901 240 030 0	Screw plug		1	
-	900 123 007 30	Sealing ring A 14 X 18		1	
-	547 07 055	Strainer		1	
-	900 123 016 30	Sealing ring A 30 X 38 for Strainer		1	
-	616 107 805 01	Remote temperature sensor		1	692/1
-	616 107 805 02	Remote temperature sensor		1	692/1
-	616 107 806 00	Remote temperature sensor		1	692/2/3
-	547 07 535 1	Oil level dipstick		1	
8	PCG 107 494 00	Oil filter		1	
-	900 129 001 00	Double socket		1	
-	900 123 011 30	Sealing ring A 22 X 29		3	
-	692 107 291 00	Screw socket		1	
-	999 215 001 02	Ring fitting		1	
-	547 107 250 00	Support for Oil filter		1	
-	900 074 014 00	Hexagon-head bolt M 6 X 25		4	
-	900 027 013 00	Spring washer		4	
-	547 09 235	Spacer sleeve \$ 12 X 2		4	
9	547 07 403 1	Oil hose		1	
10	900 181 006 50	Oil hose 20 X 350		1	
11	900 181 008 50	Hose 20 X 720		1	
12	900 181 009 50	Hose 20 X 750		1	
-	692 107 739 00	Connecting hose for Housing And Bleeder container		1	
13	692 107 737 00	Tube		1	
14	900 181 001 50	Hose 20 X 95		1	

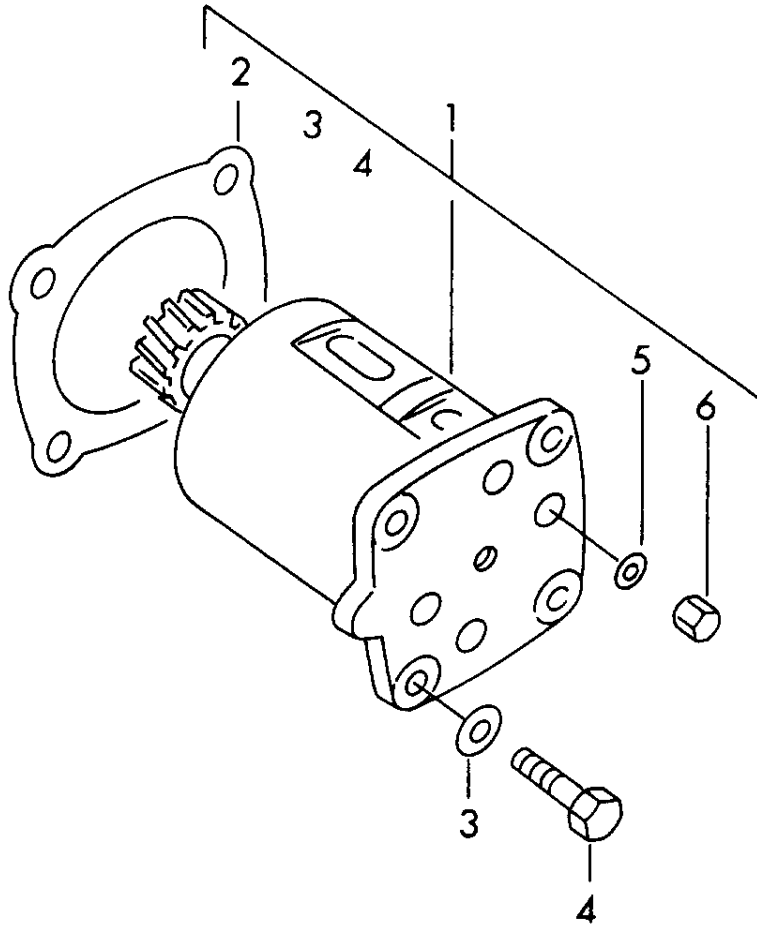
Model: 356 50

Model life 1950>>1959

Pos	Part Number	Description	Remark	Qty	Model
-	999 512 109 02	Hose clamp		X	
15	692 107 301 00	Oil hose		1	
-	900 130 001 02	Connection piece A 16/13		1	
-	900 123 011 30	Sealing ring		1	
16	692 107 321 01	Oil hose		1	
-	692 107 341 00	Union Engine Housing		1	
-	900 123 009 30	Sealing ring A 18 X 24		1	
-	900 139 003 00	Banjo bolt A 16		1	
-	900 123 011 30	Sealing ring A 22 X 29		2	
17	692 107 741 00	Oil thermostat		1	
-	900 136 003 00	Union		2	
-	900 123 009 30	Sealing ring A 18 X 24		3	
18	692 107 327 00	Oil hose		1	
19	692 107 326 00	Oil hose		1	
20	692 107 031 00	Pipeline VII		1	
-	999 181 005 50	Hose piece		2	
21	692 107 032 00	Pipeline		1	
22	900 099 002 02	Threaded joint Threaded joint KL 15		2	
-	692 107 365 00	Seat		4	
23	692 107 385 00	Pipeline V		1	
24	692 107 386 00	Pipeline		1	
25	900 099 004 02	Catch Threaded joint UL 15		2	
26	692 107 383 00	Pipeline		1	
27	692 107 384 00	Pipeline		1	
-	692 107 363 00	Dual clamp		4	
-	900 075 025 00	Hexagon-head bolt M 8 X 15		4	
-	900 027 015 00	Lock ring B 8		4	
-	900 076 013 02	Hexagon nut M 8		4	
-	900 076 025 02	Hexagon nut M 8		4	
-	900 076 064 02	Hexagon nut M 8		4	

Model: 356 50

Model life 1950>>1959



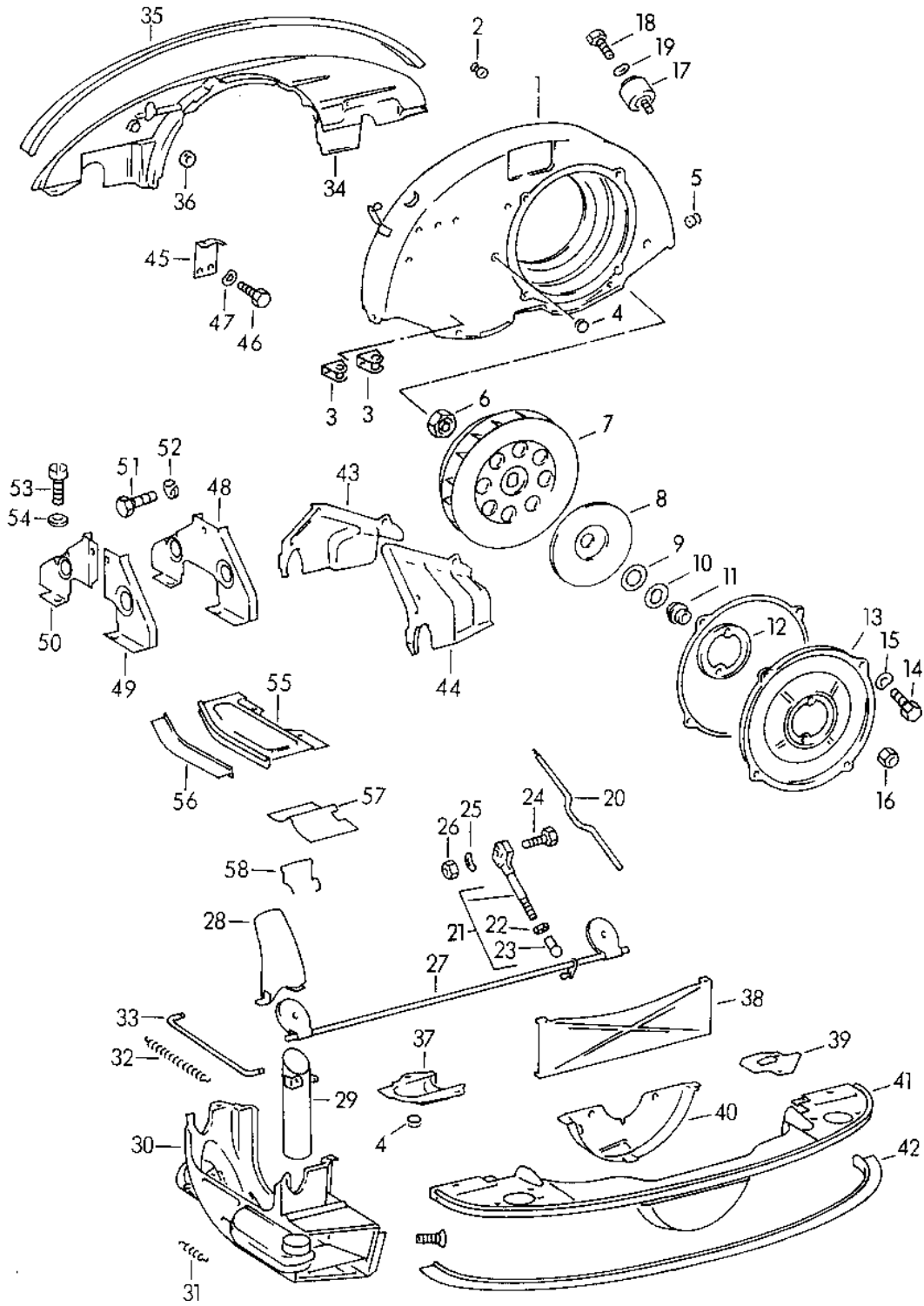
Model: 356 50

Model life 1950>>1959

Pos	Part Number	Description	Remark	Qty	Model
		Oil pump			CARRERA
1	547 07 011	Oil pump Complete		1	1600 GS/GT 692/0
-	692 107 010 01	Oil pump Complete		1	692/1/2/3
2	547 107 111 00	Gasket		1	
3	900 028 008 00	Spring washer B 6		4	
4	900 074 011 00	Hexagon-head bolt M 6 X 18		4	
5	900 123 001 20	Sealing ring A 6 X 12		4	
6	900 070 002 00	Cap nut M 6		4	692/0
(6)	900 085 002 02	Cap nut M 6		4	692/1/2/3

Model: 356 50

Model life 1950>>1959



Model: 356 50 Model life 1950>>1959

Pos	Part Number	Description	Remark	Qty	Model
(1)	369 06 149	Air cooling Air guide housing M >> 21 179 M >> 30 529		1	356 1300 1500
(1)	546 06 010	Air guide housing		1	356 A 1300 /S
1	616 106 013 12	Air guide housing Black		1	1600
(1)		Air guide housing Silver		1	1600 S
2	539 06 116	Stopper		3	
-	999 703 013 50	Stopper		1	
3	369 08 105	Compensating line Bearing bracket Air guide housing		3	
4	539 06 528	Grommet		3	
5	644 025 611 00	Rubber sleeve		3	
6	616 106 181 00	Hexagon nut Impeller		1	
7	616 106 011 00	Impeller		1	
8	546 06 204	Cover disc		1	
9	546 06 202	Shim		X	
10	546 06 203	Drive plate		2	
11	539 06 201	Hub		1	
12	539 06 102	Connecting flange		1	
13	616 106 105 01	Lid		1	
14	N 010 210 13	Hexagon-head bolt M 6 X 10		6	
15	900 028 008 01	Lock ring B 6		4	
16	900 076 010 02	Nut M 6		2	
16	900 076 010 0B	Nut M 6		2	
17	546 06 590	Thermostat		1	
18	900 075 078 02	Hexagon-head bolt M 8 X 15		1	
18	900 075 078 03	Hexagon-head bolt M 8 X 15		1	
19	900 028 010 01	Spring washer B 8		1	
20	546 06 591	Rod Upper		1	
21	546 06 069	Rod Lower with Ball socket Clamping piece And Hexagon nut		1	
22	900 076 006 02	Hexagon nut M 5		1	
23	900 169 002 02	Ball socket A 8		1	
24	900 074 011 02	Hexagon-head bolt M 6 X 18		1	
25	900 028 008 01	Lock ring B 6		1	
26	900 076 010 02	Nut M 6		1	
26	900 076 010 0B	Nut M 6		1	
27	546 06 065	Shaft		1	

Model: 356 50 Model life 1950>>1959

Pos	Part Number	Description	Remark	Qty	Model
28	546 06 062	Connection piece		2	
29	546 06 063	Guide tube	/L	1	
(29)	546 06 064	Guide tube	/R	1	
(30)	369 06 107	Air guide	/L	1	356
30	616 106 041 00	Air guide	/L	1	356 A
(30)	369 06 111	Air guide	/R	1	356
(30)	616 106 042 00	Air guide	/R	1	356A
31	539 06 541	Spring		2	
32	539 06 644	Tension spring		2	
(33)	369 06 130	Connecting rod	/L	1	356
(33)	369 06 131	Connecting rod	/R	1	356
33	539 06 572	Connecting rod		2	356 A
34	369 06 119	Cover plate Engine		1	
35	369 06 139	Rubber moulding 830 MM		1	
36	539 06 605	Grommet		1	
37	616 106 831 00	Cover plate Fuel pump		1	
38	539 06 526	Cover plate Engine		1	
39	539 06 645	Cover plate		1	
40	539 06 524	Cover plate		1	
(41)	369 06 122	Cover plate Engine		1	356
41	PCG 106 562 00	Cover plate Engine It is necessary to rework		1	356 A
42	369 06 139	Rubber moulding		1	
43	539 06 637	Engine cover Upper	/V /L	1	
(43)	539 06 638	Engine cover Upper	/V /R	1	
44	539 06 639	Cover plate Upper	/H /L	1	
(44)	539 06 640	Engine cover Upper	/H /R	1	
45	539 06 646	Support for Cover plate		1	
46	N 010 210 13	Hexagon-head bolt M 6 X 10		2	
47	900 028 008 01	Lock ring B 6		2	
(48)	369 06 115	Cover plate Lateral		2	356:1100 1300 1500/527
48	539 06 547	Cover plate Lateral for Cast elbow 528. 08.031/032		2	1600 /S
(48)	502 06 117	Cover plate Lateral for Sheet metal elbow 528. 08.033/034		2	528/1600 S
49+50		Deleted		*	
51	N 010 210 13	Hexagon-head bolt M 6 X 10		6	
52	900 028 008 01	Lock ring B 6		6	
53	900 014 120 02	Pan-head screw		22	

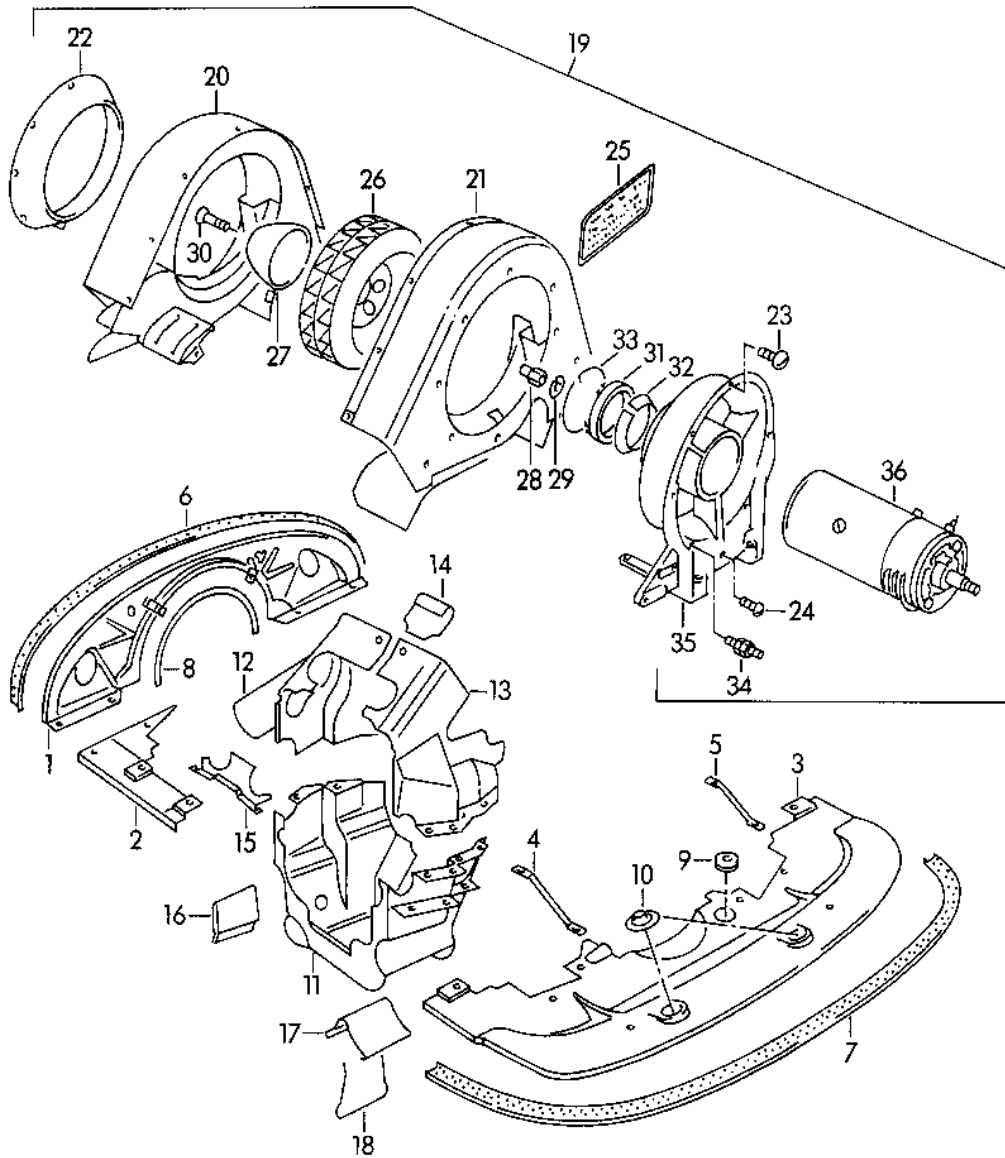
Model: 356 50

Model life 1950>>1959

Pos	Part Number	Description	Remark	Qty	Model
54	N 011 524 7	M 6 X 12 Washer		18	
54	N 011 524 27	A 6,4 Washer		18	
-	999 025 108 02	A 6,4 Washer		4	
55	369 06 140	6,4 X 14 X 1,6 Cover plate	/L	1	
(55)	369 06 141	Lateral Cover plate	/R	1	
56	369 06 139	Lateral Rubber moulding		2	
56		Rubber moulding		1	
57	506 06 105	Baffle plate	/L	1	
(57)	506 06 106	Baffle plate	/R	1	
58	506 06 108	Clamp		2	

Model: 356 50

Model life 1950>>1959



Model: 356 50 Model life 1950>>1959

Pos	Part Number	Description	Remark	Qty	Model
		Air cooling			CARRERA 1500 GS/GT
1	547 06 301	Cover plate	/V	1	
2	547 06 311	Engine cover	/L	1	
(2)	547 06 312	Engine cover	/R	1	
3	547 06 310	Cover plate	/H	1	
4	547 06 321	Strut	/L	1	
5	547 06 322	Strut	/R	1	
-	900 075 011 00	Hexagon-head bolt M 6 X 15		6	
-	900 075 010 00	Hexagon-head bolt M 6 X 12		2	
-	900 027 013 00	Spring washer B 6		8	
-	900 076 010 02	Nut M 6		2	
-	900 076 010 0B	Nut M 6		2	
6	547 06 306	Gasket Upper		1	
7	547 06 308	Sealing rubber 1925 MM Long		1	
8	547 06 325 0	Rubber seal		1	
9	999 702 040 50	Rubber sleeve		1	
10	539 09 201	Rubber cap		2	
10	111 905 449	Protection cap		2	
11	547 06 533	Lower part Air guide	/L	1	
(11)	547 06 534	Lower part Air guide	/R	1	
12	547 06 051	Cover plate with Connecting piece	/L	1	
(12)	547 06 052	Cover plate with Connecting piece	/R	1	
13	547 06 053	Cover plate	/H /L	1	
(13)	547 06 556	Cover plate	/H /R	1	
14	547 06 557	Filler plate	/L	1	
(14)	547 06 558	Filler plate	/R	1	
15	547 06 504	Cover plate		2	
16	547 06 516	Cover plate Baffle plate Upper		2	
17	547 06 517	Baffle plate Lower		2	
18	547 06 518	Spring clip		2	
-	900 028 003 00	Spring washer B 6		18	
-	900 015 013 00	Oval-head sheetmetal screw M 6 X 10		18	
-	900 075 011 00	Hexagon-head bolt M 6 X 15		20	
-	900 028 003 00	Spring washer B 6		20	
19	547 06 017 10	Air guide housing with Dc generator Complete		1	
20	547 06 015	Air guide	/L	1	
21	547 06 016	Air guide	/R	1	
22	547 06 012	Outer ring		1	

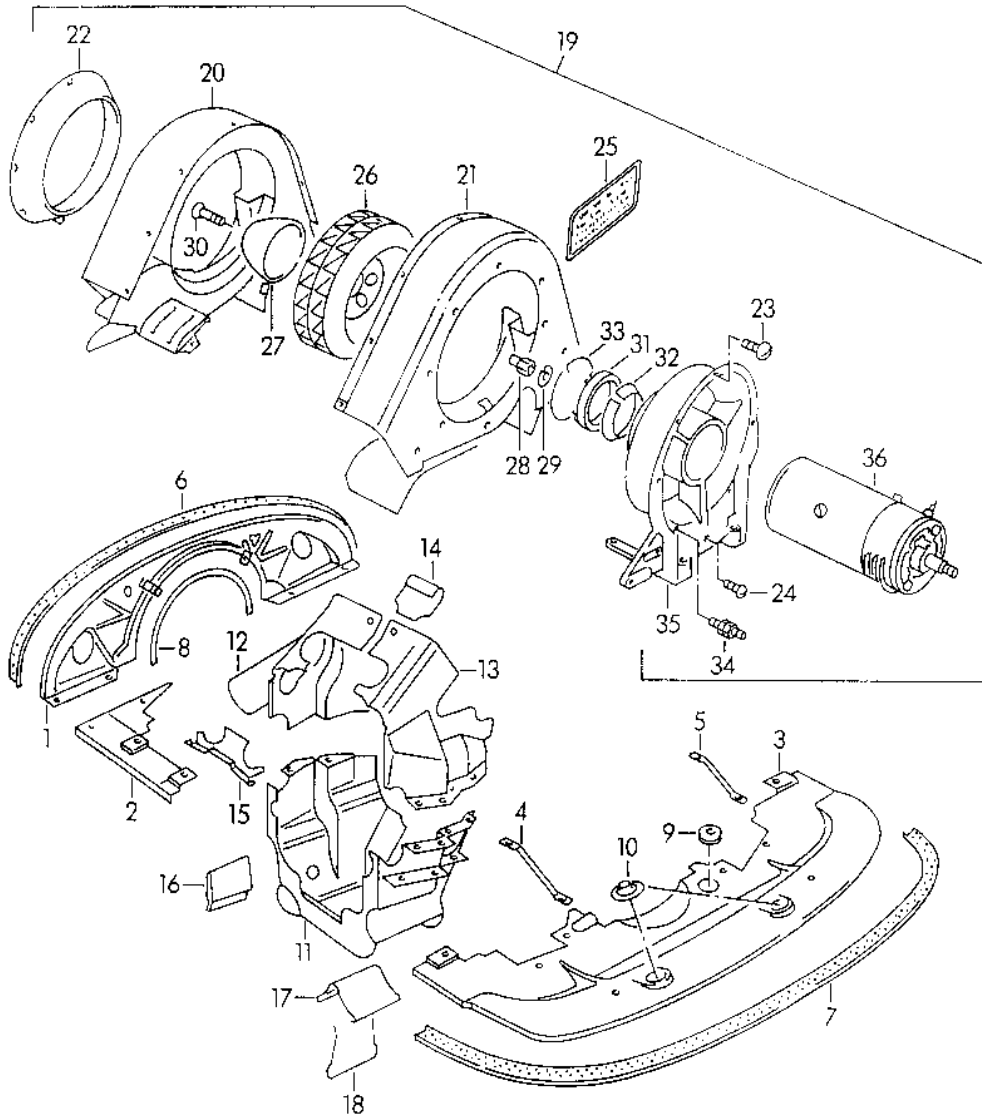
Model: 356 50

Model life 1950>>1959

Pos	Part Number	Description	Remark	Qty	Model
23	900 016 012 00	Ring Complete Half-round screw M 6 X 15		7	
24	900 016 013 02	Half-round screw M 6 X 28		1	
-	900 015 013 02	Oval-head screw M 6 X 10		27	
-	900 028 003 00	Spring washer B 6		35	
25	547 006 501 00	Decal label Engine specifications		1	
26	547 06 021	Impeller		1	
27	547 06 209	Cover		1	
28	547 06 210	Hexagon nut		1	
29	900 030 001 00	Tab washer 13		1	
30	900 019 011 02	Oval-head screw M 6 X 30		1	
31	547 01 110	Retainer		1	
32	547 01 111	Cone ring		1	
33	547 01 120	Circlip		1	
-	900 028 010 00	Spring washer B 8		4	
-	502 08 310	Hexagon nut		4	
34	547 08 103	Retaining pivot		1	
35	547 01 109	Bracket		1	
36		See group 9/01/05		*	

Model: 356 50

Model life 1950>>1959



Model: 356 50 Model life 1950>>1959

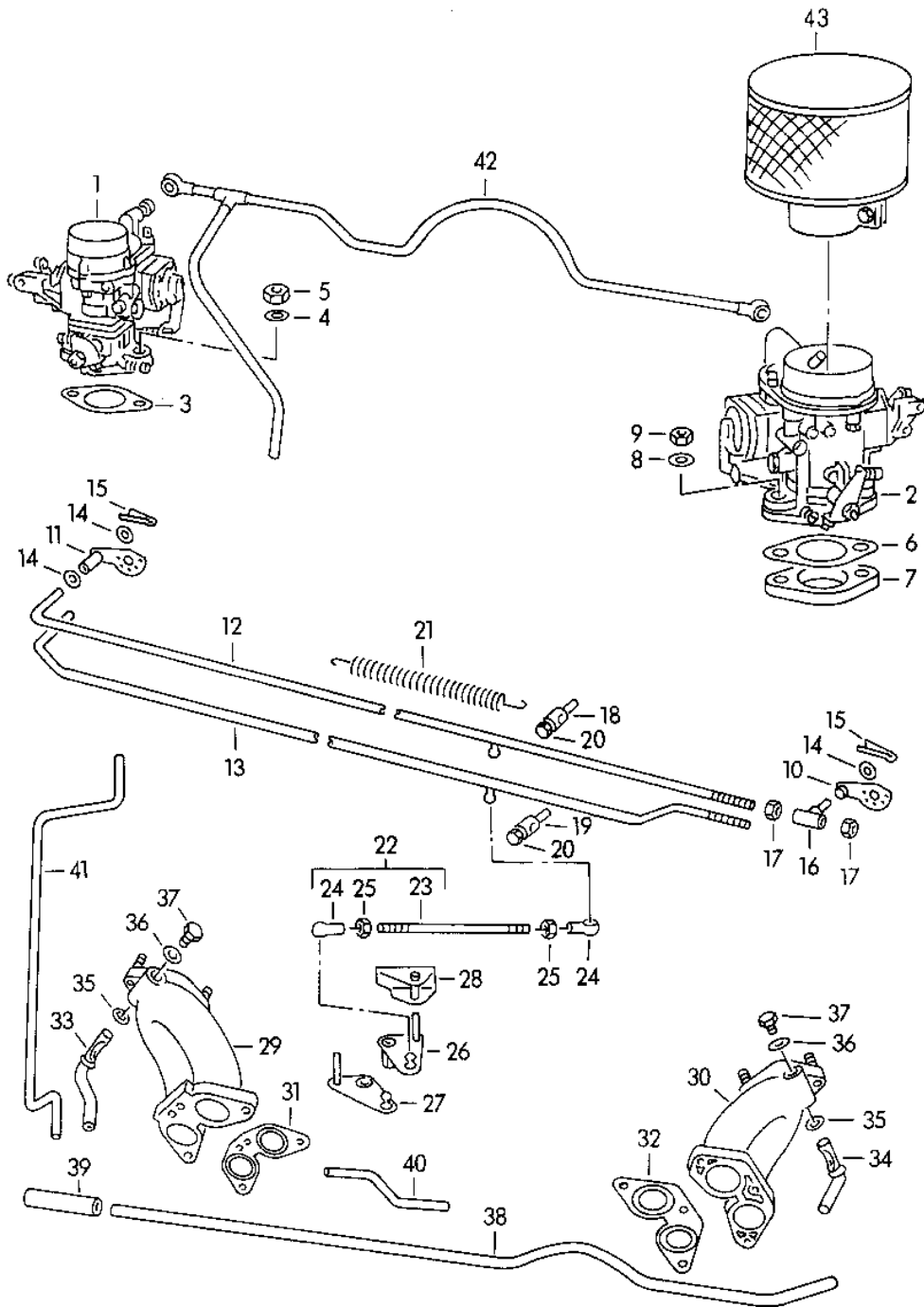
Pos	Part Number	Description	Remark	Qty	Model
		Air cooling			CARRERA 1600 GS/GT
(1)	692 106 081 01	Engine cover	/V	1	
2	547 06 311	Engine cover	/L	1	692/0/1/2
(2)	692 106 091 00	Cover plate	/L	1	692/3
-	692 106 082 00	Cover plate	/R	1	692/0/1/2
-	692 106 082 01	Cover plate	/R	1	692/3
(3)	692 106 851 01	Cover plate	/H	1	692/0/1
(3)	692 106 851 02	Cover plate	/H	1	692/2/3
(4)	692 111 053 00	Strut	/L	1	692/0/1
(4)	692 111 055 00	Strut	/L	1	692/2/3
(5)	692 111 054 00	Strut	/R	1	692/0/1
6	547 06 306	Gasket Upper		1	
7	547 06 308	Sealing rubber 1925 MM		1	
8	547 06 100 1	Sealing rubber		1	
9	999 702 033 50	Rubber sleeve		1	
10	539 09 201	Rubber cap		X	
10	111 905 449	Protection cap		X	
(11)	692 106 033 00	Lower part	/L	1	692/0/1
		Air guide			
(11)	692 106 041 01	Lower part	/R	1	692/2/3
		Air guide			
-	692 106 034 00	Lower part	/R	1	692/0/1
		Air guide			
-	692 106 042 01	Lower part	/R	1	692/2/3
		Air guide			
-	692 106 043 01	Lid for	/L	1	692/2/3
		Lower part			
-	692 106 044 01	Lid for	/R	1	692/2/3
		Lower part			
-	692 106 437 00	Support		4	692/2/3
		Cover for housing			
-	999 502 001 00	Tension spring		4	692/2/3
-	692 106 031 01	Air guide		1	
		Upper left			
		Complete			
-	692 106 032 01	Comprising: Air guide		1	
		Upper right			
		Complete			
		Comprising:			
(12)	692 106 037 00	Air guide	/L	1	
(12)	692 106 036 01	Air guide	/R	1	
(13)	692 106 035 01	Air guide	/L	1	
(13)	692 106 038 00	Air guide	/R	1	
(14)	692 106 345 00	Cover plate	/L	1	
(14)	692 106 346 00	Cover plate		1	
(15)	547 06 504	Cover plate		2	
		Intake manifold			
16	547 06 516	Baffle plate Upper		2	692/0/1
(16)	692 106 438 00	Baffle plate Upper		2	692/2/3
17	547 06 517	Baffle plate Lower		2	692/0/1
(17)	692 106 439 00	Baffle plate Lower		2	692/2/3
18	547 06 518	Spring clip		2	
-	900 028 003 00	Spring washer		18	

Model: 356 50 Model life 1950>>1959

Pos	Part Number	Description	Remark	Qty	Model
-	900 015 013 00	B 6 Oval-head sheetmetal screw M 6 X 10		18	
-	900 015 013 02	Oval-head screw M 6 X 10		X	
-	900 028 008 00	Spring washer B 6		X	
19	692 106 005 00	Fan housing with Dc generator Complete Comprising:		1	692/0/1
-	692 106 006 00	Fan housing with Dc generator Complete Comprising:		1	692/2
(20)	692 106 015 10	Fan housing	/L	1	692/0/1
(20)	692 106 015 00	Fan housing	/R	1	692/2
(21)	692 106 016 10	Fan housing	/R	1	692/0/1
(21)	692 106 016 00	Fan housing	/R	1	692/2
22	547 06 012	Outer ring Ring Complete		1	692/0/1/2
23	900 016 012 00	Half-round screw M 6 X 15		7	692/0/1/2
24	900 016 013 02	Half-round screw M 6 X 28		1	692/0/1/2
-	900 015 013 02	Oval-head screw M 6 X 10		19	692/0/1/2
-	900 028 003 00	Spring washer B 6		35	692/0/1/2
25	547 006 501 00	Decal label Engine specifications		1	692/0/1/2
26	547 06 021	Impeller		1	692/0/1/2
27	547 06 209	Cover		1	692/0/1/2
28	547 06 210	Hexagon nut		1	692/0/1/2
29	900 030 001 00	Tab washer 13		1	692/0/1/2
30	900 019 011 02	Oval-head screw M 6 X 30		1	692/0/1/2
31	547 01 110	Retainer		1	692/0/1/2
32	547 01 111	Cone ring		1	692/0/1/2
33	547 01 120	Circlip		1	692/0/1/2
-	900 028 010 00	Spring washer B 8		4	692/0/1/2
-	502 08 310	Hexagon nut		4	692/0/1/2
34	547 08 103	Retaining pivot		1	692/0/1/2
35	547 01 109	Bracket		1	692/0/1/2
36		See group 9/01/05		*	

Model: 356 50

Model life 1950>>1959



Model: 356 50 Model life 1950>>1959

Pos	Part Number	Description	Remark	Qty	Model
-	539 08 403	Carburettor SOLEX 32PBJ SOLEX 40PJCB And Fuel supply line Fuel pump Fuel pump for Crankcase Two-piece		1	356
(1)	506 08 101	Carburettor 32 PBJ		2	1300
1	546 08 101	Carburettor 32 PBJ		2	1500
2	527 08 102	Carburettor 40 PJCB		2	1500 /S
3	369 08 280	Gasket for 32 PBJ		2	
4	N 011 530 1	Washer B 8		4	
5	502 08 310	Hexagon nut M8		4	
6	502 08 305	Gasket for 40 PJCB		2	
7	502 08 307	Intermediate piece for 40 PJCB		2	
8	900 028 005 01	Lock ring A 10		4	
9	547 01 121	Hexagon nut M10		4	
10	369 08 013	Lever	/R	1	
11	369 08 103	Lever	/L	1	
12	369 08 102	Connecting rod for 32 PBJ		1	
13	528 08 011	Connecting rod for 40 PJCB		1	
-	369 08 128	Eccentric bolt		1	528
14	N 011 524 7	Washer 6,4		X	
14	N 011 524 27	Washer 6,4		X	
15	900 021 002 00	Cotter pin 1,5 X 10		X	
16	369 08 014	Adjusting ring		1	
17	900 076 010 02	Nut M 6		2	
17	900 076 010 0B	Nut M 6		2	
18	369 08 108	Clamping piece for 32 PBJ		1	
19	369 08 127	Clamping piece for 40 PJCB		1	
20	N 010 205 6	Hexagon-head bolt M 5 X 10		1	
20	900 075 105 02	Screw M 5 X 10		1	

Model: 356 50 Model life 1950>>1959

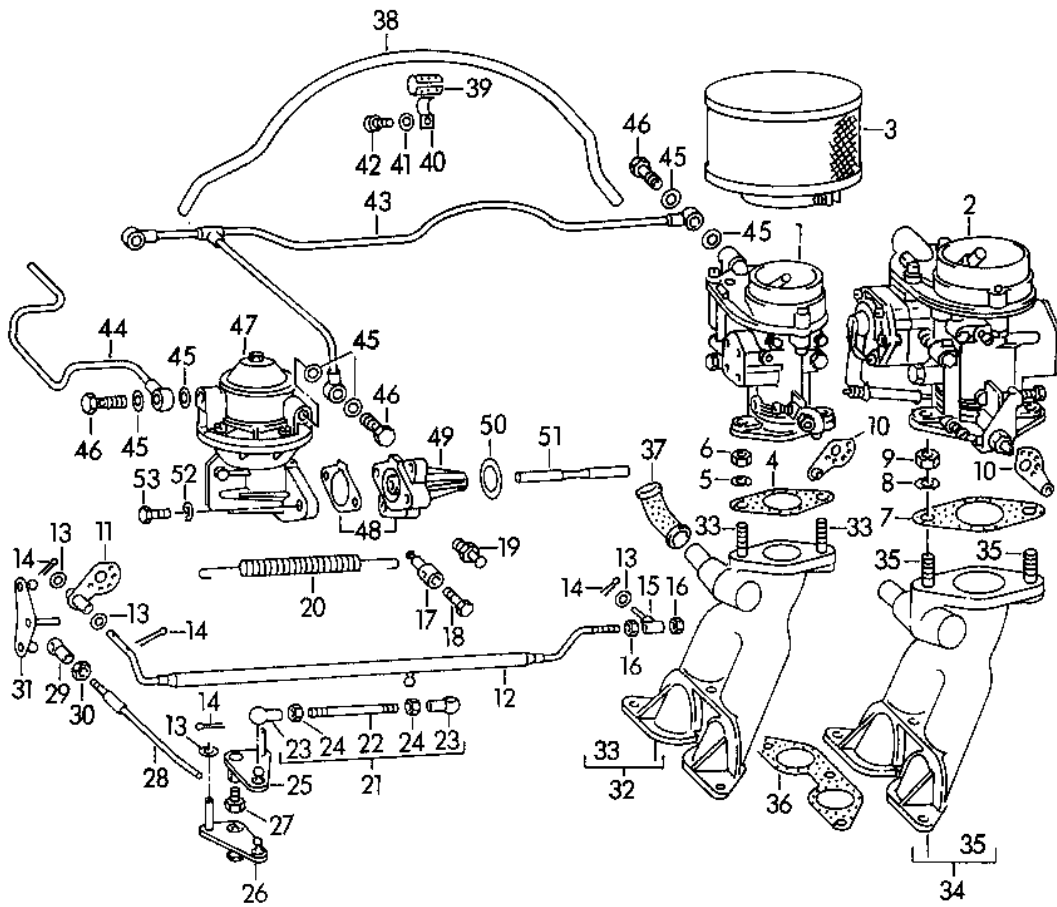
Pos	Part Number	Description	Remark	Qty	Model
21	369 08 110	Tension spring		1	
22	369 08 132	Push rod		1	
		Complete for 32 PBJ			
(22)	369 08 118	Push rod		1	
		Complete for 40 PJCB			
23	369 08 131	Push rod		1	
		for 32 PJC			
(23)	369 08 111	Push rod		1	
		for 40 PJCB			
24	N 015 521 3	Ball socket		2	
25	900 076 006 02	Hexagon nut M 5		2	
26	527 08 101	Angular joint		1	1100/1300/15
27	369 08 107	Angular joint		1	1500 /S
28	369 08 105	Bearing bracket		3	
		Air guide housing for Actuator Carburettor			
(29)	369 08 290	Intake manifold	/R	1	1100
(29)	369 08 291	Intake manifold	/L	1	1100
29	369 08 292	Intake manifold		2	1100
(30)	369 08 290 1	Intake manifold	/R	1	
(30)	369 08 291 1	Intake manifold	/L	1	
30	369 08 292 1	Intake manifold		2	
-	502 08 033	Intake manifold	/L	1	528
-	502 08 034	Intake manifold	/R	1	528
-	502 08 110	Gasket		2	528
-	502 08 111	Gasket		2	528
31	369 08 264	Gasket		2	1100
32	369 08 264 1	Gasket		2	
33	369 08 267	Connecting pipe	/L	1	
34	369 08 266 1	Connecting pipe	/R	1	
35		Sealing ring 14 X 18 CU		2	
36	369 08 300	Washer Copper		2	
37	369 08 272	Hexagon-head bolt		2	
38	502 08 311	Compensating line		1	
(38)	528 08 311	Compensating line		1	1500 S
39	369 08 263	Rubber sleeve		2	
(39)	502 08 304	Rubber sleeve		2	1500 S
40	369 08 302	Fuel line Filter Pump		1	
41	369 08 301	Fuel line Filter		1	
42	369 08 281	Fuel line Pump Carburettor		1	
-	527 08 021	Fuel line Pump Carburettor		1	1500
-	528 08 210	Fuel line Pump Carburettor		1	1500 S
-	999 180 030 50	Fuel hose		*	

Model: 356 50 Model life 1950>>1959

Pos	Part Number	Description	Remark	Qty	Model
-	999 180 030 5A	7 X 250 MM Fuel hose		*	
-	999 180 030 50	7 X 250 MM Fuel hose		*	
-	999 180 030 5A	7 X 150 MM Fuel hose		*	
(43)		7 X 150 MM Air cleaner		2	1100/1300
(43)	527 08 105	08 25 Air cleaner		2	1500
43	527 08 801	Flange 32 MM Air cleaner		2	1500 /S
		Flange 40 MM			

Model: 356 50

Model life 1950>>1959



Model: 356 50 Model life 1950>>1959

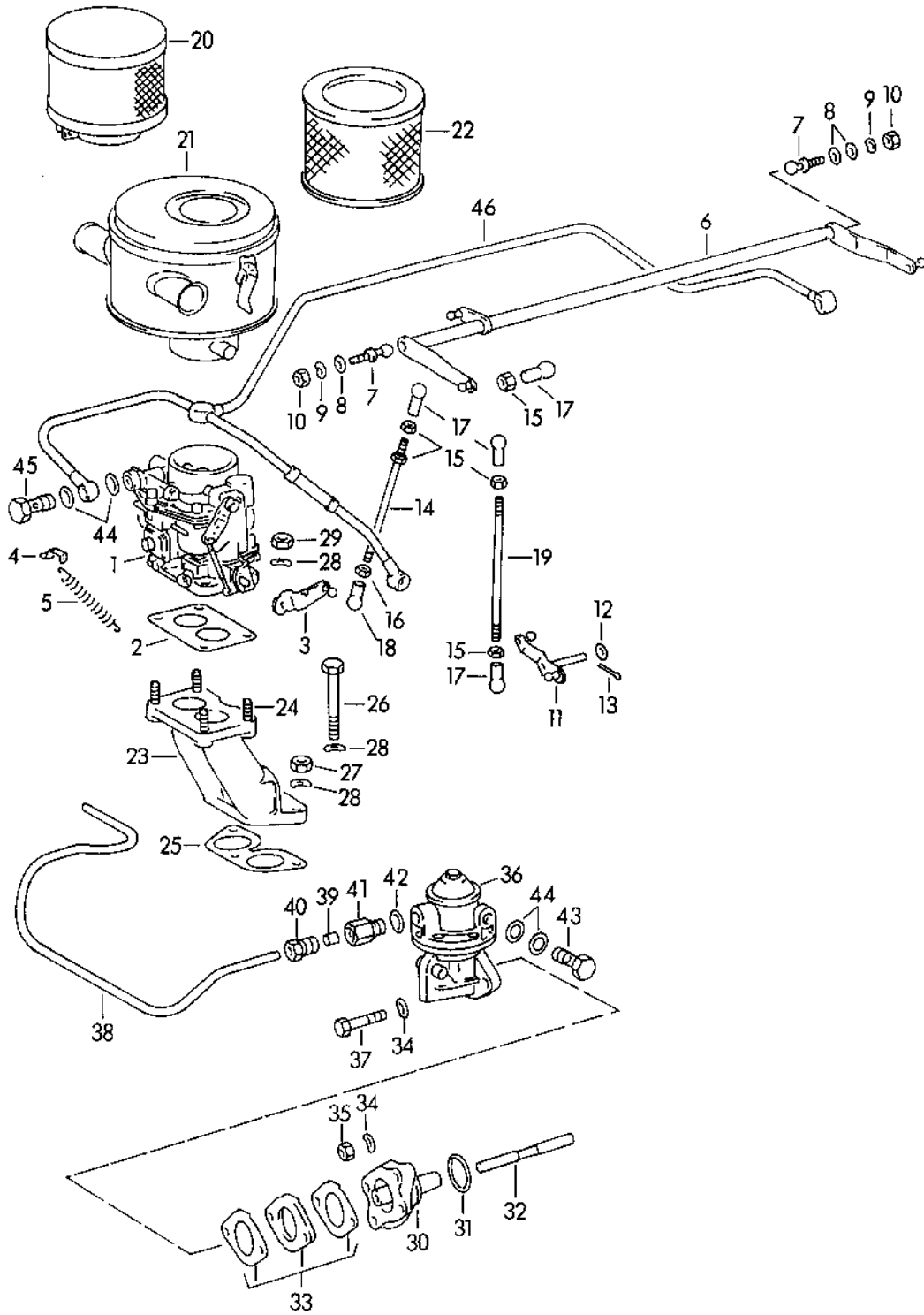
Pos	Part Number	Description	Remark	Qty	Model
		Carburettor SOLEX 32PBJ SOLEX 40PJCB And Fuel supply line			356 A
1	506 08 101	Carburettor 32 PBJ		2	1300
(1)	589 08 102	Carburettor 32 PBJC		2	1300 S
(1)	616 08 101	Carburettor 32 PBJC M >> 67 000		2	1600
2	616 08 103	Carburettor 40 PJCB M >> 81 200		2	1600 S
3	616 08 108	Air cleaner		2	1300 /S/1600
-	527 08 801	Air cleaner		2	1600 S
4	369 08 280	Gasket		2	1300 /S/1600
5	N 011 530 1	Washer B 8		4	1300 /S/1600
6	502 08 310	Hexagon nut		4	1300 /S/1600
7	502 08 305	Gasket		2	1600 S
8	900 028 005 01	Lock ring A 10		4	1600 S
9	547 01 121	Hexagon nut		4	1600 S
10	369 08 013	Lever	/R	1	
11	369 08 103	Lever	/L	1	
12	528 08 011	Connecting rod		1	
13	N 011 524 7	Washer 6,4		5	
13	N 011 524 27	Washer 6,4		5	
14	900 021 002 00	Cotter pin 1,5 X 10		5	
15	369 08 014	Adjusting ring		1	
16	900 076 010 02	Nut M 6		2	
16	900 076 010 0B	Nut M 6		2	
17	369 08 127	Clamping piece		1	
18	N 010 205 6	Hexagon-head bolt M 5 X 10		1	
18	900 075 105 02	Screw M 5 X 10		1	
19	369 08 128	Eccentric bolt		1	1300 /S/1600
20	369 08 110	Tension spring		1	
21	369 08 132	Push rod		1	1300 /S/1600
(21)	369 08 118	Push rod		1	1600 S
22	369 08 131	Push rod		1	1300 /S/1600
(22)	369 08 111	Push rod		1	1600 S
23	N 015 521 3	Ball socket A 8		2	
24	900 076 006 02	Hexagon nut M 5		2	
25	527 08 101	Angular joint		1	1300 /S/1600
26	369 08 107	Angular joint		1	1600 S
27	900 075 004 00	Hexagon-head bolt M 5 X 12		1	
28	369 08 134	Push rod		1	
29	N 015 521 3	Ball socket A 8		1	
30	900 076 006 02	Hexagon nut M 5		1	

Model: 356 50 Model life 1950>>1959

Pos	Part Number	Description	Remark	Qty	Model
31	369 08 017	Reverse lever		1	
32	589 08 032	Intake manifold	/R	1	
(32)	589 08 031	Intake manifold	/L	1	1300 /S/1600
33	900 061 026 02	Stud BM 8 X 22		2	1300 /S/1600
34	528 08 032	Intake manifold	/R	1	1600 S
(34)	528 08 031	Intake manifold	/L	1	1600 S
35	900 061 047 01	Stud M 10 X 25		2	1600 S
36	502 08 110	Gasket		2	
36	502 08 111	Gasket		2	
37	539 08 320	Rubber sleeve		2	
38	589 08 309	Connecting tube		1	
39		Deleted			
40	900 171 001 00	Clamp 1 X 18		2	
41	N 011 524 7	Washer 6,4		2	
41	N 011 524 27	Washer 6,4		2	
42	900 014 120 02	Pan-head screw M 6 X 12		2	
43	616 08 021	Fuel line		1	
44	616 08 022	Fuel line		1	
45	616 108 423 00	Sealing ring		8	
46	616 108 432 00	Banjo bolt		4	
47	616 08 401	Fuel pump		1	
-	616 08 401 X	Fuel pump Single parts See group 1/07/35		1	
-	616 108 426 00	Diaphragm Fuel pump Complete		1	
48	616 108 440 00	Flange with Gasket		1	
49	616 08 042 1	Intermediate flange		1	
(50)	539 08 402	Gasket		1	
50	999 701 043 50	O-ring		1	
51	539 08 408	Cam follower		1	
52	900 028 011 01	Spring washer B 8		2	
53	900 074 032 02	Hexagon-head bolt M 8 X 25		2	

Model: 356 50

Model life 1950>>1959



Model: 356 50 Model life 1950>>1959

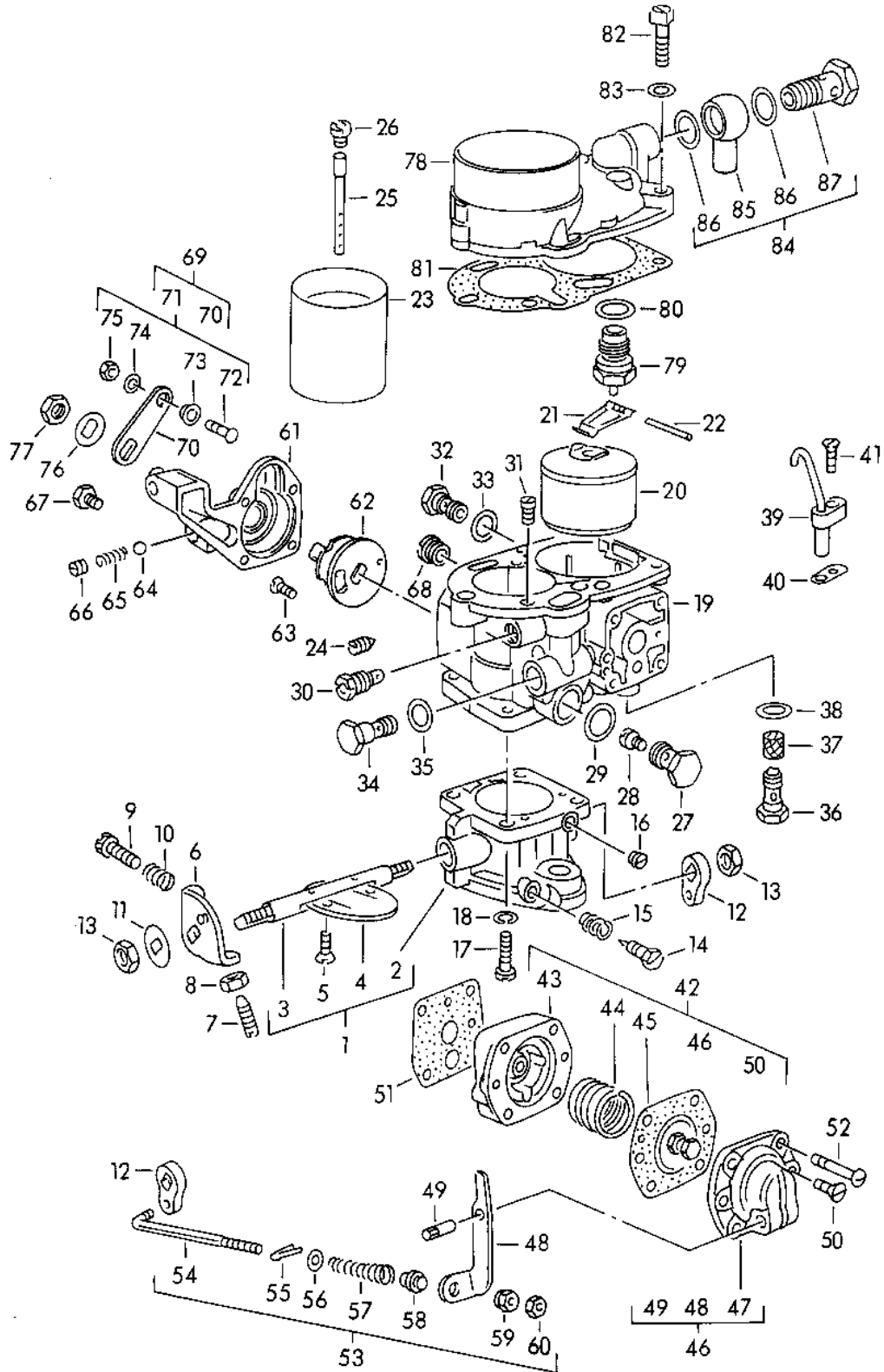
Pos	Part Number	Description	Remark	Qty	Model
		Carburettor PALLAS-ZENIT 32NDIX And Fuel supply line M 67 001 >> M 81 201 >>			356 A 1600 1600 S
-	616 108 902 01	Gasket set for Carburettor		2	
1	616 08 141	Carburettor 32 NDIX (PO 3 L)	/L	1	1600
(1)	616 08 141 1	Carburettor 32 NDIX (PO 3 R)	/R	1	1600
(1)	616 08 142	Carburettor 32 NDIX (PO 2 L)	/L	1	1600 S
(1)	616 08 142 1	Carburettor 32 NDIX (PO 2 R)	/R	1	1600 S
2	597 108 310 01	Gasket		2	
2	597 108 310 02	Gasket		2	
3	616 08 013	Lever	/L	1	
(3)	616 08 034	Lever	/R	1	
4	616 08 139	Bracket		2	
5	616 08 119	Tension spring		2	
6	616 08 011	Reverse lever		1	
7	999 167 001 00	Ball pin A 10		2	
8	N 011 524 7	Washer 6,4		3	
8	N 011 524 27	Washer 6,4		3	
9	900 028 008 01	Lock ring B 6		2	
10	900 076 010 02	Nut M 6		2	
10	900 076 010 0B	Nut M 6		2	
11	616 08 017	Reverse lever		1	
12	N 011 524 7	Washer 6,4		1	
12	N 011 524 27	Washer 6,4		1	
13	900 021 002 00	Cotter pin 1,5 X 10		1	
14	616 08 012	Push rod		2	
15	N 011 005 14	Hexagon nut M 5		6	
15	900 076 091 01	Hexagon nut M 5		6	
16	900 076 029 02	Hexagon nut M 5		2	
17	N 015 521 3	Left thread Ball socket A 8		4	
18	900 169 010 02	Ball socket A 8 Left thread		2	
19	616 08 131	Push rod		1	
20	527 08 801	Air cleaner		2	1600
21	616 08 814 1	Air cleaner		2	1600 S
-	999 701 093 50	O-ring		1	1600 S
22	616 08 811 1	Insert		2	1600 S
-	616 108 911 00	Rubber seal for		2	1600 S

Model: 356 50 Model life 1950>>1959

Pos	Part Number	Description	Remark	Qty	Model
23	616 08 035	Filter element		2	
24	999 062 006 02	Intake manifold		8	
		Stud			
		BM 8 X 20			
25	502 08 110	Gasket		2	
25	502 08 111	Gasket		2	
26	900 074 044 0C	Hexagon-head bolt		2	
		M 8 X 70			
27	900 076 013 0C	Hexagon nut		4	
		M 8			
27	900 076 025 02	Hexagon nut		4	
		M 8			
27	900 076 064 02	Hexagon nut		4	
		M 8			
28	900 028 010 01	Spring washer		14	
		B 8			
29	502 08 310	Hexagon nut		8	
30	616 08 042 1	Intermediate flange		1	
(31)	539 08 402	Gasket		1	
		M >> 73 236			1600
		M >> 83 423			1600 S
31	999 701 043 50	O-ring		1	
		M 73 237 >>			1600
		M 83 424 >>			1600 S
32	539 08 408	Cam follower		1	
33	616 108 440 00	Flange		1	
		with			
		Gasket			
34	900 028 010 01	Spring washer		4	
		B 8			
35	502 08 310	Hexagon nut		2	
36	616 08 401	Fuel pump		1	
37	900 074 081 01	Hexagon-head bolt		2	
		M 8 X 30			
38	616 08 022 1	Fuel line		1	
39	539 08 201	Nipple		1	
40	900 193 001 02	Cap screw		1	
		AL 8			
41	546 08 202	Union		1	
42	N 013 818 4	Sealing ring		1	
		A 12 X 16			
43	616 108 432 00	Banjo bolt		2	
44	616 108 423 00	Sealing ring		6	
45	616 100 867 00	Banjo bolt		1	
46	616 108 059 00	Fuel line		1	

Model: 356 50

Model life 1950>>1959



Model: 356 50 Model life 1950>>1959

Pos	Part Number	Description	Remark	Qty	Model
		Single parts for Carburettor SOLEX 32 PBI			
1	616 100 981 00	Throttle body		1	
2	616 100 983 00	Throttle body		1	
3	616 100 912 00	Shaft		1	
4	616 100 909 00	Flap		1	
5	616 100 985 00	Countersunk-head screw		2	
6	616 100 986 00	Support		1	
7	616 100 988 00	Adjusting screw		1	
8	616 100 989 00	Hexagon nut		1	
9	616 100 990 00	Adjusting screw		1	
		Idle speed			
10	616 100 991 00	Compression spring		1	
11	911 100 945 00	Lock washer		1	
12	616 100 987 00	Lever		1	
13	616 100 913 00	Hexagon nut		2	
14	616 100 749 00	Adjusting screw		1	
15	616 100 991 00	Compression spring		1	
16	616 100 994 00	Screw plug		1	
17	616 100 992 00	Pan-head screw		4	
18	616 100 993 00	Lock ring		4	
19	616 100 995 00	Tab washer		1	
		M 22 006 >>			1300
20	616 100 997 00	Float		1	
		12,5 GR			
21	616 100 998 00	Joint		1	
22	616 100 911 00	Axle		1	
23	616 100 898 03	Funnel		1	
		(K) 23			
24	616 100 999 00	Screw		1	
		Funnel			
25	616 100 704 00	Pipe		1	
		33			
26	692 100 965 00	Nozzle		1	
		(A) 220			
27	616 100 914 00	Jet carrier		1	
		Bracket			
28	616 100 899 02	Nozzle		1	
		(GG) 0125			
29	616 100 915 00	Sealing ring		1	
30	616 100 901 00	Nozzle		1	
		(G) 50			
31	616 100 902 03	Nozzle		1	
		(U) 1,5			
32	616 100 904 00	Nozzle		1	
		(GS) 160			
33	616 100 937 00	Sealing ring		1	
34	616 100 708 00	Nozzle		1	
		(GP) 60			
35	616 100 937 00	Sealing ring		1	
36	616 100 943 00	Valve		1	
37	616 100 944 00	Strainer		1	
38	616 100 937 00	Sealing ring		1	
39	616 100 709 00	Pipe		1	
		Complete			
40	616 100 948 00	Gasket		1	
41	616 100 710 00	Countersunk-head screw		1	
42	616 100 711 00	Pump		1	
		Complete			
43	616 100 712 00	Lower part		1	
44	616 100 952 00	Spring		1	

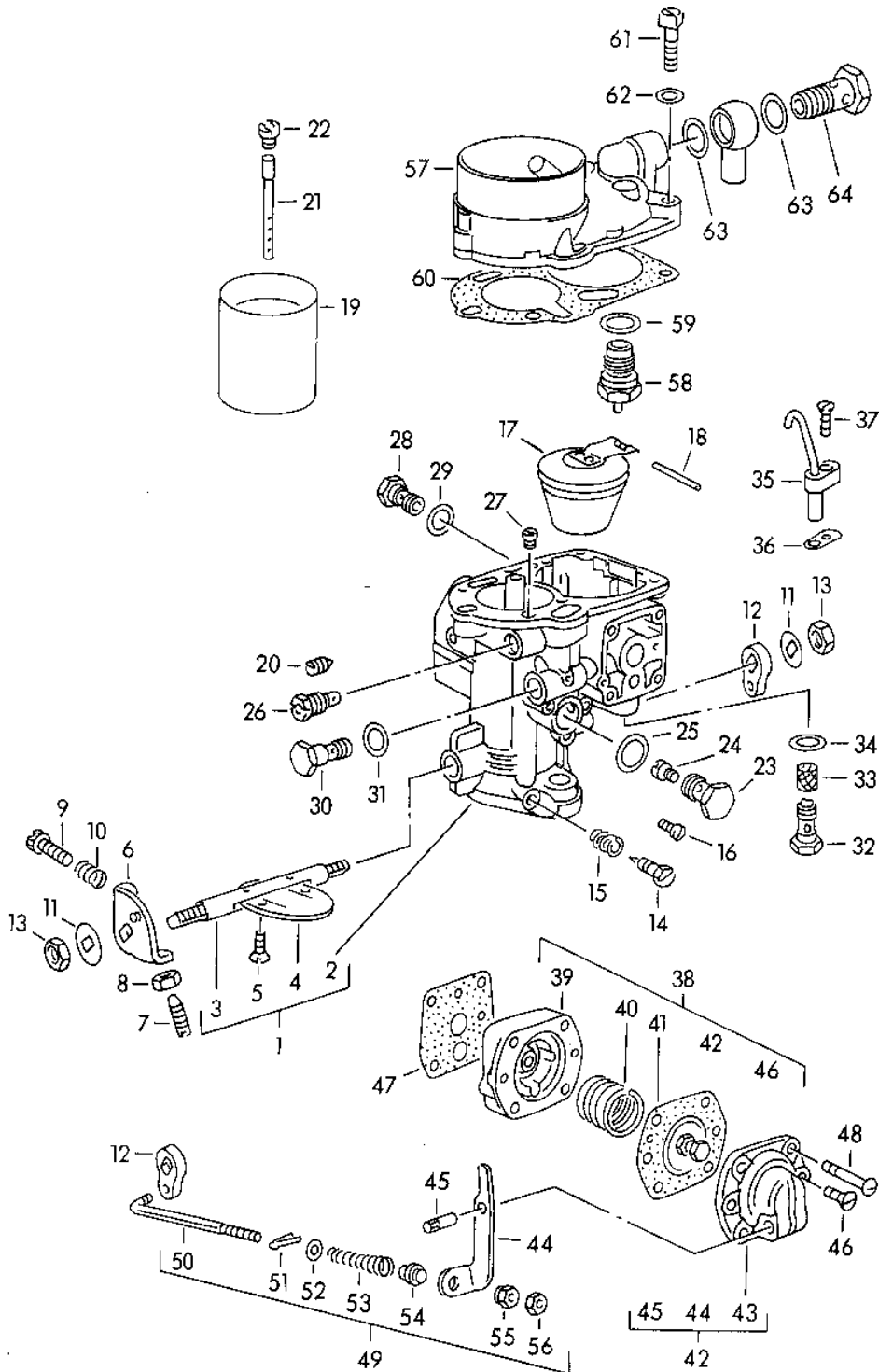
Model: 356 50

Model life 1950>>1959

Pos	Part Number	Description	Remark	Qty	Model
45	616 100 713 00	Diaphragm		1	
46	616 100 714 00	Lid Complete		1	
47	616 100 954 01	Lid		1	
48	616 100 715 00	Lever		1	
49	616 100 956 00	Axle		1	
50	616 100 716 00	Countersunk-head screw		2	
51	616 100 957 00	Gasket		1	
52	616 100 717 00	Countersunk-head screw		4	
53	616 100 718 00	Connecting rod Complete		1	
54	616 100 719 00	Connecting rod		1	
55	616 100 963 00	Cotter pin		1	
56	616 100 962 00	Washer		1	
57	616 100 720 00	Spring		1	
58	616 100 722 00	Bush		1	
59	616 100 721 00	Nut		1	
60	616 100 723 00	Hexagon nut		1	
61	616 100 724 00	Housing		1	
62	616 100 729 00	Rotary slide		1	
63	616 100 716 00	Countersunk-head screw		4	
64	616 100 725 00	Ball		1	
65	616 100 726 00	Compression spring		1	
66	616 100 994 00	Screw plug		1	
67	616 100 728 00	Clamping screw		1	
68	616 100 903 00	Air vent (GA) 3,5		1	
69	616 100 730 00	Lever Complete		1	
70	616 100 731 00	Lever		1	
71	616 100 732 00	Clamping screw Complete		1	
72	616 100 734 00	Clamping screw		1	
73	616 100 733 00	Bush		1	
74	616 100 962 00	Washer		1	
75	616 100 723 00	Hexagon nut		1	
76	616 100 815 00	Washer		1	
77	616 100 913 00	Hexagon nut		1	
78	616 100 735 00	Lid Carburettor		1	
79	616 100 736 00	Disc valve 1,5 MM		1	
80	616 108 423 00	Sealing ring		1	
81	616 100 910 00	Gasket		1	
82	616 100 934 00	Adjusting screw		3	
83	616 100 973 00	Connecting rod		3	
84	616 100 737 00	Connecting piece Complete		1	
85	616 100 738 00	Connecting piece		1	
86	616 108 423 00	Sealing ring		2	
87	616 108 432 00	Banjo bolt		1	

Model: 356 50

Model life 1950>>1959



Model: 356 50 Model life 1950>>1959

Pos	Part Number	Description	Remark	Qty	Model
-	616 08 901	Single parts for Carburettor SOLEX 32 PBIC Gasket set		1	1300 S
1	616 100 702 01	Carburettor Housing		1	1600 1300 S
(1)	616 100 702 00	Carburettor Housing		1	1600
2	616 100 703 01	Carburettor Housing		1	1300 S
(2)	616 100 703 00	Carburettor Housing		1	1600
3	616 100 912 00	Shaft		1	
4	616 100 909 00	Flap		1	
5	616 100 985 00	Countersunk-head screw		2	
6	616 100 986 00	Support		1	
7	616 100 988 00	Adjusting screw		1	
8	616 100 989 00	Hexagon nut		1	
9	616 100 990 00	Adjusting screw		1	
10	616 100 991 00	Idle speed Compression spring		1	
11	911 100 945 00	Lock washer		2	
12	616 100 987 00	Lever		1	
13	616 100 913 00	Hexagon nut		2	
14	616 100 755 00	Adjusting screw		1	
15	616 100 814 00	Compression spring		1	
16	616 100 994 00	Screw plug		1	
17	616 100 906 00	Float 5,7 GR		1	
18	616 100 911 00	Axle		1	
19	616 100 898 01	Funnel (K) 24		1	1300 S
(19)	616 100 898 00	Funnel (K) 26		1	1600
20	616 100 999 00	Screw Funnel		1	
21	616 100 704 00	Pipe 33		1	
22	616 100 900 00	Nozzle (A) 200		1	
23	616 100 914 00	Jet carrier		1	
24	616 100 899 03	Nozzle (GG) 0105		1	
(24)	616 100 899 04	Nozzle (GG) 0112,5		1	
25	616 100 915 00	Sealing ring		1	
26	616 100 901 00	Nozzle (G) 50		1	
27	616 100 902 03	Nozzle (U) 1,5		1	
(28)	616 100 701 00	Screw plug		1	
29	901 108 976 00	Sealing ring		1	
30	616 100 708 00	Nozzle (GP) 60		1	
31	616 100 937 00	Sealing ring		1	
32	616 100 943 00	Valve		1	
33	616 100 944 00	Strainer		1	
34	616 100 937 00	Sealing ring		1	
35	616 100 709 00	Pipe Complete 0,8 CAL.		1	

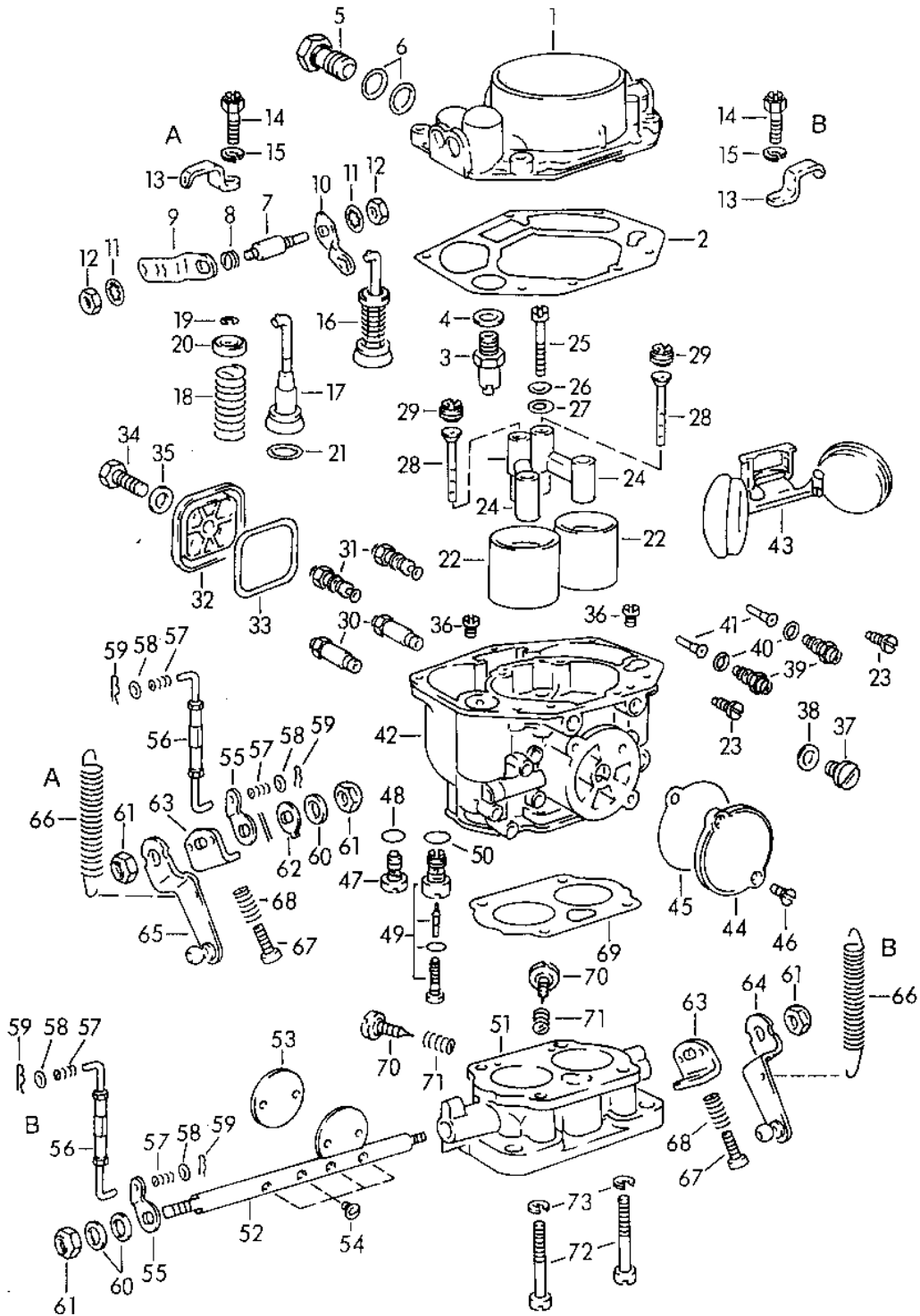
Model: 356 50

Model life 1950>>1959

Pos	Part Number	Description	Remark	Qty	Model
36	616 100 948 00	Gasket		1	
37	616 100 710 00	Countersunk-head screw		1	
38	616 100 711 00	Pump Complete 72		1	
39	616 100 712 00	Lower part		1	
40	616 100 952 00	Spring		1	
41	616 100 713 00	Diaphragm		1	
42	616 100 727 00	Lid Complete		1	
43	616 100 954 01	Lid		1	
44	616 100 745 00	Lever		1	
45	616 100 956 00	Axle		1	
46	616 100 716 00	Countersunk-head screw		2	
47	616 100 957 00	Gasket		1	
48	616 100 717 00	Countersunk-head screw		4	
49	616 100 718 00	Connecting rod Complete		1	
50	616 100 719 00	Connecting rod		1	
51	616 100 963 00	Cotter pin		1	
52	616 100 962 00	Washer		1	
53	616 100 720 00	Spring		1	
54	616 100 722 00	Bush		1	
55	616 100 721 00	Nut		1	
56	616 100 723 00	Hexagon nut		1	
-	616 100 982 00	Cover plate		1	
-	616 100 996 00	Gasket Cover plate		1	
-	616 100 985 00	Countersunk-head screw		4	
57	616 100 746 00	Lid Carburettor		1	
58	616 100 736 00	Disc valve 1,5 MM		1	
59	616 108 423 00	Sealing ring		1	
60	616 100 910 00	Gasket		1	
61	616 100 934 00	Adjusting screw		3	
62	616 100 973 00	Connecting rod		3	
63	616 108 423 00	Sealing ring		2	
64	616 108 432 00	Banjo bolt		1	

Model: 356 50

Model life 1950>>1959



Model: 356 50

Model life 1950>>1959

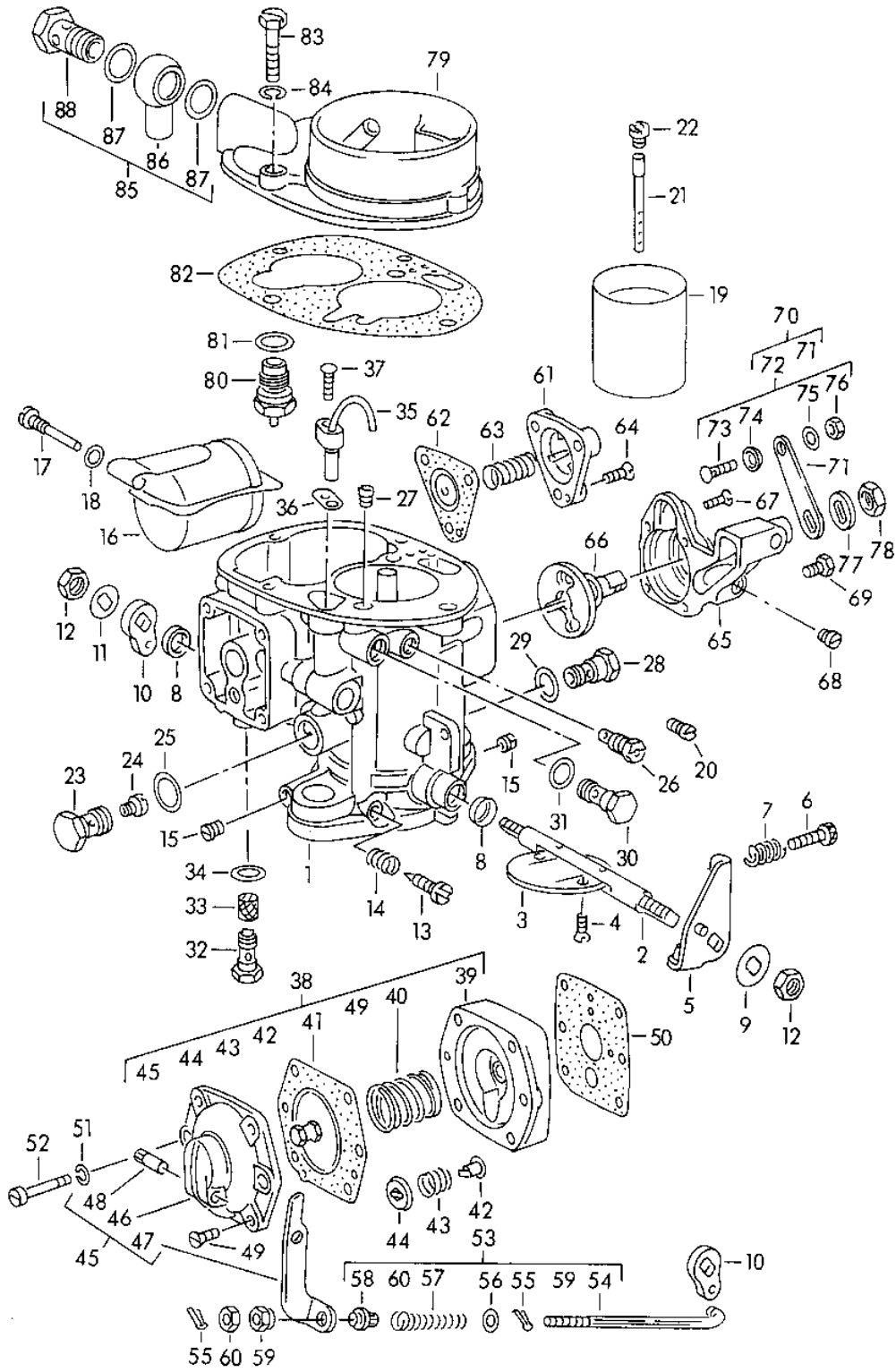
Pos	Part Number	Description	Remark	Qty	Model
		Single parts for Carburettor PALLAS - ZENITH 32 NDIX			
1	616 100 863 00	Lid		1	
2	616 100 864 00	Gasket		1	
2	616 100 864 01	Gasket		1	
-	900 093 002 30	Grooved nail 2,6 X 5		2	
3	616 100 974 00	Valve 125		1	
3	616 100 974 01	Valve 125		1	
4	616 100 866 00	Sealing ring		1	
5	616 100 867 00	Banjo bolt		1	
6	616 108 423 00	Sealing ring A 12 X 16		2	
7	616 100 869 00	Shaft		1	
8	616 100 870 00	Spring		1	
9	616 100 871 00	Lever Outer		1	
10	616 100 872 00	Lever Inner		1	
11	616 100 873 00	Shake-proof washer J 6,4		2	
12	616 100 874 00	Hexagon nut BM 6		2	
13	616 08 139	Bracket		1	
14	616 100 877 00	Fastening screw		5	
15	616 100 878 00	Lock ring B 5		5	
16	616 100 850 00	Piston Complete		1	
17		Piston		1	
18		Piston		1	
19		Piston		1	
20		Piston		1	
21		Piston		1	
22	616 100 824 00	Funnel 24		2	1600
(22)	616 100 825 00	Funnel 28		2	1600 S
23	616 100 826 00	Screw		2	
24	616 100 827 00	Jet carrier Bracket with Booster		2	
25	616 100 828 00	Screw		1	
26	616 100 830 00	Lock ring A 5		1	
27	900 025 003 02	Washer		1	
28	616 100 831 00	Pipe 1 S		2	
29	616 100 832 00	Nozzle 230		2	1600
(29)	616 100 833 00	Nozzle 220		2	1600 S
30	616 100 834 00	Nozzle 115		2	1600
(30)	616 100 835 00	Nozzle 130		2	1600 S
31	616 100 836 00	Nozzle 50		2	

Model: 356 50 Model life 1950>>1959

Pos	Part Number	Description	Remark	Qty	Model
32	616 100 837 00	Lid		1	
33	616 100 838 00	Sealing ring		1	
34	616 100 839 00	Hexagon-head bolt		1	
35	616 100 840 00	Sealing ring		1	
36	616 100 841 00	Nozzle 120		2	1600
(36)	616 100 842 00	Nozzle 140		2	1600 S
37	616 100 843 00	Screw plug		1	
38	616 100 844 01	Sealing ring		1	
39	616 100 845 00	Nozzle 50		2	1600
(39)	616 100 846 00	Nozzle 40		2	1600 S
40	616 100 847 00	Sealing ring		2	
41	616 100 848 00	Pipe NR. 8 Short		2	
42	616 100 822 00	Housing		1	
43	616 100 823 00	Float with Articulated support		1	
43	616 100 823 01	Float without Articulated support		1	
44	616 100 860 00	Lid		1	
45	616 100 862 00	Gasket		2	
-	900 114 007 00	Shake-proof washer V 5,3		2	
46	616 100 861 00	Oval-head screw		1	
47	616 100 856 00	Valve		1	
48	616 100 857 01	Sealing ring		1	
49	616 100 858 00	Valve Complete		1	
50	616 100 859 01	Sealing ring		1	
51	616 100 801 00	Throttle body without Throttle shaft And Accessories		1	
52	PCG 100 802 00	Shaft		1	
53	616 100 803 00	Flap		2	
54	616 100 804 00	Oval-head screw		4	
55	616 100 808 00	Lever		1	
56	616 100 809 00	Connecting rod		1	
57	616 100 810 00	Spring		2	
58	616 100 811 00	Washer		2	
59	616 100 812 00	Retaining spring		2	
60	616 100 816 00	Washer		2	
61	616 100 817 00	Hexagon nut		2	
62	616 100 815 00	Washer		1	
63	616 100 805 00	Support		1	
64	616 08 034	Lever	/R	1	
65	616 08 013	Lever	/L	1	
66	616 08 119	Tension spring		1	
67	616 100 813 00	Adjusting screw		1	
68	616 100 814 00	Compression spring		1	
69	616 100 821 00	Gasket		1	
70	616 100 818 00	Adjusting screw		2	
71	616 100 814 00	Compression spring		2	
72	616 100 819 00	Pan-head screw		4	
73	616 100 820 00	Lock ring		4	

Model: 356 50

Model life 1950>>1959



Model: 356 50

Model life 1950>>1959

Pos	Part Number	Description	Remark	Qty	Model
		Single parts for Carburettor SOLEX 40 PBIC M >> 81 200			527/528 1600 S
-	616 08 902	Gasket set		1	
1	616 100 740 00	Carburettor Housing		1	
2	616 100 741 00	Throttle shaft		1	
3	616 100 742 00	Throttle body		1	
4	616 100 743 00	Countersunk-head screw		2	
5	616 100 744 00	Support		1	
6	616 100 990 00	Adjusting screw Idle speed		1	
7	616 100 991 00	Compression spring		1	
8	616 100 748 00	Sealing ring		2	
9	911 100 945 00	Lock washer		1	
10	616 100 987 00	Lever		1	
11	616 100 815 00	Washer		1	
12	616 100 913 00	Hexagon nut		2	
13	616 100 749 00	Adjusting screw		1	
14	616 100 991 00	Compression spring		1	
15	616 100 994 00	Screw plug		2	
16	528 08 116	Float 21 GR		1	
17	616 100 750 00	Fastening screw		1	
18	616 100 751 00	Sealing ring		1	
19	616 100 752 00	Funnel (K) 29		1	
20	616 100 754 00	Screw Funnel		1	
21	616 100 756 00	Pipe 28		1	
22	616 100 900 00	Nozzle (A) 200		1	
23	616 100 757 00	Jet carrier		1	
24	616 100 899 00	Nozzle (GG) 130		1	
25	616 100 915 00	Sealing ring		1	
26	616 100 901 01	Nozzle (G) 45		1	
27	616 100 902 04	Nozzle (U) 2,0		1	
28	616 100 904 00	Nozzle (GS) 160		1	
29	616 100 937 00	Sealing ring		1	
30	616 100 708 01	Nozzle (GP) 70		1	
31	616 100 937 00	Sealing ring		1	
32	616 100 943 00	Valve		1	
33	616 100 944 00	Strainer		1	
34	616 100 937 00	Sealing ring		1	
35	616 100 760 00	Pipe Complete		1	
36	616 100 948 00	Gasket		1	
37	616 100 710 00	Countersunk-head screw		1	
38	616 100 762 00	Pump Complete 83		1	
39	616 100 763 00	Lower part		1	
40	616 100 952 00	Spring		1	
41	616 100 761 00	Diaphragm		1	

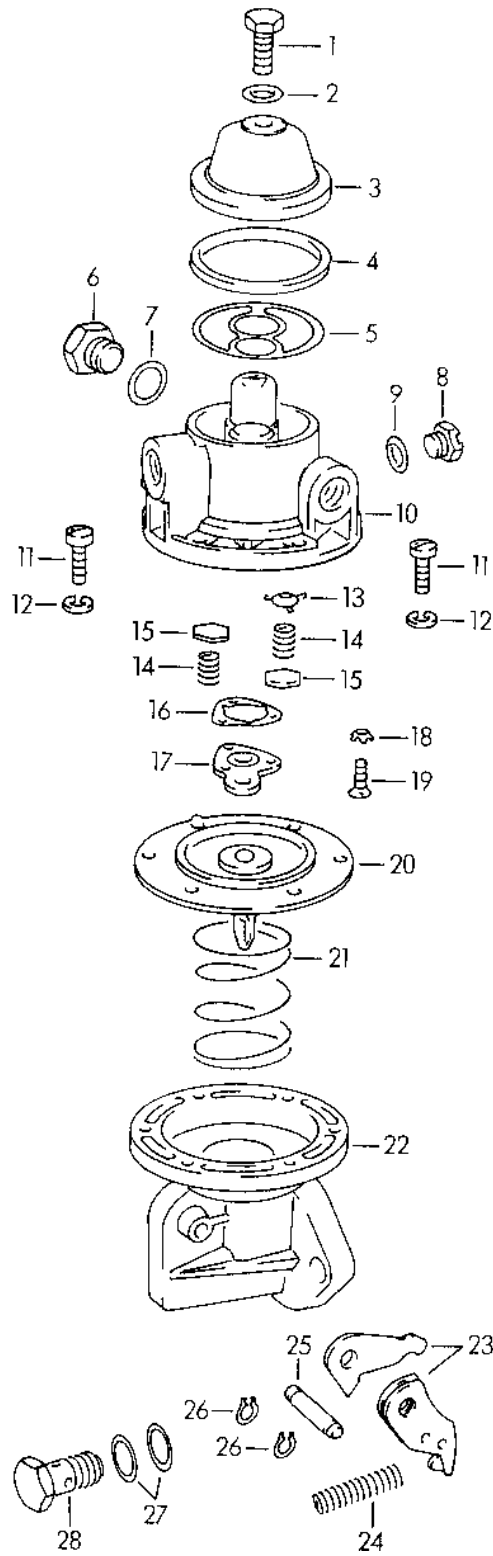
Model: 356 50

Model life 1950>>1959

Pos	Part Number	Description	Remark	Qty	Model
42	616 100 764 00	Valve		1	
43	616 100 765 00	Spring		1	
44	616 100 766 00	Seat		1	
45	616 100 767 00	Lid		1	
		Complete			
46	616 100 768 00	Lid		1	
47	616 100 769 00	Lever		1	
48	616 100 956 00	Axle		1	
49	616 100 716 00	Countersunk-head screw		2	
50	616 100 771 00	Gasket		1	
51	616 100 773 00	Lock ring		4	
52	616 100 772 00	Pan-head screw		4	
53	616 100 774 00	Connecting rod		1	
		Complete			
54	616 100 775 00	Connecting rod		1	
55	616 100 966 00	Cotter pin		1	
56	616 100 962 00	Washer		1	
57	616 100 720 00	Spring		1	
58	616 100 722 00	Bush		1	
59	616 100 721 00	Nut		1	
60	616 100 723 00	Hexagon nut		1	
61	616 100 780 00	Valve cover		1	
62	616 100 782 00	Diaphragm		1	
63	616 100 783 00	Valve spring		1	
64	616 100 710 00	Countersunk-head screw		3	
65	616 100 784 00	Housing		1	
66	616 100 787 00	Rotary slide		1	
67	616 100 716 00	Countersunk-head screw		1	
68	616 100 994 00	Screw plug		1	
69	616 100 728 00	Clamping screw		1	
70	616 100 788 00	Lever		1	
71	616 100 789 00	Lever		1	
72	616 100 732 00	Clamping screw		1	
		Complete			
73	616 100 734 00	Clamping screw		1	
74	616 100 733 00	Bush		1	
75	616 100 962 00	Washer		1	
76	616 100 723 00	Hexagon nut		1	
77	616 100 815 00	Washer		1	
78	616 100 913 00	Hexagon nut		1	
79	616 100 794 00	Lid		1	
		Carburettor			
80	616 100 905 00	Valve		1	
		2 MM			
80	616 100 905 01	Valve		1	
		2 MM			
81	616 108 423 00	Sealing ring		1	
82	616 100 795 00	Gasket		1	
83	616 100 796 00	Screw		3	
84	616 100 973 00	Connecting rod		3	
85	616 100 737 00	Connecting piece		1	
86	616 100 738 00	Connecting piece		1	
87	616 108 423 00	Sealing ring		2	
88	616 108 432 00	Banjo bolt		1	

Model: 356 50

Model life 1950>>1959



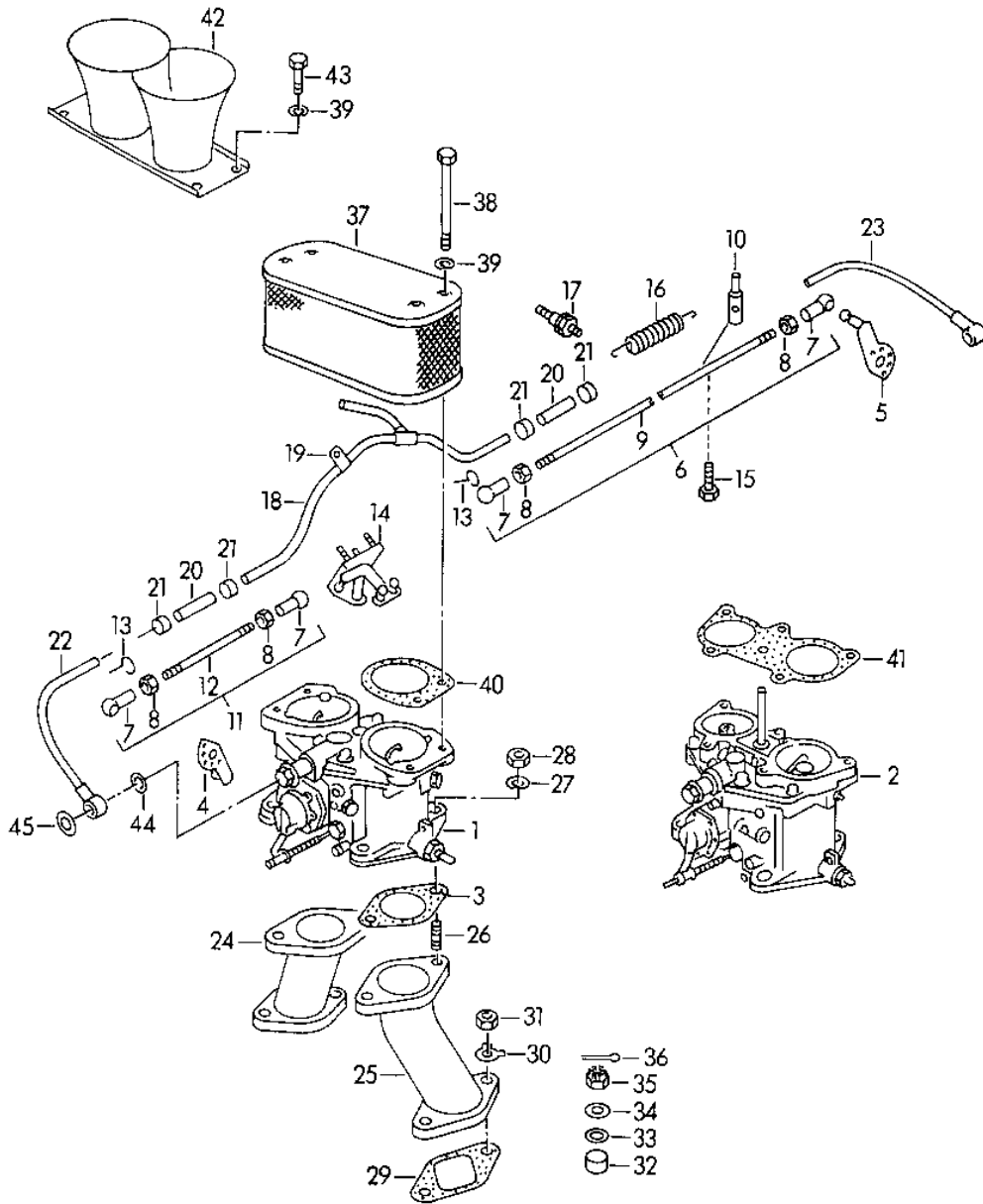
Model: 356 50

Model life 1950>>1959

Pos	Part Number	Description	Remark	Qty	Model
		Single parts for Fuel pump 616. 08.401			
-	616 108 903 00	Repair kit		1	
1	616 108 420 00	Hexagon-head bolt		1	
2	616 108 421 00	Sealing ring		1	
3	616 108 419 00	Cap		1	
4	616 108 418 00	Sealing ring		1	
5	616 108 417 00	Fuel strainer		1	
6	616 108 422 00	Lid		1	
7	616 108 423 00	Sealing ring		1	
8	616 108 424 00	Lid M 8 X 1		1	
9	616 108 425 00	Sealing ring		1	
10	616 108 411 00	Housing Upper part		1	
11	900 015 012 00	Oval-head screw M 5 X 15		6	
12	900 027 003 00	Lock ring A 5		6	
13	616 108 414 00	Spring hanger		1	
14	616 108 413 00	Valve spring		2	
15	616 108 412 00	Plate		2	
16	616 108 415 00	Gasket		1	
17	616 108 416 00	Valve plate		1	
18	N 012 140 1	Shake-proof washer		1	
19	900 013 001 00	Countersunk-head screw		1	
20	616 108 426 00	Diaphragm		1	
21	616 108 427 00	Spring 2,8 KG		1	
22	616 108 428 00	Lower part		1	
23	616 108 429 00	Lever		1	
24	616 108 431 00	Compression spring		1	
25	616 108 430 00	Axle		1	
26	999 041 001 01	Snap ring		2	
27	616 108 423 00	Sealing ring		2	
28	616 108 432 00	Banjo bolt		1	

Model: 356 50

Model life 1950>>1959



Model: 356 50 Model life 1950>>1959

Pos	Part Number	Description	Remark	Qty	Model
		Carburettor SOLEX 40 P II SOLEX 40 P II-4 And Fuel supply line M 90 501 >> 91 000			CARRERA 1500 GS/GT
-	PCG 108 902 00	Gasket set for Carburettor		2	
1	547 08 304	Carburettor SOLEX 40 P II		2	
2	547 08 304 1	Carburettor SOLEX 40 P II-4		2	
3	502 08 305	Gasket		4	
4	547 08 014	Lever Left		1	
5	547 08 119	Lever Right		1	
6	547 08 121	Pull rod Complete		1	
7	900 169 007 00	Ball socket B 8		4	
8	900 076 005 00	Hexagon nut M 5		4	
9	547 08 124	Push rod		1	
10	547 08 132	Clamping piece		1	
11	547 08 123	Push rod Complete		1	
12	547 08 122	Pull rod		1	
13	900 169 009 00	Securing clip S 8		4	
14	547 08 125	Bearing bracket Reverse lever Complete		1	
-	900 027 013 00	Spring washer B 6		3	
-	900 076 010 02	Nut M 6		3	
-	900 076 010 0B	Nut M 6		3	
15	900 075 010 00	Hexagon-head bolt M 6 X 12		1	
16	547 08 117	Tension spring		1	
17	547 08 103	Retaining pivot Air guide housing		1	
18	547 08 230	Fuel line		1	COUPE
-	547 08 238	Fuel line		1	CABRIO SPEEDSTER 540.1
19	356 49 648	Clip		2	
20	547 08 239	Fuel line		2	
21	901 108 219 00	Cap Cap		4	
22	547 08 255	Line Left		1	
23	547 08 256	Line Right		1	
24	547 08 318	Intake manifold Left		2	
25	547 08 319	Intake manifold Right		2	
26	547 08 320	Stud		8	
27	900 028 005 00	Spring washer		8	

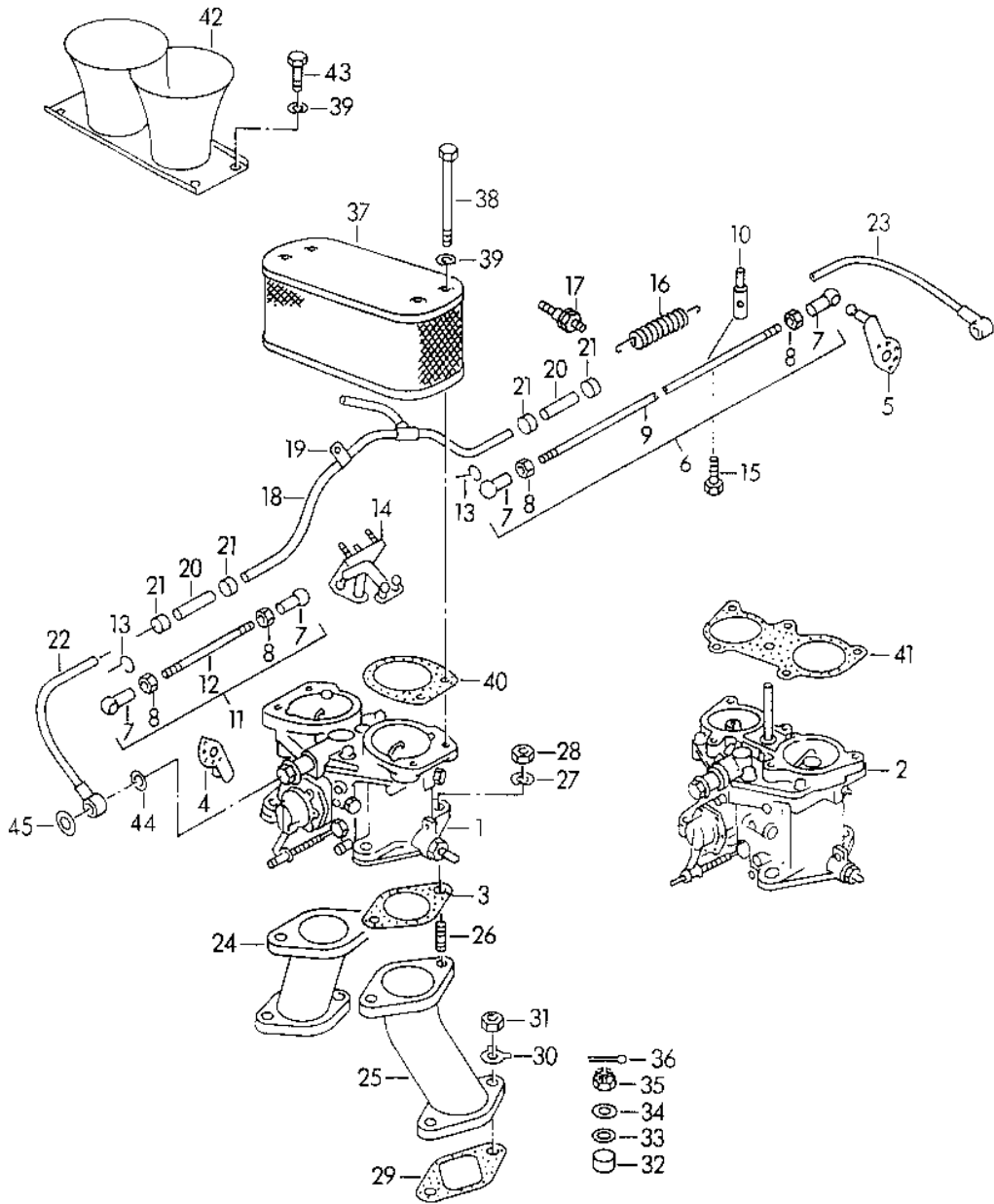
Model: 356 50

Model life 1950>>1959

Pos	Part Number	Description	Remark	Qty	Model
28	900 076 015 00	A 10 Hexagon nut M 10		8	
29	547 08 313	Gasket		4	
30	999 039 001 00	Tab washer		8	
31	502 08 310	Hexagon nut		8	
32	547 08 323	Guide sleeve		8	
33	547 08 324	Sealing ring		24	
34	547 08 325	Washer		8	
35	000 95 507	Castle nut		8	
36	900 021 009 00	Cotter pin 2 X 18		8	
37	547 08 317	Air cleaner for Carburettor 547.08.304		2	
-	616 108 203 01	Air cleaner for Carburettor 547.08.304.1		2	
38	900 074 026 00	Hexagon-head bolt M 6 X 95		X	
39	900 028 008 00	Spring washer B 6		X	
40	547 08 316	Gasket for Carburettor 547.08.304		4	
41	616 108 291 00	Gasket for Carburettor 547.08.304.1		2	
42	547 08 315	Intake trumpet for Carburettor 547.08.304		2	
-	547 08 315 1	Intake trumpet for Carburettor 547.08.304.1		2	
43	900 075 010 00	Hexagon-head bolt M 6 X 12		X	
44	616 108 423 00	Sealing ring		2	
45	692 100 981 00	Sealing ring		2	

Model: 356 50

Model life 1950>>1959



Model: 356 50 Model life 1950>>1959

Pos	Part Number	Description	Remark	Qty	Model
		Carburettor SOLEX 40 P II-4/WEBER And Fuel supply line			CARRERA 1600 GS/GT
(1)	692 108 103 00	Carburettor SOLEX 40 P II-4		2	692/1
-	692 108 101 00	Carburettor SOLEX 40 P II-4		2	692/2
-	692 108 102 00	Carburettor WEBER		2	692/3
3	502 08 305	Gasket Carburettor SOLEX		4 2	692/1/2
(3)	692 108 901 00	Gasket Carburettor WEBER		2	692/3
(4)	692 108 015 00	Lever Left Carburettor SOLEX		1	692/1/2
(4)	692 108 017 00	Lever Left Carburettor WEBER		1	692/3
(5)	692 108 016 00	Lever Right Carburettor SOLEX		1	692/1/2
(5)	692 108 018 00	Lever Right Carburettor WEBER		1	692/3
-	692 108 014 00	Lever for Fuel pump Carburettor WEBER		1	692/3
-	692 108 751 01	Supporting bow Carburettor SOLEX		1	692/1/2
-	692 108 755 00	Supporting bow Carburettor WEBER		1	692/3
-	692 108 752 01	Supporting bow Carburettor SOLEX		1	692/1/2
-	692 108 756 00	Supporting bow Carburettor WEBER		1	692/3
-	692 108 061 01	Reverse lever		1	692/1/2
-	692 108 061 02	Reverse lever		1	692/3
7	900 169 007 00	Ball socket		4	
8	900 076 005 00	Hexagon nut M 5		6	
12	692 108 640 00	Push rod		2	
13	900 169 009 00	Securing clip		4	
-	999 521 008 00	Compression spring		1	
-	999 167 012 02	Ball pin		4	
-	900 079 012 02	Castle nut M 6		1	
-	900 021 003 00	Cotter pin 1,5 X 15		2	
-	999 522 002 02	Tension spring		2	

Model: 356 50 Model life 1950>>1959

Pos	Part Number	Description	Remark	Qty	Model
18	547 08 230	Fuel line		1	692/1/2
-	547 08 238	Fuel line		1	692/1/2
		Of			
		Filter			
		for			
		Carburettor			
-	547 08 230 1	Fuel line		1	692/2
		Of			
		Filter			
		for			
		Carburettor			
		Version			
		with			
		- EBERSPAECHER -			
		Heating			
-	616 08 025 1	Fuel hose		1	692/2
		Filter			
		Heater			
19	356 49 648	Clip		2	
20	547 08 239	Fuel line		2	
21	901 108 219 00	Cap		4	
		Cap			
22	547 08 255	Line		1	692/1/2
		Left			
		Carburettor			
		SOLEX			
-	692 108 057 00	Line		1	692/3
		Left			
		Carburettor			
		WEBER			
23	547 08 256	Line		1	692/1/2
		Right			
		Carburettor			
		SOLEX			
-	692 108 058 00	Line		1	692/3
		Right			
		Carburettor			
		WEBER			
24	547 08 318	Intake manifold		2	692/1/2
		Left			
		Carburettor			
		SOLEX			
25	547 08 319	Intake manifold		2	692/1/2
		Right			
		Carburettor			
		SOLEX			
-	692 108 301 00	Intake manifold		2	692/3
		Carburettor			
		WEBER			
26	547 08 320	Stud		8	692/1/2
(26)	900 061 022 02	Stud		8	692/3
		8 X 12			
27	N 012 230 1	Spring washer		8	692/1/2
		A 10			
(27)	900 028 004 01	Spring washer		8	692/3
		A 10			
28	547 01 121	Hexagon nut		8	692/1/2
		M 10			
(28)	502 08 310	Hexagon nut		8	692/3
		M 10			
29	547 08 313	Gasket		4	
32	547 08 323	Guide sleeve		8	
33	547 08 324	Sealing ring		24	

Model: 356 50 Model life 1950>>1959

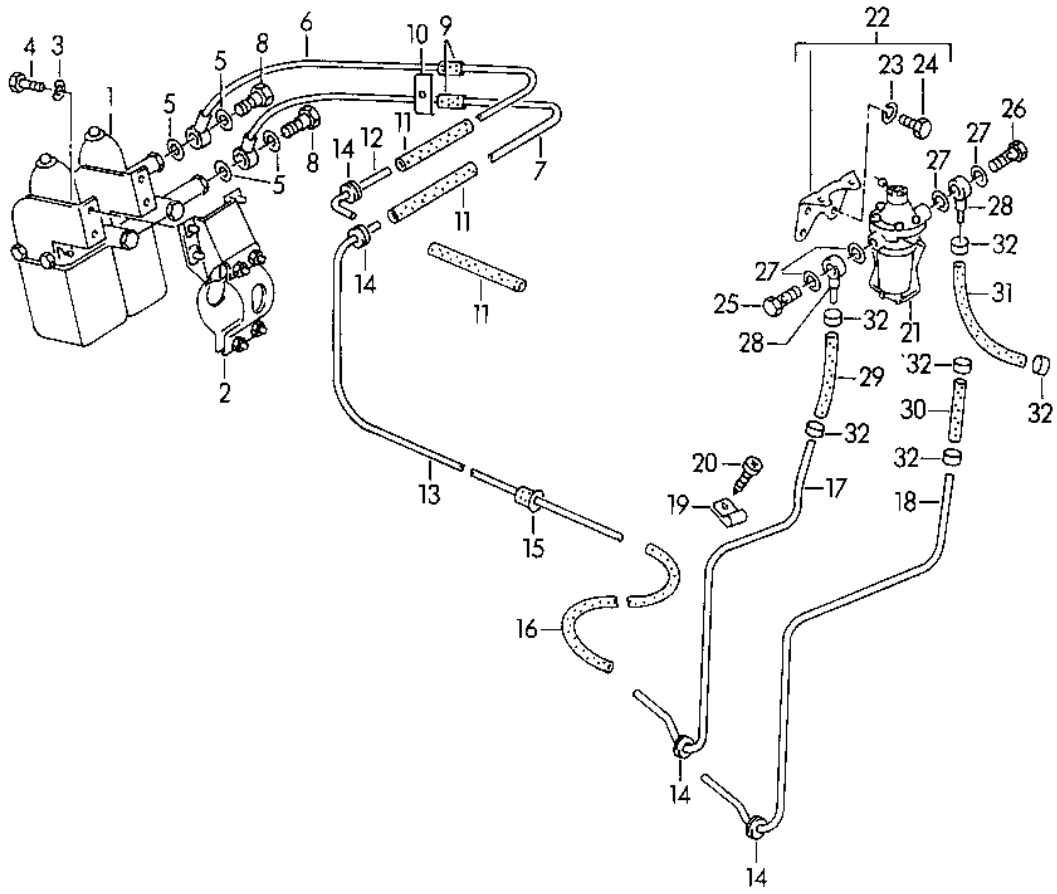
Pos	Part Number	Description	Remark	Qty	Model
34	547 08 325	Washer		8	
35	000 95 507	Castle nut		8	
36	900 021 009 00	Cotter pin 2 X 18		8	
37	616 108 203 01	Air cleaner for Carburettor SOLEX		2	692/1/2
-	692 108 201 00	Air cleaner for Carburettor WEBER		2	692/3
38	900 074 026 00	Hexagon-head bolt M 6 X 95		10	692/1/2
-	900 074 007 00	Hexagon-head bolt M 5 X 100 Carburettor WEBER		8	692/3
-	900 080 060 02	Stud M 5 X 15		8	692/3
-	900 027 013 01	Lock ring B 5		8	692/3
-	900 076 006 02	Hexagon nut M 5		8	692/3
39	900 028 008 00	Spring washer B 6		8	692/1/2
(39)	900 028 007 00	Spring washer B 5		8	692/3
41	616 108 291 00	Gasket for Intake trumpet		2	692/1/2
42	547 08 315 1	Intake trumpet		2	692/1/2
43	900 075 010 00	Hexagon-head bolt M 6 X 12		8	692/1/2
(43)		Hexagon-head bolt M 5 X 22		8	692/3
44	616 108 423 00	Sealing ring		2	692/1/2
45	692 100 981 00	Sealing ring		2	692/1/2
		Single parts for Carburettor SOLEX			692/2
-		Venturi 34		2	692/2
-		Main vent GG 0110		2	692/2
-		Air correction jet A 220		2	692/2
-		Idle jet G 55		2	692/2
-	692 100 963 00	Nozzle 1,6		2	692/2
-	616 100 936 00	Nozzle GP 50		2	692/2
-	616 100 907 02	Pipe 25		2	692/2
-	616 100 907 03	Pipe 25		2	692/2
-	616 100 905 00	Valve 2		2	692/2
-	616 100 905 01	Valve 2		2	692/2
-		Float		2	692/3

Model: 356 50 Model life 1950>>1959

Pos	Part Number	Description	Remark	Qty	Model
-	616 100 949 00	Plastic material 10 GR Injection pump 72		2	692/2
-		Ball valve with Glass Ball Single parts for Carburettor Preheating		2	692/2
-	692 106 083 00	Connection piece	/L	1	692/2/3
-	692 106 084 00	Connection piece	/R	1	692/2/3
-	692 106 873 01	Flap for Connection piece		2	692/2/3
-	900 021 020 00	Cotter pin 3 X 45		2	692/2/3
-	692 106 875 00	Spring clip		2	692/2/3
-	900 025 004 00	Washer		4	692/2/3
-	900 014 019 02	Pan-head screw		4	692/2/3
-	692 106 870 00	Connecting piece		2	692/3
-	999 512 013 02	Clamp		2	692/3
-	692 106 089 00	Air guide for Carburettor Preheating		2	692/2
-	692 106 921 00	Hose for Carburettor Preheating		2	692/2
-	692 106 921 01	Hose for Carburettor Preheating		2	692/3
-	999 512 120 02	Hose clamp		2	692/2
-		Hose clamp		2	692/3

Model: 356 50

Model life 1950>>1959



Model: 356 50

Model life 1950>>1959

Pos	Part Number	Description	Remark	Qty	Model
		Fuel pump -AUTOPULSE 500- Electric with Lines			CARRERA 1500 GS/GT
1	547 08 405	Fuel pump -AUTOPULSE 500- Electric		1	
2	547 08 041	Bracket Complete		1	
3	900 027 013 00	Spring washer B 6		4	
4	900 075 017 02	Hexagon-head bolt M 6 X 25		4	
4	900 075 017 03	Hexagon-head bolt M 6 X 25		4	
5	900 123 007 30	Sealing ring A 14 X 18 X 1,5		4	
6	547 08 240 1	Intake pipe		1	
7	547 08 245 1	Pressure line		1	
8	547 08 234	Banjo bolt		2	
9	356 49 664	Boot		2	
10	900 172 001 00	Clamp 12		1	
-	900 074 005 00	Hexagon-head bolt M 5 X 22		1	
-	900 028 007 00	Spring washer B 5		1	
-	900 076 004 02	Hexagon nut M 5		1	
11	999 180 030 50	Fuel hose		*	
11	999 180 030 5A	Fuel hose		*	
12	547 08 243 1	Fuel line		1	
13	546 08 201	Line 1960 MM Long		1	
14	539 06 605	Grommet		3	
15	914 356 201 00	Rubber sleeve		1	
16	999 180 030 50	Fuel hose		*	
16	999 180 030 5A	Fuel hose		*	
17	547 08 248	Fuel line		1	COUPE
18	547 08 249	Fuel line		1	CABRIO SPEEDSTER
19	356 49 648	Clip		2	
20	900 138 006 00	Pan-head tapping screw B 3,9 X 13		2	
21	547 08 201	Filter		1	
-	547 08 261	Filter Glass		1	
-	547 08 262	Gasket		1	
-	547 08 263	Diaphragm		1	
22	550 51 219	Support Complete		1	
23	900 027 013 00	Spring washer B 6		4	
24	900 075 011 00	Hexagon-head bolt M 6 X 15		4	
25	547 08 211	Banjo bolt Intake		1	
26	547 08 212	Banjo bolt Exhaust		1	
27	900 123 026 30	Sealing ring D 12 X 16		4	

Model: 356 50

Model life 1950>>1959

Pos	Part Number	Description	Remark	Qty	Model
28	547 08 250	Connecting piece		2	
29	999 180 030 50	Fuel hose		*	COUPE
29	999 180 030 5A	Fuel hose		*	COUPE
30	547 08 203	Fuel hose		1	CABRIO SPEEDSTER
31	999 180 030 50	Fuel hose		*	
31	999 180 030 5A	Fuel hose		*	
32	901 108 219 00	Cap		6	

Model: 356 50

Model life 1950>>1959



Model: 356 50 Model life 1950>>1959

Pos	Part Number	Description	Remark	Qty	Model
		Single parts for Carburettor SOLEX 40 PII SOLEX 40 PII-4 M 90 501 >> 91 000			CARRERA 1500 GS/GT
-	616 108 423 00	Sealing ring		2	
		Banjo bolt			
-	616 100 815 00	Washer		2	
		Throttle shaft			
-	692 100 979 00	Banjo bolt		2	
		Fuel line			
-	616 08 719	Fuel strainer		2	
		Banjo bolt			
-	692 100 981 00	Sealing ring		2	
		Banjo bolt			
-	616 100 913 00	Hexagon nut		4	
		Shaft			
-	616 100 915 00	Sealing ring		4	
		Jet carrier			
-	616 100 937 00	Sealing ring		6	
		Pump jet			
		Ball valve			
-	547 100 915 00	Adjusting screw		4	
		Idle jet			
-	616 100 944 00	Strainer		2	
		Ball valve			
-	911 100 945 00	Lock washer		4	
		for Hexagon nut			
		Throttle shaft			
-	616 100 909 01	Flap		4	
		8 GRAD			
-	616 100 917 00	Oval-head screw for Mount		8	
		Throttle valve			
-	616 100 914 01	Jet carrier		4	
-	616 100 923 00	Adjusting screw		2	
		Adjusting shim			
-	616 100 947 00	Oval-head screw		4	40 PII
		Injection line 547.100.924.00			
-	616 100 911 01	Axle		2	
		Float			
-	616 100 814 00	Compression spring		2	
		Idle speed			
		Adjusting screw			
-		Compression spring		4	40 PII
		Adjusting screw			
-	616 100 991 00	Compression spring		4	40 PII-4
		Adjusting screw			
-	616 100 912 01	Clutch control shaft		2	
-	901 108 976 00	Sealing ring		2	40 PII-4
		Screw plug			
-	616 100 948 00	Gasket		4	40 PII-4
		Injection line			
-	547 100 946 00	Fastening screw		X	
		Square screw			
		Mixture control unit			
		Lid			
-	616 100 958 00	Oval-head screw		8	
		Diaphragm pump			

Model: 356 50

Model life 1950>>1959

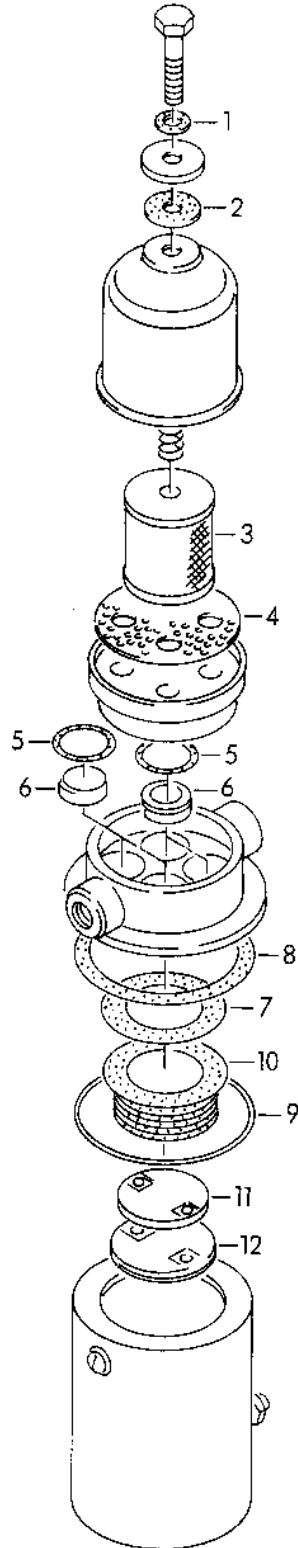
Pos	Part Number	Description	Remark	Qty	Model
-	616 100 905 00	NR. 82 Valve 2,0 MM		2	
-	616 100 905 01	Valve 2,0 MM		2	
-	547 100 928 00	Ball valve Complete		2	
-	547 100 939 01	Sealing ring Carburettor needle valve 2,0 MM		2	40 PII
-	616 108 423 00	Sealing ring Carburettor needle valve 2,0 MM		2	40 PII-4
-	547 100 940 00	Sealing ring Diaphragm pump		2	40 PII
-	616 100 957 00	NR. 82 Gasket Diaphragm pump		2	40 PII-4
-	547 100 921 00	NR. 72 Sealing ring Screw		4	40 PII
-	547 100 943 00	Screw		4	40 PII
-	547 100 919 00	Exhaust pipe Diaphragm pump Complete		2	40 PII
-	616 100 949 00	NR. 82 Diaphragm pump Complete		2	40 PII-4
-	547 100 924 00	NR. 72 Injection line		4	40 PII
-	547 100 927 00	Injection line		2	40 PII-4
-	547 100 929 00	Injection line		2	40 PII-4
-	547 100 925 00	Connecting rod		2	40 PII
-	547 100 930 00	Injection pump Connecting rod Injection pump		2	40 PII-4
-	547 100 920 00	Support Carburettor Left		1	40 PII
-	616 100 920 00	Support Carburettor Right		1	40 PII-4
-	547 100 920 01	Support Carburettor Right		1	40 PII
-	616 100 919 00	Support Carburettor Left		1	40 PII-4
-	547 100 935 00	Fastening screw Pan-head screw Carburettor Lid		8	40 PII
-	547 100 936 00	Lock ring		14	40 PII
-	547 100 926 00	Carburettor Lid		2	40 PII
-	547 100 931 00	Carburettor Lid		2	40 PII-4
-	547 100 942 00	Screw Venturi		4	40 PII
-	616 100 931 00	Stud Venturi		4	40 PII-4
-	547 100 945 00	Gasket Carburettor		2	40 PII

Model: 356 50 Model life 1950>>1959

Pos	Part Number	Description	Remark	Qty	Model
-	547 100 933 00	Lid Gasket Carburettor		2	40 PII-4
-	547 100 918 00	Lid Float 10,0 GR.		2	40 PII
-	616 100 997 00	Float 12,5 GR.		2	40 PII-4
-	547 100 941 00	Air guide \$ 34 MM		4	40 PII
-	547 100 938 00	Air guide \$ 30 MM		4	40 PII-4
-	547 100 938 01	Air guide \$ 34 MM		4	40 PII-4
-	547 100 937 02	Nozzle 0120		4	40 PII
-	547 100 937 00	Nozzle 0102,5 with Venturi \$ 30 MM		4	40 PII-4
-	547 100 937 01	Nozzle 0110 with Venturi \$ 34 MM		4	40 PII-4
-	616 100 901 00	Nozzle 50		4	
-	616 100 902 04	Nozzle 2,0		4	40 PII
-	616 100 902 03	Nozzle 1,5		4	40 PII-4
-	547 100 916 00	Nozzle 260		4	40 PII
-	547 100 923 01	Nozzle 200 with Venturi \$ 30 MM		4	40 PII-4
-	547 100 923 00	Nozzle 180 with Venturi \$ 34 MM		4	40 PII-4
-	616 100 708 00	Nozzle 60		4	40 PII
-	616 100 936 00	Nozzle 50		4	40 PII-4
-	547 100 917 00	Pipe		4	40 PII
-	616 100 704 00	Pipe NR. 33 with Venturi \$ 30 MM		4	40 PII-4
-	616 100 704 01	Mixing tube NR. 21 with Venturi \$ 34 MM		4	40 PII-4

Model: 356 50

Model life 1950>>1959



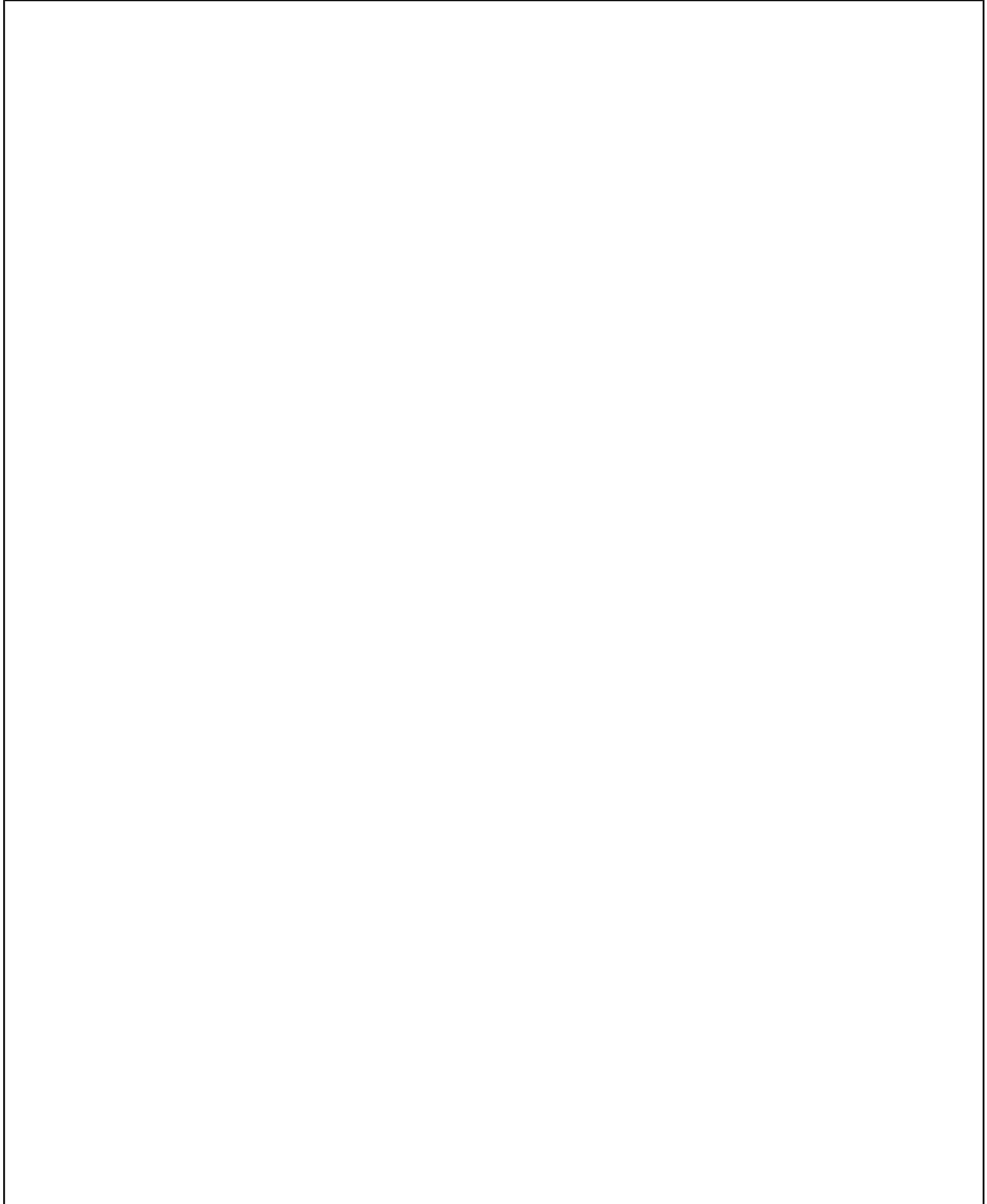
Model: 356 50

Model life 1950>>1959

Pos	Part Number	Description	Remark	Qty	Model
		Single parts for Fuel pump AUTOPULSE 500 Electric			CARRERA 1500 GS/GT
1	547 108 901 00	Gasket		2	
2	547 108 901 01	Gasket		2	
3	547 108 901 02	Strainer		2	
4	547 108 901 03	Gasket		2	
		Filter			
5	547 108 901 04	Gasket		4	
		Valve			
6	547 108 901 05	Valve		4	
		Intake			
		Exhaust			
7	547 108 901 06	Gasket		2	
		Bellows			
8	547 108 901 07	Gasket		2	
9	547 108 901 08	Ring		2	
		Bellows			
10	547 108 901 09	Bellows		2	
11	547 108 901 11	Contacts		2	
		Upper			
12		Contacts		2	
		Lower			
-	547 108 901 12	Gasket set Complete		2	

Model: 356 50

Model life 1950>>1959



Model: 356 50 Model life 1950>>1959

Pos	Part Number	Description	Remark	Qty	Model
>>		Gasket set			369
		Gasket set			
		Porsche			
		Comprising:			
-	369 01 105	Gasket		1	
		Crankcase			
-	369 01 111	Washer		6	
		Copper			
-	502 02 301	Gasket		1	
		Flywheel			
-		Gasket		4	
		04 07 5			
		Cylinder			
-	616 104 951 00	Gasket		2	
		Cylinder head cover			
-	369 08 264 1	Gasket		2	
		Intake manifold			
-	369 08 280	Gasket		2	
		Carburettor			
-	616 111 291 00	Gasket		4	
		Exhaust silencer			
>>		Gasket set			506/546
		Porsche			
		Comprising:			
-	369 01 105	Gasket		1	
		Crankcase			
-	369 01 111	Washer		6	
		Copper			
-	502 02 301	Gasket		1	
		Flywheel			
-	500 04 103	Gasket		4	
		Cylinder			
-	616 104 951 00	Gasket		2	
		Cylinder head cover			
-	369 08 264 1	Gasket		2	
		Intake manifold			
-	369 08 280	Gasket		2	
		Carburettor			
-	616 111 291 00	Gasket		4	
		Exhaust silencer			
>>		Gasket set			527
		Porsche			
		Comprising:			
-	369 01 105	Gasket		1	
		Crankcase			
-	369 01 111	Washer		6	
		Copper			
-	502 02 301	Gasket		1	
		Flywheel			
-	500 04 103	Gasket		4	
		Cylinder			
-	616 104 951 00	Gasket		2	
		Cylinder head cover			
-	369 08 264 1	Gasket		2	
		Intake manifold			
-	369 08 280	Gasket		2	
		Carburettor			
-	502 08 305	Gasket		2	
		Carburettor			
		40 PICB			
-	616 111 291 00	Gasket		4	
		Exhaust silencer			
>>		Gasket set			528

Model: 356 50 Model life 1950>>1959

Pos	Part Number	Description	Remark	Qty	Model
-	369 01 105	Porsche Comprising: Gasket		1	
-	369 01 111	Crankcase Washer		6	
-	502 02 301	Copper Gasket		1	
-	500 04 103	Flywheel Gasket		4	
-	616 104 951 00	Cylinder Gasket		2	
-	502 08 110	Cylinder head cover Gasket		2	
-	502 08 111	Intake manifold Gasket		2	
-	502 08 305	Intake manifold Gasket		2	
-	616 111 291 00	Carburettor Gasket		4	
>>		Exhaust silencer Gasket set			369
-		Engine Comprising: Sealing ring		8	
-	616 104 951 00	Cylinder head nut Gasket		2	
-		Cylinder head cover Sealing ring		16	
-		Cam follower Protective tube		3	
-	369 08 264 1	Joint flange Fuel pump		2	
-	369 08 280	Gasket Intake manifold		2	
-		Gasket Mixture control unit		4	
-	616 111 291 00	Cylinder Gasket		4	
>>		Exhaust silencer Gasket set			506/546
-		Engine Comprising: Sealing ring		8	
-	500 04 103	Cylinder head nut Gasket		4	
-	616 104 951 00	Cylinder Gasket		2	
-		Cylinder head cover Sealing ring		16	
-		Cam follower Protective tube		3	
-	369 08 264 1	Joint flange Fuel pump		2	
-	369 08 280	Gasket Intake manifold		2	
-	616 111 291 00	Carburettor Gasket		4	
>>		Exhaust silencer Gasket set			527
		Engine Comprising:			

Model: 356 50 Model life 1950>>1959

Pos	Part Number	Description	Remark	Qty	Model
-		Sealing ring		8	
-	616 104 951 00	Cylinder head nut			
-		Gasket		2	
-	500 04 103	Cylinder head cover			
-		Gasket		4	
-		Cylinder			
-		Sealing ring		16	
-		Cam follower			
-		Protective tube			
-		Joint flange		3	
-		Fuel pump			
-	369 08 264 1	Gasket		2	
-		Intake manifold			
-	502 08 305	Gasket		2	
-		Carburettor			
-	616 111 291 00	Gasket		4	
-		Exhaust silencer			
>>		Gasket set			528
>>		Engine			
>>		Comprising:			
-		Sealing ring		8	
-	500 04 103	Cylinder head nut			
-		Gasket		4	
-	616 104 951 00	Cylinder			
-		Gasket		2	
-		Cylinder head cover			
-		Sealing ring		16	
-		Cam follower			
-		Protective tube			
-	502 08 110	Gasket		2	
-		Intake manifold			
-	502 08 111	Gasket		2	
-		Intake manifold			
-		Joint flange		3	
-		Fuel pump			
-	502 08 305	Gasket		2	
-		Carburettor			
-	616 111 291 00	Gasket		4	
-		Exhaust silencer			
>>	616 100 195 00	Gasket set		1	1300 /S
>>		Engine			1600
>>		Comprising:			
>>		M >> 67 000			1600
-	616 104 951 00	Gasket		2	
-		Cylinder head cover			
-	539 04 203	Sealing ring		8	
-		Cylinder head nut			
-	539 04 209	Cylinder base gasket		4	
-		Cylinder			
-	539 05 207	Gasket		16	
-		Cam follower			
-		Protective tube			
-	369 08 280	Gasket		2	
-		Carburettor			
-	502 08 110	Gasket		2	
-		Intake manifold			
-	502 08 111	Gasket		2	
-		Intake manifold			
-	539 08 402	Gasket		1	
-		Intermediate flange			
-		Fuel pump			
-	539 08 405	Gasket		2	

Model: 356 50 Model life 1950>>1959

Pos	Part Number	Description	Remark	Qty	Model
-	616 111 291 00	Fuel pump Gasket		4	
>>	616 100 195 00	Exhaust silencer Gasket set Engine Comprising: M >> 81 200		1	1600 S
-	616 104 951 00	Gasket Cylinder head cover		2	
-	539 04 203	Sealing ring		8	
-	539 04 209	Cylinder head nut Cylinder base gasket		4	
-	539 05 207	Cylinder Gasket		16	
-	502 08 110	Cam follower Protective tube Gasket		2	
-	502 08 111	Intake manifold Gasket		2	
-	502 08 305	Intake manifold Gasket		2	
-	539 08 402	Carburettor Gasket		1	
-	539 08 405	Intermediate flange Fuel pump Gasket		2	
-	616 111 291 00	Fuel pump Gasket		4	
>>	616 00 804	Exhaust silencer Gasket set Engine Comprising: M 67 001 >> M 81 201 >>		1	1600 /S 1600 1600 S
-	616 104 951 00	Gasket Cylinder head cover		2	
-	539 04 203	Sealing ring		8	
-	539 04 209	Cylinder head nut Cylinder base gasket		4	
-	539 05 207	Cylinder Gasket		16	
-	502 08 110	Cam follower Protective tube Gasket		2	
-	502 08 111	Intake manifold Gasket		2	
-	616 108 440 00	Intake manifold Flange with Gaskets		1	
-	597 108 310 01	Fuel pump Gasket		2	
-	597 108 310 02	Carburettor Gasket		2	
-	616 111 291 00	Carburettor Gasket		4	
-	900 123 066 30	Exhaust silencer Sealing ring		2	
-	900 123 006 25	Aluminium Sealing ring		1	
-	900 123 008 30	Screw socket Sealing ring		1	
		Remote temperature sensor			

Model: 356 50 Model life 1950>>1959

Pos	Part Number	Description	Remark	Qty	Model
-	369 01 111	Washer Distributing piece		2	
-	999 701 043 50	O-ring		1	
>>		Gasket set Crankcase Comprising:			369/506/546 527/528
-	369 01 105	Gasket Crankcase		1	
-	369 01 111	Washer Copper		6	
-		Sealing ring Crankshaft		1	
-		Gasket Oil drain lid		2	
-	502 02 301	Gasket Flywheel		1	
-		Sealing ring Oil cooler		2	
-		Gasket Lid		1	
-		Oil pump Gasket		1	
-		Oil pump Gasket set		1	
>>	539 00 801	Gasket set for Crankcase 539.01.001.10 Comprising:		1	1300 /S 1500 /S 1600 /S
		M 22 001 >> 22 489 M 50 101 >> 50 162 M 33 901 >> 35 794 M 41 001 >> 41 425 M 60 001 >> 67 000 M 80 001 >> 81 200			1300 1300 S 1500 1500 S 1600 1600 S
-	369 01 111	Washer Copper		8	
-	502 02 301	Gasket Flywheel		1	
-	539 01 106	Gasket Cover Crankcase		1	
-	539 01 122	Gasket Rubber		1	
-	911 101 123 00	Sealing ring Rubber		1	
-	539 01 124	Gasket Lid		1	
-	539 01 125	Gasket Bracket		1	
-	999 113 029 50	Dc generator Radial sealing ring Crankshaft		1	
-	539 01 152	Gasket Oil drain lid		2	
-	539 07 108	Gasket Oil pump		1	
-	539 07 109	Gasket Lid Oil pump		1	
-	999 113 012 50	Shaft sealing ring DB 48 X 65 X 10/1		1	
-	999 701 006 40	O-ring Guide tube		1	

Model: 356 50 Model life 1950>>1959

Pos	Part Number	Description	Remark	Qty	Model
>>	616 00 801	Gasket set for Crankcase 616.01.001.10 Comprising: M 67 000 >> 68 897 M 81 201 >> 81 707		1	1600 /S 1600 1600 S
-	369 01 111	Washer		8	
-	502 02 301	Copper Gasket		1	
-	539 01 122	Flywheel Gasket		1	
-	616 101 123 00	Rubber Oil duct Sealing ring		4	
-	616 01 124 1	Rubber Oil duct Oil cooler Gasket		1	
-	539 01 125	Crankcase Lid Gasket		1	
-	999 113 029 50	Bracket Dc generator Radial sealing ring		1	
-	539 01 152	Crankshaft Gasket		2	
-	539 07 109	Oil drain lid Gasket		1	
-	999 113 012 50	Lid Oil pump Shaft sealing ring		1	
-	000 97 326	DB 48 X 65 X 10/1 Sealing ring		1	SPEEDSTER
-	000 97 327	Lid Round rubber cord		1	
-	539 07 726	Oil thermostat Sealing ring		1	
-	000 97 301	Large Bleeder Sealing ring		1	
-	900 123 025 70	Small Bleeder Sealing ring		2	
>>	616 00 802	C 18 X 24 Relief valve Gasket set for Crankcase 616.01.001.20 Comprising: M 68 898 >> 73 236 M 81 708 >> 83 424		1	1600 /S 1600 1600 S
-	369 01 111	Washer		8	
-	502 02 301	Copper Gasket		1	
-	539 01 122	Flywheel Gasket		2	
-	616 101 123 00	Rubber Oil duct Sealing ring		4	
		Rubber Oil duct			

Model: 356 50 Model life 1950>>1959

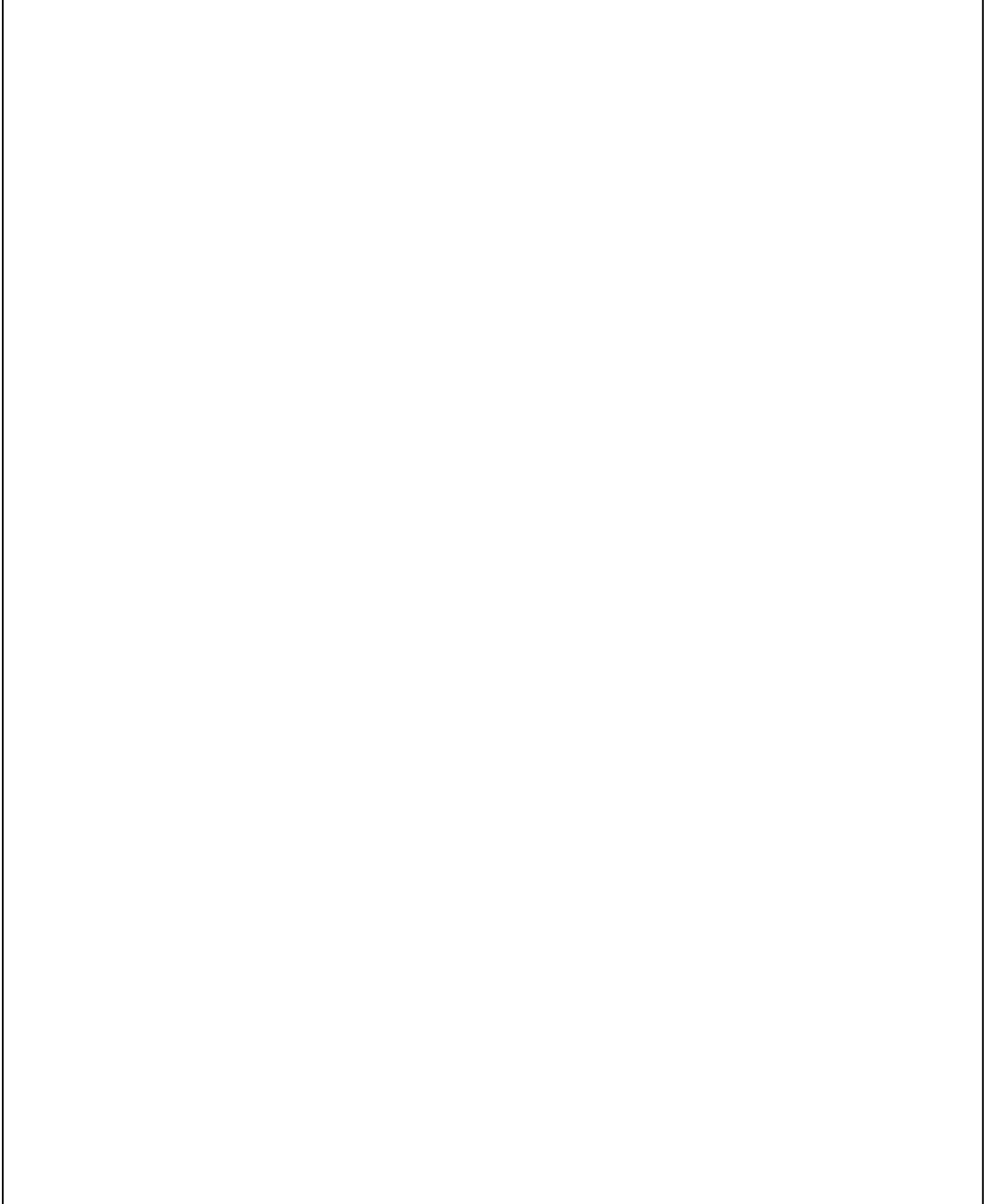
Pos	Part Number	Description	Remark	Qty	Model
-	616 01 124 1	Oil cooler Gasket Crankcase Lid		1	
-	539 01 125	Gasket Bracket Generator		1	
-	999 113 029 50	Radial sealing ring Crankshaft		1	
-	539 01 152	Gasket Oil drain lid		2	
-	539 07 109	Gasket Lid Oil pump		1	
-	999 113 012 50	Shaft sealing ring DB 48 X 65 X 10/1		1	
-	000 97 326	Sealing ring Lid		1	SPEEDSTER
-	000 97 327	Round rubber cord Oil thermostat		1	
-	539 07 726	Sealing ring Large Bleeder		1	
-	000 97 301	Sealing ring Small Bleeder		1	
-	900 123 025 70	Sealing ring C 18 X 24 Relief valve		2	
>>	616 00 802 2	Gasket set for Crankcase 616.01.001.21 Comprising: M 73 237 >> M 83 425 >>		1	1600 /S 1600 1600 S
-	369 01 111	Washer Copper		8	
-	502 02 301	Gasket Flywheel		1	
-	539 01 122	Gasket Rubber		2	
-	616 101 123 00	Oil duct Sealing ring Rubber Oil duct Oil cooler		4	
-	616 01 124 1	Gasket Crankcase Lid		1	
-	539 01 125	Gasket Bracket Generator		1	
-	999 113 029 50	Radial sealing ring Crankshaft		1	
-	539 01 152	Gasket Oil drain lid		2	
-	539 07 109	Gasket Lid Oil pump		1	
-	999 113 012 50	Shaft sealing ring DB 48 X 65 X 10/1		1	
-	539 07 726	Sealing ring		1	

Model: 356 50 Model life 1950>>1959

Pos	Part Number	Description	Remark	Qty	Model
-	000 97 301	Large Bleeder Sealing ring Small		1	
-	900 123 025 70	Bleeder Sealing ring C 18 X 24		2	
-	616 01 115	Relief valve Stopper Rubber		2	

Model: 356 50

Model life 1950>>1959



Model: 356 50 Model life 1950>>1959

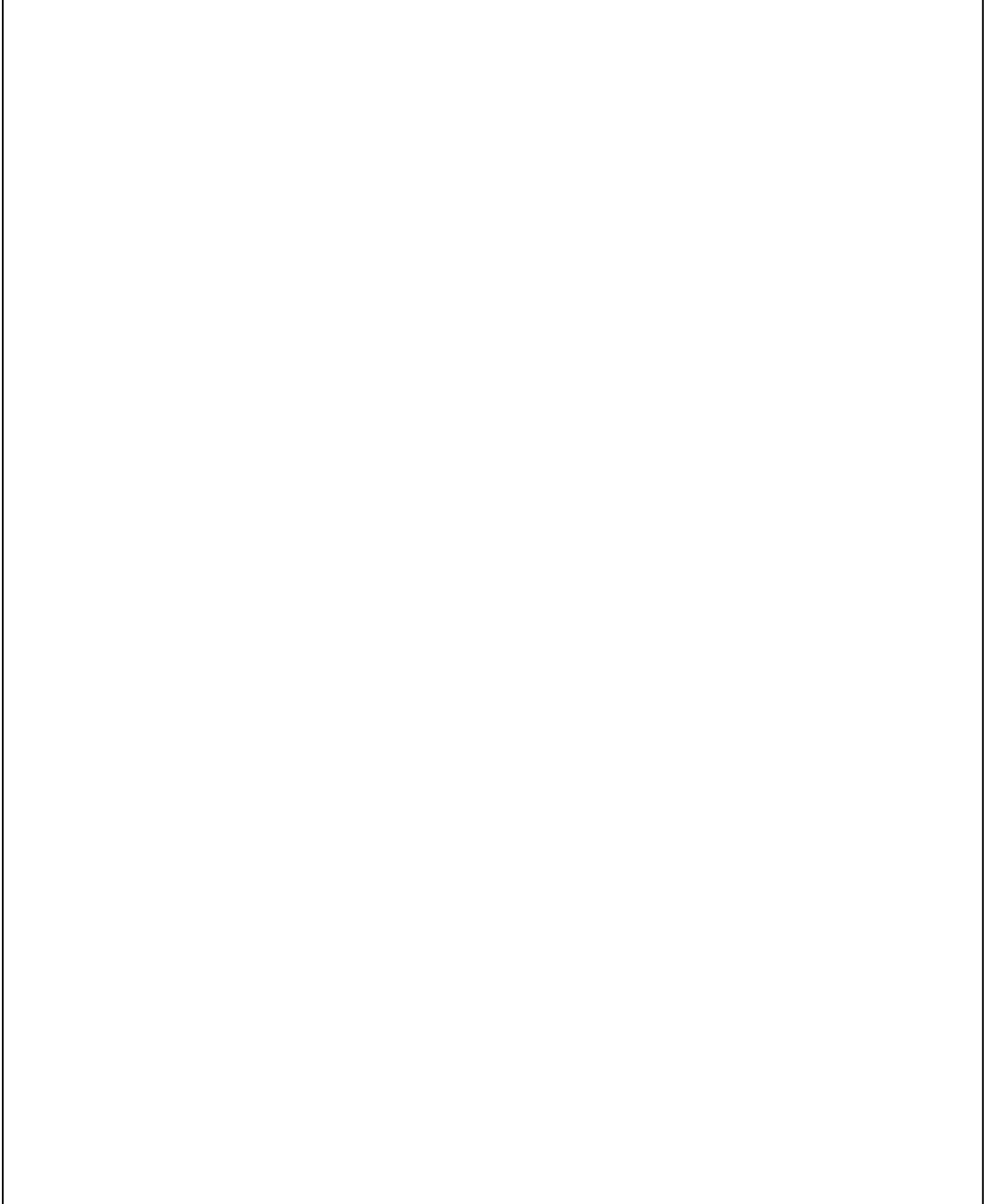
Pos	Part Number	Description	Remark	Qty	Model
		Gasket set			CARRERA 1500 GS/GT
>>	547 00 902	Gasket set Engine Comprising: M 90 501 >> 91 000		1	
-	547 01 138	O-ring		2	
-	901 102 191 00	Sealing ring		1	
-	547 02 123 1	Radial sealing ring "S"		1	
-	PCG 102 123 00	Radial sealing ring "K"		1	
-	PCG 102 123 01	Radial sealing ring "K"		1	
-	547 04 222	Cylinder head gasket		4	
-	547 04 223	Stopper Rubber		16	
-	547 04 228	Gasket		4	
-	692 104 913 00	Gasket		2	
-	547 04 230	Cylinder head gasket 0,2 MM for Crankcase		8	
-	547 04 230 1	Cylinder head gasket 0,5 MM for Crankcase		4	
-	547 04 230 2	Cylinder head gasket 1,0 MM for Crankcase		4	
-	547 04 233	Gasket I		2	
-	547 04 234	Gasket II		2	
-	547 04 235	Tab washer		8	
-	547 05 244	Sealing ring		8	
-	547 05 246	Sealing ring		2	
-		Sealing ring		1	
-	547 107 111 00	Gasket Oil pump		1	
-	502 08 305	Gasket Carburettor		4	
-	547 08 313	Gasket		4	
-	547 08 316	Gasket Carburettor 40 PII And Air cleaner		4	
-	616 108 291 00	Gasket Carburettor 40 PII-4 And Air cleaner		2	
-	547 08 324	Sealing ring Intake manifold Mount		24	
-	547 09 205	Sealing ring		7	
-	PCG 111 210 00	Gasket		6	
-	900 123 001 20	Exhaust silencer Sealing ring		4	
-	900 123 002 20	Copper Sealing ring		24	

Model: 356 50 Model life 1950>>1959

Pos	Part Number	Description	Remark	Qty	Model
-	N 013 806 2	Copper Sealing ring		1	
-	N 013 808 3	Copper Sealing ring		6	
-	900 123 009 30	Copper Sealing ring		3	
-	900 123 010 30	Aluminium Sealing ring		2	
>>	547 00 901	Aluminium Gasket set Crankcase		1	
-	911 101 123 00	Comprising: Sealing ring		1	
-	547 01 138	O-ring		2	
-	901 102 191 00	Sealing ring		1	
-	547 02 123 1	Radial sealing ring "S"		1	
-	PCG 102 123 00	Radial sealing ring "K"		1	
-	PCG 102 123 01	Radial sealing ring "K"		1	
-	N 013 808 3	Sealing ring A 10 X 16 X 1		6	
-	N 013 849 2	Copper Sealing ring A 14 X 18		1	
-	900 123 010 30	Copper Sealing ring A 18 X 24 X 1,5		3	
-	547 05 001	Aluminium Repair kit for Valve control Set of wheels, compl. Complete		1	

Model: 356 50

Model life 1950>>1959



Model: 356 50 Model life 1950>>1959

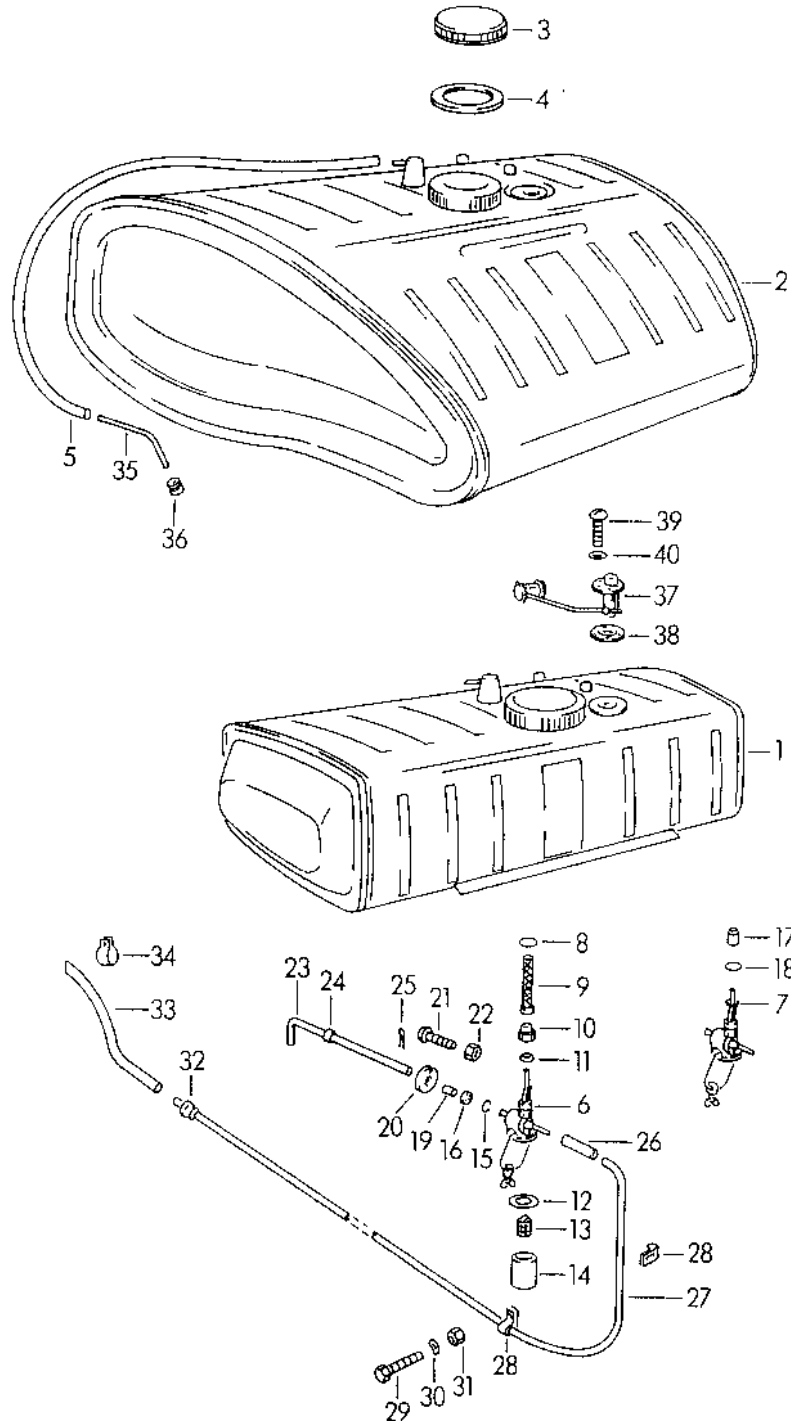
Pos	Part Number	Description	Remark	Qty	Model
		Gasket set			CARRERA 1600 GS/GT
-	692 100 111 00	Gasket set Crankcase And Engine Comprising:		1	
-	N 013 849 2	Sealing ring A 14 X 18		1	
-	911 101 123 00	Sealing ring A 14 X 18		2	
-	539 01 122	Gasket A 14 X 18		1	
-	900 123 009 30	Sealing ring A 18 X 24		7	
-	539 01 130	Gasket		2	
-	N 013 808 3	Sealing ring A 10 X 16		6	
-	547 011 138	Sealing ring A 10 X 16		2	
-	999 113 021 50	Radial shaft seal		1	
-	PCG 102 123 00	Radial sealing ring		1	
-	PCG 102 123 01	Radial sealing ring		1	
-	692 104 192 00	Cylinder base gasket		4	
-	692 104 192 01	Cylinder base gasket		4	
-	692 104 192 02	Cylinder base gasket		4	
-	547 04 233	Gasket I		2	
-	547 04 234	Gasket II		2	
-	547 04 228	Gasket Segment		4	
-	692 104 913 00	Gasket		2	
-	PCG 104 191 00	Cylinder head gasket		4	
-	547 05 246	Sealing ring		2	
-	547 05 244	Sealing ring		8	
-	547 09 205	Sealing ring		5	
-	547 107 111 00	Gasket		1	
-	900 123 001 20	Sealing ring A 6 X 12 Copper		4	
-	692 101 951 00	Sealing cord Rubber		1	
-	900 123 007 30	Sealing ring A 14 X 18		5	
-	900 123 016 30	Sealing ring A 30 X 38		5	
-	900 123 011 30	Sealing ring A 22 X 29		3	
-	616 101 123 00	Sealing ring A 22 X 29		4	
-	502 08 305	Gasket		4	692/0/1/2
-	616 108 291 00	Gasket		2	
-	900 123 026 30	Sealing ring D 12 X 16		4	
-	PCG 111 210 00	Gasket Exhaust silencer		4	
-	900 112 002 40	Radial shaft seal A 20 X 32		1	
-	900 112 003 40	LINKSDREHEND Radial shaft seal A 20 X 32 Clockwise rotation		1	

Model: 356 50 Model life 1950>>1959

Pos	Part Number	Description	Remark	Qty	Model
-	900 123 010 30	Sealing ring A 20 X 24		2	
-	369 05 704 1	Sealing ring A 20 X 24		1	
-	901 102 191 00	Sealing ring A 20 X 24		1	692/0/1/2
-	547 08 324	Sealing ring A 20 X 24		24	
-	547 08 313	Gasket		4	
-	547 04 223	Stopper		16	
-	900 123 002 20	Sealing ring A 8 X 14		24	
-	547 04 235	Tab washer		8	
-	692 108 901 00	Gasket Carburettor - WEBER -		2	692/3

Model: 356 50

Model life 1950>>1959



Model: 356 50 Model life 1950>>1959

Pos	Part Number	Description	Remark	Qty	Model
(1)	356 56 012	Fuel tank		1	
1	644 201 010 00	Fuel tank 50 L	/RL	1	
(1)	356 56 013	Fuel tank F >> 53 526 F >> 60 815	/LL	1	COUPE CABRIO
(1)	356 56 013 1	Fuel tank F 53 527 >> F 60 816 >>	/LL	1	COUPE CABRIO
2	644 201 010 50	Fuel tank 80 L		1	356 A/540.1
(2)	644 56 015	Fuel tank 72 L		1	356
3	644 201 270 00	Lid		1	356 A/540.1
(3)	356 56 003	Lid		1	356
4	644 201 279 00	Sealing ring		1	356 A/540.1
(4)		Sealing ring		1	356
5	644 201 611 00	Breather hose		1	356 A/540.1
(5)	356 56 106	Breather hose 950 MM		1	356
6	644 201 021 00	Fuel cock Fuel reserve 50 L		1	356 A/540.1
(6)	356 56 022	Switch F >> 53 526 F >> 60 815		1	COUPE CABRIO
(6)	644 201 021 07	Switch F 53 527 >> F 60 816 >>		1	COUPE CABRIO
7		Switch Fuel reserve 80 L		1	356 A/540.1
8	644 201 291 00	Sealing ring		1	356 A/540.1
(8)		Sealing ring A 12 X 16 F >> 53 526 F >> 60 815		1	COUPE CABRIO
(8)	644 201 291 00	Sealing ring 18 X 13 X 1,5 F 53 527 >> F 60 816 >>		1	COUPE CABRIO
9	644 201 225 00	Fuel strainer Insert		1	356 A/540.1
(9)	356 56 203	Strainer Insert F >> 53 526 F >> 60 815		1	COUPE CABRIO
(9)	644 201 225 00	Fuel strainer Insert F 53 527 >> F 60 816 >>		1	COUPE CABRIO
10	644 201 221 00	Union nut Fuel cock		1	356 A/540.1
(10)	356 56 207	Nut F >> 53 526 F >> 60 815		1	COUPE CABRIO
(10)	550 56 206	Nut F 53 527 >> F 60 816 >>		1	COUPE CABRIO
11	644 201 292 00	Sealing washer		1	356 A/540.1
(11)	356 56 108	Sealing washer F >> 53 526		1	COUPE

Model: 356 50 Model life 1950>>1959

Pos	Part Number	Description	Remark	Qty	Model
(11)	644 201 292 00	F >> 60 815 Sealing washer		1	CABRIO
12	644 201 203 00	F 53 527 >> F 60 816 >> Sealing ring		1	COUPE CABRIO 356 A/540.1
(12)	356 56 208	Sealing ring		1	
(12)	644 201 203 00	F >> 53 526 F >> 60 815 Sealing ring		1	COUPE CABRIO
13	644 201 204 00	F 53 527 >> F 60 816 >> Filter		1	COUPE CABRIO 356 A/540.1
(13)	356 56 209 00	Filter		1	
(13)	644 201 204 00	F >> 53 526 F >> 60 815 Filter		1	COUPE CABRIO
14	644 201 205 00	F 53 527 >> F 60 816 >> Filter		1	COUPE CABRIO 356 A/540.1
(14)	356 56 210 00	Container		1	
(14)	550 56 214	F >> 53 526 F >> 60 815 Container		1	COUPE CABRIO
15	644 201 206 00	F 53 527 >> F 60 816 >> Circlip		1	COUPE CABRIO 356 A/540.1
(15)	356 56 205	Circlip		1	
(15)	550 56 218	F >> 53 526 F >> 60 815 Circlip		1	COUPE CABRIO
(16)	644 201 207 00	F 53 527 >> F 60 816 >> Gasket		1	COUPE CABRIO 356 A/540.1
16	644 201 293 00	\$ 22 MM Gasket		1	356 A/540.1
(16)	356 56 206	\$ 26 MM Gasket		1	
(16)	550 56 219	F >> 53 526 F >> 60 815 Gasket		1	COUPE CABRIO
17	644 201 231 50	F 53 527 >> F 60 816 >> Sealing ring		1	COUPE CABRIO 356 A/540.1
18		Pipe		X	
19	644 201 243 00	Deleted		1	356 A/540.1
(19)	356 56 107	Hose piece Operating rod		1	356
20	644 201 261 00	Hose piece		1	356 A/540.1
(20)	356 56 102	Operating rod		1	356
21	900 016 002 00	Sticker		1	
22	900 076 002 02	Half-round screw M 4 X 10		1	
23	644 201 241 00	Hexagon nut M 4		1	356 A/540.1
(23)	356 56 101	Operating rod for Switch		1	356
24	644 025 611 00	Operating rod for Switch		1	356 A/540.1
(24)	356 56 105	Rubber sleeve Grommet		1	356

Model: 356 50 Model life 1950>>1959

Pos	Part Number	Description	Remark	Qty	Model
25	N 012 522 1	Cotter pin 3 X 22		2	
26	999 180 030 50	Fuel hose		*	356 A/540.1
26	999 180 030 5A	Fuel hose		*	356 A/540.1
27	616 108 531 00	Fuel line 1860 MM		1	356 A/540.1
28	356 49 648	Clip		1	356 A/540.1
(28)	900 172 001 00	Clamp		1	356 A/540.1
29	900 074 005 02	Hexagon-head bolt M 5 X 22		2	356 A/540.1
30	N 012 225 2	Spring washer B 5		2	356 A/540.1
31	900 076 004 02	Hexagon nut M 5		1	356 A/540.1
-	356 49 664	Boot		1	356 A/540.1
32	914 356 201 00	Rubber sleeve		1	356 A/540.1
33	999 180 030 50	Fuel hose		*	356 A/540.1
33	999 180 030 5A	Fuel hose		*	356 A/540.1
34	999 706 009 80	Suspension strap		1	356 A/540.1
34	911 424 341 01	Suspension strap		1	356 A/540.1
34	911 424 341 03	Suspension strap		1	356 A/540.1
35	644 201 621 00	Tail pipe Bleeding		1	356 A/540.1
36	999 702 020 50	Rubber sleeve 8 X 12 X 9		1	356 A/540.1
(37)	356 70 141	Sender for -BECK- Fuel-level indicator	/RL	1	356
(37)	356 56 135	Sender for -VDO- KE 303 F 53 527 >> F 60 816 >>		1	356
37	644 201 801 00	Sender Fuel-level indicator		1	356 A/540.1
(38)	914 201 891 00	Gasket -VDO- F 53 527 >> F 60 816 >>		1	356
(38)	38	Gasket		1	356 A
38		Gasket		1	356 A/540.1
39	900 015 012 02	Oval-head screw M 5 X 15		5	356 A/540.1
40	900 025 003 30	Washer 5,3 Aluminium		5	356 A/540.1
-	356 08 294	Hose \$ 7 MM 250 MM Long for Fuel line		1	356
-	356 08 295	Hose \$ 7 MM 150 MM Long for Fuel line		1	356
-	356 49 670	Fuel line Fuel line \$ 8 MM(CU)		1	356

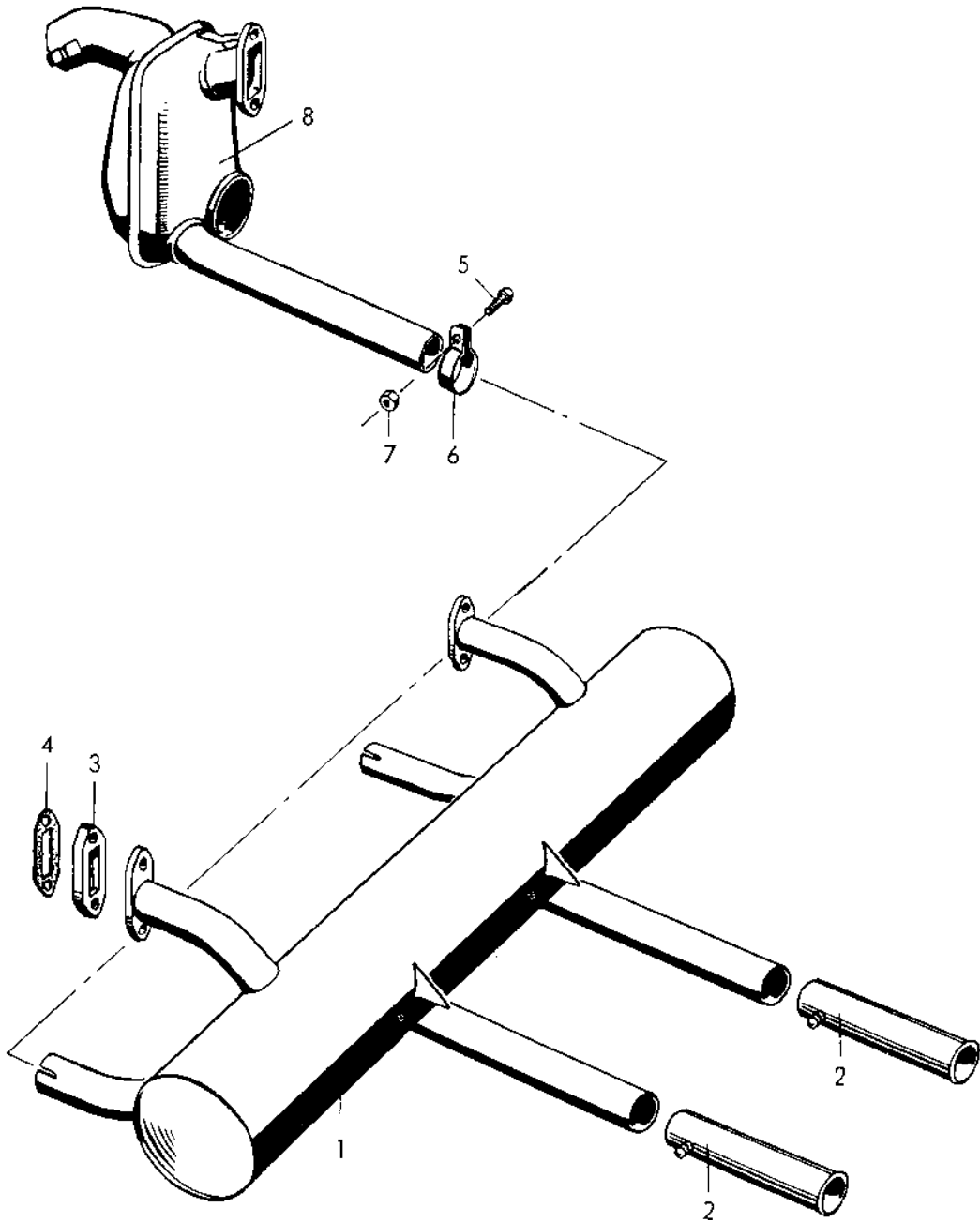
Model: 356 50

Model life 1950>>1959

Pos	Part Number	Description	Remark	Qty	Model
		2400 MM			

Model: 356 50

Model life 1950>>1959

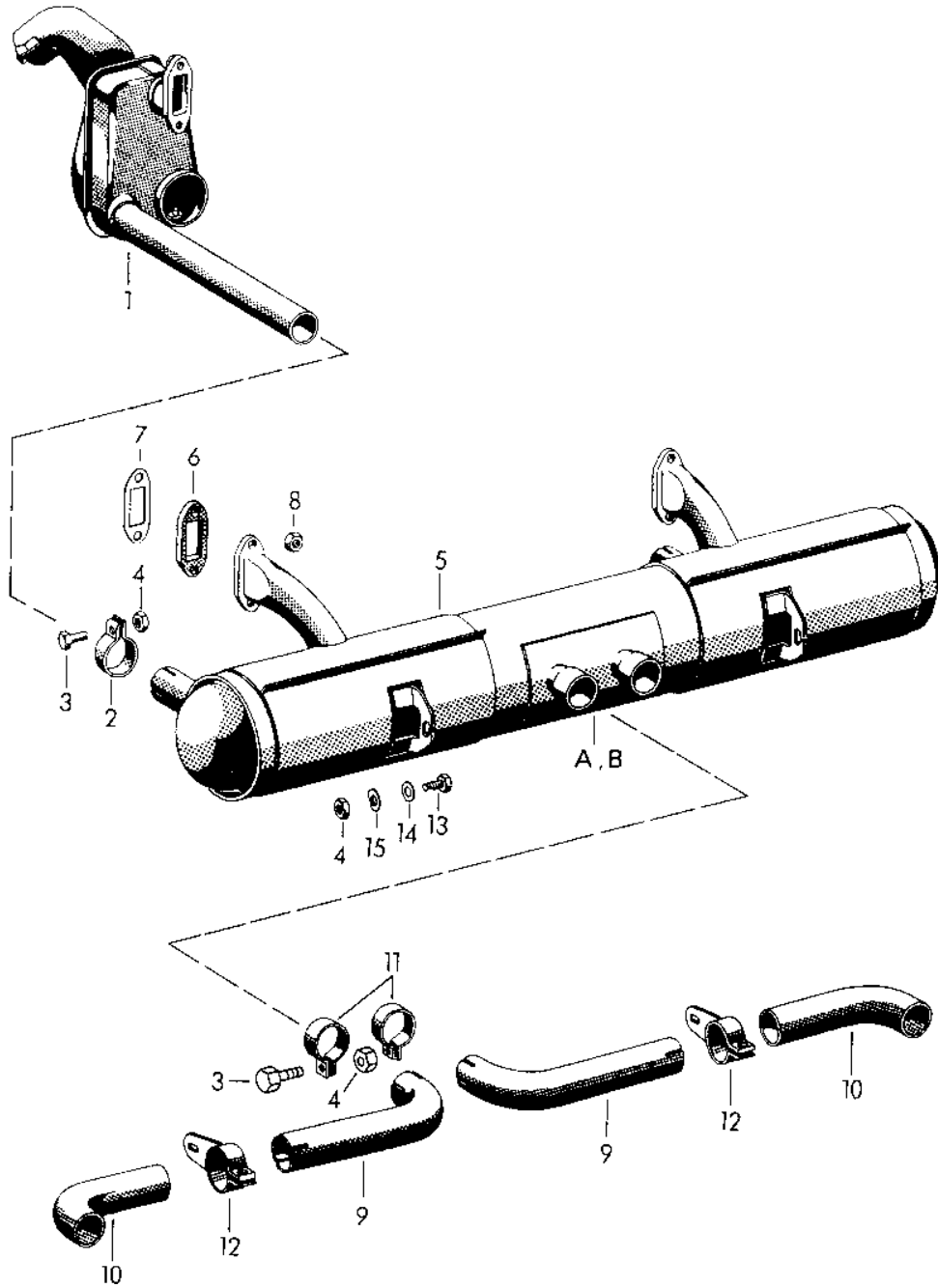


Model: 356 50 Model life 1950>>1959

Pos	Part Number	Description	Remark	Qty	Model
-	546 54 106	Exhaust system F >> 101 692 F >> 150 000 F >> 83 791 Exhaust silencer EINROHR		1	COUPE CABRIO SPEEDSTER
1	616 54 103	Exhaust silencer ZWEIROHR		1	
2	546 54 101	Ornamental exhaust pipe		X	
3	369 54 103	Connecting flange		4	
4	616 111 291 00	Gasket		4	
5	999 093 010 02	Hexagon-head bolt M 8 X 20		2	
6	369 54 109	Clip		2	
7	502 08 310	Hexagon nut M 8		2	
8	PCG 211 901 00	Heat control box with Exhaust pipe	/L	1	
(8)	PCG 211 900 00	Heat control box with Exhaust pipe	/R	1	

Model: 356 50

Model life 1950>>1959



Model: 356 50 Model life 1950>>1959

Pos	Part Number	Description	Remark	Qty	Model
		Exhaust system F 101 693 >> F 150 001 >> F 83 792 >>			1600 /S COUPE CABRIO SPEEDSTER
1	PCG 211 901 00	Heat control box with Exhaust pipe	/L	1	
(1)	PCG 211 900 00	Heat control box with Exhaust pipe	/R	1	
2	369 54 109	Clip		2	
3	900 074 031 02	Hexagon-head bolt M 8 X 20		6	
4	502 08 310	Hexagon nut M 8		8	
(5)	616 111 010 00	Rear muffler Exhaust manifold 280 MM		1	
5	616 111 010 05	Rear muffler Exhaust manifold 80 MM		1	
6	369 54 103	Connecting flange		4	
7	616 111 291 00	Gasket		4	
8	502 08 310	Hexagon nut M 8 X 20		8	
(9)	616 111 221 01	Exhaust manifold		2	
9	616 111 221 03	Exhaust manifold		2	
(10)	616 111 223 01	Tail pipe Exhaust manifold 280 MM		2	
10	616 111 223 02	Tail pipe Exhaust manifold 80 MM		2	
(11)	616 111 255 01	Pipe clamp Exhaust manifold 280 MM		2	
11		Pipe clamp Exhaust manifold 80 MM		2	
12	616 111 025 00	Pipe clamp with Retaining strip Exhaust manifold 80 MM		2	
(12)	369 54 109	Clip Exhaust manifold 280 MM		2	
13	900 075 078 02	Hexagon-head bolt M 8 X 15 Exhaust manifold 80 MM		2	
13	900 075 078 03	Hexagon-head bolt M 8 X 15 Exhaust manifold 80 MM		2	
14	900 025 007 02	Washer 8,4 Exhaust manifold 80 MM		2	
14	900 025 007 03	Washer 8,4 Exhaust manifold 80 MM		2	

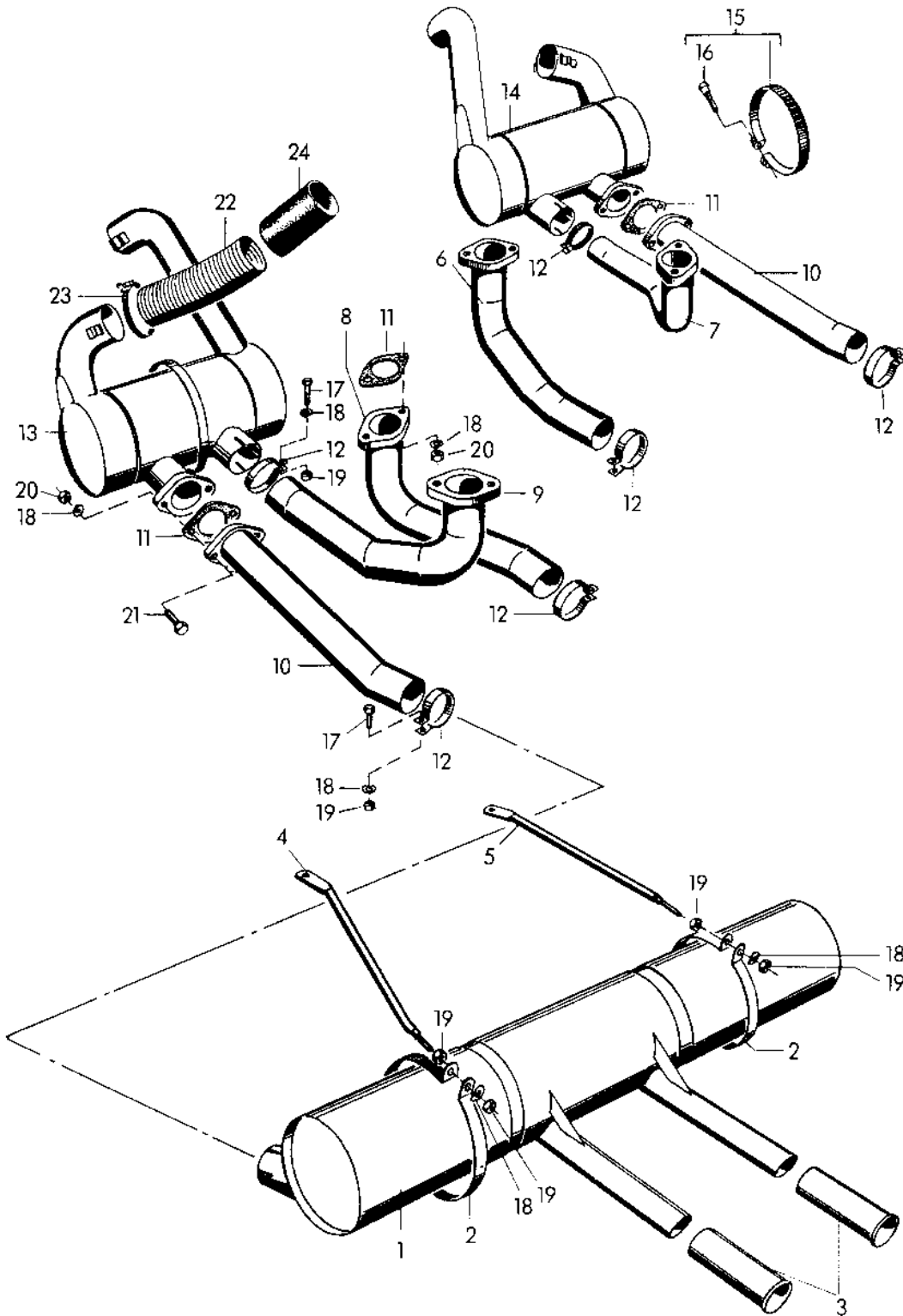
Model: 356 50

Model life 1950>>1959

Pos	Part Number	Description	Remark	Qty	Model
15	900 028 010 00	Spring washer B 8 Exhaust manifold 80 MM		2	

Model: 356 50

Model life 1950>>1959

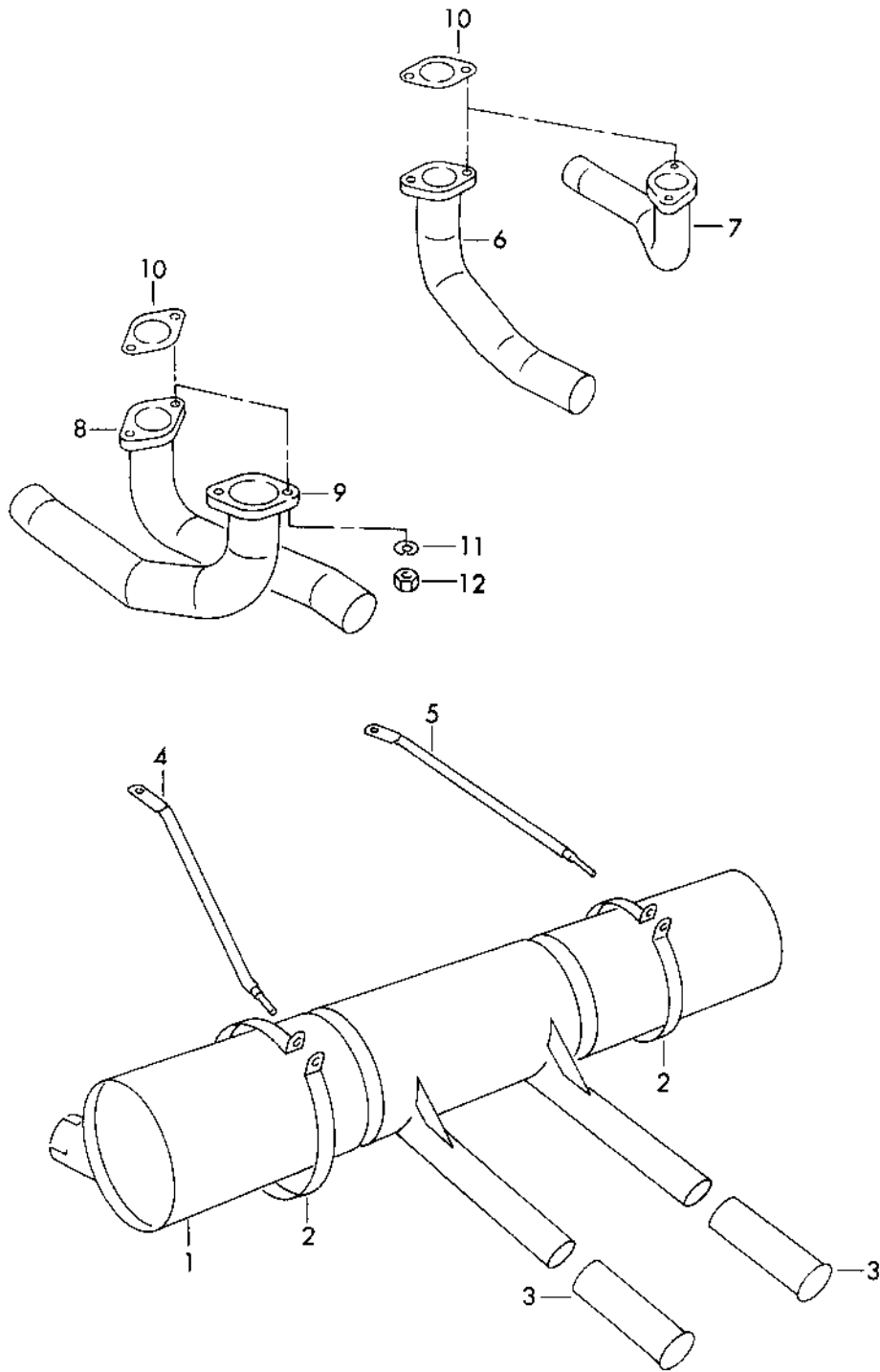


Model: 356 50 Model life 1950>>1959

Pos	Part Number	Description	Remark	Qty	Model
		Exhaust system M 90 501 >> 91 000			CARRERA 1500 GS/GT
1	547 54 018	Exhaust silencer		1	
(1)	547 54 018 1	Exhaust silencer		1	
2	547 54 240	Restraining strap		2	
3	547 54 110	Ornamental exhaust pipe		2	
4	547 54 031	Strut	/L	1	
5	547 54 032	Strut	/R	1	
6	547 54 270	Exhaust pipe Cylinder 1		1	
7	547 54 273	Exhaust pipe Cylinder 2		1	
(7)	547 54 273 1	Exhaust pipe Cylinder 2		1	
8	547 54 275	Exhaust pipe Cylinder 3		1	
9	547 54 277	Exhaust pipe Cylinder 4		1	
(9)	547 54 277 1	Exhaust pipe Cylinder 4		1	
10	547 54 279	Exhaust pipe for Heat exchanger		2	
11	PCG 111 210 00	Gasket		6	
12	369 54 112	Clip		6	
13	547 54 019	Heat exchanger	/L	1	
14	547 54 020	Heat exchanger	/R	1	
15	547 54 305	Restraining strap		2	
16	900 075 033 00	Hexagon-head bolt M 8 X 40		2	
17	900 075 027 00	Hexagon-head bolt M 8 X 20		6	
18	900 027 015 00	Lock ring B 8		22	
19	900 076 013 00	Hexagon nut M 8		10	
20	547 54 221	Hexagon nut M 8		12	
21	900 074 014 00	Hexagon-head bolt M 8 X 25		4	
22	644 211 923 10	Heater hose for Heat exchanger	/L	1	
(22)	644 211 924 10	Heater hose for Heat exchanger	/R	1	
23	999 512 104 02	Hose clamp		8	
24	547 107 921 01	Hose piece		2	

Model: 356 50

Model life 1950>>1959



.....

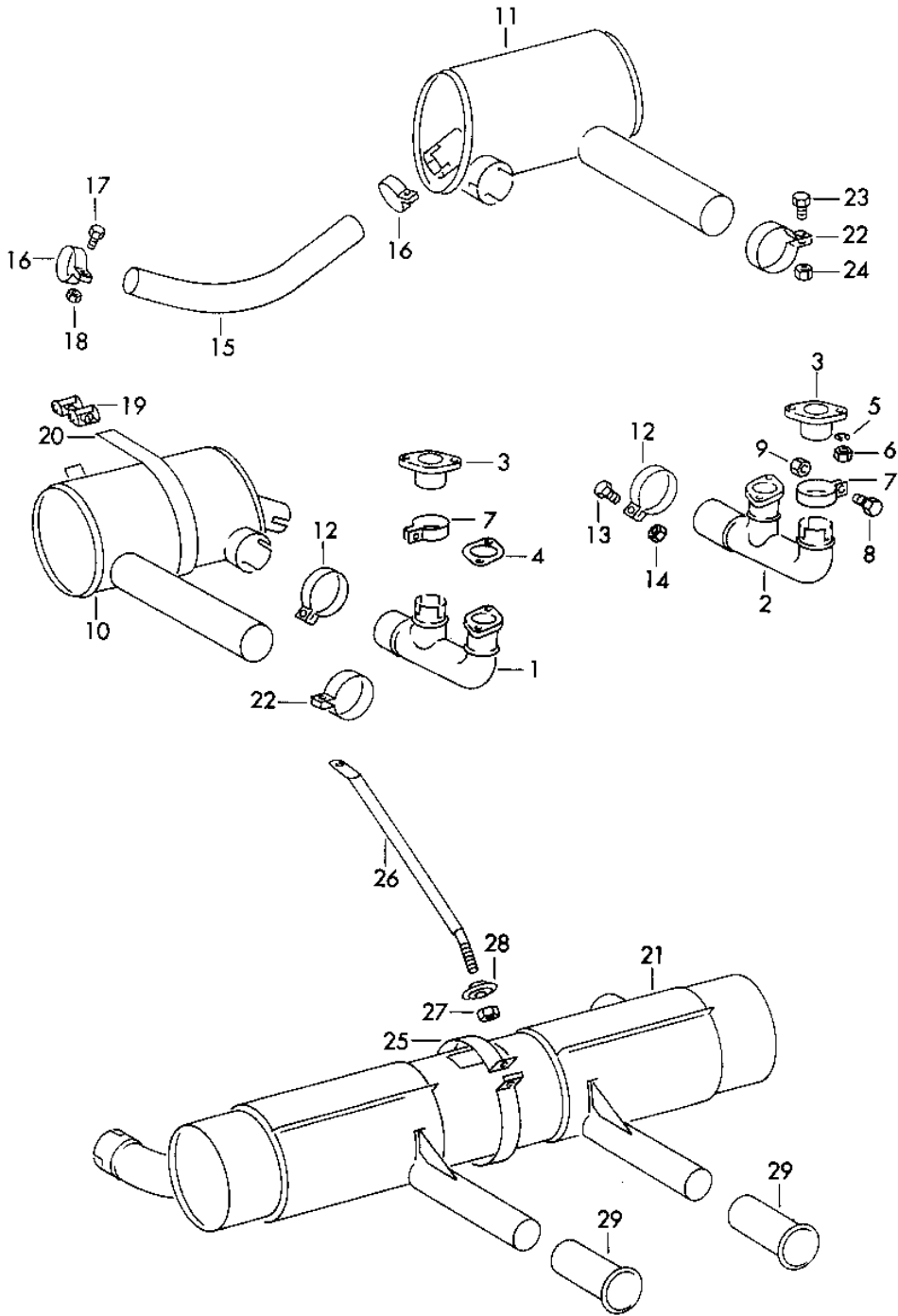
Model: 356 50

Model life 1950>>1959

Pos	Part Number	Description	Remark	Qty	Model
		Exhaust silencer And Accessories			CARRERA 1600 GS/GT 692/0/1
1	547 54 018 1	Exhaust silencer		1	
2	547 54 240	Restraining strap		2	
-	539 09 201	Rubber cap		2	
-	111 905 449	Protection cap		2	
3	547 54 110	Ornamental exhaust pipe Tail pipe		2	
(4)	692 111 053 00	Strut	/L	1	
(5)	692 111 054 00	Strut	/R	1	
-	999 084 002 02	Hexagon nut M 10		4	
6	547 54 270	Exhaust pipe Cylinder 1		1	
(7)	547 54 273 1	Exhaust pipe Cylinder 2		1	
8	547 54 275	Exhaust pipe Cylinder 3		1	
(9)	547 54 277 1	Exhaust pipe Cylinder 4		1	
10	PCG 111 210 00	Gasket		4	
11	900 027 015 00	Lock ring B 8		8	
12	547 54 221	Hexagon nut M 8		8	

Model: 356 50

Model life 1950>>1959

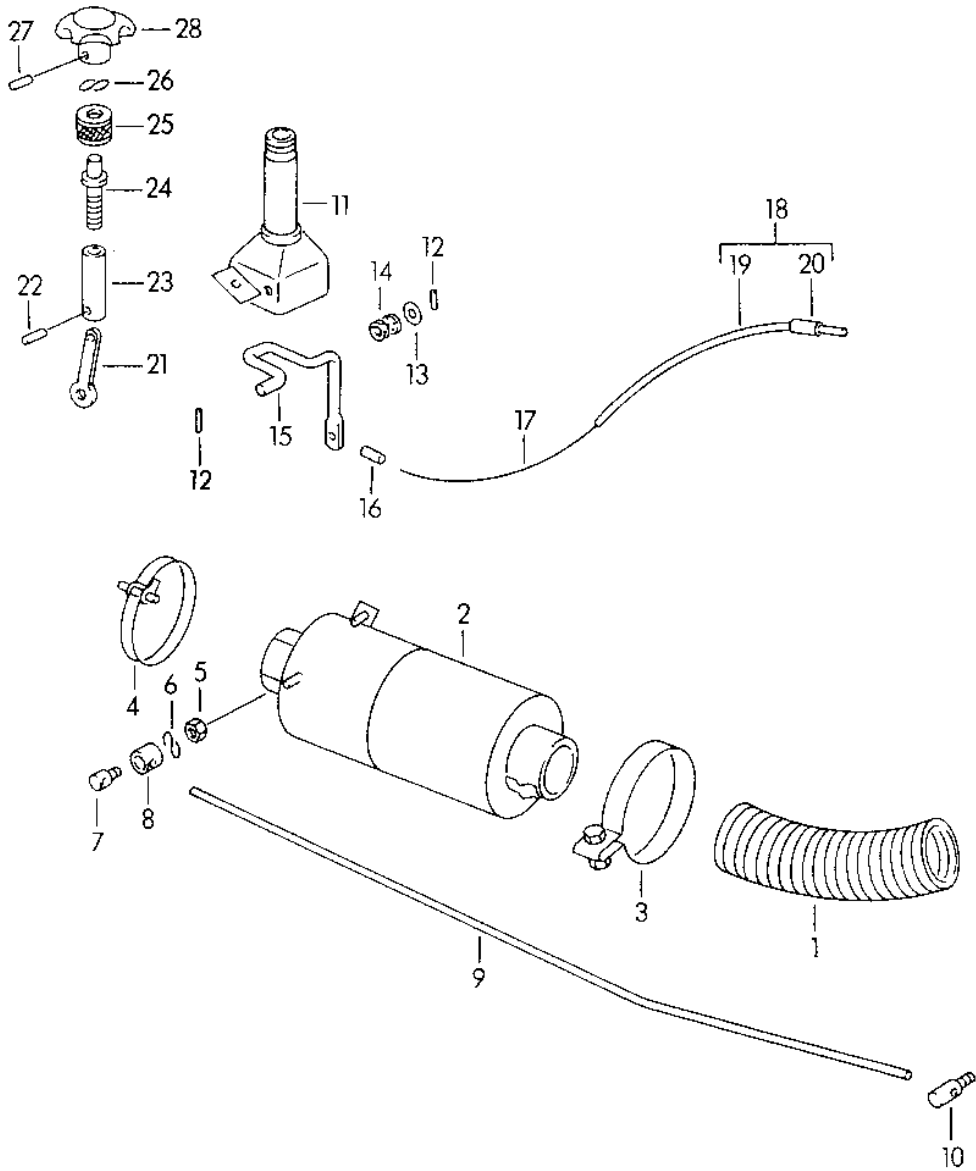


Model: 356 50 Model life 1950>>1959

Pos	Part Number	Description	Remark	Qty	Model
		Exhaust system			CARRERA 1600 GS/GT 692/2/3
1	692 111 027 00	Elbow Double Flange		1	
2	692 111 028 00	Elbow Double Flange		1	
3	692 111 023 00	Flange socket		2	
4	PCG 111 210 00	Gasket		4	
5	900 027 015 00	Lock ring B 8		8	
6	547 54 221	Hexagon nut		8	
7	616 111 255 01	Pipe clamp		2	
8	900 075 029 00	Hexagon-head bolt M 8 X 25		2 2	
9	547 54 221	Hexagon nut		2	
10	692 111 015 00	Front muffler	/L	1	
11	692 111 016 00	Front muffler	/R	1	
12	999 511 033 01	Clip		2	
13	900 075 029 00	Hexagon-head bolt M 8 X 25		2	
14	547 54 221	Hexagon nut		2	
15	692 111 121 00	Pipe		1	
16	999 512 015 02	Clip		2	
17	900 075 027 00	Hexagon-head bolt M 8 X 20		2	
18	547 54 221	Hexagon nut		2	
19	999 512 004 02	Turnbuckle		2	
20	999 512 005 02	Restraining strap 25 X 700		2 2	
21	692 111 013 00	Exhaust silencer		1	
22	900 165 002 00	Pipe clamp		2	
23	900 075 029 00	Hexagon-head bolt M 8 X 25		2	
24	547 54 221	Hexagon nut		2	
25	999 511 031 02	Restraining strap		1	
26	692 111 055 00	Strut		1	
27	999 084 002 02	Hexagon nut		2	
28	539 09 201	Rubber cap		1	
28	111 905 449	Protection cap		1	
29	547 54 110	Ornamental exhaust pipe Tail pipe		2	

Model: 356 50

Model life 1950>>1959



Model: 356 50

Model life 1950>>1959

Pos	Part Number	Description	Remark	Qty	Model
(1)	356 55 120	Heating air supply Breather hose Not for -CARRERA- F >> 55 000 F >> 61 000		2	356
1	644 211 921 05	Breather hose for Heat exchanger Not for -CARRERA-		2	COUPE CABRIO 356 A
(1)	644 211 921 10	Hose for Heat exchanger		2	1500 GS 1600 GS
(2)	356 55 015	Exhaust silencer with Heat control box Not for -CARRERA- F >> 55 000 F >> 61 000	/L	1	356
2	644 211 021 00	Heat control box Not for -CARRERA-	/L	1	COUPE CABRIO 356 A
2	644 211 021 11	Heat control box Not for -CARRERA-	/L	1	356 A
(2)	644 211 021 10	Muffler with Heat control box	/L	1	1500 GS 1600 GS
(2)	356 55 016	Exhaust silencer with Heat control box Not for -CARRERA- F >> 55 000 F >> 61 000	/R	1	356
(2)	644 211 022 00	Heat control box Not for -CARRERA-	/R	1	COUPE CABRIO 356 A
(2)	644 211 022 11	Heat control box Not for -CARRERA-	/R	1	356 A
(2)	644 211 022 10	Muffler with Heat control box	/R	1	1500 GS 1600 GS
-	369 05 708	Clip		2	1500 GS 1600 GS
-	900 075 002 00	Hexagon-head bolt M 5 X 10		2	1500 GS 1600 GS
-	N 012 005 3	Lock ring B 5		2	1500 GS 1600 GS
-	900 076 004 02	Hexagon nut M 5		2	1500 GS 1600 GS
3	644 211 251 00	Pipe clamp		2	
(3)	PCG 211 251 00	Pipe clamp Use also:		2	
-	PCG 074 014 01	Hexagon-head bolt M8		2	
-	PCG 022 148 12	Lock nut M8		2	
-	PCG 012 007 2	Lock ring A8		2	

Model: 356 50 Model life 1950>>1959

Pos	Part Number	Description	Remark	Qty	Model
4	999 512 104 02	Hose clamp 9 X 425 SN 902		4	
5	900 076 010 02	Nut M 6		6	
5	900 076 010 0B	Nut M 6		6	
6	900 028 008 01	Lock ring		6	
(7)		Screw 55 65 Not for -CARRERA- F >> 55 000 F >> 61 000		3	356 COUPE CABRIO
7	644 211 755 00	Screw Not for -CARRERA-		3	356 A
(8)		Bush Not for -CARRERA- F >> 55 000 F >> 61 000		6	356 COUPE CABRIO
8	644 211 751 00	Bush Not for -CARRERA-		6	356 A
(9)	356 55 121	Operating rod Not for -CARRERA- F >> 55 000 F >> 61 000	/L	1	356 COUPE CABRIO
-	PCG 356 211 00	Clamping bush Clamping bush Heating flaps Comprising: POS. 5 - 8		1	
9	644 211 701 00	Operating rod Not for -CARRERA-	/L	1	356 A
(9)	356 55 122	Operating rod Not for -CARRERA- F >> 55 000 F >> 61 000	/R	1	356 COUPE CABRIO
(9)	644 211 702 00	Operating rod Not for -CARRERA-	/R	1	356 A
(10)	644 211 755 01	Screw Not for -CARRERA- F >> 55 000 F >> 61 000		3	356 COUPE CABRIO
10		Screw		3	356 A
11	356 24 043	Housing F 52 907 >> F 60 708 >>		1	1500 GS 1600 GS COUPE CABRIO
-	900 075 010 2	Hexagon-head bolt M 6 X 12 F 52 907 >> F 60 708 >>		2	COUPE CABRIO
-	N 012 007 2	Lock ring A 6 F 52 907 >>		2	COUPE

Model: 356 50 Model life 1950>>1959

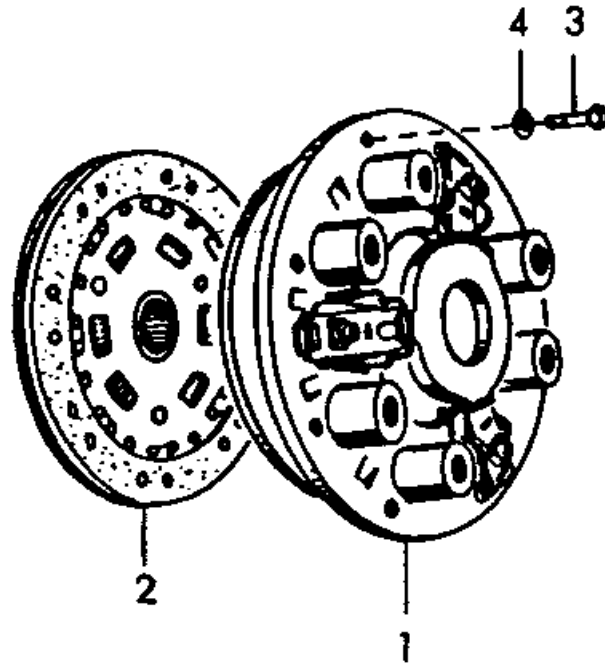
Pos	Part Number	Description	Remark	Qty	Model
-	900 027 004 03	F 60 708 >> Lock ring A 6 F 52 907 >> F 60 708 >>		2	CABRIO COUPE CABRIO
12	900 095 001 00	Roll pin 2 X 14		2	
13	900 031 001 02	Washer		1	
13	900 031 105 01	Washer		1	
(14)	356 61 308	Rubber boot F >> 55 000 F >> 61 000		1	356 COUPE CABRIO
14	644 741 241 00	Sleeve		1	356 A 1500 GS 1600 GS
15	356 24 414	Lever		1	
16	356 24 418	Guide sleeve		2	
17	695 424 071 00	Traction Not for -CARRERA- F 52 907 >> 101 692 F 60 708 >> 150 000 F 82 001 >> 83 791		2	COUPE CABRIO SPEEDSTER
(17)		Traction Not for -CARRERA- F 101 693 >> F 150 001 >> F 83 792 >>		2	COUPE CABRIO SPEEDSTER
-	356 24 061	Traction Not for -CARRERA- F >> 52 906 F >> 60 707	/V	1	356
-	356 24 062	Traction Not for -CARRERA- F >> 52 906 F >> 60 707	/H	2	COUPE CABRIO 356
-	356 24 406	Protective tube Not for -CARRERA- F >> 52 906 F >> 60 707		2	COUPE CABRIO 356
-	356 24 403	Clamping piece Not for -CARRERA- F >> 52 906 F >> 60 707		1	COUPE CABRIO 356
(17)	695 424 071 00	Traction F 55 001 >> 101 692 F 61 001 >> 150 000 F 82 001 >> 83 791		2	COUPE CABRIO 1500 GS 1600 GS COUPE CABRIO SPEEDSTER
(17)		Traction F 101 693 >> F 150 001 >> F 83 792 >>		2	1500 GS 1600 GS COUPE CABRIO SPEEDSTER
-	PCG 356 211 00	Clamping bush Clamping bush Heating flaps Comprising:		1	

Model: 356 50 Model life 1950>>1959

Pos	Part Number	Description	Remark	Qty	Model
18	356 24 407	POS. 5 - 8 Guide Complete Not for -CARRERA-		2	
19	356 24 409	Insulating hose Not for -CARRERA-		2	
(19)	644 24 407	Protective tube with Spiral		2	1500 GS 1600 GS
20	356 24 408	Gasket Not for Carrera		2	
(20)	644 24 408	Gasket		2	1500 GS 1600 GS
21	356 24 413	Lever		1	
22	900 012 006 00	Straight pin M 6 X 15		1	
(23)		Sleeve 24 74 F >> 55 000 F >> 61 000		1	356 COUPE CABRIO
23	644 424 731 00	Guide sleeve		1	356 A
(24)		Shaft 24 59 1 F >> 55 000 F >> 61 000		1	356 COUPE CABRIO
24	644 424 741 00	Shaft		1	356 A
(25)		Cap 24 73 F >> 55 000 F >> 61 000		1	356 COUPE CABRIO
25	644 424 751 00	Cap		1	356 A
26	356 42 209	Spring washer		1	
27	900 197 010 00	Tensioning sleeve		1	
(28)		Rotary knob 24 48 3 F >> 55 000 F >> 61 000		1	356 COUPE CABRIO
28	695 424 791 00	Rotary knob		1	356 A
28	644 424 791 00	Rotary knob		1	356 A
-	900 075 010 02	Hexagon nut M 6 X 12 F >> 55 000 F >> 61 000		2	356 COUPE CABRIO
-	N 010 212 14	Hexagon-head bolt M 6 X 12 F >> 55 000 F >> 61 000		2	356 COUPE CABRIO
-	999 072 005 09	Hexagon nut M 6 X 12 F >> 55 000 F >> 61 000		2	356 COUPE CABRIO
-	999 072 005 01	Hexagon nut M 6 X 12 F >> 55 000 F >> 61 000		2	356 COUPE CABRIO

Model: 356 50

Model life 1950>>1959



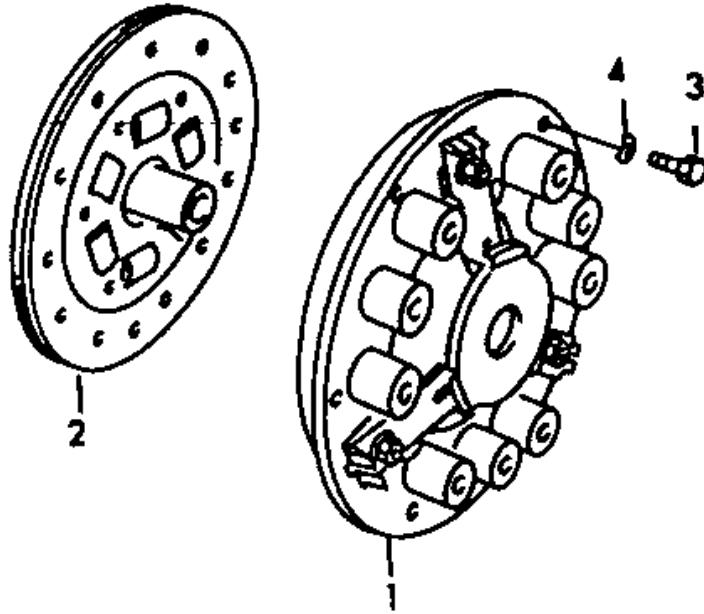
Model: 356 50

Model life 1950>>1959

Pos	Part Number	Description	Remark	Qty	Model
1	502 16 014	Clutch Pressure plate		1	
1	PCG 16 014	Pressure plate		1	
2	616 116 013 00	Drive plate		1	
3	999 093 010 02	Hexagon-head bolt M 8 X 20		6	
4	N 012 241 8	Spring washer B 8		6	

Model: 356 50

Model life 1950>>1959



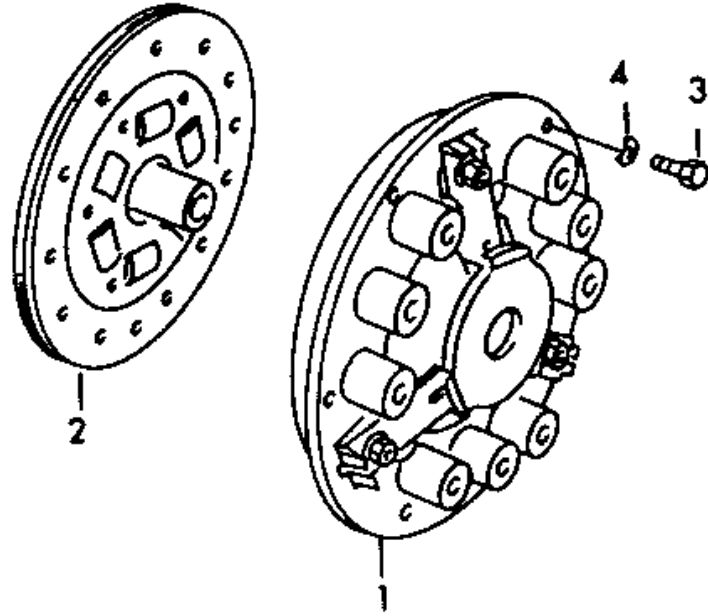
Model: 356 50

Model life 1950>>1959

Pos	Part Number	Description	Remark	Qty	Model
		Clutch			CARRERA 1500 GS/GT
1	PCG 116 010 00	Pressure plate See classic technical information 5/94		1	
2	PCG 116 012 00	Clutch plate See classic technical information 5/94		1	
3	999 093 010 02	Hexagon-head bolt M 8 X 20		6	
4	N 012 241 8	Spring washer B 8		6	

Model: 356 50

Model life 1950>>1959



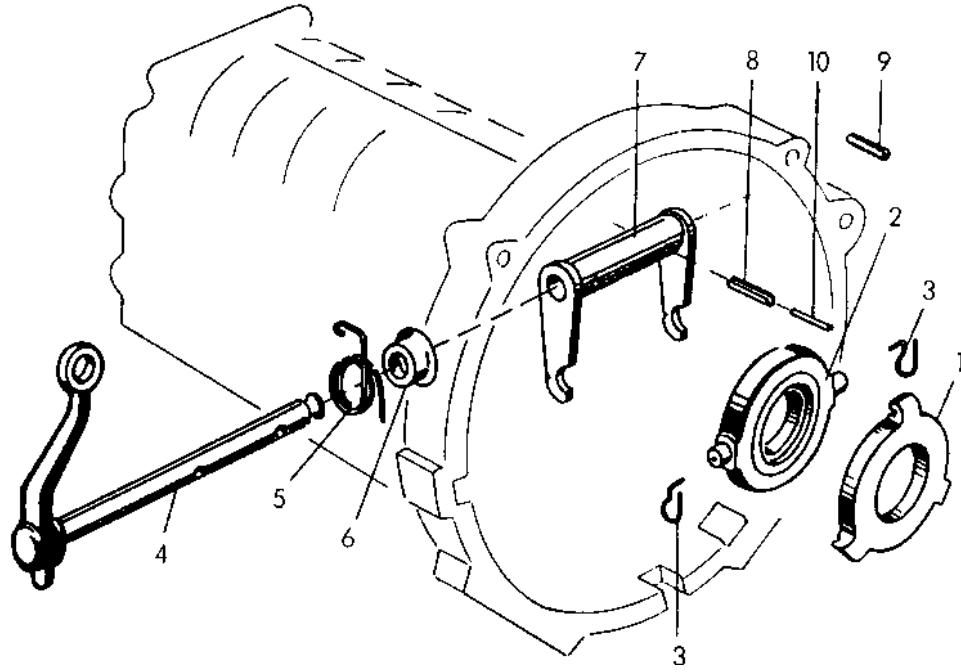
Model: 356 50

Model life 1950>>1959

Pos	Part Number	Description	Remark	Qty	Model
		Clutch			CARRERA 1600 GS/GT 692/0
1	PCG 116 010 00	Pressure plate See classic technical information 5/94		1	
2	PCG 116 012 00	Clutch plate Complete \$ 200 See classic technical information 5/94		1	
3	999 093 010 02	Hexagon-head bolt M 8 X 20		6	
4	N 012 241 8	Spring washer B 8		6	

Model: 356 50

Model life 1950>>1959

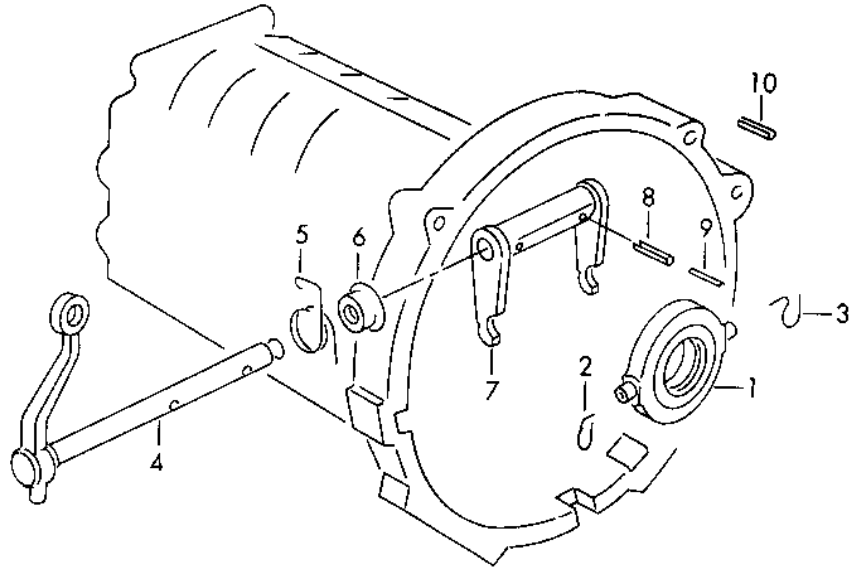


Model: 356 50 Model life 1950>>1959

Pos	Part Number	Description	Remark	Qty	Model
		Clutch release for Tunnel Transmission G 11 001 >> 25 000 M 90 501 >> 91 000			1300 /S 1600 /S CARRERA 1500 GS/GT
1	546 16 202	Plate		1	1300 /S 1600 /S
(1)	547 116 901 00	Plate		1	CARRERA
2	356 21 010	Clutch release bearing		1	1300 /S 1600 /S
2	716 116 801 00	Bearing		1	1300 /S 1600 /S
(2)	644 16 305	Clutch release bearing		1	CARRERA 1500 GS
3	716 116 831 00	Retainer spring		2	
4	616 16 031	Clutch lever shaft		1	1300 /S 1600 /S
(4)	644 16 031	Clutch lever shaft		1	CARRERA 1500 GS
5	644 16 304	Tension spring		1	
6	356 16 303	Guide bush		1	
7	644 16 032	Release fork		1	
8	N 013 288 1	Tensioning sleeve 6 X 24		2	
9	900 095 021 00	Roll pin 6 X 28		1	
10	900 095 010 00	Roll pin 3,5 X 24		2	

Model: 356 50

Model life 1950>>1959



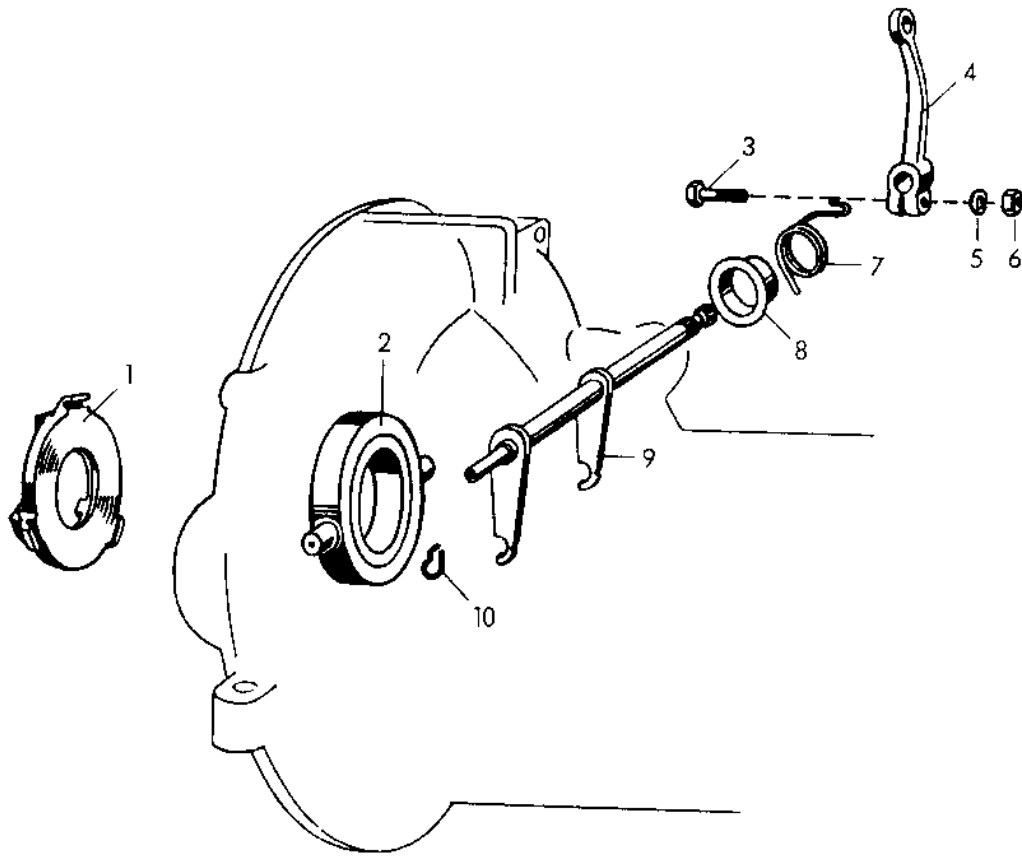
Model: 356 50

Model life 1950>>1959

Pos	Part Number	Description	Remark	Qty	Model
		Clutch release G >> 25 000			CARRERA 1600 GS/GT 692/0/1
1	644 16 305	Clutch release bearing - fichtel + sachs -		1	
-	716 116 801 00	Bearing - HAEUSSERMANN -		1	
-	644 16 305	Clutch release bearing - HAEUSSERMANN -		1	
2	356 21 103	Spring		1	
3	356 21 102	Spring		1	
4	644 16 031	Clutch lever shaft		1	
5	644 16 304	Tension spring		1	
6	356 16 303	Guide bush		1	
7	644 16 032	Release fork		1	
8	N 013 288 1	Tensioning sleeve 6 X 24		2	
9	900 095 010 00	Roll pin 3,5 X 24		2	
10	900 095 021 00	Roll pin 6 X 28		1	

Model: 356 50

Model life 1950>>1959

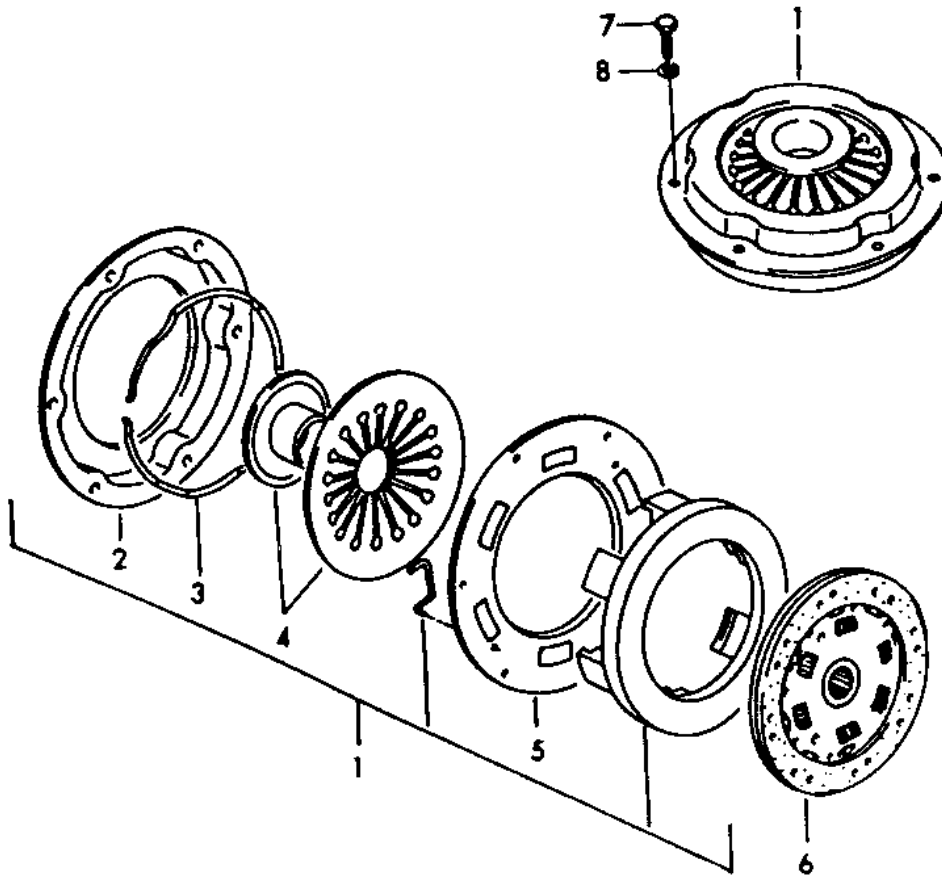


Model: 356 50 Model life 1950>>1959

Pos	Part Number	Description	Remark	Qty	Model
1	546 16 202	Clutch release for Transmission case Divided Plate		1	356 /A
(1)	547 116 901 00	Plate		1	CARRERA 1500 GS
2	356 21 010	Clutch release bearing		1	356 /A
2	716 116 801 00	Bearing		1	356 /A
(2)	644 16 305	Clutch release bearing		1	CARRERA 1500 GS
3	900 074 037 02	Hexagon-head bolt M 8 X 20		1	356 /A
(3)	900 074 037 00	Hexagon-head bolt M 8 X 35		1	CARRERA 1500 GS
(4)	356 16 304	Lever		1	356
4	644 16 303	Lever		1	356 A CARRERA 1500 GS
5	900 028 011 01	Spring washer B 8		1	356 /A
(5)	900 028 010 00	Spring washer B 8		1	CARRERA 1500 GS
6	900 076 013 01	Hexagon nut M 8		1	356 /A
(6)	900 076 013 00	Hexagon nut M 8		1	CARRERA 1500 GS
(7)	356 16 302	Return spring		1	356
7	644 16 304	Tension spring		1	356 A CARRERA 1500 GS
(8)		Guide bush 21 35		1	356
8	356 16 303	Guide bush		1	356 A CARRERA 1500 GS
(9)	356 16 305	Clutch lever shaft		1	356
9	644 16 033	Clutch lever shaft		1	356 A CARRERA 1500 GS
(10)	356 21 102	Spring	/L	1	356
(10)	356 21 103	Spring	/R	1	356
10	716 116 831 00	Retainer spring		2	356 A CARRERA 1500 GS

Model: 356 50

Model life 1950>>1959

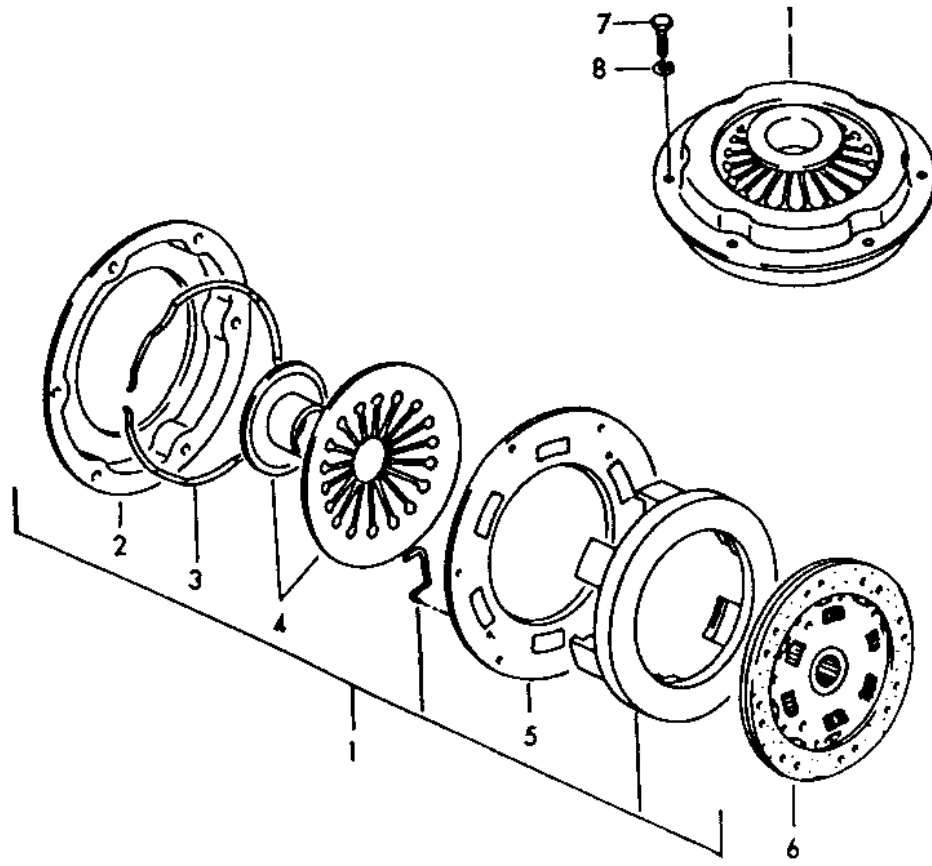


Model: 356 50 Model life 1950>>1959

Pos	Part Number	Description	Remark	Qty	Model
1	616 116 010 01	Clutch G 25 001 >> Pressure plate Contact pressure 560 KG		1	716/0/1/2/3 716/4/5 716/0:1600 1600 S
1	616 116 011 01	Pressure plate Contact pressure 700 KG		1	
1	692 116 011 01	Pressure plate Contact pressure 700 KG		1	CARRERA 692
2	616 116 125 01	Lid		1	
3	616 116 181 00	Circlip		1	
4	616 116 131 02	Cup spring with Pressure piece 700 KG		1	
5	616 116 115 01	Counterplate		1	
6	616 116 013 00	Drive plate \$ 180 MM		1	1600 /S
6	692 115 015 00	Clutch plate \$ 180 MM		1	CARRERA 692
7	999 093 010 02	Hexagon-head bolt M 8 X 20		6	
8	N 011 241 8	Spring washer B 8		6	

Model: 356 50

Model life 1950>>1959



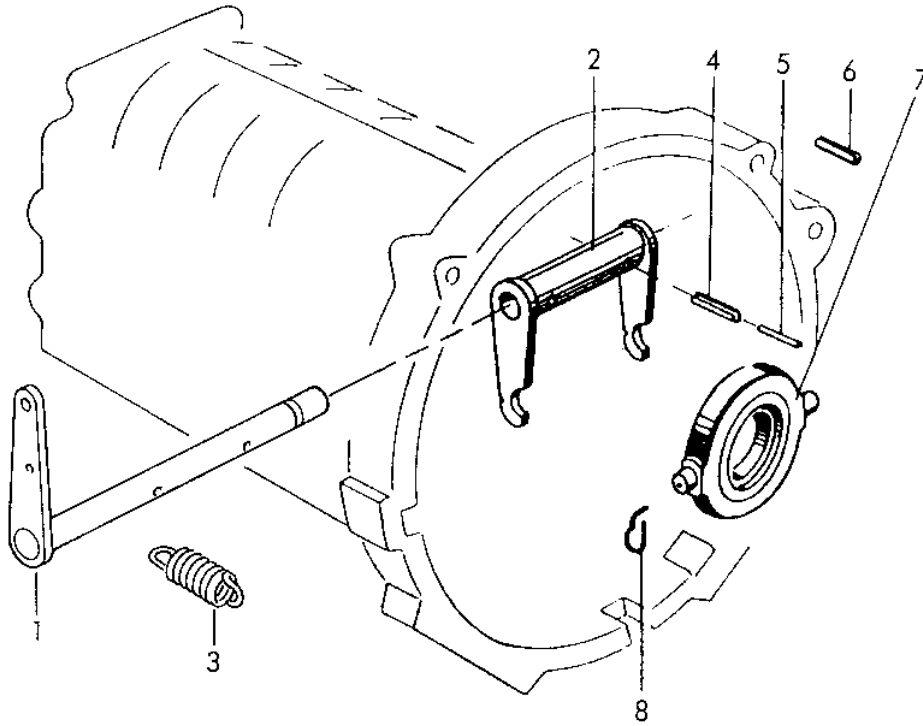
Model: 356 50

Model life 1950>>1959

Pos	Part Number	Description	Remark	Qty	Model
		Clutch			CARRERA 1600 GS/GT 692/1/2/3
1	616 116 011 00	Pressure plate - HAEUSSERMANN - \$ 180 MM		1	
2	616 116 125 01	Lid		1	
3	616 116 181 00	Circlip		1	
4	616 116 131 02	Cup spring with Pressure piece Contact pressure 700 KG		1	
5	616 116 115 01	Counterplate		1	
6	692 116 015 00	Drive plate \$ 180 MM		1	
7	999 093 010 02	Hexagon-head bolt M 8 X 20		6	
8	N 012 241 8	Spring washer B 8		6	

Model: 356 50

Model life 1950>>1959



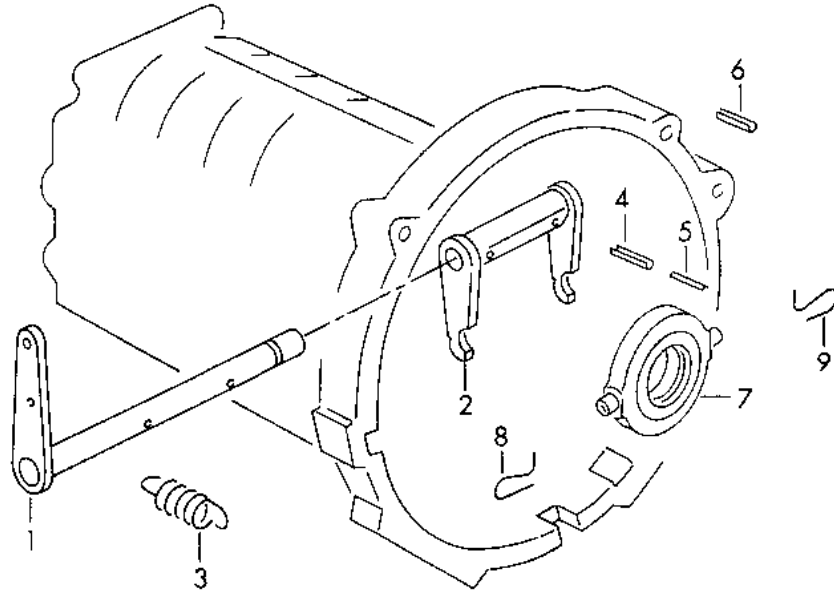
Model: 356 50

Model life 1950>>1959

Pos	Part Number	Description	Remark	Qty	Model
		Clutch release G 25 001 >>			716/0/1/2/3 716/4/5
1	716 116 071 00	Clutch lever shaft		1	
2	644 16 032	Release fork		1	
3	999 522 005 01	Tension spring		1	
4	N 013 288 1	Tensioning sleeve 6 X 24		2	
5	900 095 010 00	Roll pin 3,5 X 24		2	
6	900 095 022 00	Roll pin		1	
7	644 16 305	Clutch release bearing - fichtel + sachs -		1	
(7)	716 116 801 00	Bearing - HAEUSSERMANN -		1	
(7)	644 16 305	Clutch release bearing - HAEUSSERMANN -		1	
8	716 116 831 00	Retainer spring		2	

Model: 356 50

Model life 1950>>1959

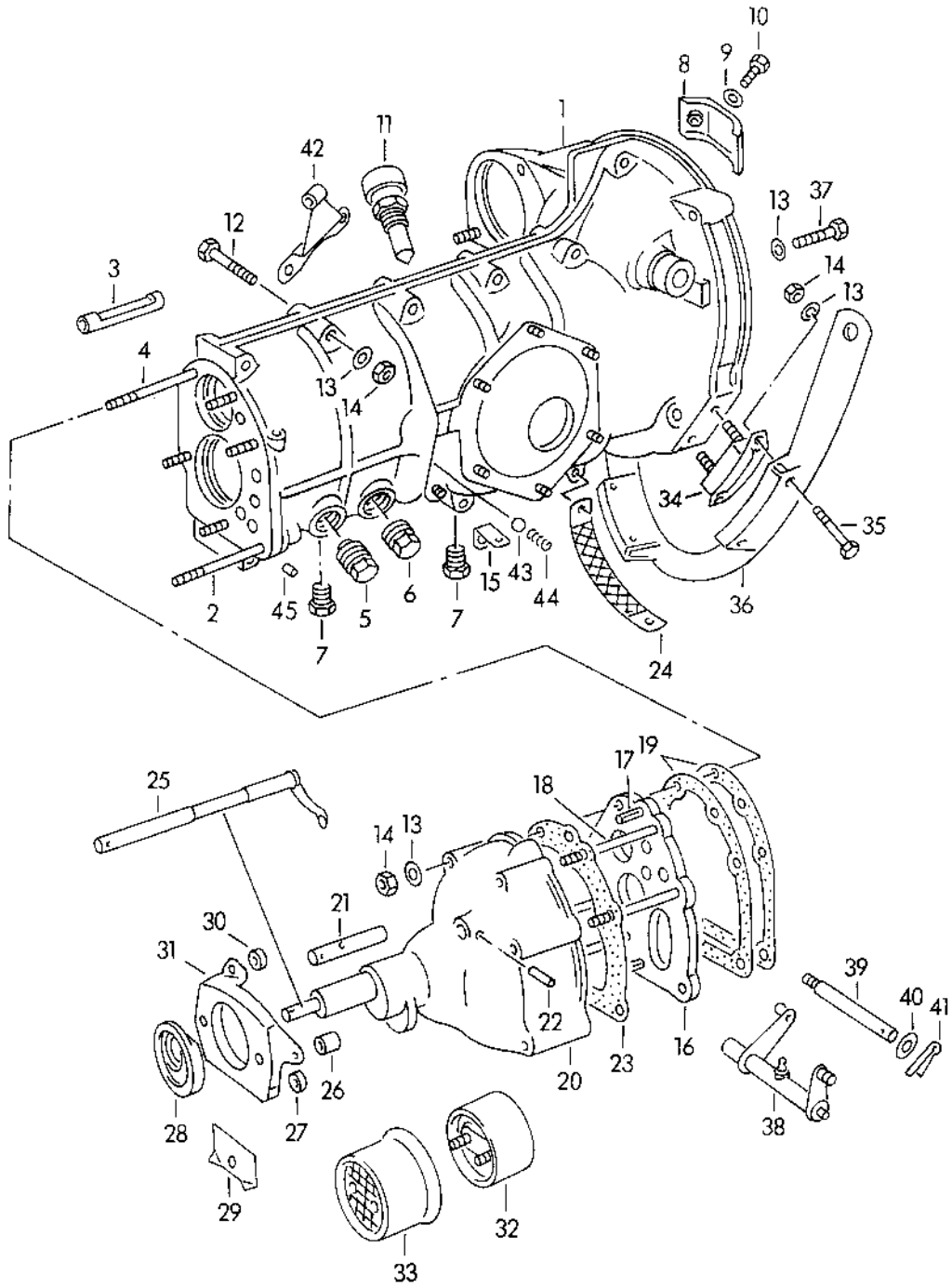


Model: 356 50 Model life 1950>>1959

Pos	Part Number	Description	Remark	Qty	Model
		Clutch release G 25 001 >>			CARRERA 1600 GS/GT 692/2/3
1	716 116 071 00	Clutch lever shaft		1	
2	644 16 032	Release fork		1	
3	999 522 005 01	Tension spring		1	
4	N 013 288 1	Tensioning sleeve 6 X 24		2	
5	900 095 010 00	Roll pin		2	
6	900 095 022 00	Roll pin 6 X 32		1	
7	644 16 305	Clutch release bearing		1	
-	716 116 801 00	- fichtel + sachs - Bearing		1	
-	644 16 305	- HAEUSSERMANN - Clutch release bearing		1	
8	356 21 102	Spring	/L	1	
9	356 21 103	Spring	/R	1	

Model: 356 50

Model life 1950>>1959



Model: 356 50

Model life 1950>>1959

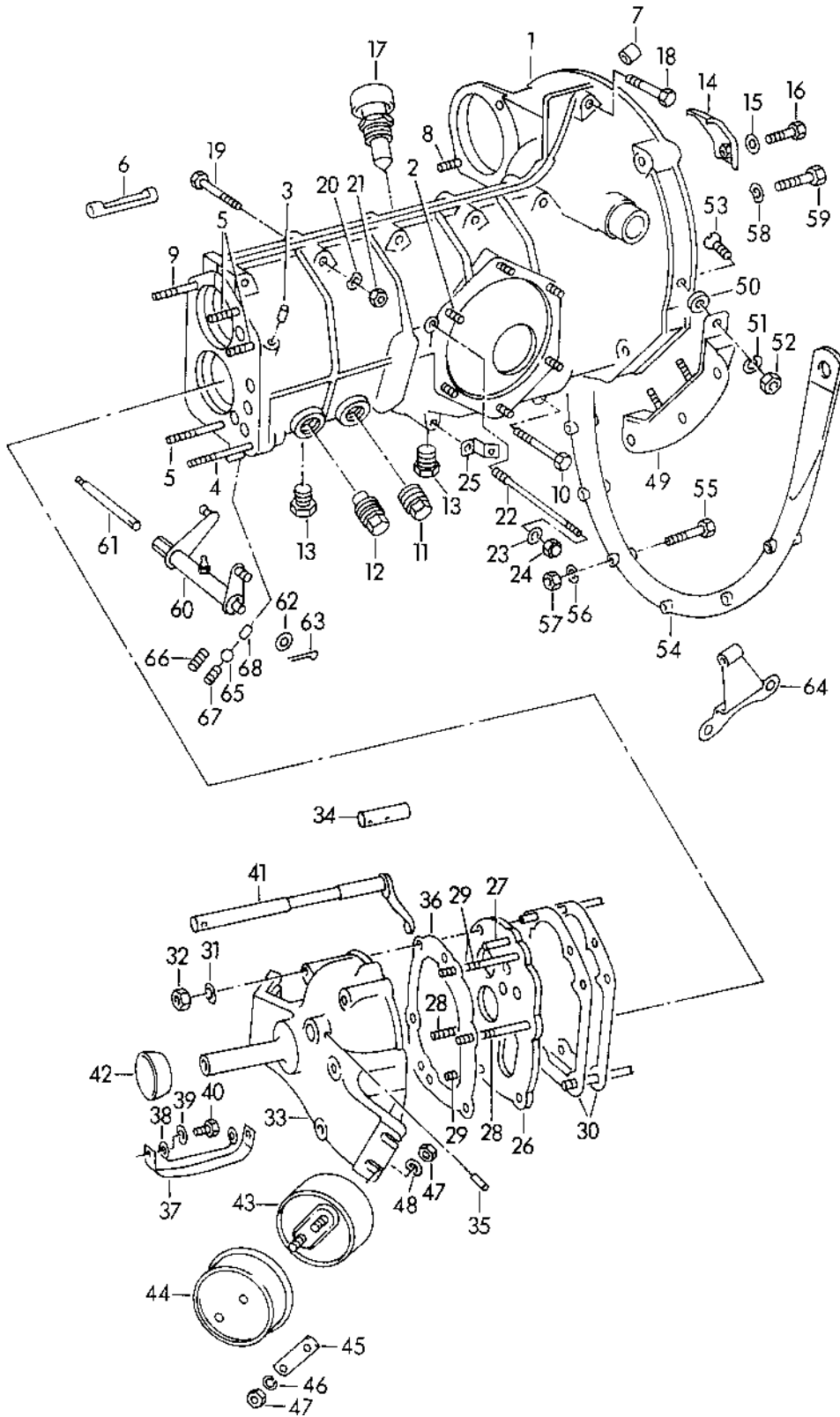
Pos	Part Number	Description	Remark	Qty	Model
		Transmission case with Transmission suspension			356
1	519 20 013	Transmission case Complete		1	
2	900 061 045 01	Stud BM 8 X 85		1	
3	519 20 117	Oil collection container		1	
4		Stud BM 8 X 75		1	
5	519 20 115	Screw plug without Magnet White Anodised	-65	2	
6	519 20 116	Screw plug with magnet White Anodised	-65	1	
7	539 01 133	Drain plug		2	
8	519 20 133	Baffle plate Complete		1	
9	519 20 135	Lock washer		1	
10	900 075 029 02	Hexagon-head bolt M 8 X 25		1	
11	519 20 012	Bleeder Complete		1	
12	N 010 375 E	Hexagon-head bolt M 8 X 75		5	
13	900 028 010 01	Spring washer B 8		8	
14	900 076 013 0C	Hexagon nut M 8		8	
14	900 076 025 02	Hexagon nut M 8		8	
14	900 076 064 02	Hexagon nut M 8		8	
15	356 42 144	Retaining bracket		1	
16	519 20 105	Intermediate plate		1	
-		Stud BM 8 X 12		4	
-	900 081 011 01	Stud BM 8 X 55		2	
-	900 076 013 0C	Hexagon nut M 8		4	
-	900 076 025 02	Hexagon nut M 8		4	
-	900 076 064 02	Hexagon nut M 8		4	
-	900 028 010 01	Spring washer B 8		4	
17	900 012 015 00	Straight pin 8 M 6 X 20		2	
18		Stud BM 8 X 82		2	
19	519 20 128	Shim 0,10 MM		X	
(19)	519 20 129	Shim 0,15 MM		X	
(19)	519 20 130	Shim 0,20 MM		X	
-	644 20 116	Gasket for		1	

Model: 356 50 Model life 1950>>1959

Pos	Part Number	Description	Remark	Qty	Model
		Transmission cover Lateral			
20	519 20 059	Transmission cover	/V	1	
21	519 20 326	Clutch control shaft for Reverse idler gear		1	
22		Roll pin 5 X 30		1	
23	519 20 104	Gasket		1	
24		Ground strap L 149 055		1	
25	519 20 247	Shift lever		1	
26	519 20 520	Spacer		1	
27	519 20 519	Spacer		1	
28	356 21 118	Rubber		1	
29	519 20 532	Reinforcement plate		1	
30	519 20 518	Spacer		2	
31	519 20 522	Mounting		1	
32	519 20 016	Bearing		2	
33	644 20 505	Pot		2	
34	356 20 515	Bearing	/H	2	
35		Hexagon-head bolt M 8 X 32		4	
36	356 20 501	Transmission carrier		1	
37	900 082 006 02	Hexagon-head bolt M 12 X 1,5 X 30		2	
38	356 23 094	Reverse lever Complete		1	
(38)	356 23 088	Reverse lever without Bolt		1	
39	356 23 158	Bolt 106 MM		1	
-	900 163 001 02	Nipple A 6		1	
40	900 025 008 02	Washer 10,5		1	
40	N 011 527 4	Washer 10,5		1	
40	900 025 008 09	Washer 10,5		1	
40	900 025 008 04	Washer 10,5		1	
41	N 012 530 1	Cotter pin 3 X 15		1	
42	644 23 327	Bracket for Clutch cable		1	
43	519 20 329	Ball		3	
-	519 20 330	Gear lock detent Spring		1	
44	519 20 265	Gear lock detent Reverse gear Spring		2	
45		Gear lock detent Reverse gear Detent 22 32 Gear lock detent		2	

Model: 356 50

Model life 1950>>1959



Model: 356 50

Model life 1950>>1959

Pos	Part Number	Description	Remark	Qty	Model
1	519 20 018	Transmission case with Transmission suspension		1	356 A/540.1 CARRERA 1500 GS/GT
(1)	519 20 018 1	Transmission case Complete		1	1300 /S 1600 /S CARRERA 1500 GS
-	111 141 711	Bearing sleeve		2	
-	111 101 111	Clutch control shaft Straight pin for		2	
2	N 014 455 1	Transmission case Stud		12	
3	111 301 115	BM 8 A X 31 Straight pin for		1	
4	900 061 045 01	Gear lock detent Stud		1	
5	900 061 004 00	BM 8 X 85 Stud		4	
6	519 20 117	BM 8 X 12 Oil collection container		1	
7	644 09 401	Bearing sleeve		1	
8	N 144 591	Starter Stud		1	
9	900 061 046 01	BM 10 A X 45 Stud		1	
10	900 074 048 00	BM N8 X 65 Hexagon-head bolt		6	
-	900 076 013 0C	M 8 X 95 Hexagon nut		6	
-	900 076 025 02	M 8 Hexagon nut		6	
-	900 076 064 02	M 8 Hexagon nut		6	
-	900 028 010 01	M 8 Spring washer		6	
11	519 20 115	B 8 Screw plug without pad Magnet		2	
12	519 20 116	White Anodised Screw plug with magnet White Anodised		1	
13	539 01 133	Drain plug		2	
14	519 20 133	Baffle plate Complete		1	
15	519 20 135	Lock washer		1	
16	900 075 029 02	Hexagon-head bolt		1	
17	519 20 012	M 8 X 25 Bleeder Complete		1	
18	900 074 040 02	Hexagon-head bolt		2	
19	N 010 375 E	M 8 X 50 Hexagon-head bolt		5	
20	900 028 010 01	M 8 X 75 Spring washer		14	
21	900 076 013 0C	B 8 Hexagon nut		14	
		M 8			

Model: 356 50

Model life 1950>>1959

Pos	Part Number	Description	Remark	Qty	Model
21	900 076 025 02	Hexagon nut M 8		14	
21	900 076 064 02	Hexagon nut M 8		14	
22	000 95 118	Stud		1	
-	N 144 191	Stud		1	
-	900 076 013 0C	AM 8 A X 112 Hexagon nut M 8		1	
-	900 076 025 02	Hexagon nut M 8		1	
-	900 076 064 02	Hexagon nut M 8		1	
-	900 028 010 01	Spring washer B 8		1	
23	900 123 001 20	Sealing ring A 6 X 12 (CU)		1	
24	900 085 001 00	Cap nut M 6		1	
25	356 42 144 1	Retaining bracket		2	
26	519 20 105	Intermediate plate		1	
27	900 012 015 00	Stud 8 M 6 X 20		2	
28	900 081 012 01	Stud		2	
29	900 081 011 01	Stud BM 8 X 55		2	
30	519 20 128	Shim 0,10 MM		X	
(30)	519 20 129	Shim 0,15 MM		X	
(30)	519 20 130	Shim 0,20 MM		X	
31	900 028 004 01	Spring washer B 8		6	
32	900 076 013 0C	Hexagon nut M 8		6	
32	900 076 025 02	Hexagon nut M 8		6	
32	900 076 064 02	Hexagon nut M 8		6	
33	519 20 049	Transmission cover with Shaft		1	
(33)	519 20 136	Transmission cover without Shaft		1	
34	519 20 326	Clutch control shaft for Reverse idler gear		1	
35	900 095 018 00	Roll pin 5 X 28		1	
36	519 20 104	Gasket		1	
37	999 611 918 20	Ground strap		1	
38	900 025 007 02	Washer 8,4		2	
38	900 025 007 03	Washer 8,4		2	
39	900 028 010 01	Spring washer B 8		1	
40	999 093 010 02	Hexagon-head bolt M 8 X 20		1	
41	519 20 342	Gearshift lever		1	
42	519 20 555	Gasket		1	

Model: 356 50

Model life 1950>>1959

Pos	Part Number	Description	Remark	Qty	Model
43	519 20 016	Bearing		2	
44	644 20 505	Pot		2	
45	519 20 539	Stop plate		6	
45	PCG 20 539	Reinforcement plate		6	
46	900 027 016 02	Lock ring B 10		4	
46	900 027 016 03	Lock ring B 10		4	
47	N 011 010 6	Hexagon nut M 10		8	
47	N 101 552 10	Hexagon nut M 10		8	
48	N 012 230 1	Spring washer B 10		4	
49	519 20 095	Rubber mounting		1	
(49)	519 20 096	Rubber mounting		1	
50	519 20 518	Spacer		2	
51	900 027 015 02	Lock ring B 8		2	
51	900 027 015 03	Lock ring B 8		2	
52	900 076 013 01	Hexagon nut M 8		6	
-	900 028 010 01	Spring washer B 8		4	
53	900 017 005 02	Countersunk-head screw AM 8 X 25		2	
54	519 20 545	Transmission carrier		1	
55	900 074 041 00	Hexagon-head bolt M 10 X 55		6	
56	900 027 016 02	Lock ring B 10		6	
56	900 027 016 03	Lock ring B 10		6	
57	N 011 010 6	Hexagon nut M 10		6	
57	N 101 552 10	Hexagon nut M 10		6	
58	900 028 014 01	Lock ring B 12		2	
59	900 082 006 02	Hexagon-head bolt M 12 X 1,5 X 30		2	
60	356 23 094	Reverse lever Complete		1	
(60)	356 23 088	Reverse lever without Bolt		1	
61	356 23 158	Bolt		1	
-	900 163 001 02	Nipple A 6		1	
62	900 025 008 02	Washer 10,5		1	
62	N 011 527 4	Washer 10,5		1	
62	900 025 008 09	Washer 10,5		1	
62	900 025 008 04	Washer 10,5		1	
63	N 012 530 1	Cotter pin 3 X 15		1	
64	644 23 327	Bracket for Clutch cable		1	

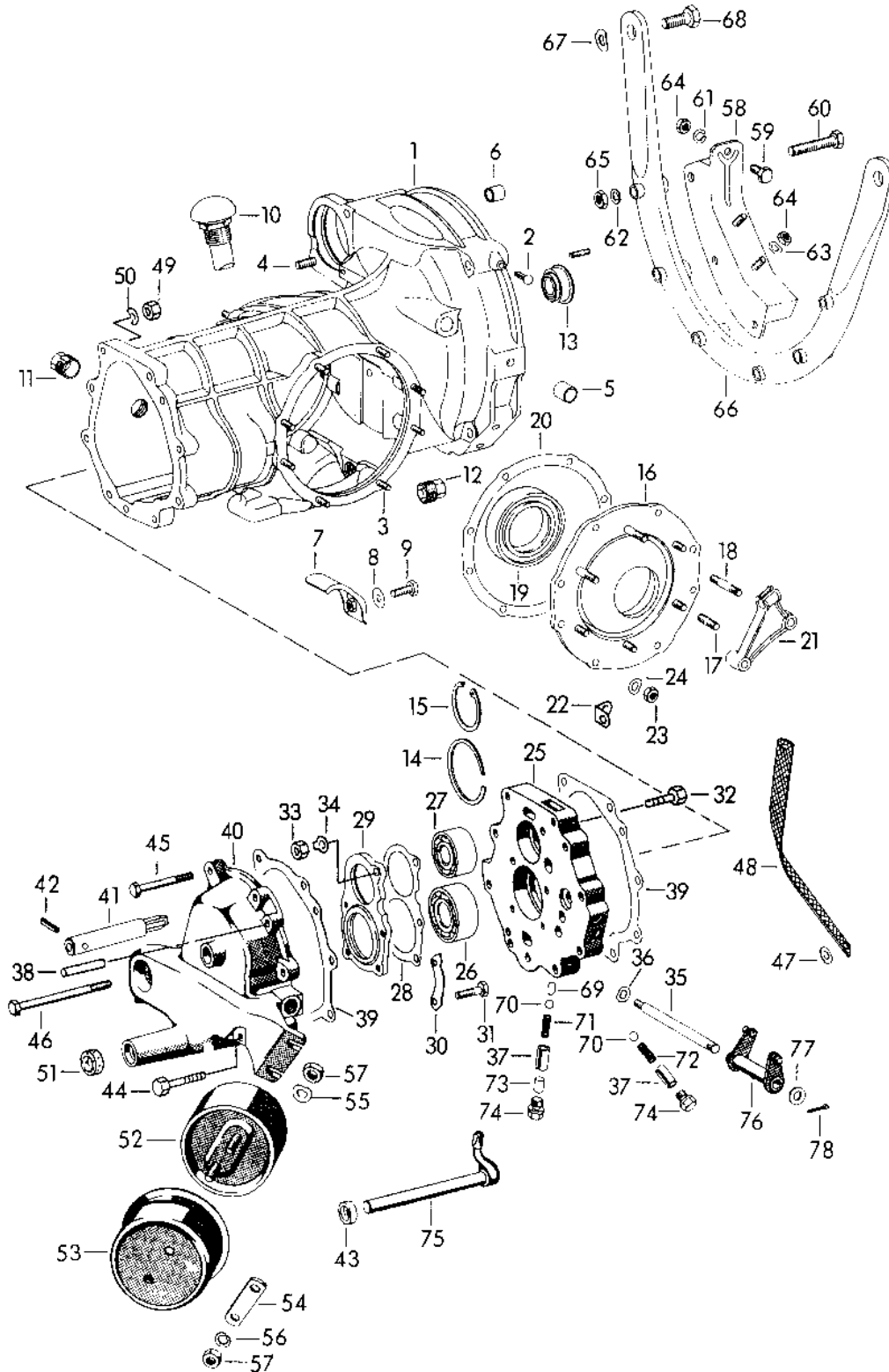
Model: 356 50

Model life 1950>>1959

Pos	Part Number	Description	Remark	Qty	Model
65	519 20 329	Ball Gear lock detent		3	
66	519 20 330	Spring Gear lock detent		1	
67	519 20 265	Reverse gear Spring Gear lock detent		2	
68	519 20 331	Reverse gear Detent Gear lock detent		2	

Model: 356 50

Model life 1950>>1959



Model: 356 50 Model life 1950>>1959

Pos	Part Number	Description	Remark	Qty	Model
		Transmission case with Transmission suspension for Tunnel transmission			716/0/1/2/3 716/4/5
(1)	741 300 901 10	Transmission case Complete G 11 001 >> 25 000		1	
1	716 301 010 00	Transmission case Complete G 25 001 >>		1	
2	900 093 004 02	Grooved nail 6 X 18 G 25 001 >>		1	
3	000 95 138	Stud		16	
(4)	900 061 014 02	Stud BM 10 X 22 G 11 001 >> 25 000		1	
4	900 061 007 00	Stud BM 10 X 22 G 25 001 >>		1	
5	644 20 117	Bearing sleeve		2	
6	644 09 401	Bearing sleeve		1	
7	519 20 133	Starter Shaft			
8	519 20 135	Baffle plate Lock washer Copper		1	
(9)	900 075 028 00	Hexagon-head bolt M 8 X 22 G 11 001 >> 25 000		1	
9	900 075 028 02	Hexagon-head bolt M 8 X 22 G 25 001 >>		1	
10	519 20 012	Bleeder		1	
11	519 20 115	Screw plug without Magnet White Anodised		1	
12	519 20 116	Screw plug with magnet White Anodised		1	
13	999 113 048 50	Sealing frame Drive shaft G 25 001 >>		1	
13	113 311 113 A	Shaft sealing ring Drive shaft G 25 001 >>		1	
13	113 311 113 B	Sealing ring Drive shaft G 25 001 >>		1	
14	644 20 105	Circlip		1	
15	N 012 290 2	Circlip 52 X 2		2	
16	644 20 011 1	Housing cover	/L	1	
(16)	644 20 011	Transmission cover	/R	1	
17	000 95 135	Stud		10	
(18)	900 061 010 00	Stud BM 8 X 35 G 11 001 >> 25 000		2	
18	900 061 030 00	Stud		2	

Model: 356 50 Model life 1950>>1959

Pos	Part Number	Description	Remark	Qty	Model
19	900 053 004 00	BM 8 X 35 G 25 001 >> Angular-contact bearing 7210		1	
-	900 052 005 00	G 25 001 >> Deep-groove ball bearing 6210		1	
20	644 20 116	G 25 001 >> Gasket		2	
21	644 23 327	Bracket		1	
22	356 42 144 1	Clutch cable Retaining bracket		2	
23	900 076 013 0C	Brake hose Hexagon nut		16	
23	900 076 025 02	M 8 Hexagon nut		16	
23	900 076 064 02	M 8 Hexagon nut		16	
(24)	900 028 010 01	M 8 Spring washer		16	
24	N 012 241 8	B 8 G 11 001 >> 25 000 Spring washer		16	
25	644 20 119	B 8 G 25 001 >> Intermediate plate		1	
26	900 053 003 00	Angular-contact bearing 3305		1	
26	900 053 003 01	G 25 001 >> Angular-contact bearing 3305		1	
27	900 053 002 00	G 25 001 >> Angular-contact bearing 3304		1	
27	900 053 002 01	G 25 001 >> Angular-contact bearing 3304		1	
28	644 20 122	G 25 001 >> Shim		X	
29	644 20 118	Tensioning plate		1	
30	741 301 291 00	Tab washer	/L	1	
(30)	741 301 292 00	Tab washer	/R	1	
31	900 074 034 00	Hexagon-head bolt M 8 X 30		4	
31		G 11 001 >> 25 000 Hexagon-head bolt M 8 X 30		4	716/0/1/2/3
(31)	999 074 003 01	G 25 001 >> Hexagon-head bolt		4	716/4/5
(32)	900 074 035 00	G 25 001 >> Hexagon-head bolt		1	
32	900 074 035 02	M 8 X 32 G 11 001 >> 25 000 Hexagon-head bolt		1	
33	900 076 013 0C	M 8 X 32 G 25 001 >> Hexagon nut		1	
33	900 076 025 02	M 8 Hexagon nut		1	
33	900 076 064 02	M 8 Hexagon nut		1	
34	999 039 001 00	M 8 Tab washer		1	

Model: 356 50 Model life 1950>>1959

Pos	Part Number	Description	Remark	Qty	Model
35	644 23 146	Bolt for		3	
36	900 028 010 01	Reverse lever Spring washer		1	
-	999 151 022 02	B 8 Washer 20 X 8,4 X 2 G 11 001 >> 25 000		1	
37	644 20 108	Bush Gear lock detent		3	
38	900 012 020 00	Pin 8 M 6 X 45		1	
39	644 20 109	Shim 0,10 MM		X	
(39)	644 20 110	Shim 0,15 MM		X	
(39)	644 20 111	Shim 0,20 MM		X	
40	644 20 114	Transmission cover	/V	1	
41	644 20 022	Eccentric bolt Reverse idler gear		1	
42	900 095 018 00	Roll pin 5 X 28		1	
43	900 112 001 50	Radial sealing ring A 15 X 24 G 22 996 >>		1	
44	900 074 051 00	Hexagon-head bolt M 8 X 125		3	
45	900 074 044 0C	Hexagon-head bolt M 8 X 70		4	
46	N 010 375 E	Hexagon-head bolt M 8 X 75		1	
47	999 151 022 02	Washer 20 X 8,4 X 2		1	
48	999 611 918 20	Ground strap		1	
49	900 076 013 0C	Hexagon nut M 8		8	
49	900 076 025 02	Hexagon nut M 8		8	
49	900 076 064 02	Hexagon nut M 8		8	
50	900 028 010 01	Spring washer B 8		8	
51	519 20 555	Gasket		1	
52	519 20 016	Bearing 49 SHORE G 11 001 >> 25 000		2	
52		Bearing 49 SHORE G 25 001 >>		2	716/0/2/3
(52)		Bearing 80 SHORE G 11 001 >> 25 000		2	CARRERA
(52)		Bearing 80 SHORE G 25 001 >>		2	716/1/4/5
53	644 20 505	Pot		2	
54	519 20 539	Stop plate		4	
54	PCG 20 539	Reinforcement plate		4	
55	N 012 230 1	Spring washer B 10		4	
56	900 027 016 02	Lock ring B 10		4	

Model: 356 50 Model life 1950>>1959

Pos	Part Number	Description	Remark	Qty	Model
56	900 027 016 03	Lock ring B 10		4	
57	N 011 010 6	Hexagon nut M 10		8	
57	N 101 552 10	Hexagon nut M 10		8	
58	519 20 095	Rubber mounting	/L	1	
(58)	519 20 096	Rubber mounting	/R	1	
59	999 093 010 02	Hexagon-head bolt M 8 X 20		2	
60	900 074 063 02	Hexagon-head bolt M 10 X 55 G 11 001 >> 25 000		6	
60	900 074 380 01	Hexagon-head bolt M 10 X 55 G 11 001 >> 25 000		6	
60	900 075 046 02	Hexagon-head bolt M 10 X 55 G 25 001 >>		6	
61	900 027 015 02	Lock ring B 8		2	
61	900 027 015 03	Lock ring B 8		2	
62	900 027 016 02	Lock ring B 10		6	
62	900 027 016 03	Lock ring B 10		6	
63	900 028 010 01	Spring washer B 8		4	
64	900 076 013 0C	Hexagon nut M 8		6	
64	900 076 025 02	Hexagon nut M 8		6	
64	900 076 064 02	Hexagon nut M 8		6	
65	N 011 010 6	Hexagon nut M 10		6	
65	N 101 552 10	Hexagon nut M 10		6	
66	519 20 545	Transmission carrier		1	
67	900 028 014 01	Lock ring B 12		2	
68	900 082 006 02	Hexagon-head bolt M 12 X 1,5 X 30		2	
69	519 20 331	Detent Gear lock detent		2	
(70)	519 20 329	Ball 9 MM Gear lock detent G 11 001 >> 25 000		3	
70	N 025 667 2	Ball 9 MM Gear lock detent G 25 001 >>		3	
71	519 20 265	Spring Gear lock detent		2	
72	519 20 330	Spring Gear lock detent		1	
73	900 012 038 00	Reverse gear Straight pin 10 H 11 X 14		1	
74	999 065 001 02	Screw plug		3	
75	519 20 342	Gearshift lever		1	

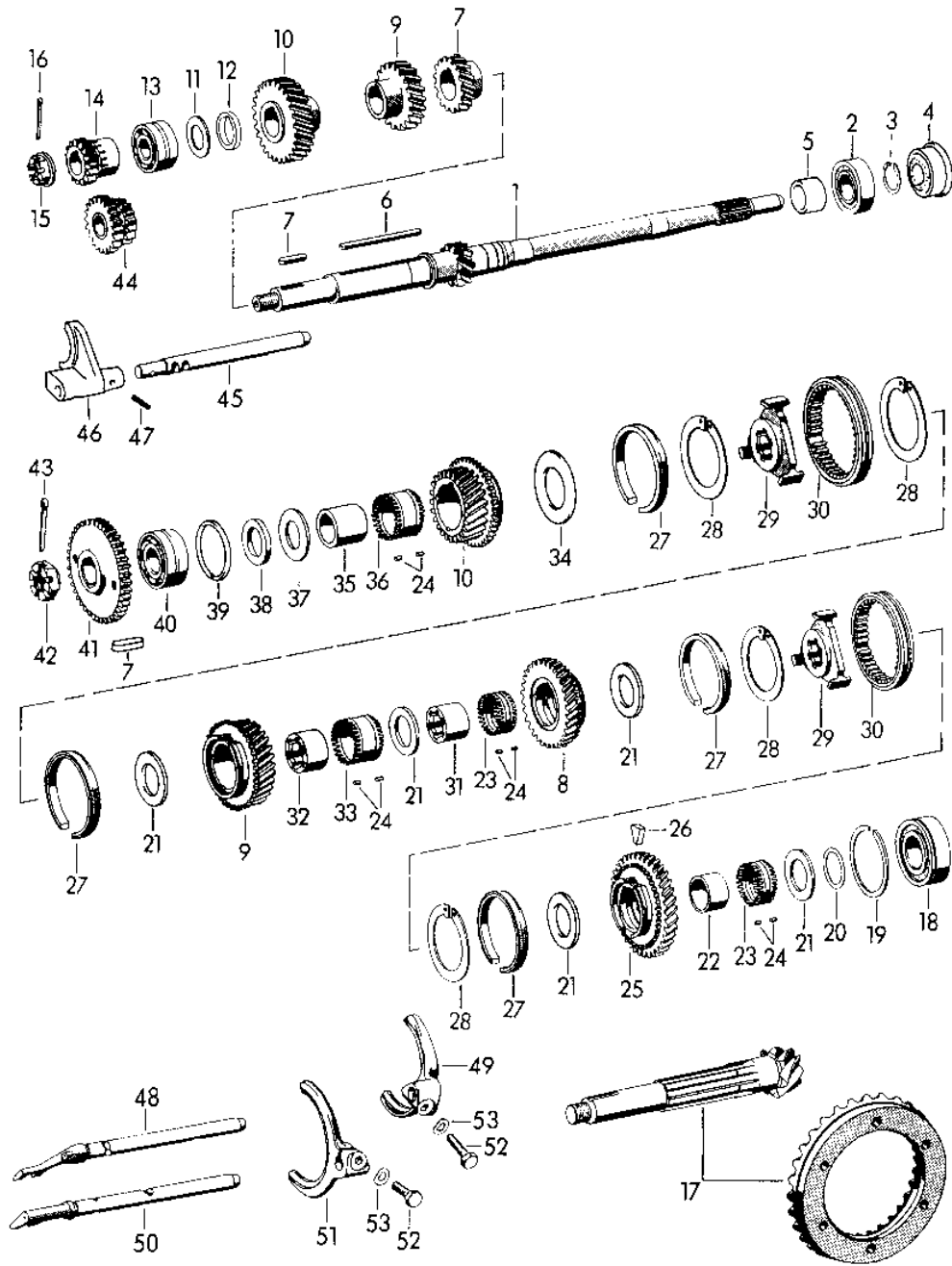
Model: 356 50

Model life 1950>>1959

Pos	Part Number	Description	Remark	Qty	Model
76	644 23 014	Reverse lever		1	
-	900 163 001 02	Nipple A 6		1	
77	900 025 008 02	Reverse lever Washer 10,5		1	
77	N 011 527 4	Washer 10,5		1	
77	900 025 008 09	Washer 10,5		1	
77	900 025 008 04	Washer 10,5		1	
78	N 012 530 1	Cotter pin 3 X 15		1	

Model: 356 50

Model life 1950>>1959



Model: 356 50 Model life 1950>>1959

Pos	Part Number	Description	Remark	Qty	Model
1	519 20 249	Gears and shafts for Transmission Drive shaft Z = 11		1	
(2)	900 052 003 00	Ball bearing		1	356 A/540.1 1300 /S 1600 /S
2	644 20 207	G >> 11 000 Ball bearing		1	
(2)	669 303 102 00	G 11 001 >> 25 000 Deep-groove ball bearing		1	356 A/540.1
-	519 20 139	Transmission case Pin 4 X 10,4		1	356 A/540.1 CARRERA
3	900 041 013 01	Circlip		1	
(4)		Sealing ring 22 21 1		1	356
4	999 113 048 50	Sealing frame		1	356 A/540.1
4	113 311 113 A	Shaft sealing ring		1	356 A/540.1
4	113 311 113 B	Sealing ring		1	356 A/540.1
5	519 20 210	Spacer ring		1	356
6	900 117 009 00	Feather key A 6 X 4 X 80		1	
7	900 117 019 00	Feather key A 6 X 4 X 12		3	
8	519 20 954	Gear wheel pair 2nd gear Z = 17:30		1	
9	519 20 956	Gear wheel pair 3rd gear Z = 22:27 for Ring gear and pinion shaft 7:31		1	356/356 A 1300 S 540.1 1300 /S 1600 /S 356 A/540.1 CARRERA 1500 GS
(9)	519 20 952	Gear wheel pair 3rd gear Z = 23:26 for Ring gear and pinion shaft 7:31		1	356/356 A 1300 1600 /S
10	519 20 960	Gear wheel pair 4th speed Z = 25:24 for Ring gear and pinion shaft 7:31		1	356 A/540.1 CARRERA 1500 GS
(10)	519 20 953	Gear wheel pair 4th speed Z = 27:22 for Ring gear and pinion shaft 7:31		1	356/356 A 1300 /1600 1600 S
(10)	519 20 957	Gear wheel pair 4th speed Z = 26:23 for Ring gear and pinion shaft 7:31		1	356 A:1300 S 540.1 1300 /S 1600 /S

Model: 356 50 Model life 1950>>1959

Pos	Part Number	Description	Remark	Qty	Model
11	644 20 202	G 16 146 >> Washer		1	
12	519 20 252	G 11 001 >> 25 000 Outer ring for Angular-contact bearing		1	
(13)	519 20 250	G >> 11 000 Ball bearing with Groove 1		1	
(13)	900 053 002 02	G >> 11 000 Ball bearing with Groove 1		1	
13	900 053 002 00	G >> 11 000 Angular-contact bearing		1	
13	900 053 002 01	G 11 001 >> 25 000 Angular-contact bearing		1	
(14)	519 20 281	G 11 001 >> 25 000 Reverse gear wheel 1		1	
14	644 20 203	G >> 11 000 Gear wheel 1		1	
15	519 20 285	G 11 001 >> 25 000 Castle nut		1	
16	N 012 533 1	Cotter pin 3 X 28		1	
(17)	519 20 266	Ring gear and pinion shaft Order also: Crown wheel 519 32 202		1	356
17	741 302 906 01	Ring gear and pinion shaft 7:31		1	356 A/540.1
(17)	550 302 921 00	Ring gear and pinion shaft 6:31 Tunnel transmission		1	
(18)	900 110 002 00	G 11 001 >> 25 000 Cylindrical-roller bearing		1	
(18)	519 20 207	G >> 11 000 Cylindrical-roller bearing		1	CARRERA 1500 GS
-	519 20 139	G >> 11 000 Pin 4 X 10,4		1	CARRERA 1500 GS
18	915 302 399 05	G >> 11 000 Cylindrical-roller bearing		1	
18	915 302 399 06	G 11 001 >> 25 000 Cylindrical-roller bearing		1	
19	900 111 001 00	G 11 001 >> 25 000 Circlip SP 62 A		1	
20	519 20 334	G 11 001 >> 25 000 Adjusting shim 0,05 MM		X	356
(20)	519 20 335	Adjusting shim 0,10 25,1 X 35 X 0,1		X	356
(20)	519 20 213	Adjusting shim 0,10 30,6 X 37 X 0,1		X	356
(20)	519 20 214	Adjusting shim 0,15		X	356

Model: 356 50 Model life 1950>>1959

Pos	Part Number	Description	Remark	Qty	Model
(20)	519 20 215	Adjusting shim 0,20		X	356
(20)	741 302 297 00	Adjusting shim 0,25 MM		X	356 A/540.1
(20)	741 302 297 01	Adjusting shim 0,30MM		X	356 A/540.1
(20)	741 302 297 02	Adjusting shim 0,40 MM		X	356 A/540.1
21	519 20 216	Thrust washer 1st / 2nd gear		2	
22	519 20 217	Bush 1st gear		1	
23	519 20 218	Needle cage 1st / 2nd gear		2	
(24)	716 302 930 00	Roller 3 X 5 Undersize Oversize -4,-2,0,+2,+4		X	
25	519 20 050	Gear wheel 1st gear Wheel 2		1	
26	519 20 288	Stone for Clutch hub		4	
27	519 20 313	Synchroniser ring		4	
28	519 20 296	Circlip		4	
29	519 20 327	Guide sleeve		2	
-	519 20 325	Guide sleeve		2	356
30	519 20 328	Shift sleeve		2	
30	519 20 339	Shift sleeve		2	
30	519 20 343	Shift sleeve		2	
31	519 20 297	Bush Needle cage 2nd gear		1	
32	519 20 298	Bush Needle cage 3rd gear		1	
33	519 20 318	Needle cage Wheel 2 3rd gear		1	
34	519 20 232	Spring washer		1	
35	519 20 236	Bush Needle cage 4th speed		1	
36	519 20 319	Needle cage Wheel 2 4th speed		1	
37	519 20 237	Thrust washer		1	
38	644 20 206	Washer		1	356 A/540.1
39	519 20 333	Outer ring Not for Tunnel transmission		1	
(40)	519 20 211	Ball bearing Two-row G >> 11 000		1	
40	900 053 003 00	Angular-contact bearing 3305		1	
40	900 053 003 01	G 11 001 >> 25 000 Angular-contact bearing		1	

Model: 356 50 Model life 1950>>1959

Pos	Part Number	Description	Remark	Qty	Model
(41)	519 20 282	3305 G 11 001 >> 25 000 Reverse gear wheel 2		1	
41	644 20 204	G >> 11 000 Gear wheel 2		1	
42	519 20 332	G 11 001 >> 25 000 Castle nut		1	
43	N 012 538 1	Cotter pin 4 X 40		1	
44	519 20 048	Gear wheel 3		1	
(45)	519 20 280	Gear shift rod Reverse gear G >> 11 000		1	
45	644 20 301	Gear shift rod Reverse gear G 11 001 >> 25 000		1	
46	519 20 279	Shift fork Reverse gear		1	
47	900 095 013 00	Roll pin 4 X 20		1	
(48)	519 20 241	Gear shift rod 1st / 2nd gear G >> 11 000		1	
48	644 20 302	Gear shift rod 1st / 2nd gear G 11 001 >> 25 000		1	
49	519 20 245	Shift fork 1st / 2nd gear		1	
(50)	519 20 242	Gear shift rod 3rd/4th gear G >> 11 000		1	
50	644 20 303	Gear shift rod 3rd/4th gear G 11 001 >> 25 000		1	
51	519 20 246	Shift fork 3rd/4th gear		1	
(52)	519 20 248	Hexagon-head bolt G >> 11 000		2	
52	900 075 030 00	Hexagon-head bolt M 8 X 28 G 11 001 >> 25 000		2	
(53)	900 028 010 01	Spring washer B 8 G >> 11 000		2	
53	900 028 011 01	Spring washer B 8 G 11 001 >> 25 000 Gear set for Special transmission ratio		2	356/356 A
-	519 20 617	Clutch control shaft Z = 13 G 11 001 >> 25 000		1	
-	519 20 962	Gear set 2 1st gear G 11 001 >> 25 000		1	
-	519 20 088	Wheel 2 1st gear		1	

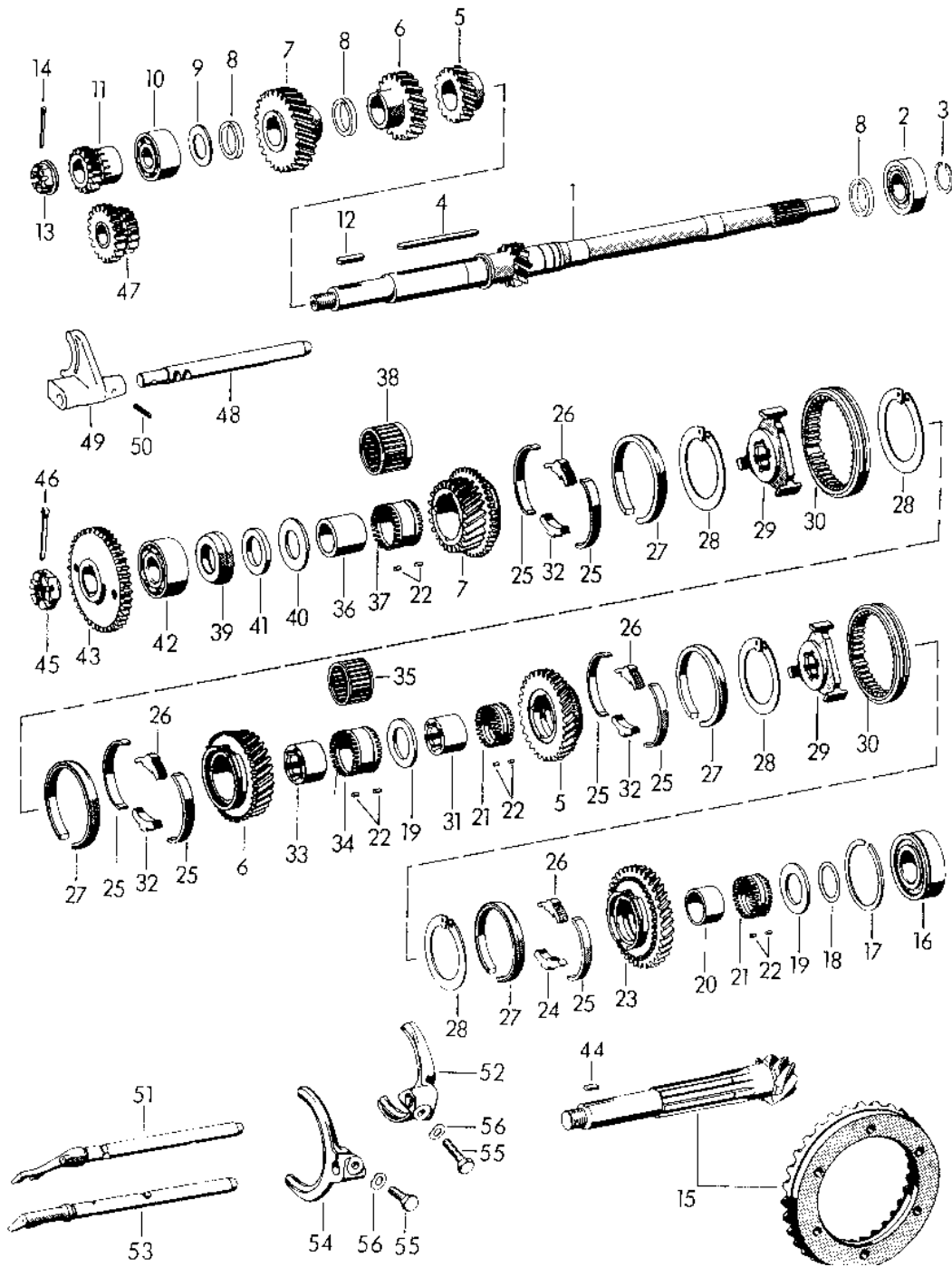
Model: 356 50

Model life 1950>>1959

Pos	Part Number	Description	Remark	Qty	Model
-	519 20 958	G 11 001 >> 25 000 Gear wheel pair Z = 16:31		1	
-	519 20 955	G 11 001 >> 25 000 Gear wheel pair Z = 18:29		1	
-	519 20 959	G 11 001 >> 25 000 Gear wheel pair Z = 24:25		1	
-	550 302 921 00	G 11 001 >> 25 000 Ring gear and pinion shaft 6:31 G 11 001 >> 25 000		1	

Model: 356 50

Model life 1950>>1959



Model: 356 50 Model life 1950>>1959

Pos	Part Number	Description	Remark	Qty	Model
		Gears and shafts for Transmission			716/0/1/2/3 716/4/5
1	519 20 249	Drive shaft Z = 11		1	
2	644 20 207	Ball bearing		1	
3	999 041 003 01	Circlip		1	
4	900 117 009 00	Feather key A 6 X 4 X 80		1	
5	716 302 902 01	Gear set 2nd gear Z = 16:31 (2A)		1	716/3/4/5
(5)	716 302 902 11	Gear set 2nd gear Z = 17:30 (2B)		1	716/0/1/2
6	716 302 903 01	Gear wheel pair 3rd gear Z = 22:27		1	716/1/2
(6)	716 302 903 11	Gear set 3rd gear Z = 23:26 (3B)		1	716/0
(6)	716 302 903 41	Gear wheel pair 3rd gear Z = 20:27		1	716/3/4/5
7	741 302 904 00	Gear set 4th speed Z = 25:24		1	716/1/3
(7)	716 302 904 21	Gear set 4th speed Z = 27:22 (4C)		1	716/0
(7)	716 302 904 11	Gear wheel pair 4th speed Z = 26:23		1	716/2
(7)	716 302 903 21	Gear wheel pair 4th speed Z = 24:25		1	716/4
(7)	716 302 903 11	Gear set 4th speed Z = 23:26		1	716/5
8	716 302 265 00	Spacer ring		2	716/3/4/5
9	644 20 202	Washer		1	
10	900 053 002 00	Angular-contact bearing 3304		1	
10	900 053 002 01	Angular-contact bearing 3304		1	
11	644 20 203	Gear wheel 1		1	
12	900 117 018 00	Feather key B 6 X 4 X 12		1	
13	519 20 285	Castle nut		1	
14	N 012 533 1	Cotter pin 3 X 28		1	
15	741 302 906 01	Ring gear and pinion shaft 7:31		1	
16	915 302 399 05	Cylindrical-roller bearing		1	
16	915 302 399 06	Cylindrical-roller bearing		1	
17	900 111 001 00	Circlip SP 62 A		1	
18	741 302 297 00	Adjusting shim 0,25 MM		X	
(18)	741 302 297 01	Adjusting shim 0,30 MM		X	
(18)	741 302 297 02	Adjusting shim		X	

Model: 356 50 Model life 1950>>1959

Pos	Part Number	Description	Remark	Qty	Model
19	519 20 216	0,40 MM Thrust washer		2	
20	519 20 217	1st / 2nd gear Bush		1	
21	519 20 218	1st gear Needle cage		2	
(22)	716 302 930 00	1st / 2nd gear Roller 3 X 5 Undersize Oversize -4,-2,0,+2,+4		X	
23	716 302 021 11	Gear wheel 1st gear Z = 34		1	
24	716 302 320 01	Stone 1st gear		1	
25	741 302 316 00	Brake band 1. - 4. Speed		7	
26	741 302 317 00	Stop 1. - 4. Speed		4	
27	716 302 301 06	Synchroniser ring 1. - 4. Speed		4	
28	741 302 311 00	Circlip 1. - 4. Speed		4	
29	716 302 401 01	Guide sleeve		2	
30	716 302 411 01	Shift sleeve		2	
30	716 302 411 03	Shift sleeve		2	
31	519 20 297	Bush Needle cage 2nd gear		1	
32	716 302 315 02	Stone 2. - 4. Speed		3	
33	519 20 298	Bush Needle cage 3rd gear		1	
34	519 20 318	Needle cage Wheel 2 3rd gear		1	
35		Deleted		X	
36	519 20 236	Bush Needle cage 4th speed		1	
(37)	519 20 319	Needle cage Wheel 2 4th speed		1	716/0/1/2/3
37	519 20 318	Needle cage Wheel 2 4th speed		1	716/4/5
38		Deleted		X	
39	644 20 691	Thrust ring		1	716/4/5
40	519 20 237	Thrust washer		1	
41	644 20 206	Washer		1	
42	900 053 003 00	Angular-contact bearing 3305		1	

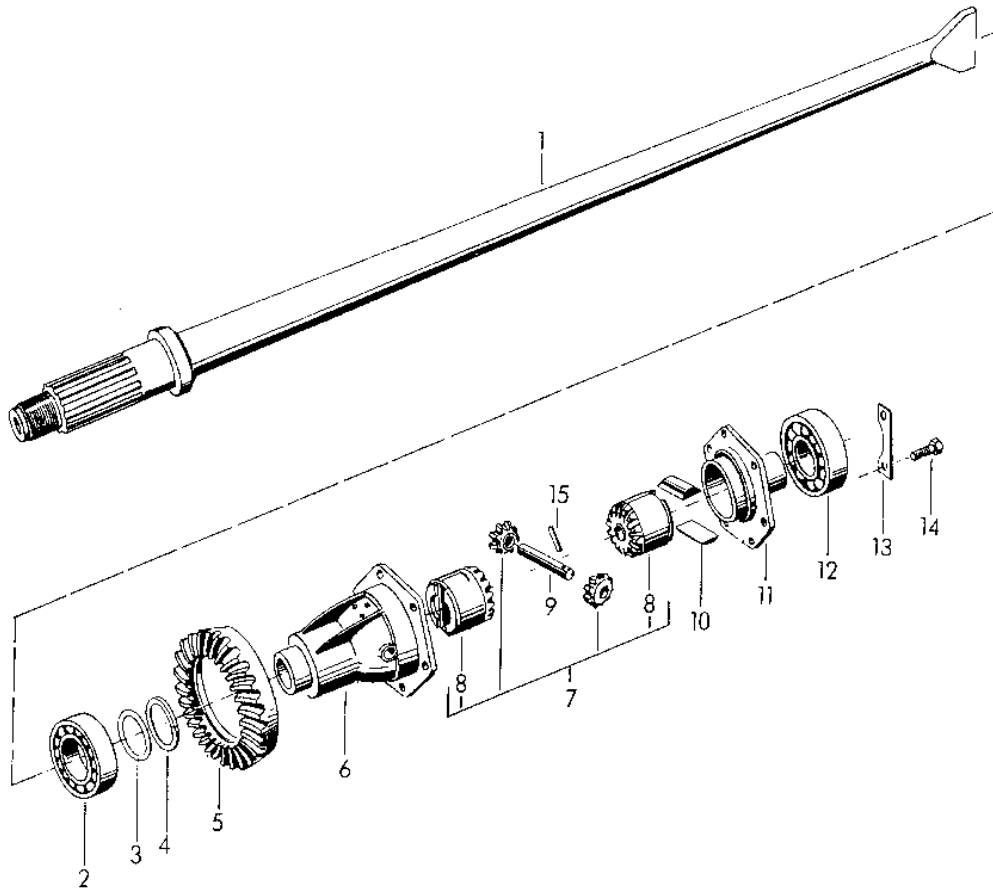
Model: 356 50

Model life 1950>>1959

Pos	Part Number	Description	Remark	Qty	Model
42	900 053 003 01	Angular-contact bearing 3305		1	
43	644 20 204	Gear wheel 2		1	
44	900 117 018 00	Feather key B 6 X 4 X 12		2	
45	519 20 332	Castle nut		1	
46	N 012 538 1	Cotter pin 4 X 40		1	
47	519 20 048	Gear wheel 3		1	
48	644 20 301	Gear shift rod Reverse gear		1	
(49)	519 20 279	Shift fork Reverse gear		1	
50	900 095 013 00	Roll pin 4 X 20		1	
(51)	644 20 302	Gear shift rod 1st / 2nd gear		1	
52	519 20 245	Shift fork 1st / 2nd gear		1	
(53)	644 20 303	Gear shift rod 3rd/4th gear		1	
54	519 20 246	Shift fork 3rd/4th gear		1	
55	900 074 033 00	Hexagon-head bolt M 8 X 28		2	
56	900 028 010 01	Spring washer B 8		2	

Model: 356 50

Model life 1950>>1959



Model: 356 50 Model life 1950>>1959

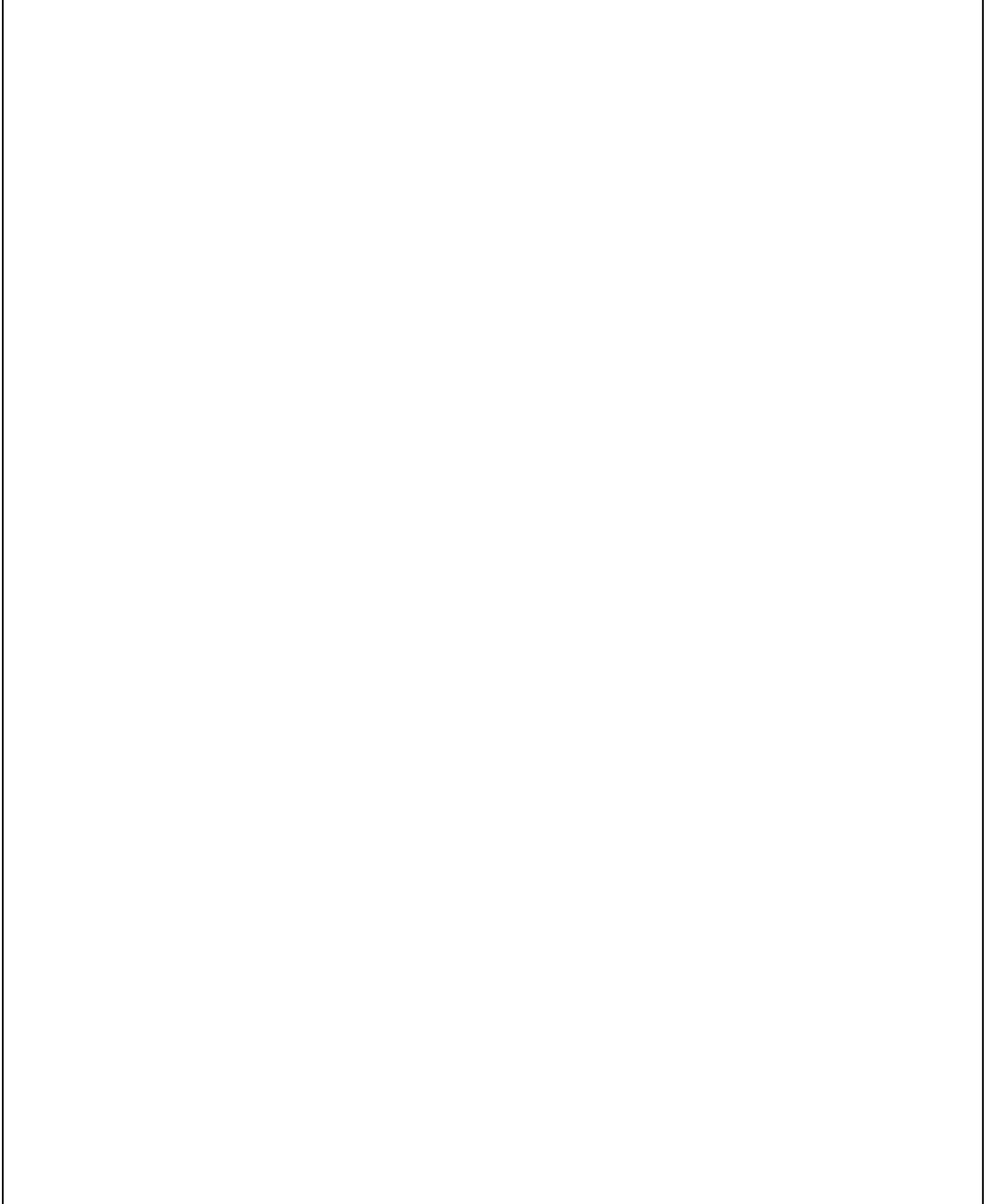
Pos	Part Number	Description	Remark	Qty	Model
(1)		Differential Rear wheel shaft 32 04 2		2	356
1	644 332 221 02	Drive shaft		2	356 A/540.1
2	900 052 005 00	Deep-groove ball bearing 6210		1	
3	519 32 103	Spacer		X	
3	PCG 32 103	Spacer		X	
4	519 32 206	Spacer ring 2,9 MM		X	
(4)	519 32 207	Spacer ring 3,0 MM		X	
(4)	519 32 208	Spacer ring 3,1 MM		X	
(4)	519 32 209	Spacer ring 3,2 MM		X	
(4)	519 32 210	Spacer ring 3,3 MM		X	
(4)	519 32 211	Spacer ring 3,4 MM		X	
(4)	519 32 212	Spacer ring 3,5 MM		X	
(4)	519 32 213	Spacer ring 3,6 MM		X	
(4)	519 32 214	Spacer ring 3,7 MM		X	
(4)	519 32 215	Spacer ring 3,8 MM		X	
(4)	519 32 216	Spacer ring 3,9 MM		X	
(4)	519 32 217	Spacer ring 4,0 MM		X	
(4)	519 32 218	Spacer ring 4,1 MM		X	
(4)	519 32 219	Spacer ring 4,2 MM		X	
(4)	519 32 220	Spacer ring 4,3 MM		X	
(4)	519 32 221	Spacer ring 4,4 MM		X	
(4)	519 32 222	Spacer ring 4,5 MM		X	
5		Ring gear and pinion shaft See group 3/03/00 Picture 17		1	
6	519 32 101	Housing		1	
-		1 set Rear wheel shaft And Differential pinions SP 54		1	356
7	644 332 043 00	Differential pinions 1 set		1	356 A/540.1
8	644 332 401 00	Shaft bevel gear		2	356 A/540.1
9	519 32 102	Differential bolt		1	
(10)		Slide 32 05 2		4	356
10	690 321 232 00	Slide		4	356 A/540.1
(10)		Slide Oversize		X	356 A/540.1
(11)		Housing cover		1	356

Model: 356 50 Model life 1950>>1959

Pos	Part Number	Description	Remark	Qty	Model
		32 09 1			
11	644 332 215 00	Housing cover		1	356 A/540.1
(11)	741 332 215 00	Housing cover		1	356 A/540.1
(11)	741 332 111 00	Housing cover		1	
		Bohrungen 12 x			
		Use also:			
		741.332.261.00		1	
12	900 053 004 00	Angular-contact bearing		1	
		7210			
(13)	519 32 105	Tab washer		3	356
13	741 332 281 00	Tab washer		3	356 A/540.1
(14)	519 32 205	Hexagon-head bolt		6	356
14	741 332 271 05	Hexagon-head bolt		6	356 A/540.1
14	741 332 271 07	Hexagon-head bolt		6	356 A/540.1
15	519 32 104	Pin		1	

Model: 356 50

Model life 1950>>1959



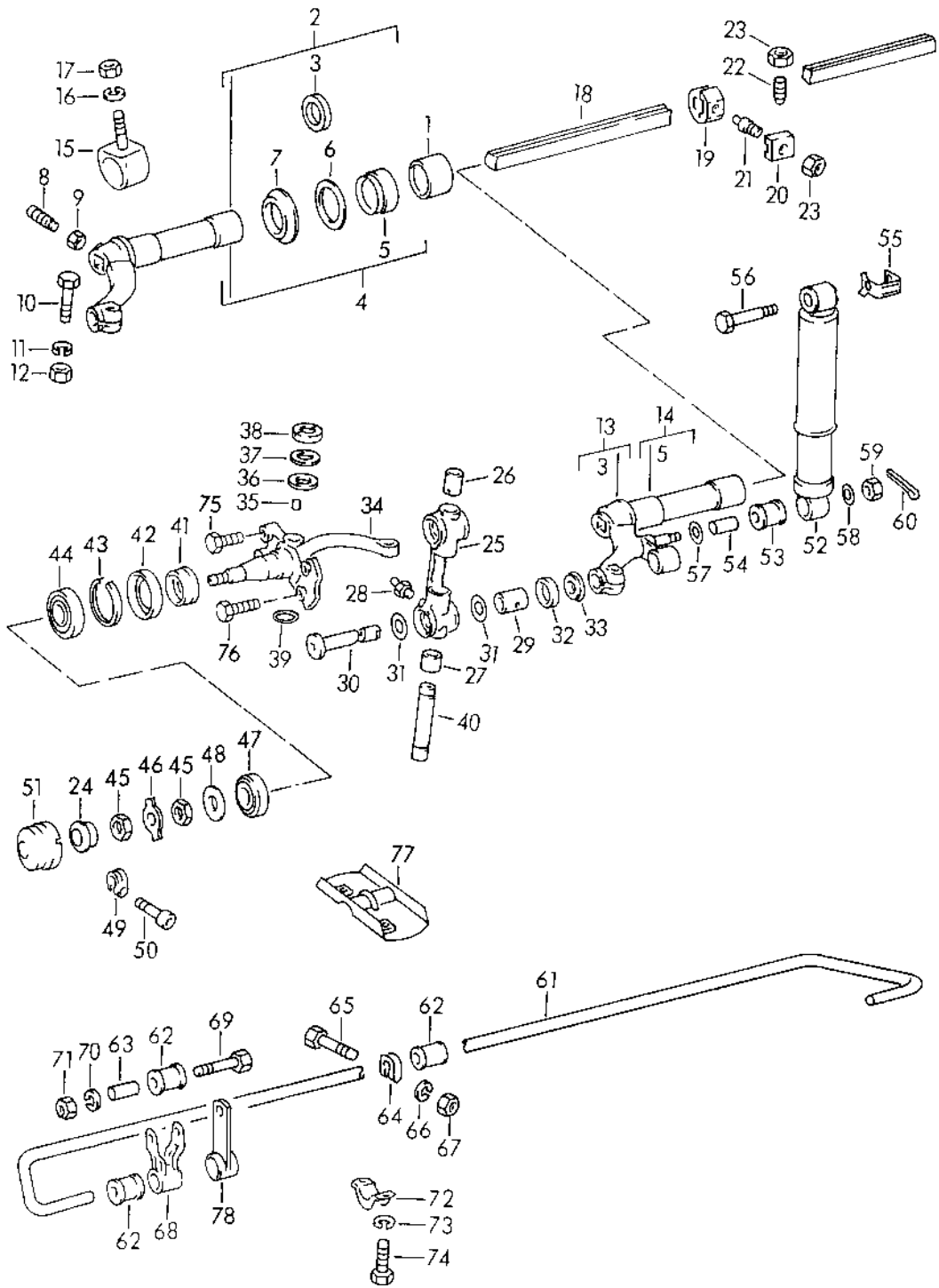
Model: 356 50

Model life 1950>>1959

Pos	Part Number	Description	Remark	Qty	Model
		Gear set for Special transmission ratio Clutch control shaft Z = 13		1	356 /356 A
-	519 20 617				
-	519 20 962	Gear set 2 1st gear		1	
-	519 20 088	Wheel 2 1st gear		1	
>>	519 20 958	Gear wheel pair Z = 16:31		1	
>>	519 20 955	Gear wheel pair Z = 18:29		1	
>>	519 20 959	Gear wheel pair Z = 24:25		1	
>>	550 302 921 00	Ring gear and pinion shaft 6:31		1	

Model: 356 50

Model life 1950>>1959



Model: 356 50 Model life 1950>>1959

Pos	Part Number	Description	Remark	Qty	Model
-	PCG 043 110 00	Front axle Lubricants Grease Bearing 200 GR.		1	356 / 356A
-	PCG 143 110 00	Grease gun		1	
1	356 41 118	Bearing sleeve		4	356
1	644 41 103	Bearing sleeve		4	356 A
2		Lever 41.20.2 Upper		2	356
3		Sealing ring 87.41.80		4	356
4	695 341 994 00	Lever Upper		2	356 A
5	644 41 014	Needle-roller bearing		4	356 A
6	644 41 404	Cover disc		4	356 A
7	644 41 403	Sealing ring		4	356 A
8		Fastening screw 41.44		4	356
8	999 069 001 01	Fastening screw		4	356 A
9		Lock nut 41.43		4	356
9	644 41 111	Lock nut		4	356 A
10	900 074 060 01	Hexagon-head bolt M 10 X 40		4	
11	900 027 016 02	Lock ring B 10		4	
11	900 027 016 03	Lock ring B 10		4	
12	N 011 010 6	Hexagon nut M 10		4	
12	N 101 552 10	Hexagon nut M 10		4	
13	356 041 610	Lever Lower		2	356
14	644 341 023 01	Lever Lower		2	356 A
(15)	356 041 208	Rubber stop		2	356
15	695 341 031 01	Rubber stop		2	356 A
16	900 027 015 02	Lock ring B 8		2	356 A
16	900 027 015 03	Lock ring B 8		2	356 A
17	900 076 013 02	Hexagon nut M 8		2	356 A
17	900 076 025 02	Hexagon nut M 8		2	356 A
17	900 076 064 02	Hexagon nut M 8		2	356 A
18	356 41 207	Torsion bar		2	356
(18)	356 41 042	Torsion bar		2	356 SPEEDSTER
18	644 41 020	Torsion bar		2	356 A
19	644 41 202	Driver F >> 56 276 F >> 61 186 F >> 82 241		2	356 A COUPE CABRIO SPEEDSTER
19	644 41 202 1	Driver F 56 277 >> F 61 187 >> F 82 242 >>		2	356 A COUPE CABRIO SPEEDSTER
20	644 41 204	Stop		2	356 A

Model: 356 50 Model life 1950>>1959

Pos	Part Number	Description	Remark	Qty	Model
21	644 41 203	Fastening screw		2	356 A
22	644 41 205	Threaded pin		2	356 A
23	644 41 111	Lock nut		2	356 A
24	356 41 453	Cap for Steering knuckle with Hole	/L	1	
(24)	356 41 454	Cap for Steering knuckle	/R	1	
25	356 41 429	Supporting bow with Bush	/L	1	356
25	644 41 043	Supporting bow with Bush	/L	1	356 A
(25)	356 41 430	Supporting bow with Bush	/R	1	356
(25)	695 341 044 00	Supporting bow with Bush	/R	1	356 A
26	356 41 418	Bush Upper		2	
27	356 41 415	Bush Lower		2	
28		Nipple Alternative parts:		X	
-	999 163 001 01	Nipple		4	
-	999 163 003 02	Nipple		4	
29	644 41 407	Bush		4	
29	695 341 993 00	Bush		4	
30	356 41 445	Collar bolt		4	
-	695 341 993 00	Bush for Collar bolt Comprising:		2	
		Bush		2	
		Sealing washer		2	
		Sealing ring		2	
		Spacer		18	
		Collar bolt		2	
31	356 41 446	Spacer		36	
32	644 41 409	Sealing ring		4	356 A
33	644 41 408	Sealing washer		4	356 A
34	356 41 419	Steering knuckle	/L	1	356
34	644 41 401	Steering knuckle	/L	1	356 A
34	644 341 651 00	Steering knuckle	/L	1	356 A
		F >> 103 785			1500 CARRERA GS (GT) COUPE
		F >> 103 880			1500 CARRERA GS (DE LUXE) COUPE
		F >> 150 572			1500 CARRERA GS (DL LUXE) COUPE
		F >> 104 852			HARDTOP
		F >> 150 981			1600 COUPE
		F >> 85 569			1600 CABRIO HARDTOP 1600

Model: 356 50 Model life 1950>>1959

Pos	Part Number	Description	Remark	Qty	Model
(34)	356 41 420	Steering knuckle	/R	1	CONVERTIBLE 356
(34)	641 41 402	Steering knuckle	/R	1	356 A
(34)	644 341 652 00	Steering knuckle F >> 103 785	/R	1	356 A 1500 CARRERA GS (GT) COUPE
		F >> 103 880			1500 CARRERA GS (DE LUXE) COUPE
		F >> 150 572			1500 CARRERA GS (DL LUXE) COUPE
		F >> 104 852			HARDTOP 1600 COUPE
		F >> 150 981			1600 CABRIO HARDTOP
		F >> 85 569			1600 CONVERTIBLE
35	900 095 006 00	Roll pin 3 X 6		2	
36	356 41 461	Thrust washer 3,30 - 3,35 MM		X	
(36)	356 41 462	Thrust washer 3,40 - 3,45 MM		X	
(36)	356 41 463	Thrust washer 3,50 - 3,55 MM		X	
(36)	356 41 464	Thrust washer 3,60 - 3,65 MM		X	
(36)	356 41 465	Thrust washer 3,70 - 3,75 MM		X	
(36)	356 41 465 1	Thrust washer 3,85 - 3,90 MM		X	
(36)	356 41 466	Thrust washer 3,90 - 3,95 MM		X	
(36)	356 41 467	Thrust washer 4,10 - 4,15 MM		X	
(36)	356 41 468	Thrust washer 4,30 - 4,35 MM		X	
37	356 41 443	Thrust washer		2	
38	356 41 444	Cap		2	
39	000 97 309	Sealing ring		2	356 A
40	695 341 675 10	Bearing pin		2	
41	356 41 447	Spacer ring		2	
41	356 41 457	Spacer ring		2	
41	644 341 661 00	Spacer ring F >> 103 785		2	1500 CARRERA GS (GT) COUPE
		F >> 103 880			1500 CARRERA GS (DE LUXE) COUPE
		F >> 150 572			1500 CARRERA GS (DL LUXE) COUPE
		F >> 104 852			HARDTOP 1600 COUPE
		F >> 150 981			1600 CABRIO HARDTOP
		F >> 85 569			1600 CONVERTIBLE
42	356 41 448	Sealing ring		2	356
42		Sealing ring		2	356 A

Model: 356 50 Model life 1950>>1959

Pos	Part Number	Description	Remark	Qty	Model
43	644 341 663 00	Intermediate ring F >> 103 785 F >> 103 880 F >> 150 572 F >> 104 852 F >> 150 981 F >> 85 569		2	356 A 1500 CARRERA GS (GT) COUPE 1500 CARRERA GS (DE LUXE) COUPE 1500 CARRERA GS (DL LUXE) COUPE HARDTOP 1600 COUPE 1600 CABRIO HARDTOP 1600 CONVERTIBLE
44	900 053 006 00	Ball bearing Inner 17305		2	
44	900 059 001 00	Ball bearing Inner 30206 F >> 103 785 F >> 103 880 F >> 150 572 F >> 104 852 F >> 150 981 F >> 85 569		2	356 A 1500 CARRERA GS (GT) COUPE 1500 CARRERA GS (DE LUXE) COUPE 1500 CARRERA GS (DL LUXE) COUPE HARDTOP 1600 COUPE 1600 CABRIO HARDTOP 1600 CONVERTIBLE
45	356 41 451	Nut	/L	2	
(45)	356 41 450	Nut	/R	2	
46	356 41 452	Lock washer		2	
47	900 053 005 00	Ball bearing Outer 17304		2	
47	900 059 002 00	Taper roller bearing Outer 30304 F >> 103 785 F >> 103 880 F >> 150 572 F >> 104 852 F >> 150 981 F >> 85 569		2	356 A 1500 CARRERA GS (GT) COUPE 1500 CARRERA GS (DE LUXE) COUPE 1500 CARRERA GS (DL LUXE) COUPE HARDTOP 1600 COUPE 1600 CABRIO HARDTOP 1600 CONVERTIBLE
48	356 41 449	Thrust washer		2	
48	644 341 667 00	Thrust washer		2	356 A

Model: 356 50 Model life 1950>>1959

Pos	Part Number	Description	Remark	Qty	Model
		F >> 103 785			1500 CARRERA GS (GT) COUPE
		F >> 103 880			1500 CARRERA GS (DE LUXE) COUPE
		F >> 150 572			1500 CARRERA GS (DL LUXE) COUPE
		F >> 104 852			HARDTOP 1600 COUPE
		F >> 150 981			1600 CABRIO HARDTOP
		F >> 85 569			1600 CONVERTIBLE
49	914 341 671 00	Clamping nut		2	356 A
		F >> 103 785			1500 CARRERA GS (GT) COUPE
		F >> 103 880			1500 CARRERA GS (DE LUXE) COUPE
		F >> 150 572			1500 CARRERA GS (DL LUXE) COUPE
		F >> 104 852			HARDTOP 1600 COUPE
		F >> 150 981			1600 CABRIO HARDTOP
		F >> 85 569			1600 CONVERTIBLE
50	999 119 001 01	Pan-head screw		2	356 A
		F >> 103 785			1500 CARRERA GS (GT) COUPE
		F >> 103 880			1500 CARRERA GS (DE LUXE) COUPE
		F >> 150 572			1500 CARRERA GS (DL LUXE) COUPE
		F >> 104 852			HARDTOP 1600 COUPE
		F >> 150 981			1600 CABRIO HARDTOP
		F >> 85 569			1600 CONVERTIBLE
50	999 119 001 0B	Pan-head screw		2	356 A
		F >> 103 785			1500 CARRERA GS (GT) COUPE
		F >> 103 880			1500 CARRERA GS (DE LUXE) COUPE
		F >> 150 572			1500 CARRERA GS (DL LUXE) COUPE
		F >> 104 852			HARDTOP 1600 COUPE
		F >> 150 981			1600 CABRIO HARDTOP
		F >> 85 569			1600 CONVERTIBLE

Model: 356 50 Model life 1950>>1959

Pos	Part Number	Description	Remark	Qty	Model
51	356 41 427	Rubber cap for Front wheel hub		2	
52	PCG 343 501 00	Vibration damper	-55	2	356
52	644 343 501 13	Shock absorber - koni - Blue	56-	2	356 A
(52)	644 343 501 10	Shock absorber - koni -		2	356 A CARRERA 1600 S
53	550 41 608 01	Rubber mounting		2	356
53	901 333 795 00	Rubber mounting		4	356 A
54	356 41 612	Bush		2	356
54	644 41 522	Bush		4	356 A
55		Tab washer 41.96.02		2	356
55	644 343 581 00	Tab washer		2	356 A
56		Screw 41.65.02		2	356
56	644 41 511	Screw		2	356 A
57	000 95 709	Washer		2	356 A
58	900 025 008 02	Washer		2	
58	N 011 527 4	Washer		2	
58	900 025 008 09	Washer		2	
58	900 025 008 04	Washer		2	
59	900 079 003 02	Castle nut M 10		2	
60	N 012 522 1	Cotter pin 2 X 22		2	
61	356 41 604	Stabiliser		1	356
61	644 41 603	Stabiliser \$ 15 MM		1	356 A
61	644 41 603 1	Stabiliser \$ 16 MM		1	356 A CARRERA GT
62	550 41 608 01	Rubber mounting		4	356
62	644 41 602	Rubber mounting Stabiliser		4	356 A
62	PCG 41 602	Rubber mounting Stabiliser		4	356 A
63	911 333 522 00	Articulated bush		2	356 A
64	550 41 610	Clip		2	356
64	644 41 606	Clip		2	356 A
65	N 010 347 5	Hexagon-head bolt M 6 X 35		2	
66	900 027 014 01	Lock ring B 6		2	
66	900 027 014 02	Lock ring B 6		2	
66	N 012 006 4	Lock ring B 6		2	
67	900 076 010 2	Hexagon nut M 6		2	
68	644 41 061	Fork		2	356 A
69	900 074 063 02	Hexagon-head bolt M 10 X 55		2	356 A
69	900 074 380 01	Hexagon-head bolt M 10 X 55		2	356 A
70	900 027 016 02	Lock ring B 10		2	356 A
70	900 027 016 03	Lock ring B 10		2	356 A
71	N 011 010 6	Hexagon nut M 10		2	356 A

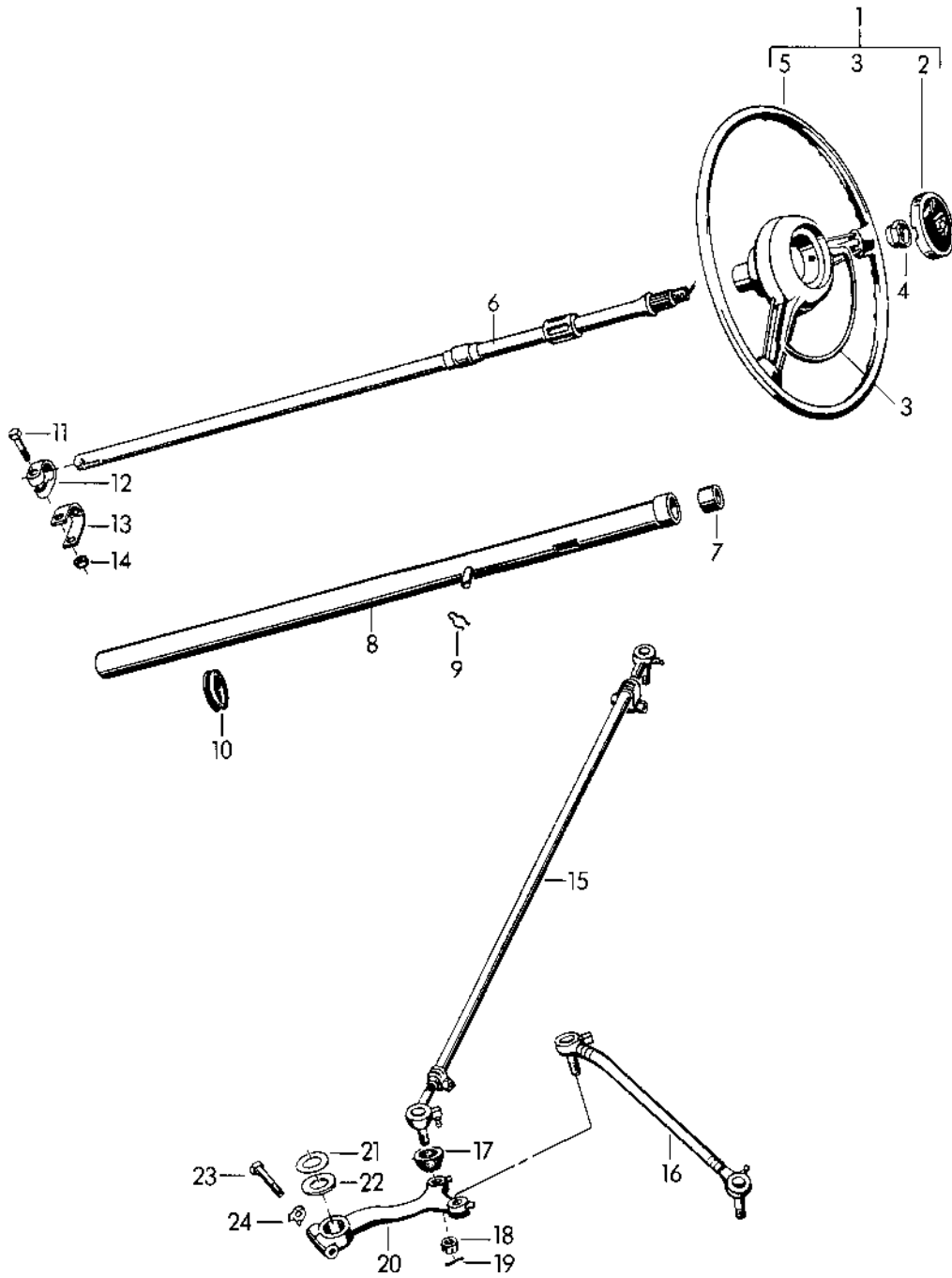
Model: 356 50

Model life 1950>>1959

Pos	Part Number	Description	Remark	Qty	Model
71	N 101 552 10	Hexagon nut M 10		2	356 A
72	356 49 944	Cup		2	356
72	644 41 605	Bearing clamp		2	356 A
73	900 027 015 02	Lock ring B 8		4	
73	900 027 015 03	Lock ring B 8		4	
74	999 093 010 02	Hexagon-head bolt M 8 X 20		4	
75	900 075 035 02	Hexagon-head bolt M 10 X 15		4	356 A
76	900 075 037 01	Hexagon-head bolt M 10 X 17		2	356 A
77	356 49 943	Bearing		2	356
78	356 41 605	Fastening clip		2	356

Model: 356 50

Model life 1950>>1959



Model: 356 50 Model life 1950>>1959

Pos	Part Number	Description	Remark	Qty	Model
		Steering wheel			356
		Steering shaft			
		Tie rod			
		And			
		Steering arm			
1	356 47 019 1	Steering wheel		1	
		\$ 400 MM			
		Complete			
1	356 47 019 2	Steering wheel		1	
		\$ 425 MM			
		Complete			
2	356 47 107	Horn button		1	
3	356 47 208	Ring piece		1	
4	356 47 201	Hexagon nut		1	
5	356 47 215 1	Steering wheel		1	
		\$ 400 MM			
5	356 47 215 2	Steering wheel		1	
		\$ 425 MM			
6		Steering shaft		1	
		47.68.5			
7		Bush		1	
		47.33			
8	356 47 004	Steering column tube		1	
9		Retaining spring		1	
		05.22			
-	644 61 245	Guide rail		1	
10		Bearing		1	
		L-719.653			
11	900 074 038 02	Hexagon-head bolt		1	
		M 8 X 40			
12	644 347 651 00	Pipe clamp		1	
13	644 347 681 00	Tab washer		1	
14	900 076 013 02	Hexagon nut		1	
		M 8			
14	900 076 025 02	Hexagon nut		1	
		M 8			
14	900 076 064 02	Hexagon nut		1	
		M 8			
15	356 47 306	Track rod		1	
		Right			
16	356 47 305	Track rod		1	
		Left			
17	356 47 314	Dust boot		4	
18	N 011 210 1	Castle nut		4	
		M 10 X 1			
19	900 021 013 00	Cotter pin		4	
		2 X 22			
20	356 47 301	Steering arm		1	
21	356 47 307	Washer		1	
		\$ 28 MM			
		0,88 MM			
22	356 47 308	Washer		2	
		\$ 28 MM			
		2,0 MM			
23	356 47 303	Hexagon-head bolt		1	
24		Tab washer		1	
		47.21			
		Modification parts			
		Headlight flasher			
-	356 47 202	Steering outer tube		1	
-	356 47 205	Steering column tube		1	
-		Retaining spring		1	
		05.22			

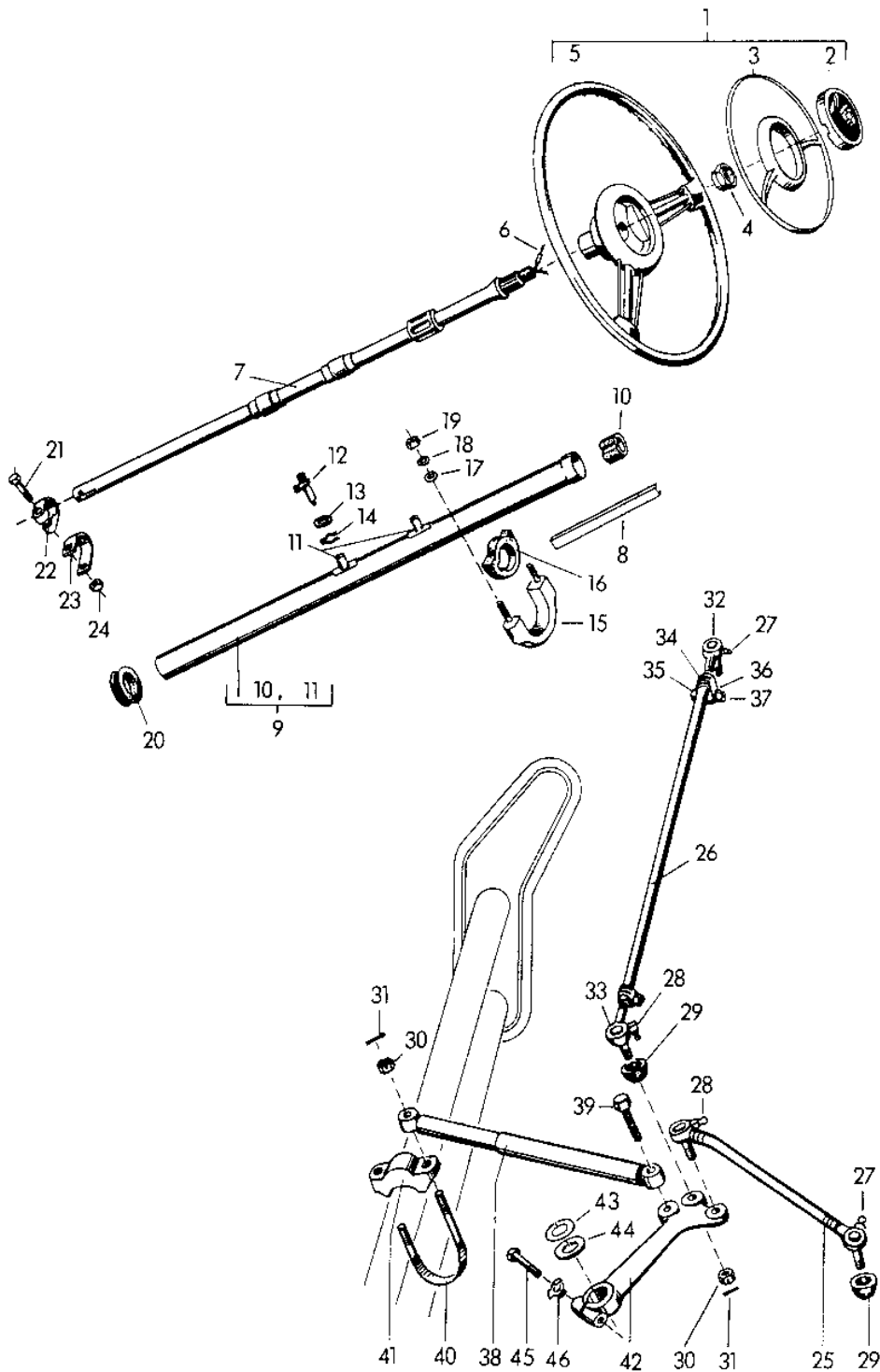
Model: 356 50

Model life 1950>>1959

Pos	Part Number	Description	Remark	Qty	Model
-		Wiper contact 47.67		1	
-	PCG 615 101 00	Relay Fanfare Installation set Damper for Steering		1	
-	356 47 031	Clip		1	
-	356 47 312	Clip		1	
-	356 47 313	Damper for Steering		1	
-	356 47 309	Mount		1	
-	356 47 310	Tie rod		1	

Model: 356 50

Model life 1950>>1959



Model: 356 50 Model life 1950>>1959

Pos	Part Number	Description	Remark	Qty	Model
		Steering wheel Steering shaft Tie rod And Steering arm			356 A
1	356 47 018	Steering wheel \$ 400 MM Complete F >> 101 692 F >> 61 892 F >> 83 791		1	COUPE CABRIO SPEEDSTER
1	644 347 081 20	Steering wheel \$ 400 MM Complete		1	
1	644 347 081 00	Please state the colour Steering wheel \$ 425 MM Complete Please state the colour		1	
2	644 347 821 01	Key		1	
3	644 347 811 01	Ring		1	
4	356 47 201	Hexagon nut		1	
5	644 347 082 20	Steering wheel \$ 400 MM		1	
5	644 347 082 00	Steering wheel \$ 425 MM		1	
-	644 613 325 00	Cancelling ring		1	
6	356 47 209	Cable terminal		1	
7	356 47 202	Steering shaft F >> 101 692 F >> 61 892 F >> 83 791		1	COUPE CABRIO SPEEDSTER
7	356 47 202 1	Steering column		1	
(7)	644 47 202	Steering shaft - 35 MM F >> 101 692 F >> 61 892 F >> 83 791		1	CARRERA GT COUPE CABRIO SPEEDSTER
(7)	644 347 061 11	Steering shaft - 25 MM F >> 101 692 F >> 61 892 F >> 83 791		1	CARRERA GT COUPE CABRIO SPEEDSTER
(7)	644 347 061 12	Steering shaft - 25 MM		1	CARRERA GT
8	644 61 245	Protective grommet		1	
9	644 347 071 00	Steering outer tube		1	
10	644 347 711 00	Bush		1	
11	644 347 705 00	Flat connector		2	
12	644 347 731 00	Carbon brush		2	
12	PCG 347 731 00	Wiper contact Set for High volume horn MIT POS 14 OHNE POS 13		2	
13	644 47 217	Gasket		2	
14	999 152 011 00	Retaining spring		2	
15	644 47 026 2	Supporting bow		1	COUPE/CABRIO
(15)	644 47 026	Supporting bow		1	SPEEDSTER
16	644 47 213 1	Rubber mounting		1	COUPE/CABRIO
(16)	644 47 213	Rubber mounting		1	SPEEDSTER
17	900 151 007 00	Washer		2	

Model: 356 50 Model life 1950>>1959

Pos	Part Number	Description	Remark	Qty	Model
18	900 028 009 01	B 7,4 Spring washer		2	
19	900 076 010 02	B 6 Nut		2	
19	900 076 010 0B	M 6 Nut		2	
20	644 347 931 00	M 6 Bearing		1	
21	900 074 038 02	Hexagon-head bolt M 8 X 40		1	
22	644 347 651 00	Pipe clamp		1	
23	644 347 681 00	Tab washer		1	
24	900 076 013 02	Hexagon nut M 8		1	
24	900 076 025 02	Hexagon nut M 8		1	
24	900 076 064 02	Hexagon nut M 8		1	
25	644 347 311 01	Track rod Left Complete F >> 101 692 F >> 61 892 F >> 83 791	/LL	1	COUPE CABRIO SPEEDSTER
25		Track rod Left Complete	/LL	1	
(25)	644 47 033	Tie rod Left Complete F >> 101 692 F >> 61 892 F >> 83 791	/RL	1	COUPE CABRIO SPEEDSTER
(25)	644 347 313 04	Tie rod Left Complete	/RL	1	
26	644 47 032	Tie rod Right Complete F >> 101 692 F >> 61 892 F >> 83 791	/LL	1	COUPE CABRIO SPEEDSTER
26	644 347 312 01	Track rod Right Complete	/LL	1	
(26)	644 47 034	Track rod Right Complete F >> 101 692 F >> 61 892 F >> 83 791	/RL	1	COUPE CABRIO SPEEDSTER
(26)	644 347 311 01	Track rod Right Complete	/RL	1	
27	900 163 001 02	Nipple A 6		2	
28	900 163 004 02	Nipple C 6		2	
29	356 47 314	Dust boot		4	
30	N 011 210 1	Castle nut M 10 X 1		7	
31	900 021 013 00	Cotter pin 2 X 22		7	

Model: 356 50 Model life 1950>>1959

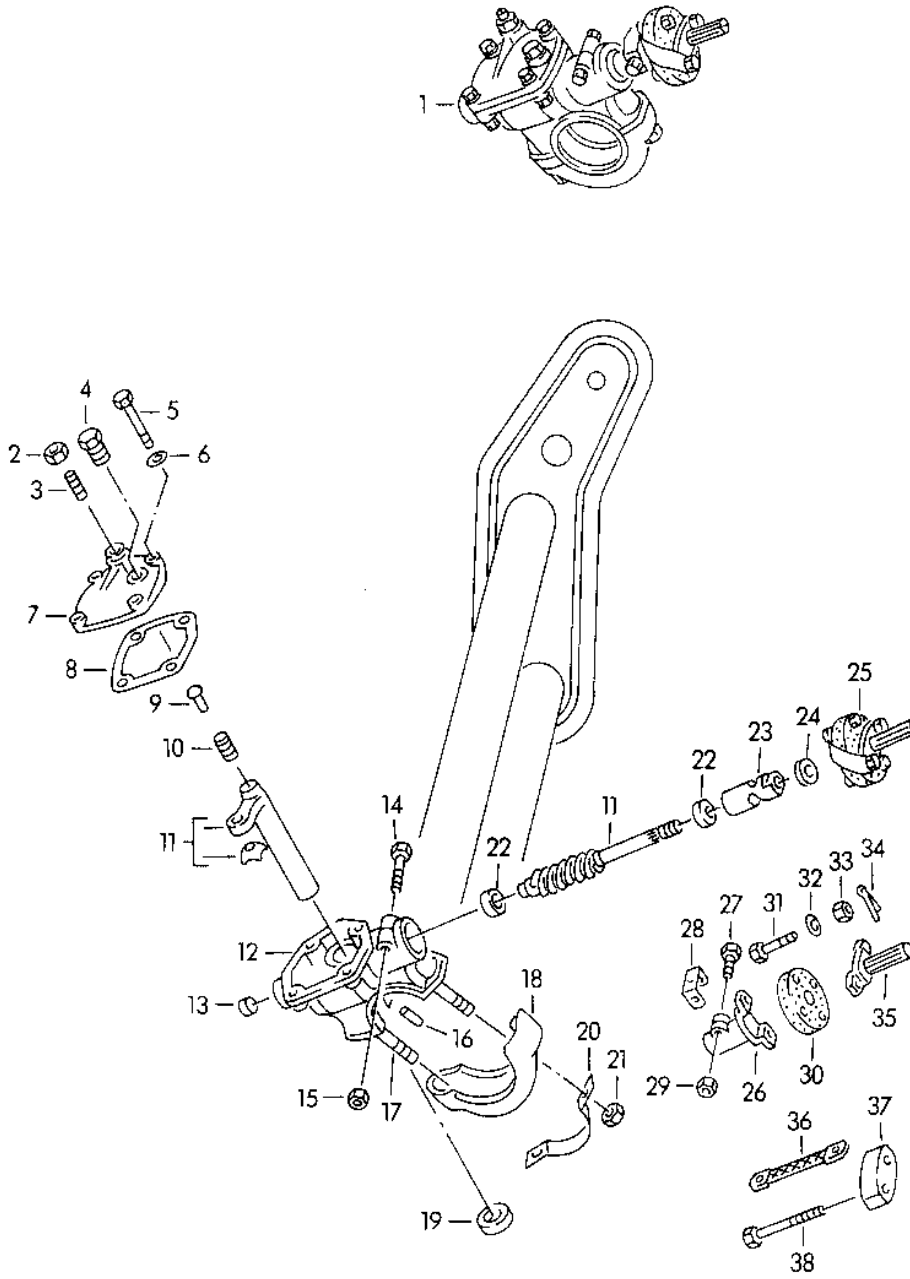
Pos	Part Number	Description	Remark	Qty	Model
32	644 347 325 02	Ball joint Left thread Tie rod Left Outer F 101 693 >> F 61 893 >> F 83 792 >>	/LL	1	COUPE CABRIO SPEEDSTER
(32)	644 347 324 02	Ball joint Tie rod Left Outer F 101 693 >> F 61 893 >> F 83 792 >>	/RL	1	COUPE CABRIO SPEEDSTER
(33)	644 347 311 01	Track rod Right thread Tie rod Left Inner F 101 693 >> F 61 893 >> F 83 792 >>	/LL	1	COUPE CABRIO SPEEDSTER
(33)	644 347 323 02	Ball joint Tie rod Left Inner F 101 693 >> F 61 893 >> F 83 792 >>	/RL	1	COUPE CABRIO SPEEDSTER
33	644 347 312 01	Track rod Right thread Tie rod Right Inner F 101 693 >> F 61 893 >> F 83 792 >>	/LL	1	COUPE CABRIO SPEEDSTER
(33)	644 347 311 01	Track rod Tie rod Right Inner F 101 693 >> F 61 893 >> F 83 792 >>	/RL	1	COUPE CABRIO SPEEDSTER
34	644 47 313	Clip Tie rod Right Complete MIT POS. 35,36,37		2	
35	900 082 001 01	Hexagon-head bolt M 8 X 1 X 30		2	
36	900 027 014 01	Lock ring B 6		2	
36	900 027 014 02	Lock ring B 6		2	
36	N 012 006 4	Lock ring B 6		2	
37	900 076 014 01	Hexagon nut M 8 X 1		2	
38	PCG 347 501 00	Vibration damper		1	
39	900 082 010 02	Hexagon-head bolt M 10 X 1 X 52		1	

Model: 356 50 Model life 1950>>1959

Pos	Part Number	Description	Remark	Qty	Model
39	900 082 010 0B	Hexagon-head bolt M 10 X 1 X 52		1	
40	644 47 303	Clamp		1	
41	644 47 302	Tensioning plate		1	
42	644 47 301	Steering arm F >> 101 692 F >> 61 892 F >> 83 791	/LL	1	COUPE CABRIO SPEEDSTER
(42)	644 347 301 02	Steering arm	/LL	1	
(42)	644 47 304	Steering arm F >> 101 692 F >> 61 892 F >> 83 791	/RL	1	COUPE CABRIO SPEEDSTER
(42)	644 347 302 02	Steering arm	/RL	1	
43	356 47 307	Washer 0.88 MM F >> 101 692 F >> 61 892 F >> 83 791		X	COUPE CABRIO SPEEDSTER
44	356 47 308	Washer 2.00 MM F >> 101 692 F >> 61 892 F >> 83 791		X	COUPE CABRIO SPEEDSTER
45	900 082 004 00	Hexagon-head bolt M 12 X 1,5 X 50 F >> 101 692 F >> 61 892 F >> 83 791		1	COUPE CABRIO SPEEDSTER
46	644 47 305	Tab washer F >> 101 692 F >> 61 892 F >> 83 791		1	COUPE CABRIO SPEEDSTER

Model: 356 50

Model life 1950>>1959



Model: 356 50 Model life 1950>>1959

Pos	Part Number	Description	Remark	Qty	Model
		Steering gear And Steering coupling F >> 101 692 F >> 61 892 F >> 83 791			356/356 A COUPE CABRIO SPEEDSTER
1	356 47 003	Steering gear		1	356
1	644 47 010	Steering gear		1	356 A
2	900 078 004 00	Hexagon nut M 12 X 1,5		1	
3		Adjusting screw 47.19		1	356
3	111 415 143	Adjusting screw		1	356 A
4	111 101 193	Screw plug		1	
5	900 074 032 02	Hexagon-head bolt M 8 X 25		4	
6	900 028 010 01	Spring washer B 8		4	
7	10 47 17 2	Housing cover		1	356
7	111 415 131	Housing cover		1	356 A
8		Gasket 47.73		1	356
8	111 415 135	Gasket		1	356 A
9		Bolt 47.16		1	356
9	111 415 275	Bolt		1	356 A
10		Compression spring 47.15.1		1	356
10	111 415 271 A	Compression spring		1	356 A
11		Steering parts Set 47.99.2		1	356
11	111 415 201 A	Steering parts Set		1	356 A
12		Housing 47.64.1		1	356
12	111 415 105	Housing		1	356 A
13		Cap 47.02		1	356
13	111 415 115	Cap		1	356 A
14	900 074 062 00	Hexagon-head bolt M 10 X 50		1	
15	N 011 010 6	Hexagon nut M 10		1	
15	N 101 552 10	Hexagon nut M 10		1	
16	539 01 110	Pin		1	356 A
17		Stud BM 10 B X 58		2	356 A
18		Housing 47.03.1		1	356
18	111 415 155	Housing		1	356 A
19	900 113 002 51	Sealing ring		1	
20	356 47 109	Tab washer		1	
21	900 076 015 01	Hexagon nut M 10		2	
22		Mounting 47.05.1		2	356
22	111 415 227	Mounting		2	356 A
23		Sleeve 47.07		1	356
23	111 415 251	Sleeve		1	356 A
24		Sealing ring		1	356

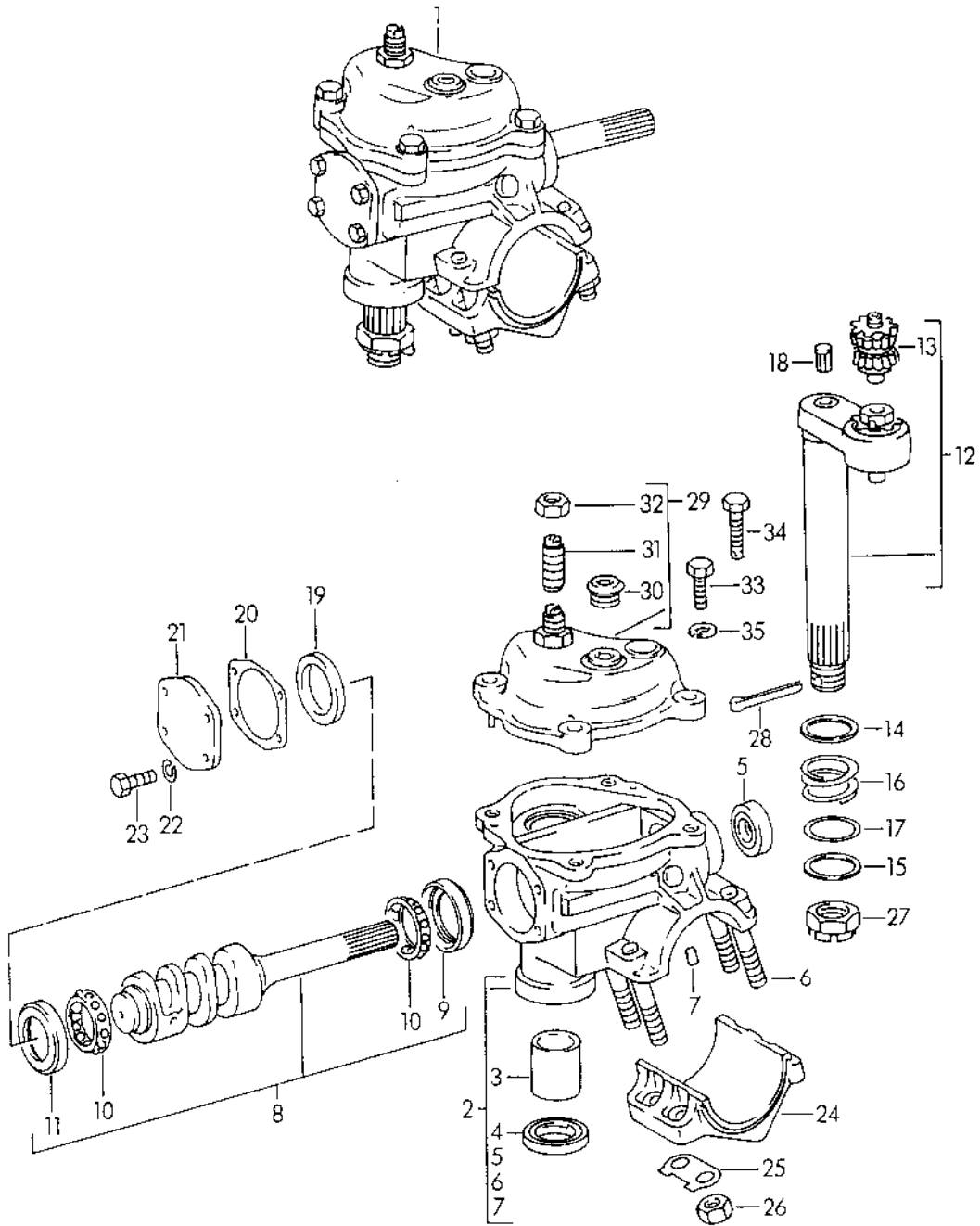
Model: 356 50

Model life 1950>>1959

Pos	Part Number	Description	Remark	Qty	Model
24	000 97 902	47.08 Sealing ring		1	356 A
25		Steering coupling		1	356
25	644 347 020 00	47.44 Steering coupling		1	356 A
26	644 347 203 00	Joint flange		1	356 A
27	999 074 004 01	Hexagon-head bolt		1	356 A
28	644 347 281 00	Tab washer		1	356 A
29	900 076 013 01	Hexagon nut M 8		1	356 A
30	644 347 201 00	Steering coupling		1	356 A
30	644 347 201 02	Steering coupling		1	356 A
31	900 074 081 01	Hexagon-head bolt M 8 X 30		4	356 A
32	900 028 011 01	Spring washer B 8		2	356 A
33	900 077 003 01	Castle nut M 8		4	356 A
34	900 021 009 00	Cotter pin 2 X 18		4	356 A
35	644 347 204 00	Joint flange		1	356 A
36	644 47 104	Ground strap		1	356 A
37	356 47 103	Intermediate layer		1	356 A
38	356 47 105	Hexagon-head bolt		1	356 A

Model: 356 50

Model life 1950>>1959

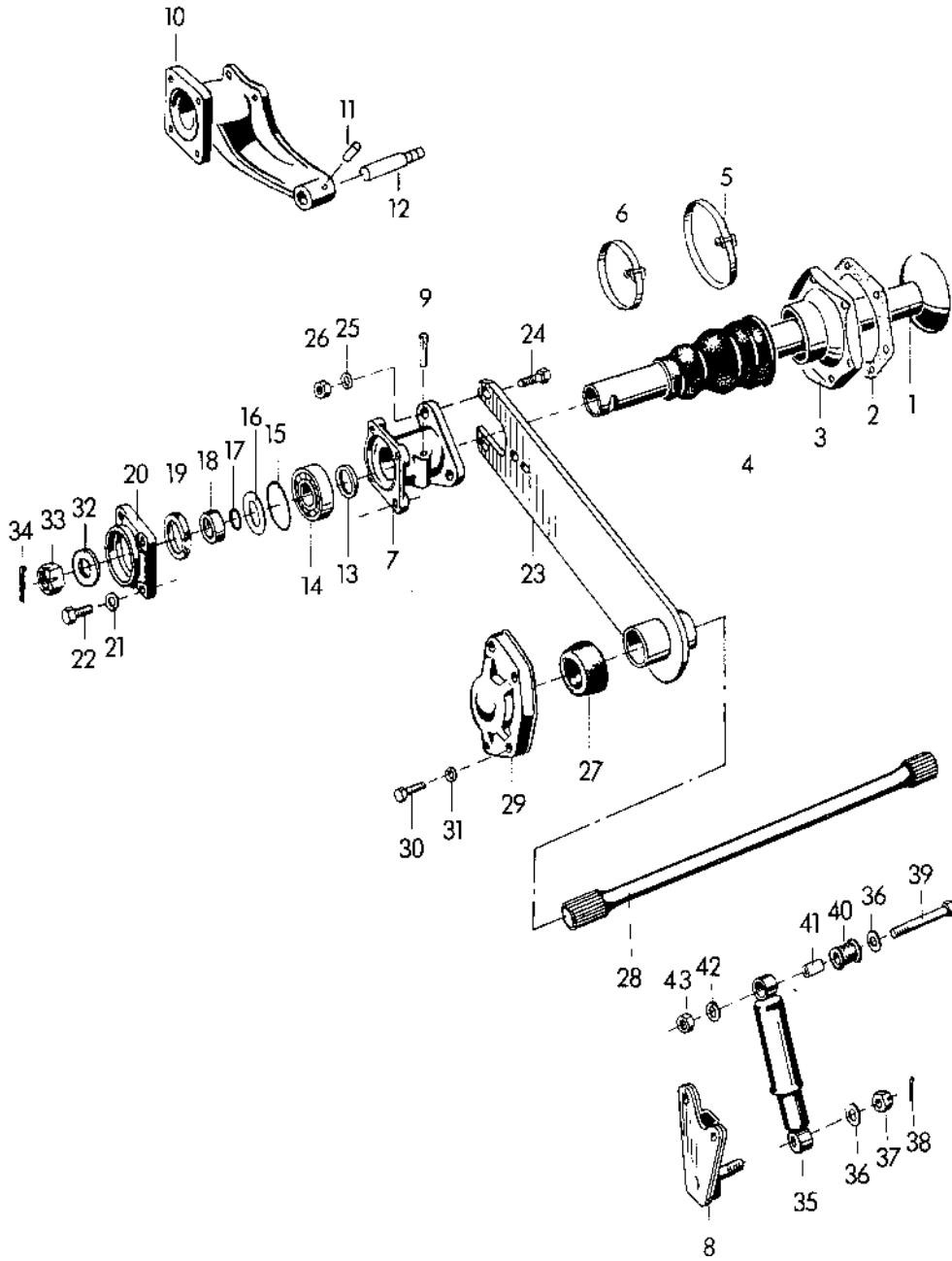


Model: 356 50 Model life 1950>>1959

Pos	Part Number	Description	Remark	Qty	Model
		Steering gear F 101 693 >> F 61 893 >> F 83 792 >>			356 A COUPE CABRIO SPEEDSTER
1	644 347 010 01	Steering gear without Steering coupling		1	
2	644 347 011 01	Housing		1	
3	644 347 105 01	Bearing sleeve		1	
4	900 113 004 50	Sealing ring A 25 X 36 X 7		1	
5	900 113 003 50	Sealing ring BASL 16 X 28 X 7		1	
6	900 081 009 00	Stud M 10 X 42		4	
7	644 347 106 01	Straight pin		1	
8	644 347 013 01	Shaft		1	
9	644 347 122 01	Ring		1	
10	644 347 125 01	Bearing		2	
11	644 347 123 01	Ring		1	
12	644 347 015 01	Bellcrank		1	
13	644 347 133 01	Bearing		1	
14	644 347 151 01	Thrust washer		1	
15	644 347 152 01	Thrust washer		X	
16	644 347 153 01	Compression spring		1	
17	644 347 154 01	Thrust washer		X	
(17)	644 347 154 02	Thrust washer		X	
18	644 347 155 01	Bolt		1	
19	644 347 162 01	Intermediate ring		1	
20	644 347 163 01	Shim 0,10 MM		X	
(20)	644 347 163 02	Shim 0,12 MM		X	
(20)	644 347 163 03	Shim 0,15 MM		X	
(20)	644 347 163 04	Shim 0,30 MM		X	
21	644 347 161 01	Flange		1	
22	N 012 007 2	Lock ring A 6		4	
22	900 027 004 03	Lock ring A 6		4	
23	900 075 013 00	Hexagon-head bolt M 6 X 18		4	
24	644 347 141 01	Clamp		1	
25	644 347 149 01	Tab washer		2	
26	900 076 015 01	Hexagon nut M 10		4	
27	900 079 010 00	Castle nut M 20 X 1,5		1	
28	N 012 538 1	Cotter pin 4 X 40		1	
29	644 347 012 01	Housing cover		1	
30	644 347 112 01	Screw plug		1	
31	644 347 113 01	Adjusting screw		1	
32	644 347 115 01	Hexagon nut		1	
33	900 155 009 01	Hexagon-head bolt M 8 X 22		3	
34	900 155 001 01	Hexagon-head bolt M 8 X 28		1	
35	900 027 005 01	Lock ring A 8		4	

Model: 356 50

Model life 1950>>1959



Model: 356 50 Model life 1950>>1959

Pos	Part Number	Description	Remark	Qty	Model
1		Rear axle Rear-axle cross-tube KD 34 01		2	356
2		Gasket KD 34 65 0,10 - 0,15 MM		X	
-		Gasket 34 65 0,25 - 0,30 MM		X	
3	644 331 221 00	Housing		2	
-	PCG 598 001 00	Set of fastening parts with Hose clamp Screw Nut Washer		X	
(4)	644 34 191 1	Boot GESCHLITZT		2	
-	PCG 598 001 00	Set of fastening parts with Hose clamp Screw Nut Washer		X	
-	900 146 025 02	Half-round screw M 4 X 18		12	
-	900 151 028 02	Washer 4,3		24	
-	900 151 028 01	Washer 4,3		24	
-	N 011 004 6	Hexagon nut M 4		12	
-	N 011 004 G	Nut M 4		12	
5	999 512 350 02	Hose clamp		2	
6	999 512 499 00	Hose clamp		2	
7		Bearing flange KD 34 06 Rear axle Transmission 5745 H 3		2	
8		Mounting plate 34 79 Rear axle Transmission 5745 H 3	/H /L	1	
(8)		Mounting plate 34 80 Rear axle Transmission 5745 H 3	/H /R	1	
-		Hexagon-head bolt M 12 X 1,5 X 35		4	
9		Dowel pin 10 X 40 DIN E 1472		2	
10		Bearing flange KD 34 91 Rear axle Transmission 5746 H 3	/L	1	
(10)		Bearing flange KD 34 92 Rear axle	/R	1	

Model: 356 50 Model life 1950>>1959

Pos	Part Number	Description	Remark	Qty	Model
11		Transmission 5746 H 3 Dowel pin 8 X 28 Rear axle Transmission 5746 H 3		1	
12	644 34 103	Bolt Rear axle Transmission 5746 H 3		1	
13		Spacer 34 08 Inner		2	
14		Deep-groove ball bearing 6306 DIN 625		2	
15		Sealing ring 34 34		2	
16	356 34 402	Washer		2	
17		Gasket 34 43		2	
18	356 34 401	Intermediate ring Outer		2	
19		Sealing ring 34 10 Outer		2	
20		Housing 34 09 2		2	
21		Spring washer B 10		8	
22		Fastening screw 34 37 1		8	
23	356 34 151	Strut		2	
-		Hexagon-head bolt M 12 X 1,5 X 22		2	
-	356 34 153	Washer		2	
-		Spring washer B 12		8	
-		Hexagon nut M 12 X 1,5		8	
24		Hexagon-head bolt M 12 X 1,5 X 30		2	
25		Lock ring B 12		8	
26		Hexagon nut M 12 X 1,5		6	
27		Rubber mounting 34 17		4	
28		Torsion bar 34 18 1		2	
29		Lid 34 19 1		2	
30		Hexagon-head bolt M 10 X 30		8	
31		Spring washer B 10		8	
32	356 34 140	Washer		2	
33		Castle nut 34 42		2	
34	900 021 025 02	Cotter pin 5 X 45		2	
35	PCG 333 501 00	Vibration damper		2	
36	356 34 507	Washer		4	

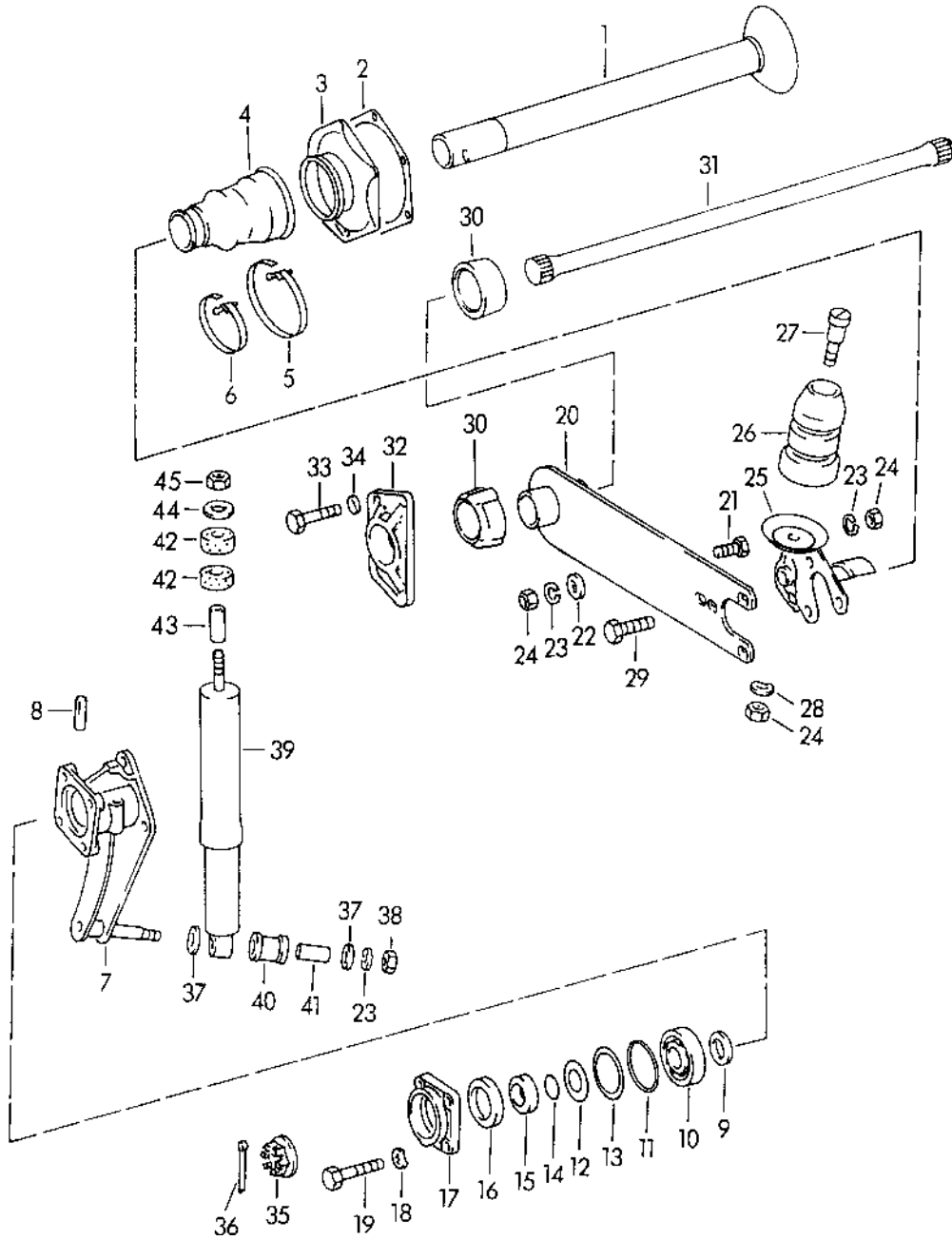
Model: 356 50

Model life 1950>>1959

Pos	Part Number	Description	Remark	Qty	Model
37		Castle nut M 12 X 1,5		2	
38		Cotter pin 3 X 25 DIN 94		2	
39		Hexagon-head bolt 34 90		2	
-	911 333 521 00	Rubber mounting for Shock absorber Rear		2	
40+41		Not available			
42		Lock ring B 12		2	
43		Hexagon nut M 12 X 1,5		2	

Model: 356 50

Model life 1950>>1959



Model: 356 50 Model life 1950>>1959

Pos	Part Number	Description	Remark	Qty	Model
		Rear axle			356 A/540.1
1	644 331 201 00	Rear-axle cross-tube		2	
2	356 34 143	Gasket		X	
		0,30 MM			
(2)	644 331 931 01	Gasket		X	
		0,20 MM			
(2)	644 331 931 00	Gasket		X	
		0,10 MM			
2	111 501 139	Gasket		2	
		for			
		Housing			
		111.501.141.B			
3	644 331 221 00	Housing		2	
3	111 501 141 B	Housing		2	
		Use also:			
		111.501.139			
-	900 016 003 01	Half-round screw		12	
		AM 4 X 18			
-	900 025 002 02	Washer		24	
		4,3			
-	900 025 002 03	Washer		24	
		4,3			
-	900 076 003 01	Hexagon nut		12	
		M 4			
4	644 34 191	Boot		2	
		Not			
		geschlitzt			
-	PCG 598 002 00	Set of fastening parts		X	
		with			
		Hose clamp			
		for			
		Boot			
		Not			
		GESCHLITZT			
(4)	644 34 191 1	Boot		2	
		GESCHLITZT			
-	PCG 598 001 00	Set of fastening parts		X	
		with			
		Hose clamp			
		Screw			
		Nut			
		Washer			
(5)	999 512 350 02	Hose clamp		2	
(6)	999 512 499 00	Hose clamp		2	
7	644 34 011	Bearing flange	/L	1	
(7)	644 34 012	Bearing flange	/R	1	
8	N 012 801 1	Pin		2	
		10 X 40			
9	644 331 231 00	Spacer		2	
10	900 052 006 00	Deep-groove ball bearing		2	
11	356 34 144	Gasket		2	
12	356 34 402	Washer		2	
13	356 34 410	Adjusting shim		X	
14	356 34 142	Gasket		2	
15	356 34 401	Intermediate ring		2	
16	113 501 315 H	Radial shaft seal		2	
17	644 331 251 00	Housing		2	
17	644 331 251 01	Housing		2	
18	N 012 230 1	Spring washer		8	
		B 10			
19	999 074 006 01	Fastening screw		8	
19	999 074 006 0A	Fastening screw		8	
20	644 34 104	Rear axle strut		2	

Model: 356 50 Model life 1950>>1959

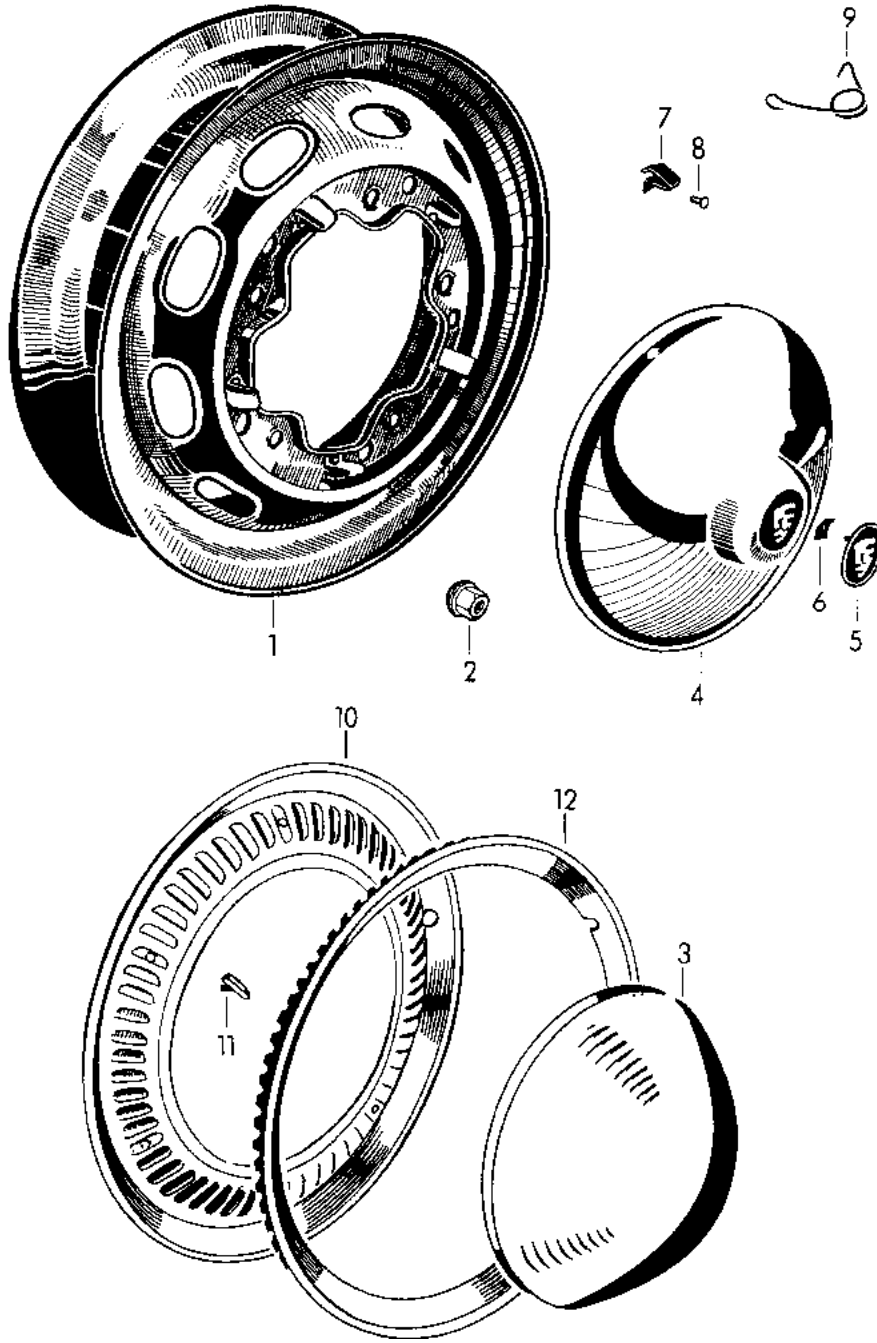
Pos	Part Number	Description	Remark	Qty	Model
20	644 34 105	Rear axle strut		2	
21	900 082 005 01	Hexagon-head bolt M 12 X 1,5 X 22		2	
22	356 34 153	Washer		2	
23	900 028 014 01	Lock ring B 12		8	
24	900 076 016 02	Hexagon-head bolt M 12 X 1,5		8	
25	644 34 023	Engine carrier	/L	1	
(25)	644 34 024	Engine carrier	/R	1	
26	644 34 206	Rubber stop		2	
27	644 34 205	Shouldered bolt		2	
28	900 028 014 01	Lock ring B 12		4	
29	900 082 006 01	Hexagon-head bolt M 12 X 1,5 X 30		6	
30	644 333 131 00	Rubber		4	
31	644 333 101 01	Torsion bar		2	
32	644 333 151 00	Lid		2	
32	644 333 151 01	Lid open		2	
(32)	695 333 151 01	Lid Closed		2	
33	900 074 058 02	Hexagon-head bolt M 10 X 35		8	
(33)	900 075 460 01	Hexagon-head bolt M 10 X 35		8	
34	900 025 008 02	Washer 10,5		8	
34	N 011 527 4	Washer 10,5		8	
34	900 025 008 09	Washer 10,5		8	
34	900 025 008 04	Washer 10,5		8	
35	644 332 271 00	Castle nut		2	
35	644 332 271 0A	Castle nut		2	
36	900 021 025 00	Cotter pin 5 X 45		2	
37	900 025 009 01	Washer 13		4	
38	900 076 016 02	Hexagon-head bolt M 12 X 1,5		2	
39	644 333 501 13	Vibration damper - koni - Blue		2	
(39)	644 333 501 10	Shock absorber - koni - Red		2	1600 S CARRERA 1500 GS
(39)	644 333 501 13	Vibration damper - koni - Blue		2	1600 S CARRERA 1500 GS
40	901 333 795 00	Rubber mounting for		2	
41	644 41 522	Bush for 644. 34.501.2		2	
(41)	644 343 562 10	Bush for 644.333.501.10		2	
42	911 333 521 00	Rubber mounting		4	
43	911 333 522 00	Articulated bush		2	
44	911 333 523 00	Washer		2	

Model: 356 50 **Model life** 1950>>1959

Pos	Part Number	Description	Remark	Qty	Model
45	900 084 013 02	Lock nut		2	

Model: 356 50

Model life 1950>>1959

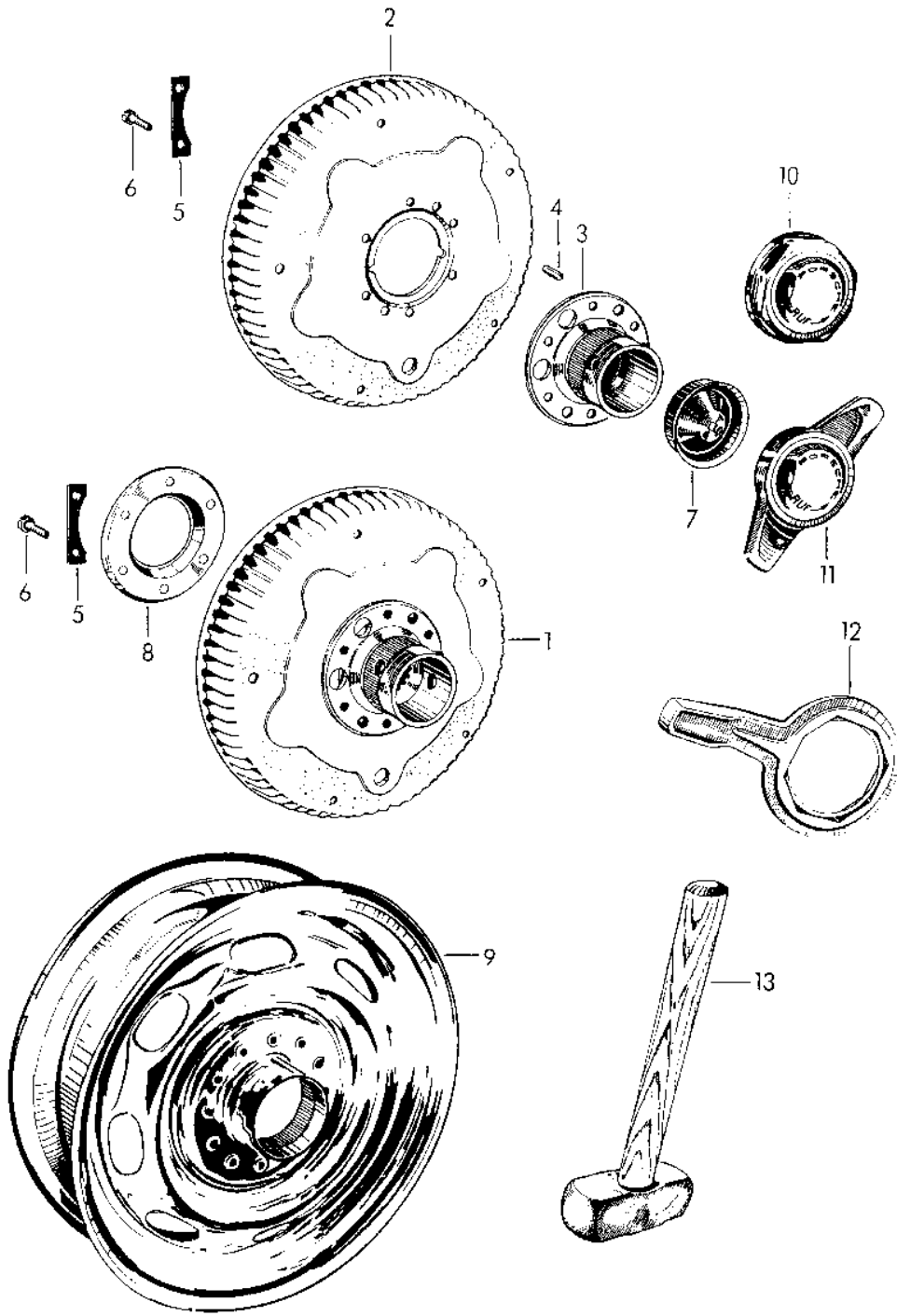


Model: 356 50 Model life 1950>>1959

Pos	Part Number	Description	Remark	Qty	Model
-	999 985 056 X0	Wheels Tyre -PNEUMANT- 165 R15 86V		5	
-	911 361 056 X0	Hose		5	
(1)	356 68 021	Slot rim 3,25 X D-16 Prime coated Chrome		5	356 356:M
1	644 68 101	Slot rim 4 1/2 J X 15 Prime coated		5	356 A/540.1
(1)	644 68 101 10	Slot rim 4 1/2 J X 15 Chrome		5	356 A/540.1
(1)	644 68 101 11	Slot rim 4 1/2 J X 15 Silver metallic Lacquered		5	356 A/540.1
(1)	644 68 110 1	Slot rim 4 1/2 J X 15 Light alloy		5	CARRERA 1600 GT
2	N 020 112 1	Ball seat nut A 14 X 1,5		20	
3	PCG 361 002 00	Hub cap		4	
4	644 361 031 11	Hub cap		4	1600 S CARRERA DE LUXE CARRERA GT
(4)	550 68 105	Hub cap Aluminium		4	
5	644 559 801 00	Badge Crest Coloured Embossed		4	
5	PCG 559 801 00	Badge Crest Coloured Embossed		4	
6	999 507 212 01	Speed nut		12	
7	356 68 119	Clamping spring		25	
(7)	PCG 68 119	Set of fastening parts Hub cap Comprising: 5 X Clamping spring Buttonhead rivet		5	
8	N 013 407 1	Buttonhead rivet 4,5 X 7 CU		25	
(8)	PCG 68 119	Set of fastening parts Hub cap Comprising: 5 X Clamping spring Buttonhead rivet		5	
9	901 361 121 00	Retainer spring Rubber valve		5	
10	356 68 108	Ring		X	356:M
11	356 68 118	Fastening screw		20	356
12	356 68 117	Ring Chrome		4	356:M

Model: 356 50

Model life 1950>>1959

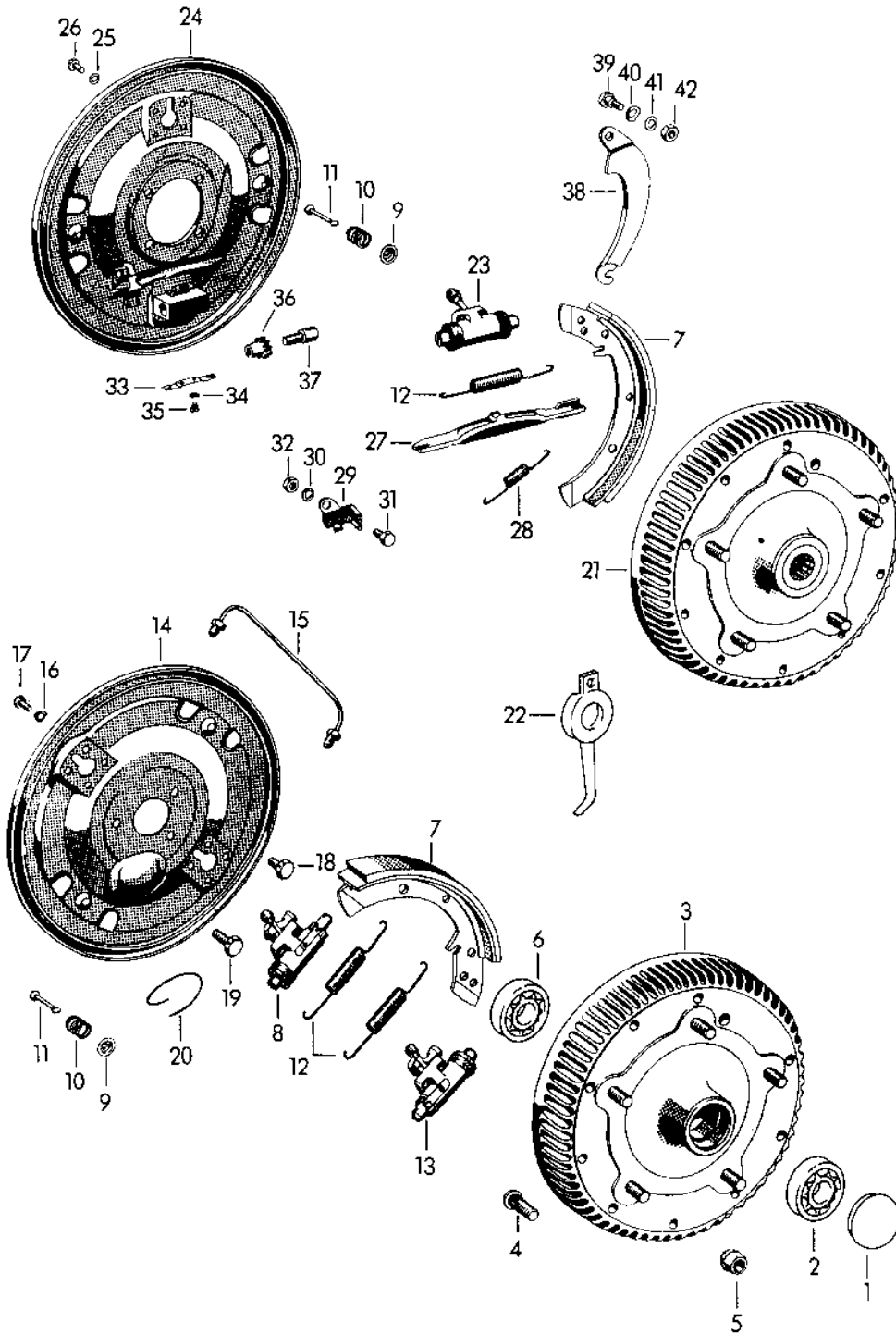


Model: 356 50 Model life 1950>>1959

Pos	Part Number	Description	Remark	Qty	Model
		Perforated disc wheel Central locking			356 A/540.1
1	356 41 433	Brake drum Complete	/V /L	1	
(1)	356 41 434	Brake drum Complete	/V /R	1	
(1)	356 34 403	Brake drum Complete	/H /L	1	
(1)	356 34 404	Brake drum Complete	/H /R	1	
2	356 41 435	Brake drum		4	
3	356 41 437	Hub	/V /L	1	
(3)	356 41 438	Hub Hub	/V /R	1	
(3)	356 34 405	Hub Hub	/H /L	1	
(3)	356 34 406	Hub Hub	/H /R	1	
4	900 012 025 00	Straight pin 10 M 6 X 16		8	
5	356 34 408	Tab washer		12	
6	356 34 409	Hexagon-head bolt		24	
7	356 41 439	Lid	/V /L	1	
(7)	356 41 440	Lid	/V /R	1	
8	356 34 407	Cup		2	
9	644 68 010	Slot rim 4 1/2 J X 15 Chrome		5	
10	644 361 015 00	Wheel nut Right thread	/L	2	
(10)	644 361 016 00	Wheel nut Left thread	/R	2	
11	356 68 121	Wheel nut Right thread	/L	2	
(11)	356 68 122	Wheel nut Left thread	/R	2	
12	644 721 730 00	Double socket wrench		1	

Model: 356 50

Model life 1950>>1959



Model: 356 50

Model life 1950>>1959

Pos	Part Number	Description	Remark	Qty	Model
1	356 41 453	Brake Cap for Steering knuckle with Hole	/L	1	
(1)	356 41 454	Cap for Steering knuckle	/R	1	
2	900 053 005 00	Ball bearing Outer		2	
3	356 41 022	Brake drum	/V	2	
3	356 41 023	Brake drum	/V	2	
(3)	644 42 045	Brake drum Brake 60 MM	/V	2	
4	356 34 132	Wheel bolt	/V /H	40	
(4)	356 331 902 00	Wheel bolt Oversize		X	
5	N 020 112 1	Ball seat nut A 14 X 1,5		20	
6	900 053 006 00	Ball bearing Inner		2	
(7)	356 42 015	Brake shoe	/V /H	8	356
7	695 351 033 01	Brake shoe with pad 40 MM	/V /H	8	356 A/540.1
7	695 351 033 02	Brake shoe with pad 40 MM	/V /H	8	356 A/540.1
7	PCG 351 033 03	Brake shoe Repair kit with pad 40 MM	/V /H	2	356 A/540.1
7	695 351 033 52	Brake shoe Oversize with pad 40 MM	/V /H	8	
7	PCG 351 033 53	Brake shoe Repair kit Oversize with pad 40 MM	/V /H	2	
7	695 351 033 CX	Brake shoe Exchange with pad 40 MM	/V /H	X	356 A/540.1
7	695 351 033 BX	Brake shoe Oversize Exchange with pad 40 MM	/V /H	X	356 A/540.1
(7)	695 351 035 00	Brake shoe with pad 60 MM Complete	/V /L	2	
(7)	695 351 036 00	Brake shoe with pad 60 MM Complete	/V /R	2	
-	PCG 351 033 01	Set of fastening parts Brake shoe Comprising:	/V /H	1	

Model: 356 50

Model life 1950>>1959

Pos	Part Number	Description	Remark	Qty	Model
-	356 42 114	Adjusting screw		8	
-	356 42 168	Tension spring		6	
-	356 42 169	Roll pin		8	
-	356 42 172	Tension spring		4	
-	644 42 208	Compression spring		8	
-	911 352 098 01	Adjusting screw		8	
-	251 609 289	Concave washer		8	
-	550 42 205	Bolt for Brake shoe		8	
-	PCG 351 033 01	Brake 60 MM Set of fastening parts	/V /H	1	
		Brake shoe Comprising:			
-	356 42 114	Adjusting screw		8	
-	356 42 168	Tension spring		6	
-	356 42 169	Roll pin		8	
-	356 42 172	Tension spring		4	
-	644 42 208	Compression spring		8	
-	911 352 098 01	Adjusting screw		8	
-	251 609 289	Concave washer		8	
(8)	356 42 301	Wheel brake cylinder		1	356
(8)	356 42 125	Wheel brake cylinder Upper	/L	1	356
(8)	356 42 126	Wheel brake cylinder Upper	/R	1	356
8	695 351 511 00	Wheel brake cylinder \$ 19,05 MM Upper	/L	1	356 A/540.1
(8)	695 351 511 10	Wheel brake cylinder \$ 19,05 MM Upper	/V /L	1	
(8)	695 351 512 00	Brake 60 MM Wheel brake cylinder \$ 19,05 MM Upper	/R	1	356 A/540.1
(8)	695 351 512 10	Wheel brake cylinder \$ 19,05 MM Upper	/V /R	1	
9	251 609 289	Brake 60 MM Concave washer		8	
(10)	644 42 208	Compression spring		8	356
10		Compression spring		8	356 A/540.1
11	356 42 169	Roll pin		8	
12	356 42 168	Tension spring		6	
(13)	356 42 302	Wheel brake cylinder		1	356
13	695 351 513 00	Wheel brake cylinder \$ 19,05 MM Lower	/V /L	1	356 A/540.1
(13)	695 351 513 10	Wheel brake cylinder \$ 19,05 MM Lower	/V /L	1	
(13)	695 351 514 00	Brake 60 MM Wheel brake cylinder \$ 19,05 MM Lower	/V /R	1	
(13)	695 351 514 10	Wheel brake cylinder \$ 19,05 MM Lower	/V /R	1	

Model: 356 50 Model life 1950>>1959

Pos	Part Number	Description	Remark	Qty	Model
-	644 42 127	Brake 60 MM Intermediate plate for Wheel brake cylinder		1	
(14)	356 42 216	Brake mounting plate	/V /R	1	356
14	356 42 228	Brake mounting plate	/V /R	1	356 A/540.1
(14)	356 42 215	Brake mounting plate	/V /L	1	356
(14)	356 42 227	Brake mounting plate	/V /L	1	356 A/540.1
(14)	644 42 227	Brake mounting plate Non vented	/V /L	1	
(14)	644 42 228	Brake 60 MM Brake mounting plate Non vented	/V /R	1	
(14)	644 351 011 10	Brake 60 MM Brake mounting plate Vented	/V /L	1	
(14)	644 351 012 10	Brake 60 MM Brake mounting plate Vented	/V /L	1	
15	356 42 184	Connecting tube		2	
16	900 027 013 01	Lock ring B 6		16	
(17)		Hexagon-head bolt M 6 X 15		16	356
17	900 075 010 02	Hexagon nut M 6 X 12		16	356 A/540.1
17	N 010 212 14	Hexagon-head bolt M 6 X 12		16	356 A/540.1
17	999 072 005 09	Hexagon nut M 6 X 12		16	356 A/540.1
17	999 072 005 01	Hexagon nut M 6 X 12		16	356 A/540.1
18	900 075 035 02	Hexagon-head bolt M 10 X 15 SK		4	
19	900 075 037 01	Hexagon-head bolt M 10 X 17 SK		2	
20		Locking wire		1	
21	356 34 030	Brake drum	/H	2	356
(21)	644 331 061 00	Brake drum	/H	2	356 A/540.1
(21)	644 331 061 10	Brake drum	/H	2	
(21)	644 331 061 12	Brake 40 MM Brake drum	/H	2	
(21)	644 331 063 00	Brake 40 MM Brake drum Replacement 64433106112		2	
(21)	644 331 061 12	Brake drum		2	
-	356 331 903 00	Wheel bolt Long Standard dimension		10	
-		Brake 40 MM Wheel bolt		10	

Model: 356 50 Model life 1950>>1959

Pos	Part Number	Description	Remark	Qty	Model
-	550 42 121	Long Oversize Brake 40 MM Spacer		10	
22	356 34 031	Brake 40 MM Cup		2	
-	900 075 078 02	Hexagon-head bolt M 8 X 15		2	
-	900 075 078 03	Hexagon-head bolt M 8 X 15		2	
(23)	644 42 310	Wheel brake cylinder \$ 20,64 MM G >> 18 604		2	
23	644 352 513 01	Wheel brake cylinder G 18 605 >>		2	
24	356 42 220	Brake mounting plate	/H /R	1	
(24)	356 42 219	Brake mounting plate	/H /L	1	
(24)	644 352 011 10	Brake mounting plate Brake 40 MM	/H /L	1	
(24)	644 352 012 10	Brake mounting plate Brake 40 MM	/H /R	1	
-	695 351 033 01	Brake shoe with pad Brake 40 MM		4	
-	695 351 033 02	Brake shoe with pad Brake 40 MM		4	
-	PCG 351 033 03	Brake shoe Repair kit with pad Brake 40 MM		1	
25	900 027 013 01	Lock ring B 6		8	
26	900 075 010 02	Hexagon nut M 6 X 12		8	
26	N 010 212 14	Hexagon-head bolt M 6 X 12		8	
26	999 072 005 09	Hexagon nut M 6 X 12		8	
26	999 072 005 01	Hexagon nut M 6 X 12		8	
27	356 42 197	Push rod	/L	1	
(27)	356 42 198	Push rod	/R	1	
28	356 42 172	Tension spring		4	
29	356 42 181	Support	/H /L	1	
(29)	356 42 182	Support	/H /R	1	
30	900 027 015 02	Lock ring B 8		2	
30	900 027 015 03	Lock ring B 8		2	
31	900 075 078 02	Hexagon-head bolt M 8 X 15		2	
31	900 075 078 03	Hexagon-head bolt M 8 X 15		2	
32	900 076 013 02	Hexagon nut M 8		2	

Model: 356 50 Model life 1950>>1959

Pos	Part Number	Description	Remark	Qty	Model
32	900 076 025 02	Hexagon nut M 8		2	
32	900 076 064 02	Hexagon nut M 8		2	
33	356 42 174	Leaf spring		2	
34	900 027 010 01	Lock ring B 3		4	
35	900 016 001 01	Half-round screw AM 3 X 4		4	
36	356 42 173	Adjusting nut		8	
37	356 42 114	Adjusting screw		8	
38	356 42 147	Lever	/H /L	1	
(38)	356 42 148	Lever	/H /R	1	
39	356 42 207	Bearing pin		2	
40	356 42 209	Spring washer \$ 10,5/18 MM		2	
41	900 027 015 02	Lock ring B 8		2	
41	900 027 015 03	Lock ring B 8		2	
42	900 076 013 02	Hexagon nut M 8		2	
42	900 076 025 02	Hexagon nut M 8		2	
42	900 076 064 02	Hexagon nut M 8		2	
-	550 42 336	Union Brake 60 MM		4	
-	N 013 808 3	Sealing ring A 10 X 16 Brake 60 MM		4	
-	900 074 013 00	Hexagon-head bolt M 6 X 22 Brake 60 MM		16	
-	N 012 007 2	Lock ring A 6 Brake 60 MM		16	
-	900 027 004 03	Lock ring A 6 Brake 60 MM		16	

Model: 356 50 Model life 1950>>1959

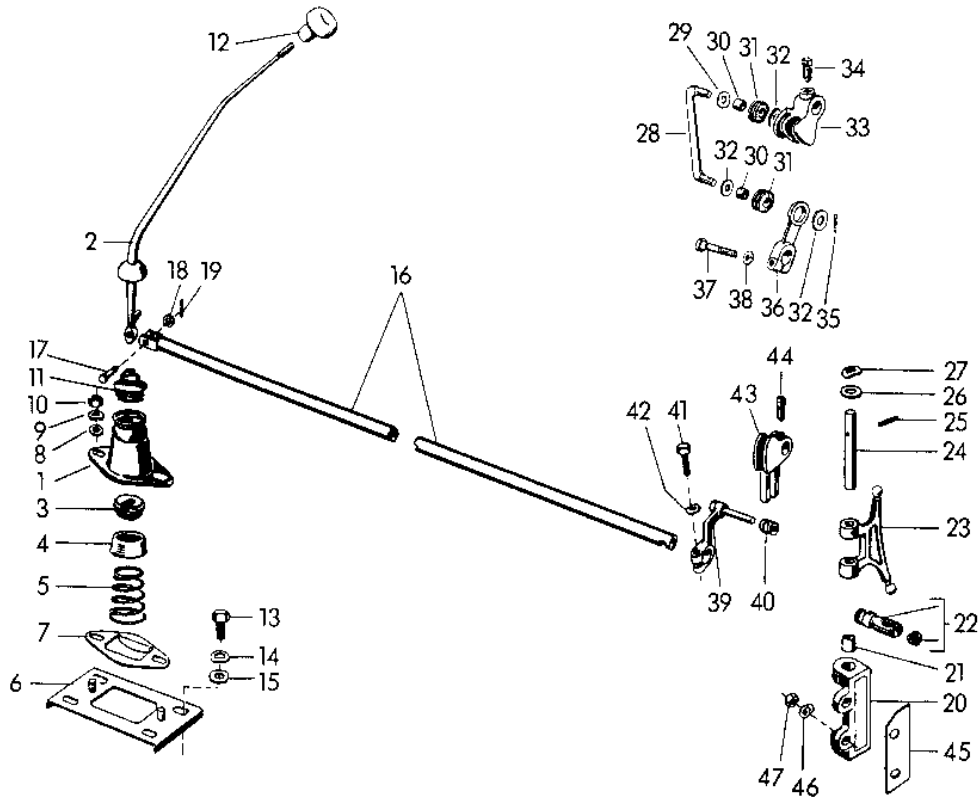
Pos	Part Number	Description	Remark	Qty	Model
		Brake master cylinder			
		And			
		Brake lines			
1	356 42 020	Brake master cylinder		1	
-	695 355 920 00	Protection cap		1	356 A/540.1
		for			
		Brake master cylinder			
-	356 42 233	Lid		1	356 A/540.1
		for			
		Expansion tank			
-	695 355 917 00	Circlip		1	356 A/540.1
		for			
		Brake master cylinder			
-	901 613 401 00	Brake light switch		1	356 A/540.1
2	900 027 015 02	Lock ring		2	
		B 8			
2	900 027 015 03	Lock ring		2	
		B 8			
3	900 076 013 01	Hexagon nut		2	
		M 8			
(4)	356 42 021	Brake line	/LL/V/L	1	356
(4)	PCG 42 021	Brake line	/LL/V/L	1	356
4	644 42 313	Brake line	/LL/V/L	1	356 A/540.1
(4)	356 42 080	Brake line	/RL/V/L	1	356
(4)	644 42 317	Brake line	/RL/V/L	1	356 A/540.1
(4)	PCG 42 317	Brake line	/RL/V/L	1	356 A/540.1
(5)	356 42 022	Brake line	/LL/V/R	1	356
(5)	PCG 42 022	Brake line	/LL/V/R	1	356
5	644 42 314	Brake line	/LL/V/R	1	356 A/540.1
(5)	644 42 318	Brake line	/RL/V/R	1	356 A/540.1
6	695 352 602 01	Brake line	/LL	1	
		Centre			
(6)	356 42 079	Brake line	/RL	1	
		Centre			
(7)	356 42 025	Brake line	/H /L	1	356
(7)	PCG 42 025	Brake line	/H /L	1	356
7	644 42 305	Brake line	/H /L	1	356 A/540.1
7	PCG 42 305	Brake line	/H /L	1	356 A/540.1
(8)	356 42 024	Brake line	/H /R	1	356
(8)	PCG 42 024	Brake line	/H /R	1	356
8	644 42 306	Brake line	/H /R	1	356 A/540.1
8	PCG 42 306	Brake line	/H /R	1	356 A/540.1
(9)	356 42 027	Brake hose	/V	2	356
(9)	PCG 42 027	Brake hose	/V	2	356
9	644 42 311	Brake hose	/V	2	356 A/540.1
10	356 42 028	Brake hose	/H	2	
11	914 355 667 00	Distributor		1	
12	900 074 014 01	Hexagon-head bolt		1	356 A/540.1
		M 6 X 25			
12	900 074 088 02	Hexagon-head bolt		1	356 A/540.1
		M 6 X 25			
13	900 028 008 01	Lock ring		1	356 A/540.1
		B 6			
14	900 076 010 02	Nut		1	356 A/540.1
		M 6			
14	900 076 010 0B	Nut		1	356 A/540.1
		M 6			
15	914 355 665 00	Brake hose bracket	/V /H	4	
15	914 355 665 01	Brake hose bracket	/V /H	4	
16	644 351 651 00	Clip		2	356 A/540.1
16	644 351 651 01	Clip		2	356 A/540.1
17	900 074 085 02	Hexagon-head bolt		2	356 A/540.1
		M 8 X 22			

Model: 356 50 Model life 1950>>1959

Pos	Part Number	Description	Remark	Qty	Model
18	900 027 015 02	Lock ring B 8		2	356 A/540.1
18	900 027 015 03	Lock ring B 8		2	356 A/540.1
19	900 076 013 02	Hexagon nut M 8		2	356 A/540.1
19	900 076 025 02	Hexagon nut M 8		2	356 A/540.1
19	900 076 064 02	Hexagon nut M 8		2	356 A/540.1
(20)		Rubber sleeve 29 42 109		4	356
20	644 025 621 00	Grommet		1	356 A/540.1
-	914 355 652 00	Clamp		1	356 A/540.1
21	356 49 665	Boot		1	356 A/540.1
22	000 97 502	Rubber sleeve		1	356 A/540.1
(23)	356 42 019 1	Suspension strap F 53 658 >> F 60 837 >>	/V	2	356 COUPE CABRIO
(23)	999 706 009 80	Suspension strap Short	/H	3	356
(23)	911 424 341 01	Suspension strap Short	/H	3	356
(23)	911 424 341 03	Suspension strap Short	/H	3	356
23	999 706 009 80	Suspension strap		2	356 A/540.1
23	911 424 341 01	Suspension strap		2	356 A/540.1
23	911 424 341 03	Suspension strap		2	356 A/540.1
24	900 075 016 02	Hexagon-head bolt M 6 X 22		1	356 A/540.1
24	900 075 016 03	Hexagon-head bolt M 6 X 22		1	356 A/540.1
25	N 010 215 13	Hexagon-head bolt M 6 X 15		1	356 A/540.1
26	900 028 008 01	Lock ring B 8		2	356 A/540.1
27	900 076 010 02	Nut M 8		2	356 A/540.1
27	900 076 010 0B	Nut M 8		2	356 A/540.1
28	900 172 001 00	Clamp		1	356 A/540.1
29	900 074 005 02	Hexagon-head bolt M 5 X 22		1	356 A/540.1
30	N 012 225 2	Spring washer B 5		1	356 A/540.1
31	900 076 006 02	Hexagon nut M 5		1	356 A/540.1
32	356 42 029	Piston rod		1	356 A/540.1

Model: 356 50

Model life 1950>>1959



Model: 356 50 Model life 1950>>1959

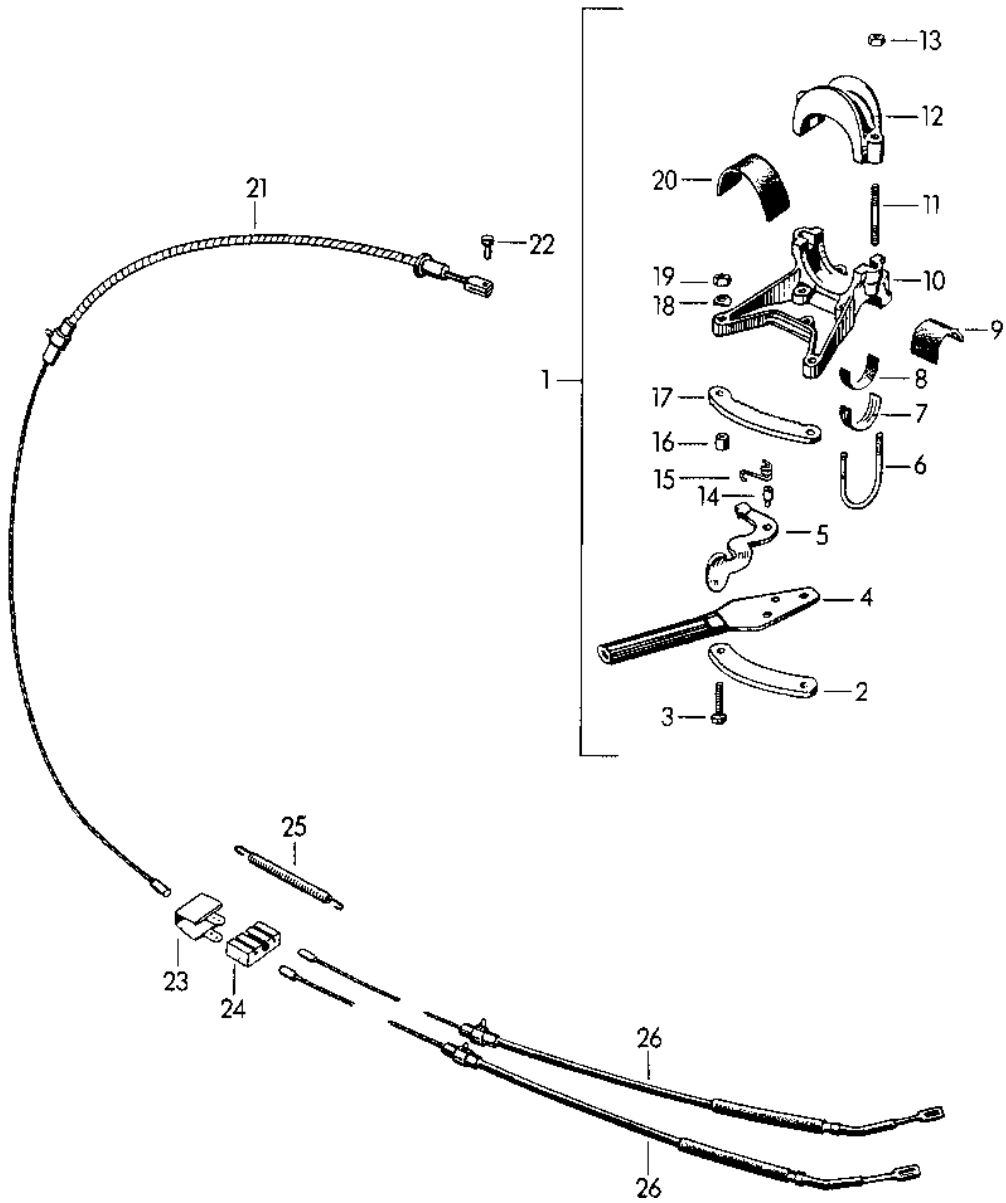
Pos	Part Number	Description	Remark	Qty	Model
1	356 24 019	Transmission control		1	
-	356 24 030	Gearshift bracket		1	
		Gearshift lever		1	
		Complete			
2	356 24 115	Gearshift lever		1	
		F >> 101 692			
		F >> 150 000			
		F >> 83 791			
(2)	644 24 115 3	Gearshift lever		1	
		F 101 693 >>			
		F 150 001 >>			
		F 83 792 >>			
3	356 24 125	Ball socket		1	
4	356 24 126	Spring guide		1	
5	356 24 127	Compression spring		1	
6	356 24 012	Bearing plate		1	
		F >> 101 692			
		F >> 150 000			
		F >> 83 791			
(6)	644 24 012	Bearing plate		1	
		F 101 693 >>			
		F 150 001 >>			
		F 83 792 >>			
7	356 24 174	Stop plate		1	
8	900 025 007 02	Washer		2	
		8,4			
8	900 025 007 03	Washer		2	
		8,4			
9	900 028 010 01	Spring washer		2	
		B 8			
10	900 076 013 02	Hexagon nut		2	
10	900 076 025 02	Hexagon nut		2	
10	900 076 064 02	Hexagon nut		2	
(11)		Sealing sleeve		1	356
		24 11			
11	644 24 306	Sleeve		1	356 A/540.1
11	999 659 018 40	Cap		1	356 A/540.1
(12)	356 53 701	Gearshift knob		1	356
		Grey			
		Or			
		Beige			
12	644 24 305	Gearshift knob		1	356 A/540.1
	644 24 305 600	Grey			
	644 24 305 500	Beige			
	644 24 305 300	White			
		Ivory			
13	N 010 237 6	Hexagon-head bolt		4	
		M 8 X 12			
13	N 010 237 14	Hexagon-head bolt		4	
		M 8 X 12			
14	900 028 010 01	Spring washer		4	
		B 8			
15	900 025 007 02	Washer		4	
		8,4			
15	900 025 007 03	Washer		4	
		8,4			
16	356 24 015	Gear shift rod		1	
		F >> 101 692			
		F >> 150 000			
		F >> 83 791			
(16)	644 24 015	Gear shift rod		1	
		F 101 693 >>			
		F 150 001 >>			

Model: 356 50 Model life 1950>>1959

Pos	Part Number	Description	Remark	Qty	Model
17	356 24 117	F 83 792 >> Eccentric bolt		1	
18	900 025 007 02	Washer 8,4		1	
18	900 025 007 03	Washer 8,4		1	
19	N 012 512 1	Cotter pin 2 X 12		1	
20	356 24 372	Supporting bow		1	
21	356 24 373	Bush		2	
22	356 24 035	Ball socket with Stopper		1	
-		Cotter pin 2 X 25		1	356
23	356 24 374	Gearshift lever		1	
24	356 24 375	Clutch control shaft		1	
25	900 095 012 00	Roll pin		1	
26	900 025 008 02	Washer 10,5		1	
26	N 011 527 4	Washer 10,5		1	
26	900 025 008 09	Washer 10,5		1	
26	900 025 008 04	Washer 10,5		1	
27	N 012 230 1	Spring washer B 10		1	
28	356 24 112	Preselector lever		1	356
29	356 24 122	Washer		1	356
30	356 24 124	Bush		2	356
31	356 24 123	Lever		2	356
32	356 24 121	Washer		3	356
33	356 24 378	Fork		1	356
34	111 711 189	Square screw		1	356
35		Cotter pin 2 X 12		1	356
36	356 24 120	Lever		1	356
37		Hexagon-head bolt M 8 X 35		1	356
38		Lock ring A 8		1	356
39	644 24 030	Preselector lever		1	356 A/540.1
40	644 24 304	Bush		1	356 A/540.1
41	900 074 034 02	Hexagon-head bolt M 8 X 30		1	356 A/540.1
42	900 027 015 02	Lock ring B 8		1	356 A/540.1
42	900 027 015 03	Lock ring B 8		1	356 A/540.1
43	644 24 303	Fork		1	356 A/540.1
44	111 711 189	Square screw		1	356 A/540.1
45	356 24 366	Spacer plate 2,00 MM		1	356 A/540.1
(45)	356 24 366 1	Spacer plate 0,40 MM		1	356 A/540.1
(45)	356 24 366 2	Spacer plate 0,75 MM		1	356 A/540.1
46	900 028 010 01	Spring washer B 8		2	356 A/540.1
47	900 076 013 02	Hexagon nut		2	356 A/540.1
47	900 076 025 02	Hexagon nut		2	356 A/540.1
47	900 076 064 02	Hexagon nut		2	356 A/540.1

Model: 356 50

Model life 1950>>1959



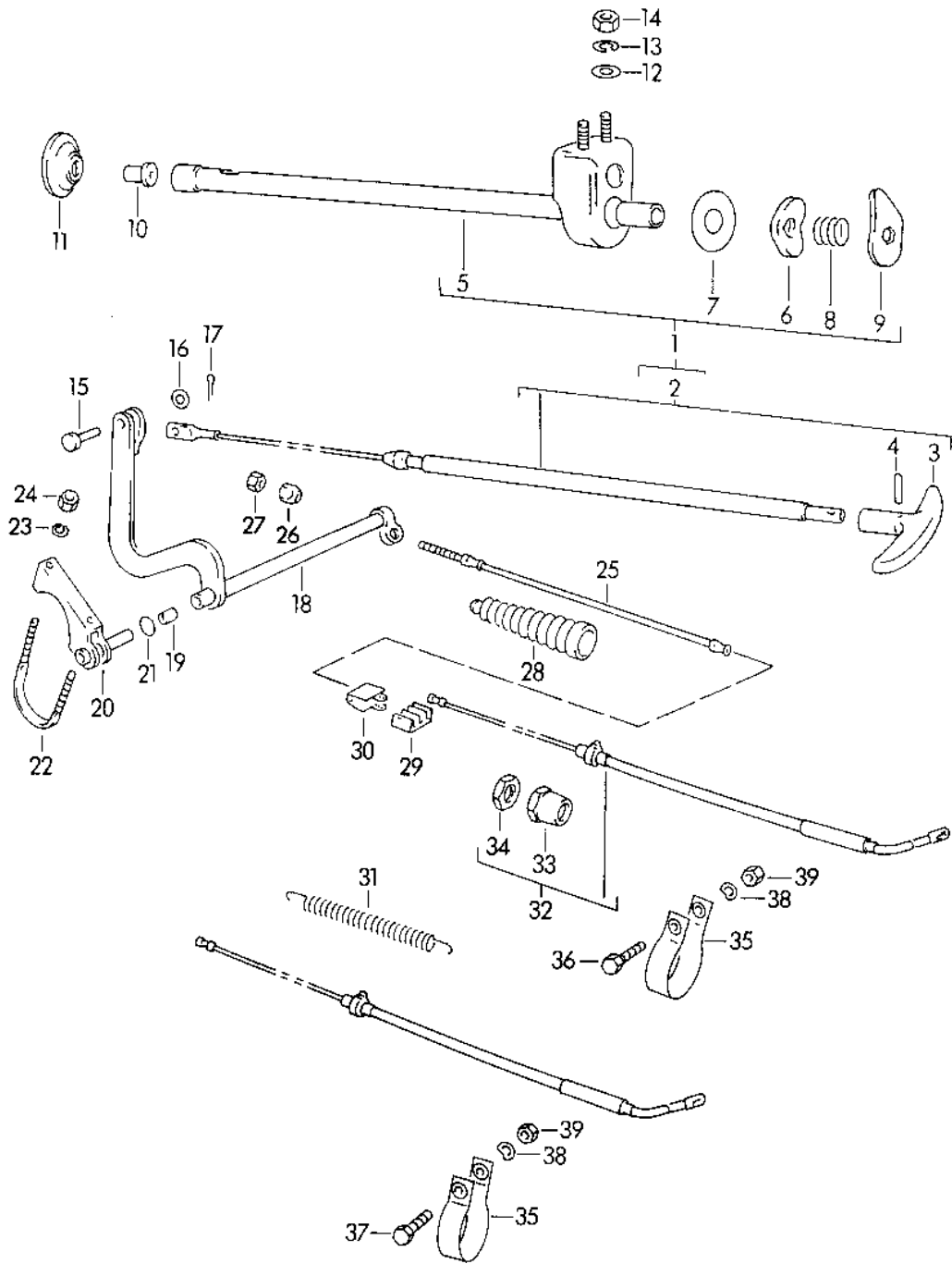
Model: 356 50

Model life 1950>>1959

Pos	Part Number	Description	Remark	Qty	Model
1	356 24 021	Handbrake Parking-brake lever Complete		1	356
2	356 24 217	Guide plate		1	
3		Pan-head screw M 6 X 30		2	
4	356 24 054 1	Lever		1	
5	356 24 262	Pawl		1	
6	356 24 267	Clamp		1	
7	356 24 268	Clip		1	
8	356 24 265	Rubber strip		1	
9	356 24 264	Rubber strip		1	
10	356 24 259	Bearing bracket		1	
11		Stud M 8 X 50		2	
12	356 24 260	Clamp		1	
13		Hexagon nut M 8		2	
-		Spring washer B 8		2	
14	356 24 212	Bolt		1	
15	356 24 215	Spring		1	
16	356 24 266	Spacer ring		3	
17	356 21 216	Locking segment		1	
18		Spring washer B 6		5	
19		Hexagon nut M 6		5	
20	356 24 263	Rubber strip		2	
-		Pan-head screw M 6 X 25		1	
21	356 23 026	Parking-brake cable		1	
22		Bolt 6 H 11 X 14 X 11,7		1	
-		Cotter pin 1,5 X 10		1	
23	356 24 309	Clip		1	
24	356 24 308	Connecting piece		1	
25		Return spring 23 35		1	
26	356 24 020	Parking-brake cable		2	

Model: 356 50

Model life 1950>>1959



Model: 356 50 Model life 1950>>1959

Pos	Part Number	Description	Remark	Qty	Model
1	644 24 023	Handbrake Parking-brake cable Complete	/LL	1	356 A/540.1
(1)	644 24 024	Parking-brake cable Complete	/RL	1	
2	644 24 025	Parking-brake cable	/LL	1	
(2)	644 24 026	Parking-brake cable	/RL	1	
3	644 24 215	Handle		1	
4	900 095 001 00	Roll pin 2 X 14		1	
5	644 24 027	Guide tube		1	
6	644 24 228	Locking piece		1	
7	644 24 233	Washer		1	
8	644 24 229	Compression spring		1	
9	644 24 231	Locking segment		1	
10	644 24 241	Thrust ring		1	
11	644 24 216	Rubber ring		1	
12	900 151 006 09	Washer B 6,4		2	
13	900 028 009 01	Spring washer B 6		2	
14	900 076 010 02	Nut M 6		2	
14	900 076 010 0B	Nut M 6		2	
15	900 088 001 00	Bolt 5 H 11 X 18 X 15		1	
16	900 025 003 02	Washer 5,3		1	
17	900 021 001 00	Cotter pin 1,5 X 8		1	
18	695 424 057 00	Lever	/LL	1	
(18)	695 424 058 00	Lever	/RL	1	
19	644 24 207	Bush		2	
20	644 24 021	Bearing bracket	/LL	1	
(20)	644 24 021 1	Bearing bracket	/RL	1	
21	000 97 310	Sealing ring		2	
22	644 24 206	Clip		1	
23	900 027 014 01	Lock ring B 6		2	
23	900 027 014 02	Lock ring B 6		2	
23	N 012 006 4	Lock ring B 6		2	
24	900 076 010 02	Nut M 6		2	
24	900 076 010 0B	Nut M 6		2	
25	644 24 208	Parking-brake cable		1	
26	356 23 213	Adjusting nut		1	
27	900 076 010 02	Nut M 6		1	
27	900 076 010 0B	Nut M 6		1	
28	356 23 204	Sealing bellows		1	
29	356 24 308	Connecting piece		1	
30	356 24 309	Clip		1	
31	644 424 531 00	Return spring		1	
32	644 24 238	Parking-brake cable		2	
33	644 424 575 01	Sleeve 10 MM		2	
(33)		Sleeve 18 MM		X	

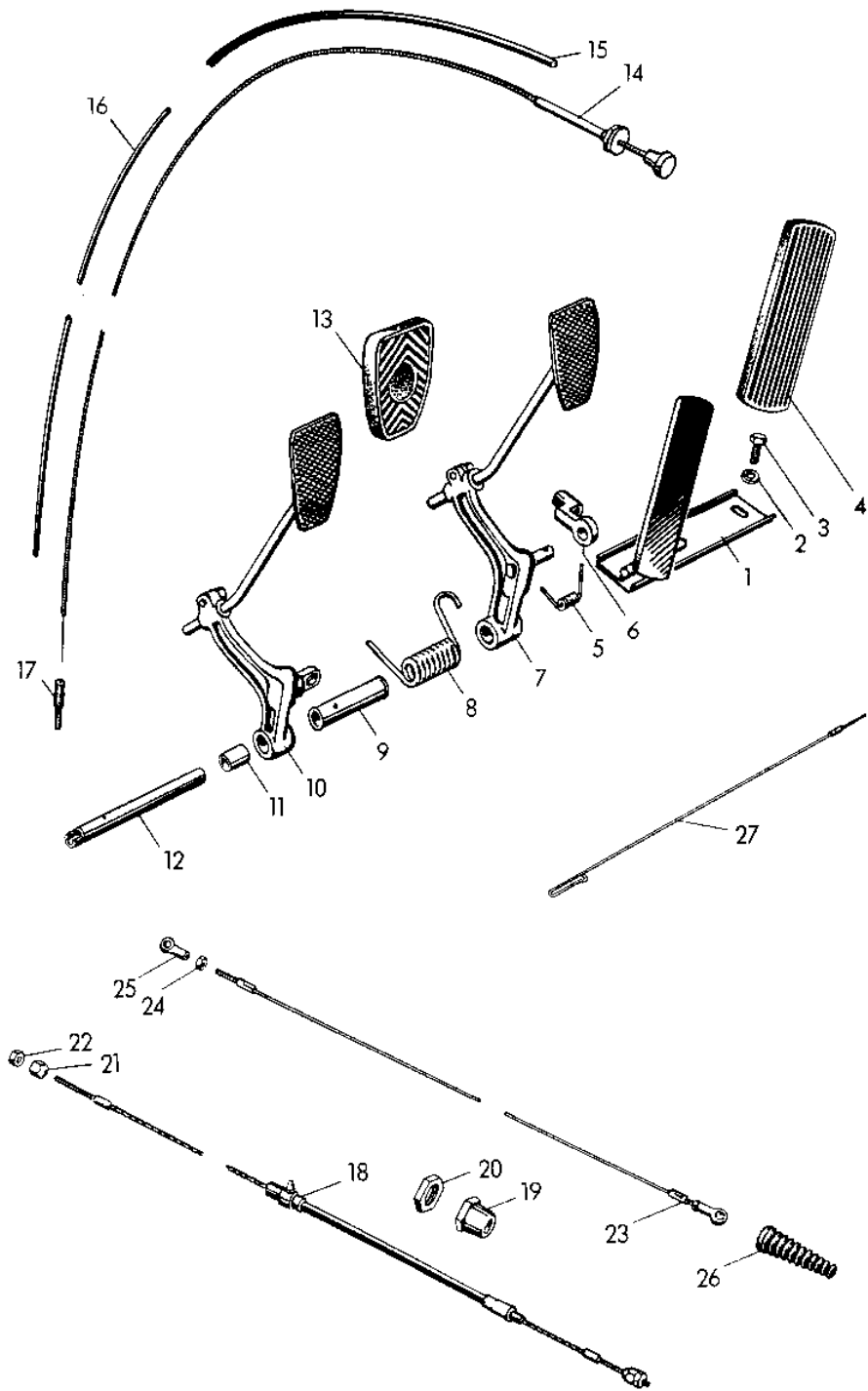
Model: 356 50

Model life 1950>>1959

Pos	Part Number	Description	Remark	Qty	Model
34	644 424 571 00	Lock nut		2	
35	999 706 005 80	Suspension strap		2	
35	911 424 341 02	Suspension strap		2	914-6
35	911 424 341 04	Suspension strap		2	914-6
36	900 075 011 02	Pan-head screw M 6 X 15		2	
37	900 075 016 02	Hexagon-head bolt M 6 X 22		2	
37	900 075 016 03	Hexagon-head bolt M 6 X 22		2	
38	900 028 008 01	Lock ring B 6		2	
39	900 076 010 02	Nut M 6		2	
39	900 076 010 0B	Nut M 6		2	

Model: 356 50

Model life 1950>>1959

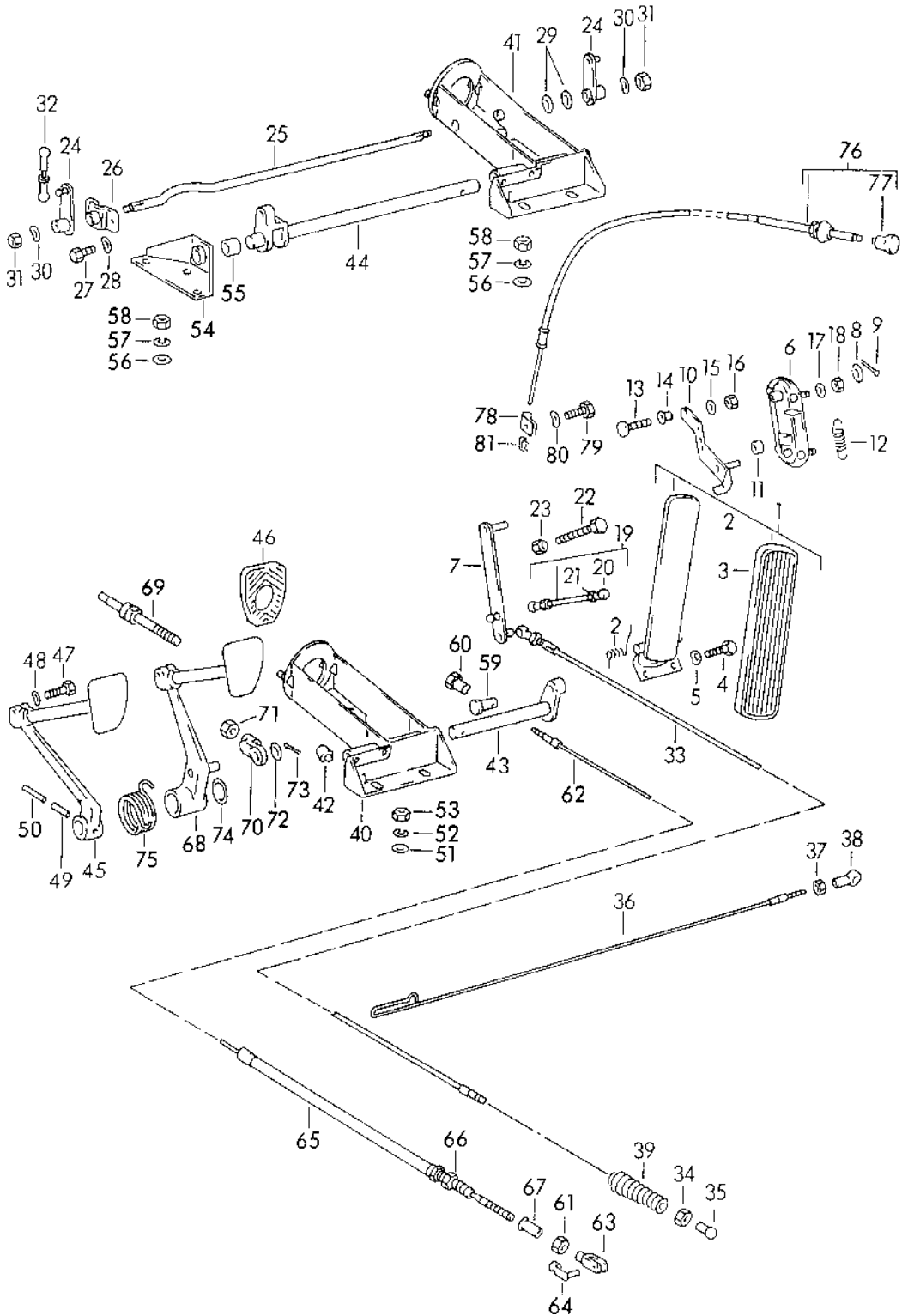


Model: 356 50 Model life 1950>>1959

Pos	Part Number	Description	Remark	Qty	Model
		Pedals			356
(1)	356 23 095	Accelerator pedal	/RL	1	
1	356 23 053	Accelerator pedal	/LL	1	
2		Washer 6,4		2	
3		Hexagon-head bolt M 6 X 20		2	
4	356 23 326	Rubber pad		1	
5	356 23 311	Spring		1	
6	356 23 317	Intermediate piece	/LL	1	
7	356 23 030	Brake pedal		1	
8	356 23 322	Spring		1	
9	356 23 321	Spacer tube		1	
(10)	356 23 211	Clutch pedal	/RL	1	
10	356 23 025	Clutch pedal	/LL	1	
11	356 23 131	Bush		2	
12	356 23 320	Axle		1	
13	914 423 210 00	Rubber pad		2	
14	356 24 066 1	Traction		1	
15	356 24 702	Protective tube		1	
16	356 24 701	Protective tube		1	
17	356 24 402 2	Gasket		1	
18	356 23 058	Clutch cable		1	
19		Adjusting nut 42 42		4	
20		Nut 42 49		4	
21	356 23 213	Adjusting nut		2	
22		Hexagon nut M 6		2	
23	356 23 019	Pull rod		1	
24	N 011 005 14	Hexagon nut M 5		2	
24	900 076 091 01	Hexagon nut M 5		2	
25		Ball socket A 8 DIN 71805		2	
26	356 23 204	Sealing bellows		1	
27	356 23 020	Pull rod		1	

Model: 356 50

Model life 1950>>1959



Model: 356 50 Model life 1950>>1959

Pos	Part Number	Description	Remark	Qty	Model
1	644 23 011	Pedals Accelerator pedal		1	356 A/540.1
		Use			
(1)	PCG 423 011 00	Accelerator pedal		1	
(1)	356 23 326	Rubber pad		1	
2	644 23 131	Spring		1	
3	356 23 326	Rubber pad		1	
4	N 010 215 13	Hexagon-head bolt M 6 X 15		2	
5	N 012 005 3	Lock ring B 6		2	
6	644 23 128	Bearing plate		1	
7	644 23 010	Lever		1	
8	900 025 007 02	Washer 8,4		2	
8	900 025 007 03	Washer 8,4		2	
9	900 021 007 01	Cotter pin 2 X 12		2	
10	644 24 052	Lever		1	
11	644 23 147	Rubber		1	
12	644 24 508	Tension spring		1	
13	644 24 509	Clamping screw		1	
14	644 24 510	Guide sleeve		1	
15	900 025 002 02	Washer 4,3		1	
15	900 025 002 03	Washer 4,3		1	
16	900 076 002 02	Hexagon nut M 4		1	
17	900 027 014 01	Lock ring B 6		4	
17	900 027 014 02	Lock ring B 6		4	
17	N 012 006 4	Lock ring B 6		4	
18	900 076 010 02	Nut M 6		4	
18	900 076 010 0B	Nut M 6		4	
19	644 23 016	Push rod	/LL	1	
(19)	644 23 134	Push rod	/RL	1	
20	N 015 521 3	Ball socket A 8		2	
21	N 011 005 14	Hexagon nut M 5		2	
21	900 076 091 01	Hexagon nut M 5		2	
22	900 075 020 02	Hexagon-head bolt M 6 X 45		1	
23	900 076 010 02	Nut M 6		1	
23	900 076 010 0B	Nut M 6		1	
24	356 23 070	Lever	/RL	2	
25	644 23 137	Clutch control shaft	/RL	1	
26	644 23 139	Supporting bow	/RL	1	
27	900 075 010 02	Hexagon nut M 6 X 12	/RL	2	
27	N 010 212 14	Hexagon-head bolt M 6 X 12	/RL	2	
27	999 072 005 09	Hexagon nut M 6 X 12	/RL	2	

Model: 356 50 Model life 1950>>1959

Pos	Part Number	Description	Remark	Qty	Model
27	999 072 005 01	Hexagon nut M 6 X 12	/RL	2	
28	900 028 008 01	Lock ring B 6	/RL	2	
29	911 423 225 00	Washer	/RL	3	
30	900 028 008 01	Lock ring B 6	/RL	2	
31	900 076 010 02	Nut M 6	/RL	2	
31	900 076 010 0B	Nut M 6	/RL	2	
32	644 23 142	Pull rod	/RL	2	
33	356 23 019	Pull rod	/V	1	
34	900 076 004 02	Hexagon nut M 5		2	
35	N 015 521 3	Ball socket A 8		2	
36	356 23 020	Pull rod	/H	1	
37	900 076 004 02	Hexagon nut M 5		1	
38	N 015 521 3	Ball socket A 8		1	
39	356 23 204	Sealing bellows		1	
40	644 23 033	Bearing bracket	/LL	1	
-	644 423 556 00	Bearing sleeve	/LL	2	
			/RL	1	
41	644 23 035	Bearing bracket	/RL	1	
42	644 23 310	Rubber		2	
43	644 23 022	Clutch pedal shaft	/LL	1	
44	644 23 221	Clutch pedal shaft	/RL	1	
(45)	644 23 025	Clutch pedal		1	CARRERA
45	644 23 026	Clutch pedal		1	
46	914 423 210 00	Rubber pad		2	
47	900 074 032 02	Hexagon-head bolt M 8 X 25		2	
48	900 028 010 01	Spring washer B 8		2	
49	999 095 022 00	Spiral clamping pin S 6 X 32		1	
50	900 095 011 00	Roll pin		1	
51	900 025 007 02	Washer 8,4		3	
51	900 025 007 03	Washer 8,4		3	
52	900 027 015 02	Lock ring B 8		3	
52	900 027 015 03	Lock ring B 8		3	
53	900 076 013 02	Hexagon nut M 8		3	
53	900 076 025 02	Hexagon nut M 8		3	
53	900 076 064 02	Hexagon nut M 8		3	
54	644 23 225	Bearing bracket	/RL	1	
55	644 423 556 00	Bearing sleeve	/RL	1	
56	900 025 007 02	Washer 8,4	/RL	3	
56	900 025 007 03	Washer 8,4	/RL	3	
57	900 027 015 02	Lock ring B 8	/RL	3	
57	900 027 015 03	Lock ring	/RL	3	

Model: 356 50 Model life 1950>>1959

Pos	Part Number	Description	Remark	Qty	Model
58	900 076 013 02	B 8 Hexagon nut	/RL	3	
58	900 076 025 02	M 8 Hexagon nut	/RL	3	
58	900 076 064 02	M 8 Hexagon nut	/RL	3	
59	644 23 219	Bolt		1	
60	644 23 220	Adjusting nut		1	
61	900 076 010 02	Nut		2	
61	900 076 010 0B	M 6 G 25 001 >> Nut		2	
-	356 23 213	M 6 G 25 001 >> Adjusting nut		1	
62	644 23 208 1	G 25 001 >> Clutch cable		1	
(62)	644 423 401 00	G >> 25 000 Clutch cable		1	
63	900 166 002 02	G 25 001 >> Clevis		1	
63	900 166 002 01	G 6 X 24 G 25 001 >> Clevis		1	
64	999 166 001 02	G 6 X 24 G 25 001 >> Bolt		1	
65	644 23 209	G 25 001 >> Guide		1	
66	900 084 005 02	Clutch cable		1	
67	695 423 922 00	Nut		1	
68	644 23 030	Sleeve		1	
-	644 23 303	Brake pedal		2	
-	900 074 032 02	Bearing sleeve		1	
-	900 028 010 01	Hexagon-head bolt for Brake pedal		1	
69	356 42 029	Spring washer for Brake pedal		1	
70	356 23 317	Piston rod		1	
71	900 034 005 02	Intermediate piece		1	
72	N 011 564 2	Hexagon nut B M 10		1	
72	N 011 564 4	Washer 13		1	
73	900 021 015 00	Washer 13		1	
74	000 95 710	Cotter pin 3 X 20		1	
75	644 23 305	Thrust washer		1	
76	644 24 053	Return spring		1	
77	644 552 820 04	Accelerator cable		1	
	644 552 820 04 700	Knob Manual throttle		1	
	644 552 820 04 600	Black			
	644 552 820 04 500	Grey			
	644 552 820 04 300	Beige			
78	356 49 648	White Ivory Clip		1	
		"S" 8 MM			

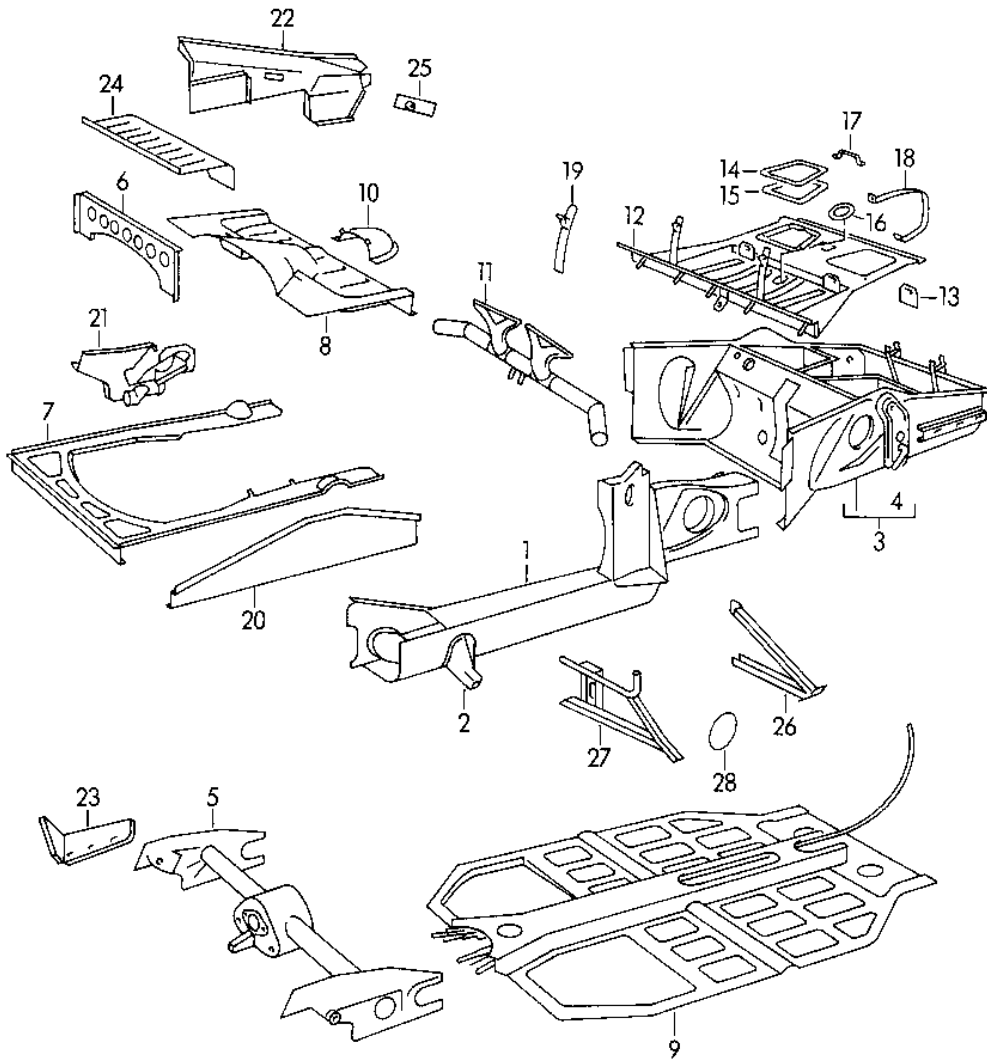
Model: 356 50

Model life 1950>>1959

Pos	Part Number	Description	Remark	Qty	Model
79	N 010 205 6	Hexagon-head bolt M 5 X 10		1	
79	900 075 105 02	Screw M 5 X 10		1	
80	N 012 005 3	Lock ring B 5		1	
81	644 24 511	Clamping piece		1	

Model: 356 50

Model life 1950>>1959



Model: 356 50 Model life 1950>>1959

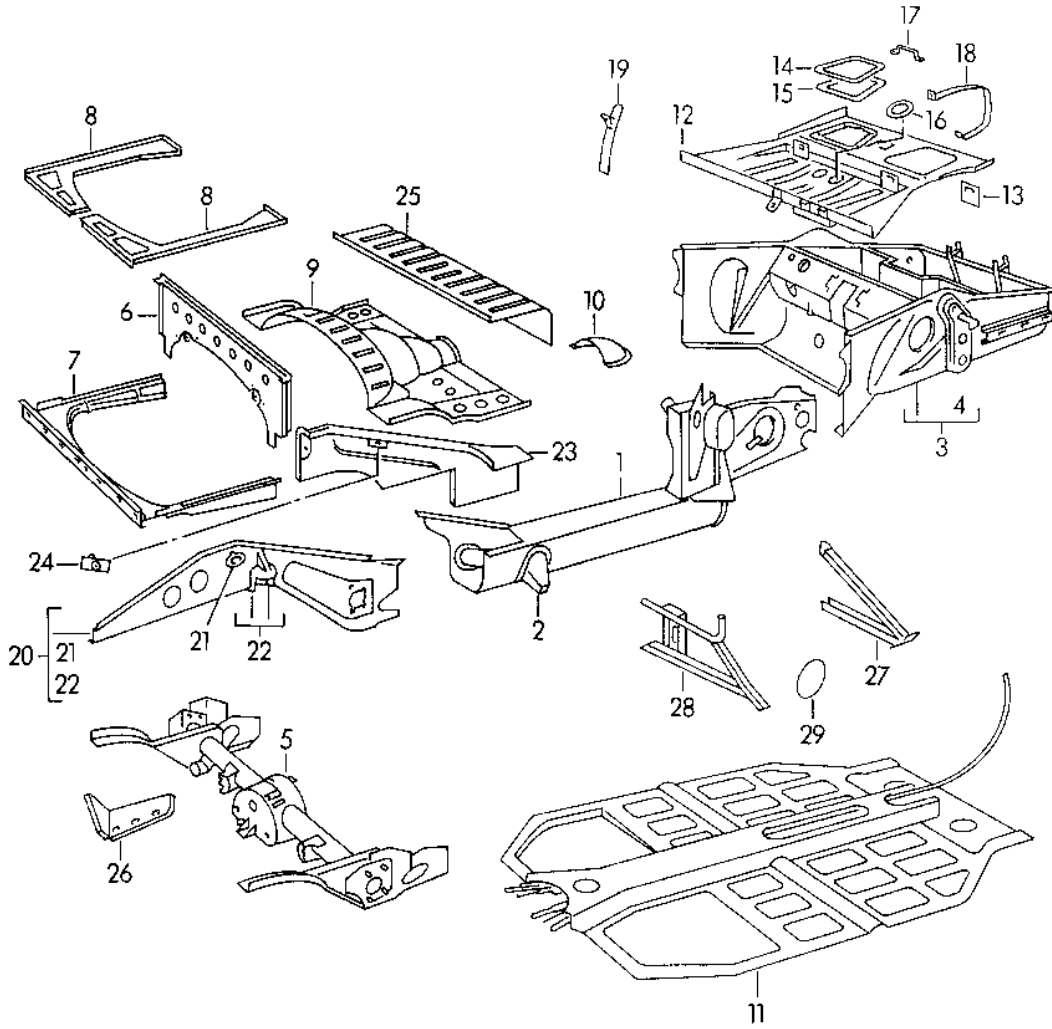
Pos	Part Number	Description	Remark	Qty	Model
(1)	356 49 011	Frame Side member	/L	1	356
1	356 49 012	Side member	/R	1	
2	356 49 019	Jacking point		2	
3	356 49 022	Frame front part		1	
4	356 49 041	Cross member Front Complete		1	
5	356 49 031	Rear axle cross member		1	
6	356 49 051	Rear axle cross member Rear		1	
7	356 49 055	Cross member Rear		1	
8	356 49 069	Cover Transmission		1	
9	356 49 070	Floor		1	
-	356 49 611	Floor Rear		1	
-	356 49 612	Floor Front		1	
10	356 49 921	Lid Shift rods		1	
11	356 49 071 A	Cross tube with Heating nozzles F 10 797 >> F 10 114 >>		1	COUPE CABRIO
(11)	356 49 071	Rear-axle cross-tube with Heating nozzles F 5 001 >> 10 796 F 5 015 >> 10 113		1	COUPE CABRIO
12	356 49 655 A	Cover plate Frame front part F 11 779 >> F 15 075 >>		1	COUPE CABRIO
(12)	356 49 655	Cover plate Frame front part F 5 001 >> 11 778 F 5 015 >> 15 074		1	COUPE CABRIO
13	356 49 667	Support Restraining strap		2	
14	356 49 905	Lid		1	
15	356 49 907	Rubber seal		1	
16	356 49 913	Rubber seal		1	
17	356 49 939	Support 30 MM		1	
18	356 49 093	Restraining strap Long	/V	2	
19	356 49 094	Fuel tank Restraining strap Short	/H	2	
20	356 49 110	Fuel tank Side member Rear	/R	1	
(20)	356 49 109	Side member Rear	/L	1	
21	356 49 121	Heating tube Complete	/L	1	

Model: 356 50 Model life 1950>>1959

Pos	Part Number	Description	Remark	Qty	Model
(21)	356 49 122	Heating tube Complete	/R	1	
22	356 49 601	Cover plate Side member	/L	1	
(22)	356 49 602	Cover plate Side member	/R	1	
23	356 49 747	Mounting plate Support for bumper F 11 779 >> F 15 073 >>	/H /L	1	COUPE CABRIO
(23)	356 49 748	Mounting plate Support for bumper F 11 779 >> F 15 073 >>	/H /R	1	COUPE CABRIO
(23)	356 49 731	Stop plate Support for bumper F 5 001 >> 11 778 F 5 015 >> 15 072	/H /L	1	COUPE CABRIO
(23)	356 49 732	Stop plate Support for bumper F 5 001 >> 11 778 F 5 015 >> 15 072	/H /R	1	COUPE CABRIO
24	356 49 743	Boot floor plate		1	
25	356 49 674	Bearing plate Backrest		2	
26	356 58 033	Engine carrier Wing F 11 779 >> F 15 051 >>	/H /L	1	COUPE CABRIO
(26)	356 58 034	Engine carrier Wing F 11 779 >> F 15 051 >>	/H /R	1	COUPE CABRIO
27	356 58 043	Engine carrier Wing F 52 030 >> F 60 550 >>	/V /L	1	COUPE CABRIO
(27)	356 58 044	Engine carrier Wing F 52 030 >> F 60 550 >>	/V /R	1	COUPE CABRIO
(27)	356 58 031	Engine carrier Wing F 11 779 >> 52 029 F 15 051 >> 60 549	/V /L	1	COUPE CABRIO
(27)	356 58 032	Engine carrier Wing F 11 779 >> 52 029 F 15 051 >> 60 549	/V /R	1	COUPE CABRIO
-	356 58 017	Engine carrier Wing F 5 001 >> 11 778 F 5 015 >> 15 050	/H /L	1	COUPE CABRIO
-	356 58 018	Engine carrier Wing F 5 001 >> 11 778 F 5 015 >> 15 050	/H /R	1	COUPE CABRIO
28	644 504 079 00	Spring cover Entrance lining		2	
(28)	644 504 079 00 GRV	Spring cover Entrance lining		2	

Model: 356 50

Model life 1950>>1959



Model: 356 50 Model life 1950>>1959

Pos	Part Number	Description	Remark	Qty	Model
		Frame			356 A
(1)	644 501 003 00	Side member	/L	1	
1	644 501 004 00	Side member	/R	1	
2	644 501 150 00	Jacking point		2	
3	644 501 005 03	Body front section	/LL	1	
(3)	644 501 005 04	Body front section	/RL	1	
(3)	644 501 006 03	Body front section without Cross panel	/LL	1	
(3)	644 501 006 04	Body front section without Cross panel	/RL	1	
4	644 501 030 03	Cross member Front	/LL	1	
(4)	644 501 030 04	Cross member Front	/RL	1	
-	644 506 051 00	Towing lug F 101 693 >> F 150 001 >> F 83 792 >>		1	COUPE CABRIO HARDTOP SPEEDSTER
5	644 501 085 00	Rear-axle cross-tube		1	
6	644 501 075 00	Cross panel Rear		1	
(6)	644 501 075 10	Cross panel Rear Only together with Heating B 3		1	CARRERA COUPE HARDTOP DE LUXE
7	644 501 082 00	Engine compartment cover Weldable piece		1	
(7)	644 501 082 05	Engine compartment cover Only together with Heating B 2		1	
(7)	644 501 082 10	Engine compartment cover for -CARRERA GT- without Optional heating		1	
(7)	644 501 082 11	Engine compartment cover for -CARRERA DE LUXE- Only together with Heating B 3		1	
8	644 501 083 01	Engine compartment cover	/L	1	
(8)	644 501 083 05	Engine compartment cover Only together with Heating B 2	/L	1	
(8)	644 501 084 01	Engine compartment cover	/R	1	
(8)	644 501 083 05	Engine compartment cover Only together with Heating B 2	/R	1	
9	644 501 073 00	Cover Transmission		1	
(9)	644 501 073 10	Cover Transmission for -CARRERA DE LUXE- Only together with		1	

Model: 356 50 Model life 1950>>1959

Pos	Part Number	Description	Remark	Qty	Model
10	644 504 730 01	Heating B 3 Lid		1	
(10)	644 504 075 01	Shift rods Lid		1	
-	644 551 425 00	Shift rods with Carpet Please state the colour Carpet Please state the colour		1	
11	644 501 050 03	Floor	/LL	1	
(11)	644 501 050 04	Floor	/RL	1	
-	644 501 051 03	Floor without Tunnel	/LL	1	
-	644 501 051 04	Floor without Tunnel	/RL	1	
-	PCG 501 051 06	Floorpan Two-piece		1	
12	644 501 035 05	Tank compartment floor	/LL	1	
(12)	644 501 035 50	Tank compartment floor Only together with Fuel tank 80 L	/LL	1	
(12)	644 501 035 06	Tank compartment floor	/RL	1	
(12)	644 501 036 50	Tank compartment floor Only together with Fuel tank 80 L	/RL	1	
13	644 201 351 00	Support Restraining strap		2	
14	644 504 501 01	Lid	/LL	1	
(14)	644 504 501 02	Lid	/RL	1	
(14)	644 504 051 50	Lid Only together with Fuel tank 80 L	/LL	1	
(14)	644 504 052 50	Lid Only together with Fuel tank 80 L	/RL	1	
-	644 504 503 50	Lid Oil filler screw Only together with Fuel tank 80 L		1	
15	644 504 921 00	Rubber seal		1	
16	644 504 922 00	Rubber seal		1	
17	644 025 171 00	Support 30 MM		1	
-	644 504 971 00	Leather strap Spare wheel		1	
18	644 201 031 00	Restraining strap Fuel tank 570 MM		1	
(18)	644 201 031 50	Restraining strap Fuel tank 735 MM		1	
19	644 201 032 00	Restraining strap Fuel tank 225 MM		2	

Model: 356 50 Model life 1950>>1959

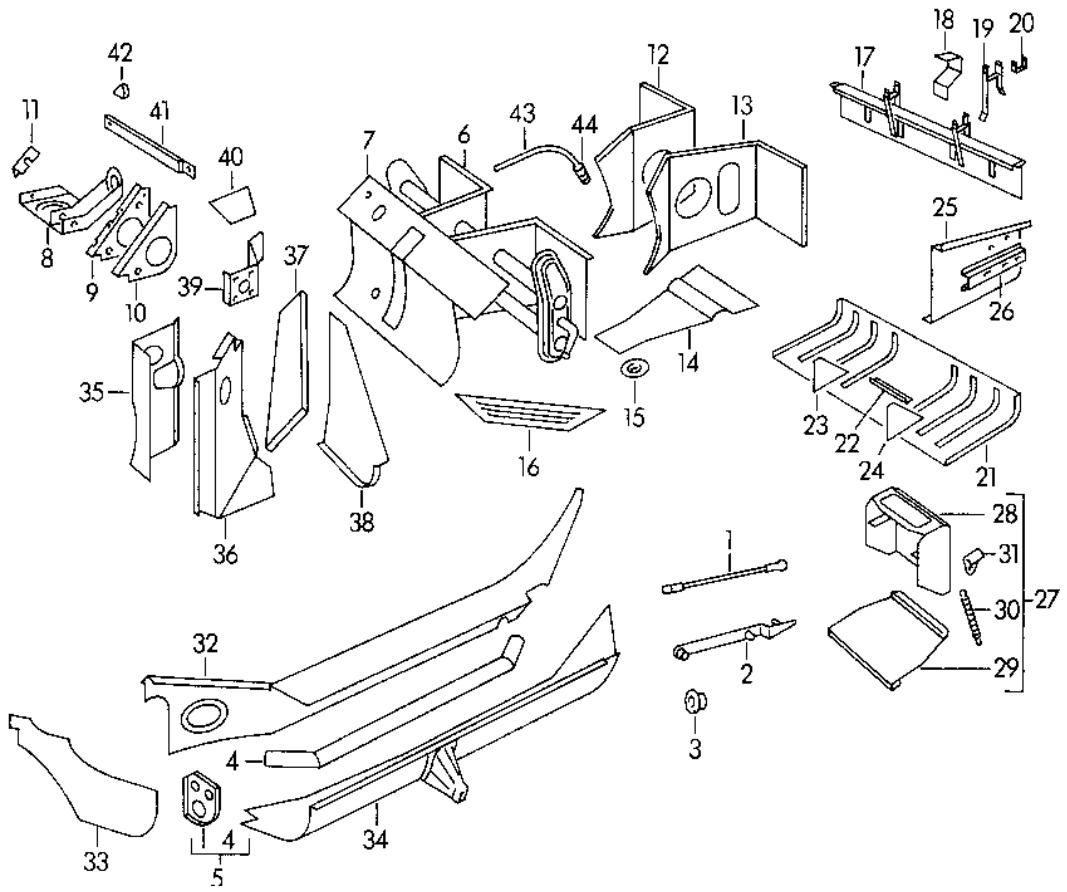
Pos	Part Number	Description	Remark	Qty	Model
20	644 501 015 00	Side member Rear		1	
21	644 501 155 00	Bearing Shock absorber		2	
22	644 501 171 05	Stop Rubber stop		2	
(23)	644 501 013 00	Lining Side member with Bearing plate Backrest	/L	1	
23	644 501 014 00	Lining Side member with Bearing plate Backrest	/R	1	
(23)	644 501 013 40	Lining Side member with installation parts Roll-over bar	/L	1	SPEEDSTER CARRERA GT
23	644 501 014 40	Lining Side member with installation parts Roll-over bar	/R	1	SPEEDSTER CARRERA GT
24	644 501 160 00	Bearing plate Backrest		2	
25	644 501 701 00	Boot floor plate F >> 101 692 F >> 150 000 F >> 83 791		1	COUPE CABRIO HARDTOP SPEEDSTER
(25)	644 501 071 00	Boot floor plate		1	
(25)	644 501 071 10	Boot floor plate Valid from: 20.9.57		1	COUPE HARDTOP CARRERA DE LUXE
(26)	644 501 975 00	Mounting plate Support for bumper	/H /L	1	
26	644 501 976 00	Mounting plate Support for bumper	/H /R	1	
27	644 501 097 00	Bracket Wing Rear Left Not for -CARRERA-	/H	1	
28	644 501 095 00	Engine carrier Wing	/V /L	1	
(28)	644 501 096 00	Bracket Wing	/V /R	1	
29	644 504 079 00	Spring cover Entrance lining		2	
29	644 504 079 00 GRV	Spring cover Entrance lining		2	
-	644 504 071 00	Lid Only together with Heating B 3		1	CARRERA DELUXE
-	644 501 730 01	Heel plate Seat belt		1	
-	644 501 570 00	Support Seat rail F 101 693 >>	/V	2	COUPE

Model: 356 50 Model life 1950>>1959

Pos	Part Number	Description	Remark	Qty	Model
-	644 501 540 01	F 150 001 >> F 83 792 >> Support Seat rail	/H	2	CABRIO HARDTOP SPEEDSTER

Model: 356 50

Model life 1950>>1959



Model: 356 50 Model life 1950>>1959

Pos	Part Number	Description	Remark	Qty	Model
		Frame			356
1	356 23 086	Single parts Push rod with Ball socket		1	
2	356 23 087	Hexagon nut Reverse lever		1	
3	356 23 323	Complete Bush		1	
(4)	356 49 015	Bearing plate Pedals Right Heating tube	/L	1	
4	356 49 016	Side member Heating tube	/R	1	
(5)	356 49 131	Side member Reinforcement	/L	3	
5	356 49 132	Side member Reinforcement	/R	3	
6	356 49 021	Cross member Front		1	
7	356 49 215	Cross panel		1	
8	356 49 065	Bearing plate with Bracket		1	
9	356 49 651	Base Pedal floor board	/L	1	
10	356 49 652	Base Pedal floor board	/R	1	
11	356 49 715	Engine bracket for Dipped-beam control		1	
12	356 49 201	Partition panel	/L	1	
13	356 49 202	Partition panel	/R	1	
14	356 49 209	Floorpan		1	
15	356 49 404	Cover plate Cross member		2	
16	356 49 717	Front Floor section Frame		2	
17	356 49 401	Lower End plate Cross member		1	
18	356 49 425	Front Engine carrier Spare wheel		2	
19	356 49 423	Bracket Jacking point		2	
20	356 49 424	Spring plate Jacking point		2	
21	356 49 403	Floorpan Cross member		1	
22	356 49 420	Front Bracket Battery		1	
23	356 49 421	Engine carrier Battery	/L	1	
24	356 49 422	Engine carrier Battery	/R	1	
(25)	356 49 431	Side section	/L	1	

Model: 356 50 Model life 1950>>1959

Pos	Part Number	Description	Remark	Qty	Model
25	356 49 432	Cross member Front Side section	/R	1	
26	356 49 435	Cross member Front Bumper reinforcement Bumper		1	
27	356 49 092	Lid Complete		1	
28	356 49 092 1	Battery cover		1	
29	356 49 092 2	Plate		1	
30	356 49 092 3	Tension spring		2	
31	356 49 092 4	Support		2	
(32)	356 49 107	Side member Centre part	/L	1	
32	356 49 108	Side member Centre part	/R	1	
(33)	356 49 175	Cover plate Frame	/H /L	1	
33	356 49 176	Cover plate Frame	/H /R	1	
(34)	356 49 141	Box wall Side member without Jacking point	/L	1	
(34)	356 49 141 1	Box wall Side member with Jacking point	/L	1	
(34)	356 49 142	Box wall Side member without Jacking point	/R	1	
34	356 49 142 1	Box wall Side member with Jacking point	/R	1	
(35)	644 501 021 05	Box wall	/L	1	
35	644 501 022 05	Box wall	/R	1	
(36)	356 49 163	Box wall Door pillar	/L	1	
36	356 49 164	Connecting piece Door pillar	/R	1	
(37)	644 501 211 00	Reinforcement plate Door pillar	/L	1	
37	644 501 212 00	Reinforcement plate Door pillar	/R	1	
(38)	356 49 171	Cover plate Door channel	/L	1	
38	356 49 172	Cover plate Door channel	/R	1	
39	356 49 711	Bumper reinforcement Door		4	
(40)	356 49 713	Stop plate Door pillar Front	/L	1	
40	356 49 714	Stop plate Door pillar Front	/R	1	
41	356 49 927	Stop bar Pedals		1	
43	356 49 723	\$ 13 MM Pipe		1	

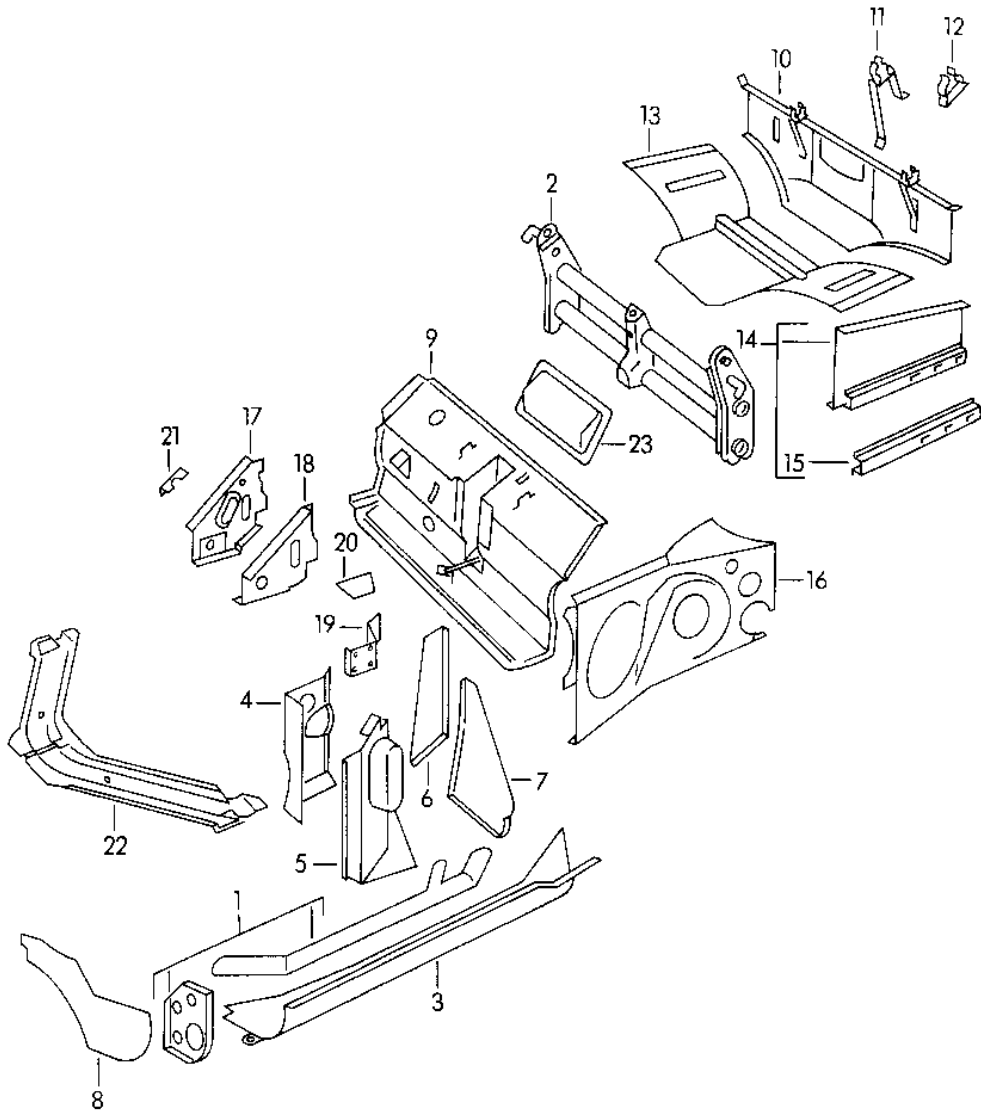
Model: 356 50

Model life 1950>>1959

Pos	Part Number	Description	Remark	Qty	Model
44	356 49 220	Front Complete Nipple Handbrake		1	

Model: 356 50

Model life 1950>>1959



Model: 356 50 Model life 1950>>1959

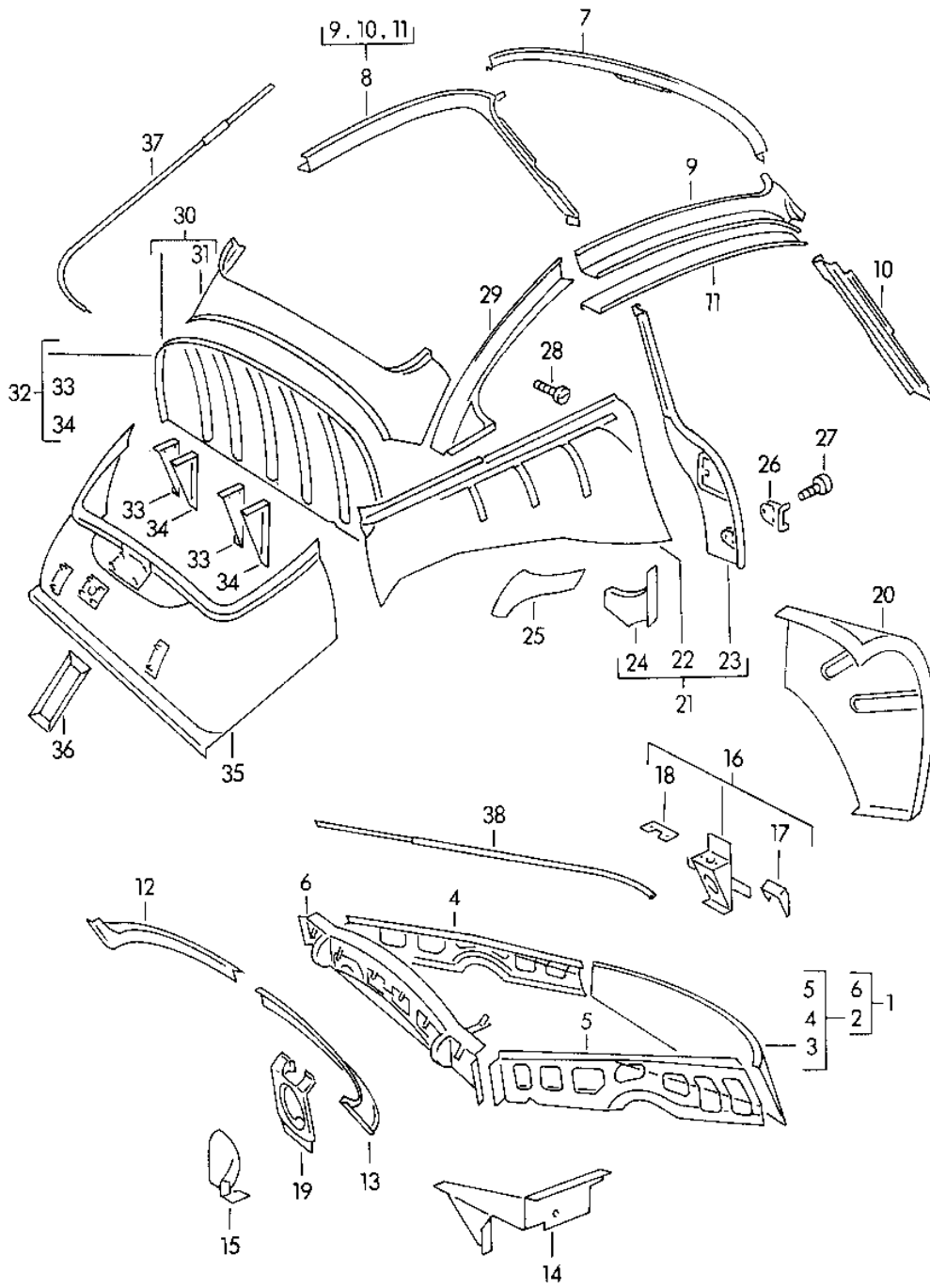
Pos	Part Number	Description	Remark	Qty	Model
		Frame			356 A
(1)	644 501 027 00	Single parts Heating tube	/L	1	
1	644 501 028 00	Side member Heating tube	/R	1	
2	644 341 010 01	Side member Cross member	/LL	1	
(2)	644 341 010 02	Front Complete Cross member	/RL	1	
(3)	644 501 017 00	Front Complete Side member	/L	1	
3	644 501 018 00	Outer with Jacking point Side member	/R	1	
(4)	644 501 021 05	Outer with Jacking point Box wall	/V /L	1	
4	644 501 022 05	Box wall	/V /R	1	
(5)	644 501 023 05	Box wall	/V /L	1	
5	644 501 024 00	with Loudspeaker Box wall	/V /R	1	
(6)	644 501 211 00	with Loudspeaker Reinforcement plate	/L	1	
(6)	644 501 212 00	Reinforcement plate	/L	1	
6	644 501 212 00	Box wall Reinforcement plate	/R	1	
6	644 501 212 00	Reinforcement plate	/R	1	
(7)	644 501 221 00	Box wall End plate	/L	1	
7	644 501 222 00	Door channel End plate	/R	1	
7	644 501 222 00 GRV	Door channel End plate	/R	1	
(8)	644 501 141 00	Prime coated End plate	/H /L	1	
(8)	644 501 141 00 GRV	Frame End plate	/H /L	1	
8	644 501 142 00	Prime coated End plate	/H /R	1	
8	644 501 142 00 GRV	Frame End plate	/H /R	1	
9	644 501 041 03	Prime coated Cross panel	/LL	1	
(9)	644 501 041 04	Cross panel	/RL	1	
10	644 501 031 01	End plate Cross member		1	
11	644 501 093 00	Front Bracket		2	
12	644 501 913 00	Jacking point Spring tension plate		2	
-	644 501 915 00	Jacking point Rubber base		2	
13	644 501 037 00	Jack Floorpan		1	
(14)	644 501 033 00	Cross member Front Side section	/L	1	

Model: 356 50 Model life 1950>>1959

Pos	Part Number	Description	Remark	Qty	Model
14	644 501 034 00	Cross member Front Side section	/R	1	
(15)	644 501 327 00	Cross member Front Bracket Bumper	/L	1	
15	644 501 328 00	Bracket Bumper	/R	1	
(16)	644 501 043 05	Mounting plate Front part with Tab	/L	1	
-	644 501 417 00	Reinforcement	/L	1	
-	644 501 417 00 GRV	Reinforcement Prime coated	/L	1	
16	644 501 044 05	Mounting plate Front part with Tab	/R	1	
-	644 501 418 00	Reinforcement	/R	1	
-	644 501 418 00 GRV	Reinforcement Prime coated	/R	1	
17	644 501 047 05	Base Pedal floor board	/L	1	
18	644 501 048 05	Base Pedal floor board	/R	1	
19	644 501 231 00	Hinge pillar Door	/L	2	
(19)	644 501 232 00	Hinge pillar Door	/R	2	
(20)	644 501 237 00	End plate Door pillar Front	/L	1	
20	644 501 238 00	End plate Door pillar Front	/R	1	
21	644 501 920 00	Engine bracket for Dipped-beam control		1	
22	644 501 441 06	Cross member		1	
22	644 501 441 06 GRV	Cross member Prime coated		1	
23	644 504 521 10	Lid Fuel pump		2	

Model: 356 50

Model life 1950>>1959



Model: 356 50 Model life 1950>>1959

Pos	Part Number	Description	Remark	Qty	Model
(1)	356 51 021	Body Interior panelling Rear bulkhead FRONT luggage compartment Complete		1	356
(1)	644 502 010 00	Rear bulkhead FRONT luggage compartment Complete		1	356 A
(2)	356 51 021 1	Rear bulkhead FRONT luggage compartment	/L /R	1	356
(2)	644 502 011 00	Rear bulkhead FRONT luggage compartment	/L /R	1	356 A
(3)	356 51 201	Rear bulkhead FRONT luggage compartment	/V	1	356
3	644 502 101 05	Rear bulkhead FRONT luggage compartment	/V	1	356 A
(4)	356 51 203	Rear bulkhead FRONT luggage compartment	/L	1	356
4	644 502 103 00	Rear bulkhead FRONT luggage compartment	/L	1	356 A
(5)	356 51 204	Rear bulkhead FRONT luggage compartment	/R	1	356
5	644 502 104 00	Rear bulkhead FRONT luggage compartment	/R	1	356 A
(6)	356 51 205	Interior panelling FRONT luggage compartment	/H	1	356
6	644 502 015 20	Rear bulkhead FRONT luggage compartment	/H	1	356 A
-	356 51 023	Windscreen frame part Roof frame Complete Comprising: Picture 7, 9 - 13 F 5 001 >> 11 360		1	356
-	356 51 023 A	Windscreen frame part Roof frame Complete Comprising: Picture 7, 9 - 13 F 11 361 >>		1	COUPE 356
(7)	356 51 254	Windscreen frame part Upper		1	COUPE 356:COUPE
7	644 502 220 00	Windscreen frame part Upper		1	356 A COUPE/CABRIO
(8)	356 51 217 A	Cowl panel support with Roof frame F 5 001 >> 11 360	/L	1	356
(8)		Cowl panel support with Roof frame F 11 361 >>	/L	1	COUPE 356
8	644 502 027 00	Windscreen frame with Roof frame	/L	1	COUPE 356 A:COUPE
(8)	356 51 218 A	Cowl panel support with Roof frame F 5 001 >> 11 360	/R	1	356
(8)	356 51 218	Windscreen frame part with	/R	1	COUPE 356

Model: 356 50 Model life 1950>>1959

Pos	Part Number	Description	Remark	Qty	Model
(8)	644 502 028 00	Roof frame F 11 361 >> Windscreen frame	/R	1	COUPE 356 A:COUPE
(9)	356 51 217 2	Roof frame Lining	/L	1	356:COUPE
(9)	644 502 251 00	Roof frame Lining	/L	1	356 A:COUPE
(9)	356 51 218 2	Roof frame Lining	/R	1	356:COUPE
9	644 502 252 00	Roof frame Lining	/R	1	356 A:COUPE
(10)	356 51 217 A1	Roof frame Cowl panel support	/L	1	356:COUPE
(10)	356 51 217 1	Roof frame F 11 361 >> Cowl panel support	/L	1	COUPE 356:COUPE
(10)	644 502 025 06	Roof frame F 5 001 >> 11 360 Windscreen frame	/L	1	COUPE 356 A:COUPE
(10)	356 51 218 A1	Roof frame Cowl panel support	/R	1	356:COUPE
(10)	356 51 218 1	Roof frame F 11 361 >> Cowl panel support	/R	1	COUPE 356:COUPE
10	644 502 026 06	Roof frame F 5 001 >> 11 360 Windscreen frame	/R	1	COUPE 356 A:COUPE
(11)	356 51 217 3	Roof frame	/V /L	1	356:COUPE
(11)	644 502 241 00	Roof frame	/V /L	1	356 A:COUPE
(11)	356 51 218 3	Roof frame	/V /R	1	356:COUPE
11	644 502 242 00	Roof frame	/V /R	1	356 A:COUPE
12	356 51 282	Cross piece for windscreen	/L	1	356
13	356 51 283	Cross piece for windscreen	/R	1	356
(14)	356 51 221	Gusset plate	/L	1	356
(14)	644 502 245 00	Gusset plate	/L	1	356 A
(14)	356 51 222	Gusset plate	/R	1	356
14	644 502 246 00	Gusset plate	/R	1	356 A
(15)	356 51 223	Connecting piece Dashboard	/L	1	356
15	356 51 224	Connecting piece Dashboard	/R	1	356
(16)	356 51 216	Lock carrier Complete		1	356
16	644 502 150 00	Lock carrier Complete		1	356 A
(17)	356 51 216 1	Bracket Lid lock	/V	1	356
17	644 502 156 00	Securing clip Lid lock	/V	1	356 A
(18)	356 51 284	Threaded plate	/V	1	356
18		Not available Only together with Picture 16			356 A
-	356 51 215	Bracket Windscreen wiper motor		1	356
19	644 502 170 00	Support Windscreen wiper motor		1	356 A COUPE/CABRIO
(19)	644 502 170 40	Support Windscreen wiper motor		1	356 A SPEEDSTER
-	644 502 170 41	Support		1	CONVERTIBLE

Model: 356 50 Model life 1950>>1959

Pos	Part Number	Description	Remark	Qty	Model
		Windscreen wiper system			"D"
		Radio			
(20)	356 51 209	F 85 501 >> 86 830			
		End plate	/L	1	356
(20)	644 502 017 00	Door pillar			
		End plate	/L	1	356 A
		Door pillar			
		F 101 693 >>			COUPE
		F 150 001 >>			CABRIO
		F 83 792 >>			SPEEDSTER
(20)	356 51 210	End plate	/R	1	356
		Door pillar			
20	644 502 018 00	End plate	/R	1	356 A
		Door pillar			
		F 101 693 >>			COUPE
		F 150 001 >>			CABRIO
		F 83 792 >>			SPEEDSTER
-	644 501 931 00	Bracket		2	356 A
		Door support			
		F 101 693 >>			COUPE
		F 150 001 >>			CABRIO
		F 83 792 >>			SPEEDSTER
(21)	356 51 255 1	Wheel housing panel	/L	1	356:COUPE
		Complete			
(21)	644 502 061 00	Wheel housing panel	/L	1	356 A:COUPE
		Complete			
		F 55 001 >> 101 692			
(21)	644 502 061 01	Wheel housing panel	/L	1	356 A:COUPE
		Complete			
		F 101 693 >>			
21	356 51 256 1	Wheel housing panel	/R	1	356:COUPE
		Complete			
21	644 502 062 00	Wheel housing panel	/R	1	356 A:COUPE
		Complete			
		F 55 001 >> 101 692			
21	644 502 062 01	Wheel housing panel	/R	1	356 A:COUPE
		Complete			
		F 101 693 >>			
(22)	356 51 255	Wheel housing panel	/L	1	356:COUPE
(22)	644 502 063 01	Wheel housing panel	/L	1	356 A:COUPE
(22)	356 51 256	Wheel housing panel	/R	1	356:COUPE
22	644 502 064 01	Wheel housing panel	/R	1	356 A:COUPE
(23)	356 51 227 A	Lock pillar	/L	1	356:COUPE
		F 11 361 >>			COUPE
(23)	356 51 227	Lock pillar	/L	1	356:COUPE
		F 5 001 >> 11 360			COUPE
(23)	644 502 041 00	Lock pillar	/L	1	356 A:COUPE
		F 55 001 >> 101 692			
(23)	644 502 041 01	Lock pillar	/L	1	356 A:COUPE
		F 101 693 >>			
(23)	356 51 228 A	Lock pillar	/R	1	356:COUPE
		F 11 361 >>			COUPE
(23)	356 51 228	Lock pillar	/R	1	356:COUPE
		F 5 001 >> 11 360			COUPE
23	644 502 042 00	Lock pillar	/R	1	356 A:COUPE
		F 55 001 >> 101 692			
23	644 502 042 01	Lock pillar	/R	1	356 A:COUPE
		F 101 693 >>			
(24)	356 51 229	Bracket	/L	1	356
		Lock pillar			
(24)	644 502 405 00	Bracket	/L	1	356 A
		Lock pillar			COUPE
					SPEEDSTER

Model: 356 50 Model life 1950>>1959

Pos	Part Number	Description	Remark	Qty	Model
24	356 51 230	Bracket Lock pillar	/R	1	356
24	644 502 406 00	Bracket Lock pillar	/R	1	356 A COUPE SPEEDSTER
(25)	356 51 231	Bracket Lock pillar Upper part	/L	1	356
25	356 51 232	Bracket Lock pillar Upper part	/R	1	356
(25)	644 502 407 00	Angular plate Lock pillar Upper part	/L /R	2	356 A COUPE SPEEDSTER
26	356 51 258	Closing element		2	356
26	644 531 755 00	Cup		2	356 A
27	356 51 258 1	Rais. counters. h. tap. s. 3 X 10		6	356
27	900 145 002 02	Rais. counters. h. tap. s. 2,9 X 9,5 Chrome		6	356 A
28	644 025 121 00	Screw Back seat backrest Chrome		2	356
28		Screw Back seat backrest Chrome		2	356 A
(29)	356 51 251	Lining Roof frame	/H /L	1	356:COUPE
(29)	356 51 252	Lining Roof frame	/H /R	1	356:COUPE
(29)	644 502 029 00	Lining Roof frame	/H /L	1	356 A:COUPE
29	644 502 030 00	Lining Roof frame	/H /R	1	356 A:COUPE
30	644 502 081 00	Cross panel Engine compartment Complete		1	356 A:COUPE
(31)	356 51 253 A	Roof Connecting piece F 51 746 >>		1	356:COUPE
(31)	356 51 253	Lining Connecting piece F 5 001 >> 51 745		1	356:COUPE
31	644 502 811 00	Connecting piece Roof		1	356 A:COUPE
32	356 51 257	Rear bulkhead Engine compartment		1	356:COUPE
33	356 51 261	Engine bracket	/L	2	356
33	644 502 851 00	Bracket Hinge pillar	/L	2	356 A
34	356 51 262	Engine bracket	/R	2	356
34	644 502 852 00	Engine bracket	/R	2	356 A
35	356 51 265	Rear wall Engine compartment		1	356:COUPE
(35)	644 502 083 00	Rear wall Engine compartment		1	356 A:COUPE
36	356 51 339	Reinforcement plate Rear end Centre part		2	356
36	644 503 821 01	Support panel Rear end		2	356 A
37	356 51 266	Guide tube		1	356

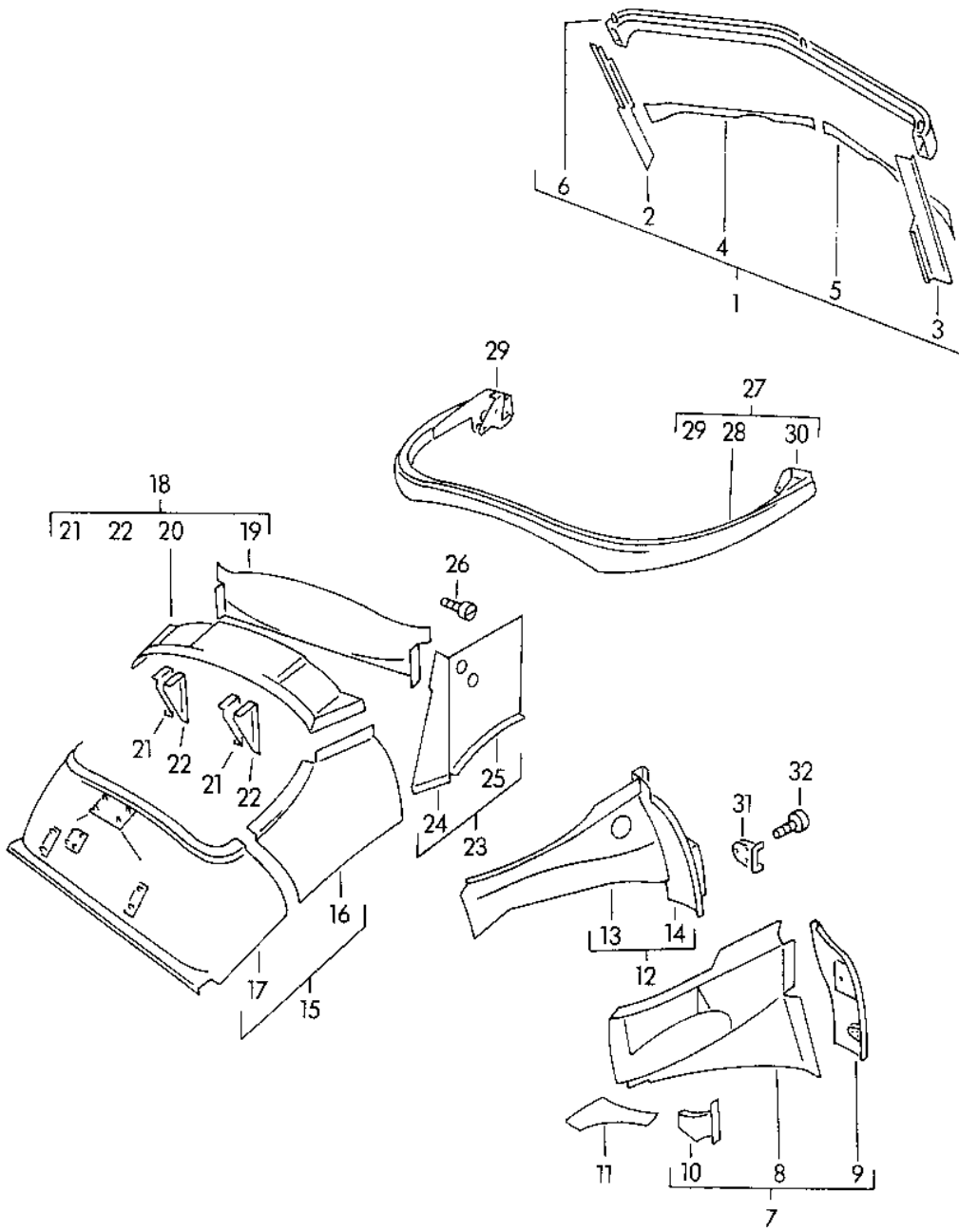
Model: 356 50

Model life 1950>>1959

Pos	Part Number	Description	Remark	Qty	Model
37	644 502 881 00	Lid-release cable Rear Guide tube		1	356 A
38	356 51 277	Lid-release cable Rear Guide tube		1	356
38	644 502 181 00	Lid-release cable Front Guide tube		1	356 A
-	644 025 653 00	Lid-release cable Front Rubber sleeve Guide tube		1	356 A:COUPE
-	999 706 009 80	Lid-release cable Front Suspension strap Guide tube		1	356 A:CABRIO
-	911 424 341 01	Lid-release cable Front Suspension strap Guide tube		1	356 A:CABRIO
-	911 424 341 03	Lid-release cable Front Suspension strap Guide tube		1	356 A:CABRIO

Model: 356 50

Model life 1950>>1959



Model: 356 50 Model life 1950>>1959

Pos	Part Number	Description	Remark	Qty	Model
(1)	356 51 024 A	Body Interior panelling Windscreen frame Complete F 10 271 >>		1	CABRIO 356
(1)	356 51 024	Windscreen frame Complete F 5 015 >> 10 270		1	356
1	644 502 023 20	Windscreen frame part Complete		1	356 A
2	356 51 217 A	Windscreen frame part F 10 271 >>	/L	1	356
(2)	356 51 217	Windscreen frame part F 5 015 >> 10 270	/L	1	356
3	356 51 218 A	Windscreen frame part F 10 271 >>	/R	1	356
(3)	356 51 218	Windscreen frame part F 5 015 >> 10 270	/R	1	356
4	356 51 282	Cross piece for windscreen Lower	/L	1	356
5	356 51 283	Cross piece for windscreen Lower	/R	1	356
6	356 51 601	Cross piece for windscreen Upper		1	356
7	356 51 618 1	Wheel housing panel Complete	/R	1	356
(7)	356 51 617 1	Wheel housing panel Complete	/L	1	356
8	356 51 618	Wheel housing panel	/R	1	356
(8)	356 51 617	Wheel housing panel	/L	1	356
9	356 51 228 A	Lock pillar F 10 271 >>	/R	1	356
(9)	356 51 228	Lock pillar F 5 015 >> 10 270	/R	1	356
(9)	356 51 227 A	Lock pillar F 10 271 >>	/L	1	356
(9)	356 51 227	Lock pillar F 5 015 >> 10 270	/L	1	356
10	356 51 230	Bracket Lower part	/R	1	356
(10)	356 51 229	Bracket Lower part	/L	1	356
11	356 51 232	Bracket Upper part	/R	1	356
(11)	356 51 231	Bracket Upper part	/L	1	356
12	644 502 062 20	Wheel housing panel Complete	/R	1	356 A
(12)	644 502 061 20	Wheel housing panel Complete F 61 001 >> 150 000	/L	1	CABRIO 356 A
12	644 502 062 21	Wheel housing panel Complete F 61 001 >> 150 000	/R	1	CABRIO 356 A
(12)	644 502 061 21	Wheel housing panel Complete F 150 001 >>	/L	1	CABRIO HARDTOP 356 A
-	644 502 070 20	Bracket with Reinforcement plate	/R	1	CABRIO HARDTOP 356 A

Model: 356 50 Model life 1950>>1959

Pos	Part Number	Description	Remark	Qty	Model
		Mount Convertible top F 150 001 >>			CABRIO HARDTOP 356 A
-	644 502 069 20	Bracket with Reinforcement plate Mount Convertible top F 150 001 >>	/L	1	CABRIO HARDTOP 356 A
13	644 502 602 20	Wheel housing panel F 61 001 >> 150 000	/R	1	CABRIO HARDTOP 356 A
(13)	644 502 601 20	Wheel housing panel F 61 001 >> 150 000	/L	1	CABRIO HARDTOP 356 A
13	644 502 064 21	Wheel housing panel F 150 001 >>	/R	1	CABRIO HARDTOP 356 A
(13)	644 502 063 21	Wheel housing panel F 150 001 >>	/L	1	CABRIO HARDTOP 356 A
14	644 502 042 20	Lock pillar F 61 001 >> 150 000	/R	1	CABRIO HARDTOP 356 A
(14)	644 502 041 20	Lock pillar F 61 001 >> 150 000	/L	1	CABRIO HARDTOP 356 A
14	644 502 042 21	Lock pillar F 150 001 >>	/R	1	CABRIO HARDTOP 356 A
(14)	644 502 041 21	Lock pillar F 150 001 >>	/L	1	CABRIO HARDTOP 356 A
(15)	356 51 265 1	Rear wall Rear Complete		1	CABRIO HARDTOP 356
16	356 51 627	Wheel housing panel Centre part	/R	1	356
(16)	356 51 626	Wheel housing panel Centre part	/L	1	356
16	644 502 604 20	Wheel housing panel Centre part	/R	1	356 A
(16)	644 502 603 20	Wheel housing panel Centre part	/L	1	356 A
(17)	356 51 265	Rear wall Engine compartment		1	356
17	644 502 083 20	Rear wall Engine compartment		1	356 A
18	356 51 638 1	Cross panel Engine compartment Complete		1	356
18	644 502 081 21	Cross panel Engine compartment Complete		1	356 A
19	356 51 638	Cross panel Engine compartment		1	356
20	356 51 628	Lining Interior panelling Upper		1	356
20	644 502 811 20	Lining Interior panelling Upper		1	356 A
20	644 502 811 21	F 61 001 >> 150 000 Inner panel Rear end		1	CABRIO 356 A

Model: 356 50 Model life 1950>>1959

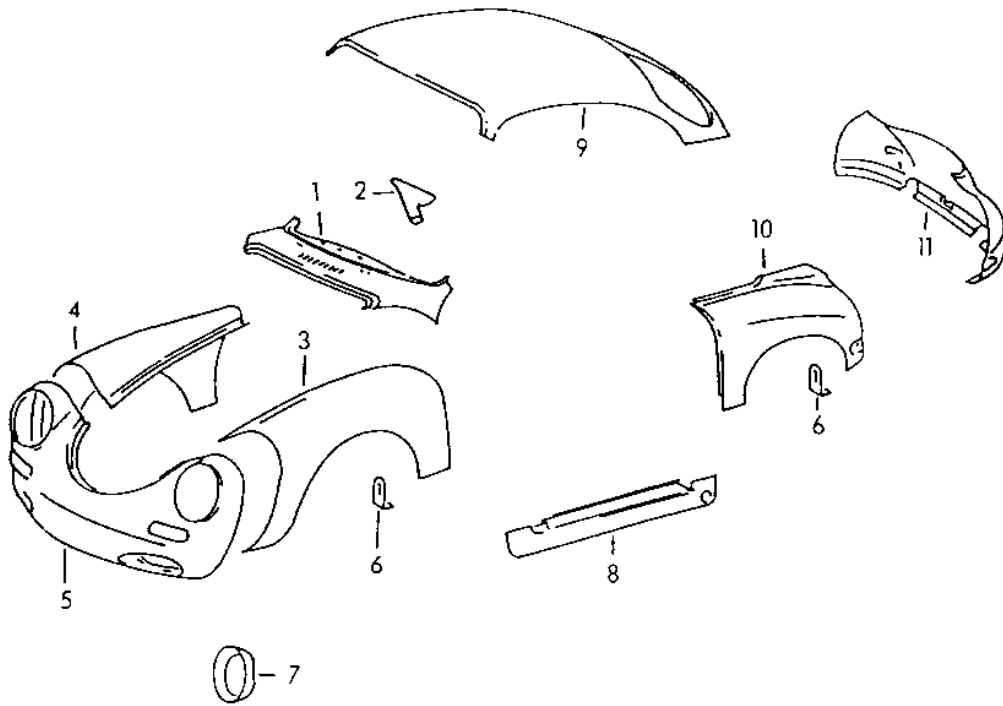
Pos	Part Number	Description	Remark	Qty	Model
		Upper F 150 001 >>			CABRIO HARDTOP 356
21	356 51 261	Engine bracket	/L	2	356
21	644 502 851 21	Hinge Bracket	/L	2	356 A
22	356 51 262	Hinge Engine bracket	/R	2	356
22	644 502 851 21	Hinge Bracket	/L /R	2	356 A
23	356 51 657	Inner panel	/R	1	356
(23)	356 51 656	Convertible top Inner panel	/L	1	356
23	644 502 842 20	Convertible top Partition panel	/R	1	356 A
(23)	644 502 841 20	Convertible top F 61 001 >> 150 000 Partition panel	/L	1	CABRIO 356 A
24	644 555 088 20	Convertible top F 61 001 >> 150 000 Lining	/R	1	CABRIO 356 A
(24)	644 555 087 20	Wheel housing F 150 001 >> Lining	/L	1	CABRIO HARDTOP 356 A
24	644 555 088 60	Wheel housing Lining	/R	1	CABRIO HARDTOP 356 A
(24)	644 555 087 60	Wheel housing Lining	/L	1	CABRIO HARDTOP 356 A
25	644 502 842 21	Wheel housing Cover plate	/R	1	CABRIO HARDTOP 356 A
(25)	644 502 841 21	F 150 001 >> Cover plate	/L	1	CABRIO HARDTOP 356 A
26	644 025 121 00	F 150 001 >> Screw Chrome		1	356
27	356 51 629	Backrest Back seat Roof strut		1	356
-	644 561 057 00	with Convertible top support Clip		1	356 A
(28)	356 51 629 1	Pipe F 150 001 >> Roof strut		1	CABRIO HARDTOP 356
28	356 502 992 00	without Convertible top support Roof strut		1	356 A
-	644 561 059 00	without Convertible top support F 61 001 >> 150 000 Protective plate	/L	1	CABRIO 356 A
		Stop Convertible top covering Lateral F 150 001 >>			CABRIO HARDTOP

Model: 356 50 Model life 1950>>1959

Pos	Part Number	Description	Remark	Qty	Model
-	644 561 060 00	Protective plate Stop Convertible top covering Lateral F 150 001 >>	/R	1	356 A CABRIO HARDTOP
29	356 51 802	Convertible top support	/L	1	356
29	644 561 075 00	Convertible top support F 61 001 >> 150 000	/L	1	356 A CABRIO
29	644 561 071 01	Convertible top support F 150 001 >>	/L	1	356 A CABRIO HARDTOP
30	356 51 803	Convertible top support	/R	1	356
30	644 561 076 00	Convertible top support F 61 001 >> 150 000	/R	1	356 A CABRIO
30	644 561 072 01	Convertible top support F 150 001 >>	/R	1	356 A CABRIO HARDTOP
31	356 51 258	Closing element Buffer		2	356
32	356 51 258 1	Rais. counters. h. tap. s. Countersunk-head screw 3 X 10 Mounting parts Convertible top		6	356 356 A
-	644 561 710 00	Plate with 2 Bolt F 150 001 >>		2	 CABRIO HARDTOP
-	644 025 121 01	Screw F 150 001 >>		2	 CABRIO HARDTOP
-	644 025 122 01	Screw F 150 001 >>		2	 CABRIO HARDTOP
-	900 158 004 00	Hexagon nut M 10 X 1 F 150 001 >>		4	 CABRIO HARDTOP
-	644 561 752 00	Support for Clip Rear F 150 001 >>		2	 CABRIO HARDTOP
-	644 563 081 20	Turnbuckle Complete F 150 001 >>		2	 CABRIO HARDTOP
-	900 151 003 02	Washer A 6,4		2	
-	900 151 006 03	Washer A 6,4		2	

Model: 356 50

Model life 1950>>1959



Model: 356 50 Model life 1950>>1959

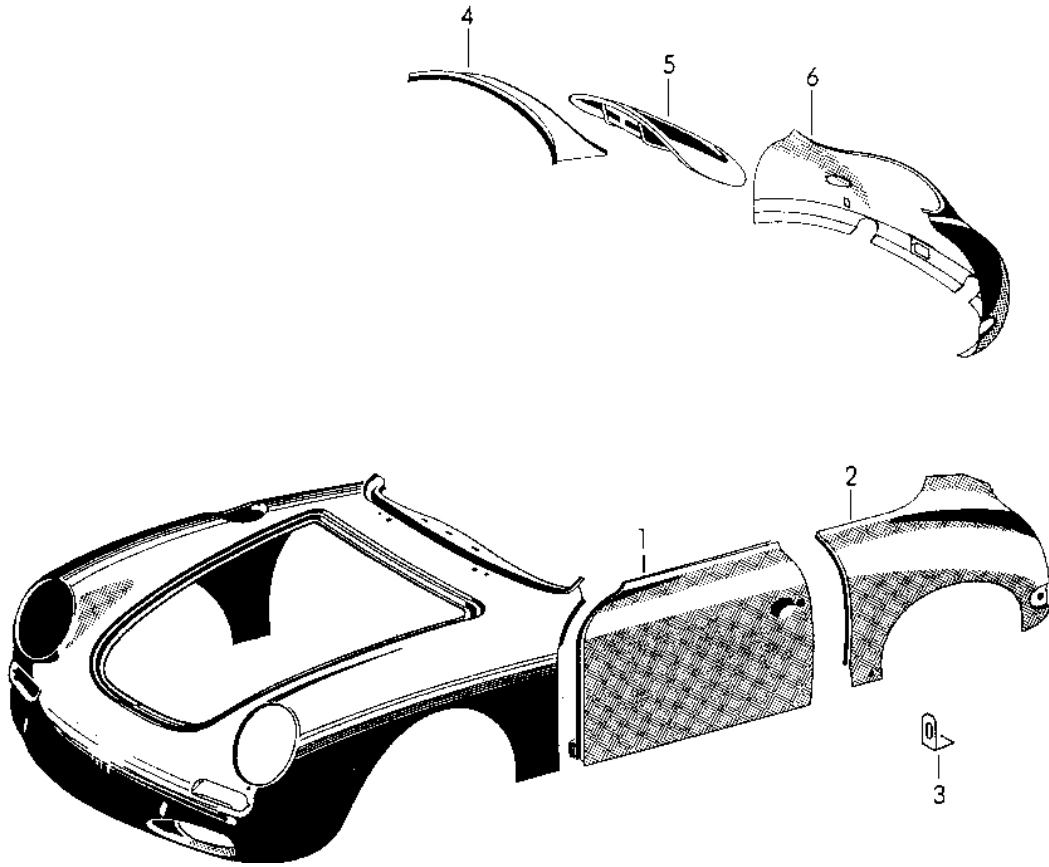
Pos	Part Number	Description	Remark	Qty	Model
1	356 51 317	Exterior panelling Scuttle without Heating nozzle		1	356
(1)	644 503 017 00	Scuttle without Heating nozzle		1	356 A:COUPE CABRIO
(1)	644 503 005 41	Scuttle with Heating nozzle Delivered Included Angular plate 644.503.125.41		1	356 A CONVERTIBLE
2	644 572 045 06	Heating nozzle	/L	1	356 A COUPE/CABRIO
(2)	644 572 046 06	Heating nozzle	/R	1	356 A COUPE/CABRIO
3	356 51 311	Front wing	/L	1	356
(3)	644 503 301 00	Front wing	/L	1	356 A
4	356 51 312	Front wing	/R	1	356
(4)	644 503 302 00	Front wing	/R	1	356 A
5	356 51 345	Lining F 52 030 >> F 60 550 >>		1	356 COUPE CABRIO
(5)	356 51 310 B	Lining F 11 779 >> 52 029 F 15 051 >> 60 550		1	356 COUPE CABRIO
(5)	356 51 310 A	Lining F 11 361 >> 11 778 F 10 271 >> 15 050		1	356 COUPE CABRIO
(5)	356 51 310	Lining		1	356
(5)	644 503 011 00	Lining		1	356 A
(5)	644 503 011 00 GRV	Prime coated		1	356 A
(5)	644 503 011 01	Lining		1	356 A
(5)	644 503 011 01 GRV	Prime coated		1	356 A
(5)	644 503 011 01	Lining		1	356 A
(5)	644 503 011 01 GRV	Prime coated		1	356 A
(5)	644 503 011 10	Lining		1	356 A CARRERA GT COUPE SPEEDSTER
6	356 51 335	Fastening angle		4	356
(6)	644 503 621 00	Bracket		4	356 A
7	644 631 151 00	Headlamp casing		2	356 A
	644 631 151 00 GRV	Prime coated		2	356 A
7	PCG 631 151 00	Headlamp casing		2	356 A
	PCG 631 151 00 GRV	Prime coated		2	356 A
8	356 51 323	Lining	/L	1	356
(8)	644 503 041 00	Entrance lining	/L	1	356 A
	644 503 041 00 GRV	Prime coated		1	356 A
(8)	644 503 041 10	Entrance lining		1	356 A CARRERA GT COUPE SPEEDSTER
(8)	356 51 324	Lining	/R	1	356
(8)	644 503 042 00	Entrance lining	/R	1	356 A
	644 503 042 00 GRV	Prime coated		1	356 A
(8)	644 503 042 10	Entrance lining		1	356 A CARRERA GT COUPE SPEEDSTER
9	356 51 319	Roof		1	356:COUPE

Model: 356 50 Model life 1950>>1959

Pos	Part Number	Description	Remark	Qty	Model
(9)	644 503 051 00	Outer roof panel		1	356 A:COUPE
10	356 51 313 A	Wing F 50 405 >>	/H /L	1	356:COUPE COUPE
(10)	356 51 313	Wing	/H /L	1	356:COUPE
(10)	644 503 061 00	Wing	/H /L	1	356 A
(10)	644 503 061 41	Wing	/H /L	1	356 A CONVERTIBLE
(10)	356 51 314 A	Wing F 50 405 >>	/H /R	1	356:COUPE COUPE
(10)	356 51 314	Wing	/H /R	1	356:COUPE
(10)	644 503 062 00	Wing	/H /R	1	356 A
(10)	644 503 062 41	Wing	/H /R	1	356 A CONVERTIBLE
11	356 51 315 B	Rear end Centre part F 11 779 >> F 15 051 >>		1	356 COUPE CABRIO
(11)	356 51 315 A	Rear end Centre part F 11 361 >> 11 778 F 10 271 >> 15 050		1	356 COUPE CABRIO
(11)	356 51 315	Rear end Centre part		1	356
(11)	644 503 081 00	Rear end Centre part F 55 001 >> 101 692		1	356 A COUPE
(11)	644 503 081 10	Rear end Centre part		1	356 A CARRERA GT COUPE
(11)	644 503 081 12	Rear end Centre part		1	356 A CARRERA GT COUPE
(11)	644 503 081 24	Rear end Centre part		1	356 A CARRERA GT CABRIO HARDTOP
(11)	644 503 081 50	Rear end Centre part		1	356 A CARRERA GT SPEEDSTER
(11)	644 503 081 01	Rear end Centre part F 150 001 >>		1	356 A
(11)	644 503 081 21	Rear end Centre part F 150 001 >>		1	356 A
(11)	644 503 081 41	Rear end Centre part Valid from: F 5 001 >> 11 360 F 5 015 >> 10 270 Valid from: F 5 001 >> 50 404		1	356 A CONVERTIBLE COUPE CABRIO COUPE

Model: 356 50

Model life 1950>>1959

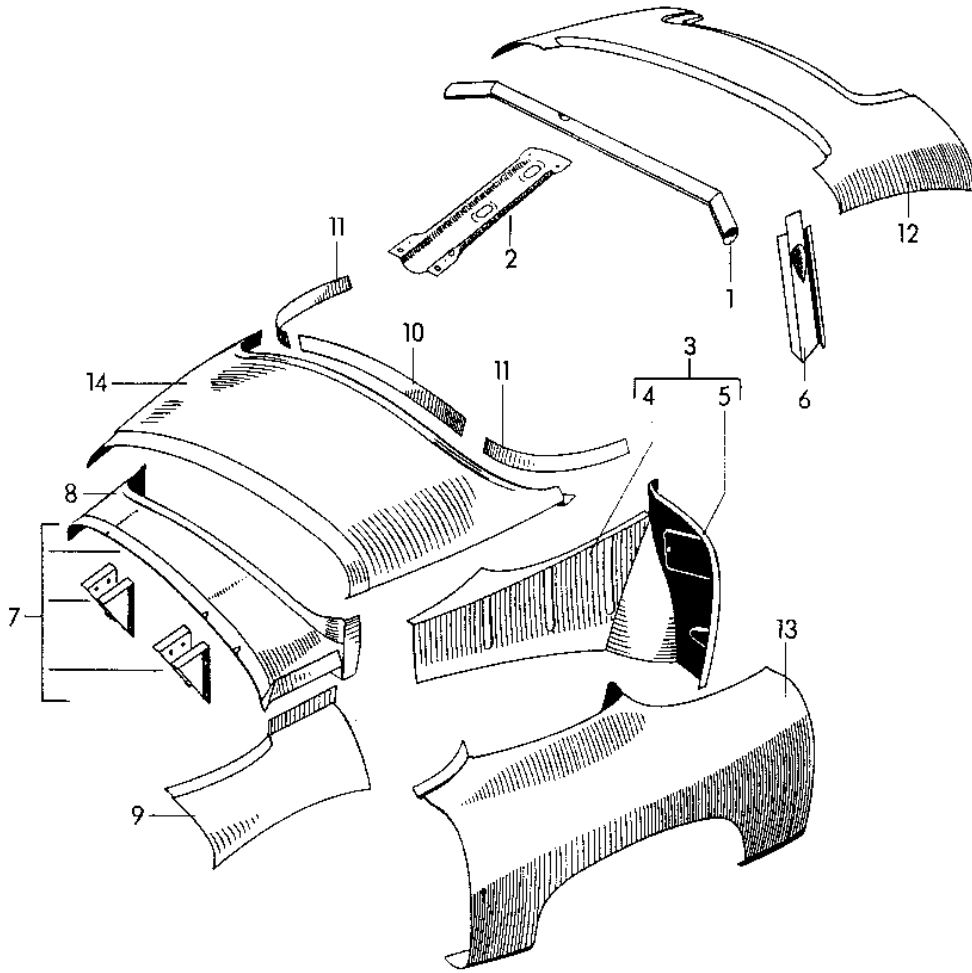


Model: 356 50 Model life 1950>>1959

Pos	Part Number	Description	Remark	Qty	Model
1		Exterior panelling Wing Rear See group 8/04/00		*	CABRIO
2	356 51 313	Wing Rear F 5 015 >> 60 085	/L	1	356
(2)	356 51 313 A	Wing Rear F 60 086 >>	/L	1	356
(2)	644 503 601 20	Wing Rear F 61 001 >> 150 000	/L	1	356 A
(2)	644 503 601 21	Wing Rear F 150 001 >>	/L	1	356 A
(2)	356 51 314	Wing Rear F 5 015 >> 60 085	/R	1	356
(2)	356 51 314 A	Wing Rear F 60 086 >>	/R	1	356
(2)	644 503 602 20	Wing Rear F 61 001 >> 150 000	/R	1	356 A
(2)	644 503 602 21	Wing Rear F 150 001 >>	/R	1	356 A
3	356 51 335	Fastening angle		4	356
4	356 51 703	Centre part Upper		1	356
(4)	644 503 811 20	Centre part Upper F 61 001 >> 150 000		1	356 A
(4)	644 503 811 21	Centre part Upper F 150 001 >>		1	356 A
5		See group 8/03/00		*	
6		See group 8/02/00		*	

Model: 356 50

Model life 1950>>1959



Model: 356 50 Model life 1950>>1959

Pos	Part Number	Description	Remark	Qty	Model
		Exterior panelling			SPEEDSTER
		Wing			
		Rear			
1	540 49 070	Cross tube		1	356
		Dashboard			
2	644 502 921 40	Reinforcement plate		1	356 A
		Dashboard			
3	540 51 021 1	Wheel housing panel with	/L	1	356
		Lock pillar			
(3)	644 502 061 40	Wheel housing panel with	/L	1	356 A
		Lock pillar			
		F 82 001 >> 83 791			
(3)	644 502 061 41	Wheel housing panel with	/L	1	356 A
		Lock pillar			
		F 83 792 >>			
(3)	644 502 061 42	Wheel housing panel with	/L	1	356 A CONVERTIBLE
		Lock pillar			
(3)	540 51 022 1	Wheel housing panel with	/R	1	356
		Lock pillar			
(3)	644 502 062 40	Wheel housing panel with	/R	1	356 A
		Lock pillar			
		F 82 001 >> 83 791			
(3)	644 502 062 41	Wheel housing panel with	/R	1	356 A
		Lock pillar			
		F 83 792 >>			
(3)	644 502 062 42	Wheel housing panel with	/R	1	356 A CONVERTIBLE
		Lock pillar			
4	540 51 021	Wheel housing panel	/L	1	356
(4)	644 502 601 40	Wheel housing panel	/L	1	356 A
		F 82 001 >> 83 791			
(4)	644 502 601 41	Wheel housing panel	/L	1	356 A
		F 83 792 >>			
(4)	644 502 601 42	Wheel housing panel	/L	1	356 A CONVERTIBLE
(4)	540 51 022	Wheel housing panel	/R	1	356
(4)	644 502 602 40	Wheel housing panel	/R	1	356 A
		F 82 001 >> 83 791			
(4)	644 502 602 41	Wheel housing panel	/R	1	356 A
		F 83 792 >>			
(4)	644 502 602 42	Wheel housing panel	/R	1	356 A CONVERTIBLE
5	540 51 205	Lock pillar	/L	1	356
(5)	644 502 041 20	Lock pillar	/L	1	356 A
		F 82 001 >> 83 791			
(5)	644 502 041 21	Lock pillar	/L	1	356 A
		F 83 792 >>			
(5)	644 502 041 42	Lock pillar	/L	1	356 A CONVERTIBLE
(5)	540 51 206	Lock pillar	/R	1	356
(5)	644 502 042 20	Lock pillar	/R	1	356 A
		F 82 001 >> 83 791			
(5)	644 502 042 21	Lock pillar	/R	1	356 A
		F 83 792 >>			
(5)	644 502 042 42	Lock pillar	/R	1	356 A CONVERTIBLE

Model: 356 50 Model life 1950>>1959

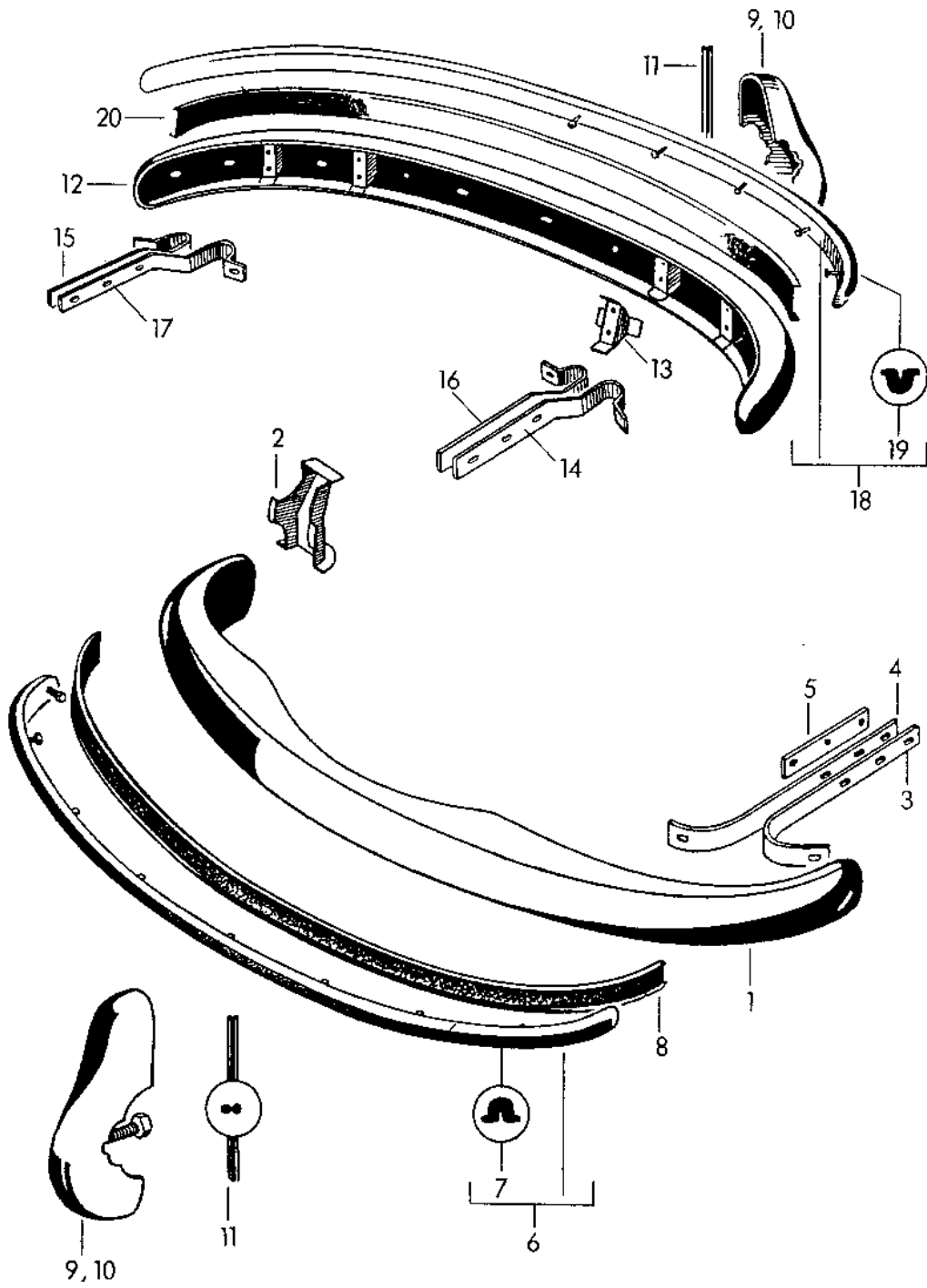
Pos	Part Number	Description	Remark	Qty	Model
6	540 51 201	Windscreen frame part with Filler plate	/L	1	356
(6)	644 502 025 40	Windscreen frame part with Filler plate	/L	1	356 A
(6)	644 502 025 41	Windscreen frame part with Filler plate	/L	1	356 A CONVERTIBLE
(6)	540 51 202	Windscreen frame part with Filler plate	/R	1	356
(6)	644 502 026 40	Windscreen frame part with Filler plate	/R	1	356 A
(6)	644 502 026 41	Windscreen frame part with Filler plate	/R	1	356 A CONVERTIBLE
7	540 51 210	Cross panel with Hinge reinforcement And Inner panel		1	356
(7)	644 502 081 40	Cross panel with Hinge reinforcement And Inner panel		1	356 A
-	644 502 851 21	Bracket		2	356 A
8	540 51 213	Lining Upper		1	356
(8)	644 502 811 40	Inner panel Upper		1	356 A
9	540 51 211	Wheel housing panel Rear	/L	1	356
(9)	644 502 603 20	Wheel housing panel Rear	/L	1	356 A
(9)	540 51 212	Wheel housing panel Rear	/R	1	356
(9)	644 502 604 20	Wheel housing panel Rear	/R	1	356 A
10	540 51 214	Inner panel Centre		1	356
(10)	644 551 551 40	Inner panel Centre		1	356 A
11	540 51 215	Inner panel	/L /R	2	356
(11)	644 551 553 40	Inner panel	/L /R	2	356 A
12	540 51 301	Scuttle		1	356
(12)	644 503 017 40	Scuttle		1	356 A
-	644 572 045 40	Heating nozzle	/L	1	356 A
-	644 572 046 40	Heating nozzle	/R	1	356 A
13	540 51 305	Wing Rear	/L	1	356
(13)	644 503 061 40	Wing Rear	/L	1	356 A
(13)	540 51 306	Wing Rear	/R	1	356
(13)	644 503 062 40	Wing Rear	/R	1	356 A
14	540 51 309	Centre part Upper		1	356
(14)	644 503 085 50	Centre part Upper		1	356 A

Model: 356 50 **Model life** 1950>>1959

Pos	Part Number	Description	Remark	Qty	Model
(14)	644 503 085 41	Centre part Upper		1	356 A CONVERTIBLE

Model: 356 50

Model life 1950>>1959



Model: 356 50 Model life 1950>>1959

Pos	Part Number	Description	Remark	Qty	Model
1	356 58 027	Bumper Bumper F 11 779 >> F 15 051 >>	/V	1	356 COUPE CABRIO
(1)	356 58 029	Bumper F 11 301 >> 11 778 F 10 251 >> 15 050	/V	1	356 COUPE CABRIO
(1)	356 58 010	Bumper F 5 001 >> 11 300 F 5 015 >> 10 250	/V	1	356 COUPE CABRIO
-	356 58 112	Rubber seal Bumper And Body 2000 MM F 11 301 >> 11 778 F 10 251 >> 15 050	/V	1	356 COUPE CABRIO
-	356 58 116	Rubber buffer \$ 10 MM F 5 001 >> 11 300 F 5 015 >> 10 250		16	356 COUPE CABRIO
(1)	644 505 011 00	Bumper	/V	1	356 A
	644 505 011 00 GRV	Prime coated			
(1)	644 505 011 02	Bumper Chrome	/V	1	356 A
2	356 58 150	Retaining bracket F 11 779 >> F 15 051 >>	/V	4	356 COUPE CABRIO
(2)	644 505 017 00	Retaining bracket	/V	4	356 A
3	356 58 167	Spring clip Outer F 11 779 >> F 15 051 >>	/V	2	356 COUPE CABRIO
-	356 58 107	Spring clip Outer	/V	2	356
(3)	644 505 131 00	Spring clip Outer	/V /L /R	2	356 A
(3)	644 505 131 10	Spring clip Outer	/V /L /R	2	356 A CARRERA GT
4	356 58 166	Spring clip Inner F 11 779 >> F 15 051 >>	/V	2	356 COUPE CABRIO
(4)	644 505 133 00	Spring clip Inner	/V /L /R	2	356 A
(4)	644 505 133 10	Spring clip Inner	/V /L /R	2	356 A CARRERA GT
5	356 58 168	Threaded plate		4	356
(5)	644 505 135 00	Threaded plate		4	356 A
6	356 58 328	Moulding with Rubber ply And T-headed screw F 11 779 >> F 15 051 >>	/V	1	356 COUPE CABRIO
-	356 58 037	Moulding with Rubber ply And T-headed screw F 11 301 >> 11 778 F 10 251 >> 15 050	/V	1	356 COUPE CABRIO

Model: 356 50 Model life 1950>>1959

Pos	Part Number	Description	Remark	Qty	Model
-	356 58 306	Moulding with 15 T-headed screw	/V /H	2	356
-	356 58 306 1	T-headed screw		30	356
-	356 58 305	Moulding with 15 T-headed screw	/V /H	2	356
-	356 58 305 1	T-headed screw		30	356
-	356 58 301	Moulding for Body with 15 T-headed screw	/V /H	2	356
-	356 58 302	T-headed screw 3 X 12		30	356
6	644 505 041 00	Moulding with Rubber ply And T-headed screw Not for -CARRERA GT-	/V	1	356 A
-	644 505 041 10	Moulding with 9 T-headed screw	/V	1	356 A CARRERA GT
-	644 505 451 10	T-headed screw M 4 X 20 Plate 18 X 28 MM		9	356 A
7	356 58 324	Rubber ply 2000 MM F 11 779 >> F 15 051 >>	/V	1	356 COUPE CABRIO
(7)	356 58 322	Rubber ply 2200 MM F 11 301 >> 11 778 F 10 251 >> 15 050	/V	1	356 COUPE CABRIO
(7)	644 505 411 00	Rubber ply	/V	1	356 A
8	356 58 326	Rubber base 2000 MM F 11 779 >> F 15 051 >>	/V	1	356 COUPE CABRIO
(8)	356 58 319	Rubber base 2200 MM F 11 301 >> 11 778 F 10 251 >> 15 050	/V	1	356 COUPE CABRIO
(8)	644 505 049 00	Rubber base 1 set Not for -CARRERA GT-	/V /H	1	356 A
9	356 58 171	Bumper horn Aluminium Polished Left front, right rear F 52 03 >> F 60 550 >>		2	356 COUPE CABRIO
(9)	644 505 031 00	Bumper horn Left front, right rear		2	356 A
(9)	644 505 031 01	Bumper horn	57-	1	356 A

Model: 356 50 Model life 1950>>1959

Pos	Part Number	Description	Remark	Qty	Model
(9)	644 505 031 02	in pairs Replace with 644.505.031.02 Left Front Bumper horn	59-	1	356 A
(9)	644 505 032 01	Left Front Not for (USA) Bumper horn	57-	1	356 A
(9)	644 505 032 02	in pairs Replace with 644.505.032.02 Right Front Bumper horn	59-	1	356 A
10	356 58 172	Right Front Not for (USA) Bumper horn Aluminium Polished Right front, left rear		2	356
-	356 58 145	F 52 03 >> F 60 550 >> Bumper horn Chrome		2	COUPE CABRIO 356
-	356 58 146	Left front, right rear Bumper horn Chrome		2	356
-		Right front, left rear Bumper horn Chrome	-51	2	356
-		Left front, right rear Bumper horn Chrome	-51	2	356
(10)	644 505 032 00	Right front, left rear Bumper horn		1	356 A
(10)	644 505 035 00	Right front, left rear Bumper horn		1	356 A
-	644 505 033 00	with Insert Left Rear Comprising: 644.505.033.00 644.505.305.00 F 101 693 >> F 150 001 >> F 83 792 >>		1	COUPE CABRIO SPEEDSTER 356 A
-	644 505 305 00	Bumper horn Insert for		1	356 A
-	644 505 036 00	Bumper horn Bumper horn with Insert Right Rear		1	356 A

Model: 356 50 Model life 1950>>1959

Pos	Part Number	Description	Remark	Qty	Model
		Comprising: 644.505.034.00 644.505.305.00 F 101 693 >> F 150 001 >> F 83 792 >>			COUPE CABRIO SPEEDSTER
-	644 505 034 00	Bumper horn		1	356 A
-	644 505 305 00	Insert for Bumper horn		1	356 A
-	644 505 335 00	Nut for Bumper horn	/H	2	356 A
11	356 58 175	Piping F 52 03 >> F 60 550 >>		4	356 COUPE CABRIO
-	356 58 139	Intermediate layer		4	356
(11)	644 025 928 00	Piping		8	356 A
(11)	PCG 025 928 00	Piping		8	356 A
12	356 58 028	Bumper F 11 779 >> F 15 051 >>	/H	1	356 COUPE CABRIO
-	356 58 030	Bumper F 11 301 >> 11 778 F 10 251 >> 15 050	/H	1	356 COUPE CABRIO
-	356 58 011	Bumper F 5 001 >> 11 300 F 5 015 >> 10 250	/H	1	356 COUPE CABRIO
-	356 58 115	Rubber seal Bumper And Body 2060 MM F 11 301 >> 11 778 F 10 251 >> 15 050	/H	1	356
(12)	644 505 021 00 644 505 021 00 GRV	Bumper Prime coated without Cut-outs for Muffler	/H	1	COUPE CABRIO 356 A 356 A CARRERA GT
(12)	644 505 021 00 644 505 021 00 GRV	Bumper Prime coated without Cut-outs for Muffler	/H	1	356 A 356 A CARRERA GT
(12)	644 505 021 02	Bumper Chrome without Cut-outs for Muffler	/H	1	356 A 356 A CARRERA GT
(12)	644 505 021 01	Bumper Prime coated with Cut-outs for Muffler	/H	1	356 A:1600 1600 S
(12)	644 505 021 00	Bumper Prime coated with	/H	1	356 A:1600 1600 S

Model: 356 50 Model life 1950>>1959

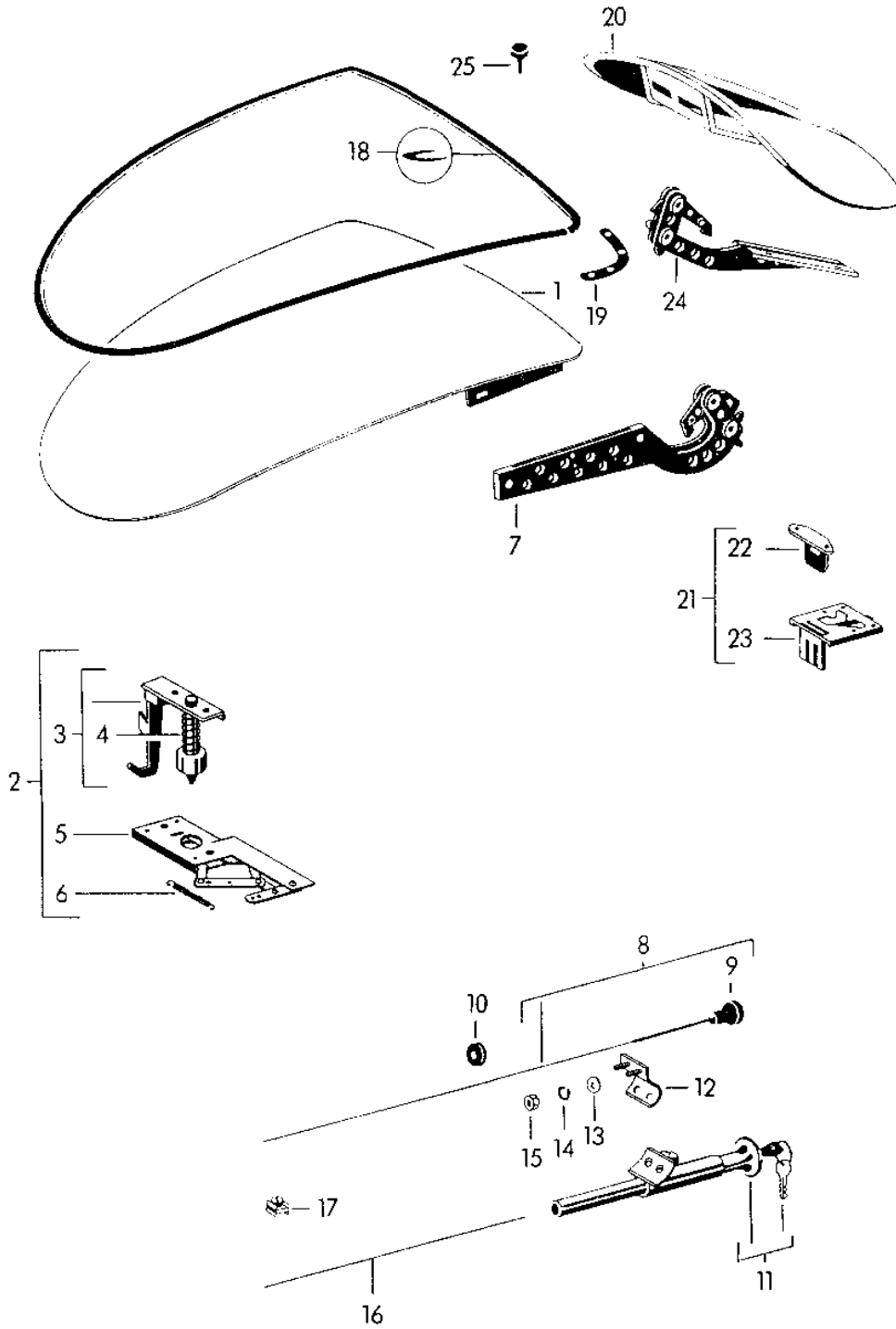
Pos	Part Number	Description	Remark	Qty	Model
(12)	644 505 021 00 GRV	Cut-outs for Muffler Bumper GRV with Cut-outs for Muffler	/H	1	356 A:1600 1600 S
13	356 58 157	Retaining bracket F 11 779 >> F 15 051 >>	/H	4	356 COUPE CABRIO
-	356 58 155	Retaining bracket Large	/H	4	356
-	356 58 156	Retaining bracket Small	/H	4	356
(13)	644 505 027 00	Retaining bracket with Speed nut	/H	4	356 A
14	356 58 151	Spring clip Outer F 11 779 >> F 15 051 >>	/H /L	1	356 COUPE CABRIO
(14)	644 505 231 00	Spring clip Outer Not for -CARRERA GT-	/H /L	1	356 A
(14)	644 505 231 10	Spring clip Outer	/H /L	1	356 A CARRERA GT
15	356 58 153	Spring clip Outer F 11 779 >> F 15 051 >>	/H /R	1	356 COUPE CABRIO
(15)	644 505 232 00	Spring clip Outer Not for -CARRERA GT-	/H /R	1	356 A
(15)	644 505 232 10	Spring clip Outer	/H /R	1	356 A CARRERA GT
16	356 58 152	Spring clip Inner F 11 779 >> F 15 051 >>	/H /L	1	356 COUPE CABRIO
(16)	644 505 233 00	Spring clip Inner Not for -CARRERA GT-	/H /L	1	356 A
(16)	644 505 233 10	Spring clip Inner	/H /L	1	356 A CARRERA GT
17	356 58 154	Spring clip Inner F 11 779 >> F 15 051 >>	/H /R	1	356 COUPE CABRIO
-	356 58 113	Spring clip	/H /L	1	356
-	356 58 114	Spring clip	/H /R	1	356
(17)	644 505 234 00	Spring clip Inner Not for -CARRERA GT-	/H /R	1	356 A
(17)	644 505 234 10	Spring clip Inner	/H /R	1	356 A CARRERA GT
18	356 58 329	Moulding with	/H	1	356

Model: 356 50 Model life 1950>>1959

Pos	Part Number	Description	Remark	Qty	Model
-	356 58 038	Rubber ply And T-headed screw F 11 779 >> F 15 051 >> Moulding with Rubber ply And T-headed screw F 11 301 >> 11 778 F 10 251 >> 15 050	/H	1	COUPE CABRIO 356
(18)	644 505 043 00	Moulding with Rubber ply And T-headed screw Not for -CARRERA GT-	/H	1	COUPE CABRIO 356 A
(18)	644 505 043 10	Moulding with 9 T-headed screw	/H	1	356 A CARRERA GT
-	644 505 451 10	T-headed screw T-headed screw M 4 X 20 Plate 18 X 28 MM		9	356 A
19	356 58 325	Rubber ply 1800 MM F 11 779 >> F 15 051 >>	/H	1	356
-	356 58 323	Rubber ply 2300 MM F 11 301 >> 11 778 F 10 251 >> 15 050	/H	1	COUPE CABRIO 356
-	644 505 413 00	Rubber ply	/H	1	COUPE CABRIO 356 A
20	356 58 327	Rubber base 1800 MM F 11 779 >> F 15 051 >>	/H	1	356
-	356 58 320	Rubber base 2300 MM F 11 301 >> 11 778 F 10 251 >> 15 050	/H	1	COUPE CABRIO 356
(20)	644 505 049 00	Rubber base 1 set Not for -CARRERA GT-		1	COUPE CABRIO 356 A

Model: 356 50

Model life 1950>>1959



Model: 356 50 Model life 1950>>1959

Pos	Part Number	Description	Remark	Qty	Model
1	356 52 050	Lid Front And Rear with installation parts It is necessary to rework	/V	1	356
(1)	644 511 010 00	Lid without Lock And Hinge	/V	1	356 A
2	356 52 073	Push-button lock Complete		1	356
(2)	644 511 051 00	Lock Complete		1	356 A
3	356 52 073 1	Push-button lock Upper part Bolt Hook Spring		1	356
(3)	644 511 053 00	Lock Upper part Bolt Hook Spring		1	356 A
4	356 52 073 3	Spring		1	356
5	356 52 073 2	Push-button lock Lower part		1	356
(5)	644 511 054 00	Lock Lower part without Spring		1	356 A
6	644 511 512 00	Tension spring \$ 8 X 1 X 30 MM		1	356 A
7	644 511 031 00	Hinge		2	356
(7)		Hinge Not for -CARRERA GT-		2	356 A
(7)		Hinge		2	356 A CARRERA GT COUPE SPEEDSTER
8	356 24 064	Lid-release cable with Knob Ivory Grey Beige		1	356
(8)	644 424 091 00	Wire pull with Knob Grey Beige		1	356 A
9	644 552 811 00	Knob Lid-release cable		1	356 A
	644 552 811 00 700	Black			
	644 552 811 00 600	Grey			
	644 552 811 00 500	Beige			

Model: 356 50 Model life 1950>>1959

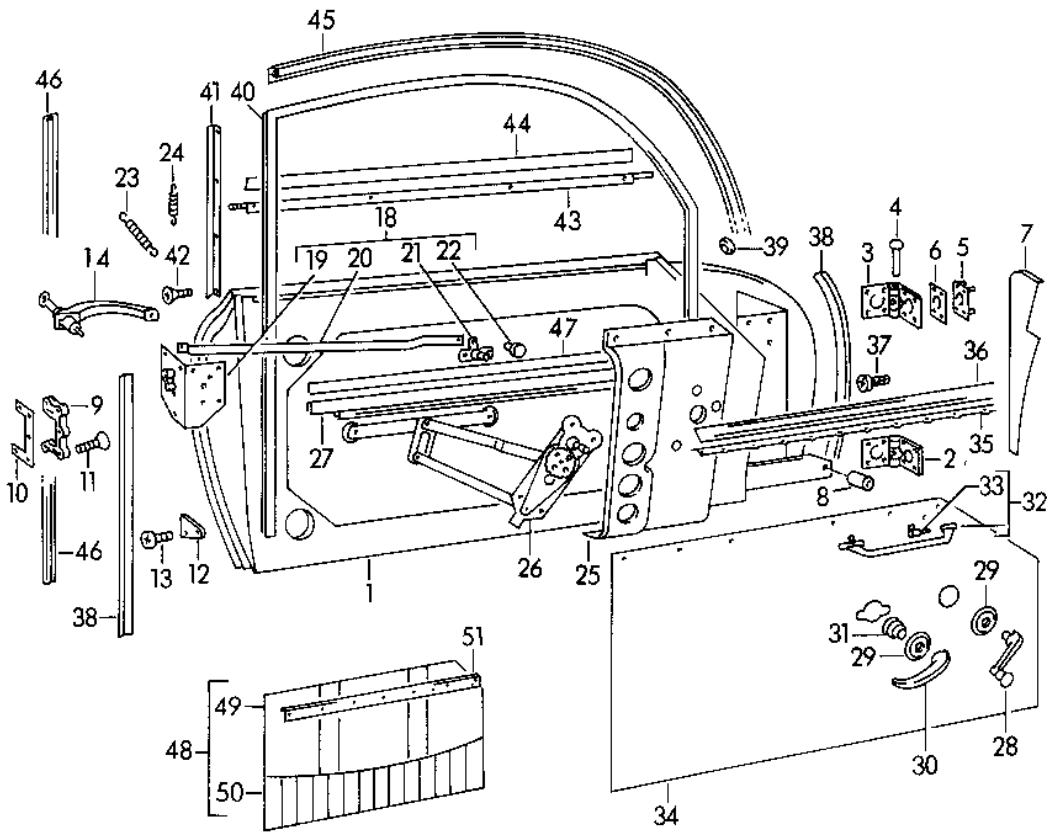
Pos	Part Number	Description	Remark	Qty	Model
	644 552 811 00 300	White Ivory			
10	999 706 009 80	Suspension strap		1	356 A:CABRIO
10	911 424 341 01	Suspension strap		1	356 A:CABRIO
10	911 424 341 03	Suspension strap		1	356 A:CABRIO
11	644 511 070 21	Lock		1	356 A:CABRIO
12	644 511 073 21	Support		1	356 A:CABRIO
13	900 151 027 02	Washer A 5,3		2	356 A:CABRIO
13	900 151 027 03	Washer A 5,3		2	356 A:CABRIO
14	900 028 002 00	Lock ring A 5		2	356 A:CABRIO
15	900 076 006 02	Hexagon nut M 5		2	356 A:CABRIO
16	644 424 901 01	Wire pull 1700 MM		1	356 A
17	644 424 951 00	Cable terminal		2	
-	111 129 921	Bearing pin		1	
-	N 010 205 6	Screw for Nipple		1	
-	900 075 105 02	Screw for Nipple		1	
18	644 511 901 06	Gasket Rubber 3750 MM		1	356
(18)		Gasket Rubber 3750 MM		1	356 A
19	356 52 506	Reinforcement Tread		2	356
(19)	644 511 911 00	Corner panel Tread		2	356 A
20	356 52 060	Lid without Lock And Hinge		1	356
(20)	644 512 001 00	Lid without Lock And Hinge		1	356 A:COUPE
(20)	644 512 001 01	Lid without Lock And Hinge		1	356 A CARRERA COUPE
(20)	644 512 001 26	Lid without Lock And Hinge Not for -CARRERA GT-		1	356 A:CABRIO SPEEDSTER
(20)		Lid without Lock And Hinge		1	356 A CARRERA GT CABRIO SPEEDSTER
21	356 52 075	Push-button lock		1	356

Model: 356 50 Model life 1950>>1959

Pos	Part Number	Description	Remark	Qty	Model
(21)	644 512 051 01	Complete Lock		1	356 A
22	356 52 075 1	Complete Push-button lock Upper part		1	356
(22)	644 512 511 01	Lock Upper part		1	356 A
23	356 52 075 2	Push-button lock Lower part		1	356
(23)	644 512 052 01	Lock Lower part		1	356 A
24	644 512 031 00	Hinge	/L	1	356
(24)		Hinge Not for -CARRERA GT-	/L	1	356 A
(24)		Hinge	/L	1	356 A CARRERA GT COUPE SPEEDSTER
(24)	644 512 032 00	Hinge	/R	1	356
(24)		Hinge Not for -CARRERA GT-	/R	1	356 A
(24)		Hinge	/R	1	356 A CARRERA GT COUPE SPEEDSTER
25	356 52 812	Rubber buffer \$ 8 MM		4	356
(25)	999 703 086 40	Stopper \$ 8 MM		4	356 A
-	644 511 081 10	Retaining strap Lid Front		1	356 A CARRERA GT COUPE SPEEDSTER

Model: 356 50

Model life 1950>>1959



Model: 356 50 Model life 1950>>1959

Pos	Part Number	Description	Remark	Qty	Model
(1)	356 52 001 A	Door with Accessories Door in white with Lock And Power windows F 11 361 >> F 10 271 >>	/L	1	356
(1)	356 52 001	Bare door shell with Lock And Power windows F 5 001 >> 11 360 F 5 015 >> 10 270	/L	1	COUPE CABRIO 356
(1)	356 52 001 1A	Door Complete without Paint without Cover F 11 361 >> F 10 271 >>	/L	1	COUPE CABRIO 356
(1)	356 52 001 1	Door Complete without Paint without Cover F 5 001 >> 11 360 F 5 015 >> 10 270	/L	1	COUPE CABRIO 356
(1)	644 531 003 00	Door with Lock And Power windows F 11 361 >> 101 692	/L	1	COUPE CABRIO 356 A:COUPE
(1)	644 531 003 01	Door in white with Lock And Power windows F 101 693 >>	/L	1	356 A:COUPE
(1)	644 531 003 10	Door in white Aluminium with Lock And Power windows F 101 693 >>	/L	1	356 A CARRERA GT COUPE
(1)	644 531 003 20	Bare door shell with Lock F 10 271 >> 61 892	/L	1	356 A CABRIO
(1)	644 531 003 21	Door in white with Lock F 150 001 >>	/L	1	356 A CABRIO HARDTOP
(1)	644 531 003 26	Door in white with Lock	/L	1	356 A CABRIO HARDTOP

Model: 356 50 Model life 1950>>1959

Pos	Part Number	Description	Remark	Qty	Model
(1)	644 531 003 42	F 150 001 >> Door in white with Lock	/L	1	CONVERTIBLE
1	356 52 002 A	Door in white with Lock And Power windows F 11 361 >> F 10 271 >>	/R	1	356
1	356 52 002	Door in white with Lock And Power windows F 5 001 >> 11 360 F 5 015 >> 10 270	/R	1	COUPE CABRIO 356
1	356 52 002 1A	Door Complete without Paint without Cover F 11 361 >> F 10 271 >>	/R	1	COUPE CABRIO 356
1	356 52 002 1	Door Complete without Paint without Cover F 5 001 >> 11 360 F 5 015 >> 10 270	/R	1	COUPE CABRIO 356
1	644 531 004 00	Door in white with Lock And Power windows F 11 361 >> 101 692	/R	1	356 A:COUPE
1	644 531 004 01	Door in white with Lock And Power windows F 101 693 >>	/R	1	356 A CARRERA GT COUPE
1	644 531 004 10	Door in white with Lock And Power windows Aluminium F 101 693 >>	/R	1	356 A:CABRIO
1	644 531 004 20	Door in white with Lock F 10 271 >> 61 892	/R	1	356 A CABRIO HARDTOP
1	644 531 004 21	Door in white with Lock And Power windows F 150 001 >>	/R	1	356 A CABRIO HARDTOP

Model: 356 50 Model life 1950>>1959

Pos	Part Number	Description	Remark	Qty	Model
1	644 531 004 26	Door in white with Lock And Power windows F 150 001 >>	/R	1	356 A CABRIO HARDTOP
1	644 531 004 42	Door in white with Lock	/R	1	CONVERTIBLE
-	644 531 035 00	Door arrester Rubber Not for		2	
-	644 504 761 01	-CARRERA GT- Spring cover Door Inner		2	
2	356 52 024	Hinge Lower with Bolt		2	356
2	644 531 031 02	Hinge Lower with Bolt		2	356 A
3	356 52 023	Hinge Upper with Bolt		2	356
3	644 531 032 02	Hinge Upper with Bolt		2	356 A
4	356 52 024 1	Eccentric bolt		4	356
4	644 531 305 00	Hinge bolt		4	356 A
5	644 531 310 00	Threaded plate Hinge		4	356
5		Threaded plate Hinge		4	356 A
6	356 52 201	Desk pad Hinge		X	356
6	644 531 321 00	Desk pad Hinge		X	356 A
7	356 52 255	Cover plate Aluminium	/L	1	356
(7)	356 52 256	Cover plate Aluminium	/R	1	356
7	644 531 331 00	Cover plate Aluminium	/L	1	356 A
(7)	644 531 332 00	Cover plate Aluminium	/R	1	356 A
8	356 52 203	Rubber stop		2	356
8	644 531 741 00	Rubber stop		2	356 A
9	356 52 206 A	Door lock striker F 53 299 >> F 60 781 >>	/L /R	2	356 COUPE CABRIO
(9)	356 52 206	Door lock striker F 5 001 >> 53 298 F 5 015 >> 60 780	/L /R	2	356 COUPE CABRIO
(9)	644 531 701 00	Door lock striker 5 Hole	/L /R	2	356 A
(9)	644 531 701 01	Door lock striker 3	/L	1	356 A

Model: 356 50 Model life 1950>>1959

Pos	Part Number	Description	Remark	Qty	Model
(9)	644 531 702 01	Hole Door lock striker 3	/R	1	356 A
10	356 52 210	Hole Threaded plate		2	356
10	644 531 711 00	Threaded plate Door lock striker 5		2	356 A
10	644 531 710 01	Hole Threaded plate Door lock striker 3		2	356 A
-	644 531 723 00	Hole Shim Threaded plate 1 MM		X	356 A
-	644 531 723 01	Shim Threaded plate 2 MM		X	356 A
11	900 147 001 02	Countersunk-head screw 8 X 30		10	356
11	900 269 028 03	Countersunk-head screw 8 X 30		10	356
11	900 147 001 02	Countersunk-head screw 8 X 30		6	356 A
11	900 269 028 03	Countersunk-head screw 8 X 30		6	356 A
12	356 52 209	Rubber buffer		2	356
12	644 531 751 00	Rubber buffer		2	356 A
-	644 531 755 00	Cup Aluminium for Rubber buffer		2	356 A
13	356 52 209 1	Oval-head screw 3,9 X 20 Chrome		6	356
13	900 145 022 02	Rais. counters. h. tap. s. 3,9 X 19 Chrome		6	356 A
14		See illustrations 8/04/01		2	356
18	356 52 021 A	Lock Complete F 53 299 >> F 60 781 >>	/L	1	356 COUPE CABRIO
(18)	356 52 021	Lock Complete F 5 001 >> 53 298 F 5 015 >> 60 780	/L	1	356 COUPE CABRIO
(18)	356 52 022 A	Lock Complete F 53 299 >> F 60 781 >>	/R	1	356 COUPE CABRIO
(18)	356 52 022	Lock Complete F 5 001 >> 53 298 F 5 015 >> 60 780	/R	1	356 COUPE CABRIO
18	644 531 051 00	Lock Complete	/L	1	356 A
(18)	644 531 051 01	Lock Complete with Wire pull	/L	1	356 A

Model: 356 50 Model life 1950>>1959

Pos	Part Number	Description	Remark	Qty	Model
(18)	644 531 052 00	Lock Complete	/R	1	356 A
(18)	644 531 052 01	Lock Complete with Wire pull	/R	1	356 A
(19)	356 52 021 1A	Lock F 53 299 >> F 60 781 >>	/L	1	356 COUPE CABRIO
(19)	356 52 021 1	Lock F 5 001 >> 53 298 F 5 015 >> 60 780	/L	1	356 COUPE CABRIO
(19)	356 52 022 1A	Lock F 53 299 >> F 60 781 >>	/R	1	356 COUPE CABRIO
(19)	356 52 022 1	Lock F 5 001 >> 53 298 F 5 015 >> 60 780	/R	1	356 COUPE CABRIO
19	644 531 053 00	Lock	/L	1	356 A
19	644 531 053 01	Lock	/L	1	356 A
(19)	644 531 054 00	Lock	/R	1	356 A
(19)	644 531 054 01	Lock	/R	1	356 A
20	356 52 211	Pull rod	/L /R	2	356
20	644 531 561 00	Pull rod	/L /R	2	356 A
-	644 531 561 01	Wire pull		2	356 A
21	356 52 207	Tool	/L	1	356
(21)	356 52 208	Tool	/R	1	356
21	644 531 055 00	Inner door release	/L	1	356 A
(21)	644 531 055 01	Push-button lock	/L	1	356 A
(21)	644 531 056 00	Inner door release	/R	1	356 A
(21)	644 531 056 01	Push-button lock	/R	1	356 A
22	356 52 211 1	Rivet with Washer		4	356
22	356 613 925 00	Rivet with Washer		4	356 A
23	644 511 511 00	Tension spring Lock		1	356
23		Tension spring Lock		2	356 A
23	644 531 547 01	Tension spring Lock		2	356 A
24	644 531 542 00	Tension spring Lock Small		2	356
24		Tension spring Small Valid up to: 20.9.57		2	356 A
25	356 52 221 A	Mounting plate Power windows F 11 361 >> F 10 271 >>	/L	1	356 COUPE CABRIO
(25)	356 52 221	Mounting plate Power windows F 5 001 >> 11 360 F 5 015 >> 10 270	/L	1	356 COUPE CABRIO
(25)	356 52 222	Bracket Power windows F 5 001 >> 11 360 F 5 015 >> 10 270	/R	1	356 COUPE CABRIO
(25)	356 52 222 A	Mounting plate	/R	1	356

Model: 356 50 Model life 1950>>1959

Pos	Part Number	Description	Remark	Qty	Model
25	644 531 571 00	Power windows F 11 361 >> F 10 271 >> Mounting plate	/L	1	COUPE CABRIO 356 A COUPE/CABRIO
(25)	644 531 572 00	Power windows 1952 - 1957 Mounting plate	/R	1	356 A COUPE/CABRIO
26	356 52 025	Power windows F 11 361 >> F 10 271 >>	/L	1	356 COUPE CABRIO
(26)	356 52 018	Power windows F 5 001 >> 11 360 F 5 015 >> 10 270	/L	1	356 COUPE CABRIO
(26)	356 52 026	Power windows F 11 361 >> F 10 271 >>	/R	1	356 COUPE CABRIO
(26)	356 52 019	Power windows F 5 001 >> 11 360 F 5 015 >> 10 270	/R	1	356 COUPE CABRIO
26	644 542 041 00	Power windows	/L	1	356 A COUPE/CABRIO
26	644 542 041 01	Power windows	/L	1	356 A:COUPE
26	644 542 041 21	Power windows	/L	1	356 A:CABRIO
(26)	644 542 042 00	Power windows	/R	1	356 A COUPE/CABRIO
(26)	644 542 042 01	Power windows	/R	1	356 A:COUPE
(26)	644 542 042 21	Power windows	/R	1	356 A:CABRIO
27	356 52 029	Window guide rail	/L /R	2	356
27	644 542 045 00	Window lifter rail	/L /R	2	356 A COUPE/CABRIO
27	644 542 045 01	Window lifter rail	/L	1	356 A:COUPE
(27)	644 542 046 01	Window lifter rail	/R	1	356 A:COUPE
27	644 542 461 10	Window lifter rail	/L /R	1	356 A CARRERA GT COUPE
27	644 542 045 21	Window lifter rail	/L	1	356 A CABRIO HARDTOP
(27)	644 542 046 21	Window lifter rail	/R	1	356 A CABRIO HARDTOP
(27)	644 542 045 41	Window lifter rail	/L	1	CONVERTIBLE
(27)	644 542 046 41	Window lifter rail	/R	1	CONVERTIBLE
-	644 531 761 00	Rubber Door window glass		2	356 A:COUPE
28	356 52 027	Window crank with Knob Please state the colour Ivory Grey Beige	/L /R	2	356
28	644 542 470 00	Window crank with Knob Please state the colour Grey Beige	/L /R	2	356 A COUPE/CABRIO
28	644 542 470 01	Window crank	/L /R	2	356 A
28	PCG 542 470 01	Window crank	/L /R	2	356 A

Model: 356 50 Model life 1950>>1959

Pos	Part Number	Description	Remark	Qty	Model
		with Knob Black Please state the colour			COUPE/CABRIO
29	356 53 711	Rosette		X	356
29	644 552 891 00	Rosette Grey Beige		X	356 A
29	644 552 891 01	Rosette		X	356 A
	644 552 891 01 700	Black			
	644 552 891 01 600	Grey			
	644 552 891 01 500	Beige			
	644 552 891 01 300	White Ivory			
30	356 52 200	Door handle Interior handle		2	356
30	644 531 611 02	Door handle Interior handle		2	356 A
-	644 531 691 00	Rubber bush Door handle		2	
31	818 609	Conical spring		2	356
31	644 542 473 00	Conical spring		2	356 A
-	644 531 615 00	Desk pad Foam part Instead of Conical spring		2	356 A
32	356 52 223	Handle Complete		2	356
32	644 531 621 00	Handle Complete		2	356 A COUPE/CABRIO
33	356 52 223 1	Support for Handle		4	356
33	644 531 625 00	Support for Handle		4	356 A COUPE/CABRIO
34	356 52 265	Door panel Fibre board F 50 183 >> F 60 075 >>		1	356 COUPE CABRIO
(34)	356 52 245	Door panel Fibre board F 5 001 >> 50 182 F 5 015 >> 60 074		1	356 COUPE CABRIO
(34)	356 52 267	Door panel Fibre board F 50 183 >> F 60 075 >>		1	356 COUPE CABRIO
(34)	356 52 246	Door panel Aluminium F 5 001 >> 50 182 F 5 015 >> 60 074		1	356 COUPE CABRIO
(34)	644 555 003 42	Door panel with Lining And Bag Please state the colour	/L	1	CONVERTIBLE
(34)	644 555 004 42	Door panel with Lining And Bag	/R	1	CONVERTIBLE

Model: 356 50 Model life 1950>>1959

Pos	Part Number	Description	Remark	Qty	Model
-	644 555 451 41	Please state the colour Lock with Key for Bag		1	CONVERTIBLE
-	644 555 452 41	Key for Lock Bag		1	CONVERTIBLE
34	644 555 033 01	Door panel	/L	1	356 A
(34)	644 555 034 01	Fibre board Door panel	/R	1	356 A
35	356 52 801 1	Fibre board Rubber base Sealing for door slot Inner 680 MM Ornamental strip Metal		2	356
(35)	356 52 801	Rubber base Sealing for door slot Inner Ornamental strip		2	356
35	644 531 933 00	Rubber base Sealing for door slot Inner 680 MM Ornamental strip Metal		2	356 A COUPE/CABRIO
-	PCG 531 935 00	Seal BUERSTENPROFIL 450 MM		4	356 A:COUPE
-		Seal BUERSTENPROFIL 450 MM		4	356 A:CABRIO
-		Seal		4	CONVERTIBLE
-	999 591 301 02	Fixing clip Sealing for door slot		X	356 A COUPE/CABRIO
-	999 591 301 0C	Fixing clip Sealing for door slot		X	356 A COUPE/CABRIO
36	356 53 243	Ornamental strip Metal Prime coated F 11 361 >> F 10 271 >>	/L	1	356 COUPE CABRIO
(36)	356 52 237	Ornamental strip Polished F 5 001 >> 11 360 F 5 015 >> 10 270	/L	1	356 COUPE CABRIO
(36)	356 53 244	Ornamental strip Metal Prime coated F 11 361 >> F 10 271 >>	/R	1	356 COUPE CABRIO
(36)	356 52 238	Ornamental strip Polished F 5 001 >> 11 360 F 5 015 >> 10 270	/R	1	356 COUPE CABRIO
36	644 531 433 20	Ornamental strip Metal Prime coated	/L	1	356 A COUPE/CABRIO
(36)	644 531 434 20	Ornamental strip	/R	1	356 A

Model: 356 50 Model life 1950>>1959

Pos	Part Number	Description	Remark	Qty	Model
		Metal			COUPE/CABRIO
		Prime coated			
37	900 145 006 02	Rais. counters. h. tap. s. Countersunk-head screw 3,5 X 19		4	356
		Ornamental strip			
		Metal			
37		Rais. counters. h. tap. s. 3,5 X 19		4	356 A
38	644 531 901 00	Door seal Inner 1200 MM		2	356
38		Door seal Inner 1100 MM		1	356 A
-	644 531 903 00	Door seal Inner		2	356 A
-	644 542 929 41	Gasket Door window glass Cowl panel support Front		2	CONVERTIBLE
39	000 531 901 00	Stopper Rubber		6	356 A
40	356 52 031	Door glass frame Chrome	/L	1	356:COUPE
(40)	356 52 032	Door glass frame Chrome	/R	1	356:COUPE
40	644 531 043 01	Door glass frame Chrome	/L	1	356 A:COUPE
(40)	644 531 044 01	Door glass frame Chrome	/R	1	356 A:COUPE
-	644 531 041 41	Window guide rail Door window glass Front	/L	1	CONVERTIBLE
-	644 531 042 41	Window guide rail Door window glass Front	/R	1	CONVERTIBLE
-	644 531 043 41	Door glass frame Door window glass Rear	/L	1	CONVERTIBLE
-	644 531 044 41	Guide rail Door window glass Rear	/R	1	CONVERTIBLE
-	644 531 450 41	Fastening screw Guide rail		4	CONVERTIBLE
41	356 52 257	Rain channel	/L	1	356:COUPE
(41)	356 52 258	Rain channel	/R	1	356:COUPE
41	644 531 411 00	Rain channel	/L	1	356 A:COUPE
(41)	644 531 412 00	Rain channel	/R	1	356 A:COUPE
42	900 019 001 02	Oval-head screw Countersunk-head screw 3 X 4		8	356
42	900 019 001 12	Oval-head screw Countersunk-head screw 3 X 5 Chrome		8	356 A
43	356 52 803	Rail Chrome Outer		2	356:COUPE
		F 11 361 >> F 10 271 >>			COUPE CABRIO
43	644 531 431 00	Rail Chrome		2	356 A

Model: 356 50 Model life 1950>>1959

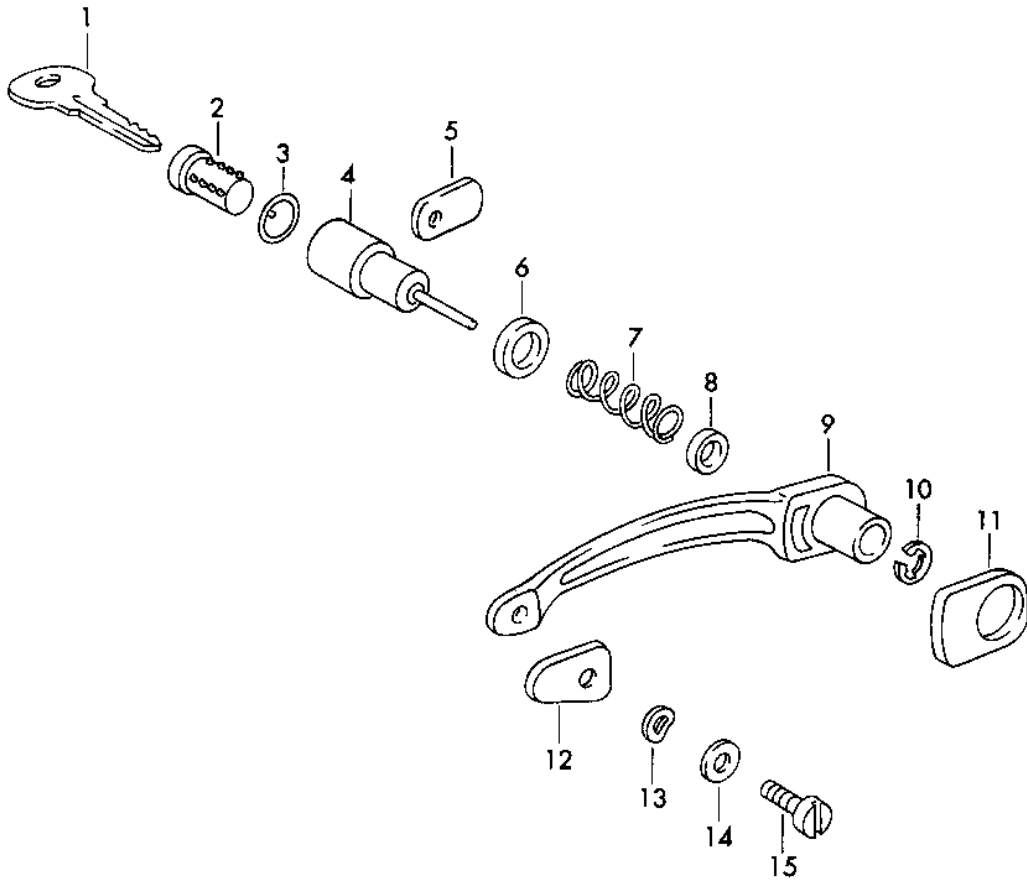
Pos	Part Number	Description	Remark	Qty	Model
43	644 531 431 41	Outer Rail Chrome	/L	1	CONVERTIBLE
43	644 531 432 41	Outer Rail Chrome	/R	1	CONVERTIBLE
-	644 025 928 00	Outer Piping Rail		1	
-	PCG 025 928 00	Piping		1	356 A
-	644 531 931 41	Profile strip Rail		2	
44	356 52 806	Sealing for door slot Outer		2	356
44	644 531 931 00	Tread Outer		2	356 A
45	356 52 807	Door seal Upper 1460 MM		2	356:COUPE
45	644 531 911 01	Door seal Upper 1460 MM		2	356 A
46	356 52 808	Door seal 870 MM		2	356:COUPE
46	644 531 913 01	Door seal 870 MM		2	356 A
47	356 57 204	Tread Window lifter rail		2	356
47	644 542 491 41	Tread Window lifter rail		*	356 A
47		Tread Window lifter rail		*	356 A
-	644 542 491 10	Tread Window lifter rail		1	356 A CARRERA GT COUPE
-	644 542 491 41	Tread Window lifter rail		*	CONVERTIBLE
48	356 52 035 3	Door panel Cover Leather with Bag	/L	1	356
(48)	356 52 035 1	Door panel Cover Leatherette Ribbed velvet with Bag	/L	1	356
(48)	644 555 031 01	Door panel Cover Leatherette Ribbed velvet with Bag	/L	1	356 A
(48)	644 555 031 11	Door panel Cover Leather with Bag	/L	1	356 A
(48)	356 52 036 3	Door panel Cover Leather with	/R	1	356

Model: 356 50 Model life 1950>>1959

Pos	Part Number	Description	Remark	Qty	Model
(48)	356 52 036 1	Bag Door panel Cover Leatherette Ribbed velvet with	/R	1	356
(48)	644 555 032 01	Bag Door panel Cover Leatherette Ribbed velvet with	/R	1	356 A
(48)	644 555 032 11	Bag Door panel Cover Leather with	/R	1	356 A
49	356 52 035 2	Bag Door panel Cover Leather without	/L	1	356
(49)	356 52 035	Bag Door panel Cover Leatherette Ribbed velvet without	/L	1	356
(49)	356 52 036 2	Bag Door panel Cover Leather without	/R	1	356
(49)	356 52 036	Bag Door panel Cover Leatherette Ribbed velvet without	/R	1	356
(50)	356 53 203	Bag Leatherette	/L	1	356
50	356 53 203 1	Bag Leather	/L	1	356
(50)	356 53 204	Bag Leatherette	/R	1	356
(50)	356 53 204 1	Bag Leather	/R	1	356
51	356 52 266	Tread Door panel	/L	1	356
(51)	356 52 268	Tread Door panel	/R	1	356
(51)	644 531 811 01	Tread Door panel	/L	1	356
(51)	644 531 812 01	Tread Door panel	/R	1	356
		F 55 001 >> 101 692 F 61 001 >> 150 000 F 82 001 >> 083 791 F 101 693 >> F 150 001 >> F 83 792 >>			COUPE CABRIO SPEEDSTER COUPE CABRIO HARDTOP SPEEDSTER

Model: 356 50

Model life 1950>>1959

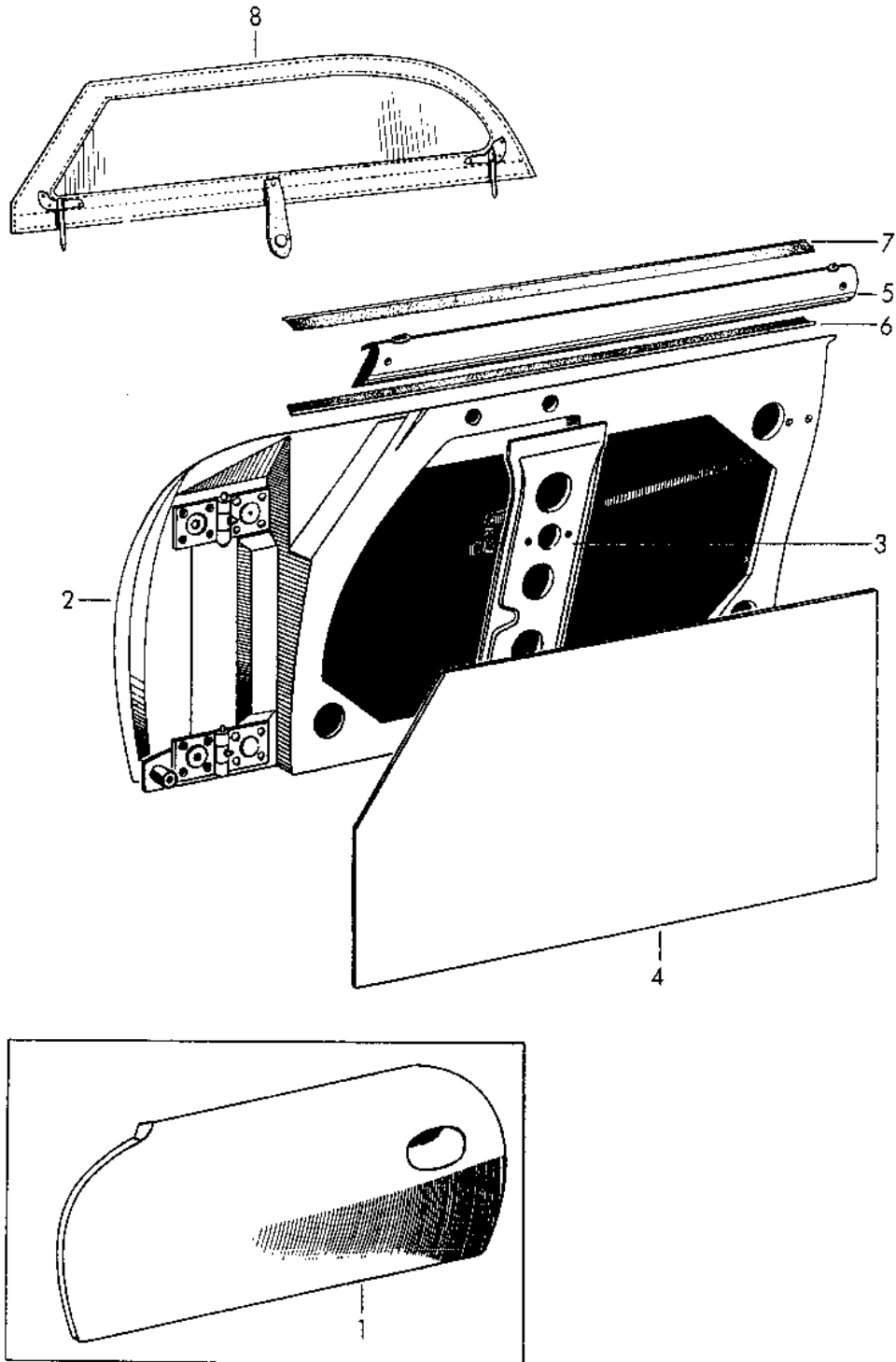


Model: 356 50 Model life 1950>>1959

Pos	Part Number	Description	Remark	Qty	Model
		Outer door handle			
		And			
		Single parts			
5	911 531 983 00	Filler plate		2	356 A
5	644 531 608 01	Filler plate		2	356 A
9	PCG 531 061 00	Door handle without Lock cylinder		2	356 A
		And			
		Single parts			
14	900 151 027 03	Washer A 5,3		2	

Model: 356 50

Model life 1950>>1959



Model: 356 50 Model life 1950>>1959

Pos	Part Number	Description	Remark	Qty	Model
		Door with Accessories			SPEEDSTER
(1)	540 52 011	Door in white with Lock	/L	1	540
(1)	644 531 003 40	Door in white with Lock	/L	1	540.1
1	644 531 003 41	Not for -CARRERA GT- F 80 001 >> 83 791 Door in white with Lock	/L	1	540.1
(2)	540 52 012	Not for -CARRERA GT- F 83 792 >> Door in white with Lock	/R	1	540
2	644 531 004 40	Door in white with Lock	/R	1	540.1
(2)	644 531 004 41	Not for -CARRERA GT- F 80 001 >> 83 791 Door with Lock	/R	1	540.1
(3)	540 52 111	Not for -CARRERA GT- F 83 792 >> Mounting plate Remote control	/L	1	540
(3)	644 531 571 40	Mounting plate Remote control	/L	1	540.1
(3)	540 52 112	F 80 001 >> 83 791 Mounting plate Remote control	/R	1	540
3	644 531 572 40	Mounting plate Remote control	/R	1	540.1
(4)	540 53 021	F 83 792 >> Door panel Complete Cover Leatherette	/L	1	540
(4)	540 53 201	Please state the colour Door panel Fibre board without Cover	/L	1	540
(4)	644 555 033 01	Door panel Fibre board without Cover	/L	1	540.1
(4)	644 555 031 01	Door panel Leatherette Ribbed velvet	/L	1	540.1
(4)	540 53 022	Please state the colour Door panel Complete Cover	/R	1	540

Model: 356 50 Model life 1950>>1959

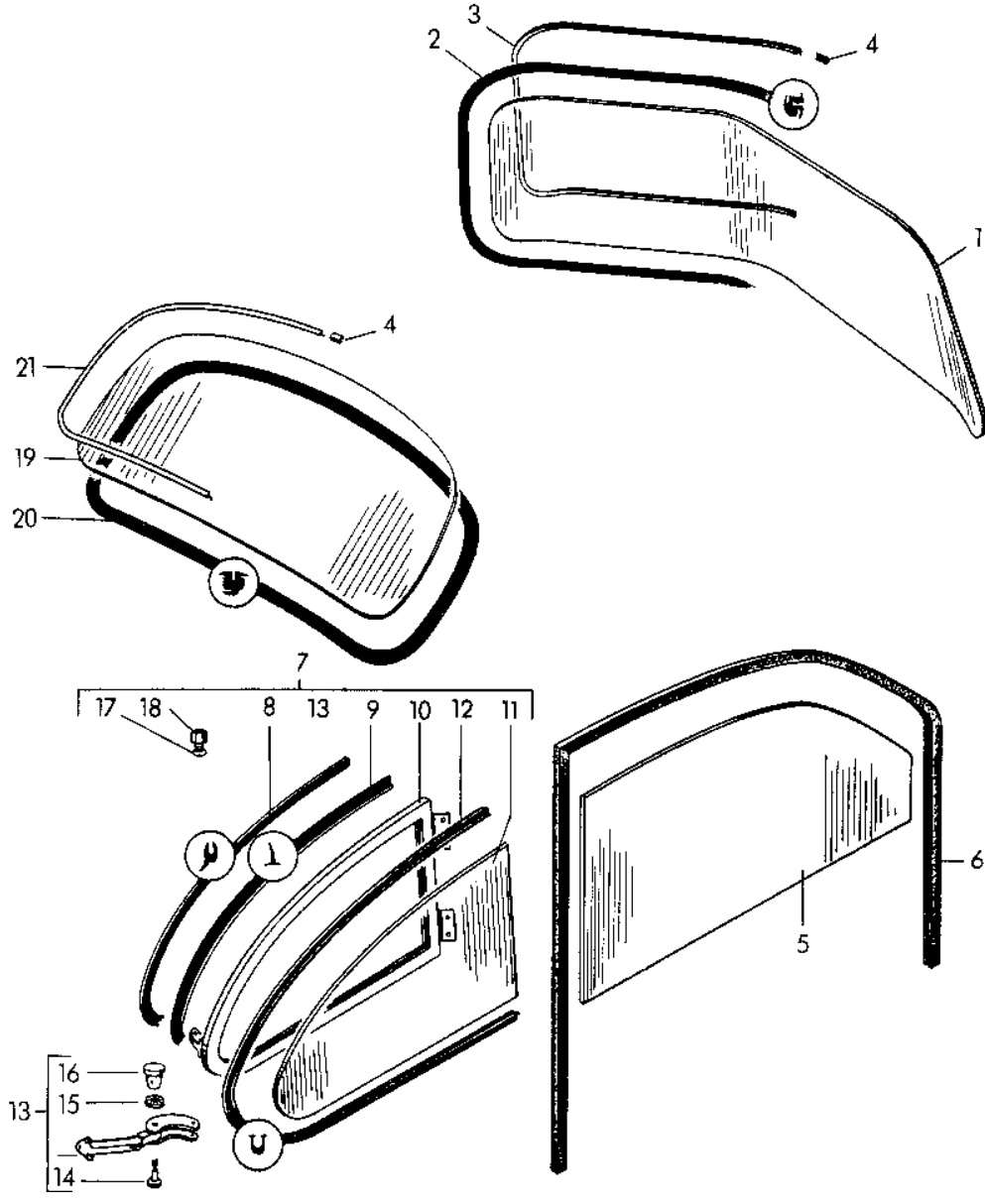
Pos	Part Number	Description	Remark	Qty	Model
(4)	540 53 202	Leatherette Please state the colour Door panel Fibre board without Cover	/R	1	540
(4)	644 555 034 01	Door panel Fibre board without Cover	/R	1	540.1
4	644 555 032 01	Door panel Cover	/R	1	540.1
(5)	540 53 023	Leatherette Cover strip without Cover	/L	1	540
(5)	540 53 023 1	Cover strip Cover	/L	1	540
(5)	644 555 037 40	Leatherette Cover strip without Cover	/L	1	540.1
(5)	644 555 035 40	Cover strip Cover Leatherette	/L	1	540.1
(5)	540 53 024	Please state the colour Cover strip without Cover	/R	1	540
(5)	540 53 024 1	Cover strip Cover Leatherette	/R	1	540
5	644 555 038 40	Please state the colour Cover strip without Cover	/R	1	540.1
(5)	644 555 036 40	Cover strip Cover Leatherette	/R	1	540.1
(6)	540 53 209	Please state the colour Piping 750 MM		2	540
6	644 555 371 40	Piping 750 MM		2	540.1
(7)	540 53 209 1	Piping Outer 750 MM		2	540
7	644 555 373 40	Piping Outer 750 MM		2	540.1
(8)	540 57 021	Washer Complete	/L	1	540
(8)	644 542 071 40	Please state the colour Washer Complete	/L	1	540.1
(8)	540 57 022	Please state the colour Washer Complete	/R	1	540
8	644 542 072 40	Please state the colour Washer Complete	/R	1	540.1
-		Please state the colour Knob		2	540.1

Model: 356 50 Model life 1950>>1959

Pos	Part Number	Description	Remark	Qty	Model
		GHEM 30 104 with Lower part Push-in window Mount			

Model: 356 50

Model life 1950>>1959



Model: 356 50 Model life 1950>>1959

Pos	Part Number	Description	Remark	Qty	Model
(1)	356 57 108	window glazing Windscreen F 11 361 >> F 10 271 >>		1	COUPE CABRIO
(1)	356 57 101	Windscreen Left F 5 001 >> 11 360 F 5 015 >> 10 270	/L	1	COUPE CABRIO
(1)	356 57 102	Windscreen Right F 5 001 >> 11 360 F 5 015 >> 10 270	/R	1	COUPE CABRIO
1	644 541 101 00	Windscreen		1	356 A:COUPE CABRIO HARDTOP
(1)	644 541 101 10	Windscreen Upper Green		1	356 A:COUPE CABRIO HARDTOP
(1)	644 541 101 50	Windscreen Heatable		1	356 A:COUPE CABRIO HARDTOP
(1)	644 541 101 45	Windscreen		1	CONVERTIBLE
-	356 57 112	Tread Rubber 1-TEILIGE Windscreen 3200 MM F 11 361 >> F 10 271 >>		1	COUPE CABRIO
-	356 57 103	Tread Rubber 2-TEILIGE Windscreen Outer 3200 MM F 5 001 >> 11 360 F 5 015 >> 10 270		1	COUPE CABRIO
-	356 57 104	Tread Rubber 2-TEILIGE Windscreen Centre F 5 001 >> 11 360 F 5 015 >> 10 270		1	COUPE CABRIO
2	644 541 901 00	Tread Rubber		1	356 A:COUPE CABRIO HARDTOP
-	644 541 901 41	Tread Rubber Upper		1	CONVERTIBLE
-	644 541 902 41	Tread Rubber Lower		1	CONVERTIBLE
(3)	356 57 113	Trim frame F 11 361 >> F 10 271 >>	/L	1	COUPE CABRIO
(3)	356 57 114	Trim frame F 11 361 >> F 10 271 >>	/R	1	COUPE CABRIO
3	644 541 911 00	Trim frame-half	/L	1	356 A:COUPE CABRIO HARDTOP
(3)	644 541 912 00	Trim frame-half	/R	1	356 A:COUPE

Model: 356 50 Model life 1950>>1959

Pos	Part Number	Description	Remark	Qty	Model
-	644 541 201 41	Windscreen frame Chrome Upper		1	CABRIO HARDTOP CONVERTIBLE
(4)	644 541 921 00	Covering plate		4	356:COUPE
				2	356:CABRIO HARDTOP
4		Covering plate		4	356 A:COUPE
				2	CABRIO HARDTOP
-	644 541 023 41	Windscreen frame with Bearing pin Left		1	CONVERTIBLE
-	644 541 024 41	Windscreen frame with Bearing pin Right		1	CONVERTIBLE
-	644 541 255 41	Bearing pin Cowl panel support		1	CONVERTIBLE
-	644 541 261 41	Rubber plate Cowl panel support Lower Left		1	CONVERTIBLE
-	644 541 262 41	Rubber plate Cowl panel support Lower Right		1	CONVERTIBLE
-	644 541 911 41	Trim frame Windscreen Lateral Lower Left		1	CONVERTIBLE
-	644 541 912 41	Trim frame Windscreen Lateral Lower Right		1	CONVERTIBLE
-	644 541 913 41	Trim frame Centre		1	CONVERTIBLE
-	644 541 915 41	Tab Moulding		1	CONVERTIBLE
(5)	356 57 201 A	Door window glass F 05 455 >>	/L	1	356:COUPE
(5)	356 57 201	Door window glass F 50 01 >> 54 54	/L	1	356:COUPE
(5)	356 57 202 A	Door window glass F 05 455 >>	/R	1	356:COUPE
(5)	356 57 202	Door window glass F 50 01 >> 54 54	/R	1	356:COUPE
(5)	644 542 101 01	Door window glass		2	356 A:COUPE
(6)	356 57 203	Rubber Rubber 2050 MM		2	356
6	644 542 901 26	Window guide Rubber 2000 MM		2	356 A:COUPE
(7)	356 57 324	Side window glass Complete with Hinge F 10 531 >>	/L	1	COUPE

Model: 356 50 Model life 1950>>1959

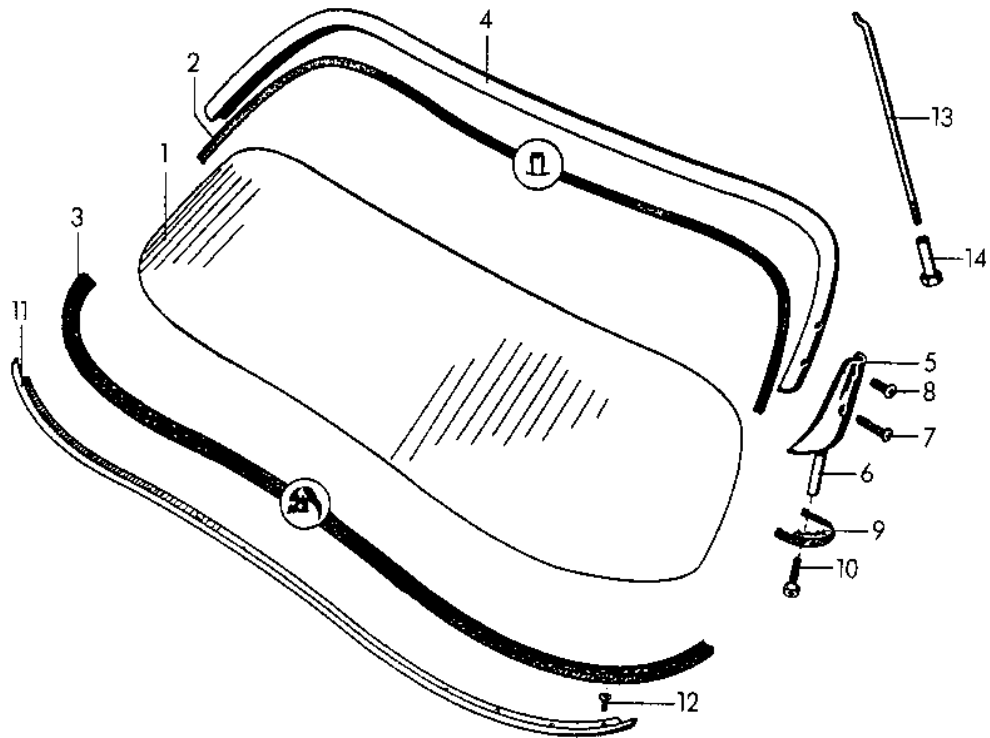
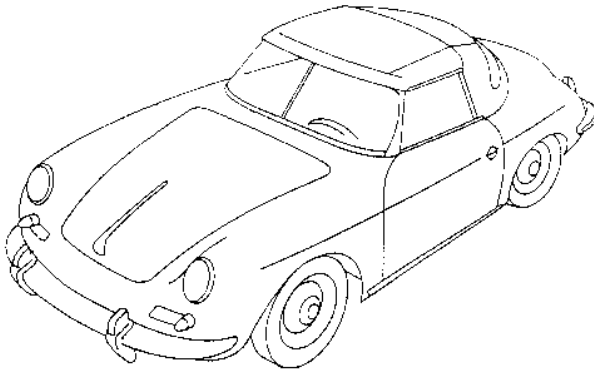
Pos	Part Number	Description	Remark	Qty	Model
(7)	356 57 325	Side window glass Complete with Hinge F 10 531 >>	/R	1	
(7)	644 543 001 00	Side window Complete with Hinge	/L	1	COUPE 356 A:COUPE
7	644 543 002 00	Side window Complete with Hinge	/R	1	356 A:COUPE
(8)	356 57 321	Rubber Rubber F 10 531 >>		2	COUPE
(8)	644 543 903 00	Tread Rubber		1	356 A:COUPE
8	644 543 904 00	Tread Rubber		1	356 A:COUPE
(9)	644 543 905 00	Rubber seal Rubber F 10 531 >>		2	COUPE
9	644 545 905 00	Tread Rubber		2	356 A:COUPE
(10)	356 57 031	Window retaining bracket F 10 531 >>	/L	1	COUPE
(10)	356 57 032	Window retaining bracket F 10 531 >>	/R	1	COUPE
(10)	644 543 023 00	Window retaining bracket	/L	1	356 A:COUPE
10	644 543 024 00	Window retaining bracket	/R	1	356 A:COUPE
(11)	644 543 101 00	Side window F 10 531 >>	/L /H	1	COUPE
(11)		Side window F 10 531 >>	/R /H	1	COUPE
(11)	356 57 301	Side window	/L /H	1	356:COUPE
(11)	356 57 302	Side window	/R /H	1	356:COUPE
11	644 543 101 00	Side window	/H	2	356 A:COUPE
(11)	644 543 101 60	Side window	/L /H	2	HARDTOP
(11)	644 543 102 60	Side window	/R /H	2	HARDTOP
(12)	644 543 901 00	Tread Rubber F 10 531 >>	/L	2	COUPE
(12)	356 57 303	Tread Rubber		1	
(12)	356 57 304	Tread Rubber		1	
12	644 543 901 00	Tread Rubber		2	356 A:COUPE
(12)	644 543 901 60	Tread Rubber 1250 MM		2	HARDTOP
(13)	356 57 035	Hinge Complete Knob Please state the colour F 10 531 >>	/L	1	COUPE
(13)	356 57 036	Hinge Complete Knob Please state the colour F 10 531 >>	/R	1	COUPE
(13)	644 543 041 00	Hinge	/L	1	COUPE 356 A:COUPE

Model: 356 50 Model life 1950>>1959

Pos	Part Number	Description	Remark	Qty	Model
(13)	644 543 042 00	Complete Please state the colour Hinge	/R	1	356 A:COUPE
(14)	644 543 416 00	Complete Please state the colour Threaded bolt		2	COUPE
14		F 10 531 >>		2	356 A:COUPE
(15)	356 57 036 2	Threaded bolt Shake-proof washer		2	COUPE
15	644 025 145 00	F 10 531 >>		2	356 A:COUPE
(16)	356 57 708	Shake-proof washer Knob		2	COUPE
16	644 552 820 03	F 10 531 >>		2	356 A:COUPE
		Knob			
		Ventilator window			
	644 552 820 03 700	Black			
	644 552 820 03 600	Grey			
	644 552 820 03 500	Beige			
	644 552 820 03 300	White			
(17)	900 019 002 02	Ivory Oval-head screw		8	356:COUPE
17		AM 4 X 8		8	356 A:COUPE
(18)	356 57 036 3	Oval-head screw AM 4 X 8		8	356:COUPE
18	900 070 001 02	Chrome Cap nut		8	356 A:COUPE
(19)	356 57 312 C	M 4		1	356:COUPE
(19)	356 57 312 B	Cap nut M 4		1	356:COUPE
(19)	356 57 312 A	Rear window F 11 776 >>		1	356:COUPE
(19)	644 545 101 00	Rear window F 11 361 >> 11 775		1	356:COUPE
(19)	644 545 101 60	Rear window F 5 455 >> 11 360		1	356:COUPE
(19)	644 545 101 41	Rear window F 50 01 >> 54 54		1	356 A:COUPE
19	644 545 101 60	Rear window Tempered plate glass		1	HARDTOP
-	644 545 101 41	Rear window		1	CONVERTIBLE
		Rear window		1	
		Rear window for -CABRIO- See group 8/11/10		1	356:COUPE
(20)	356 57 313	Tread Rubber		1	356:COUPE
(20)	644 545 901 00	F 5 001 >> 11 360		1	356:COUPE
(20)	644 545 901 60	Tread Rubber		1	356 A:COUPE
(21)	356 57 315	Tread Rubber		1	HARDTOP
(21)	644 545 912 00	Trim frame	/L	1	
21	644 545 911 00	Trim frame-half	/R	1	
(21)	644 545 911 60	Trim frame	/L	1	356 A:COUPE
(21)	644 545 912 00	Trim frame-half	/L	1	HARDTOP
(21)	644 545 912 60	Trim frame-half	/R	1	356 A:COUPE
(21)	644 545 912 60	Trim frame-half	/R	1	HARDTOP
		F 50 01 >> 56 00			
		F 11 361 >>			356:COUPE

Model: 356 50

Model life 1950>>1959

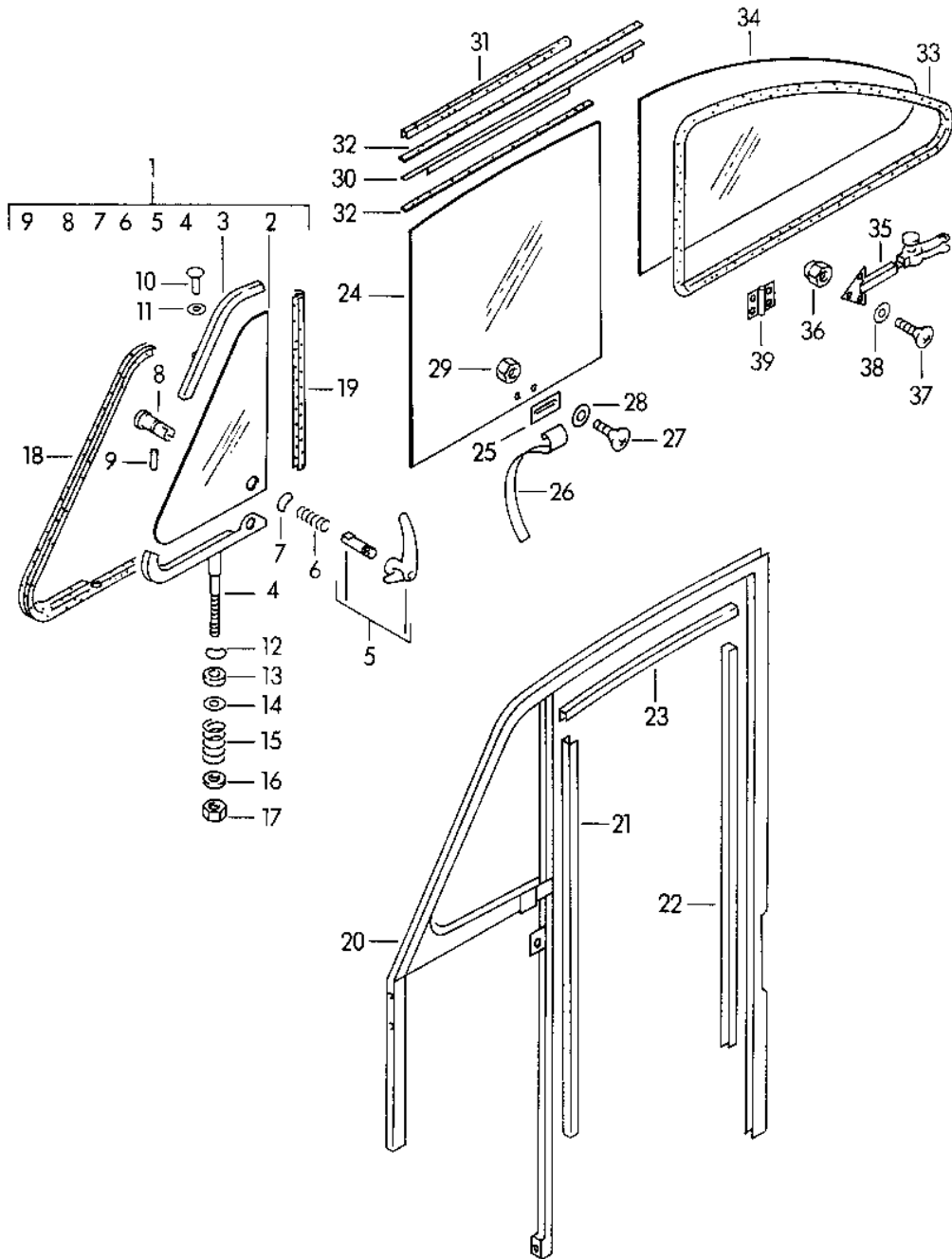


Model: 356 50 Model life 1950>>1959

Pos	Part Number	Description	Remark	Qty	Model
1	644 541 101 40	Windscreen		1	SPEEDSTER
(1)		Windscreen		1	540
(1)	644 541 101 51	Windscreen		1	540.1
		Heatable		1	540.1
2	540 57 115	Tread		1	540
		Rubber			
		Upper			
(2)	644 541 901 40	Tread		1	
		Rubber			
		Upper			
		1600 MM			
3	540 57 116	Tread		1	540
		Rubber			
		Lower			
3		Not available			540.1
4	540 57 112	Windscreen frame		1	540
		Upper			
		Chrome			
(4)	644 541 201 40	Windscreen frame		1	540.1
		Upper			
		Chrome			
5	540 57 103	Bracket	/L	1	540
		with			
		Bearing pin			
(5)	644 541 251 40	Bracket	/L	1	540.1
		with			
		Bearing pin			
(5)	540 57 104	Cowl panel support	/R	1	540
		with			
		Bearing pin			
(5)	644 541 252 40	Bracket	/R	1	540.1
		with			
		Bearing pin			
6	540 57 113	Eccentric bolt		2	540
(6)	644 541 255 40	Eccentric bolt		2	540.1
7	540 57 104 2	Countersunk-head screw		2	540
		5 X 20			
(7)	900 148 013 12	Rais. counters. h. tap. s.		2	540.1
		AM 5 X 20			
8	540 57 104 1	Countersunk-head screw		2	540
		5 X 10			
(8)	900 148 009 02	Counters. head tapp. screw		2	540.1
		AM 5 X 10			
(8)	900 148 009 0B	Counters. head tapp. screw		2	540.1
		AM 5 X 10			
9	540 57 121	Rubber plate	/L	1	540
(9)	540 57 122	Rubber plate	/R	1	540
9		Not available			540.1
10	540 57 110	Hexagon socket head bolt		2	540
(10)	644 541 265 40	Hexagon socket head bolt		2	540.1
11	540 57 114	Moulding section		1	540
(11)	644 541 205 40	Moulding section		1	540.1
12	900 139 001 02	Counters. head tapp. screw		16	540
		2,9 X 9,5			
(12)	900 139 001 00	Counters. head tapp. screw		16	540.1
		2,9 X 9,5			
13	540 57 118	Clamp		1	540
(13)	644 541 231 40	Clamp		1	540.1
14	540 47 119	Nut		1	540
(14)	644 541 235 40	Nut		1	540.1

Model: 356 50

Model life 1950>>1959



Model: 356 50 Model life 1950>>1959

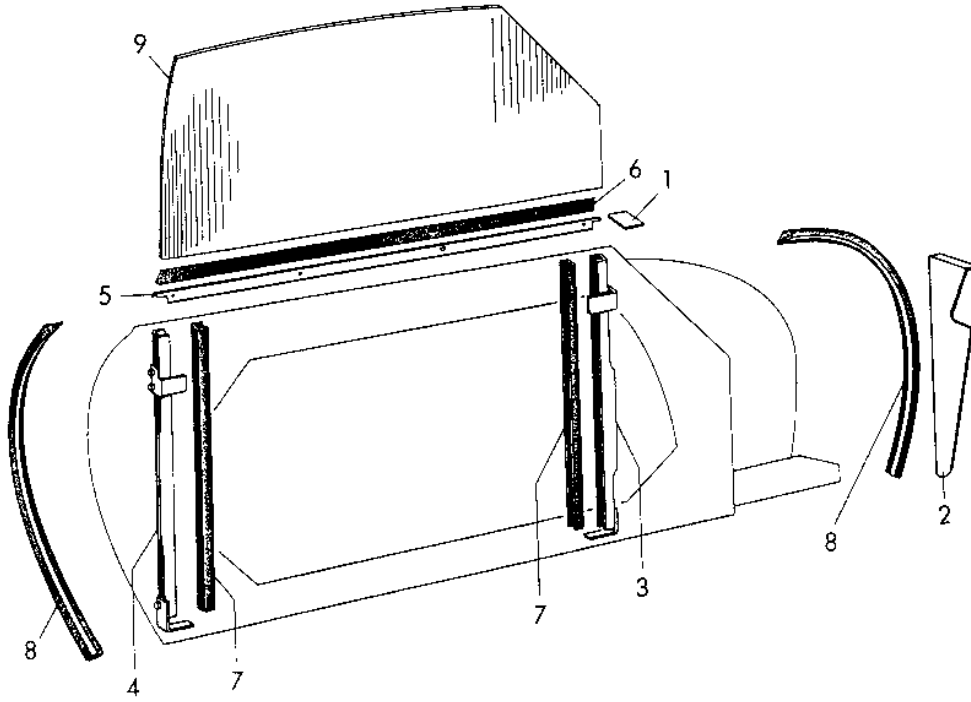
Pos	Part Number	Description	Remark	Qty	Model
		Side window Door window glass			CARRERA COUPE GRAN TURISMO
1	644 542 051 03	Side window Complete with Latch	/L	1	
(1)	644 542 052 03	Side window Complete with Latch	/R	1	
2	644 542 105 10	Side window glass Plexiglas	/L /R	2	
3	644 542 056 03	Frame Upper		1	
4-5		Side window glass Not available			
6	644 542 555 00	Compression spring		2	
7	911 542 556 48	Spring washer		X	
8		Not available			
9	900 090 001 00	Dowel pin		2	
9	900 090 001 07	Dowel pin		2	
10	644 542 527 00	Tubular rivet		2	
11	900 025 002 40	Washer 4,3		2	
12	N 012 241 8	Spring washer B 8		2	
13	644 542 563 00	Thrust washer		2	
14	644 542 564 00	Washer		2	
15	644 542 565 00	Compression spring		2	
16	644 542 567 00	Guide washer		2	
17	900 076 010 02	Nut M 6		4	
17	900 076 010 0B	Nut M 6		4	
18	644 542 931 03	Tread Rubber	/V /L	1	
(18)	644 542 932 03	Tread Rubber	/V /R	1	
19	644 542 933 02	Tread Rubber	/H /L /R	2	
20	644 542 061 01	Door glass frame	/L	1	
(20)	644 542 062 01	Door glass frame	/R	1	
21	644 542 901 26	Window guide 730 MM	/V	2	
22	644 542 902 00	Window guide 720 MM	/H	2	
23		Window guide It is necessary to rework		2	
24	644 542 101 10	Door window glass Plexiglas	/L /R	2	
25	644 542 461 10	Window lifter rail		2	
26	644 542 431 10	Leather strap		2	
27	900 018 009 02	Oval-head screw Countersunk-head screw M 3 X 15		6	
28		Not available			
29	900 076 001 00	Hexagon nut M 3		6	
30	644 531 431 02	Rail Outer	/L	1	
(30)	644 531 432 02	Rail Outer	/R	1	

Model: 356 50 Model life 1950>>1959

Pos	Part Number	Description	Remark	Qty	Model
31	644 531 931 41	Profile strip Rubber Rail		2	
32	644 025 928 00	Piping		2	
32	PCG 025 928 00	Piping		2	
33	644 543 903 00	Tread Rubber	/L	1	
(33)	644 543 904 00	Tread Rubber	/R	1	
34	644 543 101 10	Side window Plexiglas	/L /R	2	
35	644 543 041 00	Hinge Complete with Knob Grey Beige	/L	1	
(35)	644 543 042 00	Hinge Complete with Knob Grey Beige Single parts Hinge See group 8/05/00	/R	1	
-	644 552 820 03	Knob Ventilator window		2	
	644 552 820 03 700	Black			
	644 552 820 03 600	Grey			
	644 552 820 03 500	Beige			
	644 552 820 03 300	White Ivory			
36	900 070 001 02	Cap nut M 4 Chrome		4	
37	900 148 005 02	Oval-head screw Countersunk-head screw AM 4 X12 Chrome		4	
38	999 591 010 12	Washer		4	
-	900 145 003 02	Rais. counters. h. tap. s. AM 4 X 8 Chrome		6	
39		Hinge Not available Mounting parts Hinge			
-	900 019 002 02	Oval-head screw Countersunk-head screw AM 4 X 8 Chrome		8	
-	900 070 001 02	Cap nut M 4 Chrome		16	
-	900 148 004 02	Rais. counters. h. tap. s. AM 4 X 10 Chrome		8	
-	999 591 010 12	Washer		8	

Model: 356 50

Model life 1950>>1959

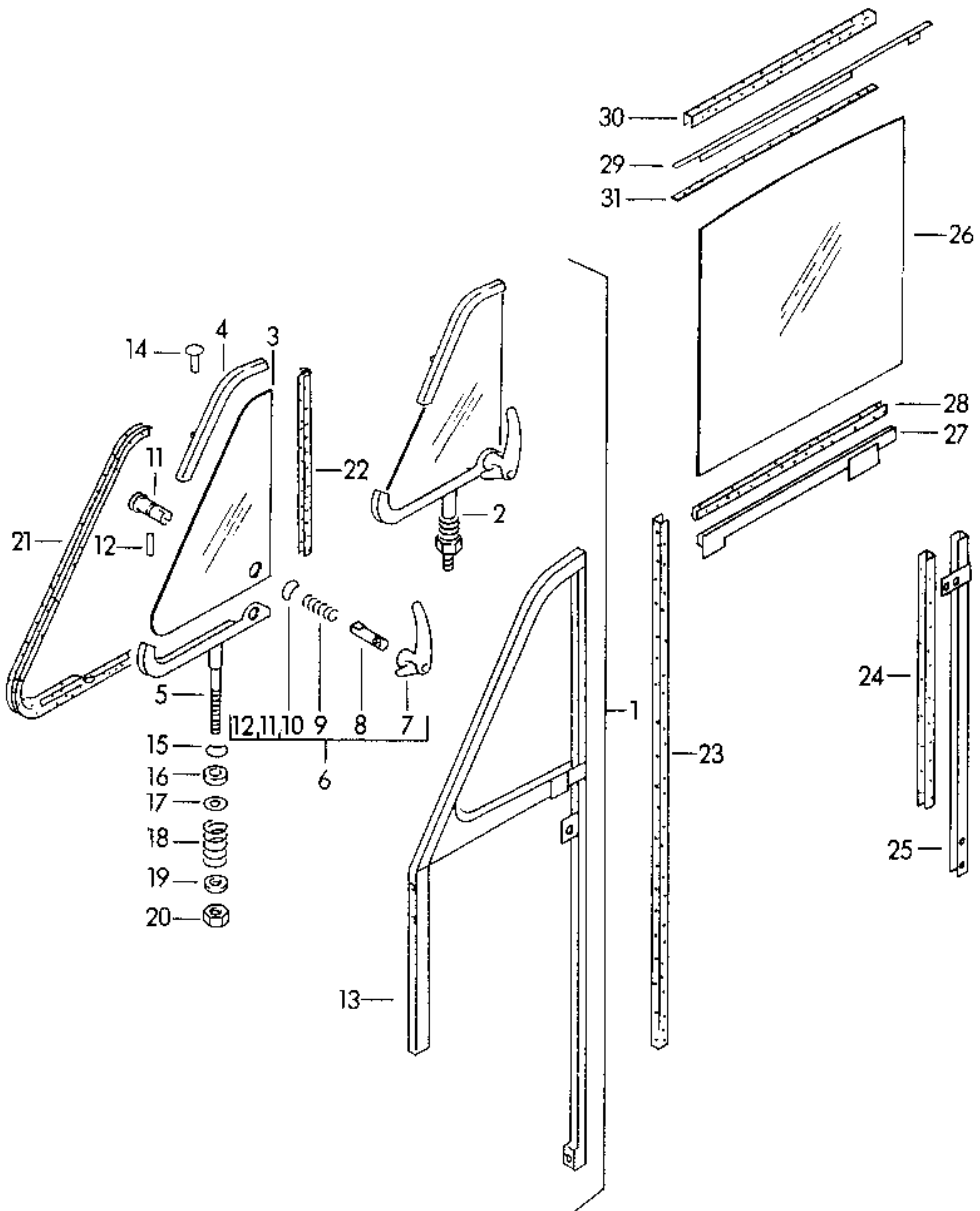


Model: 356 50 Model life 1950>>1959

Pos	Part Number	Description	Remark	Qty	Model
1	356 52 239	Door window glass		4	CABRIO
1		Cover plate			356
		Not available			356 A
2	356 52 255	Cover plate	/L	1	356
(2)	644 531 331 00	Cover plate	/L	1	356 A
		F 61 001 >> 150 000			
(2)	356 52 256	Cover plate	/R	1	356
(2)	644 531 332 00	Cover plate	/R	1	356 A
		F 61 001 >> 150 000			
3	356 52 351	Window guide rail	/V /L	1	356
(3)	644 531 041 20	Window guide	/V /L	1	356 A
		F 61 001 >> 150 000			
(3)	356 52 352	Window guide rail	/V /R	1	356
(3)	644 531 042 20	Window guide	/V /R	1	356 A
		F 61 001 >> 150 000			
4	356 52 353	Window guide rail	/H /L	1	356
(4)	644 531 045 21	Window guide	/H /L	1	356 A
		F 61 001 >> 150 000			
(4)	356 52 354	Window guide rail	/H /R	1	356
(4)	644 531 046 21	Window guide	/H /R	1	356 A
		F 61 001 >> 150 000			
5	356 52 804	Rail		2	356
		Outer			
		Chrome			
(5)	644 531 431 20	Rail		2	356 A
		Outer			
		Chrome			
		F 61 001 >> 150 000			
6	356 52 806	Sealing for door slot		2	356
		Rubber			
		Outer			
(6)	644 531 931 00	Tread		2	356 A
		Rubber			
		Outer			
		F 61 001 >> 150 000			
7	356 52 823	Rubber seal		2	356
		1200 MM			
(7)	644 542 901 26	Window guide		2	356 A
		1200 MM			
		F 61 001 >> 150 000			
8	644 531 911 22	Gasket		2	356
		Rubber			
		1200 MM			
(8)		Gasket		4	356 A
		Rubber			
		1200 MM			
		F 61 001 >> 150 000			
9	356 57 210 A	Door window glass	/L	1	356
		F 10 001 >>			
(9)	356 57 210	Door window glass	/L	1	356
		F 50 15 >> 51 62			
(9)	356 57 211 A	Door window glass	/R	1	356
		F 10 001 >>			
(9)	356 57 211	Door window glass	/R	1	356
		F 50 15 >> 51 62			
(9)	644 542 101 20	Door window glass	/L /R	2	356 A
		F 61 001 >> 150 000			

Model: 356 50

Model life 1950>>1959

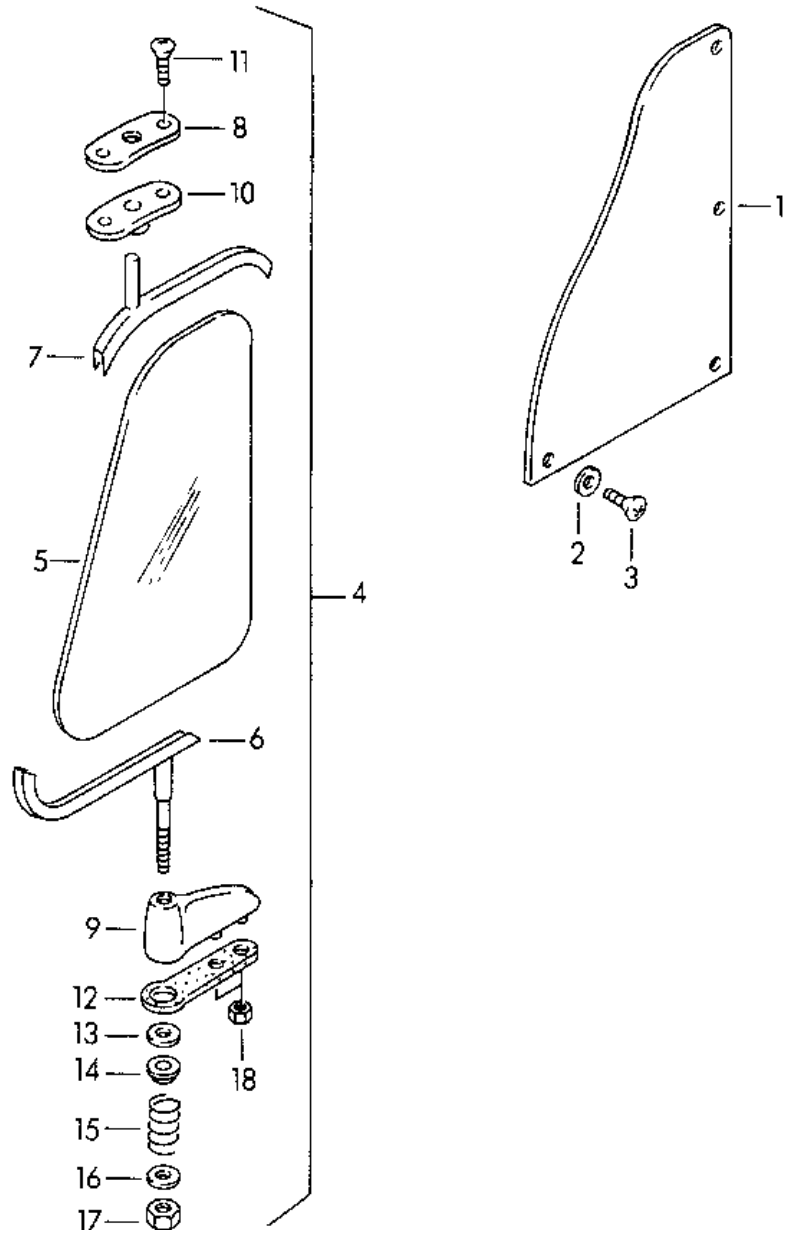


Model: 356 50 Model life 1950>>1959

Pos	Part Number	Description	Remark	Qty	Model
		Door window glass F 150 001 >>			CABRIO HARDTOP
1	644 542 005 20	Door glass frame Complete	/L	1	
(1)	644 542 006 20	Door glass frame Complete	/R	1	
2	644 542 051 30	Side window Complete with Latch	/L	1	
(2)	644 542 052 30	Side window Complete with Latch	/R	1	
3	644 542 105 30	Side window glass	/L /R	2	
4+5		Not available			
6	644 542 551 20	Latch	/L	1	
(6)	644 542 552 20	Latch	/R	1	
7+8		Not available			
9	644 542 555 00	Compression spring		2	
10	911 542 556 48	Spring washer		2	
11		Not available			
12	900 090 001 00	Dowel pin		2	
12	900 090 001 07	Dowel pin		2	
13	644 542 061 20	Door glass frame	/L	1	
(13)	644 542 062 20	Door glass frame	/R	1	
14	644 542 527 00	Tubular rivet		2	
15	900 028 010 01	Spring washer B 8		2	
16	644 542 563 00	Thrust washer		2	
17	644 542 564 00	Washer		2	
18	644 542 565 00	Compression spring		2	
19	644 542 567 00	Guide washer		2	
20	900 076 010 02	Nut M 6		4	
20	900 076 010 0B	Nut M 6		4	
21	644 542 931 26	Tread Rubber	/V /L	1	
(21)	644 542 932 26	Tread Rubber	/V /R	1	
22	644 542 933 26	Tread Rubber	/H /L /R	2	
23	644 542 901 26	Window guide 730 MM	/V	2	
24	644 542 902 00	Window guide It is necessary to rework	/H	2	
25	644 531 045 21	Window guide	/H /L	1	
(25)	644 531 046 21	Window guide	/H /R	1	
26	644 542 101 21	Door window glass	/L /R	2	
27	644 542 045 21	Window lifter rail	/L	1	
(27)	644 542 046 21	Window lifter rail	/R	1	
28	644 542 491 41	Tread Rubber		*	
29	644 531 431 21	Rail Outer	/L	1	
(29)	644 531 432 21	Rail Outer	/R	1	
30	644 531 931 00	Tread Rubber		2	
31	644 025 928 00	Rail Piping		2	
31	PCG 025 928 00	Piping		8	

Model: 356 50

Model life 1950>>1959

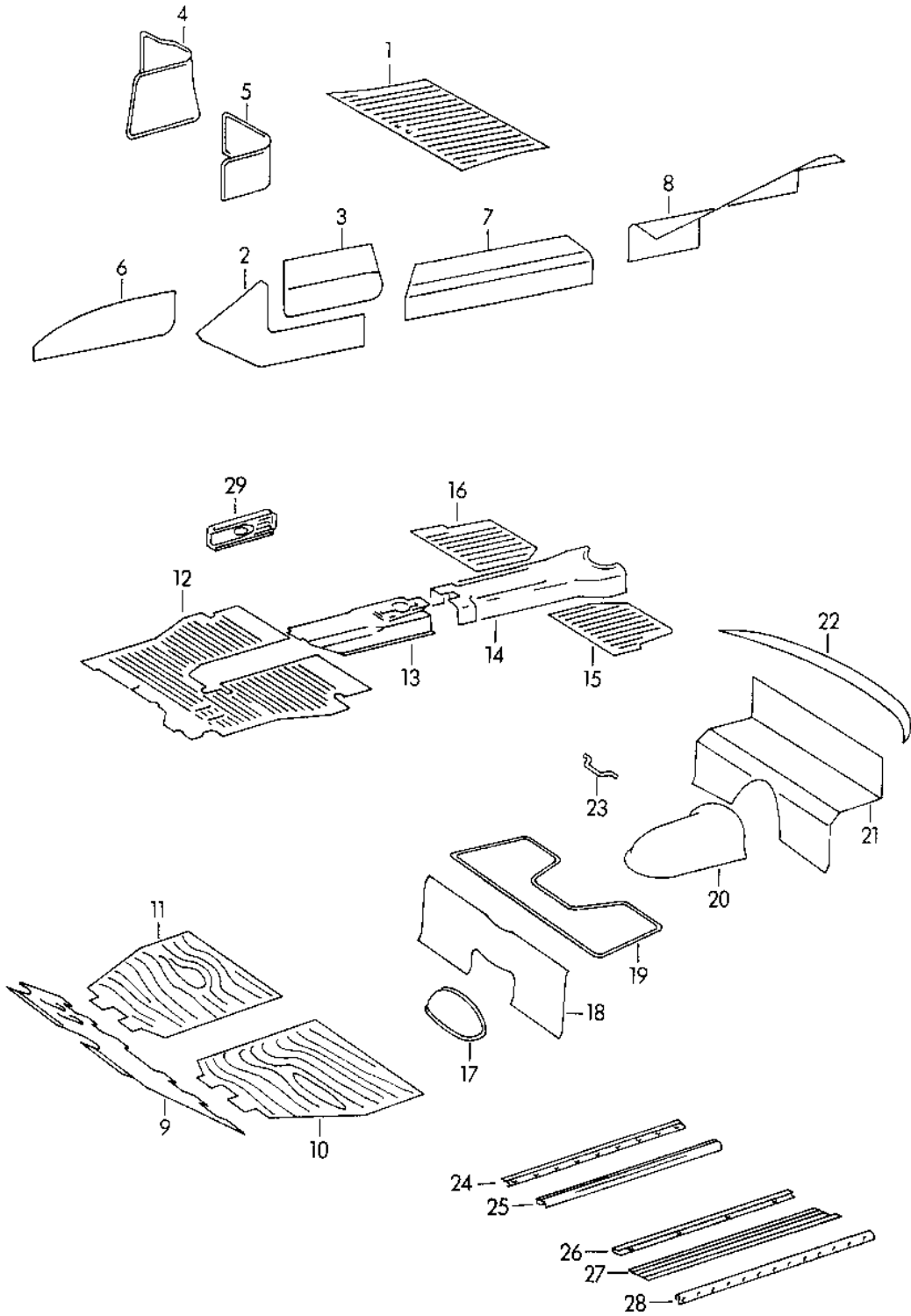


Model: 356 50 Model life 1950>>1959

Pos	Part Number	Description	Remark	Qty	Model
1	644 542 131 00	Washer Special model		2	
2		Washer Bleeding			
3	900 019 002 02	Not available		8	
4		Oval-head screw Countersunk-head screw M 4 X 8 Chrome			
5	644 542 105 00	Not available		2	
6	644 542 053 00	Side window	/L /R	2	
7	644 542 055 00	Support frame Lower	/L /R	2	
8	644 542 541 00	Support frame Upper	/L	1	
(8)	644 542 542 00	Bearing Upper	/R	1	
9	644 542 543 00	Bearing Lower	/L	1	
(9)	644 542 544 00	Bearing Lower	/R	1	
10	644 542 593 00	Stop plate White	/L /R	1	
11		Not available			
12	644 542 591 00	Rubber base	/L	1	
(12)	644 542 592 00	Rubber base	/R	1	
13	644 542 563 00	Thrust washer		2	
14	644 542 567 00	Guide washer		2	
15	644 542 565 00	Compression spring		2	
16	644 542 564 00	Washer		2	
17+18		Not available			

Model: 356 50

Model life 1950>>1959



Model: 356 50 Model life 1950>>1959

Pos	Part Number	Description	Remark	Qty	Model
(1)	356 53 800	Linings Footwell Rubber base		1	356
1	644 551 103 00	FRONT luggage compartment Rubber base		1	356 A
(2)	356 53 610	FRONT luggage compartment Rubber base	/L	1	356
(2)	644 551 403 00	Front part Carpet	/L	1	356 A
(2)	644 551 401 41	Front part Carpet	/L	1	CABRIO
(2)	356 53 611	Front Carpet	/R	1	356
2	644 551 404 00	Front part Carpet	/R	1	356 A
(2)	644 551 402 41	Front Carpet	/R	1	CABRIO
(3)	356 53 608	Front part Carpet	/L	1	356
(3)	644 551 041 00	Bag Carpet	/L	1	356 A
(3)	644 551 041 40	Front part Carpet	/L	1	SPEEDSTER
(3)	356 53 609	Bag Carpet	/R	1	356
3	644 551 042 00	Bag Carpet	/R	1	356 A
(3)	644 551 042 40	Front part Carpet	/R	1	SPEEDSTER
(4)	644 551 405 41	Bag Carpet	/L	1	CABRIO
4	644 551 406 41	Lower part Carpet	/R	1	CABRIO
(5)	644 551 407 41	Front part Carpet	/L	1	CABRIO
5	644 551 408 41	Bag Carpet	/R	1	CABRIO
(6)	356 53 614	Bag Carpet	/L	1	356
6	356 53 615	FRONT luggage compartment Carpet	/R	1	356
-	356 53 616	FRONT luggage compartment Carpet		1	356:M
-	356 53 611	FRONT luggage compartment Carpet		1	356:M
-	356 53 617	Seat Carpet		1	356:M

Model: 356 50 Model life 1950>>1959

Pos	Part Number	Description	Remark	Qty	Model
(7)	356 53 605	Velour Seat Carpet Side member Centre	/L	1	356
(7)	644 551 415 00	Carpet Side member Centre	/L 57- 57-	1	356 A
(7)	644 551 415 41	Carpet Side member Centre	/L 57- 57-	1	CABRIO
(7)	356 53 606	Carpet Side member Centre	/R	1	356
7	644 551 416 00	Carpet Side member Centre	/R	1	356 A
(7)	644 551 416 41	Carpet Side member Centre	/R	1	CABRIO
(8)	356 53 603	Carpet Side member Rear	/L	1	356
(8)	644 551 417 00	Carpet Side member Rear	/L	1	356 A:COUPE
(8)	644 551 417 20	Carpet Side member Rear	/L	1	356 A:CABRIO
(8)	644 551 417 40	Carpet Side member Rear	/L	1	356 A SPEEDSTER
(8)	644 551 417 41	Carpet Side member Rear	/L	1	356 A CABRIO
(8)	356 53 604	Carpet Side member Rear	/R	1	356
8	644 551 418 00	Carpet Side member Rear	/R	1	356 A:COUPE
(8)	644 551 418 20	Carpet Side member Rear	/R	1	356 A:CABRIO
(8)	644 551 418 40	Carpet Side member Rear	/R	1	356 A SPEEDSTER
(8)	644 551 418 41	Carpet Side member Rear	/R	1	356 A CABRIO
9	356 53 105	Pedal floor board		1	356
(9)	644 551 605 00	Pedal floor board Complete	/LL	1	356 A
(9)	644 551 606 00	Pedal floor board Complete	/RL	1	356 A
-	644 551 601 00	Pedal floor board	/LL /L 57-	1	356 A
-	644 551 603 00	Pedal floor board	/RL /L 57-	1	356 A
-	644 551 602 00	Pedal floor board	/LL /R 57-	1	356 A
-	644 551 604 00	Pedal floor board	/RL /R 57-	1	356 A

Model: 356 50 Model life 1950>>1959

Pos	Part Number	Description	Remark	Qty	Model
10	356 53 107	Floorboard	/L	1	356
11	356 53 108	Floorboard	/R	1	356
-	644 551 631 00	Spring		2	356 A
-	644 551 640 00	Stop		1	356 A
(12)	356 53 803	Rubber base	/V	1	356
12	644 551 101 00	Rubber base	/LL /V	1	356 A
(13)	356 53 805	Rubber base Tunnel F 5 001 >> 11 778 F 5 015 >> 15 072		1	356 356:COUPE 356:CABRIO
(13)	356 53 805 A	Rubber base Tunnel F 11 779 >> 52 906 F 15 072 >> 30 707		1	356 356:COUPE 356:CABRIO
(13)	356 53 805 B	Rubber base Tunnel F 52 907 >> F 60 708 >>		1	356 356:COUPE 356:CABRIO
13	644 551 111 00	Rubber base Tunnel		1	356 A
(13)	644 551 111 01	Rubber base Tunnel F 101 693 >> F 150 001 >> F 83 792 >>		1	356 A 356 A:COUPE 356 A:CABRIO 356 A SPEEDSTER
-	356 53 115	Cover plate Tunnel with Rubber base F 5 001 >> 11 778 F 5 015 >> 15 072		1	356 356:COUPE 356:CABRIO
-	356 53 115 A	Cover plate Tunnel with Rubber base F 11 779 >> 52 906 F 15 072 >> 30 707		1	356 356:COUPE 356:CABRIO
-	356 53 115 B	Cover plate Tunnel with Rubber base F 52 907 >> F 60 708 >>		1	356 356:COUPE 356:CABRIO
-	644 551 160 01	Cover plate Tunnel with Rubber base F 101 693 >> F 150 001 >> F 83 792 >>		1	356 A 356 A:COUPE 356 A:CABRIO 356 A SPEEDSTER
(14)	356 53 607	Carpet Tunnel		1	356
14	644 551 411 00	Carpet Tunnel		1	356 A
(14)	644 551 411 01	Carpet Tunnel F 101 693 >> F 150 001 >> F 83 792 >>		1	356 A 356 A:COUPE 356 A:CABRIO 356 A SPEEDSTER
(14)	644 551 411 41	Carpet		1	CABRIO

Model: 356 50 Model life 1950>>1959

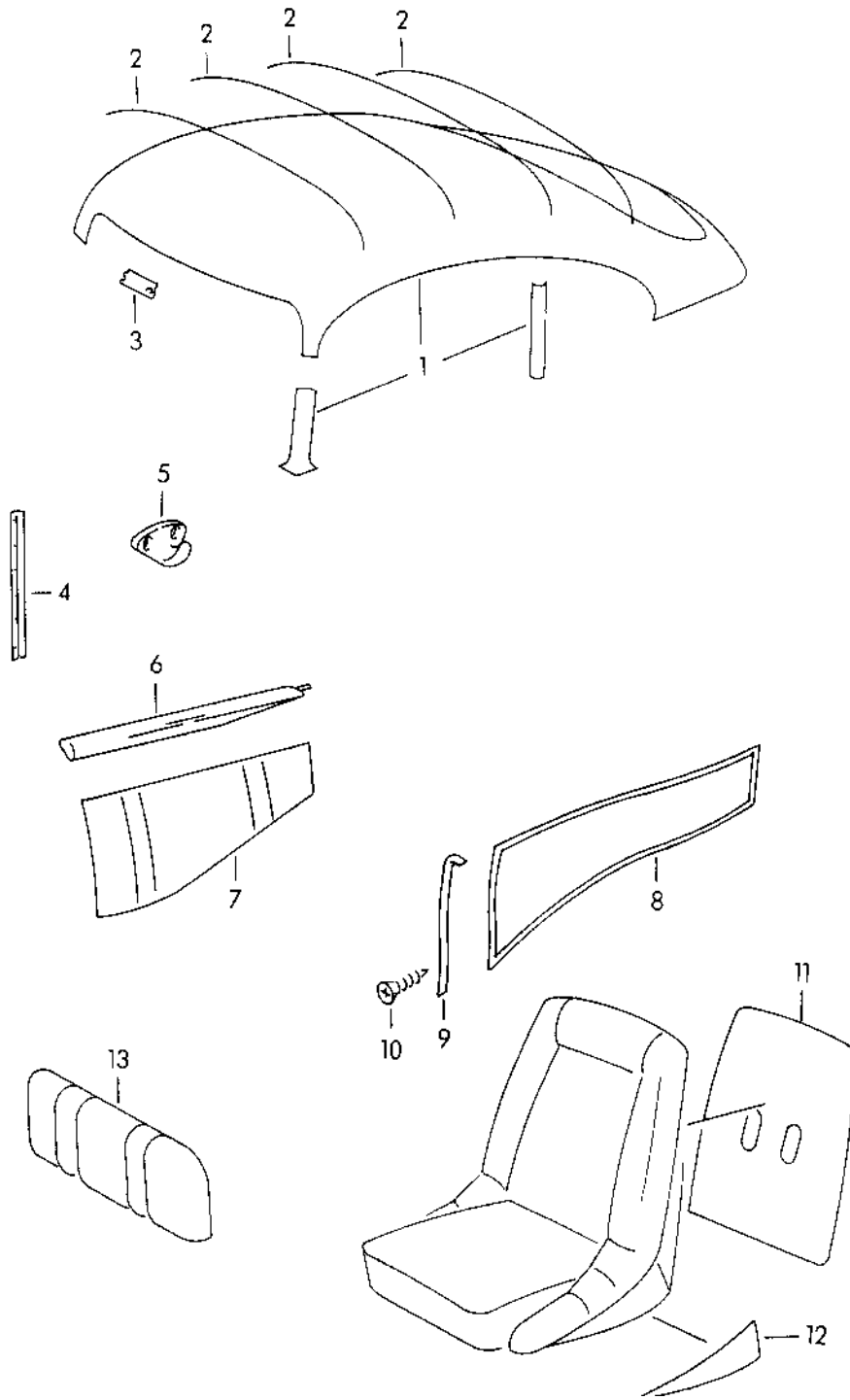
Pos	Part Number	Description	Remark	Qty	Model
(15)	356 53 807	Tunnel Rubber base	/L	1	356
15	644 551 121 00	Back seat Rubber base	/L	1	356 A
(16)	356 53 808	Back seat Rubber base	/R	1	356
16	644 551 122 00	Back seat Rubber base	/R	1	356 A
17	356 53 612	Carpet Lid		1	356
(17)		Shift rods See group 8/01/10			356 A
(17)	644 551 425 41	Carpet Lid		1	CABRIO
(18)	356 53 602	Shift rods Carpet		1	356
18	644 551 423 00	Heel plate Carpet		1	356 A
(18)	644 551 423 41	Heel plate Carpet		1	CABRIO
19	644 551 435 41	Heel plate Carpet		1	CABRIO
20	644 551 437 41	Carpet Back seat Upper		1	CABRIO
(21)	356 53 601	Centre Carpet		1	356
21	644 551 431 00	Back seat Carpet		1	356 A:COUPE
(21)	644 551 431 01	Rear covering F 55 001 >> 101 692 Carpet		1	356 A:COUPE
(21)	644 551 431 20	Rear covering F 101 693 >> Carpet		1	356 A:CABRIO
(21)	644 551 431 21	Rear covering F 61 001 >> 150 000 Carpet		1	356 A:CABRIO HARDTOP
(21)	540 53 601	Rear covering Carpet		1	356 SPEEDSTER
(21)	644 551 431 40	Carpet Rear covering		1	356 A SPEEDSTER
(21)	644 551 433 41	Carpet Rear covering		1	CABRIO SPEEDSTER
(22)	356 53 613	Carpet Backrest		1	356
22	644 551 441 00	Carpet Backrest		1	
(22)	644 551 441 01	F 55 001 >> 101 692 F 61 001 >> 150 000 Carpet		1	356 A:COUPE 356 A:CABRIO
(22)	540 53 601 1	Carpet Backrest		1	356 A:COUPE 356 A:CABRIO HARDTOP
(22)	644 551 433 40	F 101 693 >> F 150 001 >> Carpet		1	356 SPEEDSTER
(22)	644 551 433 40	Carpet		1	356 A

Model: 356 50 Model life 1950>>1959

Pos	Part Number	Description	Remark	Qty	Model
(22)	644 551 431 41	Backrest Carpet Backrest		1	SPEEDSTER CABRIO
(23)	477 885 761	Retaining bar		1	356
23	644 025 172 00	Fastening clamp		1	356 A
(24)	356 53 815	Scuff plate	/L /R	2	356
24	644 551 117 00	Scuff plate	/L	1	356 A
(24)		Scuff plate	/R	1	356 A
(25)	644 551 915 00	Rubber seal		2	356
25		Rubber seal		2	356 A
(26)	356 52 810	Door sill rail		2	356
26	644 551 917 00	Door sill rail		2	356 A
26	644 551 917 00 GRV	Door sill rail		2	356 A
(27)	356 53 809	Rubber base Entrance lining	/L	1	356
27	644 551 115 00	Rubber base Entrance lining	/L	1	356 A
(27)	356 53 810	Rubber base Entrance lining	/R	1	356
(27)	644 551 116 00	Rubber base Entrance lining	/R	1	356 A
(28)	356 53 811	Rail	/L /R	2	356
28	644 551 119 00	Rail	/L	1	356 A
(28)	644 551 120 00	Rail	/R	1	356 A
(29)	356 58 041	Slide Heating		2	356
29	644 572 075 00	Slide Heating		2	356 A
29	PCG 572 075 00	Slide Heating		2	356 A
-	000 551 571 00	Carpet Running meter		X	
	000 551 571 00 000	Red			
	000 551 571 00 200	Green			
	000 551 571 00 300	Blue			
	000 551 571 00 400	Brown			
	000 551 571 00 500	Beige			
	000 551 571 00 600	Grey			
	000 551 571 00 700	Anthracite			
		F 55 001 >> 101 692			356 A:COUPE
		F 61 001 >> 150 000			356 A:CABRIO
		F 82 001 >> 83 791			356 A SPEEDSTER

Model: 356 50

Model life 1950>>1959



Model: 356 50 Model life 1950>>1959

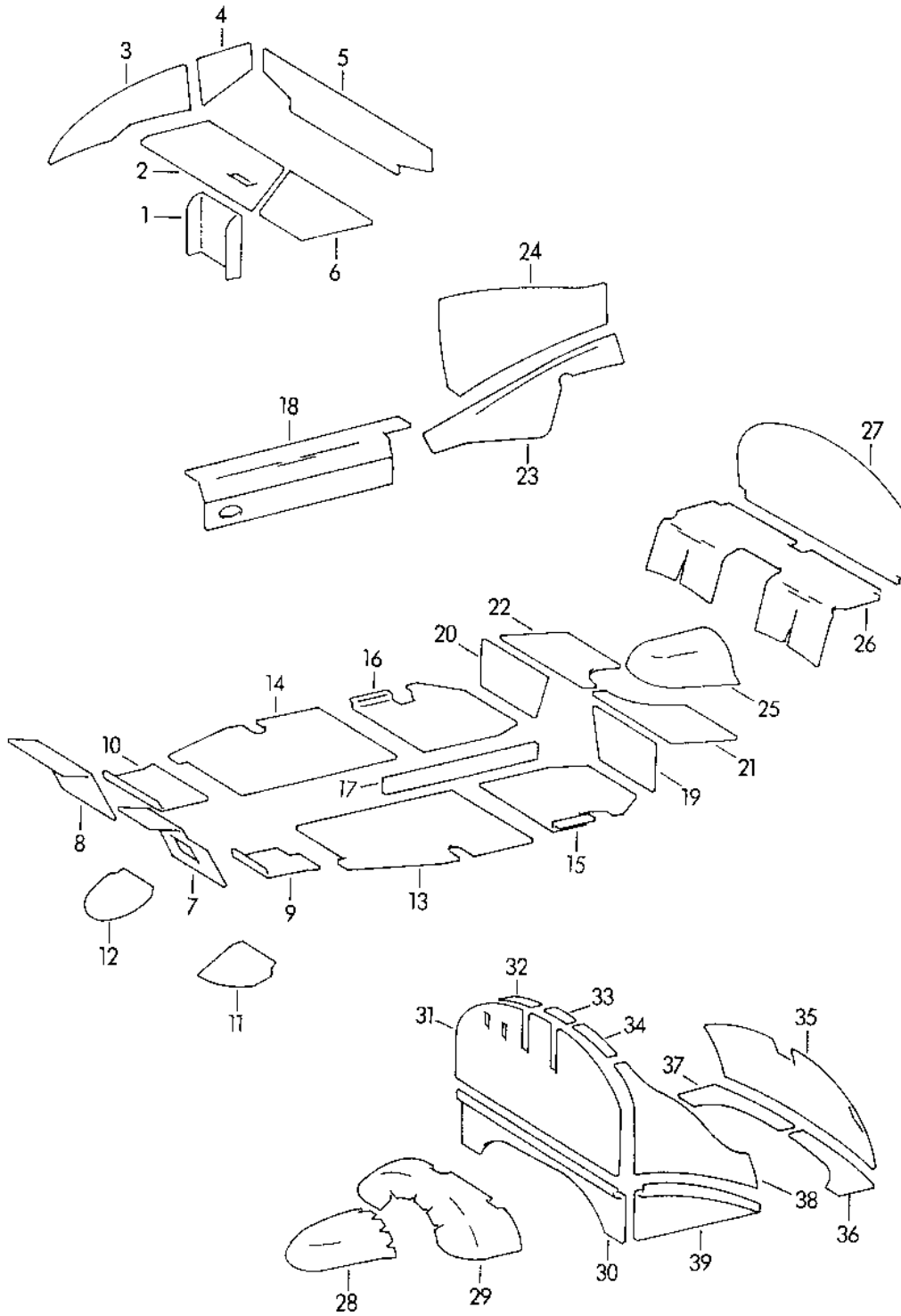
Pos	Part Number	Description	Remark	Qty	Model
		Linings			
		Interior equipment			
(1)	356 53 040	Roofliner		1	356:COUPE
(1)		Roofliner		1	356:CABRIO
1	644 555 501 00	Roofliner		1	356 A:COUPE
(1)	644 555 501 40	Cover		1	356 A:COUPE
		with			
		Sunroof			
(1)	644 555 501 20	Cover		1	356 A:CABRIO
		F 61 001 >> 150 000			
(1)	644 555 501 21	Rooflining		1	356 A:CABRIO
		F 150 001 >>			
(1)	644 555 501 60	Cover		1	356 A
		F 150 001 >>			HARDTOP
(2)	356 53 405	Transverse strut		3	356
2	644 555 511 00	Transverse strut		4	356 A:COUPE
3	999 591 321 01	Fastening clamp		16	356 A:COUPE
					CABRIO
(4)	356 53 816	Rail	/V /L /R	2	356
(4)	644 551 181 00	Rail	/V /L	1	
		F >> 59 099			356 A:COUPE
		F >> 61 700			356 A:CABRIO
		F >> 83 114			356 A
4	644 551 182 00	Rail	/V /R	1	SPEEDSTER
		F >> 59 099			356 A:COUPE
		F >> 61 700			356 A:CABRIO
		F >> 33 114			356 A
					SPEEDSTER
(5)	356 58 337	Hook		2	356
5	644 552 871 00	Coat hook		2	356 A
5	PCG 552 871 00	Coat hook		2	356 A
(6)	356 53 505	Ornamental strip	/L	1	356
		Rear bulkhead			
		F 5 001 >> 11 360			
(6)	356 53 503	Ornamental strip	/L	1	356
		Rear bulkhead			
		F 11 361 >>			
(6)	644 555 731 00	Ornamental strip	/L	1	356 A
		Rear bulkhead			
(6)	356 53 506	Ornamental strip	/R	1	356
		Rear bulkhead			
		F 5 001 >> 11 360			
(6)	356 53 504	Ornamental strip	/R	1	356
		Rear bulkhead			
		F 11 361 >>			
6	644 555 732 00	Ornamental strip	/R	1	356 A
		Rear bulkhead			
(7)	356 53 52	Rear bulkhead	/L	1	356
(7)	644 555 073 00	Rear bulkhead	/L	1	356 A:COUPE
(7)	644 555 073 21	Rear bulkhead	/L	1	356 A:CABRIO
		F 61 001 >> 150 000			
(7)	644 555 007 20	Lining	/L	1	356 A:CABRIO
		F 150 001 >>			
(7)	356 53 053	Rear bulkhead	/R	1	356
7	644 555 074 00	Rear bulkhead	/R	1	356 A:COUPE
(7)	644 555 074 21	Rear bulkhead	/R	1	356 A:CABRIO
		F 61 001 >> 150 000			
(7)	644 555 008 20	Lining	/R	1	356 A:CABRIO
		F 150 001 >>			
(8)	540 53 603	Lining	/L	1	356
		Wheel housing			SPEEDSTER
		Please state the colour			
(8)	644 551 427 40	Lining	/L	1	356 A

Model: 356 50 Model life 1950>>1959

Pos	Part Number	Description	Remark	Qty	Model
(8)	644 555 007 60	Wheel housing Please state the colour Lining	/L	1	SPEEDSTER 356 A:CABRIO HARDTOP
(8)	644 551 427 41	Wheel housing Please state the colour F 150 001 >> Carpet	/L	1	CONVERTIBLE
(8)	540 53 604	Wheel housing Please state the colour Lining	/R	1	356 SPEEDSTER
(8)	644 551 428 40	Wheel housing Please state the colour Lining	/R	1	356 A SPEEDSTER
(8)	644 555 008 60	Wheel housing Please state the colour Lining	/R	1	356 A:CABRIO HARDTOP
(8)	644 551 428 41	Wheel housing Please state the colour F 150 001 >> Carpet	/R	1	CONVERTIBLE
(9)	356 53 817	Wheel housing Please state the colour Rail	/H	2	356
(9)	540 53 801	Rail	/H /L	1	356 SPEEDSTER
(9)	644 551 181 40	Rail	/H /L	1	356 A SPEEDSTER
(9)	540 53 802	Rail	/H /R	1	356 SPEEDSTER
(9)	644 551 182 40	Rail	/H /R	1	356 A SPEEDSTER
(10)	540 53 802 1	Counters. head tapp. screw 2,9 X 9,5		2	356 SPEEDSTER
10	900 139 001 00	Counters. head tapp. screw 2,9 X 9,5		2	356 A SPEEDSTER
(11)	540 59 715	Seat cover Please state the colour	/H	2	356 SPEEDSTER
11	644 521 531 40	Seat cover Please state the colour	/H	2	356 A SPEEDSTER
(12)	540 59 723	Seat cover Lower Please state the colour	/L	2	356 SPEEDSTER
12	644 521 533 40	Seat cover Lower Please state the colour	/L	2	356 A SPEEDSTER
(12)	540 59 724	Seat cover Lower Please state the colour	/R	2	356 SPEEDSTE
(12)	644 521 534 40	Seat cover Lower Please state the colour	/R	2	356 A SPEEDSTER
(13)	356 53 051	Back wall lining Please state the colour		1	356:COUPE
-	356 53 051 1	Film for stickers for Back wall lining		1	356:COUPE
13	644 555 075 00	Lining		1	356 A

Model: 356 50

Model life 1950>>1959



Model: 356 50 Model life 1950>>1959

Pos	Part Number	Description	Remark	Qty	Model
		Body			356 A
		Insulation			
-	644 556 990 00	Damping mat		X	
1	644 556 111 01	Insulation	/V	1	
		Cross panel			
2	644 556 101 01	Insulation	/V	1	
		Boot floor plate			
(3)	644 556 103 01	Insulation	/V /L	1	
		FRONT luggage compartment			
3	644 556 104 01	Insulation	/V /R	1	
		FRONT luggage compartment			
(4)	644 556 105 01	Insulation	/H /L	1	
		FRONT luggage compartment			
4	644 556 106 01	Insulation	/H /R	1	
		FRONT luggage compartment			
5	644 556 115 01	Insulation	/H	1	
		FRONT luggage compartment			
6	644 556 151 01	Insulation		1	
		Lid			
7	644 556 201 01	Insulation	/L	1	
		Pedal floor board			
8	644 556 202 01	Insulation	/R	1	
		Pedal floor board			
9	644 556 505 01	Insulation	/L	1	
		Footwell			
10	644 556 506 01	Insulation	/R	1	
		Footwell			
11	644 556 212 01	Insulation	/V /L	1	
		Underbody			
12	644 556 211 01	Insulation	/V /R	1	
		Underbody			
13	644 556 501 01	Insulation	/L	1	
		Footwell			
		Centre			
14	644 556 502 01	Insulation	/R	1	
		Footwell			
		Centre			
14	PCG 556 902 00	Damping mat		1	
		1000X500X2,6			
		It is necessary to rework			
15	644 556 503 01	Insulation	/H /L	1	
		Footwell			
15	PCG 556 902 00	Damping mat		1	
		1000X500X2,6			
		It is necessary to rework			
16	644 556 504 01	Insulation	/H /R	1	
		Footwell			
16	PCG 556 902 00	Damping mat		1	
		1000X500X2,6			
		It is necessary to rework			
17	644 556 511 01	Insulation		2	
		Tunnel			
17	PCG 556 902 00	Damping mat		2	
		1000X500X2,6			
		It is necessary to rework			
(18)	644 556 303 01	Insulation	/L	1	
		Side member			
		Inner			
(18)	PCG 556 902 00	Damping mat		1	
		1000X500X2,6			
		It is necessary to rework			
18	644 556 304 01	Insulation	/R	1	
		Side member			

Model: 356 50 Model life 1950>>1959

Pos	Part Number	Description	Remark	Qty	Model
18	PCG 556 902 00	Inner Damping mat 1000X500X2,6		1	
19	644 556 305 01	It is necessary to rework Insulation Heel plate	/L	2	
19	PCG 556 902 00	Damping mat 1000X500X2,6		1	
20	644 556 306 01	It is necessary to rework Insulation Heel plate	/R	2	
20	PCG 556 902 00	Damping mat 1000X500X2,6		1	
21	644 556 307 01	It is necessary to rework Insulation Back seat Upper	/L	2	
21	PCG 556 902 00	Damping mat 1000X500X2,6		1	
22	644 556 308 01	It is necessary to rework Insulation Back seat Upper	/R	2	
22	PCG 556 902 00	Damping mat 1000X500X2,6		1	
(23)	644 556 315 01	It is necessary to rework Insulation Side member	/H /L	1	
(23)	PCG 556 902 00	Damping mat 1000X500X2,6		1	
23	644 556 316 01	It is necessary to rework Insulation Side member	/H /R	1	
23	PCG 556 902 00	Damping mat 1000X500X2,6		1	
(24)	644 556 601 01	It is necessary to rework Insulation Wheel housing panel	/H /L	1	
(24)	PCG 556 902 00	Damping mat 1000X500X2,6		1	
24	644 556 602 01	It is necessary to rework Insulation Wheel housing panel	/H /R	1	
24	PCG 556 902 00	Damping mat 1000X500X2,6		1	
25	644 556 309 01	It is necessary to rework Insulation Floorpan Back seat Upper Centre		2	
26	644 556 311 01	Insulation Boot floor plate		1	
27	644 556 603 01	Insulation Rear bulkhead		1	
28	644 556 322 01	Insulation Underbody Back seat Centre		1	
29	644 556 321 01	Insulation Underbody Boot floor plate		1	
30	644 556 802 01	Insulation	/V	1	

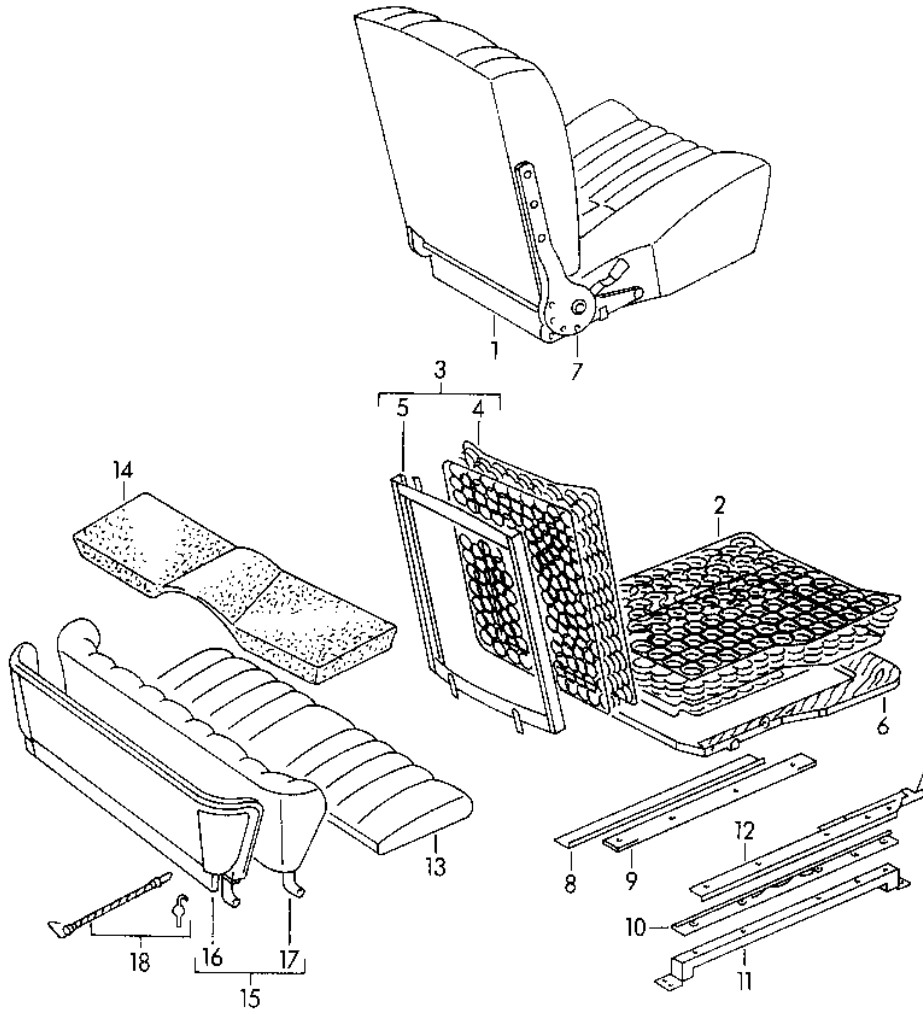
Model: 356 50

Model life 1950>>1959

Pos	Part Number	Description	Remark	Qty	Model
31	644 556 801 01	Engine compartment Lower Damping mat	/V	1	COUPE
(31)	644 556 801 21	Engine compartment Upper Insulation	/V	1	CABRIO SPEEDSTER
32	644 556 805 01	Engine compartment Upper Insulation	/V	1	COUPE
(32)	644 556 805 21	Engine compartment Upper right Insulation	/V	1	CABRIO SPEEDSTER
33	644 556 804 01	Engine compartment Upper Centre Insulation	/V	1	COUPE
(33)	644 556 804 21	Engine compartment Upper Centre Insulation	/V	1	CABRIO SPEEDSTER
34	644 556 803 01	Engine compartment Upper left Insulation	/V	1	COUPE
(34)	644 556 803 21	Engine compartment Upper left Insulation	/V	1	CABRIO SPEEDSTER
35	644 556 811 01	Engine compartment Insulation	/H	1	
36	644 556 817 01	Engine compartment cover Insulation	/L	1	
37	644 556 818 01	Engine compartment cover Insulation	/R	1	
38	644 556 813 01	Engine compartment Lateral upper Insulation	/L	1	COUPE
(38)	644 556 813 21	Engine compartment Lateral upper Insulation	/L	1	CABRIO SPEEDSTER
(38)	644 556 814 01	Engine compartment Lateral upper Insulation	/R	1	COUPE
(38)	644 556 814 21	Engine compartment Lateral upper Insulation	/R	1	CABRIO SPEEDSTER
39	644 556 815 01	Engine compartment Lateral Lower Insulation	/L	1	
(39)	644 556 816 01	Engine compartment Lateral Lower Insulation	/R	1	

Model: 356 50

Model life 1950>>1959



Model: 356 50 Model life 1950>>1959

Pos	Part Number	Description	Remark	Qty	Model
(1)	356 590 002 A	Front seat And Back seat Front seat Complete Reclining seat fitting Cover Leatherette Cloth F 52 030 >> F 60 550 >>	/L	1	356
(1)	356 59 002	Front seat Complete Cover Leatherette Cloth F 5 001 >> 52 029 F 5 015 >> 60 549	/L	1	COUPE CABRIO 356
(1)	356 59 005 A	Front seat Complete Reclining seat fitting Cover Leather F 52 030 >> F 60 550 >>	/L	1	COUPE CABRIO 356
(1)	356 59 005	Comfort seat Complete Cover Leather F 5 001 >> 52 029 F 5 015 >> 60 549	/L	1	COUPE CABRIO 356
(1)	356 59 008 A	Front seat Complete White Reclining seat fitting without Cover	/L	1	COUPE CABRIO 356
(1)	356 59 008	Comfort seat Complete White without Cover	/L	1	356
(1)	644 521 001 01	Front seat Complete Reclining seat fitting Cover Leatherette Cloth	/L	1	356 A
(1)	644 521 001 11	Comfort seat Complete Reclining seat fitting Cover Leather	/L	1	356 A
(1)	644 521 001 42	Front seat Complete Cover Leatherette Cloth		1	
1	356 59 003 A	Front seat Complete Reclining seat fitting Cover Leatherette	/R	1	356

Model: 356 50 Model life 1950>>1959

Pos	Part Number	Description	Remark	Qty	Model
(1)	356 59 003	Cloth F 52 030 >> F 60 550 >> Front seat Complete Cover Leatherette Cloth F 5 001 >> 52 029 F 5 015 >> 60 549	/R	1	COUPE CABRIO 356
(1)	356 59 007 A	Front seat Complete Reclining seat fitting Cover Leather F 52 030 >> F 60 550 >>	/R	1	COUPE CABRIO 356
(1)	356 59 007	Front seat Complete Cover Leather F 5 001 >> 52 029 F 5 015 >> 60 549	/R	1	COUPE CABRIO 356
(1)	356 59 009 A	Front seat Complete White Reclining seat fitting without Cover	/R	1	COUPE CABRIO 356
(1)	356 59 009	Comfort seat Complete White without Cover	/R	1	356
1	644 521 002 01	Front seat Complete Reclining seat fitting Cover Leatherette Cloth	/R	1	356 A
1	644 521 002 11	Comfort seat Complete Reclining seat fitting Cover Leather	/R	1	356 A
(1)	644 521 002 42	Front seat Complete Cover Leatherette Cloth		1	
-	356 59 010	Comfort seat Lower part White without Cover	/L	1	356
-	356 59 011	Comfort seat Lower part White without Cover	/R	1	356
-	356 59 012	Seat Backrest White	/L	1	356

Model: 356 50 Model life 1950>>1959

Pos	Part Number	Description	Remark	Qty	Model
-	356 59 013	without Cover Seat Backrest White	/R	1	356
(2)	356 59 014	without Cover Seat	/L	1	356
(2)	644 521 041 00	Seat cushion F 55 001 >> 101 692 F 61 001 >> 150 000 F 82 001 >> 83 791	/L	1	356 A COUPE CABRIO SPEEDSTER
(2)	644 521 041 01	Seat cushion F 101 693 >> F 150 001 >> F 83 792 >>	/L /R	2	356 A COUPE CABRIO SPEEDSTER
2	356 59 015	Seat cushion	/R	1	356
2	644 521 042 00	Seat cushion F 55 001 >> 101 692 F 61 001 >> 150 000 F 82 001 >> 83 791	/R	1	356 A COUPE CABRIO SPEEDSTER
-	644 521 501 42	Filler piece Valid from: 20.9.57 F 101 693 >> F 150 001 >> F 83 792 >>	/L /R	2	356 A COUPE CABRIO SPEEDSTER
3	644 521 045 01	Support frame with suspension F 101 693 >> F 150 001 >> F 83 792 >>	/L /R	2	356 A COUPE CABRIO SPEEDSTER
-	644 521 505 42	Filler piece Valid from: 20.9.57 F 101 693 >> F 150 001 >> F 83 792 >>	/L /R	2	356 A COUPE CABRIO SPEEDSTER
(4)	644 521 045 00	Spring F 55 001 >> 101 692 F 61 001 >> 150 000 F 82 001 >> 83 791	/L	1	356 A COUPE CABRIO SPEEDSTER
4	356 59 016	Spring	/L /R	2	356
4	644 521 046 00	Spring F 55 001 >> 101 692 F 61 001 >> 150 000 F 82 001 >> 83 791	/R	1	356 A COUPE CABRIO SPEEDSTER
(5)	356 59 018	Backrest frame Metal	/L	1	356
5	356 59 018 1	Support frame Metal	/R	1	356
(6)	356 59 017	Seat frame without Seat rail	/L	1	356
6	356 59 017 1	Frame without Seat rail	/R	1	356
-	644 521 011 01	Frame Metal without Seat rail	/L /R	2	356 A
-	644 521 071 42	Reclining seat fitting	/L /R	1	356 A

Model: 356 50 Model life 1950>>1959

Pos	Part Number	Description	Remark	Qty	Model
		with Mounting parts 1 set			
-	900 119 003 02	Mounting parts Reclining seat fitting Pan-head screw M 8 X 1 X 25		4	356 A
-	900 078 001 01	Hexagon nut M 8 X 1		4	356 A
-	900 018 006 02	Oval-head screw Countersunk-head screw AM 6 X 20 Chrome		12	356 A
-	900 018 005 02	Oval-head screw Countersunk-head screw AM 6 X 15		4	356 A
-	900 114 008 00	Shake-proof washer V 6,4		4	356 A
-	644 521 741 00	Washer		4	356 A
-	644 521 783 00	Spacer		4	356 A
-	644 521 791 00	Desk pad		12	356 A
(7)	356 59 027	Transmission Chrome F 52 030 >> F 60 550 >>	/L	1	356 COUPE CABRIO
7	356 59 028	Transmission Chrome F 52 030 >> F 60 550 >>	/R	1	356 COUPE CABRIO
-	356 59 159	Hinge for Backrest Chrome F 5 001 >> 52 029 F 5 015 >> 60 549	/L	2	356 COUPE CABRIO
-	356 59 160	Hinge for Backrest Chrome F 5 001 >> 52 029 F 5 015 >> 60 549	/R	2	356 COUPE CABRIO
8	356 59 113 U	Seat rail 430 MM Seat Right	/L	1	356
8	644 521 035 00	Seat rail Seat Right	/L	1	356 A
9	644 521 313 00	Seat rail 394 MM Seat Right	/L	1	356
9	644 521 313 01	Seat rail Seat Right	/L	1	356
-	356 59 115 U	Seat rail 430 MM with Locking segment Seat Left	/L	1	356
-	356 59 115 0	Seat rail 394 MM	/L	1	356

Model: 356 50 Model life 1950>>1959

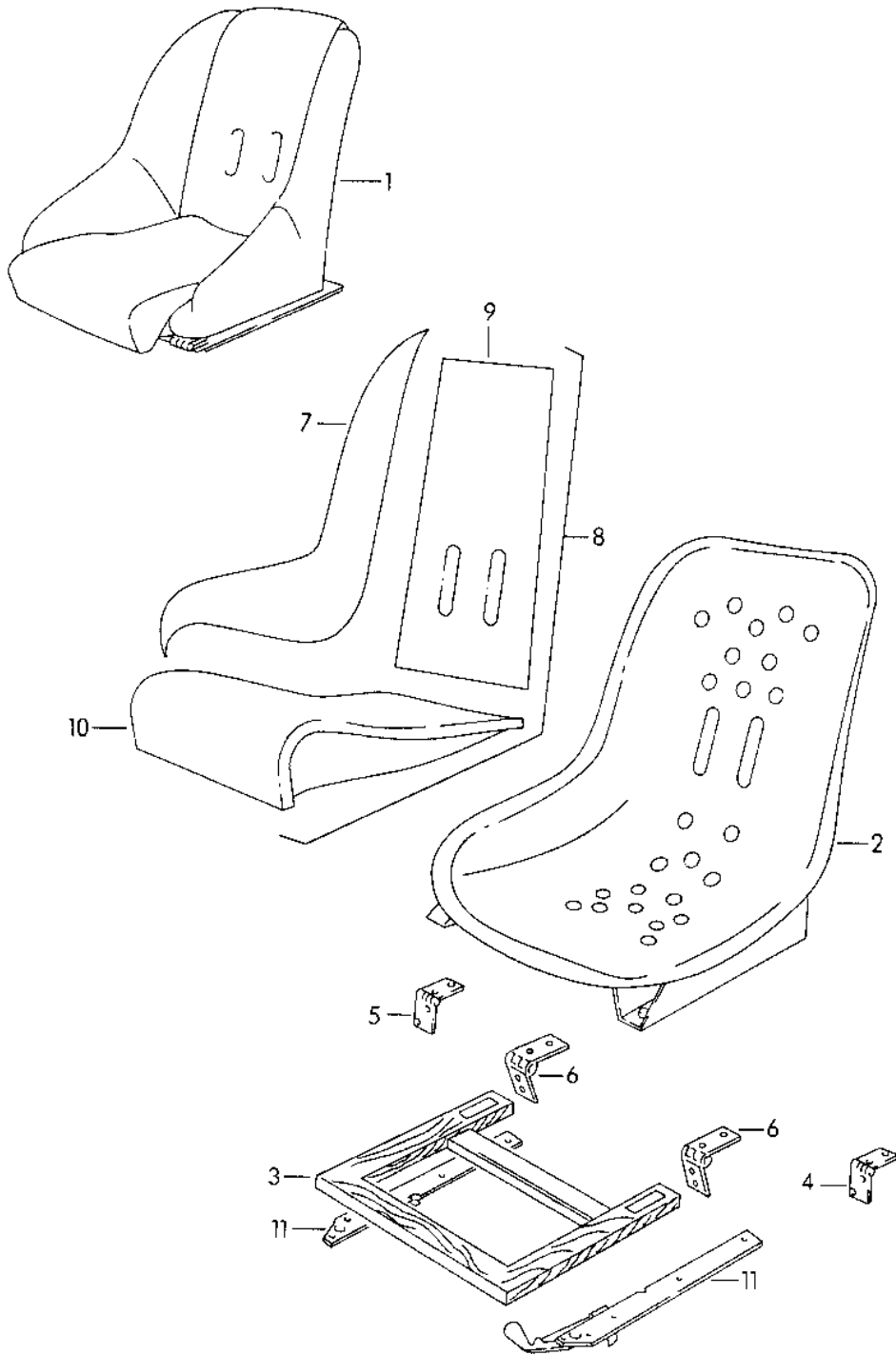
Pos	Part Number	Description	Remark	Qty	Model
-	356 59 114 U	with Locking segment Seat Left Seat rail 430 MM	/R	1	356
-	356 59 114 0	Seat Left Lower Seat rail 394 MM	/R	1	356
-	644 521 036 00	Seat Left Upper Seat rail without Locking segment	/R	1	356 A
-	644 521 314 01	Seat Left Seat rail	/R	1	356 A
(10)	644 521 031 00	Seat Left Seat rail with Locking segment	/L	1	356 A
10	356 59 116 U	Seat rail with Locking segment	/R	1	356
10	644 521 032 00	Seat rail with Locking segment	/R	1	356 A
(11)	356 59 117	Bracket	/L	1	356
(11)	644 521 017 00	Seat rail support	/L	1	356 A
11	356 59 118	Bracket	/R	1	356
11	644 521 018 00	Seat rail support	/R	1	356 A
-	356 59 147	Bracket Frame	/L	1	356
-	356 59 148	Bracket Frame	/R	1	356
(12)	644 521 033 01	Seat rail Seat Left	/L	1	356 A
12	356 59 116 0	Seat rail 394 MM Seat Left	/R	1	356
12	644 521 034 01	Seat rail Seat Right	/R	1	356 A
13	356 59 300	Back seat cushion Complete Cover Leatherette Ribbed velvet		1	356
(13)	356 59 300 1	Back seat cushion Complete Cover Leather Leatherette Ribbed velvet		1	356
13	644 522 003 00	Back seat cushion Complete Cover Leatherette Ribbed velvet		1	356 A

Model: 356 50 Model life 1950>>1959

Pos	Part Number	Description	Remark	Qty	Model
(13)	644 522 003 10	Back seat cushion Complete Cover Leather		1	356 A
14	356 59 301	Cushion		1	356
14	644 522 501 00	Cushion		1	356 A
(14)	644 552 501 10	Cushion		1	356 A CARRERA GT
15	644 522 005 01	Backrest frame Complete Cover Leatherette Cloth		1	356 A
15	644 522 005 11	Backrest frame Complete Cover Leather		1	356 A
16	644 522 021 01	Backrest frame		1	356 A
16	356 59 036 2	Backrest frame		1	356
17	356 59 036	Backrest frame Complete Cover Leatherette Cloth		1	356
(17)	356 59 036 1	Backrest frame Complete Cover Leather		1	356
18	356 59 322	Restraining strap with Hook F 52 907 >> F 60 708 >>		1	COUPE CABRIO
18	644 522 751 00	Restraining strap without Hook		1	356 A
-	644 025 135 00	Hook Backrest		1	356 A
-	644 025 136 00	Hook Rear wall		1	356 A
-	900 138 005 02	Pan-head tapping screw B 3,5 X 16 Chrome		1	356 A
-	356 59 302	Plate Aluminium for Backrest frame		2	356
-	356 59 319	Rubber cap for Backrest F 55 001 >> 108 917 F 61 001 >> 61 892 F 150 001 >> 152 475 F 82 001 >> 84 954 F 85 501 >> 86 830		2	356 COUPE CABRIO CABRIO HARDTOP SPEEDSTER CONVERTIBLE

Model: 356 50

Model life 1950>>1959



Model: 356 50 Model life 1950>>1959

Pos	Part Number	Description	Remark	Qty	Model
1	540 59 017	Front seat Bucket seat Complete	/L	1	SPEEDSTER 540
(1)	540 59 017 1	Leatherette Front seat Complete	/L	1	540
(1)	644 521 001 41	Leather Comfort seat Complete	/L	1	540.1
(1)	644 521 001 51	Leatherette Comfort seat Complete	/L	1	540.1
(1)	644 521 001 52	Leather Bucket seat Complete	/L	1	540.1 CARRERA GT
(1)	540 59 018	Leatherette/ Ribbed velvet Bucket seat Complete	/R	1	540
(1)	540 59 018 1	Leatherette Comfort seat Complete	/R	1	540
(1)	644 521 002 41	Leather Comfort seat Complete	/R	1	540.1
(1)	644 521 002 51	Leatherette Comfort seat Complete	/R	1	540.1
(1)	644 521 002 52	Leather Bucket seat Complete	/R	1	540.1 CARRERA GT
2	540 59 102	Leatherette/ Ribbed velvet Bucket seat Cup	/L	1	540
(2)	540 59 103	Leatherette Bucket seat Cup	/R	1	540
(2)	644 521 061 40	Leather Bucket seat Cup Not for -CARRERA GT-	/L /R	2	540.1
3	540 59 121	Support frame	/L	1	540
(3)	540 59 122	Support frame	/R	1	540
3		Not available			540.1
(4)	540 59 123	Hinge Outer	/L	1	540
4	644 521 351 40	Hinge	/L	1	540.1
(5)	540 59 124	Hinge Outer	/R	1	540
5	644 521 352 40	Hinge Right	/R	1	540.1
6	540 59 125	Hinge Inner	/L /R	2	540
(7)	540 59 705	Side section	/L	2	540
(7)	644 521 503 40	Filler piece	/L	2	540.1
(7)	540 59 706	Side section	/R	2	540
7	644 521 504 40	Filler piece	/R	2	540.1
8	644 521 051 57	Padding with Seat cushion	/L /R	2	540.1
9	540 59 704	Back seat cushion		2	540
10	540 59 707	Back seat cushion	/L	1	540
(10)	540 59 708	Back seat cushion	/R	1	540

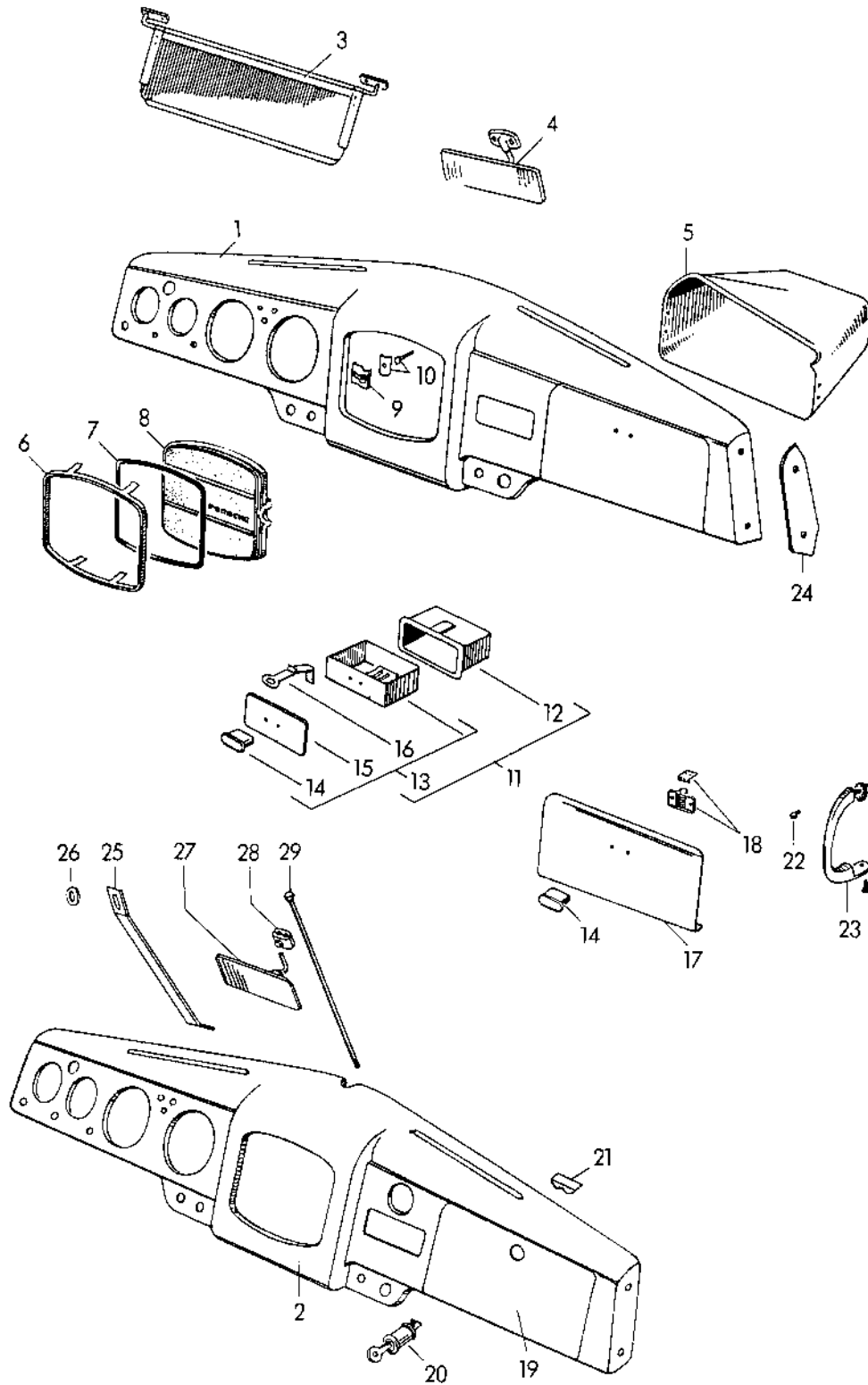
Model: 356 50

Model life 1950>>1959

Pos	Part Number	Description	Remark	Qty	Model
11		Seat rail See group 8/08/00			

Model: 356 50

Model life 1950>>1959



Model: 356 50 Model life 1950>>1959

Pos	Part Number	Description	Remark	Qty	Model
-	356 70 010	Dashboard Dashboard Prime coated with Glove compartment without Lock F 5 001 >> 11 778		1	356 COUPE
-	356 70 015	Dashboard Dashboard Prime coated with Glove compartment without Lock F 11 779 >> 52 029		1	COUPE
1	356 70 135	Dashboard Dashboard Prime coated with Glove compartment without Lock F 52 030 >>		1	COUPE
-	356 70 010	Dashboard Dashboard Prime coated with Glove compartment without Lock F 5 015 >> 15 072		1	CABRIO
-	356 70 015	Dashboard Dashboard Prime coated with Glove compartment without Lock F 15 073 >> 60 549		1	CABRIO
2	356 70 135	Dashboard Dashboard Prime coated with Glove compartment without Lock F 60 550 >>		1	CABRIO
3	356 70 031	Sun visor		2	
4	356 70 035	Interior mirror		1	COUPE
5	356 70 123	Glove compartment		1	
6	356 70 421	Trim frame		1	
7		Rubber seal 928.301		1	
8		Cover Radio Leatherette		1	
(8)		Cover Radio Leather		1	
9		Fixing clip 928.311		2	
10		Screw with Clip 928.305		2	
(11)	356 70 020	Ashtray Complete		1	

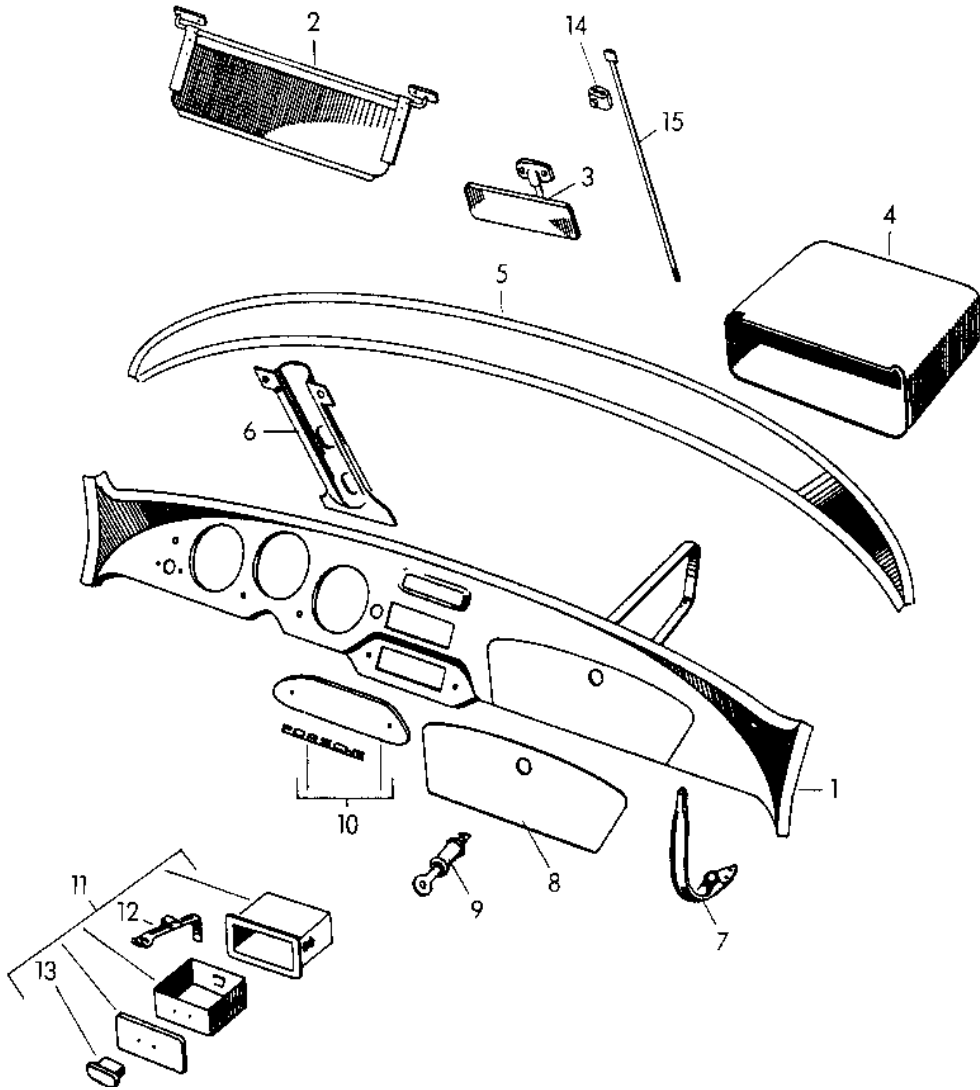
Model: 356 50

Model life 1950>>1959

Pos	Part Number	Description	Remark	Qty	Model
11	356 70 020 A	Ashtray Complete Please state the colour F 52 030 >> F 60 550 >>		1	COUPE CABRIO
12	356 70 020 1	Housing		1	
13	356 70 020 2	Slide-valve gearbox Complete		1	
14	356 53 709	Ashtray handle Please state the colour		2 1	COUPE CABRIO
15	356 70 020 3	Cover Please state the colour		1	
16	356 70 020 4	Spring		1	
17	356 70 104	Glove compartment cover		1	COUPE
18	356 70 128	Lock		1	COUPE
19	356 70 104	Glove compartment cover		1	CABRIO
20	644 552 550 05	Glove compartment lock		1	CABRIO
21	356 70 016 1	Closing element		1	CABRIO
22	644 025 631 00	Rubber buffer for Glove compartment cover		2	
23	356 70 439	Grab handle Complete F 52 030 >> F 60 550 >>		1	COUPE CABRIO
24	356 70 126	Intermediate layer		2	
25	356 70 111	Bracket Dashboard		2	
26	356 70 124	Washer		4	
(27)	356 70 033	Interior mirror F 5 015 >> 60 404		1	CABRIO
27	356 70 037	Interior mirror F 60 405 >>		1	CABRIO
(28)	356 70 303	Clamping piece F 10 270 >> 60 404		1	CABRIO
28	356 70 038	Clip F 60 405 >>		1	CABRIO
29	356 57 108 5	Strut		1	

Model: 356 50

Model life 1950>>1959



Model: 356 50 Model life 1950>>1959

Pos	Part Number	Description	Remark	Qty	Model
		Dashboard			356 A:COUPE CABRIO CONVERTIBLE COUPE/CABRIO
1	644 502 021 07	Dashboard with Glove compartment cover	/LL	1	
(1)	644 502 021 41	Dashboard Prime coated	/LL	1	CONVERTIBLE
(1)	644 502 022 07	Dashboard with Glove compartment cover	/RL	1	COUPE/CABRIO
(1)	644 502 022 41	Dashboard Prime coated	/RL	1	CONVERTIBLE
2	644 731 301 00	Sun visor		2	
3	644 731 101 01	Interior mirror		1	
4	644 552 501 01	Glove compartment		1	
-	644 552 531 00	Restraining strap for Glove compartment		1	
5	644 552 033 00	Profile strip without Cover		1	
(5)	644 552 031 00	Profile strip with Cover		1	
-	644 552 321 00	Please state the colour Profile for Profile strip		1	
-	644 552 351 00	Covering for Profile strip		1	
6	644 502 091 00	Please state the colour Reinforcement plate		1	
7	644 552 865 00	Grab handle		1	
-	799 502 281 00	Strut for Dashboard		1	
8	644 552 511 00	Glove compartment cover		1	
-	644 025 631 00	Rubber buffer for Glove compartment cover		1	
-	644 552 037 00	Padding for Glove compartment cover		1	
9	644 552 550 05	Glove compartment lock with keys		1	
10	644 552 431 00	Cover		1	
-	644 025 601 00	Rubber washer		2	
-	644 025 661 00	Washer		4	
-	999 507 212 01	Speed nut		2	
-	900 055 004 00	Buttonhead rivet		2	
11	644 552 061 00	Ashtray F 55 001 >> 101 692 F 61 001 >> 150 000		1	COUPE CABRIO
(11)	644 552 061 01	Ashtray F 101 693 >> F 150 001 >>		1	COUPE CABRIO
12	644 552 604 00	Spring		1	
13	644 552 851 00	Handle		1	
14	644 731 150 21	Clamp		1	CABRIO
15	644 541 231 20	Clamp		1	CABRIO
-	644 541 025 41	Clamp		1	CONVERTIBLE

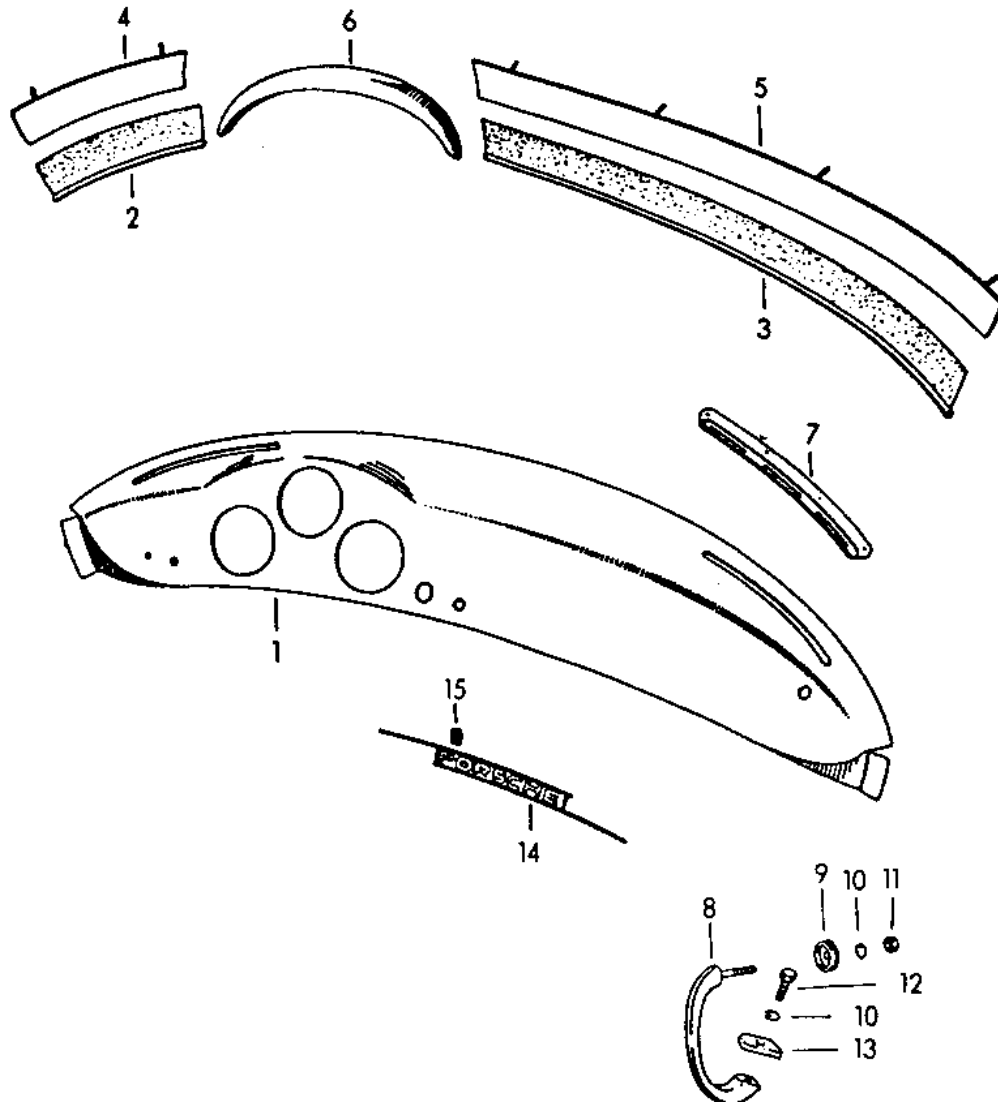
Model: 356 50

Model life 1950>>1959

Pos	Part Number	Description	Remark	Qty	Model
-	644 541 025 45	with Nut F >> 86 530 Clamp		1	CONVERTIBLE
-	644 78 801	with Nut F 86 531 >> Door mirror -PONTO-STABIL- Wing		1	
-	PCG 731 100 00	Door mirror -PONTO-STABIL- Wing		1	
-	644 731 111 00	Door mirror Door		1	COUPE
-	644 731 111 20	Door mirror Door		1	CABRIO
-	644 731 129 00	Rubber base for Door mirror Door		1	COUPE
-	644 731 129 20	Desk pad for Door mirror Door		1	CABRIO
-	900 151 003 02	Washer A 6,4		2	
-	900 151 006 03	Washer A 6,4		2	
-	900 084 003 02	Lock nut M 6		2	

Model: 356 50

Model life 1950>>1959



Model: 356 50 Model life 1950>>1959

Pos	Part Number	Description	Remark	Qty	Model
(1)	540 70 010	Dashboard		1	SPEEDSTER
-	540 70 402	Dashboard Outer lining Leatherette for		1	356
-	540 70 402 1	Dashboard Outer lining Leatherette for		1	356
1	644 502 021 40	Dashboard Windscreen		1	356 A
-	644 552 351 40	Dashboard Prime coated Outer lining Leatherette for		1	356 A
-	644 552 352 40	Dashboard Left Please state the colour Outer lining Leatherette for		1	356 A
-	644 552 355 40	Dashboard Right Please state the colour Outer lining Leatherette for		1	356 A
2	540 70 417	Dashboard Windscreen Please state the colour Piping Rubber Left		1	356
2	644 552 371 40	250 MM Piping Rubber Left		1	356 A
3	540 70 418	250 MM Piping Rubber Right		1	356
3	644 552 372 40	750 MM Piping Rubber Right		1	356 A
4	540 70 405	750 MM Cover strip without Cover Left		1	356
-	540 70 405 1	Water drain strip Left Please state the colour		1	356
4	644 552 301 40	Cover strip without Cover Left		1	356 A
-	644 552 031 40	Cover strip Left Please state the colour		1	356 A
5	540 70 406	Cover strip without		1	356

Model: 356 50 Model life 1950>>1959

Pos	Part Number	Description	Remark	Qty	Model
-	540 70 406 1	Cover Right Cover strip Right Please state the colour		1	356
5	644 552 302 40	Cover strip without Cover Right		1	356 A
-	644 552 032 40	Cover strip Right Please state the colour		1	356 A
6	540 70 403 1	Dashboard trim without Cover		1	356
-	540 70 403	Dashboard trim with Cover		1	356
6	644 552 311 40	Dashboard trim without Cover		1	356 A
-	644 552 035 40	Dashboard trim with Cover		1	356 A
7	644 552 411 40	Cover for Heating nozzle		2	356A
8	540 70 040	Grip handle Complete		1	356
8	PCG 552 865 40	Grab handle		1	356 A
10	900 027 014 01	Lock ring B 6		2	
10	900 027 014 02	Lock ring B 6		2	
10	N 012 006 4	Lock ring B 6		2	
11	900 077 002 02	Hexagon nut M 6		1	
12	N 010 210 13	Hexagon-head bolt M 6 X 10		1	
14	644 559 305 40	Logo		1	356
14		Logo		1	356 A
15	999 507 212 01	Speed nut		8	356 A
-	644 731 101 01	Interior mirror Inner		1	356 A
-	644 731 150 21	Clamp		1	356 A
-	540 57 118	Clamp		1	356
-	540 47 119	Nut for Bar		1	356
-	644 78 801	Door mirror -PONTO-STABIL-		1	356 A
-	718 731 121 60	Wing Mirror housing -SPYDER-	/L	1	
-	644 731 111 00	Wing Door mirror Door		1	356 A
-	644 731 129 00	Rubber base for Door mirror Door		1	356 A
-	900 151 003 02	Washer		2	356 A

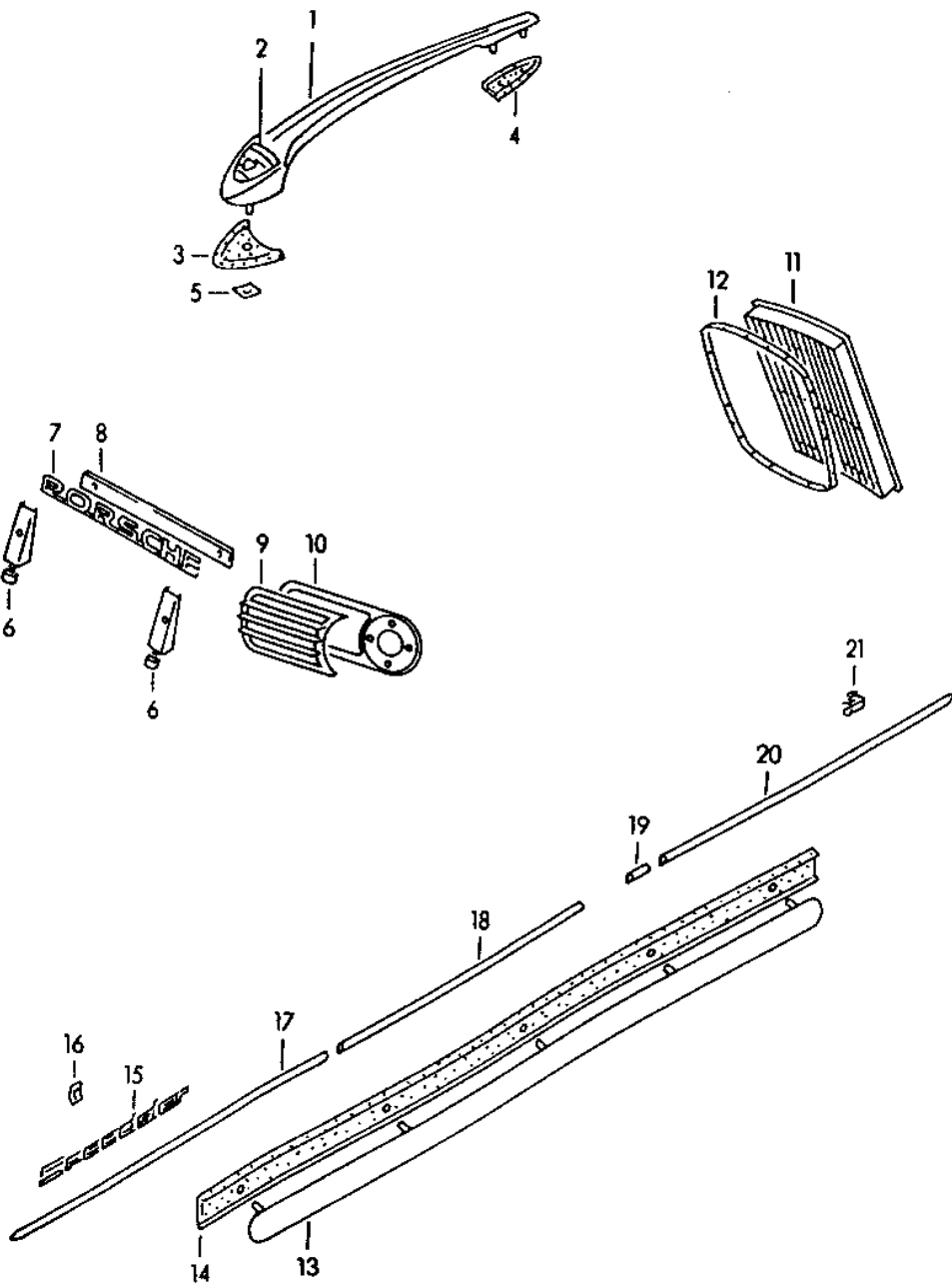
Model: 356 50

Model life 1950>>1959

Pos	Part Number	Description	Remark	Qty	Model
-	900 151 006 03	A 6,4 Washer		2	356 A
-	900 084 003 02	A 6,4 Lock nut M 6		2	356 A

Model: 356 50

Model life 1950>>1959



Model: 356 50 Model life 1950>>1959

Pos	Part Number	Description	Remark	Qty	Model
1	644 559 021 00	Decorative fittings Handle F 52 845 >> F 60 694 >>		1	356 COUPE CABRIO
(1)	356 58 039	Ashtray handle F 5 001 >> 52 844 F 5 015 >> 60 693		1	356 COUPE CABRIO
1	644 559 021 00	Handle		1	356 A
2	644 559 210 00	Crest Gold-plated		1	356
2	644 559 210 01	Crest Gold-plated		1	356
2	644 559 210 02	Crest Gold-plated		1	356
2	644 559 210 00	Crest		1	356 A
2	644 559 210 01	Crest		1	356 A
2	644 559 210 02	Crest		1	356 A
3	356 58 315	Rubber base Front F 5 001 >> 52 844 F 5 015 >> 60 693		1	356 SPEEDSTER COUPE CABRIO
3		Rubber base Front		1	356 A
(3)	356 58 316	Rubber base Complete Long		1	356 SPEEDSTER
4	540 58 316	Rubber base Rear		1	356 SPEEDSTER
4		Rubber base Rear		1	356 A
(4)	356 58 316	Rubber base Complete Long		1	356 SPEEDSTER
5	999 507 212 01	Speed nut		1	356 A
6	356 58 140	Support Number plate Set		1	356
6	644 723 521 00	Bracket Number plate		2	356 A
7	356 58 311	Logo F 51 586 >> F 60 369 >>		2	356
(7)	356 58 036	Logo F 5 001 >> 51 585 F 5 015 >> 60 368		2	356
7	644 559 301 01	Logo Chrome		2	356 A
7	644 559 301 00	Logo Gold-plated		2	356 A
8	356 58 332	Spring plate F 51 586 >> F 60 369 >>		2	356 COUPE CABRIO
8	644 559 331 00	Spring plate		2	356 A
9	356 58 334	Grille F 52 030 >> F 60 550 >>		2	356 COUPE CABRIO
9	644 559 045 00	Protective grille		2	356 A
10	644 559 495 01	Desk pad F 52 030 >> F 60 550 >>		2	COUPE CABRIO
10		Desk pad		2	356 A
11	356 58 310	Ventilation grille		1	356:COUPE
11	356 58 312	Ventilation grille		1	356:CABRIO

Model: 356 50 Model life 1950>>1959

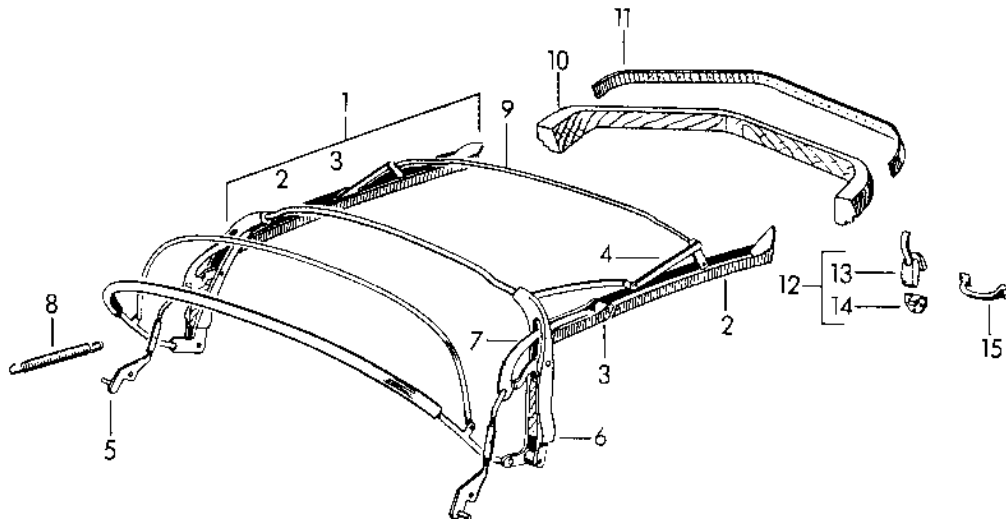
Pos	Part Number	Description	Remark	Qty	Model
11	644 559 041 00	Ventilation grille		1	356 A:COUPE
11	644 559 041 26	Ventilation grille		1	356 A:CABRIO
-	644 559 411 10	Grille		2	CARRERA
12	356 58 317	Tread		1	356
12	644 025 913 00	Tread		1	356 A
13	644 559 011 00	Moulding		2	356 A
13	PCG 559 011 07	Moulding		2	356 SPEEDSTER
14	644 559 131 00	Desk pad		2	356 A
14	540 58 328	Rubber base		2	356 SPEEDSTER
15	540 58 350	Logo		2	356 SPEEDSTER
15	644 559 321 40	Logo		2	356 A SPEEDSTER
16	999 591 211 01	Tapping nut		10	356 SPEEDSTER
16	999 507 212 01	Speed nut		10	356 A SPEEDSTER
17	540 58 331	Moulding Left		1	356 SPEEDSTER
17	644 559 121 40	Moulding Left		1	356 A SPEEDSTER
-	540 58 332	Moulding Right		1	356 SPEEDSTER
-	644 559 122 40	Moulding Right		1	356 A SPEEDSTER
18	644 559 123 40	Moulding Left		1	356 SPEEDSTER
18		Moulding Left		1	356 A SPEEDSTER
-	644 559 124 40	Moulding Right		1	356 SPEEDSTER
-		Moulding Right		1	356 A SPEEDSTER
19	644 559 125 40	Moulding Left		1	356 SPEEDSTER
19		Moulding Left		1	356 A SPEEDSTER
-		Moulding Right		1	356 SPEEDSTER
-	644 559 126 40	Moulding Right		1	356 A SPEEDSTER
20	540 58 337	Moulding Left		1	356 SPEEDSTER
20	644 559 127 40	Moulding Left		1	356 A SPEEDSTER
-	540 58 338	Moulding Right		1	356 SPEEDSTER
-	644 559 128 40	Moulding Right		1	356 A SPEEDSTER
21	999 591 302 02	Moulding clip		42	356 SPEEDSTER
21		Moulding clip		42	356 A SPEEDSTER
-	644 559 301 00	Logo Gold-plated		1	356
-	644 559 305 40	Logo Gold-plated		1	356 SPEEDSTER
-	356 70 428	Dashboard PORSCHE logo Silver Dashboard		1	356 COUPE/CABRIO

Model: 356 50 Model life 1950>>1959

Pos	Part Number	Description	Remark	Qty	Model
-	356 70 428 1	Logo Gold-plated Dashboard		1	356 COUPE/CABRIO
-	356 58 330	Logo "1300" Chrome		1	356
-	356 58 318	Logo "1500" Chrome		1	356
-	356 58 330 1	Logo "1300 SUPER" Chrome		1	356
-	356 58 318 1	Logo "1500 SUPER" Chrome		1	356
-	540 58 309	Logo "1300" Gold-plated		1	356
-	540 58 301	Logo "1500" Gold-plated		1	356
-	540 58 310	Logo -1300 SUPER- Gold-plated		1	356
-	540 58 302	Logo -1500 SUPER- Gold-plated		1	356
-	550 58 350	Logo -SPYDER- Gold-plated		1	356
-	644 559 313 00	Logo -1300- Chrome		1	356
-	644 559 313 01	Logo -1300 SUPER- Chrome		1	356
-	644 559 311 00	Logo -1600- Gold-plated		1	356
-	644 559 311 01	Logo -1600 SUPER- Gold-plated		1	356
-	644 559 325 00	Logo -CARRERA- Gold-plated Large		1	356 A
-	644 559 326 00	Logo -CARRERA- Gold-plated Small		1	356 A
-	644 999 999 99	Logo -RENN-SEMME- Gold-plated		1	356 A
-	999 591 211 01	Tapping nut		4	

Model: 356 50

Model life 1950>>1959



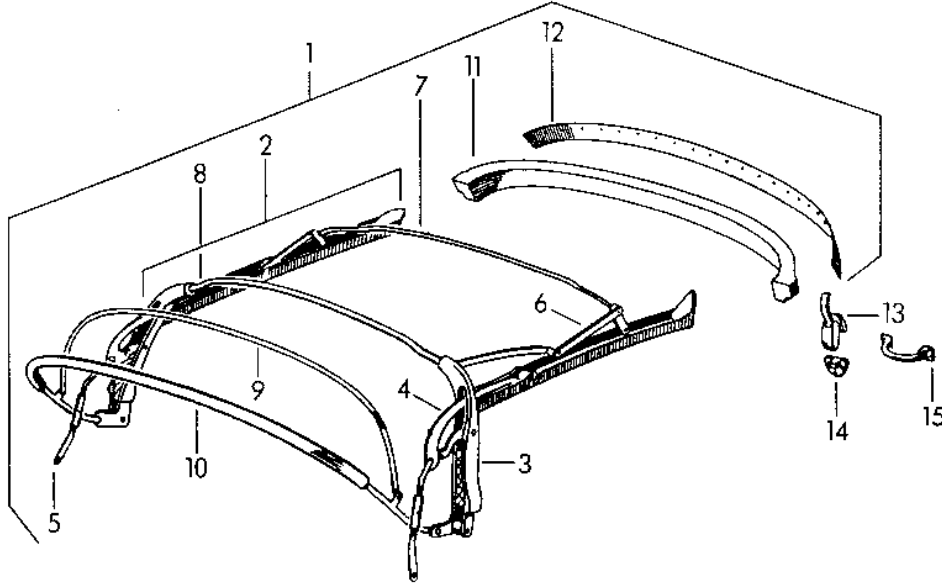
Model: 356 50

Model life 1950>>1959

Pos	Part Number	Description	Remark	Qty	Model
		Convertible top frame			356:CABRIO
1	356 51 083	Roof frame	/L	1	
(1)	356 51 084	Roof frame	/R	1	
(2)	356 51 836	Roof frame	/V /L	1	
2	356 51 837	Roof frame	/V /R	1	
(3)	356 51 838	Roof frame	/H /L	1	
3	356 51 839	Roof frame	/H /R	1	
(4)	356 51 085	Lever	/L	1	
4	356 51 086	Steering arm	/R	1	
5	356 51 089	Steering arm	/L	1	
		Control lever			
(5)	356 51 090	Steering arm	/R	1	
		Control lever			
(6)	356 51 816	Roof strut	/L	1	
6	356 51 817	Roof strut	/R	1	
(7)	356 51 826	Steering arm	/L	1	
7	356 51 827	Steering arm	/R	1	
(8)	356 51 851	Tension spring	/L	1	
8	356 51 852	Tension spring	/R	1	
9	356 51 878	Convertible top frame		1	
		Complete			
-	356 51 879	Convertible top frame	/L	1	
		Side section			
-	356 51 880	Convertible top frame	/R	1	
		Side section			
10	356 51 870	Roof strut	/V	1	
11	356 51 871	Rail	/V	1	
12	356 51 875	Catch		3	
		Complete			
13	356 51 875 1	Roof catch		1	
		Upper part			
14	356 51 875 2	Roof catch		3	
		Lower part			
15	356 51 877	Handle		2	

Model: 356 50

Model life 1950>>1959



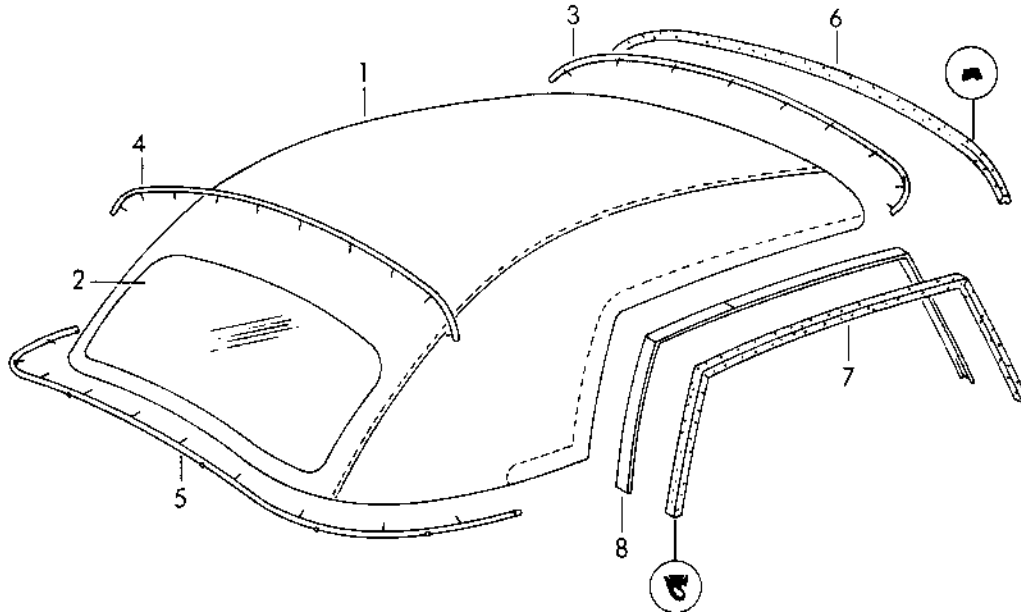
Model: 356 50

Model life 1950>>1959

Pos	Part Number	Description	Remark	Qty	Model
1	644 561 005 02	Convertible top frame Convertible top frame Complete		1	356 A:CABRIO
2	644 561 031 00	Roof frame	/L	1	
(2)	644 561 032 00	Roof frame	/R	1	
(3)	644 561 053 00	Bracket	/L	1	
3	644 561 054 00	Bracket	/R	1	
(4)	644 561 311 01	Steering arm	/L	1	
4	644 561 312 01	Steering arm	/R	1	
5	644 561 037 02	Steering arm Control lever	/L	1	
(5)	644 561 038 02	Steering arm Control lever	/R	1	
(6)	644 561 411 01	Steering arm	/L	1	
6	644 561 412 01	Steering arm	/R	1	
7	644 561 511 00	Roof strut	/V	1	
8	644 561 521 00	Roof strut		1	
9	644 561 531 01	Roof strut	/H	1	
10	644 561 535 02	Roof strut F 61 001 >> 150 000	/H	1	
10	644 561 055 02	Roof strut F 150 001 >>	/H	1	
11	644 561 501 00	Roof strut	/V	1	
12	644 561 505 00	Rail	/L	1	
(12)	644 561 506 00	Rail	/R	1	
13	644 561 891 00	Catch Upper part		1	CABRIO
(13)	644 561 891 01	Catch Upper part		3	HARDTOP
14	644 561 892 00	Catch Lower part		3	CABRIO HARDTOP
15	644 561 991 00	Handle		2	CABRIO

Model: 356 50

Model life 1950>>1959



Model: 356 50 Model life 1950>>1959

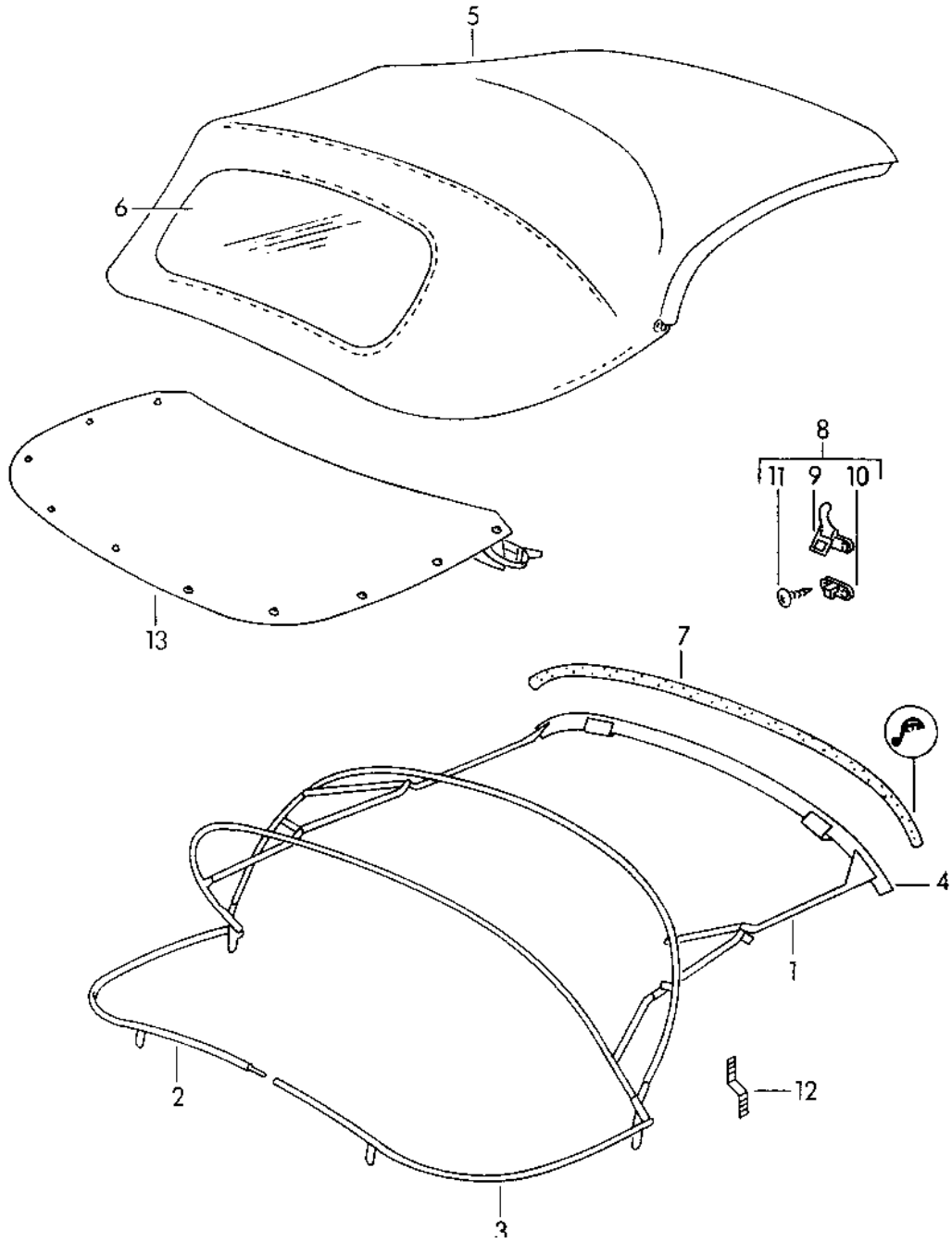
Pos	Part Number	Description	Remark	Qty	Model
1	356 51 800 2	Convertible top covering Outer lining with Rear window		1	CABRIO 356
-	356 51 800 1	Convertible top without Moulding without Convertible top frame		1	356
-	356 51 800	Convertible top covering without Rear window Small		1	356
1	644 561 081 00	Outer lining with Rear window F 61 001 >> 150 000		1	356 A
1	644 561 082 01	Convertible top covering with Rear window F 150 001 >>		1	356 A
(2)	356 57 351	Rear window F 5 015 >> 60 389		1	356
2	356 57 355	Rear window F 60 390 >>		1	356
-	356 51 861	Frame Rear window F 5 015 >> 60 389		1	356
-	356 51 862	Frame Rear window F 5 015 >> 60 389		1	356
-	356 57 353	Sealing rubber Rear window F 5 015 >> 60 389		1	356
2	644 545 101 20	Rear window F 61 001 >> 150 000		1	356 A
2	644 545 101 21	Rear window F 150 001 >>		1	356 A
3	356 51 872 14	Moulding 1350 MM		1	356
3	644 561 871 00	Moulding F 61 001 >> 150 000		1	356
3		Deleted F 150 001 >>		*	356 A
4	356 51 872 15	Moulding Centre 1000 MM		1	356
(4)	PCG 561 881 00	Moulding Centre Valid from: 03/1959		1	356 A
-	644 561 877 00	Moulding		2	356 A
-	644 561 877 01	Moulding		2	356 A
-		Moulding Inner Lateral		2	356 A
5	356 51 872 16	Moulding Rear with Lower part -TENAX-		1	356
5	644 561 875 00	Moulding Rear		1	356 A

Model: 356 50 Model life 1950>>1959

Pos	Part Number	Description	Remark	Qty	Model
6	644 561 931 20	with Lower part -TENAX- F 61 001 >> 150 000 Sealing rubber 1350MM		1	356
6		Sealing rubber 1350 MM		1	356 A
7	644 542 921 20	Sealing rubber 1150 MM		2	356
7		Sealing rubber 1150 MM		2	356 A
(7)	644 542 095 20	F 61 001 >> 150 000 Sealing rubber 3-part	/L	1	356 A
(7)		F 150 001 >> Sealing rubber 3-part	/R	1	356 A
8	356 52 821	F 150 001 >> Retaining strip 1150 MM		2	356
8	644 542 950 20	Retaining strip 1150 MM Profile rail 3-part STATT		2	356 A
-	644 542 951 41	Retaining strip Profile rail	/V /L	1	356 A
-	644 542 952 41	Profile rail	/V /R	1	356 A
-	644 542 956 41	Profile rail Centre	/L /R	2	356 A
-	644 542 957 41	Profile rail	/H /L	1	356 A
-	644 542 958 41	Profile rail	/H /R	1	356 A

Model: 356 50

Model life 1950>>1959



Model: 356 50 Model life 1950>>1959

Pos	Part Number	Description	Remark	Qty	Model
		Convertible top Convertible top covering Convertible top frame Complete		1	SPEEDSTER 356
1	540 51 080	Convertible top Convertible top covering Convertible top frame Complete		1	356
2	540 51 083	Roof strut	/H /L	1	356
3	540 51 084	Roof strut	/H /R	1	356
4	540 51 085	Roof strut	/V	1	356
5	540 51 089	Convertible top covering with Rear window Please state the colour		1	356
5	540 561 082 00	Outer lining with Rear window Please state the colour		1	356 A
6	540 51 845	Rear window		1	356
6	540 545 101 01	Rear window		1	356 A
7	540 51 831	Sealing rubber	/V	1	356
7	540 561 931 00	Sealing rubber	/V	1	356 A
8	540 51 844	Catch Complete		2	356
8	540 561 890 00	Catch Complete		2	356 A
9	540 51 844 1	Catch Upper part		2	356
9	540 561 891 00	Catch Upper part		2	356 A
10	540 51 844 2	Catch Lower part		2	356
10	540 561 892 00	Catch Lower part		2	356 A
11	900 018 017 02	Countersunk-head screw Chrome M 5 X 8		8	356
12	540 51 209	Bracket		2	356
13	540 51 850	Cover		1	356

Model: 356 50 Model life 1950>>1959

Pos	Part Number	Description	Remark	Qty	Model
		Convertible top frame Tonneau cover			CONVERTIBLE
1	644 561 005 41	Convertible top frame without		1	
2	644 561 010 41	Convertible top covering Roof frame Leatherette		1	
3	644 561 019 41	Roof frame	/L	1	
4	644 561 020 41	Roof frame	/R	1	
5	644 561 345 41	Control arm	/L	1	
6	644 561 346 41	Control arm	/R	1	
7	644 561 245 41	Control arm	/L /R	2	
8	644 561 445 41	Control arm	/L /R	2	
9	644 561 008 41	Roof strut	/V	1	
10	644 561 007 41	Roof strut Centre		1	
11	644 561 071 41	Convertible top support	/L	1	
12	644 561 072 41	Convertible top support	/R	1	
13	644 561 041 41	Roof strut	/H	1	
14	644 561 045 41	Clip	/H	1	
15	644 561 451 41	Fastening clip		2	
16	644 561 865 41	Rain channel Aluminium	/V /L	1	
17	644 561 866 41	Rain channel Aluminium	/V /R	1	
18	644 561 075 41	Cover plate	/L	1	
19	644 561 076 41	Cover plate	/L	1	
20	999 148 005 04	Countersunk-head screw AM 5 X 12 Chrome		4	
20	999 148 005 0E	Countersunk-head screw AM 5 X 12		4	
21	900 148 008 02	Oval-head screw Countersunk-head screw AM 5 X 8 Chrome		4	
22	540 561 891 00	Catch Upper part		2	
23	540 561 892 00	Catch Lower part		2	
24	644 561 897 41	Retaining pivot		2	
25	644 561 091 41	Sealing rubber		1	
-	644 561 001 41	Complete Convertible top Complete		1	
-	644 561 080 41	Convertible top frame with Convertible top covering		1	
-	644 561 803 41	Rear window Side section	/L	1	
-	644 561 804 41	Side section	/R	1	
-	644 561 087 41	Convertible top covering with Rear window		1	
-	644 561 821 41	Beading Complete		1	
-	644 725 051 41	Tonneau cover F 85 501 >> 86 830 Tonneau cover Leatherette with		1	CONVERTIBLE

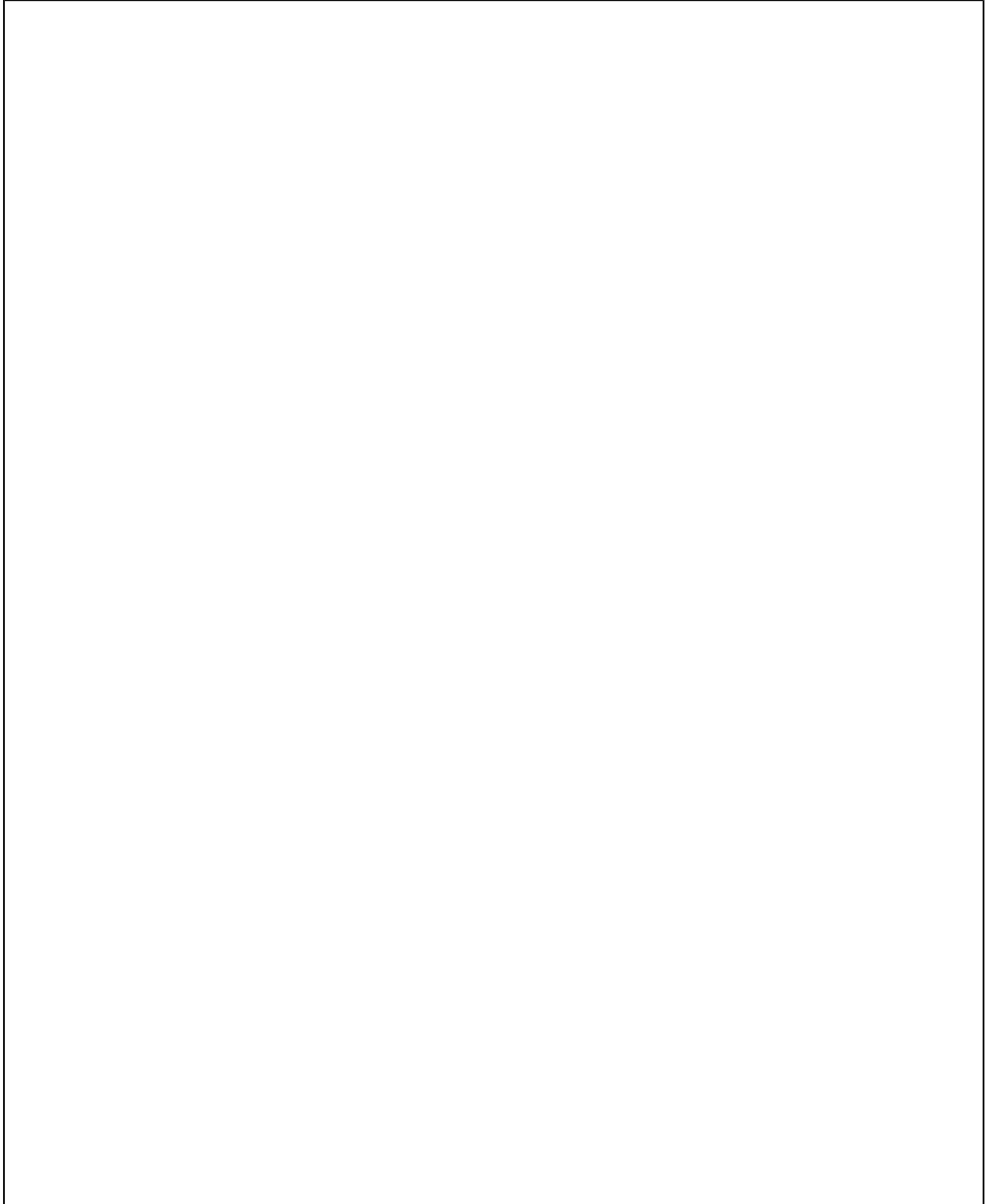
Model: 356 50

Model life 1950>>1959

Pos	Part Number	Description	Remark	Qty	Model
-	644 725 051 42	Zip Tonneau cover with		1	
-	644 725 055 41	Zip Bag for Tonneau cover		1	
-	644 725 060 41	Boot Convertible top		1	
-	644 731 301 41	Sun visor		1	
-	900 148 003 02	Rais. counters. h. tap. s. Countersunk-head screw AM 4 X 8 Chrome Sun visor		2	

Model: 356 50

Model life 1950>>1959



Model: 356 50 Model life 1950>>1959

Pos	Part Number	Description	Remark	Qty	Model
-	644 563 001 00	Hardtop Hardtop with Washer And Lining		1	356 A
-	644 563 005 00	Hardtop Bodyshell Prime coated		1	
-	644 555 501 60	Cover		1	
-	644 543 101 60	Side window	/H /L	1	
-	644 543 102 60	Side window	/H /R	1	
-	644 543 901 60	Tread Rubber	/H	2	
-	644 563 091 00	Ornamental strip with Cover	/L	1	
-	644 563 092 00	Ornamental strip with Cover	/R	1	
-	644 563 093 00	Ornamental strip without Cover	/L	1	
-	644 563 094 00	Ornamental strip without Cover	/R	1	
-	644 563 095 00	Ornamental strip Centre piece with Cover		1	
-	644 563 981 00	Ornamental strip Centre piece without Cover		1	
-	644 545 101 60	Rear window		1	
-	644 545 901 60	Tread Rear window		1	
-	644 545 911 60	Trim frame-half	/L	1	
-	644 545 912 60	Trim frame-half	/R	1	
-	644 541 921 00	Covering plate		2	
-	644 563 905 00	Rubber moulding Rear wall Clip		1	
-	644 563 907 00	Rubber profile Roof frame Upper 48 X 28 MM	/L	1	
-	644 563 908 00	Rubber profile Roof frame Upper 48 X 28 MM	/R	1	
-	644 563 915 00	Moulding section for Attachment	/L	1	
-	644 563 916 00	Moulding section for Attachment	/R	1	
-	644 563 921 00	Covering plate		1	
-	644 561 931 20	Sealing rubber for Roof strut 1350 MM	/V	1	
-	644 563 081 01	Turnbuckle		2	

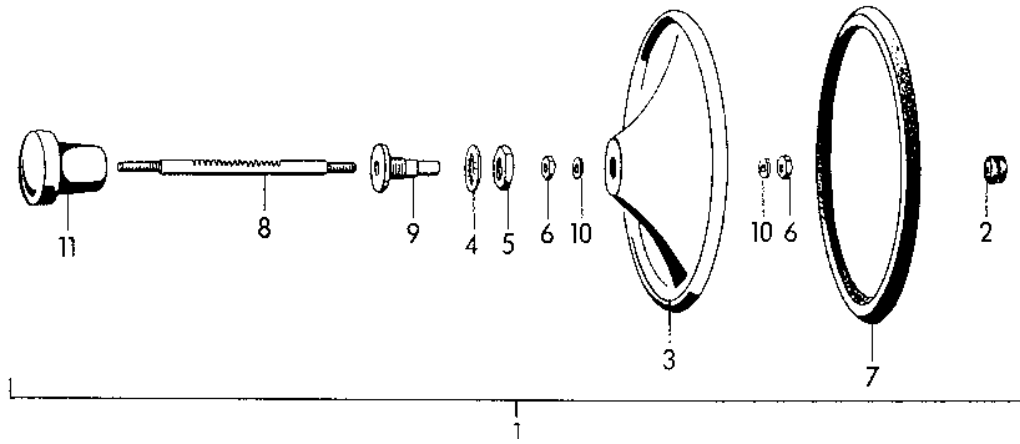
Model: 356 50

Model life 1950>>1959

Pos	Part Number	Description	Remark	Qty	Model
-	900 151 003 02	Washer Large		2	
-	900 151 006 03	Washer Large		2	
-	644 563 815 00	Fastening angle		2	
-	644 563 821 00	Cap		2	
-	900 019 009 00	Rais. counters. h. tap. s. M 6 X 12		4	
-	644 563 710 00	Mounting plate with Bolt		2	

Model: 356 50

Model life 1950>>1959

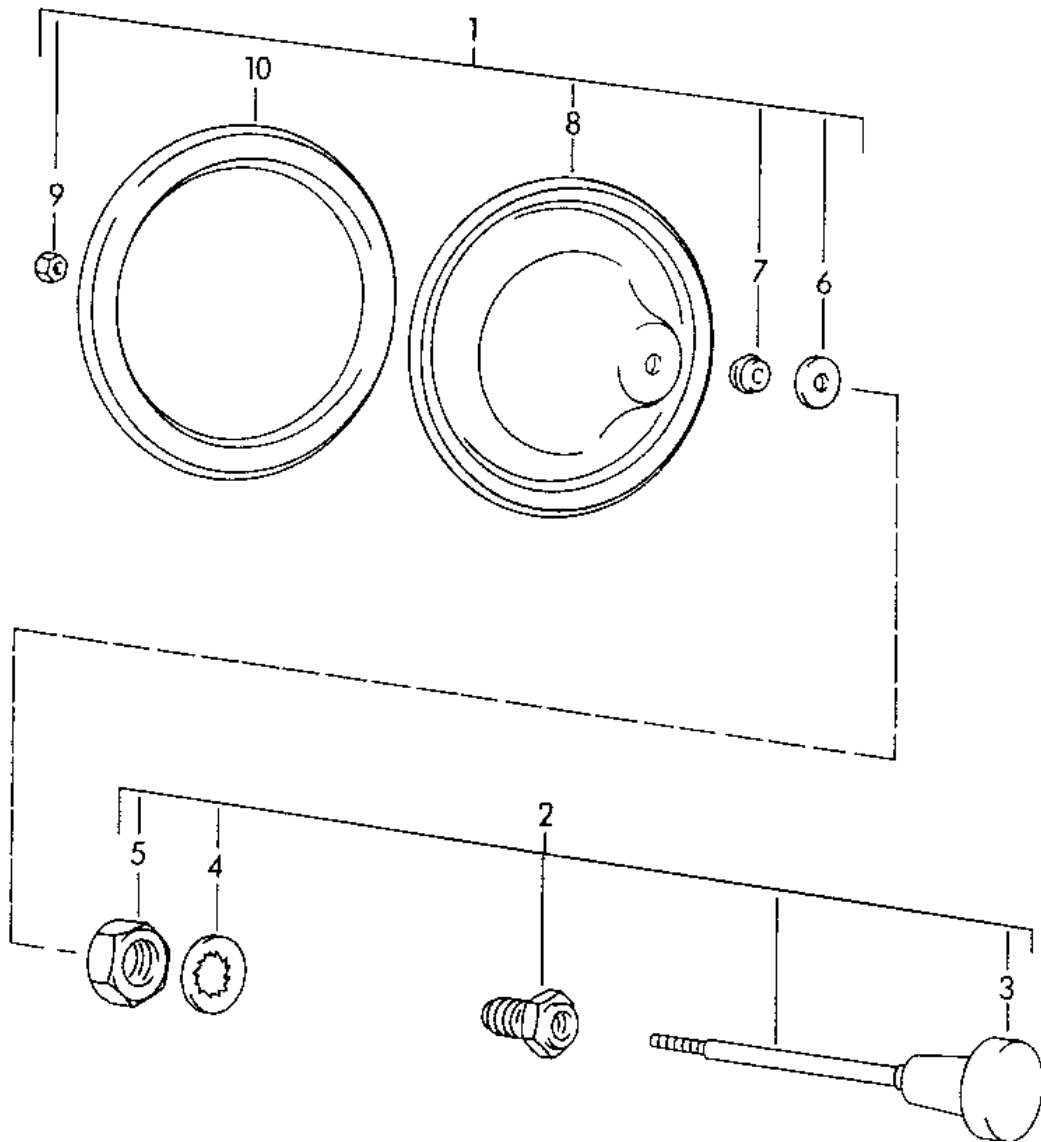


Model: 356 50 Model life 1950>>1959

Pos	Part Number	Description	Remark	Qty	Model
1	356 55 031	Valve Valve Complete with Knob Beige		1	356:COUPE CABRIO
(1)	356 55 021	Valve Complete with Knob Ivory		2	
-	356 55 216 1	Knob with Axle Ivory F 5 001 >> 52 029 F 5 015 >> 60 549		2	COUPE CABRIO
-	356 55 216 2	Threaded joint F 5 001 >> 52 029 F 5 015 >> 60 549		2	COUPE CABRIO
-	356 55 216 3	Nipple F 5 001 >> 52 029 F 5 015 >> 60 549		2	COUPE CABRIO
2	356 55 200	Rubber sleeve \$ 4 MM		2	
3	356 55 214	Seat		2	
4	356 55 216 4	Shake-proof washer		2	
5	356 55 216 5	Hexagon nut		2	
-	356 55 216 6	Nut F 5 001 >> 52 029 F 5 015 >> 60 549		2	COUPE CABRIO
6	356 55 216 7	Nut M 3		4	
7	356 55 217	Rubber ring		2	
8	356 55 310	Axle F 52 030 >> F 60 550 >>		2	COUPE CABRIO
9	356 55 311	Threaded joint F 52 030 >> F 60 550 >>		2	COUPE CABRIO
-	356 55 312	Nut M 3		4	
10	356 55 313	Washer		4	
11	356 53 707	Knob Please state the colour		1	

Model: 356 50

Model life 1950>>1959

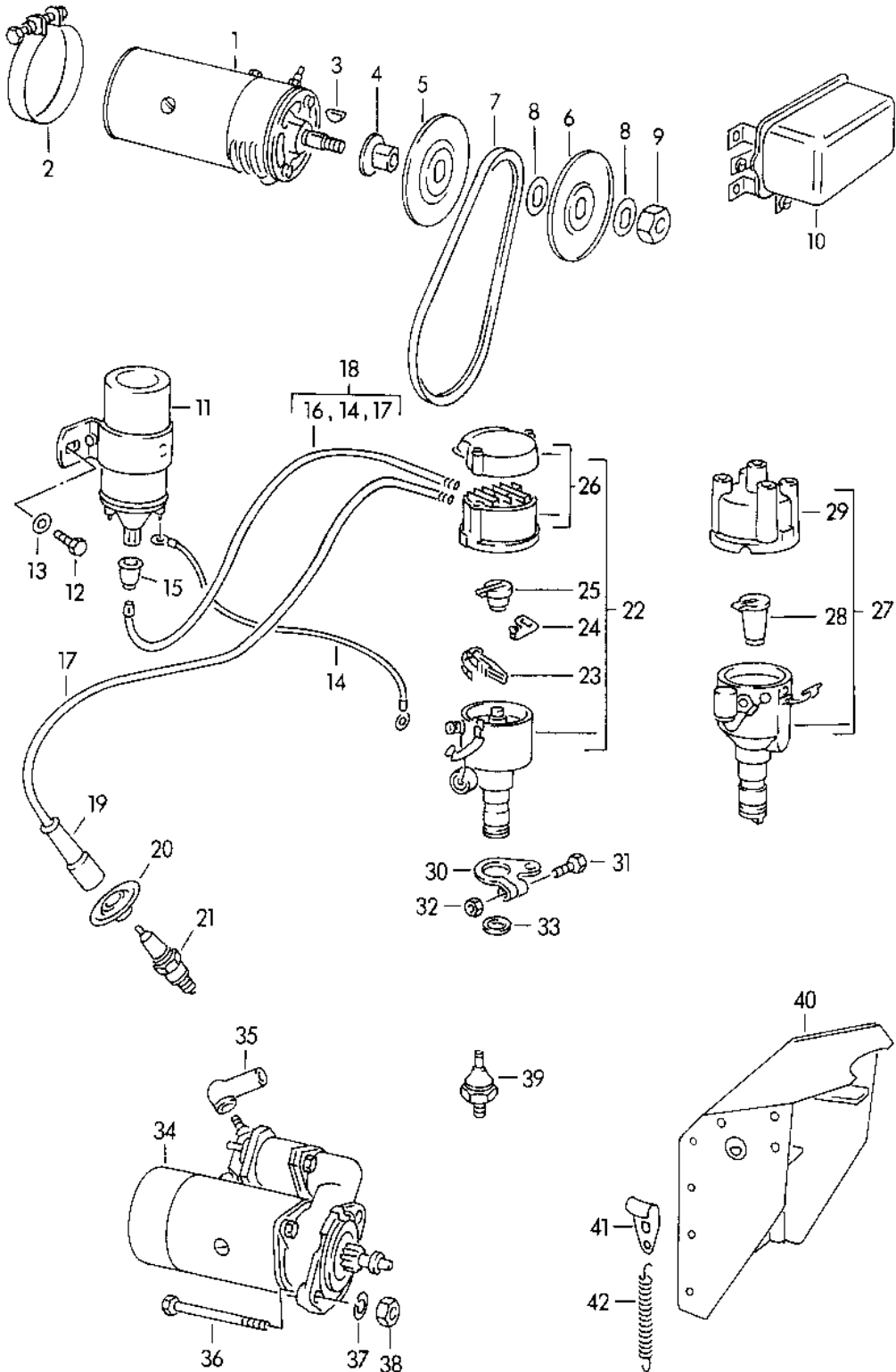


Model: 356 50 Model life 1950>>1959

Pos	Part Number	Description	Remark	Qty	Model
		Valve			356 A:COUPE CABRIO
1	644 571 011 01	Valve		2	
2	644 571 015 00	Knob with Axle And Clamping piece		2	
3	644 552 810 01	Knob Fresh-air flap		2	
	644 552 810 01 700	Black			
	644 552 810 01 600	Grey			
	644 552 810 01 500	Beige			
	644 552 810 01 300	White Ivory			
4	N 012 112 2	Serrated lock washer J 12,5		2	
5	900 078 004 00	Hexagon nut M 12 X 1,5		2	
6	900 151 028 02	Washer A 4,3		4	
6	900 151 028 01	Washer A 4,3		4	
7	999 702 012 50	Rubber sleeve 4 X 8 X 8		2	
8	644 571 111 00	Seat		2	
9	N 011 004 6	Hexagon nut M 4		4	
9	N 011 004 G	Nut M 4		4	
10	644 571 191 00	Rubber ring		2	

Model: 356 50

Model life 1950>>1959



Model: 356 50 Model life 1950>>1959

Pos	Part Number	Description	Remark	Qty	Model
		Electrical equipment			356 /356 A
1	546 09 501	Engine		1	356
		Generator			
1	616 603 101 00	LJ/GE 160/6/2500 L 2		1	356 A
		Generator			
		LJ/LE 160/6/2500 L 2			
(1)	616 603 101 01	Generator		1	356 A
		LJ/GEG 200/6/2600 L 29			
-	616 109 381 00	Cap for		1	356 A
		Dc generator			
2	546 09 301	Restraining strap		1	
3	N 012 705 1	Woodruff key		1	
		3 X 5			
4	547 09 304	Hub		1	
5	539 09 315	Pulley		1	
		I			
6	539 09 316	Pulley		1	
		II			
7	999 192 006 50	Narrow v-belt		1	
		9,5 X 825			
8	539 09 314	Washer		10	
9	547 09 303	Hexagon nut		1	
10	356 61 901 1	Regulator switch		1	356
		RS/UA 160/6/15		1	
10	616 603 201 00	Regulator switch		1	356 A
		RS/UA 160/6/24			
		for			
		Dc generator			
		616.603.101.00			
(10)	616 603 201 01	Regulator switch		1	356 A
		RS/UA 200/6/23			
		for			
		Dc generator			
		616.603.101.01			
-	900 014 005 02	Pan-head screw		3	
		M 5 X 15			
-	N 012 005 3	Lock ring		3	
		B 5			
-	900 025 003 02	Washer		3	
		A 5,3			
11	616 602 108 00	Ignition coil		1	
		TK 6 A/3			
12	N 010 215 13	Hexagon-head bolt		1	
		M 6 X 15			
13	900 151 003 02	Washer		1	
		A 6		1	
13	900 151 006 03	Washer		1	
		A 6		1	
14	356 09 612	Line		1	
15	539 09 312	Cap		1	356
15	999 659 001 40	Water protection cap		6	356 A
16	356 09 602	Ignition lead		1	356
		Ignition coil			
		Distributor			
16	539 09 206	Ignition lead		1	356 A
		Ignition coil			
		Distributor			
		M >> 67 000			1600
		M >> 81 200			1600 S
16	616 109 952 05	Ignition lead		1	356 A
		Ignition coil			
		Distributor			

Model: 356 50 Model life 1950>>1959

Pos	Part Number	Description	Remark	Qty	Model
17	356 09 605	M 67 001 >> M 81 201 >> Ignition lead Distributor Cylinder I		1	1600 1600 S 356
-	356 09 607	Ignition lead Distributor Cylinder II		1	356
-	356 09 609	Ignition lead Distributor Cylinder III		1	356
-	356 09 611	Ignition lead Distributor Cylinder IV		1	356
17	539 09 208	Ignition lead Distributor Cylinder I M >> 67 000 M >> 81 200		1	356 A 1600 1600 S 356 A
-	539 09 209	Ignition lead Distributor Cylinder II M >> 67 000 M >> 81 200		1	1600 1600 S 356 A
-	539 09 210	Ignition lead Distributor Cylinder III M >> 67 000 M >> 81 200		1	1600 1600 S 356 A
-	539 09 211	Ignition lead Distributor Cylinder IV M >> 67 000 M >> 81 200		1	1600 1600 S 356 A
17	616 109 952 01	Ignition lead Distributor Cylinder I M 67 001 >> M 81 201 >>		1	1600 1600 S 356 A
-	616 109 952 02	Ignition lead Distributor Cylinder II M 67 001 >> M 81 201 >>		1	1600 1600 S 356 A
-		Ignition lead Distributor Cylinder III M 67 001 >> M 81 201 >>		1	1600 1600 S 356 A
-		Ignition lead Distributor Cylinder		1	1600 1600 S 356 A

Model: 356 50 Model life 1950>>1959

Pos	Part Number	Description	Remark	Qty	Model
		IV			
		M 67 001 >>			1600
		M 81 201 >>			1600 S
18	616 109 952 00	Set of ignition cables		1	356 A
		M 67 001 >>			1600
		M 81 201 >>			1600 S
-	547 29 224	O-ring		4	
		Cable clamp			
		M 67 001 >>			1600
		M 81 201 >>			1600 S
-	999 652 203 40	Cable holder		4	
		Rubber			
		M 67 001 >>			1600
		M 81 201 >>			1600 S
19	692 609 302 00	Spark plug connector		4	
19	PCG 609 302 00	Spark plug connector		4	
20	539 09 201	Rubber cap		4	
20	111 905 449	Protection cap		4	
		Spark plug			
		Use also:			
		547 09222		X	
		for			
		Spark plug			
-	547 09 222	Nut		X	
		for			
		Spark plug			
21	999 170 023 90	Spark plug		4	
		Spark plug			
		BERU 14-5AU			
22	369 02 210	Distributor		1	
		VE 4 BRS 383			
22	369 09 210	Distributor		1	
		VE BRS 383			
23	616 602 226 01	Contact breaker point		1	
		ZUH 9/6Z			
23	616 602 226 03	Contact breaker point		1	
		ZUH 9/6Z			
24	616 602 226 01	Contact breaker point		1	
		ZKT 48/5 Z			
24	616 602 226 03	Contact breaker point		1	
		ZKT 48/5 Z			
25		Rotor		1	356
		ZVT 53 ZIZ			
25	369 602 902 00	Rotor		1	356 A
		ZVT 53 Z6Z			
26	369 602 901 00	Distributor cap		1	
		ZVS 73/1 Z			
-	616 602 907 00	Condenser		1	356 A
		ZKO 29/62 Z			
-	616 602 905 00	Wiper contact		1	356 A
		with			
		Spring			
		WSK 400/9 Z			
27	616 602 201 FX	Distributor		1	356 A
		with			
		Contact breaker point			
		M >> 67 000			1600
		M >> 81 200			1600 S
27	616 602 201 00	Distributor		1	356 A
		VJ 4 BR 9			
		with			
		Contact breaker point			
		M >> 67 000			1600
		M >> 81 200			1600 S

Model: 356 50 Model life 1950>>1959

Pos	Part Number	Description	Remark	Qty	Model
-	616 602 201 01	Distributor VJ 4 BR 18(MK) M 67 001 >> M 81 201 >>		1	356 A 1600 1600 S
-	616 602 201 02	Distributor VJR 4 BR 18(MK) M 67 001 >> M 81 201 >>		1	356 A 1600 1600 S
28	616 602 221 01	Rotor ZVT 53 Z 9 Z M >> 67 000 M >> 81 200		1	356 A 1600 1600 S
28	616 602 221 05	Rotor ZVVT 5 Z 4 Z M 67 001 >> M 81 201 >>		1	356 A 1600 1600 S
29	616 602 215 00	Distributor cap ZVS 75 76 Z		1	
29	616 602 215 03	Distributor cap ZVS 75 76 Z		1	
-	616 602 906 00	Condenser ZKO 29/13 Z M >> 67 000 M >> 81 200		1	356 A 1600 1600 S
-	616 602 227 00	Condenser LMKO 1 Z 20 Z M 67 001 >> M 81 201 >>		1	356 A 1600 1600 S
-	616 602 229 00	Bush WAM 9 Z 1 Z M 67 001 >> M 81 201 >>		1	356 A 1600 1600 S
-	616 602 230 00	Coil spring Centrifugal governor WSF 89/8 X M 67 001 >> M 81 201 >>		1	1600 1600 S
-	930 602 905 00	Wiper contact with Spring NSK 2/1 Z		1	356 A
30	539 09 313	Retaining ring		1	
31	900 075 017 02	Hexagon-head bolt M 6 X 25		1	
31	900 075 017 03	Hexagon-head bolt M 6 X 25		1	
32	900 076 010 02	Nut M 6		1	
32	900 076 010 0B	Nut M 6		1	
33	999 701 101 50	Gasket WNR 428/1 X		1	356
33		Gasket		1	356 A
34	546 09 401	Starter EED 0,4/6 L18		1	356
34	616 604 101 00	Starter AL/EEF 0,5/6 L 3		1	356 A
35	999 659 006 50	Protection cap		1	356
35		Protection cap		1	356 A
36	N 010 500 3	Hexagon-head bolt M 10 X 110		1	356 A
37	N 012 230 1	Spring washer B 10		1	356 A

Model: 356 50 Model life 1950>>1959

Pos	Part Number	Description	Remark	Qty	Model
38	N 011 010 6	Hexagon nut M 10		1	356 A
38	N 101 552 10	Hexagon nut M 10		1	356 A
39	901 613 571 01	Oil pressure switch		1	356
39		Oil pressure switch		1	356 A
40	644 61 011 1	Battery cover		1	
40	PCG 611 015 01	Battery cover		1	
-	644 611 110 01	Desk pad SPERRHOLZ It is necessary to rework		1	
-	540 61 011	Battery cover Complete		1	356 SPEEDSTER
-	540 61 011 1	Battery cover		1	356 SPEEDSTER
-	540 61 040	Windscreen wiper system		1	356 SPEEDSTER
41		Support L.147.103		2	
41	644 611 151 00	Retaining clip		2	
42		Tension spring ZN 16010		2	
42	644 611 153 00	Tension spring		2	

Model: 356 50

Model life 1950>>1959

Pos	Part Number	Description	Remark	Qty	Model
		Electrical equipment			CARRERA
		Engine			1500 GS/GT
		M 90 501 >> 91 000			
1	616 604 101 00	Starter		1	
		EED 0,5/6 L 18			
-	616 602 904 00	Carbon brush		1	
		WSK 29 L 1 Z			
-	616 602 903 00	Spring		1	
		for			
		Wiper contact			
		WBF 554/2 X			
2	999 659 006 50	Protection cap		1	
3	900 074 071 00	Hexagon-head bolt		2	
		M 10 X 115			
4	N 012 230 1	Spring washer		2	
		B 10			
5	N 011 010 6	Hexagon nut		2	
		M 10			
5	N 101 552 10	Hexagon nut		2	
		M 10			
6	547 603 101 00	Generator		1	
		LJ/GE 160/6/2500 L 10			
-	616 602 901 00	Carbon brush		2	
		DSK 2/38 Z			
7	N 012 705 1	Woodruff key		1	
		3 X 5			
8	547 09 304	Hub		1	
9	547 09 301	Pulley half		2	
10	547 09 302	Shim		4	
11	539 09 314	Washer		4	
12	547 09 303	Hexagon nut		1	
13	999 192 006 50	Narrow v-belt		1	
14	616 603 201 00	Regulator switch		1	
15	900 014 017 02	Pan-head screw		3	
		M 5 X 15			
16	N 012 005 3	Lock ring		3	
		B 5			
17	900 025 003 02	Washer		3	
		5,3			
18	547 602 101 00	Ignition coil		2	
		TK 6 A 5			
19	999 093 010 02	Hexagon-head bolt		4	
		M 8 X 20			
20	900 151 003 02	Washer		4	
		B 8			
20	900 151 006 03	Washer		4	
		B 8			
21	547 09 026	Battery-starter cable		2	
22	999 659 001 40	Water protection cap		10	
23	547 09 025 1	Ignition lead		2	
		Ignition coil			
		Distributor			
24	547 09 226	Distributor		2	
		VES 4 L 2 MK			
25	547 09 226 1	Distributor		2	
		VJS 4 L 2 MK			
-	616 602 908 00	Contact breaker point		2	
		ZV 2/305			
		for			
		VES 4 L 2 MK			
-	692 602 232 00	Support for contact		2	
		ZVKT 5 Z 1 Z			
		for			

Model: 356 50 Model life 1950>>1959

Pos	Part Number	Description	Remark	Qty	Model
-	692 602 233 00	VJS 4 L 2 MK Contact breaker point for Contact breaker point ZVUH 4 Z 3 Z		2	
-	616 602 902 00	Rotor ZV 2/4307 Z for VES 4 L 2 MK		2	
-	692 602 222 01	Rotor ZV 2/5825 for VJS 4 L 2 MK		2	
-	547 602 221 00	Distributor cap ZVS 74 Z 3 Z for VES 4 L 2 MK		2	
-	692 602 223 00	Distributor cap ZV 2/4413 for VJS 4 L 2 MK		2	
-	930 602 905 00	Wiper contact NSK 2/1 Z		2	
-	616 602 909 00	Condenser ZV 2/5823 for VES 4 L 2 MK		2	
-	692 602 230 00	Condenser ZV 2/3512 for VJS 4 L 2 MK		2	
26	547 09 205	Sealing ring		7	
27	547 09 217	Clamping bow		3	
28	900 151 003 02	Washer B 8		3	
28	900 151 006 03	Washer B 8		3	
29	502 08 310	Hexagon nut M 8		3	
30	547 09 208	Rubber boot for VES 4 L 2 MK		2	
31	999 512 121 02	Hose clamp for VES 4 L 2 MK		2	
32	547 09 207	Cover for VES 4 L 2 MK		2	
33	547 09 209	Rubber bush		2	
34	547 09 237	Rubber bush		2	
35	692 602 226 00	Rubber seal WNR 22/1 X		10	
36	692 602 225 00	Guide sleeve WMH 20/3X823 B 2		10	
37	692 602 224 00	Union nut WMU 101/1 X		10	
38	547 09 021 1	Ignition lead Ignition coil Cylinder I		1	
39	547 09 022 1	Ignition lead Ignition coil Cylinder		1	

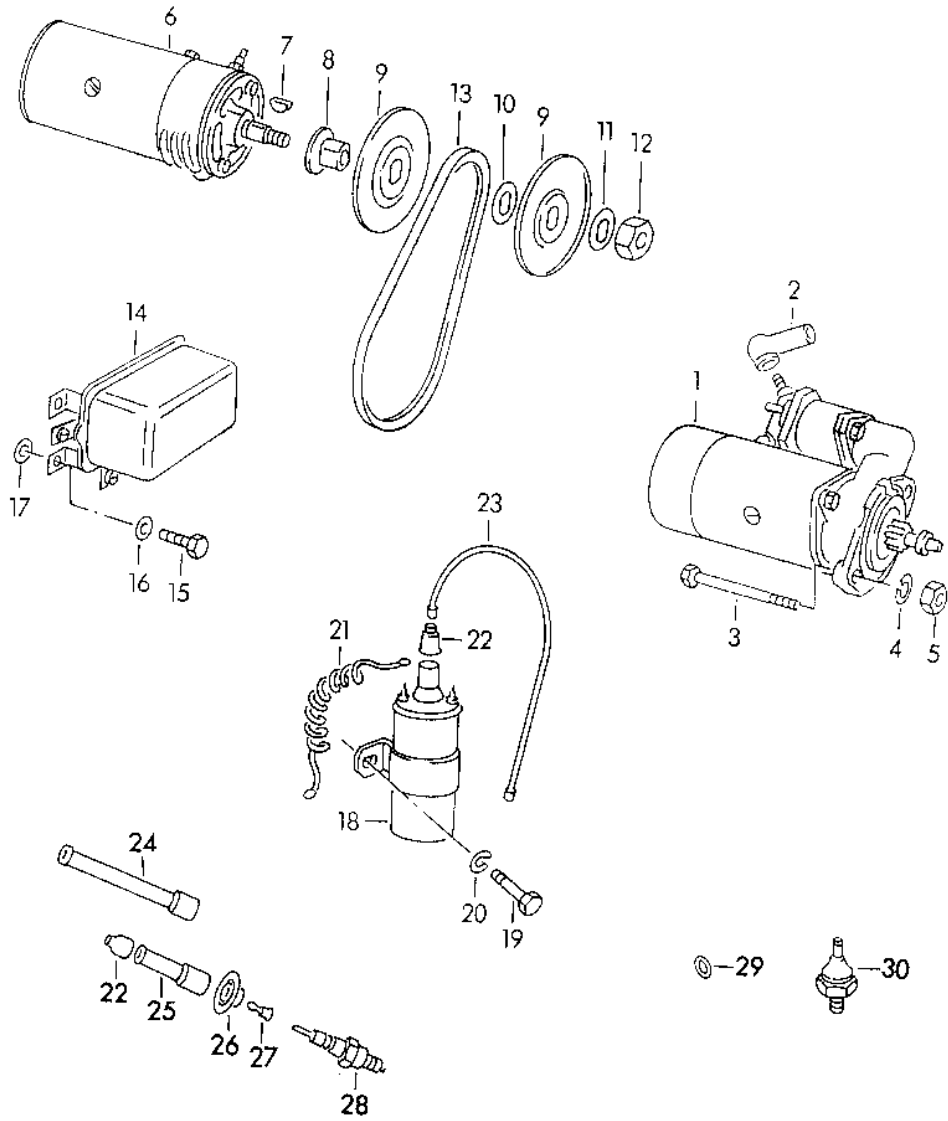
Model: 356 50

Model life 1950>>1959

Pos	Part Number	Description	Remark	Qty	Model
-	547 09 023 1	II Ignition lead Ignition coil Cylinder		1	
-	547 09 024 1	III Ignition lead Ignition coil Cylinder		1	
-	547 09 028 1	IV Ignition lead Ignition coil Cylinder		1	
-	547 09 029 1	I Ignition lead Ignition coil Cylinder		1	
-	547 09 030 1	II Ignition lead Ignition coil Cylinder		1	
-	547 09 031 1	III Ignition lead Ignition coil Cylinder		1	
40	692 609 301 00	IV Spark plug connector Long		4	
41	692 609 302 00	Spark plug connector Short		4	
41	PCG 609 302 00	Spark plug connector Short		4	
42	539 09 201	Rubber cap		8	
42	111 905 449	Protection cap		8	
43	547 09 222	Nut for Spark plug		8	
44	900 027 011 01	Lock ring B 4		8	
45	547 09 219 1	Spark plug W 240 T 21		8	
46	547 09 224	Gasket		12	
47	547 09 201	Protective tube		1	
48	901 613 571 01	Oil pressure switch		1	

Model: 356 50

Model life 1950>>1959



Model: 356 50

Model life 1950>>1959

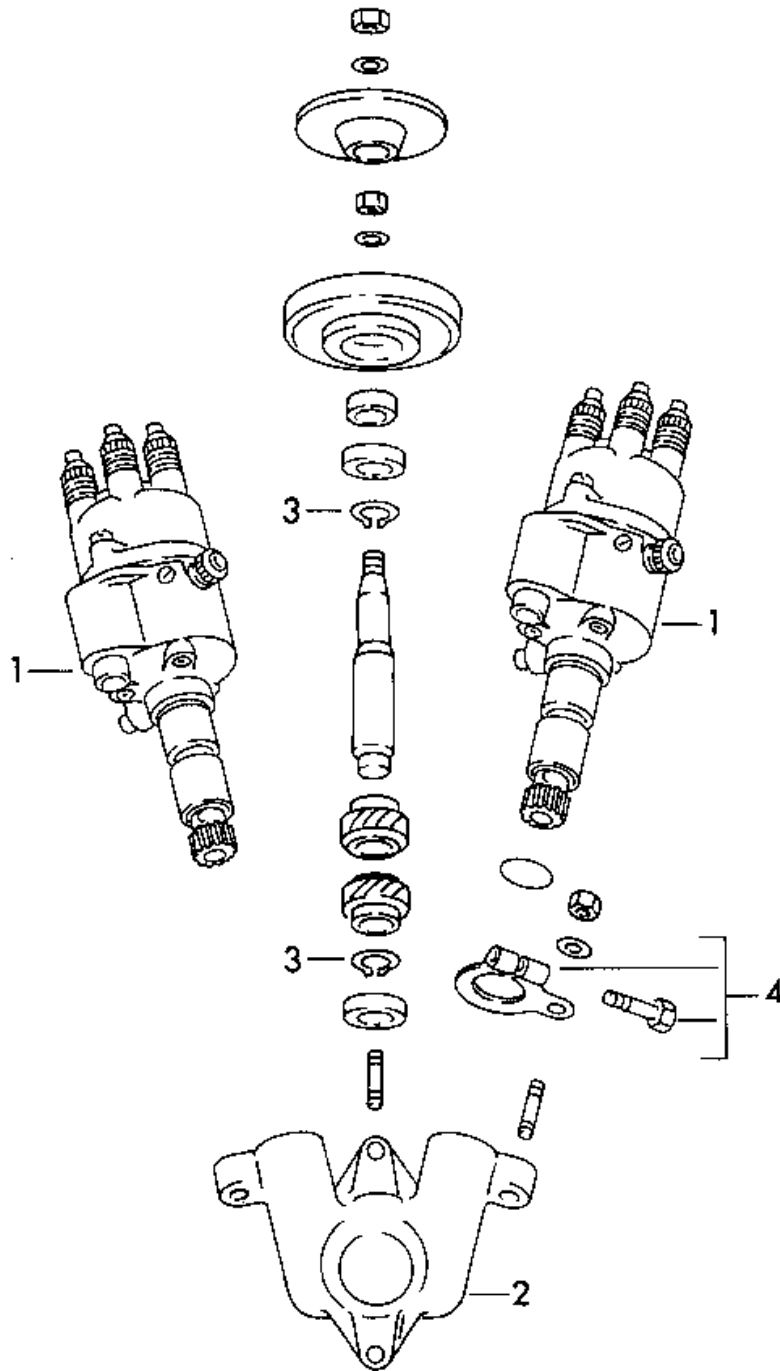
Pos	Part Number	Description	Remark	Qty	Model
		Electrical equipment			CARRERA
		Engine			1600 GS/GT
1	616 604 101 00	Starter		1	
-	616 602 904 00	EED 0,5/6 L 18 Carbon brush		1	
-	616 602 903 00	WSK 29 L 1 Z Spring		1	
		for Wiper contact			
2	999 659 006 50	WBF 554/2 X Protection cap		1	
3	900 074 071 00	Hexagon-head bolt		2	
4	900 028 013 01	M 10 X 115 Spring washer		2	
5	900 076 015 01	B 10 Hexagon nut		2	
6	547 603 101 00	M 10 Generator		1	
-	616 602 901 00	LJ/GE 160/6-2500 L 10 Carbon brush		2	
-		DSK 2/38 Z Spring		2	
		BOSCH for Wiper contact			
-		Armature		1	
		BOSCH without			
-		Ball bearing		1	
-		Heating spiral		1	
-		Field coil		1	
		1			
-		Heating spiral		1	
		Field coil		1	
		2			
7	N 012 705 1	Woodruff key		1	
8	547 09 304	3 X 5 Hub		1	
9	547 09 301	Pulley half		2	
10	547 09 302	Shim		4	
11	539 09 314	Washer		4	
12	547 09 303	Hexagon nut		1	
13	999 192 006 50	Narrow v-belt		1	
14	616 603 201 00	Regulator switch		1	
15	900 014 005 02	Pan-head screw		3	
		M 5 X 15			
16	N 012 005 3	Lock ring		3	
		B 5			
17	900 025 003 02	Washer		3	
		5,3			
18	547 602 101 00	Ignition coil		2	
		TK 6 A 5			
19	999 093 010 02	Hexagon-head bolt		4	
		M 8 X 20			
20	900 027 015 00	Lock ring		4	
		B 8			
(21)	692 609 521 00	Line		1	
		Set			
		Comprising:			
-	692 609 531 00	Ignition lead		1	
		I			
		1100 MM			
-	692 609 531 01	Line		1	

Model: 356 50 Model life 1950>>1959

Pos	Part Number	Description	Remark	Qty	Model
22	539 09 312	A 1020 MM Cap		10	
(23)	692 609 501 00	Ignition lead Set Ignition coil Comprising:		2	
-	692 609 511 00	Ignition lead A 1 930 MM		1	
-	692 609 511 01	Ignition lead I 1 870 MM		1	
-	692 609 511 02	Ignition lead A 2 610 MM		1	
-	692 609 511 03	Ignition lead I 2 1175 MM		1	
-	692 609 511 04	Ignition lead A 3 1450 MM		1	
-	692 609 511 05	Ignition lead I 3 685 MM		1	
-	692 609 511 06	Ignition lead A 4 1100 MM		1	
-	692 609 511 07	Ignition lead I 4 945 MM		1	
-	692 609 511 08	Ignition lead High voltage Ignition coil Distributor		1	
-	692 609 511 09	Ignition lead High voltage 920 MM Ignition coil Distributor		1	
24	692 609 301 00	Spark plug connector Long		4	
25	692 609 302 00	Spark plug connector Short		4	
25	PCG 609 302 00	Spark plug connector Short		4	
26	539 09 201	Rubber cap		8	
26	111 905 449	Protection cap		8	
27	547 09 222	Nut for Spark plug		8	
(28)	547 09 219 2	Spark plug N3 1200		8	
29	547 09 224	Gasket		12	
-	999 651 117 01	Cable holder		4	
-	999 702 029 50	Rubber sleeve		4	
30	901 613 571 01	Oil pressure switch		1	

Model: 356 50

Model life 1950>>1959



Model: 356 50

Model life 1950>>1959

Pos	Part Number	Description	Remark	Qty	Model
(1)	692 602 201 00	Distributor Driving mechanism		2	CARRERA 1600 GS/GT
-	692 602 221 00	Distributor VJSR 4 R 3		2	
(2)	692 109 131 00	Distributor Pinion		1	
-	900 061 022 01	Stud M 8 X 12		2	
-	999 062 017 02	Stud M 6 X 18		3	
-	692 109 141 01	Drive shaft		1	
-	900 052 008 00	Ball bearing 20 X 42 X 8 MM		2	
(3)	900 042 002 01	Circlip		1	
-	692 602 471 00	Shim 0,05 MM		X	
-	692 602 471 01	Shim 0,08 MM		X	
-	692 602 471 02	Shim 0,10 MM		X	
4	547 09 257	Clamping ring with Clamping screw		2	
-	900 027 015 02	Lock ring B 8		2	
-	900 027 015 03	Lock ring B 8		2	
-	900 076 025 02	Hexagon nut M 8		2	
-	900 076 064 02	Hexagon nut M 8		2	
-	999 031 001 01	Washer		1	
-	900 112 002 40	Radial shaft seal Left		1	
-	900 112 003 40	Radial shaft seal Right		1	
-	692 109 133 00	Lid		1	
-	692 109 135 00	Distributor Nozzle		1	
-	N 012 226 5	Together with Screw socket Spring washer A 6		3	
-	900 076 010 02	Nut M 6		3	
-	900 076 010 0B	Nut M 6		3	
-	692 109 151 00	Compression spring		1	
-	692 109 143 00	Clutch hub		1	
-	900 027 013 00	Spring washer B 6		2	
-	900 119 002 00	Pan-head screw M 6 X 10		2	
-	539 01 122	Gasket		1	
-	911 101 123 00	Sealing ring		1	
-	900 028 004 00	Spring washer A 8		4	
-	900 076 013 02	Hexagon nut M 8		4	
-	900 076 025 02	Hexagon nut M 8		4	
-	900 076 064 02	Hexagon nut		4	

Model: 356 50

Model life 1950>>1959

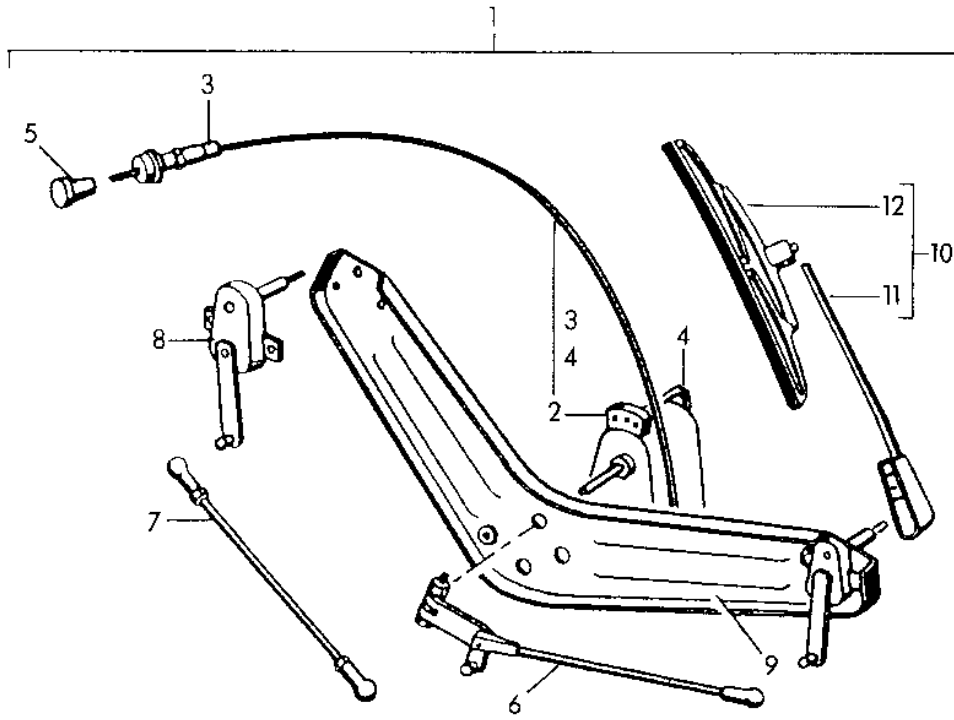
Pos	Part Number	Description	Remark	Qty	Model
		M 8			

Model: 356 50 Model life 1950>>1959

Pos	Part Number	Description	Remark	Qty	Model
		Windscreen washer system			356:COUPE CABRIO
1	356 70 051 A	Windscreen washer system Complete with Water reservoir Bag F 52 908 >> F 60 707 >>		1	
-	356 70 051	Set Complete with Water reservoir Glass F 52 030 >> 52 907 F 60 550 >> 60 706		1	
2	356 70 051 1	Pump Complete		1	
3	644 628 741 02	Spray nozzle Complete		2	
4	644 628 745 00	T-piece		1	
5	356 70 051 4	Suction hose		1	
6	PCG 628 901 10	Hose 3000 MM		3	
7	356 70 051 6	Rubber sleeve		1	
8	356 70 051 11	Handle		1	
9	356 70 513	Container Bag F 52 908 >> F 60 707 >>		1	
-	356 70 051 12	Support Water reservoir Complete F 52 030 >> 52 907 F 60 550 >> 60 706		1	
-	356 70 051 13	Water reservoir F 52 030 >> 52 907 F 60 550 >> 60 706		1	
-	356 70 051 14	Lid Water reservoir F 52 030 >> 52 907 F 60 550 >> 60 706		1	
-	356 70 051 15	Sealing ring Lid F 52 030 >> 52 907 F 60 550 >> 60 706		1	
-	356 70 051 16	Intake manifold Water reservoir F 52 030 >> 52 907 F 60 550 >> 60 706		1	

Model: 356 50

Model life 1950>>1959



Model: 356 50 Model life 1950>>1959

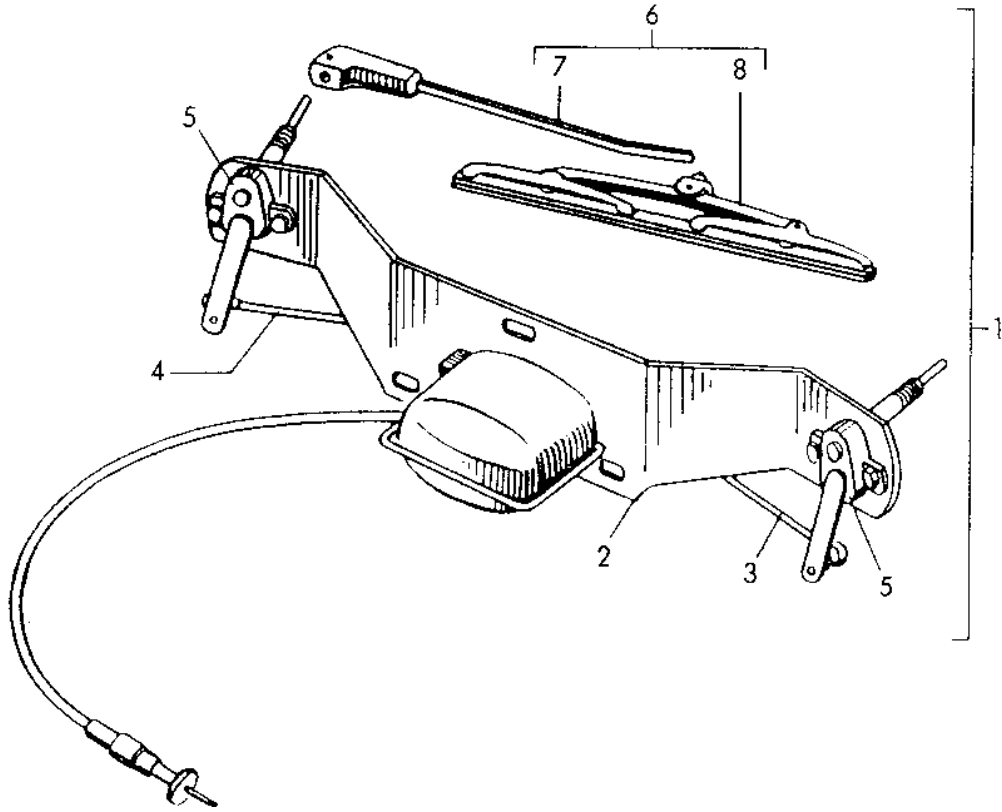
Pos	Part Number	Description	Remark	Qty	Model
		Windscreen wiper system			356:COUPE CABRIO
		Windscreen wiper system SWF 14 F 52 030 >> F 60 550 >>			COUPE CABRIO
1	356 61 056	Windscreen wiper system SWF 54		1	
		Complete			
2	356 61 440	Wiper motor		1	
		Complete			
		with			
-	356 61 441	Bowden cable		1	
		Cap			
3	356 61 445	Wiper motor		1	
		Bowden cable			
		Complete			
4	356 61 442	Clamp		1	
		Cap			
5	644 552 831 00	Knob		1	
		Ignition			
		Wiper switch			
		Small			
	644 552 831 00 700	Black			
	644 552 831 00 600	Grey			
	644 552 831 00 500	Beige			
	644 552 831 00 300	White			
		Ivory			
6	356 61 468	Crank		1	
7	356 61 471	Connecting rod		1	
8	356 61 473	Transmission		2	
9	356 61 480	Support frame		1	
10	356 61 482	Wiper arm		2	
		with			
		Wiper blade			
11	356 61 483	Wiper arm		2	
12	356 61 484	Windscreen wiper blade		2	
(12)	644 628 311 00	Wiper blade		2	
		silber			
		Länge 230 mm			
		Windscreen wiper system			
		SWF 53			
		F 11 779 >> 52 029			
		F 15 073 >> 60 549			COUPE CABRIO
-	356 61 055	Windscreen wiper system		1	
		SWF 53			
		Complete			
-	356 61 403	Wiper motor		1	
-	356 61 404	Cap		1	
		Wiper motor			
-	356 61 405	Clamp		1	
		Cap			
-	356 61 415	Wiper arm	/L	1	
		with			
		Wiper blade			
-	356 61 416	Wiper arm	/R	1	
		with			
		Wiper blade			
-	356 61 417	Wiper arm	/L	1	
		with			
		Wiper blade			
-	356 61 418	Wiper arm	/R	1	
		with			

Model: 356 50 Model life 1950>>1959

Pos	Part Number	Description	Remark	Qty	Model
-	356 61 424	Wiper blade Transmission Complete		2	
-	356 61 429	Windscreen wiper system		1	
-	356 61 430	Connecting rod		1	
-	356 61 433	Crank with Connecting rod Windscreen wiper system BOSCH 50/52 F 5 001 >> 11 778 F 5 015 >> 15 072		1	COUPE CABRIO
-	356 61 040	Windscreen wiper system -BOSCH- Complete		1	
-	356 61 041	Wiper motor with 2 Nut		1	
-	356 61 048	Crank Wiper motor with Clamping screw		1	
-	356 61 049	Crank with Axle 2-ARMIG		1	
-	356 61 050	Crank with Axle 1-ARMIG		1	
-	356 61 051	Connecting rod		1	
-	356 61 052	Connecting rod Long		1	
-	356 61 053	Wiper arm with Wiper blade	/L	1	
-	356 61 054	Wiper arm with Wiper blade	/R	1	

Model: 356 50

Model life 1950>>1959



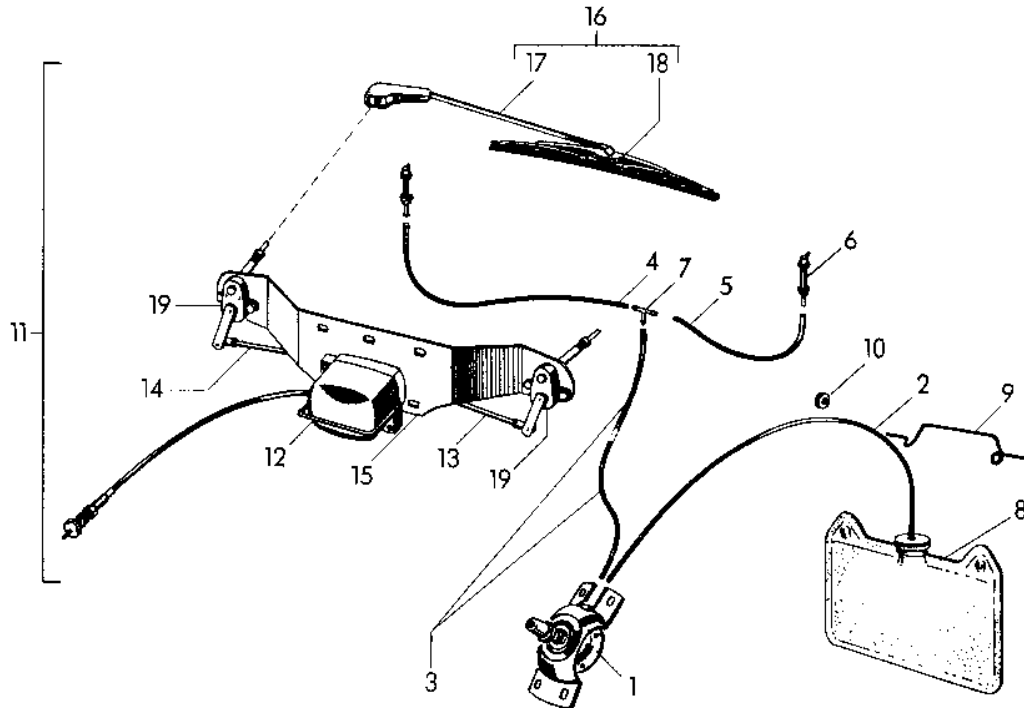
Model: 356 50

Model life 1950>>1959

Pos	Part Number	Description	Remark	Qty	Model
		Windscreen wiper system			356 SPEEDSTER
1	540 61 040	Windscreen wiper system -SWF- Complete		1	
-	540 61 407	Mounting plate		1	
2	540 61 416	Windscreen wiper system Assembly frame		1	
3	644 628 021 00	Crank		1	
4	540 61 414	Connecting rod		1	
5	644 628 025 00	Transmission		2	
6	540 61 417	Wiper arm with Wiper blade		2	
7	540 61 418	Wiper arm without Wiper blade 225 MM		2	
8	540 61 419	Wiper blade 260 MM		2	

Model: 356 50

Model life 1950>>1959



Model: 356 50 Model life 1950>>1959

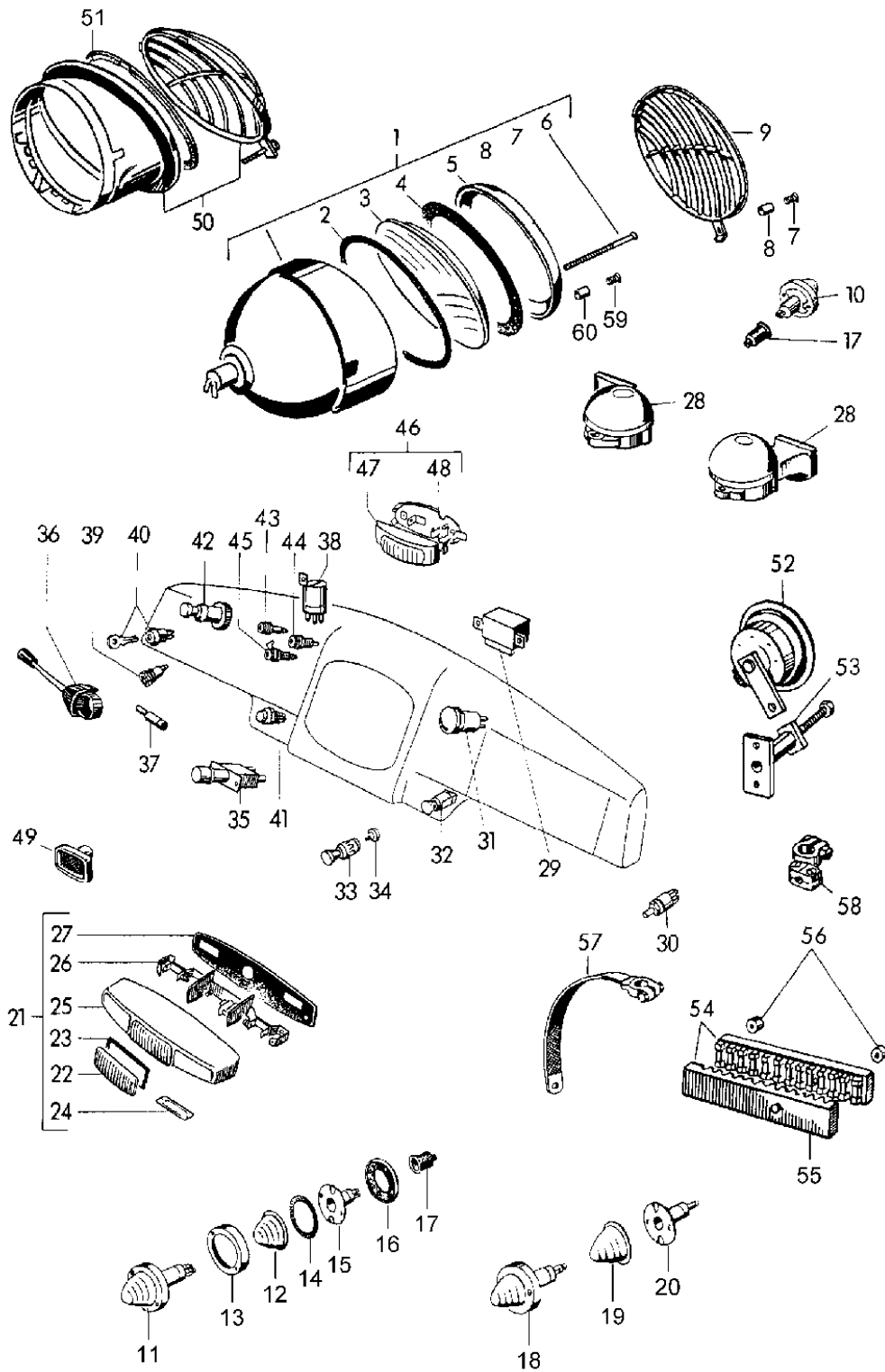
Pos	Part Number	Description	Remark	Qty	Model
-	644 628 070 11	Windscreen washer system Windscreen wiper system Installation set Windscreen washer system Complete		1	356 A/540.1
1	644 628 073 01	Pump Complete		1	
(1)	644 628 073 02	Pump Complete		1	
2	644 628 731 00	Suction hose 630 MM		1	
3	PCG 628 901 10	Hose 3000 MM for Pos. 3/4/5		1	
6	644 628 741 41	Spray nozzle		2	
7	644 628 745 00	T-piece		1	
8	644 628 720 00	Water reservoir		1	
9	644 628 761 00	Retaining bow		1	
10	999 702 020 50	Rubber sleeve \$ 8 MM		1	
11	644 628 017 15	Windscreen wiper system Complete		1	
12	644 61 440	Wiper motor with Bowden cable F 55 001 >> 100 000 F 61 001 >> 61 700 F 82 001 >> 83 200		1	COUPE CABRIO SPEEDSTER
(12)	644 628 015 00	Wiper motor -SWF- F 100 001 >> F 61 701 >> F 83 201 >>		1	COUPE CABRIO SPEEDSTER
(12)	644 628 015 10	Wiper motor -BOSCH- F 100 001 >> F 61 701 >> F 83 201 >>		1	COUPE CABRIO SPEEDSTER
-	644 613 501 00	Switch Wiper motor 644.628.015.00 -SWF-		1	
13	644 628 021 00	Crank -SWF-		1	
(13)	644 628 021 10	Joint rod -BOSCH-		1	
14	644 628 023 00	Connecting rod -SWF-		1	
(14)	644 628 023 10	Joint rod -BOSCH-		1	
-	644 628 021 00	Crank -SWF-		1	
-	644 628 024 10	Crank -BOSCH-		1	
15	644 628 251 00	Assembly frame -SWF- -BOSCH-		1	
16		Complete Not available			
17	644 628 301 10	Wiper arm -SWF-	/L	1	COUPE/CABRIO
17	644 628 301 14	Wiper arm	/L	1	COUPE/CABRIO

Model: 356 50 Model life 1950>>1959

Pos	Part Number	Description	Remark	Qty	Model
(17)	644 628 301 10	-SWF- Wiper arm	/L /R	2	COUPE/CABRIO
(17)	644 628 301 14	-BOSCH- Wiper arm	/L /R	2	COUPE/CABRIO
(17)	644 628 301 40	-BOSCH- Wiper arm	/L	1	SPEEDSTER
(17)	644 628 303 05	Wiper arm	/L /RL	1	COUPE/CABRIO
(17)	644 628 303 40	-SWF- Wiper arm	/L /RL	1	SPEEDSTER
(17)	644 628 301 10	Wiper arm	/R	1	COUPE/CABRIO
(17)	644 628 301 14	-SWF- Wiper arm	/R	1	COUPE/CABRIO
(17)	644 628 302 40	-SWF- Wiper arm	/R	1	SPEEDSTER
(17)	644 628 304 05	Wiper arm	/R	1	COUPE/CABRIO
(17)	644 628 304 40	-SWF- Wiper arm	/R /RL	1	SPEEDSTER
18	644 628 311 10	Wiper blade Set		1	
19	644 628 025 00	-BOSCH- Transmission		2	
(19)	644 628 025 10	-SWF- Transmission		2	
-	PCG 628 292 00	-BOSCH- Mounting parts Windscreen wiper system Rubber		2	
-		Transmission Outer		2	
-		Rubber		2	
-	644 628 296 00	Transmission Inner		2	
-	644 628 295 00	Hexagon nut		2	
-	644 628 295 00	Transmission Flange washer		2	
-	644 628 297 00	Transmission Rubber seal		2	
-	644 628 298	Small for Cap Cap Transmission		2	

Model: 356 50

Model life 1950>>1959



Model: 356 50 Model life 1950>>1959

Pos	Part Number	Description	Remark	Qty	Model
		Headlamp Lights And Switch			356
1	644 631 101 00	Headlamp Complete - bosch -		2	
-	356 62 014	High-beam headlight Complete - HELLA -		2	
-	644 631 101 31	Headlamp without Insert Sealed-beam - HELLA -		2	
2	356 62 106	Rubber seal Headlamp Wing		2	
3	644 631 111 00	Lens - bosch -		2	
-	356 62 102	Lens - HELLA -		2	
-	644 631 111 31	Lens Sealed-beam - HELLA -		2	
4	356 62 112	Rubber seal - bosch -		2	
-	356 62 105	Gasket - HELLA -		2	
5	644 631 112 00	Headlamp ring - bosch -		2	
-	356 62 103	Headlamp ring - HELLA -		2	
6	644 631 113 00	Adjusting screw M 3 - bosch -		4	
-	356 62 104	Adjusting screw - HELLA -		4	
7	356 62 115	Screw		2	
8	356 62 116	Intermediate piece		2	
9	356 62 114	Protective grille Sealed-beam		2	
10	356 62 216	Direction indicator light White F 11 779 >> F 15 073 >>		2	COUPE CABRIO
-	356 62 021	Direction indicator light White F 5 001 >> 11 778 F 5 015 >> 15 072		2	COUPE CABRIO
11	356 62 217	Direction indicator light Red F 11 779 >> F 15 073 >>		2	COUPE CABRIO
-	356 62 022	Direction indicator light Red F 5 001 >> 11 778 F 5 015 >> 15 072		2	COUPE CABRIO
-	356 62 040	Rear light Red F 5 001 >> 11 778 F 5 015 >> 15 072		2	COUPE CABRIO
-	356 62 219	Glass		2	COUPE CABRIO

Model: 356 50 Model life 1950>>1959

Pos	Part Number	Description	Remark	Qty	Model
-	356 62 211 1	White F 11 779 >> F 15 073 >> Glass White F 5 001 >> 11 778 F 5 015 >> 15 072		2	COUPE CABRIO
12	356 62 220	Glass Red F 11 779 >> F 15 073 >>		2	COUPE CABRIO
-	356 62 212	Glass Red F 5 001 >> 11 778 F 5 015 >> 15 072		2	COUPE CABRIO
-	356 62 410	Lens Red Rear light F 5 001 >> 11 778 F 5 015 >> 15 072		2	COUPE CABRIO
13	356 62 221	Ring F 11 779 >> F 15 073 >>		6	COUPE CABRIO
-	356 62 213	Ring F 5 001 >> 11 778 F 5 015 >> 15 072		4	COUPE CABRIO
-	356 62 412	Ring Rear light F 5 001 >> 11 778 F 5 015 >> 15 072		2	COUPE CABRIO
14	356 62 222	Rubber seal F 11 779 >> F 15 073 >>		6	COUPE CABRIO
-	356 62 211	Rubber seal F 5 001 >> 11 778 F 5 015 >> 15 072		4	COUPE CABRIO
-	356 62 411	Rubber seal F 5 001 >> 11 778 F 5 015 >> 15 072		2	COUPE CABRIO
15	356 62 225	Bulb socket F 11 779 >> F 15 073 >>		4	COUPE CABRIO
-	356 62 211 3	Bulb socket F 5 001 >> 11 778 F 5 015 >> 15 072		4	COUPE CABRIO
-	356 62 413	Bulb socket Rear light F 5 001 >> 11 778 F 5 015 >> 15 072		2	COUPE CABRIO
16	356 62 223	Rubber base F 11 779 >> F 15 073 >>		6	COUPE CABRIO
-	356 62 214	Desk pad F 5 001 >> 11 778 F 5 015 >> 15 072		4	COUPE CABRIO
-	356 62 414	Rubber base F 5 001 >> 11 778 F 5 015 >> 15 072		2	COUPE CABRIO
17	356 62 224	Cap F 11 779 >> F 15 073 >>		4	COUPE CABRIO
-	356 62 211 5	Cap F 5 001 >> 11 778		4	COUPE

Model: 356 50 Model life 1950>>1959

Pos	Part Number	Description	Remark	Qty	Model
18	356 62 514 A	F 5 015 >> 15 072 Brake light Complete Orange 20 WATT		2	CABRIO
-	356 62 514	F 53 210 >> F 60 765 >> Brake light Complete Orange 15 WATT		2	COUPE CABRIO
19	356 62 515	F 11 779 >> 53 209 F 15 073 >> 60 764 Lens Orange		2	COUPE CABRIO
20	356 62 516 A	F 11 779 >> F 15 073 >> Bulb socket 20 WATT		2	COUPE CABRIO
-	356 62 516	Bulb socket 15 WATT		2	
21	356 62 801	Back-up light License plate light Complete		1	
		F 11 779 >> F 15 073 >>			COUPE CABRIO
21	PCG 631 005 00	Back-up light Complete		1	
-	356 62 050	Brake light License plate light Complete		1	
		F 5 001 >> 11 778 F 5 015 >> 15 072			COUPE CABRIO
22	356 62 802	Lens White		1	
		F 11 779 >> F 15 073 >>			COUPE CABRIO
-	356 62 512	Glass Red		1	
		F 5 001 >> 11 778 F 5 015 >> 15 072			COUPE CABRIO
23	356 62 803	Gasket		1	
24	356 62 513	Glass Clear		1	
25	356 62 804	Housing		1	
		F 11 779 >> F 15 073 >>			COUPE CABRIO
-	356 62 051	Housing		1	
		F 5 001 >> 11 778 F 5 015 >> 15 072			COUPE CABRIO
26	356 62 806	Bulb socket		1	
		F 11 779 >> F 15 073 >>			COUPE CABRIO
27	356 62 805	Desk pad		1	
		F 11 779 >> F 15 073 >>			COUPE CABRIO
-	356 62 511	Rubber base		1	
		F 5 001 >> 11 778 F 5 015 >> 15 072			COUPE CABRIO
28	356 62 303	Fanfare I		1	
28	356 62 304	Fanfare II		1	

Model: 356 50 Model life 1950>>1959

Pos	Part Number	Description	Remark	Qty	Model
-	356 62 030	Horn Normal		1	
-	356 62 033	High volume horn		1	
29	PCG 615 101 00	Relay		1	
30	356 61 065	Door contact switch		1	COUPE
31	356 61 600	Bulb Please state the colour		1	CABRIO
-	356 53 707	Knob Please state the colour		1	
32	356 70 021 A	Cigarette lighter Complete Please state the colour		1	
		F 52 030 >>			COUPE
		F 60 550 >>			CABRIO
-	356 70 021	Cigarette lighter Complete Please state the colour		1	
		F 5 001 >> 52 029			COUPE
		F 5 015 >> 60 549			CABRIO
33	356 70 022 A	Cigarette lighter Please state the colour		1	
		F 52 030 >>			COUPE
		F 60 550 >>			CABRIO
-	356 70 022	Cigarette lighter Please state the colour		1	
		F 5 001 >> 52 029			COUPE
		F 5 015 >> 60 549			CABRIO
-	644 552 821 01	Knob Light switch Wiper switch		1	
	644 552 821 01 700	Black			
	644 552 821 01 600	Grey			
	644 552 821 01 500	Beige			
	644 552 821 01 300	White Ivory			
34	356 70 205 A	Glower F 52 030 >> F 60 550 >>		1	
					COUPE
					CABRIO
-	644 652 115 00	Glower F 5 001 >> 52 029 F 5 015 >> 60 549		1	
35	356 62 016	Light switch		1	
36	356 62 027	Direction indicator switch Please state the colour		1	
		F 11 779 >>			COUPE
		F 15 073 >>			CABRIO
-	356 62 025	Direction indicator switch F 5 001 >> 11 778 F 5 015 >> 15 072		1	
					COUPE
					CABRIO
37		Connecting lug 951.575		1	
38	356 62 024	Flasher relay 2 X 20 WATT		1	
-	356 62 023	Flasher relay 2 X 15 WATT		1	
39	644 616 131 01	Plug socket		1	
40	356 61 071	Ignition starter lock Complete		1	
41	356 61 072	Push button Starter		1	
42	356 62 017 A	Light switch F 52 030 >> F 60 550 >>		1	
					COUPE
					CABRIO

Model: 356 50 Model life 1950>>1959

Pos	Part Number	Description	Remark	Qty	Model
-	644 552 821 01	Knob Light switch Wiper switch		1	
	644 552 821 01 700	Black			
	644 552 821 01 600	Grey			
	644 552 821 01 500	Beige			
	644 552 821 01 300	White Ivory			
-	356 62 017	Light switch F 10 531 >> 52 029 F 10 001 >> 60 549		1	COUPE CABRIO
-	356 61 045	Switch F 5 001 >> 52 029 F 5 015 >> 60 549		1	COUPE CABRIO
-	644 552 831 00	Knob Ignition Wiper switch Small		1	
	644 552 831 00 700	Black			
	644 552 831 00 600	Grey			
	644 552 831 00 500	Beige			
	644 552 831 00 300	White Ivory			
-	356 62 015	Light switch F 50 01 >> 56 00 F 50 15 >> 51 38		1	COUPE CABRIO
43	356 61 076	Indicator light Red Dc generator \$ 6MM F 11 361 >> F 10 271 >>		1	COUPE CABRIO
-	356 61 074	License plate light Red Dc generator \$ 3MM F 5 001 >> 11 360 F 5 015 >> 10 270		1	COUPE CABRIO
44	356 61 075	Indicator light Green Oil pressure indicator \$ 6MM F 11 361 >> F 10 271 >>		1	COUPE CABRIO
-	356 61 073	License plate light Green Oil pressure indicator \$ 3MM F 5 001 >> 11 360 F 5 015 >> 10 270		1	COUPE CABRIO
45	356 62 029	Indicator light Blue High beam \$ 6MM F 11 361 >> F 10 271 >>		1	COUPE CABRIO
-	356 62 018	Indicator light Blue High beam \$ 3MM F 5 001 >> 11 360 F 5 015 >> 10 270		1	COUPE CABRIO
46	356 61 062	Interior light		1	

Model: 356 50 Model life 1950>>1959

Pos	Part Number	Description	Remark	Qty	Model
47	356 61 062 1	F 51 958 >> Interior light		1	COUPE
48	356 61 062 2	Interior light F 51 958 >> Lower part		1	COUPE
-	356 61 060	Interior light F 5 001 >> 51 957		1	COUPE
-	356 61 105	Glass Interior light F 5 001 >> 51 957		1	COUPE
-	356 61 061	Interior light F 5 015 >> 10 270		1	CABRIO
-	356 61 106	Glass Interior light F 5 015 >> 10 270		1	CABRIO
49	644 731 501 00	Reflector F 11 779 >> F 15 073 >>		2	COUPE CABRIO
50	540 62 011	Protective grille without Insert Sealed-beam		2	SPEEDSTER
51	540 62 105	Sealing ring		2	SPEEDSTER
52	540 62 301	High volume horn Low-pitched		1	SPEEDSTER
-	540 62 302	High volume horn Low-pitched		1	SPEEDSTER
53	540 62 313	Support Left		1	SPEEDSTER
-	540 62 314	Support Right		1	SPEEDSTER
54	356 61 015 A	Fuse box F 53 276 >> F 60 788 >>		1	COUPE CABRIO
-	356 61 015	Fuse box F 5 001 >> 53 275 F 5 015 >> 60 787		1	COUPE CABRIO
-	540 61 015	Fuse box		1	SPEEDSTER
55	356 61 015 A1	Lid F 53 276 >> F 60 788 >>		1	COUPE CABRIO
-	356 61 015 1	Lid F 5 001 >> 53 275 F 5 015 >> 60 787		1	COUPE CABRIO
56	356 61 132	Rubber stop		2	
57		Ground strap L 149.053		1	
58		Terminal clamp DIN 2331 A 10		1	
-	356 61 023	Wiring harness F 52 030 >> F 60 550 >>		1	COUPE CABRIO
-	356 61 022	Wiring harness F 11 779 >> 52 029 F 15 073 >> 60 549		1	COUPE CABRIO
-	356 61 021	Wiring harness F 11 361 >> 11 778 F 10 271 >> 15 072		1	COUPE CABRIO
-	356 61 020	Wiring harness F 5 001 >> 11 778 F 5 015 >> 15 072		1	COUPE CABRIO

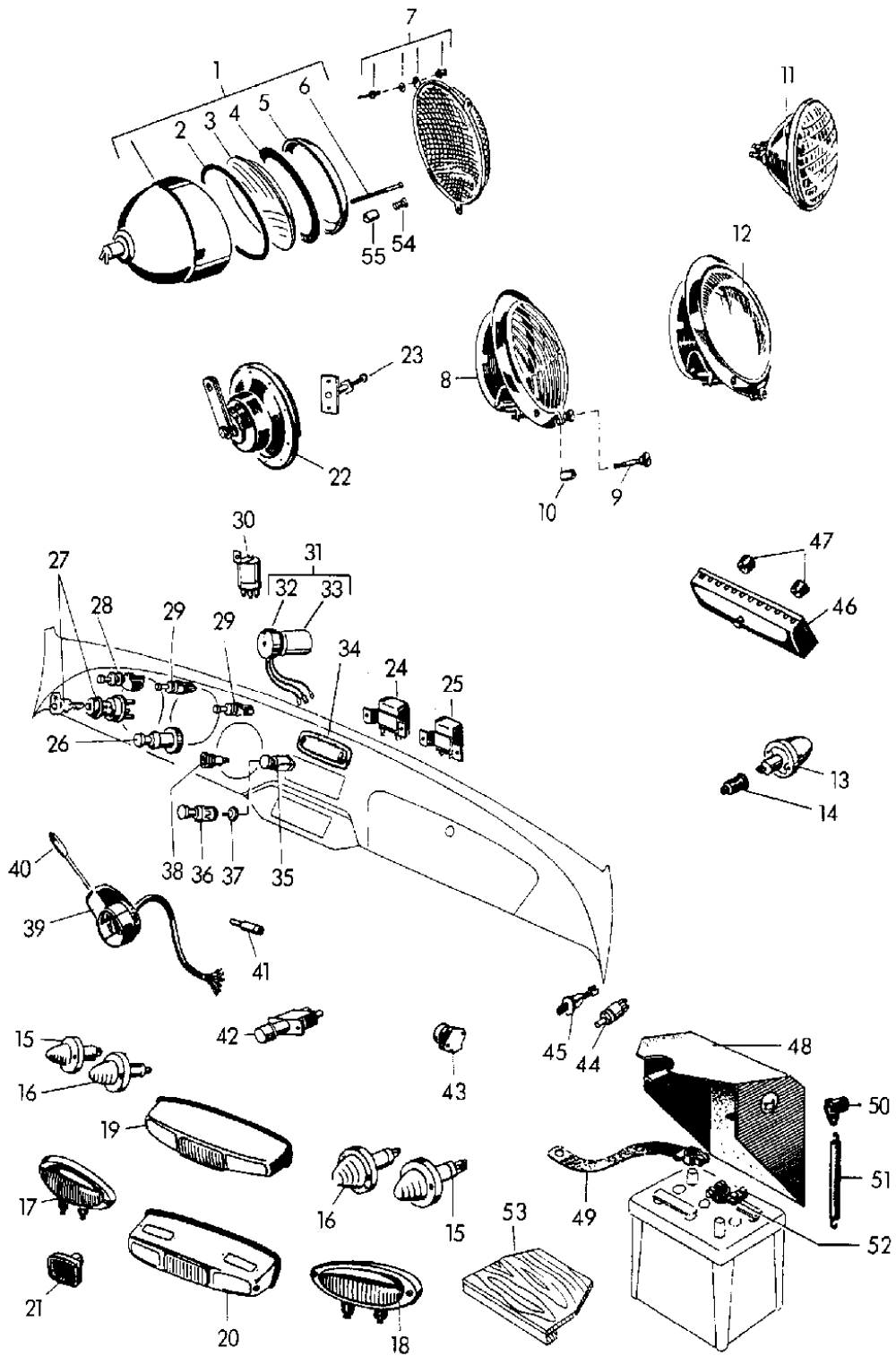
Model: 356 50

Model life 1950>>1959

Pos	Part Number	Description	Remark	Qty	Model
-	540 61 029	Wiring harness		1	SPEEDSTER
-	356 61 117	Battery-starter cable		1	
		Battery 35 MM2			
59	PCG 62 115	Fastening screw		2	
60	PCG 62 116	Headlamp ring		2	
(60)	PCG 62 117	Intermediate piece Aluminium Intermediate piece Plastic material		2	

Model: 356 50

Model life 1950>>1959



Model: 356 50 Model life 1950>>1959

Pos	Part Number	Description	Remark	Qty	Model
		Headlamp Lights And Switch			356 A
-	900 611 001 90	Battery 6V 77AH		1	
-	900 611 001 91	Battery 6V 77AH		1	
1	644 631 101 00	Headlamp Complete		2	
-	644 631 101 01	- bosch - High-beam headlight Complete		2	
-	644 631 101 07	- HELLA - Headlamp Complete Asymmetrical		2	
2	644 631 115 01	- HELLA - Gasket Headlamp Wing		2	
3	644 631 111 00	Lens for 644.631.101.00		2	
-	644 631 111 01	Lens for 644.631.101.01		2	
-	901 631 111 00	Lens White HELLA for 644.631.101.02		2	
-	644 631 111 02	Lens Yellow BOSCH for 644.631.101.02		2	
4	911 631 967 00	Gasket - bosch -		2	
-		Gasket - HELLA -		2	
5	644 631 112 00	Headlamp ring for 644.631.101.00		2	
-	644 631 112 01	Headlamp ring for 644.631.101.01		2	
-	644 631 101 07	Headlamp for 644.631.101.02		2	
6	644 631 113 00	Adjusting screw M3 for 644.631.101.00		4	
-	644 631 113 01	Adjusting screw M 3 for 644.631.101.01		4	
-	644 631 113 02	Adjusting screw M 3 Short for 644.631.101.02		2	

Model: 356 50 Model life 1950>>1959

Pos	Part Number	Description	Remark	Qty	Model
-	644 631 113 03	Adjusting screw M 3 Long for 644.631.101.02		2	
7	644 631 130 00	Protective grille with Mount		2	
8	540 62 011	Protective grille without Sealed-beam F >> 100 000 F >> 61 700 F >> 83 200		2	COUPE CABRIO SPEEDSTER
-	356 62 114	Protective grille for Protective grille Sealed-beam - HELLA - F >> 100 000 F >> 61 700 F >> 83 200		2	COUPE CABRIO SPEEDSTER
9		Screw F >> 100 000 F >> 61 700 F >> 83 200		2	COUPE CABRIO SPEEDSTER
10		Intermediate piece F >> 100 000 F >> 61 700 F >> 83 200		2	COUPE CABRIO SPEEDSTER
11	644 631 105 30	Headlamp unit Sealed-beam Original		2	
-	644 631 105 31	Headlamp Insert Sealed-beam Symmetrical Replacement		2	
-	644 631 106 31	Headlamp unit Sealed-beam Asymmetrical Replacement		2	
12	644 631 101 31	Headlamp without Insert Sealed-beam - HELLA -		2	
-	644 631 111 31	Lens Sealed-beam - HELLA -		2	
-	644 631 112 01	Headlamp ring Sealed-beam - HELLA -		2	
-	644 631 107 03	Connector without Cable		2	
13		Direction indicator light White Front 2-pole F >> 100 000 F >> 61 700 F >> 83 200		2	COUPE CABRIO SPEEDSTER

Model: 356 50 Model life 1950>>1959

Pos	Part Number	Description	Remark	Qty	Model
-		Direction indicator light White Front Single pole F 100 001 >> F 61 701 >> F 83 201 >>		2	COUPE CABRIO SPEEDSTER
-		Direction indicator light Clear Front Safety contact F 100 001 >> 104 089 F 61 701 >> 61 892 F 150 001 >> 150 639 F 83 201 >> 84 922		2	COUPE CABRIO HARDTOP SPEEDSTER
-	644 631 401 01	Direction indicator light Clear Front F 104 090 >> F 150 640 >> F 85 503 >>		2	COUPE CABRIO SPEEDSTER
-	644 631 401 02	Direction indicator light Yellow Front F 104 090 >> F 150 640 >> F 85 503 >>		2	COUPE CABRIO SPEEDSTER
-	PCG 631 100 00	Screw Set Lights Comprising: 8 SCHRAUBEN		1	
-	644 631 411 00	Lens Direction indicator light Clear F 100 001 >> 104 089 F 61 701 >> 61 892 F 150 001 >> 150 639 F 83 201 >> 84 922		2	COUPE CABRIO HARDTOP SPEEDSTER
-	644 631 411 01	Lens Direction indicator light Clear F 104 090 >> F 150 640 >> F 85 503 >>		2	COUPE CABRIO SPEEDSTER
-	644 631 411 06	Lens Direction indicator light Yellow F 104 090 >> F 150 640 >> F 85 503 >>		2	COUPE CABRIO SPEEDSTER
-	644 631 413 01	Rubber seal Direction indicator light F 104 090 >> F 150 640 >> F 85 503 >>		2	COUPE CABRIO SPEEDSTER
-		Rubber cap F 104 090 >> F 150 640 >> F 85 503 >>		6	COUPE CABRIO SPEEDSTER
14	644 631 419 00	Rubber cap Direction indicator light with		2	

Model: 356 50 Model life 1950>>1959

Pos	Part Number	Description	Remark	Qty	Model
14	PCG 631 419 00	Safety contact Rubber cap Direction indicator light with Safety contact		2	
15	PCG 631 008 00	Direction indicator light Brake light Red F >> 100 000 F >> 61 700 F >> 83 200		2	COUPE CABRIO SPEEDSTER
(15)		Orange Not available			
-	PCG 631 100 00	Screw Set Lights Comprising: 8 SSCHRAUBEN		1	
-	365 62 223	Rubber base F >> 100 000 F >> 61 700 F >> 83 200		2	COUPE CABRIO SPEEDSTER
16		Rear light Red F >> 100 000 F >> 61 700 F >> 83 200		2	COUPE CABRIO SPEEDSTER
17	644 631 403 00	Rear light Direction indicator light Brake light Red F 100 001 >> F 61 701 >> F 83 201 >>	/L (USA)	1	COUPE CABRIO SPEEDSTER
-	644 631 403 10	Rear light Direction indicator light Brake light Red Orange F 100 001 >> F 61 701 >> F 83 201 >>	/L	1	COUPE CABRIO SPEEDSTER
-	644 631 421 00	Lens Red for 644.631.403.00	/L (USA)	1	
-	644 631 421 10	Lens Red Orange for 644.631.403.10	/L	1	
18	644 631 404 00	Rear light Direction indicator light Brake light Red F 100 001 >> F 61 701 >> F 83 201 >>	/R (USA)	1	COUPE CABRIO SPEEDSTER
-	644 631 404 10	Rear light Direction indicator light Brake light Red Orange	/R	1	

Model: 356 50 Model life 1950>>1959

Pos	Part Number	Description	Remark	Qty	Model
-	644 631 422 00	F 100 001 >> F 61 701 >> F 83 201 >> Lens Red for 644.631.404.00	/R (USA)	1	COUPE CABRIO SPEEDSTER
-	644 631 422 10	Lens Red Orange for 644.631.404.10	/R	1	
-	644 631 491 01	Rubber base		2	
-	644 631 423 01	Trim frame		2	
-	644 631 419 00	Rubber cap		4	
-	PCG 631 419 00	Rubber cap		4	
19	PCG 631 005 00	Back-up light License plate light F >> 100 000 F >> 61 700 F >> 83 200		1	COUPE CABRIO SPEEDSTER
20	644 631 601 00	Back-up light License plate light F 100 001 >> F 61 701 >> F 83 201 >>		1	COUPE CABRIO SPEEDSTER
20	PCG 631 006 00	License plate light Complete F 100 001 >> F 61 701 >> F 83 201 >>		1	COUPE CABRIO SPEEDSTER
-	644 631 612 00	Lens Back-up light		1	
21	644 731 501 00	Reflector 20 CM2		1	
-	644 731 505 00	Reflector 40 CM2	(S)	1	
22	644 635 101 06	High volume horn Low-pitched		1	
-	644 635 111 06	High volume horn High-pitched		1	
23	644 635 151 00	Support Left		1	
-	644 635 152 00	Support Right		1	
24	PCG 615 101 00	Relay Black Horn F >> 100 000 F >> 61 700 F >> 83 200		1	COUPE CABRIO SPEEDSTER
-	356 615 101 00	Relay Black Horn F 100 001 >> F 61 701 >> F 83 201 >>		1	COUPE CABRIO SPEEDSTER
25	PCG 615 101 00	Relay Headlight flasher F >> 100 000 F >> 61 700 F >> 83 200		1	COUPE CABRIO SPEEDSTER
-		Relay		1	

Model: 356 50 Model life 1950>>1959

Pos	Part Number	Description	Remark	Qty	Model
26	644 613 211 01	Green Headlight flasher F 100 001 >> F 61 701 >> F 83 201 >> Light switch Please state the colour		1	COUPE CABRIO SPEEDSTER
27	644 613 101 00	Ignition starter switch SH/ZAS 1/5 - bosch - with keys		1	
-	644 613 101 06	Ignition starter switch 8275 - KOSTAL - with keys		1	
-	644 613 901 00	Blank key - bosch -		1	
-	644 613 901 09	Blank key - KOSTAL -		1	
28	644 613 501 00	Switch Windscreen wiper system F 100 001 >> F 61 701 >> F 83 201 >>		1	COUPE CABRIO SPEEDSTER
29	356 61 045	Switch Ignition coil Fuel pump F >> 100 000 F >> 61 700 F >> 83 200		3	COUPE CABRIO SPEEDSTER CARRERA
-	644 613 501 01	Switch Ignition coil Fuel pump F 100 001 >> F 61 701 >> F 83 201 >>		3	COUPE CABRIO SPEEDSTER CARRERA
30		Flasher relay 2 X 20 W - HELLA - F >> 100 000 F >> 61 700 F >> 83 200		1	COUPE CABRIO SPEEDSTER
31	644 613 331 00	Flasher relay Complete F 100 001 >> F 61 701 >> F 83 201 >>		1	COUPE CABRIO SPEEDSTER
32	644 613 341 00	Plug socket F 100 001 >> F 61 701 >> F 83 201 >>		1	COUPE CABRIO SPEEDSTER
33	644 613 342 00	Flasher relay F 100 001 >> F 61 701 >> F 83 201 >>		1	COUPE CABRIO SPEEDSTER
34	644 632 101 03	Interior light		1	COUPE/CABRIO
35	644 652 101 01	Cigarette lighter Complete		1	COUPE/CABRIO
36	644 652 101 00	Please state the colour Cigarette lighter Please state the colour		1	COUPE/CABRIO
37	644 652 115 00	Glower		1	COUPE/CABRIO
38	644 616 131 01	Plug socket		1	

Model: 356 50 Model life 1950>>1959

Pos	Part Number	Description	Remark	Qty	Model
39	644 613 301 00	Direction indicator switch Complete		1	
	644 613 301 00 500	Beige			
	644 613 301 00 600	Grey			
-	644 613 325 00	Cancelling ring		1	
40	644 552 853 00	Direction indicator switch Handle knob		1	
	644 552 853 00 600	Grey			
	644 552 853 00 500	Beige			
	644 552 853 00 300	White			
41	644 347 731 00	Ivory Carbon brush		2	
-	PCG 347 731 00	Wiper contact Set for High volume horn		2	
42	644 613 531 01	Light switch		1	
43	356 62 083 3	Switch		1	
		Back-up light F >> 100 000 F >> 61 700 F >> 83 200			COUPE CABRIO SPEEDSTER
-	644 613 541 00	Switch Back-up light F 100 001 >> F 61 701 >> F 83 201 >>		1	COUPE CABRIO SPEEDSTER
44	356 61 065	Door contact switch F >> 100 000 F >> 61 700 F >> 83 200		1	COUPE/CABRIO COUPE CABRIO SPEEDSTER
45	644 615 601 00	Door contact switch F 100 001 >> F 61 701 >> F 83 201 >>		1	COUPE/CABRIO COUPE CABRIO SPEEDSTER
46	644 612 801 00	Fuse box		1	
-	644 612 811 00	Lid Fuse box		1	
47	644 612 691 00	Rubber buffer		2	
48	644 611 015 01	Lid Battery		1	
48	PCG 611 015 01	Battery cover Battery		1	
		It is necessary to rework			
-	644 611 015 02	Battery cover Battery - bosch -		1	
-	644 611 015 10	Battery cover Battery 12 VOLT		1	CARRERA
49	644 612 301 01	Ground strap		1	
49	644 612 301 02	Ground strap		1	
50	644 611 151 00	Retaining clip		2	
51	644 611 153 00	Tension spring		2	
52	901 611 311 00	Terminal		1	
53	644 611 110 00	Desk pad		1	
53	644 611 110 01	Desk pad SPERRHOLZ It is necessary to rework		1	
-	644 611 111 01	Desk pad		2	
-	644 612 001 05	Wiring harness		1	
54	PCG 62 115	Fastening screw		2	

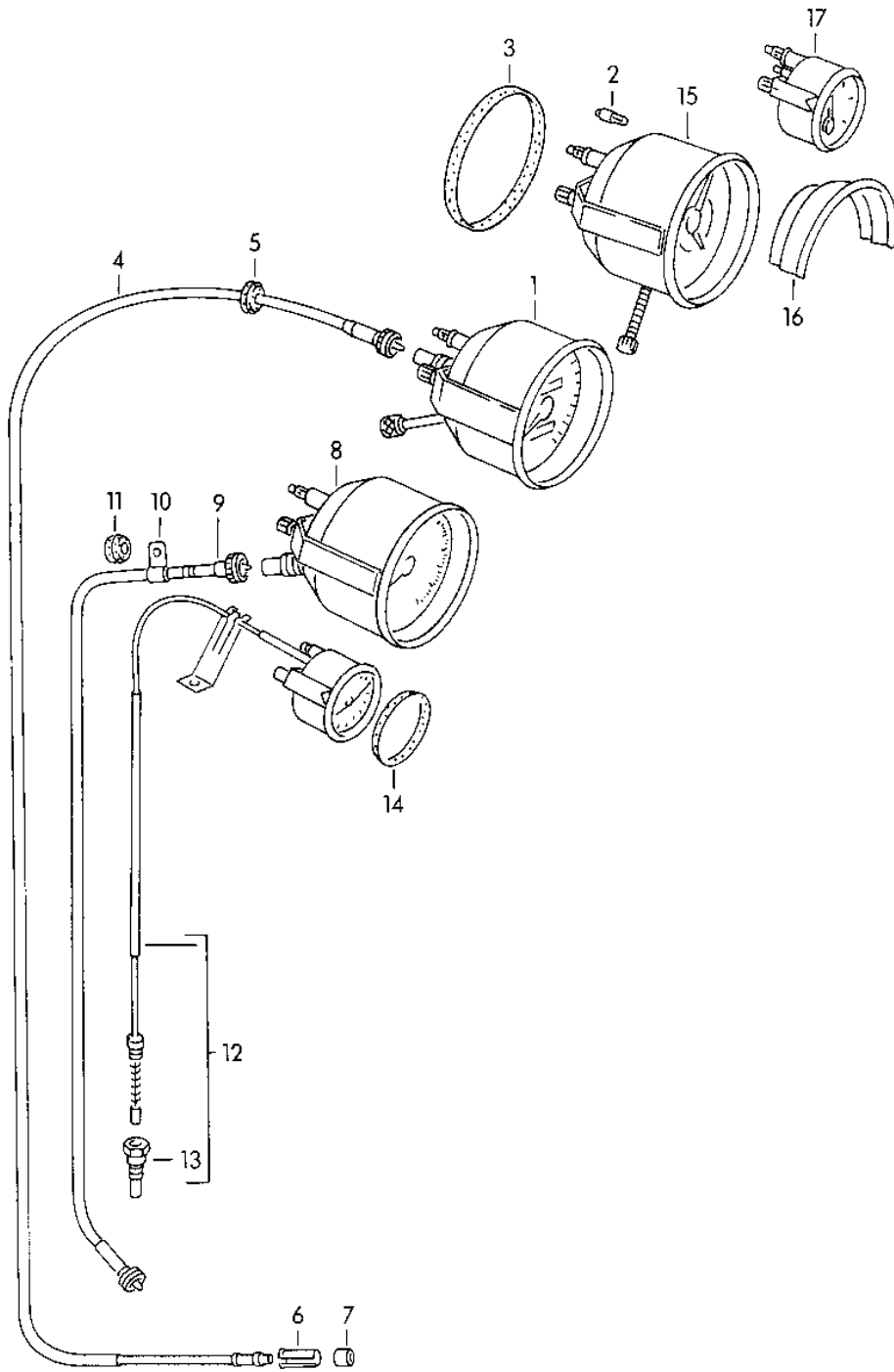
Model: 356 50

Model life 1950>>1959

Pos	Part Number	Description	Remark	Qty	Model
55	PCG 62 116	Headlamp ring Intermediate piece Aluminium		2	
(55)	PCG 62 117	Intermediate piece Plastic material		2	

Model: 356 50

Model life 1950>>1959

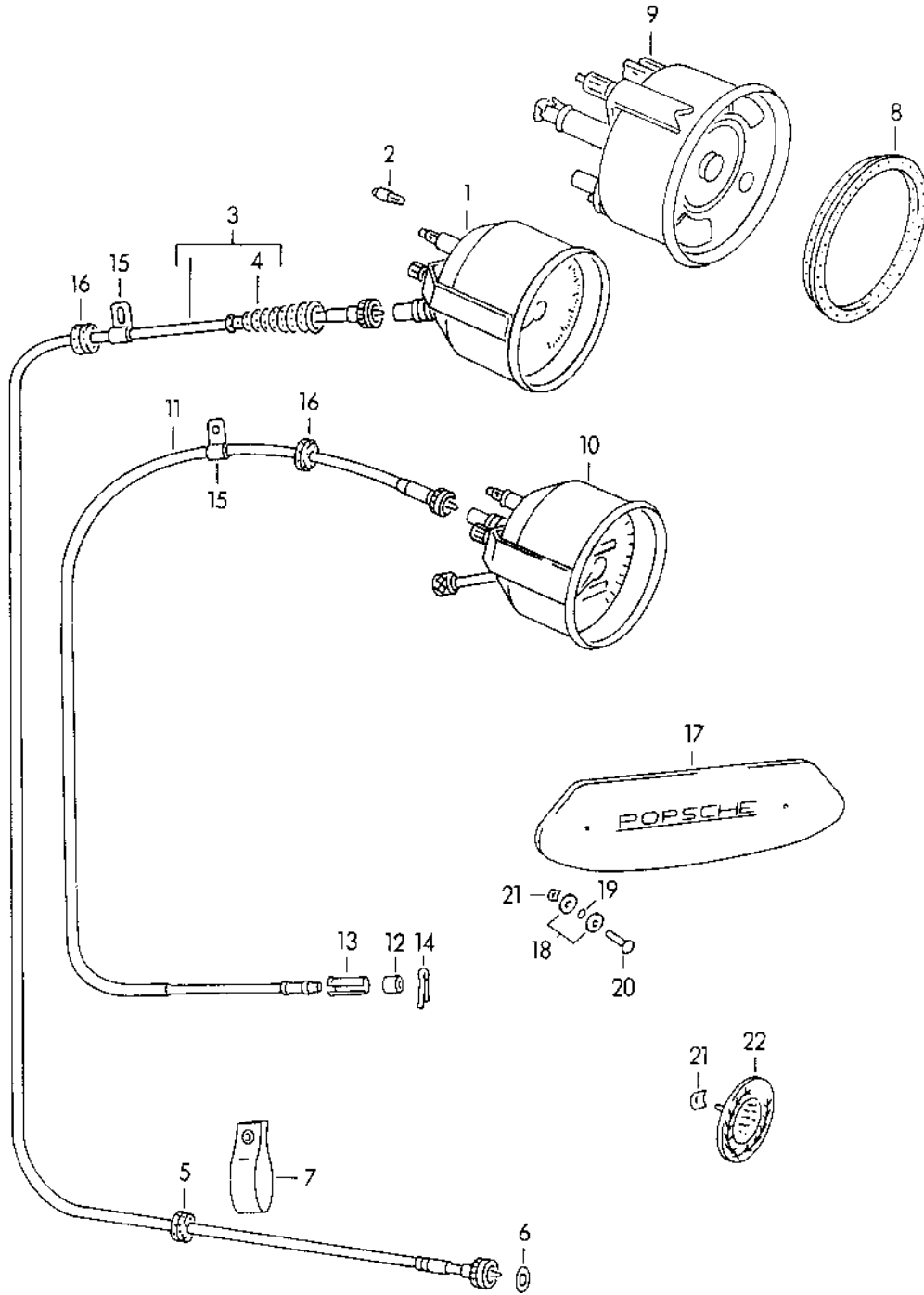


Model: 356 50 Model life 1950>>1959

Pos	Part Number	Description	Remark	Qty	Model
1	356 61 036 T	Instruments Speedometer with Trip meter 200 KM		1	356
-	356 61 037 T	Speedometer with Trip meter 120 MEILEN		1	
2		Bulb 6 V /0,6 W		X	
3	999 704 126 50	Rubber ring 95 MM \$ Speedometer Tachometer		2	
4	644 741 111 00	Drive shaft Speedometer		1	
-	356 61 311	Drive shaft Speedometer		1	
5	999 702 020 50	Rubber sleeve		2	
6	644 741 241 00	Sleeve		1	
7	356 61 308	Rubber boot		1	
8	356 70 017 T	Tachometer UPM 0 - 6 000		1	
-	356 70 018 T	Tachometer UPM 0 - 6 000		1	
9	644 741 311 01	Drive shaft Tachometer		1	
9	616 741 311 01	Drive shaft Tachometer 3500 mm		1	
10	369 05 708	Clip		2	
11	369 05 709	Rubber sleeve		2	
12	539 07 714	Temperature sensor		1	
13	616 07 708	Screw socket		1	
-		Sealing ring A 14 X 20		1	
14	356 70 143	Outer ring \$ 50 MM		2	
15	356 61 034	Clock		1	
-	356 23 204	Sealing bellows Connecting piece Clock		1	
16	356 70 424	Cover Tachometer Speedometer		2	
-	356 70 426	Cover Remote temperature sensor Fuel-level indicator		2	
17	356 56 142	Tank gauge Electric		1	
-	356 70 019	Fuel-level indicator Mechanical Complete		1	

Model: 356 50

Model life 1950>>1959



Model: 356 50 Model life 1950>>1959

Pos	Part Number	Description	Remark	Qty	Model
1	644 741 301 03	Instruments Tachometer 600 - 6 000		1	356 A 1300/1600
(1)	644 741 301 04	Tachometer 600 - 6 000		1	1300 S 1600 S
(1)	644 741 301 02	Tachometer 800 - 8 000		1	CARRERA GS
(1)	644 741 302 00	Tachometer 800 - 8 000 692/12 V		1	CARRERA GS
2	900 631 001 90	Bulb 6 V / 0,6 W		3	
(2)	900 631 002 90	Bulb 6 V / 1,2 W		1	
(2)	900 631 102 90	Light 12 V / 2,0 W		1	
3	644 741 311 01	Drive shaft Tachometer 4000 MM		1	1300 /S 1600 /S
(3)	616 741 311 01	Drive shaft Tachometer 3500 mm		1	
(3)	644 741 311 02	Drive shaft Tachometer 3640 MM		1	CARRERA
4	356 23 204	Sealing bellows		2	
5	644 025 622 00	Grommet		1	
-	644 025 682 00	Clamp Rubber sleeve		1	
6	369 05 707	Washer		1	
7	999 706 009 80	Suspension strap		1	
7	911 424 341 01	Suspension strap		1	
7	911 424 341 03	Suspension strap		1	
8	644 741 191 00	Outer ring		3	
9	644 741 501 01	Instrument cluster 6 V		1	1300 /S 1600 /S
(9)	644 741 502 01	Instrument cluster 12 V		1	CARRERA
10	644 741 101 03	Speedometer 0 - 200 KMH		1	1300 /S 1600 /S
-	644 741 101 13	Speedometer 0 - 120 MPH		1	1300 /S 1600 /S
-	644 741 102 06	Speedometer 0 - 250 KMH 6 V / 12 V		1	CARRERA
-	644 741 102 16	Speedometer 0 - 160 MPH 6 V / 12 V		1	CARRERA
11	644 741 111 00	Drive shaft Speedometer 1320 MM	/LL	1	
(11)	644 741 112 00	Drive shaft Speedometer 1920 MM	/RL	1	
12	644 741 241 00	Sleeve		1	
13		Sleeve		1	
14	900 021 006 00	Roll pin 2 X 10		1	
15	369 05 708	Clip		2	
16	999 702 020 50	Rubber sleeve		1	
17	644 552 431 00	Cover Radio PORSCHE logo		1	1300 /S 1600 /S

Model: 356 50

Model life 1950>>1959

Pos	Part Number	Description	Remark	Qty	Model
18	644 025 661 00	Washer		4	1300 /S
19	644 025 601 00	Rubber washer		2	1300 /S 1600 /S
20	900 055 004 00	Buttonhead rivet 3 X 15		2	1300 /S 1600 /S
21	999 507 212 01	Speed nut		3	1300 /S 1600 /S
22	644 559 831 00	Badge "1950-1955 DEUTSCHE Sports car championships		1	

Model: 356 50

Model life 1950>>1959

Pos	Part Number	Description	Remark	Qty	Model
1	547 18 002	Driving mechanism Tachometer Driving mechanism Tachometer Complete		1	CARRERA 1600 GS/GT
2	547 18 101	Housing		1	
3	547 18 103	Thrust washer 0,8 MM		X	
-	547 18 104	Thrust washer 0,6 MM		X	
-	547 18 105	Thrust washer 0,5 MM		X	
4	547 18 108	Drive shaft		1	
5	900 123 010 30	Sealing ring Aluminium A 20 X 24		2	
6	547 18 106	Pressure screw		1	
7	369 05 704 1	Sealing ring Felt		1	
8	369 05 718	Thrust washer 0,8 MM		X	
-	369 05 719	Thrust washer 0,6 MM		X	
-	369 05 720	Thrust washer 0,5 MM		X	
-	369 05 72A	Thrust washer 0,5 MM		X	
9	547 18 107	Shaft		1	
10	369 05 703	Pressure screw		1	