

Model: 911 70**Model life 1970>>1973**

ORDER-INFO

THIS PARTS CATALOGUE CONTAINS ALL ORDER INFORMATION OF
TYPE 911 FROM MODEL YEAR 1970 TO MODEL YEAR 1973

IT IS AVAILABLE IN TWO EDITIONS IN THE FOLLOWING LANGUAGES:

EDITION

USA, CANADA - *

EDITION

ALL OTHER COUNTRIES - GERMAN

* - ENGLISH

- FRENCH

- ITALIAN

- SPANISH

UPDATING IS BEING PERFORMED BY CHANGING OF UPDATE.

THE EDITION CAN BE RECOGNIZED BY THE CURRENT NO.
YEAR IN THE BOTTOM LINE OF SUBJECT UPDATE.

THE PREVIOUS UPDATE SHOULD NO LONGER BE USED.

ALL ILLUSTRATIONS ARE SUBJECT TO CHANGE WITHOUT OBLIGATION.

"WE RESERVE THE RIGHT TO SUPPLY A SUBSEQUENTLY
PRODUCED COMPONENT, ON WHICH ADDITIONAL WORK
IS NECESSARY, INSTEAD OF THE COMPONENT LISTED IN
THE CATALOGUE"

Model: 911 70**Model life 1970>>1973**

ALL ILLUSTRATIONS ARE SUBJECT TO
CHANGE WITHOUT OBLIGATION.

Model: 911 70

Model life 1970>>1973

SUMMARY TYPES

VEHICULE TYPE	MY	VIN	ENGINE TYPE
911 T COUPE	70	91101 00001>>	911.03/911.06 SPM
911 T TARGA	70	91101 10001>>	911.03/911.06 SPM
911 E COUPE	70	91102 00001>>	911.01
911 E TARGA	70	91102 10001>>	911.01
911 E COUPE	70	91102 20001>>	911.04 SPM
911 S COUPE	70	91103 00001>>	911.02
911 S TARGA	70	91103 10001>>	911.02
911 T COUPE (USA) (CDN)	70	91101 20001>>	911.07/911.08 SPM
911 T COUPE	71	91111 00001>>	911.03/911.06 SPM
911 T TARGA	71	91111 10001>>	911.03/911.06 SPM
911 E COUPE	71	91112 00001>>	911.01/911.04 SPM
911 E TARGA	71	91112 10001>>	911.01/911.04 SPM
911 S COUPE	71	91113 00001>>	911.02
911 S TARGA	71	91113 10001>>	911.02
911 T COUPE (USA) (CDN)	71	91111 20001>>	911.07/911.08 SPM
911 TV COUPE	72	91125 00001>>	911.57/911.67 SPM
911 TV TARGA	72	91125 10001>>	911.57/911.67 SPM
911 E COUPE	72	91122 00001>>	911.52/911.62 SPM
911 E TARGA	72	91122 10001>>	911.52/911.62 SPM
911 S COUPE	72	91123 00001>>	911.53/911.63 SPM
911 S TARGA	72	91123 10001>>	911.53/911.63 SPM
911 TE COUPE (USA) (CDN)	72	91121 00001>>	911.51/911.61 SPM
911 TE TARGA (USA) (CDN)	72	91121 10001>>	911.51/911.61 SPM
911 TV COUPE	73	91135 00001>>	911.57/911.67 SPM
911 TV TARGA	73	91135 10001>>	911.57/911.67 SPM
911 E COUPE	73	91132 00001>>	911.52/911.62 SPM
911 E TARGA	73	91132 10001>>	911.52/911.62 SPM
911 S COUPE	73	91133 00001>>	911.53/911.63 SPM
911 S TARGA	73	91133 10001>>	911.53/911.63 SPM
911 CARRERA COUPE	73	91136 00001>>	911.83
911 TE COUPE (USA) (CDN)	73	91131 00001>>	911.51/911.61 SPM
911 TE TARGA (USA) (CDN)	73	91131 10001>>	911.51/911.61 SPM
911 TK COUPE (USA) (CDN)	73	91131 01501>>	911.91/911.96 SPM
911 TK TARGA (USA) (CDN)	73	91131 11001>>	911.91/911.96 SPM

Model: 911 70

Model life 1970>>1973

SUMMARY ENGINES

VEHICLE TYPE	ENGINE		ENGINE NO.	TECHNICAL DATA
	TYPE	MY		
911 T	911.03	70	610 0001>>	6ZYL// 92KW
911 T SPM	911.06	70	610 3001>>	6ZYL// 92KW
911 E	911.01	70	620 0001>>	6ZYL//114KW
911 E SPM	911.04	70	620 8001>>	6ZYL//114KW
911 S	911.02	70	630 0001>>	6ZYL//132KW
911 T (USA) (CDN)	911.07	70	610 5001>>	6ZYL// 92KW
911 T SPM (USA) (CDN)	911.08	70	610 8001>>	6ZYL// 92KW
911 T	911.03	71	611 0001>>	6ZYL// 92KW
911 T SPM	911.06	71	611 9001>>	6ZYL// 92KW
911 E	911.01	71	621 0001>>	6ZYL//114KW
911 E SPM	911.04	71	621 8001>>	6ZYL//114KW
911 S	911.02	71	631 0001>>	6ZYL//132KW
911 T (USA) (CDN)	911.07	71	611 4001>>	6ZYL// 92KW
911 T SPM (USA) (CDN)	911.08	71	611 9501>>	6ZYL// 92KW
911 TV	911.57	72	652 0001>>	6ZYL// 96KW
911 TV SPM	911.67	72	652 9001>>	6ZYL// 96KW
911 E	911.52	72	622 0001>>	6ZYL//121KW
911 E SPM	911.62	72	622 9001>>	6ZYL//121KW
911 S	911.53	72	632 0001>>	6ZYL//140KW
911 S SPM	911.63	72	632 9001>>	6ZYL//140KW
911 TE (USA) (CDN)	911.51	72	612 0001>>	6ZYL//103KW
911 TE SPM (USA) (CDN)	911.61	72	612 9001>>	6ZYL//103KW
911 TV	911.57	73	653 0001>>	6ZYL// 96KW
911 TV SPM	911.67	73	653 9001>>	6ZYL// 96KW
911 E	911.52	73	623 0001>>	6ZYL//121KW
911 E SPM	911.62	73	623 9001>>	6ZYL//121KW
911 S	911.53	73	633 0001>>	6ZYL//140KW
911 S SPM	911.63	73	633 9001>>	6ZYL//140KW
911 CARRERA	911.83	73	663 0001>>	6ZYL//155KW
911 TE (USA) (CDN)	911.51	73	613 0001>>	6ZYL//103KW
911 TE SPM (USA) (CDN)	911.61	73	613 9001>>	6ZYL//103KW
911 TK (USA) (CDN)	911.91	73	613 3001>>	6ZYL//103KW
911 TK SPM (USA) (CDN)	911.96	73	613 9301>>	6ZYL//103KW

Model: 911 70

Model life 1970>>1973

SUMM. TRANSMISS.

VEHICLE TYPE	TRANSM.		TRANSMISSION NO.	TECNICAL DATA
	TYPE	MY		
911 T/911 T (USA) (CDN)	911.00	70	700 0001>>	4-SPEED
911 T/911 E/911 S	911.01	70	710 0001>>	5-SPEED
911 T/911 E/ 911 T (USA) (CDN)	905.20	70	720 0001>>	4-SPEED SPM
911 T/911 T (USA) (CDN)	911.00	71	701 0001>>	4-SPEED
911 T/911 E/911 S	911.01	71	711 0001>>	5-SPEED
911 T/911 E/ 911 T (USA) (CDN)	905.20	71	721 0001>>	4-SPEED SPM
911 TV/911 E/911 S/ 911 TE (USA) (CDN)	915.12	72	722 0001>>	4-SPEED
911 TV/911 E/911 S/ 911 TE (USA) (CDN)	915.02	72	732 0001>>	5-SPEED
911 TV 911 E/911 TE (USA) (CDN)	905.21	72	742 0001>>	4-SPEED SPM
911 S	925.00	72	762 0001>>	4-SPEED SPM
911 S	925.01	72	762 0401>>	4-SPEED SPM
911 TV/911 E/911 S/ 911 TE (USA) (CDN) / 911 TK (USA) (CDN)	915.12	73	723 0001>>	4-SPEED
911 TV/911 E/911 S/ 911 TE (USA) (CDN) / 911 TK (USA) (CDN)	915.02	73	733 0001>>	5-SPEED
911 TV 911 E/911TE (USA) (CDN) /	905.21	73	743 0001>>	4-SPEED SPM
911 TK (USA) (CDN)	925.00	73	763 0001>>	4-SPEED SPM
911 S	915.08	73	783 0001>>	5-SPEED

Model: 911 70

Model life 1970>>1973

LEGENDS/NOTICES

LEGENDS AND NOTICES

=====

IN COLUMN -S- STATUS

- N NEW ADDITION
- P PART ALREADY IN PROGRAMME, BUT NEW AT THIS APPLICATION
- E THIS PART NO. IS NO LONGER AVAILABLE FROM PORSCHÉ
- W DELETED AT THIS APPLICATION, BUT CONTINUED, TO BE CARRIED
- A STOCK TO BE USED UP
- U DELETED WITHOUT REPLACEMENT
- * PART ALSO OR ONLY AVAILABLE IN REPAIR KIT
- > ALSO AVAILABLE IN EXCHANGE

IN COLUMN - ILL. -

- 1 IDENTIFICATION NO. IN ILLUSTRATION
- (1) PART ONLY SIMILAR AS ILLUSTRATED
- PART IS NOT ILLUSTRATED

FIG.-NUMBERS FOR WHICH THERE IS SHOWN NO TEXT ARE NOT VALID FOR THIS EDITION OF CATALOGUE

IN COLUMN -PART NUMBER/CODE-

000 000 000 00 PART NUMBER EQUALS ORDERING NO., IF A CODE IS SHOWN, IT WILL HAVE TO BE PART OF ORDERING NUMBER

01C COLOUR CODE

IN COLUMN -TEXT

INSTALLATION WITH ENGINE OR CHASSIS NUMBER-RANGE

EXAMPLE:

Model: 911 70**Model life 1970>>1973**

M 640 0391 >> FROM ENGINE NO.

F >> 914043 0391 UP TO CHASSIS NO.

Model: 911 70

Model life 1970>>1973

LEGENDS/NOTICES

IN COLUMN - A -

IDENTIFICATION LETTER FOR PERIOD OF INSTALLATION
THAT IS REPEATED SEVERAL TIMES IN THE CATALOG GROUP.

EXPLANATION PLEASE FIND IN TEXT COLUMN OF THE CATALOG GROUP

IN COLUMN - QU - = NO. OF PIECES

- 1 NUMBER PER APPLICATION
- X NUMBER AS NEEDED
- * AVAILABLE ONLY IN RUNNING LENGTHS 1 = 1 METRE

IN COLUMN - MODEL/SYMBOL -

- M650 OPTIONAL EQUIPMENT - SEE M-NO. LIST
- 93 LIMITATION OF MODEL YEAR FOR INSTANCE: VALID UP TO
END OF MODEL YEAR 1993
- /LL LHD
- /RL RHD
- +
- /V FRONT I
I
- /H REAR I
I----> APPLIES TO
- /L LEFT I DIRECTION OF TRAVEL
I
- /R RIGHT I
-----+
- AUT. AUTOMATIC
- WW THE PART CAN BE USED INSTEAD OF THE
PRECEDING ONE

Model: 911 70

Model life 1970>>1973

COUNTRY-EQIPM.

EQUIPMENT BY COUNTRY REGULATIONS

=====

(A)	AUSTRIA
(AUS)	AUSTRALIA
(B)	BELGIUM
(CDN)	CANADA
(CH)	SWITZERLAND
(D)	FEDERAL REPUBLIC OF GERMANY
(DK)	DENMARK
(E)	SPAIN
(F)	FRANCE
(GB)	GREAT BRITAIN
(GR)	GREECE
(HK)	HONGKONG
(I)	ITALY
(J)	JAPAN
(L)	LUXEMBURG
(N)	NORWAY
(NL)	NETHERLANDS
(NZ)	NEW ZEALAND
(P)	PORTUGAL
(RC)	TAIWAN
(S)	SWEDEN
(SA)	SAUDI ARABIA
(SF)	FINLAND
(USA)	UNITED STATES OF AMERICA
(ZA)	SOUTH AFRICA

Model: 911 70

Model life 1970>>1973



Model: 911 70

Model life 1970>>1973

Pos	Part Number	Description	Remark	Qty	Model
>>	901 721 001 20	Tool Jack Box with bulbs Bag with contents Comprising:		1	
-	644 721 010 01	Tool bag		1	
-	477 012 203 A	Spark plug wrench		1	
-	901 721 221 00	Rim wrench 19		1	
-	999 195 011 02	Double-end spanner 8 X 9		1	
-	999 195 012 02	Double-end spanner 10 X 11		1	
-	999 195 007 02	Double-end spanner 12 X 13		1	
-	999 195 014 02	Double-end spanner 14 X 15		1	
-	999 195 015 02	Double-end spanner 17 X 19		1	
-	999 571 017 02	Ring wrench 19/22		1	
-	999 191 002 02	Screwdriver		1	
-	900 137 001 02	Phillips screwdriver B 2		1	
-	999 107 003 02	Universal pliers		1	
-	999 192 176 50	Narrow v-belt 9,5 X 710		1	
-	999 192 176 5A	Narrow v-belt 9,5 X 710		1	
-	911 722 202 00	Tyre pressure gauge Porsche Classic mit Lederhülle		1	
-	911 721 013 00	Bag with 5 Lock		1	
-	911 721 702 00	Retaining bracket for V-belt pulley		1	
-	901 721 327 00	Glycerine		1	
-	900 066 003 02	Allen key 10		1	
>>	911 721 002 00	Tool with contents Comprising:		1	
-	914 721 015 10	Bag		1	
-	477 012 203 A	Spark plug wrench		1	
-	901 721 221 00	Rim wrench 19		1	
-	999 195 011 02	Double-end spanner 8 X 9		1	
-	999 195 012 02	Double-end spanner 10 X 11		1	
-	999 195 007 02	Double-end spanner 12 X 13		1	
-	999 195 014 02	Double-end spanner 14 X 15		1	
-	999 195 015 02	Double-end spanner 17 X 19		1	
-	999 571 017 02	Ring wrench		1	
-	999 191 002 02	Screwdriver		1	

Model: 911 70 Model life 1970>>1973

Pos	Part Number	Description	Remark	Qty	Model
-	900 137 001 02	Phillips screwdriver B 2		1	
-	999 107 003 02	Universal pliers		1	
-	999 192 176 50	Narrow v-belt 9,5 X 710		1	
-	999 192 176 5A	Narrow v-belt 9,5 X 710		1	
-	911 721 013 00	Bag with 5 Lock		1	
-	911 721 702 00	Retaining bracket for V-belt pulley		1	
>>	902 721 001 21	Tool bag with contents Comprising:		1	
-	644 721 010 01	Tool bag		1	
-	902 721 201 20	Spark plug wrench		1	
-	901 721 221 00	Rim wrench 19		1	
-	999 195 011 02	Double-end spanner 8 X 9		1	
-	999 195 012 02	Double-end spanner 10 X 11		1	
-	999 195 007 02	Double-end spanner 12 X 13		1	
-	999 195 014 02	Double-end spanner 14 X 15		1	
-	999 195 015 02	Double-end spanner 17 X 19		1	
-	999 571 002 02	Ring wrench 36		1	
-	999 191 002 02	Screwdriver		1	
-	900 137 001 02	Phillips screwdriver B 2		1	
-	999 107 003 02	Universal pliers		1	
-	999 192 176 50	Narrow v-belt 9,5 X 825		1	
-	999 192 176 5A	Narrow v-belt 9,5 X 825		1	
-	644 721 013 00	Bag with 5 Lock		1	
-	901 721 327 00	Glycerine Jack		1	
-	914 721 010 10	Jack	-71	1	
-	914 721 011 10	Jack	72-	1	
-	901 631 090 11	Box with bulbs Box with bulbs 12 V		1	

Model: 911 70

Model life 1970>>1973



Model: 911 70 Model life 1970>>1973

Pos	Part Number	Description	Remark	Qty	Model
-	901 006 502 00	Stickers Sticker Firing order		1	
-	901 006 503 00	Sticker Adjustment Valve clearance		1	
-	901 006 504 01	Sticker Engine-oil level	-72	1	
-	911 006 504 00	Sticker Engine-oil level	73-	1	
-	901 006 505 00	Sticker Tyre pressure Normal Not for (USA)	-72	1	
-	901 006 505 01	Sticker Tyre pressure Normal Not for (USA)	73-	1	
-		Sticker Tyre pressure	73	1	CARRERA 2.7
-	911 006 521 00	Sticker Tyre pressure		1	CARRERA 2.7
-	911 006 522 00	Sticker Tyre pressure	(AUS)	1	911
-	901 006 507 00	Sticker Tyre pressure 200 KM/H	(AUS) -72	1	
-	901 006 508 00	Sticker Generator Regulator		1	
-	911 006 509 01	Sticker Ignition point	70	1	911 T
-	901 006 509 00	Sticker Ignition point	-71	1	911 T
-	911 006 510 00	Sticker Ignition point	-71	1	911 E/S
-	901 006 510 01	Sticker Ignition point	-71	1	911 E/S
-	911 006 511 00	Sticker Ignition point	72-	1	911
-	911 006 508 00	Sticker Ignition point	72-	1	CARRERA 2.7
-	911 006 509 04	Sticker Emission control system	(USA) -71 (J)	1	911 T (CAL)
-	911 701 102 00	Sticker 2.2 L		1	
-	911 701 107 00	Sticker "OIL"		1	

Model: 911 70

Model life 1970>>1973



Model: 911 70

Model life 1970>>1973

Pos	Part Number	Description	Remark	Qty	Model
>>	911 721 905 01	Spare parts bag Bag with contents Comprising:	-71	1	911 T 911 T-V
-	914 721 902 10	Bag		1	
-	914 721 013 10	Bag with Lock		1	
-	901 602 960 00	Contact breaker point -BOSCH- F.ignition distributor 91160202101 91160202102 91160202701 91160202702 91160203101 91160203103 91160203104		1	
-	999 170 111 90	Spark plug BOSCH W 230 T 30		3	
-	999 170 055 90	Spark plug BOSCH W 230 T 30		3	
-	N 017 811 32	Spark plug BOSCH W 230 T 30		3	
-	999 170 165 90	Spark plug BOSCH W 230 T 30		3	
-	901 105 901 50	Set of valve springs		1	
-	901 105 901 51	Set of valve springs		1	
-	901 105 417 00	Collet Divided		2	
-	911 104 193 00	Valve stem seal		1	
-	901 105 370 02	Adjusting screw for Valve		2	
-	999 034 005 00	Nut		2	
-	911 107 176 00	Magnetic screw		1	
-	900 123 011 30	Sealing ring A 22 X 27		1	
-	901 101 391 00	Gasket for Oil strainer		2	
-	901 609 309 00	Screened connector with Rubber cap		2	
-	901 609 309 01	Screened connector with Rubber cap		2	
-	911 108 948 00	Gasket set for Carburettor - ZENITH -		1	
-	911 423 401 06	Clutch cable		1	
-	911 423 205 03	Lever		1	
-	N 011 007 3	Hexagon nut M 7		1	
-	900 076 092 01	Hexagon nut M 7		1	
-	901 104 191 00	Cylinder base gasket		3	
-	908 104 391 00	Cylinder head gasket		3	
-	901 105 193 03	Gasket Crankcase And Chain case		1	

Model: 911 70 Model life 1970>>1973

Pos	Part Number	Description	Remark	Qty	Model
-	901 105 191 03	Gasket for Chain case Left		1	
-	901 105 192 03	Gasket for Chain case Right		1	
-	930 105 192 01	Gasket for Chain case Right		1	
-	930 105 192 03	Gasket for Chain case Right		1	
-	930 105 192 04	Gasket for Chain case Right		1	
-	901 105 194 03	Gasket for Lid Upper		2	
-	930 105 194 00	Gasket for Lid Upper		2	
-	930 105 194 02	Gasket for Lid Upper		2	
-	930 105 194 04	Gasket for Lid Upper		2	
-	901 105 195 04	Gasket for Lid Lower		2	
-	930 105 195 00	Gasket for Lid Lower		2	
-	930 105 195 02	Gasket for Lid Lower		2	
-	930 105 195 05	Gasket for Lid Lower		2	
-	930 105 195 06	Gasket for Lid Lower		2	
-	930 105 195 07	Gasket for Lid Lower		2	
-	901 105 197 00	Gasket		1	
-	999 701 124 40	O-ring		4	
>>	911 721 906 06	Bag	72-	1	911 T-E

Model: 911 70 Model life 1970>>1973

Pos	Part Number	Description	Remark	Qty	Model
		with contents			
		Comprising:			
-	914 721 902 10	Bag		1	
-	914 721 013 10	Bag		1	
		with			
		Lock			
-	901 602 960 00	Contact breaker point		1	
		-BOSCH-			
		F.ignition distributor			
		91160202101			
		91160202102			
		91160202701			
		91160202702			
		91160203101			
		91160203103			
		91160203104			
-	999 170 111 90	Spark plug		3	
		- beru -			
-	999 170 055 90	Spark plug		3	
		- beru -			
-	N 017 811 32	Spark plug		3	
		- beru -			
-	999 170 165 90	Spark plug		3	
		- beru -			
-	901 105 901 50	Set of valve springs		1	
-	901 105 901 51	Set of valve springs		1	
-	901 105 417 00	Collet		2	
		Divided			
-	901 104 193 00	Valve stem seal		1	
-	901 105 370 02	Adjusting screw		2	
		for			
		Valve			
-	999 034 005 00	Nut		2	
-	911 107 176 00	Magnetic screw		1	
-	900 123 011 30	Sealing ring		1	
		A 22 X 27			
-	901 101 391 00	Gasket		2	
		for			
		Oil strainer			
-	901 609 309 00	Screened connector		2	
		Screened connector			
-	901 609 309 01	Screened connector		2	
		Screened connector			
-	999 192 030 40	Toothed belt		1	
		for			
		Injection pump			
-	911 423 401 06	Clutch cable		1	
-	911 423 205 03	Lever		1	
-	N 011 007 3	Hexagon nut		1	
		M 7			
-	900 076 092 01	Hexagon nut		1	
		M 7			
-	901 104 191 00	Cylinder base gasket		3	
-	908 104 391 00	Cylinder head gasket		3	
		GE			
-	901 105 193 03	Gasket		1	911 E/S
		Crankcase			
		And			
		Chain case			
-	901 105 191 03	Gasket		1	
		for			
		Chain case			
		Lid			

Model: 911 70

Model life 1970>>1973

Pos	Part Number	Description	Remark	Qty	Model
-	901 105 192 03	Left Gasket for Chain case Lid		1	
-	930 105 192 01	Right Gasket for Chain case Lid		1	
-	930 105 192 03	Right Gasket for Chain case Lid		1	
-	930 105 192 04	Right Gasket for Chain case Lid		1	
-	901 105 194 03	Right Gasket for Camshaft housing Lid Upper		2	
-	930 105 194 00	Gasket for Camshaft housing Lid Upper		2	
-	930 105 194 02	Gasket for Camshaft housing Lid Upper		2	
-	930 105 194 04	Gasket for Camshaft housing Lid Upper		2	
-	901 105 195 04	Gasket for Camshaft housing Lid Lower		2	
-	930 105 195 00	Gasket for Camshaft housing Lid Lower		2	
-	930 105 195 02	Gasket for Camshaft housing Lid Lower		2	
-	930 105 195 05	Gasket for Camshaft housing Lid Lower		2	
-	930 105 195 06	Gasket for Lower		2	

Model: 911 70 Model life 1970>>1973

Pos	Part Number	Description	Remark	Qty	Model
-	930 105 195 07	Camshaft housing Lid Lower Gasket for Camshaft housing Lid Lower		2	
-	901 105 197 00	Gasket for Sealing ring		1	
-	999 701 124 40	O-ring 67,5 X 75,5 X 4		1	
>>	911 721 906 01	Bag with contents Comprising:		1	911 E/S
-	914 721 902 10	Bag		1	
-	914 721 013 10	Bag with Lock		1	
-	901 602 960 00	Contact breaker point -BOSCH- F.ignition distributor 91160202101 91160202102 91160202701 91160202702 91160203101 91160203103 91160203104		1	
-	999 170 022 91	Spark plug - bosch -		3	
-	616 105 432 03	Valve spring		1	
-	901 105 417 00	Collet Divided		2	
-	911 104 193 00	Valve stem seal Seal		1	
-	901 105 370 02	Adjusting screw for Valve		2	
-	999 034 005 00	Nut		2	
-	901 107 176 00	Drain plug		1	
-	900 123 011 30	Sealing ring		1	
-	901 101 391 00	Gasket for Oil strainer		2	
-	901 609 309 00	Screened connector with Rubber cap		2	
-	901 609 309 01	Screened connector with Rubber cap		2	
-	999 192 030 40	Toothed belt for Injection pump		1	
-	911 423 401 06	Clutch cable		1	
-	911 423 205 03	Lever		1	
-	N 011 007 3	Hexagon nut M 7		1	
-	900 076 092 01	Hexagon nut M 7		1	
-	901 104 191 00	Cylinder base gasket		3	
-	908 104 391 00	Cylinder head gasket		3	

Model: 911 70

Model life 1970>>1973

Pos	Part Number	Description	Remark	Qty	Model
-	901 105 193 03	Gasket for Crankcase And Chain case		2	
-	901 105 191 03	Gasket for Chain case Lid Left		1	
-	901 105 192 03	Gasket for Chain case Lid Right		1	
-	930 105 192 01	Gasket for Chain case Lid Right		1	
-	930 105 192 03	Gasket for Chain case Lid Right		1	
-	930 105 192 04	Gasket for Chain case Lid Right		1	
-	901 105 194 03	Gasket for Lid Camshaft housing Upper		2	
-	930 105 194 00	Gasket for Lid Camshaft housing Upper		2	
-	930 105 194 02	Gasket for Lid Camshaft housing Upper		2	
-	930 105 194 04	Gasket for Lid Camshaft housing Upper		2	
-	901 105 195 04	Gasket for Lid Camshaft housing Lower		2	
-	930 105 195 00	Gasket for Lid Camshaft housing Lower		2	
-	930 105 195 02	Gasket for Lid		2	

Model: 911 70

Model life 1970>>1973

Pos	Part Number	Description	Remark	Qty	Model
-	930 105 195 05	Camshaft housing Lower Gasket for Lid		2	
-	930 105 195 06	Camshaft housing Lower Gasket for Lid		2	
-	930 105 195 07	Camshaft housing Lower Gasket for Lid		2	
-	901 105 197 00	Camshaft housing Lower Gasket		1	
-	999 701 124 40	O-ring		1	

Model: 911 70

Model life 1970>>1973



Model: 911 70

Model life 1970>>1973

Pos	Part Number	Description	Remark	Qty	Model
-	644 802 101 51	Suitcase Bag Leather Black 75 X 58 X 21		X	
-	901 802 101 00	Suitcase Leather Black for Rear luggage dump 70 X 44 X 19		X	
-	901 802 951 00	Leather strap 1 set		X	
-	644 802 015 01	Restraining strap		X	
-	901 802 102 00	Suitcase Leather Black for Rear luggage dump 46 X 36 X 12		X	
-	901 802 111 00	Suitcase SKAI-DUR Black for Rear luggage dump 46 X 36 X 12		X	
-	901 802 103 00	Bag Leather		X	
-	901 802 103 01	Bag SKAI		X	

Model: 911 70

Model life 1970>>1973



Model: 911 70

Model life 1970>>1973

Pos	Part Number	Description	Remark	Qty	Model
>>	901 701 051 22	Number plate Mount Type label Support Mount Installation set Front and rear		1	
>>	901 701 051 24	Support Mount Installation set Front and rear		1	
>>	901 701 051 23	Support Mount Installation set Front and rear Customs plate Body		1	
-	901 701 111 05	Type label Sticker with Paint		1	
-	900 093 001 02	Identification T-headed screw Rivet		4	

Model: 911 70

Model life 1970>>1973



Model: 911 70

Model life 1970>>1973

Pos	Part Number	Description	Remark	Qty	Model
-	695 361 901 02	Accessories Snow chains Snow chains 1 set 165 SR 15 M+S 165 HR 15 M+S-E 165 VR 15 M+S-E		1	
-	901 361 901 00	Edge chain 1 set 185 SR 14 M+S 185 HR 14 M+S-E 185/70 SR 15 M+S 185/70 VR 15 M+S-E		1	
-	911 361 909 00	Snow chains 1 set 165 SR 15 M+S 165 HR 15 M+S-E 165 VR 15 M+S-E		1	
-	911 361 902 00	Snow chains 1 set 185 SR 14 M+S 185 HR 14 M+S-E 185/70 SR 15 M+S 185/70 VR 15 M+S-E		1	

Model: 911 70

Model life 1970>>1973



Model: 911 70 Model life 1970>>1973

Pos	Part Number	Description	Remark	Qty	Model
		Accessories Roof rack Ski rack Towing lug Vehicle cover			
-	901 801 010 01	Roof rack with Ski rack Chrome		1	
-	901 801 953 00	Leather strap 1 set		1	
-	901 801 015 20	Ski rack		1	COUPE
-	901 801 013 40	Ski rack		1	TARGA
-	901 801 951 00	Strap for ski fastening 1 set		1	
-	901 801 950 00	Strap for ski fastening		1	
-	901 802 951 00	Leather strap 1 set		1	
-	644 802 015 01	Restraining strap		1	
>>	901 506 031 01	Towing lug Comprising:	-71	1	
-	901 506 301 00	Towing lug		1	
-	901 506 302 01	Bracket		1	
-	900 067 081 02	Pan-head screw M 8 X 35		2	
-	900 067 102 02	Pan-head screw M 8 X 35		2	
>>	901 721 919 01	Towing lug Comprising:		1	
-	901 506 031 01	Towing lug		2	
-	900 027 005 02	Lock ring A 8		2	
-	900 067 081 02	Pan-head screw M 8 X 35		2	
-	900 067 102 02	Pan-head screw M 8 X 35		2	
-	PCG 043 203 01	Cover Porsche crest Ohne Spoiler Aussenspiegel Left		1	911
-	PCG 043 202 01	Cover Porsche crest Ohne Spoiler Aussenspiegel Left Right		1	911
-	000 043 202 01	Cover Porsche crest Ohne Spoiler Aussenspiegel Left Right		1	911
-	PCG 043 202 02	Cover Porsche crest with spoiler Aussenspiegel Left Right		1	911
-	000 043 202 02	Cover Porsche crest with spoiler Aussenspiegel		1	911

Model: 911 70

Model life 1970>>1973

Pos	Part Number	Description	Remark	Qty	Model
		Left Right			

Model: 911 70

Model life 1970>>1973



Model: 911 70

Model life 1970>>1973

Pos	Part Number	Description	Remark	Qty	Model
		Antenna			
		Loudspeaker			
		Radio			
		Installation parts			
		Suppression set			
-	901 645 301 00	Antenna		1	
-	911 645 033 00	Antenna		1	
-	901 645 301 05	Antenna		1	
		Installation			
		Only			
		Right			
		Loudspeaker			
-	911 645 401 01	Loudspeaker with Assembly kit for		1	
		Dashboard trim			
>>	911 645 902 00	Loudspeaker		1	
		Loudspeaker			
		Comprising:			
-	901 645 501 00	Loudspeaker		1	
-	900 144 034 07	Tapping screw B 4,2 X 16		4	
-	900 144 034 0G	Tapping screw B 4,2 X 16		4	
-	999 591 334 02	Prestole cage		4	
-	999 591 108 12	Washer		4	
-	901 612 101 00	Wiring harness NR. 68 -BLAUPUNKT -		1	
		- PHILIPS -			
-	901 612 102 00	Wiring harness NR. 69 - BECKER -		1	
		Radio			
		Installation parts			
>>	901 645 111 01	Installation set without Loudspeaker for - BLAUPUNKT -		1	
		Radio			
>>	901 645 111 03	Installation set for - PHILLIPS -		1	
		Radio			
>>	911 645 950 00	Installation set for - BLAUPUNKT -		1	
		Radio			
		Suppression set			
-	901 619 005 00	Condenser 3-pole Generator Bosch		1	
>>	911 619 901 00	Suppression set for cars with Generator - bosch -		1	
		Comprising:			
-	901 609 309 00	Screened connector for Ignition lead		6	

Model: 911 70 Model life 1970>>1973

Pos	Part Number	Description	Remark	Qty	Model
-	901 609 309 01	Screened connector for Ignition lead		6	
-	111 905 449 A	Protection cap		6	
-	111 905 449	Protection cap		6	
-	PCG 905 449 A	Cap		6	
-	111 905 449	Protection cap		6	
-	999 659 034 40	Rubber cap		6	
-	999 619 121 00	Screened connector for Distributor		7	
-	999 659 002 50	Rubber cap		7	
-	901 612 107 00	Ground strap		2	
-	911 619 001 00	Suppression set		1	
-	999 619 126 01	Condenser for Wiper motor And Pump		2	
-	999 507 001 02	Speed nut B 4,2		1	
-	900 143 007 02	Oval-head sheetmetal screw B 4,2 X 13		1	
-	900 073 507 01	Oval-head sheetmetal screw B 4,2 X 13		1	
-	900 114 014 01	Shake-proof washer A 4,3		1	
>>	911 619 901 01	Suppression set for cars with - MOTOROLA - - MARCHAL - - S.E.V. - Generator Comprising:		1	
-	901 609 309 00	Screened connector for Ignition lead		1	
-	901 609 309 01	Screened connector for Ignition lead		1	
-	111 905 449 A	Protection cap		6	
-	111 905 449	Protection cap		6	
-	PCG 905 449 A	Cap		6	
-	111 905 449	Protection cap		6	
-	999 659 034 40	Rubber cap		6	
-	999 619 121 00	Screened connector for Distributor		7	
-	999 659 002 50	Rubber cap		7	
-	999 619 126 01	Condenser for Wiper motor And Pump		2	
-	901 612 107 00	Ground strap		2	
-	901 619 007 00	Condenser Terminal DF Regulator		1	
-	999 511 036 02	Clip D		1	
-	PCG 511 036 02	Clip D		1	

Model: 911 70 Model life 1970>>1973

Pos	Part Number	Description	Remark	Qty	Model
-	901 619 004 00	Connecting cable		1	
-	901 619 003 00	Filter		1	
		Terminal			
		DF			
		Regulator			
-	900 151 028 02	Washer		2	
		4,3			
-	900 151 028 01	Washer		2	
		4,3			
-	N 015 429 2	Speed nut		1	
		B 4,2			
-	N 015 429 6	Speed nut		1	
		B 4,2			
-	900 025 002 02	Washer		1	
		4,3			
-	900 025 002 03	Washer		1	
		4,3			
-	900 187 013 02	Hexagon-head tapping screw		1	
		BZ 4,2 X 13			
-	999 507 001 02	Speed nut		1	
		B 4,2			
-	900 143 007 02	Oval-head sheetmetal screw		1	
		B 4,2			
-	900 073 507 01	Oval-head sheetmetal screw		1	
		B 4,2			
-	900 114 014 01	Shake-proof washer		1	
		A 4,3			
		Suppression set			
		for	(F)		
-	122 035 281	Screened connector		1	
		for			
		Distributor			
-	901 612 107 00	Ground strap		2	

Model: 911 70

Model life 1970>>1973

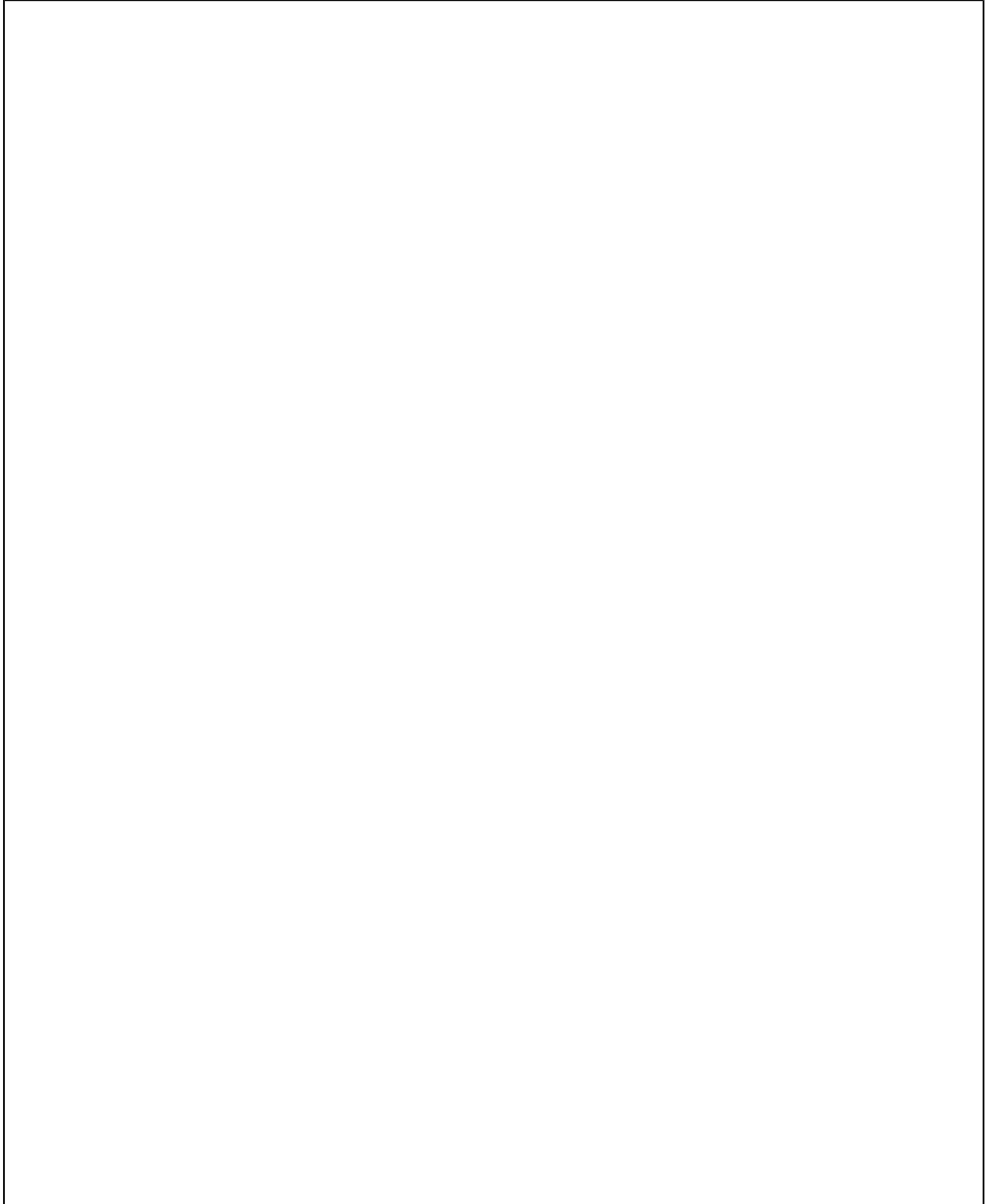


Model: 911 70 Model life 1970>>1973

Pos	Part Number	Description	Remark	Qty	Model
-	911 645 190 00	Radio Navigation system Installation parts		1	
-	911 645 191 00	Radio Navigation system with PORSCHE logo		1	
-	911 645 192 00	Radio Navigation system with TMC with PORSCHE logo		1	
-	911 645 195 00	Cover for Radio Navigation system with PORSCHE logo		1	
-	911 645 197 00	Cover for Radio Navigation system without PORSCHE logo		1	
-	911 645 196 00	Adapter		1	
-	911 642 105 00	Adapter		1	
-	911 642 105 00	Antenna		1	
-	911 642 100 00	Antenna		1	
-	911 642 100 00	Software Update 1-2011		1	
-	911 642 100 01	Software Update 1-2013		1	
-	911 642 100 02	Software Update 1-2014		1	
-	911 642 107 00	Microphone		1	
-	911 645 199 00	Handheld transmitter		1	
-	911 645 190 01	Navigation system Knob Control part Navigation system		2	

Model: 911 70

Model life 1970>>1973



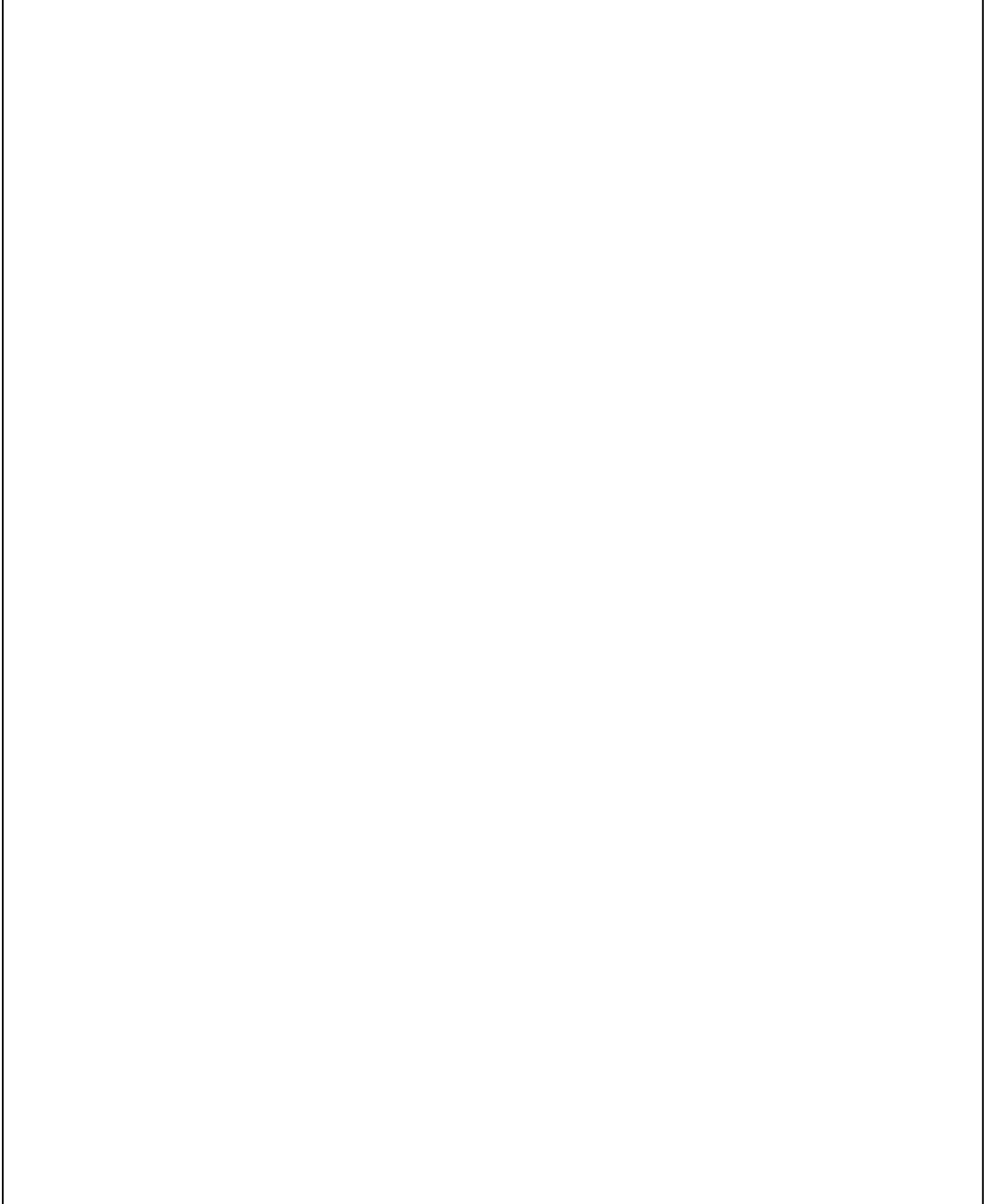
Model: 911 70

Model life 1970>>1973

Pos	Part Number	Description	Remark	Qty	Model
-	901 722 801 00	Lacquers Spraying can Indicate colour		X	
-	644 722 801 00	Paint touch-up applicator		X	

Model: 911 70

Model life 1970>>1973



Model: 911 70 Model life 1970>>1973

Pos	Part Number	Description	Remark	Qty	Model
		Replacement engine Complete Run in Power tested And Ready for installation Regulator switch Included Loose Delivered			
-	911 100 130 00	Engine 911/03	-71	1	911 T
-	911 100 160 00	Engine 911/06	-71	1	911 T:SPM
-	911 100 110 00	Engine 911/01 with Injection system	-71	1	911 E
-	911 100 140 00	Engine 911/04 with Injection system	-71	1	911 E:SPM
-	911 100 120 00	Engine 911/02 with Injection system	-71	1	911 S
-	911 100 157 00	Engine 911/57	72	1	911 T-V
-	911 100 157 01	Engine 911/57	73-	1	911 T-V
-	911 100 167 00	Engine 911/67	72	1	911 T-V
-	911 100 167 01	Engine 911/67	73-	1	911 T-V:SPM
-	911 100 152 00	Engine 911/52 with Injection system	72	1	911 E
-	911 100 152 01	Replacement engine 911/52 with Injection system	73-	1	911 E
-	911 100 153 00	Engine 911/53 with Injection system	72	1	911 S
-	911 100 153 01	Engine 911/53 with Injection system	73-	1	911 S
-	911 100 162 00	Engine 911/62 with Injection system	72	1	911 E:SPM
-	911 100 162 01	Engine 911/62 with Injection system	73-	1	911 E:SPM
-	911 100 163 00	Engine 911/63 with Injection system	72	1	911 S:SPM
-	911 100 163 01	Engine	73-	1	911 S:SPM

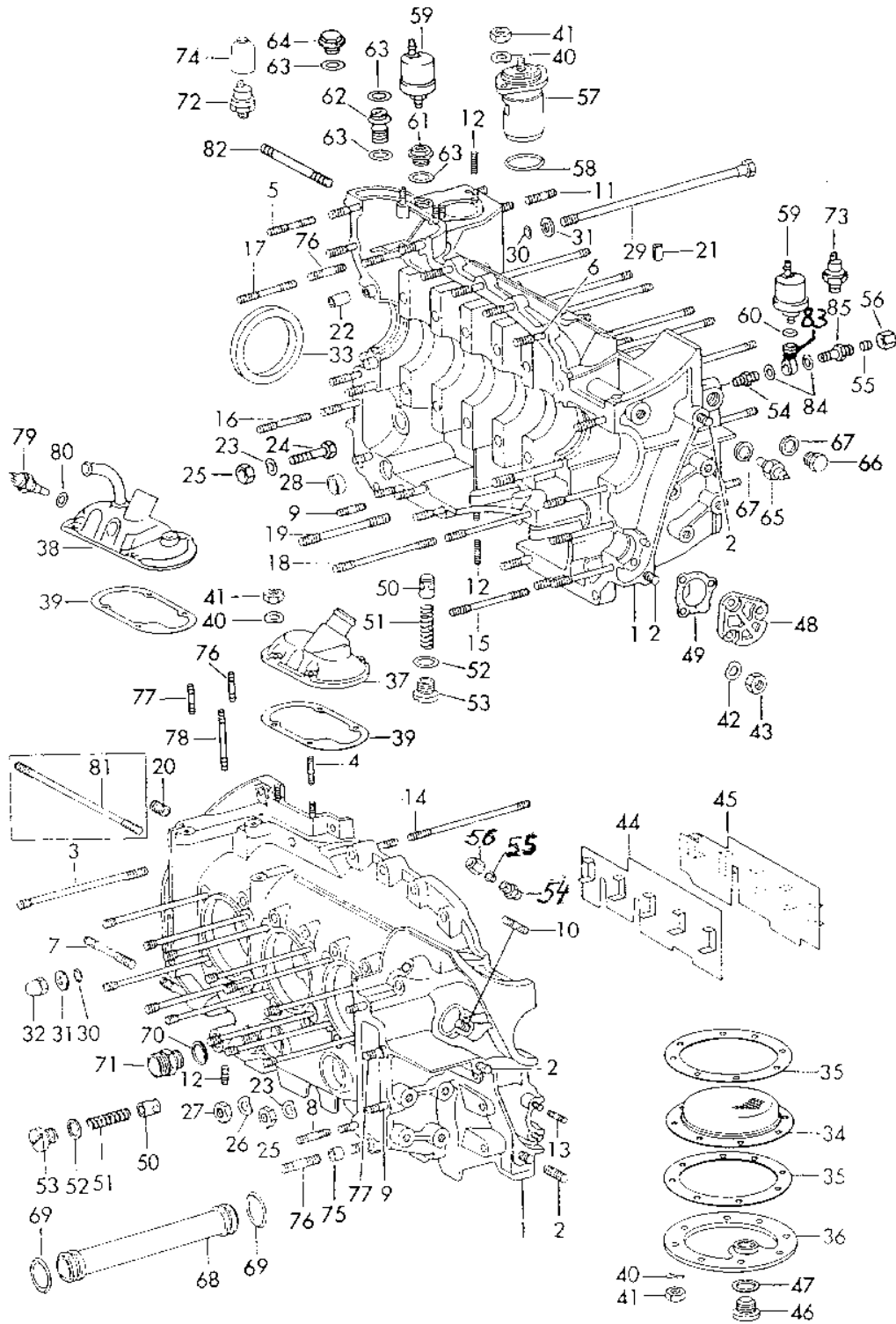
Model: 911 70

Model life 1970>>1973

Pos	Part Number	Description	Remark	Qty	Model
-	911 100 183 00	911/63 with Injection system Engine	73-	1	CARRERA
-	911 100 191 00	911/83 with Injection system Engine	73-	1	911 T-K
-	911 100 196 00	911/91 Engine 911/96	73-	1	911 T-K:SPM

Model: 911 70

Model life 1970>>1973



Model: 911 70 Model life 1970>>1973

Pos	Part Number	Description	Remark	Qty	Model
1	901 101 912 00	Crankcase Crankcase with studs	-71	1	911 T/E/S
-	901 101 201 00	Order also: Spacer sleeve	-70	X	911 T/E/S
(1)	911 101 912 02	Crankcase with studs	72-	1	911 T-E/E/S 911 T-V 911 T-K
(1)	911 101 915 00	Crankcase with studs	73-	1	CARRERA 2.7
2	999 062 090 02	Stud for Engine carrier		2	
(2)	999 062 039 02	M 10 X 40 Stud for Engine carrier		1	
(2)	999 062 183 02	Left Upper M 10 X 50 Stud for Engine carrier		1	
(2)	999 061 056 02	Left Upper M 10 X 50 Stud for Engine carrier		1	
3	901 101 172 03	Right Upper Stud	70-	24	911 T/E/S 911 T-V 911 T-K
(3)	911 101 172 00	Stud	73-	24	CARRERA 2.7
4	999 062 085 02	Stud BM 6 X 20		4	
5	999 062 115 02	Stud BM 8 X 32		12	
6	999 062 010 02	Stud BM 8 X 35		1	
7	999 061 034 02	Stud Not for Sportomatic		2	
8	999 062 007 02	M 10 X 69 Stud for Chain case	-71	4 5	
8	900 060 106 01	BM 8 X 22 Stud for Chain case		4 5	
9	999 062 006 02	BM 8 X 22 Stud for Chain case	72-	5	
10	900 061 004 02	And Oil pump BM 8 X 20 Stud	-71 72-	1	
11	900 061 057 02	BM 8 X 12 Stud BM 8 X 15		4	

Model: 911 70 Model life 1970>>1973

Pos	Part Number	Description	Remark	Qty	Model
11	999 062 057 02	Stud BM 8 X 15		4	
11	999 062 073 02	Stud BM 8 X 15		4	
12	999 062 055 02	Stud BM 6 X 12		12	
13	999 062 002 02	Stud BM 6 X 15		3	
14	901 101 174 00	Stud		2	
15	900 060 101 01	Stud BM 8 X 78		3	
16	999 062 075 02	Stud BM 8 X 48		2	
17	999 062 138 02	Stud BM 8 X 52		1	
17	900 060 102 01	Stud BM 8 X 52		1	
18	999 062 051 02	Stud BM 8 X 108		1	
19	999 062 217 08	Screw BM 10 X 85		1	
20	999 504 062 02	Threaded bush		2	
21	900 095 025 01	Roll pin 8 X 16		1	
22	901 101 195 00	Dowel sleeve		2	
23	900 031 014 30	Washer 8,4	-71	21 22	
24	900 074 134 02	Hexagon-head bolt M 8 X 45	72-	1	
-	999 151 022 02	Washer 20 X 8,4 X 2	-71	1	
-	900 025 007 02	Washer for Ground strap 20 X 8,4 X 2	72-	1	
-	900 025 007 03	Washer for Ground strap 20 X 8,4 X 2	72-	1	
25	900 084 004 03	Hexagon nut M 8	-71	21 22	
25	900 084 004 02	Hexagon nut M 8		21 22	
26	N 012 242 3	Spring washer B 10 X 18	-71	1	
(26)		Spring washer B 10 X 18	72-	1	
27	900 157 002 02	Hexagon nut M 10		1	
27	900 157 002 03	Hexagon nut M 10		1	
28	999 704 172 50	Sealing ring		1	
29	901 101 173 00	Screw		11	
30	999 701 006 40	O-ring		24	
31	901 101 161 01	Washer	-71	24	
(31)	901 101 161 02	Washer	-71	24	
(31)	901 101 161 01	Washer	72-	24	
(31)	901 101 161 02	Washer	72-	24	
32	999 070 004 02	Cap nut		13	
32	999 070 004 03	Cap nut		13	
33	999 113 057 52	Radial sealing ring 65 X 85 X 10		1	
(33)	901 102 911 00	Radial sealing ring		1	

Model: 911 70 Model life 1970>>1973

Pos	Part Number	Description	Remark	Qty	Model
		Undersize 64,5 X 85 X 10			
34	901 101 380 01	Oil strainer		1	
35	901 101 391 00	Gasket		2	
36	930 101 902 00	Lid		1	
		Technical information gr.1 nr.1/85			
37	901 107 073 02	Lid for Bleeder		1	911 T 911 T-V 911 T-K
38	911 107 071 00	Lid for Bleeder		1	911 E/S 911 T-E CARRERA 2.7
39	901 107 791 01	Gasket		1	
40	900 028 008 01	Lock ring B 6	-70	14	
(40)	N 012 226 5	Spring washer B 6	71-	14	
41	900 076 010 02	Nut M 6		14	
41	900 076 010 0B	Nut M 6		14	
42	900 031 011 30	Washer 6,4		3	
43	900 084 010 02	Lock nut M 6		3	
44	901 101 035 01	Oil strainer Left	-71	1	
45	901 101 036 01	Oil strainer Right	-71	1	
46	911 107 176 01	Magnetic screw	70-	1	
(46)	911 107 176 00	Magnetic screw	71	1	
47	900 123 011 30	Sealing ring A 22 X 27	-71	1	
(47)	900 123 011 20	Sealing ring A 22 X 27	72-	1	
48	911 105 162 00	Cover		1	
49	901 105 198 04	Gasket for Cover		1	
50	901 107 512 01	Piston		2	
51	901 107 531 00	Compression spring		2	
52	900 123 071 30	Sealing ring A 18 X 24		2	
53	999 064 010 02	Screw plug	-70	2	
(53)	999 064 026 02	Screw plug	71-	2	
(53)	999 064 026 01	Screw plug	71-	2	
54	901 107 375 00	Screw socket	70-	2	911 T/E/S 911 T-V
			72-	1	911 T-K
-	900 123 005 30	Sealing ring A 12 X 16	70-	2	911 T/E/S 911 T-V
			72-	1	911 T-K
55	N 020 825 1	Cutting ring LL 8		2	
56	900 104 003 02	Union nut ALL 8		2	
56	900 104 003 03	Union nut ALL 8		2	
57	901 107 751 00	Oil thermostat	-71	1	
(57)	930 107 765 00	Oil thermostat	72-	1	
58	999 701 053 50	Sealing ring 39,2 X 3		1	

Model: 911 70 Model life 1970>>1973

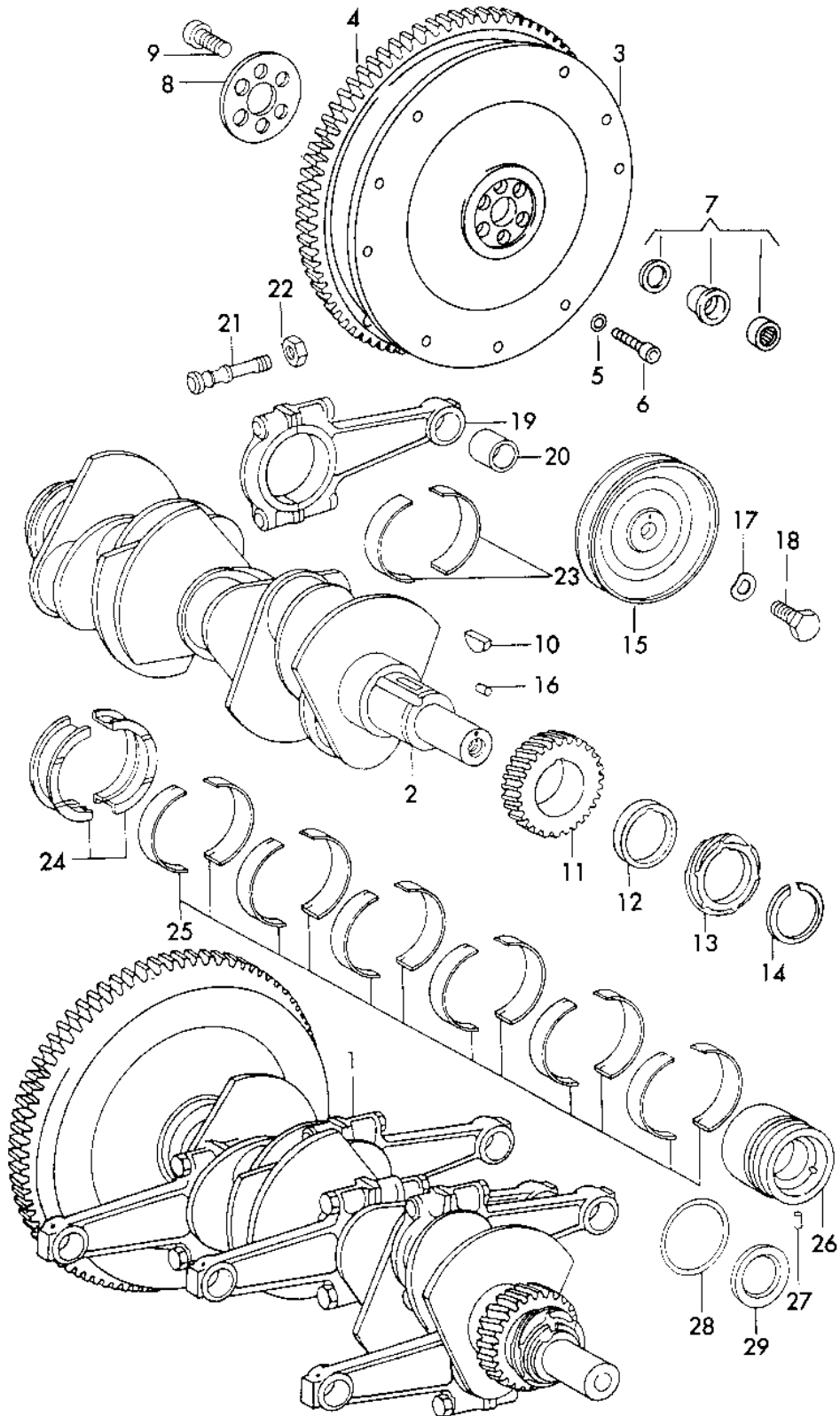
Pos	Part Number	Description	Remark	Qty	Model
59	901 741 551 01	Sender		1	SPM
59	901 741 551 02	Sender		1	SPM
-	N 013 808 3	See group 9/01/00 Sealing ring A 10 X 16	-70 71-	1 1	911 S 911 E/S:SPM
60	911 107 710 00	Sealing ring	73-	1	
61	901 101 175 01	Reducing socket	-71	1	911 T:SPM
62	901 110 133 00	Connection piece for Sportomatic	72-	1	911 T-V 911 E/S 911 T-E CARRERA 2.7
63	900 123 044 30	Sealing ring A 18 X 22 for Sportomatic	-71 72-	1	911 T 911 T-V 911 T-K
(63)		Sealing ring A 18 X 22 for Sportomatic	70- 72-	2	911 E/S 911 T-E CARRERA 2.7
64	N 016 161 1	Screw plug A 18 X 1,5	73-	1	911 T-K
64	900 124 013 02	Screw plug A 18 X 1,5	73-	1	911 T-K
65	901 641 632 00	Remote temperature sensor		1	
66	900 124 002 02	Screw plug AM 14 X 1,5	-71 72-	1	911 T/E SPM
67	900 123 007 30	Sealing ring A 14 X 18 See group 9/01/00		1	
68	901 107 351 01	Oil tube		4	
(68)	930 107 040 01	Set Set Divided Comprising: Oil tube I Oil tube II		X	
-	900 041 013 01	Circlip		1	
-	999 707 113 40	Round seal		2	
-	999 707 113 41	O-ring		2	
-	999 707 112 40	Round seal		2	
-	999 707 112 4A	Round seal		2	
69	999 701 113 50	O-ring		8	
70	900 123 011 30	Sealing ring A 22 X 27		1	
71	900 136 013 02	Union A 16	-71	1	
(71)	999 136 008 09	Connection piece A 16	72-	1	
(71)	999 136 008 01	Connection piece A 16	72-	1	
72	911 613 571 00	Oil pressure switch Not for Sportomatic	70- 72-	1	911 T 911 E 911 T-V
73	911 606 230 00	Oil pressure switch Not for Sportomatic	73-	1	911 T-K
74	999 659 009 40	Cap Not for Sportomatic	70- 72-	1	911 T 911 E 911 T-V

Model: 911 70 Model life 1970>>1973

Pos	Part Number	Description	Remark	Qty	Model
75	901 101 145 00	Dowel sleeve for Chain case		4	
76	999 062 009 02	Stud BM 8 X 28	-71	3	911 T/E/S 911 T-V
				4	911 T-E/E/S CARRERA 2.7 911 T-K
76	900 060 105 01	Stud BM 8 X 28		3	911 T/E/S 911 T-V
				4	911 T-E/E/S CARRERA 2.7 911 T-K
77	999 062 008 02	Stud BM 8 X 25	-71	4	911 E/S
			71	2	911 T
			72-		911 T-V
			72-	3	911 T-E/E/S CARRERA 2.7 911 T-K
78	999 062 147 02	Stud BM 8 X 62	70-	1	911 E/S 911 T-E CARRERA 2.7 911 T-K
79	911 617 117 00	Temperature switch	70-	1	911 E/S 911 T-E CARRERA 2.7
80	900 123 007 70	Sealing ring A 14 X 18	70-	1	911 E/S 911 T-E CARRERA 2.7
81	999 062 099 02	Stud BM 10 X 105		2	SPM
81	900 060 096 01	Stud BM 10 X 105		2	SPM
82	999 062 192 02	Stud BM 10 X 102 Not for Sportomatic		1	
(82)		Stud BM 10 X 102 for Sportomatic	72-	1	CARRERA 2.7
83	914 355 531 00	Ring fitting	73-	1	911 T-K
84	900 123 005 30	Sealing ring A 12 X 15,5	73-	1	911 T-K
85	911 107 709 00	Screw socket	73-	1	911 T-K

Model: 911 70

Model life 1970>>1973



Model: 911 70 Model life 1970>>1973

Pos	Part Number	Description	Remark	Qty	Model
1		Crankshaft And Connecting rods Crankshaft with Flywheel And Connecting rod Not available Single parts Order	70-	1	911 T/E/S 911 T-V CARRERA 2.7 911 T-K
2	901 102 011 00	Crankshaft	-71	1	911 E/S
(2)		Crankshaft	-71	1	911 T
(2)	916 102 016 00	Crankshaft	72-	1	911 T-E/E/S 911 T-V CARRERA 2.7 911 T-K
3	911 102 201 11	Flywheel		1	
3	911 102 201 12	Flywheel		1	
4	911 116 239 00	Starter ring		1	
4	911 116 239 04	Starter ring		1	
5		Lock ring See group 3/01/00		9	
6		Pan-head screw See group 3/01/00		9	
7	901 102 025 01	Bush Complete		1	
8	901 102 162 04	Washer for Mount		1	
9	911 102 171 00	Flywheel Pan-head screw for Mount Flywheel Not for Sportomatic		6	
(9)	999 067 009 01	Pan-head screw		6	SPM
10	901 102 147 00	Woodruff key		1	
11	901 102 111 00	Timing gear for Number 0		1	
(11)	901 102 111 10	Timing gear for Number 1		1	
(11)	901 102 111 20	Timing gear for Number 1		1	
12	901 102 145 00	Intermediate ring		1	
13	901 102 115 00	Drive wheel		1	
13	901 102 115 01	Drive wheel		1	
14	901 102 148 00	Circlip		1	
15	911 102 017 50	V-belt pulley		1	
16	900 012 060 00	Straight pin 5 M 6 X 10		1	
17	900 028 014 01	Lock ring B 12		1	
18	999 093 005 02	Hexagon-head bolt M 12 X 1,5 X 22		1	
19	911 103 013 21	Connecting rod Weight group:	71	6	

Model: 911 70

Model life 1970>>1973

Pos	Part Number	Description	Remark	Qty	Model
(19)	911 103 013 22	1 = 700 - 709 GR Connecting rod Weight group:	-71	6	
(19)	911 103 013 23	2 = 709 - 718 GR. Connecting rod Weight group:	-71	6	
(19)	911 103 013 24	3 = 718 - 727 GR. Connecting rod Weight group:	-71	6	
(19)	911 103 013 25	4 = 727 - 736 GR. Connecting rod Weight group:	-71	6	
(19)	911 103 013 26	5 = 736 - 745 GR. Connecting rod Weight group:	-71	6	
(19)	911 103 013 27	6 = 745 - 754 GR. Connecting rod Weight group:	-71	6	
(19)	911 103 013 28	7 = 754 - 763 GR. Connecting rod Weight group:	-71	6	
(19)	911 103 015 32	8 = 763 - 772 GR. Connecting rod Weight group:	72-	6	
(19)	911 103 015 33	4 = 654 -663 GR Connecting rod Weight group:	72-	6	
(19)	911 103 015 34	4 = 663 -672 GR Connecting rod Weight group:	72-	6	
(19)	911 103 015 35	4 = 672 -681 GR Connecting rod Weight group:	72-	6	
(19)	911 103 015 36	5 = 681 - 690 GR Connecting rod Weight group:	72-	6	
(19)	911 103 015 37	6 = 690 - 699 GR Connecting rod Weight group:	72-	6	
(19)	911 103 015 38	7 =699 - 708 GR Connecting rod Weight group:	72-	6	
20	901 103 131 01	8 = 708 - 717 GR Connecting rod bush		6	
21	901 103 171 00	Connecting rod bolt	-71	12	
21	914 103 171 00	Connecting rod bolt	72-	12	
21	914 103 171 01	Connecting rod bolt	72-	12	
22	901 103 173 00	Connecting rod nut		12	
22	901 103 173 02	Connecting rod nut		12	
23	901 103 141 00	Connecting-rod bearing	-71	12	
23	901 103 141 81	Connecting-rod bearing		12	
23	914 103 141 00	Connecting-rod bearing	72-	12	
(23)	901 103 141 50	Connecting-rod bearing Undersize 0.25 mm	-71	12	
(23)	901 103 141 82	Connecting-rod bearing Undersize 0.25 mm		12	
(23)	914 103 141 50	Connecting-rod bearing Undersize 0.25 mm	72-	12	
(23)	901 103 141 60	Connecting-rod bearing Undersize 0.50 mm	-71	12	
(23)	914 103 141 60	Connecting-rod bearing Undersize 0.50 mm	72-	12	
(23)	901 103 141 70	Connecting-rod bearing	-71	12	

Model: 911 70 Model life 1970>>1973

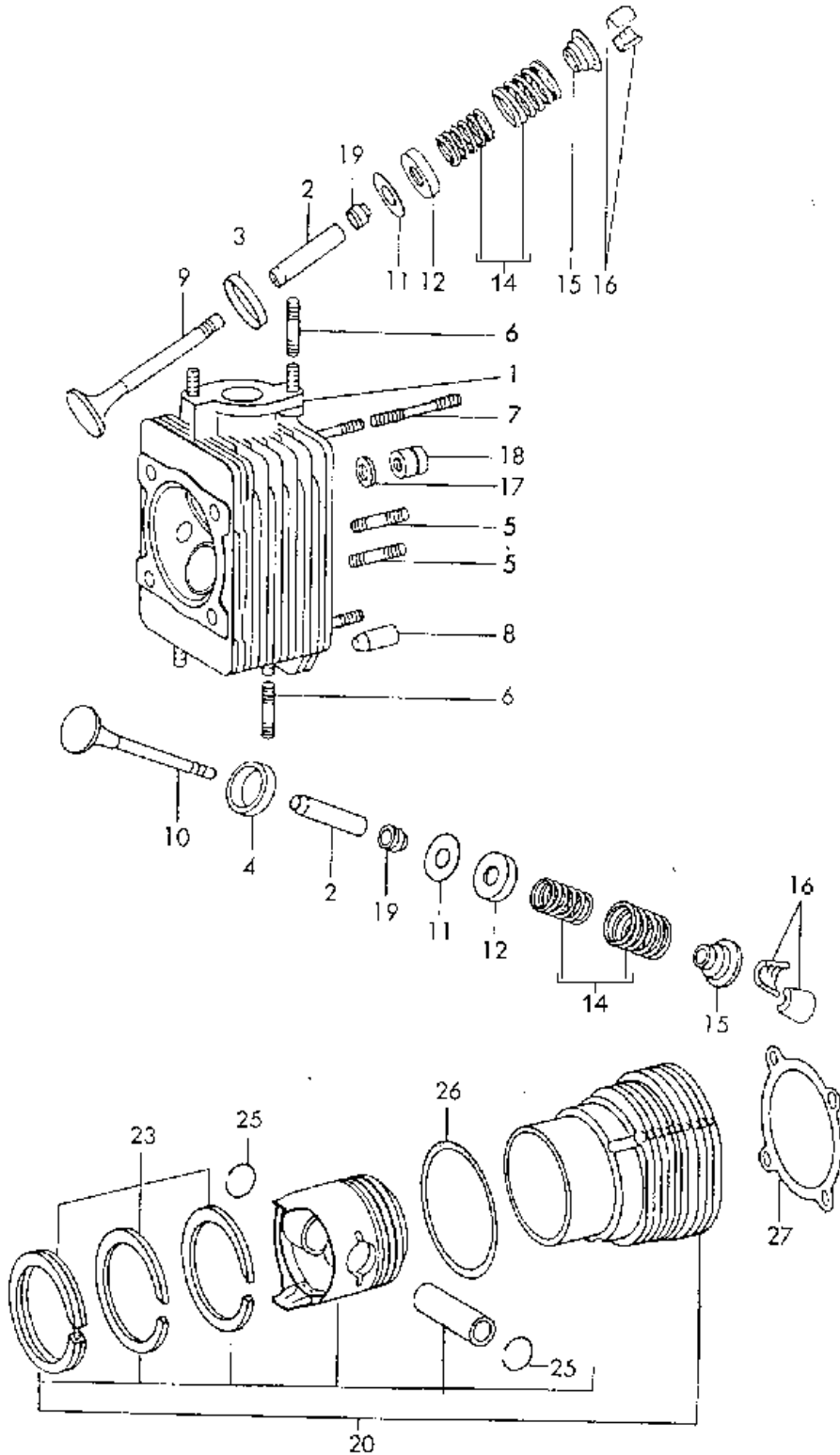
Pos	Part Number	Description	Remark	Qty	Model
(23)	914 103 141 70	Undersize 0,75 mm Connecting-rod bearing	72-	12	
>>	911 101 901 00	Undersize 0,75 mm Set of crankshaft bearings		1	
(24)	901 101 131 00	Comprising: Bearing shell		2	
(25)	901 101 132 00	I Bearing shell		12	
(26)	901 101 138 03	II - VII Bearing sleeve		1	
>>	911 101 901 50	VIII Set of crankshaft bearings		1	
(24)	901 101 131 50	Undersize 0.25 mm Inner Bearing shell		2	
(24)	901 101 131 93	I Bearing shell		2	
(25)	901 101 132 50	I Bearing shell		12	
(26)	901 101 138 53	II - VII Bearing sleeve		1	
>>	911 101 901 55	for Bearing VIII Set of crankshaft bearings		1	
(24)	901 101 131 55	Undersize 0.50 mm Inner Bearing shell		2	
(25)	901 101 132 55	Comprising: I Bearing shell		12	
(26)	901 101 138 58	II - VII Bearing sleeve		1	
>>	911 101 901 65	for Bearing VIII Set of crankshaft bearings		1	
(24)	901 101 131 65	Undersize 0,75 mm Inner Bearing shell		2	
(25)	901 101 132 65	Comprising: I Bearing shell		12	
(26)	901 101 138 68	II - VII Bearing sleeve		1	
>>	911 101 901 60	for Bearing VIII Set of crankshaft bearings		1	
(24)	901 101 131 60	Oversize 0.25 mm Outer Bearing shell		2	
(25)	901 101 132 60	Comprising: I Bearing shell		12	
(25)	901 101 132 61	II - VII Bearing shell		12	
(26)	901 101 138 63	II - VII Bearing sleeve		1	
		for Bearing VIII			

Model: 911 70 Model life 1970>>1973

Pos	Part Number	Description	Remark	Qty	Model
>>	911 101 901 70	Set of crankshaft bearings Oversize 0.25 mm Outer Undersize 0.25 mm Inner Comprising:		1	
(24)	901 101 131 70	Bearing shell I		2	
(25)	901 101 132 70	Bearing shell II - VII		12	
(26)	901 101 138 73	Bearing sleeve for Bearing VIII		1	
>>	911 101 901 75	Set of crankshaft bearings Oversize 0.25 mm Outer Undersize 0.50 mm Inner Comprising:		1	
(24)	901 101 131 75	Bearing shell I		2	
(25)	901 101 132 75	Bearing shell II - VII		12	
(26)	901 101 138 78	Bearing sleeve for Bearing VIII		1	
>>	911 101 901 85	Set of crankshaft bearings Oversize 0.25 mm Outer Undersize 0,75 mm Inner Comprising:		1	
(24)	901 101 131 85	Bearing shell I		2	
(25)	901 101 132 85	Bearing shell II - VII		12	
(26)	901 101 138 88	Bearing sleeve for Bearing VIII		1	
27	900 012 061 00	Straight pin 5 H 8 X 10		1	
28	900 174 041 40	Sealing ring		1	
28	900 174 068 40	Sealing ring		1	
29	999 113 049 50	Oil scraper ring 30 X 50 X 10		1	
(29)	999 113 291 40	Sealing ring Undersize 29,5 X 50 X 10		1	

Model: 911 70

Model life 1970>>1973



Model: 911 70 Model life 1970>>1973

Pos	Part Number	Description	Remark	Qty	Model
			-71		
(1)	911 104 006 01	Cylinder head Cylinder with piston Cylinder head with studs with valves Ready for installation		6	911 T
(1)	911 104 007 00	Cylinder head with studs with valves Ready for installation		6	911 E
(1)	911 104 008 00	Cylinder head with studs with valves Ready for installation		6	911 S
1	911 104 036 01	Cylinder head with studs without valves		6	911 T
(1)	911 104 037 00	Cylinder head with studs without valves		6	911 E
(1)	911 104 038 00	Cylinder head with studs without valves		6	911 S
2	930 104 321 50	Valve guide 1st oversize		12	
(2)	901 104 321 61	Valve guide 2nd oversize		12	
3	911 104 311 51	Valve seat ring for Intake Oversize		6	
4	911 104 315 50	Valve seat ring for Exhaust Oversize		6	
5	900 061 006 01	Stud BM 8 X 20 SN 1115		24	
6	900 061 007 01	Stud BM 8 X 22 SN 1115		12	911 E/S
6	900 061 007 02	Stud BM 8 X 22 SN 1115		12	911 E/S
6	999 062 007 02	Stud BM 8 X 22 SN 1115		12	911 E/S
6	900 060 106 01	Stud BM 8 X 22 SN 1115		12	911 E/S
(6)	900 061 008 01	Stud BM 8 X 25 SN 1115		12	911 T
7	900 061 012 01	Stud BM 8 X 50 SN 1115		24	
8	999 012 006 00	Straight pin		12	
9	911 105 411 20	Intake valve		6	
10	911 105 415 50	Exhaust valve		6	
11	930 105 461 00	Washer		X	
12	901 105 463 00	Ring		12	
14	901 105 901 50	Set of valve springs Outer And Inner		12	
14	901 105 901 51	Set of valve springs Outer And Inner		12	
15	901 105 421 03	Concave washer		12	

Model: 911 70 Model life 1970>>1973

Pos	Part Number	Description	Remark	Qty	Model
16	901 105 417 00	Collet Divided		24	
17	999 031 083 01	Washer		24	
17	999 031 083 02	Washer		24	
18	901 104 382 02	Nut		24	
18	901 104 382 03	Nut		24	
19	911 104 193 00	Valve stem seal Seal		12	
20	911 103 914 01	Cylinder with piston Complete Group 5 - mahle -		6	911 T
(20)	911 103 914 02	Cylinder with piston Complete Group 6 - mahle -		6	911 T
(20)	911 103 914 01	Cylinder with piston Complete Group 5 - SCHMIDT -		6	911 T
(20)	911 103 914 02	Cylinder with piston Complete Group 6 - SCHMIDT -		6	911 T
(20)	911 103 916 01	Cylinder with piston Complete Group 5		6	911 E
(20)	911 103 916 02	Cylinder with piston Complete Group 6		6	911 E
(20)	911 103 918 02	Cylinder with piston Complete Group 5		6	911 S
(20)	911 103 918 91	Cylinder with piston Complete Only by sets		6	911 S
(20)	911 103 918 02	Cylinder with piston Complete Group 6		6	911 S
(20)	911 103 918 91	Cylinder with piston Complete Only by sets		6	911 S
23	911 103 901 01	Piston ring		X	911 T/E
(23)	911 103 902 01	Piston ring		X	911 S
(23)	911 103 945 00	Piston ring		X	911 S
(23)	911 103 906 01	Piston ring - SCHMIDT -		X	911 T
(23)	911 103 901 26	Piston ring \$ 84,25		X	911 T/E
(23)	911 103 901 50	Piston ring \$ 84,50	-70	X	911 T/E
(23)	911 103 945 25	Piston ring \$ 84,25		X	911 S
(23)	911 103 902 50	Piston ring \$ 84,50	-70	X	911 S
(23)	911 103 906 26	Piston ring \$ 84,25 - SCHMIDT -		X	911 T
(23)	911 103 906 50	Piston ring \$ 84,50 - SCHMIDT -	-70	X	911 T
25	900 178 002 00	Circlip		12	911 T/E
(25)	901 103 381 00	Circlip		12	911 S

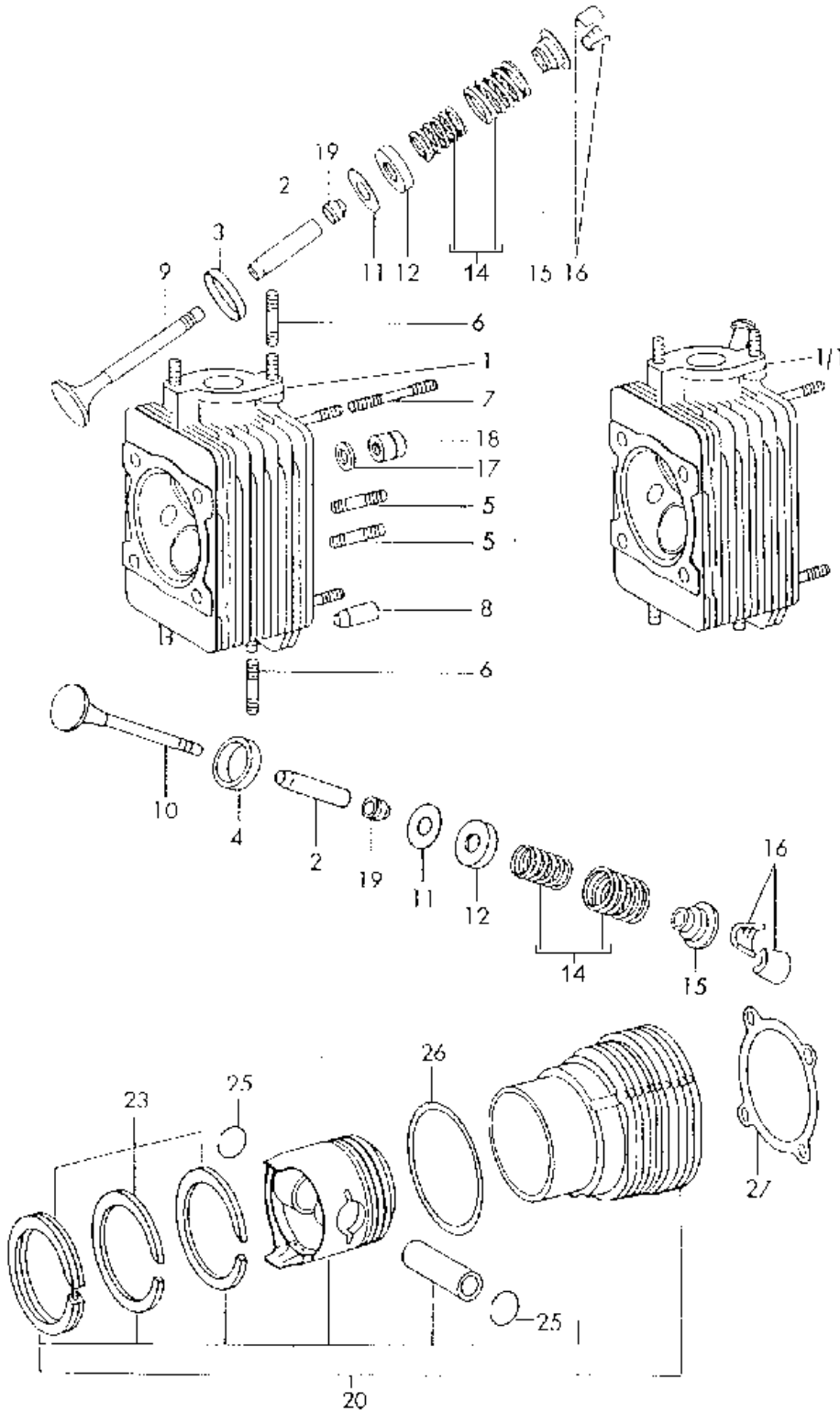
Model: 911 70

Model life 1970>>1973

Pos	Part Number	Description	Remark	Qty	Model
26	901 104 191 00	Cylinder base gasket 0,25 MM		6	
(26)	901 104 191 02	Cylinder base gasket 0,5 MM		X	
27	908 104 391 00	Cylinder head gasket		6	

Model: 911 70

Model life 1970>>1973



Model: 911 70

Model life 1970>>1973

Pos	Part Number	Description	Remark	Qty	Model
			72-		
(1)	911 104 006 01	Cylinder head Cylinder with piston Cylinder head with studs with valves Ready for installation		6	911 T-V
(1/1)	911 104 002 00	Cylinder head with studs with valves Ready for installation		6	911 T-K
(1)	911 104 004 00	Cylinder head with studs with valves Ready for installation		6	911 T-E
(1)	911 104 004 X	Cylinder head Exchange with studs with valves Ready for installation		X	911 T-E
(1)	911 104 007 00	Cylinder head with studs with valves Ready for installation		6	911 E
(1)	911 104 008 00	Cylinder head with studs with valves Ready for installation		6	911 S
(1)		Cylinder head with studs with valves - NACHARBEIT ERFORDERLICH		6	CARRERA 2.7
1	911 104 036 01	Fase anbringen Cylinder head with studs without valves		6	911 T-V
1/1	911 104 032 00	Cylinder head with studs without valves		6	911 T-K
(1)	911 104 034 00	Cylinder head with studs without valves		6	911 T-E
(1)	911 104 037 00	Cylinder head with studs without valves		6	911 E
(1)	911 104 038 00	Cylinder head with studs without valves		6	911 S CARRERA 2.7
2	930 104 321 50	Valve guide 1st oversize		12	
(2)	901 104 321 61	Valve guide 2nd oversize		12	
3	911 104 311 51	Valve seat ring for Intake Oversize		6	
4	911 104 315 50	Valve seat ring for Exhaust Oversize		6	
5	900 061 006 01	Stud BM 8 X 20 SN 1115		24	
6	900 061 007 01	Stud BM 8 X 22 SN 1115		12	911 T-E/E/S CARRERA 2.7

Model: 911 70 Model life 1970>>1973

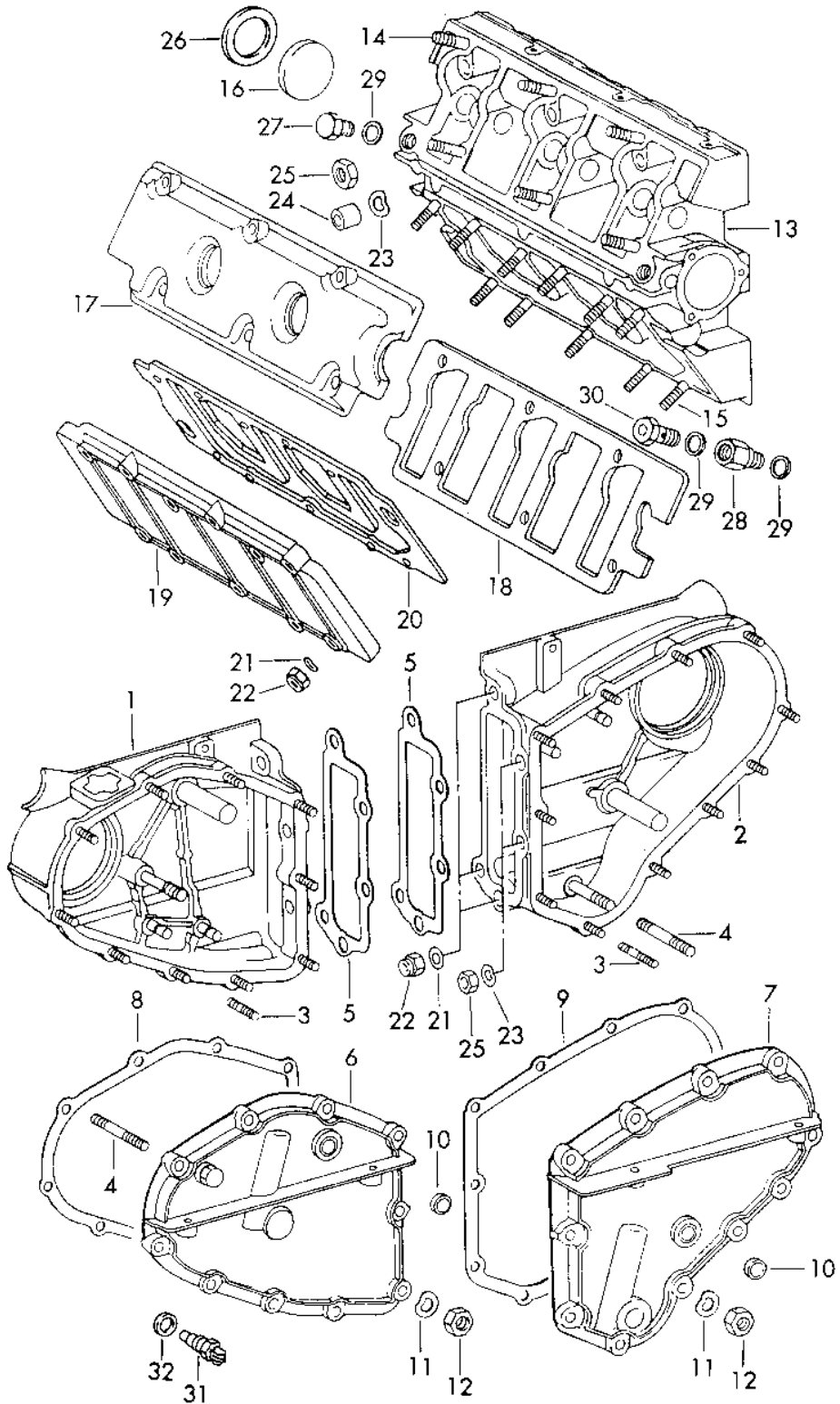
Pos	Part Number	Description	Remark	Qty	Model
6	900 061 007 02	Stud BM 8 X 22 SN 1115		12	911 T-E/E/S CARRERA 2.7
6	999 062 007 02	Stud BM 8 X 22 SN 1115		12	911 T-E/E/S CARRERA 2.7
6	900 060 106 01	Stud BM 8 X 22 SN 1115		12	911 T-E/E/S CARRERA 2.7
(6)	900 061 008 01	Stud BM 8 X 25 SN 1115		12	911 T-V 911 T-K
7	900 061 012 01	Stud BM 8 X 50 SN 1115		24	
8	999 012 006 00	Straight pin		12	
9	911 105 411 20	Intake valve		6	
10	911 105 415 50	Exhaust valve		6	
11	930 105 461 00	Washer		X	
12	901 105 463 00	Ring		12	
14	901 105 901 50	Set of valve springs Outer And Inner		12	
14	901 105 901 51	Set of valve springs Outer And Inner		12	
15	901 105 421 03	Concave washer		12	
16	901 105 417 00	Collet Divided		24	
17	999 031 083 01	Washer		24	
17	999 031 083 02	Washer		24	
18	901 104 382 02	Nut		24	
18	901 104 382 03	Nut		24	
19	911 104 193 00	Valve stem seal Seal		12	
20	PCG 503 189 0	Cylinder with piston Complete Fa. Mahle Only by sets		6	911 T-E 911 T-V
(20)	911 103 942 01	Cylinder with piston Complete Group 5 - mahle -		6	911 T-E 911 T-V
(20)	911 103 942 02	Cylinder with piston Complete Group 6 - mahle -		6	911 T-E 911 T-V
20	PCG 503 159 0	Cylinder with piston Complete Fa. Mahle Only by sets		6	911 T-K
(20)	911 103 940 01	Cylinder with piston Complete Group 5		6	911 T-K
(20)	911 103 940 02	Cylinder with piston Complete Group 6		6	911 T-K
(20)	911 103 942 05	Cylinder with piston Complete Group 5 - SCHMIDT -		6	911 T-E 911 T-V
(20)	911 103 942 06	Cylinder with piston Complete Group 6 - SCHMIDT -		6	911 T-E 911 T-V
(20)	911 103 943 01	Cylinder with piston		6	911 E

Model: 911 70 Model life 1970>>1973

Pos	Part Number	Description	Remark	Qty	Model
(20)	911 103 943 02	Complete Group 5 Cylinder with piston		6	911 E
(20)	911 103 944 02	Complete Group 6 Cylinder with piston		6	911 S
(20)		Complete Group 5 Cylinder with piston		6	911 S
(20)	911 103 928 01	Cylinder with piston	73-	6	CARRERA 2.7
(20)		Complete Group 5 Cylinder with piston	73-	6	CARRERA 2.7
23	911 103 945 00	Not available Piston ring TYP 911/51-53/57 TYP 911/61-63/67		X	911 T-E/E/S 911 T-V
(23)	911 103 941 00	Piston ring		X	911 T-K
(23)	911 103 934 00	Set of piston rings	73-	X	CARRERA 2.7
25	900 178 002 00	Circlip C 22		12	911 T-E/E 911 T-V 911 T-K
(25)	901 103 381 00	Circlip		12	911 S CARRERA 2.7
26	901 104 191 00	Cylinder base gasket 0,25 MM		6	911 T/E/S 911 T-V 911 T-K
26	901 104 191 02	Cylinder base gasket 0,5 MM		X	911 T/E/S 911 T-V 911 T-K
(26)	911 104 192 00	Cylinder base gasket	73-	6	CARRERA 2.7
27	908 104 391 00	Cylinder head gasket		6	911 T/E/S 911 T-V 911 T-K
(27)	912 104 314 00	Cylinder head gasket \$ 84,25	73-	6	CARRERA 2.7
(23)	911 103 945 25	Piston ring \$ 84,25 TYP 911/51-53/57 TYP 911/61-63/67		X	911 T-E/E/S 911 T-V
(23)	911 103 901 50	Piston ring \$ 84,50 TYP 911/51-53/57 TYP 911/61-63/67		X	911 T-E/E/S 911 T-V
(23)	911 103 941 25	Piston ring \$ 84,25		X	911 T-K
(23)	911 103 941 50	Piston ring \$ 84,50		X	911 T-K

Model: 911 70

Model life 1970>>1973



Model: 911 70 Model life 1970>>1973

Pos	Part Number	Description	Remark	Qty	Model
		Chain case			
		Camshaft housing			
1	901 105 061 02	Chain case	/L	1	
2	901 105 062 02	Chain case	/R	1	
3	999 062 102 02	Stud		21	
		BM 6 X 22			
4	900 061 012 02	Stud		2	
		BM 8 X 50			
5	901 105 193 03	Gasket		2	
		Crankcase			
		And			
		Chain case			
6	930 105 063 01	Lid	/L	1	
		Chain case			
7	901 105 064 03	Lid	/R	1	
		Chain case			
8	901 105 191 03	Gasket	/L	1	
9	901 105 192 03	Gasket	/R	1	
9	930 105 192 01	Gasket	/R	1	
9	930 105 192 03	Gasket	/R	1	
9	930 105 192 04	Gasket	/R	1	
10	900 036 008 02	Lid		2	
		15			
11	900 031 011 30	Washer		21	
		6,4			
12	900 084 010 02	Lock nut		21	
		M 6			
13	901 105 021 05	Camshaft housing		2	
		Complete			
14	999 062 009 02	Stud		12	
		BM 8 X 28			
14	900 060 105 01	Stud		12	
		BM 8 X 28			
15	999 062 010 02	Stud		22	
		BM 8 X 35			
-	901 105 379 00	Stopper	72-	4	
16	901 105 161 01	Lid	72-	2	911 T-V
					911 T-K
			70-	1	911 T/E/S
			72-		CARRERA 2.7
17	901 105 115 03	Lid		2	
		for			
		Camshaft housing			
		Upper			
18	901 105 194 03	Gasket		2	
		for			
		Lid			
		Camshaft housing			
		Upper			
18	930 105 194 00	Gasket		2	
		for			
		Lid			
		Camshaft housing			
		Upper			
18	930 105 194 02	Gasket		2	
		for			
		Lid			
		Camshaft housing			
		Upper			
18	930 105 194 04	Gasket		2	
		for			
		Lid			
		Camshaft housing			

Model: 911 70 Model life 1970>>1973

Pos	Part Number	Description	Remark	Qty	Model
19	930 105 116 00	Upper Lid for Camshaft housing		2	
19	930 105 116 05	Lower Lid for Camshaft housing		2	
20	901 105 195 04	Lower Gasket for Camshaft housing		2	
20	930 105 195 00	Lower Gasket for Camshaft housing		2	
20	930 105 195 02	Lower Gasket for Camshaft housing		2	
20	930 105 195 05	Lower Gasket for Camshaft housing		2	
20	930 105 195 06	Lower Gasket for Camshaft housing		2	
20	930 105 195 07	Lower Gasket for Camshaft housing		2	
21	900 031 014 30	Washer 8,4		X	
22	900 084 004 03	Hexagon nut M 8		X	
22	900 084 004 02	Hexagon nut M 8		X	
23	N 012 241 1	Spring washer BM 8 X 15	-70	X	
(23)	N 012 241 8	Spring washer BM 8 X 15	71-	X	
24	901 111 271 00	Nut		6	
25	900 076 025 02	Hexagon nut M 8		X	
25	900 076 064 02	Hexagon nut M 8		X	
26	999 113 068 50	Radial sealing ring BA 35 X 47 X 7	70- 72-	1	911 E/S 911 T-E CARRERA 2.7
27	901 105 374 00	Screw plug		2	
28	901 105 361 01	Intermediate piece		2	
28	901 105 361 02	Intermediate piece		2	
29	900 123 005 30	Sealing ring A 12 X 16		6	
30	900 134 006 02	Banjo bolt A 6		2	
30	N 021 056 3	Banjo bolt A 6		2	
30	999 134 018 02	Banjo bolt A 6		2	
31	911 617 117 00	Temperature switch	72-	1	911 T-K

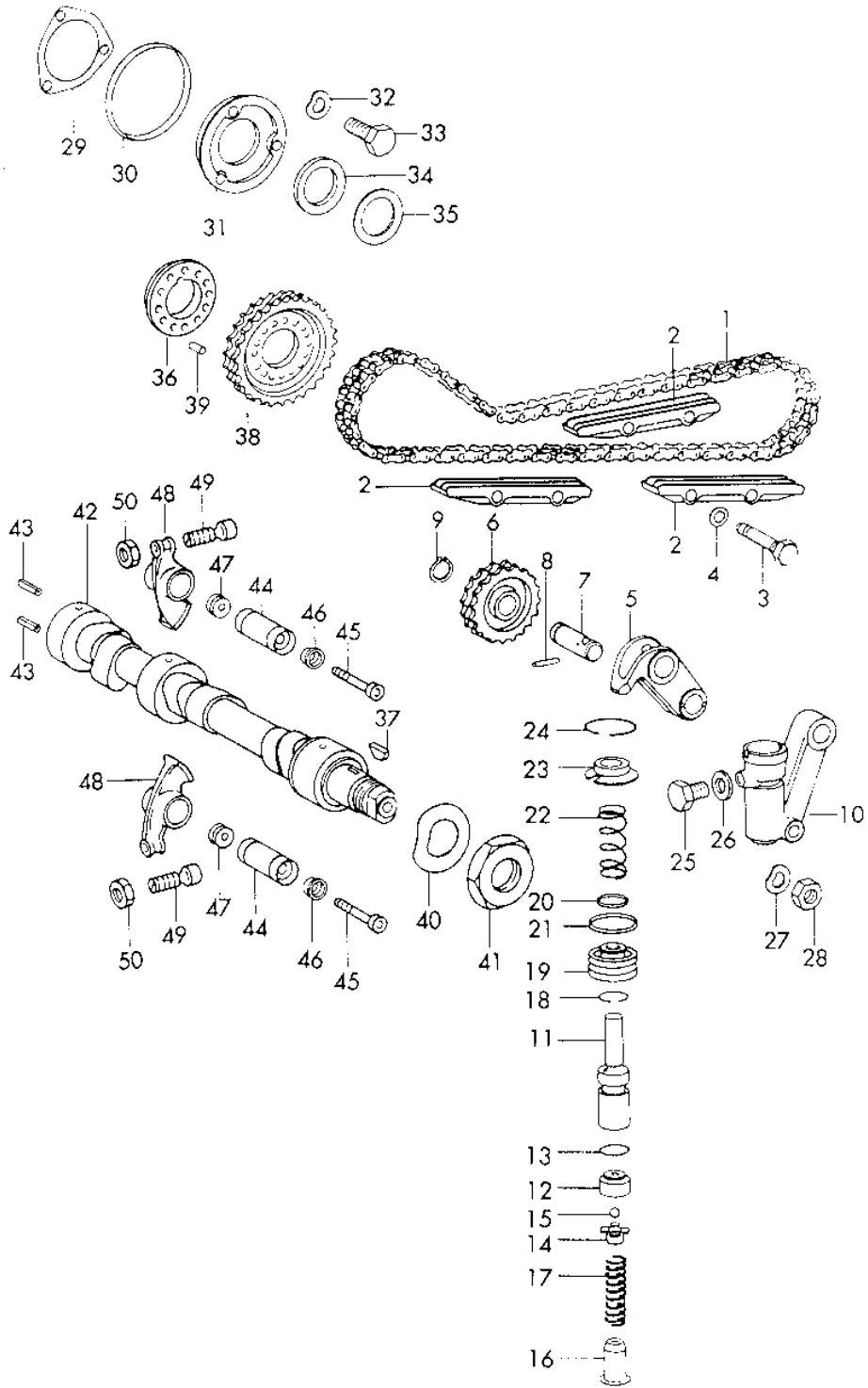
Model: 911 70

Model life 1970>>1973

Pos	Part Number	Description	Remark	Qty	Model
32	900 123 007 00	Sealing ring A 14 X 18	72-	1	911 T-K

Model: 911 70

Model life 1970>>1973



Model: 911 70 Model life 1970>>1973

Pos	Part Number	Description	Remark	Qty	Model
		Valve control Left			
1	901 105 529 00	Timing chain		1	
2	911 105 222 05	Guide rail		3	
3	901 105 226 03	Bolt for Guide rail		4	
4	900 123 066 30	Sealing ring A 10 X 16		4	
5	901 105 505 02	Chain wheel support	/L	1	
6	901 105 055 00	Sprocket	/L	1	
7	901 105 056 01	Bolt Complete		1	
7	901 105 056 02	Bolt Complete		1	
8	900 197 010 00	Tensioning sleeve 3 X 22		1	
9	N 012 415 1	Circlip 15 X 1		1	
10	901 105 050 01	Housing Complete		1	
10-26	901 105 049 02	Chain adjuster Complete		1	
-	911 105 901 00	Repair kit Comprising: Picture 12-15,18,20,21,24,26 See group 1/98/05		1	
-	911 105 901 01	Repair kit Comprising: Picture 12-15,18,20,21,24,26 See group 1/98/05		1	
11	930 105 559 00	Piston for Chain adjuster		1	
12		Intermediate piece		1	
13		O-ring		1	
14		OR 10-1 Housing for Ball valve		1	
15		Ball		1	
16	930 105 523 00	Spring guide		1	
17	916 105 534 00	Compression spring		1	
17	916 105 534 01	Compression spring		1	
18	900 152 005 00	Circlip B 16		1	
19	901 105 557 01	Piston		1	
20		O-ring CR 8,3 - 2,4		1	
21		O-ring CR 20,3 - 2,4		1	
22	930 105 535 01	Compression spring		1	
23	930 105 568 00	Concave washer		1	
24		Circlip B 28		1	
25	930 105 573 00	Bleeder screw		1	
26		Sealing ring A 6,5 X 9,5		1	
27	N 012 241 1	Spring washer	-70	1	

Model: 911 70 Model life 1970>>1973

Pos	Part Number	Description	Remark	Qty	Model
(27)	N 012 241 8	B 8 X 15 Spring washer	71-	1	
28	900 076 025 02	B 8 X 15 Hexagon nut		1	
28	900 076 064 02	M 8 Hexagon nut		1	
29	901 105 197 00	M 8 Gasket for Sealing ring		1	
30	999 701 124 40	O-ring		1	
31	930 105 196 00	67,5 X 75,5 X 4 Cover		1	
32	900 028 008 01	Lock ring	-70	3	
(32)	N 012 226 5	B 6 Spring washer	71-	3	
33	900 075 017 02	B 6 Hexagon-head bolt		3	
33	900 075 017 03	M 6 X 25 Hexagon-head bolt		3	
34	901 105 562 00	M 6 X 25 Thrust washer		1	
34	901 105 562 02	Thrust washer		1	
35	901 105 561 00	Shim		X	
36	901 105 583 01	Flange for Sprocket		1	
37	900 118 005 00	Woodruff key 4 X 5		1	
38	901 105 546 02	Sprocket II		1	
38	901 105 546 04	Sprocket II		1	
39	900 243 001 00	Straight pin		1	
40	900 028 021 01	6 H 8 X 14 Spring washer		1	
41	901 105 172 00	B 30 Nut for Camshaft	/L	1	
42	901 105 133 00	Camshaft	/L 70- 72-	1	911 T 911 T-V
42	901 105 133 01	Camshaft	/L 70- 72-	1	911 T 911 T-V
42	901 105 133 02	Camshaft	/L 70-	1	911 T 911 T-V
(42)	911 105 141 00	Camshaft	/L 73-	1	911 T-K
(42)	901 105 181 00	Camshaft for Engine with Injection system	/L 70-	1	911 E
(42)	901 105 181 02	Camshaft for Engine with Injection system	/L 70-	1	911 E
(42)	901 105 181 03	Camshaft for Engine with Injection system	/L 70-	1	911 E
(42)	901 105 183 01	Camshaft	/L 70-	1	911 S

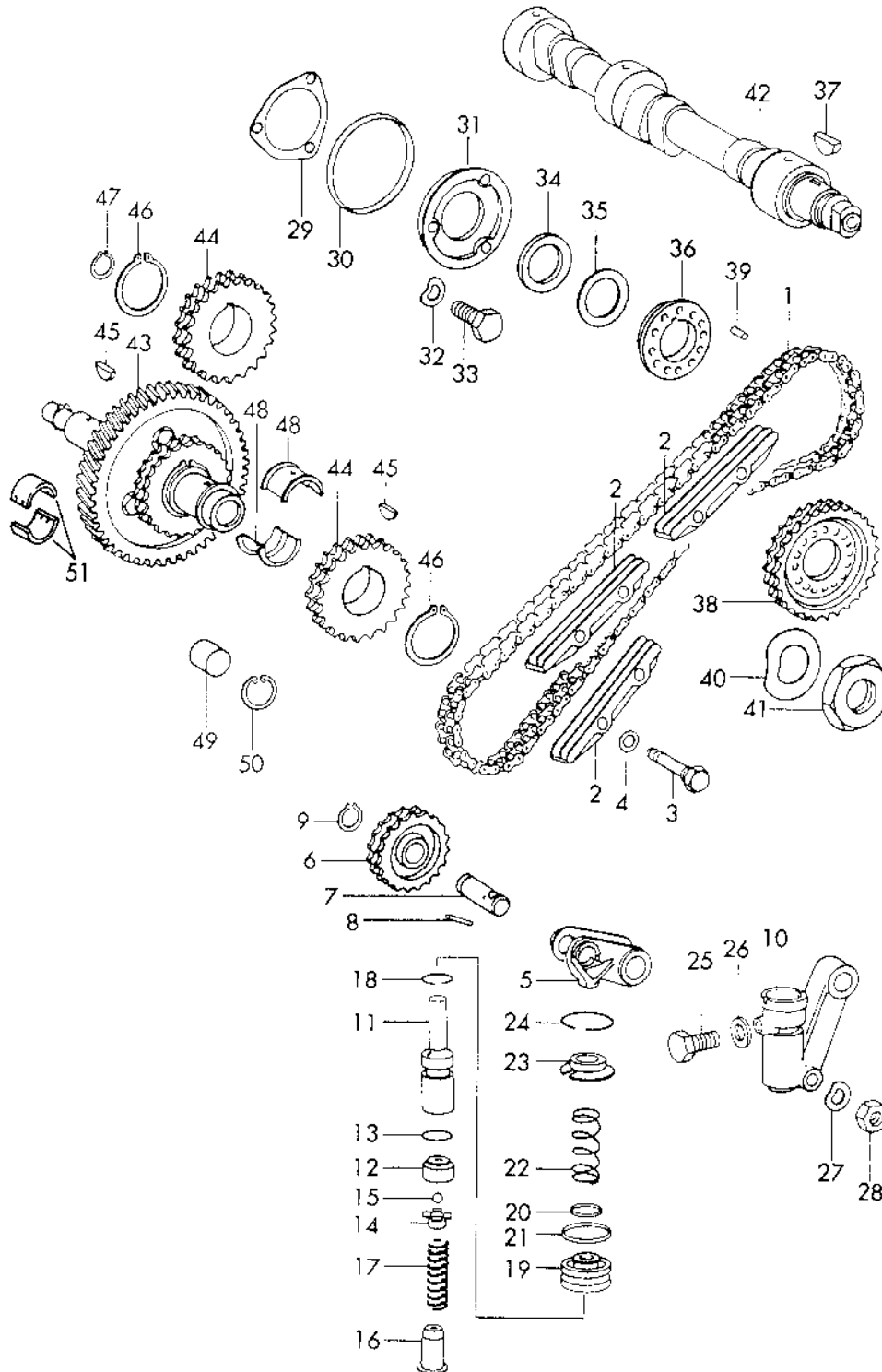
Model: 911 70

Model life 1970>>1973

Pos	Part Number	Description	Remark	Qty	Model
		for Engine	72-		CARRERA 2.7
(42)	901 105 183 02	with Injection system Camshaft	/L 70-	1	911 S CARRERA 2.7
43	900 095 017 01	for Engine with Injection system Roll pin 5 X 24		2	SPM
44	901 105 342 04	Rocker shaft		12	
45	999 067 008 00	Pan-head screw		12	
46	901 105 344 02	Bush		12	
46	901 105 344 03	Bush		12	
47	901 105 376 02	Nut		12	
48	930 105 043 00	Rocker arm		12	
48	930 105 043 02	Rocker arm		12	
49	901 105 370 02	Adjusting screw		12	
50	999 034 005 00	Nut		12	

Model: 911 70

Model life 1970>>1973



Model: 911 70 Model life 1970>>1973

Pos	Part Number	Description	Remark	Qty	Model
		Valve control Right			
1	901 105 529 00	Timing chain		1	
2	911 105 222 05	Guide rail		3	
3	901 105 226 03	Bolt for Guide rail		4	
4	900 123 066 30	Sealing ring A 10 X 16		4	
5	901 105 506 02	Chain wheel support	/R	1	
6	901 105 055 00	Sprocket		1	
7	901 105 056 01	Bolt Complete		1	
7	901 105 056 02	Bolt Complete		1	
8	900 197 010 00	Tensioning sleeve 3 X 22		1	
9	N 012 415 1	Circlip 15 X 1		1	
10	901 105 050 01	Housing Complete		1	
10-26	901 105 049 01	Chain adjuster Complete		1	
-	911 105 901 00	Repair kit Comprising: Picture 12-15,18,20,21,24,26 See group 1/98/05		1	
-	911 105 901 01	Repair kit Comprising: Picture 12-15,18,20,21,24,26 See group 1/98/05		1	
11	930 105 559 00	Piston for Chain adjuster		1	
12		Intermediate piece		1	
13		O-ring		1	
14		OR 10-1 Housing for Ball valve		1	
15		Ball		1	
16	930 105 523 00	Spring guide		1	
17	916 105 534 00	Compression spring		1	
17	916 105 534 01	Compression spring		1	
18		Circlip B 16		1	
19	901 105 557 01	Piston		1	
20		O-ring CR 8,3 - 2,4		1	
21		O-ring CR 20,3 - 2,4		1	
22	930 105 535 01	Compression spring		1	
23	930 105 568 00	Concave washer		1	
24		Circlip B 28		1	
25	930 105 573 00	Bleeder screw		1	
26		Sealing ring A 6,5 X 9,5		1	
27	N 012 241 1	Spring washer	-70	1	

Model: 911 70 Model life 1970>>1973

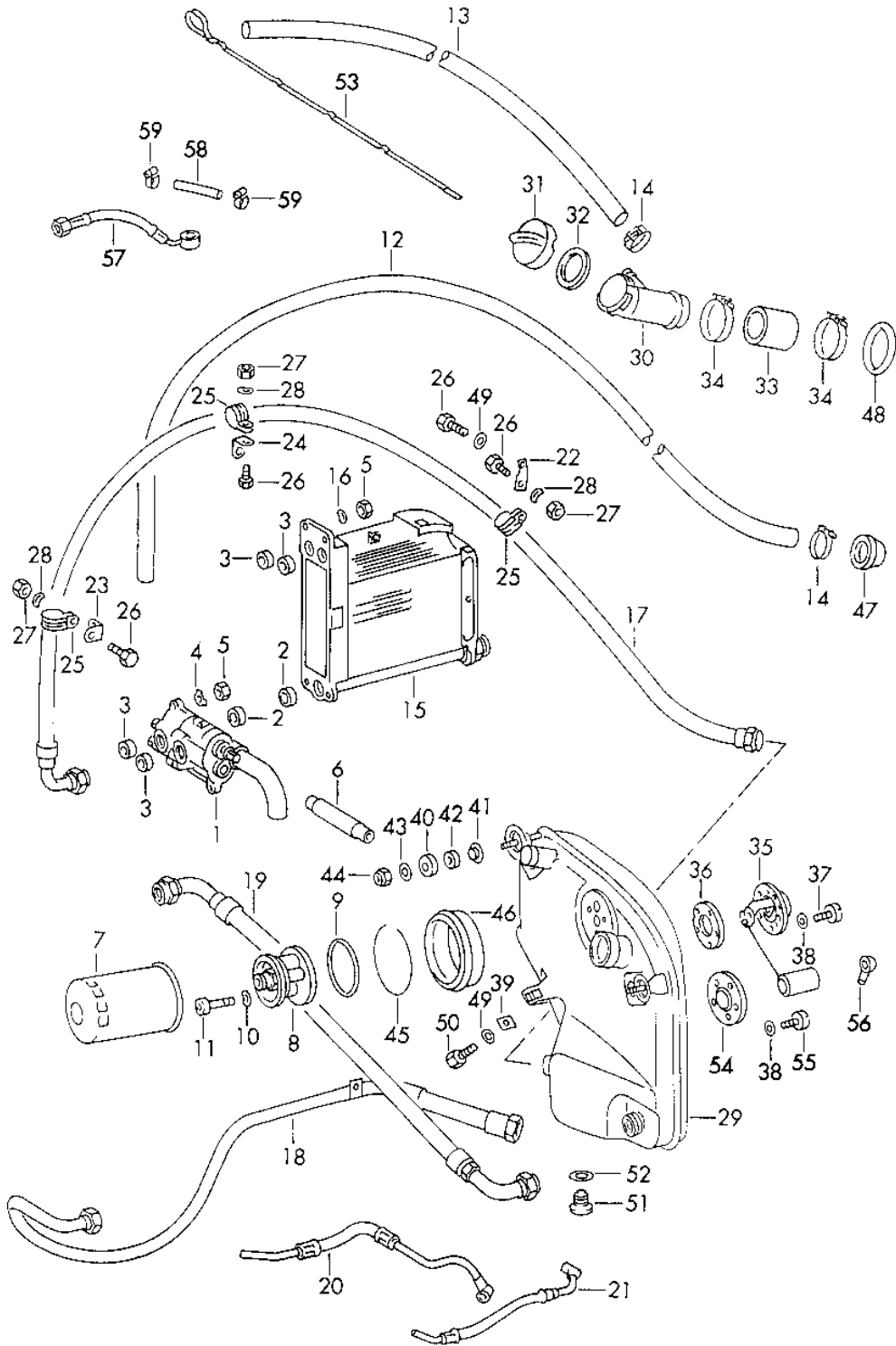
Pos	Part Number	Description	Remark	Qty	Model
(27)	N 012 241 8	B 8 X 15 Spring washer	71-	1	
28	900 076 025 02	B 8 X 15 Hexagon nut		1	
28	900 076 064 02	M 8 Hexagon nut		1	
29	901 105 197 00	M 8 Gasket for Sealing ring		1	
30	999 701 124 40	O-ring		1	
31	930 105 196 00	67,5 X 75,5 X 4 Cover		1	
32	900 028 008 01	Lock ring	-70	3	
(32)	N 012 226 5	B 6 Spring washer	71-	3	
33	900 075 017 02	B 6 Hexagon-head bolt		3	
33	900 075 017 03	M 6 X 25 Hexagon-head bolt		3	
34	901 105 562 00	M 6 X 25 Thrust washer		1	
34	901 105 562 02	Thrust washer		1	
35	901 105 561 00	Shim		X	
36	901 105 583 01	Flange for Sprocket		1	
37	900 118 005 00	Woodruff key 4 X 5		1	
38	901 105 546 02	Sprocket II		1	
38	901 105 546 04	Sprocket II		1	
39	900 243 001 00	Straight pin		1	
40	900 028 021 01	6 H 8 X 14 Spring washer		1	
41	901 105 172 00	B 30 Nut for Camshaft		1	
42	901 105 134 00	Camshaft	/R 70- /R 72-	1	911 T 911 T-V
42	901 105 134 03	Camshaft	/R 70- /R	1	911 T 911 T-V
(42)	911 105 142 00	Camshaft	/R 73-	1	911 T-K
(42)	911 105 142 03	Camshaft	/R 73-	1	911 T-K
(42)	901 105 110 05	Camshaft for Engine with Injection system	/R 70-	1	911 E
(42)	901 105 110 07	Camshaft for Engine with Injection system	/R 70-	1	911 E
(42)	901 105 110 08	Camshaft for Engine with Injection system	/R 70-	1	911 E
(42)	901 105 168 00	Camshaft	/R 70-	1	911 S
(42)	901 105 168 01	Camshaft	/R 70-	1	911 S

Model: 911 70 Model life 1970>>1973

Pos	Part Number	Description	Remark	Qty	Model
		for Engine with Injection system	72-		CARRERA 2.7
(42)	901 105 168 02	Camshaft	/R 70-	1	911 S CARRERA 2.7
		for Engine with Injection system			
43	930 105 013 01	Intermediate shaft Size 0		1	
43	930 105 013 04	Intermediate shaft Size 0		1	
(43)	930 105 013 11	Intermediate shaft Size 1		1	
44	901 105 125 04	Sprocket		2	
45	900 118 010 00	Woodruff key		2	
46	900 041 025 01	Circlip 36 X 1,75		2	
47	900 041 026 01	Circlip 13 X 1		1	
48	916 101 137 00	Thrust bearing for Intermediate shaft		2	
48	993 101 137 00	Thrust bearing for Intermediate shaft		2	
48	993 101 137 01	Thrust bearing for Intermediate shaft		2	
49	901 105 275 00	Stopper		1	
50	N 012 296 1	Circlip 16 X 1		1	
51	901 101 135 00	Bearing for Intermediate shaft	71-	2	

Model: 911 70

Model life 1970>>1973



Model: 911 70 Model life 1970>>1973

Pos	Part Number	Description	Remark	Qty	Model
		Engine lubrication	-71		
1	901 107 002 06	Oil pump		1	
2	999 704 173 50	Sealing ring		2	
3	999 704 172 50	Sealing ring		4	
4	999 039 001 00	Tab washer		3	
5	900 076 025 02	Hexagon nut M 8		7	
5	900 076 064 02	Hexagon nut M 8		7	
6	901 107 121 00	Connecting shaft		1	
7	901 107 203 09	Oil filter		1	
7	901 107 203 10	Oil filter	-(IND)	1	
8	901 107 025 00	Engine bracket		1	911 T/E
9	999 701 100 50	O-ring		1	
10	900 028 003 01	Lock ring A 6		3	
11	900 067 067 02	Pan-head screw M 6 X 40		3	911 T/E
12	901 107 394 00	Breather hose Crankcase -		1	
13		Oil tank Breather hose Oil tank -		1	
14	999 512 356 02	Air cleaner Hose clamp		4	
15	901 107 041 02	Oil cooler		1	
15	901 107 041 50	Oil cooler		1	
15	901 107 041 03	Oil cooler	-71	1	
16	N 012 241 1	Spring washer B 8 X 15	-70 71	4	
(16)	N 012 241 8	Spring washer B 8 X 15		4	
17	901 107 331 12	Breather hose Engine -		1	
18	901 107 720 01	Oil tank Pressure line Engine -		1	911 T/E:SPM
19	901 107 301 12	Oil tank Breather hose		1	
19	901 107 301 13	Breather hose Engine -		1	
20	901 107 347 01	Oil tank Oil hose Complete	/L	1	
20	901 107 347 02	Oil hose Complete	/L	1	
21	901 107 348 00	Oil hose Complete	/R	1	
21	901 107 348 02	Oil hose Complete	/R	1	
22	901 107 355 00	Support Not for Sportomatic		1	
23	901 423 369 00	Retaining bracket Not for Sportomatic		1	
24	901 107 357 00	Retaining bracket Not for		1	

Model: 911 70 Model life 1970>>1973

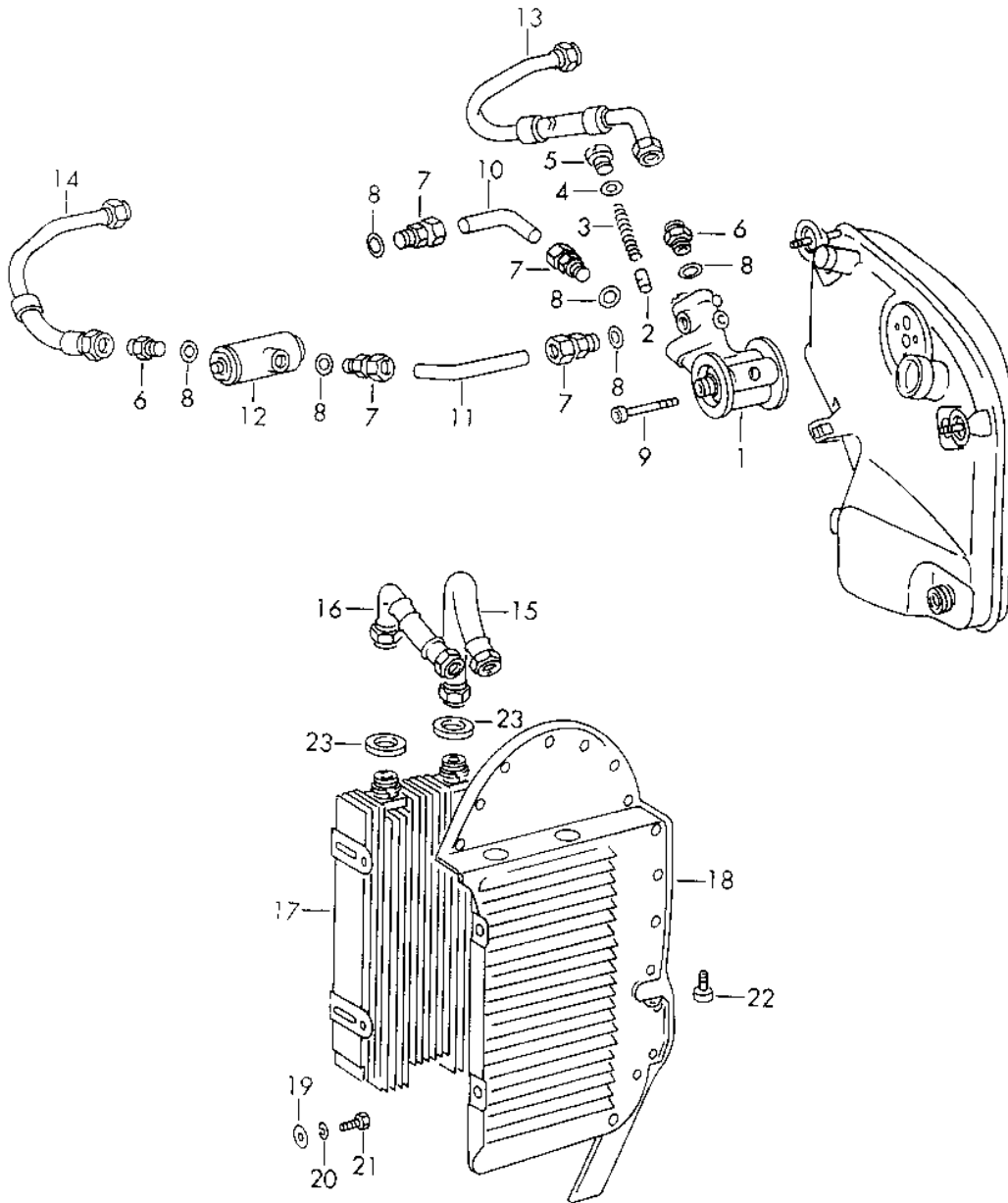
Pos	Part Number	Description	Remark	Qty	Model
25	999 511 065 02	Sportomatic Clip		3	
26	900 075 010 02	Not for Sportomatic Hexagon nut M 6 X 12		3	
26	N 010 212 14	Not for Sportomatic Hexagon-head bolt M 6 X 12		3	
26	999 072 005 09	Not for Sportomatic Hexagon nut M 6 X 12		3	
26	999 072 005 01	Not for Sportomatic Hexagon nut M 6 X 12		3	
27	900 076 010 02	Not for Sportomatic Nut M 6		3	
27	900 076 010 0B	Not for Sportomatic Nut M 6		3	
28	900 028 008 01	Not for Sportomatic Lock ring B 6	71	3	
29	911 107 001 16	Not for Sportomatic Oil tank	71	1	
29	911 107 001 69	Oil tank		1	
30	901 107 640 02	Filler neck		1	
31	901 201 271 00	Fuel tank cap with Gasket		1	
31	901 201 271 01	Fuel tank cap with Gasket		1	
32	901 201 272 00	Sealing ring		1	
32	930 107 272 01	Sealing ring		1	
33	901 107 694 00	Hose		1	
34	999 512 348 02	Hose clamp		2	
35	901 641 541 00	Tank gauge	-70 71	1	SPM 911 E/S:SPM
36	914 201 891 00	Gasket		1	
37	N 014 760 3	Pan-head screw M 5 X 12	71-	5	SPM 911 E/S:SPM
37	900 067 070 01	Pan-head screw M 5 X 12		5	SPM 911 E/S:SPM
38	900 025 003 30	Washer	-70	5	SPM 911 E/S:SPM
39	901 501 909 20	Intermediate layer		1	
40	901 107 661 00	Washer		2	
41	901 107 692 00	Washer		2	
42	901 107 693 01	Washer		2	
43	900 151 008 02	Washer B 8,4		2	
44	999 090 004 02	Hexagon nut M 8		2	
44	900 084 004 02	Hexagon nut		2	

Model: 911 70 Model life 1970>>1973

Pos	Part Number	Description	Remark	Qty	Model
45	901 107 281 00	M 8 Circlip		1	
46	901 107 291 00	Gasket for Oil filter		1	
47	901 107 695 00	Sealing sleeve for Breather adapter		1	
48	901 107 696 00	Sealing ring		1	
49	N 011 524 7	Washer 6,4		2	
49	N 011 524 27	Washer 6,4		2	
50	N 010 215 13	Hexagon-head bolt M 6 X 15		1	
50	900 075 011 03	Hexagon-head bolt M 6 X 15		1	
51	911 107 176 01	Magnetic screw	-70	1	
(51)	911 107 176 00	Magnetic screw	71	1	
52	900 123 011 30	Sealing ring A 22 X 27 AL		1	
53	901 107 770 00	Oil level dipstick		1	
54	901 107 636 00	Lid without Sender for Oil-level sender Not for Sportomatic		1	911 T
55	N 010 225 4	Hexagon-head bolt M 5 X 8 Not for Sportomatic	71	5	911 T
55	900 075 001 03	Hexagon-head bolt M 5 X 8		5	911T
56	999 659 011 50	Water protection cap	-70 71	1	SPM 911 E/S:SPM 911 E/S:SPM
57	901 110 041 01	Hose line for Injection pump		1	911 E/S:SPM
57	901 110 041 02	Hose line for Injection pump		1	911 E/S:SPM
-	999 180 029 50	Fuel hose C SN 710		*	
58		Hose 10 X 60		1	911 E/S:SPM
59	999 512 134 02	Hose clamp		2	911 E/S:SPM

Model: 911 70

Model life 1970>>1973



Model: 911 70

Model life 1970>>1973

Pos	Part Number	Description	Remark	Qty	Model
		Engine lubrication Auxiliary units for TYP 901/10 911/02	-71		911 S
1	901 107 901 00	Bracket		1	
		Oil filter			
1	901 107 901 01	Bracket		1	911S
		Oil filter TYP 901/10 911/02			
2	901 107 512 01	Piston		1	
3	901 107 531 00	Compression spring		1	
4	900 123 071 30	Sealing ring		1	
		C 18 X 24 AL MG SI F 32			
5	999 064 010 02	Screw plug		1	
6	900 136 013 02	Union		2	
		A 16			
7	PCG 107 012 02	Threaded joint		4	
		AM 18 X 11			
8	900 123 011 30	Sealing ring		6	
		A 22 X 27 AL			
9	900 067 092 02	Pan-head screw		3	
		M 6 X 70			
10	901 107 726 00	Oil tube		1	
		Bracket			
		-			
		Oil thermostat			
11	901 107 727 00	Oil tube		1	
		Oil thermostat			
		-			
		Bracket			
12	901 107 801 01	Oil thermostat		1	
13	901 107 362 00	Oil hose		1	
		Oil cooler			
		-			
		Bracket			
		Rear			
14	901 107 363 00	Oil pipe		1	
		Oil thermostat			
		-			
		Oil cooler			
		Rear			
15	901 107 364 00	Oil hose		1	
		Oil thermostat			
		-			
		Oil cooler			
		Front			
15	901 107 364 02	Oil hose		1	
		Oil thermostat			
		-			
		Oil cooler			
		Front			
16	901 107 361 10	Breather hose		1	
		Oil cooler			
		-			
		Bracket			
		Front			
17	901 107 046 00	Oil cooler	-72	1	
		Right			
17	901 107 046 03	Oil cooler		1	
		Right			
18	901 107 085 00	Cover plate		1	
		Complete			
		Right			

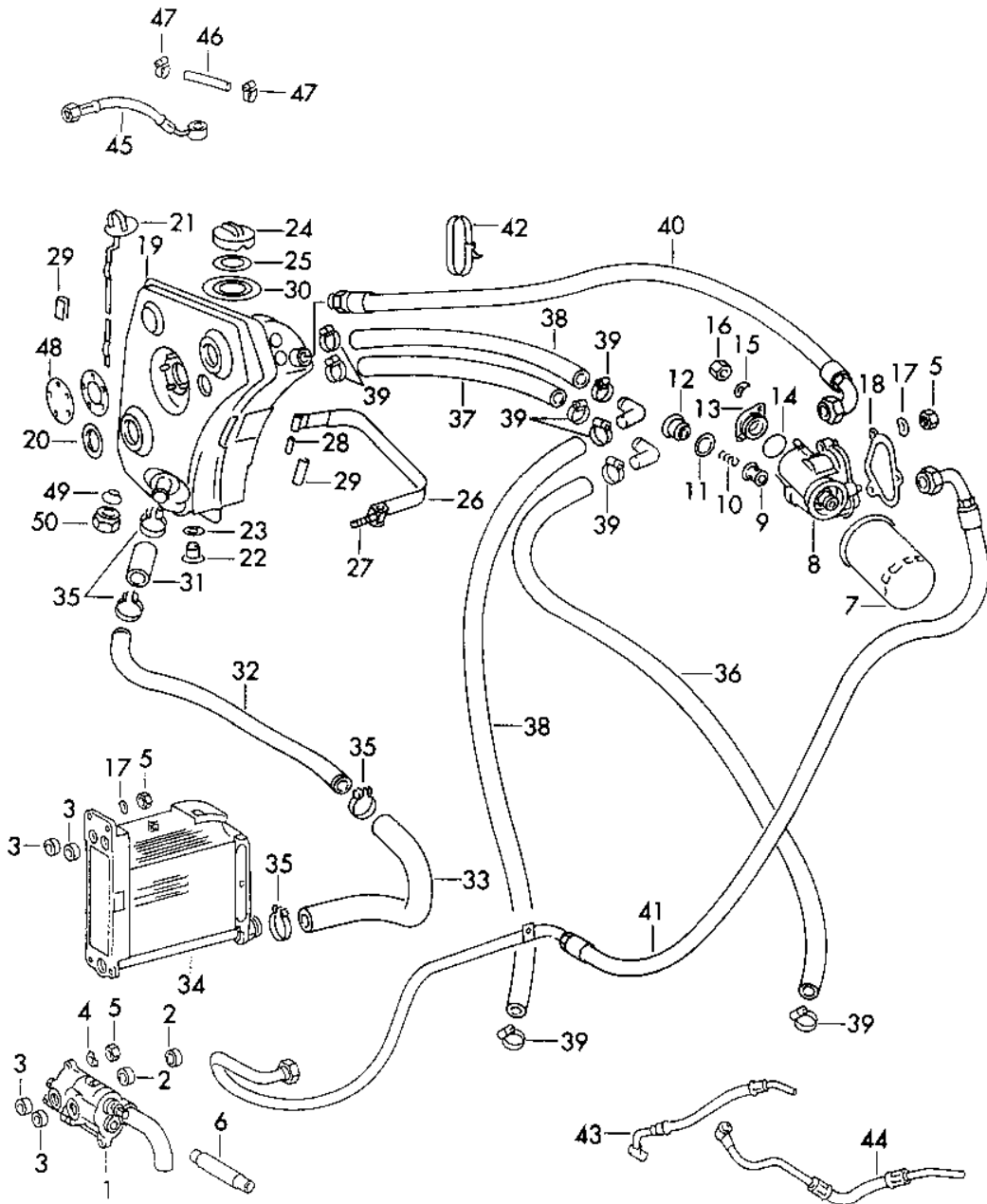
Model: 911 70

Model life 1970>>1973

Pos	Part Number	Description	Remark	Qty	Model
-	901 107 191 00	Gasket for Cover plate		1	
-	901 107 192 00	Gasket for Cover plate		1	
-	900 190 013 02	Tubular rivet 4 X 8 X 8		10	
19	900 151 008 02	Washer B 8,4		2	
20	900 142 002 01	Lock ring B 8		2	
21	900 067 057 02	Pan-head screw M 8 X 20		2	
21	900 067 057 03	Pan-head screw M 8 X 20		2	
22	N 013 960 5	Oval-head sheetmetal screw B 3,9 X 9,5		1	
23	901 107 717 00	Sealing ring		2	

Model: 911 70

Model life 1970>>1973



Model: 911 70 Model life 1970>>1973

Pos	Part Number	Description	Remark	Qty	Model
		Engine lubrication TYP 911/51/52/57	72-73		911 T-E/E/S 911 T-V
1	901 107 002 06	Oil pump		1	
2	999 704 173 50	Sealing ring		2	
3	999 704 172 50	Sealing ring		4	
4	999 039 001 00	Tab washer		3	
5	900 076 025 02	Hexagon nut M 8		*	
		Oil cooler		4	
		Bracket		3	
		Oil pump		3	
5	900 076 064 02	Hexagon nut M 8		*	
		Oil cooler		4	
		Bracket		3	
		Oil pump		3	
6	901 107 121 00	Connecting shaft		1	
7	916 107 754 00	Oil filter		1	
7	930 107 764 00	Oil filter		1	
7	930 107 764 01	Oil filter		1	
7	930 107 764 03	Oil filter		1	
8	916 107 028 01	Red Bracket		1	911 E
		Oil filter			911 T
8	916 107 028 03	Bracket		1	911 E
		Oil filter			911 T
		TYP 911/51/52/57			
9	930 107 076 00	Piston		1	
10	900 280 001 00	Compression spring 2 X 12,5 X 71		1	
11	900 123 075 30	Sealing ring A 32 X 38 AL		1	
12	916 107 276 00	Screw plug		1	
13	916 101 175 00	Flange		1	911 T-E/E 911 T-V
13	916 101 175 01	Flange		1	911 T-E/E 911 T-V
14	999 701 053 50	Sealing ring 39,2 X 3		1	
		- SIMRIT O-RING -			
15	N 012 226 5	Spring washer B 6		2	
16	900 076 010 02	Nut M 6		2	
16	900 076 010 0B	Nut M 6		2	
17	N 012 241 8	Spring washer B 8 X 15		*	
		Bracket		3	
		Oil cooler		4	
18	916 107 191 00	Gasket for		1	911 T-E/E 911 T-V
		Bracket			
19	911 207 010 00	Oil tank Not for Sportomatic		1	
19	911 207 010 02	Oil tank Not for Sportomatic		1	
19	911 207 010 03	Oil tank Not for Sportomatic		1	
19	911 207 010 06	Oil tank		1	

Model: 911 70 Model life 1970>>1973

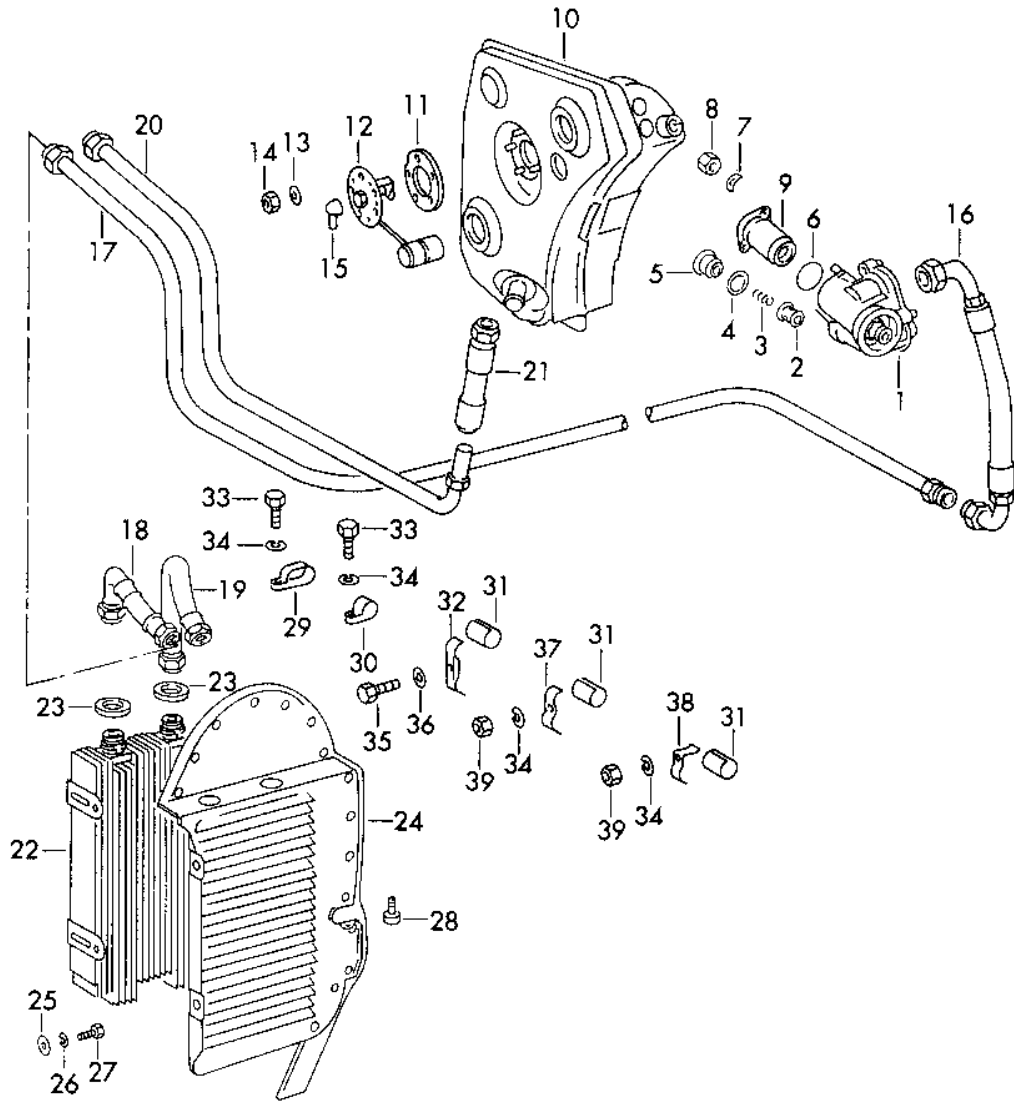
Pos	Part Number	Description	Remark	Qty	Model
20	911 207 307 00	Not for Sportomatic with Fuel tank cap Pot for Oil tank		3	
21	911 207 041 00	Oil level dipstick		1	
22	911 107 176 01	Magnetic screw		1	
23	900 123 011 20	Sealing ring		1	
24	PCG 207 271 00	A 22 X 27 CU Fuel tank cap Blue B 40 G with Rubber seal		1	
25	911 207 901 01	Gasket		1	
26	911 207 070 00	Restraining strap for Oil tank		1	
27	911 207 274 00	Screw M 8 X 60 for Restraining strap		1	
28	900 197 033 00	Tensioning sleeve 5 X 55		2	
29	911 207 275 00	Edge protection 50 MM		2	
30	911 207 387 00	Sealing ring for Oil tank		1	
31	911 207 301 01	Connecting hose Oil tank		1	
31	911 207 301 02	Connecting hose Oil tank		1	
32	911 207 317 00	Intake manifold		1	
33	911 207 318 01	Suction hose		1	
33	911 207 318 02	Suction hose		1	
34	911 107 041 00	Oil cooler		1	
34	911 107 041 02	Oil cooler		1	
35	999 512 091 00	Hose clamp S 40/15 SKZ		4	
36	901 107 394 00	Breather hose Inner Engine 645 MM		1	
37	901 107 394 03	Connecting hose Outer Engine 400 MM		1	
38	901 107 394 04	Connecting hose Inner And Outer Air cleaner 470 MM		2	
-	911 501 539 00	Angled pipe		2	
39	999 512 356 02	Hose clamp 22-36 X 9		8	
40	911 207 315 01	Hose line Bracket Oil tank		1	
40	911 207 315 03	Hose line		1	

Model: 911 70 Model life 1970>>1973

Pos	Part Number	Description	Remark	Qty	Model
41	911 107 720 11	Bracket Oil tank Breather hose Engine		1	
42	999 513 010 40	Bracket Tie-wrap 250 MM		1	
43	901 107 347 01	Oil hose Crankcase Camshaft housing	/L	1	
43	901 107 347 02	Oil hose Crankcase Camshaft housing	/L	1	
44	901 107 348 00	Oil hose Crankcase Camshaft housing	/R	1	
44	901 107 348 02	Oil hose Crankcase Camshaft housing	/R	1	
45	901 110 041 01	Hose line for Injection pump		1	911 T-E/E/S
45	901 110 041 02	Hose line for Injection pump		1	911 T-E/E/S
-	999 180 029 50	Fuel hose Return line Injection pump C 11 X 17,5 60 MM		*	
46				1	911 T-E/E/S
47	999 512 134 02	Hose clamp 13-19 X 9		2	911 T-E/E/S
48	901 107 636 00	Lid for Oil tank		1	911 T-E/E 911 T-V
49	911 207 685 00	Catch		1	911 T-E/E 911 T-V
50	900 126 006 02	Union nut 20 M 30 X 1,5		1	911 T-E/E 911 T-V

Model: 911 70

Model life 1970>>1973



Model: 911 70 Model life 1970>>1973

Pos	Part Number	Description	Remark	Qty	Model
		Engine lubrication Auxiliary units for TYP 911/53/63	72-73		911 T-E/E/S 911 T-V
1	916 107 028 00	Bracket		1	911 S
1	916 107 028 02	Oil filter Bracket		1	911 S
2	930 107 076 00	Oil filter TYP 911/53/63		1	911 S
3	900 280 001 00	Piston		1	911 S
4	900 123 075 30	Compression spring 2 X 12,5 X 71		1	911 S
5	916 107 276 00	Sealing ring A 32 X 38 AL		1	911 S
6	999 701 053 50	Screw plug		1	911 S
7	N 012 226 5	Sealing ring 39,2 X 3 - SIMRIT O-RING - Spring washer		2	911 S
8	900 076 010 02	B 6 Nut		1	911 S
8	900 076 010 0B	M 6 Nut		1	911 S
9	930 107 765 00	M 6 Oil thermostat		1	911 S
10	911 207 010 00	Oil tank Not for Sportomatic		1	911 S
10	911 207 010 02	Oil tank Not for Sportomatic		1	911 S
10	911 207 010 03	Oil tank Not for Sportomatic		1	911 S
10	911 207 010 06	Oil tank Not for Sportomatic with Fuel tank cap		1	911 S
(10)	911 207 021 00	Oil tank	SPM	1	911 S
11	914 201 891 00	Gasket (911/53, 61, 62, 63, 67)		1	911 S
12	901 641 541 00	Tank gauge		1	911 S
13	900 025 003 30	Washer 5,3 125 AL		5	
14	900 076 027 02	Nut M 5		5	
15	999 659 011 50	Water protection cap		1	911 S
16	911 207 028 02	Hose line Bracket -		1	911 S
16	911 207 028 04	Intake tube Hose line Bracket -		1	911 S
17	911 207 025 01	Intake tube Oil cooler Front		1	911 S
18	911 207 027 03	Hose line Supply		1	911 S
18	911 207 027 05	Hose line Supply		1	911 S

Model: 911 70 Model life 1970>>1973

Pos	Part Number	Description	Remark	Qty	Model
19	911 207 029 02	Hose line Return line		1	911 S
19	911 207 029 04	Hose line Return line		1	911 S
20	911 207 026 01	Return pipe		1	911 S
21	911 207 030 01	Hose line Return line -		1	911 S
22	911 107 046 00	Oil tank Oil cooler	/R	1	911 S
22	911 107 046 02	Oil cooler	/R	1	911 S
23	901 107 717 00	Sealing ring		2	
24	901 107 085 00	Cover plate Complete	/R	1	911 S
-	901 107 191 00	Gasket Upper part		1	911 S
-	901 107 192 00	Gasket Side section		1	911 S
-	900 190 013 02	Tubular rivet B 4 X 8 X 8		15	911 S
25	900 151 008 02	Washer B 8,4		2	911 S
26	900 142 002 01	Lock ring B 8		2	911 S
27	900 067 057 02	Pan-head screw M 8 X 20		2	911 S
27	900 067 057 03	Pan-head screw M 8 X 20		2	
28	N 013 960 5	Oval-head sheetmetal screw B 3,9 X 9,5		1	911 S
29	999 511 084 02	Pipe clamp RSGU 1100 20 X 25/15		1	911 S
30	999 511 080 02	Clamp RSGU 1100 22/15		3	911 S
31	911 207 302 00	Hose for Mount Oil tube		1	911 T-E/E 911 T-V
(31)		Hose for Mount Oil tube		10	911 S
32	911 207 303 00	Support for Oil tube		3	911 S
33	900 378 030 09	Hexagon-head bolt M 6 X 20		4	911 S
34	900 027 014 01	Lock ring B 6		1	911 T-E/E 911 T-V
34	900 027 014 02	Lock ring B 6		1	911 T-E/E 911 T-V
34	N 012 006 4	Lock ring B 6		1	911 T-E/E 911 T-V
(34)	900 027 014 01	Lock ring B 6		5	911 S
(34)	900 027 014 02	Lock ring B 6		5	911 S
(34)	N 012 006 4	Lock ring B 6		5	911 S
35	900 187 010 02	Hexagon-head tapping screw BZ 6,3 X 19		3	911 S
35	900 187 010 03	Hexagon-head tapping screw BZ 6,3 X 19		3	911 S

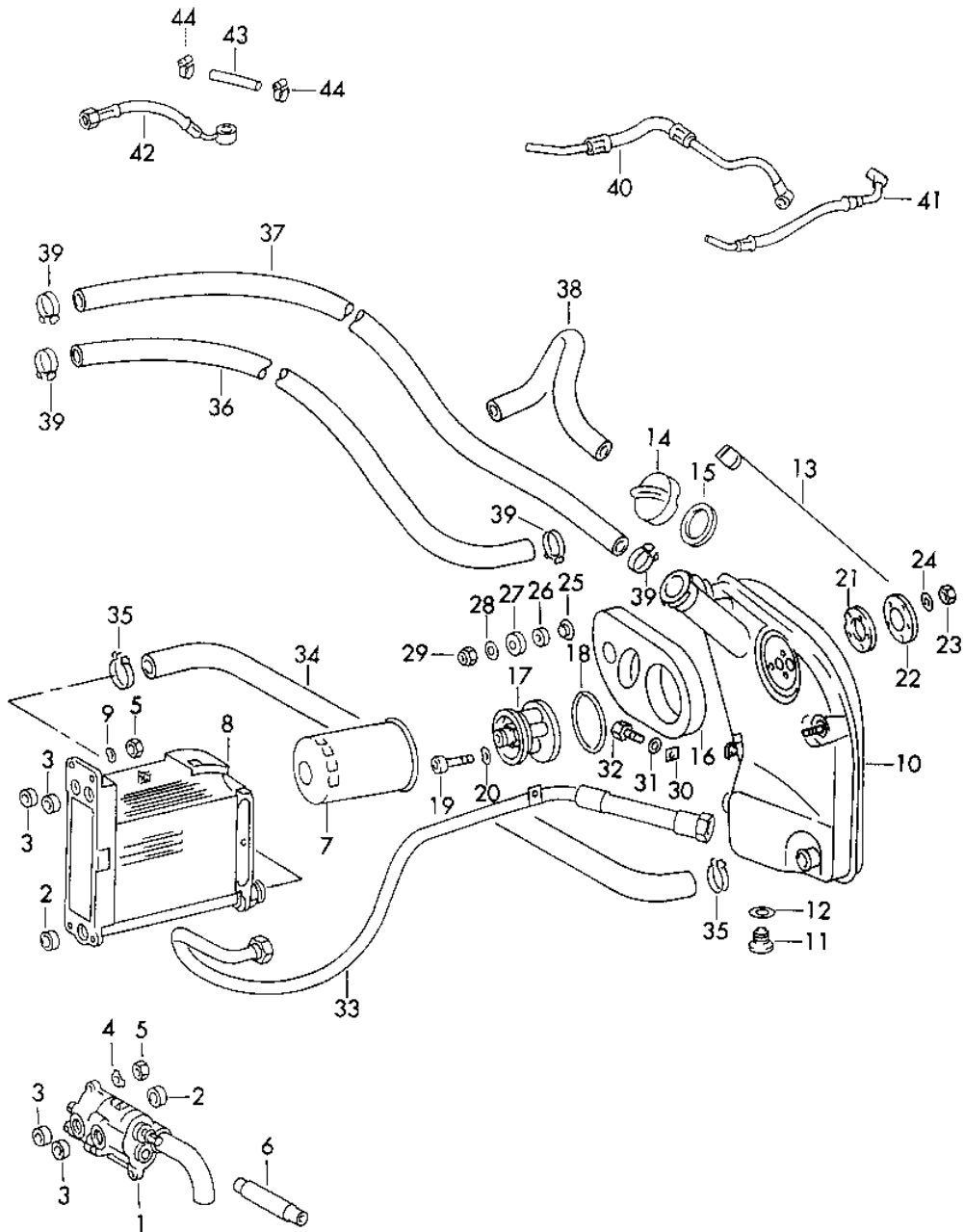
Model: 911 70

Model life 1970>>1973

Pos	Part Number	Description	Remark	Qty	Model
36	N 011 524 7	Washer B 6,4		3	911 S
36	N 011 524 27	Washer B 6,4		3	911 S
37	911 207 304 00	Dual clamp		1	911 S
38	911 207 309 00	Support for Intake manifold		1	911 T-E/E 911 T-V
39	900 076 010 02	Nut M 6		1	
39	900 076 010 0B	Nut M 6		1	

Model: 911 70

Model life 1970>>1973



Model: 911 70 Model life 1970>>1973

Pos	Part Number	Description	Remark	Qty	Model
		Engine lubrication	73-		
1	901 107 002 06	Oil pump		1	
2	999 704 173 50	Sealing ring		2	
3	999 704 172 50	Sealing ring		4	
4	999 039 001 00	Tab washer		3	
5	900 076 025 02	Hexagon nut M 8		*	
		Oil cooler		4	
		Oil pump		3	
5	900 076 064 02	Hexagon nut M 8		*	
		Oil cooler		4	
		Oil pump		3	
6	901 107 121 00	Connecting shaft		1	
7	916 107 754 00	Oil filter		1	
7	930 107 764 00	Oil filter		1	
7	930 107 764 01	Oil filter		1	
7	930 107 764 03	Oil filter		1	
		Red			
8	911 107 041 00	Oil cooler		1	
8	911 107 041 02	Oil cooler		1	
9	N 012 241 8	Spring washer B 8 X 15		4	
10	911 107 006 11	Oil tank Not for Sportomatic		1	
10	911 107 006 30	Oil tank Not for Sportomatic		1	
10	911 107 006 20	Oil tank Not for Sportomatic		1	
11	911 107 176 01	Magnetic screw		1	
12	900 123 011 20	Sealing ring A 22 X 27 CU		1	
13	911 107 731 01	Oil level dipstick		1	
14	911 107 072 00	Fuel tank cap		1	
14	911 107 072 01	Fuel tank cap		1	
14	911 107 072 02	Fuel tank cap		1	
15	901 201 272 00	Sealing ring		1	
15	930 107 272 01	Sealing ring		1	
16	911 107 192 03	Gasket Oil tank -		1	
		Body			
17	911 107 671 00	Engine bracket for Oil filter		1	
18	999 701 100 50	O-ring R 72-4		1	
19	900 067 067 02	Pan-head screw M 6 X 40		3	
20	900 028 003 01	Lock ring A 6		3	
21	914 201 891 00	Gasket for Oil tank		1	
22	901 107 636 00	Lid for Oil tank Not for Sportomatic		1	911 T-E/E 911 T-V 911 T-K
23	900 076 027 02	Nut		5	

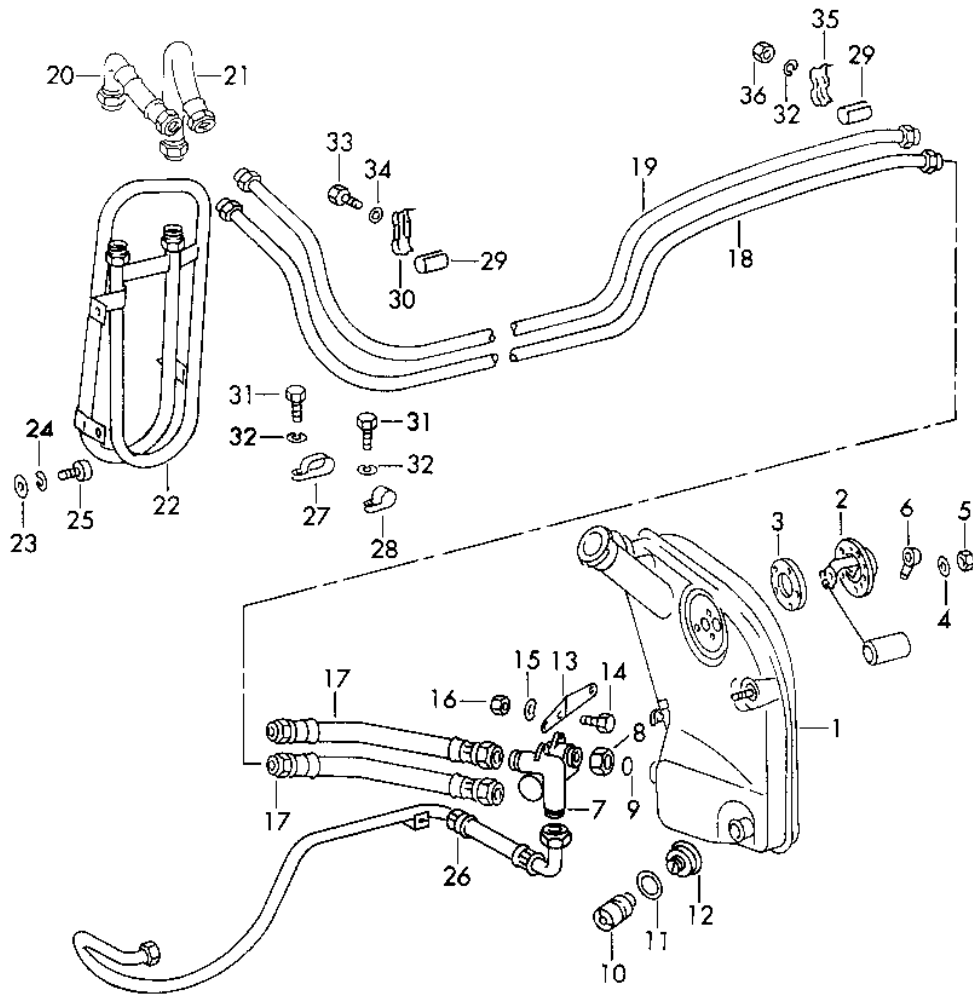
Model: 911 70

Model life 1970>>1973

Pos	Part Number	Description	Remark	Qty	Model
24	900 025 003 30	M 5 Washer 5,3		5	
25	901 107 692 00	Washer		2	
26	901 107 693 01	Washer		2	
27	901 107 661 00	Washer		2	
28	900 151 008 02	Washer B 8,4		2	
29	999 090 004 02	Hexagon nut M 8		2	
29	900 084 004 02	Hexagon nut M 8		2	
30	901 501 909 20	Intermediate layer		1	
31	N 011 524 7	Washer 6,4		1	
31	N 011 524 27	Washer 6,4		1	
32	900 075 057 02	Hexagon-head bolt		1	
32	900 075 057 03	Hexagon-head bolt		1	
-	901 501 930 22	Support		1	
33	911 107 722 00	Oil pipe Engine -		1	911 T-E/E 911 T-V 911 T-K
34	911 107 233 00	Oil tank Suction hose		1	
35	999 512 091 00	Hose clamp S 40/15 SK-1 4571		2	
36	901 107 394 00	Breather hose Engine -		1	
37	930 107 399 00	Oil tank 645 MM Connecting hose Oil tank -		1	911 T-V
38	911 107 393 00	Air cleaner 560 MM Connecting hose		1	911 T-K
38	911 107 393 01	Connecting hose Oil tank -		1	911 T-K
39	999 512 356 02	Air cleaner Hose clamp 22 X 36 X 9		4	
40	901 107 347 01	Oil hose	/L	1	
40	901 107 347 02	Oil hose	/L	1	
41	901 107 348 00	Oil hose	/R	1	
41	901 107 348 02	Oil hose	/R	1	
42	901 110 041 01	Hose line Intake Injection pump		1	911 T-E/E/S CARRERA 2.7
42	901 110 041 02	Hose line Intake Injection pump		1	911 T-E/E/S CARRERA 2.7
43	999 180 029 50	Fuel hose Return line Injection pump 11 X 17,5 NX 60		*	911 T-E/E/S CARRERA 2.7
44	999 512 134 02	Hose clamp 13-19 X 9		2	911 T-E/E/S CARRERA 2.7

Model: 911 70

Model life 1970>>1973



Model: 911 70 Model life 1970>>1973

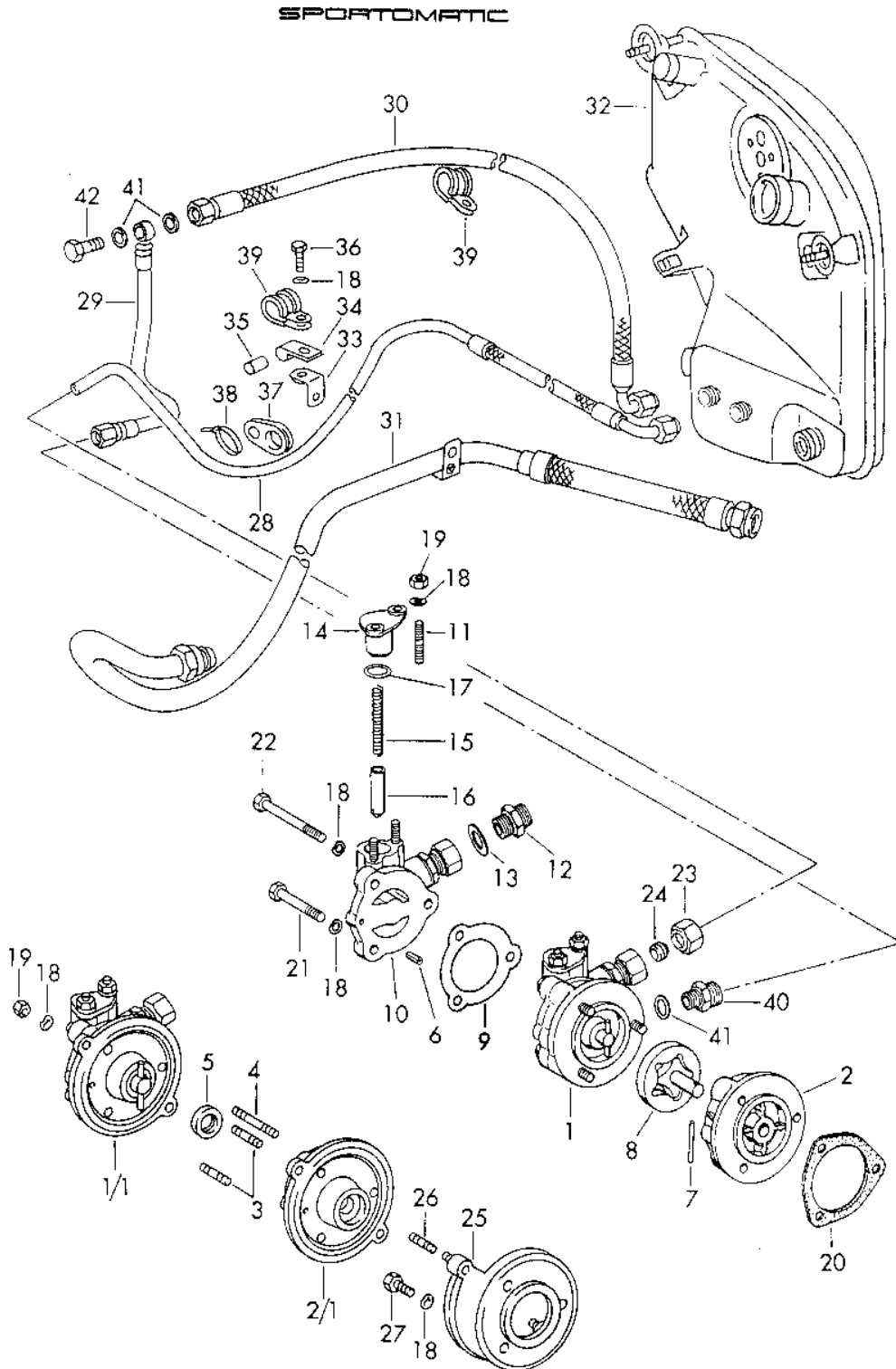
Pos	Part Number	Description	Remark	Qty	Model
		Engine lubrication Auxiliary units for TYP 911/53/63/83/88	73-		
1	911 107 006 11	Oil tank Not for Sportomatic		1	911 S
1	911 107 006 30	Oil tank Not for Sportomatic		1	911 S
1	911 107 006 20	Oil tank Not for Sportomatic		1	911 S
(1)	911 107 006 02	Oil tank	SPM	1	911 S
2	911 641 541 00	Tank gauge		1	911 S CARRERA 2.7
3	914 201 891 00	Gasket		1	
4	900 025 003 30	Washer 5,3 125 AL		5	
5	900 076 027 02	Nut M 5		5	
6	999 659 011 50	Water protection cap		1	911 S CARRERA 2.7
7	911 107 015 00	Regulator housing		1	911 S CARRERA 2.7
8	911 107 157 00	Union nut		1	911 S CARRERA 2.7
9	911 107 156 01	Sealing ring		1	911 S CARRERA 2.7
10	911 107 152 00	Regulator insert		1	911 S CARRERA 2.7
11	900 123 136 30	Sealing ring A 42 X 49 AL		1	911 S CARRERA 2.7
12	911 107 155 00	Screw plug		1	911 S CARRERA 2.7
13	911 107 159 00	Retaining bracket		1	911 S CARRERA 2.7
14	900 075 057 02	Hexagon-head bolt M 6 X 16		2	911 S CARRERA 2.7
14	900 075 057 03	Hexagon-head bolt M 6 X 16		2	911 S CARRERA 2.7
15	900 028 003 01	Lock ring A 6		2	911 S CARRERA 2.7
16	900 076 010 02	Nut M 6		2	911 S CARRERA 2.7
16	900 076 010 0B	Nut M 6		2	911 S CARRERA 2.7
17	911 107 361 00	Hose line Regulator housing Intake And Return line		2	911 S CARRERA 2.7
18	911 207 043 01	Intake tube		1	911 S CARRERA 2.7
19	911 207 044 01	Return pipe		1	911 S CARRERA 2.7
20	911 207 027 03	Hose line Intake -		1	911 S CARRERA 2.7
20	911 207 027 05	Radiator coil Hose line Intake -		1	911 S CARRERA 2.7

Model: 911 70 Model life 1970>>1973

Pos	Part Number	Description	Remark	Qty	Model
21	911 207 029 02	Radiator coil Hose line Return line -		1	911 S CARRERA 2.7
21	911 207 029 04	Radiator coil Hose line Return line -		1	911 S CARRERA 2.7
22	911 107 047 00	Radiator coil Radiator coil		1	911 S CARRERA 2.7
(22)	911 107 046 02	Or Oil cooler		1	CARRERA 2.7
23	900 151 008 02	Washer B 8,4		2	911 S CARRERA 2.7
24	900 142 002 01	Lock ring B 8		2	911 S CARRERA 2.7
25	900 067 057 02	Pan-head screw M 8 X 20		2	911 S CARRERA 2.7
25	900 067 057 03	Pan-head screw M 8 X 20		2	
26	911 107 724 10	Oil pipe Engine -		1	911 S CARRERA 2.7
		Regulator housing Oil tank			
27	999 511 084 02	Pipe clamp RSGU 1100 20 X 25/15		1	911 S CARRERA 2.7
28	999 511 080 02	Clamp RSGU 1100 22/15		3	911 S CARRERA 2.7
29	911 207 302 00	Hose for Mount		8	911 S CARRERA 2.7
30	911 207 303 00	Oil tube Support for Oil tube		3	911 S CARRERA 2.7
31	900 378 030 09	Hexagon-head bolt M 6 X 20		3	911 S CARRERA 2.7
32	900 027 014 01	Lock ring B 6		3	911 S CARRERA 2.7
32	900 027 014 02	Lock ring B 6		3	911 S CARRERA 2.7
32	N 012 006 4	Lock ring B 6		3	911 S CARRERA 2.7
33	900 187 010 02	Hexagon-head tapping screw BZ 6,3 X 19		3	911 S CARRERA 2.7
33	900 187 010 03	Hexagon-head tapping screw BZ 6,3 X 19		3	911 S CARRERA 2.7
34	N 011 524 7	Washer B 6,4		3	911 S CARRERA 2.7
34	N 011 524 27	Washer B 6,4		3	911 S CARRERA 2.7
35	911 207 237 00	Support for Oil tube		1	911 S CARRERA 2.7
36	900 076 010 02	Nut M 6		1	911 S CARRERA 2.7
36	900 076 010 0B	Nut M 6		1	911 S CARRERA 2.7

Model: 911 70

Model life 1970>>1973



Model: 911 70 Model life 1970>>1973

Pos	Part Number	Description	Remark	Qty	Model
		Oil supply for Converter Sportomatic	-71		911 T/E
1	905 107 006 04	Oil pump for Converter		1	911 T
1/1	905 107 008 00	Oil pump for Converter		1	911 E
2	905 107 101 03	Rotor housing		1	911 T
2/1	905 107 102 01	Rotor housing		1	911 E
3	900 061 085 01	Stud BM 6 X 20		2	911 E
4	900 061 159 01	Stud BM 6 X 38		1	911 E
5	999 113 099 40	Radial sealing ring BA SI 12,7 X 22 X 6		1	911 E
5	999 113 492 40	Radial shaft seal BA SI 12,7 X 22 X 6		1	911 E
6	900 197 017 00	Tensioning sleeve 4 X 14		1	
7	900 302 001 00	Straight pin 4 M 6 X 32		1	
8	905 107 901 01	Rotor set		1	
9	905 107 191 02	Gasket		1	
9	905 107 191 03	Gasket		1	
10	905 107 015 04	Lid Complete		1	
11	999 062 002 02	Stud BM 6 X 15		2	
12	999 099 011 02	Union AM 10 -11		1	
13	900 123 008 30	Sealing ring A 14 X 20		1	
14	905 107 141 03	Flat connector		1	
15	905 107 142 01	Compression spring		1	
16	905 107 143 01	Slide		1	
17	999 701 135 50	O-ring		1	
18	900 028 008 01	Lock ring B 6		X	
19	900 076 010 02	Nut M 6		X	
19	900 076 010 0B	Nut M 6		X	
20	901 105 197 00	Gasket		1	911 T
21	900 074 111 02	Hexagon-head bolt M 6 X 50		2	911 T
22	900 074 022 02	Hexagon-head bolt M 6 X 65		1	911 T
23	999 104 007 02	Union nut A-10-11		1	
24	999 103 001 02	Collet B-10-11		1	
25	901 107 011 00	Intermediate flange		1	911 E
26	900 061 055 01	Stud BM 6 X 12		2	911 E
27	900 075 014 02	Hexagon-head bolt M 6 X 18		3	911 E
27	900 075 014 03	Hexagon-head bolt M 6 X 18		3	911 E
28	905 107 037 00	Oil pipe Complete		1	

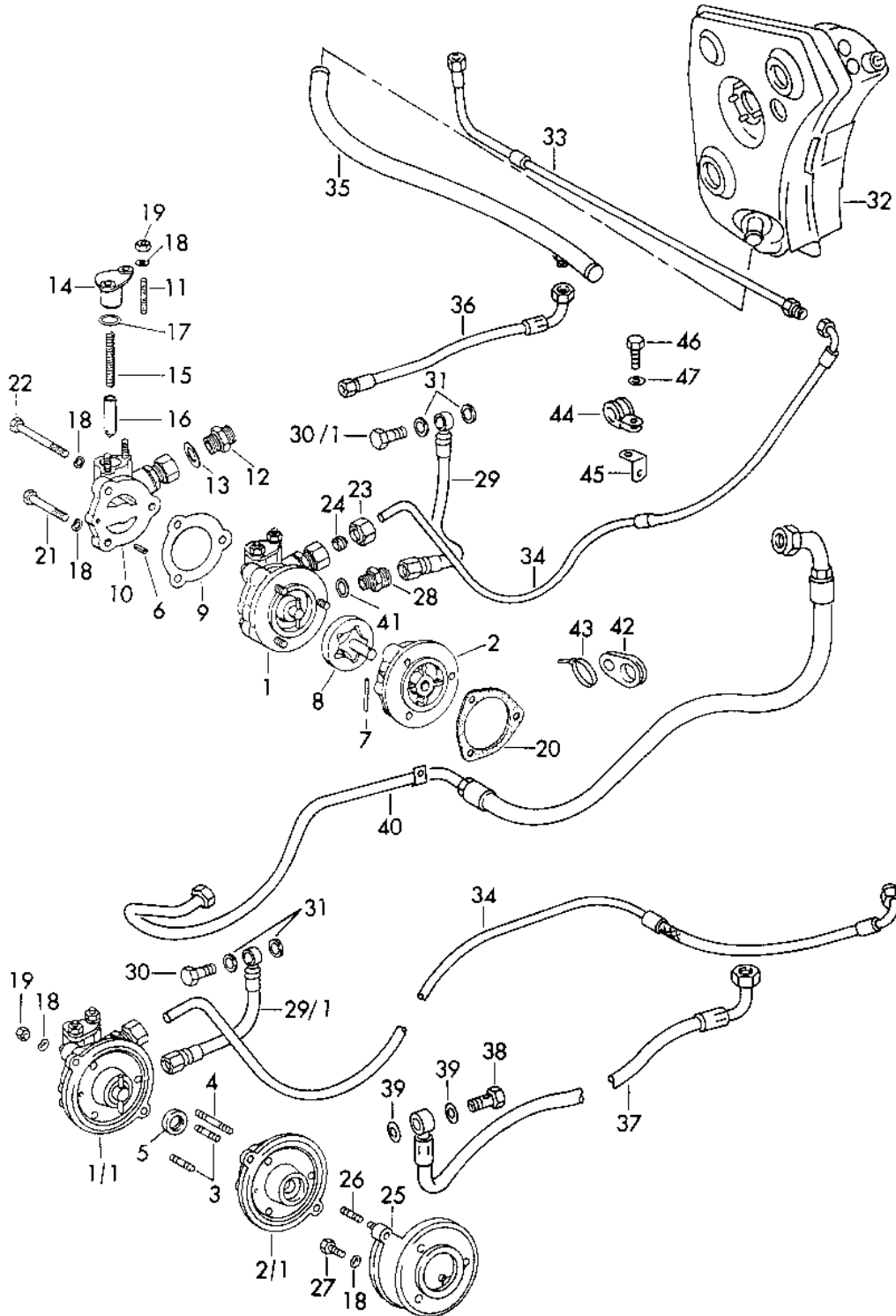
Model: 911 70 Model life 1970>>1973

Pos	Part Number	Description	Remark	Qty	Model
		Oil tank			
		-			
29	905 107 038 02	Oil pump		1	
		Pressure line			
		Complete			
		Oil pump			
		-			
30	905 107 019 00	Switch housing		1	
		Oil hose			
		Complete			
		Switch housing			
		-			
31	901 107 720 01	Oil tank		1	
		Pressure line			
		Complete			
		Engine			
		-			
32	911 107 001 56	Oil tank		1	
32	911 107 001 52	Oil tank		1	
33	905 107 021 00	Retaining bracket		1	
34	999 511 007 02	Pipe clamp		1	
35	901 108 591 00	Boot		1	
36	N 010 215 13	Hexagon-head bolt		1	
		M 6 X 15			
37	905 107 173 00	Spacer rubber		1	
38	999 513 002 40	Tie-wrap		1	
38	N 020 910 4	Tie-wrap		1	
38	999 513 003 40	Tie-wrap		1	
39	999 511 076 02	Clamp		2	
40	999 136 007 02	Union		1	
41	900 123 043 30	Sealing ring		3	
		A 12 X 15,5 AL			
42	999 134 012 02	Banjo bolt		1	

Model: 911 70

Model life 1970>>1973

SPORTOMATIC



Model: 911 70

Model life 1970>>1973

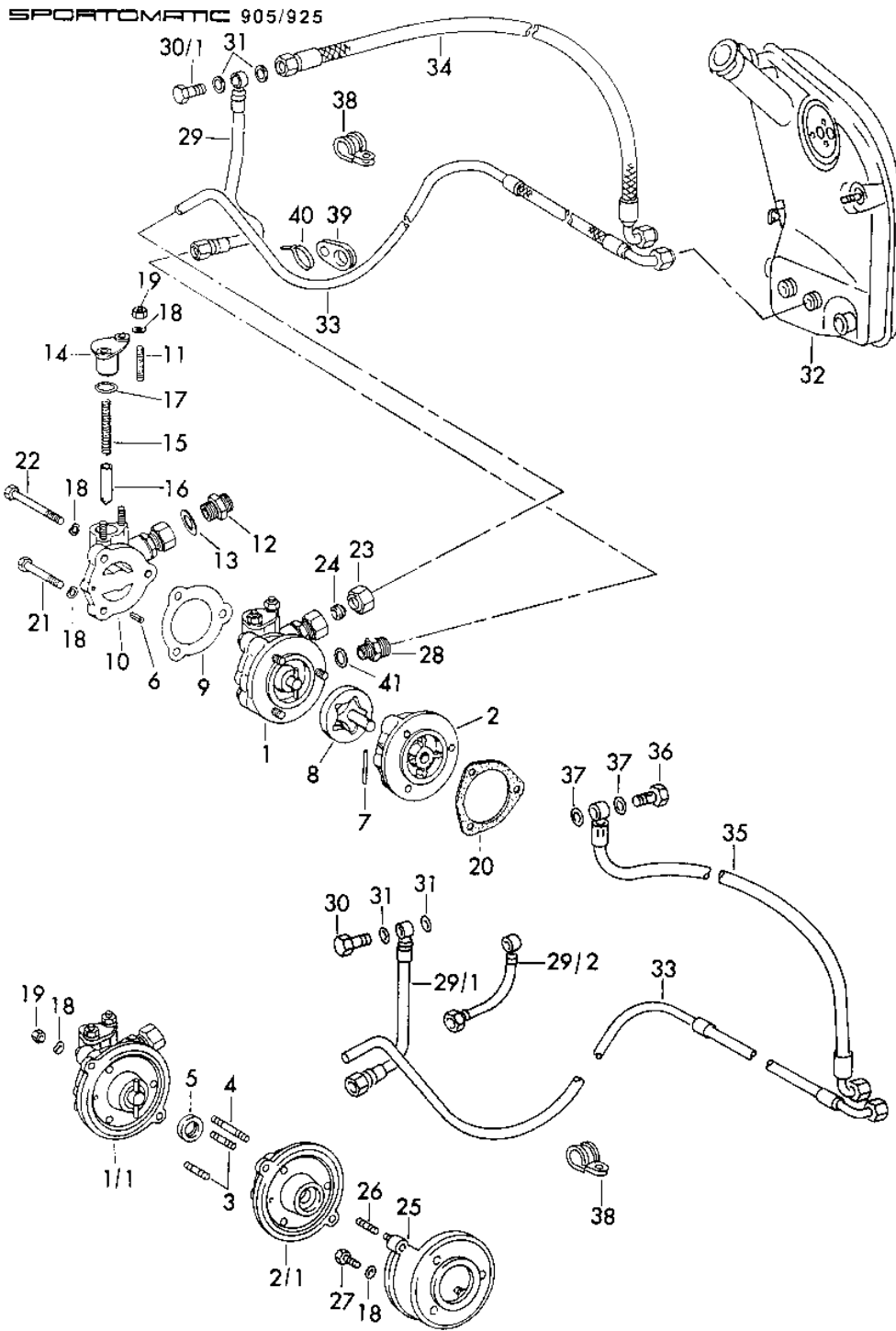
Pos	Part Number	Description	Remark	Qty	Model
		Oil supply for Converter Sportomatic	72		911 T-E/E/S 911 T-V
1	905 107 006 04	Oil pump for Converter		1	911 T-V
1/1	905 107 008 00	Oil pump for Converter		1	911 T-E/E/S
2	905 107 101 03	Rotor housing		1	911 T-V
2/1	905 107 102 01	Rotor housing		1	911 T-E/E/S
3	900 061 085 01	Stud BM 6 X 20		2	911 T-E/E/S
4	900 061 159 01	Stud BM 6 X 38		1	911 T-E/E/S
5	999 113 099 40	Radial sealing ring 12,7 X 22 X 6		1	911 T-E/E/S
5	999 113 492 40	Radial shaft seal 12,7 X 22 X 6		1	911 T-E/E/S
6	900 197 017 00	Tensioning sleeve 4 X 14		1	
7	900 302 001 00	Straight pin 4 M 6 X 32		1	
8	905 107 901 01	Rotor set		1	
9	905 107 191 02	Gasket		1	
9	905 107 191 03	Gasket		1	
10	905 107 015 04	Lid		1	
11	999 062 002 02	Stud BM 6 X 15		2	
12	999 099 011 02	Union AM 10 -11		1	
13	900 123 008 30	Sealing ring A 14 X 20		1	
14	905 107 141 03	Flat connector		1	
15	905 107 142 01	Compression spring		1	
16	905 107 143 01	Slide		1	
17	999 701 135 50	O-ring B 15 X 2,5		1	
18	N 012 226 5	Spring washer B 6		X	
19	900 076 010 02	Nut M 6		X	
19	900 076 010 0B	Nut M 6		X	
20	901 105 197 00	Gasket		1	911 T-V
21	900 074 111 02	Hexagon-head bolt M 6 X 50		2	911 T-V
22	900 074 022 02	Hexagon-head bolt M 6 X 65		1	911 T-V
23	999 104 007 02	Union nut A-10-11		1	
24	999 103 001 02	Collet B-10-11		1	
25	901 107 011 00	Intermediate flange		1	911 T-E/E/S
26	900 061 055 01	Stud BM 6 X 12		2	911 T-E/E/S
27	900 075 014 02	Hexagon-head bolt M 6 X 18		3	911 T-E/E/S
27	900 075 014 03	Hexagon-head bolt M 6 X 18		3	911 T-E/E/S
28	999 136 007 02	Union Pump		1	

Model: 911 70 Model life 1970>>1973

Pos	Part Number	Description	Remark	Qty	Model
29	905 107 038 02	Pressure line Pump -		1	911 T-V
29/1	925 125 038 05	Converter housing Pressure pipe Pump -		1	911 T-E/E/S
30	900 134 006 02	Converter housing Banjo bolt A 6		1	911 T-E/E/S
30	N 021 056 3	Banjo bolt A 6		1	911 T-E/E/S
30	999 134 018 02	Banjo bolt A 6		1	911 T-E/E/S
30/1	999 134 012 02	Banjo bolt M 12 X 1		1	911 T-V
31	900 123 006 30	Sealing ring A 12 X 18 AL		2	
32	911 207 021 00	Oil tank		1	
33	911 207 031 00	Intake pipe Oil tank -		1	
-	911 356 203 00	Pump Protective grommet		3	
34	905 107 037 00	Oil pipe Oil tank -		1	
		Pump			
35	911 207 023 00	Intake manifold		1	
36	905 301 117 00	Return line for Intake manifold		1	911 T-V
37	925 301 117 01	Return line for Intake manifold		1	911 T-E/E/S
38	900 134 002 02	Banjo bolt A 10		1	911 T-E/E/S
39	900 123 019 30	Sealing ring A 16 X 22 AL		2	911 T-E/E/S
40	911 107 720 11	Breather hose Engine -		1	
		Bracket Not for Sportomatic			
41	900 123 043 30	Sealing ring A 12 X 15,5 AL		1	
42	905 107 173 00	Spacer rubber		2	
43	999 513 002 40	Tie-wrap		2	
43	N 020 910 4	Tie-wrap		2	
43	999 513 003 40	Tie-wrap		2	
44	N 020 607 1	Clamp		X	
45	905 107 021 00	Retaining bracket		1	911 T-E/E/S
46	N 010 215 13	Hexagon-head bolt M 6 X 15		1	911 T-E/E/S
47	900 028 008 01	Lock ring B 6		1	911 T-E/E/S

Model: 911 70

Model life 1970>>1973



Model: 911 70

Model life 1970>>1973

Pos	Part Number	Description	Remark	Qty	Model
1	905 107 006 04	Oil supply for Converter Sportomatic Oil pump for Converter	73-	1	911 T-V 911 T-K
1/1	905 107 008 00	Oil pump for Converter		1	911 T-E/E/S CARRERA 2.7
2	905 107 101 03	Rotor housing		1	911 T-V 911 T-K
2/1	905 107 102 01	Rotor housing		1	911 T-E/E/S CARRERA 2.7
3	900 061 085 01	Stud BM 6 X 20		2	911 T-E/E/S CARRERA 2.7
4	900 061 159 01	Stud BM 6 X 38		1	911 T-E/E/S CARRERA 2.7
5	999 113 099 40	Radial sealing ring		1	911 T-E/E/S CARRERA 2.7
5	999 113 492 40	Radial shaft seal		1	911 T-E/E/S CARRERA 2.7
6	900 197 017 00	Tensioning sleeve 4 X 14		1	
7	900 302 001 00	Straight pin 4 M 6 X 32		1	
8	905 107 901 01	Rotor set		1	
9	905 107 191 02	Gasket		1	
9	905 107 191 03	Gasket		1	
10	905 107 015 04	Lid		1	
11	999 062 002 02	Stud BM 6 X 15		2	
12	999 099 011 02	Union AM 10 -11		1	
13	900 123 008 30	Sealing ring A 14 X 20		1	
14	905 107 141 03	Flat connector		1	
15	905 107 142 01	Compression spring		1	
16	905 107 143 01	Slide		1	
17	999 701 135 50	O-ring B 15 X 2,5		1	
18	N 012 226 5	Spring washer B 6		X	
19	900 076 010 02	Nut M 6		X	
19	900 076 010 0B	Nut M 6		X	
20	901 105 197 00	Gasket		1	911 T-V 911 T-K
21	900 074 111 02	Hexagon-head bolt M 6 X 50		2	911 T-V
22	900 074 022 02	Hexagon-head bolt M 6 X 65		1	911 T-V 911 T-K
23	999 104 007 02	Union nut A-10-11		1	
24	999 103 001 02	Collet B-10-11		1	
25	901 107 011 00	Intermediate flange		1	911 T-E/E/S CARRERA 2.7
26	900 061 055 01	Stud BM 6 X 12		2	911 T-E/E/S CARRERA 2.7
27	900 075 014 02	Hexagon-head bolt M 6 X 18		3	911 T-E/E/S CARRERA 2.7

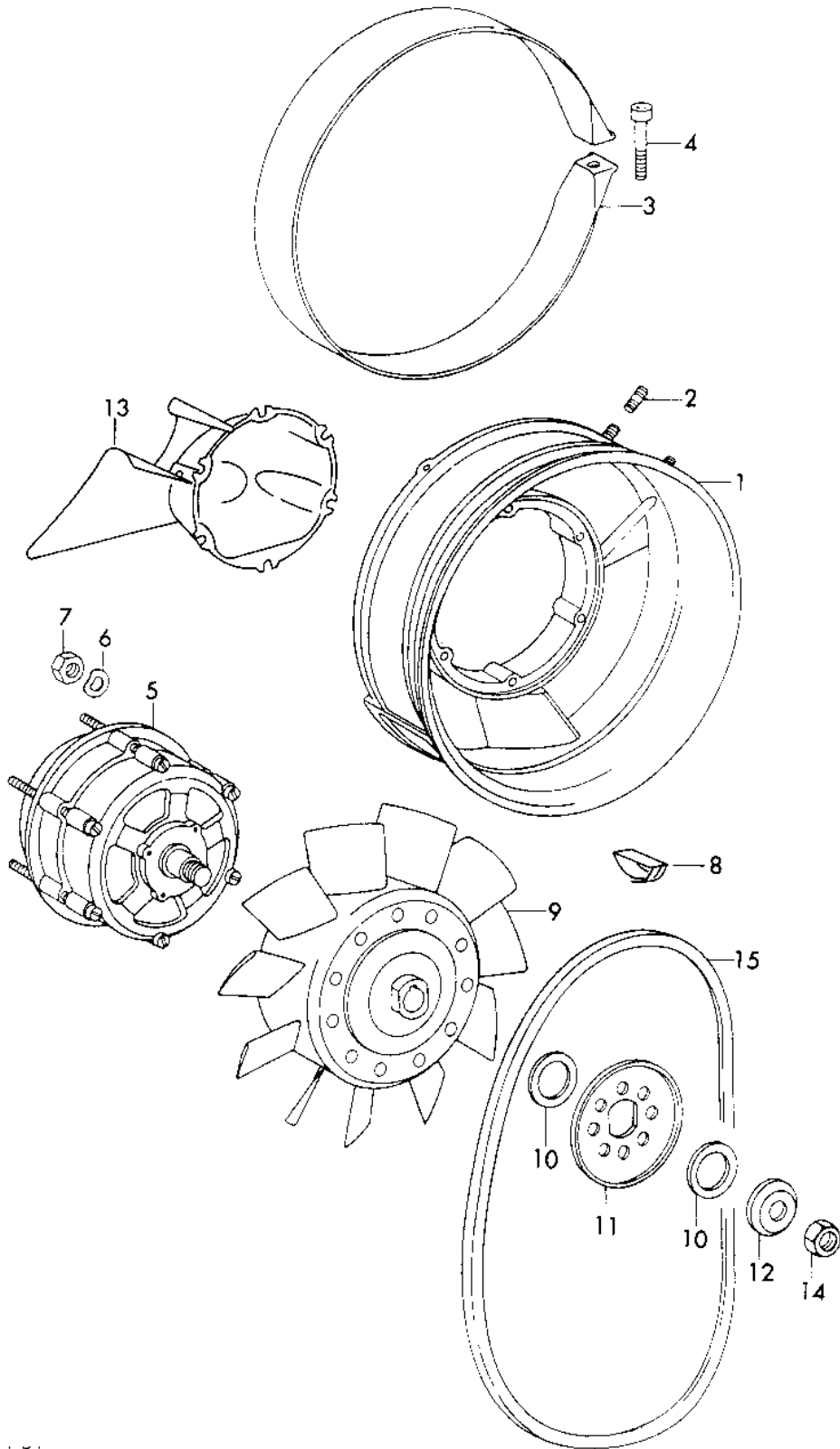
Model: 911 70

Model life 1970>>1973

Pos	Part Number	Description	Remark	Qty	Model
27	900 075 014 03	Hexagon-head bolt M 6 X 18		3	911 T-E/E/S CARRERA 2.7
28	999 136 007 02	Union Pump		1	
29	905 107 038 02	Pressure line Pump -		1	911 T-V
29/1	925 125 038 05	Converter housing Pressure pipe Pump -		1	911 T-E/E/S CARRERA 2.7
29/2	925 125 038 06	Converter housing Pressure pipe Pump -		1	911 T-K
30	900 134 006 02	Converter housing Banjo bolt A 6		1	911 T-E/E/S CARRERA 2.7
30	N 021 056 3	Banjo bolt A 6		1	911 T-E/E/S CARRERA 2.7
30	999 134 018 02	Banjo bolt A 6		1	911 T-E/E/S CARRERA 2.7
30/1	999 134 012 02	Banjo bolt		1	911 T-V 911 T-K
31	900 123 006 30	Sealing ring A 12 X 18 AL		2	
32	911 107 006 02	Oil tank		1	
33	905 107 037 00	Oil pipe Pump for Converter for Oil tank		1	
34	905 301 117 01	Return line		1	911 T-V
35	925 301 117 02	Return line		1	911 T-E/E/S CARRERA 2.7 911 T-K
36	900 134 002 02	Banjo bolt A 10		1	911 T-E/E/S CARRERA 2.7 911 T-K
37	900 123 019 30	Sealing ring A 16 X 22 AL		2	911 T-E/E/S CARRERA 2.7 911 T-K
38	N 020 607 1	Clamp RSGU 1100/20/20		X	
39	905 107 173 00	Spacer rubber		2	
40	999 513 002 40	Tie-wrap		2	
40	N 020 910 4	Tie-wrap		2	
40	999 513 003 40	Tie-wrap		2	
41	900 123 043 30	Sealing ring A 12 X 15,5 AL		1	

Model: 911 70

Model life 1970>>1973



Model: 911 70 Model life 1970>>1973

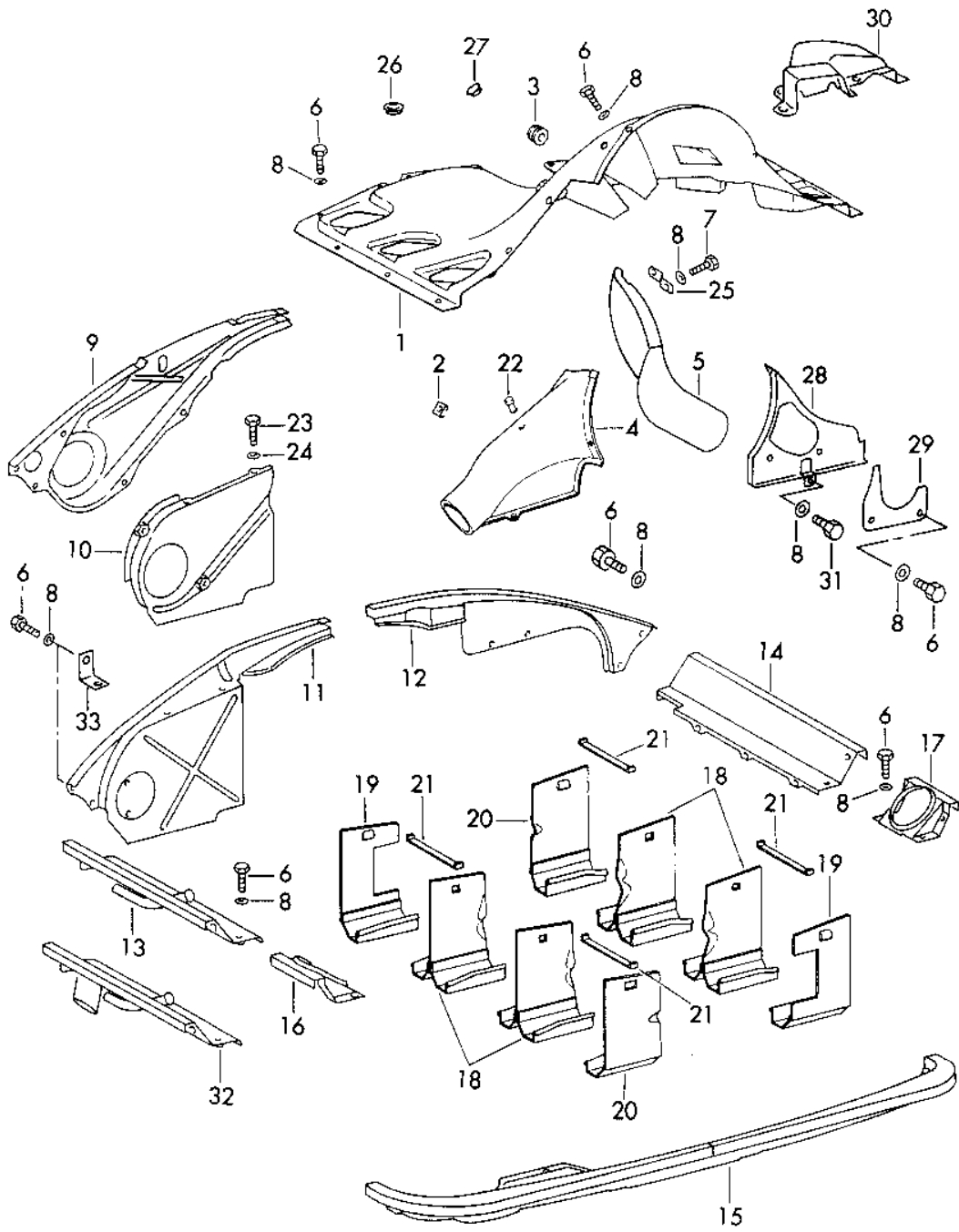
Pos	Part Number	Description	Remark	Qty	Model
1	901 106 011 00	Air cooling Fan housing Complete		1	
2	900 061 057 01	Stud BM 8 X 15	-70	2	
(2)	900 061 057 02	Stud BM 8 X 15	71-	2	
(2)	999 062 057 02	Stud BM 8 X 15	71-	2	
(2)	999 062 073 02	Stud BM 8 X 15	71-	2	
3	901 106 251 03	Clamp	-70	1	
(3)	901 106 251 02	Clamp	71	1	
(3)	964 106 251 20	Clip	72-	1	
4	900 075 126 02	Pan-head screw M 8 X 40	-70	2	
(4)	900 074 134 02	Hexagon-head bolt M 8 X 45	71	2	
(4)	N 014 715 3	Pan-head screw M 8 X 45	72-	2	
(4)	900 067 103 01	Pan-head screw M 8 X 45	72-	2	
5		Generator See group 9/01/00		1	
6	900 028 008 01	Lock ring B 6		1	
7	900 076 010 02	Nut M 6		6	
7	900 076 010 0B	Nut M 6		6	
8	900 118 006 00	Woodruff key 4 X 6,5		1	
9	901 106 010 03	Impeller Complete		1	
10	901 105 561 00	Shim		X	
11	901 603 421 01	Pulley half		1	
12	901 603 427 01	Cap for Generator - bosch -		1	
(12)	901 603 427 02	Cap for Generator - bosch -		1	
(12)	901 603 428 00	Tensioning cap for Generator - MOTOROLA -		1	
(12)	901 603 428 01	Tensioning cap for Generator - MOTOROLA -		1	
13	911 106 033 00	Hub extension Complete		1	
14	900 078 005 01	Hexagon nut M 14 X 1,5 - bosch -		1	
(14)	901 603 905 00	Hexagon nut M 16 X 1 - MOTOROLA -		1	
(14)	901 603 905 01	Hexagon nut M 16 X 1		1	

Model: 911 70 Model life 1970>>1973

Pos	Part Number	Description	Remark	Qty	Model
15	999 192 176 50	- MOTOROLA - Narrow v-belt		1	
15	999 192 176 5A	Narrow v-belt		1	

Model: 911 70

Model life 1970>>1973



Model: 911 70 Model life 1970>>1973

Pos	Part Number	Description	Remark	Qty	Model
1	911 106 901 02	Air guide And Engine cover Air guide Complete Upper Green	-71	1	911 E
(1)		Air guide Complete Upper Green	72-	1	911 E
(1)	911 106 032 01	Air guide Complete Upper Red Not for Sportomatic	-71	1	911 S
(1)	911 106 901 03	Air guide Complete Upper Red	72-	1	911 S CARRERA 2.7
(1)	911 106 901 00	Air guide Complete Upper Black	-71	1	911 T
(1)		Air guide Complete Upper Black	72- 72-	1	911 T-V
(1)	911 106 901 01	Air guide Complete Upper Yellow	72-	1	911 T-E
(1)	911 106 901 04	Air guide Complete Upper Black	72- 72-	1	911 T-K
2	999 507 003 02	Speed nut B 6,3		6	
2	999 507 003 01	Speed nut B 6,3		6	
3	999 702 007 50	Rubber sleeve		1	
4	901 106 321 02	Hot air socket	/L /H	1	
4	930 106 321 01	Hot air socket	/L /H	1	
4	930 106 021 50	Hot air socket	/L /H	1	
-	999 613 017 40	Covering for Tie-wrap		*	
(4)	911 106 321 00	Hot air socket	/L /H	1	
(4)	930 106 021 50	Hot air socket	/L /H	1	
-	N 020 902 1	Tie-wrap		1	
-	N 020 902 A	Tie-wrap		1	
5	911 106 327 00	Hot air socket	/R /H	1	
6	900 075 010 02	Hexagon nut M 6 X 12		X	
6	N 010 212 14	Hexagon-head bolt M 6 X 12		X	
6	999 072 005 09	Hexagon nut M 6 X 12		X	
6	999 072 005 01	Hexagon nut M 6 X 12		X	
(6)	900 075 057 02	Hexagon-head bolt M 6 X 16		2	

Model: 911 70 Model life 1970>>1973

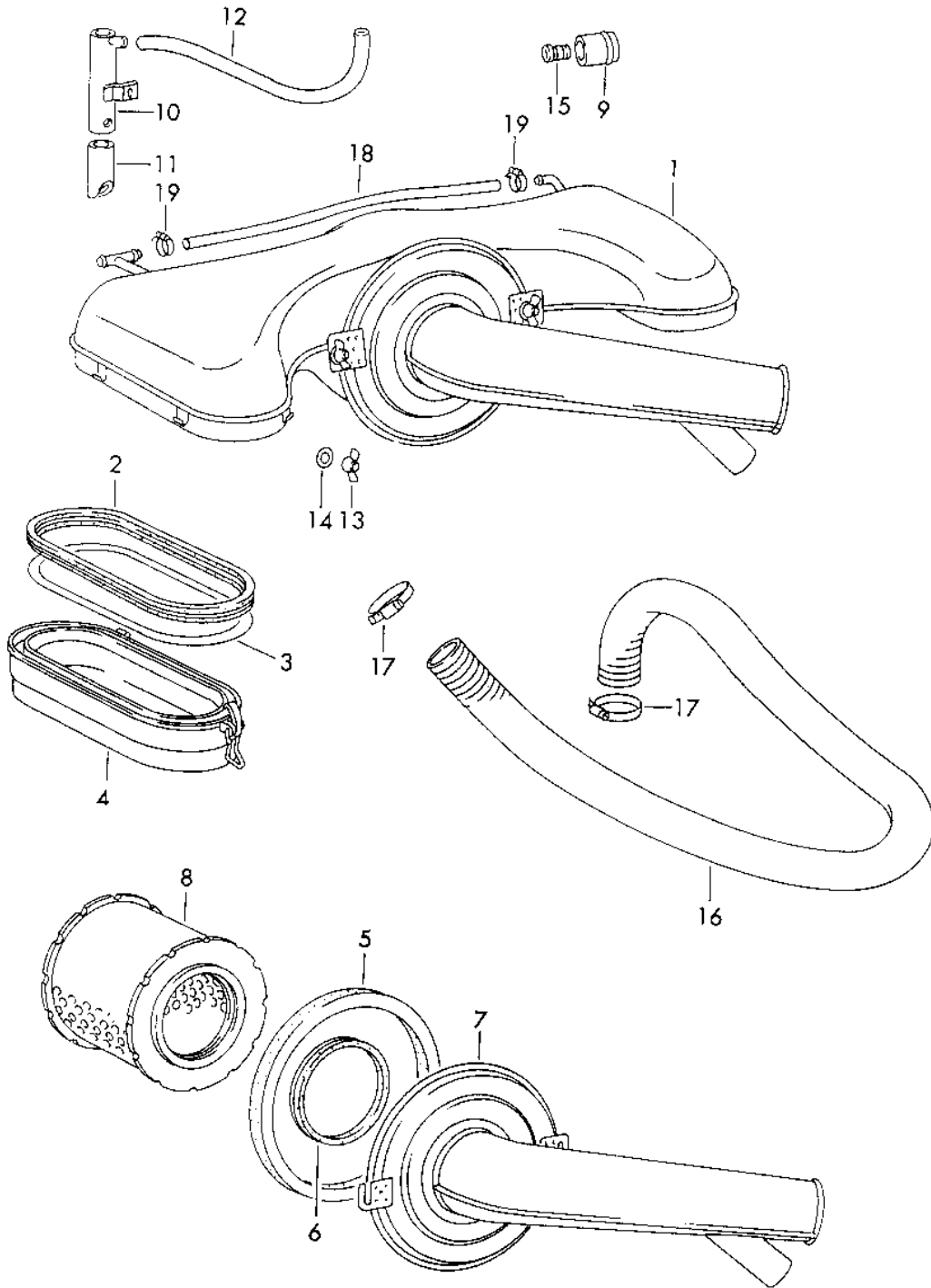
Pos	Part Number	Description	Remark	Qty	Model
(6)	900 075 057 03	Hexagon-head bolt M 6 X 16		2	
7	900 187 015 02	Hexagon-head tapping screw B 6,3 X 16	-71 72-	5 4	
8	N 011 524 7	Washer 6,4		X	
8	N 011 524 27	Washer 6,4		X	
9	901 106 702 00	Engine cover i I Not for Sportomatic	/L /V 70- 72- 72-	1	911 E/S 911 T-E CARRERA 2.7
(9)	901 106 703 00	Engine cover I	/L /V 70- 72-	1	911 E:SPM 911 T-E:SPM 911 S:SPM CARRERA 2.7
10	901 106 071 01	Engine cover ii II Not for Sportomatic	/L /V 70- 72-	1	911 E/S 911 T-E CARRERA 2.7
(10)	901 106 071 00	Engine cover ii II	/L /V 70- 72-	1	911 E:SPM 911 T-E:SPM 911 S:SPM CARRERA 2.7
11	901 106 081 03	Engine cover Complete Not for Sportomatic	/L /V -71 72-	1	911 T 911 T-V
(11)	901 106 081 04	Engine cover Complete Not for Sportomatic	/L /V 73-	1	911 T-K
(11)	905 106 081 03	Engine cover Complete	/L /V -71 72-	1	911 T:SPM 911 T-V:SPM
(11)	905 106 081 04	Engine cover Complete	/L /V 73-	1	911 T-K:SPM
12	911 106 802 00	Engine cover	/R /V	1	
12	911 106 802 04	Engine cover	/R /V	1	
13	901 106 083 02	Engine cover Complete	/L -71 72-	1	911 T/E/S 911 T-V 911 T-K
14	901 106 084 00	Engine cover Complete	/R 70-	1	
15	901 106 085 05	Engine cover Complete	/H -71	1	911 T/E/S 911 T-V 911 T-K
(15)	911 106 085 00	Engine cover Complete	/H 72-	1	911 T-E/E/S CARRERA 2.7
16	901 106 825 00	Cover for Air hose	/L	1	
17	901 106 826 00	Cover for Air hose	/R	1	
18	901 106 035 01	Baffle plate Centre Complete	72-	4	
19	901 106 041 00	Baffle plate Complete	/L/V/R/H	2	
20	901 106 039 01	Baffle plate Complete	/R/V/L/H	2	
21	901 106 339 01	Leaf spring	70-	4	911 E/S CARRERA 2.7

Model: 911 70 Model life 1970>>1973

Pos	Part Number	Description	Remark	Qty	Model
(21)	930 106 228 00	Leaf spring	70-	4	911 T 911 T-V 911 T-K
22	999 703 013 50	Stopper	-71	1	
23	N 010 208 5	Hexagon-head bolt M 6 X 8		2	
24	N 011 524 7	Washer 6,4		X	
24	N 011 524 27	Washer 6,4		X	
-	999 025 108 02	Washer 6,4 X 14 X 1,5	72-	2	
25	911 106 331 00	Support		1	
26	999 703 056 40	Stopper Plastic material	70- 72	1	911 E/S 911 T-E CARRERA 2.7
27	911 108 291 00	Stopper	-71	1	911 T/E/S
(27)	999 703 092 40	Stopper 9 X 18,5/14	72-	1	
28	911 106 036 00	Cover plate	/R /H	1	
29	911 106 827 00	Closing plate	/R /H	1	
30	911 106 406 00	Air guide for Oil cooler	72-	1	
31	900 187 015 02	Hexagon-head tapping screw B 6,3 X 16	-71	1	
(31)	900 187 010 02	Hexagon-head tapping screw BZ 6,3 X 19	72-	1	
(31)	900 187 010 03	Hexagon-head tapping screw BZ 6,3 X 19	72-	1	
32	901 106 083 04	Engine cover Complete	/L 72-	1	911 T-E/E/S CARRERA 2.7
33	911 106 324 00	Bracket	72-	1	911 T-V

Model: 911 70

Model life 1970>>1973



Model: 911 70 Model life 1970>>1973

Pos	Part Number	Description	Remark	Qty	Model
		Air cleaner system for - ZENITH Carburettor			911 T/E/S 911 T-V
1	911 108 001 02	Air cleaner system Plastic material without Picture NR. 2, 3 And 9	-71	1	911 T
(1)	911 108 027 00	Air cleaner system Plastic material without Picture NR. 2, 3 And 9	-71	1	911 E/S
(1)	911 108 002 02	Air cleaner system Plastic material without Picture NR. 2, 3 And 9	72-	1	911 T-V
2	901 108 214 03	Gasket	-71	2	911 T/E/S
(2)		Gasket	72-	2	911 T-V
3	911 108 356 00	Intermediate layer	72-	2	911 T-V
4	911 108 014 00	Connecting piece Plastic material Complete		2	
5	901 108 215 00	Gasket		1	
5	901 108 215 02	Gasket		1	
6	901 108 983 00	Gasket		1	
7	911 108 043 01	Lid Complete	-71	1	911 T/E/S
(7)	911 108 046 00	Air cleaner cover Complete	72-	1	911 T-V
8	901 108 955 11	Filter element		1	
9	901 107 729 00	Backfire grid		1	
10	911 108 021 00	Pipe	-71	1	911 T/E/S
(10)	911 108 021 02	Tube	72-	1	911 T-V
11	253 260 180	Water drain valve		1	
-	999 180 030 50	Fuel hose C 7 X 12		*	
-	999 180 030 5A	Fuel hose C 7 X 12 285 MM		*	
12		285 MM		1	
13	900 029 003 40	Winged nut M 8		2	
14	900 151 006 09	Washer B 6,4	-70	2	911 T/E/S
(14)	900 025 038 40	Washer 8,4	71 72-	2	911 T/E/S 911 T-V
15	911 108 291 00	Stopper		1	
16	901 108 291 00	Hose	-71	1	911 T/E/S
(16)	911 110 295 02	Flexible pipe	72-	1	911 T-V
17	999 512 551 00	Hose clamp 25 X 42 X 9	-71	2	911 T/E/S
(17)	999 512 132 02	Hose clamp 20 - 30 X 9	72-	2	911 T-V
-	999 181 167 50	Hose C 4,5 X 9,5 PN 710	-71	*	911 E/S

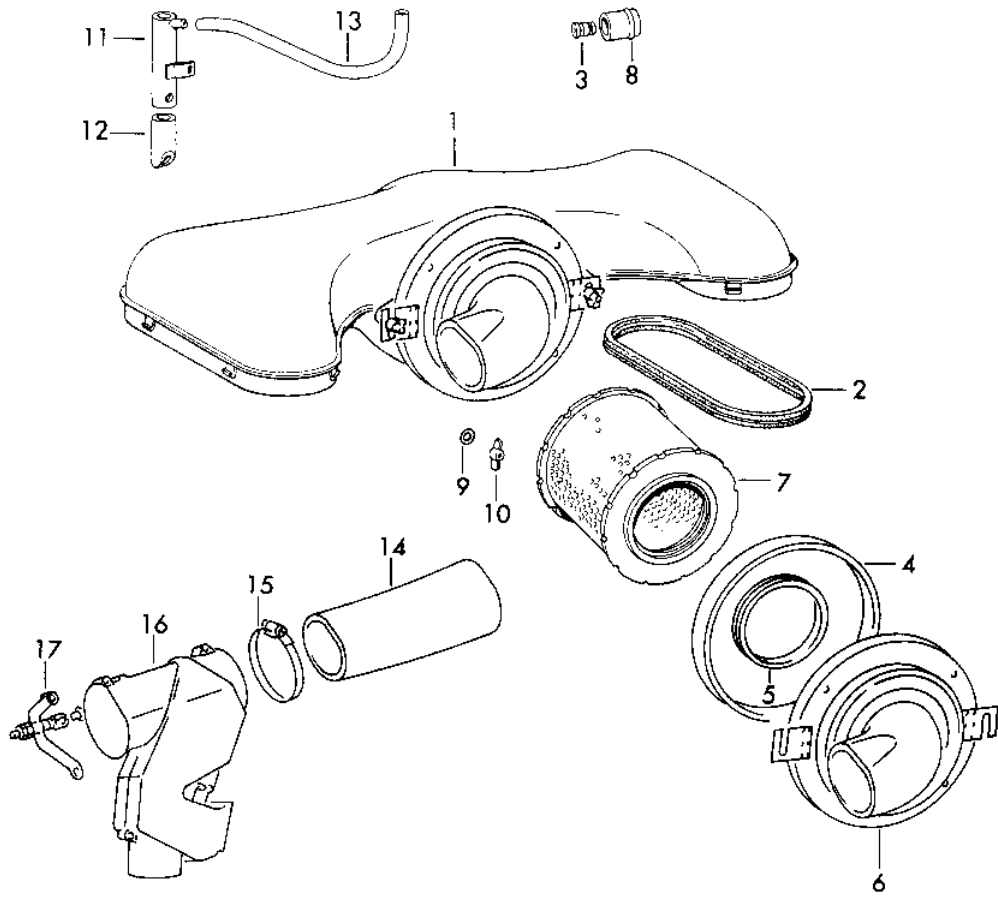
Model: 911 70

Model life 1970>>1973

Pos	Part Number	Description	Remark	Qty	Model
18		465 MM		1	
19	999 512 082 02	Hose clamp	-71	2	911 E/S
19	999 512 082 01	Hose clamp		2	911 E/S

Model: 911 70

Model life 1970>>1973

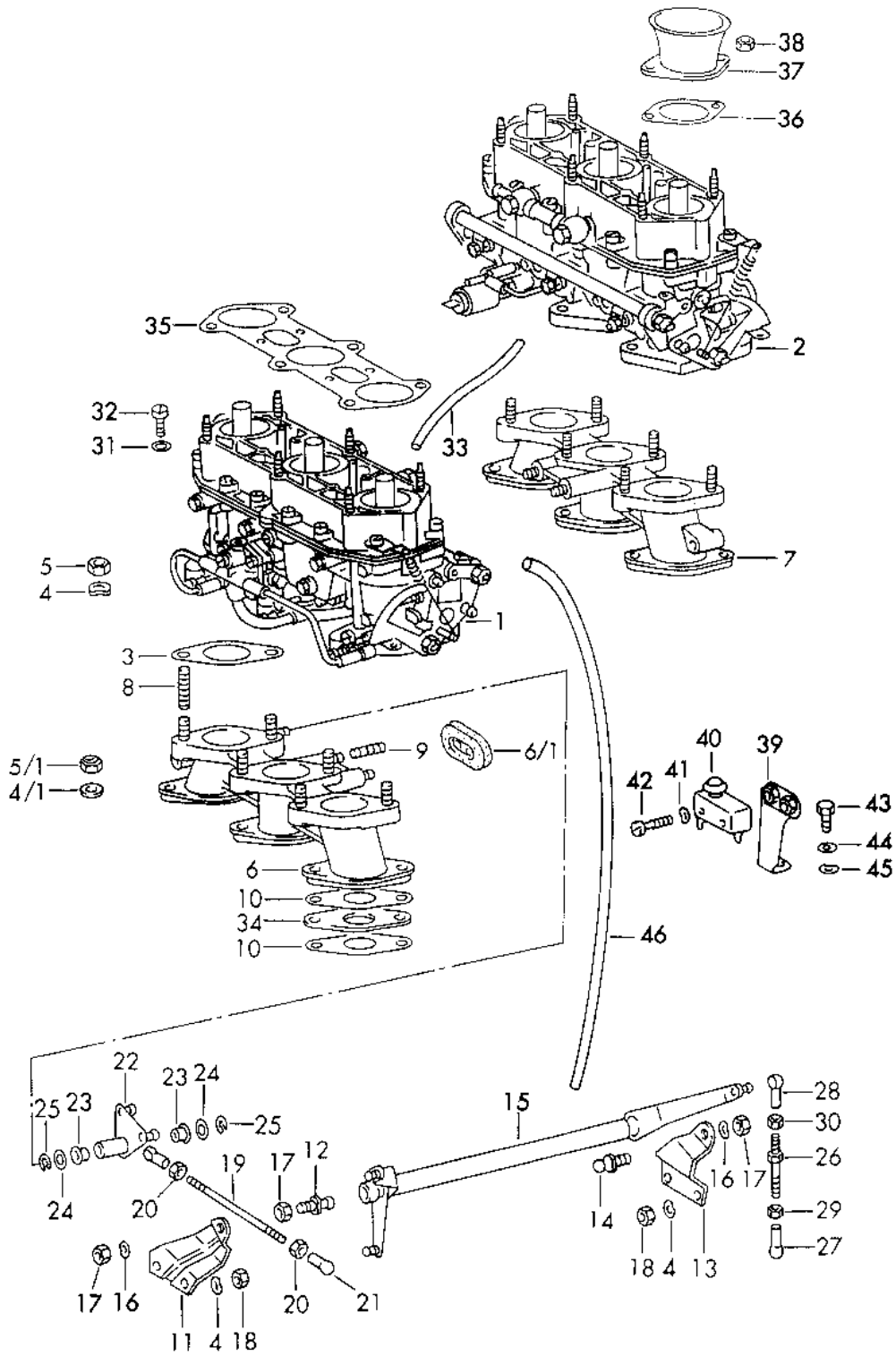


Model: 911 70 Model life 1970>>1973

Pos	Part Number	Description	Remark	Qty	Model
1	911 108 002 00	Air cleaner system for Injection system Air cleaner system without Picture NR. 2, 3 And 8	72-	1	
2	901 108 214 03	Gasket		2	
3	911 108 291 00	Stopper		1	
4	901 108 215 00	Gasket		1	
4	901 108 215 02	Gasket		1	
5	901 108 983 00	Gasket		1	
6	911 108 044 00	Lid Complete		1	
7	901 108 955 11	Filter element		1	
8	901 107 729 00	Backfire grid		1	
9	900 025 038 40	Washer 8,4		2	
10	900 029 003 40	Winged nut M 8		2	
11	911 108 021 02	Tube		1	
12	253 260 180	Water drain valve		1	
-	999 180 030 50	Fuel hose C 7 X 12		*	
-	999 180 030 5A	Fuel hose C 7 X 12 285 MM		*	
13				1	
14	911 108 272 00	Hose		1	
15	999 512 181 02	Hose clamp 57 - 76 X 9		1	
(15)	999 512 181 0B	Hose clamp 58 - 75 X 12		1	
16	911 108 015 00	Regulator housing		1	
17	911 108 061 00	Lever for Regulator housing		1	
17	911 108 061 01	Lever for Regulator housing		1	

Model: 911 70

Model life 1970>>1973



Model: 911 70 Model life 1970>>1973

Pos	Part Number	Description	Remark	Qty	Model
1	911 108 121 00	Carburettor - ZENITH-			911 T
		Carburettor	/L -71	1	911 T-V
(1)	911 108 123 01	40 TIN			
		Carburettor	/L -71	1	SPM
		40 TIN			
(1)	911 108 123 02	Carburettor	/L 72-	1	911 T-V
		40 TIN			
2	911 108 122 01	Carburettor	/R -71	1	
		40 TIN			
(2)	911 108 124 02	Carburettor	/R -71	1	SPM
		40 TIN			
(2)	911 108 124 03	Carburettor	/R 72-	1	911 T-V
		40 TIN			
3	901 108 398 01	Gasket for Carburettor		6	
4	N 012 241 1	Spring washer B 8 X 15	-70	16	
(4)	N 012 241 8	Spring washer B 8 X 15	71-	16	
4/1	900 031 014 30	Washer 8,4		12	
5	502 08 310	Hexagon nut		12	
5/1	999 084 601 02	Lock nut M 8		12	
5/1	999 084 601 0C	Lock nut M 8		12	
6	901 108 039 04	Intake manifold Complete Not for Sportomatic	/L	1	
6/1	999 703 076 50	Rubber sleeve for Intake manifold		2	
7	901 108 040 13	Intake manifold Complete	/R	1	
8	900 061 007 01	Stud BM 8 X 22		12	
8	900 061 007 02	Stud BM 8 X 22		12	
8	999 062 007 02	Stud BM 8 X 22		12	
8	900 060 106 01	Stud BM 8 X 22		12	
9	900 061 022 01	Stud M 8 X 12		4	
10	901 108 391 04	Gasket for Intake manifold		12	
11	901 108 843 00	Bearing lever	/L	1	
12	999 167 020 02	Ball pin		1	
13	901 108 844 00	Bearing lever	/R	1	
13	901 108 844 01	Bearing lever	/R	1	
14	999 167 020 02	Ball pin		1	
15	911 108 071 00	Control shaft Complete		1	
16	N 012 241 1	Spring washer B 8 X 15	-70	2	
(16)	N 012 241 8	Spring washer B 8 X 15	71-	2	
17	N 011 118 11	Hexagon nut BM 8		3	

Model: 911 70 Model life 1970>>1973

Pos	Part Number	Description	Remark	Qty	Model
17	900 034 001 05	Hexagon nut BM 8		3	
18	502 08 310	Hexagon nut		4	
19	901 108 648 00	Pull rod		1	
20	900 076 027 02	Nut M 5		2	
21	N 015 521 3	Ball socket A 8		2	
(22)	901 108 710 00	Reverse lever		1	
(22)	901 108 720 00	Reverse lever		1	
(22)	901 108 720 02	Reverse lever		1	
23	901 423 253 00	Bearing sleeve		2	
-	900 089 011 02	Washer 4		1	SPM
-	900 028 018 01	Spring washer B 4	-70	1	SPM
-	N 012 224 3	Spring washer B 4	71-	1	SPM
-	900 067 080 02	Pan-head screw M 4 X 10		1	SPM
-	900 067 080 03	Pan-head screw M 4 X 10		1	SPM
24	900 031 001 02	Washer 8,4		2	
24	900 031 105 01	Washer 8,4		2	
25	900 116 009 01	Kl-lock 6		2	
26	901 108 089 00	Push rod Complete		2	
27	900 169 010 02	Ball socket A 8		2	
28	N 015 521 3	Ball socket A 8		2	
29	900 076 029 02	Hexagon nut M 5		2	
30	900 076 027 02	Nut M 5		2	
31	900 028 018 01	Spring washer B 4	-70	8	
(31)	N 012 224 3	Spring washer B 4	71-	8	
32	900 014 073 02	Pan-head screw M 4 X 10		8	
34	901 108 131 00	Intermediate flange		6	
35	911 100 977 00	Gasket		2	
36	911 110 391 00	Gasket		6	
37	PCG 108 322 01	Intake trumpet \$ 46		6	
38	N 021 196 1	Lock nut M 5		12	
38	N 021 196 3	Hexagon nut M 5		12	
39	911 108 127 00	Support		1	
40	901 613 106 00	Microswitch		1	
41	900 028 018 01	Spring washer B 4		2	
42	900 014 091 02	Pan-head screw BM 4 X 25		2	
43	N 010 215 13	Hexagon-head bolt M 6 X 15	71-	1	

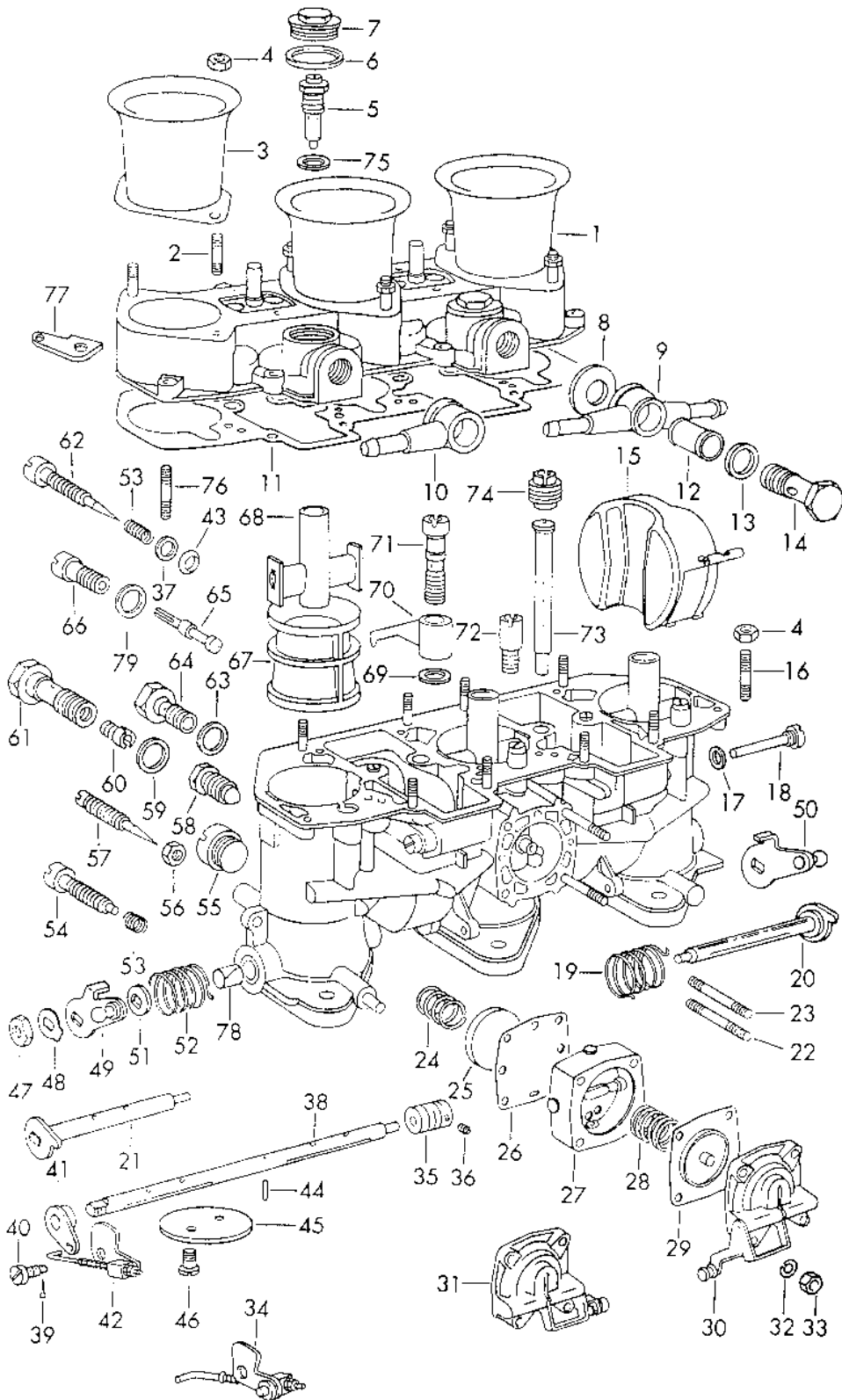
Model: 911 70

Model life 1970>>1973

Pos	Part Number	Description	Remark	Qty	Model
44	900 151 006 09	Washer B 6,4	71-	1	
45	N 012 226 5	Spring washer B6	72-	1	
-	999 180 093 50	Hose C 3 X 6,5	72-	*	
-	999 180 093 5A	Hose C 3 X 6,5	72-	*	
46		465 MM Of Carburettor Left Until Vacuum unit Distributor		1	

Model: 911 70

Model life 1970>>1973



Model: 911 70

Model life 1970>>1973

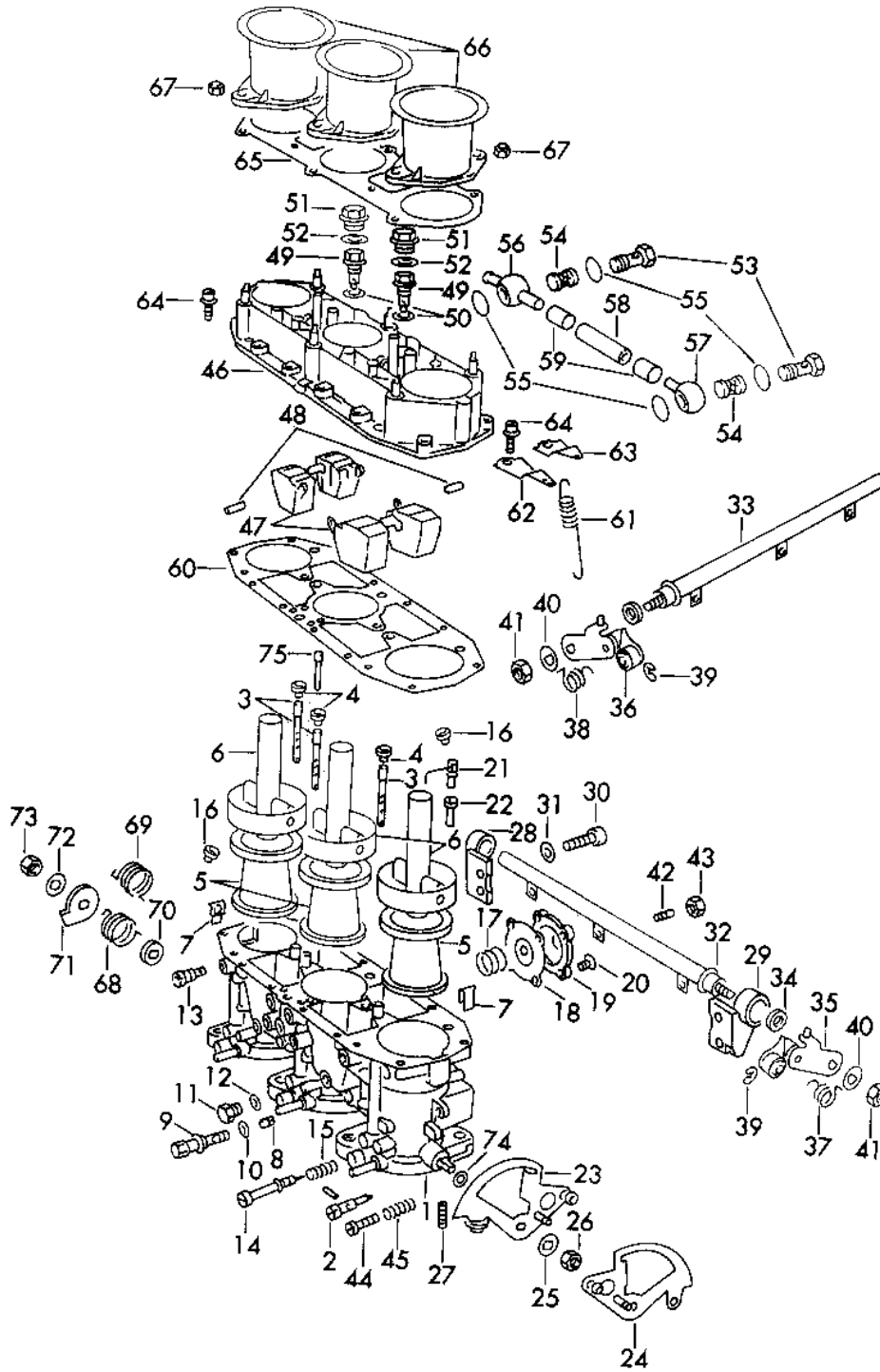
Pos	Part Number	Description	Remark	Qty	Model
		Repair material for Carburettor - WEBER - - 40 IDTP 1 3C/3C1 Installation From engine no. 911/03 And 911/06 (EUROPA)	-71		911 T
1	901 100 930 01	Lid with Stud		1	
2	901 100 932 00	Stud		6	
3	PCG 108 322 01	Intake trumpet		3	
4	901 100 814 00	Nut		16	
5	901 100 934 00	Valve		2	
6	PCG 100 914 00	Sealing ring		2	
7	901 100 801 00	Screw plug		2	
8	901 100 915 00	Sealing ring		2	
8	901 100 915 01	Sealing ring		2	
9	901 100 935 00	Connecting piece		1	
10	901 100 936 00	Connecting piece		1	
11	901 100 937 00	Sealing ring		1	
12	901 100 808 00	Fuel strainer		2	
13	901 100 916 00	Sealing ring		2	
14	901 100 938 00	Screw plug		2	
15	901 100 807 00	Float		2	
15	901 100 807 01	Float		2	
16	901 100 813 00	Stud		9	
17	901 100 917 00	Sealing ring		2	
18	901 100 811 00	Screw for Float Axle		2	
19	901 100 939 00	Spring		1	
20	901 100 941 01	Clutch control shaft	/L	1	
21	901 100 940 01	Throttle shaft	/R	1	
22	901 100 942 00	Stud		2	
23	901 100 943 01	Stud		2	
24	901 100 944 00	Spring		1	
25	901 100 945 00	Valve		1	
26	901 100 946 00	Diaphragm		1	
27	901 100 947 00	Lower part Pump		1	
28	901 100 948 00	Spring		1	
29	901 100 949 00	Diaphragm		1	
30	901 100 951 00	Lid Pump	/L	1	
31	901 100 950 00	Lid Pump	/R	1	
32	901 100 952 00	Lock ring		4	
33	901 100 953 01	Nut		4	
34	901 100 912 01	Linkage	/R	1	
35	901 100 955 01	Connecting piece Elastic		1	
36	901 100 954 03	Screw		4	
37	901 100 956 02	Spacer		2	
38	901 100 958 01	Throttle shaft		1	
39	616 100 812 00	Retaining spring		2	
40	901 100 960 01	Screw for		1	

Model: 911 70 Model life 1970>>1973

Pos	Part Number	Description	Remark	Qty	Model
		Axle			
		Float			
41	901 100 961 00	Lever		1	
42	901 100 911 01	Linkage		1	
43	901 100 998 00	Sealing ring		1	
44	901 100 812 00	Pin		1	
45	901 100 965 00	Flap		3	
46	901 100 966 01	Screw		6	
46	901 100 966 02	Screw		6	
47	901 100 803 00	Nut		6	
48	901 100 967 01	Spacer		1	
49	901 100 969 02	Lever	/L	1	
50	901 100 968 02	Lever	/R	1	
51	901 100 971 01	Spacer		1	
52	901 100 972 00	Spring		1	
53	901 100 805 00	Spring		4	
54	901 100 804 00	Adjusting screw for Throttle valve		1	
55	901 100 973 00	Screw		3	
56	901 100 809 00	Nut		3	
57	901 100 974 00	Adjusting screw		3	
58	901 100 976 01	Fastening screw		3	
59	901 100 977 00	Sealing ring		3	
60	901 100 978 04	Nozzle 110		3	
61	901 100 979 00	Jet carrier		3	
62	PCG 100 980 02	Adjusting screw		3	
63	901 100 918 00	Sealing ring		2	
64	901 100 806 00	Drain plug		2	
65	901 100 981 02	Nozzle 0,55		3	
66	901 100 982 00	Jet carrier		3	
67	901 100 983 03	Air guide 27MM		3	
68	901 100 985 00	Insert 4,50		3	
69	901 100 919 00	Sealing ring		3	
70	901 100 986 00	Nozzle 0,50		3	
-	901 100 986 05	Nozzle 0,50 + 2 MM		3	
71	901 100 987 00	Valve		3	
72	901 100 810 00	Suction valve		1	
(73)	901 100 988 04	Pipe F 1		3	
(74)	901 100 989 08	Modification kit 185		3	
75	901 100 990 01	Sealing ring 1 MM		X	
(75)	901 100 995 00	Sealing ring 0,25 MM		X	
(75)	901 100 996 00	Sealing ring 0,50 MM		X	
76	901 100 802 00	Screw plug		1	
77	901 100 993 00	Bracket		1	
78	901 100 997 00	Bearing shell (TEFLON)		2	
79	901 100 998 00	Sealing ring		3	

Model: 911 70

Model life 1970>>1973



Model: 911 70 Model life 1970>>1973

Pos	Part Number	Description	Remark	Qty	Model
		Repair material for Carburettor - ZENITH - 40 TIN			911 T 911 T-V
-	911 108 121 00	Carburettor	/L -71	1	
-	911 108 122 01	Carburettor	/R -71	1	
-	911 108 123 02	Carburettor	/L 72-	1	
-	911 108 124 02	Carburettor	/R 72-	1	
2	911 100 923 00	Adjusting screw		6	
-	911 100 924 00	Pin		6	
3	911 100 925 00	Pipe \$ 4,3		6	
-	911 100 917 00	Bush \$ 4,3 for Mixing tube	-70	6	
4	901 108 940 00	Nozzle 195		6	
(4)	901 108 940 03	Nozzle 210	72-	6	
5	911 100 926 00	Air guide	-71	6	
(5)	911 100 926 01	Air guide 28,5	72-	6	
(5)	911 100 926 02	Air guide 28,5	72-	6	
6	911 100 927 01	Air guide		6	
7	911 100 928 00	Spring		6	
8	911 100 929 00	Nozzle 115	-71	6	
(8)	911 100 929 03	Nozzle 120	72-	6	
9	911 100 930 00	Support		6	
10	901 108 976 00	Sealing ring		6	
11	911 100 931 00	Screw plug		4	
-	PCG 100 900 00	Screw plug		6	
12	911 100 932 01	Sealing ring	-71	4	
(12)	911 100 932 00	Sealing ring	72-	4	
13	911 100 999 01	Nozzle 47,5 P	-71	6	
(13)		Nozzle 47,5 P	72-	6	
14	911 100 933 00	Screw plug		6	
15	911 100 934 00	Compression spring		6	
16	911 100 935 00	Suction valve		6	
17	911 100 936 00	Spring		6	
18	911 100 937 00	Diaphragm Complete		6	
19	911 100 938 00	Lid		6	
20	911 100 939 00	Rais. counters. h. tap. s.		24	
21	911 100 940 00	Pipe Complete		6	
-	PCG 100 940 40	O-ring		6	
22	911 100 941 00	Pin		6	
-	911 100 942 00	Spring washer		2	
23		Deleted			
-	911 100 944 00	Washer Complete	-71	1	
23	911 100 943 00	Washer	/L	1	
24	911 100 943 01	Washer	/R	1	
25	911 100 945 00	Lock washer		2	
26	911 100 946 00	Hexagon nut		2	
(27)	911 100 958 00	Threaded pin	72-	1	

Model: 911 70 Model life 1970>>1973

Pos	Part Number	Description	Remark	Qty	Model
28	911 100 948 00	Bearing bracket	/L	2	
29	911 100 949 00	Bearing bracket	/R	2	
30	911 100 950 00	Pan-head screw		8	
31	N 012 026 3	Lock ring		8	
32	911 100 952 00	Shaft		1	
		Complete			
33	911 100 952 01	Shaft		1	
		Complete			
34	911 100 953 00	Washer		2	
35	911 100 920 00	Lever		1	
		Complete			
36	911 100 921 00	Lever		1	
		Complete			
37	911 100 954 00	Spring		1	
38	911 100 922 00	Spring		1	
39	911 100 955 00	Retainer		2	
40	911 100 915 00	Lock washer		2	
41	911 100 946 00	Hexagon nut		2	
42	911 100 947 00	Pin		6	
43	901 108 977 00	Hexagon nut		6	
44	911 100 957 00	Adjusting screw		2	
		Idle speed			
45	911 100 934 00	Compression spring		2	
46	911 100 959 00	Lid		2	
47	911 100 960 00	Float		4	
48	911 100 961 00	Axle		8	
		Float			
49	911 100 962 00	Valve		4	
50	911 100 963 00	Sealing ring		4	
51	911 100 964 00	Screw plug		4	
52	911 100 965 00	Sealing ring		4	
53	911 100 966 00	Banjo bolt		4	
54	911 100 967 00	Strainer		4	
55	911 100 968 00	Sealing ring		8	
56	911 100 969 00	Ring piece		2	
57	911 100 970 00	Ring piece		2	
58	999 180 030 50	Fuel hose		*	
58	999 180 030 5A	Fuel hose		*	
59	911 100 972 00	Hose sleeve		4	
60	PCG 100 973 00	Gasket		2	
61	911 100 974 00	Return spring		2	
62	911 100 975 00	Retaining bracket	/L	1	
63	911 100 983 00	Retaining bracket	/R	1	
64	911 100 976 00	Pan-head screw		24	
65	911 100 977 00	Gasket		2	
66	PCG 108 322 01	Intake trumpet	-71	6	
		\$ 46			
(66)		Funnel	72-	6	
		\$ 46			
67	N 021 196 1	Lock nut		12	
		M 5			
67	N 021 196 3	Hexagon nut		12	
		M 5			
(67)		Hexagon nut	72-	12	
		M 5			
68	911 100 980 00	Spring		1	
69		Spring		1	
70	911 100 981 00	Washer		2	
71	911 100 982 00	Lever		2	
72	911 100 945 00	Lock washer		2	
73	911 100 946 00	Hexagon nut		2	
-	911 100 987 01	Seat	72-	2	
74	911 100 942 00	Spring washer	72-	2	

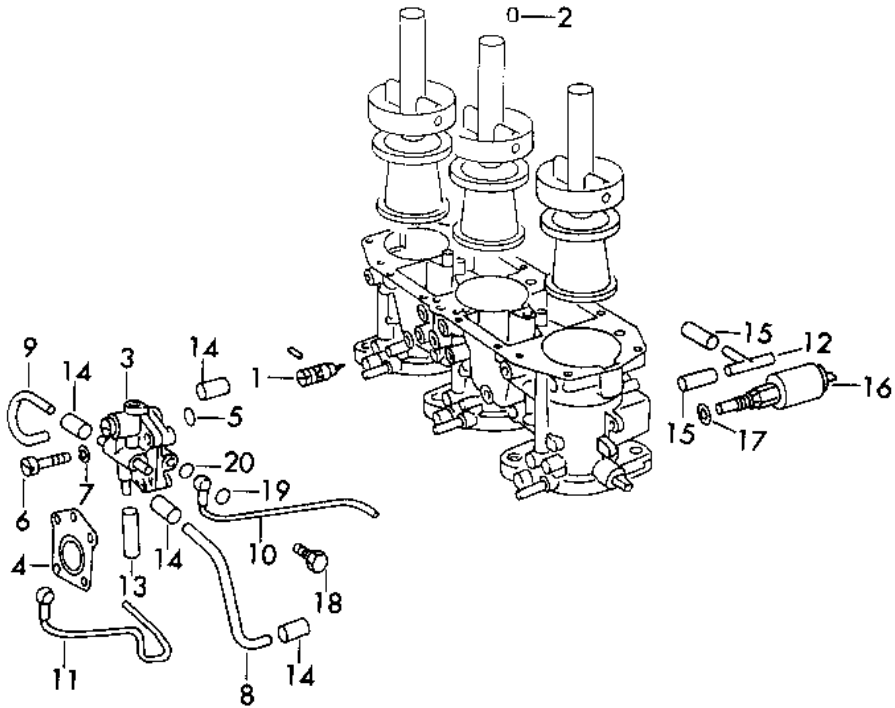
Model: 911 70

Model life 1970>>1973

Pos	Part Number	Description	Remark	Qty	Model
75		Nozzle	72-	2	

Model: 911 70

Model life 1970>>1973

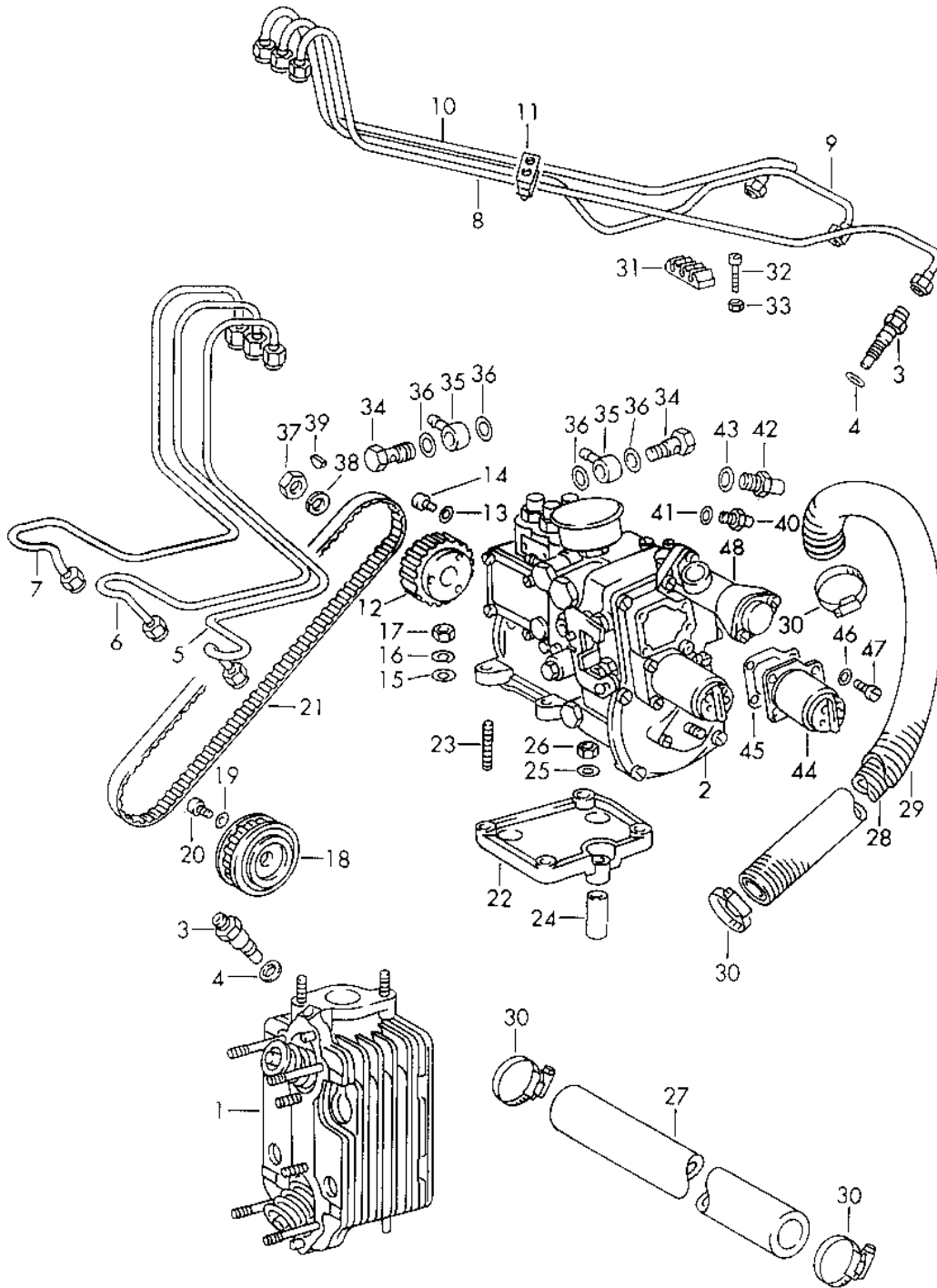


Model: 911 70 Model life 1970>>1973

Pos	Part Number	Description	Remark	Qty	Model
		Repair material for Carburettor - ZENITH - 40 TIN Repair material for Carburettor See illustrations 1/07/07			911 T 911 T VERGASER
1	911 100 923 01	Adjusting screw		2	
-	911 100 985 00	Pin		2	
2	911 100 986 00	Nozzle		2	
3	911 100 987 00	Valve		2	
4	911 100 937 01	Diaphragm		2	
5	911 100 989 00	O-ring		2	
6	911 100 990 00	Screw		4	
7	911 100 991 00	Lock ring		4	
8	911 100 992 00	Pipe		2	
9	911 100 993 00	Pipe		2	
10	911 100 994 00	Pipe		1	
		Complete			
11	911 100 984 00	Pipe		1	
12	911 100 902 00	Distributor line		1	
13	911 100 995 00	Hose		2	
14	999 180 035 50	Fuel hose		*	
14	999 180 035 5A	Fuel hose		X	
15	999 181 281 50	Hose		*	
16	911 605 101 00	Solenoid valve		1	
17	911 100 998 02	Sealing ring	-71	1	
(17)		Sealing ring	72-	1	
18	911 100 997 00	Banjo bolt		2	
19	911 100 998 00	Sealing ring		2	
20		Sealing ring		2	
-	911 100 987 02	Spring	72-	2	
		for Diaphragm Picture NR. 4			
-	911 100 987 01	Seat	72-	2	
		for Diaphragm Picture NR. 4			

Model: 911 70

Model life 1970>>1973



Model: 911 70 Model life 1970>>1973

Pos	Part Number	Description	Remark	Qty	Model
		Injection system			911 E/S
		Cylinder head			911 T-E/E/S
		And			CARRERA 2.7
1	911 104 007 00	Injection pump			
(1)	911 104 008 00	Cylinder head	-72	1	911 E
(1)		Cylinder head	-72	1	911 S
		Cylinder head	73-	1	CARRERA 2.7
		- NACHARBEIT ERFORDERLICH			
		Fase anbringen			
(1)	911 104 004 00	Cylinder head	72-	1	911 T-E
(1)	911 104 004 X	Cylinder head	72-	1	911 T-E
		Exchange			
2	911 110 221 00	Injection pump	-71	1	911 E
(2)	911 110 222 00	Injection pump	-71	1	911 S
(2)	911 110 251 00	Injection pump	72-	1	911 T-E
(2)	911 110 252 00	Injection pump	72-	1	911 E
(2)	911 110 253 00	Injection pump	72-	1	911 S
(2)	911 110 254 00	Injection pump	72-	1	CARRERA 2.7
3	901 110 271 00	Injector valve		6	
4	N 013 812 2	Sealing ring		6	
		A 12 X 15,5			
5	911 110 021 00	Injection line		1	
		Cylinder 1			
		Complete			
6	911 110 022 00	Injection line		1	
		Cylinder 2			
		Complete			
7	911 110 023 00	Injection line		1	
		Cylinder 3			
		Complete			
8	911 110 024 01	Injection line		1	
		Cylinder 4			
		Complete			
9	911 110 025 00	Injection line		1	
		Cylinder 5			
		Complete			
10	911 110 026 00	Injection line		1	
		Cylinder 6			
		Complete			
11	911 110 333 00	Clamp		1	
12	901 110 022 00	Gear wheel		1	
		Injection pump			
13	900 028 003 01	Lock ring	-70	3	
		A 6			
(13)	N 012 226 5	Spring washer	71-	3	
		A 6			
-	901 110 238 00	Washer		1	
14	900 067 009 02	Pan-head screw		3	
		M 6 X 15			
14	900 067 429 01	Pan-head screw		3	
		M 6 X 15			
15	900 025 007 02	Washer		4	
		8,4			
15	900 025 007 03	Washer		4	
		8,4			
16	N 012 241 1	Spring washer	-70	4	
		B 8 X 15			
(16)	N 012 241 8	Spring washer	71-	4	
		B 8 X 15			
17	502 08 310	Hexagon nut		4	
18	901 110 023 00	Gear wheel		1	
		Camshaft			
19	900 028 003 01	Lock ring	-70	2	

Model: 911 70 Model life 1970>>1973

Pos	Part Number	Description	Remark	Qty	Model
(19)	N 012 226 5	A 6 Spring washer	71-	2	
20	900 067 009 02	A 6 Pan-head screw		2	
20	900 067 429 01	M 6 X 15 Pan-head screw		2	
(20)	900 067 008 02	M 6 X 15 Pan-head screw	72-	2	
(20)	900 067 008 03	M 6 X 12 Pan-head screw	72-	2	
21	999 192 030 40	M 6 X 12 Toothed belt		1	
22	901 110 027 00	Bracket		1	
23	900 061 007 01	Stud	-71	4	
(23)	999 062 007 02	BM 8 X 22 SN 1115 Stud	72-	4	
(23)	900 060 106 01	BM 8 X 22 Stud	72-	4	
24	901 110 236 00	BM 8 X 22 Spacer tube	-72	1	
25	N 012 241 1	Spring washer	72-	3	911 T-K
26	900 076 025 02	B 8X15 Hexagon nut	-72	3	911 T-K
26	900 076 064 02	M 8 Hexagon nut	-72	3	911 T-K
27	000 043 205 21	M 8 Hose	72-	1	911 T-K
28	901 110 295 00	Internal diameter 25 440 MM Hose		1	
29	PCG 110 296 00	Hose		1	
30	999 512 551 00	Hose clamp		2	
(30)	999 512 132 02	25 X 42 X 9 Hose clamp		2	
31	916 110 330 00	20 X 30 X 9 Bracket	-71	4	
32	900 014 093 02	for Injection line Complete Pan-head screw	-71	8	
33	900 076 001 02	AM 3 X 22 Hexagon nut		8	
34	901 110 917 00	M 3 Banjo bolt	-71	2	
34	901 110 917 01	Banjo bolt		2	
(34)	911 108 910 00	Banjo bolt	72-	2	
(34)	911 108 910 01	Banjo bolt	72-	2	
35	901 108 995 00	Banjo bolt	-71	2	
(35)	911 108 912 00	Ring piece	72-	2	
(35)	911 108 912 01	Ring piece	72-	2	
36	901 108 994 00	Sealing ring	-71	4	
(36)	911 108 911 00	Sealing ring	72-	4	
37	900 078 003 00	Hexagon nut	-71	1	
38	900 028 014 01	M 12 Lock ring		1	
39	N 012 706 1	B 12 Woodruff key		1	
40	901 110 918 00	3 X 6,5 Adapter		1	
41	900 123 033 20	Intake Sealing ring		1	

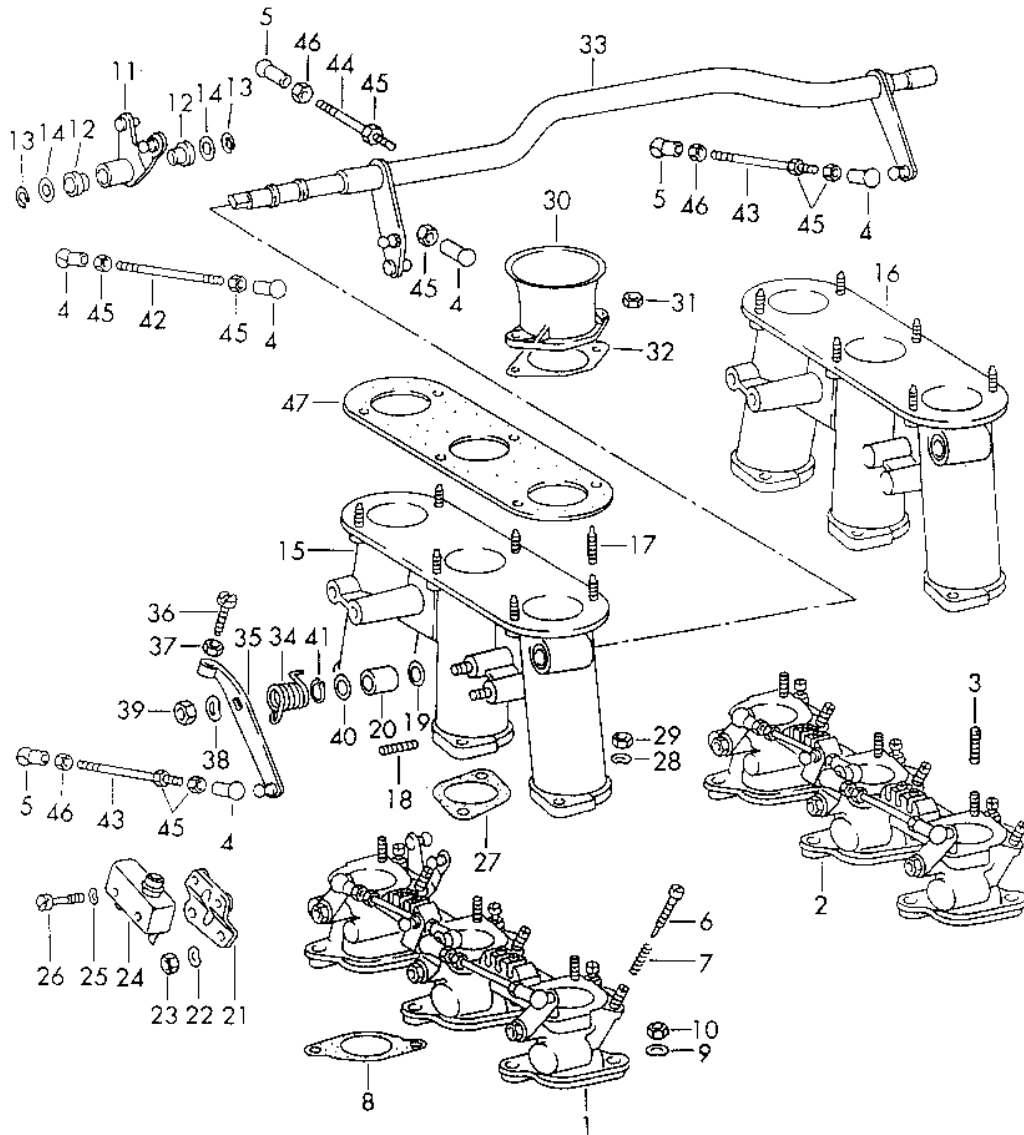
Model: 911 70

Model life 1970>>1973

Pos	Part Number	Description	Remark	Qty	Model
42	901 110 919 00	A 10 X 13,5 Adapter Return line		1	
43	N 013 849 2	Sealing ring A 14 X 18		1	
44	911 110 911 00	Magnet		1	
45	901 110 922 00	Gasket		1	
46	901 110 923 00	Sealing ring		4	
47	900 014 058 02	Pan-head screw AM 5 X 12		4	
48	901 110 924 00	Thermostat for Hot air Complete		1	
-	901 110 925 00	Insulating piece		1	
-	900 014 081 02	Pan-head screw M 6 X 18		2	
-	901 110 926 00	Insulating piece		2	
-	901 110 927 00	Sealing ring		1	

Model: 911 70

Model life 1970>>1973



Model: 911 70 Model life 1970>>1973

Pos	Part Number	Description	Remark	Qty	Model
		Injection system	-71		911 E/S
1	911 110 083 50	Throttle body	/L	1	911 E
(1)	911 110 085 50	Throttle body Not for Sportomatic	/L	1	911 S
(1)	911 110 083 51	Throttle body	/L	1	911 E SPM
-	901 110 111 00	Bearing sleeve for Throttle shaft		12	
2	911 110 084 50	Throttle body	/R	1	911 E
(2)	911 110 085 50	Throttle body Not for Sportomatic	/R	1	911 S
3	999 062 071 02	Stud BM 6 X 16		12	
4	999 169 002 02	Ball socket		5	
5	999 169 001 02	Ball socket Left thread		5	
6	901 110 112 01	Adjusting screw		6	
7	901 110 119 01	Spring		6	
8	901 108 391 04	Gasket for Throttle body		6	911 E
(8)	901 108 391 05	Gasket for Throttle body Not for Sportomatic		6	911 S
9	900 031 014 30	Washer 8,4		12	
10	999 084 601 02	Lock nut M 8		12	
10	999 084 601 0C	Lock nut M 8		12	
11	901 110 007 00	Reverse lever Not for Sportomatic		1	
(11)	901 110 077 00	Reverse lever		1	911 E SPM
12	901 423 253 00	Bearing sleeve		2	
13	900 116 009 01	K1-lock 6		2	
14	900 031 001 02	Washer 8,4		2	
14	900 031 105 01	Washer 8,4		2	
15	911 110 031 01	Intake pipe Complete Not for Sportomatic	/L	1	911 E
(15)		Intake pipe Complete	/L	1	911 E SPM
(15)	911 110 033 01	Intake pipe Complete Not for Sportomatic	/L	1	911 S
16	911 110 031 01	Intake pipe Complete	/R	1	911 E
(16)	911 110 033 01	Intake pipe Complete Not for	/R	1	911 S

Model: 911 70 Model life 1970>>1973

Pos	Part Number	Description	Remark	Qty	Model
		Sportomatic			
17	999 061 079 01	Stud		12	
18	900 061 055 01	Stud		2	
		BM 6 X 12			
19	900 234 019 01	Shim		1	
		12 X 18 X 1			
20	999 201 035 00	Needle sleeve		2	
		12 X 18 X 16			
21	901 110 036 00	Support for Microswitch		1	
22	900 028 008 01	Lock ring	-70	2	
		B 6			
(22)	N 012 226 5	Spring washer	71-	2	
		B 6			
23	900 076 010 02	Nut		2	
		M 6			
23	900 076 010 0B	Nut		2	
		M 6			
24	901 613 106 00	Microswitch		1	
		Intake manifold			
25	900 028 018 01	Spring washer		2	
		B 4			
26	900 014 091 02	Pan-head screw		2	
		BM 4 X 25			
27	901 110 191 00	Gasket for Intake manifold		6	
28	900 028 008 01	Lock ring	-70	12	
		B 6			
(28)	N 012 226 5	Spring washer	71-	12	
		B 6			
29	900 076 010 02	Nut		12	
		M 6			
29	900 076 010 0B	Nut		12	
		M 6			
30	911 110 322 03	Funnel \$ 42 Not for Sportomatic		6	911 S
(30)	911 110 322 02	Funnel \$ 38		6	911 E SPM
-	911 110 139 00	Washer		12	
31	N 021 196 1	Lock nut		12	
		M 5			
31	N 021 196 3	Hexagon nut		12	
		M 5			
32	911 110 391 00	Gasket		6	
33	901 110 057 00	Reverse lever Complete		1	
34	901 110 131 00	Steering knuckle spring		1	
34	901 110 131 02	Steering knuckle spring		1	
35	901 110 059 02	Lever		1	
36	999 014 007 02	Pan-head screw		1	
37	900 076 027 02	Nut		1	
		M 5			
38	999 523 102 02	Washer		1	
		M 8			
38	999 523 102 0B	Washer		1	
		M 8			
39	900 076 025 02	Hexagon nut		1	
		M 8 SW 13			
39	900 076 064 02	Hexagon nut		1	

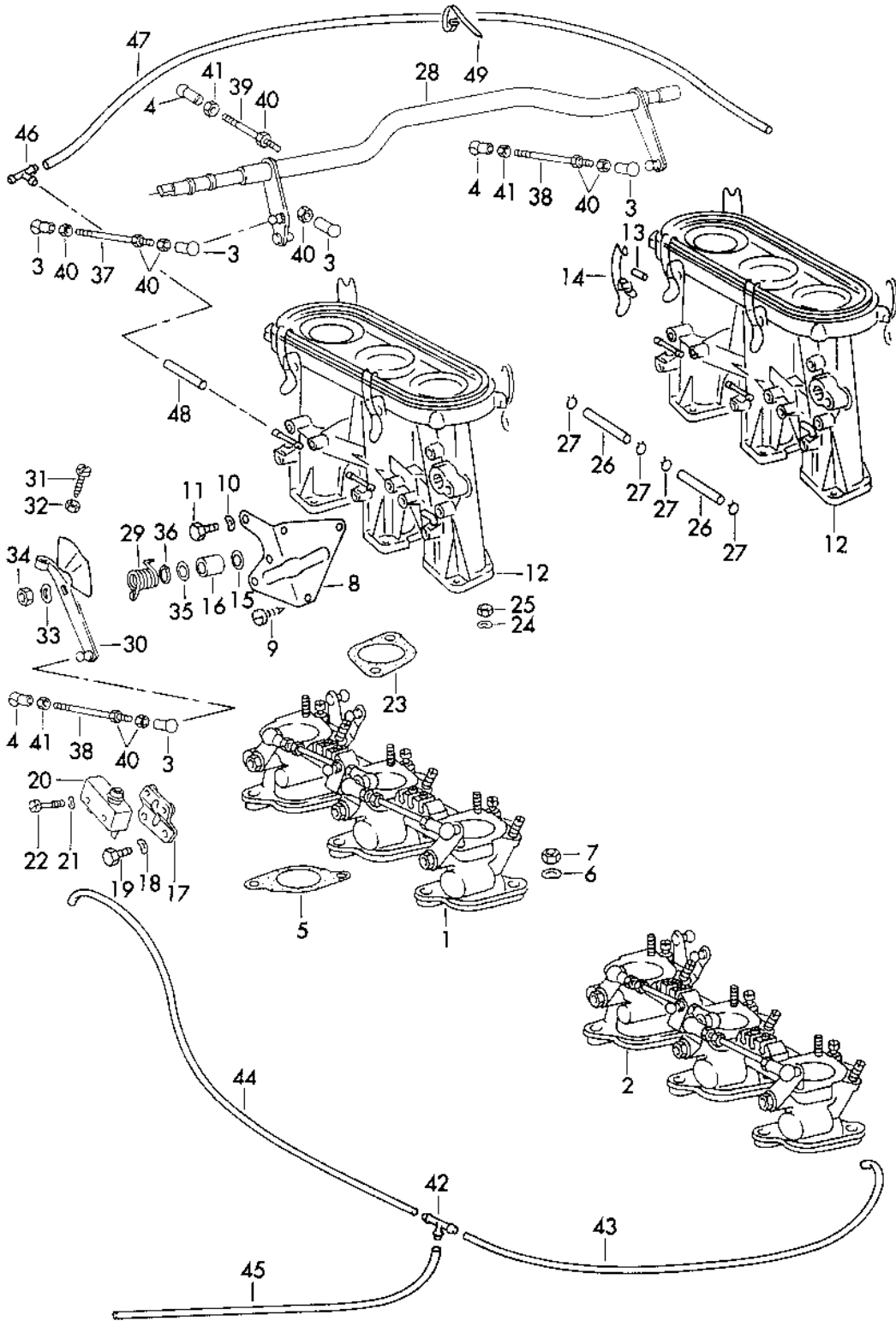
Model: 911 70

Model life 1970>>1973

Pos	Part Number	Description	Remark	Qty	Model
40	900 234 019 01	M 8 SW 13 Shim 12 X 18 X 1		1	
41	900 041 005 01	Circlip 12 X 1		1	
42	901 110 611 00	Pull rod		1	
43	901 110 062 00	Push rod		2	
44	901 110 063 00	Push rod		2	
45	900 076 027 02	Nut M 5		8	
46	900 076 029 02	Hexagon nut M 5		3	
47	901 110 192 00	Left thread Gasket		2	

Model: 911 70

Model life 1970>>1973



Model: 911 70 Model life 1970>>1973

Pos	Part Number	Description	Remark	Qty	Model
1	911 110 081 10	Injection system Throttle body Throttle body Not for Sportomatic	72- /L	1	911 T-E/E/S CARRERA 2.7 911 T-E
(1)	911 110 081 11	Throttle body	/L	1	911 T-E: SPM
(1)	911 110 083 10	Throttle body Not for Sportomatic	/L	1	911 E
(1)	911 110 083 11	Throttle body	/L	1	911 E SPM
(1)	911 110 085 10	Throttle body Not for Sportomatic	/L	1	911 S CARRERA 2.7
(1)	911 110 085 11	Throttle body	/L	1	911 S SPM CARRERA 2.7
2	911 110 082 00	Throttle body	/R	1	911 T-E
(2)	911 110 084 00	Throttle body	/R	1	911 E
(2)	911 110 085 10	Throttle body	/R	1	911 S CARRERA 2.7
-	901 110 111 00	Bearing sleeve for Throttle shaft		12	
3	999 169 002 02	Ball socket		5	
4	999 169 001 02	Ball socket Left thread		3	
5	901 108 391 04	Gasket for Throttle body		6	911 T-E/E
(5)	901 108 391 05	Gasket for Throttle body		6	911 S CARRERA 2.7
6	900 031 014 30	Washer 8,4		12	
7	999 084 601 02	Lock nut M 8		12	
7	999 084 601 0C	Lock nut M 8		12	
8	911 108 325 00	Support for Regulator housing		1	
9	901 110 077 00	Reverse lever BZ 5,5 X 13		3	
10	N 012 226 5	Spring washer B 6		3	
11	900 075 010 02	Hexagon nut M 6 X 12		3	
11	N 010 212 14	Hexagon-head bolt M 6 X 12		3	
11	999 072 005 09	Hexagon nut M 6 X 12		3	
11	999 072 005 01	Hexagon nut M 6 X 12		3	
12	911 110 063 02	Intake pipe	/L /R	1	911 S CARRERA 2.7
(12)	911 110 065 02	Intake pipe	/L /R	1	911 E
-	911 110 075 00	Distributing piece		4	
-	911 110 078 00	Angled pipe		2	
13	900 197 028 00	Tensioning sleeve 5 X 14		8	
14	911 108 167 00	Catch		8	
15	900 234 019 01	Shim 12 X 18 X 1		1	
16	999 201 035 00	Needle sleeve		2	

Model: 911 70

Model life 1970>>1973

Pos	Part Number	Description	Remark	Qty	Model
17	901 110 036 00	12 X 18 X 16 Support for Microswitch		1	
18	N 012 226 5	Spring washer B 6		2	
19	900 075 010 02	Hexagon nut M 6		2	
19	N 010 212 14	Hexagon nut M 6		2	
19	999 072 005 09	Hexagon nut M 6		2	
19	999 072 005 01	Hexagon nut M 6		2	
20	901 613 106 00	Microswitch Intake manifold		1	
21	900 028 018 01	Spring washer B 4		2	
22	900 014 091 02	Pan-head screw BM 4 X 25		2	
23	911 110 191 01	Gasket for Intake pipe		6	
24	N 012 226 5	Spring washer B 6		12	
25	900 076 010 02	Nut M 6		12	
25	900 076 010 0B	Nut M 6		12	
-	999 181 167 50	Hose 4,5 X 9,5 X 110		*	
26	-	Intake pipe 110		4	
27	999 512 185 02	Hose clamp		8	
27	N 102 313 01	Hose clamp		8	
28	911 110 073 00	Reverse lever Complete		1	
29	901 110 131 00	Steering knuckle spring		1	
29	901 110 131 02	Steering knuckle spring		1	
30	911 110 054 00	Lever		1	
31	999 014 007 02	Pan-head screw		1	
32	900 076 027 02	Nut M 5		1	
33	999 523 102 02	Washer M 8		1	
33	999 523 102 0B	Washer M 8		1	
34	900 076 025 02	Hexagon nut M 8 SW 13		1	
34	900 076 064 02	Hexagon nut M 8 SW 13		1	
35	900 234 019 01	Shim		1	
36	900 041 005 01	12 X 18 X 1 Circlip 12 X 1		1	
37	901 110 611 00	Pull rod		1	
38	901 110 062 00	Push rod		2	
39	901 110 063 00	Push rod		1	
40	900 076 027 02	Nut M 5		8	
41	900 076 029 02	Hexagon nut M 5 Left thread		3	

Model: 911 70

Model life 1970>>1973

Pos	Part Number	Description	Remark	Qty	Model
42	999 137 004 40	T-piece		2	
-	999 180 093 50	Hose C 3 X 6,5		*	
43	999 180 093 5A	Hose C 3 X 6,5 for Throttle body Right T-socket 500MM		1	
-	999 180 093 50	Running meter Hose C 3 X 6,5		1	
44	999 180 093 5A	Hose C 3 X 6,5 for Throttle body Left T-socket 180MM		1	
-	999 180 093 50	Running meter Hose C 3 X 6,5		*	
45	999 180 093 5A	Hose C 3 X 6,5 for Vacuum unit Distributor T-socket 275MM		1	
-	911 602 103 00	Running meter Pipe clamp for Vacuum hose 999.108.093.50 Distributor		1	
-	999 513 002 40	Tie-wrap for Mount Hose 900.100.295.00/296.00 Regulator housing		1	
-	N 020 910 4	Tie-wrap for Mount Hose 900.100.295.00/296.00 Regulator housing		1	
-	999 513 003 40	Tie-wrap for Mount Hose 900.100.295.00/296.00 Regulator housing		1	
46	999 137 005 40	T-piece		1	
47	999 181 167 50	Hose C 4,5 X 9,5 for Joining socket Intake pipe Right 550MM		1	
		Running meter		1	

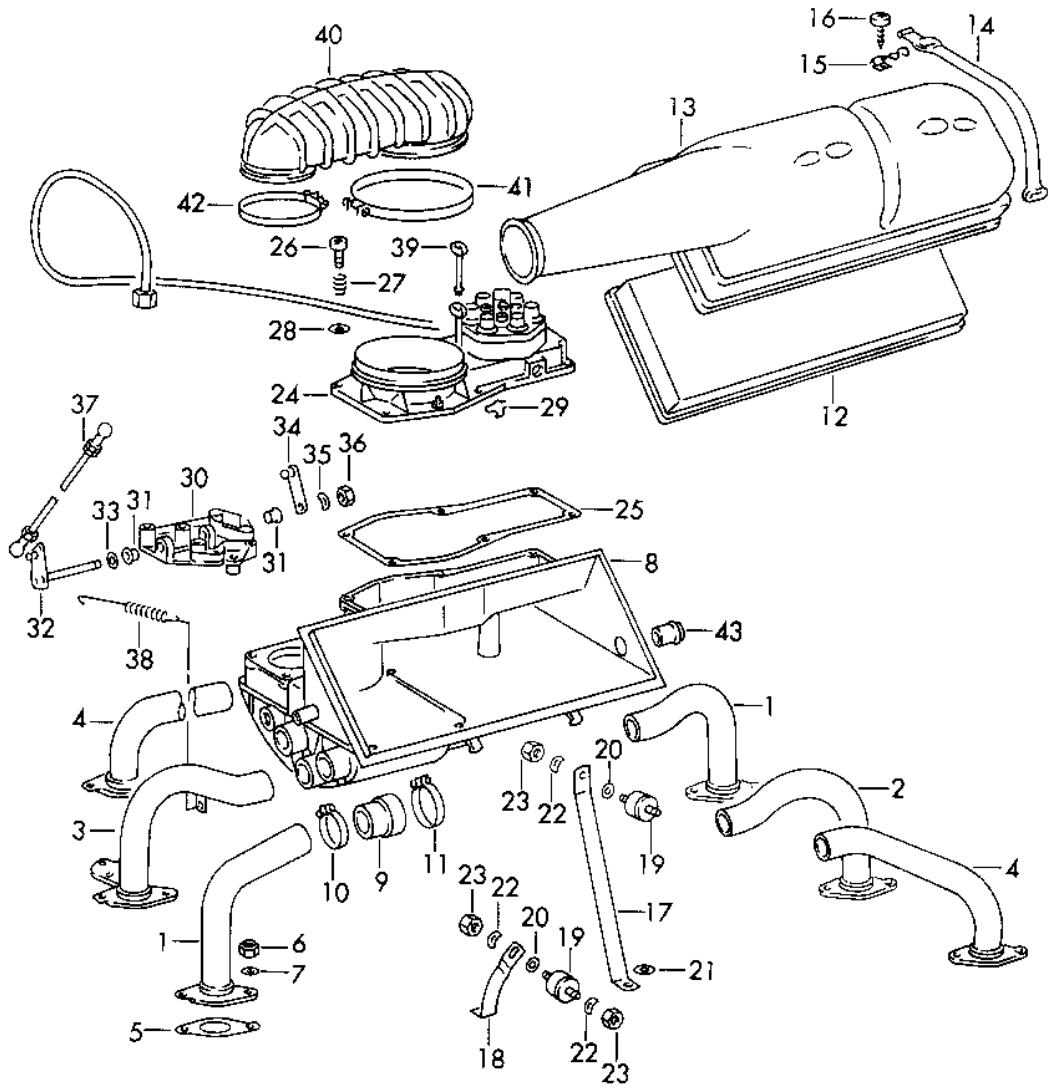
Model: 911 70

Model life 1970>>1973

Pos	Part Number	Description	Remark	Qty	Model
48		Hose C 4,5 X 9,5 for Joining socket Intake pipe Left 35MM Running meter		1	
49	N 020 902 1	Tie-wrap 6,5 X 120		1	
49	N 020 902 A	Tie-wrap 6,5 X 120		1	

Model: 911 70

Model life 1970>>1973



Model: 911 70 Model life 1970>>1973

Pos	Part Number	Description	Remark	Qty	Model
		Injection system with Air cleaner And Mixture control unit	72-		911 T-K
1	911 110 037 01	Intake pipe Cylinder 1 And Cylinder 6		2	
2	911 110 088 01	Intake pipe Cylinder 5		1	
3	911 110 088 02	Intake pipe Cylinder 2		1	
-	999 513 002 40	Tie-wrap		1	SPM
-	N 020 910 4	Tie-wrap		1	SPM
-	999 513 003 40	Tie-wrap		1	SPM
4	911 110 089 01	Intake pipe Cylinder 3 And Cylinder 4		2	
5	901 108 391 04	Gasket See group 1/07/00		6	
6	999 084 601 02	Lock nut M 8		12	
6	999 084 601 0C	Lock nut M 8		12	
7	900 025 007 02	Washer A 8,4		1	
7	900 025 007 03	Washer A 8,4		1	
8	911 110 140 00	Housing		1	
(8)		Housing		1	
-	900 124 002 02	Use also: Screw plug		1	
-	900 123 007 30	Sealing ring		1	
9	911 110 885 01	Rubber sleeve for Intake pipe		6	
10	999 512 195 02	Clip S 39/9		6	
11	999 512 196 02	Clip S 42/9		6	
12	911 110 185 02	Filter element		1	
13	911 110 183 00	Lid for Air cleaner		1	
14	911 110 365 01	Rubber strap for Air cleaner		2	
14	911 110 365 03	Rubber strap for Air cleaner		2	
15	911 110 356 01	Support Lid Air cleaner		2	
16	900 143 126 02	Tapping screw BZ 5,5 X 13		2	
16	900 143 126 0C	Tapping screw BZ 5,5 X 13		2	
17	911 110 133 01	Strut		1	
18	911 110 132 00	Strut		1	
19	911 110 154 00	Bonded rubber buffer		2	

Model: 911 70

Model life 1970>>1973

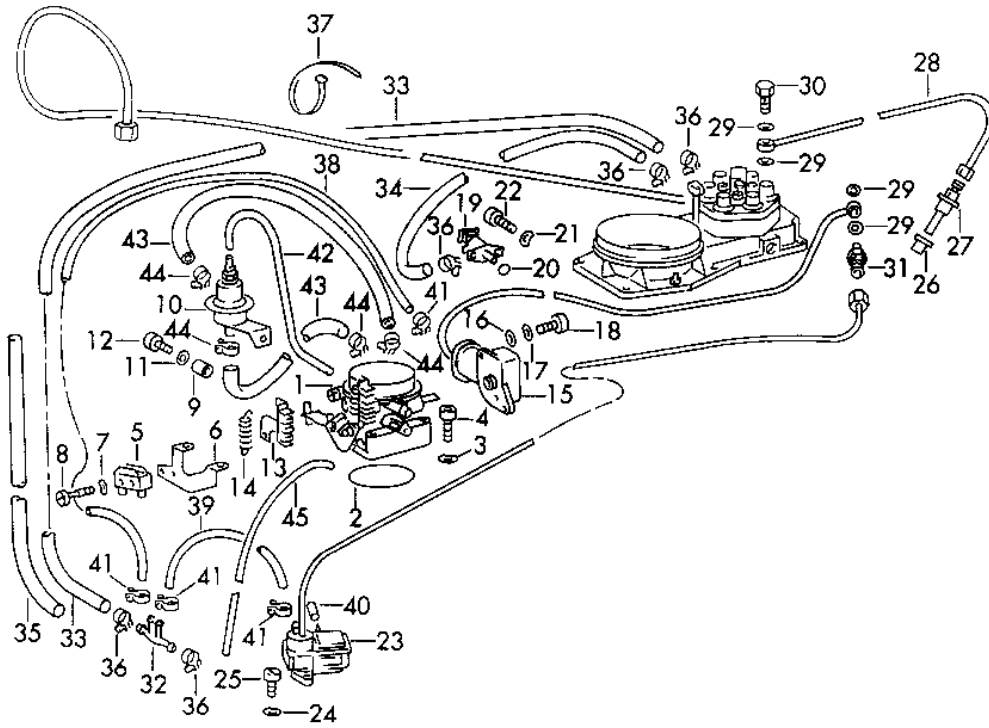
Pos	Part Number	Description	Remark	Qty	Model
20	900 025 007 02	Washer A 8,4		2	
20	900 025 007 03	Washer A 8,4		2	
21	900 151 008 02	Washer A 8,4		2	
22	N 012 241 8	Spring washer B 8 X 15		2	
23	900 076 025 02	Hexagon nut M 8		2	
23	900 076 064 02	Hexagon nut M 8		2	
24	911 110 915 00	Mixture control unit with Fuel line Comprising:		1	
-	911 110 951 00	Mass air flow meter		1	
-	911 110 951 X	Mass air flow meter		1	
-	911 110 935 02	Fuel distributor		1	
-	911 110 094 01	Fuel line Filter		1	
25	911 110 394 02	Mixture control unit Gasket for Mixture control unit		1	
26	900 067 089 02	Pan-head screw M 6 X 25		6	
26	900 067 089 01	Pan-head screw M 6 X 25		6	
27	911 110 364 00	Compression spring		6	
28	900 031 011 02	Washer 6,4		6	
29	911 110 921 00	Clamp for Damper Air flow sensor plate		1	
30	911 110 234 00	Bracket		1	
31	901 423 253 00	Bearing sleeve		2	
32	911 110 060 01	Lever Complete		1	
33	900 031 001 02	Washer 8,4		1	
33	900 031 105 01	Washer 8,4		1	
34	911 110 110 00	Lever		1	
35	N 012 241 8	Spring washer B 8 X 15		1	
36	900 076 025 02	Hexagon nut M 8		1	
36	900 076 064 02	Hexagon nut M 8		1	
37	911 110 077 01	Pull rod Complete		1	
38	911 110 165 02	Tension spring		1	
39	911 110 934 00	Stopper for Adjusting screw		1	
40	911 110 358 02	Air guide		1	
41	999 512 303 02	Hose clamp S 32/9		1	
42	999 512 302 02	Hose clamp S 86/9		1	
42	PCG 512 302 02	Hose clamp		1	

Model: 911 70 Model life 1970>>1973

Pos	Part Number	Description	Remark	Qty	Model
43	901 107 729 00	S 86/9 Backfire grid		1	

Model: 911 70

Model life 1970>>1973



Model: 911 70

Model life 1970>>1973

Pos	Part Number	Description	Remark	Qty	Model
		Injection system with Fuel line Valves Flap-Nozzle And Warm-up valve	72-		911 T-K
1	911 110 247 01	Flap-Nozzle \$ 56		1	
-	911 110 923 00	Compression spring		1	
-	911 110 924 00	Throttle screw		1	
2	999 701 124 40	O-ring 67,5 X 5		1	
3	N 012 226 5	Spring washer B 6		4	
4	900 067 013 02	Pan-head screw M 6 X 35		4	
5	911 613 106 00	Microswitch		1	
6	911 110 580 00	Support		1	
7	900 028 018 01	Spring washer B 4		2	
8	900 014 091 02	Pan-head screw BM 4 X 25		2	
9	911 110 591 00	Spacer sleeve		1	
10	022 133 551	Valve		1	
11	N 011 524 7	Washer B 6,4		1	
11	N 011 524 27	Washer B 6,4		1	
12	900 067 089 02	Pan-head screw M 6 X 25		1	
12	900 067 089 01	Pan-head screw M 6 X 25		1	
13	911 110 918 00	Support Complete Flap-Nozzle		1	
14	930 110 497 00	Tension spring		1	
15	911 110 916 00	Control valve Use also: 911.110.096.00		1	
-	911 110 096 00	Fuel line Fuel line Fuel distributor -		1	
16	N 011 556 2	Control valve Washer 5,3		2	
17	N 012 005 3	Lock ring B 5		2	
18	900 067 003 02	Pan-head screw M 5 X 15		2	
18	900 067 434 01	Pan-head screw M 5 X 15		2	
19	911 606 101 00	Start valve		1	
20	999 701 144 50	O-ring		1	
21	900 028 007 02	Spring washer B 5		2	
22	900 067 134 02	Pan-head screw M 5 X 8		2	
23	911 110 927 00	Warm-up valve with Fuel line		1	
-	911 110 097 01	Fuel line		1	

Model: 911 70

Model life 1970>>1973

Pos	Part Number	Description	Remark	Qty	Model
		Mixture control unit -			
24	N 012 226 5	Warm-up valve Spring washer A 6		2	
25	N 014 740 2	Pan-head screw M 6 X 16		2	
25	N 014 740 11	Pan-head screw M 6 X 16		2	
26	911 110 922 00	Boot for Nozzle		6	
27	911 110 355 01	Injector valve		6	
28	911 110 093 00	Injection line		6	
(28)	911 110 093 01	Injection line for Cylinder 4		1	
29	900 123 050 20	Air conditioner Sealing ring A 8 X 11,5		14	
30	911 110 899 00	Banjo bolt		6	
31	911 110 159 00	Screw socket		2	
32	911 110 134 02	Reducing socket		1	
33	999 181 152 50	Fuel hose C 7,5 X 13,5 X 630		*	
34	999 181 265 50	Mixture control unit - Reducing socket Fuel hose C 7,5 X 13,5 X 410		1	
-	999 181 152 50	Mixture control unit - Start valve Fuel hose C 7,5 X 13,5		*	
35		330 MM Reducing socket -		1	
36	999 512 160 02	Fuel supply line Hose clamp 5/13/9		6	
36	PCG 512 160 02	Hose clamp 5/13/9		6	
37	999 513 002 40	Tie-wrap for Fuel line		1	
37	N 020 910 4	Tie-wrap for Fuel line		1	
37	999 513 003 40	Tie-wrap for Fuel line		1	
-	999 181 167 50	Hose C 4,5 X 10,5		*	
38		360 MM Valve Throttle valve -		1	
-	999 181 167 50	Distributing piece Hose C 4,5 X 10,5		*	
39		300 MM Warm-up valve		1	

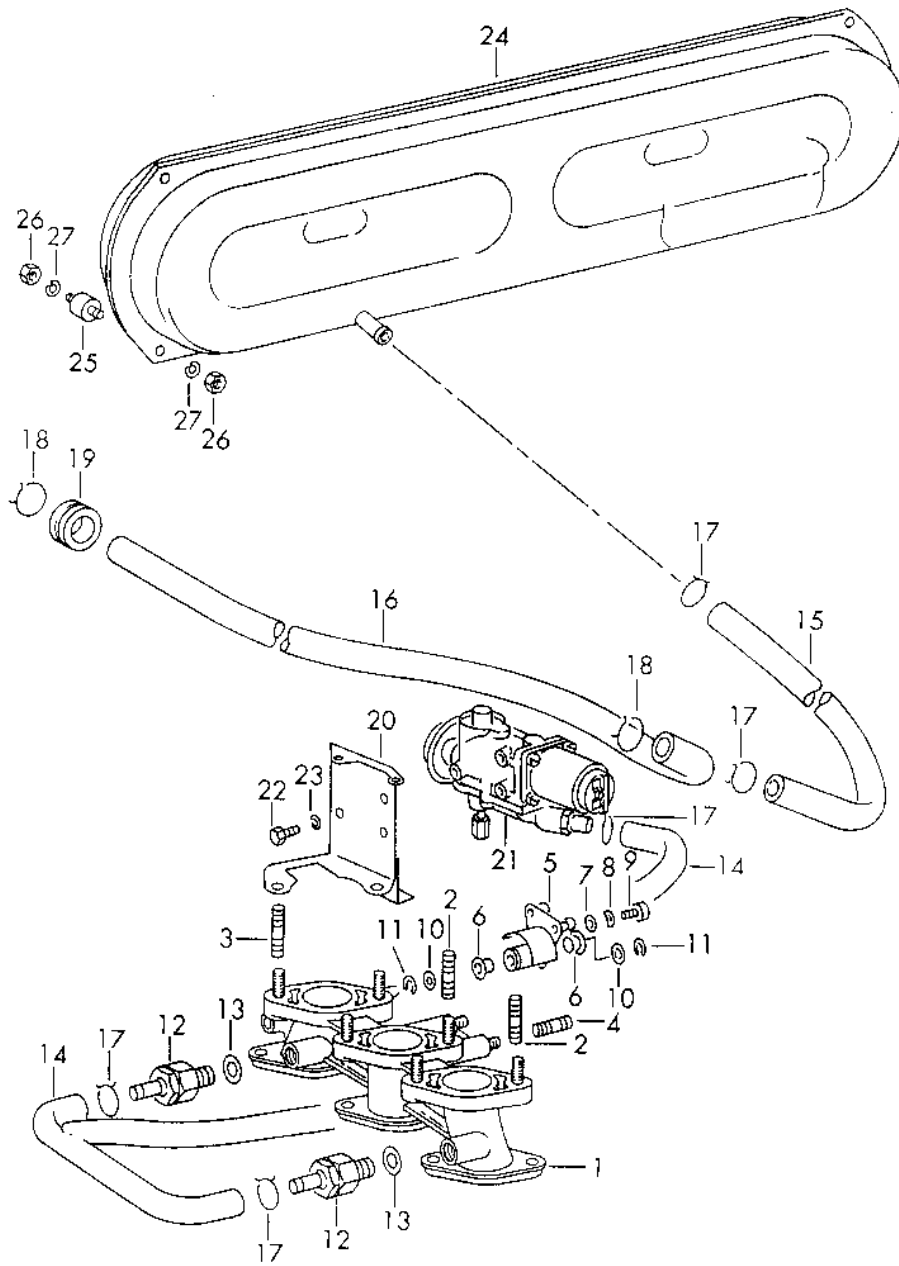
Model: 911 70

Model life 1970>>1973

Pos	Part Number	Description	Remark	Qty	Model
		-			
40	911 110 285 00	Reducing socket		1	
41	999 512 082 02	Insulating sleeve		4	
		Hose clamp			
		S 10,9			
41	999 512 082 01	Hose clamp		4	
		S 10,9			
-	999 181 167 50	Hose		*	
		C 4,5 X 9,5			
42		230 MM		1	
-	999 180 121 50	Vacuum hose		*	
		C 9 X 15			
43		190 MM		2	
44	N 023 570 2	Hose clamp		4	
		S 15/9			
45	999 180 093 50	Hose		*	
		C 3 X 6,5 X 650			
45	999 180 093 5A	Hose		*	
		C 3 X 6,5 X 650			

Model: 911 70

Model life 1970>>1973



Model: 911 70

Model life 1970>>1973

Pos	Part Number	Description	Remark	Qty	Model
		Vacuum system for	-71		911 T:SPM
1	905 108 031 04	Clutch release Intake manifold Complete	/L	1	
2	900 061 007 01	Stud BM 8 X 22		8	
2	900 061 007 02	Stud BM 8 X 22		8	
2	999 062 007 02	Stud BM 8 X 22		8	
2	900 060 106 01	Stud BM 8 X 22		8	
3	900 061 007 01	Stud BM 8 X 22		4	
3	900 061 007 02	Stud BM 8 X 22		4	
3	999 062 007 02	Stud BM 8 X 22		4	
3	900 060 106 01	Stud BM 8 X 22		4	
4	900 061 022 01	Stud M 8 X 12		4	
5	905 108 070 20	Reverse lever		1	
6	901 423 253 00	Bearing sleeve		2	
7	900 089 011 02	Washer 4		1	
8	900 028 018 01	Spring washer B 4	-70	1	
(8)	N 012 224 3	Spring washer B 4	71-	1	
9	900 067 080 02	Pan-head screw M 4 X 10		1	
9	900 067 080 03	Pan-head screw M 4 X 10		1	
10	900 031 001 02	Washer 8,4		2	
10	900 031 105 01	Washer 8,4		2	
11	900 116 009 01	Kl-lock 6		2	
12	905 116 725 00	Check valve		2	
13	900 123 008 30	Sealing ring A 14 X 20		2	
14	905 108 075 00	Breather hose Complete Intake manifold -		1	
15	905 108 702 00	Control valve Breather hose Control valve -		1	
16	905 108 703 00	Vacuum tank Vacuum hose Control valve -		1	
17	999 512 140 02	Servo-motor Clamping ring \$ 19,05		5	
18	999 512 141 02	Clip \$ 22,23		2	
19	999 702 064 50	Grommet		1	
20	905 108 034 20	Support		1	

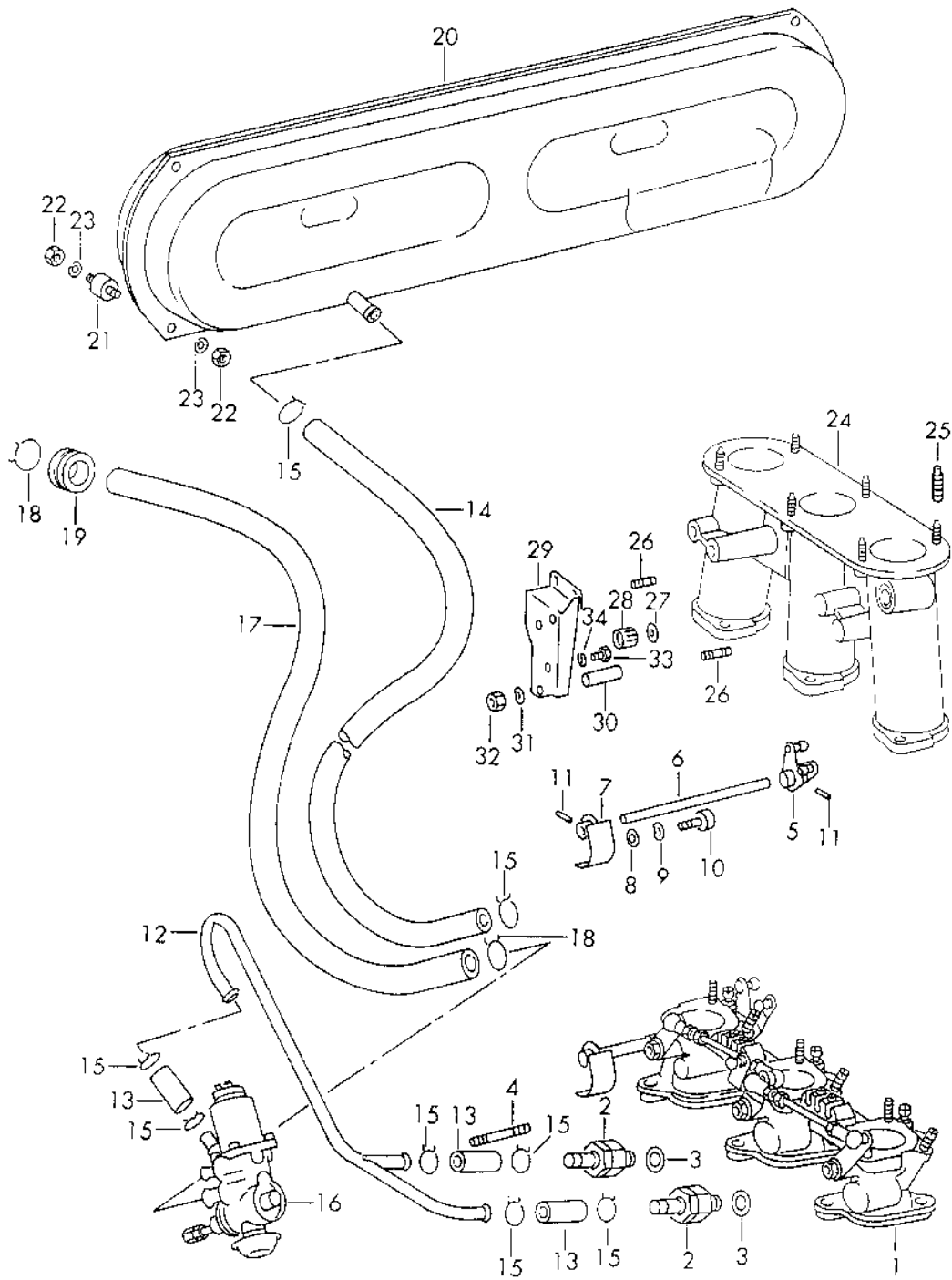
Model: 911 70

Model life 1970>>1973

Pos	Part Number	Description	Remark	Qty	Model
		for			
		Start valve			
		And			
		Control valve			
		Complete			
21	905 108 370 00	Valve		1	
22	900 075 010 02	Hexagon nut		3	
		M 6 X 12			
22	N 010 212 14	Hexagon-head bolt		3	
		M 6 X 12			
22	999 072 005 09	Hexagon nut		3	
		M 6 X 12			
22	999 072 005 01	Hexagon nut		3	
		M 6 X 12			
23	900 028 008 01	Lock ring		3	
		B 6			
24	905 116 033 00	Vacuum tank		1	
25	901 504 853 20	Bearing		4	
26	900 076 010 02	Nut		8	
		M 6			
26	900 076 010 0B	Nut		8	
		M 6			
27	N 012 007 2	Lock ring		8	
		B 6			
27	900 027 004 03	Lock ring		8	
		B 6			

Model: 911 70

Model life 1970>>1973



Model: 911 70 Model life 1970>>1973

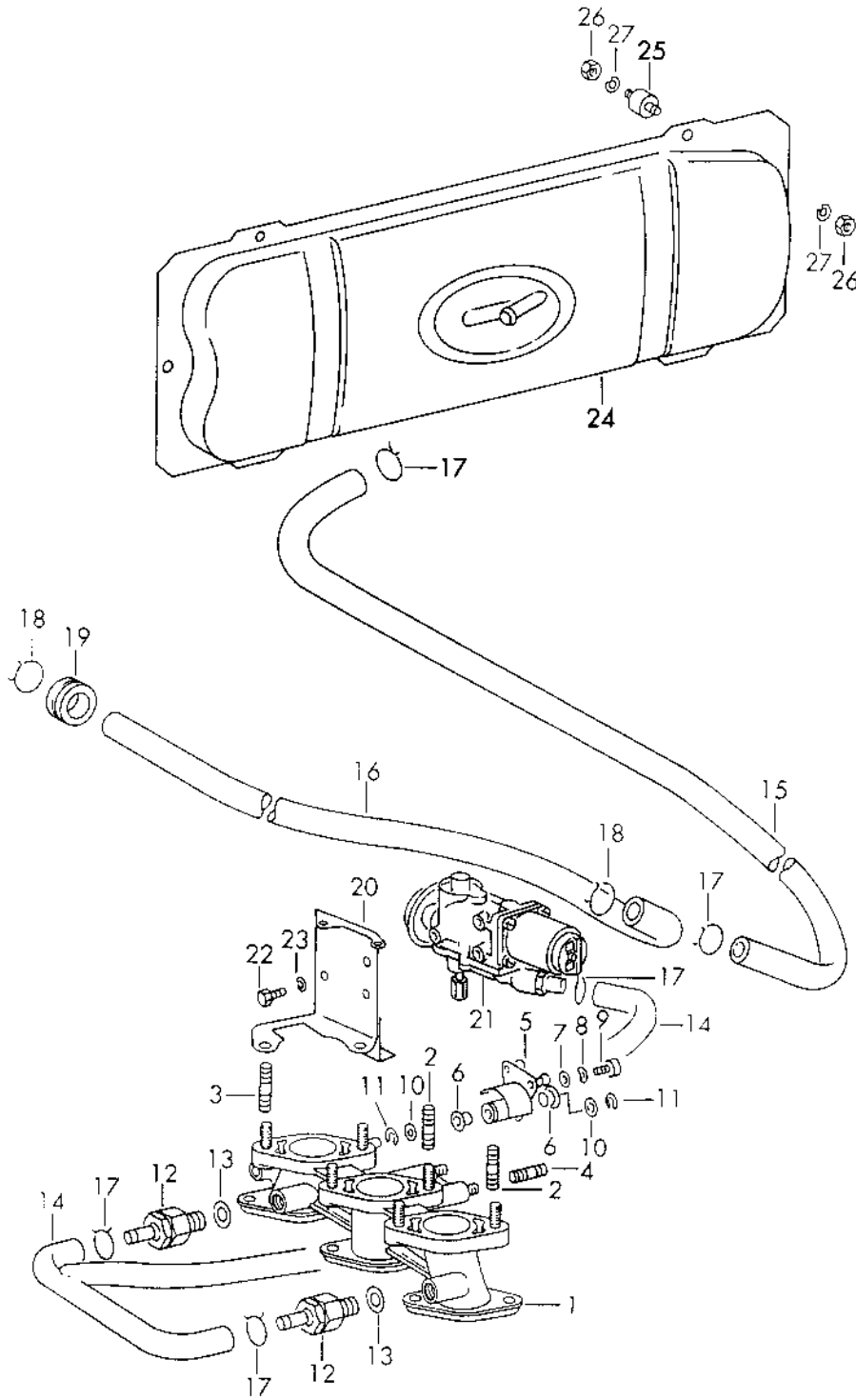
Pos	Part Number	Description	Remark	Qty	Model
		Vacuum system for Clutch release Injection system	-71		911 E:SPM
1	911 110 083 51	Throttle body	/L -70	1	
(1)	911 110 083 50	Throttle body	/L 71-	1	
2	905 116 725 00	Check valve		2	
3	900 123 008 30	Sealing ring A 14 X 20		2	
4	999 062 123 02	Stud BM 6 X 45		1	
5	901 110 077 00	Reverse lever Complete		1	
6	905 108 402 00	Control shaft		1	
7	905 108 032 01	Disc cam Complete		1	
8	900 089 011 02	Washer 4		1	
9	900 028 018 01	Spring washer B 4	-70	1	
(9)	N 012 224 3	Spring washer B 4	71-	1	
10	900 067 080 02	Pan-head screw M 4 X 10		1	
10	900 067 080 03	Pan-head screw M 4 X 10		1	
11	900 308 002 00	Clamping pin 2,5 X 14		2	
12	905 108 704 00	Vacuum line Intake manifold -		1	
13	905 108 707 00	Control valve Connecting hose		3	
-	999 180 029 50	Fuel hose		*	
14	905 108 702 01	Breather hose Control valve -		1	
15	999 512 140 02	Vacuum tank Clamping ring \$ 19,05		8	
16	905 108 370 00	Valve		1	
17	905 108 703 00	Vacuum hose Control valve -		1	
18	999 512 141 02	Servo-motor Clip \$ 22,23		2	
19	999 702 064 50	Grommet		1	
20	905 116 033 00	Vacuum tank		1	
21	901 504 853 20	Bearing		4	
22	900 076 010 02	Nut M 6		8	
22	900 076 010 0B	Nut M 6		8	
23	900 027 014 01	Lock ring B 6		8	
23	900 027 014 02	Lock ring B 6		8	
23	N 012 006 4	Lock ring B 6		8	
24	911 110 031 01	Intake pipe Complete	/L	1	
25	999 061 079 01	Stud		6	

Model: 911 70 Model life 1970>>1973

Pos	Part Number	Description	Remark	Qty	Model
26	900 061 055 01	Stud BM 6 X 12		4	
27	900 234 019 01	Shim 12 X 18 X 1		1	
28	999 201 035 00	Needle sleeve 12 X 18 X 16		1	
29	905 108 331 00	Support for Control valve		1	
30	905 108 333 00	Spacer sleeve		1	
31	900 028 008 01	Lock ring B 6		3	
32	900 076 010 02	Nut M 6		3	
32	900 076 010 0B	Nut M 6		3	
33	900 075 010 02	Hexagon nut M 6 X 12		3	
33	N 010 212 14	Hexagon-head bolt M 6 X 12		3	
33	999 072 005 09	Hexagon nut M 6 X 12		3	
33	999 072 005 01	Hexagon nut M 6 X 12		3	
34	900 028 008 01	Lock ring B 6		3	

Model: 911 70

Model life 1970>>1973



Model: 911 70

Model life 1970>>1973

Pos	Part Number	Description	Remark	Qty	Model
		Vacuum system for	72-		911 T-V:SPM
1	905 108 031 04	Clutch release Intake manifold Complete	/L	1	
2	900 061 007 01	Stud BM 8 X 22		4	
2	900 061 007 02	Stud BM 8 X 22		4	
2	999 062 007 02	Stud BM 8 X 22		4	
2	900 060 106 01	Stud BM 8 X 22		4	
3	900 061 007 01	Stud BM 8 X 22		2	
3	900 061 007 02	Stud BM 8 X 22		2	
3	999 062 007 02	Stud BM 8 X 22		2	
3	900 060 106 01	Stud BM 8 X 22		2	
4	900 061 022 01	Stud M 8 X 12		4	
5	905 108 070 20	Reverse lever		1	
6	901 423 253 00	Bearing sleeve		2	
7	900 089 011 02	Washer 4		1	
8	N 012 224 3	Spring washer B 4		1	
9	900 067 080 02	Pan-head screw M 4 X 10		1	
9	900 067 080 03	Pan-head screw M 4 X 10		1	
10	900 031 001 02	Washer 8,4		2	
10	900 031 105 01	Washer 8,4		2	
11	900 116 009 01	Kl-lock 6		2	
12	905 116 725 00	Check valve		2	
13	900 123 008 30	Sealing ring A 14 X 20		2	
14	905 108 075 00	Breather hose Complete Intake manifold -		1	
15	905 108 702 00	Control valve Breather hose Control valve -		1	
16	905 108 703 00	Vacuum tank Vacuum hose Control valve -		1	
17	999 512 140 02	Servo-motor Clamping ring \$ 19,05		5	
18	999 512 141 02	Clip \$ 22,23		2	
19	999 702 064 50	Grommet		1	
20	905 108 034 20	Support for Control valve		1	

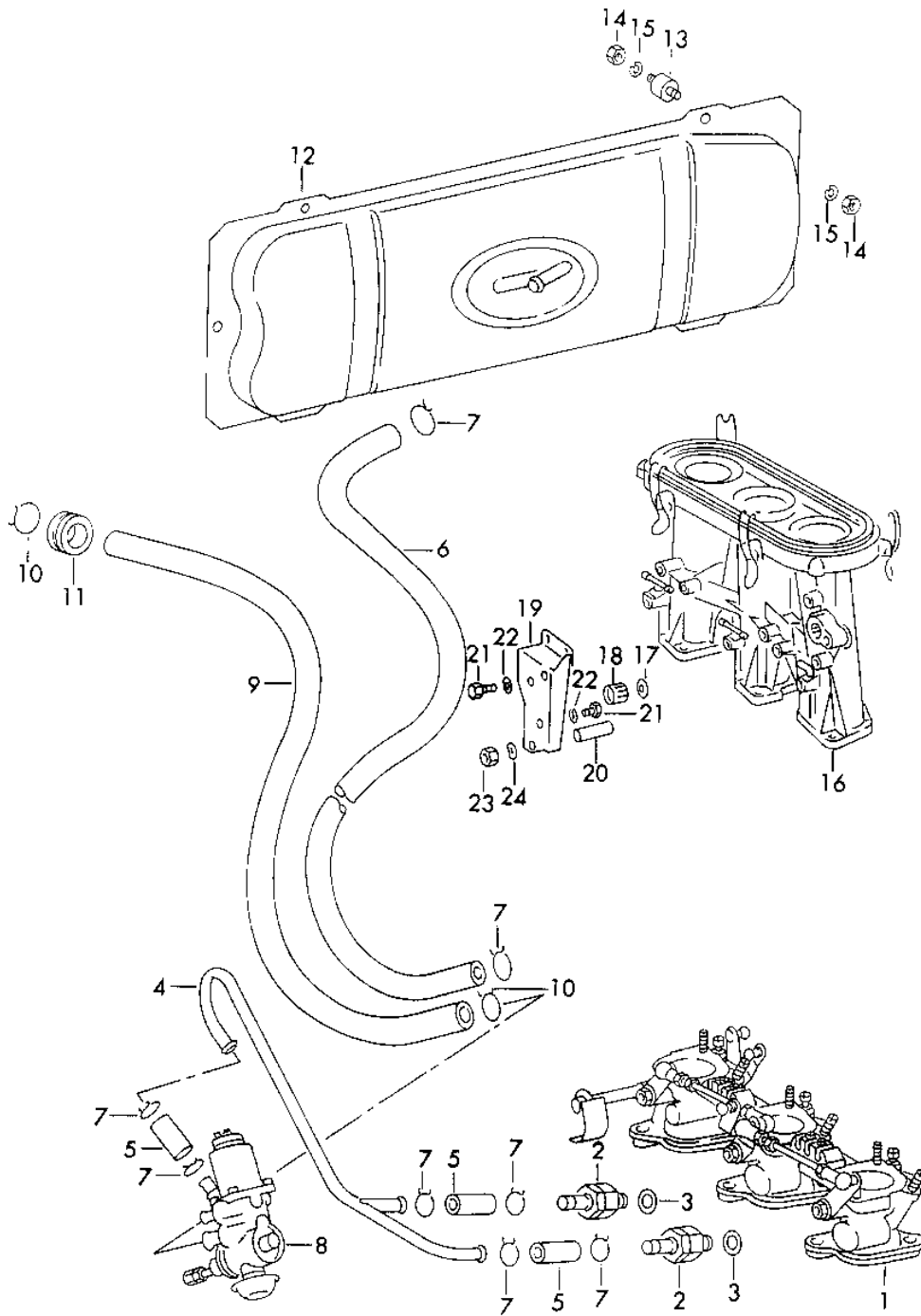
Model: 911 70

Model life 1970>>1973

Pos	Part Number	Description	Remark	Qty	Model
21	905 108 370 00	Complete Valve		1	
22	900 075 010 02	Hexagon nut M 6 X 12		3	
22	N 010 212 14	Hexagon-head bolt M 6 X 12		3	
22	999 072 005 09	Hexagon nut M 6 X 12		3	
22	999 072 005 01	Hexagon nut M 6 X 12		3	
23	N 012 226 5	Spring washer B 6		3	
24	911 116 033 00	Vacuum tank		1	
25	901 504 853 20	Bearing		4	
26	900 076 010 02	Nut M 6		8	
26	900 076 010 0B	Nut M 6		8	
27	N 012 007 2	Lock ring B 6		8	
27	900 027 004 03	Lock ring B 6		8	

Model: 911 70

Model life 1970>>1973



Model: 911 70

Model life 1970>>1973

Pos	Part Number	Description	Remark	Qty	Model
		Vacuum system for Clutch release Injection system for Sportomatic	72-		911 T-E/E/S CARRERA 2.7
1	911 110 081 11	Throttle body	/L 72-	1	911 T-E
(1)	911 110 083 11	Throttle body	/L 72-	1	911 E
(1)	911 110 085 11	Throttle body	/L 72-	1	911 S CARRERA 2.7
2	905 116 725 00	Check valve		2	
3	900 123 008 30	Sealing ring A 14 X 20		2	
4	905 108 704 00	Vacuum line Intake manifold -		1	
5	905 108 707 00	Control valve Connecting hose		3	
-	999 180 029 50	Fuel hose		*	
6	905 108 702 01	Breather hose Control valve -		1	
7	999 512 140 02	Vacuum tank Clamping ring \$ 19,05		8	
8	905 108 370 01	Control valve		1	
9	905 108 703 00	Vacuum hose Control valve -		1	
10	999 512 141 02	Servo-motor Clip \$ 22,23		2	
11	999 702 064 50	Grommet		1	
12	911 116 033 00	Vacuum tank		1	
13	901 504 853 20	Bearing		4	
14	900 076 010 02	Nut M 6		8	
14	900 076 010 0B	Nut M 6		8	
15	900 027 014 01	Lock ring B 6		8	
15	900 027 014 02	Lock ring B 6		8	
15	N 012 006 4	Lock ring B 6		8	
16	911 110 063 02	Intake pipe Complete	/L	1	
17	900 234 019 01	Shim 12 X 18 X 1		1	
18	999 201 035 00	Needle sleeve 12 X 18 X 16		1	
19	905 108 331 00	Support for Control valve		1	
20	905 108 333 00	Spacer sleeve		1	
21	900 075 010 02	Hexagon nut M 6 X 12		5	
21	N 010 212 14	Hexagon-head bolt M 6 X 12		5	
21	999 072 005 09	Hexagon nut M 6 X 12		5	
21	999 072 005 01	Hexagon nut M 6 X 12		5	

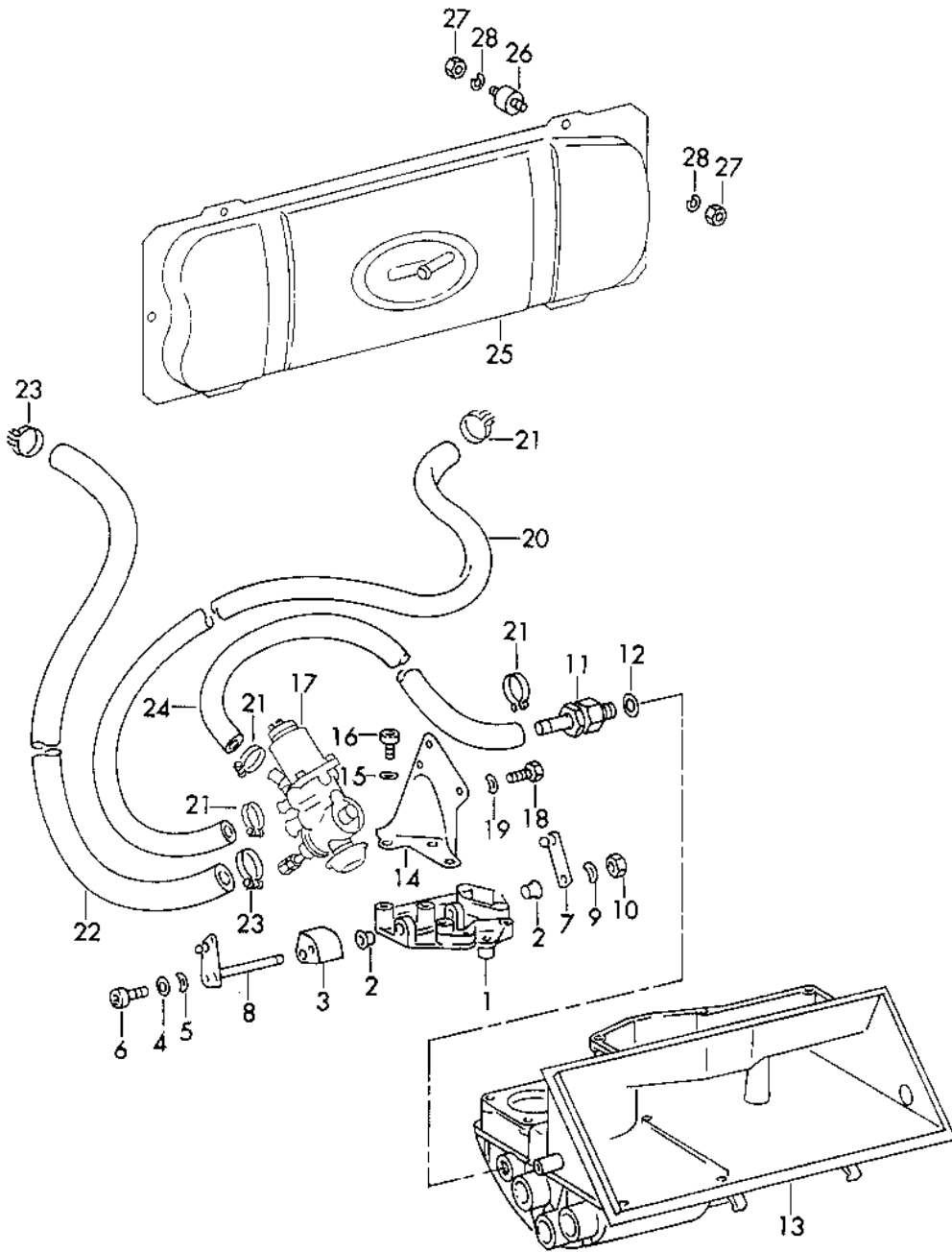
Model: 911 70

Model life 1970>>1973

Pos	Part Number	Description	Remark	Qty	Model
22	N 012 226 5	Spring washer B 6		5	
23	900 076 010 02	Nut M 6		3	
23	900 076 010 0B	Nut M 6		3	
24	N 012 226 5	Spring washer B 6		3	

Model: 911 70

Model life 1970>>1973



Model: 911 70

Model life 1970>>1973

Pos	Part Number	Description	Remark	Qty	Model
		Vacuum system for	72-		911 T-K
1	911 110 234 00	Clutch release Bracket		1	
2	901 423 253 00	Bearing sleeve		2	
3	911 125 027 01	Disc cam		1	SPM
4	900 089 011 02	Washer 4		1	SPM
5	N 012 224 3	Spring washer B 4		1	SPM
6	900 067 080 02	Pan-head screw M 4 X 10		1	SPM
6	900 067 080 03	Pan-head screw M 4 X 10		1	SPM
7	911 110 110 00	Lever		1	
8	911 110 060 01	Lever Complete		1	
9	N 012 241 8	Spring washer B 8 X 15		1	
10	900 076 025 02	Hexagon nut M 8		1	
10	900 076 064 02	Hexagon nut M 8		1	
11	905 116 725 00	Check valve		1	SPM
12	900 123 007 70	Sealing ring A 14 X 18		1	SPM
13	911 110 140 00	Housing Air cleaner		1	
(13)		Housing Use also:		1	
-	900 124 002 02	Screw plug		1	
-	900 123 007 30	Sealing ring		1	
14	911 125 331 01	Support for Control valve		1	SPM
15	N 012 241 8	Spring washer B 8 X 15		3	SPM
16	N 014 707 2	Pan-head screw M 8 X 15		3	SPM
16	900 067 131 03	Pan-head screw M 8 X 15		3	SPM
17	905 108 370 00	Valve		1	SPM
18	900 075 010 02	Hexagon nut M 6 X 12		3	SPM
18	N 010 212 14	Hexagon-head bolt M 6 X 12		3	SPM
18	999 072 005 09	Hexagon nut M 6 X 12		3	SPM
18	999 072 005 01	Hexagon nut M 6 X 12		3	SPM
19	N 012 226 5	Spring washer B 6		3	SPM
20	911 125 703 00	Vacuum hose 12 X 3,5 X 450 Control valve -		1	SPM
21	999 512 056 02	Vacuum tank Hose clamp S 18/9		4	SPM
22	999 181 282 50	Vacuum hose 15 X 3,5 X 350 Control valve -		*	SPM

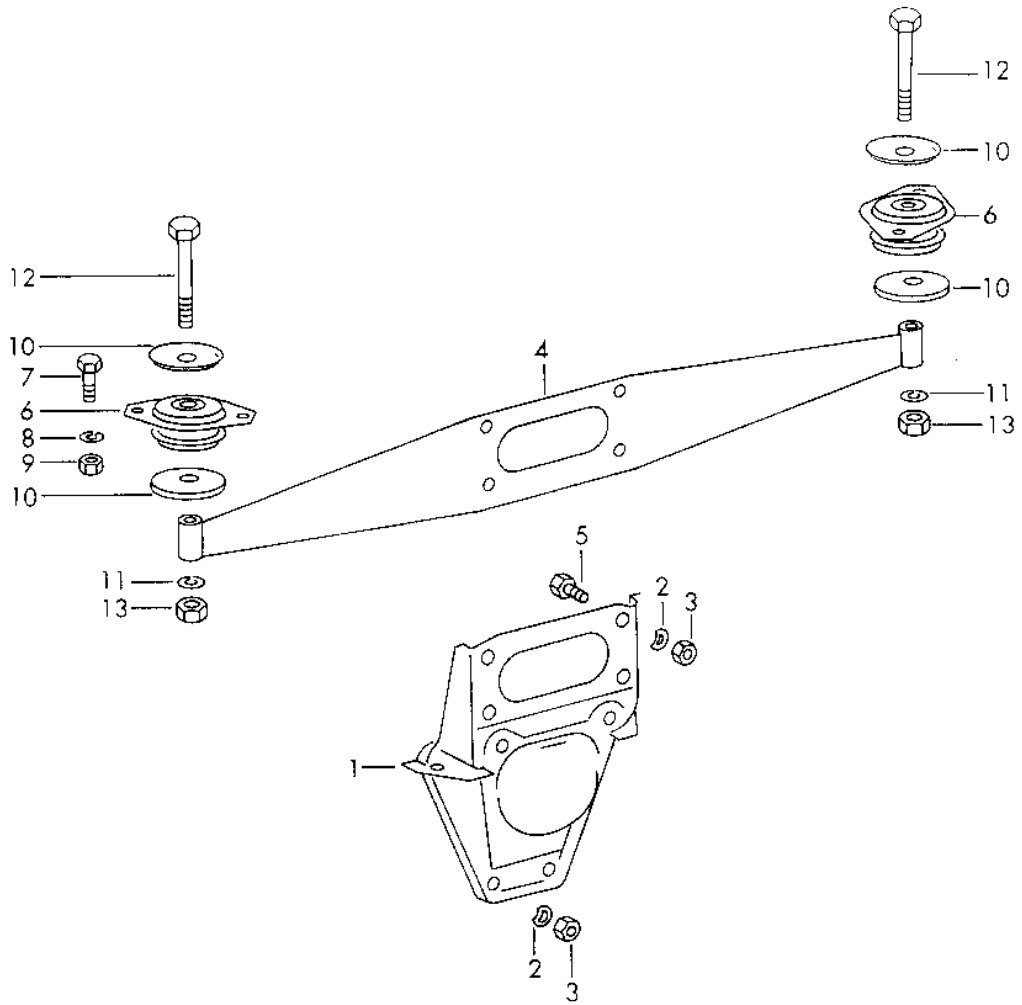
Model: 911 70

Model life 1970>>1973

Pos	Part Number	Description	Remark	Qty	Model
23	N 023 565 3	Servo-motor Hose clamp S 21/9		1	SPM
24	999 181 282 50	Vacuum hose 12 X 3,5 X 360		*	SPM
25	911 116 033 00	Vacuum tank		1	SPM
26	901 504 853 20	Bearing		4	SPM
27	900 076 010 02	Nut M 6		8	SPM
27	900 076 010 0B	Nut M 6		8	SPM
28	900 027 014 01	Lock ring B 6		8	SPM
28	900 027 014 02	Lock ring B 6		8	SPM
28	N 012 006 4	Lock ring B 6		8	SPM

Model: 911 70

Model life 1970>>1973



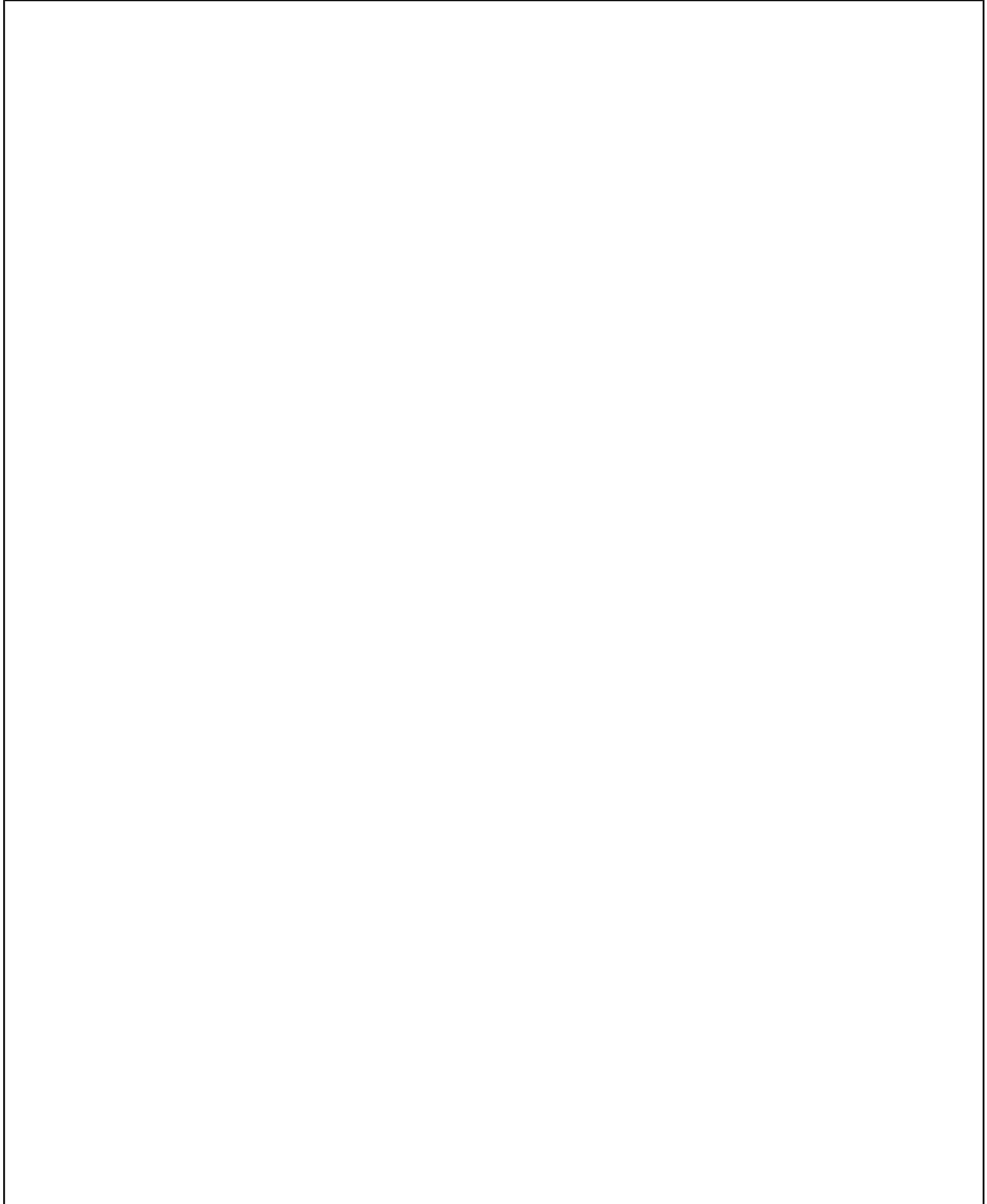
Model: 911 70

Model life 1970>>1973

Pos	Part Number	Description	Remark	Qty	Model
		Engine suspension Rear			911
1	901 115 014 04	Engine bracket M 090 9001 >>		1	
2	N 012 242 3	Spring washer B 10 X 18		8	
3	900 157 002 02	Hexagon nut M 10		8	
3	900 157 002 03	Hexagon nut M 10		8	
4	930 375 011 01	Bracket		1	
5	900 156 006 02	Hexagon-head bolt M 10 X 18		4	
6	911 375 043 00	Bearing	-70	2	
(6)		Bearing	71-	2	
7	N 010 335 5	Hexagon-head bolt M 8X35		4	
7	900 075 032 03	Hexagon-head bolt M 8X35		4	
8	900 027 015 02	Lock ring B 8		4	
8	900 027 015 03	Lock ring B 8		4	
9	900 076 025 02	Hexagon nut M 8		4	
9	900 076 064 02	Hexagon nut M 8		4	
10	901 305 311 00	Seat		4	
11	999 523 109 02	Lock washer M 12		2	
12	900 082 026 01	Hexagon-head bolt M 12 X 1,5 X 92		2	
13	900 076 016 02	Hexagon-head bolt M 12 X 1,5		2	

Model: 911 70

Model life 1970>>1973



Model: 911 70 Model life 1970>>1973

Pos	Part Number	Description	Remark	Qty	Model
>>	911 100 903 00	Gasket set Piston rings Gasket set for Engine with - ZENITH - Carburettor Comprising:	-71	X	911 T 911 T-V
-	999 704 172 50	Sealing ring		5	
-	999 701 006 40	O-ring		24	
-	999 113 057 52	Radial sealing ring		1	
-	999 113 049 50	Oil scraper ring		1	
-	900 174 041 40	30 X 50 X 10 Sealing ring		1	
-	900 174 068 40	Sealing ring		1	
-	901 101 391 00	Gasket for Oil strainer		2	
-	900 123 011 30	Sealing ring A 22 X 27 AL		4	
-	901 104 391 01	Cylinder head gasket		6	
-	901 104 191 00	Cylinder base gasket		6	
-	901 104 193 00	Valve stem seal		12	
-	901 105 193 03	Gasket for Crank -		2	
-	901 105 197 00	Chain case Gasket for		2	
-	999 701 124 40	Sealing ring O-ring 67,5 X 75,4 X 4		2	
-	901 105 191 03	Gasket for Chain case	/L	1	
-	901 105 192 03	Gasket for Chain case	/R	1	
-	930 105 192 01	Gasket for Chain case	/R	1	
-	930 105 192 03	Gasket for Chain case	/R	1	
-	930 105 192 04	Gasket for Chain case	/R	1	
-	901 105 194 03	Gasket for Camshaft housing Upper		2	
-	930 105 194 00	Gasket for Camshaft housing Upper		2	
-	930 105 194 02	Gasket for Camshaft housing Upper		2	
-	930 105 194 04	Gasket for Camshaft housing Upper		2	

Model: 911 70 Model life 1970>>1973

Pos	Part Number	Description	Remark	Qty	Model
-	901 105 195 04	for Camshaft housing Upper Gasket		2	
-	930 105 195 00	for Camshaft housing Lower Gasket		2	
-	930 105 195 02	for Camshaft housing Lower Gasket		2	
-	930 105 195 05	for Camshaft housing Lower Gasket		2	
-	930 105 195 06	for Camshaft housing Lower Gasket		2	
-	930 105 195 07	for Camshaft housing Lower Gasket		2	
-	901 105 198 04	Gasket for Cover		1	
-	900 123 008 30	Sealing ring A 14 X 20 AL		3	
-	900 123 005 30	Sealing ring A 12 X 16 AL		12	
-	900 123 044 30	Sealing ring A 18 X 22 CU		2	
-	900 123 066 30	Sealing ring A 10 X 16 ALMG		8	
-	999 701 596 40	O-ring 8,3 X 2,4		2	
-	999 701 598 40	O-ring 20,3 X 2,4		2	
-	900 123 061 20	Sealing ring A 6,5 X 9,5 CU		2	
-	999 704 173 50	Sealing ring		2	
-	999 701 100 50	O-ring		1	
-	900 123 071 30	Sealing ring A 18 X 24 AL MG		2	
-	999 701 113 50	O-ring		8	
-	999 701 053 50	Sealing ring 39,2 X 3		1	
-	905 107 191 02	Gasket		1	
-	905 107 191 03	Gasket		1	
-	999 701 135 50	O-ring		1	
-	901 107 791 01	Gasket for Bleeder		1	
-	900 123 043 30	Sealing ring A 12 X 15,5	-71	3	911 T
-	900 123 006 30	Sealing ring A 12 X 15,5	72-	3	911 T-V
-	900 123 007 70	Sealing ring for		1	

Model: 911 70 Model life 1970>>1973

Pos	Part Number	Description	Remark	Qty	Model
-	901 108 391 04	Bleeder A 143 X 18 IT Gasket for Intake manifold		6	
-	901 108 398 01	Gasket for Carburettor		6	
-	901 111 193 00	Gasket		2	
-	930 111 191 13	Gasket		6	
-	911 113 190 01	Gasket		6	
-	900 123 008 30	Sealing ring A 14 X 20 AL	-71	2	911 T
-		Sealing ring A 14 X 20 AL	72-	2	911 T-V
-	911 602 102 01	Sealing ring	72-	1	911 T-V
-	999 701 101 50	Gasket	-71	1	911 T
-	900 123 007 30	Sealing ring A 14 X 18 AL		2	
-	901 108 976 00	Sealing ring		6	
-	911 100 932 00	Sealing ring		4	
-	911 100 963 00	Sealing ring		4	
-	911 100 965 00	Sealing ring		4	
-	911 100 968 00	Sealing ring		8	
-	PCG 100 973 00	Gasket for Lid		2	
-	911 100 977 00	Gasket		2	
-	911 100 998 02	Sealing ring		1	
-	911 100 998 00	Sealing ring		4	
-	900 031 014 30	Washer 8,4 AL for Camshaft housing Lower	-71 72-	11 34	911 T 911 T-V
-	900 031 011 30	Washer 6,4 AL		21	911 T-V
>>	911 100 901 00	Gasket set for with Injection system Comprising:	72-	X	911 T-K
-	900 123 007 30	Sealing ring A 14 X 18 AL		1	
-	999 704 172 50	Sealing ring		5	
-	999 701 006 40	O-ring		24	
-	999 113 057 52	Radial sealing ring		1	
-	900 174 041 40	Sealing ring		1	
-	900 174 068 40	Sealing ring		1	
-	900 123 044 30	Sealing ring A 18 X 22 AL		1	
-	901 101 391 00	Gasket for Oil strainer		2	
-	900 123 011 20	Sealing ring A 22 X 27 CU		1	
-	999 113 049 50	Oil scraper ring		1	
-	908 104 391 00	Cylinder head gasket		6	
-	901 104 191 00	Cylinder base gasket		6	
-	911 104 193 00	Valve stem seal		12	
-	901 105 193 03	Gasket for -		2	

Model: 911 70 Model life 1970>>1973

Pos	Part Number	Description	Remark	Qty	Model
-	900 123 066 30	Chain case Sealing ring A 10 X 16 AL		8	
-	999 701 596 40	O-ring 8,3 X 2,4		2	
-	999 701 598 40	O-ring 20,3 X 2,4		2	
-	999 701 298 40	O-ring 10 X 1,3		2	
-	900 123 061 20	Sealing ring A 6,5 X 9,5 CU		2	
-	901 105 197 00	Gasket for Sealing ring		3	
-	999 701 124 40	O-ring 67,5 X 75,4 X 4		3	
-	901 105 191 03	Gasket for Chain case	/L	1	
-	901 106 192 03	Gasket for Chain case	/R	1	
-	900 123 005 30	Sealing ring A 12 X 16 AL		11	
-	901 105 194 03	Gasket for Camshaft housing Upper		2	
-	930 105 194 00	Gasket for Camshaft housing Upper		2	
-	930 105 194 02	Gasket for Camshaft housing Upper		2	
-	930 105 194 04	Gasket for Camshaft housing Upper		2	
-	901 105 195 04	Gasket for Camshaft housing Lower		2	
-	930 105 195 00	Gasket for Camshaft housing Lower		2	
-	930 105 195 02	Gasket for Camshaft housing Lower		2	
-	930 105 195 05	Gasket for Camshaft housing Lower		2	
-	930 105 195 06	Gasket for Camshaft housing Lower		2	
-	930 105 195 07	Gasket for Camshaft housing		2	

Model: 911 70 Model life 1970>>1973

Pos	Part Number	Description	Remark	Qty	Model
-	901 105 198 04	Lower Gasket for Cover		1	
-	999 704 173 50	Sealing ring		2	
-	900 123 011 30	Sealing ring A 22 X 27 AL		1	
-	999 701 113 50	O-ring		8	
-	999 701 053 50	Sealing ring 39,2 X 3		1	
-	900 123 043 30	Sealing ring A 12 X 15,5 AL		1	
-	911 107 710 00	Sealing ring		1	
-	900 123 071 30	Sealing ring A 18 X 24 AL		2	
-	901 107 791 01	Gasket for Bleeder		1	
-	901 108 391 04	Gasket for Intake pipe		6	
-	911 110 394 02	Gasket for Mixture control unit		1	
-	900 123 050 20	Sealing ring A 8 X 11,5 CU		14	
-	900 123 008 30	Sealing ring A 14 X 20 AL		1	
-	999 701 144 50	O-ring OR 6-2 37 PAB/769		1	
-	901 111 193 00	Gasket		2	
-	905 107 191 02	Gasket		1	
-	905 107 191 03	Gasket		1	
-	999 701 135 50	O-ring R 15 X 2,5		1	
-	900 123 006 30	Sealing ring A 12 X 18 AL		2	
-	900 123 007 70	Sealing ring A 14 X 18 IT		1	
-	930 111 191 13	Gasket		6	
-	911 113 190 01	Gasket		6	
-	911 602 102 01	Sealing ring		1	
-	900 031 014 30	Washer 8,4 AL for Camshaft housing Lid		34	
-	900 031 011 30	Lower Washer 6,4 AL		21	
>>	911 100 905 00	Gasket set for Engine with Injection system Comprising:	70-	X	911 E/S 911 T-E
-	999 704 172 50	Sealing ring		5	
-	999 701 006 40	O-ring		24	
-	999 113 057 52	Radial sealing ring 65 X 85 X 10		1	
-	999 113 049 50	Oil scraper ring 30 X 50 X 10		1	
-	900 174 041 40	Sealing ring		1	

Model: 911 70 Model life 1970>>1973

Pos	Part Number	Description	Remark	Qty	Model
-	900 174 068 40	Sealing ring		1	
-	901 101 391 00	Gasket for Oil strainer		2	
-	900 123 011 30	Sealing ring A 22 X 27 AL		10	
-	901 104 391 01	Cylinder head gasket		6	
-	901 104 191 00	Cylinder base gasket		6	
-	911 104 193 00	Valve stem seal		12	
-	901 105 193 03	Gasket for Crank -		2	
-	901 105 197 00	Chain case Gasket for Sealing ring		2	
-	999 701 124 40	O-ring 67,5 X 75,4 X 4		2	
-	901 105 191 03	Gasket for Chain case	/L	1	
-	901 105 192 03	Gasket for Chain case	/R	1	
-	930 105 192 01	Gasket for Chain case	/R	1	
-	930 105 192 03	Gasket for Chain case	/R	1	
-	930 105 192 04	Gasket for Chain case	/R	1	
-	901 105 194 03	Gasket for Camshaft housing Upper		2	
-	930 105 194 00	Gasket for Camshaft housing Upper		2	
-	930 105 194 02	Gasket for Camshaft housing Upper		2	
-	930 105 194 04	Gasket for Camshaft housing Upper		2	
-	901 105 195 04	Gasket for Camshaft housing Lower		2	
-	930 105 195 00	Gasket for Camshaft housing Lower		2	
-	930 105 195 02	Gasket for Camshaft housing Lower		2	
-	930 105 195 05	Gasket		2	

Model: 911 70 Model life 1970>>1973

Pos	Part Number	Description	Remark	Qty	Model
-	930 105 195 06	for Camshaft housing Lower Gasket		2	
-	930 105 195 07	for Camshaft housing Lower Gasket		2	
-	901 105 198 04	for Cover Gasket		1	
-	900 123 008 30	Sealing ring A 14 X 20 AL		3	
-	900 123 005 30	Sealing ring A 12 X 16 AL		12	
-	900 123 044 30	Sealing ring A 18 X 22 CU		2	
-	900 123 066 30	Sealing ring A 10 X 16		8	
-	999 701 596 40	O-ring 8,3 X 2,4	-71	2	911 E/S
-		O-ring 8,3 X 2,4	72-	2	911 T-E/E/S
-	999 701 598 40	O-ring 20,3 X 2,4	-71 72-	2	911 E/S
-		O-ring 20,3 X 2,4	72-	2	911 T-E/E/S
-	900 123 061 20	Sealing ring A 6,5 X 9,5 CU		2	
-	999 113 068 50	Radial sealing ring BA 35 X 47 X 7		1	
-	999 704 173 50	Sealing ring		2	
-	999 701 100 50	O-ring		1	
-	900 123 071 30	Sealing ring A 18 X 24		3	
-	901 107 717 00	Sealing ring		2	
-	999 701 113 50	O-ring		8	
-	999 701 053 50	Sealing ring 39,2 X 3		1	
-	999 113 099 40	Radial sealing ring BA SI 12,7 X 22 X 6 12,7 X 22,6	72-	1	911 E 911 T-E/E/S
-	999 113 492 40	Radial shaft seal BA SI 12,7 X 22 X 6 12,7 X 22,6		1	911 E 911 T-E/E/S
-	905 107 191 02	Gasket	-71 72-	1	911 E 911 T-E/E/S
-	905 107 191 03	Gasket		1	911 E 911 T-E/E/S
-	999 701 135 50	O-ring		1	
-	901 107 791 01	Gasket for Bleeder		1	
-	900 123 006 30	Sealing ring A 12 X 18 AL	72-	3	911 T-E/E/S
-	900 123 043 30	Sealing ring A 12 X 15,5 AL		3	
-	900 123 007 70	Sealing ring for Bleeder		1	

Model: 911 70 Model life 1970>>1973

Pos	Part Number	Description	Remark	Qty	Model
-	901 111 193 00	Gasket		2	
-	930 111 191 13	Gasket		6	
-	911 113 190 01	Gasket		6	
-	901 110 192 00	Gasket	-71	2	911 E/S
-	N 013 812 2	Sealing ring A 12 X 15,5 CU		6	
-	911 602 102 01	Sealing ring	72-	1	911 T-E/E/S
-	999 701 101 50	Gasket		1	
-	900 123 007 30	Sealing ring A 14 X 18 AL		2	
-	901 108 391 04	Gasket for Throttle body	70- 72-	6	911 E 911 T-E
-	901 108 391 05	Gasket for Throttle body	70-	6	911 S
-	911 110 191 01	Gasket for Intake pipe		6	
-	901 108 994 00	Sealing ring	-71	4	911 E/S
-	911 108 911 00	Sealing ring	72-	4	911 T-E/E/S
-	900 123 033 20	Sealing ring A 10 X 13,5 CU		1	
-	N 013 849 2	Sealing ring	-71 72-	1	911 E/S 911 T-E/E/S
-	901 110 922 00	Gasket		1	
-	900 031 014 30	Washer 8,4AL for Camshaft housing Lid Lower	-71 72-	11 34	911 E/S 911 T-E/E/S
-	900 031 011 30	Washer 6,4 AL	72-	21	911 T-E/E/S
>>	911 100 907 00	Gasket set for Engine with Injection system Comprising:	72-	1	CARRERA 2.7
-	900 123 007 30	Sealing ring 14 X 18 AL		1	
-	999 704 172 50	Sealing ring		5	
-	999 701 006 40	O-ring		24	
-	999 113 057 52	Radial sealing ring 65 X 85 X 10		1	
-	901 101 391 00	Gasket for Oil strainer		2	
-	900 123 011 30	Sealing ring A 22 X 27 AL		2	
-	999 113 049 50	Oil scraper ring 30 X 50 X 10		1	
-	900 174 041 40	Sealing ring R 50 X 4		1	
-	900 174 068 40	Sealing ring R 50 X 4		1	
-	911 104 192 00	Cylinder base gasket		6	
-	912 104 314 00	Cylinder head gasket		6	
-	911 104 193 00	Valve stem seal		12	
-	901 105 193 03	Gasket		2	
-	900 123 066 30	Sealing ring A 10 X 16 AL MG SI		8	

Model: 911 70 Model life 1970>>1973

Pos	Part Number	Description	Remark	Qty	Model
-	999 701 596 40	O-ring OR 8,3 - 2,4		2	
-	999 701 598 40	O-ring OR 20 -2,4		2	
-	999 701 298 40	O-ring OR 10 - 1,3		2	
-	900 123 061 20	Sealing ring A 6,5 X 9,5 CU		2	
-	901 105 197 00	Gasket for Sealing ring		2	
-	999 701 124 40	O-ring 67,5 X 75,5 X 4		2	
-	901 105 191 03	Gasket		1	
-	901 105 192 03	Gasket		1	
-	930 105 192 01	Gasket		1	
-	930 105 192 03	Gasket		1	
-	930 105 192 04	Gasket		1	
-	900 123 005 30	Sealing ring A 12 X 16 AL		10	
-	999 113 068 50	Radial sealing ring		1	
-	901 105 194 03	Gasket for Camshaft housing Lid Upper		2	
-	930 105 194 00	Gasket for Camshaft housing Lid Upper		2	
-	930 105 194 02	Gasket for Camshaft housing Lid Upper		2	
-	930 105 194 04	Gasket for Camshaft housing Lid Upper		2	
-	901 105 195 04	Gasket for Camshaft housing Lid Lower		2	
-	930 105 195 00	Gasket for Camshaft housing Lid Lower		2	
-	930 105 195 02	Gasket for Camshaft housing Lid Lower		2	
-	930 105 195 05	Gasket for Camshaft housing Lid Lower		2	
-	930 105 195 06	Gasket for		2	

Model: 911 70 Model life 1970>>1973

Pos	Part Number	Description	Remark	Qty	Model
-	930 105 195 07	Camshaft housing Lid Lower Gasket for Camshaft housing Lid Lower		2	
-	901 105 198 04	Gasket for Cover		1	
-	999 704 173 50	Sealing ring		2	
-	900 123 011 30	Sealing ring A 22 X 27 AL		1	
-	900 123 044 30	Sealing ring A 18 X 22 CU		2	
-	999 701 113 50	O-ring R 25 - 6		8	
-	999 701 053 50	Sealing ring 39,2 X 3		1	
-	900 123 071 30	Sealing ring A 18 X 24 AL		2	
-	901 107 791 01	Gasket for Bleeder		1	
-	999 701 100 50	O-ring R 72 - 4		1	
-	900 123 136 30	Sealing ring A 42 X 49 AL		1	
-	N 013 812 2	Sealing ring A 12 X 15,5 CU		6	
-	901 108 391 05	Gasket		6	
-	901 108 214 03	Gasket		2	
-	911 110 191 01	Gasket		6	
-	901 111 193 00	Gasket		2	
-	999 113 099 40	Radial sealing ring		1	
-	999 113 492 40	Radial shaft seal		1	
-	905 107 191 02	Gasket		1	
-	905 107 191 03	Gasket		1	
-	900 123 008 30	Sealing ring A 14 X 20 AL		3	
-	900 123 043 30	Sealing ring A 12 X 15,5 AL		1	
-	999 701 135 50	O-ring R 15 X 2,5		1	
-	930 111 191 13	Gasket		6	
-	911 113 190 01	Gasket		6	
-	911 602 102 01	Sealing ring		1	
-	900 123 007 70	Sealing ring A 14 X 18 IT		1	
-	N 013 808 3	Sealing ring A 10 X 16 CU		1	
-	901 108 911 00	Sealing ring		4	
-	900 123 033 20	Sealing ring A 10 X 13,5 CU		1	
-	N 013 849 2	Sealing ring A 14 X 18 CU		1	
-	901 110 922 00	Gasket		1	
-	900 031 014 30	Washer 8,4 AL		34	
-	900 031 011 30	Washer 6,4 AL		21	
>>	911 108 948 00	Gasket set	-71	X	911 T

Model: 911 70 Model life 1970>>1973

Pos	Part Number	Description	Remark	Qty	Model
		for - ZENITH 40 TIN - Carburettor TYP 911/57/67 Comprising:			911 T-V
-	901 108 398 01	Gasket for Carburettor		6	
-	901 108 976 00	Sealing ring		6	
-	911 100 932 00	Sealing ring		4	
-	911 100 937 00	Diaphragm Complete		6	
-	911 100 963 00	Sealing ring		4	
-	911 100 965 00	Sealing ring		4	
-	911 100 968 00	Sealing ring		8	
-	PCG 100 973 00	Gasket		2	
-	911 100 977 00	Gasket for Connecting piece		2	
-	911 100 937 01	Diaphragm		2	
-	911 100 989 00	O-ring		2	
-	911 100 998 02	Sealing ring		1	
-	911 100 998 00	Sealing ring		4	
>>	911 103 901 01	Piston ring for - mahle - Piston \$ 84 MM TYP 911/01/04 And TYP 911/03/06/07/08	-71	X	911 T/E
>>	911 103 901 26	Piston ring for Piston \$ 84,25 MM	-71	X	911 T/E
>>	911 103 901 50	Piston ring for Piston \$ 84,50 MM	-70	X	911 T/E
>>	911 103 902 01	Piston ring for Piston \$ 84 MM TYP 911/02	-71	X	911 S
>>	911 103 945 00	Piston ring for Piston \$ 84 MM TYP 911/02		X	911 S
>>	911 103 945 25	Piston ring for Piston \$ 84,25 MM	-71	X	911 S
>>	911 103 902 50	Piston ring for Piston \$ 84,50 MM	-70	X	911 S
>>	911 103 906 01	Piston ring for Piston - SCHMIDT - \$ 84 MM TYP 911/03/06/07/08	-71	X	911 T

Model: 911 70 Model life 1970>>1973

Pos	Part Number	Description	Remark	Qty	Model
>>	911 103 906 26	Piston ring for Piston \$ 84,25 MM	-71	X	911 T
>>	911 103 906 50	Piston ring for Piston \$ 84,50 MM	-70	X	911 T
>>	911 103 945 00	Piston ring for - mahle - And - SCHMIDT - Piston \$ 84 MM TYP 911/51 - 53/57 TYP 911/61 - 63/67	72-	X	911 T-E/E/S 911 T-V
>>	911 103 941 00	Piston ring for Piston \$ 84 MM	73-	X	911 T-K
>>	911 103 945 25	Piston ring for Piston \$ 84,25 MM	72-	X	911 T-E/E/S 911 T-V
>>	911 103 941 25	Piston ring for Piston \$ 84,25MM	73-	X	911 T-K
>>	911 103 941 50	Piston ring for Piston \$ 84,50 MM	73-	X	911 T-K
>>	911 103 945 50	Set of piston rings for Piston \$ 84,50 MM	72-	X	911 T-E/E/S 911 T-V
>>	911 103 934 00	Set of piston rings for Piston \$ 90 MM	72-	X	CARRERA 2.7

Model: 911 70

Model life 1970>>1973



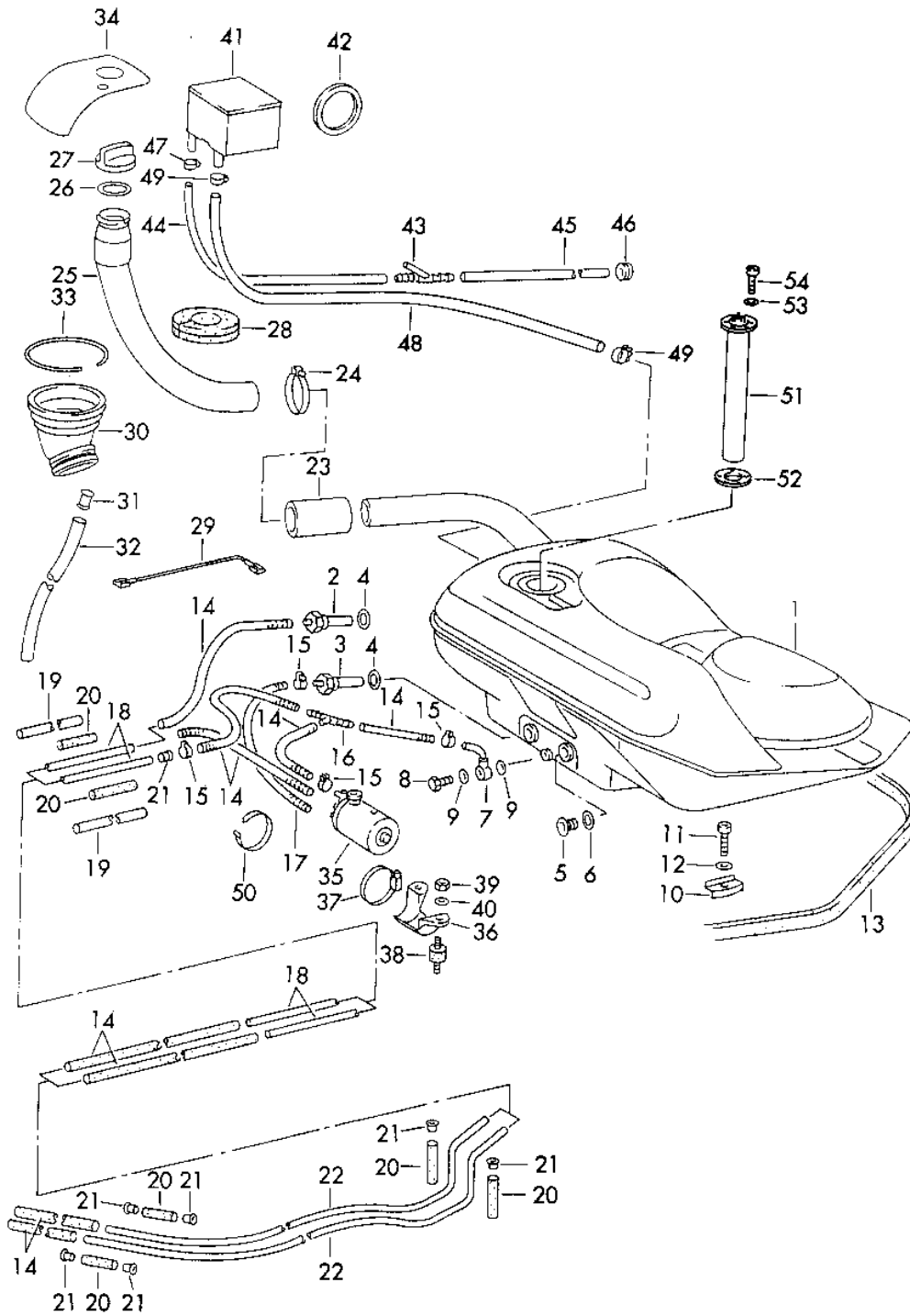
Model: 911 70

Model life 1970>>1973

Pos	Part Number	Description	Remark	Qty	Model
		Repair kit for Chain adjuster	72-		911 T/E/S 911 T VERGASER CARRERA 2.7 911 T-K
>>	911 105 901 00	Repair kit for Chain adjuster		X	
>>	911 105 901 01	Repair kit for Chain adjuster		X	
-	930 105 585 00	Intermediate piece		1	
-	999 701 298 40	O-ring OR 10 - 1		1	
-	930 105 511 03	Needle cage for Ball valve		1	
-	900 108 005 00	Ball 5 MM		1	
-	900 906 014 00	Circlip B 16		1	
-	999 701 596 40	O-ring CR 8,3 - 2,4		1	
-	999 701 598 40	O-ring CR 20,3 - 2,4		1	
-	900 906 028 00	Circlip B 28		1	
-	900 123 061 20	Sealing ring		1	

Model: 911 70

Model life 1970>>1973



Model: 911 70 Model life 1970>>1973

Pos	Part Number	Description	Remark	Qty	Model
		Fuel system Lines with Fuel pump Front	-71		
1	901 201 010 22	Fuel tank 62 L		1	
(1)	911 201 904 00	Fuel tank 62 L		1	
(1)	911 201 904 02	Use also: 911.356.902.00 Fuel tank 62 L Use also: 911.356.902.00		1 1	
2	901 201 023 04	Fuel tank cap \$ 6 MM		1	911 T
2	901 201 023 06	Fuel tank cap \$ 6 MM		1	911 T
3	901 201 023 05	Fuel tank cap \$ 8 MM		1	911 E/S
3	901 201 023 07	Fuel tank cap \$ 8 MM		1	911 E/S
4	N 013 827 3	Sealing ring A 22 X 27		2	
5	900 219 001 30	Screw plug M 22 X 1,5		1	
6	900 123 011 30	Sealing ring A 22 X 27		1	
7	901 356 049 00	Ring piece	-70 71-	1	911 E/S 911 T
8	900 134 007 02	Banjo bolt A 8	-70 71-	1	911 E/S 911 T
8	900 134 007 01	Banjo bolt A 8		1	911 E/S 911 T
8	PCG 134 007 01	Banjo bolt A 8		1	911 E/S 911 T
9	900 123 007 60	Sealing ring A 14 X 18	-70 71-	2	911 E/S 911 T
10	901 201 311 00	Bracket		3	
11	N 014 725 2	Pan-head screw M 8 X 25		3	
11	900 067 018 03	Pan-head screw M 8 X 25		3	
12	900 031 001 02	Washer 8,4		3	
12	900 031 105 01	Washer 8,4		3	
13	901 504 932 20	Sealing strap		1	
14	999 180 030 50	Fuel hose		*	
14	999 180 030 5A	Fuel hose		*	
15	999 512 055 02	Hose clamp		2	911 T
15	PCG 512 055 02	Hose clamp		13	911 E/S
16	901 356 461 00	Hose connection		2	911 T
17	N 020 359 1	Hose		13	911 E/S
18	901 108 531 00	Fuel line Centre		1	911 E/S
18	901 108 531 01	Fuel line Centre		2	911 E/S
(18)	901 108 531 00	Fuel line Centre		2	911 E/S
		Fuel line Centre		1	911 T

Model: 911 70

Model life 1970>>1973

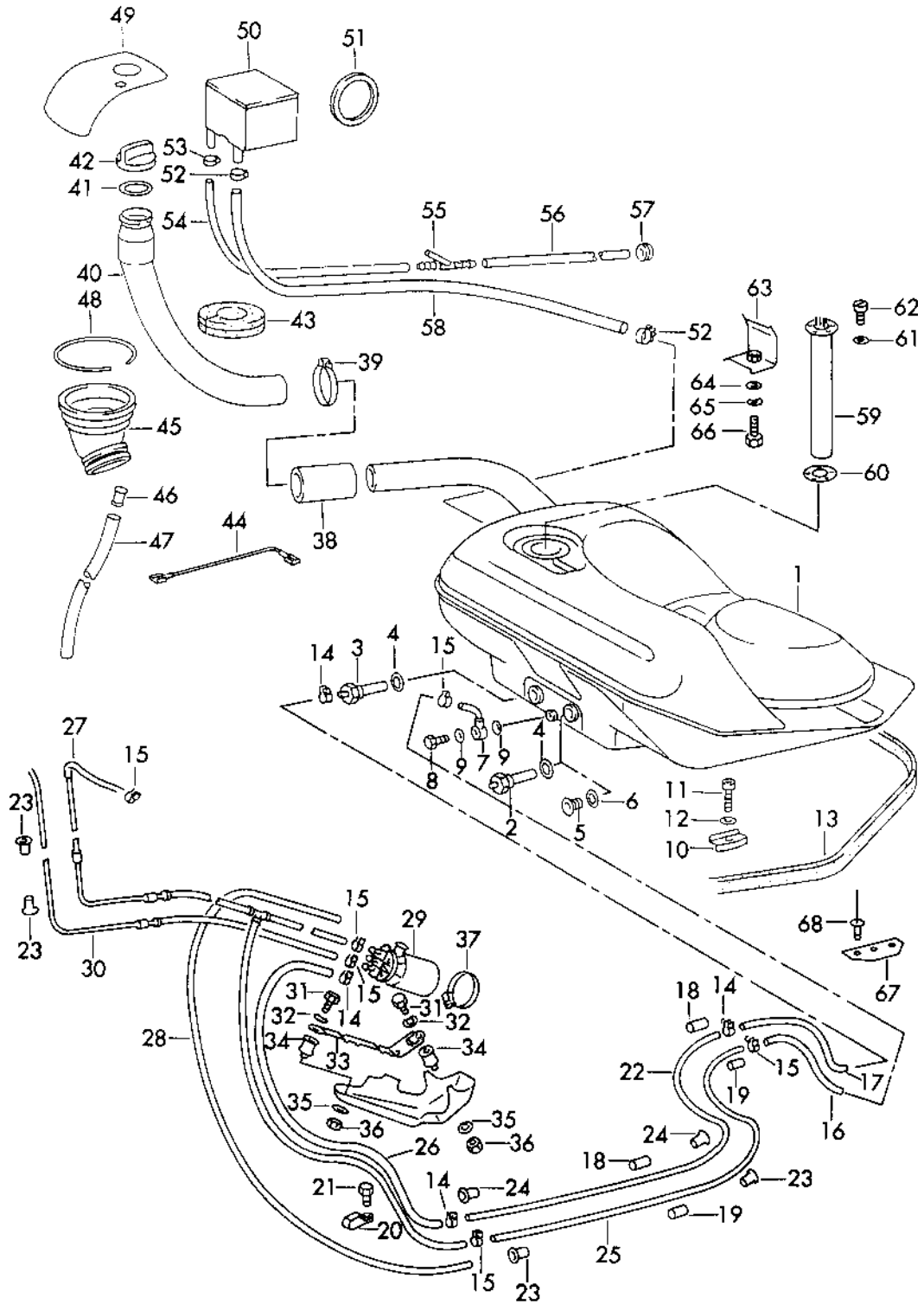
Pos	Part Number	Description	Remark	Qty	Model
(18)	901 108 531 01	Not for Sportomatic Fuel line Centre Not for Sportomatic		1	911 T
19	000 043 205 20	Protective tube		*	
20	914 356 203 00	Protective grommet		7	
21	914 356 201 00	Rubber sleeve		6	911 E/S
22	901 356 532 00	Fuel line Rear		4 2	911 T 911 E/S
22	901 356 532 01	Fuel line Rear		1 2	911 T 911 E/S
23	911 201 515 00	Hose \$ 50 MM		1	911 T
24	999 512 348 02	Hose clamp		2	
25	901 201 051 20	Filler neck		1	
26	901 201 272 00	Sealing ring		1	
26	930 107 272 01	Sealing ring		1	
27	901 201 271 00	Fuel tank cap with Gasket		1	
27	901 201 271 01	Fuel tank cap with Gasket		1	
28	911 201 095 00	Gasket		1	
29	901 612 303 20	Ground strap Filler neck NR.27		1	
30	901 201 591 20	Sleeve		1	
30	901 201 591 21	Sleeve		1	
31	911 201 593 00	Overflow socket		1	
32	901 201 931 00	Overflow hose		1	
33	999 152 004 00	Circlip		1	
34	911 201 279 01	Protective flap		1	
35	911 608 107 00	Fuel pump		1	911 T
35	911 608 107 01	Fuel pump		1	911 T
35	911 608 107 03	Fuel pump		1	911 T
35	911 608 107 X	Fuel pump		1	911 T
(35)	901 608 105 00	Fuel pump See group 2/01/25		1	911 E/S
(35)	901 608 105 01	Fuel pump See group 2/01/25		1	911 E/S
(35)	901 608 105 04	Fuel pump See group 2/01/25		1	911 E/S
36	901 356 505 01	Bracket		1	911 T/E/S
36	901 356 505 03	Bracket		1	911 T/E/S
37	999 512 164 02	Hose clamp		1	911 T/E/S
38	901 501 864 00	Megulastik pivot bearing		2	911 E/S
39	900 076 010 02	Nut M 6		4	911 E/S
39	900 076 010 0B	Nut M 6		4	911 E/S
40	900 027 014 01	Lock ring B 6		4	911 E/S
40	900 027 014 02	Lock ring B 6		4	911 E/S
40	N 012 006 4	Lock ring B 6		4	911 E/S

Model: 911 70 Model life 1970>>1973

Pos	Part Number	Description	Remark	Qty	Model
41	901 201 062 22	Container for Bleeding		1	
42	901 201 618 22	Rubber ring		1	
43	901 201 619 22	Intermediate piece		1	
44	901 201 602 22	Breather hose		1	
45	901 201 603 22	Breather hose		1	
-	999 651 128 00	Cable clamp		1	
46	999 702 074 50	Rubber sleeve		1	
47	999 512 160 02	Hose clamp		1	
47	PCG 512 160 02	Hose clamp		1	
48	901 201 601 24	Breather hose for Fuel tank 62 L		1	
49	N 023 565 3	Hose clamp		2	
50	999 513 002 40	Tie-wrap		1	
50	N 020 910 4	Tie-wrap		1	
50	999 513 003 40	Tie-wrap		1	
51	901 741 801 00	Sender	71-	1	911 T/E/S
52	477 919 133	Sealing ring	71	1	911 T/E/S
53	900 025 003 30	Washer	71-	5	911 T/E/S
54	900 014 058 02	Pan-head screw AM 5 X 12	71-	5	911 T/E/S

Model: 911 70

Model life 1970>>1973



Model: 911 70 Model life 1970>>1973

Pos	Part Number	Description	Remark	Qty	Model
		Fuel system Lines with Fuel pump Rear			911 T/E/S 911 T-V CARRERA 2.7 911 T-K
1	901 201 010 22	Fuel tank 62 L	-71 72-	1	911 E/S 911 T 911 T-V
(1)	911 201 904 00	Fuel tank 62 L		1	911 E/S 911 T 911 T-V
(1)	911 201 904 02	Use also: 911.356.902.00 Fuel tank 62 L		1	911 T-V
(1)	911 201 904 02	Use also: 911.356.902.00 Fuel tank 62 L		1	911 E/S 911 T 911 T-V
(1)	911 201 010 25	Fuel tank 62 L		1	911 T-K
(1)	911 201 904 00	Fuel tank 62 L		1	911 T-K
(1)	911 201 904 02	Use also: 911.356.902.00 Fuel tank 62 L		1	911 T-K
(1)	911 201 904 02	Use also: 911.356.902.00 Fuel tank 62 L		1	911 T-K
(1)	911 201 010 00	Fuel tank 85 L	73-	1	911 E/S CARRERA 2.7
		Plastic material Modification parts auf Fuel tank Steel	72-		911 T:M
(1)	911 201 010 12	Fuel tank Plastic material 85 L	73-	1	911 E/S CARRERA 2.7
(1)	911 201 010 13	Fuel tank Plastic material 85 L	72- 73-	1	911 T:M 911 E/S CARRERA 2.7
2	901 201 023 04	Fuel tank cap \$ 6 MM with Optional heating	-71 71- 72-	1	911 E/S 911 T VERGASER
2	901 201 023 06	Fuel tank cap \$ 6 MM with Optional heating		1	911 E/S 911 T VERGASER
(2)	901 201 023 04	Fuel tank cap	72-	1	911 E/S CARRERA 2.7
(2)	901 201 023 06	Fuel tank cap	72- 72-	1	911 T-V:M 911 E/S CARRERA 2.7
3	901 201 023 05	Fuel tank cap \$ 8 MM	-71	1	911 T-V:M 911 E/S 911 T-V
3	901 201 023 07	Fuel tank cap \$ 8 MM		1	911 E/S 911 T-V
(3)	901 201 023 05	Fuel tank cap	72-	1	911 E/S CARRERA 2.7
(3)	901 201 023 07	Fuel tank cap	72- 72-	1	911 T-V:M 911 E/S CARRERA 2.7
					911 T-V:M

Model: 911 70 Model life 1970>>1973

Pos	Part Number	Description	Remark	Qty	Model
4	N 013 827 3	Sealing ring A 22 X 27	-71	2	911 T/E/S
(4)	900 123 011 20	Sealing ring A 22 X 27	72-	2	911 T-V
(4)	911 201 241 00	Sealing ring A 22 X 32	72-	1	911 T-K
		Kunststofftank	72-	2	911 E/S
-	901 356 461 00	Hose connection for Optional heating	72-	*	CARRERA 2.7
5	900 219 001 30	Screw plug M 22 X 1,5	72-		911 T-V:M
6	900 123 011 30	Sealing ring A 22 X 27	-71	1	911 T/E/S:M
7	901 356 049 00	Ring piece	-71		911 T-V
8	900 134 007 02	Banjo bolt A 8	72-	1	911 T-K
8	900 134 007 01	Banjo bolt A 8	-71	1	911 T/E/S
8	PCG 134 007 01	Banjo bolt A 8	-71	1	911 T
9	900 123 007 60	Sealing ring A 14 X 18	72-	1	911 T-V
(9)	N 013 849 2	Sealing ring A 14 X 18	-71	2	911 E/S
-	911 201 141 00	Fuel filter Complete	72-	1	911 T
-	911 201 143 00	Sealing ring	72-	1	911 T-V
10	901 201 311 00	Bracket	-71	3	911 E/S
(10)	911 201 311 00	Bracket	73-	2	911 T-V
11	N 014 725 2	Pan-head screw M 8 X 25	73-	3	911 E/S
11	900 067 018 03	Pan-head screw M 8 X 25	73-	3	911 T-V
(11)	900 067 057 02	Pan-head screw M 8 X 20	-71	2	911 T-K
(11)	900 067 057 03	Pan-head screw M 8 X 20	73-	2	911 T/E/S
12	900 031 001 02	Washer 8,4	73-	2	911 T-V
12	900 031 105 01	Washer 8,4	73-	3	911 T-K
(12)	900 025 007 02	Washer 8,4	-71	3	911 E/S
(12)	900 025 007 03	Washer 8,4	72-	2	911 T-V
			72-	2	911 T-K
			72-	2	911 E/S
			72-	2	CARRERA 2.7
			72-	2	911 T-V
			72-	2	911 E/S
			72-	2	CARRERA 2.7
			72-	2	911 T-V
			72-	2	911 E/S
			72-	2	CARRERA 2.7
			72-	2	911 T-V

Model: 911 70 Model life 1970>>1973

Pos	Part Number	Description	Remark	Qty	Model
13	901 504 932 20	Sealing strap		1	
14	N 023 570 2	Hose clamp		4	
15	999 512 174 02	Hose clamp	-71	5	911 T
			72-	5	911 T-V
				6	911 T/E/S
					CARRERA 2.7
-	999 180 025 50	Fuel hose C 7 X 12		*	
16		350 MM Return line Centre Container	72-	1	
-	999 180 058 50	Fuel hose C 9 X 15		*	
17		330 MM Container Intake pipe Centre		1	
18	911 356 203 00	Protective grommet	-71	2	911 T/E/S
19	914 356 203 00	Protective grommet	-71	3	911 T/E/S
20	999 511 091 02	Pipe clamp	72-	1	
20	999 511 091 0C	Pipe clamp	72-	1	
21	900 187 104 02	Tapping screw B 4,8 X 13	72-	1	
22	911 356 505 01	Fuel line Intake pipe Centre		1	
22	911 356 505 02	Fuel line Intake pipe Centre		1	
		Information available			
(22)	911 356 073 00	Fuel line Intake pipe Centre	72-	1	911 T-K
23	914 356 201 00	Rubber sleeve	-71	4	
24	914 356 202 00	Rubber sleeve		2	
25	901 108 531 00	Fuel line Return line Centre		1	
25	901 108 531 01	Fuel line Return line Centre		1	
-	999 180 125 50	Fuel hose C 9 X 15	-71	*	
26		850 MM Intake pipe Centre Pump	72-	1	
-	999 180 147 50	Fuel hose C 9 X 15	72-	*	
(26)		760 MM Intake pipe Centre Pump		1	
27	911 356 064 01	Fuel line	-71	1	911 E/S
(27)	911 356 064 02	Fuel line	72-	1	911 T/E/S
					CARRERA 2.7
(27)	911 356 064 05	Fuel line	72-	1	911 T/E/S
					CARRERA 2.7
(27)	911 356 064 30	Fuel line	72-	1	911 T-K
-	999 180 030 50	Fuel hose C 7 X 12	-71	*	911 T
-	999 180 030 5A	Fuel hose		*	911 T

Model: 911 70 Model life 1970>>1973

Pos	Part Number	Description	Remark	Qty	Model
28		C 7 X 12 800 MM Pump Return line Centre		1	
-	999 180 030 50	Fuel hose C 7 X 12	72-	*	911 T-V
-	999 180 030 5A	Fuel hose C 7 X 12	72-	*	911 T-V
(28)		780 MM Pump Return line Centre		1	
29	901 608 105 00	Fuel pump	71- 72-	1	911 E/S 911 T CARRERA 2.7
29	901 608 105 01	Fuel pump	71- 72-	1	911 E/S 911 T CARRERA 2.7
29	901 608 105 04	Fuel pump	71-	1	911 E/S 911 T CARRERA 2.7
(29)	911 608 107 00	Fuel pump	71-	1	911 T
(29)	911 608 107 01	Fuel pump	71-	1	911 T
(29)	911 608 107 03	Fuel pump	71-	1	911 T
(29)	911 608 107 X	Fuel pump	71- 72-	1	911 T 911 T-V
(29)	911 608 107 01	Fuel pump	71- 72-	1	911 T 911 T-V
(29)	911 608 107 03	Fuel pump	71-	1	911 T 911 T-V
(29)	911 608 110 02	Fuel pump	72-	1	911 T-K
(29)	911 608 110 03	Fuel pump	72-	1	911 T-K
(29)	911 608 110 06	Fuel pump	72-	1	911 T-K
30	911 356 066 31	Pressure line	-71	1	
30	911 356 066 34	Pressure line	-71	1	
(30)	911 356 066 02	Pressure line	72-	1	
(30)	911 356 066 11	Pressure line	72-	1	
(30)	911 356 066 31	Pressure line	72-	1	911 T-K
(30)	911 356 066 34	Pressure line	72-	1	911 T-K
31	N 010 208 5	Hexagon-head bolt M 6		2	
32	900 028 008 01	Lock ring B 6	-71	2	
(32)	N 012 007 2	Lock ring B 6	72-	2	
(32)	900 027 004 03	Lock ring B 6	72-	2	
33	911 608 120 00	Support		1	
34	999 703 303 00	Megulastik pivot bearing		2	
35	900 027 014 01	Lock ring B 6		2	
35	900 027 014 02	Lock ring B 6		2	
35	N 012 006 4	Lock ring B 6		2	
36	900 076 010 02	Nut		2	

Model: 911 70 Model life 1970>>1973

Pos	Part Number	Description	Remark	Qty	Model
36	900 076 010 0B	M 6 Nut		2	
37	999 512 164 02	M 6 Hose clamp		1	
38	911 201 515 00	Hose	-71	1	911 T/E/S
(38)		50 X 58 X 100 Hose	72-	1	911 T-V
(38)	901 201 108 00	50 X 58 X 100 Connecting hose	73-	1	911 T-K 911 E/S CARRERA 2.7
39	999 512 348 02	Hose clamp		2	
40	901 201 051 20	Filler neck		1	
41	901 201 272 00	Sealing ring		1	
		for Lid			
41	930 107 272 01	Sealing ring		1	
		for Lid			
42	901 201 271 00	Fuel tank cap		1	
42	901 201 271 01	Fuel tank cap		1	
43	911 201 095 00	Gasket		1	
44	901 612 303 20	Ground strap		1	
		Filler neck NR. 46			
45	901 201 591 20	Sleeve		1	
45	901 201 591 21	Sleeve		1	
46	911 201 593 00	Overflow socket		1	
47	901 201 931 00	Overflow hose		1	
48	999 152 004 00	Circlip		1	
49	911 201 279 01	Protective flap		1	
50	901 201 062 22	Container		1	
		for Bleeding			
51	901 201 618 22	Rubber ring		1	
52	N 023 565 3	Hose clamp		2	
53	999 512 160 02	Hose clamp		1	
53	PCG 512 160 02	Hose clamp		1	
-	901 201 602 22	Breather hose		*	
		9 X 12 550 MM			
54		Intermediate piece		1	
55	901 201 619 22	Breather hose		1	
56	901 201 603 22	Breather hose		1	
		9 X 12 X 1000			
-	999 651 128 00	Cable clamp		1	
57	999 702 074 50	Rubber sleeve		1	
58	901 201 601 24	Breather hose	-71	1	911 T/E/S
		15 X 21 X 920	72-		911 T-V 911 T-K
(58)	911 201 623 00	Breather hose	72-	1	911 E/S CARRERA 911 T-V 911 T-K
		15 X 21 X 770			
59	901 741 801 00	Sender	-71	1	
(59)		Sender	72-	1	
60	477 919 133	Sealing ring		1	
61	900 025 003 30	Washer		5	
		5,3			
62	900 014 058 02	Pan-head screw	-71	5	911 T/E/S
		AM 5 X 12			911 T VERGASER 911 T-K
(62)	900 014 100 02	Pan-head screw	72-	5	911 E/S CARRERA 2.7
		AM 5 X 16			

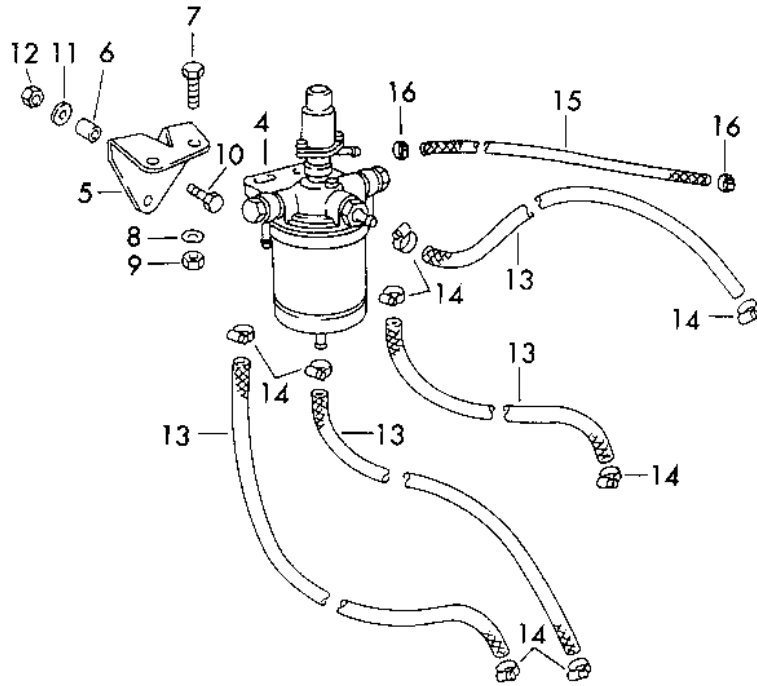
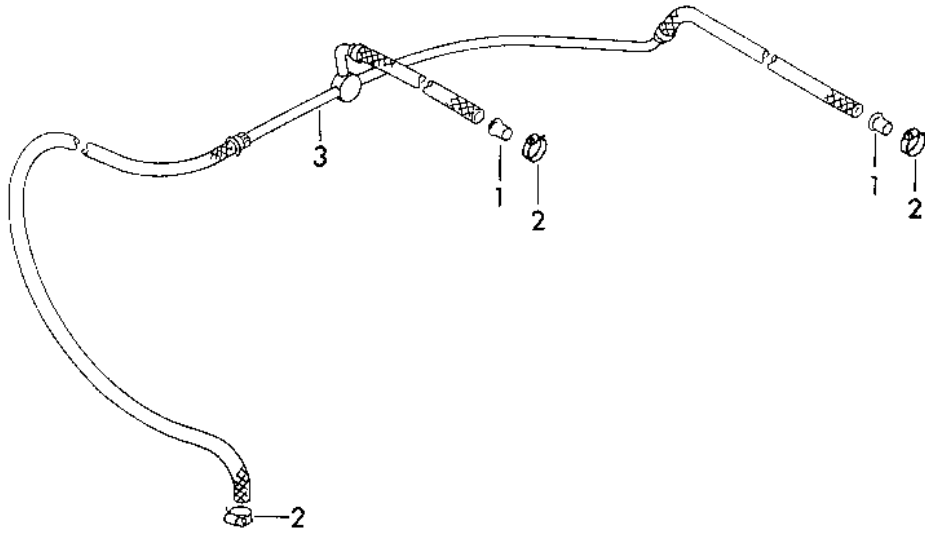
Model: 911 70

Model life 1970>>1973

Pos	Part Number	Description	Remark	Qty	Model
63	911 201 037 00	Retaining bar	72-	1	911 E/S CARRERA 2.7
64	900 025 007 02	Washer 8,4	72-	1	911 E/S CARRERA 2.7
64	900 025 007 03	Washer 8,4	72-	1	911 E/S CARRERA 2.7
65	900 027 005 01	Lock ring A 8	72-	1	911 E/S CARRERA 2.7
66	900 075 085 02	Hexagon-head bolt	72-	1	911 E/S CARRERA 2.7
67	911 201 313 00	Threaded plate	72-	2	911 E/S CARRERA 2.7
68	999 190 103 02	Rivet \$ 4	72-	4	911 E/S CARRERA 2.7

Model: 911 70

Model life 1970>>1973



Model: 911 70 Model life 1970>>1973

Pos	Part Number	Description	Remark	Qty	Model	
2	PCG 512 055 02	Fuel filter with Lines Hose clamp F 12/9 for	72-	1	911 T/E/S CARRERA 2.7 911 T-K 911 T 911 T	
(3)	901 108 051 06	Fuel line Complete Pressure line	72-	3		
-	999 512 181 02	Hose clamp	(S)	5		
-	999 512 181 0B	Hose clamp 58 - 75 X 12	72-	1	911 T-V	
(4)	911 110 184 00	Fuel filter	72-	1	911 T-K	
5	901 108 541 00	Fastening angle	70-	1	911 E/S 911 T CARRERA 2.7	
(5)	911 356 541 01	Fastening angle		1	911 T-K	
6	901 504 859 20	Hose piece	71-	3	911 E/S 911 T CARRERA 2.7	
-	477 209 083	Pressure accumulator	72-	1	911 T-K	
-	999 512 216 02	Terminal 28 - 48 X 9	72-	1	911 T-K	
-	911 356 076 00	Fuel line Fuel accumulator Fuel filter	72-	1	911 T-K	
7	999 075 041 02	Hexagon-head bolt M 10 X 25	70-	2	911 E/S 911 T CARRERA 2.7	
8	N 012 230 1	Spring washer B 10	70-	2	911 E/S 911 T CARRERA 2.7	
9	N 011 010 6	Hexagon nut M 10	70-	2	911 E/S 911 T CARRERA 2.7	
9	N 101 552 10	Hexagon nut M 10	70-	2	911 E/S 911 T CARRERA 2.7	
10	900 074 015 02	Hexagon-head bolt M 6 X 30	70-	3	911 E/S 911 T CARRERA 2.7	
10	900 074 015 03	Hexagon-head bolt M 6 X 30	70-	3	911 T-K 911 E/S 911 T CARRERA 2.7	
(11)	999 025 108 02	Washer	72-	3	911 T-K 911 T CARRERA 2.7	
12	900 084 010 02	Lock nut M 6	70- 72-	3	911 T-K 911 E/S 911 T CARRERA 2.7	
13	999 180 030 5A	Fuel hose C 7 X 12 570 MM		*	911 T-K 911 E/S	
(13)	-	999 180 030 50	Fuel hose C 7 X 12	72-	3	911 T/E/S CARRERA 2.7
-	999 180 030 5A	Fuel hose C 7 X 12	72-	*	911 T/E/S CARRERA 2.7	
(13)	-	999 180 030 50	Fuel hose 620 MM	72-	2	911 T/E/S
-	999 180 030 50	Fuel hose	72-	*	911 T/E/S	

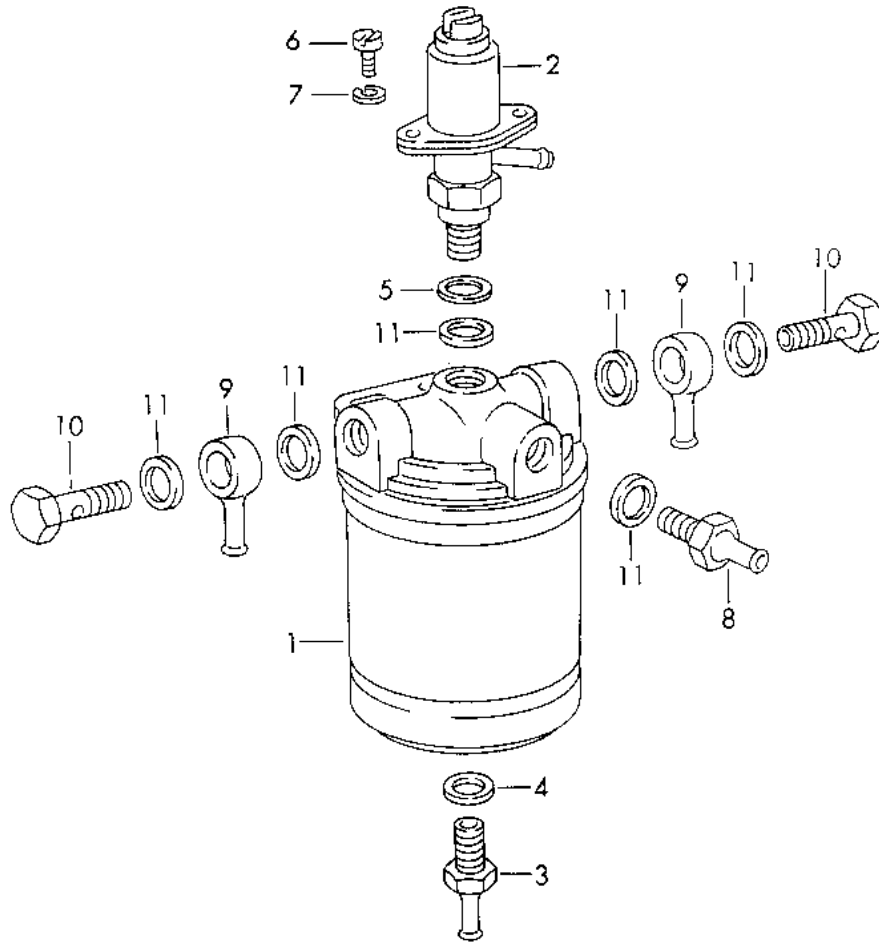
Model: 911 70

Model life 1970>>1973

Pos	Part Number	Description	Remark	Qty	Model
-	999 180 030 5A	C 7 X 12 Fuel hose	72-	*	CARRERA 2.7 911 T/E/S
(13)		C 7 X 12 240 MM		1	CARRERA 2.7
-	999 180 030 50	Fuel hose	72-	*	911 T/E/S
-	999 180 030 5A	C 7 X 12 Fuel hose	72-	*	911 T/E/S
(13)		C 7 X 12 180 MM		1	
(13)	911 356 074 01	Pressure line Fuel accumulator	72-	1	911 T-K
14	PCG 512 055 02	Hose clamp		8	911 E/S
(14)	999 512 174 02	Hose clamp	71- 72-	6	911 E/S 911 T CARRERA 2.7
15		275 MM	72-	2	911 T-K
-	999 181 167 50	Hose	72-	*	911 T/E/S CARRERA 2.7
(15)		C 4,5 X 9,5 400 MM		1	
16	999 512 082 02	Hose clamp	70- 72-	2	911 E/S 911 T CARRERA 2.7
16	999 512 082 01	Hose clamp	70-	2	911 E/S 911 T CARRERA 2.7

Model: 911 70

Model life 1970>>1973



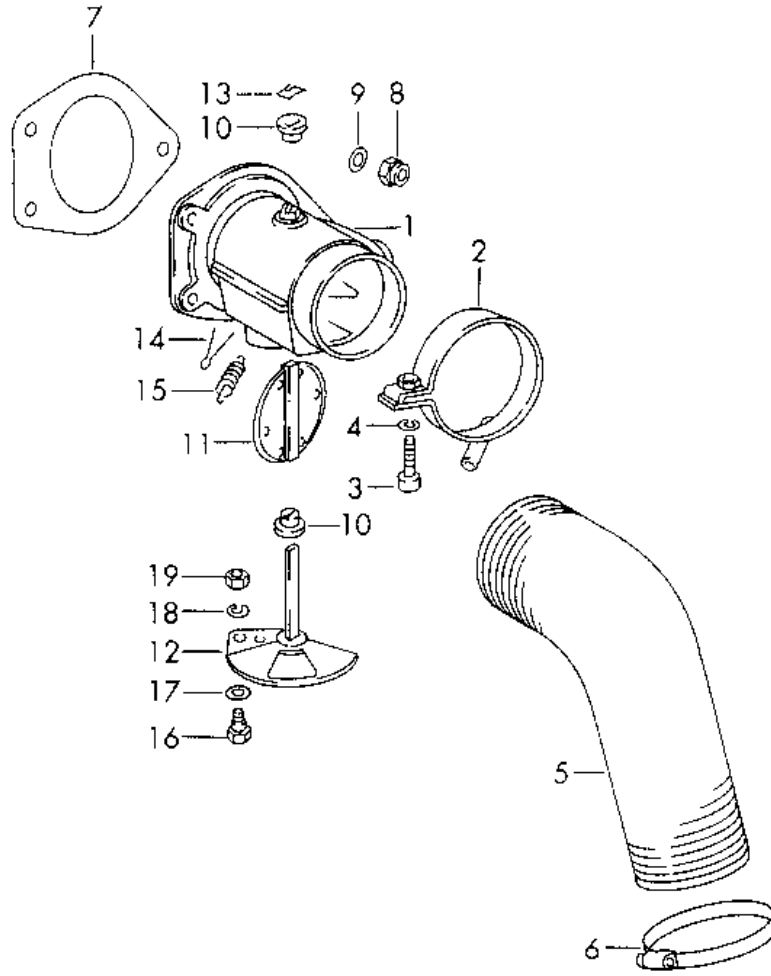
Model: 911 70

Model life 1970>>1973

Pos	Part Number	Description	Remark	Qty	Model
		Repair material for	72-		911 E/S 911 T CARRERA 2.7
1-11	901 110 232 00	Fuel filter - bosch -		1	
1	PCG 110 909 10	Fuel filter		1	
-	PCG 110 232 00	Bracket		1	
2	901 110 911 00	Solenoid valve Complete		1	
2	901 110 911 01	Solenoid valve Complete		1	
3	901 110 912 00	Hose connection Lower		1	
4	900 123 006 25	Sealing ring A 12 X 18		1	
5	901 110 920 00	Shim		1	
6	901 110 913 00	Bleeder screw		1	
7	901 110 914 00	Sealing ring		1	
8	901 110 915 00	Valve		1	
8	901 110 915 01	Valve		1	
9	901 110 916 00	Ring piece		1	
9	901 110 916 01	Ring piece		1	
10	901 110 917 00	Banjo bolt		1	
10	901 110 917 01	Banjo bolt		1	
11	N 013 849 2	Sealing ring A 14 X 18		6	

Model: 911 70

Model life 1970>>1973



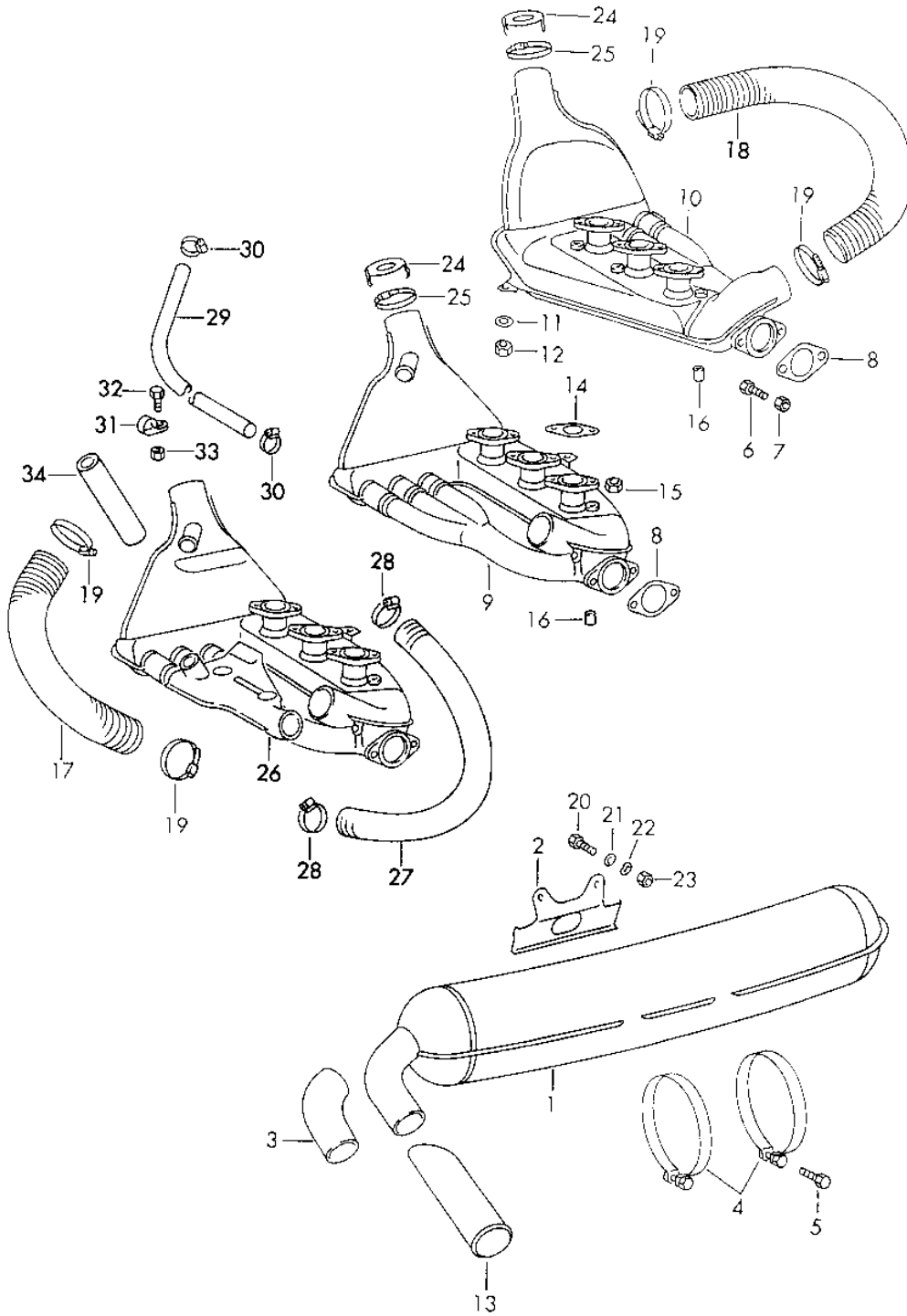
Model: 911 70

Model life 1970>>1973

Pos	Part Number	Description	Remark	Qty	Model
		Heating air supply	70- 72-		911 T/E/S 911 T-V CARRERA 2.7 911 T-K
1	901 211 007 22	Heat control box Black	/L	1	
1	901 211 007 23	Heat control box Red	/L	1	
(1)	901 211 008 22	Heat control box Black	/R	1	
(1)	901 211 008 23	Heat control box Red	/R	1	
2	901 211 051 21	Pipe clamp	/L	1	
2	901 211 051 22	Pipe clamp	/L	1	
(2)	901 211 052 21	Pipe clamp	/R	1	
(2)	901 211 052 22	Pipe clamp	/R	1	
3	900 119 014 02	Pan-head screw M 6 X 20	-71	2	
(3)	900 378 030 09	Hexagon-head bolt M 6 X 20	72-	2	
4	900 027 014 01	Lock ring B 6		2	
4	900 027 014 02	Lock ring B 6		2	
4	N 012 006 4	Lock ring B 6		2	
5	930 211 622 01	Connecting hose 250 MM	-71	2	
(5)	902 211 922 20	Connecting hose 250 MM	72-	2	
6	999 512 349 02	Hose clamp		2	
6	999 512 349 01	Hose clamp		2	
6	999 512 349 0B	Hose clamp		2	
7	911 211 297 00	Gasket		2	
8	900 084 010 02	Lock nut M 6		6	
9	N 011 524 7	Washer 6,4		6	
9	N 011 524 27	Washer 6,4		6	
10	901 211 255 21	Bearing		4	
11	901 211 028 22	Air flap		2	
12	901 211 035 21	Rotary slide	/L	1	
(12)	901 211 036 21	Rotary slide	/R	1	
13	999 507 222 02	Mecano-speed-fix		2	
14	900 021 014 02	Cotter pin 3 X 15		2	
15	999 522 013 01	Spring		2	
16	901 211 683 00	Clamping screw		2	
17	999 025 042 02	Washer		2	
18	900 027 011 01	Lock ring B 4		2	
19	N 011 004 6	Hexagon nut M 4		2	
19	N 011 004 G	Nut M 4		2	

Model: 911 70

Model life 1970>>1973



Model: 911 70 Model life 1970>>1973

Pos	Part Number	Description	Remark	Qty	Model
		Exhaust system	72-		911 T/E/S 911 T-V CARRERA 2.7 911 T-K
1	911 111 025 00	Exhaust silencer		1	
1	911 111 025 05	Exhaust silencer		1	
2	901 111 151 04	Bracket		1	
3	901 111 287 00	Pipe		1	
4	901 111 157 04	Clamp for Exhaust silencer		2	
5	900 067 161 02	Pan-head screw M 10 X 50	72-	2	
6	900 075 148 02	Hexagon-head bolt M 10 X 32		4	
7	999 084 002 02	Hexagon nut M 10		4	
8	901 111 193 00	Gasket		2	
9	911 211 021 60	Heat exchanger Complete	/L	1	911 T-V 911 T-K
10	911 211 022 10	Heat exchanger Complete	/R	1	
11	N 012 226 5	Spring washer	72-	2	
12	900 076 010 02	Nut M 6		2	
12	900 076 010 0B	Nut M 6		2	
12	900 076 025 02	Hexagon nut M 6	72-	2	
12	900 076 064 02	Hexagon nut M 6	72-	2	
13	901 111 245 01	Ornamental exhaust pipe		1	
14	930 111 191 13	Gasket 1,8 X 52 X 39		6	
14	911 113 190 01	Gasket 2,5 X 52 X 34		6	
15	900 076 025 02	Hexagon nut M 8		6	
15	900 076 064 02	Hexagon nut M 8		6	
16	999 085 001 02	Socket head nut M 8		6	
17	901 211 194 00	Heater hose	/L	1	
17	901 211 194 01	Heater hose	/L	1	
18	901 211 194 00	Heater hose	/R	1	
18	901 211 194 01	Heater hose	/R	1	
19	999 512 349 02	Hose clamp		4	
19	999 512 349 01	Hose clamp		4	
19	999 512 349 0B	Hose clamp		4	
20	900 075 078 02	Hexagon-head bolt M 8 X 15		2	
20	900 075 078 03	Hexagon-head bolt M 8 X 15		2	
21	900 025 007 02	Washer 8,4		2	
21	900 025 007 03	Washer 8,4		2	
22	N 012 241 8	Spring washer B 8 X 15	71-	2	
23	900 076 025 02	Hexagon nut M 8		2	
23	900 076 064 02	Hexagon nut		2	

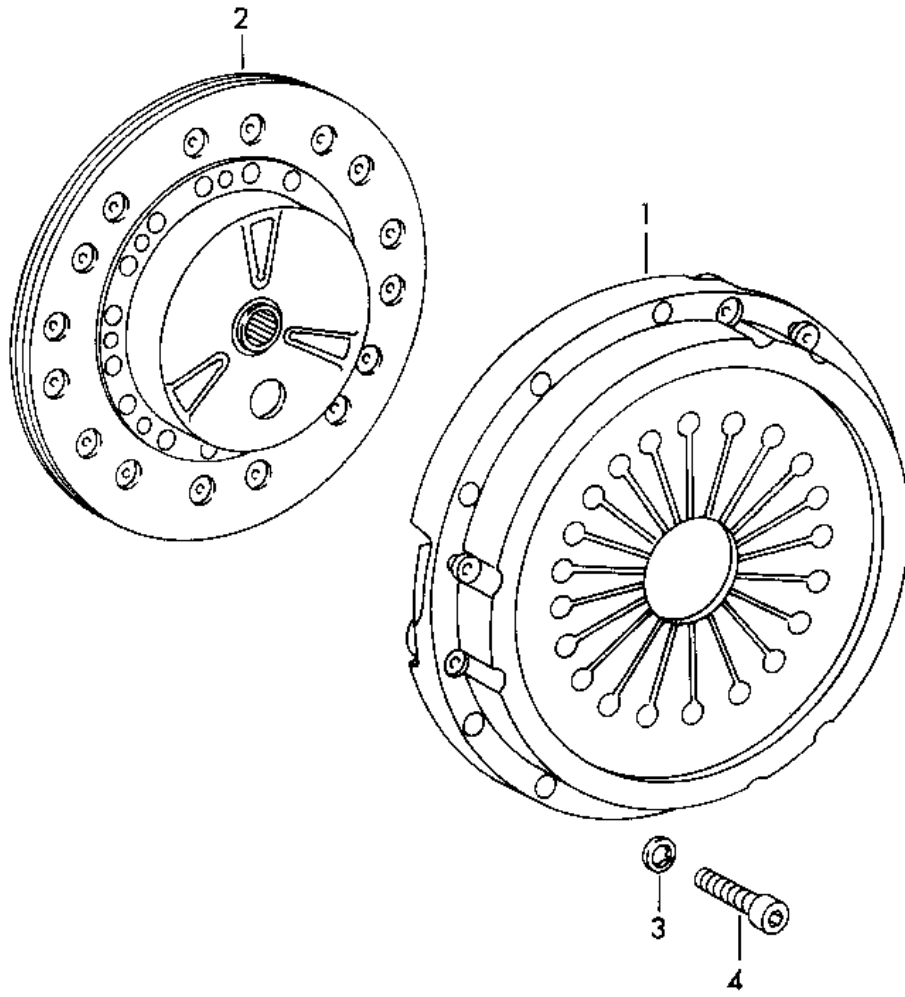
Model: 911 70

Model life 1970>>1973

Pos	Part Number	Description	Remark	Qty	Model
25	999 512 349 01	M 8 Hose clamp for cars without Heating		2	911 S
26	911 211 021 14	Heat exchanger Complete	/L 72-	1	911 T/E/S CARRERA 2.7
27	911 108 151 00	Flexible pipe Heat exchanger Regulator housing	72-	1	911 T/E/S CARRERA 2.7
28	999 512 348 02	Hose clamp 38 - 58 X 9	72-	2	911 T/E/S CARRERA 2.7
29	911 110 295 02	Flexible pipe Engine cover Heat exchanger		1	911 T-V
30	999 512 132 02	Hose clamp 20 - 30 X 9	72-	2	911 T-V
31	999 511 088 02	Clip RS 1000.28/15	72-	1	911 T-V
32	900 075 010 02	Hexagon nut M 6 X 12	72-	1	911 T-V
32	N 010 212 14	Hexagon-head bolt M 6 X 12	72-	1	911 T-V
32	999 072 005 09	Hexagon nut M 6 X 12	72-	1	911 T-V
32	999 072 005 01	Hexagon nut M 6 X 12	72-	1	911 T-V
33	900 076 010 02	Nut M 6	72-	1	911 T-V
33	900 076 010 0B	Nut M 6	72-	1	911 T-V
34	911 106 329 00	Flexible pipe Front Engine cover Heat exchanger	73- /L	1	911 T/E/S CARRERA 2.7

Model: 911 70

Model life 1970>>1973

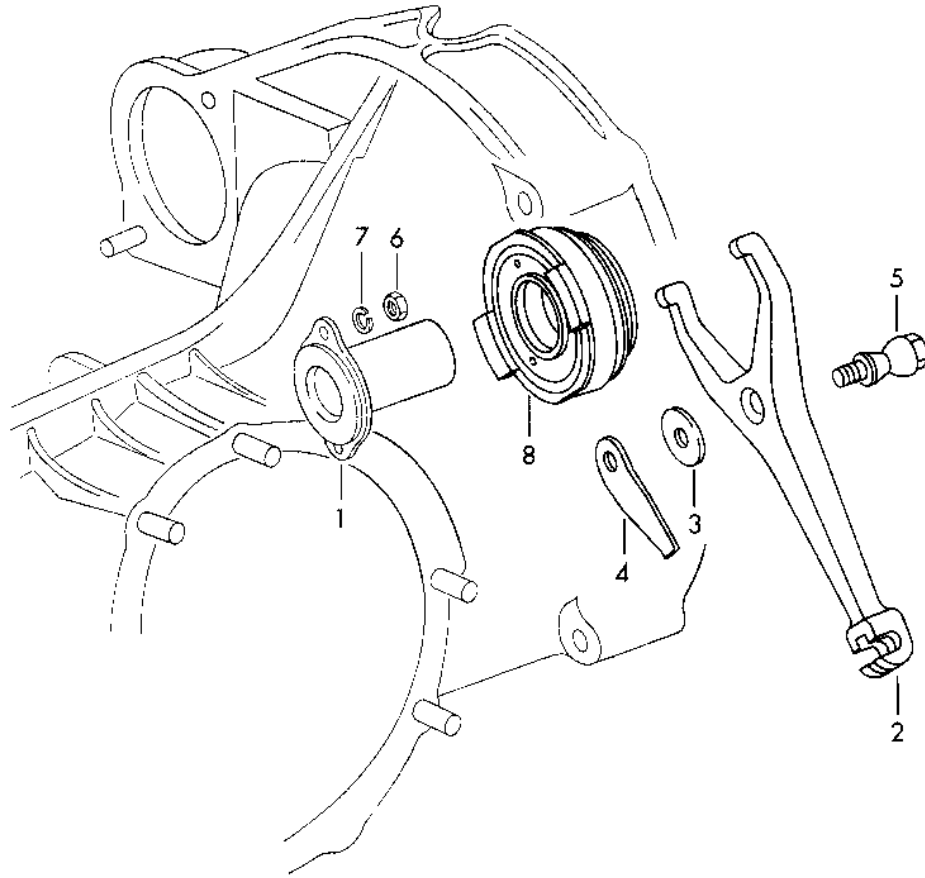


Model: 911 70 Model life 1970>>1973

Pos	Part Number	Description	Remark	Qty	Model
1	911 116 001 05	Clutch Pressure plate	-71	1	911 T/E/S
(1)	915 116 001 10	Pressure plate	72-	1	911 T-E/S 911 T-V 911 T-K
(1)	915 116 001 27	Pressure plate	72-	1	911 T-E/S 911 T-V 911 T-K
(1)	915 116 001 14	Pressure plate	72-	1	CARRERA 2.7
(1)	915 116 001 27	Pressure plate	72-	1	CARRERA 2.7
2	911 116 011 04	Clutch plate	70	1	911 T/E/S
(2)	911 116 011 02	Clutch plate	71	1	911 T/E/S
(2)	911 116 011 07	Clutch plate	71	1	911 T/E/S
(2)	915 116 011 14	Clutch plate	72-	1	911 T-E/S 911 T-V CARRERA 2.7
(2)	915 116 011 22	Clutch plate	72-	1	911 T-K 911 T-E/S 911 T-V CARRERA 2.7 911 T-K
3	900 027 015 02	Lock ring B 8		9	
3	900 027 015 03	Lock ring B 8		9	
4	900 067 090 02	Pan-head screw M 8 X 42		9	
-	915 116 911 00	Repair kit for Clutch Comprising: Pressure plate Clutch plate Clutch release bearing	72-	1	911 T-E/S 911 T-V CARRERA 2.7 911 T-K

Model: 911 70

Model life 1970>>1973



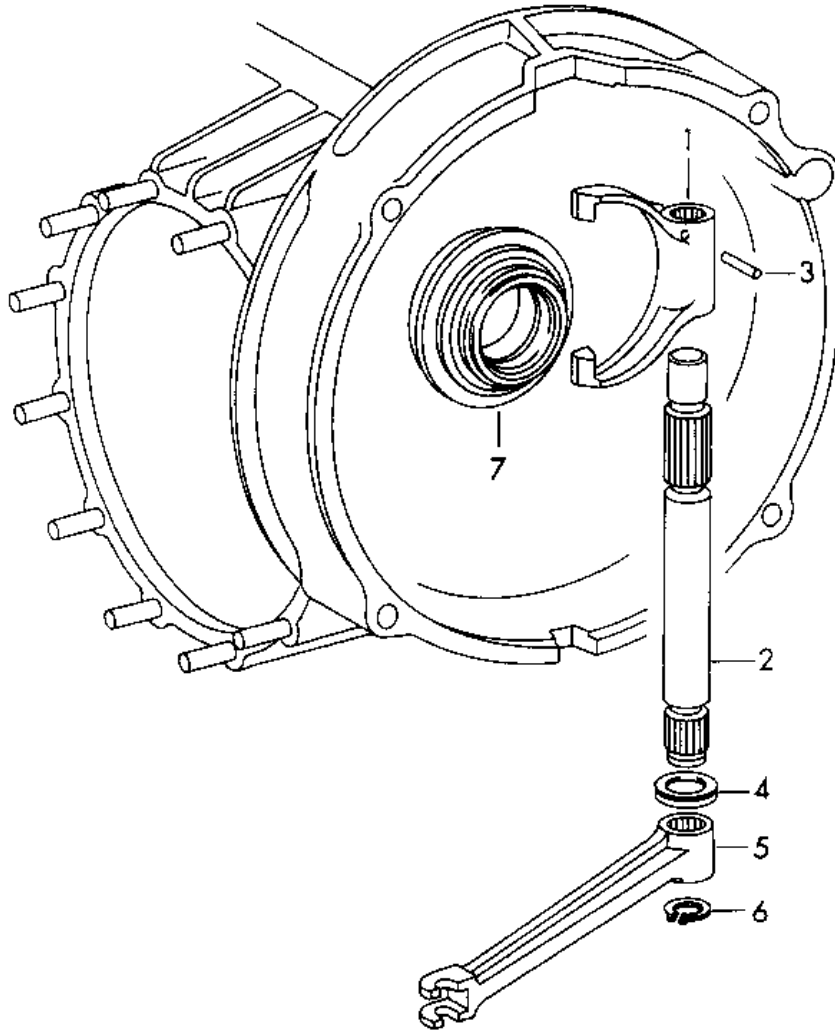
Model: 911 70

Model life 1970>>1973

Pos	Part Number	Description	Remark	Qty	Model
		Clutch release	-71		
1	911 116 087 00	Guide tube		1	
2	911 116 712 01	Release fork		1	
3	911 116 743 01	Washer		1	
4	911 116 774 01	Leaf spring		1	
5	911 116 772 11	Ball pin		1	
6	900 076 010 02	Nut M 6		2	
6	900 076 010 0B	Nut M 6		2	
7	900 027 014 01	Lock ring B 6		2	
7	900 027 014 02	Lock ring B 6		2	
7	N 012 006 4	Lock ring B 6		2	
8	911 116 081 02	Clutch release bearing		1	

Model: 911 70

Model life 1970>>1973

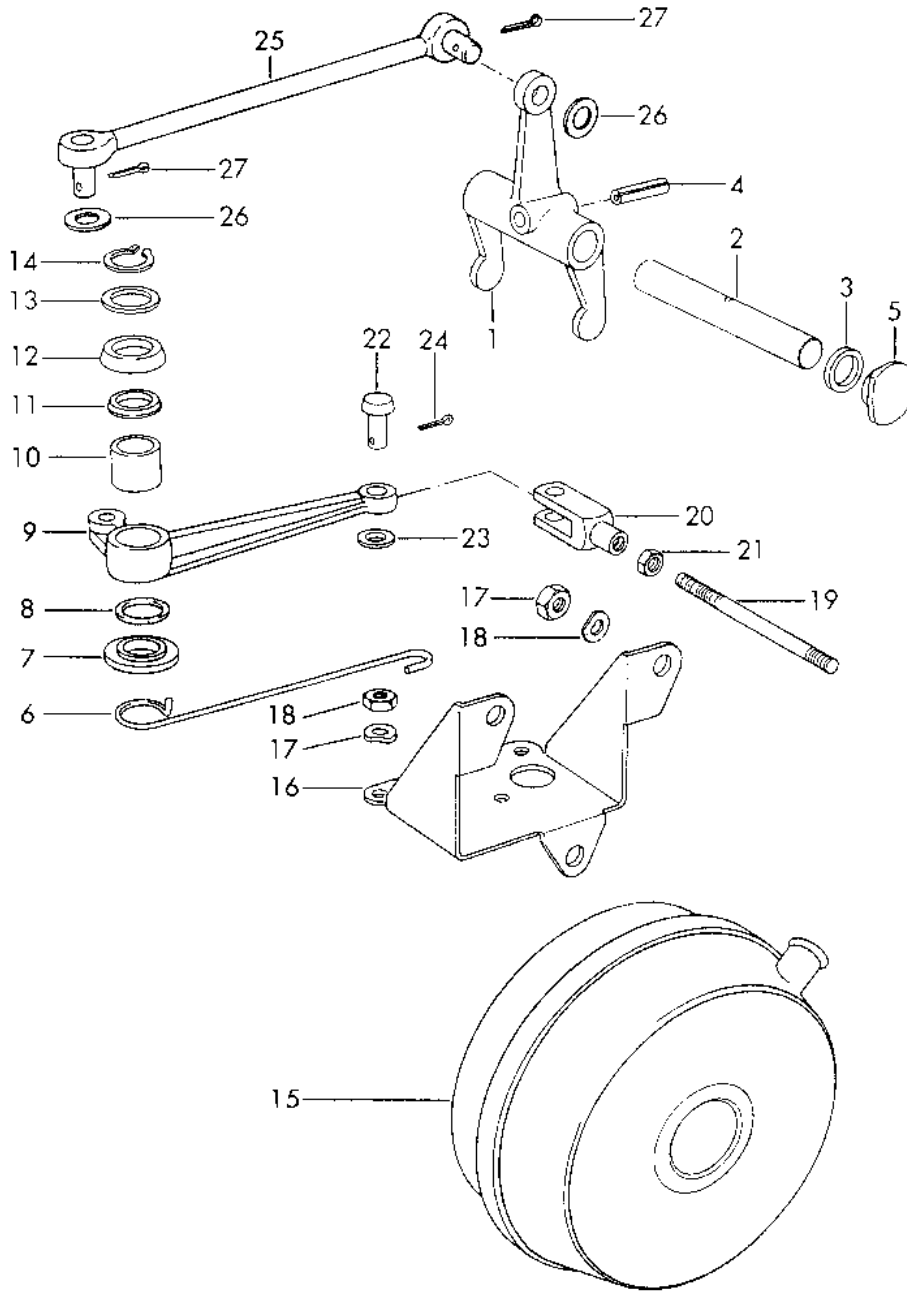


Model: 911 70 Model life 1970>>1973

Pos	Part Number	Description	Remark	Qty	Model
		Clutch release	72-		
1	915 116 712 01	Release fork		1	
1	915 116 712 03	Release fork		1	
2	915 116 133 03	Bellcrank		1	
2	915 116 133 07	Bellcrank		1	
3	900 095 050 00	Roll pin 4 X 26		1	
4	915 301 139 00	Sealing ring		1	
5	915 116 713 01	Clutch release lever		1	
6	N 012 418 1	Circlip 18 X 1,2		1	
7	915 116 082 80	Clutch release bearing		1	

Model: 911 70

Model life 1970>>1973

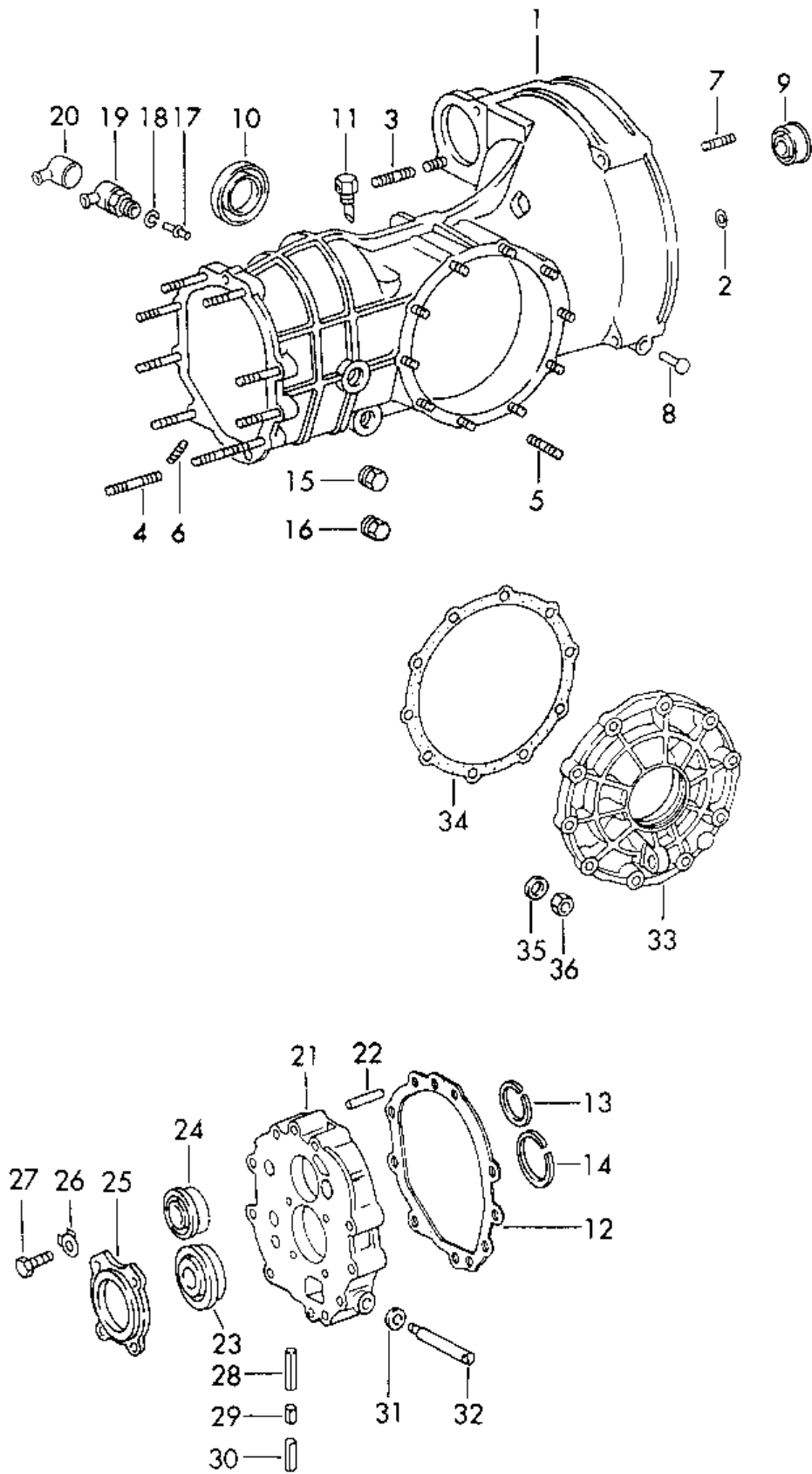


Model: 911 70 Model life 1970>>1973

Pos	Part Number	Description	Remark	Qty	Model
		Clutch release Sportomatic			911 T/E 911 T-E/E/S 911 T-V CARRERA 2.7
1	905 116 711 01	Clutch release lever		1	
2	905 116 709 00	Clutch lever shaft		1	
3	905 116 712 00	Spacer ring		2	
4	900 095 013 00	Roll pin 4 X 20		1	
5	905 116 713 00	Cap		2	
6	905 116 714 00	Spring		1	
7	905 116 708 00	Washer		1	
8	999 701 169 40	O-ring		1	
9	905 116 071 00	Intermediate shift lever		1	
10	905 116 701 01	Bush		1	
11	905 116 719 01	Spacer		1	
12	999 704 019 50	Sleeve T 25 - 1		1	
13	900 234 006 02	Shim 15 X 22 X 1		1	
14	N 012 415 1	Circlip 15 X 1		1	
15	905 116 721 01	Servo-motor 135 X 60		1	
16	905 116 715 10	Servo-motor support	-71 72-	1	911 T/E 911 T-V
(16)	925 116 715 00	Servo-motor support	72-	1	911 T-E/E/S CARRERA 2.7
17	900 076 025 02	Hexagon nut M 8		6	
17	900 076 064 02	Hexagon nut M 8		6	
18	900 027 005 01	Lock ring A 8		6	
19	905 116 716 00	Pull rod		1	
20	900 166 002 02	Clevis G 6 X 24		1	
20	900 166 002 01	Clevis G 6 X 24		1	
21	900 076 010 02	Nut M 6		1	
21	900 076 010 0B	Nut M 6		1	
22	905 116 717 00	Bolt for Pull rod		1	
23	900 089 005 02	Washer 6		1	
24	900 021 002 00	Cotter pin 1,5 X 10		1	
25	905 116 070 01	Push rod	-71 72-	1	911 T/E 911 T-V
(25)	925 116 751 04	Push rod	72-	1	911 T-E/E/S CARRERA 2.7
26	900 025 007 02	Washer 8,4		2	
26	900 025 007 03	Washer 8,4		2	
27	900 021 008 00	Cotter pin 2 X 15		2	
27	900 021 008 0A	Cotter pin 2 X 15		2	

Model: 911 70

Model life 1970>>1973



Model: 911 70 Model life 1970>>1973

Pos	Part Number	Description	Remark	Qty	Model
1	901 301 010 02	Replacement transmission Transmission case Chilled casting Transmission case G 509 0001 >> 509 0462 G 519 0001 >> 519 1141 G 519 5001 >> 519 5209 G 709 0001 >> 709 0223 G 719 0001 >> 719 2526 G 739 0001 >> 739 0002 G 739 1001 >> 739 1001 G 739 2001 >> 739 2007 G 739 3001 >> 739 3003 G 739 4001 >> 739 4004	-70	1	911 T/E/S 902/04 902/05 902/06 901/06 901/07 901/75 901/76 901/77 901/78 901/79
-	999 504 040 02	Bush M 8		1	
2	901 116 773 01	Sealing washer G 509 0001 >> 509 0462 G 519 0001 >> 519 1141 G 519 5001 >> 519 5209 G 709 0001 >> 709 0223 G 719 0001 >> 719 2526 G 739 0001 >> 739 0002 G 739 1001 >> 739 1001 G 739 2001 >> 739 2007 G 739 3001 >> 739 3003 G 739 4001 >> 739 4004		1	902/04 902/05 902/06 901/06 901/07 901/75 901/76 901/77 901/78 901/79
3	900 061 014 02	Stud BM 10 X 22		1	
4	900 061 012 01	Stud BM 8 X 50 G 509 0001 >> 509 0462 G 519 0001 >> 519 1141 G 519 5001 >> 519 5209 G 709 0001 >> 709 0223 G 719 0001 >> 719 2526 G 739 0001 >> 739 0002 G 739 1001 >> 739 1001 G 739 2001 >> 739 2007 G 739 3001 >> 739 3003 G 739 4001 >> 739 4004		9	902/04 902/05 902/06 901/06 901/07 901/75 901/76 901/77 901/78 901/79
5	900 061 007 01	Stud BM 8 X 22 G 509 0001 >> 509 0462 G 519 0001 >> 519 1141 G 519 5001 >> 519 5209 G 709 0001 >> 709 0223 G 719 0001 >> 719 2526 G 739 0001 >> 739 0002 G 739 1001 >> 739 1001 G 739 2001 >> 739 2007 G 739 3001 >> 739 3003 G 739 4001 >> 739 4004		10	902/04 902/05 902/06 901/06 901/07 901/75 901/76 901/77 901/78 901/79
5	900 061 007 02	Stud BM 8 X 22 G 509 0001 >> 509 0462 G 519 0001 >> 519 1141 G 519 5001 >> 519 5209 G 709 0001 >> 709 0223 G 719 0001 >> 719 2526 G 739 0001 >> 739 0002 G 739 1001 >> 739 1001 G 739 2001 >> 739 2007		10	902/04 902/05 902/06 901/06 901/07 901/75 901/76 901/77

Model: 911 70 Model life 1970>>1973

Pos	Part Number	Description	Remark	Qty	Model
5	999 062 007 02	G 739 3001 >> 739 3003 G 739 4001 >> 739 4004 Stud BM 8 X 22 G 509 0001 >> 509 0462 G 519 0001 >> 519 1141 G 519 5001 >> 519 5209 G 709 0001 >> 709 0223 G 719 0001 >> 719 2526 G 739 0001 >> 739 0002 G 739 1001 >> 739 1001 G 739 2001 >> 739 2007 G 739 3001 >> 739 3003 G 739 4001 >> 739 4004		10	901/78 901/79 902/04 902/05 902/06 901/06 901/07 901/75 901/76 901/77 901/78 901/79
5	900 060 106 01	Stud BM 8 X 22 G 509 0001 >> 509 0462 G 519 0001 >> 519 1141 G 519 5001 >> 519 5209 G 709 0001 >> 709 0223 G 719 0001 >> 719 2526 G 739 0001 >> 739 0002 G 739 1001 >> 739 1001 G 739 2001 >> 739 2007 G 739 3001 >> 739 3003 G 739 4001 >> 739 4004		10	902/04 902/05 902/06 901/06 901/07 901/75 901/76 901/77 901/78 901/79
6	900 061 057 02	Stud BM 8 X 15		2	
6	999 062 057 02	Stud BM 8 X 15		2	
6	999 062 073 02	Stud BM 8 X 15		2	
7	999 062 001 02	Stud BM 6 X 10		2	
8	900 093 005 02	Grooved nail 6 X 20 G 509 0001 >> 509 0462 G 519 0001 >> 519 1141 G 519 5001 >> 519 5209 G 709 0001 >> 709 0223 G 719 0001 >> 719 2526 G 739 0001 >> 739 0002 G 739 1001 >> 739 1001 G 739 2001 >> 739 2007 G 739 3001 >> 739 3003 G 739 4001 >> 739 4004		1	902/04 902/05 902/06 901/06 901/07 901/75 901/76 901/77 901/78 901/79
9	999 113 048 50	Sealing frame		1	
9	113 311 113 A	Shaft sealing ring		1	
9	113 311 113 B	Sealing ring		1	
10	999 113 058 50	Radial sealing ring 45 X 65 X 10/1 G 509 0001 >> 509 0462 G 519 0001 >> 519 1141 G 519 5001 >> 519 5209 G 709 0001 >> 709 0223 G 719 0001 >> 719 2526 G 739 0001 >> 739 0002 G 739 1001 >> 739 1001 G 739 2001 >> 739 2007 G 739 3001 >> 739 3003 G 739 4001 >> 739 4004		2	902/04 902/05 902/06 901/06 901/07 901/75 901/76 901/77 901/78 901/79
11	904 301 071 00	Bleeder		1	
12	901 301 191 01	Gasket		X	

Model: 911 70 Model life 1970>>1973

Pos	Part Number	Description	Remark	Qty	Model
		0,1 MM G 509 0001 >> 509 0462 G 519 0001 >> 519 1141 G 519 5001 >> 519 5209 G 709 0001 >> 709 0223 G 719 0001 >> 719 2526 G 739 0001 >> 739 0002 G 739 1001 >> 739 1001 G 739 2001 >> 739 2007 G 739 3001 >> 739 3003 G 739 4001 >> 739 4004			902/04 902/05 902/06 901/06 901/07 901/75 901/76 901/77 901/78 901/79
(12)	901 301 191 02	Gasket 0,15 MM G 509 0001 >> 509 0462 G 519 0001 >> 519 1141 G 519 5001 >> 519 5209 G 709 0001 >> 709 0223 G 719 0001 >> 719 2526 G 739 0001 >> 739 0002 G 739 1001 >> 739 1001 G 739 2001 >> 739 2007 G 739 3001 >> 739 3003 G 739 4001 >> 739 4004		X	902/04 902/05 902/06 901/06 901/07 901/75 901/76 901/77 901/78 901/79
(12)	901 301 191 03	Gasket 0,2 MM G 509 0001 >> 509 0462 G 519 0001 >> 519 1141 G 519 5001 >> 519 5209 G 709 0001 >> 709 0223 G 719 0001 >> 719 2526 G 739 0001 >> 739 0002 G 739 1001 >> 739 1001 G 739 2001 >> 739 2007 G 739 3001 >> 739 3003 G 739 4001 >> 739 4004		X	902/04 902/05 902/06 901/06 901/07 901/75 901/76 901/77 901/78 901/79
13	999 042 301 01	Circlip SB 52		2	
14	999 041 305 01	Circlip SB 79		1	
15	999 064 007 02	Screw plug without Magnet Yellow Anodised		1	
16	999 064 008 02	Screw plug with magnet Yellow Anodised		1	
17	901 303 017 01	Cam follower for Switch		1	
17	901 303 017 02	Back-up light Cam follower for Switch		1	
18	N 012 432 1	Back-up light Lock washer 2,3		1	
19	914 613 541 02	Back-up light switch without Protection cap		1	
20	914 613 491 00	Protection cap		1	
21	901 301 221 01	Intermediate plate		1	

Model: 911 70 Model life 1970>>1973

Pos	Part Number	Description	Remark	Qty	Model	
22	900 012 027 00	G 509 0001 >> 509 0462		2	902/04	
		G 519 0001 >> 519 1141			902/05	
		G 519 5001 >> 519 5209			902/06	
		G 709 0001 >> 709 0223			901/06	
		G 719 0001 >> 719 2526			901/07	
		G 739 0001 >> 739 0002			901/75	
		G 739 1001 >> 739 1001			901/76	
		G 739 2001 >> 739 2007			901/77	
		G 739 3001 >> 739 3003			901/78	
		G 739 4001 >> 739 4004			901/79	
		Straight pin				
		10 M 6 X 45				
		G 509 0001 >> 509 0462			902/04	
		G 519 0001 >> 519 1141			902/05	
G 519 5001 >> 519 5209		902/06				
G 709 0001 >> 709 0223		901/06				
G 719 0001 >> 719 2526		901/07				
G 739 0001 >> 739 0002		901/75				
G 739 1001 >> 739 1001		901/76				
G 739 2001 >> 739 2007		901/77				
G 739 3001 >> 739 3003		901/78				
G 739 4001 >> 739 4004		901/79				
23	999 052 016 00	Four-point bearing		1		
23	999 052 016 0A	Four-point bearing		1		
24	999 053 025 00	Angular-contact bearing		1		
25	901 301 251 01	Tensioning plate		1		
26	999 039 001 00	G 509 0001 >> 509 0462		4	902/04	
		G 519 0001 >> 519 1141			902/05	
		G 519 5001 >> 519 5209			902/06	
		G 709 0001 >> 709 0223			901/06	
		G 719 0001 >> 719 2526			901/07	
		G 739 0001 >> 739 0002			901/75	
		G 739 1001 >> 739 1001			901/76	
		G 739 2001 >> 739 2007			901/77	
		G 739 3001 >> 739 3003			901/78	
		G 739 4001 >> 739 4004			901/79	
		Tab washer				
		G 509 0001 >> 509 0462			902/04	
		G 519 0001 >> 519 1141			902/05	
		G 519 5001 >> 519 5209			902/06	
G 709 0001 >> 709 0223		901/06				
G 719 0001 >> 719 2526		901/07				
G 739 0001 >> 739 0002		901/75				
G 739 1001 >> 739 1001		901/76				
G 739 2001 >> 739 2007		901/77				
G 739 3001 >> 739 3003		901/78				
G 739 4001 >> 739 4004		901/79				
27	N 010 239 11	Hexagon-head bolt M 8 X 18		4		
27	N 010 239 30	G 509 0001 >> 509 0462		4	902/04	
		G 519 0001 >> 519 1141			902/05	
		G 519 5001 >> 519 5209			902/06	
		G 709 0001 >> 709 0223			901/06	
		G 719 0001 >> 719 2526			901/07	
		G 739 0001 >> 739 0002			901/75	
		G 739 1001 >> 739 1001			901/76	
		G 739 2001 >> 739 2007			901/77	
		G 739 3001 >> 739 3003			901/78	
		G 739 4001 >> 739 4004			901/79	
		Hexagon-head bolt				
		M 8 X 18				
		G 509 0001 >> 509 0462			902/04	
		G 519 0001 >> 519 1141			902/05	

Model: 911 70 Model life 1970>>1973

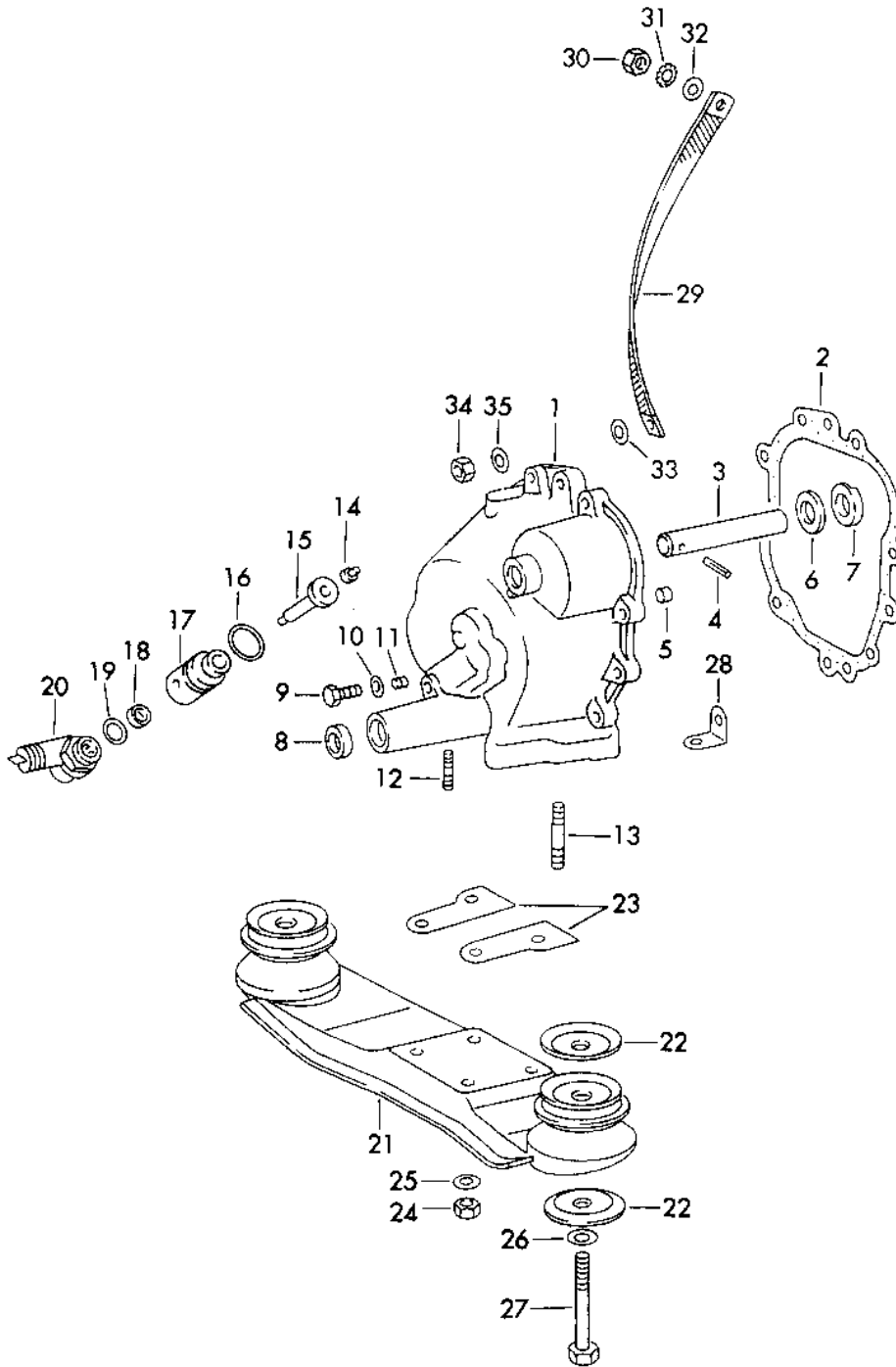
Pos	Part Number	Description	Remark	Qty	Model			
28	901 303 241 01	G 519 5001 >> 519 5209		1	902/06			
		G 709 0001 >> 709 0223			901/06			
		G 719 0001 >> 719 2526			901/07			
		G 739 0001 >> 739 0002			901/75			
		G 739 1001 >> 739 1001			901/76			
		G 739 2001 >> 739 2007			901/77			
		G 739 3001 >> 739 3003			901/78			
		G 739 4001 >> 739 4004			901/79			
29	901 303 242 01	Bush for Gear lock detent		1				
		Bush for Gear lock detent						
30	901 303 243 01	Bush for Gear lock detent		1				
		Bush for Gear lock detent						
31	N 012 241 1	Spring washer B 8		1				
		G 509 0001 >> 509 0462			902/04			
32	914 301 307 00	G 519 0001 >> 519 1141		1	902/05			
		G 519 5001 >> 519 5209			902/06			
		G 709 0001 >> 709 0223			901/06			
		G 719 0001 >> 719 2526			901/07			
		G 739 0001 >> 739 0002			901/75			
		G 739 1001 >> 739 1001			901/76			
		G 739 2001 >> 739 2007			901/77			
		G 739 3001 >> 739 3003			901/78			
		G 739 4001 >> 739 4004			901/79			
		Bolt for Reverse lever						
		33	914 301 311 01		Transmission cover Lateral		1	
					G 509 0001 >> 509 0462			902/04
					G 519 0001 >> 519 1141			902/05
					G 519 5001 >> 519 5209			902/06
					G 709 0001 >> 709 0223			901/06
					G 719 0001 >> 719 2526			901/07
G 739 0001 >> 739 0002				901/75				
G 739 1001 >> 739 1001				901/76				
G 739 2001 >> 739 2007				901/77				
G 739 3001 >> 739 3003				901/78				
G 739 4001 >> 739 4004				901/79				
34	901 301 391 01			Gasket		1		
				G 509 0001 >> 509 0462				902/04
				G 519 0001 >> 519 1141				902/05
				G 519 5001 >> 519 5209				902/06
				G 709 0001 >> 709 0223				901/06
		G 719 0001 >> 719 2526		901/07				
		G 739 0001 >> 739 0002		901/75				
		G 739 1001 >> 739 1001		901/76				
		G 739 2001 >> 739 2007		901/77				
		G 739 3001 >> 739 3003		901/78				
		G 739 4001 >> 739 4004		901/79				
		34	901 301 391 02	Gasket			1	
				G 509 0001 >> 509 0462				902/04
				G 519 0001 >> 519 1141				902/05
				G 519 5001 >> 519 5209				902/06
				G 709 0001 >> 709 0223				901/06
G 719 0001 >> 719 2526				901/07				
G 739 0001 >> 739 0002				901/75				
G 739 1001 >> 739 1001				901/76				

Model: 911 70 Model life 1970>>1973

Pos	Part Number	Description	Remark	Qty	Model
35	N 012 241 1	G 739 2001 >> 739 2007 G 739 3001 >> 739 3003 G 739 4001 >> 739 4004 Spring washer B 8 G 509 0001 >> 509 0462 G 519 0001 >> 519 1141 G 519 5001 >> 519 5209 G 709 0001 >> 709 0223 G 719 0001 >> 719 2526 G 739 0001 >> 739 0002 G 739 1001 >> 739 1001 G 739 2001 >> 739 2007 G 739 3001 >> 739 3003 G 739 4001 >> 739 4004		19	901/77 901/78 901/79 902/04 902/05 902/06 901/06 901/07 901/75 901/76 901/77 901/78 901/79
36	900 076 025 02	Hexagon nut M 8 G 509 0001 >> 509 0462 G 519 0001 >> 519 1141 G 519 5001 >> 519 5209 G 709 0001 >> 709 0223 G 719 0001 >> 719 2526 G 739 0001 >> 739 0002 G 739 1001 >> 739 1001 G 739 2001 >> 739 2007 G 739 3001 >> 739 3003 G 739 4001 >> 739 4004		19	902/04 902/05 902/06 901/06 901/07 901/75 901/76 901/77 901/78 901/79
36	900 076 064 02	Hexagon nut M 8 G 509 0001 >> 509 0462 G 519 0001 >> 519 1141 G 519 5001 >> 519 5209 G 709 0001 >> 709 0223 G 719 0001 >> 719 2526 G 739 0001 >> 739 0002 G 739 1001 >> 739 1001 G 739 2001 >> 739 2007 G 739 3001 >> 739 3003 G 739 4001 >> 739 4004		19	902/04 902/05 902/06 901/06 901/07 901/75 901/76 901/77 901/78 901/79

Model: 911 70

Model life 1970>>1973



Model: 911 70 Model life 1970>>1973

Pos	Part Number	Description	Remark	Qty	Model
1	901 301 031 02	Transmission cover Transmission suspension Chilled casting And Die casting Transmission cover Chilled casting (STIFTSCHRAUBEN LOSE) G 509 0001 >> 509 0462 G 519 0001 >> 519 1141 G 519 5001 >> 519 5209 G 709 0001 >> 709 0223 G 719 0001 >> 719 2526 G 739 0001 >> 739 0002 G 739 1001 >> 739 1001 G 739 2001 >> 739 2007 G 739 3001 >> 739 3003 G 739 4001 >> 739 4004	-70	1	902/04 902/05 902/06 901/06 901/07 901/75 901/76 901/77 901/78 901/79
(1)	901 301 031 12	Transmission cover Die casting G 700 0001 >> 700 9999 G 710 0001 >> 710 9999 G 770 0001 >> 770 3000 G 730 9101 >> 730 9200 G 730 9201 >> 730 9300 G 730 9301 >> 730 9400 G 730 9401 >> 730 9500 G 730 9501 >> 730 9600 G 720 0001 >> 720 9999		1	911.300/00 911.300/01 911.300/01 911.300/80 911.300/81 911.300/82 911.300/83 911.300/84 905.300/20
2	901 301 392 01	Gasket Chilled casting		1	
(2)	901 301 392 12	Gasket Die casting		1	
3	901 302 255 01	Eccentric bolt for Reverse idler gear		1	
4	900 095 019 01	Tensioning sleeve 5 X 30		1	
5	901 318 244 01	Bearing sleeve		1	
6	901 302 296 01	Thrust washer		1	
7	901 302 266 01	Thrust washer		1	
8	900 112 001 50	Radial sealing ring B 15 X 24 X 7 Chilled casting		1	
(8)	999 113 185 40	Shaft sealing ring A 15 X 24 X 7 Die casting		1	
9	901 318 272 03	Hexagon-head bolt Die casting		1	
(9)	901 318 272 02	Hexagon-head bolt Chilled casting G 509 0001 >> 509 0462 G 519 0001 >> 519 1141 G 519 5001 >> 519 5209 G 709 0001 >> 709 0223 G 719 0001 >> 719 2526 G 739 0001 >> 739 0002 G 739 1001 >> 739 1001 G 739 2001 >> 739 2007 G 739 3001 >> 739 3003 G 739 4001 >> 739 4004		1	902/04 902/05 902/06 901/06 901/07 901/75 901/76 901/77 901/78 901/79
10	N 012 241 1	Spring washer B 8		1	

Model: 911 70 Model life 1970>>1973

Pos	Part Number	Description	Remark	Qty	Model
		Chilled casting G 509 0001 >> 509 0462 G 519 0001 >> 519 1141 G 519 5001 >> 519 5209 G 709 0001 >> 709 0223 G 719 0001 >> 719 2526 G 739 0001 >> 739 0002 G 739 1001 >> 739 1001 G 739 2001 >> 739 2007 G 739 3001 >> 739 3003 G 739 4001 >> 739 4004			902/04 902/05 902/06 901/06 901/07 901/75 901/76 901/77 901/78 901/79
(10)	900 031 001 02	Washer 8,4		1	
(10)	900 031 105 01	Die casting Washer 8,4		1	
11	999 504 003 00	Die casting Threaded insert Heli-coil Chilled casting G 509 0001 >> 509 0462 G 519 0001 >> 519 1141 G 519 5001 >> 519 5209 G 709 0001 >> 709 0223 G 719 0001 >> 719 2526 G 739 0001 >> 739 0002 G 739 1001 >> 739 1001 G 739 2001 >> 739 2007 G 739 3001 >> 739 3003 G 739 4001 >> 739 4004		2	902/04 902/05 902/06 901/06 901/07 901/75 901/76 901/77 901/78 901/79
(11)	999 504 070 00	Threaded insert Heli-coil		1	
12	900 061 057 01	Stud BM 8 X 15 G 509 0001 >> 509 0462 G 519 0001 >> 519 1141 G 519 5001 >> 519 5209 G 709 0001 >> 709 0223 G 719 0001 >> 719 2526 G 739 0001 >> 739 0002 G 739 1001 >> 739 1001 G 739 2001 >> 739 2007 G 739 3001 >> 739 3003 G 739 4001 >> 739 4004		4	902/04 902/05 902/06 901/06 901/07 901/75 901/76 901/77 901/78 901/79
(12)	999 062 005 02	Stud BM 8 X 18		2	
13	900 061 006 01	Die casting Stud BM 8 X 20 G 509 0001 >> 509 0462 G 519 0001 >> 519 1141 G 519 5001 >> 519 5209 G 709 0001 >> 709 0223 G 719 0001 >> 719 2526 G 739 0001 >> 739 0002 G 739 1001 >> 739 1001 G 739 2001 >> 739 2007 G 739 3001 >> 739 3003 G 739 4001 >> 739 4004		2	902/04 902/05 902/06 901/06 901/07 901/75 901/76 901/77 901/78 901/79
(13)	999 062 008 02	Stud BM 8 X 25		2	
14	901 318 273 01	Die casting Bolt		1	

Model: 911 70 Model life 1970>>1973

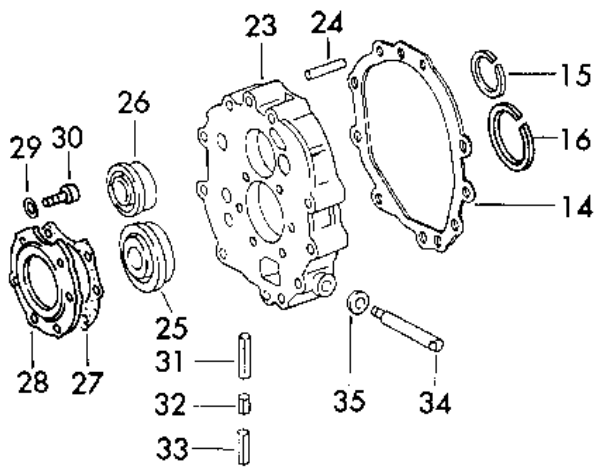
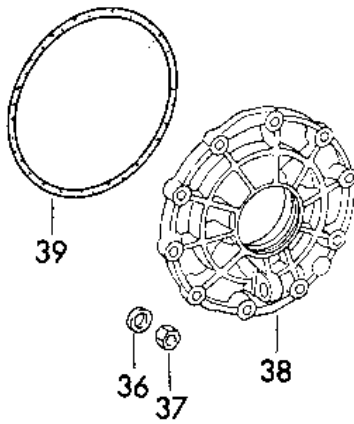
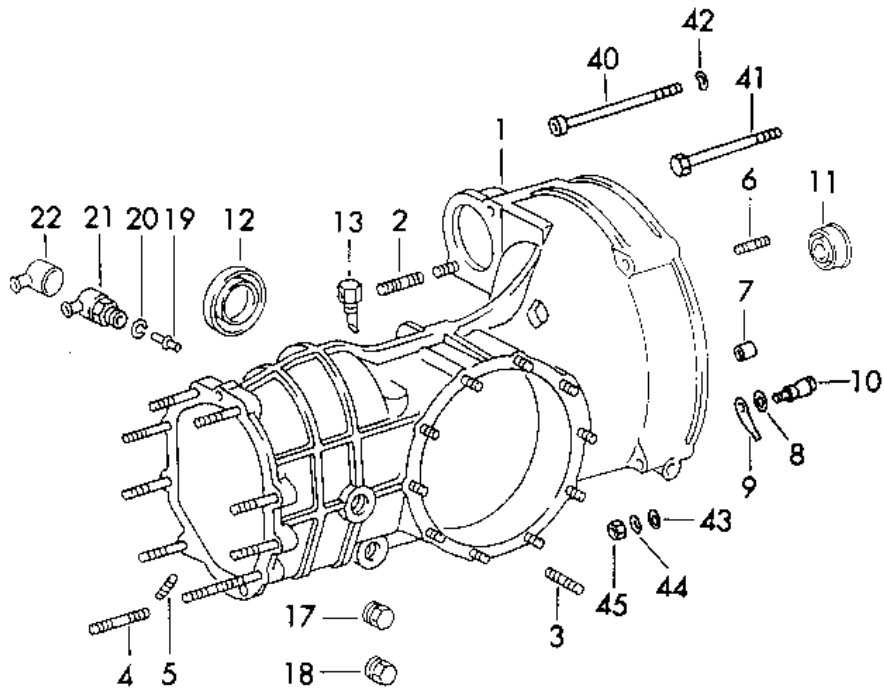
Pos	Part Number	Description	Remark	Qty	Model
15	901 318 333 01	Shaft for Drive shaft Crown wheel 7/31		1	
16	999 701 084 50	O-ring 25,3-2,4		1	
17	901 318 243 12	Guide bush		1	
18	999 113 036 50	Radial sealing ring BA-FG 10 X 18 X 6		1	
19	914 318 261 01	Sealing washer		1	
20	911 318 029 00	Angled pipe Complete		1	
21	901 375 031 00	Transmission carrier G 509 0001 >> 509 0462 G 519 0001 >> 519 1141 G 519 5001 >> 519 5209 G 709 0001 >> 709 0223 G 719 0001 >> 719 2526 G 739 0001 >> 739 0002 G 739 1001 >> 739 1001 G 739 2001 >> 739 2007 G 739 3001 >> 739 3003 G 739 4001 >> 739 4004		1	902/04 902/05 902/06 901/06 901/07 901/75 901/76 901/77 901/78 901/79
(21)		Transmission carrier Die casting		1	
22	901 305 311 00	Seat Chilled casting		4	
(22)		Seat Die casting		2	
23	901 375 311 00	Plate Die casting		2	
24	999 090 101 02	Mid-grip nut		4	
25	900 031 001 02	Washer 8,4		4	
25	900 031 105 01	Washer 8,4		4	
26	900 027 017 02	Lock ring B 12		2	
27	901 305 317 00	Hexagon-head bolt		2	
28	901 423 369 00	Retaining bracket Chilled casting		2	
29	999 611 918 20	Ground strap		1	
30	900 076 030 02	Hexagon nut M 8 Die casting		1	
(30)		Hexagon nut M 8 Chilled casting G 509 0001 >> 509 0462 G 519 0001 >> 519 1141 G 519 5001 >> 519 5209 G 709 0001 >> 709 0223 G 719 0001 >> 719 2526 G 739 0001 >> 739 0002 G 739 1001 >> 739 1001 G 739 2001 >> 739 2007 G 739 3001 >> 739 3003 G 739 4001 >> 739 4004		1	902/04 902/05 902/06 901/06 901/07 901/75 901/76 901/77 901/78 901/79
31	N 012 132 2	Shake-proof washer A 8,4 Die casting		1	
(31)		Shake-proof washer		1	

Model: 911 70 Model life 1970>>1973

Pos	Part Number	Description	Remark	Qty	Model
		A 8,4 Chilled casting G 509 0001 >> 509 0462 G 519 0001 >> 519 1141 G 519 5001 >> 519 5209 G 709 0001 >> 709 0223 G 719 0001 >> 719 2526 G 739 0001 >> 739 0002 G 739 1001 >> 739 1001 G 739 2001 >> 739 2007 G 739 3001 >> 739 3003 G 739 4001 >> 739 4004			902/04 902/05 902/06 901/06 901/07 901/75 901/76 901/77 901/78 901/79
32	900 025 025 02	Washer 8,4 Die casting		1	
(32)		Washer B 8,4 Chilled casting G 509 0001 >> 509 0462 G 519 0001 >> 519 1141 G 519 5001 >> 519 5209 G 709 0001 >> 709 0223 G 719 0001 >> 719 2526 G 739 0001 >> 739 0002 G 739 1001 >> 739 1001 G 739 2001 >> 739 2007 G 739 3001 >> 739 3003 G 739 4001 >> 739 4004		2	902/04 902/05 902/06 901/06 901/07 901/75 901/76 901/77 901/78 901/79
33	999 151 022 02	Washer 20 X 8,4 X 2		2	
34	999 090 101 02	Mid-grip nut Die casting		X	
35	900 031 001 02	Washer 8,4 Die casting		X	
35	900 031 105 01	Washer 8,4 Die casting		X	

Model: 911 70

Model life 1970>>1973



Model: 911 70 Model life 1970>>1973

Pos	Part Number	Description	Remark	Qty	Model
1	911 301 010 00	Replacement transmission Transmission case Die casting Transmission case Complete G 700 0001 >> 700 9999 G 710 0001 >> 710 9999 G 770 0001 >> 770 3000 G 730 9101 >> 730 9200 G 730 9201 >> 730 9300 G 730 9301 >> 730 9400 G 730 9401 >> 730 9500 G 730 9501 >> 730 9600 G 720 0001 >> 720 9999	-71	1	911.300/00 911.300/01 911.300/01 911.300/80 911.300/81 911.300/82 911.300/83 911.300/84 905.300/20
2	900 061 014 02	Stud BM 10 X 22		1	
3	999 062 044 02	Stud		10	
4	999 062 046 02	Stud BM 8 X 65		9	
5	900 061 057 02	Stud BM 8 X 15		2	
5	999 062 057 02	Stud BM 8 X 15		2	
5	999 062 073 02	Stud BM 8 X 15		2	
6	999 062 001 02	Stud BM 6 X 10		2	
7	911 301 037 00	Bush G 700 0001 >> 700 9999 G 710 0001 >> 710 9999 G 770 0001 >> 770 3000 G 730 9101 >> 730 9200 G 730 9201 >> 730 9300 G 730 9301 >> 730 9400 G 730 9401 >> 730 9500 G 730 9501 >> 730 9600 G 720 0001 >> 720 9999		1	911.300/00 911.300/01 911.300/01 911.300/80 911.300/81 911.300/82 911.300/83 911.300/84 905.300/20
8	911 116 743 01	Washer See group 3/01/05 G 700 0001 >> 700 9999 G 710 0001 >> 710 9999 G 770 0001 >> 770 3000 G 730 9101 >> 730 9200 G 730 9201 >> 730 9300 G 730 9301 >> 730 9400 G 730 9401 >> 730 9500 G 730 9501 >> 730 9600 G 720 0001 >> 720 9999		1	911.300/00 911.300/01 911.300/01 911.300/80 911.300/81 911.300/82 911.300/83 911.300/84 905.300/20
9	911 116 774 01	Leaf spring See group 3/01/05 G 700 0001 >> 700 9999 G 710 0001 >> 710 9999 G 770 0001 >> 770 3000 G 730 9101 >> 730 9200 G 730 9201 >> 730 9300 G 730 9301 >> 730 9400 G 730 9401 >> 730 9500 G 730 9501 >> 730 9600 G 720 0001 >> 720 9999		1	911.300/00 911.300/01 911.300/01 911.300/80 911.300/81 911.300/82 911.300/83 911.300/84 905.300/20
10	911 116 772 11	Ball pin See group		1	

Model: 911 70 Model life 1970>>1973

Pos	Part Number	Description	Remark	Qty	Model
		3/01/05			
		G 700 0001 >> 700 9999	-70		911.300/00
		G 710 0001 >> 710 9999			911.300/01
		G 770 0001 >> 770 3000			911.300/01
		G 730 9101 >> 730 9200			911.300/80
		G 730 9201 >> 730 9300			911.300/81
		G 730 9301 >> 730 9400			911.300/82
		G 730 9401 >> 730 9500			911.300/83
		G 730 9501 >> 730 9600			911.300/84
		G 720 0001 >> 720 9999			905.300/20
11	999 113 048 50	Sealing frame		1	
11	113 311 113 A	Shaft sealing ring		1	
11	113 311 113 B	Sealing ring		1	
12	999 113 130 50	Radial sealing ring		2	
		45 X 68 X 10			
13	904 301 071 00	Bleeder		1	
14	901 301 191 21	Gasket		X	
		0,1 MM			
(14)	901 301 191 22	Gasket		X	
		0,15 MM			
(14)	901 301 191 23	Gasket		X	
		0,2 MM			
15	999 042 301 01	Circlip		2	
		SB 52			
16	999 041 305 01	Circlip		1	
		SB 79			
17	999 064 007 02	Screw plug		1	
		without			
		Magnet			
		Yellow			
		Anodised			
18	999 064 008 02	Screw plug		1	
		with magnet			
		Yellow			
		Anodised			
19	901 303 017 01	Cam follower		1	
19	901 303 017 02	Cam follower		1	
20	N 012 432 1	Lock washer		1	
21	914 613 541 02	Back-up light switch		1	
22	914 613 491 00	Protection cap		1	
23	911 301 221 00	Intermediate plate		1	
24	900 012 028 00	Straight pin		2	
		10 M 6 X 50			
25	999 052 016 00	Four-point bearing		1	
25	999 052 016 0A	Four-point bearing		1	
26	999 053 025 00	Angular-contact bearing		1	
27	901 301 255 13	Plate		1	
28	901 301 035 13	Tensioning plate		1	
29	900 025 007 02	Washer		6	
29	900 025 007 03	Washer		6	
30	999 509 010 00	Pan-head screw		6	
31	901 303 241 01	Bush		1	
		for			
		Gear lock detent			
32	901 303 242 01	Bush		1	
		for			
		Gear lock detent			
33	901 303 243 01	Bush		1	
		for			
		Gear lock detent			
34	914 301 307 00	Bolt		1	
		for			
		Reverse lever			

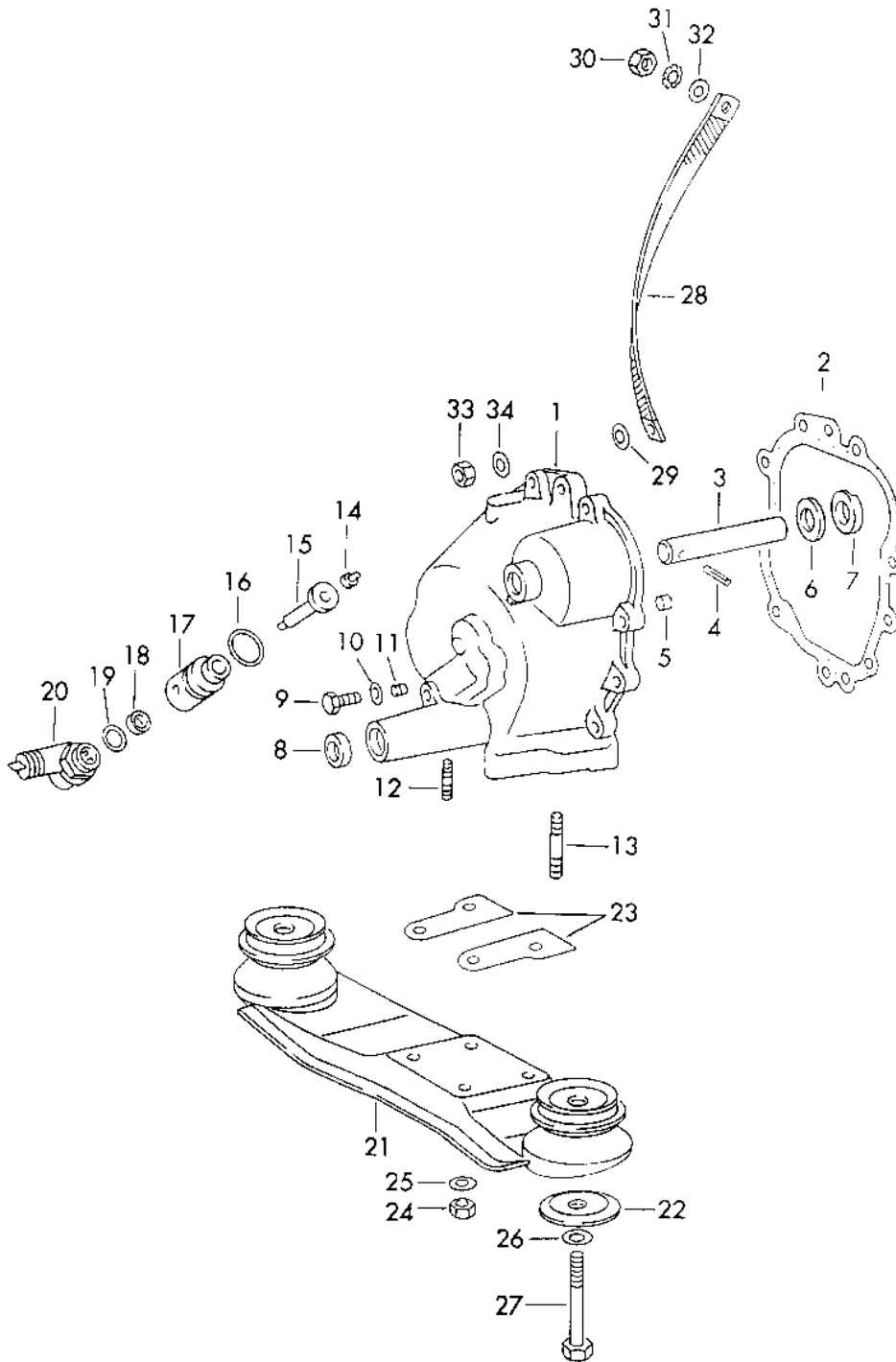
Model: 911 70

Model life 1970>>1973

Pos	Part Number	Description	Remark	Qty	Model
35	900 031 001 02	Washer 8,4		1	
35	900 031 105 01	Washer 8,4		1	
36	900 031 001 02	Washer 8,4		16	
36	900 031 105 01	Washer 8,4		16	
37	999 090 101 02	Mid-grip nut		19	
38	911 301 311 00	Transmission cover Lateral		1	
		G 700 0001 >> 700 9999	-70		911.300/00
		G 710 0001 >> 710 9999			911.300/01
		G 770 0001 >> 770 3000			911.300/01
		G 730 9101 >> 730 9200			911.300/80
		G 730 9201 >> 730 9300			911.300/81
		G 730 9301 >> 730 9400			911.300/82
		G 730 9401 >> 730 9500			911.300/83
		G 730 9501 >> 730 9600			911.300/84
		G 720 0001 >> 720 9999			905.300/20
39	113 301 185 A	O-ring		1	
40	900 067 074 02	Pan-head screw M 10 X 110		1	
41	900 155 023 02	Hexagon-head bolt M 10 X 72		1	
42	901 604 581 00	Spring washer		1	
43	900 031 005 02	Washer \$ 10,5		3	
43	900 031 005 03	Washer \$ 10,5		3	
44	999 523 103 01	Schnorr retainng washer M 10		3	
45	900 157 002 02	Hexagon nut M 10		2	
45	900 157 002 03	Hexagon nut M 10		2	

Model: 911 70

Model life 1970>>1973



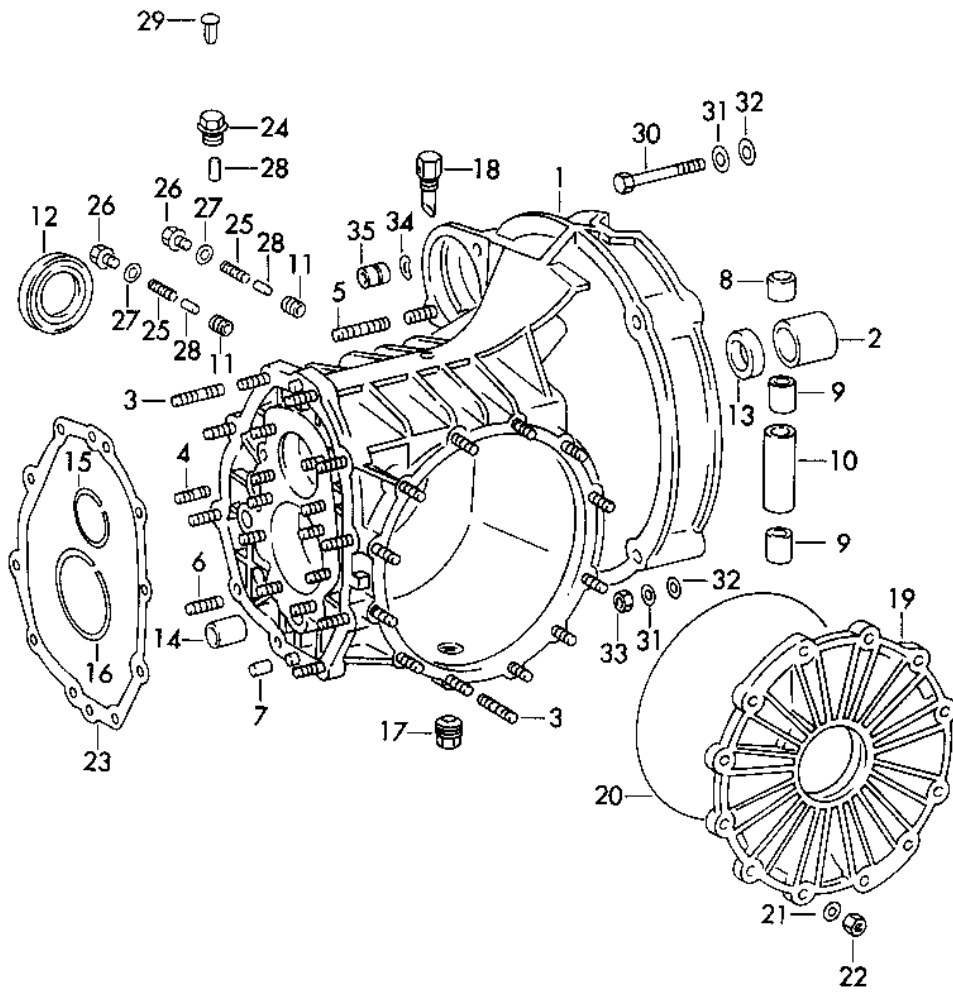
Model: 911 70

Model life 1970>>1973

Pos	Part Number	Description	Remark	Qty	Model
		Transmission cover	71		
		Transmission suspension			
		Die casting			
1	901 301 031 12	Transmission cover		1	
2	901 301 392 12	Gasket		1	
3	901 302 255 01	Eccentric bolt		1	
		for			
		Reverse idler gear			
4	900 095 019 01	Tensioning sleeve		1	
		5 X 30			
5	901 318 244 01	Bearing sleeve		1	
6	901 302 296 01	Thrust washer		1	
7	901 302 266 01	Thrust washer		1	
		for			
		Reverse gear			
8	999 113 185 40	Shaft sealing ring		1	
		A 15 X 24 X 7			
9	901 318 272 03	Hexagon-head bolt		1	
10	900 031 001 02	Washer		1	
		8,4			
10	900 031 105 01	Washer		1	
		8,4			
11	999 504 070 00	Threaded insert		1	
		Heli-coil			
12	999 062 005 02	Stud		2	
		BM 8 X 18			
13	999 062 008 02	Stud		2	
		BM 8 X 25			
14	901 318 273 01	Bolt		1	
15	901 318 333 01	Shaft		1	
16	999 701 084 50	O-ring		1	
		OR 25,3 - 2,4			
17	901 318 243 12	Guide bush		1	
18	999 113 036 50	Radial sealing ring		1	
		BA-FG 10 X 18 X 6			
19	914 318 261 01	Sealing washer		1	
20	911 318 029 00	Angled pipe		1	
21	901 375 031 00	Transmission carrier		1	
22	901 305 311 00	Seat		2	
23	901 375 311 00	Plate		2	
24	999 090 101 02	Mid-grip nut		4	
25	900 031 001 02	Washer		4	
		8,4			
25	900 031 105 01	Washer		4	
		8,4			
26	900 027 017 02	Lock ring		2	
		B 12			
27	901 305 317 00	Hexagon-head bolt		2	
28	999 611 918 20	Ground strap		1	
29	999 151 022 02	Washer		2	
		20 X 8,4 X 2			
30	900 076 030 02	Hexagon nut		1	
		M 8			
31	N 012 132 2	Shake-proof washer		1	
		A 8,4			
32	900 025 025 02	Washer		1	
		8,4			
33	999 090 101 02	Mid-grip nut		X	
34	900 031 001 02	Washer		X	
		8,4			
34	900 031 105 01	Washer		X	
		8,4			

Model: 911 70

Model life 1970>>1973



Model: 911 70 Model life 1970>>1973

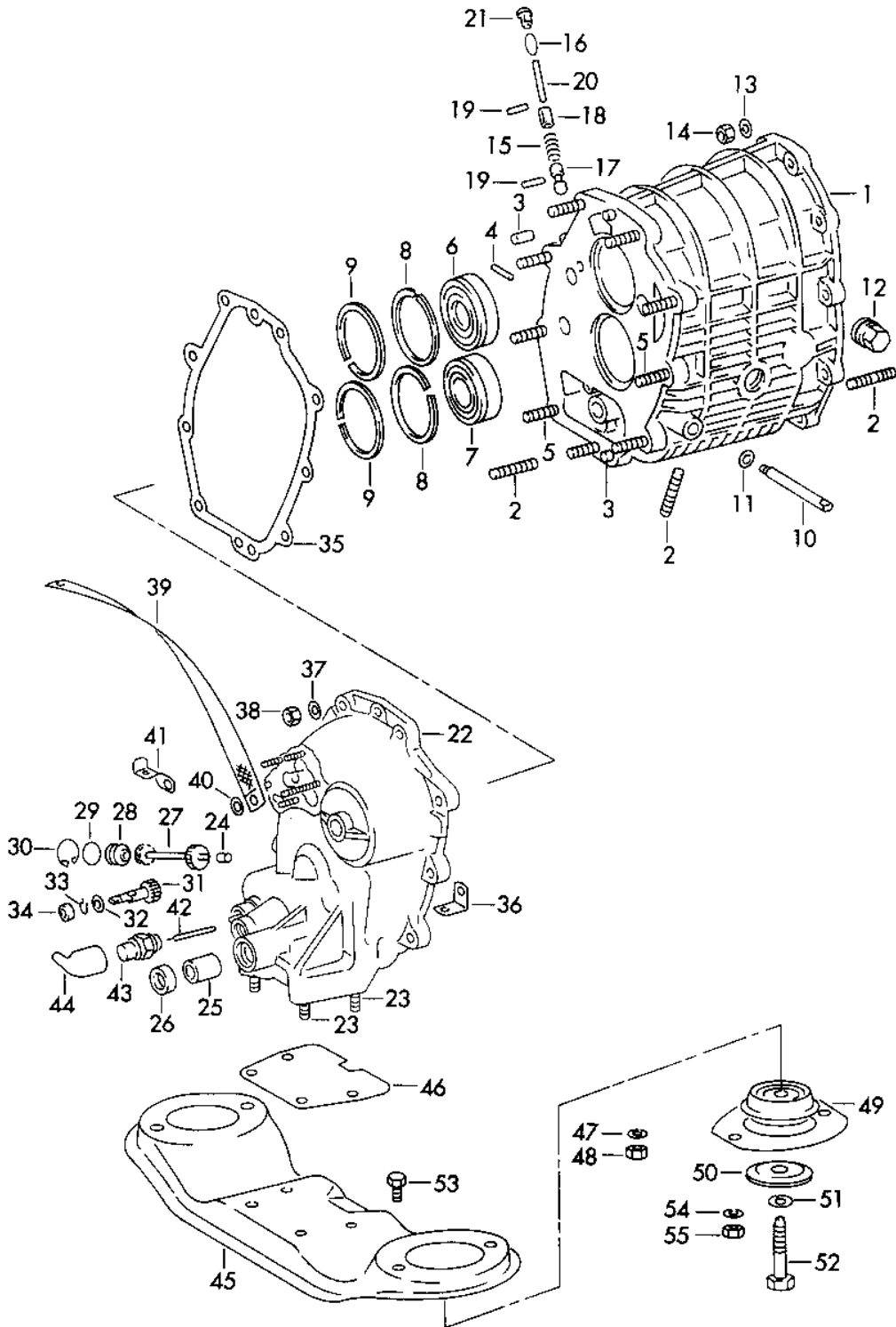
Pos	Part Number	Description	Remark	Qty	Model
		Transmission case TYP 915	72-		
1	915 301 901 03	Transmission case Complete		1	
2		Guide tube		1	
3	999 062 139 02	Stud BM 8 X 26		20	
4	999 062 073 02	Stud BM 8 X 20		4	
5	999 062 182 02	Stud BM 10 X 25		1	
6	999 062 073 02	Stud BM 8 X 20		6	
7	900 012 110 00	Straight pin 10 M 6 X 14		2	
8	915 301 125 01	Bearing sleeve I		1	
9	915 301 129 00	Bush for Transmission		2	
9	915 301 129 01	Bush for Transmission		2	
10	915 301 133 00	Pipe		1	
11	999 504 047 00	Threaded insert Threaded insert		2	
12	999 113 183 40	Radial shaft seal		2	
13	915 302 381 00	Shaft sealing ring G 733 7575 >> G 723 0507 >> G 783 0838 >>		1	
13	999 113 283 40	Shaft sealing ring G 733 7575 >> G 723 0507 >> G 783 0838 >>		1	
13	999 113 327 40	Shaft sealing ring G 733 7575 >> G 723 0507 >> G 783 0838 >>		1	
(13)	999 113 182 40	Shaft sealing ring G >> 733 7374 G >> 723 0507 G >> 783 0830		1	
14	915 303 249 00	Guide sleeve		1	
15	999 041 327 01	Circlip SB 62		1	
16	915 301 122 00	Circlip SB 80 G >> 732 2781 And G >> 722 0304 Not for CARRERA 2.7		1	911 T-E/E/S 911 T-V 911 T-K
17	999 064 020 02	Screw plug with Magnet M 24 X 1,5		1	
18	904 301 071 00	Bleeder		1	
19	915 301 311 00	Transmission cover Lateral		1	
19	915 301 311 04	Transmission cover Lateral		1	
19	915 301 311 05	Transmission cover		1	

Model: 911 70 Model life 1970>>1973

Pos	Part Number	Description	Remark	Qty	Model
20	999 701 392 40	Lateral O-ring		1	
21	900 031 001 02	Washer 8,4		12	
21	900 031 105 01	Washer 8,4		12	
22	999 090 101 02	Mid-grip nut		12	
23	915 301 191 00	Gasket		1	
24	900 065 014 02	Screw plug M 16 X 1,5 G >> 732 8537 And G >> 722 1133 Not for CARRERA 2.7		1	911 T-E/E/S 911 T-V 911 T-K
25	915 303 232 00	Spring		2	
26	900 075 352 02	Hexagon-head bolt M 10 X 8		2	
27	900 123 066 30	Sealing ring A 10 X 16		2	
28	915 303 131 00	Detent Short		3	
29	915 301 126 00	Locking bolt		1	
30	900 155 023 02	Hexagon-head bolt M 10 X 72		1	
31	999 523 103 01	Schnorr retainng washer M 10		2	
32	900 031 005 02	Washer 10,5		5	
32	900 031 005 03	Washer 10,5		5	
33	900 157 002 02	Hexagon nut M 10		2	
33	900 157 002 03	Hexagon nut M 10		2	
34	N 012 242 3	Spring washer B 10 X 18		2	
35	901 104 382 02	Nut		2	
35	901 104 382 03	Nut		2	

Model: 911 70

Model life 1970>>1973



Model: 911 70

Model life 1970>>1973

Pos	Part Number	Description	Remark	Qty	Model
		Gear housing Complete Transmission case Front And Transmission suspension	72-		
1	915 301 902 00	Gear housing Complete		1	
2	999 062 139 02	Stud BM 8 X 26		13	
3	900 012 110 00	Straight pin 10 M 6 X 14		2	
4		Straight pin 5 M 6 X 20		1	
5	999 062 044 02	Stud BM 8 X 30		2	
6	999 110 025 00	Cylindrical-roller bearing		1	
7	999 110 017 00	Cylindrical-roller bearing		1	
8	900 111 001 00	Circlip SP 62		2	
9	999 152 031 01	Circlip SB 68		2	
10	914 301 307 00	Bolt for Reverse lever		1	
11	900 031 001 02	Washer 8,4		1	
11	900 031 105 01	Washer 8,4		1	
12	999 064 007 02	Screw plug without Magnet Yellow Anodised		1	
13	900 031 001 02	Washer 8,4		10	
13	900 031 105 01	Washer 8,4		10	
14	999 090 101 02	Mid-grip nut		10	
15	915 303 232 00	Spring		1	
16	915 303 131 00	Detent Short		1	
17	915 303 130 00	Detent Long		1	
18	915 303 135 00	Sleeve		1	
19	900 308 009 00	Spiral clamping pin 3,5 X 18		2	
20	915 303 271 00	Pin		1	
21	915 301 126 00	Locking bolt		1	
22	915 301 903 01	Transmission cover Front Complete for CARRERA 2.7 G 783 0871 >>		1	
23	999 062 006 02	Stud BM 8 X 20 Not for CARRERA 2.7		4	
24	915 318 339 00	Bearing sleeve Not for CARRERA 2.7		1	
-	999 703 385 40	Stopper		1	

Model: 911 70

Model life 1970>>1973

Pos	Part Number	Description	Remark	Qty	Model
(22)		Not for CARRERA 2.7 Transmission cover Front Complete for Transmission with Oil pump See group 3/02/30			
25	915 303 249 00	Guide sleeve		1	
26	999 113 185 40	Shaft sealing ring A 15 X 24 X 7		1	
27	915 318 033 00	Drive shaft		1	
28	915 318 307 00	Fitting bushing		1	
28	915 318 307 01	Fitting bushing		1	
29	999 701 349 40	O-ring		1	
30	900 042 004 01	Circlip 22 X 1		1	
31	915 318 034 00	Drive shaft Wheel 4		1	
32	915 318 337 00	Thrust washer		1	
33	N 012 407 1	Circlip 7 X 0,8		1	
34	999 113 175 40	Shaft sealing ring		1	
35	915 301 351 00	Gasket for Gear housing		1	
36	901 423 369 00	Retaining bracket for Clutch cable		1	
37	900 031 001 02	Washer 8,4		9	
37	900 031 105 01	Washer 8,4		9	
38	999 090 101 02	Mid-grip nut		9	
39	999 611 920 20	Ground strap		1	
40	999 151 022 02	Washer 20 X 8,4 X 2		2	
41	915 301 369 00	Clip		1	
42	915 303 145 00	Cam follower		1	
42	915 303 145 01	Cam follower		1	
43	914 613 541 02	Back-up light switch		1	
44	914 613 491 00	Protection cap		1	
45	911 375 033 01	Transmission carrier		1	
46	911 375 311 00	Plate		1	
47	900 031 001 02	Washer 8,4		4	
47	900 031 105 01	Washer 8,4		4	
48	999 090 101 02	Mid-grip nut		4	
49	911 375 043 00	Bearing		2	
50	901 305 311 00	Seat		2	
51	900 027 017 02	Lock ring B 12		2	
52	901 305 317 00	Hexagon-head bolt		2	
53	900 075 087 02	Hexagon-head bolt M 8 X 16		4	
53	900 075 087 03	Hexagon-head bolt M 8 X 16		4	
54	900 027 015 02	Lock ring		4	

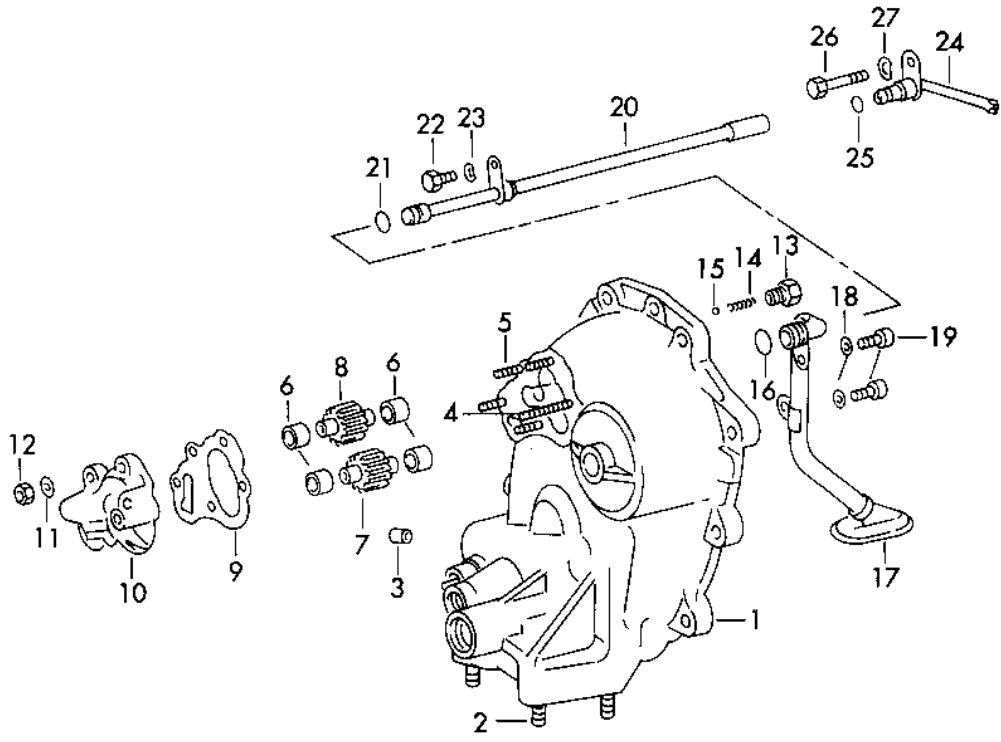
Model: 911 70

Model life 1970>>1973

Pos	Part Number	Description	Remark	Qty	Model
54	900 027 015 03	B 8 Lock ring		4	
55	900 076 025 02	B 8 Hexagon nut		4	
55	900 076 064 02	M 8 Hexagon nut		4	
-	911 385 035 00	M 8 Protective plate Stone guard for Engine and transmission		X	

Model: 911 70

Model life 1970>>1973



Model: 911 70 Model life 1970>>1973

Pos	Part Number	Description	Remark	Qty	Model
		Transmission Oil pump G >> 783 0870	72-		CARRERA 2.7
1	915 301 903 00	Transmission cover Front Complete		1	
2	999 062 006 02	Stud BM 8 X 20		4	
3	915 318 339 00	Bearing sleeve		1	
-	999 703 385 40	Stopper		1	
4	900 061 159 02	Stud BM 6 X 38		1	
5	999 062 003 02	Stud BM 6 X 18		4	
6	915 307 243 01	Bearing sleeve		4	
7	915 307 240 00	Oil pump gear		1	
7	915 307 240 12	Oil pump gear		1	
8	915 307 241 00	Oil pump gear		1	
8	915 307 241 01	Oil pump gear		1	
8	915 307 241 02	Oil pump gear		1	
9	915 307 311 00	Gasket 0,15 MM		X	
(9)	915 307 311 01	Gasket 0,2 MM		X	
10	915 307 033 00	Lid Oil pump Complete with Bearing sleeve		1	
11	900 031 011 02	Washer 6,4		5	
12	999 090 102 02	Mid-grip nut M 6		5	
13	915 307 319 00	Screw plug		1	
14	915 307 321 00	Compression spring		1	
15	N 025 667 2	Ball 9 MM V		1	
16	999 701 012 40	Ring		1	
16	999 701 012 01	Ring		1	
17	915 307 035 01	Pipeline It is necessary to rework		1	
18	900 027 014 01	Lock ring B 6		2	
18	900 027 014 02	Lock ring B 6		2	
18	N 012 006 4	Lock ring B 6		2	
19	900 067 009 02	Pan-head screw M 6 X 15		2	
19	900 067 429 01	Pan-head screw M 6 X 15		2	
20	915 307 036 01	Pressure pipe		1	
21	999 701 281 40	O-ring		1	
21	999 701 281 01	O-ring		1	
22	900 075 010 02	Hexagon nut M 6 X 12		1	
22	N 010 212 14	Hexagon-head bolt M 6 X 12		1	
22	999 072 005 09	Hexagon nut M 6 X 12		1	
22	999 072 005 01	Hexagon nut M 6 X 12		1	
23	900 028 008 01	Lock ring		1	

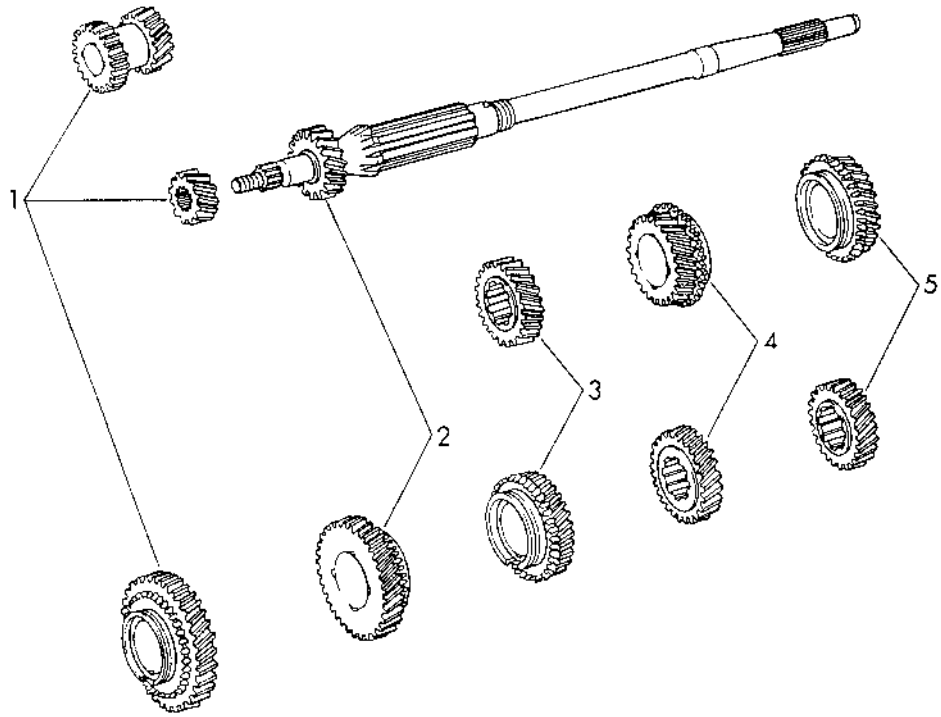
Model: 911 70

Model life 1970>>1973

Pos	Part Number	Description	Remark	Qty	Model
24	915 307 039 01	B 6 Pressure pipe		1	
25	999 701 345 40	O-ring		1	
26	N 010 347 5	Hexagon-head bolt M 6 X 35		1	
27	900 028 008 01	Lock ring B6		1	

Model: 911 70

Model life 1970>>1973



Model: 911 70

Model life 1970>>1973

Pos	Part Number	Description	Remark	Qty	Model
		Gear wheel sets 5-speed Transmission	-71		
		Gear wheel sets 901/07 Standard	-70		911 E/S 911 T
1	911 302 903 00	Gear set 1st gear Z = 11:34 (A) Fixed gear wheel Loose gear wheel		1	
2	911 302 904 00	Reverse idler gear Drive shaft And Gear wheel II 2nd gear Z = 18:34 (F) Drive shaft Loose gear wheel		1 1 1 1 1 1 1 1	
3	901 302 909 10	Gear set 3rd gear Z = 22:29 (M) Fixed gear wheel Loose gear wheel		1 1 1 1	
4	904 302 929 10	Gear set 4th speed Z = 25:26 (S) Loose gear wheel Fixed gear wheel		1 1 1 1	
5	901 302 918 10	Gear set 5th gear Z = 29:23 (X) Loose gear wheel Fixed gear wheel		1 1 1 1	
		Gear wheel sets 902/06 + 902.300/16 Standard	-70		
1	911 302 903 00	Gear set 1st gear Z = 11:34 (A) Loose gear wheel Fixed gear wheel		1 1 1 1	
2	911 302 907 00	Reverse idler gear Drive shaft And Gear wheel II 2nd gear Z = 18:32 (GA) Fixed gear wheel Loose gear wheel		1 1 1 1 1 1 1 1	
3	904 302 916 10	Gear set 3rd gear Z = 23:28 (O) Fixed gear wheel Loose gear wheel		1 1 1 1	
4	904 302 921 10	Gear set 4th speed Z = 26:25 (U) Loose gear wheel Fixed gear wheel		1 1 1 1	

Model: 911 70 Model life 1970>>1973

Pos	Part Number	Description	Remark	Qty	Model
5	901 302 918 10	Gear set 5th gear Z = 29:33 (Z) Loose gear wheel Fixed gear wheel Gear wheel sets 901/07 + 901.300/13 Standard	-70	1 1 1	911 E/S 911 T
1	911 302 903 00	Gear set 1st gear Z = 11:34 (A) Fixed gear wheel Loose gear wheel Reverse idler gear		1 1 1 1	
2	911 302 904 00	Drive shaft And Gear wheel II 2nd gear Z = 18:34 (F) Fixed gear wheel Loose gear wheel		1 1 1	
3	901 302 909 10	Gear set 3rd gear Z = 22:29 (M) Fixed gear wheel Loose gear wheel		1 1 1	
4	904 302 929 10	Gear set 4th speed Z = 25:26 (S) Loose gear wheel Fixed gear wheel		1 1 1	
5	901 302 918 10	Gear set 5th gear Z = 29:23 (Z) Loose gear wheel Fixed gear wheel Gear wheel sets 911.300/01 Standard	70-	1 1 1	911 E/S 911 T
1	911 302 903 00	Gear set 1st gear Z = 11:34 (A) Fixed gear wheel Loose gear wheel Reverse idler gear		1 1 1 1	
2	911 302 907 00	Drive shaft And Gear wheel II 2nd gear Z = 18:32 (GA) Drive shaft Loose gear wheel		1 1 1	
3	904 302 916 10	Gear set 3rd gear Z = 23:28 (O) Fixed gear wheel Loose gear wheel		1 1 1	
4	904 302 930 10	Gear wheel pair 4th speed		1	

Model: 911 70 Model life 1970>>1973

Pos	Part Number	Description	Remark	Qty	Model
5	911 302 906 00	Z = 27:25 (V) Fixed gear wheel Loose gear wheel Gear set 5th gear		1 1 1	
		Z = 29:22 (ZA) Fixed gear wheel Loose gear wheel Gear wheel sets 901/75 + 901.300/80 911.300/80 Standard transmission ratio	70-	1 1	911 E/S/T:M 911 S COUPE
1	911 302 909 00	Gear set 1st gear		1	
		Z = 14:37 (B) Loose gear wheel Fixed gear wheel Reverse idler gear		1 1 1	
(2)	904 302 101 00	Drive shaft		1	
2	911 302 910 00	Gear set 2nd gear		1	
		Z = 18:32 (GA) Fixed gear wheel Loose gear wheel		1 1	
3	901 302 909 10	Gear set 3rd gear		1	
		Z = 22:29 (M) Fixed gear wheel Loose gear wheel		1 1	
4	901 302 912 10	Gear set 4th speed		1	
		Z = 26:26 (T) Loose gear wheel Fixed gear wheel		1 1	
5	901 302 913 10	Gear wheel pair 5th gear		1	
		Z = 28:23 (Y) Loose gear wheel Fixed gear wheel Gear wheel sets 901/76 + 901.300/81 911.300/81 Hill-climb transmission ratio	70-	1 1	911 E/S/T:M 911 S COUPE
1	911 302 911 00	Gear set 1st gear		1	
		Z = 12:34 (AA) Loose gear wheel Fixed gear wheel Reverse idler gear		1 1 1	
(2)	904 302 101 00	Drive shaft		1	
2	911 302 912 00	Gear set 2nd gear		1	
		Z = 17:34 (E) Fixed gear wheel Loose gear wheel		1 1	
3	901 302 908 10	Gear wheel pair 3rd gear		1	
		Z = 20:31 (I) Fixed gear wheel Loose gear wheel		1 1	
4	904 302 919 10	Gear set 4th speed Z =22:29 (M)		1	

Model: 911 70

Model life 1970>>1973

Pos	Part Number	Description	Remark	Qty	Model
5	901 302 910 10	Loose gear wheel	70-	1	911 E/S/T:M 911 S COUPE
		Fixed gear wheel		1	
		Gear set		1	
		5th gear			
		Z = 23:28 (O)			
		Loose gear wheel		1	
		Fixed gear wheel		1	
		Gear wheel sets			
		901/78 + 901.300/83			
		911.300/83			
1	911 302 914 00	Transmission ratio for fast races			
		Gear set	1		
		1st gear			
(2)	904 302 101 00	Z = 15:36 (C)			
		Loose gear wheel	1		
		Fixed gear wheel	1		
2	911 302 915 00	Reverse idler gear			
		Drive shaft	1		
3	904 302 916 10	Gear wheel pair			
		2nd gear			
		Z = 20:32 (HA)			
4	901 302 912 10	Fixed gear wheel			
		Loose gear wheel	1		
		Gear set	1		
5	901 302 913 10	4th speed			
		Z = 26:26 (T)			
		Loose gear wheel	1		
1	911 302 909 00	Fixed gear wheel			
		Gear wheel pair	1		
		5th gear			
(2)	904 302 101 00	Z = 28:23 (Y)			
		Loose gear wheel	1		
		Fixed gear wheel	1		
2	911 302 915 00	Gear wheel sets			
		901/79 + 901.300/84			
		911.300/84			
3	901 302 909 10	Nuerburgring transmission ratio			
		Gear set	1		
		1st gear			
4	901 302 911 10	Z = 14:37 (B)			
		Loose gear wheel	1		
		Fixed gear wheel	1		
2	911 302 915 00	Reverse idler gear			
		Drive shaft	1		
		Gear wheel pair	1		
3	901 302 909 10	2nd gear			
		Z = 20:32 (HA)			
		Fixed gear wheel	1		
4	901 302 911 10	Loose gear wheel			
		Gear set	1		
		3rd gear			
1	911 302 909 00	Z = 22:29 (M)			
		Fixed gear wheel	1		
		Loose gear wheel	1		
2	911 302 915 00	Gear wheel pair			
		4th speed			
		Z = 25:27 (R)			

Model: 911 70 Model life 1970>>1973

Pos	Part Number	Description	Remark	Qty	Model
5	904 302 930 10	Loose gear wheel Fixed gear wheel Gear wheel pair 5th gear Z = 27:25 (V) Loose gear wheel Fixed gear wheel Gear wheel sets 901/77 + 901.300/82 911.300/82	70-	1 1 1 1 1 1	911 E/S/T:M 911 S COUPE
1	911 302 911 00	Airfield transmission ratio Gear set 1st gear Z = 12:34 (AA) Loose gear wheel Fixed gear wheel Reverse idler gear		1 1 1 1 1 1	
(2)	904 302 101 00	Drive shaft		1	
2	911 302 913 00	Gear set 2nd gear Z = 18:34 (F) Fixed gear wheel Loose gear wheel		1 1 1 1	
3	904 302 927 10	Gear set 3rd gear Z = 21:31 (I) Fixed gear wheel Loose gear wheel		1 1 1 1	
4	901 302 910 10	Gear set 4th speed Z = 23:28 (O) Loose gear wheel Fixed gear wheel		1 1 1 1	
5	904 302 929 10	Gear set 5th gear Z = 25:26 (S) Loose gear wheel Fixed gear wheel Gear wheel sets for		1 1 1 1 1 1	
1	911 302 911 00	- 911 S- Gear set 1st gear Z = 12:34 (AA) Loose gear wheel Fixed gear wheel Reverse idler gear		1 1 1 1 1 1	
(1)	911 302 909 00	Gear set 1st gear Z = 14:37 (B) Loose gear wheel Fixed gear wheel Reverse idler gear		1 1 1 1 1	
(1)	911 302 914 00	Gear set 1st gear Z = 15:36 (C) Loose gear wheel Fixed gear wheel Reverse idler gear		1 1 1 1 1	
(2)	904 302 101 00	Drive shaft		1	
2	911 302 912 00	Gear set 2nd gear Z = 17:34 (E)		1 1	

Model: 911 70 Model life 1970>>1973

Pos	Part Number	Description	Remark	Qty	Model
(2)	911 302 913 00	Fixed gear wheel Loose gear wheel Gear set 2nd gear Z = 18:34 (F) Fixed gear wheel Loose gear wheel		1	
(2)	911 302 910 00	Fixed gear wheel Loose gear wheel Gear set 2nd gear Z = 18:32 (GA) Fixed gear wheel Loose gear wheel		1	
(2)	911 302 915 00	Fixed gear wheel Loose gear wheel Gear wheel pair 2nd gear Z = 20:32 (HA) Fixed gear wheel Loose gear wheel		1	
3	901 302 908 10	Fixed gear wheel Loose gear wheel Gear wheel pair 3rd gear Z = 20:31 (I) Fixed gear wheel Loose gear wheel		1	
(3)	904 302 927 10	Fixed gear wheel Loose gear wheel Gear set 3rd gear Z = 21:31 (J) Fixed gear wheel Loose gear wheel		1	
(3)	901 302 909 10	Fixed gear wheel Loose gear wheel Gear set 3rd gear Z = 22:29 (M) Fixed gear wheel Loose gear wheel		1	
(3)	904 302 916 10	Fixed gear wheel Loose gear wheel Gear set 3rd gear Z = 23:28 (O) Fixed gear wheel Loose gear wheel		1	
4	904 302 919 10	Fixed gear wheel Loose gear wheel Gear set 4th speed Z = 22:29 (M) Loose gear wheel Fixed gear wheel		1	
(4)	901 302 910 10	Fixed gear wheel Loose gear wheel Gear set 4th speed Z = 23:28 (O) Loose gear wheel Fixed gear wheel		1	
(4)	901 302 911 10	Fixed gear wheel Loose gear wheel Gear wheel pair 4th speed Z = 25:27 (R) Loose gear wheel Fixed gear wheel		1	
(4)	901 302 912 10	Fixed gear wheel Loose gear wheel Gear set 4th speed Z = 26:26 (T) Loose gear wheel Fixed gear wheel		1	
5	901 302 910 10	Fixed gear wheel Loose gear wheel Gear set 5th gear Z = 23:28 (O) Loose gear wheel Fixed gear wheel		1	
(5)	904 302 929 10	Fixed gear wheel Loose gear wheel Gear set		1	

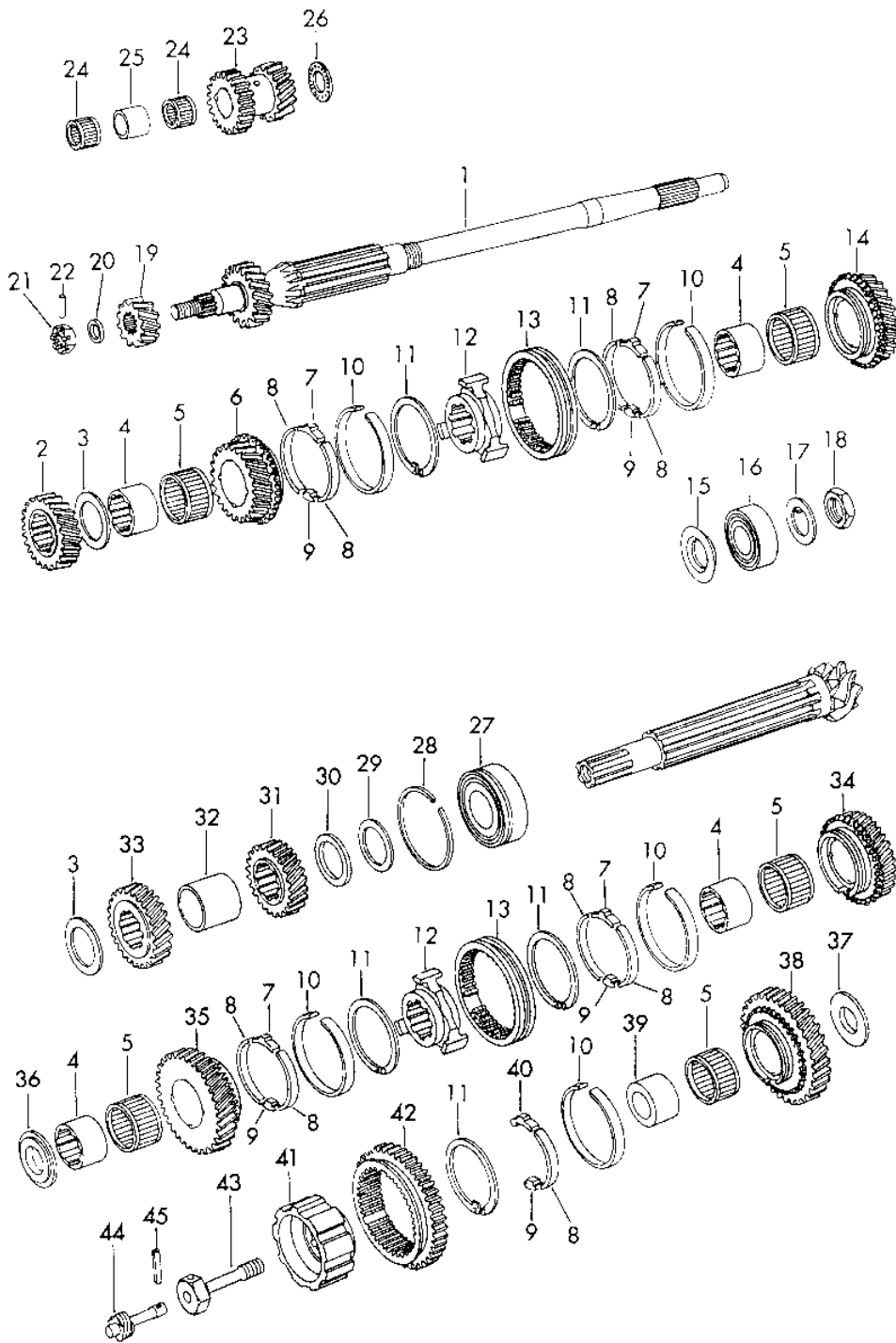
Model: 911 70

Model life 1970>>1973

Pos	Part Number	Description	Remark	Qty	Model
(5)	904 302 930 10	5th gear Z = 25:26(S) Loose gear wheel Fixed gear wheel Gear wheel pair		1	
(5)	901 302 913 10	5th gear Z = 25:27 (V) Loose gear wheel Fixed gear wheel Gear wheel pair		1	
		5th gear Z = 28:23 (Y) Loose gear wheel Fixed gear wheel			

Model: 911 70

Model life 1970>>1973



Model: 911 70

Model life 1970>>1973

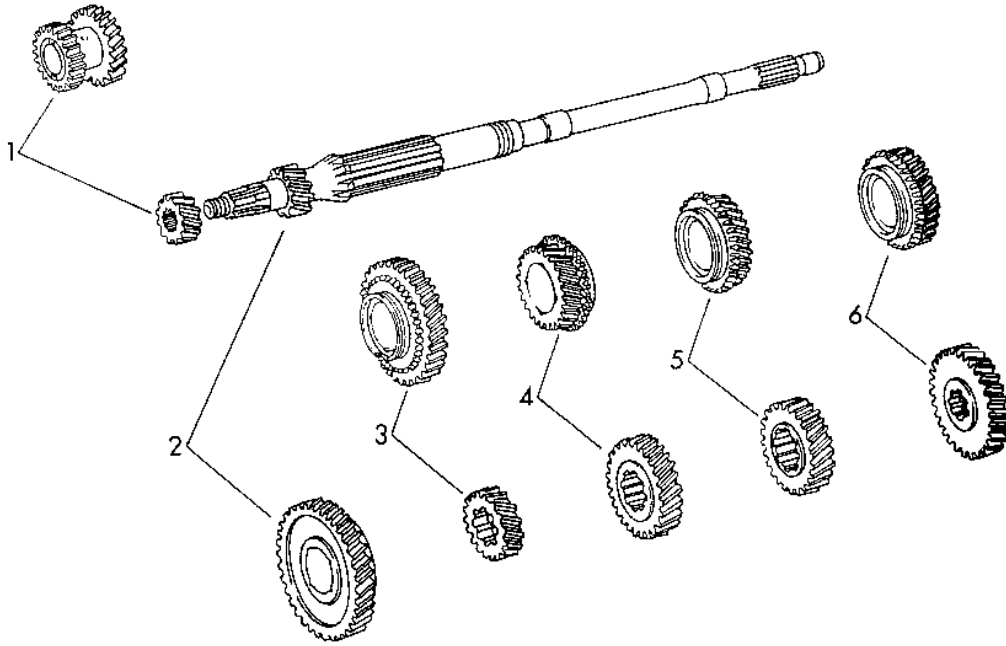
Pos	Part Number	Description	Remark	Qty	Model
		Gears and shafts 5-speed Transmission Gear wheel sets See group 3/03/00	-71		
1		Drive shaft		1	
2		Fixed gear wheel 3rd gear		1	
3	901 302 294 01	Thrust washer		2	
4	901 302 261 01	Bush for Needle-roller bearing 2. - 5th gear		4	
5	999 201 104 00	Needle cage 1. - 5th gear		5	
6		Loose gear wheel 4th speed		1	
7	911 302 315 00	Detent 2. - 5th gear		4	
8	911 302 316 00	Spring 1. - 5th gear		9	
9	911 302 317 01	Stop 1. - 5th gear		5	
10	911 302 301 06	Synchroniser ring 1. - 5th gear		5	
10	911 302 301 13	Synchroniser ring 1. - 5th gear		5	
11	911 302 311 01	Circlip 1. - 5th gear		5	
12	901 302 402 02	Sleeve 2. - 5th gear		2	
13	911 302 411 10	Shift sleeve 2. - 5th gear		2	
14		Loose gear wheel 5th gear		1	
15	901 302 268 01	Spacer 5,8 mm		1	
16	999 110 008 00	Cylindrical-roller bearing		1	
17	999 038 001 00	Tab washer		1	
18	999 183 001 00	Hexagon nut		1	
19		Fixed gear wheel 1st gear		1	
20	999 031 066 00	Washer 14,3 X 21,5 X 3		1	
21	999 079 011 02	Castle nut M 14 X 1,5		1	
22	900 309 004 00	Roll pin 3 X 18		1	
23		Reverse idler gear		1	
24	999 201 012 00	Needle cage INA K 20/17		2	
25	901 302 263 01	Guide sleeve		1	

Model: 911 70 Model life 1970>>1973

Pos	Part Number	Description	Remark	Qty	Model
		for			
		Reverse idler gear			
26	999 202 001 00	Needle cage		1	
27	999 110 007 00	Cylindrical-roller bearing		1	
27	999 110 013 00	Cylindrical-roller bearing		1	
27	999 110 012 00	Cylindrical-roller bearing		1	
27	999 110 012 01	Cylindrical-roller bearing		1	
28	900 111 002 00	Circlip SP 72		1	
29	901 302 297 01	Adjusting shim 0,25 MM		X	
(29)	901 302 297 11	Adjusting shim 0,30 MM		X	
(29)	901 302 297 21	Adjusting shim 0,40 MM		X	
30	901 302 298 01	Spacer		1	
31		Fixed gear wheel 5th gear		1	
32	901 302 265 01	Spacer sleeve		1	
33		Fixed gear wheel 4th speed		1	
34		Loose gear wheel 3rd gear		1	
35		Loose gear wheel 2nd gear		1	
36	901 302 269 01	Thrust washer		1	
37	901 302 291 01	Thrust washer		1	
38		Loose gear wheel 1st gear		1	
39	901 302 262 01	Bush for Needle-roller bearing		1	
40	901 302 318 02	1st gear Detent		1	
41	901 302 401 02	1st gear Sleeve		1	
42	911 302 226 00	1st gear Shifting gear		1	
		for 1st gear And Reverse gear			
42	911 302 226 02	Shifting gear for 1st gear And Reverse gear		1	
43	901 302 271 01	Elastic bolt		1	
44	901 318 331 01	Clutch control shaft 7/31		1	
(44)	901 318 331 11	Clutch control shaft 6/29	-70	1	
(44)	901 318 331 12	Shaft 6/29		1	
45	900 197 002 00	Tensioning sleeve 4 X 28		1	

Model: 911 70

Model life 1970>>1973

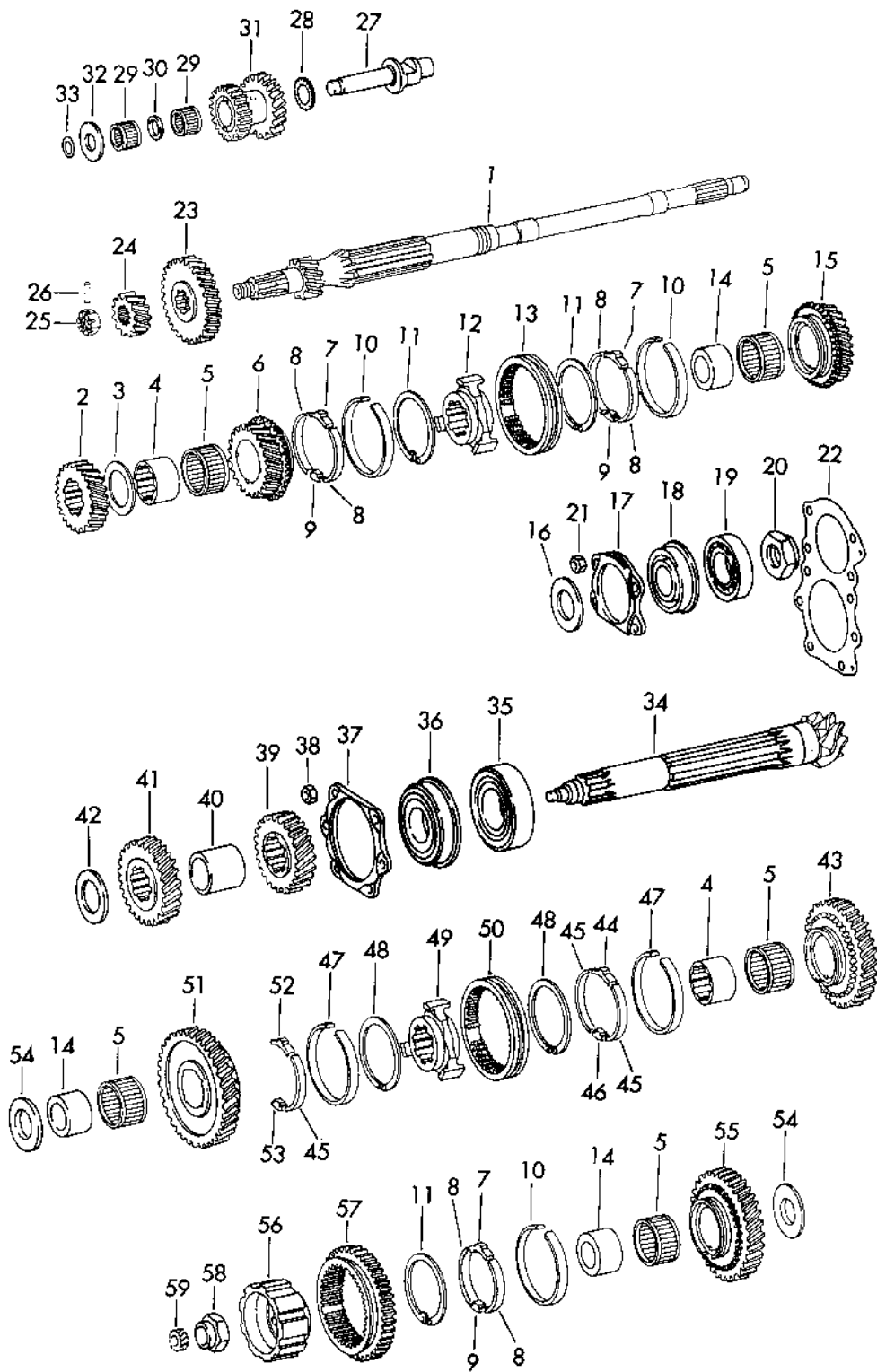


Model: 911 70 Model life 1970>>1973

Pos	Part Number	Description	Remark	Qty	Model
1	915 302 912 04	Gear wheel sets 5-speed Transmission Gear wheel sets 915.300/02 Gear wheel pair for Reverse gear Reverse gear wheel NR. 1	72-	1	
1	915 302 912 05	Reverse idler gear Gear wheel pair for Reverse gear Reverse gear wheel NR. 1 Reverse idler gear		1	
2	915 302 901 04	Gear set 1st gear Z = 11:35 Drive shaft		1	
3	915 302 902 39	Loose gear wheel Gear wheel pair 2nd gear Z = 18:33 Loose gear wheel		1	
4	923 302 903 23	Fixed gear wheel Gear wheel pair 3rd gear Z = 23:29 Fixed gear wheel		1	
5	923 302 904 38	Loose gear wheel Gear wheel pair 4th speed Z = 26:25 Loose gear wheel		1	911 T-E/E/S 911 T-V
5	915 302 904 74	Fixed gear wheel Gear wheel pair 4th speed Z = 29:28 Loose gear wheel		1	911 T-E/E/S 911 T-V
(5)	915 302 904 40	Fixed gear wheel Gear set 4th speed Z = 27:25 Loose gear wheel		1	CARRERA 2.7 911 T-K
6	923 302 905 48	Fixed gear wheel Gear set 5th gear Z = 29:22 Loose gear wheel		1	911 T-E/E/S 911 T-V
(6)	915 302 905 50	Fixed gear wheel Gear set 5th gear Z = 29:21 Loose gear wheel		1	CARRERA 2.7 911 T-K

Model: 911 70

Model life 1970>>1973



Model: 911 70 Model life 1970>>1973

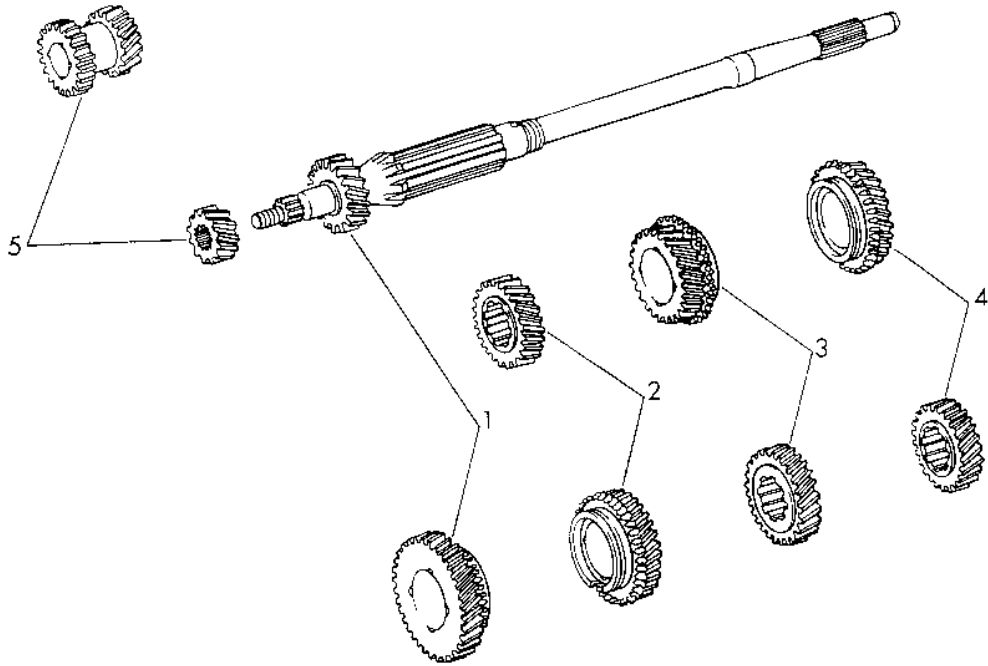
Pos	Part Number	Description	Remark	Qty	Model
		Gears and shafts 5-speed Transmission Gear wheel sets See group 3/03/10	72-		
1		Drive shaft		1	
2		Fixed gear wheel 2nd gear		1	
3	915 302 292 00	Thrust washer		1	
4	915 302 262 00	Bush		2	
5	999 201 470 00	Needle cage		5	
6		Loose gear wheel 3rd gear		1	
7	911 302 315 00	Detent 3. - 5th gear		3	
8	911 302 316 00	Spring 3. - 5th gear		6	
9	911 302 317 01	Stop 3. - 5th gear		3	
10	911 302 301 06	Synchroniser ring 3. - 5th gear		3	
10	911 302 301 13	Synchroniser ring 3. - 5th gear		3	
11	911 302 311 01	Circlip		3	
12	901 302 402 02	Sleeve		1	
13	911 302 411 10	Shift sleeve		1	
14	915 302 261 00	Bush		3	
14	915 302 261 03	Bush		3	
15		Loose gear wheel 4th speed		1	
16	915 302 294 01	Thrust washer		1	
17	915 302 121 03	Tensioning plate		1	
17	915 302 121 04	Tensioning plate		1	
18	999 052 030 00	Four-point bearing		1	
19	999 110 032 00	Cylindrical-roller bearing		1	
20	999 034 033 00	Hexagon nut		1	
21	502 08 310	Hexagon nut M 8		4	
-	900 142 002 01	Lock ring 8		4	
22	915 302 268 03	Adjusting shim 0,10 MM		X	
(22)	915 302 268 04	Adjusting shim 0,15 MM		X	
(22)	915 302 268 05	Adjusting shim 0,20 MM		X	
23		Fixed gear wheel 5th gear		1	
24		Reverse gear NR. 1		1	
25	900 079 009 00	Castle nut M 18 X 1,5		1	
26	900 309 005 00	Roll pin 4 X 26		1	
27	915 302 228 03	Bolt for Reverse idler gear		1	

Model: 911 70 Model life 1970>>1973

Pos	Part Number	Description	Remark	Qty	Model
28	999 202 001 00	Needle cage		1	
29	999 201 107 00	Needle cage		2	
30	915 302 231 00	Intermediate ring		1	
31		Reverse idler gear		1	
32	915 302 229 01	Thrust washer		1	
33	999 701 169 40	O-ring		1	
34		Drive shaft		1	
		See group 5/01/00			
35	999 110 146 00	Cylindrical-roller bearing		1	
35	999 110 146 01	Cylindrical-roller bearing		1	
36	999 052 043 00	Four-point bearing		1	
37	915 302 123 03	Tensioning plate		1	
37	915 302 123 04	Tensioning plate		1	
38	502 08 310	Hexagon nut M 8		6	
-	900 142 002 01	Lock ring 8		6	
39		Fixed gear wheel 4th speed		1	
40	915 302 265 01	Spacer sleeve		1	
41		Fixed gear wheel 3rd gear		1	
42	915 302 293 00	Thrust washer		1	
43		Loose gear wheel 2nd gear		1	
44	915 302 315 01	Stone 2nd gear		1	
45	915 302 316 01	Brake band		3	
46	915 302 321 00	Stop		1	
47	915 302 301 04	Synchroniser ring		2	
48	915 302 311 01	Circlip		2	
49	915 302 401 00	Guide sleeve		1	
50	915 302 411 00	Shift sleeve		1	
51		Loose gear wheel 1st gear		1	
52	915 302 318 00	Stone 1st gear		1	
53	915 302 321 00	Stop		1	
54	915 302 291 00	Thrust washer		2	
55		Loose gear wheel 5th gear		1	
56	915 302 405 01	Guide sleeve		1	
57	915 302 227 09	Shifting gear		1	
58	915 302 282 00	Collar nut		1	
59	915 318 331 00	Speedometer pinion 1 for Speedometer		1	

Model: 911 70

Model life 1970>>1973

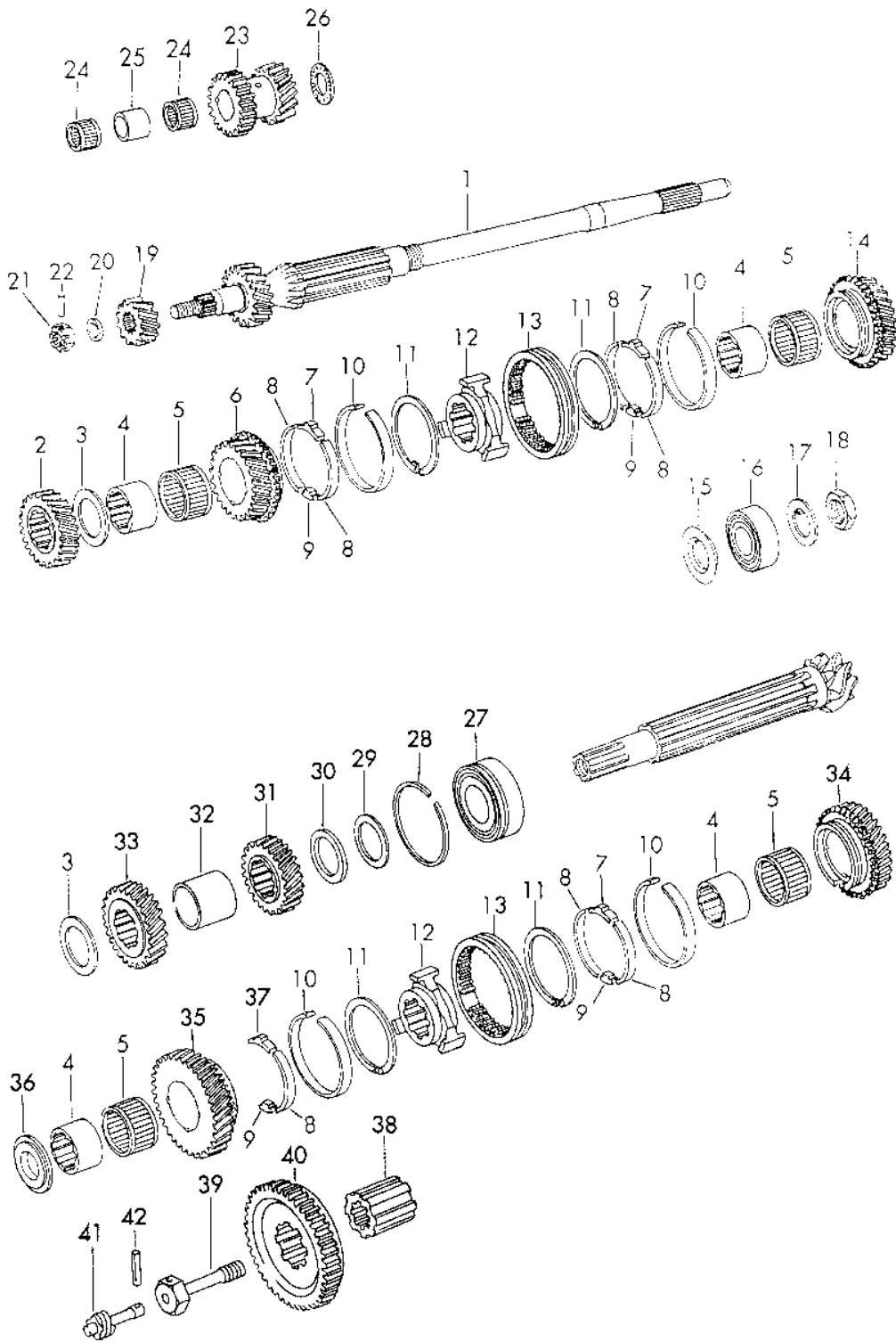


Model: 911 70 **Model life** 1970>>1973

Pos	Part Number	Description	Remark	Qty	Model
1	911 302 905 00	Gear wheel sets 4-speed Transmission Gear wheel sets 901/06 + 300/12 911.300/00 Standard Drive shaft And Gear wheel II 1st gear Z = 11:34 (A) Drive shaft Loose gear wheel	-71 /LL M	1	911 E/S 911 E 911 T
2	905 302 907 00	Gear set 2nd gear Z = 19:31 (HB) Fixed gear wheel Loose gear wheel		1	
3	904 302 929 10	Gear set 3rd gear Z = 25:26 (S) Fixed gear wheel Loose gear wheel		1	
4	901 302 918 10	Gear set 4th speed Z = 29:23 (Z) Fixed gear wheel Loose gear wheel	-70	1	
(4)	911 302 906 00	Gear set 4th speed Z = 29:22 (ZA) Fixed gear wheel Loose gear wheel	71	1	
5	902 302 902 00	Gear set I And Reverse idler gear Fixed gear wheel Reverse idler gear		1	

Model: 911 70

Model life 1970>>1973



Model: 911 70

Model life 1970>>1973

Pos	Part Number	Description	Remark	Qty	Model
		Gears and shafts 4-speed Transmission Gear wheel sets See group 3/03/20			911 E/S 911 T
1		Drive shaft		1	
2		Fixed gear wheel 2nd gear		1	
3	901 302 294 01	Thrust washer		2	
4	901 302 261 01	Bush for Needle-roller bearing 1. - 4th speed		4	
5	999 201 104 00	Needle cage 1. - 4th speed		4	
6		Loose gear wheel 3rd gear		1	
7	911 302 315 00	Detent 2. - 4th speed		3	
8	911 302 316 00	Spring 1. - 4th speed		7	
9	911 302 317 01	Stop 1. - 4th speed		4	
10	911 302 301 06	Synchroniser ring 1. - 4th speed		4	
10	911 302 301 13	Synchroniser ring 1. - 4th speed		4	
11	911 302 311 01	Circlip 1. - 4th speed		4	
12	901 302 402 02	Sleeve 1. - 4th speed		2	
13	911 302 411 10	Shift sleeve 1. - 4th speed		2	
14		Loose gear wheel 4th speed		1	
15	901 302 268 01	Spacer 5,8 mm		1	
16	999 110 008 00	Cylindrical-roller bearing		1	
17	999 038 001 00	Tab washer		1	
18	999 183 001 00	Hexagon nut		1	
19		Fixed gear wheel 1st gear		1	
20	999 031 066 00	Washer 14,3 X 21,5 X 3		1	
21	999 079 011 02	Castle nut M 14 X 1,5		1	
22	900 309 004 00	Roll pin 3 X 18		1	
23		Reverse idler gear		1	
24	999 201 012 00	Needle cage INA K20/17		2	
25	901 302 263 01	Guide sleeve		1	

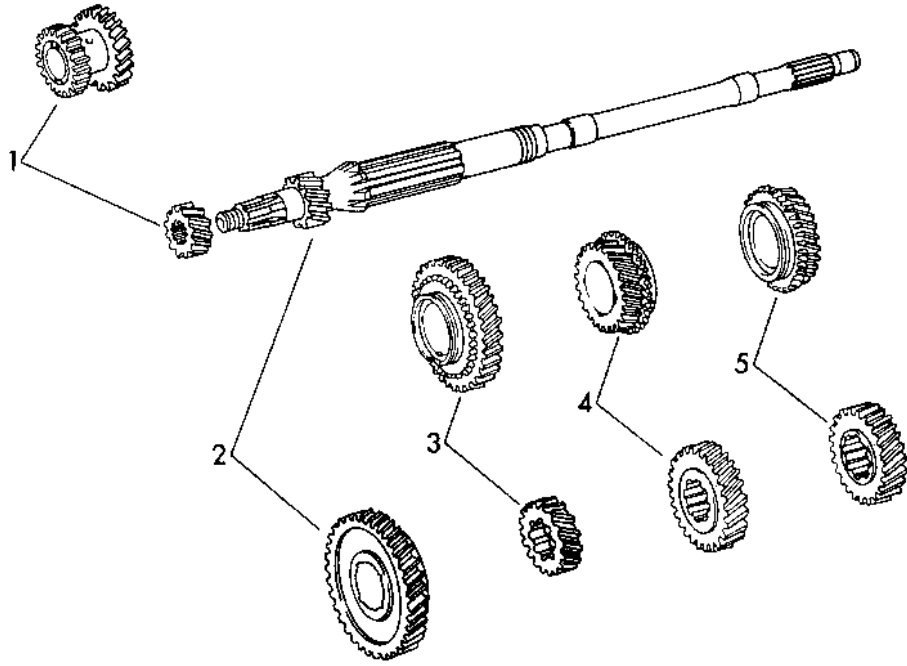
Model: 911 70

Model life 1970>>1973

Pos	Part Number	Description	Remark	Qty	Model
		for			
		Reverse idler gear			
26	999 202 001 00	Needle cage		1	
27	999 110 007 00	Cylindrical-roller bearing		1	
27	999 110 013 00	Cylindrical-roller bearing		1	
27	999 110 012 00	Cylindrical-roller bearing		1	
27	999 110 012 01	Cylindrical-roller bearing		1	
28	900 111 002 00	Circlip SP 72		1	
29	901 302 297 01	Adjusting shim 0,25 MM		X	
(29)	901 302 297 11	Adjusting shim 0,30 MM		X	
(29)	901 302 297 21	Adjusting shim 0,40 MM		X	
30	901 302 298 01	Spacer		1	
31		Fixed gear wheel 4th speed		1	
32	901 302 265 01	Spacer sleeve		1	
33		Fixed gear wheel 3rd gear		1	
34		Loose gear wheel 2nd gear		1	
35		Loose gear wheel 1st gear		1	
36	901 302 269 01	Thrust washer		1	
37	901 302 318 02	Detent 1st gear		1	
38	902 302 257 00	Spline shaft sleeve		1	
39	901 302 271 01	Elastic bolt		1	
40	902 302 224 00	Sliding gear for Reverse gear		1	
41	901 318 331 01	Clutch control shaft 7/31	-71	1	
(41)	901 318 331 11	Clutch control shaft 6/29	-70	1	
(41)	901 318 331 12	Shaft 6/29		1	
42	900 197 002 00	Tensioning sleeve 4 X 28		1	

Model: 911 70

Model life 1970>>1973



Model: 911 70 Model life 1970>>1973

Pos	Part Number	Description	Remark	Qty	Model
		Gear wheel sets 4-speed Transmission Gear wheel sets 915.300/12	72-		911 T-E/E/S 911 T-V 911 T-K
1	915 302 912 04	Gear wheel pair for Reverse gear Reverse gear wheel NR. 1		1	
1	915 302 912 05	Reverse idler gear Gear wheel pair for Reverse gear Reverse gear wheel NR. 1		1	
2	915 302 901 04	Reverse idler gear Gear set 1st gear Z = 11:35 Drive shaft		1	
3	915 302 902 24	Loose gear wheel Gear wheel pair 2nd gear Z = 18:32 Loose gear wheel		1	
4	923 302 904 13	Fixed gear wheel Gear set 3rd gear Z = 24:27 Fixed gear wheel		1	
5	915 302 904 60	Loose gear wheel Gear set 4th speed Z = 28:23 Loose gear wheel Fixed gear wheel		1	
1	915 302 912 04	Gear wheel sets 915.300/18 Gear wheel pair for Reverse gear Reverse gear wheel NR. 1		1 1	CARRERA 2.7
1	915 302 912 05	Reverse idler gear Gear wheel pair for Reverse gear Reverse gear wheel NR. 1		1 1	
2	915 302 901 04	Reverse idler gear Gear set 1st gear Z = 11:35 Drive shaft		1	
3	923 302 902 33	Loose gear wheel Gear wheel pair 2nd gear Z = 20:32 Loose gear wheel		1	
4	915 302 904 20	Fixed gear wheel Gear set		1	

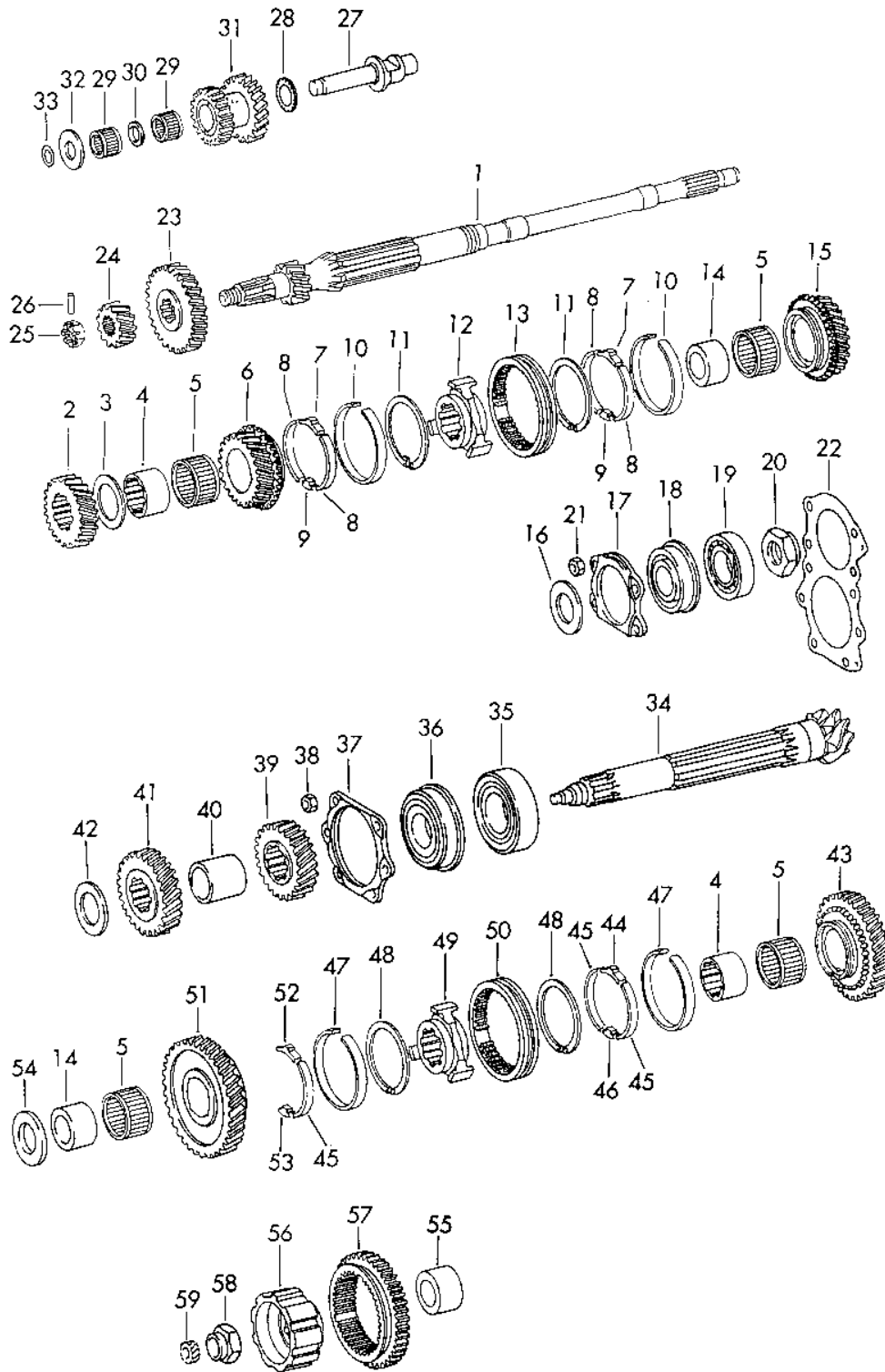
Model: 911 70

Model life 1970>>1973

Pos	Part Number	Description	Remark	Qty	Model
5	915 302 904 50	3rd gear Z = 25:26 Fixed gear wheel Loose gear wheel Gear set 4th speed Z = 29:22 Loose gear wheel Fixed gear wheel		1	

Model: 911 70

Model life 1970>>1973



Model: 911 70 Model life 1970>>1973

Pos	Part Number	Description	Remark	Qty	Model
		Gears and shafts 4-speed Transmission Gear wheel sets See group 3/03/30	72-		
1		Drive shaft		1	
2		Fixed gear wheel 2nd gear		1	
3	915 302 292 00	Thrust washer		1	
4	915 302 262 00	Bush		2	
5	999 201 470 00	Needle cage		4	
6		Loose gear wheel 3rd gear		1	
7	911 302 315 00	Detent 3. - 4th speed		2	
8	911 302 316 00	Spring 3. - 4th speed		4	
9	911 302 317 01	Stop 3. - 4th speed		2	
10	911 302 301 06	Synchroniser ring 3. - 4th speed		2	
10	911 302 301 13	Synchroniser ring 3. - 4th speed		2	
11	911 302 311 01	Circlip		2	
12	901 302 402 02	Sleeve		1	
13	911 302 411 10	Shift sleeve		1	
14	915 302 261 00	Bush		2	
14	915 302 261 03	Bush		2	
15		Loose gear wheel 4th speed		1	
16	915 302 294 01	Thrust washer		1	
17	915 302 121 03	Tensioning plate		1	
17	915 302 121 04	Tensioning plate		1	
18	999 052 030 00	Four-point bearing		1	
19	999 110 032 00	Cylindrical-roller bearing		1	
20	999 034 033 00	Hexagon nut		1	
21	502 08 310	Hexagon nut M 8		4	
-	900 142 002 01	Lock ring 8		4	
22	915 302 268 03	Adjusting shim 0,10 MM		X	
(22)	915 302 268 04	Adjusting shim 0,15 MM		X	
(22)	915 302 268 05	Adjusting shim 0,20 MM		X	
23	915 302 277 00	Spacer sleeve		1	
24		Reverse gear NR. 1		1	
25	900 079 009 00	Castle nut M 18 X 1,5		1	
26	900 309 005 00	Roll pin 4 X 26		1	
27	915 302 228 03	Bolt for Reverse idler gear		1	
28	999 202 001 00	Needle cage		1	

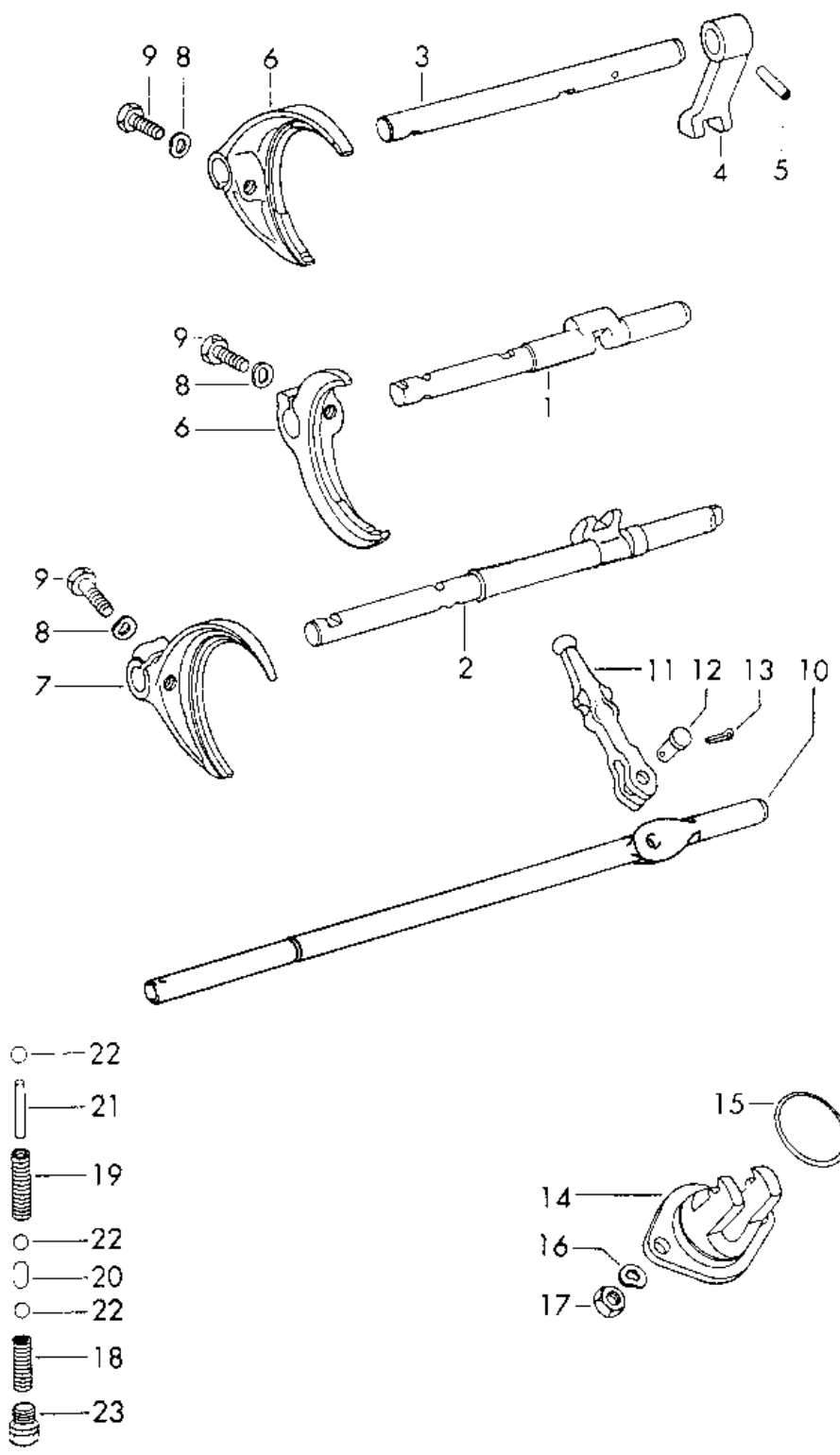
Model: 911 70

Model life 1970>>1973

Pos	Part Number	Description	Remark	Qty	Model
29	999 201 107 00	Needle cage		2	
30	915 302 231 00	Intermediate ring		1	
31		Reverse idler gear		1	
32	915 302 229 01	Thrust washer		1	
33	999 701 169 40	O-ring		1	
34		Drive shaft		1	
		See group 5/01/00			
35	999 110 146 00	Cylindrical-roller bearing		1	
35	999 110 146 01	Cylindrical-roller bearing		1	
36	999 052 043 00	Four-point bearing		1	
37	915 302 123 03	Tensioning plate		1	
37	915 302 123 04	Tensioning plate		1	
38	502 08 310	Hexagon nut M 8		6	
-	900 142 002 01	Lock ring 8		6	
39		Fixed gear wheel 4th speed		1	
40	915 302 265 01	Spacer sleeve		1	
41		Fixed gear wheel 3rd gear		1	
42	915 302 293 00	Thrust washer		1	
43		Loose gear wheel 2nd gear		1	
44	915 302 315 01	Stone 2nd gear		1	
45	915 302 316 01	Brake band		3	
46	915 302 321 00	Stop		1	
47	915 302 301 04	Synchroniser ring		2	
48	915 302 311 01	Circlip		2	
49	915 302 401 00	Guide sleeve		1	
50	915 302 411 00	Shift sleeve		1	
51		Loose gear wheel 1st gear		1	
52	915 302 318 00	Stone 1st gear		1	
53	915 302 321 00	Stop		1	
54	915 302 291 00	Thrust washer		1	
55	915 302 278 01	Spacer sleeve		1	
56	915 302 405 01	Guide sleeve		1	
57	915 302 227 09	Shifting gear		1	
58	915 302 282 00	Collar nut		1	
59	915 318 331 00	Speedometer pinion 1 for Speedometer		1	

Model: 911 70

Model life 1970>>1973



Model: 911 70

Model life 1970>>1973

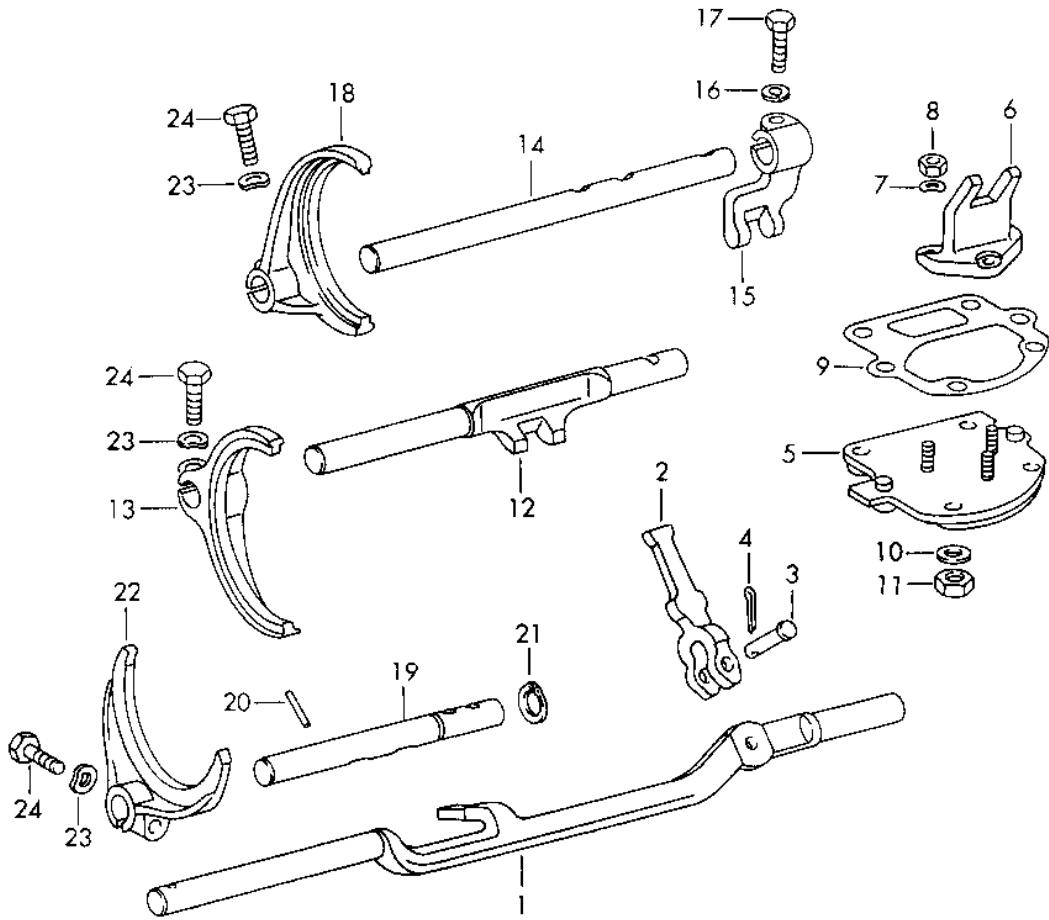
Pos	Part Number	Description	Remark	Qty	Model
		Shift rods shift forks 4-speed And 5-speed Transmission	-71		
1	901 303 101 01	Gear shift rod 2. - 3rd gear		1	
2	901 303 141 02	Gear shift rod 1st gear And Reverse gear		1	
3	901 303 103 01	Gear shift rod 4. - 5th gear		1	
4	901 303 161 01	Shift finger		1	
5	900 309 003 00	Roll pin 5 X 24		1	
6	901 303 111 01	Shift fork 2. - 5th gear		2	
7	901 303 151 01	Shift fork 1st gear And Reverse gear		1	
8	N 012 241 1	Spring washer B 8		3	
9	900 075 083 02	Hexagon-head bolt M 8 X 25		3	
10	901 303 132 11	Gear shift rod		1	
11	901 303 133 01	Gearshift lever		1	
12	901 303 171 01	Bolt		1	
13	N 012 512 1	Cotter pin 2 X 12		1	
14	911 303 129 00	Fork		1	
15	999 701 359 40	O-ring		1	
(15)	901 303 191 01	Gasket for Fork Old version		1	
16	900 027 015 02	Lock ring B 8		2	
16	900 027 015 03	Lock ring B 8		2	
17	900 076 025 02	Hexagon nut M 8		2	
17	900 076 064 02	Hexagon nut M 8		2	
18	901 303 231 01	Spring Reversing gear lock		1	
19	901 303 232 01	Compression spring for Gear lock detent 2. - 5th gear		1	
20	901 303 211 01	Detent for Gear lock detent		1	
21	901 303 271 01	Pin for Gear lock detent		1	
22	N 025 667 2	Ball		3	

Model: 911 70 Model life 1970>>1973

Pos	Part Number	Description	Remark	Qty	Model
23	999 065 001 02	9 MM Screw plug Chilled casting G 509 0001 >> 509 0462 G 519 0001 >> 519 1141 G 519 5001 >> 519 5209 G 709 0001 >> 709 0223 G 719 0001 >> 719 2526 G 739 0001 >> 739 0002 G 739 1001 >> 739 1001 G 739 2001 >> 739 2007 G 739 3001 >> 739 3003 G 739 4001 >> 739 4004	-70	1	902/04 902/05 902/06 901/06 901/07 901/75 901/76 901/77 901/78 901/79
(23)	999 065 004 02	Screw plug Die casting G 509 1001 >> 509 9999 G 539 0101 >> 539 9999 G 519 1501 >> 519 4999 G 709 1001 >> 709 9999 G 719 3001 >> 719 9999 G 739 0101 >> 739 0999 G 739 1101 >> 739 1999 G 739 2101 >> 739 2999 G 739 3101 >> 739 3999 G 739 4101 >> 739 4999	-71	1	902.300/14 902.300/60 902.300/16 901.300/12 901.300/13 901.300/80 901.300/81 901.300/82 901.300/83 901.300/84

Model: 911 70

Model life 1970>>1973



Model: 911 70

Model life 1970>>1973

Pos	Part Number	Description	Remark	Qty	Model
		Shift rods shift forks 4-speed And 5-speed Transmission	72-		
1	915 303 132 00	Gear shift rod		1	
2	915 303 133 00	Shift lever		1	
3	901 303 171 01	Bolt		1	
4	N 012 512 1	Cotter pin 2 X 12		1	
5	915 303 023 02	Shift cover		1	
6	915 303 129 09	Fork		1	
7	900 027 014 01	Lock ring B 6		3	
7	900 027 014 02	Lock ring B 6		3	
7	N 012 006 4	Lock ring B 6		3	
8	900 076 010 02	Nut M 6		3	
8	900 076 010 0B	Nut M 6		3	
9	915 303 225 00	Gasket		1	
10	900 031 001 02	Washer 8,4		4	
10	900 031 105 01	Washer 8,4		4	
11	999 090 101 02	Mid-grip nut		4	
12	915 303 101 00	Gear shift rod 1.- 2nd gear		1	
13	915 303 111 00	Shift fork 1.- 2nd gear		1	
14	915 303 103 50	Gear shift rod 3.- 4th speed		1	
15	915 303 115 09	Shift fork		1	
15	915 303 115 10	Shift fork		1	
16	900 027 015 02	Lock ring B 8		1	
16	900 027 015 03	Lock ring B 8		1	
17	900 075 136 02	Hexagon-head bolt M 8 X 28		1	
18	915 303 112 00	Shift fork 3.- 4th speed		1	
19	915 303 105 09	Gear shift rod Reverse gear -		1	
20	900 309 005 00	5th gear Roll pin 4 X 26		1	
21	N 012 415 1	Circlip 15 X 1 Only for 4-speed Transmission		1	
22	915 303 113 01	Gear lock detent Shift fork		1	

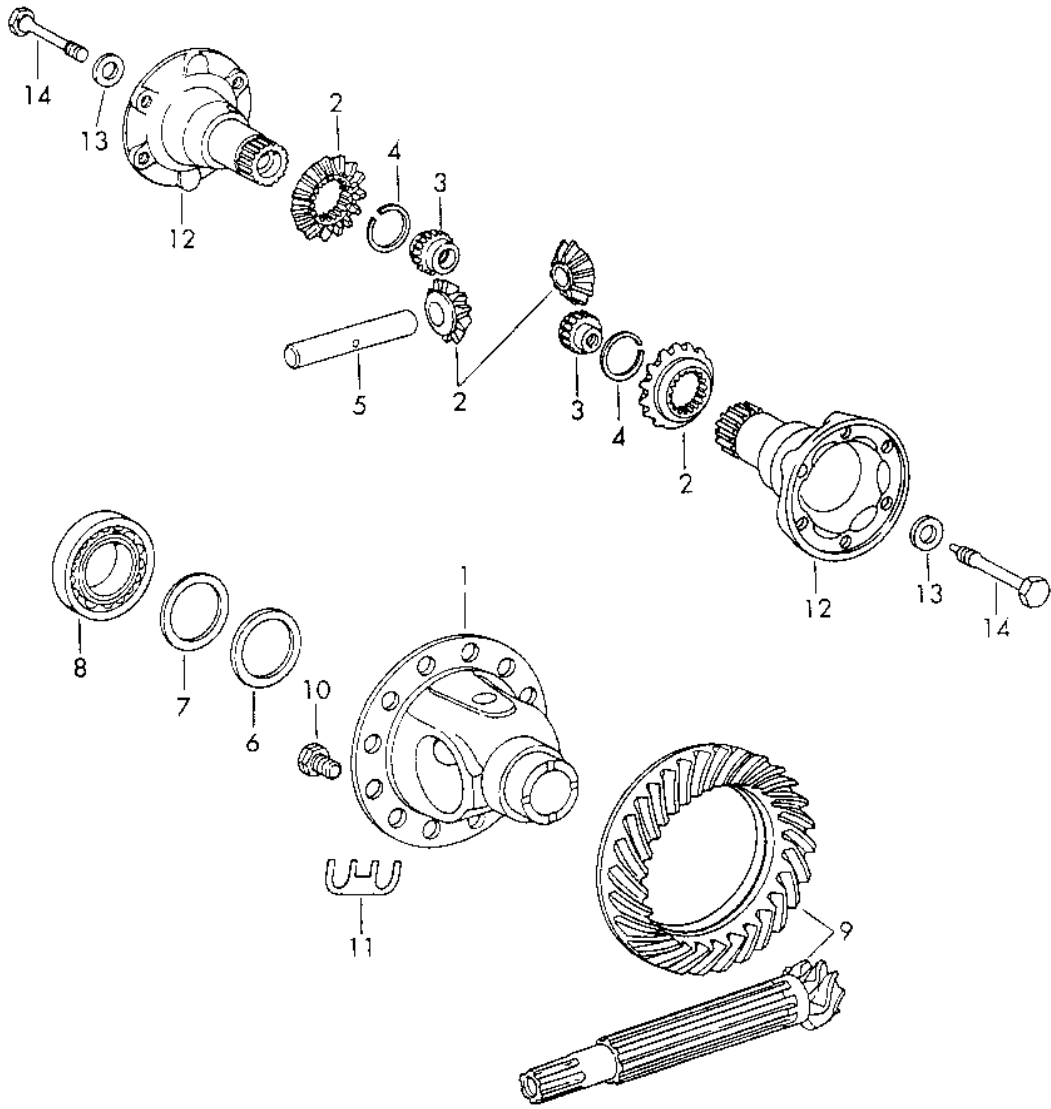
Model: 911 70

Model life 1970>>1973

Pos	Part Number	Description	Remark	Qty	Model
23	N 012 241 1	Reverse gear - 5th gear Spring washer B 8 X 15		3	
24	900 075 136 02	Hexagon-head bolt M 8 X 28		3	

Model: 911 70

Model life 1970>>1973



Model: 911 70 Model life 1970>>1973

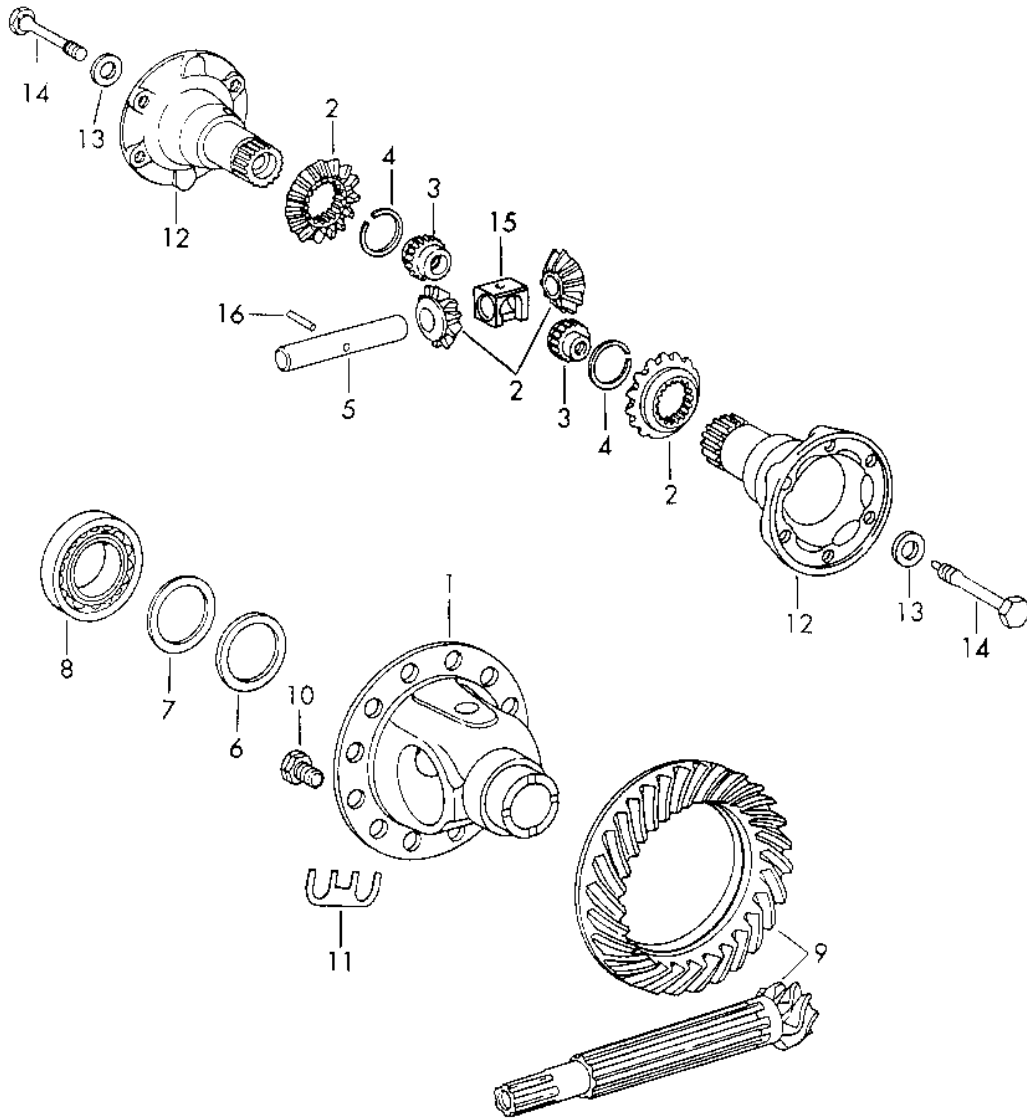
Pos	Part Number	Description	Remark	Qty	Model
		Differential with Chilled casting Or Die casting Housing without Armature	70		
1	901 332 211 01	Differential housing Chilled casting		1	
(1)	901 332 212 11	Differential housing Die casting		1	
(1)	905 332 212 00	Differential housing		1	911 T/E:SPM
2	901 332 902 00	Differential pinions Set		1	
3	901 332 206 13	Threaded piece		2	
4	999 152 014 00	Circlip		2	
5	901 332 207 04	Differential bolt		1	
		Spacer ring for Chilled casting Housing			
6	901 332 265 01	Spacer ring 2,5 MM		2	
(6)	901 332 265 02	Spacer ring 2,6 MM		2	
(6)	901 332 265 03	Spacer ring 2,7 MM		2	
(6)	901 332 265 04	Spacer ring 2,8 MM		2	
(6)	901 332 265 05	Spacer ring 2,9 MM		2	
(6)	901 332 265 06	Spacer ring 3,0 MM		2	
(6)	901 332 265 07	Spacer ring 3,1 MM		2	
(6)	901 332 265 08	Spacer ring 3,2 MM		2	
(6)	901 332 265 09	Spacer ring 3,3 MM		2	
(6)	901 332 265 10	Spacer ring 3,4 MM		2	
(6)	901 332 265 11	Spacer ring 3,5 MM		2	
(6)	901 332 265 12	Spacer ring 3,6 MM		2	
(6)	901 332 265 13	Spacer ring 3,7 MM		2	
		Spacer ring for Die casting Housing			
(6)	915 332 265 00	Adjusting ring 2,4 MM		2	
(6)	915 332 265 01	Adjusting ring 2,5 MM		2	
(6)	915 332 265 02	Adjusting ring 2,6 MM		2	
(6)	915 332 265 03	Adjusting ring 2,7 MM		2	
(6)	915 332 265 04	Adjusting ring 2,8 MM		2	
(6)	915 332 265 05	Adjusting ring		2	

Model: 911 70 Model life 1970>>1973

Pos	Part Number	Description	Remark	Qty	Model
(6)	915 332 265 06	2,9 MM Adjusting ring		2	
(6)	915 332 265 07	3,0 MM Adjusting ring		2	
(6)	915 332 265 08	3,1 MM Adjusting ring		2	
(6)	915 332 265 09	3,2 MM Adjusting ring		2	
(6)	915 332 265 10	3,3 MM Adjusting ring		2	
(6)	915 332 265 11	3,4 MM Adjusting ring		2	
(6)	915 332 265 12	3,5 MM Adjusting ring		2	
(6)	915 332 265 13	3,6 MM Adjusting ring		2	
7	901 332 263 01	3,7 MM Washer for Chilled casting		2	
(7)	915 332 263 00	Adjusting ring for Die casting		2	
8	999 059 008 00	Taper roller bearing for Chilled casting		2	
(8)	999 059 027 00	Taper roller bearing for Die casting		2	
(8)	999 059 027 02	Taper roller bearing for Die casting		2	
9	901 302 901 02	Ring gear and pinion shaft 7:31		1	
(9)	905 302 901 01	Gear set 7:27		1	911 T/E:SPM
10	901 332 276 00	Hexagon-head bolt M 12 X 1,5		12	
(10)	915 332 276 00	Hexagon-head bolt M 12 X 1,25		12	
(10)	901 332 276 11	Hexagon-head bolt M 12 X 1,5 Only for Limited-slip differential		12	
(10)	928 332 276 03	Hexagon-head bolt M 12 X 1,25 Only for Limited-slip differential		12	
11	901 332 285 01	Tab washer		6	
(11)	905 332 285 00	Tab washer		6	911 T/E:SPM
12	901 332 209 15	Joint flange - LOEBRO - for Chilled casting		2	
(12)	901 332 209 21	Joint flange - LOEBRO - for Die casting		2	
13	901 332 261 11	Washer		2	
14	901 332 275 11	Elastic bolt		2	

Model: 911 70

Model life 1970>>1973



Model: 911 70 Model life 1970>>1973

Pos	Part Number	Description	Remark	Qty	Model
		Differential for Manual transmission TYP 915 And Sportomatic TYP 925 with Armature			
1	911 332 212 00	Differential pinions		1	
2	911 332 902 00	Differential pinions Set	70- -71	1	
2	911 332 212 00	Differential pinions Set	72-	1	
3	911 332 206 01	Nut		2	
4	999 152 014 00	Circlip		2	
5	911 332 207 00	Differential bolt		1	
6	915 332 265 00	Adjusting ring 2,4 MM		2	
(6)	915 332 265 01	Adjusting ring 2,5 MM		2	
(6)	915 332 265 02	Adjusting ring 2,6 MM		2	
(6)	915 332 265 03	Adjusting ring 2,7 MM		2	
(6)	915 332 265 04	Adjusting ring 2,8 MM		2	
(6)	915 332 265 05	Adjusting ring 2,9 MM		2	
(6)	915 332 265 06	Adjusting ring 3,0 MM		2	
(6)	915 332 265 07	Adjusting ring 3,1 MM		2	
(6)	915 332 265 08	Adjusting ring 3,2 MM		2	
(6)	915 332 265 09	Adjusting ring 3,3 MM		2	
(6)	915 332 265 10	Adjusting ring 3,4 MM		2	
(6)	915 332 265 11	Adjusting ring 3,5 MM		2	
(6)	915 332 265 12	Adjusting ring 3,6 MM		2	
(6)	915 332 265 13	Adjusting ring 3,7 MM		2	
7	915 332 263 00	Adjusting ring		2	
8	999 059 027 00	Taper roller bearing		2	
8	999 059 027 02	Taper roller bearing		2	
9	901 302 901 02	Ring gear and pinion shaft 7:31	-71	1	
(9)	915 302 911 16	Ring gear and pinion shaft 7:31	72-	1	
(9)	905 302 901 01	Gear set 7:27	-71	1	SPM
(9)	925 302 911 00	Ring gear and pinion shaft 7:27	72-	1	SPM
10	901 332 276 00	Hexagon-head bolt M 12 X 1,5		12	
(10)	915 332 276 00	Hexagon-head bolt M 12 X 1,25		12	
(10)	901 332 276 11	Hexagon-head bolt M 12 X 1,5 Only	-71	12	

Model: 911 70

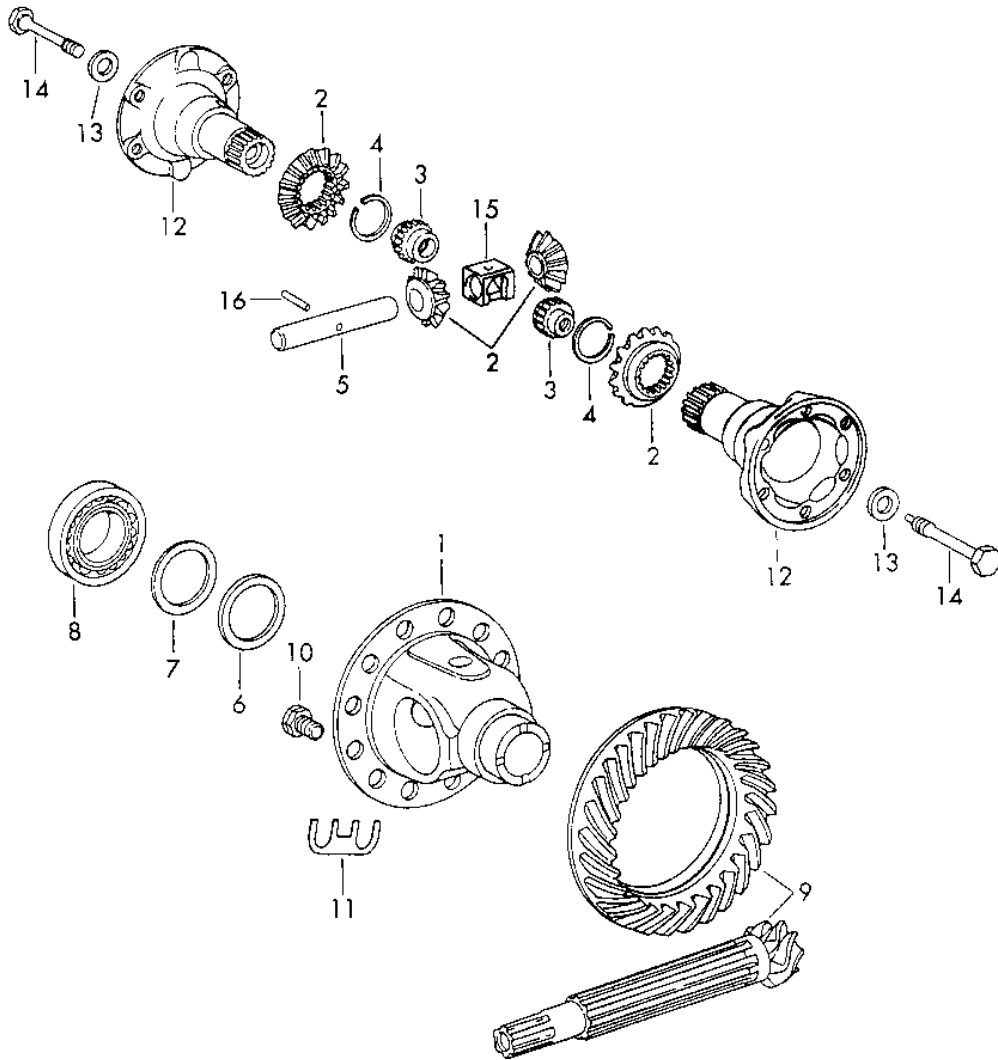
Model life 1970>>1973

Pos	Part Number	Description	Remark	Qty	Model
(10)	928 332 276 03	for Limited-slip differential Hexagon-head bolt M 12 X 1,25 Satin black metallic	-71	12	
(10)		for Limited-slip differential Hexagon-head bolt M 12 X 1,25 Only	72-	12	
11	901 332 285 01	for Limited-slip differential Tab washer		6	
12	911 332 209 00	Joint flange	-71	2	
(12)	915 332 209 01	Joint flange	72-	2	
(12)	925 332 209 04	Joint flange		2	SPM
13	901 332 261 11	Washer		2	
14	901 332 275 12	Elastic bolt		2	
15	911 332 208 00	Armature		2	
16	900 308 005 00	Roll pin 6 X 28		2	

Model: 911 70

Model life 1970>>1973

SPORTOMATIC



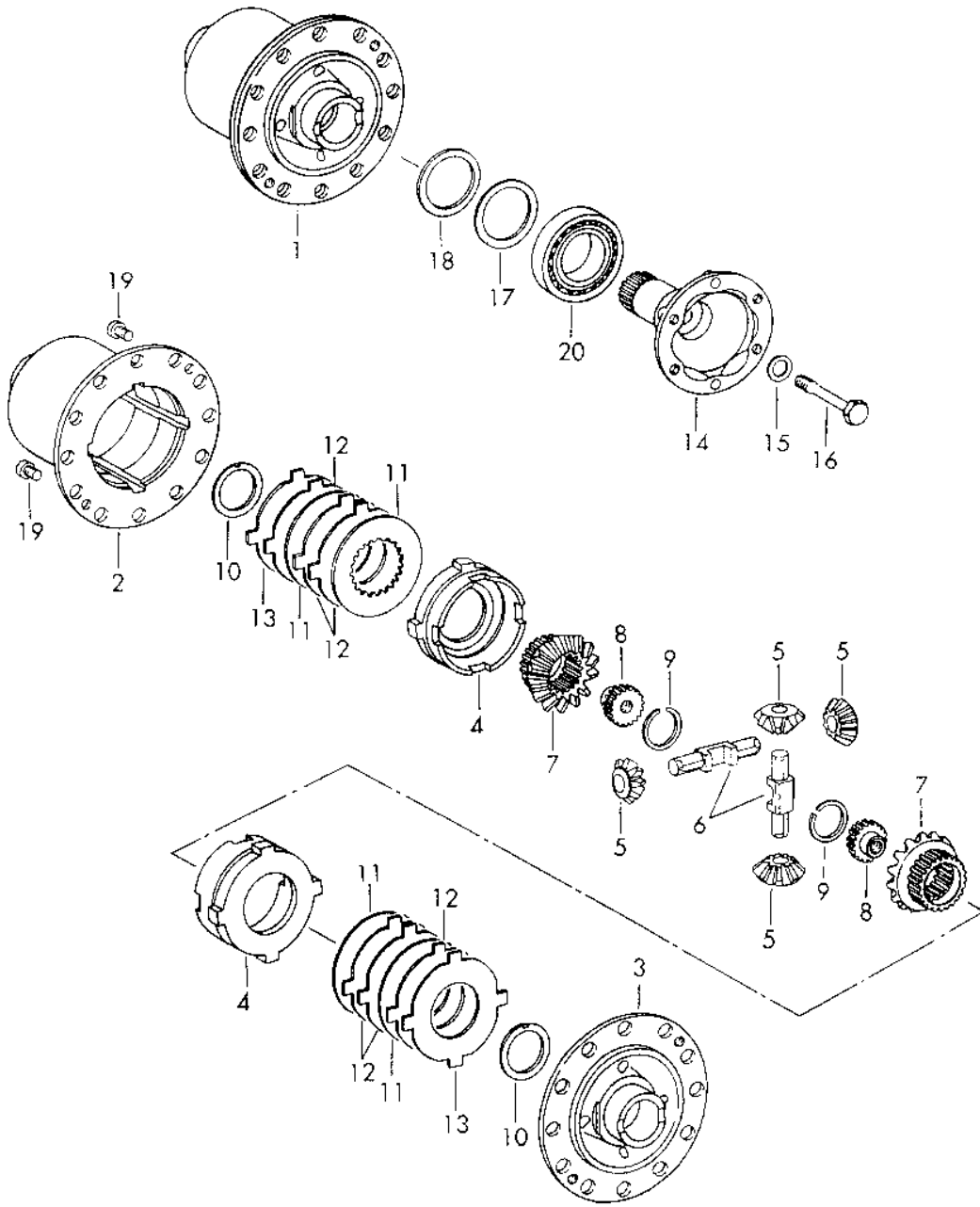
Model: 911 70

Model life 1970>>1973

Pos	Part Number	Description	Remark	Qty	Model
		Differential for Sportomatic TYP 905			SPM
1	905 332 212 00	Differential housing		1	
2	901 332 902 00	Differential pinions Set		1	
3	901 332 206 13	Threaded piece		2	
4	999 152 014 00	Circlip		2	
5	901 332 207 04	Differential bolt		1	
6	901 332 265 01	Spacer ring 2,5 MM		2	
(6)	901 332 265 02	Spacer ring 2,6 MM		2	
(6)	901 332 265 03	Spacer ring 2,7 MM		2	
(6)	901 332 265 04	Spacer ring 2,8 MM		2	
(6)	901 332 265 05	Spacer ring 2,9 MM		2	
(6)	901 332 265 06	Spacer ring 3,0 MM		2	
(6)	901 332 265 07	Spacer ring 3,1 MM		2	
(6)	901 332 265 08	Spacer ring 3,2 MM		2	
(6)	901 332 265 09	Spacer ring 3,3 MM		2	
(6)	901 332 265 10	Spacer ring 3,4 MM		2	
(6)	901 332 265 11	Spacer ring 3,5 MM		2	
(6)	901 332 265 12	Spacer ring 3,6 MM		2	
(6)	901 332 265 13	Spacer ring 3,7 MM		2	
7	901 332 263 01	Washer		2	
8	999 059 008 00	Taper roller bearing		2	
9	905 302 901 01	Gear set 7:27		1	
10	901 332 276 00	Hexagon-head bolt M 12 x 1,5		12	
(10)	915 332 276 00	Hexagon-head bolt M 12 X 1,25		12	
11	905 332 285 00	Tab washer		6	
12	901 332 209 15	Joint flange		2	
13	901 332 261 11	Washer		2	
14	901 332 275 12	Elastic bolt		2	
15	911 332 208 00	Armature		2	
16	900 308 005 00	Roll pin 6 X 28		2	

Model: 911 70

Model life 1970>>1973

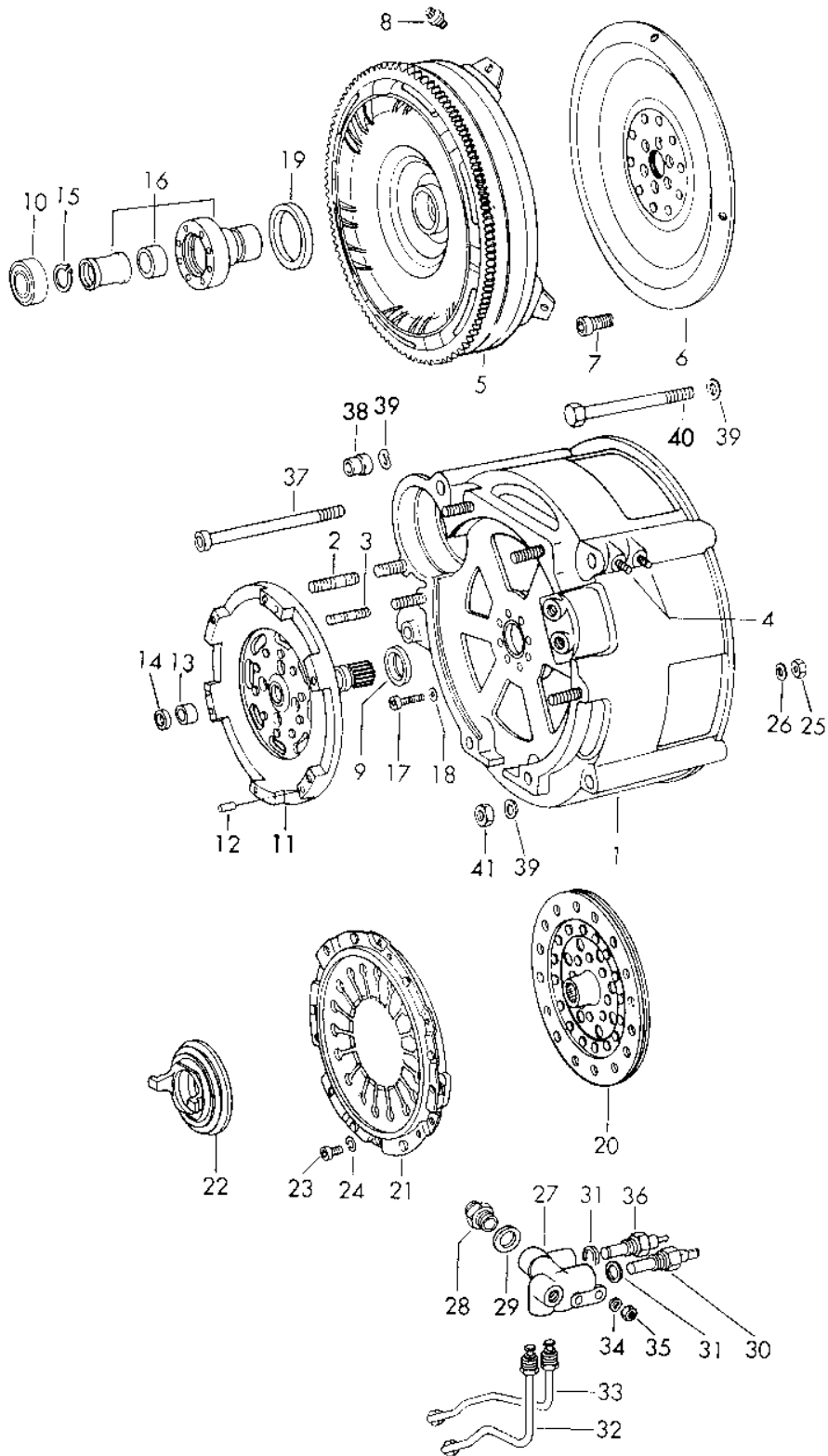


Model: 911 70 Model life 1970>>1973

Pos	Part Number	Description	Remark	Qty	Model
		Limited-slip differential			
1	901 332 053 13	Limited-slip differential		1	
2	901 332 055 13	Housing		1	
3	901 332 506 11	Housing cover		1	
4	901 332 511 11	Thrust ring		2	
5	915 332 531 02	Bevel pinion		4	
6	915 332 541 02	Differential shaft		2	
7	901 332 535 11	Shaft bevel gear		2	
8	901 332 206 12	Threaded piece		2	
9	999 152 014 00	Circlip		2	
		SW 32			
10	901 332 561 11	Thrust washer		2	
11	901 332 551 21	Inner disc		4	
		2,0 MM			
(11)	901 332 551 22	Inner disc		X	
		1,9 MM			
(11)	901 332 551 23	Inner disc		X	
		2,1 MM			
12	901 332 552 11	Disc with external splines		6	
13	928 332 555 00	Cup spring		2	
14	901 332 209 21	Joint flange	-70	2	
(14)	915 332 209 21	Joint flange	71-	2	
15	901 332 261 11	Washer		2	
16	901 332 275 12	Elastic bolt		2	
17	915 332 263 00	Adjusting ring		2	
18	915 332 265 00	Adjusting ring		2	
		2,4 MM			
(18)	915 332 265 01	Adjusting ring		X	
		2,5 MM			
(18)	915 332 265 02	Adjusting ring		X	
		2,6 MM			
(18)	915 332 265 03	Adjusting ring		X	
		2,7 MM			
(18)	915 332 265 04	Adjusting ring		X	
		2,8 MM			
(18)	915 332 265 05	Adjusting ring		X	
		2,9 MM			
(18)	915 332 265 06	Adjusting ring		X	
		3,0 MM			
(18)	915 332 265 07	Adjusting ring		X	
		3,1 MM			
(18)	915 332 265 08	Adjusting ring		X	
		3,2 MM			
(18)	915 332 265 09	Adjusting ring		X	
		3,3 MM			
(18)	915 332 265 10	Adjusting ring		X	
		3,4 MM			
(18)	915 332 265 11	Adjusting ring		X	
		3,5 MM			
(18)	915 332 265 12	Adjusting ring		X	
		3,6 MM			
(18)	915 332 265 13	Adjusting ring		X	
		3,7 MM			
19	900 119 002 00	Pan-head screw		2	
		M 6 X 10			
20	999 059 027 00	Taper roller bearing		2	
20	999 059 027 02	Taper roller bearing		2	

Model: 911 70

Model life 1970>>1973



Model: 911 70 Model life 1970>>1973

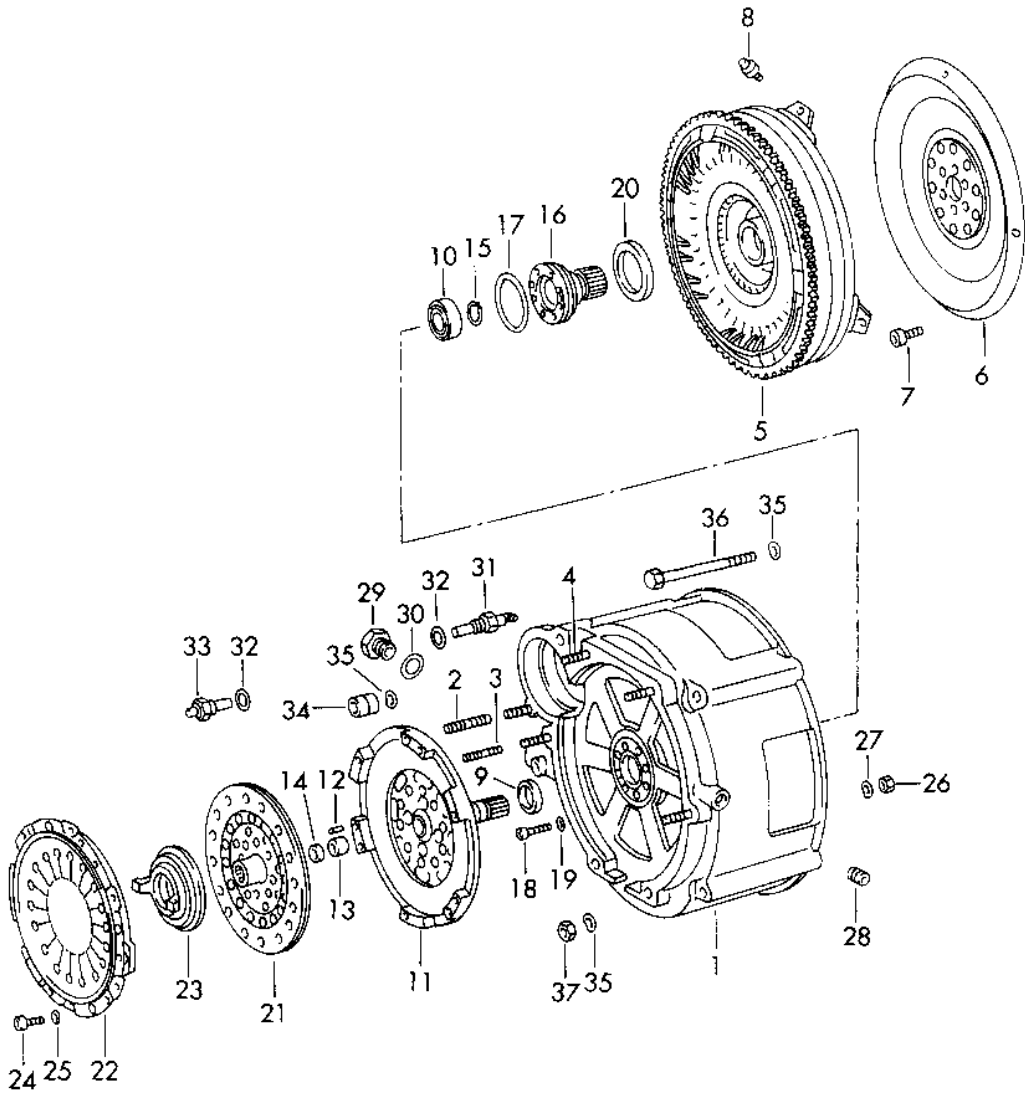
Pos	Part Number	Description	Remark	Qty	Model
		Converter And Converter housing TYP 905/21 Sportomatic			911 T/E
1	905 301 007 01	Converter housing with Stud		1	911 T-V
2	900 061 014 01	Stud BM 10 X 22		1	
(3)	900 061 009 01	Stud BM 8 X 28		1	
3	900 061 007 01	Stud BM 8 X 22		3	
3	900 061 007 02	Stud BM 8 X 22		3	
3	999 062 007 02	Stud BM 8 X 22		3	
3	900 060 106 01	Stud BM 8 X 22		3	
4	999 062 002 02	Stud BM 6 X 15		2	
5	905 116 002 20	Torque converter with Starter ring G 700 0001 >> 700 9999 G 710 0001 >> 710 9999 G 770 0001 >> 770 3000 G 730 9101 >> 730 9200 G 730 9201 >> 730 9300 G 730 9301 >> 730 9400 G 730 9401 >> 730 9500 G 730 9501 >> 730 9600 G 720 0001 >> 720 9999	-70	1	911.300/00 911.300/01 911.300/01 911.300/80 911.300/81 911.300/82 911.300/83 911.300/84 905.300/20
6	905 116 024 11	Drive plate		1	
7	999 067 009 01	Pan-head screw		6	
8	905 116 026 00	12 point socket		4	
9	PCG 113 071 50	Radial shaft seal 25 X 35 X 6		1	
10	900 052 027 00	Ball bearing 6004		1	
11	905 116 027 10	Turbine shaft		1	
12	999 012 018 00	Straight pin		3	
13	999 201 021 00	Needle sleeve HK 1210 INA		1	
14	PCG 201 301 00	Shaft sealing ring 12 X 18 X 3 INA		1	
15	N 012 420 1	Circlip 20 X 1,2		1	
16	905 116 020 01	Free wheel lock Bracket Complete		1	
17	999 186 002 01	Pan-head screw		8	
18	N 013 804 2	Sealing ring A 6 X 10		8	
19	999 113 189 40	Radial sealing ring 45 X 60 X 7		1	
20	905 116 254 20	Clutch plate G 700 0001 >> 700 9999 G 710 0001 >> 710 9999 G 770 0001 >> 770 3000 G 730 9101 >> 730 9200 G 730 9201 >> 730 9300		1	911.300/00 911.300/01 911.300/01 911.300/80 911.300/81

Model: 911 70 Model life 1970>>1973

Pos	Part Number	Description	Remark	Qty	Model
21	905 116 255 10	G 730 9301 >> 730 9400		1	911.300/82
		G 730 9401 >> 730 9500			911.300/83
		G 730 9501 >> 730 9600			911.300/84
		G 720 0001 >> 720 9999			905.300/20
		Pressure plate			
		G 700 0001 >> 700 9999			911.300/00
		G 710 0001 >> 710 9999			911.300/01
		G 770 0001 >> 770 3000			911.300/01
		G 730 9101 >> 730 9200			911.300/80
		G 730 9201 >> 730 9300			911.300/81
		G 730 9301 >> 730 9400			911.300/82
		G 730 9401 >> 730 9500	72-		911.300/83
		G 730 9501 >> 730 9600			911.300/84
		G 720 0001 >> 720 9999			905.300/20
22	925 116 081 00	Clutch release bearing		1	
23	999 067 010 01	Pan-head screw		6	
24	N 012 026 3	Lock ring		6	
		6			
25	N 011 010 6	Hexagon nut		2	
		M 10			
25	N 101 552 10	Hexagon nut		2	
		M 10			
26	N 012 242 3	Spring washer		2	
		B 10 X 18			
27	905 301 125 11	Switch housing		1	
28	900 129 009 02	Union	-71	1	
		8			
(28)	905 301 014 11	Union	72-	1	
		A 10			
29	900 123 019 20	Sealing ring		1	
		A 16 X 22 CU			
30	905 613 102 04	Temperature switch		1	
31	900 123 007 30	Sealing ring		2	
		A 14 X 18 AL			
32	905 301 013 10	Pressure pipe		1	
		Complete			
33	905 301 014 10	Return pipe	-71	1	
		Complete			
(33)	905 301 014 11	Union	72-	1	
		Complete			
34	900 028 008 01	Lock ring		2	
		B 6			
35	900 076 010 02	Nut		2	
		M 6			
35	900 076 010 0B	Nut		2	
		M 6			
36	901 641 632 00	Remote temperature sensor		1	
37	900 067 078 02	Pan-head screw	-71	1	
		M 10 X 150			
38	901 104 382 02	Nut	72-	1	
38	901 104 382 03	Nut	72-	1	
39	N 012 242 3	Spring washer	-71	4	
		B 10 X 18	72-	5	
40	900 155 018 02	Hexagon-head bolt	/L	1	
		M 10 X 110			
41	900 157 002 02	Hexagon nut		2	
		M 10			
41	900 157 002 03	Hexagon nut		2	
		M 10			

Model: 911 70

Model life 1970>>1973



Model: 911 70

Model life 1970>>1973

Pos	Part Number	Description	Remark	Qty	Model
		Converter And Converter housing TYP 925 Sportomatic	72-		911 T-E/E/S CARRERA 2.7
1	925 301 007 00	Converter housing with Stud		1	
2	900 061 014 02	Stud		1	
3	999 062 008 02	Stud BM 10 X 22		3	
4	999 062 009 02	Stud BM 8 X 25		1	
4	900 060 105 01	Stud BM 8 X 28		1	
5	905 116 002 20	Torque converter with Starter ring Not for - CARRERA 2.7-		1	911 T-E/E
(5)	925 116 005 00	Torque converter with Starter ring Not for - CARRERA 2.7-		1	911 S
6	905 116 024 11	Drive plate Not for - CARRERA 2.7-		1	
7	999 067 009 01	Pan-head screw		6	
8	905 116 026 00	12 point socket Not for - CARRERA 2,7 -		4	
9	999 113 205 40	Shaft sealing ring 26 X 37 X 7		1	
10	900 052 095 00	Deep-groove ball bearing 6204		1	
10	900 052 095 01	Deep-groove ball bearing 6204		1	
11	925 116 027 00	Turbine shaft		1	
12	999 012 018 00	Straight pin		3	
13	999 201 021 00	Needle sleeve HK 1210 INA		1	
14	PCG 201 301 00	Shaft sealing ring 12 X 18 X 3 INA		1	
15	N 042 364 1	Circlip 20 X 1,75		1	
16	925 116 020 01	Free wheel lock Bracket Complete		1	
17	999 701 397 40	O-ring OR 72 - 2,5		1	
18	999 186 002 01	Pan-head screw		8	
19	N 013 804 2	Sealing ring A 6 X 10 CU		8	
20	999 113 189 40	Radial sealing ring		1	
21	925 116 254 02	Clutch plate		1	
22	925 116 255 05	Clutch pressure plate		1	
23	925 116 081 00	Clutch release bearing		1	
24	999 067 010 01	Pan-head screw		6	
25	N 012 026 3	Lock ring 6		6	
26	N 011 010 6	Hexagon nut		2	

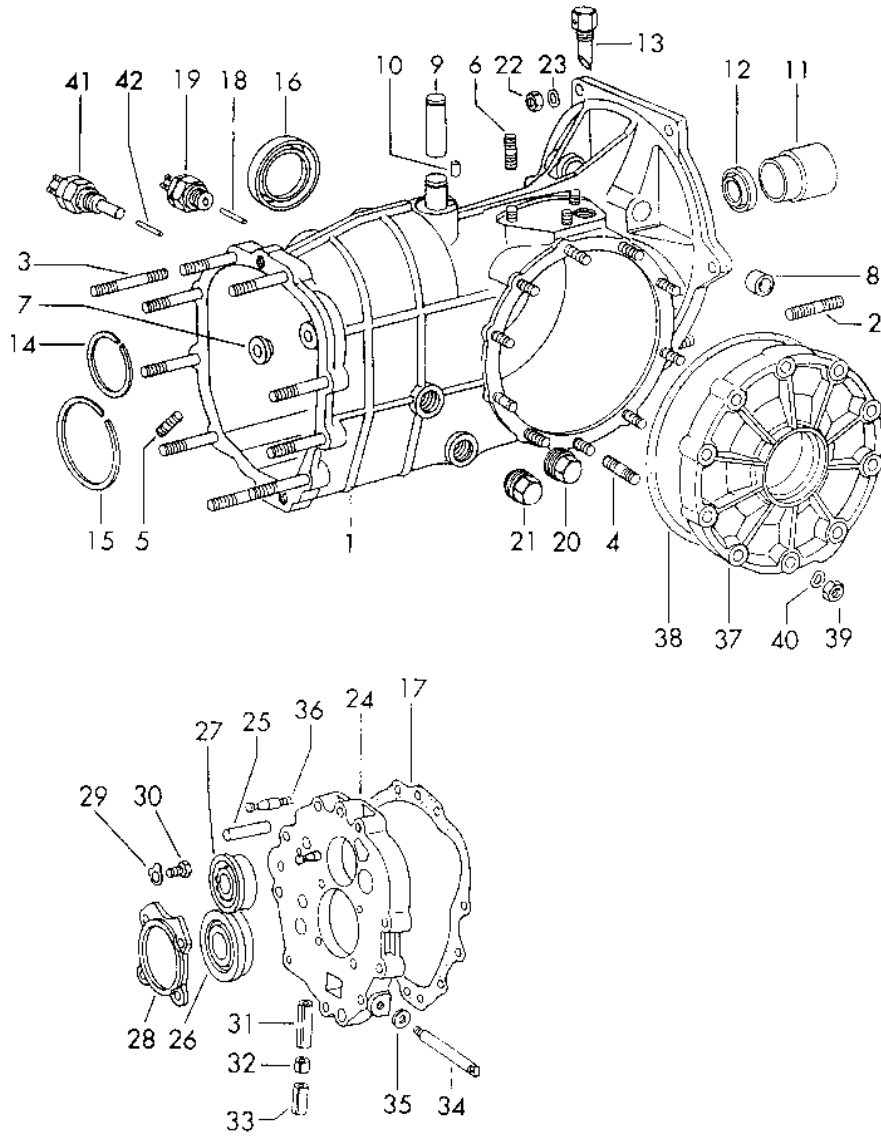
Model: 911 70

Model life 1970>>1973

Pos	Part Number	Description	Remark	Qty	Model
26	N 101 552 10	M 10 Hexagon nut		2	
27	N 012 242 3	M 10 Spring washer		2	
28	999 504 090 00	B 10 X 18 Threaded insert Heli-coil M 12 X 1,5		1	
29	925 301 115 00	Screw socket		1	
30	900 123 060 30	Sealing ring A 24 X 29 AL		1	
31	905 613 102 04	Temperature switch		1	
32	900 123 007 30	Sealing ring A 14 X 18 AL		1	
33	901 641 632 00	Remote temperature sensor		1	
34	901 104 382 02	Nut		2	
34	901 104 382 03	Nut		2	
35	N 012 242 3	Spring washer B 10 X 18		5	
36	900 155 018 02	Hexagon-head bolt M 10 X 110		1	
37	900 157 002 02	Hexagon nut M 10		2	
37	900 157 002 03	Hexagon nut M 10		2	

Model: 911 70

Model life 1970>>1973



Model: 911 70 Model life 1970>>1973

Pos	Part Number	Description	Remark	Qty	Model
1	905 301 010 20	Transmission case Sportomatic Transmission case G 700 0001 >> 700 9999 G 710 0001 >> 710 9999 G 770 0001 >> 770 3000 G 730 9101 >> 730 9200 G 730 9201 >> 730 9300 G 730 9301 >> 730 9400 G 730 9401 >> 730 9500 G 730 9501 >> 730 9600 G 720 0001 >> 720 9999	-71	1	911 T/E 911.300/00 911.300/01 911.300/01 911.300/80 911.300/81 911.300/82 911.300/83 911.300/84 905.300/20
2	900 061 118 02	Stud BM 10 X 28		2	
-	900 061 138 01	Stud BM 8 X 52 G 700 0001 >> 700 9999 G 710 0001 >> 710 9999 G 770 0001 >> 770 3000 G 730 9101 >> 730 9200 G 730 9201 >> 730 9300 G 730 9301 >> 730 9400 G 730 9401 >> 730 9500 G 730 9501 >> 730 9600 G 720 0001 >> 720 9999	-70	1	911.300/00 911.300/01 911.300/01 911.300/80 911.300/81 911.300/82 911.300/83 911.300/84 905.300/20
3	900 061 012 01	Stud BM 8 X 50		8	
(3)	900 061 138 01	Stud BM 8 X 52	71	1	
4	900 061 007 01	Stud BM 8 X 22		9	
4	900 061 007 02	Stud BM 8 X 22		9	
4	999 062 007 02	Stud BM 8 X 22		9	
4	900 060 106 01	Stud BM 8 X 22		9	
5	900 061 057 01	Stud BM 8 X 15		2	
6	900 061 004 02	Stud BM 8 X 12		3	
7	905 302 291 00	Thrust ring		1	
8	905 116 727 00	Bush for Clutch lever shaft		2	
9	905 116 707 01	Bearing pin		1	
10	999 095 102 00	Roll pin S 5 X 12		1	
11	905 116 813 01	Guide tube		1	
12	999 113 286 40	Shaft sealing ring 22 X 35 X 8		1	
13	904 301 071 00	Bleeder		1	
14	999 042 301 01	Circlip SB 52		2	
15	999 041 305 01	Circlip SB 79		1	
16	999 113 058 50	Radial sealing ring 45 X 65 X 10		2	
17	905 301 191 00	Gasket for Transmission case 0,10 MM		X	
(17)	905 301 191 01	Gasket		X	

Model: 911 70

Model life 1970>>1973

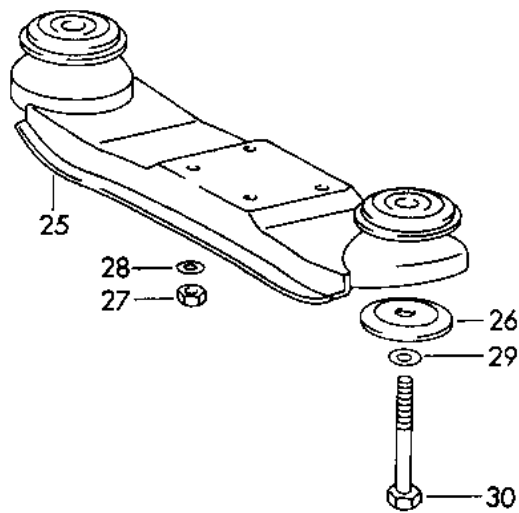
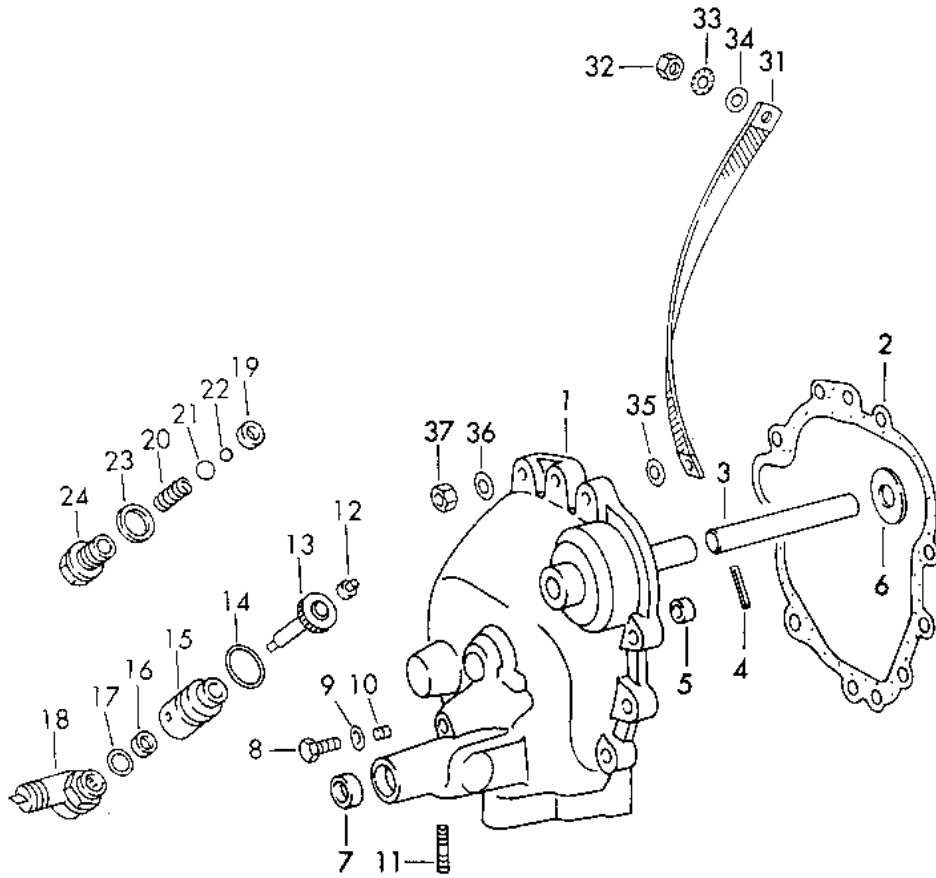
Pos	Part Number	Description	Remark	Qty	Model
(17)	905 301 191 02	for Transmission case 0,15 MM Gasket		X	
18	905 303 245 02	for Transmission case 0,20 MM Cam follower		1	
19	905 613 051 02	for Switch Back-up light switch		1	
20	999 064 007 02	Screw plug without Magnet Yellow Anodised		1	
21	999 064 008 02	Screw plug with magnet Yellow Anodised		1	
22	900 076 025 02	Hexagon nut M 8		4	
22	900 076 064 02	Hexagon nut M 8		4	
23	N 012 241 1	Spring washer B 8 X 15		4	
24	905 301 221 01	Intermediate plate		1	
25	900 012 027 00	Straight pin 10 M 6 X 45		2	
26	999 052 016 00	Four-point bearing		1	
26	999 052 016 0A	Four-point bearing		1	
27	999 053 025 00	Angular-contact bearing		1	
28	901 301 251 01	Tensioning plate		1	
29	999 039 001 00	Tab washer		4	
30	N 010 239 11	Hexagon-head bolt M 8 X 18		4	
30	N 010 239 30	Hexagon-head bolt M 8 X 18		4	
31	901 303 241 01	Bush for Gear lock detent		1	
32	905 303 242 00	Bush for Gear lock detent		1	
33	905 303 243 00	Bush for Gear lock detent		1	
34	914 301 307 00	Bolt for Reverse lever		1	
35	N 012 241 1	Spring washer B 8		1	
36	905 303 136 00	Eccentric bolt		1	
37	905 301 311 11	Transmission cover Lateral		1	
38	999 701 286 40	O-ring 160 X 3		1	
(38)	905 301 391 00	Gasket for Transmission cover Lateral without groove Old version		1	

Model: 911 70 Model life 1970>>1973

Pos	Part Number	Description	Remark	Qty	Model
39	900 076 025 02	Hexagon nut M 8		X	
39	900 076 064 02	Hexagon nut M 8		X	
40	N 012 241 1	Spring washer B 8 X 15		X	
41	905 613 101 02	Bridging switch G 700 0001 >> 700 9999 G 710 0001 >> 710 9999 G 770 0001 >> 770 3000 G 730 9101 >> 730 9200 G 730 9201 >> 730 9300 G 730 9301 >> 730 9400 G 730 9401 >> 730 9500 G 730 9501 >> 730 9600 G 720 0001 >> 720 9999		1	911.300/00 911.300/01 911.300/01 911.300/80 911.300/81 911.300/82 911.300/83 911.300/84 905.300/20
42	914 303 246 10	Cam follower for Bridging switch G 700 0001 >> 700 9999 G 710 0001 >> 710 9999 G 770 0001 >> 770 3000 G 730 9101 >> 730 9200 G 730 9201 >> 730 9300 G 730 9301 >> 730 9400 G 730 9401 >> 730 9500 G 730 9501 >> 730 9600 G 720 0001 >> 720 9999		1	911.300/00 911.300/01 911.300/01 911.300/80 911.300/81 911.300/82 911.300/83 911.300/84 905.300/20

Model: 911 70

Model life 1970>>1973



Model: 911 70 Model life 1970>>1973

Pos	Part Number	Description	Remark	Qty	Model
1	905 301 031 20	Transmission cover Transmission suspension Sportomatic Transmission cover Complete with studs G 700 0001 >> 700 9999 G 710 0001 >> 710 9999 G 770 0001 >> 770 3000 G 730 9101 >> 730 9200 G 730 9201 >> 730 9300 G 730 9301 >> 730 9400 G 730 9401 >> 730 9500 G 739 9501 >> 730 9600 G 720 0001 >> 720 9999	-71	1	911 T/E 911.300/00 911.300/01 911.300/01 911.300/80 911.300/81 911.300/82 911.300/83 911.300/84 905.300/20
2	905 301 392 02	Gasket for Transmission cover Front		1	
3	905 302 255 00	Bolt for Reverse idler gear		1	
4	900 095 019 01	Tensioning sleeve 5 X 30		1	
5	901 318 244 01	Bearing sleeve		1	
6	905 302 292 00	Thrust washer for Reverse gear		1	
7	999 113 185 40	Shaft sealing ring A 15 X 24 X 7		1	
8	901 318 272 03	Hexagon-head bolt		1	
9	900 031 001 02	Washer 8,4		1	
9	900 031 105 01	Washer 8,4		1	
10	999 504 070 00	Threaded insert Heli-coil		1	
11	900 061 057 01	Stud BM 8 X 15		4	
12	901 318 273 01	Bolt		1	
13	905 318 333 10	Shaft for Speedometer drive		1	
14	999 701 084 50	O-ring 25,3 X 2,4	-70	1	
15	901 318 243 12	Guide bush		1	
16	999 113 036 50	Radial sealing ring BA 10 X 8 X 6		1	
17	914 318 261 01	Sealing washer		1	
18	911 318 029 00	Angled pipe		1	
19	905 303 236 00	Washer		1	
20	905 303 237 00	Spring for Parking lock		1	
21	N 025 667 2	Ball for Parking lock 9 MM		1	
22	900 108 010 00	Ball for Parking lock 7 MM		1	
23	N 013 849 2	Sealing ring		1	

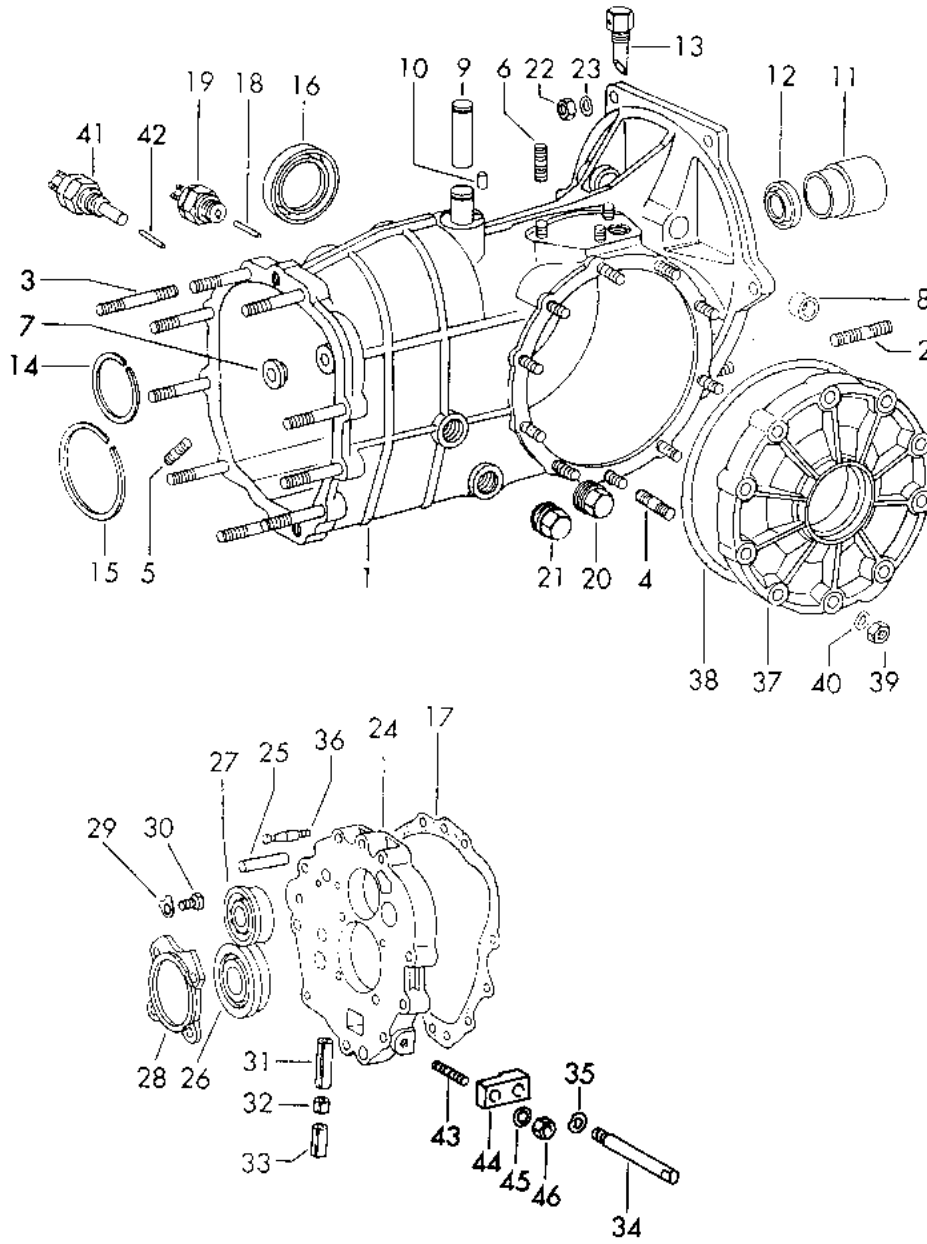
Model: 911 70

Model life 1970>>1973

Pos	Part Number	Description	Remark	Qty	Model
24	905 303 238 00	A 14 X 18 CU Screw plug		1	
25	905 305 031 01	Transmission carrier		1	
26	901 305 311 00	Seat	71	4	
27	999 090 101 02	Mid-grip nut		4	
28	900 031 001 02	Washer 8,4		4	
28	900 031 105 01	Washer 8,4		4	
29	900 027 017 02	Lock ring B 12		2	
30	901 305 317 00	Hexagon-head bolt		2	
31	999 611 918 20	Ground strap		1	
32	900 076 030 02	Hexagon nut M 8		1	
33	N 012 132 2	Shake-proof washer A 8		1	
34	900 025 025 02	Washer 8,4		2	
35	999 151 022 02	Washer 20 X 8,4 X 2		2	
36	N 012 241 1	Spring washer B 8 X 15		X	
37	900 076 025 02	Hexagon nut M 8		X	
37	900 076 064 02	Hexagon nut M 8		X	

Model: 911 70

Model life 1970>>1973



Model: 911 70 Model life 1970>>1973

Pos	Part Number	Description	Remark	Qty	Model
		Transmission case Sportomatic TYP 905/21	72-		911 T-V
1	905 301 010 20	Transmission case		1	
2	900 061 118 02	Stud BM 10 X 28		2	
3	900 061 012 01	Stud BM 8 X 50		8	
(3)	900 061 138 01	Stud BM 8 X 52		1	
4	900 061 007 01	Stud BM 8 X 22		9	
4	900 061 007 02	Stud BM 8 X 22		9	
4	999 062 007 02	Stud BM 8 X 22		9	
4	900 060 106 01	Stud BM 8 X 22		9	
5	900 061 057 01	Stud BM 8 X 15		2	
6	900 061 004 02	Stud BM 8 X 12		3	
7	905 302 291 00	Thrust ring		1	
8	905 116 727 00	Bush		2	
9	905 116 707 01	Bearing pin		1	
10	999 095 102 00	Roll pin S 5 X 12		1	
11	905 116 813 01	Guide tube		1	
12	999 113 286 40	Shaft sealing ring 22 X 35 X 8		1	
13	904 301 071 00	Bleeder		1	
14	999 042 301 01	Circlip SB 52		2	
15	999 041 305 01	Circlip SB 79		1	
16	999 113 058 50	Radial sealing ring 45 X 65 X 10		2	
17	905 301 191 00	Gasket for Transmission case 0,10 MM		X	
(17)	905 301 191 01	Gasket for Transmission case 0,15 MM		X	
(17)	905 301 191 02	Gasket for Transmission case 0,20 MM		X	
18	905 303 245 02	Cam follower for Switch		1	
19	905 613 051 02	Back-up light switch		1	
20	999 064 007 02	Screw plug without Magnet Yellow Anodised		1	
21	999 064 008 02	Screw plug with magnet Yellow Anodised		1	
22	900 076 025 02	Hexagon nut		4	

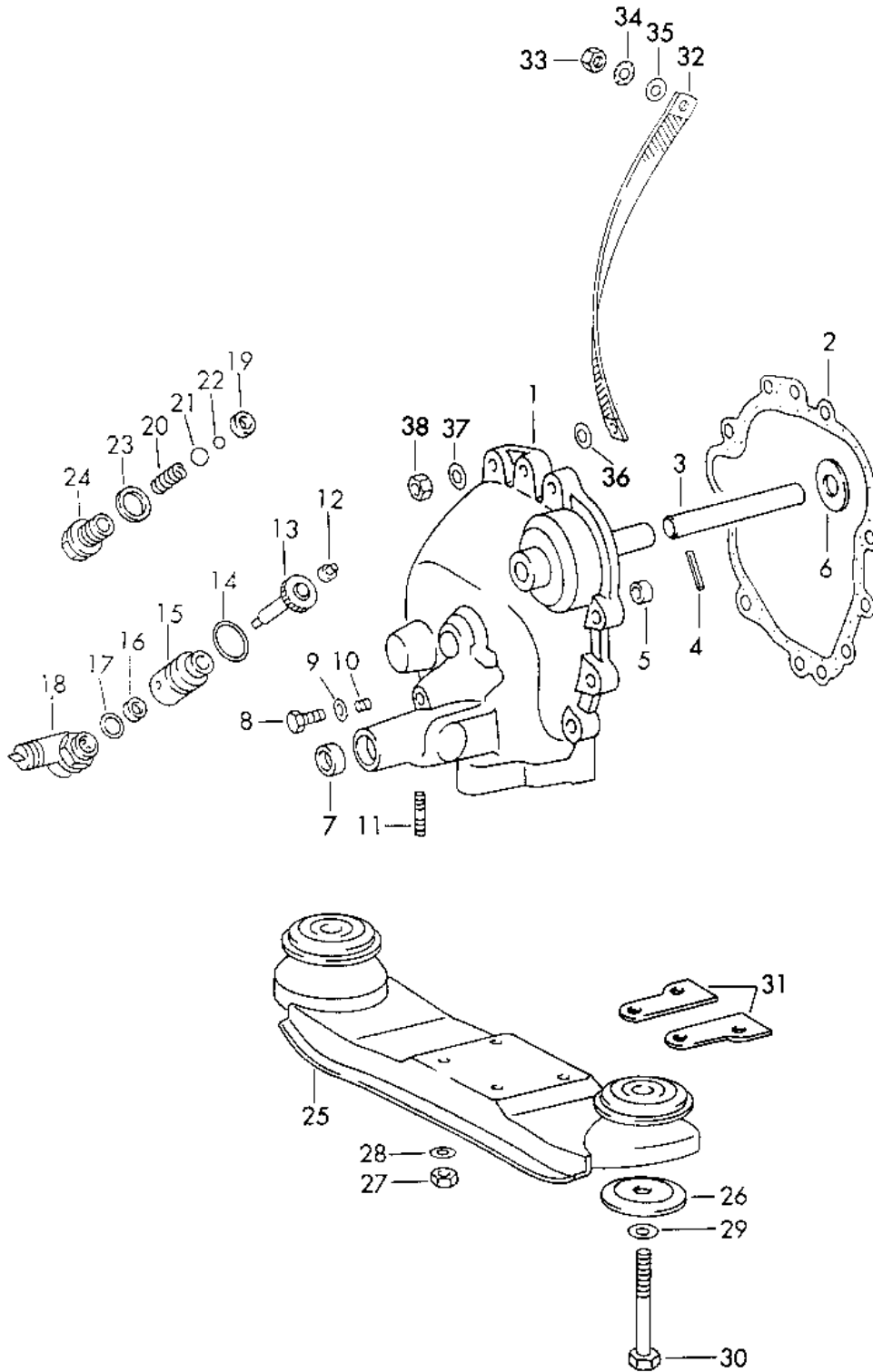
Model: 911 70

Model life 1970>>1973

Pos	Part Number	Description	Remark	Qty	Model
22	900 076 064 02	M 8 Hexagon nut		4	
23	N 012 241 1	M 8 Spring washer B 8 X 15		4	
24	905 301 221 01	Intermediate plate		1	
25	900 012 027 00	Straight pin 10 M 6 X 45		2	
26	999 052 016 00	Four-point bearing		1	
26	999 052 016 0A	Four-point bearing		1	
27	999 053 025 00	Angular-contact bearing		1	
28	901 301 251 01	Tensioning plate		2	
29	999 039 001 00	Tab washer		4	
30	N 010 239 11	Hexagon-head bolt M 8 X 18		4	
30	N 010 239 30	Hexagon-head bolt M 8 X 18		4	
31	901 303 241 01	Bush for Gear lock detent		1	
32	905 303 242 00	Bush for Gear lock detent		1	
33	905 303 243 00	Bush for Gear lock detent		1	
34	914 301 307 00	Bolt		1	
35	900 031 001 02	Washer 8,4		2	
35	900 031 105 01	Washer 8,4		2	
36	905 303 136 00	Eccentric bolt		1	
37	905 301 311 11	Transmission cover Lateral		1	
38	999 701 286 40	O-ring 160 X 3		1	
39	900 076 025 02	Hexagon nut M 8		X	
39	900 076 064 02	Hexagon nut M 8		X	
40	N 012 241 1	Spring washer B 8 X 15		X	
41	905 613 101 02	Bridging switch		1	
42	914 303 246 10	Cam follower for Bridging switch		1	
43	905 301 351 00	Stud		1	
44	905 423 321 00	Intermediate piece		1	
45	900 025 007 02	Washer 8,4		1	
45	900 025 007 03	Washer 8,4		1	
46	999 090 101 02	Mid-grip nut		1	

Model: 911 70

Model life 1970>>1973



Model: 911 70

Model life 1970>>1973

Pos	Part Number	Description	Remark	Qty	Model
		Transmission cover Transmission suspension Sportomatic TYP 905/21	72-		911 T-V
1	905 301 031 20	Transmission cover Complete		1	
2	905 301 392 02	Gasket for Transmission cover Front		1	
3	905 302 255 00	Bolt for Reverse idler gear		1	
4	900 095 019 01	Tensioning sleeve 5 X 30		1	
5	901 318 244 01	Bearing sleeve		1	
6	905 302 292 00	Thrust washer		1	
7	999 113 185 40	Shaft sealing ring B 15 X 24 X 7		1	
8	901 318 272 03	Hexagon-head bolt		1	
9	900 031 001 02	Washer 8,4		1	
9	900 031 105 01	Washer 8,4		1	
10	999 504 070 00	Threaded insert Heli-coil		1	
11	900 061 057 01	Stud BM 8 X 15		4	
12	901 318 273 01	Bolt for Reverse gear		1	
13	905 318 333 10	Shaft for Speedometer drive		1	
14	999 701 084 50	O-ring 25,3 X 2,4		1	
15	901 318 243 12	Guide bush		1	
16	999 113 036 50	Radial sealing ring BA 10 X 8 X 6		1	
17	914 318 261 01	Sealing washer		1	
18	911 318 029 00	Angled pipe		1	
19	905 303 236 00	Washer		1	
20	905 303 237 00	Spring for Parking lock		1	
21	N 025 667 2	Ball for Parking lock 9 MM		1	
22	900 108 010 00	Ball for Parking lock 7 MM		1	
23	N 013 849 2	Sealing ring A 14 X 18 CU		1	
24	905 303 238 00	Screw plug		1	
25	905 305 031 01	Transmission carrier		1	
26	901 305 311 00	Seat		4	
27	999 090 101 02	Mid-grip nut		4	
28	900 031 001 02	Washer 8,4		4	
28	900 031 105 01	Washer 8,4		4	

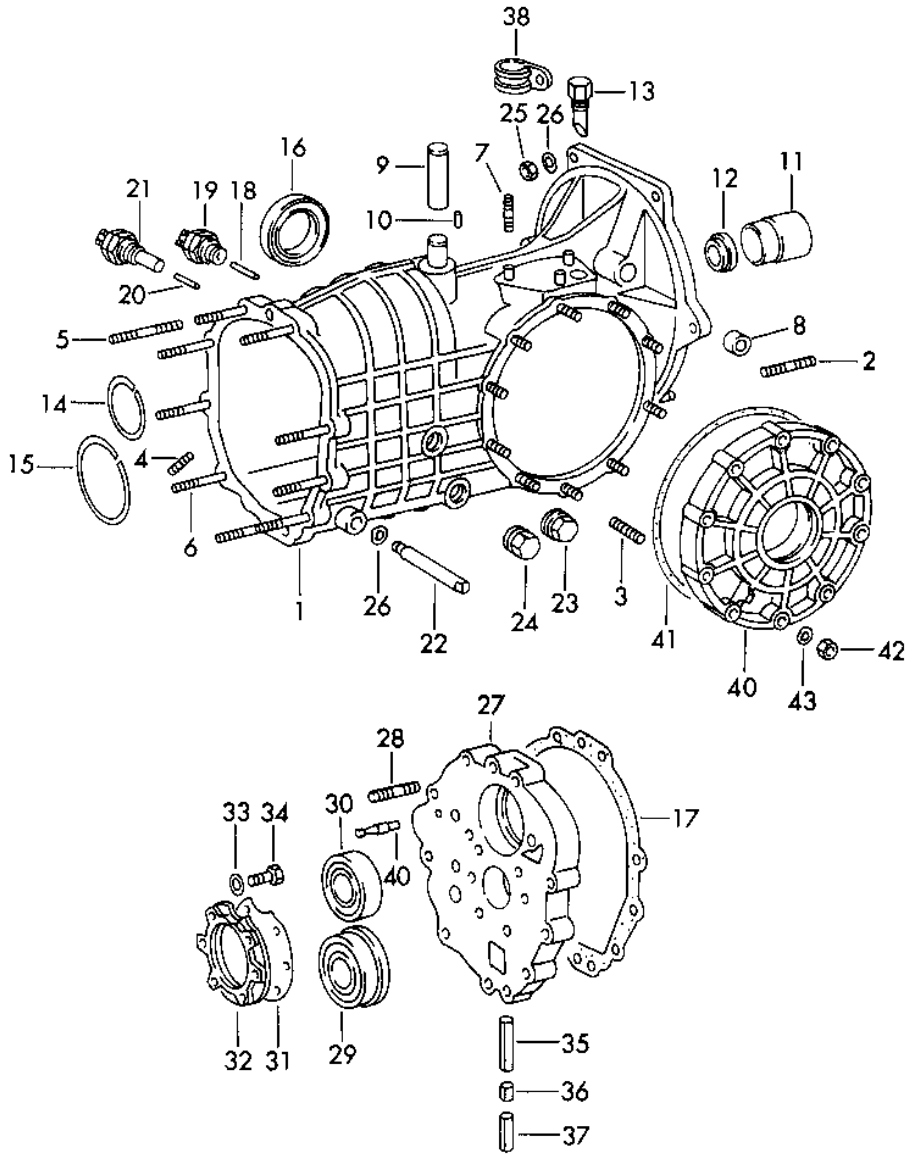
Model: 911 70

Model life 1970>>1973

Pos	Part Number	Description	Remark	Qty	Model
29	900 027 017 02	Lock ring B 12		2	
30	901 305 317 00	Hexagon-head bolt		2	
31	901 375 311 00	Plate		2	
32	999 611 918 20	Ground strap		1	
33	900 076 030 02	Hexagon nut M 8		1	
34	N 012 132 2	Shake-proof washer A 8		1	
35	900 025 025 02	Washer 8,4		2	
36	999 151 022 02	Washer 20 X 8,4 X 2		2	
37	N 012 241 1	Spring washer B 8 X 15		X	
38	900 076 025 02	Hexagon nut M 8		X	
38	900 076 064 02	Hexagon nut M 8		X	

Model: 911 70

Model life 1970>>1973



Model: 911 70 Model life 1970>>1973

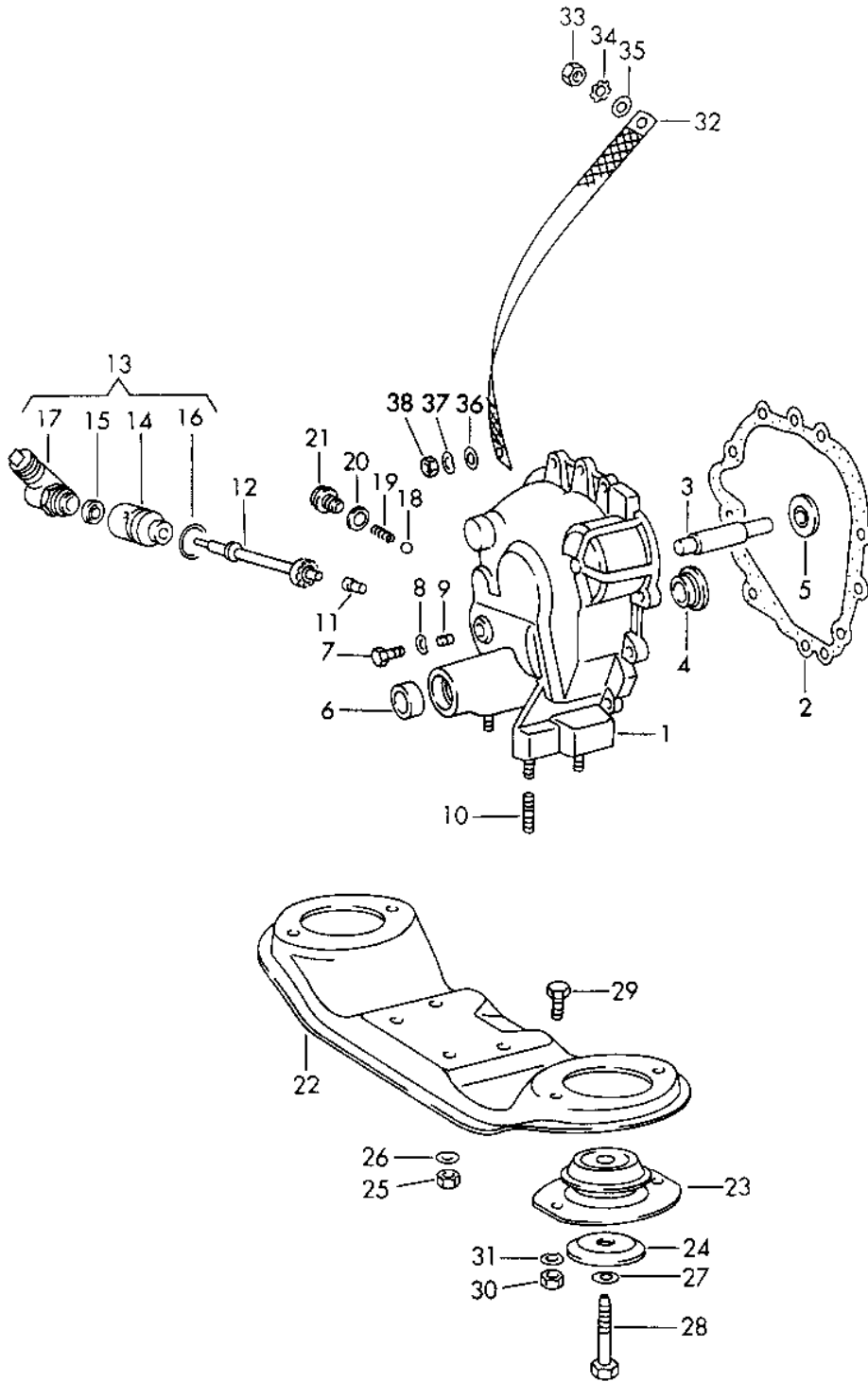
Pos	Part Number	Description	Remark	Qty	Model
		Transmission case Sportomatic TYP 925	72-		911 T-E/E/S CARRERA 2.7 911 T-K
1	925 301 010 10	Transmission case Complete with studs		1	
2	900 061 118 02	Stud BM 10 X 28		2	
3	999 062 008 02	Stud BM 8 X 25		10	
4	900 061 057 02	Stud BM 8 X 15		2	
4	999 062 057 02	Stud BM 8 X 15		2	
4	999 062 073 02	Stud BM 8 X 15		2	
5	900 061 070 02	Stud BM 8 X 55		8	
6	900 061 050 02	Stud BM 8 X 60		1	
7	900 061 004 02	Stud BM 8 X 12		3	
8	905 116 727 00	Bush for Clutch lever shaft		2	
9	905 116 707 01	Bearing pin		1	
10	900 309 017 00	Roll pin 5 X 12		1	
11	905 116 813 01	Guide tube		1	
12	999 113 286 40	Shaft sealing ring		1	
13	904 301 071 00	Bleeder		1	
14	999 042 301 01	Circlip SB 52		3	
15	999 041 305 01	Circlip SB 79		1	
16	999 113 183 40	Radial shaft seal 45 X 68 X 10		2	
17	925 301 191 00	Gasket for Transmission case 0,10 MM		X	
(17)	925 301 191 01	Gasket for Transmission case 0,15 MM		X	
(17)	925 301 191 02	Gasket for Transmission case 0,20 MM		X	
18	905 303 245 02	Cam follower for Switch		1	
19	905 613 051 02	Back-up light switch		1	
20	914 303 246 10	Cam follower for Bridging switch		1	
21	905 613 101 02	Bridging switch		1	
22	914 301 307 00	Bolt for Reverse lever		1	
23	999 064 007 02	Screw plug without Magnet		1	

Model: 911 70 Model life 1970>>1973

Pos	Part Number	Description	Remark	Qty	Model
24	999 064 008 02	Yellow Anodised Screw plug with magnet		1	
25	999 090 101 02	Yellow Anodised Mid-grip nut		4	
26	900 031 001 02	Washer 8,4		5	
26	900 031 105 01	Washer 8,4		5	
27	925 301 221 00	Intermediate plate		1	
28	900 012 027 00	Straight pin 10 M 6 X 40		2	
29	999 052 016 00	Four-point bearing		1	
29	999 052 016 0A	Four-point bearing		1	
30	900 052 096 00	Ball bearing 6306		1	
31	925 301 255 00	Plate		1	
32	925 301 035 00	Tensioning plate		1	
33	900 025 007 02	Washer 8,4		6	
33	900 025 007 03	Washer 8,4		6	
34	900 075 083 02	Hexagon-head bolt M 8 X 35		4	
35	901 303 241 01	Bush for Gear lock detent		1	
36	905 303 242 00	Bush for Gear lock detent		1	
37	905 303 243 00	Bush for Gear lock detent		1	
38	N 020 607 1	Clamp		1	
39	905 303 136 00	Eccentric bolt		1	
40	925 301 311 01	Transmission cover Lateral		1	
41	999 701 376 40	O-ring 170 X 3,5		1	
42	999 090 101 02	Mid-grip nut		X	
43	900 031 001 02	Washer 8,4		X	
43	900 031 105 01	Washer 8,4		X	

Model: 911 70

Model life 1970>>1973



Model: 911 70

Model life 1970>>1973

Pos	Part Number	Description	Remark	Qty	Model
		Transmission cover Transmission suspension Sportomatic TYP 925	72-		911 T-E/E/S CARRERA 2.7 911T-K
1	925 301 031 02	Transmission cover Front		1	
2	925 301 392 00	Gasket		1	
3	925 302 255 00	Bolt for Reverse idler gear		1	
4	925 302 292 00	Thrust washer		1	
5	925 302 291 00	Thrust washer		1	
6	999 113 185 40	Shaft sealing ring A 15 X 24 X 7		1	
7	901 318 272 03	Hexagon-head bolt		1	
8	900 031 001 02	Washer 8,4		1	
8	900 031 105 01	Washer 8,4		1	
9	999 504 070 00	Threaded insert Heli-coil M 8 X 10		1	
10	999 062 006 02	Stud BM 8 X 20		4	
11	915 318 339 00	Bearing sleeve		1	
12	925 318 031 05	Pinion shaft		1	
13	925 318 045 00	Speedometer drive Complete		1	
14	915 318 341 20	Guide bush		1	
15	999 113 175 40	Shaft sealing ring 6 X 15 X 6		1	
16	999 701 084 50	O-ring 25,3 X 2,4		1	
17	925 318 029 01	Speedometer drive		1	
18	N 025 667 2	Ball for Parking lock 9 MM		1	
19	905 303 237 00	Spring for Parking lock		1	
20	900 123 007 30	Sealing ring A 14 X 18 AL		1	
21	925 303 238 00	Screw plug		1	
22	911 375 033 01	Transmission carrier		1	
23	911 375 043 00	Bearing		2	
24	901 305 311 00	Seat		2	
25	999 090 101 02	Mid-grip nut		4	
26	900 031 001 02	Washer 8,4		4	
26	900 031 105 01	Washer 8,4		4	
27	900 027 017 02	Lock ring B 12		2	
28	901 305 317 00	Hexagon-head bolt		2	
29	900 075 087 02	Hexagon-head bolt M 8 X 16		4	
29	900 075 087 03	Hexagon-head bolt M 8 X 16		4	
30	900 076 025 02	Hexagon nut M 8		4	
30	900 076 064 02	Hexagon nut M 8		4	

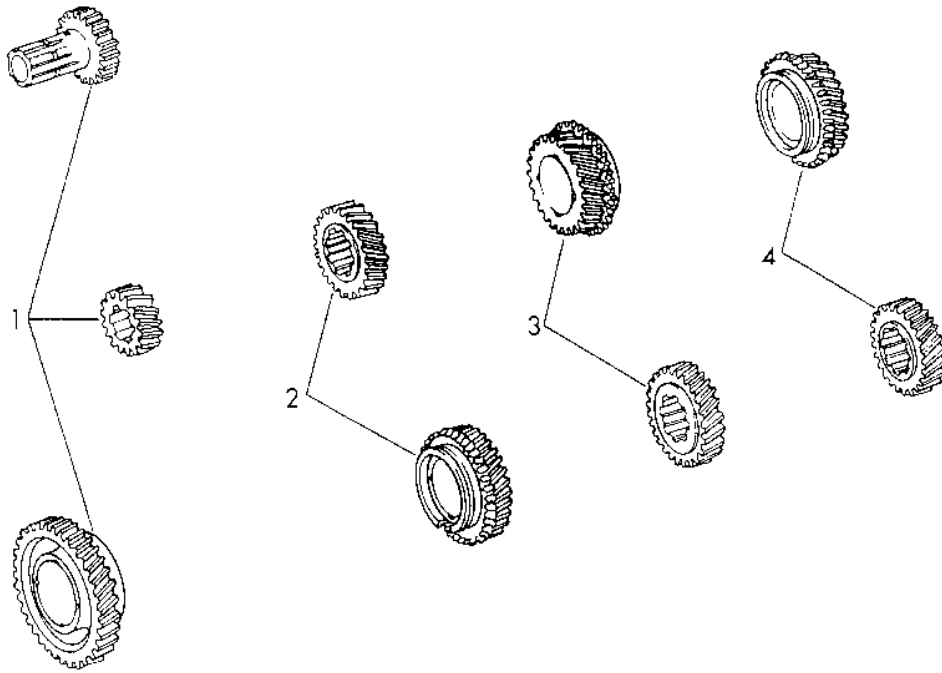
Model: 911 70

Model life 1970>>1973

Pos	Part Number	Description	Remark	Qty	Model
31	900 027 015 02	Lock ring B 8		4	
31	900 027 015 03	Lock ring B 8		4	
32	999 611 918 20	Ground strap		1	
33	900 076 030 02	Hexagon nut M 8		1	
34	N 012 132 2	Shake-proof washer A 8,4		1	
35	900 025 025 02	Washer 8,4		1	
36	999 151 022 02	Washer 20 X 8,4 X 2		2	
37	900 031 001 02	Washer 8,4		X	
37	900 031 105 01	Washer 8,4		X	
38	999 090 101 02	Mid-grip nut		X	

Model: 911 70

Model life 1970>>1973



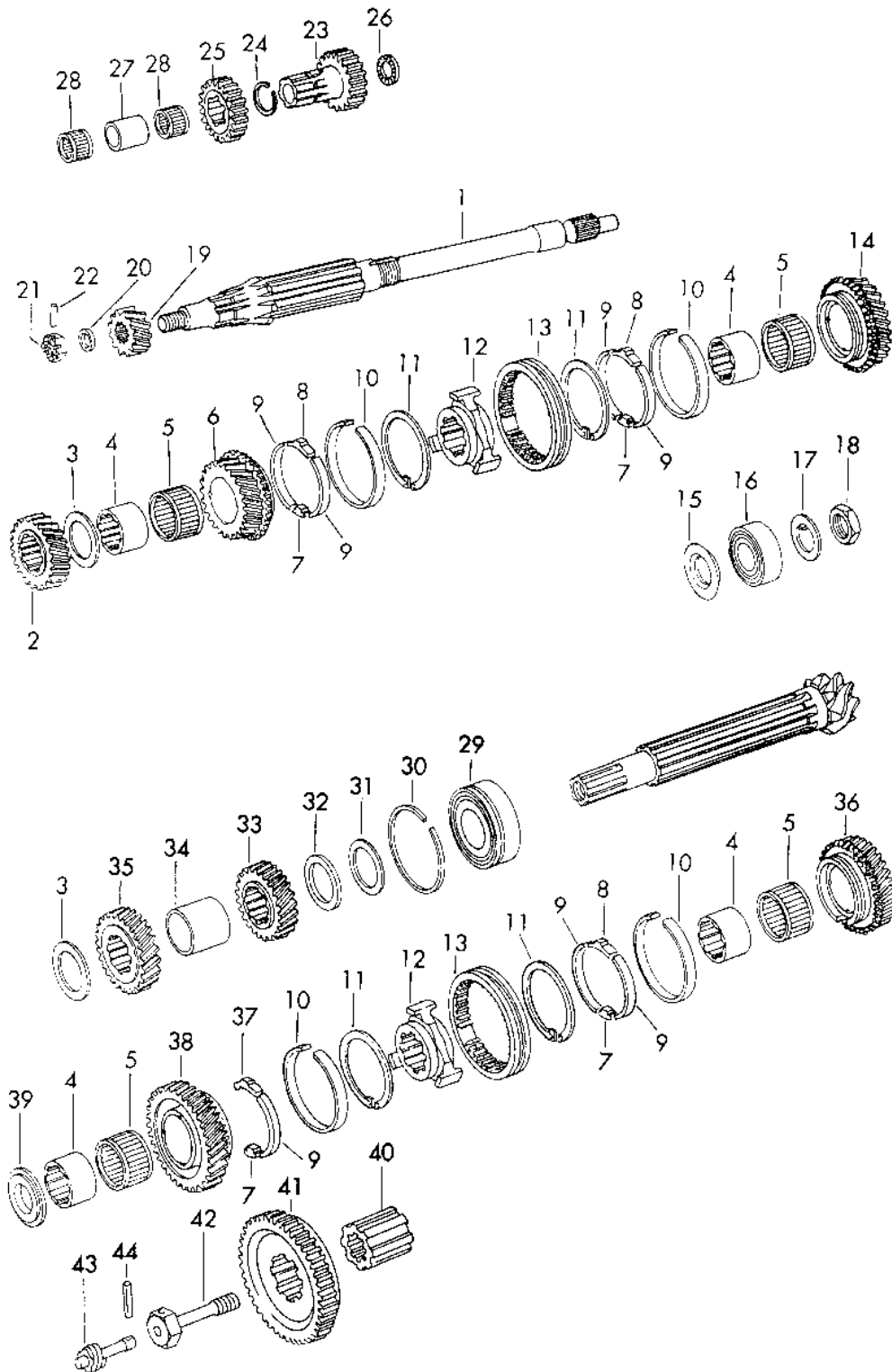
Model: 911 70

Model life 1970>>1973

Pos	Part Number	Description	Remark	Qty	Model
1	905 302 906 10	Gear wheel sets for 4-speed Transmission Sportomatic Gear wheel sets for TYP 905/13 Gear set 1st gear Z = 15:36 (C) Wheel 2 for Reverse gear Fixed gear wheel Loose gear wheel	-71 72-	1	911 T/E/S 911 T-V
2	905 302 907 00	Gear set 2nd gear Z = 19:31 (HB) Fixed gear wheel Loose gear wheel		1	
3	901 302 910 10	Gear set 3rd gear Z = 23:28 (O) Fixed gear wheel Loose gear wheel		1	
4	904 302 930 10	Gear wheel pair 4th speed Z = 27:25 (V) Fixed gear wheel Loose gear wheel		1	
1	905 302 906 10	Gear wheel sets for TYP 905.300/20 + TYP 905.300/21 Gear set 1st gear Z = 15:36 (C) Wheel 2 for Reverse gear Fixed gear wheel Loose gear wheel	-71 72-	1	911 T/E/S 911 T-V
2	901 302 908 10	Gear wheel pair 2nd gear Z = 20:31 (I) Fixed gear wheel Loose gear wheel		1	
3	904 302 920 10	Gear wheel pair 3rd gear Z = 24:27 (Q) Fixed gear wheel Loose gear wheel		1	
4	904 302 924 10	Gear set 4th speed Z = 28:24 (X) Fixed gear wheel Loose gear wheel		1	

Model: 911 70

Model life 1970>>1973



Model: 911 70 Model life 1970>>1973

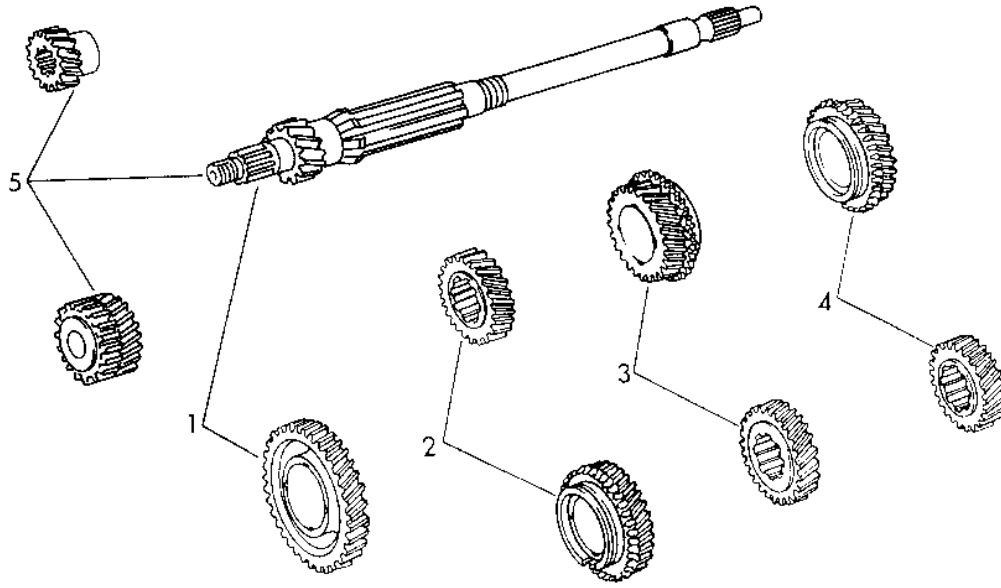
Pos	Part Number	Description	Remark	Qty	Model
		Gears and shafts Sportomatic	-70 -71 72-		911 S 911 T/E 911 T-V
		Gear wheel sets See group 3/08/00			
1	905 302 101 00	Clutch control shaft		1	
2		Fixed gear wheel 2nd gear		1	
3	901 302 294 01	Thrust washer		2	
4	901 302 261 01	Bush for Needle-roller bearing 1.- 4th speed		4	
5	999 201 104 00	Needle cage 1.- 4th speed		4	
(5)	999 201 470 00	Needle cage 1.- 4th speed		4	911 T VERGASER
6		Loose gear wheel 3rd gear		1	
7	911 302 317 01	Stop 1. - 4th speed		4	
8	911 302 315 00	Detent 2. - 4th speed		3	
9	911 302 316 00	Spring 1. - 4th speed		7	
10	925 302 301 02	Synchroniser ring 1. - 4th speed		4	
11	911 302 311 01	Circlip 1. - 4th speed		4	
(11)		Circlip 1. - 4th speed		4	911 T VERGASER
12	901 302 402 02	Sleeve 2. - 4th speed		2	
13	911 302 411 10	Shift sleeve 1. - 4th speed		2	
14		Loose gear wheel 4th speed		1	
15	901 302 268 01	Spacer 5,8 mm		1	
16	999 110 008 00	Cylindrical-roller bearing		1	
17	999 038 001 00	Tab washer		1	
18	999 183 001 00	Hexagon nut M 24 X 1,5		1	
19		Fixed gear wheel 1st gear		1	
20	999 031 067 00	Washer		1	
21	999 079 011 02	Castle nut		1	
22	900 309 004 00	Roll pin 3 X 18		1	
23		Gear wheel II		1	

Model: 911 70 Model life 1970>>1973

Pos	Part Number	Description	Remark	Qty	Model
		for Reverse gear			
24	999 041 309 01	Circlip		1	
25	905 302 223 00	Gear wheel III		1	
		for Reverse gear			
26	999 202 003 00	Needle-roller bearing		1	
27	905 302 265 00	Spacer sleeve		1	
		for Reverse idler gear			
28	999 201 106 00	Needle cage INA K 14 X 18 X 15		2	
29	999 110 007 00	Cylindrical-roller bearing		1	
29	999 110 013 00	Cylindrical-roller bearing		1	
29	999 110 012 00	Cylindrical-roller bearing		1	
29	999 110 012 01	Cylindrical-roller bearing		1	
30	900 111 002 00	Circlip SP 72		1	
31	901 302 297 01	Adjusting shim 0,25 MM		X	
(31)	901 302 297 11	Adjusting shim 0,30 MM		X	
(31)	901 302 297 21	Adjusting shim 0,40 MM		X	
32	901 302 298 01	Spacer		1	
33		Fixed gear wheel 4th speed		1	
34	901 302 265 01	Spacer sleeve		1	
35		Fixed gear wheel 3rd gear		1	
36		Loose gear wheel 2nd gear		1	
37	901 302 318 02	Detent for 1st gear		1	
38		Loose gear wheel 1st gear		1	
39	901 302 269 01	Thrust washer		1	
40	905 302 257 00	Spline shaft sleeve		1	
41	905 302 224 02	Sliding gear for Reverse gear		1	
42	901 302 271 01	Elastic bolt		1	
43	905 318 331 10	Shaft		1	
44	900 197 002 00	Tensioning sleeve 4 X 28		1	

Model: 911 70

Model life 1970>>1973



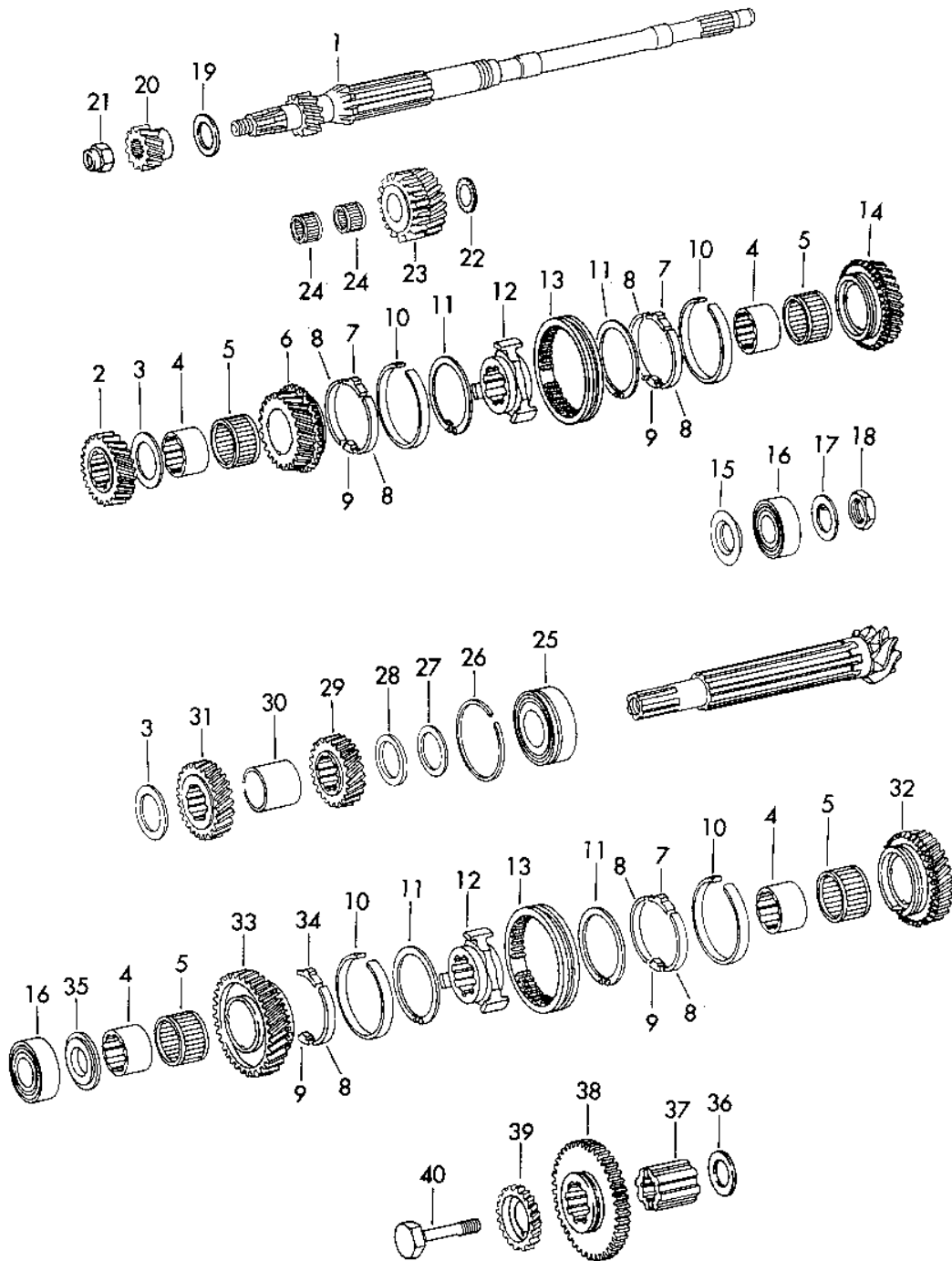
Model: 911 70

Model life 1970>>1973

Pos	Part Number	Description	Remark	Qty	Model
1	925 302 901 00	Gear wheel sets 4-speed Transmission Sportomatic Gear wheel sets 925.300/00 925.300/01 Gear set 1st gear Z = 15:36 (C) Drive shaft	72-	1	911 T-E/E/S CARRERA 2.7 911 T-K
2	901 302 908 10	Loose gear wheel Gear wheel pair 2nd gear Z = 20:31 (I) Loose gear wheel		1	
3	904 302 920 10	Fixed gear wheel Gear wheel pair 3rd gear Z = 24:27 (Q) Loose gear wheel		1	
4	904 302 924 10	Fixed gear wheel Gear set 4th speed Z = 28:24 (X) Loose gear wheel		1	
5	925 302 912 00	Fixed gear wheel Gear set Reverse gear Gear wheel I Reverse idler gear		1	

Model: 911 70

Model life 1970>>1973



Model: 911 70

Model life 1970>>1973

Pos	Part Number	Description	Remark	Qty	Model
		Gears and shafts Sportomatic Gear wheel sets See group 3/08/10	72-		
1		Drive shaft		1	
2		Fixed gear wheel 2nd gear		1	
3	901 302 294 01	Thrust washer		2	
4	901 302 261 01	Bush		4	
5	999 201 470 00	Needle cage		4	
6		Loose gear wheel 3rd gear		1	
7	911 302 315 00	Detent 2. - 4th speed		3	
8	911 302 316 00	Spring		7	
9	911 302 317 01	Stop		4	
10	925 302 301 02	Synchroniser ring		4	
11	911 302 311 01	Circlip		4	
12	901 302 402 02	Sleeve		2	
13	911 302 411 10	Shift sleeve		2	
14		Loose gear wheel 4th speed		1	
15	925 302 270 00	Thrust washer		1	
16	999 110 008 00	Cylindrical-roller bearing		2	
17	999 038 001 00	Tab washer		1	
18	999 183 001 00	Hexagon nut		4	
19	925 302 259 00	Spacer ring		1	
20		Gear wheel I for Reverse gear		1	
21	925 302 283 00	Collar nut		1	
22	999 202 001 00	Needle cage		1	
23		Reverse idler gear		1	
24	999 201 106 00	Needle cage		2	
25	999 110 007 00	Cylindrical-roller bearing		1	
25	999 110 013 00	Cylindrical-roller bearing		1	
25	999 110 012 00	Cylindrical-roller bearing		1	
25	999 110 012 01	Cylindrical-roller bearing		1	
26	900 111 002 00	Circlip SP 72		1	
27	901 302 297 01	Adjusting shim 0,25 MM		X	
(27)	901 302 297 11	Adjusting shim 0,30 MM		X	
(27)	901 302 297 21	Adjusting shim 0,40 MM		X	
28	925 302 299 00	Spacer ring		1	
29		Fixed gear wheel 4th speed		1	
30	901 302 265 01	Spacer sleeve		1	
31		Fixed gear wheel 3rd gear		1	
32		Loose gear wheel 2nd gear		1	
33		Loose gear wheel 1st gear		1	
34	901 302 318 02	Detent 1st gear		1	
35	901 302 268 01	Spacer 5,8 mm		1	

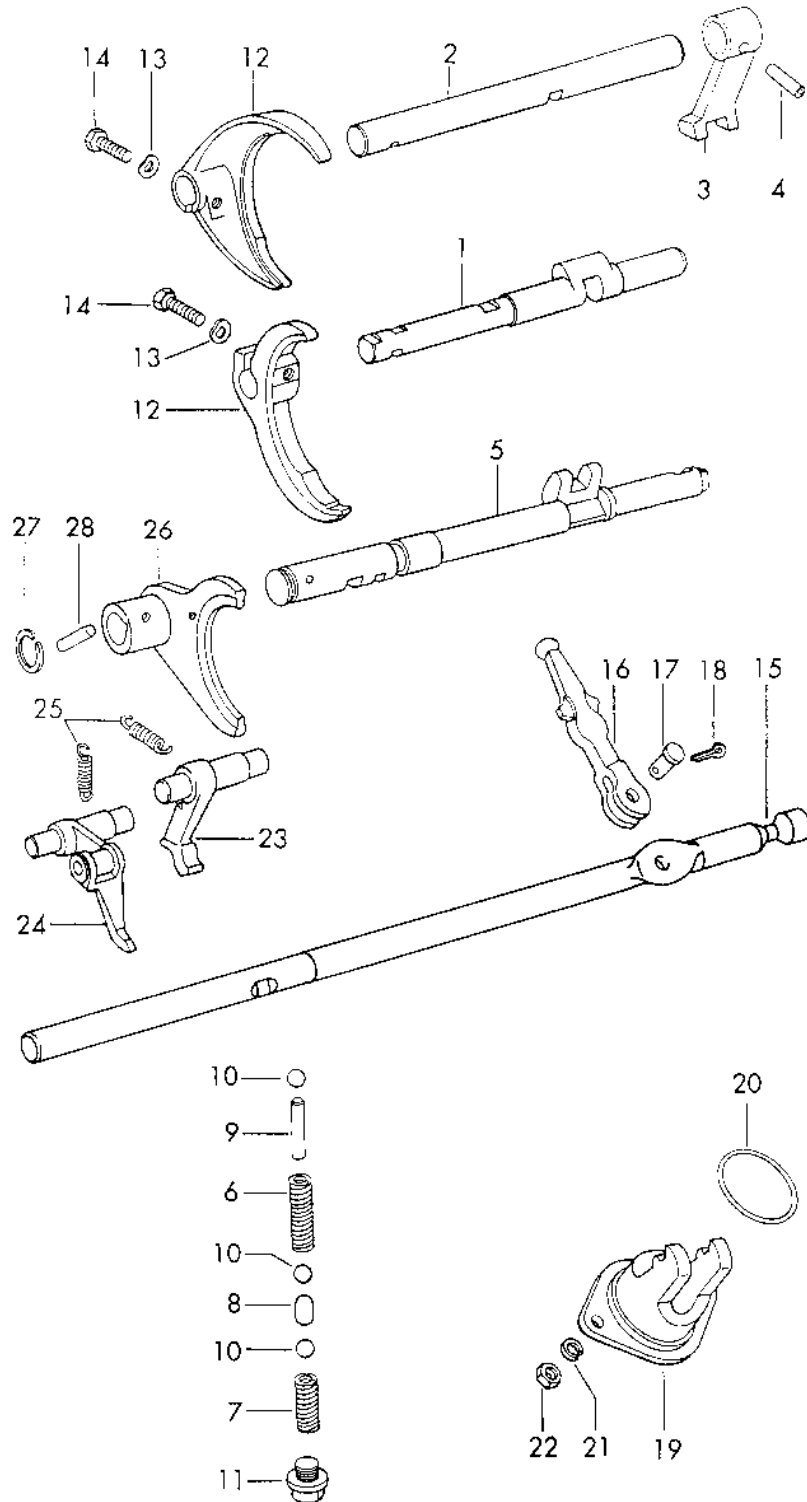
Model: 911 70

Model life 1970>>1973

Pos	Part Number	Description	Remark	Qty	Model
36	925 302 281 00	Spacer		1	
37	925 302 257 00	Spline shaft sleeve		1	
38	925 302 224 00	Sliding gear for Reverse gear		1	
39	925 318 331 01	Speedometer drive for Speedometer		1	
40	925 302 271 00	Elastic bolt		1	

Model: 911 70

Model life 1970>>1973



Model: 911 70 Model life 1970>>1973

Pos	Part Number	Description	Remark	Qty	Model
		Shift rods	-71		911 T/E
		shift forks	72-		911 T-V
		TYP 905			
		Sportomatic			
1	901 303 101 01	Gear shift rod		1	
		1st / 2nd gear			
2	901 303 103 01	Gear shift rod		1	
		3rd/4th gear			
3	901 303 161 01	Shift finger		1	
4	900 309 003 00	Roll pin		1	
		5 X 24			
5	905 303 141 03	Gear shift rod		1	
		for			
		Reverse gear			
6	901 303 232 01	Compression spring		1	
		for			
		Gear lock detent			
		1. -			
		4th speed			
7	905 303 232 01	Compression spring		1	
		for			
		Gear lock detent			
		Reverse gear			
8	905 303 211 00	Detent		1	
		for			
		Gear lock detent			
9	901 303 271 01	Pin		1	
		for			
		Gear lock detent			
10	N 025 667 2	Ball		3	
		9 MM			
11	999 065 001 02	Screw plug		1	
12	901 303 111 01	Shift fork		2	
		for			
		Forward speed			
13	N 012 241 1	Spring washer		2	
		B 8 X 15			
14	900 075 083 02	Hexagon-head bolt		2	
		M 8 X 25			
15	905 303 132 20	Gear shift rod		1	
		G 700 0001 >> 700 9999			911.300/00
		G 730 0001 >> 710 9999			911.300/01
		G 770 0001 >> 770 3000			911.300/01
		G 730 9101 >> 730 9200			911.300/80
		G 730 9201 >> 730 9300			911.300/81
		G 730 9301 >> 730 9400			911.300/82
		G 730 9401 >> 730 9500			911.300/83
		G 730 9501 >> 730 9600			911.300/84
		G 720 0001 >> 720 9999			905.300/20
16	901 303 133 01	Gearshift lever		1	
17	901 303 171 01	Bolt		1	
18	N 012 512 1	Cotter pin		1	
		2 X 12			
19	911 303 129 00	Fork		1	
20	999 701 359 40	O-ring		1	
(20)	901 303 191 01	Gasket		1	
		for			
		Fork			
		Old version			
21	900 027 015 02	Lock ring		2	
		B 8			
21	900 027 015 03	Lock ring		2	
		B 8			

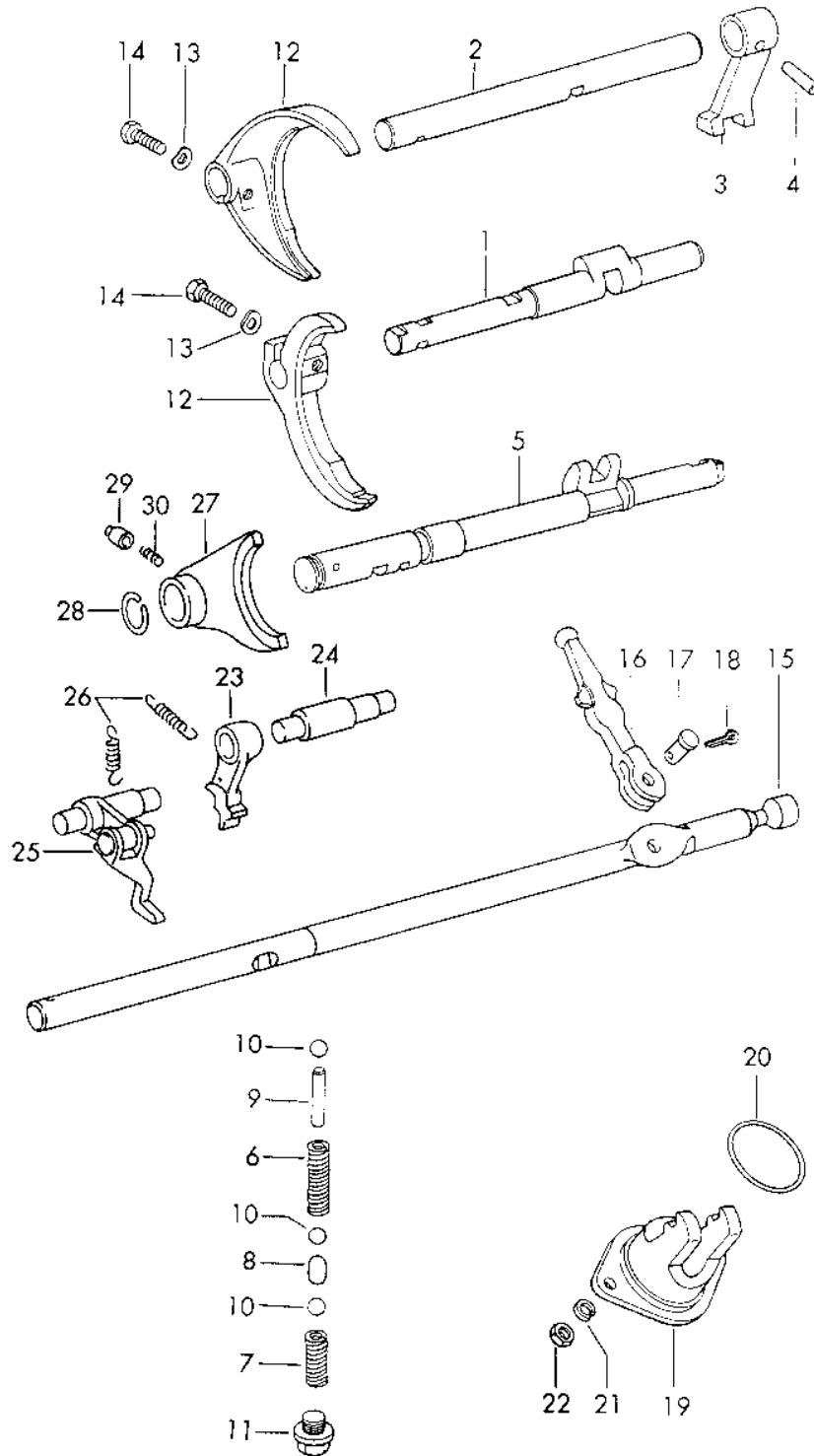
Model: 911 70

Model life 1970>>1973

Pos	Part Number	Description	Remark	Qty	Model
22	900 076 025 02	Hexagon nut M 8		2	
22	900 076 064 02	Hexagon nut M 8		2	
23	905 303 013 00	Stop for Gear lock detent		1	
24	905 303 015 00	Lever for Parking lock		1	
25	905 303 235 00	Tension spring		2	
26	905 303 151 04	Shift fork for Reverse gear		1	
27	999 041 301 01	Circlip SW 18		1	
28	905 303 149 00	Eccentric bolt		1	

Model: 911 70

Model life 1970>>1973



309-05

Model: 911 70

Model life 1970>>1973

Pos	Part Number	Description	Remark	Qty	Model
		Shift rods shift forks TYP 925 Sportomatic	72-		911 T-E/E/S CARRERA 2.7
1	901 303 101 01	Gear shift rod 1st / 2nd gear		1	
2	901 303 103 01	Gear shift rod 3rd/4th gear		1	
3	901 303 161 01	Shift finger		1	
4	900 309 003 00	Roll pin 5 X 24		1	
5	925 303 141 01	Gear shift rod for Reverse gear		1	
6	901 303 232 01	Compression spring for Gear lock detent 1. - 4th speed		1	
7	905 303 232 01	Compression spring for Gear lock detent Reverse gear		1	
8	905 303 211 00	Detent for Gear lock detent		1	
9	901 303 271 01	Pin for Gear lock detent		1	
10	N 025 667 2	Ball 9 MM		3	
11	999 065 004 02	Screw plug		1	
12	901 303 111 01	Shift fork for Forward speed		2	
13	N 012 241 1	Spring washer B 8 X 15		2	
14	900 075 083 02	Hexagon-head bolt M 8 X 25		2	
15	905 303 132 20	Gear shift rod		1	
16	901 303 133 01	Gearshift lever		1	
17	901 303 171 01	Bolt		1	
18	N 012 512 1	Cotter pin 2 X 12		1	
19	911 303 129 00	Fork		1	
20	999 701 359 40	O-ring OR 40 X 1,5		1	
21	900 027 015 02	Lock ring B 8		2	
21	900 027 015 03	Lock ring B 8		2	
22	900 076 025 02	Hexagon nut M 8		2	
22	900 076 064 02	Hexagon nut M 8		2	
23	925 303 137 01	Stop for Gear lock detent		1	
24	925 303 138 00	Shaft		1	
25	925 303 015 02	Lever for Parking lock		1	
26	905 303 235 00	Tension spring		2	

Model: 911 70

Model life 1970>>1973

Pos	Part Number	Description	Remark	Qty	Model
27	925 303 151 00	Shift fork for Reverse gear		1	
28	999 041 301 01	Circlip SW 18		1	
29	925 303 149 01	Locking bolt		1	
30	925 303 148 01	Spring		1	

Model: 911 70

Model life 1970>>1973



Model: 911 70 Model life 1970>>1973

Pos	Part Number	Description	Remark	Qty	Model
>>	901 300 010 06	Replacement transmission Repair kits Gasket set Transmission Complete 901/06 1st gear Z = 11:34 2nd gear Z = 19:31 3rd gear Z = 25:26 4th speed Z = 29:23 with Differential Normal	-70	1	911 T/E 911 S:M
>>	901 300 012 07	Transmission Complete 901/07 Not available Replacement transmission 901.300/13	-70	1	911 E/S 911 T:M
>>	901 300 012 75	901 300 012 13 Transmission Complete 901/75 1st gear Z = 14:37 2nd gear Z = 18:32 3rd gear Z = 22:29 4th speed Z = 26:26 5th gear Z = 28:23 with Differential Normal	-70	1	911 T/S/E:M
>>	901 300 012 76	Transmission Complete 901/76 1st gear Z = 12:34 2nd gear Z = 17:34 3rd gear Z = 20:31 4th speed Z = 22:29 5th gear Z = 23:28 with Differential Normal	-70	1	911 T/E/S:M
>>	901 300 012 77	Transmission Complete 901/77 1st gear Z = 12:34 2nd gear Z = 18:34	-70	1	911 T/E/S:M

Model: 911 70 Model life 1970>>1973

Pos	Part Number	Description	Remark	Qty	Model
>>	901 300 012 78	3rd gear Z = 21:31 4th speed Z = 23:28 5th gear Z = 25:26 with Differential Normal Transmission Complete 901/78 1st gear Z = 15:36 2nd gear Z = 20:32 3rd gear Z = 23:28 4th speed Z = 26:26 5th gear Z = 28:23 with Differential Normal	-70	1	911 T/E/S:M
>>	901 300 012 79	Transmission Complete 901/79 1st gear Z = 14:37 2nd gear Z = 20:32 3rd gear Z = 22:29 4th speed Z = 25:27 5th gear Z = 27:25 with Differential Normal	-70	1	911 T/E/S:M
>>	901 300 901 00	Gasket set for Transmission with Chilled casting Comprising:	-70	1	911 T/E/S
-	999 113 058 50	Radial sealing ring 45 X 65 X 10		2	
-	900 112 001 50	Radial sealing ring B 15 X 24 X 7		1	
-	999 111 001 00	Shaft sealing ring 15 X 24 X 7		1	
-	901 301 191 01	Gasket for Transmission case 0,1 MM		2	
-	901 301 191 02	Gasket for Transmission case 0,15 MM		2	
-	901 301 191 03	Gasket for		2	

Model: 911 70 Model life 1970>>1973

Pos	Part Number	Description	Remark	Qty	Model
		Transmission case 0,2 MM			
-	999 113 048 50	Sealing frame		1	
-	113 311 113 A	Shaft sealing ring		1	
-	113 311 113 B	Sealing ring		1	
-	900 123 009 30	Sealing ring A 18 X 24 AL		2	
-	999 113 036 50	Radial sealing ring		1	
-	999 701 084 50	O-ring 25,3 - 2,4		1	
-	901 301 392 01	Gasket for Transmission cover		1	
-	901 301 391 01	Gasket for Transmission cover Lateral		1	
-	901 301 391 02	Gasket for Transmission cover Lateral		1	
-	900 123 011 30	Sealing ring A 22 X 27 AL		1	
-	901 303 191 01	Gasket		1	
-	901 116 773 01	Sealing washer		1	
>>	901 300 012 80	Transmission Complete 901.300/80 1st gear Z = 14:37 2nd gear Z = 18:32 3rd gear Z = 22:29 4th speed Z = 26:26 5th gear Z = 28:23 with Differential Normal	-70	1	911 T/E/S
>>	901 300 012 81	Transmission Complete 901.300/81 1st gear Z = 12:34 2nd gear Z = 17:34 3rd gear Z = 20:31 4th speed Z = 22:29 5th gear Z = 23:28 with Differential Normal	-70	1	911 T/E/S
>>	901 300 012 82	Transmission Complete 901.300/82 1st gear Z = 12:34 2nd gear	-70	1	911 T/E/S

Model: 911 70 Model life 1970>>1973

Pos	Part Number	Description	Remark	Qty	Model
>>	901 300 012 83	Z = 18:34 3rd gear Z = 21:31 4th speed Z = 23:28 5th gear Z = 25:26 with Differential Normal Transmission Complete 901.300/83 1st gear Z = 15:36 2nd gear Z = 20:32 3rd gear Z = 23:28 4th speed Z = 26:26 5th gear Z = 28:23 with Differential Normal	-70	1	911 T/E/S
>>	901 300 012 84	Transmission Complete 901.300/84 1st gear Z = 14:37 2nd gear Z = 20:32 3rd gear Z = 22:29 4th speed Z = 25:27 5th gear Z = 27:25 with Differential Normal	-70	1	911 T/E/S
>>	911 300 010 00	Transmission Complete 911.300/00 1st gear Z = 11:34 2nd gear Z = 19:31 3rd gear Z = 25:26 4th speed Z = 29:22 with Differential Normal	-71	1	911 T
>>	911 300 012 01	Transmission Complete 911.300/01 1st gear Z = 11:34 2nd gear Z = 18:32	-71	1	911 E/S 911 T:M

Model: 911 70 Model life 1970>>1973

Pos	Part Number	Description	Remark	Qty	Model
>>	911 300 012 80	3rd gear Z = 23:28 4th speed Z = 27:25 5th gear Z = 29:22 with Differential Normal Transmission Complete 911.300/80 1st gear Z = 14:37 2nd gear Z = 18:32 3rd gear Z = 22:29 4th speed Z = 26:26 5th gear Z = 28:23 with Differential Normal	-71	1	911 S COUPE
>>	911 300 012 81	Transmission Complete 911.300/81 1st gear Z = 12:34 2nd gear Z = 17:34 3rd gear Z = 20:31 4th speed Z = 22:29 5th gear Z = 23:28 with Differential Normal	-71	1	911 S COUPE
>>	911 300 012 82	Transmission Complete 911.300/82 1st gear Z = 12:34 2nd gear Z = 18:34 3rd gear Z = 21:31 4th speed Z = 23:28 5th gear Z = 25:26 with Differential Normal	-71	1	911 S COUPE
>>	911 300 012 83	Transmission Complete 911.300/83 1st gear Z = 15:36 2nd gear	-71	1	911 S COUPE

Model: 911 70 Model life 1970>>1973

Pos	Part Number	Description	Remark	Qty	Model
>>	911 300 012 84	Z = 20:32 3rd gear Z = 23:28 4th speed Z = 26:26 5th gear Z = 28:23 with Differential Normal Transmission Complete 911.300/84 1st gear Z = 14:37 2nd gear Z = 20:32 3rd gear Z = 22:29 4th speed Z = 25:27 5th gear Z = 27:25 with Differential Normal	-71	1	911 S COUPE
>>	911 300 012 01	Transmission Complete 911.300/01 1st gear Z = 11:34 2nd gear Z = 18:32 3rd gear Z = 23:28 4th speed Z = 27:25 5th gear Z = 29:22 with Differential Normal	71	1	911 E/S 911 T:M
>>	901 300 916 00	Gasket set for Transmission From Die casting Housing Comprising:	-71	1	911 T/E/S
-	999 113 185 40	Shaft sealing ring Shaft sealing ring	-70	1	
-	901 301 191 21	A 15 X 24 X 7 Gasket for Transmission case 0,1 MM		1	
-	901 301 191 22	Gasket for Transmission case 0,15 MM		1	
-	901 301 191 23	Gasket for Transmission case		1	

Model: 911 70 Model life 1970>>1973

Pos	Part Number	Description	Remark	Qty	Model
-	999 113 048 50	0,2 MM Sealing frame		1	
-	113 311 113 A	20 X 40 X 16 Shaft sealing ring		1	
-	113 311 113 B	20 X 40 X 16 Sealing ring		1	
-	999 113 036 50	20 X 40 X 16 Radial sealing ring		1	
-	999 701 084 50	BA 10 X 18 X 6 O-ring		1	
-	901 303 191 01	OR 25,3-2,4 Gasket	-70	1	
-	999 113 130 50	Radial sealing ring		2	
-	901 301 392 12	DG-FG 45 X 68 X 10 Gasket		1	
-	113 301 185 A	for Transmission cover O-ring		1	
-	901 303 191 01	for Transmission cover Lateral	71	1	
-	999 701 359 40	177 X 3,5 Gasket		1	
>>	915 300 010 12	for Fork Old version O-ring	72-	1	911 T-E/E/S 911 T-V 911 T-K
>>	915 300 010 02	OR 40 X 1,5 Automatic transmission Complete Ready for installation 915.300/12 1st gear Z = 11:35 2nd gear Z = 18:32 3rd gear Z = 24:27 4th speed Z = 28:23 with Differential Normal		1	911 T-E/E/S 911 T-V 911 T-K
>>	915 300 010 18	Automatic transmission Complete Ready for installation 915.300/02 1st gear Z = 11:35 2nd gear Z = 18:33 3rd gear Z = 23:29 4th speed Z = 26:25 5th gear Z = 29:22 with Differential Normal	72-	1	CARRERA 2.7

Model: 911 70 Model life 1970>>1973

Pos	Part Number	Description	Remark	Qty	Model
>>	915 300 010 08	Oil pump Complete Ready for installation TYP 915.300/18 1st gear Z = 11:35 2nd gear Z = 20:32 3rd gear Z = 25:26 4th speed Z = 29:22 with Differential Normal Manual transmission 5-speed with Oil pump Complete Ready for installation TYP 915.300/08 1st gear Z = 11:35 2nd gear Z = 18:33 3rd gear Z = 23:29 4th speed Z = 27:25 5th gear Z = 29:21 with Differential Normal	72-	1	CARRERA 2.7
>>	915 300 911 00	Gasket set for Transmission TYP 915 without Oil pump	72-	1	
-	915 301 139 00	Sealing ring		1	
-	999 113 183 40	Radial shaft seal 45 X 68 X 10		2	
-	999 113 182 40	Shaft sealing ring 23 X 40 X 10		1	
-	915 302 381 00	Shaft sealing ring 23 X 35 X 8/11		1	
-	999 113 283 40	Shaft sealing ring 23 X 35 X 8/11		1	
-	999 113 327 40	Shaft sealing ring 23 X 35 X 8/11		1	
-	999 701 392 40	O-ring OR 195 X 3,5		1	
-	915 301 191 00	Gasket		1	
-	900 123 066 30	Sealing ring A 10 X 16 AL		2	
-	999 113 185 40	Shaft sealing ring 15 X 24 X7		1	
-	999 701 349 40	O-ring 17,5 X 2,4		1	
-	999 113 175 40	Shaft sealing ring 6 X 15 X 6		1	

Model: 911 70 Model life 1970>>1973

Pos	Part Number	Description	Remark	Qty	Model
-	915 301 351 00	Gasket		1	
-	999 701 169 40	O-ring 14,3 X 2,4		1	
-	915 303 225 00	Gasket for Transmission with Oil pump Gaskets Group 3/02/30		1	
>>	905 300 010 13	Order Transmission with Converter Ready for installation 905/13 Sportomatic 1st gear Z = 15:36 2nd gear Z = 19:31 3rd gear Z = 23:28 4th speed Z = 27:25	-70	1	911 T/E
>>	905 300 010 20	Transmission Complete 905.300/20 Sportomatic 1st gear Z = 15:36 2nd gear Z = 20:31 3rd gear Z = 24:27 4th speed Z = 28:24 with Differential Normal	-71	1	911 T/E
>>	905 300 902 00	Gasket set for Sportomatic Transmission Comprising:	-71	1	911 T/E 911 T-V
-	PCG 113 071 50	Radial shaft seal 25 X 35 X 6		1	
-	PCG 201 301 00	Shaft sealing ring 12 X 18 X 3		1	
-	999 113 189 40	Radial sealing ring 45 X 60 X 7		1	
-	900 123 019 20	Sealing ring A 16 X 22 CU		1	
-	900 123 007 30	Sealing ring A 14 X 18 AL		2	
-	999 113 286 40	Shaft sealing ring 22 X 35 X 8		1	
-	999 113 058 50	Radial sealing ring 45 X 65 X 10		2	
-	905 301 191 00	Gasket for Transmission case		1	

Model: 911 70 Model life 1970>>1973

Pos	Part Number	Description	Remark	Qty	Model
-	905 301 191 01	0,10 MM Gasket for Transmission case		1	
-	905 301 191 02	0,15 MM Gasket for Transmission case		1	
-	999 113 185 40	0,20 MM Shaft sealing ring A 15 X 24 X 7		1	
-	999 701 084 50	O-ring 25,3 X 2,4		1	
-	905 301 392 02	Gasket for Transmission cover Front		1	
-	N 013 849 2	Sealing ring A 14 X 18 CU		1	
-	999 701 286 40	O-ring 160 X 3		1	
-	999 701 359 40	O-ring 40 X 15 for Transmission with Transmission cover Lateral And Fork Old version without O-ring Gaskets		1	
-	905 301 391 00	Order also: Gasket for Transmission cover Lateral		1	
-	901 303 191 01	Gasket for Fork		1	
>>	905 300 010 21	Transmission with Converter Complete Ready for installation 905.300/21 Sportomatic 1st gear Z = 15:36 2nd gear Z =20:31 3rd gear Z = 24:27 4th speed Z = 28:24 with Differential Normal	72-	1	911 T-V
>>	925 300 010 00	Transmission with Converter	72-	1	911 T-E/E 911 T-K

Model: 911 70 Model life 1970>>1973

Pos	Part Number	Description	Remark	Qty	Model
>>	925 300 010 01	Complete Ready for installation 925.300/00 Sportomatic 1st gear Z = 15:36 2nd gear Z = 20:31 3rd gear Z = 24:27 4th speed Z = 28:24 with Differential Normal Transmission with S- Torque converter Complete Ready for installation 925.300/01 Sportomatic 1st gear Z = 15:36 2nd gear Z = 20:31 3rd gear Z = 24:27 4th speed Z = 28:24 with Differential Normal	72-	1	911 S
>>	925 300 911 00	Gasket set for Transmission TYP 925 Sportomatic Comprising:	72-	1	911 T-E/E/S 911 T-K
-	999 113 205 40	Shaft sealing ring 26 X 37 X 7		1	
-	PCG 201 301 00	Shaft sealing ring 12 X 18 X 3		1	
-	999 701 397 40	O-ring 72 X 2,5		1	
-	N 013 804 2	Sealing ring A 6 X 10 CU		8	
-	999 113 189 40	Radial sealing ring		1	
-	900 123 060 30	Sealing ring A 24 X 29 AL		1	
-	900 123 007 30	Sealing ring A 14 X 18 AL		2	
-	999 113 286 40	Shaft sealing ring		1	
-	999 113 183 40	Radial shaft seal 45 X 68 X10		2	
-	925 301 191 00	Gasket 0,1 MM		1	
-	925 301 191 01	Gasket 0,15MM		1	
-	925 301 191 02	Gasket 0,2 MM		1	
-	999 113 175 40	Shaft sealing ring		1	

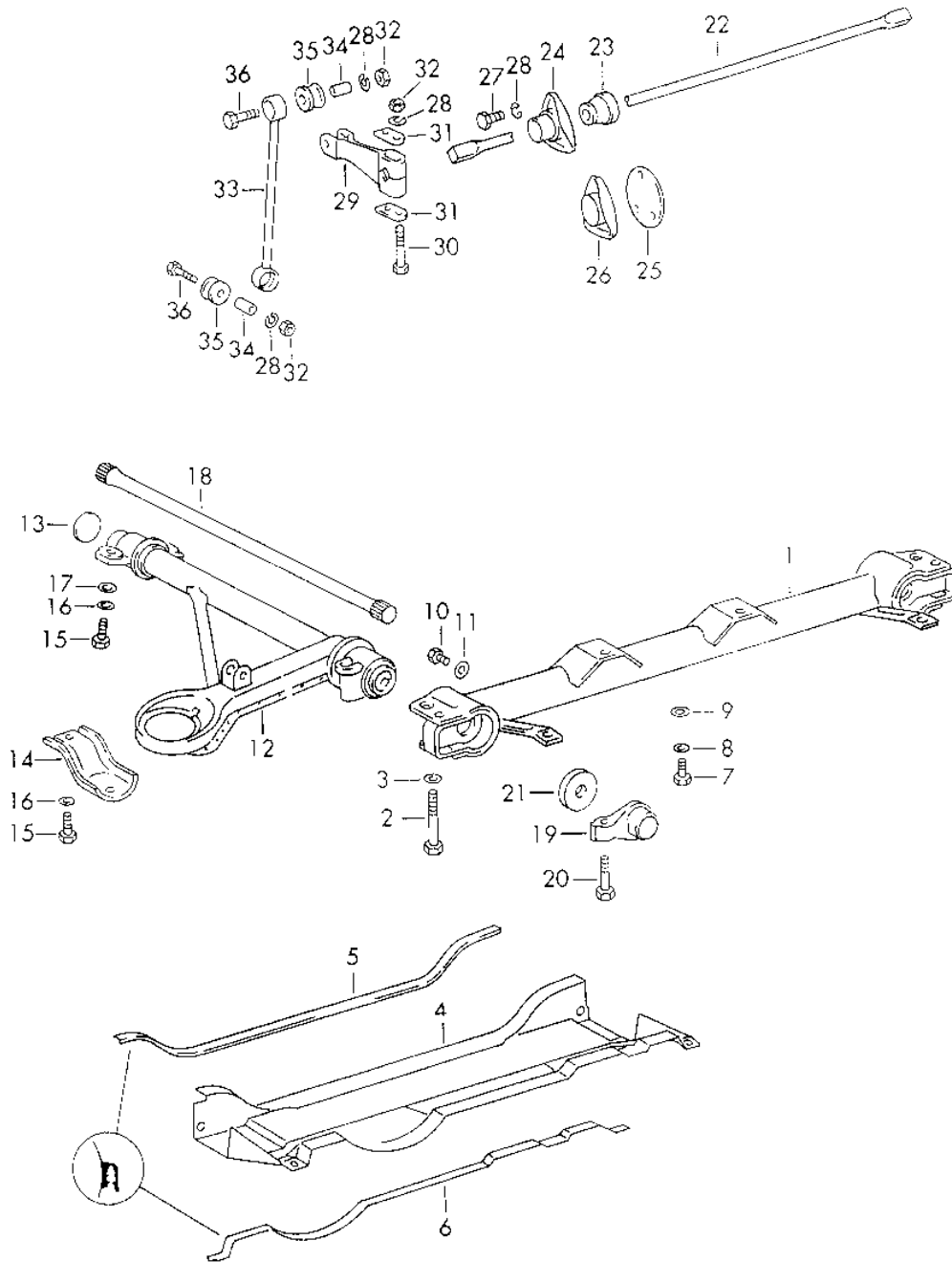
Model: 911 70

Model life 1970>>1973

Pos	Part Number	Description	Remark	Qty	Model
-	999 701 084 50	6 X 15 X 6 O-ring		1	
-	999 113 185 40	25,3 X 2,4 Shaft sealing ring		1	
-	925 301 392 00	15 X 24 X 7 Gasket		1	
-	900 123 007 30	Sealing ring		1	
-	999 701 376 40	14 X 18 AL O-ring		1	
-	999 701 359 40	170 X 3,5 O-ring		1	
		40 X 1,5			

Model: 911 70

Model life 1970>>1973



Model: 911 70 Model life 1970>>1973

Pos	Part Number	Description	Remark	Qty	Model
1	901 341 013 04	Front axle Stabiliser Auxiliary support for cars with	-71	1	911 E 911 T/E/S:M
1	901 341 013 03	Spring strut Auxiliary support for cars with	-71	1	911 T/S
(1)	911 341 013 05	Shock absorber strut Auxiliary support for cars with	72-	1	
2	900 082 020 02	Shock absorber strut Hexagon-head bolt		2	
3	900 027 017 02	M 12 X 1,5 X 80 Lock ring		2	
(3)	900 028 027 02	B 12 Not for Spring washer		2	CARRERA 2.7 CARRERA 2.7
4	911 341 161 00	B 12 Protective plate	/LL -71	1	
(4)	911 341 162 00	Protective plate	/RL -71	1	
(4)	911 341 025 01	Protective plate	/LL 72-	1	
(4)	911 341 026 01	Fuel tank 85 L It is necessary to rework Protective plate	/RL 72-	1	
5	901 341 165 00	Fuel tank 85 L Rubber	-71	1	
5	901 341 165 01	Sealing rubber		1	
(5)	901 341 181 00	Sealing rubber	72-	1	
(5)	901 341 181 01	Sealing rubber	72-	1	
6	901 341 166 00	Sealing rubber	/LL -71	1	
6	901 341 166 01	Sealing rubber	/LL	1	
(6)	901 341 165 00	Rubber	/RL -71	1	
(6)	901 341 165 01	Sealing rubber	/RL	1	
(6)	901 341 166 00	Sealing rubber	72-	1	
(6)	901 341 166 01	Sealing rubber	72-	1	
7	900 075 040 02	Hexagon-head bolt M 10 X 20		2	
7	900 075 517 01	Hexagon-head bolt M 10 X 20		2	
8	900 027 016 02	Lock ring		2	
8	900 027 016 03	B 10 Not for Lock ring		2	CARRERA 2.7
(8)	900 028 032 02	B 10 Not for Spring washer		2	CARRERA 2.7 CARRERA 2.7
9	900 025 008 02	Washer 10,5		2	
9	N 011 527 4	Washer 10,5		2	
9	900 025 008 09	Washer 10,5		2	
9	900 025 008 04	Washer 10,5		2	
10	N 010 235 3	Hexagon-head bolt M 8 X 10		2	
11	N 012 241 1	Spring washer B 8 X 15		2	
12	911 341 901 00	Wishbone for cars with	/L 72-	1	911 T/S 911 E

Model: 911 70 Model life 1970>>1973

Pos	Part Number	Description	Remark	Qty	Model
(12)	911 341 902 00	Shock absorber strut Wishbone for cars with Shock absorber strut	72- /R	1	CARRERA 2.7 911 T/S 911 E CARRERA 2.7
12	911 341 901 00	Wishbone for cars with Spring strut	/L -71 -71	1	911 E 911 T/E/S:M
(12)	911 341 902 00	Wishbone for cars with Spring strut	/R -71	1	911 E 911 T/E/S:M
13	900 040 008 01	Lid 28	-70 -70	2	911 T/S 911 E CARRERA 2.7 911 E
14	901 341 159 00	Protective bracket		2	
15	N 010 275 3	Hexagon-head bolt M 10 X 35		6	
15	900 075 460 01	Hexagon-head bolt M 10 X 35		6	
16	900 027 016 02	Lock ring B 10		6	
16	900 027 016 03	Lock ring B 10		6	
17	900 025 008 02	Washer 10,5		4	
17	N 011 527 4	Washer 10,5		4	
17	900 025 008 09	Washer 10,5		4	
17	900 025 008 04	Washer 10,5		4	
18	901 343 101 12	Torsion bar	/L 72-	1	911 T/S 911 E CARRERA 2.7 COMFORT
18	901 343 101 14	Not for Torsion bar	/L	1	911 T/S 911 E CARRERA 2.7 COMFORT
(18)	901 343 102 12	Not for Torsion bar	/R	1	911 T/S 911 E CARRERA 2.7 COMFORT
(18)	901 343 102 14	Not for Torsion bar	/R	1	911 T/S 911 E CARRERA 2.7 COMFORT
19	901 341 033 00	Not for Reverse lever	-71	2	911 T/S 911 E CARRERA 2.7 COMFORT
20	911 341 115 00	Not for Adjusting screw	-71	2	911 T/S COMFORT
(20)		Not for Adjusting screw	72-	2	911 T/E/S CARRERA 2.7
(20)		Not for Adjusting screw		2	CARRERA 2.7
21	901 341 475 00	Gasket		2	911 T/S 911 E CARRERA 2.7
22	901 343 703 03	Not for Stabiliser 15 MM		1	COMFORT 911 S CARRERA 2.7 911 T/E

Model: 911 70

Model life 1970>>1973

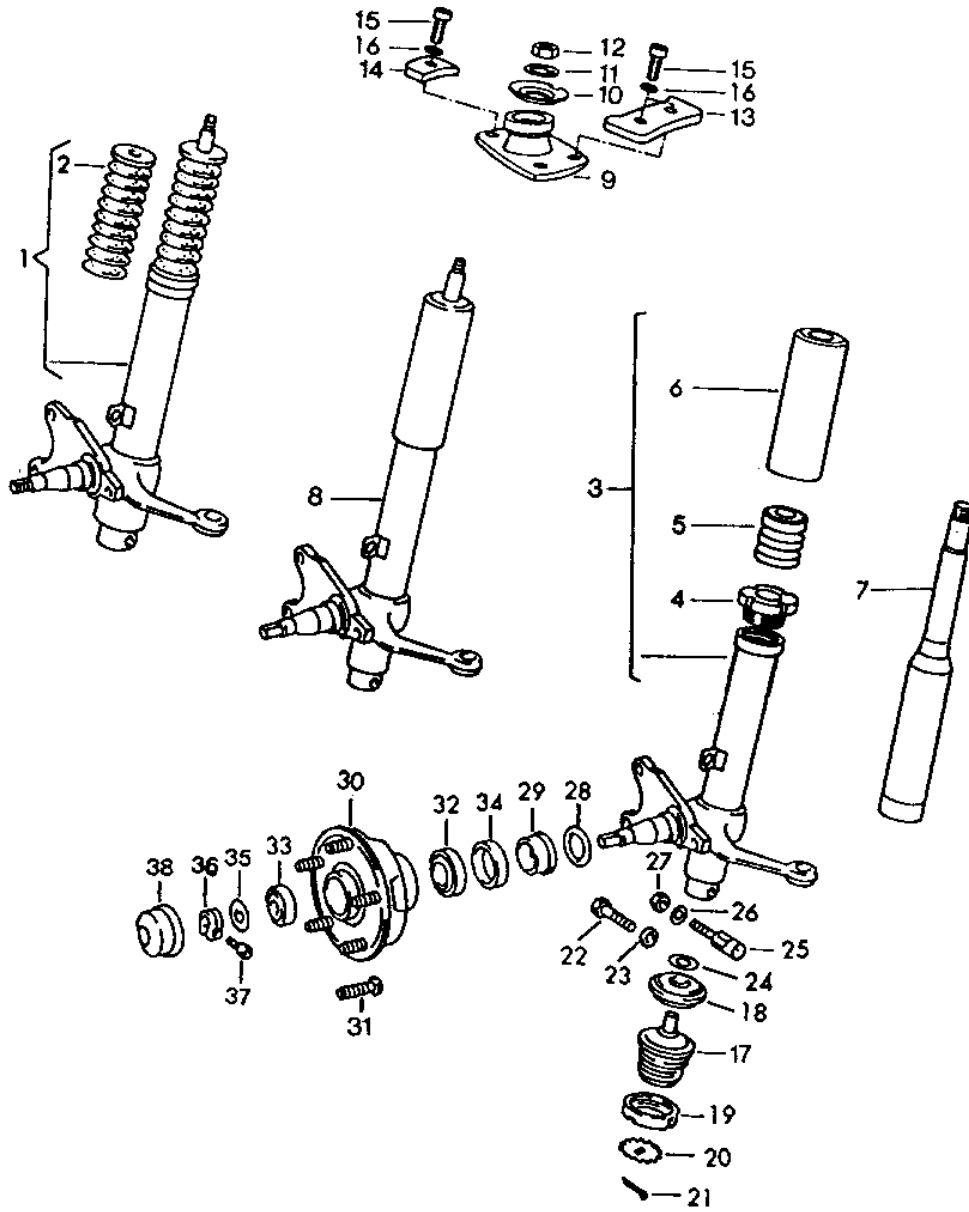
Pos	Part Number	Description	Remark	Qty	Model
23	901 343 792 02	Not for Stabiliser mounting		2	911 T-K 911 S CARRERA 2.7
24	901 343 754 01	Not for Stabiliser mounting		2	911 T/E 911 T-K 911 S CARRERA 2.7
25	901 343 766 00	Not for Sealing washer		2	911 T/E 911 T-K
26	901 343 765 00	Not for Cap		2	911 T/E 911 T-K
27	900 075 083 02	Not for Hexagon-head bolt M 8 X 25	-71	6	911 S 911 T/E:M
(27)	900 075 087 02	Hexagon-head bolt M 8 X 16	-71 72-	6	911 T/E/S CARRERA 2.7
(27)	900 075 087 03	Hexagon-head bolt M 8 X 16	72-	6	911 T/E/S CARRERA 2.7
28	900 027 015 02	Lock ring B 8		X	
28	900 027 015 03	Lock ring B 8		X	
29	901 343 713 01	Lever Stabiliser		2	911 S CARRERA 2.7 911 T/E
30	900 074 135 02	Not for Hexagon-head bolt M 8 X 62		4	911 T-K 911 S CARRERA 2.7
31	901 343 763 00	Not for Guide plate		4	911 T/E 911 T-K 911 S CARRERA 2.7
32	900 076 025 02	Not for Hexagon nut M 8		X	911 T/E 911 T-K 911 S CARRERA 2.7
32	900 076 064 02	Not for Hexagon nut M 8		X	911 T/E 911 T-K 911 S CARRERA 2.7
33	901 343 076 03	Not for Stabiliser mounting		2	911 T/E 911 T-K 911 S CARRERA 2.7
34	901 343 737 00	Not for Spacer tube		4	911 T/E 911 T-K 911 S CARRERA 2.7
35	901 343 783 00	Not for Rubber mounting		4	911 T/E 911 T-K 911 S CARRERA 2.7
36	900 074 130 02	Not for Hexagon-head bolt M 8 X 40		4	911 T/E 911 T-K 911 S CARRERA 2.7
36	900 075 033 02	Not for Stud M 8 X 40		4	911 T/E 911 T-K 911 S CARRERA 2.7
		Not for			911 T/E 911 T-K

Model: 911 70 Model life 1970>>1973

Pos	Part Number	Description	Remark	Qty	Model
36	900 075 033 03	Stud M 8 X 40 Not for		4	911 S CARREERA 2.7 911 T/E 911 T-K

Model: 911 70

Model life 1970>>1973



Model: 911 70 Model life 1970>>1973

Pos	Part Number	Description	Remark	Qty	Model
-	PCG 043 110 00	Spring strut Shock absorber strut Lubricants Grease Bearing 200 GR.		1	
1	901 341 083 01	Spring strut - boge - See classic technical information 8/93	/L -71	1	911 E
(1)	901 341 084 01	Spring strut - boge - See classic technical information 8/93	/R -71	1	911 E
1	901 341 083 10	Spring strut S-calliper - koni - See classic technical information 8/93	/L 72-	1	911 T/E/S:M
(1)	901 341 084 10	Spring strut S-calliper - koni - See classic technical information 8/93	/R 72-	1	911 T/E/S:M
2	901 343 302 00	Spring		2	
3	911 341 043 01	Shock absorber strut Outer part - boge - M calliper M 18 X 1	/L	1	
(3)	911 341 044 01	Shock absorber strut Outer part - boge - M calliper M 18 X 1	/R	1	
3	911 341 043 02	Shock absorber strut Outer part - boge - S-calliper M 18 X 1	/L	1	
3	911 341 043 04	Shock absorber strut Outer part S-calliper M 18 X 1	/L	1	
(3)	911 341 044 02	Shock absorber strut Outer part - boge - S-calliper M 18 X 1	/R	1	
4	911 341 804 00	Screw plug Inner Threaded ring		2	
4	911 341 804 01	Screw plug Inner Threaded ring		2	
5	901 343 301 00	Rubber stop - boge - - koni -		2	
6	911 341 805 01	Protective tube		2	
7	PCG 341 903 00	Vibration damper - koni - for - boge -		2	

Model: 911 70

Model life 1970>>1973

Pos	Part Number	Description	Remark	Qty	Model
(7)	PCG 341 904 00	Outer part Vibration damper - koni - for - koni -		2	
8	911 341 943 00	Outer part Shock absorber strut S-calliper - bilstein -	/L 71-	1 1 X	911 T/E/S:M
(8)	911 341 944 00	Shock absorber strut S-calliper - bilstein -	/R 71-	1 1 X	911 T/E/S:M
8	911 341 041 33	Shock absorber strut S-calliper - bilstein -	/L 73-	1	911 T/E/S:M CARRERA 2.7
(8)	911 341 042 33	Shock absorber strut S-calliper - bilstein -	/R 73-	1	911 T/E/S:M CARRERA 2.7
9	911 341 018 00	Supporting mount for Shock absorber strut		2	
(9)	911 341 019 00	Bearing for Spring strut		2	
10	901 341 629 00	Support washer		2	
11	900 038 002 01	Tab washer 14		2	
12	N 011 021 3	Hexagon nut M 14 X 1,5		2	
13	911 501 933 00	Double-bore pressure plate		2	
14	911 501 934 00	One-bore pressure plate		2	
15	900 067 063 02	Pan-head screw M 10 X 20		6	
16	999 523 103 01	Schnorr retainng washer		X	
17	901 341 049 00	Ball joint for Shock absorber strut with Clamping slot	-71	2	
17	901 341 049 04	Ball joint for Shock absorber strut with Clamping slot		2	
17	911 341 049 01	Ball joint for Shock absorber strut with DOPPELKEILKLEMMUNG		2	
17	911 341 049 05	Ball joint for Shock absorber strut with DOPPELKEILKLEMMUNG		2	
18	901 341 049 00	Ball joint		2	
18	901 341 049 04	Ball joint		2	
19	901 341 425 00	Grooved nut		2	
19	901 341 425 01	Grooved nut		2	
20	901 341 426 00	Tab washer		2	
21	N 012 521 1	Cotter pin 2 X 20		2	
22	900 075 111 01	Hexagon-head bolt M 10 X 30	-71	2	

Model: 911 70 Model life 1970>>1973

Pos	Part Number	Description	Remark	Qty	Model
23	999 523 103 01	Only together with Ball joint 901.341.049.00 Schnorr retainng washer	-71	2	
24	901 341 659 00	Only together with Ball joint 901.341.049.00 Desk pad	-71	2	
25	911 341 119 06	Only together with Ball joint 901.341.049.00 Threaded pin		2	
25	911 341 119 07	Only together with Ball joint 911.341.049.01 Threaded pin		2	
26	900 089 006 02	Only together with Ball joint 911.341.049.01 Washer		2	
26	900 089 006 01	Only together with Ball joint 911.341.049.01 Washer		2	
27	999 084 019 02	Only together with Ball joint 911.341.049.01 Lock nut M 8		2	
28	999 701 084 50	Only together with Ball joint 911.341.049.01 O-ring OR 25,3 - 2,4		2	
29	901 341 623 00	Spacer ring		2	
30	901 341 065 04	Front wheel hub		2	
30	901 341 065 10	Front wheel hub		2	
31	904 341 671 00	Wheel bolt Standard dimension Knurling 14,8 MM		10	
31	993 331 671 02	Wheel bolt Standard dimension Knurling 14,8 MM		10	
(31)	901 341 671 05	Wheel bolt Oversize Knurling 15 MM		X	
-	PCG 059 065 00	Bearing set Wheel hub Front axle Comprising:		1	
-	999 059 065 00	Taper roller bearing		2	
-	999 059 098 00	Taper roller bearing		2	
-	900 075 079 02	Hexagon-head bolt		10	
-	900 076 064 02	Hexagon nut		10	
-	901 341 623 00	Spacer ring		2	
-	477 405 641	Radial sealing ring		2	
-	999 701 084 50	O-ring		2	
-	N 012 241 8	Spring washer		10	
-	PCG 043 110 00	Grease Bearing		1	

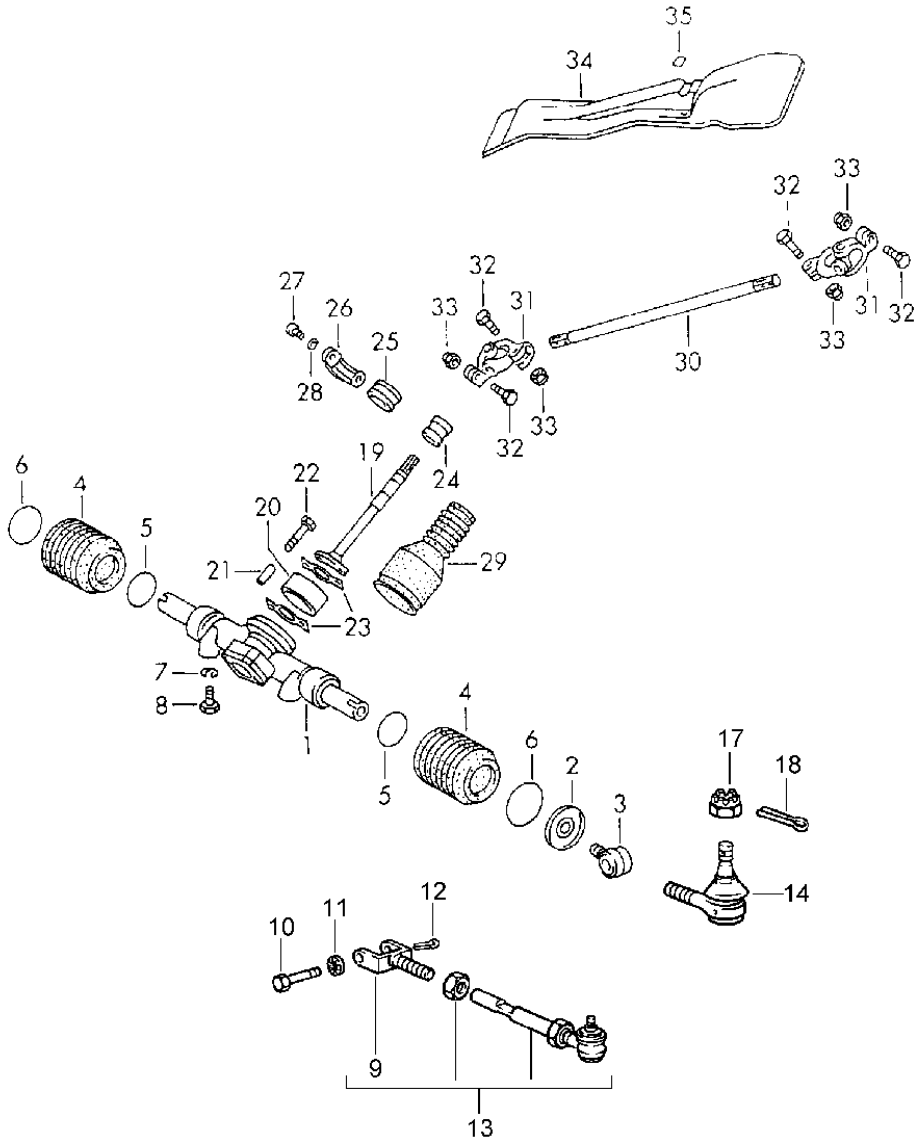
Model: 911 70

Model life 1970>>1973

Pos	Part Number	Description	Remark	Qty	Model
32	999 059 006 00	200 GR. Taper roller bearing Inner		2	
33	999 059 065 00	Taper roller bearing Outer		2	
34	477 405 641	Radial sealing ring		2	
35	901 341 663 00	Thrust washer 16 MM		2	
35	911 341 663 00	Thrust washer 18 MM		2	
36	914 341 671 00	Clamping nut M 16 X 1		2	
36	911 341 673 00	Clamping nut M 18 X 1		2	
37	999 119 001 01	Pan-head screw M 7 X 18		2	
37	999 119 001 0B	Pan-head screw M 7 X 18		2	
38	914 341 684 00	Cap		2	

Model: 911 70

Model life 1970>>1973



Model: 911 70 Model life 1970>>1973

Pos	Part Number	Description	Remark	Qty	Model
		Steering gear			
		Steering linkage			
1	901 347 010 02	Steering gear	-71	1	911 E
(1)	914 347 010 01	Steering gear	-71	1	911 T/S
(1)	914 347 010 06	Steering gear	72-	1	
2	901 347 056 02	Bellow support		2	
3	914 347 057 00	Articulated bush		2	
4	901 347 191 02	Bellows		2	
5	901 347 308 00	Retainer spring		2	
6	901 347 309 00	Retainer spring		2	
7	900 027 016 02	Lock ring		2	
		B 10			
7	900 027 016 03	Lock ring		2	
		B 10			
8	N 010 253 7	Hexagon-head bolt		2	
		M 10 X 22			
9	901 347 315 01	Joint fork		2	
9	901 347 315 03	Joint fork		2	
10	911 347 327 00	Hexagon-head bolt		2	
11	999 523 103 01	Schnorr retainng washer		2	
		M 10			
12	900 021 008 00	Cotter pin		2	
		2 X 15			
12	900 021 008 0A	Cotter pin		2	
		2 X 15			
13	911 347 031 00	Tie rod	-71	2	
13	911 347 031 01	Tie rod	-71	2	
(13)	911 347 031 00	Tie rod	72-	2	
(13)	911 347 031 01	Tie rod	72-	2	
14	911 347 322 04	Ball joint	-71	2	
(14)		Ball joint	72-	2	
15	901 347 539 00	Retainer	-71	4	
16	911 347 322 04	Ball joint	-71	4	
17	N 011 210 1	Castle nut		2	
		M 10 X 1			
18	900 021 013 00	Cotter pin		2	
		2 X 25			
19	901 347 210 03	Steering shaft	-71	1	
19	901 347 210 04	Steering shaft		1	
(19)	901 347 210 03	Steering shaft	72-	1	
(19)	901 347 210 04	Steering shaft	72-	1	
20	901 347 201 02	Steering coupling		1	
21	901 347 215 00	Stop bush		4	
22	900 074 129 02	Hexagon-head bolt		4	
		M 8 X 42			
23	901 347 248 00	Tab washer		2	
24	901 347 241 01	Steering shaft bearing		1	
24	911 347 041 00	Steering shaft bearing		1	
24	911 347 029 01	Steering shaft bearing		1	
		Complete			
25	901 347 223 03	Rubber mounting		1	
26	901 347 221 00	Housing		1	
26	901 347 221 01	Housing		1	
27	900 186 002 02	Pan-head screw		2	
		M 8 X 15			
28	900 142 002 01	Lock ring		2	
		B 8			
29	901 347 393 01	Sealing bellows		1	
29	901 347 393 02	Sealing bellows		1	
30	911 347 211 01	Intermed. steering shaft	/LL	1	
(30)	911 347 212 01	Intermed. steering shaft	/RL	1	
		Not for			TARGA
31	930 347 025 00	Universal joint		2	

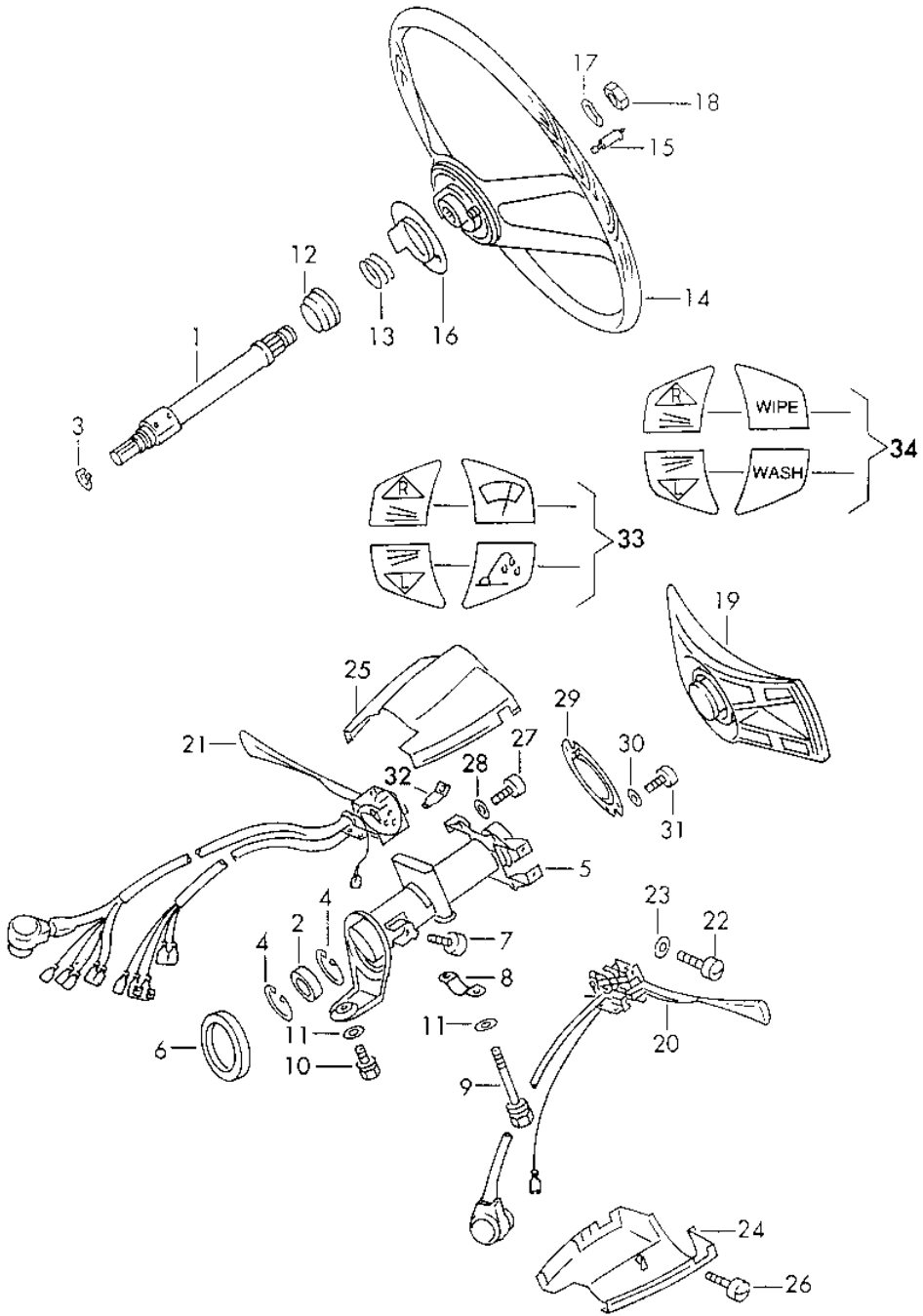
Model: 911 70

Model life 1970>>1973

Pos	Part Number	Description	Remark	Qty	Model
31	930 347 025 01	Universal joint		2	
31	930 347 025 02	Universal joint		2	
32	N 010 335 5	Hexagon-head bolt M 8 X 35		4	
32	900 075 032 03	Hexagon-head bolt M 8 X 35		4	
33	N 021 194 1	Lock nut M 8		4	
34	901 347 067 00	Cover	/LL	1	
(34)	901 347 068 00	Cover Not for	/RL	1	
35	999 507 209 01	Speed nut		2	TARGA

Model: 911 70

Model life 1970>>1973



Model: 911 70 Model life 1970>>1973

Pos	Part Number	Description	Remark	Qty	Model
		Steering shaft			
		Steering wheel			
		Steering column switch			
1	901 347 061 01	Steering shaft		1	
2	900 052 031 00	Deep-groove ball bearing		1	
3	900 041 008 00	Circlip 17 X 1		1	
4	900 042 008 00	Circlip 35 X 1,5		2	
5	911 347 073 00	Steering outer tube	/LL	1	
(5)	911 347 072 01	Steering outer tube	/RL	1	
		Not for	-71		TARGA
6	911 347 713 00	Gasket		1	
7	900 146 044 02	Oval-head screw AM 6 X 10	/RL	1	
		Not for			TARGA
(7)	900 228 002 02	Threaded pin M 8 X 16	/LL	1	
-	900 076 044 02	Hexagon nut	/LL	1	
8	901 347 755 00	Clip		1	
9	901 347 754 00	Shear bolt		2	
10	901 347 753 00	Shear bolt		1	
11	999 523 102 02	Washer M 8 PN		3	
11	999 523 102 0B	Washer M 8 PN		3	
12	914 347 711 00	Steering shaft bearing		1	
13	914 347 713 00	Compression spring		1	
14	901 347 081 00	Steering wheel	-72	1	911 T
		Hard rubber	72		911 T-V/E
(14)	901 347 081 10	Steering wheel	-72	1	911 S
		Leather	-72		911 T/E:M
		\$ 400			
		See classic technical information 4/94			
(14)	911 347 082 00	Steering wheel	73-	1	
		Plastic material			
		\$ 400			
		See classic technical information 4/94			
(14)	911 347 084 00	Not for Steering wheel	73-	1	CARRERA 2.7
		Leather			CARRERA 2.7
		\$ 380			
(14)	901 347 081 05	Steering wheel	-71	1	911 T/E/S:M
		Hard rubber			911 T/E:M
		with elevated hub			
		See classic technical information 4/94			
(14)	901 347 081 15	Steering wheel	-72	1	911 T/E/S:M
		Leather			
		with elevated hub			
		See classic technical information 4/94			
(14)	911 347 082 05	Steering wheel	73-	1	911 T/E/S:M
		Plastic material			CARRERA 2.7
		with elevated hub			
		See classic technical information 4/94			
15	914 347 831 00	Contact pin		1	
(15)	914 347 832 00	Contact pin with elevated hub		1	

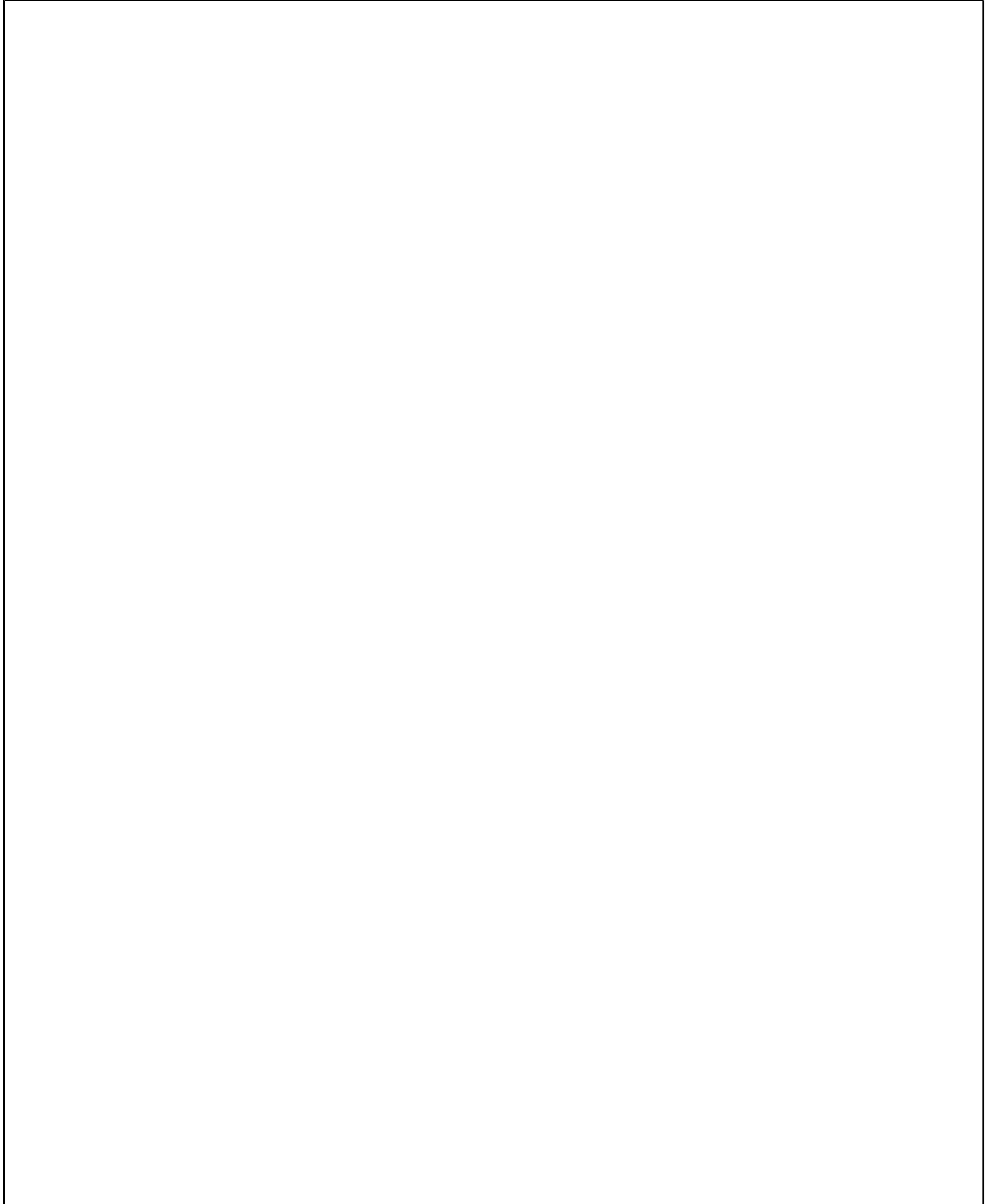
Model: 911 70

Model life 1970>>1973

Pos	Part Number	Description	Remark	Qty	Model
(15)	914 347 832 01	Contact pin with elevated hub		1	
16	901 613 325 05	Cancelling ring		1	
-	900 269 006 07	Countersunk-head screw		2	
17	N 012 239 1	Spring washer B 18		1	
18	900 078 007 02	Hexagon nut M 18 X 1,5		1	
19	914 613 805 12	Horn button Not for		1	CARRERA 2.7
(19)		Horn button		1	CARRERA 2.7
20		Direction indicator switch See group 9/03/20		1	
21		Wiper switch See group 9/03/20		1	
22	900 014 069 02	Pan-head screw AM 3 X 8		4	
23	900 115 007 01	Serrated lock washer A 3,2		4	
24	901 613 312 01	Switch housing Lower part		1	
25	901 613 311 01	Switch housing Upper part		1	
26	900 014 079 02	Pan-head screw AM 3 X 10		2	
27	900 014 046 02	Pan-head screw AM 4 X 10		4	
28	N 012 116 1	Serrated lock washer A 4,3		4	
29	901 613 915 00	Contact plate		1	
30	900 014 046 02	Pan-head screw M 4 X 10		2	
31	N 012 116 1	Serrated lock washer A 4,3		2	
32	999 652 315 02	Flat plug		1	
33	901 559 330 00	Cap with symbol 1 set for light And Windscreen washer system		1	
34	901 559 330 01	Logo Cap with symbol 1 set for light And Windscreen washer system	(CDN) (J) (S)	1	
(34)		Logo Cap with symbol 1 set for light And Windscreen washer system	(USA)	1	

Model: 911 70

Model life 1970>>1973



Model: 911 70 Model life 1970>>1973

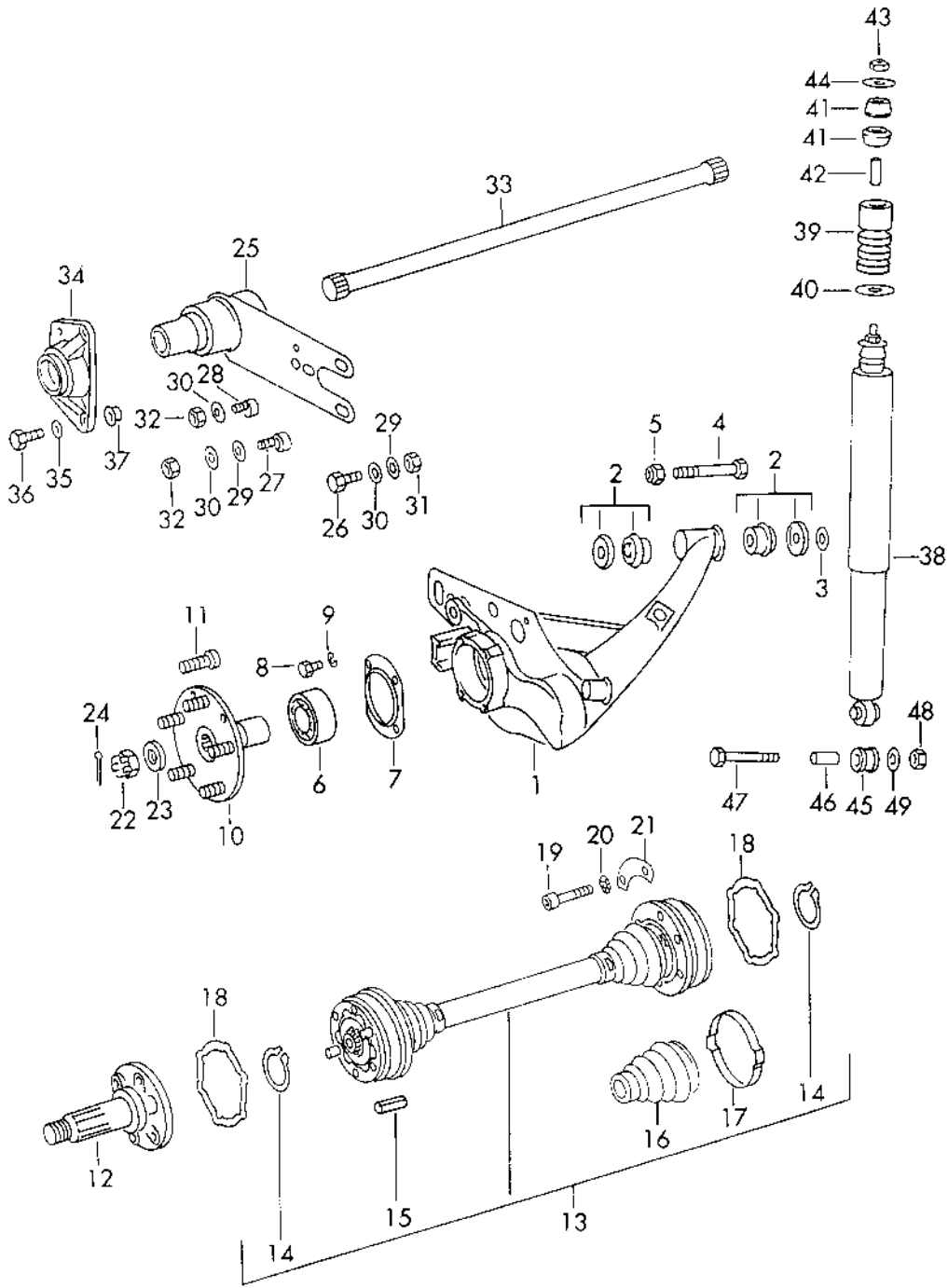
Pos	Part Number	Description	Remark	Qty	Model
>>	PCG 341 903 00	Repair kits Vibration damper for Shock absorber strut M calliper - boge - 911.341.921.00 911.341.922.00 901.341.079.01 901.341.080.01 for Shock absorber strut S-calliper - boge - 911.341.923.00 911.341.924.00 901.341.079.00 901.341.080.00	-71	1	911 T
>>	PCG 341 904 00	Vibration damper for Shock absorber strut M calliper - koni - 911.341.931.00 911.341.932.00 901.341.079.11 901.341.080.11 for Shock absorber strut S-calliper - koni - 911.341.925.00 911.341.926.00 901.341.079.10 901.341.080.10	-70	1	911 T:COUPE
>>	PCG 341 903 00	Vibration damper for Shock absorber strut S-calliper - boge - 911.341.079.00 911.341.080.00 911.341.079.02 911.341.080.02 F >>91131 00531 F >>91131 10331 F >>91132 00161 F >>91132 10131 F >>91133 00187 F >>91135 00161 F >>91135 10138	-71 -71	2	911 S:COUPE 911 T:COUPE
>>		Vibration damper for Shock absorber strut M calliper - boge - 911.341.079.04 911.341.080.04 911.341.079.05 911.341.080.05 F 91131 00532>> F 91131 10332>> F 91132 00162>>		2	911 TE-COUPE 911 TE-TARGA 911 E -COUPE 911 E -TARGA 911 S -COUPE 911 TV-COUPE 911 TV-TARGA

Model: 911 70 Model life 1970>>1973

Pos	Part Number	Description	Remark	Qty	Model
>>	PCG 341 904 00	F 91132 10132>> F 91133 00188>> F 91135 00162>> F 91135 10139>> Vibration damper for Shock absorber strut M calliper - koni - 911.341.079.10 911.341.080.10		2	911 E -TARGA 911 S -COUPE 911 TV-COUPE 911 TV-TARGA
>>	911 343 901 00	Stabiliser Installation set 15 MM	/V	1	911 T/E:M
-	901 343 703 03	Stabiliser 15 MM		1	
-	901 343 792 02	Stabiliser mounting		1	
-	901 343 754 01	Stabiliser mounting		1	
-	900 075 083 02	Hexagon-head bolt M 8 X 25		6	
-	900 027 015 02	Lock ring B 8		8	
-	900 027 015 03	Lock ring B 8		8	
-	901 343 713 01	Lever Stabiliser		2	
-	900 074 135 02	Hexagon-head bolt M 8 X 62		4	
-	901 343 763 00	Guide plate		4	
-	900 076 025 02	Hexagon nut M8		8	
-	900 076 064 02	Hexagon nut M8		8	
-	901 343 076 03	Stabiliser mounting		2	
-	901 343 737 00	Spacer tube		4	
-	901 343 783 00	Rubber mounting		4	
-	900 074 130 02	Hexagon-head bolt M 8 X 40		4	
-	900 075 033 02	Stud M 8 X 40		4	
-	900 075 033 03	Stud M 8 X 40		4	

Model: 911 70

Model life 1970>>1973



Model: 911 70

Model life 1970>>1973

Pos	Part Number	Description	Remark	Qty	Model
1	901 331 053 36	Rear axle Rear-axle trailing arm Left	-71	1	
(1)	911 331 053 05	Rear-axle trailing arm Left	72-	1	911 T/E/S
(1)	911 331 053 20	Rear-axle trailing arm Left		1	CARRERA 2.7
(1)	911 331 053 10	Rear-axle trailing arm Left		1	CARRERA 2.7
(1)	901 331 054 36	F 91136 01409>> Rear-axle trailing arm Right	-71	1	
(1)	911 331 054 05	Rear-axle trailing arm Right	72-	1	911 T/E/S
(1)	911 331 054 20	Rear-axle trailing arm Right		1	CARRERA 2.7
(1)	911 331 054 10	Rear-axle trailing arm Right		1	CARRERA 2.7
2	901 331 059 00	F 91136 01409>> Flange mounting		4	
3	N 011 534 4	Washer 15		2	
4	900 082 016 01	Hexagon-head bolt M 14 X 1,5 X 85	-71	2	
4	900 082 055 02	Hexagon-head bolt M 14 X 1,5 X 77	72-	2	
5	N 021 225 3	Lock nut M 14 X 1,5	-71	2	
5	999 084 014 02	Hexagon nut M 14 X 1,5	72-	2	
5	900 910 094 02	Lock nut M 14 X 1,5	72-	2	
6	999 053 035 00	Ball bearing		2	
6	999 053 034 00	Ball bearing		2	
6	999 053 053 00	Angular-contact bearing Oversize for Rear-axle trailing arm PCG.331.053.20 PCG.331.054.20		X	
6	999 053 053 0A	Angular-contact bearing Oversize for Rear-axle trailing arm PCG.331.053.20 PCG.331.054.20		X	
7	901 331 561 00	See classic technical information Lid		2	
8	N 010 239 11	Hexagon-head bolt M 8 X 18		8	
8	N 010 239 30	Hexagon-head bolt M 8 X 18		8	
9	900 027 015 02	Lock ring B 8		8	
9	900 027 015 03	Lock ring B 8		8	
10	901 331 065 09	Rear-wheel hub with Wheel bolt		2	911 T/E/S
10	911 331 065 07	Rear-wheel hub with Wheel bolt	73	2	CARRERA 2.7
11	904 341 671 00	Wheel bolt		10	911 T/E/S

Model: 911 70 Model life 1970>>1973

Pos	Part Number	Description	Remark	Qty	Model
11	993 331 671 02	Wheel bolt		10	911 T/E/S
11	901 331 671 00	Wheel bolt		10	CARRERA 2.7
-	901 352 413 00	Spacer ring		2	CARRERA 2.7
12	901 332 232 00	Drive shaft		2	
13	911 332 033 08	Drive shaft		2	
13	911 332 033 09	Drive shaft		2	
-	911 332 032 02	Complete			
-	911 332 032 02	Joint		4	
14	999 041 012 01	Circlip		4	
15	999 095 019 00	Clamping pin		8	
		S 10 X 20			
16	901 332 293 12	Dust bellows		4	
-	911 332 295 02	Protection cap		4	
-	911 332 295 03	Protection cap		4	
17	911 332 257 00	Clip		4	
		& 73 X 6			
18	901 332 297 00	Gasket		4	
19	900 067 229 09	Pan-head screw		16	
		M 10 X 48			
(19)	900 067 087 01	Pan-head screw		16	
		M 10 X 55			
20	999 523 103 01	Schnorr retainng washer		16	
		M 10			
21	911 332 191 00	Plate		8	
(21)	901 332 192 00	Plate	-71	8	
22	901 332 806 00	Castle nut		2	
22	901 332 806 01	Castle nut		2	
23	999 025 046 01	Washer		2	
24	N 012 538 1	Cotter pin		2	
		4 X 40			
25	901 333 003 01	Rear axle strut		2	
25	901 333 003 09	Rear axle strut		2	
26	N 010 116 1	Hexagon-head bolt		4	
		M 12 X 1,5 X 28			
27	901 333 133 09	Eccentric		2	
27	901 333 133 10	Eccentric		2	
28	901 333 133 05	Eccentric		2	
29	901 333 143 02	Washer		10	
30	999 523 109 02	Lock washer		8	
		M 12			
31	N 011 020 8	Hexagon nut		4	
		M 12 X 1,5			
31	900 034 036 01	Hexagon nut		4	
		M 12 X 1,5			
32	900 078 017 02	Hexagon nut		4	
		M 12 X 1,5			
33	901 333 101 05	Torsion bar	/L	1	
		23 MM			
33	901 333 101 15	Torsion bar	/L	1	
		23 MM			
		New design			
		Only together with			
		90133310210	/R	1	
		Use			
(33)	901 333 102 05	Torsion bar	/R	1	
		23 MM			
(33)	901 333 102 10	Torsion bar	/R	1	
		23 MM			
		New design			
		Only together with			
		90133310115	/L	1	
		Use			
34	901 333 153 00	Housing		2	

Model: 911 70 Model life 1970>>1973

Pos	Part Number	Description	Remark	Qty	Model
35	900 025 008 02	Washer 10,5		2	
35	N 011 527 4	Washer 10,5		2	
35	900 025 008 09	Washer 10,5		2	
35	900 025 008 04	Washer 10,5		2	
36	900 075 042 02	Hexagon-head bolt M 10 X 28		8	
37	901 331 107 00	Spacer ring		2	
38	901 333 051 02	Damper - boge -	-71	2	911 T/E/S
(38)	PCG 333 051 01	Vibration damper - koni -	-71	2	911 T/E/S
38	911 333 051 00	Vibration damper - boge - F >>91131 00531 F >>91131 10331 F >>91132 00161 F >>91132 10131 F >>91133 00187 F >>91133 10134 F >>91135 00161 F >>91135 10138	72-	2	911 TE COUPE 911 TE TARGA 911 E COUPE 911 E TARGA 911 S COUPE 911 S TARGA 911 TV COUPE 911 TV TARGA
(38)	PCG 333 051 02	Vibration damper - koni - F >>91131 00531 F >>91131 10331 F >>91132 00161 F >>91132 10131 F >>91133 00187 F >>91133 10134 F >>91135 00161 F >>91135 10138	72-	2	911 TE COUPE 911 TE TARGA 911 E COUPE 911 E TARGA 911 S COUPE 911 S TARGA 911 TV COUPE 911 TV TARGA
38	911 333 051 01	Vibration damper - boge - F 91131 00532>> F 91131 10332>> F 91132 00162>> F 91132 10132>> F 91133 00188>> F 91133 10135>> F 91135 00162>> F 91135 10139>>		2	911 TE COUPE 911 TE TARGA 911 E COUPE 911 E TARGA 911 S COUPE 911 S TARGA 911 TV COUPE 911 TV TARGA
(38)	PCG 333 051 01	Vibration damper - koni -	-71	2	911 T:M 911 S
(38)	PCG 333 051 02	Vibration damper - koni -	72-	X	911 T/E/S:M
(38)	911 333 051 30	Vibration damper - bilstein -	-72	X	911 T/E/S:M
(38)	911 333 051 34	Vibration damper - bilstein -	73-	X	911 T/E/S:M CARRERA 2.7
39	901 333 301 03	Additional spring	-71	2	
(39)	911 333 301 04	Additional spring	72-	2	
40	901 333 511 00	Stop washer - boge -		2	
(40)	901 333 511 12	Stop washer - koni -		2	
41	911 333 521 00	Rubber mounting		4	
42	911 333 522 00	Articulated bush		2	
43	900 084 013 02	Lock nut M 10 X 1		2	

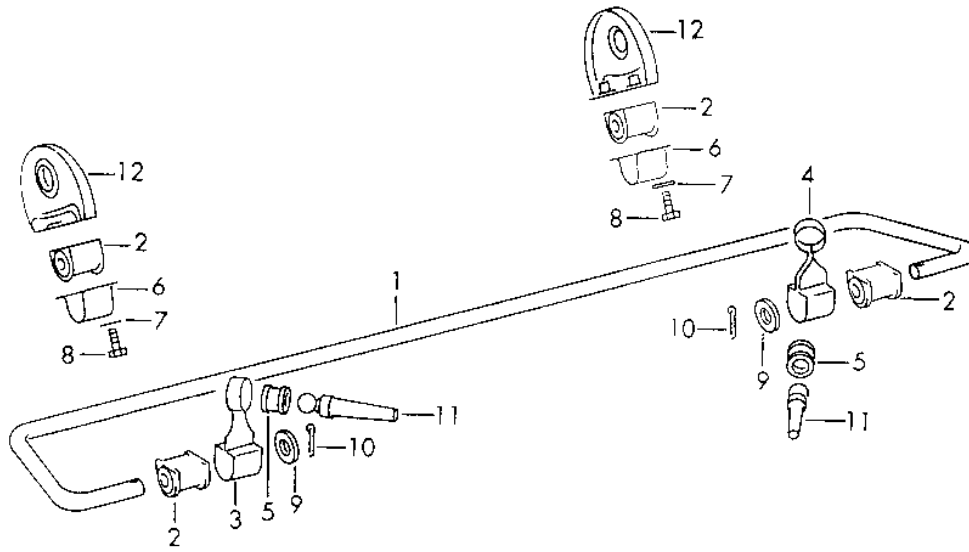
Model: 911 70

Model life 1970>>1973

Pos	Part Number	Description	Remark	Qty	Model
44	911 333 523 00	Washer		2	
45	901 333 795 01	Rubber mounting	-71	2	
(45)	911 333 795 00	Rubber mounting	72-	2	
		- boge -			
(45)	911 333 795 11	Rubber mounting	72-	2	
		- koni -			
46	901 333 513 00	Bush		2	
47	900 082 110 02	Hexagon-head bolt	-71	2	
		M 12 X 1,5 X 85			
(47)	900 082 049 02	Hexagon-head bolt	72-	2	
		M 14 X 1,5 X 95			
48	N 022 141 1	Captive nut		2	
		M 12 X 1,5			
48	900 360 002 01	Lock nut		2	
		M 12 X 1,5			
48	900 360 002 0B	Lock nut		2	
		M 12 X 1,5			
(48)	999 084 033 02	Uni-stop nut	72-	2	
		U 112 14 X 1,5			
49	999 025 058 01	Washer	-71	2	
(49)	999 025 062 02	Washer	72-	2	

Model: 911 70

Model life 1970>>1973



Model: 911 70 Model life 1970>>1973

Pos	Part Number	Description	Remark	Qty	Model
		Stabiliser Rear axle			911 S CARREERA 2.7 911 T/E:M
1	901 333 701 04	Stabiliser 15 MM		1	
2	901 333 793 02	Rubber mounting 15 MM		4	
2	901 333 793 03	Rubber mounting 15 MM		4	
3	901 333 731 01	Tab Left		1	
4	901 333 732 01	Tab Right		1	
5	901 343 782 00	Articulated bush		2	
6	901 333 753 01	Supporting bow		2	
7	900 027 015 02	Lock ring B 8		4	
7	900 027 015 03	Lock ring B 8		4	
8	N 010 239 11	Hexagon-head bolt M 8 X 18		4	
8	N 010 239 30	Hexagon-head bolt M 8 X 18		4	
9	900 089 010 02	Washer 16		2	
10	900 021 026 00	Cotter pin 4 X 25 Picture 11+12 for subsequent installation		2	
11	901 331 571 07	Articulated bolt		2	
12	901 333 901 01	Stabiliser	-71	2	
(12)	911 501 180 00	Bracket	72-	2	
(12)	911 501 180 00 GRV	Prime coated	72-	2	

Model: 911 70

Model life 1970>>1973



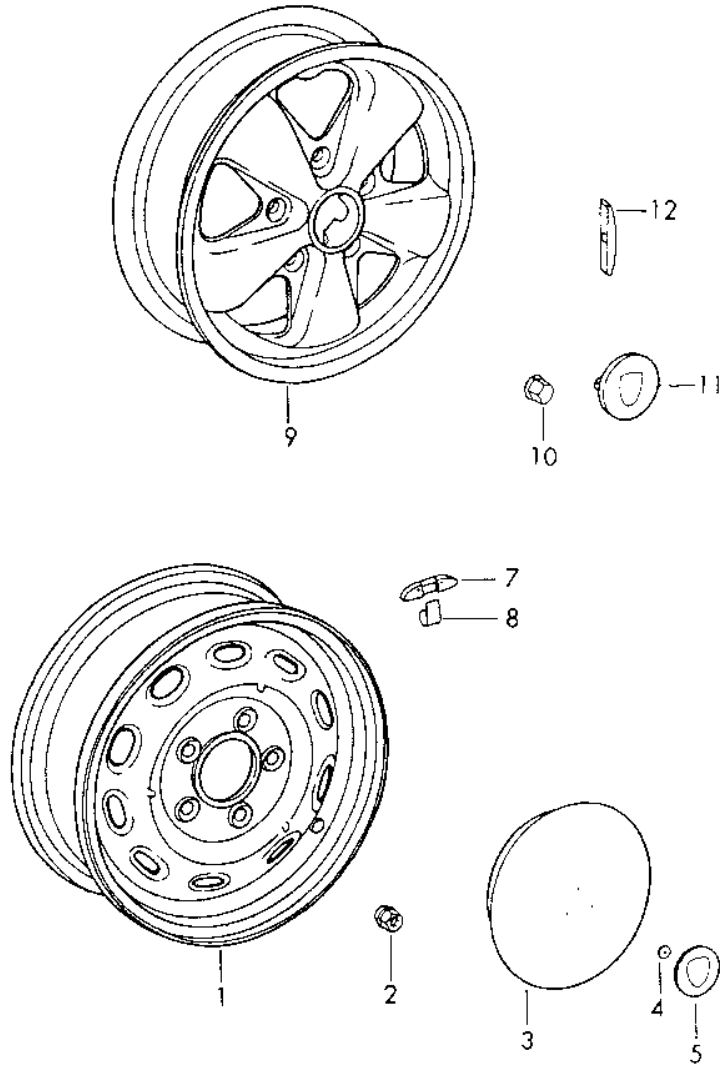
Model: 911 70

Model life 1970>>1973

Pos	Part Number	Description	Remark	Qty	Model
>>	901 333 901 02	Installation set Stabiliser Rear Stabiliser Stabiliser Rear \$ 15 MM for subsequent installation Comprising:		1	911 T/E:M
-	901 333 701 04	Stabiliser \$ 15 MM		1	
-	901 333 793 02	Rubber mounting		4	
-	901 333 793 03	Rubber mounting		4	
-	901 333 731 01	Tab Left		1	
-	901 333 732 01	Tab Right		1	
-	901 343 782 00	Articulated bush		2	
-	901 333 753 01	Supporting bow		2	
-	900 027 015 02	Lock ring B 8		4	
-	900 027 015 03	Lock ring B 8		4	
-	N 010 239 11	Hexagon-head bolt M 8 X 18		4	
-	N 010 239 30	Hexagon-head bolt M 8 X 18		4	
-	900 089 010 02	Washer		2	
-	900 021 026 00	Cotter pin 4 X 25		2	
-	901 331 571 02	Articulated bolt		2	
-	901 333 901 01	Stabiliser		1	

Model: 911 70

Model life 1970>>1973



Model: 911 70 Model life 1970>>1973

Pos	Part Number	Description	Remark	Qty	Model
1	911 361 022 00	Wheels Perforated disc wheel Prime coated 5 1/2 J X 15 H2 ET 42		5	
1	911 361 022 20	Perforated disc wheel Chrome 5 1/2 J X 15 H2 ET 42		5	
(1)	911 361 021 00	Perforated disc wheel Silver metallic 6 J X 15 ET 36		5	
2	N 020 112 1	Ball seat nut A 14		20	
3	901 361 301 04	Hub cap with Bores		4	
4	999 591 339 02	Tapping nut		12	
5	901 559 801 01	Badge Matte Chrome		4	
(5)	644 559 801 00	Badge Crest Coloured Embossed		4	
(5)	PCG 559 801 00	Badge Crest Coloured Embossed		4	
-	901 361 121 00	Retainer spring for Valve Balance weight for Perforated disc wheel 901.361.015.10/20 And Perforated disc wheel Aluminium 911.361.016.00 Inner And Perforated disc wheel Steel		5	
7	928 361 410 00	Balance weight 10 G		X	
(7)	928 361 411 00	Balance weight 20 G		X	
(7)	928 361 412 00	Balance weight 30 G		X	
(7)	928 361 413 00	Balance weight 40 G		X	
(7)	928 361 414 00	Balance weight 50 G		X	
(7)	928 361 415 00	Balance weight 80 G		X	
(7)	928 361 416 00	Balance weight 70 G		X	
(7)	928 361 417 00	Balance weight 80 G		X	
8	914 361 441 00	Retainer spring		X	
9	911 361 020 00	Perforated disc wheel Aluminium Polished And		5	

Model: 911 70 Model life 1970>>1973

Pos	Part Number	Description	Remark	Qty	Model
(9)	911 361 016 90	Anodised 6 J X 15 Perforated disc wheel Aluminium Polished And Anodised		5	
(9)	901 361 017 00	5 1/2 J X 14 H2 ET 41 Perforated disc wheel Magnesium Die casting		5	
(9)	911 361 020 10	5 1/2 J X 15 ET 42 Perforated disc wheel Light alloy		5	
(9)	911 361 020 11	6 J X 15 H2 ET 36 Wheel spoke Black Perforated disc wheel Light alloy		2	
(9)	911 361 023 40	7 J X 15 H2 ET 23,3 Wheel spoke Black Alloy wheel Light alloy Die casting		4	
(9)	911 361 023 93	6 J X 15 H2 ET 36 Silver Lacquered Alloy wheel Light alloy Die casting		4	
10	999 182 003 36	* Wheel nut		20	
11	901 361 032 00	Hub cap Silver Lacquered for Internal diameter 66 MM		4	
11	901 361 032 01	Hub cap Silver Anodised for Internal diameter 66 MM		4	
(11)	911 361 032 00	Hub cap Silver Lacquered for Internal diameter 71 MM		4	
(11)	911 361 032 01	Hub cap Silver Anodised for Internal diameter 71 MM		4	
(11)	911 361 032 28	Hub cap Black for Internal diameter		4	

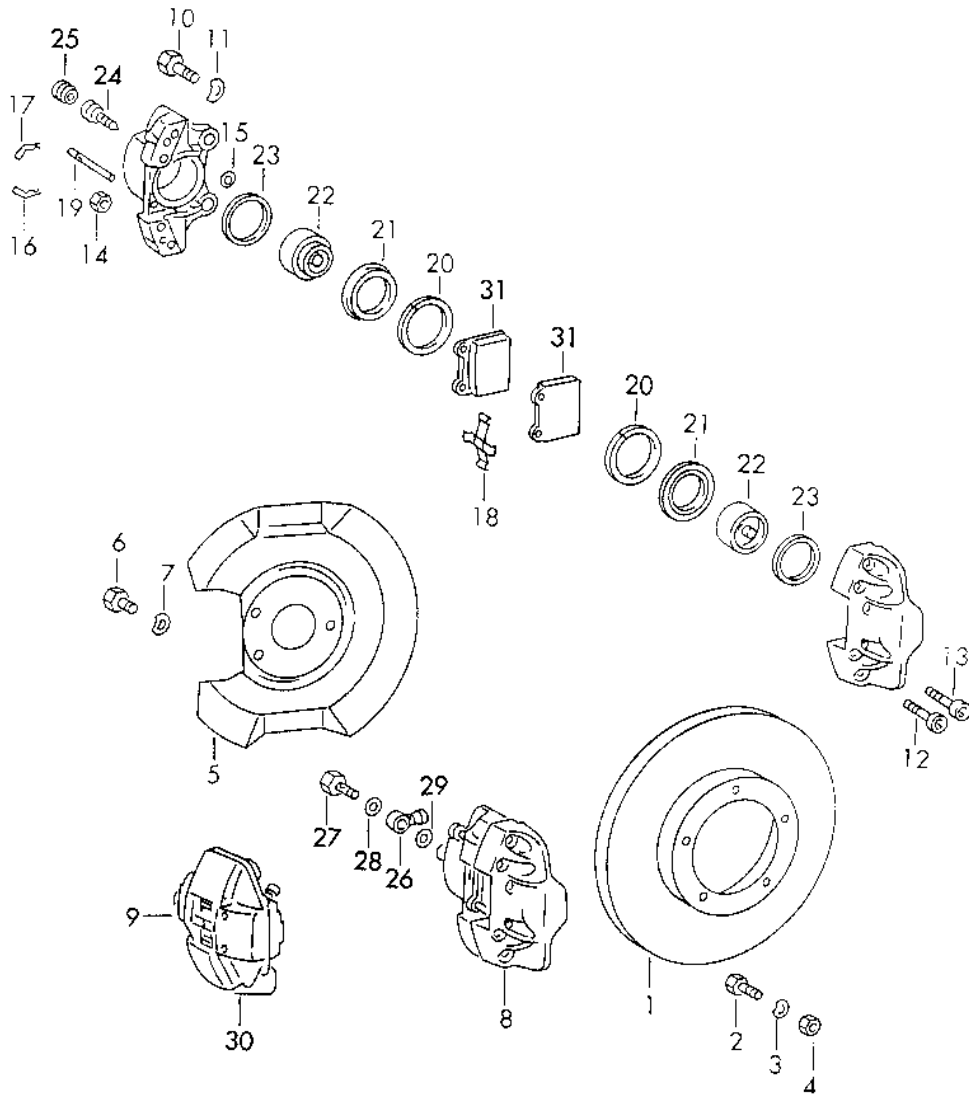
Model: 911 70

Model life 1970>>1973

Pos	Part Number	Description	Remark	Qty	Model
(11)	SOW 911 038 11	71 mm Hub cap Black Crest Coloured Balance stick-on weight for Perforated disc wheel Aluminium 901.361.012.06 911.361.016.00 901.361.017.00 And Light alloy		4	
12	901 361 410 00	Balance stick-on weight 10 G		X	
(12)	901 361 411 00	Balance stick-on weight 20 G		X	
(12)	901 361 412 00	Balance stick-on weight 30 G		X	
(12)	901 361 413 00	Balance stick-on weight 40 G		X	
(12)	901 361 414 00	Balance stick-on weight 50 G		X	
(12)	901 361 415 00	Balance stick-on weight 60 G		X	
(12)	901 361 417 00	Balance stick-on weight Emergency wheel		X	
-	911 361 020 10	Perforated disc wheel Light alloy 6 J X 15 Wheel spoke Black		1	
-	911 361 022 00	Perforated disc wheel Steel 5 1/2 J X 15		1	
-	900 265 001 50	Rubber valve \$ 11,5		1	
-	900 265 001 51	Rubber valve \$ 11,5		1	
-	911 361 506 01	Tyre 165-15/4.75/10.00-15 SST		1	
-	911 361 510 00	Small compressor		1	
-	996 361 521 00	Boot for Impeller		1	
-	911 361 522 00	Cover foil 700 X 700 X 0,2		1	
-	999 914 001 40	Plastic gloves 4- Pieces in pairs		1	
-	911 722 201 02	Tyre pressure gauge Not for - CARRERA 2.7-		1	
-	911 722 202 00	Tyre pressure gauge Porsche Classic mit Lederhülle		1	

Model: 911 70

Model life 1970>>1973



Model: 911 70 Model life 1970>>1973

Pos	Part Number	Description	Remark	Qty	Model
1	901 351 041 16	Disc brake Front Brake disc Vented		2	
2	900 075 079 02	Hexagon-head bolt M 8 X 22		10	
3	N 012 241 1	Spring washer B 8		10	
4	900 076 025 02	Hexagon nut M 8		10	
4	900 076 064 02	Hexagon nut M 8		10	
5	901 351 801 17	Protective plate Front	-71	2	911 T 911 T-V/T-E 911 E
(5)		Protective plate Front	-71	2	911 T:M 911 E/S 911 S CARRERA 2.7 911 T-V/T-E 911 E
6	N 010 235 3	Hexagon-head bolt M 8 X 10		6	
7	N 012 241 1	Spring washer B 8 X 15		6	
8	911 351 907 00	Fixed calliper (M) Front Left without pad	-71	1	911 T 911 T-V/T-E 911 E
(8)	911 351 908 00	Fixed calliper (M) Front Right without pad	-71	1	911 T 911 T-V/T-E 911 E
9	901 351 975 10	Fixed calliper (S) Front Left without pad	-71	1	911 T:M 911 E/S
(9)	901 351 976 10	Brake disc Vented Fixed calliper (S) Front Right without pad	-71	1	911 T:M 911 E/S
(9)	911 351 935 00	Brake disc Vented Fixed calliper (S) Front Left without pad	72-	1	911 S CARRERA 2.7 911 T-V/T-E 911 E
(9)	911 351 936 00	Brake disc Vented Fixed calliper (S) Front Right without pad	72-	1	911 S CARRERA 2.7 911 T-V/T-E 911 E

Model: 911 70 Model life 1970>>1973

Pos	Part Number	Description	Remark	Qty	Model
10	900 083 023 02	Hexagon-head bolt M 12 X 1,5 X 30		4	
10	900 083 023 03	Hexagon-head bolt M 12 X 1,5 X 30		4	
(10)	900 083 023 01	Hexagon-head bolt M 12 X 1,5 X 30	71-	4	
11	900 028 014 01	Lock ring B 12		4	
12	901 351 945 10	Pan-head screw	-71 72-	4	911 T 911 T-V/T-E 911 E
13	901 351 946 10	Pan-head screw	-71 72-	4	911 T 911 T-V/T-E 911 E
14	N 011 008 8	Hexagon nut M 8	-71 72-	8	911 T 911 T-V/T-E 911 E
15	901 351 928 10	Sealing ring	-71 72-	4	911 T 911 T-V/T-E 911 E
16	901 351 955 10	Safety clip		2	
17		Safety clip		2	
18	901 351 916 14	Expanding spring	-71 72-	2	911 T 911 T-V/T-E 911 E
(18)	901 351 916 15	Expanding spring	-71 72-	2	911 T:M 911 E/S 911 S CARRERA 2.7 911 T-V/T-E 911 E
19	901 351 913 16	Retaining pin	-71 72-	4	911 T 911 T-V/T-E 911 E
(19)	901 351 986 00	Retaining pin	-71 72-	4	911 T:M 911 E/S 911 S CARRERA 2.7 911 T-V/T-E 911 E
20		Clamping ring See group 6/98/00	-71 72-	X	911 T 911 T-V/T-E 911 E
21		Protection cap See group 6/98/00	-71 72-	X	911 T:M 911 E/S 911 S 911 T-V/T-E 911 E
22	901 351 097 10	Piston	-71 72-	4	911 T 911 T-V/T-E 911 E
(22)	901 351 988 00	Piston for S-calliper Housing with X	-70	4	911 T:M 911 E/S
(22)	911 351 918 00	Piston	71 72-	4	911 T:M 911 E/S 911 S 911 T-V/T-E 911 E
23		Gasket	-71	X	911 T:M

Model: 911 70 Model life 1970>>1973

Pos	Part Number	Description	Remark	Qty	Model
		See group 6/98/00	72-		911 E/S 911 S CARRERA 2.7 911 T-V/T-E
24	901 352 977 10	Bleeder valve Complete	-71 72-	2	911 E 911 T 911 T-V/T-E 911 E
(24)	911 351 919 00	Ventilation valve Complete	-71 72-	4	911 T:M 911 E/S 911 S CARRERA 2.7 911 T-V/T-E 911 E
25	901 351 927 10	Dust boot	-71 72-	2	911 T 911 T-V/T-E 911 E
(25)		Dust boot	-71 72-	4	911 T:M 911 E/S 911 S CARRERA 2.7 911 T-V/T-E 911 E
26	914 355 531 00	Ring fitting	-71 72-	2	911 T 911 T-V/T-E 911 E
(26)		Ring fitting	-71 72-	2	911 T:M 911 E/S 911 S CARRERA 2.7 911 T-V/T-E 911 E
27	901 355 531 00	Banjo bolt		2	
28	904 355 902 00	Gasket Outer	-71 72-	2	911 T 911 T-V/T-E 911 E
(28)	900 123 005 22	Sealing ring Outer	-71 72-	2	911 T:M 911 E/S 911 S CARRERA 2.7 911 T-V/T-E 911 E
29	904 355 904 00	Gasket Inner	-71 72-	2	911 T 911 T-V/T-E 911 E
(29)	900 123 004 22	Sealing ring Inner	-71 72-	2	911 T:M 911 E/S 911 S CARRERA 2.7 911 T-V/T-E 911 E
30	901 351 991 00	Compensating line Left Front	-71 72-	2	911 T:M 911 E/S 911 S CARRERA 2.7 911 T-V/T-E 911 E
(30)	901 351 992 00	Compensating line Right Front	-71 72-	2	911 T:M 911 E/S 911 S CARRERA 2.7 911 T-V/T-E 911 E

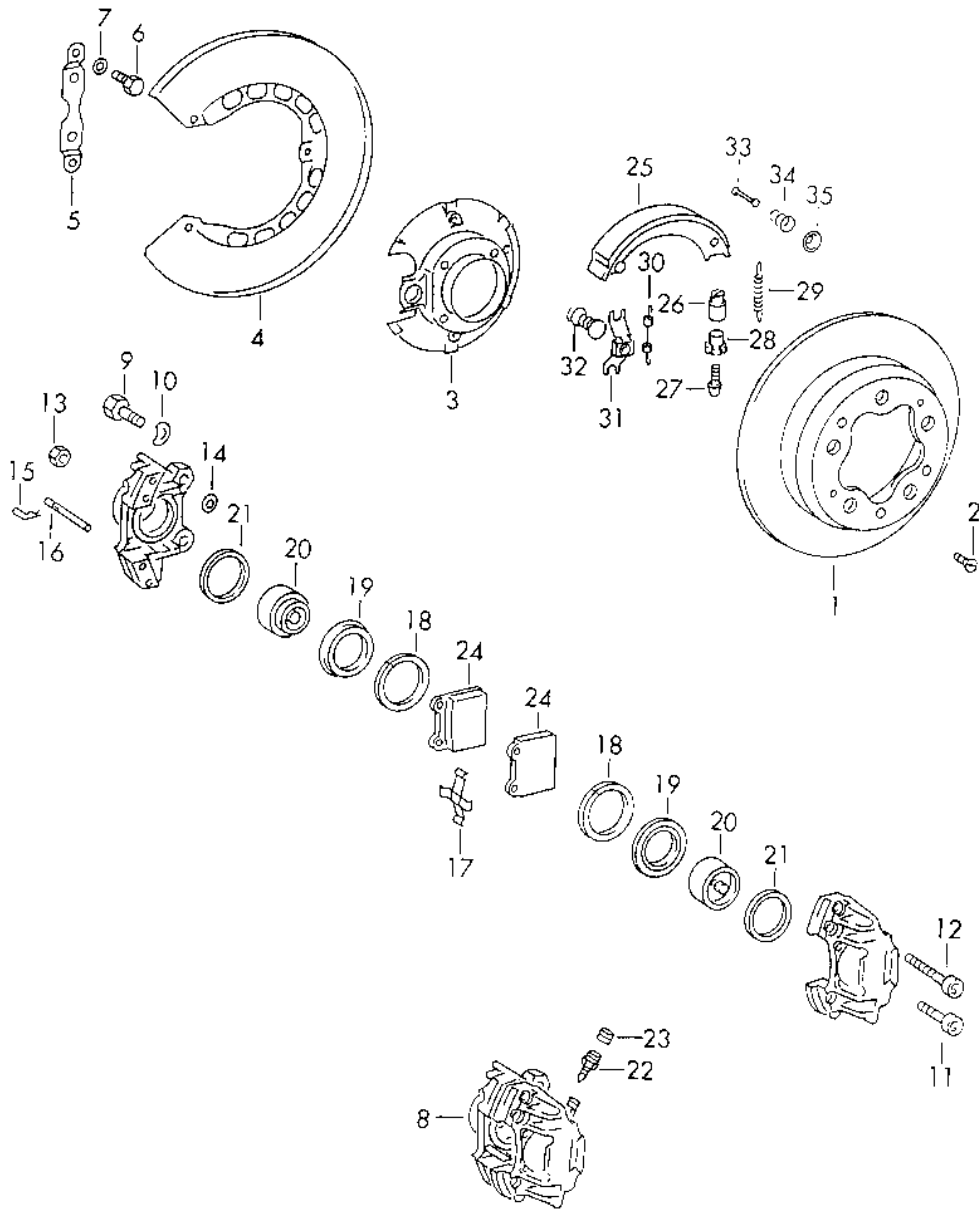
Model: 911 70

Model life 1970>>1973

Pos	Part Number	Description	Remark	Qty	Model
31	911 352 950 04	Brake pad repair set without Mounting parts for M calliper		1	911 T/E
31	911 352 950 06	Brake pad repair set without Mounting parts for M calliper		1	911 T/E
31	911 351 950 07	Brake pad repair set without Mounting parts for S-calliper Aluminium		1	911 S 911 T/E:M CARRERA 2.7
31	911 351 950 09	Brake pad repair set without Mounting parts for S-calliper Aluminium		1	911 S 911 T/E:M CARRERA 2.7

Model: 911 70

Model life 1970>>1973



Model: 911 70 Model life 1970>>1973

Pos	Part Number	Description	Remark	Qty	Model
1	901 352 041 14	Disc brake Rear Brake disc Vented		2	
2	900 013 037 02	Countersunk-head screw AM 6 X 12		4	
3	901 352 081 14	Brake mounting plate		2	
4	901 352 801 20	Protective plate	-71	2	
(4)	911 352 083 00	Brake mounting plate	72-	2	
5	914 352 085 00	Retaining bar		2	
6	N 010 235 3	Hexagon-head bolt M 8 X 10	-71 72-	6 2	
7	N 012 241 1	Spring washer B 8 X 15	-71 72-	6 2	
8	911 352 907 00	Fixed calliper (M) Rear Left without pad Brake disc Vented		1	
(8)	911 352 908 00	Fixed calliper (M) Rear Right without pad Brake disc Vented		1	
9	900 083 023 02	Hexagon-head bolt M 12 X 1,5 X 30	70-	4	
9	900 083 023 03	Hexagon-head bolt M 12 X 1,5 X 30	70-	4	
(9)	900 083 023 01	Hexagon-head bolt M 12 X 1,5 X 30	71	4	
10	900 028 014 01	Lock ring B 12		4	
11	901 352 978 12	Pan-head screw		4	
12	901 352 978 13	Pan-head screw		4	
13	901 352 979 10	Hexagon nut		8	
14	901 351 928 10	Sealing ring		8	
15	901 351 955 10	Safety clip		4	
16	901 352 991 01	Retaining pin		4	
17	901 351 916 14	Expanding spring		2	
18		Clamping ring See group 6/98/00		X	
19		Protection cap See group 6/98/00		X	
20	901 352 993 00	Piston		4	
21		Gasket See group 6/98/00		X	
22	901 352 977 10	Bleeder valve		2	
23	901 351 927 10	Dust boot		2	
24	911 352 950 04	Brake pad repair set without Mounting parts		1	
24	911 352 950 06	Brake pad repair set without Mounting parts		1	
25	911 352 097 10	Brake shoe with pad		4	

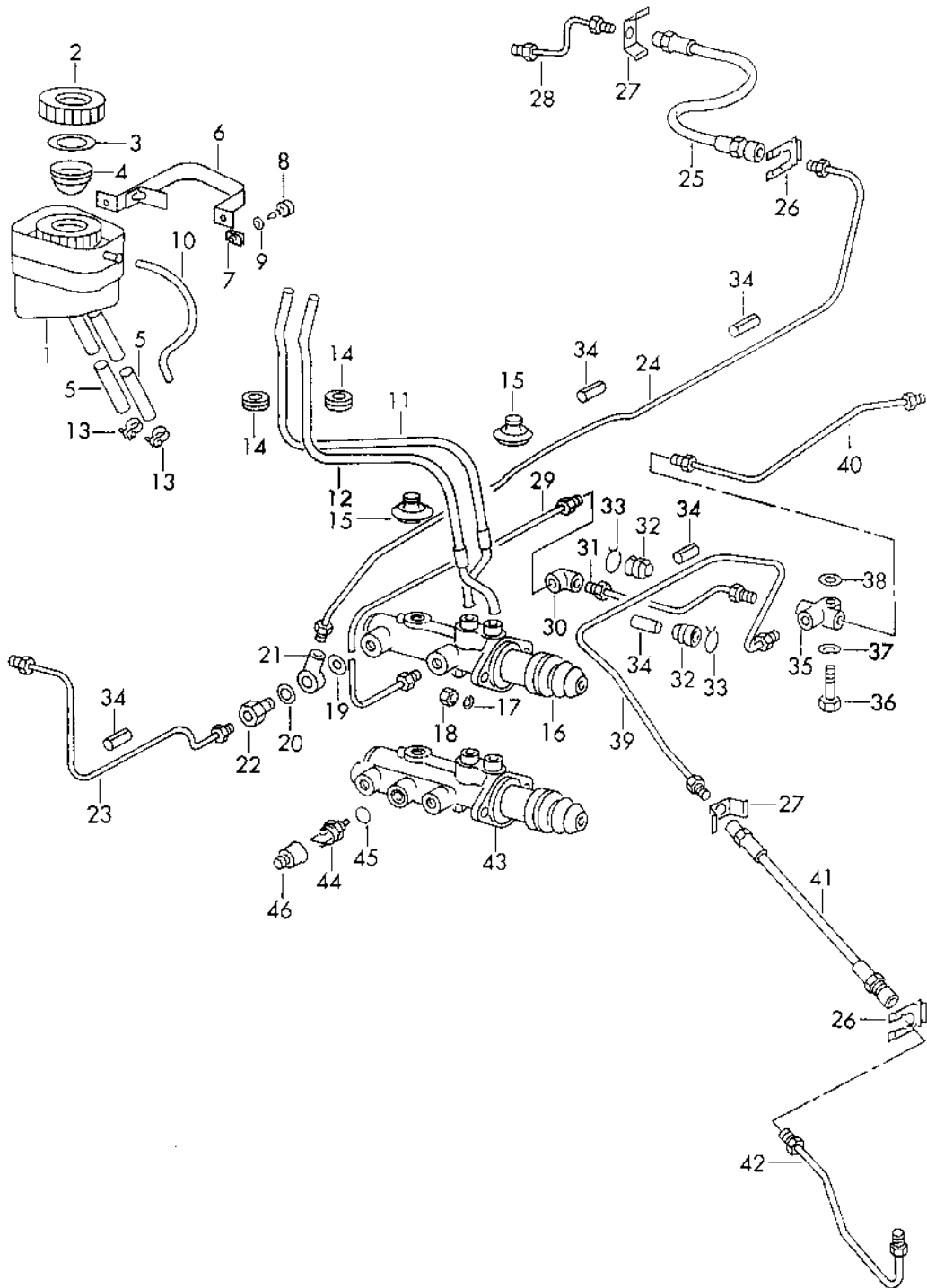
Model: 911 70

Model life 1970>>1973

Pos	Part Number	Description	Remark	Qty	Model
-	PCG 352 097 12	without asbestos Set of fastening parts Handbrake Comprising:		1	
-	900 079 012 02	Castle nut		2	
-	911 352 090 01	Expanding bow		4	
-	911 352 098 01	Adjusting screw		2	
-	901 352 932 10	Return spring		2	
-	911 352 944 00	Support bush		2	
-	901 352 953 12	Compression spring		2	
-	901 352 954 10	Return spring		2	
-	901 352 957 10	Compression spring		4	
-	901 352 959 11	Roll pin		4	
-	N 012 507 1	Cotter pin		2	
26	911 352 944 00	Support bush	-70	2	
(26)		Support bush	71-	2	
27	901 352 943 10	Adjusting screw		2	
(27)	911 352 098 00	Adjusting screw Complete	71-	2	
(27)	911 352 098 01	Adjusting screw Complete	71-	2	
28	911 352 098 00	Adjusting screw	-70	2	
28	911 352 098 01	Adjusting screw		2	
29	901 352 932 10	Return spring		2	
30	901 352 954 10	Return spring		2	
31	911 352 090 00	Expanding bow		4	
31	911 352 090 01	Expanding bow		4	
32	901 352 953 10	Compression spring		2	
32	901 352 953 11	Compression spring		2	
32	901 352 953 12	Compression spring		2	
33	901 352 959 10	Roll pin		4	
33	901 352 959 11	Roll pin		4	
34	901 352 957 10	Compression spring		4	
35	901 352 955 10	Concave washer		4	

Model: 911 70

Model life 1970>>1973



Model: 911 70 Model life 1970>>1973

Pos	Part Number	Description	Remark	Qty	Model
1	901 355 013 00	Brake fluid reservoir Brake master cylinder Brake fluid reservoir with Lid	-70	1	
(1)	911 355 013 13	Brake fluid reservoir with Lid	71-	1	
2	901 355 905 00	Lid	-70	1	
(2)	911 355 905 02	Lid	71-	1	
3	901 355 908 00	Gasket		1	
4	211 611 381 B	Strainer		1	
5	901 355 927 02	Hose piece 50 MM	-70 /LL 71-	2	
(5)	901 355 927 01	Hose piece 150 MM	/RL 71-	2	
6	901 355 015 00	Retaining strap		1	
7	N 015 429 2	Speed nut B 4,2		2	
7	N 015 429 6	Speed nut B 4,2		2	
8	900 143 007 02	Oval-head sheetmetal screw B 4,2 X 13		2	
8	900 073 507 01	Oval-head sheetmetal screw B 4,2 X 13		2	
9	900 151 028 02	Washer B 4,3		2	
9	900 151 028 01	Washer B 4,3		2	
10	999 181 204 40	Hose Overflow hose		*	
11	PCG 355 061 00	Connecting line for Brake circuit Front	/LL	1	
(11)	901 355 644 00	Line for Brake circuit Front	/RL	1	
-	901 355 927 02	Hose piece 50 MM	/RL	1	
-	901 355 618 00	Connecting piece	/RL	1	
12	PCG 355 063 00	Connecting line for Brake circuit Rear	/LL	1	
(12)	901 355 650 00	Line for Brake circuit Rear	/RL	1	
-	901 355 927 02	Hose piece 50 MM	/RL	1	
-	901 355 618 00	Connecting piece	/RL	1	
13	999 512 055 02	Hose clamp		2	
13	PCG 512 055 02	Hose clamp		2	
14	999 702 076 50	Rubber sleeve	/LL	2	
(14)		Rubber sleeve	/RL	4	
15	999 702 065 50	Rubber sleeve		2	
16	901 355 012 00	Brake master cylinder		1	
-	999 703 075 40	Stopper		1	
17	900 027 015 02	Lock ring B 8		2	
17	900 027 015 03	Lock ring		2	

Model: 911 70 Model life 1970>>1973

Pos	Part Number	Description	Remark	Qty	Model
18	900 076 025 02	B 8 Hexagon nut		2	
18	900 076 064 02	M 8 Hexagon nut		2	
19	904 355 904 00	M 8 Gasket		1	
20	904 355 902 00	\$ 10 MM Gasket		2	
21	914 355 531 00	\$ 12 MM Ring fitting		1	
22	914 355 534 00	Banjo bolt		2	
23	901 355 619 00	Brake line	/LL	1	
		Front			
		Left			
23	901 355 619 01	Brake line	/LL	1	
		Front			
		Left			
(23)	901 355 626 00	Brake line	/RL	1	
		Front			
		Left			
24	901 355 620 00	Brake line	/LL	1	
		Front			
		Right			
24	901 355 620 01	Brake line	/LL	1	
		Front			
		Right			
(24)	901 355 628 00	Brake line	/RL	1	
		Front			
		Right			
25	901 355 632 01	Brake hose		2	
		Front			
25	901 355 632 02	Brake hose		2	
		Front			
26	914 355 665 00	Brake hose bracket	-71	4	
26	914 355 665 01	Brake hose bracket		4	
27	803 611 715	Retainer spring		4	
28	914 355 603 00	Brake line		2	
		Front			
28	914 355 603 03	Brake line		2	
		Front			
29	901 355 612 00	Brake line	/LL	1	
(29)	901 355 624 00	Brake line	/RL -71	1	
(29)	901 355 624 02	Brake line	/RL	1	
(29)	911 355 643 01	Brake line	/RL 72-	1	
30	901 355 615 00	Angled pipe		1	
30	901 355 615 01	Angled pipe		1	
31	901 355 611 01	Brake line	-71	1	
31	901 355 611 02	Brake line	-71	1	
(31)	911 355 611 01	Brake line	72-	1	
32	914 355 651 00	Rubber sleeve		2	
33	914 355 652 00	Clamp		2	
34	914 355 691 00	Protective tube		6	
35	914 355 667 00	Distributor		1	
36	900 075 017 02	Hexagon-head bolt		1	
		M 6 X 25			
36	900 075 017 03	Hexagon-head bolt		1	
		M 6 X 25			
37	900 028 008 01	Lock ring		1	
		B 6			
38	900 151 006 09	Washer		1	
		B 6,4			
39	901 355 627 01	Connecting line	-71	1	
		Rear			

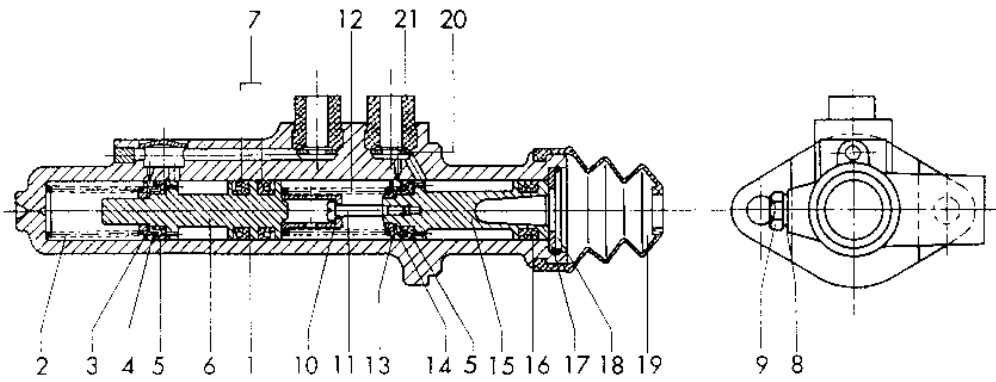
Model: 911 70

Model life 1970>>1973

Pos	Part Number	Description	Remark	Qty	Model
(39)	911 355 627 00	Left Connecting line Rear	72-	1	911 T-E/E/S 911 T-V/T-K
(39)	911 355 627 01	Left Connecting line Rear	72-	1	CARRERA 2.7
(39)	911 355 627 02	Left Connecting line Rear	72-	1	CARRERA 2.7
40	901 355 653 00	F 91136 01409>> Connecting line Rear	-71	1	
(40)	911 355 653 00	Right Connecting line Rear	72-	1	
(40)	911 355 653 01	Right Connecting line Rear	72-	1	CARRERA 2.7
(40)	911 355 653 05	F 91136 01409>> Connecting line Rear	72-	1	CARRERA 2.7
41	901 355 631 01	Right F 91136 01409>> It is necessary to rework Brake hose Rear		2	
41	901 355 631 02	240 MM Brake hose Rear		2	
42	901 355 621 01	240 MM Brake line Rear		1	
42	901 355 621 02	Left Brake line Rear		1	
(42)	901 355 622 01	Left Brake line Rear		1	
(42)	901 355 622 02	Right Brake line Rear		1	
43	911 355 012 02	Right Brake master cylinder with Warning function	/LL	1	
44	901 613 115 00	Warning contact	/LL	1	
45	999 701 343 40	O-ring	/LL	1	
46	914 613 491 00	Protection cap	/LL	1	

Model: 911 70

Model life 1970>>1973



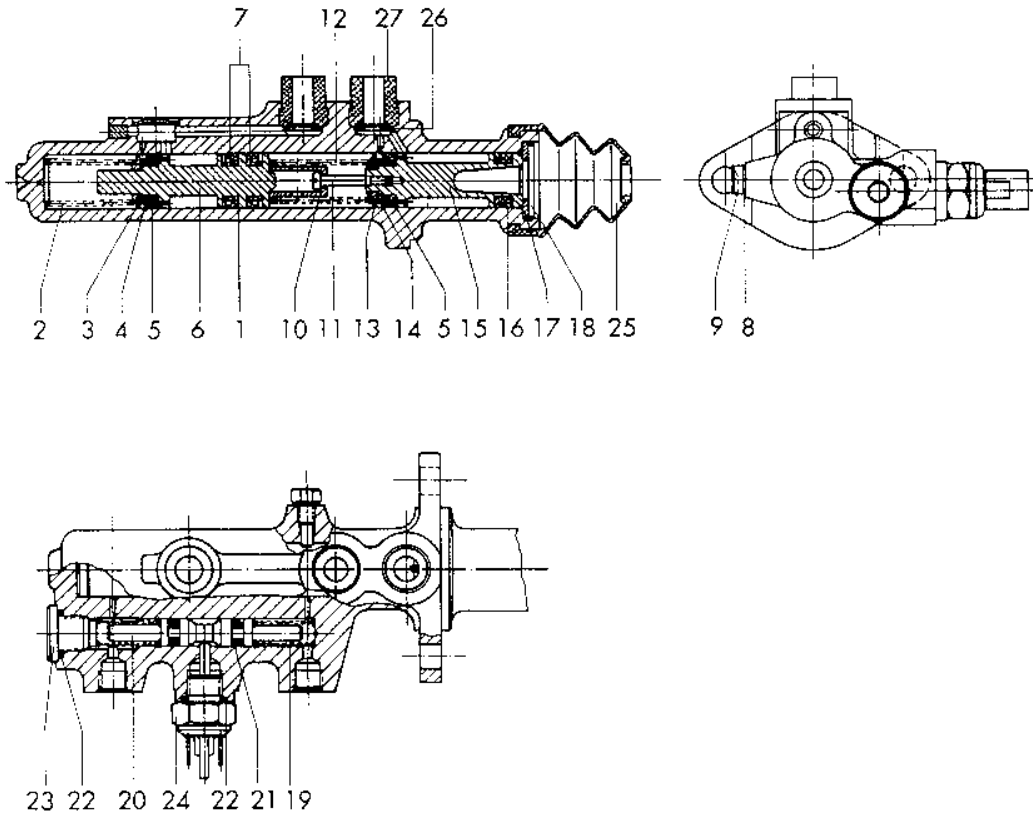
Model: 911 70

Model life 1970>>1973

Pos	Part Number	Description	Remark	Qty	Model
-	901 355 012 00	Brake master cylinder \$ 19,05 without Warning function Single parts			
1		Brake master cylinder Complete		1	
2		Housing		1	
3		Compression spring		1	
4		Concave washer		1	
5		Support ring		1	
6		Boot		2	
7		Piston with Washer		1	
8		Boot		2	
9		Sealing ring		1	
10		Stop screw		1	
11		Sleeve			
12		Stop screw			
13		Compression spring			
14		Concave washer		1	
15		Support ring		1	
16		Piston with Washer		1	
17		Boot		1	
18		Stop washer		1	
19	901 355 924 00	Circlip		1	
20	901 355 936 00	Protection cap		1	
21	901 355 929 00	Washer		2	
-	901 355 930 00	Stopper		2	
		Repair kit See group 6/98/00		X	

Model: 911 70

Model life 1970>>1973



Model: 911 70

Model life 1970>>1973

Pos	Part Number	Description	Remark	Qty	Model
		Brake master cylinder \$ 19,05 with Warning function Single parts	/LL		
-	911 355 012 02	Brake master cylinder Complete		1	
1		Housing		1	
2		Compression spring		1	
3		Concave washer		1	
4		Support ring		1	
5		Boot		2	
6		Piston with Washer		1	
7		Boot		2	
8		Sealing ring		1	
9		Stop screw		1	
10		Sleeve			
11		Stop screw			
12		Compression spring			
13		Concave washer		1	
14		Support ring		1	
15		Piston with Washer		1	
16		Boot		1	
17		Stop washer		1	
18		Circlip		1	
19		Compression spring		2	
20		Piston		2	
21		Boot		2	
22	999 701 343 40	O-ring		2	
23		Threaded joint		1	
24	901 613 115 00	Warning contact		1	
25	901 355 924 00	Protection cap		1	
26	901 355 936 00	Washer		2	
27	901 355 929 00	Stopper		2	
-	901 355 930 00	Repair kit See group 6/98/00		X	

Model: 911 70

Model life 1970>>1973



Model: 911 70 Model life 1970>>1973

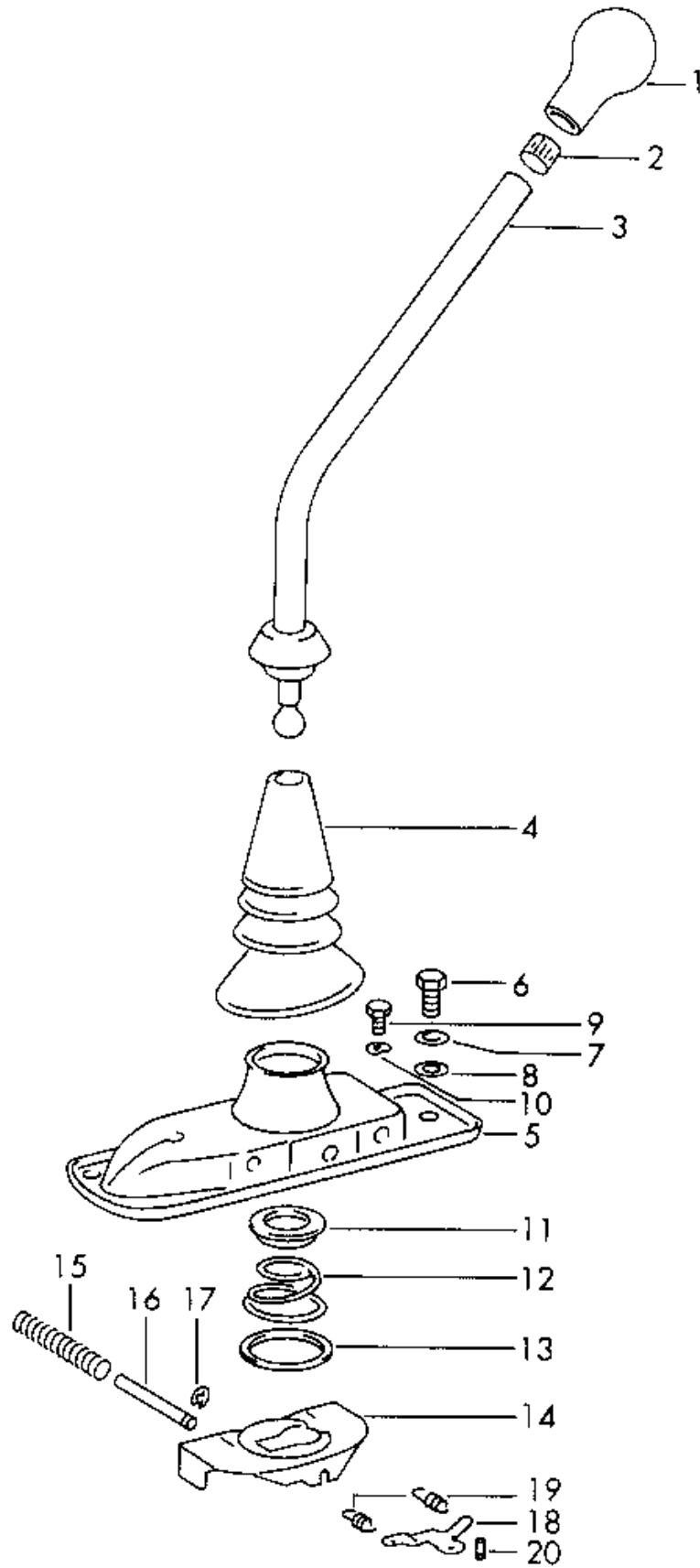
Pos	Part Number	Description	Remark	Qty	Model
>>	911 352 950 04	Repair kits Front axle Brake pad repair set without Mounting parts for M calliper	-71	1	911 T 911 T-V/T-E 911 E
>>	911 352 950 06	Brake pad repair set without Mounting parts for M calliper		1	911 T 911 T-V/T-E 911 E
>>	911 351 950 07	Brake pad repair set without Mounting parts for S-calliper Aluminium		1	911 S/E 911 T:M
>>	911 351 950 09	Brake pad repair set without Mounting parts for S-calliper Aluminium		1	911 S/E 911 T:M
>>	901 351 964 11	Gasket set for M calliper Comprising:	-71	2	911 T 911 T-V/T-E 911 E
-	901 351 908 12	Gasket for Piston		2	
-	901 351 918 10	Cap		2	
-	901 351 917 10	Retaining ring		2	
-	901 351 955 10	Safety clip		1	
-		Safety clip		1	
>>	901 351 998 00	Gasket set for S-calliper Comprising:	-71	2	911 E/S 911 T:M 911 S CARRERA 2.7 911 T-V:M 911 T-E/E:M
-	901 351 908 12	Gasket for Piston		2	
-	901 351 987 00	Cap		2	
-	901 351 955 10	Safety clip		2	
>>	911 352 950 04	Rear axle Brake pad repair set without Mounting parts for M calliper		1	
>>	911 352 950 06	Brake pad repair set without Mounting parts for M calliper		1	
>>	901 352 998 00	Gasket set for M calliper		2	
-	901 352 908 12	Gasket for Piston		2	

Model: 911 70 Model life 1970>>1973

Pos	Part Number	Description	Remark	Qty	Model
-	901 352 998 00	Gasket set		2	
-	901 352 988 00	Outer ring		2	
-	901 351 955 10	Safety clip		1	
-		Safety clip		1	
>>	901 355 930 00	Repair kit for Brake master cylinder \$ 19,05 with And without Warning function Comprising:		1	
-	901 355 931 00	Piston		1	
-	914 355 911 00	Boot		2	
-	901 355 934 00	Piston		1	
-	911 355 915 00	Boot		1	
-	901 355 949 00	Sealing ring		1	
-	911 355 917 00	Circlip		1	
-	901 355 924 00	Protection cap		1	

Model: 911 70

Model life 1970>>1973



Model: 911 70

Model life 1970>>1973

Pos	Part Number	Description	Remark	Qty	Model
		Gearshift lever Transmission control 4th/5th gear Model year -71/72-			
1	901 424 013 00	Gearshift knob 4-speed	-71	1	911 T 911 E/S:M
(1)	901 424 014 00	Gearshift knob 5-speed	-71	1	911 E/S 911 T:M
(1)	914 424 020 00	Gearshift knob 4-speed Shift pattern Transparent Silver	72-	1	
(1)	911 424 069 01	Gearshift knob 4-speed	72-	1	
(1)	914 424 018 00	Gearshift knob 5-speed Shift pattern Transparent Silver	72-	1	
2	999 532 001 00	Spacer		1	
3	914 424 016 00	Gearshift lever	-71	1	
3	914 424 016 03	Gearshift lever		1	
(3)	914 424 016 00	Gearshift lever	72-	1	
(3)	914 424 016 03	Gearshift lever	72-	1	
4	914 424 901 00	Sleeve		1	
5	901 424 015 02	Gearshift bracket	-71	1	
(5)	914 424 019 00	Gearshift bracket 4-speed	72-	1	
(5)	911 424 019 04	Gearshift bracket 5-speed	72-	1	
6	900 075 078 02	Hexagon-head bolt M 8 X 15		3	
6	900 075 078 03	Hexagon-head bolt M 8 X 15		3	
7	900 027 015 02	Lock ring B 8		3	
7	900 027 015 03	Lock ring B 8		3	
8	900 025 007 02	Washer 8,4		1	
8	900 025 007 03	Washer 8,4		1	
9	N 010 210 13	Hexagon-head bolt M 6 X 10		2	
10	900 028 008 01	Lock ring B 6		2	
11	901 424 132 00	Guide for Compression spring		1	
12	914 424 131 00	Compression spring		1	
13	901 424 135 00	Guide ring		1	
14	901 424 017 00	Stop plate		1	
(14)	911 424 061 00	Stop plate 4-speed		1	
(14)		Stop plate 5-speed		1	
15	901 424 133 00	Compression spring	-71	2	
15	911 424 133 03	Compression spring	72-	2	
16	901 424 115 00	Pin		2	
17	N 012 435 1	Lock washer		4	
18	911 424 137 00	Stop	72-	1	

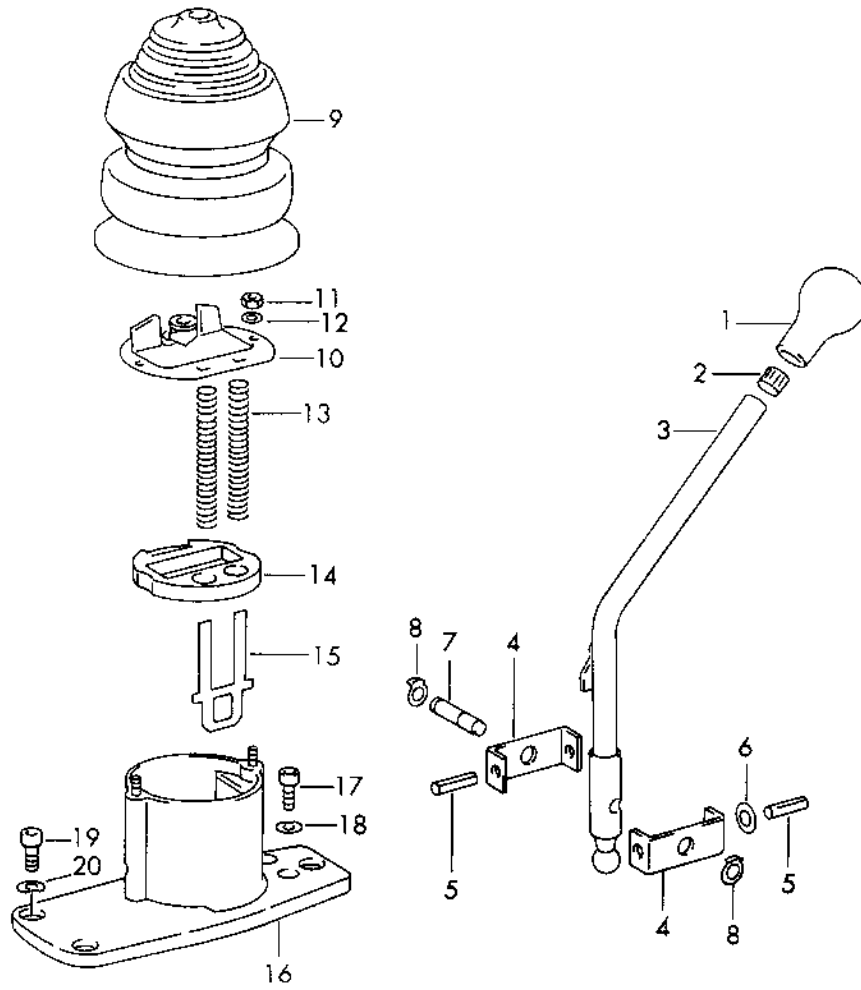
Model: 911 70

Model life 1970>>1973

Pos	Part Number	Description	Remark	Qty	Model
19	911 424 134 00	5-speed Return spring	72-	2	
20	900 308 013 00	5-speed Roll pin 3 X 10 5-speed	72-	1	

Model: 911 70

Model life 1970>>1973

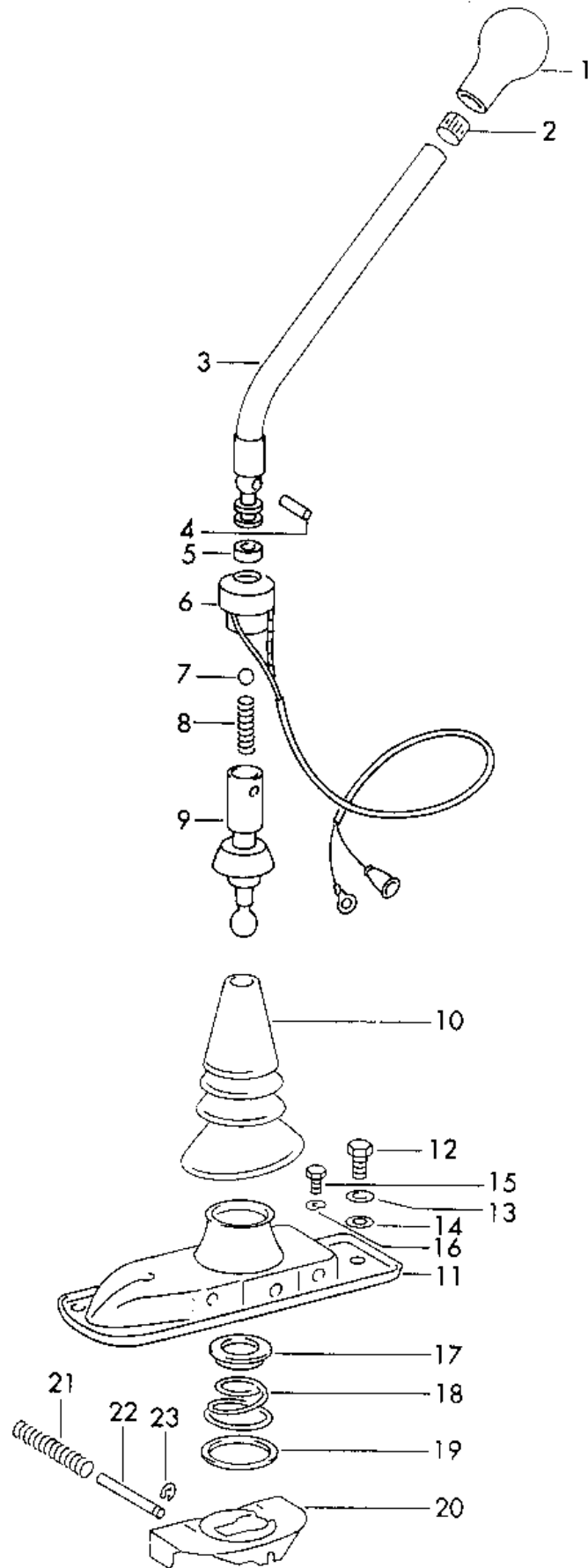


Model: 911 70 Model life 1970>>1973

Pos	Part Number	Description	Remark	Qty	Model
		Gearshift lever Transmission control 4th/5th gear Model year -73-			
1	911 424 069 01	Gearshift knob 4-speed		1	
(1)	914 424 018 00	Gearshift knob 5-speed Shift pattern Transparent Silver		1	
2	999 532 001 00	Spacer		1	
3	911 424 017 05	Gearshift lever		1	
4	911 424 123 03	Fork		2	
5	900 197 035 01	Tensioning sleeve 8 X 28		2	
5	900 197 035 0B	Tensioning sleeve 8 X 28		2	
6	911 424 187 00	Shim 0,1 MM		X	
(6)	911 424 187 01	Shim 0,2 MM		X	
7	911 424 129 06	Bearing pin		1	
8	999 166 027 02	Circlip		2	
9	911 424 181 01	Sleeve		1	
10	911 424 063 04	Pawl carrier plate 4-speed		1	
(10)	911 424 063 02	Mounting plate 5-speed		1	
11	900 076 010 02	Nut M 6		2	
11	900 076 010 0B	Nut M 6		2	
12	900 027 014 01	Lock ring B 6		2	
12	900 027 014 02	Lock ring B 6		2	
12	N 012 006 4	Lock ring B 6		2	
13	911 424 131 01	Compression spring		2	
14	911 424 147 00	Buffer plate		1	
15	911 424 144 00	Guide plate		1	
16	911 424 019 05	Gearshift bracket		1	
17	900 067 011 02	Pan-head screw M 6 X 20		2	
17	900 067 011 03	Pan-head screw M 6 X 20		2	
18	900 028 008 01	Lock ring B 6		2	
19	900 067 057 02	Pan-head screw M 8 X 20		3	
19	900 067 057 03	Pan-head screw M 8 X 20		3	
20	N 012 241 1	Spring washer B 8		3	

Model: 911 70

Model life 1970>>1973



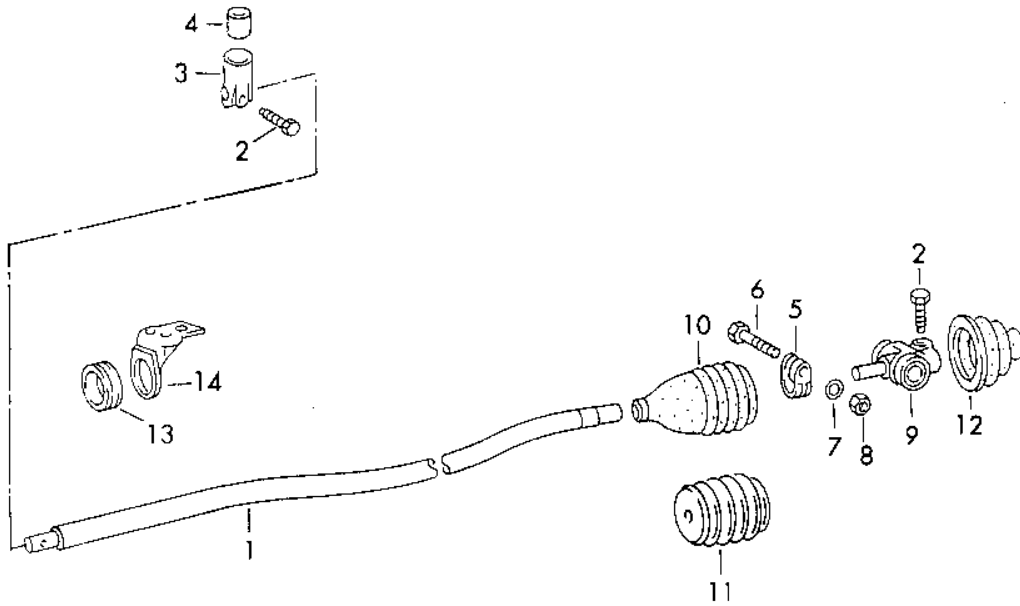
Model: 911 70

Model life 1970>>1973

Pos	Part Number	Description	Remark	Qty	Model
		Gearshift lever Sportomatic			SPM
1	911 424 077 01	Gearshift knob 4-speed		1	
2	999 532 001 00	Spacer		1	
3	905 424 023 02	Gearshift lever	/LL	1	
(3)	905 424 026 00	Gearshift lever	/RL	1	
4	905 424 107 02	Straight pin		1	
5	905 424 234 02	Stop ring		1	
6	905 613 039 00	Contacts		1	
6	905 613 039 01	Contacts		1	
7	900 108 012 00	Ball 10 MM		1	
8	905 424 111 02	Compression spring		1	
9	905 424 024 02	Lower part Gearshift lever		1	
10	914 424 901 00	Sleeve		1	
11	901 424 015 02	Gearshift bracket		1	
12	900 075 078 02	Hexagon-head bolt M 8 X 15		3	
12	900 075 078 03	Hexagon-head bolt M 8 X 15		3	
13	900 027 015 02	Lock ring B 8		3	
13	900 027 015 03	Lock ring B 8		3	
14	900 025 007 02	Washer 8,4		1	
14	900 025 007 03	Washer 8,4		1	
15	N 010 210 13	Hexagon-head bolt M 6 X 10		2	
16	900 028 008 01	Lock ring B 6		2	
17	901 424 132 00	Guide for Compression spring		1	
18	914 424 131 00	Compression spring		1	
19	901 424 135 00	Guide ring		1	
20	901 424 017 00	Stop plate		1	
21	901 424 133 00	Compression spring		2	
22	901 424 115 00	Pin		2	
23	N 012 435 1	Lock washer		4	

Model: 911 70

Model life 1970>>1973

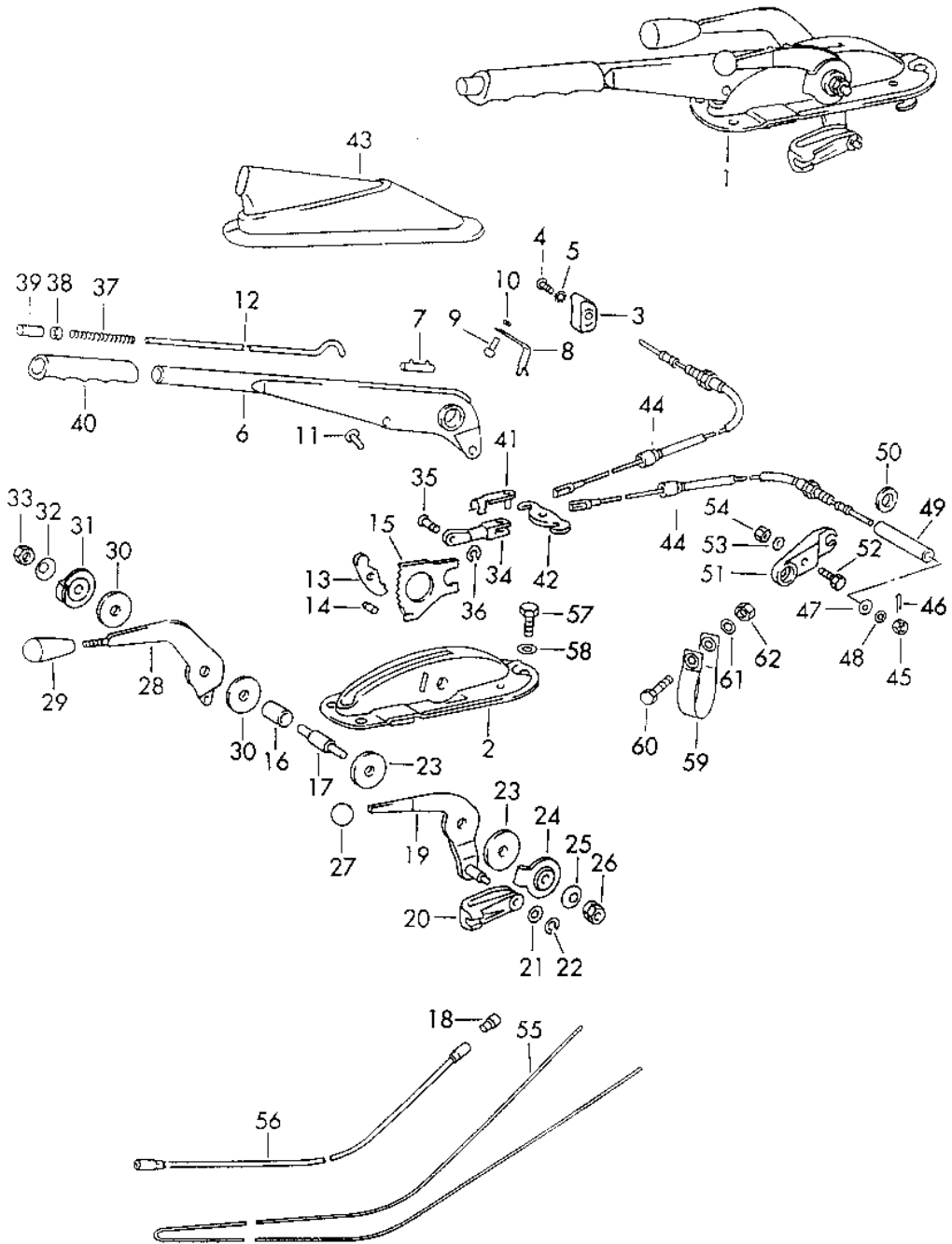


Model: 911 70 Model life 1970>>1973

Pos	Part Number	Description	Remark	Qty	Model
		Gear shift rod			
		And			
		Shift rod coupling			
1	901 424 021 01	Gear shift rod	-71	1	
(1)	911 424 020 00	Gear shift rod	72-	1	
		Sportomatic			
		Only			
		TYP 925			
(1)	901 424 021 01	Gear shift rod	72-	1	SPM
		TYP 905			
-	PCG 424 020 00	Repair kit		1	
		Gear shift rod			
		Comprising:			
-	911 424 024 04	Shift rod coupling		1	
-	911 424 139 01	Ball socket		1	
-	914 424 224 00	Friction ring		1	
-	901 424 229 00	Conical screw		2	
2		Conical screw		2	
3	930 424 241 00	Head shift rod		1	
4	911 424 139 00	Ball socket		1	
4	911 424 139 01	Ball socket		1	
5	914 424 214 00	Clamp		1	
6	N 010 335 5	Hexagon-head bolt		1	
		M 8 X 35			
6	900 075 032 03	Hexagon-head bolt		1	
		M 8 X 35			
7	999 523 102 02	Washer		1	
		8			
7	999 523 102 0B	Washer		1	
		8			
8	900 076 025 02	Hexagon nut		1	
		M 8			
8	900 076 064 02	Hexagon nut		1	
		M 8			
9	911 424 024 04	Shift rod coupling		1	
-	964 424 223 00	Bush		2	
10	901 424 292 01	Sleeve	-71	1	
		Inner			
10	901 424 292 02	Sleeve		1	
		Inner			
10	911 424 292 00	Sealing sleeve	72-	1	
		Inner			
		Sportomatic			
		Only			
		TYP 925			
11	901 424 292 01	Sleeve	72-	1	SPM
		Inner			
		TYP 905			
11	901 424 292 02	Sleeve	72-	1	SPM
		Inner			
		TYP 905			
12	901 424 293 00	Sleeve	-71	1	
		Outer			
12	901 424 293 02	Sleeve		1	
		Outer			
(12)	911 424 294 00	Sealing sleeve	72-	1	
		Outer			
13	914 424 224 00	Friction ring		1	
14	930 424 031 00	Bearing bracket		1	
14	930 424 031 01	Bearing bracket		1	

Model: 911 70

Model life 1970>>1973



Model: 911 70 Model life 1970>>1973

Pos	Part Number	Description	Remark	Qty	Model
1	901 424 051 02	Handbrake Manual throttle Heating Actuator Parking-brake lever Complete	-71	1	
(1)	911 424 051 01	Parking-brake lever Complete	72-	1	
2	901 424 058 02	Bearing bracket		1	
3	901 613 521 20	Contact switch for Indicator light Handbrake See group 9/03/10	-71	1	
(3)	911 613 165 00	Contact switch for Indicator light Handbrake See group 9/03/10	72-	1	
4	900 015 025 02	Oval-head screw AM 4 X 15		1	
5	N 012 116 1	Serrated lock washer A 4,3		1	
6	911 424 059 00	Parking-brake lever		1	
7	901 424 509 01	Stop		1	
8	901 613 523 20	Contact bow for Indicator light Handbrake See group 9/03/10		1	
9	900 055 001 20	Buttonhead rivet 2,6 X 6		1	
10	900 031 012 10	Washer 2,8		1	
11	900 206 003 00	Tubular rivet 5 X 0,5 X 10		1	
12	901 424 567 03	Push rod		1	
13	901 424 508 00	Pawl		1	
14	901 424 511 00	Bolt		1	
15	914 424 541 00	Locking segment		1	
16	901 424 513 00	Spacer sleeve		1	
17	901 424 519 00	Bearing pin		1	
18	914 504 319 00	Grommet		2	
19	901 424 037 00	Lever for Manual throttle		1	
20	901 424 317 00	Valve lever		1	
21	N 011 524 7	Washer 6,4		1	
21	N 011 524 27	Washer 6,4		1	
22	N 012 435 1	Lock washer 5		1	
23	911 424 737 00	Washer 223535		2	
24	911 424 735 04	Disc		1	
25	999 523 006 00	Cup spring		2	
26	999 084 019 02	Lock nut M 8		1	
27	901 424 323 00	Knob	-71	1	

Model: 911 70 Model life 1970>>1973

Pos	Part Number	Description	Remark	Qty	Model
27	901 424 323 01	Manual throttle Knob		1	
27	901 424 323 00	Manual throttle Knob	72-	1	
27	901 424 323 01	Manual throttle Knob	72-	1	
28	901 424 711 03	Manual throttle Lever for Heating	-71	1	
28		Lever for Heating	72-	1	
29	914 424 792 01	Handle	-71	1	
29		Handle	72-	1	
30	911 424 737 00	Washer		2	
31	911 424 735 04	Disc		1	
32	999 523 006 00	Cup spring		1	
33	999 084 019 02	Lock nut M 8		1	
34	901 424 569 01	Fork		1	
35	999 166 010 02	Bolt		2	
36	999 166 008 02	A6 X 16 X 13 Safety clip 6 ESN 09		1	
37	901 424 543 00	Compression spring		1	
38	901 424 593 01	Ring		1	
39	901 424 523 01	Push button		1	
40	901 424 521 01	Handle		1	
41	999 166 001 02	Bolt 6 X 24		1	
42	901 424 568 00	Turnbuckle		1	
43	923 424 591 00	Sleeve		1	
44	901 424 551 13	Parking-brake cable		2	
45	900 079 012 02	Castle nut M 6		2	
46	N 012 507 1	Cotter pin 1,5 X 15		2	
47	900 151 006 09	Washer B 6,4		2	
48	N 011 524 7	Washer 6,4		X	
48	N 011 524 27	Washer 6,4		X	
49	901 424 557 01	Spacer tube		2	
51	901 424 561 01	Guide Left		1	
(51)	901 424 562 01	Guide Right		1	
52	900 075 014 02	Hexagon-head bolt M 6 X 18		2	
52	900 075 014 03	Hexagon-head bolt M 6 X 18		2	
53	900 028 008 01	Lock ring B 6		2	
54	900 076 010 02	Nut M 6		2	
54	900 076 010 0B	Nut M 6		2	
55	901 424 701 05	Wire pull for Heating		1	
55	901 424 701 06	Wire pull		1	

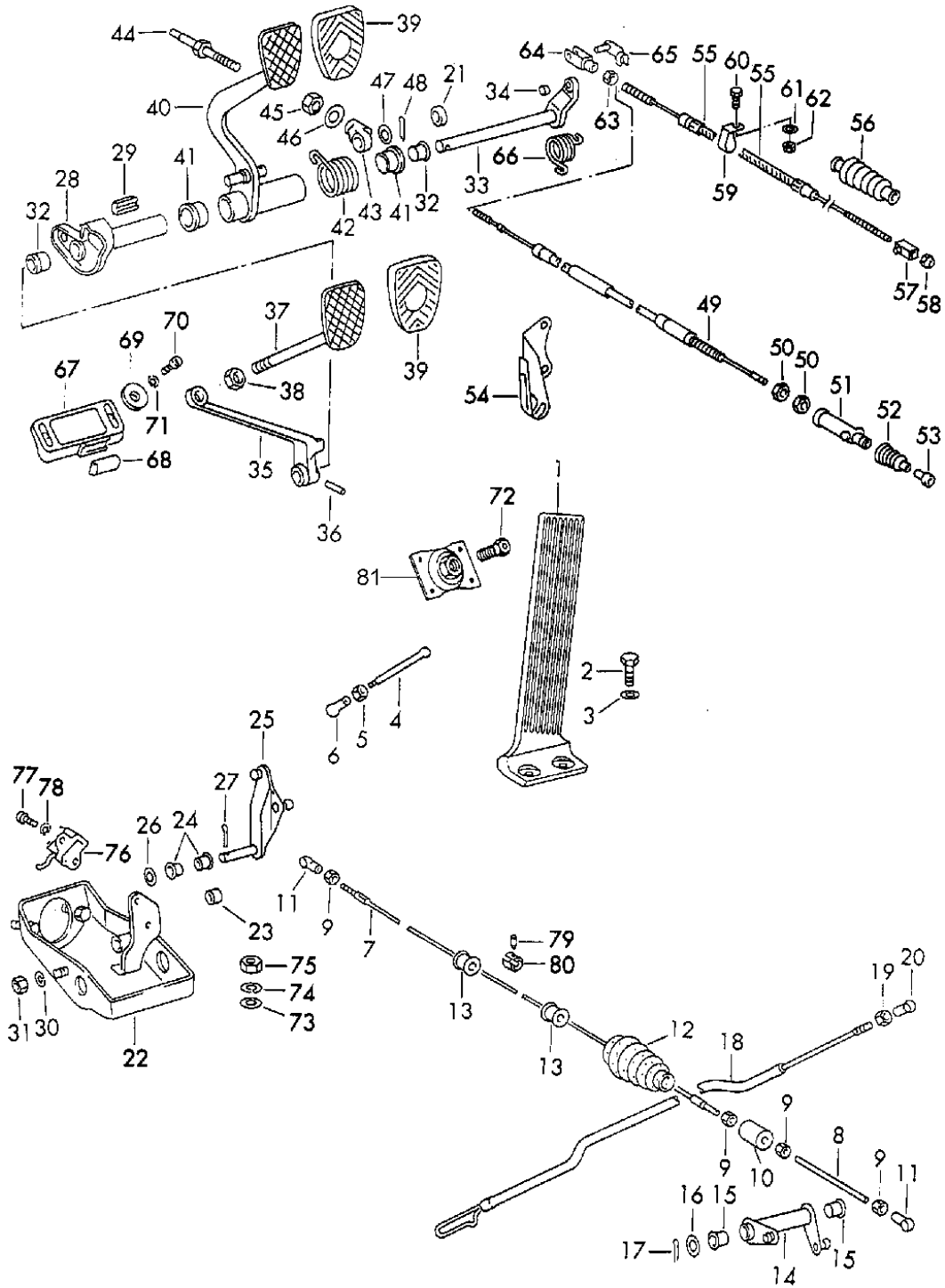
Model: 911 70

Model life 1970>>1973

Pos	Part Number	Description	Remark	Qty	Model
		for			
		Heating			
56	901 424 704 01	Guide		2	
57	900 075 078 02	Hexagon-head bolt		3	
		M 8 X 15			
57	900 075 078 03	Hexagon-head bolt		3	
		M 8 X 15			
58	900 027 015 02	Lock ring		3	
		B 8			
58	900 027 015 03	Lock ring		3	
		B 8			
59	999 706 009 80	Suspension strap	-71	1	
59	911 424 341 01	Suspension strap	-71	1	
59	911 424 341 03	Suspension strap		1	
59	999 706 012 80	Suspension strap	72-	1	
60	900 075 057 02	Hexagon-head bolt		1	
		M 6 X 16			
60	900 075 057 03	Hexagon-head bolt		1	
		M 6 X 16			
61	900 028 008 01	Lock ring		1	
		B 6			
62	900 076 010 02	Nut		1	
		M 6			
62	900 076 010 0B	Nut		1	
		M 6			

Model: 911 70

Model life 1970>>1973



Model: 911 70 Model life 1970>>1973

Pos	Part Number	Description	Remark	Qty	Model
		Pedals for cars with Manual transmission	/LL		
1	901 423 010 00	Accelerator pedal		1	
1	901 423 010 01	Accelerator pedal		1	
2	N 010 215 13	Hexagon-head bolt M 6 X 15		2	
3	900 151 006 09	Washer B 6,4		2	
4	914 423 227 00	Push rod		1	
4	914 423 227 01	Push rod		1	
5	900 076 027 02	Nut M 5		2	
6	N 015 521 3	Ball socket A 8		2	
7	PCG 423 024 00	Throttle linkage		1	
8	901 423 223 01	Extension rod		2	
9	900 076 027 02	Nut M 5		4	
10	911 423 081 02	Housing		1	911 T
(10)		Housing		1	911 E/S CARRERA 2.7
11	N 015 521 3	Ball socket A 8		2	
12	911 423 593 01	Sealing sleeve		1	
13	901 423 227 00	Bush		3	
14	901 423 027 03	Reverse lever	-71	1	
(14)	911 423 017 01	Reverse lever	72-	1	
		Use also: 911.423.227.00 900.910.096.02			
15	914 423 211 00	Bearing sleeve		2	
16	900 025 008 02	Washer 10,5		1	
16	N 011 527 4	Washer 10,5		1	
16	900 025 008 09	Washer 10,5		1	
16	900 025 008 04	Washer 10,5		1	
17	N 012 530 1	Cotter pin 3 X 15		1	
18	901 423 026 03	Pull rod	-71	1	
(18)	PCG 423 016 00	Throttle linkage	72-	1	911 T-V/E/S CARRERA 2.7
(18)	911 423 043 00	Throttle linkage	72-	1	911 T-K
19	900 076 027 02	Nut M 5		1	
20	N 015 521 3	Ball socket A 8	-70	1	
(20)	911 423 147 00	Ball socket	71-	1	
21	911 423 219 03	Spacer sleeve		1	
22	911 423 065 02	Bearing bracket		1	
-	PCG 911 423 00	Kit Bush Pedals Comprising:		1	
-	900 021 008 00	Cotter pin		1	
-	900 021 008 0A	Cotter pin		1	
-	999 166 001 02	Bolt		1	
-	900 309 002 00	Roll pin		1	
-	901 423 193 00	Rubber stop		1	
-	914 423 210 00	Rubber pad		2	

Model: 911 70

Model life 1970>>1973

Pos	Part Number	Description	Remark	Qty	Model
-	901 423 253 00	Bearing sleeve		2	
-	911 423 341 01	Bush		2	
-	901 423 343 00	Bush		2	
-	901 423 391 00	Rubber stop		1	
-	911 423 542 00	Bush		2	
23	901 423 193 00	Rubber stop		1	
24	901 423 253 00	Bearing sleeve		2	
25	901 423 250 02	Reverse lever Front		1	
26	900 031 001 02	Washer 8,4		1	
26	900 031 105 01	Washer 8,4		1	
27	900 021 008 00	Cotter pin 2 X 15		1	
27	900 021 008 0A	Cotter pin 2 X 15		1	
28	901 423 035 00	Bearing tube		1	
29	901 423 391 00	Rubber stop		1	
30	900 027 015 02	Lock ring B 8		3	
30	900 027 015 03	Lock ring B 8		3	
31	N 011 151 3	Hexagon nut M 8		1	
32	911 423 341 01	Bush	-71	2	
(32)		Bush	72-	2	
33	911 423 027 00	Clutch pedal shaft	-71	2	
(33)	911 423 027 01	Clutch pedal shaft	72-	2	
34	901 423 343 00	Bush		1	
-	911 423 219 03	Spacer sleeve		1	
35	901 423 312 00	Clutch pedal Lower part		1	
36	900 309 002 00	Roll pin S 6 X 28	-71	1	
(36)		Roll pin 6 X 28	72-	1	
37	901 423 033 00	Clutch pedal Upper part		1	
38	900 183 002 02	Hexagon nut M 14 X 1,5		1	
39	914 423 210 00	Rubber pad		2	
40	901 423 053 02	Brake pedal		1	
41	911 423 542 00	Bush		2	
42	901 423 531 00	Return spring		1	
43	901 423 507 02	Intermediate piece		1	
44	901 423 057 04	Piston rod		1	
45	900 158 003 02	Hexagon nut M 10		1	
46	901 423 157 00	Stop washer		1	
47	N 011 564 2	Washer 13		1	
47	N 011 564 4	Washer 13		1	
48	900 021 015 00	Cotter pin 3 X 20		1	
49	911 423 210 01	Clutch cable	-71	1	
49	911 423 210 06	Clutch cable	-71	1	
50	900 078 019 02	Hexagon nut	-71	2	
51	911 423 212 00	Articulated piece	-71	1	
52	914 423 922 02	Sealing sleeve	-71	1	
53	911 423 213 00	Nipple	-71	1	
54	911 423 215 00	Guide	-71	1	

Model: 911 70 Model life 1970>>1973

Pos	Part Number	Description	Remark	Qty	Model
55	911 423 401 00	Clutch cable	72-	1	
55	911 423 401 06	Clutch cable	72-	1	
56	914 423 922 02	Sealing sleeve	72-	1	
57	911 423 205 03	Lever	72-	1	
58	N 011 007 3	Hexagon nut	72-	1	
58	900 076 092 01	Hexagon nut	72-	1	
59	999 706 009 80	Suspension strap	72-	1	
59	911 424 341 01	Suspension strap	72-	1	
59	911 424 341 03	Suspension strap	72-	1	
60	900 075 057 02	Hexagon-head bolt	72-	1	
60	900 075 057 03	Hexagon-head bolt	72-	1	
61	900 028 008 01	Lock ring	72-	1	
62	900 076 010 02	Nut M 6	72-	1	
62	900 076 010 0B	Nut M 6	72-	1	
63	900 076 010 02	Nut M 6		1	
63	900 076 010 0B	Nut M 6		1	
64	900 166 002 02	Clevis G 6 X 24		1	
64	900 166 002 01	Clevis G 6 X 24		1	
65	999 166 001 02	Bolt		1	
66	901 423 317 00	Steering knuckle spring		1	
67	901 423 360 00	Stop for Clutch pedal		1	
68	901 423 391 00	Rubber stop 30 MM		1	
69	901 423 368 00	Desk pad		2	
70	900 119 025 02	Pan-head screw M 5 X 15		2	
71	N 012 130 2	Shake-proof washer A 5,3		2	
72	901 551 671 20	Hexagon-head bolt		1	
73	900 025 007 02	Washer 8,4		2	
73	900 025 007 03	Washer 8,4		2	
74	900 027 015 02	Lock ring B 8		2	
74	900 027 015 03	Lock ring B 8		2	
75	900 076 025 02	Hexagon nut M 8		2	
75	900 076 064 02	Hexagon nut M 8		2	
76	911 613 411 00	Brake light switch		1	
76	911 613 411 01	Brake light switch		1	
77	900 146 011 02	Oval-head screw AM 4 X 10		2	
78	900 114 014 01	Shake-proof washer A 4,3		2	
79	901 424 319 00	Screw nipple		1	
80	N 013 114 1	Threaded pin		1	
-	911 423 355 01	Spring		1	CARRERA 2.7
-	900 918 001 01	Circlip A 12		1	CARRERA 2.7
-	911 423 367 00	Bearing pin		2	CARRERA 2.7
-	911 423 431 00	Eccentric bolt		1	CARRERA 2.7
-	911 423 433 00	Spring		1	CARRERA 2.7

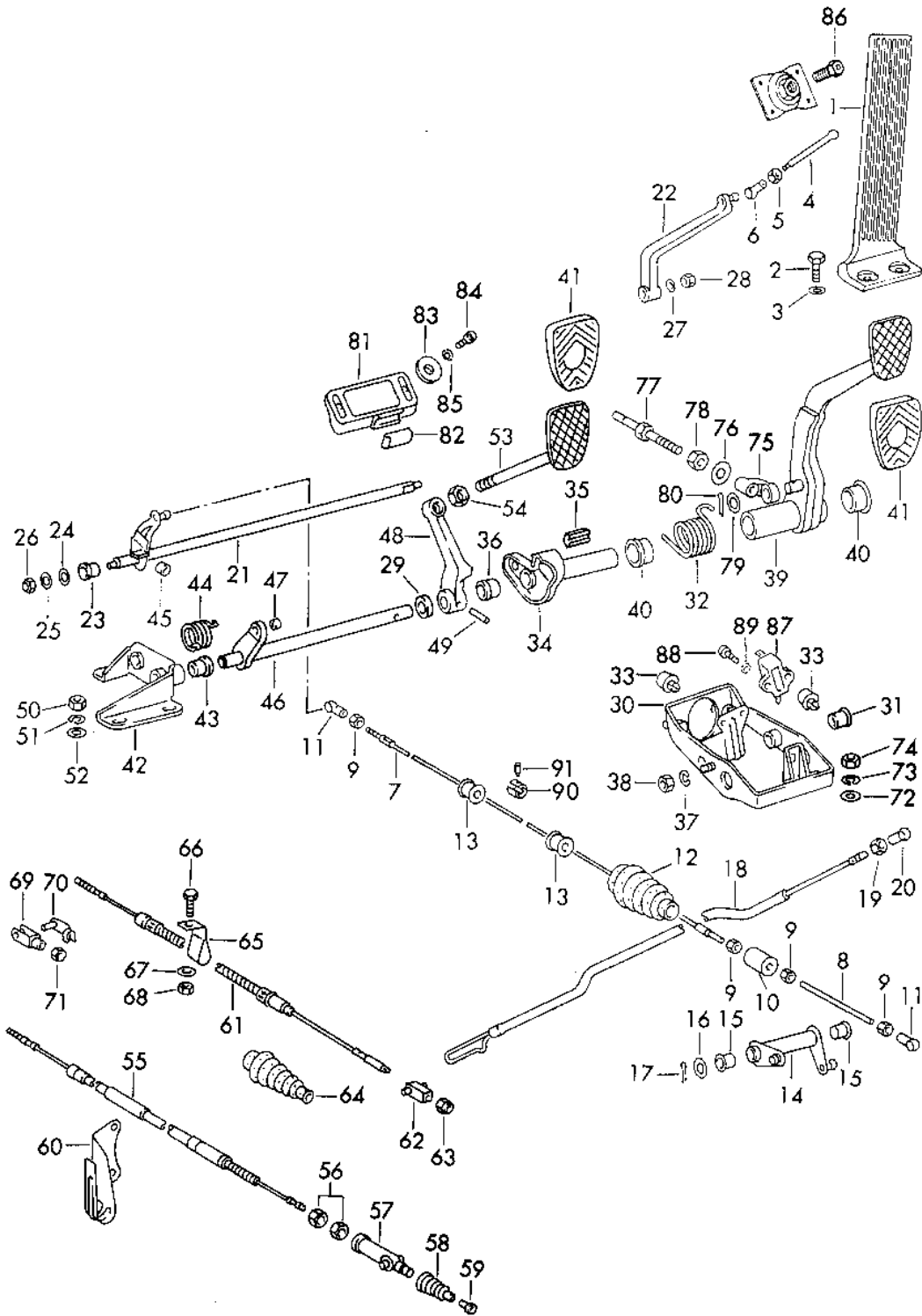
Model: 911 70

Model life 1970>>1973

Pos	Part Number	Description	Remark	Qty	Model
-	911 423 435 00	Concave washer		1	CARRERA 2.7
-	911 423 437 00	Cap		1	CARRERA 2.7
81	901 551 065 20	Stop for Accelerator pedal		1	

Model: 911 70

Model life 1970>>1973



Model: 911 70 Model life 1970>>1973

Pos	Part Number	Description	Remark	Qty	Model
		Pedals for cars with Manual transmission	/RL		
1	901 423 010 00	Accelerator pedal		1	
1	901 423 010 01	Accelerator pedal		1	
2	N 010 215 13	Hexagon-head bolt M 6 X 15		2	
3	900 151 006 09	Washer B 6,4		2	
4	914 423 227 00	Push rod		1	
4	914 423 227 01	Push rod		1	
5	900 076 027 02	Nut M 5		2	
6	N 015 521 3	Ball socket A 8		2	
7	PCG 423 024 00	Throttle linkage		1	
8	901 423 223 01	Extension rod		2	
9	900 076 027 02	Nut M 5		4	
10	911 423 081 02	Housing		1	911 T
(10)		Housing		1	911 E/S
11	N 015 521 3	Ball socket A 8		2	
12	911 423 593 01	Sealing sleeve		1	
13	901 423 227 00	Bush		2	
14	901 423 027 03	Reverse lever	-71	1	
(14)	911 423 017 01	Reverse lever	72-	1	
		Use also: 911.423.227.00 900.910.0096.02			
15	914 423 211 00	Bearing sleeve		2	
16	900 025 008 02	Washer 10,5		1	
16	N 011 527 4	Washer 10,5		1	
16	900 025 008 09	Washer 10,5		1	
16	900 025 008 04	Washer 10,5		1	
17	N 012 530 1	Cotter pin 3 X 15		1	
18	901 423 026 03	Pull rod	-71	1	
(18)	PCG 423 016 00	Throttle linkage Not for 911 T-K	72-	1	
(18)	911 423 043 00	Throttle linkage	72-	1	911 T-K
19	900 076 027 02	Nut M 5		1	
20	N 015 521 3	Ball socket A 8	-70	1	
(20)	911 423 147 00	Ball socket	71-	1	
21	901 423 556 00	Shaft for Accelerator control		1	
22	901 423 022 00	Lever		1	
23	914 423 211 00	Bearing sleeve		1	
24	911 423 225 00	Washer		3	
25	900 151 006 09	Washer B 6,4		1	
26	900 084 010 02	Lock nut M 6		1	
27	900 028 008 01	Lock ring B 6		1	

Model: 911 70

Model life 1970>>1973

Pos	Part Number	Description	Remark	Qty	Model
28	900 076 010 02	Nut M 6		1	
28	900 076 010 0B	Nut M 6		1	
29	911 423 219 03	Spacer sleeve		1	
30	911 423 066 00	Bearing bracket		1	
-	PCG 911 423 00	Kit		1	
		Bush			
		Pedals			
		Comprising:			
-	900 021 008 00	Cotter pin		1	
-	900 021 008 0A	Cotter pin		1	
-	999 166 001 02	Bolt		1	
-	900 309 002 00	Roll pin		1	
-	901 423 193 00	Rubber stop		1	
-	914 423 210 00	Rubber pad		2	
-	901 423 253 00	Bearing sleeve		2	
-	911 423 341 01	Bush		2	
-	901 423 343 00	Bush		2	
-	901 423 391 00	Rubber stop		1	
-	911 423 542 00	Bush		2	
31	914 423 211 00	Bearing sleeve		1	
32	901 423 532 00	Return spring		1	
33	901 423 528 00	Rubber stop		1	
34	901 423 034 00	Bearing tube		1	
35	901 423 391 00	Rubber stop		1	
36	911 423 341 01	Bush	-71	2	
(36)		Bush	72-	2	
37	900 027 015 02	Lock ring B 8		3	
37	900 027 015 03	Lock ring B 8		3	
38	N 011 151 3	Hexagon nut M 8		1	
39	901 423 054 01	Brake pedal		1	
40	911 423 542 00	Bush		2	
41	914 423 210 00	Rubber pad		2	
42	901 423 013 00	Bearing bracket Left		1	
43	911 423 341 01	Bush		1	
44	901 423 318 00	Steering knuckle spring		1	
45	901 423 193 00	Rubber stop		1	
46	911 423 028 00	Clutch pedal shaft	-71	1	
(46)	911 423 028 04	Clutch pedal shaft	72-	1	
47	901 423 343 00	Bush		1	
48	901 423 314 00	Lower part Lower part		1	
49	900 309 002 00	Roll pin S 6 X 28	-71	1	
(49)		Roll pin	72-	1	
50	900 076 025 02	Hexagon nut M 8		3	
50	900 076 064 02	Hexagon nut M 8		3	
51	900 027 015 02	Lock ring B 8		3	
51	900 027 015 03	Lock ring B 8		3	
52	900 025 007 02	Washer 8,4		3	
52	900 025 007 03	Washer 8,4		3	
53	911 423 078 00	Clutch pedal		1	

Model: 911 70 Model life 1970>>1973

Pos	Part Number	Description	Remark	Qty	Model
54	900 183 002 02	Upper part Hexagon nut M 14 X 1,5		1	
55	911 423 210 01	Clutch cable	-71	1	
55	911 423 210 06	Clutch cable	-71	1	
56	900 078 019 02	Hexagon nut	-71	2	
57	911 423 212 00	Articulated piece	-71	1	
58	914 423 922 02	Sealing sleeve	-71	1	
59	911 423 213 00	Nipple	-71	1	
60	911 423 215 00	Guide	-71	1	
61	911 423 401 00	Clutch cable	72-	1	
61	911 423 401 06	Clutch cable	72-	1	
62	911 423 205 03	Lever	72-	1	
63	N 011 007 3	Hexagon nut	72-	1	
63	900 076 092 01	Hexagon nut	72-	1	
64	914 423 922 02	Sealing sleeve	72-	1	
65	999 706 009 80	Suspension strap	72-	1	
65	911 424 341 01	Suspension strap	72-	1	
65	911 424 341 03	Suspension strap	72-	1	
66	900 075 057 02	Hexagon-head bolt M 6	72-	1	
66	900 075 057 03	Hexagon-head bolt M 6	72-	1	
67	900 028 008 01	Lock ring B 6	72-	1	
68	900 076 010 02	Nut M 6	72-	1	
68	900 076 010 0B	Nut M 6	72-	1	
69	900 166 002 02	Clevis G 6 X 24		1	
69	900 166 002 01	Clevis G 6 X 24		1	
70	999 166 001 02	Bolt		1	
71	N 011 007 3	Hexagon nut M 7		1	
71	900 076 092 01	Hexagon nut M 7		1	
72	900 025 007 02	Washer 8,4		2	
72	900 025 007 03	Washer 8,4		2	
73	900 027 015 02	Lock ring B 8		2	
73	900 027 015 03	Lock ring B 8		2	
74	900 076 025 02	Hexagon nut M 8		2	
74	900 076 064 02	Hexagon nut M 8		2	
75	901 423 507 02	Intermediate piece		1	
76	901 423 157 00	Stop washer		1	
77	901 423 057 04	Piston rod		1	
78	900 158 003 02	Hexagon nut M 10		1	
79	N 011 564 2	Washer 13		1	
79	N 011 564 4	Washer 13		1	
80	900 021 015 00	Cotter pin 3 X 20		1	
81	901 423 360 00	Stop for		1	

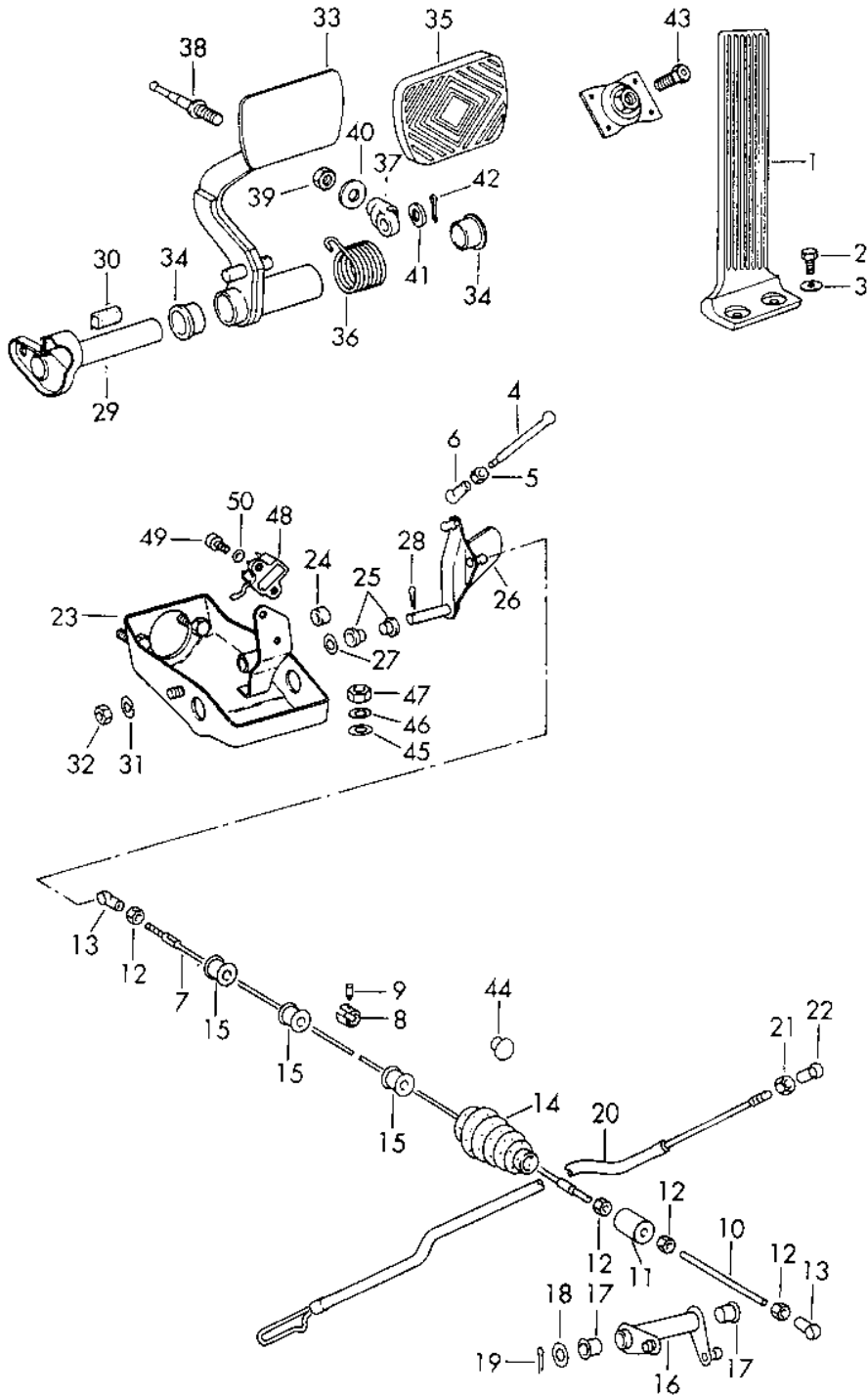
Model: 911 70 Model life 1970>>1973

Pos	Part Number	Description	Remark	Qty	Model
82	901 423 391 00	Clutch pedal Rubber stop 30 MM		1	
83	901 423 368 00	Desk pad		2	
84	900 119 025 02	Pan-head screw M 5 X 15		2	
85	N 012 130 2	Shake-proof washer A 5,3		2	
86	901 551 671 20	Hexagon-head bolt		1	
87	911 613 411 00	Brake light switch	-71	1	
87	911 613 411 01	Brake light switch		1	
(87)	911 613 411 00	Brake light switch	72-	1	
(87)	911 613 411 01	Brake light switch	72-	1	
88	900 146 011 02	Oval-head screw AM 4 X 10		2	
89	900 114 014 01	Shake-proof washer A 4,3		2	
90	901 424 319 00	Screw nipple		1	
91	N 013 114 1	Threaded pin		1	

Model: 911 70

Model life 1970>>1973

SPORTOMATIC



Model: 911 70 Model life 1970>>1973

Pos	Part Number	Description	Remark	Qty	Model
		Pedals	/LL		SPM
1	901 423 010 00	Accelerator pedal		1	
1	901 423 010 01	Accelerator pedal		1	
2	N 010 215 13	Hexagon-head bolt M 6 X 15		2	
3	900 151 006 09	Washer B 6,4		2	
4	914 423 227 00	Push rod		1	
4	914 423 227 01	Push rod		1	
5	900 076 027 02	Nut M 5		1	
6	N 015 521 3	Ball socket A 8		1	
7	905 423 024 00	Pull rod		1	
8	901 424 319 00	Screw nipple		1	
9	N 013 114 1	Threaded pin M 5.8		1	
10	901 423 223 01	Extension rod		1	
11	911 423 081 02	Housing		1	911 T
(11)		Housing		1	911 E
12	900 076 027 02	Nut M 5		4	
13	N 015 521 3	Ball socket A 8		2	
14	914 423 593 00	Sealing sleeve		1	
15	901 423 227 00	Bush		3	
16	901 423 027 03	Reverse lever with Bush	-71	1	
(16)	911 423 017 01	Reverse lever with Bush Use also: 911.423.227.00 900.910.096.02	72-	1	
17	914 423 211 00	Bearing sleeve		2	
18	900 025 008 02	Washer 10,5		1	
18	N 011 527 4	Washer 10,5		1	
18	900 025 008 09	Washer 10,5		1	
18	900 025 008 04	Washer 10,5		1	
19	N 012 530 1	Cotter pin 3 X 15		1	
20	905 423 026 02	Pull rod	-71	1	911 T
(20)	905 423 026 05	Pull rod	72-	1	911 T-V
(20)	905 423 026 03	Pull rod	-71	1	911 E
(20)	905 423 026 05	Pull rod	72-	1	911 E
21	900 076 027 02	Nut M 5		1	
22	N 015 521 3	Ball socket A 8	-71	1	
22		Ball socket A 8	72-	1	911 T-V/T-E 911 E
(22)	911 423 147 00	Ball socket	72-	1	911 T-K
23	911 423 065 02	Bearing bracket		1	
24	901 423 193 00	Rubber stop		1	
25	901 423 253 00	Bearing sleeve		2	
26	901 423 250 02	Reverse lever Front		1	
27	900 031 001 02	Washer		1	

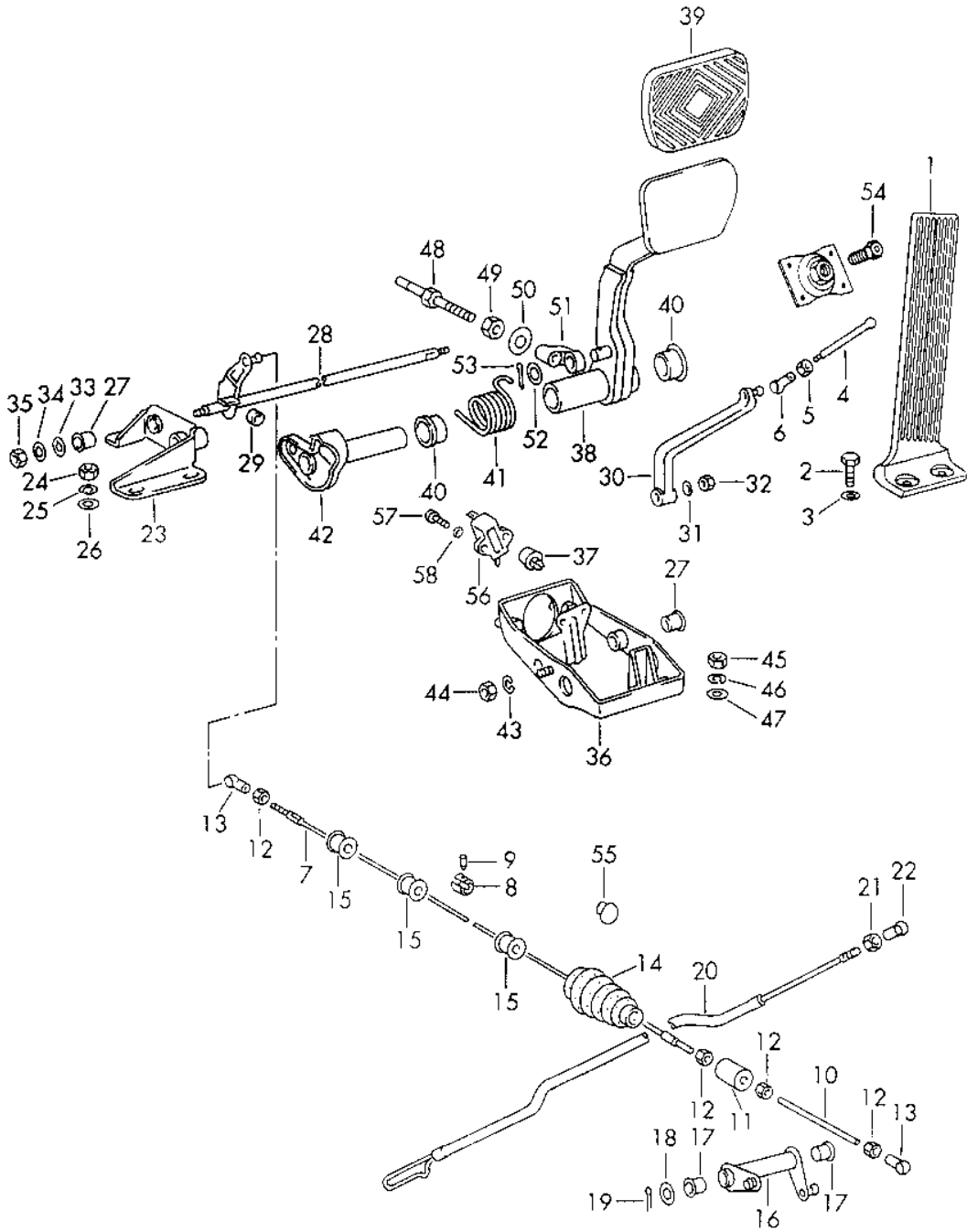
Model: 911 70 Model life 1970>>1973

Pos	Part Number	Description	Remark	Qty	Model
27	900 031 105 01	8,4 Washer		1	
28	900 021 008 00	8,4 Cotter pin		1	
28	900 021 008 0A	2 X 15 Cotter pin		1	
29	905 423 035 00	2 X 15 Bearing tube		1	
30	905 423 391 00	Protective strip		1	
31	900 027 015 02	Lock ring		1	
31	900 027 015 03	B 8 Lock ring		1	
32	N 011 151 3	B 8 Hexagon nut		1	
33	905 423 053 00	M 8 Brake pedal		1	
34	911 423 542 00	Bush		2	
35	905 423 511 00	Rubber pad		1	
36	905 423 531 00	Return spring		1	
37	901 423 507 02	Intermediate piece		1	
38	901 423 057 04	Piston rod		1	
39	900 158 003 02	Hexagon nut		1	
40	901 423 157 00	M 10 Stop washer		1	
41	N 011 564 2	Washer		1	
41	N 011 564 4	13 Washer		1	
42	900 021 015 00	13 Cotter pin		1	
43	901 551 671 20	3 X 20 Hexagon-head bolt		1	
44	999 703 005 40	Stopper		1	
45	900 025 007 02	Washer		2	
45	900 025 007 03	8,4 Washer		2	
46	900 027 015 02	8,4 Lock ring		2	
46	900 027 015 03	B 8 Lock ring		2	
47	900 076 025 02	B 8 Hexagon nut		2	
47	900 076 064 02	M 8 Hexagon nut		2	
48	911 613 411 00	M 8 Brake light switch		1	
48	911 613 411 01	Brake light switch		1	
49	900 146 011 02	Oval-head screw		2	
50	900 114 014 01	AM 4 X 10 Shake-proof washer		2	
		A 4,3			

Model: 911 70

Model life 1970>>1973

SPORTOMATIC



Model: 911 70 Model life 1970>>1973

Pos	Part Number	Description	Remark	Qty	Model
		Pedals	/RL		SPM
1	901 423 010 00	Accelerator pedal		1	
1	901 423 010 01	Accelerator pedal		1	
2	N 010 215 13	Hexagon-head bolt M 6 X 15		2	
3	900 151 006 09	Washer B 6,4		2	
4	914 423 227 00	Push rod		1	
4	914 423 227 01	Push rod		1	
5	900 076 027 02	Nut M 5		1	
6	N 015 521 3	Ball socket A 8		1	
7	905 423 024 00	Pull rod	-71	1	
(7)	PCG 423 024 00	Throttle linkage	72-	1	
8	901 424 319 00	Screw nipple		1	
9	N 013 114 1	Threaded pin		1	
10	901 423 223 01	Extension rod		1	
11	911 423 081 02	Housing		1	911 T-V/T-K
(11)		Housing		1	911 T-E/E/S
12	900 076 027 02	Nut M 5		4	
13	N 015 521 3	Ball socket A 8		2	
14	911 423 593 01	Sealing sleeve		1	
15	901 423 227 00	Bush		3	
16	901 423 027 03	Reverse lever with Bush	-71	1	
(16)	911 423 017 01	Reverse lever with Bush Use also: 911.423.227.00 900.910.096.02	72-	1	
17	914 423 211 00	Bearing sleeve		2	
18	900 025 008 02	Washer 10,5		1	
18	N 011 527 4	Washer 10,5		1	
18	900 025 008 09	Washer 10,5		1	
18	900 025 008 04	Washer 10,5		1	
19	N 012 530 1	Cotter pin 3 X 15		1	
20	905 423 026 02	Pull rod	-71	1	911 T
(20)	905 423 026 03	Pull rod	-71	1	911 E
(20)	905 423 026 05	Pull rod	72-	1	911 T-V
(20)		Pull rod	72-	1	911 T-E/E/S
(20)	905 423 026 30	Throttle linkage	72-	1	911 T-K
21	900 076 027 02	Nut M 5		1	
22	N 015 521 3	Ball socket A 8		1	
(22)	911 423 147 00	Ball socket	72-	1	911 T-K
23	901 423 013 00	Bearing bracket Left		1	
24	900 076 025 02	Hexagon nut M 8		3	
24	900 076 064 02	Hexagon nut M 8		3	
25	900 027 015 02	Lock ring		3	

Model: 911 70 Model life 1970>>1973

Pos	Part Number	Description	Remark	Qty	Model
25	900 027 015 03	B 8 Lock ring		3	
26	900 025 007 02	B 8 Washer		3	
26	900 025 007 03	8,4 Washer		3	
27	914 423 211 00	8,4 Bearing sleeve		1	
28	901 423 556 00	Shaft		1	
29	901 423 193 00	Rubber stop		1	
30	901 423 022 00	Lever		1	
31	900 028 008 01	Lock ring		1	
32	900 076 010 02	B 6 Nut		1	
32	900 076 010 0B	M 6 Nut		1	
33	911 423 225 00	M 6 Washer		3	
34	900 151 006 09	Washer		1	
35	900 084 010 02	B 6,4 Lock nut		1	
36	911 423 066 00	M 6 Bearing bracket		1	
37	901 423 528 00	Rubber stop		1	
38	905 423 054 00	Brake pedal		1	
39	905 423 511 00	Rubber pad		1	
40	911 423 542 00	Bush		2	
41	901 423 532 00	Return spring		1	
42	905 423 035 00	Bearing tube		1	
-	905 423 391 00	Protective strip		1	
43	900 027 015 02	Lock ring		1	
43	900 027 015 03	B 8 Lock ring		1	
44	N 011 151 3	B 8 Hexagon nut		1	
45	900 076 025 02	M 8 Hexagon nut		2	
45	900 076 064 02	M 8 Hexagon nut		2	
46	900 027 015 02	M 8 Lock ring		2	
46	900 027 015 03	B 8 Lock ring		2	
47	900 025 007 02	B 8 Washer		2	
47	900 025 007 03	8,4 Washer		2	
48	901 423 057 04	8,4 Piston rod		1	
49	900 158 003 02	Hexagon nut		1	
50	901 423 157 00	M 10 Stop washer		1	
51	901 423 507 02	Intermediate piece		1	
52	N 011 564 2	Washer		1	
52	N 011 564 4	13 Washer		1	
53	900 021 015 00	13 Cotter pin		1	
54	901 551 671 20	3 X 20 Hexagon-head bolt		1	
55	999 703 005 40	Stopper		1	
56	911 613 411 00	Brake light switch	-71	1	
56	911 613 411 01	Brake light switch		1	

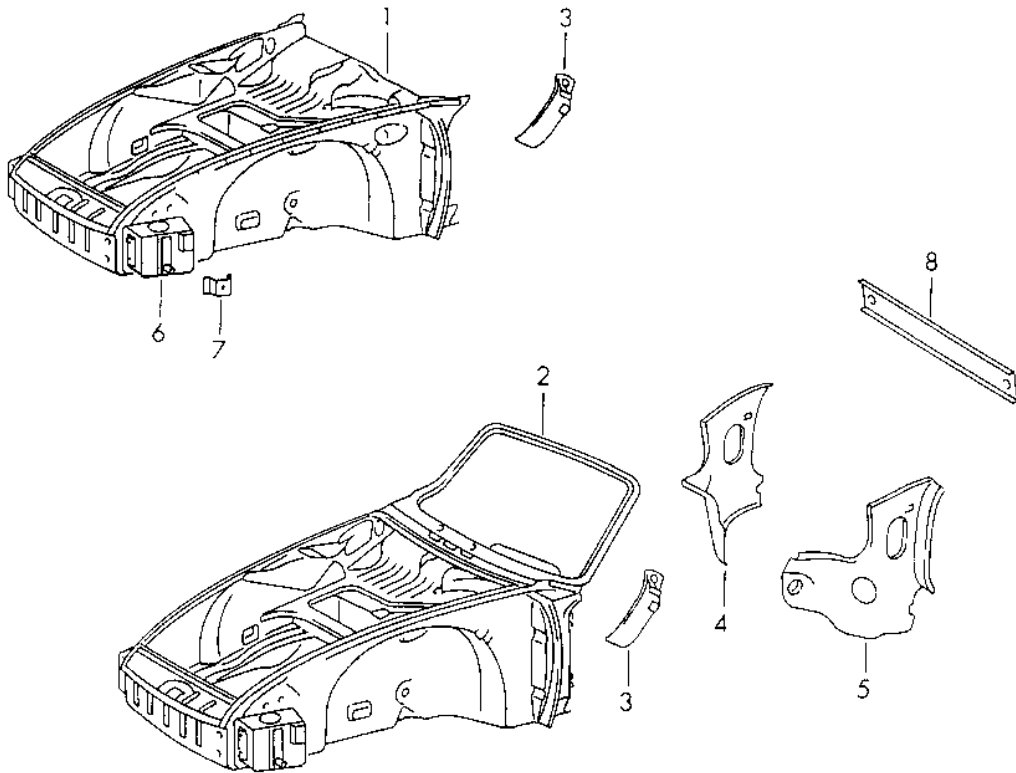
Model: 911 70

Model life 1970>>1973

Pos	Part Number	Description	Remark	Qty	Model
(56)	911 613 411 00	Brake light switch	72-	1	
(56)	911 613 411 01	Brake light switch	72-	1	
57	900 146 011 02	Oval-head screw AM 4 X 10		2	
58	900 114 014 01	Shake-proof washer A 4,3		2	

Model: 911 70

Model life 1970>>1973



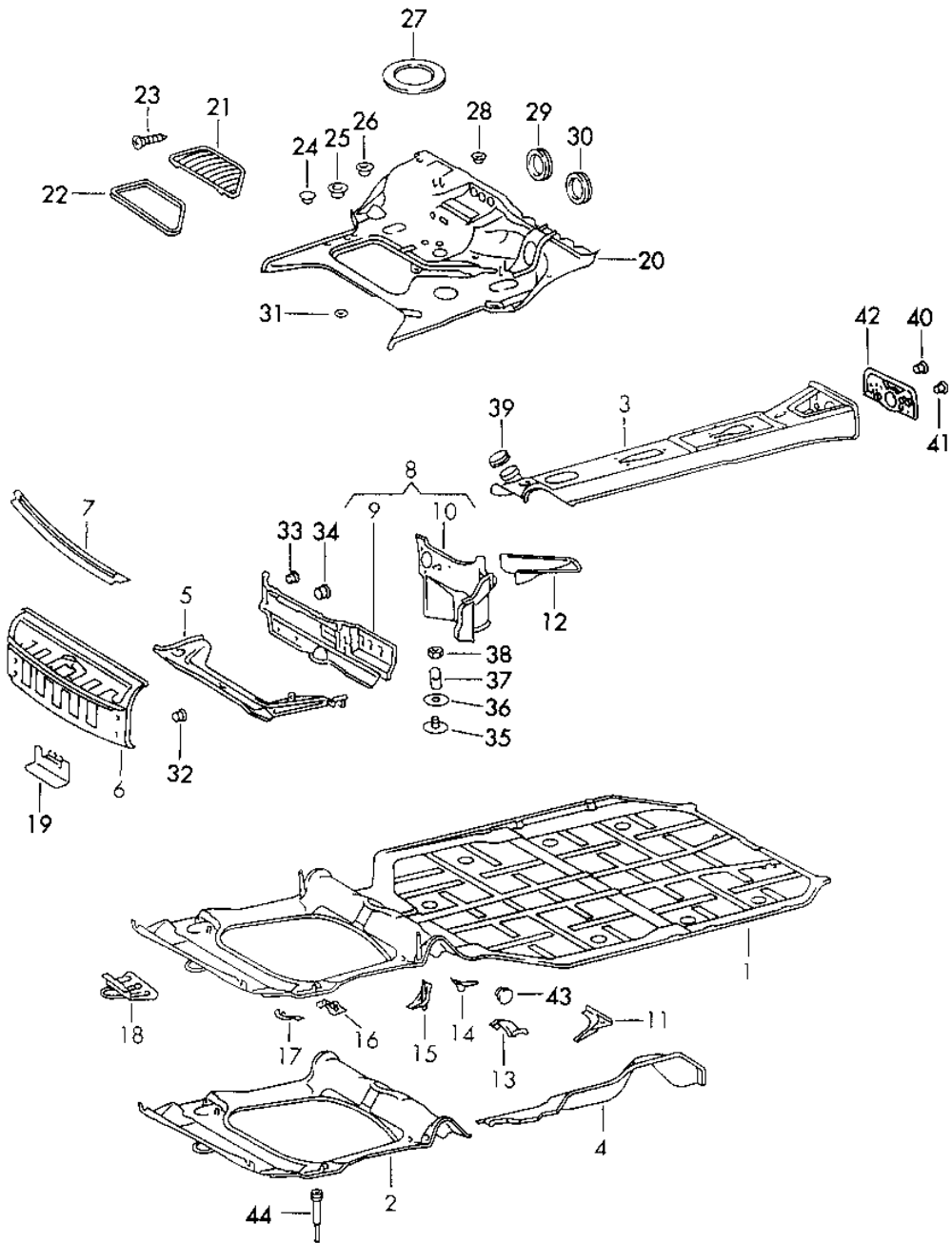
Model: 911 70

Model life 1970>>1973

Pos	Part Number	Description	Remark	Qty	Model
1	911 501 005 23	Body front section	/LL	1	COUPE+TARGA
(1)	911 501 005 24	Body front section	/RL	1	COUPE
2	911 501 005 42	Body front section	/LL	1	TARGA
(2)	911 501 005 43	Body front section	/RL	1	TARGA
3	901 501 411 21	Connecting piece	/L	1	COUPE
(3)	901 501 411 41	Connecting piece	/L	1	TARGA
(3)	901 501 412 21	Connecting piece	/R	1	COUPE
(3)	901 501 412 41	Connecting piece	/R	1	TARGA
4	901 501 918 41	Gusset plate	/LL /R	1	TARGA
4	911 501 130 41	Gusset plate	/RL /R	1	TARGA
5	901 501 917 41	Gusset plate	/L	1	TARGA
(6)	901 501 504 00	Battery box	/R	1	
6	901 501 503 00	Battery box	/L	1	
	901 501 503 00 GRV				
7	901 501 509 00	Support	-70	2	
8	911 501 347 00	Cowl panel support	/LL	1	

Model: 911 70

Model life 1970>>1973



Model: 911 70 Model life 1970>>1973

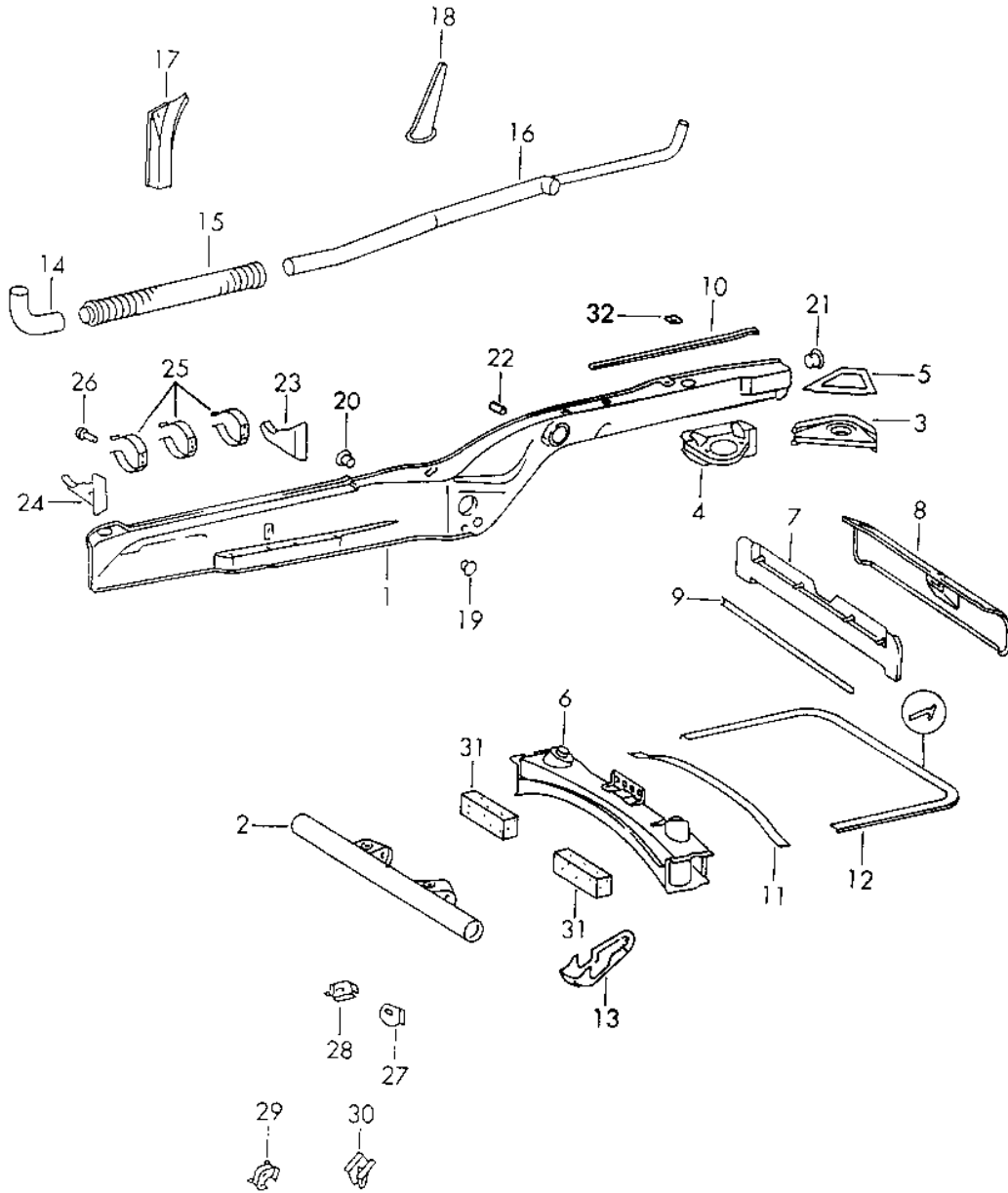
Pos	Part Number	Description	Remark	Qty	Model
		Frame			
		Front			
1	911 501 051 00	Floorpan	/LL	1	
(1)	911 501 052 00	Floorpan	/RL -70	1	
(1)	901 501 052 35	Floorpan	/RL 72-	1	
2	911 501 580 00	Body front section	/LL	1	
(2)	911 501 580 02	Body front section	/RL	1	COUPE
3	911 501 061 05	Tunnel	/LL -71	1	
(3)	911 501 061 16	Tunnel	/LL 72-	1	
-	911 504 107 00	Cap	/V	1	
(3)	911 501 061 10	Tunnel	/RL -71	1	
(3)	911 501 061 11	Tunnel	/RL 72-	1	
4	901 501 023 21	Fuel tank support holder	/L	1	
4	911 501 953 00	Fuel tank support holder	/L	1	
	911 501 953 00 GRV	Prime coated			
(4)	901 501 024 23	Fuel tank support holder	/LL /R	1	
(4)	901 501 024 24	Fuel tank support holder	/RL /R	1	COUPE
5	901 501 049 21	Fuel tank support		1	911
(5)	902 501 049 21	Fuel tank support		1	912
6	901 501 031 21	Cross panel		1	
	901 501 031 21 GRV	Prime coated			
7	901 501 310 20	Bracket		1	
	901 501 310 20 GRV	Prime coated			
8	901 501 030 36	Box wall		1	
9	901 501 041 37	Cross panel		1	
10	901 501 043 33	Box wall		1	
11	901 501 457 20	Bracket	/L	1	
	901 501 457 20 GRV	Prime coated			
(11)	901 501 458 20	Bracket	/R	1	
	901 501 458 20 GRV	Prime coated			
12	901 501 354 32	Cup	/LL	1	
(12)	901 501 356 20	Cup	/RL	1	
13	901 501 427 21	Reinforcement		2	
	901 501 427 21 GRV	Prime coated			
14	901 501 063 23	Bracket		2	
15	901 501 359 20	Axle mounting	/L	1	
(15)	901 501 360 20	Mounting	/R	1	
16	901 501 409 21	Reinforcement plate	/L	1	
(16)	901 501 410 21	Reinforcement plate	/R	1	
17	901 501 407 22	Corner reinforcement	/L	1	
	901 501 407 22 GRV	Prime coated			
(17)	901 501 408 22	Corner reinforcement	/R	1	
	901 501 408 22 GRV	Prime coated			
18	901 501 530 20	Towing lug		1	
	901 501 530 20 GRV	Prime coated			
19	901 501 478 20	Engine carrier		1	
	901 501 478 20 GRV	Prime coated			
20	911 501 035 00	Boot floor plate	/LL -72	1	
(20)	911 501 035 04	Boot floor plate	/LL 73-	1	
(20)	901 501 036 22	Boot floor plate	/RL	1	
21	901 504 043 02	Cover	/LL	1	
(21)	902 504 044 01	Cover	/RL	1	
(22)	902 504 491 20	Gasket	/LL -72	1	
(22)	911 504 491 02	Gasket	/LL 73-	1	
22	901 504 491 32	Gasket	/RL	1	
(22)	901 504 491 30	Gasket		1	
		Version			
		Optional heating			
23	900 144 034 07	Tapping screw B 4,2 X 16		4	
23	900 144 034 0G	Tapping screw B 4,2 X 16		4	
24	999 703 083 40	Stopper		1	

Model: 911 70 Model life 1970>>1973

Pos	Part Number	Description	Remark	Qty	Model
25	999 703 057 40	\$ 14 Stopper		1	
26	999 703 098 40	\$ 18 Stopper		1	
27	901 504 747 00	\$ 19 Lid		1	
(27)	911 504 405 00	Covering		1	
28	999 703 058 40	Stopper		1	
29	999 703 066 50	\$ 16 Stopper		3	
30	999 703 067 50	Stopper		3	
31	111 801 177	Rubber valve		4	
32	999 703 033 40	Stopper		4	
33	999 703 060 40	\$ 25 Stopper		2	
34	999 703 075 40	\$ 5 Stopper		1	911 T
35	902 504 079 20	\$ 15 Lid		1	
36	999 704 203 40	Sealing washer		1	
37	901 504 755 20	Tensioning spring		1	
38	999 084 102 02	Lock nut		1	
39	902 572 571 20	Cap		1	
40	999 703 083 40	Stopper		1	
41	999 703 092 40	\$ 14 Stopper		2	
42	911 501 066 00	\$ 14 End plate		2	
	911 501 066 00 GRV	Prime coated			
43	999 703 033 40	Stopper		4	
44	911 025 612 00	\$ 25 Grommet		2	

Model: 911 70

Model life 1970>>1973



Model: 911 70 Model life 1970>>1973

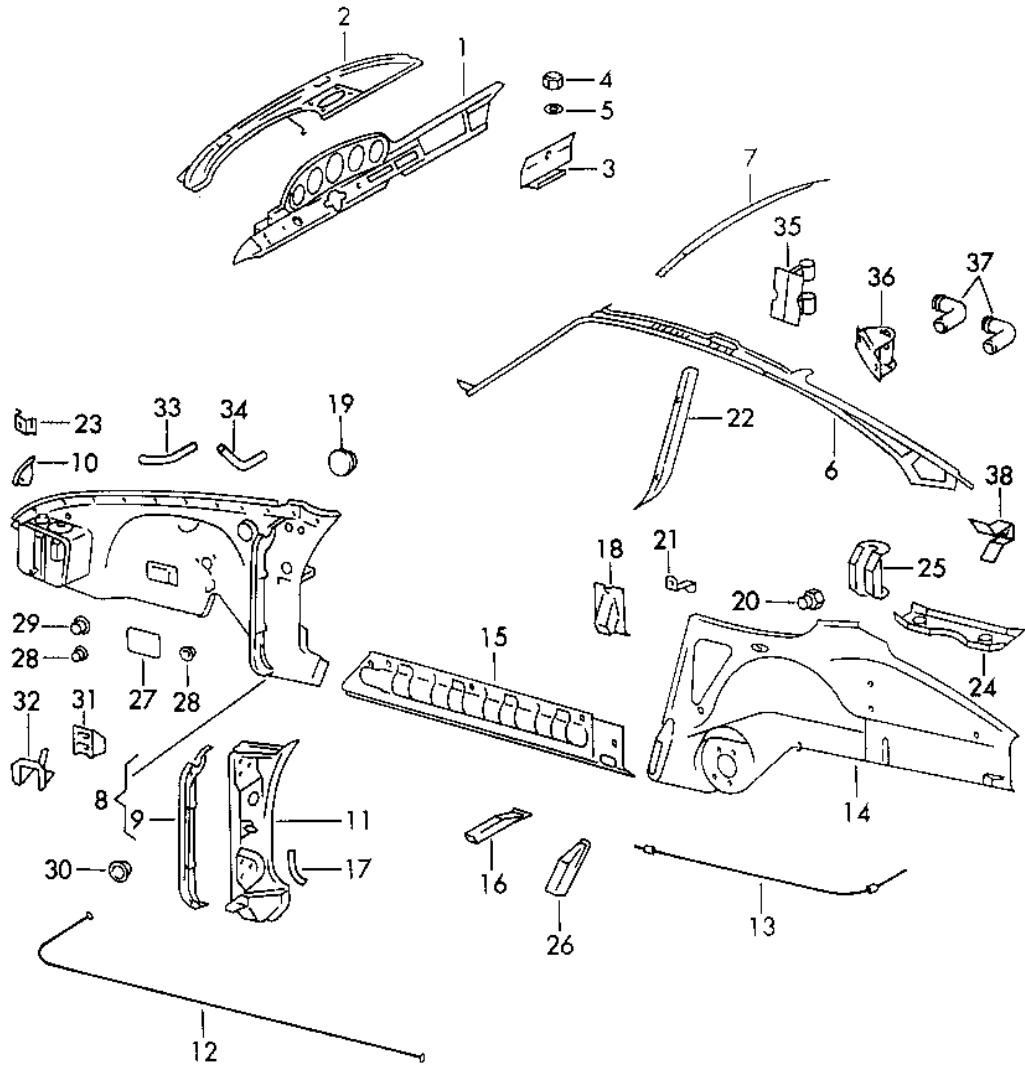
Pos	Part Number	Description	Remark	Qty	Model
		Frame			
		Centre			
		Rear			
(1)	901 501 961 23	Side member	/L -71	1	911 COUPE
(1)	911 501 961 23	Side member	/L 72-	1	911 COUPE
(1)	902 501 961 23	Side member	/L	1	912 COUPE
(1)	901 501 961 43	Side member	/L -71	1	911 TARGA
(1)	911 501 961 44	Side member	/L 72-	1	911 TARGA
(1)	902 501 961 43	Side member	/L	1	912 TARGA
(1)	901 501 962 23	Side member	/R -71	1	911 COUPE
(1)	911 501 962 24	Side member	/R 72-	1	911 COUPE
(1)	902 501 962 23	Side member		1	912 COUPE
(1)	901 501 962 43	Side member	/R -71	1	911 TARGA
(1)	911 501 962 43	Side member	/R 72-	1	911 TARGA
(1)	902 501 962 43	Side member	/R	1	912 TARGA
2	911 331 010 01	Rear-axle cross-tube	-72	1	
2	911 331 010 02	Rear-axle cross-tube	73-	1	
(2)	911 331 039 00	Rear-axle cross-tube F 91136 01409>>		1	CARRERA 2.7
3	901 501 083 20	Engine mounting	/H	2	911
(4)	902 501 083 21	Engine mounting	/H /L	1	912
4	902 501 084 21	Engine mounting	/H /R	1	912
5	902 501 847 21	Corner reinforcement		2	912
6	911 501 075 01	Cross member	/H	1	
7	911 501 830 00	Cross member	/H	1	
		Inner			
8	901 501 087 20	Cross member	/H	1	
		Outer			
8	901 501 087 22	Cross member	/H	1	
		Outer			
8	911 507 080 00	Cross member	/H	1	
		Outer			
8	911 507 080 01	Cross member	/H	1	
		Outer			
8	911 507 080 01 GRV	Cross member	/H	1	
		Outer			
9	901 501 797 20	Profile rail	/H	1	
10	901 501 796 20	Profile rail	/R	1	
10	901 501 796 20 GRV	Profile rail	/R	1	
		Prime coated			
(10)	901 501 795 20	Profile rail	/L	1	
(10)	901 501 795 20 GRV	Profile rail	/L	1	
		Prime coated			
11	901 504 991 20	Seal	/V	1	912/911 T
(11)	911 504 115 00	Engine compartment seal	/V	1	911 E/S
12	901 504 993 21	Seal		1	
(13)	911 501 670 00	Engine bracket	71	1	
		for			
		Stabiliser			
		And			
		Fuel pump			
(13)	911 501 670 00 GRV	Engine bracket	71-	1	
		Prime coated			
		for			
		Stabiliser			
		And			
		Fuel pump			
13	911 501 023 01	Bracket	72-	1	
		for			
		Fuel pump			
14	901 572 211 21	Hot air duct	/V -72	2	
14	911 572 211 01	Hot air duct	/V 73-	2	

Model: 911 70 Model life 1970>>1973

Pos	Part Number	Description	Remark	Qty	Model
15	911 572 025 02	Muffler Not Closed	-72	2	
15		Muffler Short Not Closed	73-	2	
16	901 572 024 24	Hot air duct	/H /R -71	1	
16	911 572 024 00	Hot air duct	/H /R 72-	1	
(16)	901 572 023 24	Hot air duct	/H /L -71	1	
(16)	911 572 221 02	Hot air duct	/H /L 72-	1	
17	901 501 218 21	Post bracket	/V /R	1	
(17)	901 501 217 21	Post bracket	/V /L	1	
18	901 501 142 21	Bracket	/R	1	
(18)	901 501 141 21	Bracket	/L	1	
19	999 703 043 40	Stopper \$ 12		6	
20	999 703 048 40	Stopper \$ 15		4	
20	911 504 102 00	Plug	72-	4	
21	999 703 098 40	Stopper \$ 19		1	
22	644 501 163 00	Threaded piece		2	
23	901 501 263 20	Pipe bracket	/L	2	
24	901 501 264 20	Pipe bracket	/R	2	
25	901 501 128 20	Retainer spring		6	
25		Retainer spring		6	
26	901 501 128 20 GRV N 013 411 1	Prime coated Rivet 3 X 6		12	
27	901 502 615 40	Bracket		1	
28	901 502 038 40	Engine bracket	/R	1	
(28)	901 502 037 40	Engine bracket	/L	1	
29	911 501 041 00	Bearing Back seat		1	
30	911 501 729 00	Bracket Pneumatic spring mount		1	
31	911 504 930 00	Strap		2	
32	901 501 117 20	Mounting plate		2	

Model: 911 70

Model life 1970>>1973



Model: 911 70 Model life 1970>>1973

Pos	Part Number	Description	Remark	Qty	Model
(1)	911 502 021 00	Interior panelling Dashboard for cars without Sunroof	/LL -71	1	COUPE COUPE
(1)	911 502 021 02	Dashboard for cars without Sunroof	/LL 72-	1	COUPE
(1)	911 502 021 42	Dashboard for cars with Sunroof	/LL -72	1	COUPE
(1)		Dashboard	/LL -71	1	TARGA
(1)		Dashboard	/LL 72-	1	TARGA
(1)	911 502 022 41	Dashboard for cars without Sunroof	/RL -72	1	
(1)		Dashboard for cars without Sunroof	/RL 73-	1	
(1)	911 502 022 30	Dashboard for cars with Sunroof	/RL -72	1	
2	901 502 023 26	Dashboard	/LL -72	1	
2	901 502 023 44	Dashboard	/LL 73-	1	
(2)	901 502 024 26	Dashboard	/RL -72	1	
(2)	911 502 024 44	Dashboard	/RL 73-	1	
(3)	911 552 010 00	Glove compartment cover	-70	1	
(3)	911 552 010 01	Glove compartment cover	71-	1	
4	999 084 102 02	Lock nut	-71	2	
4	999 090 002 02	Lock nut M 5	71-	4	
5	900 025 003 02	Washer 5,3	-71	2	
5		Washer 5,3	71-	4	
-	900 146 003 02	Oval-head screw AM 5 X 10	71-	2	
6	901 502 025 10	Roof frame	/L	1	
(6)	901 502 026 10	Roof frame	/R	1	
7	901 502 220 02	Cross piece for windscreen		1	
8	911 501 033 00	Wheel housing	/L -71	1	
8	911 501 033 09	Wheel housing	/L 72-	1	
8		Wheel housing	/L 72-	1	
	911 501 033 09 GRV	Prime coated			
(8)	911 501 034 20	Wheel housing	/R -71	1	COUPE
(8)	911 501 034 11	Wheel housing	/R 72-	1	
(8)		Wheel housing	/R 72-	1	
	911 501 034 11 GRV	Prime coated			
(8)	911 501 034 00	Wheel housing	/LL /R -71	1	TARGA
-	901 501 503 00	Battery box	/L	1	
	901 501 503 00 GRV	Prime coated			
-	901 501 504 00	Battery box	/R	1	
	901 501 504 00 GRV	Prime coated			
9	901 501 053 00	Wing joining plate	/L	1	
	901 501 053 00 GRV	GRV			
9	911 501 053 00	Wing joining plate	/L	1	
9		Wing joining plate	/L	1	
	911 501 053 00 GRV	Prime coated			
9	911 501 053 01	Wing joining plate	/L	1	
	911 501 053 01 GRV	Prime coated			
(9)	901 501 054 01	Wing joining plate	/R -71	1	
(9)		Wing joining plate	/R 72-	1	
10	901 501 303 00	Corner plate	/L 72-	1	
10		Corner plate	/L 72-	1	

Model: 911 70 Model life 1970>>1973

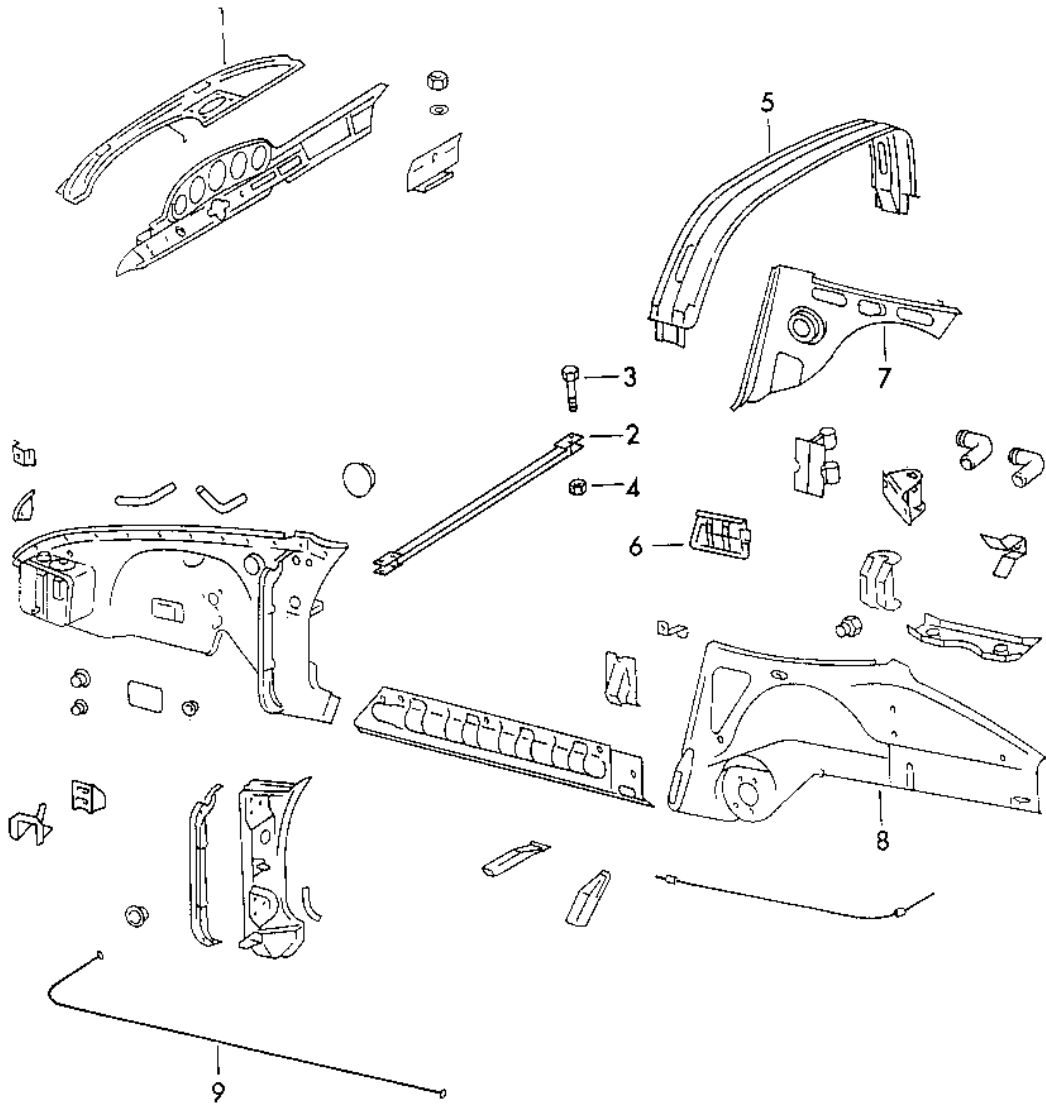
Pos	Part Number	Description	Remark	Qty	Model
10	901 501 303 00 GRV	Prime coated			
10	901 501 304 00	Corner plate	/R 72-	1	
10		Corner plate	/R 72-	1	
11	901 501 304 00 GRV	Prime coated			
11	911 501 039 00	Hinge pillar	/L	1	
(11)	911 501 040 00	Hinge pillar	/R	1	
12	901 502 181 22	Guide tube	/V	1	
13	911 502 483 00	Guide tube	/H	1	
14	PCG 501 017 00	Wheel housing	/L	1	COUPE
		Use also:			
		911.501.257.01		1	
		PCG.501.157.00		4	
14		It is necessary to rework			
14		Wheel housing	/L	1	COUPE
		Use also:			
		911.501.257.01		1	
		PCG.501.157.00		4	
		It is necessary to rework			
(14)	PCG 501 017 00 GRV	Prime coated			
(14)	PCG 501 018 00	Wheel housing	/R	1	COUPE
		Use also:			
		911.501.258.01		1	
		PCG.501.157.00		4	
(14)		It is necessary to rework			
(14)		Wheel housing	/R	1	COUPE
		Use also:			
		911.501.258.01		1	
		PCG.501.157.00		4	
		It is necessary to rework			
15	PCG 501 018 00 GRV	Prime coated			
15	911 501 123 00	Side member	/L -71	1	
15	911 501 123 01	Side member	/L 72-	1	
(15)	911 501 124 00	Side member	/R	1	
(15)	911 501 124 03	Side member	/R	1	
(15)	911 501 124 04	Side member	/R	1	
(15)	964 501 136 00	Side member	/R	1	
(15)		Side member	/R	1	
		Floor			
		Right			
		Outer			
16	964 501 136 00 GRV	Prime coated			
16	901 501 153 21	Mounting		1	
16		Mounting		1	
17	901 501 153 21 GRV	Prime coated			
17	901 501 305 20	Angular bracket	/L	1	
17		Angular bracket	/L	1	
(17)	901 501 305 20 GRV	Prime coated			
(17)	901 501 306 20	Angular bracket	/R	1	
(17)		Angular bracket	/R	1	
18	901 501 306 20 GRV	Prime coated			
18	901 501 151 22	Mounting		2	
18		Mounting		2	
19	901 501 151 22 GRV	Prime coated			
19	999 703 031 40	Stopper		2	
		\$ 30			
19	999 703 031 4A	Stopper		2	
		\$ 30			
20	901 803 127 10	Fastening screw	-71	2	
21	901 501 130 00	Retaining bracket	-70	1	
		Switch unit			
22	901 502 245 00	Profile	/L	1	
(22)	901 502 246 00	Profile	/R	1	
23	901 501 509 00	Support	-71	2	

Model: 911 70 Model life 1970>>1973

Pos	Part Number	Description	Remark	Qty	Model
24	901 501 085 21	Horn Mounting		2	
25	911 501 115 00	Bumper Reinforcement		1	
25	911 501 115 00 GRV	Side section Reinforcement Prime coated Side section		1	
26	901 501 145 20	Bracket	/L	1	
(26)	901 501 146 22	Bracket	/R -70	1	
(26)	901 501 146 20	Bracket	/R 72-	1	
27	911 504 101 00	Cover plate		2	
28	999 703 094 40	Stopper \$ 12,5		2	
29	999 703 095 40	Stopper \$ 17,7	-72	1	
(29)	999 703 103 40	Stopper \$ 23,5	73-	1	
30		Stopper \$ 22,0		1	911 T/E
31	911 201 317 00	Support	-70	1	
32	901 201 034 60	Mounting	-70	1	
35	911 501 777 00	Hinge for Wheel housing	/V -72	1	
36	911 207 024 00	Support for Wheel housing	-72	1	
37	911 501 539 00	Angled pipe		2	
38	911 501 125 00	Threaded support Mount for Oil tube	72-	2	911 S CARRERA 2.7
38	911 501 125 00 GRV	Threaded support Prime coated Mount for Oil tube	72-	2	911 S CARRERA 2.7

Model: 911 70

Model life 1970>>1973

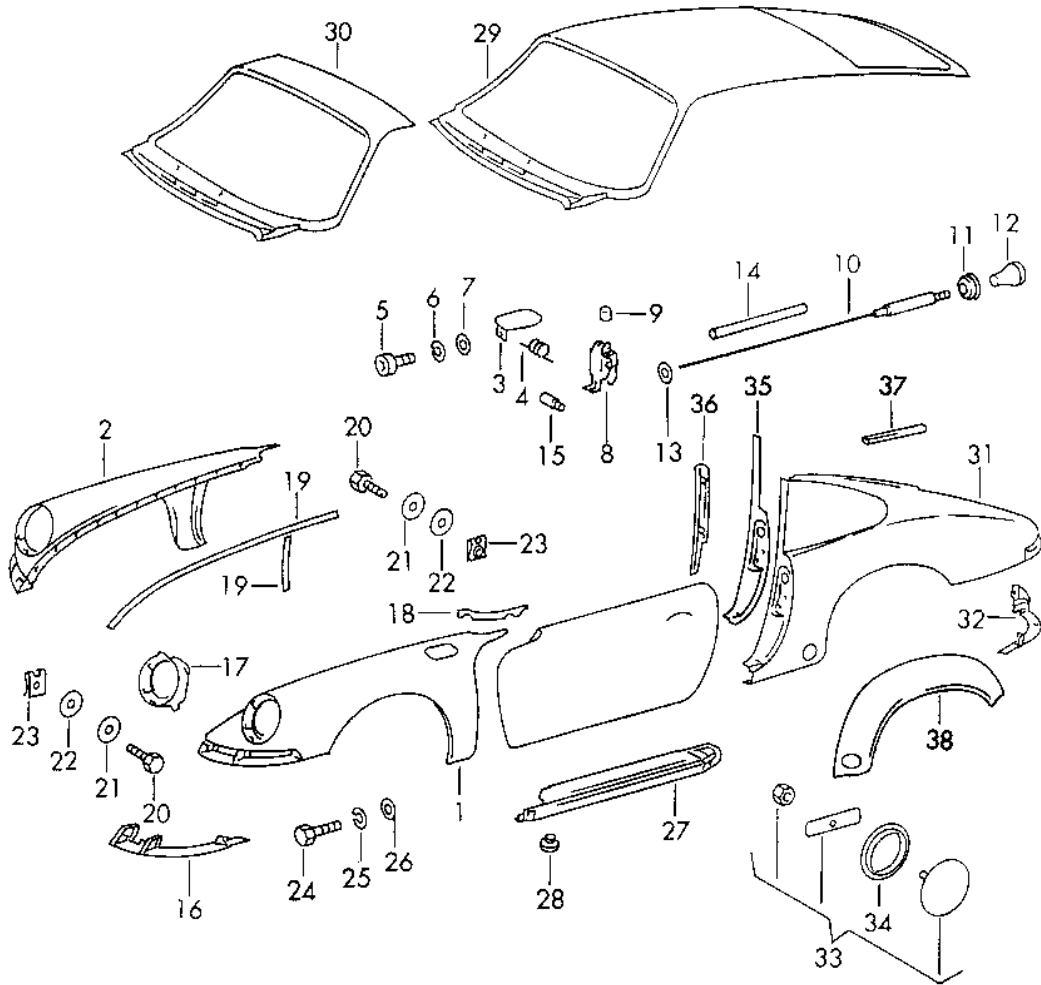


Model: 911 70 Model life 1970>>1973

Pos	Part Number	Description	Remark	Qty	Model
		Interior panelling			TARGA
1	901 502 023 44	Dashboard		1	
2	901 501 086 40	Rear-axle cross-tube		1	
3	900 074 038 02	Hexagon-head bolt M8 X 40		4	
4	900 084 004 03	Hexagon nut M8		4	
4	900 084 004 02	Hexagon nut M8		4	
5	901 565 001 46	Roll-over bar for cars with Convertible top		1	
(5)	901 565 001 45	Roll-over bar for cars with Rear window		1	
6	911 501 203 40	Filler plate	/L	1	
6	911 501 203 40 GRV	Filler plate Prime coated	/L	1	
(6)	911 501 204 40	Filler plate	/R	1	
(6)	911 501 204 40 GRV	Filler plate Prime coated	/R	1	
7	901 501 205 41	Rear bulkhead	/L -71	1	
(7)	911 501 205 40	Rear bulkhead	/L 72-	1	
(7)	901 501 206 41	Rear bulkhead	/R -71	1	
(7)	911 501 206 40	Rear bulkhead	/R 72-	1	
8	PCG 501 017 40	Wheel housing	/L	1	
		Use also: 911.501.257.01		1	
		PCG.501.157.00		4	
(8)	PCG 501 018 40	It is necessary to rework Wheel housing	/R	1	
	PCG 501 018 40 GRV	Prime coated Use also: 911.501.258.01 PCG.501.157.00			
		It is necessary to rework			
9	901 502 181 41	Guide tube for cable control	/V	1	

Model: 911 70

Model life 1970>>1973



Model: 911 70 Model life 1970>>1973

Pos	Part Number	Description	Remark	Qty	Model
1	901 503 031 23	Exterior panelling Wing	/L	1	COUPE
	901 503 031 23 GRV	Prime coated with Tank filler neck			
(1)	901 503 031 26	Wing	/L 73-	1	CARRERA 2.7
	901 503 031 26 GRV	Prime coated with Tank filler neck Thin plate			
(1)	901 503 031 25	Wing	/L -70	1	
		without Tank filler neck			
2	901 503 032 23	Wing	/R	1	
	901 503 032 23 GRV	Prime coated			
(2)	901 503 032 24	Wing	/R 73-	1	CARRERA 2.7
	901 503 032 24 GRV	Prime coated Thin plate			
3	901 504 031 20	Lid Tank filler neck		1	
4	911 504 331 00	Spring		1	
5	900 067 051 02	Pan-head screw M5 X 10		3	
6	N 012 005 3	Lock ring B5		3	
7	900 025 003 02	Washer 5,3		3	
8	901 504 034 20	Bearing		3	
8		Bearing		3	
	901 504 034 20 GRV	Prime coated			
9	911 025 679 00	Buffer		1	
10	901 504 317 21	Lid-release cable		1	
11	901 511 791 21	Rubber washer		1	
12	901 552 822 00	Knob		1	
13	914 504 319 00	Grommet		1	
-	999 702 020 50	Rubber sleeve		1	
14	901 504 385 20	Connecting tube		1	
15	999 230 002 02	Screw nipple		1	
16	901 503 043 23	Bar	/L	1	
	901 503 043 23 GRV	Prime coated			
(16)	901 503 044 23	Bar	/R	1	
	901 503 044 23 GRV	Prime coated			
17	901 631 015 23	Headlamp casing		2	
	901 631 015 23 GRV	Prime coated			
18	901 503 394 22	Piping		2	
19	000 043 129 00	Sealing strap 25 X 2		X	
20	900 187 010 02	Hexagon-head tapping screw BZ6,3 X 19		20	
20	900 187 010 03	Hexagon-head tapping screw BZ6,3 X 19		20	
21	900 151 006 09	Washer B6,4		20	
22	999 704 157 40	Washer		20	
23	999 591 327 02	Speed nut B6,3		20	
23	999 501 327 01	Speed nut B6,3		20	
23	999 591 327 01	Speed nut B6,3		20	
24	900 378 030 09	Hexagon-head bolt M6 X 20	-71	18	
(24)	900 075 224 02	Hexagon-head bolt	72-	18	

Model: 911 70 Model life 1970>>1973

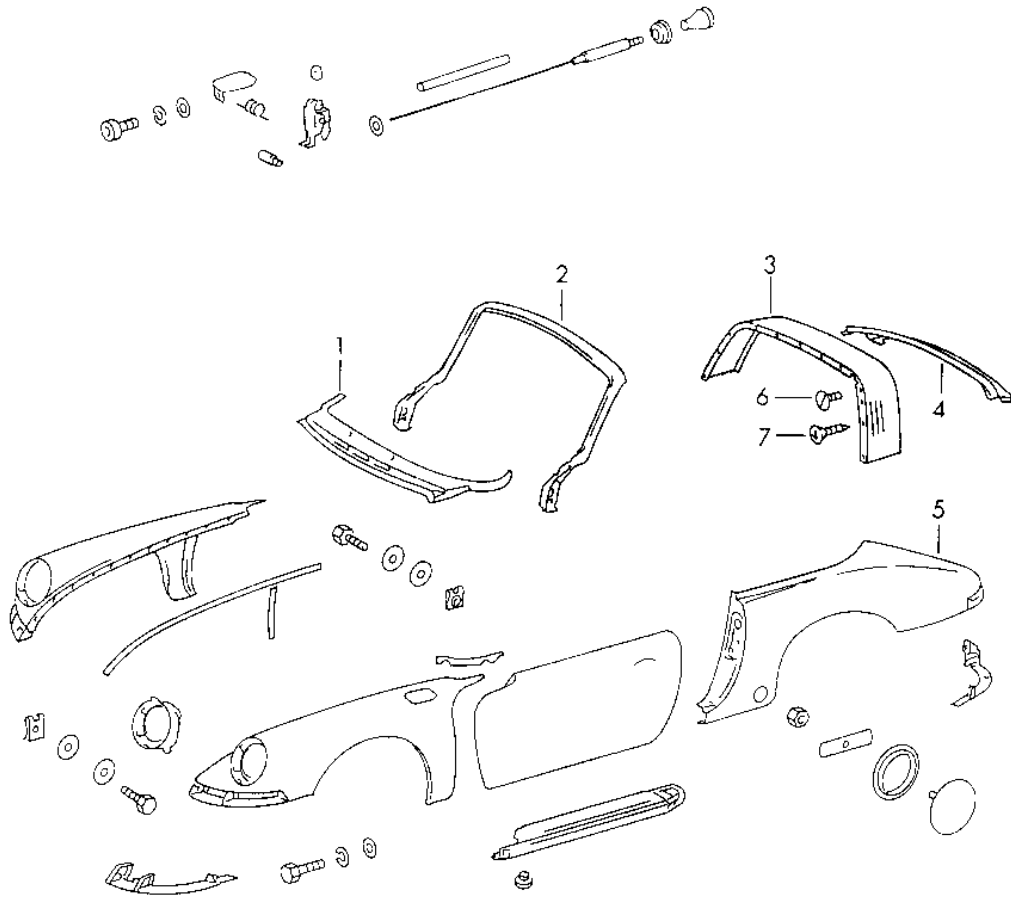
Pos	Part Number	Description	Remark	Qty	Model
25	900 027 014 01	M6 X 12 Lock ring		18	
25	900 027 014 02	B6 Lock ring		18	
25	N 012 006 4	B6 Lock ring		18	
26	900 151 006 09	B6 Washer		18	
27	911 503 401 00	B6,4 Door sill	/L -71	1	
27	911 503 401 04	It is necessary to rework Door sill	/L	1	
27	911 503 401 05	It is necessary to rework Door sill	/L	1	
	911 503 401 05 GRV	Prime coated It is necessary to rework			
27	911 503 401 05	Door sill	/L	1	
	911 503 401 05 GRV	Prime coated It is necessary to rework			
27	911 503 401 02	Door sill	/L 72-	1	
(27)	911 503 402 00	It is necessary to rework Door sill	/R -71	1	
(27)	911 503 402 02	It is necessary to rework Door sill	/R 72-	1	
28	999 703 033 40	It is necessary to rework Stopper		2	
29	901 503 051 01	Outer roof panel		1	
(29)	901 503 051 06	Outer roof panel with Sunroof Frame		1	
30	901 503 090 21	Windscreen frame part		1	
31	911 503 061 00	Side section	/L	1	
	911 503 061 00 GRV	Prime coated with Lock pillar It is necessary to rework			
(31)	911 503 045 00	Side section	/L 73-	1	CARRERA 2.7
	911 503 045 00 GRV	Prime coated with Lock pillar Nacharbeit Erforderlich !!			
(31)	911 503 045 01	Side section	/L 73-	1	CARRERA 2.7
	911 503 045 01 GRV	Prime coated Thin plate with Lock pillar			
(31)	901 503 062 22	Wing	/R -71	1	
		with Lock pillar			
(31)	911 503 062 01	Side section	/R 72-	1	
	911 503 062 01 GRV	Prime coated with Lock pillar			
(31)	911 503 062 03	Side section	/R 73-	1	
	911 503 062 03 GRV	Prime coated with Lock pillar			
(31)	911 503 046 00	Side section	/R 73-	1	CARRERA 2.7
	911 503 046 00 GRV	Prime coated with Lock pillar Nacharbeit Erforderlich !!			

Model: 911 70 Model life 1970>>1973

Pos	Part Number	Description	Remark	Qty	Model
(31)	911 503 046 01	Side section	/R 73-	1	CARRERA 2.7
	911 503 046 01 GRV	Prime coated Thin plate with Lock pillar			
32	901 503 073 23	Support	/L	1	
	901 503 073 23 GRV	Prime coated			
(32)	901 503 074 23	Support	/R	1	
	901 503 074 23 GRV	Prime coated			
33	901 504 079 00	Spring cover		2	
33		Spring cover	72-	2	CARRERA 2.7
34	901 504 759 01	Desk pad		2	
35	911 502 041 00	Lock pillar	/L 72-	1	
(35)	911 502 042 01	Lock pillar	/R 72-	1	
36	911 502 043 01	Lock pillar	/L	1	
		Inner panel			
(36)	911 502 044 01	Lock pillar	/R	1	
		Inner panel			
37	901 504 933 20	Gasket	-71	1	
(37)	911 504 933 00	Seal	/L 72-	1	
(37)	911 504 934 00	Seal	/R 72-	1	
38	911 503 607 03	Welding plate	/L	1	
	911 503 607 03 GRV	Prime coated Wing It is necessary to rework			
(38)	911 503 608 03	Welding plate	/R	1	
	911 503 608 03 GRV	Prime coated Wing It is necessary to rework			

Model: 911 70

Model life 1970>>1973

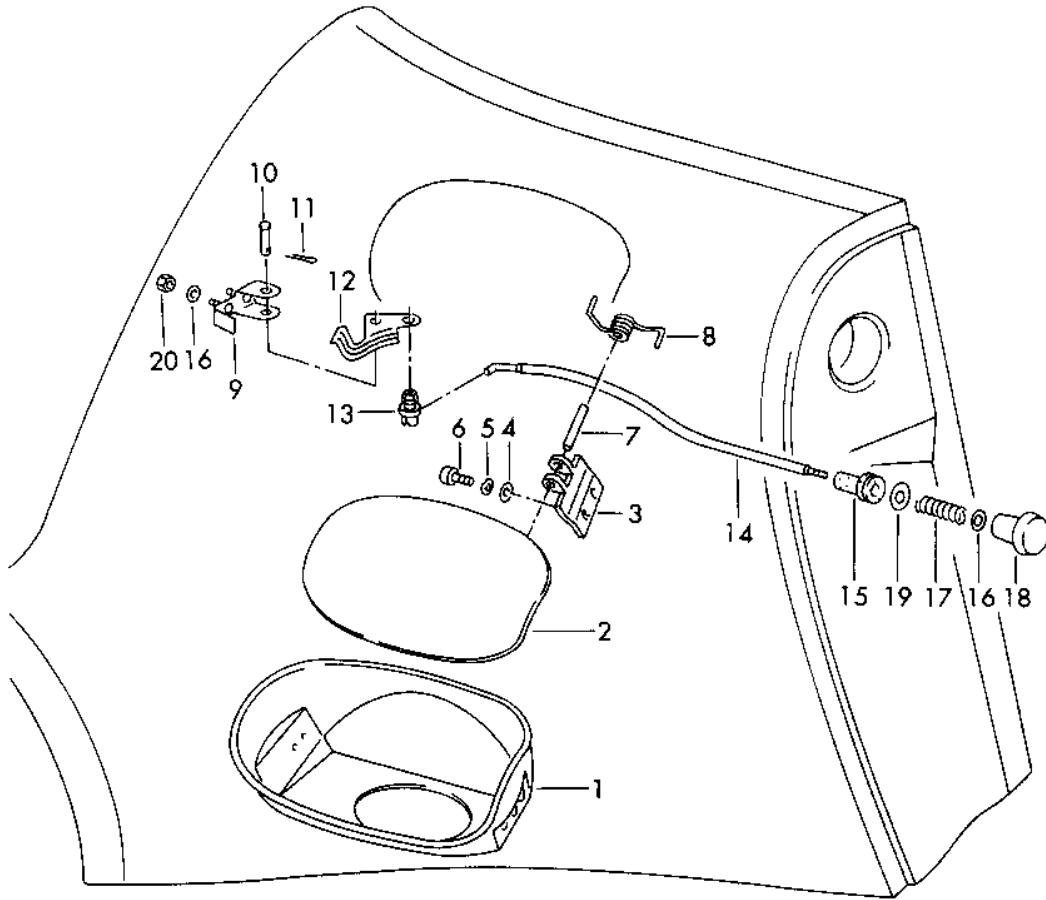


Model: 911 70 Model life 1970>>1973

Pos	Part Number	Description	Remark	Qty	Model
		Exterior panelling			TARGA
1	901 503 057 41	Scuttle		1	
2	901 502 091 00	Windscreen frame		1	
3	901 565 011 45	Lining		1	
4	901 503 322 40	Rear end		1	
5	911 503 061 40	Side section with Lock pillar	/L	1	
5	911 503 061 40 GRV	Side section with Lock pillar	/L	1	
-	911 504 471 00	Cap Behind Lock pillar	/L /L	1	
(5)	911 503 062 43	Side section with Lock pillar	/R	1	
(5)	911 503 062 43 GRV	Side section with Lock pillar	/R -71	1	
(5)	911 503 062 41	Side section with Lock pillar	/R 72	1	
(5)	911 503 062 41 GRV	Side section with Lock pillar	/R 72	1	
(5)	911 503 062 43 911 503 062 43 GRV	Side section with Lock pillar	/R 73-	1	
6	901 801 153 40	Screw plug		4	
6	999 064 037 40	Screw plug		4	
(7)	N 013 957 5	Oval-head sheetmetal screw B3,5 X 9,5		15	
7	900 140 015 00	Rais. counters. h. tap. s. B3,5 X 9,5		8	

Model: 911 70

Model life 1970>>1973

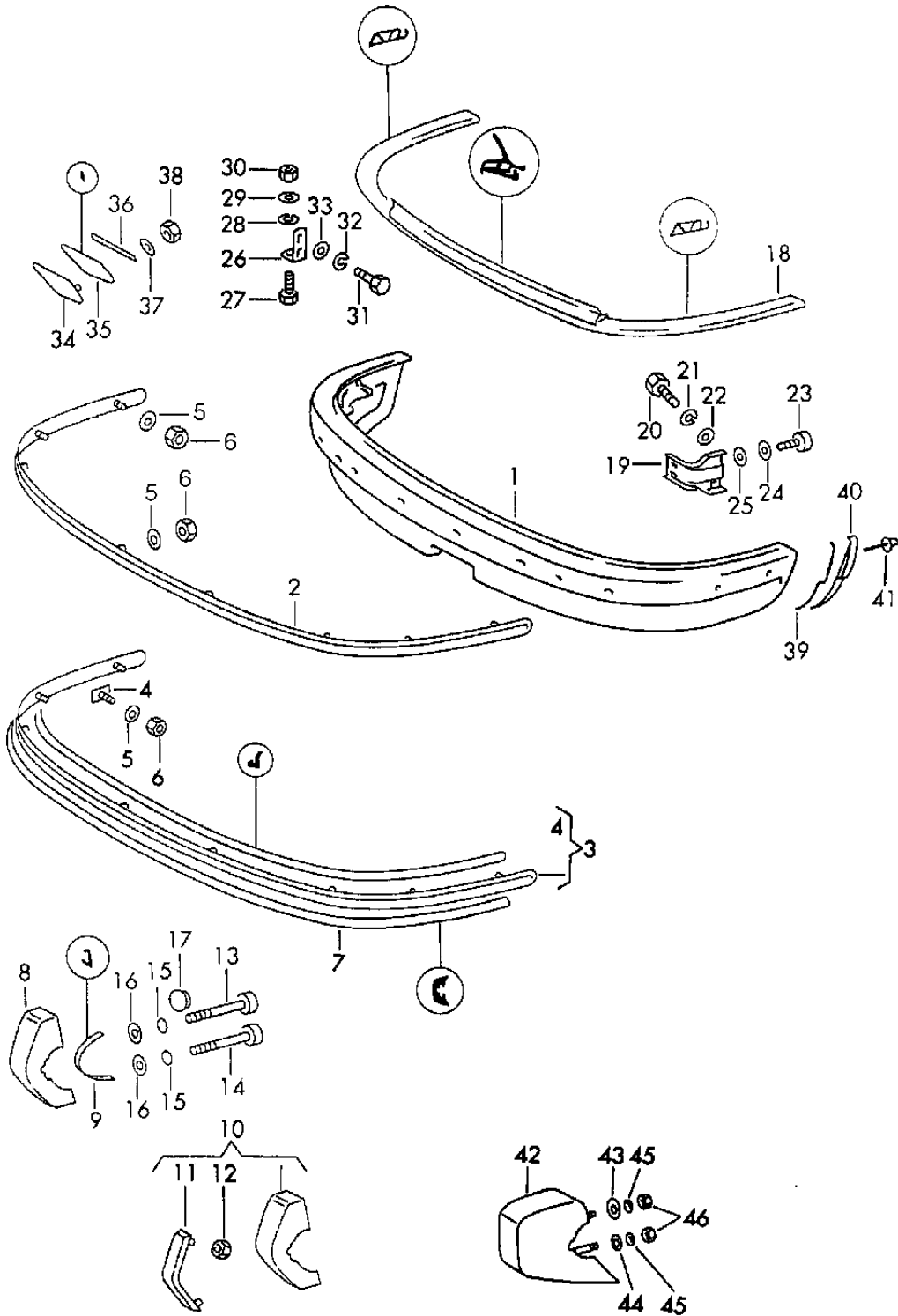


Model: 911 70 Model life 1970>>1973

Pos	Part Number	Description	Remark	Qty	Model
		Oil inlet	-72		
1	911 503 076 01	Pot		1	
2	911 504 415 01	Lid		1	
3	911 504 416 01	Hinge		1	
3	911 504 416 03	Hinge		1	
4	N 011 524 7	Washer 6,4		2	
4	N 011 524 27	Washer 6,4		2	
5	N 012 007 2	Lock ring A6		2	
5	900 027 004 03	Lock ring A6		2	
6	900 067 009 02	Pan-head screw M6 X 15		2	
6	900 067 429 01	Pan-head screw M6 X 15		2	
7	644 504 315 00	Hinge bolt		1	
8	911 504 331 00	Spring		1	
9	911 503 077 00	Bearing bracket		1	
10	900 087 030 02	Bolt 4 X 22 X 20		1	
11	N 012 503 1	Cotter pin 1 X 10		1	
12	911 504 418 00	Lever		1	
13	911 531 563 00	Linkage clip		1	
14	911 504 420 00	Push rod		1	
15	999 702 072 50	Rubber sleeve		1	
16	900 025 003 02	Washer 5,3		3	
17	911 504 419 00	Compression spring		1	
18	901 552 822 00	Knob		1	
19	900 151 027 02	Washer 5,3		1	
19	900 151 027 03	Washer 5,3		1	
20	999 084 102 02	Lock nut		2	

Model: 911 70

Model life 1970>>1973



Model: 911 70 Model life 1970>>1973

Pos	Part Number	Description	Remark	Qty	Model
		Bumper Front			
(1)	901 505 011 21	Bumper	-72	1	
(1)	911 505 011 05	Bumper	73-	1	911 T
	911 505 011 05 GRV	Prime coated			
1	911 505 028 00	Spoiler	72	1	
		Bumper			
(1)	911 505 011 06	Bumper	73-	1	
		Bumper			
(1)		Bumper	73-	1	
	911 505 011 06 GRV	Bumper			
(1)	911 505 011 07	Bumper	73-	1	
	911 505 011 07 GRV	Bumper			
		It is necessary to rework			
(1)	911 505 011 08	Bumper	73-	1	
	911 505 011 08 GRV	Bumper			
		It is necessary to rework			
(1)	911 505 011 25	Front spoiler	73-	1	CARRERA 2,7
		Bumper			
-	911 505 309 25	Lid		1	
2	901 505 041 32	Moulding	-72	1	
		Version			
		Narrow			
		without			
		Bumper horn			
3	901 505 045 51	Retaining strip		1	
		Wide			
		without			
		Rubber moulding			
-	999 911 198 40	Piping		*	
		3 M			
4	901 505 155 20	Screw		8	
5	900 025 003 02	Washer		16	
		5,3			
6	N 021 196 1	Lock nut		16	
		M5			
6	N 021 196 3	Hexagon nut		16	
		M5			
7	901 505 405 51	Strip for switches	/V	1	
(8)	901 505 031 26	Bumper horn	/L -71	1	911 T
9	999 911 182 40	Piping		4	
9	PCG 911 182 40	Piping		4	
10	901 505 031 51	Bumper horn	/L -71	1	911 E/S
(10)	901 505 031 27	Bumper horn	/L 71	1	911 T :M
(10)	911 505 017 03	Bumper horn	/L 72-	1	911 S CARRERA 2.7
(10)	901 505 031 26	Bumper horn	/L 72-	1	911 T/E
(10)	911 505 017 00	Bumper horn	/L 72-	1	911 T/E:M
		Black			
(10)	911 505 017 01	Bumper horn	/L 72-	1	911S:M CARRERA 2.7
		Black			
(10)	911 505 018 03	Bumper horn	/R -71	1	911 E/S
(10)	911 505 018 02	Bumper horn	/R -70	1	911 T :M
(10)	901 505 032 27	Bumper horn	/R 71	1	911 T :M
(10)	911 505 018 03	Bumper horn	/R 72-	1	911 S :M
(10)	911 505 018 02	Bumper horn	/R 72-	1	911 T/E:M
(10)	911 505 018 00	Bumper horn	/R 72-	1	911 T/E:M
		Black			
(10)	911 505 018 01	Bumper horn		1	911 S :M CARRERA 2.7
		Black			
11	901 505 901 21	Rubber buffer		2	
12	900 076 010 02	Nut		4	
		M6			

Model: 911 70

Model life 1970>>1973

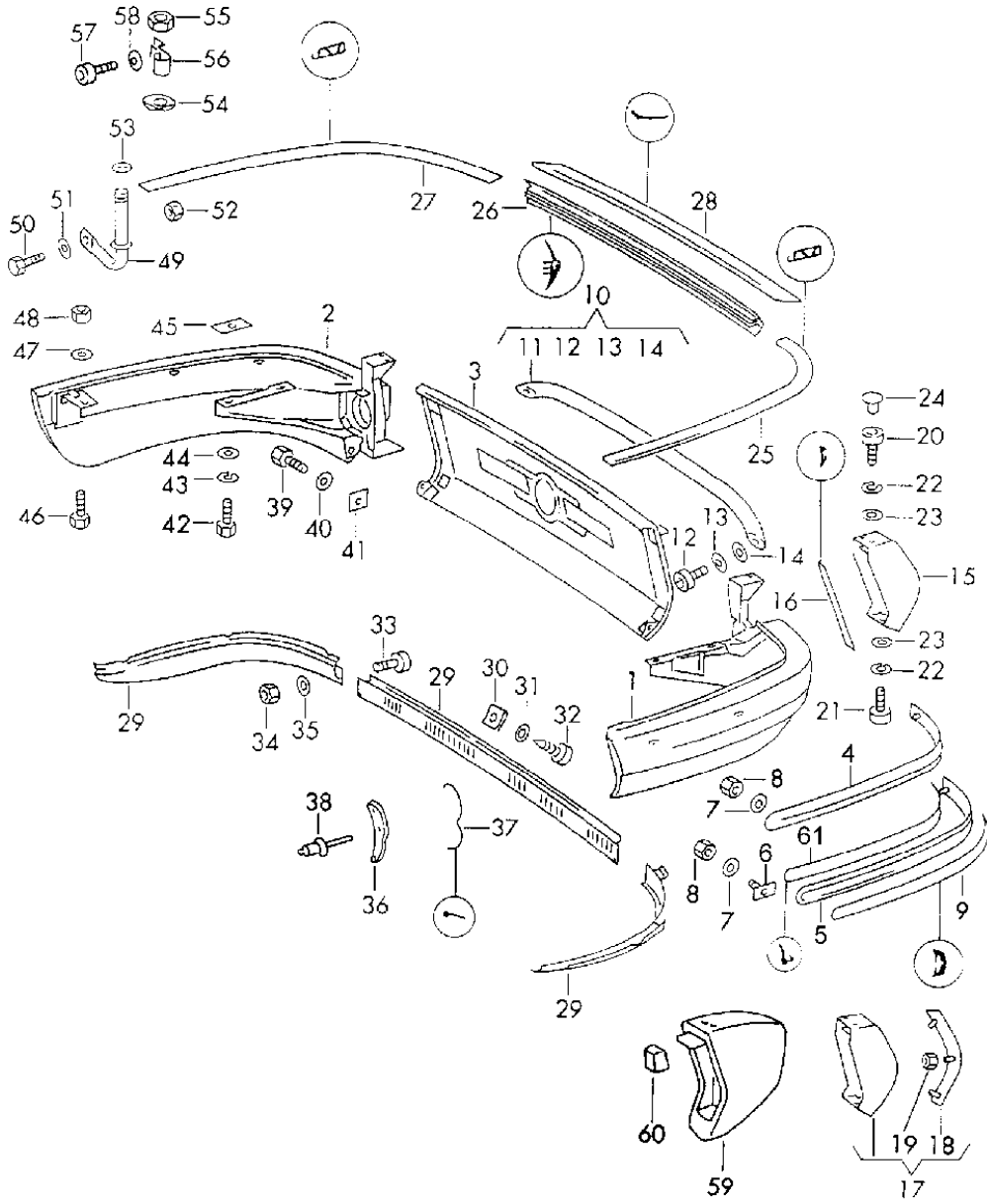
Pos	Part Number	Description	Remark	Qty	Model
12	900 076 010 0B	Nut M6		4	
13	999 514 002 02	Pan-head screw M8 X 100	-71	2	
(13)	N 010 391 4	Hexagon-head bolt M8 X 100	72-	2	
14	999 514 003 02	Pan-head screw M8 X 60	-71	2	
(14)	N 010 360 6	Hexagon-head bolt M8 X 60	72-	2	
(14)	N 010 360 19	Hexagon-head bolt M8 X 60	72-	2	
15	999 523 102 02	Washer		4	
15	999 523 102 0B	Washer		4	
16	900 025 008 02	Washer 8,4		2	
16	N 011 527 4	Washer 8,4		2	
16	900 025 008 09	Washer 8,4		2	
16	900 025 008 04	Washer 8,4		2	
(16)	900 025 007 02	Washer 8,4		2	
(16)	900 025 007 03	Washer 8,4		2	
17	999 703 065 50	Stopper	-72	4	
(17)	311 611 849	Stopper	73-	4	
18	901 505 091 20	Seal		1	
-	911 559 542 00	Adhesive tape Blue		X	
-	911 559 542 01	Adhesive tape Guards red		X	
-	911 559 542 02	Adhesive tape Green		X	
19	901 505 037 00	Support		2	
19	901 505 037 00 GRV	Support Prime coated		2	
20	900 075 083 02	Hexagon-head bolt M8 X 25	-71	4	
20	900 075 210 02	Hexagon-head bolt M8 X 22	72-	4	
21	900 027 015 02	Lock ring B8		4	
21	900 027 015 03	Lock ring B8		4	
22	900 151 007 02	Washer 8,4		4	
22	900 151 007 03	Washer 8,4		4	
23	999 514 004 02	Pan-head screw M10 X 20		2	
(23)	900 075 040 02	Hexagon-head bolt M10 X 20		2	
(23)	900 075 517 01	Hexagon-head bolt M10 X 20		2	
24	999 523 103 02	Lock washer		2	
25	900 025 008 02	Washer B10,5		2	
25	N 011 527 4	Washer B10,5		2	
25	900 025 008 09	Washer B10,5		2	

Model: 911 70 Model life 1970>>1973

Pos	Part Number	Description	Remark	Qty	Model
25	900 025 008 04	Washer B10,5		2	
26	901 505 135 01	Support		2	
27	900 075 079 02	Hexagon-head bolt M8 X 22		2	
28	900 027 015 02	Lock ring B8		2	
28	900 027 015 03	Lock ring B8		2	
29	900 151 008 02	Washer B8,4		2	
30	900 076 025 02	Hexagon nut M8		2	
30	900 076 064 02	Hexagon nut M8		2	
31	900 075 079 02	Hexagon-head bolt M8 X 22		4	
32	900 027 015 02	Lock ring B8		4	
32	900 027 015 03	Lock ring B8		4	
33	900 025 007 02	Washer 8,4		4	
33	900 025 007 03	Washer 8,4		4	
34	902 505 056 21	Lid	/R	1	
34	902 505 056 21 GRV	Lid Prime coated	/R	1	
(34)	902 505 055 21	Lid	/L	1	
(34)	902 505 055 21 GRV	Lid Prime coated	/L	1	
35	902 505 153 20	Piping		2	
36	902 505 145 21	Retaining bar		2	
37	900 151 006 09	Washer B6,4		4	
38	999 084 103 02	Lock nut		4	
-	999 911 084 40	Beading 260 MM		*	
39	901 505 157 00	Plate	/L	1	
(40)	901 505 158 00	Plate	/R	1	
-	999 190 101 30	Blind rivet for 901.505.157.00 901.505.158.00		2	
41	900 143 042 00	Blind rivet Oval-head sheetmetal screw B2,9 X 9,5		8	
-				8	

Model: 911 70

Model life 1970>>1973



Model: 911 70 Model life 1970>>1973

Pos	Part Number	Description	Remark	Qty	Model
-	911 505 020 12	Bumper Rear Bumper Plastic material with Bracket	72-	1	CARRERA 2.7
1	901 505 021 21	Bumper Outer part	/L -72	1	
1	911 505 021 02	Bumper	/L 73-	1	
	911 505 021 02 GRV	Prime coated Outer part			
(1)	911 505 021 01	Bumper Outer part Steel	/L 73-	1	CARRERA 2,7
(1)	911 505 021 01 GRV	Bumper Prime coated Outer part Steel	/L 73-	1	CARRERA 2,7
2	901 505 022 21	Bumper Outer part	/R -72	1	
2	911 505 022 02	Bumper	/R 73-	1	
	911 505 022 02 GRV	Prime coated Outer part			
(2)	911 505 022 01	Bumper Outer part Steel	/R 73-	1	CARRERA 2,7
(2)	911 505 022 01 GRV	Bumper Prime coated Outer part Steel	/R 73-	1	CARRERA 2,7
3	901 505 023 20	Centre part Centre part		1	
3	901 505 023 20 GRV	Centre part Prime coated		1	
4	901 505 043 02	Moulding Narrow		2	
5	901 505 046 51	Moulding Wide		2	
(5)	911 505 097 00	Order also: POSITION 61 Moulding		2	CARRERA 2.7
6	901 505 155 20	Screw		8	
7	900 025 003 02	Washer 5,3		8	
8	N 021 196 1	Lock nut		8	
8	N 021 196 3	Hexagon nut		8	
9	901 505 417 51	Protective strip Wide		2	
-	911 559 541 00	Adhesive tape Blue		X	
-	911 559 541 01	Adhesive tape Guards red		X	
-	911 559 541 02	Adhesive tape Green		X	
10	901 505 921 00	Impact protection		1	
11	902 505 340 95	Impact protection		1	
12	900 067 057 02	Pan-head screw M8 X 20		2	
12	900 067 057 03	Pan-head screw M 8 X 20		2	
13	900 027 015 02	Lock ring B8		2	
13	900 027 015 03	Lock ring		2	

Model: 911 70 Model life 1970>>1973

Pos	Part Number	Description	Remark	Qty	Model
14	900 025 007 02	B8 Washer 8,4		2	
14	900 025 007 03	Washer 8,4		2	
15	901 505 033 20	Buffer Chrome		2	
15	901 505 033 22	Buffer Chrome		2	
(15)	902 505 033 95	Bumper horn Chrome for Impact protection 902.505.340.95		2	
16	999 911 182 40	Piping		2	
16	PCG 911 182 40	Piping		2	
17	901 505 033 26	Bumper horn verchromt for Rubber buffer		2	
(17)	911 505 033 02	Bumper horn Black		2	
(17)	911 505 029 00	Bumper horn for Impact protection 901.505.921.00		2	
18	901 505 903 21	Rubber buffer		2	
19	900 076 010 02	Nut M6		6	
19	900 076 010 0B	Nut M6		6	
20	900 067 009 02	Pan-head screw M6 X 15		4	
20	900 067 429 01	Pan-head screw M6 X 15		4	
(20)	N 014 703 2	Pan-head screw M6 X 18	72-	4	
21	900 067 009 02	Pan-head screw M6 X 15		2	
21	900 067 429 01	Pan-head screw M6 X 15		2	
(21)	N 014 703 2	Pan-head screw M6 X 18	72-	2	
22	900 027 014 01	Lock ring B6		6	
22	900 027 014 02	Lock ring B6		6	
22	N 012 006 4	Lock ring B6		6	
23	N 011 524 7	Washer 6,4		6	
23	N 011 524 27	Washer 6,4		6	
24	999 703 043 40	Stopper		4	
25	901 505 093 20	Seal	/L	1	
26	901 505 497 20	Gasket Centre		1	
27	901 505 094 20	Seal	/R	1	
28	901 512 901 00	Rubber seal		1	
29	901 505 904 00	Rear apron Single parts See group 8/98/15		1	

Model: 911 70 Model life 1970>>1973

Pos	Part Number	Description	Remark	Qty	Model
30	N 015 429 2	Speed nut		9	
30	N 015 429 6	Speed nut		9	
31	900 025 002 02	Washer 4,3		9	
31	900 025 002 03	Washer 4,3		9	
32	900 143 031 02	Oval-head sheetmetal screw B4,2 X9		9	
33	900 146 016 02	Oval-head screw AM3 X 6		2	
34	900 076 001 02	Hexagon nut M3		2	
35	900 151 019 02	Washer B3,2		2	
36	901 505 251 21	Plate	/L	1	
(36)	901 505 251 22	Plate	/L 73-	1	CARRERA 2.7
(36)	901 505 252 21	Plate	/R	1	
(36)	901 505 252 22	Plate	/R 73-	1	CARRERA 2.7
37	999 911 084 40	Beading		X	
38	999 190 101 30	Blind rivet		8	
39	900 187 010 02	Hexagon-head tapping screw BZ6,3 X 19		6	
39	900 187 010 03	Hexagon-head tapping screw BZ6,3 X 19		6	
40	900 151 020 30	Washer A7,4		6	
41	999 591 327 02	Speed nut		2	
41	999 501 327 01	Speed nut		2	
41	999 591 327 01	Speed nut		2	
42	900 074 127 02	Hexagon-head bolt M8 X 25	-71	4	
(42)	900 075 079 02	Hexagon-head bolt M8 X 22	72-	4	
43	900 027 015 02	Lock ring B8		4	
43	900 027 015 03	Lock ring B8		4	
44	900 151 008 02	Washer B8,4		4	
45	901 505 261 20	Shim		8	
46	900 067 009 02	Pan-head screw M6 X 15		2	
46	900 067 429 01	Pan-head screw M6 X 15		2	
(46)	N 014 703 2	Pan-head screw M6 X 18	72-	2	
47	N 011 524 7	Washer 6,4		2	
47	N 011 524 27	Washer 6,4		2	
48	900 910 011 02	Lock nut M6		2	
49	901 501 092 21	Support tube		2	
50	900 074 126 02	Hexagon-head bolt M8 X 22		2	
51	900 151 008 02	Washer B8,4		4	
52	N 021 194 1	Lock nut M8		2	
53	901 501 913 21	Sealing ring		2	
54	900 025 021 02	Washer		2	
55	900 078 009 02	Hexagon nut M20 X 1,5		2	

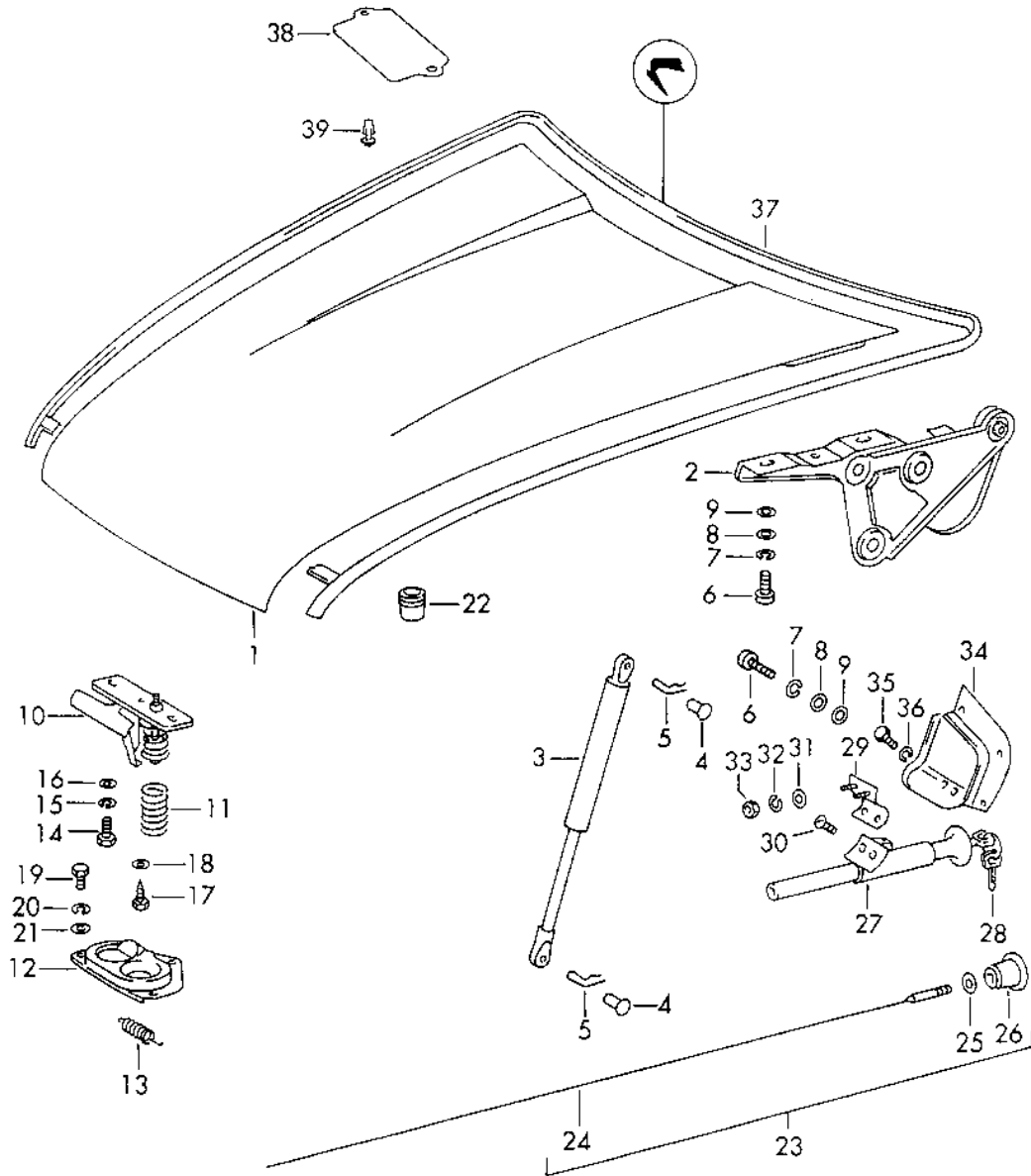
Model: 911 70

Model life 1970>>1973

Pos	Part Number	Description	Remark	Qty	Model
56	901 501 930 22	Support		1	
57	900 075 057 02	Hexagon-head bolt M6 X 16		1	
57	900 075 057 03	Hexagon-head bolt M6 X 16		1	
58	900 028 003 01	Lock ring A6		1	
61	999 911 198 40	Piping for Moulding		X	

Model: 911 70

Model life 1970>>1973



Model: 911 70 Model life 1970>>1973

Pos	Part Number	Description	Remark	Qty	Model
		Lid			
		Front			
1	901 511 010 20	Lid		1	
1		Lid		1	
	901 511 010 20 GRV	Prime coated			
1	901 511 010 22	Lid		1	
	901 511 010 22 GRV	Prime coated			
(1)	901 511 010 21	Lid	73-	1	CARRERA 2.7
		Thin plate			
(1)		Lid		1	CARRERA 2.7
	901 511 010 21 GRV	Prime coated			
		Thin plate	73-		
2	901 511 031 20	Hinge	/L	1	
(2)	901 511 032 20	Hinge	/R	1	
3	959 511 333 00	Gas prop		2	
4	999 087 003 02	Bolt		4	
		with			
		Bore			
4	900 087 011 02	Bolt		4	
		with			
		Bore			
5	901 351 955 10	Safety clip		4	
-	901 511 361 60	Bearing bracket		X	CARRERA 2.7
		for			
		Support			
-	901 511 401 60	Bracket		X	CARRERA 2.7
		for			
		Lid			
-	901 511 362 60	Rubber holder		X	CARRERA 2.7
-	900 145 035 02	Rais. counters. h. tap. s.		X	CARRERA 2.7
		B4,2 X 16			
-	N 011 524 7	Washer		X	CARRERA 2.7
		6,4			
-	N 011 524 27	Washer		X	CARRERA 2.7
		6,4			
-	900 021 001 01	Cotter pin		X	CARRERA 2.7
		1,5 X 8			
-	999 190 101 30	Blind rivet		X	CARRERA 2.7
(6)	900 075 085 02	Hexagon-head bolt	-71	10	
		M8 X 20			
6	900 067 057 02	Pan-head screw	72-	10	
		M8 X 20			
6	900 067 057 03	Pan-head screw		10	
		M 8 X 20			
7	900 027 015 02	Lock ring		10	
		B8			
7	900 027 015 03	Lock ring		10	
		B8			
8	900 025 007 02	Washer		10	
		8,4			
8	900 025 007 03	Washer		10	
		8,4			
9	900 151 008 02	Washer		X	
		B8,4			
10	901 511 051 21	Push-button lock		1	
		Upper part			
11	901 511 512 20	Spring		1	
12	901 511 052 20	Push-button lock		1	
		Lower part			
13	644 511 511 01	Return spring		1	
(14)	900 378 030 09	Hexagon-head bolt		2	
		M6 X 20			
14	900 075 162 02	Hexagon-head bolt		2	

Model: 911 70

Model life 1970>>1973

Pos	Part Number	Description	Remark	Qty	Model
14	N 010 287 1	M6 X 16 Hexagon-head bolt		2	
14	900 075 057 02	M6 X 16 Hexagon-head bolt		2	
15	900 027 014 01	M6 X 16 Lock ring		2	
15	900 027 014 02	B6 Lock ring		2	
15	N 012 006 4	B6 Lock ring		2	
16	900 151 029 02	B6 Washer		2	
17	900 187 004 02	B6,4 Hexagon-head tapping screw		1	
18	900 025 003 02	B4,8 X 19 Washer		1	
19	900 075 162 02	5,3 Hexagon-head bolt		3	
19	N 010 287 1	M6 X 16 Hexagon-head bolt		3	
19	900 075 057 02	M6 X 16 Hexagon-head bolt		3	
20	900 027 014 01	M6 X 16 Lock ring		3	
20	900 027 014 02	B6 Lock ring		3	
20	N 012 006 4	B6 Lock ring		3	
21	N 011 524 7	B6 Washer		3	
21	N 011 524 27	6,4 Washer		3	
22	999 703 036 50	6,4 Rubber stop		4	
(23)	901 511 071 20	Lid-release cable		1	
(24)	901 511 073 20	Lid-release cable		1	
(24)	901 511 073 21	Lid-release cable		1	
24	911 511 061 40	Lid-release cable		1	TARGA
25	901 511 791 21	Rubber washer		1	
26	901 552 813 20	Handle		1	
27	911 511 903 00	Lock		1	
27	911 511 904 00	W/o stipulated lock number Lock with stipulated lock number State lock number		1	
28	914 531 637 10	Main key State lock number		1	
(28)	914 531 903 10	Blank key		1	
28	914 531 903 11	Blank key Secondary key		2	
29	901 511 075 25	Support		1	
30	900 016 015 02	Half-round screw		2	
31	900 151 027 02	AM5 X 8 Washer		2	
31	900 151 027 03	B5,3 Washer		2	
32	900 028 002 01	B5,3 Spring washer		2	
33	900 076 027 02	A5 Nut		2	
34	901 511 725 41	M5 Cover plate		1	
35	N 010 225 4	Hexagon-head bolt		2	

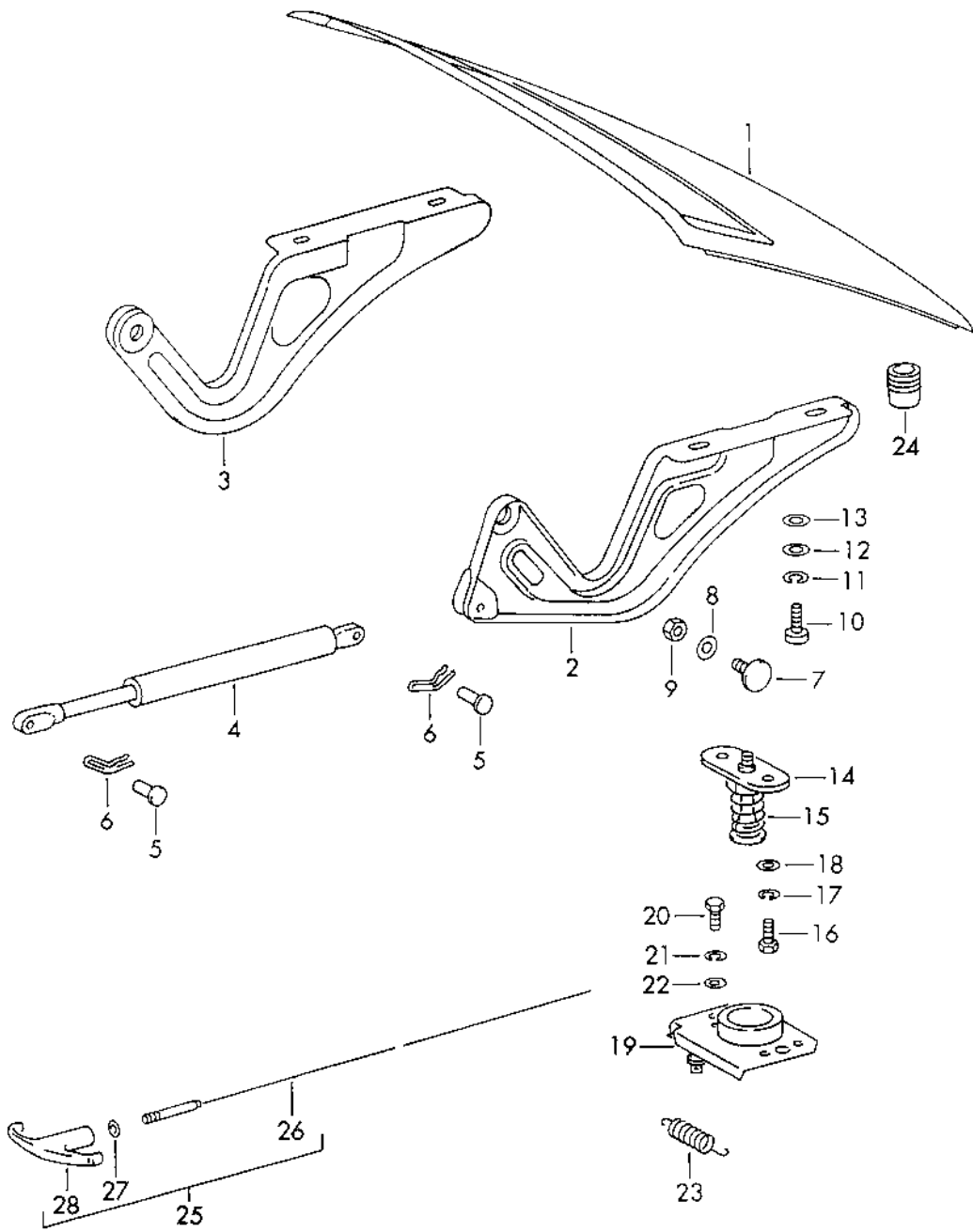
Model: 911 70

Model life 1970>>1973

Pos	Part Number	Description	Remark	Qty	Model
35	900 075 001 03	M5 X 8 Hexagon-head bolt		2	
36	900 027 003 01	M 5 X 8 Lock ring A5		2	
37	901 511 901 02	Gasket		1	
37	901 511 901 04	Gasket		1	
38	901 511 911 00	Cover plate		1	
39	999 591 510 40	Plastic rivet		2	

Model: 911 70

Model life 1970>>1973



Model: 911 70 Model life 1970>>1973

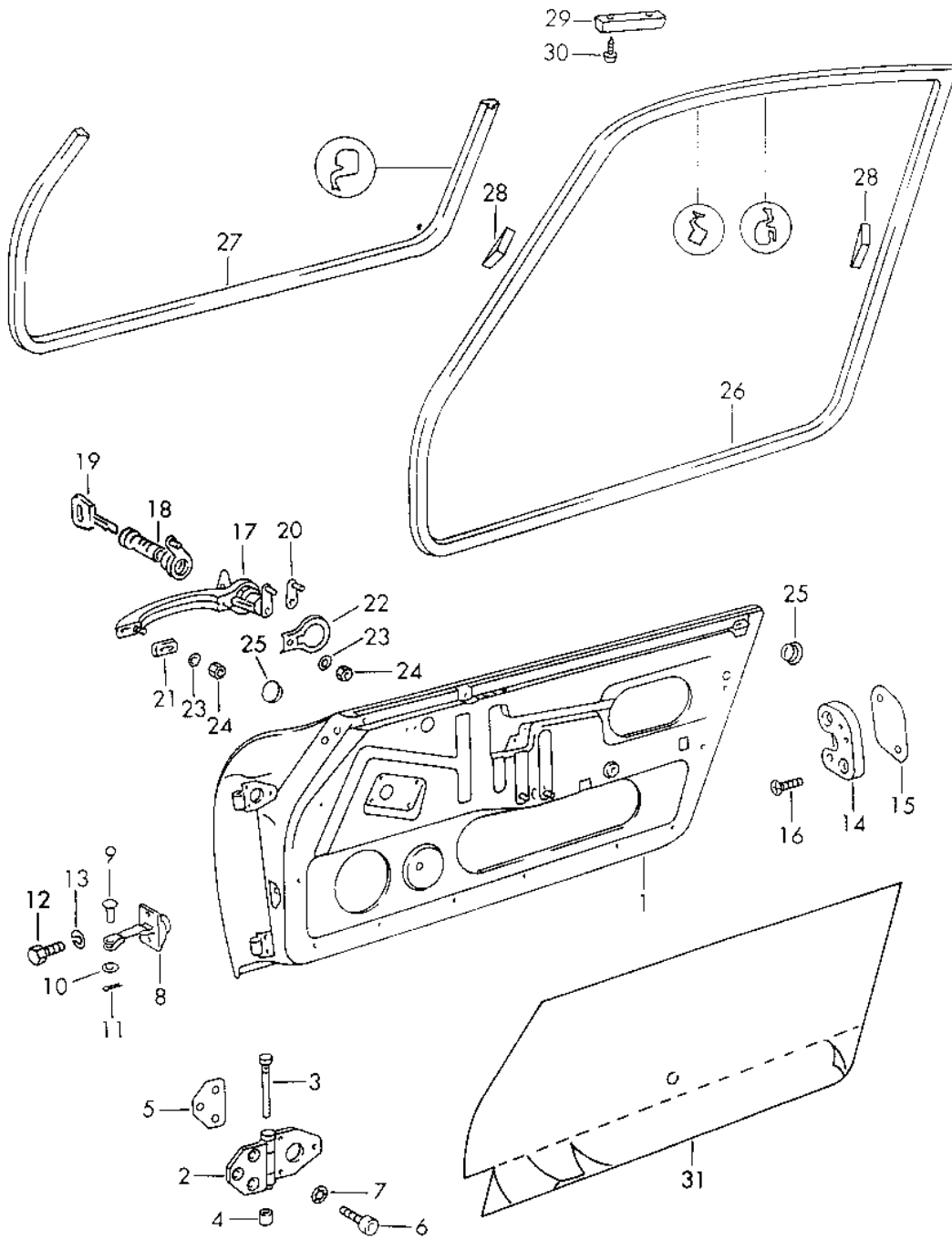
Pos	Part Number	Description	Remark	Qty	Model
1	911 512 010 10	Lid Rear		1	
(1)	911 512 010 56	Lid Steel	/H -73	1	
1	911 512 010 00	Lid Aluminium		1	
-	999 702 076 50	Rubber sleeve Version without		1	
-	911 512 905 00	Rear window wiper Lid		1	
-	911 512 511 00	Rear with Spoiler Main support for Support		X	
-	911 512 513 00	Support		X	
-	911 512 515 00	Eccentric bolt with Cotter pin		X	
-	911 512 517 00	Locking segment		X	
-	900 145 052 02	Rais. counters. h. tap. s. B3,9 X 9,5		X	
2	911 512 035 00	Hinge	/L	1	
3	901 512 036 20	Hinge	/R	1	
3	901 512 036 20 GRV	Hinge Prime coated	/R	1	
4	901 512 331 20	Gas prop		1	
(4)	911 512 331 00	Gas-pressure spring for Lid Aluminium		1	
5	999 087 003 02	Bolt with Bore		2	
5	900 087 011 02	Bolt with Bore		2	
6	901 351 955 10	Safety clip		2	
7	901 512 471 20	Collar bolt		2	
8	900 025 007 02	Washer 8,4		2	
8	900 025 007 03	Washer 8,4		2	
9	900 910 023 02	Lock nut		2	
(9)	999 084 052 02	Lock nut		2	
10	900 075 011 02	Pan-head screw M6 X 2		4	
11	900 027 014 01	Lock ring B6		4	
11	900 027 014 02	Lock ring B6		4	
11	N 012 006 4	Lock ring B6		4	
12	900 151 029 02	Washer B6,4		4	
13	N 011 524 7	Washer 6,4		4	
13	N 011 524 27	Washer 6,4		4	
14	930 512 052 00	Lock upper part		1	

Model: 911 70 Model life 1970>>1973

Pos	Part Number	Description	Remark	Qty	Model
15	901 511 512 20	Upper part Spring		1	
16	900 075 162 02	Hexagon-head bolt M6 X 16		2	
16	N 010 287 1	Hexagon-head bolt M6 X 16		2	
16	900 075 057 02	Hexagon-head bolt M6 X 16		2	
17	900 027 014 01	Lock ring B6		2	
17	900 027 014 02	Lock ring B6		2	
17	N 012 006 4	Lock ring B6		2	
18	900 151 029 02	Washer B6,4		2	
19	901 512 052 00	Lock lower part Lower part		1	
20	900 075 162 02	Hexagon-head bolt M6 X16		2	
20	N 010 287 1	Hexagon-head bolt M6 X16		2	
20	900 075 057 02	Hexagon-head bolt M6 X16		2	
21	900 027 014 01	Lock ring B6		2	
21	900 027 014 02	Lock ring B6		2	
21	N 012 006 4	Lock ring B6		2	
22	N 011 524 7	Washer 6,4		2	
22	N 011 524 27	Washer 6,4		2	
23	644 511 511 01	Return spring		1	
24	999 703 036 50	Rubber stop		2	
25	901 511 071 21	Lid-release cable		1	
26	901 511 073 20	Lid-release cable		1	
26	901 511 073 21	Lid-release cable		1	
27	901 511 791 21	Rubber washer		1	
28	901 552 813 20	Handle		1	

Model: 911 70

Model life 1970>>1973



Model: 911 70 Model life 1970>>1973

Pos	Part Number	Description	Remark	Qty	Model
(1)	911 531 005 00	Doors with installation parts Bare door shell	/L -71	1	
-	911 531 201 00	It is necessary to rework Exterior panelling	/L -71	1	
	911 531 201 00 GRV	Prime coated without mirror Bores			
(1)	911 531 005 06	Bare door shell	/L 72-	1	
-	911 531 201 00	It is necessary to rework Exterior panelling	/L 72-	1	
	911 531 201 00 GRV	Prime coated without mirror Bores			
-	911 531 021 04	Exterior panelling	/L 73-	1	CARRERA 2.7
-		Thin plate			
	911 531 021 04 GRV	Exterior panelling Prime coated Thin plate	/L 73-	1	CARRERA 2.7
1	911 531 006 00	Bare door shell	/R -71	1	
-	911 531 202 00	It is necessary to rework Exterior panelling	/R -71	1	
	911 531 202 00 GRV	Prime coated without mirror Bores			
1	911 531 006 06	Bare door shell	/R 72-	1	
-	911 531 202 00	It is necessary to rework Exterior panelling	/R 72-	1	
	911 531 202 00 GRV	Prime coated without mirror Bores			
-	911 531 022 04	Exterior panelling	/R 73-	1	CARRERA 2.7
-		Thin plate			
	911 531 022 04 GRV	Exterior panelling Prime coated Thin plate	/R 73-	1	CARRERA 2.7
2	901 531 031 20	Hinge		4	
3	901 531 305 20	Hinge bolt		4	
4	901 531 311 20	Bush		8	
5	901 531 391 20	Desk pad		4	
6	N 014 707 4	Pan-head screw	-71	12	
6	900 075 085 02	M8 X 15 Hexagon-head bolt	72-	12	
7	999 523 102 02	M8 X 20 Washer		12	
7	999 523 102 0B	Washer		12	
(8)	911 531 037 00	Door support	-72	2	
8	911 531 057 01	Door support	73-	2	
9	900 088 009 02	Eccentric bolt	-70	2	
		6H11 X 14 X 11			
(9)	900 088 014 02	Eccentric bolt	71	2	
(9)	911 531 615 01	Tensioning sleeve	72-	2	
10	900 232 001 02	Washer		4	
		7			
11	900 021 002 02	Cotter pin		4	
		1,5 X 10			
(12)	N 014 761 2	Pan-head screw	-72	4	
		M6 X 12			
(12)	900 119 129 01	Pan-head screw		4	
		M 6 X 12			
12	N 010 207 6	Hexagon-head bolt	73-	4	
		M5 X 12			
12	N 010 207 17	Hexagon-head bolt	73-	4	

Model: 911 70 Model life 1970>>1973

Pos	Part Number	Description	Remark	Qty	Model
13	900 027 014 01	M5 X 12 Lock ring	-70	4	
13	900 027 014 02	B6 Lock ring		4	
13	N 012 006 4	B6 Lock ring		4	
13	999 523 106 01	B6 Lock washer	72-	4	
(14)	901 531 701 23	Door lock striker	/L -72	1	
(14)	901 531 701 01	Door lock striker	/L -72	1	
14	911 531 701 02	White Chrome Door lock striker	/L 73-	1	
14	901 531 702 23	Yellow Chrome Door lock striker	/R -72	1	
14	901 531 702 01	Door lock striker	/R -72	1	
(14)	911 531 702 02	White Chrome Door lock striker	/R 73-	1	
(15)	901 531 703 23	Yellow Chrome Desk pad		X	
15	901 531 703 24	1 MM Desk pad		X	
16	999 147 001 02	2 MM Countersunk-head screw		4	
(16)	999 147 002 02	M8 X 35 Countersunk-head screw		4	
(16)	999 219 008 00	M8 X 40 Oval-head screw		4	
(17)	911 531 061 00	M8 X 40 Outer door handle	/L -71	1	
(17)	911 531 062 00	Outer door handle	/R -71	1	
-	PCG 531 060 00	Door handle		1	
-	911 538 901 14	Chrome Comprising: Handle Left And Right with Lock cylinder Set of locks Comprising: Outer door handle Left And Right Steering lock Glove compartment lock for Luggage compartment		1	
(17)	911 531 941 00	Outer door handle	/L /R 72-	2	
(18)	911 531 601 00	Lock cylinder	-71	2	
(18)	911 531 943 00	State lock number Lock cylinder	/L 72-	1	
(18)	911 531 947 00	with 2 secondary keys Lock cylinder	/L 72-	1	
18	911 531 944 00	with 2 secondary keys State lock number Lock cylinder	/R 72-	1	
		with 2 secondary keys			

Model: 911 70 Model life 1970>>1973

Pos	Part Number	Description	Remark	Qty	Model
18	911 531 944 29	Lock cylinder with 2 secondary keys	/R 72-	1	
18	911 531 948 00	Lock cylinder with 2 secondary keys State lock number	/R 72-	1	
19	914 531 637 10	Main key State lock number		2	
(19)	914 531 903 11	Blank key Secondary key		2	
(19)	914 531 903 10	Blank key for Main key		2	
(19)		Blank key for Secondary key		2	
20	901 531 920 20	Actuating lever		X	
21	911 531 631 00	Desk pad Front		2	
22	911 531 632 00	Desk pad Rear		2	
23	900 025 003 02	Washer 5,3		4	
24	999 084 102 02	Lock nut		4	
25	999 703 119 40	Stopper One groove 2 MM		14	
(25)	999 703 040 50	Cap One groove 3 MM		14	
(26)	901 531 093 23	Door sealing Tread Original Or	/L /R	2	COUPE
(26)	911 531 095 03	Door sealing Tread New design	/L /R	2	COUPE
(26)	911 531 095 02	Door sealing	/L 72-	1	COUPE
(26)	911 531 095 03	Door sealing	/L 72-	1	COUPE
26	911 531 095 02	Door sealing	/R 72-	1	COUPE
26	911 531 095 03	Door sealing	/R 72-	1	COUPE
27	902 531 093 40	Door sealing Tread Original Or		2	TARGA
27	911 531 095 40	Door sealing Tread Original		2	TARGA
28	901 531 945 20	Desk pad		4	
29	901 531 753 00	Stop		2	
29	911 531 753 02	Stop		2	
30	N 013 954 2	Hexagon-head bolt B2,9 X 13		4	
30	900 143 051 01	Oval-head sheetmetal screw B2,9 X 13		4	
(31)	901 531 089 00	Sealing film Door Inner panel	/L	2	
(31)	911 531 889 00	Seal Door Inner panel	/L	1	
31	901 531 090 00	Sealing film Door Inner panel	/R	1	

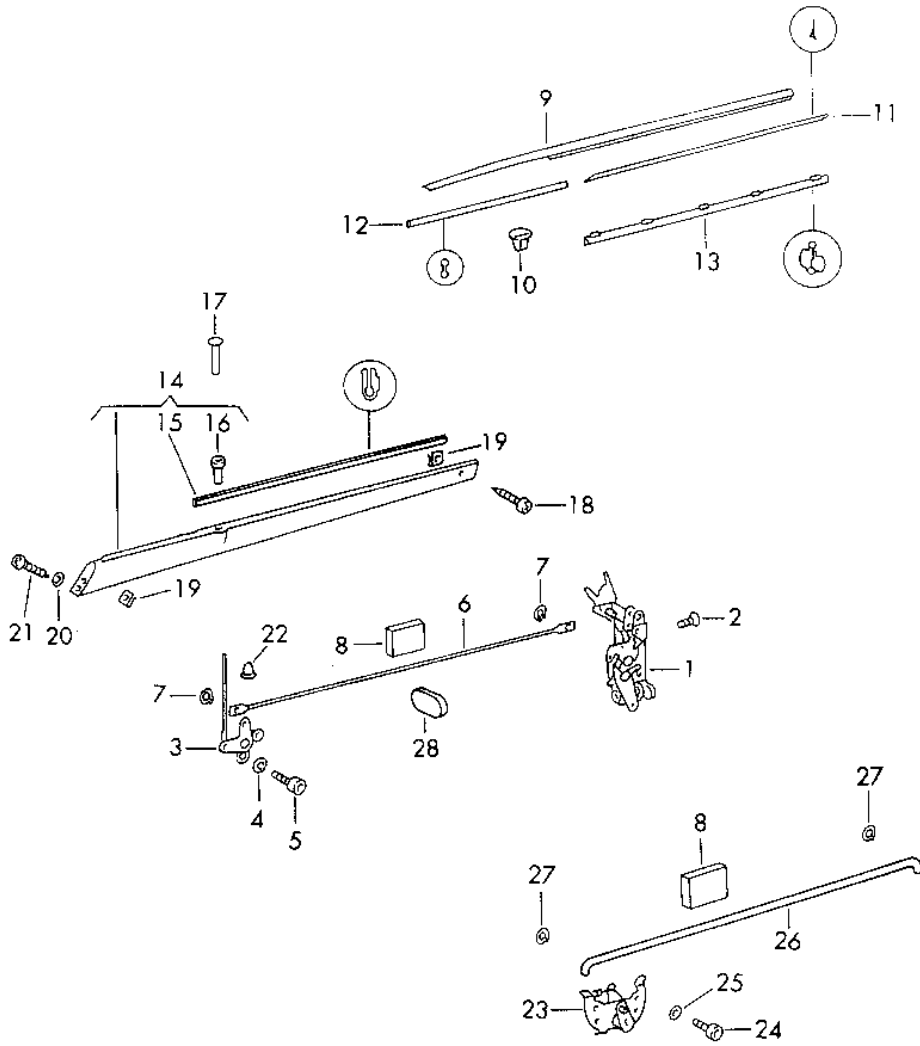
Model: 911 70

Model life 1970>>1973

Pos	Part Number	Description	Remark	Qty	Model
31	911 531 890 00	Seal Door Inner panel	/R	1	

Model: 911 70

Model life 1970>>1973



Model: 911 70 Model life 1970>>1973

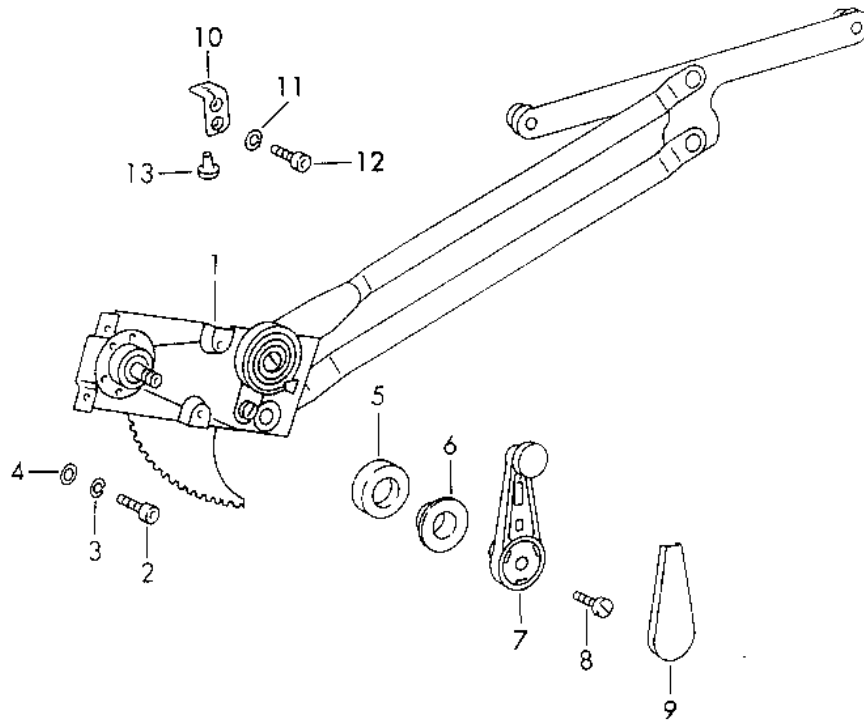
Pos	Part Number	Description	Remark	Qty	Model
		Door lock with installation parts			
(1)	911 531 053 02	Door lock	/L -72	1	
(1)	911 531 053 04	Door lock	/L 73-	1	
-	911 531 317 00	Leather strap		X	CARRERA 2.7
-	900 190 021 03	Tubular rivet A5 X 10 X 9		X	CARRERA 2.7
(1)	911 531 054 03	Door lock	/LL /R -72	1	
1	911 531 054 05	Door lock	/LL /R 73-	1	
(1)	911 531 054 02	Door lock	/RL /R -72	1	
(1)	911 531 054 04	Door lock	/RL /R 73-	1	
-	901 531 547 20	Spring	/L /R	2	
2	999 148 005 04	Door lock Countersunk-head screw AM 5 X 12	-72	6	
2	999 148 005 0E	Countersunk-head screw Self-locking		6	
(2)	900 148 018 04	Rais. counters. h. tap. s. AM6 X 12	73-	6	
(3)	911 531 075 00	Mounting for push-button	/L	1	
3	911 531 076 00	Mounting for push-button	/R	1	
4	N 012 225 2	Spring washer B5		4	
5	900 119 034 0C	Pan-head screw M5 X 8 White		4	
6	911 531 562 00	Connecting rod		2	
7	N 012 225 2	Spring washer B5		4	
8	901 531 599 21	Felt strip	-70	4	
8	911 531 599 00	Rubber mounting	71-	4	
(9)	901 531 431 27	Moulding	/L	1	COUPE
(9)	901 531 431 41	Moulding	/L	1	TARGA
9	901 531 432 27	Moulding	/R	1	COUPE
(9)	901 531 432 41	Moulding	/R	1	TARGA
10	999 591 326 02	Moulding clip		14	
10	999 591 326 01	Moulding clip		14	
(11)	911 531 931 02	Sealing strip	/L	1	COUPE
(11)	911 531 931 42	Sealing strip	/L	1	TARGA
11	911 531 932 02	Sealing strip	/R	1	COUPE
(11)	911 531 932 42	Sealing strip	/R	1	TARGA
12	901 531 933 20	Sealing strip Ventilator window		2	
(13)	901 531 935 20	Sealing for door slot	/L	1	
13	901 531 936 20	Sealing for door slot	/R	1	
(14)	901 555 083 00	Cover strip	/L	1	COUPE
(14)		Cover strip	/L	1	TARGA
(14)	901 555 084 00	Cover strip	/R	1	COUPE
(14)		Cover strip	/R	1	TARGA
(15)	901 531 937 25	Sealing for door slot	/L	1	
15	901 531 938 25	Sealing for door slot	/R	1	
16	901 531 481 22	Guide sleeve		2	
17	901 531 671 21	Push button		2	
18	N 013 958 7	Oval-head sheetmetal screw B3,5 X 13		2	
19	999 591 338 02	Speed nut		4	
19	999 591 460 01	Speed nut		4	
20	999 591 102 12	Washer		4	
21	900 145 041 00	Rais. counters. h. tap. s. B3,5 X 16		4	
22	999 591 320 51	Grommet		2	
(23)	911 531 055 00	Lock	/L	1	
23	911 531 056 00	Lock	/R	1	

Model: 911 70 Model life 1970>>1973

Pos	Part Number	Description	Remark	Qty	Model
24	N 014 761 2	Pan-head screw M6 X 12		4	
24	900 119 129 01	Pan-head screw M 6 X 12		4	
25	900 028 008 01	Lock ring B6		4	
26	911 531 561 00	Connecting rod		2	
(27)	911 531 563 00	Linkage clip		8	
28	911 531 565 00	Rubber mounting		4	

Model: 911 70

Model life 1970>>1973

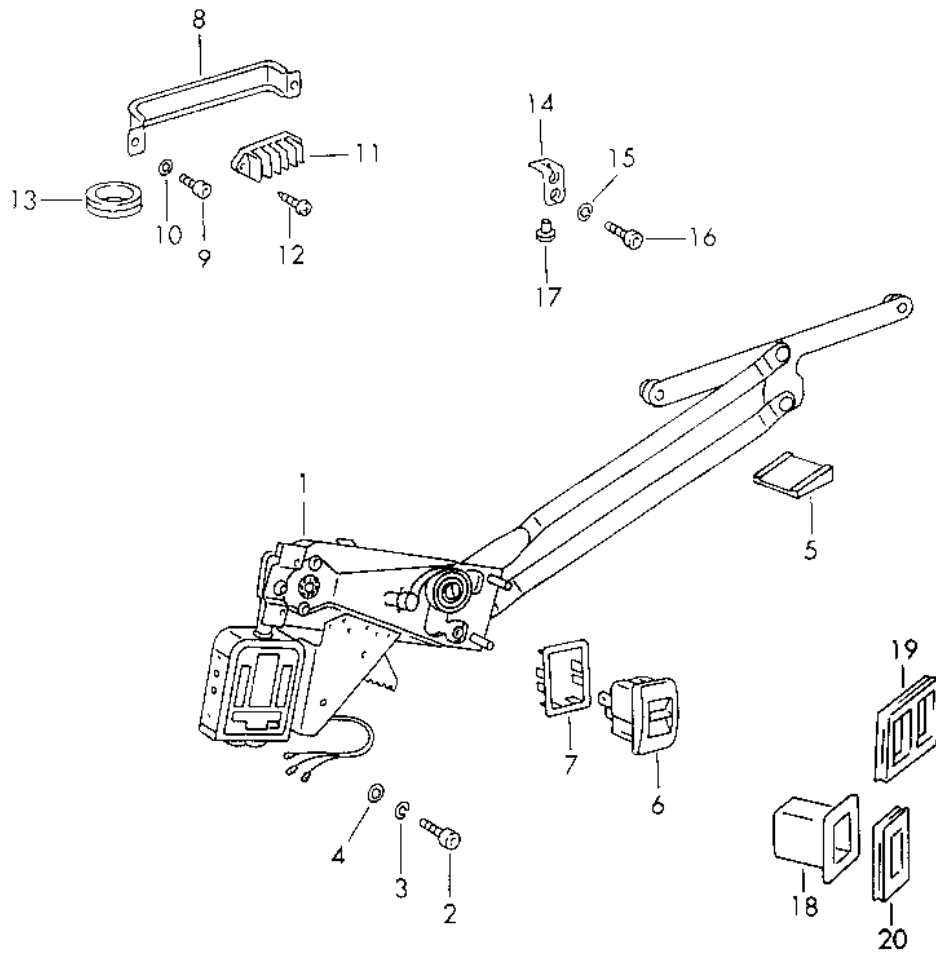


Model: 911 70 Model life 1970>>1973

Pos	Part Number	Description	Remark	Qty	Model
		Power windows Mechanical			
(1)	911 542 041 00	Power windows	/L	1	
1	911 542 042 00	Power windows	/R	1	
1	911 542 929 03	Power windows	/L	1	COUPE
		Use also: 911.542.057.00		1	
		911.542.491.40		1	
1	911 542 930 03	Cross-arm	/R	1	COUPE
		Use also: 911.542.058.00		1	
		911.542.491.40		1	
1	911 542 929 42	Cross-arm	/L	1	TARGA
		Use also: 911.542.057.42		1	
		911.542.491.40		1	
1	911 542 930 42	Cross-arm	/R	1	TARGA
		Use also: 911.542.058.42		1	
		911.542.491.40		1	
2	N 014 765 2	Pan-head screw M6 X 10		8	
3	900 027 014 01	Lock ring B6		8	
3	900 027 014 02	Lock ring B6		8	
3	N 012 006 4	Lock ring B6		8	
4	N 011 524 7	Washer 6,4		8	
4	N 011 524 27	Washer 6,4		8	
5	901 542 495 20	Sealing ring		2	
5	901 542 495 21	Sealing ring		2	
6	901 552 891 20	Rosette		2	
7	911 542 471 00	Window crank		2	
8	911 542 475 00	Conical screw		2	
(9)	901 542 482 20	Cover	-71	2	
(9)	901 542 482 20 700	Cover Black		2	
9	901 542 482 20	Cover	72-	2	
9	901 542 482 20 700	Cover Black	72-	2	
10	901 542 411 40	Stop bracket		2	
11	900 028 008 01	Lock ring A6		4	
12	N 014 765 2	Pan-head screw M6 X 10		4	
13	999 703 064 50	Buffer		2	

Model: 911 70

Model life 1970>>1973

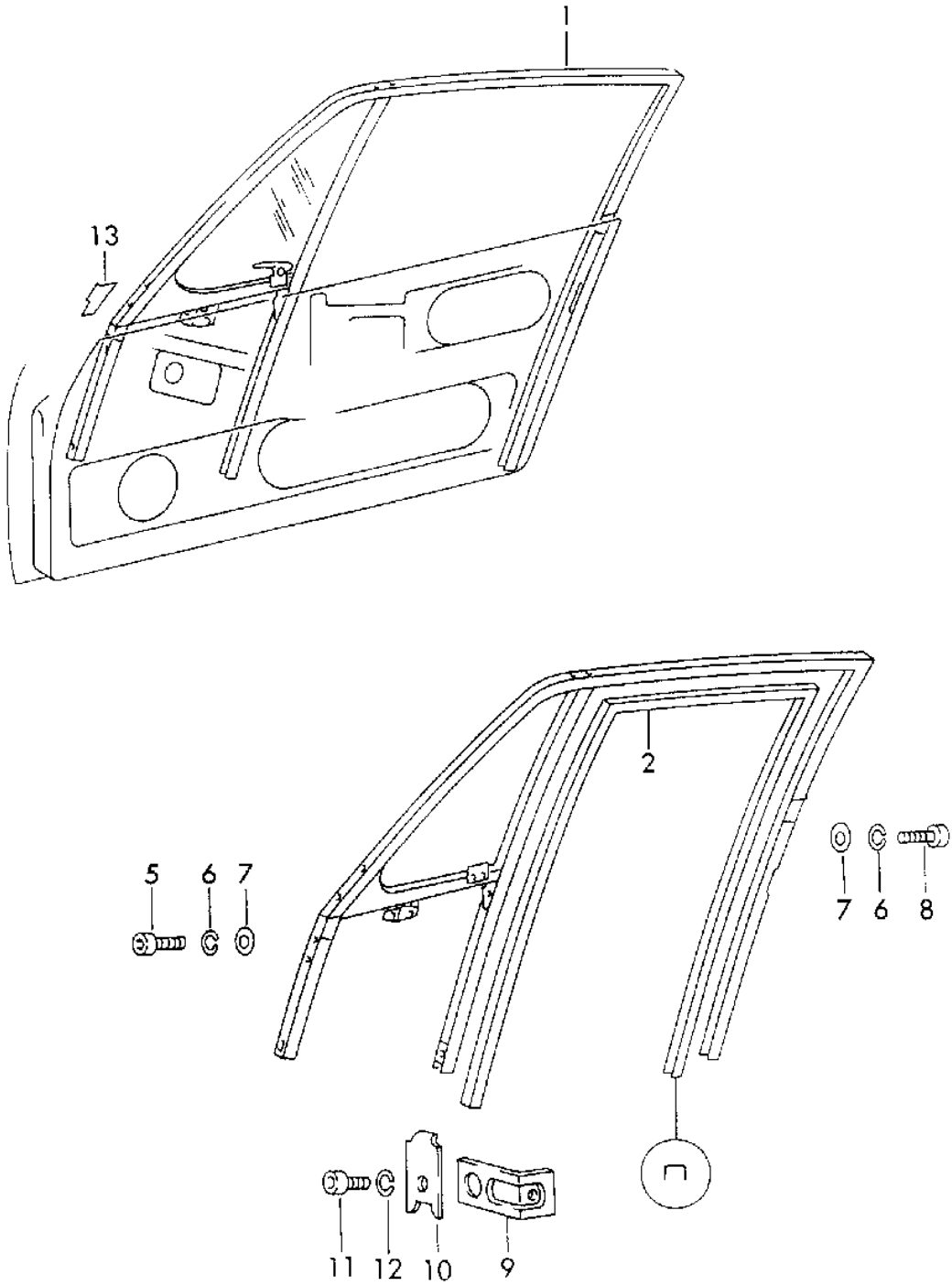


Model: 911 70 Model life 1970>>1973

Pos	Part Number	Description	Remark	Qty	Model
		Power windows Electric			
(1)	911 542 003 25	Power windows	/L -72	1	
(1)	911 542 003 26	Power window	/L 73-	1	
1	911 542 004 25	Power windows	/R -72	1	
1	911 542 004 26	Power window	/R 73-	1	
-	901 624 102 01	Electric motor	-72	2	
-	911 624 015 01	Motor	/L 73-	1	
-	911 624 014 01	Motor	/R 73-	1	
-	901 624 103 00	Transmission		2	
-	911 542 929 01	Power windows	-72	1	
-	911 542 929 00	Power windows	73-	1	
-	911 542 930 01	Power windows	-72	1	
-	911 542 930 00	Power windows	73-	1	
-	901 624 105 00	Clutch		2	
2	900 186 122 02	Hexagon socket head bolt M6 X 12		8	
3	900 027 014 01	Lock ring B6		8	
3	900 027 014 02	Lock ring B6		8	
3	N 012 006 4	Lock ring B6		8	
4	N 011 524 7	Washer 6,4		8	
4	N 011 524 27	Washer 6,4		8	
5	901 542 063 00	Stop wedge		2	
6	901 613 621 00	Tip switch Chrome	-72	3	
(6)	911 613 621 01	Switch	73-	3	
7	901 613 635 00	Support frame	-72	3	
(7)	911 613 635 20	Assembly frame	73-	3	
8	901 531 083 00	Bracket		2	
9	900 014 046 02	Pan-head screw M4 X 10		4	
10	900 027 011 01	Lock ring B4		4	
11	901 612 898 00	Cable connection 5-pole		2	
12	N 013 961 2	Oval-head sheetmetal screw 3,9 X 13		4	
12	N 013 961 11	Oval-head sheetmetal screw 3,9 X 13		4	
13	999 702 026 50	Rubber sleeve		2	
14	901 542 411 40	Stop bracket		2	
15	900 028 008 01	Lock ring A6		4	
16	N 014 765 2	Pan-head screw M6 X 10		4	
17	999 703 064 50	Buffer		2	
18	911 613 623 00	Grommet		X	
19	911 613 637 00	Seal	/L	X	
20	911 613 638 00	Seal	/R	X	

Model: 911 70

Model life 1970>>1973

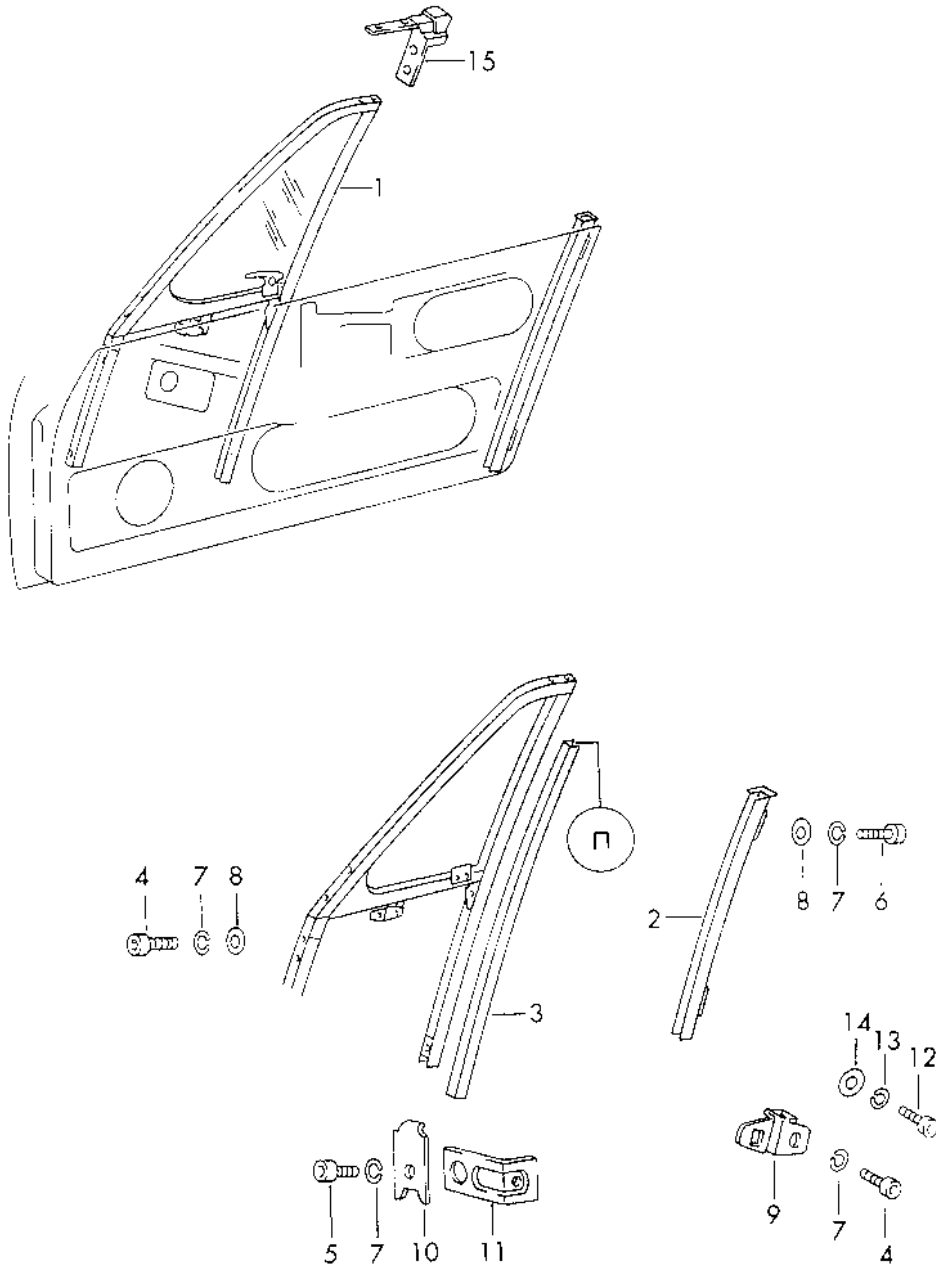


Model: 911 70 Model life 1970>>1973

Pos	Part Number	Description	Remark	Qty	Model
		Door glass frame			COUPE
(1)	901 542 021 27	Door glass frame	/L	1	
(1)	901 542 022 27	Door glass frame	/R	1	
2	911 542 905 00	Window guide Comprising: Position 2+3		2	
5	900 119 052 02	Pan-head screw M8 X 15		4	
6	900 027 015 02	Lock ring B8		10	
6	900 027 015 03	Lock ring B8		10	
7	900 025 007 02	Washer 8,4		8	
7	900 025 007 03	Washer 8,4		8	
8	999 218 008 02	Pan-head screw M8 X 12		4	
8	900 119 018 03	Pan-head screw M8 X 12		4	
9	911 542 061 00	Retaining bracket		2	
10	901 542 252 25	Desk pad		2	
11	N 014 761 2	Pan-head screw M6 X 20		2	
11	900 119 129 01	Pan-head screw M 6 X 12		2	
11	900 119 052 02	Pan-head screw M8 X 16		2	
12	900 027 014 01	Lock ring B6		4	
12	900 027 014 02	Lock ring B6		4	
12	N 012 006 4	Lock ring B6		4	
12	900 027 015 02	Lock ring B8		4	
12	900 027 015 03	Lock ring B8		4	
(13)	911 531 711 00	Bridge	/V /L	2	
13	911 531 712 00	Bridge	/V /R	2	
(13)	911 531 713 00	Bridge	/H /L	2	
(13)	911 531 714 00	Bridge	/H /R	2	

Model: 911 70

Model life 1970>>1973



Model: 911 70 Model life 1970>>1973

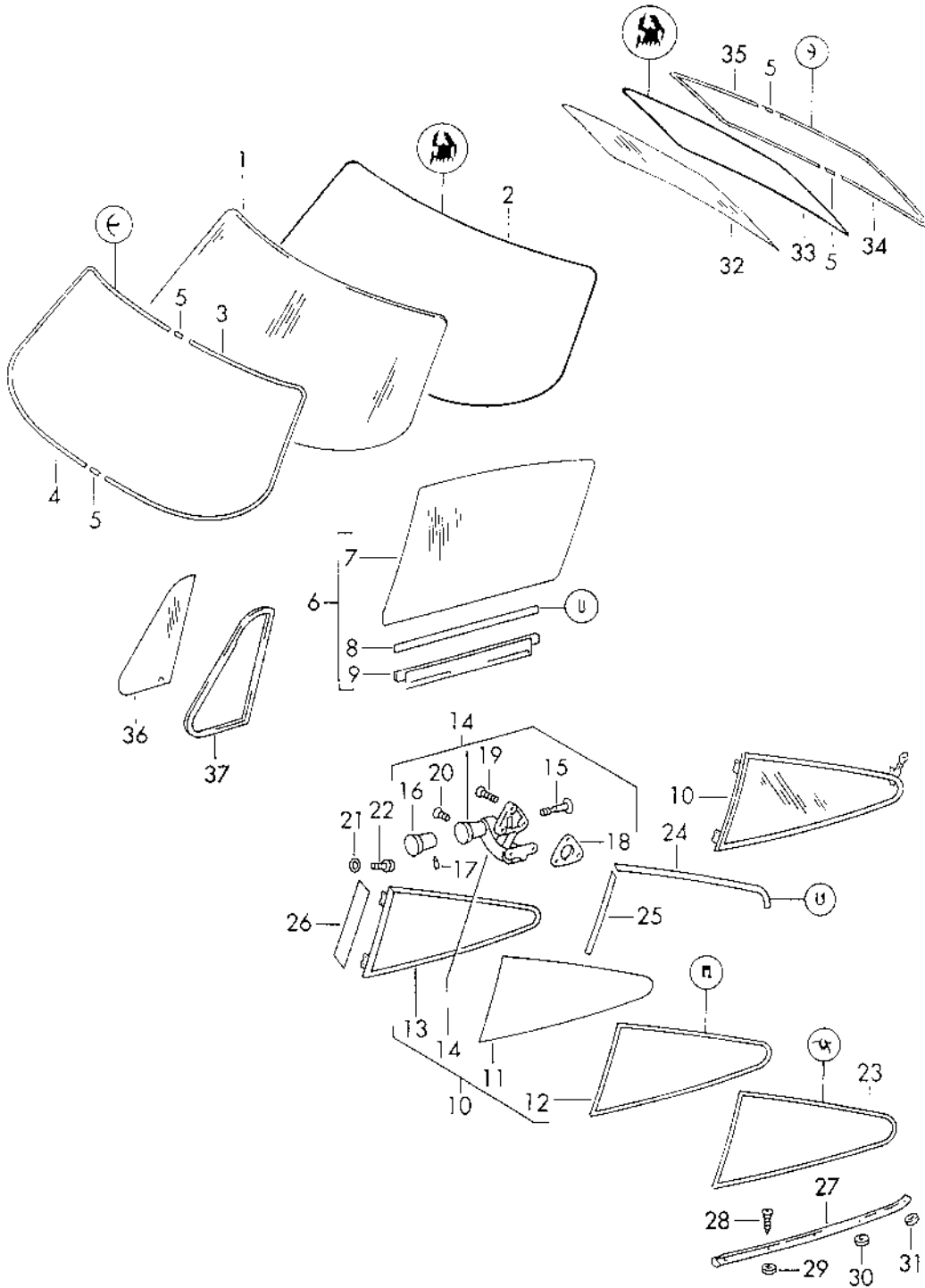
Pos	Part Number	Description	Remark	Qty	Model
		Door glass frame			TARGA
(1)	901 542 005 43	Door glass frame	/L	1	
(1)	901 542 005 48	Door glass frame with Ventilator window Green	/L	1	
(1)	901 542 006 43	Door glass frame	/R	1	
(1)	901 542 006 48	Door glass frame with Ventilator window Green	/R	1	
-	901 542 021 41	Door glass frame Chrome without Ventilator window	/L	1	
-	901 542 022 41	Door glass frame Chrome without Ventilator window	/R	1	
-	901 542 021 48	Door glass frame Black without Ventilator window	/L	1	
-		Door glass frame Black without Ventilator window	/R	1	
(2)	901 542 023 40	Window guide rail	/H /L	1	
2	901 542 024 40	Window guide rail	/H /R	1	
3	911 542 905 00	Window guide	/V	2	
4	N 014 765 2	Pan-head screw M6 X 10		4	
5	N 014 761 2	Pan-head screw M6 X 12		2	
5	900 119 129 01	Pan-head screw M 6 X 12		2	
6	900 119 035 02	Pan-head screw M6 X 8		6	
7	900 027 014 01	Lock ring B6		14	
7	900 027 014 02	Lock ring B6		14	
7	N 012 006 4	Lock ring B6		14	
8	N 011 524 7	Washer 6,4		8	
8	N 011 524 27	Washer 6,4		8	
(9)	901 542 235 40	Clamping spring	/L	1	
9	901 542 236 40	Clamping spring	/R	1	
10	901 542 252 25	Desk pad		2	
11	911 542 061 00	Retaining bracket		2	
12	N 014 761 2	Pan-head screw M6 X 12		2	
12	900 119 129 01	Pan-head screw M 6 X 12		2	
13	900 027 014 01	Lock ring B6		2	
13	900 027 014 02	Lock ring B6		2	
13	N 012 006 4	Lock ring B6		2	
14	N 011 524 7	Washer		2	

Model: 911 70 Model life 1970>>1973

Pos	Part Number	Description	Remark	Qty	Model
14	N 011 524 27	6,4 Washer		2	
(15)	911 542 065 41	6,4 Frame connection	/L	1	
15	911 542 066 41	Frame connection	/R	1	

Model: 911 70

Model life 1970>>1973



Model: 911 70 Model life 1970>>1973

Pos	Part Number	Description	Remark	Qty	Model
		window glazing			COUPE
1	901 541 101 21	Windscreen		1	
(1)	901 541 101 31	Windscreen Green		1	
2	901 541 901 20	Windscreen sealing		1	
3	901 541 911 20	Trim frame-half	/L	1	
4	901 541 912 20	Trim frame-half	/R	1	
5	644 541 921 06	Covering plate		4	
6	901 542 011 27	Door window glass	/L	1	
(6)	901 542 012 27	Door window glass	/R	1	
(6)	901 542 011 37	Door window glass Green	/L	1	
(6)	901 542 012 37	Door window glass Green	/R	1	
(7)	901 542 101 25	Side window	/L	1	
(7)		Side window	/L	1	CARRERA 2.7
(7)	901 542 102 25	Side window	/R	1	
(7)		Side window	/R	1	CARRERA 2.7
(7)	901 542 101 35	Side window Green	/L	1	
(7)	901 542 102 35	Side window Green	/R	1	
8	911 542 491 40	Rubber ply		2	
9	901 542 045 23	Window lifter rail	/L	1	
(9)	901 542 046 23	Window lifter rail	/R	1	
(10)	901 543 011 25	Side window	/L	1	
(10)	901 543 012 25	Side window	/R	1	
(10)	901 543 011 35	Side window Green	/L	1	
(10)	901 543 012 35	Side window Green	/R	1	
(11)	911 543 101 01	Rear window	/L	1	
(11)		Rear window	/L	1	CARRERA 2.7
(11)	901 543 101 20	Side window glass	/L	1	
(11)	901 543 101 30	Side window glass Green	/L	1	
(11)	911 543 102 01	Rear window	/R	1	
(11)		Rear window	/R	1	CARRERA 2.7
11	901 543 102 20	Side window glass	/R	1	
(11)	901 543 102 30	Side window glass Green	/R	1	
12	901 543 191 20	Sealing frame		2	
13	901 543 015 25	Support frame	/L	1	
(13)	901 543 016 25	Support frame	/R	1	
14	901 543 041 21	Hinge	/L	1	
(14)	901 543 042 21	Hinge	/R	1	
15	644 543 416 00	Threaded bolt		2	
16	644 552 820 03	Knob		2	
17	644 552 820 03 700	Black		2	
17	900 043 002 00	Threaded pin M3 X 4		2	
18	901 543 491 21	Desk pad		2	
19	900 148 023 02	Rais. counters. h. tap. s. M4 X 15		6	
20	900 148 002 02	Rais. counters. h. tap. s. M4 X 6		4	
21	999 025 109 02	Washer 5,3		8	
21	999 025 109 0C	Washer 5,3		8	
22	900 186 035 02	Pan-head screw		8	

Model: 911 70 Model life 1970>>1973

Pos	Part Number	Description	Remark	Qty	Model
23	901 543 901 20	M5 X 8 Sealing frame	/L	1	
(23)	901 543 902 20	Sealing frame	/R	1	
24	999 911 041 00	Edge protection		*	
24	PCG 911 041 00	Edge protection White 560 MM		1	
25	901 543 423 00	Edge protection		2	
25	PCG 543 423 00	Edge protection White 320 MM		2	
26	901 543 493 20	Sealing strip		2	
27	901 543 921 25	Moulding	/L	1	
(27)	901 543 922 25	Moulding	/R	1	
28	900 144 009 00	Counters. head tapp. screw B2,9 X 13		12	
29	901 543 419 20	Spacer 4,0		6	
30	901 543 421 20	Spacer 1,5		2	
31	901 543 422 20	Spacer 3,0		2	
32	911 545 105 00	Rear window 150 W		1	
32	911 545 105 02	Rear window 150 W		1	
(32)	911 545 105 00	Rear window 150 W 4,2 MM		1	CARRERA 2.7
(32)	911 545 105 02	Rear window 150 W 4,2 MM		1	CARRERA 2.7
-	911 543 439 00	Retaining strip for 911.545.102.01		X	CARRERA 2.7
-	999 190 101 30	Blind rivet		X	CARRERA 2.7
(32)	911 545 107 00	Rear window 100/300 W Green		1	
(32)	911 545 107 07	Rear window 100/300 W Green		1	
33	901 545 901 21	Sealing frame		1	
33	911 545 901 00	Sealing frame		1	
33	911 545 225 00	Sealing frame It is necessary to rework		1	
34	901 545 911 20	Trim frame-half	/L	1	
35	901 545 912 20	Trim frame-half	/R	1	
-	911 543 035 00	Sealing frame	/L	X	
-	911 543 035 04	Sealing frame	/L	X	CARRERA 2.7
-	911 543 036 00	Sealing frame	/R	X	CARRERA 2.7
-	911 543 036 04	Sealing frame	/R	X	CARRERA 2.7
-	911 543 419 00	Moulding	/L	X	CARRERA 2.7
-	911 543 420 00	Moulding	/R	X	CARRERA 2.7
-	911 543 197 00	Moulding	/V	X	CARRERA 2.7
-	911 543 187 00	Covering plate		X	CARRERA 2.7

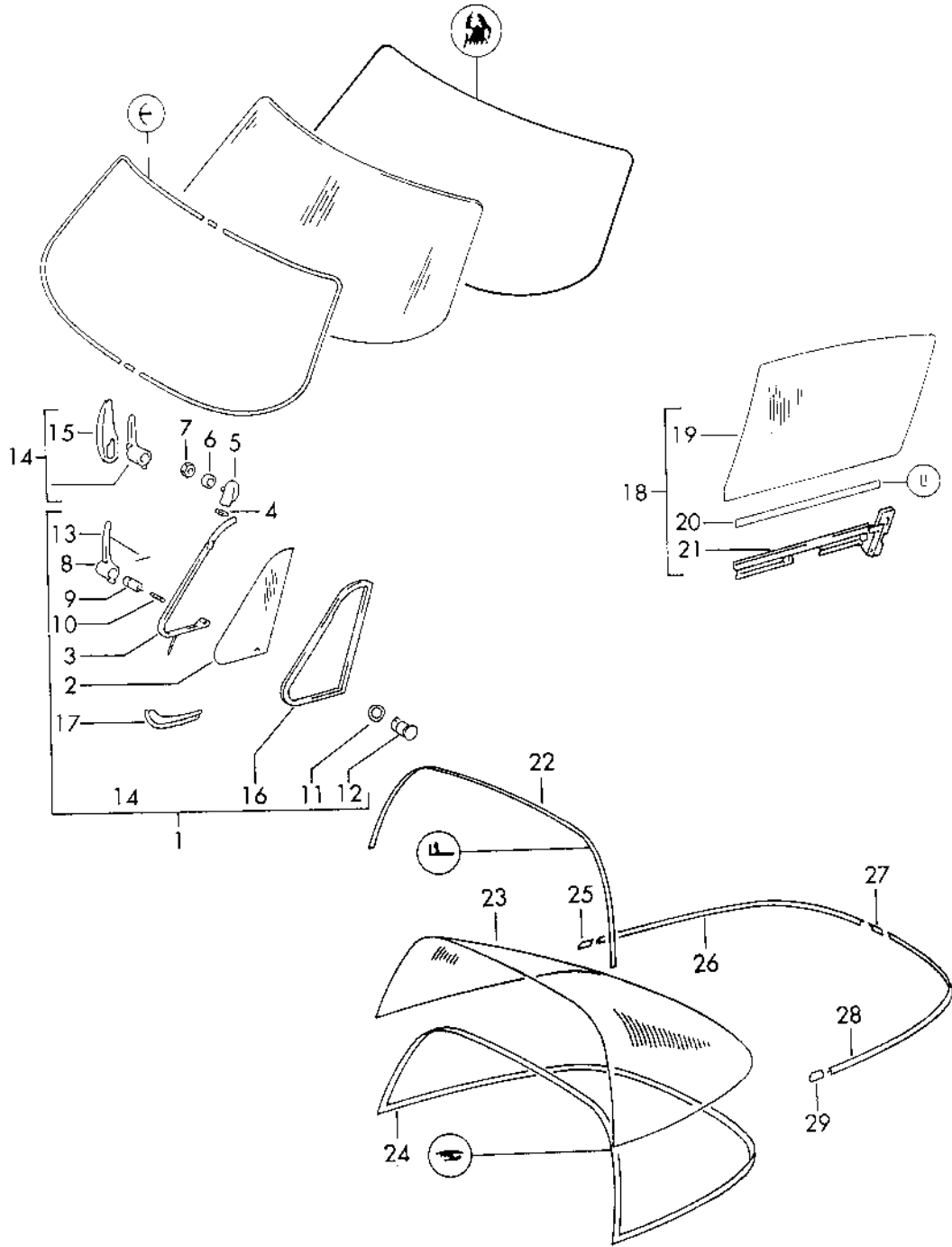
Model: 911 70

Model life 1970>>1973

Pos	Part Number	Description	Remark	Qty	Model
-	911 543 185 00	Upper Covering plate		X	CARRERA 2.7
-	923 543 429 00	Lower Moulding	/L	X	CARRERA 2.7
-		Moulding	/R	X	CARRERA 2.7
36	901 542 501 27	Side window	/L	1	
(36)		Side window	/L	1	CARRERA 2.7
(36)	901 542 502 27	Side window	/R	1	
(36)		Side window	/R	1	CARRERA 2.7
(36)	911 542 511 00	Side window Green	/L	1	
(36)	911 542 512 00	Side window	/R	1	
37	901 542 921 21	Sealing frame		2	

Model: 911 70

Model life 1970>>1973



Model: 911 70 Model life 1970>>1973

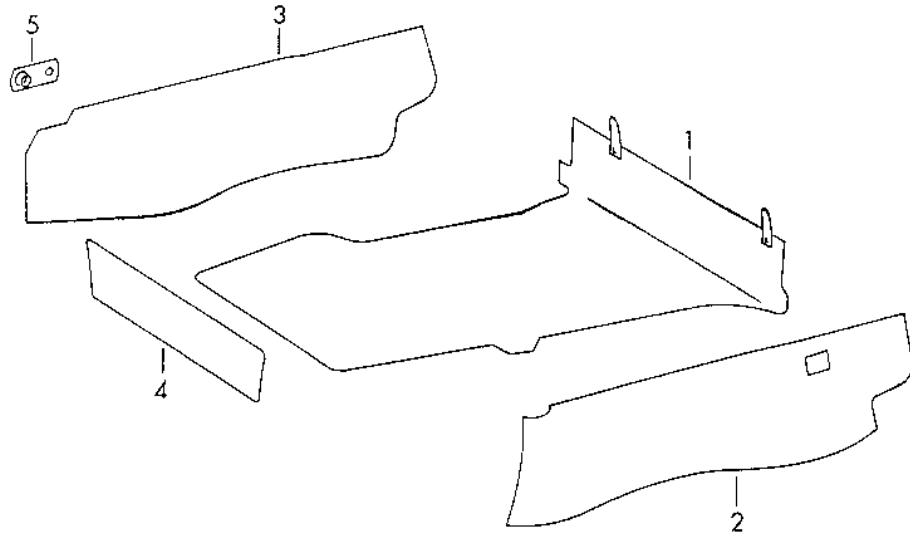
Pos	Part Number	Description	Remark	Qty	Model
		window glazing Windscreen See illustrations 8/05/00			TARGA
(1)	901 542 051 40	Side window	/L	1	
(1)	901 542 052 40	Side window	/R	1	
(1)	901 542 051 45	Side window Green	/L	1	
(1)	901 542 052 45	Side window Green	/R	1	
(2)	901 542 501 40	Side window	/L	1	
(2)	901 542 501 45	Side window Green	/L	1	
(2)	901 542 502 40	Side window	/R	1	
(2)	901 542 502 45	Side window Green	/R	1	
3	901 542 055 40	Support frame	/L	1	
(3)	901 542 056 40	Support frame	/R	1	
4	900 025 002 40	Washer 4,3		2	
5	901 542 621 22	Bearing	/L	2	
(5)	901 542 622 22	Bearing	/R	2	
6	644 542 625 06	Spacer		2	
7	900 084 020 02	Lock nut M4		2	
8	901 542 553 21	Lever	/L	1	
(8)	901 542 554 21	Lever	/R	1	
9	901 542 559 20	Push button		2	
10	644 542 555 00	Compression spring		2	
11	911 542 556 48	Spring washer		2	
12	901 542 558 21	Bearing		2	
12	901 542 558 22	Bearing		2	
13	900 090 001 00	Dowel pin 2 X 12		2	
13	900 090 001 07	Dowel pin 2 X 12		2	
(16)	911 542 135 40	Sealing frame	/L	1	
(16)	911 542 136 40	Sealing frame	/R	1	
17	901 542 513 21	Water deflector	/L	1	
(17)	901 542 514 21	Water deflector	/R	1	
18	901 542 011 43	Door window glass	/L	1	
18	901 542 011 47	Door window glass Green	/L	1	
(18)	901 542 012 43	Door window glass	/R	1	
(18)	901 542 012 47	Door window glass Green	/R	1	
19	901 542 101 40	Door window glass	/L	1	
(19)	901 542 101 45	Door window glass Green	/L	1	
(19)	901 542 102 40	Door window glass	/R	1	
(19)	901 542 102 45	Door window glass Green	/R	1	
20	911 542 491 40	Rubber ply		2	
21	901 542 043 43	Window lifter rail	/L	1	
(21)	901 542 044 43	Window lifter rail	/R	1	
22	901 565 930 41	Gasket		1	
23	911 565 551 03	Rear window 100/300 W		1	
24	901 565 052 41	Sealing frame	-71	1	
24	911 545 051 41	Sealing frame	72-	1	
25	901 565 562 40	Moulding end	/R	1	
26	901 565 556 40	Moulding	/R	1	
27	644 541 921 06	Covering plate		1	

Model: 911 70 **Model life** 1970>>1973

Pos	Part Number	Description	Remark	Qty	Model
28	901 565 555 40	Moulding	/L	1	
29	901 565 561 40	Moulding end	/L	1	

Model: 911 70

Model life 1970>>1973



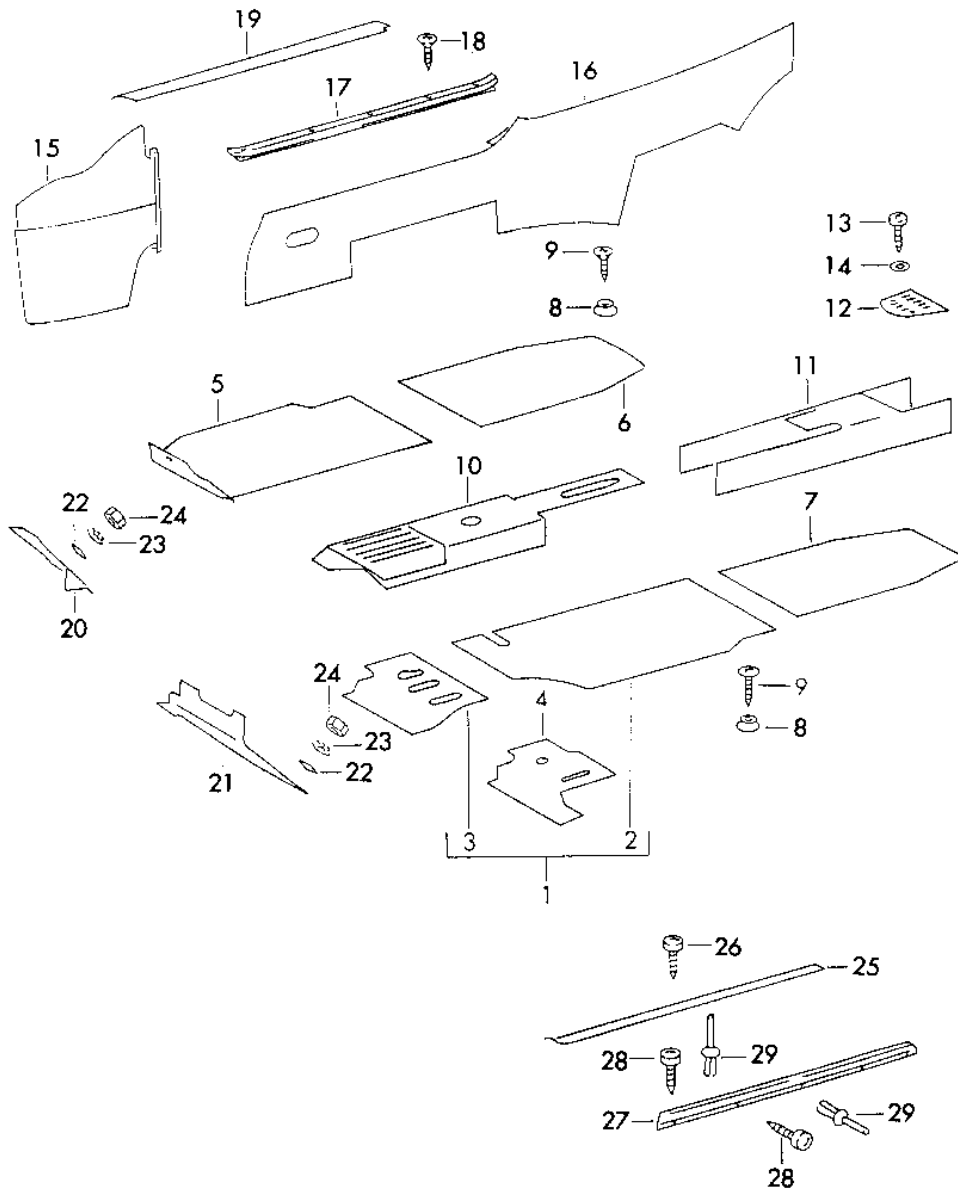
Model: 911 70

Model life 1970>>1973

Pos	Part Number	Description	Remark	Qty	Model
1	911 551 045 00	Interior equipment Front Front-compartment carpet Perlon velour Version Fuel tank 62 L		1	
(1)	901 551 045 26	Front-compartment carpet Perlon velour Version Fuel tank 100 L	-70	1	
2	901 551 049 25	Carpet Perlon velour for Front boot side wall	/L	1	
2	901 551 049 25 700	Carpet Black Perlon velour for Front boot side wall	/L	1	
3	901 551 050 22	Carpet Perlon velour for Front boot side wall	/R	1	
4	901 551 406 00	Front-compartment carpet Perlon velour	/V -71 /V 72- /V	1	911 T/E/S 911 T-V/T-K 911 T-E/E/S
(4)	911 551 475 00	Front-compartment carpet Velour	/V 72-	1	911 T-E/S CARRERA 2.7
5	911 503 075 00	Desk pad		6	

Model: 911 70

Model life 1970>>1973



Model: 911 70 Model life 1970>>1973

Pos	Part Number	Description	Remark	Qty	Model
1	901 551 011 24	Interior equipment Centre Carpet Front Complete Perlon Indicate colour	/L -71	1	911 E/S 911 S CARRERA 2.7
(1)	901 551 011 27	Carpet Front Complete Perlon velour Indicate colour	/L -71 72-	1	911 T 911 T-V/T-E 911 E
(1)	901 551 011 45	Carpet Front Complete Perlon Indicate colour	/L 70- 72-	1	911 S TARGA CARRERA 2.7 TARGA
(1)	901 551 011 44	Carpet Complete Perlon velour Indicate colour		1	
2	901 551 011 29	Carpet Left Perlon velour Indicate colour for cars without Sportomatic	/LL /V -71	1	911 E/S 911 S CARRERA 2.7
2	901 551 011 29 700 901 551 011 29	Black Carpet Left Perlon velour Indicate colour for cars without Sportomatic	/LL /V -71	1	911 T 911 T-V/T-E 911 E
2	901 551 011 29 700 901 551 011 29	Black Carpet Left Perlon Indicate colour for cars without Sportomatic	/LL /V 70-	1	911 S TARGA CARRERA 2.7 TARGA
(2)	901 551 011 29 700 901 551 011 29	Black Carpet Left Perlon velour Indicate colour for cars without Sportomatic	/LL /V 72-	1	911 T-V/T-K TARGA 911 T-V/E/S TARGA
2	901 551 011 29 700 905 551 011 25	Black Carpet Left Perlon Indicate colour for cars with Sportomatic	/LL /V -71	1	911 E 911 S CARRERA 2.7
2	905 551 011 24	Carpet Left Perlon velour Indicate colour for cars with Sportomatic	/LL /V -71 72-	1	911 T 911 T-V/T-E 911 E
(2)	905 551 011 45	Carpet Left	/LL /V 70- 72-	1	911 S TARGA CARRERA 2.7

Model: 911 70 Model life 1970>>1973

Pos	Part Number	Description	Remark	Qty	Model
		Perlon Indicate colour for cars with Sportomatic			TARGA
(2)	905 551 011 44	Carpet Left	/LL /V 72- /V	1	911 T-V/T-K TARGA 911 T-E/E TARGA
3	901 551 015 20	Perlon velour Indicate colour for cars with Sportomatic			
		Carpet Left	/LL /V -71	1	911 E/S 911 S CARRERA 2.7
	901 551 015 20 700	Perlon Indicate colour Black			
3	901 551 015 00	Carpet Left	/LL /V -71	1	911 T 911 T-V:SPM 911 T-E:SPM 911 E:SPM
(3)	901 551 016 20	Perlon velour Indicate colour Carpet Right	/RL /V -71 72-	1	911 E/S 911 S CARRERA 2.7
(3)	901 551 016 00	Perlon Indicate colour Carpet Right	/RL /V -71 72-	1	911 T 911 T-V/T-E 911 E
(3)	901 551 015 20	Perlon velour Indicate colour Carpet Left	/LL /V 70-	1	911 S TARGA CARRERA 2.7 TARGA
	901 551 015 20 700	Perlon Indicate colour Black/anthracite			
(3)	901 551 015 20	Carpet Left	/LL /V 72-	1	911 T-V/T-K TARGA 911 T-E/E TARGA
	901 551 015 20 700	Perlon velour Indicate colour Black/anthracite			
(3)	901 551 016 41	Carpet Right	/RL /V 70-	1	911 S TARGA CARRERA 2.7 TARGA
		Perlon Indicate colour for cars with Sportomatic			
(3)	901 551 016 40	Carpet Right	/RL /V 72-	1	911 T-V/T-K 911 T-E/E
		Perlon velour Indicate colour for cars with Sportomatic			
4	905 551 015 01	Carpet Left	/LL /V -70	1	911 S 911 E 911 S CARRERA 2.7
		Perlon Indicate colour for cars with Sportomatic			
4	905 551 015 00	Carpet Left	/LL /V -71	1	911 T 911 T-V/T-E 911 E
		Perlon velour Indicate colour for cars with Sportomatic			
(4)	905 551 016 01	Carpet Right	/RL /V -70	1	911 S 911 E

Model: 911 70 Model life 1970>>1973

Pos	Part Number	Description	Remark	Qty	Model
(4)	905 551 016 00	Perlon Indicate colour for cars with Sportomatic Carpet Right	/RL /V -71	1	911 S CARRERA 2.7 911 T 911 T-V/T-E 911 E
(4)	911 551 016 43	Perlon velour Indicate colour for cars with Sportomatic Carpet Right	/RL /V 70-	1	911 S TARGA CARRERA 2.7 TARGA
(4)	911 551 016 44	Perlon Indicate colour for cars with Sportomatic Carpet Right	/RL /V 72-	1	911 T-V/T-K TARGA 911 T-E/E TARGA
5	901 551 012 24	Perlon velour Indicate colour for cars with Sportomatic Carpet Right	/LL /V -71 72-	1	911 E/S 911 S CARRERA 2.7
5		Perlon Indicate colour Carpet Right	/LL /V -71	1	911 T 911 T-V/T-K 911 T-E/E
(5)	901 551 012 28	Perlon velour Indicate colour for cars with Sportomatic Carpet Right	/RL /V -71 72-	1	911 E/S 911 S CARRERA 2.7
(5)	901 551 012 30	Perlon Indicate colour Carpet Right	/RL /V -71 72-	1	911 T 911 T-V/T-K 911 T-E/E
5	901 551 012 42	Perlon velour Indicate colour for cars with Sportomatic Carpet Right	/LL /V 70- 72-	1	911 S TARGA CARRERA 2.7 TARGA
(5)	901 551 012 47	Perlon Indicate colour Carpet Right	/RL /V 72-	1	911 S TARGA CARRERA 2.7 TARGA
(5)	901 551 012 44	Perlon velour Indicate colour for cars with Sportomatic Carpet Right	/LL /V 72-	1	911 T-V/T-K TARGA 911 T-E/E TARGA
(5)	901 551 012 44 700	Perlon Indicate colour Carpet Right	/LL /V 72-	1	911 T-V/T-K TARGA 911 T-E/E TARGA
(5)	901 551 012 42 901 551 012 42 700	Perlon velour Indicate colour for cars with Sportomatic Carpet Right	/LL /V 72-	1	911 T-V/T-K TARGA 911 T-E/E TARGA
(5)	901 551 012 46	Perlon velour Indicate colour Carpet	/RL /V 72-	1	911 T-E/E TARGA 911 T-V/T-K

Model: 911 70 Model life 1970>>1973

Pos	Part Number	Description	Remark	Qty	Model
		Right Perlon velour Indicate colour for cars with Sportomatic			TARGA 911 T-E/E TARGA
(6)	901 551 014 22	Carpet Perlon Indicate colour	/H /R -71 72-	1	911 E/S 911 S CARRERA 2.7
6		Carpet Perlon velour Indicate colour	/H /R -71 72-	1	911 T 911 T-V/T-K 911 T-E/E
(6)	911 551 122 01	Carpet Perlon velour Black	73-	1	CARRERA 2.7
7	901 551 013 22	Carpet Perlon Indicate colour	/L /H -71 72-	1	911 E/S 911 S CARRERA 2.7
(7)		Carpet Perlon velour Indicate colour	/L /H -71 72-	1	911 T 911 T-V/T-K 911 T-E/E
(7)	911 551 121 01	Carpet Perlon velour Black	73-	1	CARRERA 2.7
8	999 591 805 12	Push button	70-	4	
(8)	999 591 801 12	Push button	71	4	
9	900 145 043 00	Rais. counters. h. tap. s. B 3,5 X 9,5	70-	4	
(9)	900 138 014 02	Rais. counters. h. tap. s. B 3,5 X 13	71	4	
10	901 551 411 31	Carpet for Tunnel Perlon Indicate colour	/LL /V -71 72-	1	911 E/S 911 S CARRERA 2.7
10	901 551 411 53 901 551 411 53 700	Carpet Black for Tunnel Perlon Indicate colour	/LL /V	1	911 E/S 911 S CARRERA 2.7
10	901 551 411 31	Carpet for Tunnel Perlon velour Indicate colour	/LL /V -71 72-	1	911 T 911 T-V/S
10	901 551 411 53 901 551 411 53 700	Carpet Black for Tunnel Perlon velour Indicate colour	/LL /V	1	911 T 911 T-V/S
10	901 551 411 54	Carpet for Tunnel Perlon Indicate colour	/RL /V -71 72-	1	911 E/S 911 S CARRERA 2.7
10	901 551 411 32	Carpet for Tunnel Perlon velour Indicate colour for cars with Sportomatic	/RL /V -71 72-	1	911 T 911 T-V/E

Model: 911 70 Model life 1970>>1973

Pos	Part Number	Description	Remark	Qty	Model
(10)	911 551 412 07	Carpet for Tunnel Front Perlon velour Black	73-	1	CARRERA 2.7
10	901 551 411 31	Carpet for Tunnel 5-speed Transmission Perlon Indicate colour	/LL /V 72-	1	911 S
10	901 551 411 53 901 551 411 53 700	Carpet Black for Tunnel 5-speed Transmission Perlon Indicate colour	/LL /V 72-	1	911 S
(10)	911 551 411 01	Carpet for Tunnel 5-speed Transmission Perlon velour Indicate colour	/LL /V 72-	1	911 T-V/E
10	911 551 411 04	Carpet for Tunnel 5-speed Transmission Perlon Indicate colour for cars with Sportomatic	/RL /V 72-	1	911 S
(10)	911 551 411 03	Carpet for Tunnel 5-speed Transmission Perlon velour Indicate colour for cars with Sportomatic	/RL /V 72-	1	911 T-V/E
-	999 591 801 12	Push button	70-	2	
-	999 591 805 12	Push button	71	2	
-	900 145 043 00	Rais. counters. h. tap. s.	71	2	
11	901 551 047 21	Carpet for Tunnel Perlon Indicate colour for cars with Sportomatic	/H -71 72-	1	911 E/S 911 S CARRERA 2.7
(11)		Carpet for Tunnel Perlon velour Indicate colour for cars with Sportomatic	/H -71 72-	1	911 T 911 T-V/T-K 911 T-E/E

Model: 911 70 Model life 1970>>1973

Pos	Part Number	Description	Remark	Qty	Model
(11)		Carpet for Tunnel Perlon velour Black for cars with Sportomatic	73-	1	CARRERA 2.7
12	901 504 731 30	Lid for Tunnel	/H 70-	1	
(12)		Lid for Tunnel	/H 71-	1	
(12)		Lid for Tunnel Optional heating	/LL /H 70-	1	
13	N 013 971 3	Oval-head sheetmetal screw B 4,8 X 22		4	
14	900 031 006 40	Washer 5,3		4	
(15)	901 551 041 20	Carpet Perlon Indicate colour	/V /L -71	1	911 E/S 911 S CARRERA 2.7
(15)		Carpet Perlon velour Indicate colour	/V /L -71	1	911 T 911 T-V/T-K 911 T-E/E
(15)	901 551 042 20	Carpet Front Perlon Indicate colour	/LL /R -71	1	911 E/S 911 S CARRERA 2.7
(15)		Carpet Front Perlon velour Indicate colour	/LL /R -71	1	911 T 911 T-V/T-K 911 T-E/E
(15)	901 551 042 22	Carpet Front Perlon Indicate colour	/RL /R -71	1	911 E/S 911 S CARRERA 2.7
15	901 551 042 26	Carpet Front Perlon velour Indicate colour	/RL /R -71	1	911 T 911 T-V/T-K 911 T-E/E
(15)	911 551 057 00	Carpet Front Perlon velour Black	72-	1	CARRERA 2.7
(15)	911 551 057 01	Carpet Front Perlon velour Black	73-	1	CARRERA 2.7
(15)	901 551 041 41	Carpet Front Perlon Indicate colour	/LL /L -71	1	911 E/S TARGA 911 S TARGA CARRERA 2.7 TARGA
(15)	901 551 041 20	Carpet Front Perlon velour Indicate colour	/LL /L -71 72-	1	911 T TARGA 911 T-V/T-K TARGA 911 T-E/E TARGA
16	901 551 043 24	Carpet Perlon	/L -71	1	911 E/S

Model: 911 70 Model life 1970>>1973

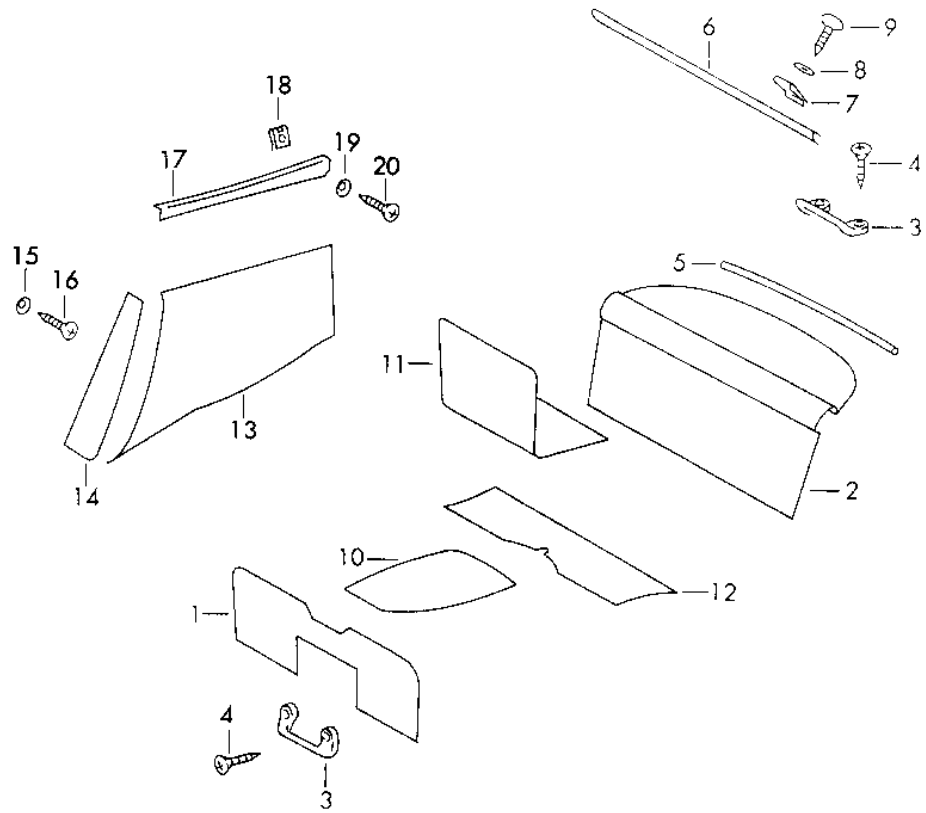
Pos	Part Number	Description	Remark	Qty	Model
(16)		Indicate colour Carpet Perlon	/L 72-	1	911 S CARRERA 2.7
-	900 145 042 00	Indicate colour Rais. counters. h. tap. s. B 3,5 X 22	72-	2	
(16)	901 551 043 24	Carpet Perlon velour	/L -71	1	911 T
(16)		Indicate colour Carpet Perlon velour	/L 72-	1	911 T-V/T-K 911 T-E/E
(16)	901 551 044 24	Indicate colour Carpet Perlon	/R -71	1	911 E/S
(16)		Indicate colour Carpet Perlon	/R 72-	1	911 S CARRERA 2.7
(16)		Indicate colour Carpet Perlon velour	/R -71	1	911 T
(16)		Indicate colour Carpet Perlon velour	/R 72-	1	911 T-V/T-K 911 T-E/E
17	901 551 419 50	Indicate colour Cover strip		2	
18	900 145 041 00	Rais. counters. h. tap. s. B 3,5 X 16		10	
(19)	901 551 115 20	Scuff plate	/L -71	1	911 T 911 T-V/T-K 911 T-E/E
19	901 551 116 20	Scuff plate	/R -71 72-	1	911 T 911 T-V/T-K 911 T-E/E
20	901 551 062 24	Pedal floor board Complete for cars without Sportomatic	/RL /R 70-	1	
20	905 551 062 24	Pedal floor board Complete for cars with Sportomatic	/RL /R 70-	1	911 T/E
(20)	901 551 064 22	Pedal floor board	/LL /R 70-	1	
(20)	901 551 064 42	Pedal floor board	/LL /R 70-	1	TARGA
(20)		Pedal floor board	/LL /R 71	1	911 T TARGA 911 E TARGA
(20)	905 551 062 42	Pedal floor board	/RL /R 72-	1	TARGA
(21)	901 551 063 21	Pedal floor board	/LL /L	1	COUPE
(21)	901 551 063 23	Pedal floor board	/LL /L	1	COUPE
21	905 551 063 20	Pedal floor board for cars with Sportomatic	/LL /L	1	COUPE
21	901 551 061 23	Pedal floor board for cars with Sportomatic	/RL	1	COUPE
(21)	901 551 063 41	Pedal floor board	/LL /L	1	TARGA
(21)	901 551 063 42	Pedal floor board	/LL /L	1	TARGA
(21)	901 551 061 42	Pedal floor board	/RL /L 72-	1	TARGA
(21)	905 551 063 40	Pedal floor board for cars with Sportomatic	/LL /L	1	TARGA
(21)	901 551 062 42	Pedal floor board	/RL /L 72-	1	
22	901 501 390 00	Tab Lower		2	

Model: 911 70 Model life 1970>>1973

Pos	Part Number	Description	Remark	Qty	Model
23	900 114 010 01	Shake-proof washer A6, 4		2	
24	900 076 010 02	Nut M6		2	
24	900 076 010 0B	Nut M6		2	
25	901 551 419 50	Cover strip		2	
26	900 145 041 00	Rais. counters. h. tap. s. B3,5 X 16		10	
(27)	901 551 115 50	Scuff plate	/L	1	
27	901 551 116 50	Scuff plate	/R	1	
28	900 143 040 02	Oval-head sheetmetal screw B2,9 X 9,5		20	
29	999 591 550 40	Expansion rivet		20	
-	911 551 004 01	Carpet Set Comprising:	72-	1	CARRERA 2.7
-	911 551 043 00	Carpet Wheel housing panel	/L 72-	X	CARRERA 2.7
-		Carpet Wheel housing panel	/R 72-	X	CARRERA 2.7
-		Carpet Door sill	/L 72-	X	CARRERA 2.7
-		Carpet Door sill	/R 72-	X	CARRERA 2.7
-		Carpet Heel plate	72-	X	CARRERA 2.7
-		Carpet Seat well Centre	72-	X	CARRERA 2.7
-		Carpet Seat well	72-	X	CARRERA 2.7
-	911 551 015 00	Floorboard carpet	/L 72-	X	CARRERA 2.7
-	911 551 012 00	Floor mat Rubber pad Floor mat	/R 72-	X	CARRERA 2.7

Model: 911 70

Model life 1970>>1973



Model: 911 70 Model life 1970>>1973

Pos	Part Number	Description	Remark	Qty	Model
1	901 551 051 20	Interior equipment Rear Carpet Velour for Heel plate Indicate colour		1	
1		Carpet Perlon velour for Heel plate Indicate colour		1	
2	901 555 075 22	Back wall lining Indicate colour	-71	1	COUPE
2	911 555 075 00	Rear wall Indicate colour	72	1	COUPE
2	911 555 075 02	Back wall lining Indicate colour	73-	1	COUPE
(2)	911 555 725 01	Lining Perlon velour Black	72-	1	CARRERA 2.7
(2)	911 645 007 06	Back wall lining for Stereo rear loudspeaker Indicate colour	73-	1	COUPE
(2)	901 555 075 41	Back wall lining with Upper part Indicate colour Version with Convertible top	-71	1	TARGA
(2)	911 555 075 41	Rear wall with Upper part Indicate colour	72-	1	TARGA
(2)	911 555 075 42	Back wall lining with Upper part Indicate colour Version with Rear wall Rear window Fixed	-71	1	TARGA
(2)		Back wall lining with Upper part Indicate colour		1	
(2)	911 645 007 46	Back wall lining with Upper part for Stereo rear loudspeaker Indicate colour		1	
3	477 885 761	Retaining bar		4	
4	900 270 049 07	Countersunk-head screw AM 5 X 20		8	
(5)	901 555 751 20	Seal for Tray	-70	1	
6	901 555 093 20	Ornamental strip Indicate colour	/H -70	1	

Model: 911 70 Model life 1970>>1973

Pos	Part Number	Description	Remark	Qty	Model
7	N 015 429 2	Speed nut	-70	4	
7	N 015 429 6	Speed nut		4	
8	999 591 107 12	Protection washer	-70	4	
9	900 145 044 00	Oval-head sheetmetal screw B 4,2 X 22	-70	4	
10	901 551 423 20	Carpet Velour Indicate colour	-71	1	
10		Carpet Velour Indicate colour	72-	1	
10		Carpet Perlon velour Indicate colour	-71	1	
10		Carpet Perlon velour Indicate colour	72-	1	
(11)	901 522 061 20	Carpet Velour Indicate colour	/L	1	
(11)		Carpet Perlon velour Indicate colour	/L	1	
(11)	901 522 062 23	Carpet Velour Indicate colour	/R	1	
(11)	901 522 062 20	Carpet Perlon velour Indicate colour	/R	1	
12	901 551 054 21	Carpet Velour Indicate colour	/H	1	
12	901 551 054 25	Carpet Perlon velour	/H	1	
(13)	901 555 071 20	Lining Not available	/L /R	1	COUPE
(13)	901 555 071 43	Side trim panel with Cover Indicate colour	/L -71	1	TARGA
13	901 555 072 43	Side trim panel with Cover Indicate colour	/R -71	1	TARGA
(13)	911 555 071 40	Lining with Cover Indicate colour	/L 72-	1	TARGA
(13)	911 555 072 40	Lining with Cover Indicate colour	/R 72-	1	TARGA
(14)	901 555 023 01	Filler piece	/L	X	TARGA
14	901 555 024 01	Filler piece	/R	X	TARGA
15	999 591 104 12	Protection washer		2	TARGA
16	900 145 028 02	Rais. counters. h. tap. s. B 3,9 X 13		2	TARGA
(17)	901 555 091 51	Ornamental strip	/L -71	1	COUPE
(17)	911 555 091 00	Rear cover moulding	/L 72-	1	COUPE
(17)	901 555 092 51	Ornamental strip	/R -71	1	COUPE
(17)	911 555 092 00	Rear cover moulding	/R 72-	1	COUPE
17	901 555 091 40	Ornamental strip Version	/L -71	1	TARGA

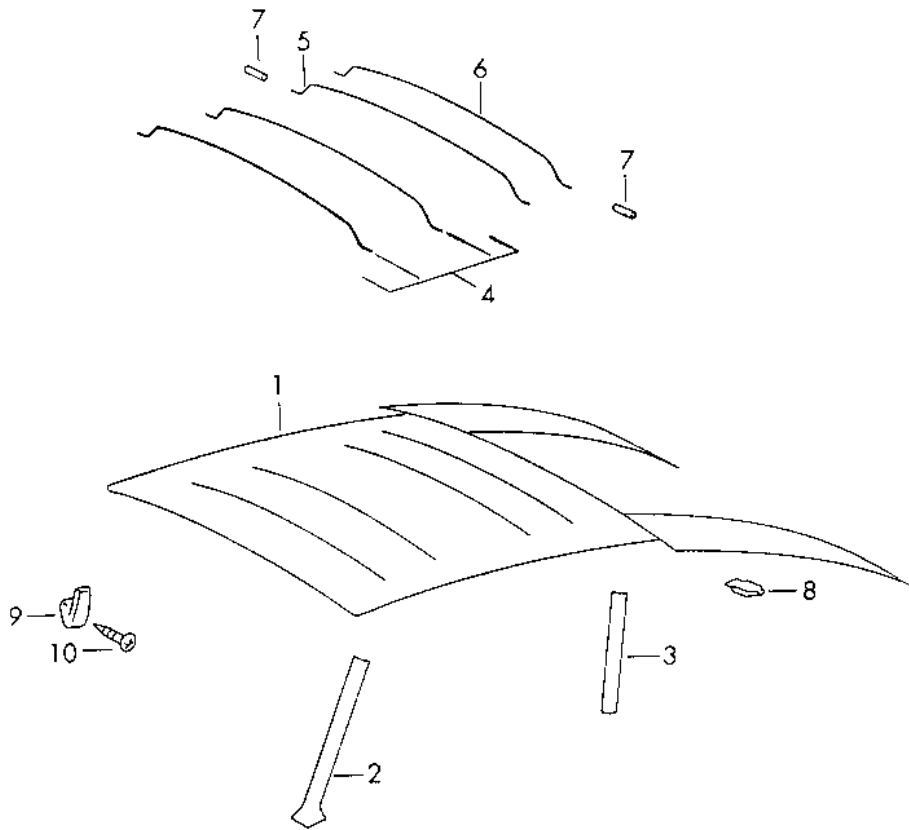
Model: 911 70

Model life 1970>>1973

Pos	Part Number	Description	Remark	Qty	Model
17	911 555 091 40	with Convertible top Rear wall 901.565.006.40		1	TARGA
(17)	901 555 091 43	Rear cover moulding Ornamental strip Version	/L 72- /L -71	1	TARGA
(17)	901 555 092 40	with Rear wall Rear window Fixed 901.565.551.45 901.565.551.50 Ornamental strip Version	/R -71	1	TARGA
(17)	911 555 092 40	with Convertible top Rear wall 901.565.006.40		1	TARGA
(17)	901 555 092 43	Rear cover moulding Ornamental strip Version	/R 72- /R -71	1	TARGA
18	999 591 338 02	with Rear wall Rear window Fixed 901.565.551.45		4	
18	999 591 460 01	Speed nut		4	
19	999 591 102 12	Speed nut		4	
20	900 145 036 00	Washer		4	
		Rais. counters. h. tap. s. B 3,5 X 13		4	

Model: 911 70

Model life 1970>>1973

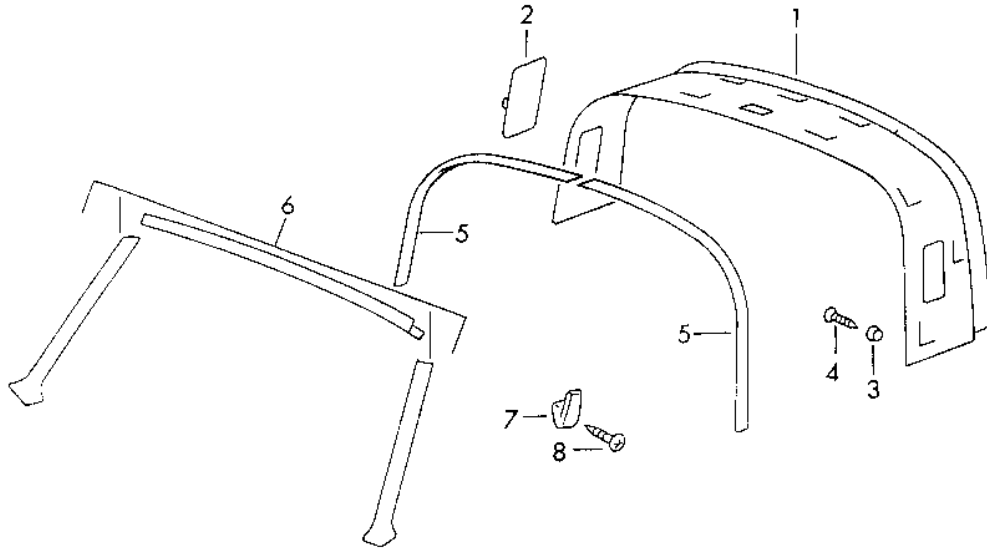


Model: 911 70 Model life 1970>>1973

Pos	Part Number	Description	Remark	Qty	Model
		Interior equipment			COUPE
1	911 555 055 00	Roof Lining Complete Version without Sunroof	-72	1	
1	911 555 055 01	Roof lining Complete Version without Sunroof	73-	1	
1	911 555 501 10	Lining Complete Version without Sunroof		1	CARRERA 2.7
(1)	911 555 055 10	Lining Complete Version with Sunroof	-72	1	
(1)	911 555 055 11	Roof lining Complete Version with Sunroof	73-	1	
2	901 555 507 20	Lining for Windscreen frame		2	
3	901 555 505 20	Lining for Door pillar		2	
4	901 555 511 20	Transverse strut 1 + 2		2	
5	901 555 512 20	Transverse strut 3		1	
6	901 555 513 20	Transverse strut 4		1	
7	644 555 515 00	Rubber profile		8	
8	999 591 336 01	Fastening clamp		12	
9	901 552 870 40	Coat hook		2	
10	900 250 007 02	Tapping screw AM 5 X 12		2	

Model: 911 70

Model life 1970>>1973



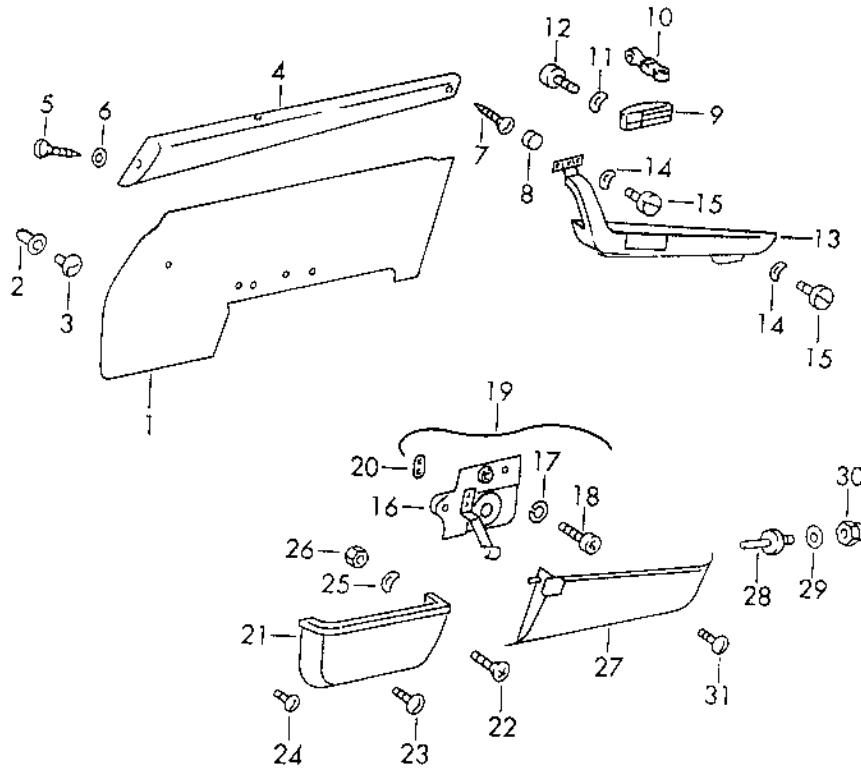
Model: 911 70

Model life 1970>>1973

Pos	Part Number	Description	Remark	Qty	Model
		Interior equipment Roof			TARGA
1	901 565 017 46	Interior lining		1	
2	911 565 157 40	Bleeding	/L	1	
(2)	911 565 158 40	Bleeding	/R	1	
3	999 591 010 12	Washer		4	
4	900 145 032 02	Oval-head sheetmetal screw B 3,5 X 13		4	
5	901 565 513 42	Base		2	
(6)	901 555 901 40	Lining Complete for Windscreen frame		1	
7	901 552 870 40	Coat hook		2	
8	N 013 968 7	Tapping screw B4,8 X 13		2	
8	900 143 097 01	Tapping screw B4,8 X 13		2	

Model: 911 70

Model life 1970>>1973



Model: 911 70

Model life 1970>>1973

Pos	Part Number	Description	Remark	Qty	Model
(1)	901 555 031 02	Interior equipment Doors Door panel Complete with Leatherette Cover Indicate colour for cars without Power windows Electric	/LL /L -71	1	COUPE+TARGA
(1)	901 555 031 31	Door panel Complete with Leatherette Cover Indicate colour for cars with Power windows Electric	/LL /L -70	1	COUPE
(1)	901 555 031 04	Door panel Complete with Leatherette Cover Indicate colour for cars without Power windows Electric	/RL /L -71	1	COUPE
(1)	901 555 031 70	Door panel Complete with Leather Cover Indicate colour	/LL /L -71	1	COUPE+TARGA
(1)	901 555 031 72	Door panel Complete with Leather Cover Indicate colour	/RL /L -71	1	COUPE
1	901 555 032 02	Door panel Complete with Leatherette Cover Indicate colour for cars without Power windows Electric	/LL /R -71	1	COUPE+TARGA
1	901 555 032 31	Door panel Complete with Leatherette Cover Indicate colour for cars with Power windows Electric	/LL /R -70	1	COUPE
1	901 555 032 04	Door panel Complete with Leatherette	/RL /R -71	1	COUPE

Model: 911 70 Model life 1970>>1973

Pos	Part Number	Description	Remark	Qty	Model
1	901 555 032 70	Cover Indicate colour for cars without Power windows Electric Door panel Complete with Leather Cover	/LL /R -71	1	COUPE+TARGA
1	901 555 032 72	Indicate colour Door panel Complete with Leather Cover	/RL /R -71	1	COUPE
(1)	901 555 027 00	Indicate colour Door panel Complete with Leatherette Cover	/LL /L 71	1	COUPE
(1)	911 555 027 00	Indicate colour for cars with Power windows Electric Door panel Complete with Leatherette Cover	/LL /L 72	1	COUPE
(1)	911 555 027 02	Indicate colour for cars with Power windows Electric Door panel Complete with Leatherette Cover	/LL /L 73-	1	COUPE
1	901 555 028 00	Indicate colour for cars with Power windows Electric Door panel Complete with Leatherette Cover	/LL /R 71	1	COUPE
1	911 555 028 00	Indicate colour for cars with Power windows Electric Door panel Complete with Leatherette Cover	/LL /R 72	1	COUPE
1	911 555 028 02	Indicate colour for cars with Power windows Electric Door panel	/LL /R 73-	1	COUPE

Model: 911 70

Model life 1970>>1973

Pos	Part Number	Description	Remark	Qty	Model
(1)	901 555 027 10	Complete with Leatherette Cover Indicate colour for cars with Power windows Electric Door panel	/RL /L 71	1	COUPE
(1)	911 555 027 10	Complete with Leatherette Cover Indicate colour for cars with Power windows Electric Door panel	/RL /L 72	1	COUPE
(1)	911 555 027 11	Complete with Leatherette Cover Indicate colour for cars with Power windows Electric Door panel	/RL /L 73-	1	COUPE
1	901 555 028 10	Complete with Leatherette Cover Indicate colour for cars with Power windows Electric Door panel	/RL /R 71	1	COUPE
1	911 555 028 10	Complete with Leatherette Cover Indicate colour for cars with Power windows Electric Door panel	/RL /R 72	1	COUPE
1	911 555 028 11	Complete with Leatherette Cover Indicate colour for cars with Power windows Electric Door panel	/RL /R 73-	1	COUPE
(1)	901 555 027 70	Complete with Leatherette Cover Indicate colour for cars with Power windows Electric Door panel	/LL /L 71	1	COUPE

Model: 911 70 Model life 1970>>1973

Pos	Part Number	Description	Remark	Qty	Model
(1)	911 555 027 70	Complete with Leather Cover Indicate colour for cars with Power windows Electric Door panel Complete with Leather Cover Indicate colour for cars with Power windows Electric	/LL /L 72-	1	COUPE
1	901 555 028 70	Door panel Complete with Leather Cover Indicate colour for cars with Power windows Electric	/LL /R 71	1	COUPE
1	911 555 028 70	Door panel Complete with Leather Cover Indicate colour for cars with Power windows Electric	/LL /R 72-	1	COUPE
(1)	901 555 027 72	Door panel Complete with Leather Cover Indicate colour for cars with Power windows Electric	/RL /L 71	1	COUPE
(1)	911 555 027 72	Door panel Complete with Leather Cover Indicate colour for cars with Power windows Electric	/RL /L 72-	1	COUPE
1	901 555 028 72	Door panel Complete with Leather Cover Indicate colour for cars with Power windows Electric	/RL /R 71	1	COUPE
1	911 555 028 72	Door panel	/RL /R 72-	1	COUPE

Model: 911 70 Model life 1970>>1973

Pos	Part Number	Description	Remark	Qty	Model
(1)	911 555 031 02	Complete with Leather Cover Indicate colour for cars with Power windows Electric Door panel Complete with Leatherette Cover Indicate colour for cars without Power windows Electric	/LL /L 72	1	
(1)	911 555 031 03	Door panel Complete with Leatherette Cover Indicate colour for cars without Power windows Electric	/LL /L 73-	1	
(1)	911 555 031 00	Door panel Complete with Leatherette Cover Black	/L 72-	1	CARRERA 2.7
1	911 555 032 02	Door panel Complete with Leatherette Cover Indicate colour for cars without Power windows Electric	/LL /R 72	1	
1	911 555 032 03	Door panel Complete with Leatherette Cover Indicate colour for cars without Power windows Electric	/LL /R 73-	1	
1	911 555 032 00	Door panel Complete with Leatherette Cover Black	/R 72-	1	CARRERA 2.7
(1)	911 555 031 04	Door panel Complete with Leatherette Cover Indicate colour for cars without	/RL /L 72	1	COUPE

Model: 911 70

Model life 1970>>1973

Pos	Part Number	Description	Remark	Qty	Model
(1)	911 555 031 05	Power windows Electric Door panel Complete with Leatherette Cover Indicate colour for cars without Power windows	/RL /L 73-	1	COUPE
1	911 555 032 04	Electric Door panel Complete with Leatherette Cover Indicate colour for cars without Power windows	/RL /R 72	1	COUPE
1	911 555 032 05	Electric Door panel Complete with Leatherette Cover Indicate colour for cars without Power windows	/RL /R 73-	1	COUPE
(1)	911 555 031 70	Electric Door panel Complete with Leather Cover Indicate colour for cars without Power windows	/LL /L 72-	1	COUPE
1	911 555 032 70	Electric Door panel Complete with Leather Cover Indicate colour for cars without Power windows	/LL /R 72-	1	
(1)	911 555 031 72	Electric Door panel Complete with Leather Cover Indicate colour for cars without Power windows	/RL /L 72-	1	COUPE
1	911 555 032 72	Electric Door panel Complete with Leather Cover Indicate colour for cars without	/RL /R 72-	1	COUPE

Model: 911 70 Model life 1970>>1973

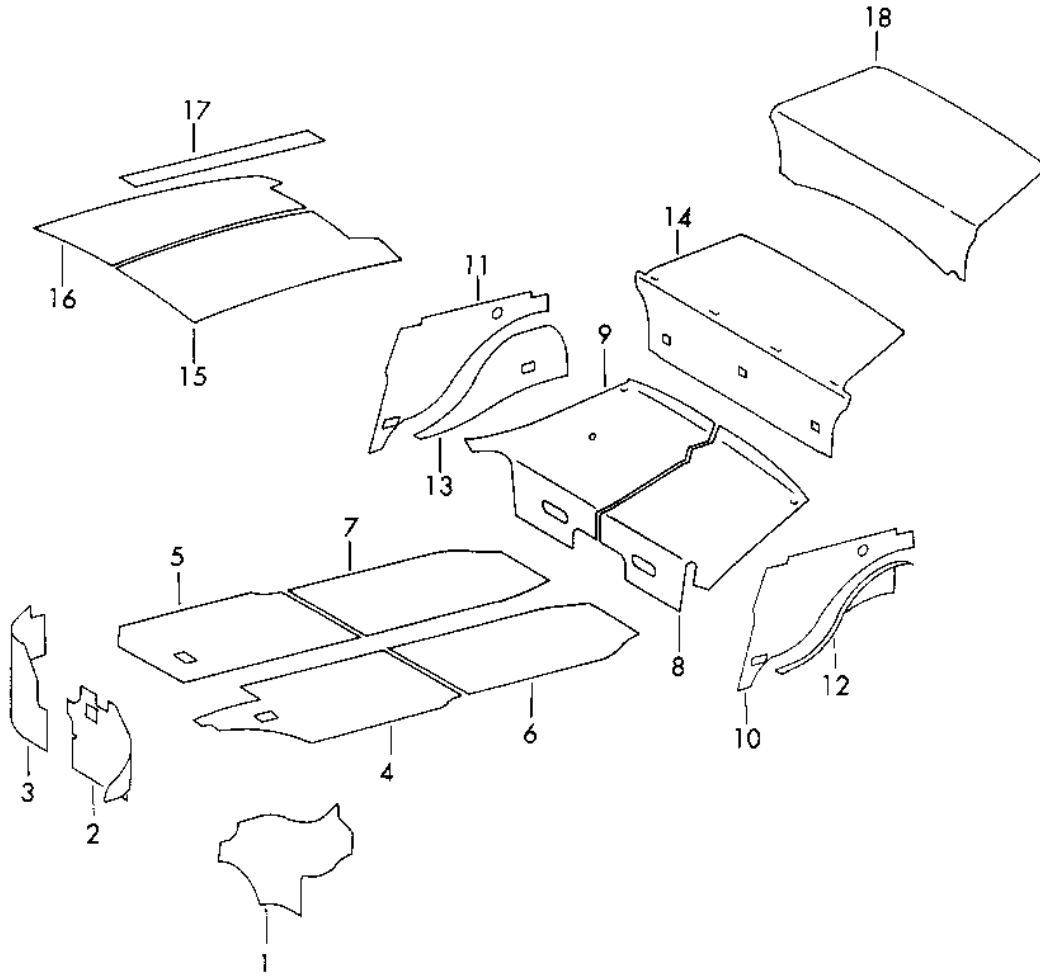
Pos	Part Number	Description	Remark	Qty	Model
		Power windows Electric			
2	999 591 311 40	Bush		10	
3	823 867 299	Clip		10	
(4)	901 555 083 00	Cover strip Complete with Cover	/LL/RL/L	1	COUPE
(4)		Cover strip Complete with Cover	/LL /L	1	TARGA
4	901 555 084 00	Cover strip Complete with Cover	/LL/RL/R	1	COUPE
4		Cover strip Complete with Cover	/LL /R	1	TARGA
5	900 145 041 00	Rais. counters. h. tap. s. B 3,5 X 16		2	
6	999 591 102 12	Washer		2	
7	N 013 958 7	Oval-head sheetmetal screw B 3,5 X 13		2	
8	999 703 077 40	Cap		2	
(9)	901 531 073 00	Interior handle	/L	1	
9	901 531 074 00	Interior handle	/R	1	
10	901 531 066 00	Joint		2	
11	N 012 130 2	Shake-proof washer A 5,3		4	
12	N 010 225 4	Hexagon-head bolt M 5.8		4	
12	900 075 001 03	Hexagon-head bolt M 5 X 8		4	
(13)	901 555 041 25	Armrest without Handle	/LL /L	1	
(13)	PCG 555 041 25	Armrest without Handle	/LL /L	1	
(13)	901 555 041 23	Surface is different Armrest with Handle	/RL /L	1	COUPE
13	901 555 042 23	Armrest with Handle	/LL /R	1	
13	PCG 555 042 23	Armrest with Handle	/LL /R	1	
13	901 555 042 25	Surface is different Armrest without Handle	/RL /R	1	COUPE
-	911 531 317 00	Leather strap	72-	X	CARRERA 2.7
-	900 190 021 03	Tubular rivet A5 X 10 X 9		X	CARRERA 2.7
-	901 531 067 00	Handle	72-	X	CARRERA 2.7
-	900 148 012 11	Rais. counters. h. tap. s. AM5 X 15	72-	X	CARRERA 2.7
-	N 014 761 2	Pan-head screw M6 X 12	72-	X	CARRERA 2.7

Model: 911 70 Model life 1970>>1973

Pos	Part Number	Description	Remark	Qty	Model
-	900 119 129 01	Pan-head screw M 6 X 12	72-	X	CARRERA 2.7
-	900 151 006 09	Washer B6,4	72-	X	CARRERA 2.7
-	999 591 010 12	Washer \$ 3,5	72-	X	CARRERA 2.7
-	900 145 032 02	Oval-head sheetmetal screw B3,5 X 13	72-	X	CARRERA 2.7
14	N 012 007 2	Lock ring A 6		8	
14	900 027 004 03	Lock ring A 6		8	
15	N 014 761 2	Pan-head screw M 6 X 12		6	
15	900 119 129 01	Pan-head screw M 6 X 12		6	
15	N 014 765 2	Pan-head screw M 6 X 10		2	
(16)	901 555 087 00	Support	/L	1	
16	901 555 088 00	Support	/R	1	
17	N 012 007 2	Lock ring A 6		2	
17	900 027 004 03	Lock ring A 6		2	
18	900 067 011 02	Pan-head screw M 6 X 20		2	
18	900 067 011 03	Pan-head screw M 6 X 20		2	
19	999 911 158 50	Rubber strap		X	
20	901 555 419 00	Support		4	
(21)	901 555 015 00	Package box	/L	1	
21	901 555 016 00	Package box	/R	1	
22	N 013 954 2	Hexagon-head bolt B 2,9 X 13		4	
22	900 143 051 01	Oval-head sheetmetal screw B 2,9 X 13		4	
23	900 147 011 02	Countersunk-head screw M 4 X 10 Chrome		8	
24	900 189 009 02	Half-round screw M 6 X 15		2	
25	900 028 008 01	Lock ring B 6		2	
26	900 076 010 02	Nut M 6		2	
26	900 076 010 0B	Nut M 6		2	
(27)	901 555 037 21	Package box	/L	1	
27	901 555 038 21	Package box	/R	1	
-	911 555 319 00	Edge protection	72-	X	CARRERA 2.7
28	901 555 409 00	Eccentric bolt		2	
28	901 555 409 01	Bolt		2	
29	999 025 112 40	Washer 8,4		2	
30	900 096 003 40	Cap nut M 8		2	
31	900 147 011 02	Countersunk-head screw M 4 X 10 Chrome		8	

Model: 911 70

Model life 1970>>1973



Model: 911 70 Model life 1970>>1973

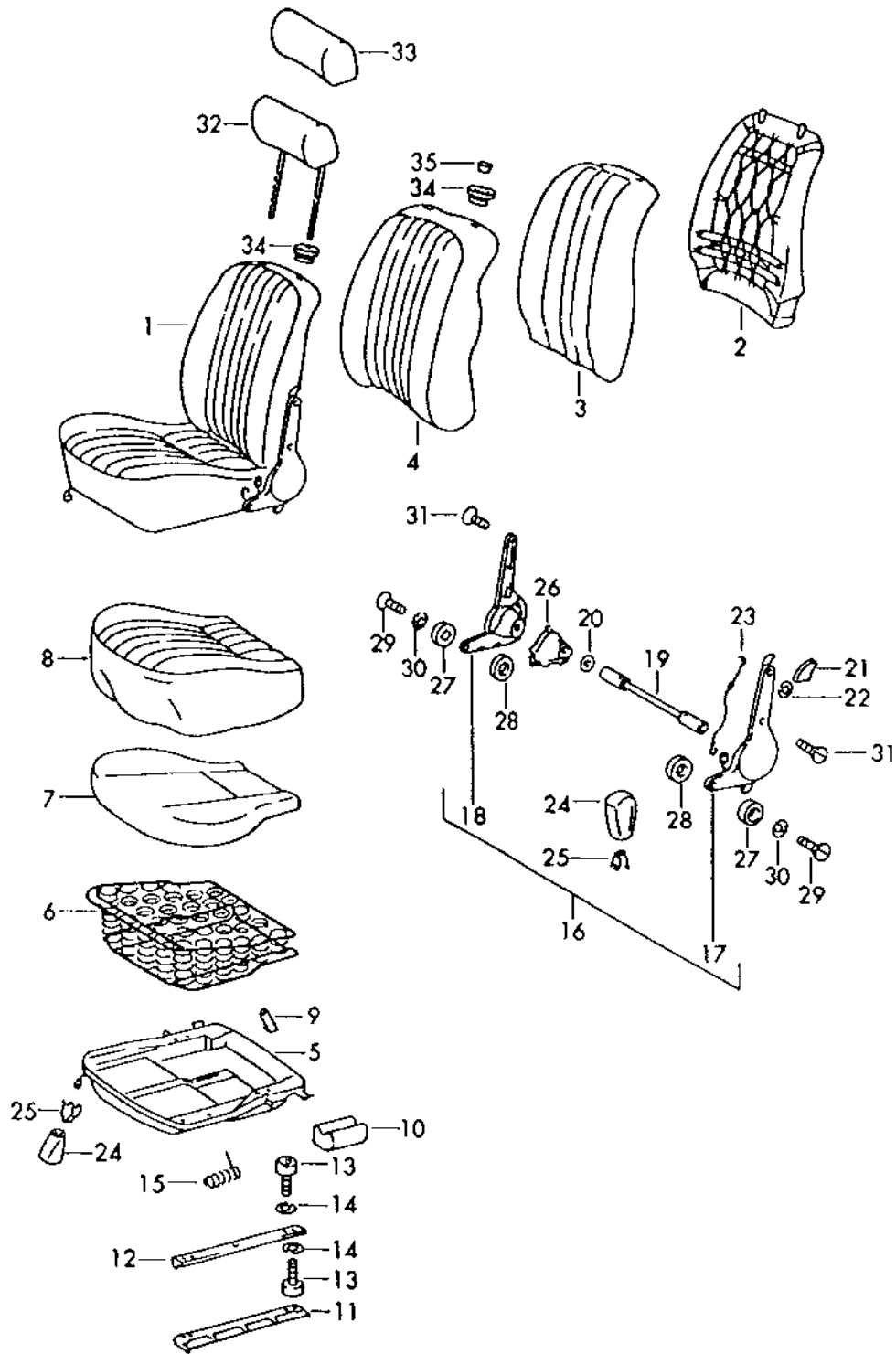
Pos	Part Number	Description	Remark	Qty	Model
1	911 556 902 00	Body Insulation			
(1)		Damping mat	/V /L	1	COUPE
2		Damping mat	/LL/V/L	1	TARGA
(2)		Damping mat	/LL /R	1	COUPE
2-3		Damping mat	/LL /R	1	TARGA
		Damping mat	/RL /R	1	COUPE
		for Cross panel And Wheel-housing liner			
3		Damping mat	/V /R	1	COUPE
(3)		Damping mat	/LL/V/R	1	TARGA
4		Damping mat	/V /L	1	COUPE
		Not for Sportomatic			
(4)		Damping mat	/RL/V/L	1	COUPE
(4)		Damping mat	/LL/V/L	1	TARGA
5		Damping mat	/LL/V/R	1	
(5)		Damping mat	/RL/V/R	1	
(5)		Damping mat	/LL/V/R	1	TARGA
6		Damping mat	/H /L	1	
7		Damping mat	/H /R	1	
8	911 556 231 00	Insulation	/L -71	1	COUPE
(8)	911 556 231 40	Insulation	/LL /L -71	1	TARGA
(8)	911 556 231 01	Insulation	/L 72-	1	
9	911 556 232 00	Insulation	/R -71	1	COUPE
(9)	911 556 232 40	Insulation	/LL /R -71	1	TARGA
(9)	911 556 232 01	Insulation	/R 72-	1	
10-13	999 913 006 00	Sound absorber		*	
(10)		Sound absorber	-71	*	COUPE
		Upper left			
(10)	911 556 235 40	Insulation	/LL -71	1	TARGA
		Upper left			
(10)	999 913 006 00	Sound absorber	72-	*	COUPE
		Upper left			
(10)		Sound absorber	72-	*	TARGA
		Upper left			
11		Sound absorber	-71	*	COUPE
		Upper right			
(11)		Sound absorber	/LL -71	*	TARGA
		Upper right			
(11)		Sound absorber	72-	*	COUPE
		Upper right			
(11)		Sound absorber	72-	*	TARGA
		Upper right			
12		Sound absorber	/L -71	*	COUPE
		Lower			
(12)		Sound absorber	/LL /L -71	*	TARGA
		Lower			
(12)		Sound absorber	/L 72-	*	COUPE
		Lower			
(12)		Sound absorber	/L 72-	*	TARGA
		Lower			
13		Sound absorber	/R -71	*	COUPE
		Lower			
(13)		Sound absorber	/LL /R -71	*	TARGA
		Lower			
(13)		Sound absorber	/R 72-	*	COUPE
		Lower			
(13)		Sound absorber	/R 72-	*	TARGA
		Lower			
14	911 556 239 00	Insulation	-71	1	COUPE

Model: 911 70 Model life 1970>>1973

Pos	Part Number	Description	Remark	Qty	Model
14	PCG 556 902 00	Damping mat 1000X500X2,6 It is necessary to rework		1	
(14)	911 556 239 40	Insulation	/LL -71	1	TARGA
(14)	911 556 239 01	Insulation	-72	1	COUPE
(14)	911 556 239 02	Insulation	73-	1	COUPE
(14)	911 556 239 41	Insulation	-72	1	TARGA
(14)	911 556 239 42	Insulation		1	TARGA
(14)	911 556 239 06	Damping mat	73-	1	TARGA
15	911 556 023 01	Damping mat Roof	/L	1	COUPE
15	911 556 023 02	Damping mat Roof 100 X 90 It is necessary to rework	/L	1	COUPE
16	911 556 023 01	Damping mat Roof	/R	1	COUPE
16	911 556 023 02	Damping mat Roof 100 X 90 It is necessary to rework	/R	1	COUPE
17	911 556 248 00	Damping strip		4	COUPE
18	902 556 891 21	Insulation	/V -71	1	COUPE
(18)	902 556 891 41	Insulation	/LL /V -71	1	TARGA
(18)	911 556 891 01	Damping mat	/V 72-	1	

Model: 911 70

Model life 1970>>1973



Model: 911 70

Model life 1970>>1973

Pos	Part Number	Description	Remark	Qty	Model
(1)	911 521 003 00	Front seat Standard seat Complete with locking device Leatherette Indicate colour	/L -71	1	
(1)	911 521 003 50	Comfort seat Complete with locking device Leather Indicate colour	/L -71	1	
1	911 521 002 00	Comfort seat Complete with locking device Leatherette Indicate colour	/LL /R -71	1	
(1)	911 521 002 50	Comfort seat Complete with locking device Leather Indicate colour	/LL /R -71	1	
(1)	911 521 003 02	Comfort seat Complete with locking device Leatherette Indicate colour	/L 72	1	
(1)	911 521 003 15	Comfort seat Complete with locking device Leatherette Indicate colour	/L 73-	1	
(1)	911 521 075 00	Comfort seat Complete with locking device Leather Indicate colour	/L 72	1	
(1)	911 521 075 15	Comfort seat Complete with locking device Leather Indicate colour	/L 73-	1	
(1)	911 521 002 02	Comfort seat Complete with locking device Leatherette Indicate colour	/R 72	1	
(1)	911 521 002 15	Comfort seat Complete with locking device Leatherette Indicate colour	/R 73-	1	
(1)	911 521 076 00	Comfort seat Complete with locking device Leather Indicate colour	/R 72	1	
(1)	911 521 076 15	Comfort seat Complete with locking device Leather Indicate colour	/R 73-	1	
2	911 521 027 00	Backrest frame Complete		2	

Model: 911 70 Model life 1970>>1973

Pos	Part Number	Description	Remark	Qty	Model
3	901 521 505 22	Seat cushion for	-72	2	
(3)	911 521 135 00	Backrest Seat cushion for	73-	2	
4	901 521 049 23	Backrest Outer lining Leatherette	-72	2	
4	911 521 143 00	Indicate colour Outer lining Leatherette	73-	2	
(4)	901 521 049 71	Indicate colour Outer lining Leather	-72	2	
(4)	911 521 143 70	Indicate colour Outer lining Leather	73-	2	
(5)	901 521 009 25	Indicate colour Seat frame Complete	/L -72	1	
(5)	911 521 069 00	Seat frame Complete	73-	1	
5	901 521 010 25	Seat frame Complete	/R -72	1	
5	911 521 070 00	Seat frame Complete	73-	1	
6	901 521 041 22	Seat cushion Complete	-72	2	
6	911 521 165 00	Seat cushion Complete	73-	2	
7	901 521 501 22	Seat cushion	-72	2	
7	911 521 167 00	Seat cushion	73-	2	
8	901 521 047 23	Seat cover Leatherette	-72	2	
8	911 521 037 02	Indicate colour Seat cover Leatherette	73-	2	
8	901 521 047 72	Indicate colour Seat cover Leather	-72	2	
8	911 521 037 70	Indicate colour Seat cover Leather	73-	2	
9	901 521 043 00	Fastening angle	/L	2	
(9)	901 521 044 00	Fastening angle	/R	2	
10	901 521 191 00	Rubber support	/L	2	
(10)	901 521 192 00	Rubber support	/R	2	
11	901 521 016 00	Seat rail support	-72	2	
11	911 521 051 01	Seat rail support	73-	2	
12	911 521 030 00	Guide rail Complete		4	
13	900 119 042 02	Pan-head screw M 6X15		28	
14	N 012 026 3	Lock ring 6		28	
-	900 151 006 09	Washer		12	
15	901 521 333 00	Spring	/L -72	1	
15	911 521 161 00	Spring	/L 73-	1	
(15)	901 521 334 00	Spring	/R -72	1	
(15)	911 521 161 00	Spring	/R 73-	1	
16	911 521 035 00	Reclining seat fitting Complete	/L	1	

Model: 911 70 Model life 1970>>1973

Pos	Part Number	Description	Remark	Qty	Model
(16)	911 521 036 00	with locking device Reclining seat fitting Complete	/R	1	
17	911 521 041 00	with locking device Reclining seat fitting with locking device Left seat	/L -71	1	
17	911 521 041 02	Reclining seat fitting with locking device Left seat	/L 72-	1	
(17)	911 521 043 00	Reclining seat fitting without locking device Right seat	/L -71	1	
(17)	911 521 043 02	Reclining seat fitting without locking device Right seat	/L 72-	1	
18	911 521 044 00	Reclining seat fitting without locking device Left seat	/R -71	1	
18	911 521 044 02	Reclining seat fitting without locking device Left seat	/R 72-	1	
(18)	911 521 042 00	Reclining seat fitting with locking device Right seat	/R -71	1	
(18)	911 521 042 02	Reclining seat fitting with locking device Right seat	/R 72-	1	
19	911 521 045 02	Connecting rod		2	
20	900 031 011 40	Washer 6,4		2	
21	911 521 201 00	Locking cam	/L	1	
(21)	911 521 202 00	Locking cam	/R	1	
22	999 041 511 01	Seeger retaining ring H 17-1		2	
23	911 521 210 00	Cable 305 MM		2	
24	911 521 163 00	Handle knob		4	
25	999 591 540 01	Clamp		4	
(26)	901 521 915 01	Inner part	/L	2	
26	901 521 916 01	Inner part	/R	2	
27	644 521 741 00	Washer		2	
28	644 521 783 05	Spacer		2	
29	900 148 024 02	Countersunk-head screw AM 6 X 15		2	
30	900 114 008 01	Shake-proof washer V 6,4		4	
31	900 148 015 02	Countersunk-head screw AM6 X 20		12	
32	911 521 086 00	Head rest Leatherette Indicate colour		2	
32	901 521 086 05	Head rest Leather Indicate colour		2	
33	901 521 801 00	Cover Ribbed velvet		2	
34	901 521 193 00	Rosette Standard Indicate colour	-72	4	
34	911 521 145 00	Rosette Standard Indicate colour	73-	4	

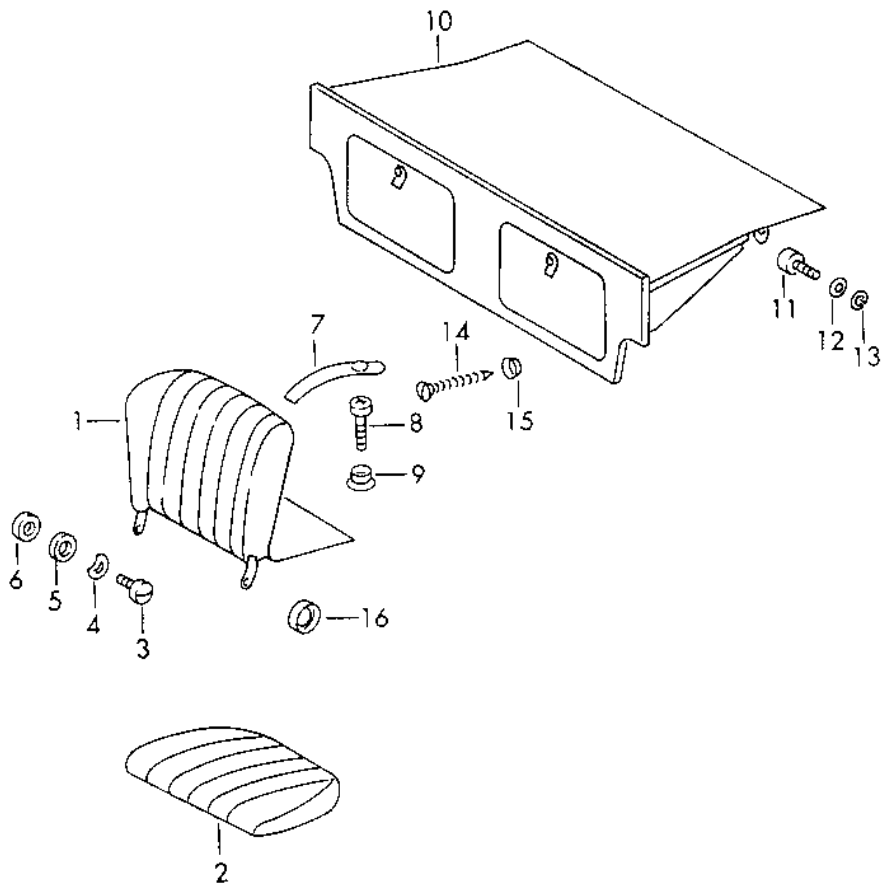
Model: 911 70

Model life 1970>>1973

Pos	Part Number	Description	Remark	Qty	Model
(34)	901 521 811 00	Rosette \$ 36 MM Repair seat Indicate colour		4	
-	901 521 812 00	Washer for 901.521.811.00		4	
35	901 521 195 00	Cap Indicate colour	-72	4	
35	911 521 147 00	Cap Indicate colour	73-	4	

Model: 911 70

Model life 1970>>1973



Model: 911 70 Model life 1970>>1973

Pos	Part Number	Description	Remark	Qty	Model
(1)	901 522 005 22	Back seat Back seat backrest Complete with Velour Carpet Indicate colour	/L -71	1	
1	902 522 005 22	Back seat backrest Complete with Cover And Perlon velour Carpet Complete	/L -71	1	
1	901 522 005 42	Back seat backrest Complete with Cover And Velour Carpet Indicate colour	/L -71	1	
1	902 522 005 42	Back seat backrest Complete with Cover And Perlon velour Carpet Indicate colour	/L -71	1	
1	911 522 005 00	Back seat backrest Complete with Cover And Velour Carpet Indicate colour	/L 71	1	911 S/COUPE
1	901 522 006 22	Back seat backrest Complete with Cover And Velour Carpet Indicate colour	/R -71	1	
1	902 522 006 22	Back seat backrest Complete with Cover And Perlon velour Carpet Indicate colour	/R -71	1	
1	901 522 006 42	Back seat backrest Complete with Cover And Velour Carpet Indicate colour	/R -71	1	

Model: 911 70 Model life 1970>>1973

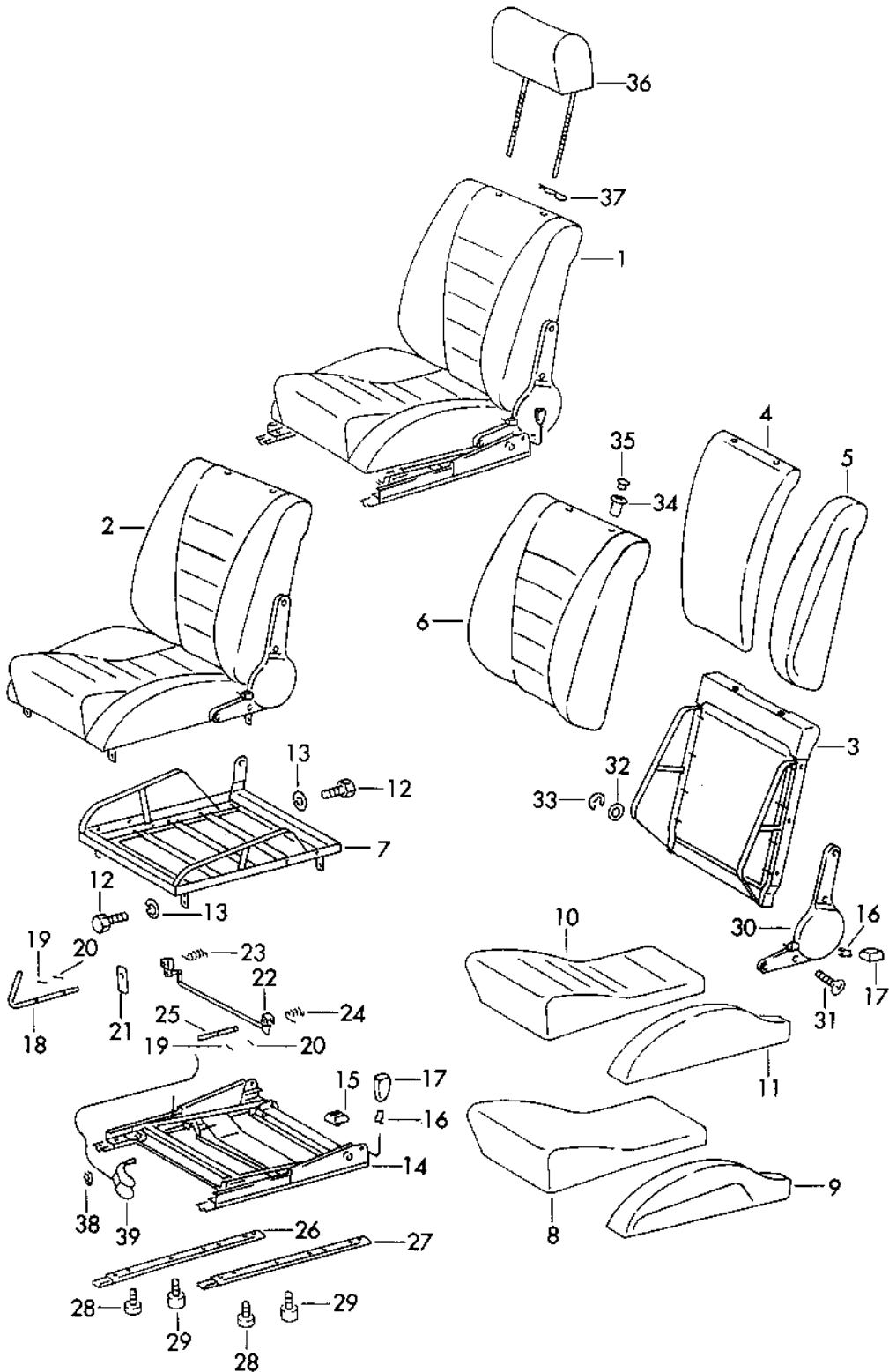
Pos	Part Number	Description	Remark	Qty	Model
1	902 522 006 42	Back seat backrest Complete with Cover And Perlon velour Carpet Indicate colour	/R -71	1	
1	911 522 006 00	Back seat backrest Complete with Cover And Velour Indicate colour	/R 71	1	
1	911 522 007 00	Back seat backrest Back seat backrest Complete with Cover Perlon velour Velour Indicate colour	/L 72	1	
1	911 522 007 02	Back seat backrest Back seat backrest Complete with Cover Perlon velour Velour Indicate colour	/L 73-	1	
1	911 522 005 02	Back seat backrest Back seat backrest Complete with Cover And Velour Indicate colour	/L 72	1	
1	911 522 005 05	Back seat backrest Back seat backrest Complete with Cover And Velour Indicate colour	/L 73-	1	
1	911 522 008 00	Back seat backrest Back seat backrest Complete with Cover Perlon velour Velour Indicate colour	/R 72	1	
1	911 522 008 02	Back seat backrest Back seat backrest Complete with Cover Perlon velour Velour Indicate colour	/R 73-	1	

Model: 911 70 Model life 1970>>1973

Pos	Part Number	Description	Remark	Qty	Model
1	911 522 006 02	Back seat backrest Back seat backrest Complete with Cover And Velour Indicate colour	/R 72	1	
1	911 522 006 05	Back seat backrest Back seat backrest Complete with Cover And Velour Indicate colour	/R 73-	1	
2	911 522 051 00	Back seat cushion Complete Indicate colour	/L 72	1	
2	911 522 051 01	Back seat cushion Complete Indicate colour	/L 73-	1	
(2)	911 522 052 00	Back seat cushion Complete Indicate colour	/R 72	1	
(2)	911 522 052 01	Back seat cushion Complete Indicate colour	/R 73-	1	
3	900 236 001 07	Oval-head screw M8 X 10		2	
3	900 236 001 03	Oval-head screw M8 X 10		2	
11	900 067 057 03	Pan-head screw M 8 X 20		2	
12	900 025 007 03	Washer 8, 4		2	
-	901 521 011 60	Seat support	72-	4	CARRERA 2.7

Model: 911 70

Model life 1970>>1973



Model: 911 70 Model life 1970>>1973

Pos	Part Number	Description	Remark	Qty	Model
1	911 521 007 00	Sports seat Sports seat Complete with Bracket Cover And Indicate colour	/L 71	1	
(1)	911 521 008 00	Sports seat Complete with Bracket Cover And Indicate colour	/R 71	1	
-	911 521 903 01	Bucket seat	72-	X	CARRERA 2.7
(1)	911 521 007 15	Sports seat Complete with Bracket Leatherette Cover And Indicate colour	/L 72-	1	
(1)	911 521 081 15	Sports seat Complete with Bracket Leather Cover And Indicate colour	/L 73-	1	
(1)	911 521 008 15	Sports seat Complete with Bracket Leatherette Cover And Indicate colour	/R 72-	1	
(1)	911 521 082 15	Sports seat Complete with Bracket Leather Cover And Indicate colour	/R 73-	1	
(2)	911 521 021 00	Sports seat Complete without Bracket Cover And Indicate colour	/L -71	1	
2	911 521 021 01	Sports seat Complete without Bracket Cover And Indicate colour	/L 72-	1	
(2)	911 521 022 00	Sports seat	/R -71	1	

Model: 911 70

Model life 1970>>1973

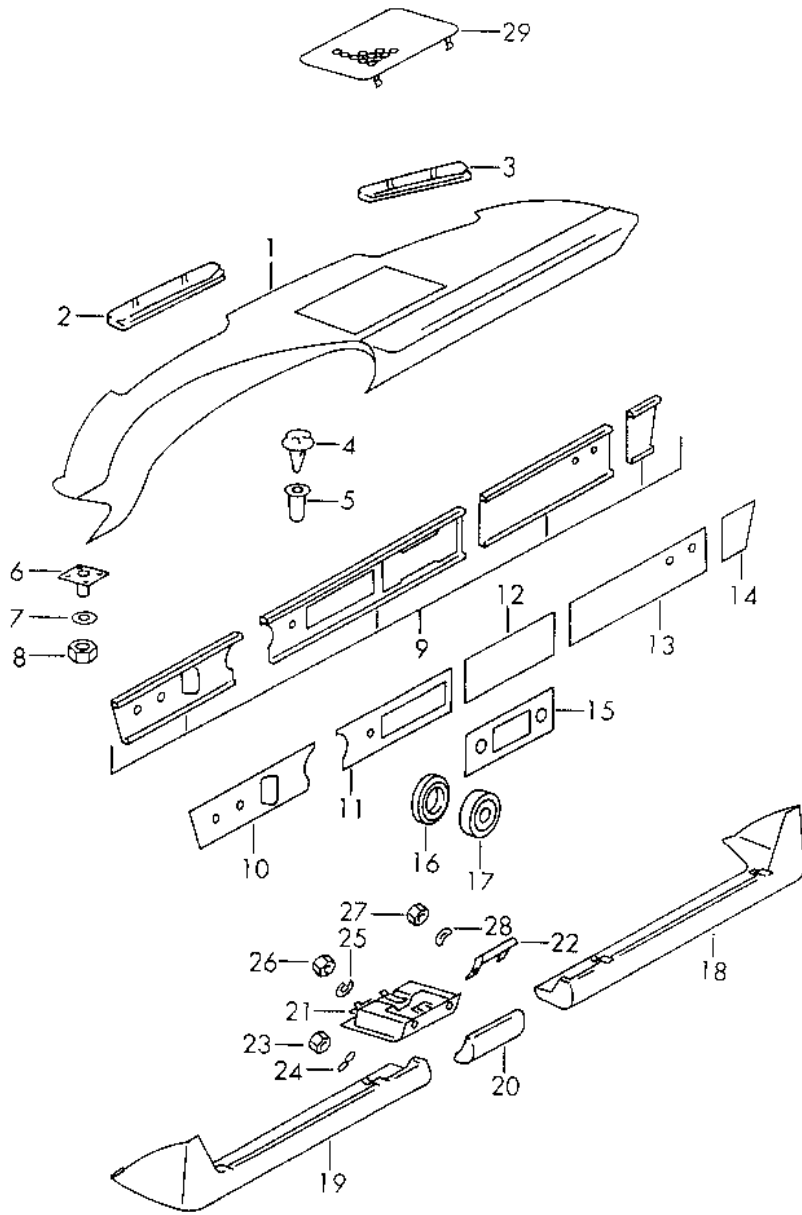
Pos	Part Number	Description	Remark	Qty	Model
(2)	911 521 022 01	Complete without Bracket Cover And Indicate colour Sports seat	/R 72-	1	
3	911 521 207 00	Complete without Bracket Cover And Indicate colour Backrest frame	/L	1	
(3)	911 521 208 00	Backrest frame	/R	1	
4	911 521 104 00	Backrest cushion		1	
5	911 521 191 00	Backrest side bolster	/L	1	
(5)	911 521 192 00	Backrest side bolster	/R	1	
6	911 521 072 00	Outer lining		1	
7	911 521 203 00	Seat frame	/L	1	
(7)	911 521 204 00	Seat frame	/R	1	
8	911 521 102 00	Seat cushion		1	
9	911 521 189 00	Seat side bolster	/L	1	
9	911 521 190 00	Seat side bolster	/R	1	
10	911 521 197 00	Outer lining		1	
11	911 521 073 00	Outer lining	/L	1	
(11)	911 521 074 00	Outer lining	/R	1	
12	900 075 078 02	Hexagon-head bolt M8 X 15		X	
12	900 075 078 03	Hexagon-head bolt M8 X 15		X	
13	900 027 005 02	Lock ring A8		X	
(14)	911 521 067 00	Engine bracket with Rail	/L -72	1	
(14)		Engine bracket with Rail	/R -72	1	
14	911 521 481 00	Engine bracket with Rail	/L 73-	1	
(14)	911 521 482 00	Engine bracket with Rail	/R 73-	1	
15	911 521 071 00	Rubber support for Bracket		4	
16	999 591 540 01	Clamp		2	
17	911 521 163 00	Handle knob		2	
18	911 521 157 01	Lever	/L -72	1	
(18)	911 521 162 00	Lever	/R -72	1	
(18)	911 521 157 03	Lever	/L /R 73-	2	
19	900 095 004 01	Roll pin 2,5 X 20		X	
20		Roll pin 2,5 X 12		X	
21	911 521 158 00	Locking device	-72	2	
22	911 521 483 00	Throttle linkage Linkage	/L 73-	1	
(22)	911 521 484 00	Throttle linkage Linkage	/R 73-	1	
23	911 521 152 00	Spring	/L /R -72	4	

Model: 911 70 Model life 1970>>1973

Pos	Part Number	Description	Remark	Qty	Model
23		Spring	/R 73-	2	
24		Spring	/L 73-	2	
25	911 521 327 00	Axle	73-	1	
26	911 521 195 00	Seat rail Inner Seat Left		1	
(26)	911 521 196 00	Seat rail Inner Seat Right		1	
27	911 521 323 00	Seat rail Outer Seat Left	-72	1	
(27)	911 521 194 00	Seat rail Outer Seat Right	-72	1	
(27)	911 521 323 00	Seat rail Outer Seat Left Inner Seat Right	73-	2	
28	900 119 042 02	Pan-head screw M6 X 15		24	
29	911 521 160 00	Screw		4	
30	911 521 035 01	Reclining seat fitting		1	
(30)	911 521 036 01	Reclining seat fitting		1	
31	911 521 126 00	Countersunk-head screw		8	
32	911 521 130 00	Washer		2	
33	900 116 006 02	Lock washer 9		2	
34	911 521 205 00	Rosette		4	
35	911 521 147 00	Cap		4	
36	911 521 086 00	Head rest Leatherette Indicate colour		X	
(36)	901 521 086 05	Head rest Leather Indicate colour		X	
37	911 521 123 00	Steering knuckle spring		X	

Model: 911 70

Model life 1970>>1973



Model: 911 70 Model life 1970>>1973

Pos	Part Number	Description	Remark	Qty	Model
1	911 552 031 00	Dashbord trim with Ashtray And Trim cover	/LL	1	
1	911 552 031 00 709 911 552 031 03	Dashbord trim with Grille Leatherette Black	/LL	1	
1	911 552 031 03 709 911 552 031 04	Dashbord trim with Grille Leatherette Black	/LL	1	
(1)	911 552 031 04 709 911 552 032 00	Dashbord trim	/RL	1	
-	911 552 205 00	Lid for clock		1	CARRERA 2.7
-	911 641 901 00	Rubber ring		1	CARRERA 2.7
2	911 552 409 00	Cover for Heating nozzle	/L	1	
3	911 552 410 00	Cover for Heating nozzle	/R	1	
4	999 591 310 40	Fixing clip		7	
5	999 591 311 40	Bush		7	
6	999 591 344 02	Latch		2	
7	N 011 524 7	Washer 6,4		7	
7	N 011 524 27	Washer 6,4		7	
8	900 910 011 02	Lock nut M 6		7	
9	911 552 013 00	Support frame	/LL	1	
(9)	901 552 014 00	Support frame	/RL	1	
10	901 552 477 57	Cover	/LL /L -71	1	
10	911 552 477 01	Cover	/LL /L 72-	1	
10	901 552 478 57	Cover	/RL /R -71	1	
10	911 552 478 01	Cover	/RL /R 72-	1	
11	901 552 479 54	Cover	/LL /L -71	1	
11	911 552 479 01	Cover	/LL /L 72-	1	
11	901 552 480 54	Cover	/RL /R -71	1	
11	911 552 480 01	Cover	/RL /R 72-	1	
12	901 552 079 00	Cover	-71	1	
12	911 552 079 00	Cover	72-	1	
	911 552 079 00 708	Black			
13	901 552 488 52	Cover	-71	1	
13	911 552 488 00	Cover	72-	1	
(13)	911 552 215 00	Cover	72-	1	
		Glove compartment cover			
14	901 552 593 52	Cover	/RL /L -71	1	
14	911 552 593 01	Cover	/RL /L 72-	1	
(14)	901 552 594 52	Cover	/LL /R -71	1	
(14)	911 552 594 01	Cover	/LL /R 72-	1	
(14)	911 552 213 00	Cover	/LL /R 72-	1	
		Glove compartment cover			
15	901 552 079 01	Cover	/LL -71	1	

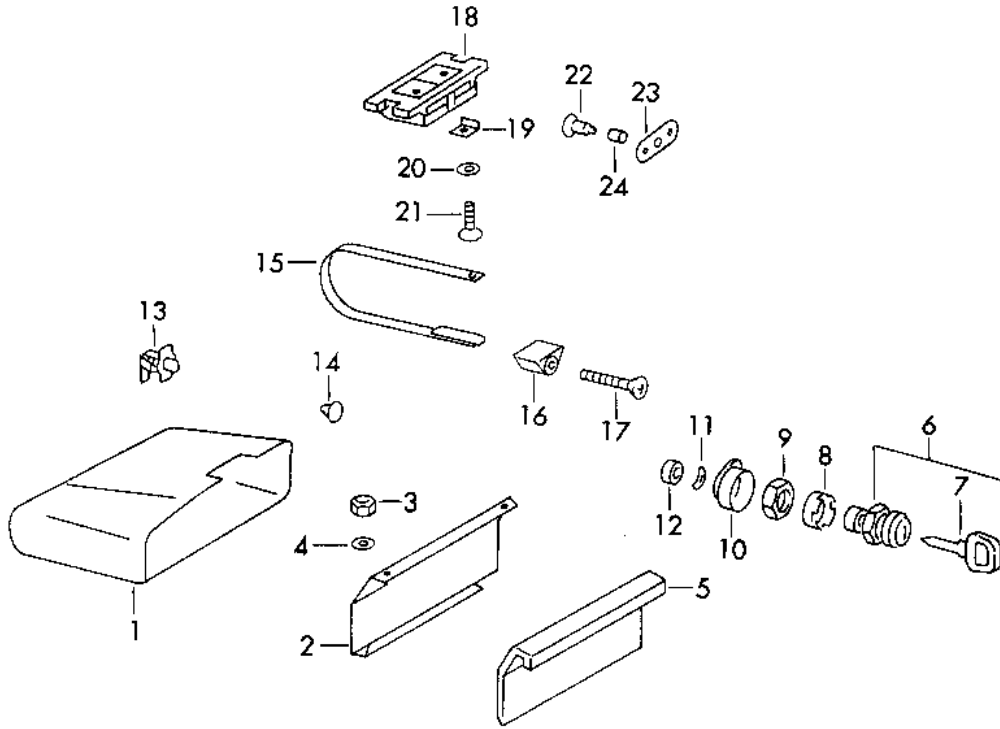
Model: 911 70

Model life 1970>>1973

Pos	Part Number	Description	Remark	Qty	Model
15	911 552 079 01	Cover	/LL 72-	1	
	911 552 079 01 708	Black			
(15)	901 552 080 01	Cover	/RL -71	1	
(15)	911 552 080 01	Cover	/RL 72-	1	
	911 552 080 01 708	Black			
16	911 347 615 00	Intermediate ring		1	
17	911 347 617 00	Trim cover		1	
18	901 552 036 27	Knee protection strip	/R	1	
19	901 552 035 27	Knee protection strip	/L	1	
20	901 552 050 25	Ashtray handle		1	
21	901 552 061 25	Ashtray		1	
22	901 552 607 00	Fireproof plate		1	
23	900 076 027 02	Nut		4	
		M 5			
24	900 151 027 02	Washer		4	
		5,3			
24	900 151 027 03	Washer		4	
		5,3			
25	900 027 003 01	Lock ring		2	
		A 5			
26	900 076 004 02	Hexagon nut		2	
		M 5			
27	900 070 001 02	Cap nut		2	
		M 4			
28	900 028 018 01	Spring washer		2	
		B 4			
29	911 552 048 00	Lid		1	
	911 552 048 00 709	Black			

Model: 911 70

Model life 1970>>1973



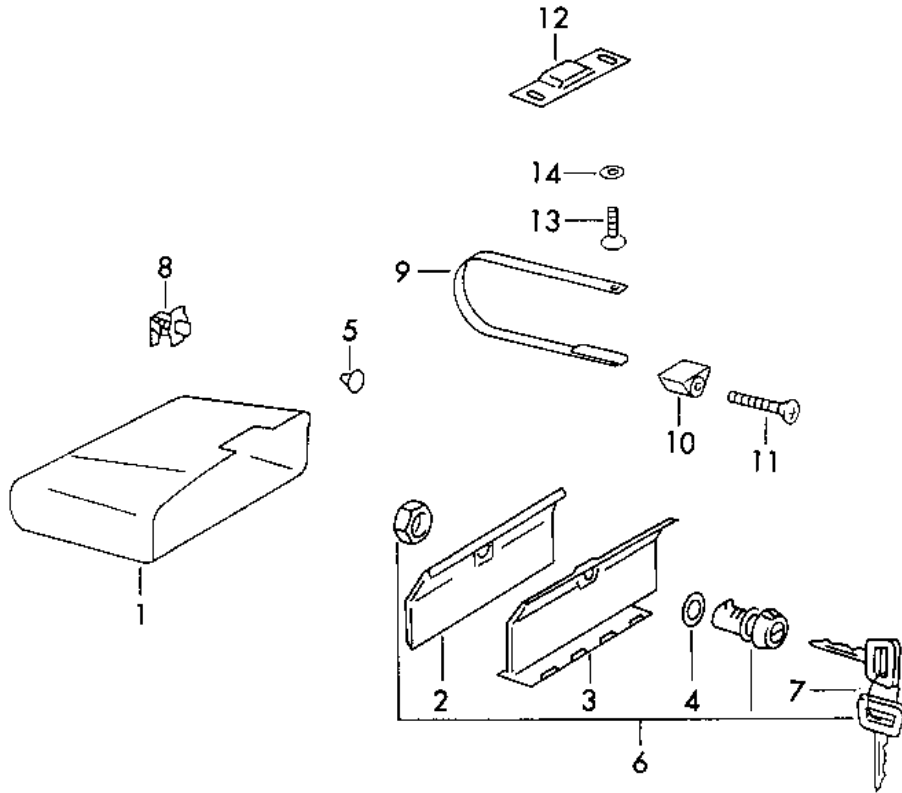
Model: 911 70

Model life 1970>>1973

Pos	Part Number	Description	Remark	Qty	Model
		Glove compartment	-70		
1	964 552 501 00	Glove compartment		1	
1	964 552 903 00	Glove compartment		1	
2	901 552 010 00	Glove compartment cover		1	
3	999 090 002 02	Lock nut		2	
4	900 025 003 02	Washer 5,3		2	
5	911 552 057 00	Handle		1	
6	911 552 902 01	Glove compartment lock with 2 Main key		1	
6	911 552 902 02	Glove compartment lock with 2 Main key		1	
7	914 531 637 10	State lock number Main key		1	
7	914 531 903 10	State lock number Blank key		1	
8	914 552 526 10	Spacer sleeve		1	
9	914 552 557 10	Hexagon nut		1	
10	911 552 552 00	Latch		1	
11	914 552 559 10	Spring washer		1	
12	914 552 558 10	Slotted nut		1	
13		Contact switch See group 9/03/00			
14	999 702 064 50	Grommet		2	
15	901 552 531 20	Restraining strap		1	
16	914 552 061 00	Clamp		1	
17	900 146 010 02	Oval-head screw AM 5 X 30		1	
18	901 552 571 20	Lock		1	
19	901 552 575 20	Fastening angle		2	
20	N 012 225 2	Spring washer B 5		2	
21	900 119 001 02	Pan-head screw M 5 X 12		2	
21	900 976 003 01	Pan-head screw M 5 X 12		2	
22	901 552 595 00	Countersunk-head screw		1	
23	901 552 573 20	Contact plate		1	
24	901 552 535 00	Spacer		1	

Model: 911 70

Model life 1970>>1973



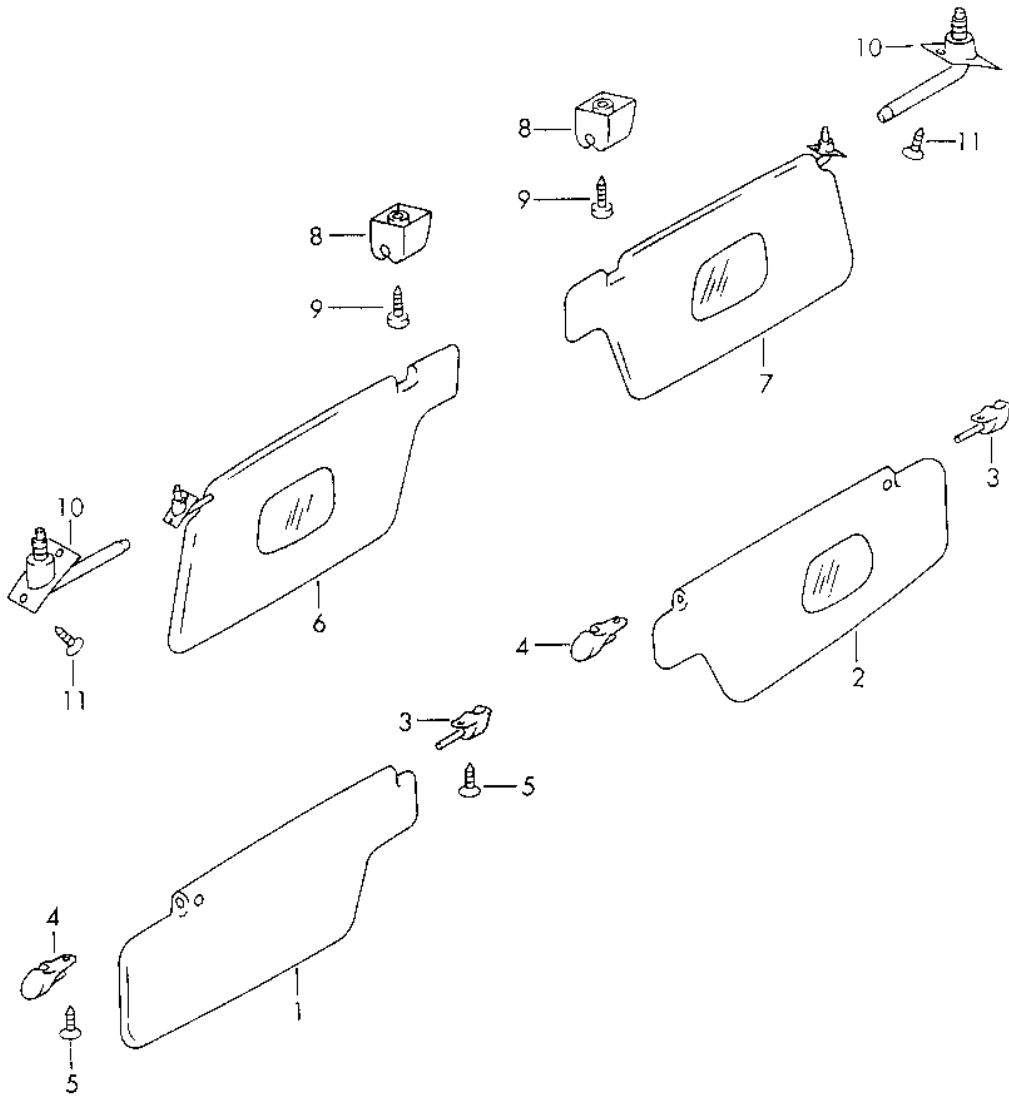
Model: 911 70

Model life 1970>>1973

Pos	Part Number	Description	Remark	Qty	Model
			71-		
1	901 552 501 22	Glove compartment		1	
1	901 552 501 24	Glove compartment		1	
2	911 552 057 01	Handle		1	
3	911 552 010 01	Glove compartment cover		1	
4	911 552 103 01	Washer PVC		1	
5	999 703 064 50	Buffer		2	
-	311 611 849	Stopper		X	
6	911 552 902 01	Glove compartment lock with 2 Main key		1	
6	911 552 902 02	Glove compartment lock with 2 Main key		1	
7	914 531 637 10	State lock number Main key		1	
7	914 531 903 10	State lock number Blank key		1	
8		Contact switch See group 9/03/00			
9	901 552 531 20	Restraining strap		1	
10	914 552 061 00	Clamp		1	
11	900 146 010 02	Oval-head screw AM 5 X 30		1	
12	911 552 513 00	Door lock striker		1	
13	900 146 005 01	Oval-head screw AM5 X 8		2	
14	N 012 225 2	Spring washer B 5		2	

Model: 911 70

Model life 1970>>1973



Model: 911 70

Model life 1970>>1973

Pos	Part Number	Description	Remark	Qty	Model
1	911 731 031 42	Sun visors Sun visor without mirror	/LL /L -72	1	TARGA
1	PCG 731 031 42	Sun visor without mirror Black/black	/LL /L -72	1	TARGA
1	911 731 031 45	Sun visor without mirror	/LL /L 73-	1	TARGA
1	PCG 731 031 42	Sun visor without mirror Black/black	/LL /L 73-	1	TARGA
1	911 731 031 47	Sun visor without mirror	/L (AUS)	1	TARGA
(2)	911 731 032 41	Sun visor without mirror	/LL /R -72	1	TARGA
(2)	911 731 032 46	Sun visor without mirror	/R 73-	1	TARGA
(2)	911 731 032 47	Sun visor without mirror	/R (AUS)	1	TARGA
2	911 731 032 42	Sun visor with mirror	/LL /R -72	1	TARGA
2	PCG 731 032 42	Sun visor with mirror Black/black	/LL /R -72	1	TARGA
2	911 731 032 45	Sun visor with mirror	/LL /R 73-	1	Targa
2	PCG 731 032 42	Sun visor with mirror Black/black	/LL /R 73-	1	TARGA
3	911 731 324 40	Bearing	/R	2	
4	911 731 323 40	Bearing	/L	2	
5	N 014 093 3	Oval-head sheetmetal screw B 4,2 X 13		X	
6	911 731 031 03	Sun visor with mirror	/RL /L -72	1	COUPE
6	911 731 031 07	Sun visor with mirror	/RL /L 73-	1	COUPE
(6)	911 731 031 02	Sun visor without mirror	/LL /L -72	1	COUPE
(6)	PCG 731 031 02	Sun visor without mirror Beige/black	/LL /L -72	1	COUPE
(6)	911 731 031 06	Sun visor without mirror	/LL /L 73-	1	COUPE
(6)	PCG 731 031 02	Sun visor without mirror Beige/black	/LL /L 73-	1	COUPE
(6)	911 731 031 08	Sun visor	/L	1	CARRERA 2.7
7	911 731 032 02	Sun visor with mirror	/R -72	1	
7	PCG 731 032 02	Sun visor with mirror Beige/black	/R -72	1	
7	911 731 032 06	Sun visor with mirror	/LL /R 73-	1	COUPE
7	PCG 731 032 02	Sun visor with mirror Beige/black	/R 73-	1	
(7)	911 731 032 03	Sun visor without mirror	/LL /R -72	1	COUPE
(7)	911 731 032 07	Sun visor without mirror	/R 73-	1	COUPE
8	911 731 331 00	Support		2	COUPE

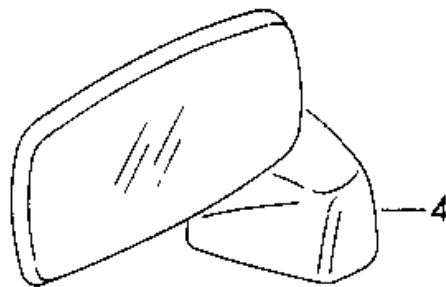
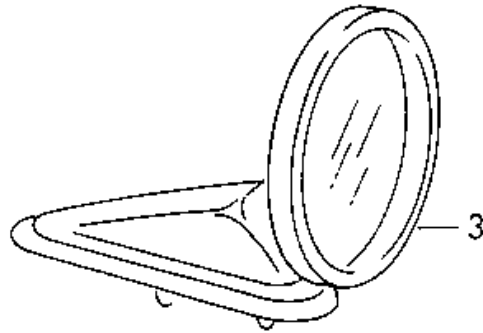
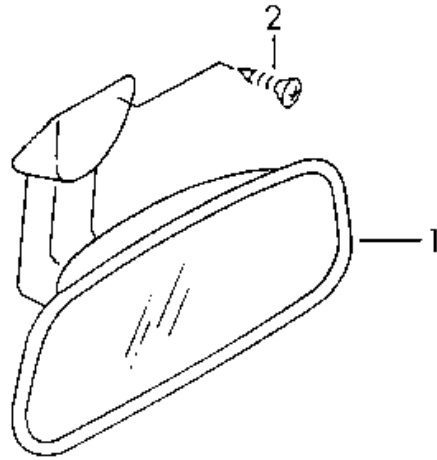
Model: 911 70

Model life 1970>>1973

Pos	Part Number	Description	Remark	Qty	Model
9	900 143 005 02	Oval-head sheetmetal screw B 3,9 X 13		2	COUPE
10	911 731 320 00	Bearing		2	COUPE
11	N 014 093 3	Oval-head sheetmetal screw B 4,2 X 13		4	COUPE 911

Model: 911 70

Model life 1970>>1973



Model: 911 70 Model life 1970>>1973

Pos	Part Number	Description	Remark	Qty	Model
		Interior mirror And			
1	914 731 014 11	Door mirror Interior mirror	-70	1	
1	914 731 014 12	Interior mirror		1	
1	914 731 014 11	Interior mirror	71-	1	
1	914 731 014 12	Interior mirror	71-	1	
-	901 731 133 20	Adhesive plate for		1	
-	901 731 113 00	Interior mirror Plate for		1	
-	900 014 098 10	Interior mirror Pan-head screw M 2,6 X 15 for		1	
-	999 915 173 00	Interior mirror Terostat ribbon 33 Black		X	
2	900 148 012 02	Rais. counters. h. tap. s. AM 5 X 15		3	
(2)	N 013 988 1	Counters. head tapp. screw B 3,5 X 16		3	WW
3	901 731 111 01	Door mirror Round Plane	/L /R	1	
3	901 731 111 02	Door mirror Round Plane	/L /R	1	
3	911 731 116 00	Door mirror Round Convex		1	
-	901 731 129 00	Desk pad for		1	
-	911 731 129 00	Door mirror 901.731.111.01 Desk pad for		1	
-	911 731 129 01	Door mirror 911.731.116.00 Desk pad for		1	
-	911 731 130 01	Door mirror 911.731.116.00 Desk pad for		1	
4	911 731 013 00	Door mirror Small Left with Mount	/L	1	
(4)	911 731 013 06	Door mirror Small Left with Mount	/L	1	
(4)	911 731 013 08	Door mirror Small Left with	/L	1	

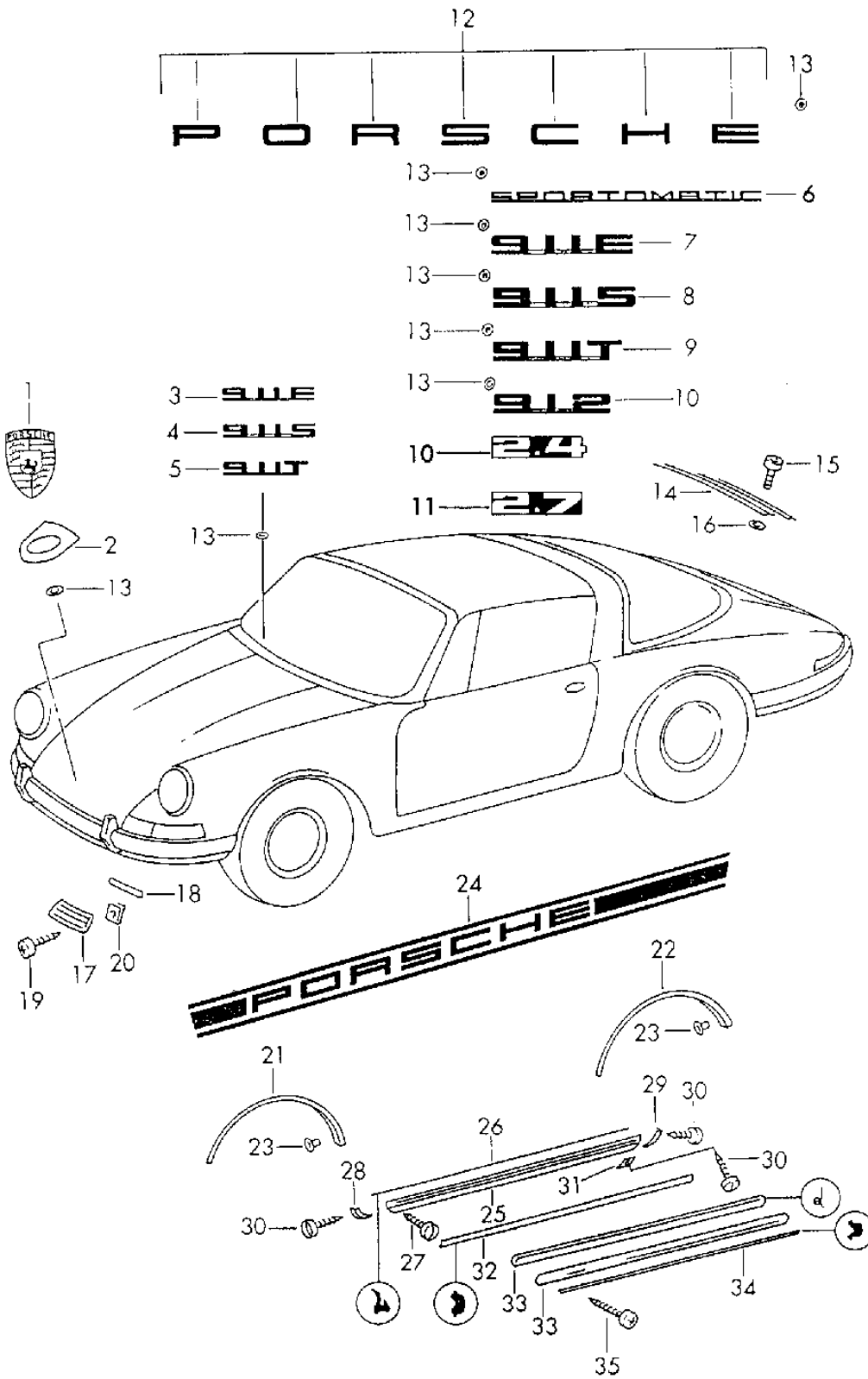
Model: 911 70

Model life 1970>>1973

Pos	Part Number	Description	Remark	Qty	Model
4	911 731 014 06	Mount Door mirror Small Right with Mount	/R	1	
4	911 731 014 08	Door mirror Small Right with Mount	/R	1	
-	911 731 129 00	Desk pad		1	

Model: 911 70

Model life 1970>>1973



Model: 911 70 Model life 1970>>1973

Pos	Part Number	Description	Remark	Qty	Model
1	901 559 210 21	Decorative fittings Lid emblem Orange		1	
1	901 559 210 27	Lid emblem Orange		1	
2	901 559 215 20	Desk pad		1	
2	7L5 853 611 B	Desk pad		1	
3	901 559 306 20	Logo	-70	1	
4	901 559 304 50	Logo	-70	1	
5	901 559 315 20	Logo	-70	1	
6	901 559 309 00	Logo Gold-coloured	-70	1	
(6)	901 559 309 01	Logo Chrome	-70	1	
7	901 559 325 50	Logo	-71	1	
7	901 559 325 51	Logo		1	
7	901 559 325 21	Logo	72-	1	
8	901 559 308 50	Logo	-71	1	
8	901 559 308 51	Logo		1	
8	901 559 308 21	Logo	72-	1	
8	901 559 308 24	Logo	72-	1	
9	901 559 311 50	Logo Gold-coloured	-71	1	
9	901 559 311 51	Logo Gold-coloured		1	
(9)	901 559 311 20	Logo Chrome	-71	1	
(9)	901 559 311 22	Logo Chrome		1	
(9)	901 559 311 21	Logo Black	72-	1	
(9)	901 559 311 23	Logo Black	72-	1	
-	911 559 317 00	Logo "CARRERA RS"	72-	1	CARRERA 2.7
-	911 559 317 03	Logo "CARRERA RS"	72-	1	CARRERA 2.7
10	911 559 015 00	Logo 2.4 for Ventilation grille	72	1	
10	911 559 015 02	Logo 2.4 for Ventilation grille	72-	1	
(10)	902 559 305 22	Logo 912 for Ventilation grille	72	1	
(10)	902 559 305 24	Logo 912 for Ventilation grille	72-	1	
11	911 559 015 01	Logo for Ventilation grille	73-	1	CARRERA 2.7
11	911 559 015 03	Logo for Ventilation grille	73-	1	CARRERA 2.7
12	901 559 301 22	Logo Gold-coloured	-71	1	
12	901 559 902 00	Logo Chrome	-71	1	

Model: 911 70 Model life 1970>>1973

Pos	Part Number	Description	Remark	Qty	Model
12	911 559 901 00	Logo Black	72-	1	
-	911 559 035 00	Logo Blue	72-	1	
-	911 559 035 01	Logo Guards red	72-	1	
-	911 559 035 02	Logo Green	72-	1	
-	911 559 035 03	Logo Black	72-	1	
-	911 559 036 00	Logo "CARRERA RS" Blue for Rear lid	72-	1	CARRERA 2.7
-	911 559 036 01	Logo "CARRERA RS" Guards red for Rear lid	72-	1	CARRERA 2.7
-	911 559 036 02	Logo "CARRERA RS" Green for Rear lid	72-	1	CARRERA 2.7
-	911 559 036 03	Logo "CARRERA RS" Black for Rear lid	72-	1	CARRERA 2.7
13	999 591 423 03	Tapping nut		16	
14	911 559 041 00	Ventilation grille	-71	1	
14	911 559 041 02	Ventilation grille Black	72-	1	
15	900 119 036 02	Pan-head screw M 5 X 12		6	
-	900 151 027 02	Washer A 5,3	72-	6	
-	900 151 027 03	Washer A 5,3	72-	6	
-	911 559 151 00	Base for Ventilation grille	72-	4	
16	999 031 084 50	Rubber washer		6	
-	900 076 027 02	Nut M5	72-	X	CARRERA 2.7
-	N 012 225 2	Spring washer B5	72-	X	CARRERA 2.7
17	901 559 431 27	Grille	/L 70	1	
17		Grille	/L -72	1	
17	911 559 431 03	Grille It is necessary to rework	/L 73-	1	
(17)	901 559 431 28	Grille Left for cars with Additional headlamp And Fog headlamp Round		1	
(17)	911 559 431 04	Grille Plastic material SCHWARZ		1	1973

Model: 911 70 Model life 1970>>1973

Pos	Part Number	Description	Remark	Qty	Model
(17)	901 559 432 27	Left for cars with Additional headlamp And Fog headlamp Grille	/R 70	1	
(17)		It is necessary to rework Grille	/R -72	1	
(17)	911 559 432 03	It is necessary to rework Grille	/R 73-	1	
(17)	901 559 432 28	Black Grille		1	
(17)	911 559 432 04	Right for cars with Additional headlamp And Fog headlamp Round Grille Plastic material Black Right for cars with Additional headlamp And Fog headlamp		1	
18	911 559 439 00	Gasket	-71	2	
18		Gasket	72-	2	
19	900 143 041 00	Oval-head sheetmetal screw B 3,9 X 19		4	
20	999 591 338 02	Speed nut		4	
20	999 591 460 01	Speed nut		4	
21	901 559 125 51	Moulding Front Left Set Use		X	
(21)	901 559 126 51	Moulding Front Right Set Use		X	
22	901 559 127 51	Moulding Rear Left Set Use		X	
(22)	901 559 128 51	Moulding Rear Right Set Use		X	
-	PCG 901 559 00	Moulding Set Front and rear POS. 21, 22 It is necessary to rework		1	911 E/S
23	999 190 101 30	Blind rivet		X	
-	999 911 160 40	Adhesive tape 4 M		*	
24	901 559 317 61	Adhesive film Left White		X	

Model: 911 70 Model life 1970>>1973

Pos	Part Number	Description	Remark	Qty	Model
(24)	901 559 319 61	Adhesive film Left Black		X	
(24)	901 559 318 61	Adhesive film Right White		X	
(24)	901 559 320 61	Adhesive film Right Black		X	
-	911 559 034 00	Adhesive film "CARRERA" Blue for Door sill	72-	X	CARRERA 2.7
-	911 559 034 01	Adhesive film "CARRERA" Guards red for Door sill	72-	X	CARRERA 2.7
-	911 559 034 02	Adhesive film "CARRERA" Green for Door sill	72-	X	CARRERA 2.7
-	911 559 034 03	Logo "CARRERA" Black	72-	X	
-	911 559 034 04	Logo "CARRERA" Gold-coloured Matte	72-	X	
25	901 559 105 53	Moulding		2	
(25)	911 559 105 00	Moulding	/L 72-	1	CARRERA 2.7
(25)	911 559 106 00	Moulding	/R 72-	1	CARRERA 2.7
26	999 911 198 40	Piping Running meter		3	
27	N 013 961 2	Oval-head sheetmetal screw B 3,9 X 13		14	
27	N 013 961 11	Oval-head sheetmetal screw B 3,9 X 13		14	
28	901 559 111 50	End piece	/L /V	1	
(28)	901 559 112 50	End piece	/R /V	1	
29	901 559 113 50	End piece	/L /H	1	
29	901 559 114 50	End piece	/L /H 72-	1	CARRERA 2.7
(29)	901 559 114 50	End piece	/R /H	1	
(29)	901 559 114 50	End piece	/R /H 72-	1	CARRERA 2.7
30	900 145 043 00	Rais. counters. h. tap. s. B 3,9 X 13		18	
31	999 911 141 50	Desk pad Running meter		2 X	
32	901 559 106 53	Insert		2	
33	901 559 011 22	Moulding		2	
34	901 559 101 22	Filler piece		2	
35	N 013 961 2	Oval-head sheetmetal screw		10	
35	N 013 961 11	Oval-head sheetmetal screw		10	

Model: 911 70

Model life 1970>>1973

P O R S C H E

SEMI-AUTOMATIC

911E

911S

911T

911E

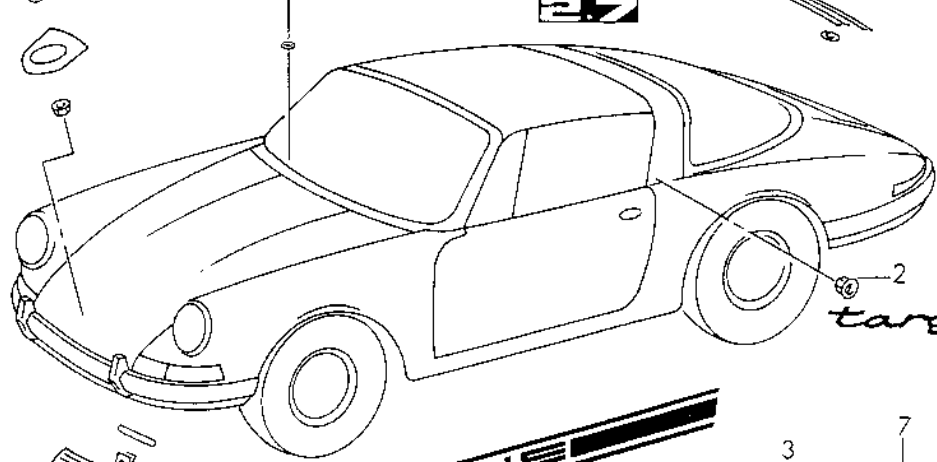
911S

911T

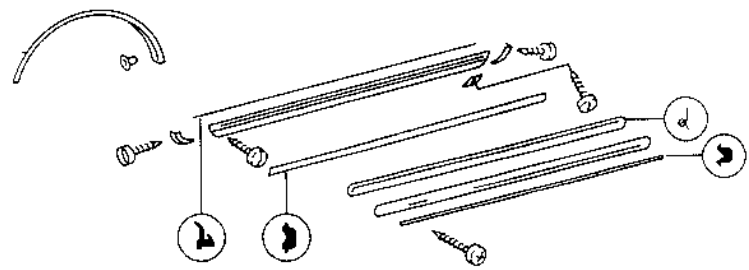
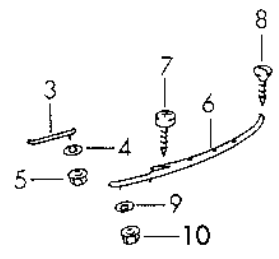
912

2.7

2.7



1
2
targa

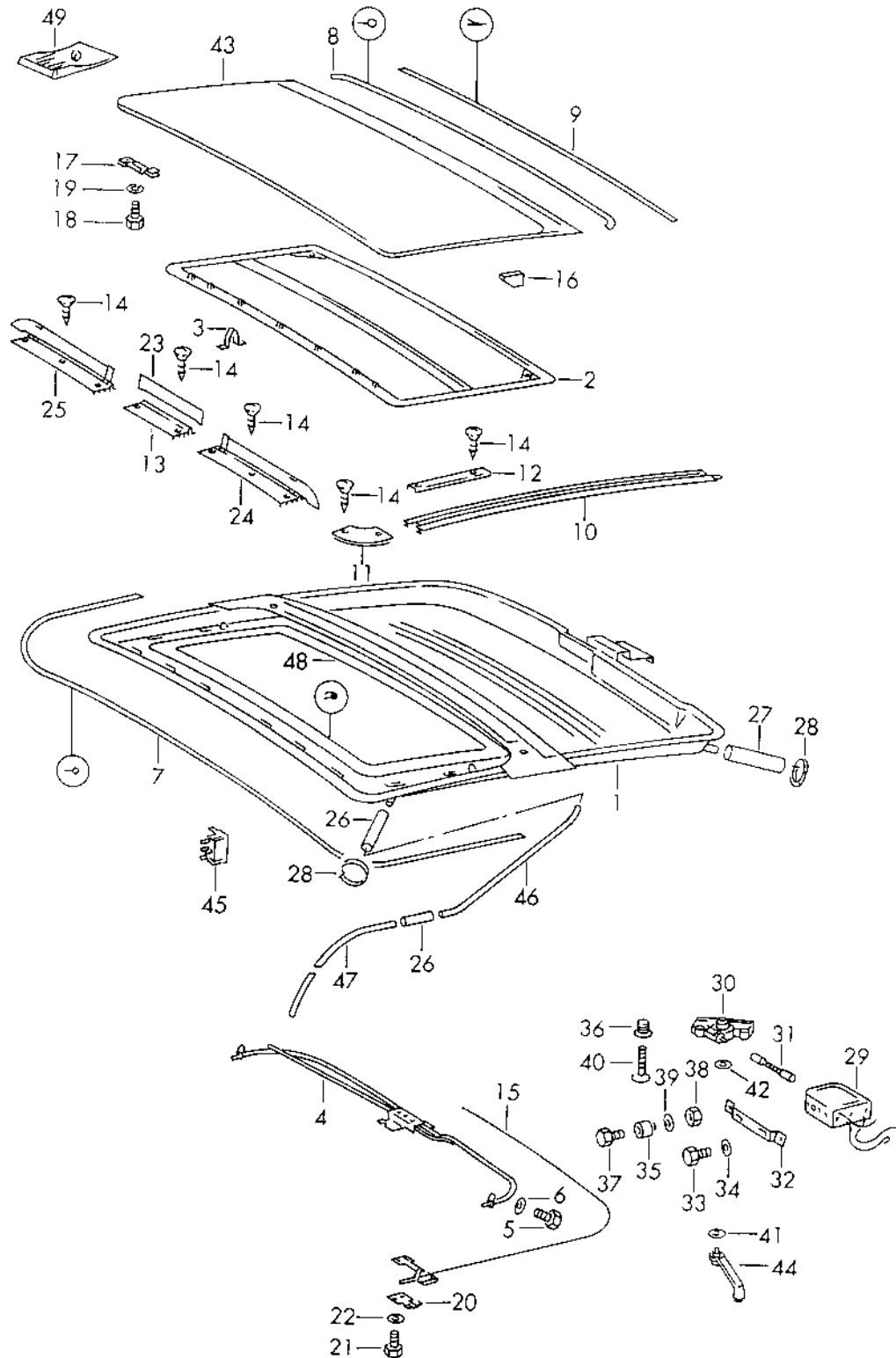


Model: 911 70 Model life 1970>>1973

Pos	Part Number	Description	Remark	Qty	Model
1	901 559 307 40	Decorative fittings Logo Gold-coloured		2	TARGA
1	901 559 307 41	Logo Gold-coloured		2	
1	911 559 307 41	Logo Black		2	
1	911 559 307 42	Logo Black		2	
(2)	999 591 423 03	Tapping nut		4	
3	901 565 077 40	Moulding Left for cars with Convertible top Rear wall	70	1	
(3)	901 565 078 40	Moulding Right for cars with Convertible top Rear wall	70	1	
(4)	900 151 006 40	Washer B 6,4	70	4	
5	999 591 340 02	Tapping nut	70	4	
6	911 565 947 40	Moulding Left for cars with Rear wall Washer Fixed		1	
(6)	911 565 948 40	Moulding Right for cars with Rear wall Washer Fixed		1	
-	901 565 557 40	Piping for Picture 6		2	
-	901 565 563 40	Stopper		2	
7	N 013 957 5	Oval-head sheetmetal screw B 3,5 X 9,5		8	
8	900 144 009 00	Counters. head tapp. screw 2,9 X 13		2	
9	900 151 006 40	Washer B 6,4		4	
10	999 591 423 03	Tapping nut		X	

Model: 911 70

Model life 1970>>1973



Model: 911 70 Model life 1970>>1973

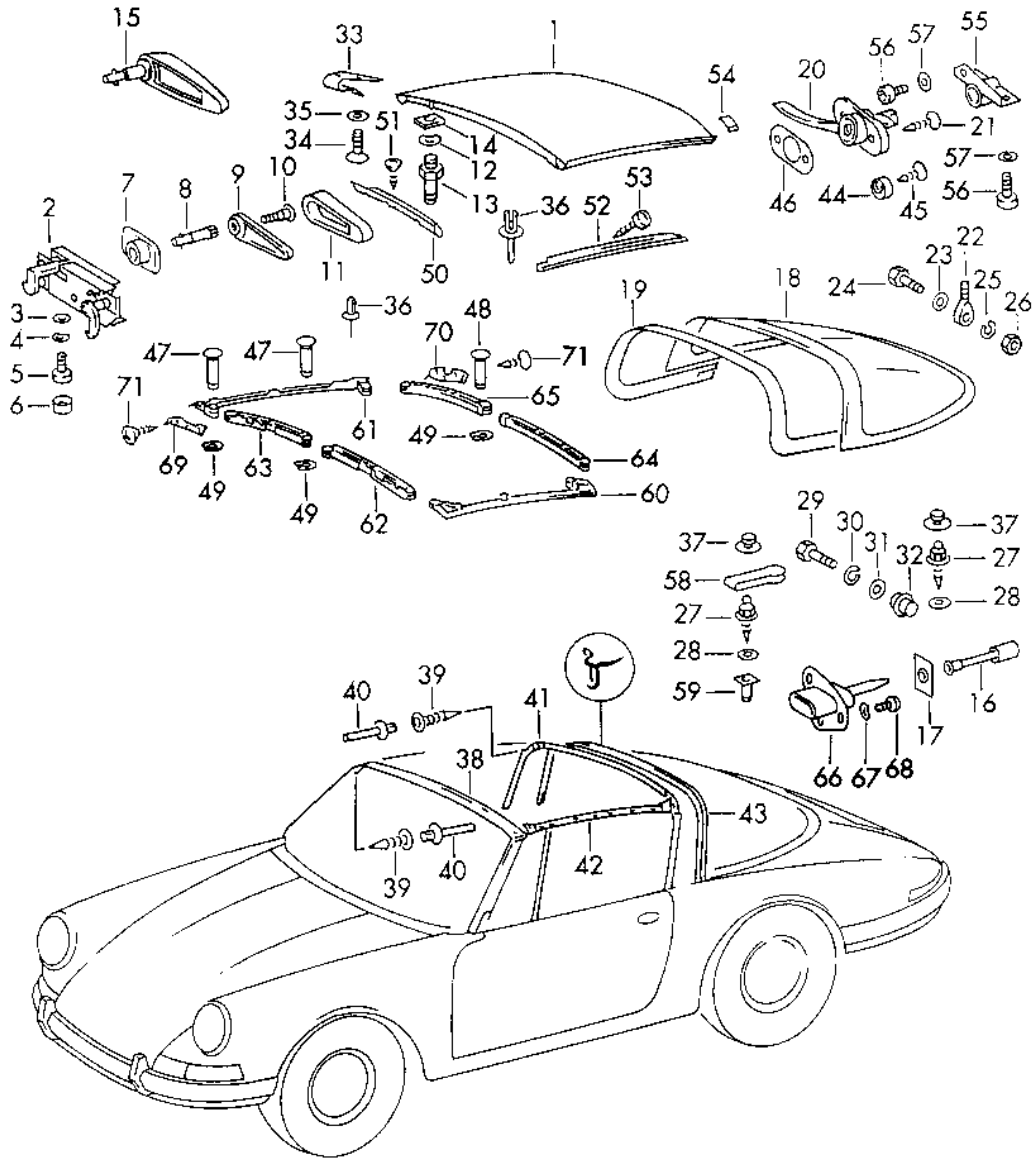
Pos	Part Number	Description	Remark	Qty	Model
		Sunroof Electric			COUPE
-	901 564 003 05	Sunroof Complete		1	
1	901 564 011 05	Frame Complete		1	
(2)	901 564 020 06	Support frame Bodyshell Complete	-71	1	
2	901 564 020 07	Roofliner frame Bodyshell Complete	72-	1	
-	901 564 291 05	Roofliner frame Cover	-71	1	
-	901 564 291 07	Indicate colour Roofliner frame Cover	72-	1	
		Indicate colour			
3	901 564 299 05	Duct clamp		7	
3	901 564 299 0F	Duct clamp		7	
4	901 564 031 05	Pipe holder Complete		1	
5	900 075 092 02	Hexagon-head bolt M 4 X 10		4	
6	N 012 116 1	Serrated lock washer A 4,3		4	
7	911 564 191 00	Velvet strip		1	
8	911 564 193 00	Velvet strip		1	
9	901 564 905 05	Sealing rubber	/H	1	
10	901 564 041 05	Guide rail	/L	1	
(10)	901 564 042 05	Guide rail	/R	1	
11	901 564 405 05	Corner piece	/L	1	
(11)	901 564 406 05	Corner piece	/R	1	
12	901 564 407 05	Intermediate piece		2	
13	901 564 409 05	Centre piece		1	
14	900 145 009 02	Tapping screw B 3,9 X 9,5		16	
15	901 564 043 05	Guide	/H /L	1	
(15)	901 564 044 05	Guide	/H /R	1	
16	901 564 431 05	Guide shoe		2	
17	911 564 045 00	Guide	/V	2	
-	911 564 451 00	Tab washer for Picture 17		2	
18	911 564 459 00	Wedge screw	-71	4	
18		Wedge screw	72-	4	
19	900 115 001 01	Serrated lock washer A 5,3		4	
20	901 564 451 05	Reinforcement for Lid		2	
21	900 075 106 02	Hexagon-head bolt M 4 X 6		4	
22	N 012 116 1	Serrated lock washer A 4,3		4	
23	901 564 703 05	Air deflector		1	
24	901 564 073 05	Air deflector	/L	1	
25	901 564 074 05	Air deflector	/R	1	
26	911 564 821 01	Water drain hose	/V	4	
27	911 564 825 00	Water drain hose	/H	2	
28	644 564 925 50	Hose clamp	-70	8	
28	999 512 105 02	Hose clamp	71-	8	

Model: 911 70 Model life 1970>>1973

Pos	Part Number	Description	Remark	Qty	Model
29	911 624 016 00	Electric motor		1	
30	911 564 601 00	Transmission		1	
31	901 564 615 06	Shaft		1	
31	901 564 615 07	Shaft		1	
32	911 624 501 00	Fastening angle		1	
33	900 075 010 02	Hexagon nut M 6 X 12		2	
33	N 010 212 14	Hexagon-head bolt M 6 X 12		2	
33	999 072 005 09	Hexagon nut M 6 X 12		2	
33	999 072 005 01	Hexagon nut M 6 X 12		2	
34	N 011 524 7	Washer 6,4		2	
34	N 011 524 27	Washer 6,4		2	
35	901 624 511 05	Silentbloc		2	
36	901 564 661 05	Screw		2	
37	900 075 007 02	Hexagon-head bolt M 6 X 6		2	
38	900 076 010 02	Nut M 6		2	
38	900 076 010 0B	Nut M 6		2	
39	900 115 006 01	Serrated lock washer A 6,4		2	
40	900 148 028 02	Rais. counters. h. tap. s. AM 4 X 25		2	
41	911 564 643 00	Washer		3	
42	901 564 663 05	Cap		1	
43	901 564 051 05	Lid for Sunroof		1	
44	901 564 085 05	Crank		1	
45	901 613 621 00	Tip switch Sunroof Chrome		1	
46	901 503 581 05	Water tube Upper left		1	
(46)	901 503 582 05	Water drain tube Upper right		1	
47	901 503 583 05	Water tube Lower	/L	1	
(47)	901 503 584 05	Water tube Lower	/R	1	
48	911 564 465 00	Beading		1	
49	901 564 433 05	Edge protection		4	

Model: 911 70

Model life 1970>>1973



Model: 911 70 Model life 1970>>1973

Pos	Part Number	Description	Remark	Qty	Model
		Roof			TARGA
1	901 565 002 45	Soft top	-72	1	
1	911 565 002 40	Soft top	73-	1	
-	901 565 036 42	Outer lining	-72	1	
-	901 565 036 43	Roofliner	73-	1	
-	901 565 035 40	Outer lining	-72	1	
-	901 565 035 41	Outer lining	73-	1	
2	911 565 031 41	Catch		2	
3	N 011 524 7	Washer 6,4		4	
3	N 011 524 27	Washer 6,4		4	
4	900 028 008 01	Lock ring B 6		4	
5	999 509 006 02	Pan-head screw		4	
6	901 565 218 40	Cover		4	
7	901 565 299 45	Rosette	-71	2	
7	901 565 299 46	Rosette		2	
8	901 565 054 40	Eccentric bolt	-71	2	
9	901 565 225 40	Handle	-71	2	
10	911 542 475 00	Conical screw	-71	2	
11	901 565 227 40	Cover Handle Complete Valid from: 1972 see POS. 15	-71	2	
12	N 012 241 1	Spring washer B 8 X 15		2	
13	901 565 216 42	Locating peg		2	
14	901 565 203 40	Threaded plate	-70	2	
15	911 565 075 41	Handle	72-	1	
16	901 565 220 41	Silentbloc bearing		2	
17	901 565 361 40	Seal		2	
18	901 565 006 41	Back wall lining Complete	-71	1	
(18)	901 565 085 40	Outer lining without Tubular frame	-71	1	
-	901 565 608 40	Plastic washer 600 X 1600	-71	1	
19	901 565 615 40	Catch	-71	1	
20	901 565 802 40	Handle Right	-71	1	
(20)	901 565 801 40	Handle Left	-71	1	
21	900 019 029 02	Oval-head screw AM 6 X 18	-71	4	
22	901 565 327 40	Eye screw	-71	3	
23	N 011 524 7	Washer 6,4	-71	3	
23	N 011 524 27	Washer 6,4		3	
24	900 067 011 02	Pan-head screw M 6 X 20		3	
24	900 067 011 03	Pan-head screw M 6 X 20		3	
25	N 012 007 2	Lock ring A 6	-71	3	
25	900 027 004 03	Lock ring A 6		3	
26	900 076 010 02	Nut		3	

Model: 911 70 Model life 1970>>1973

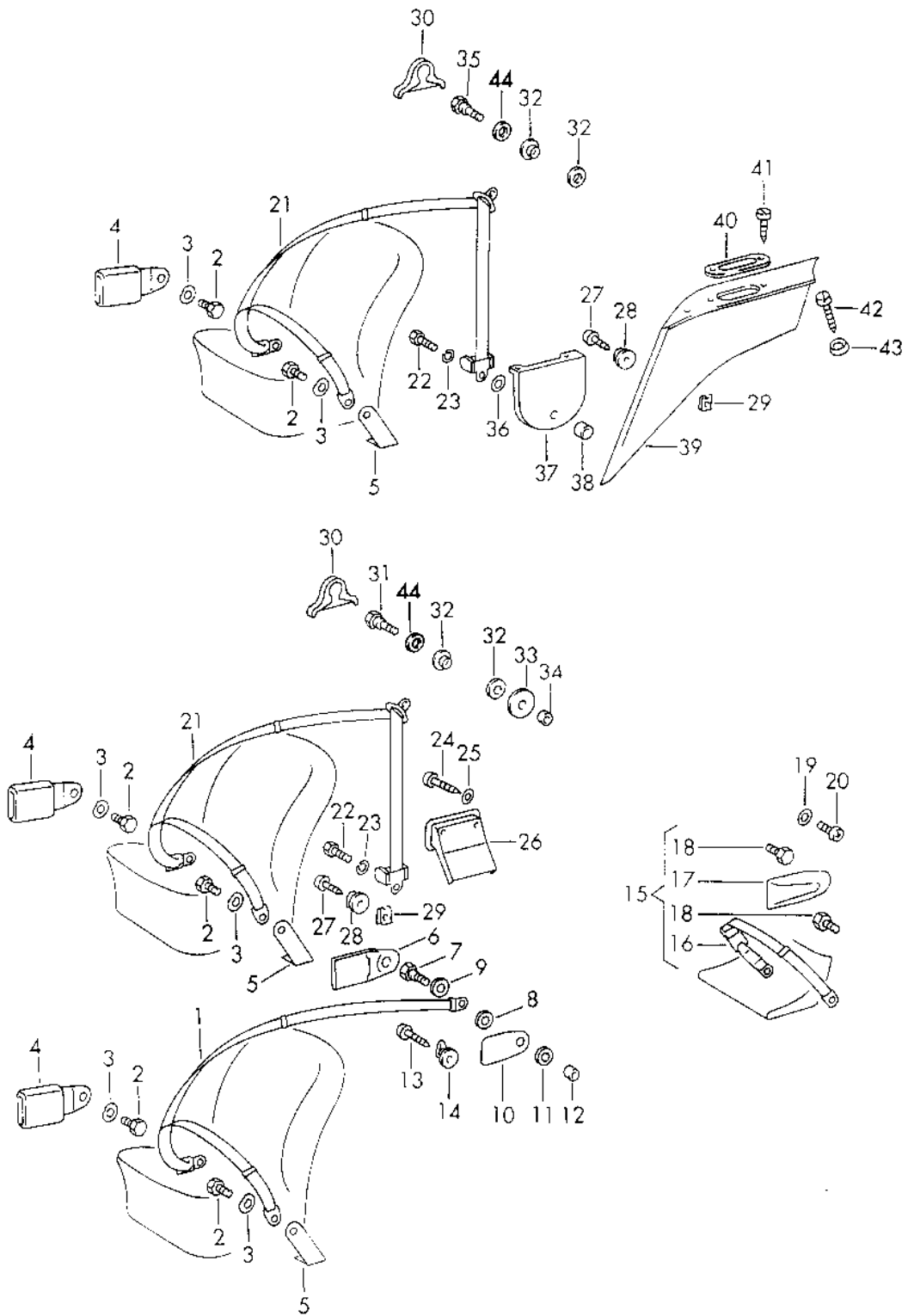
Pos	Part Number	Description	Remark	Qty	Model
26	900 076 010 0B	M 6 Nut		3	
27	999 591 603 12	M 6 Tenax lower part	-71	13	
28	999 151 024 40	Washer	-71	15	
29	900 074 015 02	Hexagon-head bolt M 6 X 30	-71	2	
29	900 074 015 03	Hexagon-head bolt M 6 X 30		2	
30	N 012 007 2	Lock ring A 6	-71	2	
30	900 027 004 03	Lock ring A 6		2	
31	900 151 006 09	Washer B 6,4	-71	2	
32	901 565 819 40	Spacer sleeve	-71	2	
-	901 565 088 42	Tonneau cover	-71	1	
-	901 565 088 45	Tonneau cover Long	-71	1	
-	901 565 089 40	Cover for Tonneau cover	-71	1	
33	964 565 265 00	Latch		8	
33	964 565 265 01	Latch		8	
34	999 219 006 02	Countersunk-head screw AM 4 X 8		16	
35	900 115 008 02	Serrated lock washer V 4,3		16	
36	999 591 518 40	Plastic rivet	-71	24	
36	999 591 519 40	Expansion rivet	72-	3	
37	999 591 601 12	Catch	-71	13	
38	901 565 090 41	Gasket	-71	1	
38	911 565 090 45	Gasket		1	
38	911 565 090 47	Gasket		1	
38	911 565 090 40	It is necessary to rework Gasket	72-	1	
38	911 565 090 45	Gasket	72-	1	
38	911 565 090 47	Gasket	72-	1	
39	999 591 520 40	It is necessary to rework Plastic plug		6	
40	999 591 384 40	Cap		6	
41	901 565 091 44	Gasket		1	
42	911 565 259 40	Roof frame seal Left		1	
(42)	911 565 260 40	Roof frame seal Right		1	
43	901 565 914 40	Gasket	-71	1	
44	901 565 805 40	Eccentric washer	-71	2	WW
(44)	901 565 805 41	Eccentric washer	-71	2	
45	900 148 003 02	Rais. counters. h. tap. s. AM 4 X 8	-71	2	
46	901 565 827 40	Desk pad	-71	2	
47	901 565 328 45	Bolt 38,2 MM		4	
48	901 565 209 40	Bolt 33,0 MM Rear	/L /R	2	
49	900 041 004 01	Circlip		6	
-	999 234 003 40	Shim		X	
50	911 555 559 41	Border strip	/L -72	1	
50		Border strip	/L 73-	1	
(50)	911 555 560 41	Border strip	/R -72	1	
(50)		Border strip	/R 73-	1	

Model: 911 70 Model life 1970>>1973

Pos	Part Number	Description	Remark	Qty	Model
51	900 140 015 00	Rais. counters. h. tap. s. B 3,9 X 9,5		8	
52	901 565 303 45	Rain channel	/L	1	
(52)	901 565 304 45	Rain channel	/R	1	
53	N 013 957 5	Oval-head sheetmetal screw B 3,5 X 9,5		10	
-	900 025 002 02	Washer 4,3		10	
-	900 025 002 03	Washer 4,3		10	
54	901 565 213 40	Lid	-71	2	
55	901 565 814 40	Bearing bracket	/R -71	1	
(55)	901 565 813 40	Bearing bracket	/L -71	1	
56	999 509 006 02	Pan-head screw	-71	6	
57	900 115 006 01	Serrated lock washer	-71	6	
58	901 565 619 40	Traction noose	-71	1	
59	999 591 345 40	Special nut	-71	1	
60	901 565 201 45	Roof frame	/L	1	
61	901 565 202 45	Roof frame	/R	1	
62	901 565 207 45	Roof frame	/L /V	1	
63	911 565 208 40	Roof frame	/R /V	1	
64	901 565 211 45	Roof frame	/L /H	1	
64		Roof frame	/L /H	1	
		Rear Left			
	901 565 211 45 70B	Black			
65	901 565 212 45	Roof frame	/R /H	1	
66	901 565 037 45	Silentbloc bearing	/L	1	
66	901 565 038 45	Silentbloc bearing	/R	1	
67	900 028 008 01	Lock ring B6		6	
68	N 014 765 2	Pan-head screw M6 X 10		6	
(69)	901 565 097 45	Lining	/L -72	1	
(69)	901 565 097 46	Lining	/L 73-	1	
69	901 565 098 45	Lining	/R -72	1	
69	901 565 098 46	Lining	/R 73-	1	
(70)	901 565 273 45	Cover	/L	1	
70	901 565 274 45	Cover	/R	1	
71	N 013 953 2	Oval-head sheetmetal screw B2,9 X 9,5		12	
-	900 025 001 02	Washer B3,2		4	

Model: 911 70

Model life 1970>>1973



Model: 911 70

Model life 1970>>1973

Pos	Part Number	Description	Remark	Qty	Model
-	901 803 017 26	Seat belt Seat belt Three-point seat belt without Automatic with Ill. NR. 1-4,6-11,13-14	/L -71	1	COUPE
-	901 803 018 26	Seat belt Three-point seat belt without Automatic with Picture NR. 1-4,6-11,13-14	/R -71	1	COUPE
-	911 803 015 00	Seat belt Three-point seat belt without Automatic with Picture NR.1-3,6-11,13,14	72-	2	COUPE
-	901 803 017 25	Seat belt Three-point seat belt without Automatic for (USA) + (AUS) with Picture NR. 1-4,6-11,13-14	/LL /L -71	1	COUPE
-	901 803 018 25	Seat belt Three-point seat belt without Automatic for (USA) + (AUS) with Picture NR.1-4,6-11,13,14	/LL /R -71	1	COUPE
-	911 803 015 06	Seat belt Three-point seat belt without Automatic with Picture NR.1-3,6-11,13,14 for (USA) Until 31.12.71 for (CDN) Until 01.07.72	/LL 72- (AUS) (J)	2	COUPE
-	901 803 017 42	Seat belt Three-point seat belt without Automatic with Picture NR. 1-4,6-14	/LL /L -71	1	TARGA
-	901 803 018 42	Seat belt	/R -71	1	TARGA

Model: 911 70 Model life 1970>>1973

Pos	Part Number	Description	Remark	Qty	Model
-	911 803 015 40	Three-point seat belt without Automatic with Picture NR.1-4,6-14 Seat belt	72-	1	TARGA
-	911 803 015 46	Three-point seat belt without Automatic with Picture NR. 1-3,6-14 Seat belt	72- (AUS) (J)	2	TARGA
1	901 803 011 06	Three-point seat belt without Automatic		2	
2	901 803 127 10	Fastening screw	-71	4	
2	901 803 127 00	Hexagon-head bolt	72-	4	
3	N 012 238 5	Spring washer	-71	4	
3		Spring washer	72-	4	
(4)	901 803 129 26	B 16 Push-button lock for (USA) Until 31.12.71 for (CDN) Until 01.07.72	/L -72	1	
(4)	911 803 169 00	Seat-belt buckle	73-	1	
(4)	901 803 129 27	Push-button lock for Sports seat for (USA) Until 31.12.71 for (CDN) Until 01.07.72	/L -72	1	
(4)	901 803 130 26	Push-button lock for (USA) Until 31.12.71	/R -72	1	

Model: 911 70 Model life 1970>>1973

Pos	Part Number	Description	Remark	Qty	Model
		for (CDN) Until 01.07.72			
(4)	911 803 170 00	Seat-belt buckle	/R 73-	1	
(4)	901 803 130 27	Seat-belt buckle	/R -72	1	
		for Sports seat for (USA) Until 31.12.71 for (CDN) Until 01.07.72			
5	901 521 043 00	Fastening angle	/L	2	
(5)	901 521 044 00	Fastening angle	/R	2	
6	901 803 107 20	Protection cap		2	
7	901 803 119 20	Hexagon-head bolt		2	
(7)	901 803 119 21	Hexagon-head bolt	/LL	1	TARGA
8	901 803 149 00	Shim		2	
9	999 025 061 02	Washer		2	
10	901 803 148 00	Cover		2	
11	901 803 144 01	Washer		2	COUPE
(11)	901 803 144 00	Washer	/LL	2	TARGA
12	901 803 114 40	Spacer tube	/LL	2	TARGA
13	900 143 004 00	Cross-recess screw 3,5X19		2	COUPE
(13)	900 143 003 00	Oval-head sheetmetal screw 3,5X16	/LL	2	TARGA
14	901 803 135 00	Knob		2	
17	901 803 107 20	Protection cap	/LL	4	
18	901 803 118 20	Hexagon-head bolt	/LL	4	
19	901 803 113 20	Cover disc		4	
20	901 803 115 20	Stopper		4	
21	901 803 017 21	Three-point seat belt Three-point seat belt with Automatic with Picture NR. 2-4,21-23,27-30,32, 35-36,38	/L -71	1	COUPE
(21)	901 803 018 21	Three-point seat belt Three-point seat belt with Automatic with Picture NR.2-4,21-23,27-30,32, 35-36,38	/R -71	1	COUPE
(21)	911 803 029 00	Three-point seat belt Three-point seat belt with Automatic with Picture NR.2-4,2-23,30,32,35 38,44	/L 72-	1	COUPE
(21)	911 803 030 00	Three-point seat belt Three-point seat belt with	72-	1	COUPE

Model: 911 70 Model life 1970>>1973

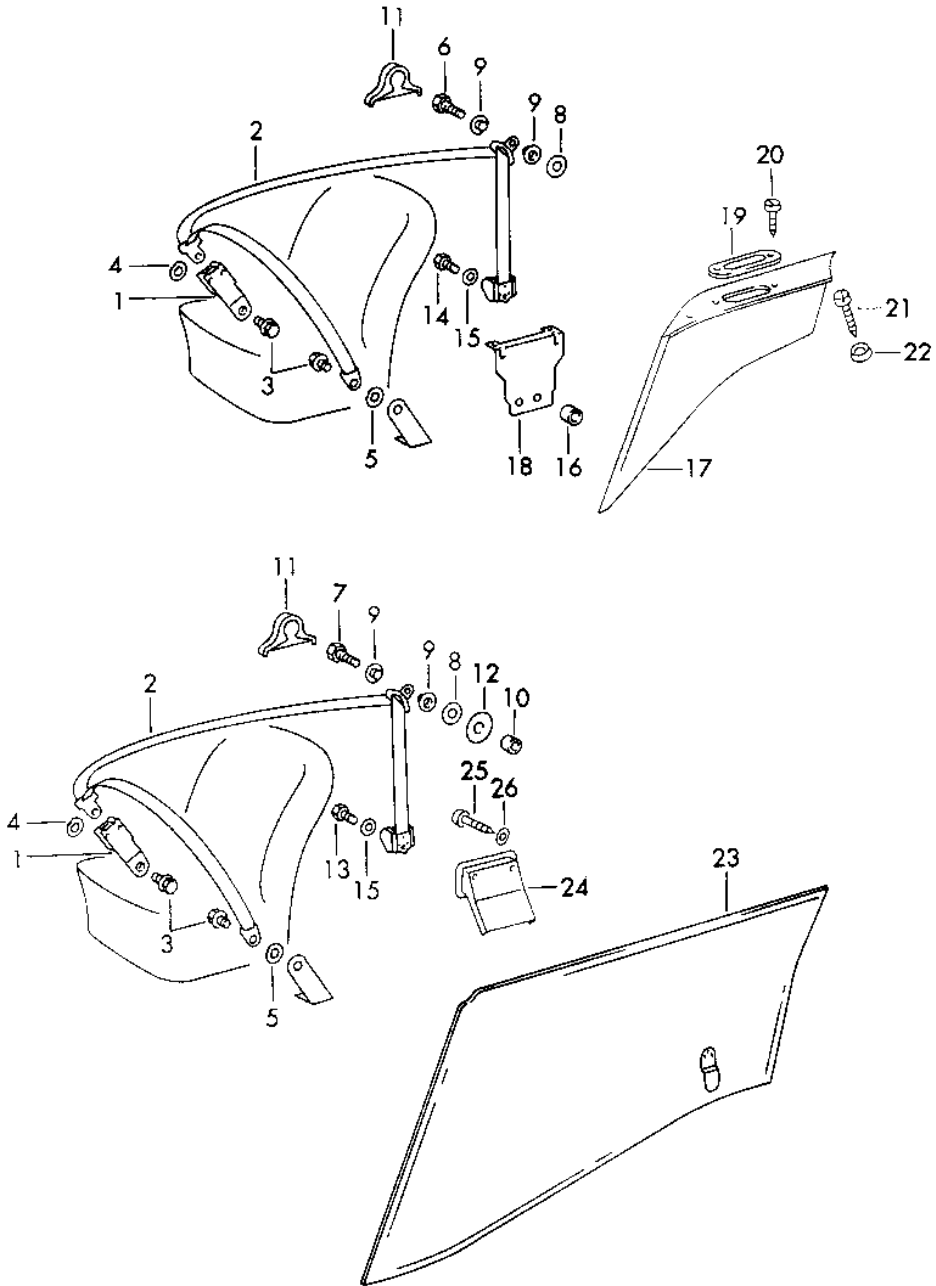
Pos	Part Number	Description	Remark	Qty	Model
(21)	911 803 029 40	Automatic with Picture NR.2-4,22,23,30,32,35 38,44 Seat belt Three-point seat belt with Automatic with Picture NR.2-4,22,23,30,34	/L 72-	1	TARGA
(21)	911 803 030 40	Seat belt Three-point seat belt with Automatic with Picture NR.2-4,22,23,30,34	/R 72-	1	TARGA
(21)	901 803 017 43	Three-point seat belt Three-point seat belt with Automatic with Picture NR.2-4,21-23,27-34	/LL /L -71	1	TARGA
(21)	901 803 018 43	Three-point seat belt Three-point seat belt with Automatic with Picture NR.2-4,21-23,27-34	/LL /R -71	1	TARGA
22	111 857 799 A	Hexagon-head bolt	/LL -71	2	TARGA
22	3B0 857 799	Hexagon-head bolt	/LL	2	TARGA
(22)	111 857 799 A	Hexagon-head bolt	/LL 72-	2	TARGA
(22)	3B0 857 799	Hexagon-head bolt	/LL 72-	2	TARGA
(22)	901 803 124 00	Hexagon-head bolt	-71	2	COUPE
(22)	111 857 799	Hexagon-head bolt	72-	2	COUPE
23	900 027 017 02	Lock ring B 12	-71	2	
(23)	N 012 112 2	Serrated lock washer I 12,5	72-	2	
24	N 013 958 7	Oval-head sheetmetal screw B 3,5X13	/LL	4	TARGA
25	N 011 663 1	Washer B 3,7	/LL	4	TARGA
26	901 803 139 00	Rosette for Automatic Seat belt	/LL	2	TARGA
27	900 143 064 07	Tapping screw B 3,5X25	-72	2	
28	901 803 135 00	Knob	-72	2	
29	999 507 011 01	Speed nut	-72	2	
30	901 803 134 20	Cap	-72	2	
(30)	901 803 134 21	Cap	73-	2	
31	901 803 146 00	Hexagon-head bolt	/LL	2	TARGA
32	901 803 147 00	Washer		2	
33	901 803 144 00	Washer	/LL	2	TARGA
34	901 803 114 40	Spacer tube	/LL	2	TARGA
35	901 803 145 00	Hexagon-head bolt	-71	2	COUPE
(35)	901 803 145 01	Hexagon-head bolt	72-	2	COUPE

Model: 911 70 Model life 1970>>1973

Pos	Part Number	Description	Remark	Qty	Model
(35)	901 803 145 02	Hexagon-head bolt	72-	2	COUPE
36	901 803 144 01	Washer		2	COUPE
37	911 555 613 00	Support	/L -71	1	COUPE
(37)		Support	/R -71	1	COUPE
(37)		Support	72-	2	COUPE
38	901 803 112 40	Spacer tube	-72	2	COUPE
(38)	911 803 151 00	Spacer tube	73-	2	COUPE
39	911 555 069 01	Cover	/L -72	1	COUPE
(39)		Cover for Automatic Seat belt	/L 73-	1	
(39)	911 555 070 01	Cover	/R -72	1	COUPE
(39)		Cover for Automatic Seat belt	/R 73-	1	
40	901 555 615 00	Rosette		2	COUPE
41	900 145 006 02	Rais. counters. h. tap. s. B 3,5X19		4	COUPE
42	900 145 059 00	Rais. counters. h. tap. s. B 3,5X25		2	COUPE
43	999 591 102 12	Washer		2	COUPE
44	999 025 113 02	Washer Installation set for Seat belt for subsequent installation See group 8/98/30		2	COUPE

Model: 911 70

Model life 1970>>1973



Model: 911 70 Model life 1970>>1973

Pos	Part Number	Description	Remark	Qty	Model
		Seat belt with Automatic And Warning function (USA) (CDN) for (USA) From 01.01.72 for (CDN) From 01.08.72			
1	911 803 127 00	Seat-belt buckle Complete	/L	1	
(1)	911 803 128 00	Seat-belt buckle Complete	/R	1	
2	911 803 011 00	Seat belt Three-point seat belt Complete with Automatic	/L	1	COUPE
(2)	911 803 914 01	Seat belt Three-point seat belt Complete with Automatic	/R	1	COUPE
(2)	911 803 011 40	Seat belt Three-point seat belt Complete with Automatic	/L	1	TARGA
(2)	911 803 012 40	Seat belt Three-point seat belt Complete with Automatic	/R	1	TARGA
3	901 803 127 00	Hexagon-head bolt		2	
4	999 028 014 01	Spring washer		2	
5	415 881 599	Spring washer		2	
6	901 803 145 01	Hexagon-head bolt		2	COUPE
6	901 803 145 02	Hexagon-head bolt		2	COUPE
7	901 803 146 00	Hexagon-head bolt		2	TARGA
8	999 025 113 02	Washer		2	
9	901 803 147 00	Washer		4	
10	901 803 114 40	Spacer tube		2	TARGA
11	901 803 134 20	Cap		2	
12	901 803 144 00	Washer		2	TARGA
13	111 857 799 A	Hexagon-head bolt		2	TARGA
13	3B0 857 799	Hexagon-head bolt		2	TARGA
14	111 857 799	Hexagon-head bolt		2	COUPE
15	N 012 112 2	Serrated lock washer J 12,5		2	
16	911 803 151 00	Spacer tube		2	COUPE
17	911 555 611 00	Cover	/L -72	1	COUPE
(17)	911 555 069 01	Cover	/L 73-	1	COUPE
(17)	911 555 070 01	Cover	/R -72	1	COUPE
(17)	911 555 612 00	Cover	/R 73-	1	COUPE
18	911 555 613 00	Support		2	COUPE
19	901 555 615 00	Rosette		2	COUPE
20	900 145 006 02	Rais. counters. h. tap. s. B 3,5X19		4	COUPE

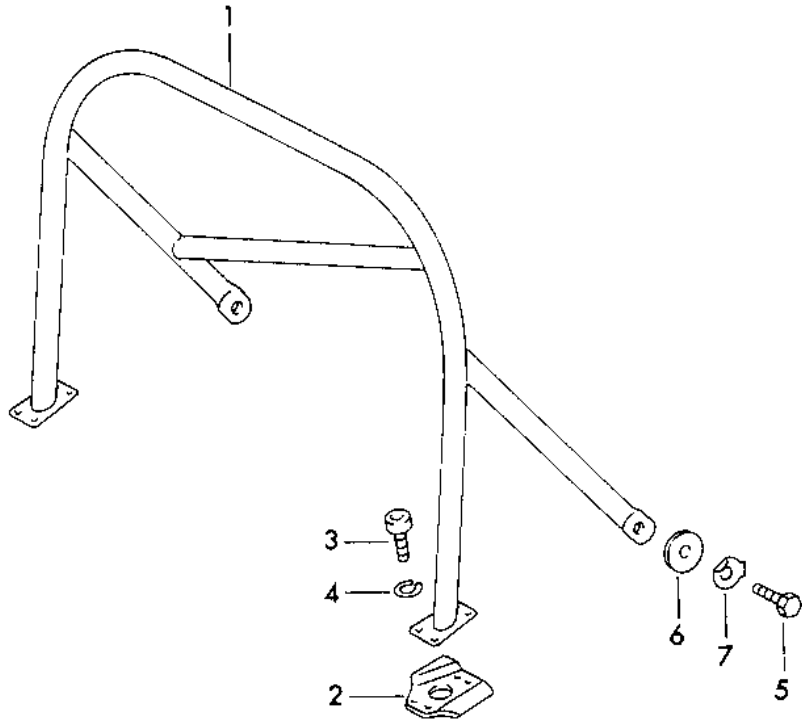
Model: 911 70

Model life 1970>>1973

Pos	Part Number	Description	Remark	Qty	Model
21	900 145 059 00	Rais. counters. h. tap. s. B 3,5X25		2	COUPE
22	999 591 102 12	Washer		2	COUPE
23	911 555 071 41	Lining	/L	1	TARGA
(23)	911 555 072 41	Lining	/R	1	TARGA
24	901 803 139 00	Rosette		2	TARGA
25	N 013 958 7	Oval-head sheetmetal screw B 3,5X13		4	TARGA
26	N 011 663 1	Washer B 3,7		4	TARGA

Model: 911 70

Model life 1970>>1973



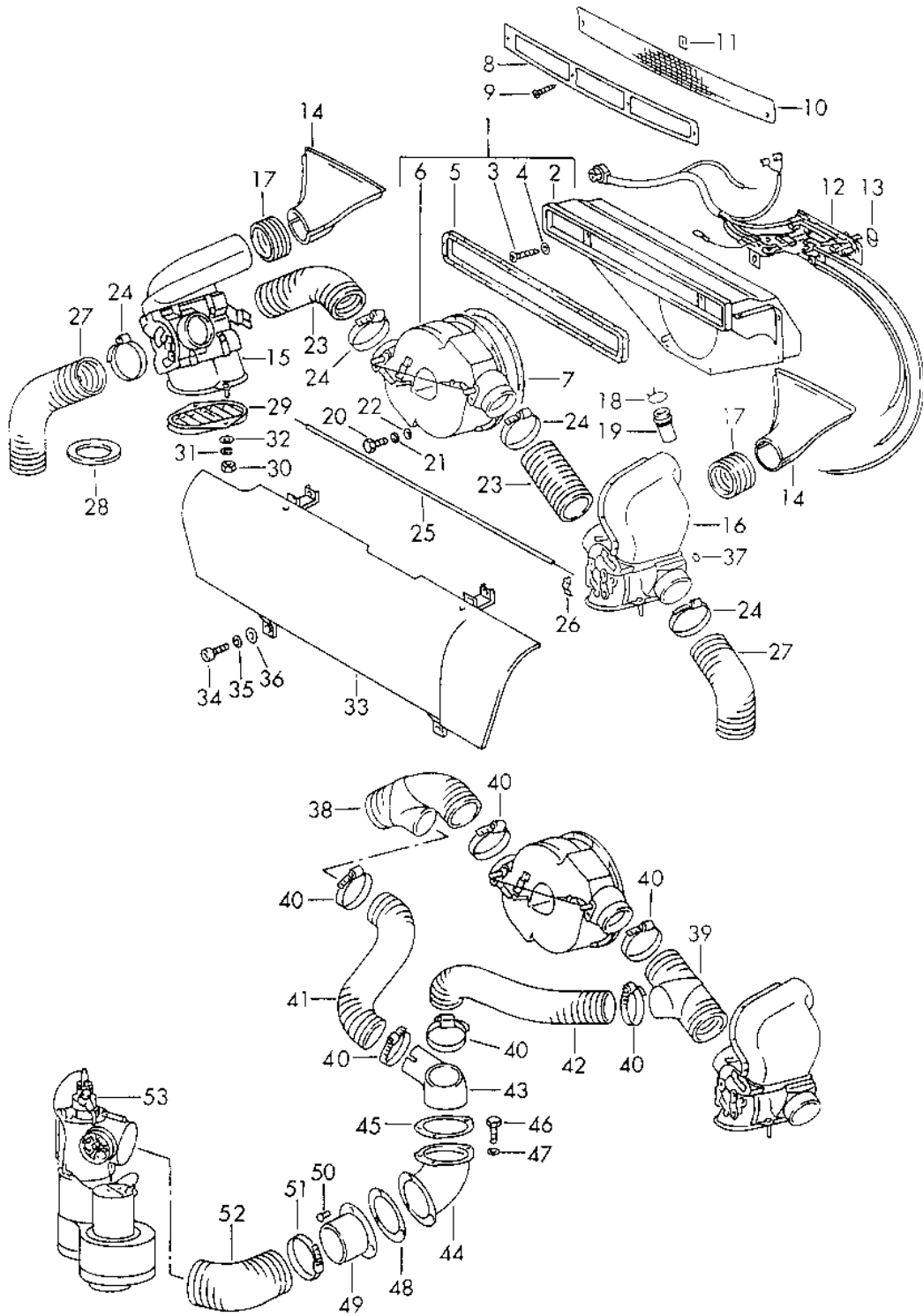
Model: 911 70

Model life 1970>>1973

Pos	Part Number	Description	Remark	Qty	Model
>>	911 803 020 00	Roll bar	-71	1	
>>	911 803 020 01	Roll bar	72-	1	
		Set for subsequent installation Comprising:			
1	901 803 015 21	Roll bar	-71	1	
(1)	901 803 015 22	Roll bar	72-	1	
		Only for Car without Sunroof			
2	901 803 231 21	Threaded plate	/L -71	1	
(2)	901 803 231 22	Threaded plate	/L 72-	1	
(2)	901 803 232 21	Threaded plate	/R	1	
(2)	901 803 232 22	Threaded plate	/R 72-	1	
3	900 119 033 02	Pan-head screw M 10X15		8	
4	N 012 242 3	Spring washer B 10X28		8	
5	900 075 085 02	Hexagon-head bolt M 8X20		2	
6	900 151 008 02	Washer A 8,4		2	
7	900 020 004 01	Tab washer 8,4		2	

Model: 911 70

Model life 1970>>1973



Model: 911 70 Model life 1970>>1973

Pos	Part Number	Description	Remark	Qty	Model
		Ventilation And Heating			
1	901 571 021 32	Fresh air inlet box Complete	/LL -72	1	
(1)	911 571 031 00	Fresh air inlet box Complete	/LL 73-	1	
(1)	901 571 022 32	Fresh air inlet box Complete	/RL -72	1	
(1)	911 571 032 00	Not for - TARGA- Fresh air inlet box Complete Not for - TARGA -	/RL 73-	1	
2	901 571 030 32	Fresh air inlet box	/LL	1	
(2)	901 571 032 32	Fresh air inlet box Not for - TARGA-	/RL	1	
3	N 014 153 1	Oval-head screw M 5X40 DIN 7985 VERZ.	/LL	2	
4	900 025 003 02	Washer 5,3 DIN 125-ST VERZ.	/LL	2	
5	901 571 325 32	Sealing frame		1	
6	911 571 018 00	Blower with Engine		1	
7	901 571 922 00	Sealing ring		1	
7	901 571 922 01	Sealing ring		1	
-	911 571 320 32	Blower motor with Fan		1	
8	901 559 401 20	Grille frame		1	
9	900 145 036 00	Rais. counters. h. tap. s. B 3,5X13 DIN 7983		4	
10	901 559 410 20	Grille		1	
11	901 559 491 20	Spacer		2	
12	911 613 111 04	Control part	/LL	1	
(12)	911 613 112 04	Control switch	/RL	1	
-	900 631 129 90	Bulb 12 V / 1,2W		1	
-	914 571 903 10	Sealing ring		2	
-	900 074 012 02	Hexagon-head bolt M 6X20 DIN 931-8.8 VERZ.		1	
-	N 011 524 7	Washer 6,4 DIN 125-ST VERZ.		1	
-	N 011 524 27	Washer 6,4 DIN 125-ST VERZ.		1	
-	914 571 151 10	Rubber sleeve		1	
-	999 702 072 50	Bowden control Rubber sleeve for Bowden cable		3	
13	901 571 917 00	Knob Black		2	
(13)	901 571 918 00	Knob Red		1	
14	901 572 045 31	Heating nozzle		2	
15	901 571 050 32	Fresh air inlet box	/R	1	
16	901 571 049 32	Fresh air inlet box	/L	1	
17	901 571 345 32	Hose piece \$ 61		2	
18	999 512 145 02	Hose clamp		1	

Model: 911 70 Model life 1970>>1973

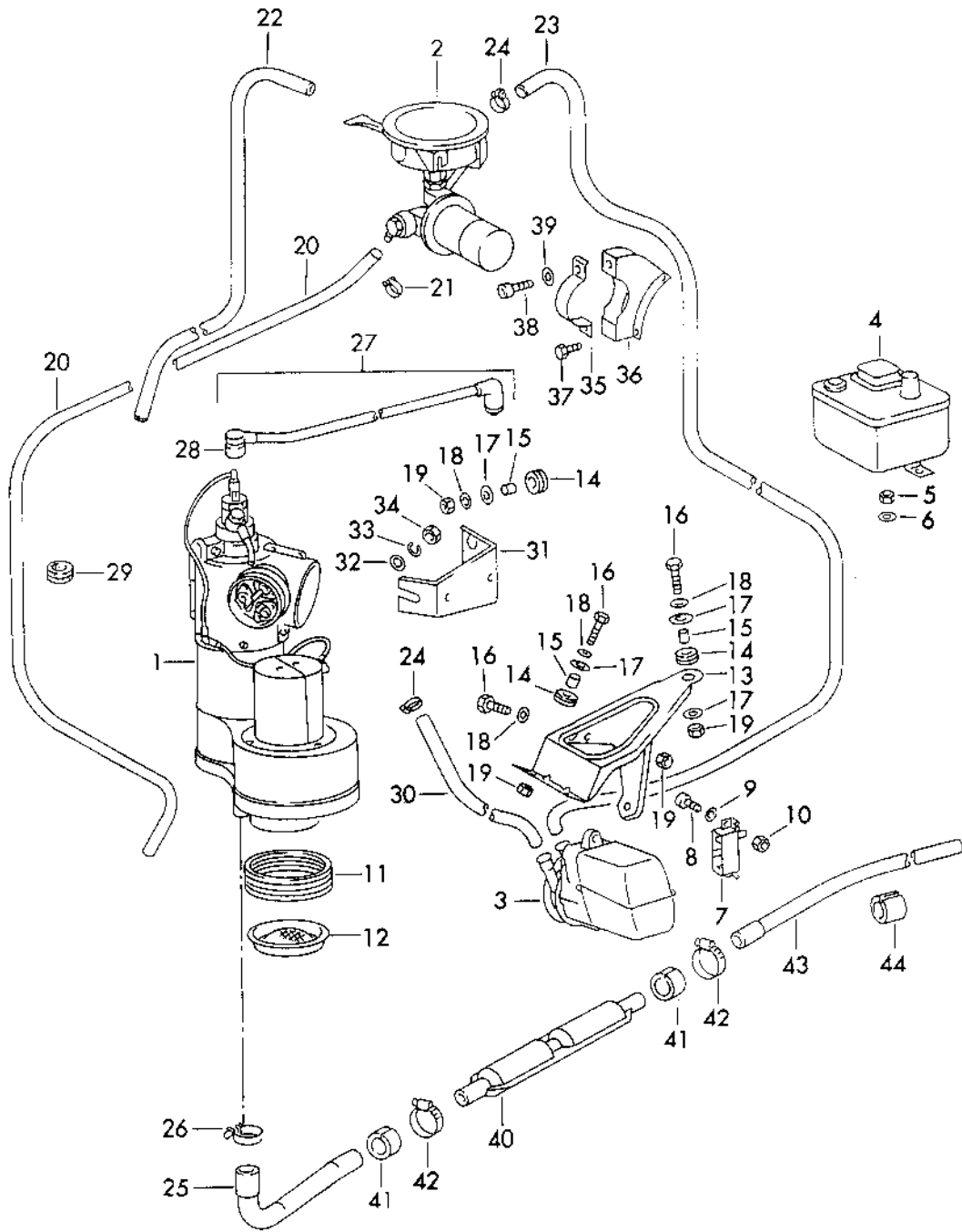
Pos	Part Number	Description	Remark	Qty	Model
19	901 571 326 32	Water drain hose		1	
-	901 571 063 20	Water drain tube	/LL -71	1	
-	901 571 064 20	Water drain tube	/RL -71	1	
-	911 571 223 00	Water drain hose 520 MM	/LL /RL 72-	1	
20	N 010 205 6	Hexagon-head bolt M 5X10 DIN 933-8.8 VERZ.		2	
20	900 075 105 02	Screw M 5X10 DIN 933-8.8 VERZ.		2	
21	900 027 003 01	Lock ring B 5 DIN 127 PHR		2	
22	900 025 003 02	Washer 5,3 DIN 125 VERZ.		2	
23	914 572 123 10	Air hose \$ 61		2	
24	999 512 349 02	Hose clamp		8	
24	999 512 349 01	Hose clamp		8	
24	999 512 349 0B	Hose clamp		8	
25	911 572 114 00	Bowden control	-70	2	
(25)		Bowden control	71-	2	
26	901 571 919 00	Terminal		7	
27	901 571 347 32	Heater hose \$ 61		1	
28	901 572 913 01	Sealing ring		2	
29	911 571 348 01	Air distributor		2	
30	900 067 004 02	Pan-head screw M 5X15 DIN 912-8 VERZ.		4	
31	N 012 005 3	Lock ring B 5 DIN 127 PHR		4	
32	900 025 003 02	Washer 5,3 DIN 125-ST VERZ.		4	
33	911 551 067 00	Luggage compartment trim for		1	
33	911 551 067 04	Luggage compartment Luggage compartment trim for		1	
34	900 014 038 02	Luggage compartment Pan-head screw AM 6X12 DIN 84 VERZ.		4	
35	N 012 007 2	Lock ring A 6 DIN 127 PHR		4	
35	900 027 004 03	Lock ring A 6 DIN 127 PHR		4	
36	900 151 003 02	Washer 6,4 DIN 9021 VERZ.		4	
36	900 151 006 03	Washer 6,4 DIN 9021 VERZ.		4	
37	901 571 921 00	Retainer Picture NR. 38-53 Installation set for subsequent installation for Heater Left-hand drive		24	
38	901 572 066 00	Air hose with Connection piece	/R	1	
39	901 572 065 00	Air hose with Connection piece	/L	1	
40	999 512 348 02	Hose clamp		4	
41	901 572 648 00	Air hose	/R	1	

Model: 911 70 Model life 1970>>1973

Pos	Part Number	Description	Remark	Qty	Model
41	999 782 004 90	for Hot air Air hose	/R	1	
42	901 572 647 00	for Hot air Air hose	/L	1	
42	999 782 004 90	for Hot air Air hose	/L	1	
43	901 572 054 00	Distributing piece		1	
44	901 572 058 00	Connecting piece		1	
45	901 572 527 00	Sealing washer		1	
46	900 075 219 02	Hexagon-head bolt M 5X10 DIN 933-8G VERZ.	-71	3	
(46)	N 010 205 6	Hexagon-head bolt M 5X10	72-	3	
(46)	900 075 105 02	Screw M 5X10	72-	3	
47	900 025 003 02	Washer 5,3 DIN 125 ST VERZ.		3	
48	901 572 526 00	Gasket		1	
49	901 572 521 00	Flap		1	
50	900 055 019 20	Buttonhead rivet 3X6 DIN 660 CU		3	
51	999 512 151 02	Clip		2	
52	901 572 649 00	Air hose \$ 70		1	
53		Heater See group 8/13/05			

Model: 911 70

Model life 1970>>1973



Model: 911 70 Model life 1970>>1973

Pos	Part Number	Description	Remark	Qty	Model
1	901 572 501 32	Heating and ventilation unit with Accessories		1	
2		Heater			
3		Metering			
		See group 8/13/15			
		Pump			
		See group 8/13/15			
4	901 617 010 30	Conversion set		1	
5	900 076 027 02	Nut		2	
		M 5			
6	900 115 001 01	Serrated lock washer		2	
		A 5,3			
7	901 615 109 30	Relay		1	
8	900 014 079 02	Pan-head screw		2	
		AM 3X10			
9	900 115 007 01	Serrated lock washer		2	
		A 3,2 DIN 6798 PHR			
10	900 076 001 02	Hexagon nut		2	
		M 3 DIN 934-6S VERZ.			
11	901 572 591 30	Sealing ring		1	
12	901 572 593 30	Strainer		1	
13	901 572 515 30	Bracket		1	
14	999 702 049 50	Rubber sleeve		5	
15	901 572 519 30	Spacer sleeve		5	
16	900 075 014 02	Hexagon-head bolt		5	
		M 6X18 DIN 933-8G VERZ.			
16	900 075 014 03	Hexagon-head bolt		5	
		M 6X18 DIN 933-8G VERZ.			
17	900 151 006 09	Washer		5	
		B 6,4 DIN 9021-ST VERZ.			
18	900 115 006 01	Serrated lock washer		5	
		A 6,4 DIN 6798 BOST.			
19	900 076 010 02	Nut		5	
		M 6 DIN 934-6S VERZ.			
19	900 076 010 0B	Nut		5	
		M 6 DIN 934-6S VERZ.			
20	999 180 030 50	Fuel hose		*	
		C 6 SN 710			
20	999 180 030 5A	Fuel hose		*	
		C 6 SN 710			
21	999 512 055 02	Hose clamp		2	
21	PCG 512 055 02	Hose clamp		2	
-	999 180 029 50	Fuel hose		*	
		C 11X17,5			
22		Fuel hose		*	
-		Fuel hose		*	
		C 11X17,5			
23		Fuel hose		*	
24	999 512 056 02	Hose clamp		4	
25	901 572 627 31	Exhaust pipe		1	
26	999 512 046 02	Clip		1	
27	901 612 053 02	Ignition lead		1	
28	901 609 304 30	Spark plug connector		1	
29	999 702 027 50	Rubber sleeve		1	
-	999 180 029 50	Fuel hose		*	
		C 11X17,5			
30		170 MM		1	
31	901 501 392 20	Support		1	
32	900 151 008 02	Washer		1	
		A 8,4 DIN 9021-ST VERZ.			

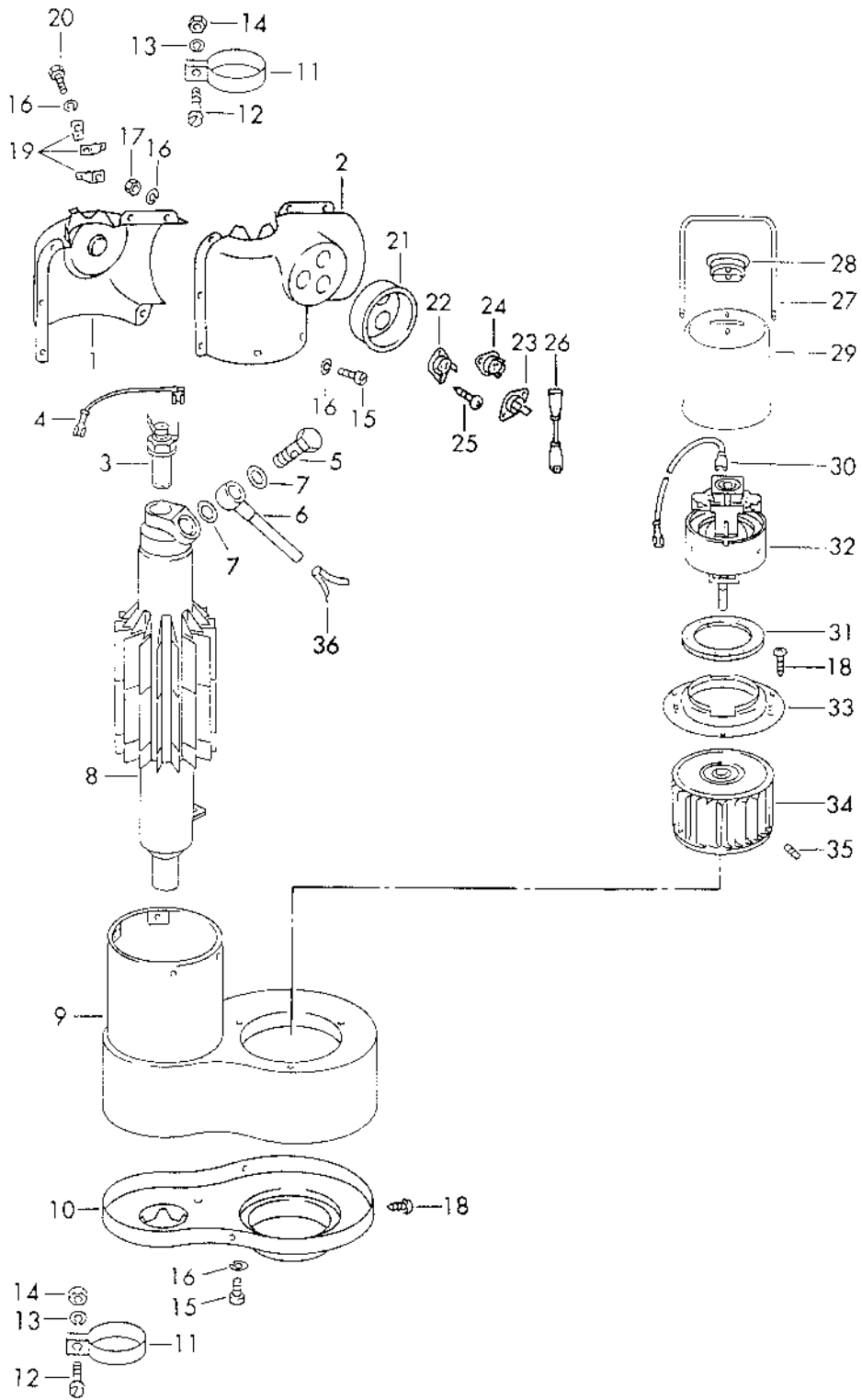
Model: 911 70

Model life 1970>>1973

Pos	Part Number	Description	Remark	Qty	Model
33	900 027 005 01	Lock ring A 8 DIN 127 PHR		1	
34	900 076 025 02	Hexagon nut M 8 DIN 934-8 VERZ.		1	
34	900 076 064 02	Hexagon nut M 8 DIN 934-8 VERZ.		1	
35	901 501 489 00	Clamp for Pump		1	
36	901 501 483 00	Support		1	
37	N 043 890 1	Tapping screw B 4,2X9,5 DIN 7976 VERZ.		4	
38	900 067 011 02	Pan-head screw M 6X20 DIN 912-8.8		1	
38	900 067 011 03	Pan-head screw M 6X20 DIN 912-8.8		1	
39	N 012 007 2	Lock ring A 6 DIN 127 PHR		1	
39	900 027 004 03	Lock ring A 6 DIN 127 PHR		1	
40	901 572 061 30	Muffler		1	
41	901 572 619 30	Protective tube		2	
42	999 512 125 02	Clip		2	
43	901 572 602 30	Exhaust line		1	
44	901 572 609 30	Protective tube		2	
-	901 613 631 00	Switch for Heating		1	
-	901 612 053 00	Wiring harness for Heater		1	
-	901 504 431 30	Damping mat Contains asbestos for 901 504 043 02		1	
-	901 504 491 30	Gasket for Cover		1	
-	901 201 023 04	Fuel tank cap		1	
-	901 201 023 06	Fuel tank cap		1	
-	900 123 011 30	Sealing ring A 22X27 DIN 7603-AL		1	

Model: 911 70

Model life 1970>>1973



Model: 911 70

Model life 1970>>1973

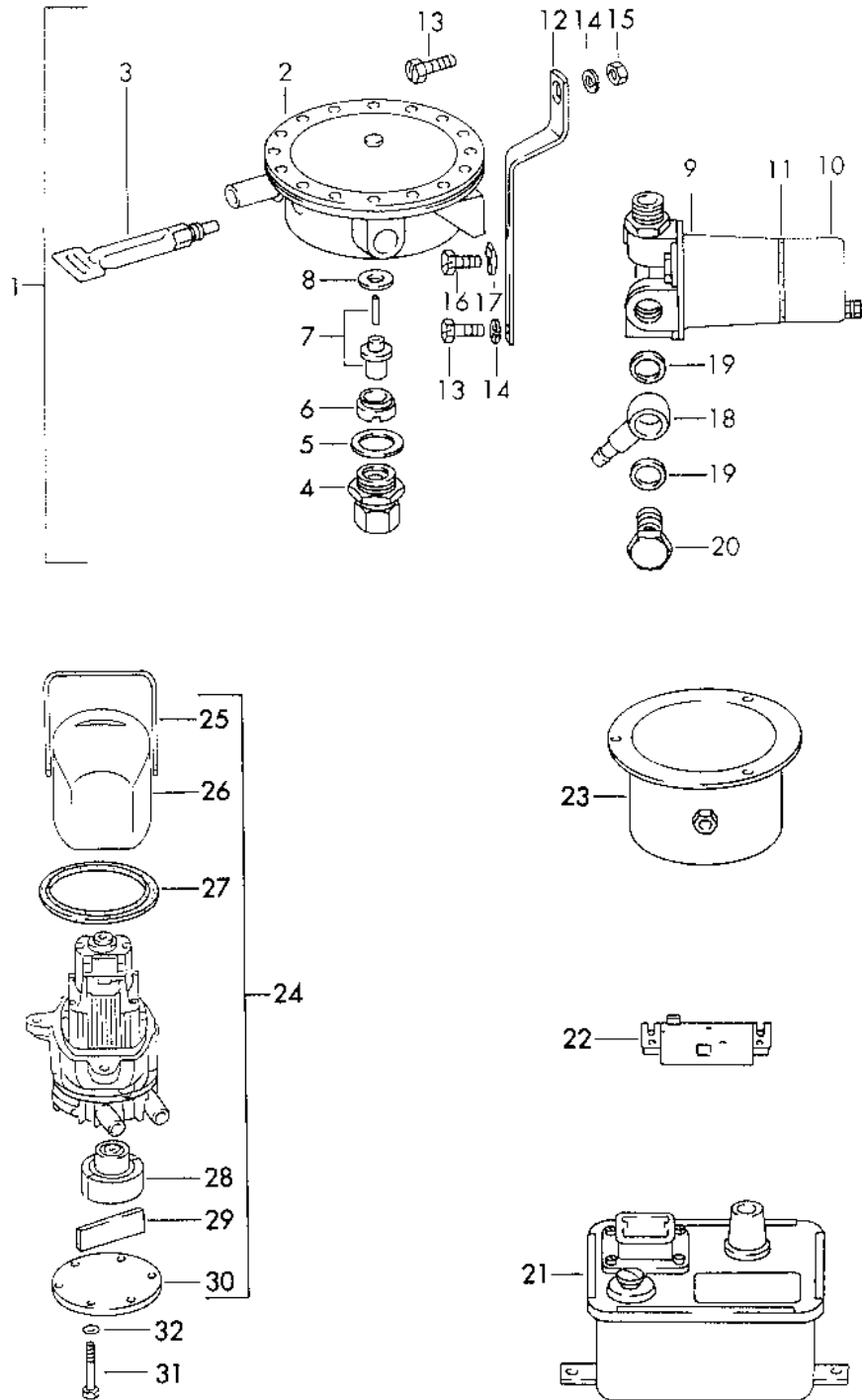
Pos	Part Number	Description	Remark	Qty	Model
-	901 572 501 32	Single parts for Heater - WEBASTO - Heater without Accessories	/LL	1	
1	901 572 952 02	Air distributor	/L	1	
2	901 572 951 02	Air distributor	/R	1	
3	901 572 931 01	Spark plug		1	
4	901 572 932 00	Ground strap		1	
5	901 572 933 00	Banjo bolt		1	
6	901 572 934 01	Connecting piece		1	
7	N 013 849 2	Sealing ring A 14X18 DIN 7603 CU		2	
8	901 572 956 01	Heating tube Complete		1	
9	901 572 955 01	Housing Complete		1	
10	901 572 953 01	Housing cover Complete		1	
11	901 572 950 00	Pipe clamp		2	
12	900 014 070 02	Pan-head screw AM 5X18 DIN 84-5S VERZ.		2	
13	999 029 003 00	Lock ring \$ 5		2	
14	900 076 027 02	Nut M 5 DIN 934-6S VERZ.		2	
15	900 014 002 02	Pan-head screw AM 4X6 DIN 84-5S VERZ.		10	
16	999 029 002 00	Hexagon-head bolt \$ 4		10	
17	N 011 004 6	Hexagon nut M 4 DIN 934-6S VERZ.		5	
17	N 011 004 G	Nut M 4 DIN 934-6S VERZ.		5	
18	N 013 910 3	Hexagon-head bolt B 3,5X6,5 DIN 7974 VERZ.		4	
19	901 572 938 00	Flat plug		3	
20	999 029 002 00	Hexagon-head bolt AM 4X8 DIN 84-4S VERZ.		10	
21	901 572 986 00	Housing Complete		1	
22	901 572 983 00	Thermostat Red		1	
23	901 572 984 00	Thermostat White		1	
24	901 572 985 00	Thermostat Blue		1	
25	900 141 009 02	Half-round screw B 2,9X6,5 DIN 7974 VERZ.		6	
26	901 572 932 04	Line		1	
27	901 572 942 00	Clamp		1	
28	901 572 976 00	Boot		1	
29	901 572 944 02	Protection cap		1	
30	901 572 932 03	Ground strap		1	
31	901 572 945 01	Gasket		1	
32	901 572 946 02	Electric motor		1	
-	901 572 978 00	Carbon brush for 901 572 946 02		2	
33	901 572 948 01	Engine carrier		1	
34	901 572 949 01	Fan		1	

Model: 911 70 **Model life 1970>>1973**

Pos	Part Number	Description	Remark	Qty	Model
35	900 244 001 00	Threaded pin		1	
36	901 572 987 00	Backfire grid		1	

Model: 911 70

Model life 1970>>1973



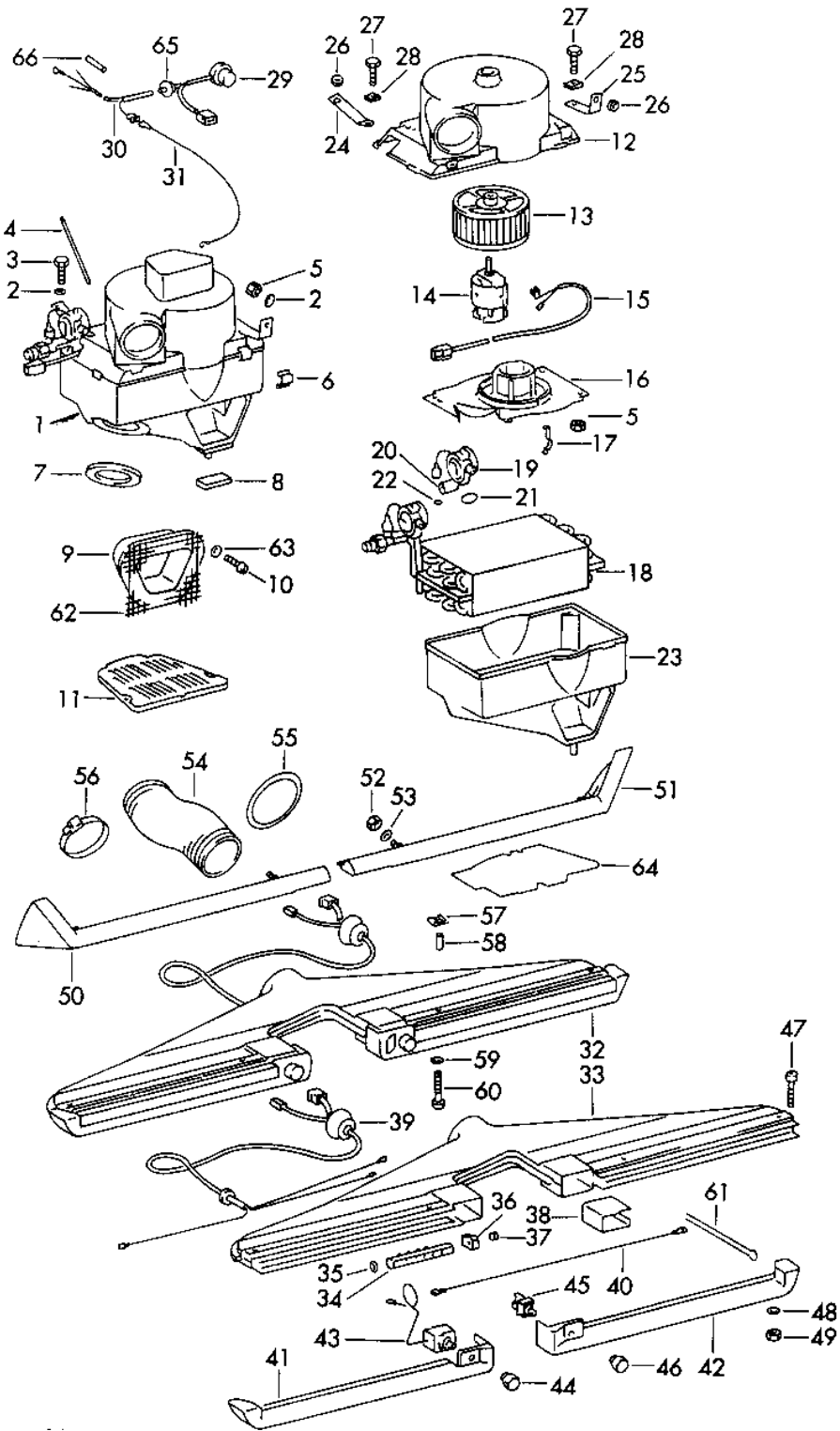
Model: 911 70

Model life 1970>>1973

Pos	Part Number	Description	Remark	Qty	Model
1	901 572 511 30	Repair material for Heater - WEBASTO - Metering Fuel pump Ignition spark transmitter Resistor Distributor		1	
2	901 572 512 30	with Fuel pump Complete Distributor		1	
3	901 572 960 00	Nozzle with Key		1	
4	901 572 961 00	Connection piece		1	
5	901 572 962 00	Gasket		1	
6	901 572 963 00	Threaded ring		1	
7	901 572 964 01	Valve with Pin		1	
8	901 572 966 00	Gasket		1	
9	901 572 511 30	Distributor 12 V		1	
10	901 572 967 00	Cap		1	
11	901 572 968 00	Sealing ring		1	
12	901 572 958 00	Strut		1	
13	N 010 215 13	Hexagon-head bolt M 6X 15 SZ DIN 933-8G VERZ		1	
14	999 029 004 00	Lock ring \$ 6		3	
15	900 076 010 02	Nut M 6 DIN 934-6S VERZ.		1	
15	900 076 010 0B	Nut M 6 DIN 934-6S VERZ.		1	
16	900 075 118 02	Hexagon-head bolt M 6X10 DIN 933-5S VERZ.		2	
17	901 572 938 01	Flat plug		1	
18	901 572 959 00	Connecting piece M 14		1	
19	900 123 007 60	Sealing ring A 14X18 DIN 7603 FIBER		2	
20	900 134 007 00	Banjo bolt A 8 DIN 7623-6S		1	
21	901 617 010 30	Conversion set		1	
22	901 615 109 30	Relay		1	
23	901 572 521 00	Flap		1	
24	901 572 513 31	Pump		1	
-	901 572 979 00	Carbon brush for 901 572 513 31		2	
25	901 572 943 01	Clamp		1	
26	901 572 944 03	Protection cap		1	
27	901 572 969 00	Sealing ring		1	
28	901 572 980 01	Rotor set		1	
29	901 572 981 00	Slide		1	
30	901 572 982 00	Lid		1	
31	900 075 117 02	Hexagon-head bolt M 4X35		6	
32	999 029 002 00	Hexagon-head bolt A 4		6	

Model: 911 70

Model life 1970>>1973



Model: 911 70

Model life 1970>>1973

Pos	Part Number	Description	Remark	Qty	Model
		Air conditioner Evaporator housing Complete with Air guide Not for (USA)			
-	911 573 001 05	Air conditioner		1	
1	901 573 021 00	Evaporator Complete		1	
2	N 011 524 7	Washer 6,4		2	
2	N 011 524 27	Washer 6,4		2	
3	N 010 215 13	Hexagon-head bolt M 6X15		1	
4	901 573 903 00	Guide tube for Picture 43		1	
5	900 076 010 02	Nut M 6		5	
5	900 076 010 0B	Nut M 6		5	
6	901 573 904 00	Tensioning spring		4	
7-8	901 573 901 00	Parts kit		1	
7		Sealing ring		1	
8		Rubber ply		2	
9	911 573 073 01	Connection piece Complete		1	
10	900 143 004 02	Oval-head sheetmetal screw		4	
11	901 504 731 30	Lid Complete		1	
12	911 573 023 00	Housing cover Upper part Complete		1	
13	901 573 906 00	Fan		1	
13	901 573 906 01	Fan		1	
14	901 624 901 00	Electric motor		1	
15		See group 8/13/70 Picture NR. 12			
16	911 573 323 00	Engine support		1	
17	901 624 903 00	Clamp		4	
18	901 573 907 00	Evaporator without Expansion valve		1	
19	901 573 915 00	Expansion valve		1	
20	901 573 914 00	Clip		1	
21	901 573 147 00	Gasket 3/4"		1	
22	901 573 916 00	Gasket 7/16"		1	
23	901 573 908 00	Housing Lower part		1	
24	911 572 473 00	Fastening angle		1	
25	911 572 471 00	Fastening angle		1	
26	901 573 133 00	Rubber sleeve		2	
27	900 378 030 09	Hexagon-head bolt M 6X20		4	
28	N 012 226 5	Spring washer B 6		4	

Model: 911 70 Model life 1970>>1973

Pos	Part Number	Description	Remark	Qty	Model
29-31	-	See illustrations 8/13/70 Picture NR. 13 NR. 10 NR. 14			
32	901 573 065 00	Air vent		1	
33	901 573 053 01	Nozzle		1	
34	901 573 067 00	Air vent		6	
35	901 573 169 00	Plastic washer		12	
36	901 573 165 00	Bearing		8	
37	999 703 077 40	Cap		2	
38	901 573 912 00	Insert Contains asbestos 2X55X165 ALU		1	
39-40	-	See illustrations 8/13/70 Picture NR. 15			
41	901 573 025 00	Padded cover	/L	1	
42	901 573 026 00	Padded cover	/R	1	
43	911 613 919 00	Temperature switch		1	
44	901 613 122 00	Knob Complete		1	
45	901 613 117 00	Blower switch		1	
46	901 613 121 00	Knob Complete		1	
47	900 067 002 02	Pan-head screw M 4X35		8	
47	900 067 002 03	Pan-head screw M 4X35		8	
48	900 025 002 02	Washer 4,3		8	
48	900 025 002 03	Washer 4,3		8	
49	999 090 001 02	Lock nut M 4		8	
50	901 573 017 01	Knee protection strip	/L	1	
51	901 573 018 01	Knee protection strip	/R	1	
52	900 076 006 02	Hexagon nut M 5		4	
53	900 151 027 02	Washer 5,3		4	
53	900 151 027 03	Washer 5,3		4	
54	901 573 511 00	Air hose		1	
55	901 573 509 01	Sealing ring		1	
56	901 573 160 00	Hose clamp		1	
57	999 507 315 02	Captive nut		4	
58	901 573 167 00	Spacer tube		4	
59	900 151 027 02	Washer 5,3		4	
59	900 151 027 03	Washer 5,3		4	
60	900 015 035 02	Oval-head screw BM 5X55		4	
61	901 613 118 00	Thermostat		1	
62	901 573 129 00	Grille		1	
63	900 151 001 02	Washer 4,3		4	
64	901 551 064 22	Pedal floor board		1	COUPE
(64)	901 551 064 42	Pedal floor board		1	TARGA
65	999 702 119 50	Rubber sleeve		1	

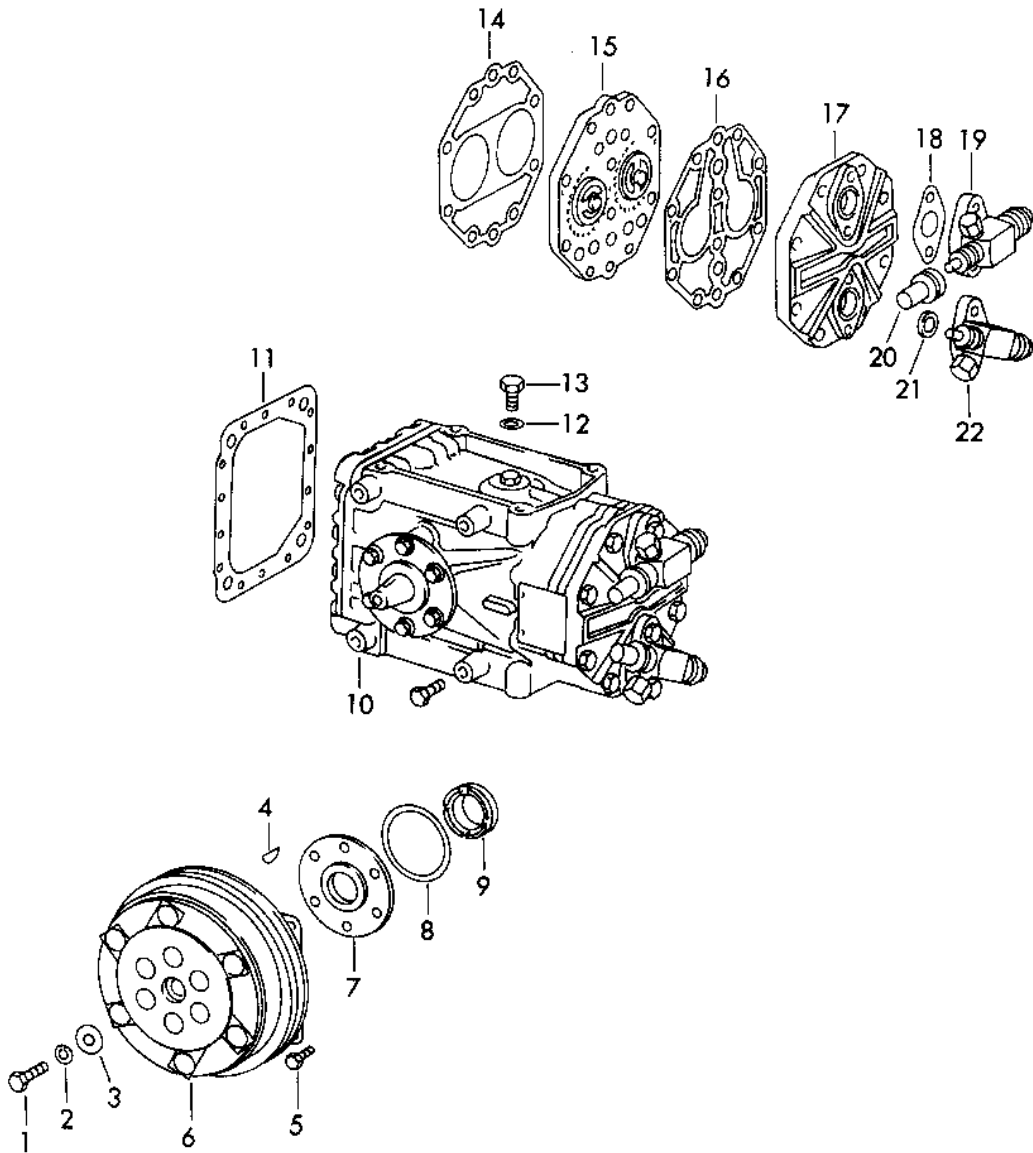
Model: 911 70

Model life 1970>>1973

Pos	Part Number	Description	Remark	Qty	Model
66	N 017 121 5	Lock 25 A		1	

Model: 911 70

Model life 1970>>1973

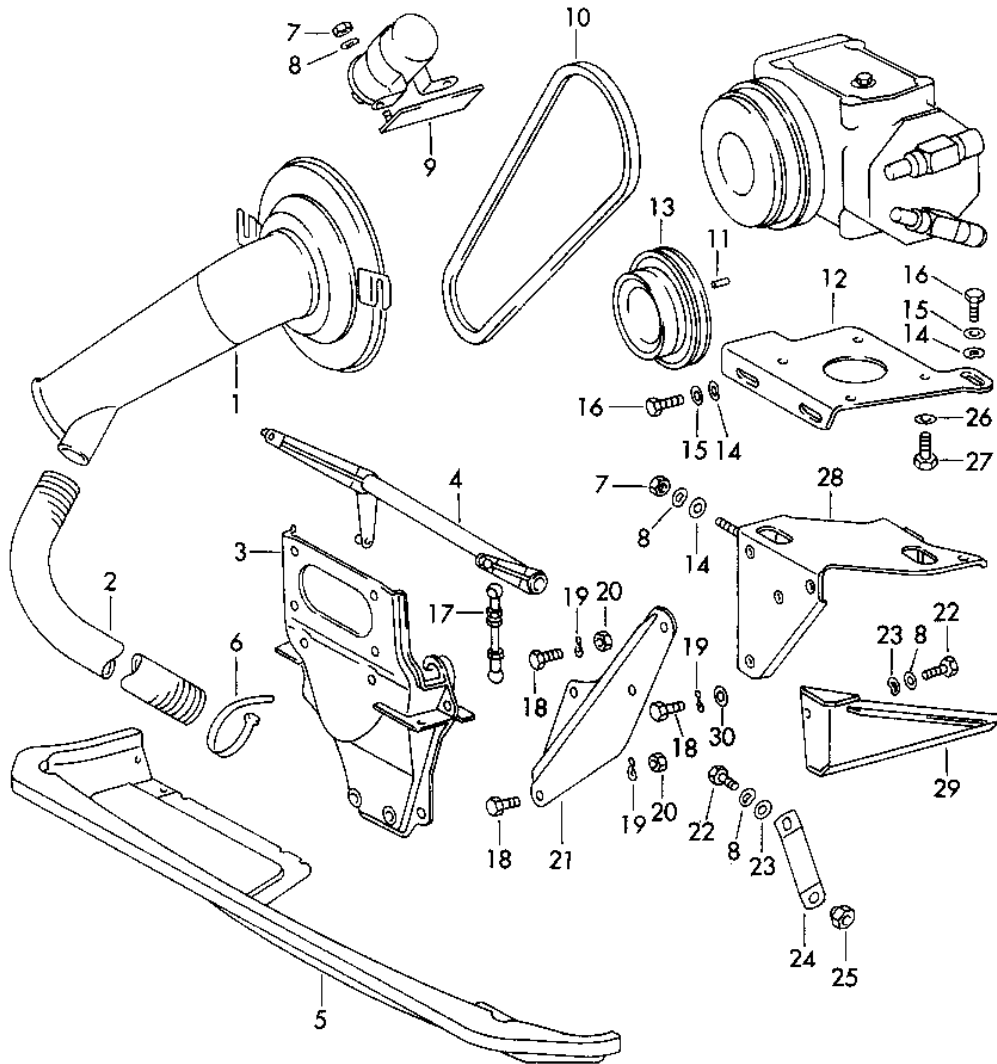


Model: 911 70 Model life 1970>>1973

Pos	Part Number	Description	Remark	Qty	Model
-	911 126 009 00	Air conditioner Compressor with Clutch Not for (USA) Compressor with Clutch		1	
>>	911 126 924 00	Compressor Comprising:		1	
1		Hexagon-head bolt		1	
2		Lock ring		1	
3		Washer		1	
4		Woodruff key		1	
5		Hexagon-head bolt		4	
6	911 126 933 01	Clutch Complete		1	
>>	911 126 925 00	Parts kit	-71	1	
>>	911 126 931 00	Parts kit Comprising:	72-	1	
7		Flange		1	
8		Gasket		1	
9		Gasket for Crankshaft		1	
10	911 126 901 00	Compressor		1	
11	911 126 911 00	Gasket		1	
12	911 126 913 00	O-ring		1	
13	911 126 912 00	Hexagon-head bolt		1	
>>	911 126 917 00	Parts kit Comprising:		1	
14		Gasket		1	
15		Valve plate		1	
16		Gasket		1	
-	911 126 918 00	Parts kit Comprising:		1	
17		Picture 14,16,17 Cylinder head cover		1	
>>	911 126 916 00	Parts kit Comprising:		1	
18	911 126 919 00	Sealing ring		2	
19	911 126 921 00	Flange valve	/L	1	
20	911 126 923 00	Cap		2	
21	911 126 919 00	Sealing ring		2	
22	911 126 922 00	Flange valve	/R	1	

Model: 911 70

Model life 1970>>1973



Model: 911 70 Model life 1970>>1973

Pos	Part Number	Description	Remark	Qty	Model
		Air conditioner Mount for Compressor Not for (USA)			
1	901 108 042 01	Lid Complete	-71	1	
2	901 108 292 01	Hose	-71	1	
3	911 115 014 03	Bracket		1	
4	911 108 071 02	Control shaft Complete		1	
5	911 106 085 00	Engine cover Complete		1	
6	N 020 902 1	Tie-wrap	-71	1	
6	N 020 902 A	Tie-wrap		1	
7	900 076 025 02	Hexagon nut		3	
7	900 076 064 02	Hexagon nut		3	
8	N 012 241 1	Spring washer		5	
9	901 126 121 01	Mounting plate		1	
10	900 192 027 50	Narrow v-belt		1	
11	900 012 060 00	Straight pin		1	
12	911 126 117 01	Compressor plate		1	
13	911 102 015 50	Pulley	-71	1	
(13)		Pulley	72-	1	
14	900 025 007 02	Washer		3	
14	900 025 007 03	Washer		3	
15	N 012 241 1	Spring washer		3	
16	900 075 085 02	Hexagon-head bolt		3	
17	901 108 087 02	Push rod		2	
18	900 075 040 02	Hexagon-head bolt		4	
18	900 075 517 01	Hexagon-head bolt		4	
19	N 012 230 1	Spring washer	-71	4	
(19)	900 028 005 01	Lock ring	72-	4	
20	N 011 010 6	Hexagon nut		2	
20	N 101 552 10	Hexagon nut		2	
21	911 126 115 00	Strut		1	
22	900 075 085 02	Hexagon-head bolt		2	
23	900 025 007 02	Washer		2	
23	900 025 007 03	Washer		2	
24	911 126 124 01	Strut		1	
25	964 126 125 20	Nut		1	
26	900 028 005 01	Lock ring		4	
27	900 075 085 02	Hexagon-head bolt		4	
28	911 126 101 01	Bracket		1	
29	930 126 116 00	Fastening angle		1	
30	900 025 008 02	Washer 10,5		4	
30	N 011 527 4	Washer 10,5		4	
30	900 025 008 09	Washer 10,5		4	
30	900 025 008 04	Washer 10,5		4	
-	900 075 014 02	Hexagon-head bolt M 6X18	72-	2	
-	900 075 014 03	Hexagon-head bolt M 6X18	72-	2	

Model: 911 70 Model life 1970>>1973

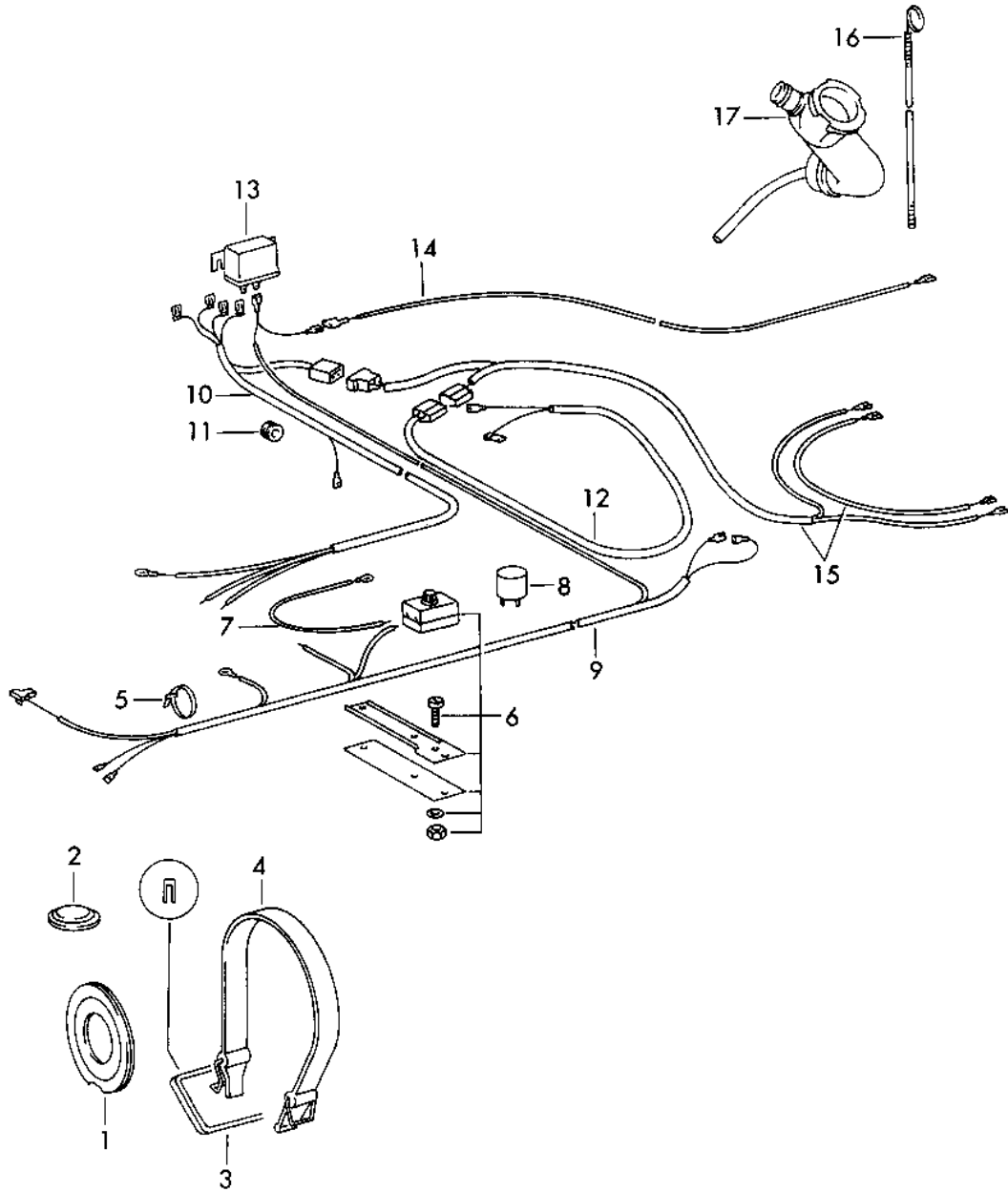
Pos	Part Number	Description	Remark	Qty	Model
		Air conditioner Condenser Hoses And Mounting parts Not for (USA)			
1	901 573 057 00	Condenser Complete		1	
2	901 573 138 00	Moltoprene shim 6X65X85		1	
3	911 573 147 00	Bracket		1	
4	N 013 961 2	Oval-head sheetmetal screw B 3,9X13		2	
4	N 013 961 11	Oval-head sheetmetal screw B 3,9X13		2	
5	900 075 092 02	Hexagon-head bolt M 4X10		2	
6	900 027 011 01	Lock ring B 4		2	
7	N 011 004 6	Hexagon nut M 4		2	
7	N 011 004 G	Nut M 4		2	
8	911 573 153 00	Refrigerant hose NW 10		1	
9	901 573 147 00	Gasket 3/4"		3	
10	901 573 143 00	Rubber sleeve		3	
11	911 573 144 00	Clamp		18	
12	N 010 207 6	Hexagon-head bolt M 5X12		1	
12	N 010 207 17	Hexagon-head bolt M 5X12		1	
13	N 012 005 3	Lock ring B 5		2	
14	900 076 006 02	Hexagon nut M 5		2	
15	900 187 025 02	Hexagon-head tapping screw	-71	27	
(15)	900 143 025 02	Oval-head sheetmetal screw	72-	27	
16	999 512 348 02	Hose clamp	-71	1	
17	911 573 150 00	Refrigerant hose NW 10		1	
17	930 573 150 00	Refrigerant hose NW 10		1	Turbo
18	999 511 066 02	Clamp		1	
19	900 076 027 02	Nut M 5		2	
20	911 573 149 00	Refrigerant hose NW 13	-71	1	
(20)	911 573 149 02	Refrigerant hose NW 13	72-	1	
(20)	911 573 149 05	Refrigerant hose NW 13	72-	1	
21	901 573 146 00	Gasket 7/8"		2	
22	901 573 139 00	Fluid tank	-71	1	
(22)	911 573 139 00	Fluid tank	72-	1	
23	901 573 140 00	Retaining bar		1	
24	900 143 007 02	Oval-head sheetmetal screw 4,2X13		2	
24	900 073 507 01	Oval-head sheetmetal screw 4,2X13		2	

Model: 911 70 Model life 1970>>1973

Pos	Part Number	Description	Remark	Qty	Model
25	901 573 141 00	Hose clamp		2	
26	901 573 155 00	Support		1	
27	901 573 142 00	Rubber sleeve		1	
28	999 507 315 02	Captive nut		1	
29	N 012 005 3	Lock ring B 5		1	
30	N 010 207 6	Hexagon-head bolt M 5X12		1	
30	N 010 207 17	Hexagon-head bolt M 5X12		1	
31	901 573 152 00	Refrigerant hose NW 10		1	
32	901 573 148 00	Gasket 5/8"		5	
33	911 573 145 00	Clamp		13	
33	911 573 145 01	Clamp		13	
34	911 341 161 01	Protective plate		1	
35	901 341 165 00	Rubber		1	
35	901 341 165 01	Sealing rubber		1	
36	901 341 167 00	Rubber		1	
37	911 573 154 00	Refrigerant hose NW 8		1	
38	911 624 017 00	Blower Complete		1	
39	911 624 022 00	Housing		1	
40	911 624 021 00	Blower motor with Fan		1	
41	911 573 056 00	Condenser Front		1	
42	911 573 058 01	Stone guard		1	
43	N 010 215 13	Hexagon-head bolt M 6X15		3	
44	N 012 007 2	Lock ring B 6		3	
44	900 027 004 03	Lock ring B 6		3	
45	N 011 524 7	Washer 6,4		3	
45	N 011 524 27	Washer 6,4		3	
46	911 501 530 01	Threaded eye	-71	1	
(46)		Threaded eye	72-	1	
-	N 040 249 2	Hexagon-head bolt M 10X40	72-	3	
-	911 505 181 00	Impact protection for Condenser	72-	1	
-	911 505 182 00	Impact protection for Condenser	72-	1	

Model: 911 70

Model life 1970>>1973



Model: 911 70 Model life 1970>>1973

Pos	Part Number	Description	Remark	Qty	Model
		Air conditioner electrical components Accessories Not for (USA)			
1	901 572 913 01	Sealing ring		1	
2	914 559 251 10	Stopper		1	
3	901 573 509 00	Sealing ring		1	
4	901 611 025 20	Retaining strap		2	
4	901 611 025 21	Retaining strap		2	
5	999 513 008 40	Tie-wrap		4	
6	901 612 085 04	Fuse box Mounting parts Comprising:		1	
-	911 573 158 00	Support		1	
-	900 189 005 02	Lens-head screw		2	
-	900 025 002 02	Washer		2	
-	900 025 002 03	Washer		2	
-	N 010 205 6	Hexagon-head bolt		2	
-	900 075 105 02	Screw		2	
-	911 573 509 00	Rubber 50X50X1,5		1	
7	911 612 082 00	Wiring harness NR. 82		1	
8	911 615 109 01	Standard type relay		1	
9	911 612 080 00	Wiring harness NR. 80		1	
10	911 612 078 00	Wiring harness NR. 78		1	
11	999 702 119 50	Rubber sleeve		1	
12	901 612 084 00	Wiring harness NR. 28		1	
13	901 615 102 00	Relay		1	
14	911 612 079 00	Wiring harness NR. 79		1	
15	901 612 902 00	Wiring harness	-71	1	
15	901 612 086 02	Wiring harness NR. 29	72-	1	
16	911 107 076 00	Oil level dipstick	-71	1	
17	911 107 075 00	Connection piece for Oil tank	-71	1	

Model: 911 70

Model life 1970>>1973



Model: 911 70 Model life 1970>>1973

Pos	Part Number	Description	Remark	Qty	Model
		Air conditioner Complete And Installation set for Air conditioner			
>>	911 573 001 01	Air conditioner Complete	/LL -71	1	COUPE
>>	911 573 001 41	Air conditioner Complete	/LL -71	1	TARGA
-	911 505 037 01	Single parts See technical information Rubber buffer for Bumper horn		2	
-	900 076 010 02	Nut M 6		4	
-	900 076 010 0B	Nut M 6		4	
-	900 076 025 02	Hexagon nut M 8		2	
-	900 076 064 02	Hexagon nut M 8		2	
-	999 911 182 40	Piping		4	
-	PCG 911 182 40	Piping		4	
-	911 505 141 00	Impact protection for Condenser Front	/L	1	
-	911 505 142 00	Impact protection for Condenser Front	/R	1	
-	900 186 002 02	Pan-head screw M 8X15		2	
-	900 351 001 01	Disc with spherical hole C 8,4		2	
-	900 027 015 02	Lock ring B 8		2	
-	900 027 015 03	Lock ring B 8		2	
-	901 504 731 30	Lid for Tunnel		1	
-	911 501 093 00	Baffle plate for Condenser Front		1	
-	911 501 098 00	Support for Water reservoir Windscreen washer system		1	

Model: 911 70

Model life 1970>>1973



Model: 911 70

Model life 1970>>1973

Pos	Part Number	Description	Remark	Qty	Model
>>	901 572 930 02	Installation set for subsequent installation for Heating and ventilation unit Installation set for subsequent installation for Heating and ventilation unit	/LL	1	
-	901 572 501 32	Comprising: Heater without Accessories		1	
-	901 572 511 32	Distributor with Fuel pump Complete		1	
-	901 572 513 31	Pump		1	
-	901 572 066 00	Air hose with Connection piece	/R	1	
-	901 572 065 00	Air hose with Connection piece	/L	1	
-	999 512 348 02	Hose clamp		4	
-	901 572 647 00	Air hose	/L	1	
-	999 782 004 90	Air hose	/L	1	
-	901 572 648 00	Air hose	/R	1	
-	999 782 004 90	Air hose	/R	1	
-	901 572 054 00	Distributing piece		1	
-	901 572 058 00	Connecting piece		1	
-	901 572 527 00	Sealing washer		1	
-	900 075 219 02	Hexagon-head bolt M 5X10		3	
-	900 025 003 02	Washer 5,3		3	
-	901 572 526 00	Gasket		1	
-	901 572 521 00	Flap		1	
-	900 055 019 20	Buttonhead rivet 3X6		3	
-	999 512 151 02	Clip		2	
-	901 572 649 00	Air hose \$ 70		1	
-	901 501 392 20	Support for Optional heating		1	
-	900 151 008 02	Washer B 8,4		1	
-	900 027 005 01	Lock ring A 8		1	
-	900 076 025 02	Hexagon nut M 8		1	
-	900 076 064 02	Hexagon nut M 8		1	
-	900 076 010 02	Nut M 6		5	
-	900 076 010 0B	Nut M 6		5	
-	900 115 006 01	Serrated lock washer A 6,4		5	
-	900 151 006 09	Washer A 6,4		5	
-	901 572 519 30	Spacer sleeve		5	
-	999 702 049 50	Rubber sleeve		5	

Model: 911 70

Model life 1970>>1973

Pos	Part Number	Description	Remark	Qty	Model
-	901 612 053 02	Ignition lead		1	
-	901 572 591 30	Sealing ring		1	
-	901 572 593 30	Strainer for Intake manifold		1	
-	999 512 046 02	Clip		1	
-	901 572 627 31	Exhaust pipe		1	
-	901 572 619 30	Protective tube		2	
-	999 512 125 02	Clip		2	
-	901 572 061 30	Muffler		1	
-	901 572 602 32	Exhaust line		1	
-	901 572 609 30	Protective tube		4	
-	999 512 056 02	Hose clamp		4	
-	999 180 029 50	Fuel hose 2 M		*	
-	901 572 515 30	Bracket		1	
-	900 075 014 02	Hexagon-head bolt M 6X18		5	
-	900 075 014 03	Hexagon-head bolt M 6X18		5	
-	901 615 109 30	Relay		1	
-	900 014 079 02	Pan-head screw AM 3X10		2	
-	900 115 007 01	Serrated lock washer A 3,2		2	
-	900 076 001 02	Hexagon nut M 3		2	
-	901 501 489 00	Clamp for Metering		1	
-	901 501 483 00	Support for Metering		1	
-	N 043 890 1	Tapping screw B 4,2X9,5		4	
-	900 067 011 02	Pan-head screw M 6X20		1	
-	900 067 011 03	Pan-head screw M 6X20		1	
-	N 012 007 2	Lock ring A 6		1	
-	900 027 004 03	Lock ring A 6		1	
-	999 180 030 50	Fuel hose 1,2 M		*	
-	999 180 030 5A	Fuel hose 1,2 M		*	
-	999 512 055 02	Hose clamp		2	
-	PCG 512 055 02	Hose clamp		2	
-	999 702 027 50	Rubber sleeve		1	
-	901 617 010 30	Conversion set		1	
-	900 076 027 02	Nut M 5		2	
-	900 115 001 01	Serrated lock washer A 5,3		2	
-	901 613 631 00	Switch for Optional heating		1	
-	901 612 053 00	Wiring harness for Heater		1	
-	901 613 216 50	- WEBASTO - Nut		1	

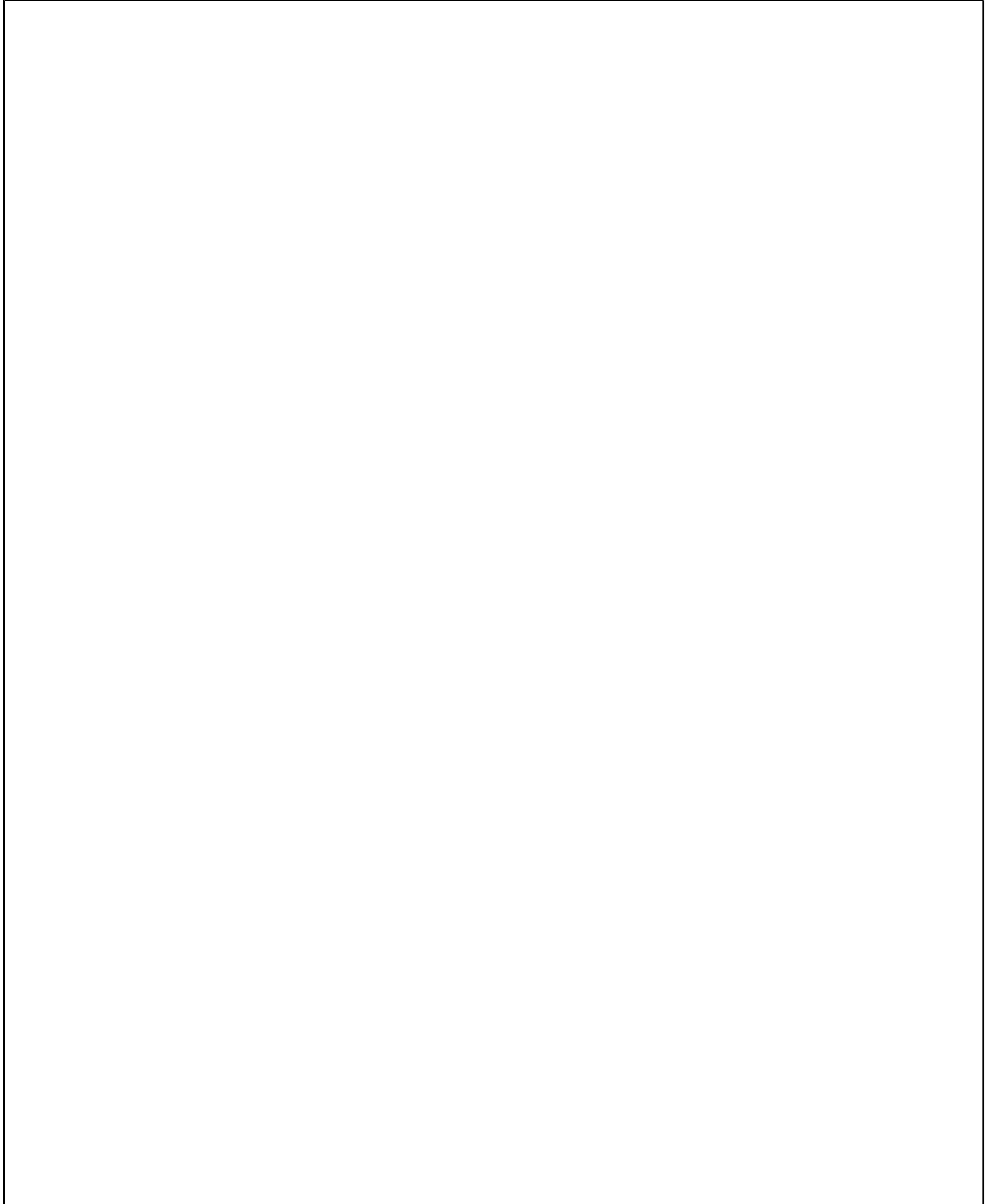
Model: 911 70

Model life 1970>>1973

Pos	Part Number	Description	Remark	Qty	Model
-	901 613 261 20	Chrome Nut		1	
		Plastic material			
-	901 201 023 04	Fuel tank cap		1	
-	901 201 023 06	Fuel tank cap		1	
-	900 123 011 30	Sealing ring		1	
		A 22X27 AL			
-	901 504 731 30	Lid for Tunnel		1	
-	901 504 491 30	Gasket for Cover		1	
-	901 504 431 30	Damping mat Contains asbestos for 901 504 043 02		1	
-	901 504 439 00	Washer		2	

Model: 911 70

Model life 1970>>1973



Model: 911 70 Model life 1970>>1973

Pos	Part Number	Description	Remark	Qty	Model
>>	911 613 025 01	Lock cylinder Set of locks - EUROPA - Steering lock without Buzzer contact for subsequent installation Comprising:	/LL	1	COUPE
-	911 531 061 00	Outer door handle Complete	/L	1	
-	911 531 062 00	Outer door handle Complete	/R	1	
-	914 531 637 10	Main key		2	
-	914 531 903 11	Blank key		2	
-	911 613 011 05	Ignition starter lock without Buzzer contact		1	
-	964 347 917 01	Steering lock without Buzzer contact		1	
-	914 552 905 10	Glove compartment lock		1	
>>	911 613 025 41	Set of locks - EUROPA - Steering lock without Buzzer contact for subsequent installation Comprising:	/LL	1	TARGA
-	911 531 061 00	Outer door handle Complete	/L	1	
-	911 531 062 00	Outer door handle Complete	/R	1	
-	914 531 637 10	Main key		2	
-	914 531 903 11	Blank key		2	
-	914 552 905 10	Glove compartment lock		1	
-	911 511 903 00	Lock for Lid-release cable		1	
>>	911 613 026 01	Set of locks - USA - Steering lock with Buzzer contact for subsequent installation Comprising:	/LL	1	911 T/E/S COUPE
-	911 531 061 00	Outer door handle Complete	/L	1	
-	911 531 062 00	Outer door handle Complete	/R	1	
-	914 531 637 10	Main key		2	
-	914 531 903 11	Blank key		2	
-	911 613 011 00	Ignition starter switch with Buzzer contact		1	
-	914 552 905 10	Glove compartment lock		1	
>>	911 613 026 41	Set of locks - USA - Steering lock with Buzzer contact for subsequent installation Comprising:		1	TARGA
-	911 531 061 00	Outer door handle	/L	1	

Model: 911 70

Model life 1970>>1973

Pos	Part Number	Description	Remark	Qty	Model
-	911 531 062 00	Complete Outer door handle	/R	1	
-	914 531 637 10	Complete Main key		1	
-	914 531 903 11	Blank key		1	
-	911 613 011 00	Ignition starter switch with Buzzer contact		1	
-	914 552 905 10	Glove compartment lock		1	
-	911 511 903 00	Lock for Lid-release cable		1	
-	914 511 070 10	Lock for Lid-release cable		1	
>>	911 531 910 00	Set of locks	71-	1	COUPE
-	911 531 061 00	Outer door handle	/L	1	
-	911 531 062 00	Outer door handle	/R	1	
-	914 531 637 10	Main key		2	
-	914 531 903 11	Blank key		2	
-	911 613 011 06	Steering lock		1	
-	911 552 059 01	Glove compartment lock		1	
>>	911 531 911 00	Set of locks	71-	1	TARGA
-	911 531 061 00	Outer door handle	/L	1	
-	911 531 062 00	Outer door handle	/R	1	
-	914 531 637 10	Main key		2	
-	914 531 903 11	Blank key		2	
-	911 613 011 06	Steering lock		1	
-	911 552 059 01	Glove compartment lock		1	
-	911 511 903 00	Lock		1	

Model: 911 70

Model life 1970>>1973



Model: 911 70 Model life 1970>>1973

Pos	Part Number	Description	Remark	Qty	Model
>>	901 505 904 00	Power window Rear apron Rear apron 1 set for subsequent installation Picture 29-35 See group 8/02/05 Comprising:		1	
(29)	901 505 425 21	Rear apron Centre		1	
(29)	901 505 426 21	Rear apron Right		1	
(29)	901 505 423 20	Rear apron Left		1	
30	N 015 429 2	Speed nut B 4,2		9	
30	N 015 429 6	Speed nut B 4,2		9	
31	900 025 002 02	Washer 4,3		9	
31	900 025 002 03	Washer 4,3		9	
32	900 143 031 02	Oval-head sheetmetal screw B 4,2X9,5		9	
33	900 146 016 02	Oval-head screw AM 3X6		2	
34	900 076 001 02	Hexagon nut M 4		2	
35	900 151 019 02	Washer B 3,2		2	
>>	911 542 906 00	Power window 1 set for subsequent installation Comprising:	/LL -70	1	COUPE
-	911 542 003 25	Power windows	/L	1	
-	911 542 004 25	Power windows	/R	1	
-	911 612 020 00	Wiring harness NR.20		1	
-	911 612 021 00	Wiring harness NR.21		2	
-	911 612 048 00	Wiring harness NR.48		3	
-	999 702 026 50	Rubber sleeve		2	
-	901 531 083 00	Bracket for Cable holder		2	
-	900 186 102 02	Hexagon socket head bolt M 6X12		6	
-	901 612 898 00	Cable connection		2	
-	N 013 961 2	Oval-head sheetmetal screw 3,9X13		4	
-	N 013 961 11	Oval-head sheetmetal screw 3,9X13		4	
-	901 542 063 00	Stop wedge		2	
-	900 186 102 02	Hexagon socket head bolt M 5X10		4	
-	999 513 003 40	Tie-wrap		2	
-	901 542 417 00	Cable holder		4	
-	N 010 210 13	Hexagon-head bolt M 6X10		4	
-	911 613 621 00	Switch		3	

Model: 911 70 Model life 1970>>1973

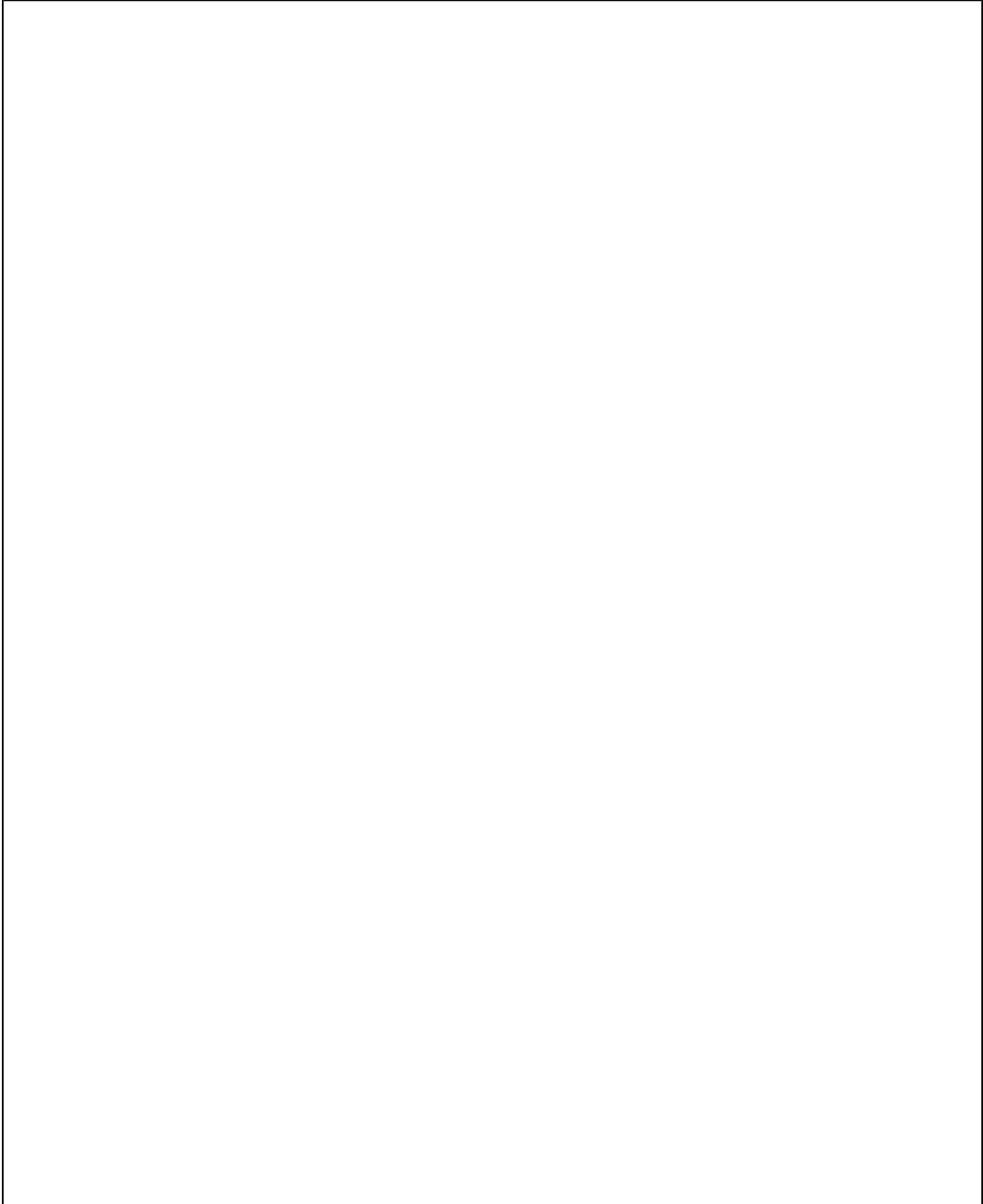
Pos	Part Number	Description	Remark	Qty	Model
-	901 555 027 00	Door panel	/L	1	
-	901 555 028 00	Door panel	/R	1	
-	901 555 027 10	Door panel	/RL /L	1	911T/E TARGA
-	901 555 028 10	Door panel	/RL /R	1	911T/E TARGA
-	911 722 091 00	Belt for Spare wheel Mount	/LL	1	911 S
>>	911 542 907 00	Installation set	/LL -72	1	
>>	911 542 908 00	Installation set 1 set for subsequent installation Comprising:	/RL -72	1	
-	911 542 003 25	Power windows	/L	1	
-	911 542 004 25	Power windows	/R	1	
-	N 010 210 13	Hexagon-head bolt M 6X10		4	
-	901 542 417 00	Cable holder		4	
-	901 542 063 00	Stop wedge		2	
-	900 186 102 02	Hexagon socket head bolt M 5X10		4	
-	901 531 083 00	Bracket		2	
-	900 186 122 02	Hexagon socket head bolt M 6X12		6	
-	901 612 062 00	Wiring harness Switch		3	
-	901 612 071 03	Wiring harness Door		2	
-	901 612 071 02	Wiring harness Power windows	/LL	1	
-	901 612 097 00	Wiring harness Power windows	/RL	1	
-	901 612 898 00	Cable connection		2	
-	900 143 007 02	Oval-head sheetmetal screw B 4,2X13		4	
-	900 073 507 01	Oval-head sheetmetal screw B 4,2X13		4	
-	999 513 002 40	Tie-wrap		2	
-	N 020 910 4	Tie-wrap		2	
-	999 513 003 40	Tie-wrap		2	
-	901 612 835 01	Connecting rail		1	
-	901 613 621 00	Tip switch		3	
-	911 613 637 00	Seal Switch		1	
-	911 613 638 00	Seal Switch		1	
-	911 613 623 00	Grommet		3	
-	999 702 026 50	Rubber sleeve		2	
>>	911 542 909 00	Installation set	/LL 73-	1	
>>	911 542 910 00	Installation set 1 set for subsequent installation Comprising:	/RL 73-	1	
-	911 542 003 26	Power window with Engine	/L	1	
-	911 542 004 26	Power window with Engine	/R	1	
-	901 542 063 00	Stop wedge		2	
-	900 186 102 02	Hexagon socket head bolt M 5X10		4	
-	901 531 083 00	Bracket		2	

Model: 911 70 Model life 1970>>1973

Pos	Part Number	Description	Remark	Qty	Model
-	900 186 122 02	Hexagon socket head bolt M 6X12		6	
-	901 612 071 02	Wiring harness Door		1	
-	901 612 898 00	Cable connection		2	
-	900 143 007 02	Oval-head sheetmetal screw B 4,2X13		4	
-	900 073 507 01	Oval-head sheetmetal screw B 4,2X13		4	
-	901 612 835 01	Connecting rail		1	
-	911 613 621 01	Switch		3	
-	911 613 637 00	Seal	/L	1	
-	911 613 638 00	Seal	/R	1	
-	911 613 623 00	Grommet		3	
-	999 702 026 50	Rubber sleeve		2	
-	911 612 101 00	Wiring harness Switch		1	
-	911 612 102 00	Wiring harness Switch		1	
-	911 612 103 00	Wiring harness Switch		1	
-	911 612 104 00	Wiring harness Power windows Door panel Left And Right See illustrations 8/07/10		2	

Model: 911 70

Model life 1970>>1973



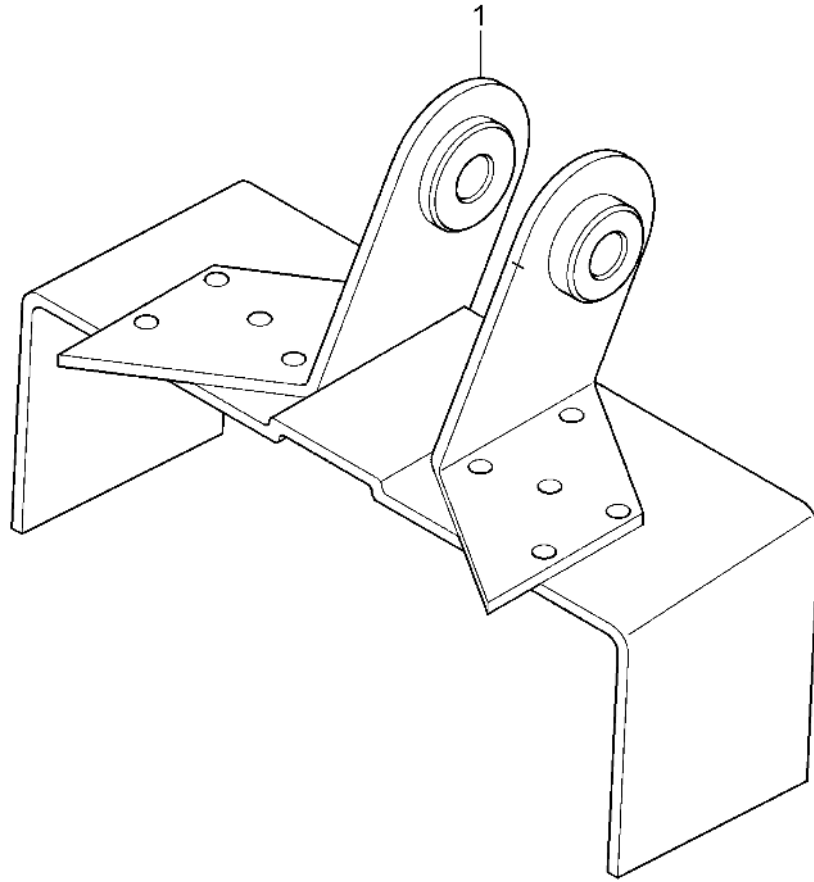
Model: 911 70

Model life 1970>>1973

Pos	Part Number	Description	Remark	Qty	Model
>>	901 505 920 20	Rubber buffer for Bumper horn for subsequent installation Set Rubber buffer for Bumper horn for subsequent installation Comprising:		1	
-	901 505 901 21	Rubber buffer	/V	2	
-	901 505 903 21	Rubber buffer	/H	2	
-	900 076 010 02	Nut M6		10	
-	900 076 010 0B	Nut M6		10	

Model: 911 70

Model life 1970>>1973



Model: 911 70 Model life 1970>>1973

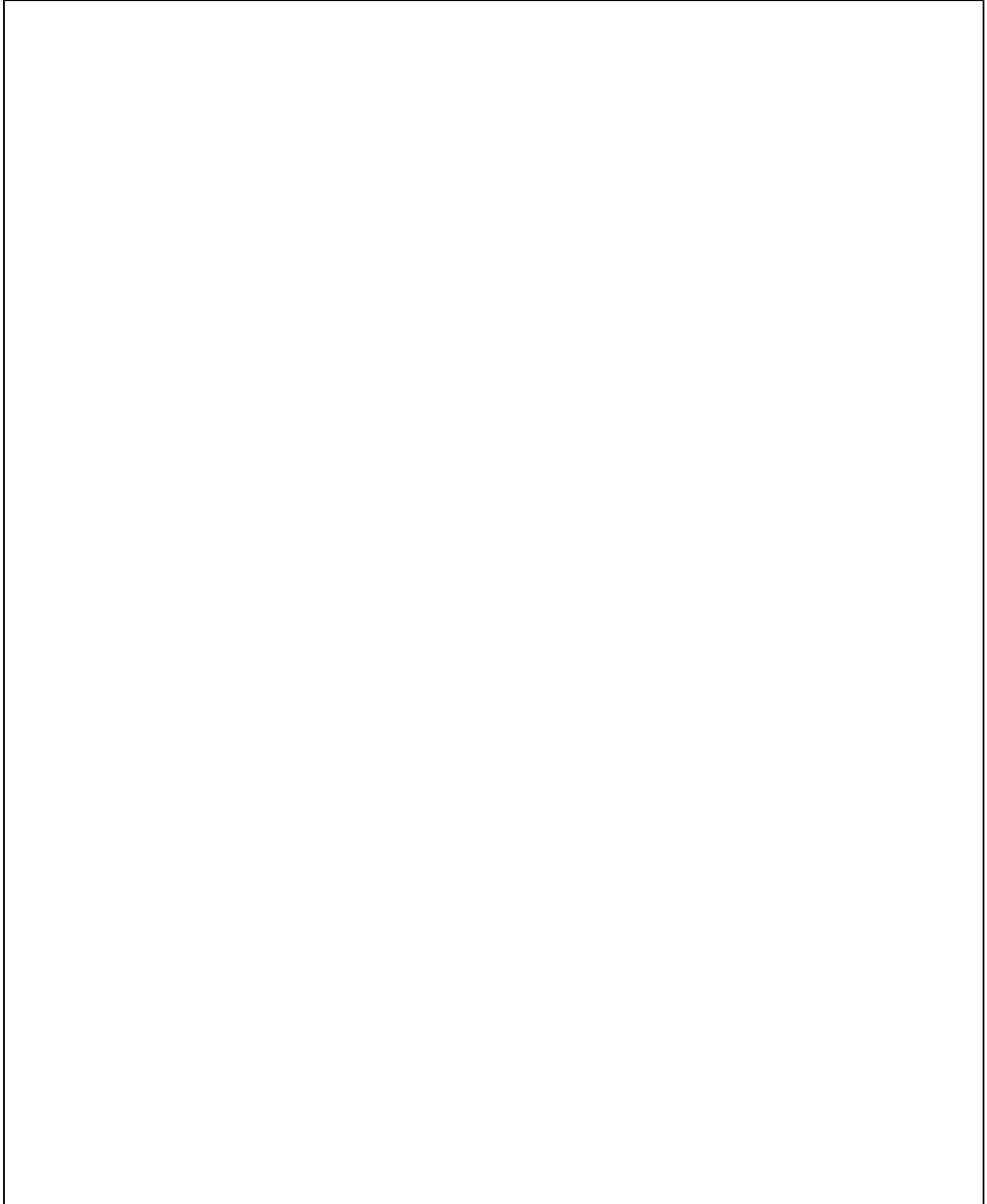
Pos	Part Number	Description	Remark	Qty	Model
1	911 501 505 01	Seat belt Installation set with Automatic for subsequent installation Mounting Three-point seat belt for Tunnel It is necessary to rework		1	
>>	901 803 901 00	Seat belt	/L -71	1	COUPE
>>	911 803 905 01	Seat belt Three-point seat belt with Seat-belt buckle for (D) Comprising:	/L 72-	1	COUPE
-	901 803 017 21	Three-point seat belt	/L -71	1	
-	911 803 029 00	Three-point seat belt	/L 72-	1	
-	911 555 069 01	Cover	/L -71	1	
-		Cover	/L 72-	1	
-	911 555 613 00	Support	/L -71	1	
-		Support	/L 72-	1	
-	901 555 615 00	Rosette		1	
-	901 555 769 00	Desk pad		1	
-	900 145 006 02	Rais. counters. h. tap. s. B 3,5X19		2	
-	900 146 042 00	Oval-head sheetmetal screw	-71	1	
-	900 145 059 00	Rais. counters. h. tap. s. B 3,5X25	72-	1	
-	999 591 102 12	Washer		1	
>>	901 803 902 00	Seat belt	/R -71	1	COUPE
>>	911 803 906 01	Seat belt Three-point seat belt with Seat-belt buckle for (D) Comprising:	/R 72-	1	COUPE
-	901 803 018 21	Three-point seat belt	/R -71	1	
-	911 803 030 00	Three-point seat belt	/R 72-	1	
-	911 555 070 01	Cover	/R -71	1	
-		Cover	/R 72-	1	
-	911 555 613 00	Support	/R -71	1	
-		Support	/R 72-	1	
-	901 555 615 00	Rosette		1	
-	901 555 769 00	Desk pad		1	
-	900 145 006 02	Rais. counters. h. tap. s. B 3,5X19		2	
-	900 145 042 00	Rais. counters. h. tap. s.	-71	1	
-	900 145 059 00	Rais. counters. h. tap. s. B 3,5X25	72-	1	
-	999 591 102 12	Washer		1	
>>	901 803 901 40	Seat belt	/LL /L -71	1	TARGA
>>	911 803 911 00	Seat belt Three-point seat belt without Seat-belt buckle for (D) Comprising:	/LL /L 72-	1	TARGA
-	901 803 017 43	Three-point seat belt	/L -71	1	

Model: 911 70 Model life 1970>>1973

Pos	Part Number	Description	Remark	Qty	Model
-	911 803 053 00	Three-point seat belt	/L 72-	1	
-	901 803 139 00	Rosette		1	
-	901 803 135 00	Knob		1	
-	999 507 011 01	Speed nut		1	
-	900 143 116 07	Oval-head sheetmetal screw	-71	1	
-	900 143 116 0H	Oval-head sheetmetal screw		1	
-	900 143 064 07	Tapping screw	72-	1	
		B 3,5X25			
-	N 013 958 7	Oval-head sheetmetal screw		2	
		B 3,5X13			
-	N 011 663 1	Washer		2	
		3,7			
-	999 025 058 01	Washer		1	
>>	901 803 902 40	Seat belt	/LL /R -71	1	TARGA
>>	911 803 912 00	Seat belt	/LL /R 72-	1	TARGA
		Three-point seat belt without			
		Seat-belt buckle for (D)			
		Comprising:			
-	901 803 018 43	Three-point seat belt	/R -71	1	
-	911 803 054 00	Three-point seat belt	/R 72-	1	
-	901 803 139 00	Rosette		1	
-	901 803 135 00	Knob		1	
-	999 507 011 01	Speed nut		1	
-	900 143 116 07	Oval-head sheetmetal screw	-71	1	
-	900 143 116 0H	Oval-head sheetmetal screw		1	
-	900 143 064 07	Tapping screw	72-	1	
		B 3,5X25			
-	N 013 958 7	Oval-head sheetmetal screw		2	
		B 3,5X13			
-	N 011 663 1	Washer		2	
		3,7			
-	999 025 058 01	Washer		1	
>>	911 803 045 00	Seat belt	/LL /L 72-	1	CARRERA 2.7
>>	911 803 046 00	Seat belt	/LL /R 72-	1	CARRERA 2.7
		Three-point seat belt for Rally car without Automatic with			COUPE
		Seat-belt buckle for (D) (I) (A)			
		Comprising:			
-	914 803 013 10	Three-point seat belt	/L	1	
-	911 803 046 00	Seat belt	/R	1	
-	111 857 771 A	Washer		6	
-	111 857 719 C	Cap		1	
-	901 803 119 20	Hexagon-head bolt		2	
-	901 803 119 22	Hexagon-head bolt		1	
-	999 025 113 02	Washer		3	
-	901 803 135 00	Knob		1	
-	900 143 004 00	Cross-recess screw		1	
		B 3,5X19			

Model: 911 70

Model life 1970>>1973

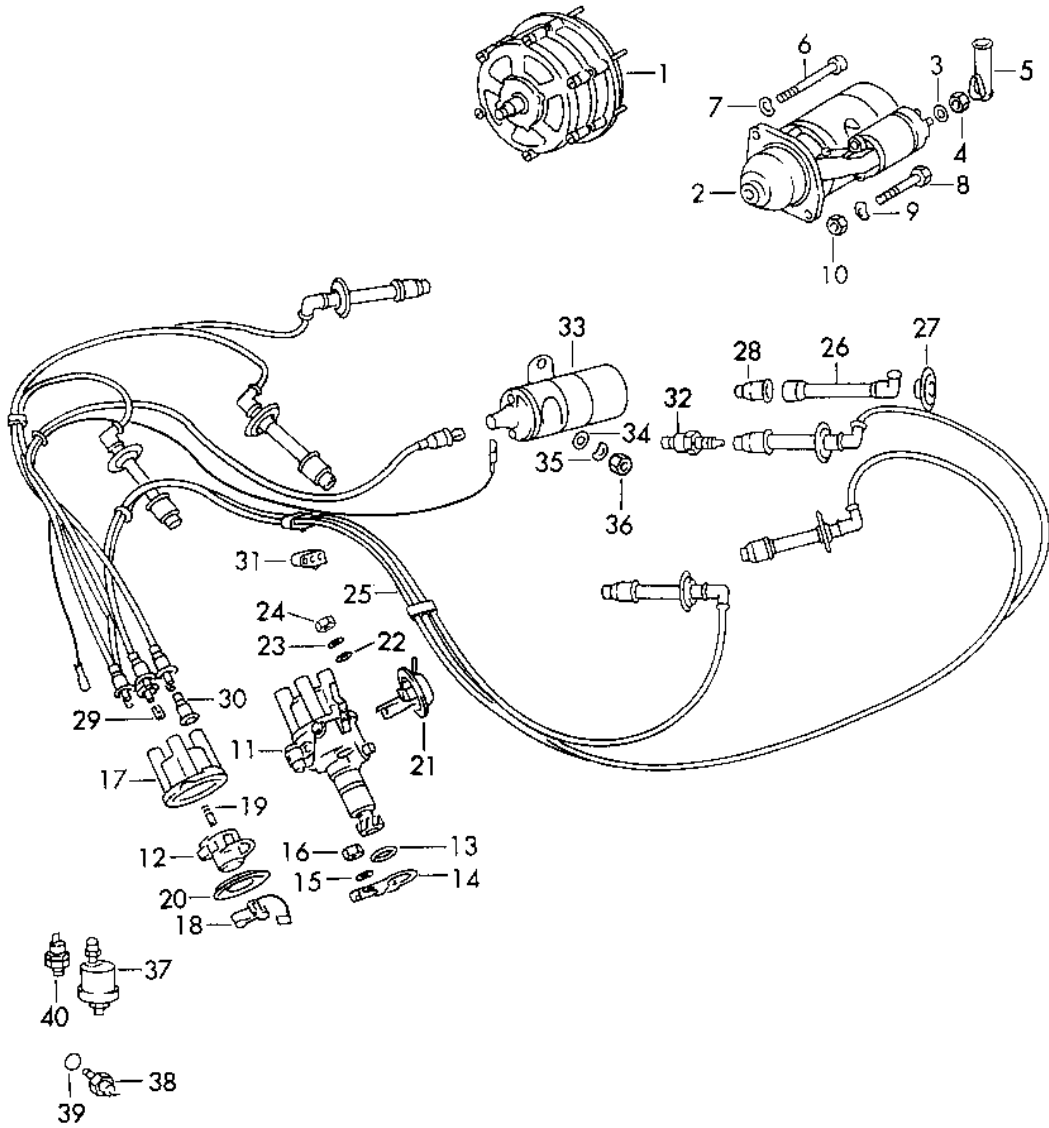


Model: 911 70 Model life 1970>>1973

Pos	Part Number	Description	Remark	Qty	Model
>>	911 541 901 00	Windscreen Installation set Electric Heatable Green Not for (USA), (S) + PUERTO RICO for subsequent installation Comprising:		1	
-	911 541 101 04	Windscreen Heated Green		1	
-	901 613 045 00	Switch		1	
-	911 615 109 01	Standard type relay		1	
-	999 652 122 10	Multiple plug connector		1	
-	911 617 106 00	Diode		1	
-	901 612 030 07	Rear window Wiring harness Rear window		1	
-	911 612 056 00	Wiring harness NR.56		1	
-	911 612 814 00	Fuse holder		1	
-	911 612 057 00	Wiring harness NR.57		1	
-	999 702 011 50	Rubber sleeve		2	
-	999 652 246 10	Cable shoe		1	
-	999 652 225 10	Cable shoe		1	
-	999 652 128 40	Connector		1	
-	999 652 106 02	Flat receptacle		1	

Model: 911 70

Model life 1970>>1973



Model: 911 70 Model life 1970>>1973

Pos	Part Number	Description	Remark	Qty	Model
1	911 603 118 00	Engine electrics Generator		1	
(1)	911 603 120 00	- bosch - Generator		1	
(1)	911 603 120 X	- MOTOROLA /MARCHAL - See group 9/01/10 Generator		1	
-	900 076 010 02	- MOTOROLA /MARCHAL - Nut M 6		6	
-	900 076 010 0B	Nut M 6		6	
-	900 028 008 01	Lock ring B 6		6	
-	901 612 110 00	Ground strap Engine Generator		1	
2	923 604 101 00	Starter	-71	1	
(2)	916 604 101 00	Starter 1,5 PS Not for SPM 905/21	-72	1	911 T/E/S 911 T-V
2	916 604 101 X	Starter 1,5 KW Not for SPM 905/21		1	911 T/E/S 911 T-V
2	916 604 101 BX	Starter 1,5 KW Not for SPM 905/21		1	911 T/E/S 911 T-V
(2)	923 604 101 00	Starter 0,8 PS	-72	1	SPM
(2)	916 604 101 00	Starter 1,5 PS	73	1	CARRERA 2.7
(2)	916 604 101 X	Starter 1,5 PS	73	1	CARRERA 2.7
(2)	916 604 101 BX	Starter 1,5 PS	73-	1	CARRERA 2.7
-	999 652 315 02	Flat plug	73	1	CARRERA 2.7
(2)	923 604 101 00	Starter 0,8 PS		1	911 T/E/S 911 T-V
(2)	901 604 102 CX	Starter 0,8 PS		1	911 T/E/S 911 T-V
(2)	901 604 102 DX	Starter 0,8 PS		1	911 T/E/S 911 T-V
(2)		Starter 0,8 PS		1	911 T/E/S 911 T-V
3	900 027 016 02	Lock ring B 10		1	
3	900 027 016 03	Lock ring B 10		1	
-	900 031 005 02	Washer 10,5 Not for	70	3	SPM
-	900 031 005 03	Washer 10,5 Not for	70-	3	SPM
-	999 523 103 01	Schnorr retainng washer M 10 Not for	70	3	SPM
4	900 157 002 02	Hexagon nut		2	
4	900 157 002 03	Hexagon nut		2	

Model: 911 70 Model life 1970>>1973

Pos	Part Number	Description	Remark	Qty	Model
5	999 659 006 50	Protection cap		1	
6	900 067 074 02	Pan-head screw M 10 X 110 Not for	-71	1	
(6)	900 067 078 02	Pan-head screw M 10 X 150	-71	1	SPM SPM
7	901 604 581 00	Spring washer	-71	1	
8	900 155 023 02	Hexagon-head bolt M 10 X 72 Not for	-70	1	
(8)	900 155 018 02	Hexagon-head bolt M 10 X 110	-70	1	SPM SPM
9	N 012 242 3	Spring washer B 10 X 18	-71	2	
10	900 157 002 02	Hexagon nut M 10	-71	2	
10	900 157 002 03	Hexagon nut M 10		2	
11	911 602 022 00	Distributor	-70	1	911 S
11	911 602 022 X	Distributor - MARELLI - See group 9/01/25	-70	1	911 S 911 T SPM
(11)	901 602 022 00	Distributor - MARELLI - See group 9/01/25	-70	1	911 T/S SPM
(11)	901 602 027 00	Distributor	-71	1	911 E
(11)	901 602 027 X	Distributor - bosch -	-71	1	911 E
(11)	901 602 031 00	Distributor - bosch - See group 9/01/25	-71	1	911 S
(11)	901 602 021 05	Distributor - bosch - See group 9/01/25	-71	1	911 T
(11)	911 602 021 01	Distributor - bosch - with Vacuum unit	72-	1	911 T 911 T-V
(11)	911 602 021 03	Distributor - bosch - with Vacuum unit	72-	1	911 T 911 T-V
(11)	911 602 021 CX	Distributor - bosch - with Vacuum unit	72-	1	911 T 911 T-V
(11)	911 602 021 01	Distributor	72-	1	911 T
(11)	911 602 021 CX	Distributor with Vacuum unit	72-	1	911 T
(11)	911 602 027 01	Distributor - bosch - with Vacuum unit	72-	1	911 E
(11)	911 602 027 03	Distributor	72-	1	911 E
(11)	911 602 027 CX	Distributor with Vacuum unit	72-	1	911 E
(11)	911 602 031 01	Distributor	72-	1	911 S

Model: 911 70 Model life 1970>>1973

Pos	Part Number	Description	Remark	Qty	Model
(11)	911 602 031 05	- bosch - with Vacuum unit Distributor	72-	1	911 S
(11)	911 602 031 EX	Distributor with Vacuum unit	72-	1	911 S
(11)	911 602 031 06	Distributor	72-	1	CARRERA 2.7
(11)	911 602 031 FX	Distributor with Vacuum unit	72-	1	CARRERA 2.7
(11)	911 602 023 01	Distributor - MARELLI - with Vacuum unit	72-	1	911 T 911 T-V
(11)	911 602 028 01	Distributor - MARELLI - with Vacuum unit	72-	1	911 E
(11)	911 602 032 01	Distributor - MARELLI - with Vacuum unit	72-	1	911 S
-	999 619 121 00	Screened connector for Distributor	(F)	7	911 T
-	999 659 002 50	Rubber cap	(F)	7	
-	901 612 107 00	Ground strap	(F)	2	
12	901 602 928 01	Rotor - MARELLI -	-70 -71	1	911 S 911 T SPM
(12)	911 602 928 00	Rotor - bosch -	-70	1	911 T 911 S SPM
(12)	911 602 925 00	Rotor - bosch -		1	911 E SPM
(12)	911 602 929 00	Rotor - MARELLI -		1	911 S
(12)	911 602 928 00	Rotor	73	1	911 T
(12)	911 602 925 00	Rotor	73	1	911 E
(12)	911 602 929 00	Rotor	73	1	911 S CARRERA 2.7
(12)	911 602 104 00	Rotor - MARELLI -	72-	1	911 T-V 911 T
(12)	911 602 105 00	Rotor - MARELLI -	72-	1	911 T/E
(12)	911 602 106 00	Rotor - MARELLI -	72-	1	911 S
13	999 701 101 50	Gasket	-71	1	
(13)	911 602 102 01	Sealing ring	72-	1	
14	999 511 046 02	Clamping bow	-71	1	
14	999 511 046 03	Clamping bow		1	
15	N 012 241 1	Spring washer B 8 X 15	-71	1	
16	900 076 025 02	Hexagon nut M 8	-71	1	
16	900 076 064 02	Hexagon nut M 8		1	
17	901 602 963 00	Distributor cap - bosch -	-71	1	
(17)	901 602 953 00	Distributor cap - MARELLI -	70 -71	1	911 S 911 T
(17)	911 602 933 00	Distributor cap	72-	1	

Model: 911 70 Model life 1970>>1973

Pos	Part Number	Description	Remark	Qty	Model
(17)		- bosch - Distributor cap	72-	1	
18	616 602 226 02	- bosch - Contact breaker point	-71	1	
(18)	911 602 960 00	- bosch - Contact breaker point - MARELLI - See group 9/01/25	70 -71	1	911 S 911 T
(18)	901 602 960 00	Contact breaker point -BOSCH- F.ignition distributor 91160202101 91160202102 91160202701 91160202702 91160203101 91160203103 91160203104	72-	1	
(18)	911 602 936 00	Contact breaker point - bosch - F.ignition distributor 91160202103 91160202703 91160203105 91160203106	72-	1	
19	901 602 952 00	Contact pin - MARELLI -	-71	1	911 T
(19)	930 602 905 00	Wiper contact - bosch -		1	
20	901 602 927 00	Dust cover - bosch -	-72	1	
(20)	911 602 947 00	Dust cover	73-	1	
21	901 602 955 00	Vacuum unit Not for	72-	1	CARRERA 2.7
21	901 602 955 X	Vacuum unit Not for	72-	1	CARRERA 2.7
(21)	911 602 965 00	Vacuum unit	73-	1	CARRERA 2.7
(21)	911 602 932 00	Vacuum unit Not for	73-	1	CARRERA 2.7
(21)	911 602 931 00	Vacuum unit	73-	1	CARRERA 2.7
22	900 025 007 02	Washer B 8.4	72-	1	
22	900 025 007 03	Washer B 8.4	72-	1	
23	N 012 241 8	Spring washer B 8 X 15	72-	1	
24	900 076 025 02	Hexagon nut M 8		1	
24	900 076 064 02	Hexagon nut M 8		1	
25	911 609 061 00	Set of ignition cables without Spark plug connector		1	
-	900 612 001 00	Ignition lead 5 METER		*	
26	901 609 309 00	Screened connector		6	
26	901 609 309 01	Screened connector		6	
27	111 905 449 A	Protection cap	-70	6	
27	111 905 449	Protection cap		6	
27	PCG 905 449 A	Cap		6	
27	111 905 449	Protection cap		6	
28	999 659 034 40	Rubber cap	-70	6	

Model: 911 70 Model life 1970>>1973

Pos	Part Number	Description	Remark	Qty	Model
29	911 609 510 00	Cable plug		8	
29	PCG 609 510 00	Cable plug		8	
30	999 659 001 40	Water protection cap		8	
31	901 609 591 00	Cable holder		3	
		Spark plug			
		Use also:			
		547 09222		X	
		for			
		Spark plug			
-	547 09 222	Nut		X	
		for			
		Spark plug			
32	999 170 022 91	Spark plug		6	911 E/S
		- bosch -			
		for			
		Ignition system			
		- BHKZ-			
(32)	999 170 111 90	Spark plug		6	911 T
		- bosch -			
(32)	999 170 165 90	Spark plug		6	911 T
		- beru -			
(32)	999 170 010 91	Spark plug	-71	6	911 T
		- beru -			
(32)	999 170 186 90	Spark plug		6	911 T
		- beru -			
(32)	999 170 010 90	Spark plug	-71	6	911 T
		- bosch -			
		for			
		Engine			
		130 PS			
(32)	999 170 017 90	Spark plug	72-	6	911 T-K
		- bosch -			911 T
(32)	999 170 014 90	Spark plug	72-	6	911 E/S
		- bosch -			CARRERA 2.7
(32)	999 170 044 90	Spark plug	72-	6	911 E/S
		- beru -			CARRERA 2.7
33	901 602 502 00	Ignition transformer	-71	1	
(33)		Ignition transformer	72-	1	
		Only			
		Wiring harness			
		911.612.050.00			
		Use			
(33)	911 602 503 00	Ignition transformer	72-	1	
		Only			
		Wiring harness			
		911.612.050.01			
		Use			
34	900 025 007 02	Washer		2	
		8,4			
34	900 025 007 03	Washer		2	
		8,4			
35	N 012 241 8	Spring washer		2	
		B 8 X 15			
36	900 076 025 02	Hexagon nut		2	
		M 8			
36	900 076 064 02	Hexagon nut		2	
		M 8			
37		Pressure transmitter		1	
		See group			
		1/01/05			
-	N 013 808 3	Sealing ring		1	
		A 10 X 16			
38		Remote temperature sensor		1	

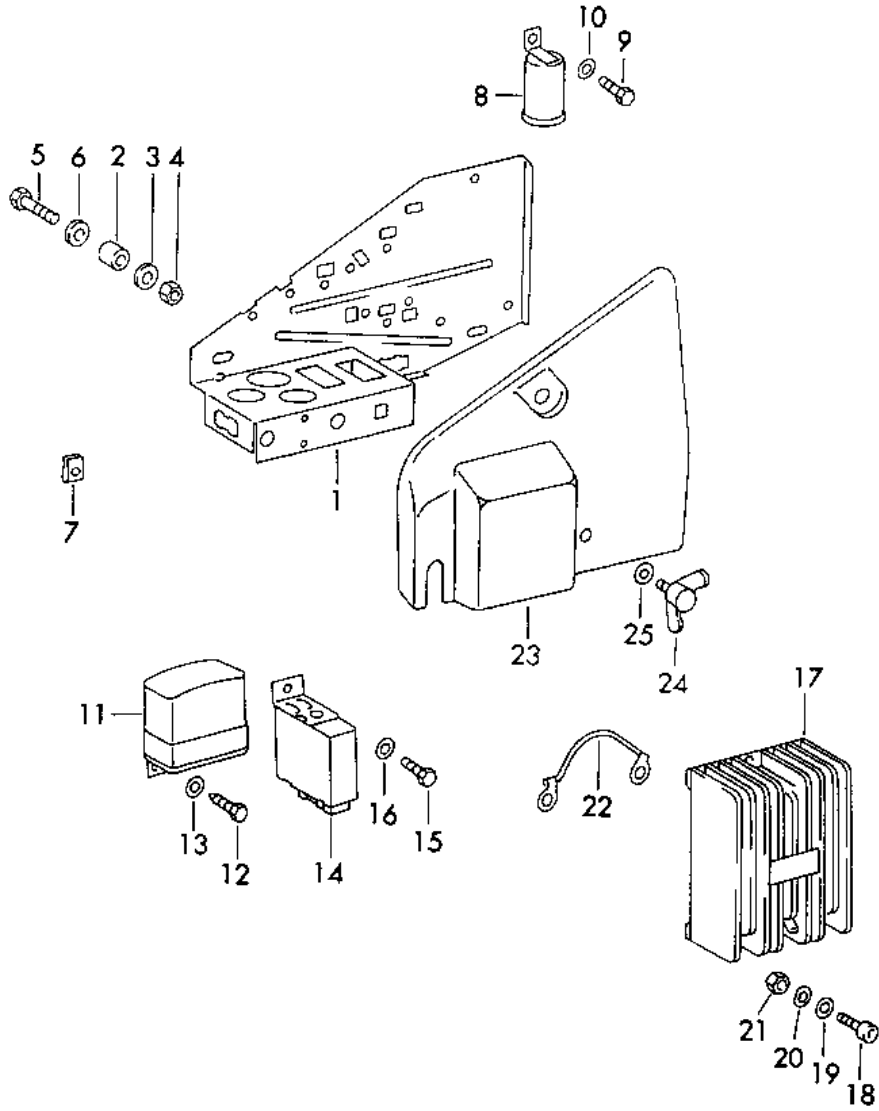
Model: 911 70

Model life 1970>>1973

Pos	Part Number	Description	Remark	Qty	Model
39	900 123 007 30	See group 1/01/05 Sealing ring A 14 X 18	-70	1	
40		Oil pressure switch See group 1/01/05		1	

Model: 911 70

Model life 1970>>1973



Model: 911 70

Model life 1970>>1973

Pos	Part Number	Description	Remark	Qty	Model
		Mounting plate			
1	911 610 103 00	Mounting plate		1	
2	901 504 853 20	Bearing	-70	3	
(2)	999 703 301 00	Megulastik pivot bearing	71-	3	
3	900 031 011 02	Washer 6,4		6	
4	900 084 010 02	Lock nut M 6		3	
5	N 010 208 5	Hexagon-head bolt M 6 X 8		3	
6	900 028 008 01	Lock ring B 6		3	
7	N 015 429 2	Speed nut B 4,2		X	
7	N 015 429 6	Speed nut B 4,2		X	
-	999 702 119 50	Rubber sleeve		2	
8	901 602 601 00	Switch unit	-70	1	
9	900 187 013 02	Hexagon-head tapping screw BZ 4,2 X 13		1	
10	900 025 002 02	Washer 4,3		1	
10	900 025 002 03	Washer 4,3		1	
11	901 603 206 02	Regulator - bosch -		1	
(11)	901 603 206 11	Vibration regulator - MOTOROLA -		1	
12	900 187 013 02	Hexagon-head tapping screw BZ 4,2 X 13		2	
13	900 151 001 02	Washer A 4,3		2	
14	901 615 113 00	Relay "DASHPOT"	-71	1	911 T
(14)	901 615 111 00	Relay for Injection pump	72-	1	911 E/S 911 T
(14)	901 615 111 01	Relay for Injection pump		1	911 E/S 911 T
(14)	911 615 115 00	Relay for Rear wall Washer	71-	1	
15	900 187 013 02	Two-stage heatable Hexagon-head tapping screw BZ 4,2 X 13		X	
16	900 025 002 02	Washer 4,3		X	
16	900 025 002 03	Washer 4,3		X	
17	901 602 702 00	Control unit		1	
17	901 602 702 01	Control unit		1	
17	901 602 702 AX	Control unit		1	
17	901 602 702 X	Control unit Exchange		1	
18	N 014 703 2	Pan-head screw M 6 X 18		3	
19	900 031 011 02	Washer 6,4		3	
20	N 012 226 5	Spring washer B 6		3	
21	900 076 010 02	Nut		3	

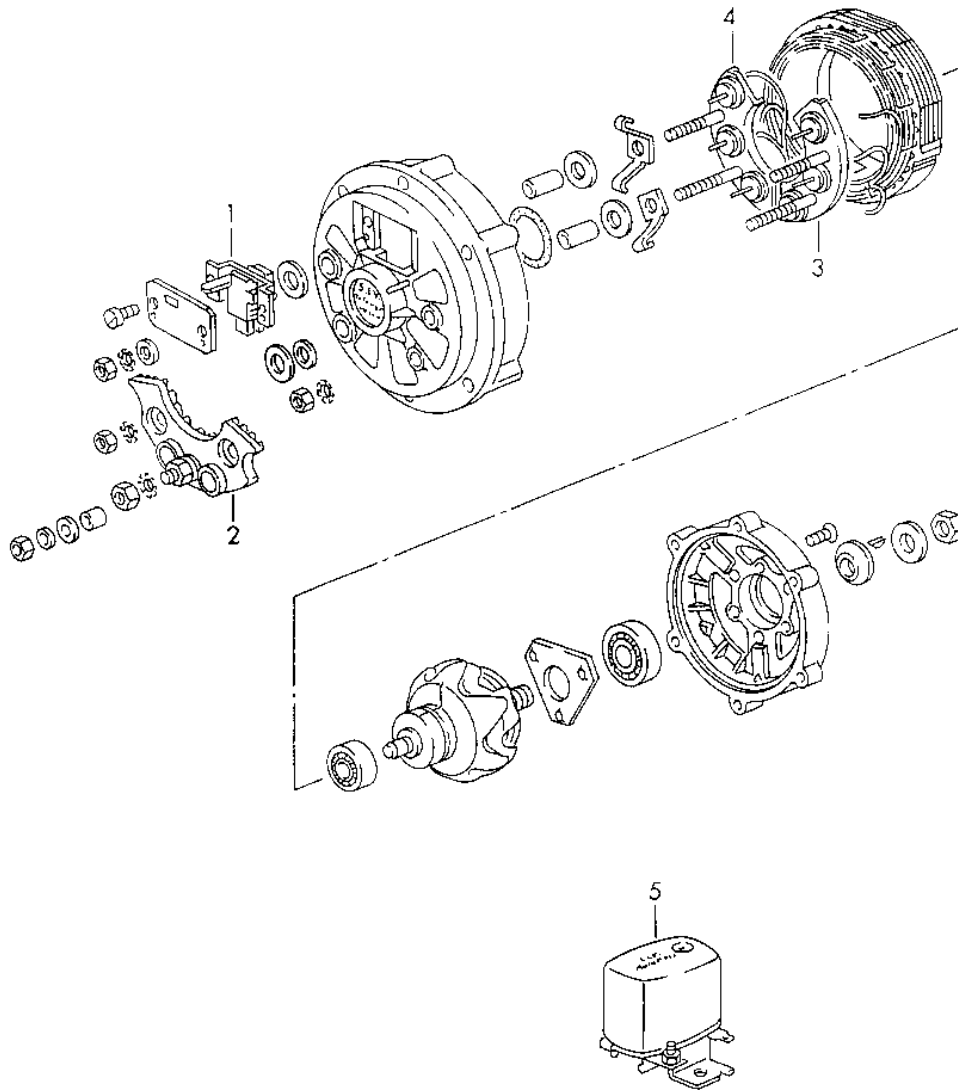
Model: 911 70

Model life 1970>>1973

Pos	Part Number	Description	Remark	Qty	Model
21	900 076 010 0B	M 6 Nut		3	
22	911 612 008 00	M 6 Ground strap Mounting plate Body		1	
-	N 010 208 5	Hexagon-head bolt M 6 X 8		3	
23	911 610 102 00	Cover		1	
24	900 253 003 02	Knurled screw M 6 X 12	-71	2	
(24)	900 029 102 02	Wing screw M 6 X 12	72-	2	
25	900 151 003 02	Washer A 6,4		2	
25	900 151 006 03	Washer A 6,4		2	

Model: 911 70

Model life 1970>>1973



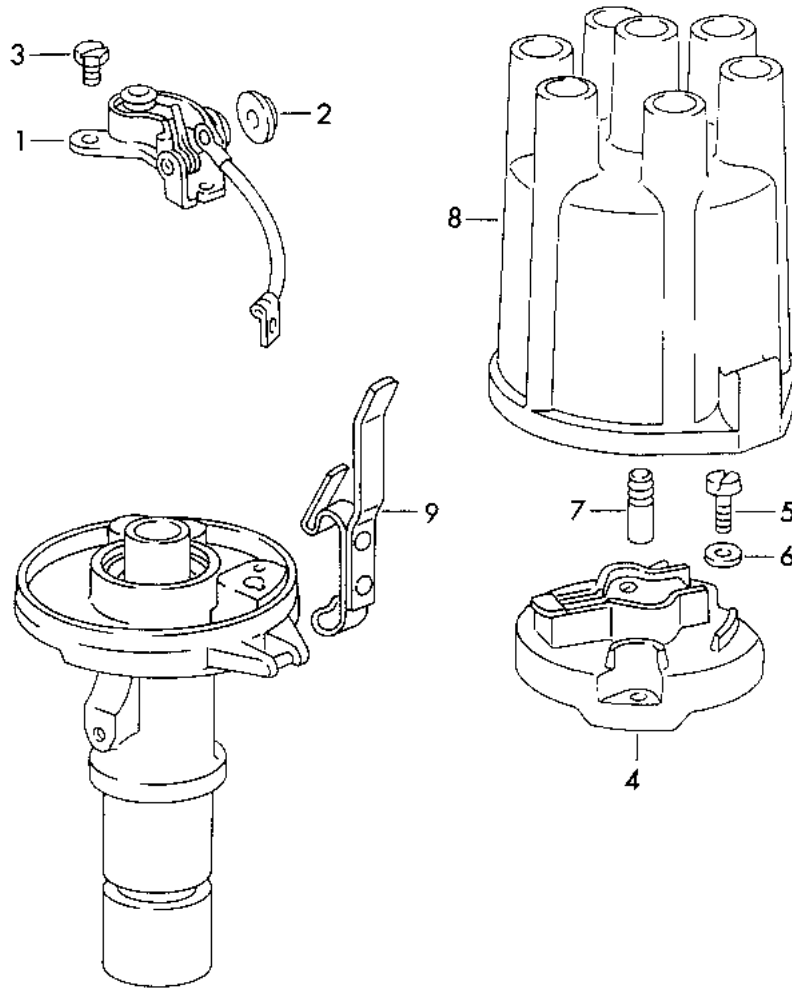
Model: 911 70

Model life 1970>>1973

Pos	Part Number	Description	Remark	Qty	Model
		Generator Supplier - MOTOROLA - - MARCHAL - - S. E. V. - 770 W	72- 72-		
-	911 603 120 00	Generator 770 W		1	
-	911 603 120 X	Generator 770 W		1	
1	901 603 907 00	Support		1	
2	901 603 908 00	Support		1	
3	901 603 909 00	Support		1	
4	901 603 910 00	Support		1	
5	901 603 206 11	Vibration regulator		1	

Model: 911 70

Model life 1970>>1973



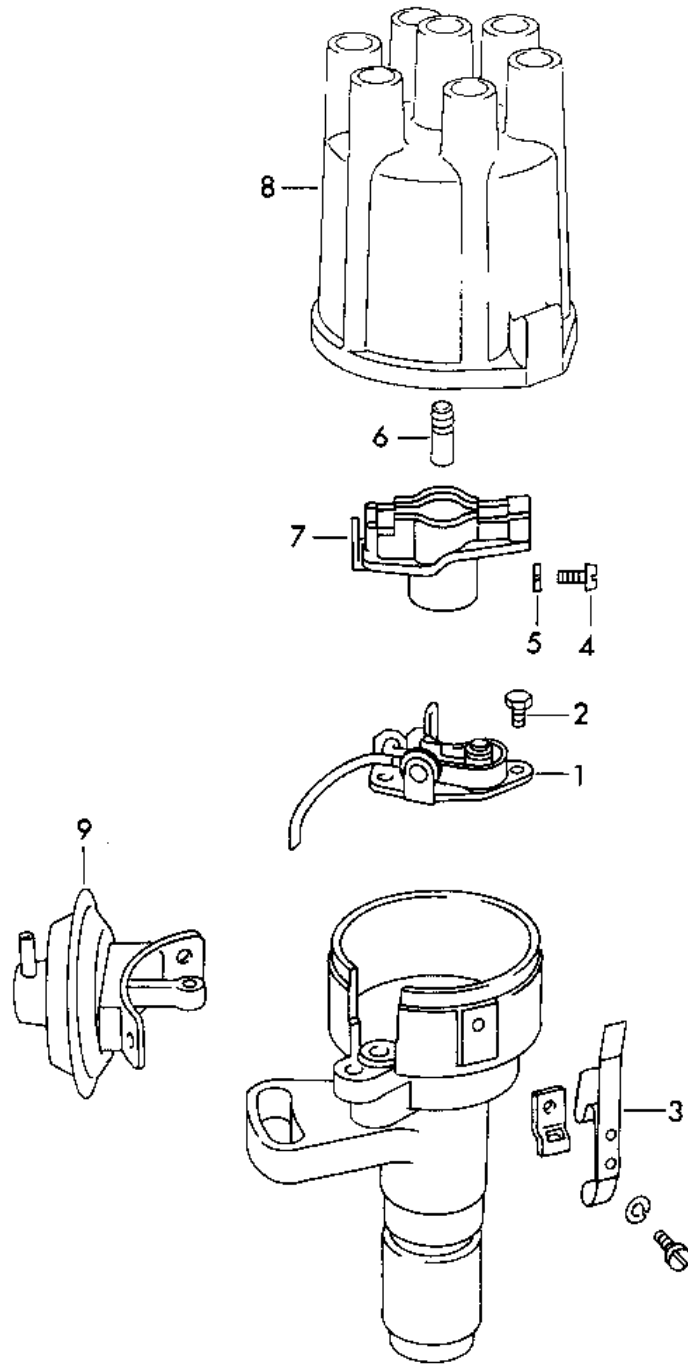
Model: 911 70

Model life 1970>>1973

Pos	Part Number	Description	Remark	Qty	Model
		Distributor	-71		911 T
-	911 602 022 00	- MARELLI - Distributor		1	
-	911 602 022 X	Distributor		1	
		- MARELLI -			
1	911 602 960 00	Contact breaker point		1	
2	901 602 933 00	Washer		1	
3	901 602 934 00	Screw		2	
4	901 602 928 01	Rotor		1	
5	901 602 951 00	Screw		2	
6	901 602 950 00	Washer		2	
7	901 602 952 00	Contact pin		1	
8	901 602 953 00	Distributor cap		1	
9	901 602 954 00	Spring		2	

Model: 911 70

Model life 1970>>1973



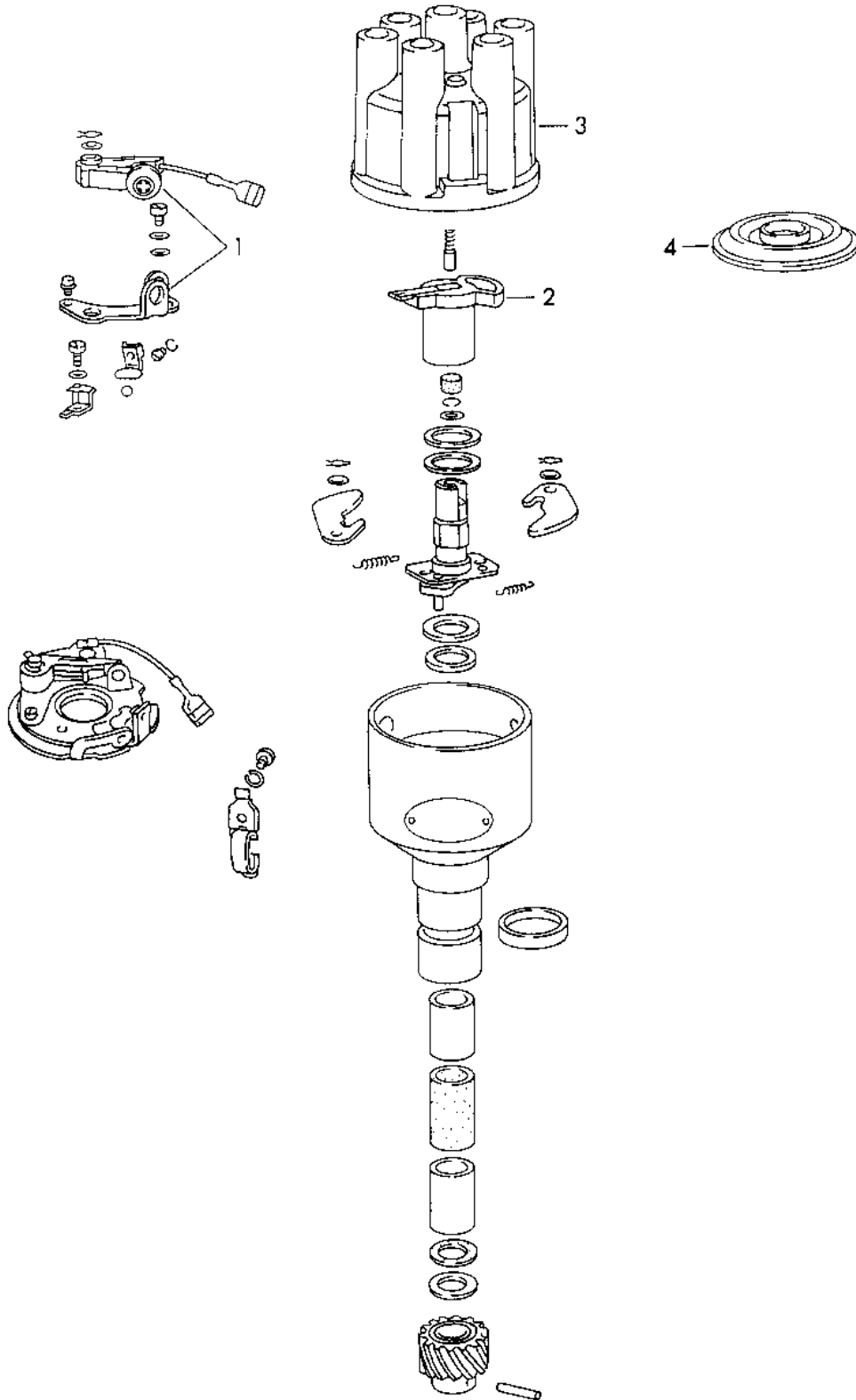
Model: 911 70

Model life 1970>>1973

Pos	Part Number	Description	Remark	Qty	Model
		Distributor - MARELLI -	72-		911 T
1	911 602 960 00	Contact breaker point		1	
2	911 602 935 00	Screw		2	
3	911 602 943 00	Spring clamp		2	
4	900 014 046 02	Pan-head screw		2	
5	911 602 944 00	Lock ring		2	
6	911 602 952 00	Wiper contact		1	
7	911 602 104 00	Rotor		1	
8	911 602 963 00	Distributor cap		1	
9	911 602 955 00	Vacuum unit		1	

Model: 911 70

Model life 1970>>1973



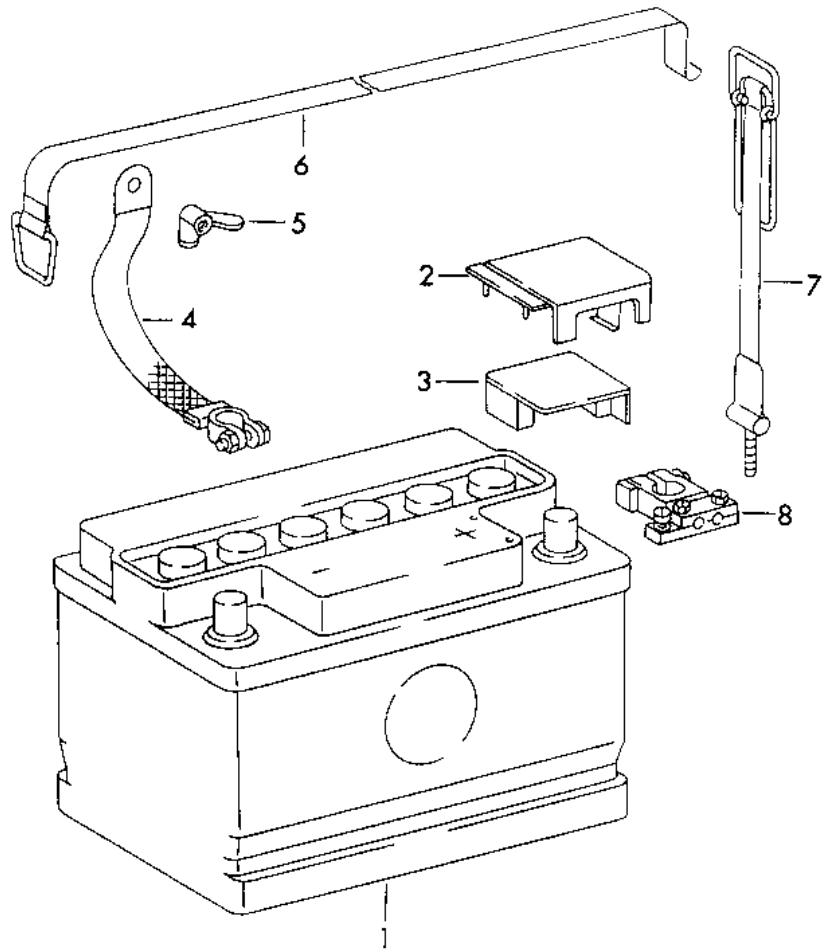
Model: 911 70

Model life 1970>>1973

Pos	Part Number	Description	Remark	Qty	Model
		Distributor - bosch -			911 T/E/S
-	901 602 021 05	Distributor	71	1	911 T
-	911 602 021 01	Distributor	72-	1	911 T
-	911 602 021 03	Distributor	72-	1	911 T
-	911 602 021 CX	Distributor	72-	1	911 T
-	901 602 027 00	Distributor	-71	1	911 E
-	911 602 027 01	Distributor	72-	1	911 E
-	901 602 031 00	Distributor	-71	1	911 S
-	911 602 031 01	Distributor	72-	1	911 S
1	616 602 226 02	Contact breaker point	-71	1	
(1)	901 602 960 00	Contact breaker point -BOSCH- F.ignition distributor 91160202101 91160202102 91160202701 91160202702 91160203101 91160203103 91160203104	72-	1	
2	911 602 928 00	Rotor		1	911 T
(2)	911 602 925 00	Rotor		1	911 E
(2)	911 602 929 00	Rotor		1	911 S
3	901 602 963 00	Distributor cap	-71	1	
(3)	911 602 933 00	Distributor cap	72-	1	
4	901 602 927 00	Dust cover		1	

Model: 911 70

Model life 1970>>1973



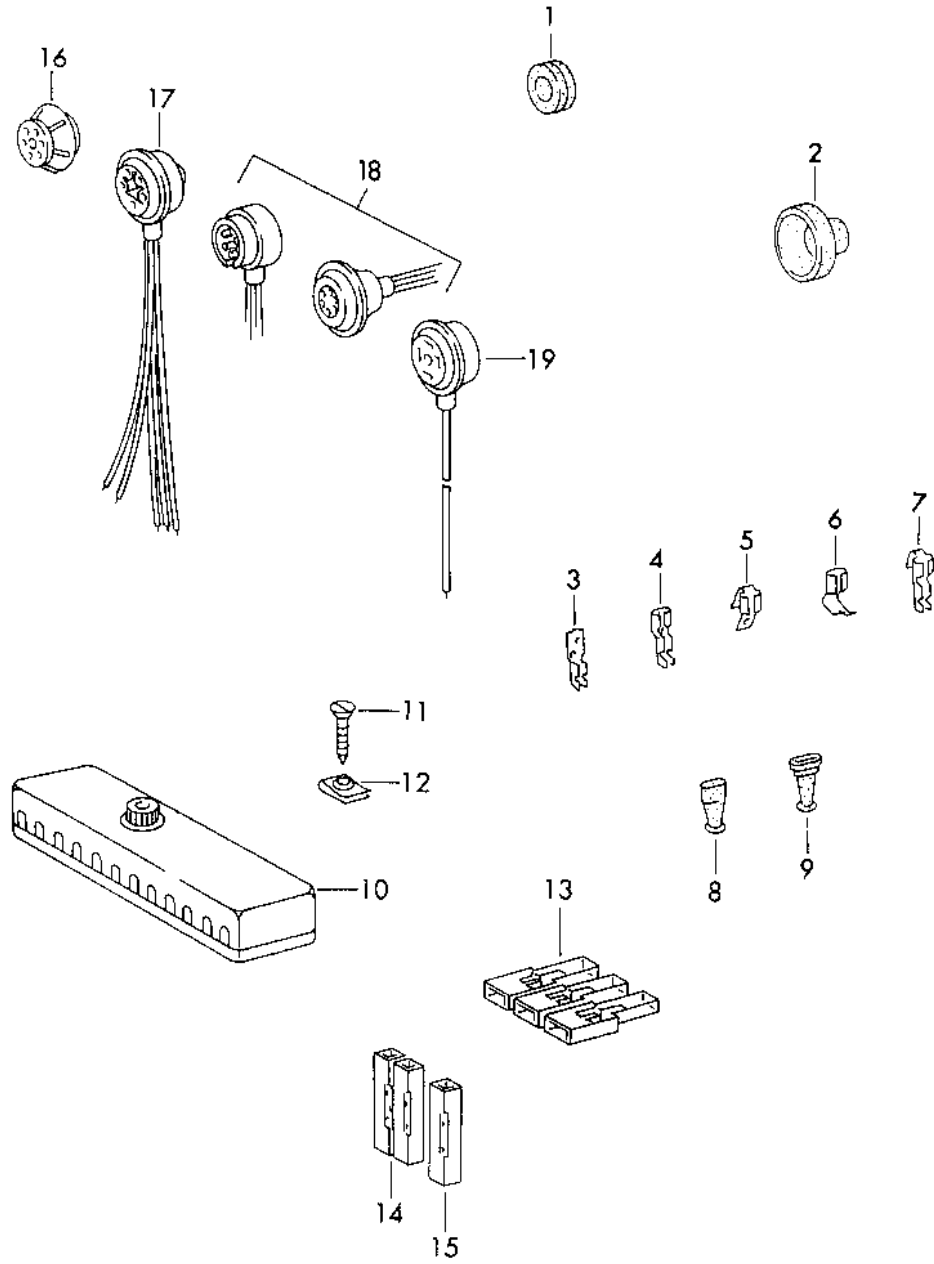
Model: 911 70

Model life 1970>>1973

Pos	Part Number	Description	Remark	Qty	Model
1	999 611 014 90	Battery		2	
		Battery			
		12 V 36 AH			
1	999 611 014 91	Battery		2	
		12 V 36 AH			
		Gehäuse			
		Black			
2	999 611 104 00	Pole covering		2	
3	901 611 313 00	Pole cap		2	
4	901 611 902 21	Ground strap		2	
5	999 044 001 02	Winged nut		2	
		M 8			
-	900 025 025 02	Washer		2	
		8,4			
6	901 611 022 00	Restraining strap		2	
7	901 611 028 00	Catch		2	
8	901 611 311 00	Terminal		2	

Model: 911 70

Model life 1970>>1973



Model: 911 70

Model life 1970>>1973

Pos	Part Number	Description	Remark	Qty	Model
		Grommets			
		Connector			
1	999 702 051 50	Grommet		1	
2	911 611 921 00	Rubber boot		1	
3	999 652 115 10	Flat plug		X	
		0,5 - 2,5 MM			
4	111 971 959	Flat receptacle		X	
		with			
		Clip			
		6,3 X 0,8			
(4)	PCG 971 959	Flat receptacle		X	
		without			
		Clip			
		6,3 X 1,0 SN			
(4)	999 652 106 02	Flat receptacle		X	
		0,5 - 2,5 MM			
(4)	N 017 491 8	Flat receptacle		X	
		2,5 MM			
(4)	N 017 494 3	Flat receptacle		X	
		4,0 - 6,0 MM			
5	999 652 122 10	Multiple plug connector		X	
6	999 652 116 10	Flat receptacle		X	
		2,5 MM			
7	999 652 126 10	Distributor		X	
8	999 652 119 40	Connector housing		X	
9	999 652 120 40	Insulating sleeve		X	
10	911 612 086 00	Fuse box		1	
		I			
		10-pole			
-	PCG 612 085 00	Lid		1	
		for			
		Fuse holder			
		10-pole			
(10)	911 612 087 00	Fuse box		1	
		II			
		8-pole			
-	911 612 093 03	Fuse box		1	
		3-pole			
-	900 173 006 90	Safety fuse	-70	X	
		5 A			
-	N 017 121 1	Safety fuse		X	
		8 A			
-	N 017 121 4	Lock		X	
		16 A			
-	N 017 121 5	Lock		X	
		25 A			
-	911 617 106 00	Diode	71-	1	
		for			
		Windscreen heating			
		And			
		Rear window heating			
		Two-stage			
-	999 652 106 02	Flat receptacle	71-	1	
-	999 652 128 40	Connector	71-	1	
-	999 652 246 10	Cable shoe	71-	1	
-	999 652 225 10	Cable shoe	71-	1	
-	999 702 011 50	Rubber sleeve	71-	2	
-	911 612 813 00	Fuse holder	71-	1	
11	900 143 029 02	Oval-head sheetmetal screw		4	
		BZ 4,2 X 16			
12	N 015 429 2	Speed nut		2	
12	N 015 429 6	Speed nut		2	
-	999 507 321 02	Captive nut		1	

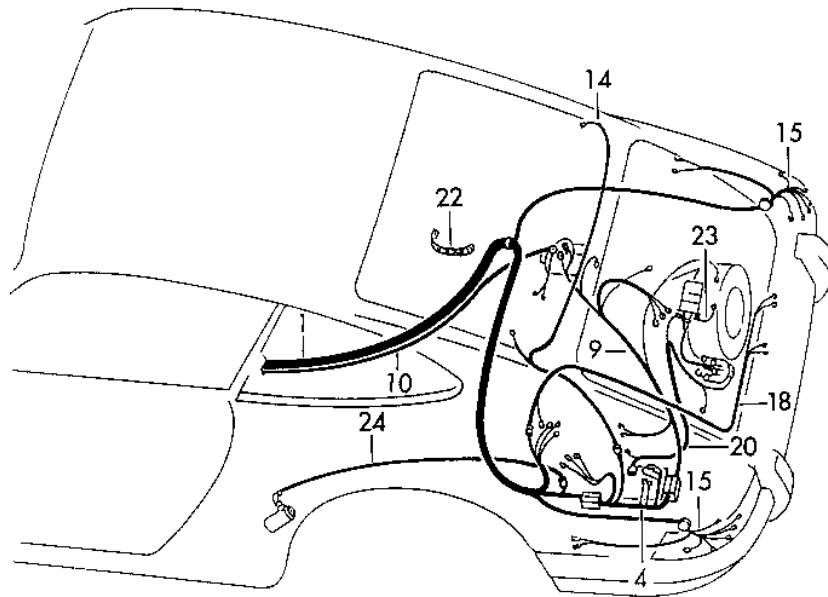
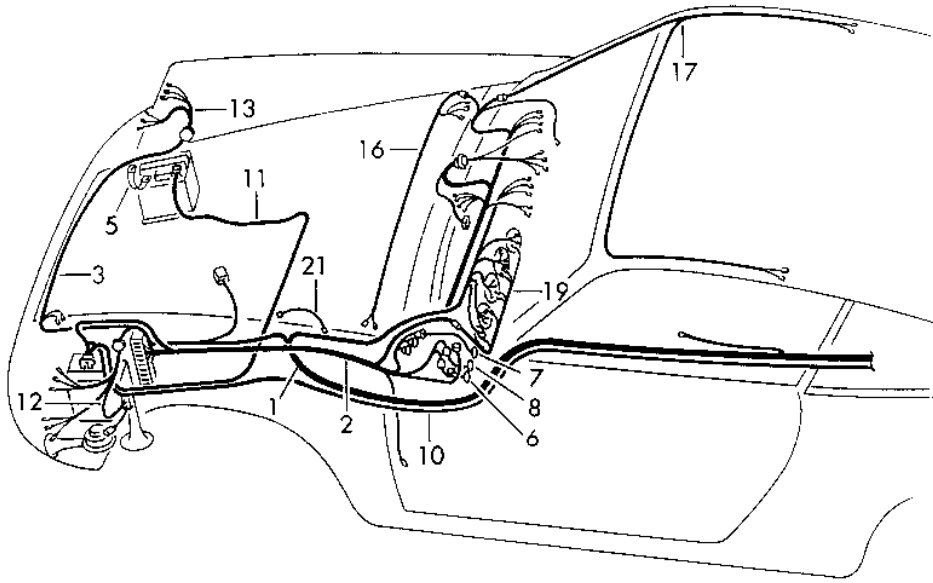
Model: 911 70

Model life 1970>>1973

Pos	Part Number	Description	Remark	Qty	Model
-	901 551 465 00	M 6 Cover		1	
-	999 591 805 12	Fuse holder			
-	900 145 043 00	Push button	-70	2	
		Rais. counters. h. tap. s. B 3,5 X 9,5	-70	2	
13	999 652 151 40	Push-on connector 3-pole	-70	2	
14	999 652 142 40	Push-on connector 2-pole		X	
(14)		Push-on connector 5-pole	-70	X	
15		Push-on connector Single pole		X	
16	901 612 061 00	Push-on connector Engine compartment	-70	3	
17	901 612 333 00	Plug socket Standard type relay		X	
18	901 612 330 00	Multiple plug connection 6-pole		X	
19	901 612 334 00	Plug socket Hazard warning light sw.		X	

Model: 911 70

Model life 1970>>1973



Model: 911 70 Model life 1970>>1973

Pos	Part Number	Description	Remark	Qty	Model
1	911 612 001 00	Wiring harnesses Wiring harness Tunnel	/LL -70	1	
(1)	911 612 001 10	Wiring harness Tunnel	/LL 71	1	
(1)	911 612 061 10	Wiring harness Tunnel	/RL 71	1	
(1)	911 612 001 21	Wiring harness Tunnel	/LL 72-	1	
(1)	911 612 061 20	Wiring harness Tunnel	/RL 72-	1	
-	999 702 044 50	Rubber sleeve		1	
-	999 513 023 40	Tie-wrap 120 MM		X	
2	911 612 002 00	Wiring harness Luggage compartment Fuse holder Instruments	/LL -70	1	
(2)	911 612 002 10	Wiring harness Luggage compartment Fuse holder Instruments	/LL 71-	1	
(2)	911 612 060 10	Wiring harness Luggage compartment Fuse holder Instruments	/RL 71-	1	
3	911 612 003 00	Wiring harness Lights Front	70	1	
(3)	911 612 003 10	Wiring harness Lights Front	71-	1	
4	911 612 004 00	Wiring harness Control board Regulator - bosch -	70	1	
(4)	911 612 005 00	Wiring harness Control board Regulator - MOTOROLA -	70	1	
(4)	911 612 004 10	Wiring harness Control board Regulator - bosch -	71-	1	
(4)	911 612 005 10	Wiring harness Control board Regulator - MOTOROLA - - MARCHAL - - S.E.V. -	71-	1	
(4)	911 612 005 30	Not for Wiring harness Control board Regulator - MOTOROLA - - MARCHAL - - S.E.V. -	72-	1	911 T-K
-	911 612 009 00	Ground cable Cold-start valve for Injection system		1	
5	901 611 902 21	Ground strap	71-	2	
6	911 612 010 00	Wiring harness		1	

Model: 911 70 Model life 1970>>1973

Pos	Part Number	Description	Remark	Qty	Model
7	911 612 011 00	Light switch Wiring harness	-71	1	
(7)	911 612 011 30	Ignition starter switch Wiring harness	72-	1	
-	911 612 012 00	Ignition starter switch Wiring harness	-71	1	911 T/E
		Engine with	72-		SPM 911 T-V
		- bosch - Generator			SPM
-	911 612 012 10	Wiring harness Engine	70	1	911 E/S
		with			
		- bosch - Generator			
		G 720 0012 >> 720 0245			
-	911 612 013 00	Wiring harness Engine	-71	1	911 T/E
		with			SPM
		- MOTOROLA - - MARCHAL - - S.E.V. - Generator			911 T-V SPM
-	911 612 013 20	Wiring harness Engine	72-	1	911 T/E/S
		with			CARRERA 2.7
		- MOTOROLA - - MARCHAL - - S.E.V. - Generator			SPM
-	911 612 013 30	Wiring harness Engine	72-	1	911 T-K
		with			SPM
		- MOTOROLA - - MARCHAL - - S.E.V. - Generator			
-	911 612 118 00	Connector housing 2-pole for Two-stage		1	
		Rear window heating			
8	911 612 014 00	Wiring harness	-72	1	
		Hazard warning light sw.			
(8)	911 612 014 30	Wiring harness	73-	1	
		Hazard warning light sw.			
-	911 612 015 00	Wiring harness		X	
		Hazard warning light sw. for	(I)		
		Not for			911 T-K
9	911 612 016 00	Wiring harness Engine	-71	1	
		for			
		- bosch - Generator			
(9)	911 612 017 00	Wiring harness Engine	-71	1	
		for			
		- MOTOROLA - Generator			
(9)	911 612 017 20	Wiring harness Engine	72-	1	
		for			

Model: 911 70 Model life 1970>>1973

Pos	Part Number	Description	Remark	Qty	Model
(9)	911 612 017 30	- MOTOROLA - - MARCHAL - - S.E.V. - Generator Not for Wiring harness Engine for	72-	1	911 T-K 911 T-K
-	901 612 070 05	- MOTOROLA - - MARCHAL - - S.E.V. - Generator Wiring harness Fuse holder Rear window wiper Switch		1	
10	901 611 031 21	Starter cable	-71	1	
(10)		Starter cable	72-	1	911 T-V
(10)	911 612 022 20	Battery-starter cable	72-	1	
11	901 611 303 00	Wiring harness	-71	1	
(11)		Wiring harness	72-	1	911 T-V
(11)	911 612 023 20	Wiring harness	72-	1	
-	901 612 071 02	Wiring harness Power windows		1	
-	901 612 071 03	Wiring harness Power windows Door		2	
12	911 612 024 00	Wiring harness for Headlamp	/L	1	
13	901 612 047 00	Wiring harness for Headlamp	/R	1	
-	911 612 025 00	Wiring harness Tunnel Rear window wiper		1	
-	911 612 026 00	Wiring harness Switch Rear fog light		1	
-	911 612 027 00	Wiring harness Fog headlamp		1	
-	911 612 027 01	Ground cable Fog headlamp	72- (J) (USA)	1	911 T/E/S
-	901 612 084 00	Wiring harness NR. 28 Air conditioner	-70	1	
-	901 612 086 00	Wiring harness NR. 29 Air conditioner	-70	1	
-	901 612 053 00	Wiring harness Heater		1	
-	911 612 031 00	- WEBASTO - Wiring harness Rear window wiper		1	
-	901 612 075 01	Wiring harness Sunroof		1	
14	911 612 032 00	Wiring harness Rear window heating Two-stage heatable	-70	1	
(14)	911 612 032 01	Wiring harness Rear window heating Two-stage heatable	71-	1	
-	911 612 035 00	Wiring harness		1	

Model: 911 70 Model life 1970>>1973

Pos	Part Number	Description	Remark	Qty	Model
(14)	901 612 066 00	Relay Rear window heating Two-stage heatable Wiring harness		1	
(14)	901 612 030 00	Rear window heating Single-stage heating Wiring harness	-70	1	
(14)	911 612 037 01	Rear window heating Two-stage heatable Wiring harness	71-	2	
15	911 612 039 10	Rear window heating Two-stage heatable Wiring harness		2	
(15)	911 612 039 20	Rear light Wiring harness	-71	1	
-	911 612 040 00	Rear light Right Wiring harness		1	
-	901 612 035 41	Rear fog light Wiring harness		1	
-	901 612 079 00	Interior light Wiring harness		1	
-	911 612 079 00	Brakes Warning light Wiring harness	(S) (USA)	1	
-	911 617 107 00	Brakes Warning light Diode	(S) (USA)	1	
16	901 612 042 00	for Brakes Warning light Wiring harness	-71	1	
(16)	911 612 044 21	Luggage compartment lamp Wiring harness	72-	1	
17	901 612 035 20	Luggage compartment lamp Wiring harness		1	
18	901 612 041 21	Interior light Wiring harness		1	
19	901 612 043 03	License plate light Wiring harness		1	
-	901 612 062 00	Instruments Illumination Wiring harness	-72	3	
-	911 612 101 00	Switch Power windows Wiring harness	73	1	
-	911 612 102 00	Switch Power windows Passenger's door Wiring harness	73	1	
-	911 612 103 00	Switch Power windows Driver's door Wiring harness	73	1	
-	911 612 104 00	Switch Power windows Driver's door Passenger's door Wiring harness	/L /R	1	
-	999 613 017 40	Power windows Door Covering Cable holder		*	

Model: 911 70 Model life 1970>>1973

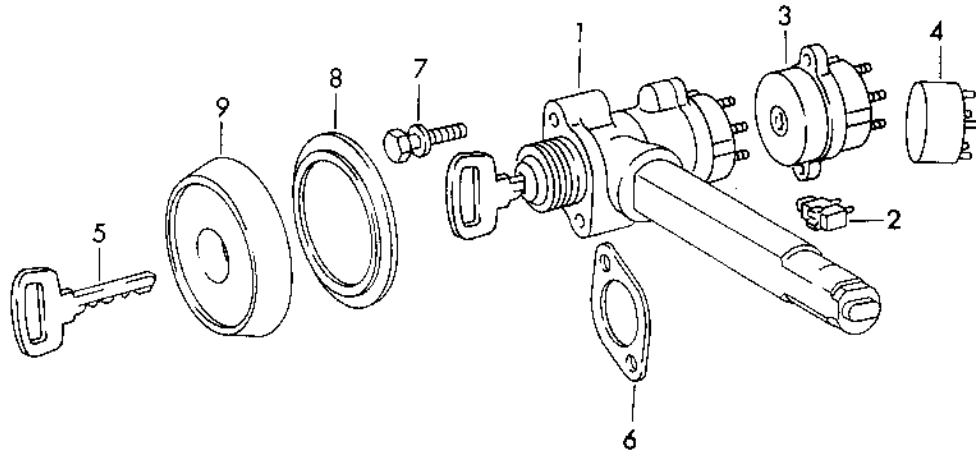
Pos	Part Number	Description	Remark	Qty	Model
-	901 612 315 20	Power windows Wiring harness		1	
20	911 612 050 00	Engine compartment lamp Wiring harness Ignition H.K.Z.	-71	1	
(20)		Wiring harness for Ignition transformer 901.602.502.00	72-	1	
(20)	911 612 050 01	Wiring harness for Ignition transformer 911.602.503.00	72-	1	
21	901 612 303 20	Ground strap Tank filler neck		1	
22	999 611 918 20	Ground strap Transmission suspension	-71	1	
(22)	999 611 920 20	Ground strap Transmission suspension	72-	1	
-	911 612 053 00	Ground cable Tank filler neck Sender	-71	1	
-	911 612 054 00	Wiring harness Standard type relay Rear window heating Single-stage heating		1	
-	901 612 030 07	Wiring harness Rear window heating Two-stage heatable - TARGA- Rear window heating Single-stage heating And Windscreen heating		1	
-	911 612 056 00	Wiring harness for Fuse holder 16 A		1	
-	911 612 057 00	Wiring harness for Windscreen heating		1	
-	911 612 060 00	Wiring harness for Luggage compartment	-70	1	911 T/E SPM
-	911 612 061 00	Wiring harness NR. 61 Tunnel	-70	1	
-	901 612 094 00	Wiring harness Fuse holder Switch Rear window wiper		1	
-	911 612 063 00	Wiring harness Tunnel Rear window wiper		1	
-	911 612 064 00	Wiring harness Sunroof		1	
-	901 612 097 00	Wiring harness Power windows	-72	1	
-	901 612 071 02	Wiring harness Power windows	73	1	

Model: 911 70 Model life 1970>>1973

Pos	Part Number	Description	Remark	Qty	Model
23	901 612 099 00	Ground strap Ignition coil Terminal 1		1	
-	901 612 101 00	Wiring harness for Loudspeaker Front Radio - BLAUPUNKT - - PHILIPS -		1	
-	901 612 103 00	Wiring harness for Loudspeaker Front Radio - PHILIPS -	71	1	
-	901 612 102 00	Wiring harness for Loudspeaker Front Radio - BECKER -		1	
-	901 612 043 01	Positive cable for Instrument cluster Oil temperature Indicator light		1	
24	911 612 072 10	Wiring harness Fuel pump	71-	1	
-	911 612 073 00	Wiring harness High beam		1	
-	911 612 074 00	Wiring harness for Fanfare	-70	1	
-	901 612 089 07	Wiring harness for Rear window heating Two-stage heatable	-71	1	
-	911 612 075 00	Additional cable for Rear window heating Two-stage heatable	72-	2	
-	911 612 074 00	Wiring harness for Light 901.631.401.03/04/05/07	/L /V 71	1	
-	901 612 063 10	Wiring harness for Fog headlamp	(CH)	1	
-	911 612 078 00	Wiring harness Air conditioner Fuse box Relay	-70	1	
-	911 612 079 00	Wiring harness Air conditioner Solenoid valve Clutch	-70	1	
-	914 612 125 10	Wiring harness Headlight flasher Switch	(CH) (I) 71-	1	
-	911 612 083 00	Ground cable Ashtray	71-	1	

Model: 911 70

Model life 1970>>1973

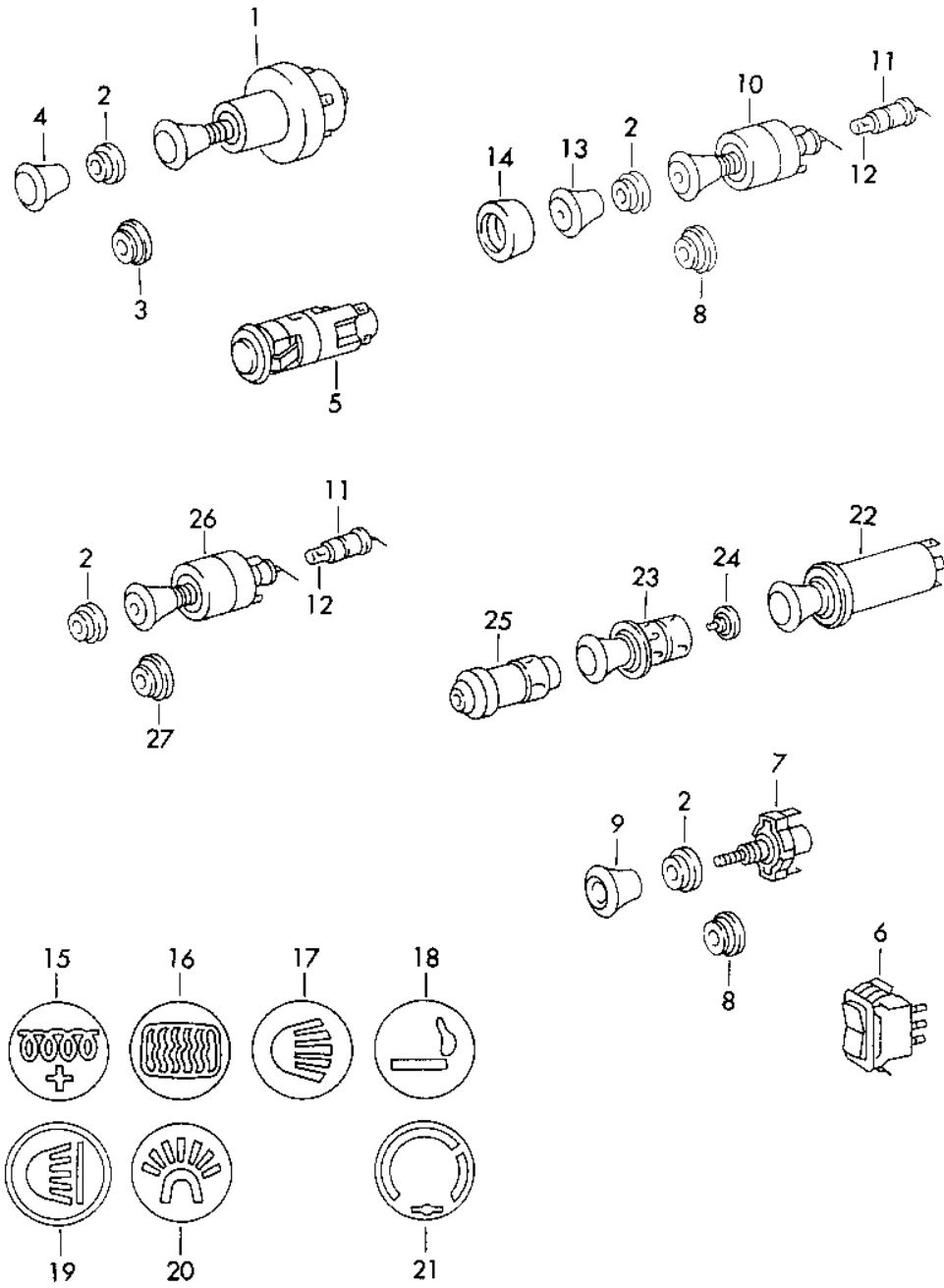


Model: 911 70 Model life 1970>>1973

Pos	Part Number	Description	Remark	Qty	Model
(1)	911 613 011 05	Steering lock Ignition starter lock without Buzzer contact	-70	1	
(1)	964 347 917 01	Steering lock without Buzzer contact	-70	1	
(1)	911 613 901 01	Steering lock without Buzzer contact	71-	1	
(1)	964 347 917 01	Steering lock without Buzzer contact	71-	1	
(1)	911 613 903 00	Steering lock without Buzzer contact State lock number 964.374.917.00 Use It is necessary to rework	72-	1	
3	911 613 017 01	Ignition starter switch		1	
5	914 531 637 10	Main key State lock number		2	
(5)	914 531 903 11	Blank key State lock number		2	
(5)	914 531 903 10	Blank key for Main key		1	
(5)	914 531 903 11	Blank key for Secondary key		1	
6	911 347 359 01	Tab washer		1	
7	901 613 193 00	Shear bolt		2	
8	911 613 163 00	Intermediate ring		1	
9	901 613 160 00	Cover		1	
9	901 613 160 02	Cover		1	
-	999 190 113 02	Blind rivet		2	

Model: 911 70

Model life 1970>>1973



Model: 911 70 Model life 1970>>1973

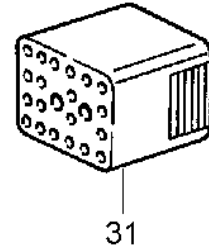
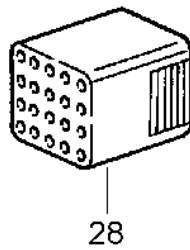
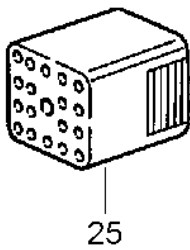
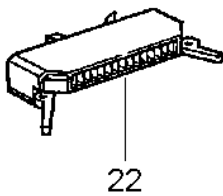
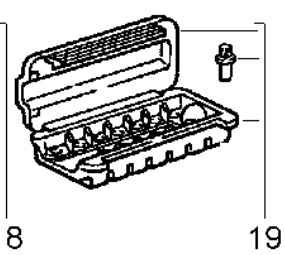
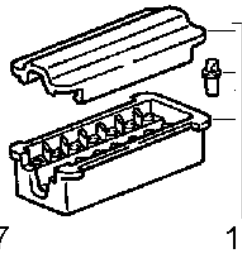
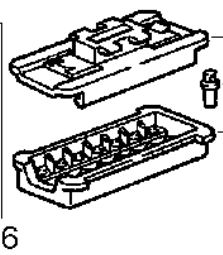
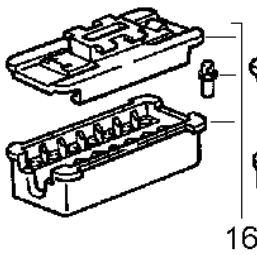
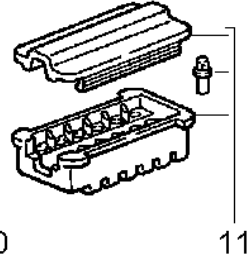
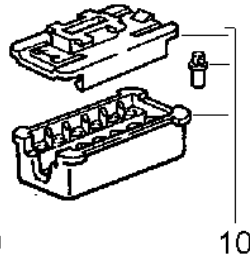
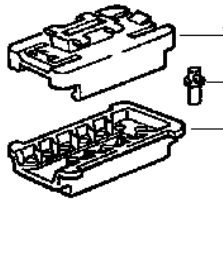
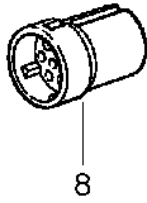
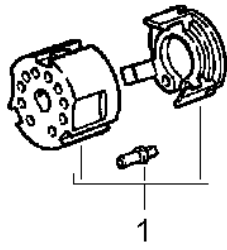
Pos	Part Number	Description	Remark	Qty	Model
		Switch			
		Dashboard trim			
1	911 613 212 00	Light switch		1	
-	901 613 213 01	Washer		X	
2	911 613 213 00	Rosette		6	
		Plastic material			
(2)	901 613 261 20	Nut		X	
		Plastic material			
3	901 613 216 50	Nut	-71	1	
		Chrome			
4	901 552 821 20	Knob		1	
5	911 613 123 00	Hazard warning light sw.		1	
6	901 613 621 00	Tip switch		1	
		for			
		Sunroof			
		Chrome			
(6)		Tip switch		3	
		for			
		Power windows			
		Chrome			
-	901 613 635 00	Support frame		1	
		for			
		Switch			
		Power windows			
-	901 613 043 00	Wiper switch		1	
		for			
		Rear window wiper			
7	901 613 631 00	Switch	/LL	1	
		for			
		Optional heating			
8	901 613 216 50	Nut	-71	5	
		Chrome			
9	901 552 823 00	Knob		1	
10	902 613 511 91	Switch		1	
		for			
		Rear window heating			
		Single-stage heating			
(10)	901 613 045 00	Switch		1	
		for			
		Rear window heating			
		Two-stage heatable			
11	999 632 007 00	Bulb socket		3	
12	900 631 102 90	Light		3	
		12V 2W			
13	901 552 821 01	Knob		1	
14	901 552 827 00	Cap		8	
15	901 552 833 00	Cap with symbol		1	
		for			
		Optional heating			
16	901 552 837 00	Cap with symbol		1	
		for			
		Rear window heating			
17	901 552 832 00	Cap with symbol		1	
		for			
		Illumination			
18	901 552 835 00	Cap with symbol		1	
		for			
		Cigarette lighter			
19	901 613 802 00	Cap with symbol		1	
		for			
		Fog headlamp			
20	901 552 836 00	Cap with symbol	-70	1	
		for			

Model: 911 70 Model life 1970>>1973

Pos	Part Number	Description	Remark	Qty	Model
21	901 552 834 00	Hazard warning light sw. Cap with symbol for Radio	-70	2	
22	901 652 102 01	Cigarette lighter	-72	1	
(22)	911 652 102 01	Cigarette lighter	73	1	
23	901 652 122 00	Connector	-72	1	
(23)	911 652 122 00	Connector	73	1	
24	644 652 112 00	Glower		1	
25	901 613 801 00	Connector		1	
26	911 613 027 00	Switch Fog headlamp And Rear fog light Indicator light Green	-70	1	
(26)	901 613 504 01	Switch Fog headlamp	71	1	
(26)	911 613 027 00	Switch Fog headlamp And Rear fog light	72-	1	
(26)	902 613 623 90	Switch Rear fog light	72-	1	
27	901 552 881 20	Knob		3	

Model: 911 70

Model life 1970>>1973

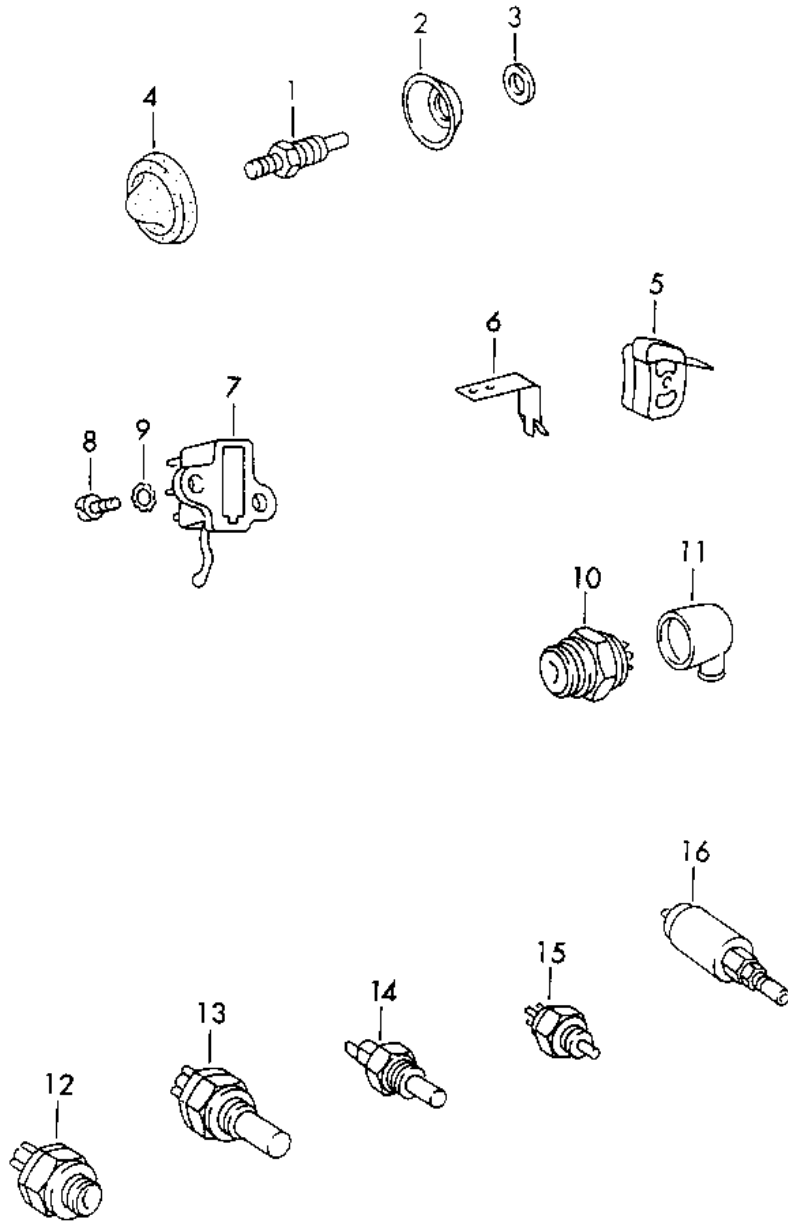


Model: 911 70 Model life 1970>>1973

Pos	Part Number	Description	Remark	Qty	Model
		Connector housing 10-pole Until 22-pole 10-pole			
1	911 612 889 00	Connector housing with		X	
-		Contact bush		10	
2	944 613 531 01	Connector housing for		X	
-	944 612 548 00	Contact bush 12-pole		10	
8	861 972 524	Connector housing 1,6 / 3,5		X	
9	911 612 122 02	Plug socket with		X	
		Contact bush		12	
9	911 612 122 04	Plug socket with		X	
		Contact bush		12	
10	928 612 423 00	Connector housing		X	
11	911 612 884 00	Connector housing		X	
11	911 612 121 01	Connector housing 14-pole		X	
16	911 612 115 02	Connector housing		X	
17	911 612 113 05	Connector housing		X	
18	911 612 115 03	Connector housing		X	
19	944 612 215 00	Connector housing without		X	
		Contact bush 99965235122 17-pole		14	
22	944 612 311 00	Connector housing for		X	
-	999 652 380 12	Contact spring 19-pole		X	
25	171 971 971 C	Connector housing Nature		X	
(25)	171 971 971 E	Connector housing White		X	
		20-pole			
28	171 971 971	Connector housing Yellow		X	
(28)	171 971 971 D	Connector housing Red		X	
		22-pole			
31	171 971 971 A	Connector housing Black		X	
(31)	171 971 971 B	Connector housing Blue		X	

Model: 911 70

Model life 1970>>1973

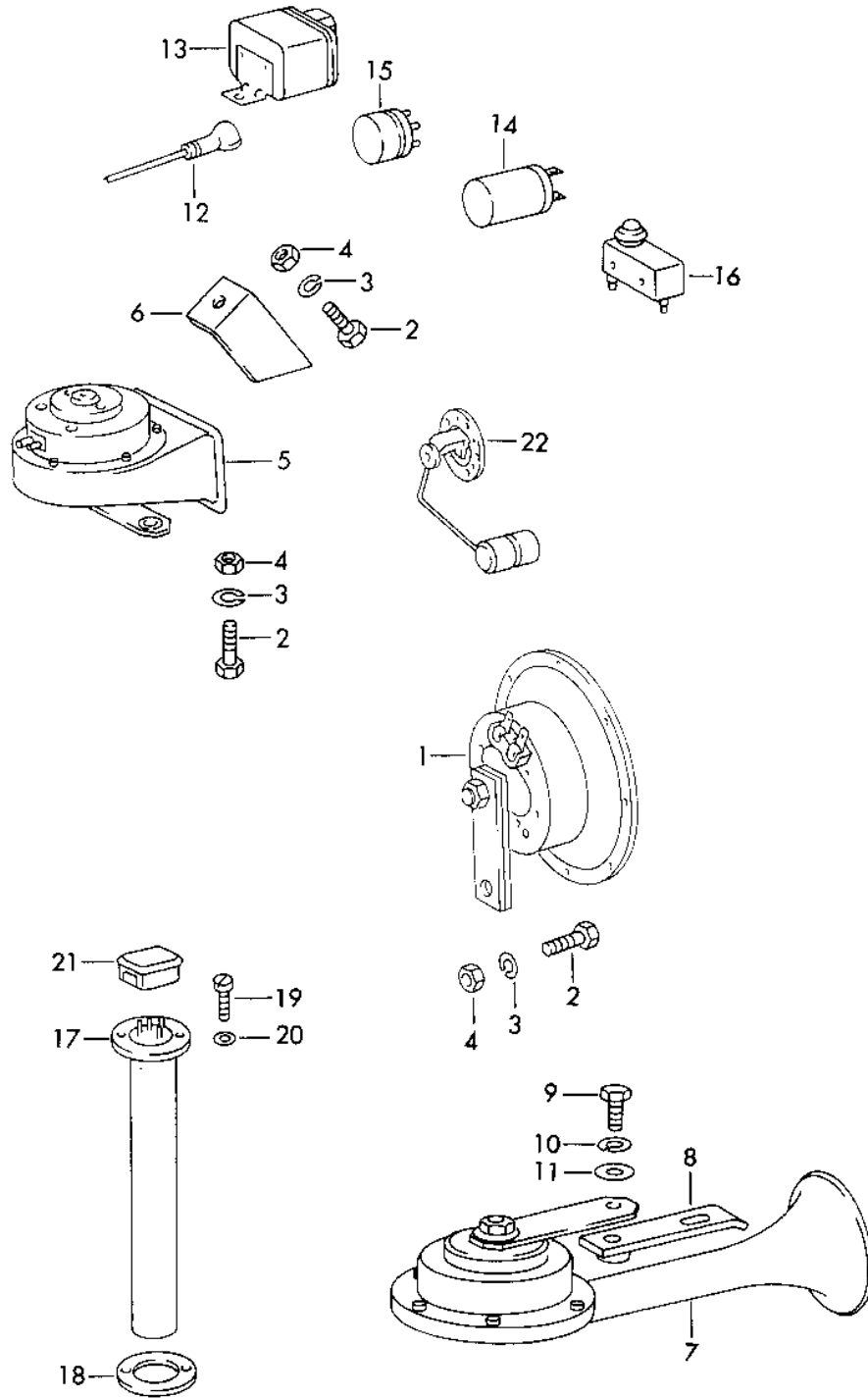


Model: 911 70 Model life 1970>>1973

Pos	Part Number	Description	Remark	Qty	Model
1	964 613 601 00	Switch Door contact switch for Interior light And Luggage compartment lamp		3	
(1)	901 615 601 02	Contact switch for Glove compartment light		1	
(1)	901 615 601 03	Contact switch for Glove compartment light		1	
2	901 615 615 20	Concave washer		2	
3	900 031 001 60	Washer 8,4		2	
4	901 615 616 20	Rubber cap		2	
5	901 613 521 20	Contact switch for Indicator light Handbrake See group 7/01/20		1	
6	901 613 523 20	Contact bow for Indicator light Handbrake See group 7/01/20		1	
7		Brake light switch See group 7/02/00		1	
8	900 146 011 02	Oval-head screw AM 4 X 10		1	
9	900 114 014 01	Shake-proof washer A 4,3		1	
10		Back-up light switch See group 3/02/00		1	
11	914 613 491 00	Protection cap		1	
12		Back-up light switch See group 3/02/00		1	
13		Bridging switch See group 3/07/00		1	
14		Temperature switch See group 3/06/00		1	
16		Solenoid valve See group 2/01/20		1	

Model: 911 70

Model life 1970>>1973



Model: 911 70 Model life 1970>>1973

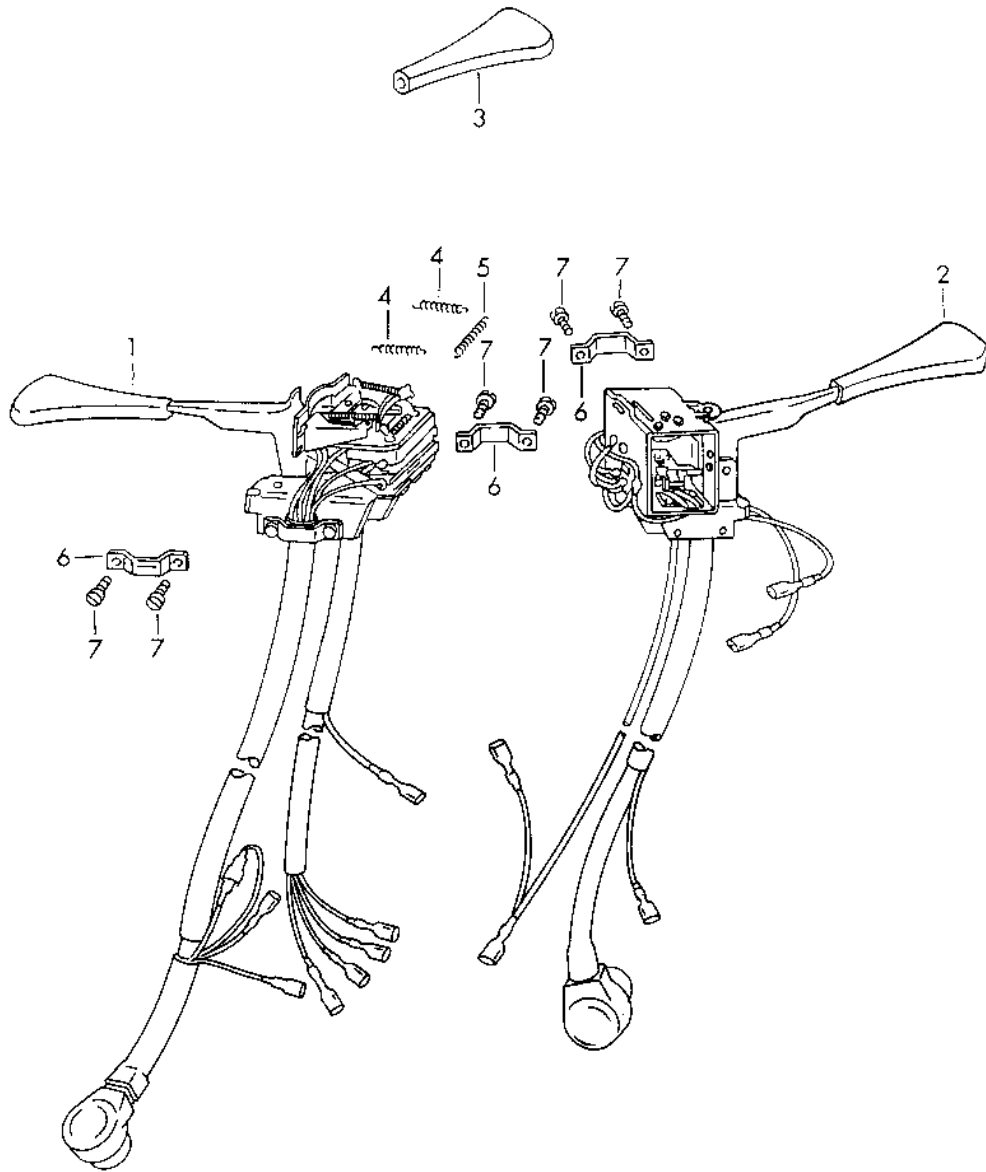
Pos	Part Number	Description	Remark	Qty	Model
1	902 635 102 00	Horn Relay	70	1	911 T/E
2	900 075 085 02	Horn - BOSCH 335 HZ - Hexagon-head bolt M 8 X 20	70	4	
3	900 027 015 02	Lock ring B 8	70-	4	
3	900 027 015 03	Lock ring B 8	70-	4	
4	900 025 007 02	Washer 8,4	70-	4	
4	900 025 007 03	Washer 8,4	70-	4	
5	901 635 112 02	Fanfare - BOSCH 400 HZ -	/L (CH)	1	
(5)	PCG 635 112 02	Fanfare - BOSCH 400 HZ -	/L (CH)	1	
(5)	901 635 113 02	Fanfare - BOSCH 500 HZ -	/R (CH)	1	
(5)	PCG 635 113 02	Fanfare - BOSCH 500 HZ -	/R (CH)	1	
6	901 635 012 00	Clip	/R 70	X	
(6)	901 635 011 00	Clip	/L 70	1	
7	911 635 101 20	Fanfare Short High-pitched		1	
7	911 635 101 21	Fanfare Short High-pitched		1	
(7)	911 635 102 20	Fanfare Long Low-pitched		1	
(7)	911 635 102 21	Fanfare Long Low-pitched		1	
8	911 635 111 00	Support	/R	1	
9	900 075 087 02	Hexagon-head bolt M 8 X 16		2	
9	900 075 087 03	Hexagon-head bolt M 8 X 16		2	
10	900 027 005 02	Lock ring A 8		2	
11	900 025 007 02	Washer 8,4		2	
11	900 025 007 03	Washer 8,4		2	
12	901 617 105 00	Diode for License plate light	(A) -71	1	
-	999 659 011 50	Water protection cap	(A) -71	1	
13	911 615 111 00	Relay for Windscreen wiper system	70	1	
(13)	911 615 112 00	Interval relay for Windscreen wiper system	70	1	
14	914 618 303 11	Flasher relay for Direction indicator light	70	1	
(14)		And Warning light Flasher relay	71-	1	

Model: 911 70 Model life 1970>>1973

Pos	Part Number	Description	Remark	Qty	Model
15	911 615 109 01	for Direction indicator light And Warning light Standard type relay		10	
-	901 615 115 00	for Horn Blower Headlight flasher Fog headlamp Series resistor Ignition coil Injection system Rear window heating 100 W Cigarette lighter High beam Windscreen heating Relay		1	
-	N 015 429 2	for Rear window heating 100/250 W Speed nut		1	
-	N 015 429 6	Speed nut		1	
-	900 151 001 02	Washer A 4,3		1	
-	900 187 013 02	Hexagon-head tapping screw BZ 4,2 X 13		1	
16		Switch See group 2/02/00		1	
17	901 741 801 00	Sender for Fuel-level indicator Fuel tank 62 L	70	1	
(17)	911 641 801 10	Tank gauge for Fuel-level indicator Fuel tank 110 L	70	1	911 S
(17)	901 741 801 00	Sender for Fuel-level indicator Fuel tank 90 L	70	1	
(17)		Sender for Fuel-level indicator Fuel tank See group 2/01/00	71-		
18	914 201 891 00	Gasket	70	1	
19	900 014 058 02	Pan-head screw AM 5 X 12	70	5	
20	900 025 003 30	Washer 5,3	70	5	
21	901 612 891 01	Connector housing		1	
22		Oil-level sender See group 1/04/00		1	

Model: 911 70

Model life 1970>>1973



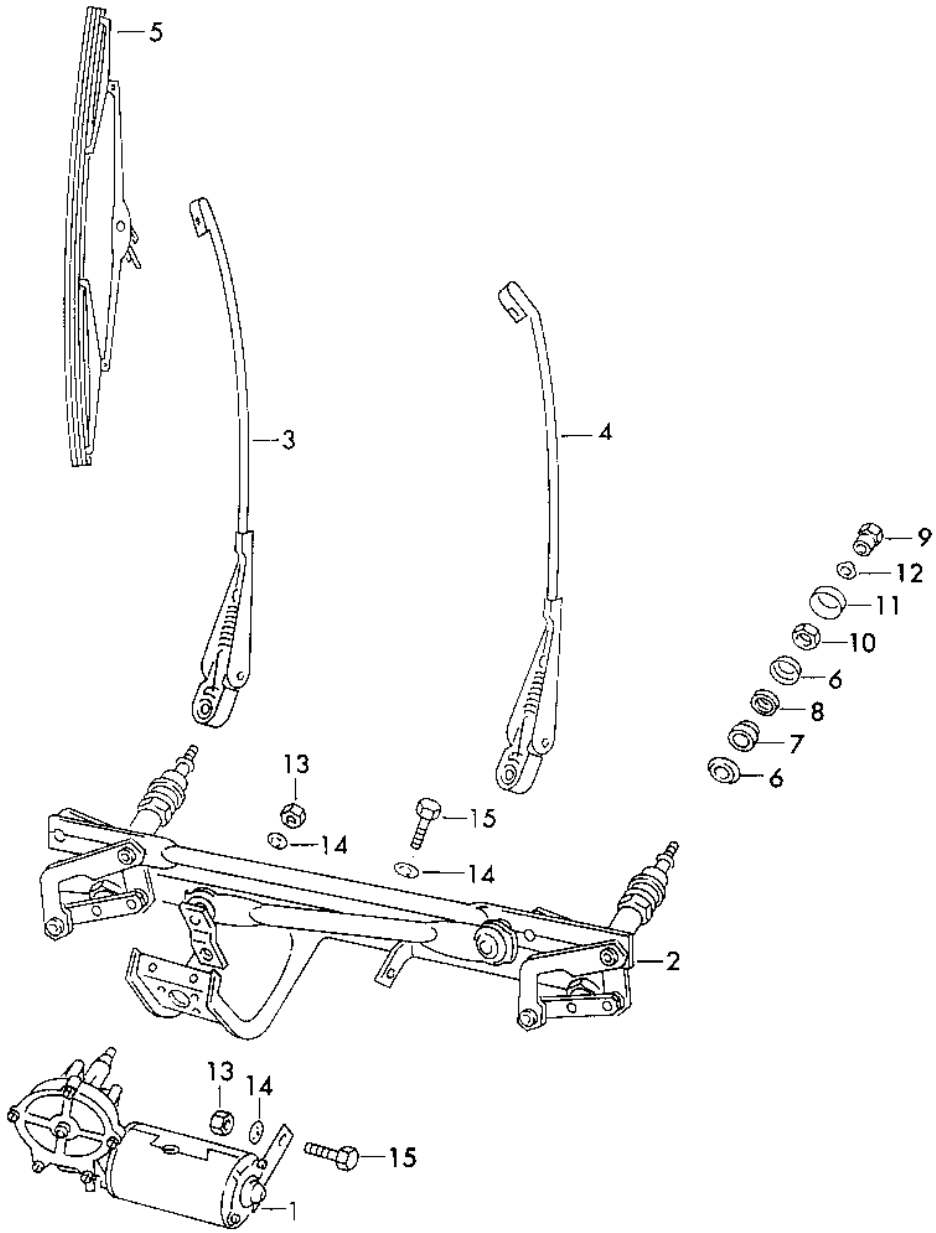
Model: 911 70

Model life 1970>>1973

Pos	Part Number	Description	Remark	Qty	Model
1	911 613 301 30	Steering column switch			
(1)		Combined switch	-71	1	
(1)		Combined switch	72-	1	
		Combined switch	72-	1	
		Headlight flasher			
		Only			
		with			
		Dipped beam			
2	911 613 302 00	Wiper switch	70	1	
(2)	901 613 302 04	Wiper switch	71-	1	
3	901 552 853 00	Handle		2	
4	901 613 352 00	Spring		2	
4	901 613 352 01	Tension spring		2	
5	901 613 918 00	Tension spring		1	
6	901 613 920 00	Clamping piece		3	
7	901 613 919 00	Pan-head screw		6	

Model: 911 70

Model life 1970>>1973



Model: 911 70 Model life 1970>>1973

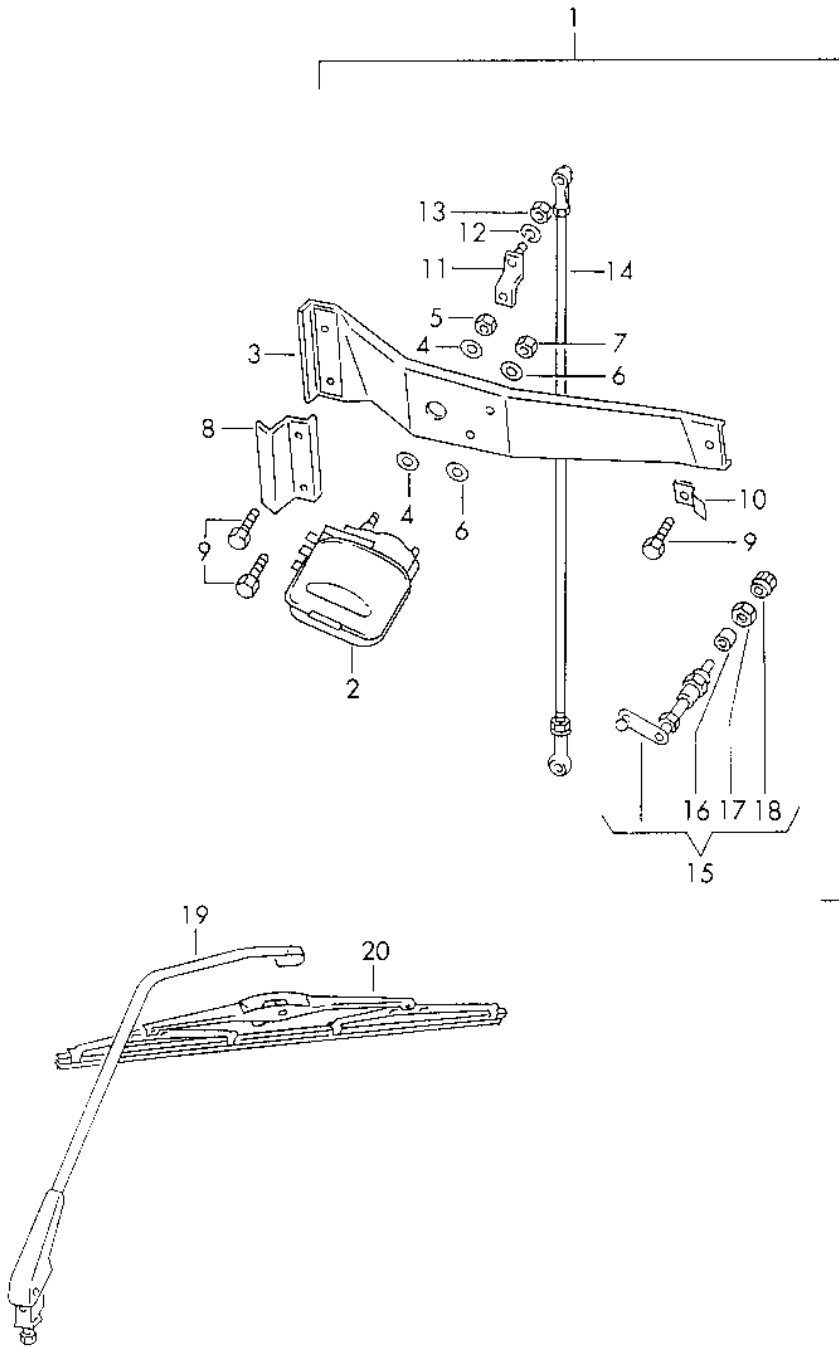
Pos	Part Number	Description	Remark	Qty	Model
-	911 628 011 00	Windscreen wiper system Windscreen wiper system Complete without Wiper arm Wiper blade Switch	/LL 70	1	
-	911 628 012 00	Windscreen wiper system Complete without Wiper arm Wiper blade Switch	/RL 70	1	
1	911 628 101 00	Engine	/LL 70	1	
(1)	911 628 102 00	Engine	/RL 70	1	
(1)	901 628 016 01	Engine	/LL 71-	1	
(1)	901 628 018 01	Engine	/RL 71-	1	
(1)	901 628 018 AX	Engine	/RL 71-	1	
2	911 628 035 10	Crank drive with Picture 6 - 12	/LL 70	1	
(2)	911 628 036 10	Crank drive with Picture 6 - 12	/RL 70	1	
(2)	901 628 933 00	Crank drive with Picture 6 - 12	/LL 71-	1	
(2)	901 628 934 00	Crank drive with Picture 6 - 12	/RL 71-	1	
3	914 628 313 10	Wiper arm - SWF -	70	1	
3	964 628 028 01	Wiper arm Together with 96462802802 Use Attention Modification Version	/L 70-	1	
(3)	914 628 313 10	Wiper arm - SWF -	71-	1	
(3)	964 628 028 01	Wiper arm Together with 96462802802 Use Attention Modification Version	/L 71-	1	
4	914 628 314 10	Wiper arm - SWF -	/LL 70	1	
(4)	964 628 028 02	Wiper arm Together with 96462802801 Use Attention Modification Version	/LL 70	1	
(4)	901 628 014 00	Wiper arm - SWF -	/RL 70	1	

Model: 911 70 Model life 1970>>1973

Pos	Part Number	Description	Remark	Qty	Model
(4)	914 628 314 10	Wiper arm - SWF -	/LL 71-	1	
(4)	964 628 028 02	Wiper arm Together with 96462802801 Use Attention Modification Version	/LL 71-	1	
(4)	911 628 014 00	Wiper arm - SWF -	/RL 71-	1	
5	901 628 311 10	Wiper blade - SWF -	70	2	
(5)	901 628 311 20	Wiper blade - bosch -	70	2	
(5)	914 628 311 10	Wiper blade - SWF -	71-	2	
6	901 628 922 00	Flange washer Chrome		4	
7	901 628 923 01	Rubber bush		2	
8	901 628 924 00	Rubber bush		2	
9	901 628 341 00	Cap nut		2	
10	901 628 925 00	Hexagon nut		2	
11	901 628 926 00	Cap		2	
12	901 628 927 00	Spring washer		2	
12	481 955 349	Spring washer		2	
12	803 955 437	Spring washer		2	
13	900 076 010 02	Nut M 6		2	
13	900 076 010 0B	Nut M 6		2	
14	914 628 901 00	Lock ring	70	2	
(14)	N 042 121 1	Shake-proof washer J 6,4	71-	2	
15	900 075 010 02	Hexagon nut M 6 X 12		1	
15	N 010 212 14	Hexagon-head bolt M 6 X 12		1	
15	999 072 005 09	Hexagon nut M 6 X 12		1	
15	999 072 005 01	Hexagon nut M 6 X 12		1	
-	901 628 053 20	Rubber mounting	/LL	1	
-	901 628 054 20	Rubber mounting	/RL	1	
-	901 628 505 20	Tab washer		1	
-	900 075 097 02	Hexagon-head bolt M 5 X 15	70	2	
-	N 010 264 4	Hexagon-head bolt M 5 X 20	71-	2	
-	900 187 011 02	Hexagon-head tapping screw B 4,3 X 13		2	
-	900 151 001 02	Washer A 4,3		2	
-	N 015 429 2	Speed nut B 4,2		2	
-	N 015 429 6	Speed nut B 4,2		2	
-	N 012 005 3	Lock ring B 5		2	

Model: 911 70

Model life 1970>>1973

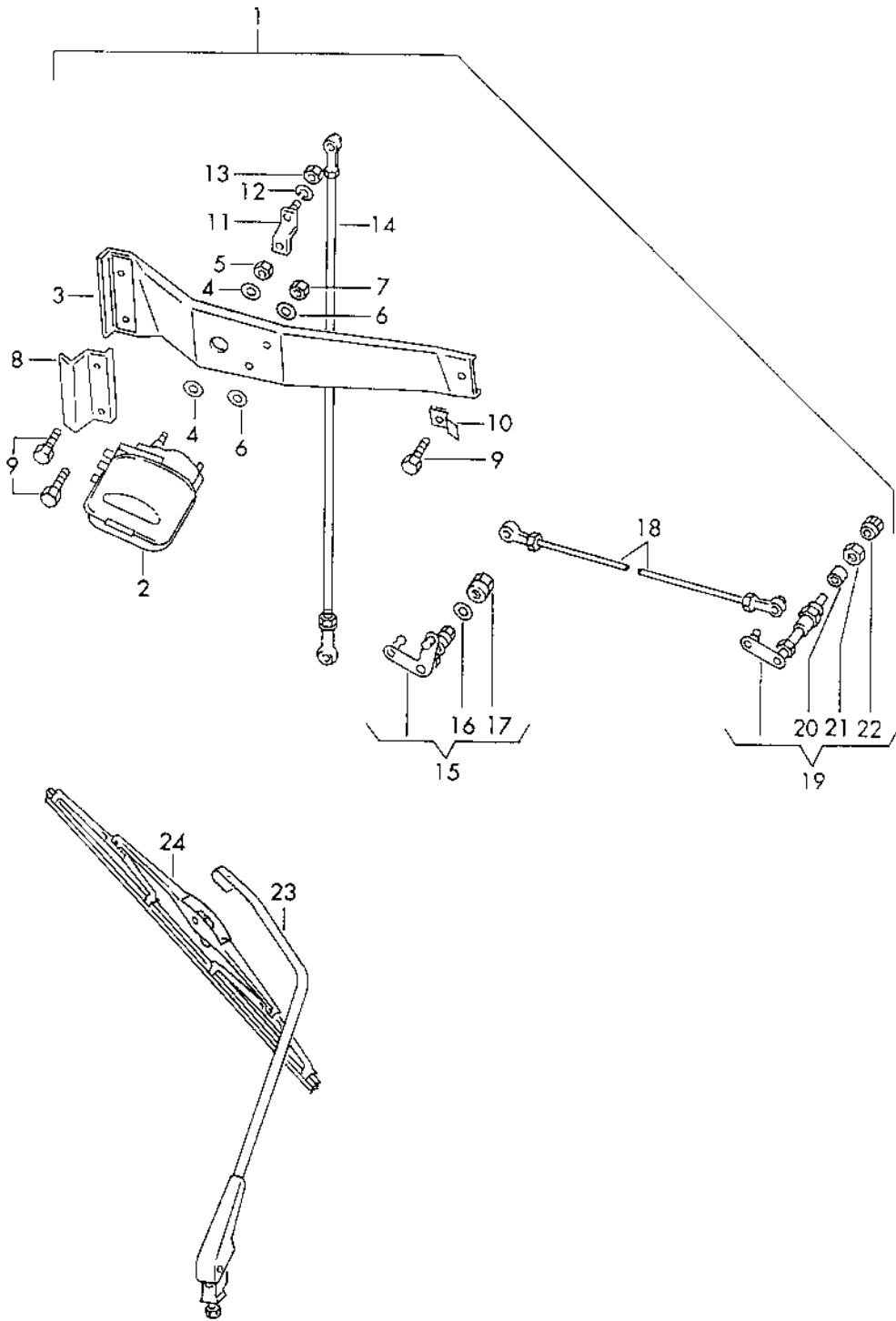


Model: 911 70 Model life 1970>>1973

Pos	Part Number	Description	Remark	Qty	Model
1	901 628 061 01	Rear window wiper Rear window wiper without Wiper arm Wiper blade	/LL M	1	
2	911 628 063 00	Wiper motor		1	
3	901 628 065 00	Assembly frame		1	
4	901 628 338 00	Lock ring		2	
5	999 078 014 02	Hexagon nut		2	
6	901 628 339 00	Washer		4	
7	900 076 027 02	Nut M 5		2	
8	901 628 320 00	Bracket		1	
9	N 010 215 13	Hexagon-head bolt M 6 X 15		3	
10	901 628 337 00	Support		1	
11	901 628 318 00	Lever		1	
12	900 027 014 01	Lock ring B 6		1	
12	900 027 014 02	Lock ring B 6		1	
12	N 012 006 4	Lock ring B 6		1	
13	900 076 010 02	Nut M 6		1	
13	900 076 010 0B	Nut M 6		1	
14	901 628 615 00	Joint rod		1	
15	901 628 319 02	Wiper bearing		1	
16	901 628 913 00	Spacer bush		1	
17	901 628 912 00	Hexagon nut		1	
18	901 628 911 00	Cap		1	
19	901 628 611 00	Wiper arm		1	
20	901 628 613 00	Wiper blade		1	
20	PCG 628 613 00	Wiper blade		1	
-	901 613 043 00	Wiper switch		1	
-	901 612 070 05	Rear window wiper Wiring harness NR. 19 Fuse holder Wiper switch	/LL	1	
-	911 612 025 00	Wiring harness Tunnel		1	
-	911 612 031 00	Rear window wiper Wiring harness Rear window wiper		1	
-	911 617 105 00	Diode		1	
-	999 652 142 40	Push-on connector		1	
-	999 702 119 50	Rubber sleeve		1	

Model: 911 70

Model life 1970>>1973



Model: 911 70

Model life 1970>>1973

Pos	Part Number	Description	Remark	Qty	Model
1	901 628 062 00	Rear window wiper Rear window wiper without Wiper arm Wiper blade	/RL M	1	
2	911 628 063 00	Wiper motor		1	
3	901 628 065 00	Assembly frame		1	
4	901 628 338 00	Lock ring		2	
5	999 078 014 02	Hexagon nut		2	
6	901 628 339 00	Washer		4	
7	900 076 027 02	Nut M 5		2	
8	901 628 320 00	Bracket		1	
9	N 010 215 13	Hexagon-head bolt M 6 X 15		3	
10	901 628 337 00	Support		1	
11	901 628 318 00	Lever		1	
12	900 027 014 01	Lock ring B 6		1	
12	900 027 014 02	Lock ring B 6		1	
12	N 012 006 4	Lock ring B 6		1	
13	900 076 010 02	Nut M 6		1	
13	900 076 010 0B	Nut M 6		1	
14	901 628 615 00	Joint rod		1	
15	901 628 617 00	Wiper bearing		1	
16	901 628 914 00	Spring washer		1	
17	901 628 621 00	Cap nut		1	
18	901 628 616 00	Joint rod		1	
19	901 628 619 00	Wiper bearing		1	
20	901 628 913 00	Spacer bush		1	
21	901 628 912 00	Hexagon nut		1	
22	901 628 911 00	Cap		1	
23	901 628 612 00	Wiper arm		1	
24	901 628 613 00	Wiper blade		1	
24	PCG 628 613 00	Wiper blade		1	
-	901 613 043 00	Wiper switch Rear window wiper		1	
-	901 612 094 00	Wiring harness NR. 62 Wiper switch		1	
-	911 612 031 00	Wiring harness Rear window wiper		1	
-	911 612 063 00	Wiring harness Tunnel Rear window wiper		1	
-	911 617 105 00	Diode		1	
-	999 652 142 40	Push-on connector		1	
-	999 702 119 50	Rubber sleeve		1	

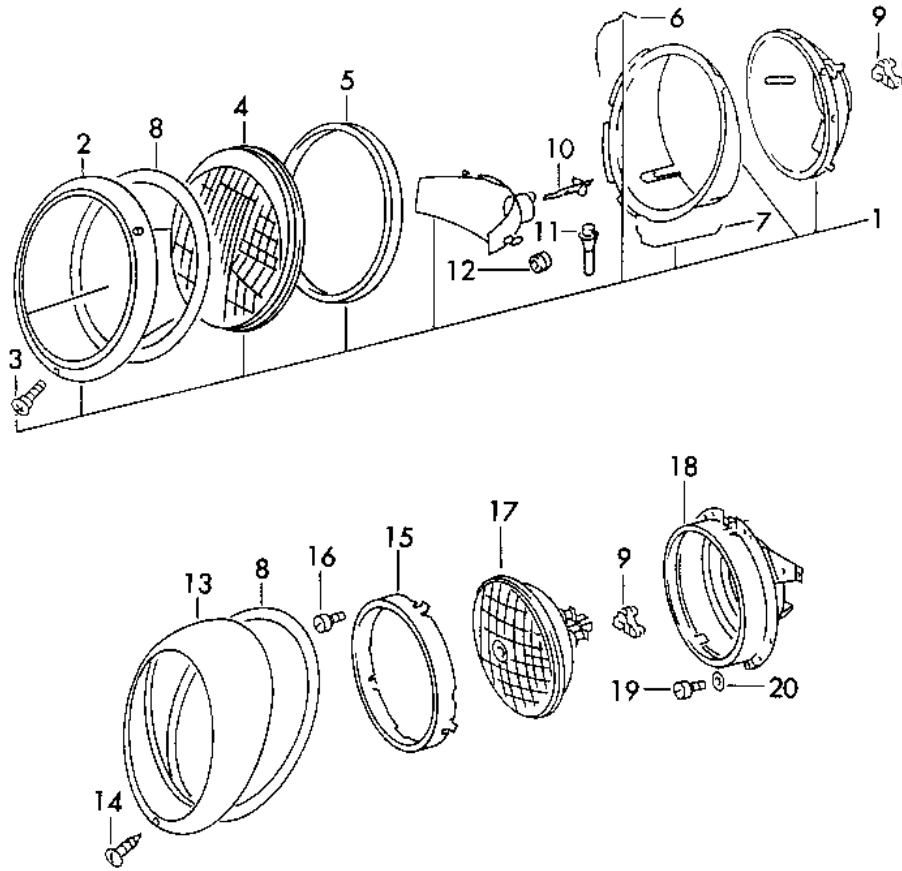
Model: 911 70

Model life 1970>>1973

Pos	Part Number	Description	Remark	Qty	Model
		Windscreen washer system			
1	901 628 720 26	Water reservoir		1	
2	901 628 730 23	Lid		1	
3	911 628 167 00	Lid		1	
4	901 628 183 00	Gasket		1	
5	901 628 739 21	Pipe		1	
5	901 628 739 22	Pipe		1	
6	PCG 628 901 10	Hose 3000 MM		1	
7	901 628 745 20	T-piece		1	
8	901 628 749 20	T-piece		1	
9	644 628 741 02	Spray nozzle		2	
10	914 628 215 00	Valve		2	
11	901 628 741 20	Nozzle		2	
-	644 628 905 00	Cap		2	
12	928 628 074 01	Pump		1	

Model: 911 70

Model life 1970>>1973



Model: 911 70

Model life 1970>>1973

Pos	Part Number	Description	Remark	Qty	Model
1	911 631 101 00	Headlamp High-beam headlight - bosch - Asymmetrical Lens White Not for (USA) (F)	/LL	2	
(1)	911 631 101 01	High-beam headlight - bosch - Asymmetrical Lens Yellow for (F)	/LL	2	
(1)	911 631 113 00	Headlamp - bosch - Asymmetrical Lens Yellow for (F)	/LL	2	
(1)	911 631 112 00	Headlamp - bosch - Asymmetrical Lens White	/RL	2	
2	901 631 102 04	Headlamp ring Chrome	-72	2	
3	901 631 119 00	Fastening screw Chrome		2	
4	911 631 111 00	Lens White for 911.631.101.00	/LL -72	2	
(4)	911 631 111 01	Lens Yellow for 911.631.101.01	/LL -72	2	
(4)	911 631 112 00	Headlamp White for 911.631.101.02	/RL -72	2	
5	911 631 967 00	Gasket		2	
6	901 631 116 02	Locking spring		6	
7	644 631 122 00	Locking spring		6	
8	901 631 115 21	Sealing ring		2	
9	911 631 108 00	Terminal sleeve housing 3-pole	-71	2	
-	N 017 498 A	Flat plug 7,7 X 1 CuZn		X	
(9)	911 631 108 00	Terminal sleeve housing 3-pole	72-	2	
-	N 017 498 A	Flat plug 7,7 X 1 CuZn		X	
10	900 631 125 90	Halogen bulb		4	
11	911 631 259 02	Rubber sleeve		6	
12	999 702 119 50	Rubber sleeve		2	
13	901 631 102 05	Retaining ring		2	
14	911 631 146 01	Lens-head screw AM 5 X 18 Z		2	
15	901 631 102 03	Window retaining bracket Chrome		2	

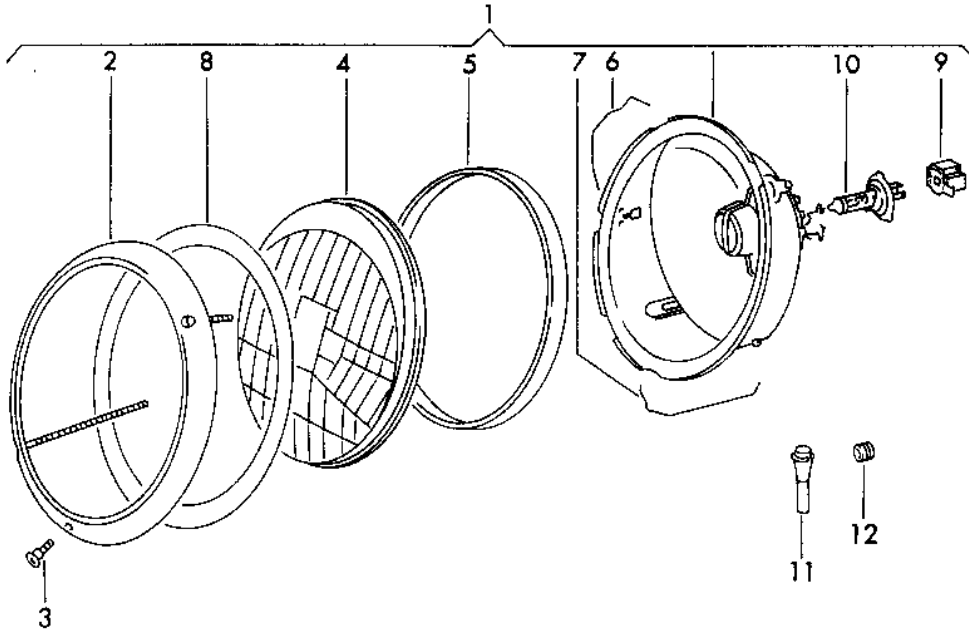
Model: 911 70

Model life 1970>>1973

Pos	Part Number	Description	Remark	Qty	Model
15	901 631 102 06	Window retaining bracket Chrome		2	
16	900 016 014 02	Half-round screw AM 4 X 8		6	
17	999 631 108 90	Headlamp unit "SEALED BEAM" 50/40 WATT	/LL	2	
(17)	999 631 122 90	Headlamp unit "SEALED BEAM" 60/50 WATT	/LL	2	
(17)	999 631 121 90	Headlamp unit "SEALED BEAM"	/RL	2	
18	901 631 103 02	Mounting piece		2	
19	999 014 008 02	Cheese-head screw AM 4 X 10		8	
20	900 114 014 01	Shake-proof washer A 4,3		8	

Model: 911 70

Model life 1970>>1973

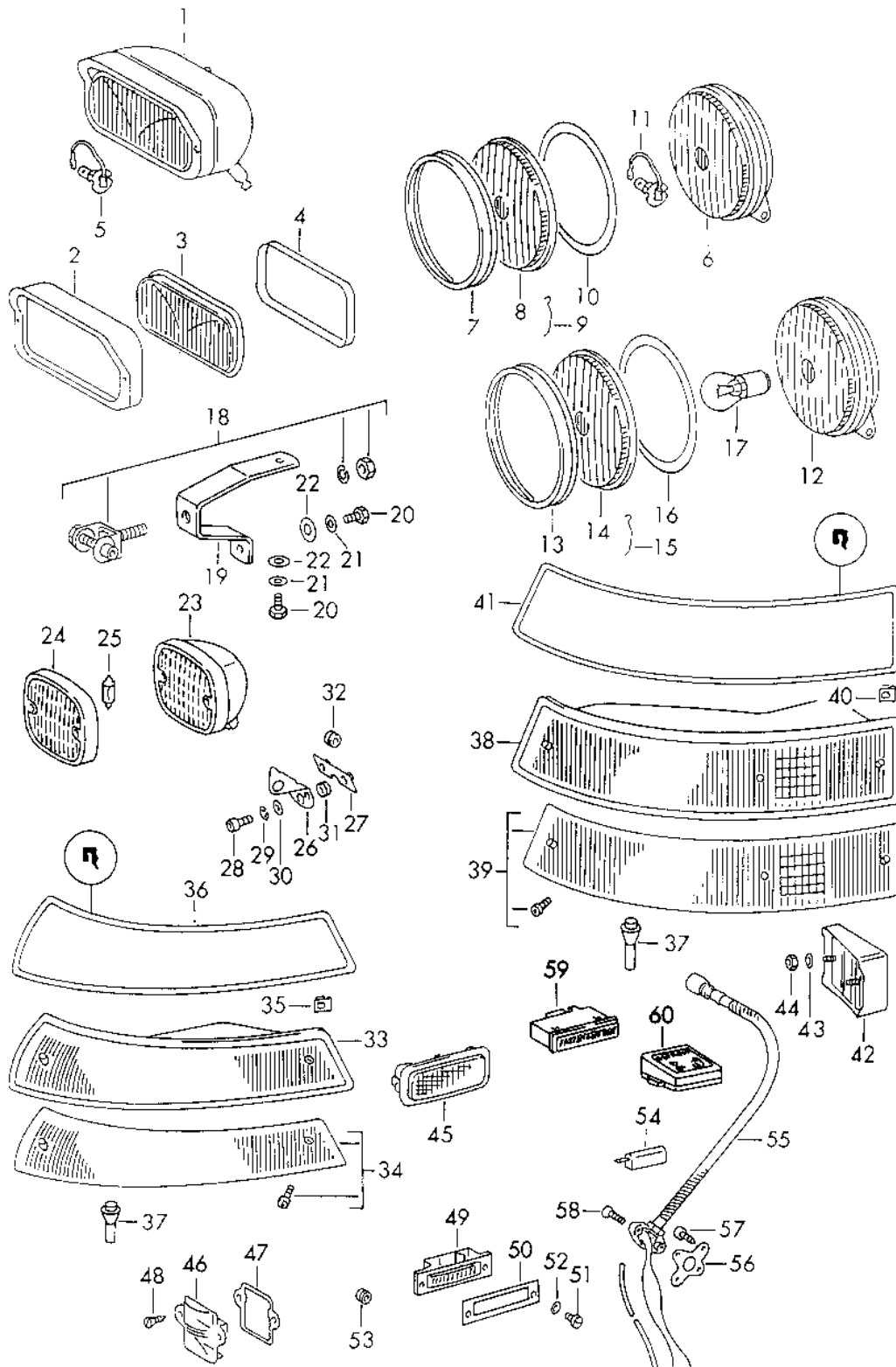


Model: 911 70 Model life 1970>>1973

Pos	Part Number	Description	Remark	Qty	Model
		Headlamp H 4	72-		
1	911 631 113 00	Headlamp Not for	/LL (USA)	2	
(1)	911 631 112 00	Headlamp	/RL	2	
2	911 631 933 00	Headlamp ring Chrome		2	
3	901 631 119 00	Fastening screw Chrome		2	
4	911 631 927 00	Lens for 911.631.102.00	/LL	2	
(4)	911 631 927 01	Lens for 911.631.102.02	/RL	2	
-	PCG 911 631 01	Kit Lens Comprising:	/RL	1	
-	911 631 927 01	Lens		2	
-	911 631 115 02	Gasket		2	
-	911 631 967 00	Gasket		2	
-	113 951 539	Washer		2	
-	PCG 911 631 00	Kit Lens Comprising:	/LL	1	
-	911 631 927 00	Lens		2	
-	911 631 115 02	Gasket		2	
-	911 631 967 00	Gasket		2	
-	113 951 539	Washer		2	
5	911 631 967 00	Gasket		2	
6	901 631 116 02	Locking spring		6	
7	644 631 122 00	Locking spring		6	
8	901 631 115 21	Sealing ring		2	
9	911 631 108 00	Terminal sleeve housing		2	
-	N 017 498 A	Flat plug 7,7 X 1 CuZn		X	
10	999 631 202 90	Bulb H 4 12V-60/55 W		2	
(10)	999 631 202 91	Halogen bulb H 4 12V-60/55 W Yellow for	(F)	2	
11	911 631 259 02	Rubber sleeve		6	
12	999 702 119 50	Rubber sleeve		2	

Model: 911 70

Model life 1970>>1973



Model: 911 70 Model life 1970>>1973

Pos	Part Number	Description	Remark	Qty	Model
1	901 631 205 01	Lights Fog headlamp Fog headlamp with Reflector White Not for (USA) (NL)		2	
(1)	901 631 205 11	Fog headlamp with Reflector Yellow Not for (USA) (NL)		2	
2	901 631 212 01	Ring for fog headlamp		2	
3	901 631 211 03	Lens	-71	2	
(3)	911 631 995 00	Lens And Reflector	72-	2	
-	911 631 904 00	Installation set Yellow 1 set for subsequent installation		X	
4	901 631 214 01	Gasket		2	
5	900 631 126 90	Halogen bulb		2	
6	911 631 202 00	Additional headlamp with Glass White Not for (USA) (F) (I)		2	
(6)	911 631 202 10	Additional headlamp with Reflector Yellow for (F)		2	
-	999 652 149 40	Insulated cable connection for Fog headlamp	(CH)	1	
(6)	911 631 121 00	Additional headlamp with Glass White Not for (USA) (F)		2	
(6)	911 631 121 10	High-beam headlight with Glass Yellow for (F)		2	
(6)	911 631 213 00	Fog headlamp with Glass White for (I)	-71	2	
(6)	911 631 211 00	Additional headlamp with Glass White for		2	

Model: 911 70 Model life 1970>>1973

Pos	Part Number	Description	Remark	Qty	Model
-	900 631 125 90	(I) Halogen bulb H 1 YA 12V-55W for		2	
7	901 631 212 00	(I) Headlamp ring		2	
8	901 631 211 00	Lens for 911.631.202.00/01/10		2	
(8)	901 631 211 01	Lens for 911.631.121.00 911.631.211.00		2	
(8)	914 631 930 10	Lens for 911.631.121.10	(F)	2	
9	901 631 116 01	Locking spring		8	
10	901 631 214 00	Gasket		2	
11	900 631 126 90	Halogen bulb		2	
18	901 631 125 00	Support		2	
-	911 631 124 00	Retaining bracket for Fog headlamp Installation Spoiler Bumper	72-	2	
-	900 075 087 02	Hexagon-head bolt M 8 X 16	72-	4	
-	900 075 087 03	Hexagon-head bolt M 8 X 16	72-	4	
-	900 027 005 02	Lock ring A 8	72-	4	
-	900 076 025 02	Hexagon nut M 8	72-	4	
-	900 076 064 02	Hexagon nut M 8	72-	4	
19	901 631 137 00	Retaining bow		2	
19	901 631 137 01	Retaining bow		2	
19	901 631 137 02	Retaining bow		2	
20	900 075 217 02	Hexagon-head bolt M 6 X 12		4	
21	900 114 010 01	Shake-proof washer A 6,4		4	
22	900 151 006 09	Washer B 6,4		4	
23	901 631 251 00	Rear fog light Not for (USA) (I) (CH) (S) (SV)		1	
24	911 631 251 29	Rear fog light with Screw And Gasket		1	
25	900 631 123 90	Linolite lamp K 12V 18W		1	
25	900 631 123 92	Linolite lamp K 12V 18W		1	
26	911 631 125 00	Fastening angle		1	
27	911 631 126 00	Bracket		1	
28	900 067 009 02	Pan-head screw M 6 X 15		2	
28	900 067 429 01	Pan-head screw M 6 X 15		2	

Model: 911 70 Model life 1970>>1973

Pos	Part Number	Description	Remark	Qty	Model
29	N 012 007 2	Lock ring A 6		2	
29	900 027 004 03	Lock ring A 6		2	
30	N 011 524 7	Washer 6,4		2	
30	N 011 524 27	Washer 6,4		2	
31	999 702 046 50	Grommet 8 X 10 X 7		1	
32	999 702 020 50	Rubber sleeve 8 X 12 X 9		1	
-	999 652 208 10	Cable shoe		1	
33	901 631 401 03	Direction indicator light Left Lens with Aluminium Rim for Europe Not for (I)	-72	1	
(33)	901 631 402 03	Direction indicator light Right Lens with Aluminium Rim for Europe Not for (I)	-72	1	
(33)	911 631 401 30	Direction indicator light Left Lens with Rim Black for Europe Not for (I)	73-	1	
(33)	911 631 402 30	Direction indicator light Right Lens with Rim Black for Europe Not for (I)	73-	1	
-	PCG 631 935 20	Direction indicator light Plastic material Left for Europe Not for (I)		1	
-	PCG 631 935 30	It is necessary to rework Direction indicator light Metal		1	

Model: 911 70

Model life 1970>>1973

Pos	Part Number	Description	Remark	Qty	Model
-	PCG 631 936 20	Left for Europe Not for (I) Direction indicator light Plastic material		1	
-	PCG 631 936 30	Right for Europe Not for (I) It is necessary to rework Direction indicator light Metal		1	
(33)	901 631 401 05	Right for Europe Not for (I) Direction indicator light Left	-72	1	
(33)	901 631 402 05	Right for Europe Not for (I) Direction indicator light Right	-72	1	
(33)	911 631 401 31	Right for Europe Not for (I) Direction indicator light Left	73-	1	
(33)	911 631 402 31	Right for Europe Not for (I) Direction indicator light Right	73-	1	
-	PCG 631 935 20	Right for Europe Not for (I) Direction indicator light Plastic material		1	
-	PCG 631 935 30	Left for Europe Not for (I) It is necessary to rework Direction indicator light Metal		1	
-	PCG 631 936 20	Left for Europe Not for (I) Direction indicator light Plastic material		1	
-	PCG 631 936 30	Right for Europe Not for (I) It is necessary to rework Direction indicator light Metal		1	
(33)	901 631 401 07	Right for Europe Not for (I) Direction indicator light Left	71	1	
(33)	901 631 402 07	Right for Europe Not for (I) Direction indicator light (DK) (J) (N)	71	1	

Model: 911 70 Model life 1970>>1973

Pos	Part Number	Description	Remark	Qty	Model
-	900 631 127 90	Right for (DK) (J) (N) Bulb 12V 21W		4	
-	900 631 103 90	Bulb 12V 4W		2	
34	911 631 921 03	Lens Rim Aluminium Left for 901.631.401.03/07 STANDLICHT White		1	
(34)	911 631 922 03	Lens Rim Aluminium Right for 901.631.402.03/07 STANDLICHT White		1	
(34)	901 631 903 04	Lens Rim Aluminium Left for 901.631.401.04	-72	1	
(34)	901 631 904 04	Lens Rim Aluminium Right for 901.631.402.04	-72	1	
(34)	901 631 903 05	Lens Rim Aluminium Left for 901.631.401.05	-72	1	
(34)	901 631 904 05	Lens Rim Aluminium Right for 901.631.402.05	-72	1	
(34)	911 631 943 00	Lens Rim Black Left for (I)	73-	1	
(34)	911 631 944 00	Lens Rim Black Right for (I)	73-	1	
(34)	911 631 921 03	Lens Rim Aluminium Left	71	1	

Model: 911 70 Model life 1970>>1973

Pos	Part Number	Description	Remark	Qty	Model
(34)	911 631 922 03	for 911.631.401.03 STANDLICHT White Lens Rim Aluminium Right	71	1	
(34)	911 631 943 00	for 911.631.402.03 STANDLICHT White Lens Rim Black Left	73-	1	
(34)	911 631 944 00	for Europe Lens Rim Black Right	73-	1	
35	999 507 312 12	Nut lock		8	
35	999 507 330 02	Cable holder		8	
35	999 507 312 12	Nut lock		8	
(36)	911 631 970 01	Gasket Left		1	
(36)	911 631 970 00	Gasket Right		1	
37	911 631 259 02	Rubber sleeve		6	
38	901 631 403 03	Rear light Left for Europe Not for (F)		1	
(38)	911 631 403 03	Rear light Left for Europe Not for (F)	-72	1	
(38)	911 631 403 30	Rear light Left for Europe	73-	1	
-	911 631 939 00	Tail light housing Left for Europe		1	
(38)	901 631 404 03	Rear light Right for Europe Not for (F)		1	
(38)	911 631 404 03	Rear light Right for Europe Not for (F)	-72	1	

Model: 911 70 Model life 1970>>1973

Pos	Part Number	Description	Remark	Qty	Model
(38)	911 631 404 30	(F) Rear light Right for Europe	73-	1	
-	911 631 940 00	Tail light housing Right for Europe		1	
(38)	901 631 403 05	Rear light Left for (F)		1	
(38)	911 631 403 05	Rear light Left for (F)	-72	1	
(38)	901 631 404 05	Rear light Right for (F)		1	
(38)	911 631 404 05	Rear light Right for (F)	-72	1	
-	N 100 818 01	Oval-head screw for Tail light housing M5 X 16		X	
-	900 631 128 90	Bulb 12V 21/5W		2	
-	N 017 731 2	Bulb 12V 15W		2	
-	N 017 731 B	Bulb 12V 15W		2	
-	N 100 818 01	Oval-head screw for Tail light housing M5 X 16		X	
39	911 631 923 03	Lens Left for 901.631.403.03		1	
-	PCG 631 911 00	Screw Fastening screw Silver Comprising: 6 Schrauben 6 Dichtungen		1	
-	PCG 631 911 01	Screw Fastening screw Black Comprising: 6 Schrauben 6 Dichtungen		1	
(39)	911 631 924 03	Lens Right for 901.631.404.03		1	
-	PCG 631 911 00	Screw Fastening screw Silver Comprising:		1	

Model: 911 70 Model life 1970>>1973

Pos	Part Number	Description	Remark	Qty	Model
-	PCG 631 911 01	6 Schrauben 6 Dichtungen Screw Fastening screw Black Comprising: 6 Schrauben 6 Dichtungen		1	
(39)	901 631 905 05	Lens Left for 901.631.403.05		1	
-	PCG 631 911 00	Screw Fastening screw Silver Comprising: 6 Schrauben 6 Dichtungen		1	
-	PCG 631 911 01	Screw Fastening screw Black Comprising: 6 Schrauben 6 Dichtungen		1	
(39)	901 631 906 05	Lens Right for 901.631.404.05		1	
-	PCG 631 911 00	Screw Fastening screw Silver Comprising: 6 Schrauben 6 Dichtungen		1	
-	PCG 631 911 01	Screw Fastening screw Black Comprising: 6 Schrauben 6 Dichtungen		1	
-	PCG 631 911 00	Screw Fastening screw Silver Comprising: 6 Schrauben 6 Dichtungen		1	
-	PCG 631 911 01	Screw Fastening screw Black Comprising: 6 Schrauben 6 Dichtungen		1	
(39)	901 631 906 04	Lens Right for 901.631.404.04	-72	1	
(39)	911 631 923 03	Lens Left for 911.631.403.03	-72	1	
-	PCG 631 911 00	Screw Fastening screw Silver		1	

Model: 911 70 Model life 1970>>1973

Pos	Part Number	Description	Remark	Qty	Model
-	PCG 631 911 01	Comprising: 6 Schrauben 6 Dichtungen Screw Fastening screw Black		1	
(39)	911 631 924 03	Comprising: 6 Schrauben 6 Dichtungen Lens Right for 911.631.404.03	-72	1	
-	PCG 631 911 00	Screw Fastening screw Silver		1	
-	PCG 631 911 01	Comprising: 6 Schrauben 6 Dichtungen Screw Fastening screw Black		1	
(39)	911 631 925 05	Comprising: 6 Schrauben 6 Dichtungen Lens Left for 911.631.403.05	-72	1	
-	PCG 631 911 00	Screw Fastening screw Silver		1	
-	PCG 631 911 01	Comprising: 6 Schrauben 6 Dichtungen Screw Fastening screw Black		1	
(39)	911 631 926 05	Comprising: 6 Schrauben 6 Dichtungen Lens Right for 911.631.404.05	-72	1	
-	PCG 631 911 00	Screw Fastening screw Silver		1	
-	PCG 631 911 01	Comprising: 6 Schrauben 6 Dichtungen Screw Fastening screw Black		1	
(39)	911 631 949 00	Comprising: 6 Schrauben 6 Dichtungen Lens Left for Europe Rim Black	73-	1	

Model: 911 70 Model life 1970>>1973

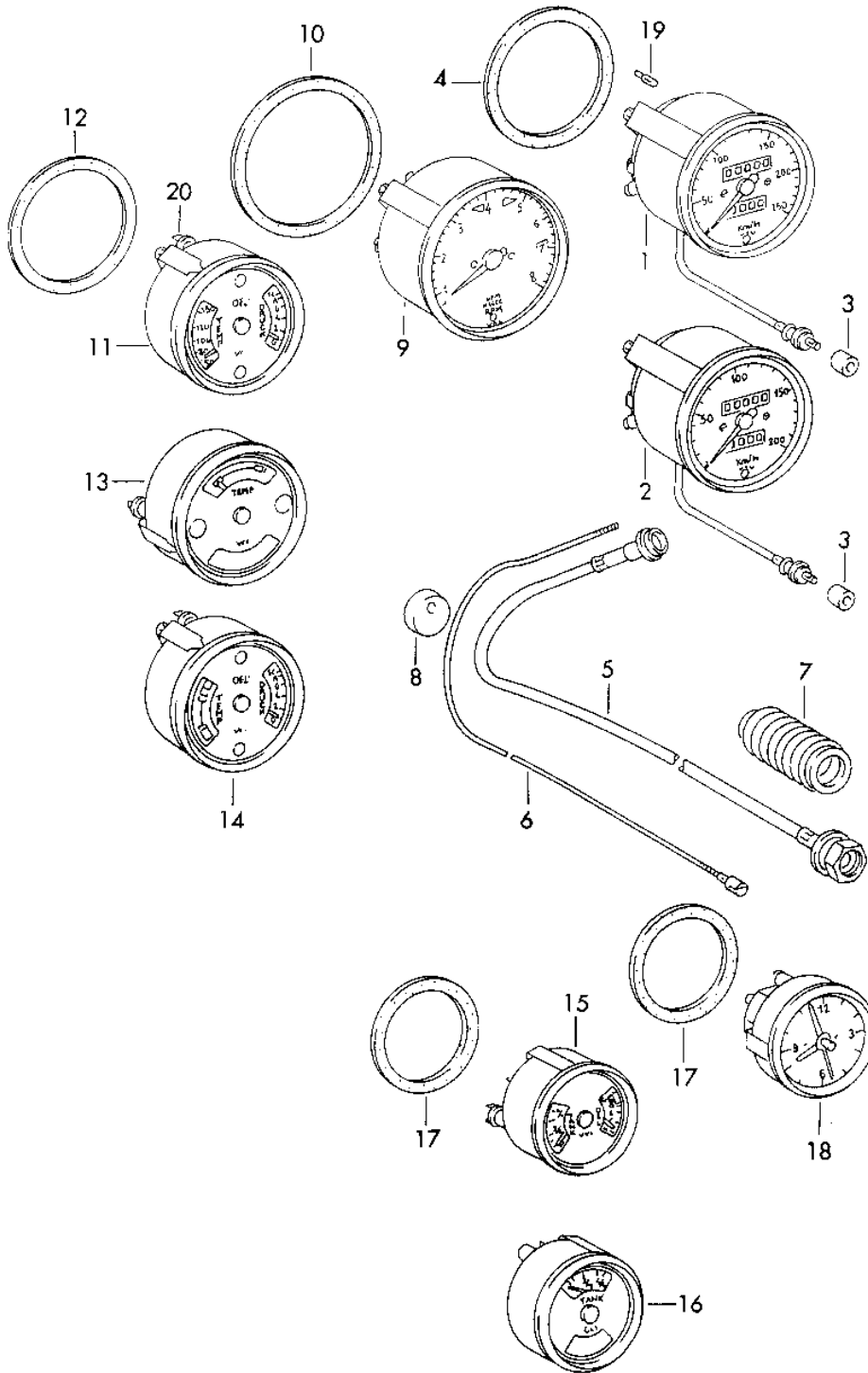
Pos	Part Number	Description	Remark	Qty	Model
-	PCG 631 911 00	Screw Fastening screw Silver Comprising: 6 Schrauben 6 Dichtungen		1	
-	PCG 631 911 01	Screw Fastening screw Black Comprising: 6 Schrauben 6 Dichtungen		1	
(39)	911 631 950 00	Lens Right for Europe Rim Black	73-	1	
-	PCG 631 911 00	Screw Fastening screw Silver Comprising: 6 Schrauben 6 Dichtungen		1	
-	PCG 631 911 01	Screw Fastening screw Black Comprising: 6 Schrauben 6 Dichtungen		1	
40	999 507 312 12	Nut lock		4	
40	999 507 330 02	Cable holder		4	
40	999 507 312 12	Nut lock		4	
41	911 631 971 01	Gasket Left	-72	1	
(41)		Gasket Left	73-	1	
(41)	911 631 971 00	Gasket Right	-72	1	
(41)		Gasket Right	73-	1	
42	901 633 010 00	Reflector		2	
42	901 633 010 00 001	Reflector		2	
42	901 633 010 00 901 633 010 00 001	Reflector Only in pairs Order		2	
42		Reflector Only in pairs Order		2	
43	N 012 005 3	Lock ring B 5	70	4	
(43)	900 025 003 02	Washer 5,3	71-	4	
44	900 076 027 02	Nut M 5	70	4	
(44)	999 090 002 02	Lock nut M 5	71-	4	
45	901 632 103 00	Interior light Roll bar		2	TARGA

Model: 911 70 Model life 1970>>1973

Pos	Part Number	Description	Remark	Qty	Model
(45)	901 632 101 28	Glove compartment Interior light		2	
(45)	901 632 101 00	Interior light Chrome		2	
-	964 555 153 00	Desk pad		2	
(45)	911 632 103 00	Interior light		1	
-	900 631 106 90	Linolite lamp 12V 10W		2	
46	901 632 201 01	Luggage compartment lamp		X	
-	900 631 104 90	Bulb 12V 5W		2	
47	901 632 291 00	Desk pad		X	
48	N 013 961 2	Oval-head sheetmetal screw B 3,9 X 13		X	
48	N 013 961 11	Oval-head sheetmetal screw B 3,9 X 13		X	
49	901 631 601 00	License plate light with Desk pad		2	
49	901 631 601 01	License plate light Delivered Desk pad Bulb		1	
-	900 631 103 90	Bulb 12V 4W		2	
50	901 631 605 00	Desk pad		2	
51	900 146 011 02	Oval-head screw AM 4 X 10		4	
52	999 523 105 00	Lock washer		4	
53	999 702 015 50	Rubber sleeve		1	
54	911 632 113 00	Light		1	
55	901 632 102 01	Interior light	70	1	
56	901 632 155 01	Mounting plate	70	1	
57	900 140 015 02	Oval-head sheetmetal screw B 3,5 X 9,5	70	3	
58	900 019 028 02	Oval-head screw AM 3 X 15	70	2	

Model: 911 70

Model life 1970>>1973



Model: 911 70 Model life 1970>>1973

Pos	Part Number	Description	Remark	Qty	Model
1	911 641 501 00	Instruments Speedometer 10-250 KM/H		1	
(1)	911 641 503 00	Speedometer 10-300 KM/H	72-	1	CARRERA 2.7
(1)	911 641 530 00	Speedometer 10-300 KM/H for / 50 Tyre		1	
2	911 641 502 00	Speedometer M/PH	70	1	
(2)	911 641 506 00	Speedometer M/PH	71-	1	
3	901 741 191 22	Knob		1	
4	911 641 902 00	Rubber ring \$ 100 MM		2	
5	901 741 111 01	Drive shaft	-71	1	
(5)	911 641 510 00	Drive shaft	72-	1	
6	901 741 112 01	Drive shaft Exchange		1	
7	901 741 291 00	Sleeve	-71	1	
(7)	911 641 520 00	Sealing sleeve	72	1	
8	901 741 293 00	Seal		1	
9	911 641 301 00	Tachometer	70	1	911 T
9	911 641 301 X	Tachometer	70-	1	911 T
(9)	911 641 301 01	Tachometer	71-	1	911 T
(9)	911 641 301 AX	Tachometer	71-	1	911 T
(9)	911 641 302 00	Tachometer	70	1	911 E
(9)	911 641 302 X	Tachometer	70-	1	911 E
(9)	911 641 302 01	Tachometer	71-	1	911 E
(9)	911 641 303 00	Tachometer	70	1	911 S
(9)	911 641 303 01	Tachometer	71-	1	911 S CARRERA 2.7
-	901 602 601 00	Switch unit for -BHKZ-	70	1	
10	911 641 903 00	Rubber ring \$ 115 MM		1	
11	911 641 103 00	Instrument cluster \$ 100 MM German		1	911 E/S
(11)	911 641 104 00	Instrument cluster \$ 100 MM English		1	911 E/S
(11)	911 641 104 X	Instrument cluster \$ 100 MM English		1	911 E/S
12	911 641 902 00	Rubber ring \$ 100 MM		1	
13	911 641 102 00	Instrument cluster \$ 100 MM		1	911 T
13	911 641 102 X	Instrument cluster \$ 100 MM		1	911 T
14	911 641 105 00	Instrument cluster \$ 100 MM German		1	911 T/E SPM
14	911 641 105 X	Instrument cluster \$ 100 MM German		1	911 T/E SPM
(14)	911 641 106 00	Instrument cluster \$ 100 MM English		1	911 T/E SPM

Model: 911 70 Model life 1970>>1973

Pos	Part Number	Description	Remark	Qty	Model
(14)	911 641 106 AX	Instrument cluster \$ 100 MM English		1	911 T/E SPM
15	911 641 202 00	Instrument cluster \$ 80 MM for 60 L Fuel tank	-71	1	
15	911 641 202 X	Instrument cluster \$ 80 MM for 60 L Fuel tank		1	
(15)	911 641 202 01	Instrument cluster \$ 80 MM for 60 L Fuel tank	72-	1	
(15)	911 641 206 00	Instrument cluster \$ 80 MM for 100 L Fuel tank	70	1	911 T/E/S
(15)	911 641 206 X	Instrument cluster \$ 80 MM for 100 L Fuel tank	70-	1	911 T/E/S
16	911 641 201 00	Instrument cluster \$ 80 MM for 60 L Fuel tank		1	911 T
17	911 641 901 00	Rubber ring \$ 80 MM		2	
18	911 641 701 00	Clock \$ 80 MM	-72	1	
(18)	911 641 701 29	Clock \$ 80 MM	73-	1	
-	911 552 205 00	Lid for clock		1	
19	900 631 102 90	Light J 12V-2W		12	
20	999 632 007 00	Bulb socket with Flat plug		X	
(20)	999 632 009 10	Bulb socket with 2 Flat plug		X	
-	901 612 043 03	Wiring harness for Instruments Illumination with 7 Bulb socket		1	
-	999 632 003 00	Bulb socket		7	
-	999 652 161 10	Tubular rivet		7	

Model: 911 70

Model life 1970>>1973



Model: 911 70

Model life 1970>>1973

Pos	Part Number	Description	Remark	Qty	Model
>>	901 631 901 20	Installation set for subsequent installation Engine compartment lamp Rear window wiper Engine compartment lamp		1	
		Installation set for subsequent installation Comprising:			
-	911 631 315 01	Engine compartment lamp		1	
-	900 631 106 90	Linolite lamp		1	
-	901 631 391 00	Support		1	
-	900 019 024 02	Oval-head screw AM 4 X 10		4	
-	900 025 002 02	Washer 4,3		2	
-	900 025 002 03	Washer 4,3		2	
-	900 027 011 01	Lock ring B 4		2	
-	N 011 004 6	Hexagon nut M 4		2	
-	N 011 004 G	Nut M 4		2	
-	999 507 311 12	Speed nut		2	
-	901 612 315 20	Wiring harness Rear window wiper		1	
>>	911 628 901 00	Rear window wiper Complete Installation set for subsequent installation Comprising:	/LL	1	
-	901 628 611 00	Wiper arm		1	
-	901 628 061 01	Rear window wiper Complete		1	
-	901 628 613 00	Wiper blade		1	
-	PCG 628 613 00	Wiper blade		1	
-	911 612 031 00	Wiring harness NR. 31		1	
-	999 702 119 50	Rubber sleeve		1	
-	911 612 025 00	Wiring harness NR. 25		1	
-	901 612 070 05	Tunnel Wiring harness NR. 19		1	
		Fuse box Wiper switch			
-	999 652 142 40	Push-on connector		1	
-	999 702 046 50	Grommet		1	
-	999 651 152 02	Cable clamp		3	
-	999 651 152 01	Cable clamp		3	
-	999 911 084 40	Beading		1	
-	901 613 043 00	Wiper switch		1	
-	911 617 105 00	Diode		1	
>>	911 628 902 00	Windscreen wiper system Installation set for subsequent installation Comprising:	/RL	1	
>>	911 628 902 01	Windscreen wiper system Installation set for subsequent installation Comprising:	/RL	1	
-	901 628 062 00	Rear window wiper Complete		1	

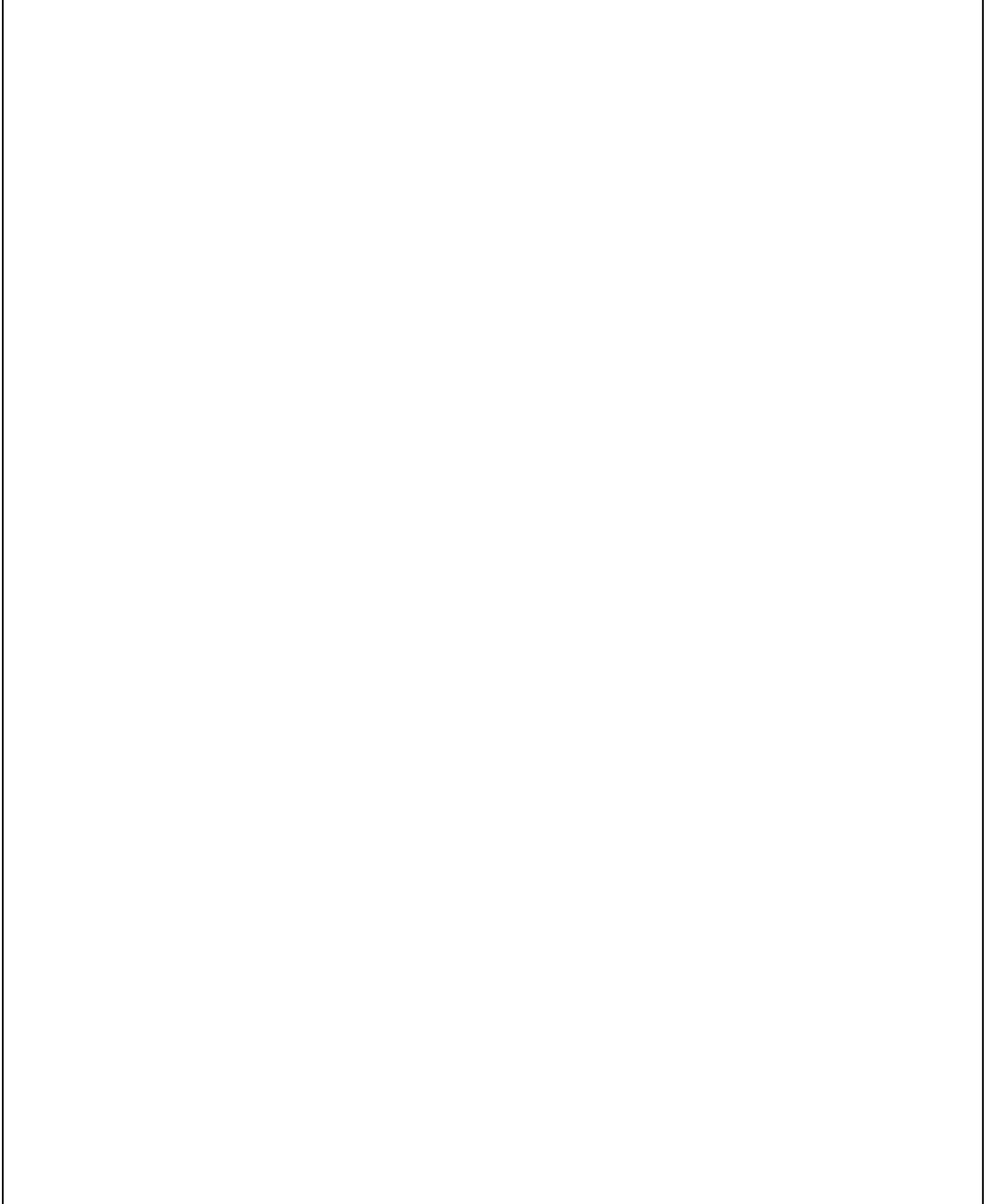
Model: 911 70

Model life 1970>>1973

Pos	Part Number	Description	Remark	Qty	Model
-	901 628 612 00	Wiper arm		1	
-	911 612 031 00	Wiring harness NR. 31		1	
-	901 628 613 00	Wiper blade		1	
-	PCG 628 613 00	Wiper blade		1	
-	999 702 119 50	Rubber sleeve		1	
-	911 612 063 00	Wiring harness NR. 63 Tunnel		1	
-	901 612 094 00	Wiring harness NR. 62 Fuse holder Wiper switch		1	
-	999 652 142 40	Push-on connector		1	
-	999 702 046 50	Grommet		1	
-	999 651 152 02	Cable clamp		1	
-	999 651 152 01	Cable clamp		1	
-	999 911 084 40	Beading		1	
-	901 613 043 00	Wiper switch		1	
-	911 617 105 00	Rear window wiper Diode		1	

Model: 911 70

Model life 1970>>1973



Model: 911 70 Model life 1970>>1973

Pos	Part Number	Description	Remark	Qty	Model
>>	911 631 902 00	Installation set for subsequent installation Fog headlamp Rear fog light Additional headlamp Installation set Yellow Round 1 set for subsequent installation		1	
-	911 631 202 10	Additional headlamp		2	
-	900 631 126 90	Halogen bulb		2	
-	999 703 067 50	Stopper		1	
-	999 652 235 10	Cable shoe		2	
-	901 631 125 00	Support		2	
-	901 631 137 00	Retaining bow		2	
-	901 631 137 01	Retaining bow		2	
-	901 631 137 02	Retaining bow		2	
-	900 075 217 02	Hexagon-head bolt M 6 X 12		4	
-	999 652 116 02	Retaining bracket		4	
-	999 652 160 40	Sleeve		4	
-	901 559 431 28	Grille Left		1	
-	911 559 431 04	Grille Plastic material Black Left for cars with Additional headlamp And		1	1973
-	901 559 432 28	Fog headlamp Grille Right		1	
-	911 559 432 04	Grille Plastic material Black Right for cars with Additional headlamp And		1	1973
-	911 612 027 00	Fog headlamp Wiring harness NR. 27		1	
-	911 615 109 01	Standard type relay		1	
-	911 613 027 00	Switch		1	
-	900 631 102 90	Light		1	
-	911 613 213 00	Rosette		1	
>>	911 631 905 00	Installation set White 1 set for subsequent installation		1	
-	901 631 205 01	Comprising: Fog headlamp		2	
-	900 631 125 90	Halogen bulb		2	
-	928 101 303 00	Washer 10,5		2	
-	999 652 235 10	Cable shoe		1	
-	911 615 109 01	Standard type relay		1	
-	911 612 027 00	Wiring harness NR. 27		1	
-	911 613 027 00	Switch		1	

Model: 911 70 Model life 1970>>1973

Pos	Part Number	Description	Remark	Qty	Model
-	900 631 102 90	Light		1	
-	911 613 213 00	Rosette		1	
-	999 703 067 50	Stopper		1	
-	999 652 116 02	Retaining bracket		1	
-	901 612 064 00	Ground cable		1	
		NR. 58			
-	901 612 063 00	Wiring harness		1	
		NR. 59			
-	999 652 160 40	Sleeve		2	
>>	901 631 912 03	Fog headlamp		1	
		White			
		Round			
		1 set			
		for subsequent installation			
		Comprising:			
-	901 631 202 01	Fog headlamp		2	
-	901 631 125 00	Support		2	
-	900 631 126 90	Halogen bulb		2	
-	999 652 106 02	Flat receptacle		2	
-	999 652 235 10	Cable shoe		2	
-	901 631 137 00	Retaining bow		2	
-	901 631 137 01	Retaining bow		2	
-	901 631 137 02	Retaining bow		2	
-	900 151 006 09	Washer		4	
		B 6,4			
-	900 114 010 01	Shake-proof washer		4	
		A 6,4			
-	900 075 010 02	Hexagon nut		4	
		M 6 X 12			
-	N 010 212 14	Hexagon-head bolt		4	
		M 6 X 12			
-	999 072 005 09	Hexagon nut		4	
		M 6 X 12			
-	999 072 005 01	Hexagon nut		4	
		M 6 X 12			
-	911 613 027 00	Switch		1	
-	911 613 213 00	Rosette		1	
		Plastic material			
-	901 552 827 00	Cap		1	
-	901 613 802 00	Cap with symbol		1	
-	901 612 010 00	Wiring harness		1	
		NR. 27			
-	911 615 109 01	Standard type relay		1	
-	901 559 431 28	Grille		1	
		Left			
-	911 559 431 04	Grille		1	1973
		Plastic material			
		Black			
		Left			
		for cars with			
		Additional headlamp			
		And			
		Fog headlamp			
-	901 559 432 28	Grille		1	
		Right			
-	911 559 432 04	Grille		1	1973
		Plastic material			
		Black			
		Right			
		for cars with			
		Additional headlamp			
		And			
		Fog headlamp			

Model: 911 70

Model life 1970>>1973

Pos	Part Number	Description	Remark	Qty	Model
>>	911 631 903 00	Installation set White Round 1 set for subsequent installation Comprising:		1	
-	911 631 202 00	Additional headlamp		2	
-	900 631 126 90	Halogen bulb		2	
-	999 703 067 50	Stopper		1	
-	999 652 235 10	Cable shoe		2	
-	901 631 125 00	Support		2	
-	901 631 137 00	Retaining bow		2	
-	901 631 137 01	Retaining bow		2	
-	901 631 137 02	Retaining bow		2	
-	900 075 217 02	Hexagon-head bolt M 6 X 12		4	
-	999 652 116 02	Retaining bracket		4	
-	999 652 160 40	Sleeve		4	
-	901 559 431 28	Grille Left		1	
-	911 559 431 04	Grille Plastic material Black Left for cars with Additional headlamp And Fog headlamp		1	1973
-	901 559 432 28	Grille Right		1	
-	911 559 432 04	Grille Plastic material Black Right for cars with Additional headlamp And Fog headlamp		1	1973
-	911 612 027 00	Wiring harness NR. 27		1	
-	911 615 109 01	Standard type relay		1	
-	911 613 027 00	Switch		1	
-	900 631 102 90	Light		1	
-	911 613 213 00	Rosette Plastic material		1	
>>	911 631 904 00	Installation set Yellow 1 set for subsequent installation Comprising:		1	
-	901 631 205 01	Fog headlamp		2	
-	900 631 126 90	Halogen bulb		2	
-	928 101 303 00	Washer 10,5		2	
-	999 652 235 10	Cable shoe		2	
-	911 615 109 01	Standard type relay		2	
-	911 612 027 00	Wiring harness NR. 27		1	
-	911 613 027 00	Switch		1	
-	900 631 102 90	Light		1	
-	911 613 213 00	Rosette		1	
-	999 703 067 50	Stopper		1	
-	999 652 116 02	Retaining bracket		2	

Model: 911 70 Model life 1970>>1973

Pos	Part Number	Description	Remark	Qty	Model
-	901 612 064 00	Ground cable NR. 58		1	
-	901 612 063 00	Wiring harness NR. 59		1	
-	999 652 160 40	Sleeve		2	
>>	901 631 025 00	Rear fog light 1 set for subsequent installation Comprising:		1	
-	901 631 251 00	Rear fog light		1	
-	900 631 123 90	Linolite lamp		1	
-	900 631 123 92	Linolite lamp		1	
-	911 631 125 00	Fastening angle		1	
-	900 067 009 02	Pan-head screw M 6 X 15		2	
-	900 067 429 01	Pan-head screw M 6 X 15		2	
-	N 011 524 7	Washer 6,4		2	
-	N 011 524 27	Washer 6,4		2	
-	900 027 014 01	Lock ring A 6		2	
-	900 027 014 02	Lock ring A 6		2	
-	N 012 006 4	Lock ring A 6		2	
-	911 631 126 00	Bracket for Rear fog light		1	
-	999 702 046 50	Grommet 8 X 10 X 7		1	
-	999 702 020 50	Rubber sleeve 8 X 12 X 9		2	
-	999 513 002 40	Tie-wrap		1	
-	N 020 910 4	Tie-wrap		1	
-	999 513 003 40	Tie-wrap		1	
-	911 612 026 00	Wiring harness NR. 26 for Switch for rear fog light		1	
-	911 612 040 00	Wiring harness NR. 40 for Rear fog light		1	
-	999 615 010 40	Insulating hose		1	
-	999 652 208 10	Cable shoe		1	
-	901 612 064 00	Ground cable NR. 58		1	
-	911 612 027 00	Wiring harness NR. 27		1	
-	911 613 027 00	Switch		1	
-	911 613 213 00	Rosette		1	
-	999 703 067 50	Stopper		1	
>>	911 631 901 00	Installation set Round 1 set for subsequent installation Comprising:		1	
-	911 631 121 00	Additional headlamp		2	
-	900 631 126 90	Halogen bulb		2	
-	999 652 116 02	Retaining bracket		1	
-	999 652 160 40	Sleeve		4	

Model: 911 70 Model life 1970>>1973

Pos	Part Number	Description	Remark	Qty	Model
-	901 631 125 00	Support		1	
-	900 075 217 02	Hexagon-head bolt M 6 X 12		4	
-	901 631 137 00	Retaining bow		2	
-	901 631 137 01	Retaining bow		2	
-	901 631 137 02	Retaining bow		2	
-	901 559 431 28	Grille Left		1	
-	911 559 431 04	Grille Plastic material Black Left for cars with Additional headlamp And Fog headlamp		1	1973
-	901 559 432 28	Grille Right		1	
-	911 559 432 04	Grille Plastic material Black Right for cars with Additional headlamp And Fog headlamp		1	1973
-	911 612 073 00	Wiring harness NR. 75		1	
-	911 615 109 01	Standard type relay		1	
-	901 631 090 11	Box with bulbs		1	

Model: 911 70

Model life 1970>>1973



Model: 911 70

Model life 1970>>1973

Pos	Part Number	Description	Remark	Qty	Model
>>	901 602 010 00	Installation set for subsequent installation Battery High voltage Condenser Ignition system - bosch -	70	1	
-	901 602 702 00	Control unit		1	
-	901 602 702 01	Control unit		1	
-	901 602 702 AX	Control unit		1	
-	901 602 702 X	Control unit		1	
-	901 602 502 00	Ignition transformer		1	
-	901 602 601 00	Switch unit		1	
-	901 612 092 00	Wiring harness		1	
-	901 612 099 00	Ground strap		1	
-	901 501 130 00	Retaining bracket		1	
-	999 513 002 40	Tie-wrap 4,8 X 186		2	
-	N 020 910 4	Tie-wrap 4,8 X 186		2	
-	999 513 003 40	Tie-wrap 4,8 X 186		2	
-	900 067 008 02	Pan-head screw M 6 X 12		1	
-	900 067 008 03	Pan-head screw M 6 X 12		1	
-	900 067 010 01	Hexagon socket head bolt M 6 X 18		2	
-	900 075 010 02	Hexagon nut M 6 X 12		2	
-	N 010 212 14	Hexagon-head bolt M 6 X 12		2	
-	999 072 005 09	Hexagon nut M 6 X 12		2	
-	999 072 005 01	Hexagon nut M 6 X 12		2	
-	900 027 014 01	Lock ring B 6		5	
-	900 027 014 02	Lock ring B 6		5	
-	N 012 006 4	Lock ring B 6		5	
-	900 076 010 02	Nut M 6		4	
-	900 076 010 0B	Nut M 6		4	
-	900 151 006 09	Washer B 6,4		3	