

Model: 911 89**Model life 1989>>1994**

ORDER-INFO

THIS PARTS CATALOGUE CONTAINS THE ORDER INFORMATION OF
TYPE 911 - CARRERA 4 FROM MODEL YEAR 1989 - 1994
CARRERA 2 FROM MODEL YEAR 1990 - 1994
TURBO FROM MODEL YEAR 1991 - 1994.

IT IS AVAILABLE IN TWO EDITIONS IN THE FOLLOWING LANGUAGES:

EDITION

USA, CANADA - *

EDITION

ALL OTHER COUNTRIES - GERMAN

* - ENGLISH

- FRENCH

- ITALIAN ORDER NO. WET 614 840

- SPANISH ORDER NO. WET 614 850

UPDATING IS BEING PERFORMED BY CHANGING OF UPDATE.

THE EDITION CAN BE RECOGNIZED BY THE CURRENT NO.
IN THE BOTTOM LINE OF SUBJECT UPDATE.

THE PREVIOUS UPDATE SHOULD NO LONGER BE USED.

ALL ILLUSTRATIONS ARE SUBJECT TO CHANGE WITHOUT OBLIGATION.

THE SEATS FOR EACH MODEL ARE AVAILABLE IN THE PARTS CATALOGUE
"SEATS (STZ 18)".

Model: 911 89

Model life 1989>>1994

EXPLANAT.- VIN

EXPLANATION OF THE ABRIDGED VERSION OF THE VEHICLE IDENT. NUMBERS (VIN)
 =====
 USED IN THE CATALOGUE
 =====

DIGIT: 1 2 3 4 5 6 7 8 9 10 11 12 13 14 15 16 17

EXAMPLE: W P O Z Z Z 9 6 Z K S 4 0 0 1 2 5

 === = = = =====

 ! ! ! ! !

VEHICLE TYPE 1ST+2ND DIGIT-----+ ! ! ! !

 ! ! ! !

MODEL YEAR-----+ ! ! !

 ! ! !

MANUFACTURING LOCATION-----+ ! !

 ! !

VEHICLE TYPE 3RD DIGIT-----+ !

 !

SERIAL NUMBER-----+ !

Model: 911 89

Model life 1989>>1994

SUMMARY TYPES

VEHICLE TYPE	MY	VIN	ENGINE TYPE
911 CARRERA 4 COUPE	89	K 96KS4 00061>05000	M64.01 184 KW
911 CARRERA 4 COUPE (USA) (CDN)	89	K 96KS4 50061>55000	M64.01 184 KW
911 CARRERA 2 COUPE	90	L 96LS4 00061>05000	M64.01/02 184 KW
911 CARRERA 2 TARGA	90	L 96LS4 10061>15000	M64.01/02 184 KW
911 CARRERA 2 CABRIO	90	L 96LS4 20061>25000	M64.01/02 184 KW
911 CARRERA 4 COUPE	90	L 96LS4 00061>05000	M64.01 184 KW
911 CARRERA 4 TARGA	90	L 96LS4 10061>15000	M64.01 184 KW
911 CARRERA 4 CABRIO	90	L 96LS4 20061>25000	M64.01 184 KW
911 CARRERA 2 COUPE (USA) (CDN)	90	L 96LS4 50061>59500	M64.01/02 184 KW
911 CARRERA 2 TARGA (USA) (CDN)	90	L 96LS4 60061>69500	M64.01/02 184 KW
911 CARRERA 2 CABRIO (USA) (CDN)	90	L 96LS4 70061>79500	M64.01/02 184 KW
911 CARRERA 4 COUPE (USA) (CDN)	90	L 96LS4 50061>59500	M64.01 184 KW
911 CARRERA 4 TARGA (USA) (CDN)	90	L 96LS4 60061>69500	M64.01 184 KW
911 CARRERA 4 CABRIO (USA) (CDN)	90	L 96LS4 70061>79500	M64.01 184 KW
911 CARRERA 2 COUPE	91	M 96MS4 00061>08000	M64.01/02 184 KW
911 CARRERA 2 TARGA	91	M 96MS4 30061>38000	M64.01/02 184 KW
911 CARRERA 2 CABRIO	91	M 96MS4 50061>58000	M64.01/02 184 KW
911 CARRERA 4 COUPE	91	M 96MS4 00061>08000	M64.01 184 KW
911 CARRERA 4 TARGA	91	M 96MS4 30061>38000	M64.01 184 KW
911 CARRERA 4 CABRIO	91	M 96MS4 50061>58000	M64.01 184 KW
911 TURBO COUPE	91	M 96MS4 70061>75000	M30.69 235 KW
911 CARRERA 2 COUPE (USA) (CDN)	91	M 96MS4 10061>18000	M64.01/02 184 KW
911 CARRERA 2 TARGA (USA) (CDN)	91	M 96MS4 40061>48000	M64.01/02 184 KW
911 CARRERA 2 CABRIO (USA) (CDN)	91	M 96MS4 60061>68000	M64.01/02 184 KW
911 CARRERA 4 COUPE (USA) (CDN)	91	M 96MS4 10061>18000	M64.01 184 KW
911 CARRERA 4 TARGA (USA) (CDN)	91	M 96MS4 40061>48000	M64.01 184 KW
911 CARRERA 4 CABRIO (USA) (CDN)	91	M 96MS4 60061>68000	M64.01 184 KW
911 TURBO COUPE (USA) (CDN)	91	M 96MS4 80061>85000	M30.69 235 KW
911 CARRERA 2 COUPE	92	N 96NS4 00061>08000	M64.01/02 184 KW
911 CARRERA 2 TARGA	92	N 96NS4 30061>38000	M64.01/02 184 KW
911 CARRERA 2 CABRIO	92	N 96NS4 50061>58000	M64.01/02 184 KW
911 CARRERA 2 RS	92	N 96NS4 90061>96000	M64.03 191 KW
911 CARRERA 2 RS M002 (TOURING)	92	N 96NS4 90061>96000	M64.03 191 KW
911 CARRERA 4 COUPE	92	N 96NS4 00061>08000	M64.01 184 KW
911 CARRERA 4 TARGA	92	N 96NS4 30061>38000	M64.01 184 KW
911 CARRERA 4 CABRIO	92	N 96NS4 50061>58000	M64.01 184 KW
911 TURBO COUPE	92	N 96NS4 70061>75000	M30.69 235 KW
911 CARRERA 2 COUPE (USA) (CDN)	92	N 96NS4 20061>28000	M64.01/02 184 KW
911 CARRERA 2 TARGA (USA) (CDN)	92	N 96NS4 40061>48000	M64.01/02 184 KW
911 CARRERA 2 CABRIO (USA) (CDN)	92	N 96NS4 60061>68000	M64.01/02 184 KW
911 CARRERA 2 RS AMERICA (USA) (CDN)	92	N 96PS4 18061>18999	M64.01 184 KW
911 CARRERA 4 COUPE (USA) (CDN)	92	N 96NS4 20061>28000	M64.01 184 KW
911 CARRERA 4 TARGA (USA) (CDN)	92	N 96NS4 40061>48000	M64.01 184 KW
911 CARRERA 4 CABRIO (USA) (CDN)	92	N 96NS4 60061>68000	M64.01 184 KW

Model: 911 89

Model life 1989>>1994

911 TURBO COUPE (USA) (CDN) 92 N 96NS4 80061>85000 M30.69 235 KW

Model: 911 89

Model life 1989>>1994

SUMMARY TYPES

VEHICLE TYPE	MY	VEHICLE IDENT.NR.	ENGINE TYPE	
911 CARRERA 2 COUPE	93 P	96PS4 00061>08000	M64.01/02	184 KW
911 CARRERA 2 TARGA	93 P	96PS4 30061>35000	M64.01/02	184 KW
911 CARRERA 2 CABRIO	93 P	96PS4 50061>54000	M64.01/02	184 KW
911 CARRERA 2 SPEEDSTER	93 P	96RS4 55061>58000	M64.01/02	184 KW
911 CARRERA 4 COUPE	93 P	96PS4 00061>08000	M64.01	184 KW
911 CARRERA 4 TARGA	93 P	96PS4 30061>35000	M64.01	184 KW
911 CARRERA 4 CABRIO	93 P	96PS4 50061>54000	M64.01	184 KW
911 CARRERA 2 COUPE (USA) (CDN)	93 P	96PS4 20061>28000	M64.01/02	184 KW
911 CARRERA 2 TARGA (USA) (CDN)	93 P	96PS4 40061>45000	M64.01/02	184 KW
911 CARRERA 2 CABRIO (USA) (CDN)	93 P	96PS4 60061>64000	M64.01/02	184 KW
911 CARRERA 2 SPEEDSTER (USA) (CDN)	93 P	96RS4 65061>68000	M64.01/02	184 KW
911 CARRERA 2 RS AMERICA (USA) (CDN)	93 P	96PS4 19061>19999	M64.01	184 KW
911 CARRERA 4 COUPE (USA) (CDN)	93 P	96PS4 20061>28000	M64.01	184 KW
911 CARRERA 4 TARGA (USA) (CDN)	93 P	96PS4 40061>45000	M64.01	184 KW
911 CARRERA 4 CABRIO (USA) (CDN)	93 P	96PS4 60061>64000	M64.01	184 KW
911 TURBO 3.6 COUPE	93 P	96PS4 70061>75000	M64.50	265 KW
911 TURBO 3.6 COUPE (USA) (CDN)	93 P	96RS4 80061>85000	M64.50	265 KW
911 CARRERA 2 CABRIO	94 R	96RS4 50061>54000	M64.01/02	184 KW
911 CARRERA 2 SPEEDSTER	94 R	96RS4 55061>58000	M64.01/02	184 KW
911 CARRERA 4 COUPE	94 R	96RS4 00061>08000	M64.01	184 KW
911 CARRERA 2 COUPE (USA) (CDN)	94 R	96RS4 20061>28000	M64.01/02	184 KW
911 CARRERA 2 CABRIO (USA) (CDN)	94 R	96RS4 60061>64000	M64.01/02	184 KW
911 CARRERA 2 SPEEDSTER (USA) (CDN)	94 R	96RS4 65061>68000	M64.01/02	184 KW
911 CARRERA 2 RS AMERICA (USA) (CDN)	94 R	96RS4 10061>19999	M64.01	184 KW
911 CARRERA 4 COUPE (USA) (CDN)	94 R	96RS4 20061>28000	M64.01	184 KW
911 TURBO 3.6 COUPE	94 R	96RS4 70061>75000	M64.50	265 KW
911 TURBO 3.6 COUPE (USA) (CDN)	94 R	96RS4 80061>85000	M64.50	265 KW

Model: 911 89

Model life 1989>>1994

EXPL. ENGINE-NO.

EXPLANATION OF THE MOTOR-NUMBERS USED IN THE CATALOGUE

=====

DIGIT:	1 2 3	4 5 6 7 8
EXAMPLE:	6 2 L	0 0 1 3 6
	= = =	=====
	! ! !	!
ENGINE TYPE (6 = 6-CYL.-ENGINE)-----+	! !	!
	! !	!
ENGINE VERSION-----+	!	!
	!	!
MODEL YEAR-----+		!
		!
SERIAL NUMBER-----+		!

Model: 911 89

Model life 1989>>1994

SUMMARY ENGINES

VEHICLE TYPE	ENGINE		ENGINE NO.	TECHNICAL DATA
	TYPE	MY		
911 CARRERA 4	M64.01	89 K	62K 00501>10000	6CYL/3.6L/184 KW
911 CARRERA 2/4	M64.01	90 L	62L 00501>50000	6CYL/3.6L/184 KW
911 CARRERA 2 TIPTRONIC	M64.02	90 L	62L 50501>60000	6CYL/3.6L/184 KW
911 CARRERA 2/4	M64.01	91 M	62M 00501>20000	6CYL/3.6L/184 KW
911 CARRERA 2 TIPTRONIC	M64.02	91 M	62M 50501>60000	6CYL/3.6L/184 KW
911 TURBO	M30.69	91 M	61M 00501>50000	6CYL/3.3L/235 KW
911 CARRERA 2/4	M64.01	92 N	62N 00501>20000	6CYL/3.6L/184 KW
911 CARRERA 2 TIPTRONIC	M64.02	92 N	62N 50501>60000	6CYL/3.6L/184 KW
911 CARRERA RS	M64.03	92 N	62N 80501>90000	6CYL/3.6L/191 KW
911 TURBO	M30.69	92 N	61N 00501>20000	6CYL/3.3L/235 KW
911 CARRERA 2/4	M64.01	93 P	62P 00501>20000	6CYL/3.6L/184 KW
911 CARRERA 2 TIPTRONIC	M64.02	93 P	62P 50501>60000	6CYL/3.6L/184 KW
911 TURBO 3.6	M64.50	93 P	61P 00501>20000	6CYL/3.6L/265 KW
911 CARRERA 2/4	M64.01	94 R	62R 00501>20000	6CYL/3.6L/184 KW
911 CARRERA 2 TIPTRONIC	M64.02	94 R	62R 50501>60000	6CYL/3.6L/184 KW
911 TURBO 3.6	M64.50	94 R	61R 00501>20000	6CYL/3.6L/265 KW

Model: 911 89

Model life 1989>>1994

EXPL. TRANSM. NO.

EXPLANATION OF THE TRANSMISSION-NUMBERS USED IN THE CATALOGUE

DIGIT:	1	2	3	4	5	6	7	8	9	10	11	12
EXAMPLE:	G	6	4	0	0	3	K	0	0	5	4	3
	=	=====				=	=	=====				
	!		!			!	!			!		
	!		!			!	!			!		
TRANSMISSION TYPE-----+			!			!	!			!		
			!			!	!			!		
TRANSMISSION VERSION-----+						!	!			!		
						!	!			!		
INDEX OF VARIANTS-----+							!			!		
							!			!		
MODEL YEAR-----+										!		
										!		
SERIAL NUMBER-----+												!

Model: 911 89

Model life 1989>>1994

SUMM. TRANSMISS.

VEHICLE TYPE	TRANSM. TYPE	MY	TRANSMISSION NO.	TECHNICAL DATA
911 CARRERA 4	G64.00	89 K	G6400 3K00501>3K20000	5-SPEED
911 CARRERA 4 (CH)	G64.01	89 K	G6401 3K00501>3K20000	5-SPEED
911 CARRERA 4 FRONT AXLE TRANSMISS.	Z64.00	89 K	Z6400 1K00501>1K20000	1-SPEED
911 CARRERA 2	G50.03	90 L	G5003 1L00501>1L20000	5-SPEED
911 CARRERA 2 M220	G50.03	90 L	G5003 2L00501>2L20000	5-SPEED
911 CARRERA 2 (CH)	G50.04	90 L	G5004 1L00501>1L20000	5-SPEED
911 CARRERA 2 (CH) M220	G50.04	90 L	G5004 2L00501>2L20000	5-SPEED
911 CARRERA 2 TIPTRONIC	A50.01	90 L	A5001 1L00501>1L01944	4-SPEED
911 CARRERA 4	G64.00	90 L	G6400 3L00501>3L20000	5-SPEED
911 CARRERA 4 (CH)	G64.01	90 L	G6401 3L00501>3L20000	5-SPEED
911 CARRERA 4 FRONT AXLE TRANSMISS.	Z64.00	90 L	Z6400 1L00501>1L20000	1-SPEED
911 CARRERA 2	G50.03	91 M	G5003 1M00501>1M20000	5-SPEED
911 CARRERA 2 M220	G50.03	91 M	G5003 2M00501>2M20000	5-SPEED
911 CARRERA 2 (CH)	G50.04	91 M	G5004 1M00501>1M20000	5-SPEED
911 CARRERA 2 (CH) M220	G50.04	91 M	G5004 2M00501>2M20000	5-SPEED
911 CARRERA 2 TIPTRONIC	A50.01	91 M	A5001 1001945>1099999	4-SPEED
911 CARRERA 4	G64.00	91 M	G6400 3M00501>3M20000	5-SPEED
911 CARRERA 4 (CH)	G64.01	91 M	G6401 3M00501>3M20000	5-SPEED
911 TURBO	G50.52	91 M	G5052 1M00501>1M20000	5-SPEED
911 CARRERA 2	G50.03	92 N	G5003 1000501>9 99999	5-SPEED
911 CARRERA 2 M220	G50.03	92 N	G5003 2000501>9 99999	5-SPEED
911 CARRERA 2 (CH) (RC)	G50.04	92 N	G5004 1000501>9 99999	5-SPEED
911 CARRERA 2 (CH) (RC) M220	G50.04	92 N	G5004 2000501>9 99999	5-SPEED
911 CARRERA 2 (USA) (CDN)	G50.05	92 N	G5005 1002001>9 99999	5-SPEED
911 CARRERA 2 (USA) (CDN) M220	G50.05	92 N	G5005 2002001>9 99999	5-SPEED
911 CARRERA 2 TIPTRONIC	A50.02	92 N	A5002 1002001>9 99999	4-SPEED
911 CARRERA 2 TIPTRONIC (USA) (CDN)	A50.03	92 N	A5003 1002001>9 99999	4-SPEED
911 CARRERA 2 RS	G50.10	92 N	G5010 2002001>9 99999	5-SPEED
911 CARRERA 4	G64.00	92 N	G6400 3000501>9 99999	5-SPEED
911 CARRERA 4 (CH)	G64.01	92 N	G6401 3000501>9 99999	5-SPEED
911 CARRERA 4 (RC)	G64.02	92 N	G6402 3002001>9 99999	5-SPEED
911 TURBO	G50.52	92 N	G5052 2000501>9 99999	5-SPEED

Model: 911 89 Model life 1989>>1994

SUMM. TRANSMISS.

VEHICLE TYPE	TRANSM. TYPE	MY	TRANSMISSION NO.	TECHNICAL DATA
911 CARRERA 2	G50.03	93 P	G5003 1002001>9	99999 5-SPEED
911 CARRERA 2 M220	G50.03	93 P	G5003 2002001>9	99999 5-SPEED
911 CARRERA 2 (CH) (RC)	G50.04	93 P	G5004 1002001>9	99999 5-SPEED
911 CARRERA 2 (CH) (RC) M220	G50.04	93 P	G5004 2002001>9	99999 5-SPEED
911 CARRERA 2 (USA) (CDN)	G50.05	93 P	G5005 1002001>9	99999 5-SPEED
911 CARRERA 2 (USA) (CDN) M220	G50.05	93 P	G5005 2002001>9	99999 5-SPEED
911 CARRERA 2 TIPTRONIC	A50.02	93 P	A5002 1002001>9	99999 4-SPEED
911 CARRERA 2 TIPTRONIC (USA) (CDN) (RC)	A50.03	93 P	A5003 1002001>9	99999 4-SPEED
911 CARRERA 4	G64.00	93 P	G6400 3002001>9	99999 5-SPEED
911 CARRERA 4 (CH)	G64.01	93 P	G6401 3002001>9	99999 5-SPEED
911 CARRERA 4 (RC)	G64.02	93 P	G6402 3002001>9	99999 5-SPEED
911 TURBO 3.6	G50.52	93 P	G5052 2002001>9	99999 5-SPEED
911 CARRERA 2	G50.03	94 R	G5003 1002001>9	99999 5-SPEED
911 CARRERA 2 M220	G50.03	94 R	G5003 2002001>9	99999 5-SPEED
911 CARRERA 2 (CH) (RC)	G50.04	94 R	G5004 1002001>9	99999 5-SPEED
911 CARRERA 2 (CH) (RC) M220	G50.04	94 R	G5004 2002001>9	99999 5-SPEED
911 CARRERA 2 (USA) (CDN)	G50.05	94 R	G5005 1002001>9	99999 5-SPEED
911 CARRERA 2 (USA) (CDN) M220	G50.05	94 R	G5005 2002001>9	99999 5-SPEED
911 CARRERA 2 TIPTRONIC	A50.02	94 R	A5002 1002001>9	99999 4-GANG
911 CARRERA 2 TIPTRONIC (USA) (CDN) (RC)	A50.03	94 R	A5003 1002001>9	99999 4-GANG
911 CARRERA 4	G64.00	94 R	G6400 3002001>9	99999 5-GANG
911 TURBO 3.6	G50.52	94 R	G5252 2002001>9	99999 5-GANG

Model: 911 89

Model life 1989>>1994

LEGENDS/NOTICES

LEGENDS AND NOTICES

=====

IN COLUMN -S- STATUS

- N NEW ADDITION
- P PART ALREADY IN PROGRAMME, BUT NEW AT THIS APPLICATION
- W DELETED AT THIS APPLICATION, BUT CONTINUED TO BE CARRIED
- A STOCK TO BE USED UP
- U DELETED WITHOUT REPLACEMENT
- * PART ALSO OR ONLY AVAILABLE IN REPAIR KIT
- > ALSO AVAILABLE IN EXCHANGE

IN COLUMN - ILL. -

- 1 IDENTIFICATION NO. IN ILLUSTRATION
- (1) PART ONLY SIMILAR AS ILLUSTRATED
- PART IS NOT ILLUSTRATED

FIG.-NUMBERS FOR WHICH THERE IS SHOWN NO TEXT ARE NOT VALID FOR THIS EDITION OF CATALOGUE

IN COLUMN -PART NUMBER/CODE-

000 000 000 00 PART NUMBER EQUALS ORDERING NO., IF A CODE IS SHOWN, IT WILL HAVE TO BE PART OF ORDERING NUMBER

01C COLOUR CODE

IN COLUMN -TEXT

INSTALLATION WITH ENGINE OR CHASSIS NUMBER-RANGE

EXAMPLE:

M 62L 00389>> FROM ENGINE NO.

Model: 911 89

Model life 1989>>1994

F

>>96LS4 00889

UP TO CHASSIS NO.

Model: 911 89

Model life 1989>>1994

LEGENDS/NOTICES

IN COLUMN - A -

IDENTIFICATION LETTER FOR PERIOD OF INSTALLATION
THAT IS REPEATED SEVERAL TIMES IN THE CATALOG GROUP.

EXPLANATION PLEASE FIND IN TEXT COLUMN OF THE CATALOG GROUP

IN COLUMN - QU - = NO. OF PIECES

- 1 NUMBER PER APPLICATION
- X NUMBER AS NEEDED
- * AVAILABLE ONLY IN RUNNING LENGTHS 1 = 1 METRE

IN COLUMN - MODEL/SYMBOL -

- M650 OPTIONAL EQUIPMENT - SEE M-NO. LIST
- 90 LIMITATION OF MODEL YEAR FOR INSTANCE: VALID UP TO
END OF MODEL YEAR 1990
- /LL LHD
- /RL RHD
- +
- /V FRONT I
I
- /H REAR I
I----> APPLIES TO
- /L LEFT I DIRECTION OF TRAVEL
I
- /R RIGHT I
-----+
- C2 CARRERA 2
- C4 CARRERA 4
- AUT. AUTOMATIC
- WW THE PART CAN BE USED INSTEAD OF THE
PRECEDING ONE.

Model: 911 89

Model life 1989>>1994

COUNTRY-EQIPM.

EQUIPMENT BY COUNTRY REGULATIONS

=====

(A)	AUSTRIA
(AG)	ARABIAN GULF STATES
(AUS)	AUSTRALIA
(B)	BELGIUM
(CDN)	CANADA
(CH)	SWITZERLAND
(D)	FEDERAL REPUBLIC OF GERMANY
(DK)	DENMARK
(E)	SPAIN
(F)	FRANCE
(GB)	GREAT BRITAIN
(GR)	GREECE
(HK)	HONGKONG
(I)	ITALY
(J)	JAPAN
(L)	LUXEMBURG
(N)	NORWAY
(NL)	NETHERLANDS
(NZ)	NEW ZEALAND
(P)	PORTUGAL
(RC)	TAIWAN
(S)	SWEDEN
(SA)	SAUDI ARABIA
(SF)	FINLAND
(USA)	UNITED STATES OF AMERICA
(ZA)	SOUTH AFRICA

Model: 911 89 Model life 1989>>1994

NR	Description
M000	+-----+ ! Summary of optional extras "M"! +-----+
M002	Touring equipment for Carrera RS e. g. electric window opener central locking system underbody protection
M018	Sports steering wheel with elevated hub 30 mm
M020	Speedometer with two scales mph-km/h
M024	Version for Greece
M027	Version for California
M030	Sport-type chassis
M034	Version for Italy
M058	Impact absorbers, front and rear
M061	Version for Great Britain
M062	Version for Sweden
M063	Version Luxemburg
M070	Tarpaulin
M096	Anniversary model "30 years 911"
M111	Version for Austria
M113	Version for Canada
M114	Version for Taiwan
M119	Version for Spain
M124	Version for France
M126	Control and indications in French lettering
M127	Control and indications in Swedish
M130	Control and indications in English lettering
M139	Seat heating system, left seat
M150	Operation with leaded gas
M151	Engine with different parts
M156	Muffler (low noise level)
M157	Three-way catalytic converter, oxygen sensor and digital engine electronics (DME)
M158	Radio Blaupunkt RENO SWR 46
M160	Radio Blaupunkt Charleston SWR 26
M176	Blower for oil cooler
M185	2-point seat belts, rear automatic
M186	2-point seat belts, rear manual
M193	Version for Japan
M195	Preparation for mobile telephone system
M197	Stronger battery
M208	Trailer coupling
M215	Version for Saudi Arabia
M219	Differential

Model: 911 89

Model life 1989>>1994

NR	Description
M220	Locking differential 40 %
M221	Porsche locking differential
M225	Version for Belgium, engine designation: -B-
M249	Tiptronic transmission
M261	Door mirror - flat - passenger's side, electrically adjustable and heatable
M277	Version for Switzerland
M286	Intensified windscreen washer
M288	Headlamp washer
M325	Version for South Africa/New Zealand
M326	Radio Blaupunkt Berlin IQR 88 with ARI
M327	Radio "Symphony RDS"
M328	- Radio Blaupunkt Bremen SWR 46 with ARI up to model year '90 - Radio Blaupunkt Symphony SQR 49 from model year '91
M329	Radio Blaupunkt Toronto SQR 48
M330	Radio Blaupunkt Toronto SQR 46
M331	Radio "Porsche CR-1"
M332	Radio "Porsche CR-2"
M333	Radio Paris RCR 41
M334	Radio/cassette player Bremen RCM 42
M335	Automatic seat belt, 3-point, rear
M339	All-wheel drive
M340	Seat heating system, right seat
M341	Central locking system
M347	Forged wheels platinum-anodized rim 7 x 16 tire 225/50 VR 16
M379	Standard seat, left, electrical vertical adjustment
M380	Standard seat, right, electrcal vertical adjustment
M381	Standard seat, left, manually adjustable
M382	Standard seat, right, manually adjustable
M383	Sports seat, left, electrically vertically adjustable
M384	Bucket seat, left
M385	Bucket seat, right
M387	Sports seat, right, electrically vertically adjustable
M395	Light-alloy rims, forged, 16-inch

Model: 911 89 Model life 1989>>1994

NR	Description
M402	Cast wheel "Cup", 16-inch
M403	Cast wheel "Cup", 17-inch
M419	Rear luggage dump
M423	Holder for cassettes and coins
M424	Automatic heating control
M425	Rear window wiper
M430	Front fog lights, yellow
M433	Leather steering wheel Atiwe
M437	Comfort seat, left, electrically adjustable
M438	Comfort seat, right, electrically adjustable
M439	Electrical hood operation
M441	Radio preparation
M449	Emergency wheel, forged
M451	Reduceg radio preparation
M454	Automatic speed control
M462	"Securiflex" windscreen
M463	Clear windscreen
M467	Door mirror for driver's side, convex, electrically heatable and adjustable
M479	Version for Australia
M481	Manual transmission
M484	Version for USA
M487	Control for front fog lights with side marker lights
M488	Inscriptions in German language
M490	Sound package
M491	Turbo Look
M492	Headlamps for left-hand traffic
M494	Additional amplifier
M496	Preparation for Philips telephone "C" network
M498	Deletion of model designation on rear end
M499	Version for Germany
M503	Cabrio version (Speedster)
M513	Lumbar support, right seat
M525	Anti-theft device with continuous sound
M526	Door panels (cloth)
M528	Door mirror for passenger's side - convex - electrically heatable and adjustable
M533	Anti-theft device
M534	Theft security system
M545	Tank of 92 litres
M553	Version for USA, Canada
M559	Air conditioner
M561	Airbag, driver's side

Model: 911 89 Model life 1989>>1994

NR	Description
M562	Airbag, driver's side and front passenger's side
M564	Without airbag
M567	Windscreen tinted, upper part darker coloured
M573	Air conditioner
M576	Without rear fog lamp
M579	Version for Hong Kong
M586	Lumbar support, left seat
M592	ABS system (Bosch/Teves)
M593	Anti-lock brake system (Bosch)
M602	Raised stop lamp
M605	Headlight levelling system
M612	Preparation for Philips telephone "C2" network
M614	Preparation for telephone installation Motorola (D-network)
M615	Telephone system D-network
M650	Electrical sliding roof
M656	Without power-assisted steering
M657	Power assisted steering
M659	On-board computer
M685	Rear seats, split
M686	Radio Blaupunkt Ludwigsburg SQM 26 ARI
M690	CD player "CD-10" radio + ARI
M691	CD player "CD-2" with radio
M692	CD autochanger "Porsche "
M693	CD radio London RDM 42
M900	Tourist's cars
M930	Seat covers, rear, leather
M931	Seat covers, rear, leatherette
M932	Seat covers,, rear cloth/leatherette/leatherette
M933	Seat covers, rear cloth/leather/leather
M934	Seat covers, rear, cloth/cloth/leatherette
M935	Seat covers, rear, draped leather
M946	Seat covers, front, leather/leather/leatherette
M947	Seat covers front: cloth/leather/leatherette rear: cloth/leatherette/leatherette
M948	Seat covers, front, cloth/leather/leather
M975	Luggage compartment lining

Model: 911 89

Model life 1989>>1994

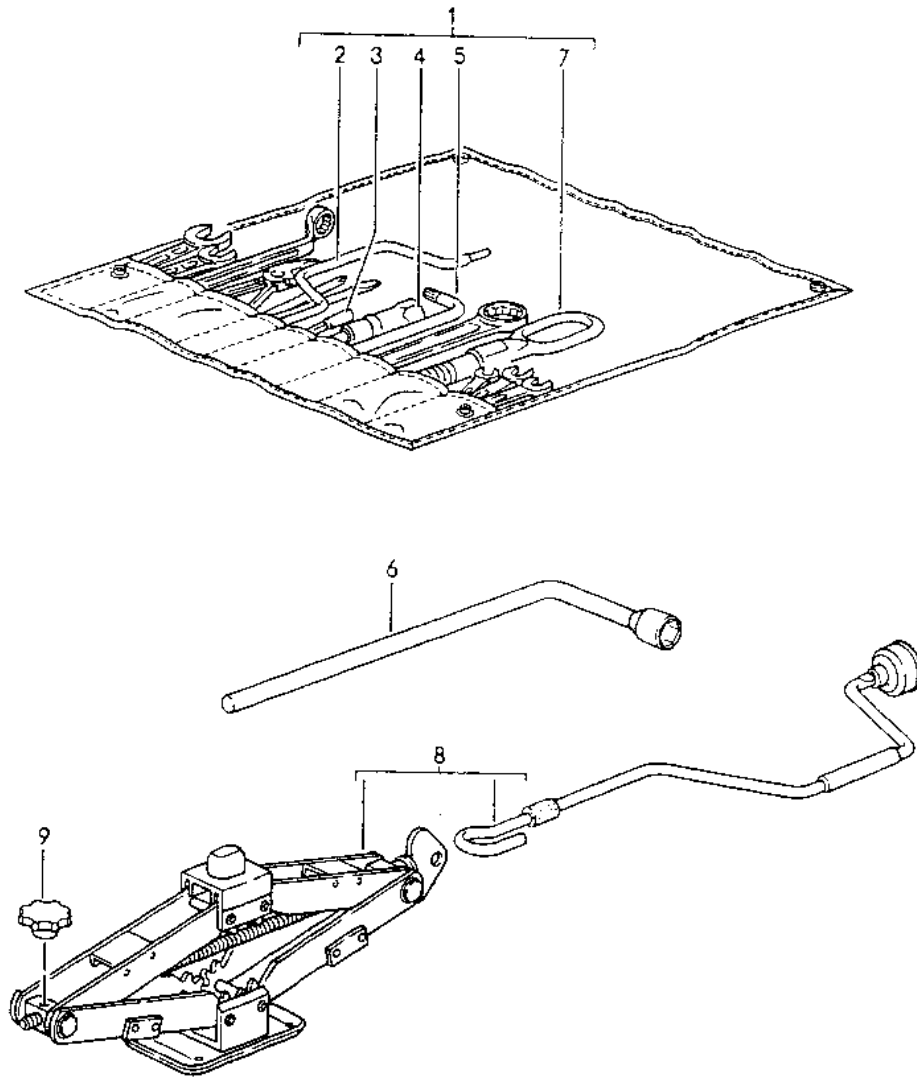
NR	Description
	with velour carpet
M980	Seat cover - draped leather
M981	Leather equipment without seat covers
M983	Seat covers, front, leather
M986	Partial leather equipment
M990	Seat covers, front, cloth/cloth/leatherette

Model: 911 89

Model life 1989>>1994

Model: 911 89

Model life 1989>>1994

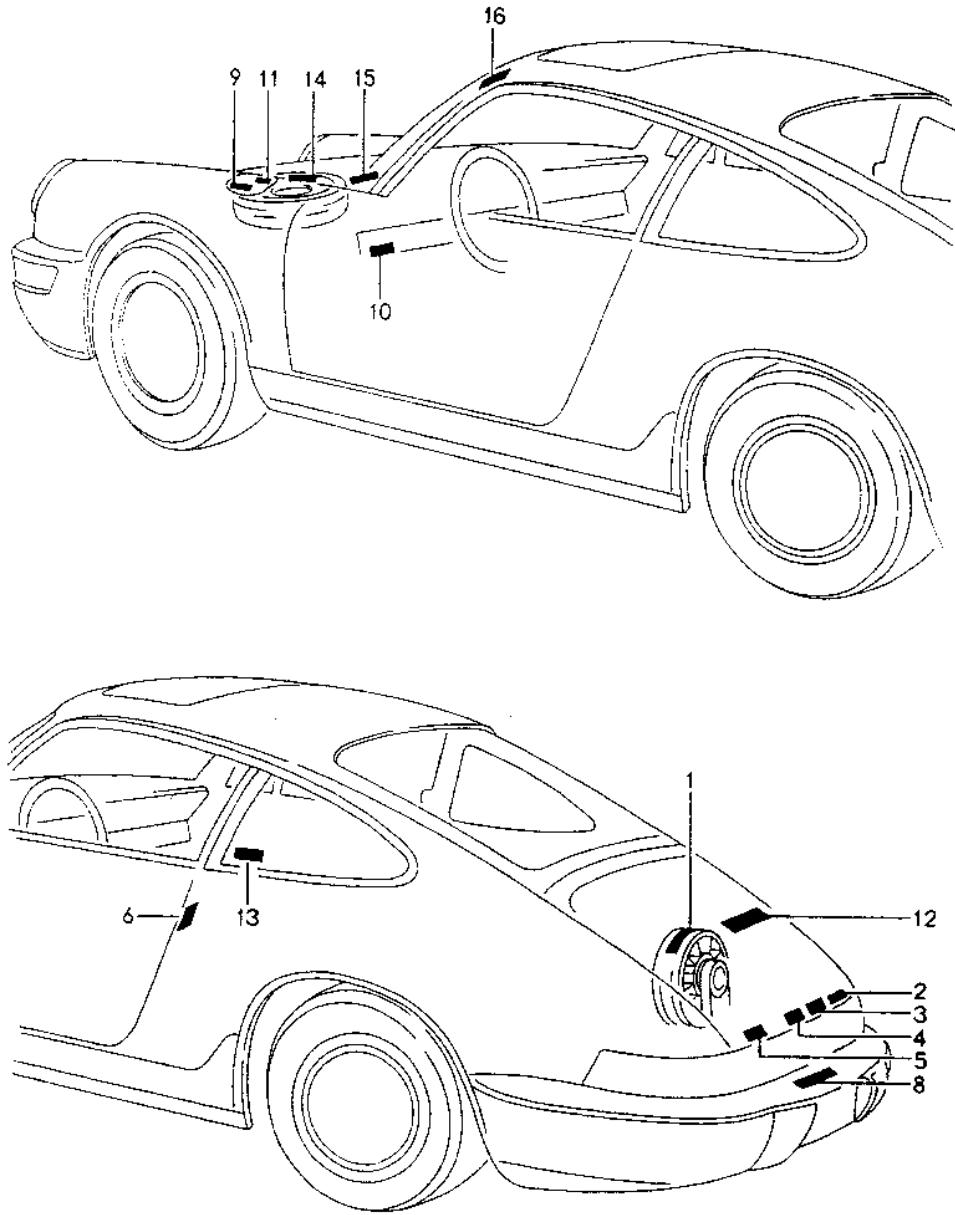


Model: 911 89 Model life 1989>>1994

Pos	Part Number	Description	Remark	Qty	Model
1	964 721 115 01	Tool Jack		1	CARRERA 2/4
(1)	965 721 115 01	Tool bag with contents		1	CARRERA RS TURBO
2	928 521 907 02	Crank for emergency control		1	
3	911 721 237 00	Intermediate piece for emergency control Power windows When required order also:		1	CARRERA 2/4 CARRERA RS
4	999 571 054 02	Spark plug wrench		1	CARRERA 2/4 CARRERA RS
(4)	477 012 203 A	Spark plug wrench When required order also:		1	TURBO CARRERA 2/4 CARRERA RS
5	999 571 052 02	Polygon wrench		1	CARRERA 2/4 CARRERA RS
5		Angular screw driver		1	TURBO
6	999 571 045 02	Rim wrench		1	
7	928 722 101 05	Towing lug		1	
8	000 721 711 01	Jack	(AUS)	1	
8	000 721 711 00	Jack	-92	1	
8	000 721 710 01	Jack	93-	1	
8	000 721 710 03	Jack	93-	1	
9	999 043 002 00	Nut		1	

Model: 911 89

Model life 1989>>1994



Model: 911 89 Model life 1989>>1994

Pos	Part Number	Description	Remark	Qty	Model
2	964 602 544 01	Stickers Sticker		1	
3	901 006 503 00	Firing order Sticker	89	1	
4	964 006 111 00	Valve clearance Sticker		1	
5	964 701 287 00	Engine-oil level Sticker		1	
5	964 701 287 02	Tyre pressure Sticker	(AUS) -92	1	M395
5	964 701 287 21	Tyre pressure Sticker	(AUS) -92	1	M402
5	964 701 287 22	Tyre pressure Sticker	(AUS) 93-	1	M402
5	964 701 287 23	Tyre pressure Sticker	93-	1	CARRERA 2/4 M402/403
5	964 701 287 24	Tyre pressure Sticker	93-	1	TURBO-LOOK M403
5	964 701 287 26	Tyre pressure Sticker	93-	1	CARRERA 2/4
5	964 701 287 32	Tyre pressure Sticker	(AUS)	1	M402 M403 SPEEDSTER M403
5	965 701 287 10	Tyre pressure Sticker	93-	1	TURBO M403
5	965 701 287 11	Tyre pressure Sticker	93-	1	TURBO/LOOK M403
5	965 701 287 25	Tyre pressure Sticker	93-	1	TURBO M406/407
8	928 006 901 00	Sticker		1	
9	911 701 251 00	Drawbar load Indication sticker	(AUS) (J)	1	
9	911 701 251 01	Unleaded fuel only White Sticker	(AUS) (J)	1	
10	944 701 210 02	Unleaded fuel only Black Sticker		1	
10	928 701 173 03	EUROSUPER Unleaded Sticker	(B) (L)	1	
10	911 701 253 00	Unleaded fuel only Sticker	(AUS) (J)	1	
11	930 701 203 01	Unleaded fuel only Sticker	(J) -92	1	
11	930 701 203 04	Type of fuel 91 ROZ Sticker	(J) 93-	1	
11	928 006 117 04	Type of fuel 91 ROZ Sticker	(AUS)	1	
11	928 006 117 24	Type of fuel 91 ROZ Sticker	(AUS)	1	
11	928 006 117 03	Type of fuel 96 ROZ Sticker		1	
11	928 006 117 21	Type of fuel 95 ROZ Sticker		1	
11	928 006 117 21	Type of fuel 95 ROZ Sticker		1	

Model: 911 89 Model life 1989>>1994

Pos	Part Number	Description	Remark	Qty	Model
11	928 006 117 13	Sticker Type of fuel 98 ROZ/RON	(D)	1	CARRERA RS
11	928 006 117 14	Sticker Type of fuel 98 ROZ/RON	(S)	1	CARRERA RS
11	928 006 117 15	Sticker Type of fuel 98 ROZ/RON	(GB)	1	CARRERA RS
11	928 006 117 16	Sticker Type of fuel 98 ROZ/RON	(I)	1	CARRERA RS
11	928 006 117 17	Sticker Type of fuel 98 ROZ/RON	(E)	1	CARRERA RS
11	928 006 117 18	Sticker Type of fuel 98 ROZ/RON	(F)	1	CARRERA RS
11	928 006 117 19	Sticker Type of fuel 98 ROZ/RON		1	CARRERA RS M150
12	930 006 503 18	Sticker Engine specifications Exhaust system		1	TURBO M479/553
12	964 006 109 02	Sticker Engine specifications	90	1	M479/553
12	964 006 109 05	Sticker Engine specifications	91	1	CARRERA 2/4 M479/553
12	964 006 109 08	Sticker Adjustment Exhaust system	92	1	CARRERA 2/4 M114/479 M553
12	964 006 109 17	Sticker Engine specifications	94 (AUS)	1	CARRERA 2/4
12	964 006 106 00	Sticker Adjustment Exhaust system	(S)	1	
12	930 006 525 21	Sticker Engine specifications	(S) 94	1	TURBO
12	930 006 513 54	Sticker Engine specifications	(AUS) 94	1	TURBO
12	964 006 107 00	Sticker Adjustment Exhaust system	(AUS)	1	
12	964 006 107 07	Sticker Adjustment Exhaust system	(AUS) 94	1	
13	911 701 250 00	Sticker Alarm system		2	
14	928 701 145 05	Sticker for emergency wheel German		1	
14	996 361 701 00	Sticker for emergency wheel English		1	
14	996 361 701 01	Sticker for emergency wheel French		1	
14	928 701 148 05	Sticker for emergency wheel Italian		1	
14	928 701 149 00	Sticker for emergency wheel Spanish		1	

Model: 911 89

Model life 1989>>1994

Pos	Part Number	Description	Remark	Qty	Model
16	928 701 102 02	Indication sticker Sekuriflex German		1	
16	928 701 102 03	Indication sticker Sekuriflex French		1	
16	928 701 102 04	Indication sticker Sekuriflex Italian		1	
16	928 701 102 05	Indication sticker Sekuriflex Spanish		1	

Model: 911 89

Model life 1989>>1994



Model: 911 89 Model life 1989>>1994

Pos	Part Number	Description	Remark	Qty	Model
1	911 801 055 00	Roof transport system		1	COUPE
(1)	911 801 055 60	Set of main supports		1	TARGA/CABRIO
		MAX. 35 KG			
1A	928 801 011 02	Cylinder lock		1	
		with keys			
		State lock number			
2	928 801 061 02	Clamping bow		1	
		1 set			
2A	928 801 903 02	Rubber support for skis		1	
		1 set			
2B	928 801 193 02	Retaining strap		1	
		1 set			
3	928 801 063 02	Ski box	/L	1	
(3)	928 801 064 02	Ski box	/R	1	
5	928 801 081 02	Roof luggage rack set		1	
		Set			

Model: 911 89

Model life 1989>>1994



Model: 911 89

Model life 1989>>1994

Pos	Part Number	Description	Remark	Qty	Model
1	928 801 019 02	Roof transport system		1	
2	928 801 017 02	Set of surf board supports		1	
3	928 801 085 02	Set - canoe carrier		1	
		Ladder support mandrel		X	
		Set			
4	928 801 093 02	Set - bike carrier		1	
		for			
		Racing bike			
5	928 801 095 02	Set - bike carrier		1	
		for			
		Standard bike			
6	928 801 079 02	Safety rope		1	
7	928 801 097 02	Support for bicycle		1	

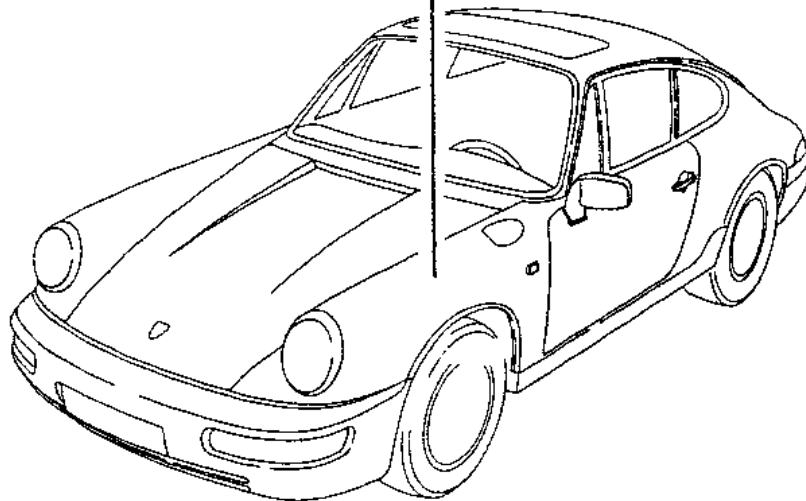
Model: 911 89

Model life 1989>>1994

FARBNUMMER
COLOUR NUMBER
NUMERO DE COULEUR
NUMERO COLORE
NUMERO DE COLOR

697 9 1
DIAMOND BLUE METALLIC
DIAMANT BLAU METALLIC
F5

FARB BENENNUNG
COLOUR
COULEUR
COLORE
COLOR



Model: 911 89 Model life 1989>>1994

Pos	Part Number	Description	Remark	Qty	Model
-	911 095 932 20	Paint touch-up applicator		X	
	911 095 932 20 548	Paint touch-up applicator			
	911 095 932 20 347	Apricot beige			
	911 095 932 20 908	Dark blue			
	911 095 932 20 60M	Grand prix white			
	911 095 932 20 22C	Linen			
	911 095 932 20 38B	Murano green			
	911 095 932 20 22R	Maritime blue			
	911 095 932 20 700	Mint green			
	911 095 932 20 719	Black	93-		
	911 095 932 20 82N	Black			
	911 095 932 20 22S	Rubystone red			
	911 095 932 20 80K	Signal green			
	911 095 932 20 12G	Guards red			
	911 095 932 20 39E	Speed yellow	93-		
	911 095 932 20 39D	Riviera blue	94-		
	911 095 932 20 39D	Amaranth violet	94-		
-	911 095 933 20	Paint touch-up applicator		X	
		Set			
		Comprising:			
		Paint touch-up applicator			
		Primer			
		Paint touch-up applicator			
		Clear lacquer			
	911 095 933 20 37Z	Amazon green metallic			
	911 095 933 20 39A	Amazon green metallic			
	911 095 933 20 38A	Amethyst metallic			
	911 095 933 20 37U	Cobalt blue metallic			
	911 095 933 20 40L	Cognac brown metallic			
	911 095 933 20 697	Diamond-blue metallic			
	911 095 933 20 82H	Coral red metallic			
	911 095 933 20 35V	Marine blue metallic			
	911 095 933 20 980	Silver metallic			
	911 095 933 20 550	Linen grey metallic			
	911 095 933 20 738	Black-metallic	-92		
	911 095 933 20 746	Black-metallic	93-		
	911 095 933 20 81L	Velvet red metallic			
	911 095 933 20 22D	Slate grey metallic			
	911 095 933 20 693	Stone grey metallic			
	911 095 933 20 92E	Polar silver metallic			
	911 095 933 20 22E	Forest green metallic			
	911 095 933 20 37B	Baltic blue metallic			
	911 095 933 20 22L	Oak green metallic			
	911 095 933 20 37W	Midnight Blue Metallic			
	911 095 933 20 37X	Horizon blue metallic			
	911 095 933 20 83E	Raspberry red metallic			
	911 095 933 20 23I	Wimbledon green metallic			
	911 095 933 20 37E	Violet blue metallic			
	911 095 933 20 39N	Iris blue metallic	94-		
	911 095 933 20 39R	Aventurine green metallic	94-		
	911 095 933 20 39G	Violet metallic	94-		

Model: 911 89

Model life 1989>>1994



Model: 911 89 Model life 1989>>1994

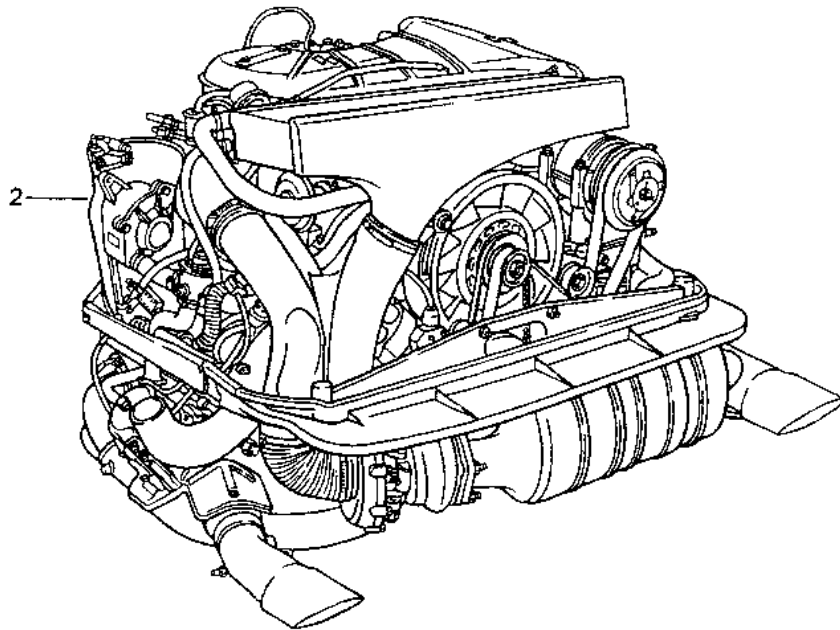
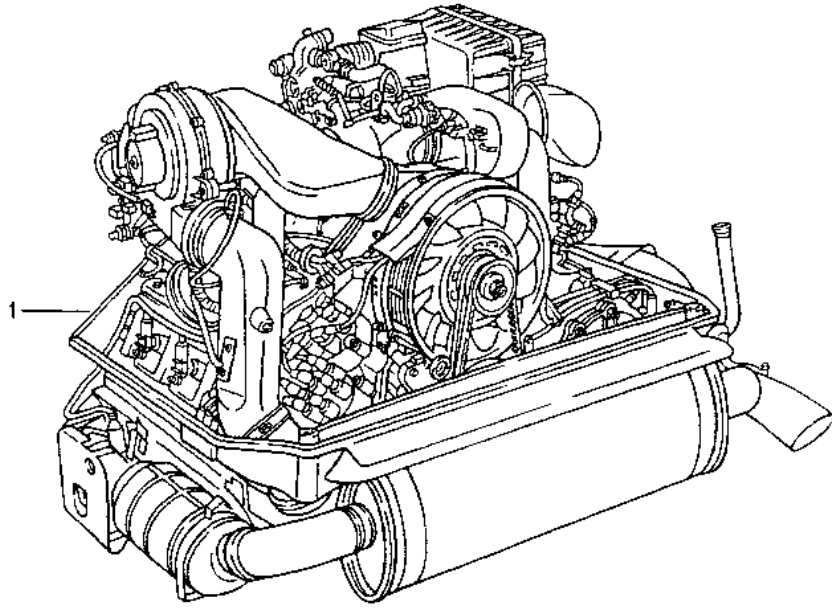
Pos	Part Number	Description	Remark	Qty	Model
		Accessories			
		Securing liquid			
		Sealing compound			
		Preservative agent			
		Vehicle cover			
-	928 101 921 00	Securing liquid		X	
		Loctite			
		-270-			
		10 CCM			
		High strength			
-	000 043 010 00	Sealing compound		X	
		Loctite			
		-574-			
		50 CCM			
		Loctite		X	
		Adhesive set			
		for pasting			
		Metal			
		Glass			
		Ceramics			
		Thermoset plastic			
		Comprising:			
-	000 043 051 00	Loctite		X	
		Loctite			
		-312-			
		50 CCM			
-	000 043 202 65	Loctite		X	
		AKTIVATOR NF 736			
		180 CCM			
-	000 043 004 00	Mounting paste		X	
		Optimoly ht			
		1 90-gramme tube			
-	000 043 005 00	Grease		X	
		OPTIMOL - OLISTAMOLY			
		1 90-gramme tube			
-	000 043 204 21	Grease		X	
		for lock cylinder			
		Spraying can			
-	G 052 778 A2	Grease		X	
		for lock cylinder			
		Spraying can			
		Preservative agent			
-	999 571 062 00	Care kit		1	
		Comprising:			
		Suitcase			
-	999 901 013 40	Liquid preservative		1	
-	999 901 014 41	Car shampoo		1	
-	999 901 015 40	Polisher		1	
-	999 901 016 40	Tar remover		1	
-	999 901 017 40	Dashboard cleaner		1	
-	999 901 018 40	Paint polish		1	
-	999 901 019 41	Insect remover		1	
-	999 901 020 40	Spot remover		1	
-	999 901 021 40	Polishing cotton		1	
-	999 901 022 40	Polishing cloth		1	
-	000 044 000 02	Leather care		X	
		250 ML			
-	999 901 017 41	Window cleaner		X	
		Summer			
		250 ML			
-	999 901 017 42	Window cleaner		X	
		Summer			
		250 ML			

Model: 911 89 Model life 1989>>1994

Pos	Part Number	Description	Remark	Qty	Model
-	000 044 000 87	Window cleaner Summer 250 ML		X	
-	999 901 033 40	Window cleaner Winter 1000 ML		X	
-	999 901 036 40	Car shampoo Refilling bottle 1000 ML		X	
-	999 917 803 00	Window cleaner Spray bottle 250 ML		X	
-	928 628 931 00	Silicone remover 1000 ML		X	
-	000 044 000 93	Silicone remover 1000 ML		X	
-	999 901 030 40	Rim cleaner Spray bottle 500 ML		X	
-	999 901 031 40	Rim cleaner Refilling bottle 1000 ML		X	
-	PCG 043 203 01	Cover Porsche crest Ohne Spoiler Aussenspiegel Left		1	911
-	PCG 043 202 01	Cover Porsche crest Ohne Spoiler Aussenspiegel Left Right		1	911
-	000 043 202 01	Cover Porsche crest Ohne Spoiler Aussenspiegel Left Right		1	911
-	PCG 043 202 02	Cover Porsche crest with spoiler Aussenspiegel Left Right		1	911
-	000 043 202 02	Cover Porsche crest with spoiler Aussenspiegel Left Right		1	911

Model: 911 89

Model life 1989>>1994



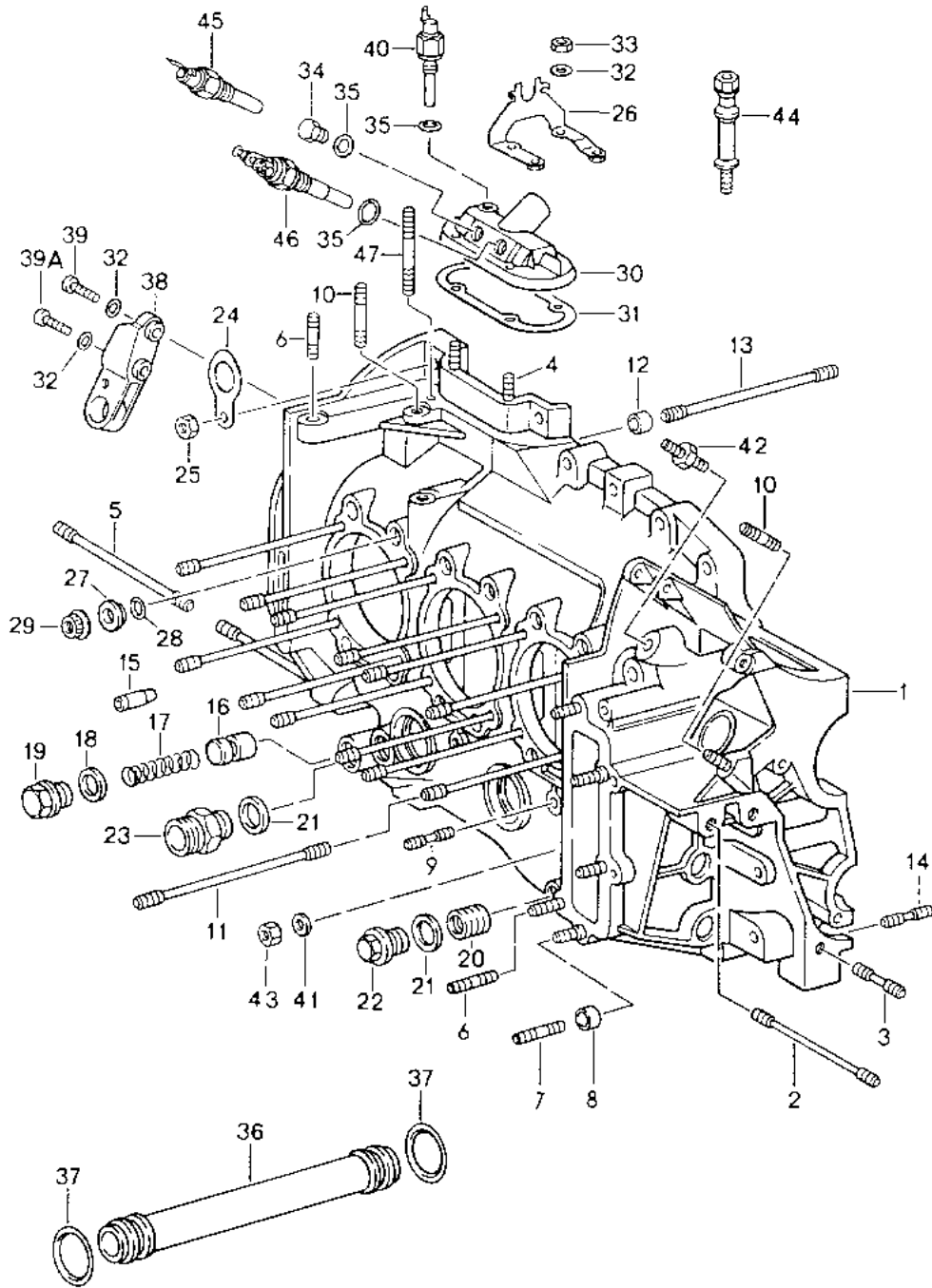
Model: 911 89

Model life 1989>>1994

Pos	Part Number	Description	Remark	Qty	Model
		Replacement engine Ready for installation			
1	964 100 264 01	Engine	89	1	M64.01
1	964 100 264 31	Engine	90	1	M64.01
1	964 100 264 41	Engine	91-	1	M64.01
1	964 100 264 02	Engine		1	M64.02
1	964 100 264 03	Engine	92	1	M64.03
1	964 100 264 43	Engine	92	1	M64.03 CARRERA RS M002
(1)	964 100 964 00	Short engine		1	M64.01/02
2	930 100 269 00	Engine		1	M30.69
(2)	930 100 269 X	Engine		1	M30.69
2	930 100 269 01	Engine	(J)	1	M30.69
2	930 100 269 AX	Engine	(J)	1	M30.69
2	964 100 264 50	Engine		1	M64.50

Model: 911 89

Model life 1989>>1994



Model: 911 89 Model life 1989>>1994

Pos	Part Number	Description	Remark	Qty	Model
		Crankcase Left See technical information Group 1 NR. 4/94			
1	964 101 905 10	Crankcase with studs		1	M64.01/02/03
1	964 101 905 11	Crankcase with studs		1	M64.01/02/03
1	964 101 905 10	Crankcase with studs		1	M64.50
1	964 101 905 11	Crankcase with studs		1	M64.50
1	930 101 918 01	Crankcase with studs		1	M30.69
2	999 062 302 02	Stud BM 10 X 90		1	M64.01/02/03
3	999 062 301 02	Stud BM 10 X 35		1	M64.01/02/03
4	999 062 085 02	Stud BM 6 X 20		4	
5	999 062 099 02	Stud BM 10 X 105		1	
5	900 060 096 01	Stud BM 10 X 105		1	
5	999 062 192 02	Stud BM 10 X 102		1	
6	999 062 008 02	Stud BM 8 X 25		6	
7	999 062 044 02	Stud BM 8 X 30		4	
8	901 101 145 00	Dowel sleeve		4	
9	999 062 091 02	Stud BM 6 X 30		6	
10	999 062 009 02	Stud BM 8 X 28		1	
10	900 060 105 01	Stud BM 8 X 28		1	
11	993 101 170 51	Stud		24	M64.01/02/03 M30.69
11		Stud		12	M64.50
12	901 101 195 00	Dowel sleeve		2	M64.50
13	959 101 174 01	Stud		2	
14	999 062 115 02	Stud BM 8 X 32		1	
15	964 101 020 00	Spray jet		6	
15	964 101 020 50	Spray jet Oversize		6	
16	911 107 512 00	Piston		1	
17	901 107 531 00	Compression spring		1	
18	900 123 106 30	Sealing ring A 18 X 24		1	
19	999 064 026 02	Screw plug M 18 X 1,5		1	
19	999 064 026 01	Screw plug M 18 X 1,5		1	
20	999 504 127 00	Threaded insert M 20 X 1,5		1	
21	900 123 118 30	Sealing ring A 22 X 27		2	
22	944 107 197 01	Screw plug		1	

Model: 911 89 Model life 1989>>1994

Pos	Part Number	Description	Remark	Qty	Model
		M 20 X 1,5			
23	999 136 008 09	Connection piece		1	
23	999 136 008 01	Connection piece		1	
24	901 101 151 00	Clip		1	
25	999 084 095 02	Lock nut M 8		1	
26	964 110 313 01	Support	-90	1	M64.01/02
(26)	964 110 313 02	Support	91-	1	M64.01/02/03
27	964 101 313 02	Washer		13	M64.01/02/03 M64.50
27	930 101 161 00	Washer		14	M30.69
28	999 701 006 40	O-ring 8 X 2		13	
29	959 101 172 00	Nut		13	M64.01/02/03 M64.50
29	999 084 117 01	Lock nut M 10 X 1		14	M30.69
30	930 107 073 02	Lid		1	M64.01/02/03 M30.69
30	964 107 073 20	Lid		1	M64.50
31	930 107 791 02	Gasket		1	
32	N 011 524 7	Washer A 6,4		2	
32	N 011 524 27	Washer A 6,4		2	
33	999 084 094 02	Lock nut M 6		4	
34	N 016 155 3	Screw plug A M 14 X 1,5		1	
34	N 016 155 4	Screw plug A M 14 X 1,5		1	
35	900 123 007 30	Sealing ring A 14 X 18		3	
36	901 107 351 01	Oil tube		4	
(36)	930 107 040 01	Set Set Divided Comprising: Oil tube I Oil tube II		X	
-	900 041 013 01	Circlip		1	
-	999 707 113 40	Round seal		2	
-	999 707 113 41	O-ring		2	
-	999 707 112 40	Round seal		2	
-	999 707 112 4A	Round seal		2	
37	999 707 112 40	Round seal 25 X 6		8	
37	999 707 112 4A	Round seal 25 X 6		8	
38	964 101 187 00	Support	-89	1	M64.01/02
38	964 101 187 02	Support		1	M64.01/02
38	964 101 187 01	Support	90-	1	
39	N 010 217 9	Hexagon-head bolt M 6 X 20	-89	2	
39A	900 074 015 02	Hexagon-head bolt M 6 X 30	90-	1	
39A	900 074 015 03	Hexagon-head bolt M 6 X 30	90-	1	
40	930 606 117 03	Temperature switch		1	M30.69
41	900 025 008 09	Washer A 10,5		1	

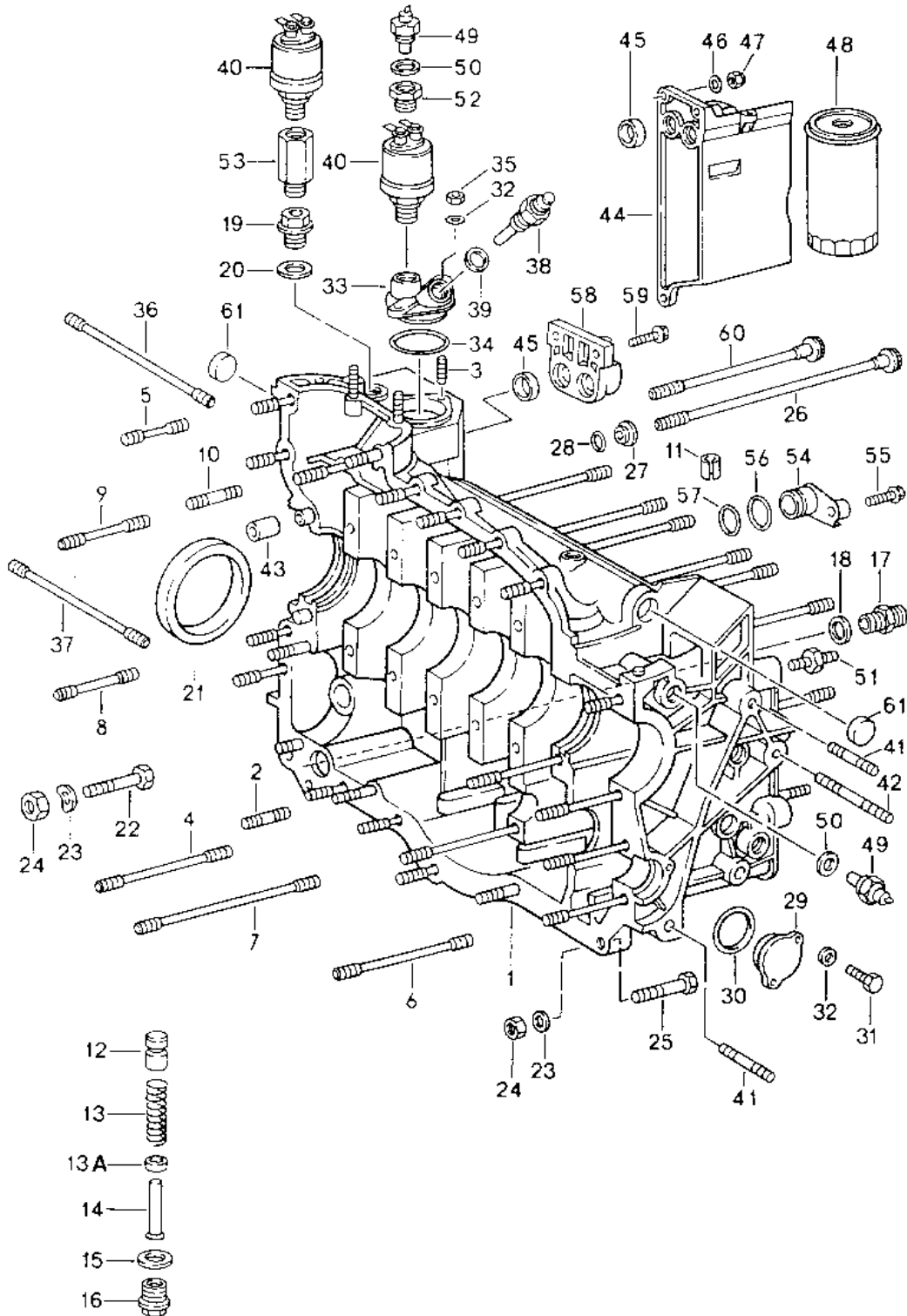
Model: 911 89

Model life 1989>>1994

Pos	Part Number	Description	Remark	Qty	Model
41	900 025 008 04	Washer A 10,5		1	
42	901 107 375 00	Screw socket		1	M30.69
43	900 076 078 01	Hexagon nut M 10 X 1,25		1	
44	964 110 317 01	Threaded bolt Short		2	M454
44	964 110 319 01	Threaded bolt Long		1	M454
45	930 606 117 00	Temperature switch		1	M64.50
46	930 617 118 00	Temperature switch		1	M64.50
47	999 062 147 02	Stud BM 8 X 62		1	

Model: 911 89

Model life 1989>>1994



Model: 911 89 Model life 1989>>1994

Pos	Part Number	Description	Remark	Qty	Model
		Crankcase Right See technical information Group 1 NR. 4/94			
1	964 101 905 10	Crankcase with studs		1	M64.01/02/03
1	964 101 905 11	Crankcase with studs		1	M64.01/02/03
1	964 101 905 10	Crankcase with studs		1	M64.50
1	964 101 905 11	Crankcase with studs		1	M64.50
1	930 101 918 01	Crankcase with studs		1	M30.69
2	999 062 007 02	Stud BM 8 X 22		3	
2	900 060 106 01	Stud BM 8 X 22		3	
3	999 062 071 02	Stud BM 6 X 16		2	
4	996 101 175 70	Stud		1	
5	999 062 115 02	Stud BM 8 X 32		13	
6	999 062 156 02	Stud BM 8 X 78		3	
6	900 060 101 01	Stud BM 8 X 78		3	
7	999 062 051 02	Stud BM 8 X 108		1	
8	999 062 075 02	Stud BM 8 X 48		2	
9	999 062 138 02	Stud BM 8 X 52		1	
9	900 060 102 01	Stud BM 8 X 52		1	
10	999 062 009 02	Stud BM 8 X 28		1	
10	900 060 105 01	Stud BM 8 X 28		1	
11	900 095 025 01	Roll pin 8 X 16		1	
12	911 107 512 00	Piston		1	
13	930 107 531 01	Compression spring		1	
13A	964 107 532 00	Spacer ring		1	
14	930 107 533 00	Guide sleeve		1	
14	930 107 533 01	Guide sleeve		1	
15	900 123 106 30	Sealing ring A 18 X 24		1	
16	999 064 026 02	Screw plug M 18 X 1,5		1	
16	999 064 026 01	Screw plug M 18 X 1,5		1	
17	965 207 315 00	Screw socket		1	
17	965 207 315 01	Screw socket		1	
18	900 123 141 30	Sealing ring A 25 X 30		1	
19	900 219 009 30	Screw plug M 18 X 1,5		1	
20	900 123 140 30	Sealing ring A 18 X 22		1	
21	999 113 461 40	Radial sealing ring		1	

Model: 911 89 Model life 1989>>1994

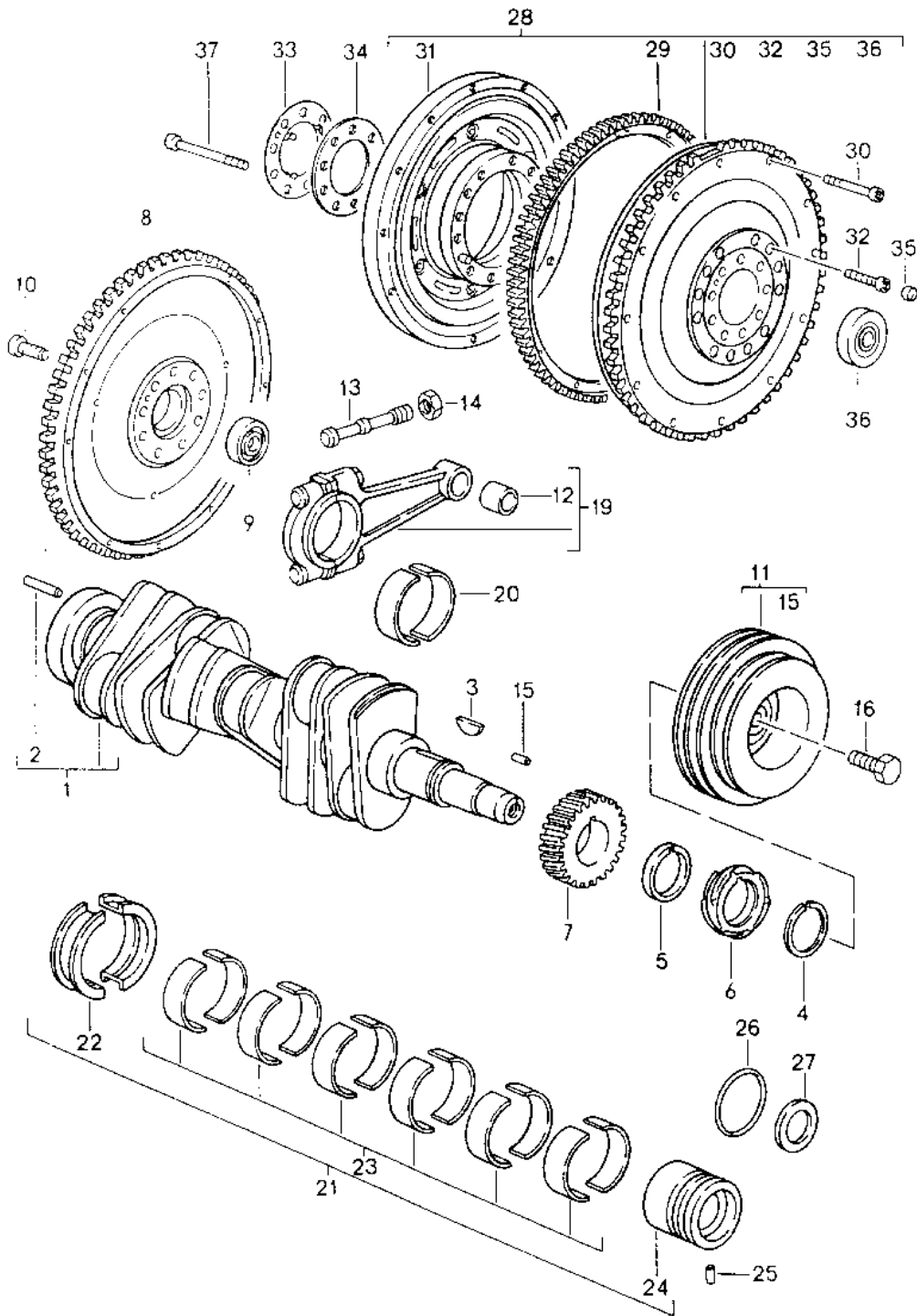
Pos	Part Number	Description	Remark	Qty	Model
21	999 113 426 40	90 X 110 X 11 Radial sealing ring		1	
21	999 113 426 41	90 X 110 X 11 Radial sealing ring		1	
22	900 074 139 02	90 X 110 X 11 Hexagon-head bolt M 8 X 55		1	M64.01/02/03 M64.50
22	900 074 139 03	Hexagon-head bolt M 8 X 55		1	M64.01/02/03 M64.50
22	900 074 040 02	Hexagon-head bolt M 8 X 50		1	M30.69
23	900 025 007 02	Washer A 8,4		25	
23	900 025 007 03	Washer A 8,4		25	
24	999 084 095 02	Lock nut M 8		23	
25	900 074 134 02	Hexagon-head bolt M 8 X 45		1	
26	959 101 173 01	Screw		11	M64.01/02/03 M64.50
26	959 101 173 02	Screw		11	M64.01/02/03 M64.50
26	930 101 173 03	Screw		11	M30.69
27	964 101 313 02	Washer		11	M64.01/02/03 M64.50
27	930 101 161 00	Washer		11	M30.69
28	999 701 006 40	O-ring 8 X 2		11	
29	930 105 165 00	Cover		1	
30	999 707 315 40	O-ring 33,3 X 2,4		1	
31	900 075 355 02	Combination screw M 6 X 16		2	
31	900 075 355 01	Hexagon-head bolt M 6 X 16		2	
32	N 011 524 7	Washer A 6,4		4	
32	N 011 524 27	Washer A 6,4		4	
33	964 101 768 00	Lid		1	M64.01/02/03
33	930 107 767 02	Lid		1	M30.69 M64.50
34	999 707 314 40	O-ring 39,2 X 3		1	
35	999 084 094 02	Lock nut M 6		2	
36	999 062 225 02	Stud BM 10 X 140		1	
36	900 060 095 01	Stud BM 10 X 140		1	
37	999 062 099 02	Stud BM 10 X 105		1	
37	900 060 096 01	Stud BM 10 X 105		1	
38	911 606 112 00	Remote temperature sensor		1	M64.01/02/03
38	944 606 125 00	Temperature sensor		1	M30.69 M64.50
39	900 123 007 30	Sealing ring A 14 X 18		1	
40	928 606 203 01	Oil pressure sender		1	
40	928 606 203 04	Oil pressure sender		1	
41	999 062 301 02	Stud		2	M64.01/02/03

Model: 911 89 Model life 1989>>1994

Pos	Part Number	Description	Remark	Qty	Model
41	999 061 056 02	M 10 X 35 Stud		1	M30.69
42	999 062 302 02	M 10 X 15 Stud		1	M64.50 M64.01/02/03
43	901 101 195 00	M 10 X 90 Dowel sleeve		2	
44	930 107 057 01	Bracket		1	M30.69 M64.50
45	999 704 172 50	Sealing ring 16,3 X 22		2	M30.69 M64.50
46	900 025 007 02	Washer A 8,4		3	M30.69 M64.50
46	900 025 007 03	Washer A 8,4		3	M30.69 M64.50
47	999 084 095 02	Lock nut M 8		3	M30.69 M64.50
48	944 107 201 03	Oil filter		1	M30.69 M64.50
49	911 606 112 00	Remote temperature sensor		1	
50	900 123 008 30	Sealing ring A 14 X 20		1	
51	901 107 375 00	Screw socket		1	M30.69
52	964 107 705 22	Screw socket		1	M64.50
53	964 107 706 20	Screw socket		1	M64.50
53	964 107 706 21	Screw socket		1	M64.50
54	964 207 317 00	Connection piece		1	
55	900 067 247 02	Combination screw M 8 X 30		1	
55	900 067 247 01	Combination screw M 8 X 30		1	
56	999 707 309 40	O-ring 26 X 1		1	
57	999 707 316 40	O-ring 21,89 X 2,62		1	
58	993 107 215 02	Oil gallery		1	
59	900 075 447 02	Combination screw M 8 X 25		2	
59	900 075 447 01	Combination screw M 8 X 25		2	
60	964 101 174 00	Screw		2	
61	911 101 185 00	Stopper A 22		2	

Model: 911 89

Model life 1989>>1994



Model: 911 89 Model life 1989>>1994

Pos	Part Number	Description	Remark	Qty	Model
1	964 102 021 04	Crankshaft Crankshaft		1	M64.01/02/03 M64.50
1	930 102 014 09	Crankshaft		1	M30.69
2	900 095 031 00	Tensioning sleeve 6 X 16		1	
3	901 102 147 00	Woodruff key		1	
4	901 102 148 00	Circlip Number 0		1	
4	901 102 148 01	Circlip Number 1		1	
4	901 102 148 02	Circlip Number 2		1	
4	901 102 148 03	Circlip Number 3		1	
5	901 102 145 00	Intermediate ring		1	
6	930 102 112 00	Drive wheel		1	
6	930 102 112 01	Drive wheel		1	
7		See group 1/03/15		.	M64.01/02/03 M64.50
7	901 102 111 00	Timing gear Number 0		1	M30.69
7	901 102 111 10	Timing gear Number 1		1	M30.69
7	901 102 111 20	Timing gear Number 1		1	M30.69
8	964 102 239 00	Flywheel without Ring gear	-89	1	M64.01
8	930 102 033 03	Flywheel with Ring gear	-89	1	M64.01
(8)	964 102 239 31	Flywheel without Ring gear	92	1	M64.03 CARRERA RS
-	964 114 143 31	Ring gear	92	1	M64.03 CARRERA RS
9	931 102 111 00	Deep-groove ball bearing		1	
9	931 102 111 02	Deep-groove ball bearing		1	
10	930 102 206 00	Pan-head screw		9	M64.01/02
10	928 102 151 01	Pan-head screw		9	M64.03 CARRERA RS
11	964 102 050 01	Pulley		1	M64.01/02/03
(11)	930 102 024 06	Pulley		1	M30.69
(11)	964 102 150 20	Vibration damper		1	M64.50
12	930 103 134 01	Connecting rod bush		6	
13	964 103 176 00	Connecting rod bolt		12	
14	930 103 174 00	Connecting rod nut	-92	12	
14	993 103 174 02	Connecting rod nut	93-	12	
15	N 013 352 1	Straight pin 4 M 6 X 16		1	M64.01/02/03 M64.50
15	N 101 090 01	Straight pin 5 M 6 X 14 M 14 X 1,5 X 40		1	M30.69 M64.50
15	N 101 090 0A	Straight pin 5 M 6 X 14 M 14 X 1,5 X 40		1	M30.69 M64.50
16	900 378 124 01	Hexagon-head bolt M 14 X 1,5 X 40		1	M64.01/02/03 M64.50
16	999 093 005 02	Hexagon-head bolt M 12 X 1,5 X 22		1	M30.69
19	964 103 020 53	Connecting rod Weight group:	-91	6	

Model: 911 89 Model life 1989>>1994

Pos	Part Number	Description	Remark	Qty	Model
19	964 103 020 63	3= 615 - 624 G Connecting rod	92-	6	
19	964 103 020 54	Weight group: 3= 615 - 624 G Connecting rod	-91	6	
19	964 103 020 64	Weight group: 4= 624 - 633 G Connecting rod	92-	6	
19	964 103 020 65	Weight group: 4= 624 - 633G Connecting rod		6	
19	964 103 020 66	Weight group: 5= 633 - 642 G Connecting rod		6	
19	964 103 020 67	Weight group: 6= 642 - 651 G Connecting rod		6	
19	964 103 020 68	Weight group: 7= 651 - 660 G Connecting rod		6	
19	964 103 020 59	Weight group: 8= 660 - 669 G Connecting rod	-91	6	
19	964 103 020 69	Weight group: 9= 669 - 678 G Connecting rod	92-	6	
19	964 103 020 60	Weight group: 9= 669 - 678G Connecting rod	-91	6	
19	964 103 020 70	Weight group: 10= 678 - 687 G Connecting rod	92-	6	
19	964 103 020 61	Weight group: 10= 678 - 687G Connecting rod	-91	6	
19	964 103 020 71	Weight group: 11= 687 - 696 G Connecting rod	92-	6	
>>	930 103 975 00	Weight group: 11= 687 - 696G Connecting rod Set Connecting rods Comprising: Connecting rods		1	
20	930 103 147 15	Connecting-rod bearing		6	
20	930 103 147 50	Connecting-rod bearing Oversize 0,25 MM		12	
20	930 103 147 81	Connecting-rod bearing Oversize 0,25 MM		12	
20		Connecting-rod bearing Connecting-rod bearing Oversize 0,25 MM		12	
20	930 103 147 60	Connecting-rod bearing Oversize 0,50 MM		12	
21	964 101 901 00	Set of crankshaft bearings		1	
21	964 101 901 51	Set of crankshaft bearings Oversize Inner		1	

Model: 911 89 Model life 1989>>1994

Pos	Part Number	Description	Remark	Qty	Model
21	964 101 901 56	0,25 MM Set of crankshaft bearings Oversize Inner		1	
21	964 101 901 61	0,50 MM Set of crankshaft bearings Oversize Outer		1	
21	964 101 901 71	0,25 MM Set of crankshaft bearings Oversize Inner		1	
21	964 101 901 76	0,25 MM Set of crankshaft bearings Oversize Outer		1	
22	930 101 131 15	0,25 MM Bearing shell Set I		1	
22	930 101 131 51	Bearing shell I Oversize Inner		2	
22	930 101 131 56	0,25 MM Bearing shell I Oversize Inner		2	
22	930 101 131 61	0,50 MM Bearing shell I Oversize Outer		2	
22	930 101 131 71	0,25 MM Bearing shell I Oversize Inner		2	
22	930 101 131 76	0,25 MM Bearing shell I Oversize Outer		2	
22		Bearing shell		2	
23	930 101 132 15	Bearing shell II-VII		12	
23	930 101 132 51	Bearing shell II-VII Oversize Inner		12	
23	930 101 132 92	0,25 MM Bearing shell		12	

Model: 911 89 Model life 1989>>1994

Pos	Part Number	Description	Remark	Qty	Model
23		II-VII Oversize Inner 0,25 MM Bearing shell Bearing shell		12	
23	930 101 132 56	II-VII Oversize Inner 0,25 MM Bearing shell		12	
23	930 101 132 61	II-VII Oversize Inner 0,50 MM Bearing shell		12	
23	930 101 132 71	II-VII Oversize Inner 0,25 MM Outer 0,25 MM Bearing shell		12	
23	930 101 132 72	II-VII Oversize Inner 0,25 MM Outer 0,25 MM Bearing shell Bearing shell		12	
23	930 101 132 76	II-VII Oversize Inner 0,50 MM Outer 0,25 MM Bearing shell		12	
24	964 101 138 01	VIII Bearing sleeve		1	
24	964 101 138 54	VIII Oversize Inner 0,25 MM Bearing sleeve		1	
24	964 101 138 55	VIII Oversize Inner 0,50 MM Bearing sleeve		1	
24	964 101 138 65	VIII Bearing sleeve		1	

Model: 911 89 Model life 1989>>1994

Pos	Part Number	Description	Remark	Qty	Model
24	964 101 138 66	Oversize Outer 0,25 MM Bearing sleeve VIII		1	
24	964 101 138 67	Oversize Inner 0,25 MM Outer 0,25 MM Bearing sleeve VIII		1	
25	900 012 061 00	Oversize Inner 0,50 MM Outer 0,25 MM Straight pin 5 H 8 X 10		1	
26	999 707 285 40	O-ring 51 X 4,5		1	
27	999 113 290 41	Radial sealing ring 30 X 50 X 8		1	
28	964 114 011 02	Double-mass flywheel	90	1	M64.01
28	964 114 011 03	Double-mass flywheel		1	C4 M64.01
28	964 114 011 04	Double-mass flywheel		1	C4 M64.01
28	964 114 012 00	Double-mass flywheel		1	C2 M64.01
28	964 114 012 02	Double-mass flywheel	92 -92	1	M64.03 M002 C2 M64.01 M64.03 M002
28	964 114 012 02	Double-mass flywheel	93-	1	C2 M64.01
(28)	964 114 012 51	Double-mass flywheel		1	M30.69
(28)	964 114 012 51	Double-mass flywheel		1	M30.69 M64.50
29	964 114 143 01	Ring gear	90	1	M64.01
29	964 114 143 02	Ring gear Only for Double-mass flywheel 964 114 011 02/03/04	91-	1	M64.01
30	999 510 039 02	Pan-head screw M 7 X 34 for Double-mass flywheel 964 114 011 02/03/04		12	
30	999 510 015 02	Pan-head screw M 8 X 40 for Double-mass flywheel 964 114 012 00/01/50/51		9	
30	999 510 015 01	Pan-head screw M 8 X 40 for Double-mass flywheel 964 114 012 00/01/50/51		9	
31	964 114 025 01	Flywheel	90	1	M64.01

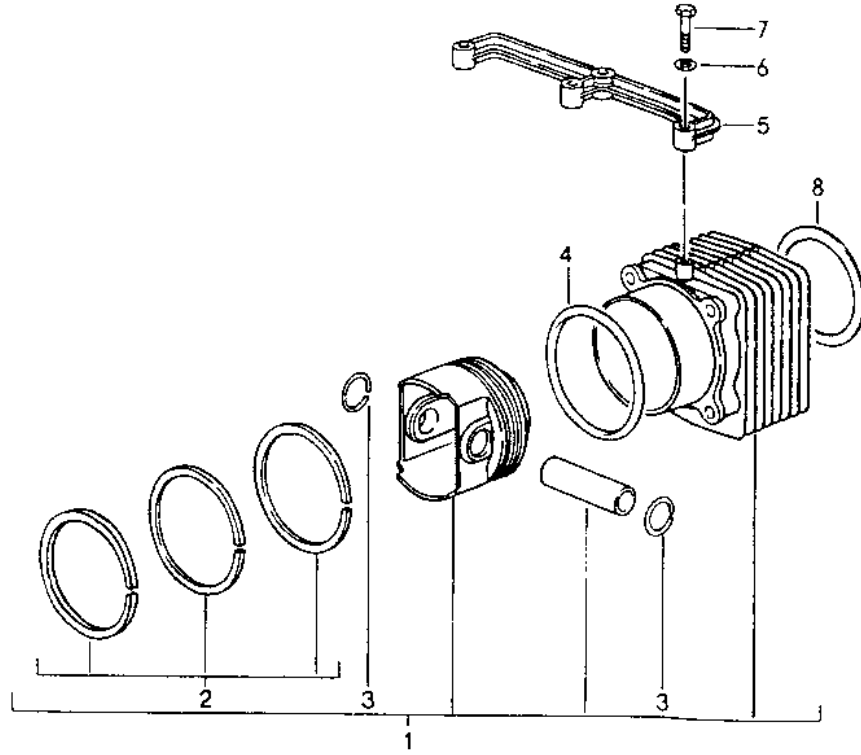
Model: 911 89

Model life 1989>>1994

Pos	Part Number	Description	Remark	Qty	Model
31		Flywheel	91-	1	C4 M64.01
32	999 218 046 02	Pan-head screw M 8 X 1 X 21	90-	12	
33	950 114 283 00	Spring washer for Double-mass flywheel 964 114 011 02/03/04	90-	1	M64.01
34	950 114 281 00	Washer for Double-mass flywheel 964 114 011 02/03/04	90-	1	M64.01
35	900 036 021 02	Lid B 14	90-	12	
36	999 052 169 00	Deep-groove ball bearing 15 X 50 X 11	90-	1	
37	999 119 015 01	Pan-head screw M 10 X 1,25 X 70 for Double-mass flywheel 964 114 011 02/03/04		9	
37	999 119 017 01	Pan-head screw M 10 X 1,25 X 62 for Double-mass flywheel 964 114 012 00/01/02 964 114 012 50/51		9	

Model: 911 89

Model life 1989>>1994



Model: 911 89 Model life 1989>>1994

Pos	Part Number	Description	Remark	Qty	Model
1	964 103 915 12	Cylinder with piston Group 5 MAHLE Cylinder with piston Identification -- / - 644 - 652 G	-89	6	M64.01/02
1	964 103 915 22	Cylinder with piston Identification -- / - 644 - 652 G M >> 62M 06836 M >> 62M 52757 See technical information Group 1 Document 1570 (02/00)	90-	6	M64.01/02 M64.01 M64.02
1	964 103 915 27	Cylinder with piston Identification -- / - 644 - 652 G M 62M 06837 >> M 62M 52758 >> See technical information Group 1 Document 1570 (02/00)	91-	6	M64.01/02 M64.01 M64.02
1	930 103 954 08	Cylinder with piston Identification -- / - 619 - 627 G	91	6	M30.69
1	964 103 917 21	Cylinder with piston Identification -- / - 619 - 627 G	92-	6	M30.69
1	964 103 915 13	Cylinder with piston Identification + / ++ 652 - 660 G	-89	6	M64.01/02
1	964 103 915 23	Cylinder with piston Identification + / ++ 652 - 660 G M >> 62M 06836 M >> 62M 52757 See technical information Group 1 Document 1570 (02/00)	90-	6	M64.01/02 M64.01 M64.02
1		Cylinder with piston Identification + / ++ 652 - 660 G M 62M 06837 >> M 62M 52758 >>	91-	6	M64.01/02 M64.01 M64.02

Model: 911 89 Model life 1989>>1994

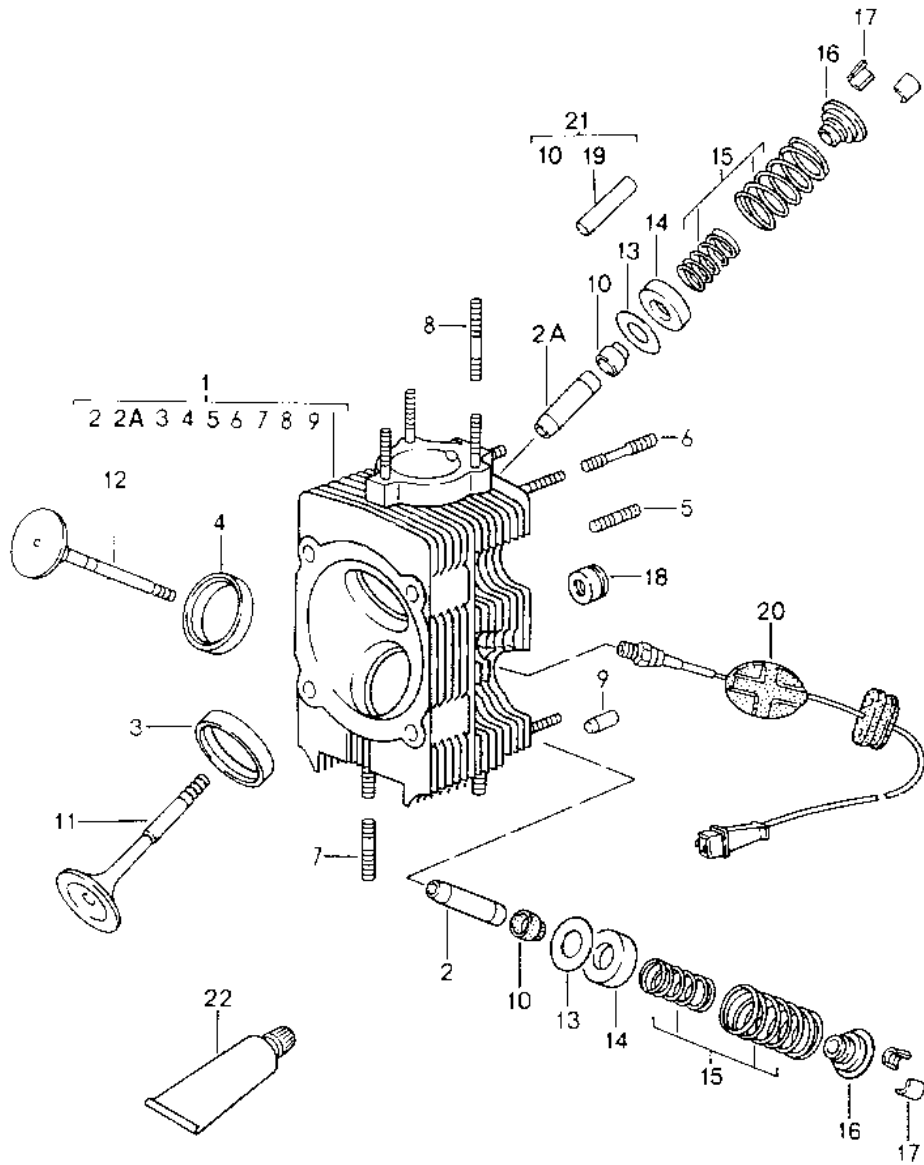
Pos	Part Number	Description	Remark	Qty	Model
1	930 103 954 09	See technical information Group 1 Document 1570 (02/00) Cylinder with piston Identification + / ++ 627 - 636 G	91	6	M30.69
1		Cylinder with piston Identification + / ++ 627 - 636 G	92-	6	M30.69
1	964 103 917 22	Cylinder with piston Identification + / ++ 592 - 600 G Group 6 MAHLE		6	M64.50
1	964 103 915 19	Cylinder with piston Identification -- / - 644 - 652 G	-89	6	M64.01/02
1		Cylinder with piston Identification -- / - 644 - 652 G M >> 62M 06836 M >> 62M 52757	90-	6	M64.01/02 M64.01 M64.02
1	964 103 915 24	See technical information Group 1 Document 1570 (02/00) Cylinder with piston Identification -- / - 644 - 652 G M 62M 06837 >> M 62M 52758 >>	91-	6	M64.01/02 M64.01 M64.02
1	930 103 954 10	See technical information Group 1 Document 1570 (02/00) Cylinder with piston Identification -- / - 619 - 627 G	91	6	M30.69
1		Cylinder with piston Identification -- / - 619 - 627 G	92-	6	M30.69
1	964 103 917 23	Cylinder with piston Identification -- / - 584 - 592 G		6	M64.50
1	964 103 915 20	Cylinder with piston Identification + / ++ 652 - 660 G	-89	6	M64.01/02
1		Cylinder with piston Identification + / ++ 652 - 660 G M >> 62M 06836	90-	6	M64.01/02 M64.01

Model: 911 89 Model life 1989>>1994

Pos	Part Number	Description	Remark	Qty	Model
		M >> 62M 52757 See technical information Group 1 Document 1570 (02/00)			M64.02
1	964 103 915 25	Cylinder with piston Identification + / ++ 652 - 660 G M 62M 06837 >> M 62M 52758 >> See technical information Group 1 Document 1570 (02/00)	91-	6	M64.01/02
1	930 103 954 11	Cylinder with piston Identification + / ++ 627 - 636 G	91	6	M30.69
1		Cylinder with piston Identification + / ++ 627 - 636 G	92-	6	M30.69
1	964 103 917 24	Cylinder with piston Identification + / ++ 592 - 600 G Piston rings MAHLE		6	M64.50
2	964 103 925 00	Set of piston rings		6	M64.01/02/03
2	930 103 968 00	Set of piston rings		6	M30.69
2	964 103 925 20	Set of piston rings		6	M64.50
2	PCG 504 29N 0	Set of piston rings		6	M64.50
2	PCG 503 99N 0	Set of piston rings		6	M64.50
3	999 178 009 00	Circlip 23 X 1,8		12	M64.01/02/03 M64.50
3	900 908 019 00	Ring 23 X 1,5		12	M30.69
4	999 707 152 40	O-ring 102 X 2		6	
5	993 104 391 00	Bridge		2	M64.01/02/03
6	N 011 524 7	Washer A 6,4		6	M64.01/02/03
6	N 011 524 27	Washer A 6,4		6	M64.01/02/03
7	900 074 015 02	Hexagon-head bolt M 6 X 30		6	M64.01/02/03
8	964 104 115 20	Cylinder head gasket M 62M 06837 >> M 62M 52758 >> See technical information Group 1 Document 1570 (02/00)	91-	6	M64.01/02/03 M64.01 M64.02
8	930 104 381 01	Cylinder head gasket		6	M30.69
8	964 104 115 20	Cylinder head gasket		6	M64.50

Model: 911 89

Model life 1989>>1994



Model: 911 89 Model life 1989>>1994

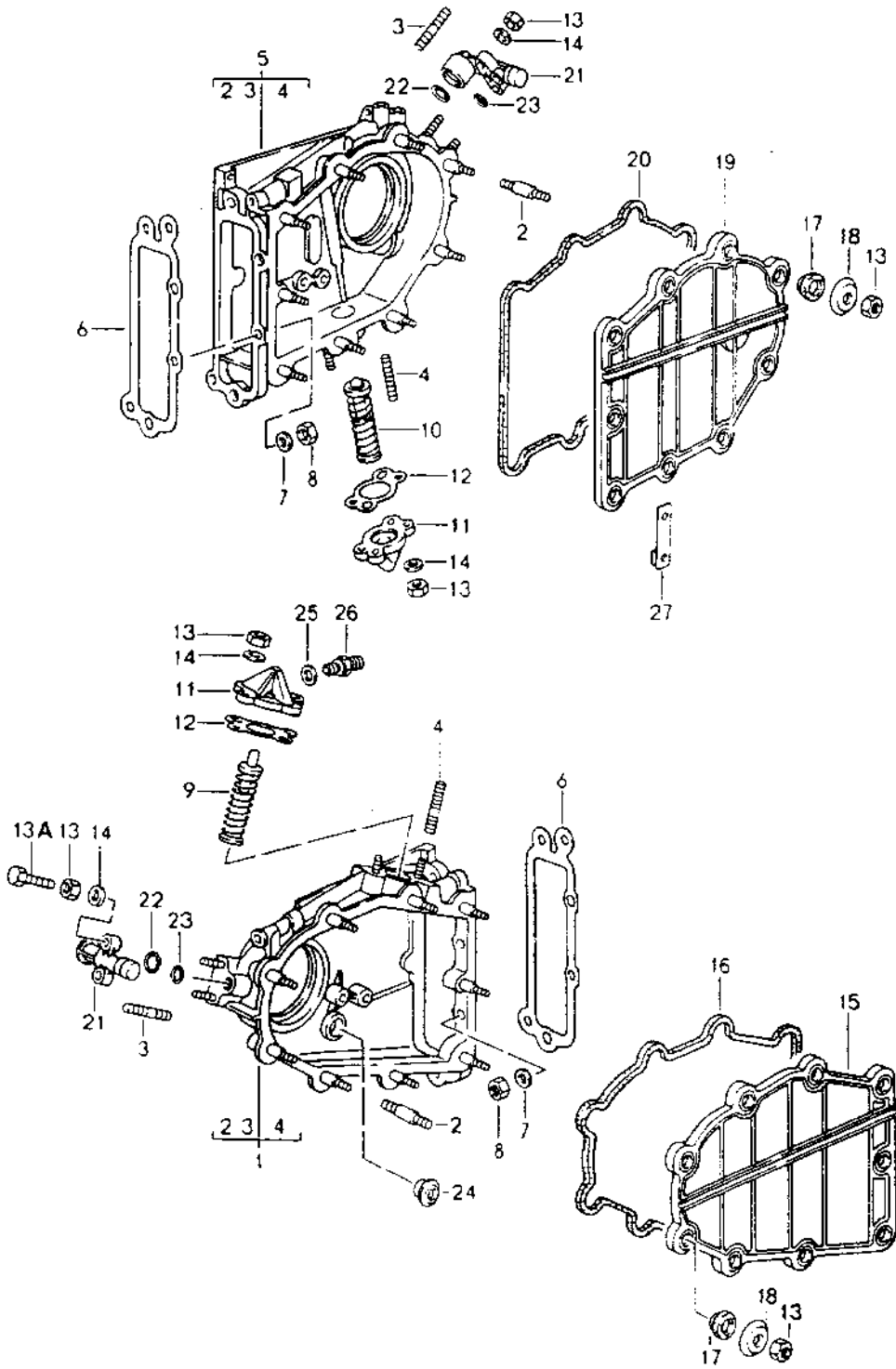
Pos	Part Number	Description	Remark	Qty	Model
1	964 104 033 04	Cylinder head Cylinder head without valves	-89	6	M64.01/02
1	964 104 033 06	Cylinder head without valves See technical information Group 1 NR. 2/00 M >> 62M 06836 M >> 62M 52757	90-	6	M64.01/02 M64.01 M64.02
1	930 104 043 13	Cylinder head without valves		6	M30.69
1	964 104 033 20	Cylinder head without valves		6	M64.50
1	964 104 011 TX	Cylinder head without valves		6	M64.50
1	964 104 033 21	Cylinder head without valves		6	M64.50
1	964 104 011 TX	Cylinder head without valves		6	M64.50
2	964 104 321 50	Valve guide 1st oversize		6	M64.01/02/03 M64.50
2	930 104 321 50	Valve guide 1st oversize		6	M30.69
2A	964 104 321 52	Valve guide 1st oversize		6	M64.01/02/03 M64.50
2A	930 104 321 53	Valve guide 1st oversize		6	M30.69
3	930 104 331 50	Valve seat ring Intake Oversize		6	
4	930 104 335 56	Valve seat ring Exhaust Oversize		6	
5	999 062 006 02	Stud BM 8 X 20		12	
6	999 062 041 02	Stud BM 8 X 50		24	
7	999 062 007 02	Stud BM 8 X 22		12	M64.01/02/03
7	900 060 106 01	Stud BM 8 X 22		12	M64.01/02/03
7	999 062 239 02	Stud BM 8 X 30		12	M30.69 M64.50
8	999 062 091 02	Stud BM 6 X 30		18	M64.01/02/03
8	999 062 178 02	Stud BM 8 X 120		12	M30.69 M64.50
9	999 012 006 00	Straight pin		12	
10	964 104 111 06	Valve stem seal		12	M64.01/02/03 M64.50
(10)	964 104 111 07	Valve stem seal		12	M64.01/02/03 M64.50
10	928 104 193 12	Valve stem seal		12	M30.69
(10)	928 104 193 13	Valve stem seal		12	M30.69
(10)	964 104 111 07	Valve stem seal		12	M30.69
11	964 105 409 06	Intake valve		6	M64.01/02/03 M30.69 M64.50
11	964 105 409 08	Intake valve		6	M64.01/02/03 M30.69 M64.50
12	964 105 419 03	Exhaust valve		6	M64.01/02/03

Model: 911 89 Model life 1989>>1994

Pos	Part Number	Description	Remark	Qty	Model
12	930 105 419 50	Exhaust valve		6	M30.69
12	964 105 419 22	Exhaust valve		6	M64.50
13	930 105 461 00	Washer 0,5MM		12	
13	964 105 461 01	Washer 0,25MM		12	
13	964 105 461 02	Washer 1,5MM		12	
14	901 105 463 00	Ring		12	
15	901 105 901 50	Set of valve springs		12	
15	901 105 901 51	Set of valve springs		12	
16	901 105 421 03	Concave washer		12	
17	901 105 417 00	Collet		24	
18	964 104 382 01	Cylinder head nut		24	M64.01/02/03 M30.69
18	964 104 382 20	Cylinder head nut		24	M64.50
19	000 043 204 48	Sleeve for Valve stem seal		1	
20	930 606 013 02	Temperature sensor See workshop manual 993 GR.97-013		1	M64.01/02/03
21	964 104 901 00	Gasket set for Valve stem seal		1	M64.01/02/03 M64.50
22	000 043 300 86	Sealing compound		1	
22	PCG 043 300 86	Sealing compound LOCTITE 5920		1	

Model: 911 89

Model life 1989>>1994

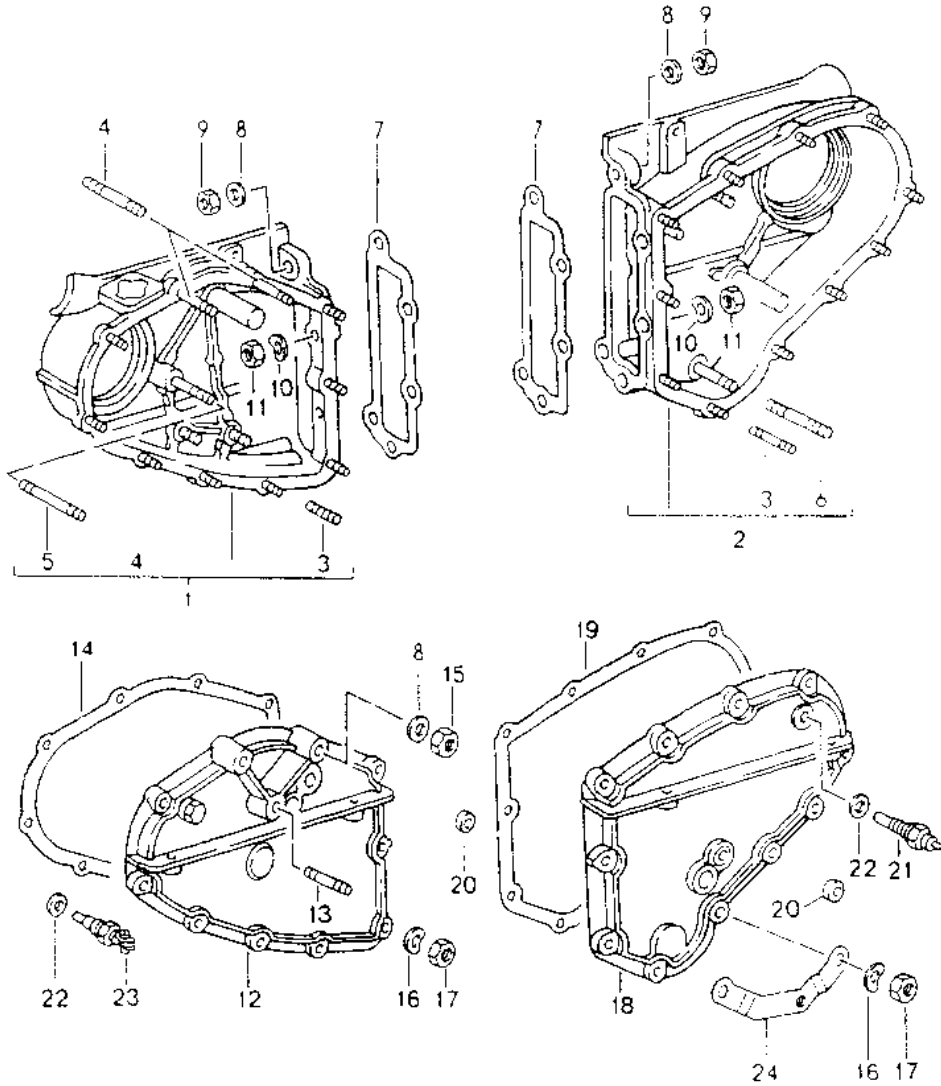


Model: 911 89 Model life 1989>>1994

Pos	Part Number	Description	Remark	Qty	Model
		Chain case			M64.01/02/03
		Chain adjuster			M64.50
1	964 105 093 01	Chain case	/L	1	M64.01/02/03
1	964 105 093 20	Chain case	/L	1	M64.50
2	964 105 583 01	Collar bolt		18	
3	999 062 102 02	Stud		4	
		BM 6 X 22			
4	999 062 017 02	Stud		4	
		BM 6 X 18			
5	964 105 094 04	Chain case	/R	1	
6	964 105 193 02	Gasket		2	
7	999 025 194 30	Washer		10	
		8,4 X 18 X 3			
8	999 084 095 02	Lock nut		10	
		M 8			
9	964 105 079 00	Chain adjuster	/L	1	
10	964 105 080 00	Chain adjuster	/R	1	
11	993 105 022 01	Lid		2	M64.01/02/03
(11)	964 105 023 20	Lid	/L	1	M64.50
(11)	964 105 022 20	Lid	/R	1	M64.50
12	964 105 177 03	Gasket		2	
13	999 084 094 02	Lock nut		26	
		M 6			
13A	999 217 127 02	Combination screw		2	M64.50
		M 6 X 20			
14	999 025 193 30	Spacer		8	
		6,4 X 14 X 3			
15	964 105 107 01	Lid		1	
16	964 105 181 01	Gasket		1	
17	964 105 140 01	Rubber seal		18	
18	964 105 445 00	Thrust washer		18	
19	964 105 108 01	Lid		1	
20	964 105 182 00	Gasket		1	
21	964 107 088 03	Bridge		2	M64.01/02/03
21	964 107 088 21	Bridge		2	M64.01/02/03
21	964 107 088 20	Bridge		2	M64.50
22	999 701 909 40	O-ring		2	
		6,7 X 3,53			
23	999 707 288 40	O-ring		2	
		6 X 2,5			
24	964 105 110 01	Bearing		4	
25	900 123 043 30	Sealing ring		1	M64.50
		A 12 X 15,5			
26	N 020 704 2	Connection piece		1	M64.50
		A 8			
27	964 113 215 20	Support		1	M64.50

Model: 911 89

Model life 1989>>1994



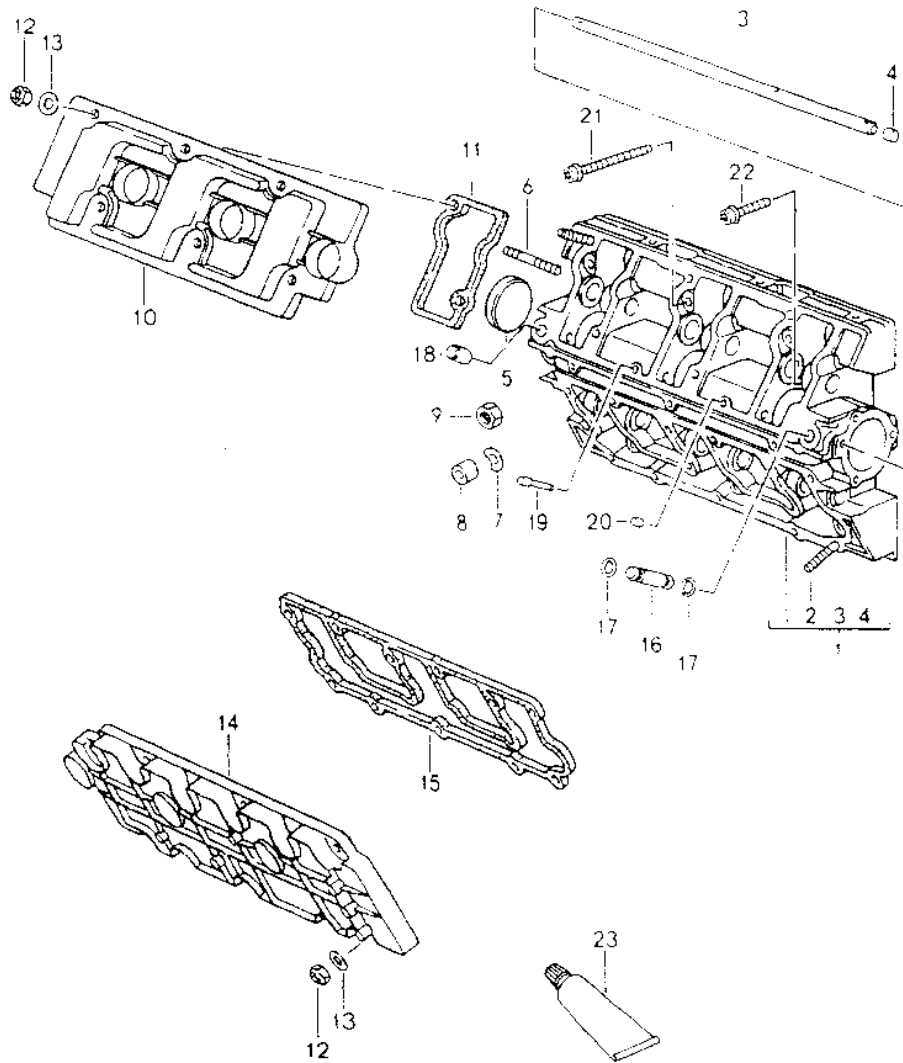
Model: 911 89

Model life 1989>>1994

Pos	Part Number	Description	Remark	Qty	Model
		Chain case			M30.69
1	930 105 061 02	Chain case	/L	1	
2	930 105 062 01	Chain case	/R	1	
3	999 062 102 02	Stud BM 6 X 22		19	
4	999 062 052 02	Stud BM 8 X 42		2	
5	999 062 255 02	Stud M 8 X 60		1	
6	999 062 041 02	Stud M 8 X 50		1	
7	930 105 193 06	Gasket		2	
8	900 031 014 30	Washer 8,4		7	
9	900 910 022 02	Lock nut M 8		5	
10	N 012 241 8	Spring washer B 8		4	
11	900 076 025 02	Hexagon nut M 8		4	
11	900 076 064 02	Hexagon nut M 8		4	
12	930 105 063 08	Lid	/L	1	
13	999 062 010 02	Stud BM 8 X 35		1	
14	930 105 191 03	Gasket	/L	1	
15	900 084 004 03	Hexagon nut M 8		2	
15	900 084 004 02	Hexagon nut M 8		2	
16	900 031 011 30	Washer 6,4		17	
17	900 910 012 02	Lock nut M 6		19	
17	900 910 047 09	Lock nut M 6		19	
18	930 105 064 10	Lid	/L	1	
19	930 105 192 04	Gasket	/R	1	
20	900 036 008 02	Lid		2	
21	930 606 117 00	Temperature switch		1	
22	900 123 007 30	Sealing ring A 14 X 18		2	
23	930 617 118 00	Temperature switch		1	
24	930 207 215 00	Support		1	

Model: 911 89

Model life 1989>>1994



Model: 911 89 Model life 1989>>1994

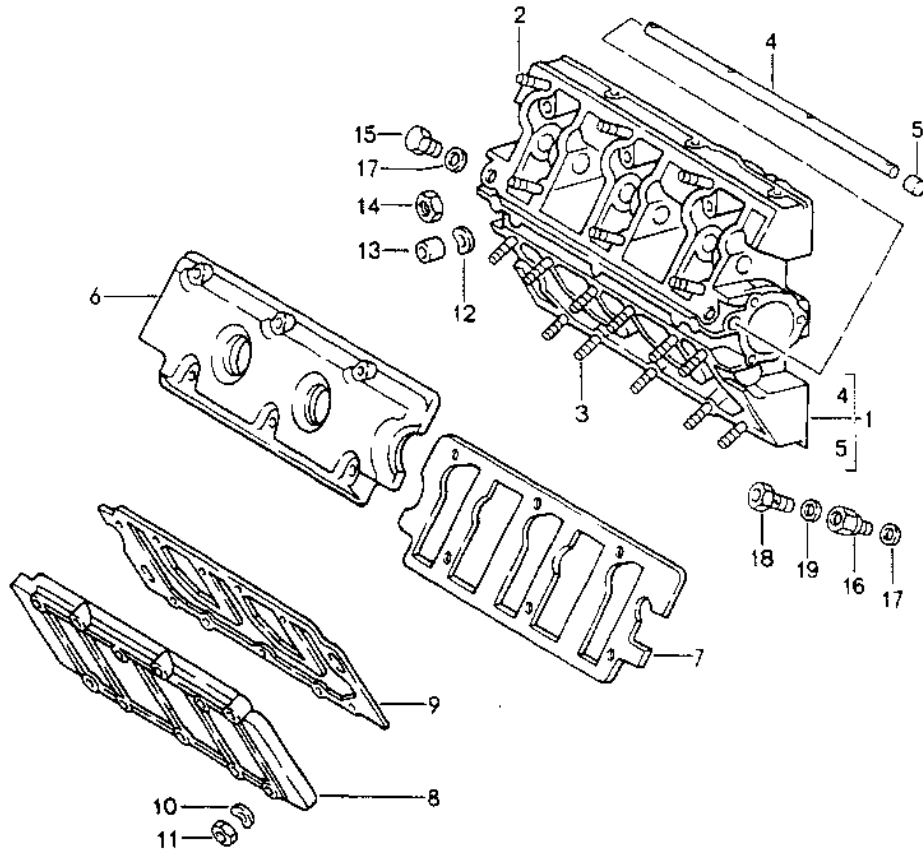
Pos	Part Number	Description	Remark	Qty	Model
		Camshaft housing			M64.01/02/03
1	964 105 021 01	Camshaft housing		2	M64.50
1	964 105 021 20	Camshaft housing		2	M64.01/02/03
2	999 062 127 02	Stud		34	M64.50
		B M 6 X 25		12	M64.01/02/03
2	999 062 010 02	Stud		22	M64.50
		BM 8 X 35			M64.50
3	930 105 362 00	Oil splash tube		2	
4	901 105 379 00	Stopper		2	
5	930 105 161 00	Lid		2	
6	999 062 102 02	Stud	/R -91	3	
		BM 6 X 22			
7	900 025 007 02	Washer		36	
		8,4			
7	900 025 007 03	Washer		36	
		8,4			
8	901 111 271 00	Nut		6	
9	900 076 025 02	Hexagon nut		30	
		M 8			
9	900 076 064 02	Hexagon nut		30	
		M 8			
10	964 105 115 01	Lid		2	M64.03
10	964 105 115 02	Lid		2	M64.01/02
					M64.50
11	964 105 173 01	Gasket		6	
12	900 076 010 02	Nut		34	M64.01/02/03
		M 6		12	M64.50
12	900 076 010 0B	Nut		34	
		M 6		12	
12	900 084 004 03	Hexagon nut		22	M64.50
		M 8			
12	900 084 004 02	Hexagon nut		22	M64.50
		M 8			
13	999 025 193 30	Spacer		34	M64.01/02/03
		6,4 X 14 X 3		12	M64.50
13	900 031 014 30	Washer		22	M64.50
		8,4			
14	964 105 116 01	Lid		2	M64.03
14	964 105 116 02	Lid		2	M64.01/02
14	964 105 116 03	Lid		2	M64.01/02
14	964 105 015 20	Lid	/R	1	M64.50
14	930 105 116 01	Lid	/L	1	M64.50
15	964 105 135 01	Gasket		2	M64.01/02/03
15	930 105 195 07	Gasket		2	M64.50
16	964 107 118 00	Pressure pipe		2	
17	999 701 909 40	O-ring		4	
		6,7 X 3,53			
18	999 501 071 30	Stopper		1	
		12,5 X 11			
19	964 105 345 00	Stopper		2	
20	999 501 022 30	Plug		2	
		4,63			
21	900 067 350 02	Combination screw		24	
		M 8 X 55			
22	999 218 081 02	Combination screw		12	
		M 8 X 30			
22	900 387 026 01	Combination screw		12	
		M 8 X 30			
23	000 043 300 86	Sealing compound		1	
23	PCG 043 300 86	Sealing compound		1	
-	964 105 902 00	Gasket set		1	M64.01/02/03
		for			

Model: 911 89 Model life 1989>>1994

Pos	Part Number	Description	Remark	Qty	Model
-	964 105 902 01	Valve cover Gasket set for Valve cover		1	M64.50

Model: 911 89

Model life 1989>>1994

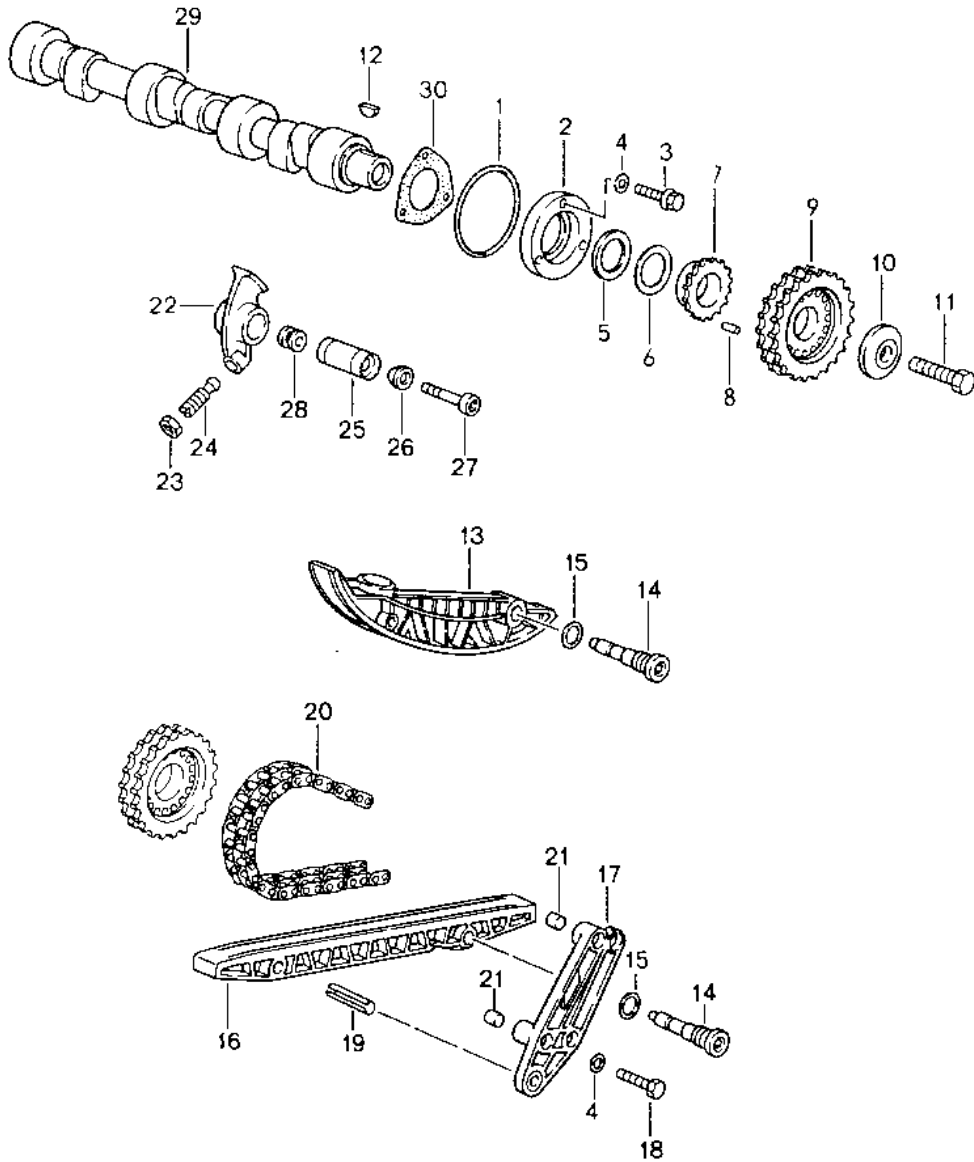


Model: 911 89 Model life 1989>>1994

Pos	Part Number	Description	Remark	Qty	Model
		Camshaft housing			M30.69
1	930 105 021 07	Camshaft housing		2	
2	999 062 009 02	Stud		12	
		BM 8 X 28			
2	900 060 105 01	Stud		12	
		BM 8 X 28			
3	999 062 010 02	Stud		22	
		BM 8 X 35			
4	930 105 362 00	Oil splash tube		2	
5	901 105 379 00	Stopper		4	
6	901 105 115 03	Lid		2	
7	930 105 194 04	Gasket		2	
8	930 105 116 00	Lid	/R	1	
8	930 105 116 05	Lid	/R	1	
(8)	930 105 116 01	Lid	/L	1	
9	930 105 195 07	Gasket		2	
10	900 031 014 30	Washer		40	
		8,4			
11	900 084 004 03	Hexagon nut		40	
		M 8			
11	900 084 004 02	Hexagon nut		40	
		M 8			
12	N 012 241 8	Spring washer		40	
		B 8 X 15			
13	901 111 271 00	Nut		6	
14	900 076 025 02	Hexagon nut		34	
		M 8			
14	900 076 064 02	Hexagon nut		34	
		M 8			
15	901 105 374 00	Screw plug		2	
16	901 105 361 01	Intermediate piece		2	
16	901 105 361 02	Intermediate piece		2	
17	900 123 005 00	Sealing ring		4	
		A 12 X 16			
18	999 134 018 02	Banjo bolt		2	
		A 6			
19	900 123 043 30	Sealing ring		2	
		A 12 X 15,5			
-	930 105 902 00	Gasket set		1	
		for			
		Valve cover			
-	930 105 902 01	Gasket set		1	
		for			
		Valve cover			

Model: 911 89

Model life 1989>>1994

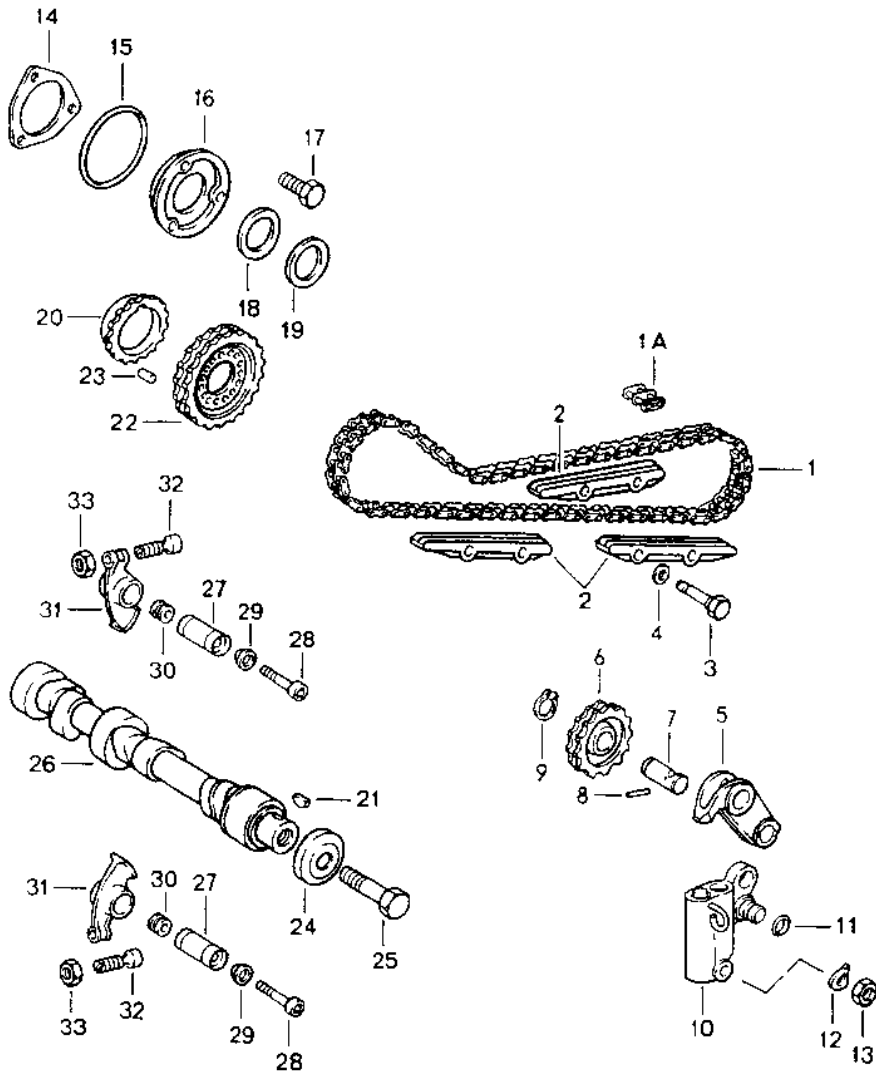


Model: 911 89 Model life 1989>>1994

Pos	Part Number	Description	Remark	Qty	Model
1	999 707 313 40	Valve control Left O-ring 67,2 X 5,77		1	M64.01/02/03 M64.50
2	930 105 196 00	Cover		1	
3	900 075 442 02	Combination screw M 6 X 25		3	
4	N 011 524 7	Washer A 6,4		3	
4	N 011 524 27	Washer A 6,4		3	
5	901 105 562 00	Thrust washer		1	
5	901 105 562 02	Thrust washer		1	
6	901 105 561 00	Shim		X	
7	901 105 583 01	Flange		1	
8	900 243 001 00	Straight pin 6 H 8 X 14		1	
9	901 105 546 02	Sprocket		1	
9	901 105 546 04	Sprocket		1	
10	993 105 163 50	Washer		1	
11	900 082 072 01	Hexagon-head bolt M 12 X 1,5 X 50		1	
12	N 012 708 2	Woodruff key 4,0 X 5,0		1	
13	964 105 043 02	Tensioner blade		1	
14	964 105 171 02	Bolt		1	
15	900 123 131 30	Sealing ring A 16 X 20		2	
16	964 105 029 00	Guide rail		1	
17	964 105 018 02	Supporting bow		1	
18	900 074 151 02	Hexagon-head bolt M 6 X 38		2	
19	999 095 045 01	Roll pin 10,5 X 43		2	
19	999 095 045 0A	Roll pin 10,5 X 43		2	
20	993 105 529 00	Timing chain Closed		1	
21	999 095 048 00	Dowel sleeve 8 X 8		2	
22	930 105 043 00	Rocker arm		12	
22	930 105 043 02	Rocker arm		12	
23	999 034 005 00	Nut M 8 X 1		12	
24	901 105 370 02	Adjusting screw		12	
25	901 105 342 04	Rocker shaft		12	
26	901 105 344 02	Bush		12	
26	901 105 344 03	Bush		12	
27	999 067 008 00	Pan-head screw M 7 X 48		12	
28	901 105 376 02	Nut		12	
29	964 105 247 07	Camshaft		1	M64.01/02/03
29	964 105 247 21	Camshaft		1	M64.50
30	930 105 197 05	Gasket		1	

Model: 911 89

Model life 1989>>1994



Model: 911 89 Model life 1989>>1994

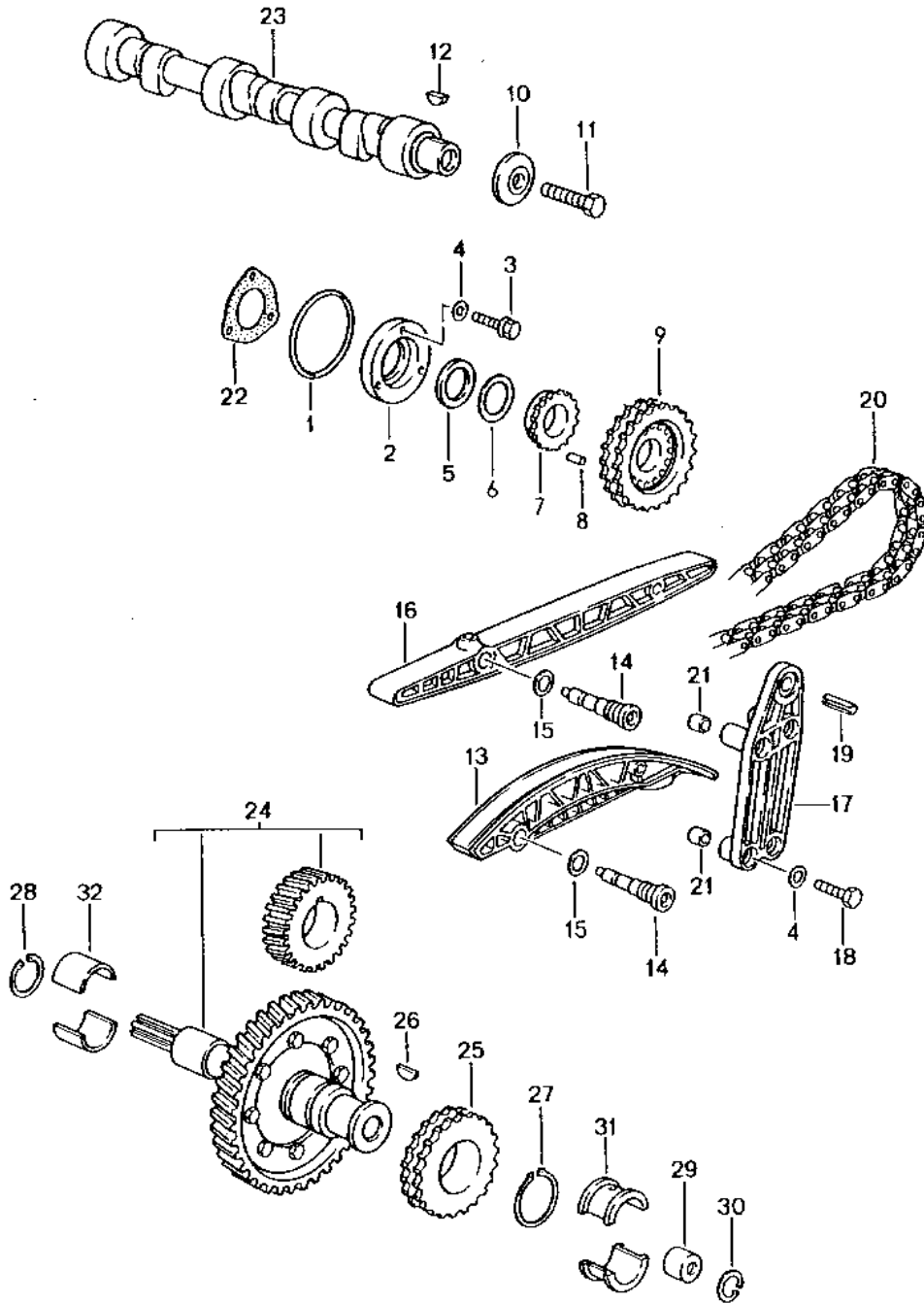
Pos	Part Number	Description	Remark	Qty	Model
		Valve control Left			M30.69
1	993 105 529 00	Timing chain Closed		1	
1	911 105 529 50	Timing chain Divided with Connecting link		1	
1	911 105 529 51	Timing chain Divided with Connecting link		1	
1A	901 105 530 00	Connecting link Only together with 911.105.529.50		1	
2	911 105 222 06	Guide rail		3	
3	901 105 226 03	Bolt		4	
4	900 123 066 30	Sealing ring A 10 X 16		4	
5	930 105 509 00	Chain wheel support		1	
6	901 105 055 00	Sprocket		1	
7	901 105 056 01	Bolt		1	
7	901 105 056 02	Bolt		1	
8	900 197 010 00	Tensioning sleeve 3 X 22		1	
9	N 012 415 1	Circlip 15 X 1		1	
10	930 105 058 03	Chain adjuster		1	
11	999 701 690 40	Round seal 12 X 1,78		1	
12	900 025 007 02	Washer A 8,4		1	
12	900 025 007 03	Washer A 8,4		1	
13	900 076 025 02	Hexagon nut M 8		1	
13	900 076 064 02	Hexagon nut M 8		1	
14	930 105 197 05	Gasket		1	
15	999 701 468 40	Round seal 67,5 X 75,4 X 4		1	
16	930 105 196 00	Cover		1	
17	900 075 442 02	Combination screw M 6 X 25		3	
18	901 105 562 00	Thrust washer		1	
18	901 105 562 02	Thrust washer		1	
19	901 105 561 00	Shim		X	
20	901 105 583 01	Flange		1	
21	N 012 708 2	Woodruff key 4 X 5		1	
22	901 105 546 02	Sprocket II		1	
22	901 105 546 04	Sprocket II		1	
23	900 243 001 00	Straight pin 6 H 8 X 14		1	
24	993 105 163 50	Washer		1	
25	900 082 072 01	Hexagon-head bolt M 12 X 1,5 X 50		1	
26	930 105 143 03	Camshaft		1	
27	901 105 342 04	Rocker shaft		12	
28	999 067 008 00	Pan-head screw		12	
29	901 105 344 02	Bush		12	

Model: 911 89 Model life 1989>>1994

Pos	Part Number	Description	Remark	Qty	Model
29	901 105 344 03	Bush		12	
30	901 105 376 02	Nut		12	
31	930 105 043 00	Rocker arm		12	
31	930 105 043 02	Rocker arm		12	
32	901 105 370 02	Adjusting screw		12	
33	999 034 005 00	Nut		12	

Model: 911 89

Model life 1989>>1994



Model: 911 89 Model life 1989>>1994

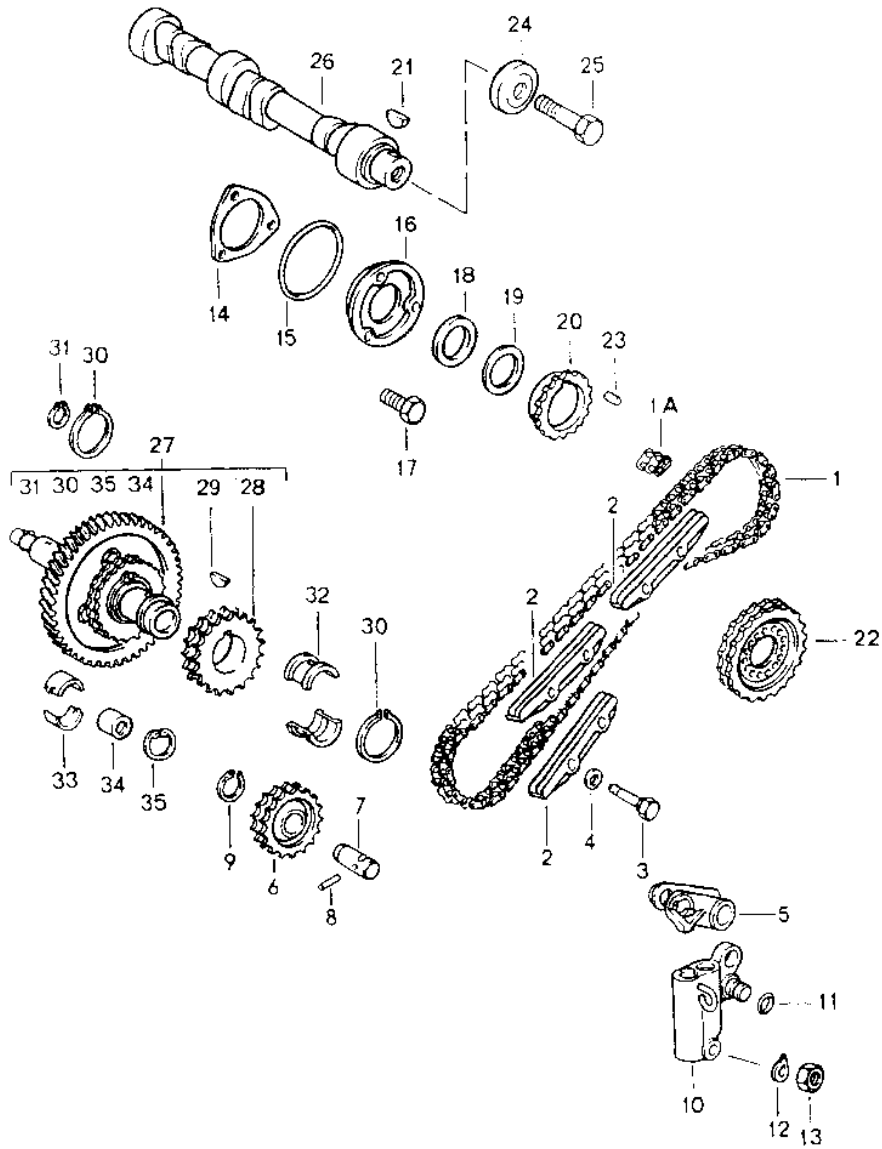
Pos	Part Number	Description	Remark	Qty	Model
1	999 707 313 40	Valve control Right O-ring 67,2 X 5,77		1	M64.01/02/03 M64.50
2	930 105 196 00	Cover		1	
3	900 075 442 02	Combination screw M 6 X 25		3	
4	N 011 524 7	Washer A 6,4		3	
4	N 011 524 27	Washer A 6,4		3	
5	901 105 562 00	Thrust washer		1	
5	901 105 562 02	Thrust washer		1	
6	901 105 561 00	Shim		X	
7	901 105 583 01	Flange		1	
8	900 243 001 00	Straight pin 6 H 8 X 14		1	
9	901 105 546 02	Sprocket		1	
9	901 105 546 04	Sprocket		1	
10	993 105 163 50	Washer		1	
10	930 105 163 50	Washer		1	
11	900 082 072 01	Hexagon-head bolt M 12 X 1,5 X 50		1	
12	N 012 708 2	Woodruff key 4,0 X 5,0		1	
13	964 105 043 02	Tensioner blade		1	
14	964 105 171 02	Bolt		1	
15	900 123 131 30	Sealing ring A 16 X 20		2	
16	964 105 030 00	Guide rail		1	
17	964 105 018 02	Supporting bow		1	
18	900 074 151 02	Hexagon-head bolt M 6 X 38		2	
19	999 095 045 01	Roll pin 10,5 X 43		2	
19	999 095 045 0A	Roll pin 10,5 X 43		2	
20	993 105 529 00	Timing chain Closed		1	
21	999 095 048 00	Dowel sleeve 8 X 8		2	
22	930 105 197 05	Gasket		1	
23	964 105 246 09	Camshaft		1	M64.01/02/03 M657
23	964 105 248 20	Camshaft		1	M64.50 M657 M656
23	964 105 248 06	Camshaft		1	
24	964 105 911 01	Intermediate shaft with Timing gear Number 0	-89	1	
24	964 105 911 02	Intermediate shaft with Timing gear Number 0	90-	1	
24	964 105 911 11	Intermediate shaft with Timing gear Number 1	-89	1	
24	964 105 911 12	Intermediate shaft with Timing gear Number 1	90-	1	

Model: 911 89 Model life 1989>>1994

Pos	Part Number	Description	Remark	Qty	Model
25	901 105 125 04	Sprocket		2	
26	900 118 010 00	Woodruff key 6,0 X 7,5		2	
27	900 041 025 01	Circlip 36 X 1,75		2	
28	900 041 026 01	Circlip 13 X 1		1	
29	901 105 275 00	Stopper		1	
30	N 012 296 1	Circlip 16 X 1		1	
31	916 101 137 00	Thrust bearing		2	
31	993 101 137 00	Thrust bearing		2	
31	993 101 137 01	Thrust bearing		2	
32	901 101 135 00	Bearing		2	

Model: 911 89

Model life 1989>>1994



Model: 911 89

Model life 1989>>1994

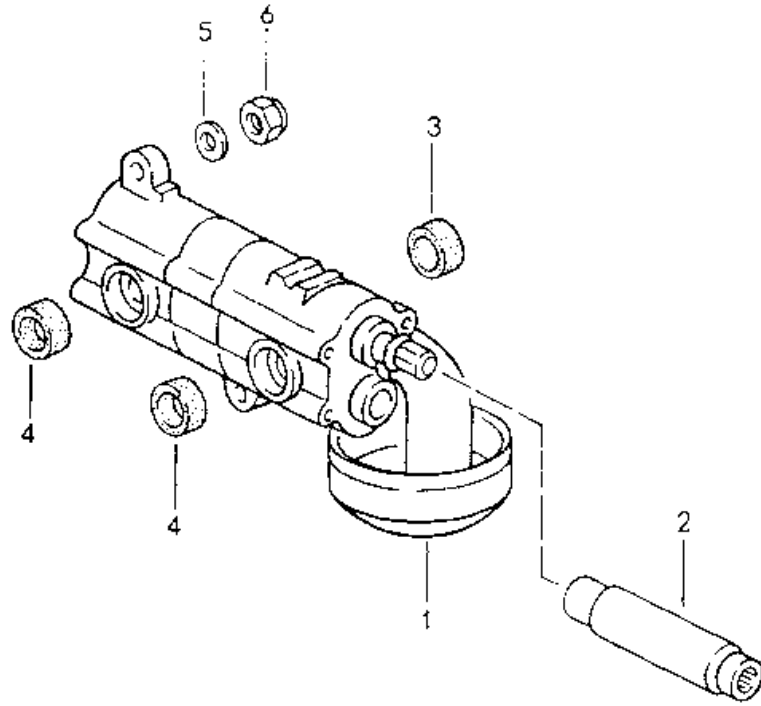
Pos	Part Number	Description	Remark	Qty	Model
		Valve control Right			M30.69
1	993 105 529 00	Timing chain Closed		1	
1	911 105 529 50	Timing chain Divided with Connecting link		1	
1	911 105 529 51	Timing chain Divided with Connecting link		1	
1A	901 105 530 00	Connecting link Only together with 911.105.529.50		1	
2	911 105 222 05	Guide rail		1	
2	911 105 222 06	Guide rail		2	
3	901 105 226 03	Bolt		4	
4	900 123 066 30	Sealing ring A 10 X 16		4	
5	930 105 510 00	Chain wheel support		1	
6	901 105 055 00	Sprocket		1	
7	901 105 056 01	Bolt		1	
7	901 105 056 02	Bolt		1	
8	900 197 010 00	Tensioning sleeve 3 X 22		1	
9	N 012 415 1	Circlip 15 X 1		1	
10	930 105 058 03	Chain adjuster		1	
11	999 701 690 40	Round seal 12 X 1,78		1	
12	900 025 007 02	Washer A 8,4		1	
12	900 025 007 03	Washer A 8,4		1	
13	900 076 025 02	Hexagon nut M 8		1	
13	900 076 064 02	Hexagon nut M 8		1	
14	930 105 197 05	Gasket		1	
15	999 701 468 40	Round seal 67,5 X 75,4 X 4		1	
16	930 105 196 00	Cover		1	
17	900 075 442 02	Combination screw M 6 X 25		3	
18	901 105 562 00	Thrust washer		1	
18	901 105 562 02	Thrust washer		1	
19	901 105 561 00	Shim		X	
20	901 105 583 01	Flange		1	
21	N 012 708 2	Woodruff key 4 X 5		1	
22	901 105 546 02	Sprocket II		1	
22	901 105 546 04	Sprocket II		1	
23	900 243 001 00	Straight pin 6 H 8 X 14		1	
24	993 105 163 50	Washer		1	
24	930 105 163 50	Washer		1	
25	900 082 072 01	Hexagon-head bolt M 12 X 1,5 X 50		1	
26	930 105 246 00	Camshaft		1	
27	930 105 013 01	Intermediate shaft		1	

Model: 911 89 Model life 1989>>1994

Pos	Part Number	Description	Remark	Qty	Model
27	930 105 013 04	Size 0 Intermediate shaft		1	
27	930 105 013 11	Size 0 Intermediate shaft		1	
28	901 105 125 04	Size 1 Sprocket		2	
29	900 118 010 00	Woodruff key		2	
30	900 041 025 01	Circlip 36 X 1,75		2	
31	900 041 026 01	Circlip 13 X 1		1	
32	916 101 137 00	Thrust bearing		2	
32	993 101 137 00	Thrust bearing		2	
32	993 101 137 01	Thrust bearing		2	
33	901 101 135 00	Bearing		2	
34	901 105 275 00	Stopper		1	
35	N 012 296 1	Circlip 16 X 1		1	

Model: 911 89

Model life 1989>>1994

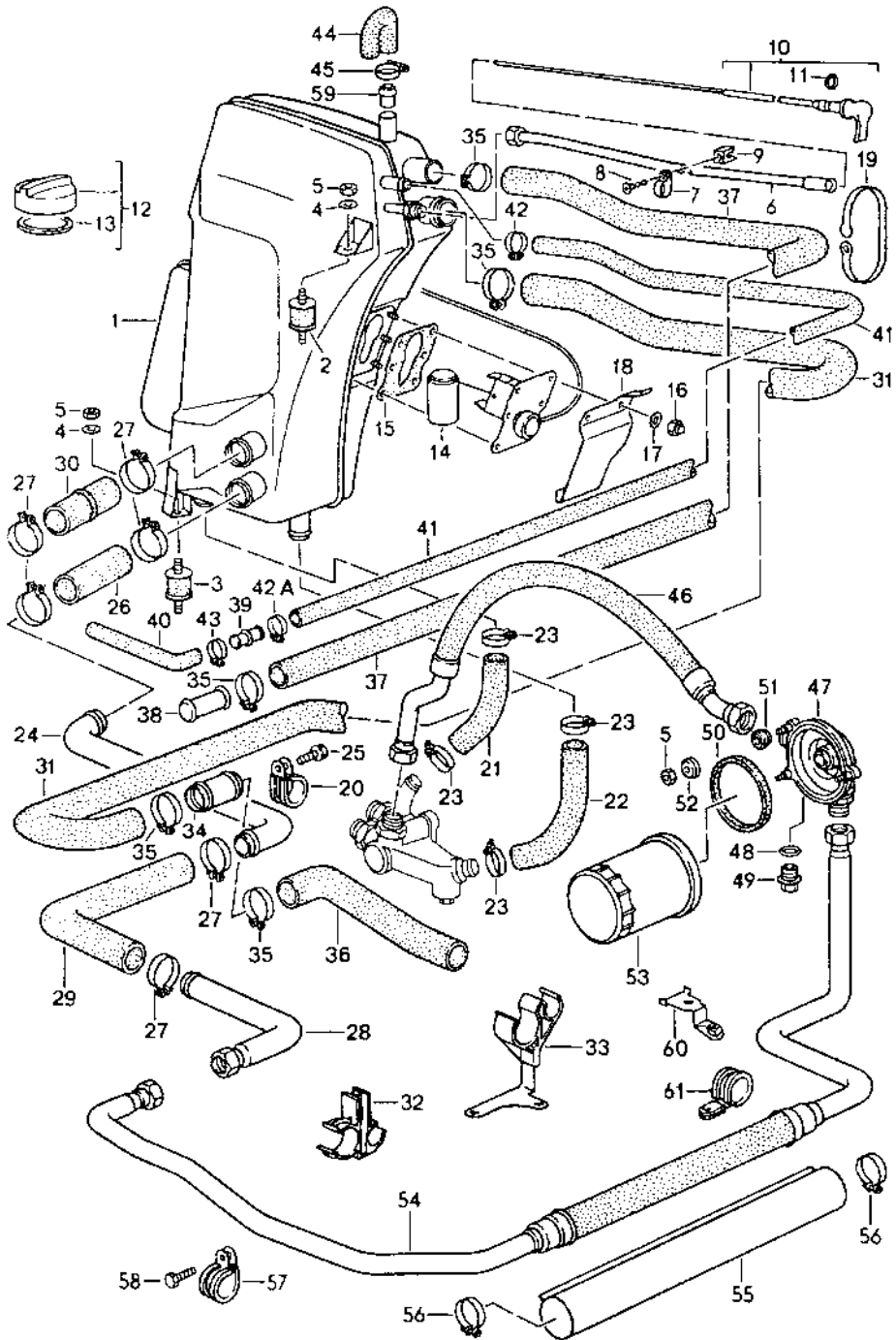


Model: 911 89 Model life 1989>>1994

Pos	Part Number	Description	Remark	Qty	Model
1	964 107 011 07	Oil pump	-90	1	M64.01/02
1	964 107 011 11	Oil pump		1	M64.01/02/03 M64.50
1	964 107 011 14	Oil pump It is necessary to rework FREIGANG PLEUEL PRUEFEN		1	M64.01/02/03 M64.50
(1)	996 107 008 70	Oil pump		1	M30.69
2	930 107 143 03	Connecting shaft		1	
3	999 704 173 50	Sealing ring 19,5 X 26		1	
4	999 704 172 50	Sealing ring 16,3 X 22		3	
5	900 031 001 02	Washer 8,4		3	
5	900 031 105 01	Washer 8,4		3	
6	999 084 095 02	Lock nut M 8		3	

Model: 911 89

Model life 1989>>1994



Model: 911 89 Model life 1989>>1994

Pos	Part Number	Description	Remark	Qty	Model
		Oil tank Lines			
1	964 207 070 02	Oil tank	-89	1	
1	964 207 070 05	Oil tank	90-	1	
1	964 207 070 20	Oil tank	93-	1	M64.50
2	999 703 324 00	Bonded rubber buffer		1	
3		Bonded rubber buffer		1	
4	N 011 524 7	Washer A 6,4		3	
4	N 011 524 27	Washer A 6,4		3	
5	999 084 094 02	Lock nut M 6		3	
6	964 207 057 00	Guide tube		1	
7	999 511 069 02	Clamp 12 X 15		1	
7	999 511 069 0C	Clamp 12 X 15		1	
8	900 187 118 02	Combination screw B 4,2 X 16		1	
9	999 507 050 40	Expander nut B 4,2		1	
10	964 207 041 00	Oil level dipstick		1	
10	993 207 041 00	Oil level dipstick		1	
11	900 174 063 40	Round seal 6 X 2		1	
12	944 107 091 01	Oil filler cover		1	
13	999 701 846 40	O-ring 45 X 4		1	
14	964 641 051 00	Tank gauge		1	
14	964 641 051 02	Tank gauge		1	
15	993 207 226 00	Gasket		1	
16	900 085 011 07	Cap nut M 5		6	
17	900 025 003 02	Washer A 53		6	
18	964 641 561 01	Cover plate		1	
19	999 513 010 40	Tie-wrap 9 X 250		1	
20	999 511 087 02	Pipe clamp D-1-28/15		1	
21	964 207 241 01	Oil hose	-89	1	
21	964 207 241 04	Oil hose for Thermostat 964 207 047 03/06		1	
(21)	964 207 241 06	Oil hose for Thermostat 964 207 047 05/07/08		1	
(21)	964 207 241 07	Oil hose for Thermostat 964 207 047 05/07/08		1	
22	964 207 251 02	Oil hose for Thermostat 964 207 047 03/06		1	
(22)	964 207 251 03	Oil hose for Thermostat 964 207 047 05/07/08		1	
23	999 512 252 02	Hose clamp		4	

Model: 911 89 Model life 1989>>1994

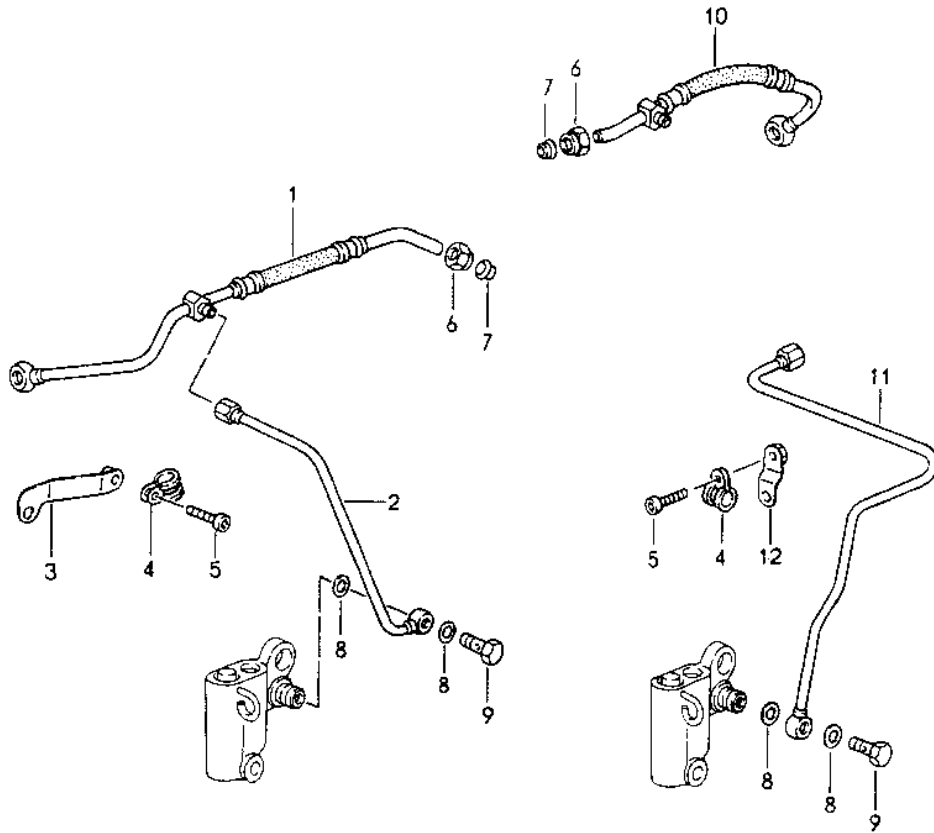
Pos	Part Number	Description	Remark	Qty	Model
		23-35			
24	964 207 250 14	Oil pipe		1	
24	964 207 250 15	Oil pipe		1	
25	900 075 355 02	Combination screw M 6 X 16 Z 1		1	
25	900 075 355 01	Hexagon-head bolt M 6 X 16 Z 1		1	
26	964 207 217 00	Oil hose		1	
27	999 512 356 02	Hose clamp 25-40		6	
28	964 207 257 11	Oil pipe		1	M64.01/02/03
28	930 207 257 11	Oil pipe		1	M30.69 M64.50
29	964 207 247 02	Oil hose		1	
30	964 207 130 02	Connecting piece		1	
30	964 207 130 04	Connecting piece		1	
31	964 207 143 00	Breather hose		1	
31	964 207 143 01	Breather hose	93-	1	SPEEDSTER
32	964 207 331 00	Hose holder		1	
33	964 207 032 00	Hose holder	-90	1	M64.01/02
(33)	964 207 032 01	Hose holder	91-	1	M64.01/02/03
34	964 207 326 01	Connection piece		1	
35	999 512 272 02	Hose clamp 25-40		6	
36	964 207 327 00	Breather hose		1	
37	964 207 145 01	Breather hose		1	
38	930 110 267 04	Connecting piece		1	
39	964 207 313 00	Adapter	-90	1	
40	964 207 314 00	Breather hose	-90	1	
41	964 207 315 00	Breather hose	-90	1	
41	964 207 316 00	Breather hose	91-	1	
42	999 512 346 00	Hose clamp 16 - 27/9		1	
42A	999 512 495 02	Clamp 18,0 - 20,3	-90	1	
42A	999 512 495 0B	Clamp 18,0 - 20,3		1	
43	999 512 063 02	Clip A 19 X 9		2	
43	999 512 063 01	Clip A 19 X 9		2	
44	964 207 177 00	Breather hose		1	
45	999 512 554 00	Hose clamp 12 - 22		1	
46	964 207 254 04	Oil pipe		1	M64.01/02/03
46	964 207 254 05	Oil pipe		1	M64.01/02/03
46	964 207 254 07	Oil pipe		1	M64.01/02/03
46	964 207 254 08	Oil pipe		1	M64.01/02/03
46	930 207 254 02	Oil pipe	-92	1	M30.69
46	930 207 254 04	Oil pipe	93-	1	M30.69 M64.50
46	930 207 254 05	Oil pipe	93-	1	M30.69 M64.50
47	964 207 025 02	Bracket		1	M64.01/02/03
(47)		Bracket See group 1/01/10		1	M30.69 M64.50
48	N 013 813 2	Sealing ring A 12 X 17		1	
49	900 124 008 02	Screw plug M 12 X 1,5		1	
50	964 207 214 00	Sealing ring		1	
51	964 105 140 01	Rubber seal		3	

Model: 911 89 Model life 1989>>1994

Pos	Part Number	Description	Remark	Qty	Model
52	900 223 003 02	Washer 6,4		3	
53	930 107 764 01	Oil filter		1	M64.01/02/03
53	930 107 764 03	Oil filter Red	-(IND)	1	M64.01/02/03
53		Oil filter See group 1/01/10		1	M30.69 M64.50
54	964 207 252 14	Oil pipe		1	M64.01/02/03
(54)	930 207 261 12	Oil pipe		1	M30.69 M64.50
(54)	930 207 261 13	Oil pipe		1	M30.69 M64.50
55	964 207 352 00	Protective tube		1	
56	999 512 346 00	Hose clamp 16-25		2	
57	999 511 080 02	Clamp B 22 X 15		1	
58	900 378 030 09	Hexagon-head bolt M 6 X 20		1	
59	944 107 324 00	Valve		1	
60	930 207 228 01	Support		1	
61	930 107 407 03	Pipe clamp		1	

Model: 911 89

Model life 1989>>1994



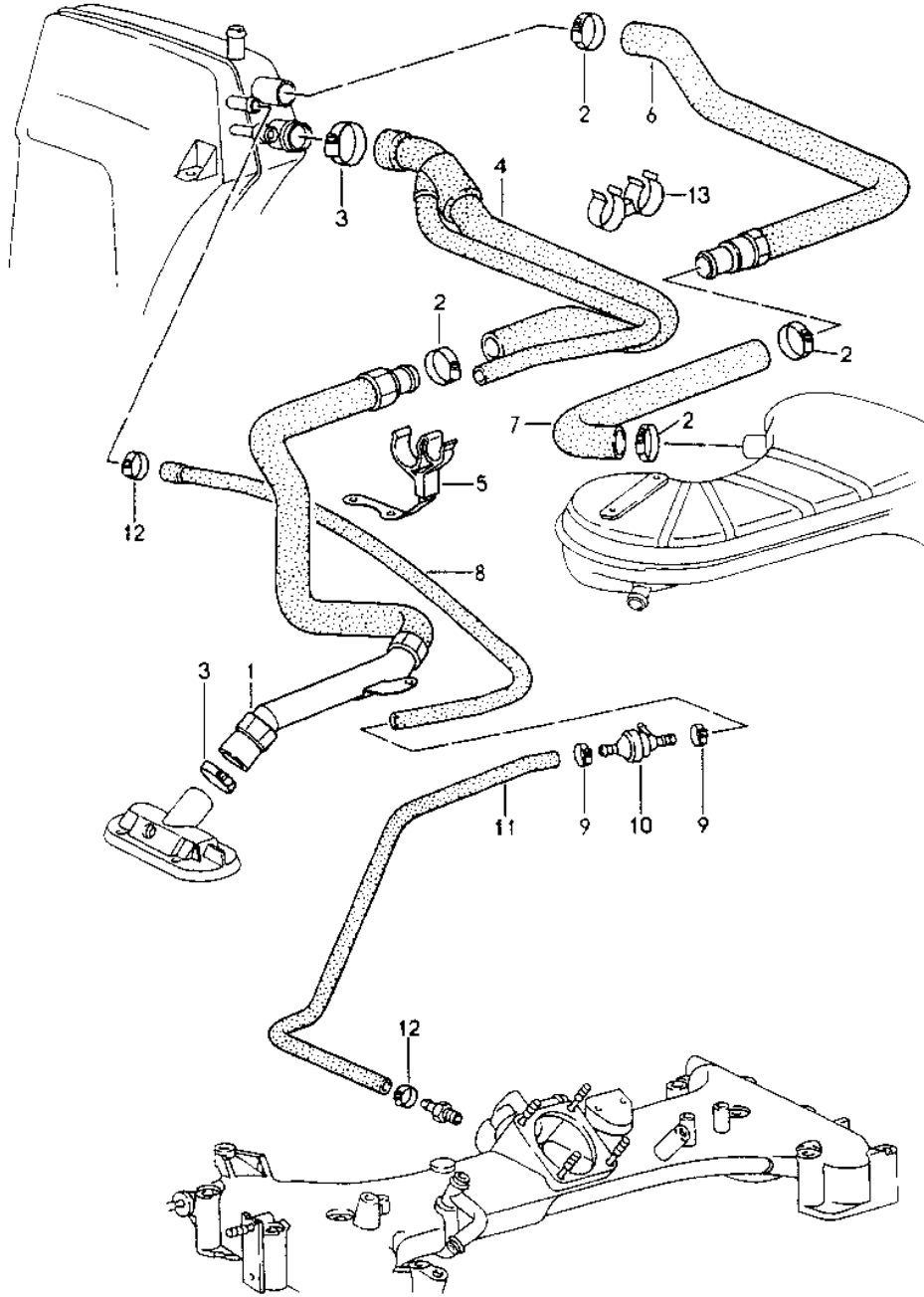
Model: 911 89

Model life 1989>>1994

Pos	Part Number	Description	Remark	Qty	Model
		Oil supply			
		Chain adjuster			M30.69
1	930 107 347 05	Oil hose		1	
1	930 107 347 08	Oil hose		1	
1	930 107 347 10	Oil hose		1	
1	930 107 347 12	Oil hose		1	
1	930 107 347 14	Oil hose		1	
2	930 107 347 06	Oil pipe		1	
2	930 107 347 09	Oil pipe		1	
3	930 107 341 00	Support		1	
4	999 511 174 02	Pipe clamp 4/9		2	
4	PCG 511 174 02	Pipe clamp 4/9		2	
5	900 119 059 02	Pan-head screw M 4 X 10		2	
5	900 119 088 01	Pan-head screw M 4 X 10		2	
6	900 104 003 02	Union nut ALL 8		2	
6	900 104 003 03	Union nut ALL 8		2	
7	N 020 825 1	Cutting ring LL 8		2	
8	900 123 115 30	Sealing ring A 8 X 11,5		4	
9	N 021 073 1	Banjo bolt LL 3-5		2	
10	930 107 348 10	Oil hose		1	
10	930 107 348 15	Oil hose		1	
11	930 107 348 09	Oil pipe		1	
11	930 107 348 14	Oil pipe		1	
11	930 107 348 09	Oil pipe		1	
12	930 107 342 01	Support		1	

Model: 911 89

Model life 1989>>1994

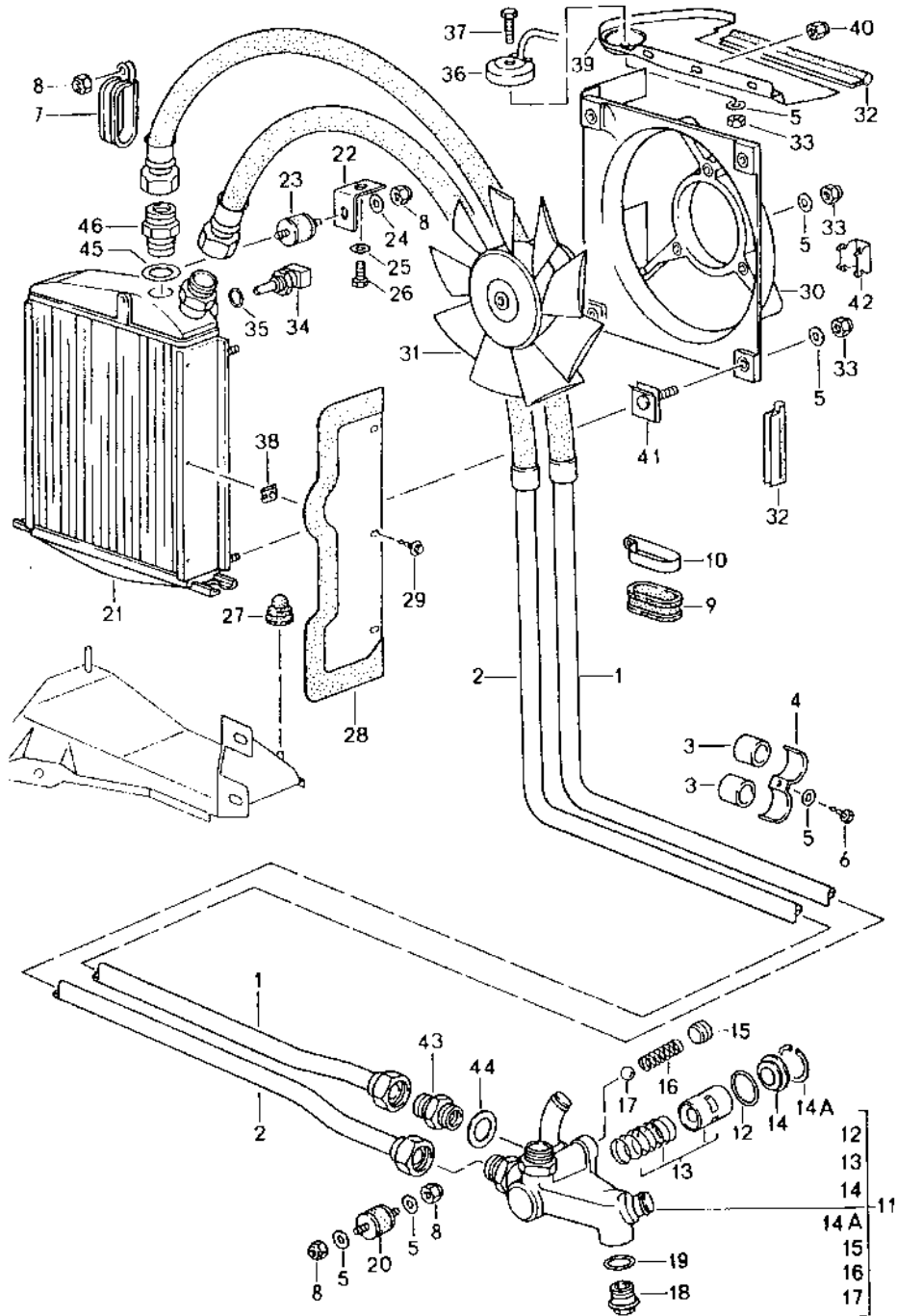


Model: 911 89 Model life 1989>>1994

Pos	Part Number	Description	Remark	Qty	Model
		Crankcase			M30.69
		Bleeding			M64.50
1	930 107 397 03	Line		1	
2	999 512 252 02	Hose clamp 23 - 35		5	
3	999 512 551 00	Hose clamp 25 - 40		2	
4	930 207 043 01	Moulded hose		1	
5	964 207 032 02	Hose holder		1	
6	930 207 145 02	Moulded hose without Connection piece		1	
-	964 207 326 01	Use also: Connection piece		1	
-	999 512 252 01	Hose clamp 23 - 35		1	
7	930 207 145 03	Moulded hose		1	
8	930 207 314 00	Moulded hose		1	
9	999 512 427 02	Hose clamp 8 - 16		2	
10	999 926 021 00	Valve		1	
11	930 207 316 00	Moulded hose		1	
12	999 512 554 00	Hose clamp 12 - 22		2	
13	999 591 616 40	Hose holder		1	
14	964 207 326 01	Connection piece		1	

Model: 911 89

Model life 1989>>1994



Model: 911 89

Model life 1989>>1994

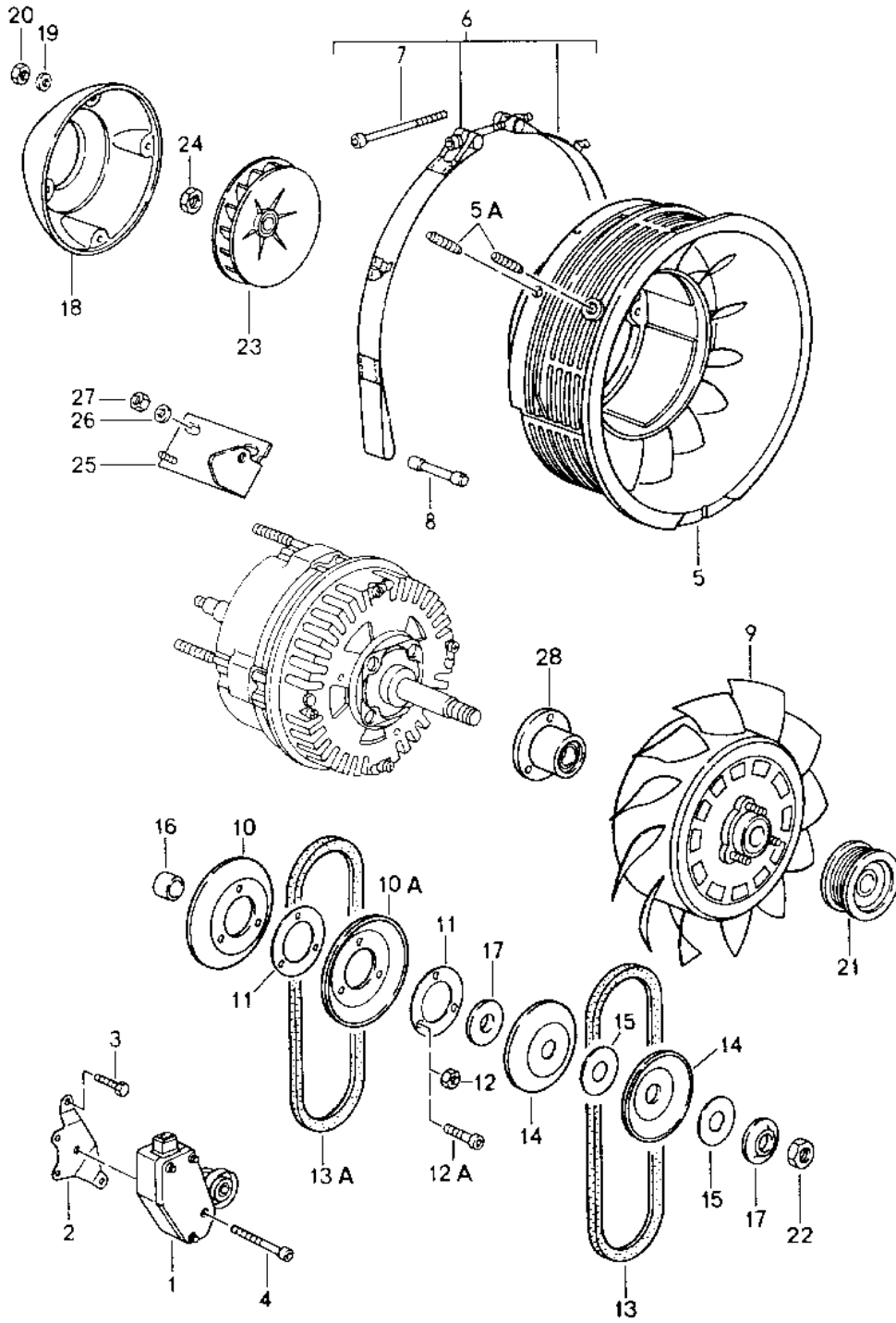
Pos	Part Number	Description	Remark	Qty	Model
		Oil cooler Lines			
1	964 207 135 01	Oil pipe		1	
1	964 207 135 03	Oil pipe		1	
1	964 207 135 04	Oil pipe		1	
2	964 207 133 01	Oil pipe		1	
2	964 207 133 03	Oil pipe		1	
2	964 207 133 04	Oil pipe		1	
3	964 207 302 00	Hose piece		4	
4	964 207 303 00	Support		2	
5	N 011 524 7	Washer A 6,4		16	
5	N 011 524 27	Washer A 6,4		16	
6	900 187 015 02	Hexagon-head tapping screw B 6,3 X 16		2	
7	964 207 121 00	Hose clamp		2	
8	999 084 094 02	Lock nut M 6		6	
9	930 207 265 00	Rubber mounting		1	
9	930 207 265 01	Rubber mounting		1	
10	999 511 162 02	Pipe clamp 29 X 15		1	
11	964 207 047 03	Thermostat	-90	1	
11	964 207 047 05	Thermostat	91	1	
11	964 207 047 06	Thermostat	91-	1	
11	964 207 047 07	Thermostat	-92	1	
11	964 207 047 08	Thermostat	93-	1	
12	999 701 393 40	O-ring 32 X 2,5		1	
13	964 207 349 02	Thermostat insert		1	
14	964 207 351 01	Washer		1	
14A	999 041 036 00	Circlip 37 X 1,5		1	
15	900 063 007 02	Screw plug M 20 X 1,5		1	
16	964 207 355 00	Compression spring		1	
17	900 108 060 00	Ball 13 MM-KL3		1	
18	944 107 197 01	Screw plug		1	
19	900 123 118 30	Sealing ring A 22 X 27		1	
20	999 703 246 00	Bonded rubber buffer 20 X 20		1	
21	964 207 220 02	Oil cooler		1	
22	964 207 415 00	Bracket		1	
23	999 703 323 00	Bonded rubber buffer 25 X 20		1	
24	900 151 003 02	Washer A 6,4		1	
24	900 151 006 03	Washer A 6,4		1	
25	900 151 008 02	Washer B 8,4		1	
26	900 075 087 02	Hexagon-head bolt M 8 X 16		1	
26	900 075 087 03	Hexagon-head bolt M 8 X 16		1	
27	964 207 413 01	Buffer		2	
28	964 207 223 01	Air baffle plate		1	
29	900 187 132 02	Combination screw B 3,5 X 13		3	
30	964 624 041 00	Air-guide cowl		1	

Model: 911 89 Model life 1989>>1994

Pos	Part Number	Description	Remark	Qty	Model
31	964 624 035 00	Blower		1	
32	999 911 398 40	Edge protection 557 MM It is necessary to rework		*	
33	900 076 010 02	Nut M 6		8	
33	900 076 010 0B	Nut M 6		8	
34	964 624 110 00	Temperature sensor		1	
35	900 123 007 30	Sealing ring A 14 X 18		1	
36	964 616 521 01	Ballast resistor		1	
37	N 010 217 9	Hexagon-head bolt M 6 X 20		1	
38	999 591 713 02	Speed nut B 4,2		3	
38	999 591 713 03	Speed nut B 4,2		3	
39	964 575 522 00	Air guide without Edge protection 999.911.398.40		1	M481
39	964 575 522 01	Air guide without Edge protection 999.911.398.40		1	M249
40	999 591 839 40	Plastic nut T5		3	
41	999 591 911 02	Bolt M 6 X 20		4	
42	999 591 895 02	Retaining clip		3	
42	999 591 895 01	Retaining clip		3	
43	900 915 008 09	Union A LL 22		3	
44	900 123 139 30	Sealing ring A 26 X 32		3	
45	900 123 118 30	Sealing ring A 22 X 27		2	
46	999 136 045 09	Union		2	

Model: 911 89

Model life 1989>>1994



Model: 911 89 Model life 1989>>1994

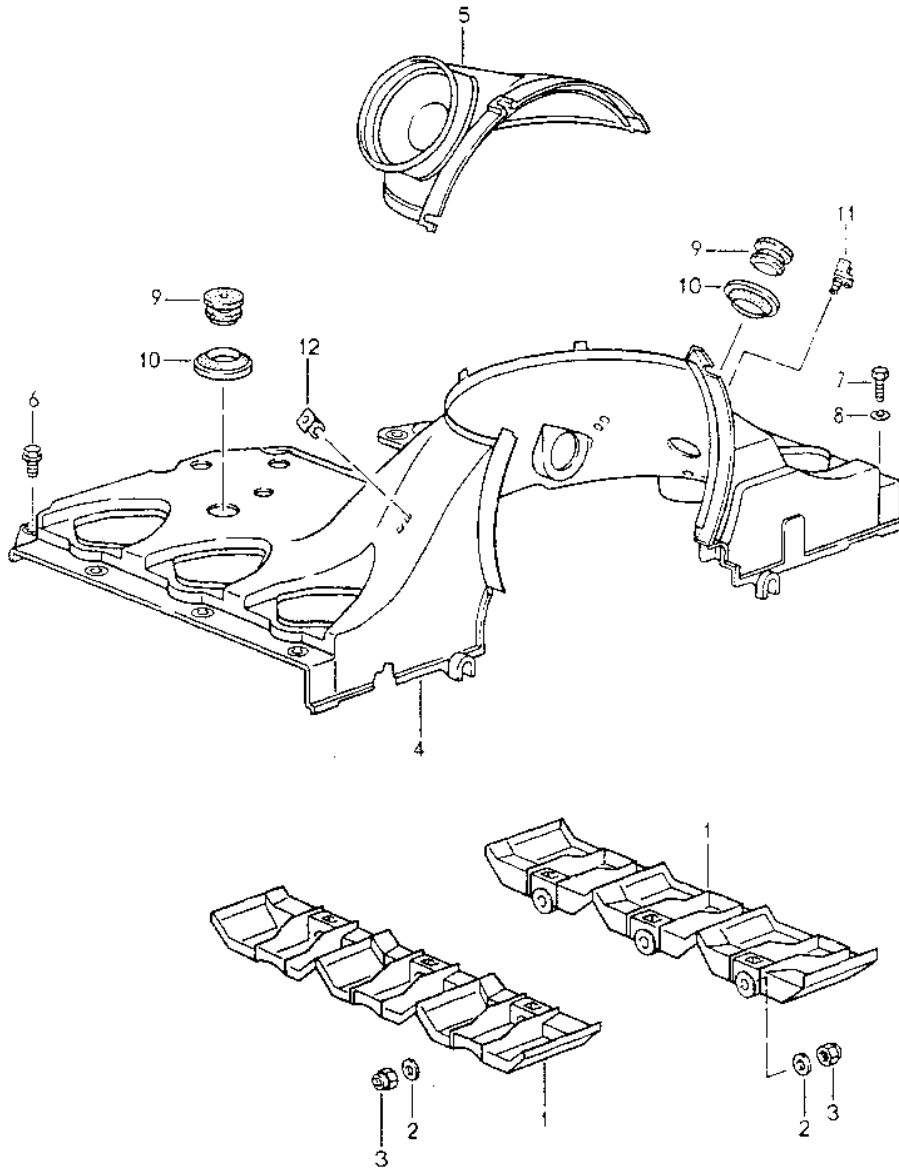
Pos	Part Number	Description	Remark	Qty	Model
		Air cooling			
1	964 106 035 02	Sender	-89	1	M64.01/02
1	964 106 035 03	Sender	-91	1	M64.01/02
1	993 106 035 00	Sender	92-	1	M64.01/02
1	964 106 035 08	Sender		1	M30.69 M64.50
(2)	964 106 315 00	Support		1	M64.01/02
2	964 106 315 02	Support		1	
2	964 106 315 20	Support		1	M30.69 M64.50
3	999 143 004 08	Combination screw M 6 X 12		2	M64.01/02 M64.50
3	999 143 004 01	Combination screw M 6 X 12		2	M64.01/02 M64.50
3	999 075 039 0C	Combination screw M 6 X 12		2	M64.01/02 M64.50
3	N 010 210 13	Hexagon-head bolt M 6 X 10		2	M30.69
4	N 014 743 2	Pan-head screw M 6 X 30		1	
4	900 067 012 03	Pan-head screw M 6 X 30		1	
5	964 106 667 02	Fan housing		1	M64.01/02/03
5	964 106 667 03	Fan housing		1	M64.01/02/03
5	930 106 006 08	Fan housing		1	M30.69 M64.50
5A	999 062 073 02	Stud BM 8 X 16		2	M30.69 M64.50
6	964 106 017 01	Restraining strap		1	M64.01/02/03
(6)	964 106 251 20	Clip		1	M30.69 M64.50
7	900 067 290 02	Pan-head screw M 6 X 70 X 36		1	M64.01/02/03
7	900 067 152 02	Pan-head screw M 8 X 55		1	M30.69 M64.50
8	964 106 273 00	Pin		2	M64.01/02/03
(8)	964 106 273 01	Pin		2	M64.01/02/03
9	964 106 015 02	Impeller	-92	1	M64.01
9	964 106 015 31	Impeller		1	M64.01/02
9	964 106 015 75	Impeller	-92	1	M64.03
9	964 106 015 40	Impeller	93-	1	M64.03
9	930 106 015 00	Impeller		1	M30.69
9	964 106 015 21	Impeller		1	M64.50
9	964 106 015 22	Impeller		1	M64.50
10	964 106 511 02	Pulley half		2	M64.01/02/03
10	930 106 509 00	Pulley half		1	M30.69 M64.50
10	930 106 509 01	Pulley half		1	M30.69 M64.50
10A	930 106 510 00	Pulley half		1	M30.69
(10A)	930 106 510 01	Pulley half		1	M64.50 M30.69
11	964 106 517 01	Shim		1	M64.50
				6	M64.01/02/03 M30.69 M64.50
12	999 084 094 02	Lock nut M 6		3	M64.01/03
12A	900 119 026 02	Pan-head screw M 6 X 30		3	M64.02 M30.69
12A	900 976 004 01	Pan-head screw M 6 X 30		3	M64.50 M64.02 M30.69

Model: 911 89 Model life 1989>>1994

Pos	Part Number	Description	Remark	Qty	Model
13	999 192 338 50	Narrow v-belt 9,5 X 776		1	M64.50 M64.01
13	999 192 343 50	Narrow v-belt 9,5 X 760		1	M64.02
13A	999 192 338 50	Narrow v-belt 9,5 X 776		1	M64.01/02/03
13A	999 192 345 50	Narrow v-belt 9,5 X 785		1	M30.69 M64.50
14	964 106 267 00	Pulley half		2	M64.01
14	964 106 267 31	Pulley half		2	M64.02
15	964 106 268 00	Shim		6	M64.01
15	964 106 268 30	Shim	-91	6	M64.02
15	964 106 268 31	Shim	92-	6	M64.02
16	964 106 515 00	Spacer sleeve	-91	1	
16	964 106 515 30	Spacer sleeve	92-	1	
17	964 106 211 00	Sleeve	-91	2	M64.01
17	964 106 211 01	Sleeve	92-	2	M64.01
17	964 106 211 30	Sleeve	-91	2	M64.02
17	964 106 211 32	Sleeve	92-	2	M64.02
17	N 011 542 2	Washer A 17		1	M30.69 M64.50
18	930 603 041 01	Hub extension		1	
19	N 011 524 7	Washer A 6,4		4	
19	N 011 524 27	Washer A 6,4		4	
20	900 910 010 09	Lock nut V M 6		4	
21	930 106 124 02	Pulley		1	M30.69 M64.50
22	900 034 013 02	Hexagon nut B M 16 X 1,5		1	
22	900 034 013 01	Hexagon nut B M 16 X 1,5		1	
23	928 603 045 01	Impeller		1	
24	900 034 003 02	Hexagon nut BM 10		1	
25	930 110 224 02	Mounting plate		1	M30.69 M64.50
26	900 025 007 02	Washer		2	M30.69 M64.50
26	900 025 007 03	Washer		2	M30.69 M64.50
27	900 076 025 02	Hexagon nut M 8		2	M30.69 M64.50
27	900 076 064 02	Hexagon nut M 8		2	M30.69 M64.50
28	964 106 051 30	Wheel hub		1	M30.69 M64.01/02/50
28	964 106 051 31	Wheel hub		1	M30.69 M64.01/02/50
(28)	993 106 051 80	Wheel hub		1	M64.03

Model: 911 89

Model life 1989>>1994



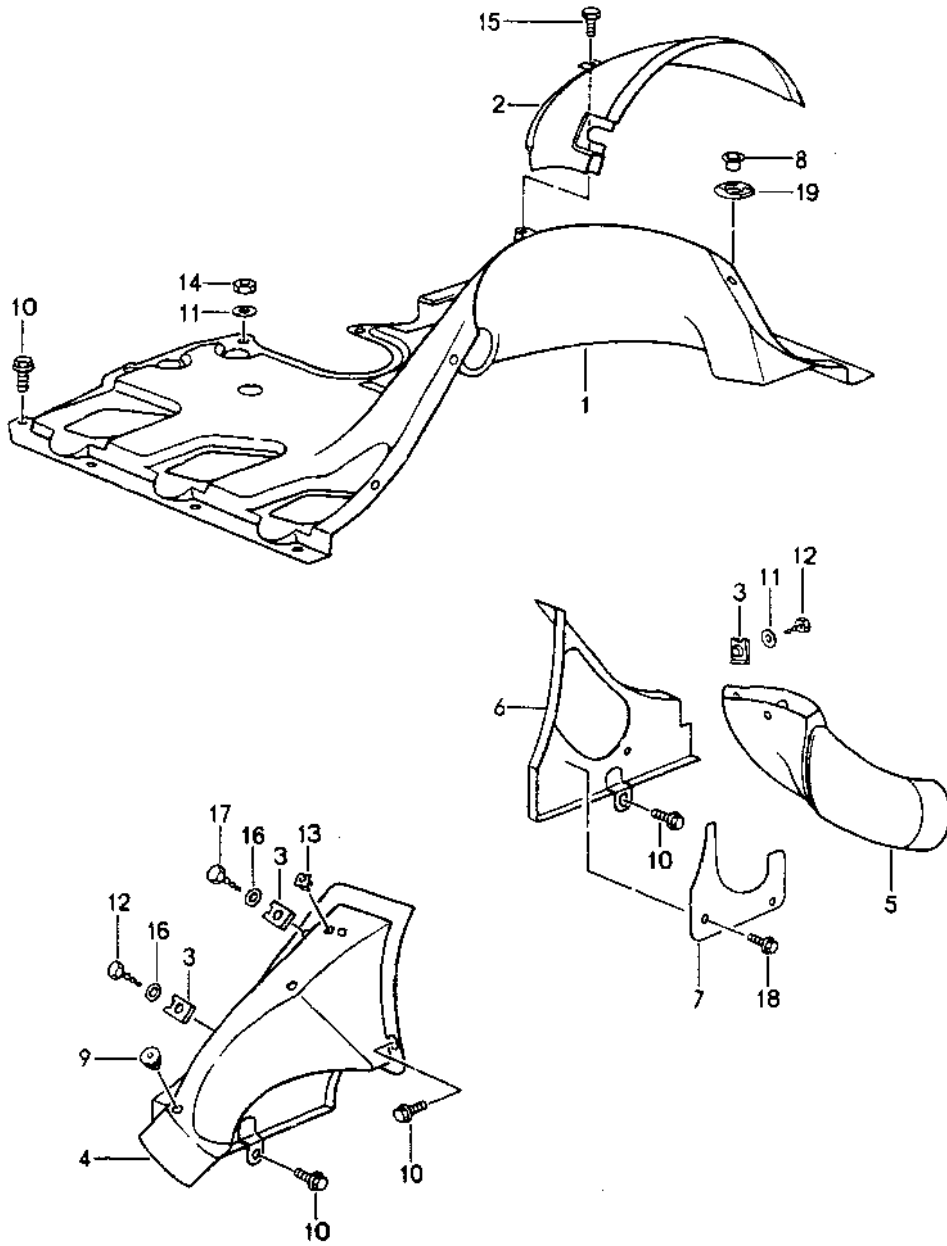
Model: 911 89

Model life 1989>>1994

Pos	Part Number	Description	Remark	Qty	Model
		Air guide			M64.01/02/03
1	964 106 266 01	Air guide		2	
2	999 025 193 30	Spacer 6,4 X 14 X 3		6	
3	999 084 094 02	Lock nut M 6		6	
4	964 106 402 04	Air guide	-91	1	
4	964 106 402 06	Air guide	92-	1	
5	964 106 403 01	Air guide		1	
5	964 106 403 02	Air guide		1	
6	999 143 006 08	Combination screw M 6 X 16		14	
7	900 075 014 02	Hexagon-head bolt M 6 X 18		2	
7	900 075 014 03	Hexagon-head bolt M 6 X 18		2	
8	930 126 135 01	Washer 6,1		2	
9	911 612 328 00	Rubber sleeve		2	
10	911 612 327 00	Rubber sleeve		2	
11	911 602 551 00	Cable holder		2	
12	999 591 592 40	Special nut		6	

Model: 911 89

Model life 1989>>1994

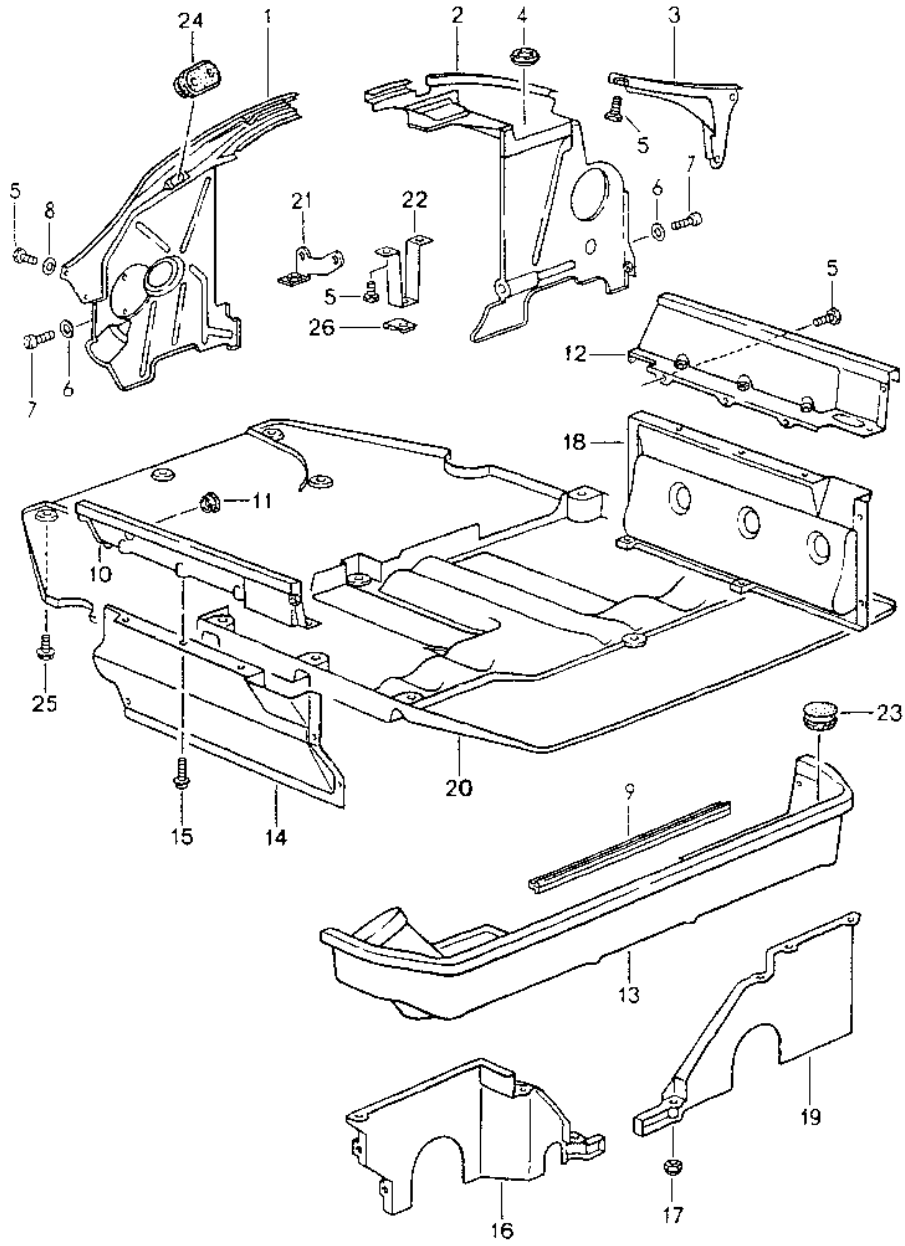


Model: 911 89 Model life 1989>>1994

Pos	Part Number	Description	Remark	Qty	Model
		Air guide			M30.69 M64.50
1	930 106 402 02	Air guide Black		1	
2	930 106 403 00	Air guide Black		1	
3	999 507 003 02	Speed nut B 6,3		4	
3	999 507 003 01	Speed nut B 6,3		4	
4	930 106 021 50	Hot air socket		1	M30.69
4	964 106 021 20	Hot air socket		1	M64.50
5	911 106 327 00	Hot air socket		1	
6	911 106 036 00	Cover plate		1	M30.69
6	964 106 036 20	Cover plate		1	M64.50
7	911 106 827 00	Closing plate		1	
8	911 106 310 00	Sleeve		1	
9	999 703 044 50	Stopper		2	
10	999 143 004 08	Combination screw M 6 X 12		10	
10	999 143 004 01	Combination screw M 6 X 12		10	
10	999 075 039 0C	Combination screw M 6 X 12		10	
11	N 011 524 7	Washer A 6,4		4	
11	N 011 524 27	Washer A 6,4		4	
12	900 187 015 02	Hexagon-head tapping screw B 6,3 X 16		2	
13	999 591 592 40	Special nut		4	
14	900 076 010 02	Nut M 6		2	
14	900 076 010 0B	Nut M 6		2	
15	999 919 037 02	Hexagon-head bolt 4,0 X 12		1	
16	999 025 108 02	Washer 6,4 X 14 X 1,6		2	
17	900 187 010 02	Hexagon-head tapping screw B 6,3 X 19		1	
17	900 187 010 03	Hexagon-head tapping screw B 6,3 X 19		1	
18	999 075 039 02	Combination screw M 6 X 12		3	
18		Combination screw M 6 X 12		3	
18	999 075 039 0C	Combination screw M 6 X 12		3	
19	999 591 315 02	Clip 10,0		1	

Model: 911 89

Model life 1989>>1994

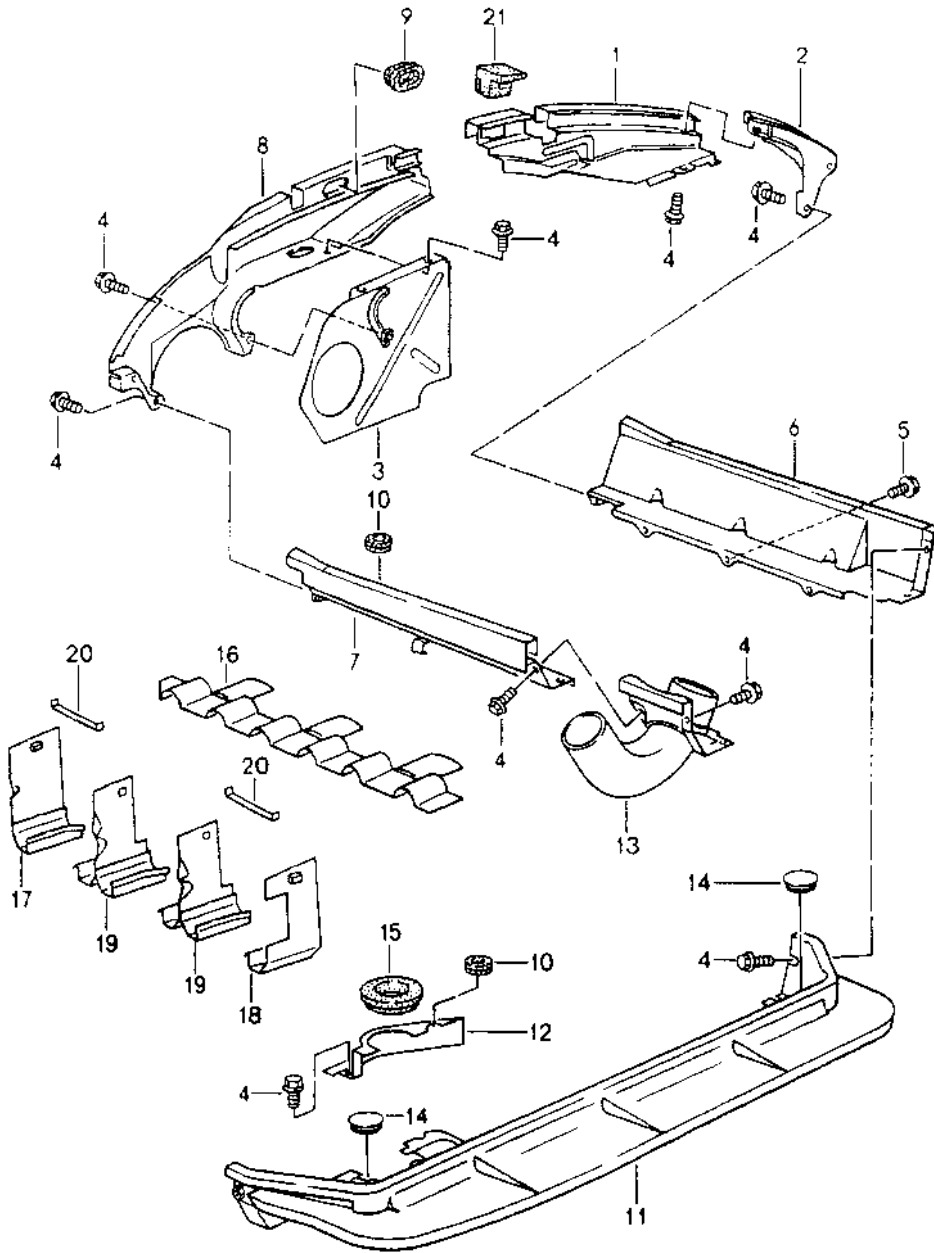


Model: 911 89 Model life 1989>>1994

Pos	Part Number	Description	Remark	Qty	Model
		Engine cover			
		Engine capsule			M64.01/02/03
1	964 106 283 08	Engine cover	/L	1	
(2)	964 106 283 01	Engine cover	/R	1	M656
(2)	964 106 283 76	Engine cover	/R	1	M656
2	964 106 283 09	Engine cover	/R	1	M657
3	964 106 283 10	Engine cover	/R	1	M657
4	999 702 126 50	Grommet 17,5 X 32 X 7		1	
5	999 143 004 08	Combination screw M 6 X 12		8	
5	999 143 004 01	Combination screw M 6 X 12		8	
5	999 075 039 0C	Combination screw M 6 X 12		8	
6	900 025 007 02	Washer 8,4		2	
6	900 025 007 03	Washer 8,4		2	
7	N 014 706 7	Pan-head screw M 8 X 12		2	
7	N 014 706 8	Pan-head screw M 8 X 12		2	
8	N 011 524 7	Washer A 6,4		2	
8	N 011 524 27	Washer A 6,4		2	
9	964 106 223 01	Engine compartment seal		2	
10	964 106 229 03	Engine cover	/L	1	
11	999 703 224 40	Cap 20 X 25 X 6		1	M150
12	964 106 289 01	Engine cover	/R	1	
13	964 106 014 02	Engine cover	/H	1	
14	964 119 015 03	Engine capsule	/L	1	
15	900 075 354 00	Combination screw M 6 X 16		23	
16	964 119 013 03	Engine capsule	/L	1	
17	999 084 114 02	Lock nut M 6		6	
18	964 119 014 03	Engine capsule	/R	1	
19	964 119 012 03	Engine capsule	/R	1	
20	964 119 029 04	Engine capsule		1	M64.01/03
(20)	964 119 029 31	Engine capsule		1	M64.02
21	964 119 106 01	Support	/R	1	M64.01/03
21	964 119 106 30	Support	/R	1	M64.02
22	964 119 107 30	Support	/L	1	M64.02
23	964 106 237 01	Stopper		2	
24	911 606 407 00	Grommet		1	
25	900 075 422 00	Combination screw M 6 X 20		6	
26	999 507 359 00	Nut lock M 6		1	
26	999 507 073 00	Nut lock M 6		1	

Model: 911 89

Model life 1989>>1994

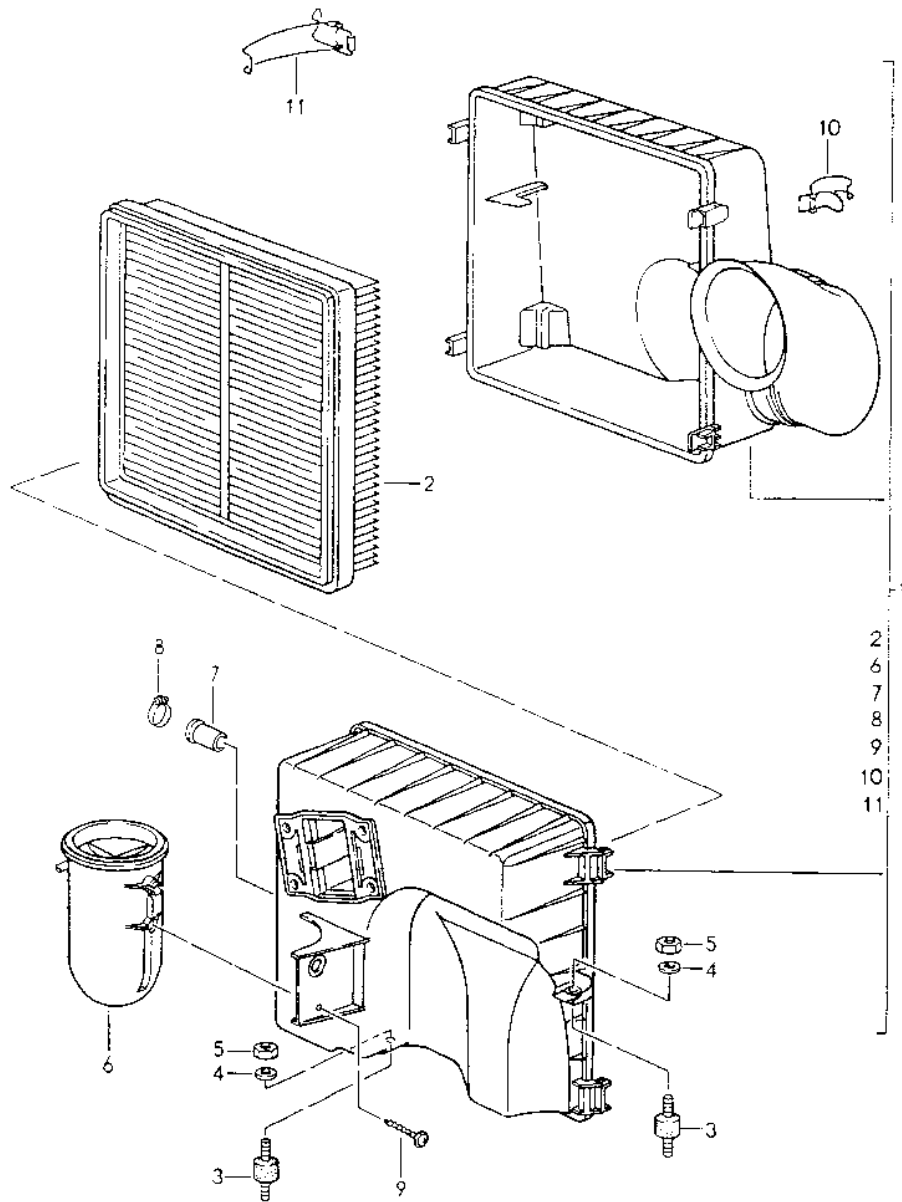


Model: 911 89 Model life 1989>>1994

Pos	Part Number	Description	Remark	Qty	Model
		Engine cover			M30.69
		Air guide			M64.50
1	930 106 283 09	Engine cover	/R	1	
2	930 106 283 10	Engine cover	/R	1	
3	930 106 707 05	Engine cover	/L	1	
4	999 075 039 02	Combination screw M 6 X 12		23	
4	999 075 039 0C	Combination screw M 6 X 12		23	
5	999 143 004 08	Combination screw M 6 X 12		10	
5	999 143 004 01	Combination screw M 6 X 12		10	
5	999 075 039 0C	Combination screw M 6 X 12		10	
6	930 106 289 08	Engine cover	/R	1	M30.69
6	964 106 289 20	Engine cover	/R	1	M64.50
(6)	930 106 289 09	Engine cover	/R (J)	1	M30.69
(6)	964 106 289 21	Engine cover	/R (J)	1	M64.50
7	930 106 703 09	Engine cover	/L	1	
8	930 106 283 11	Engine cover	/L	1	
9	930 106 407 01	Grommet		1	
10	930 106 175 00	Rubber sleeve 21,5\$		3	
11	930 106 214 08	Engine cover		1	M30.69
11	930 106 214 09	Engine cover		1	M30.69
11	964 106 214 20	Engine cover		1	M64.50
12	930 106 852 02	Engine cover		1	M30.69
12	964 106 852 20	Engine cover		1	M64.50
13	930 211 045 01	Heating tube	/L	1	M30.69
13	930 211 045 02	Heating tube	/L	1	M30.69
(13)	964 106 853 20	Cover	/L	1	M64.50
14	964 106 237 01	Stopper		2	
15	930 106 176 00	Rubber sleeve 34\$		1	
16	930 106 301 00	Cover plate		1	M30.69
16	964 106 266 20	Cover plate		1	M64.50
17	930 106 221 00	Baffle plate		2	
18	930 106 222 00	Baffle plate		2	
19	930 106 023 00	Baffle plate		4	
20	930 106 228 00	Leaf spring		6	
21	930 110 612 00	Rubber sleeve		1	
21	930 110 612 02	Rubber sleeve		1	

Model: 911 89

Model life 1989>>1994



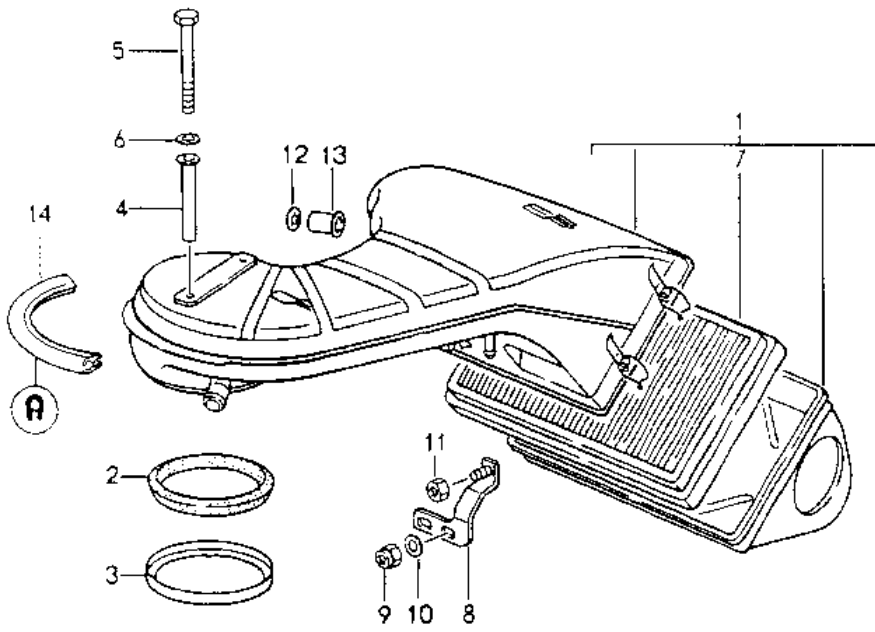
Model: 911 89

Model life 1989>>1994

Pos	Part Number	Description	Remark	Qty	Model
		Air cleaner			M64.01/02/03
1	964 110 030 05	Air cleaner		1	
2	964 110 327 01	Air cleaner cartridge		1	
3	930 110 579 01	Bonded rubber buffer		2	
3	999 703 265 00	Bonded rubber buffer		2	
4	N 011 666 7	Washer B6,4		2	
5	999 084 094 02	Lock nut M6		2	
6	964 110 140 00	Vacuum reservoir		1	
7	930 110 256 00	Stopper		1	
8	999 512 554 00	Hose clamp A 9 X 18		1	
9	999 919 064 02	Oval-head screw M 5 X 20		1	
10	964 110 902 00	Clamp		2	
11	964 110 902 01	Clamp		2	

Model: 911 89

Model life 1989>>1994

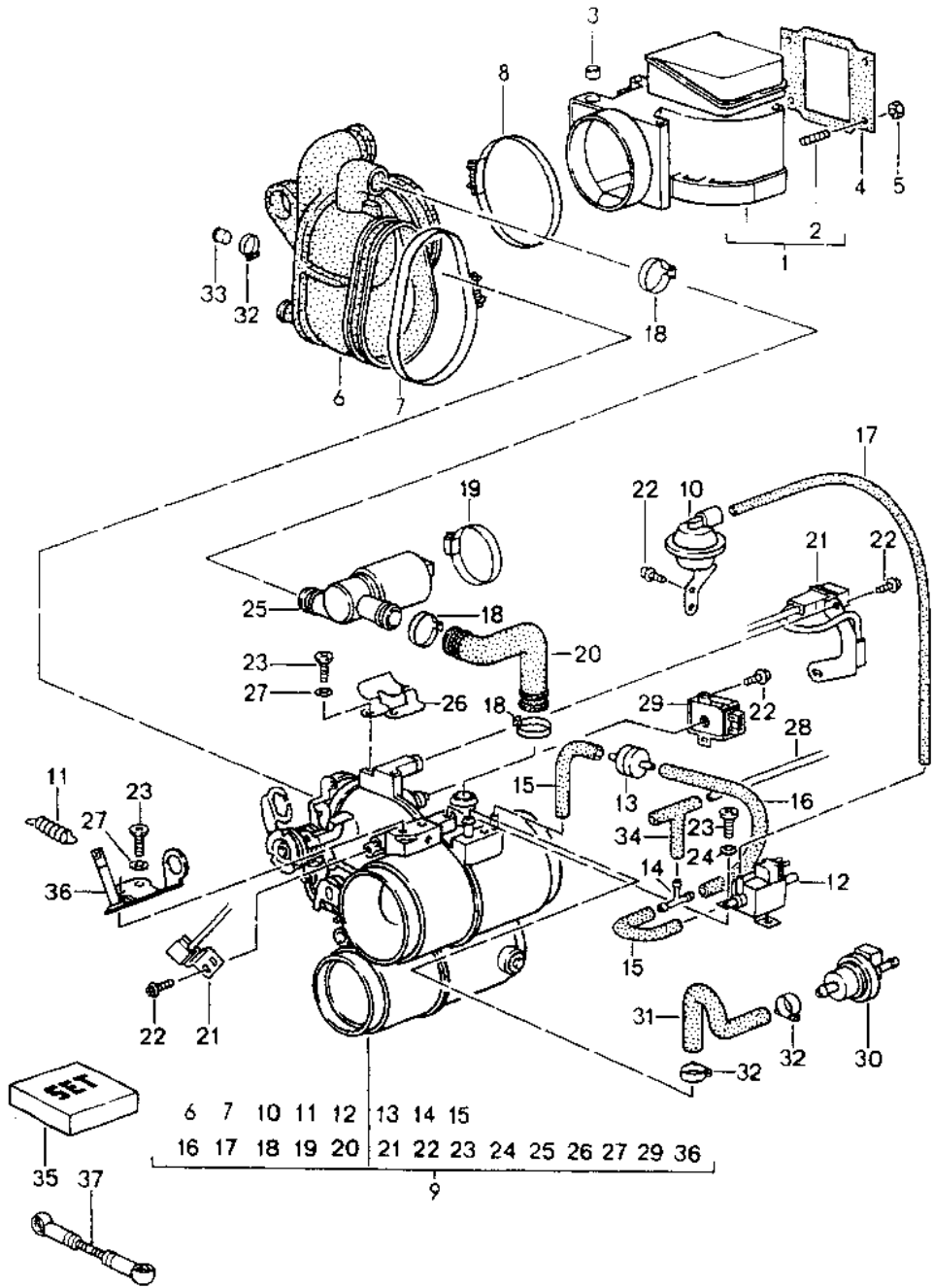


Model: 911 89 Model life 1989>>1994

Pos	Part Number	Description	Remark	Qty	Model
		Air cleaner			M30.69 M64.50
1	930 110 020 07	Air cleaner		1	
2	930 110 122 00	Sealing ring		1	
3	930 110 121 02	Support ring		1	
4	930 110 436 01	Spacer sleeve		2	
5	900 074 023 02	Hexagon-head bolt M 6 X 75		2	
6	N 011 524 7	Washer 6,4		2	
6	N 011 524 27	Washer 6,4		2	
7	930 110 185 02	Air cleaner cartridge		1	
8	930 110 331 05	Support		1	
9	999 084 423 02	Lock nut		1	
10	900 025 007 02	Washer 8,4		2	
10	900 025 007 03	Washer 8,4		2	
11	900 076 025 02	Hexagon nut M 8		2	
11	900 076 064 02	Hexagon nut M 8		2	
12	999 591 369 02	Locking washer		1	
12	999 591 369 0B	Locking washer		1	
13	911 106 415 01	Pipe with Strainer		1	
-	000 043 205 08	Edge protection 282 MM		*	
14				1	

Model: 911 89

Model life 1989>>1994



Model: 911 89

Model life 1989>>1994

Pos	Part Number	Description	Remark	Qty	Model
		L-jetronic Flap-Nozzle Suction housing Magnesium See TPI Group 1 NR. 26			M64.01/02
1	964 606 050 00	Mass air flow meter		1	
1	964 606 050 X	Mass air flow meter		1	
1	930 606 123 X	Mass air flow meter		1	
		Use also: POSITION: 2 4 X 99906200302			
2	999 062 003 02	Stud BM 6 X 18		4	
3	999 703 389 40	Stopper		1	
3	928 606 221 00	Stopper		1	M277
4	928 110 201 01	Sealing frame		1	
5	900 910 011 02	Lock nut M 6		4	
6	964 110 366 00	Air guide		1	
7	999 512 425 02	Hose clamp 110 X 12		1	
8	999 512 350 02	Hose clamp 80-100		1	
9	964 110 901 00	Throttle body		1	M64.01
9	964 110 901 30	Throttle body		1	M64.02
10	964 110 940 00	Vacuum unit		1	
11	964 110 930 00	Return spring		1	
12	911 618 123 01	Change-over valve		1	
13	964 110 950 01	Check valve		1	
13	964 110 950 02	Check valve		1	
14	964 110 951 00	T-socket		1	
15	964 110 952 00	Hose		2	
16	964 110 953 00	Hose		1	
17	964 110 954 00	Hose		1	
17	911 110 953 00	Hose		1	
18	999 512 380 02	Hose clamp 26,0 - 30,1		3	
18	999 512 380 0B	Hose clamp 26,0 - 30,1		3	
19	999 512 499 00	Hose clamp 45 X 9		1	
20	964 110 641 00	Hose	-90	1	
21	911 606 019 00	Microswitch		1	M64.01
21	911 606 019 03	Microswitch		1	M64.01
21	911 606 019 01	Microswitch		1	M64.02
22	900 146 125 02	Combination screw M 4 X 10		8	
23	N 014 139 11	Oval-head screw M 6 X 12		6	
23	N 014 139 1B	Oval-head screw M 6 X 12		6	
24	N 011 524 7	Washer A 6,4		2	
24	N 011 524 27	Washer A 6,4		2	
25	964 606 160 00	Idle-speed adjuster		1	
26	964 110 941 00	Support		1	
27	999 523 118 02	Lock washer 6,4 X 10 X 0,7		4	
-	N 020 139 11	Pipe 4,0 X 1,0		*	

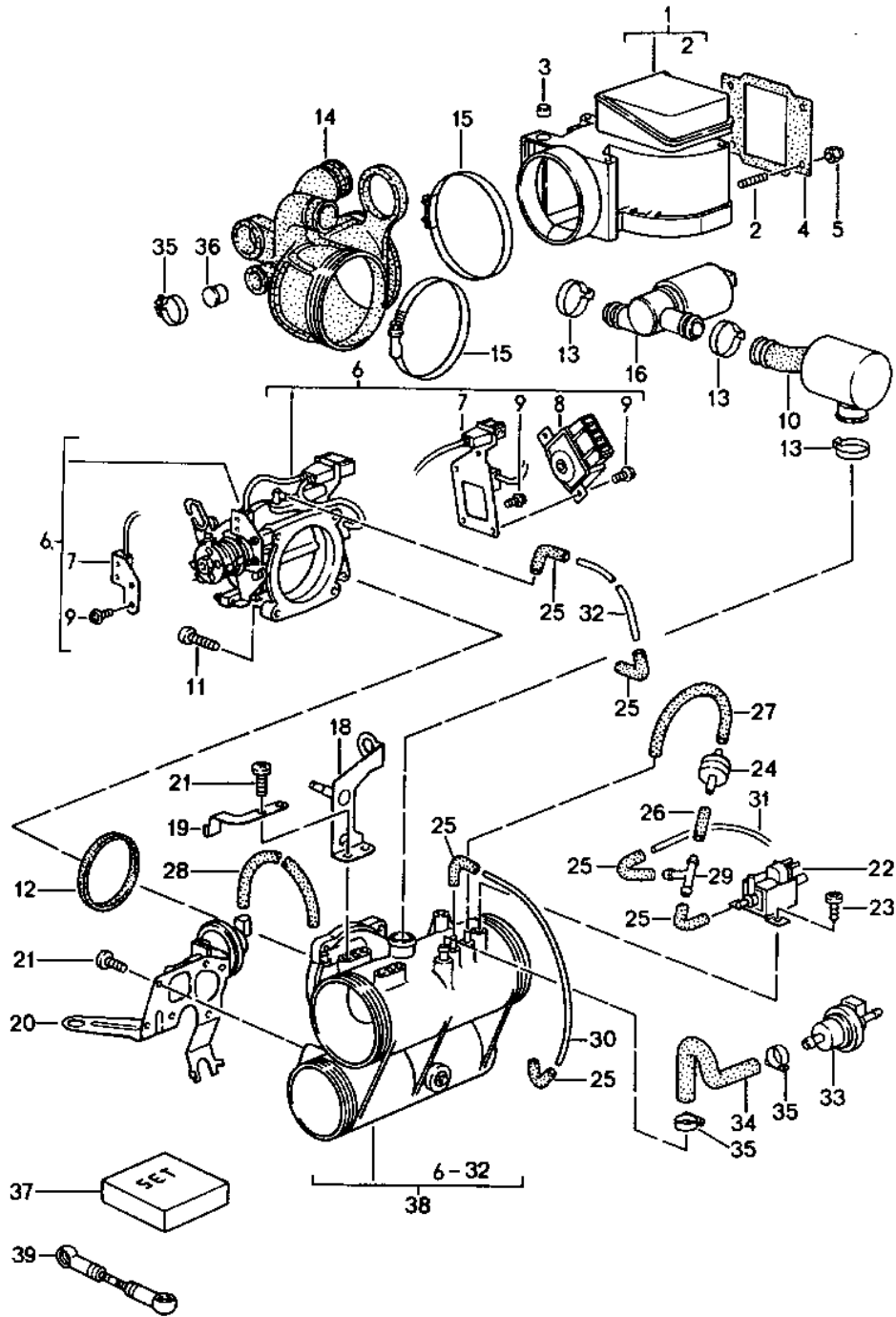
Model: 911 89

Model life 1989>>1994

Pos	Part Number	Description	Remark	Qty	Model
28		330MM		1	
29	964 606 115 00	Throttle-valve switch		1	M64.02
30	944 605 240 01	Bleeder valve		1	
31	964 110 544 02	Hose		1	
32	900 272 002 02	Hose clamp AL 10 - 16		3	
32	900 272 002 0B	Hose clamp AL 10 - 16		3	
33	999 501 024 30	Stopper 11,2		1	M592
34	928 573 727 03	Distributing piece		1	
34	928 573 727 05	Distributing piece		1	
35	964 110 970 00	Parts kit		1	M454
35	964 110 970 50	Parts kit		1	M454
36	964 110 219 51	Support		1	
37	964 110 647 01	Pull rod		1	M454

Model: 911 89

Model life 1989>>1994



Model: 911 89 Model life 1989>>1994

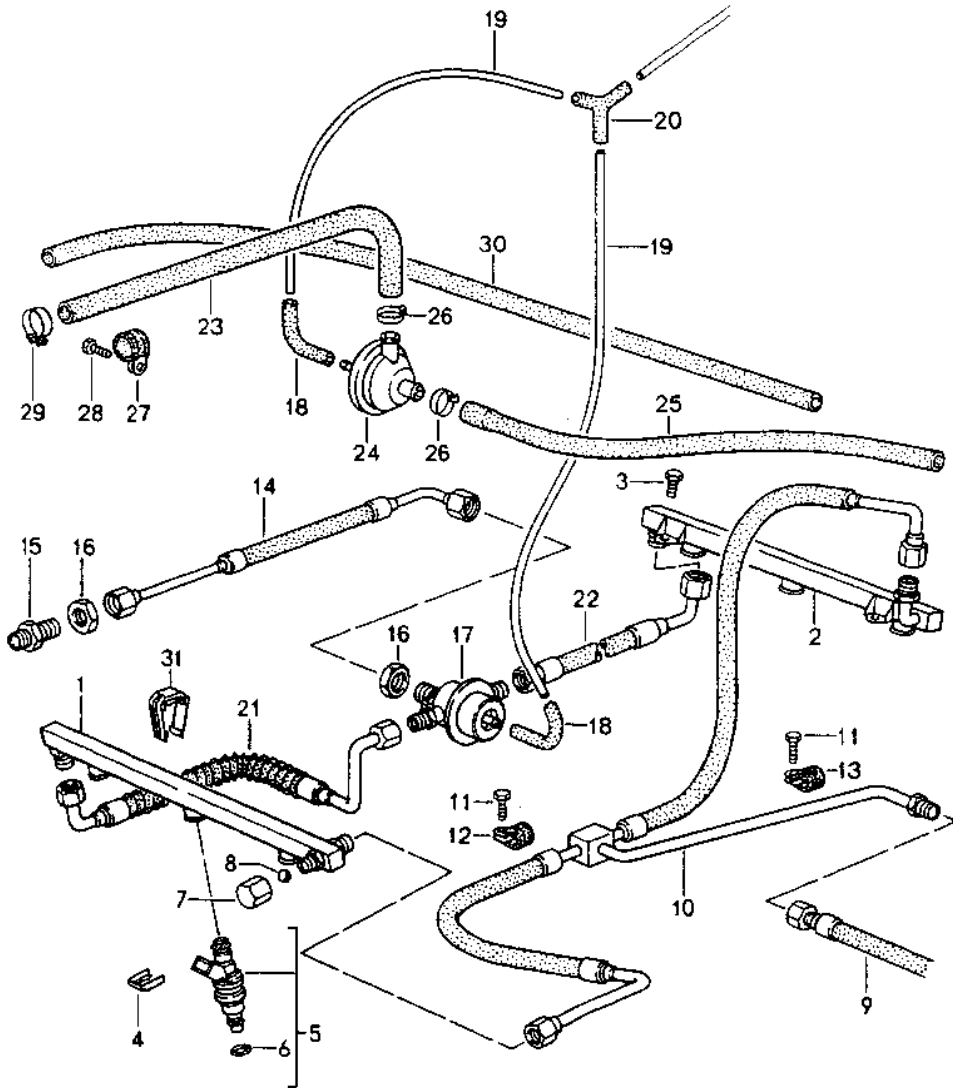
Pos	Part Number	Description	Remark	Qty	Model
		L-jetronic Flap-Nozzle Suction housing Plastic material			M64.01/02/03
1	964 606 050 00	Mass air flow meter		1	
1	964 606 050 X	Mass air flow meter		1	
1	930 606 123 X	Mass air flow meter		1	
		Use also: POSITION 2 4 X 99906200302			
2	999 062 003 02	Stud BM 6 X 18		4	
3	999 703 389 40	Stopper		1	
3	928 606 221 00	Stopper		1	M277
4	928 110 201 01	Sealing frame		1	
5	900 910 011 02	Lock nut M 6		4	
6	964 110 128 00	Throttle body		1	M64.01/03
(6)	964 110 128 30	Throttle body		1	M64.02
7	964 606 019 00	Microswitch		1	M64.01/03
(7)	964 606 019 01	Microswitch		1	M64.02
(7)	964 606 019 02	Microswitch		1	M64.02
8	964 606 115 00	Throttle-valve switch		1	M64.02
9	900 146 125 02	Combination screw M 4 X 10		4	
10	964 110 652 00	Muffler		1	
11	900 067 111 02	Pan-head screw M 5 X 18		4	
11	900 067 111 01	Pan-head screw M 5 X 18		4	
12	964 110 227 00	Sealing ring		1	
13	999 512 380 02	Hose clamp 26,0 -30,1		3	
13	999 512 380 0B	Hose clamp 26,0 -30,1		3	
14	964 110 367 00	Air guide		1	
14	964 110 367 01	Air guide		1	
15	999 512 350 02	Hose clamp 80 - 100		2	
16	964 606 160 00	Idle-speed adjuster		1	
18	964 110 219 02	Support		1	M454
19	964 110 229 00	Support		1	
20	964 110 012 01	Vacuum unit		1	
21	900 146 003 02	Oval-head screw M 5 X 10		7	
22	911 618 123 01	Change-over valve		1	
23	999 919 098 02	Oval-head screw M 5,0 X 12		2	
24	964 110 950 01	Check valve		1	
24	964 110 950 02	Check valve		1	
25	928 574 717 03	Moulded hose		6	
26	928 574 747 03	Connecting piece		1	
-	999 239 031 40	Hose 3,5 X 2		*	
27		150 MM		1	
28		280 MM		1	
29	999 137 004 40	T-piece		1	
-	N 020 139 11	Pipe M 4 X 10		*	
30		240 MM		1	
31		335 MM		1	
32		425 MM		1	
33	944 605 240 01	Bleeder valve		1	

Model: 911 89 Model life 1989>>1994

Pos	Part Number	Description	Remark	Qty	Model
34	964 110 544 02	Hose		1	
35	900 272 002 02	Hose clamp AL 10 - 16		3	
35	900 272 002 0B	Hose clamp AL 10 - 16		3	
36	999 703 385 40	Stopper 12 X 20		1	M592 M339
37	964 110 970 01	Parts kit		1	M454
37	964 110 970 02	Parts kit		1	M454
38	964 110 901 00	Throttle body		1	M64.01/03
(38)	964 110 901 30	Throttle body		1	M64.02
39	964 110 649 01	Pull rod		1	M454

Model: 911 89

Model life 1989>>1994

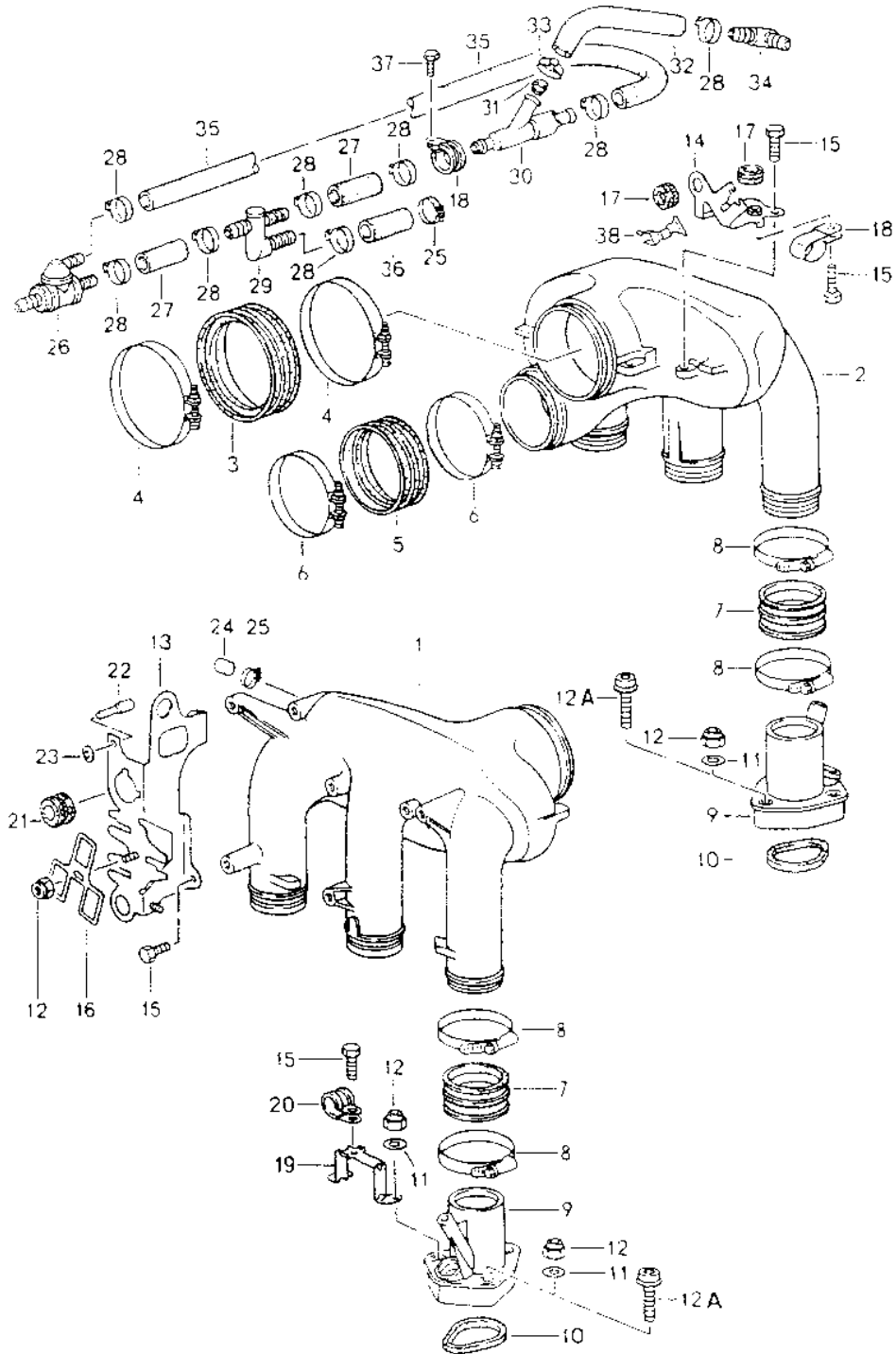


Model: 911 89 Model life 1989>>1994

Pos	Part Number	Description	Remark	Qty	Model
		L-jetronic Lines			M64.01/02/03
1	964 110 307 00	Fuel collection pipe		1	
2	964 110 308 00	Fuel collection pipe		1	
3	900 075 310 02	Hexagon-head bolt M 6 X 12		4	
4	930 110 388 00	Retaining clip		6	
4	930 110 388 01	Retaining clip		6	
5	911 606 120 01	Injector valve		6	
6	944 110 901 01	O-ring 7,52 X 3,53		6	
7	928 110 475 01	Cap nut		1	
7	928 110 475 03	Cap nut		1	
7	928 110 475 04	Cap nut		1	
8	900 108 022 00	Ball 9 MM		1	
9	964 110 415 00	Fuel line		1	M64.01/02
9	964 110 415 01	Fuel line		1	M64.03
9	964 110 415 00	Fuel line		1	M64.03
9	964 110 415 02	Fuel line		1	M657
10	964 110 595 01	Fuel line		1	
11	N 010 284 4	Hexagon-head bolt M 6 X 10		2	
12	999 511 116 02	Clamp D1 10 X 15		1	
12	999 511 116 03	Clamp D1 10 X 15		1	
13	999 511 153 02	Clip D1 8 X 15		1	
14	964 110 413 00	Fuel line		1	
15	999 136 027 02	Connection piece M 16 X 1,5		1	
16	900 034 013 02	Hexagon nut BM 16 X 1,5		2	
16	900 034 013 01	Hexagon nut BM 16 X 1,5		2	
17	928 110 198 04	Pressure regulator		1	
18	928 574 717 03	Moulded hose		3	
-	N 020 139 11	Pipe 4,0 X 1,0 330 MM		*	
19				2	
20	928 573 727 03	Distributing piece		1	
20	928 573 727 05	Distributing piece		1	
21	964 110 411 03	Hose		1	
21	964 110 411 04	Hose		1	
22	964 110 412 01	Hose		1	
22	964 110 412 02	Hose		1	
23	964 110 543 01	Hose		1	
24	928 110 429 08	Vacuum valve		1	
25	928 110 652 05	Moulded hose		1	
26	999 512 381 02	Clamp 18,8 - 22,6		2	
27	999 511 177 02	Clamp D1 20 X 15		1	
27	999 511 177 01	Clamp D1 20 X 15		1	
28	N 040 268 1	Hexagon-head bolt M 6 X 14		1	
29	999 512 554 00	Hose clamp LC 12 - 22		2	
30	964 110 540 00	Hose		1	M150
31	964 607 503 00	Cable holder		1	

Model: 911 89

Model life 1989>>1994



Model: 911 89 Model life 1989>>1994

Pos	Part Number	Description	Remark	Qty	Model
		L-jetronic			M64.01/02/03
1	964 110 023 00	Intake distributor Aluminium		1	
1	964 110 627 02	Intake distributor	-92	1	
1	964 110 627 03	Intake distributor Plastic material	93-	1	
2	964 110 626 00	Intake distributor Aluminium		1	
2	964 110 628 02	Intake distributor	-92	1	
2	964 110 628 03	Intake distributor Plastic material	93-	1	
3	964 110 685 03	Rubber sleeve		2	
4	999 512 350 02	Hose clamp 80-100		4	
5	964 110 686 01	Rubber sleeve		2	
5	964 110 686 03	Rubber sleeve		2	
6	999 512 006 02	Hose clamp 78 X 9		4	
6	PCG 512 006 02	Hose clamp 78 X 9		4	
7	964 110 687 03	Rubber sleeve		6	
8	999 512 348 02	Hose clamp 40-60		12	
9	964 110 711 01	Intake manifold		6	
10	964 110 713 00	Sealing ring	-91	6	
10	993 110 713 01	Sealing ring	92-	6	
11	N 011 524 7	Washer A 6,4		14	
11	N 011 524 27	Washer A 6,4		14	
12	999 084 094 02	Lock nut M 6		18	
12A	900 075 345 02	Combination screw M 6 X35		18	
12A	900 075 345 01	Combination screw M 6 X35		18	
13	964 110 546 01	Support		1	
14	964 110 548 01	Support		1	
15	999 072 005 09	Hexagon nut M 6 X 12		4	
15	999 072 005 01	Hexagon nut M 6 X 12		4	
16	964 606 241 00	Tab washer		1	
17	999 702 181 40	Grommet 13,5 X 15,5 X 6		2	
18	999 512 428 02	Clamp 17 X 15		2	
19	964 110 315 00	Support	/L	1	
(19)	964 110 315 01	Support	/R	1	
20	999 511 080 02	Clamp		1	
21	964 110 510 01	Grommet		1	
22	964 110 532 01	Connection piece		1	
23	999 507 057 02	Clamping washer 8,0		1	
23	999 507 057 03	Clamping washer 8,0		1	
24	930 110 256 02	Cap		1	
25	999 512 554 00	Hose clamp LC 12-22		2	
26	930 110 667 01	Check valve		1	
-	999 181 022 51	Hose 11,8 X 19		*	

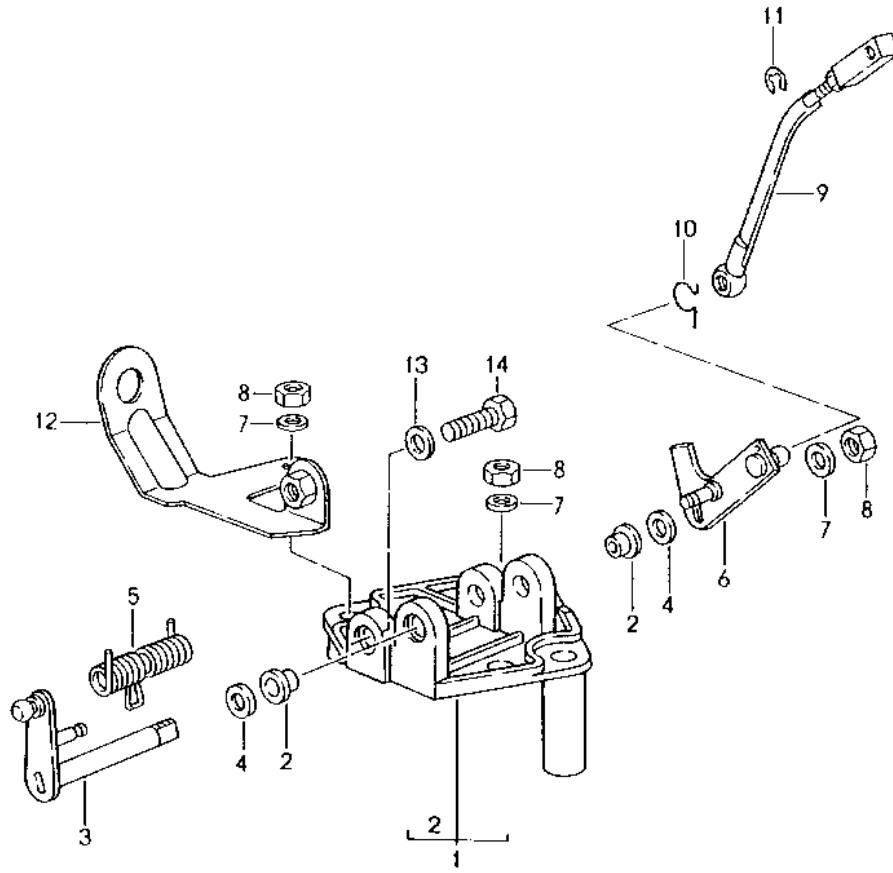
Model: 911 89

Model life 1989>>1994

Pos	Part Number	Description	Remark	Qty	Model
27		45 MM		2	
28	999 512 495 02	Clamp 18,0 - 20,3		8	
28	999 512 495 0B	Clamp 18,0 - 20,3		8	
29	930 110 691 01	Connection piece		1	
30	067 133 753 A	Venturi tube		1	
30	067 133 753 B	Venturi tube		1	
31	964 110 278 00	Restrictor		1	
32	993 110 513 00	Hose	-90	1	
32	964 110 513 01	Hose	91-92	1	
32	993 110 513 00	Hose	93-	1	
33	999 512 536 02	Clamp 20,0 - 24,1		1	
34	999 137 036 40	Angled pipe WS 10	-90	1	
(34)	964 207 313 01	Connecting piece	91-	1	
35	999 181 068 41	Hose		1	
36	964 110 515 00	Hose	-90	1	
36	964 110 515 02	Hose		1	
37	900 075 014 02	Hexagon-head bolt M 6 X 18		1	
37	900 075 014 03	Hexagon-head bolt M 6 X 18		1	
38	928 606 282 00	Tensioning spring		1	

Model: 911 89

Model life 1989>>1994

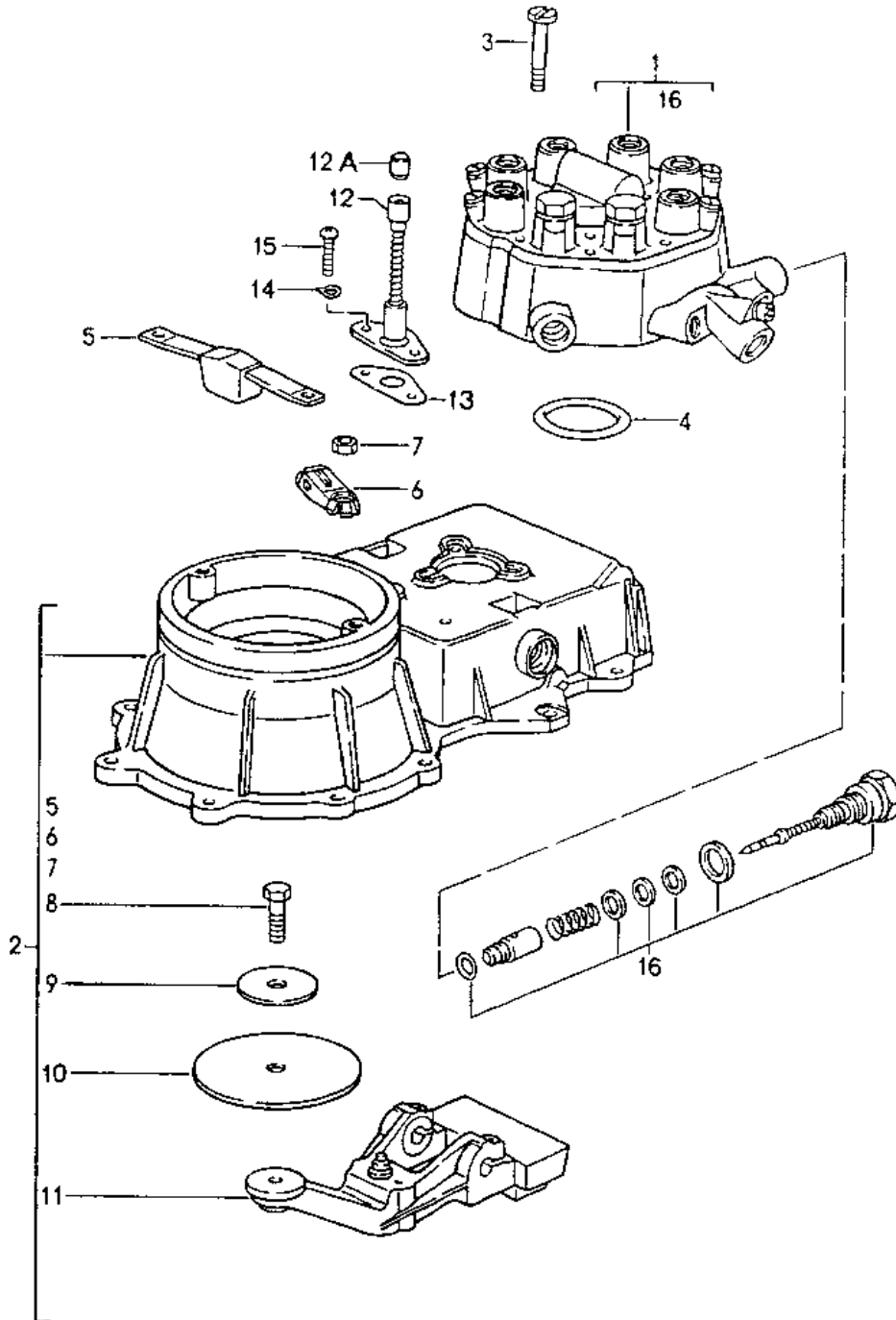


Model: 911 89 Model life 1989>>1994

Pos	Part Number	Description	Remark	Qty	Model
		Bracket			M30.69
		Throttle linkage			M64.50
1	911 110 091 07	Bracket		1	
2	999 924 069 00	Bearing sleeve		2	
3	930 110 019 00	Lever		1	
4	930 110 572 00	Washer		2	
5	930 110 148 05	Steering knuckle spring		1	
6	930 110 110 06	Lever		1	
7	900 025 007 02	Washer		4	
		A 8,4			
7	900 025 007 03	Washer		4	
		A 8,4			
8	900 076 025 02	Hexagon nut		4	
		M 8			
8	900 076 064 02	Hexagon nut		4	
		M 8			
9	930 110 079 06	Pull rod		1	
10	900 169 014 02	Securing clip		1	
		S 8			
10	900 169 014 01	Securing clip		1	
		S 8			
11	N 012 325 1	Lock washer		1	
		4			
12	930 110 532 00	Support		1	M30.69
12	964 110 532 20	Support		1	M64.50
13	999 025 078 02	Washer		1	
		8,4			
14	900 075 079 02	Hexagon-head bolt		1	
		M 8 X 22			

Model: 911 89

Model life 1989>>1994



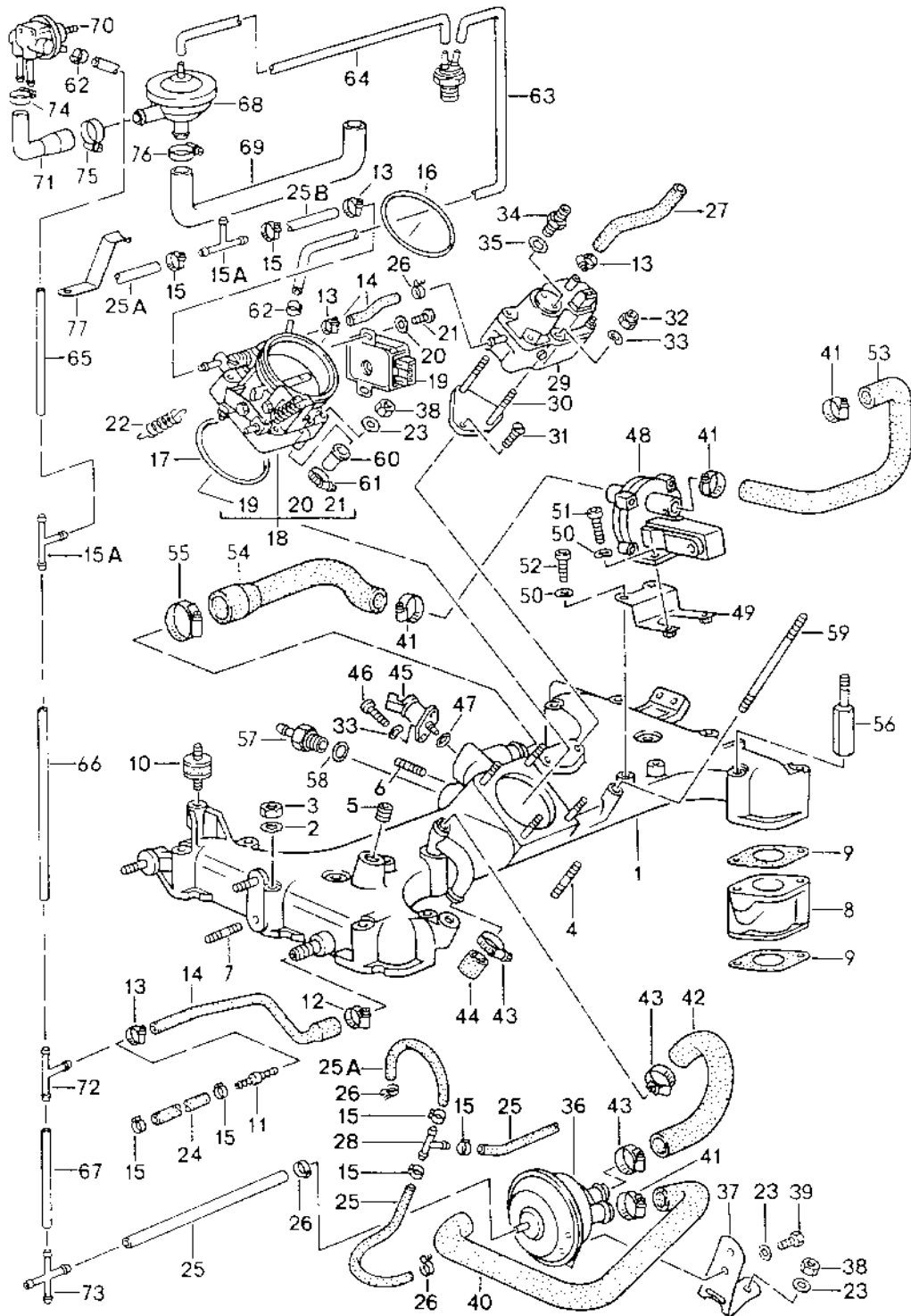
Model: 911 89

Model life 1989>>1994

Pos	Part Number	Description	Remark	Qty	Model
		Mixture control unit			M30.69 M64.50
1	930 110 923 00	Fuel distributor		1	
2	930 110 924 00	Mass air flow meter		1	M30.69
2	964 110 910 00	Mass air flow meter		1	M64.50
3	900 146 045 02	Oval-head screw AM 5 X 45		3	
4	911 110 936 01	Gasket		1	
5	911 110 961 00	Stop		1	
6	911 110 929 00	Safety contact		1	
7	911 110 945 00	Lock nut		1	
8	911 110 944 01	Hexagon-head bolt		1	
9	911 110 960 00	Support washer		1	
10	911 110 943 01	Air flow sensor plate		1	
10	911 110 943 03	Air flow sensor plate		1	
11	911 110 959 00	Control lever		1	
12	930 110 910 02	Adjusting key		1	
12A	930 110 921 00	Stopper		1	
13	930 110 911 00	Gasket		1	
14	N 012 005 3	Lock ring B 5		2	
15	N 014 128 13	Oval-head screw AM 5 X 8		2	
16	928 110 920 01	Parts kit Pressure regulator See workshop manual KD-NR. 256155		1	

Model: 911 89

Model life 1989>>1994



Model: 911 89

Model life 1989>>1994

Pos	Part Number	Description	Remark	Qty	Model
		K-jetronic			M30.69 M64.50
1	930 110 034 04	Intake manifold		1	
2	900 025 007 02	Washer A 8,4		12	
2	900 025 007 03	Washer A 8,4		12	
3	900 076 025 02	Hexagon nut M 8		12	
3	900 076 064 02	Hexagon nut M 8		12	
4	999 062 093 02	Stud BM 6 X 35		4	
5	999 504 004 00	Threaded insert M 8		3	
6	999 062 022 02	Stud M 8 X 12		2	
7	999 062 009 02	Stud BM 8 X 28		3	
7	900 060 105 01	Stud BM 8 X 28		3	
8	930 110 141 03	Flange		6	
9	930 110 197 10	Gasket		12	
10	930 110 194 00	Bonded rubber buffer		3	
11	999 137 051 40	Connecting piece		1	
12	999 512 554 00	Hose clamp 12 - 22		1	
13	999 512 427 02	Hose clamp 8 - 16		4	
14	930 110 544 00	Hose		1	M30.69
14	964 110 544 20	Hose		1	M64.50
15	999 512 522 02	Clamp 9,5 - 11,5		5	
16	999 701 477 40	Round seal 71,2 X 5,7		1	
17	999 701 468 40	Round seal 67,5 X 75,4 X 4		1	
18	930 110 250 10	Flap-Nozzle		1	M30.69
18	964 110 250 20	Flap-Nozzle		1	M64.50
19	931 606 119 01	Throttle-valve switch		1	
20	N 012 224 3	Spring washer B 4		2	
21	900 146 011 02	Oval-head screw M 4 X 10		2	
22	930 110 497 00	Tension spring		1	
23	N 011 524 7	Washer A 6,4		8	
23	N 011 524 27	Washer A 6,4		8	
-	000 043 204 94	Hose Black 4 X 10 75 MM		*	
24		250 MM		2	
25		250 MM		2	
25A		250 MM		1	
25B		620 MM		1	M64.50
26	999 512 522 02	Clamp 11 - 11,6		3	
27	930 110 714 00	Hose		1	
27	930 110 714 01	Hose		1	
28	999 137 005 40	T-piece		1	
29	965 606 105 00	Warm-up valve		1	M30.69
29	965 606 105 X	Warm-up valve		1	M30.69

Model: 911 89 Model life 1989>>1994

Pos	Part Number	Description	Remark	Qty	Model
29	965 606 106 00	Warm-up valve		1	M64.50
29	965 606 106 X	Warm-up valve		1	M64.50
30	930 110 310 01	Support		1	
31	999 147 005 02	Lens-head screw M 6 X 16		2	
32	900 910 012 02	Lock nut M 6		2	
32	900 910 047 09	Lock nut M 6		2	
33	N 012 226 5	Spring washer A 6		4	
34	900 915 004 02	Connection piece		1	
35	900 123 144 30	Sealing ring A 10 X 13,5		1	
36	930 110 173 00	Vacuum limiter		1	
37	930 110 167 01	Retaining bracket		1	
38	900 076 010 02	Nut M 6		6	
38	900 076 010 0B	Nut M 6		6	
39	999 072 005 09	Hexagon nut M 6 X 12		2	
39	999 072 005 01	Hexagon nut M 6 X 12		2	
40	930 110 370 01	Hose		1	M30.69
40	964 110 370 20	Moulded hose		1	M64.50
41	999 512 392 00	Hose clamp 20 - 32		5	
-	999 239 007 40	Hose 15 X 24		*	
42		210 MM		1	
43	999 512 346 00	Hose clamp 16 - 25		3	
44	930 110 256 00	Stopper		1	
45	930 606 107 01	Electric starting valve		1	
46	N 014 740 2	Pan-head screw M 6 X 16		2	
46	N 014 740 11	Pan-head screw M 6 X 16		2	
47	999 701 395 50	O-ring		1	
48	930 606 102 00	Auxiliary air regulator		1	
48	930 606 102 X	Auxiliary air regulator		1	
49	930 110 229 01	Support		1	
50	N 012 226 5	Spring washer B 6		4	
51	900 067 009 02	Pan-head screw M 6 X 15		2	
51	900 067 429 01	Pan-head screw M 6 X 15		2	
52	900 067 008 02	Pan-head screw M 6 X 12		2	
52	900 067 008 03	Pan-head screw M 6 X 12		2	
53	930 110 335 06	Hose		1	
54	930 110 335 07	Air hose		1	
55	999 512 252 02	Hose clamp 23 - 35		1	
56	930 110 722 00	Screw bolt		1	
57	999 230 378 02	Union 8/M 16 X 1,5		1	
58	900 123 018 30	Sealing ring A 16 X 20		1	
59	999 062 234 02	Stud		1	

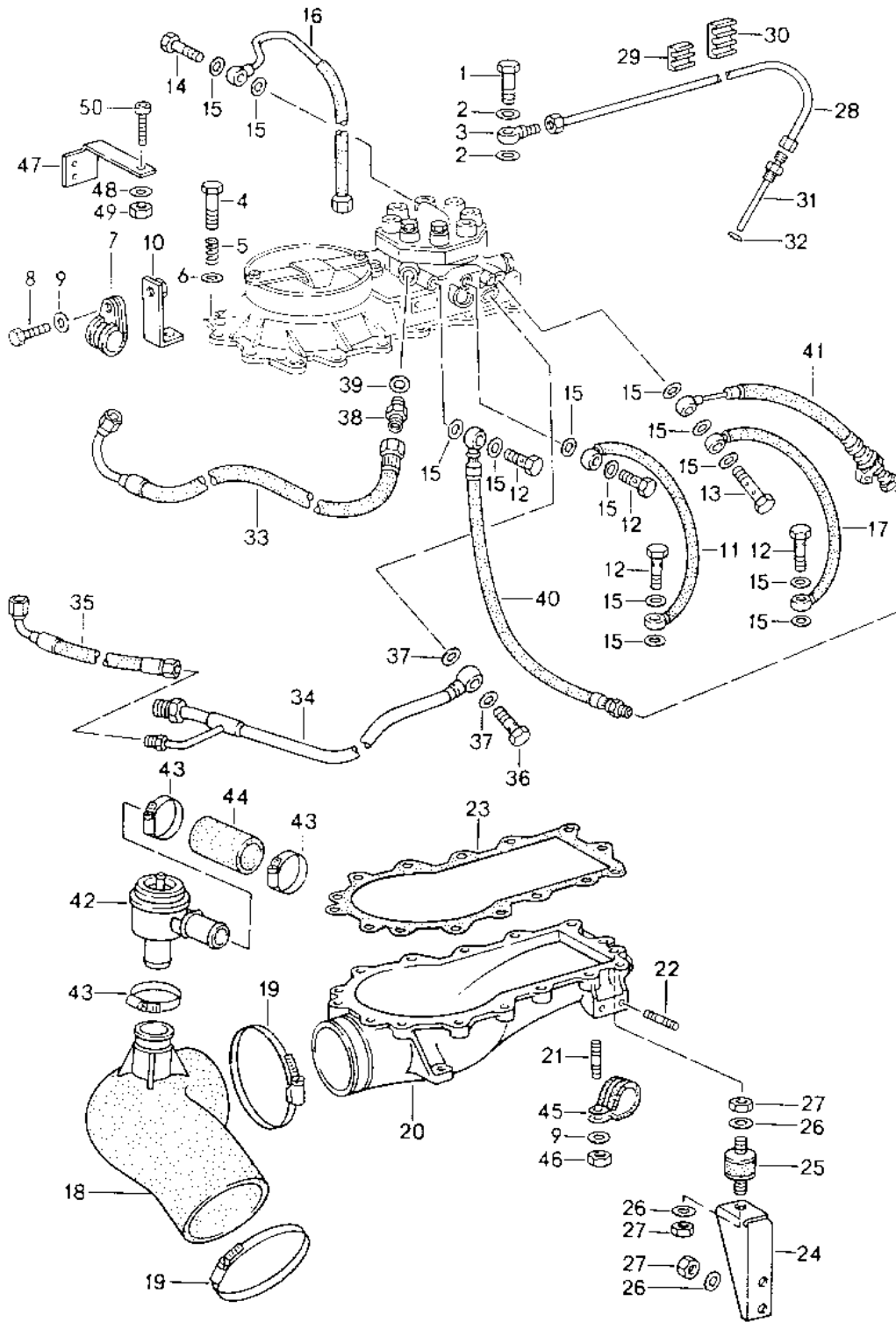
Model: 911 89

Model life 1989>>1994

Pos	Part Number	Description	Remark	Qty	Model
62	311 133 343 A	BM 8 X 135 Hose clamp		2	M64.50
-	000 043 204 97	Hose 3,2 X 7		*	
63		370 MM		1	M64.50
64		500 MM		1	M64.50
65		70 MM		1	M64.50
66		220 MM		1	M64.50
67		120 MM		1	M64.50
68	928 110 429 08	Vacuum valve		1	M64.50
69	964 110 542 21	Moulded hose		1	M64.50
70	944 110 429 00	Control valve		1	M64.50
71	964 110 552 21	Moulded hose		1	M64.50
72	999 137 075 40	T-piece		1	M64.50
73	999 137 017 40	Distributing piece		1	M64.50
74	999 512 568 02	Clamp 13,9 - 16		1	M64.50
75	999 512 504 02	Clamp 19,2 - 21,8		1	M64.50
76	999 512 346 02	Hose clamp 16 - 25/9		1	M64.50
76	999 512 676 00	Hose clamp 16 - 25/9		1	M64.50
77	964 110 554 20	Support		1	M64.50

Model: 911 89

Model life 1989>>1994



Model: 911 89 Model life 1989>>1994

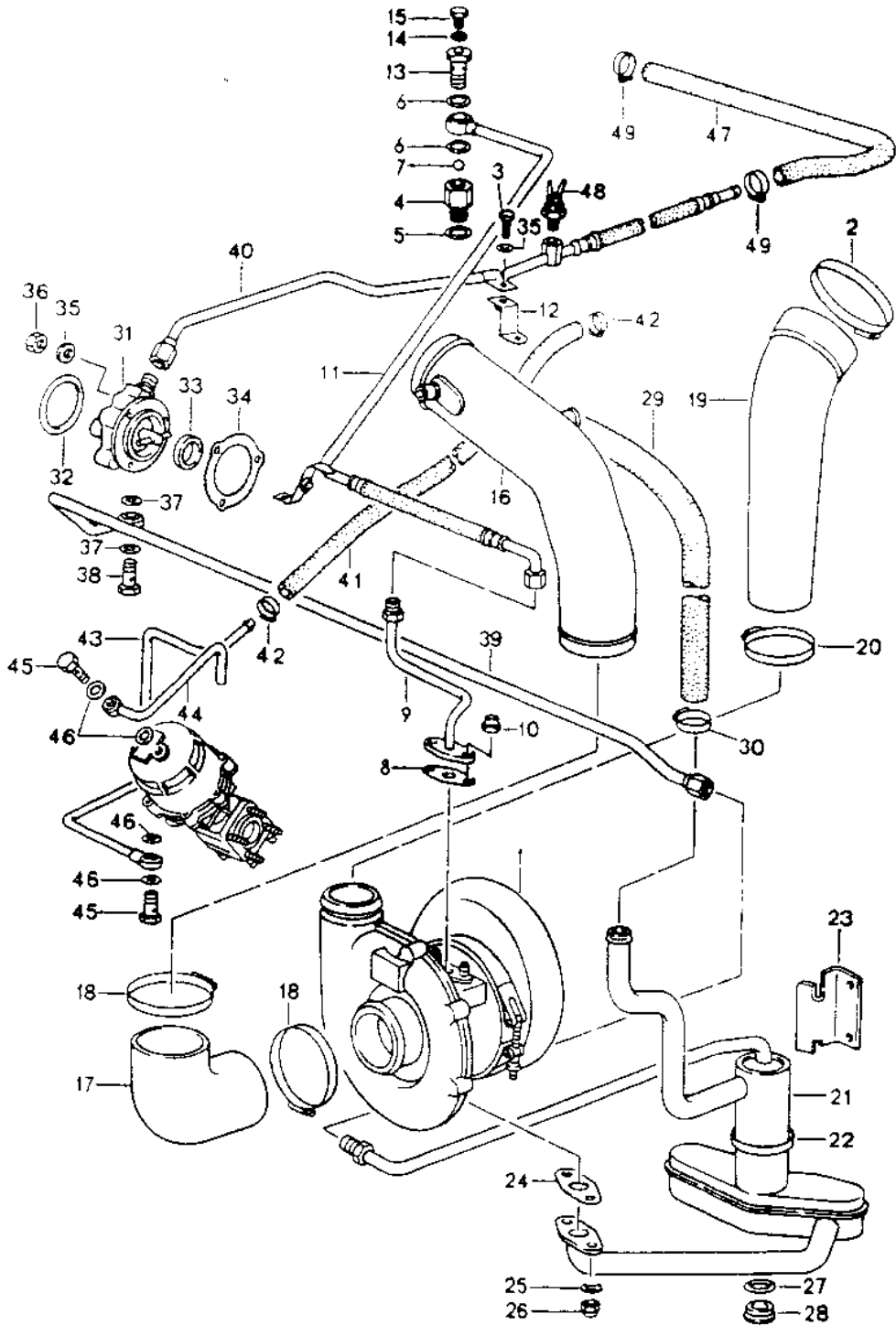
Pos	Part Number	Description	Remark	Qty	Model
		K-jetronic			M30.69 M64.50
1	930 110 547 00	Banjo bolt		6	
1	930 110 547 01	Banjo bolt		6	
2	900 123 144 30	Sealing ring A 10 X 13,5		12	
3	999 215 002 02	Ring piece		6	
4	900 067 011 02	Pan-head screw M 6 X 20		4	
4	900 067 011 03	Pan-head screw M 6 X 20		4	
4	900 067 089 02	Pan-head screw M 6 X 25		10	
4	900 067 089 01	Pan-head screw M 6 X 25		10	
4	900 075 017 02	Hexagon-head bolt M 6 X 25		1	
4	900 075 017 03	Hexagon-head bolt M 6 X 25		1	
5	911 110 364 00	Compression spring		11	
6	900 031 011 02	Washer 6,4		15	
7	999 511 085 02	Clamp		1	
8	900 075 057 02	Hexagon-head bolt M 6 X 16		1	
8	900 075 057 03	Hexagon-head bolt M 6 X 16		1	
9	N 011 524 7	Washer A 6,4		2	
9	N 011 524 27	Washer A 6,4		2	
10	930 110 434 01	Clip		1	
11	930 110 303 01	Fuel line (ZULAUF-STARTVENTIL)		1	
11	930 110 303 02	Fuel line (ZULAUF-STARTVENTIL)		1	
12	911 110 899 00	Banjo bolt A 2/3		5	
13	N 900 887 01	Banjo bolt LL 3		1	
14	928 105 476 00	Banjo bolt		1	
(14)	928 105 476 04	Banjo bolt		1	
15	900 123 115 30	Sealing ring A 8 X 11,5		13	
16	930 110 302 01	Fuel line Intake Warm-up valve		1	
17	930 110 305 02	Fuel line Return line Warm-up valve		1	
17	930 110 305 03	Fuel line Return line Warm-up valve		1	
18	930 110 382 00	Hose elbow		1	
19	999 512 350 02	Hose clamp 80 - 100		2	
20	930 110 035 04	Lower part		1	
21	999 062 002 02	Stud BM 6 X 15		1	
22	999 062 022 02	Stud M 8 X 12		2	
23	930 110 394 00	Gasket		1	
24	930 110 133 00	Retaining bracket		1	

Model: 911 89 Model life 1989>>1994

Pos	Part Number	Description	Remark	Qty	Model
25	930 110 194 00	Bonded rubber buffer		3	
26	900 025 007 02	Washer A 8,4		7	
26	900 025 007 03	Washer A 8,4		7	
27	900 076 025 02	Hexagon nut M 8		7	
27	900 076 064 02	Hexagon nut M 8		7	
28	930 110 041 03	Injection line Cylinder 1		1	
28	930 110 042 03	Injection line Cylinder 2		1	
28	930 110 043 03	Injection line Cylinder 3		1	
28	930 110 044 02	Injection line Cylinder 4		1	
28	930 110 045 03	Injection line Cylinder 5		1	
28	930 110 046 03	Injection line Cylinder 6		1	
29	928 110 150 00	Terminal		1	
30	928 110 150 01	Terminal		2	
31	931 110 225 00	Injector valve		6	M30.69
31	964 110 235 20	Injector valve		6	M64.50
32	900 123 144 30	Sealing ring A 10 X 13,5		6	
33	930 110 301 07	Fuel line (ZULAUF)		1	
34	930 110 304 06	Fuel line (RUECKLAUF)		1	
34	930 110 304 07	Fuel line (RUECKLAUF)		1	
35	930 110 304 05	Fuel line (RUECKLAUF)		1	
36	N 021 071 2	Banjo bolt		1	
37	900 123 101 30	Sealing ring A 12 X 18		2	
38	N 020 704 2	Connection piece		1	
39	900 123 116 30	Sealing ring A 12 X 15,5		1	
40	930 110 364 00	Fuel line		1	
41	477 133 071 A	Cycle valve		1	
42	993 110 337 50	Shut-off valve		1	
42	993 110 337 51	Shut-off valve		1	
43	999 512 272 02	Hose clamp 25 - 40		3	
-	000 043 204 98	Hose 25 X 5,0		*	
44		70 MM		1	
45	N 020 647 1	Clamp		1	
46	999 084 074 02	Lock nut M 6		1	
47	964 110 321 20	Support		1	M64.50

Model: 911 89

Model life 1989>>1994



Model: 911 89 Model life 1989>>1994

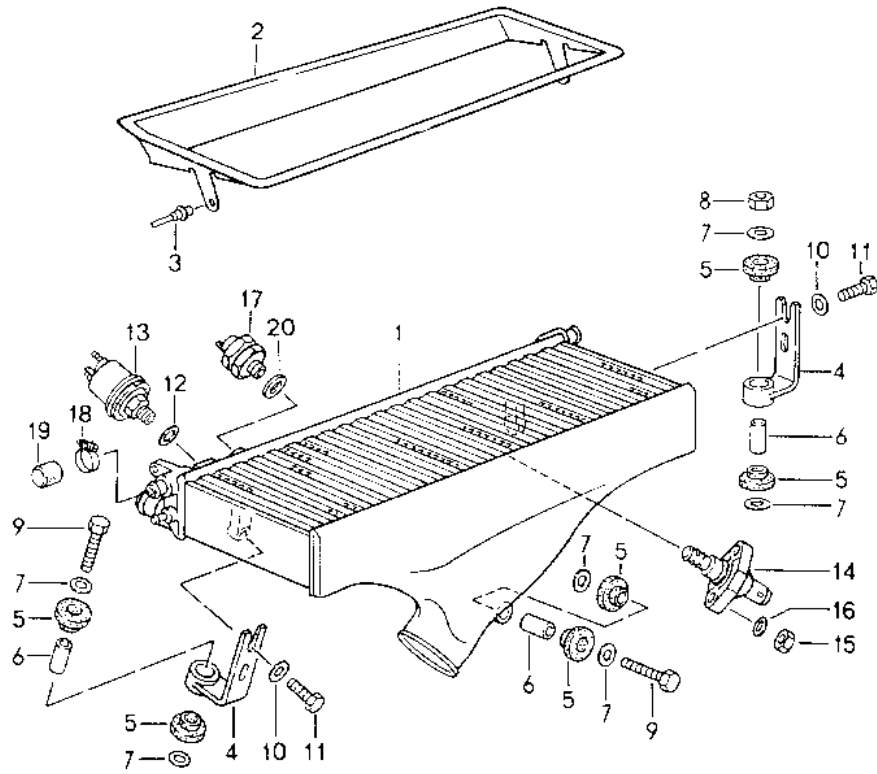
Pos	Part Number	Description	Remark	Qty	Model
1		Turbocharging Oil supply for Turbocharger Turbocharger See group 2/02/16			M30.69 M64.50
2	999 512 350 02	Hose clamp 80 - 100		1	
3	999 072 005 09	Hexagon nut M 6 X 12		1	
3	999 072 005 01	Hexagon nut M 6 X 12		1	
4	930 107 705 00	Reducing socket		1	M30.69
5	900 123 140 30	Sealing ring A 18 X 22		1	M30.69
6	900 123 007 30	Sealing ring A 14 X 18		2	M30.69
7	900 108 022 00	Ball 9 MM		1	M30.69
8	930 107 123 01	Gasket		1	
9	930 107 124 01	Oil pipe		1	M30.69
9	930 107 124 03	Oil pipe		1	M30.69
(9)	964 107 125 20	Oil pipe		1	M64.50
10	999 084 052 02	Lock nut M 8		2	
11	930 107 125 07	Oil pipe		1	M30.69
12	930 107 340 00	Retaining bracket		1	
13	930 107 706 00	Banjo bolt		1	M30.69
14	900 123 144 30	Sealing ring A 10 X 13.5		1	M30.69
15	900 124 023 0A	Screw plug M 10 X 1		1	M30.69
(16)	964 110 279 20	Intake manifold		1	M30.69
16		Intake manifold		1	M64.50
17	930 110 259 00	Moulded hose		1	
18	999 512 351 02	Hose clamp 70 - 90		2	
19	930 110 368 00	Moulded hose		1	
19	930 110 368 01	Moulded hose		1	
20	999 512 349 02	Hose clamp 50 - 70		1	
20	999 512 349 01	Hose clamp 50 - 70		1	
20	999 512 349 0B	Hose clamp 50 - 70		1	
21	930 107 001 08	Oil collection container		1	M30.69
21	964 107 001 20	Oil collection container		1	M64.50
22	999 512 351 02	Hose clamp 50 X 9		2	
23	930 107 113 01	Retaining bracket		1	
24	930 107 116 01	Gasket		1	
25	900 025 007 02	Washer A 8,4		2	
25	900 025 007 03	Washer A 8,4		2	
26	999 084 052 02	Lock nut M 8		2	
27	900 123 055 30	Sealing ring A 12 X 17		1	
28	900 219 006 02	Screw plug M 12 X 1,5		1	
28	900 219 006 01	Screw plug		1	

Model: 911 89 Model life 1989>>1994

Pos	Part Number	Description	Remark	Qty	Model
-	000 043 204 95	M 12 X 1,5 Hose		*	
29		22 X 4,0 500 MM		1	
30	999 512 252 02	Hose clamp		2	
31	964 107 005 21	Oil pump		1	
32	999 707 289 40	Round seal 47 X 2		1	
33	999 113 246 40	Radial sealing ring A 10 X 18,23		1	
34	930 105 197 05	Gasket		1	
35	N 011 524 7	Washer A 6,4		4	
35	N 011 524 27	Washer A 6,4		4	
36	900 076 010 02	Nut M 6		3	
36	900 076 010 0B	Nut M 6		3	
37	900 123 018 30	Sealing ring A 16 X 20		2	
38	900 175 005 02	Banjo bolt		1	
39	930 107 338 03	Oil pipe		1	
40	930 107 336 04	Oil pipe		1	M30.69
(40)	964 107 336 21	Oil pipe		1	M64.50
-	999 239 006 40	Hose 8 X 14		*	
-	999 239 034 40	Hose 7,3 X 3		*	
41		420 MM		1	
42	999 512 160 02	Hose clamp		2	
42	PCG 512 160 02	Hose clamp		2	
43	930 123 053 01	Control line		1	
44	930 123 043 04	Vent line		1	
45	N 021 071 2	Banjo bolt 8		2	
46	900 123 043 30	Sealing ring A 12 X 15,5		4	
47	930 107 336 05	Oil pipe		1	
48	964 110 228 20	Thermo valve		1	

Model: 911 89

Model life 1989>>1994

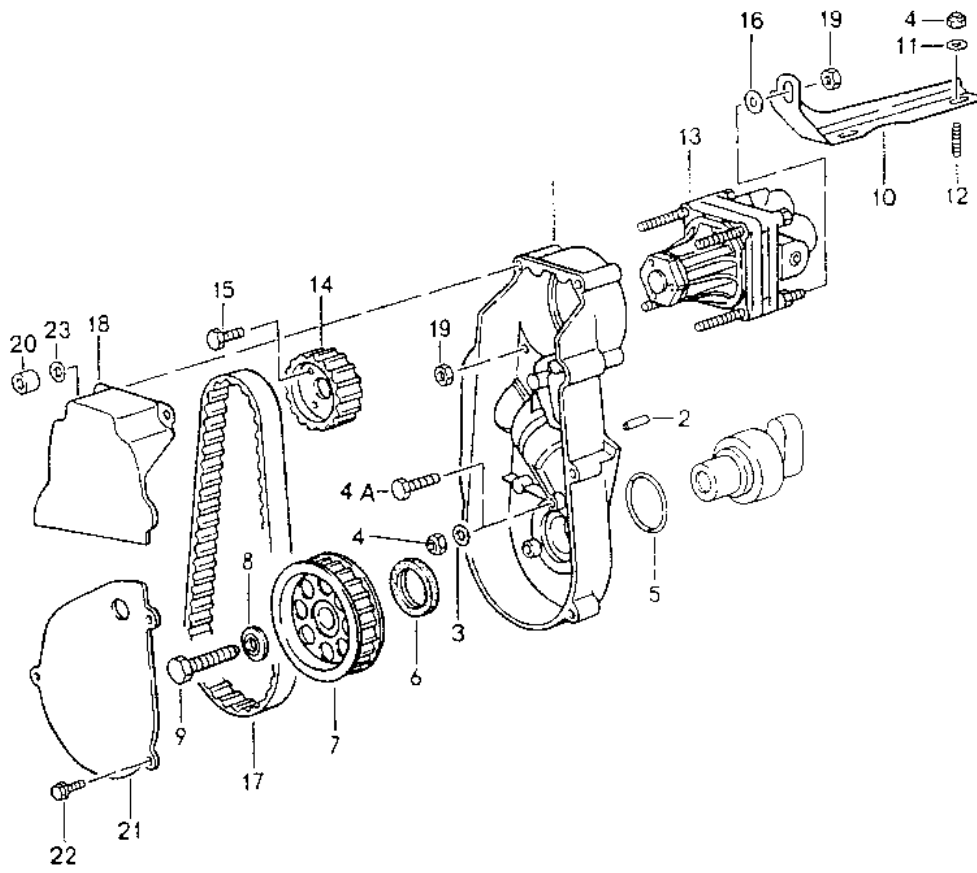


Model: 911 89 Model life 1989>>1994

Pos	Part Number	Description	Remark	Qty	Model
		Charge air cooler			M30.69 M64.50
1	930 110 330 01	Charge air cooler		1	
2	964 110 034 20	Air guide		1	
3	999 190 395 30	Blind rivet		2	
4	930 110 223 02	Support		2	
5	930 113 430 00	Rubber mounting		6	
6	930 110 232 00	Spacer sleeve		3	
7	900 151 008 02	Washer 8,4		6	
8	999 084 095 02	Lock nut M8		1	
9	N 010 340 6	Hexagon-head bolt M 8 X 40		1	
10	900 025 007 02	Washer A 8,4		2	
10	900 025 007 03	Washer A 8,4		2	
11	900 075 085 02	Hexagon-head bolt M 8 X 20		1	
11	900 075 358 02	Hexagon-head bolt M 8 X 20		1	
11	900 075 085 02	Hexagon-head bolt M 8 X 20		1	
12	900 123 106 30	Sealing ring A 18 X 24	-92	1	
12		Sealing ring A 18 X 24		1	
13	993 606 103 00	Pressure transmitter Boost pressure		1	
13	993 606 103 01	Pressure transmitter Boost pressure		1	
14	965 606 116 00	Temperature sensor		1	
15	900 910 012 02	Lock nut M 6		2	
15	900 910 047 09	Lock nut M 6		2	
16	N 011 524 7	Washer A 6,4		2	
16	N 011 524 27	Washer A 6,4		2	
17	930 606 101 00	Switch Boost pressure		1	
18	999 512 045 02	Hose clamp 22 X 9		1	
19	930 110 256 01	Cap		1	
20	900 123 144 30	Sealing ring A 10 X 13,5		1	

Model: 911 89

Model life 1989>>1994



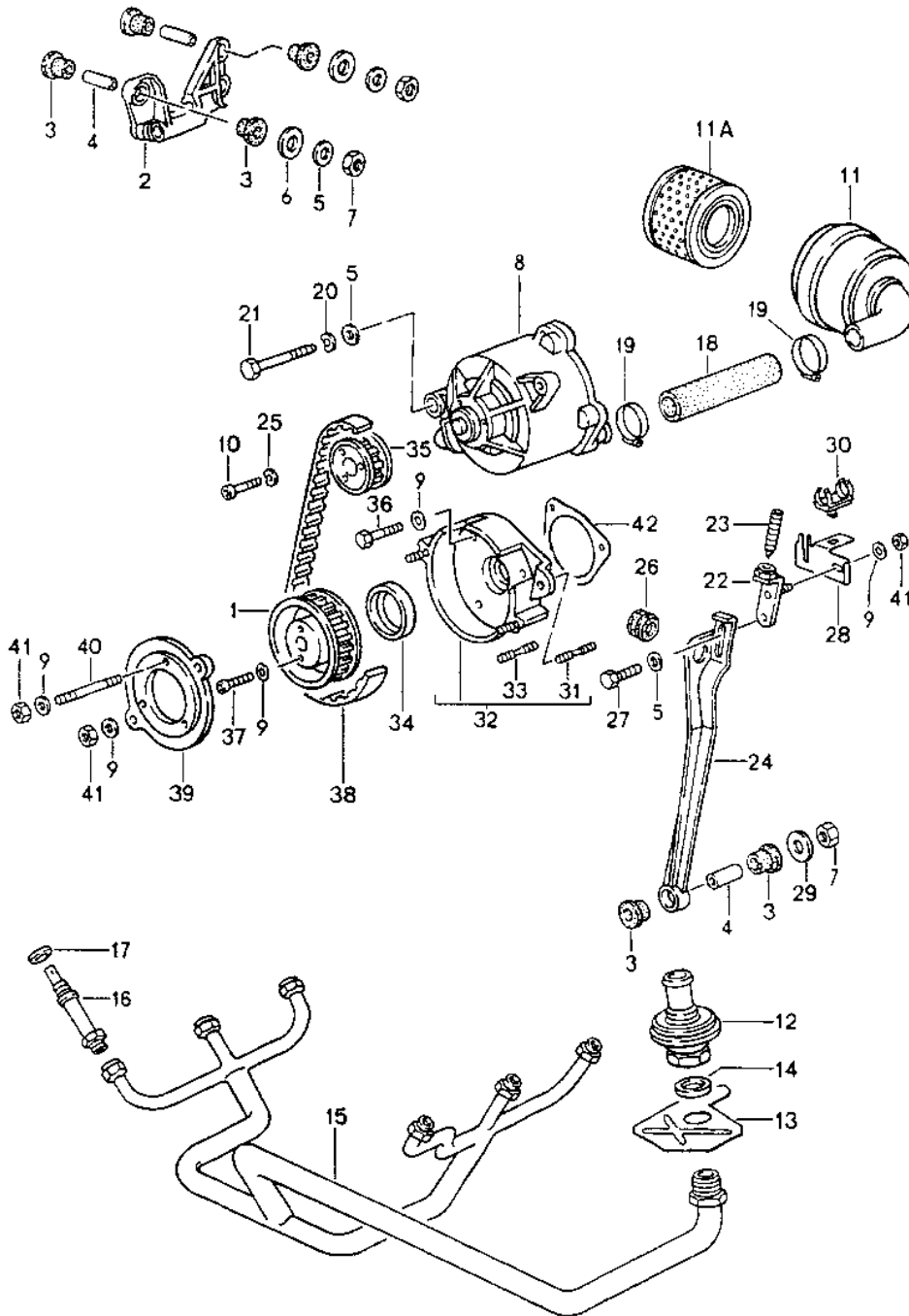
Model: 911 89

Model life 1989>>1994

Pos	Part Number	Description	Remark	Qty	Model
1	964 147 185 02	Power-steering pump Bracket	-89	1	
1	964 147 185 05	Bracket		1	
2	900 095 109 01	Roll pin 3,5 X 22		1	
3	N 011 524 7	Washer A 6,4		3	
3	N 011 524 27	Washer A 6,4		3	
4	999 084 094 02	Lock nut M 6	-90	5	
4A	999 217 113 02	Hexagon-head bolt M 6 X 28	91-	3	
5	999 707 293 40	O-ring 40 X 4		1	
6	999 113 463 40	Shaft sealing ring A 30 X 42 X 7		1	
7	964 147 181 04	Gear wheel		1	
7	964 147 181 05	Gear wheel		1	
8	964 147 305 00	Washer		1	
9	900 082 072 01	Hexagon-head bolt M 12 X 1,5 X 50		1	
10	964 147 189 01	Fastening angle		1	
11	N 011 666 7	Washer B 6,4		2	
12	999 062 085 02	Stud BM 6 X 20		2	
13	964 347 432 02	Power-steering pump		1	
14	964 147 183 04	Gear wheel		1	
15	999 072 005 09	Hexagon nut M 6 X 12		3	
15	999 072 005 01	Hexagon nut M 6 X 12		3	
16	900 151 008 02	Washer B 8,4		1	
17	964 147 187 03	Toothed belt		1	
18	964 147 192 03	Cover		1	
19	N 015 083 2	Hexagon nut M 8		3	
20	999 085 001 02	Socket head nut M 8		2	
21	964 147 191 01	Lid		1	
22	999 143 004 08	Combination screw M 6 X 12		3	
22	999 143 004 01	Combination screw M 6 X 12		3	
22	999 075 039 0C	Combination screw M 6 X 12		3	
23	N 012 241 8	Spring washer B8	91-	2	

Model: 911 89

Model life 1989>>1994



Model: 911 89

Model life 1989>>1994

Pos	Part Number	Description	Remark	Qty	Model
		Air injection			M30.69 M64.50
1	930 113 025 02	Pulley		1	
2	930 113 159 02	Bracket		1	
2	930 113 159 03	Bracket		1	
3	930 113 161 00	Rubber mounting		8	
4	930 113 163 00	Spacer sleeve		4	
5	900 025 007 02	Washer A 8,4		6	
5	900 025 007 03	Washer A 8,4		6	
6	900 151 008 02	Washer B 8,4		3	
7	900 076 025 02	Hexagon nut M 8		4	
7	900 076 064 02	Hexagon nut M 8		4	
8	930 113 114 01	Air pump		1	
9	N 011 524 7	Washer A 6,4		11	
9	N 011 524 27	Washer A 6,4		11	
10	N 014 740 2	Pan-head screw M 6 X 16		3	
10	N 014 740 11	Pan-head screw M 6 X 16		3	
11	930 113 120 01	Air cleaner		1	
11A	930 113 401 00	Filter cartridge		1	
12	911 113 115 01	Check valve		1	
13	930 113 135 01	Heat shield		1	
14	900 123 060 30	Sealing ring A 24 X 29		2	
15	930 113 043 02	Air tube		1	
16	911 113 145 02	Union		6	
16	911 113 145 04	Union		6	
17	900 123 033 20	Sealing ring A 10 X 13,5 C 4		6	
18	999 239 004 40	Breather hose		1	
19	999 512 441 02	Hose clamp 20-32/9		2	
20	N 012 241 8	Spring washer B 8		1	
21	N 010 391 4	Hexagon-head bolt M 8 X 100		1	
22	930 113 187 01	Clamping bracket		1	
23	900 068 004 02	Threaded pin M 8 X 45		1	
24	930 113 171 01	Support		1	
25	900 031 011 02	Washer 6,4		3	
26	999 702 170 50	Grommet		1	
27	900 075 099 02	Hexagon-head bolt M 8 X 30		1	
27	900 075 099 03	Hexagon-head bolt M 8 X 30		1	
28	965 606 136 00	Support		1	
29	900 151 008 02	Washer B 8,4		1	
30	999 651 203 40	Cable holder		1	
31	999 062 009 02	Stud BM 8 X 28		1	
31	900 060 105 01	Stud BM 8 X 28		1	

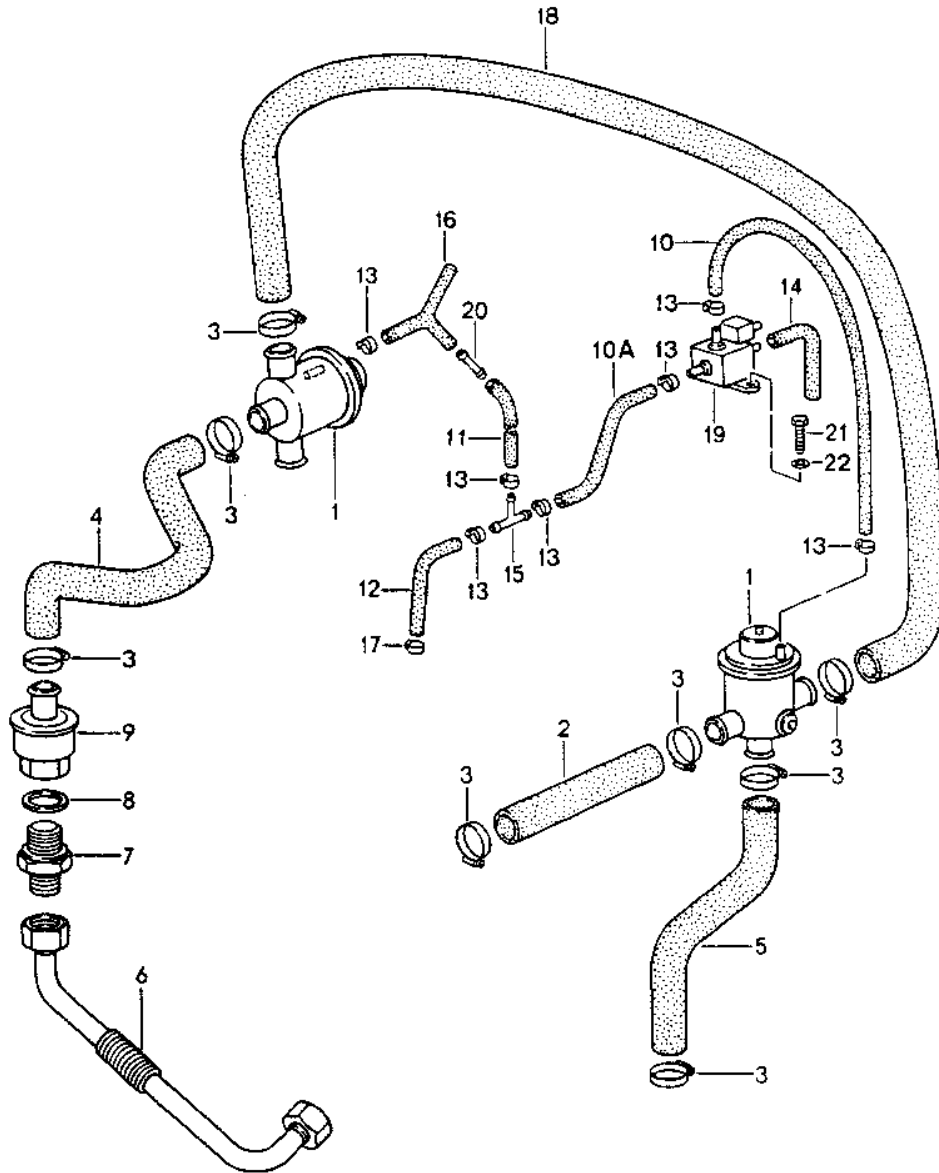
Model: 911 89

Model life 1989>>1994

Pos	Part Number	Description	Remark	Qty	Model
32	930 113 031 04	Intermediate flange		1	
33	999 062 055 02	Stud BM 6 X 12		2	
34	999 113 464 40	Sealing ring		1	
35	930 113 017 07	Gear wheel		1	
35	930 113 017 10	Gear wheel		1	
36	900 075 057 02	Hexagon-head bolt M 6 X 16		3	
36	900 075 057 03	Hexagon-head bolt M 6 X 16		3	
37	900 067 013 02	Pan-head screw M 6 X 35		2	
38	999 192 131 50	Toothed belt (70 ZAEHNE)		1	
39	930 113 033 02	Lid		1	
40	999 062 123 02	Stud BM 6 X 45		3	
41	900 076 010 02	Nut M 6		6	
41	900 076 010 0B	Nut M 6		6	
42	930 105 197 05	Gasket		1	

Model: 911 89

Model life 1989>>1994

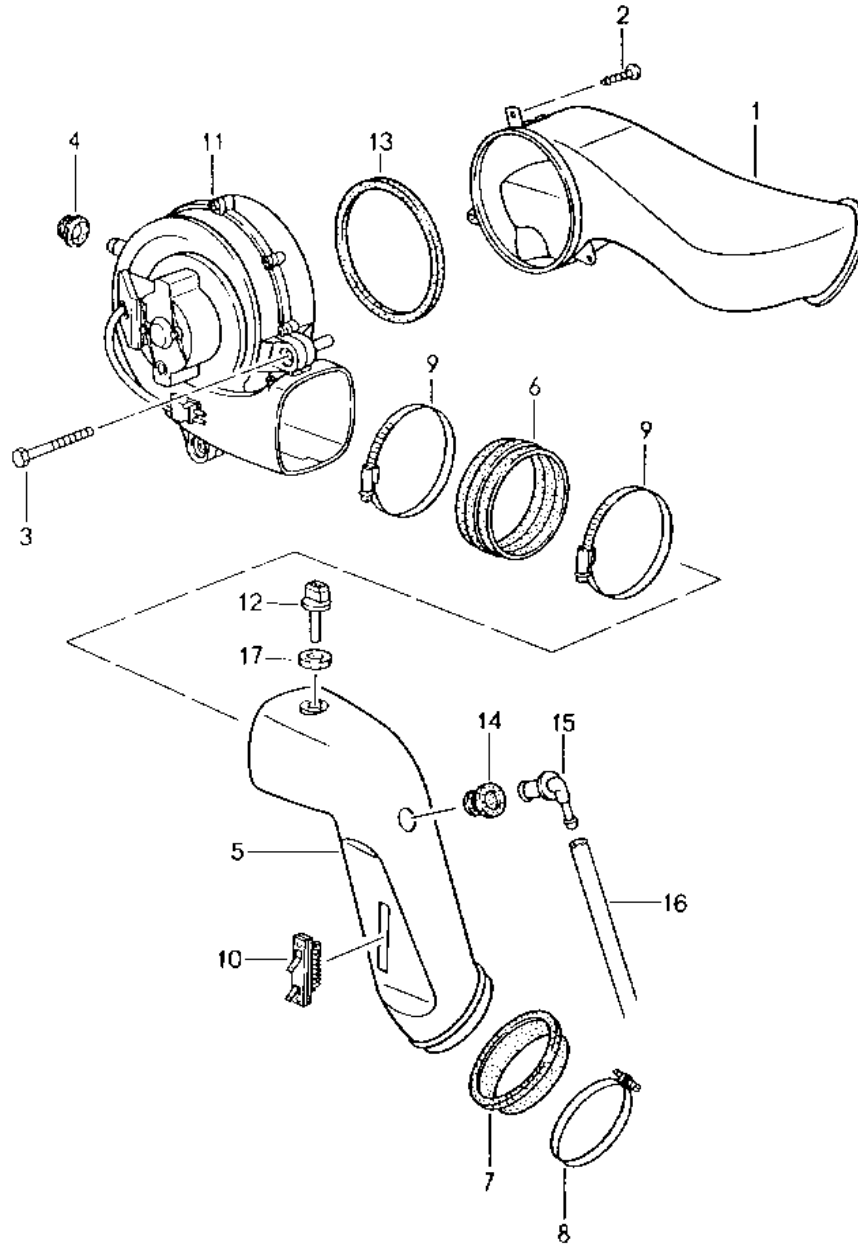


Model: 911 89 Model life 1989>>1994

Pos	Part Number	Description	Remark	Qty	Model
		Air injection			M30.69 M64.50
1	930 113 147 01	Diverter valve		2	
2	930 113 118 02	Hose		1	
2	930 113 918 00	Hose		1	
3	999 512 441 02	Hose clamp 20 - 32/9		8	
4	930 113 181 03	Hose		1	
5	930 113 181 04	Hose		1	
6	930 113 042 02	Air tube		1	
7	999 136 032 00	Connection piece M 24 X 2		1	
7	999 136 032 01	Connection piece M 24 X 2		1	
8	900 123 060 30	Sealing ring A 24 X 29		2	
9	911 113 115 01	Check valve		1	
-	000 043 204 97	Hose Green 3,2 X 7		*	
10		370 MM		1	
10A		370 MM		1	
11		550 MM		1	
12		70 MM		1	
13	311 133 343 A	Hose clamp		6	
14	928 574 717 03	Moulded hose		1	
15	999 137 004 40	T-piece		1	
16	928 573 727 02	Distributing piece		1	
17	999 512 454 02	Hose clamp 7 X 7		1	
17	999 512 454 0C	Hose clamp 7 X 7		1	
18	930 110 334 04	Hose		1	
19	911 618 123 00	Change-over valve		1	
20	999 137 053 40	Intermediate piece GS 4		1	
21	999 072 005 09	Hexagon nut M 6 X 12		1	
21	999 072 005 01	Hexagon nut M 6 X 12		1	
22	N 011 524 7	Washer A 6,4		1	
22	N 011 524 27	Washer A 6,4		1	

Model: 911 89

Model life 1989>>1994

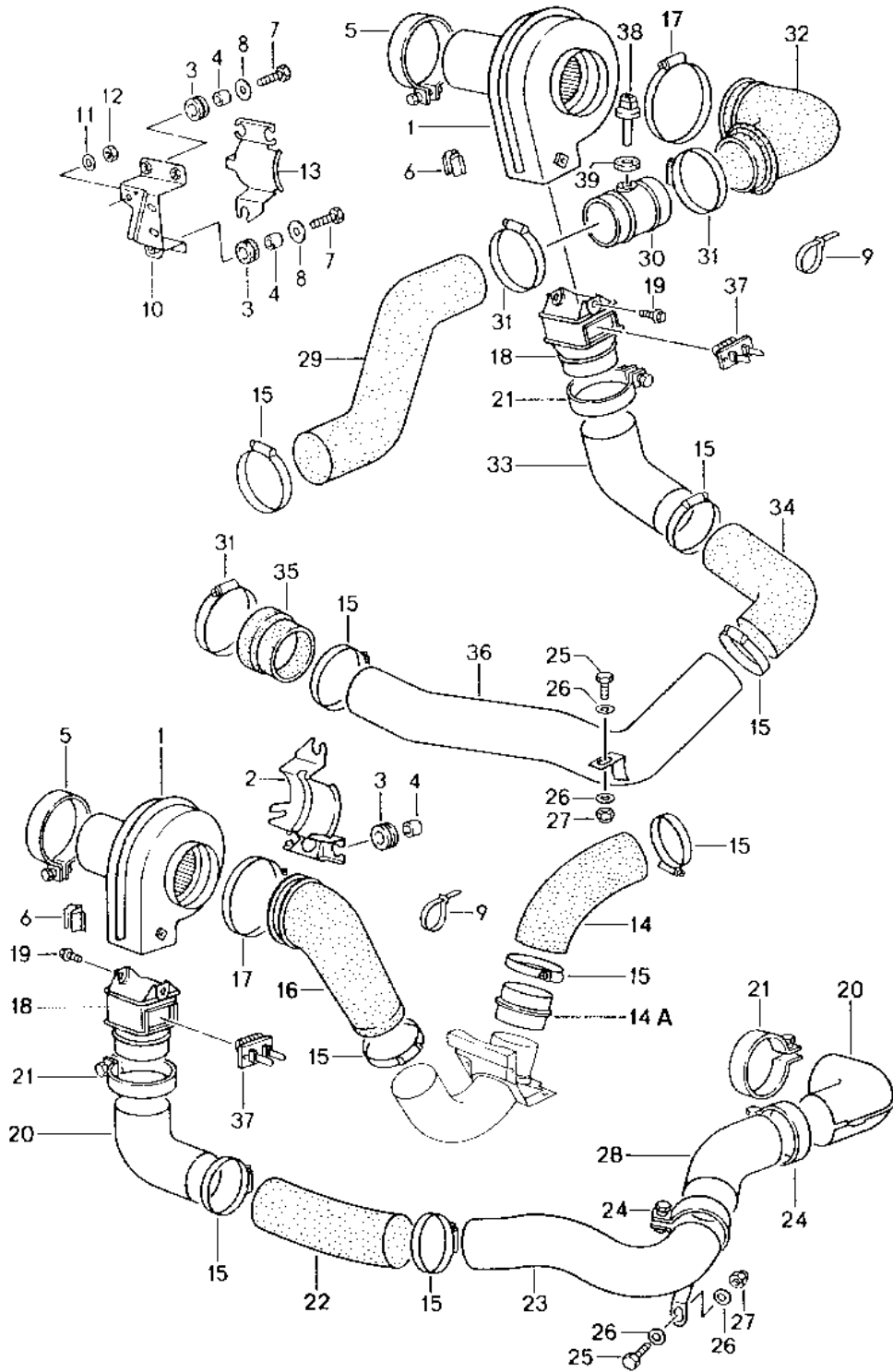


Model: 911 89 Model life 1989>>1994

Pos	Part Number	Description	Remark	Qty	Model
		Additional blower			M64.01/02/03
1	964 211 323 03	Hot air socket		1	
2	999 919 090 02	Oval-head screw 5 X 14		3	
3	N 010 367 4	Hexagon-head bolt M 6 X 60		2	
3	900 074 021 03	Hexagon-head bolt M 6 X 60		2	
4	999 702 171 50	Grommet 15 X 21 X 9,5		1	
5	964 211 341 01	Hot-air manifold	-92	1	
5	964 211 341 02	Hot-air manifold	93-	1	
6	964 211 311 02	Rubber sleeve		1	
7	964 211 348 01	Rubber seal		1	
8	999 512 505 02	Clamp 102 X 12		1	
9	999 512 539 00	Hose clamp 90 - 110/9		2	
9	999 512 539 01	Hose clamp 90 - 110/9		2	
10	964 616 550 00	Series resistor	-90	1	
10	964 616 550 02	Series resistor	91-	1	
11	964 624 328 00	Blower	-93	1	
11	993 624 328 01	Blower	94-	1	
12	964 659 120 00	Outer sensor		1	
13	964 624 338 00	Gasket		1	
14	911 355 922 00	Sealing plug		1	
15	911 355 323 00	Intake socket		1	
-	000 043 204 78	Hose 6,0 X 2,0		*	
16		360 MM			
17	964 659 120 10	Gasket		1	

Model: 911 89

Model life 1989>>1994



Model: 911 89 Model life 1989>>1994

Pos	Part Number	Description	Remark	Qty	Model
		Additional blower			M30.69 M64.50
1	965 624 151 00	Blower		2	
2	965 624 311 01	Clamp		1	
3	965 624 315 00	Grommet		6	
4	965 624 320 00	Spacer sleeve		6	
5	999 512 244 02	Clamp SP 77/20 SN		2	
6	999 591 746 02	Cable clamp		2	
6	999 591 746 01	Cable clamp		2	
7	900 075 016 02	Hexagon-head bolt M 6 X 22		6	
7	900 075 016 03	Hexagon-head bolt M 6 X 22		6	
8	N 011 612 3	Washer R 6,6		6	
8	N 011 612 C	Washer R 6,6		6	
9	443 971 850 A	Tie-wrap		2	
10	965 624 013 00	Support		1	
11	N 011 524 7	Washer A 6,4		2	
11	N 011 524 27	Washer A 6,4		2	
12	900 076 010 02	Nut M 6		3	
12	900 076 010 0B	Nut M 6		3	
13	965 624 310 01	Clamp		1	
14	930 211 196 00	Heater hose		1	M30.69
14	930 211 196 01	Heater hose		1	M30.69
14	964 106 238 20	Heater hose		1	M64.50
14A	964 106 285 20	Intermediate piece		1	M64.50
15	999 512 543 00	Hose clamp 50 - 70		9	
16	930 211 239 00	Hose		1	
17	999 512 542 00	Hose clamp 80 - 100		2	
18	930 211 240 01	Connecting piece		2	
19	900 075 430 02	Combination screw M 5 X 10		4	
20	930 211 134 00	Adapter		2	
21	999 512 546 00	Clamp 67 / 20		3	
21	999 512 246 02	Clamp 67 / 20		3	
21	999 512 246 0C	Clamp 67 / 20		3	
22	930 211 238 01	Hose		1	
23	930 211 136 01	Heating tube		1	
23	930 211 136 02	Heating tube		1	
24	999 512 548 00	Clamp 61 X 20		2	
25	900 075 318 02	Hexagon-head bolt M 8 X 16		2	
26	999 025 078 02	Washer A 8,4		4	
27	900 910 097 02	Lock nut VF M 8		2	
28	930 211 137 00	Heating tube		1	
29	930 211 246 00	Hose		1	
30	930 211 244 01	Connecting piece		1	
31	999 512 541 00	Hose clamp		3	

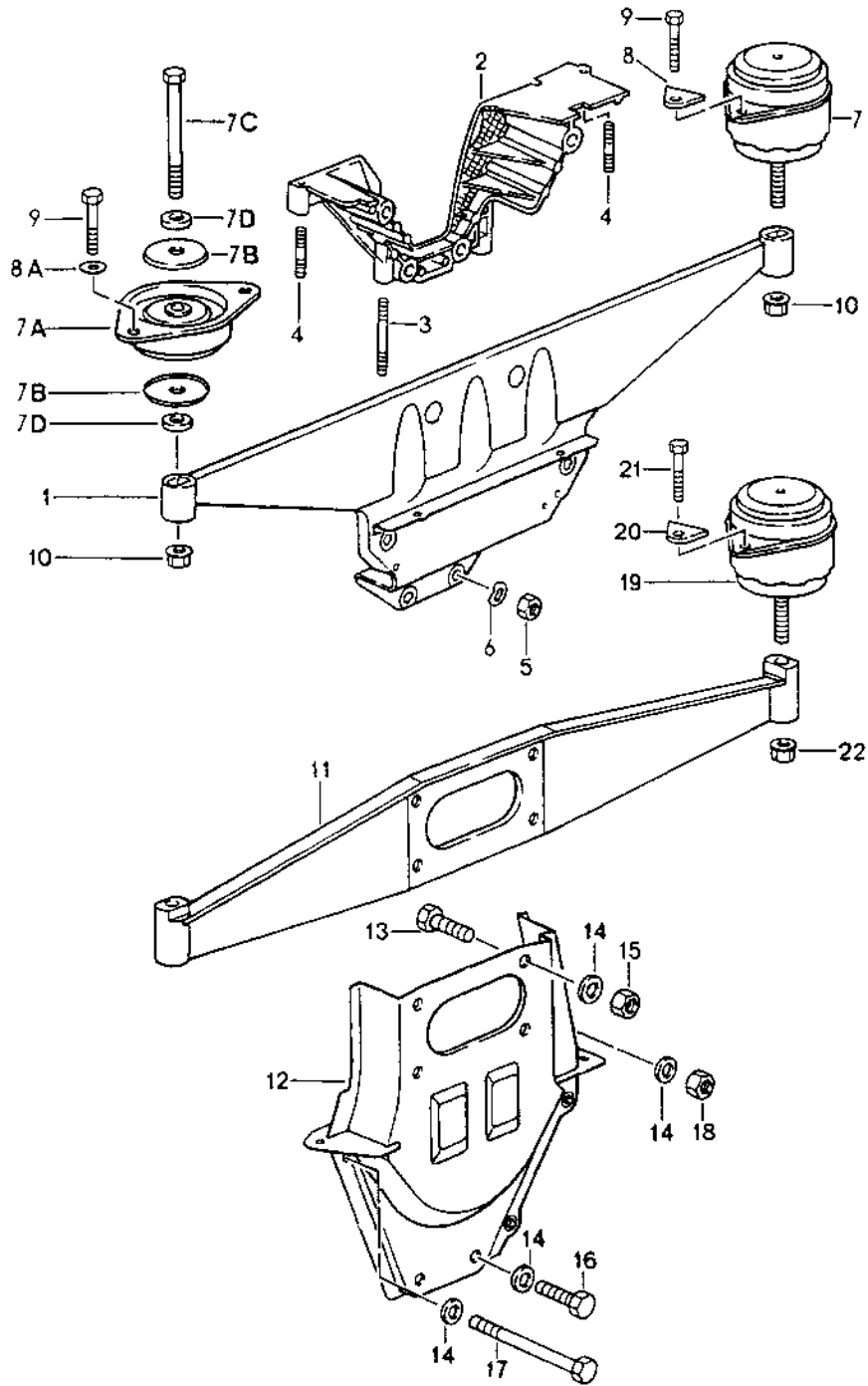
Model: 911 89

Model life 1989>>1994

Pos	Part Number	Description	Remark	Qty	Model
		60 - 80			
32	930 211 242 00	Air guide		1	
33	911 211 131 00	Adapter		1	
34	930 211 238 01	Hose		1	
35	930 211 234 00	Sleeve		1	
36	930 211 236 00	Heating tube		1	M30.69
					M64.50
36	930 211 236 01	Heating tube		1	M30.69
					M64.50
37	965 616 101 00	Resistor		2	
38	964 659 120 00	Outer sensor		1	
39	964 659 120 10	Gasket		1	

Model: 911 89

Model life 1989>>1994



Model: 911 89 Model life 1989>>1994

Pos	Part Number	Description	Remark	Qty	Model
		Engine suspension for			
		CARRERA 2/4/RS			
1	964 115 021 90	Engine carrier		1	
2	964 115 011 02	Engine bracket		1	
3	999 062 096 02	Stud		1	
		B M 6 X 40			
4	999 062 002 02	Stud		3	
		B M 6 X 15			
5	N 011 010 13	Hexagon nut		4	
		M 10			
6	900 028 005 02	Spring washer		4	
		A 10			
7	964 375 049 00	Engine mounting	/L	1	C.2
7	964 375 049 01	Engine mounting	/L	1	C.4/COUPE
7	965 375 049 00	Engine mounting	/L	1	C.4/TARGA C.4/CABRIO
7	964 375 050 00	Engine mounting	/R	1	C.2
7	964 375 050 01	Engine mounting	/R	1	C.4/COUPE
7	965 375 050 00	Engine mounting	/R	1	C.4/TARGA C.4/CABRIO
7A	964 375 043 81	Engine mounting		2	RS
7B	901 305 311 00	Seat		4	RS
7C	900 082 030 02	Hexagon-head bolt		2	RS
		M 12 X 1,5 X 105			
7D	999 025 074 02	Washer		4	RS
		12,4 X 34 X 5			
(7D)	999 025 074 01	Washer		4	RS
		12,4 x 34 x 5			
8	964 375 110 00	Washer		4	C2/4
8A	999 025 134 02	Washer		4	RS
		8,4 X 21 X 3			
9	900 074 134 02	Hexagon-head bolt		4	
		M 8 X 45			
10	900 380 009 09	Hexagon nut		2	
		V M 12 X 1,5			
		Turbo			
11	930 115 012 01	Engine carrier		1	
12	930 115 017 10	Engine bracket	-92	1	
12	964 115 017 20	Engine bracket	93-	1	
12	964 115 017 23	Engine bracket	93-	1	
13	900 075 040 02	Hexagon-head bolt		4	
		M 10 X 20			
13	900 075 517 01	Hexagon-head bolt		4	
		M 10 X 20			
14	900 025 008 09	Washer		8	
		A 10,5			
14	900 025 008 04	Washer		8	
		A 10,5			
15	N 021 130 3	Lock nut		4	
		M 10			
15	N 021 130 D	Lock nut		4	
		M 10			
16	N 010 450 5	Hexagon-head bolt		2	
		M 10 X 50			
16	900 074 373 02	Hexagon-head bolt		2	
		M 10 X 50			
17	N 010 472 4	Hexagon-head bolt		1	
		M 10 X 85			
17	900 074 375 01	Hexagon-head bolt		1	
		M 10 X 85			
18	N 011 010 6	Hexagon nut		1	
		M 10			

Model: 911 89

Model life 1989>>1994

Pos	Part Number	Description	Remark	Qty	Model
18	N 101 552 10	Hexagon nut M 10		1	
19	965 375 049 00	Engine mounting	/L	1	
19	965 375 050 00	Engine mounting	/R	1	
20	964 375 110 00	Washer		4	
21	900 074 134 02	Hexagon-head bolt M 8 X 45		4	
22	900 380 009 09	Hexagon nut V M 12 X 1,5		2	

Model: 911 89

Model life 1989>>1994



Model: 911 89 Model life 1989>>1994

Pos	Part Number	Description	Remark	Qty	Model
>>	964 100 902 00	Gasket set Repair kits Maintenance set Gasket set Cylinder Cylinder head Comprising:		1	M64.01/02/03
-	999 707 152 40	O-ring 102 X 2		6	
-	964 104 111 06	Valve stem seal		12	
-	964 104 111 07	Valve stem seal		12	
-	000 043 204 48	Sleeve		2	
-	993 105 193 00	Gasket		2	
-	964 105 177 03	Gasket		2	
-	964 105 181 01	Gasket		1	
-		Gasket		1	
-	999 701 909 40	O-ring 6,7 X 3,53		6	
-	999 707 288 40	O-ring 6 X 2,5		2	
-	964 105 140 01	Rubber seal		18	
-	900 076 010 02	Nut M 6		34	
-	900 076 010 0B	Nut M 6		34	
-	964 105 173 01	Gasket		6	
-	964 105 135 01	Gasket		2	
-	999 707 313 40	O-ring 67,2 X 5,77		2	
-	900 123 131 30	Sealing ring A 16 X 20		4	
-	930 105 197 05	Gasket		2	
-	993 110 713 01	Sealing ring		6	
-	999 707 293 40	O-ring 40 X 4		1	
-	999 113 463 40	Shaft sealing ring A 30 X 42 X 7		1	
-	993 111 195 00	Sealing ring		6	
-	964 111 192 05	Gasket		1	
-	964 111 198 00	Gasket		1	
-	999 707 112 40	Round seal 25 X 6		8	
-	999 707 112 4A	Round seal 25 X 6		8	
-	964 104 115 20	Cylinder head gasket		6	
-	999 084 094 02	Lock nut M 6		26	
-	999 084 052 02	Lock nut M 8		14	
>>	930 100 908 03	Gasket set Cylinder Cylinder head Comprising:		1	M30.69
-	999 707 112 40	Round seal 25 X 6		8	
-	999 707 112 4A	Round seal 25 X 6		8	
-	999 704 172 50	Sealing ring 16,3 X 22		2	
-	999 707 152 40	O-ring 102 X 2		6	
-	930 104 381 01	Cylinder head gasket		6	
-	928 104 193 12	Valve stem seal		12	

Model: 911 89

Model life 1989>>1994

Pos	Part Number	Description	Remark	Qty	Model
-	928 104 193 13	Valve stem seal		12	
-	964 104 111 07	Valve stem seal		12	
-	000 043 204 48	Sleeve		2	
-	930 105 193 06	Gasket		2	
-	930 105 191 03	Gasket		1	
-	930 105 192 04	Gasket		1	
-	900 123 007 30	Sealing ring A 14 X 18		4	
-	900 910 012 02	Lock nut M 6		19	
-	900 910 047 09	Lock nut M 6		19	
-	930 105 194 04	Gasket		2	
-	930 105 195 07	Gasket		2	
-	900 031 014 30	Washer 8,4		40	
-	900 084 004 03	Hexagon nut M 8		40	
-	900 084 004 02	Hexagon nut M 8		40	
-	900 123 005 00	Sealing ring A 12 X 16		4	
-	900 123 043 30	Sealing ring A 12 X 15,5		6	
-	900 123 066 30	Sealing ring A 10 X 16		8	
-	999 701 690 40	Round seal 12 X 1,78		8	
-	930 105 197 05	Gasket		2	
-	999 701 468 40	Round seal 67,5 X 75,4 X 4		3	
-	900 123 115 30	Sealing ring A 8 X 11,5		17	
-	930 106 407 01	Grommet		1	
-	930 106 175 00	Rubber sleeve		3	
-	930 106 176 00	Rubber sleeve		1	
-	930 110 122 00	Sealing ring		1	
-	930 110 197 10	Gasket		12	
-	999 701 477 40	Round seal 71,2 X 5,7		1	
-	999 701 395 50	O-ring 7 X 2		1	
-	900 123 018 30	Sealing ring A 16 X 20		3	
-	900 123 144 30	Sealing ring A 10 X 13,5		20	
-	900 123 101 30	Sealing ring A 12 X 18		2	
-	930 110 394 00	Gasket		1	
-	900 123 116 30	Sealing ring A 12 X 15,5		1	
-	900 123 140 30	Sealing ring 8 X 22		1	
-	930 107 123 01	Gasket		1	
-	930 107 116 01	Gasket		1	
-	900 123 055 30	Sealing ring A 12 X 17		1	
-	999 707 289 40	Round seal 47 X 2		1	
-	999 113 246 40	Radial sealing ring A 10 X 18 X 6		1	
-	930 105 197 05	Gasket		2	
-	999 707 293 40	O-ring		1	

Model: 911 89 Model life 1989>>1994

Pos	Part Number	Description	Remark	Qty	Model
-	999 113 463 40	40 X 4 Shaft sealing ring		1	
-	900 123 060 30	A 30 X 42 X 7 Sealing ring		4	
-	900 123 033 20	A 24 X 29 Sealing ring		6	
-	999 113 464 40	A 10 X 13,5 C4 Sealing ring		1	
-	930 111 223 00	35 X 45 X 7 Sealing ring		6	
-	930 111 192 06	Gasket		2	
-	930 111 193 07	Gasket		1	
-	930 123 194 06	Gasket		2	
-	930 123 192 05	Gasket		1	
-	900 123 050 20	Sealing ring		1	
-	900 083 080 00	8 X 11,5 Hexagon-head bolt		1	
-	930 123 191 05	M 8 X 1 Sealing ring		2	
>>	964 100 908 00	Gasket set		1	M64.50
		Cylinder			
		Cylinder head			
		Comprising:			
-	999 707 112 40	Round seal		8	
-	999 707 112 4A	25 X 6 Round seal		8	
-	999 704 172 50	25 X 6 Sealing ring		2	
-	999 707 152 40	16,3 X 22 O-ring		6	
-	000 043 204 48	102 X 2 Sleeve		2	
-	930 105 195 07	Gasket		2	
-	900 031 014 30	Washer		22	
-	900 084 004 03	8,4 Hexagon nut		22	
-	900 084 004 02	M 8 Hexagon nut		22	
-	900 123 043 30	M 8 Sealing ring		4	
-	930 105 197 05	A 12 X 15,5 Gasket		2	
-	900 123 115 30	Sealing ring		15	
-	930 106 407 01	A 8 X 11,5 Grommet		1	
-	930 106 175 00	Rubber sleeve		3	
-	930 106 176 00	Rubber sleeve		1	
-	930 110 122 00	Sealing ring		1	
-	930 110 197 10	Gasket		12	
-	999 701 477 40	Round seal		1	
-	999 701 395 50	71,2 X 5,7 O-ring		1	
-	900 123 018 30	7 X 2 Sealing ring		3	
-	900 123 144 30	A 16 X 20 Sealing ring		20	
-	900 123 101 30	A 10 X 13,5 Sealing ring		2	
-	930 110 394 00	A 12 X 18 Gasket		1	
-	900 123 116 30	Sealing ring		1	
-	900 123 140 30	A 12 X 15,5 Sealing ring		1	

Model: 911 89 Model life 1989>>1994

Pos	Part Number	Description	Remark	Qty	Model
-	930 107 123 01	A 8 X 22 Gasket		1	
-	930 107 116 01	Gasket		1	
-	900 123 055 30	Sealing ring		1	
-	999 707 289 40	A 12 X 17 Round seal 47 X 2		1	
-	999 113 246 40	Radial sealing ring A 10 X 18 X 6		1	
-	999 707 293 40	O-ring 40 X 4		1	
-	999 113 463 40	Shaft sealing ring A 30 X 42 X 7		1	
-	900 123 060 30	Sealing ring A 24 X 29		4	
-	900 123 033 20	Sealing ring A 10 X 13,5		6	
-	999 113 464 40	Sealing ring 35 X 45 X 7		1	
-	930 111 223 00	Sealing ring		6	
-	930 111 192 06	Gasket		2	
-	930 111 193 07	Gasket		1	
-	930 123 194 06	Gasket		2	
-	930 123 192 05	Gasket		1	
-	900 123 050 20	Sealing ring 8 X 11,5		1	
-	900 083 080 00	Hexagon-head bolt 8 X 1		1	
-	930 123 191 05	Sealing ring		2	
-	964 104 115 20	Cylinder head gasket		6	
-	993 105 193 00	Gasket		2	
-	964 105 177 03	Gasket		2	
-	999 084 094 02	Lock nut M 6		26	
-	999 084 095 02	Lock nut M 8		10	
-	964 105 181 01	Gasket		1	
-		Gasket		1	
-	964 105 140 01	Rubber seal		18	
-	999 701 909 40	O-ring 6,7 X 3,53		6	
-	999 707 288 40	O-ring 6 X 2,5		2	
-	964 105 173 01	Gasket		6	
-	999 707 313 40	O-ring 67,2 X 5,77		2	
>>	964 100 903 00	Gasket set Crankcase		1	M64.01/02/03
>>	930 100 901 04	Gasket set Crankcase		1	
-	999 704 172 50	Comprising: Sealing ring 16,3 X 22		3	
-	999 701 006 40	O-ring 8 X 2		26	
-	999 113 426 41	Radial sealing ring 90 X 110 X 11		1	
-	900 123 118 30	Sealing ring A 22 X 27		1	
-	999 113 290 41	Radial sealing ring 30 X 50 X 8		1	
-	999 707 285 40	O-ring 51 X 4,5		1	

Model: 911 89 Model life 1989>>1994

Pos	Part Number	Description	Remark	Qty	Model
-	900 123 141 30	Sealing ring A 25 X 30		1	
-	900 123 140 30	Sealing ring A 18 X 22		1	
-	999 704 173 50	Sealing ring 19,5 X 26		1	
-	999 701 053 40	O-ring 39,2 X 3		1	
-	900 123 106 30	Sealing ring A 18 X 24		2	
-	930 107 791 02	Gasket		1	
-	911 602 102 01	Sealing ring		1	
-	900 123 007 30	Sealing ring A 14 X 18		2	
-	999 701 658 40	Round seal 33,3 X 2,4		1	
-	900 031 011 30	Washer 6,4		3	
-	999 084 095 02	Lock nut M 8		26	
-	900 025 007 02	Washer A 8,4		25	
-	900 025 007 03	Washer A 8,4		25	
-	930 101 391 01	Gasket		2	
-	901 102 191 00	Sealing ring		1	
-	930 105 198 01	Gasket		1	
-	900 123 005 00	Sealing ring A 12 X 16		4	
-	900 123 009 20	Sealing ring A 18 X 24		1	
-	900 123 011 20	Sealing ring A 22 X 27		1	
-	900 123 066 30	Sealing ring A 10 X 16		8	
>>	964 105 902 00	Gasket set for Valve cover Comprising:		1	M64.01/02/03
-	964 105 135 01	Gasket		2	
-	964 111 198 00	Gasket		1	
-	964 105 173 01	Gasket		6	
-	900 074 282 02	Screw M 8 X 37		4	
-	999 084 052 02	Lock nut M 8		6	
-	900 074 339 02	Hexagon-head bolt M 8 X 70		2	
-	999 025 125 09	Washer 8,4 X 17 X 3,1		4	
-	999 025 125 01	Washer 8,4 X 17 X 3,1		4	
>>	930 105 902 01	Gasket set for Valve cover Comprising:		1	M30.69
-	930 105 194 04	Gasket		2	
-	930 105 195 07	Gasket		2	
-	900 031 014 30	Washer 8,4		34	
-	900 084 004 03	Hexagon nut		34	
-	900 084 004 02	Hexagon nut		34	
-	930 123 194 06	Gasket		1	

Model: 911 89 Model life 1989>>1994

Pos	Part Number	Description	Remark	Qty	Model
-	900 910 097 02	Lock nut M 8		4	
-	900 123 043 30	Sealing ring A 12 X 15,5		4	
-	999 084 095 02	Lock nut M8		2	
>>	964 105 902 01	Gasket set for Valve cover Comprising:		1	M64.50
-	964 105 173 01	Gasket		6	
-	930 105 195 07	Gasket		2	
-	930 123 194 06	Gasket		1	
-	900 084 004 03	Hexagon nut M 8		22	
-	900 084 004 02	Hexagon nut M 8		22	
-	900 910 097 02	Lock nut M 8		4	
-	999 025 125 09	Washer 8,4 X 17 X 3,1		2	
-	999 025 125 01	Washer 8,4 X 17 X 3,1		2	
-	900 074 339 02	Hexagon-head bolt M 8 X 70		1	
-	999 084 052 02	Lock nut M 8		1	
>>	964 104 901 00	Gasket set for Valve stem seal Comprising:		1	M64.01/02/03 M64.50
-	964 104 111 06	Valve stem seal		12	
-	964 104 111 07	Valve stem seal		12	
-	000 043 204 48	Sleeve		2	
>>	964 100 956 00	Maintenance set for Periodic maintenance Comprising:		1	M64.01/02/03
-	930 107 764 01	Oil filter		1	
-	930 107 764 03	Oil filter Red	-(IND)	1	
-	964 105 173 01	Gasket		6	
-	964 105 135 01	Gasket		2	
-	964 110 327 01	Air cleaner cartridge		1	
-	964 111 198 00	Gasket		1	
-	999 170 183 90	Spark plug		12	
-	900 074 282 02	Screw		4	
-	999 084 052 02	Lock nut		6	
-	900 123 118 30	Sealing ring A 22 X 27		2	
-	900 074 339 02	Hexagon-head bolt M 8 X 70		2	
>>	964 100 956 01	Maintenance set for Periodic maintenance Comprising:		1	M64.01/02/03
-	930 107 764 01	Oil filter		1	
-	930 107 764 03	Oil filter Red	-(IND)	1	
-	964 105 173 01	Gasket		6	
-	964 105 135 01	Gasket		2	
-	964 110 327 01	Air cleaner cartridge		1	
-	964 111 198 00	Gasket		1	

Model: 911 89 Model life 1989>>1994

Pos	Part Number	Description	Remark	Qty	Model
-	900 074 282 02	Screw		4	
-	999 084 052 02	Lock nut		6	
-	900 123 118 30	Sealing ring		2	
		A 22 X 27			
-	900 074 339 02	Hexagon-head bolt		2	
		M 8 X 70			
>>	911 100 988 03	Maintenance set		1	M30.69
		for			M64.50
		Periodic maintenance			
		20 000 KM			
		12 000 MLS			
		for			
		M64.50			
		Use also:			
		964 105 173 01		6	
		Comprising:			
-	944 107 201 03	Oil filter		1	
-	930 105 194 04	Gasket		2	
-	930 105 195 07	Gasket		2	
-	930 123 194 06	Gasket		1	
-	N 043 813 3	Sealing ring		1	
		8 X 11,5			
-	900 123 060 30	Sealing ring		2	
		A 24 X 29			
-	900 084 004 03	Hexagon nut		34	
		M 8			
-	900 084 004 02	Hexagon nut		34	
		M 8			
-	900 031 014 30	Washer		34	
		8,4			
-	900 910 097 02	Lock nut		4	
		M 8			
-	900 123 118 30	Sealing ring		2	
		A 22 X 27			
-	999 084 095 02	Lock nut		2	
		M 8			
-	999 701 477 40	Round seal		1	
		71,2 X 5,7			
-	900 123 043 30	Sealing ring		4	
		A 12 X 15,5			
>>	000 043 202 59	Retrofit kit		1	M64.01/02/03
		FUER AU	(D)		
>>	930 107 040 01	Set		1	
		Oil tube			
		Divided			
		Comprising:			
		Oil tube		1	
		Oil tube		1	
-	900 041 013 01	Circlip		1	
-	999 707 112 40	Round seal		2	
		25 X 6			
-	999 707 112 4A	Round seal		2	
		25 X 6			
-	999 707 113 40	Round seal		2	
		20,22 X 3,53			
-	999 707 113 41	O-ring		2	
		20,22 X 3,53			
>>	964 103 925 00	Set of piston rings		1	
		MAHLE			
>>	964 101 901 00	Set of crankshaft bearings		1	
		Comprising:			
-	930 101 131 15	Bearing shell		1	
		Set			

Model: 911 89 Model life 1989>>1994

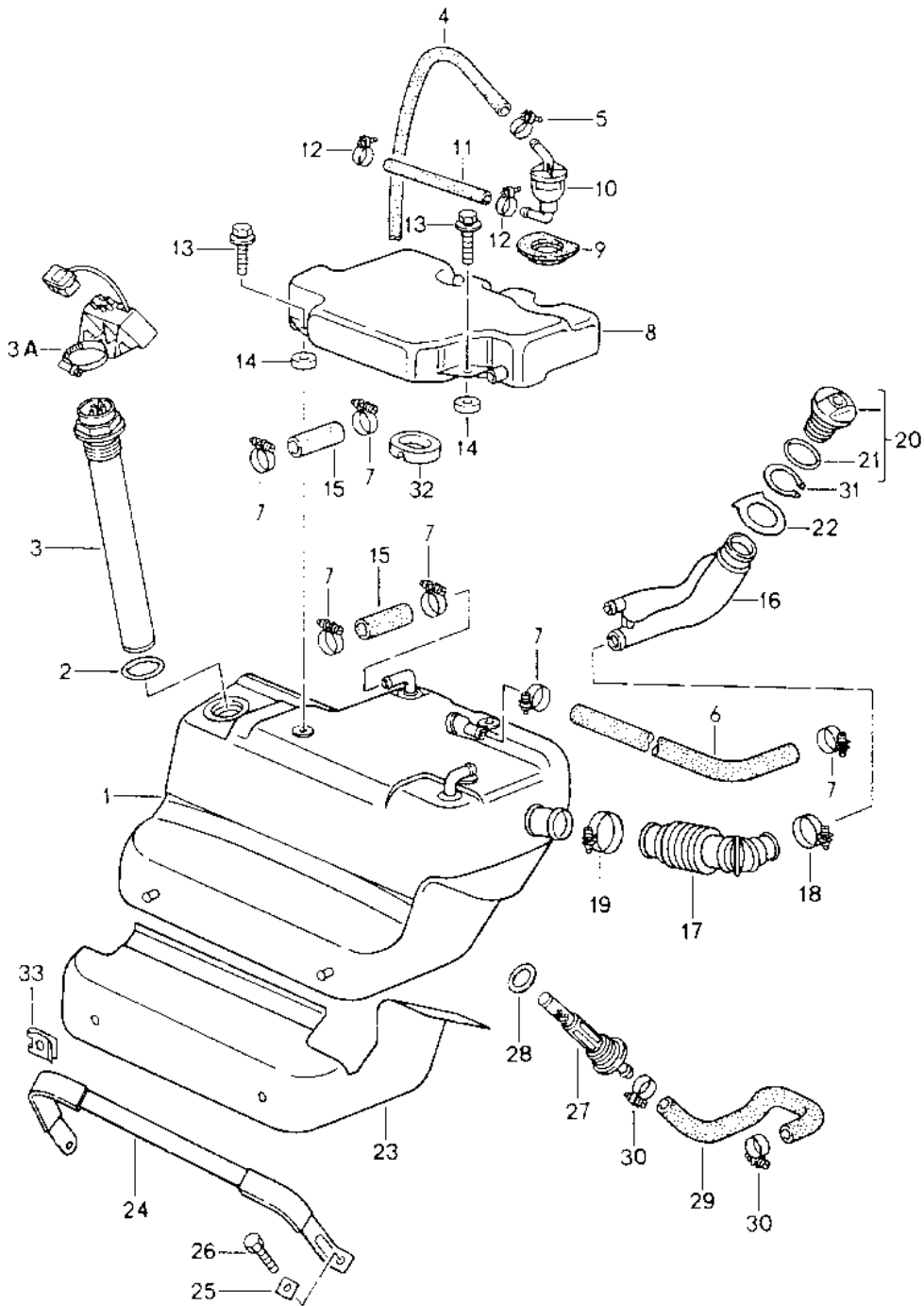
Pos	Part Number	Description	Remark	Qty	Model
-	930 101 132 15	Bearing shell I		12	
-	964 101 138 01	Bearing sleeve II-VII		1	
>>	964 101 901 51	Set of crankshaft bearings VIII Oversize Inner 0,25 MM Comprising:		1	
-	930 101 131 51	Bearing shell I		2	
-	930 101 132 51	Bearing shell II-VII		12	
-	930 101 132 92	Bearing shell II-VII		12	
-	964 101 138 54	Bearing sleeve VIII		1	
>>	964 101 901 56	Set of crankshaft bearings Oversize Inner 0,50 MM Comprising:		1	
-	930 101 131 56	Bearing shell I		2	
-	930 101 132 56	Bearing shell II-VII		12	
-	964 101 138 55	Bearing sleeve VIII		1	
>>	964 101 901 61	Set of crankshaft bearings Oversize Outer 0,25 MM Comprising:		1	
-	930 101 131 61	Bearing shell I		2	
-	930 101 132 61	Bearing shell II-VII		12	
-	964 101 138 65	Bearing sleeve VIII		1	
>>	964 101 901 71	Set of crankshaft bearings Oversize Inner 0,25 MM Oversize Outer 0,25 MM Comprising:		1	
-	930 101 131 71	Bearing shell I		2	
-	930 101 132 71	Bearing shell II-VII		12	
-	930 101 132 72	Bearing shell II-VII		12	
-		Bearing shell Bearing shell II-VII		12	
-	964 101 138 66	Bearing sleeve VIII		1	
>>	964 101 901 76	Set of crankshaft bearings Oversize Inner 0,50 MM		1	

Model: 911 89 Model life 1989>>1994

Pos	Part Number	Description	Remark	Qty	Model
-	930 101 131 76	Oversize Outer 0,25 MM Comprising: Bearing shell I		2	
-	930 101 132 76	Bearing shell II-VII		12	
-	964 101 138 67	Bearing sleeve VIII		1	

Model: 911 89

Model life 1989>>1994



Model: 911 89 Model life 1989>>1994

Pos	Part Number	Description	Remark	Qty	Model
1	964 201 021 00	Fuel tank	/LL -91	1	
1	964 201 921 00	Fuel tank	/LL -91	1	
		F >>96NS4 00189			
		F >>96NS4 20103			
		F >>96NS4 30088			
		F >>96NS4 40085			
		F >>96NS4 50121			
		F >>96NS4 60157			
		F >>96NS4 70079			
		F >>96NS4 80166			
1	964 201 021 02	Fuel tank	/LL -92	1	
		F 96NS4 00190>>			
		F 96NS4 20104>>			
		F 96NS4 30089>>			
		F 96NS4 40086>>			
		F 96NS4 50122>>			
		F 96NS4 60158>>			
		F 96NS4 70080>>			
		F 96NS4 80167>>			
1	993 201 021 00	Fuel tank	/LL 93-	1	
		F 96NS4 00190>>			
		F 96NS4 20104>>			
		F 96NS4 30089>>			
		F 96NS4 40086>>			
		F 96NS4 50122>>			
		F 96NS4 60158>>			
		F 96NS4 70080>>			
		F 96NS4 80167>>			
1	964 201 021 03	Fuel tank	/LL 92-	1	CARRERA RS
		92L	93-		M545
(1)	964 201 022 00	Fuel tank	/RL -91	1	
(1)	964 201 022 01	Fuel tank	/RL -92	1	
(1)	993 201 022 00	Fuel tank	/RL 93-	1	
2	999 707 115 40	O-ring		1	
		44 X 4			
3	964 641 801 01	Tank gauge		1	
3	964 641 801 02	Tank gauge		1	
3A	964 641 081 00	Control unit		1	
4	964 201 143 01	Connecting hose		1	
5	N 023 569 2	Hose clamp		1	
		16 X 9			
5	PCG 023 569 2	Hose clamp		1	
		16 X 9			
6	964 201 415 00	Hose		1	
7	PCG 512 237 02	Hose clamp		6	
		26 X 9			
8	964 201 077 04	Expansion tank		1	
8	964 201 077 03	Expansion tank	92- 93-	1	CARRERA RS M545
9	964 201 375 00	Grommet		1	
10	964 201 175 01	Shut-off valve		1	
10	964 201 175 02	Shut-off valve		1	
10	964 201 175 03	Shut-off valve		1	
-	000 043 205 02	Hose		*	
		9,5 X 15,5			
11		180 MM		1	
(11)	964 201 545 02	Fuel hose	92- 93-	1	CARRERA RS M545
(11)	964 201 545 03	Fuel hose	92-	1	CARRERA RS M545
12	999 512 525 00	Hose clamp		2	
		14 X 9			

Model: 911 89 Model life 1989>>1994

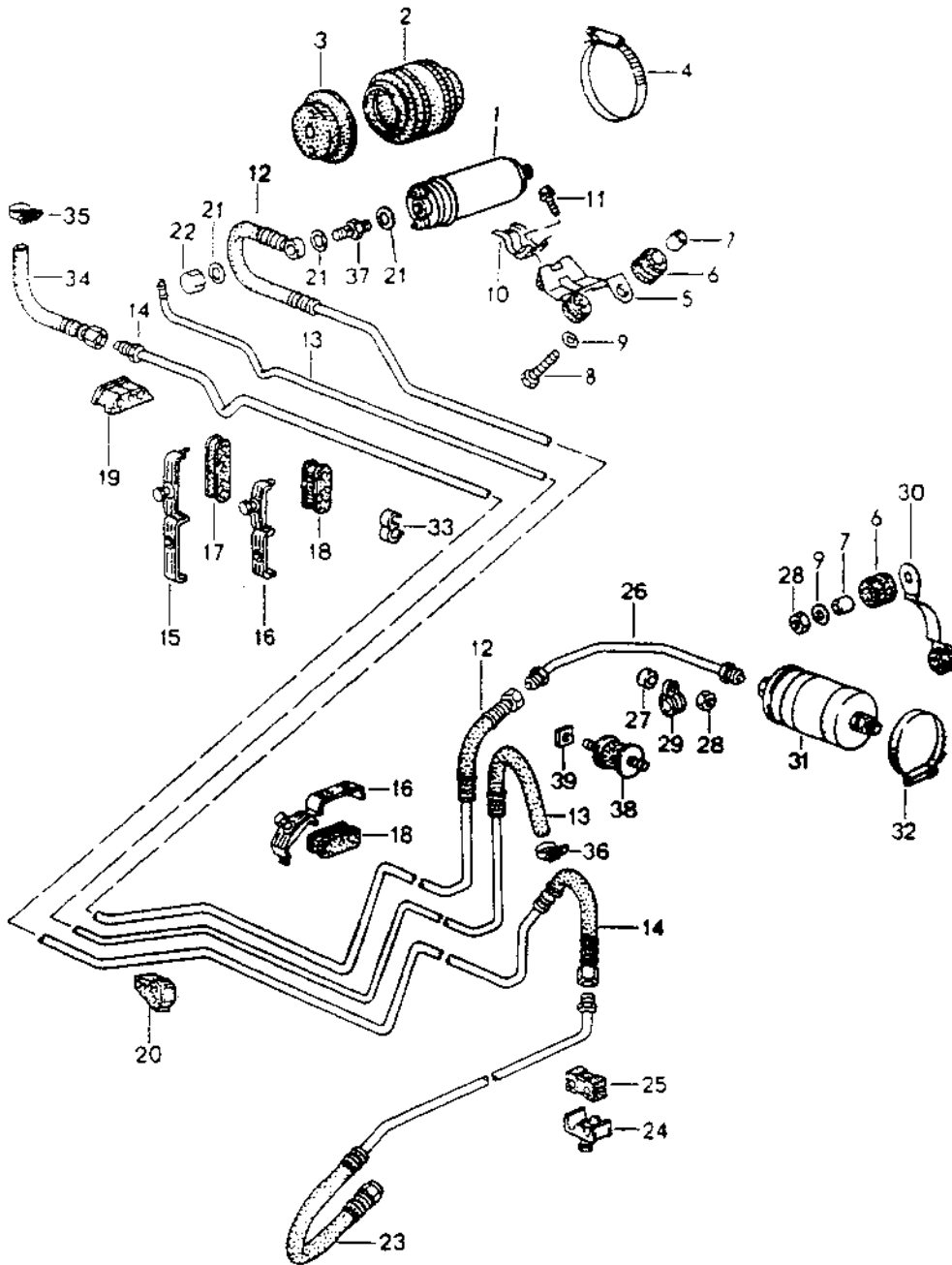
Pos	Part Number	Description	Remark	Qty	Model
13	900 075 335 02	Combination screw M 6 X 22		3	
14	999 703 362 40	Sleeve		3	
-	000 043 205 03	Hose 20 X 26		*	
15		80 MM		2	
15		125 MM	92-	1	CARRERA RS
			93-		M545
16	964 201 043 00	Filler neck	-91	1	M150
16	964 201 043 02	Filler neck	-91	1	M150/193
16	964 201 043 07	Filler neck	92-	1	M150/193
16	993 201 043 01	Filler neck	92-	1	M150/193
16	964 201 043 01	Filler neck	-91	1	
16	964 201 043 03	Filler neck	-91	1	
16	964 201 043 06	Filler neck	92-	1	
17	964 201 181 00	Bellows	89	1	
(17)	964 201 287 02	Hose	-91	1	
(17)	964 201 987 00	Fuel hose	-91	1	
(17)	964 201 287 03	Hose	92-	1	
18	999 512 499 00	Hose clamp 32 - 50	-91	1	
18	999 512 195 02	Clip 39 X 9	92-	1	
19	999 512 348 02	Hose clamp 40 - 60	-91	1	
19	999 512 322 02	Hose clamp 44 X 7	92-	1	
20	993 201 271 00	Fuel tank cap		1	COUPE
20	964 201 906 00	Fuel tank cap Lockable W/o stipulated lock number with keys		1	TARGA CABRIO
20	964 201 906 01	Fuel tank cap Lockable State lock number with keys		2	TARGA CABRIO
21	944 201 553 00	Gasket		1	
22	964 201 301 00	Desk pad		1	
23	964 201 331 04	Protection cap	/LL	1	
23	993 201 331 00	Protection cap	/LL 93-	1	M545
(23)	964 201 332 00	Protection cap	/RL -90	1	
(23)	964 201 332 02	Protection cap	/RL 91-	1	
24	964 201 103 00	Restraining strap		1	
24	964 201 103 02	Restraining strap	92-	1	CARRERA RS
			93-		M545
25	964 201 387 00	Plate		1	
26	900 075 414 08	Hexagon-head bolt M 8 X 40		1	
27	928 201 081 04	Fuel filter		1	
28	928 201 187 02	Sealing ring		1	
29	964 201 581 01	Suction hose	/LL -91	1	
29	964 201 581 03	Suction hose	/LL 92	1	
29	964 201 581 04	Suction hose	/LL 93-	1	
(29)	964 201 582 00	Suction hose	/RL -91	1	
(29)	964 201 582 02	Suction hose	/RL 92	1	
(29)	964 201 582 03	Suction hose	/RL 93-	1	
30	N 023 565 3	Hose clamp 21 X 9ZV		2	
31	999 041 039 09	Snap ring 57 X 2		1	
32	964 201 376 00	Spacer rubber		1	
33	N 012 653 3	Lock washer 9		2	

Model: 911 89 Model life 1989>>1994

Pos	Part Number	Description	Remark	Qty	Model
-	964 201 153 00	Overflow hose for Filler neck		1	

Model: 911 89

Model life 1989>>1994



Model: 911 89 Model life 1989>>1994

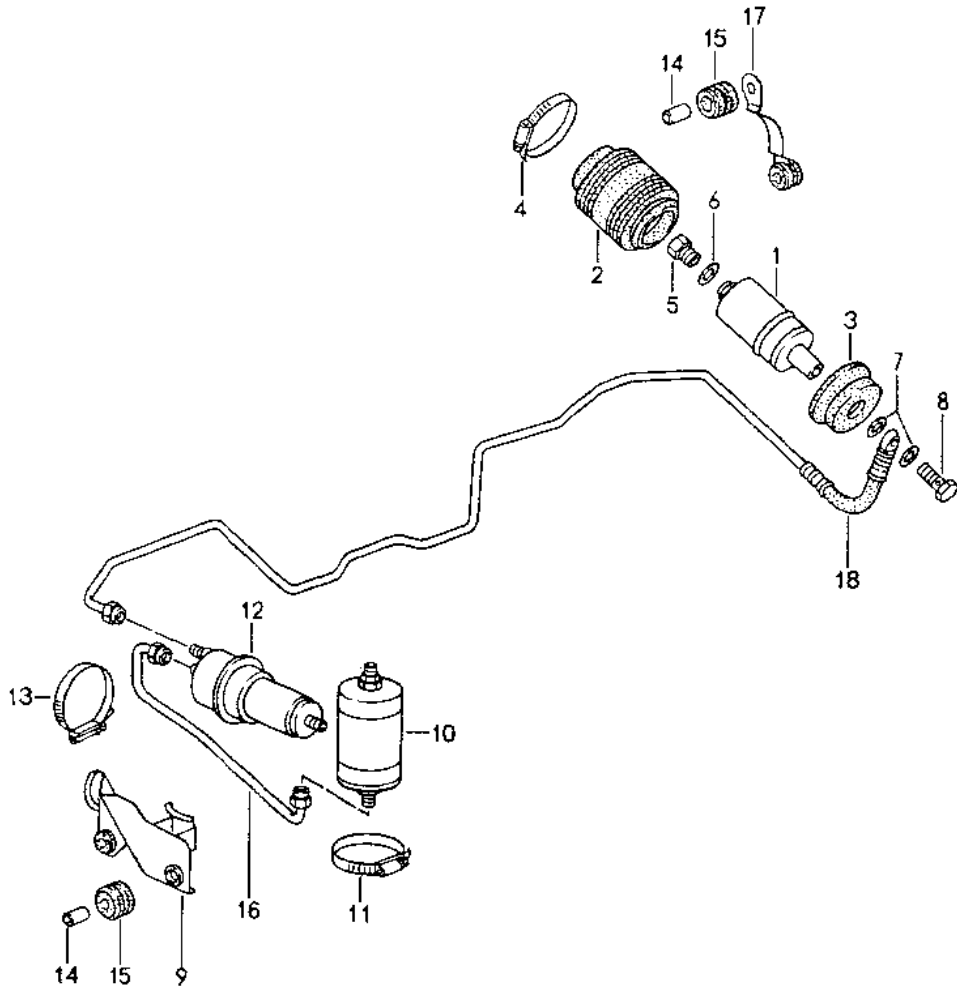
Pos	Part Number	Description	Remark	Qty	Model
1	964 620 104 00	Fuel system		1	M64.01/02/03
1	911 608 102 02	Fuel pump		1	M30.69
		Fuel pump		1	M64.50
2	965 356 391 01	Housing		1	
3	965 356 389 00	Cap		1	
4	999 512 397 00	Hose clamp		1	
		80-100			
5	964 356 249 02	Support	-91	1	
5	964 356 249 03	Support	92-	1	
6	964 356 635 00	Rubber mounting		5	
7	928 355 633 00	Bush		5	
7	928 355 633 03	Bush		5	
8	900 075 407 02	Hexagon-head bolt		3	
		M 6 X 30			
9	900 151 003 02	Washer		5	
		A 6,4			
9	900 151 006 03	Washer		5	
		A 6,4			
10	964 201 577 00	Bearing	-91	1	
10	964 201 577 01	Bearing	92-	1	
11	900 075 393 02	Combination screw		1	
		M 6 X 12			
11	900 075 393 0C	Combination screw		1	
		M 6 X 12			
12	964 356 061 02	Fuel line	/LL -91	1	
12	964 356 061 03	Fuel line	/LL 92	1	
12	964 356 061 05	Fuel line	/LL 93-	1	
12	964 356 061 06	Fuel line	/LL 93-	1	
(12)	964 356 062 01	Fuel line	/RL -91	1	
(12)	964 356 062 03	Fuel line	/RL 92-	1	
13	964 201 051 00	Vent line	/LL	1	
(13)	964 201 052 00	Vent line	/RL	1	
14	964 356 063 03	Return line	/LL	1	
(14)	964 356 064 01	Return line	/RL	1	
(14)	964 356 064 02	Return line	/RL	1	
(14)	964 356 064 03	Return line	/RL	1	
15	964 356 593 00	Clamp	/LL	6	M657
16	964 356 555 00	Clamp	/RL	6	
17	964 356 595 00	Rubber mounting	/LL	6	M657
18	964 356 557 00	Rubber mounting	/RL	6	
19	964 356 559 00	Rubber mounting		1	
20	964 356 569 00	Rubber mounting		1	
21	900 123 005 20	Sealing ring		2	
		A 12 X 16			
22	928 110 475 01	Cap nut		1	
22	928 110 475 03	Cap nut		1	
22	928 110 475 04	Cap nut		1	
23	964 356 367 02	Return line	/LL	1	
(23)	964 356 368 00	Return line	/RL	1	
24	928 356 555 00	Clamp		2	
25	928 356 525 01	Rubber mounting		2	
26	964 356 065 01	Pressure line	/LL	1	M64.01/02
					M64.50
26	964 356 065 03	Pressure line	/LL	1	M64.03
26	964 356 065 02	Fuel line	/LL 93-	1	M503
(26)	964 356 066 00	Pressure line	/RL	1	
(26)	964 356 066 01	Fuel line	/RL 93-	1	M503
27	999 209 005 40	Sleeve		1	
28	900 076 010 02	Nut		3	
		M 6			
28	900 076 010 0B	Nut		3	
		M 6			

Model: 911 89 Model life 1989>>1994

Pos	Part Number	Description	Remark	Qty	Model
29	999 511 116 02	Clamp B 10 X 15		1	
29	999 511 116 03	Clamp B 10 X 15		1	
29	999 511 105 02	Pipe clamp D2 12-12 X 15		1	M30.69 M64.50
30	964 356 511 00	Support		1	
31	928 110 253 04	Fuel filter		1	M64.01/02/03 (AG) (SA)
31	928 110 253 06	Fuel filter		1	M64.01/02/03
32	999 512 390 00	Hose clamp 60-80/13		1	
33	964 356 521 00	Dual clip		3	
34	964 356 583 00	Return line	-91	1	
34	964 356 583 05	Return line		1	
34	964 356 583 02	Return line	/LL 92-	1	
(34)	964 356 584 01	Return line	/RL 92-	1	
(34)	964 356 584 02	Return line	/RL 92-	1	
35	N 023 569 2	Hose clamp AG 16 X 9 ZY		1	
35	PCG 023 569 2	Hose clamp AG 16 X 9 ZY		1	
36	999 512 301 02	Hose clamp S 13/7		1	
36	PCG 512 301 02	Hose clamp S 13/7		1	
37	964 620 951 00	Retaining valve		1	M64.01/02/03
37	893 906 093	Check valve		1	M30.69 M64.50
38	999 703 229 00	Bonded rubber buffer		1	M503
38	999 703 465 00	Bonded rubber buffer		1	M503
39	900 200 005 02	Square nut M 6		1	M503

Model: 911 89

Model life 1989>>1994

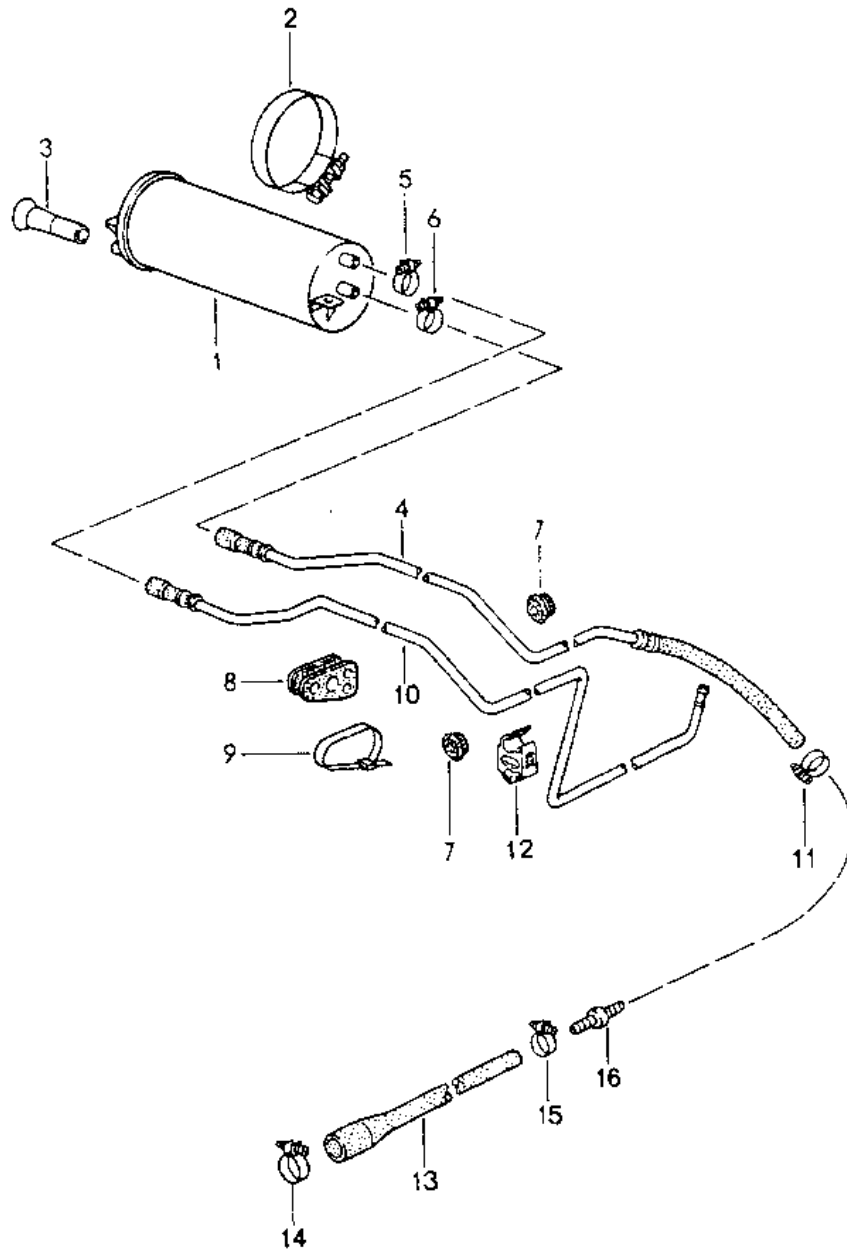


Model: 911 89 Model life 1989>>1994

Pos	Part Number	Description	Remark	Qty	Model
		Fuel system Rear			M30.69 M64.50
1	930 608 113 00	Fuel pump		1	
2	965 356 391 01	Housing		1	
3	965 356 389 00	Cap		1	
4	999 512 397 00	Hose clamp 80-100		1	
5	999 136 029 02	Connection piece M 16 X 1,5		1	
6	900 123 008 30	Sealing ring A 14 X 20		1	
7	900 123 005 20	Sealing ring A 12 X 16		2	
8	900 175 020 02	Banjo bolt M 12 X 24		1	
8	900 175 020 01	Banjo bolt M 12 X 24		1	
9	965 356 213 00	Bracket		1	
10	928 110 147 11	Fuel filter		1	
11	999 512 390 00	Hose clamp 60-80		1	
12	911 110 197 02	Fuel accumulator		1	
13	999 512 565 00	Hose clamp 50 - 70/13		1	
14	928 355 633 00	Bush		5	
14	928 355 633 03	Bush		5	
15	964 356 635 00	Rubber mounting		5	
16	965 356 393 00	Fuel line		1	
16	965 356 393 01	Fuel line		1	
16	965 356 393 02	Fuel line		1	
17	964 356 511 00	Support		1	
18	965 356 065 01	Pressure line		1	

Model: 911 89

Model life 1989>>1994



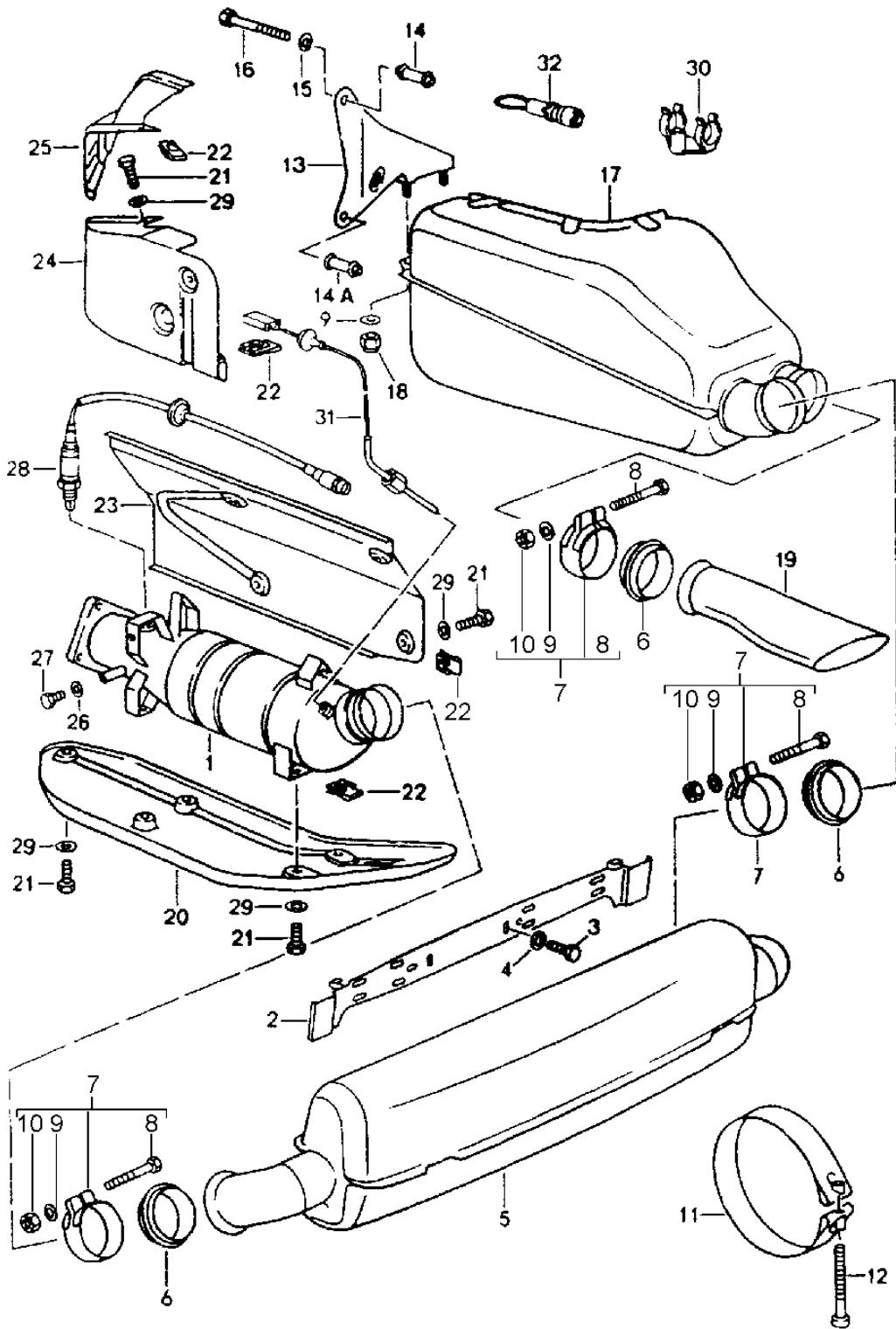
Model: 911 89

Model life 1989>>1994

Pos	Part Number	Description	Remark	Qty	Model
1	964 201 017 00	Carbon canister	-91	1	
1	993 201 221 01	Carbon canister	92-	1	
1	993 201 221 03	Carbon canister	92-	1	
2	999 512 506 02	Clamp 106 X 25		1	
2	PCG 512 506 02	Clamp 106 X 25		1	
3	928 201 195 02	End piece		1	
4	964 201 131 00	Vent line		1	
4	964 201 131 20	Vent line	93-	1	M64.50
5	999 512 554 00	Hose clamp A 18 X 9		1	
6	999 512 198 02	Hose clamp 17 X 9		1	
6	PCG 512 198 02	Hose clamp 17 X 9		1	
7	999 702 084 50	Rubber sleeve		2	
8	964 201 615 00	Rubber mounting		1	
9	999 513 010 40	Tie-wrap 9 X 250		1	
10	964 201 133 00	Vent line	/LL	1	
10	964 201 133 02	Vent line	/LL	1	
(10)	964 201 123 00	Vent line	/RL	1	
11	999 512 301 02	Hose clamp S 13/7		1	
11	PCG 512 301 02	Hose clamp S 13/7		1	
12	999 591 715 40	Cable holder		1	
12	999 591 715 4A	Cable holder		1	
13	928 110 652 04	Hose		1	
14	999 512 346 00	Hose clamp 16 - 25		1	
15	999 512 427 02	Hose clamp 8 - 16		1	
16	999 137 032 40	Intermediate piece GS 6		1	

Model: 911 89

Model life 1989>>1994



Model: 911 89

Model life 1989>>1994

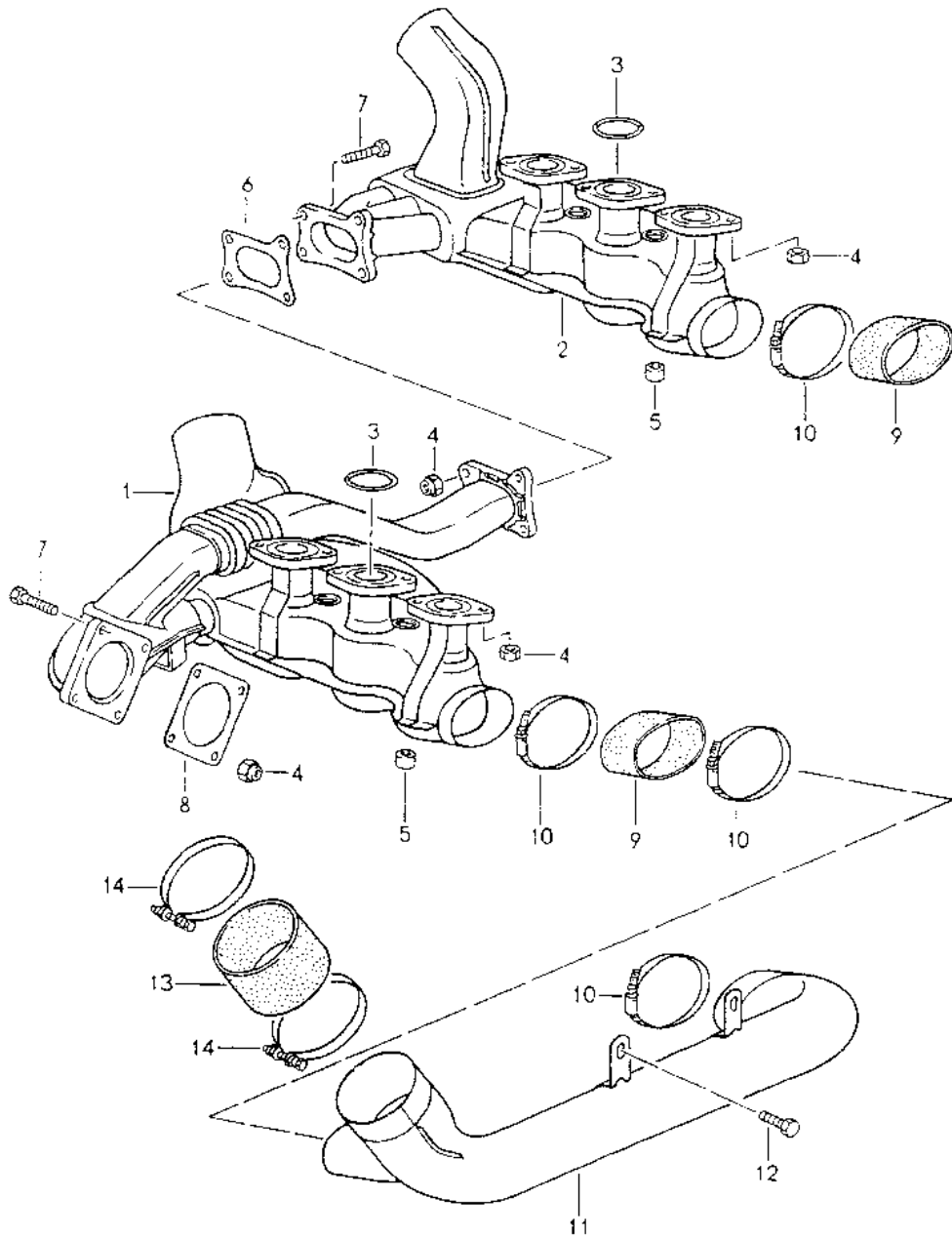
Pos	Part Number	Description	Remark	Qty	Model
		Exhaust system			M64.01/02/03
		Muffler			
		Catalytic converter			
1	964 111 042 05	Front muffler		1	M150
1	964 113 213 06	Catalytic converter	-90	1	
1	964 113 213 10	Catalytic converter		1	
1	964 113 213 16	Catalytic converter		1	
1	964 113 213 08	Catalytic converter	(J) -90	1	
1	964 113 213 11	Catalytic converter	(J)	1	
1	964 113 213 15	Catalytic converter	(J)	1	
2	964 111 144 01	Bracket		1	
3	900 075 078 02	Hexagon-head bolt M 8 X 15		2	
3	900 075 078 03	Hexagon-head bolt M 8 X 15		2	
4	900 025 007 02	Washer A 8,4		2	
4	900 025 007 03	Washer A 8,4		2	
5	964 111 045 04	Muffler		1	
5	964 111 045 02	Muffler	(AUS) (CH)	1	
6	964 111 247 01	Sealing ring		3	
7	964 111 336 00	Clip		3	
8	900 074 339 02	Hexagon-head bolt M 8 X 70		3	
9	999 025 125 09	Washer 8,4 X 17 X 3,1		3	
9	999 025 125 01	Washer 8,4 X 17 X 3,1		3	
10	999 084 052 02	Lock nut M 8		2	
11	964 111 119 02	Restraining strap		2	
12	900 067 309 00	Pan-head screw M 8 X 80		2	
13	964 111 113 04	Bracket		1	
14	964 111 213 01	Spacer sleeve	-90	2	
14A	964 111 213 02	Spacer sleeve	91-	1	
15	900 223 001 02	Washer 8,4	91-	1	
16	900 074 311 08	Hexagon-head bolt M 8 X 75		2	
17	964 111 046 05	Rear muffler		1	
18	999 084 095 02	Lock nut M 8		2	
19	964 111 249 03	Tail pipe		1	
20	964 211 213 03	Cover		1	
21	900 075 354 00	Combination screw M 6 X 16		9	
22	999 507 073 00	Nut lock M 6		9	
23	964 211 214 04	Heat protection plate		1	
24	964 211 217 05	Protective plate		1	
25	964 211 219 05	Protective plate		1	
26	900 123 050 20	Sealing ring 8 X 11,5		1	
27	900 083 080 00	Hexagon-head bolt M 8 X 1		1	
28	965 606 126 01	Oxygen sensor		1	
29	N 011 666 7	Washer B 6,4		9	
30	999 591 758 40	Support		1	
31	911 606 115 00	Temperature sensor	(J)	1	

Model: 911 89 Model life 1989>>1994

Pos	Part Number	Description	Remark	Qty	Model
32	911 612 422 00	Adapter plug		1	

Model: 911 89

Model life 1989>>1994

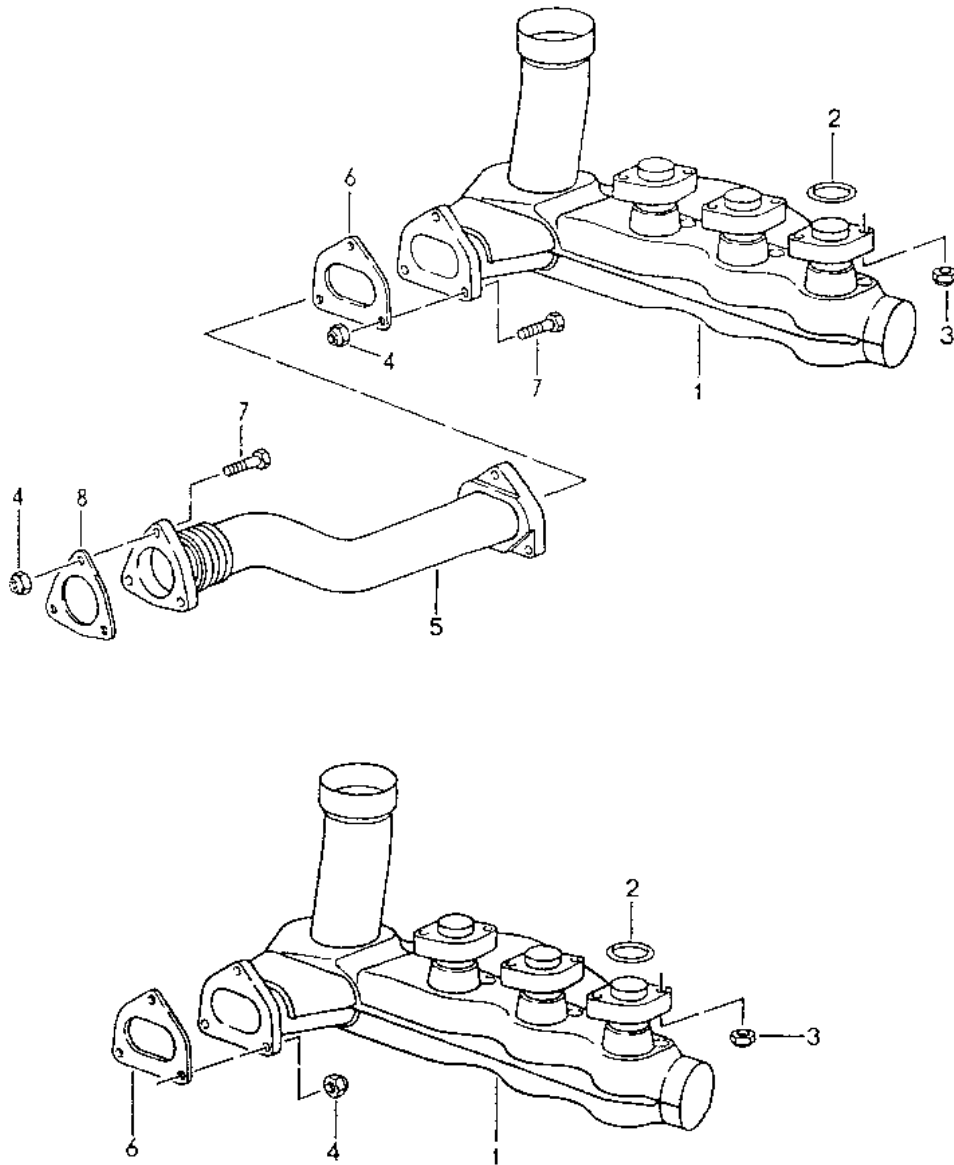


Model: 911 89 Model life 1989>>1994

Pos	Part Number	Description	Remark	Qty	Model
		Exhaust system			M64.01/02/03
		Heat exchanger			
1	964 211 039 05	Heat exchanger	/L	1	M64.01/03
1	964 211 039 32	Heat exchanger	/L	1	M64.02
2	964 211 040 04	Heat exchanger	/R	1	
3	993 111 195 00	Sealing ring		6	
4	999 084 052 02	Lock nut		14	
		M 8			
5	999 085 001 02	Socket head nut		4	
		M 8			
6	964 111 192 05	Gasket		1	
7	900 074 282 02	Screw		4	
		M 8 X 37			
8	964 111 198 00	Gasket		1	
9	964 211 339 00	Rubber sleeve		2	
10	999 512 351 02	Hose clamp		4	
		70 - 90			
11	964 211 336 01	Air distributor tube		1	
12	900 075 392 00	Combination screw		2	
		M 6 X 18			
13	964 211 338 00	Rubber sleeve		1	
14	999 512 539 00	Hose clamp		2	
		90 - 110/9			
14	999 512 539 01	Hose clamp		2	
		90 - 110/9			

Model: 911 89

Model life 1989>>1994



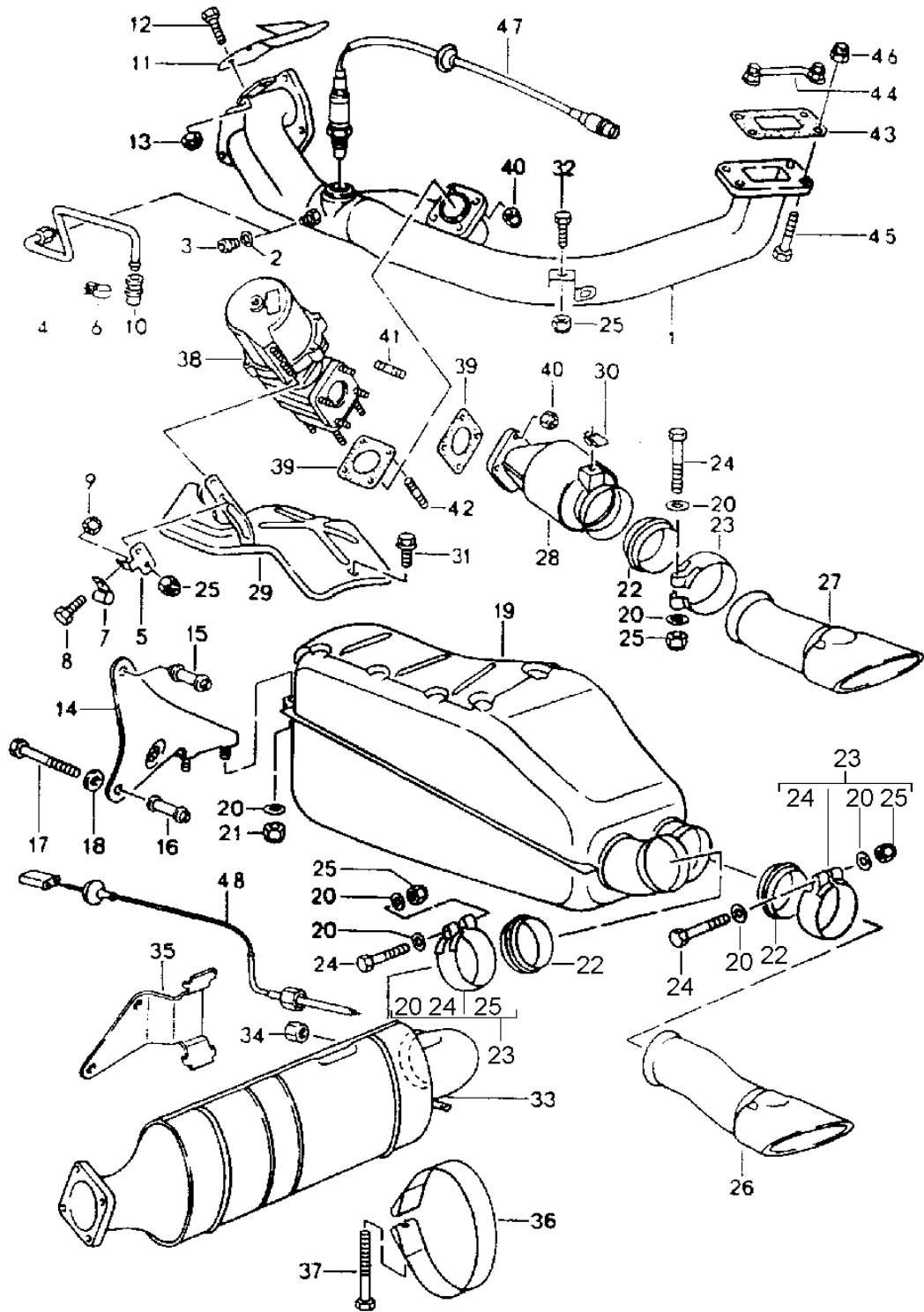
Model: 911 89

Model life 1989>>1994

Pos	Part Number	Description	Remark	Qty	Model
		Heat exchanger			M30.69 M64.50
1	930 211 033 02	Heat exchanger		2	
2	930 111 223 00	Sealing ring		6	
3	999 084 625 02	Lock nut V M 8		12	
4	900 910 097 02	Lock nut M 8		9	
5	930 111 169 05	Exhaust line		1	
6	930 111 192 06	Gasket		2	
7	900 074 282 02	Screw M 8 X 37		9	
8	930 111 193 07	Gasket		1	

Model: 911 89

Model life 1989>>1994



Model: 911 89

Model life 1989>>1994

Pos	Part Number	Description	Remark	Qty	Model
		Exhaust system			M30.69 M64.50
1	930 111 003 06	Exhaust line		1	
1	930 111 003 07	Exhaust line	(CH)	1	
2	900 123 050 20	Sealing ring 8 X 11,5		1	
3	900 083 080 00	Hexagon-head bolt M 8 X 1		1	
4	930 113 054 00	Exhaust emission tube	(CH)	1	
5	930 113 253 00	Support	(CH)	1	
6	999 512 554 00	Hose clamp 12 - 22/9	(CH)	1	
7	N 020 609 3	Clip 8 X 15	(CH)	1	
8	900 075 267 02	Hexagon-head bolt M 6 X 14	(CH)	1	
9	999 084 094 02	Lock nut M 6	(CH)	1	
10	034 133 335 D	Cap	(CH)	1	
11	930 111 128 03	Heat shield		1	
12	900 075 312 02	Hexagon-head bolt M 6 X 16		2	
13	900 910 096 02	Lock nut M 6		2	
14	930 111 113 02	Bracket		1	
15	964 111 213 01	Spacer sleeve		1	
16	964 111 213 02	Spacer sleeve		1	
17	900 074 311 08	Hexagon-head bolt M 8 X 75		2	
18	900 223 001 02	Washer 8,4		2	
19	964 111 046 05	Rear muffler		1	
20	999 025 125 09	Washer 8,4 X 17 X 3,1		2	
20	999 025 125 01	Washer 8,4 X 17 X 3,1		2	
21	999 084 095 02	Lock nut M 8		2	
22	964 111 247 01	Sealing ring		3	
23	964 111 336 00	Clip		3	
24	900 074 339 02	Hexagon-head bolt M 8 X 70		3	
25	999 084 052 02	Lock nut M 8		6	
26	930 111 252 01	Tail pipe	/R	1	
27	930 111 251 03	Tail pipe	/L	1	
28	930 123 064 00	Catalytic converter		1	
28	930 123 064 01	Catalytic converter		1	
29	930 123 731 00	Heat shield		1	
30	999 507 359 00	Nut lock M 6		1	
30	999 507 073 00	Nut lock M 6		1	
31	900 075 354 00	Combination screw M 6 X 16		1	
32	900 075 373 02	Hexagon-head bolt M 8 X 12		1	
33	930 113 038 10	Catalytic converter		1	
33	930 113 038 20	Catalytic converter		1	
34	930 113 153 00	Cap M 14 X 1,5		1	
35	930 113 221 00	Bracket		1	
36	930 111 019 00	Restraining strap		1	

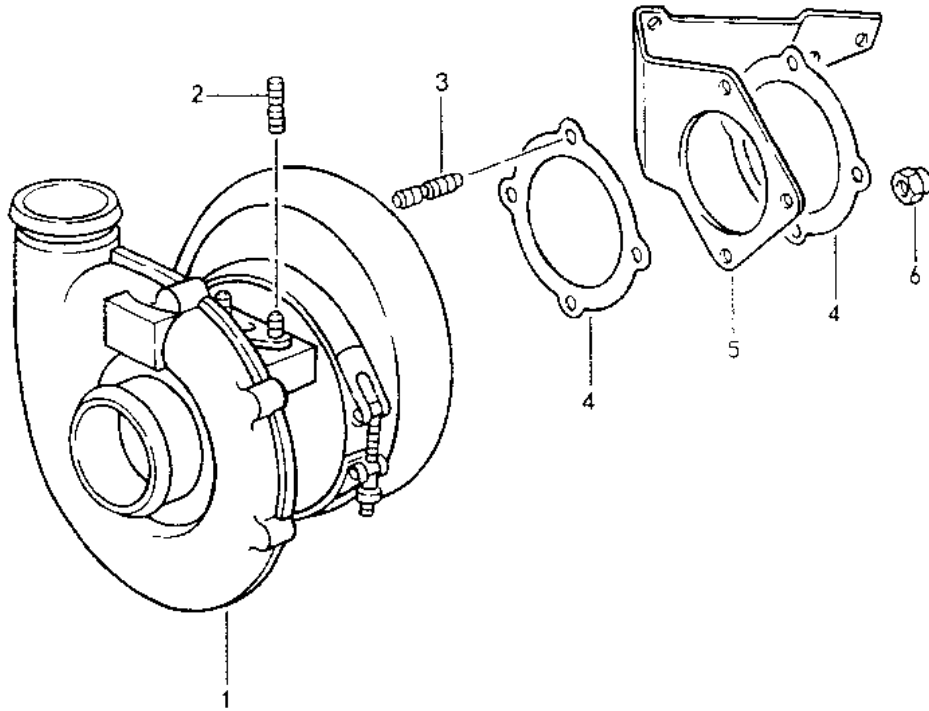
Model: 911 89

Model life 1989>>1994

Pos	Part Number	Description	Remark	Qty	Model
37	900 067 309 00	Pan-head screw M 8 X 80		1	
38	930 123 060 13	Wastegate		1	M30.69
38	964 123 060 20	Wastegate		1	M64.50
39	930 123 194 06	Gasket		2	
40	900 910 097 02	Lock nut M 8		8	
41	900 081 048 02	Stud M 8 X 25		4	
42	900 081 049 02	Stud M 8 X 32		4	
43	930 123 192 05	Gasket		1	
44	930 123 114 02	Supporting plate		1	
45	900 074 284 02	Screw M 10 X 40		4	
46	900 910 099 02	Lock nut M 10		2	
47	965 606 126 01	Oxygen sensor		1	
48	911 606 115 00	Temperature sensor	(J)	1	

Model: 911 89

Model life 1989>>1994

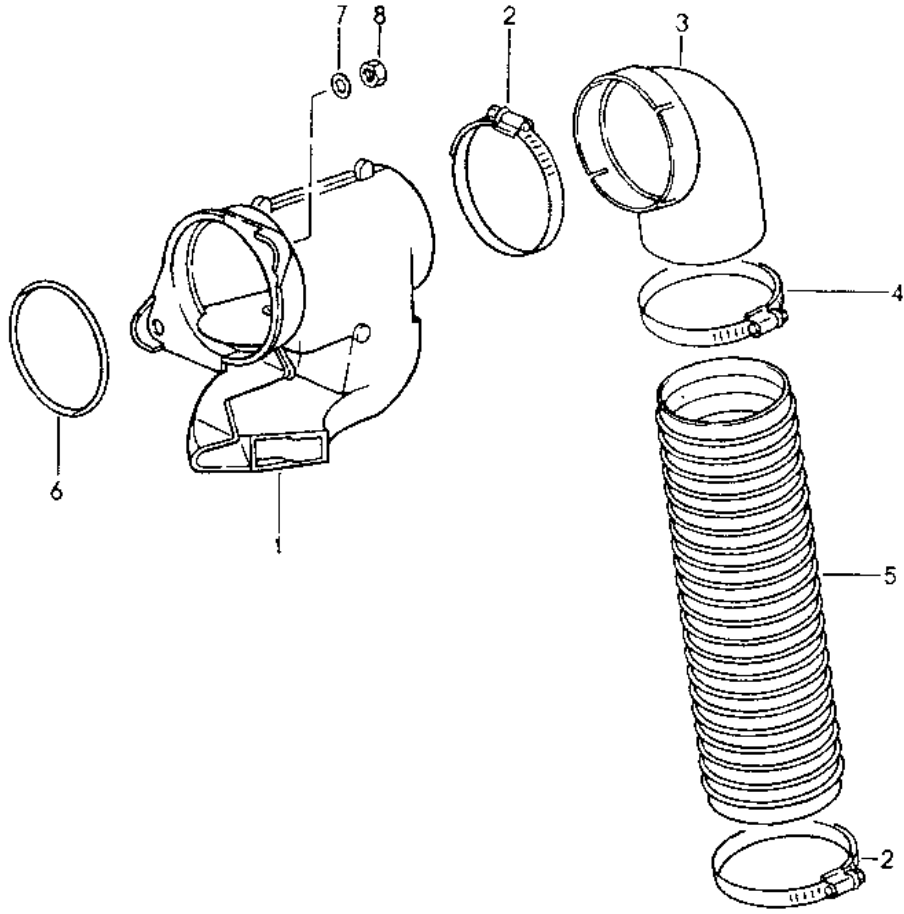


Model: 911 89 Model life 1989>>1994

Pos	Part Number	Description	Remark	Qty	Model
		Turbocharger			M30.69 M64.50
1	930 123 003 02	Turbocharger Use also: Position 2+3		1	
2	900 081 004 02	Stud M 8 X 20		4	
3	900 081 051 02	Stud M 10 X 35		4	
4	930 123 191 05	Sealing ring		2	
5	930 123 121 05	Bracket		1	
6	900 910 099 02	Lock nut M 10		4	

Model: 911 89

Model life 1989>>1994



Model: 911 89

Model life 1989>>1994

Pos	Part Number	Description	Remark	Qty	Model
1	964 572 087 00	Heating air supply			
(1)	964 572 068 00	Heat control box	/L	1	
-	PCG 964 572 00	Heat control box	/R	1	
		Repair kit		1	
		Heat control box			
		Comprising:			
		Lock nut			
		Hose clamp			
		O-ring			
		Stopper			
2	999 512 351 02	Hose clamp		4	
		70-90			
3	964 572 187 00	Elbow	/R	1	TURBO
4	999 512 553 00	Clamp		1	
		80 X 12			
5	964 572 785 00	Connecting hose		2	C2/C4
		320 MM			
5	999 782 037 90	Connecting hose	/L	1	TURBO
		335 MM			
5	999 782 039 90	Connecting hose	/R	1	TURBO
		270 MM			
5	999 181 291 40	Connecting hose	/R 92-	1	C2/C4
		76 X 180			
6	999 707 207 40	O-ring	-91	2	
		75 X 5,3			
6	999 707 176 40	O-ring	92-	2	
		75 X 5,3			
7	N 011 524 7	Washer		4	
		6,4			
7	N 011 524 27	Washer		4	
		6,4			
8	999 084 114 02	Lock nut		4	
		M6			

Model: 911 89

Model life 1989>>1994



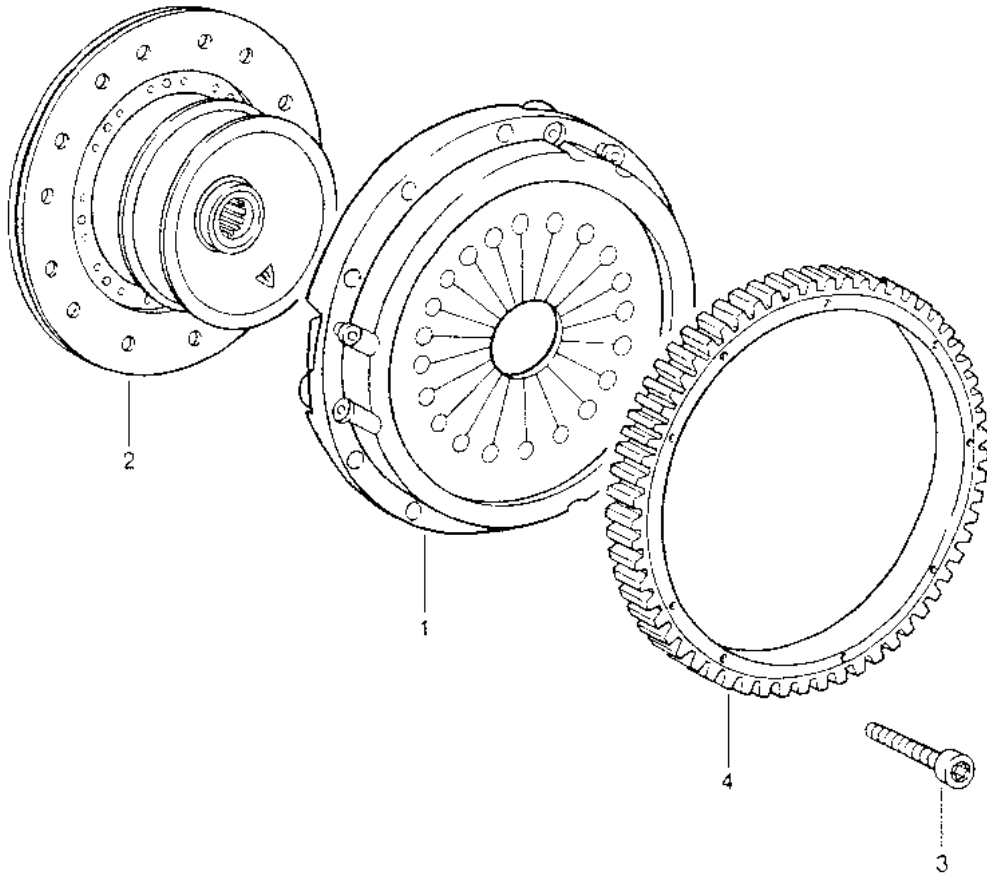
Model: 911 89

Model life 1989>>1994

Pos	Part Number	Description	Remark	Qty	Model
>>	964 113 911 00	Repair kits Conversion set for subsequent installation Catalytic converter Comprising:		1	
-	964 113 213 06	Catalytic converter		1	
-	964 111 247 01	Sealing ring		1	
-	964 111 336 00	Clip Comprising:		1	
		900.074.339.02			
		999.025.125.01			
		999.084.052.02			
-	900 074 339 02	Hexagon-head bolt M 8 X 70		1	
-	999 025 125 09	Washer 8,4 X 17 X 3,1		1	
-	999 025 125 01	Washer 8,4 X 17 X 3,1		1	
-	999 084 052 02	Lock nut M 8		5	
-	900 074 282 02	Screw M 8 X 37		4	
-	965 606 126 01	Oxygen sensor		1	
-	964 111 198 00	Gasket		1	
-	964 201 043 01	Filler neck		1	
-	928 110 429 08	Vacuum valve		1	
-	964 110 543 01	Hose		1	
-	928 110 652 05	Moulded hose		1	
-	944 605 240 01	Bleeder valve		1	
-	964 110 544 02	Hose		1	
-	999 702 181 40	Grommet		2	
-	999 512 554 00	Hose clamp LC 12-22		5	
-	964 110 685 03	Rubber sleeve		1	
-	928 574 717 03	Moulded hose		1	
-	N 020 139 11	Pipe 330 MM		*	
-	944 701 210 02	Sticker		1	
-	911 701 241 00	Sticker		1	
-	928 006 117 03	Sticker		1	
-	000 043 141 00	Installation instructions		1	
-	900 075 057 02	Hexagon-head bolt M 6 X 16		9	
-	900 075 057 03	Hexagon-head bolt M 6 X 16		9	
-	999 507 326 02	Captive nut M 6		9	
-	N 011 666 7	Washer B 6,4		9	

Model: 911 89

Model life 1989>>1994



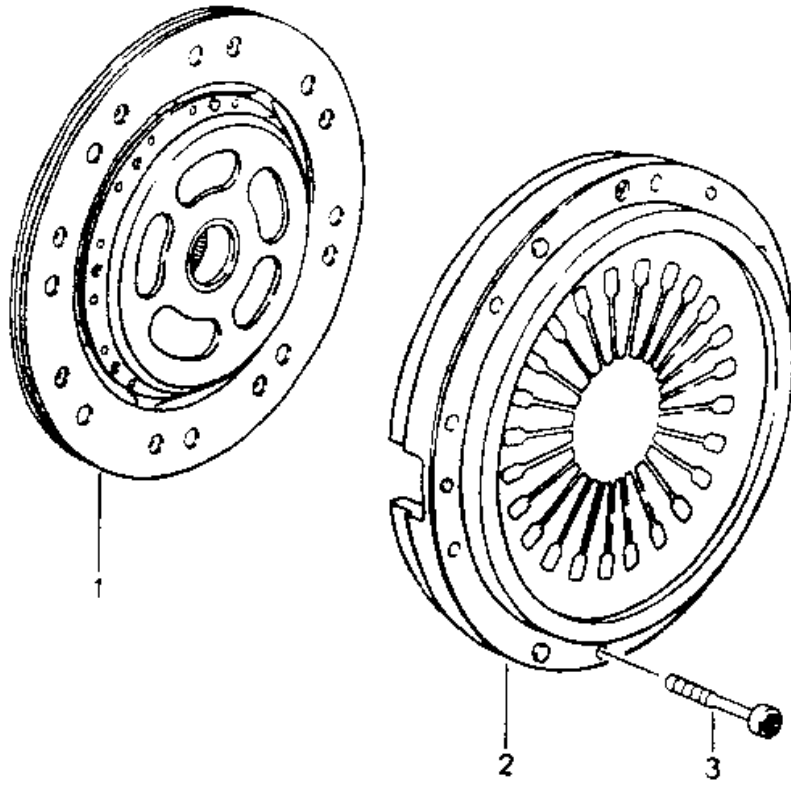
Model: 911 89

Model life 1989>>1994

Pos	Part Number	Description	Remark	Qty	Model
		Clutch	89		
1	950 116 023 03	Pressure plate		1	
2	950 116 012 52	Drive plate		1	
2	950 116 012 53	Drive plate		1	
2	950 116 012 54	Drive plate		1	
3	900 067 045 02	Pan-head screw M 8 X 80		9	
3	900 067 045 03	Pan-head screw M 8 X 80		9	
4	950 116 143 01	Starter ring		1	
4	950 116 143 05	Starter ring		1	

Model: 911 89

Model life 1989>>1994

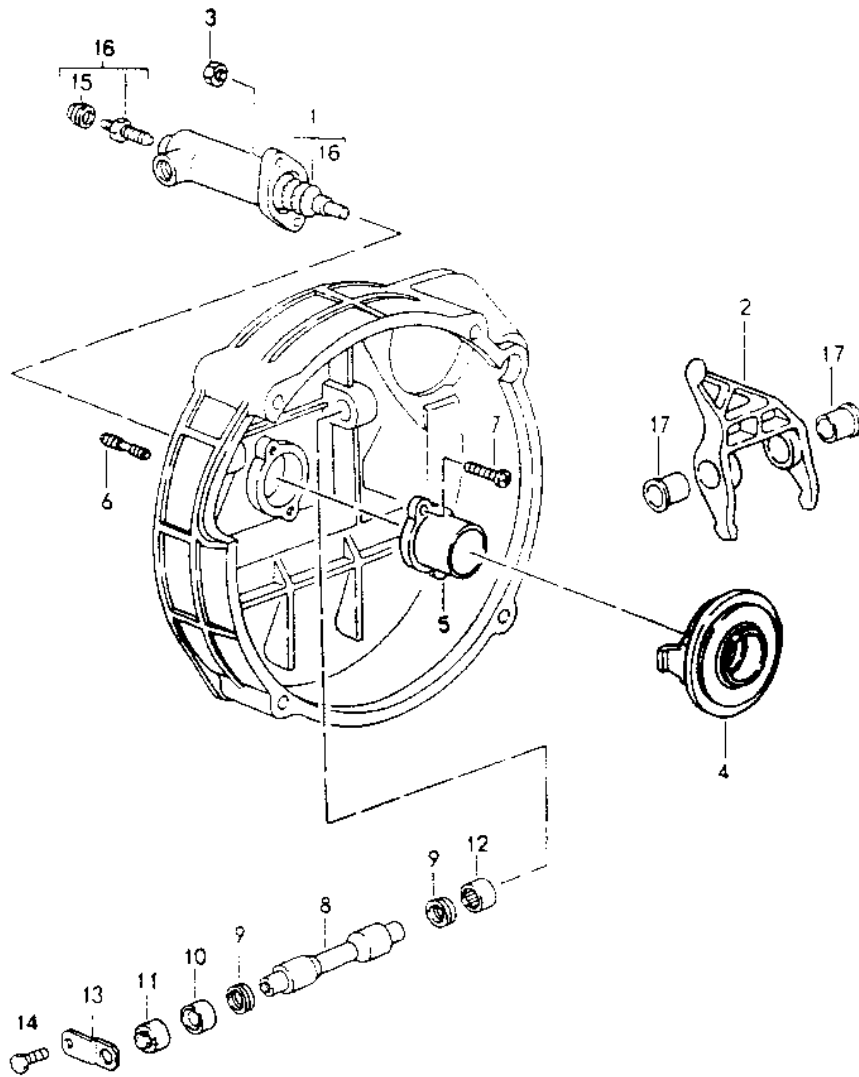


Model: 911 89 Model life 1989>>1994

Pos	Part Number	Description	Remark	Qty	Model
1	964 116 013 90	Clutch Drive plate Alternative parts: 964.116.013.00 964.116.014.00	90- -91	1	M64.01
1	964 116 013 01	Drive plate	92	1	M64.01 M64.03 M002
1	964 116 011 30	Drive plate	92	1	M64.03 CARRERA RS
1	964 116 013 50	Drive plate		1	M30.69 M64.01/50 M64.03 M002
2	964 116 027 00	Pressure plate	-90	1	M64.01
2	964 116 027 90	Pressure plate Alternative parts: 964.116.027.01 964.116.028.00	-91	1	M64.01
2	964 116 028 90	Pressure plate Alternative parts: 964.116.027.02 964.116.028.02	92-	1	M64.01/03
2	964 116 028 91	Pressure plate Alternative parts: 964.116.027.52 964.116.028.52		1	M30.69
2	964 116 028 53	Pressure plate		1	M64.50
3	999 510 015 02	Pan-head screw M 8 X 40		9	
3	999 510 015 01	Pan-head screw M 8 X 40		9	
3	N 014 715 3	Pan-head screw M 8 X 45		9	M64.03 CARRERA RS
3	900 067 103 01	Pan-head screw M 8 X 45		9	M64.03 CARRERA RS
-	964 116 911 00	Repair kit for Clutch	-91	1	M64.01
-	964 116 911 02	Repair kit for Clutch Use also: 950.116.813.06		1	M64.01
-	964 116 911 01	Repair kit for Clutch	92-	1	M64.01

Model: 911 89

Model life 1989>>1994

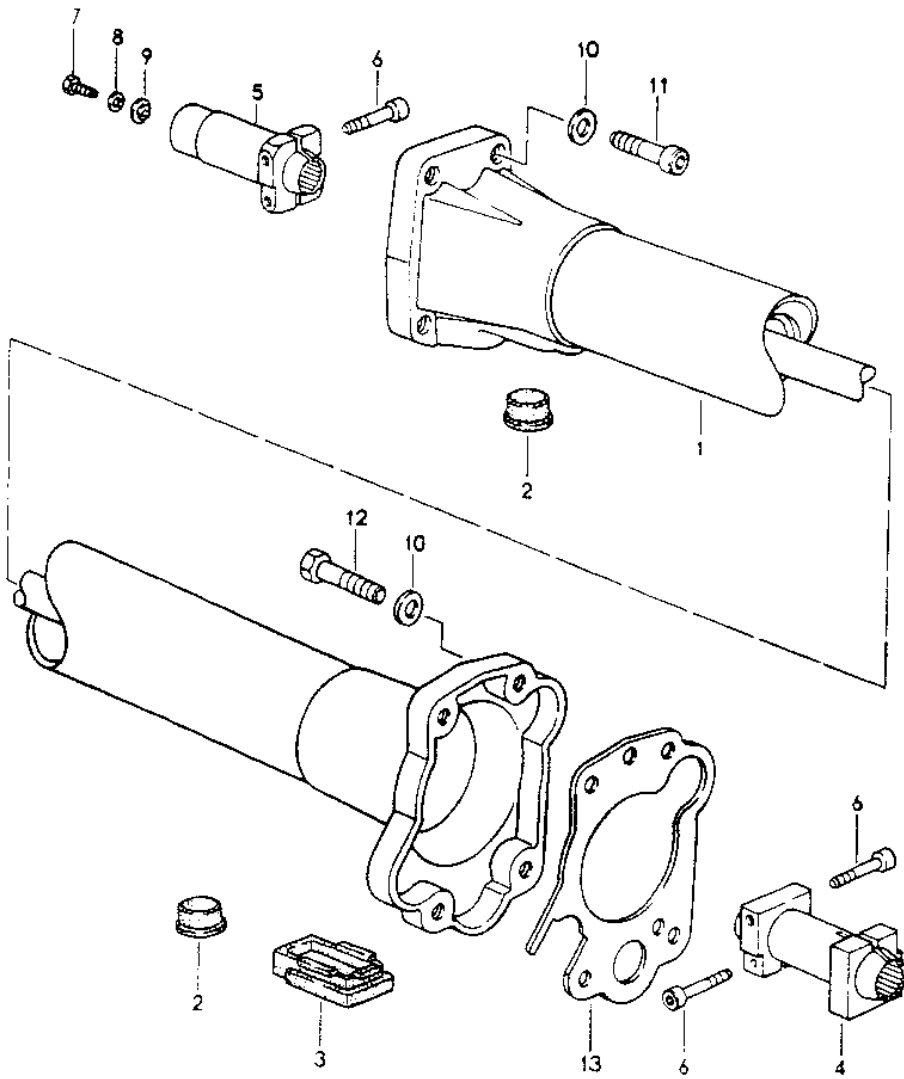


Model: 911 89 Model life 1989>>1994

Pos	Part Number	Description	Remark	Qty	Model
1	950 116 237 12	Clutch release		1	
1	950 116 237 50	Clutch operating cylinder		1	G50.52
2	950 116 086 06	Release fork		1	
2	997 116 086 90	Release fork		1	
3	900 076 025 02	Hexagon nut M8		2	
3	900 076 064 02	Hexagon nut M8		2	
4	950 116 080 04	Clutch release bearing	-89	1	
4	950 116 080 05	Clutch release bearing	-92	1	
4	950 116 080 07	Clutch release bearing	-92	1	
4	950 116 080 08	Clutch release bearing		1	
4	944 116 080 01	Clutch release bearing	92	1	G50.10 CARRERA RS
5	950 116 813 06	Guide tube		1	
5	950 116 813 30	Guide tube	92	1	G50.10 CARRERA RS
6	999 062 007 02	Stud BM 8 X 22		2	
6	900 060 106 01	Stud BM 8 X 22		2	
7	900 270 055 02	Rais. counters. h. tap. s. M 6 X 14		2	
7	999 270 070 01	Oval-head screw M 6 X 14		2	
8	950 116 710 04	Clutch control shaft		1	
9	999 113 418 40	Gasket		2	
10	999 201 339 00	Bush		1	
10	999 201 339 01	Bush		1	
11	950 116 725 00	Cover		1	
12	999 201 365 00	Articulated bush		1	
12	999 201 365 01	Articulated bush		1	
13	950 116 713 02	Retaining bracket		1	
14	900 075 057 02	Hexagon-head bolt M 6 X 16		1	
14	900 075 057 03	Hexagon-head bolt M 6 X 16		1	
15	901 351 927 10	Dust boot		1	
16	928 351 945 03	Ventilation valve		1	
17	950 116 715 01	Bush		2	

Model: 911 89

Model life 1989>>1994



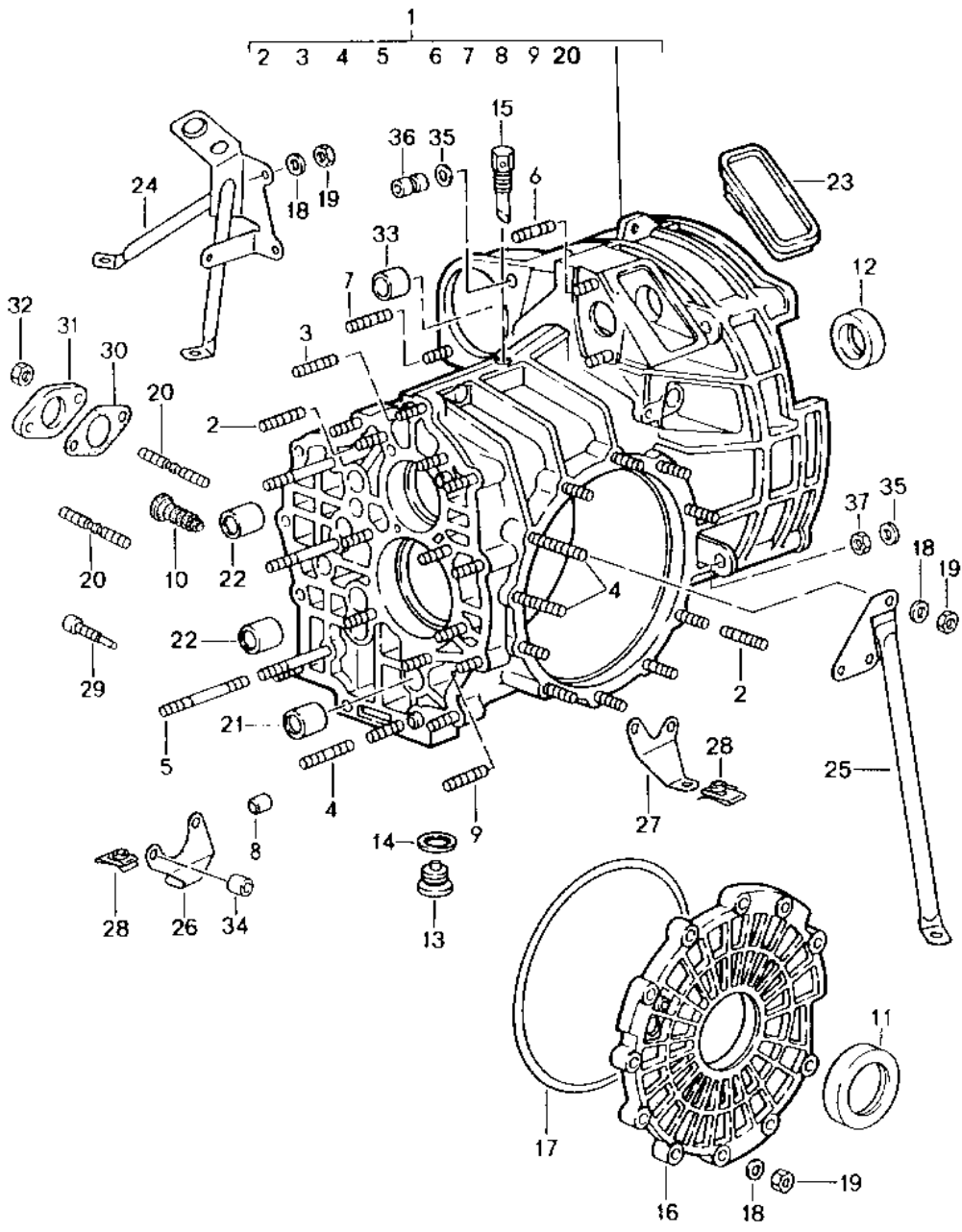
Model: 911 89

Model life 1989>>1994

Pos	Part Number	Description	Remark	Qty	Model
1	964 421 012 21	Central tube		1	
2	999 703 233 40	Stopper		2	
3	964 421 251 00	Lid		1	
4	922 421 051 02	Clamping sleeve		1	
4	922 421 051 03	Clamping sleeve		1	
5	964 421 042 01	Clamping sleeve		1	
5	964 421 042 02	Clamping sleeve		1	
6	931 421 240 00	Clamping screw		3	
7	999 072 005 09	Hexagon nut M 6 X 12		1	
7	999 072 005 01	Hexagon nut M 6 X 12		1	
8	964 421 247 01	Sealing washer		1	
9	964 421 245 01	Sealing ring		1	
10	900 025 009 02	Washer A 13		8	
11	900 067 170 02	Pan-head screw M 12 X 1,5 X 40		4	
12	N 010 141 4	Hexagon-head bolt M 12 X 1,5 X 45		4	
13	964 301 171 02	Intermediate plate		1	

Model: 911 89

Model life 1989>>1994



Model: 911 89 Model life 1989>>1994

Pos	Part Number	Description	Remark	Qty	Model
		Replacement transmission Ready for installation Transmission case			
-	964 300 030 00	Replacement transmission Limited-slip differential	-89	1	G64.00
-	964 300 030 01	Replacement transmission Limited-slip differential	-89	1	G64.01
-	964 300 030 02	Replacement transmission Limited-slip differential	90	1	G64.00
-	964 300 030 03	Replacement transmission Limited-slip differential	90	1	G64.01
-	964 300 030 04	Replacement transmission Limited-slip differential	91-92	1	G64.00
-	964 300 030 07	Transmission Limited-slip differential	93-	1	G64.00
-	964 300 030 10	Transmission Limited-slip differential	93-	1	G64.00 M491
-	964 300 030 05	Replacement transmission Limited-slip differential	91-92	1	G64.01
-	964 300 030 08	Transmission Limited-slip differential	93-	1	G64.01
-	964 300 030 11	Transmission Limited-slip differential	93-	1	G64.01 M491
-	964 300 030 06	Replacement transmission Limited-slip differential	92	1	G64.02
-	964 300 030 09	Transmission Limited-slip differential	93-	1	G64.02
-	964 300 030 12	Transmission Limited-slip differential	93-	1	G64.02 M491
-	950 300 010 03	Replacement transmission	-90	1	G50.03
-	950 300 010 08	Replacement transmission	91-92	1	G50.03
-	950 300 010 13	Transmission	93-	1	G50.03
-	950 300 020 03	Replacement transmission Limited-slip differential	-90	1	G50.03
-	950 300 020 08	Replacement transmission Limited-slip differential	91-92	1	G50.03
-	950 300 020 13	Transmission Limited-slip differential	93-	1	G50.03
-	950 300 010 04	Replacement transmission	-90	1	G50.04
-	950 300 010 09	Replacement transmission	91-92	1	G50.04
-	950 300 010 14	Transmission	93-	1	G50.04
-	950 300 020 04	Replacement transmission Limited-slip differential	-90	1	G50.04
-	950 300 020 09	Replacement transmission Limited-slip differential	91-92	1	G50.04
-	950 300 020 14	Transmission Limited-slip differential	93-	1	G50.04
-	950 300 020 10	Replacement transmission Limited-slip differential	92	1	G50.10
-	950 300 020 52	Replacement transmission Limited-slip differential	91-	1	G50.52
1	950 301 910 05	Transmission case	-89	1	
1	964 301 901 01	Transmission case	90-	1	
1	964 301 010 52	Transmission case		1	G50.52
2	999 062 008 02	Stud M 8 X 25		18	
2	999 062 010 02	Stud BM 8 X 35		12	G50.52
3	999 062 009 02	Stud M 8 X 28		5	
3	900 060 105 01	Stud M 8 X 28		5	
4	999 062 010 02	Stud		5	

Model: 911 89 Model life 1989>>1994

Pos	Part Number	Description	Remark	Qty	Model
5	999 062 156 02	M 8 X 35 Stud		3	
5	900 060 101 01	M 8 X 78 Stud		3	
6	999 062 007 02	M 8 X 78 Stud		2	
6	900 060 106 01	M 8 X 22 Stud		2	
7	999 062 118 02	M 8 X 22 Stud		1	
8	900 012 144 00	M 10 X 28 Straight pin		3	
9	999 062 006 02	12 M 6 X 14 Stud		1	
10	928 332 051 02	BM 8 X 20 Bellows		1	
10	928 332 051 04	Bellows		1	
11	999 113 347 40	Shaft sealing ring		2	
12	999 113 326 41	Shaft sealing ring		1	
13	999 063 008 02	Screw plug with magnet		1	
14	900 123 011 30	M 22 X 1,5 Sealing ring		1	
15	950 301 071 00	A 22 X 27 Bleeder		1	
16	950 301 312 04	Transmission cover	-90	1	
16	950 301 312 06	Transmission cover	91-	1	
16	950 301 312 51	Transmission cover	91-	1	G50.52
17	999 701 745 40	O-ring		1	
18	900 025 007 02	Washer A 8,4		13	
18	900 025 007 03	Washer A 8,4		13	
19	900 076 025 02	Hexagon nut M 8		12	
19	900 076 064 02	Hexagon nut M 8		12	
20	900 060 067 02	Stud M 8 X 22		2	
21	999 203 004 10	Round socket 16 X 22 X 27		1	
22	999 203 003 00	Bearing sleeve 16 X 22 X 20		3	
23	950 301 151 01	Cap		1	
24	964 119 061 00	Strut	/R	1	
25	964 119 055 00	Strut	/L	1	
26	964 119 144 00	Support	/R	1	
26A	999 209 034 02	Spacer sleeve		2	
27	964 119 143 00	Support	/L	1	
28	999 507 333 02	Captive nut		2	
28	999 507 333 0C	Captive nut		2	
29	960 332 271 00	Pan-head screw		1	G64.00/01
(29)	900 124 008 02	Screw plug M12 X 1,5		1	G50.03/04
-	900 123 043 30	Use also: Sealing ring A12 X 15,5		1	G50.03/04
30	928 332 776 00	Flange gasket		1	G50.03/04
31	950 301 371 00	Lid		1	G50.03/04
-	928 332 051 02	Bellows for		1	G64.00/01
-	928 332 051 04	Lock control Bellows		1	G64.00/01

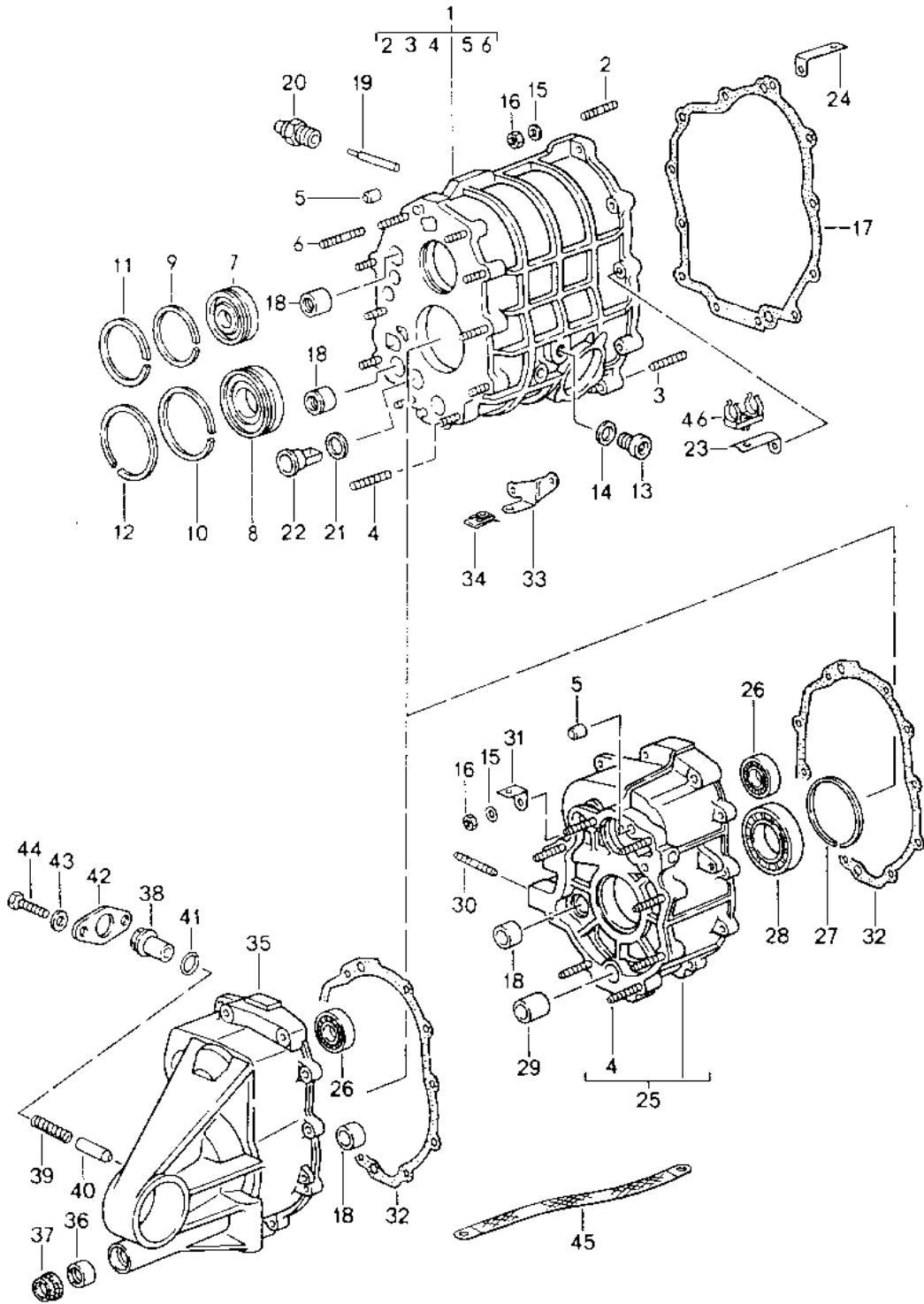
Model: 911 89

Model life 1989>>1994

Pos	Part Number	Description	Remark	Qty	Model
		for			
		Lock control			
32	900 076 025 02	Hexagon nut		2	G50.03/04
32	900 076 064 02	Hexagon nut		2	G50.03/04
33	999 531 017 10	Bush		1	
34	999 209 034 02	Spacer sleeve		2	
35	900 031 005 02	Washer		5	
		10,5			
35	900 031 005 03	Washer		5	
		10,5			
36	901 104 382 02	Nut		2	
36	901 104 382 03	Nut		2	
37	900 157 002 02	Hexagon nut		3	
		M 10			
37	900 157 002 03	Hexagon nut		3	
		M 10			

Model: 911 89

Model life 1989>>1994



Model: 911 89 Model life 1989>>1994

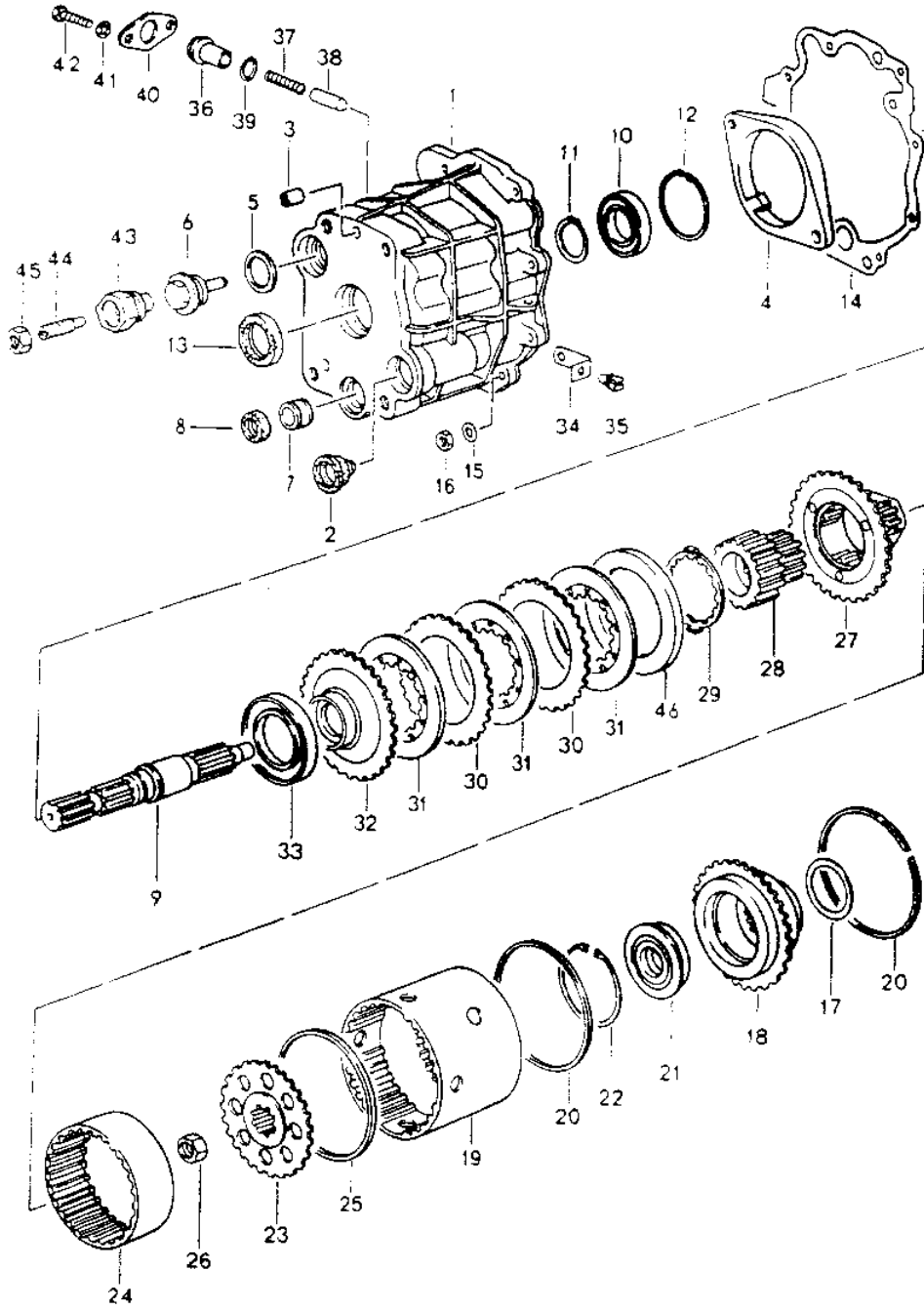
Pos	Part Number	Description	Remark	Qty	Model
		Gear housing Transmission cover			
1	950 301 911 05	Gear housing		1	
2	999 062 009 02	Stud M 8 X 28		3	
2	900 060 105 01	Stud M 8 X 28		3	
3	999 062 010 02	Stud M 8 X 35		1	
4	999 062 008 02	Stud M 8 X 25		16	
5	900 012 144 00	Straight pin 12 M6 X 14		4	
6	999 062 119 02	Stud M 8 X 40		2	
7	999 110 142 03	Cylindrical-roller bearing 25 X 62 X 17		1	
8	999 110 155 01	Cylindrical-roller bearing 45 X 80 X 18		1	G64.00/01/02
8	999 110 109 01	Cylindrical-roller bearing 35 X 80 X 18		1	G50.03/04/05 G50.10/52
9	900 111 001 00	Circlip SP 62		1	
10	N 100 709 01	Circlip SP 80		1	
11	999 152 031 01	Circlip SB 68		1	
12	999 152 106 00	Circlip SB 87		1	
13	900 219 001 30	Screw plug		1	
14	900 123 011 30	Sealing ring A 22 X 27		1	
15	900 025 007 02	Washer A 8,4		30	
15	900 025 007 03	Washer A 8,4		30	
16	900 076 025 02	Hexagon nut M 8		22	
16	900 076 064 02	Hexagon nut M 8		22	
17	950 301 191 01	Gasket		1	
18	999 203 003 00	Bearing sleeve		3	
19	950 303 240 01	Cam follower		1	
20	914 613 541 02	Back-up light switch		1	
21	999 701 734 40	Sealing ring 29,5 X 1,5 N		1	
22	950 301 120 00	Oil tube		1	
23	911 607 131 00	Support	-90	1	
24	911 606 229 00	Retaining bracket		1	
24	911 606 225 00	Retaining bracket		1	
25	964 301 915 05	Intermediate housing		1	G64.00/01/02
26	999 110 144 00	Cylindrical-roller bearing 20 X 47 X 14		1	
27	999 152 112 01	Circlip		1	G64.00/01/02
28	999 110 159 01	Cylindrical-roller bearing 44,782 X 75		1	G64.00/01/02
(28)	999 110 159 03	Cylindrical-roller bearing		1	
29	999 924 047 00	Bearing sleeve		1	G64.00/01/02
30	999 061 093 02	Stud M 10 X 20		3	
31	964 315 103 00	Support		1	G64.00/01/02
32	950 301 351 02	Gasket		1	

Model: 911 89 Model life 1989>>1994

Pos	Part Number	Description	Remark	Qty	Model
33	964 119 141 00	Support		1	
34	999 507 333 02	Captive nut		1	
34	999 507 333 0C	Captive nut		1	
35	950 301 901 10	Transmission cover	-90	1	G50.03/04
35	964 301 301 01	Transmission cover	91-	1	G50.03/04/05 G50.10/52
35	964 301 301 03	Transmission cover	91-	1	G50.03/04/05 G50.10/52
36	999 203 004 10	Round socket		1	G50.03/04/05 G50.10/52
37	999 113 404 40	Shaft sealing ring		1	G50.03/04/05 G50.10/52
38	964 303 230 00	Eccentric	-90	1	
38	964 303 230 01	Eccentric	91-	1	
38	964 303 230 02	Eccentric	91-	1	
39	928 303 235 20	Compression spring	-90	1	
39	950 303 235 01	Compression spring	91-	1	
40	928 303 233 25	Arresting bush	-90	1	
(40)	950 303 233 00	Arresting bush	91-	1	
41	900 123 044 40	Sealing ring A 18 X 22	-90	1	
41	900 123 010 40	Sealing ring A 20 X 24 X 1,5	91-	1	
42	964 303 231 00	Tensioning plate		1	
43	N 011 524 7	Washer A 6,4		2	
43	N 011 524 27	Washer A 6,4		2	
44	900 075 057 02	Hexagon-head bolt M6 X 16		2	
44	900 075 057 03	Hexagon-head bolt M6 X 16		2	
45	999 611 920 20	Ground strap		1	
46	999 651 210 40	Cable holder	-90	1	

Model: 911 89

Model life 1989>>1994



Model: 911 89 Model life 1989>>1994

Pos	Part Number	Description	Remark	Qty	Model
		Distributor housing			G64.00/01/02
1	964 301 927 05	Distributor housing	-90	1	
1	964 301 104 07	Distributor housing	91-	1	
2	964 301 051 01	Sealing sleeve		1	
2	964 301 051 03	Sealing sleeve		1	
3	900 197 056 01	Roll pin 12 X 20		2	
4	964 339 771 03	Engaging lever		1	
5	900 123 015 30	Sealing ring A 30 X 36	-90	1	
6	964 339 031 01	Screw	-90	1	
7	999 203 004 10	Round socket 16 X 22 X 27		1	
8	928 303 120 01	Shaft sealing ring		1	
9	964 302 112 04	Shaft		1	
10	999 052 143 02	Deep-groove ball bearing		1	
11	N 012 375 1	Circlip 30 X 1,5		1	
12	900 042 025 01	Circlip 55 X 2		1	
13	999 113 386 40	Shaft sealing ring 30 X 47 X 7		1	
14	964 301 195 02	Gasket		1	
15	900 025 007 02	Washer A 8,4		7	
15	900 025 007 03	Washer A 8,4		7	
16	900 076 025 02	Hexagon nut M 8		8	
16	900 076 064 02	Hexagon nut M 8		8	
17	964 302 299 00	Adjusting shim 0,7 MM		X	
17	964 302 299 01	Adjusting shim 0,8 MM		X	
17	964 302 299 02	Adjusting shim 0,9 MM		X	
17	964 302 299 03	Adjusting shim 1,0 MM		X	
17	964 302 299 04	Adjusting shim 1,1 MM		X	
17	964 302 299 05	Adjusting shim 1,2 MM		X	
17	964 302 299 06	Adjusting shim 1,3 MM		X	
17	964 302 299 07	Adjusting shim 0,25 MM		X	
17	964 302 299 08	Adjusting shim 0,6 MM		X	
18	964 339 701 22	Bearing case		1	
19	964 339 704 01	Sleeve		1	
20	999 152 114 01	Circlip		3	
21	999 052 130 00	Bearing 28 X 65 X 16		1	
22	999 042 033 01	Circlip 70 X 2,35		X	
22	999 042 034 01	Circlip 70 X 2,40		X	
22	999 042 035 01	Circlip 70 X 2,45		X	
22	999 042 036 01	Circlip 70 X 2,40		X	
23	964 339 101 00	Disc carrier		1	

Model: 911 89 Model life 1989>>1994

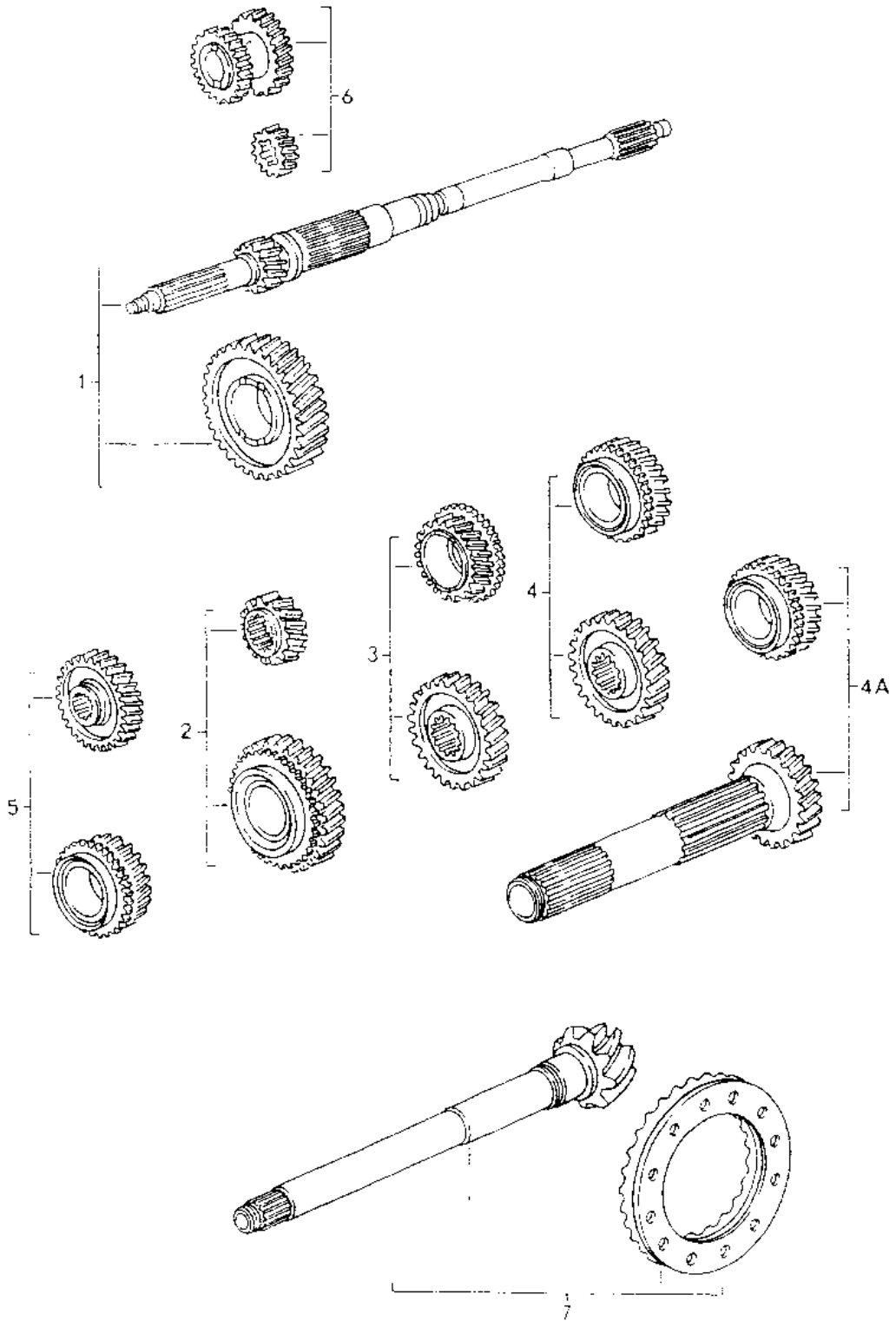
Pos	Part Number	Description	Remark	Qty	Model
23	964 339 101 01	Disc carrier		1	
24	964 339 102 00	Internal gear 13 : 56		1	
25	999 152 113 01	Circlip		1	
26	964 302 272 00	Hexagon nut M 24 X 1,25		1	
26	964 302 272 03	Hexagon nut M 24 X 1,25		1	
27	964 339 015 22	Planet-gear carrier		1	
27	964 339 015 24	Planet-gear carrier		1	
28	964 339 103 22	Sun gear 1 : 2,24		1	
29	964 339 730 00	Tab washer		1	
30	928 332 726 04	Disc with external splines 1,3 MM		X	
30	928 332 726 13	Disc with external splines 1,3 MM		X	
30	928 332 726 05	Disc with external splines 1,5 MM		X	
30	928 332 726 06	Disc with external splines 1,7 MM		X	
30	928 332 726 07	Disc with external splines 1,9 MM		X	
30	928 332 726 08	Disc with external splines 2,1 MM		X	
30	928 332 726 09	Disc with external splines 2,3 MM		X	
30	928 332 726 10	Disc with external splines 2,5 MM		X	
30	928 332 726 12	Disc with external splines 2,5 MM		X	
31	928 332 728 00	Inner disc		4	
32	964 339 727 20	Seat		1	
33	999 052 177 00	Ball bearing 50 X 84 X 10		1	
34	964 315 103 00	Support		1	
35	999 651 190 40	Cable clip		1	
36	964 303 230 00	Eccentric	-90	1	
36	964 303 230 01	Eccentric	91-	1	
36	964 303 230 02	Eccentric	91-	1	
37	928 303 235 20	Compression spring	-90	1	
37	950 303 235 01	Compression spring	91-	1	
38	928 303 233 25	Arresting bush	-90	1	
(38)	950 303 233 00	Arresting bush	91-	1	
39	900 123 044 40	Sealing ring A 18 X 22	-90	1	
39	900 123 010 40	Sealing ring A 20 X 24 X 1,5	91-	1	
40	964 303 231 00	Tensioning plate		1	
41	N 011 524 7	Washer A 6,4		2	
41	N 011 524 27	Washer A 6,4		2	
42	900 075 057 02	Hexagon-head bolt M 6 X 16		2	
42	900 075 057 03	Hexagon-head bolt M 6 X 16		2	
43	964 339 723 01	Screw	91-	1	
44	964 339 725 02	Bearing pin	91-	1	
45	900 183 015 02	Hexagon nut M 12 X 1,5	91-	1	
46	999 201 435 00	Adjusting shim 80 X 115		1	

Model: 911 89 **Model life** 1989>>1994

Pos	Part Number	Description	Remark	Qty	Model
46	999 201 435 01	Washer 80 X 115		1	

Model: 911 89

Model life 1989>>1994



Model: 911 89 Model life 1989>>1994

Pos	Part Number	Description	Remark	Qty	Model
1	964 302 901 11	Gear wheel sets for cars with G64.00 Gear set 1st gear Z = 42 : 12	-90	1	
1		Gear set 1st gear Z = 42 : 12	91-	1	
2	964 302 902 30	Gear set 2nd gear Z = 36 : 17 1 colour line Together with 999.201.367.00 2 colour lines Together with 999.201.368.00 See technical information		1	
3	964 302 903 25	Gear set 3rd gear Z = 39 : 27	-90	1	
3	964 302 903 26	Gear set 3rd gear Z = 39 : 27	91-	1	
4A	964 302 904 30	Gear set 4th speed Z = 38 : 35	-91	1	
4A	964 302 904 32	Gear set 4th speed Z = 38 : 35	92-	1	
5	964 302 905 40	Gear set 5th gear Z = 33 : 38	-91	1	
5	964 302 905 41	Gear set 5th gear Z = 33 : 38	92-	1	
6	964 302 907 01	Gear set Reverse gear		1	
7	964 302 911 05	Ring gear and pinion shaft 31 : 9 for cars with G64.01		1	
1	964 302 901 57	Gear set 1st gear Z = 41 : 13	-90	1	
1	964 302 901 15	Gear set 1st gear Z = 41 : 13	91-	1	
2	964 302 902 10	Gear set 2nd gear Z = 36 : 19 1 colour line Together with 999.201.367.00 2 colour lines Together with 999.201.368.00 See technical information		1	
3	964 302 903 30	Gear set 3rd gear Z = 36 : 27	-90	1	
3	964 302 903 31	Gear set	91-	1	

Model: 911 89 Model life 1989>>1994

Pos	Part Number	Description	Remark	Qty	Model
4A	964 302 904 35	3rd gear Z = 36 : 27 Gear set	-91	1	
4A	964 302 904 36	4th speed Z = 36 : 35 Gear set	92-	1	
5	964 302 905 40	4th speed Z = 36 : 35 Gear set	-91	1	
5	964 302 905 41	5th gear Z = 33 : 38 Gear set	92-	1	
6	964 302 907 01	5th gear Z = 33 : 38 Gear set		1	
7	964 302 911 05	Reverse gear Ring gear and pinion shaft 31 : 9		1	
1	964 302 901 15	for cars with G64.02 Gear set		1	
2	964 302 902 10	1st gear Z = 41 : 13 Gear set		1	
3	964 302 903 31	2nd gear Z = 36 : 19 Gear set		1	
4A	964 302 904 35	3rd gear Z = 36 : 27 Gear set	-91	1	
4A	964 302 904 36	4th speed Z = 36 : 35 Gear set	92-	1	
5	964 302 905 60	4th speed Z = 36 : 35 Gear set		1	
6	964 302 907 01	5th gear Z = 31 : 41 Gear set		1	
7	964 302 911 05	Reverse gear Ring gear and pinion shaft 31 : 9		1	
1	950 302 901 02	for cars with G50.03 Gear set	-90	1	
1	950 302 901 11	1st gear Z = 42 : 12 Gear set	91-	1	
2	950 302 902 02	1st gear Z = 42 : 12 Gear set		1	
3	950 302 903 36	2nd gear Z = 35 : 17 Gear set		1	
4	950 302 904 30	3rd gear Z = 38 : 27 Gear set	-91	1	
4	950 302 904 32	4th speed Z = 38 : 35 Gear set	92-	1	
5	950 302 905 41	4th speed Z = 38 : 35 Gear set	-91	1	

Model: 911 89 Model life 1989>>1994

Pos	Part Number	Description	Remark	Qty	Model
5	950 302 905 40	5th gear Z = 33 : 38 Gear set	92-	1	
6	950 302 907 03	5th gear Z = 33 : 38 Gear set		1	
6	950 302 907 07	Reverse gear Gear set		1	
6	950 302 907 08	Reverse gear Gear set		1	
7	950 302 911 05	Ring gear and pinion shaft 9:31		1	
7	950 302 911 07	Ring gear and pinion shaft 9:31 for cars with G50.04		1	
1	950 302 901 05	Gear set 1st gear Z = 41 : 13	-90	1	
1	950 302 901 15	Gear set 1st gear Z = 41 : 13	91-	1	
2	950 302 902 10	Gear set 2nd gear Z = 36 : 19		1	
3	950 302 903 31	Gear set 3rd gear Z = 36 : 27		1	
4	950 302 904 35	Gear set 4th speed Z = 36 : 35	-91	1	
4	950 302 904 36	Gear set 4th speed Z = 36 : 35	92-	1	
5	950 302 905 41	Gear set 5th gear Z = 33 : 38	-91	1	
5	950 302 905 40	Gear set 5th gear Z = 33 : 38	92-	1	
6	950 302 907 03	Gear set Reverse gear		1	
6	950 302 907 07	Gear set Reverse gear		1	
6	950 302 907 08	Gear set Reverse gear		1	
7	950 302 911 05	Ring gear and pinion shaft 9:31		1	
7	950 302 911 07	Ring gear and pinion shaft 9:31 for cars with G50.05		1	
1	950 302 901 11	Gear set 1st gear Z = 42 : 12		1	
2	950 302 902 02	Gear set 2nd gear Z = 35 : 17		1	
3	950 302 903 36	Gear set 3rd gear Z = 38 : 27		1	
4	950 302 904 30	Gear set	-91	1	

Model: 911 89 Model life 1989>>1994

Pos	Part Number	Description	Remark	Qty	Model
4	950 302 904 32	4th speed Z = 38 : 35 Gear set	92-	1	
5	950 302 905 41	4th speed Z = 38 :35 Gear set	-91	1	
5	950 302 905 40	5th gear Z = 33 : 38 Gear set	92-	1	
6	950 302 907 03	5th gear Z 0 33 : 38 Gear set		1	
6	950 302 907 07	Reverse gear Gear set		1	
6	950 302 907 08	Reverse gear Gear set		1	
7	950 302 911 06	Reverse gear Ring gear and pinion shaft 9:30 for cars with G50.10		1	
1	950 302 901 16	Gear set 1st gear Z = 41 : 13		1	
2	950 302 902 12	Gear set 2nd gear Z = 36 : 19		1	
3	950 302 903 37	Gear set 3rd gear Z = 38 : 27		1	
4	950 302 904 31	Gear set 4th speed Z = 38 : 35	-91	1	
4	950 302 904 34	Gear set 4th speed Z = 38 : 35	92-	1	
5	950 302 905 41	Gear set 5th gear Z = 33 : 38	-91	1	
5	950 302 905 40	Gear set 5th gear Z = 33 : 38	92-	1	
6	950 302 907 03	Gear set Reverse gear		1	
6	950 302 907 07	Gear set Reverse gear		1	
6	950 302 907 08	Gear set Reverse gear		1	
7	950 302 911 05	Ring gear and pinion shaft 9:31		1	
7	950 302 911 07	Ring gear and pinion shaft 9:31 for cars with G50.52		1	
1	950 302 901 60	Gear set 1st gear Z = 41 : 13		1	
1	950 302 901 62	Gear set 1st gear Z = 41 : 13		1	
2	950 302 902 27	Gear set 2nd gear Z = 34 : 19		1	

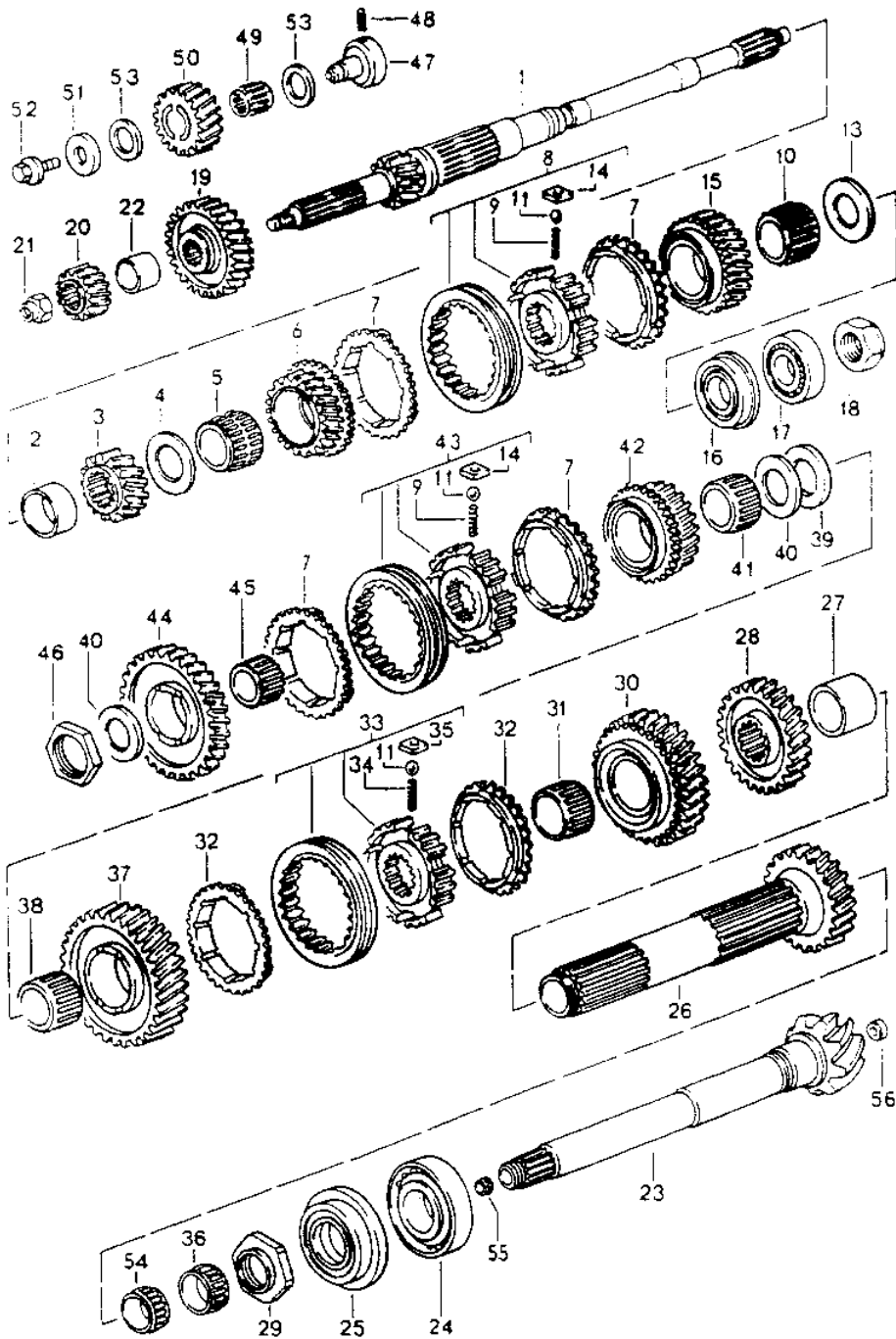
Model: 911 89

Model life 1989>>1994

Pos	Part Number	Description	Remark	Qty	Model
3	950 302 903 16	Gear set 3rd gear Z 33 : 26		1	
4	950 302 904 21	Gear set 4th speed Z 29 : 30		1	
5	950 302 905 60	Gear set 5th gear Z =31 : 41		1	
6	950 302 907 03	Gear set Reverse gear		1	
6	950 302 907 07	Gear set Reverse gear		1	
6	950 302 907 08	Gear set Reverse gear		1	
7	950 302 911 70	Ring gear and pinion shaft 9:31		1	

Model: 911 89

Model life 1989>>1994



Model: 911 89

Model life 1989>>1994

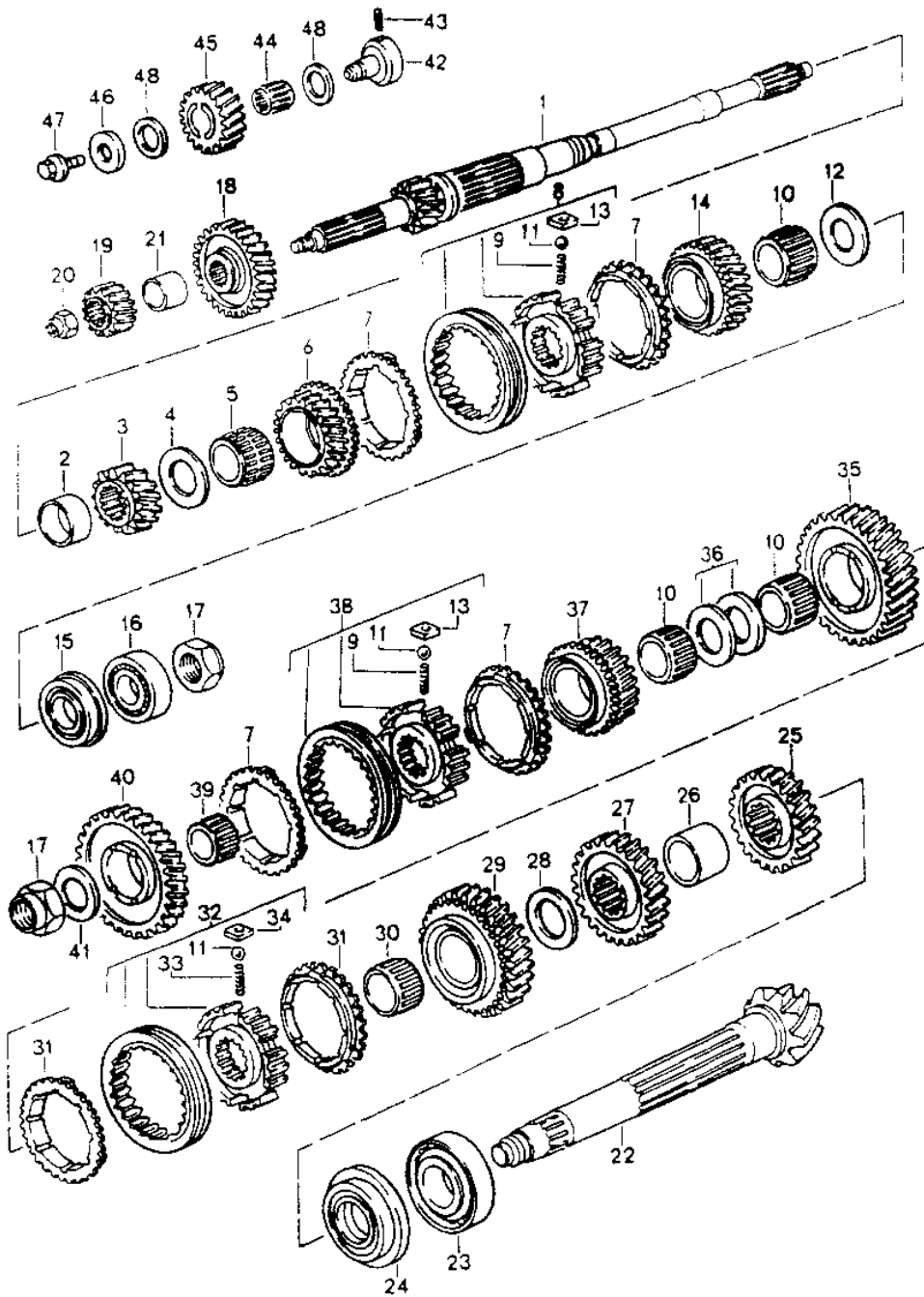
Pos	Part Number	Description	Remark	Qty	Model
		Gears and shafts Gear wheel sets See group 3/03/00			G64.00/01/02
1		Drive shaft		1	
2	950 302 266 01	Bush		1	
3		Fixed gear wheel 2nd gear		1	
4	950 302 293 05	Thrust washer		1	
5	999 201 259 02	Needle cage 38 X 50 X 32,2		1	
6		Loose gear wheel 3rd gear		1	
7	928 304 211 05	Synchroniser ring		4	
8	950 304 021 06	Guide sleeve 3rd/4th gear		1	
8	950 304 021 81	Guide sleeve 3rd/4th gear		1	
9	928 304 261 01	Compression spring		6	
10	999 201 239 02	Needle cage 35 X 50 X 32,2		3	
11	N 025 653 2	Ball 6,5 MM		9	
13	950 302 294 05	Thrust washer		1	
14	928 304 251 00	Stone		6	
15		Loose gear wheel 4th speed		1	
16	999 052 094 00	Four-point bearing		1	
16	999 052 098 00	Four-point bearing		1	
17	999 110 117 01	Cylindrical-roller bearing 30 X 62 X 20		1	
18	999 034 033 00	Hexagon nut		2	
19		Fixed gear wheel 5th gear		1	
20		Reverse gear wheel		1	
21	950 302 281 01	Lock nut		1	
22	950 302 268 02	Bush		1	
23		Drive shaft		1	
24	999 110 119 01	Cylindrical-roller bearing 40 X 90 X 23		1	
25	999 052 164 00	Four-point bearing		1	
25	997 302 293 00	Angular-contact bearing		1	
26		Fixed gear wheel 4th speed		1	
27	964 302 267 00	Spacer sleeve		1	
28		Fixed gear wheel 3rd gear		1	
29	964 302 270 00	Lock nut		1	
30		Loose gear wheel 2nd gear		1	
31	999 201 367 00	Needle cage 47,3 X 60		1	
31	999 201 368 00	Needle cage 47,3 X 60 See technical information		1	WW
32	950 304 311 02	Synchroniser ring		2	
33	964 304 031 02	Guide sleeve		1	
34	928 304 261 00	Compression spring		3	
35	950 304 351 00	Stone		3	
36	999 201 280 00	Needle cage 35 X 40 X 17		1	
37		Loose gear wheel 1st gear		1	

Model: 911 89 Model life 1989>>1994

Pos	Part Number	Description	Remark	Qty	Model
38	999 201 284 01	Needle cage 45 X 60 X 32,2		1	
39	964 302 291 01	Thrust washer		1	
40	964 302 295 02	Thrust washer		2	
41	999 201 283 01	Needle cage 44,776 X 55		1	
42		Loose gear wheel 5th gear		1	
43	964 304 021 00	Guide sleeve		1	
44		Loose gear wheel Reverse gear		1	
45	999 201 285 01	Needle cage 44,8 X 55		1	
46	964 302 275 00	Hexagon nut M 42 X 1,25		1	
47	950 302 228 03	Bolt		1	
48	N 013 302 1	Roll pin		1	
49	999 201 227 00	Needle cage		1	
49	999 201 227 01	Needle cage		1	
50		Reverse idler gear		1	
51	950 302 297 10	Thrust washer		1	
52	950 302 230 00	Screw plug		1	
53	950 302 297 12	Thrust washer		2	
54	999 201 281 00	Needle cage 32 X 36 X 15		1	
55	999 201 054 00	Needle cage 12 X 18 X 12		1	
56	964 302 120 00	Ring		1	

Model: 911 89

Model life 1989>>1994



Model: 911 89 Model life 1989>>1994

Pos	Part Number	Description	Remark	Qty	Model
		Gears and shafts			G50.03/04/05 G50.10/52
		Gear wheel sets			
		See group			
		3/03/00			
1		Drive shaft		1	
2	950 302 266 01	Bush		1	
3		Fixed gear wheel		1	
		2nd gear			
4	950 302 293 05	Thrust washer		1	
5	999 201 259 02	Needle cage		1	
		38 X 50 X 32,2			
6		Loose gear wheel		1	
		3rd gear			
7	928 304 211 05	Synchroniser ring		4	G50.03/04/05
				2	G50.10
				4	G50.52
7	928 304 211 30	Synchroniser ring		2	G50.10
		3rd/4th gear			
8	950 304 021 06	Guide sleeve		1	G50.03/04/05
		3rd/4th gear			G50.52
8	950 304 021 81	Guide sleeve		1	G50.03/04/05
		3rd/4th gear			G50.52
8	950 304 021 30	Guide sleeve		1	G50.10
		3rd/4th gear			
8	950 304 021 82	Guide sleeve		1	G50.10
		3rd/4th gear			
9	928 304 261 01	Compression spring		6	
10	999 201 239 02	Needle cage		3	
		35 X 50 X 32,2			
11	N 025 653 2	Ball		9	
		6,5 MM			
12	950 302 294 05	Thrust washer		1	
13	928 304 251 00	Stone		6	
14		Loose gear wheel		1	
		4th speed			
15	999 052 094 00	Four-point bearing		1	
15	999 052 098 00	Four-point bearing		1	
16	999 110 117 01	Cylindrical-roller bearing		1	
		30 X 62 X 20			
17	999 034 033 00	Hexagon nut		2	
18		Fixed gear wheel		1	
		5th gear			
19		Reverse gear wheel		1	
20	950 302 281 01	Lock nut		1	
21	950 302 268 02	Bush		1	
22		Pinion shaft		1	
23	999 110 119 01	Cylindrical-roller bearing		1	
		40 X 90 X 23			
24	999 052 164 00	Four-point bearing		1	
25		Fixed gear wheel		1	
		4th speed			
24	997 302 293 00	Angular-contact bearing		1	
25		Fixed gear wheel		1	
		4th speed			
26	950 302 267 01	Spacer sleeve		1	
27		Fixed gear wheel		1	
		3rd gear			
28	950 302 292 00	Thrust washer		1	
29		Loose gear wheel		1	
		2nd gear			
30	999 201 225 04	Needle-roller bearing		1	
31	950 304 311 02	Synchroniser ring		2	G50.03/04/05

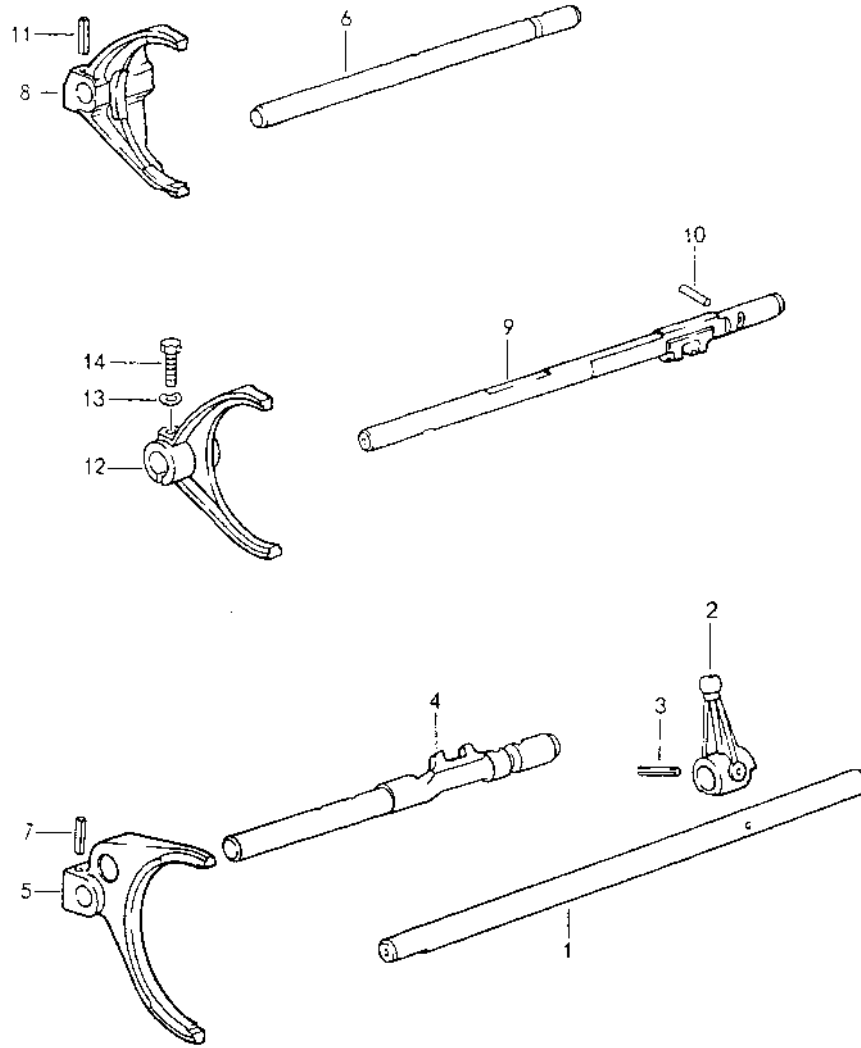
Model: 911 89

Model life 1989>>1994

Pos	Part Number	Description	Remark	Qty	Model
31	950 304 311 30	Synchroniser ring		2	G50.52
32	950 304 031 03	Guide sleeve 1st / 2nd gear		1	G50.10 G50.03/04/05
32	950 304 031 31	Guide sleeve 1st / 2nd gear		1	G50.52 G50.03/04/05
32	950 304 031 30	Guide sleeve 1st / 2nd gear		1	G50.52 G50.10
33	928 304 261 00	Compression spring		3	
34	950 304 351 00	Stone		3	
35		Loose gear wheel 1st gear		1	
36	950 302 295 07	Thrust washer See q-information NR. 4/87 1st gear 5th gear		2	
37		Loose gear wheel 5th gear		1	
38	950 304 021 05	Guide sleeve 5-speed		1	
39	999 201 253 00	Reverse gear Needle cage		1	
40		Loose gear wheel Reverse gear		1	
41	950 302 296 00	Thrust washer	-92	1	
41	950 302 296 07	Thrust washer	93-	1	
42	950 302 228 03	Bolt		1	
43	N 013 302 1	Roll pin		1	
44	999 201 227 00	Needle cage		1	
45		Reverse idler gear		1	
44	999 201 227 01	Needle cage		1	
45		Reverse idler gear		1	
46	950 302 297 10	Thrust washer		1	
47	950 302 230 00	Screw plug		1	
48	950 302 297 12	Thrust washer		2	

Model: 911 89

Model life 1989>>1994

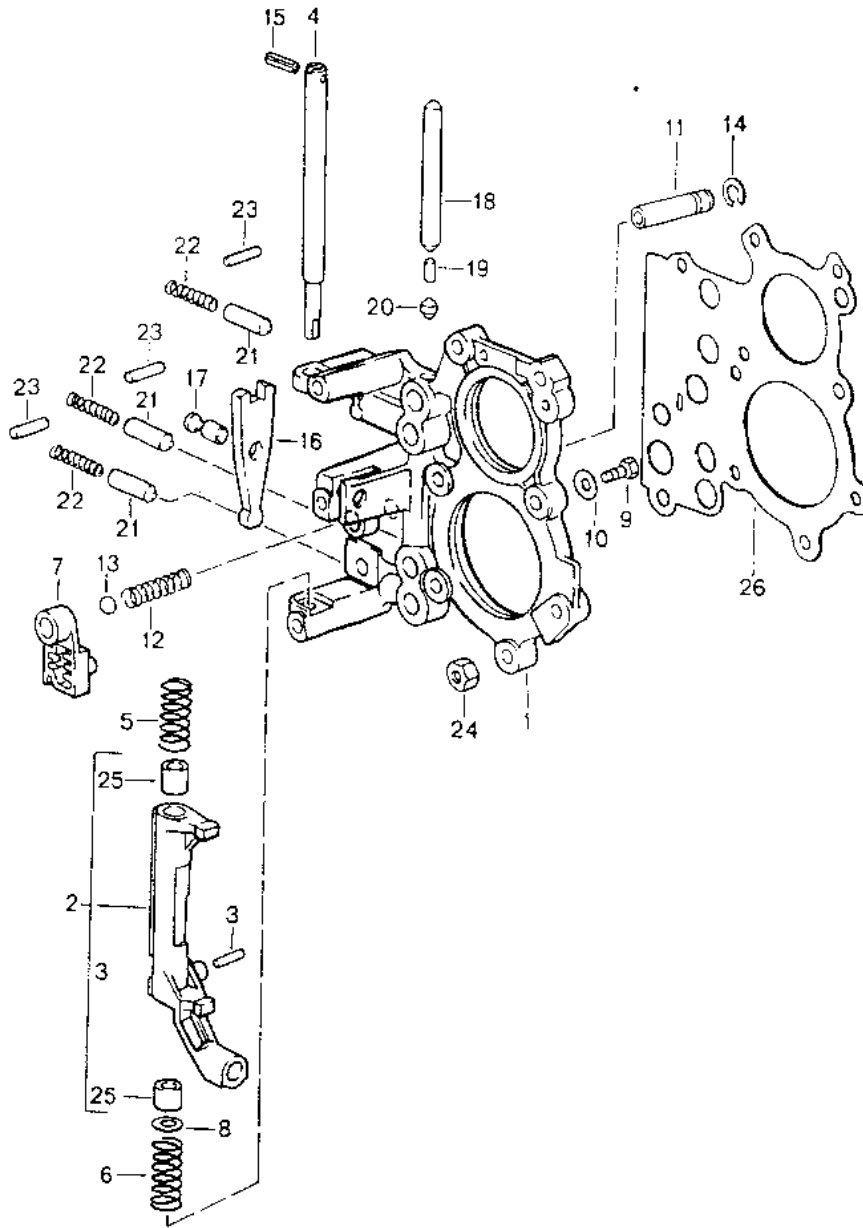


Model: 911 89 Model life 1989>>1994

Pos	Part Number	Description	Remark	Qty	Model
		Shift rods shift forks			
1	964 303 109 04	Gear shift rod	-90	1	G64.00/01
1	964 303 109 06	Gear shift rod	91-	1	G64.00/01/02
1	950 303 109 12	Gear shift rod		1	G50.03/04/05 G50.10/52
2	950 303 120 01	Shift lever		1	
3	900 309 024 00	Roll pin 5 X 26		1	
4	950 303 101 00	Gear shift rod 1st / 2nd gear		1	
5	950 303 111 01	Shift fork 1st / 2nd gear		1	
6	950 303 103 00	Gear shift rod 3rd/4th gear		1	
7	900 095 017 01	Roll pin 5 X 24		1	
8	950 303 113 04	Shift fork 3rd/4th gear		1	
8	950 303 113 08	Shift fork 3rd/4th gear		1	
9	950 303 105 04	Gear shift rod Reverse gear And 5th gear		1	
10	950 303 143 00	Detent		1	
11	N 013 317 1	Roll pin 5 X 28	-91	1	
11	900 095 017 01	Roll pin 5 X 24	92-	1	
12	950 303 115 03	Shift fork Reverse gear And 5th gear		1	
13	900 025 007 02	Washer M 8,4		1	
13	900 025 007 03	Washer M 8,4		1	
14	900 075 099 02	Hexagon-head bolt M 8 X 30		1	
14	900 075 099 03	Hexagon-head bolt M 8 X 30		1	

Model: 911 89

Model life 1989>>1994

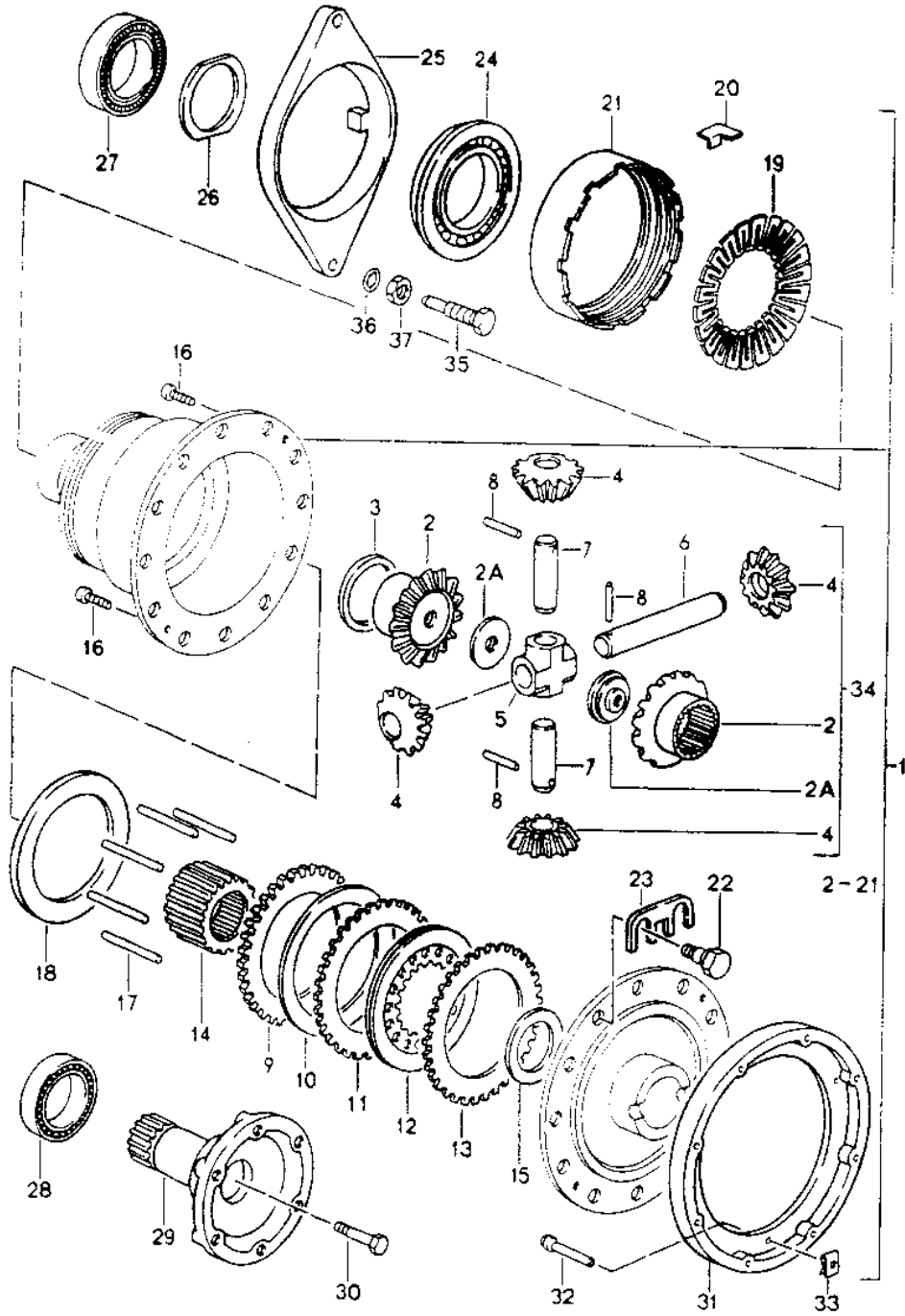


Model: 911 89 Model life 1989>>1994

Pos	Part Number	Description	Remark	Qty	Model
		Tensioning plate			
		Shift control lock device			
1	950 303 130 50	Tensioning plate		1	
2	950 303 035 04	Reverse lever		1	G64.00/01/02 G50.03/04/05 G50.52 G50.10
2		Reverse lever		1	
3	900 302 028 01	Straight pin 4 M6 X 20		1	
4	950 303 134 01	Bearing shaft		1	
4	950 303 134 07	Bearing shaft		1	
5	950 303 133 12	Compression spring		1	
6	950 303 132 12	Compression spring		1	
7	950 303 140 03	Shift gate		1	
8	N 027 381 1	Shim		1	
9	N 010 212 0	Hexagon-head bolt M 6 X 12		1	
10	N 011 666 3	Washer		1	
11	950 303 136 00	Dowel sleeve		1	
12	950 303 137 00	Compression spring		1	
13	N 025 669 2	Ball \$ = 10 MM		1	
14	999 152 018 01	Circlip SW 14		1	
15	N 013 304 1	Roll pin 4 X 20		1	
15	900 095 013 00	Roll pin 4 X 20		1	
16	950 303 146 01	Reverse lever		1	
17	950 303 145 00	Bolt		1	
18	950 303 141 00	Detent Long		1	
19	950 303 143 00	Detent		1	
20	950 303 142 00	Detent Short		1	
21	928 303 233 25	Arresting bush		3	
22	959 303 235 00	Compression spring		3	
23	900 109 106 00	Needle-roller bearing 4 H11 X 16		3	
24	900 076 025 02	Hexagon nut M 8		10	
24	900 076 064 02	Hexagon nut M 8		10	
25	999 924 026 00	Bush 12 X 14 X 15		2	
26	950 303 125 10	Adjusting shim 0,1 MM		X	
26	950 303 125 11	Adjusting shim 0,15 MM		X	
26	950 303 125 12	Adjusting shim 0,2 MM		X	

Model: 911 89

Model life 1989>>1994



Model: 911 89

Model life 1989>>1994

Pos	Part Number	Description	Remark	Qty	Model
		Differential			G64.00/01/02
1	950 332 072 03	Limited-slip differential		1	
2		Shaft bevel gear		2	
2A		Nut		2	
3	950 332 719 00	Thrust washer 2,00 MM		X	
3	950 332 719 01	Thrust washer 2,10 MM		X	
3	950 332 719 02	Thrust washer 2,20 MM		X	
3	950 332 719 03	Thrust washer 2,30 MM		X	
3	950 332 719 04	Thrust washer 2,40 MM		X	
4		Bevel pinion		4	
5	950 332 745 00	4 way connector		1	
6	950 332 741 00	Differential bolt Long		1	
7	950 332 743 00	Differential bolt Short		2	
8	900 309 019 00	Roll pin 5 X 32		3	
9	950 332 711 01	Thrust ring		1	
10	999 523 013 01	Cup spring		1	
11	950 332 727 30	Disc with external splines 1,3 MM		1	
11	950 332 727 31	Disc with external splines 0,5 MM		X	
11	950 332 727 32	Disc with external splines 0,7 MM		X	
11	950 332 727 33	Disc with external splines 0,9 MM		X	
11	950 332 727 34	Disc with external splines 1,1 MM		X	
11	950 332 727 35	Disc with external splines 1,5 MM		X	
11	950 332 727 36	Disc with external splines 1,7 MM		X	
11	950 332 727 37	Disc with external splines 1,9 MM		X	
11	950 332 727 52	Disc with external splines 1,9 MM		X	
11	950 332 727 38	Disc with external splines 2,1 MM		X	
12	950 332 722 10	Inner disc		7	
13	950 332 727 10	Disc with external splines		7	
14	950 332 748 01	Disc carrier		1	
15	950 332 718 21	Thrust washer 1,90 MM		X	
15	950 332 718 22	Thrust washer 2,00 MM		X	
15	950 332 718 23	Thrust washer 2,10 MM		X	
15	950 332 718 24	Thrust washer 2,20 MM		X	
15	950 332 718 25	Thrust washer 2,30 MM		X	
15	950 332 718 26	Thrust washer 2,40 MM		X	
15	950 332 718 27	Thrust washer 2,50 MM		X	
16	900 249 008 02	Countersunk-head screw M6 X 12		2	

Model: 911 89

Model life 1989>>1994

Pos	Part Number	Description	Remark	Qty	Model
17	950 332 715 01	Pin		8	
18	950 332 713 02	Thrust ring		1	
19	950 332 756 01	Compression spring		1	
20	950 332 753 03	Tab washer		1	
21	950 332 751 02	Locking ring		1	
22	928 332 276 05	Hexagon-head bolt		12	
22	928 332 276 06	Hexagon-head bolt		12	
23	950 332 285 00	Tab washer		6	
23	950 332 285 01	Tab washer		6	
24	950 332 761 05	Deep-groove ball bearing		1	
25	950 332 771 06	Engaging lever		1	
26	950 332 268 00	Adjusting ring 0,25 MM		X	
26	950 332 268 01	Adjusting ring 1,60 MM		X	
26	950 332 268 02	Adjusting ring 1,70 MM		X	
26	996 332 266 56	Adjusting ring 1,80 MM		X	
26	950 332 268 04	Adjusting ring 1,90 MM		X	
26	950 332 268 05	Adjusting ring 2,00 MM		X	
26	950 332 268 06	Adjusting ring 2,10 MM		X	
26	950 332 268 07	Adjusting ring 2,20 MM		X	
26	950 332 268 08	Adjusting ring 2,30 MM		X	
26	950 332 268 09	Adjusting ring 2,40 MM		X	
26	950 332 268 10	Adjusting ring 2,50 MM		X	
26	950 332 268 11	Adjusting ring 2,60 MM		X	
26	950 332 268 12	Adjusting ring 2,70 MM		X	
26	996 332 266 76	Adjusting ring 2,80 MM		X	
26	950 332 268 14	Adjusting ring 2,90 MM		X	
26	996 332 266 50	Adjusting ring 3,00 MM		X	
26	950 332 268 16	Adjusting ring 3,10 MM		X	
27	999 059 066 01	Taper roller bearing 50 X 80 X 20		1	
27	999 059 066 02	Taper roller bearing 50 X 80 X 20		1	
28	999 059 064 00	Taper roller bearing 50 X 90 X 21,7		1	
29	950 332 209 81	Joint flange	/R	1	
29	950 332 209 71	Joint flange 100,5 MM	/R 93-	1	M491
29	950 332 209 86	Joint flange	/L	1	
29	950 332 209 76	Joint flange 110,5 MM	/L 93-	1	M491
30	N 010 480 3	Hexagon-head bolt M10 X 80		1	
30	N 010 456 5	Hexagon-head bolt M10 X 90		1	
31	950 318 045 04	Magnet carrier disc	-90	1	
32	950 318 355 11	Bolt		3	

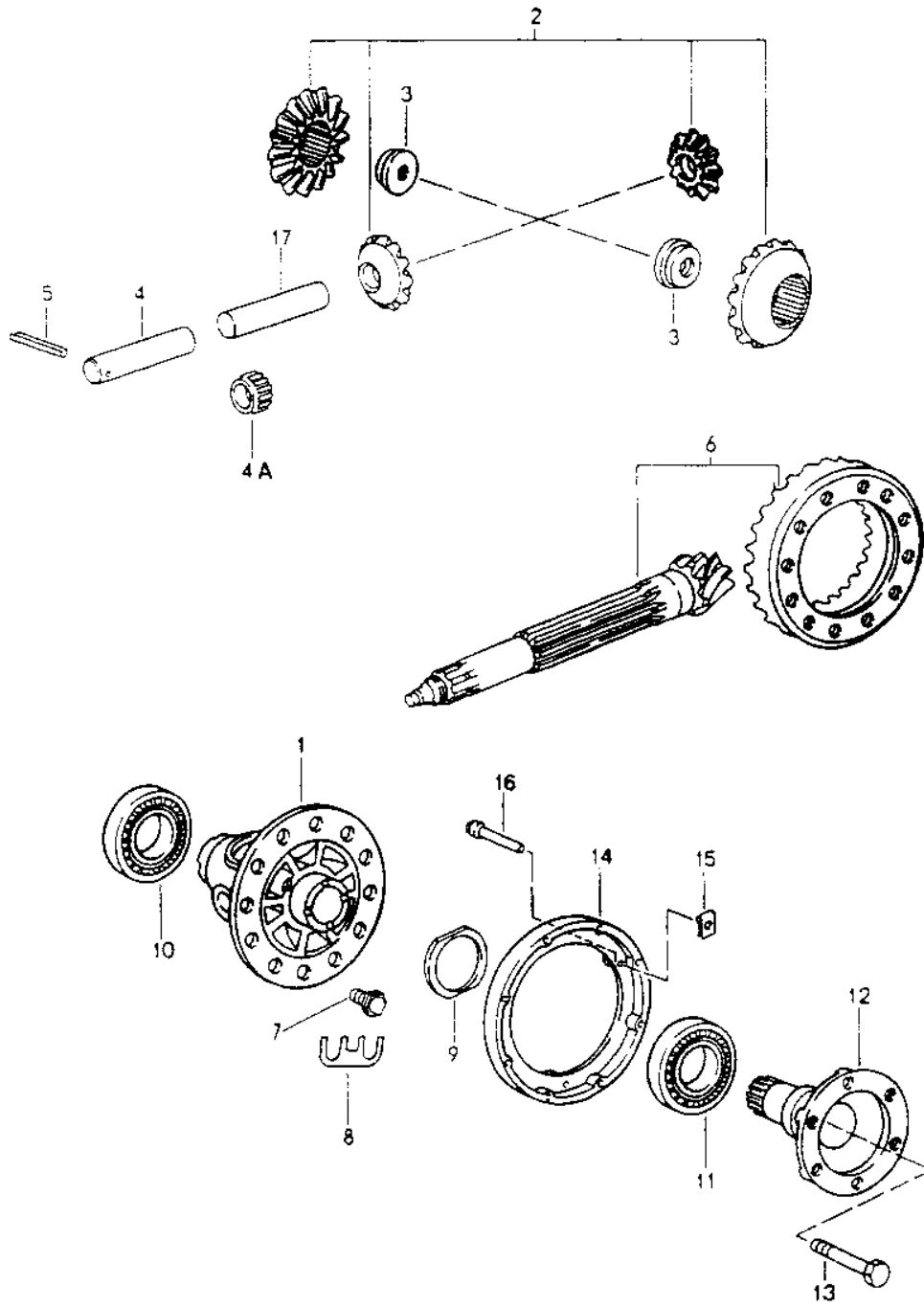
Model: 911 89

Model life 1989>>1994

Pos	Part Number	Description	Remark	Qty	Model
33	N 012 644 1	Lock		3	
34	964 332 907 00	Differential pinions		1	
		Differential pinions			
35	960 332 271 00	Pan-head screw	-90	1	
35	928 332 271 05	Hexagon-head bolt	91-	1	
36	N 011 564 2	Washer		1	
36	N 011 564 4	Washer		1	
(36)	900 123 043 30	Sealing ring	91-	1	
		A 12 X 15,5			
37	N 011 020 8	Hexagon nut	91-	1	
		M 12 X 1,5			
37	900 034 036 01	Hexagon nut	91-	1	
		M 12 X 1,5			

Model: 911 89

Model life 1989>>1994



Model: 911 89

Model life 1989>>1994

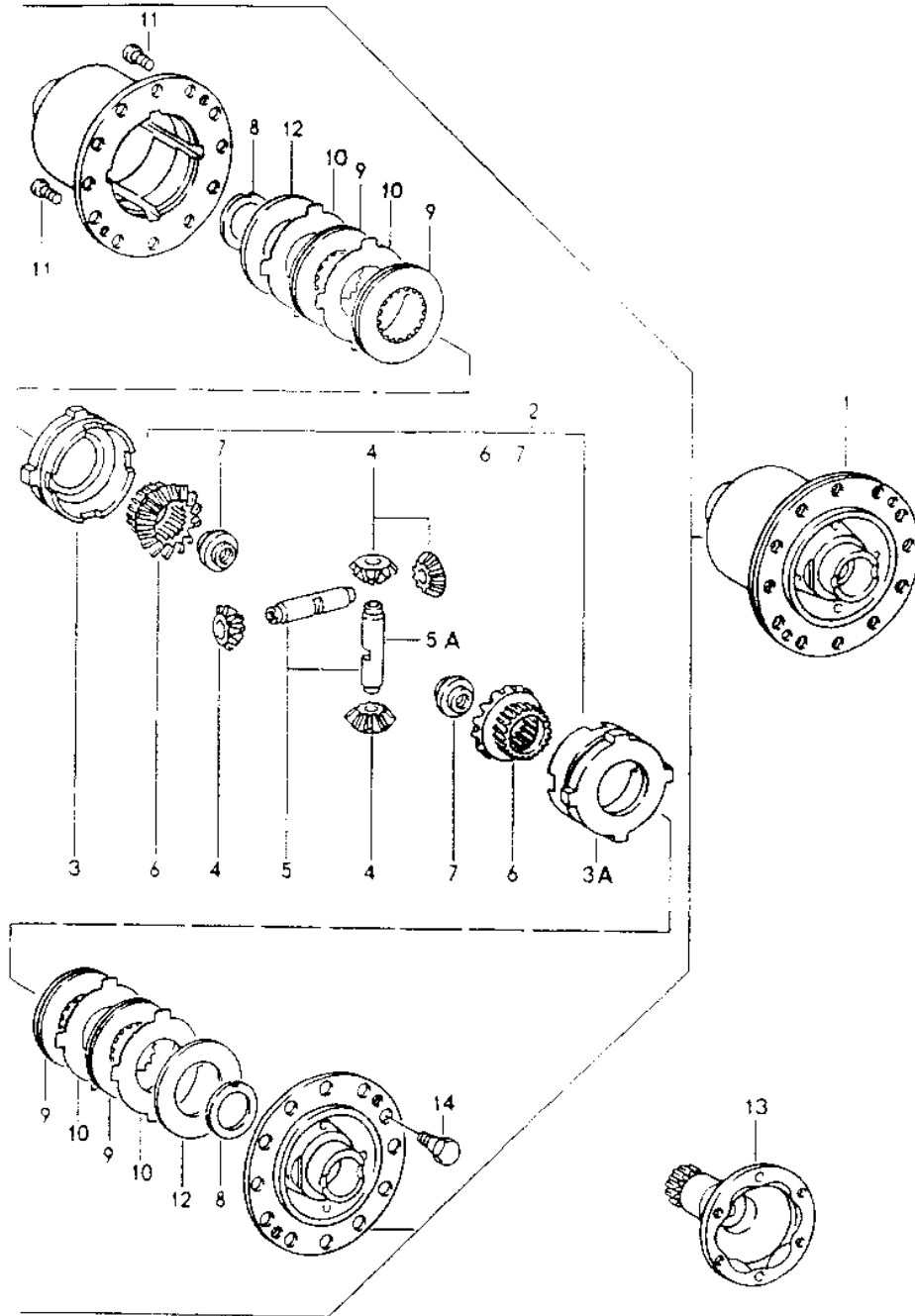
Pos	Part Number	Description	Remark	Qty	Model
		Differential			G50.03/04/05
1	950 332 212 01	Differential housing		1	
2	950 332 902 00	Differential pinions 1 set		1	
3	928 332 279 03	Threaded disc		2	
4	928 332 207 07	Differential bolt		1	
4A	999 201 347 00	Needle cage 18 X 22 X 19,8		2	
5	900 309 035 00	Roll pin 5 X 40		1	
6	950 302 911 05	Ring gear and pinion shaft 31:9		1	G50.03/04
6	950 302 911 07	Ring gear and pinion shaft 31:9		1	G50.03/04
7	928 332 276 03	Hexagon-head bolt		12	
7	928 332 276 05	Hexagon-head bolt		12	
7	928 332 276 06	Hexagon-head bolt		12	
8	950 332 285 00	Tab washer		6	
8	950 332 285 01	Tab washer		6	
9	950 332 268 00	Adjusting ring 0,25 MM		X	
9	950 332 268 01	Adjusting ring 1,6 MM		X	
9	950 332 268 02	Adjusting ring 1,7 MM		X	
9	996 332 266 56	Adjusting ring 1,8 MM		X	
9	950 332 268 04	Adjusting ring 1,9 MM		X	
9	950 332 268 05	Adjusting ring 2,0 MM		X	
9	950 332 268 06	Adjusting ring 2,1 MM		X	
9	950 332 268 07	Adjusting ring 2,2 MM		X	
9	950 332 268 08	Adjusting ring 2,3 MM		X	
9	950 332 268 09	Adjusting ring 2,4 MM		X	
9	950 332 268 10	Adjusting ring 2,5 MM		X	
9	950 332 268 11	Adjusting ring 2,6 MM		X	
9	950 332 268 12	Adjusting ring 2,7 MM		X	
9	996 332 266 76	Adjusting ring 2,8 MM		X	
9	950 332 268 14	Adjusting ring 2,9 MM		X	
9	996 332 266 50	Adjusting ring 3,0 MM		X	
9	950 332 268 16	Adjusting ring 3,1 MM		X	
10	999 059 027 00	Taper roller bearing 50 X 80 X 20		1	
10	999 059 027 02	Taper roller bearing 50 X 80 X 20		1	
11	999 059 064 00	Taper roller bearing 50 X 90 X 21,7		1	
12	950 332 209 01	Joint flange		2	
13	N 010 472 4	Hexagon-head bolt M 10 X 85		2	
13	900 074 375 01	Hexagon-head bolt		2	

Model: 911 89 Model life 1989>>1994

Pos	Part Number	Description	Remark	Qty	Model
		M 10 X 85			
14	950 318 045 03	Magnet carrier disc		1	
14	950 318 045 04	Magnet carrier disc		1	M220
15	N 012 644 1	Lock		3	
16	950 318 355 12	Bolt		3	
16	950 318 355 10	Bolt		3	M220
16	950 318 355 13	Bolt		3	M220
17	950 332 205 00	Spacer sleeve		1	

Model: 911 89

Model life 1989>>1994



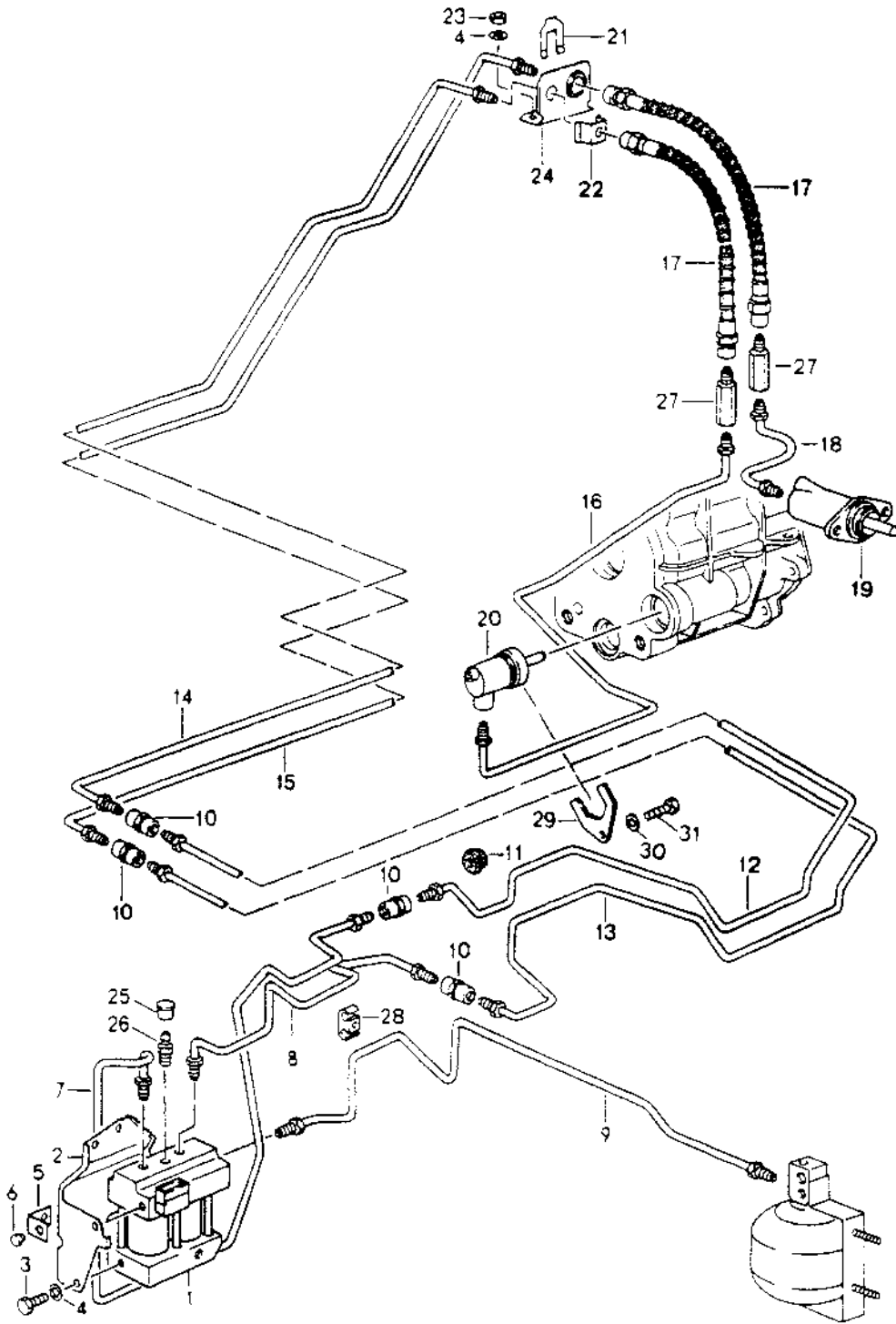
Model: 911 89

Model life 1989>>1994

Pos	Part Number	Description	Remark	Qty	Model
		Limited-slip differential			G50.03/04/05
1	950 332 053 06	Limited-slip differential 40 % 20 - 100 %		1	G50.10/52 G50.03/04/05
1	950 332 053 02	Limited-slip differential 20 - 100 %		1	G50.10/52
2	928 332 905 00	Differential pinions 1 set		1	G50.03/04/05
2	950 332 905 01	Differential pinions 1 set		1	G50.10/52
3	928 332 511 00	Thrust ring		2	G50.03/04/05
3	950 332 511 00	Thrust ring		1	G50.10/52
3A	950 332 513 00	Thrust washer		1	G50.10/52
4		Bevel pinion		4	
5	928 332 541 00	Differential shaft		2	G50.03/04/05
5	950 332 541 01	Differential shaft		1	G50.10/52
5A	950 332 543 01	Differential shaft		1	G50.10/52
6		Shaft bevel gear		2	
7	928 332 279 01	Threaded disc		2	G50.03/04/05
7	950 332 279 71	Threaded disc		2	G50.10/52
8	901 332 561 11	Thrust washer		2	G50.03/04/05
8	950 332 561 00	Thrust washer		2	G50.10/52
9	928 332 551 00	Inner disc		2	G50.03/04/05
9	950 332 551 02	Inner disc 2,6 MM		4	G50.10/52
9	950 332 551 03	Inner disc 2,6 MM		4	G50.10/52
10	917 332 552 10	Disc with external splines 1,9 MM		4	G50.03/04/05
10	917 332 552 11	Disc with external splines 2,0 MM		4	G50.03/04/05
10	917 332 552 12	Disc with external splines 2,1 MM		2	G50.03/04/05
10	950 332 552 00	Disc with external splines 1,3 MM		4	G50.10/52
10	950 332 552 01	Disc with external splines 1,4 MM		4	G50.10/52
10	950 332 552 02	Disc with external splines 1,5 MM		4	G50.10/52
10	950 332 552 03	Disc with external splines 1,6 MM		4	G50.10/52
11	N 014 765 2	Pan-head screw M 6 X 10		2	
12	928 332 555 20	Cup spring		2	
13	950 332 209 01	Joint flange		2	
14	928 332 276 05	Hexagon-head bolt		12	
14	928 332 276 06	Hexagon-head bolt		12	

Model: 911 89

Model life 1989>>1994

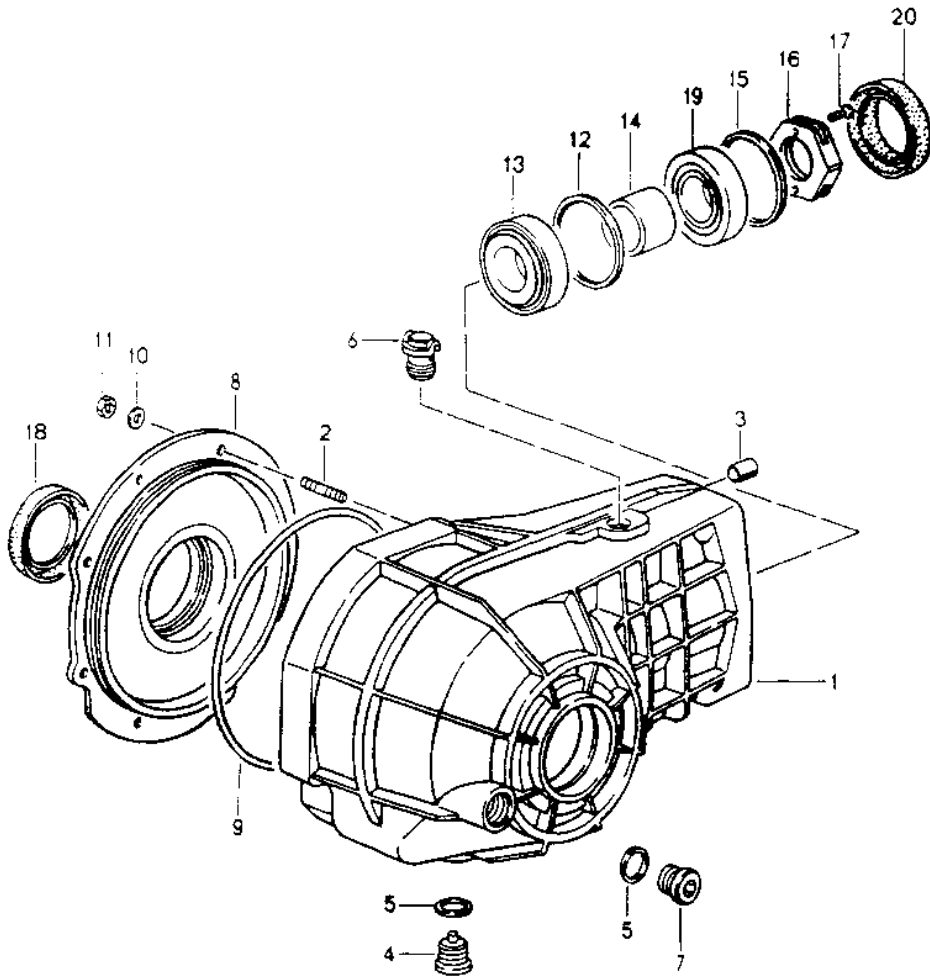


Model: 911 89 Model life 1989>>1994

Pos	Part Number	Description	Remark	Qty	Model
		Lock control			G64.00/01/02
1	964 315 013 50	Control valve		1	
2	964 315 115 00	Support		1	
3	999 072 005 09	Hexagon nut M 6 X 12		4	
3	999 072 005 01	Hexagon nut M 6 X 12		4	
4	N 011 524 7	Washer A 6,4		4	
4	N 011 524 27	Washer A 6,4		4	
5	999 591 930 40	Support		1	
6	999 703 183 40	Buffer		1	
7	964 315 341 50	Pressure line		1	
8	964 315 342 51	Pressure line		1	
9	964 315 301 51	Pressure line		1	
10	914 355 661 00	Intermediate piece		4	
11	951 355 755 00	Rubber sleeve		2	
12	964 315 343 02	Pressure line		1	
13	964 315 344 52	Pressure line		1	
14	964 315 345 00	Pressure line		1	
15	964 315 346 00	Pressure line		1	
16	964 315 376 04	Pressure line		1	
17	964 315 061 00	Hose line		2	
18	964 315 375 02	Pressure line		1	
19	928 332 775 12	Slave cylinder		1	
20	964 339 775 07	Slave cylinder		1	
21	113 611 715 A	Brake hose bracket		2	
22	803 611 715	Retainer spring		2	
23	900 910 010 09	Lock nut M 6		2	
24	964 315 503 00	Support		1	
25	930 351 927 00	Dust boot		1	
25	930 351 927 01	Dust boot		1	
26	930 351 919 00	Ventilation valve		1	
27	928 315 211 02	Pressure valve		2	
28	811 611 797	Clip		11	
29	964 339 770 01	Retaining bracket		1	
29	964 339 770 02	Retaining bracket		1	
30	900 031 011 02	Washer 6,4		1	
31	900 067 008 02	Pan-head screw M 6 X 12		1	
31	900 067 008 03	Pan-head screw M 6 X 12		1	

Model: 911 89

Model life 1989>>1994



Model: 911 89 Model life 1989>>1994

Pos	Part Number	Description	Remark	Qty	Model
-	964 349 010 00	Front-axle final drive Transmission 31:9 Ready for installation		1	CARRERA 4
1	964 337 910 05	Transmission case		1	
2	999 062 009 02	Stud M 8 X 28		8	
2	900 060 105 01	Stud M 8 X 28		8	
3	900 197 057 01	Roll pin 12 X 16		2	
4	999 063 008 02	Screw plug M 22 X 1,5		1	
5	900 123 011 30	Sealing ring A 22 X 27		2	
6	964 337 304 01	Bleeder		1	
7	900 219 001 30	Screw plug M 22 X 1,5		1	
8	964 337 311 01	Transmission cover		1	
9	999 701 745 40	O-ring 186 X 3,5		1	
10	900 025 007 02	Washer A 8,4		8	
10	900 025 007 03	Washer A 8,4		8	
11	900 076 025 02	Hexagon nut M 8		8	
11	900 076 064 02	Hexagon nut M 8		8	
12	959 349 310 00	Adjusting shim 0,1 MM		X	
12	959 349 310 01	Adjusting shim 0,15 MM		X	
12	959 349 310 02	Adjusting shim 0,20 MM		X	
12	959 349 310 03	Adjusting shim 0,25 MM		X	
12	959 349 310 04	Adjusting shim 0,30 MM		X	
12	959 349 310 07	Adjusting shim 1.00 MM		X	
12	959 349 310 08	Adjusting shim 1.30 MM		X	
13	999 059 086 00	Taper roller bearing 34,925		1	
14	964 349 312 00	Spacer sleeve		1	
15	964 349 311 00	Adjusting shim 0,15 MM		X	
15	964 349 311 01	Adjusting shim 0,20 MM		X	
15	964 349 311 02	Adjusting shim 0,25 MM		X	
15	964 349 311 03	Adjusting shim 0,30 MM		X	
15	964 349 311 04	Adjusting shim 0,40 MM		X	
15	964 349 311 05	Adjusting shim 0,60 MM		X	
15	964 349 311 06	Adjusting shim 1,00 MM		X	
15	964 349 311 07	Adjusting shim 1,50 MM		X	
15	964 349 311 08	Adjusting shim		X	

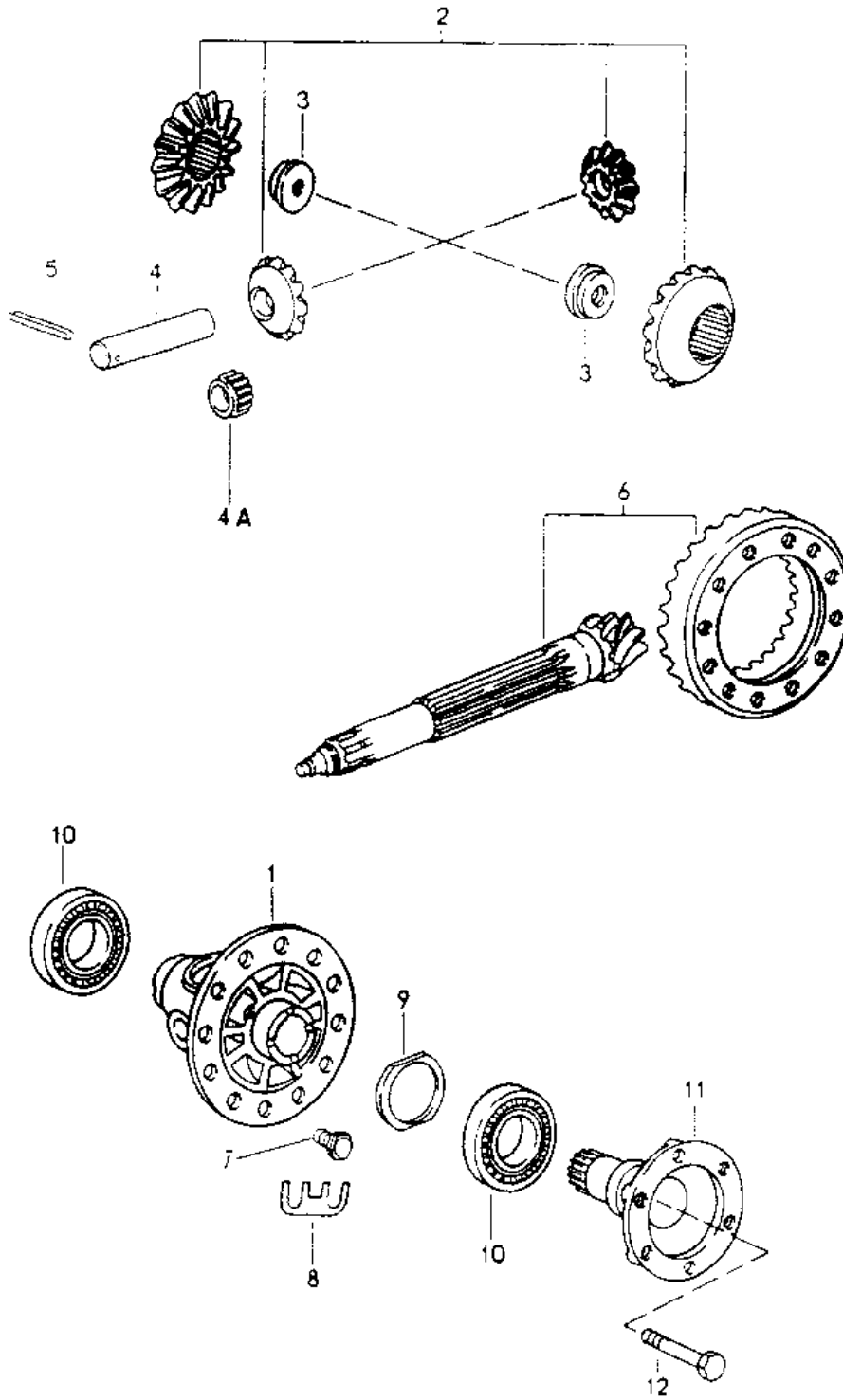
Model: 911 89

Model life 1989>>1994

Pos	Part Number	Description	Remark	Qty	Model
16	999 084 077 00	2,00 MM Hexagon nut		1	
17	900 119 022 02	M 33 X 1,5 Pan-head screw		2	
18	999 113 347 40	M 5 X 8 Shaft sealing ring		2	
19	999 059 096 00	48 X 68 X 10 Taper roller bearing		1	
20	999 113 352 40	33,338 Shaft sealing ring		1	
		42 X 72 X 10			

Model: 911 89

Model life 1989>>1994

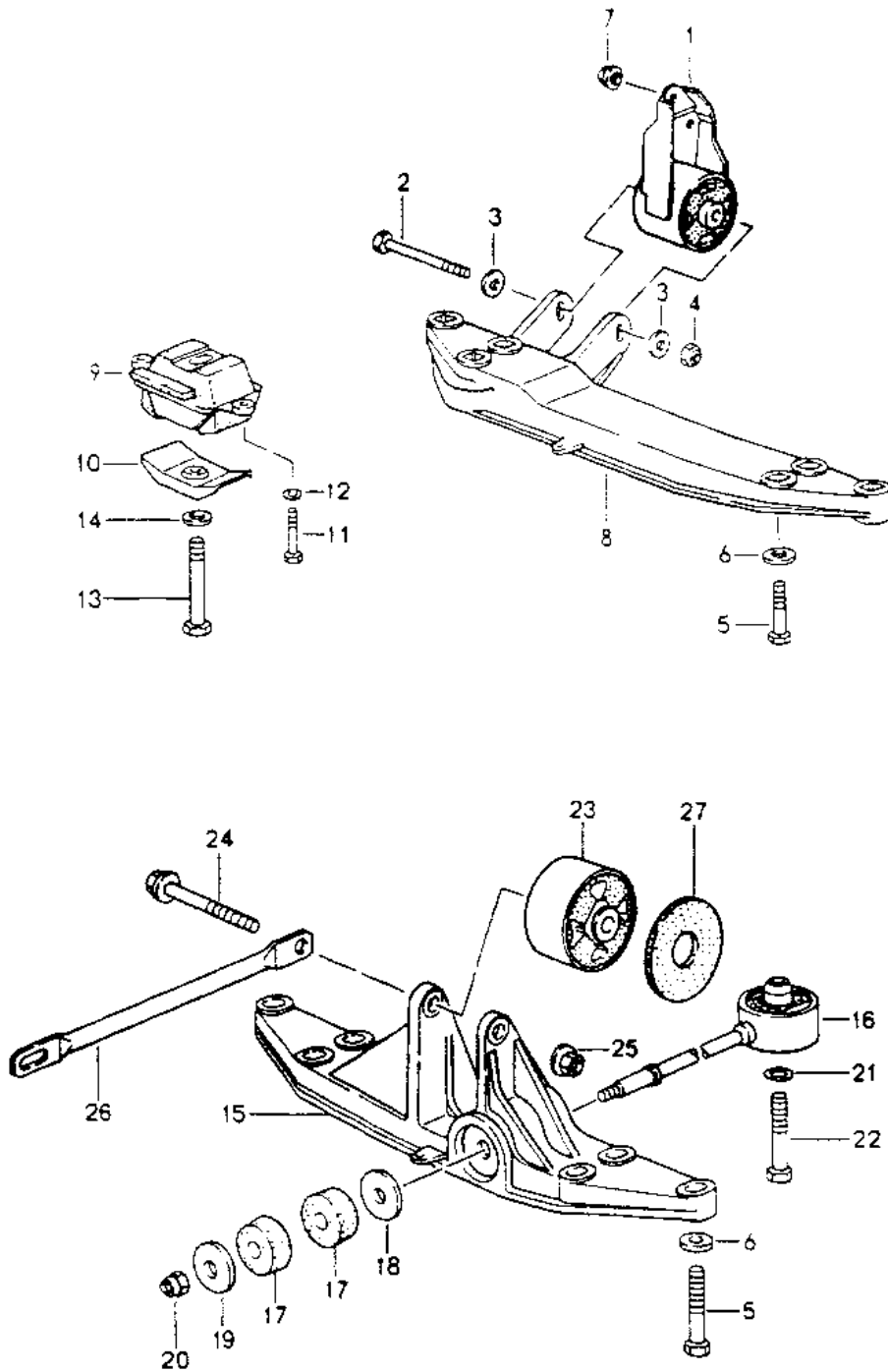


Model: 911 89 Model life 1989>>1994

Pos	Part Number	Description	Remark	Qty	Model
		Front-axle final drive			CARRERA 4
		Differential			
1	950 332 212 01	Differential housing		1	
2	950 332 902 00	Differential pinions		1	
		1 set			
3	928 332 279 03	Threaded disc		2	
4	928 332 207 07	Differential bolt		1	
4A	999 201 237 00	Needle cage		2	
		18 X 22 X 45			
5	900 309 035 00	Roll pin		1	
6	964 349 911 01	Ring gear and pinion shaft		1	
		31 : 9			
7	928 332 276 05	Hexagon-head bolt		12	
7	928 332 276 06	Hexagon-head bolt		12	
8	950 332 285 00	Tab washer		6	
8	950 332 285 01	Tab washer		6	
9	950 332 268 00	Adjusting ring		X	
		0,25 MM			
9	950 332 268 01	Adjusting ring		X	
		1,6 MM			
9	950 332 268 02	Adjusting ring		X	
		1,7 MM			
9	996 332 266 56	Adjusting ring		X	
		1,8 MM			
9	950 332 268 04	Adjusting ring		X	
		1,9 MM			
9	950 332 268 05	Adjusting ring		X	
		2,0 MM			
9	950 332 268 06	Adjusting ring		X	
		2,1 MM			
9	950 332 268 07	Adjusting ring		X	
		2,2 MM			
9	950 332 268 08	Adjusting ring		X	
		2,3 MM			
9	950 332 268 09	Adjusting ring		X	
		2,4 MM			
9	950 332 268 10	Adjusting ring		X	
		2,5 MM			
9	950 332 268 11	Adjusting ring		X	
		2,6 MM			
9	950 332 268 12	Adjusting ring		X	
		2,7 MM			
9	996 332 266 76	Adjusting ring		X	
		2,8 MM			
9	950 332 268 14	Adjusting ring		X	
		2,9 MM			
9	996 332 266 50	Adjusting ring		X	
		3,0 MM			
9	950 332 268 16	Adjusting ring		X	
		3,1 MM			
10	999 059 066 01	Taper roller bearing		2	
		50 X 80 X 20			
10	999 059 066 02	Taper roller bearing		2	
		50 X 80 X 20			
11	964 332 209 01	Joint flange		2	
12	N 010 472 4	Hexagon-head bolt		2	
		M 10 X 85			
12	900 074 375 01	Hexagon-head bolt		2	
		M 10 X 85			

Model: 911 89

Model life 1989>>1994



Model: 911 89

Model life 1989>>1994

Pos	Part Number	Description	Remark	Qty	Model
		Transmission suspension for cars with G64.00/01/02			
1	964 375 023 01	Bearing bracket		1	
2	900 074 292 02	Hexagon-head bolt M10 X 100		1	
3	999 025 195 02	Washer 10,3 X 25 X 3		2	
4	900 910 031 09	Lock nut M10		1	
4	900 910 031 01	Lock nut M10		1	
5	N 040 241 1	Hexagon-head bolt M10 X 60		6	
5	900 075 513 01	Hexagon-head bolt M10 X 60		6	
6	999 025 196 02	Washer 10,3 X 28 X 5		6	
7	900 380 007 09	Hexagon nut M10		3	
7	900 380 008 01	Hexagon nut M10		3	
8	964 375 313 01	Bracket		1	
9	964 375 053 01	Bearing bracket		1	
10	964 375 183 01	Stop		1	
11	900 074 134 02	Hexagon-head bolt M8 X 45		2	
12	900 025 007 02	Washer A 8,4		2	
12	900 025 007 03	Washer A 8,4		2	
13	N 010 183 3	Hexagon-head bolt M12 X 1,5 X 75		1	
(13)	900 082 140 01	Hexagon-head bolt M12 x 1,5 x 75		1	
14	999 025 215 02	Washer 12,1 X 26/26 for cars with G50.03/04/05 G50.10/52		1	
15	964 375 309 04	Transmission carrier		1	
15	964 375 309 05	Transmission carrier		1	
16	964 375 070 03	Bracket		1	
17	964 375 211 01	Rubber buffer		2	
18	999 025 182 02	Washer 13,2 X 44 X 5		1	
19	999 025 181 02	Washer 10,1 X 44 X 5		1	
19	999 025 181 03	Washer 10,1 X 44 X 5		1	
20	N 021 130 3	Lock nut VM 10		1	
20	N 021 130 D	Lock nut VM 10		1	
21	900 025 009 02	Washer A 13		1	
22	N 010 165 3	Hexagon-head bolt M 12 X 1,5 X 65		1	
22	900 082 109 01	Hexagon-head bolt M 12 X 1,5 X 65		1	
23	964 375 055 02	Transmission mounting		1	G50.03/04/05
				1	G50.52
23	964 375 055 80	Transmission mounting		1	G50.10

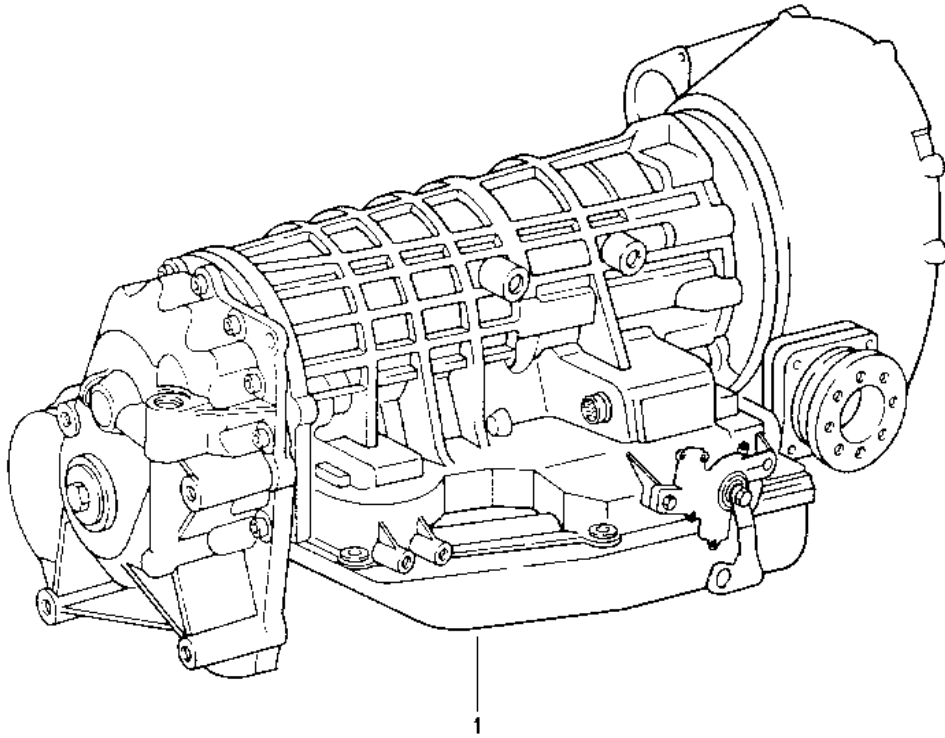
Model: 911 89

Model life 1989>>1994

Pos	Part Number	Description	Remark	Qty	Model
24	900 378 027 02	Hexagon-head bolt M 12 X 1,5 X 95		1	
25	900 380 010 09	Lock nut M 12 X 1,5		1	
26	993 504 621 00	Strut		2	
27	964 375 255 00	Washer		2	
-	900 075 199 02	Hexagon-head bolt M 12 X 22		2	
-	900 025 009 02	Washer A 13		2	

Model: 911 89

Model life 1989>>1994

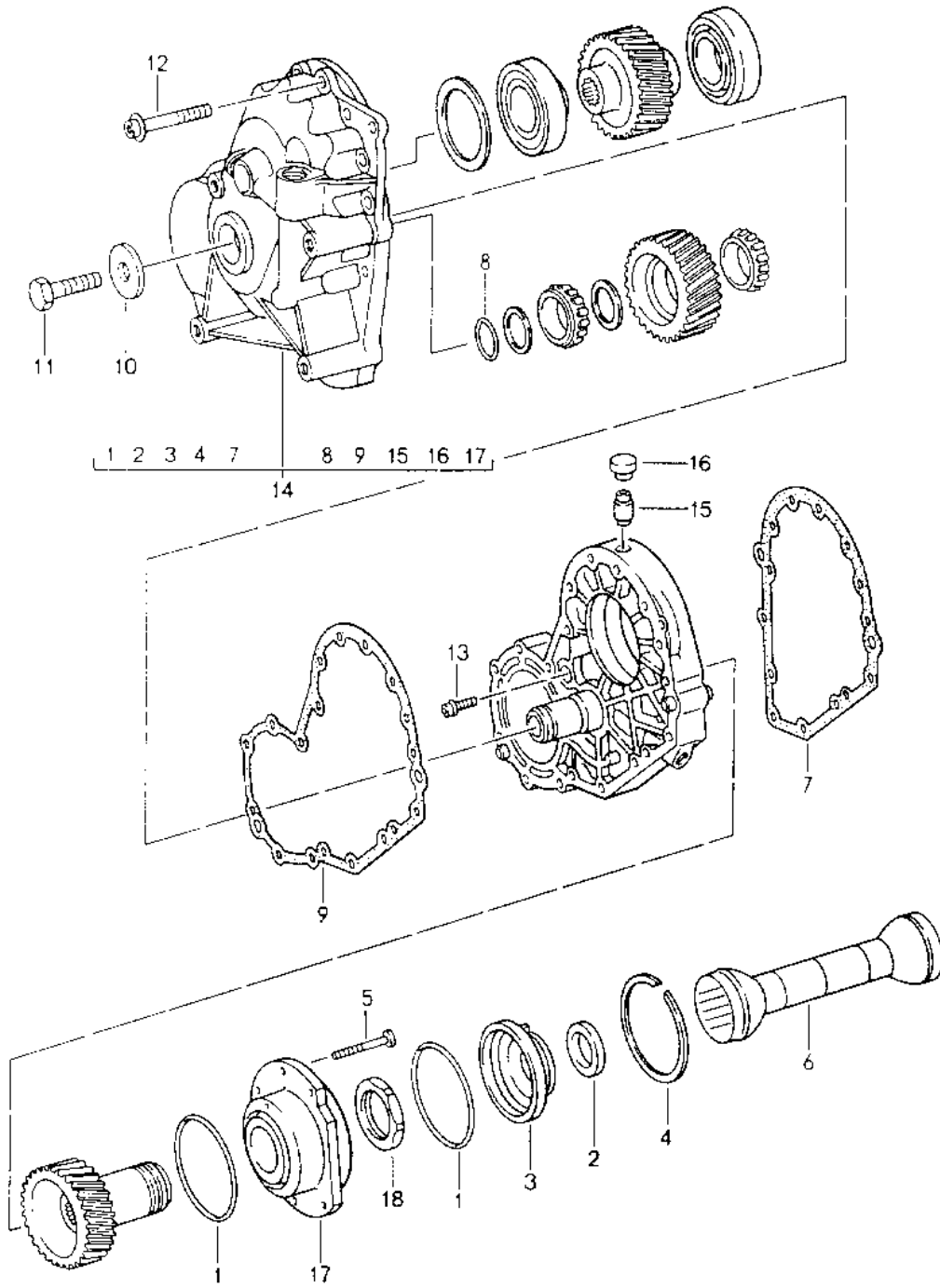


Model: 911 89 Model life 1989>>1994

Pos	Part Number	Description	Remark	Qty	Model
		Tiptronic Replacement transmission			A50.01/02/03
(1)	943 300 010 01	Transmission	-91	1	A50.01
1	943 300 010 02	Transmission	92-	1	A50.02
1	943 300 010 03	Transmission	92-	1	A50.03

Model: 911 89

Model life 1989>>1994



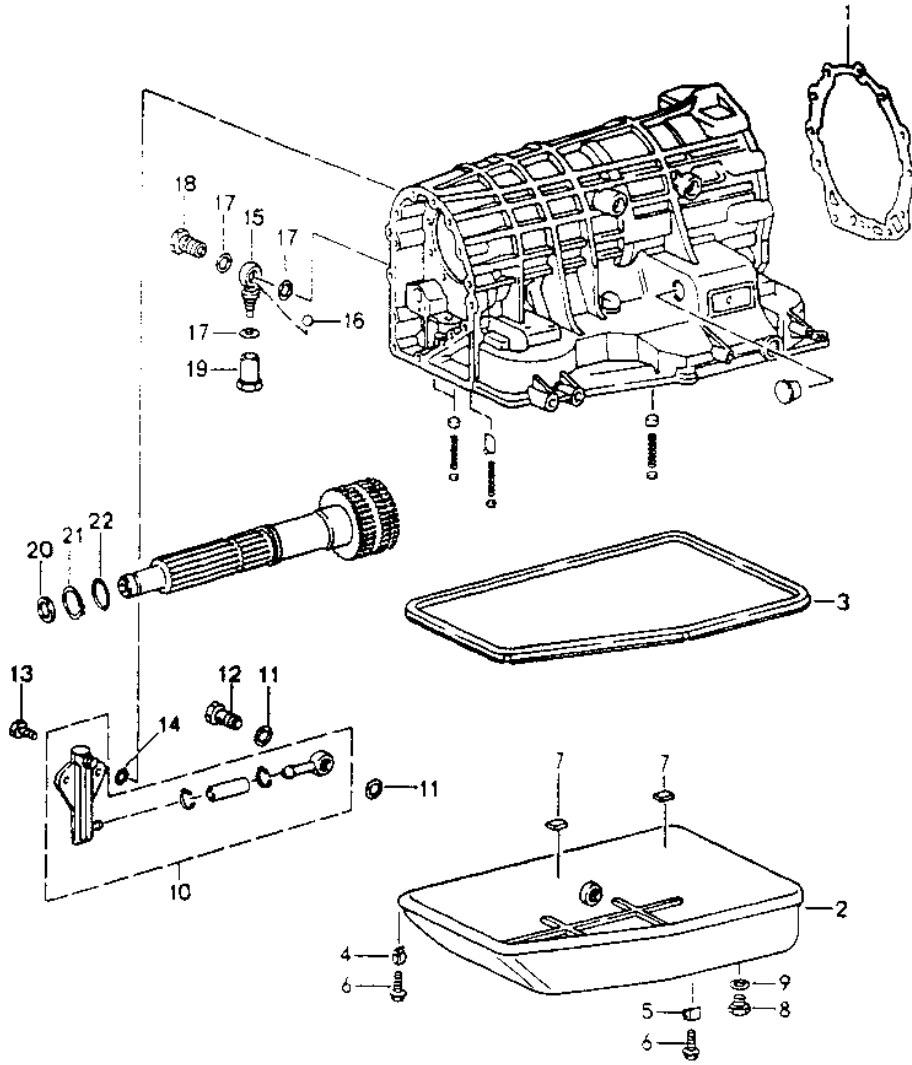
Model: 911 89

Model life 1989>>1994

Pos	Part Number	Description	Remark	Qty	Model
		Tiptronic Spur gears Intermediate plate			A50.01/02/03
1	943 397 022 00	Round seal		2	
2	943 397 023 01	Shaft sealing ring 30 X 45 X 8		1	
3	943 321 861 00	Housing		1	
4	943 397 029 00	Circlip SB 86		1	
5	943 397 024 00	Pan-head screw M 8 X 55		1	
6	943 321 831 00	Protective tube		1	
7	943 321 150 03	Gasket		1	
8	943 397 028 00	Round seal		1	
9	943 321 138 01	Gasket		1	
10	943 397 025 00	Washer		1	
11	N 010 275 3	Hexagon-head bolt M 10 X 35		1	
11	900 075 460 01	Hexagon-head bolt M 10 X 35		1	
12	943 397 026 00	Pan-head screw		11	
13	943 397 027 00	Pan-head screw		2	
(14)	943 300 911 00	Transmission cover Complete with Spur gears	-91	1	
14	943 300 911 01	Transmission cover Complete with Spur gears	92-	1	
15	943 321 311 00	Breather pipe		1	
16	943 321 312 01	Bleeder		1	
17	943 302 083 04	Bearing sleeve		1	
18	964 302 270 00	Lock nut		1	
25	943 321 312 01	Bleeder		1	

Model: 911 89

Model life 1989>>1994

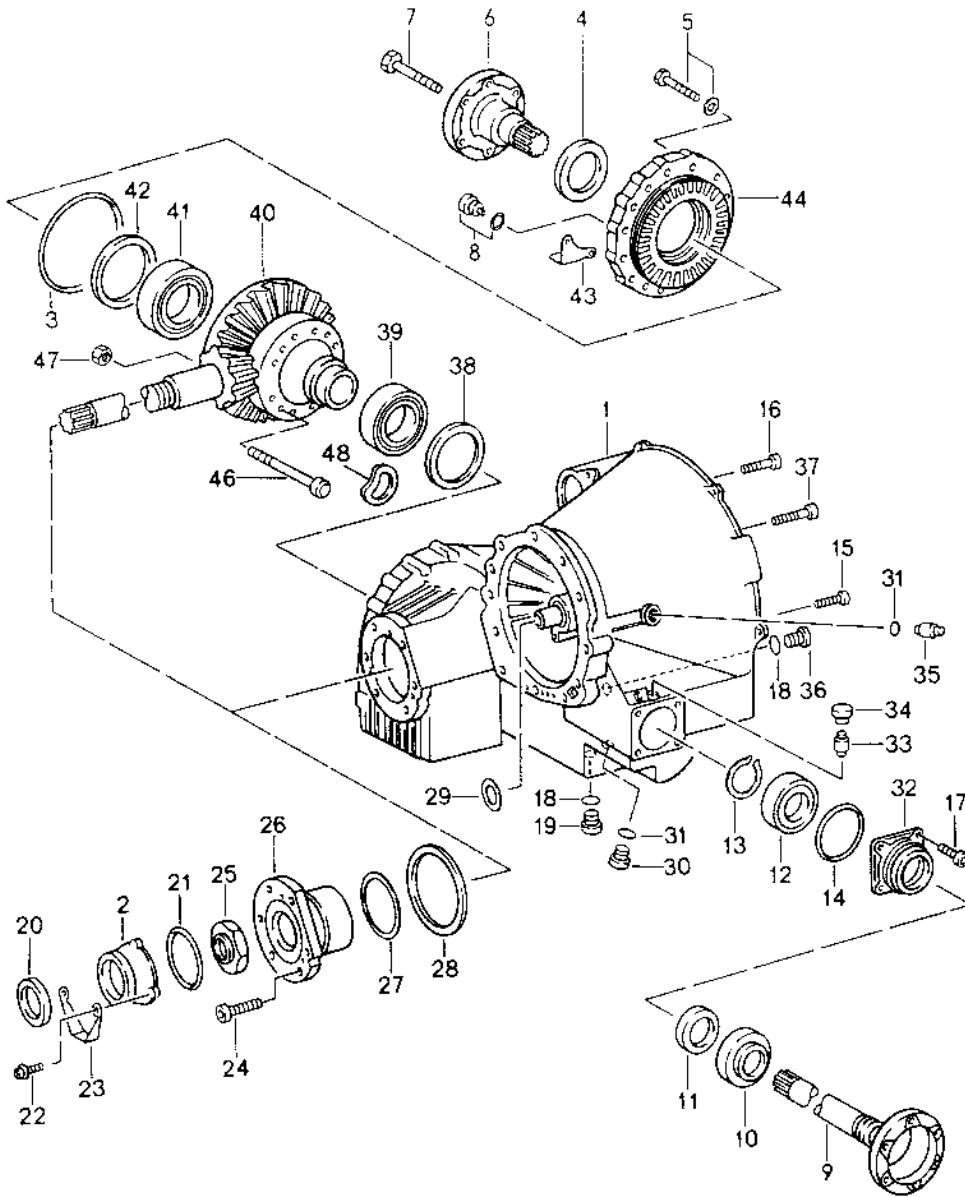


Model: 911 89 Model life 1989>>1994

Pos	Part Number	Description	Remark	Qty	Model
		Tiptronic Transmission case			A50.01/02/03
1	943 321 134 01	Oil pan Gasket		1	
2	943 321 025 06	Oil pan		1	
3	943 321 123 06	Gasket		1	
4	943 321 161 01	Retaining bracket		4	
5	943 321 163 00	Retaining bracket		2	
6	943 397 001 00	Hexagon-head bolt M 6		6	
6	943 397 001 01	Hexagon-head bolt M 6		6	
7	943 321 119 00	Magnet		2	
8	900 219 002 01	Screw plug M 14 X 1,5		1	
9	900 123 104 30	Sealing ring A 14 X 18		1	
10	943 321 027 00	Filling container		1	
11	900 123 116 30	Sealing ring A 12 X 15,5		2	
12	N 021 071 2	Banjo bolt 8		1	
13	900 236 014 02	Screw M 6 X 4		2	
14	943 397 032 00	Round seal		1	
15	943 307 101 00	Connection piece		1	
16	N 025 657 1	Ball 6 MM		1	
17	900 123 007 30	Sealing ring A 14 X 18		3	
18	N 021 074 1	Banjo bolt LL 10		1	
18	N 021 074 7	Banjo bolt LL 10		1	
19	960 307 163 00	Screw plug		1	
20	943 397 037 00	Round seal		1	
21	999 041 022 00	Circlip 27 X 1,2		1	
22	943 397 035 00	Sealing ring		1	

Model: 911 89

Model life 1989>>1994



Model: 911 89 Model life 1989>>1994

Pos	Part Number	Description	Remark	Qty	Model
		Tiptronic Differential Differential housing			A50.01/02/03
1	943 321 041 00	Rear axle housing		1	
2	943 321 851 00	Housing		1	
3	943 397 020 00	Round seal		1	
4	943 397 019 01	Shaft sealing ring 48 X 68 X 10		1	
5	N 010 247 7	Hexagon-head bolt M 8 X 35		11	
5	N 010 247 18	Hexagon-head bolt M 8 X 35		11	
6	943 332 210 01	Joint flange	/R	1	
7	900 074 064 02	Hexagon-head bolt M 10 X 60		1	
7	900 074 377 01	Hexagon-head bolt M 10 X 60		1	
8	900 219 001 30	Screw plug M 22 X 1,5		1	
9	943 332 209 01	Joint flange	/L	1	
10	943 332 207 01	Protective ring		1	
11	943 397 021 01	Shaft sealing ring 40 X 55 X 10		1	
12	999 052 141 00	Deep-groove ball bearing 35 X 62 X 14		1	
13	900 041 016 01	Circlip 35 X 1,5		1	
13	900 041 016 0B	Circlip 35 X 1,5		1	
14	943 397 017 00	Round seal		1	
15	943 397 015 00	Pan-head screw		3	
16	943 397 014 00	Pan-head screw		6	
17	943 397 016 00	Pan-head screw M 8 X 25		4	
18	900 123 118 30	Sealing ring A 22 X 27		3	
19	999 063 008 02	Screw plug M 22 X 1,5		1	
20	943 397 036 00	Shaft sealing ring		1	
21	943 397 034 00	O-ring		1	
22	943 397 012 00	Pan-head screw M 6 X 15		3	
23	964 119 181 01	Support		1	
24	943 397 038 00	Pan-head screw M 10 X 35		6	
25	999 034 014 00	Lock nut		1	
26	943 302 084 04	Bearing sleeve		1	
27	999 701 964 40	Round seal		1	
28	943 302 299 20	Adjusting shim 1,30 MM		X	
28	943 302 299 21	Adjusting shim 1,35 MM		X	
28	943 302 299 22	Adjusting shim 1,40 MM		X	
28	943 302 299 23	Adjusting shim 1,45 MM		X	
28	943 302 299 24	Adjusting shim 1,50 MM		X	
28	943 302 299 25	Adjusting shim 1,55 MM		X	
28	943 302 299 26	Adjusting shim 1,60 MM		X	
28	943 302 299 27	Adjusting shim		X	

Model: 911 89 Model life 1989>>1994

Pos	Part Number	Description	Remark	Qty	Model
28	943 302 299 28	1,65 MM Adjusting shim		X	
28	943 302 299 29	1,70 MM Adjusting shim		X	
28	943 302 299 30	1,75 MM Adjusting shim		X	
28	943 302 299 31	1,80 MM Adjusting shim		X	
28	943 302 299 32	1,85 MM Adjusting shim		X	
28	943 302 299 33	1,90 MM Adjusting shim		X	
28	943 302 299 34	1,95 MM Adjusting shim		X	
29	943 323 291 00	2,00 MM Adjusting shim		X	
29	943 323 291 01	0,80 MM Adjusting shim		X	
29	943 323 291 02	1,00 MM Adjusting shim		X	
29	943 323 291 03	1,20 MM Adjusting shim		X	
29	943 323 291 04	1,40 MM Adjusting shim		X	
29	943 323 291 05	1,60 MM Adjusting shim		X	
29	943 323 291 06	1,80 MM Adjusting shim		X	
29	943 323 291 07	2,00 MM Adjusting shim		X	
29	943 323 291 08	2,20 MM Adjusting shim		X	
29	943 323 291 09	2,40 MM Adjusting shim		X	
29	943 323 291 10	2,60 MM Adjusting shim		X	
30	900 219 002 02	2,80 MM Screw plug		1	
31	900 123 104 30	M 14 X 1,5 Sealing ring		1	
32	943 321 145 06	A 14 X 18 Housing		1	
33	943 321 311 00	Breather pipe		1	
34	943 321 312 00	Bleeder		1	
35	N 900 450 01	Connection piece		2	
		Screw plug		1	
		M 22 X 1,5			
36		Screw-on cap		1	
37	943 397 040 00	Pan-head screw		3	
38	943 332 218 10	Adjusting shim		X	
		1,00 MM			
38	943 332 218 11	Adjusting shim		X	
		1,05 MM			
38	943 332 218 12	Adjusting shim		X	
		1,10 MM			
38	943 332 218 13	Adjusting shim		X	
		1,15 MM			
38	943 332 218 14	Adjusting shim		X	
		1,20 MM			
38	943 332 218 15	Adjusting shim		X	
		1,25 MM			
38	943 332 218 16	Adjusting shim		X	
		1,30 MM			

Model: 911 89 Model life 1989>>1994

Pos	Part Number	Description	Remark	Qty	Model
38	943 332 218 17	Adjusting shim 1,35 MM		X	
38	943 332 218 18	Adjusting shim 1,40 MM		X	
38	943 332 218 19	Adjusting shim 1,45 MM		X	
38	943 332 218 20	Adjusting shim 1,50 MM		X	
38	943 332 218 21	Adjusting shim 1,55 MM		X	
38	943 332 218 22	Adjusting shim 1,60 MM		X	
38	943 332 218 23	Adjusting shim 1,65 MM		X	
38	943 332 218 24	Adjusting shim 1,70 MM		X	
38	943 332 218 25	Adjusting shim 1,75 MM		X	
38	943 332 218 26	Adjusting shim 1,80 MM		X	
38	943 332 218 27	Adjusting shim 1,85 MM		X	
38	943 332 218 28	Adjusting shim 1,90 MM		X	
38	943 332 218 29	Adjusting shim 1,95 MM		X	
38	943 332 218 30	Adjusting shim 2,00 MM		X	
39	999 059 112 00	Taper roller bearing		1	
40	943 332 091 00	Differential 33 : 9		1	
41	999 059 111 00	Taper roller bearing		1	
42	943 332 219 10	Adjusting shim 1,00 MM		X	
42	943 332 219 11	Adjusting shim 1,05 MM		X	
42	943 332 219 12	Adjusting shim 1,10 MM		X	
42	943 332 219 13	Adjusting shim 1,15 MM		X	
42	943 332 219 14	Adjusting shim 1,20 MM		X	
42	943 332 219 15	Adjusting shim 1,25 MM		X	
42	943 332 219 16	Adjusting shim 1,30 MM		X	
42	943 332 219 17	Adjusting shim 1,35 MM		X	
42	943 332 219 18	Adjusting shim 1,40 MM		X	
42	943 332 219 19	Adjusting shim 1,45 MM		X	
42	943 332 219 20	Adjusting shim 1,50 MM		X	
42	943 332 219 21	Adjusting shim 1,55 MM		X	
42	943 332 219 22	Adjusting shim 1,60 MM		X	
42	943 332 219 23	Adjusting shim 1,65 MM		X	
42	943 332 219 24	Adjusting shim 1,70 MM		X	
42	943 332 219 25	Adjusting shim		X	

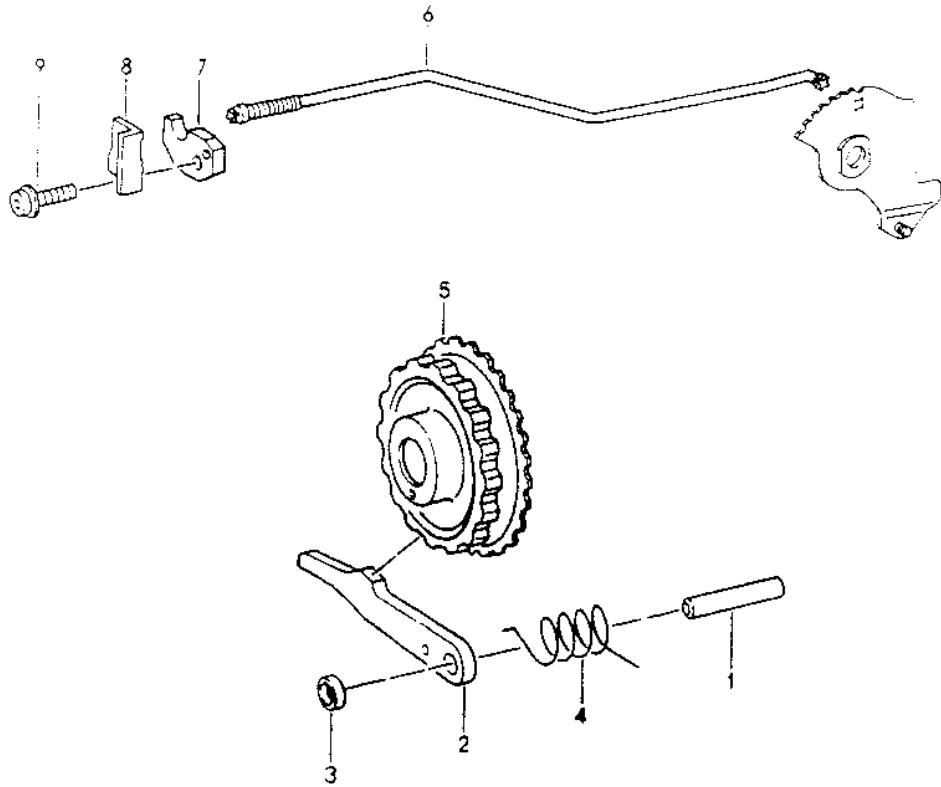
Model: 911 89

Model life 1989>>1994

Pos	Part Number	Description	Remark	Qty	Model
42	943 332 219 26	1,75 MM Adjusting shim		X	
42	943 332 219 27	1,80 MM Adjusting shim		X	
42	943 332 219 28	1,85 MM Adjusting shim		X	
43	964 119 182 00	1,90 MM Support		1	
44	943 321 134 07	Transmission cover		1	
45		Screw plug 22 X 1,5		1	
46	943 332 750 06	Locking screw		12	
47	900 076 078 01	Hexagon nut M 10 X 1,25		12	
48	943 332 101 00	Spring washer GEWELLT POS. 46/47/48 NUR FUER KD.		2	

Model: 911 89

Model life 1989>>1994



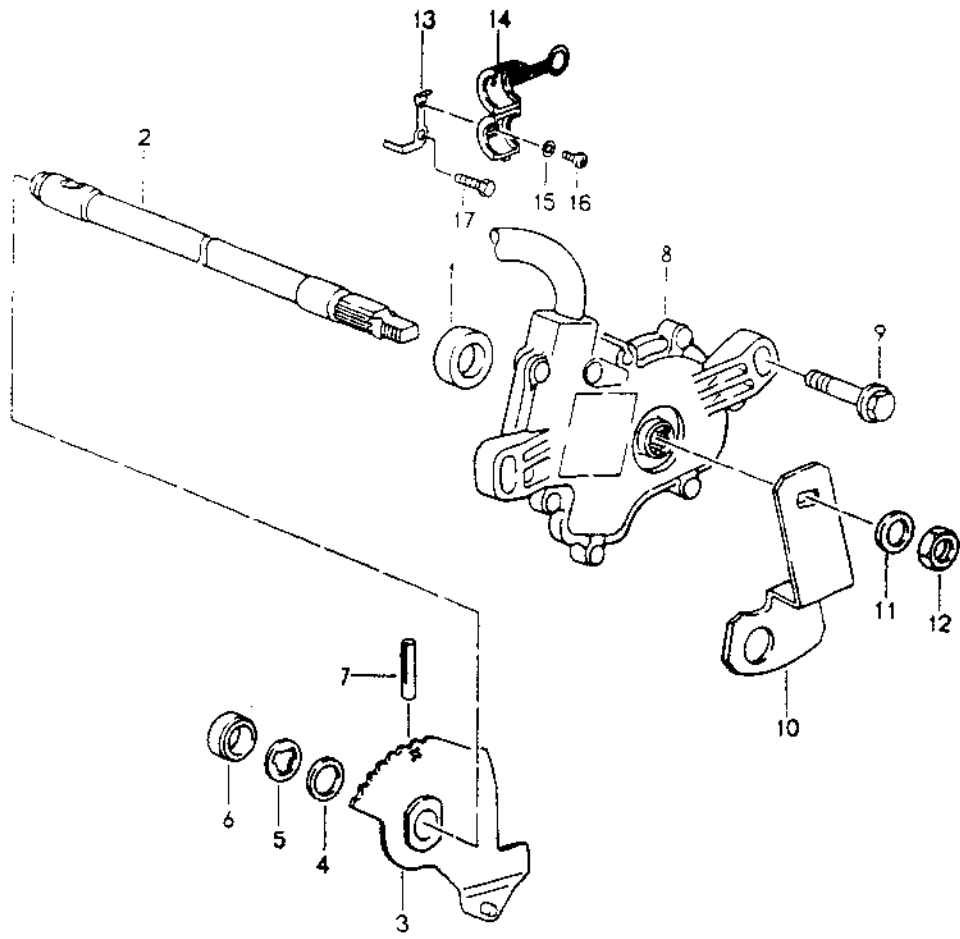
Model: 911 89

Model life 1989>>1994

Pos	Part Number	Description	Remark	Qty	Model
		Tiptronic			
		Parking lock			A50.01/02/03
1	943 303 107 00	Bolt		1	
2	943 303 111 00	Stop		1	
3	943 303 113 00	Bush		1	
4	943 303 109 00	Steering knuckle spring		1	
5	943 303 115 00	Parking lock		1	
6	943 303 101 00	Connecting rod		1	
7	943 303 103 00	Guide piece		1	
8	943 303 105 00	Guide plate		1	
9	943 397 039 00	Pan-head screw		1	

Model: 911 89

Model life 1989>>1994

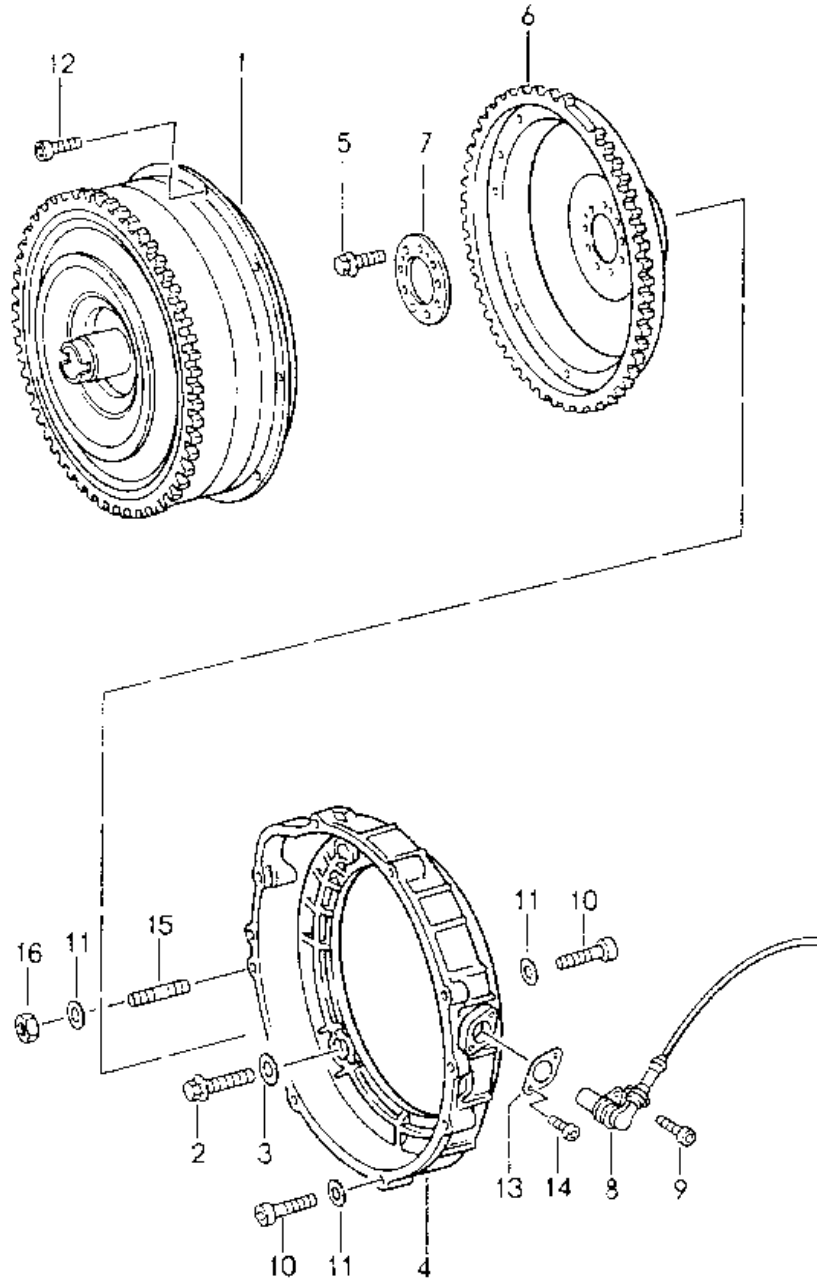


Model: 911 89 Model life 1989>>1994

Pos	Part Number	Description	Remark	Qty	Model
1	943 397 018 03	Tiptronic Selector switch Shaft sealing ring 10 X 18 X 5		1	A50.01/02/03
2	943 325 101 00	Shaft		1	
3	943 325 010 00	Locking segment		1	
4	900 234 029 00	Shim 9 X 15 X 1,0		1	
5	900 041 037 01	Circlip 9 X 1		1	
6	943 397 031 00	Protection cap		1	
7	900 095 107 01	Roll pin 5 X 22		1	
8	964 613 212 00	Switch	-91	1	A50.01
8	964 613 212 01	Switch	92-	1	A50.02/03
9	900 378 013 09	Hexagon-head bolt M 6 X 25		2	
10	943 426 263 04	Selector lever		1	
11	900 031 001 02	Washer 8,4		1	
11	900 031 105 01	Washer 8,4		1	
12	943 397 008 00	Hexagon nut M 8 X 1		1	
13	964 612 471 00	Support		1	
14	964 612 431 00	Support		1	
15	900 025 002 02	Washer A 4,3		1	
15	900 025 002 03	Washer A 4,3		1	
16	900 014 002 02	Pan-head screw AM 4 X 6		1	
17	N 040 268 1	Hexagon-head bolt M 6 X 14		1	

Model: 911 89

Model life 1989>>1994

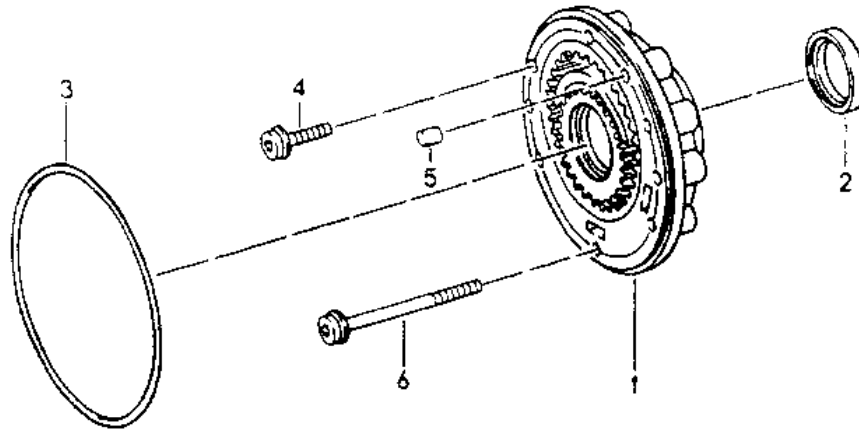


Model: 911 89 Model life 1989>>1994

Pos	Part Number	Description	Remark	Qty	Model
		Tiptronic Converter			
1	943 316 001 00	Converter		1	
1	943 316 001 01	Converter		1	
2	999 073 023 08	Torx screw M 10 X 35		4	
2	999 073 023 01	Torx screw M 10 X 35		4	
3	900 025 008 09	Washer A 10,5		4	
3	900 025 008 04	Washer A 10,5		4	
4	943 116 101 01	Converter housing		1	
5	999 073 024 08	Torx screw M 10 X 1,25		9	
6	943 116 075 01	Drive plate		1	
7	943 116 153 02	Perforated plate		1	
8	911 606 217 03	Pulse sender		1	
9	999 218 005 02	Pan-head screw M 6 X 16		1	
9	999 218 005 01	Pan-head screw M 6 X 16		1	
10	900 067 081 02	Pan-head screw M 8 X 35		8	
10	900 067 102 02	Pan-head screw M 8 X 35		8	
11	900 031 001 02	Washer 8,4		8	
11	900 031 105 01	Washer 8,4		8	
12	900 067 280 08	Pan-head screw M 6 X 16		8	
12	900 067 280 01	Pan-head screw M 6 X 16		8	
13	964 606 217 00	Shim 0,1 MM		X	
13	964 606 217 02	Shim 0,4 MM		X	
14	N 014 740 2	Pan-head screw M 6 X 16		1	
14	N 014 740 11	Pan-head screw M 6 X 16		1	
15	999 062 009 02	Stud BM 8 X 28		1	
15	900 060 105 01	Stud BM 8 X 28		1	
16	900 076 025 02	Hexagon nut M 8		1	
16	900 076 064 02	Hexagon nut M 8		1	

Model: 911 89

Model life 1989>>1994



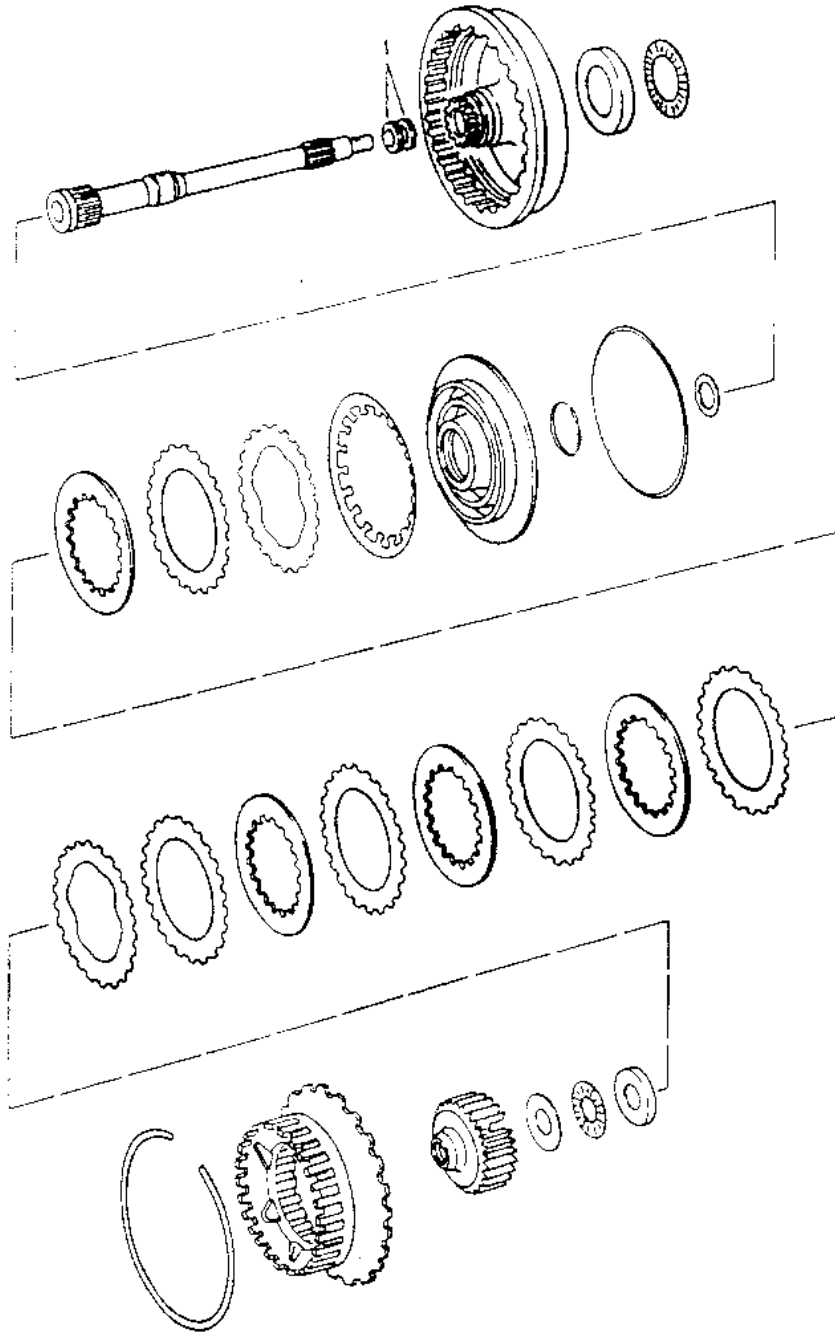
Model: 911 89

Model life 1989>>1994

Pos	Part Number	Description	Remark	Qty	Model
		Tiptronic			
		Oil pump			A50.01/02/03
1	943 307 001 00	Oil pump		1	
2	943 397 010 01	Shaft sealing ring 40 X 52 X 7		1	
3	943 397 011 00	Round seal		1	
4	943 397 013 00	Pan-head screw M 6 X 30		7	
5	943 397 030 00	Sleeve		1	
6	943 397 006 00	Pan-head screw M 6 X 80		1	

Model: 911 89

Model life 1989>>1994



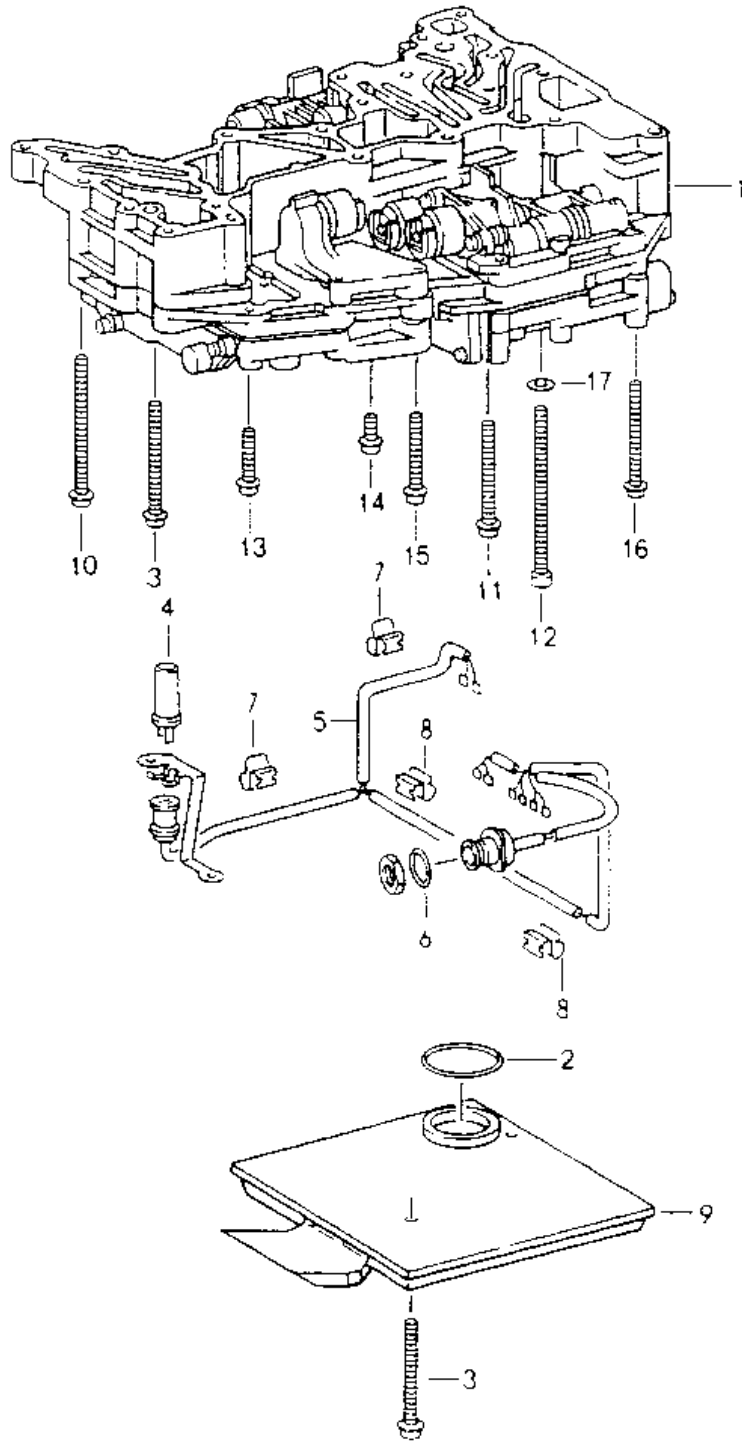
Model: 911 89

Model life 1989>>1994

Pos	Part Number	Description	Remark	Qty	Model
1	943 397 033 00	Tiptronic Drive shaft Sealing ring		2	A50.01/02/03

Model: 911 89

Model life 1989>>1994

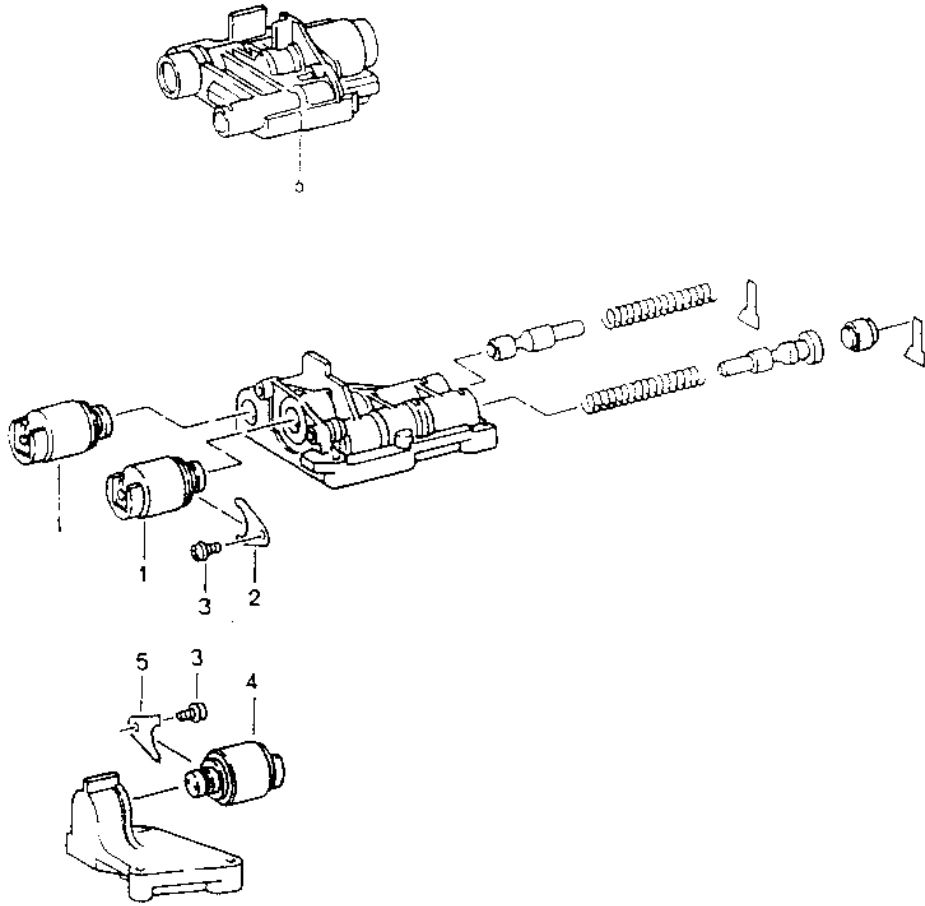


Model: 911 89 Model life 1989>>1994

Pos	Part Number	Description	Remark	Qty	Model
		Tiptronic Oil strainer Inductive transmitter Mounting parts for Switch unit			A50.01/02/03
1	943 325 001 00	Switch unit	-91	1	A50.01
1	943 325 001 01	Switch unit	92-	1	A50.02/03
2	943 307 041 00	Round seal		1	
3	943 397 003 00	Pan-head screw M 6 X 65		5	
4	943 325 604 00	Inductive transmitter		1	
5	943 325 605 01	Wiring harness		1	
6	943 397 007 00	Round seal 26,7X1,78		1	
7	943 325 606 00	Cable terminal		2	
8	943 325 607 00	Cable terminal		2	
9	943 307 011 02	Oil strainer		1	
10	943 397 006 00	Pan-head screw M 6 X 80		7	
11	943 397 005 00	Pan-head screw M 6 X 60		3	
12	943 397 004 00	Pan-head screw M 6 X 105		1	
13	943 397 044 00	Pan-head screw M 5 X 30		1	
14	943 397 045 00	Pan-head screw M 5 X 12		3	
15	943 397 043 00	Pan-head screw M 5 X 45		6	
16	943 397 042 00	Pan-head screw M 5 X 60		12	
17	N 012 226 5	Spring washer B 6		1	

Model: 911 89

Model life 1989>>1994

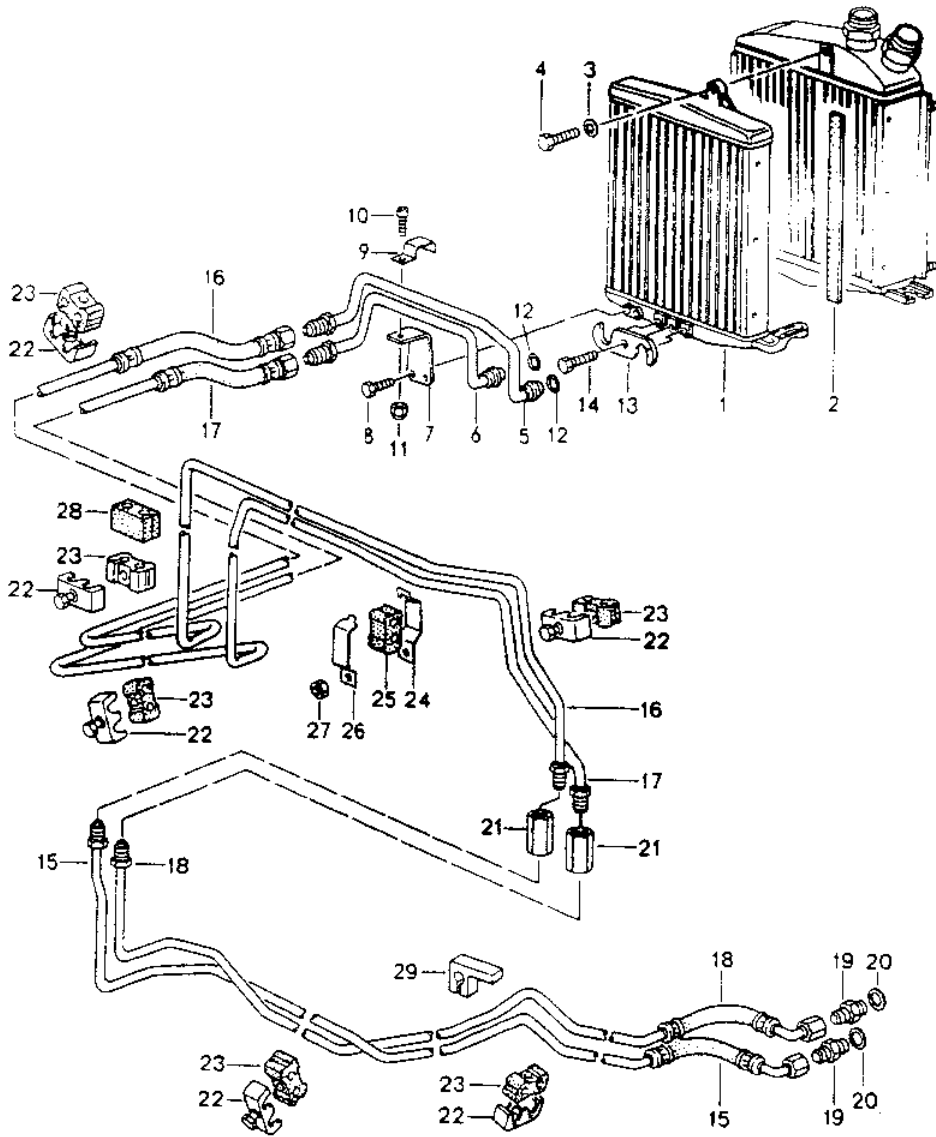


Model: 911 89 Model life 1989>>1994

Pos	Part Number	Description	Remark	Qty	Model
		Tiptronic			
		Solenoid valve			A50.01/02/03
1	943 325 601 00	Solenoid valve		2	
(1)	944 325 602 00	Solenoid valve		2	
2	943 325 111 00	Retaining bracket		2	
3	943 397 009 00	Pan-head screw M5X10		3	
4	943 325 602 00	Solenoid valve		1	
5	943 325 112 00	Retaining bracket		1	
6	943 325 603 01	Pressure regulator		1	

Model: 911 89

Model life 1989>>1994



Model: 911 89 Model life 1989>>1994

Pos	Part Number	Description	Remark	Qty	Model
		Tiptronic			A50.01/02/03
		Atf cooler			
		Atf lines			
1	943 307 027 10	Transmission oil cooler		1	
-	000 043 204 88	Sealing strap		*	
		Roll with 10 meters			
		9 X 3			
2		260 MM		1	
3	900 151 003 02	Washer		1	
		A 6,4			
3	900 151 006 03	Washer		1	
		A 6,4			
4	900 075 016 02	Hexagon-head bolt		1	
		M 6 X 22			
4	900 075 016 03	Hexagon-head bolt		1	
		M 6 X 22			
5	943 307 087 00	Oil pipe		1	
6	943 307 088 00	Oil pipe		1	
7	943 307 145 01	Retaining bracket		1	
8	N 010 207 6	Hexagon-head bolt		2	
		M 5 X 12			
8	N 010 207 17	Hexagon-head bolt		2	
		M 5 X 12			
9	900 171 013 00	Clamp		1	
		2 X 10			
10	N 100 534 01	Pan-head screw		1	
		M 4 X 12			
11	900 276 002 02	Lock nut		1	
		M 4			
12	999 701 951 40	O-ring		2	
		13 X 1,5			
13	943 307 143 00	Latch		1	
14	N 010 217 9	Hexagon-head bolt		1	
		M 6 X 20			
15	943 307 070 01	Oil pipe		1	
16	943 307 071 01	Oil pipe		1	
		Supply			
16	943 307 071 02	Oil pipe		1	
		Supply			
16	943 307 071 03	Oil pipe		1	
		Supply			
17	943 307 073 01	Oil pipe		1	
		Return line			
17	943 307 073 02	Oil pipe		1	
		Return line			
17	943 307 073 03	Oil pipe		1	
		Return line			
18	943 307 074 01	Oil pipe		1	
		Return line			
18	943 307 074 02	Oil pipe		1	
		Return line			
18	943 307 074 03	Oil pipe		1	
		Return line			
19	N 900 450 01	Connection piece		2	
		A10			
20	900 123 007 30	Sealing ring		2	
		A14 X 18			
21	477 209 169	Connecting piece		2	
22	928 356 555 00	Clamp		9	
23	928 356 525 01	Rubber mounting		9	
24	964 573 453 00	Support		1	
25	964 573 455 00	Spacer rubber		1	
26	964 573 463 00	Support		1	

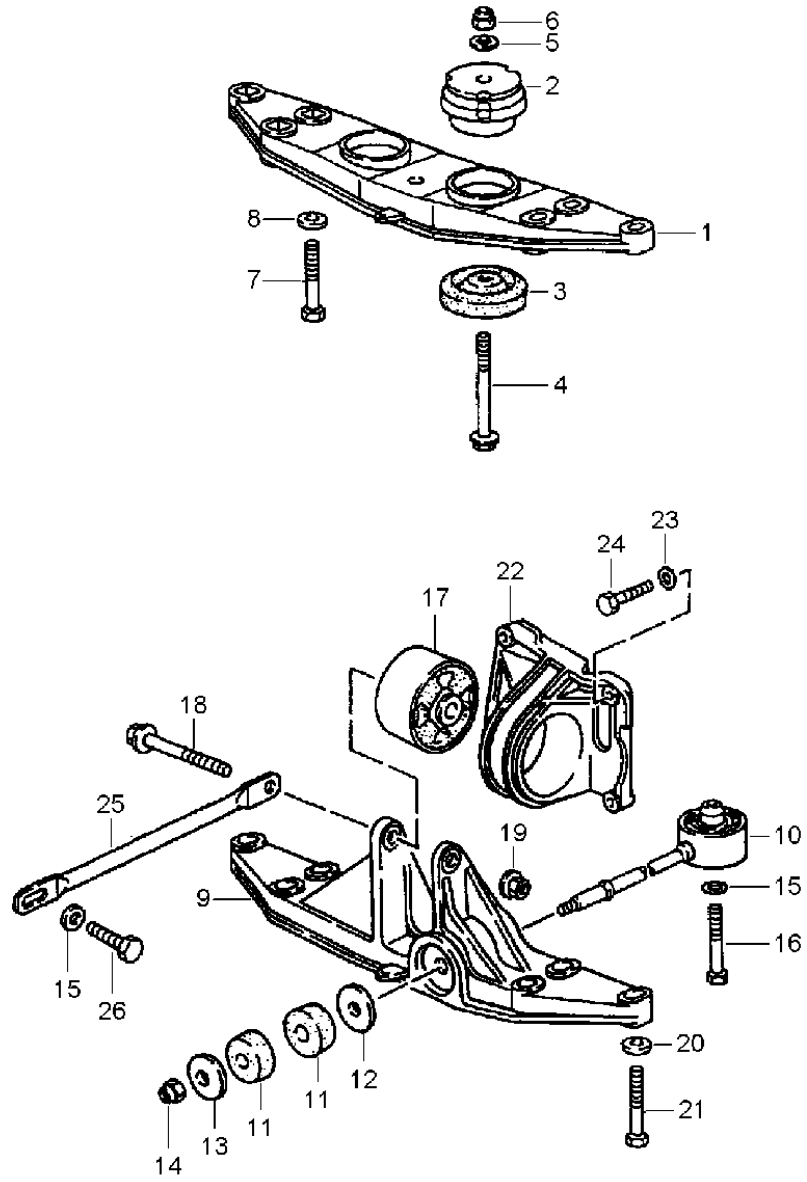
Model: 911 89

Model life 1989>>1994

Pos	Part Number	Description	Remark	Qty	Model
27	900 076 025 02	Hexagon nut M 8		1	
27	900 076 064 02	Hexagon nut M 8		1	
28	943 307 321 00	Sealing rubber		1	
29	943 307 322 00	Rubber mounting		1	

Model: 911 89

Model life 1989>>1994



Model: 911 89 Model life 1989>>1994

Pos	Part Number	Description	Remark	Qty	Model
		Tiptronic Transmission suspension for cars with A50.01	-91 -91		A50.01/02/03
1	964 375 309 03	Transmission carrier		1	
2	964 375 055 03	Transmission mounting		2	
3	964 375 057 00	Stop plate		2	
4	900 378 023 02	Hexagon-head bolt M12 X 1,5 X 100		2	
5	900 025 009 02	Washer A 13		2	
6	N 022 141 1	Captive nut M 12 X 1,5		2	
6	900 360 002 01	Lock nut M 12 X 1,5		2	
6	900 360 002 0B	Lock nut M 12 X 1,5		2	
7	N 040 241 1	Hexagon-head bolt M 10 X 60		6	
7	900 075 513 01	Hexagon-head bolt M10 X 60		6	
8	999 025 196 02	Washer 10,3 X 28 X 5 for cars with A50.02/03		6	
9	964 375 309 04	Transmission carrier	92-	1	
9	964 375 309 05	Transmission carrier	92-	1	
10	964 375 070 04	Bracket		1	
11	964 375 211 01	Rubber buffer		1	
12	999 025 182 02	Washer 13,2 X 44 X 5		1	
13	999 025 181 02	Washer 10,1 X 44 X 5		1	
13	999 025 181 03	Washer 10,1 X 44 X 5		1	
14	N 021 130 3	Lock nut VM 10		1	
14	N 021 130 D	Lock nut VM 10		1	
15	900 025 009 02	Washer A 13		3	
16	N 010 165 3	Hexagon-head bolt M 12 X 1,5 X 65		1	
16	900 082 109 01	Hexagon-head bolt M 12 X 1,5 X 65		1	
17	964 375 055 02	Transmission mounting		1	
18	900 378 027 02	Hexagon-head bolt M 12 X 1,5 X 95		1	
19	900 380 010 09	Lock nut M 12 X 1,5		1	
20	999 025 196 02	Washer 10,3 X 28 X 5		6	
21	N 040 241 1	Hexagon-head bolt M10 X 60		6	
21	900 075 513 01	Hexagon-head bolt M10 X 60		6	
22	993 375 410 00	Bracket without Transmission mounting		1	
(22)	993 375 041 00	Bracket with Transmission mounting		1	
23	900 025 007 02	Washer		4	

Model: 911 89

Model life 1989>>1994

Pos	Part Number	Description	Remark	Qty	Model
23	900 025 007 03	A 8,4 Washer		4	
24	N 010 335 5	A 8,4 Hexagon-head bolt		4	
24	900 075 032 03	M 8 X 35 Hexagon-head bolt		4	
25	993 504 621 00	M 8 X 35 Strut		2	
26	900 075 199 02	Hexagon-head bolt M 12 X 22		2	
-	900 025 009 02	Washer A 13		2	

Model: 911 89

Model life 1989>>1994



Model: 911 89 Model life 1989>>1994

Pos	Part Number	Description	Remark	Qty	Model
>>	964 300 911 00	Gasket set Gasket set Transmission Comprising:		1	G64.00/01/02
-	999 113 347 40	Shaft sealing ring		2	
-	999 113 326 41	Shaft sealing ring		1	
-	900 123 011 30	Sealing ring A 22 X 27		2	
-	999 701 745 40	O-ring		1	
-	950 301 151 01	Cap		1	
-	950 301 191 01	Gasket		1	
-	950 301 351 02	Gasket		1	
-	964 301 051 01	Sealing sleeve		1	
-	964 301 051 03	Sealing sleeve		1	
-	900 123 015 30	Sealing ring A 30 X 36		1	
-	928 303 120 01	Shaft sealing ring		1	
-	999 113 386 40	Shaft sealing ring 30 X 47 X 7		1	
-	964 301 195 02	Gasket		1	
-	999 701 734 40	Sealing ring 29,5 X 1,5 N		1	
>>	964 300 912 00	Gasket set Transmission Comprising:		1	G50.03/04/05 G50.10/52
-	999 113 326 41	Shaft sealing ring		1	
-	950 301 151 01	Cap		1	
-	928 332 776 00	Flange gasket		1	
-	900 123 011 30	Sealing ring A 22 X 27		2	
-	999 113 347 40	Shaft sealing ring		2	
-	999 701 745 40	O-ring		1	
-	950 301 191 01	Gasket		1	
-	950 301 351 02	Gasket		1	
-	999 113 404 40	Shaft sealing ring		1	
-	999 701 734 40	Sealing ring 29,5 X 1,5 N		1	
-	999 701 387 40	O-ring 210 X 3,5		1	
-	900 123 043 30	Sealing ring A 12 X 15		1	
-	900 123 010 40	Sealing ring 20 X 24 X 1,5	91-	1	
-	900 123 044 40	Sealing ring 18 X 22		1	
-	964 116 911 00	Repair kit for Clutch Comprising: Pressure plate Clutch plate Clutch release bearing	-90 -91	1	M64.01
-	964 116 911 02	Repair kit for Clutch Comprising: Pressure plate Clutch plate Clutch release bearing		1 1 1 1	M64.01
-	964 116 911 01	Repair kit for Use also: 950.116.813.06	92-	1 1	M64.01

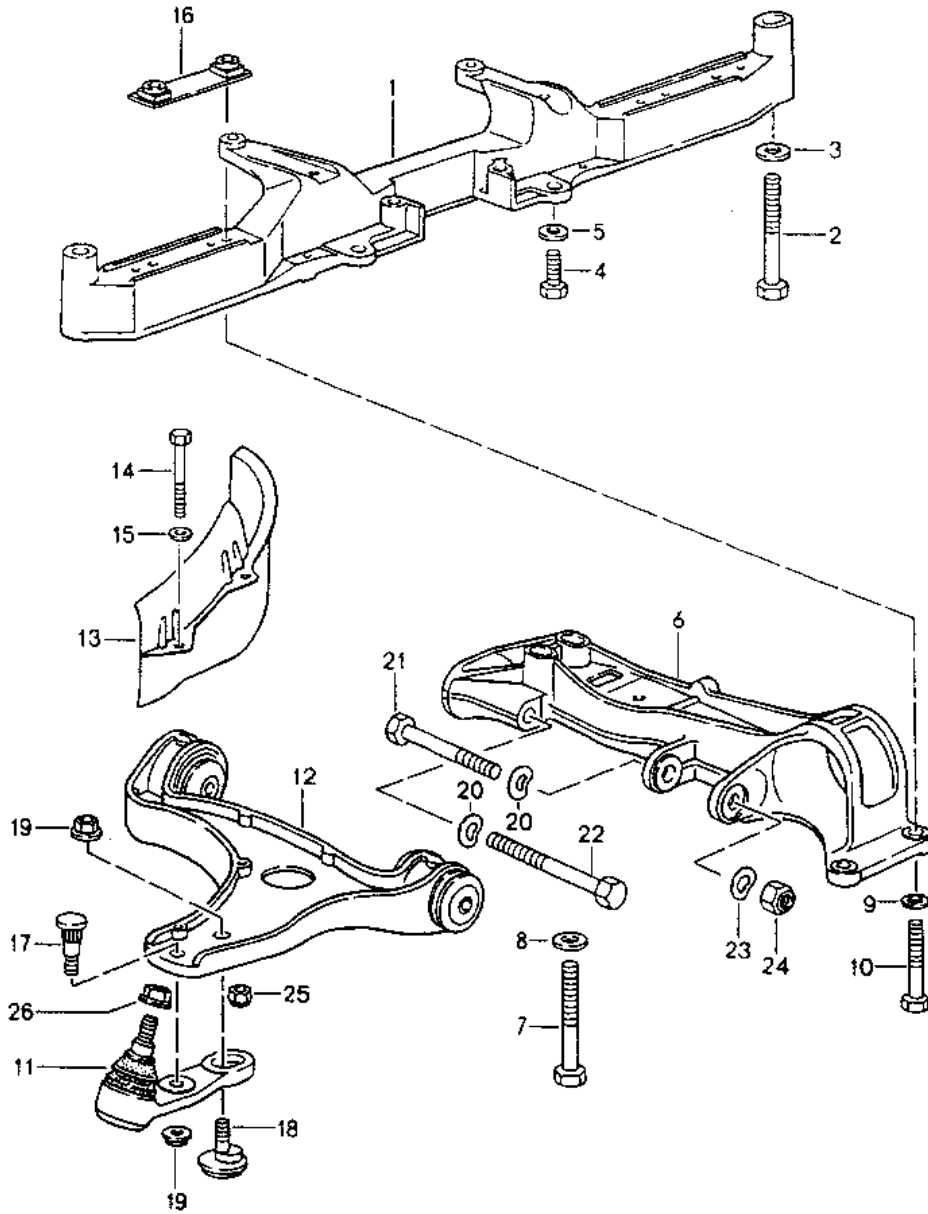
Model: 911 89

Model life 1989>>1994

Pos	Part Number	Description	Remark	Qty	Model
		Clutch Comprising: Pressure plate Clutch plate Clutch release bearing		1 1 1	

Model: 911 89

Model life 1989>>1994



Model: 911 89 Model life 1989>>1994

Pos	Part Number	Description	Remark	Qty	Model
		Cross member			
		Wishbone			
1	964 341 101 05	Cross member		1	
2	900 082 121 02	Hexagon-head bolt		2	
		12 X 1,5 X 90			
3	901 333 143 01	Washer		2	
4	900 075 041 09	Hexagon-head bolt		2	
		M 10 X 25			
4	900 075 481 01	Hexagon-head bolt		2	
		M 10 X 25			
5	999 025 076 09	Washer		2	
		10,2 X 21 X 3			
6	964 341 111 21	Side member	/L -92	1	
6	964 341 111 22	Side member	/L	1	
6	964 341 111 21	Side member	/L 93-	1	
6	964 341 111 22	Side member	/L 93-	1	
(6)	964 341 112 21	Side member	/R -92	1	
(6)	964 341 112 22	Side member	/R	1	
(6)	964 341 112 21	Side member	/R 93-	1	
(6)	964 341 112 22	Side member	/R 93-	1	
7	900 082 020 09	Hexagon-head bolt		4	
		M 12 X 1,5 X 80			
7	900 082 020 03	Hexagon-head bolt		4	
		M 12 X 1,5 X 80			
8	901 333 143 01	Washer		4	
		12,5 X 28 X 4			
9	900 025 008 09	Washer		4	
		A 10,5			
9	900 025 008 04	Washer		4	
		A 10,5			
10	N 010 465 5	Hexagon-head bolt		4	
		M 10 X 65			
10	900 074 248 03	Hexagon-head bolt		4	
		M 10 X 65			
11	964 341 049 03	Ball joint		2	
11	964 341 049 07	Ball joint		2	
12	964 341 017 06	Wishbone	/L	1	CARRERA 2/4 TURBO/LOOK TURBO 3,6
12	964 341 017 07	Wishbone	/L	1	CARRERA 2/4 TURBO/LOOK TURBO 3,6
(12)	964 341 018 06	Wishbone	/R	1	CARRERA 2/4 TURBO/LOOK TURBO 3,6
(12)	964 341 018 07	Wishbone	/R	1	CARRERA 2/4 TURBO/LOOK TURBO 3,6
12	964 341 017 80	Wishbone	/L	1	CARRERA RS
12	964 341 017 82	Wishbone	/L	1	CARRERA RS
(12)	964 341 018 80	Wishbone	/R	1	CARRERA RS
(12)	964 341 018 82	Wishbone	/R	1	CARRERA RS
13	964 341 083 01	Air guide	/L	1	
13	964 341 084 01	Air guide	/R	1	
14	N 010 366 4	Hexagon-head bolt		4	
15	N 011 666 7	Washer		8	
16	964 341 015 00	Plate		2	
17	964 341 465 02	Knurled screw		2	
17	964 341 465 03	Knurled screw		2	
18	964 341 455 01	Caster eccentric		2	
19	999 084 620 02	Lock nut		4	
19	999 084 624 0J	Lock nut		4	
20	999 025 212 09	Washer		4	

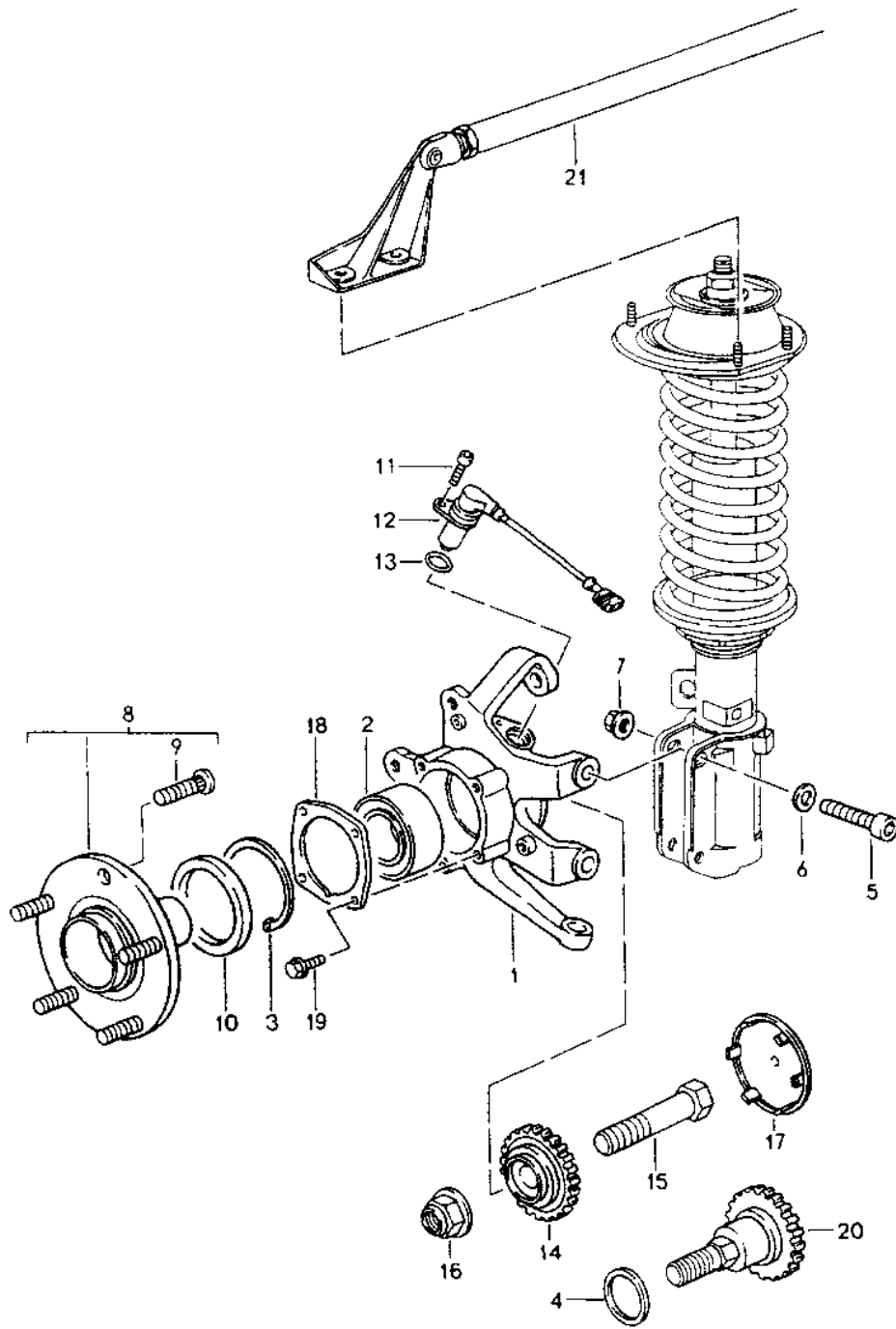
Model: 911 89

Model life 1989>>1994

Pos	Part Number	Description	Remark	Qty	Model
20	999 025 212 01	Washer		4	
21	N 010 191 2	Hexagon-head bolt		2	
21	900 082 142 01	Hexagon-head bolt		2	
22	900 082 118 09	Hexagon-head bolt		2	
22	900 082 118 01	Hexagon-head bolt		2	
23	900 028 014 02	Washer		4	
23	900 028 014 03	Washer		4	
24	N 022 141 1	Captive nut VM 12 X 1,5		4	
24	900 360 002 01	Lock nut VM 12 X 1,5		4	
24	900 360 002 0B	Lock nut VM 12 X 1,5		4	
25	900 910 010 09	Lock nut M 6		4	
26	900 380 010 09	Lock nut		2	

Model: 911 89

Model life 1989>>1994



Model: 911 89 Model life 1989>>1994

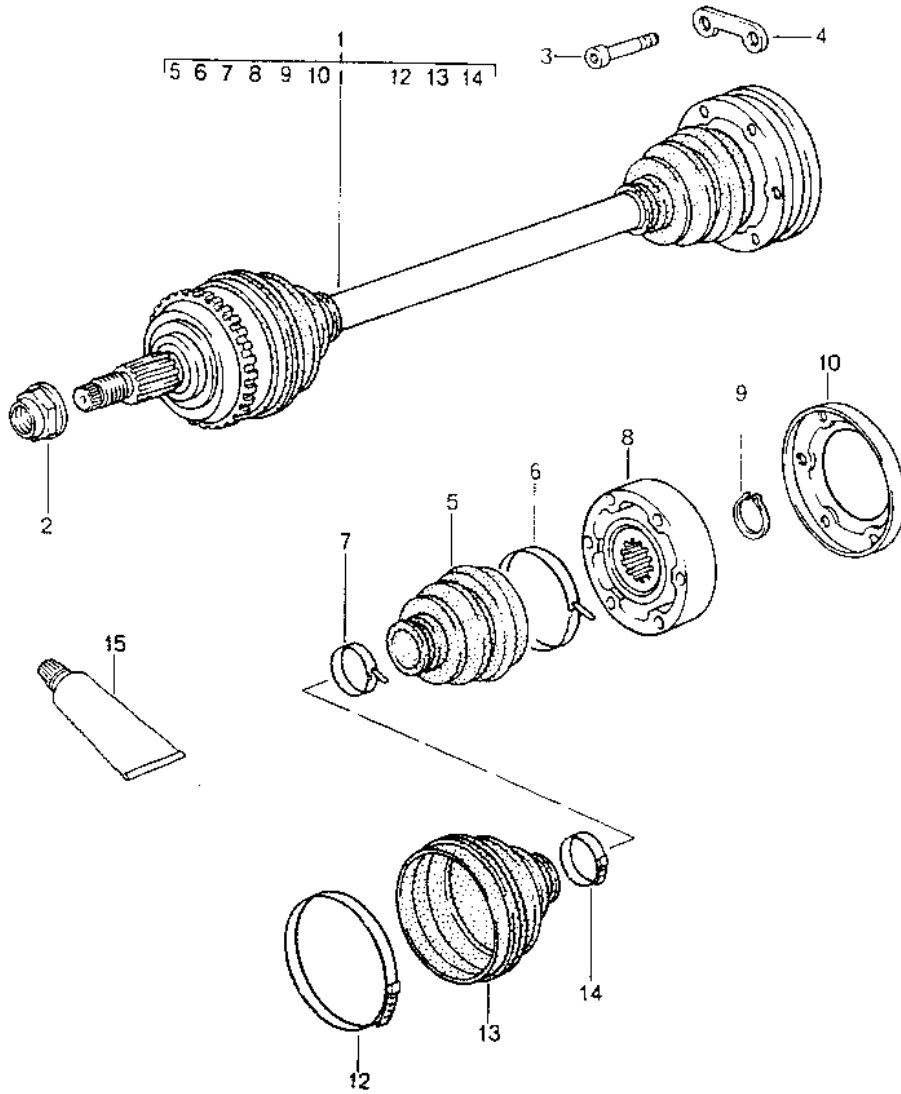
Pos	Part Number	Description	Remark	Qty	Model
		Wheel carrier Wheel hub Transverse strut See technical information Group 4 10/89			TURBO 3,6
1	964 341 655 19	Wheel carrier	/L	1	CARRERA 2/4
			/L	1	TURBO-LOOK CARRERA 4
1	965 341 655 19	Wheel carrier	/L	1	TURBO
			/L	1	TURBO-LOOK CARRERA 2
1	965 341 655 21	Wheel carrier	/L	1	CARRERA RS
(1)	964 341 656 19	Wheel carrier	/R	1	TURBO 3,6 CARRERA 2/4
			/R	1	TURBO-LOOK CARRERA 4
(1)	965 341 656 19	Wheel carrier	/R	1	TURBO
			/R	1	TURBO-LOOK CARRERA 2
(1)	965 341 656 21	Wheel carrier	/R	1	CARRERA RS
2	999 053 041 00	Angular-contact bearing		2	TURBO 3,6
2	999 053 041 01	Angular-contact bearing		2	
3	N 012 298 1	Circlip		2	
4	964 341 253 00	Spacer ring		2	CARRERA RS
5	900 067 310 09	Pan-head screw M 12 X 1,25 X 90		4	
5	900 387 024 01	Pan-head screw M 12 X 1,25 X 90		4	
(5)	999 072 006 09	Hexagon-head bolt M 14 X 1,5 X 55		2	TURBO 3,6
6	999 025 212 09	Washer 12,5 X 24 X 3		4	
6	999 025 212 01	Washer 12,5 X 24 X 3		4	
7	999 084 623 09	Lock nut M 12 X 1,25		4	
7	999 084 440 09	Hexagon nut M 14 X 1,5		2	TURBO 3,6
8	964 341 065 01	Front wheel hub	89	2	CARRERA 4
8	964 341 065 02	Front wheel hub	90-	2	CARRERA 4
8	964 341 065 04	Front wheel hub	92-	2	CARRERA 4
				2	TURBO-LOOK CARRERA 4
8	964 341 065 12	Front wheel hub		2	CARRERA 2
8		Front wheel hub		2	CARRERA 2
				2	TURBO/LOOK CARRERA 2
8	964 341 066 04	Front wheel hub		2	TURBO 3,6 CARRERA RS
9	904 341 671 00	Wheel bolt		10	CARRERA 2/4
				10	TURBO/LOOK
				10	TURBO 3,6
9	993 331 671 02	Wheel bolt		10	CARRERA 2/4
				10	TURBO/LOOK
				10	TURBO 3,6
9	928 341 671 02	Wheel bolt		10	CARRERA RS
10	964 341 607 00	Sealing ring		2	
11	900 067 008 02	Pan-head screw		2	
11	900 067 008 03	Pan-head screw		2	
12	964 606 404 01	Speed sensor	-92	2	
12	964 606 404 02	Speed sensor	/R 93-	1	

Model: 911 89 Model life 1989>>1994

Pos	Part Number	Description	Remark	Qty	Model
(12)	964 606 403 02	Speed sensor	/L 93-	1	
13	900 174 032 40	O-ring		2	
14	964 341 155 13	Shake-proof washer		2	CARRERA 2
14		Shake-proof washer		2	TURBO/LOOK
				2	CARRERA 2
				2	TURBO 3,6
				2	CARRERA 2
15	900 082 123 09	Hexagon-head bolt M 22 X 1,5 X 100		2	CARRERA 2
				2	TURBO/LOOK
				2	TURBO 3,6
15	900 082 123 01	Hexagon-head bolt M 22 X 1,5 X 100		2	CARRERA 2
				2	TURBO/LOOK
				2	CARRERA 2
				2	TURBO 3,6
16	999 090 008 02	Lock nut		2	CARRERA 2
				2	TURBO/LOOK
				2	CARRERA 2
				2	TURBO 3,6
17	964 341 252 02	Lid	-92	2	CARRERA 2
17		Lid	93-	2	CARRERA 2
				2	TURBO/LOOK
				2	CARRERA 2
				2	TURBO 3,6
18	964 341 661 01	Lid		2	
19	999 217 088 02	Hexagon-head bolt M 8 X 20		8	
20	964 341 131 00	Tension bolt		2	CARRERA RS
21	964 343 529 70	Strut		1	

Model: 911 89

Model life 1989>>1994

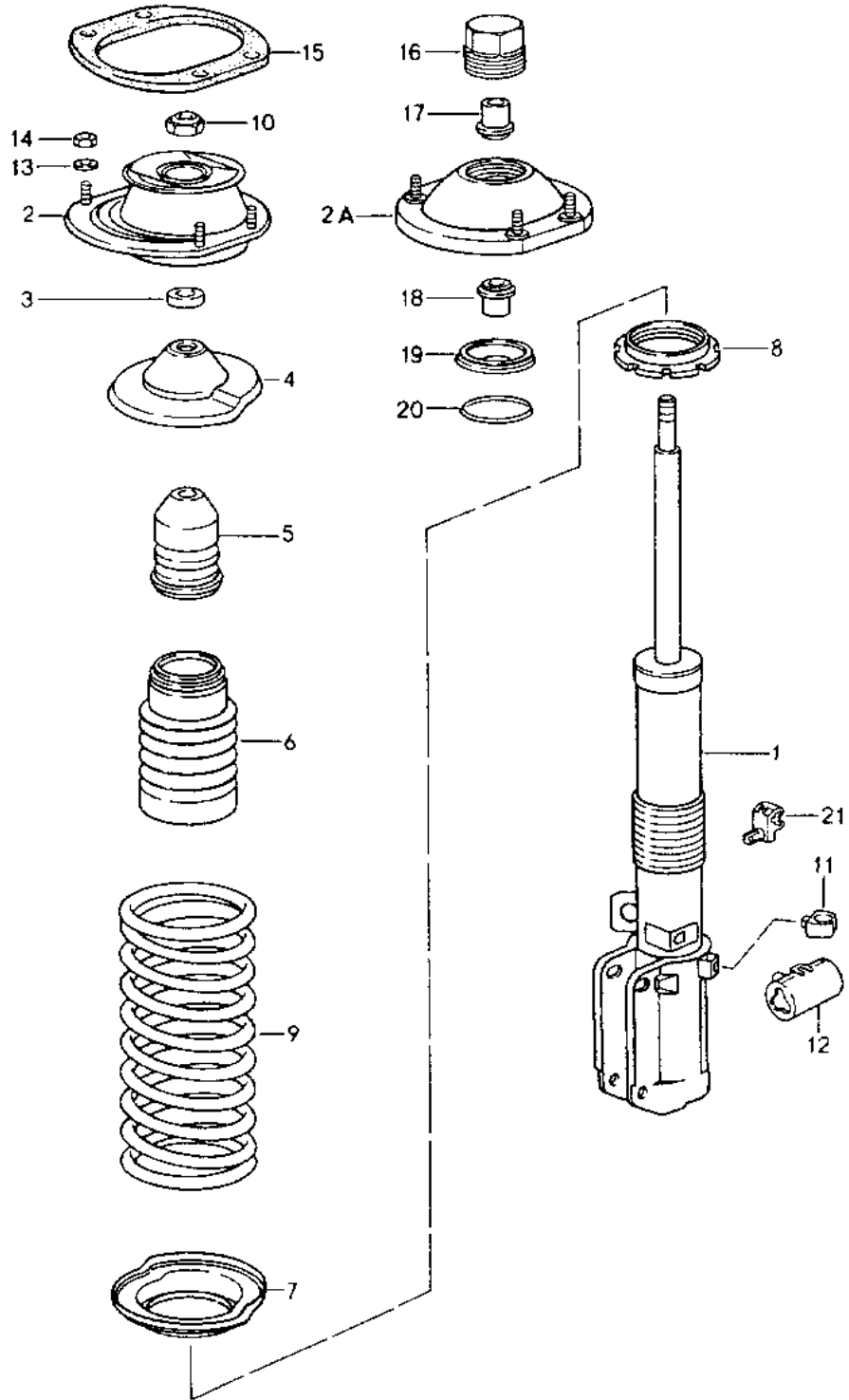


Model: 911 89 Model life 1989>>1994

Pos	Part Number	Description	Remark	Qty	Model
		Drive shaft			CARRERA 4 TURBO-LOOK
1	964 349 038 22	Drive shaft		2	CARRERA 4
(1)	964 349 038 23	Drive shaft		2	CARRERA 4
1	965 349 038 22	Drive shaft		2	TURBO-LOOK CARRERA 4
1	965 349 038 23	Drive shaft		2	TURBO-LOOK CARRERA 4
2	999 090 008 02	Lock nut M 22 X 1,5		2	
3	900 067 211 09	Pan-head screw M 8 X 50		12	
4	993 349 191 00	Plate		6	
5	928 332 293 02	Dust bellows		2	
6	911 332 257 00	Clip		2	
7	928 332 257 01	Clip		2	
8	964 349 938 00	Joint		2	
9	900 041 013 01	Circlip		2	
10	964 332 259 00	Lid		2	
(10)	964 332 259 01	Lid		2	
		Dust bellows			
		Joint			
12	803 407 291	Clamp		2	
13	964 349 291 00	Dust bellows		2	
14	928 332 257 01	Clip		2	
15	000 043 110 01	Grease 1 100-gramme tube		X	

Model: 911 89

Model life 1989>>1994



Model: 911 89 Model life 1989>>1994

Pos	Part Number	Description	Remark	Qty	Model
1	964 343 041 02	suspension Shock absorber strut New design Attention Shock absorber strut - boge -	/L /L	1 1	CARRERA 4 TURBO-LOOK CARRERA 4
1	965 343 041 05	Shock absorber strut New design Only by sets 965.343.042.05 Only together with Rear axle	/L /L /R	1 1	CARRERA 4 TURBO-LOOK CARRERA 4
1	964 343 042 02	964.333.051.04 965.333.057.00 Shock absorber strut - boge -	-90 91- /R /R	2 2 1	CARRERA 4 TURBO-LOOK CARRERA 4
1	965 343 042 05	Shock absorber strut New design Only by sets 965.343.041.05 Only together with Rear axle	/R /R /L	1 1	CARRERA 4 TURBO-LOOK CARRERA 4
1	964 343 041 03	964.333.051.04 965.333.057.00 Shock absorber strut - boge -	-90 91- /L /L	2 2 1 1	CARRERA 2 TURBO-LOOK CARRERA 2 CARRERA 2
1	965 343 041 05	Shock absorber strut New design Only by sets 965.343.042.05 Only together with Rear axle	/L /L /R	1 1	CARRERA 2 TURBO-LOOK CARRERA 2
1	964 343 042 03	964.333.051.04 965.333.057.00 Shock absorber strut - boge -	-90 91- /R /R	2 2 1 1	CARRERA 2 TURBO-LOOK CARRERA 2 CARRERA 2
1	965 343 042 05	Shock absorber strut New design Only by sets 965.343.041.05 Only together with Rear axle	/R /R /L	1 1	CARRERA 2 TURBO-LOOK CARRERA 2
1	964 343 041 04	964.333.051.04 965.333.057.00 Shock absorber strut - boge -	-90 91- /L 91- /L	2 2 1 1	CARRERA 4 COUPE M030 COUPE
1	964 343 042 04	F 96MS4 01468>> F 96MS4 30300>> F 96MS4 50778>> Shock absorber strut	/R 91- /R 91-	1 1	TARGA CABRIO CARRERA 4

Model: 911 89 Model life 1989>>1994

Pos	Part Number	Description	Remark	Qty	Model
		- boge -		1	COUPE M030
		F 96MS4 01468>>			COUPE
		F 96MS4 30300>>			TARGA
		F 96MS4 50778>>			CABRIO
1	965 343 041 00	Shock absorber strut	/L 91-	1	TURBO
		- boge -	/L	1	CARRERA 2
		F 96MS4 01468>>			COUPE M030
		F 96MS4 30300>>			COUPE
		F 96MS4 50778>>			TARGA
		F 96MS4 50778>>			CABRIO
1	965 343 041 05	Shock absorber strut	/L 91-	1	TURBO
			/L	1	CARRERA 2
		F 96MS4 01468>>			COUPE M030
		F 96MS4 30300>>			COUPE
		F 96MS4 50778>>			TARGA
		F 96MS4 50778>>			CABRIO
		New design			
		Only by sets			
		Only together with			
		Shock absorber strut			
		965.343.042.05	/R		
1	965 343 041 02	Shock absorber	/L	1	TURBO 3,6
		- boge -			
1	965 343 041 06	Shock absorber	/L	1	TURBO 3,6
		New design			
		Only by sets			
		Only together with			
		965.343.042.06	/R		
1	965 343 042 00	Shock absorber strut	/R 91-	1	TURBO
		- boge -	/R	1	CARRERA 2
		F 96MS4 01468>>			COUPE M030
		F 96MS4 30300>>			COUPE
		F 96MS4 50778>>			TARGA
		F 96MS4 50778>>			CABRIO
1	965 343 042 05	Shock absorber strut	/R 91-	1	TURBO
			/R	1	CARRERA 2
		F 96MS4 01468>>			COUPE M030
		F 96MS4 30300>>			COUPE
		F 96MS4 50778>>			TARGA
		F 96MS4 50778>>			CABRIO
		New design			
		Only by sets			
		Only together with			
		Shock absorber strut			
		965.343.041.05	/L		
1	965 343 042 02	Shock absorber strut	/R	1	TURBO 3,6
		- boge -			
1	965 343 042 06	Shock absorber strut	/R	1	TURBO 3,6
		New design			
		Only by sets			
		Only together with			
		965.343.041.06	/L		
1	964 343 041 80	Shock absorber strut	/L	1	CARRERA RS
		- bilstein -			
1	964 343 042 80	Shock absorber strut	/R	1	CARRERA RS
		- bilstein -			
2	964 343 018 02	Supporting mount	89	2	CARRERA 4
2	964 343 018 03	Supporting mount	89	2	CARRERA 4

Model: 911 89 Model life 1989>>1994

Pos	Part Number	Description	Remark	Qty	Model
2	964 343 018 02	Supporting mount	90-	2	CARRERA 2/4
2	964 343 018 03	Supporting mount	90-	2	CARRERA 2/4
2	965 343 018 02	Supporting mount		2	TURBO/LOOK
				2	TURBO 3,6
2	965 343 018 03	Supporting mount		2	TURBO/LOOK
				2	TURBO 3,6
2A	964 343 018 82	Supporting mount		2	CARRERA RS
3	964 343 514 00	Spacer sleeve		2	
3	964 343 514 01	Spacer sleeve		2	
4	964 343 507 00	Concave washer		2	
5	964 343 301 00	Rubber stop		2	
5	964 343 301 80	Rubber stop		2	CARRERA RS
6	964 343 505 00	Boot		2	
7	964 343 503 00	Concave washer		2	
7	964 343 503 01	Concave washer		2	
8	964 343 502 00	Adjusting nut		2	
9	964 343 531 05	Coil spring	-91	1	CARRERA 2
		1 set		1	TURBO
	964 343 531 05 504	Identification			
		Blue			
9	964 343 531 11	Coil spring	92-	1	CARRERA 2
		1 set		1	TURBO/LOOK
	964 343 531 11 504	Identification			
		Green			
9	964 343 531 13	Coil spring	92-	1	CARRERA 2
		1 set		1	TURBO/LOOK
	964 343 531 13 504	Identification			
		Green			
9	965 343 531 01	Coil spring		1	TURBO 3,6
		1 set			
	965 343 531 01 504	Identification			
		Orange			
		Green			
9	965 343 531 02	Coil spring		1	TURBO 3,6
		1 set			
	965 343 531 02 504	Identification			
		Orange			
		Green			
9	964 343 531 06	Coil spring	-91	1	CARRERA 4
		1 set			
	964 343 531 06 504	Identification			
		Orange			
9	964 343 531 12	Coil spring	92-	1	CARRERA 4
		1 set			
	964 343 531 12 504	Identification			
		Orange			
9	964 343 531 14	Coil spring	92-	1	CARRERA 4
		1 set			
	964 343 531 14 504	Identification			
		Orange			
9	964 343 531 80	Coil spring		1	CARRERA RS
		1 set			
	964 343 531 80 504	Identification			
		Yellow			
9	964 343 531 09	Coil spring		1	SPEEDSTER
		1 set			
	964 343 531 09 504	Identification			
		Green			
		White			
10	N 022 150 2	Lock nut		2	
		M 14X1,5			
11	928 612 409 00	Clip		2	
12	928 612 531 00	Push-on connector	/L	1	

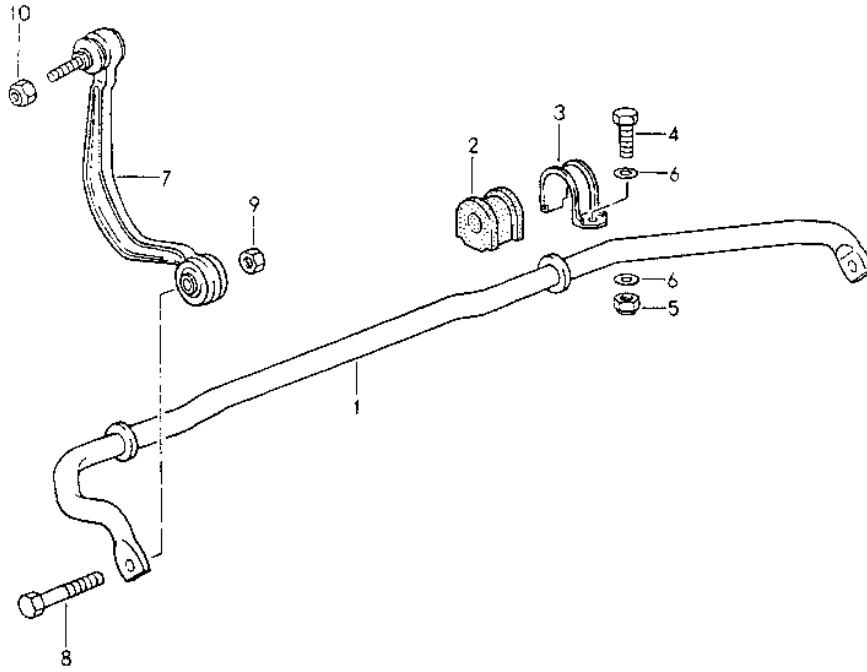
Model: 911 89

Model life 1989>>1994

Pos	Part Number	Description	Remark	Qty	Model
12	928 612 531 01	Push-on connector	/R	1	
13	900 025 007 02	Washer		8	
13	900 025 007 03	Washer		8	
14	900 076 025 02	Hexagon nut		8	
14	900 076 064 02	Hexagon nut		8	
(14)	999 085 001 02	Socket head nut		1	CARRERA RS
15	964 341 511 80	Gasket	-91	2	
15		Gasket	92-	2	
16	964 333 469 80	Screw plug		2	CARRERA RS
17	964 343 182 81	Spacer sleeve		2	CARRERA RS
18	964 343 182 82	Spacer sleeve		2	CARRERA RS
19	964 343 186 80	Sealing cap		2	CARRERA RS
20	964 343 188 80	Retainer spring		2	CARRERA RS
21	999 591 931 40	Clip		2	

Model: 911 89

Model life 1989>>1994



Model: 911 89 Model life 1989>>1994

Pos	Part Number	Description	Remark	Qty	Model
1	964 343 707 33	Stabiliser Stabiliser 20 MM	89	1	CARRERA 4
1		Stabiliser 20 MM	90-	1	CARRERA 2/4
1	964 343 707 35	Stabiliser 22 MM	91-	1	CARRERA 2/4 M030
1	965 343 707 29	Stabiliser 21 MM		1	TURBO/LOOK
(1)	964 343 707 70	Stabiliser 24 MM		1	TURBO 3,6 CARRERA RS
2	964 343 792 12	Stabiliser mounting 20 MM	89	2	
2	964 343 792 20	Stabiliser mounting 20 MM	90-	2	
2	964 343 792 22	Stabiliser mounting 22 MM	91-	2	CARRERA 2/4 M030
2	964 343 792 21	Stabiliser mounting 21 MM		2	TURBO/LOOK
2	964 343 792 07	Stabiliser mounting 24 MM		2	TURBO 3,6 CARRERA RS
3	964 343 777 00	Clip		2	CARRERA 2/4 TURBO/LOOK
3	964 343 777 80	Clip		2	TURBO 3,6 M030
4	900 075 029 09	Hexagon-head bolt M 8 X 25		2	CARRERA RS
4	900 075 029 03	Hexagon-head bolt M 8 X 25		4	
5	900 910 022 09	Lock nut M 8		4	
5	900 910 022 03	Lock nut M 8		4	
6	999 025 125 09	Washer A 8,4		4	
6	999 025 125 01	Washer A 8,4		4	
7	964 343 069 01	Stabiliser mounting	/L /L	1 1	CARRERA 4 CARRERA 2 M030
(7)	964 343 070 01	Stabiliser mounting	/R /R	1 1	CARRERA 4 CARRERA 2 M030
(7)	964 343 071 00	Stabiliser mounting	/L /L /L	1 1 1	CARRERA 2 TURBO/LOOK TURBO 3,6
(7)	964 343 071 01	Stabiliser mounting	/L /L /L	1 1 1	CARRERA 2 TURBO/LOOK TURBO 3,6
(7)	964 343 072 00	Stabiliser mounting	/R /R /R	1 1 1	CARRERA 2 TURBO/LOOK TURBO 3,6
(7)	964 343 072 01	Stabiliser mounting	/R /R /R	1 1 1	CARRERA 2 TURBO/LOOK TURBO 3,6
(7)	964 343 072 80	Stabiliser mounting	/R	1	CARRERA RS
(7)	964 343 072 81	Stabiliser mounting	/R	1	CARRERA RS
(7)	964 343 071 80	Stabiliser mounting	/L	1	CARRERA RS
(7)	964 343 071 81	Stabiliser mounting	/L	1	CARRERA RS
8	900 074 063 02	Hexagon-head bolt M 10 X 55		2	CARRERA 4
8	900 074 380 01	Hexagon-head bolt		2	CARRERA 4

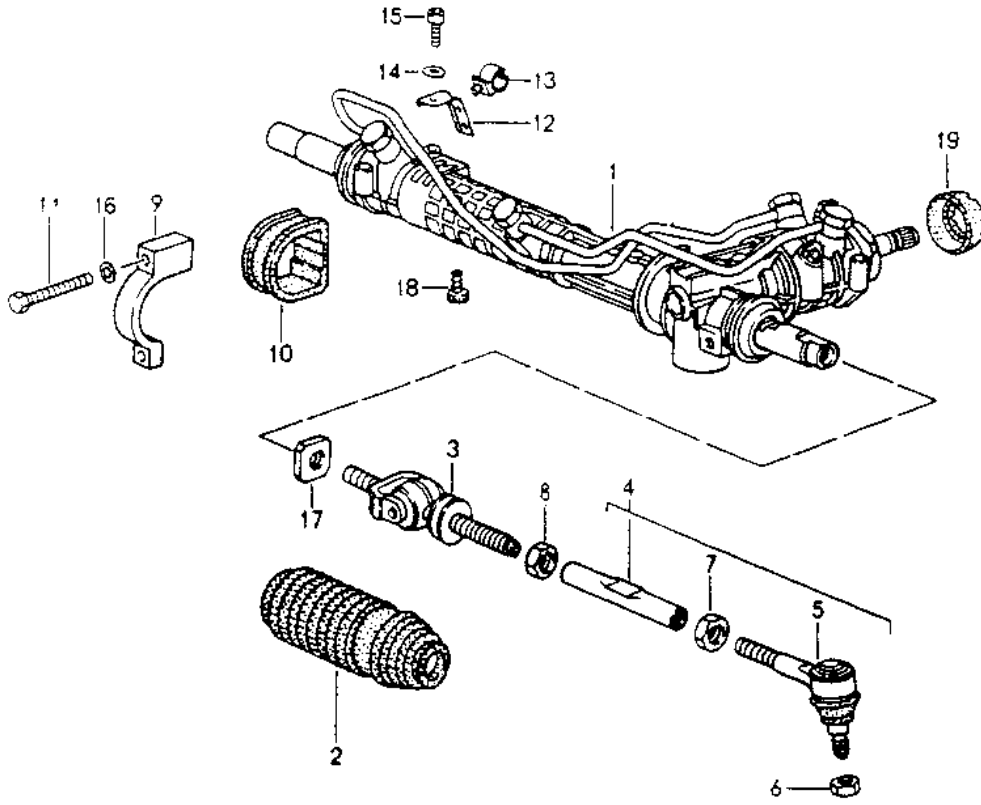
Model: 911 89

Model life 1989>>1994

Pos	Part Number	Description	Remark	Qty	Model
9	900 910 031 09	M 10 X 55 Lock nut		2	
9	900 910 031 01	M 10 Lock nut		2	
9	999 084 624 09	M 10 Lock nut		2	CARRERA RS
9	999 084 624 0J	M 10 Lock nut		2	CARRERA RS
10	900 910 031 09	M 10 Lock nut		2	
10	900 910 031 01	M 10 X 1 Lock nut		2	

Model: 911 89

Model life 1989>>1994



Model: 911 89 Model life 1989>>1994

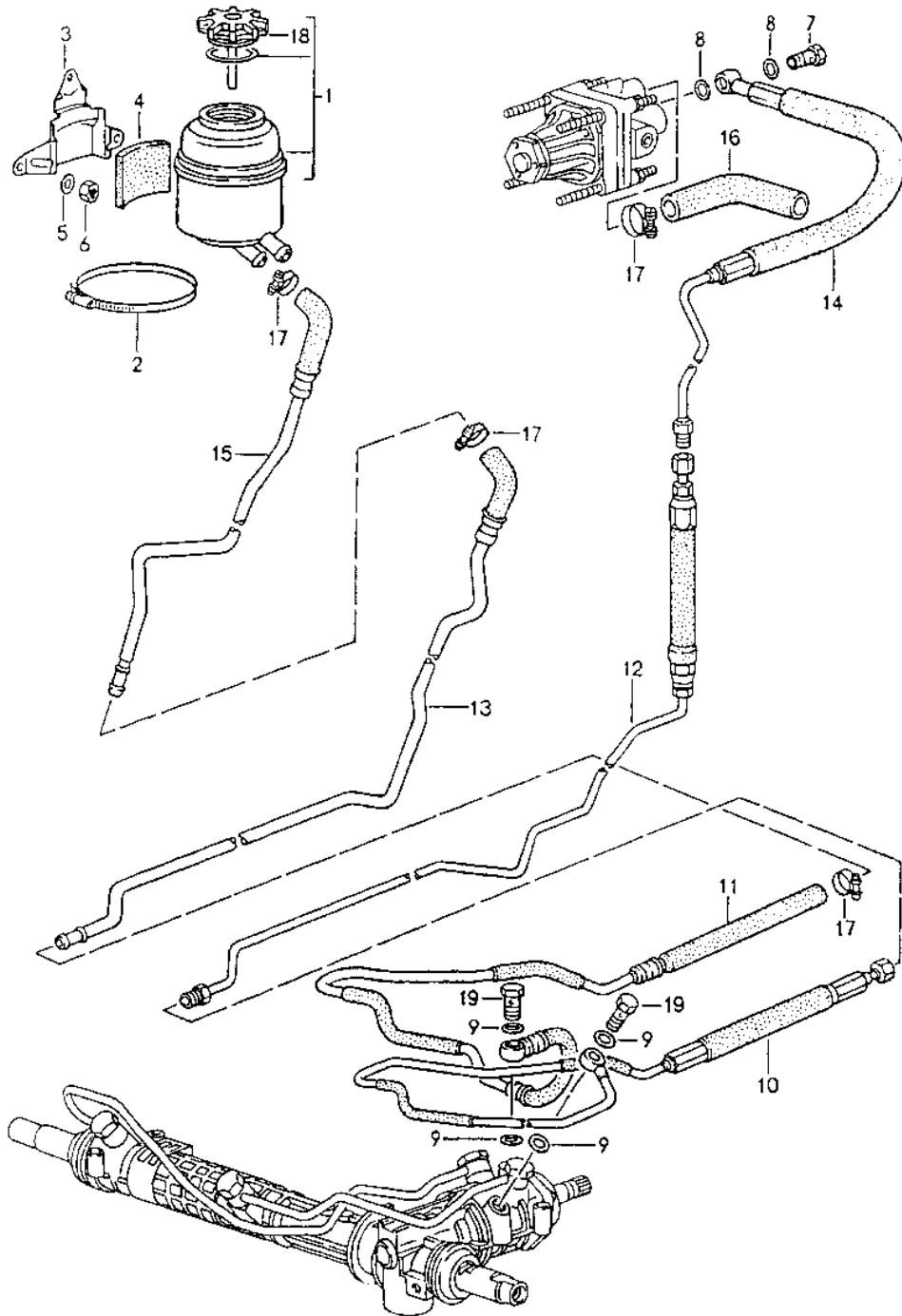
Pos	Part Number	Description	Remark	Qty	Model
1	964 347 009 02	Steering gear Steering parts Steering gear Power steering See technical information GR.4 7/93 Use also: POS.9,10,11,16	/LL -91	1	
1	964 347 009 BX	Steering gear Power steering See technical information GR.4 7/93 Use also: POS.9,10,11,16	/LL -91	1	
1	964 347 009 04	Steering gear Power steering See technical information GR.4 7/93 Use also: POS.9,10,11,16	/LL 92-	1	
1	964 347 009 DX	Steering gear Power steering See technical information GR.4 7/93 Use also: POS.9,10,11,16	/LL 92-	1	
1	964 347 012 04	Steering gear Power steering Use also: POS.9,10,11,16	/RL	1	
1	964 347 012 05	Steering gear Power steering Use also: POS.9,10,11,16	/RL	1	
1	964 347 011 02	Steering gear Manually Use also: POS.9,10,11,16	/LL	1	CARRERA RS
2	964 347 191 03	Bellows		2	
3	964 347 058 00	Joint fork		2	CARRERA 4
3	964 347 058 04	Joint fork		2	CARRERA RS
3	964 347 058 01	Joint fork		2	CARRERA 4
3	964 347 058 01	Joint fork		2	CARRERA RS
3	964 347 058 01	Joint fork		2	CARRERA 2
3	964 347 058 05	Joint fork		2	TURBO/LOOK
3	964 347 058 05	Joint fork		2	TURBO 3,6
3	964 347 058 05	Joint fork		2	CARRERA 2
3	964 347 058 05	Joint fork		2	TURBO/LOOK
3	964 347 058 05	Joint fork		2	TURBO 3,6
4	964 347 032 00	Tie rod		2	CARRERA 2/4
4	965 347 032 00	Tie rod		2	CARRERA RS
4	965 347 032 00	Tie rod		2	TURBO
4	965 347 032 00	Tie rod		2	TURBO 3,6
4	965 347 032 00	Tie rod		2	CARRERA 2
4	964 347 032 01	Tie rod		2	TURBO-LOOK
4	964 347 032 01	Tie rod		2	CARRERA 4
4	964 347 032 01	Tie rod		2	TURBO-LOOK
5	964 347 322 02	Ball joint		2	
6	900 910 046 02	Lock nut M 12 X 1,5		2	
6	999 084 439 09	Lock nut M 12 X 1,5		2	
6	999 084 445 09	Lock nut		2	

Model: 911 89 Model life 1989>>1994

Pos	Part Number	Description	Remark	Qty	Model
6	999 084 445 01	M 12 X 1,5 Lock nut		2	
7	900 034 024 07	M 12 X 1,5 Hexagon nut		2	
7	900 034 024 01	M 14 X 1,5 Hexagon nut		2	
8	900 034 031 07	M 14 X 1,5 Hexagon nut		2	
9	964 347 223 08	M 14 X 1,5 LH Hexagon nut		2	
9	964 347 223 10	Clip		2	
10	964 347 137 03	Clip		2	
10	964 347 137 07	Rubber insert	-91	2	
11	999 218 102 09	Rubber insert	92-	2	
11	999 218 102 01	Pan-head screw M 8 X 60		4	
11	999 218 102 01	Pan-head screw M 8 X 60 Micro-self-locking		4	
12	964 347 473 00	Support		1	
13	944 347 467 00	Cable clip		2	
14	N 011 524 7	Washer		1	
14	N 011 524 27	Washer		1	
15	900 067 009 02	Pan-head screw		1	
15	900 067 429 01	Pan-head screw		1	
16	900 031 001 02	Washer		4	
16	900 031 105 01	Washer		4	
17	964 347 325 02	Steer angle limitation		2	TURBO-LOOK M491
17	964 347 325 00	Steer angle limitation		2	
18	477 419 115	Stopper		1	
19	964 347 333 02	Rubber seal		1	
19	964 347 333 03	Rubber seal		1	

Model: 911 89

Model life 1989>>1994

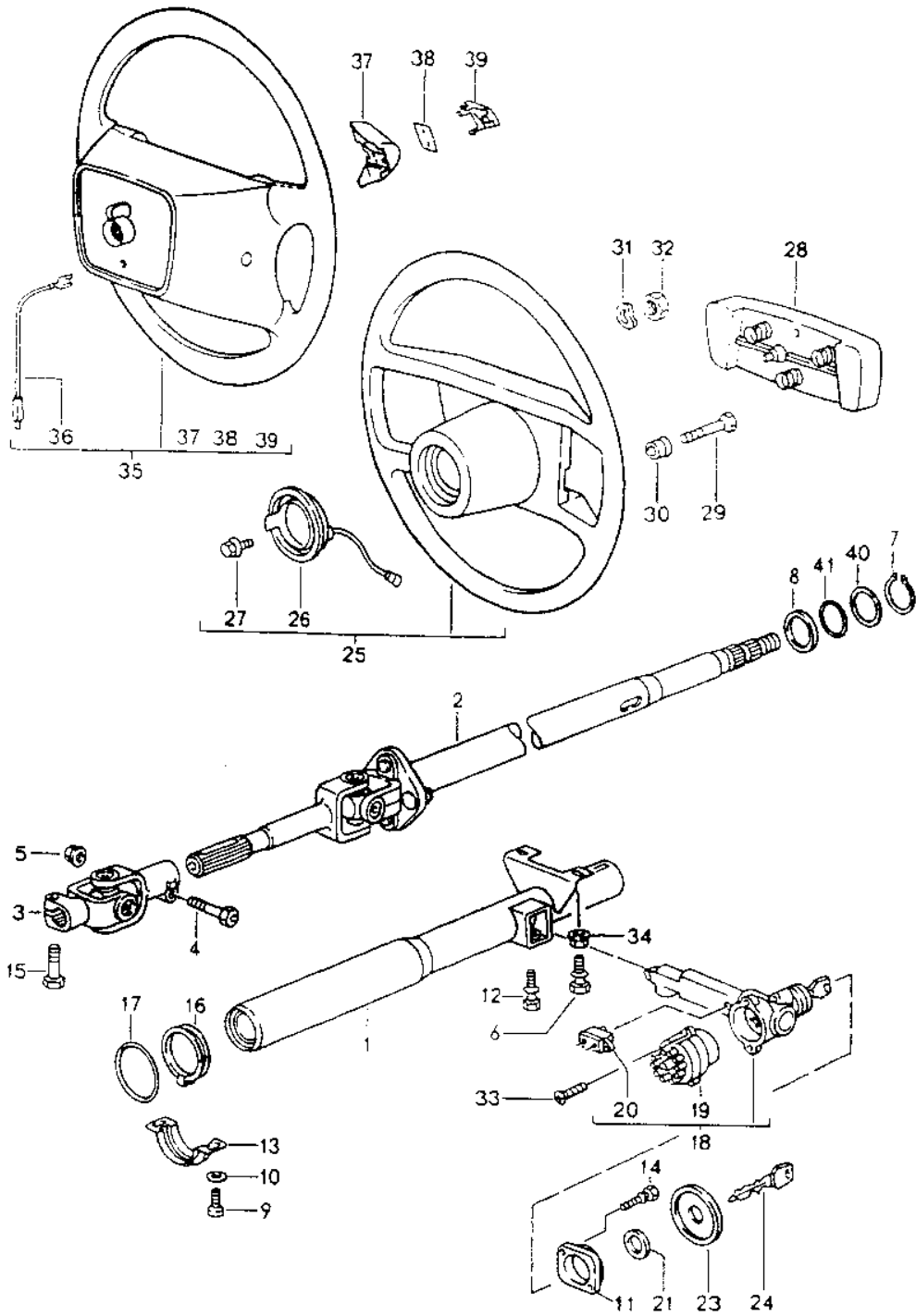


Model: 911 89 Model life 1989>>1994

Pos	Part Number	Description	Remark	Qty	Model
		Power steering Lines			
1	964 347 015 01	Oil tank	-91	1	
(1)	993 347 015 00	Oil tank	92-	1	
(1)	993 347 015 01	Oil tank	93-	1	
2	999 512 350 02	Hose clamp		1	
3	964 347 123 01	Support		1	
4	999 702 179 40	Grommet		1	
5	N 011 524 7	Washer		2	
5	N 011 524 27	Washer		2	
6	900 910 010 09	Lock nut M 6		2	
7	900 134 007 02	Banjo bolt		3	
7	900 134 007 01	Banjo bolt		3	
7	PCG 134 007 01	Banjo bolt		3	
8	900 123 042 20	Sealing ring D 14X18		2	
9	900 123 026 20	Sealing ring D 12X16		4	
10	964 347 448 00	Pressure line	/LL	1	
10	964 347 448 03	Pressure line	/LL	1	
10	964 347 458 02	Pressure line	/RL	1	
10	964 347 458 03	Pressure line	/RL	1	
10	964 347 448 00	Pressure line	/LL 92	1	TURBO 3,6
10	964 347 448 03	Pressure line	/LL 92-	1	TURBO 3,6
10	965 347 448 00	Pressure line	/LL 93-	1	TURBO 3,6
11	964 347 449 01	Return line	/LL	1	
11	964 347 455 02	Return line	/RL	1	
12	964 347 446 02	Pressure line	/LL	1	
12	964 347 460 01	Pressure line	/RL	1	
13	964 347 450 02	Return line	/LL	1	
13	964 347 454 01	Return line	/RL	1	
14	964 347 447 04	Pressure line		1	
15	964 347 451 01	Return line		1	
16	964 347 445 03	Moulded hose	-91	1	CARRERA
16		Moulded hose	92-	1	CARRERA
16	965 347 445 00	Moulded hose		1	TURBO TURBO 3,6
17	999 512 346 00	Hose clamp		4	
18	928 347 925 00	Lid		1	
19	900 175 020 02	Banjo bolt M 12X24		2	
19	900 175 020 01	Banjo bolt M 12X24		2	

Model: 911 89

Model life 1989>>1994



Model: 911 89 Model life 1989>>1994

Pos	Part Number	Description	Remark	Qty	Model
		Steering outer tube			
		Steering shaft			
		Steering wheels			
1	964 347 013 02	Steering outer tube	/LL	1	
(1)	964 347 014 02	Steering outer tube	/RL	1	
1	964 347 013 53	Steering outer tube	/LL 90-	1	
		Airbag			
(1)	964 347 014 50	Steering outer tube	/RL 93-	1	
		Airbag			
2	964 347 051 00	Steering shaft	/LL	1	
2	964 347 052 00	Steering shaft	/RL	1	
2	964 347 059 50	Steering shaft	/LL 90-	1	
		Airbag			
2	964 347 060 50	Steering shaft	/RL 93-	1	
		Airbag			
3	964 347 025 10	Universal joint		1	
3	964 347 206 51	Universal joint	/LL 90-	1	
		Airbag			
4	999 311 003 02	Fit bolt		1	
5	999 084 435 02	Hexagon nut		1	
6	901 347 753 00	Shear bolt		2	
7	900 041 012 01	Snap ring		1	
8	999 234 023 01	Shim		1	
9	900 067 008 02	Pan-head screw		2	
9	900 067 008 03	Pan-head screw		2	
9	999 218 044 02	Pan-head screw	90-	2	
		Airbag			
10	900 031 011 02	Washer		2	
11	911 347 359 01	Tab washer		1	
12	999 219 024 02	Shear bolt	/LL	1	
		M 8 X 13,5			
(12)	999 219 030 02	Shear bolt	/RL	1	
		M 8 X 10,5			
13	964 347 476 01	Support		1	
14	999 219 017 02	Shear bolt		2	
		M 6 X 25			
15	999 311 004 02	Fit bolt		1	
16	964 347 701 01	Sliding sealing ring		1	
17	999 707 008 40	O-ring		1	
18	964 347 917 01	Steering lock	-91	1	
		W/o stipulated lock number			
18		Steering lock	92-	1	
		W/o stipulated lock number			
18	964 347 917 00	Steering lock	-91	1	
		State lock number		1	
18		Steering lock	92-	1	
		with stipulated lock number			
		State lock number			
19	964 613 012 00	Ignition starter switch		1	
20	911 613 125 00	Buzzer contact		1	
21	911 613 169 00	Washer		1	
21	911 613 169 01	Washer		1	
23	911 613 160 01	Rosette		1	
	911 613 160 01 70B	Black for			
		Ignition starter lock			
24	911 538 902 00	Replacement key		1	
		State lock number			
		Information available			
25	964 347 084 00	Steering wheel		1	
		\$ 380 MM			
	964 347 084 00 1AJ	Black			
	964 347 084 00 7LD	Burgundy			

Model: 911 89 Model life 1989>>1994

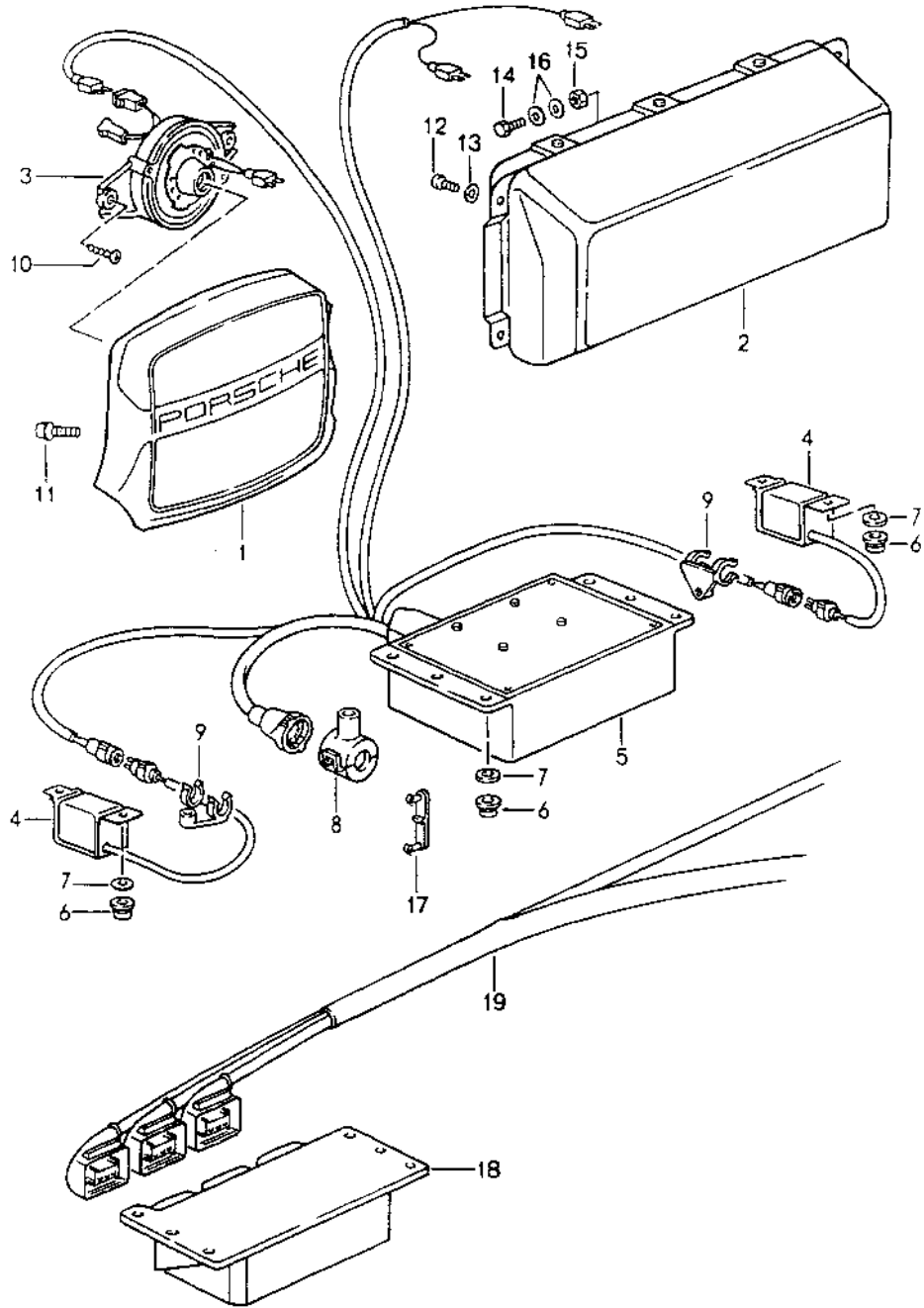
Pos	Part Number	Description	Remark	Qty	Model
	964 347 084 00 3LZ	Mahogany			
	964 347 084 00 2JZ	Marine blue			
	964 347 084 00 2UT	Caramel			
	964 347 084 00 6KT	Venetian blue			
	964 347 084 00 8WH	Slate grey			
	964 347 084 00 M47	Matador red	91-		
	964 347 084 00 D17	Carrara grey	91-		
	964 347 084 00 J27	Sherwood green	91-		
	964 347 084 00 7WH	Classic grey	91-		
	964 347 084 00 9WW	Cobalt blue	91-		
	964 347 084 00 4XW	Magenta	91-		
25	964 347 084 02	Steering wheel \$ 380 MM with elevated hub		1	M018
	964 347 084 02 1AJ	Black			
	964 347 084 02 7LD	Burgundy			
	964 347 084 02 3LZ	Mahogany			
	964 347 084 02 2JZ	Marine blue			
	964 347 084 02 2UT	Caramel			
	964 347 084 02 6KT	Venetian blue			
	964 347 084 02 8WH	Slate grey			
	964 347 084 02 M47	Matador red	91-		
	964 347 084 02 D17	Carrara grey	91-		
	964 347 084 02 J27	Sherwood green	91-		
	964 347 084 02 7WH	Classic grey	91-		
	964 347 084 02 9WW	Cobalt blue	91-		
	964 347 084 02 4XW	Magenta	91-		
25	928 347 084 08	Steering wheel with elevated hub		1	CARRERA RS M018
	928 347 084 08 1AJ	Black			
25	928 347 084 07	Steering wheel		1	CARRERA RS
	928 347 084 07 1AJ	Black			
(25)	968 347 084 00	Steering wheel		1	SPEEDSTER
	968 347 084 00 8YR	Black			
26	928 347 099 00	Slip ring		1	
27	113 415 869	Oval-head screw AM 3,5 X 10		7	
28	911 347 859 07	Padded cap		1	
	911 347 859 07 1AJ	Black			
	911 347 859 07 7LD	Burgundy			
	911 347 859 07 3LZ	Mahogany			
	911 347 859 07 2JZ	Marine blue			
	911 347 859 07 2XA	Caramel			
	911 347 859 07 6KT	Venetian blue			
	911 347 859 07 8WH	Slate grey			
	911 347 859 07 M47	Matador red	91-		
	911 347 859 07 D17	Carrara grey	91-		
	911 347 859 07 J27	Sherwood green	91-		
	911 347 859 07 7WH	Classic grey	91-		
	911 347 859 07 9WW	Cobalt blue	91-		
	911 347 859 07 4XW	Magenta	91-		
28	964 347 859 80	Padded cap		1	CARRERA RS
	964 347 859 80 1AJ	Black			
(28)	968 347 059 00	Padded cap		1	SPEEDSTER
	968 347 059 00 8YR	Black			
	968 347 059 00 9YL	Cobalt blue			
29	N 010 261 3	Hexagon-head bolt M 4 X 16		X	
30	321 419 779 A	Insulating bush		3	
31	N 012 238 1	Spring washer B 18		1	
32	900 078 006 01	Hexagon nut M 16 X 1,5		1	

Model: 911 89 Model life 1989>>1994

Pos	Part Number	Description	Remark	Qty	Model
33	N 014 122 8	Oval-head screw		2	
33	N 014 122 17	Oval-head screw		2	
34	964 347 811 01	M 4 X 8 Threaded bush for Steering outer tube		2	
35	964 347 804 52	Steering wheel Airbag	90-	1	
	964 347 804 52 1AJ	Black			
	964 347 804 52 8YR	Black			
	964 347 804 52 3LZ	Mahogany			
	964 347 804 52 2JZ	Marine blue			
	964 347 804 52 7LD	Burgundy			
	964 347 804 52 7WH	Classic grey			
	964 347 804 52 9WW	Cobalt blue	91-		
	964 347 804 52 4XW	Magenta	91-		
	964 347 804 52 E38	Rubicon grey			
36	944 612 355 00	Wiper contact		1	
37	944 347 831 00	Switch housing	/L	1	
	944 347 831 00 01C	Satin black			
	944 347 831 00 4XC	Classic grey			
	944 347 831 00 6ZF	Cobalt blue			
	944 347 831 00 6WX	Magenta			
	944 347 831 00 9JJ	Marine blue			
(37)	944 347 832 00	Switch housing	/R	1	
	944 347 832 00 01C	Satin black			
	944 347 832 00 4XC	Classic grey			
	944 347 832 00 6ZF	Cobalt blue			
	944 347 832 00 6WX	Magenta			
	944 347 832 00 9JJ	Marine blue			
38	944 347 884 00	Contact spring		1	
39	944 347 835 00	Horn button	/L	1	
	944 347 835 00 01C	Black			
	944 347 835 00 9MM	Burgundy			
	944 347 835 00 9JJ	Marine blue			
	944 347 835 00 4XC	Classic grey			
	944 347 835 00 6ZF	Cobalt blue			
	944 347 835 00 6WX	Magenta			
(39)	944 347 836 00	Horn button	/R	1	
	944 347 836 00 01C	Black			
	944 347 836 00 9MM	Burgundy			
	944 347 836 00 9JJ	Marine blue			
	944 347 836 00 4XC	Classic grey			
	944 347 836 00 6ZF	Cobalt blue			
	944 347 836 00 6WX	Magenta			
40	999 234 022 01	Shim		1	
41	999 707 138 40	O-ring		1	

Model: 911 89

Model life 1989>>1994

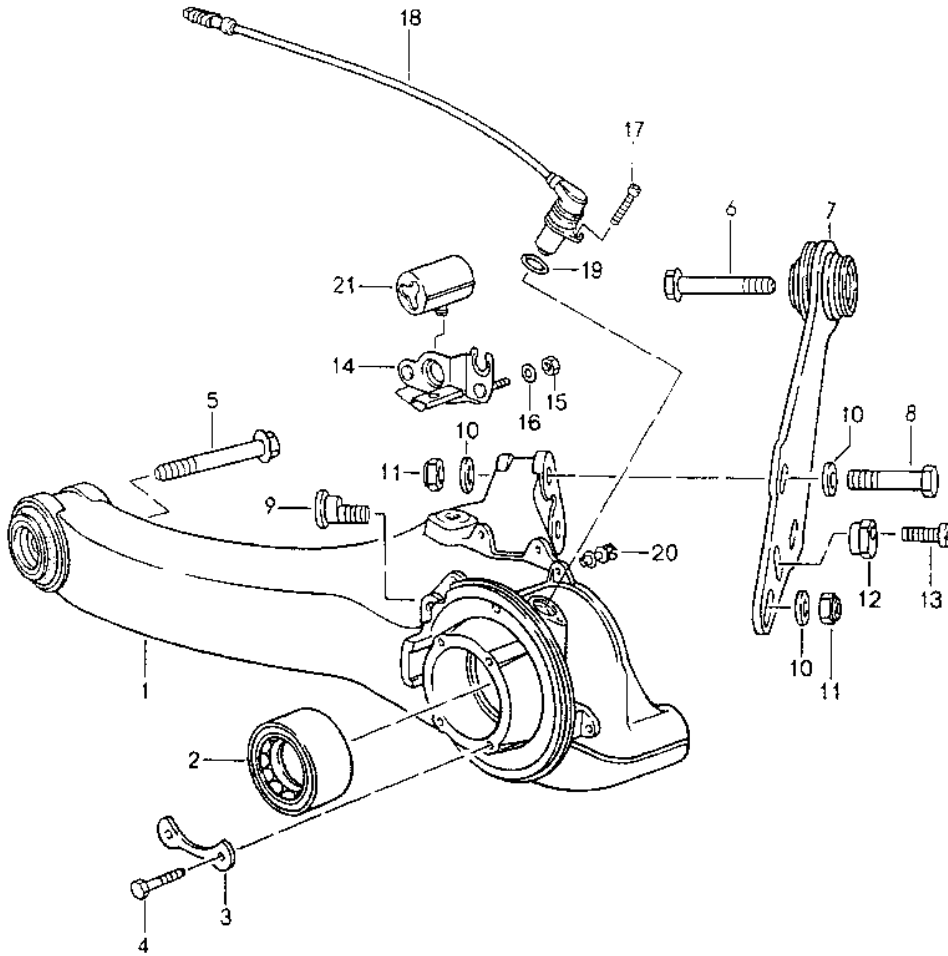


Model: 911 89 Model life 1989>>1994

Pos	Part Number	Description	Remark	Qty	Model
1	964 347 089 00	Airbag			
	964 347 089 00 1AJ	Airbag unit	-91	1	
	964 347 089 00 3LZ	Black			
	964 347 089 00 2JZ	Mahogany			
	964 347 089 00 7LD	Marine blue			
	964 347 089 00 7LD	Burgundy			
	964 347 089 00 7WH	Classic grey			
	964 347 089 00 9WW	Cobalt blue			
	964 347 089 00 4XW	Magenta			
1	964 347 089 02	Airbag unit	92	1	
	964 347 089 02 1AJ	Black			
	964 347 089 02 7WH	Classic grey			
	964 347 089 02 9WW	Cobalt blue			
	964 347 089 02 8JD	Marine blue			
	964 347 089 02 4XW	Magenta			
1	964 347 089 03	Airbag unit	93-	1	
	964 347 089 03 8YR	Black			
	964 347 089 03 7WH	Classic grey			
	964 347 089 03 9WW	Cobalt blue			
	964 347 089 03 2JZ	Marine blue			
	964 347 089 03 4XW	Magenta			
1	964 347 089 04	Airbag unit		1	M096
	964 347 089 04 E38	Rubicon grey			
2	964 803 071 00	Airbag unit	/LL -92	1	
2	964 803 071 01	Airbag unit	/LL 93-	1	
2	964 803 071 02	Airbag unit	/LL	1	
3	928 652 211 00	Support for contact		1	
4	964 613 221 02	Sensor	-91	2	
4		Sensor	92-	2	
5	964 618 217 03	Switch unit	/LL -91	1	
6	944 618 401 00	Nut		8	
7	N 011 524 7	Washer		4	
7	N 011 524 27	Washer		4	
8	944 612 450 00	Fixing clip		2	
9	321 971 898 B	Support		2	
10	N 013 968 7	Tapping screw		2	
10	900 143 097 01	Tapping screw		2	
11	999 073 030 02	Pan-head screw		2	
12	900 067 051 02	Pan-head screw		4	
13	900 025 003 02	Washer		4	
14	999 072 005 09	Hexagon nut		11	
14	999 072 005 01	Hexagon nut		11	
15	900 076 010 07	Hexagon nut		1	
16	N 011 666 7	Washer		3	
17	964 612 901 00	Securing clip		1	
18	944 618 217 02	Control unit	/LL 92-	1	
18		Control unit	/LL 92-	1	
18	945 618 217 00	Control unit	/RL 93-	1	
19	964 612 083 04	Wiring harness	/LL 92-	1	

Model: 911 89

Model life 1989>>1994



Model: 911 89 Model life 1989>>1994

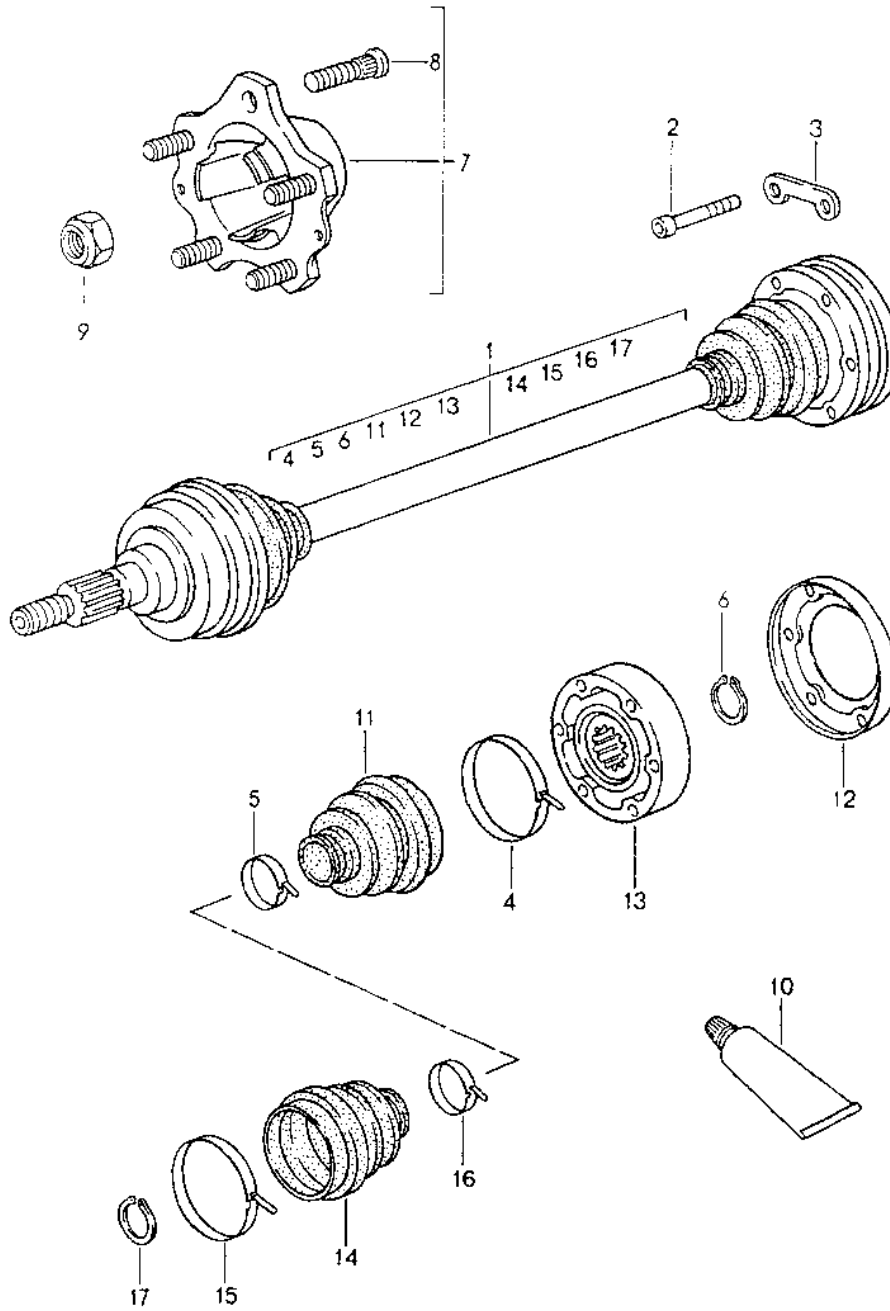
Pos	Part Number	Description	Remark	Qty	Model
		Rear axle			
1	964 331 021 00	Rear-axle trailing arm	/L	1	CARRERA 2/4
(1)	964 331 022 00	Rear-axle trailing arm	/R	1	CARRERA 2/4
1	965 331 021 03	Rear-axle trailing arm	/L -92	1	TURBO
			/L	1	TURBO-LOOK
1	965 331 021 02	Rear-axle trailing arm	/L 93-	1	TURBO 3,6
(1)	965 331 021 04	Rear-axle trailing arm	/L 93-	1	TURBO 3,6
(1)	965 331 022 03	Rear-axle trailing arm	/R -92	1	TURBO
			/R	1	TURBO-LOOK
(1)	965 331 022 02	Rear-axle trailing arm	/R 93-	1	TURBO 3,6
(1)	965 331 022 04	Rear-axle trailing arm	/R 93-	1	TURBO 3,6
1	964 331 021 70	Rear-axle trailing arm	/L	1	CARRERA RS
(1)	964 331 022 70	Rear-axle trailing arm	/R	1	CARRERA RS
2	999 053 050 01	Angular-contact bearing		2	TURBO
2		Angular-contact bearing		2	M491
2	999 053 042 01	Angular-contact bearing		2	CARRERA 2/4
2	999 053 042 06	Angular-contact bearing		2	CARRERA 2/4
					CARRERA RS
3	964 331 199 02	Retainer plate		4	
4	N 010 340 6	Hexagon-head bolt M 8 X 40		8	
5	999 074 111 08	Hexagon-head bolt M 14 X 1,5 X 120		2	
5	999 074 111 0H	Hexagon-head bolt M 14 X 1,5 X 120		2	
6	900 067 159 07	Pan-head screw M 14 X 1,5 X 100		2	
7	964 331 060 08	Rear axle strut		2	
7	964 331 060 10	Rear axle strut		2	
7	964 331 059 80	Rear axle strut	/L	1	CARRERA RS
(7)	964 331 060 80	Rear axle strut	/R	1	CARRERA RS
8	900 082 016 08	Hexagon-head bolt		4	
8	900 082 016 03	Hexagon-head bolt		4	
9	964 331 136 01	Eccentric screw		2	
10	999 025 174 02	Washer		10	
10	999 025 174 01	Washer		10	
11	900 910 094 02	Lock nut VFM 14 X 1,5		6	
12	964 331 137 00	Eccentric		2	CARRERA 2/4
				1	TURBO/LOOK
				1	TURBO 3,6
12	964 331 137 02	Eccentric		2	CARRERA 2/4
				1	TURBO/LOOK
				1	TURBO 3,6
12	964 331 137 80	Eccentric		2	CARRERA RS
12	964 331 137 81	Eccentric		2	CARRERA RS
13	900 067 306 02	Pan-head screw M 12 X 1,5 X 35		2	
14	964 331 071 00	Support	/L	1	
(14)	964 331 072 00	Support	/R	1	
15	900 910 010 02	Lock nut		4	
16	N 011 524 7	Washer A 6,4		4	
16	N 011 524 27	Washer A 6,4		4	
17	N 014 743 2	Pan-head screw M 6 X 30		2	
17	900 067 012 03	Pan-head screw M 6 X 30		2	
18	964 606 402 02	Speed sensor	-92	2	CARRERA 2/4
				2	CARRERA RS
18		Speed sensor	93-	2	CARRERA 2/4
18	944 606 401 02	Speed sensor	-92	2	TURBO/LOOK

Model: 911 89 Model life 1989>>1994

Pos	Part Number	Description	Remark	Qty	Model
18		Speed sensor	93-	2	TURBO 3,6
				2	TURBO/LOOK
				2	TURBO 3,6
19	900 174 032 40	O-ring		2	
20	999 591 918 40	Support		2	
21	928 612 531 00	Push-on connector	/L	1	
21	928 612 531 01	Push-on connector	/R	1	

Model: 911 89

Model life 1989>>1994



Model: 911 89 Model life 1989>>1994

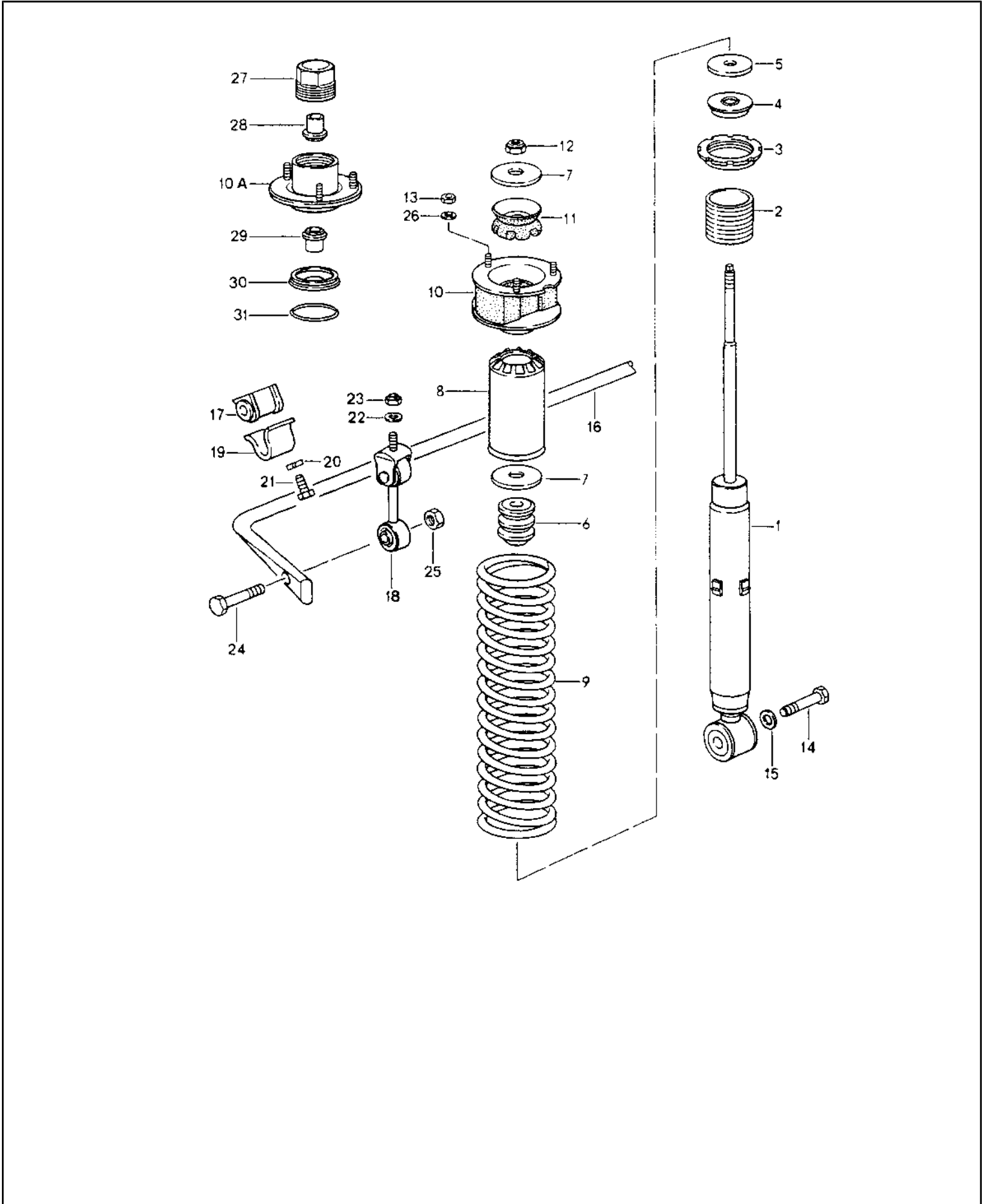
Pos	Part Number	Description	Remark	Qty	Model
		Drive shaft			
		Rear-wheel hub			
1	964 332 024 09	Drive shaft		2	CARRERA 4
(1)	964 332 024 15	Drive shaft		2	CARRERA 4
(1)	964 332 024 18	Drive shaft		2	CARRERA 4
1	964 332 024 08	Drive shaft		2	CARRERA 2
1	964 332 024 14	Drive shaft		2	CARRERA 2
1	964 332 024 17	Drive shaft		2	CARRERA 2
1	964 332 024 13	Drive shaft		2	CARRERA 2
					M249
1	964 332 024 16	Drive shaft		2	CARRERA 2
					M249
1	964 332 024 19	Drive shaft		2	CARRERA 2
					M249
1	965 332 037 12	Drive shaft	-92	2	TURBO
1	965 332 037 16	Drive shaft		2	TURBO
1	965 332 037 17	Drive shaft		2	TURBO
1	965 332 037 12	Drive shaft		2	TURBO-LOOK
					TURBO-LOOK
					M339
1	965 332 037 16	Drive shaft		2	TURBO-LOOK
1	965 332 037 17	Drive shaft		2	TURBO-LOOK
1	965 332 037 12	Drive shaft		2	TURBO 3,6
1	965 332 037 16	Drive shaft		2	TURBO 3,6
1	965 332 037 17	Drive shaft		2	TURBO 3,6
1	964 332 024 70	Drive shaft		2	CARRERA RS
1	964 332 024 71	Drive shaft		2	CARRERA RS
1	964 332 024 72	Drive shaft		2	CARRERA RS
1	964 332 037 00	Drive shaft		2	TURBO-LOOK
					M249
2	900 067 211 09	Pan-head screw		12	CARRERA 4
		M 8 X 50			
2	900 067 123 01	Pan-head screw		12	CARRERA 2
		M 10 X 50		12	TURBO/LOOK
				12	TURBO 3,6
				12	CARRERA RS
3	993 349 191 00	Plate		6	CARRERA 4
3	911 332 191 00	Plate		6	CARRERA 2
				6	TURBO/LOOK
				6	TURBO 3,6
				6	CARRERA RS
4	911 332 257 00	Clip		4	
		\$ 73 MM			
5	928 332 257 01	Clip		4	
		\$ 34 MM			
6	900 041 013 01	Circlip		4	
7	964 331 065 06	Rear-wheel hub	-91	2	CARRERA 2/4
7		Rear-wheel hub	92-	2	CARRERA 2/4
				2	CARRERA RS
7	928 331 065 07	Rear-wheel hub	91	2	TURBO
7		Rear-wheel hub	92-	2	TURBO/LOOK
				2	TURBO 3,6
8	904 341 671 00	Wheel bolt		10	CARRERA 2/4
				10	CARRERA RS
8	993 331 671 02	Wheel bolt		10	CARRERA 2/4
				10	CARRERA RS
8	928 341 671 02	Wheel bolt		10	TURBO/LOOK
				10	TURBO 3,6
9	999 084 634 02	Lock nut		2	
		M 22 X 1,5			
9	999 090 010 09	Lock nut		2	CARRERA RS
		M 22 X 1,5			
9	999 090 010 01	Lock nut		2	CARRERA RS

Model: 911 89 Model life 1989>>1994

Pos	Part Number	Description	Remark	Qty	Model
(9)	999 076 046 09	M 22 X 1,5 Hexagon nut KONTERMUTTER		2	CARRERA RS
10	000 043 110 01	M 22 X 1,5 Grease 1 100-gramme tube		X	
11	928 332 293 02	Dust bellows		2	
12	964 332 267 00	Lid		1	CARRERA 4
(12)	964 332 267 01	Lid		1	CARRERA 4
12	928 332 267 01	Lid		1	CARRERA 2
				1	CARRERA 2
				1	M249
				1	CARRERA RS
13	951 332 030 00	Joint		2	CARRERA 4
13	911 332 030 01	Joint		2	CARRERA 2
					M249
			-92	2	TURBO
				2	CARRERA RS
13	928 332 030 08	Joint	93-	2	TURBO
14	928 332 293 02	Dust bellows		2	
15	911 332 257 00	Clip		2	
16	928 332 257 01	Clip		2	
17	900 041 013 01	Circlip		2	

Model: 911 89

Model life 1989>>1994



Model: 911 89 Model life 1989>>1994

Pos	Part Number	Description	Remark	Qty	Model
1	964 333 051 05	Shock absorber Stabiliser Vibration damper - boge - F >>96MS4 01467 F >>96MS4 10518 F >>96MS4 30299 F >>96MS4 40240 F >>96MS4 50777 F >>96MS4 60466		2	CARRERA 2/4 COUPE COUPE TARGA TARGA CABRIO CABRIO
1	964 333 051 04	Vibration damper New design F >>96MS4 01467 F >>96MS4 10518 F >>96MS4 30299 F >>96MS4 40240 F >>96MS4 50777 F >>96MS4 60466		2	CARRERA 2/4 COUPE COUPE TARGA TARGA CABRIO CABRIO
1	964 333 057 00	Vibration damper - boge - F 96MS4 01468>> F 96MS4 10519>> F 96MS4 30300>> F 96MS4 40241>> F 96MS4 50778>> F 96MS4 60467>>		2	CARRERA 2/4 TURBO-LOOK COUPE COUPE TARGA TARGA CABRIO CABRIO
1	965 333 057 00	Vibration damper - boge -		2	TURBO
1	965 333 057 01	Vibration damper - boge -		2	TURBO 3,6
1	965 333 057 00	Vibration damper - boge -		2	CARRERA 2/4 COUPE M030
1	964 333 057 80	Vibration damper - bilstein -		2	CARRERA RS
2	964 333 511 00	Threaded sleeve		2	
3	964 333 513 00	Adjusting nut		2	
3	964 333 513 03	Adjusting nut		2	
4	928 333 551 00	Supporting cover	-90	2	
5	911 333 511 00	Washer	-90	2	
5	964 333 107 00	Washer	91-	2	
(5)	964 333 523 81	Concave washer		2	CARRERA RS
6	928 333 518 10	Additional spring	-90	2	
6	964 333 105 00	Additional spring	91-	2	
6	964 333 105 80	Additional spring		2	CARRERA RS
7	964 333 517 01	Support ring	-90	2	
7	964 333 107 00	Washer	91-	2	
8	964 333 502 01	Protective tube	-90	2	
8	964 333 106 00	Bellows	91-	2	
9	964 333 531 02	Coil spring 1 set	90	1	CARRERA 2 M481
	964 333 531 02 504	Identification Blue			
9	964 333 531 04	Coil spring 1 set	91-	1	CARRERA 4 CARRERA 2
	964 333 531 04 504	Identification Orange			CARRERA 4 TURBO-LOOK
9	964 333 531 09	Coil spring 1 set	91-	1	CARRERA 4 CARRERA 2
	964 333 531 09 504	Identification Orange			CARRERA 4 TURBO-LOOK

Model: 911 89 Model life 1989>>1994

Pos	Part Number	Description	Remark	Qty	Model
9	965 333 531 03	Coil spring 1 set	91-	1	TURBO
	965 333 531 03 504	Identification Green		1	CARRERA 2/4
9	965 333 531 05	Coil spring 1 set	91-	1	TURBO
	965 333 531 05 504	Identification Green		1	CARRERA 2/4
9	965 333 531 04	Coil spring 1 set		1	TURBO 3,6
	965 333 531 04 504	Identification Orange Blue			
9	964 333 531 80	Coil spring 1 set		1	CARRERA RS
	964 333 531 80 504	Identification Yellow			
9	964 333 531 07	Coil spring 1 set		1	TURBO-LOOK
	964 333 531 07 504	Identification Violet			
10	964 333 064 04	Suspension strut mounting	-90	2	
10	964 333 059 00	Suspension strut mounting	91-	2	
10A	964 333 059 82	Suspension strut mounting		2	CARRERA RS
11	964 333 069 03	Mounting for absorber	-90	2	
12	999 084 621 09	Lock nut M 12 X 1,5		2	
12	999 084 621 01	Hexagon nut M 12 X 1,5		2	
13	999 084 622 02	Lock nut M 8	-90	6	
13	900 380 006 02	Lock nut M 8	91-	6	
13	900 380 005 01	Nut M 8	91-	6	
14	900 082 102 08	Hexagon-head bolt M 14 X 1,5 X 100		2	
14	900 082 102 01	Hexagon-head bolt M 14 X 1,5 X 100		2	
15	999 025 149 02	Washer		2	
(15)	PCG 025 149 02	Washer		2	
16	964 333 701 19	Stabiliser 18 MM	-90	1	CARRERA 4
16	964 333 701 06	Stabiliser 20 MM	91-	1	CARRERA 2/4 M481
16	964 333 701 07	Stabiliser 21 MM	90	1	CARRERA 2 M481
16	964 333 701 12	Stabiliser 19 MM		1	CARRERA 2 M249
16	965 333 701 04	Stabiliser 22 MM		1	TURBO
				1	TURBO 3,6
				1	TURBO-LOOK
16	965 333 701 10	Stabiliser 21 MM		1	TURBO-LOOK M249
16	964 333 701 70	Stabiliser 18 MM		1	CARRERA RS
17	477 411 313 D	Stabiliser mounting 21 MM		2	CARRERA 2 TURBO-LOOK M249
17	477 411 313 M	Stabiliser mounting 21 MM		2	CARRERA 2 TURBO-LOOK M249
17	477 411 313 B	Stabiliser mounting		2	CARRERA 4

Model: 911 89

Model life 1989>>1994

Pos	Part Number	Description	Remark	Qty	Model
		18 MM			
17	477 411 313 N	Stabiliser mounting 18 MM		2 2	CARRERA RS CARRERA 4
17	477 411 313 C	Stabiliser mounting 20 MM	91-	2 2 2	CARRERA RS CARRERA 4 CARRERA 2
17	964 333 792 00	Stabiliser mounting 19 MM		2	M481 CARRERA 2
17	477 411 313 E	Stabiliser mounting 22 MM		2 2	M249 TURBO TURBO 3,6
18	964 333 073 01	Stabiliser mounting	/L	1	
18	964 333 073 71	Stabiliser mounting	/L	1	
(18)	964 333 074 01	Stabiliser mounting	/R	1	
(18)	964 333 074 02	Stabiliser mounting	/R	1	
19	113 411 333	Retaining bar		2	
20	N 012 228 3	Spring washer B 8 X 17 X 0,8		4	
21	900 075 099 02	Hexagon-head bolt M 8 X 30		4	
21	900 075 099 03	Hexagon-head bolt M 8 X 30		4	
22	900 025 008 09	Washer		2	
22	900 025 008 04	Washer		2	
23	900 910 031 09	Lock nut		2	
23	900 910 031 01	Lock nut		2	
24	900 082 035 02	Hexagon-head bolt M 12 X 1,5 X 60		2	
25	900 910 046 02	Lock nut VM 12 X 1,5		2	
25	999 084 439 09	Lock nut VM 12 X 1,5		2	
25	999 084 445 09	Lock nut VM 12 X 1,5		2	
25	999 084 445 01	Lock nut VM 12 X 1,5		2	
26	999 025 125 09	Washer 8,4 X 17 X 3,1		6	
26	999 025 125 01	Washer 8,4 X 17 X 3,1		6	
27	964 343 469 80	Screw plug		2	CARRERA RS
28	964 333 466 83	Spacer sleeve		2	CARRERA RS
29	964 333 466 84	Spacer sleeve		2	CARRERA RS
30	964 343 186 80	Sealing cap		2	CARRERA RS
31	964 343 188 80	Retainer spring		2	CARRERA RS

Model: 911 89

Model life 1989>>1994

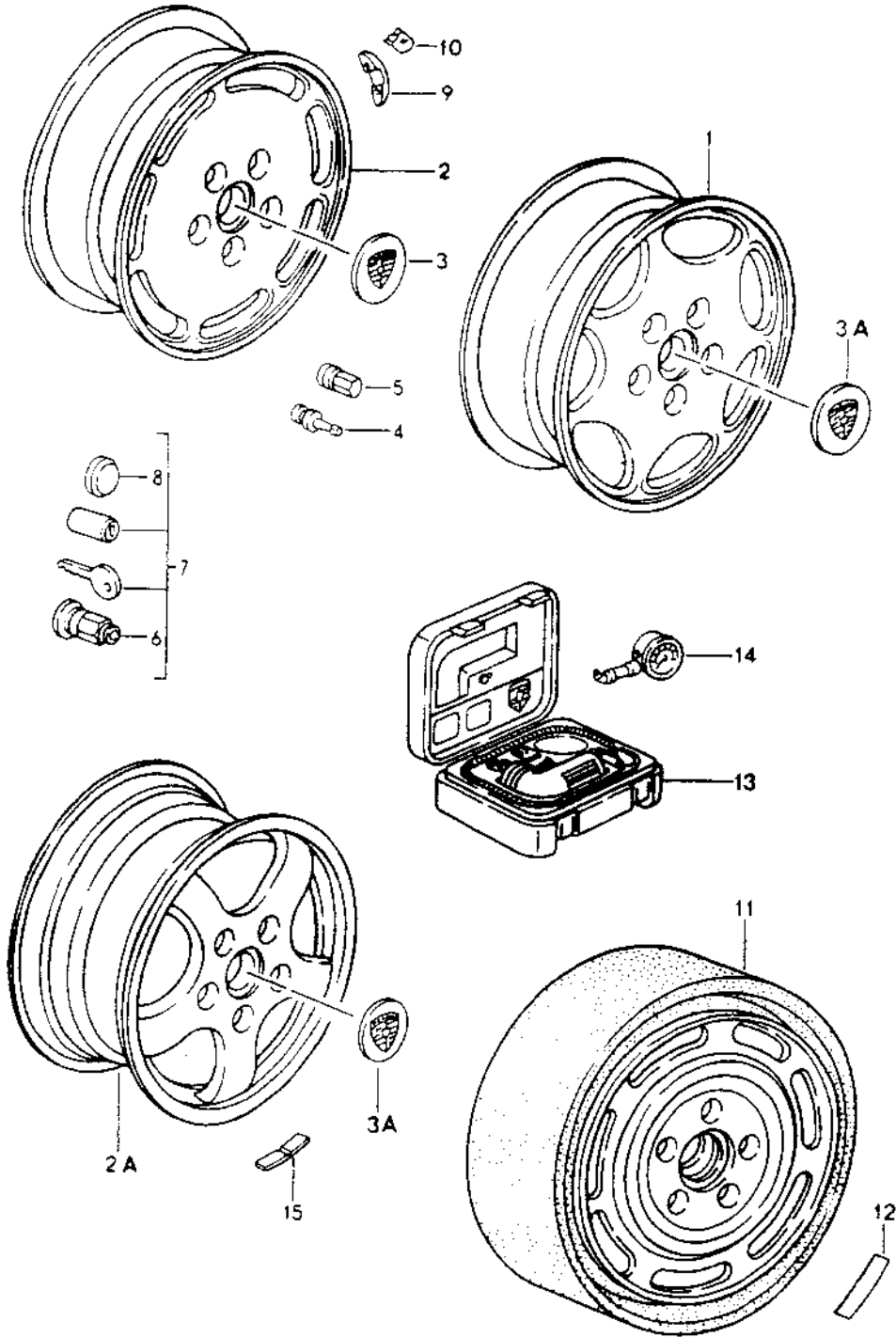


Model: 911 89 Model life 1989>>1994

Pos	Part Number	Description	Remark	Qty	Model
>>	928 332 924 02	Repair kits Repair kit Dust bellows Comprising: Lid		X 1 1	
>>	000 043 301 08	Repair kit Dust bellows Comprising: Lid		X 1 1	
-	999 152 084 01	Circlip		1	
-	911 332 257 00	Clip \$ 73 MM Dust bellows		1 1	
-	928 332 257 01	Clip \$ 34 MM		1	
-	000 043 005 00	Grease Optimoly 90 G.		1	
>>	911 332 923 01	Repair kit Comprising: Constant-velocity joint Lid		X 1 1	CARRERA TURBO CARRERA M491
-	999 152 084 01	Circlip		1	
-	911 332 257 00	Dust bellows Clip \$ 73 MM		1 1	
-	928 332 257 01	Clip \$ 34 MM		1	
-	000 043 005 00	Grease Optimoly 90 G.		1	

Model: 911 89

Model life 1989>>1994



Model: 911 89 Model life 1989>>1994

Pos	Part Number	Description	Remark	Qty	Model
		Wheels			CARRERA TURBO-LOOK TURBO CARRERA 2/4
1	964 362 112 01	Alloy wheel Silver metallic 6 J X 16 ET 52,3	-92 /V	2	
1	964 362 116 01	Alloy wheel Silver metallic 8 J X 16 ET 52,3	/H	2	CARRERA 2/4
1	964 362 114 01	Alloy wheel Silver metallic 7J X 16 ET 55,0 for winter use	/H	2	CARRERA 2/4
2	944 362 113 00	Alloy wheel Silver metallic 6 J X 16 ET 52,3	/V	2	CARRERA 2/4
2	928 362 117 00	Alloy wheel Silver metallic 8 J X 16 ET 52,3	/H	2	CARRERA 2/4
2	944 362 113 01	Alloy wheel Platinum 6 J X 16 ET 52,3	/V	2	CARRERA 2/4
2	928 362 117 01	Alloy wheel Platinum 8 J X 16 ET 52,3	/H	2	CARRERA 2/4
2A	965 362 124 01	Alloy wheel Silver metallic 7J X 17 ET 55	/V /V	2 2	TURBO TURBO-LOOK CARRERA 2/4
2A	965 362 128 00	Alloy wheel Silver metallic 9J X 17 ET 55	/H	2	TURBO TURBO-LOOK
2A	965 362 126 01	Alloy wheel Silver metallic 8J X 17 ET 52 for winter use	/H	2	CARRERA 2/4 M403
2A	944 362 112 00	Alloy wheel Silver metallic 6J X 16 ET 52	/V 92-	2 2	TURBO/LOOK CARRERA 2/4
2A	965 362 124 15	Alloy wheel Silver metallic 7,5J X 17 ET 55	/V	2	CARRERA RS
2A	944 362 116 00	Alloy wheel Silver metallic 8J X 16 ET 52	/H 92-	2	CARRERA 2/4
2A	965 362 128 10	Alloy wheel Silver metallic 9J X 17 ET 55 See technical information Group 4	/H	2	CARRERA RS

Model: 911 89 Model life 1989>>1994

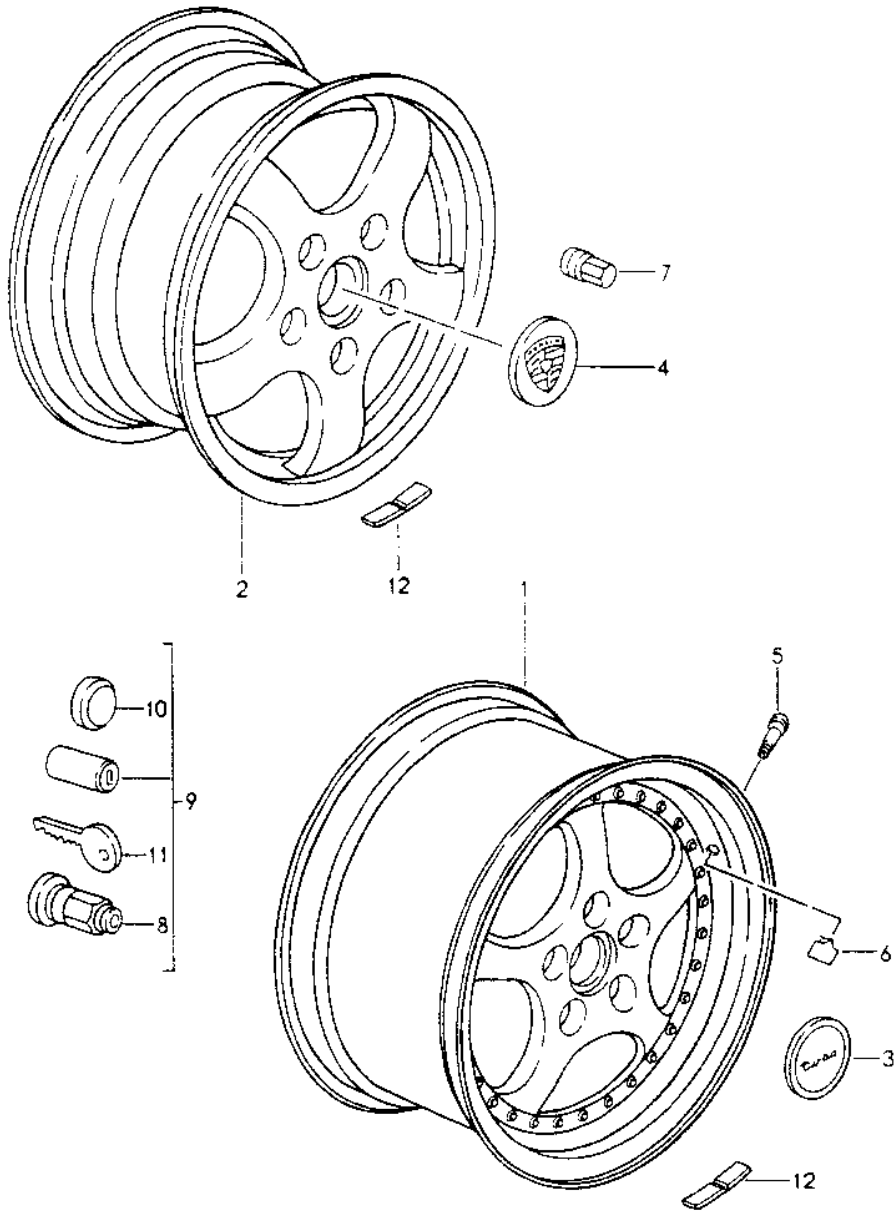
Pos	Part Number	Description	Remark	Qty	Model
2A	965 362 128 05	NR.1/02 Alloy wheel Silver metallic 9,5J X 17 ET 68	/H /H	2 2	TURBO-LOOK TURBO
-	951 331 611 02	Use also: Spacer ring		2	
-	904 341 671 00	Wheel bolt		10	
-	993 331 671 02	Wheel bolt		10	
-	999 182 003 36	Wheel nut		10	
3	928 361 031 00	Hub cap Silver metallic		4	
3	477 601 051 D	Hub cap Platinum-metallic		4	
3	477 601 051 G	Hub cap Platinum-metallic		4	
3A	928 361 032 01	Hub cap Silver metallic	89	4	
3A	928 361 032 02	Hub cap Silver metallic Porsche crest Black	90-	4	
(3A)	PCG 361 032 01	Hub cap Silver metallic Porsche crest Black	90-	4	
(3A)	PCG 361 032 02	Hub cap Silver metallic Porsche crest Black	90-	4	
3A	993 361 303 00	Hub cap	92-	4	M402
3A	993 361 303 00 61M	Silver metallic			
3A	EXC 964 038 00	Hub cap Crest Coloured		4	CARRERA 4 M096
4	900 265 001 50	Rubber valve		4	
4	900 265 001 51	Rubber valve		4	
5	999 182 003 36	Wheel nut		16	
6	928 361 306 03	Wheel nut Lockable without lock	-91	4	CARRERA 2/4
6	965 361 170 00	Wheel nut Lockable without lock	92	4	
7	928 361 047 03	Wheel nut Set Lockable	-91	1	CARRERA 2/4
7	965 361 955 00	Wheel nut Set Lockable	92	1	
8	965 361 167 00	Cap	-91	4	CARRERA 2/4
8		Cap	92-	4	
9	928 361 421 00	Balance weight 5 G		X	
9	928 361 410 00	Balance weight 10 G		X	
9	928 361 422 00	Balance weight 15 G		X	
9	928 361 411 00	Balance weight 20 G		X	
9	928 361 423 00	Balance weight 25 G		X	
9	928 361 412 00	Balance weight 30 G		X	
9	928 361 424 00	Balance weight		X	

Model: 911 89 Model life 1989>>1994

Pos	Part Number	Description	Remark	Qty	Model
9	928 361 413 00	35 G Balance weight		X	
9	928 361 425 00	40 G Balance weight		X	
9	928 361 414 00	45 G Balance weight		X	
9	928 361 426 00	50 G Balance weight		X	
9	928 361 415 00	55 G Balance weight		X	
9	928 361 416 00	60 G Balance weight		X	
9	928 361 417 00	70 G Balance weight		X	
10	928 361 420 01	80 G Retaining clip		X	
11	928 362 030 02	Emergency wheel with collapsible tire	-91	1	CARRERA 2/4
11	965 362 030 00	Emergency wheel with collapsible tire	91- 92-	1 1	TURBO
12		See group 0/01/05		X	
13	964 652 052 00	Small electric compressor		1	
13	964 652 053 00	Compressor		1	
13	993 652 053 00	Compressor		1	
13	996 652 053 00	Compressor		1	
13	997 652 051 00	Compressor		1	
13	997 652 055 00	Compressor		1	
14	911 722 202 00	Tyre pressure gauge Porsche Classic mit Lederhülle		1	
15	901 361 410 50	Balance stick-on weight 5 GR.		X	
15	901 361 410 00	Balance stick-on weight 10 GR.		X	
15	901 361 411 50	Balance stick-on weight 15 GR.		X	
15	901 361 411 00	Balance stick-on weight 20 GR.		X	
15	901 361 412 50	Balance stick-on weight 25 GR.		X	
15	901 361 412 00	Balance stick-on weight 30 GR.		X	
15	901 361 413 50	Balance stick-on weight 35 GR.		X	
15	901 361 413 00	Balance stick-on weight 40 GR.		X	
15	901 361 414 50	Balance stick-on weight 45 GR.		X	
15	901 361 414 00	Balance stick-on weight 50 GR.		X	
15	901 361 415 50	Balance stick-on weight 55 GR.		X	
15	901 361 415 00	Balance stick-on weight 60 GR.		X	

Model: 911 89

Model life 1989>>1994



Model: 911 89 Model life 1989>>1994

Pos	Part Number	Description	Remark	Qty	Model
1	965 362 136 00	Wheels Alloy wheel Silver metallic Rim flange polished 8 J X 18 ET 52	93- /V	2	TURBO 3,6
1	965 362 136 01	Alloy wheel Polished 8 J X 18 ET 52	/V	2	
1	965 362 140 00	Alloy wheel Silver metallic Rim flange polished 10J X 18 ET 61	/H	2	
1	965 362 140 01	Alloy wheel Polished 10J X 18 ET 61	/H	2	
2	965 362 124 01	Alloy wheel Silver metallic 7JX17 ET 55 for winter use	/V	2	
2	965 362 126 01	Alloy wheel Silver metallic 8JX17 ET 52 for winter use	/H -93	2	
2	993 362 126 00 993 362 126 00 61M	Alloy wheel Silver metallic 8X17 ET 52 for winter use	/H 94-	2	
3	965 361 032 01	Hub cap Polished		4	
3	965 361 303 00	Hub cap Silver metallic		4	
4	993 361 303 00 993 361 303 00 61M	Hub cap Silver metallic		4	
5	900 265 001 50	Rubber valve		4	
5	900 265 001 51	Rubber valve		4	
6	965 361 561 00	Valve support	/H	2	
7	999 182 003 36	Wheel nut		16	
8	993 361 057 00	Wheel nut Lockable without lock		4	
9		Wheel nut Set Lockable		1	
10	965 361 167 00	Cap		4	
11	965 361 169 00	Blank key		X	
12	901 361 410 50	Balance stick-on weight 5 GR.		X	
12	901 361 410 00	Balance stick-on weight 10 GR.		X	
12	901 361 411 50	Balance stick-on weight 15 GR.		X	
12	901 361 411 00	Balance stick-on weight 20 GR.		X	
12	901 361 412 50	Balance stick-on weight 25 GR.		X	
12	901 361 412 00	Balance stick-on weight		X	

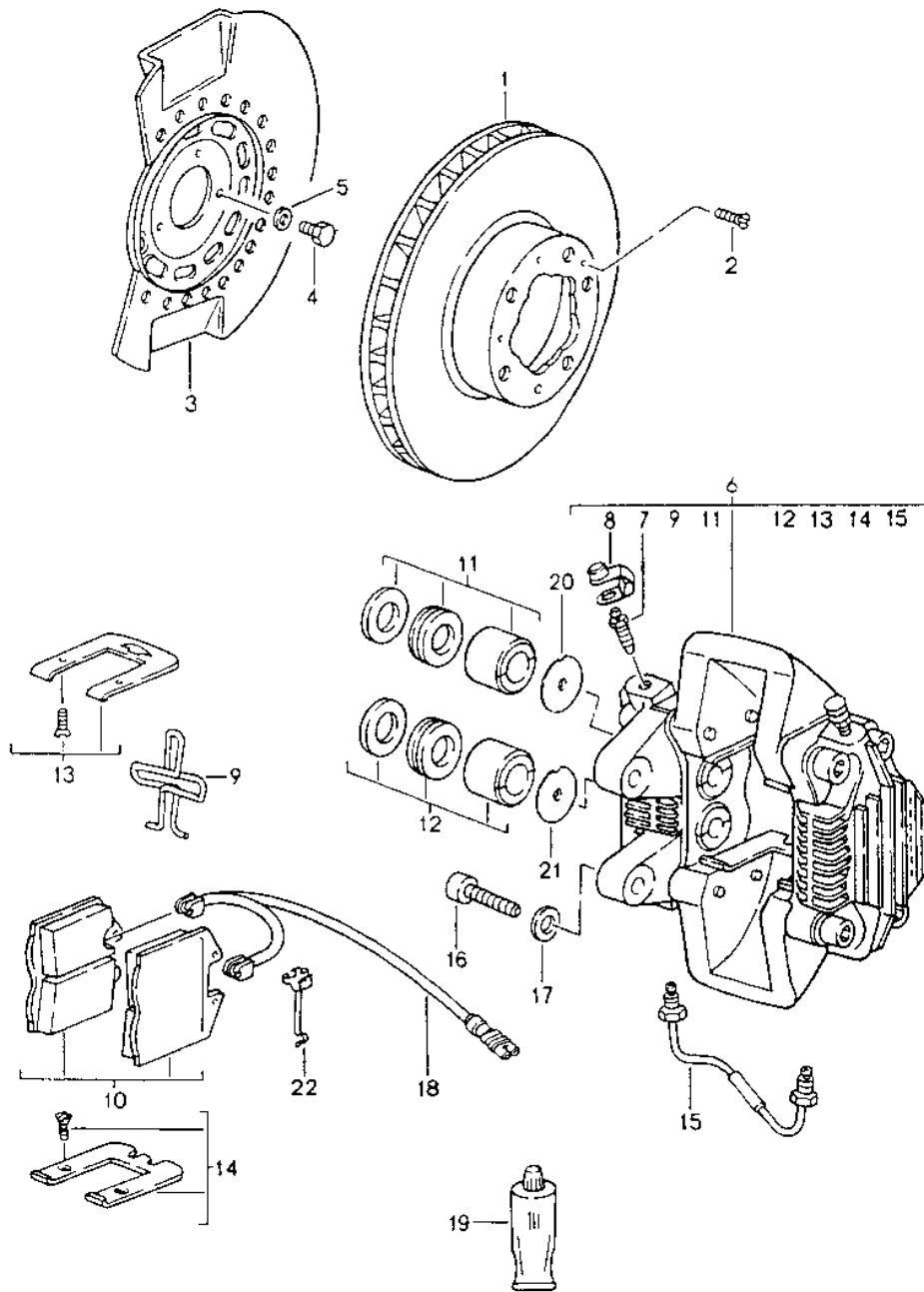
Model: 911 89

Model life 1989>>1994

Pos	Part Number	Description	Remark	Qty	Model
12	901 361 413 50	30 GR. Balance stick-on weight		X	
12	901 361 413 00	35 GR. Balance stick-on weight		X	
10	901 361 414 50	40 GR. Balance stick-on weight		X	
10	901 361 414 00	45 GR. Balance stick-on weight		X	
10	901 361 415 50	50 GR. Balance stick-on weight		X	
10	901 361 415 00	55 GR. Balance stick-on weight		X	
10	901 361 415 00	60 GR. Balance stick-on weight		X	

Model: 911 89

Model life 1989>>1994



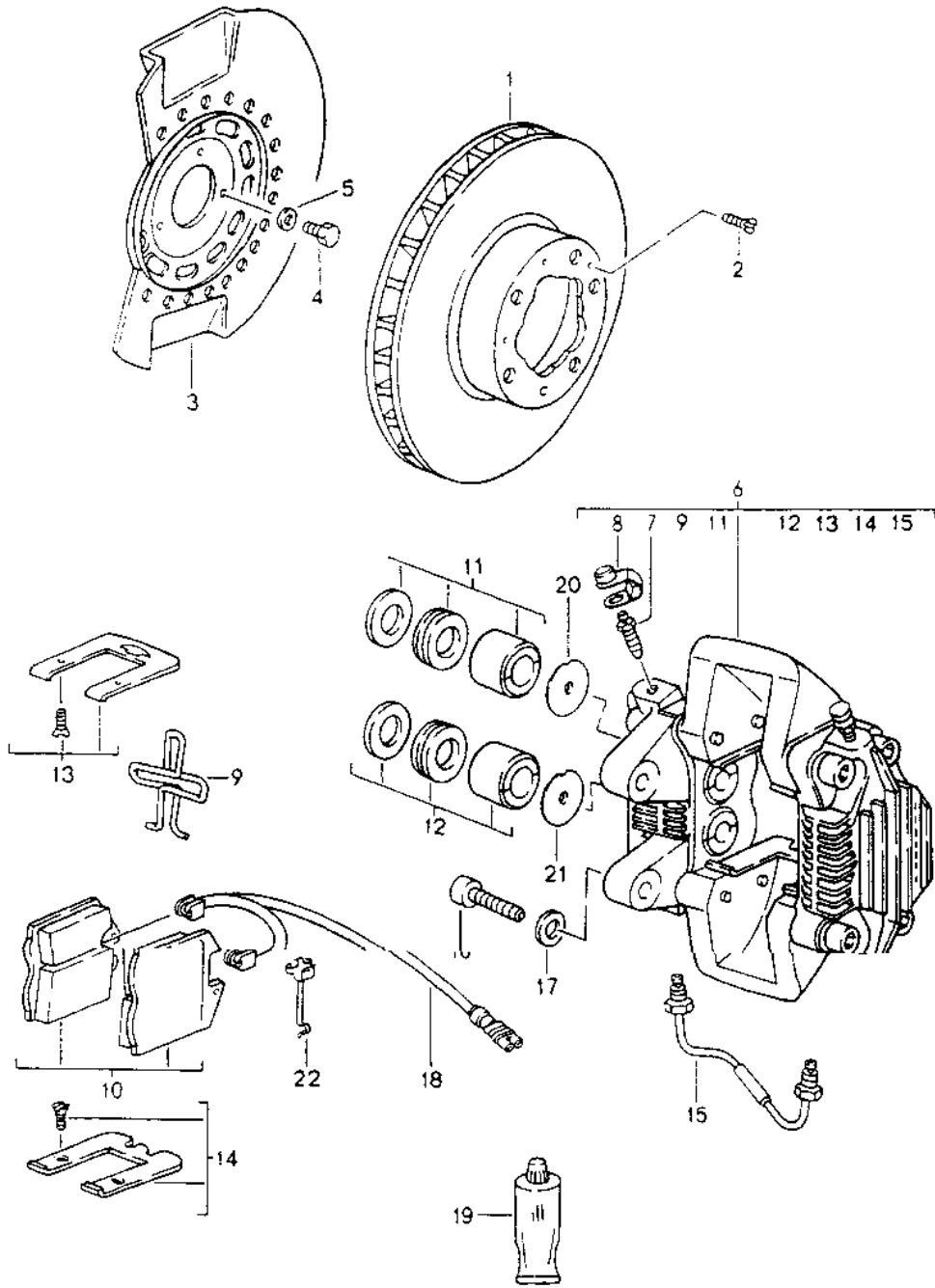
Model: 911 89

Model life 1989>>1994

Pos	Part Number	Description	Remark	Qty	Model
		Disc brake			CARRERA 2
		Front axle			
1	964 351 041 02	Brake disc		2	
1	964 351 041 06	Brake disc		2	
2	N 033 167 1	Countersunk-head screw M 6 X 12		8	
2	900 269 047 01	Countersunk-head screw M 6 X 12		8	
3	964 351 804 02	Protective plate	/R	1	
(3)	964 351 803 02	Protective plate	/L	1	
4	999 072 005 09	Hexagon nut M 6 X 12		6	
4	999 072 005 01	Hexagon nut M 6 X 12		6	
5	N 011 666 7	Washer A 6,4		6	
6	964 351 421 02	Fixed calliper without pad	/L -90	1	
6		Fixed calliper without pad	/L 91-	1	
6	964 351 422 02	Fixed calliper without pad	/R -90	1	
6		Fixed calliper without pad	/R 91-	1	
7	930 351 919 00	Ventilation valve		4	
8	930 351 927 00	Dust boot		4	
8	930 351 927 01	Dust boot		4	
9	951 352 950 00	Expanding spring		2	
10	964 351 939 03	Brake pad repair set		1	
11	951 351 919 11	Gasket set 40 MM \$		4	
12	951 351 919 10	Gasket set 36 MM \$		4	
13	964 351 959 01	Repair kit Spring plate		2	
14	964 351 959 00	Repair kit Spring plate		2	
15	951 351 971 00	Connecting line		2	
16	N 010 137 2	Hexagon-head bolt M12 X 1,5 X 35		4	
16	900 083 073 01	Hexagon-head bolt M12 X 1,5 X 35		4	
17	900 028 014 02	Washer B 12		4	
17	900 028 014 03	Washer B 12		4	
18	964 612 363 01	Warning contact		2	
18	964 612 363 02	Warning contact		2	
18	964 612 363 01	Warning contact		2	
18	964 612 363 02	Warning contact		2	
-	944 612 627 00	Line bracket		2	
19	000 043 117 00	Brake cylinder paste 1 50-g tube		X	
19	000 043 305 11	Brake cylinder paste 1 50-g tube		X	
19	000 043 020 00	Optimoly 1 100-gramme tube		X	
20	964 351 096 02	Damping plate 40 MM \$		4	
21	964 351 096 01	Damping plate 36 MM \$		4	
22	928 612 361 00	Cable holder		2	

Model: 911 89

Model life 1989>>1994



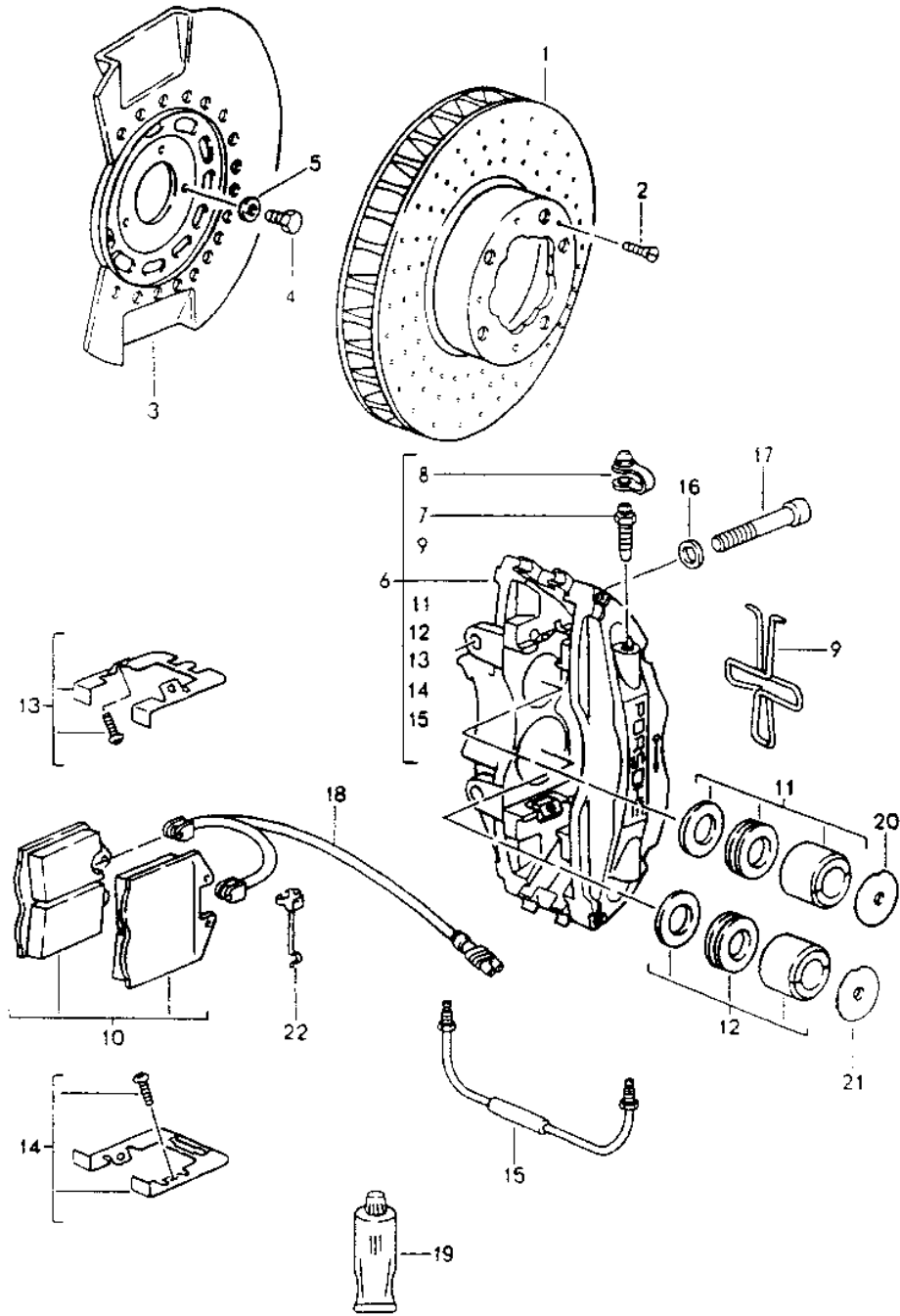
Model: 911 89

Model life 1989>>1994

Pos	Part Number	Description	Remark	Qty	Model
		Disc brake Front axle			CARRERA 4 TURBO-LOOK CARRERA 4
1	964 351 041 02	Brake disc		2	
1	964 351 041 06	Brake disc		2	
2	N 033 167 1	Countersunk-head screw M 6 X 12		8	
2	900 269 047 01	Countersunk-head screw M 6 X 12		8	
3	964 351 804 02	Protective plate	/R	1	
(3)	964 351 803 02	Protective plate	/L	1	
4	999 072 005 09	Hexagon nut M 6 X 12		6	
4	999 072 005 01	Hexagon nut M 6 X 12		6	
5	N 011 666 7	Washer A 6,4		6	
6	964 351 421 02	Fixed calliper without pad	/L	1	
6	964 351 422 02	Fixed calliper without pad	/R	1	
7	930 351 919 00	Ventilation valve		4	
8	930 351 927 00	Dust boot		4	
8	930 351 927 01	Dust boot		4	
9	951 352 950 00	Expanding spring		2	
10	965 352 939 04	Brake pad repair set		1	
11	951 351 919 11	Gasket set 40 MM \$		4	
12	951 351 919 10	Gasket set 36 MM \$		4	
13	964 351 959 01	Repair kit Spring plate		2	
14	964 351 959 00	Repair kit Spring plate		2	
15	951 351 971 00	Connecting line		2	
16	N 010 137 2	Hexagon-head bolt M12 X 1,5 X 35		4	
16	900 083 073 01	Hexagon-head bolt M12 X 1,5 X 35		4	
17	900 028 014 02	Washer B 12		4	
17	900 028 014 03	Washer B 12		4	
18	964 612 363 01	Warning contact		2	
18	964 612 363 02	Warning contact		2	
-	944 612 627 00	Line bracket		2	
19	000 043 117 00	Brake cylinder paste 1 50-g tube		X	
19	000 043 305 11	Brake cylinder paste 1 50-g tube		X	
19	000 043 020 00	Optimoly 1 100-gramme tube		X	
20	964 351 096 02	Damping plate 40 MM \$		4	
21	964 351 096 01	Damping plate 36 MM \$		4	
22	928 612 361 00	Cable holder		2	

Model: 911 89

Model life 1989>>1994



Model: 911 89 Model life 1989>>1994

Pos	Part Number	Description	Remark	Qty	Model
		Disc brake Front axle			TURBO TURBO 3,6 TURBO-LOOK CARRERA 2 CARRERA RS
1	965 351 043 00	Brake disc	/L	1	TURBO/LOOK
(1)	965 351 045 00	Brake disc	/L	1	CARRERA RS
1	965 351 044 00	Brake disc	/R	1	TURBO 3,6 TURBO/LOOK
(1)	965 351 046 00	Brake disc	/R	1	CARRERA RS
2	N 033 167 1	Countersunk-head screw AM 6X12		8	TURBO 3,6
2	900 269 047 01	Countersunk-head screw AM 6X12		8	
3	964 351 803 04	Protective plate	/L	1	TURBO/LOOK CARRERA 2
3	964 351 803 80	Protective plate	/L	1	CARRERA RS
3	964 351 804 04	Protective plate	/R	1	TURBO/LOOK CARRERA 2
3	964 351 804 80	Protective plate	/R	1	CARRERA RS
4	999 072 005 09	Hexagon nut M 6 X 12		6	
4	999 072 005 01	Hexagon nut M 6 X 12		6	
5	N 011 666 7	Washer A 6,4		6	
6	965 351 423 01	Fixed calliper without pad	/L	1	TURBO/LOOK
6	993 351 425 10	Fixed calliper without pad	/L	1	CARRERA RS TURBO 3,6
6	965 351 424 01	Fixed calliper without pad	/R	1	TURBO/LOOK
6	993 351 426 10	Fixed calliper without pad	/R	1	CARRERA RS TURBO 3,6
7	930 351 919 00	Ventilation valve		1	
8	930 351 927 00	Dust boot		4	
8	930 351 927 01	Dust boot		4	
9	928 351 950 01	Expanding spring		2	
10	965 351 939 02	Brake pad repair set	91	1	TURBO
10	993 351 939 01	Brake pad repair set	92-	1	TURBO/LOOK CARRERA RS
10	928 351 949 03	Brake pad		1	TURBO 3,6
11	928 351 919 10	Gasket set 44 MM \$		4	
12	951 351 919 10	Gasket set 36 MM \$		4	
13	993 351 959 01	Repair kit Spring plate		2	
13	993 351 959 02	Repair kit Spring plate		2	TURBO 3,6
14	993 351 959 00	Repair kit Spring plate		2	
14	993 351 959 03	Repair kit Spring plate		2	TURBO 3,6
15	959 351 971 00	Connecting line		2	
16	N 011 564 2	Washer A 13		4	
16	N 011 564 4	Washer A 13		4	
17	900 067 268 02	Pan-head screw		4	

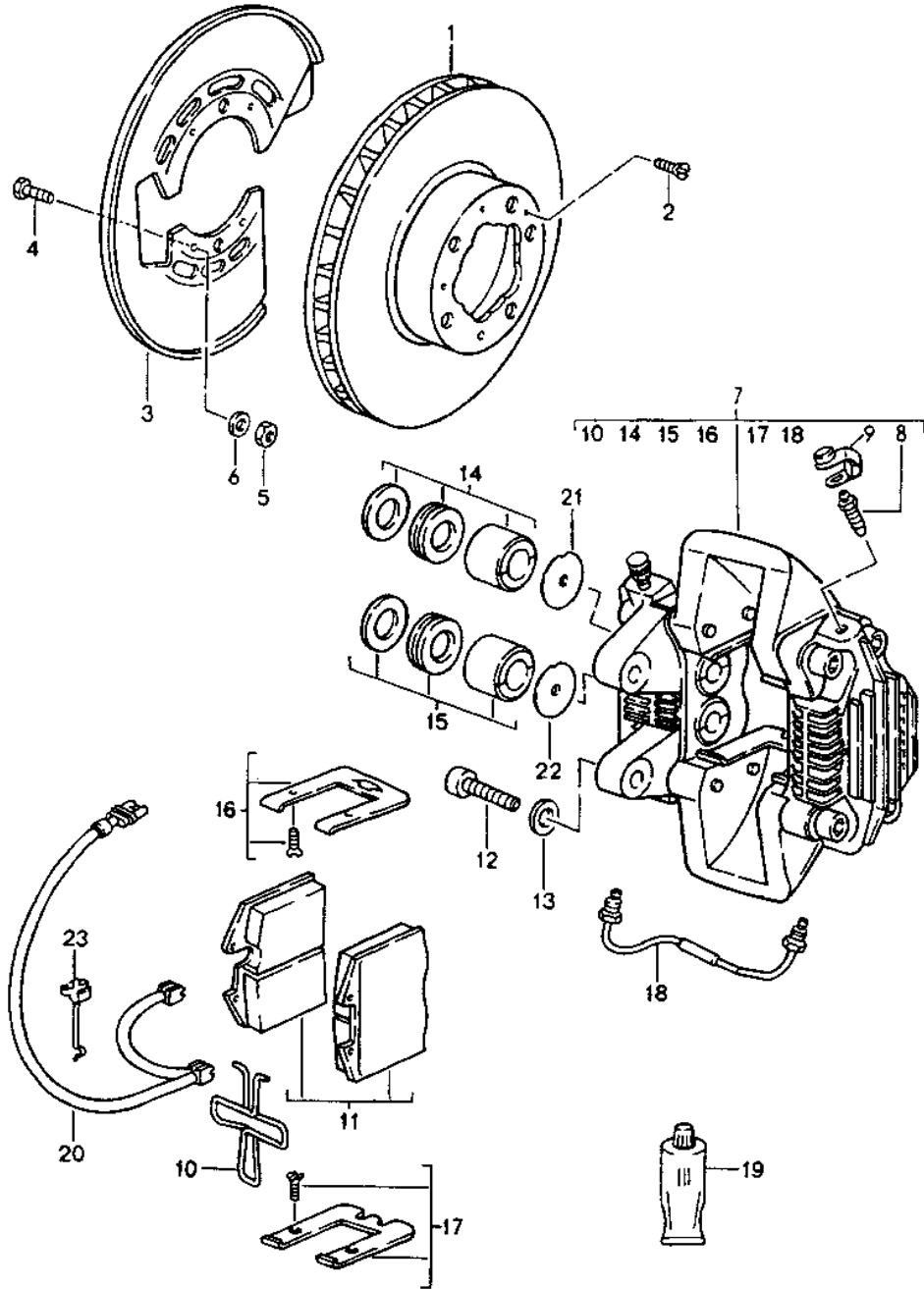
Model: 911 89

Model life 1989>>1994

Pos	Part Number	Description	Remark	Qty	Model
		M 12 X 1,5 X 80			
18	964 612 363 01	Warning contact	-92	2	
18	964 612 363 02	Warning contact		2	
-	944 612 627 00	Line bracket		2	
18	993 612 368 00	Warning contact	93-	2	
18	993 612 368 01	Warning contact	93-	2	
19	000 043 020 00	Optimoly		X	
		1 100-gramme tube			
(19)	000 043 117 00	Brake cylinder paste		X	
		1 50-g tube			
(19)	000 043 305 11	Brake cylinder paste		X	
		1 50-g tube			
20	965 351 096 00	Damping plate		4	
		44 MM \$			
21	964 351 096 01	Damping plate		4	
		36 MM \$			
22	928 612 361 00	Cable holder		2	

Model: 911 89

Model life 1989>>1994



Model: 911 89 Model life 1989>>1994

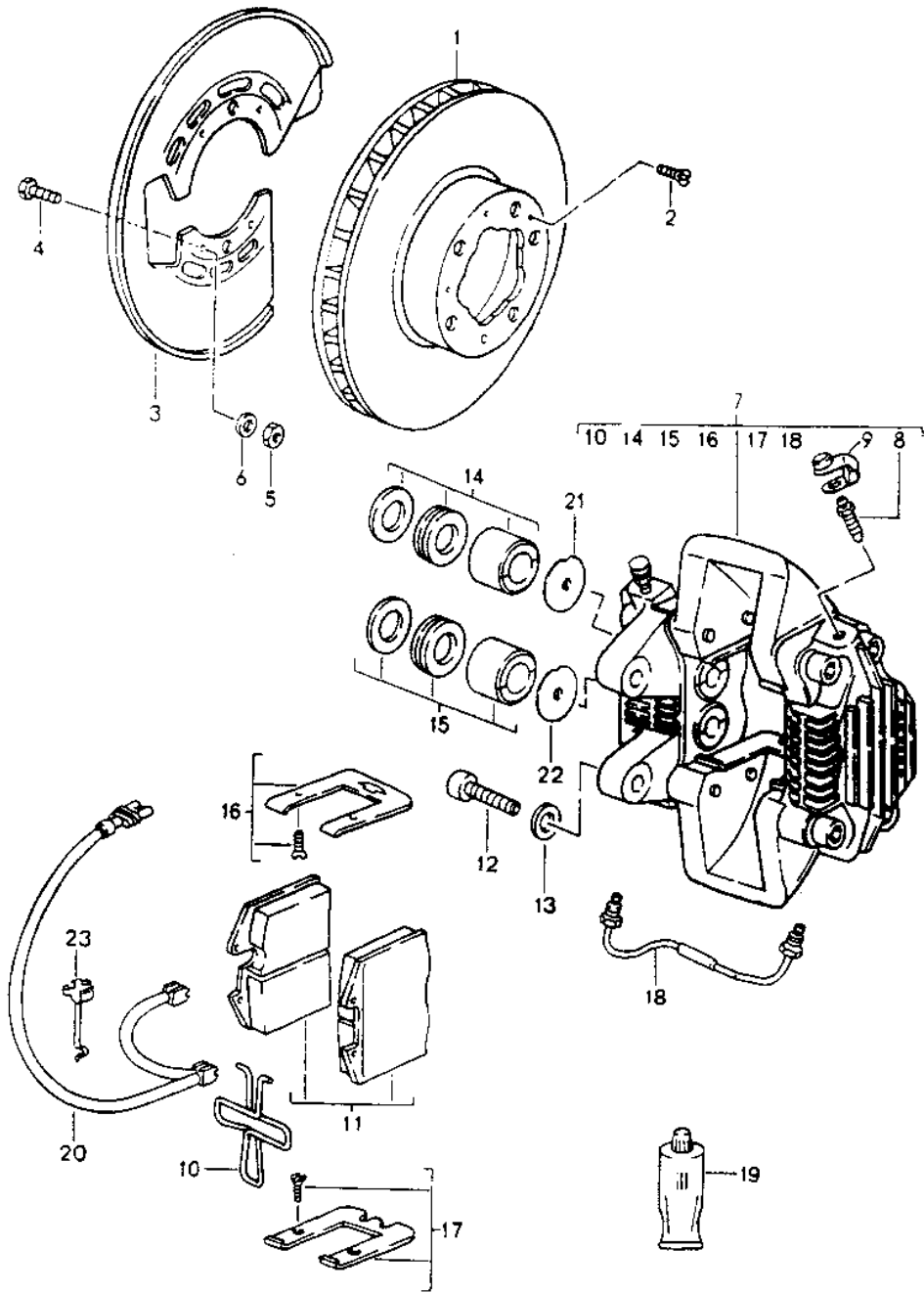
Pos	Part Number	Description	Remark	Qty	Model
		Disc brake Rear axle	89-		CARRERA 4 TURBO-LOOK CARRERA 4
1	951 352 041 02	Brake disc		2	
1	965 352 041 01	Brake disc	/L	1	TURBO-LOOK
(1)	965 352 042 01	Brake disc	/R	1	TURBO-LOOK
2	N 033 167 1	Countersunk-head screw AM 6 X 12		4	
2	900 269 047 01	Countersunk-head screw AM 6 X 12		4	
3	964 352 801 00	Protective plate		2	
4	900 119 101 02	Combination screw M 6 X 20		6	
5	900 910 010 09	Lock nut		6	
6	N 011 666 7	Washer A 6,4		6	
7	928 352 421 03	Fixed calliper without pad	/L	1	
7	965 352 421 02	Fixed calliper without pad	/L	1	TURBO-LOOK
7	928 352 422 03	Fixed calliper without pad	/R	1	
7	965 352 422 02	Fixed calliper without pad	/R	1	TURBO-LOOK
8	930 351 919 00	Ventilation valve		2	
9	930 351 927 00	Dust boot		2	
9	930 351 927 01	Dust boot		2	
10	951 352 950 00	Expanding spring		2	
11	965 352 939 04	Brake pad repair set		1	
12	900 067 170 02	Pan-head screw M 12 X 1,5 X 40		4	
(12)	900 082 077 02	Hexagon-head bolt M 12 X 1,5 X 37		4	TURBO-LOOK
(12)	900 082 145 01	Hexagon-head bolt M 12 X 1,5 X 37		4	TURBO-LOOK
13	900 028 014 02	Washer		4	
13	900 028 014 03	Washer		4	
14	951 352 919 11	Gasket set 30 MM \$		4	
(14)	965 352 919 10	Gasket set 34 MM \$		4	TURBO-LOOK
15	951 352 919 10	Gasket set 28 MM \$		4	
(15)	951 352 919 11	Gasket set 30 MM\$		4	TURBO-LOOK
16	993 352 959 01	Repair kit Spring plate		2	
17	993 352 959 00	Repair kit Spring plate		2	
18	951 352 971 00	Connecting line		2	
19	000 043 117 00	Brake cylinder paste 1 50-g tube		X	
19	000 043 305 11	Brake cylinder paste 1 50-g tube		X	
20	964 612 365 01	Warning contact		2	
20	964 612 365 02	Warning contact		2	
-	944 612 627 00	Line bracket		2	
21	964 352 096 00	Damping plate 30 MM \$		4	
21	996 352 086 00	Damping plate 30 MM \$		4	
(21)	965 352 096 01	Damping plate 34 MM \$		4	TURBO-LOOK

Model: 911 89 **Model life 1989>>1994**

Pos	Part Number	Description	Remark	Qty	Model
22	964 352 096 01	Damping plate 28 MM \$		4	
(22)	964 352 096 00	Damping plate 30 MM \$		4	TURBO-LOOK
(22)	996 352 086 00	Damping plate 30 MM \$		4	TURBO-LOOK
23	928 612 361 00	Cable holder		2	

Model: 911 89

Model life 1989>>1994



Model: 911 89 Model life 1989>>1994

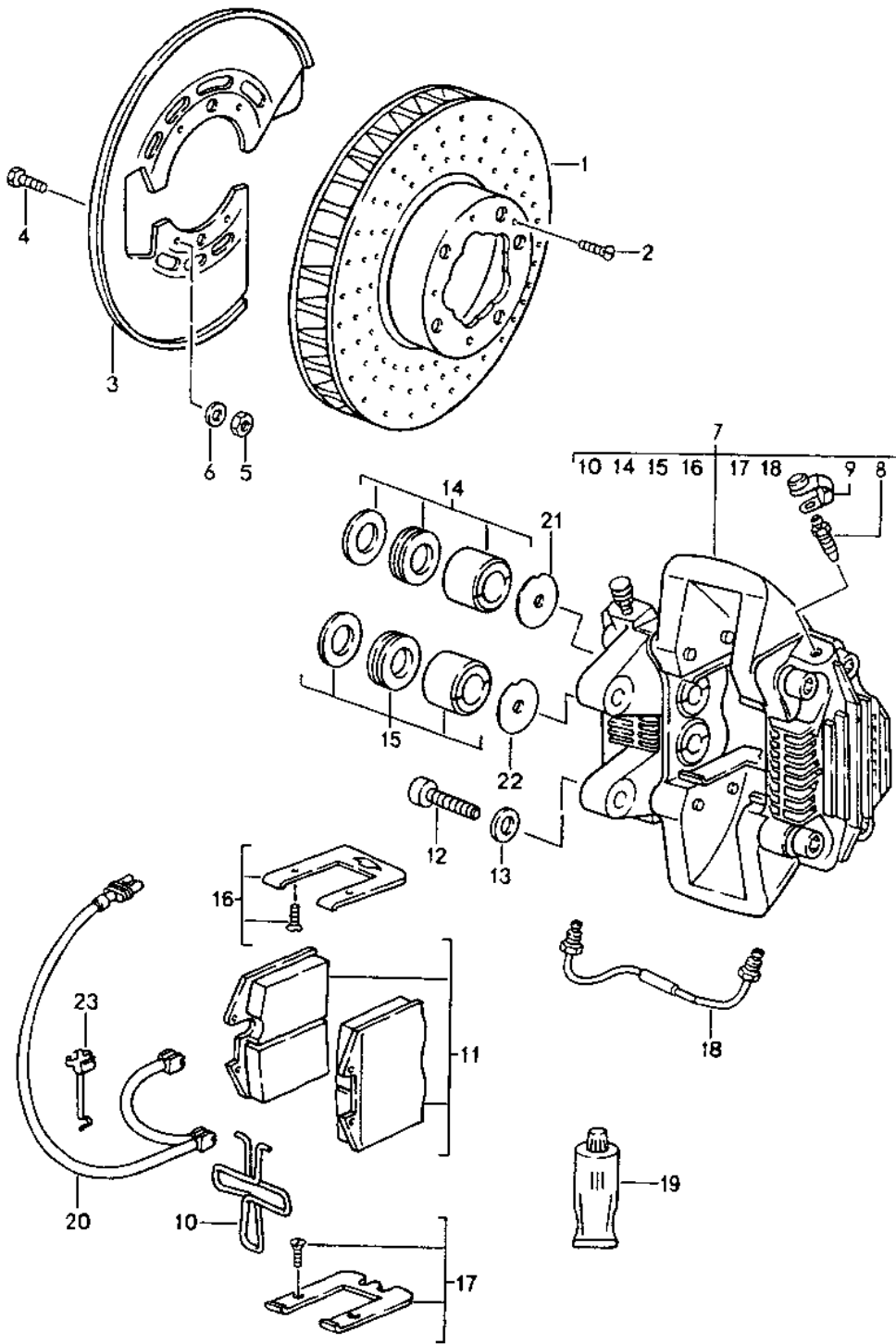
Pos	Part Number	Description	Remark	Qty	Model
		Disc brake	92-		CARRERA 2
		Rear axle	92-		TURBO-LOOK
1	951 352 041 02	Brake disc		2	CARRERA 2
1	965 352 041 00	Brake disc		1	TURBO-LOOK
			/L -92		CARRERA 2
1	965 352 041 01	Brake disc		1	TURBO-LOOK
			/L 93-		CARRERA 2
1	965 352 042 00	Brake disc		1	TURBO-LOOK
			/R -92		CARRERA 2
1	965 352 042 01	Brake disc		1	TURBO-LOOK
			/R 93-		CARRERA 2
2	N 033 167 1	Countersunk-head screw AM 6 X 12		4	
2	900 269 047 01	Countersunk-head screw AM 6 X 12		4	
3	964 352 801 00	Protective plate		2	
4	900 119 101 02	Combination screw M 6 X 20		6	
5	900 910 010 09	Lock nut		6	
6	N 011 666 7	Washer A 6,4		6	
7	928 352 421 03	Fixed calliper without pad	/L	1	CARRERA 2
7	965 352 421 02	Fixed calliper without pad	/L	1	TURBO-LOOK
7	928 352 422 03	Fixed calliper without pad	/R	1	CARRERA 2
7	965 352 422 02	Fixed calliper	/R	1	TURBO-LOOK
8	930 351 919 00	Ventilation valve		2	
9	930 351 927 00	Dust boot		2	
9	930 351 927 01	Dust boot		2	
10	951 352 950 00	Expanding spring		2	
11	964 351 939 03	Brake pad repair set		1	CARRERA 2
11	965 352 939 04	Brake pad repair set		1	CARRERA 2
					TURBO-LOOK
12	900 067 170 02	Pan-head screw M 12 X 1,5 X 40		4	CARRERA 2
12	900 082 077 02	Hexagon-head bolt M 12X1,5X37		4	TURBO-LOOK
12	900 082 145 01	Hexagon-head bolt M 12X1,5X37		4	TURBO-LOOK
13	900 028 014 02	Washer		4	
13	900 028 014 03	Washer		4	
14	951 352 919 11	Gasket set 30 MM \$		4	CARRERA 2
(14)	965 352 919 10	Gasket set 34 MM \$		4	TURBO-LOOK
15	951 352 919 10	Gasket set 28 MM \$		4	CARRERA 2
(15)	951 352 919 11	Gasket set 30 MM\$		4	TURBO-LOOK
16	993 352 959 01	Repair kit Spring plate		2	
17	993 352 959 00	Repair kit Spring plate		2	
18	951 352 971 00	Connecting line		2	
19	000 043 117 00	Brake cylinder paste 1 50-g tube		X	
19	000 043 305 11	Brake cylinder paste 1 50-g tube		X	
20	964 612 365 01	Warning contact		2	
20	964 612 365 02	Warning contact		2	

Model: 911 89 Model life 1989>>1994

Pos	Part Number	Description	Remark	Qty	Model
-	944 612 627 00	Line bracket		2	
21	964 352 096 00	Damping plate 30 MM \$		4	CARRERA 2
21	996 352 086 00	Damping plate 30 MM \$		4	CARRERA 2
(21)	965 352 096 01	Damping plate 34 MM\$		4	TURBO-LOOK
22	964 352 096 01	Damping plate 28 MM \$		4	CARRERA 2
(22)	964 352 096 00	Damping plate 30 MM\$		4	TURBO-LOOK
(22)	996 352 086 00	Damping plate 30 MM\$		4	TURBO-LOOK
23	928 612 361 00	Cable holder		2	

Model: 911 89

Model life 1989>>1994



Model: 911 89 Model life 1989>>1994

Pos	Part Number	Description	Remark	Qty	Model
		Disc brake Rear axle			TURBO TURBO 3,6 CARRERA RS
(1)	965 352 041 00	Brake disc	/L	1	TURBO
(1)	965 352 042 00	Brake disc	/R	1	TURBO
1	951 352 041 91	Brake disc		2	CARRERA RS
1	951 352 041 92	Brake disc		2	CARRERA RS
2	N 033 167 1	Countersunk-head screw M 6X12		8	
2	900 269 047 01	Countersunk-head screw M 6X12		8	
3	964 352 801 00	Protective plate		2	
4	900 119 101 02	Combination screw M 6X20		12	
5	N 012 226 5	Spring washer B 6		12	
6	900 910 010 09	Lock nut M 6		12	
7	965 352 421 02	Fixed calliper without pad	/L	1	TURBO
7	965 352 421 12	Fixed calliper without pad Red	/L	1	TURBO 3,6
7	965 352 422 02	Fixed calliper without pad	/R	1	TURBO
7	965 352 422 12	Fixed calliper without pad Red	/R	1	TURBO 3,6
7	993 352 421 00	Fixed calliper without pad	/L	1	CARRERA RS
7	993 352 422 00	Fixed calliper without pad	/R	1	CARRERA RS
8	930 351 919 00	Ventilation valve		2	
9	930 351 927 00	Dust boot		2	
9	930 351 927 01	Dust boot		2	
10	951 352 950 00	Expanding spring		2	
11	965 352 939 00	Brake pad repair set	91	1	TURBO
11	965 352 939 04	Brake pad repair set	92-	1	TURBO
				1	CARRERA RS
12	900 082 077 02	Hexagon-head bolt M 12 X 1,5 X 37		4	
12	900 082 145 01	Hexagon-head bolt M 12 X 1,5 X 37		4	
12	900 067 170 02	Pan-head screw M 12 X 1,5 X 40		4	CARRERA RS
13	900 028 014 02	Washer B 12		4	
13	900 028 014 03	Washer B 12		4	
14	965 352 919 10	Gasket set 34 MM \$		4	TURBO
				4	CARRERA RS
15	951 352 919 11	Gasket set 30 MM \$		4	TURBO
				4	CARRERA RS
16	964 351 959 01	Repair kit Spring plate		2	
17	964 351 959 00	Repair kit Spring plate		2	
18	951 351 971 00	Connecting line		2	
19	000 043 020 00	Optimoly 1 100-gramme tube		X	
(19)	000 043 117 00	Brake cylinder paste 1 50-g tube		X	
(19)	000 043 305 11	Brake cylinder paste		X	

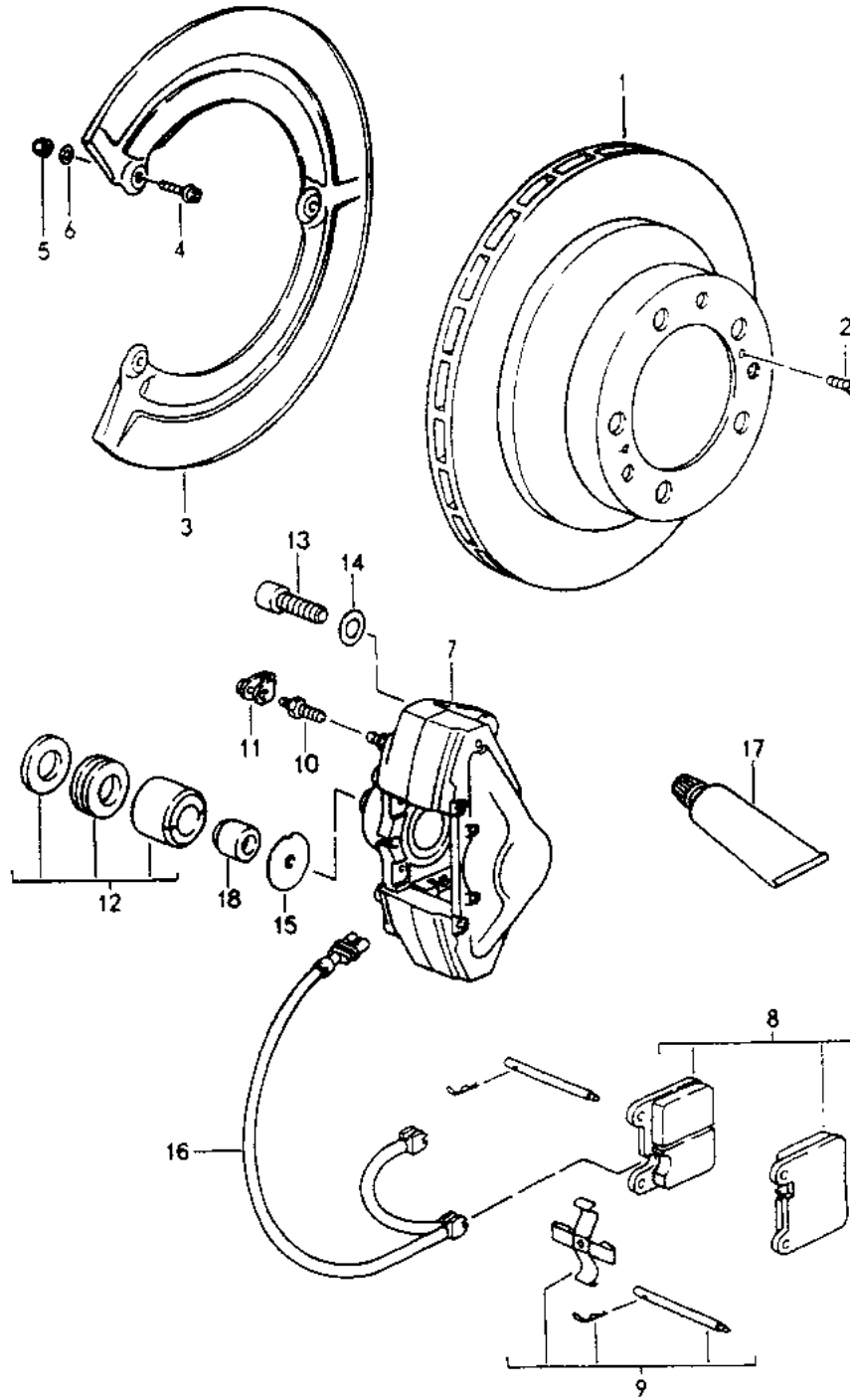
Model: 911 89

Model life 1989>>1994

Pos	Part Number	Description	Remark	Qty	Model
20	964 612 365 01	1 50-g tube Warning contact		2	
20	964 612 365 02	Warning contact		2	
-	944 612 627 00	Line bracket		2	
21	965 352 096 01	Damping plate 34 MM \$		4	
22	964 352 096 00	Damping plate 30 MM \$		4	
22	996 352 086 00	Damping plate 30 MM \$		4	
23	928 612 361 00	Cable holder		2	

Model: 911 89

Model life 1989>>1994



Model: 911 89 Model life 1989>>1994

Pos	Part Number	Description	Remark	Qty	Model
		Disc brake			CARRERA 2
		Rear axle			CARRERA 2
		See TPI			
		GR.6			
		NR.11			
1	951 352 041 02	Brake disc		2	
2	N 033 167 1	Countersunk-head screw		4	
2	900 269 047 01	Countersunk-head screw		4	
3	964 352 801 00	Protective plate		2	
4	900 119 101 02	Combination screw		6	
5	900 910 010 09	Lock nut		6	
6	N 011 666 7	Washer		6	
		A 6,4			
7	964 352 425 03	Brake calliper without pad	/L	1	
		F >>96MS4 06629			
		F >>96MS4 11516			
		F >>96MS4 31058			
		F >>96MS4 40726			
		F >>96MS4 53141			
		F >>96MS4 62093			
7	964 352 425 05	Fixed calliper without pad	/L	1	
		F 96MS4 06630>>			
		F 96MS4 11517>>			
		F 96MS4 31059>>			
		F 96MS4 40727>>			
		F 96MS4 53142>>			
		F 96MS4 62094>>			
(7)	964 352 426 03	Brake calliper without pad	/R	1	
		F >>96MS4 06629			
		F >>96MS4 11516			
		F >>96MS4 31058			
		F >>96MS4 40726			
		F >>96MS4 53141			
		F >>96MS4 62093			
(7)	964 352 426 05	Fixed calliper without pad	/R	1	
		F 96MS4 06630>>			
		F 96MS4 11517>>			
		F 96MS4 31059>>			
		F 96MS4 40727>>			
		F 96MS4 53142>>			
		F 96MS4 62094>>			
8	964 352 949 03	Brake pad repair set		1	
8	964 352 949 02	Brake pad repair set		1	
9	964 352 959 01	Mounting parts		1	
9		Mounting parts		1	
10	930 351 919 00	Ventilation valve		2	
11	930 351 927 00	Dust boot		2	
11	930 351 927 01	Dust boot		2	
12	964 352 919 00	Gasket set		X	
13	900 067 170 02	Pan-head screw		4	
14	900 028 014 02	Washer		4	
14	900 028 014 03	Washer		4	
15	964 352 096 01	Damping plate 28 MM \$		4	
16	964 612 365 01	Warning contact		2	
		Use also: 964 352 959 01			
16	964 612 365 02	Warning contact		2	
		Use also:			

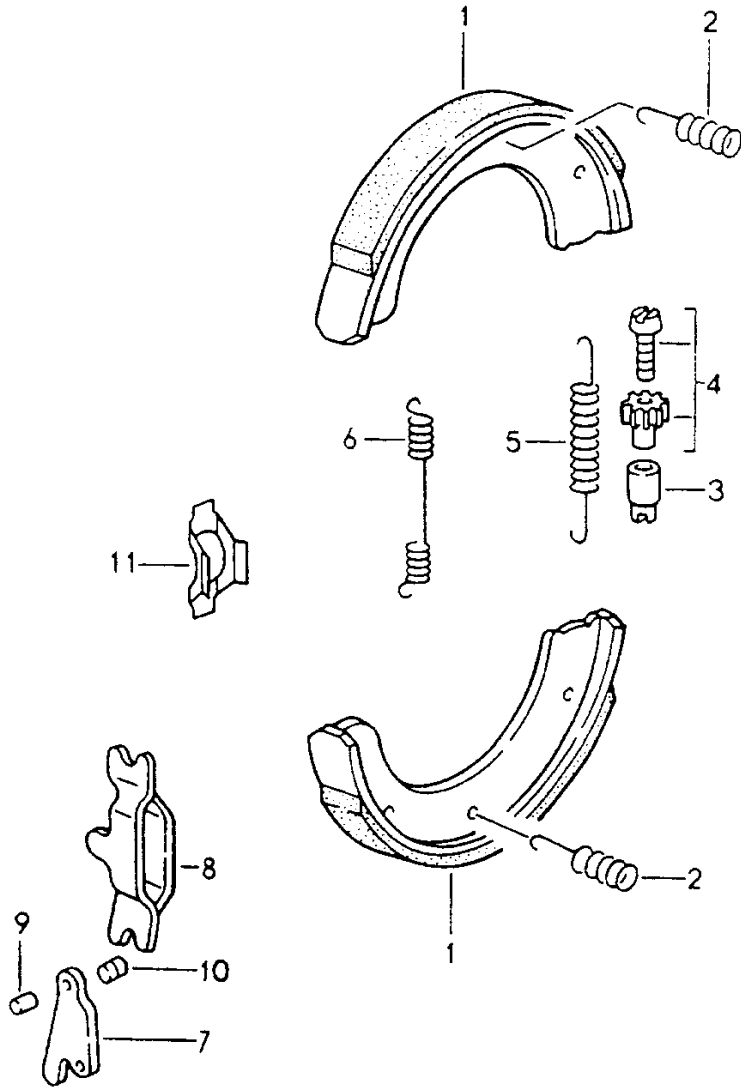
Model: 911 89

Model life 1989>>1994

Pos	Part Number	Description	Remark	Qty	Model
-	944 612 627 00	964 352 959 01 Line bracket		2	
17	000 043 020 00	Optimoly 1 100-gramme tube		X	
17	000 043 117 00	Brake cylinder paste 1 50-g tube		X	
17	000 043 305 11	Brake cylinder paste 1 50-g tube		X	
18	964 352 963 01	Vibration damper		4	

Model: 911 89

Model life 1989>>1994



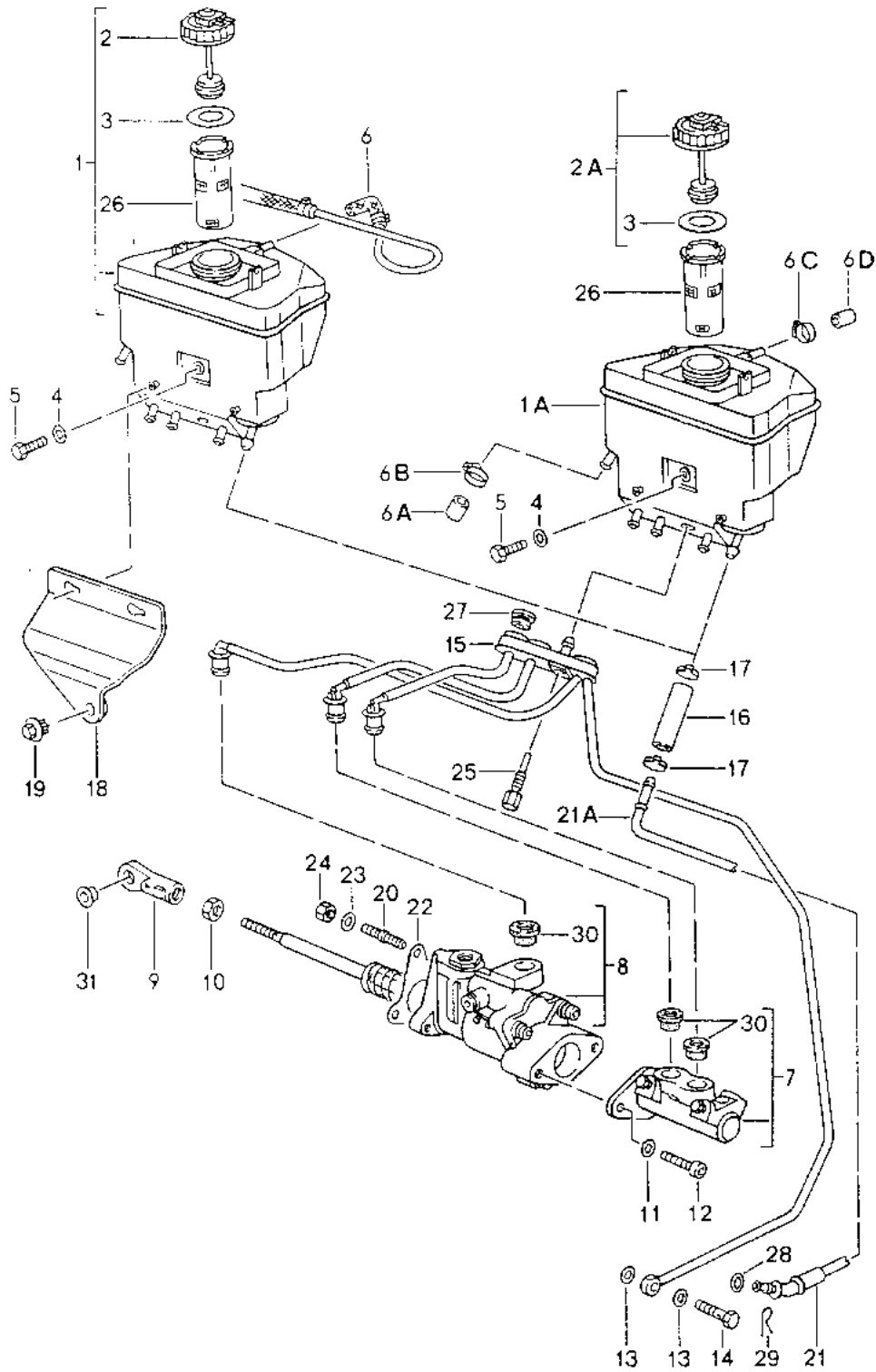
Model: 911 89

Model life 1989>>1994

Pos	Part Number	Description	Remark	Qty	Model
1	996 352 993 00	Handbrake Repair kit		1	
1	996 352 993 01	Brake shoe		1	
1	996 352 993 02	Brake shoe		1	
2	928 352 957 02	Compression spring		4	
3	911 352 944 00	Support bush		2	
4	993 352 071 00	Adjusting screw		2	
4	298 609 723	Adjusting screw		2	
5	901 352 932 10	Return spring		2	
6	951 352 454 00	Return spring		2	
6	996 352 723 00	Tension spring		2	
7	993 352 073 00	Push-button lock		2	
8		Push-button lock		2	
9	993 352 737 00	Bolt		2	
10	928 352 447 00	Articulated bolt		2	
11	951 352 807 00	Supporting plate		2	

Model: 911 89

Model life 1989>>1994



Model: 911 89 Model life 1989>>1994

Pos	Part Number	Description	Remark	Qty	Model
		Brake fluid reservoir Brake master cylinder Brake booster			CARRERA 4 TURBO TURBO-LOOK CARRERA RS
		See technical information GR.4 NR16/95			
1	964 355 013 50	Brake fluid reservoir		1	
1	964 355 013 25	Brake fluid reservoir		1	TURBO-LOOK M249
1A	993 355 113 50	Container		1	
2	964 355 181 50	Threaded cover	-91	1	
2	964 355 181 51	Threaded cover	92-	1	
2A	993 355 181 50	Threaded cover with Bleeding		1	
3	911 355 908 00	Gasket		1	
4	N 011 666 7	Washer		1	
5	999 072 005 09	Hexagon nut		1	
5	999 072 005 01	Hexagon nut		1	
6	964 355 363 51	Overflow hose	/LL	1	
6	964 355 364 50	Overflow hose	/RL	1	
6A	911 355 327 00	Cap		1	
6B	999 512 055 02	Hose clamp		1	
6B	PCG 512 055 02	Hose clamp		1	
6C	999 512 069 02	Hose clamp		1	
6C	PCG 512 069 02	Hose clamp		1	
6D	993 355 331 00	Cap		1	
7	964 355 903 00	Brake master cylinder		1	CARRERA 4 TURBO/LOOK
7	964 355 903 80	Brake master cylinder		1	CARRERA RS
8	964 355 904 01	Brake booster		1	CARRERA 4 TURBO/LOOK
8	964 355 904 80	Brake booster		1	CARRERA RS
9	964 355 513 04	Swivel head		1	
9	964 355 513 05	Swivel head		1	
10	900 157 002 02	Hexagon nut		1	
10	900 157 002 03	Hexagon nut		1	
11	900 025 007 02	Washer		2	
11	900 025 007 03	Washer		2	
12	N 014 726 1	Pan-head screw		2	
13	900 123 033 20	Sealing ring		2	
14	900 175 002 02	Screw		1	
15	964 355 121 51	Line harness	/LL	1	CARRERA 4
(15)	965 355 121 50	Line harness	/LL	1	TURBO/LOOK CARRERA RS
15	964 355 122 50	Line harness	/RL	1	CARRERA 4
(15)	965 355 122 50	Line harness	/RL	1	TURBO/LOOK CARRERA RS
16	999 181 021 50	Hose		*	
17	999 512 445 00	Clamp		2	
18	964 355 423 00	Cover	/LL	1	
18	964 355 424 00	Cover	/RL	1	
19	999 703 236 40	Plastic nut		1	
20	999 061 092 02	Stud		3	
21	964 355 227 53	Intake pipe	/LL	1	
(21)	964 355 228 51	Intake pipe	/RL	1	
21A	964 355 506 00	Intake pipe	/RL	1	
22	964 355 851 00	Gasket		1	
23	900 151 008 02	Washer		3	
24	900 910 003 02	Lock nut		3	
24	900 910 003 04	Lock nut		3	
		M 8			
25	999 217 086 02	Hexagon-head bolt		1	

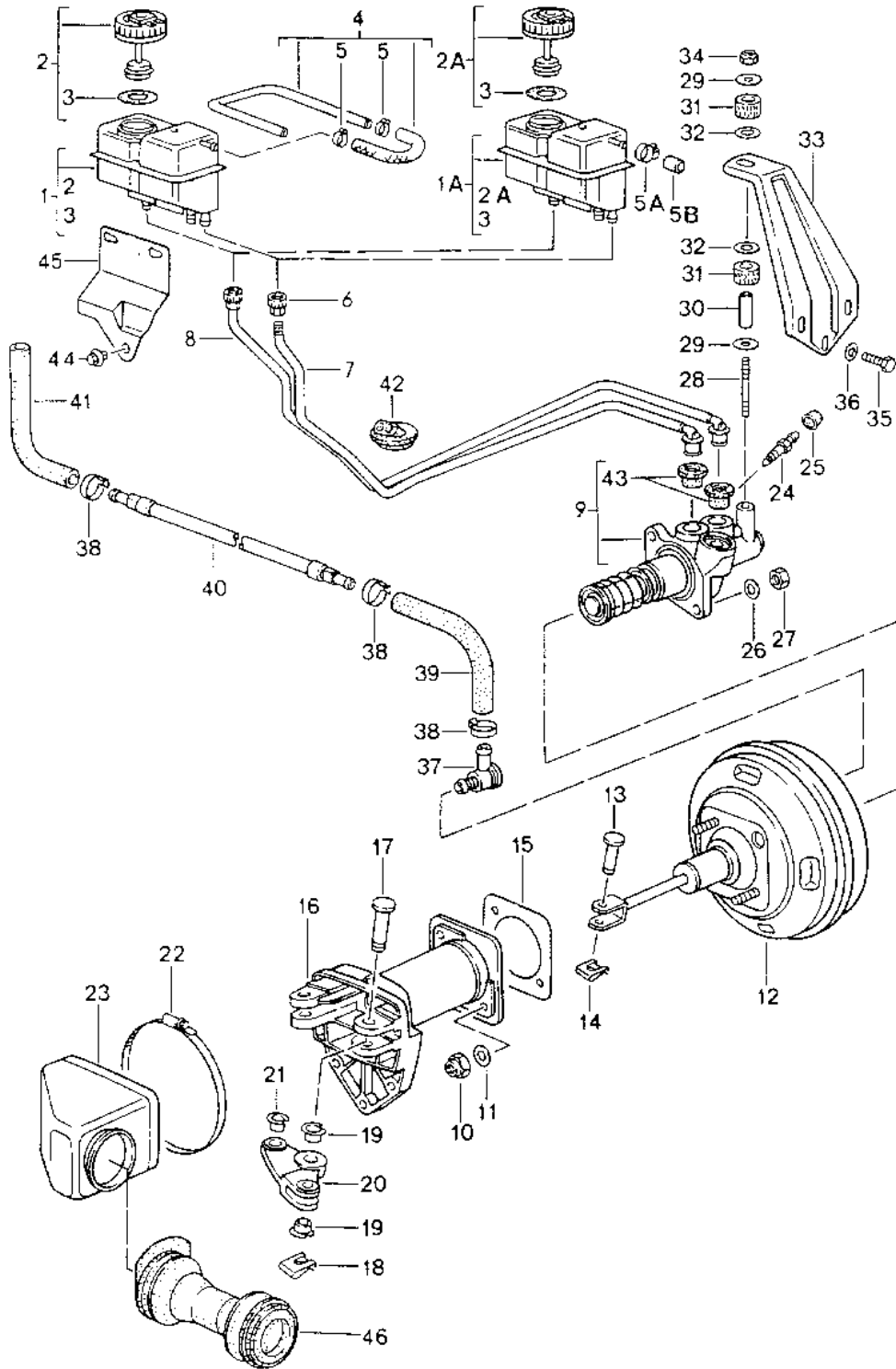
Model: 911 89

Model life 1989>>1994

Pos	Part Number	Description	Remark	Qty	Model
26	964 355 187 01	Restrictor bush		1	
27	999 702 164 50	Rubber bush		3	
28	999 707 075 40	O-ring		1	
29	999 021 003 00	Lock		1	
30	911 355 922 00	Sealing plug		3	
31	999 924 003 40	Bush		1	

Model: 911 89

Model life 1989>>1994



Model: 911 89 Model life 1989>>1994

Pos	Part Number	Description	Remark	Qty	Model
		Brake fluid reservoir Brake master cylinder See technical information GR.4 NR16/95			CARRERA 2
1	964 355 017 03	Brake fluid reservoir	-92	1	
1	964 355 017 04	Brake fluid reservoir	93-	1	
1A	964 355 017 05	Brake fluid reservoir		1	
2	964 355 351 00	Threaded cover		1	
2A	993 355 351 00	Threaded cover with bleeding		1	
3	911 355 908 00	Gasket		1	
4	964 355 363 00	Breather hose	/LL	1	
(4)	964 355 364 00	Breather hose	/RL	1	
5	999 512 527 00	Clamp		2	
5A	999 512 069 02	Hose clamp		1	
5A	PCG 512 069 02	Hose clamp		1	
5B	993 355 331 00	Cap		1	
6	999 126 012 40	Union nut		2	
7	964 355 285 01	Line	/LL	1	
(7)	964 355 282 01	Line	/RL	1	
8	964 355 283 01	Line	/LL	1	
(8)	964 355 286 01	Line	/RL	1	
9	964 355 015 03	Brake master cylinder		1	
(9)	964 355 015 CX	Brake master cylinder		1	
10	900 910 003 02	Lock nut		2	
10	900 910 003 04	Lock nut		2	
10		Lock nut		2	
11	900 025 007 02	Washer		2	
11	900 025 007 03	Washer		2	
-	964 355 212 00	Gasket		1	
12	964 355 182 01	Brake booster		1	
13	999 088 016 02	Bolt		2	
14	999 166 076 02	Safety clip		2	
14	999 166 076 01	Safety clip		2	
15	964 355 301 00	Gasket		1	
16	964 355 495 03	Bearing bracket	/LL	1	
16	964 355 496 03	Bearing bracket	/RL	1	
17	999 088 020 02	Bolt		1	
18	999 166 077 02	Safety clip		1	
19	999 924 057 00	Bush		2	
20	964 355 471 02	Reverse lever		1	
20	964 355 471 03	Reverse lever		1	
21	999 924 058 00	Bush		2	
22	N 024 521 1	Hose clamp		1	
23	993 355 329 00	Cap		1	
24	964 355 951 00	Bleeder screw		1	
25	999 703 372 40	Cap		1	
26	900 151 008 02	Washer		2	
27	900 910 003 02	Lock nut		2	
27	900 910 003 04	Lock nut		2	
28	999 062 032 02	Stud		1	
29	900 151 008 02	Washer		2	
30	964 355 483 00	Sleeve		1	
31	964 355 485 00	Damping piece		2	
32	999 025 903 00	Washer		2	
33	964 355 063 00	Support		1	
33	964 355 064 00	Support	/RL	1	
34	900 910 003 02	Lock nut		1	
34	900 910 003 04	Lock nut		2	
35	900 075 085 02	Hexagon-head bolt		3	
36	900 025 007 02	Washer		3	
36	900 025 007 03	Washer		3	

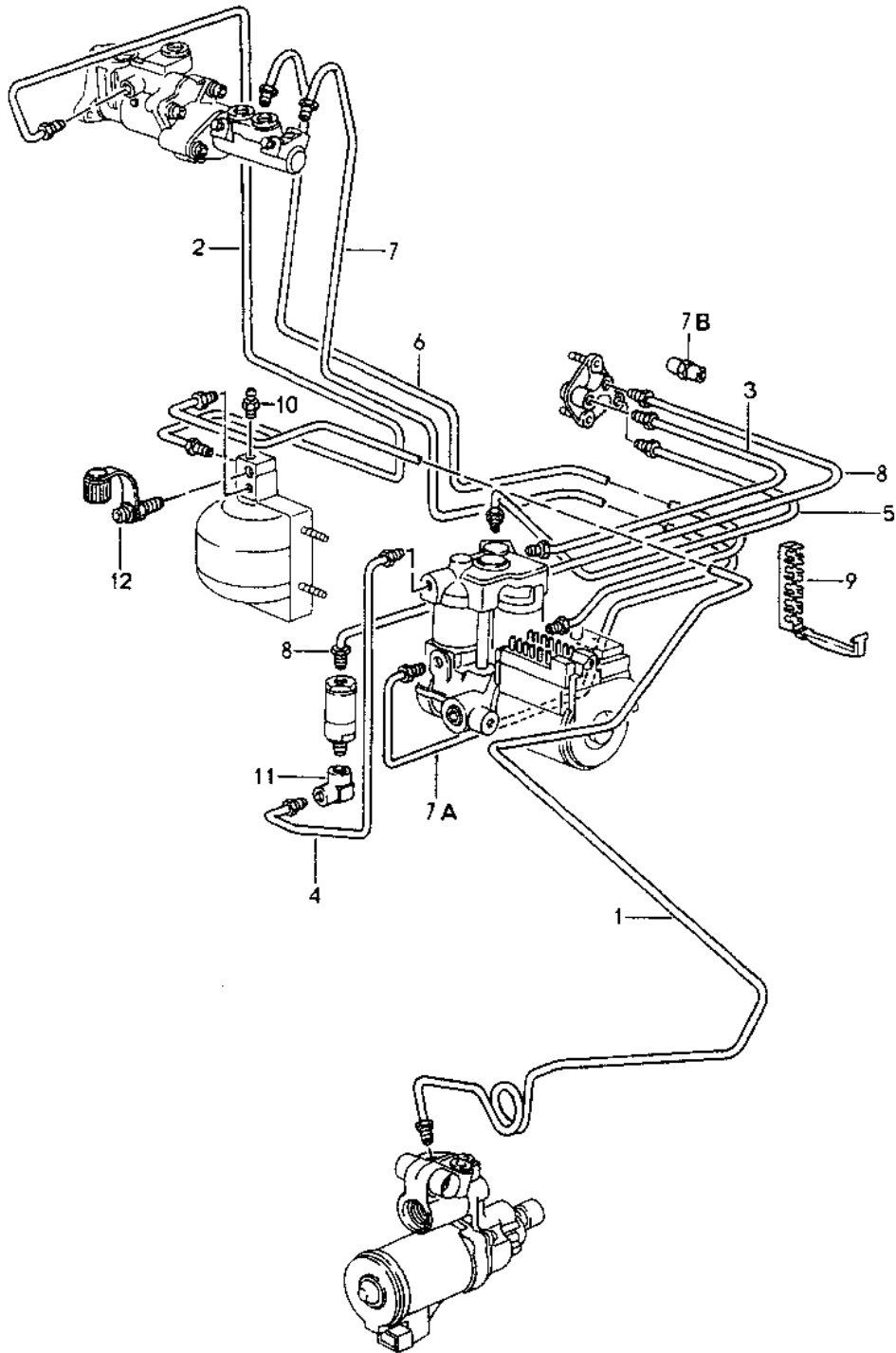
Model: 911 89

Model life 1989>>1994

Pos	Part Number	Description	Remark	Qty	Model
37	928 355 660 00	Check valve		1	
38	999 512 534 00	Hose clamp		3	
39	999 181 022 51	Hose 11,8 X 19,8		*	
40	964 355 571 01	Vacuum line		1	
41	964 355 679 00	Moulded hose		1	
42	964 355 819 00	Rubber sleeve		1	
42	964 355 819 01	Rubber sleeve		1	
43	999 702 182 40	Rubber bush		2	
44	999 703 236 40	Plastic nut	/LL	1	
(45)	964 355 448 00	Cover	/RL	1	
45	964 355 447 00	Cover		1	
46	964 355 397 03	Bellows		1	

Model: 911 89

Model life 1989>>1994



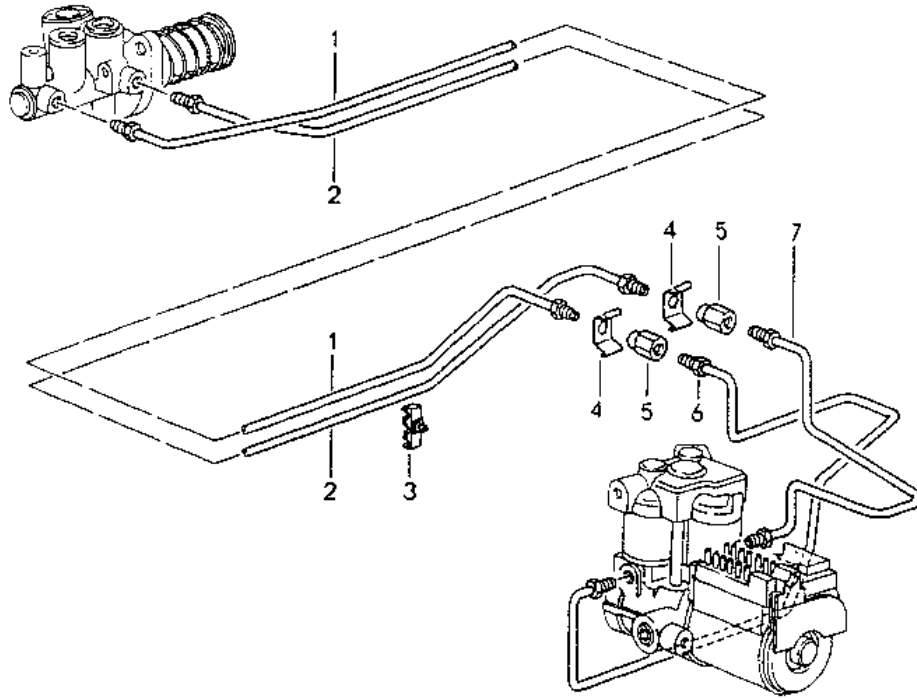
Model: 911 89

Model life 1989>>1994

Pos	Part Number	Description	Remark	Qty	Model
		Brake lines Body front section			CARRERA 4 CARRERA RS TURBO/LOOK
1	964 355 251 52	Brake line		1	
2	964 355 171 52	Brake line	/LL	1	
(2)	964 355 172 50	Brake line	/RL	1	
3	964 355 326 50	Brake line		1	
4	964 355 317 52	Brake line		1	
5	964 355 327 50	Brake line		1	
6	964 355 313 52	Brake line	/LL	1	
6	964 355 313 53	Brake line	/LL	1	
(6)	964 355 314 50	Brake line	/RL	1	
(6)	964 355 314 51	Brake line	/RL	1	
7	964 355 311 52	Brake line	/LL	1	
7	964 355 311 53	Brake line	/LL	1	
(7)	964 355 312 50	Brake line	/RL	1	
7A	964 355 310 50	Brake line	/RL	1	
7A	964 355 310 51	Brake line	/RL	1	
7B	914 355 661 00	Intermediate piece	/RL	1	
8	964 355 315 51	Brake line		1	
9	928 355 637 01	Support		1	
10	964 355 809 00	Ventilation valve		1	
11	901 355 615 00	Angled pipe		1	
11	901 355 615 01	Angled pipe		1	
12	964 355 893 00	Valve		1	

Model: 911 89

Model life 1989>>1994



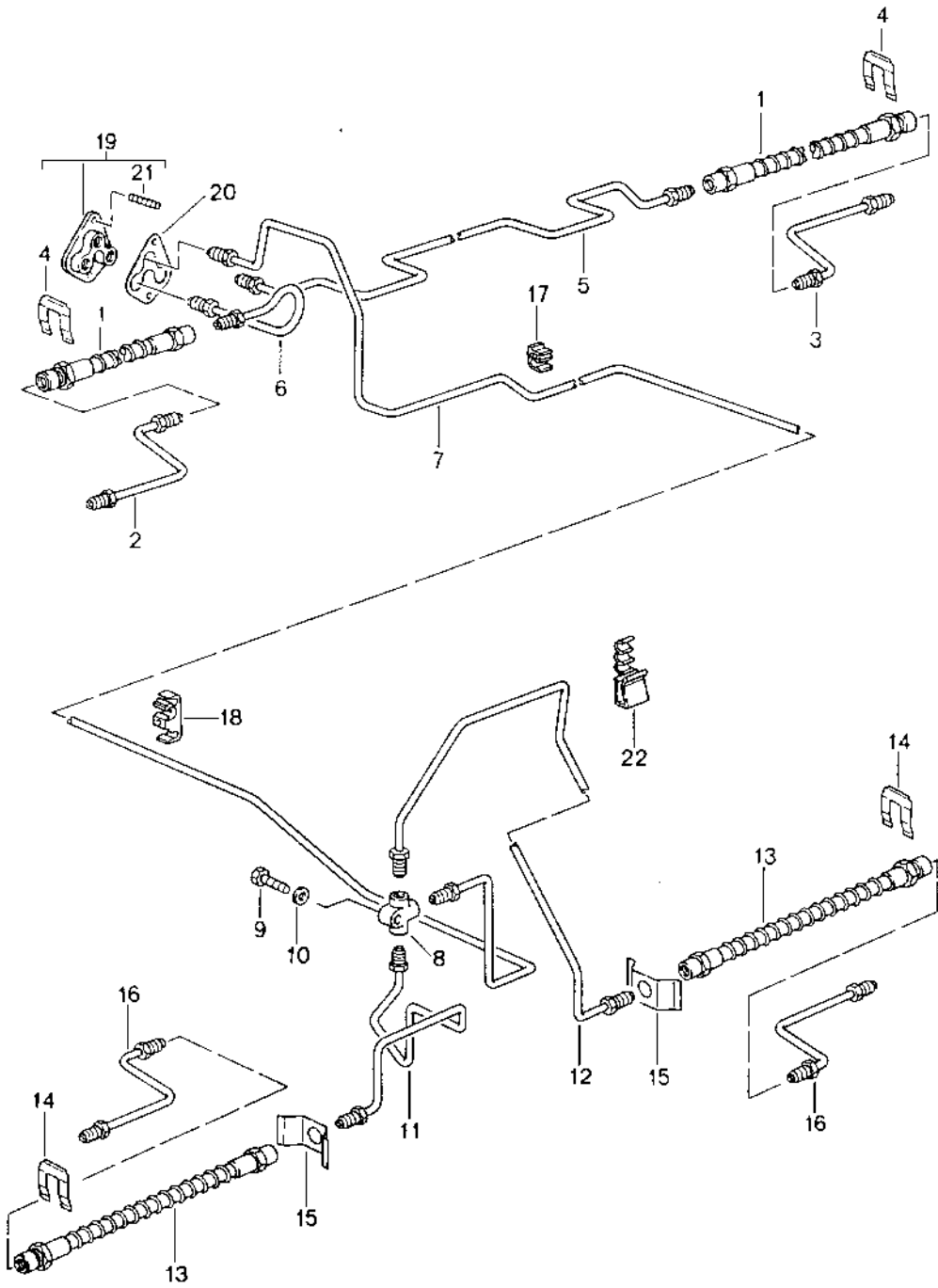
Model: 911 89

Model life 1989>>1994

Pos	Part Number	Description	Remark	Qty	Model
		Brake lines			CARRERA 2
		Body front section			
1	964 355 311 27	Brake line	/LL	1	
(1)	964 355 312 26	Brake line	/RL	1	
2	964 355 313 27	Brake line	/LL	1	
(2)	964 355 314 27	Brake line	/RL	1	
3	999 591 880 40	Support		1	
4	803 611 715	Retainer spring		2	
5	951 355 661 00	Intermediate piece		2	
6	964 355 315 26	Brake line		1	
7	964 355 317 27	Brake line		1	

Model: 911 89

Model life 1989>>1994



Model: 911 89 Model life 1989>>1994

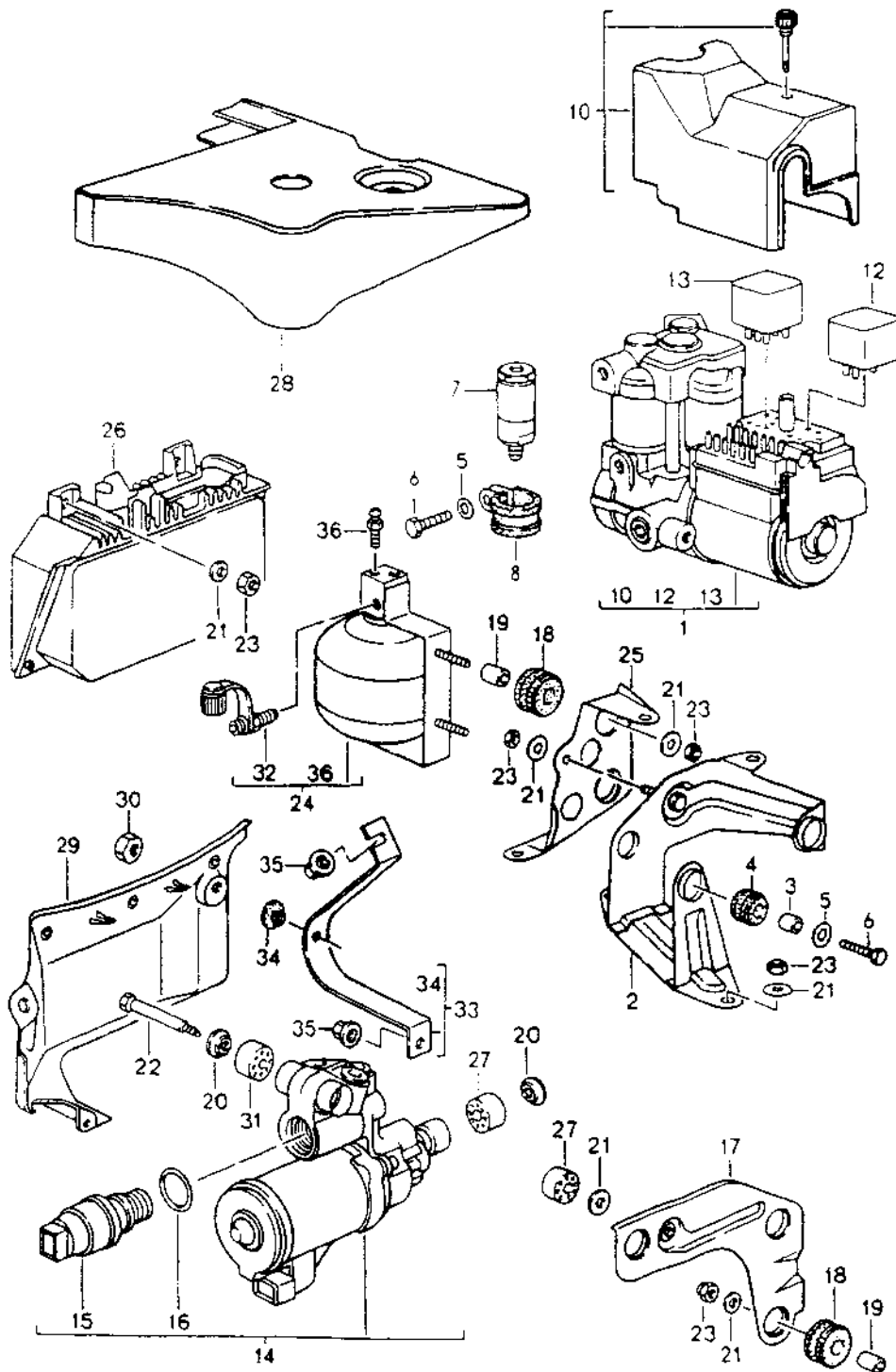
Pos	Part Number	Description	Remark	Qty	Model
1	993 355 139 00	Brake lines Front axle Underbody Rear axle Brake hose		2	CARRERA 2/4
				2	CARRERA RS
1	993 355 139 01	Brake hose		2	CARRERA 2/4
				2	CARRERA RS
1	993 355 139 00	Brake hose		2	CARRERA 2/4
				2	CARRERA RS
1	993 355 139 01	Brake hose		2	CARRERA 2/4
				2	CARRERA RS
1	965 355 139 00	Brake hose		2	TURBO/LOOK
1	965 355 139 01	Brake hose		2	TURBO/LOOK
2	964 355 581 03	Brake line	/V /L	1	CARRERA 2/4
				1	CARRERA RS
(2)	964 355 581 04	Brake line	/V /L	1	CARRERA 2/4
				1	CARRERA RS
2	965 355 581 01	Brake line	/V /L	1	TURBO/LOOK
3	964 355 582 03	Brake line	/V /R	1	CARRERA 2/4
				1	CARRERA RS
(3)	964 355 582 04	Brake line	/V /R	1	CARRERA 2/4
				1	CARRERA RS
3	965 355 582 01	Brake line		1	TURBO/LOOK
4	999 166 071 01	Support		2	
5	964 355 176 12	Brake line	/R	1	
		Front			
(5)	964 355 176 13	Brake line	/R	1	
		Front			
6	964 355 175 11	Brake line	/L	1	
		Front			
(6)	964 355 175 12	Brake line	/L	1	
		Front			
7	964 355 179 02	Brake line	/LL	1	
(7)	964 355 179 03	Brake line	/LL	1	
7	964 355 180 00	Brake line	/RL	1	
8	113 611 755	Distributing piece	-91	1	
8	914 355 667 00	Distributor	92-	1	
9	900 075 017 02	Hexagon-head bolt		1	
9	900 075 017 03	Hexagon-head bolt		1	
10	N 011 524 7	Washer		1	
10	N 011 524 27	Washer		1	
11	964 355 189 01	Brake line	/L	1	
		Rear			
(11)	964 355 189 02	Brake line	/L	1	
		Rear			
12	964 355 190 01	Brake line	/R	1	
		Rear			
(12)	964 355 190 02	Brake line	/R	1	
		Rear			
13	911 355 087 00	Brake hose		2	
13	911 355 087 01	Brake hose		2	
14	999 166 071 01	Support		2	
15	803 611 715	Brake hose bracket		2	
16	964 355 191 00	Brake line		2	CARRERA2/4
				2	CARRERA RS
(16)	964 355 191 01	Brake line		2	CARRERA2/4
				2	CARRERA RS
16	965 355 191 00	Brake line		2	TURBO/LOOK
17	999 591 930 40	Support		10	
18	999 591 880 40	Support		2	
19	964 355 650 00	Intermediate piece		1	
20	964 355 752 00	Gasket		1	

Model: 911 89 **Model life 1989>>1994**

Pos	Part Number	Description	Remark	Qty	Model
21	900 081 060 02	Stud		2	
22	999 591 921 40	Support		2	

Model: 911 89

Model life 1989>>1994



Model: 911 89 Model life 1989>>1994

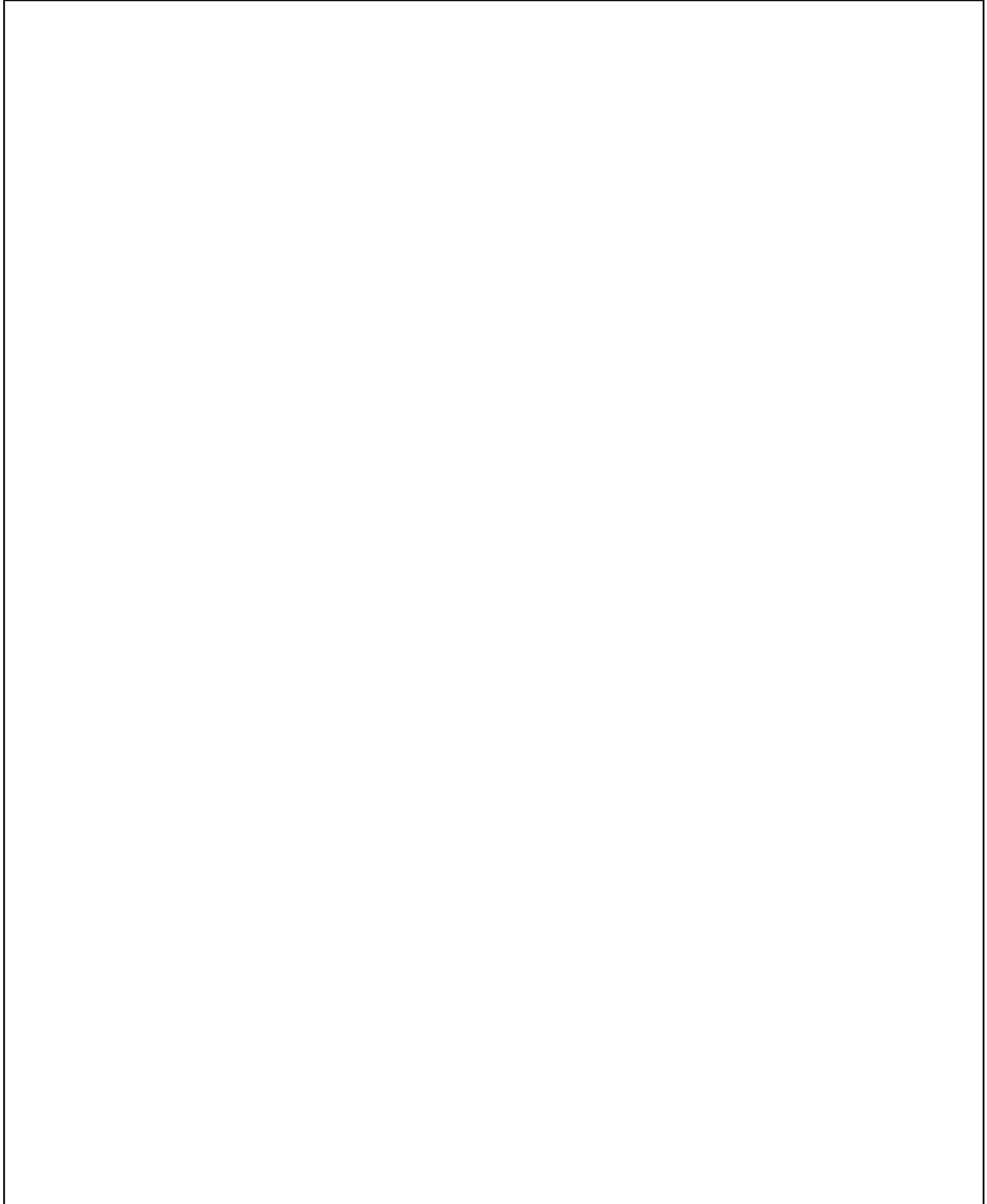
Pos	Part Number	Description	Remark	Qty	Model
		Hydraulic unit Anti-lock brake system Control			
1	964 355 955 00	Hydraulic unit	-91	1	CARRERA 2/4
1		Hydraulic unit		1	CARRERA 2/4
1	928 355 955 00	Hydraulic unit	-91	1	TURBO/LOOK
1		Hydraulic unit		1	TURBO/LOOK CARRERA 2/4 CARRERA RS
2	964 355 433 51	Support		1	
3	928 355 633 00	Bush		3	
3	928 355 633 03	Bush		3	
4	928 355 635 00	Rubber mounting		3	
5	N 011 666 7	Washer B 6,4		3	
6	N 010 219 2	Hexagon-head bolt M 6 X 28		3	
6	900 075 135 01	Hexagon-head bolt M 6 X 28		3	
7	964 355 305 10	Regulator		1	CARRERA 4
7		Regulator		1	CARRERA RS
		See TPI GR.6 NR.11			
7	964 355 305 00	Regulator Only together with Fixed calliper 964.352.425.03 964.352.426.03 964.352.425.05 964.352.426.05	-91	1	CARRERA 2
7	964 355 305 10	Regulator		1	CARRERA 2
7	965 355 305 01	Regulator		1	TURBO/LOOK CARRERA 2
7	928 355 305 02	Regulator		1	TURBO-LOOK CARRERA 4
7		Regulator		1	TURBO-LOOK CARRERA 4
8	N 020 647 1	Clamp		1	
10	928 355 960 01	Cap		1	
12	928 618 930 01	Relay		1	
13	928 618 931 02	Relay		1	
14	964 355 901 01	Pump		1	CARRERA 4
(14)	993 355 953 01	Pump		1	CARRERA RS TURBO/LOOK CARRERA 2/4 CARRERA 4 CARRERA RS TURBO/LOOK CARRERA2/4
15	964 606 904 00	Pressure switch		1	CARRERA 4
				1	TURBO/LOOK CARRERA 2/4
16	999 707 094 40	O-ring		1	CARRERA RS
				1	CARRERA 4
				1	CARRERA RS
				1	TURBO/LOOK CARRERA 2/4
17	964 355 465 00	Support		1	CARRERA 4
				1	CARRERA RS
17	964 355 465 04	Support		1	TURBO/LOOK
				1	CARRERA 4

Model: 911 89 Model life 1989>>1994

Pos	Part Number	Description	Remark	Qty	Model
18	964 356 635 00	Rubber mounting		1	CARRERA RS
				1	TURBO/LOOK
				5	CARRERA 4
				1	CARRERA RS
				1	TURBO/LOOK
					CARRERA 2/4
19	928 355 633 00	Bush		5	CARRERA 4
				5	CARRERA RS
				5	TURBO/LOOK
					CARRERA 2/4
19	928 355 633 03	Bush		5	CARRERA 4
				5	CARRERA RS
				5	TURBO/LOOK
					CARRERA 2/4
20	999 025 202 02	Washer		2	CARRERA 4
				2	CARRERA RS
				2	TURBO/LOOK
					CARRERA 2/4
21	N 011 666 7	Washer		2	
22	999 074 043 02	Hexagon-head bolt		1	
23	900 910 010 09	Lock nut		3	
24	964 355 109 16	Pressure accumulator		1	CARRERA 4
				1	CARRERA RS
				1	TURBO/LOOK
					CARRERA 2/4
25	964 355 451 00	Support		1	
26	964 618 126 01	Control unit		1	CARRERA 4
26	964 618 119 00	Control unit		1	CARRERA 2
				1	CARRERA RS
				1	TURBO/LOOK
					CARRERA 2/4
26	964 618 119 X	Control unit		1	CARRERA 2
				1	CARRERA RS
				1	TURBO/LOOK
					CARRERA 2/4
27	964 355 908 00	Rubber mounting		2	
28	964 355 203 01	Cover		1	
28	964 355 203 02	Cover	/L 93-	1	M545
28	964 355 203 80	Cover		1	CARRERA RS
29	964 355 101 50	Cover		1	CARRERA 4
				1	CARRERA RS
				1	TURBO/LOOK
					CARRERA 2/4
30	999 049 012 40	Plastic nut		2	CARRERA 4
				2	CARRERA RS
				2	TURBO/LOOK
					CARRERA 2/4
31	964 355 906 00	Sleeve		1	
-	964 355 908 00	Rubber mounting		1	
32	964 355 893 00	Valve		1	CARRERA 4
				1	CARRERA RS
				1	TURBO/LOOK
					CARRERA 2/4
33	964 555 087 00	Protective bracket	93-	2	CARRERA 4
					TURBO/LOOK
34	999 703 183 40	Buffer	93-	2	CARRERA 4
					TURBO/LOOK
35	999 049 008 40	Plastic nut	93-	4	CARRERA 4
					TURBO/LOOK
36	964 355 809 00	Ventilation valve		1	

Model: 911 89

Model life 1989>>1994

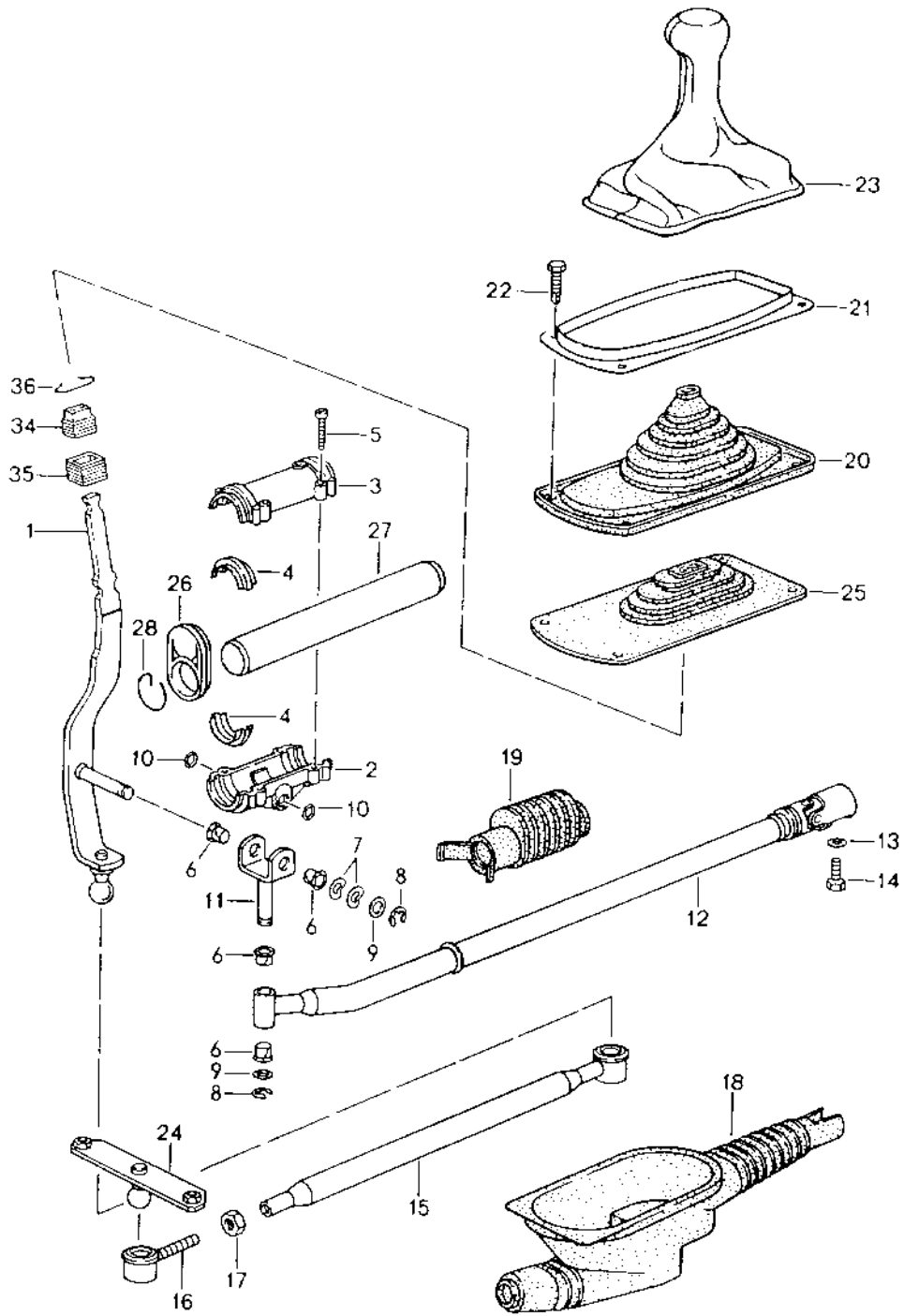


Model: 911 89 Model life 1989>>1994

Pos	Part Number	Description	Remark	Qty	Model
		Repair kits			
		Brake pad repair set			
		Front axle			
		Rear axle			
>>	964 351 939 03	Brake pad repair set	/V	2	CARRERA 2
		Comprising:			
		Brake pad		4	
>>	965 352 939 04	Brake pad repair set	/V	2	CARRERA 4
		Comprising:	/H		CARRERA 4
		Brake pad		4	
>>	964 352 949 03	Brake pad repair set	/H -92	1	CARRERA 2
		Comprising:			
		Brake pad		4	
>>	964 352 949 02	Brake pad repair set	/H -92	1	CARRERA 2
		Comprising:			
		Brake pad		4	
>>	964 351 939 03	Brake pad repair set	/V /H 93-	2	CARRERA 2
		Comprising:			
		Brake pad			
>>	993 351 939 01	Brake pad repair set	/V	1	TURBO
		Comprising:	/V	1	TURBO-LOOK
			/V	1	CARRERA RS
		Brake pad		4	
>>	928 351 949 03	Brake pad	/V	1	TURBO 3,6
		Comprising:			
		Brake pad		4	
>>	965 352 939 04	Brake pad repair set	/H	1	TURBO
		Comprising:	/H	1	TURBO 3,6
		Brake pad repair set	/H	4	TURBO-LOOK
			/H		CARRERA RS

Model: 911 89

Model life 1989>>1994



Model: 911 89 Model life 1989>>1994

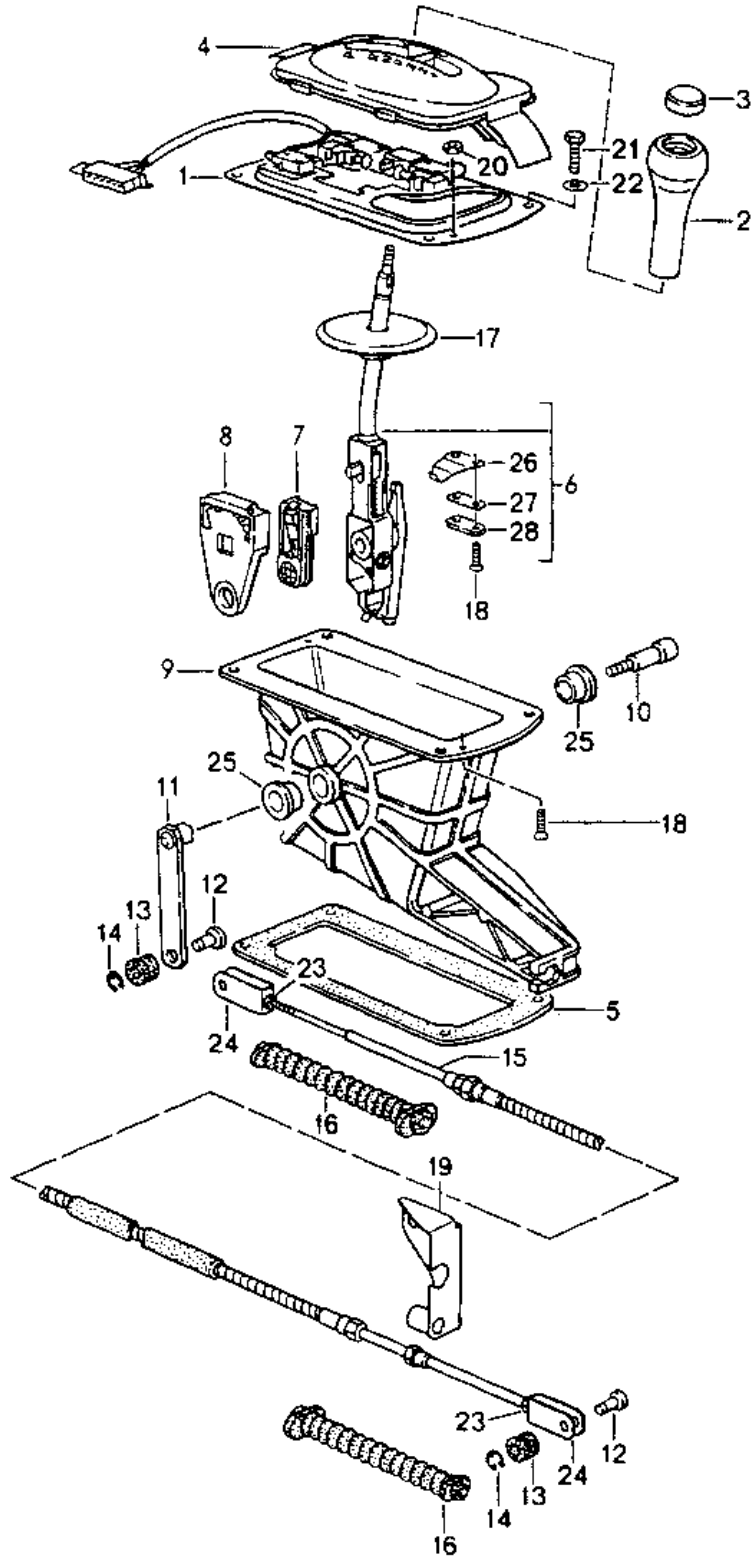
Pos	Part Number	Description	Remark	Qty	Model
1	964 424 015 04	Transmission control Gearshift lever		1	CARRERA
				1	TURBO/LOOK
1	964 424 015 08	Gearshift lever		1	CARRERA RS
2	964 424 104 05	Slide		1	
3	964 424 103 05	Slide		1	
4	964 424 115 00	Insert		4	
4	964 424 115 01	Insert		4	
5	900 067 148 02	Pan-head screw		4	
5	900 067 148 01	Pan-head screw		4	
6	999 924 002 40	Bush		2	
7	900 234 510 02	Support washer		2	
8	N 012 439 2	Lock washer		1	
9	900 028 005 02	Spring washer		1	
10	999 701 012 50	O-ring		2	
11	964 424 017 00	Fork		1	
11	964 424 017 01	Fork		1	CARRERA RS
12	964 424 020 06	Gear shift rod		1	CARRERA 4
12	964 424 019 32	Gear shift rod	-92	1	CARRERA 2
					TURBO/LOOK
12	964 424 019 08	Gear shift rod	93-	1	CARRERA 2
					TURBO/LOOK
13	N 011 654 2	Washer		1	
14	999 074 042 02	Fit bolt		1	CARRERA 4
14	999 074 023 02	Fit bolt		1	CARRERA 2
				1	TURBO
15	964 424 011 01	Guide tube		1	CARRERA 4
(15)	964 424 011 31	Guide tube		1	CARRERA 2
				1	TURBO/LOOK
16	928 424 005 01	Angular joint		1	
17	N 011 010 6	Hexagon nut		1	
17	N 101 552 10	Hexagon nut		1	
18	964 424 292 02	Rubber sleeve		1	CARRERA 4
18		Rubber sleeve		1	CARRERA 2
				1	TURBO/LOOK
19	964 424 294 03	Rubber boot		1	CARRERA 4
19	964 424 294 31	Rubber boot		1	CARRERA 2
				1	TURBO/LOOK
				1	CARRERA RS
20	993 424 139 00	Bellows		1	
21	964 424 134 00	Frame		1	
22	900 075 010 02	Hexagon nut		4	
22	N 010 212 14	Hexagon-head bolt		4	
22	999 072 005 09	Hexagon nut		4	
22	999 072 005 01	Hexagon nut		4	
23	964 424 075 02	Gearshift knob		1	
		Cap			
		Black			
	964 424 075 02 8YR	Black			
	964 424 075 02 2LX	Mahogany	-90		
	964 424 075 02 7JX	Marine blue	-90		
	964 424 075 02 7LD	Burgundy	-90		
	964 424 075 02 7VX	Linen	-90		
	964 424 075 02 2WH	Cashmere beige	-90		
	964 424 075 02 5VT	Silk grey	-90		
	964 424 075 02 2WT	Slate grey	-90		
	964 424 075 02 7KC	Venetian blue	-90		
	964 424 075 02 4MT	Velvet red	-90		
	964 424 075 02 6XL	Classic grey	91-		
	964 424 075 02 9YL	Cobalt blue	91-		
	964 424 075 02 6YL	Magenta	91-		
	964 424 075 02 4YU	Cashmere beige	91-		
	964 424 075 02 8ZL	Light grey	91-		

Model: 911 89 Model life 1989>>1994

Pos	Part Number	Description	Remark	Qty	Model
	964 424 075 02 L15	Scala red	91-		
	964 424 075 02 A45	Greenwich grey	91-		
	964 424 075 02 M05	Matador red	91-		
	964 424 075 02 D35	Carrara grey	91-		
	964 424 075 02 J25	Sherwood green	91-		
	964 424 075 02 H05	Marine blue	91-		
23	000 044 700 02	Gearshift lever Leather Shift pattern Leather		1	CARRERA 2/4 TURBO
	000 044 700 02 1AJ	Black	-90		
	000 044 700 02 8YR	Black	91-		
23	000 044 700 10	Shift-lever knob Carbon Leather		1	
	000 044 700 10 8YR	Black	91-		
	000 044 700 10 M05	Matador red	91-		
	000 044 700 10 4YU	Cashmere beige			
	000 044 700 10 8ZL	Light grey			
	000 044 700 10 G55	Maritime blue			
23	000 044 700 13	Shift-lever knob Aluminium Leather		1	
	000 044 700 13 8YR	Black	91-		
23	964 424 075 03	Gearshift knob		1	CARRERA RS
	964 424 075 03 1AJ	Black			
23	964 424 075 03	Gearshift knob		1	
	964 424 075 03 1AJ	Black			
	964 424 075 03 L29	Guards red			SPEEDSTER
	964 424 075 03 2XR	Pearl grey			SPEEDSTER
	964 424 075 03 G55	Maritime blue			SPEEDSTER
	964 424 075 03 U28	Speed yellow			SPEEDSTER
23	964 424 075 06	Gearshift knob Cap Chrome		1	
	964 424 075 06 E38	Rubicon grey			
	964 424 075 06 1AJ	Black			
24	964 424 055 00	Bearing plate		1	CARRERA 2 TURBO/LOOK
25	964 424 141 00	Bellows		1	
25	964 424 141 02	Bellows		1	
26	964 424 224 01	Bearing sleeve	-91	2	
26	964 424 028 00	Bearing sleeve	92-	2	
27	964 424 131 02	Pipe		1	
28	999 178 007 02	Circlip		2	
28	999 178 007 01	Circlip		2	
34	931 424 111 00	Vibration damper		1	
35	931 424 110 00	Vibration damper		1	
36	993 424 299 00	Retaining clip		1	

Model: 911 89

Model life 1989>>1994



Model: 911 89 Model life 1989>>1994

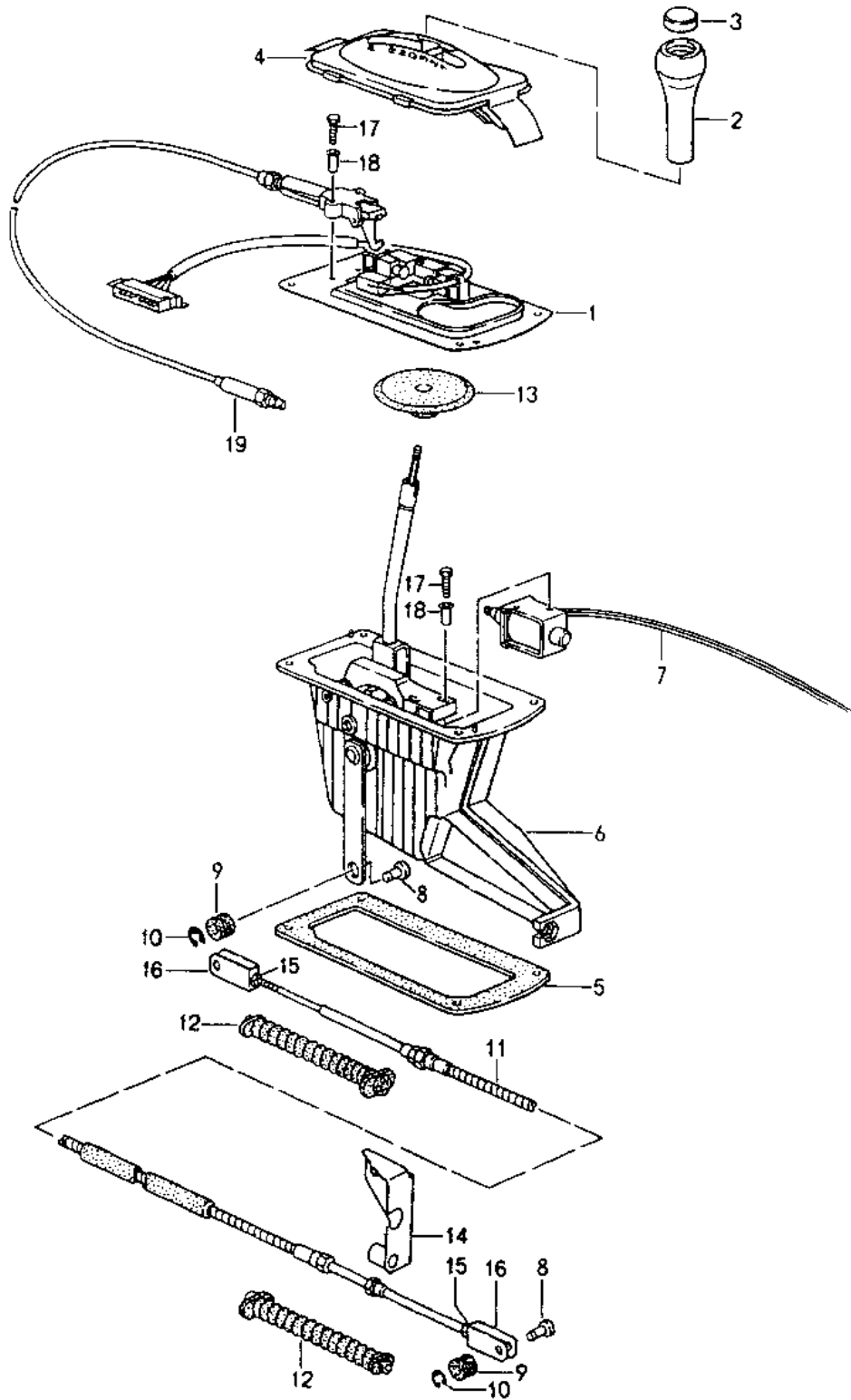
Pos	Part Number	Description	Remark	Qty	Model
		Selector lever	-91		
		Tiptronic			
1	964 613 023 04	Switch	-90	1	
1		Switch	91	1	
2	943 426 069 01	Selector knob		1	
	943 426 069 01 1AJ	Black	90		
	943 426 069 01 2LX	Mahogany	90		
	943 426 069 01 H05	Marine blue	90		
	943 426 069 01 7LD	Burgundy	90		
	943 426 069 01 7VX	Linen	90		
	943 426 069 01 2WH	Cashmere beige	90		
	943 426 069 01 8YR	Black	91		
	943 426 069 01 6XL	Classic grey	91		
	943 426 069 01 9YL	Cobalt blue	91		
	943 426 069 01 6YL	Magenta	91		
	943 426 069 01 4YU	Cashmere beige	91		
	943 426 069 01 8ZL	Light grey	91		
	943 426 069 01 L15	Scala red	91		
	943 426 069 01 A45	Greenwich grey	91		
	943 426 069 01 M05	Matador red	91		
	943 426 069 01 D35	Carrara grey	91		
	943 426 069 01 J25	Sherwood green	91		
3	943 426 275 05	Key		1	
	943 426 275 05 01C	Satin black			
4	964 552 169 00	Shift gate		1	
	964 552 169 00 01C	Black			
5	943 426 129 00	Gasket		1	
6	943 426 051 00	Selector lever		1	
7	943 426 043 01	Driver		1	
		See technical information			
		GR.3 NR.2/96			
8	943 426 141 03	Gate guide		1	
9	943 426 131 04	Housing		1	
10	943 426 168 00	Fastening screw		1	
11	943 426 066 01	Reverse lever		1	
12	943 426 149 00	Bolt		2	
13	943 426 261 00	Rubber mounting		2	
14	N 012 436 2	Lock washer		2	
15	943 426 033 02	Cable		1	
16	943 426 103 00	Bellows		2	
17	999 704 159 40	Washer		1	
18	900 249 026 02	Countersunk-head screw		2	
19	943 426 021 02	Support		1	
20	N 011 004 6	Hexagon nut		2	
20	N 011 004 G	Nut		2	
21	900 075 057 02	Hexagon-head bolt		4	
		M 6 X 16			
21	900 075 057 03	Hexagon-head bolt		4	
		M 6 X 16			
22	N 011 524 7	Washer		4	
		A 6,4			
22	N 011 524 27	Washer		4	
		A 6,4			
23	N 011 005 14	Hexagon nut		2	
		M 5			
23	900 076 091 01	Hexagon nut		2	
		M 5			
24	943 426 047 00	Clevis		2	
25	900 288 002 10	Bush		2	
26	943 426 307 01	Spring		2	
27	943 426 309 01	Plate		1	
28	943 426 306 01	Adjusting shim		X	
		0,4 MM			

Model: 911 89 **Model life 1989>>1994**

Pos	Part Number	Description	Remark	Qty	Model
28	943 426 306 02	Adjusting shim 0,8 MM		X	

Model: 911 89

Model life 1989>>1994

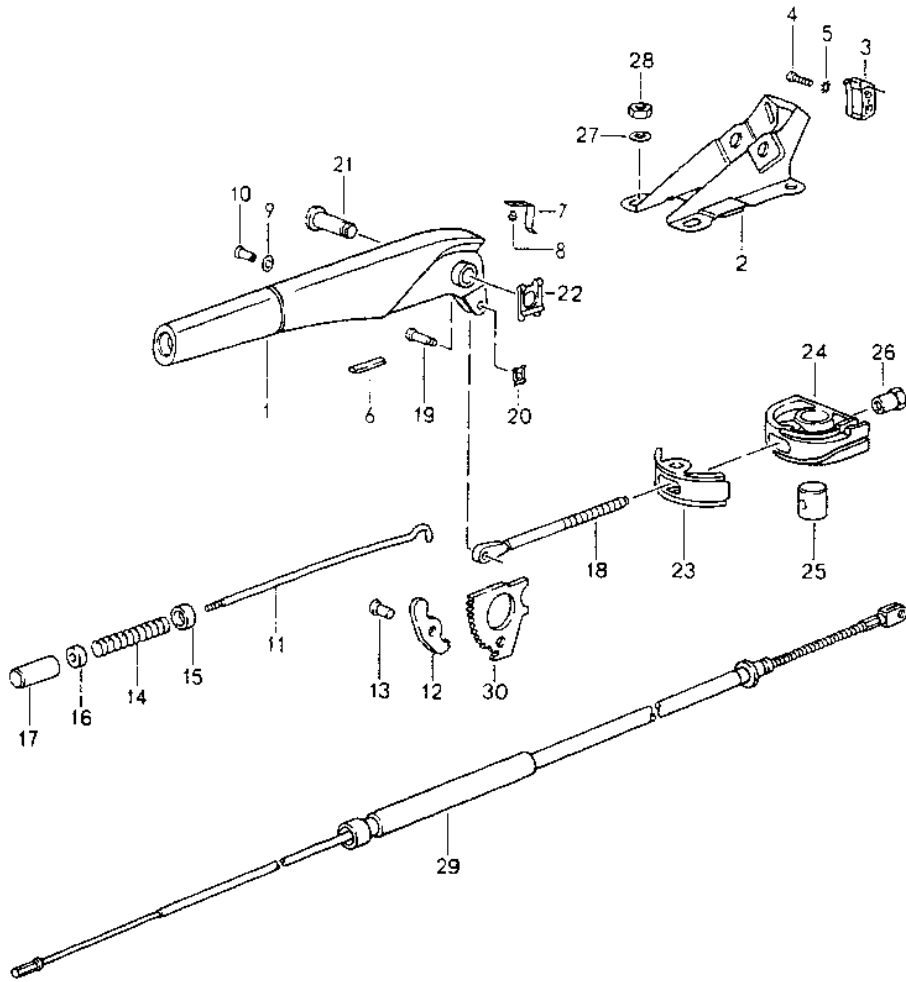


Model: 911 89 Model life 1989>>1994

Pos	Part Number	Description	Remark	Qty	Model
		Selector lever	92-		
		Tiptronic			
1	964 613 023 05	Switch		1	
2	943 426 069 01	Selector knob		1	
	943 426 069 01 8YR	Black			
	943 426 069 01 6XL	Classic grey			
	943 426 069 01 9YL	Cobalt blue			
	943 426 069 01 6YL	Magenta			
	943 426 069 01 4YU	Cashmere beige			
	943 426 069 01 8ZL	Light grey			
	943 426 069 01 L15	Scala red			
	943 426 069 01 A45	Greenwich grey			
	943 426 069 01 M05	Matador red			
	943 426 069 01 D35	Carrara grey			
	943 426 069 01 J25	Sherwood green			
3	943 426 275 05	Key		1	
	943 426 275 05 01C	Black			
4	964 552 169 00	Shift gate		1	
	964 552 169 00 01C	Black			
5	943 426 129 03	Gasket		1	
6	943 426 011 05	Selector lever		1	
		with	93-		
		Housing			
6	943 426 011 06	Selector lever	-92	1	
		with			
		Housing			
7	928 624 170 00	Solenoid		1	
7	993 624 170 00	Solenoid		1	
		It is necessary to rework			
8	943 426 149 00	Bolt		2	
9	943 426 261 00	Rubber mounting		2	
10	N 012 436 2	Lock washer		2	
11	943 426 033 02	Cable		1	
12	943 426 103 00	Bellows		2	
13	999 704 159 40	Washer		1	
14	943 426 021 02	Support		1	
15	N 011 005 14	Hexagon nut		2	
		M 5			
15	900 076 091 01	Hexagon nut		2	
		M 5			
16	943 426 047 00	Clevis		2	
17	900 075 164 02	Hexagon-head bolt		4	
18	900 121 033 01	Tubular rivet		4	
19	943 426 073 01	Cable	-92	1	

Model: 911 89

Model life 1989>>1994



Model: 911 89 Model life 1989>>1994

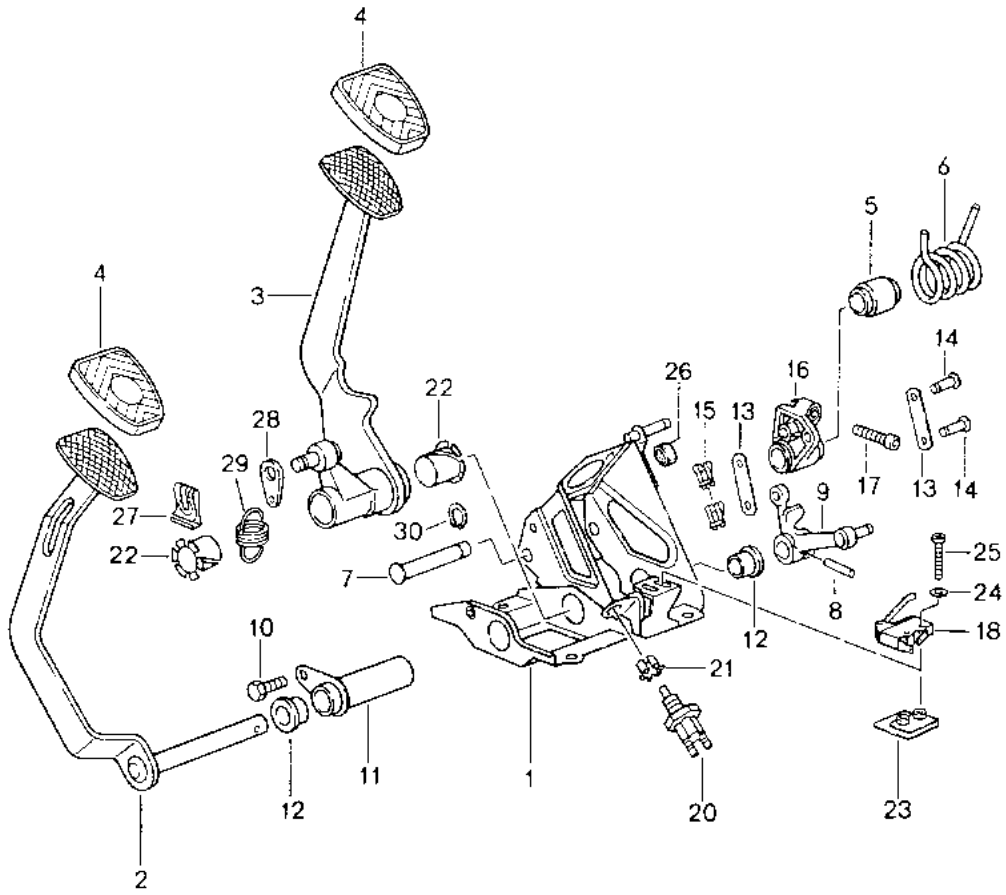
Pos	Part Number	Description	Remark	Qty	Model
1	964 424 051 01	Handbrake Actuator		1	
	964 424 051 01 1AJ	Parking-brake lever Black	-90		
	964 424 051 01 2LX	Mahogany			
	964 424 051 01 7JX	Marine blue			
	964 424 051 01 7LD	Burgundy			
	964 424 051 01 7VX	Linen			
	964 424 051 01 2WH	Cashmere beige	-90		
	964 424 051 01 4MT	Velvet red	-90		
	964 424 051 01 2WT	Slate grey	-90		
	964 424 051 01 4UC	Caramel	-90		
	964 424 051 01 7KC	Venetian blue	-90		
	964 424 051 01 5VT	Silk grey	-90		
	964 424 051 01 8YR	Black	91-		
	964 424 051 01 6XL	Classic grey	91-		
	964 424 051 01 9YL	Cobalt blue	91-		
	964 424 051 01 6YL	Magenta	91-		
	964 424 051 01 4YU	Cashmere beige	91-		
	964 424 051 01 8ZL	Light grey	91-		
	964 424 051 01 M05	Matador red	91-		
	964 424 051 01 D35	Carrara grey	91-		
964 424 051 01 J25	Sherwood green	91-			
964 424 051 01 ARB	Guards red		SPEEDSTER		
964 424 051 01 ARE	Pearl grey		SPEEDSTER		
964 424 051 01 ARS	Maritime blue		SPEEDSTER		
964 424 051 01 ARH	Speed yellow		SPEEDSTER		
2	964 424 060 00	Bearing bracket		1	
2	964 424 060 01	Bearing bracket		1	
3	901 613 521 20	Contact switch		1	
4	900 015 025 02	Oval-head screw AM 4 X 15		1	
5	900 115 005 02	Washer A 4,3		1	
6	901 424 509 01	Stop		1	
7	964 424 533 00	Contact spring		1	
7	964 424 533 01	Contact spring		1	
8	900 055 001 20	Buttonhead rivet		2	
9	900 031 012 10	Washer 2,8		2	
10	900 206 003 00	Tubular rivet 5 X 0,5 X 10		1	
11	901 424 567 03	Push rod		1	
12	901 424 508 00	Pawl		1	
13	901 424 511 00	Bolt		1	
14	901 424 543 00	Compression spring		1	
15	914 424 258 00	Guide sleeve		1	
16	901 424 593 01	Ring		1	
17	964 424 523 00	Push button		1	
18	964 424 567 00	Pull rod		1	
19	999 166 010 02	Bolt A6 X 16 X 13		1	
20	N 012 645 2	Lock washer		1	
21	959 424 519 00	Bearing pin		1	
22	N 012 653 1	Lock washer		1	
23	964 424 570 00	Securing clip		1	
24	964 424 568 00	Turnbuckle		1	
25	999 230 333 02	Nipple		1	
26	964 424 569 00	Adjusting nut		1	
27	900 025 007 02	Washer A 8,4		4	
27	900 025 007 03	Washer A 8,4		4	

Model: 911 89 Model life 1989>>1994

Pos	Part Number	Description	Remark	Qty	Model
29	964 424 551 02	Parking-brake cable	-91	2	CARRERA 2/4
29	964 424 551 03	Parking-brake cable		2	CARRERA 2/4
29	964 424 551 02	Parking-brake cable	92-	2	CARRERA 2/4
					CARRERA RS
29	964 424 551 03	Parking-brake cable	92-	2	CARRERA 2/4
					CARRERA RS
29	965 424 551 01	Parking-brake cable	91	2	TURBO
29	965 424 551 02	Parking-brake cable	91-	2	TURBO
29	965 424 551 01	Parking-brake cable	92-	2	TURBO
29	965 424 551 02	Parking-brake cable	92-	2	TURBO
30	914 424 541 00	Locking segment		1	

Model: 911 89

Model life 1989>>1994



Model: 911 89 Model life 1989>>1994

Pos	Part Number	Description	Remark	Qty	Model
		Pedals			CARRERA
		Manual transmission			TURBO
1	964 423 065 04	Bearing bracket	/LL -90	1	
1		Bearing bracket	/LL 91-	1	
(1)	964 423 066 02	Bearing bracket	/RL -90	1	
(1)		Bearing bracket	/RL 91	1	CARRERA 2/4
(1)	965 423 066 00	Bearing bracket	/RL	1	TURBO
			/RL 92-	1	CARRERA
2	964 423 067 02	Clutch pedal	/LL -91	1	
(2)	965 423 067 00	Clutch pedal	/LL 92-	1	Carrera
			/LL		Turbo
(2)	964 423 078 00	Clutch pedal	/RL -90	1	
(2)	964 423 078 01	Clutch pedal	/RL 91	1	
(2)	965 423 068 00	Clutch pedal	/RL	1	TURBO
			/RL 92-	1	CARRERA
3	964 423 051 01	Brake pedal	/LL	1	
(3)	964 423 052 01	Brake pedal	/RL -90	1	
(3)	964 423 052 02	Brake pedal	/RL 91-	1	
-	964 355 287 05	Push rod		1	
-	964 355 321 03	Fuse holder for Push rod		1	
4	914 423 210 00	Rubber pad	/LL	2	
4	964 423 210 00	Rubber pad	/RL 90	2	
4	964 423 210 01	Rubber pad	/RL 91-	2	
5	964 423 543 01	Bearing sleeve	-90	1	
5		Bearing sleeve	91-	1	
6	964 423 551 02	Clutch power spring	-91	1	CARRERA
6		Clutch power spring	92-	1	CARRERA
6	965 423 551 02	Clutch power spring		1	TURBO
7	964 423 565 00	Shaft	-93	1	
7	993 423 565 00	Shaft	94-	1	
-	900 041 005 01	Circlip 12 X 1	94-	2	
8	N 023 351 1	Roll pin		1	
9	965 423 519 00	Lever		1	CARRERA
9		Lever		1	TURBO
10	N 010 210 7	Hexagon-head bolt M 6 X 10		1	
11	964 423 069 00	Bearing tube	/LL -91	1	CARRERA
(11)	965 423 069 00	Bearing tube	/LL	1	TURBO
			/LL 92-	1	CARRERA
(11)	964 423 060 00	Bearing tube	/RL -91	1	CARRERA
(11)	965 423 060 00	Bearing tube	/RL	1	TURBO
			92-	1	CARRERA
12	964 423 611 00	Bush	/LL -91	2	CARRERA
(12)	999 924 081 00	Bush	/LL	2	TURBO
			/LL 92-		CARRERA
(12)	964 423 611 00	Bush	/RL -91	1	CARRERA
(12)	999 924 080 00	Bush	/RL	1	TURBO
			/RL 92-		CARRERA
13	911 423 567 00	Intermediate piece		2	
14	959 423 569 01	Bolt		1	
15	N 012 645 2	Lock washer		2	
16	964 423 453 01	Lever	-91	1	CARRERA
16	965 423 143 00	Lever with Bush	92-	1	TURBO
(16)	999 924 057 00	Bush		1	CARRERA
				2	TURBO
			92-		CARRERA
17	N 044 701 1	Pan-head screw M 5X22	-91	1	CARRERA
17	900 067 148 02	Pan-head screw		1	TURBO

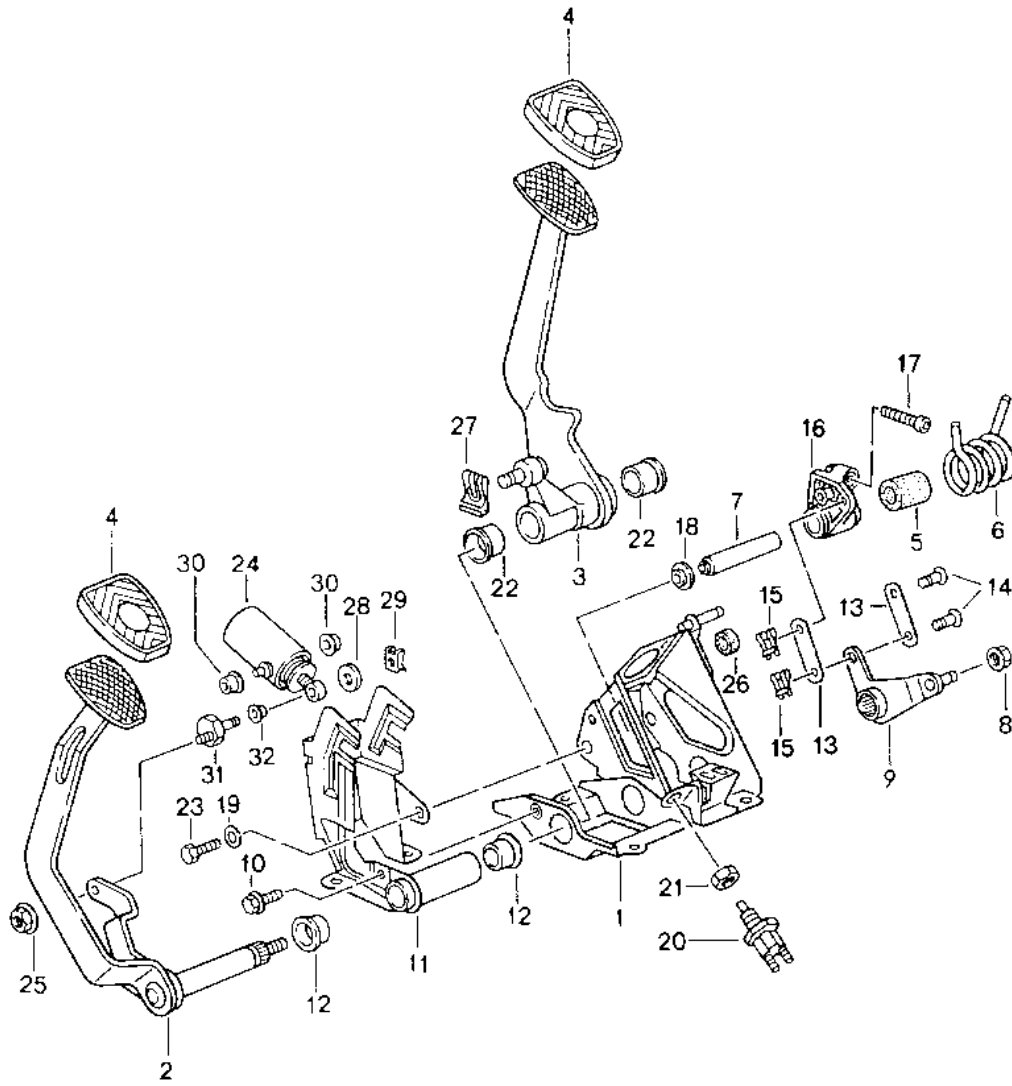
Model: 911 89

Model life 1989>>1994

Pos	Part Number	Description	Remark	Qty	Model
		M 5X25	92-	1	CARRERA
18	964 613 415 00	Microswitch		1	
19	900 025 001 02	Washer		2	
20	964 613 301 00	Brake light switch		1	
21	431 721 283 B	Clip	-90	1	
(21)	999 076 044 40	Retaining clip	91-	1	
22	999 924 014 40	Bush		2	
22	999 924 014 4A	Bush		2	
23	964 423 613 00	Threaded plate		1	
24	900 025 001 02	Washer		2	
25	N 044 134 2	Oval-head screw		2	
26	901 423 193 00	Rubber stop		1	
27	999 166 077 02	Safety clip		1	
28	964 355 178 01	Support	/LL	1	
(28)	964 355 170 00	Support	/RL	1	
29	964 355 325 03	Spring	/LL	1	
(29)	964 355 328 02	Spring	/RL	1	
30	900 041 005 01	Circlip 12 X 1		2	

Model: 911 89

Model life 1989>>1994



Model: 911 89 Model life 1989>>1994

Pos	Part Number	Description	Remark	Qty	Model
		Pedals			TURBO 3,6
		Manual transmission			
1	965 423 065 00	Bearing bracket	/LL	1	
1	965 423 066 01	Bearing bracket	/RL	1	
2	965 423 073 52	Clutch pedal	/LL	1	
2	965 423 078 02	Clutch pedal	/RL	1	
-	965 423 325 00	Lever for Clutch power spring	/RL	1	
3	964 423 150 01	Brake pedal	/LL	1	
3	965 423 187 00	Brake pedal	/RL	1	
-	965 423 163 01	Bearing tube for Brake pedal	/RL	1	
-	964 355 287 05	Push rod		1	
-	964 355 321 03	Fuse holder for Push rod		1	
4	914 423 210 00	Rubber pad	/LL	2	
4	964 423 210 01	Rubber pad	/RL	2	
5	965 423 543 00	Bearing sleeve	/LL	1	
5	964 423 543 01	Bearing sleeve	/RL	1	
6	965 423 551 50	Clutch power spring		1	
7	965 423 565 00	Shaft	/LL	1	
7	964 423 565 00	Shaft	/RL	1	
-	N 044 134 2	Oval-head screw	/RL	2	
8	900 380 007 09	Hexagon nut VM 10	/LL	1	
8	900 380 008 01	Hexagon nut VM 10	/LL	1	
(8)	N 020 351 1	Hose 6 X 28	/RL	*	
9	965 423 519 52	Lever		1	
9	965 423 519 53	Lever		1	
10	900 075 291 02	Hexagon-head bolt M 6 X 16		1	
11	965 423 075 01	Bracket	/LL	1	
12	999 924 098 00	Bush	/LL	2	
12		Bush	/RL	1	
12	999 924 080 00	Outer Bush	/RL	1	
12		Inner			
13	911 423 567 00	Intermediate piece		2	
14	959 423 569 01	Bolt		2	
15	N 012 645 2	Lock washer		2	
16	965 423 143 00	Lever with Bush		1	
(16)	999 924 057 00	Bush		2	
17	N 044 734 1	Pan-head screw M 5 X15		1	
17	900 067 137 01	Pan-head screw M 5 X 15		1	
18	965 423 563 00	Washer		1	
19	999 025 163 02	Washer 6,4 X 15 X2,5		1	
20	964 613 301 00	Brake light switch		1	
21	999 076 044 40	Retaining clip M 12 X 1,5		1	
22	999 924 014 40	Bush		1	
22	999 924 014 4A	Bush		1	
23	900 075 291 02	Hexagon-head bolt		1	

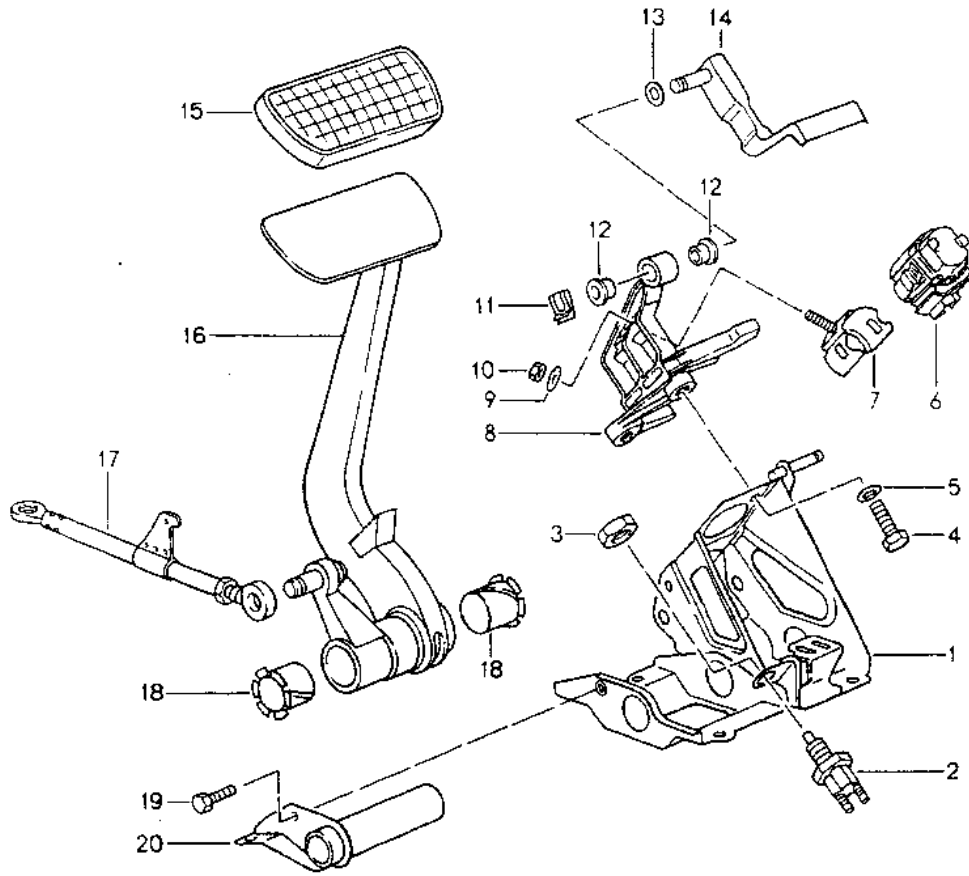
Model: 911 89

Model life 1989>>1994

Pos	Part Number	Description	Remark	Qty	Model
		M 6 X 16			
24	965 423 130 00	Clutch power spring		1	
25	900 076 025 02	Hexagon nut		1	
		M 8			
25	900 076 064 02	Hexagon nut		1	
		M 8			
26	901 423 193 00	Rubber stop		1	
27	999 166 027 02	Circlip		1	
		SLB 12			
28	900 089 006 02	Washer		1	
		A 8			
28	900 089 006 01	Washer		1	
		A 8			
29	999 166 075 02	Safety clip		1	
		SLB 8			
30	928 423 581 00	Bush		2	
31	965 423 555 01	Eccentric bolt		1	
32	999 924 001 40	Bearing sleeve		1	

Model: 911 89

Model life 1989>>1994



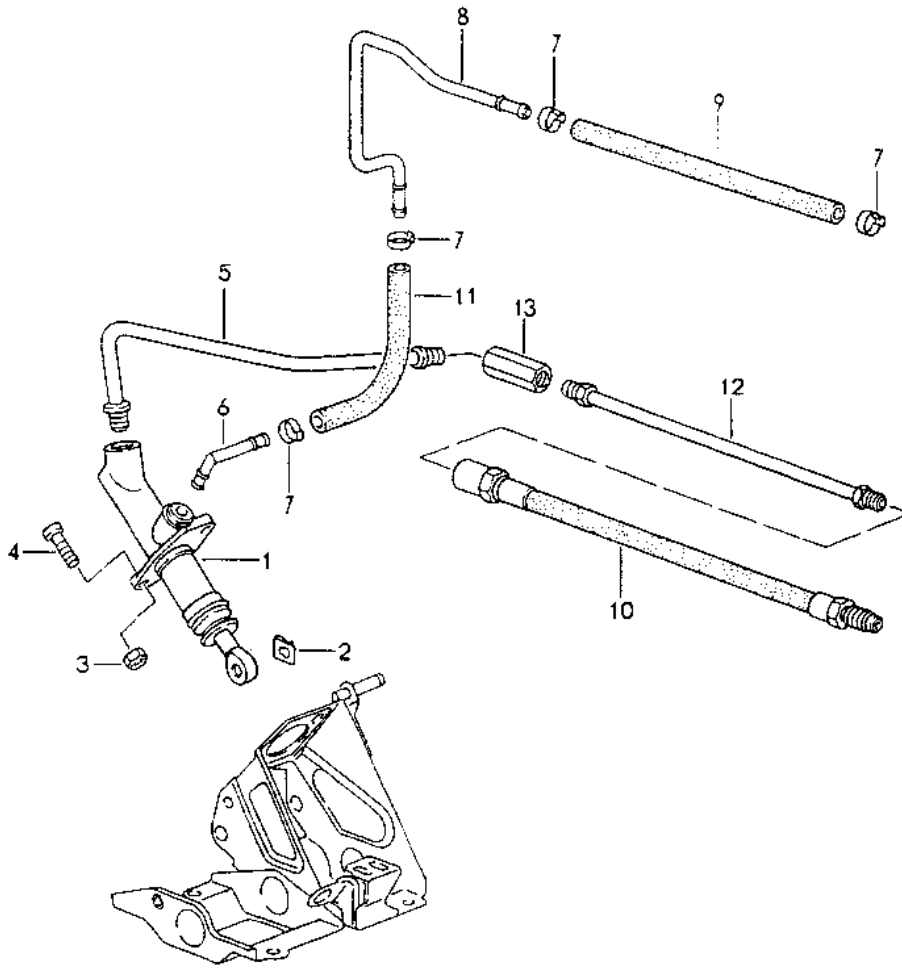
Model: 911 89

Model life 1989>>1994

Pos	Part Number	Description	Remark	Qty	Model
		Pedals			
		Tiptronic			
1	964 423 065 04	Bearing bracket	/LL -90	1	
1		Bearing bracket	/LL 91-	1	
(1)	964 423 066 02	Bearing bracket	/RL -90	1	
(1)		Bearing bracket	/RL 91-	1	
2	964 613 301 00	Brake light switch		1	
3	431 721 283 B	Clip		1	
3	999 076 044 40	Retaining clip		1	
4	900 075 087 02	Hexagon-head bolt M 8 X 16		2	
4	900 075 087 03	Hexagon-head bolt M 8 X 16		2	
5	900 025 007 02	Washer		2	
5	900 025 007 03	Washer		2	
6	964 613 211 00	Kickdown switch		1	
7	964 423 243 01	Support	/LL	1	
7	964 423 244 00	Support	/RL	1	
8	964 423 241 03	Bracket	/LL	1	
(8)	964 423 242 01	Bracket	/RL	1	
9	900 151 006 09	Washer		1	
10	900 910 010 09	Lock nut		1	
11	999 166 075 02	Safety clip		1	
12	999 924 069 00	Bearing sleeve		2	
13	900 089 006 02	Washer		1	
13	900 089 006 01	Washer		1	
14	964 423 245 01	Lever	/LL	1	
(14)	964 423 238 00	Lever	/RL	1	
15	964 423 583 00	Rubber pad		1	
16	964 423 053 01	Brake pedal with Rubber pad	/LL	1	
16	964 423 054 02	Brake pedal with Rubber pad	/RL	1	
17	964 355 287 05	Push rod		1	
-	964 355 321 03	Fuse holder for Push rod		1	
18	999 924 014 40	Bush		2	
18	999 924 014 4A	Bush		2	
19	999 072 005 09	Hexagon nut M 6 X 12		1	
19	999 072 005 01	Hexagon nut M 6 X 12		1	
20	964 423 162 01	Bearing tube	/LL	1	
20	964 423 163 00	Bearing tube	/RL	1	

Model: 911 89

Model life 1989>>1994

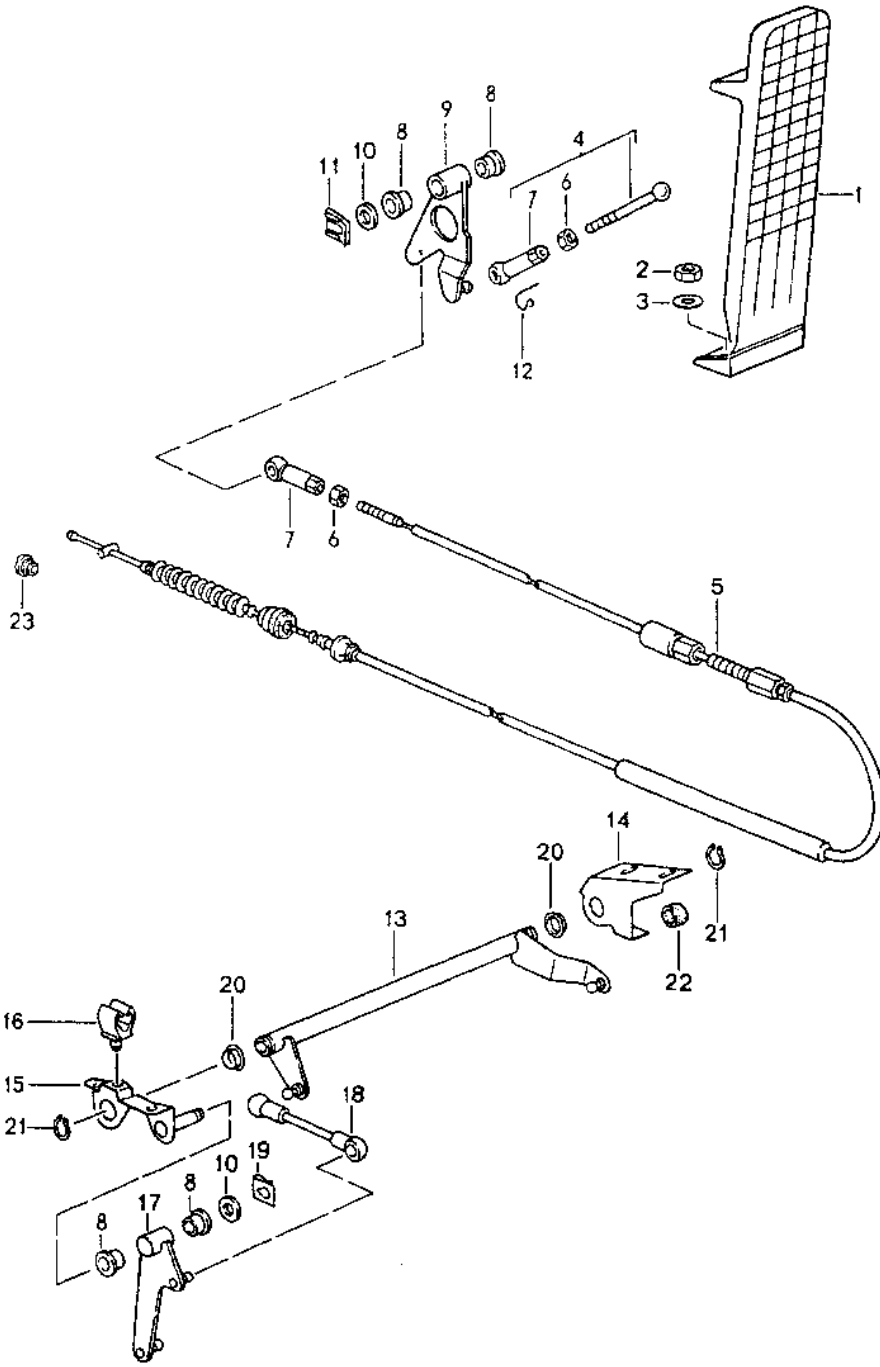


Model: 911 89 Model life 1989>>1994

Pos	Part Number	Description	Remark	Qty	Model
		clutch actuation			
		Clutch master cylinder			
1	993 423 171 00	Clutch master cylinder		1	CARRERA 2/4
1		Clutch master cylinder	-92	1	TURBO
1	965 423 149 00	Clutch master cylinder	93-	1	TURBO 3,6
-	965 423 217 01	Intermediate piece	93-	1	TURBO 3,6
-	N 011 118 11	Hexagon nut	93-	2	TURBO 3,6
		BM 8			
-	900 034 001 05	Hexagon nut	93-	2	TURBO 3,6
		BM 8			
2	N 900 470 01	Lock washer		1	
3	900 910 003 02	Lock nut		2	
3	900 910 003 04	Lock nut		2	
4	900 075 087 02	Hexagon-head bolt		2	
4	900 075 087 03	Hexagon-head bolt		2	
5	964 423 107 00	Clutch pipeline	/LL	1	
5	964 423 108 00	Clutch pipeline	/RL	1	
6	964 423 757 00	Elbow		1	
7	999 512 445 00	Clamp		7	
8	964 423 137 02	Clutch pipeline	/LL	1	
8	964 423 138 01	Clutch pipeline	/RL	1	
9	999 181 021 50	Hose		*	
		7,5 X 12,5			
10	964 423 477 00	Clutch hose		1	
10	964 423 477 01	Clutch hose		1	
11	999 181 021 50	Hose		*	
		7,5 X 12,5 X 270			
12	964 423 109 01	Clutch pipeline	/LL	1	
12	964 423 110 00	Clutch pipeline	/RL	1	
13	477 209 161	Connecting piece		2	
-	964 423 114 00	Clutch pipeline	/RL	1	

Model: 911 89

Model life 1989>>1994

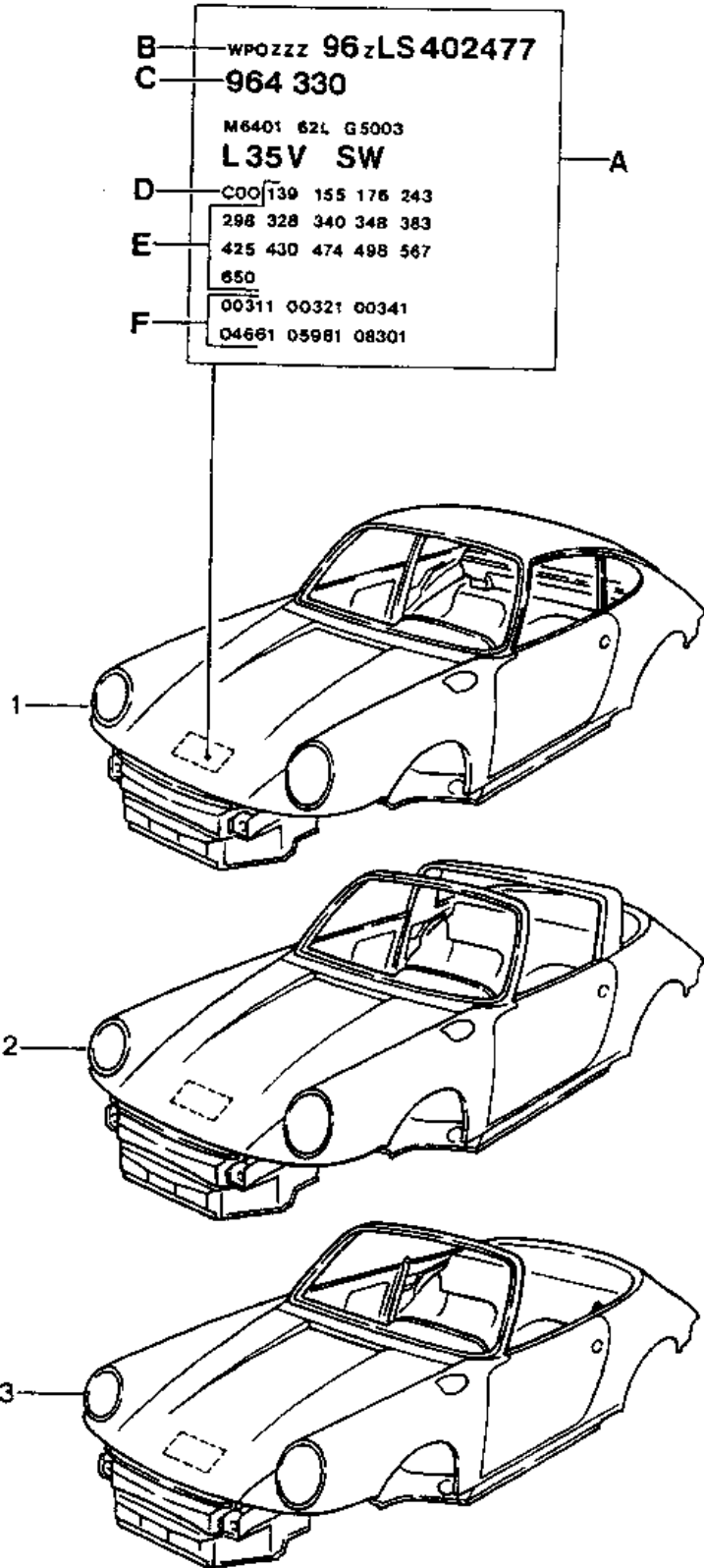


Model: 911 89 Model life 1989>>1994

Pos	Part Number	Description	Remark	Qty	Model
		Pedals			
		Accelerator control			
1	964 423 111 00	Accelerator pedal		1	
1	964 423 111 01	Accelerator pedal		1	
2	900 910 010 09	Lock nut		2	
3	N 011 666 7	Washer		2	
		B 6,4			
4	964 423 027 00	Push rod	/LL	1	
4	964 423 027 20	Push rod	/LL	1	M249
(4)	964 423 028 02	Push rod	/RL	1	
(4)	964 423 028 03	Push rod	/RL	1	
4	964 423 028 02	Push rod	/RL 90-	1	
4	964 423 028 03	Push rod	/RL 90-	1	
5	964 423 023 04	Accelerator cable	/LL -92	1	
(5)		Accelerator cable	/LL 93-	1	
5	964 423 023 23	Accelerator cable	/LL -92	1	M249
(5)		Accelerator cable	/LL 93-	1	M249
5	964 423 024 03	Accelerator cable	/RL -92	1	
(5)		Accelerator cable	/RL 93-	1	
5	964 423 024 24	Accelerator cable	/RL -92	1	M249
(5)		Accelerator cable	/RL 93-	1	M249
5	965 423 023 03	Accelerator cable	/LL -92	1	TURBO
			/LL -92	1	TURBO 3,6
(5)		Accelerator cable	/LL 93-	1	TURBO
			/LL 93-	1	TURBO 3,6
5	965 423 024 03	Accelerator cable	/RL -92	1	TURBO
			/RL -92	1	TURBO 3,6
(5)		Accelerator cable	/RL 93-	1	TURBO
			/RL 93-	1	TURBO 3,6
6	900 034 006 02	Hexagon nut		2	
7	N 015 521 3	Ball socket		2	
8	901 423 253 00	Bearing sleeve		2	
9	964 423 251 01	Reverse lever	-91	1	
9	964 423 251 02	Reverse lever		1	
9	964 423 251 01	Reverse lever	92-	1	
9	964 423 251 02	Reverse lever	92-	1	
10	900 089 006 02	Washer		3	
10	900 089 006 01	Washer		3	
11	999 166 075 02	Safety clip		1	
12	900 169 014 02	Securing clip		2	
12	900 169 014 01	Securing clip		2	
13	964 423 521 00	Shaft	/RL	1	
13	964 423 521 01	Shaft	/RL	1	
14	964 423 514 00	Bracket	/RL	1	
15	964 423 511 00	Bracket	/RL	1	
16	944 347 467 00	Cable clip	/RL	1	
17	964 423 252 00	Reverse lever	/RL	1	
18	964 423 254 00	Push rod	/RL	1	
19	999 166 075 02	Safety clip	/RL	1	
20	999 924 006 40	Bearing sleeve	/RL	2	
21	900 041 005 01	Circlip	/RL	2	
22	901 423 193 00	Rubber stop	/RL	1	
23	964 423 435 00	Clip		1	

Model: 911 89

Model life 1989>>1994

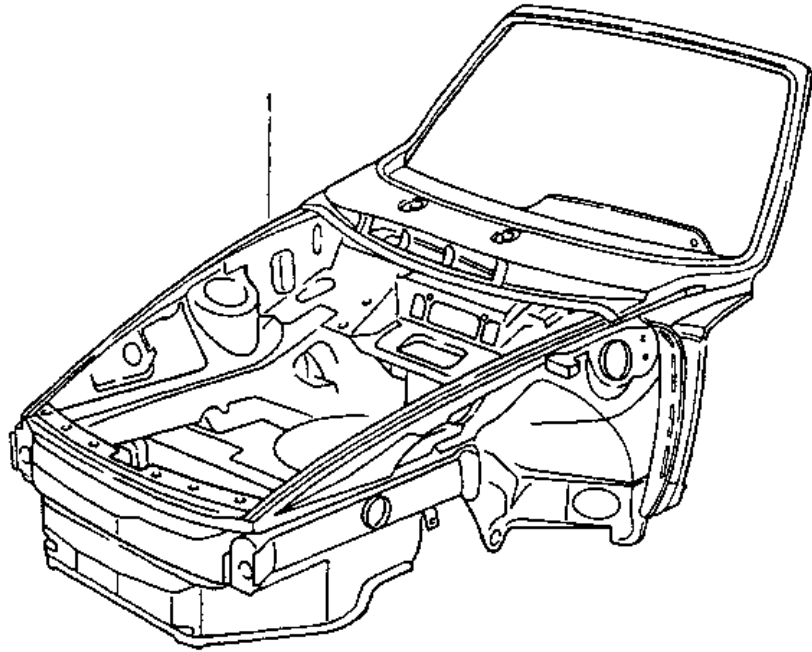


Model: 911 89 Model life 1989>>1994

Pos	Part Number	Description	Remark	Qty	Model
		Body in white Prime coated Sealed with Underbody protection BodysHELLS can only only available from current Model year available See TPI GR.8 NR.35 The data required for your order Can be found on the Vehicle data carrier Please indicate this data in your order Vehicle data carrier Vehicle Ident. No. Order type Country equipment Optional extras Additional applications			
A		Vehicle data carrier			
B		Vehicle Ident. No.			
C		Order type			
D		Country equipment			
E		Optional extras			
F		Additional applications			
1	964 500 900 00	Body in white		1	COUPE CARRERA 2/4
1	964 500 900 01	Body in white See workshop manual Carrera 2 Body GR.50/51/53		1	COUPE CARRERA RS
(1)	965 500 900 00	Body in white		1	COUPE TURBO
2	964 500 900 40	Body in white		1	TARGA
3	964 500 900 60	Body in white		1	CABRIO
(3)	964 500 900 61	Body in white		1	SPEEDSTER
(3)	964 500 900 65	Body in white		1	CABRIO TURBO-LOOK

Model: 911 89

Model life 1989>>1994

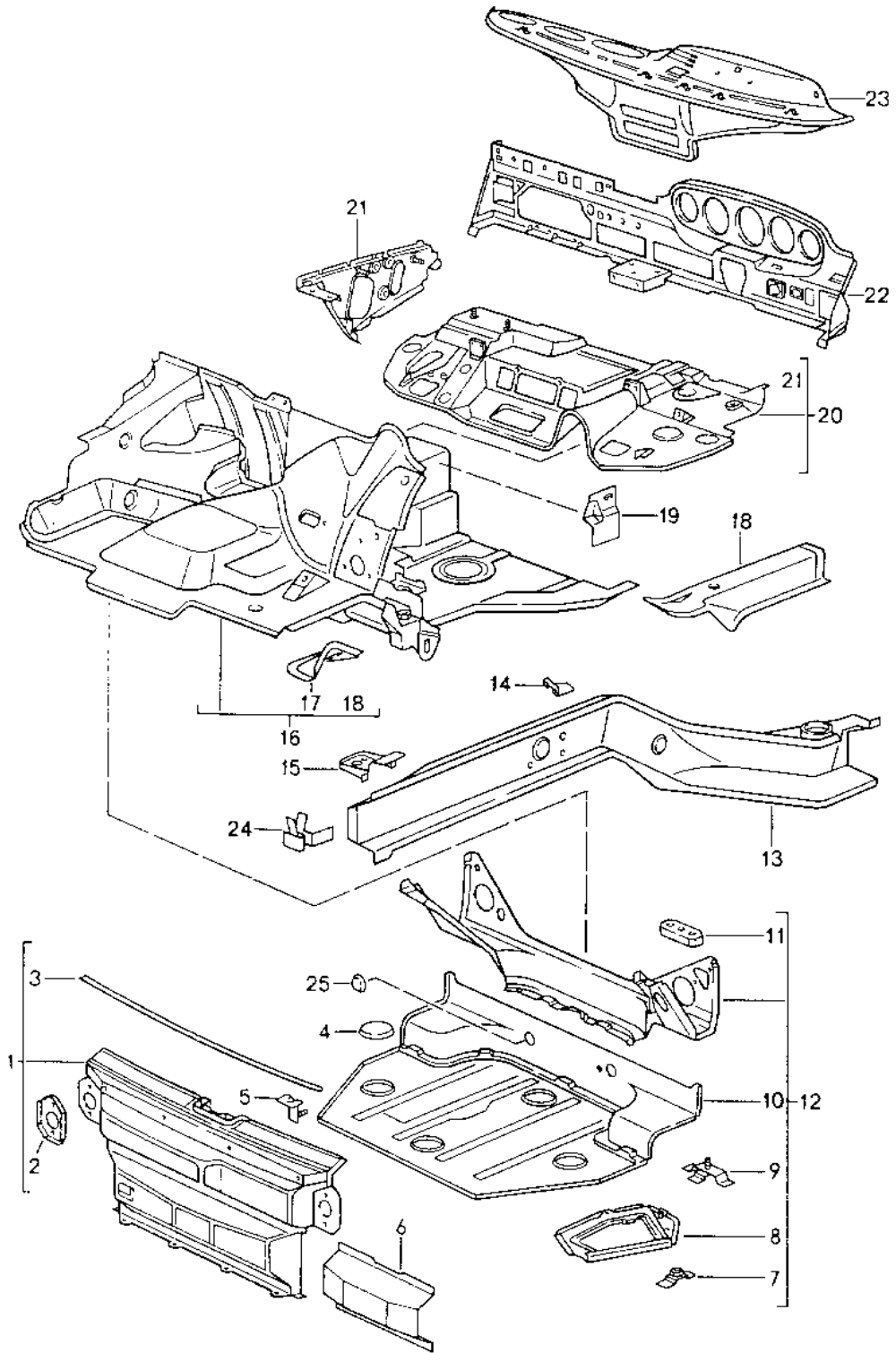


Model: 911 89 Model life 1989>>1994

Pos	Part Number	Description	Remark	Qty	Model
1	964 599 011 14	Body front section Body front section for cars with Airbag	/LL	1	
1	964 599 011 12	Body front section	/LL	1	CARRERA RS
1	964 599 011 16	Body front section	/LL	1	C.2/4 C.RS M002 TURBO
(1)	964 599 012 08	Body front section	/RL	1	TURBO-LOOK CARRERA RS
(1)	964 599 012 08 GRV	Body front section	/RL	1	CARRERA RS
(1)	964 599 012 10	Body front section	/RL	1	C.2/4 C.RS M002 TURBO
	964 599 012 10 GRV	Prime coated for cars without Airbag			TURBO-LOOK
(1)	964 599 011 17	Body front section	/LL	1	SPEEDSTER
	964 599 011 17 GRV	Prime coated for cars without Airbag			
(1)	964 599 011 18	Body front section	/LL	1	SPEEDSTER
	964 599 011 18 GRV	Prime coated for cars with Airbag			
(1)	964 599 012 15	Body front section	/RL	1	SPEEDSTER
	964 599 012 15 GRV	Prime coated			

Model: 911 89

Model life 1989>>1994



Model: 911 89 Model life 1989>>1994

Pos	Part Number	Description	Remark	Qty	Model
		Frame			
		Front			
(1)	964 501 033 07	End plate	-91	1	
(1)		End plate		1	CARRERA RS
1	964 501 033 06	End plate	92-	1	
	964 501 033 06 GRV	Prime coated			
(2)	964 501 117 00	Reinforcement	/L	1	
(2)		Reinforcement for	/L	1	
		Impact absorber			
		Left			
	964 501 117 00 GRV	Prime coated			
2	964 501 118 00	Reinforcement	/R	1	
2		Reinforcement	/R	1	
	964 501 118 00 GRV	Prime coated			
3	911 501 395 00	Sealing rail		1	
3		Sealing rail		1	
	911 501 395 00 GRV	Prime coated			
4	964 504 209 00	Lid		2	
		100 MM			
(4)	964 504 213 00	Lid for		2	
		Spare-wheel well			
		85 MM			
(4)	996 504 213 00	Lid for		2	
		Spare-wheel well			
		85 MM			
(4)	996 504 213 01	Lid for		2	
		Spare-wheel well			
		85 MM			
5	964 501 187 00	Support for		1	CARRERA RS
		Cover			
		Power-steering pump			
5		Support		1	CARRERA RS
	964 501 187 00 GRV	Prime coated for			
		Cover			
		Power-steering pump			
6	964 501 807 00	Reinforcement for		1	CARRERA RS
		Terminal piece			
7	964 501 383 01	Mounting for		1	
		Emergency wheel			
7		Mounting		1	
	964 501 383 01 GRV	Prime coated for			
		Emergency wheel			
8	964 501 285 01	Carrier plate for battery		1	
9	964 501 289 00	Support for		1	
		Hydraulic unit			
9		Support		1	
	964 501 289 00 GRV	Prime coated for			
		Hydraulic unit			
10	964 501 505 00	Spare-wheel well		1	
10		Spare-wheel well		1	
	964 501 505 00 GRV	Prime coated			
11	964 501 133 00	Threaded plate		2	

Model: 911 89 Model life 1989>>1994

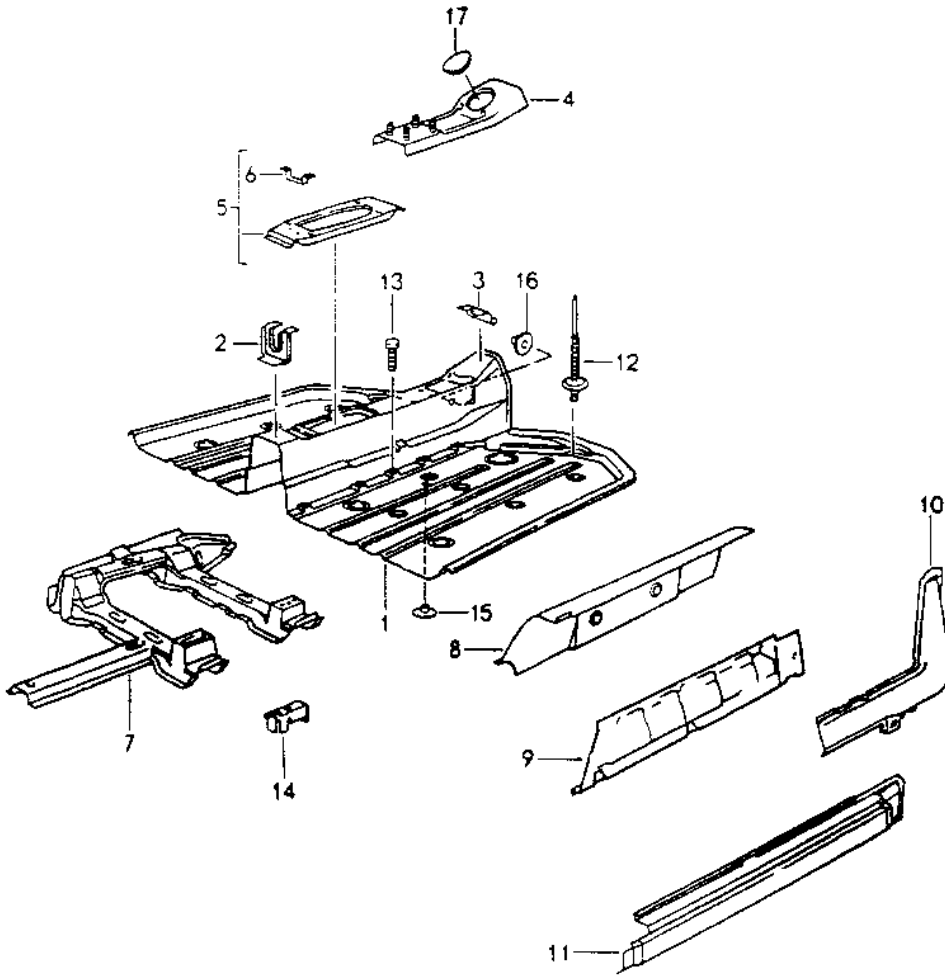
Pos	Part Number	Description	Remark	Qty	Model
12	964 841 055 00	Spare-wheel well Complete with Cross member		1	
12	964 841 055 00 GRV	Spare-wheel well Prime coated Complete with Cross member		1	
-	911 631 259 02	Rubber sleeve		X	
13	964 501 015 03	Side member	/L	1	
13	964 501 015 03 GRV	Side member Prime coated	/L	1	
(13)	964 501 016 02	Side member	/R	1	
(13)	964 501 016 02 GRV	Side member Prime coated	/R	1	
14	964 501 735 00	Support		1	CARRERA RS
15	964 501 733 00	Bracket for Battery main switch		1	CARRERA RS
15	964 501 733 00 GRV	Bracket for Battery main switch Prime coated		1	CARRERA RS
15	964 501 733 01	Bracket		1	CARRERA RS
15	964 501 733 01 GRV	Bracket Prime coated for Battery main switch		1	CARRERA RS
-	964 501 514 00	Support panel	/LL /R	1	
-	964 501 514 00 GRV	Support panel Prime coated		1	
-	964 501 513 00	Support panel	/RL /L	1	
16	964 501 513 00 GRV	Support panel Prime coated		1	
16	964 501 053 00	Floor	/LL	1	
(16)	964 501 053 00 GRV	Floor Prime coated		1	
(16)	964 501 054 00	Floor	/RL -90	1	
(16)	964 501 054 00 GRV	Floor Prime coated		1	
(16)	964 501 054 02	Floor section	/RL 91-	1	
(16)	964 501 054 02 GRV	Floor section Prime coated		1	
17	964 501 519 00	Gusset plate	/LL	1	
(17)	964 501 520 00	Gusset plate	/RL	1	
18	964 501 603 00	Extension	/L	1	
18	964 501 603 00 GRV	Extension Prime coated	/L	1	
(18)	964 501 604 00	Extension	/R	1	
(18)	964 501 604 00 GRV	Extension Seat rail support		1	
(18)	964 501 604 00 GRV	Extension for Bracket Front Prime coated	/R	1	
19	964 501 425 00	Bracket for cars with Airbag		1	
19	964 501 425 00 GRV	Bracket for cars with Airbag Support Airbag unit		1	
20	964 501 425 00 GRV	Bracket Prime coated		1	
20	964 502 023 01	Cross panel for cars with Airbag	/LL -92	1	
20	964 502 023 01	Cross panel for airbag	/LL	1	

Model: 911 89 Model life 1989>>1994

Pos	Part Number	Description	Remark	Qty	Model
		Left-hand drive			
	964 502 023 01 GRV	Prime coated			
(20)	964 502 023 02	Cross panel	/LL -92	1	
(20)		Cross panel	/LL	1	
	964 502 023 02 GRV	Prime coated			
(20)	964 502 024 02	Cross panel	/RL -92	1	
(20)		Cross panel	/RL -92	1	
	964 502 024 02 GRV	Prime coated			
21	964 501 081 00	Bracket	/LL /L -92	1	
(21)	964 501 081 01	Side member	/RL /L -92	1	
(21)	964 501 082 00	Bracket	/LL /R -92	1	
(21)	964 501 082 01	Side member	/RL /R -92	1	
(21)	965 501 081 02	Bracket	/L 93-	1	
	965 501 081 02 GRV	Prime coated			
(21)	965 501 082 01	Bracket	/R 93-	1	
	965 501 082 01 GRV	Prime coated			
(21)	964 501 081 04	Bracket	/L	1	SPEEDSTER
	964 501 081 04 GRV	Prime coated			
(21)	964 501 082 04	Bracket	/R	1	SPEEDSTER
	964 501 082 04 GRV	Prime coated			
22	964 502 027 00	Dashboard	/LL	1	
22		Dashboard	/LL	1	
		Lower part			
	964 502 027 00 GRV	Prime coated			
(22)	964 502 027 01	Dashboard	/LL	1	
		Lower part			
		for cars with			
		Airbag			
(22)	964 502 028 00	Dashboard	/RL	1	
		Lower part			
(22)		Dashboard	/RL	1	
	964 502 028 00 GRV	Prime coated			
		Lower part			
23	964 502 025 00	Dashboard	/LL	1	COUPE/TARGA
		Upper part			CABRIO
(23)	964 502 026 00	Dashboard	/RL	1	COUPE/TARGA
		Upper part			CABRIO
(23)	964 502 025 01	Dashboard	/LL	1	SPEEDSTER
	964 502 025 01 GRV	Prime coated			
(23)	964 502 026 01	Dashboard	/RL	1	SPEEDSTER
	964 502 026 01 GRV	Prime coated			
		Upper part			
24	964 501 673 00	Support		2	
	964 501 673 00 GRV	Prime coated			
25	999 703 066 50	Stopper		1	

Model: 911 89

Model life 1989>>1994



Model: 911 89 Model life 1989>>1994

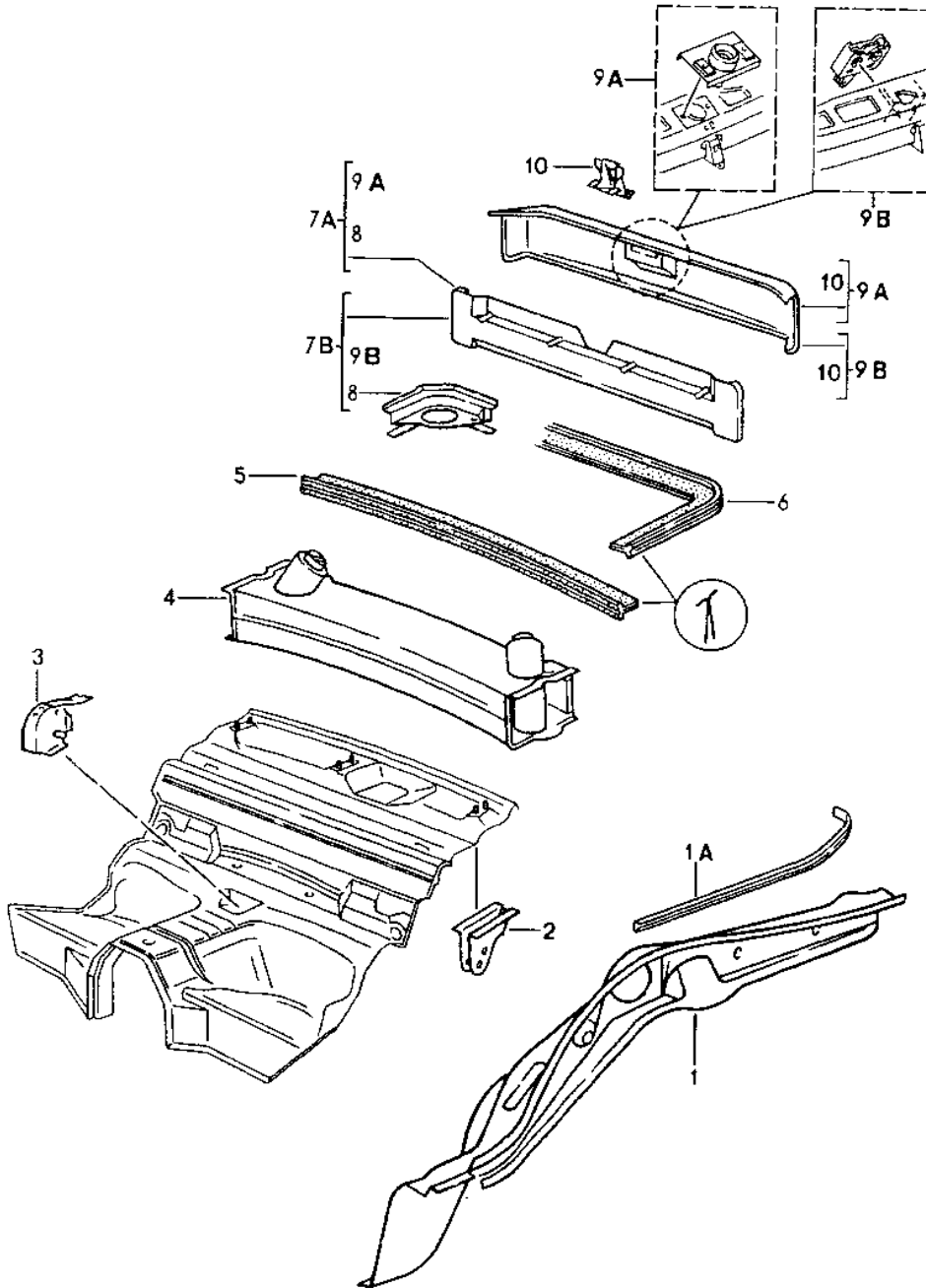
Pos	Part Number	Description	Remark	Qty	Model
1	964 501 501 02	Frame Centre Floor		1	
	964 501 501 02 GRV	Prime coated			
1	993 501 501 00	Floor		1	
	993 501 501 00 GRV	Prime coated			
2	964 501 433 00	Support for Centre console	/V	1	
3	964 501 430 00	Support for Centre console	/H	1	
4	964 501 509 01	Reinforcement for Parking-brake lever		1	
5	964 501 059 01	Bracket	-91	1	CARRERA 4
(5)	964 501 059 02	Bracket for cars with Tiptronic	-91	1	CARRERA 2
(5)		It is necessary to rework Bracket for cars with Tiptronic		1	CARRERA 2
	964 501 059 02 GRV	Prime coated			
(5)	964 501 059 06	Bracket	92-	1	CARRERA 4
(5)		Bracket	92-	1	CARRERA 4
	964 501 059 06 GRV	Prime coated			
(5)	964 501 059 04	Bracket	92-	1	CARRERA 2
6	964 501 432 00	Support for Centre console		1	
7	964 501 057 00	Seat support	/L	1	
(7)	964 501 058 00	Seat support	/R	1	
7	964 501 057 02	Seat support	/L	1	
7		Seat support Left	/L	1	
	964 501 057 02 GRV	Prime coated			
(7)	964 501 058 02	Seat support	/R	1	
8	964 501 021 00	Side member	/L -90	1	
(8)	964 501 022 00	Side member	/R -90	1	
(8)	964 501 021 01	Side member	/L 91-	1	
(8)		Side member	/L 91-	1	
	964 501 021 01 GRV	Prime coated			
(8)	964 501 022 01	Side member Inner	/R 91-	1	
(8)		Side member	/R 91-	1	
	964 501 022 01 GRV	Prime coated Inner			
9	964 501 135 00	Side member	/L	1	
	964 501 135 00 GRV	Prime coated			
(9)	964 501 136 00	Side member Outer	/R	1	
	964 501 136 00 GRV	Prime coated			
10	964 502 577 40	Gusset plate	/L	1	
10		Gusset plate	/L	1	
	964 502 577 40 GRV	Prime coated			
(10)	964 502 070 40	Gusset plate	/R	1	
	964 502 070 40 GRV	Prime coated			
11	965 503 401 01	Door sill	/L	1	
	965 503 401 01 GRV	Prime coated			
11		Door sill Prime coated	/L	1	

Model: 911 89 Model life 1989>>1994

Pos	Part Number	Description	Remark	Qty	Model
11	965 503 401 01	Door sill	/L	1	
	965 503 401 01 GRV	Prime coated			
11		Door sill	/L	1	
		Prime coated			
(11)	965 503 401 01	Door sill	/L	1	
(11)	965 503 401 01 GRV	Door sill	/L	1	
(11)	965 503 401 01	Door sill	/L	1	
	965 503 401 01 GRV	Prime coated			
(11)		Door sill	/L	1	
		Prime coated			
(11)	965 503 401 01	Door sill	/L	1	
	965 503 401 01 GRV	Prime coated			
(11)		Door sill	/L	1	
		Prime coated			
(11)	965 503 401 01	Door sill	/L	1	
	965 503 401 01 GRV	Prime coated			
(11)		Door sill	/L	1	
		Prime coated			
(11)	965 503 402 01	Door sill	/R	1	
(11)	965 503 402 01 GRV	Door sill	/R	1	
(11)	965 503 402 01	Door sill	/R	1	
	965 503 402 01 GRV	Prime coated			
(11)		Door sill	/R	1	
		Prime coated			
12	928 299 516 06	Tubular rivet		X	
		A 4,8 X 6,5 X 22			
12	928 299 516 0G	Tubular rivet		X	
		A 4,8 X 6,5 X 22			
13	999 503 094 00	Weld screw		10	
		M 6 X 12			
14	964 501 535 00	Compensating plate		2	
14	964 501 535 01	Compensating plate		2	
		Seat support			
14		Compensating plate		2	
		for			
		Seat support			
	964 501 535 01 GRV	Prime coated			
15	N 011 412 2	Nut		4	CARRERA RS
16	999 505 251 02	Nut		2	CARRERA RS
17	964 504 465 02	Lid	89	1	
17	964 504 465 03	Lid	89-	1	
17	964 504 465 02	Lid	90-	1	M339
17	964 504 465 03	Lid	90-	1	M339

Model: 911 89

Model life 1989>>1994



Model: 911 89 Model life 1989>>1994

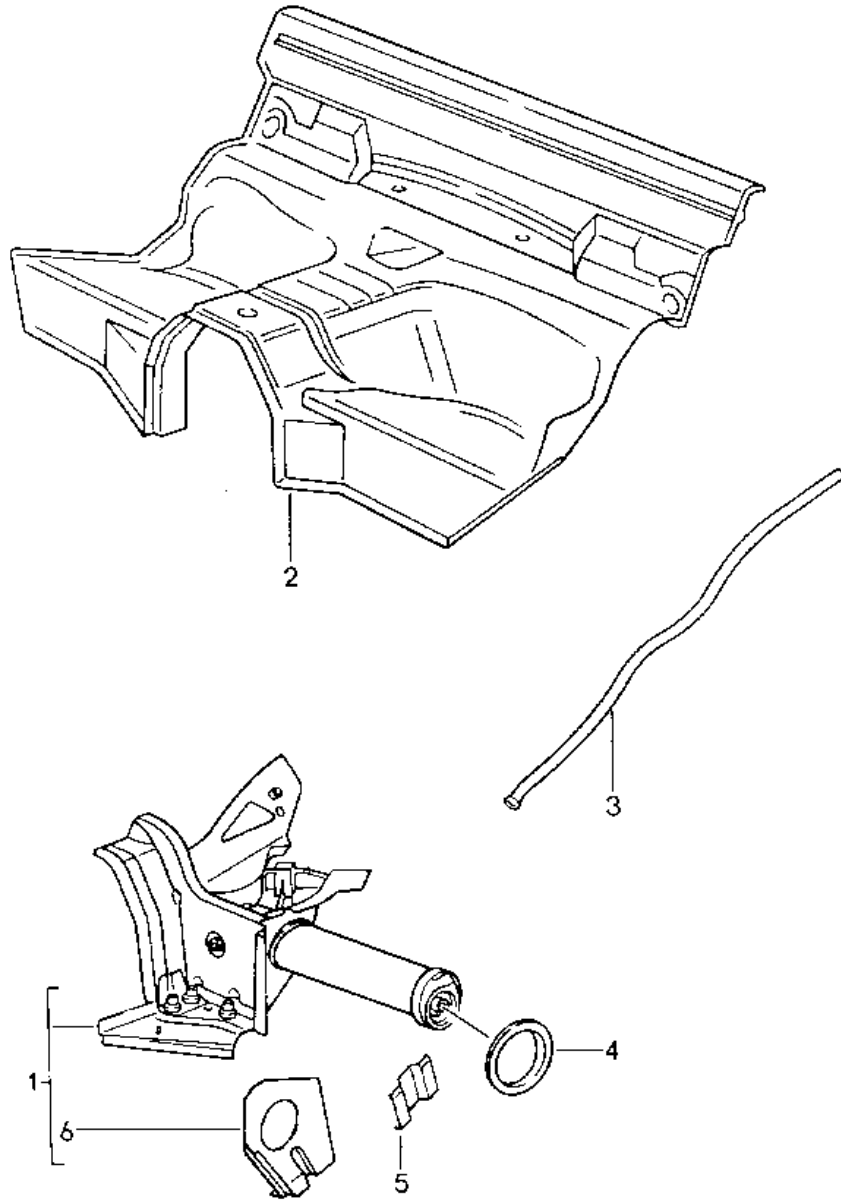
Pos	Part Number	Description	Remark	Qty	Model
1	964 501 025 01	Frame Rear			
(1)	964 501 025 02	Bracket	/L -90	1	
(1)	964 501 026 01	Side member	/L 91-	1	
(1)	964 501 026 01	Bracket	/R	1	
(1)	964 501 026 01 GRV	Bracket	/R	1	
1A	964 501 026 01 GRV	Prime coated			
1A	964 501 793 00	Profile rail	/L	1	
1A	964 501 793 00	Profile rail	/L	1	
(1A)	964 501 793 00 GRV	Prime coated			
(1A)	964 501 794 00	Profile rail	/R	1	
(1A)	964 501 794 00 GRV	for Engine compartment seal Profile rail	/R	1	
(1A)	964 501 794 00 GRV	Prime coated for Engine compartment seal			
2	911 501 729 01	Pneumatic spring mount		2	COUPE/TARGA CABRIO
2	911 501 729 01 GRV	Pneumatic spring mount		2	COUPE/TARGA CABRIO
(2)	964 501 757 00	Prime coated Pneumatic spring mount		2	SPEEDSTER
3	911 501 041 02	Bearing		1	COUPE/TARGA
3	911 501 041 02 GRV	Bearing		1	COUPE/TARGA
(3)	911 501 041 02 GRV	Prime coated			
(3)	911 501 041 61	Bearing for Back seat backrest with Pull-type release Lower		1	CABRIO
(3)	911 501 041 61 GRV	Bearing Prime coated for Back seat backrest with Pull-type release Lower		1	CABRIO
(3)	964 501 041 00	Bearing for Back seat backrest with Release button Upper		1	
(3)	964 501 041 00 GRV	Bearing Prime coated for Back seat backrest with Release button Upper		1	
4	964 501 075 00	Rear axle cross member F >>96MS4 01467 F >>96MS4 30299 F >>96MS4 50777		1	COUPE TARGA CABRIO
4	964 501 075 00	Rear axle cross member F >>96MS4 01467 F >>96MS4 30299		1	COUPE TARGA

Model: 911 89 Model life 1989>>1994

Pos	Part Number	Description	Remark	Qty	Model
		F >>96MS4 50777			CABRIO
(4)	964 501 075 00 GRV	Prime coated			
	964 501 075 02	Rear axle cross member		1	
		F 96MS4 01468>>			COUPE
		F 96MS4 30300>>			TARGA
		F 96MS4 50778>>			CABRIO
		F 96MS4 70061>>			COUPE
		F 96NS4 90061>>			COUPE
(4)		Rear axle cross member		1	
		F 96MS4 01468>>			COUPE
		F 96MS4 30300>>			TARGA
		F 96MS4 50778>>			CABRIO
		F 96MS4 70061>>			COUPE
		F 96NS4 90061>>			COUPE
	964 501 075 02 GRV	Prime coated			
5	911 504 115 02	Engine compartment seal		1	
6	930 504 170 01	Engine compartment seal		1	
7A	964 501 079 00	Cross member		1	
7B	965 501 079 01	Cross member		1	
		Complete			
7B		Cross member		1	
	965 501 079 01 GRV	Prime coated			
		Complete			
(8)	964 501 045 00	Engine mounting	/L	1	
8	964 501 046 00	Engine mounting	/R	1	
9A	964 501 091 00	Cross member		1	
9A		Cross member		1	
	964 501 091 00 GRV	Prime coated			
9B	964 501 091 01	Cross member		1	
		Outer			
9B		Cross member		1	
	964 501 091 01 GRV	Prime coated			
		Outer			
10	964 501 717 00	Mounting		3	
		for			
		Covering			
10		Mounting		3	
	964 501 717 00 GRV	Prime coated			
		for			
		Covering			
-	999 703 347 40	Cap		2	
		for			
		Transport lock			

Model: 911 89

Model life 1989>>1994

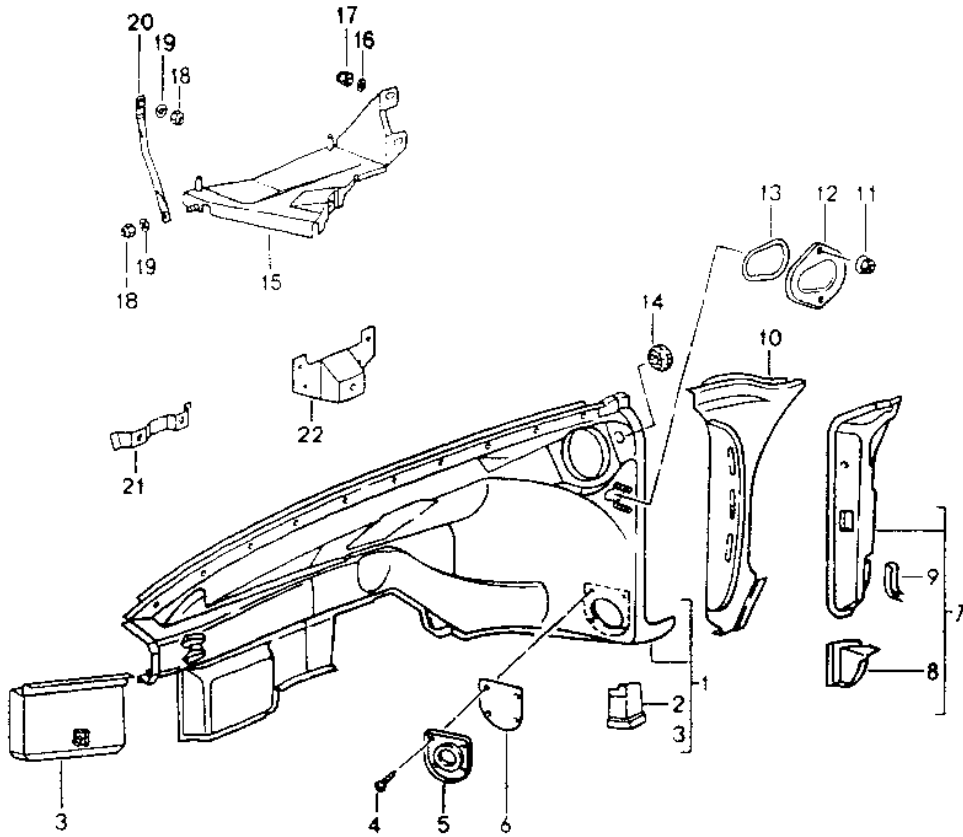


Model: 911 89 Model life 1989>>1994

Pos	Part Number	Description	Remark	Qty	Model
1	964 501 965 00	Rear-axle cross-tube			
(1)	964 501 966 00	Rear-axle cross-tube	/L -92	1	
1	965 501 965 00	Rear-axle cross-tube	/R -92	1	
	965 501 965 00 GRV	Prime coated	/L 93-	1	
(1)	965 501 966 00	Rear-axle cross-tube			
	965 501 966 00 GRV	Prime coated	/R 93-	1	
		with			
		Bracket			
2	964 501 049 02	Seat well		1	COUPE/TARGA
(2)	964 501 049 08	Seat well		1	CABRIO
(2)	964 501 049 08 GRV	Prime coated		1	SPEEDSTER
3	964 501 691 00	Guide tube			
3	993 501 691 00	Guide tube	/L	1	
		Parking-brake cable			
		Left			
	993 501 691 00 GRV	Prime coated			
(3)	964 501 692 00	Guide tube	/R	1	
		for			
		Parking-brake cable			
(3)	993 501 692 00	Guide tube	/R	1	
		Parking-brake cable			
		Right			
	993 501 692 00 GRV	Prime coated			
4	964 503 351 00	Reinforcement		2	
4	964 503 351 00 GRV	Prime coated		2	
5	964 501 883 00	Reinforcement		2	CARRERA RS
		for			
		Stabiliser			
		Mounting			
5	964 501 883 00 GRV	Prime coated		2	CARRERA RS
		for			
		Stabiliser			
		Mounting			
6	964 501 183 00	Bearing bracket			
	964 501 183 00 GRV	Prime coated	/L	1	
(6)	964 501 184 00	Bearing bracket			
	964 501 184 00 GRV	Prime coated	/R	1	

Model: 911 89

Model life 1989>>1994



Model: 911 89 Model life 1989>>1994

Pos	Part Number	Description	Remark	Qty	Model
		Interior panelling			
		Front			
1	964 501 035 00	Wheel housing	/L	1	
(1)	964 501 036 01	Wheel housing	/R	1	
1	965 501 035 02	Wheel housing	/L	1	
	965 501 035 02 GRV	Prime coated			
(1)	965 501 036 03	Wheel housing	/R	1	
	965 501 036 03 GRV	Prime coated			
2	964 501 297 00	Jacking point	/L	1	
2		Jacking point	/L	1	
	964 501 297 00 GRV	Prime coated			
(2)	964 501 298 00	Jacking point	/R	1	
(2)		Jacking point	/R	1	
	964 501 298 00 GRV	Prime coated			
3	964 501 125 00	Gusset plate	/L	1	
3		Gusset plate	/L	1	
	964 501 125 00 GRV	Prime coated			
(3)	964 501 126 00	Gusset plate	/R	1	
(3)		Gusset plate	/R	1	
	964 501 126 00 GRV	Prime coated			
(4)	900 143 143 02	Tapping screw		8	
		B 4,2 X 16			
(4)	900 143 143 0C	Tapping screw		8	
		B 4,2 X 16			
5	964 504 251 01	Lid		2	
6	964 504 725 00	Gasket		2	
7	964 502 039 00	Hinge pillar	/L	1	
	964 502 039 00 GRV	Prime coated			
(7)	964 502 040 00	Hinge pillar	/R	1	
	964 502 040 00 GRV	Prime coated			
(7)	964 502 039 02	Hinge pillar	/L	1	SPEEDSTER
	964 502 039 02 GRV	Prime coated			
(7)	964 502 039 41	Hinge pillar	/L	1	SPEEDSTER
	964 502 039 41 GRV	Prime coated			
(7)	964 502 040 02	Hinge pillar	/R	1	SPEEDSTER
	964 502 040 02 GRV	Prime coated			
(7)	964 502 040 41	Hinge pillar	/R	1	SPEEDSTER
	964 502 040 41 GRV	Prime coated			
8	911 501 439 00	Filler plate	/L	1	
	911 501 439 00 GRV	Prime coated			
(8)	911 501 440 00	Filler plate	/R	1	
	911 501 440 00 GRV	Prime coated			
9	901 501 305 20	Angular bracket	/L	1	
	901 501 305 20 GRV	Prime coated			
(9)	901 501 306 20	Angular bracket	/R	1	
	901 501 306 20 GRV	Prime coated			
10	964 502 103 00	Wing joining plate	/L	1	
(10)	964 502 104 00	Wing joining plate	/R	1	
(10)	964 502 103 01	Wing joining plate	/L	1	SPEEDSTER
	964 502 103 01 GRV	Prime coated			
(10)	964 502 104 01	Wing joining plate	/R	1	SPEEDSTER
	964 502 104 01 GRV	Prime coated			
11	999 501 074 40	Plastic nut		2	
12	964 572 565 00	Lid		1	
		for cars without			
		Air conditioner			
-	000 043 172 00	Sealing cord		*	
		Roll with 10 meters			
		\$ 9 MM			
13		250 MM		1	
14	111 971 911 A	Grommet		2	
(14)	999 703 348 40	Rubber sleeve		2	M650
15	993 504 138 00	Bracket	/R	1	

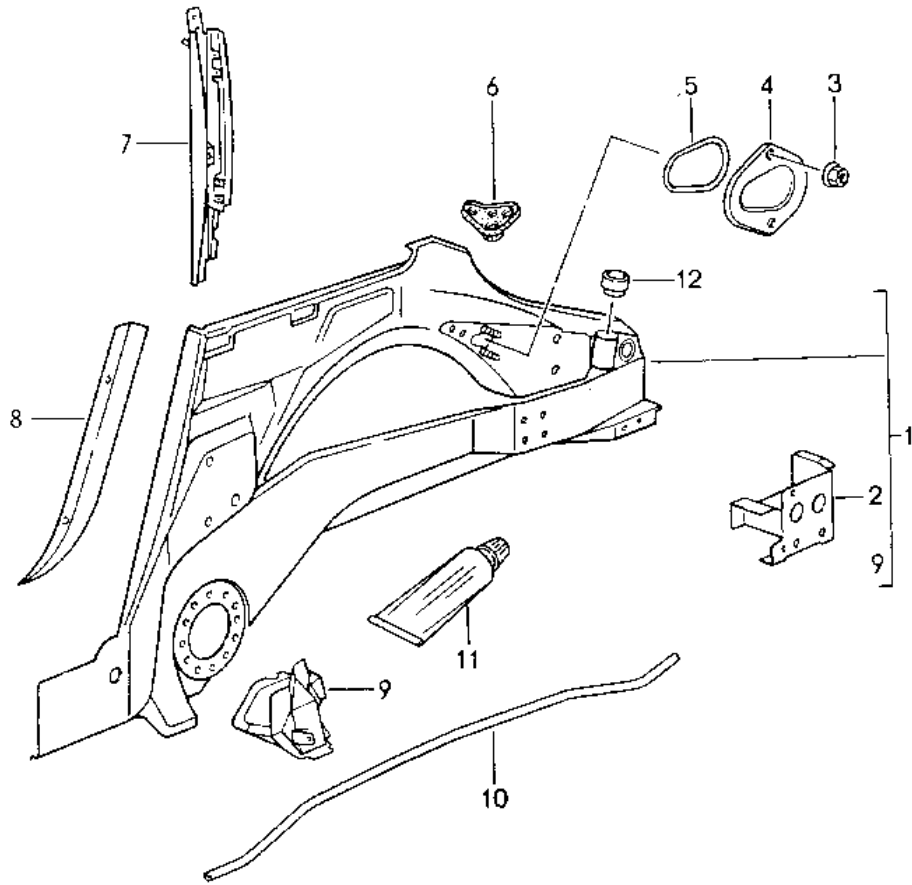
Model: 911 89

Model life 1989>>1994

Pos	Part Number	Description	Remark	Qty	Model
16	900 151 008 02	Washer B 8,4		3	
17	900 910 022 02	Lock nut M 8		3	
18	900 910 010 09	Lock nut M 6		2	
19	N 011 666 7	Washer B 6,4		2	
20	993 504 139 00	Tension strut		1	
21	993 501 457 00	Support for Anti-lock brake system Control unit	/R	1	CARRERA RS
22	964 501 261 00	Support for Intensive windscreen washer	/R	1	CARRERA RS
22	964 501 261 00 GRV	Prime coated for Intensive windscreen washer	/R	1	CARRERA RS

Model: 911 89

Model life 1989>>1994



Model: 911 89 Model life 1989>>1994

Pos	Part Number	Description	Remark	Qty	Model
		Interior panelling			COUPE
1	964 502 017 00	Rear			
1		Side section	/L 89	1	
		Side section	/L 89-	1	
		Inner			
		Rear			
	964 502 017 00 GRV	Prime coated			
(1)	964 502 018 00	Side section	/R 89	1	
(1)		Side section	/R 89-	1	
		Inner			
		Rear			
		Right			
	964 502 018 00 GRV	Prime coated			
(1)	964 502 017 01	Side section	/L 90-92	1	C.2/4 C.RS M002
(1)	964 502 018 01	Side section	/R 90-92	1	C.2/4 C.RS M002
1	965 502 017 02	Wheel housing	/L 93-	1	C.2/4
	965 502 017 02 GRV	Prime coated			C.RS
(1)	965 502 018 02	Wheel housing	/R 93-	1	C.2/4
	965 502 018 02 GRV	Prime coated			C.RS
(1)	964 502 017 02	Wheel housing	/L	1	CARRERA RS
(1)		Wheel housing	/L	1	CARRERA RS
	964 502 017 02 GRV	Prime coated			
(1)	964 502 018 02	Wheel housing	/R	1	CARRERA RS
(1)		Wheel housing	/R	1	CARRERA RS
	964 502 018 02 GRV	Prime coated			
(1)	965 502 017 01	Side section	/L	1	TURBO
(1)	965 502 018 01	Side section	/R	1	TURBO
(1)	965 502 017 03	Wheel housing	/L	1	TURBO
	965 502 017 03 GRV	Prime coated			
(1)	965 502 018 03	Wheel housing	/R	1	TURBO
	965 502 018 03 GRV	Prime coated			
2	964 502 161 00	Reinforcement	/L	1	
2		Reinforcement	/L	1	
	964 502 161 00 GRV	Prime coated			
(2)	964 502 162 00	Reinforcement	/R	1	
(2)		Reinforcement	/R	1	
	964 502 162 00 GRV	Prime coated			
3	999 084 075 02	Lock nut		2	
		M 6			
4	964 572 565 00	Lid		1	
		for cars without			
		Air conditioner			
-	000 043 172 00	Sealing cord		*	
		Roll with 10 meters			
		\$ 9 MM			
5		250 MM		1	
6	964 504 610 00	Rubber sleeve	/R	1	
		for			
		Oil hose			
7	964 502 071 01	Inner panel	/L	1	
7	964 502 072 01	Inner panel	/R	1	
8	964 502 771 00	Profile	/L	1	
8		Profile	/L	1	
	964 502 771 00 GRV	Prime coated			
8	964 502 772 00	Profile	/R	1	
8		Profile	/R	1	
	964 502 772 00 GRV	Prime coated			
9	964 502 085 00	Bracket	/L	1	
	964 502 085 00 GRV	Prime coated			

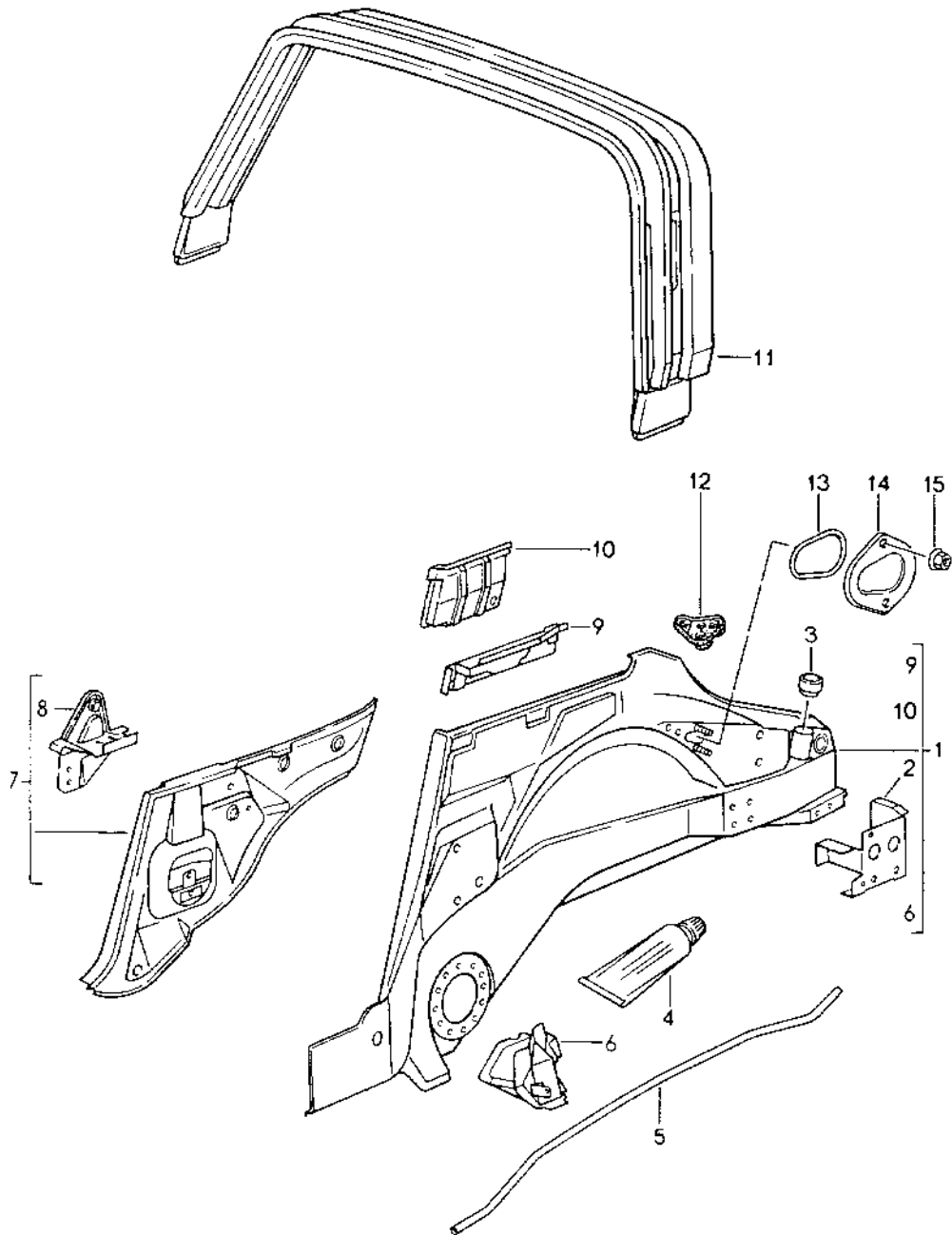
Model: 911 89

Model life 1989>>1994

Pos	Part Number	Description	Remark	Qty	Model
(9)	964 502 086 00 964 502 086 00 GRV	for Jacking point Bracket Prime coated	/R	1	
10	964 502 283 01	for Jacking point Guide tube		1	
(11)	000 043 176 01	for Lid-release cable Adhesive		1	
(12)	911 107 726 11	Filler neck for Oil tube		1	

Model: 911 89

Model life 1989>>1994



Model: 911 89 Model life 1989>>1994

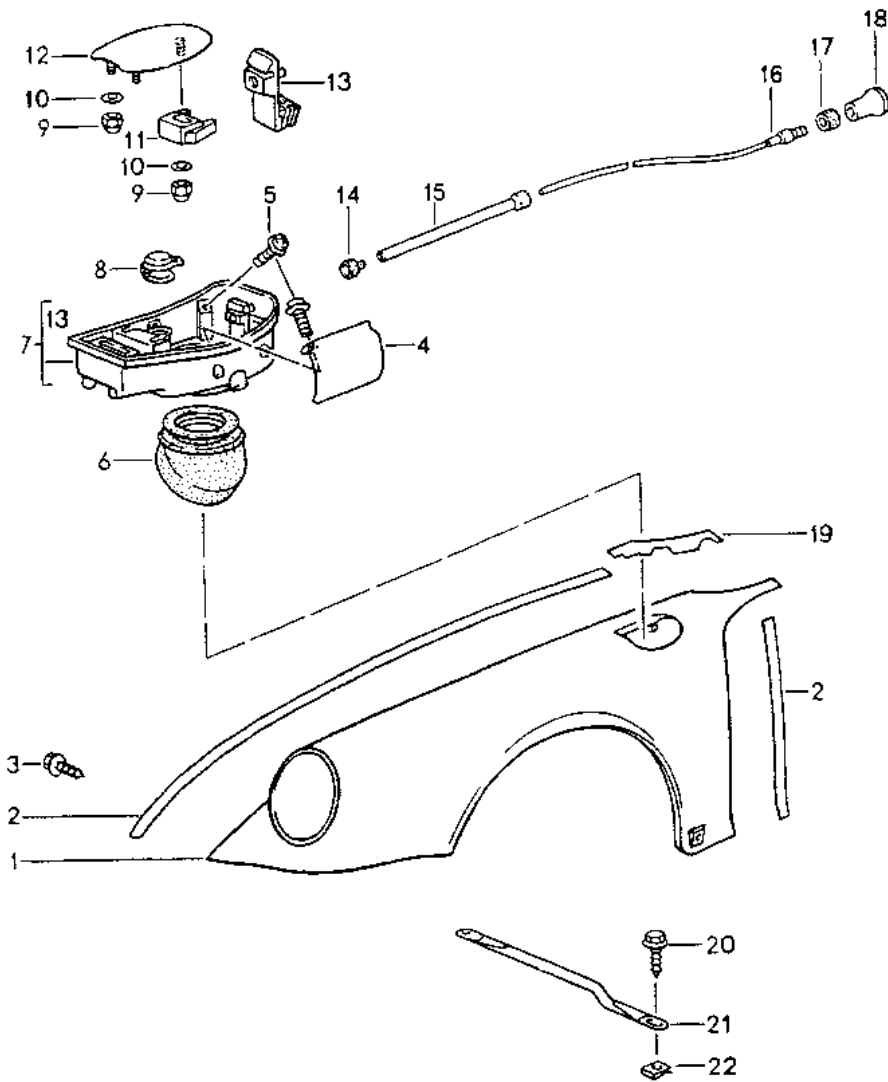
Pos	Part Number	Description	Remark	Qty	Model
		Interior panelling			TARGA/CABRIO
		Rear			SPEEDSTER
1	964 502 017 40	Wheel housing	/L	1	TARGA
1		Wheel housing	/L	1	TARGA
		Rear			
		Left			
	964 502 017 40 GRV	Prime coated			
(1)	964 502 018 40	Wheel housing	/R	1	TARGA
(1)		Wheel housing	/R	1	TARGA
		Rear			
		Right			
	964 502 018 40 GRV	Prime coated			
(1)	965 502 017 61	Wheel housing	/L	1	CABRIO
(1)		Wheel housing	/L	1	CABRIO
	965 502 017 61 GRV	Prime coated			
(1)	965 502 018 61	Wheel housing	/R	1	CABRIO
(1)		Wheel housing	/R	1	CABRIO
		Rear			
		Right			
	965 502 018 61 GRV	Prime coated			
(1)	964 502 017 04	Wheel housing	/L	1	SPEEDSTER
	964 502 017 04 GRV	Prime coated			
(1)	964 502 018 04	Wheel housing	/R	1	SPEEDSTER
	964 502 018 04 GRV	Prime coated			
2	964 502 161 00	Reinforcement	/L	1	
2		Reinforcement	/L	1	
	964 502 161 00 GRV	Prime coated			
(2)	964 502 162 00	Reinforcement	/R	1	
(2)		Reinforcement	/R	1	
	964 502 162 00 GRV	Prime coated			
3	911 107 726 11	Filler neck		1	
		for			
		Filler tube			
4	000 043 176 01	Adhesive		1	
5	964 502 283 01	Guide tube		1	
		for			
		Lid-release cable			
6	964 502 085 00	Bracket	/L	1	
	964 502 085 00 GRV	Prime coated			
		for			
		Jacking point			
(6)	964 502 086 00	Bracket	/R	1	
	964 502 086 00 GRV	Prime coated			
		for			
		Jacking point			
7	964 501 061 40	Rear bulkhead	/L	1	TARGA
7		Rear bulkhead	/L	1	TARGA
		Left			
	964 501 061 40 GRV	Prime coated			
(7)	964 501 062 40	Rear bulkhead	/R	1	TARGA
(7)		Rear bulkhead	/R	1	TARGA
		Right			
	964 501 062 40 GRV	Prime coated			
(7)	964 501 061 61	Rear bulkhead	/L	1	CABRIO
(7)		Rear bulkhead	/L	1	CABRIO
		Left			
	964 501 061 61 GRV	Prime coated			
(7)	964 501 062 61	Rear bulkhead	/R	1	CABRIO
(7)		Rear bulkhead	/R	1	CABRIO
		Right			
	964 501 062 61 GRV	Prime coated			
(7)	964 501 061 00	Rear bulkhead	/L	1	SPEEDSTER
	964 501 061 00 GRV	Prime coated			

Model: 911 89 Model life 1989>>1994

Pos	Part Number	Description	Remark	Qty	Model
(7)	964 501 062 00	Rear bulkhead	/R	1	SPEEDSTER
	964 501 062 00 GRV	Prime coated			
8	964 501 465 60	Convertible top support	/L	1	CABRIO
(8)	964 501 466 60	Convertible top support	/R	1	CABRIO
9	964 502 465 60	Insert	/L	1	CABRIO
(9)	964 502 466 60	Insert	/R	1	CABRIO
(9)	964 502 651 00	Insert	/L	1	SPEEDSTER
	964 502 651 00 GRV	Prime coated			
(9)	964 502 652 00	Insert	/R	1	SPEEDSTER
	964 502 652 00 GRV	Prime coated			
10	964 502 503 40	Filler plate	/L	1	TARGA
10		Filler plate	/L	1	TARGA
	964 502 503 40 GRV	Prime coated			
(10)	964 502 504 40	Filler plate	/R	1	TARGA
(10)		Filler plate	/R	1	TARGA
		Wheel housing			
		Rear			
		Right			
	964 502 504 40 GRV	Prime coated			
11	964 502 005 40	Roll bar		1	TARGA
11		Roll bar		1	TARGA
	964 502 005 40 GRV	Prime coated			
12	964 504 610 00	Rubber sleeve		1	
		for			
		Oil hose			
-	000 043 172 00	Sealing cord		*	
		Roll with 10 meters			
		\$ 9 MM			
13		250 MM		1	
14	964 572 565 00	Lid		1	
		for cars without			
		Air conditioner			
15	999 084 075 02	Lock nut		2	
		M 6			

Model: 911 89

Model life 1989>>1994



Model: 911 89 Model life 1989>>1994

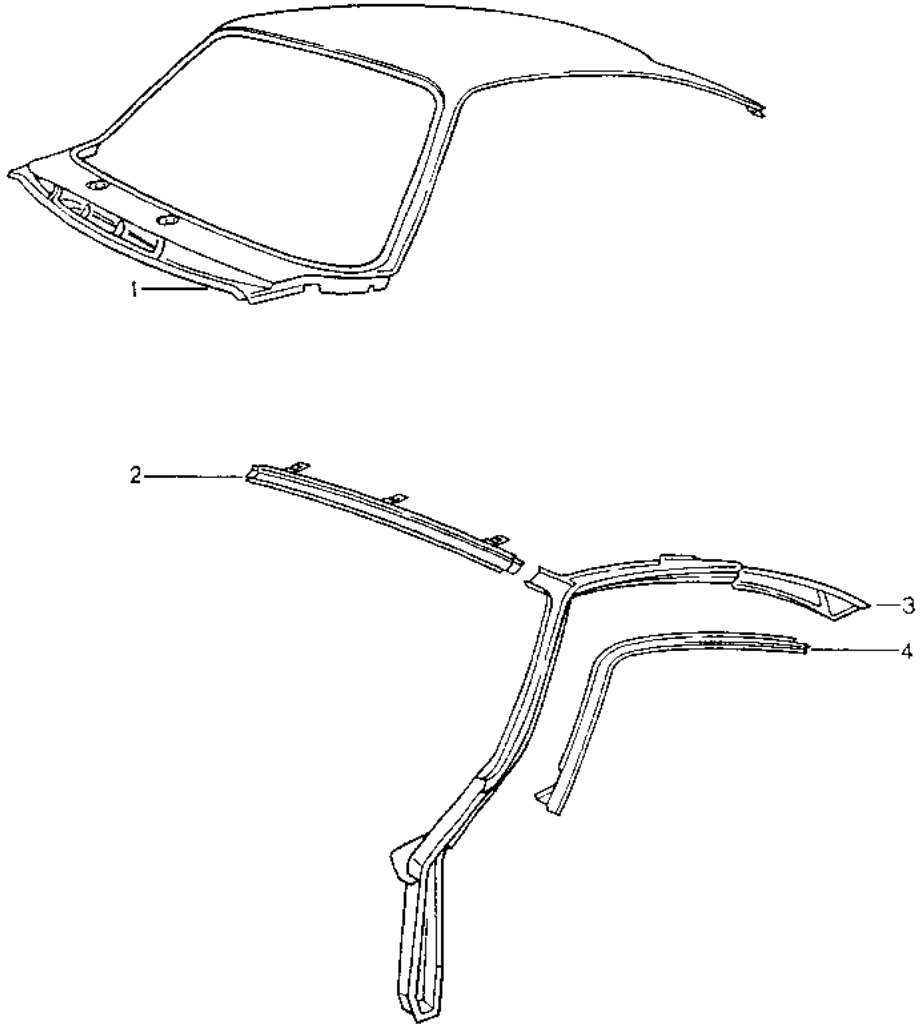
Pos	Part Number	Description	Remark	Qty	Model
		Exterior panelling			
		Front			
(1)	964 503 031 02	Wing	/L	1	CARRERA 2/4
	964 503 031 02 GRV	Prime coated			
(1)	964 503 032 02	Wing	/R	1	CARRERA 2/4
	964 503 032 02 GRV	Prime coated			
(1)	964 503 031 04	Wing	/L	1	CARRERA RS
(1)		Wing	/L	1	CARRERA RS
	964 503 031 04 GRV	Prime coated			
(1)	964 503 032 04	Wing	/R	1	CARRERA RS
(1)		Wing	/R	1	CARRERA RS
	964 503 032 04 GRV	Prime coated			
(1)	965 503 031 02	Wing	/L	1	TURBO
	965 503 031 02 GRV	Prime coated			TURBO-LOOK
(1)	965 503 032 02	Wing	/R	1	TURBO
	965 503 032 02 GRV	Prime coated			TURBO-LOOK
(1)	965 503 031 04	Wing	/L	1	TURBO 3,6
	965 503 031 04 GRV	Prime coated			
(1)	965 503 032 04	Wing	/R	1	TURBO 3,6
	965 503 032 04 GRV	Prime coated			
2	000 043 129 00	Sealing strap		X	
		25 X 2 MM			
3	999 450 007 02	Combination screw		32	
		B 6,3 X 19			
4	964 201 279 00	Protective flap		1	
5	999 919 089 07	Combination screw		4	
		B 5 X 16			
5	PCG 919 089 07	Lens-head screw		4	
		B 5 X 16			
(6)	964 201 267 01	Sleeve		1	
7	964 201 030 00	Cup		1	
8	964 201 507 00	Lid		1	
		for			
		Filler neck			
		Water reservoir			
9	900 085 011 07	Cap nut		3	
		M 5			
10	900 151 027 07	Washer		3	
		A 5,3			
11	964 504 375 00	Support		1	
12	964 504 033 00	Lid		1	
		for			
		Tank filler neck			
12		Lid		1	
	964 504 033 00 GRV	Prime coated			
		for			
		Tank filler neck			
13	964 201 167 00	Latch		1	
14	964 201 675 00	Grommet		1	
15	964 504 507 00	Guide tube		1	
16	993 504 337 00	Cable		1	
17	999 209 004 40	Grommet		1	
18	901 552 822 00	Knob		1	
19	911 799 503 07	Wing seal		2	
20	900 187 108 02	Tapping screw		4	
		B 6,3 X 16			
20	900 187 108 01	Tapping screw		4	
		B 6,3 X 16			
21	964 504 141 00	Wing strut		2	CARRERA 2/4
21		Wing strut		2	CARRERA 2/4
	964 504 141 00 GRV	Prime coated			
(21)	964 504 141 01	Wing strut		2	CARRERA RS
(21)		Wing strut		2	CARRERA RS

Model: 911 89 Model life 1989>>1994

Pos	Part Number	Description	Remark	Qty	Model
(21)	964 504 141 01 GRV	Prime coated			
	964 504 141 02	Wing strut		2	CARRERA RS
	964 504 141 02 GRV	Prime coated			
(21)	965 504 141 00	Wing strut		2	TURBO
					TURBO-LOOK
(21)		Wing strut		2	TURBO
	965 504 141 00 GRV				TURBO-LOOK
(21)	965 504 141 01	Wing strut		2	TURBO
	965 504 141 01 GRV				TURBO-LOOK
22	999 591 486 02	Speed nut B 6,3		4	

Model: 911 89

Model life 1989>>1994



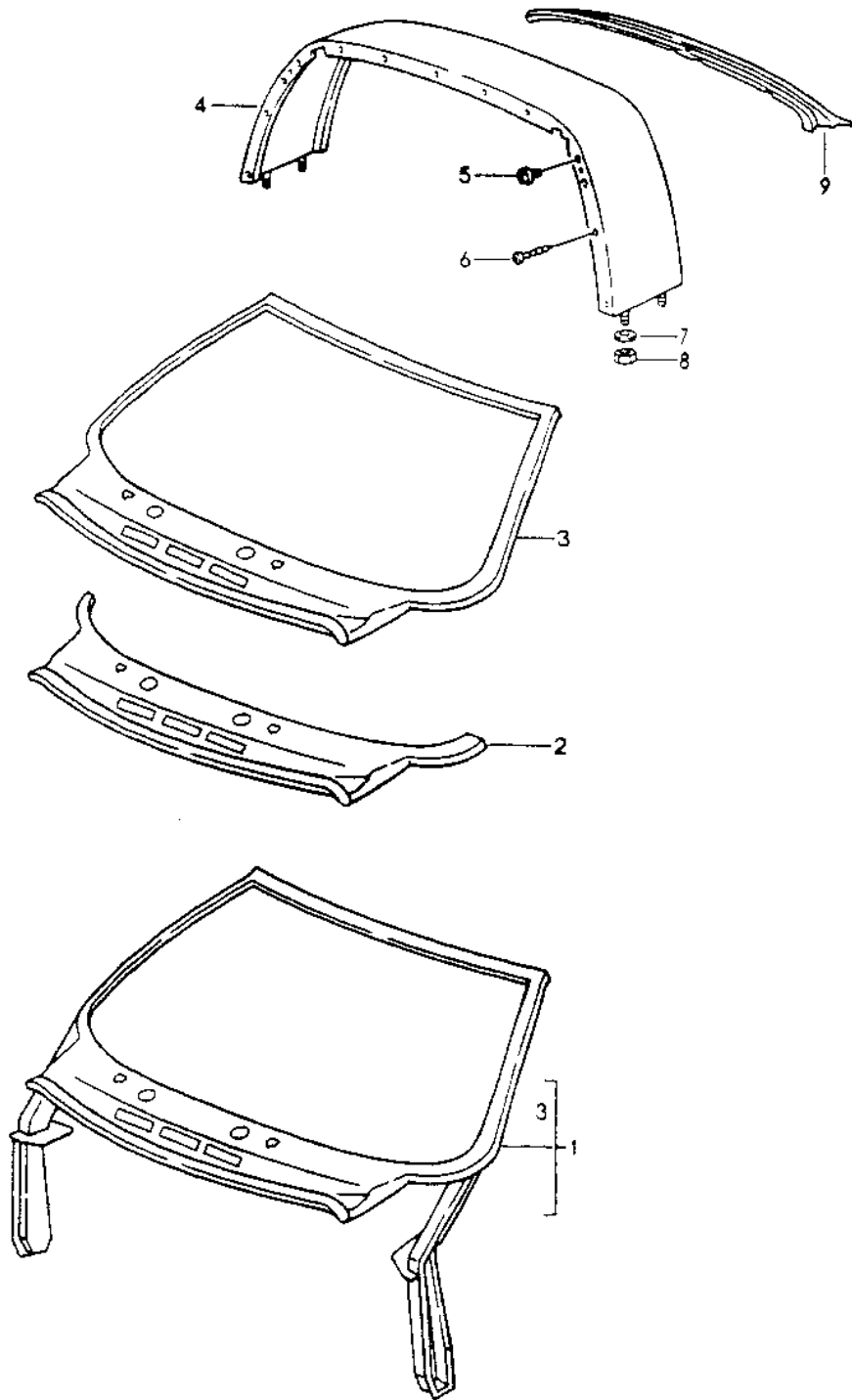
Model: 911 89

Model life 1989>>1994

Pos	Part Number	Description	Remark	Qty	Model
		Exterior panelling Centre			COUPE
1	964 503 087 00	Outer roof panel		1	
1		Outer roof panel		1	
	964 503 087 00 GRV	Prime coated			
(1)	964 503 087 01	Outer roof panel		1	M650
(1)		Outer roof panel		1	M650
	964 503 087 01 GRV	Prime coated			
1B	900 075 393 0C	Combination screw M 6 X 12		4	
2	964 502 143 00	Cross piece for windscreen for cars without Sunroof It is necessary to rework		1	M650
3	964 502 029 00	Roof frame	/L	1	
(3)	964 502 030 00	Roof frame	/R	1	
4	964 502 551 00	Filler plate	/L	1	
(4)	964 502 552 00	Filler plate	/R	1	

Model: 911 89

Model life 1989>>1994

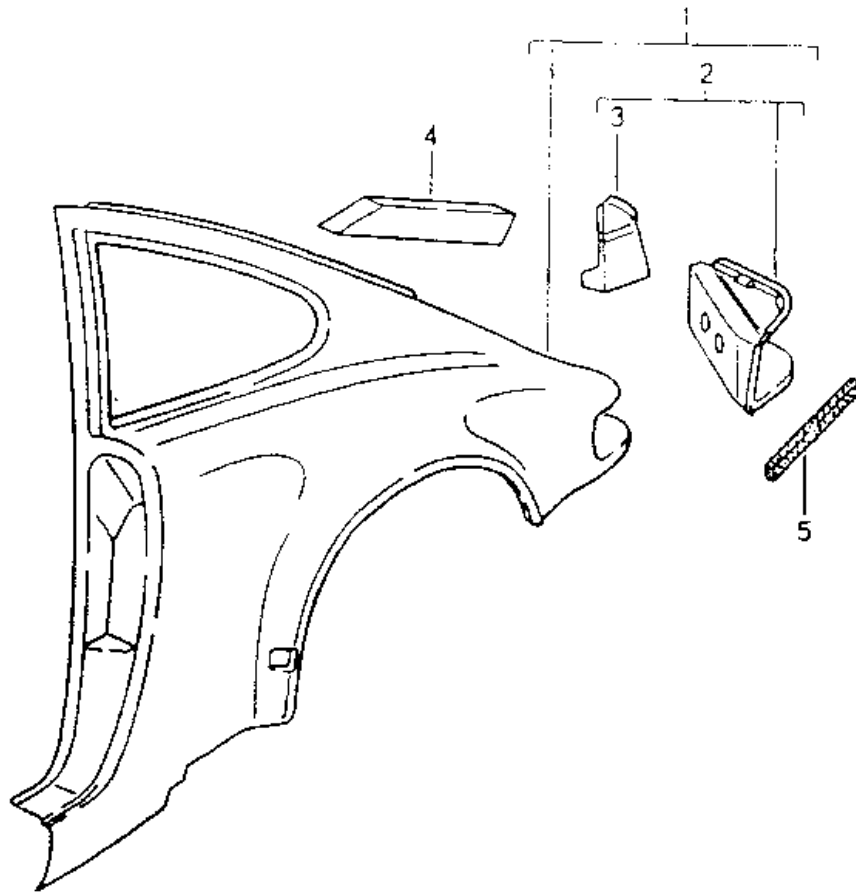


Model: 911 89 Model life 1989>>1994

Pos	Part Number	Description	Remark	Qty	Model
		Exterior panelling Centre			TARGA/CABRIO SPEEDSTER
1	964 599 503 34	Windscreen frame		1	TARGA/CABRIO SPEEDSTER
2	964 503 087 05	Cowl		1	TARGA/CABRIO SPEEDSTER
	964 503 087 05 GRV	Prime coated			
3	964 503 087 40	Windscreen frame		1	TARGA/CABRIO
3		Windscreen frame Outer part		1	TARGA/CABRIO
	964 503 087 40 GRV	Prime coated			
-	911 502 033 41	Reinforcement	/L	1	TARGA/CABRIO
		Windscreen frame part Left			
	911 502 033 41 GRV	Prime coated			
-	911 502 034 41	Reinforcement	/R	1	TARGA/CABRIO
		Windscreen frame part Right			
	911 502 034 41 GRV	Prime coated			
-	964 502 063 40	Cross piece for windscreen Inner		1	TARGA/CABRIO
	964 502 063 40 GRV	Prime coated			
4	964 565 043 40	Lining for Roll bar		1	TARGA
	964 565 043 40 9XM	Black mat	-92		
	964 565 043 40 70K	Black	93-		
5	901 801 153 40	Screw plug 17 MM		4	TARGA
5	999 064 037 40	Screw plug 24 MM		4	TARGA
6	N 013 957 5	Oval-head sheetmetal screw B 3,5 X 9,5		15	TARGA
7	900 151 007 02	Washer A 7,4		4	TARGA
7	900 151 007 03	Washer A 7,4		4	TARGA
8	900 076 010 02	Nut M 6		4	TARGA
8	900 076 010 0B	Nut M 6		4	TARGA
9	964 503 511 40	Centre part		1	

Model: 911 89

Model life 1989>>1994

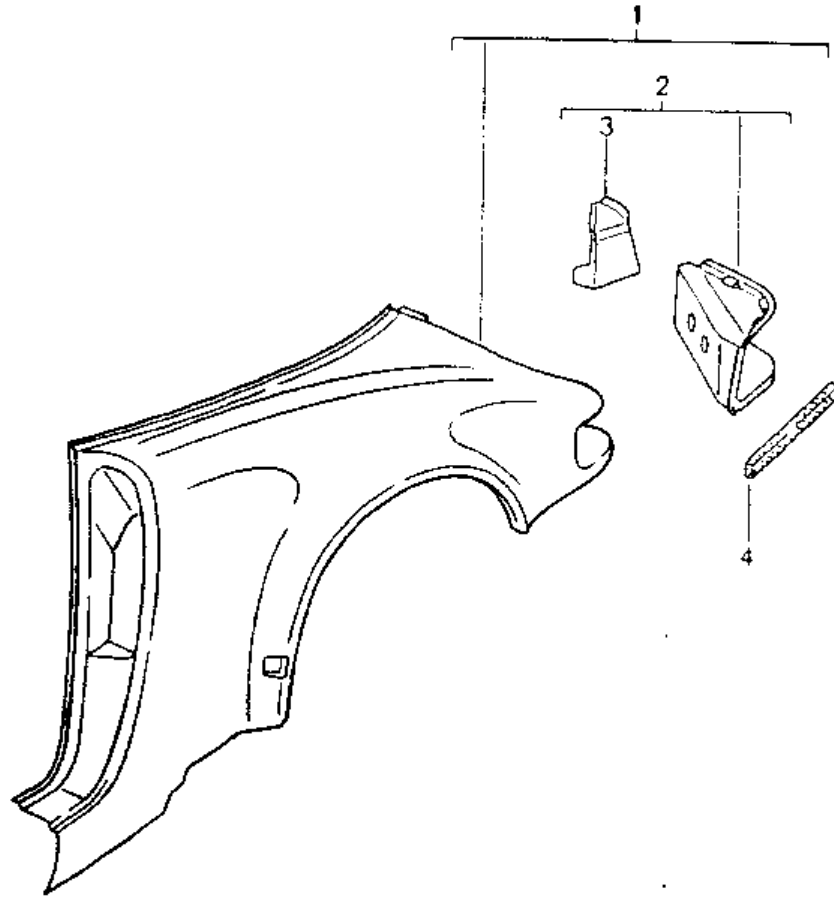


Model: 911 89 Model life 1989>>1994

Pos	Part Number	Description	Remark	Qty	Model
		Exterior panelling Rear			COUPE
(1)	964 503 061 01	Side section	/L	1	CARRERA 2/4 CARRERA RS
(1)	964 503 061 01 GRV	Side section Prime coated	/L	1	CARRERA 2/4 CARRERA RS
(1)	964 503 062 01	Side section	/R	1	CARRERA 2/4 CARRERA RS
(1)	964 503 062 01 GRV	Side section Prime coated	/R	1	CARRERA 2/4 CARRERA RS
(1)	965 503 061 01	Side section	/L	1	CARRERA RS TURBO
(1)	965 503 061 01 GRV	Side section Prime coated	/L	1	TURBO
(1)	965 503 062 01	Side section	/R	1	TURBO
(1)	965 503 062 01 GRV	Side section Prime coated	/R	1	TURBO
2	964 503 055 01	Frame for light	/L	1	
2	964 503 055 01 GRV	Frame for light Prime coated	/L	1	
(2)	964 503 056 01	Frame for light	/R	1	
(2)	964 503 056 01 GRV	Frame for light Prime coated	/R	1	
3	964 503 095 00	Gusset plate	/L	1	
3	964 503 095 00 GRV	Gusset plate Prime coated	/L	1	
(3)	964 503 096 00	Gusset plate	/R	1	
4	911 504 933 00	Seal	/L	1	
(4)	911 504 934 00	Seal	/R	1	
4	993 504 847 00	Seal	/L	1	
(4)	993 504 848 00	Seal	/R	1	
-	000 043 204 88	Sealing strap Roll with 10 meters 9 X 3 400 MM		*	
5				2	

Model: 911 89

Model life 1989>>1994



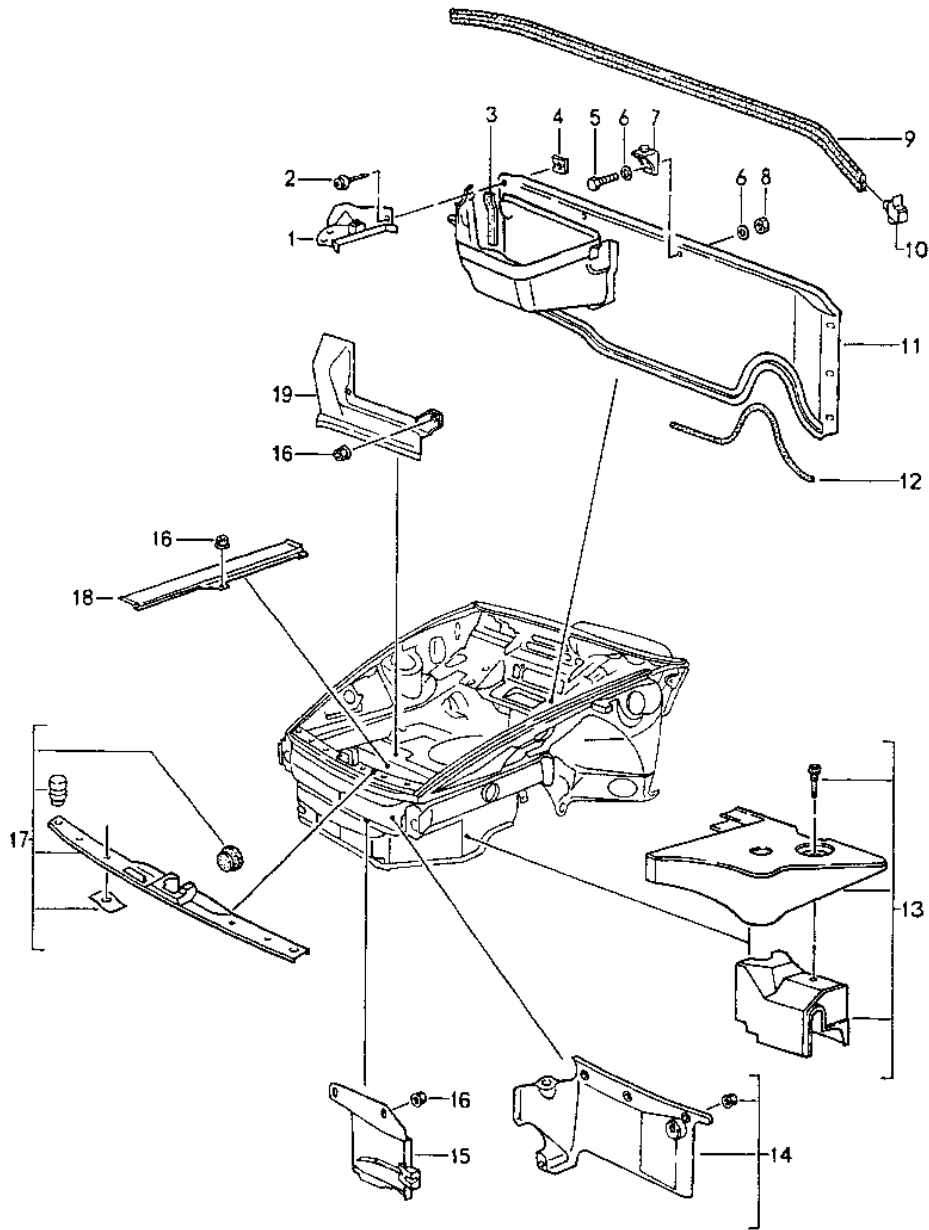
Model: 911 89

Model life 1989>>1994

Pos	Part Number	Description	Remark	Qty	Model
		Exterior panelling Rear			TARGA/CABRIO SPEEDSTER
(1)	964 503 061 41	Side section	/L	1	TARGA
(1)		Side section Left	/L	1	TARGA
	964 503 061 41 GRV	Prime coated			
(1)	964 503 062 41	Side section	/R	1	TARGA
(1)		Side section	/R	1	TARGA
	964 503 062 41 GRV	Prime coated			
(1)	964 503 061 61	Side section	/L	1	CABRIO
(1)		Side section	/L	1	CABRIO
	964 503 061 61 GRV	Prime coated			
(1)	964 503 062 61	Side section	/R	1	CABRIO
(1)		Side section	/R	1	CABRIO
	964 503 062 61 GRV	Prime coated			
(1)	964 503 061 02	Side section	/L	1	SPEEDSTER
	964 503 061 02 GRV	Prime coated			
(1)	964 503 062 02	Side section	/R	1	SPEEDSTER
	964 503 062 02 GRV	Prime coated			
(1)	965 503 061 60	Side section	/L	1	CABRIO
	965 503 061 60 GRV	Prime coated			TURBO-LOOK
(1)	965 503 062 60	Side section	/R	1	CABRIO
	965 503 062 60 GRV	Prime coated			TURBO-LOOK
2	964 503 055 01	Frame for light	/L	1	
2		Frame for light	/L	1	
	964 503 055 01 GRV	Prime coated			
(2)	964 503 056 01	Frame for light	/R	1	
(2)		Frame for light	/R	1	
	964 503 056 01 GRV	Prime coated			
3	964 503 095 00	Gusset plate	/L	1	
3		Gusset plate	/L	1	
	964 503 095 00 GRV	Prime coated			
(3)	964 503 096 00	Gusset plate	/R	1	
-	000 043 204 88	Sealing strap Roll with 10 meters 9 X 3 400 MM		*	
4				2	

Model: 911 89

Model life 1989>>1994



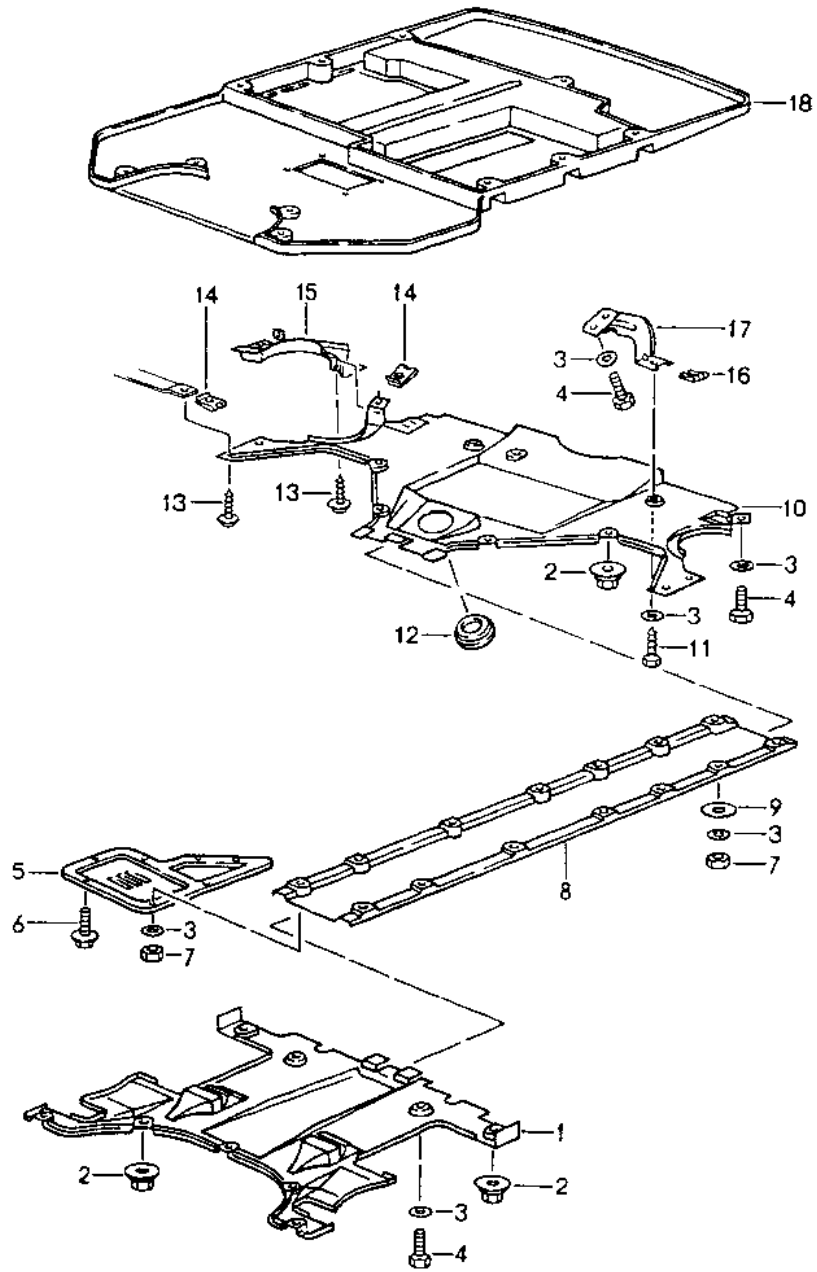
Model: 911 89

Model life 1989>>1994

Pos	Part Number	Description	Remark	Qty	Model
		Cover			
		Body front section			
1	964 610 033 00	Lid		1	
2	900 143 177 02	Combination tapping screw		6	
		B 4,2 X 13			
3	964 504 471 00	Beading		1	
4	999 591 850 02	Speed nut		6	
		B 4,2			
4	999 591 850 01	Speed nut		6	
		B 4,2			
5	N 010 207 6	Hexagon-head bolt		2	
		M 5 X 12			
5	N 010 207 17	Hexagon-head bolt		2	
		M 5 X 12			
6	900 025 003 02	Washer		4	
		A 5,3			
7	964 624 033 00	Retaining bracket		1	
8	N 011 005 14	Hexagon nut		2	
		M 5			
8	900 076 091 01	Hexagon nut		2	
		M 5			
9	999 911 491 00	Gasket		1	
9	999 911 491 01	Gasket		1	
10	964 504 521 00	End piece		2	
11	964 504 051 00	Cross panel	/LL	1	
(11)	964 504 052 00	Cross panel	/RL	1	
12	964 504 525 00	Gasket		1	
13		Cover			
		for			
		Hydraulic unit			
		See group			
		6/05/00			
14		Cover		X	
		for			
		Power-steering pump			
		See group			
		6/05/00			
15	964 611 212 00	Cover		1	
		for			
		Jack			
16	999 591 839 40	Plastic nut		8	
17		Cover		X	
		for			
		Lock lower part			
		See group			
		8/07/00			
18	964 612 112 00	Cover		1	
		for			
		Battery-starter cable			
19	964 612 231 00	Cover	/RL	1	
		for			
		Battery-starter cable			

Model: 911 89

Model life 1989>>1994

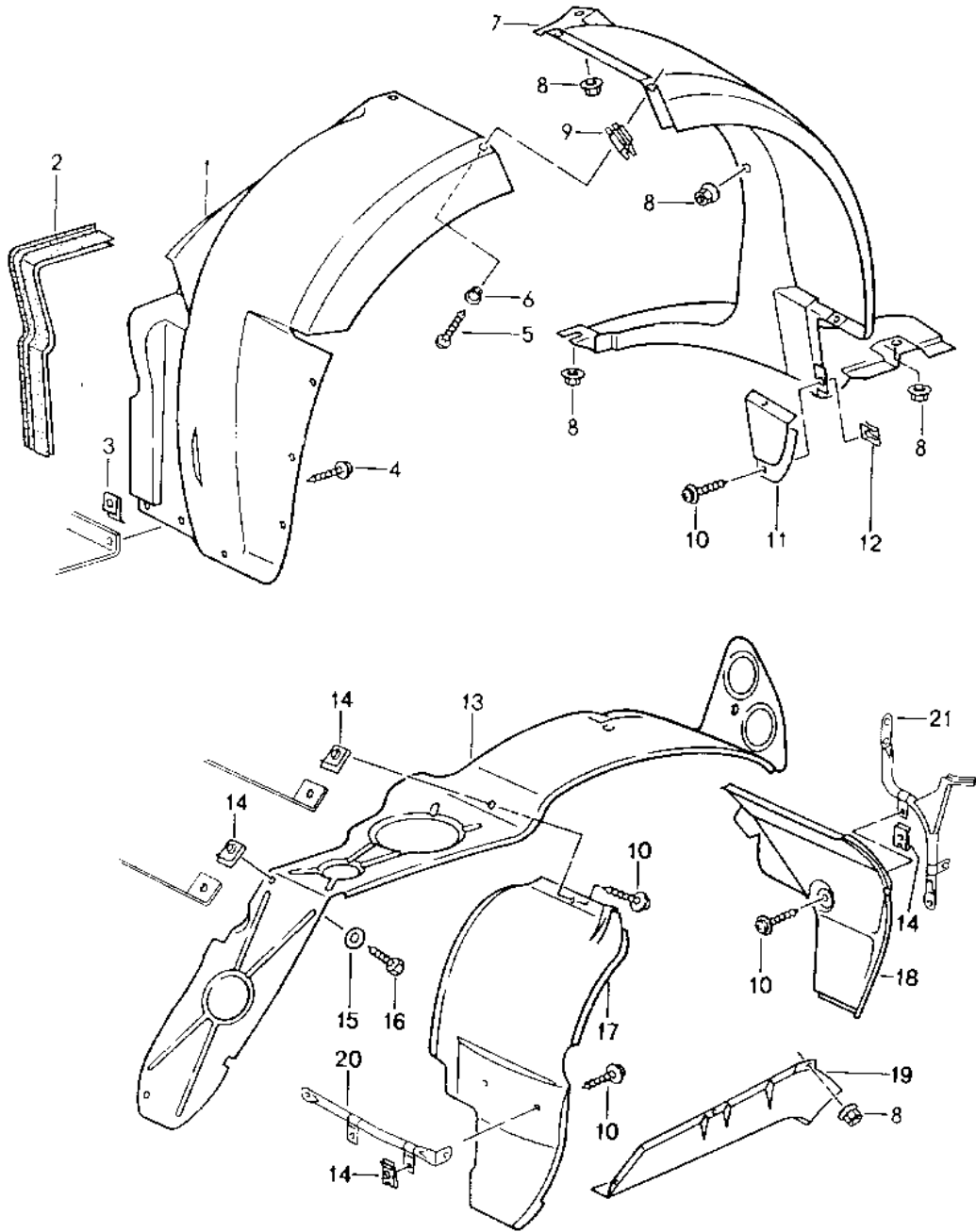


Model: 911 89 Model life 1989>>1994

Pos	Part Number	Description	Remark	Qty	Model
		Cover			
		Underbody			
1	964 504 127 00	Cover		1	M339
(1)	964 504 127 01	Cover		1	
		Front			
2	999 049 022 40	Plastic nut		11	
3	N 011 666 7	Washer		28	
		A 6,4			
4	900 075 057 02	Hexagon-head bolt		8	
		M 6 X 16			
4	900 075 057 03	Hexagon-head bolt		8	
		M 6 X 16			
5	964 504 231 00	Lid	/LL	1	
(5)	964 504 232 00	Lid	/RL	1	
6	900 075 393 02	Combination screw		6	
		M 6 X 12			
6	900 075 393 0C	Combination screw		6	
		M 6 X 12			
7	900 076 010 02	Nut		16	
		M 6			
7	900 076 010 0B	Nut		16	
		M 6			
8	993 504 043 00	Cover		1	
		Centre			
9	999 025 901 02	Washer		14	
		A 9,5 X 22 X 2			
10	964 504 129 02	Cover	89	1	
		Manual transmission			
(10)		Cover	90-	1	CARRERA
		Manual transmission			
(10)	965 504 129 01	Cover		1	TURBO
		Manual transmission			
(10)	964 504 109 00	Cover		1	
		Tiptronic			
11	900 187 015 02	Hexagon-head tapping screw		2	
		B 6,3 X 16			
12	964 504 465 02	Lid	89	1	
12	964 504 465 03	Lid	89-	1	
(12)	964 504 465 02	Lid	90-	1	M339
(12)	964 504 465 03	Lid	90-	1	M339
13	900 143 101 02	Combination tapping screw		10	
		B 4,8 X 16			
14	999 591 699 02	Speed nut		10	
		B 4,8			
14	999 591 699 01	Speed nut		10	
		B 4,8			
(15)	965 504 133 00	Cover	/L	1	TURBO TURBO-LOOK
15	965 504 134 00	Cover	/R	1	TURBO TURBO-LOOK
16	999 507 003 02	Speed nut		2	
		B 6,3			
16	999 507 003 01	Speed nut		2	
		B 6,3			
17	964 504 133 02	Support	/L	1	
(17)	964 504 134 02	Support	/R	1	
18		Engine capsule			
		See group			
		1/05/10			

Model: 911 89

Model life 1989>>1994



Model: 911 89 Model life 1989>>1994

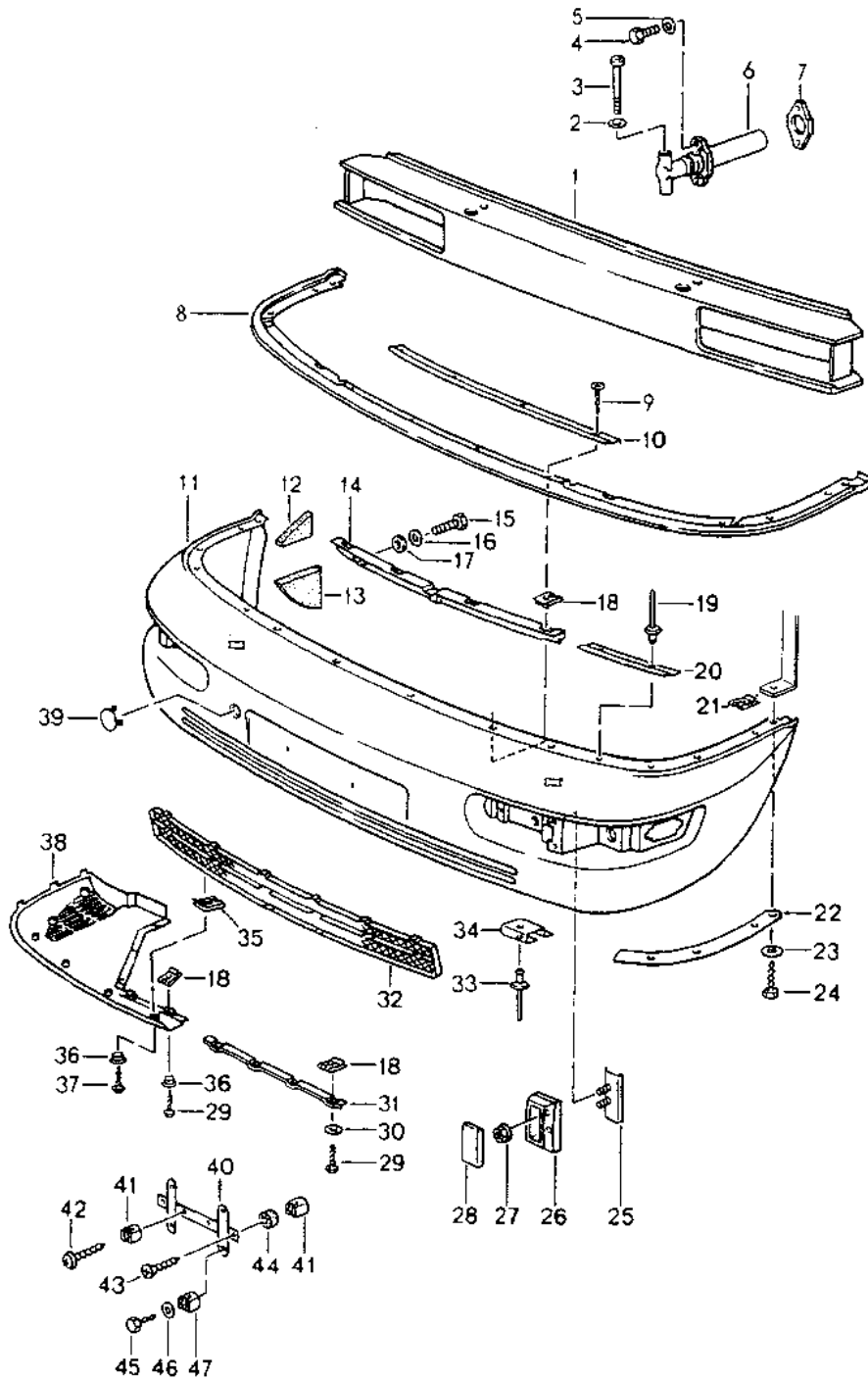
Pos	Part Number	Description	Remark	Qty	Model
		Cover			
1	964 504 125 00	Wheel housing			
(1)	964 504 126 00	Wheel-housing liner	/V /L	1	CARRERA 2/4
(1)	964 504 125 01	Wheel-housing liner	/V /R	1	CARRERA 2/4
(1)	964 504 126 01	Wheel-housing liner	/V /L	1	CARRERA RS
(1)	964 504 126 01	Wheel-housing liner	/V /R	1	CARRERA RS
(1)	965 504 125 01	Wheel-housing liner	/V /L	1	TURBO
(1)	965 504 126 01	Wheel-housing liner	/V /R	1	TURBO-LOOK
2	964 504 523 00	Sealing rubber		2	
3	999 591 699 02	Speed nut		12	
		B 4,8			
3	999 591 699 01	Speed nut		12	
		B 4,8			
4	900 143 149 07	Combination screw		12	
		B 4,8 X 16			
5	900 143 113 07	Oval-head screw		4	
		B 4,2 X 13			
5	900 143 113 0G	Oval-head screw		4	
		B 4,2 X 13			
6	951 505 157 00	Spacer		4	
7	964 504 203 00	Wheel-housing liner	/V /L	1	CARRERA 2/4
(7)	964 504 204 00	Wheel-housing liner	/V /R	1	CARRERA RS
(7)	965 504 203 01	Wheel-housing liner	/V /L	1	CARRERA 2/4
(7)	965 504 204 01	Wheel-housing liner	/V /R	1	CARRERA RS
8	999 049 022 40	Plastic nut		12	
9	999 591 850 02	Speed nut		4	
		B 4,2			
9	999 591 850 01	Speed nut		4	
		B 4,2			
10	900 143 159 07	Combination screw		12	
		B 4,8 X 19			
11	964 504 219 00	Lid	/L	1	CARRERA 2/4
(11)	964 504 220 00	Lid	/R	1	CARRERA RS
(11)	965 504 219 01	Lid	/L	1	CARRERA 2/4
(11)	965 504 220 01	Lid	/R	1	CARRERA RS
12	999 591 883 02	Speed nut		4	
		B 4,8			
12	999 591 883 01	Speed nut		4	
		B 4,8			
13	964 504 303 00	Wheel-housing liner	/H /L	1	
14	999 591 485 02	Speed nut		11	
		B 4,8			
15	900 151 027 02	Washer		5	
		A 5,3			
15	900 151 027 03	Washer		5	
		A 5,3			
16	900 187 018 02	Hexagon-head tapping screw		5	
		B 4,8 X 16			
17	965 504 463 00	Wheel-housing liner	/H /L	1	TURBO
(17)	965 504 464 00	Wheel-housing liner	/H /R	1	TURBO-LOOK
18	965 504 305 00	Wheel-housing liner	/H /L	1	TURBO

Model: 911 89 **Model life 1989>>1994**

Pos	Part Number	Description	Remark	Qty	Model
(18)	965 504 306 00	Wheel-housing liner	/H /R	1	TURBO-LOOK TURBO
19	965 504 271 00	Cover	/H /L	1	TURBO-LOOK TURBO
20		See group 8/10/05			
21		See group 8/02/05			

Model: 911 89

Model life 1989>>1994



Model: 911 89 Model life 1989>>1994

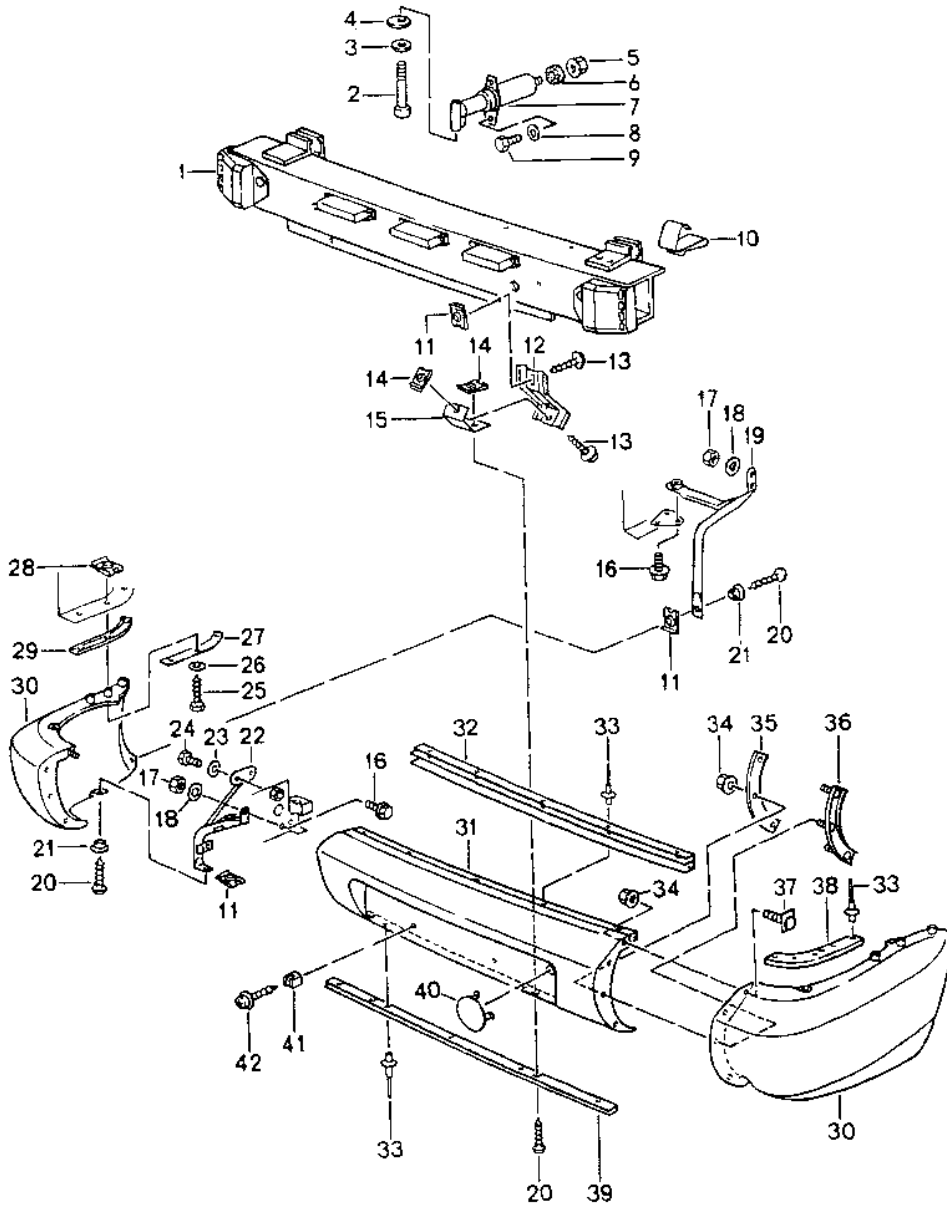
Pos	Part Number	Description	Remark	Qty	Model
		Bumper Front			
1	964 505 010 00	Bumper reinforcement		1	
2	900 025 009 02	Washer A 13		2	
3	900 067 084 02	Pan-head screw M 12 X 110		2	
3	900 067 084 03	Pan-head screw M 12 X 110		2	
4	900 075 339 08	Hexagon-head bolt M 8 X 30		4	
4	900 075 339 01	Hexagon-head bolt M 8 X 30		4	
5	N 011 525 15	Washer A 8,4		4	
6	928 505 015 22	Impact absorber		2	M058
(6)	993 505 019 00	Impact pipe		2	
(7)	996 505 775 00	Desk pad		2	
7	993 505 775 00	Desk pad		2	M058
8	964 505 143 01	Sealing strip		1	CARRERA 2/4 CARRERA RS
	964 505 143 01 01C	Black			
(8)	965 505 143 01	Sealing strip		1	TURBO TURBO-LOOK
	965 505 143 01 01C	Satin black metallic			
9	900 145 092 07	Tapping screw B 4,8 X 22		4	
10	964 505 021 00	Rail		1	
(11)	964 505 113 00	Lining		1	CARRERA 2/4 CARRERA RS
	964 505 113 00 G2X	Prime coated			
11	964 505 113 01	Lining		1	CARRERA 2/4 CARRERA RS M002 M288
	964 505 113 01 G2X	Prime coated			
(11)	965 505 113 01	Lining		1	TURBO TURBO-LOOK
	965 505 113 01 G2X	Prime coated			
12	964 575 339 00	Seal		1	
13	964 575 337 00	Seal		1	
14	964 505 031 00	Retaining strip		1	
14	964 505 031 00 GRV	Retaining strip Prime coated		1	
15	900 075 260 02	Hexagon-head bolt M 6 X 16		4	
16	N 011 666 7	Washer A 6,4		4	
17	999 704 150 40	Washer 6,4 X 16 X 1,5		4	
18	999 591 699 02	Speed nut B 4,8		18	
18	999 591 699 01	Speed nut B 4,8		18	
19	999 190 104 30	Blind rivet 3,2 X 7,9		4	
20	964 505 111 01	Insert		2	
21	999 591 485 02	Speed nut B 4,8		8	
22	964 505 033 01	Retaining strip	/L	1	CARRERA 2/4 CARRERA RS
(22)	964 505 034 01	Retaining strip	/R	1	CARRERA 2/4 CARRERA RS

Model: 911 89 Model life 1989>>1994

Pos	Part Number	Description	Remark	Qty	Model
(22)	965 505 033 01	Retaining strip	/L	1	TURBO TURBO-LOOK
(22)	965 505 034 01	Retaining strip	/R	1	TURBO TURBO-LOOK
23	900 151 027 02	Washer A 5,3		8	
23	900 151 027 03	Washer A 5,3		8	
24	900 187 121 02	Tapping screw B 4,8 X 22		8	
29	900 143 147 07	Tapping screw B 4,8 X 16		14	
30	N 011 523 13	Washer A 5,3		4	
31	964 505 153 00	Retaining strip		1	
32	964 505 141 00	Ventilation grille		1	
33	999 190 104 30	Blind rivet 3,2 X 7,9		X	
34	964 505 905 00	Support		X	
35	N 902 689 01	Speed nut B 4,2		8	
35	999 591 742 01	Speed nut B 4,2		8	
36	951 505 157 00	Spacer		18	
37	900 143 085 07	Tapping screw B 4,2 X 16		8	
37	N 013 966 17	Oval-head sheetmetal screw B 4,2 X 13		8	
(38)	964 505 151 00	Lower part	/L	1	CARRERA 2/4 CARRERA RS
	964 505 151 00 01C	Lower part			
38	964 505 152 00	Lower part	/R	1	CARRERA 2/4 CARRERA RS
	964 505 152 00 01C	Satin black			
(38)	965 505 151 01	Lower part	/L	1	TURBO TURBO-LOOK
	965 505 151 01 01C	Satin black			
(38)	965 505 152 01	Lower part	/R	1	TURBO TURBO-LOOK
	965 505 152 01 01C	Satin black			
39	964 505 103 00	Cap		1	
	964 505 103 00 G2X	Prime coated			
40	928 701 050 03	Support		1	
41	999 507 040 40	Expander nut		4	
42	900 143 151 02	Combination tapping screw B 4,2 X 16		2	
43	900 145 012 07	Counters. head tapp. screw B 4,2 X 32		2	
44	964 701 505 00	Spacer ring		2	
45	900 143 134 00	Tapping screw B 4,2 X 9,5		4	
46	N 011 522 8	Washer A 4,3		4	
47	999 591 498 40	Special nut		4	

Model: 911 89

Model life 1989>>1994



Model: 911 89 Model life 1989>>1994

Pos	Part Number	Description	Remark	Qty	Model
1	964 505 020 00	Bumper Rear Bumper reinforcement		1	CARRERA 2/4 TURBO TURBO-LOOK CARRERA RS TURBO 3,6
1	964 505 020 02	Bumper reinforcement		1	
2	900 067 084 02	Pan-head screw M 12 X 110		2	
2	900 067 084 03	Pan-head screw M 12 X 110		2	
3	900 025 009 02	Washer A 13		2	
4	928 505 243 02	Eccentric washer		2	
5	999 084 075 02	Lock nut M 6		2	
6	911 511 332 00	Spacer		2	
7	964 505 016 00	Impact absorber		2	M058
(7)	964 505 018 00	Impact pipe		2	
8	N 011 525 15	Washer A 8,4		4	
9	900 075 339 08	Hexagon-head bolt M 8 X 30		4	
9	900 075 339 01	Hexagon-head bolt M 8 X 30		4	
10	999 591 867 02	Bracket		2	
11	999 591 699 02	Speed nut B 4,8		6	
11	999 591 699 01	Speed nut B 4,8		6	
12	964 505 279 02	Rear support		2	
13	900 143 101 02	Combination tapping screw B 4,8 X 16		4	
14	999 591 938 02	Clamp B 4,8		4	
14	999 591 938 01	Clamp B 4,8		4	
15	964 505 289 00	Support		2	
16	900 075 268 02	Combination screw M 6 X 16		2	
-	999 190 128 30	Blind rivet A 4,8 X 7,4		4	
-	964 503 469 00	Mounting plate		2	
17	900 076 010 02	Nut M 6		6	
17	900 076 010 0B	Nut M 6		6	
18	N 011 666 7	Washer A 6,4		6	
19	964 505 475 00	Support tube		2	CARRERA 2/4 CARRERA RS
(19)	965 505 475 00	Support tube	/L	1	TURBO TURBO 3,6 TURBO-LOOK
(19)	965 505 476 00	Support tube	/R	1	TURBO TURBO 3,6 TURBO-LOOK
20	900 143 147 07	Tapping screw B 4,8 X 16		4	
21	951 505 157 00	Spacer		4	
22	965 505 495 00	Support tube	/L	1	
(22)	965 505 496 00	Support tube	/R	1	
23	900 151 008 02	Washer		4	

Model: 911 89 Model life 1989>>1994

Pos	Part Number	Description	Remark	Qty	Model
24	900 075 087 02	A 8,4 Hexagon-head bolt		4	
24	900 075 087 03	M 8 X 16 Hexagon-head bolt		4	
25	900 187 004 02	Hexagon-head tapping screw B 4,8 X 19		6	
26	900 025 003 02	Washer A 5,3		6	
27	964 505 443 00	Attachment strip	/L	1	CARRERA 2/4 CARRERA RS
(27)	964 505 444 00	Attachment strip	/R	1	CARRERA 2/4 CARRERA RS
(27)	965 505 443 00	Attachment strip	/L	1	TURBO TURBO 3,6 TURBO-LOOK
(27)	965 505 444 00	Attachment strip	/R	1	TURBO TURBO 3,6 TURBO-LOOK
28	999 591 350 02	Speed nut B 4,8		6	
28	999 591 350 01	Speed nut B 4,8		6	
29	964 505 341 00	Piping	/L	1	CARRERA 2/4 CARRERA RS
(29)	964 505 341 00 01C 964 505 342 00	Satin black Piping	/R	1	CARRERA 2/4 CARRERA RS
(29)	964 505 342 00 01C 965 505 341 01	Satin black Piping	/L	1	TURBO TURBO 3,6 TURBO-LOOK
(29)	965 505 341 01 01C 965 505 342 01	Satin black metallic Piping	/R	1	TURBO TURBO 3,6 TURBO-LOOK
30	965 505 342 01 01C 964 505 163 00	Satin black metallic Lining	/L	1	CARRERA 2/4 CARRERA RS
30	964 505 163 00 G2X 964 505 164 00	Prime coated Lining	/R	1	CARRERA 2/4 CARRERA RS
(30)	964 505 164 00 G2X 965 505 163 00	Prime coated Lining	/L	1	TURBO TURBO 3,6
(30)	965 505 163 00 G2X 965 505 163 01	Prime coated Lining	/L	1	TURBO-LOOK
(30)	965 505 163 01 G2X 965 505 164 00	Prime coated Lining	/R	1	TURBO TURBO 3,6 TURBO-LOOK
31	965 505 164 00 G2X 964 505 123 00	Prime coated Lining		1	CARRERA 2/4 TURBO TURBO-LOOK
(31)	964 505 123 00 G2X 964 505 123 02	Prime coated Lining		1	CARRERA RS TURBO 3,6
32	964 505 123 02 G2X 964 505 447 00	Prime coated Retaining strip		1	
33	999 190 104 30	Blind rivet A 3,2 X 7,9		10	
34	999 084 078 02	Hexagon nut		8	

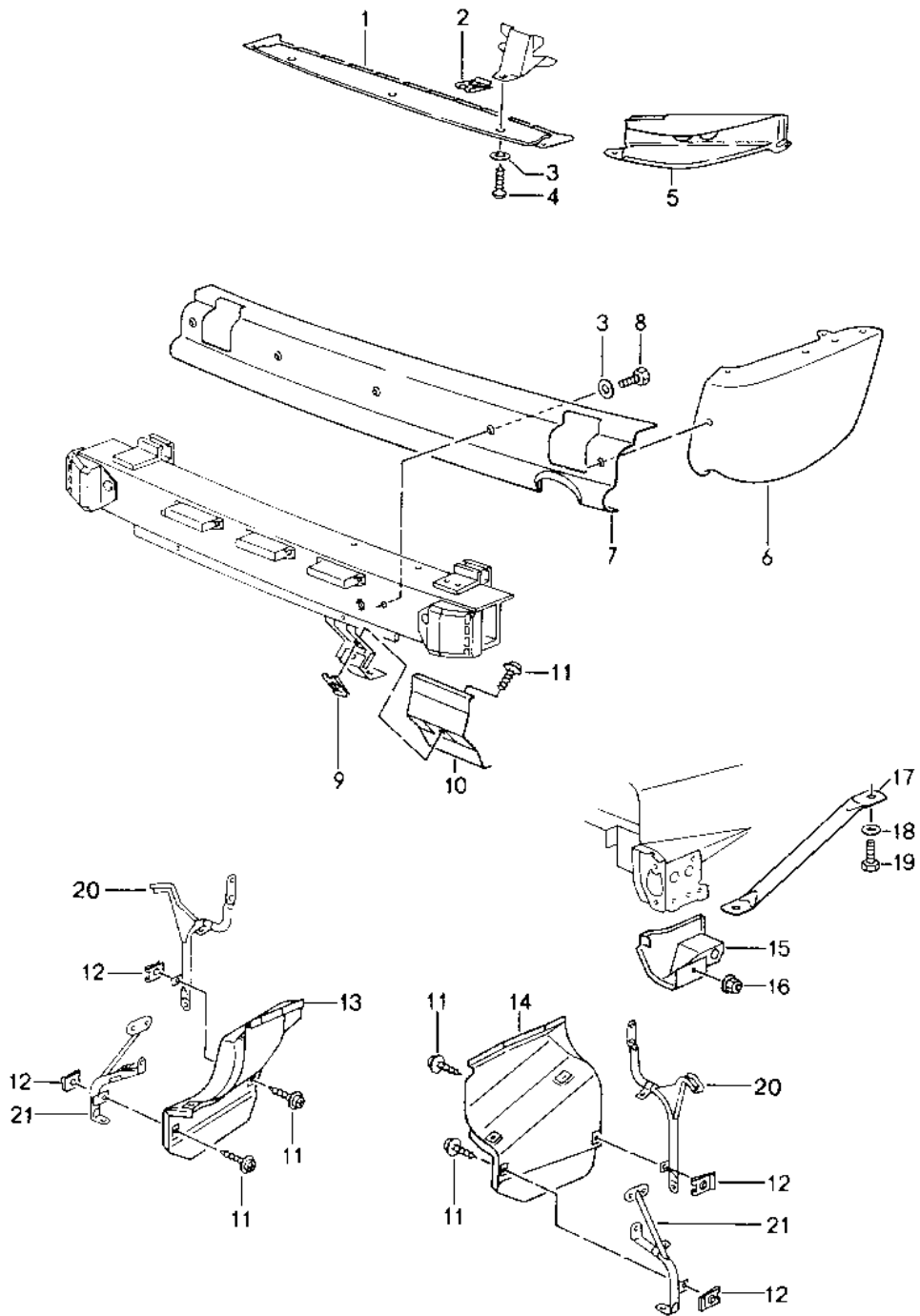
Model: 911 89

Model life 1989>>1994

Pos	Part Number	Description	Remark	Qty	Model
		M 5			
35	964 505 271 02	Mounting plate		2	
36	964 505 091 01	Mounting plate		2	
37	964 505 625 01	Mounting plate		2	
(38)	965 505 457 00	Reinforcement strip	/L	1	
38	965 505 458 00	Reinforcement strip	/R	1	
39	964 505 269 00	Reinforcement strip		1	
39	964 505 269 01	Reinforcement strip		1	
40	964 505 103 00	Cap		1	
	964 505 103 00 G2X	Prime coated			
41	999 507 040 40	Expander nut		2	
42	900 143 151 02	Combination tapping screw B 4,2 X 16		2	

Model: 911 89

Model life 1989>>1994



Model: 911 89 Model life 1989>>1994

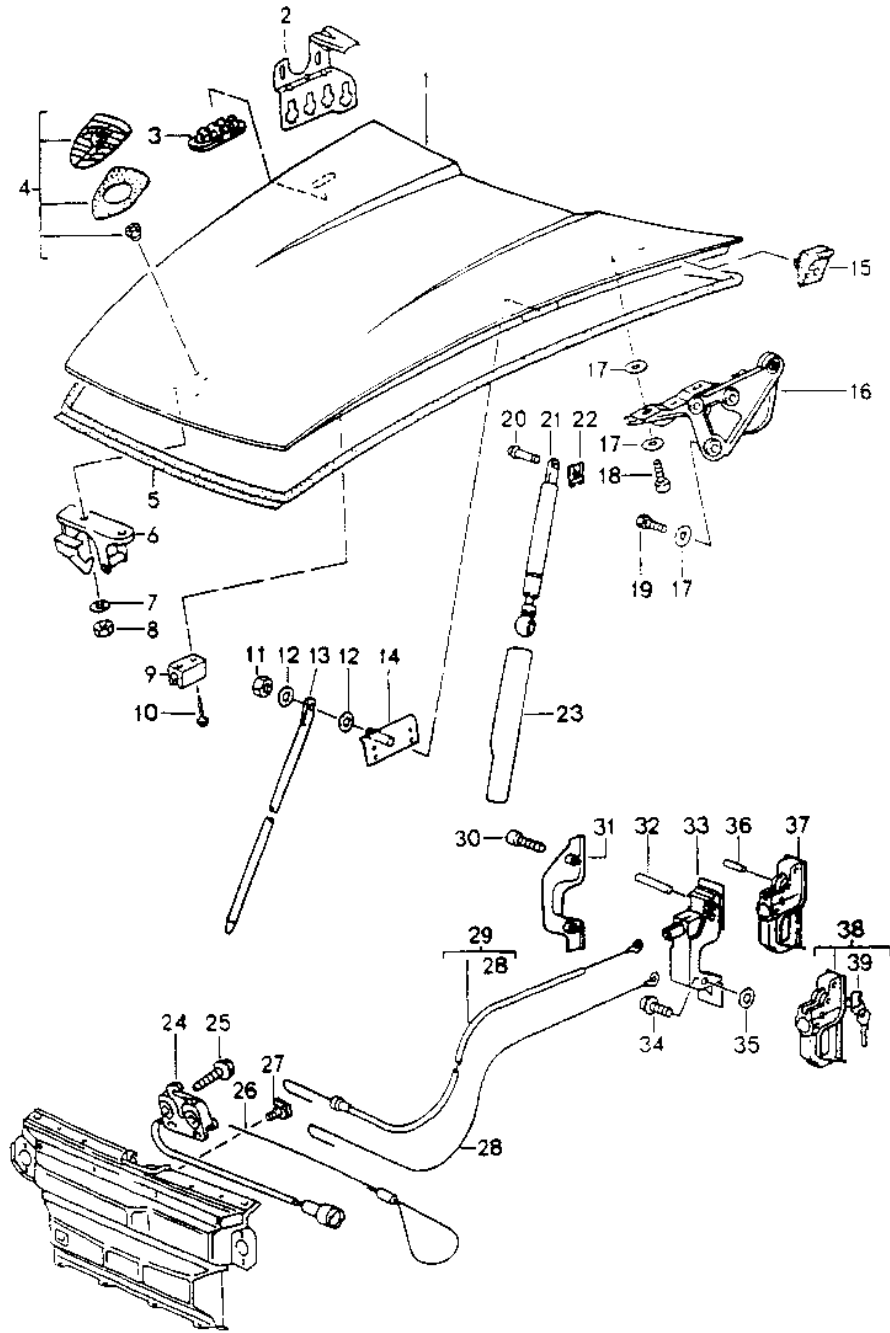
Pos	Part Number	Description	Remark	Qty	Model
1	964 505 083 01	Heat protection for Bumper Rear		1	
2	999 591 938 02	Clamp B 4,8		3	
2	999 591 938 01	Clamp B 4,8		3	
3	900 151 027 02	Washer A 5,3		8	
3	900 151 027 03	Washer A 5,3		8	
4	900 143 046 02	Oval-head sheetmetal screw B 4,8 X 16		3	
4	900 143 046 01	Oval-head sheetmetal screw B 4,8 X 16		3	
(5)	964 505 513 00	Heat protection for	/L	1	
5	964 505 514 00	Frame for light Heat protection for	/R	1	
(6)	964 505 081 01	Frame for light Heat protection	/L	1	CARRERA 2/4 CARRERA RS
6	964 505 082 01	Heat protection	/R	1	CARRERA 2/4 CARRERA RS
(6)	965 505 081 00	Heat protection	/L	1	TURBO TURBO-LOOK
(6)	965 505 082 00	Heat protection	/R	1	TURBO TURBO-LOOK
7	964 505 073 01	Heat protection		1	CARRERA 2/4 CARRERA RS TURBO-LOOK
(7)	965 505 073 01	Heat protection		1	TURBO
8	900 278 025 02	Hexagon-head bolt M 5 X 12		5	
9	999 591 938 02	Clamp B 4,8		1	
9	999 591 938 01	Clamp B 4,8		1	
10	965 505 447 00	Heat shield for Turbocharger		1	TURBO
11	900 143 101 02	Combination tapping screw B 4,8 X 16		9	
12	999 591 485 02	Speed nut B 4,8		8	
13	965 504 405 01	Protection plate for Heater	/L	1	TURBO
14	965 505 248 00	Heat protection for Muffler	/R	1	TURBO
15	965 505 091 00	Heat protection for Side member	/R	1	TURBO
16	999 049 008 40	Plastic nut		1	
17	964 504 875 00	Support tube		2	
18	900 151 008 02	Washer 8,4		4	

Model: 911 89 Model life 1989>>1994

Pos	Part Number	Description	Remark	Qty	Model
19	N 010 241 0	Hexagon-head bolt M 8 X 22		4	
20		See group 8/02/05			
21		See group 8/02/05			

Model: 911 89

Model life 1989>>1994



Model: 911 89 Model life 1989>>1994

Pos	Part Number	Description	Remark	Qty	Model
1	964 511 010 00	Lid Front Lid		1	CARRERA 2/4 TURBO TURBO-LOOK CARRERA 2/4
1	964 511 010 00 GRV	Lid Prime coated		1	TURBO TURBO-LOOK CARRERA RS CARRERA RS
1	911 511 010 30	Lid		1	
1	911 511 010 30 GRV	Lid Prime coated		1	
2	964 632 106 01	Retaining frame And Stop for Contact switch	-91	1	
3	999 703 226 40	Cap		2	
4		Lid emblem See group 8/10/00			
5	964 504 123 01	Sealing frame		1	
6	964 511 051 00	Lock upper part		1	
7	N 011 666 7	Washer A 6,4		2	
8	900 076 010 02	Nut M 6		2	
8	900 076 010 0B	Nut M 6		2	
9	999 507 372 07	Retaining bar		1	CARRERA RS
10	900 138 001 02	Tapping screw B 2,9 X 6,5		2	
11	900 910 010 09	Lock nut M 6		1	
12	N 011 524 7	Washer A 6,4		2	
12	N 011 524 27	Washer A 6,4		2	
13	964 511 569 00	Bracket		1	CARRERA RS
14	964 511 551 00	Support		1	CARRERA RS
15	964 511 221 00	Rubber stop		2	
16	993 511 031 00	Hinge	/L	1	
	993 511 031 00 GRV	Prime coated			
(16)	993 511 032 00	Hinge	/R	1	
	993 511 032 00 GRV	Prime coated			
17	900 151 008 02	Washer A 8,4		14	
18	900 067 342 02	Pan-head screw M 8 X 22		4	
18	900 067 433 01	Pan-head screw M 8 X 22		4	
19	900 075 087 02	Hexagon-head bolt M 8 X 16		6	
19	900 075 087 03	Hexagon-head bolt M 8 X 16		6	
20	999 166 043 02	Bolt		2	
21	993 511 331 00	Gas-pressure spring		2	CARRERA 2/4 TURBO TURBO-LOOK
22	N 012 645 2	Lock washer		2	
23	964 511 591 00	Protective tube	/R	1	CARRERA 2/4 TURBO TURBO-LOOK

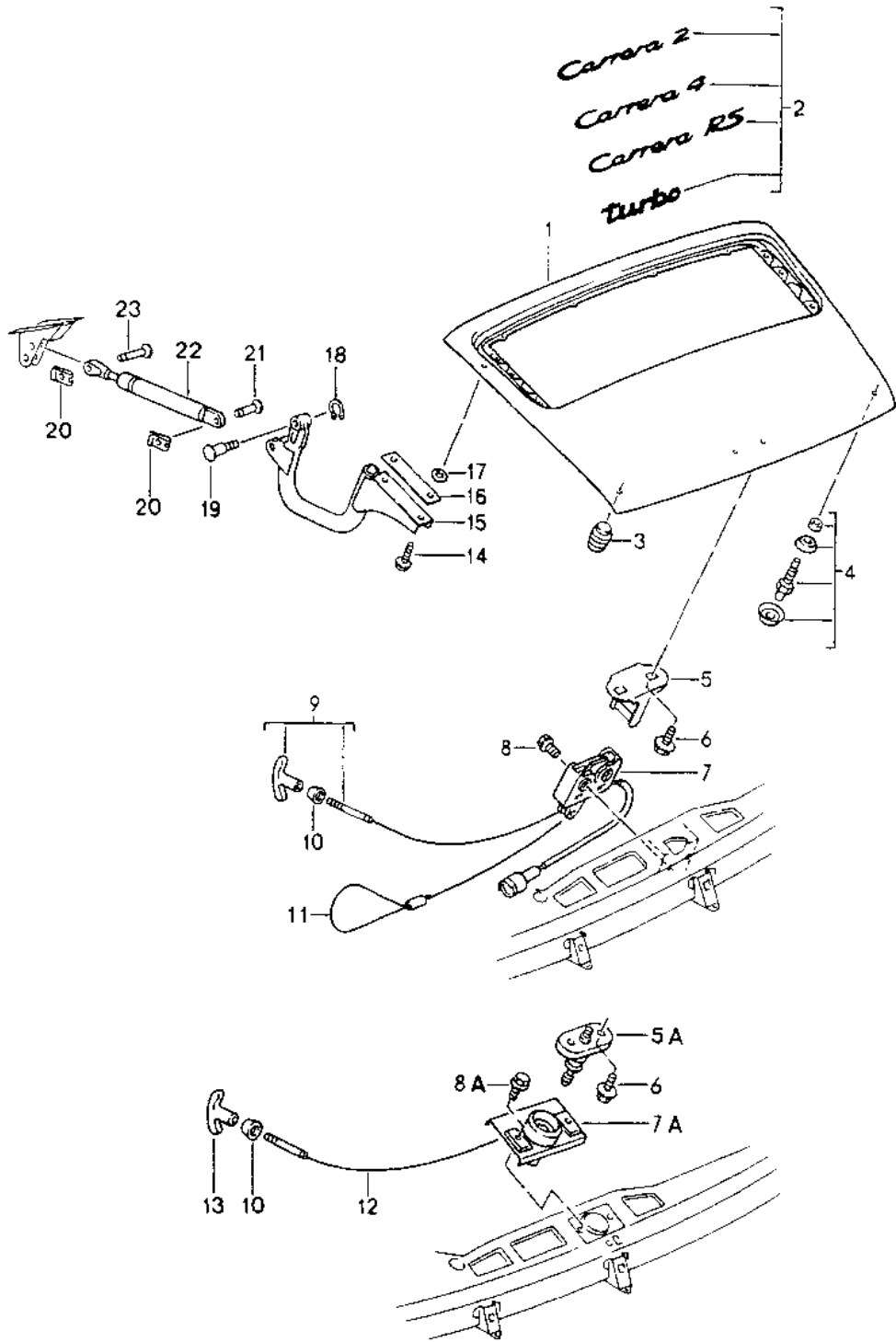
Model: 911 89

Model life 1989>>1994

Pos	Part Number	Description	Remark	Qty	Model
(24)	911 511 052 01	Lock lower part	-91	1	
24	964 511 052 00	Lock lower part	92-	1	
25	900 075 417 02	Combination screw		2	
25	900 075 417 01	Combination screw		2	
25	900 075 417 02	Combination screw M 6 X 30		2	
25	900 075 417 01	Combination screw M 6 X 30		2	
26	964 512 521 00	Emergency operation		1	
27	911 511 067 00	Clamp		1	
28	964 511 073 01	Wire pull		1	
29	964 511 053 00	Bowden cable	/LL	1	
(29)	964 511 053 01	Bowden cable	/RL	1	
30	900 119 091 02	Pan-head screw M 6 X 16		2	
31	964 538 625 00	Cover	/LL	1	
	964 538 625 00 01C	Satin black			
(31)	964 538 626 00	Cover	/RL	1	
	964 538 626 00 01C	Satin black			
32	900 012 053 00	Pin 6 X 36		1	
33	964 538 101 00	Housing	/LL	1	
	964 538 101 00 01C	Satin black			
(33)	964 538 102 01	Housing	/RL	1	
	964 538 102 01 01C	Satin black			
34	999 119 018 02	Pan-head screw M 6 X 15		2	
35	900 223 003 02	Washer A 6,4		2	
36	900 309 009 00	Roll pin 4 X 18		1	
37	964 538 703 01	Handle		1	COUPE
	964 538 703 01 01C	Satin black			
38	993 538 971 00	Handle with 2 secondary keys Key cap W/o stipulated lock number		1	TARGA/CABRIO
38	993 538 971 01	Handle with 2 secondary keys Key cap State lock number		1	TARGA/CABRIO
39	911 538 902 00	Replacement key State lock number Information available		1	
-	964 612 328 00	Grommet for Lid-release cable		1	

Model: 911 89

Model life 1989>>1994



Model: 911 89 Model life 1989>>1994

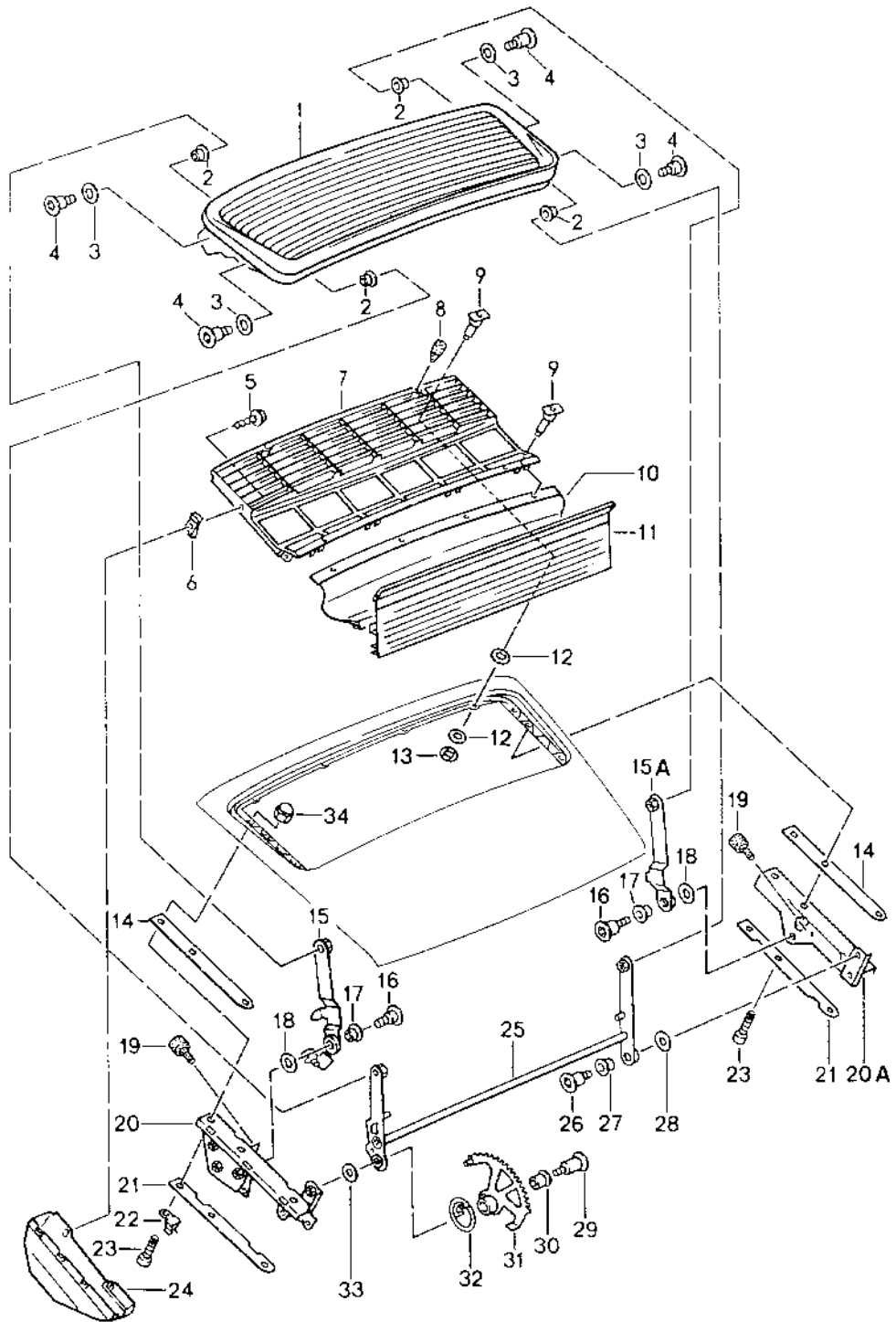
Pos	Part Number	Description	Remark	Qty	Model
(1)	964 512 010 01	Lid Rear Lid		1	CARRERA 2/4 TURBO-LOOK
(1)	964 512 010 01 GRV	Lid Prime coated		1	CARRERA 2/4 TURBO-LOOK
(1)	964 512 010 02	Lid		1	CARRERA RS
(1)	965 512 010 01	Lid		1	TURBO
(1)	965 512 010 01 GRV	Lid Prime coated		1	TURBO
2		Logo See group 8/10/00		.	
3	999 703 036 50	Rubber stop		2	
4		Contact switch for Engine compartment lamp See group 9/03/06		.	
5	965 512 051 01	Lock upper part		1	
5A	930 512 052 00	Lock upper part		1	
6	900 075 357 02	Combination screw M 6 X 12		2	
6	900 075 456 01	Combination screw M 6 X 12		2	
(7)	965 512 052 00	Lock		1	
7	965 512 052 01	Lock with Microswitch		1	
7A	901 512 052 00	Lock lower part		1	
8	900 075 418 02	Combination screw M 6 X 35		2	
8A	900 075 357 02	Combination screw M 6 X 12		2	
8A	900 075 456 01	Combination screw M 6 X 12		2	
9	993 512 063 00	Lid-release cable	91-	1	
10	911 512 531 00	Grommet		1	
11	964 512 521 00	Emergency operation		1	
12	901 511 073 20	Lid-release cable	-90	1	
12	901 511 073 21	Lid-release cable		1	
13	901 552 813 20	Handle		1	
14	900 067 273 09	Combination screw M 6 X 16		4	
15	964 512 023 02	Hinge		2	CARRERA 2/4 CARRERA RS TURBO-LOOK
(15)	965 512 019 00	Hinge	/L	1	TURBO
(15)	965 512 019 00 GRV	Hinge Prime coated	/L	1	TURBO
(15)	965 512 020 00	Hinge	/R	1	TURBO
(15)	965 512 020 00 GRV	Hinge Prime coated	/R	1	TURBO
16	993 512 469 00	Desk pad		2	
17	999 025 090 02	Washer 6,5 X 14 X 2	/R	1	
18	999 166 008 02	Safety clip		2	
19	964 512 326 00	Hinge bolt		2	
20	N 012 645 2	Lock washer		4	
21	999 166 010 02	Bolt		2	
22	911 512 331 01	Gas-pressure spring		2	CARRERA 2/4 CARRERA RS

Model: 911 89 Model life 1989>>1994

Pos	Part Number	Description	Remark	Qty	Model
(22)	911 512 331 02	Gas-pressure spring		2	TURBO-LOOK
23	999 166 043 02	Bolt		2	TURBO

Model: 911 89

Model life 1989>>1994



Model: 911 89 Model life 1989>>1994

Pos	Part Number	Description	Remark	Qty	Model
		Rear spoiler			CARRERA 2/4 CARRERA RS TURBO-LOOK
1	964 512 017 00	Rear spoiler with Grille		1	
2	964 512 732 00	Bearing sleeve		4	
3	964 512 751 00	Washer		4	
4	964 512 722 00	Bearing screw Micro-self-locking M 6 X 23		4	
5	999 073 122 09	Tapping screw B 4,2 X 9,5		2	
6	999 591 723 02	Speed nut B 4,2		2	
7	964 512 333 00	Ventilation grille		1	
	964 512 333 00 01C	Satin black			
8	964 512 531 01	Stop Rear spoiler		4	
9	999 088 025 40	T-headed screw	-91	8	
9		T-headed screw	92-	8	
10	964 512 081 01	Seal		1	
10	964 512 081 02	Seal		1	
11	993 512 121 00	Rear wall		1	
12	999 025 209 40	Washer 9 X 15 X 2		16	
13	999 591 974 02	Clamping washer 5,0		8	
13	999 591 974 01	Clamping washer 5,0		8	
14	964 512 467 00	Desk pad		X	
15	964 512 049 00	Lever	/L	1	
15A	964 512 050 00	Lever	/R	1	
16	964 512 721 00	Bearing screw Micro-self-locking M 6 X 19		2	
17	964 512 711 00	Bearing sleeve 17 X 7 X 10,1 POM		2	
18	964 512 741 00	Washer 16 X 3,6 X 10,5 POM		2	
19	999 703 363 40	Buffer		2	
20	964 512 211 00	Mounting plate	/L	1	
20A	964 512 212 00	Mounting plate	/R	1	
21	964 512 461 00	Desk pad		2	
22	964 612 138 00	Cable holder		1	
23	900 119 064 02	Pan-head screw M 6 X 15		6	
23	900 976 005 01	Pan-head screw M 6 X 15		6	
24	964 512 225 00	Cover	-91	1	
	964 512 225 00 70B	Black			
24	964 512 225 00	Cover		1	
	964 512 225 00 01C	Satin black			
25	964 512 110 00	Linkage		1	
26	964 512 723 00	Bearing screw Micro-self-locking M 6 X 17		1	
27	964 512 711 00	Bearing sleeve		1	
28	964 512 742 00	Washer		1	
29	964 512 381 00	Bearing screw Micro-self-locking M 6 X 27		1	
29	964 512 381 01	Bearing screw		1	

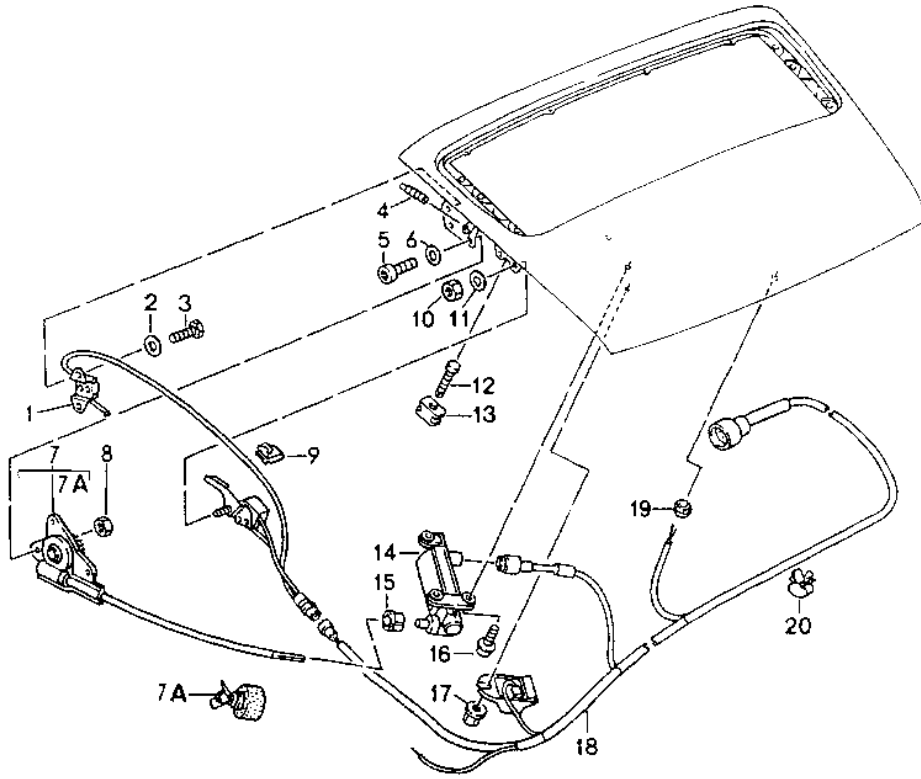
Model: 911 89

Model life 1989>>1994

Pos	Part Number	Description	Remark	Qty	Model
		Micro-self-locking M 6 X 27			
30	964 512 361 00	Bearing sleeve		1	
31	964 512 111 00	Segment		1	
		Tooth sector			
32	964 512 314 00	Torsion spring		1	
33	964 512 371 00	Washer		1	
34	999 703 449 40	Protection cap		6	

Model: 911 89

Model life 1989>>1994

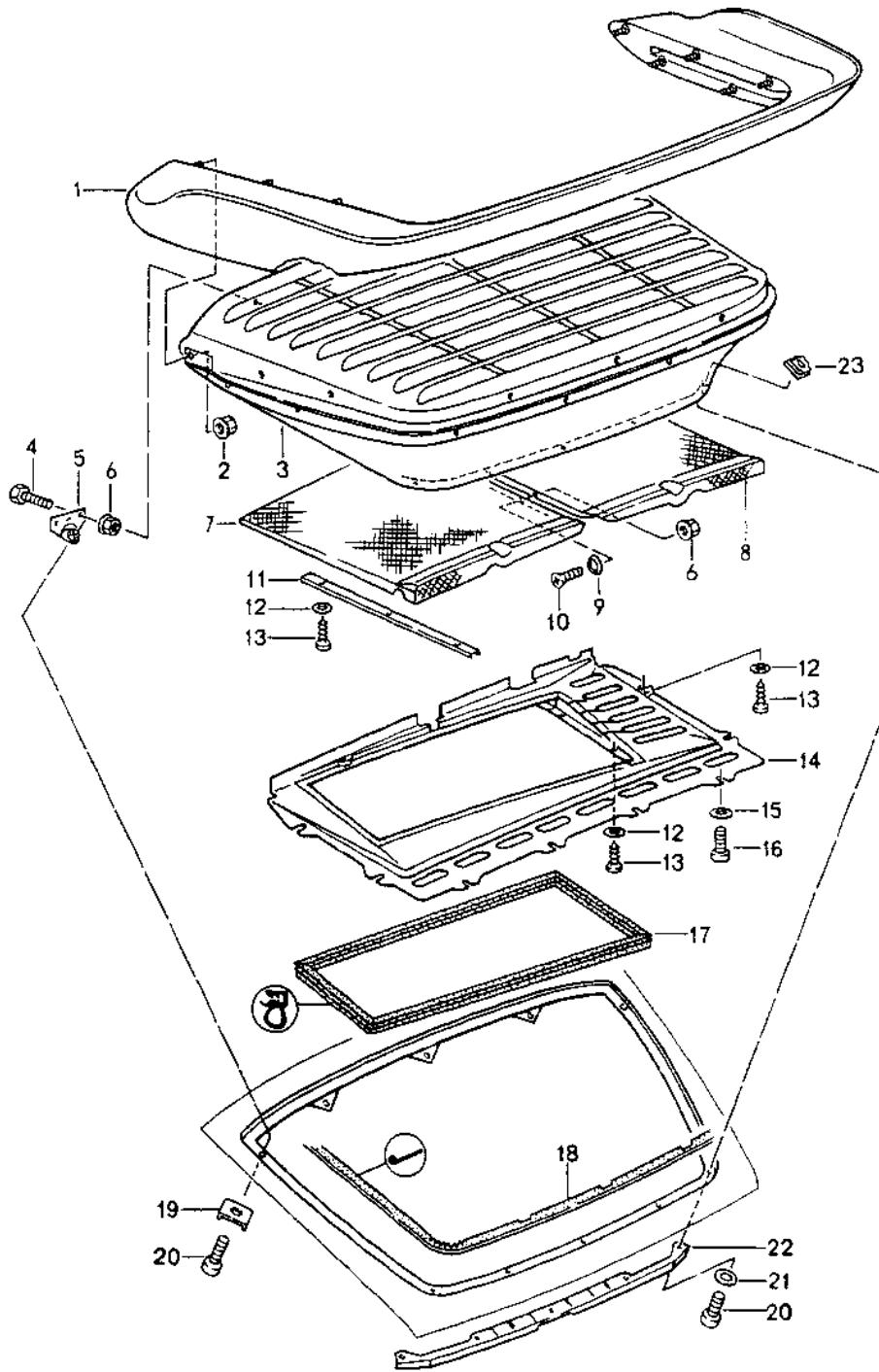


Model: 911 89 Model life 1989>>1994

Pos	Part Number	Description	Remark	Qty	Model
		Rear spoiler Driving mechanism			CARRERA 2/4 CARRERA RS TURBO-LOOK
1	964 613 107 01	Microswitch		1	
2	900 025 003 02	Washer A 5,3		2	
3	N 010 205 6	Hexagon-head bolt M 5 X 10		2	
3	900 075 105 02	Screw M 5 X 10		2	
4	999 224 001 02	Threaded pin M 4 X 16		1	
5	N 014 701 7	Pan-head screw Micro-self-locking M 6 X 12		3	
6	N 011 524 7	Washer A 6,4		3	
6	N 011 524 27	Washer A 6,4		3	
7	964 624 121 00	Transmission		1	
7A	964 624 122 00	Cap		1	
8	N 011 116 5	Hexagon nut M 6		3	
9	999 651 152 02	Cable clamp		2	
9	999 651 152 01	Cable clamp		2	
10	N 011 005 14	Hexagon nut M 5		1	
10	900 076 091 01	Hexagon nut M 5		1	
11	900 025 003 02	Washer A 5,3		1	
12	964 613 323 00	Threaded pin		1	
13	964 613 313 00	Special nut		1	
14	964 624 111 00	Geared motor		1	
15	964 624 165 00	Bush		1	
16	900 067 294 02	Combination screw M 6 X 18		3	
17	999 049 022 40	Plastic nut		1	
18		Wiring harness See group 9/02/18			
19	477 971 909	Rubber sleeve		1	
20	477 971 851	Cable clip		12	

Model: 911 89

Model life 1989>>1994

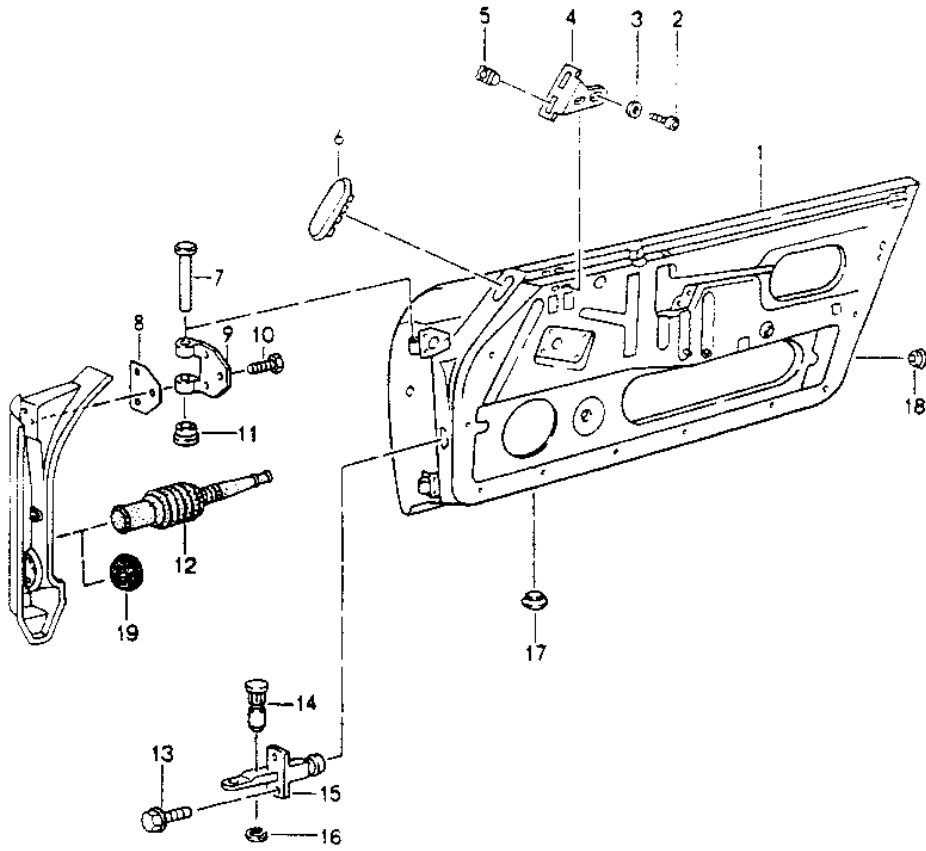


Model: 911 89 Model life 1989>>1994

Pos	Part Number	Description	Remark	Qty	Model
-	000 043 300 50	Rear spoiler Rear spoiler Set Of Tequipment		1	TURBO TURBO S
1	965 512 021 00 965 512 021 00 01C	Polyuret. rim for spoiler Satin black metallic		1	
2	999 084 075 02	Lock nut M 6		17	
3	965 599 512 00	Bracket		1	
4	N 040 226 2	Hexagon-head bolt M 4 X 15		10	
5	930 512 257 00	Fastening angle Left		1	
(5)	930 512 258 00	Fastening angle Right		1	
(5)	930 512 253 01	Fastening angle Centre		3	
6	999 084 076 02	Lock nut M 4		12	
7	930 512 031 00	Grille	/L	1	
8	930 512 032 00	Grille	/R	1	
9	999 591 102 17	Washer		2	
9	999 591 102 1H	Washer		2	
10	900 269 043 02	Countersunk-head screw M 4 X 12		2	
11	930 512 175 00	Angular plate		1	
12	N 011 663 1	Washer A 3,7		7	
13	999 919 101 02	Oval-head sheetmetal screw B 3,5 X 8		7	
14	965 512 241 00	Air guide		1	
14	965 512 241 01	Air guide		1	
15	N 011 666 7	Washer A 6,4		9	
16	N 014 765 2	Pan-head screw M 6 X 10		6	
17	965 504 211 00	Gasket		1	
17	965 504 211 01	Gasket		1	
17	965 504 211 02	Gasket 246 MM		1	
18	930 512 215 00	Piping		1	
19	965 512 775 00	Desk pad		2	
20	900 119 091 02	Pan-head screw M 6 X 15		10	
21	N 011 524 7	Washer A 6,4		5	
21	N 011 524 27	Washer A 6,4		5	
22	930 512 281 00	Base rail		1	
23	999 507 328 02	Captive nut M 6		5	
23	999 507 328 0B	Captive nut M 6		5	

Model: 911 89

Model life 1989>>1994



Model: 911 89

Model life 1989>>1994

Pos	Part Number	Description	Remark	Qty	Model
(1)	964 531 005 00	Door in white	/LL /L	1	
	964 531 005 00 GRV	Prime coated It is necessary to rework			
-	964 531 201 00	Exterior panelling	/LL /L	1	
	964 531 201 00 GRV	Prime coated It is necessary to rework			
1	964 531 006 00	Door in white	/LL /R	1	
	964 531 006 00 GRV	Prime coated It is necessary to rework			
-	964 531 202 00	Exterior panelling	/LL /R	1	
	964 531 202 00 GRV	Prime coated It is necessary to rework			
(1)	964 531 005 03	Door in white	/RL /L	1	
	964 531 005 03 GRV	Prime coated It is necessary to rework			
-	964 531 201 00	Exterior panelling	/RL /L	1	
	964 531 201 00 GRV	Prime coated It is necessary to rework			
(1)	964 531 006 03	Door in white	/RL /R	1	
	964 531 006 03 GRV	Prime coated It is necessary to rework			
-	964 531 202 00	Exterior panelling	/RL /R	1	
	964 531 202 00 GRV	Prime coated It is necessary to rework			
(1)	964 531 005 10	Bare door shell	/LL /L	1	SPEEDSTER
	964 531 005 10 GRV	Prime coated			
(1)	964 531 006 10	Door in white	/LL /R	1	SPEEDSTER
	964 531 006 10 GRV	Prime coated			
(1)	964 531 005 11	Bare door shell	/RL /L	1	SPEEDSTER
	964 531 005 11 GRV	Prime coated It is necessary to rework			
(1)	964 531 006 11	Door in white	/RL /R	1	SPEEDSTER
	964 531 006 11 GRV	Prime coated It is necessary to rework			
2	900 119 064 02	Pan-head screw M 6 X 15		4	
2	900 976 005 01	Pan-head screw M 6 X 15		4	
3	N 011 524 7	Washer A 6,4		4	
3	N 011 524 27	Washer A 6,4		4	
(4)	911 555 821 00	Bracket	/L	1	
4	911 555 822 00	Bracket for Mount Cover strip	/R	1	
5	999 591 498 40	Special nut		4	
6	999 703 345 40	Cap Oval		4	
7	901 531 305 20	Hinge bolt		4	
8	901 531 391 20	Desk pad		4	
9	901 531 303 21	Hinge arm		4	
10	999 093 010 02	Hexagon-head bolt M 8 X 20		12	
11	901 531 311 20	Bush		4	
12	964 612 334 00	Grommet for Wiring harness		2	
13	900 075 374 02	Combination screw M 6 X 14		4	
13	900 075 374 01	Combination screw		4	

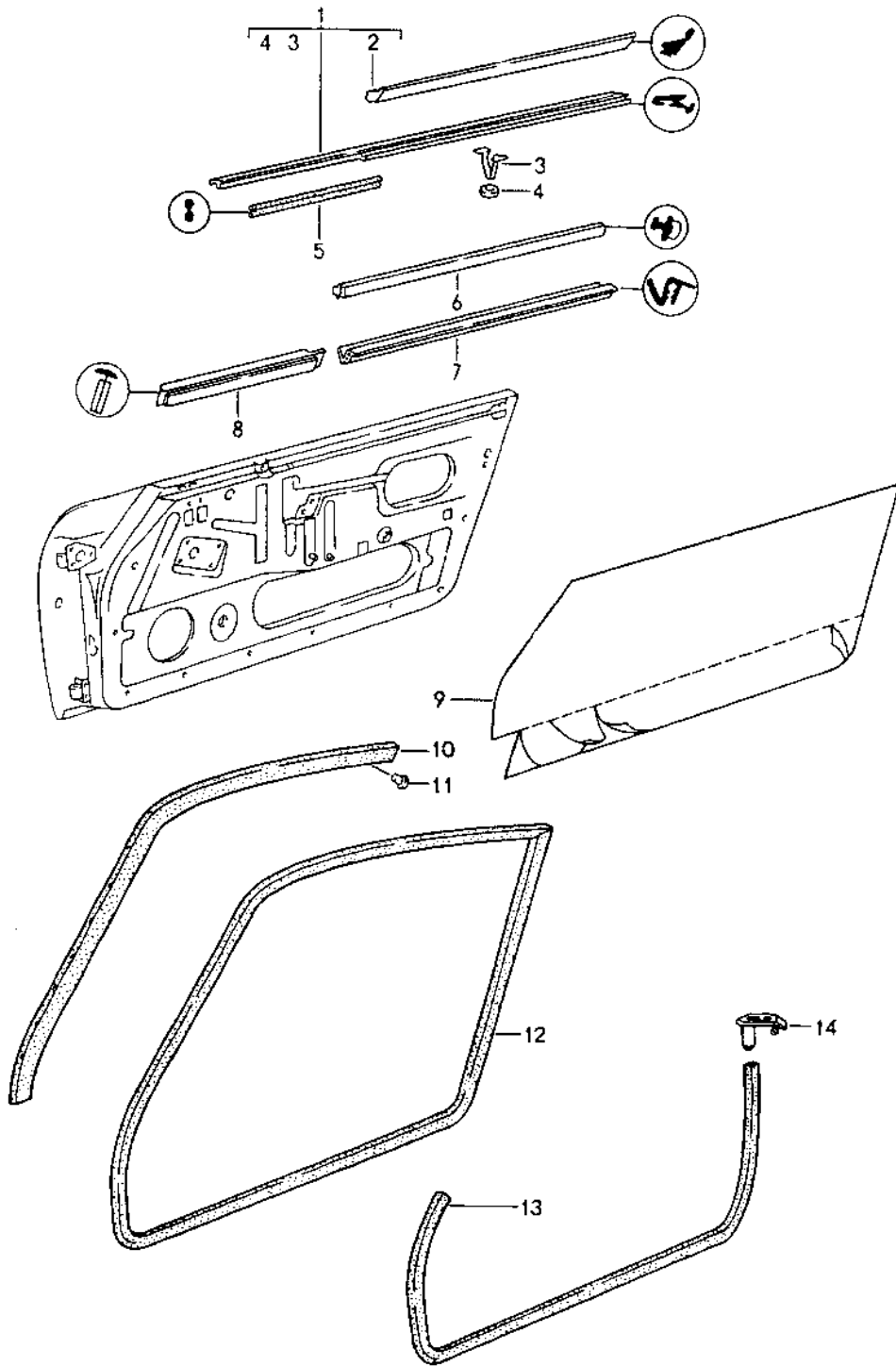
Model: 911 89

Model life 1989>>1994

Pos	Part Number	Description	Remark	Qty	Model
		M 6 X 14			
14	911 531 275 00	Bolt		2	
14	911 531 275 01	Bolt		2	
15	964 537 057 00	Door arrester		2	
(15)	911 531 057 04	Door arrester		2	SPEEDSTER
16	999 166 008 02	Safety clip		2	
17	999 926 018 40	Valve		2	
18	999 703 344 40	Cap Round		2	
19	927 631 224 01	Grommet		2	CARRERA RS

Model: 911 89

Model life 1989>>1994



Model: 911 89 Model life 1989>>1994

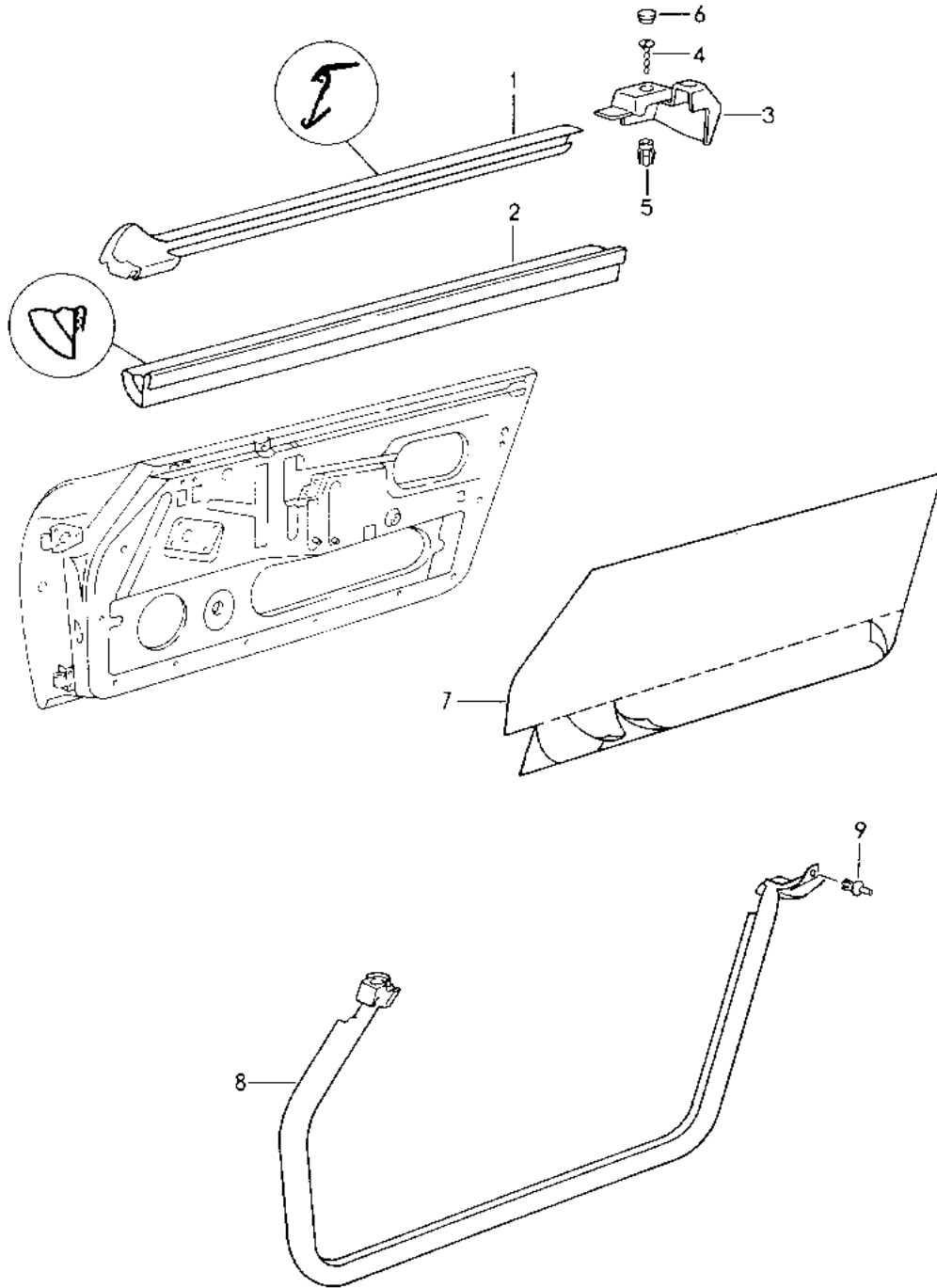
Pos	Part Number	Description	Remark	Qty	Model
(1)	911 531 041 30	Seal			COUPE/TARGA
		Doors			CABRIO
		Moulding	/L	1	COUPE
	911 531 041 30 70K	Black			
1	911 531 042 30	Moulding	/R	1	COUPE
	911 531 042 30 70K	Black			
(1)	911 531 041 50	Moulding	/L	1	TARGA/CABRIO
	911 531 041 50 70K	Black			
(1)	911 531 042 50	Moulding	/R	1	TARGA/CABRIO
	911 531 042 50 70K	Black			
(1)	911 531 041 60	Moulding	/L	1	CABRIO
					M070
	911 531 041 60 70K	Black			
(1)	911 531 042 60	Moulding	/R	1	CABRIO
					M070
	911 531 042 60 70K	Black			
(2)	911 531 931 02	Sealing strip	/L	1	COUPE
2	911 531 932 02	Sealing strip	/R	1	COUPE
(2)	911 531 931 42	Sealing strip	/L	1	TARGA/CABRIO
(2)	911 531 932 42	Sealing strip	/R	1	TARGA/CABRIO
		Outer			
3	999 591 326 02	Moulding clip		14	
3	999 591 326 01	Moulding clip		14	
4	911 531 309 00	Ring		14	
5	901 531 933 20	Sealing strip		2	
(6)	901 531 935 20	Sealing for door slot	/L -91	1	COUPE
6	901 531 936 20	Sealing for door slot	/R -91	1	COUPE
(6)	911 531 295 40	Sealing for door slot	/L	1	TARGA/CABRIO
		Outer			
(6)	911 531 296 40	Sealing for door slot	/R	1	TARGA/CABRIO
		Outer			
7	911 531 951 01	Sealing for door slot	92-	2	
		Inner			
(8)	911 531 297 00	Piping		2	COUPE
		F >>96LS4 02212			COUPE
	911 531 297 00 01C	Satin black			
(8)	911 531 297 01	Piping	/L	1	COUPE
		F 96LS4 02213>>			COUPE
		F 96MS4 70061>>			COUPE
		F 96NS4 90061>>			COUPE
	911 531 297 01 01C	Satin black			
8	911 531 298 00	Piping	/R	1	COUPE
		F 96LS4 02213>>			COUPE
		F 96MS4 70061>>			COUPE
		F 96NS4 90061>>			COUPE
	911 531 298 00 01C	Satin black			
(8)	911 531 297 40	Piping		2	TARGA/CABRIO
		F >>96LS4 10121			TARGA
		F >>96LS4 20539			CABRIO
	911 531 297 40 01C	Satin black			
(8)	911 531 297 41	Piping		2	TARGA/CABRIO
		F >>96LS4 10121			TARGA
		F >>96LS4 20539			CABRIO
	911 531 297 41 01C	Satin black			
(8)	911 531 297 01	Piping	/L	1	TARGA/CABRIO
		F 96LS4 10122>>			TARGA
		F 96LS4 20540>>			CABRIO
	911 531 297 01 01C	Satin black			
(8)	911 531 298 00	Piping	/R	1	TARGA/CABRIO
		F 96LS4 10122>>			TARGA
		F 96LS4 20540>>			CABRIO
	911 531 298 00 01C	Satin black			
(9)	911 531 889 00	Seal	/L	1	

Model: 911 89 Model life 1989>>1994

Pos	Part Number	Description	Remark	Qty	Model
9	911 531 890 00	Seal	/R	1	
(10)	911 542 403 03	Sealing rail	/L	1	COUPE
10	911 542 404 03	Sealing rail	/R	1	COUPE
11	999 190 204 00	Buttonhead rivet 3,2 X 8		26	
12	911 531 095 02	Door sealing		2	COUPE
12	911 531 095 03	Door sealing		2	COUPE
(13)	911 531 095 40	Door sealing	/L	1	TARGA/CABRIO
13	911 531 096 40	Door seal	/R	1	TARGA/CABRIO
14	911 531 523 65	Cap		2	CABRIO

Model: 911 89

Model life 1989>>1994



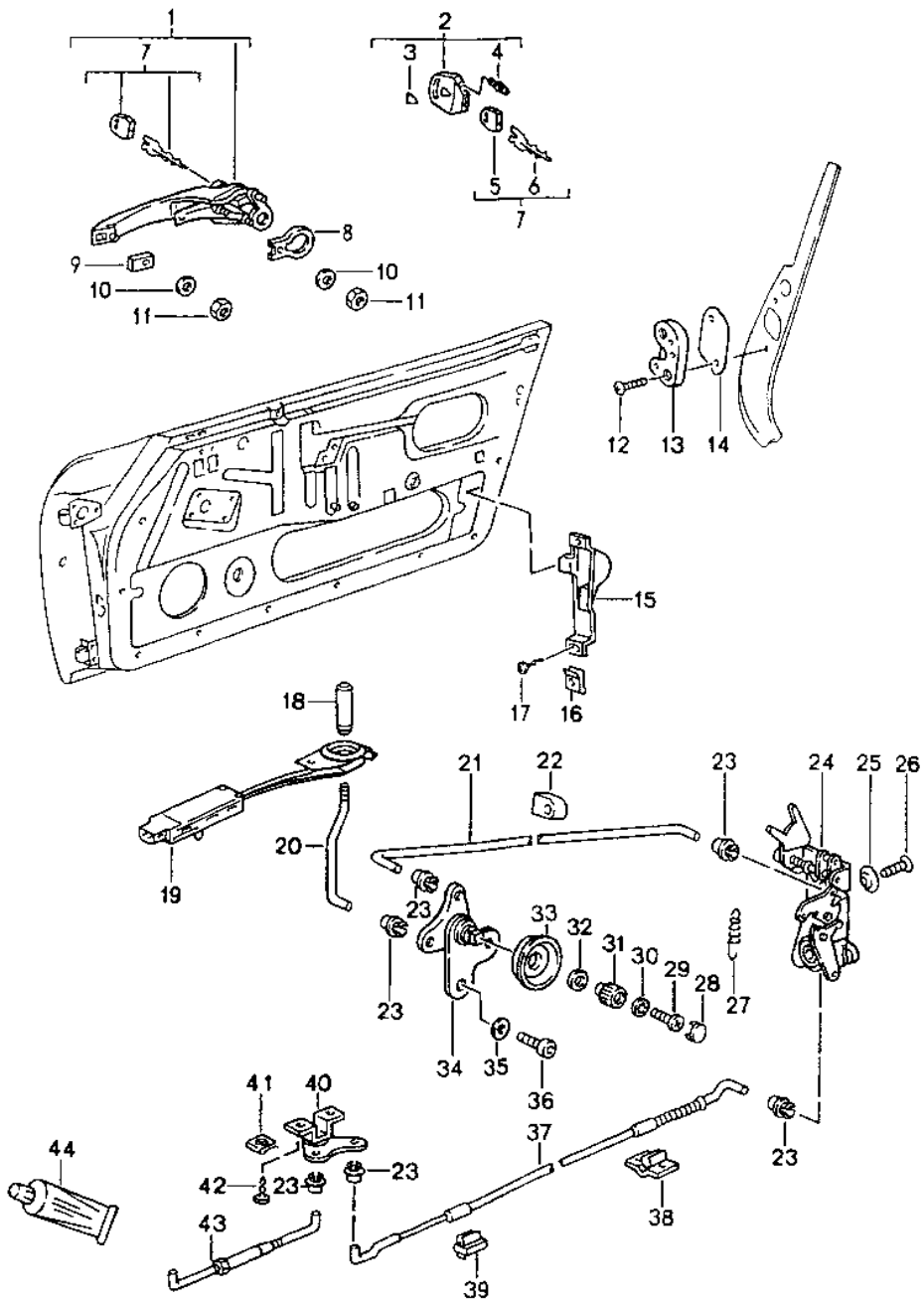
Model: 911 89

Model life 1989>>1994

Pos	Part Number	Description	Remark	Qty	Model
		Seal			SPEEDSTER
		Doors			
(1)	964 531 279 00	Sealing for door slot	/L	1	
1	964 531 280 00	Sealing for door slot	/R	1	
		Outer			
(2)	964 531 391 01	Sealing for door slot	/L	1	
2	964 531 392 01	Sealing for door slot	/R	1	
		Inner			
(3)	964 531 821 00	Terminal piece	/L	1	
	964 531 821 00 01C	Satin black			
3	964 531 822 00	Terminal piece	/R	1	
	964 531 822 00 01C	Satin black			
4	N 013 961 2	Oval-head sheetmetal screw		2	
		B 3,9 X 13			
4	N 013 961 11	Oval-head sheetmetal screw		2	
		B 3,9 X 13			
5	999 591 934 40	Expander nut		2	
6	999 703 367 40	Stopper		2	
		10,5 X 11,8			
(7)	911 531 889 00	Seal	/L	1	
7	911 531 890 00	Seal	/R	1	
(8)	964 531 095 01	Door seal	/L	1	
8	964 531 096 01	Door seal	/R	1	
9	999 591 551 40	Expansion rivet		4	
		3,5 X 7,0			

Model: 911 89

Model life 1989>>1994



Model: 911 89

Model life 1989>>1994

Pos	Part Number	Description	Remark	Qty	Model
(1)	911 538 941 07	Door latch Outer door handle with lock cylinder with 2 secondary keys Key cap W/o stipulated lock number	/L	1	
(1)	911 538 941 06	Outer door handle with lock cylinder with 2 secondary keys Key cap	/L	1	
1	911 538 942 07	State lock number Outer door handle with lock cylinder with 2 secondary keys Key cap W/o stipulated lock number	/R	1	
1	911 538 942 06	Outer door handle with lock cylinder with 2 secondary keys Key cap State lock number	/R	1	
2	944 538 041 00	Key lamp Complete		1	
2	944 538 041 01	Key lamp Complete		1	
3	944 538 443 00	Crest		2	
4	928 537 630 02	Bulb		1	
5	944 538 431 00	Key cap		1	
6	911 538 903 00	Blank key		1	
7	911 538 902 00	Replacement key Key cap State lock number Information available		1	
8	911 531 632 00	Desk pad		2	
9	911 531 631 00	Desk pad		2	
10	900 025 003 02	Washer A 5,3		4	
11	900 910 008 02	Lock nut M 5		4	
12	999 219 008 07	Countersunk-head screw Micro-self-locking M 8 X 40		4	
13	911 531 701 02	Door lock striker Yellow Chrome	/L	1	
(13)	911 531 702 02	Door lock striker Yellow Chrome	/R	1	
(14)	901 531 703 23	Desk pad	/L	1	
14	901 531 703 24	Desk pad	/R	1	
15		Cover for Transmission element Central locking system See group 8/04/06		1	
(15)	911 537 335 00	Cover for Door lock	/L	1	
15	911 537 336 00	Cover for Door lock	/R	1	
16	N 015 438 1	Speed nut		4	

Model: 911 89 Model life 1989>>1994

Pos	Part Number	Description	Remark	Qty	Model
17	900 144 028 07	B 3,5 Tapping screw		4	
18	928 637 138 00	B 3,5 X 13 Locking knob		2	C.2/4
	928 637 138 00 01C	Satin black with Diode			C.RS TURBO/ TURBO-LOOK
(18)	928 555 359 02	Locking knob		2	CARRERA RS
(18)		Locking knob Doors		2	CARRERA RS
	928 555 359 02 70B	Black			
19	911 637 137 00	Coil	-90	2	
(19)	964 637 237 00	Coil	91-	2	
(20)	911 531 707 01	Rod for push-button	/L	1	CARRERA RS
(20)	911 531 708 01	Rod for push-button	/R	1	CARRERA RS
(20)	911 531 707 02	Rod for push-button	/L	1	C.2/4 C.RS M002 TURBO
20	911 531 708 02	Rod for push-button	/R	1	TURBO-LOOK C.2/4 C.RS M002 TURBO TURBO-LOOK
21	911 531 562 01	Connecting rod		2	
22	911 531 565 00	Rubber mounting		2	
(22)	911 531 599 00	Rubber mounting		4	
23	993 531 563 00	Linkage clip		12	
(24)	964 531 053 03	Door lock with antishutout mechanism	/LL /L	1	C.2/4 C.RS M002 TURBO TURBO-LOOK
24	964 531 054 02	Door lock without antishutout mechanism	/LL /R	1	C.2/4 C.RS M002 TURBO TURBO-LOOK
(24)	964 531 053 02	Door lock without antishutout mechanism	/RL /L	1	C.2/4 C.RS M002 TURBO TURBO-LOOK
(24)	964 531 054 03	Door lock with antishutout mechanism	/RL /R	1	C.2/4 C.RS M002 TURBO TURBO-LOOK
(24)	964 531 053 01	Door lock with antishutout mechanism	/LL /L	1	CARRERA RS
(24)	964 531 054 00	Door lock without antishutout mechanism	/LL /R	1	CARRERA RS
(24)	964 531 053 01	Door lock with antishutout mechanism	/LL /L	1	SPEEDSTER
(24)	964 531 054 00	Door lock without antishutout mechanism	/LL /R	1	SPEEDSTER
(24)	964 531 053 00	Door lock without antishutout mechanism	/RL /L	1	CARRERA RS SPEEDSTER
(24)	964 531 054 01	Door lock with antishutout mechanism	/RL /R	1	CARRERA RS SPEEDSTER
25	999 591 118 02	Washer		6	
26	999 219 009 00	Oval-head screw		6	

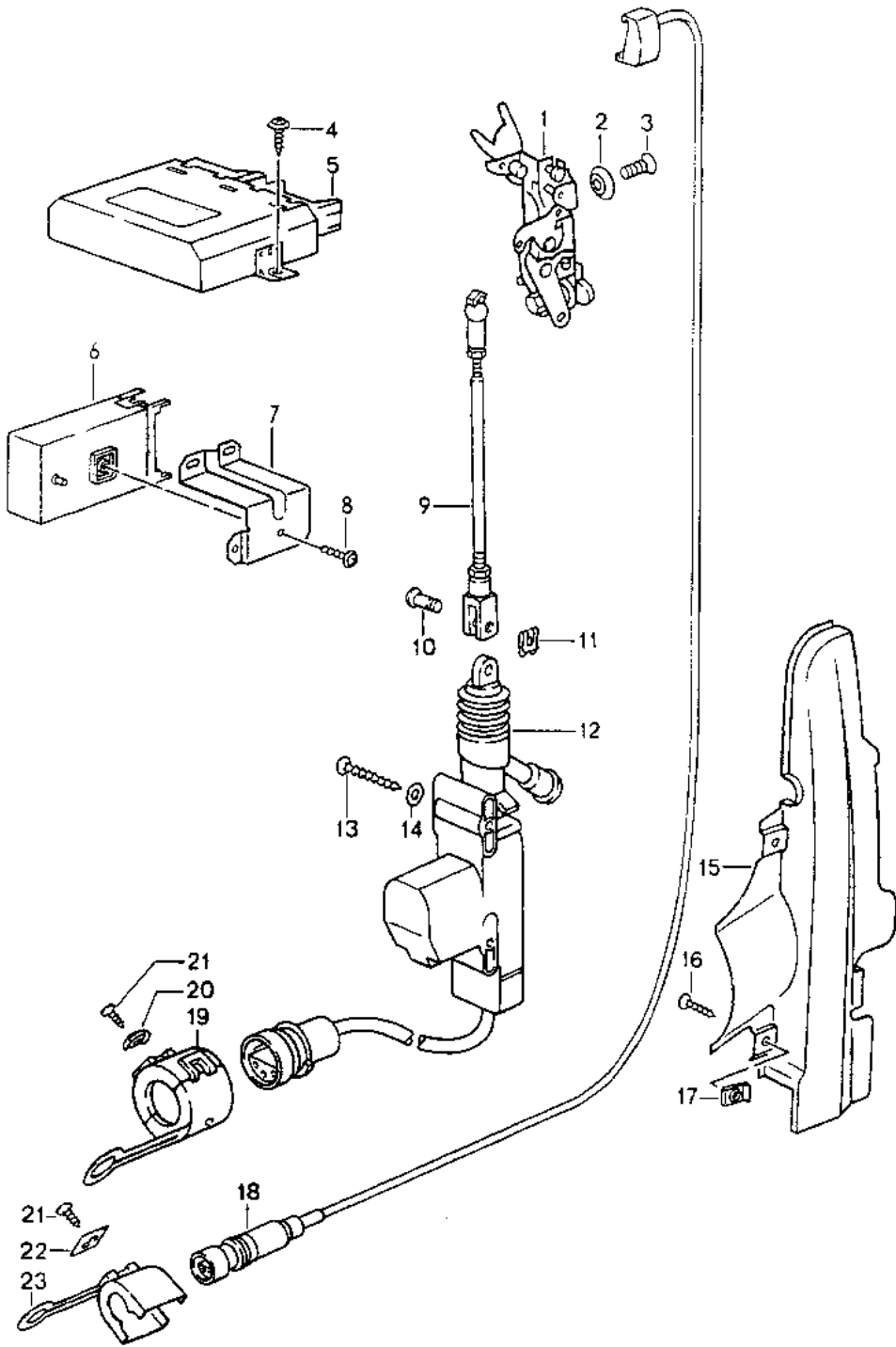
Model: 911 89

Model life 1989>>1994

Pos	Part Number	Description	Remark	Qty	Model
		Micro-self-locking M 6 X 16			
27	993 531 165 00	Tension spring		2	
28	911 531 703 00	Cap		2	
29	999 218 010 02	Oval-head screw Micro-self-locking M 5 X 12		2	
30	900 116 005 02	Lock washer		2	
31	928 537 581 03	Rotary knob		2	
32	911 531 705 00	Spacer ring		2	
33	928 537 585 02	Covering		2	
(34)	911 531 075 02	Mounting for push-button	/L	1	
(34)	911 531 075 03	Mounting for push-button	/L	1	
34	911 531 076 02	Mounting for push-button	/R	1	
34	911 531 076 03	Mounting for push-button	/R	1	
35	N 012 226 5	Spring washer B 6		4	
36	900 186 147 02	Pan-head screw M 6 X 10		4	
36	900 976 008 01	Pan-head screw M 6 X 10		4	
37	911 531 509 01	Bowden cable		2	
38	911 531 099 00	Support		2	
39	911 531 097 00	Support		2	
(40)	993 531 083 00	Relay lever	/L	1	
40	993 531 084 00	Relay lever	/R	1	
41	999 507 009 02	Speed nut B 3,5		4	
42	N 014 086 4	Rais. counters. h. tap. s. B 3,5 X 13		4	
43	911 531 091 01	Pull rod		2	
44	000 043 204 21	Grease for lock cylinder		X	
44	G 052 778 A2	Grease for lock cylinder		X	

Model: 911 89

Model life 1989>>1994

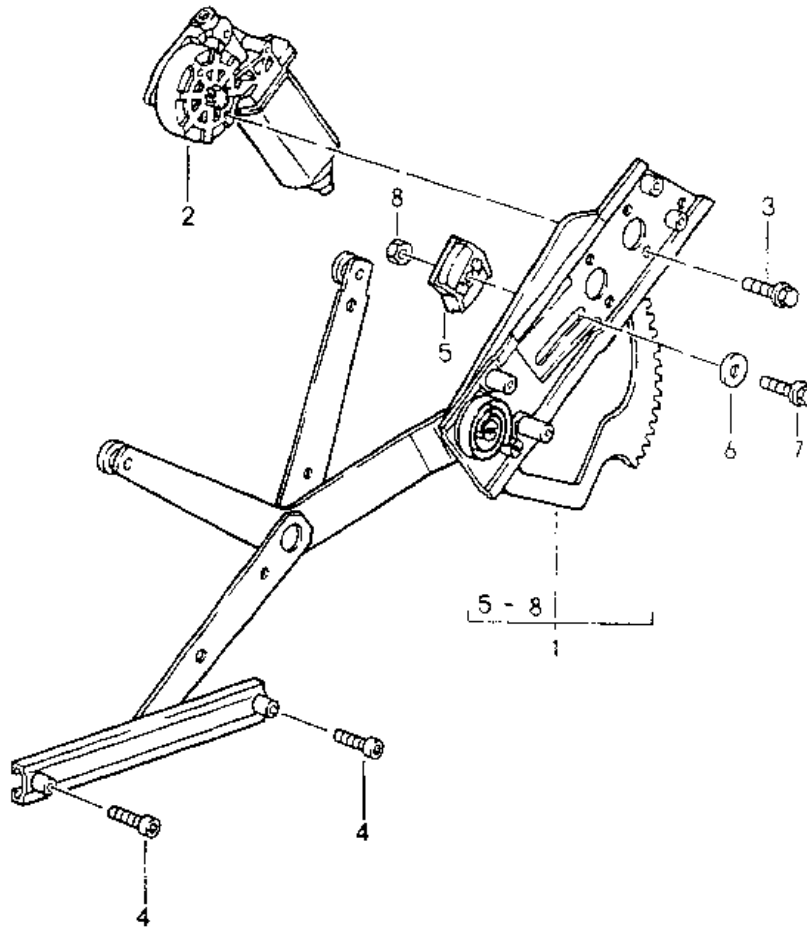


Model: 911 89 Model life 1989>>1994

Pos	Part Number	Description	Remark	Qty	Model
1-3		Central locking system See group 8/04/04			
4	900 143 117 02	Combination tapping screw B 4,2 X 9,5		2	
5	928 618 260 00	Alarm control unit	91-	1	
6	911 618 113 01	Control unit	-90	1	
6	911 618 113 02	Control unit		1	
7	911 618 229 02	Support	-90	1	
8	999 919 032 02	Oval-head screw		1	
9	964 537 571 00	Operating rod		2	
10	N 100 438 01	Bolt		2	
11	N 012 644 1	Lock		2	
12	944 624 211 00	Transmission element	-90	2	
(12)	928 624 211 00	Transmission element	91-	2	
13	999 141 018 02	Half-round screw		2	
14	900 151 001 02	Washer A 4,3		2	
15	911 537 355 00	Cover	/L	1	
(15)	911 537 356 00	Cover	/R	1	
16	900 144 028 07	Tapping screw B 3,5 X 13		6	
17	N 015 438 1	Speed nut B 3,5		6	
18	964 613 134 00	Microswitch		2	
-	911 531 621 00	Cable holder		2	
-	900 278 001 00	Countersunk-head screw M 2,5 X 6		2	
19	944 612 450 01	Support	-90	2	
20	999 591 711 02	Speed nut	-90	2	
21	N 013 956 7	Oval-head sheetmetal screw B 3,5 X 6,5		2	
22	999 591 351 02	Speed nut		2	
23	944 612 420 00	Locking device		2	
-	944 612 555 00	Cable holder		4	

Model: 911 89

Model life 1989>>1994

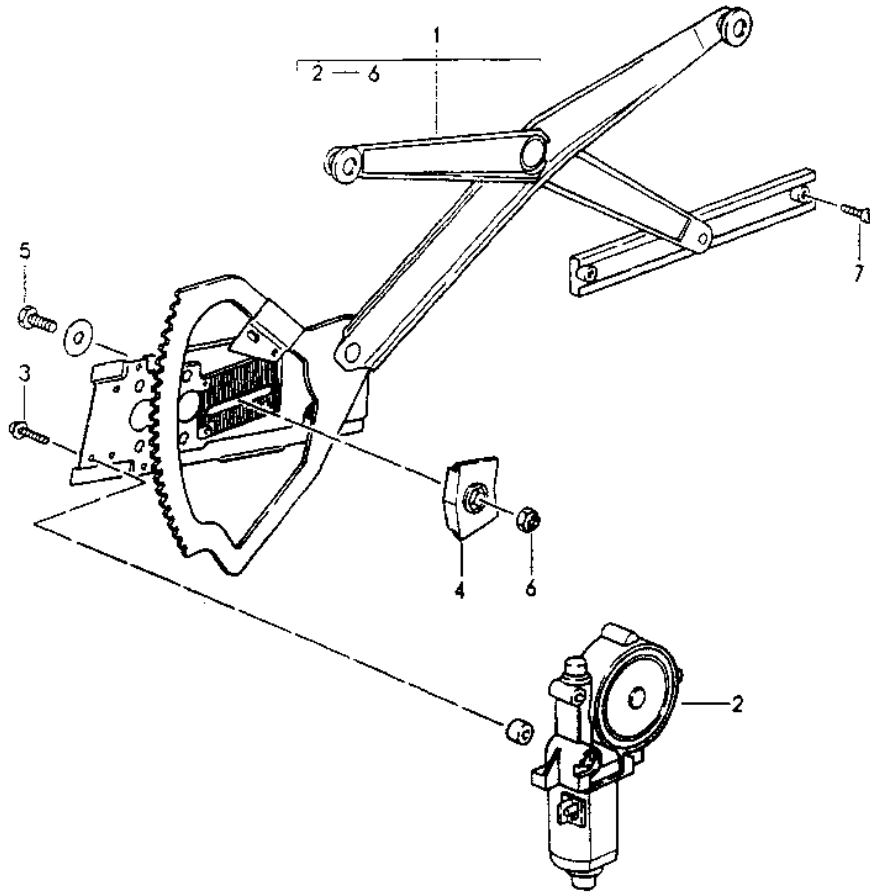


Model: 911 89 Model life 1989>>1994

Pos	Part Number	Description	Remark	Qty	Model
		Power windows Electric			CARRERA 2/4 RS M002 TURBO TURBO-LOOK
1	911 542 935 46	Cross-arm	/L	1	
(1)	911 542 936 46	Cross-arm	/R	1	
2	911 624 015 43	Motor	/L -92	1	
(2)	911 624 014 43	Motor	/R -92	1	
2	911 624 015 43	Motor	/L	1	
(2)	911 624 014 43	Motor	/R	1	
3	999 919 073 02	Oval-head screw 53 X 28/20		6	
4	999 218 016 02	Combination screw Micro-self-locking M 6 X 16		12	
4	999 218 016 01	Combination screw Micro-self-locking M 6 X 16		12	
5	911 542 231 41	Stop bracket	/L	1	
(5)	911 542 232 41	Stop bracket	/R	1	
7	999 217 043 08	Hexagon-head bolt M 8 X 16		2	
8	900 910 003 02	Lock nut M 8		2	
8	900 910 003 04	Lock nut M 8		2	

Model: 911 89

Model life 1989>>1994

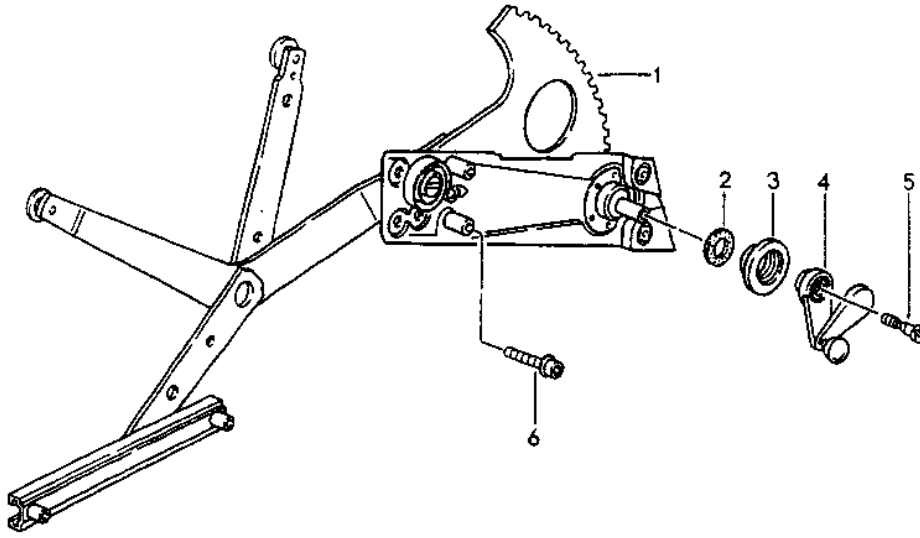


Model: 911 89 Model life 1989>>1994

Pos	Part Number	Description	Remark	Qty	Model
		Power windows Electric			SPEEDSTER
1	964 542 003 00	Power windows	/L	1	
(1)	964 542 004 00	Power windows	/R	1	
2	911 624 015 43	Motor	/L	1	
(2)	911 624 014 43	Motor	/R	1	
3	999 919 073 02	Oval-head screw 53 X 28/20		6	
4	911 542 231 41	Stop bracket	/L	1	
(4)	911 542 232 41	Stop bracket M 8	/R	1	
5	999 217 043 08	Hexagon-head bolt M 8 X 16		2	
6	900 910 003 02	Lock nut M 8		2	
6	900 910 003 04	Lock nut M 8		2	
7	999 218 016 02	Combination screw Micro-self-locking M 6 X 16		4	
7	999 218 016 01	Combination screw Micro-self-locking M 6 X 16		4	

Model: 911 89

Model life 1989>>1994

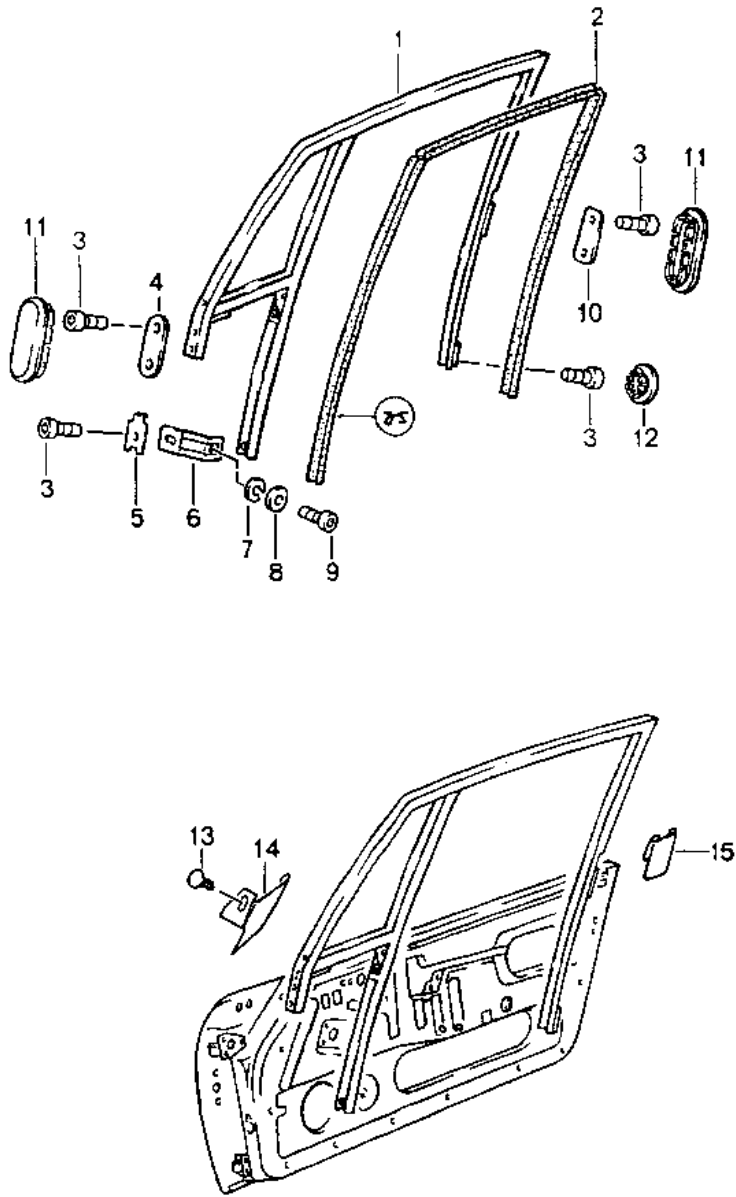


Model: 911 89 Model life 1989>>1994

Pos	Part Number	Description	Remark	Qty	Model
		Power windows Manually			CARRERA RS
(1)	964 542 041 00	Power windows	/L	1	
1	964 542 042 00	Power windows	/R	1	
2	901 542 495 20	Sealing ring		2	
2	901 542 495 21	Sealing ring		2	
3	901 552 891 20	Rosette		2	
4	959 542 115 01	Window crank		2	
	959 542 115 01 3DL	Black			
5	911 542 475 00	Conical screw M 5 X 20		2	
6	999 218 016 02	Combination screw Micro-self-locking M 6 X 16		12	
6	999 218 016 01	Combination screw Micro-self-locking M 6 X 16		12	

Model: 911 89

Model life 1989>>1994

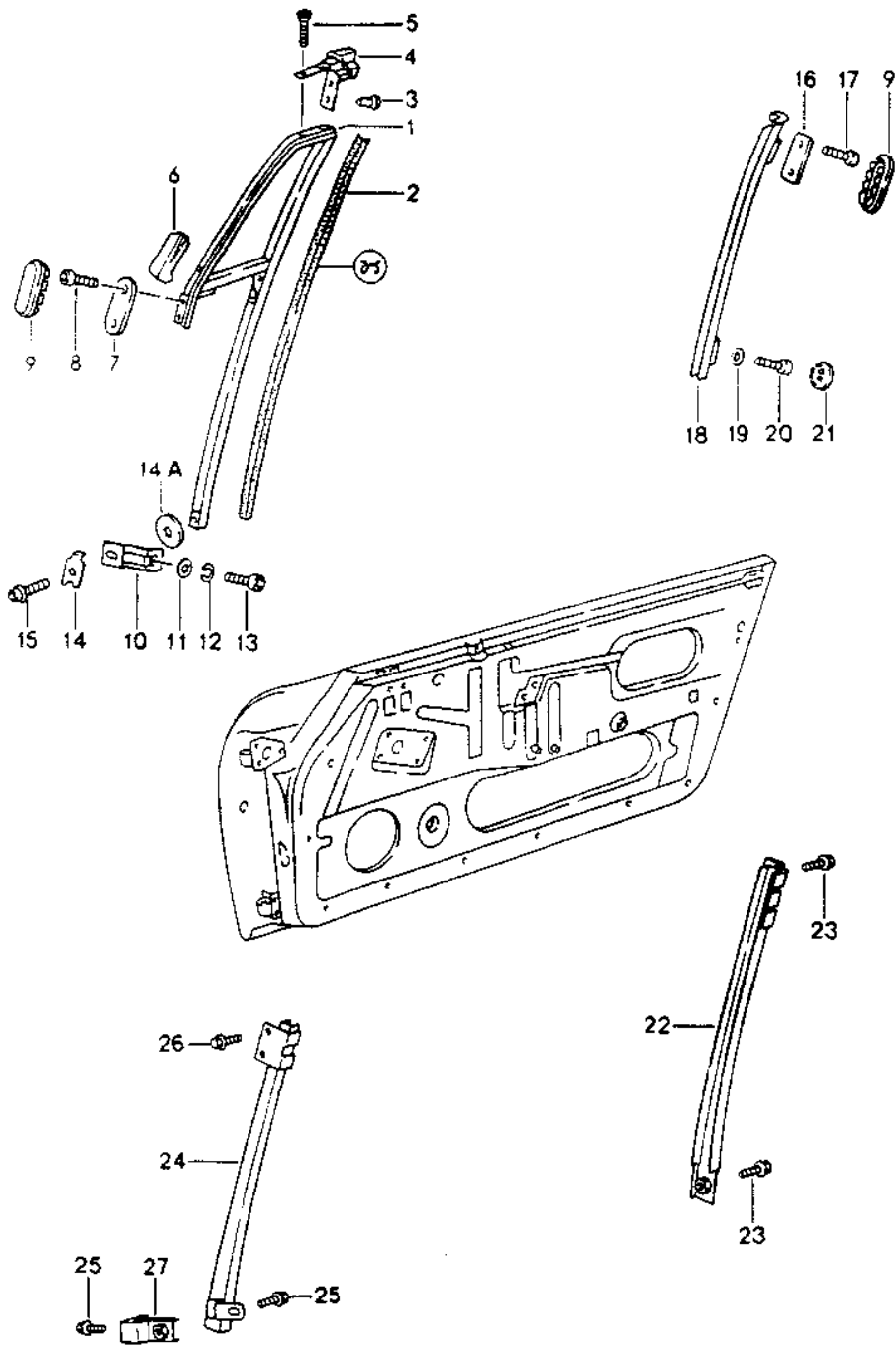


Model: 911 89 Model life 1989>>1994

Pos	Part Number	Description	Remark	Qty	Model
1	911 542 029 02	Door glass frame		1	COUPE
	911 542 029 02 70K	Black	/L	1	
1	911 542 030 02	Door glass frame		1	
	911 542 030 02 70K	Black	/R	1	
2	911 542 905 00	Window guide		2	
3	999 218 045 07	Pan-head screw M 8 X 16 Micro-self-locking		12	
4	911 542 236 00	Plate		2	
5	901 542 252 25	Desk pad		2	
6	911 542 061 00	Retaining bracket		2	
7	N 012 006 4	Lock ring		2	
8	N 011 666 7	Washer A 6,4		2	
9	999 218 015 02	Pan-head screw M 6 X 12 Micro-self-locking		2	
9	999 218 015 01	Pan-head screw M 6 X 12 Micro-self-locking		2	
10	911 542 237 00	Plate		2	
11	999 703 345 40	Cap Oval		4	
12	999 703 344 40	Cap Round		2	
13	999 703 366 40	Fastening plug		2	
(14)	911 531 711 02	Joint rubber	/V /L	1	
	911 531 711 02 01C	Satin black			
14	911 531 712 02	Joint rubber	/V /R	1	
	911 531 712 02 01C	Satin black			
(15)	911 531 713 01	Joint rubber	/H /L	1	
	911 531 713 01 01C	Satin black			
15	911 531 714 01	Joint rubber	/H /R	1	
	911 531 714 01 01C	Satin black			

Model: 911 89

Model life 1989>>1994



Model: 911 89 Model life 1989>>1994

Pos	Part Number	Description	Remark	Qty	Model
		Door glass frame			TARGA/CABRIO
(1)	911 542 019 43	Door glass frame	/L	1	SPEEDSTER
	911 542 019 43 70K	Black			TARGA/CABRIO
1	911 542 020 43	Door glass frame	/R	1	TARGA/CABRIO
	911 542 020 43 70K	Black			
2	911 542 505 40	Window guide		1	TARGA/CABRIO
3	900 056 003 20	Rivet		4	TARGA/CABRIO
(4)	911 542 065 41	Frame connection	/L	1	TARGA/CABRIO
4	911 542 066 41	Frame connection	/R	1	TARGA/CABRIO
5	900 270 050 07	Countersunk-head screw		4	TARGA/CABRIO
		M 5 X 8			
5	900 270 051 00	Rais. counters. h. tap. s.		4	TARGA/CABRIO
		M 4 X 8			
5	900 270 051 0A	Rais. counters. h. tap. s.		4	TARGA/CABRIO
		M 4 X 8			
(6)	911 531 711 41	Joint rubber	/L	1	TARGA/CABRIO
	911 531 711 41 01C	Satin black			
6	911 531 712 41	Joint rubber	/R	1	TARGA/CABRIO
	911 531 712 41 01C	Satin black			
7	911 542 236 40	Plate		2	TARGA/CABRIO
8	999 218 015 02	Pan-head screw		4	TARGA/CABRIO
		M 6 X 12			
8	999 218 015 01	Pan-head screw		4	TARGA/CABRIO
		M 6 X 12			
9	999 703 345 40	Cap		4	
		Oval			
10	911 542 061 00	Retaining bracket		2	TARGA/CABRIO
11	N 011 666 7	Washer		2	TARGA/CABRIO
		A 6,4			
12	N 012 006 4	Lock ring		2	TARGA/CABRIO
13	999 218 015 02	Pan-head screw		2	TARGA/CABRIO
13	999 218 015 01	Pan-head screw		2	TARGA/CABRIO
14	901 542 252 20	Desk pad		2	TARGA/CABRIO
14	901 542 252 25	Desk pad		2	TARGA/CABRIO
14A	900 151 026 02	Washer		2	TARGA/CABRIO
		B 10,5			
14A	900 151 050 01	Washer		2	TARGA/CABRIO
		B 10,5			
(15)	999 218 015 02	Pan-head screw		2	TARGA/CABRIO
		M 6 X 12			
(15)	999 218 015 01	Pan-head screw		2	TARGA/CABRIO
		M 6 X 12			
15	999 218 016 02	Combination screw		2	TARGA/CABRIO
		M 6 X 16			
15	999 218 016 01	Combination screw		2	TARGA/CABRIO
		M 6 X 16			
16	911 542 237 40	Plate		2	TARGA/CABRIO
17	900 119 035 02	Pan-head screw		4	TARGA/CABRIO
		M 6 X 8			
(18)	964 542 035 40	Window guide rail	/L	1	TARGA/CABRIO
	964 542 035 40 70K	Black			
18	964 542 036 40	Window guide rail	/R	1	TARGA/CABRIO
	964 542 036 40 70K	Black			
19	N 011 550 1	Washer		2	TARGA/CABRIO
		A 6,5			
20	900 119 035 02	Pan-head screw		2	TARGA/CABRIO
		M 6 X 8			
21	999 703 344 40	Cap		2	
		Round			
(22)	911 542 035 42	Window guide rail	/L	1	SPEEDSTER
22	911 542 036 42	Window guide rail	/R	1	SPEEDSTER
23	900 067 287 02	Combination screw		4	SPEEDSTER

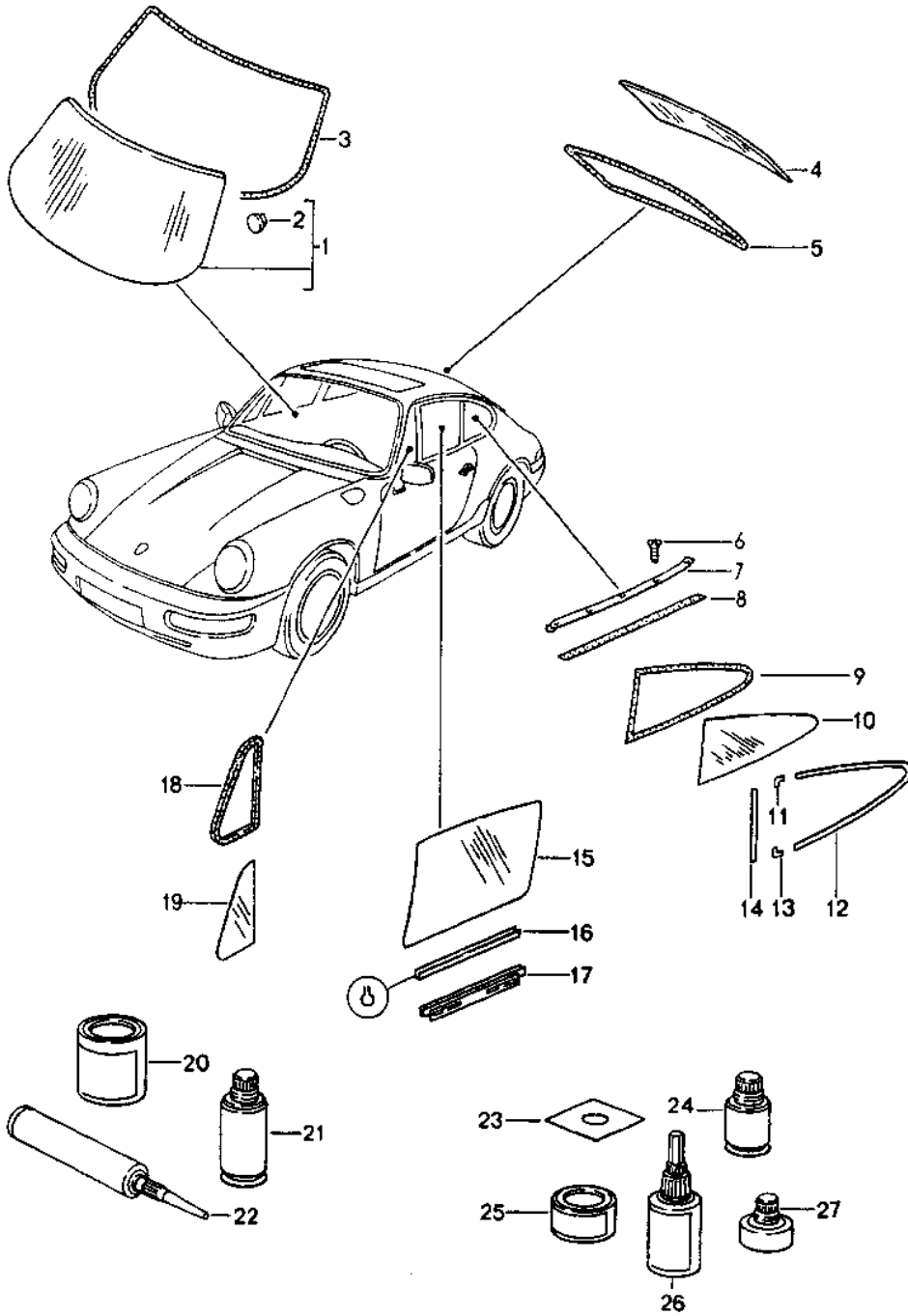
Model: 911 89

Model life 1989>>1994

Pos	Part Number	Description	Remark	Qty	Model
(24)	964 542 245 00	M 6 X 12 Window guide rail	/L	1	SPEEDSTER
24	964 542 246 00	Window guide rail	/R	1	SPEEDSTER
25	900 067 240 02	Combination screw M 6 X 12		4	SPEEDSTER
26	900 067 287 02	Combination screw M 6 X 12		2	SPEEDSTER
27	911 542 537 00	Retaining bracket		2	SPEEDSTER

Model: 911 89

Model life 1989>>1994



Model: 911 89 Model life 1989>>1994

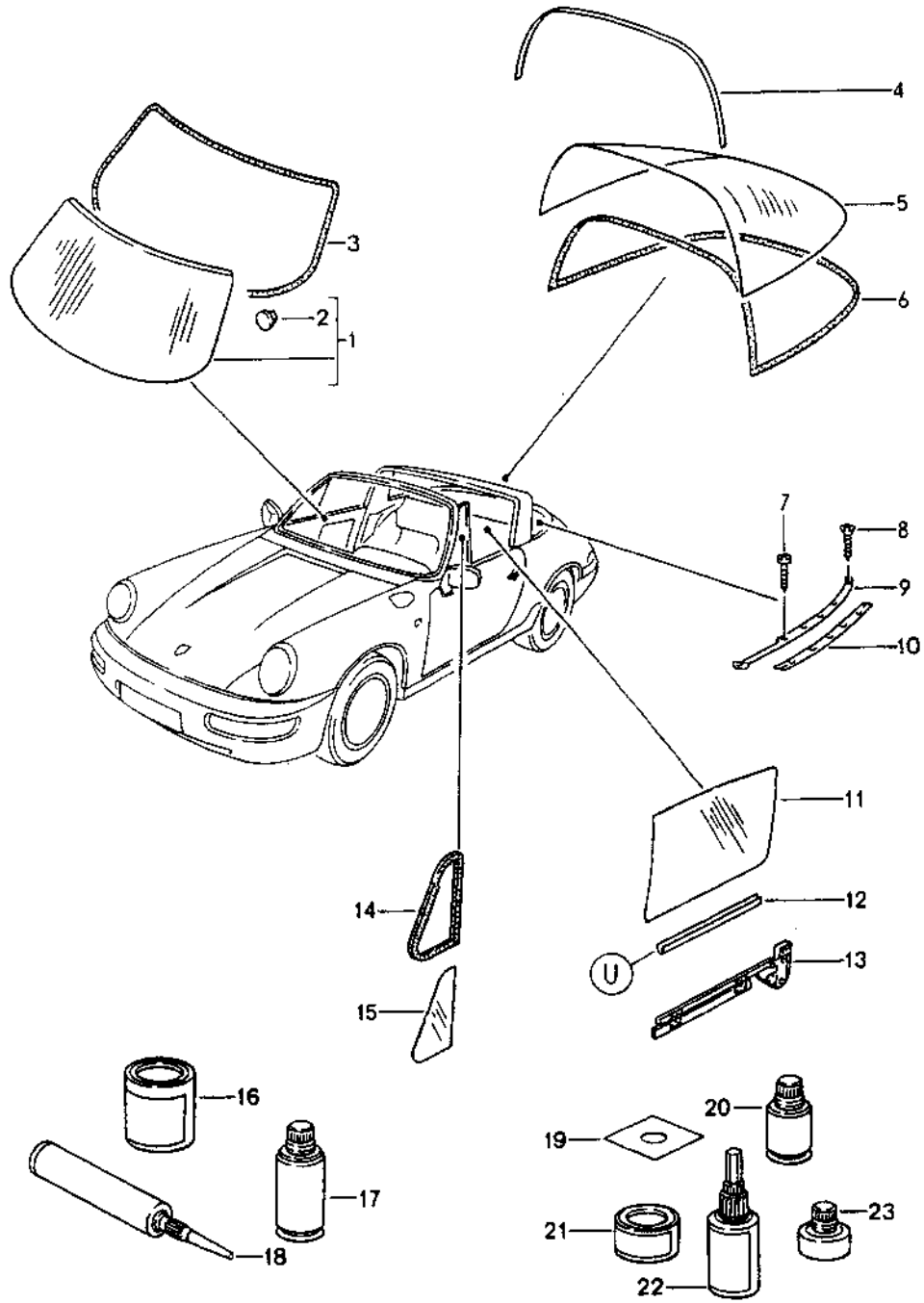
Pos	Part Number	Description	Remark	Qty	Model
1	964 541 011 00	window glazing Windscreen Tinted		1	COUPE
1	964 541 011 09	Windscreen Tinted		1	
1	964 541 011 01	Windscreen Tinted Green top tint		1	
1	964 541 011 10	Windscreen Tinted Green top tint		1	
1	964 541 011 02	Windscreen Clear		1	
1	964 541 011 11	Windscreen Clear		1	
-	911 541 112 02	Film for stickers Self-destroying for Windscreen Sekuriflex	-90	1	
2	477 845 043	Retainer plate		1	
3	964 541 225 00	Sealing frame		1	
4	964 545 107 04	Rear window		1	C.2/4 C.RS M002
4	964 545 107 05	Rear window with Brake light Raised		1	C.2/4 C.RS M002
4	964 545 107 06	Rear window with Rear window wiper		1	CARRERA 2/4 TURBO
4	964 545 107 07	Rear window with Rear window wiper And Brake light Raised		1	CARRERA 2/4 TURBO
4	964 545 107 08	Rear window		1	CARRERA RS
4	964 545 107 10	Rear window		1	CARRERA RS
5	964 545 225 00	Sealing frame		1	
6	900 144 017 07	Tapping screw B 2,9 X 13		10	
7	911 543 195 02	Moulding	/L	1	
	911 543 195 02 70K	Black			
(7)	911 543 196 02	Moulding	/R	1	
	911 543 196 02 70K	Black			
8	000 043 129 00	Sealing strap Roll with 10 meters		X	
9	964 543 035 00	Sealing frame	/L	1	
9	964 543 035 02	Sealing frame	/L	1	
(9)	964 543 036 00	Sealing frame	/R	1	
(9)	964 543 036 02	Sealing frame	/R	1	
10	964 543 101 00	Rear window	/L	1	
(10)	964 543 102 00	Rear window	/R	1	
11	911 543 187 02	Covering plate		2	
12	911 543 419 01	Moulding	/L	1	
12	911 543 419 02	Moulding for	/L	1	
	911 543 419 02 70K	Black			
(12)	911 543 420 01	Moulding	/R	1	
13	911 543 185 02	Covering plate		2	

Model: 911 89 Model life 1989>>1994

Pos	Part Number	Description	Remark	Qty	Model
13		Covering plate for Lower		2	
	911 543 185 02 70K	Black			
14	964 543 197 00	Trim frame-half	/L	1	
	964 543 197 00 70K	Black			
14	911 543 197 02	Trim frame-half	/L	1	
	911 543 197 02 70K	Black			
(14)	964 543 198 00	Trim frame-half	/R	1	
	964 543 198 00 70K	Black			
15	901 542 101 35	Side window	/L	1	C.2/4 C.RS M002 TURBO
(15)	901 542 102 35	Side window	/R	1	C.2/4 C.RS M002 TURBO
(15)	959 542 101 01	Door window glass	/L	1	CARRERA RS
(15)	959 542 101 02	Door window glass	/L	1	CARRERA RS
(15)	959 542 102 01	Door window glass	/R	1	CARRERA RS
(15)	959 542 102 02	Door window glass	/R	1	CARRERA RS
16	911 542 491 40	Rubber ply		2	C.2/4 C.RS M002 TURBO
(16)	959 542 491 00	Rubber ply		2	CARRERA RS
17	911 542 057 00	Window lifter rail	/L	1	
(17)	911 542 058 00	Window lifter rail	/R	1	
18	901 542 921 21	Sealing frame	/L	1	
(18)	901 542 922 21	Sealing frame	/R	1	
19	911 542 511 00	Side window	/L	1	C.2/4 C.RS M002 TURBO
(19)	911 542 512 00	Side window	/R	1	C.2/4 C.RS M002 TURBO
(19)	959 542 501 00	Side window	/L	1	CARRERA RS
(19)	959 542 502 00	Side window	/R	1	CARRERA RS
		Adhesive for window glazing			
20	000 043 158 00	Primer		X	
		PRIMER			
21	999 915 478 40	Cleaning agent		X	
		400 ML			
22	000 043 204 82	Adhesive		X	
		Adhesive for Interior mirror			
		See technical information			
		GR.6 NR.5/91			
23	000 043 177 00	Cover foil		1	
24	000 043 157 00	Cleaning agent		X	
25	000 043 158 00	Primer		X	
		PRIMER			
26	000 043 051 00	Loctite		X	
27	000 043 202 65	Loctite		X	
		Activator			

Model: 911 89

Model life 1989>>1994



Model: 911 89 Model life 1989>>1994

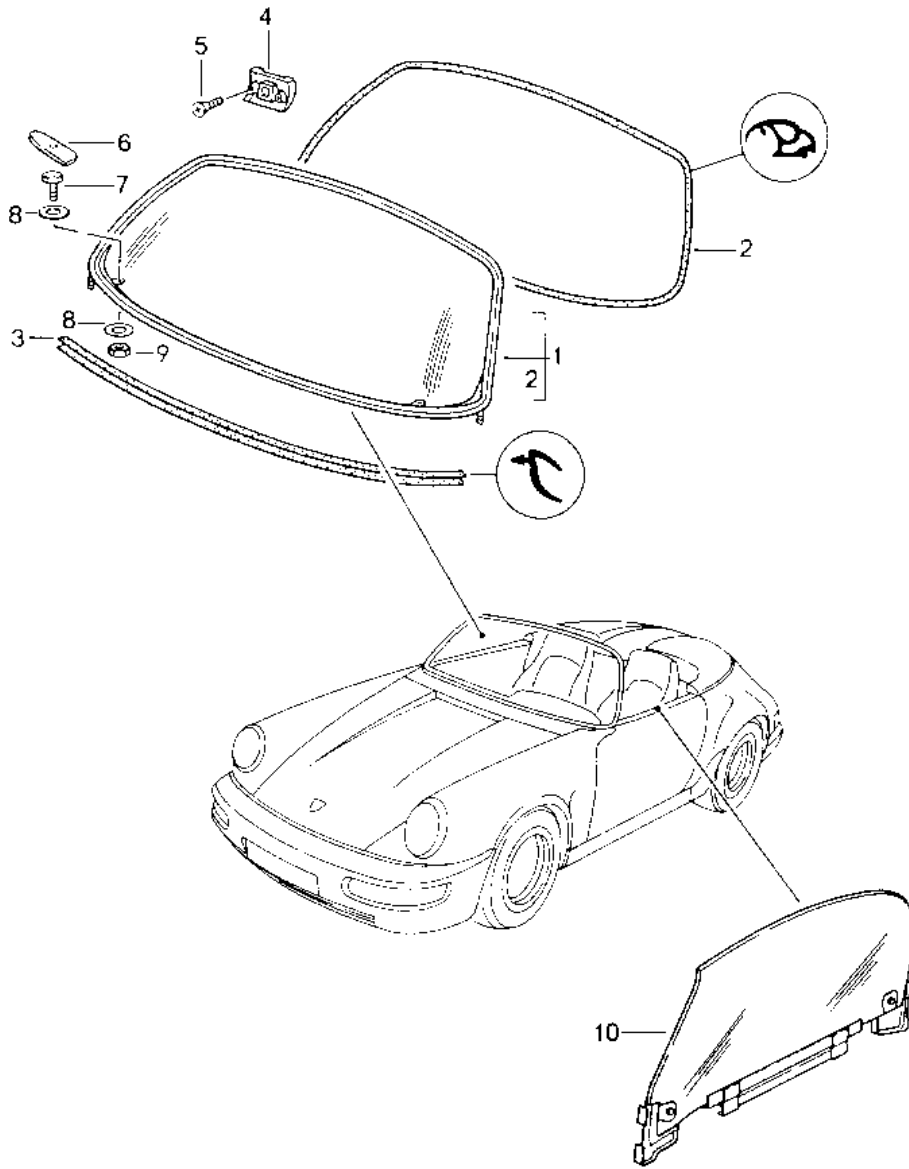
Pos	Part Number	Description	Remark	Qty	Model
1	964 541 011 00	window glazing Windscreen Tinted		1	TARGA/CABRIO
1	964 541 011 09	Windscreen Tinted		1	
1	964 541 011 01	Windscreen Tinted Green top tint		1	
1	964 541 011 10	Windscreen Tinted Green top tint		1	
1	964 541 011 02	Windscreen Clear		1	
1	964 541 011 11	Windscreen Clear		1	
1	964 541 011 00	Windscreen Tinted Sekuriflex	90	1	
1	964 541 011 09	Windscreen Tinted Sekuriflex	90-	1	
1	964 541 011 01	Windscreen Tinted Green top tint Sekuriflex	90	1	
1	964 541 011 10	Windscreen Tinted Green top tint	90-	1	
1	964 541 011 02	Windscreen Clear Sekuriflex	90	1	
1	964 541 011 11	Windscreen Clear Sekuriflex	90-	1	
-	911 541 112 02	Film for stickers for Windscreen Sekuriflex Self-destroying	90	1	
2	477 845 043	Retainer plate		1	
3	964 541 225 00	Sealing frame		1	
4	964 504 765 40	Gasket		1	TARGA
5	964 545 107 40	Rear window		1	TARGA
5	964 545 107 44	Rear window		1	TARGA
5	964 545 107 41	Rear window with Brake light Raised		1	TARGA
5	964 545 107 42	Rear window with Rear window wiper		1	TARGA
5	964 545 107 43	Rear window with Rear window wiper And Brake light Raised		1	TARGA
6	964 545 052 40	Sealing frame		1	TARGA
6	964 545 052 41	Sealing frame		1	TARGA
7	900 144 009 00	Counters. head tapp. screw B 2,9 X 13		2	TARGA
8	N 013 957 5	Oval-head sheetmetal screw B 3,5 X 9,5		8	TARGA

Model: 911 89 Model life 1989>>1994

Pos	Part Number	Description	Remark	Qty	Model
9	964 559 595 40	Moulding	/L	1	TARGA
	964 559 595 40 70K	Black			
(9)	964 559 596 40	Moulding	/R	1	TARGA
	964 559 596 40 70K	Black			
10	901 565 557 40	Piping		2	TARGA
11	911 542 101 45	Door window glass	/L	1	
(11)	911 542 102 45	Door window glass	/R	1	
12	911 542 491 40	Rubber ply		2	
13	911 542 057 42	Window lifter rail	/L	1	
(13)	911 542 058 42	Window lifter rail	/R	1	
14	911 799 542 85	Sealing frame		2	
15	911 542 503 41	Side window	/L	1	
(15)	911 542 504 41	Side window	/R	1	
		Adhesive for window glazing			
16	000 043 158 00	Primer PRIMER		X	
17	999 915 478 40	Cleaning agent 400 ML		X	
18	000 043 204 82	Adhesive Adhesive for Interior mirror See technical information GR.6 NR.5/91		X	
19	000 043 177 00	Cover foil		1	
20	000 043 157 00	Cleaning agent		X	
21	000 043 158 00	Primer PRIMER		X	
22	000 043 051 00	Loctite		X	
23	000 043 202 65	Loctite Activator		X	

Model: 911 89

Model life 1989>>1994

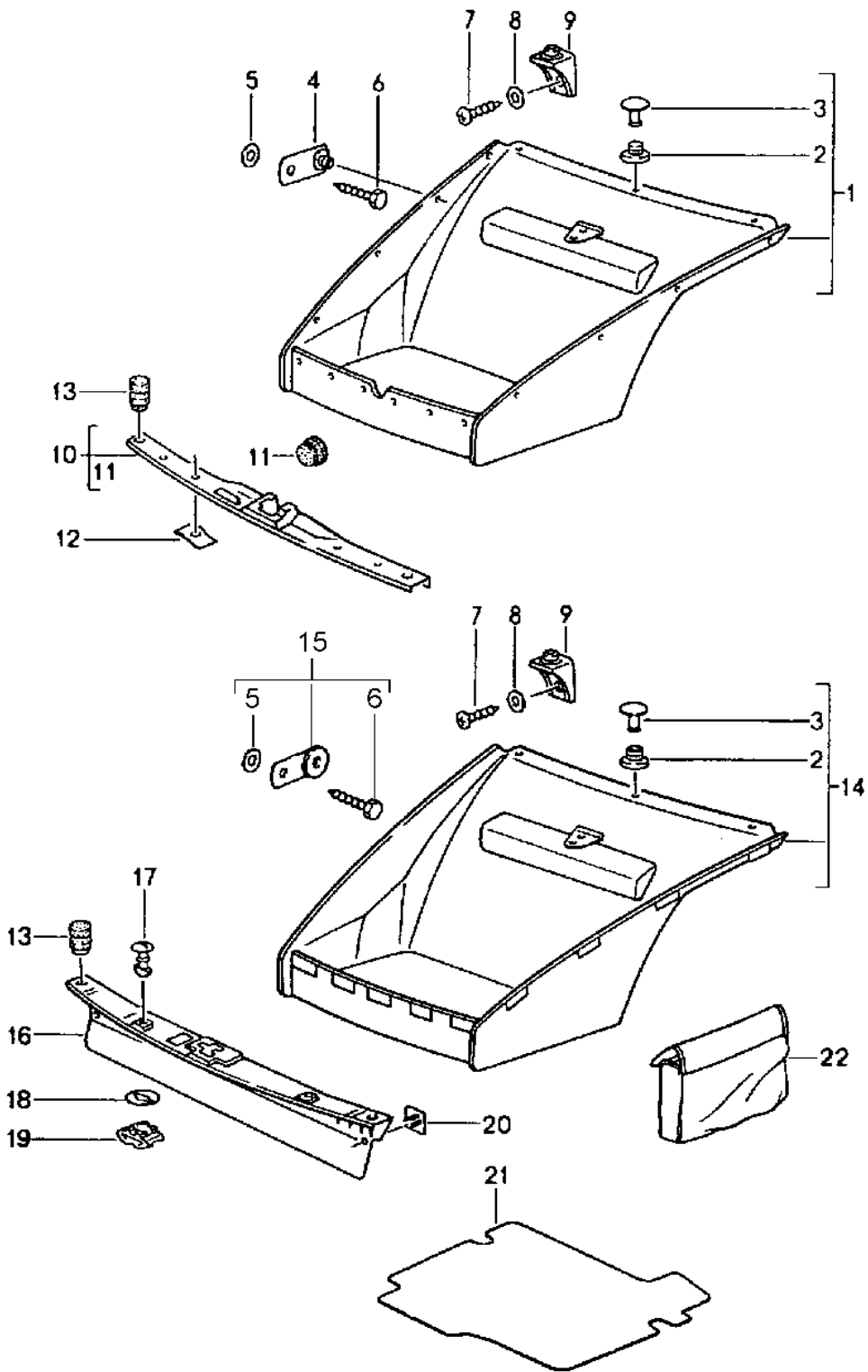


Model: 911 89 Model life 1989>>1994

Pos	Part Number	Description	Remark	Qty	Model
1	964 541 905 00	window glazing Windscreen frame part with Windscreen Tinted		1	SPEEDSTER
-	964 541 011 06	Windscreen Tinted		1	
1	964 541 905 01	Windscreen frame part with Windscreen Clear		1	
2	964 541 321 00	Gasket		1	
3	964 541 343 00	Gasket		1	
(4)	911 561 729 04	Gate guide	/L	1	
	911 561 729 04 01C	Satin black			
4	911 561 730 04	Gate guide	/R	1	
	911 561 730 04 01C	Satin black			
5	900 270 009 02	Countersunk-head screw M 4 X 8		4	
(6)	964 552 581 00	Cover	/L	1	
	964 552 581 00 70C	Rally black			
6	964 552 582 00	Cover	/R	1	
	964 552 582 00 70C	Rally black			
7	900 075 040 02	Hexagon-head bolt M 10 X 20		2	
7	900 075 517 01	Hexagon-head bolt M 10 X 20		2	
8	900 025 008 09	Washer A 10,5 X 21 X 2		4	
8	900 025 008 04	Washer A 10,5 X 21 X 2		4	
9	N 011 010 6	Hexagon nut M 10		2	
9	N 101 552 10	Hexagon nut M 10		2	
10	964 542 011 00	Door window glass Tinted	/L	1	
(10)	964 542 012 00	Door window glass Tinted	/R	1	

Model: 911 89

Model life 1989>>1994



Model: 911 89 Model life 1989>>1994

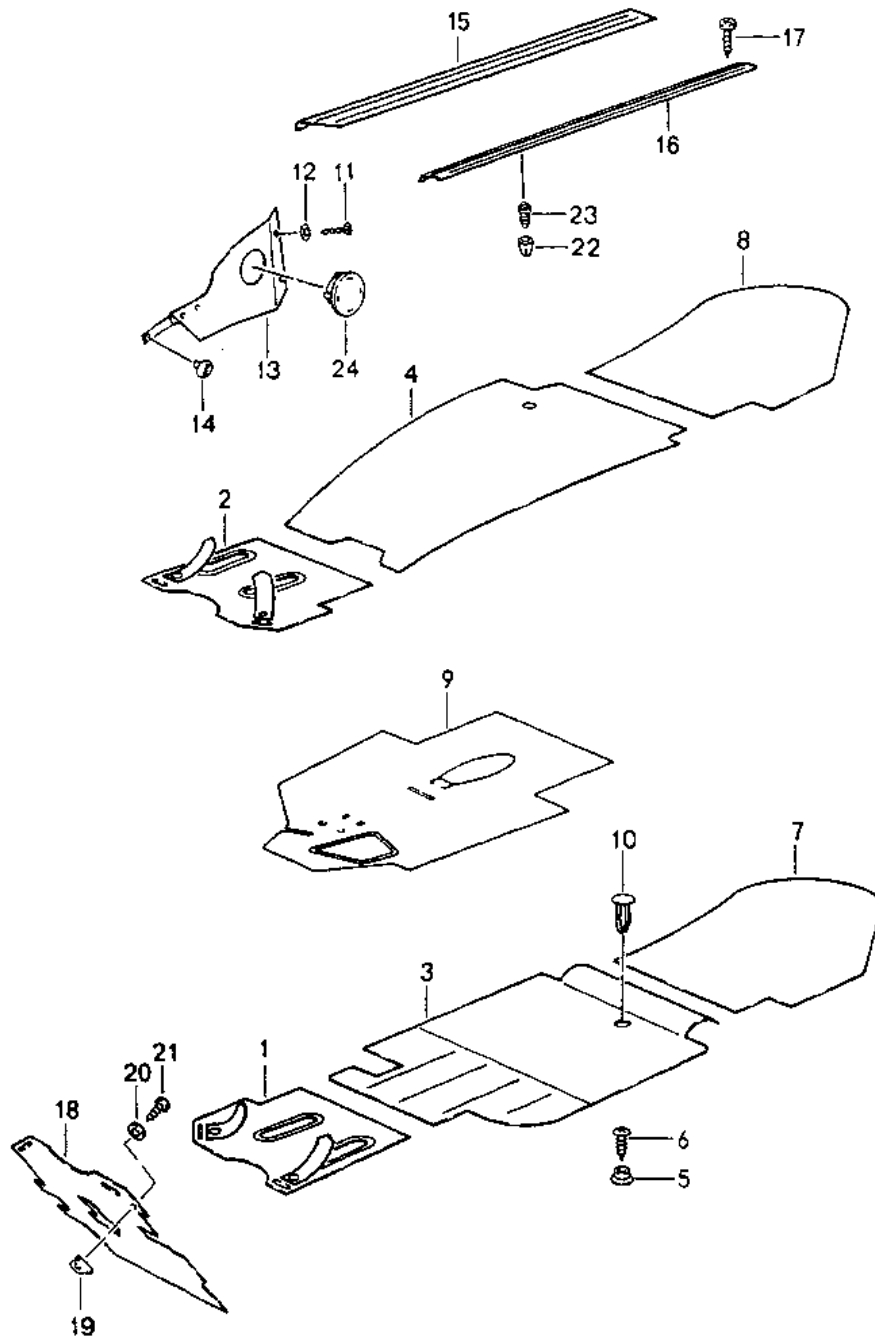
Pos	Part Number	Description	Remark	Qty	Model
(1)	964 551 067 01	Interior equipment FRONT luggage compartment Front-compartment carpet for cars with Push button Carpet	/LL -91	1	M286
(1)	964 551 067 01 5FV 964 551 067 03	Black Front-compartment carpet for cars with Push button Carpet	/RL -91	1	M286
1	964 551 067 03 5FV 964 551 067 04	Black Front-compartment carpet for cars with Push button Carpet		1	CARRERA 2/4 TURBO CARRERA RS M002 TURBO-LOOK
2	964 551 067 04 5FV 999 591 836 17	Black Push button		12	
3	999 591 838 17	Push button		12	
4	911 503 075 00	Desk pad		8	
5	999 704 157 40	Washer 5,5 X 18 X 1,5		8	
6	900 187 010 02	Hexagon-head tapping screw BZ 6,3 X 19		8	
6	900 187 010 03	Hexagon-head tapping screw BZ 6,3 X 19		8	
7	N 013 957 5	Oval-head sheetmetal screw B 3,5 X 9,5		1	
8	944 503 255 00	Spacer		1	
9	964 624 033 00	Retaining bracket		1	
10	964 555 085 00	Cover		1	
11	999 922 003 00	Stopper		2	
12	999 507 254 02	Clamping washer		4	
12	999 507 254 0C	Clamping washer		4	
13	999 703 036 50	Rubber stop		2	
(14)	964 551 067 14	Front-compartment carpet for cars with Transverse strut And Velcro fastener Carpet		1	TURBO 3,6
14	964 551 067 14 5FV 964 551 067 08	Black Front-compartment carpet for cars with Velcro fastener Carpet		1	CARRERA 2/4 TURBO CARRERA RS M002 TURBO-LOOK
(14)	964 551 067 08 5FV 964 551 067 15	Black Front-compartment carpet for cars with Transverse strut And Velcro fastener And CD player Carpet		1	TURBO 3,6 M692
(14)	964 551 067 15 5FV 964 551 067 10	Black Front-compartment carpet		1	CARRERA 2/4

Model: 911 89 Model life 1989>>1994

Pos	Part Number	Description	Remark	Qty	Model
		for cars with Velcro fastener And CD player Carpet			TURBO TURBO-LOOK
(14)	964 551 067 10 5FV 964 551 067 12	Black Front-compartment carpet for cars with Velcro fastener Carpet		1	M545
15	964 551 067 12 5FV	Black			
15	964 503 375 00	Desk pad		8	
15	964 503 901 00	Desk pad		8	
16	964 555 585 00	Cover		1	
(16)	964 555 585 00 01C 964 555 085 01	Black Cover		1	
17	999 507 381 40	Catch 13,5		2	
18	999 591 483 40	Lock washer 5 X 20,3 X 1,5		2	
19	999 507 382 40	Locking cam 5		2	
20	999 902 019 40	Velcro fastener 26,15 X 26,15		5	
-	999 591 473 01	Speed nut		5	
21	964 551 067 13	Boot floor carpet Carpet	/LL 92	1	CARRERA RS
(21)	964 551 067 13 5FV 964 551 067 07	Black Boot floor carpet Carpet	/RL 92	1	CARRERA RS
22	964 551 067 07 5FV 964 555 673 00	Black Lining CD changer	92-	1	M327/692
	964 555 673 00 5FV	Black			

Model: 911 89

Model life 1989>>1994



Model: 911 89

Model life 1989>>1994

Pos	Part Number	Description	Remark	Qty	Model
1	964 551 015 00	Linings Footwell Detachable carpets Floorboard carpet Carpet	/LL /L	1	M481
	964 551 015 00 5FV	Black			
	964 551 015 00 5MF	Mahogany	-90		
	964 551 015 00 4KV	Marine blue			
	964 551 015 00 8MD	Burgundy	-90		
	964 551 015 00 9MT	Velvet red	-90		
	964 551 015 00 2XF	Linen	-90		
	964 551 015 00 8UT	Cashmere beige			
	964 551 015 00 5UM	Caramel	-90		
	964 551 015 00 7VT	Silk grey	-90		
	964 551 015 00 3KM	Venetian blue	-90		
	964 551 015 00 3WT	Slate grey	-90		
	964 551 015 00 6YR	Light grey	91-		
	964 551 015 00 4XR	Classic grey	91-		
	964 551 015 00 4ZN	Cobalt blue	91-		
	964 551 015 00 8WZ	Magenta	91-		
	964 551 015 00 J23	Sherwood green	91-		
	964 551 015 00 D13	Carrara grey	91-		
	964 551 015 00 M33	Matador red	91-		
	964 551 015 00 M10	Rhodamine	92		
	964 551 015 00 K20	Wimbledon green	92		
	964 551 015 00 D50	Florentine grey	92		
	964 551 015 00 8AS	Rubicon grey	93		
(1)	964 551 015 01	Floorboard carpet Carpet	/LL /L	1	M249
	964 551 015 01 5FV	Black			
	964 551 015 01 5MF	Mahogany	-90		
	964 551 015 01 4KV	Marine blue			
	964 551 015 01 8MD	Burgundy	-90		
	964 551 015 01 9MT	Velvet red	-90		
	964 551 015 01 2XF	Linen	-90		
	964 551 015 01 8UT	Cashmere beige			
	964 551 015 01 5UM	Caramel	-90		
	964 551 015 01 7VT	Silk grey	-90		
	964 551 015 01 3KM	Venetian blue	-90		
	964 551 015 01 3WT	Slate grey	-90		
	964 551 015 01 6YR	Light grey	91-		
	964 551 015 01 4XR	Classic grey	91-		
	964 551 015 01 4ZN	Cobalt blue	91-		
	964 551 015 01 8WZ	Magenta	91-		
	964 551 015 01 J23	Sherwood green	91-		
	964 551 015 01 D13	Carrara grey	91-		
	964 551 015 01 M33	Matador red	91-		
	964 551 015 01 M10	Rhodamine	92		
	964 551 015 01 K20	Wimbledon green	92		
	964 551 015 01 D50	Florentine grey	92		
	964 551 015 01 8AS	Rubicon grey	93		
2	964 551 016 00	Floorboard carpet Carpet for cars without Foot support Left Pedal floor board	/RL /R	1	M481
	964 551 016 00 5FV	Black			
	964 551 016 00 5MF	Mahogany	-90		
	964 551 016 00 4KV	Marine blue			
	964 551 016 00 8MD	Burgundy	-90		
	964 551 016 00 9MT	Velvet red	-90		
	964 551 016 00 2XF	Linen	-90		

Model: 911 89 Model life 1989>>1994

Pos	Part Number	Description	Remark	Qty	Model
	964 551 016 00 8UT	Cashmere beige			
	964 551 016 00 5UM	Caramel	-90		
	964 551 016 00 7VT	Silk grey	-90		
	964 551 016 00 3KM	Venetian blue	-90		
	964 551 016 00 3WT	Slate grey	-90		
	964 551 016 00 6YR	Light grey	91		
	964 551 016 00 4XR	Classic grey	91		
	964 551 016 00 4ZN	Cobalt blue	91		
	964 551 016 00 8WZ	Magenta	91		
	964 551 016 00 J23	Sherwood green	91		
	964 551 016 00 D13	Carrara grey	91		
	964 551 016 00 M33	Matador red	91		
(2)	964 551 016 01	Floorboard carpet Carpet	/RL /R -91	1	M249
	964 551 016 01 5FV	Black			
	964 551 016 01 5MF	Mahogany	-90		
	964 551 016 01 4KV	Marine blue			
	964 551 016 01 8MD	Burgundy	-90		
	964 551 016 01 9MT	Velvet red	-90		
	964 551 016 01 2XF	Linen	-90		
	964 551 016 01 8UT	Cashmere beige			
	964 551 016 01 5UM	Caramel	-90		
	964 551 016 01 7VT	Silk grey	-90		
	964 551 016 01 3KM	Venetian blue	-90		
	964 551 016 01 3WT	Slate grey	-90		
	964 551 016 01 6YR	Light grey	91		
	964 551 016 01 4XR	Classic grey	91		
	964 551 016 01 4ZN	Cobalt blue	91		
	964 551 016 01 8WZ	Magenta	91		
	964 551 016 01 J23	Sherwood green	91		
	964 551 016 01 D13	Carrara grey	91		
	964 551 016 01 M33	Matador red	91		
(2)	964 551 016 02	Floorboard carpet Carpet for cars with Foot support Left Pedal floor board	/RL /R	1	M481
	964 551 016 02 5FV	Black			
	964 551 016 02 4KV	Marine blue			
	964 551 016 02 8UT	Cashmere beige			
	964 551 016 02 6YR	Light grey			
	964 551 016 02 4XR	Classic grey			
	964 551 016 02 4ZN	Cobalt blue			
	964 551 016 02 8WZ	Magenta			
	964 551 016 02 J23	Sherwood green			
	964 551 016 02 D13	Carrara grey			
	964 551 016 02 M33	Matador red			
	964 551 016 02 M10	Rhodamine	92		
	964 551 016 02 K20	Wimbleton green	92		
	964 551 016 02 D50	Florentine grey	92		
	964 551 016 02 8AS	Rubicon grey	93		
(2)	965 551 016 00	Floorboard carpet Carpet	/RL /R	1	TURBO 3,6 M481
	965 551 016 00 5FV	Black			
	965 551 016 00 4KV	Marine blue			
	965 551 016 00 8UT	Cashmere beige			
	965 551 016 00 6YR	Light grey			
	965 551 016 00 4XR	Classic grey			
	965 551 016 00 4ZN	Cobalt blue			
	965 551 016 00 8WZ	Magenta			
	965 551 016 00 J23	Sherwood green			

Model: 911 89 Model life 1989>>1994

Pos	Part Number	Description	Remark	Qty	Model
	965 551 016 00 D13	Carrara grey			
	965 551 016 00 M33	Matador red			
	965 551 016 00 M10	Rhodamine	92		
	965 551 016 00 K20	Wimbledon green	92		
	965 551 016 00 D50	Florentine grey	92		
	965 551 016 00 8AS	Rubicon grey	93		
(2)	964 551 016 01	Floorboard carpet	/RL /R 92-	1	M249
		Carpet			
	964 551 016 01 5FV	Black			
	964 551 016 01 4KV	Marine blue			
	964 551 016 01 8UT	Cashmere beige			
	964 551 016 01 6YR	Light grey			
	964 551 016 01 4XR	Classic grey			
	964 551 016 01 4ZN	Cobalt blue			
	964 551 016 01 8WZ	Magenta			
	964 551 016 01 J23	Sherwood green			
	964 551 016 01 D13	Carrara grey			
	964 551 016 01 M33	Matador red			
	964 551 016 01 M10	Rhodamine	92		
	964 551 016 01 K20	Wimbledon green	92		
	964 551 016 01 D50	Florentine grey	92		
	964 551 016 01 8AS	Rubicon grey	93		
3	964 551 021 00	Carpet	/LL /L	1	M481
		Airbag			
		Carpet			
	964 551 021 00 5FV	Black			
	964 551 021 00 5MF	Mahogany	-90		
	964 551 021 00 4KV	Marine blue			
	964 551 021 00 8MD	Burgundy	-90		
	964 551 021 00 2XF	Linen	-90		
	964 551 021 00 8UT	Cashmere beige			
	964 551 021 00 7VT	Silk grey	-90		
	964 551 021 00 9MT	Velvet red	-90		
	964 551 021 00 3WT	Slate grey	-90		
	964 551 021 00 5UM	Caramel	-90		
	964 551 021 00 3KM	Venetian blue	-90		
	964 551 021 00 4XR	Classic grey	91-		
	964 551 021 00 4ZN	Cobalt blue	91-		
	964 551 021 00 8WZ	Magenta	91-		
	964 551 021 00 6YR	Light grey	91-		
	964 551 021 00 M33	Matador red	91-		
	964 551 021 00 D13	Carrara grey	91-		
	964 551 021 00 J23	Sherwood green	91-		
	964 551 021 00 M10	Rhodamine	92		
	964 551 021 00 K20	Wimbledon green	92		
	964 551 021 00 D50	Florentine grey	92		
	964 551 021 00 8AS	Rubicon grey	93		
(3)	964 551 021 01	Carpet	/LL /L	1	M249
		Airbag			
		Carpet			
	964 551 021 01 5FV	Black			
	964 551 021 01 5MF	Mahogany	-90		
	964 551 021 01 4KV	Marine blue			
	964 551 021 01 8MD	Burgundy	-90		
	964 551 021 01 2XF	Linen	-90		
	964 551 021 01 8UT	Cashmere beige			
	964 551 021 01 7VT	Silk grey	-90		
	964 551 021 01 9MT	Velvet red	-90		
	964 551 021 01 3WT	Slate grey	-90		
	964 551 021 01 5UM	Caramel	-90		
	964 551 021 01 3KM	Venetian blue	-90		
	964 551 021 01 4XR	Classic grey	91-		
	964 551 021 01 4ZN	Cobalt blue	91-		

Model: 911 89 Model life 1989>>1994

Pos	Part Number	Description	Remark	Qty	Model
	964 551 021 01 8WZ	Magenta	91-		
	964 551 021 01 6YR	Light grey	91-		
	964 551 021 01 M33	Matador red	91-		
	964 551 021 01 D13	Carrara grey	91-		
	964 551 021 01 J23	Sherwood green	91-		
	964 551 021 01 M10	Rhodamine	92		
	964 551 021 01 K20	Wimbledon green	92		
	964 551 021 01 D50	Florentine grey	92		
	964 551 021 01 8AS	Rubicon grey	93		
(3)	964 551 011 00	Carpet	/RL /L	1	M481
		Airbag			
		Carpet			
	964 551 011 00 5FV	Black			
	964 551 011 00 5MF	Mahogany	-90		
	964 551 011 00 4KV	Marine blue			
	964 551 011 00 8MD	Burgundy	-90		
	964 551 011 00 2XF	Linen	-90		
	964 551 011 00 8UT	Cashmere beige			
	964 551 011 00 7VT	Silk grey	-90		
	964 551 011 00 9MT	Velvet red	-90		
	964 551 011 00 3WT	Slate grey	-90		
	964 551 011 00 5UM	Caramel	-90		
	964 551 011 00 3KM	Venetian blue	-90		
	964 551 011 00 4XR	Classic grey	91-		
	964 551 011 00 4ZN	Cobalt blue	91-		
	964 551 011 00 8WZ	Magenta	91-		
	964 551 011 00 6YR	Light grey	91-		
	964 551 011 00 M33	Matador red	91-		
	964 551 011 00 D13	Carrara grey	91-		
	964 551 011 00 J23	Sherwood green	91-		
	964 551 011 00 M10	Rhodamine	92		
	964 551 011 00 K20	Wimbledon green	92		
	964 551 011 00 D50	Florentine grey	92		
	964 551 011 00 8AS	Rubicon grey			
(3)	964 551 011 01	Carpet	/RL /L	1	M249
		Airbag			
		Carpet			
	964 551 011 01 5FV	Black			
	964 551 011 01 5MF	Mahogany	-90		
	964 551 011 01 4KV	Marine blue			
	964 551 011 01 8MD	Burgundy	-90		
	964 551 011 01 2XF	Linen	-90		
	964 551 011 01 8UT	Cashmere beige			
	964 551 011 01 7VT	Silk grey	-90		
	964 551 011 01 9MT	Velvet red	-90		
	964 551 011 01 3WT	Slate grey	-90		
	964 551 011 01 5UM	Caramel	-90		
	964 551 011 01 3KM	Venetian blue	-90		
	964 551 011 01 4XR	Classic grey	91-		
	964 551 011 01 4ZN	Cobalt blue	91-		
	964 551 011 01 8WZ	Magenta	91-		
	964 551 011 01 6YR	Light grey	91-		
	964 551 011 01 M33	Matador red	91-		
	964 551 011 01 D13	Carrara grey	91-		
	964 551 011 01 J23	Sherwood green	91-		
	964 551 011 01 M10	Rhodamine	92		
	964 551 011 01 K20	Wimbledon green	92		
	964 551 011 01 D50	Florentine grey	92		
	964 551 011 01 8AS	Rubicon grey			
(3)	964 551 011 02	Carpet	/RL /L	1	M481
		Airbag			
		Carpet			
	964 551 011 02 5FV	Black			

Model: 911 89 Model life 1989>>1994

Pos	Part Number	Description	Remark	Qty	Model
	964 551 011 02 5MF	Mahogany	-90		
	964 551 011 02 4KV	Marine blue			
	964 551 011 02 8MD	Burgundy	-90		
	964 551 011 02 2XF	Linen	-90		
	964 551 011 02 8UT	Cashmere beige			
	964 551 011 02 7VT	Silk grey	-90		
	964 551 011 02 9MT	Velvet red	-90		
	964 551 011 02 3WT	Slate grey	-90		
	964 551 011 02 5UM	Caramel	-90		
	964 551 011 02 3KM	Venetian blue	-90		
	964 551 011 02 4XR	Classic grey			
	964 551 011 02 4ZN	Cobalt blue			
	964 551 011 02 8WZ	Magenta			
	964 551 011 02 6YR	Light grey			
	964 551 011 02 M33	Matador red			
	964 551 011 02 D13	Carrara grey			
	964 551 011 02 J23	Sherwood green			
	964 551 011 02 M10	Rhodamine			
	964 551 011 02 K20	Wimbledon green			
	964 551 011 02 D50	Florentine grey			
	964 551 011 02 8AS	Rubicon grey	93		
(3)	964 551 011 03	Carpet	/RL /L	1	M249
		Airbag			
		Carpet			
	964 551 011 03 5FV	Black			
	964 551 011 03 5MF	Mahogany	-90		
	964 551 011 03 4KV	Marine blue			
	964 551 011 03 8MD	Burgundy	-90		
	964 551 011 03 2XF	Linen	-90		
	964 551 011 03 8UT	Cashmere beige			
	964 551 011 03 7VT	Silk grey	-90		
	964 551 011 03 9MT	Velvet red	-90		
	964 551 011 03 3WT	Slate grey	-90		
	964 551 011 03 5UM	Caramel	-90		
	964 551 011 03 3KM	Venetian blue	-90		
	964 551 011 03 4XR	Classic grey			
	964 551 011 03 4ZN	Cobalt blue			
	964 551 011 03 8WZ	Magenta			
	964 551 011 03 6YR	Light grey			
	964 551 011 03 M33	Matador red			
	964 551 011 03 D13	Carrara grey			
	964 551 011 03 J23	Sherwood green			
	964 551 011 03 M10	Rhodamine			
	964 551 011 03 K20	Wimbledon green			
	964 551 011 03 D50	Florentine grey			
	964 551 011 03 8AS	Rubicon grey	93		
4	964 551 012 00	Carpet	/LL /R -91	1	
		Carpet			
	964 551 012 00 5FV	Black			
	964 551 012 00 5MF	Mahogany	-90		
	964 551 012 00 4KV	Marine blue			
	964 551 012 00 8MD	Burgundy	-90		
	964 551 012 00 8UT	Cashmere beige			
	964 551 012 00 2XF	Linen	-90		
	964 551 012 00 7VT	Silk grey	-90		
	964 551 012 00 5UM	Caramel	-90		
	964 551 012 00 9MT	Velvet red	-90		
	964 551 012 00 3KM	Venetian blue	-90		
	964 551 012 00 3WT	Slate grey	-90		
	964 551 012 00 4XR	Classic grey	91		
	964 551 012 00 4ZN	Cobalt blue	91		
	964 551 012 00 8WZ	Magenta	91		
	964 551 012 00 6YR	Light grey	91		

Model: 911 89 Model life 1989>>1994

Pos	Part Number	Description	Remark	Qty	Model
(4)	964 551 012 00 M33	Matador red	91	1	M481
	964 551 012 00 D13	Carrara grey	91		
	964 551 012 00 J23	Sherwood green	91		
	964 551 022 00	Carpet	/RL /R		
		Carpet			
		for cars without			
		Foot support			
		Left			
		Pedal floor board			
	964 551 022 00 5FV	Black			
	964 551 022 00 5MF	Mahogany	-90		
	964 551 022 00 4KV	Marine blue			
	964 551 022 00 8MD	Burgundy	-90		
	964 551 022 00 8UT	Cashmere beige			
	964 551 022 00 2XF	Linen	-90		
	964 551 022 00 7VT	Silk grey	-90		
	964 551 022 00 5UM	Caramel	-90		
	964 551 022 00 9MT	Velvet red	-90		
	964 551 022 00 3KM	Venetian blue	-90		
	964 551 022 00 3WT	Slate grey	-90		
964 551 022 00 4XR	Classic grey	91			
964 551 022 00 4ZN	Cobalt blue	91			
964 551 022 00 8WZ	Magenta	91			
964 551 022 00 6YR	Light grey	91			
964 551 022 00 M33	Matador red	91			
964 551 022 00 D13	Carrara grey	91			
964 551 022 00 J23	Sherwood green	91			
(4)	964 551 022 01	Carpet	/RL /R -91	1	M249
		Carpet			
	964 551 022 01 5FV	Black			
	964 551 022 01 5MF	Mahogany	-90		
	964 551 022 01 4KV	Marine blue			
	964 551 022 01 8MD	Burgundy	-90		
	964 551 022 01 8UT	Cashmere beige			
	964 551 022 01 2XF	Linen	-90		
	964 551 022 01 7VT	Silk grey	-90		
	964 551 022 01 5UM	Caramel	-90		
	964 551 022 01 9MT	Velvet red	-90		
	964 551 022 01 3KM	Venetian blue	-90		
	964 551 022 01 3WT	Slate grey	-90		
	964 551 022 01 4XR	Classic grey	91		
	964 551 022 01 4ZN	Cobalt blue	91		
	964 551 022 01 8WZ	Magenta	91		
	964 551 022 01 6YR	Light grey	91		
	964 551 022 01 M33	Matador red	91		
	964 551 022 01 D13	Carrara grey	91		
	964 551 022 01 J23	Sherwood green	91		
4	964 551 012 00	Carpet	/LL /R	1	
		Carpet			
	964 551 012 00 5FV	Black			
	964 551 012 00 4KV	Marine blue			
	964 551 012 00 8UT	Cashmere beige			
	964 551 012 00 4XR	Classic grey			
	964 551 012 00 4ZN	Cobalt blue			
	964 551 012 00 8WZ	Magenta			
	964 551 012 00 6YR	Light grey			
	964 551 012 00 M33	Matador red			
	964 551 012 00 D13	Carrara grey			
	964 551 012 00 J23	Sherwood green			
	964 551 012 00 M10	Rhodamine	92		
	964 551 012 00 K20	Wimbledon green	92		
	964 551 012 00 D50	Florentine grey	92		

Model: 911 89 Model life 1989>>1994

Pos	Part Number	Description	Remark	Qty	Model
(4)	964 551 012 00 8AS	Rubicon grey			
	964 551 012 01	Carpet	/LL /R	1	
		Carpet			
	964 551 012 01 5FV	Black			
	964 551 012 01 4KV	Marine blue			
	964 551 012 01 8UT	Cashmere beige			
	964 551 012 01 4XR	Classic grey			
	964 551 012 01 4ZN	Cobalt blue			
	964 551 012 01 8WZ	Magenta			
	964 551 012 01 6YR	Light grey			
	964 551 012 01 M33	Matador red			
	964 551 012 01 D13	Carrara grey			
	964 551 012 01 J23	Sherwood green			
	964 551 012 01 M10	Rhodamine			
(4)	964 551 012 01 K20	Wimbledon green			
	964 551 012 01 D50	Florentine grey			
	964 551 012 01 8AS	Rubicon grey	93		
	964 551 022 02	Carpet	/RL /R	1	M481
		Carpet			
		for cars with			
		Foot support			
		Left			
		Pedal floor board			
	964 551 022 02 5FV	Black			
	964 551 022 02 4KV	Marine blue			
	964 551 022 02 8UT	Cashmere beige			
	964 551 022 02 4XR	Classic grey			
	964 551 022 02 4ZN	Cobalt blue			
964 551 022 02 8WZ	Magenta				
964 551 022 02 6YR	Light grey				
964 551 022 02 M33	Matador red				
964 551 022 02 D13	Carrara grey				
964 551 022 02 J23	Sherwood green				
964 551 022 02 M10	Rhodamine	92			
964 551 022 02 K20	Wimbledon green	92			
964 551 022 02 D50	Florentine grey	92			
(4)	964 551 022 02 8AS	Rubicon grey	93		
	964 551 022 01	Carpet	/RL /R 92-	1	M249
		Carpet			
	964 551 022 01 5FV	Black			
	964 551 022 01 4KV	Marine blue			
	964 551 022 01 8UT	Cashmere beige			
	964 551 022 01 4XR	Classic grey			
	964 551 022 01 4ZN	Cobalt blue			
	964 551 022 01 8WZ	Magenta			
	964 551 022 01 6YR	Light grey			
	964 551 022 01 M33	Matador red			
	964 551 022 01 D13	Carrara grey			
	964 551 022 01 J23	Sherwood green			
	964 551 022 01 M10	Rhodamine	92		
964 551 022 01 K20	Wimbledon green	92			
964 551 022 01 D50	Florentine grey	92			
964 551 022 01 8AS	Rubicon grey	93			
5	999 591 834 17	Snap fastener lower part		2	
6	900 143 072 02	Oval-head sheetmetal screw		2	
		B 3,5 X 19			
7	964 551 013 00	Carpet	/H /L	1	
		Carpet			
	964 551 013 00 5FV	Black			
	964 551 013 00 5MF	Mahogany	-90		
	964 551 013 00 4KV	Marine blue			
	964 551 013 00 8MD	Burgundy	-90		
	964 551 013 00 8UT	Cashmere beige			

Model: 911 89 Model life 1989>>1994

Pos	Part Number	Description	Remark	Qty	Model
	964 551 013 00 2XF	Linen	-90		
	964 551 013 00 7VT	Silk grey	-90		
	964 551 013 00 5UM	Caramel	-90		
	964 551 013 00 9MT	Velvet red	-90		
	964 551 013 00 3KM	Venetian blue	-90		
	964 551 013 00 3WT	Slate grey	-90		
	964 551 013 00 4XR	Classic grey	91-		
	964 551 013 00 4ZN	Cobalt blue	91-		
	964 551 013 00 8WZ	Magenta	91-		
	964 551 013 00 6YR	Light grey	91-		
	964 551 013 00 M33	Matador red	91-		
	964 551 013 00 D13	Carrara grey	91-		
	964 551 013 00 J23	Sherwood green	91-		
	964 551 013 00 M10	Rhodamine	92		
	964 551 013 00 K20	Wimbledon green	92		
	964 551 013 00 D50	Florentine grey	92		
	964 551 013 00 8AS	Rubicon grey	93		
8	964 551 014 00	Carpet	/H /R	1	
		Carpet			
	964 551 014 00 5FV	Black			
	964 551 014 00 5MF	Mahogany	-90		
	964 551 014 00 4KV	Marine blue			
	964 551 014 00 8MD	Burgundy	-90		
	964 551 014 00 8UT	Cashmere beige			
	964 551 014 00 2XF	Linen	-90		
	964 551 014 00 7VT	Silk grey	-90		
	964 551 014 00 5UM	Caramel	-90		
	964 551 014 00 9MT	Velvet red	-90		
	964 551 014 00 3KM	Venetian blue	-90		
	964 551 014 00 3WT	Slate grey	-90		
	964 551 014 00 4XR	Classic grey	91-		
	964 551 014 00 4ZN	Cobalt blue	91-		
	964 551 014 00 8WZ	Magenta	91-		
	964 551 014 00 6YR	Light grey	91-		
	964 551 014 00 M33	Matador red	91-		
	964 551 014 00 D13	Carrara grey	91-		
	964 551 014 00 J23	Sherwood green	91-		
	964 551 014 00 M10	Rhodamine	92		
	964 551 014 00 K20	Wimbledon green	92		
	964 551 014 00 D50	Florentine grey	92		
	964 551 014 00 8AS	Rubicon grey	93		
(9)	964 551 023 01	Carpet for tunnel	/LL -91	1	
		Carpet			
	964 551 023 01 5FV	Black			
	964 551 023 01 5MF	Mahogany	-90		
	964 551 023 01 4KV	Marine blue			
	964 551 023 01 8MD	Burgundy	-90		
	964 551 023 01 8UT	Cashmere beige			
	964 551 023 01 2XF	Linen	-90		
	964 551 023 01 7VT	Silk grey	-90		
	964 551 023 01 5UM	Caramel	-90		
	964 551 023 01 9MT	Velvet red	-90		
	964 551 023 01 3KM	Venetian blue	-90		
	964 551 023 01 3WT	Slate grey	-90		
	964 551 023 01 4XR	Classic grey	91		
	964 551 023 01 4ZN	Cobalt blue	91		
	964 551 023 01 8WZ	Magenta	91		
	964 551 023 01 6YR	Light grey	91		
	964 551 023 01 M33	Matador red	91		
	964 551 023 01 D13	Carrara grey	91		
	964 551 023 01 J23	Sherwood green	91		
(9)	964 551 024 00	Carpet for tunnel	/RL	1	
		Carpet			

Model: 911 89 Model life 1989>>1994

Pos	Part Number	Description	Remark	Qty	Model
		for cars without Foot support Left Pedal floor board			
	964 551 024 00 5FV	Black			
	964 551 024 00 5MF	Mahogany	-90		
	964 551 024 00 4KV	Marine blue			
	964 551 024 00 8MD	Burgundy	-90		
	964 551 024 00 8UT	Cashmere beige			
	964 551 024 00 2XF	Linen	-90		
	964 551 024 00 7VT	Silk grey	-90		
	964 551 024 00 5UM	Caramel	-90		
	964 551 024 00 9MT	Velvet red	-90		
	964 551 024 00 3KM	Venetian blue	-90		
	964 551 024 00 3WT	Slate grey	-90		
	964 551 024 00 4XR	Classic grey	91		
	964 551 024 00 4ZN	Cobalt blue	91		
	964 551 024 00 8WZ	Magenta	91		
	964 551 024 00 6YR	Light grey	91		
	964 551 024 00 M33	Matador red	91		
	964 551 024 00 D13	Carrara grey	91		
	964 551 024 00 J23	Sherwood green	91		
(9)	964 551 024 02	Carpet for tunnel	/RL	1	
		Carpet for cars with Foot support Left Pedal floor board			
	964 551 024 02 5FV	Black			
	964 551 024 02 4KV	Marine blue			
	964 551 024 02 8UT	Cashmere beige			
	964 551 024 02 4XR	Classic grey			
	964 551 024 02 4ZN	Cobalt blue			
	964 551 024 02 8WZ	Magenta			
	964 551 024 02 6YR	Light grey			
	964 551 024 02 M33	Matador red			
	964 551 024 02 D13	Carrara grey			
	964 551 024 02 J23	Sherwood green			
	964 551 024 02 M10	Rhodamine	92		
	964 551 024 02 K20	Wimbledon green	92		
	964 551 024 02 D50	Florentine grey	92		
	964 551 024 02 8AS	Rubicon grey			
(9)	964 551 024 03	Carpet for tunnel	/RL	1	
		Carpet			
	964 551 024 03 5FV	Black			
	964 551 024 03 4KV	Marine blue			
	964 551 024 03 8UT	Cashmere beige			
	964 551 024 03 4XR	Classic grey			
	964 551 024 03 4ZN	Cobalt blue			
	964 551 024 03 8WZ	Magenta			
	964 551 024 03 6YR	Light grey			
	964 551 024 03 M33	Matador red			
	964 551 024 03 D13	Carrara grey			
	964 551 024 03 J23	Sherwood green			
	964 551 024 03 M10	Rhodamine			
	964 551 024 03 K20	Wimbledon green			
	964 551 024 03 D50	Florentine grey			
	964 551 024 03 8AS	Rubicon grey	93		
(9)	964 551 023 01	Carpet for tunnel	/LL	1	
		Carpet			
	964 551 023 01 5FV	Black			
	964 551 023 01 4KV	Marine blue			

Model: 911 89 Model life 1989>>1994

Pos	Part Number	Description	Remark	Qty	Model
	964 551 023 01 8UT	Cashmere beige			
	964 551 023 01 4XR	Classic grey			
	964 551 023 01 4ZN	Cobalt blue			
	964 551 023 01 8WZ	Magenta			
	964 551 023 01 6YR	Light grey			
	964 551 023 01 M33	Matador red			
	964 551 023 01 D13	Carrara grey			
	964 551 023 01 J23	Sherwood green			
	964 551 023 01 M10	Rhodamine	92		
	964 551 023 01 K20	Wimbledon green	92		
	964 551 023 01 D50	Florentine grey	92		
	964 551 023 01 8AS	Rubicon grey	93		
10	999 507 070 03	Push button \$=7,0		1	CARRERA RS
11	900 145 070 07	Tapping screw B 3,5 X 16		4	
12	999 591 102 17	Washer 3,5		4	
12	999 591 102 1H	Washer 3,5		4	
(13)	964 551 049 03	Lining Carpet	/LL /L	1	M564
	964 551 049 03 5FV	Black			
	964 551 049 03 5MF	Mahogany	-90		
	964 551 049 03 4KV	Marine blue			
	964 551 049 03 8MD	Burgundy	-90		
	964 551 049 03 2XF	Linen	-90		
	964 551 049 03 8UT	Cashmere beige			
	964 551 049 03 7VT	Silk grey	-90		
	964 551 049 03 9MT	Velvet red	-90		
	964 551 049 03 3WT	Slate grey	-90		
	964 551 049 03 5UM	Caramel	-90		
	964 551 049 03 3KM	Venetian blue	-90		
	964 551 049 03 4XR	Classic grey	91-		
	964 551 049 03 4ZN	Cobalt blue	91-		
	964 551 049 03 8WZ	Magenta	91-		
	964 551 049 03 6YR	Light grey	91-		
	964 551 049 03 M33	Matador red	91-		
	964 551 049 03 D13	Carrara grey	91-		
	964 551 049 03 J23	Sherwood green	91-		
	964 551 049 03 M10	Rhodamine	92		
	964 551 049 03 K20	Wimbledon green	92		
	964 551 049 03 D50	Florentine grey	92		
(13)	964 551 049 04	Lining Airbag Carpet	/LL /L	1	
	964 551 049 04 5FV	Black			
	964 551 049 04 5MF	Mahogany	-90		
	964 551 049 04 4KV	Marine blue			
	964 551 049 04 8MD	Burgundy	-90		
	964 551 049 04 2XF	Linen	-90		
	964 551 049 04 8UT	Cashmere beige			
	964 551 049 04 7VT	Silk grey	-90		
	964 551 049 04 9MT	Velvet red	-90		
	964 551 049 04 3WT	Slate grey	-90		
	964 551 049 04 5UM	Caramel	-90		
	964 551 049 04 3KM	Venetian blue	-90		
	964 551 049 04 4XR	Classic grey	91-		
	964 551 049 04 4ZN	Cobalt blue	91-		
	964 551 049 04 8WZ	Magenta	91-		
	964 551 049 04 6YR	Light grey	91-		
	964 551 049 04 M33	Matador red	91-		
	964 551 049 04 D13	Carrara grey	91-		

Model: 911 89 Model life 1989>>1994

Pos	Part Number	Description	Remark	Qty	Model
13	964 551 049 04 J23	Sherwood green	91-	1	M564
	964 551 049 04 M10	Rhodamine	92		
	964 551 049 04 K20	Wimbledon green	92		
	964 551 049 04 D50	Florentine grey	92		
	964 551 050 03	Lining	/LL /R		
		Carpet			
	964 551 050 03 5FV	Black			
	964 551 050 03 5MF	Mahogany	-90		
	964 551 050 03 4KV	Marine blue			
	964 551 050 03 8MD	Burgundy	-90		
	964 551 050 03 2XF	Linen	-90		
	964 551 050 03 8UT	Cashmere beige			
	964 551 050 03 7VT	Silk grey	-90		
	964 551 050 03 9MT	Velvet red	-90		
	964 551 050 03 3WT	Slate grey	-90		
	964 551 050 03 5UM	Caramel	-90		
	964 551 050 03 3KM	Venetian blue	-90		
	964 551 050 03 4XR	Classic grey	91-		
	964 551 050 03 4ZN	Cobalt blue	91-		
	964 551 050 03 8WZ	Magenta	91-		
	964 551 050 03 6YR	Light grey	91-		
	964 551 050 03 M33	Matador red	91-		
	964 551 050 03 D13	Carrara grey	91-		
(13)	964 551 050 03 J23	Sherwood green	91-	1	
	964 551 050 03 M10	Rhodamine	92		
	964 551 050 03 K20	Wimbledon green	92		
	964 551 050 03 D50	Florentine grey	92		
	964 551 050 04	Lining	/LL /R		
		Airbag			
		Carpet			
	964 551 050 04 5FV	Black			
	964 551 050 04 5MF	Mahogany	-90		
	964 551 050 04 4KV	Marine blue			
	964 551 050 04 8MD	Burgundy	-90		
	964 551 050 04 2XF	Linen	-90		
	964 551 050 04 8UT	Cashmere beige			
	964 551 050 04 7VT	Silk grey	-90		
	964 551 050 04 9MT	Velvet red	-90		
	964 551 050 04 3WT	Slate grey	-90		
	964 551 050 04 5UM	Caramel	-90		
	964 551 050 04 3KM	Venetian blue	-90		
	964 551 050 04 4XR	Classic grey	91-		
	964 551 050 04 4ZN	Cobalt blue	91-		
	964 551 050 04 8WZ	Magenta	91-		
	964 551 050 04 6YR	Light grey	91-		
	964 551 050 04 M33	Matador red	91-		
964 551 050 04 D13	Carrara grey	91-			
964 551 050 04 J23	Sherwood green	91-			
964 551 050 04 M10	Rhodamine	92			
964 551 050 04 K20	Wimbledon green	92			
964 551 050 04 D50	Florentine grey	92			
(13)	964 551 049 05	Lining	/RL /L	1	
		Carpet			
	964 551 049 05 5FV	Black			
	964 551 049 05 5MF	Mahogany	-90		
	964 551 049 05 4KV	Marine blue			
	964 551 049 05 8MD	Burgundy	-90		
	964 551 049 05 2XF	Linen	-90		
	964 551 049 05 8UT	Cashmere beige			
	964 551 049 05 7VT	Silk grey	-90		
	964 551 049 05 9MT	Velvet red	-90		
	964 551 049 05 3WT	Slate grey	-90		
	964 551 049 05 5UM	Caramel	-90		

Model: 911 89 Model life 1989>>1994

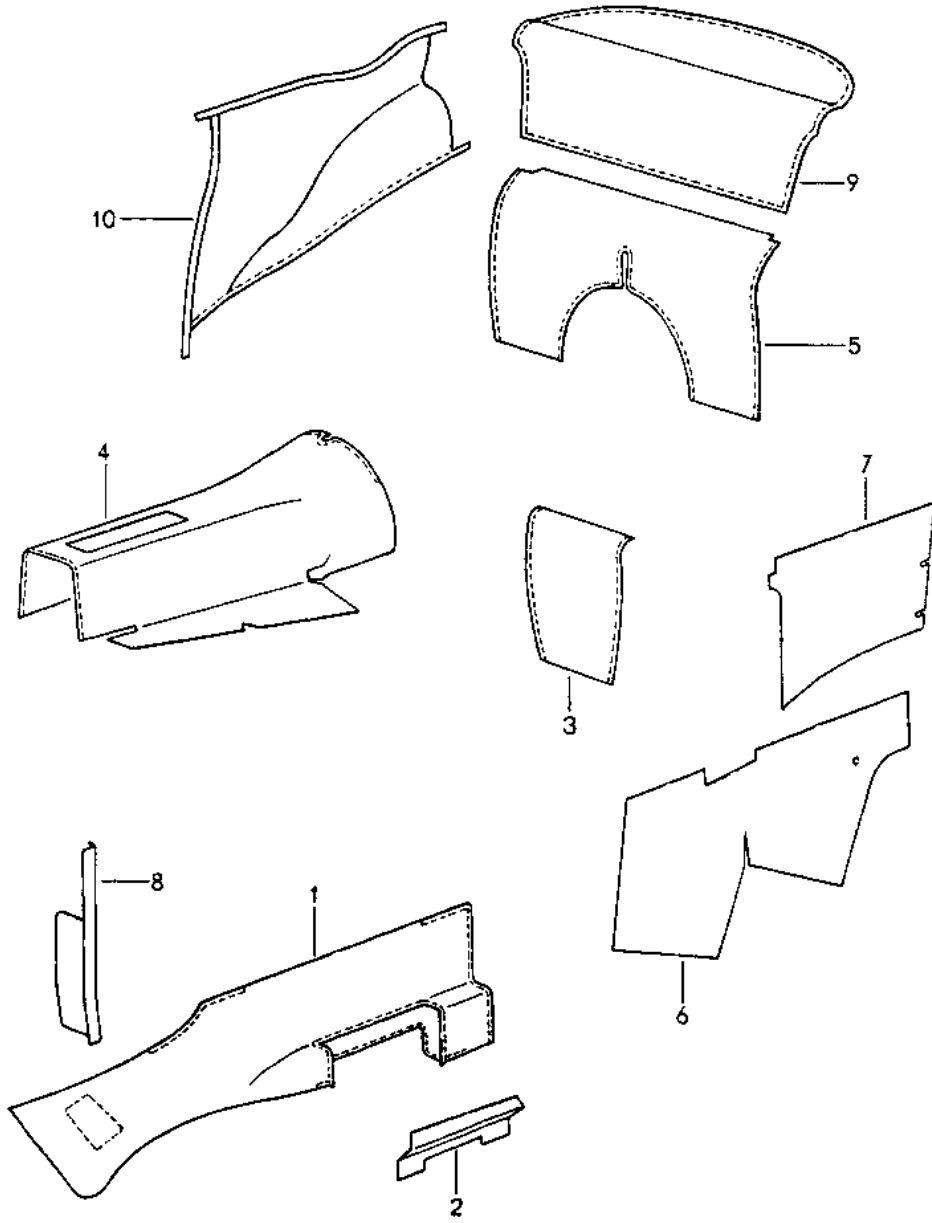
Pos	Part Number	Description	Remark	Qty	Model
	964 551 049 05 3KM	Venetian blue	-90		
	964 551 049 05 4XR	Classic grey	91-		
	964 551 049 05 4ZN	Cobalt blue	91-		
	964 551 049 05 8WZ	Magenta	91-		
	964 551 049 05 6YR	Light grey	91-		
	964 551 049 05 M33	Matador red	91-		
	964 551 049 05 D13	Carrara grey	91-		
	964 551 049 05 J23	Sherwood green	91-		
	964 551 049 05 M10	Rhodamine	92		
	964 551 049 05 K20	Wimbledon green	92		
	964 551 049 05 D50	Florentine grey	92		
(13)	964 551 050 05	Lining Carpet	/RL /R	1	
	964 551 050 05 5FV	Black			
	964 551 050 05 5MF	Mahogany	-90		
	964 551 050 05 4KV	Marine blue			
	964 551 050 05 8MD	Burgundy	-90		
	964 551 050 05 2XF	Linen	-90		
	964 551 050 05 8UT	Cashmere beige			
	964 551 050 05 7VT	Silk grey	-90		
	964 551 050 05 9MT	Velvet red	-90		
	964 551 050 05 3WT	Slate grey	-90		
	964 551 050 05 5UM	Caramel	-90		
	964 551 050 05 3KM	Venetian blue	-90		
	964 551 050 05 4XR	Classic grey	91-		
	964 551 050 05 4ZN	Cobalt blue	91-		
	964 551 050 05 8WZ	Magenta	91-		
	964 551 050 05 6YR	Light grey	91-		
	964 551 050 05 M33	Matador red	91-		
	964 551 050 05 D13	Carrara grey	91-		
	964 551 050 05 J23	Sherwood green	91-		
	964 551 050 05 M10	Rhodamine	92		
	964 551 050 05 K20	Wimbledon green	92		
	964 551 050 05 D50	Florentine grey	92		
(13)	964 551 049 04	Lining Carpet	/LL /L	1	
	964 551 049 04 8AS	Rubicon grey	93		
(13)	964 551 050 04	Lining Carpet	/LL /R	1	
	964 551 050 04 8AS	Rubicon grey	93		
(13)	964 551 049 05	Lining Carpet	/RL /L	1	
	964 551 049 05 8AS	Rubicon grey	93		
(13)	964 551 050 05	Lining Carpet	/RL /R	1	
	964 551 050 05 8AS	Rubicon grey	93		
14	N 900 685 01	Push button		1	
15	911 551 619 00	Rubber pad	/L	1	
(15)	911 551 620 00	Rubber pad	/R	1	
16	901 551 419 28	Cover strip	-90	2	
16		Cover strip for Door sill Inner		2	
	901 551 419 28 70K	Black			
16	964 551 419 00	Cover strip	91-	2	
	964 551 419 00 01C	Black			
(16)	964 551 219 01	Cover strip		2	SPEEDSTER
	964 551 219 01 01C	Black			
17	900 145 041 07	Tapping screw B 3,5 X 16	-90	10	
18	964 551 601 00	Pedal floor board	/LL /L	1	M481
(18)	964 551 601 01	Pedal floor board	/LL /L	1	M249

Model: 911 89 Model life 1989>>1994

Pos	Part Number	Description	Remark	Qty	Model
(18)	964 551 064 00	Pedal floor board for cars without Foot support Left	/RL /R	1	M481
(18)	964 551 064 02	Pedal floor board for cars with Foot support Left	/RL /R	1	M481
(18)		Pedal floor board for cars with Foot support Left	/RL /R	1	M481
(18)	965 551 064 00	Pedal floor board	/RL /R	1	TURBO 3,6 M481
(18)	964 551 602 01	Pedal floor board	/RL /R	1	M249
19	999 507 020 02	Speed nut B 4,2		3	
19	999 507 020 01	Speed nut 4,2		3	
20	N 015 392 2	Washer B 4,7		3	
21	900 143 007 02	Oval-head sheetmetal screw B 4,2 X 13		3	
21	900 073 507 01	Oval-head sheetmetal screw B 4,2 X 13		3	
22	999 702 202 50	Grommet 4,8 X 9 X 1,55	91-	10	
23	999 507 365 40	Stopper 6 X 15,4	91-	10	
24	964 612 114 00 964 612 114 00 01C	Cover Black Diagnostic connector		1	

Model: 911 89

Model life 1989>>1994



Model: 911 89 Model life 1989>>1994

Pos	Part Number	Description	Remark	Qty	Model
1	964 551 031 00	Interior equipment Adhesive carpets Adhesive carpet Door sill	/LL /L -90	1	
	964 551 031 00 5FV	Black			
	964 551 031 00 5MF	Mahogany			
	964 551 031 00 4KV	Marine blue			
	964 551 031 00 8MD	Burgundy			
	964 551 031 00 8UT	Cashmere beige			
	964 551 031 00 2XF	Linen			
	964 551 031 00 7VT	Silk grey			
	964 551 031 00 5UM	Caramel			
	964 551 031 00 9MT	Velvet red			
	964 551 031 00 3KM	Venetian blue			
	964 551 031 00 3WT	Slate grey			
(1)	964 551 032 00	Adhesive carpet Door sill	/LL /R -90	1	
	964 551 032 00 5FV	Black			
	964 551 032 00 5MF	Mahogany			
	964 551 032 00 4KV	Marine blue			
	964 551 032 00 8MD	Burgundy			
	964 551 032 00 8UT	Cashmere beige			
	964 551 032 00 2XF	Linen			
	964 551 032 00 7VT	Silk grey			
	964 551 032 00 5UM	Caramel			
	964 551 032 00 9MT	Velvet red			
	964 551 032 00 3KM	Venetian blue			
	964 551 032 00 3WT	Slate grey			
(1)	964 551 031 02	Adhesive carpet Door sill	/RL /L -90	1	
	964 551 031 02 5FV	Black			
	964 551 031 02 5MF	Mahogany			
	964 551 031 02 4KV	Marine blue			
	964 551 031 02 8MD	Burgundy			
	964 551 031 02 8UT	Cashmere beige			
	964 551 031 02 2XF	Linen			
	964 551 031 02 7VT	Silk grey			
	964 551 031 02 5UM	Caramel			
	964 551 031 02 9MT	Velvet red			
	964 551 031 02 3KM	Venetian blue			
	964 551 031 02 3WT	Slate grey			
(1)	964 551 032 02	Adhesive carpet Door sill	/RL /R -90	1	
	964 551 032 02 5FV	Black			
	964 551 032 02 5MF	Mahogany			
	964 551 032 02 4KV	Marine blue			
	964 551 032 02 8MD	Burgundy			
	964 551 032 02 8UT	Cashmere beige			
	964 551 032 02 2XF	Linen			
	964 551 032 02 7VT	Silk grey			
	964 551 032 02 5UM	Caramel			
	964 551 032 02 9MT	Velvet red			
	964 551 032 02 3KM	Venetian blue			
	964 551 032 02 3WT	Slate grey			
1	964 551 031 01	Adhesive carpet Door sill	/LL /L 91-	1	
	964 551 031 01 5FV	Black			
	964 551 031 01 4KV	Marine blue			
	964 551 031 01 4XR	Classic grey			
	964 551 031 01 4ZN	Cobalt blue			
	964 551 031 01 8UT	Cashmere beige			
	964 551 031 01 8WZ	Magenta			
	964 551 031 01 6YR	Light grey			

Model: 911 89 Model life 1989>>1994

Pos	Part Number	Description	Remark	Qty	Model
	964 551 031 01 M33	Matador red			
	964 551 031 01 D13	Carrara grey			
	964 551 031 01 J23	Sherwood green			
	964 551 031 01 M10	Rhodamine	92		
	964 551 031 01 K20	Wimbledon green	92		
	964 551 031 01 D50	Florentine grey	92		
	964 551 031 01 8AS	Rubicon grey	93		
(1)	964 551 032 01	Adhesive carpet Door sill	/LL /R 91-	1	
	964 551 032 01 5FV	Black			
	964 551 032 01 4KV	Marine blue			
	964 551 032 01 4XR	Classic grey			
	964 551 032 01 4ZN	Cobalt blue			
	964 551 032 01 8UT	Cashmere beige			
	964 551 032 01 8WZ	Magenta			
	964 551 032 01 6YR	Light grey			
	964 551 032 01 M33	Matador red			
	964 551 032 01 D13	Carrara grey			
	964 551 032 01 J23	Sherwood green			
	964 551 032 01 M10	Rhodamine	92		
	964 551 032 01 K20	Wimbledon green	92		
	964 551 032 01 D50	Florentine grey	92		
	964 551 032 01 8AS	Rubicon grey	93		
(1)	964 551 031 03	Adhesive carpet Door sill	/RL /L 91-	1	
	964 551 031 03 5FV	Black			
	964 551 031 03 4KV	Marine blue			
	964 551 031 03 4XR	Classic grey			
	964 551 031 03 4ZN	Cobalt blue			
	964 551 031 03 8UT	Cashmere beige			
	964 551 031 03 8WZ	Magenta			
	964 551 031 03 6YR	Light grey			
	964 551 031 03 M33	Matador red			
	964 551 031 03 D13	Carrara grey			
	964 551 031 03 J23	Sherwood green			
	964 551 031 03 M10	Rhodamine	92		
	964 551 031 03 K20	Wimbledon green	92		
	964 551 031 03 D50	Florentine grey	92		
	964 551 031 03 8AS	Rubicon grey	93		
(1)	964 551 032 03	Adhesive carpet Door sill	/RL /R 91-	1	
	964 551 032 03 5FV	Black			
	964 551 032 03 4KV	Marine blue			
	964 551 032 03 4XR	Classic grey			
	964 551 032 03 4ZN	Cobalt blue			
	964 551 032 03 8UT	Cashmere beige			
	964 551 032 03 8WZ	Magenta			
	964 551 032 03 6YR	Light grey			
	964 551 032 03 M33	Matador red			
	964 551 032 03 D13	Carrara grey			
	964 551 032 03 J23	Sherwood green			
	964 551 032 03 M10	Rhodamine	92		
	964 551 032 03 K20	Wimbledon green	92		
	964 551 032 03 D50	Florentine grey	92		
	964 551 032 03 8AS	Rubicon grey	93		
2	964 551 433 00	Cover plate	/L	1	
(2)	964 551 434 00	Cover plate	/R	1	
		Seat rail support			
(3)	964 551 057 02	Adhesive carpet Heel plate	/L	1	CARRERA RS
	964 551 057 02 5FV	Black			
(3)	964 551 058 00	Adhesive carpet Heel plate	/R	1	CARRERA RS

Model: 911 89 Model life 1989>>1994

Pos	Part Number	Description	Remark	Qty	Model
(3)	964 551 058 00 5FV 964 551 057 02	Black Adhesive carpet Heel plate	/L	1	SPEEDSTER
(3)	964 551 057 02 5FV 964 551 058 00	Black Adhesive carpet Heel plate	/R	1	SPEEDSTER
3	964 551 058 00 5FV 964 551 057 00	Black Adhesive carpet Heel plate		2	
	964 551 057 00 5FV	Black			
	964 551 057 00 5MF	Mahogany	-90		
	964 551 057 00 4KV	Marine blue			
	964 551 057 00 8MD	Burgundy	-90		
	964 551 057 00 8UT	Cashmere beige			
	964 551 057 00 2XF	Linen	-90		
	964 551 057 00 7VT	Silk grey	-90		
	964 551 057 00 5UM	Caramel	-90		
	964 551 057 00 9MT	Velvet red	-90		
	964 551 057 00 3KM	Venetian blue	-90		
	964 551 057 00 3WT	Slate grey	-90		
	964 551 057 00 4XR	Classic grey	91-		
	964 551 057 00 4ZN	Cobalt blue	91-		
	964 551 057 00 8WZ	Magenta	91-		
	964 551 057 00 6YR	Light grey	91-		
	964 551 057 00 M33	Matador red	91-		
	964 551 057 00 D13	Carrara grey	91-		
	964 551 057 00 J23	Sherwood green	91-		
	964 551 057 00 M10	Rhodamine	92		
	964 551 057 00 K20	Wimbledon green	92		
	964 551 057 00 D50	Florentine grey	92		
	964 551 057 00 8AS	Rubicon grey	93		
4	964 551 055 00	Adhesive carpet Seat well		1	CARRERA 2/4 TURBO TURBO-LOOK
	964 551 055 00 5FV	Black			
	964 551 055 00 5MF	Mahogany	-90		
	964 551 055 00 4KV	Marine blue			
	964 551 055 00 8MD	Burgundy	-90		
	964 551 055 00 8UT	Cashmere beige			
	964 551 055 00 2XF	Linen	-90		
	964 551 055 00 7VT	Silk grey	-90		
	964 551 055 00 5UM	Caramel	-90		
	964 551 055 00 9MT	Velvet red	-90		
	964 551 055 00 3KM	Venetian blue	-90		
	964 551 055 00 3WT	Slate grey	-90		
	964 551 055 00 4XR	Classic grey	91-		
	964 551 055 00 4ZN	Cobalt blue	91-		
	964 551 055 00 8WZ	Magenta	91-		
	964 551 055 00 6YR	Light grey	91-		
	964 551 055 00 M33	Matador red	91-		
	964 551 055 00 D13	Carrara grey	91-		
	964 551 055 00 J23	Sherwood green	91-		
	964 551 055 00 M10	Rhodamine	92		
	964 551 055 00 K20	Wimbledon green	92		
	964 551 055 00 D50	Florentine grey	92		
	964 551 055 00 8AS	Rubicon grey	93		
(4)	964 551 055 01	Adhesive carpet Seat well		1	CARRERA RS
	964 551 055 01 5FV	Black			
(4)	964 551 055 01	Adhesive carpet Seat well		1	SPEEDSTER
	964 551 055 01 5FV	Black			
(5)	964 551 059 02	Adhesive carpet Seat well		1	CARRERA RS

Model: 911 89 Model life 1989>>1994

Pos	Part Number	Description	Remark	Qty	Model
(5)	964 551 059 02 5FV	Black		1	C.RS M002
	964 551 059 03	Adhesive carpet			
		Seat well			
5	964 551 059 03 5FV	Black		1	CARRERA 2/4 TURBO TURBO-LOOK
	964 551 059 00	Adhesive carpet			
		Seat well			
	964 551 059 00 5FV	Black			
	964 551 059 00 5MF	Mahogany	-90		
	964 551 059 00 4KV	Marine blue			
	964 551 059 00 8MD	Burgundy	-90		
	964 551 059 00 8UT	Cashmere beige			
	964 551 059 00 2XF	Linen	-90		
	964 551 059 00 7VT	Silk grey	-90		
	964 551 059 00 5UM	Caramel	-90		
	964 551 059 00 9MT	Velvet red	-90		
	964 551 059 00 3KM	Venetian blue	-90		
	964 551 059 00 3WT	Slate grey	-90		
	964 551 059 00 4XR	Classic grey	91-		
	964 551 059 00 4ZN	Cobalt blue	91-		
	964 551 059 00 8WZ	Magenta	91-		
	964 551 059 00 6YR	Light grey	91-		
	964 551 059 00 M33	Matador red	91-		
	964 551 059 00 D13	Carrara grey	91-		
	964 551 059 00 J23	Sherwood green	91-		
	964 551 059 00 M10	Rhodamine	92		
	964 551 059 00 K20	Wimbledon green	92		
	964 551 059 00 D50	Florentine grey	92		
	964 551 059 00 8AS	Rubicon grey	93		
(6)	964 551 361 02	Adhesive carpet	/L	1	CARRERA RS
		Side member			
(6)	964 551 361 02 5FV	Black		1	CARRERA RS
	964 551 362 02	Adhesive carpet	/R		
		Side member			
(6)	964 551 362 02 5FV	Black		1	SPEEDSTER
	964 551 361 02	Adhesive carpet	/L		
		Side member			
(6)	964 551 361 02 5FV	Black		1	SPEEDSTER
	964 551 362 02	Adhesive carpet	/R		
		Side member			
6	964 551 362 02 5FV	Black		1	CARRERA 2/4 TURBO TURBO-LOOK
	964 551 361 00	Adhesive carpet	/L		
		Side member			
	964 551 361 00 5FV	Black			
	964 551 361 00 5MF	Mahogany	-90		
	964 551 361 00 4KV	Marine blue			
	964 551 361 00 8MD	Burgundy	-90		
	964 551 361 00 8UT	Cashmere beige			
	964 551 361 00 2XF	Linen	-90		
	964 551 361 00 7VT	Silk grey	-90		
	964 551 361 00 5UM	Caramel	-90		
	964 551 361 00 9MT	Velvet red	-90		
	964 551 361 00 3KM	Venetian blue	-90		
	964 551 361 00 3WT	Slate grey	-90		
	964 551 361 00 4XR	Classic grey	91-		
	964 551 361 00 4ZN	Cobalt blue	91-		
	964 551 361 00 8WZ	Magenta	91-		
	964 551 361 00 6YR	Light grey	91-		
	964 551 361 00 M33	Matador red	91-		
	964 551 361 00 D13	Carrara grey	91-		
	964 551 361 00 J23	Sherwood green	91-		

Model: 911 89 Model life 1989>>1994

Pos	Part Number	Description	Remark	Qty	Model
(6)	964 551 361 00 M10	Rhodamine	92	1	CARRERA 2/4 TURBO TURBO-LOOK
	964 551 361 00 K20	Wimbledon green	92		
	964 551 361 00 D50	Florentine grey	92		
	964 551 361 00 8AS	Rubicon grey	93		
	964 551 362 00	Adhesive carpet	/R		
		Side member			
	964 551 362 00 5FV	Black			
	964 551 362 00 5MF	Mahogany	-90		
	964 551 362 00 4KV	Marine blue			
	964 551 362 00 8MD	Burgundy	-90		
	964 551 362 00 8UT	Cashmere beige			
	964 551 362 00 2XF	Linen	-90		
	964 551 362 00 7VT	Silk grey	-90		
	964 551 362 00 5UM	Caramel	-90		
	964 551 362 00 9MT	Velvet red	-90		
	964 551 362 00 3KM	Venetian blue	-90		
	964 551 362 00 3WT	Slate grey	-90		
	964 551 362 00 4XR	Classic grey	91-		
	964 551 362 00 4ZN	Cobalt blue	91-		
	964 551 362 00 8WZ	Magenta	91-		
964 551 362 00 6YR	Light grey	91-			
964 551 362 00 M33	Matador red	91-			
964 551 362 00 D13	Carrara grey	91-			
964 551 362 00 J23	Sherwood green	91-			
964 551 362 00 M10	Rhodamine	92			
964 551 362 00 K20	Wimbledon green	92			
964 551 362 00 D50	Florentine grey	92			
964 551 362 00 8AS	Rubicon grey	93			
7	964 551 771 00	Adhesive carpet	/L 90-	1	CABRIO
		Rear			
	964 551 771 00 5FV	Black			
	964 551 771 00 5MF	Mahogany	-90		
	964 551 771 00 4KV	Marine blue			
	964 551 771 00 8MD	Burgundy	-90		
	964 551 771 00 2XF	Linen	-90		
	964 551 771 00 8UT	Cashmere beige			
	964 551 771 00 7VT	Silk grey	-90		
	964 551 771 00 9MT	Velvet red	-90		
	964 551 771 00 3WT	Slate grey	-90		
	964 551 771 00 5UM	Caramel	-90		
	964 551 771 00 3KM	Venetian blue	-90		
	964 551 771 00 4XR	Classic grey	91-		
	964 551 771 00 4ZN	Cobalt blue	91-		
	964 551 771 00 8WZ	Magenta	91-		
	964 551 771 00 6YR	Light grey	91-		
	964 551 771 00 M33	Matador red	91-		
	964 551 771 00 D13	Carrara grey	91-		
	964 551 771 00 J23	Sherwood green	91-		
	964 551 771 00 M10	Rhodamine	92		
	964 551 771 00 K20	Wimbledon green	92		
	964 551 771 00 D50	Florentine grey	92		
(7)	964 551 772 00	Adhesive carpet	/R 90-	1	CABRIO
		Rear			
	964 551 772 00 5FV	Black			
	964 551 772 00 5MF	Mahogany	-90		
	964 551 772 00 4KV	Marine blue			
	964 551 772 00 8MD	Burgundy	-90		
	964 551 772 00 2XF	Linen	-90		
	964 551 772 00 8UT	Cashmere beige			
	964 551 772 00 7VT	Silk grey	-90		
	964 551 772 00 9MT	Velvet red	-90		

Model: 911 89 Model life 1989>>1994

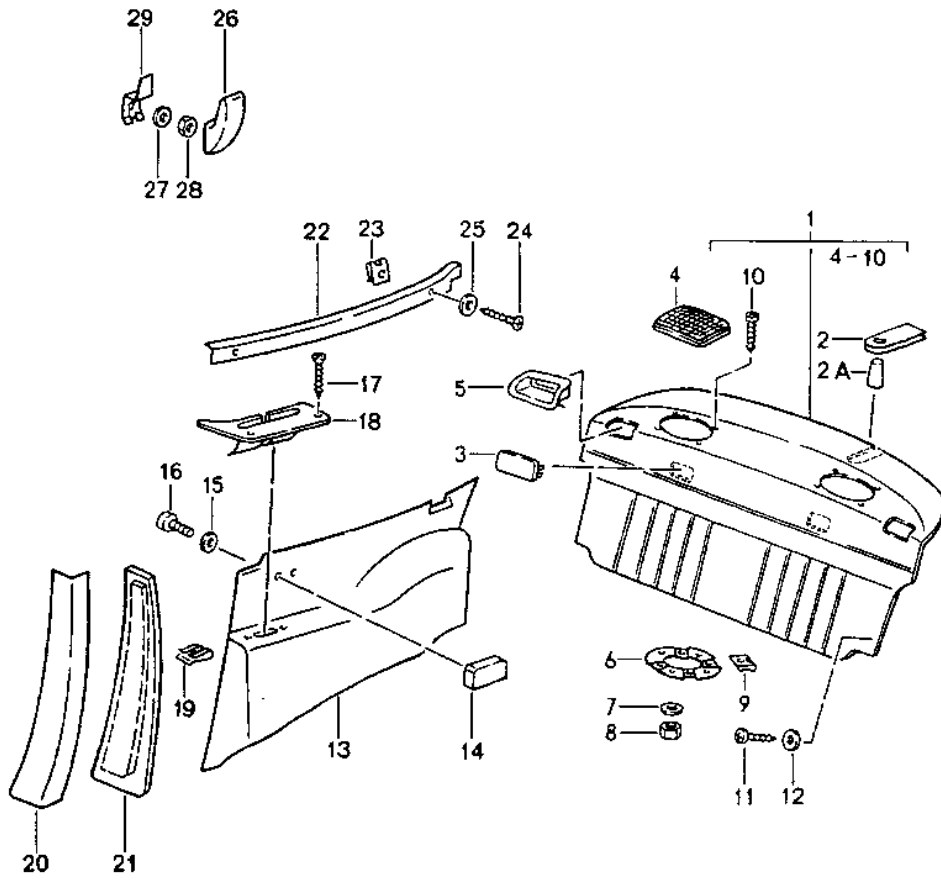
Pos	Part Number	Description	Remark	Qty	Model
	964 551 772 00 3WT	Slate grey	-90		
	964 551 772 00 5UM	Caramel	-90		
	964 551 772 00 3KM	Venetian blue	-90		
	964 551 772 00 4XR	Classic grey	91-		
	964 551 772 00 4ZN	Cobalt blue	91-		
	964 551 772 00 8WZ	Magenta	91-		
	964 551 772 00 6YR	Light grey	91-		
	964 551 772 00 M33	Matador red	91-		
	964 551 772 00 D13	Carrara grey	91-		
	964 551 772 00 J23	Sherwood green	91-		
	964 551 772 00 M10	Rhodamine	92		
	964 551 772 00 K20	Wimbledon green	92		
	964 551 772 00 D50	Florentine grey	92		
(7)	964 551 075 00	Adhesive carpet Rear	/L	1	SPEEDSTER
	964 551 075 00 5FV	Black			
(7)	964 551 076 00	Adhesive carpet Rear	/R	1	SPEEDSTER
	964 551 076 00 5FV	Black			
8	964 551 157 00	Lining strap Hinge pillar Carpet	/LL /L	1	
	964 551 157 00 5FV	Black			
	964 551 157 00 5MF	Mahogany	-90		
	964 551 157 00 4KV	Marine blue			
	964 551 157 00 8MD	Burgundy	-90		
	964 551 157 00 8UT	Cashmere beige			
	964 551 157 00 2XF	Linen	-90		
	964 551 157 00 7VT	Silk grey	-90		
	964 551 157 00 5UM	Caramel	-90		
	964 551 157 00 9MT	Velvet red	-90		
	964 551 157 00 3KM	Venetian blue	-90		
	964 551 157 00 3WT	Slate grey	-90		
	964 551 157 00 4XR	Classic grey	91-		
	964 551 157 00 4ZN	Cobalt blue	91-		
	964 551 157 00 8WZ	Magenta	91-		
	964 551 157 00 6YR	Light grey	91-		
	964 551 157 00 M33	Matador red	91-		
	964 551 157 00 D13	Carrara grey	91-		
	964 551 157 00 J23	Sherwood green	91-		
	964 551 157 00 M10	Rhodamine	92		
	964 551 157 00 K20	Wimbledon green	92		
	964 551 157 00 D50	Florentine grey	92		
(8)	964 551 158 00	Lining strap Hinge pillar Carpet	/RL /R	1	
	964 551 158 00 5FV	Black			
	964 551 158 00 5MF	Mahogany	-90		
	964 551 158 00 4KV	Marine blue			
	964 551 158 00 8MD	Burgundy	-90		
	964 551 158 00 8UT	Cashmere beige			
	964 551 158 00 2XF	Linen	-90		
	964 551 158 00 7VT	Silk grey	-90		
	964 551 158 00 5UM	Caramel	-90		
	964 551 158 00 9MT	Velvet red	-90		
	964 551 158 00 3KM	Venetian blue	-90		
	964 551 158 00 3WT	Slate grey	-90		
	964 551 158 00 4XR	Classic grey	91-		
	964 551 158 00 4ZN	Cobalt blue	91-		
	964 551 158 00 8WZ	Magenta	91-		
	964 551 158 00 6YR	Light grey	91-		
	964 551 158 00 M33	Matador red	91-		
	964 551 158 00 D13	Carrara grey	91-		

Model: 911 89 Model life 1989>>1994

Pos	Part Number	Description	Remark	Qty	Model
(8)	964 551 158 00 J23	Sherwood green	91-	1	
	964 551 158 00 M10	Rhodamine	92		
	964 551 158 00 K20	Wimbledon green	92		
	964 551 158 00 D50	Florentine grey	92		
	964 551 157 01	Lining strap Airbag Hinge pillar Carpet	/LL /L 91-		
(8)	964 551 157 01 5FV	Black	/LL /R 91-	1	
	964 551 158 01	Lining strap Airbag Hinge pillar Carpet			
	964 551 158 01 5FV	Black			
(8)	964 551 307 01	Lining strap Hinge pillar Leather	/RL /L	1	
	964 551 307 01 1AJ	Black	-90		
(8)	964 551 307 01 8YR	Black	91-	1	
	964 551 308 01	Lining strap Hinge pillar Leather	/LL /R		
9	964 551 308 01 1AJ	Black	-90	1	CARRERA RS
	964 551 308 01 8YR	Black	91-		
(9)	964 555 075 00	Adhesive carpet Rear wall Carpet/ with Logo	92	1	SPEEDSTER
	964 555 075 00 BQH	Black/ Rubystone red			
	964 555 075 00 BQF	Black/ Guards red			
	964 555 075 00 BQG	Black/ Maritime blue			
	964 555 075 02	Adhesive carpet Rear wall			
(10)	964 555 075 02 5FV	Black	/L 92	1	CARRERA RS
	964 551 071 01	Adhesive carpet Side section			
10	964 551 071 01 5FV	Black	/R 92	1	CARRERA RS
	964 551 072 00	Adhesive carpet Side section			
	964 551 072 00 5FV	Black			

Model: 911 89

Model life 1989>>1994



Model: 911 89 Model life 1989>>1994

Pos	Part Number	Description	Remark	Qty	Model
(1)	964 555 111 00	Interior equipment Rear Back wall lining Leatherette Upper part/lower part	89	1	COUPE/TARGA
	964 555 111 00 05T	Black			
	964 555 111 00 1MX	Mahogany			
	964 555 111 00 1KX	Marine blue			
	964 555 111 00 3MK	Burgundy			
	964 555 111 00 TT3	Black/linen			
	964 555 111 00 TT5	Mahogany/linen			
	964 555 111 00 TT4	Marine blue/linen			
	964 555 111 00 TT6	Burgundy/linen			
	964 555 111 00 XN8	Black/cashmere beige			
	964 555 111 00 XP2	Marine blue/cashmere beige			
(1)	964 555 111 45	Back wall lining Leatherette Upper part/lower part	89	1	M425
	964 555 111 45 05T	Black			
	964 555 111 45 1MX	Mahogany			
	964 555 111 45 1KX	Marine blue			
	964 555 111 45 3MK	Burgundy			
	964 555 111 45 TT3	Black/linen			
	964 555 111 45 TT5	Mahogany/linen			
	964 555 111 45 TT4	Marine blue/linen			
	964 555 111 45 TT6	Burgundy/linen			
	964 555 111 45 XN8	Black/cashmere beige			
	964 555 111 45 XP2	Marine blue/cashmere beige			
(1)	964 555 245 08	Back wall lining Leatherette	92	1	CARRERA RS M002
	964 555 245 08 05T	Black			
(1)	964 555 245 09	Back wall lining Leatherette Upper part/lower part	92-	1	COUPE M419
	964 555 245 09 05T	Black/black			
	964 555 245 09 1KX	Marine blue/marine blue			
	964 555 245 09 XN8	Black/cashmere beige			
	964 555 245 09 2WJ	Classic grey/classic grey			
	964 555 245 09 9ZH	Cobalt blue/cobalt blue			
	964 555 245 09 4WY	Magenta/Magenta			
	964 555 245 09 ATK	Black/light grey			
	964 555 245 09 APR	Classic grey/light grey			
	964 555 245 09 ARR	Cobalt blue/light grey			
	964 555 245 09 ASR	Magenta/light grey			
(1)	964 555 245 11	Back wall lining Leatherette Upper part/lower part	92-	1	COUPE M419 M425
	964 555 245 11 05T	Black/black			
	964 555 245 11 1KX	Marine blue/marine blue			
	964 555 245 11 XN8	Black/cashmere beige			
	964 555 245 11 2WJ	Classic grey/classic grey			
	964 555 245 11 9ZH	Cobalt blue/cobalt blue			
	964 555 245 11 4WY	Magenta/Magenta			
	964 555 245 11 ATK	Black/light grey			
	964 555 245 11 APR	Classic grey/light grey			
	964 555 245 11 ARR	Cobalt blue/light grey			
	964 555 245 11 ASR	Magenta/light grey			
(1)	964 555 245 48	Back wall lining Leatherette	92-	1	TARGA M419

Model: 911 89 Model life 1989>>1994

Pos	Part Number	Description	Remark	Qty	Model
(1)	964 555 245 48 05T	Upper part/lower part Black/black			
	964 555 245 48 1KX	Marine blue/marine blue			
	964 555 245 48 XN8	Black/cashmere beige			
	964 555 245 48 2WJ	Classic grey/classic grey			
	964 555 245 48 9ZH	Cobalt blue/cobalt blue			
	964 555 245 48 4WY	Magenta/Magenta			
	964 555 245 48 ATK	Black/light grey			
	964 555 245 48 APR	Classic grey/light grey			
	964 555 245 48 ARR	Cobalt blue/light grey			
	964 555 245 48 ASR	Magenta/light grey			
1	964 555 245 50	Back wall lining Leatherette Upper part/lower part	92-	1	TARGA M419 M425
1	964 555 245 50 05T	Black/black			
	964 555 245 50 1KX	Marine blue/marine blue			
	964 555 245 50 XN8	Black/cashmere beige			
	964 555 245 50 2WJ	Classic grey/classic grey			
	964 555 245 50 9ZH	Cobalt blue/cobalt blue			
	964 555 245 50 4WY	Magenta/Magenta			
	964 555 245 50 ATK	Black/light grey			
	964 555 245 50 APR	Classic grey/light grey			
	964 555 245 50 ARR	Cobalt blue/light grey			
	964 555 245 50 ASR	Magenta/light grey			
1	964 555 245 00	Back wall lining Leatherette Upper part/lower part		1	M335
1	964 555 245 00 05T	Black/black			
	964 555 245 00 1MX	Mahogany/mahogany			
	964 555 245 00 1KX	Marine blue/marine blue			
	964 555 245 00 3MK	Burgundy/burgundy			
	964 555 245 00 TT3	Black/linen			
	964 555 245 00 TT5	Mahogany/linen			
	964 555 245 00 TT4	Marine blue/linen			
	964 555 245 00 TT6	Burgundy/linen			
	964 555 245 00 XN8	Black/cashmere beige			
	964 555 245 00 XP2	Marine blue/cashmere beige			
1	964 555 245 00 2WJ	Classic grey/classic grey	91-		
1	964 555 245 00 9ZH	Cobalt blue/cobalt blue	91-		
1	964 555 245 00 4WY	Magenta/Magenta	91-		
1	964 555 245 00 ATK	Black/light grey	91-		
1	964 555 245 00 APR	Classic grey/light grey	91-		
1	964 555 245 00 ARR	Cobalt blue/light grey	91-		
1	964 555 245 00 ASR	Magenta/light grey	91-		
1	964 555 245 00	Back wall lining Leatherette Upper part/lower part	90-	1	COUPE
1	964 555 245 00 05T	Black/black			
1	964 555 245 00 1MX	Mahogany/mahogany	-90		
1	964 555 245 00 1KX	Marine blue/marine blue			
1	964 555 245 00 3MK	Burgundy/burgundy	-90		
1	964 555 245 00 TT3	Black/linen	-90		
1	964 555 245 00 TT5	Mahogany/linen	-90		
1	964 555 245 00 TT4	Marine blue/linen	-90		
1	964 555 245 00 TT6	Burgundy/linen	-90		
1	964 555 245 00 XN8	Black/cashmere beige			
1	964 555 245 00 XP2	Marine blue/cashmere beige	-90		
1	964 555 245 00 2WJ	Classic grey/classic grey	91-		
1	964 555 245 00 9ZH	Cobalt blue/cobalt blue	91-		
1	964 555 245 00 4WY	Magenta/Magenta	91-		
1	964 555 245 00 ATK	Black/light grey	91-		

Model: 911 89 Model life 1989>>1994

Pos	Part Number	Description	Remark	Qty	Model
(1)	964 555 245 00 APR	Classic grey/light grey	91-	1	M335/425
	964 555 245 00 ARR	Cobalt blue/light grey	91-		
	964 555 245 00 ASR	Magenta/light grey	91-		
	964 555 245 02	Back wall lining			
		Leatherette			
		Upper part/lower part			
	964 555 245 02 05T	Black/black			
	964 555 245 02 1MX	Mahogany/mahogany			
	964 555 245 02 1KX	Marine blue/marine blue			
	964 555 245 02 3MK	Burgundy/burgundy			
	964 555 245 02 TT3	Black/linen			
	964 555 245 02 TT5	Mahogany/linen			
	964 555 245 02 TT4	Marine blue/linen			
	964 555 245 02 TT6	Burgundy/linen			
	964 555 245 02 XN8	Black/cashmere beige			
964 555 245 02 XP2	Marine blue/cashmere beige				
964 555 245 02 2WJ	Classic grey/classic grey	91-			
964 555 245 02 9ZH	Cobalt blue/cobalt blue	91-			
964 555 245 02 4WY	Magenta/Magenta	91-			
964 555 245 02 ATK	Black/light grey	91-			
964 555 245 02 APR	Classic grey/light grey	91-			
964 555 245 02 ARR	Cobalt blue/light grey	91-			
964 555 245 02 ASR	Magenta/light grey	91-			
(1)	964 555 245 02	Back wall lining	90-	1	COUPE M425
		Leatherette			
		Upper part/lower part			
964 555 245 02 05T	Black/black				
964 555 245 02 1MX	Mahogany/mahogany	-90			
964 555 245 02 1KX	Marine blue/marine blue				
964 555 245 02 3MK	Burgundy/burgundy	-90			
964 555 245 02 TT3	Black/linen	-90			
964 555 245 02 TT5	Mahogany/linen	-90			
964 555 245 02 TT4	Marine blue/linen	-90			
964 555 245 02 TT6	Burgundy/linen	-90			
964 555 245 02 XN8	Black/cashmere beige				
964 555 245 02 XP2	Marine blue/cashmere beige	-90			
964 555 245 02 2WJ	Classic grey/classic grey	91-			
964 555 245 02 9ZH	Cobalt blue/cobalt blue	91-			
964 555 245 02 4WY	Magenta/Magenta	91-			
964 555 245 02 ATK	Black/light grey	91-			
964 555 245 02 APR	Classic grey/light grey	91-			
964 555 245 02 ARR	Cobalt blue/light grey	91-			
964 555 245 02 ASR	Magenta/light grey	91-			
(1)	964 555 245 40	Back wall lining	-93	1	TARGA
		Leatherette			
		Upper part/lower part			
964 555 245 40 05T	Black/black				
964 555 245 40 1MX	Mahogany/mahogany	-90			
964 555 245 40 1KX	Marine blue/marine blue				
964 555 245 40 3MK	Burgundy/burgundy	-90			
964 555 245 40 TT3	Black/linen	-90			
964 555 245 40 TT5	Mahogany/linen	-90			
964 555 245 40 TT4	Marine blue/linen	-90			
964 555 245 40 TT6	Burgundy/linen	-90			
964 555 245 40 XN8	Black/cashmere beige				
964 555 245 40 XP2	Marine blue/cashmere beige	-90			
964 555 245 40 2WJ	Classic grey/classic grey	91-			
964 555 245 40 9ZH	Cobalt blue/cobalt blue	91-			
964 555 245 40 4WY	Magenta/Magenta	91-			
964 555 245 40 ATK	Black/light grey	91-			
964 555 245 40 APR	Classic grey/light grey	91-			
964 555 245 40 ARR	Cobalt blue/light grey	91-			

Model: 911 89 Model life 1989>>1994

Pos	Part Number	Description	Remark	Qty	Model
(1)	964 555 245 40 ASR	Magenta/light grey	91-	1	TARGA M425
	964 555 245 42	Back wall lining	-93		
		Leatherette			
		Upper part/lower part			
	964 555 245 42 05T	Black/black			
	964 555 245 42 1MX	Mahogany/mahogany	-90		
	964 555 245 42 1KX	Marine blue/marine blue			
	964 555 245 42 3MK	Burgundy/burgundy	-90		
	964 555 245 42 TT3	Black/linen	-90		
	964 555 245 42 TT5	Mahogany/linen	-90		
	964 555 245 42 TT4	Marine blue/linen	-90		
	964 555 245 42 TT6	Burgundy/linen	-90		
	964 555 245 42 XN8	Black/cashmere beige			
	964 555 245 42 XP2	Marine blue/cashmere beige	-90		
	964 555 245 42 2WJ	Classic grey/classic grey	91-		
	964 555 245 42 9ZH	Cobalt blue/cobalt blue	91-		
	964 555 245 42 4WY	Magenta/Magenta	91-		
	964 555 245 42 ATK	Black/light grey	91-		
	964 555 245 42 APR	Classic grey/light grey	91-		
	964 555 245 42 ARR	Cobalt blue/light grey	91-		
(1)	964 555 245 42 ASR	Magenta/light grey	91-	1	
	964 555 111 01	Back wall lining	89		
		Whole-leather			
		Upper part/lower part			
	964 555 111 01 KZ2	Black			
	964 555 111 01 TV1	Mahogany			
	964 555 111 01 TS1	Marine blue			
	964 555 111 01 LG7	Burgundy			
	964 555 111 01 TV6	Black/linen			
	964 555 111 01 TV8	Mahogany/linen			
	964 555 111 01 TV7	Marine blue/linen			
	964 555 111 01 TV9	Burgundy/linen			
	964 555 111 01 XP1	Black/cashmere beige			
	964 555 111 01 XP4	Marine blue/cashmere beige			
	964 555 111 01 XP6	Black/silk grey			
	964 555 111 01 XP8	Marine blue/silk grey			
	964 555 111 01 XN6	Velvet red			
	964 555 111 01 XN7	Slate grey			
	964 555 111 01 UD5	Caramel			
	964 555 111 01 UD6	Venetian blue			
(1)	964 555 111 46	Back wall lining	89	1	M425
		Whole-leather			
		Upper part/lower part			
	964 555 111 46 KZ2	Black			
	964 555 111 46 TV1	Mahogany			
	964 555 111 46 TS1	Marine blue			
	964 555 111 46 LG7	Burgundy			
	964 555 111 46 TV6	Black/linen			
	964 555 111 46 TV8	Mahogany/linen			
	964 555 111 46 TV7	Marine blue/linen			
	964 555 111 46 TV9	Burgundy/linen			
	964 555 111 46 XP1	Black/cashmere beige			
	964 555 111 46 XP4	Marine blue/cashmere beige			
	964 555 111 46 XP6	Black/silk grey			
	964 555 111 46 XP8	Marine blue/silk grey			
	964 555 111 46 XN6	Velvet red			
	964 555 111 46 XN7	Slate grey			
	964 555 111 46 UD5	Caramel			
	964 555 111 46 UD6	Venetian blue			
(1)	964 555 245 10	Back wall lining	92-	1	COUPE M419
		Whole-leather			

Model: 911 89 Model life 1989>>1994

Pos	Part Number	Description	Remark	Qty	Model
(1)	964 555 245 10 8YR	Upper part/lower part Black/black	92-	1	COUPE M419 M425
	964 555 245 10 6XL	Classic grey/classic grey			
	964 555 245 10 9YL	Cobalt blue/cobalt blue			
	964 555 245 10 6YL	Magenta/Magenta			
	964 555 245 10 ATM	Black/light grey			
	964 555 245 10 APT	Classic grey/light grey			
	964 555 245 10 ART	Cobalt blue/light grey			
	964 555 245 10 AST	Magenta/light grey			
	964 555 245 10 ATQ	Black/cashmere beige			
	964 555 245 10 H05	Marine blue/marine blue			
	964 555 245 10 M05	Matador red/matador red			
	964 555 245 10 D35	Carrara grey/carrara grey			
	964 555 245 10 J25	Sherwood gr./sherw. green			
	964 555 245 12	Back wall lining			
(1)		Whole-leather Upper part/lower part	92-	1	TARGA M419
	964 555 245 12 8YR	Black/black			
	964 555 245 12 6XL	Classic grey/classic grey			
	964 555 245 12 9YL	Cobalt blue/cobalt blue			
	964 555 245 12 6YL	Magenta/Magenta			
	964 555 245 12 ATM	Black/light grey			
	964 555 245 12 APT	Classic grey/light grey			
	964 555 245 12 ART	Cobalt blue/light grey			
	964 555 245 12 AST	Magenta/light grey			
	964 555 245 12 ATQ	Black/cashmere beige			
	964 555 245 12 H05	Marine blue/marine blue			
	964 555 245 12 M05	Matador red/matador red			
	964 555 245 12 D35	Carrara grey/carrara grey			
	964 555 245 12 J25	Sherwood gr./sherw. green			
964 555 245 49	Back wall lining				
(1)		Whole-leather Upper part/lower part	92-	1	TARGA M419 M425
	964 555 245 49 8YR	Black/black			
	964 555 245 49 6XL	Classic grey/classic grey			
	964 555 245 49 9YL	Cobalt blue/cobalt blue			
	964 555 245 49 6YL	Magenta/Magenta			
	964 555 245 49 ATM	Black/light grey			
	964 555 245 49 APT	Classic grey/light grey			
	964 555 245 49 ART	Cobalt blue/light grey			
	964 555 245 49 AST	Magenta/light grey			
	964 555 245 49 ATQ	Black/cashmere beige			
	964 555 245 49 H05	Marine blue/marine blue			
	964 555 245 49 M05	Matador red/matador red			
	964 555 245 49 D35	Carrara grey/carrara grey			
	964 555 245 49 J25	Sherwood gr./sherw. green			
964 555 245 51	Back wall lining				
(1)		Whole-leather Upper part/lower part	92-	1	TARGA M419 M425
	964 555 245 51 8YR	Black/black			
	964 555 245 51 6XL	Classic grey/classic grey			
	964 555 245 51 9YL	Cobalt blue/cobalt blue			
	964 555 245 51 6YL	Magenta/Magenta			
	964 555 245 51 ATM	Black/light grey			
	964 555 245 51 APT	Classic grey/light grey			
	964 555 245 51 ART	Cobalt blue/light grey			
964 555 245 51 AST	Magenta/light grey				
964 555 245 51 ATQ	Black/cashmere beige				

Model: 911 89 Model life 1989>>1994

Pos	Part Number	Description	Remark	Qty	Model
1	964 555 245 51 H05	Marine blue/marine blue		1	M335
	964 555 245 51 M05	Matador red/matador red			
	964 555 245 51 D35	Carrara grey/carrara grey			
	964 555 245 51 J25	Sherwood gr./sherw. green			
	964 555 245 01	Back wall lining			
		Whole-leather			
		Upper part/lower part			
	964 555 245 01 KZ2	Black/black			
	964 555 245 01 TV1	Mahogany/mahogany			
	964 555 245 01 TS1	Marine blue/marine blue			
	964 555 245 01 LG7	Burgundy/burgundy			
	964 555 245 01 TV6	Black/linen			
	964 555 245 01 TV8	Mahogany/linen			
	964 555 245 01 TV7	Marine blue/linen			
	964 555 245 01 TV9	Burgundy/linen			
	964 555 245 01 XP1	Black/cashmere beige			
	964 555 245 01 XP4	Marine blue/cashmere beige			
	964 555 245 01 XP6	Black/silk grey			
	964 555 245 01 XP8	Marine blue/silk grey			
	964 555 245 01 XN6	Velvet red/velvet red			
	964 555 245 01 XN7	Slate grey/slate grey			
	964 555 245 01 UD5	Caramel/caramel			
	964 555 245 01 UD6	Venetian bl./venetian blue			
	964 555 245 01 8YR	Black/black	91-		
	964 555 245 01 6XL	Classic grey/classic grey	91-		
	964 555 245 01 9YL	Cobalt blue/cobalt blue	91-		
	964 555 245 01 6YL	Magenta/Magenta	91-		
	964 555 245 01 ATM	Black/light grey	91-		
	964 555 245 01 APT	Classic grey/light grey	91-		
	964 555 245 01 ART	Cobalt blue/light grey	91-		
	964 555 245 01 AST	Magenta/light grey	91-		
	964 555 245 01 ATQ	Black/cashmere beige	91-		
	964 555 245 01 H05	Marine blue/marine blue	91-		
964 555 245 01 M05	Matador red/matador red	91-			
964 555 245 01 D35	Carrara grey/carrara grey	91-			
964 555 245 01 J25	Sherwood green	91-			
1	964 555 245 01	Back wall lining	90-	1	COUPE
		Whole-leather			
		Upper part/lower part			
964 555 245 01 KZ2	Black/black	-90			
964 555 245 01 TV1	Mahogany/mahogany	-90			
964 555 245 01 TS1	Marine blue/marine blue	-90			
964 555 245 01 LG7	Burgundy/burgundy	-90			
964 555 245 01 TV6	Black/linen	-90			
964 555 245 01 TV8	Mahogany/linen	-90			
964 555 245 01 TV7	Marine blue/linen	-90			
964 555 245 01 TV9	Burgundy/linen	-90			
964 555 245 01 XP1	Black/cashmere beige	-90			
964 555 245 01 XP4	Marine blue/cashmere beige	-90			
964 555 245 01 XP6	Black/silk grey	-90			
964 555 245 01 XP8	Marine blue/silk grey	-90			
964 555 245 01 XN6	Velvet red/velvet red	-90			
964 555 245 01 XN7	Slate grey/slate grey	-90			
964 555 245 01 UD5	Caramel/caramel	-90			
964 555 245 01 UD6	Venetian bl./venetian blue	-90			
964 555 245 01 8YR	Black/black	91-			
964 555 245 01 6XL	Classic grey/classic grey	91-			
964 555 245 01 9YL	Cobalt blue/cobalt blue	91-			
964 555 245 01 6YL	Magenta/Magenta	91-			
964 555 245 01 ATM	Black/light grey	91-			
964 555 245 01 APT	Classic grey/light grey	91-			
964 555 245 01 ART	Cobalt blue/light grey	91-			
964 555 245 01 AST	Magenta/light grey	91-			

Model: 911 89 Model life 1989>>1994

Pos	Part Number	Description	Remark	Qty	Model
(1)	964 555 245 01 ATQ	Black/cashmere beige	91-	1	M335/425
	964 555 245 01 H05	Marine blue/marine blue	91-		
	964 555 245 01 M05	Matador red/matador red	91-		
	964 555 245 01 D35	Carrara grey/carrara grey	91-		
	964 555 245 01 J25	Sherwood green	91-		
	964 555 245 03	Back wall lining			
		Whole-leather			
		Upper part/lower part			
	964 555 245 03 KZ2	Black/black			
	964 555 245 03 TV1	Mahogany/mahogany			
	964 555 245 03 TS1	Marine blue/marine blue			
	964 555 245 03 LG7	Burgundy/burgundy			
	964 555 245 03 TV6	Black/linen			
	964 555 245 03 TV8	Mahogany/linen			
	964 555 245 03 TV7	Marine blue/linen			
	964 555 245 03 TV9	Burgundy/linen			
	964 555 245 03 XP1	Black/cashmere beige			
	964 555 245 03 XP4	Marine blue/cashmere beige			
	964 555 245 03 XP6	Black/silk grey			
	964 555 245 03 XP8	Marine blue/silk grey			
	964 555 245 03 XN6	Velvet red/velvet red			
	964 555 245 03 XN7	Slate grey/slate grey			
	964 555 245 03 UD5	Caramel/caramel			
	964 555 245 03 UD6	Venetian bl./venetian blue			
	964 555 245 03 8YR	Black/black	91-		
	964 555 245 03 6XL	Classic grey/classic grey	91-		
	964 555 245 03 9YL	Cobalt blue/cobalt blue	91-		
964 555 245 03 6YL	Magenta/Magenta	91-			
964 555 245 03 ATM	Black/light grey	91-			
964 555 245 03 APT	Classic grey/light grey	91-			
964 555 245 03 ART	Cobalt blue/light grey	91-			
964 555 245 03 AST	Magenta/light grey	91-			
964 555 245 03 ATQ	Black/cashmere beige	91-			
964 555 245 03 H05	Marine blue/marine blue	91-			
964 555 245 03 M05	Matador red/matador red	91-			
964 555 245 03 D35	Carrara grey/carrara grey	91-			
964 555 245 03 J25	Sherwood green	91-			
(1)	964 555 245 03	Back wall lining	90-	1	COUPE M425
		Whole-leather			
		Upper part/lower part			
964 555 245 03 KZ2	Black/black	-90			
964 555 245 03 TV1	Mahogany/mahogany	-90			
964 555 245 03 TS1	Marine blue/marine blue	-90			
964 555 245 03 LG7	Burgundy/burgundy	-90			
964 555 245 03 TV6	Black/linen	-90			
964 555 245 03 TV8	Mahogany/linen	-90			
964 555 245 03 TV7	Marine blue/linen	-90			
964 555 245 03 TV9	Burgundy/linen	-90			
964 555 245 03 XP1	Black/cashmere beige	-90			
964 555 245 03 XP4	Marine blue/cashmere beige	-90			
964 555 245 03 XP6	Black/silk grey	-90			
964 555 245 03 XP8	Marine blue/silk grey	-90			
964 555 245 03 XN6	Velvet red/velvet red	-90			
964 555 245 03 XN7	Slate grey/slate grey	-90			
964 555 245 03 UD5	Caramel/caramel	-90			
964 555 245 03 UD6	Venetian bl./venetian blue	-90			
964 555 245 03 8YR	Black/black	91-			
964 555 245 03 6XL	Classic grey/classic grey	91-			
964 555 245 03 9YL	Cobalt blue/cobalt blue	91-			
964 555 245 03 6YL	Magenta/Magenta	91-			
964 555 245 03 ATM	Black/light grey	91-			
964 555 245 03 APT	Classic grey/light grey	91-			

Model: 911 89 Model life 1989>>1994

Pos	Part Number	Description	Remark	Qty	Model
	964 555 245 03 ART	Cobalt blue/light grey	91-		
	964 555 245 03 AST	Magenta/light grey	91-		
	964 555 245 03 ATQ	Black/cashmere beige	91-		
	964 555 245 03 H05	Marine blue/marine blue	91-		
	964 555 245 03 M05	Matador red/matador red	91-		
	964 555 245 03 D35	Carrara grey/carrara grey	91-		
	964 555 245 03 J25	Sherwood green	91-		
(1)	964 555 245 41	Back wall lining	-93	1	TARGA
		Whole-leather			
		Upper part/lower part			
	964 555 245 41 KZ2	Black/black	-90		
	964 555 245 41 TV1	Mahogany/mahogany	-90		
	964 555 245 41 TS1	Marine blue/marine blue	-90		
	964 555 245 41 LG7	Burgundy/burgundy	-90		
	964 555 245 41 TV6	Black/linen	-90		
	964 555 245 41 TV8	Mahogany/linen	-90		
	964 555 245 41 TV7	Marine blue/linen	-90		
	964 555 245 41 TV9	Burgundy/linen	-90		
	964 555 245 41 XP1	Black/cashmere beige	-90		
	964 555 245 41 XP4	Marine blue/cashmere beige	-90		
	964 555 245 41 XP6	Black/silk grey	-90		
	964 555 245 41 XP8	Marine blue/silk grey	-90		
	964 555 245 41 XN6	Velvet red/velvet red	-90		
	964 555 245 41 XN7	Slate grey/slate grey	-90		
	964 555 245 41 UD5	Caramel/caramel	-90		
	964 555 245 41 UD6	Venetian bl./venetian blue	-90		
	964 555 245 41 8YR	Black/black	91-		
	964 555 245 41 6XL	Classic grey/classic grey	91-		
	964 555 245 41 9YL	Cobalt blue/cobalt blue	91-		
	964 555 245 41 6YL	Magenta/Magenta	91-		
	964 555 245 41 ATM	Black/light grey	91-		
	964 555 245 41 APT	Classic grey/light grey	91-		
	964 555 245 41 ART	Cobalt blue/light grey	91-		
	964 555 245 41 AST	Magenta/light grey	91-		
	964 555 245 41 ATQ	Black/cashmere beige	91-		
	964 555 245 41 H05	Marine blue/marine blue	91-		
	964 555 245 41 M05	Matador red/matador red	91-		
	964 555 245 41 D35	Carrara grey/carrara grey	91-		
	964 555 245 41 J25	Sherwood green	91-		
(1)	964 555 245 43	Back wall lining	-93	1	TARGA M425
		Whole-leather			
		Upper part/lower part			
	964 555 245 43 KZ2	Black/black	-90		
	964 555 245 43 TV1	Mahogany/mahogany	-90		
	964 555 245 43 TS1	Marine blue/marine blue	-90		
	964 555 245 43 LG7	Burgundy/burgundy	-90		
	964 555 245 43 TV6	Black/linen	-90		
	964 555 245 43 TV8	Mahogany/linen	-90		
	964 555 245 43 TV7	Marine blue/linen	-90		
	964 555 245 43 TV9	Burgundy/linen	-90		
	964 555 245 43 XP1	Black/cashmere beige	-90		
	964 555 245 43 XP4	Marine blue/cashmere beige	-90		
	964 555 245 43 XP6	Black/silk grey	-90		
	964 555 245 43 XP8	Marine blue/silk grey	-90		
	964 555 245 43 XN6	Velvet red/velvet red	-90		
	964 555 245 43 XN7	Slate grey/slate grey	-90		
	964 555 245 43 UD5	Caramel/caramel	-90		
	964 555 245 43 UD6	Venetian bl./venetian blue	-90		
	964 555 245 43 8YR	Black/black	91-		
	964 555 245 43 6XL	Classic grey/classic grey	91-		
	964 555 245 43 9YL	Cobalt blue/cobalt blue	91-		
	964 555 245 43 6YL	Magenta/Magenta	91-		

Model: 911 89 Model life 1989>>1994

Pos	Part Number	Description	Remark	Qty	Model
	964 555 245 43 ATM	Black/light grey	91-		
	964 555 245 43 APT	Classic grey/light grey	91-		
	964 555 245 43 ART	Cobalt blue/light grey	91-		
	964 555 245 43 AST	Magenta/light grey	91-		
	964 555 245 43 ATQ	Black/cashmere beige	91-		
	964 555 245 43 H05	Marine blue/marine blue	91-		
	964 555 245 43 M05	Matador red/matador red	91-		
	964 555 245 43 D35	Carrara grey/carrara grey	91-		
	964 555 245 43 J25	Sherwood green	91-		
2	964 555 425 01	Cover		1	COUPE M425
	964 555 425 01 01C	Black for vehicles up to MOD.90 Use also: POS.2A			
2	964 555 425 41	Cover	-93	1	TARGA M425
	964 555 425 41 01C	Black for vehicles up to MOD.90 Use also: POS.2A			
2A	964 555 525 00	Cover		1	M425
	964 555 525 00 01C	Black			
		Rear window wiper			
3	911 555 627 00	Trim cover	(AUS) (CDN)	2	
	911 555 627 00 01C	Black			
4	944 555 149 00	Loudspeaker grille		2	
	944 555 149 00 01C	Satin black			
4	944 555 149 01	Loudspeaker grille		2	
		Satin black			
(5)	964 555 511 01	Cover	/L	1	
	964 555 511 01 01C	Black			
		Seat belt			
5	964 555 512 01	Cover	/R	1	
	964 555 512 01 01C	Black			
		Seat belt			
6	911 555 215 00	Support	-90	2	
7	900 025 002 02	Washer	-90	8	
		A 4,3			
7	900 025 002 03	Washer		8	
		A 4,3			
8	N 011 004 6	Hexagon nut	-90	8	
		M 4			
8	N 011 004 G	Nut		8	
		M 4			
9	999 507 032 02	Speed nut	-90	8	
9	999 507 071 00	Speed nut	91-	8	
		B 3,9			
10	900 143 178 07	Oval-head sheetmetal screw		8	
		B 3,9 X 22			
11	900 145 062 07	Tapping screw		4	
		B 3,5 X 25			
12	999 591 102 17	Washer		4	
12	999 591 102 1H	Washer		4	
(13)	964 555 071 00	Side trim panel	/L 89	1	COUPE
		Leatherette			
	964 555 071 00 05T	Black			
	964 555 071 00 3MK	Burgundy			
	964 555 071 00 1MX	Mahogany			
	964 555 071 00 1KX	Marine blue			
	964 555 071 00 4WX	Linen			

Model: 911 89 Model life 1989>>1994

Pos	Part Number	Description	Remark	Qty	Model
13	964 555 071 00 7RT	Cashmere beige		1	COUPE
	964 555 072 00	Side trim panel	/R 89		
		Leatherette			
	964 555 072 00 05T	Black			
	964 555 072 00 3MK	Burgundy			
	964 555 072 00 1MX	Mahogany			
(13)	964 555 072 00 1KX	Marine blue		1	COUPE
	964 555 072 00 4WX	Linen			
	964 555 072 00 7RT	Cashmere beige			
	964 555 071 12	Side trim panel	/L 90-		
		Leatherette			
	964 555 071 12 3MK	Burgundy	90		
	964 555 071 12 1MX	Mahogany	90		
	964 555 071 12 05T	Black			
	964 555 071 12 1KX	Marine blue			
	964 555 071 12 4WX	Linen	90		
	964 555 071 12 7RT	Cashmere beige			
	964 555 071 12 2WJ	Classic grey	91-		
	964 555 071 12 9ZH	Cobalt blue	91-		
964 555 071 12 4WY	Magenta	91-			
964 555 071 12 1ZU	Light grey	91-			
13	964 555 072 12	Side trim panel	/R 90-	1	COUPE
		Leatherette			
	964 555 072 12 3MK	Burgundy	90		
	964 555 072 12 1MX	Mahogany	90		
	964 555 072 12 05T	Black			
	964 555 072 12 1KX	Marine blue			
	964 555 072 12 4WX	Linen	90		
	964 555 072 12 7RT	Cashmere beige			
	964 555 072 12 2WJ	Classic grey	91-		
	964 555 072 12 9ZH	Cobalt blue	91-		
	964 555 072 12 4WY	Magenta	91-		
	964 555 072 12 1ZU	Light grey	91-		
	(13)	964 555 071 40	Side trim panel		
		Leatherette			
964 555 071 40 3MK		Burgundy	90		
964 555 071 40 1MX		Mahogany	90		
964 555 071 40 05T		Black			
964 555 071 40 1KX		Marine blue			
964 555 071 40 4WX		Linen	90		
964 555 071 40 7RT		Cashmere beige			
964 555 071 40 2WJ		Classic grey	91-		
964 555 071 40 9ZH		Cobalt blue	91-		
964 555 071 40 4WY		Magenta	91-		
964 555 071 40 1ZU		Light grey	91-		
(13)		964 555 072 40	Side trim panel	/R -93	1
		Leatherette			
	964 555 072 40 3MK	Burgundy	90		
	964 555 072 40 1MX	Mahogany	90		
	964 555 072 40 05T	Black			
	964 555 072 40 1KX	Marine blue			
	964 555 072 40 4WX	Linen	90		
	964 555 072 40 7RT	Cashmere beige			
	964 555 072 40 2WJ	Classic grey	91-		
	964 555 072 40 9ZH	Cobalt blue	91-		
	964 555 072 40 4WY	Magenta	91-		
	964 555 072 40 1ZU	Light grey	91-		
	(13)	964 555 071 02	Side trim panel	/L 89	
		Leather			
964 555 071 02 KZ2		Black			
964 555 071 02 LG7		Burgundy			
964 555 071 02 TV1		Mahogany			
964 555 071 02 TS1		Marine blue			

Model: 911 89 Model life 1989>>1994

Pos	Part Number	Description	Remark	Qty	Model
	964 555 071 02 TW1	Linen			
	964 555 071 02 XN4	Cashmere beige			
	964 555 071 02 XN5	Silk grey			
	964 555 071 02 XN6	Velvet red			
	964 555 071 02 XN7	Slate grey			
	964 555 071 02 UD5	Caramel			
	964 555 071 02 UD6	Venetian blue			
13	964 555 072 02	Side trim panel Leather	/R 89	1	
	964 555 072 02 KZ2	Black			
	964 555 072 02 LG7	Burgundy			
	964 555 072 02 TV1	Mahogany			
	964 555 072 02 TS1	Marine blue			
	964 555 072 02 TW1	Linen			
	964 555 072 02 XN4	Cashmere beige			
	964 555 072 02 XN5	Silk grey			
	964 555 072 02 XN6	Velvet red			
	964 555 072 02 XN7	Slate grey			
	964 555 072 02 UD5	Caramel			
	964 555 072 02 UD6	Venetian blue			
(13)	964 555 071 14	Side trim panel Leather	/L 90-	1	COUPE
	964 555 071 14 LG7	Burgundy	90		
	964 555 071 14 TV1	Mahogany	90		
	964 555 071 14 TS1	Marine blue	90		
	964 555 071 14 KZ2	Black	90		
	964 555 071 14 TW1	Linen	90		
	964 555 071 14 XN4	Cashmere beige	90		
	964 555 071 14 XN5	Silk grey	90		
	964 555 071 14 XN6	Velvet red	90		
	964 555 071 14 XN7	Slate grey	90		
	964 555 071 14 UD5	Caramel	90		
	964 555 071 14 UD6	Venetian blue	90		
	964 555 071 14 8YR	Black	91-		
	964 555 071 14 6XL	Classic grey	91-		
	964 555 071 14 9YL	Cobalt blue	91-		
	964 555 071 14 6YL	Magenta	91-		
	964 555 071 14 8ZL	Light grey	91-		
	964 555 071 14 4YU	Cashmere beige	91-		
	964 555 071 14 H05	Marine blue	91-		
	964 555 071 14 M05	Matador red	91-		
	964 555 071 14 D35	Carrara grey	91-		
	964 555 071 14 J25	Sherwood green	91-		
13	964 555 072 14	Side trim panel Leather	/R 90-	1	COUPE
	964 555 072 14 LG7	Burgundy	90		
	964 555 072 14 TV1	Mahogany	90		
	964 555 072 14 TS1	Marine blue	90		
	964 555 072 14 KZ2	Black	90		
	964 555 072 14 TW1	Linen	90		
	964 555 072 14 XN4	Cashmere beige	90		
	964 555 072 14 XN5	Silk grey	90		
	964 555 072 14 XN6	Velvet red	90		
	964 555 072 14 XN7	Slate grey	90		
	964 555 072 14 UD5	Caramel	90		
	964 555 072 14 UD6	Venetian blue	90		
	964 555 072 14 8YR	Black	91-		
	964 555 072 14 6XL	Classic grey	91-		
	964 555 072 14 9YL	Cobalt blue	91-		
	964 555 072 14 6YL	Magenta	91-		
	964 555 072 14 8ZL	Light grey	91-		
	964 555 072 14 4YU	Cashmere beige	91-		
	964 555 072 14 H05	Marine blue	91-		

Model: 911 89 Model life 1989>>1994

Pos	Part Number	Description	Remark	Qty	Model			
(13)	964 555 072 14 M05	Matador red	91-	1	TARGA			
	964 555 072 14 D35	Carrara grey	91-					
	964 555 072 14 J25	Sherwood green	91-					
	964 555 071 42	Side trim panel Leather	/L					
	964 555 071 42 LG7	Burgundy	90					
	964 555 071 42 TV1	Mahogany	90					
	964 555 071 42 TS1	Marine blue	90					
	964 555 071 42 KZ2	Black	90					
	964 555 071 42 TW1	Linen	90					
	964 555 071 42 XN4	Cashmere beige	90					
	964 555 071 42 XN5	Silk grey	90					
	964 555 071 42 XN6	Velvet red	90					
	964 555 071 42 XN7	Slate grey	90					
	964 555 071 42 UD5	Caramel	90					
	964 555 071 42 UD6	Venetian blue	90					
	964 555 071 42 8YR	Black	91-					
	964 555 071 42 6XL	Classic grey	91-					
	964 555 071 42 9YL	Cobalt blue	91-					
	964 555 071 42 6YL	Magenta	91-					
	(13)	964 555 071 42 8ZL	Light grey			91-	1	TARGA
964 555 071 42 4YU		Cashmere beige	91-					
964 555 071 42 H05		Marine blue	91-					
964 555 071 42 M05		Matador red	91-					
964 555 071 42 D35		Carrara grey	91-					
964 555 071 42 J25		Sherwood green	91-					
964 555 072 42		Side trim panel Leather	/R					
964 555 072 42 LG7		Burgundy	90					
964 555 072 42 TV1		Mahogany	90					
964 555 072 42 TS1		Marine blue	90					
964 555 072 42 KZ2		Black	90					
964 555 072 42 TW1		Linen	90					
964 555 072 42 XN4		Cashmere beige	90					
964 555 072 42 XN5		Silk grey	90					
964 555 072 42 XN6		Velvet red	90					
964 555 072 42 XN7		Slate grey	90					
964 555 072 42 UD5		Caramel	90					
964 555 072 42 UD6		Venetian blue	90					
964 555 072 42 8YR		Black	91-					
964 555 072 42 6XL		Classic grey	91-					
964 555 072 42 9YL	Cobalt blue	91-						
964 555 072 42 6YL	Magenta	91-						
(13)	964 555 072 42 8ZL	Light grey	91-	1	COUPE			
	964 555 072 42 4YU	Cashmere beige	91-					
	964 555 072 42 H05	Marine blue	91-					
	964 555 072 42 M05	Matador red	91-					
	964 555 072 42 D35	Carrara grey	91-					
	964 555 072 42 J25	Sherwood green	91-					
	964 555 071 14	Side trim panel Leather	/L					
	964 555 071 14 E38	Rubicon grey	93					
	964 555 072 14	Side trim panel Leather	/R					
	964 555 072 14 E38	Rubicon grey	93					
	(13)	964 555 071 01	Side trim panel All-cloth Pin stripe velour			/L 89	1	
		964 555 071 01 7BN	Black-white					
		964 555 071 01 6LN	Mahogany-white					
		964 555 071 01 8GJ	Blue-white					
		964 555 071 01 1MJ	Burgundy-white					
		964 555 071 01 4WJ	Linen white					

Model: 911 89 Model life 1989>>1994

Pos	Part Number	Description	Remark	Qty	Model
13	964 555 071 01 4TN	Cashmere beige-white			
	964 555 072 01	Side trim panel	/R 89	1	
		All-cloth			
		Pin stripe velour			
	964 555 072 01 7BN	Black-white			
	964 555 072 01 6LN	Mahogany-white			
	964 555 072 01 8GJ	Blue-white			
	964 555 072 01 1MJ	Burgundy-white			
	964 555 072 01 4WJ	Linen white			
(13)	964 555 072 01 4TN	Cashmere beige-white			
	964 555 071 01	Side trim panel	/L 89	1	
		Multicolour			
	964 555 071 01 2VV	Black			
	964 555 071 01 8XV	Mahogany			
	964 555 071 01 9JV	Marine blue			
	964 555 071 01 1MV	Burgundy			
	964 555 071 01 6UV	Linen			
	964 555 071 01 5TC	Cashmere beige			
13	964 555 072 01	Side trim panel	/R 89	1	
		Multicolour			
	964 555 072 01 2VV	Black			
	964 555 072 01 8XV	Mahogany			
	964 555 072 01 9JV	Marine blue			
	964 555 072 01 1MV	Burgundy			
	964 555 072 01 6UV	Linen			
	964 555 072 01 5TC	Cashmere beige			
(13)	964 555 071 01	Side trim panel	/L 89	1	
		Porsche lettering cloth			
	964 555 071 01 2CZ	Black			
	964 555 071 01 4MR	Mahogany			
	964 555 071 01 6HZ	Blue			
	964 555 071 01 5LZ	Burgundy			
	964 555 071 01 5WZ	Linen			
	964 555 071 01 7TH	Cashmere beige			
13	964 555 072 01	Side trim panel	/R 89	1	
		Porsche lettering cloth			
	964 555 072 01 2CZ	Black			
	964 555 072 01 4MR	Mahogany			
	964 555 072 01 6HZ	Blue			
	964 555 072 01 5LZ	Burgundy			
	964 555 072 01 5WZ	Linen			
	964 555 072 01 7TH	Cashmere beige			
(13)	964 555 071 13	Side trim panel	/L 90-	1	COUPE
		All-cloth			
		Pin stripe velour	90		
	964 555 071 13 7BN	Black-white			
	964 555 071 13 6LN	Mahogany-white			
	964 555 071 13 8GJ	Blue-white			
	964 555 071 13 1MJ	Burgundy-white			
	964 555 071 13 4WJ	Linen white			
	964 555 071 13 4TN	Cashmere beige-white			
13	964 555 072 13	Side trim panel	/R 90-	1	COUPE
		All-cloth			
		Pin stripe velour	90		
	964 555 072 13 7BN	Black-white			
	964 555 072 13 6LN	Mahogany-white			
	964 555 072 13 8GJ	Blue-white			
	964 555 072 13 1MJ	Burgundy-white			
	964 555 072 13 4WJ	Linen white			
	964 555 072 13 4TN	Cashmere beige-white			
(13)	964 555 071 41	Side trim panel	/L -93	1	TARGA
		All-cloth			
		Pin stripe velour	90		

Model: 911 89 Model life 1989>>1994

Pos	Part Number	Description	Remark	Qty	Model
	964 555 071 41 7BN	Black-white			
	964 555 071 41 6LN	Mahogany-white			
	964 555 071 41 8GJ	Blue-white			
	964 555 071 41 1MJ	Burgundy-white			
	964 555 071 41 4WJ	Linen white			
	964 555 071 41 4TN	Cashmere beige-white			
(13)	964 555 072 41	Side trim panel	/R -93	1	TARGA
		All-cloth			
		Pin stripe velour	90		
	964 555 072 41 7BN	Black-white			
	964 555 072 41 6LN	Mahogany-white			
	964 555 072 41 8GJ	Blue-white			
	964 555 072 41 1MJ	Burgundy-white			
	964 555 072 41 4WJ	Linen white			
	964 555 072 41 4TN	Cashmere beige-white			
(13)	964 555 071 13	Side trim panel	/L 90-	1	COUPE
		Multicolour			
	964 555 071 13 2VV	Black			
	964 555 071 13 8XV	Mahogany	90		
	964 555 071 13 9JV	Marine blue			
	964 555 071 13 9WT	Classic grey	91-		
	964 555 071 13 9YD	Cobalt blue	91-		
	964 555 071 13 1MV	Burgundy			
	964 555 071 13 6UV	Linen			
	964 555 071 13 5TC	Cashmere beige			
13	964 555 072 13	Side trim panel	/R 90-	1	COUPE
		Multicolour			
	964 555 072 13 2VV	Black			
	964 555 072 13 8XV	Mahogany	90		
	964 555 072 13 9JV	Marine blue			
	964 555 072 13 9WT	Classic grey	91-		
	964 555 072 13 9YD	Cobalt blue	91-		
	964 555 072 13 1MV	Burgundy			
	964 555 072 13 6UV	Linen			
	964 555 072 13 5TC	Cashmere beige			
(13)	964 555 071 41	Side trim panel	/L -93	1	TARGA
		Multicolour			
	964 555 071 41 2VV	Black			
	964 555 071 41 8XV	Mahogany	90		
	964 555 071 41 9JV	Marine blue			
	964 555 071 41 9WT	Classic grey	91-		
	964 555 071 41 9YD	Cobalt blue	91-		
	964 555 071 41 1MV	Burgundy			
	964 555 071 41 6UV	Linen			
	964 555 071 41 5TC	Cashmere beige			
(13)	964 555 072 41	Side trim panel	/R -93	1	TARGA
		Multicolour			
	964 555 072 41 2VV	Black			
	964 555 072 41 8XV	Mahogany	90		
	964 555 072 41 9JV	Marine blue			
	964 555 072 41 9WT	Classic grey	91-		
	964 555 072 41 9YD	Cobalt blue	91-		
	964 555 072 41 1MV	Burgundy			
	964 555 072 41 6UV	Linen			
	964 555 072 41 5TC	Cashmere beige			
(13)	964 555 071 13	Side trim panel	/L 90-	1	COUPE
		Porsche lettering cloth			
	964 555 071 13 2CZ	Black			
	964 555 071 13 4MR	Mahogany	90		
	964 555 071 13 6HZ	Blue			
	964 555 071 13 5LZ	Burgundy	90		
	964 555 071 13 5WZ	Linen	90		
	964 555 071 13 7TH	Cashmere beige			

Model: 911 89 Model life 1989>>1994

Pos	Part Number	Description	Remark	Qty	Model
13	964 555 071 13 6WC	Classic grey	91-	1	COUPE
	964 555 071 13 7ZK	Cobalt blue	91-		
	964 555 071 13 9YC	Magenta	91-		
	964 555 071 13 2ZV	Light grey	91-		
	964 555 072 13	Side trim panel	/R 90-		
		Porsche lettering cloth			
	964 555 072 13 2CZ	Black			
	964 555 072 13 4MR	Mahogany	90		
	964 555 072 13 6HZ	Blue			
	964 555 072 13 5LZ	Burgundy	90		
	964 555 072 13 5WZ	Linen	90		
	964 555 072 13 7TH	Cashmere beige			
	964 555 072 13 6WC	Classic grey	91-		
964 555 072 13 7ZK	Cobalt blue	91-			
964 555 072 13 9YC	Magenta	91-			
964 555 072 13 2ZV	Light grey	91-			
(13)	964 555 071 41	Side trim panel	/L -93	1	TARGA
		Porsche lettering cloth			
	964 555 071 41 2CZ	Black			
	964 555 071 41 4MR	Mahogany	90		
	964 555 071 41 6HZ	Blue			
	964 555 071 41 5LZ	Burgundy	90		
	964 555 071 41 5WZ	Linen	90		
	964 555 071 41 7TH	Cashmere beige			
	964 555 071 41 6WC	Classic grey	91-		
	964 555 071 41 7ZK	Cobalt blue	91-		
	964 555 071 41 9YC	Magenta	91-		
	964 555 071 41 2ZV	Light grey	91-		
(13)	964 555 072 41	Side trim panel	/R -93	1	TARGA
		Porsche lettering cloth			
	964 555 072 41 2CZ	Black			
	964 555 072 41 4MR	Mahogany	90		
	964 555 072 41 6HZ	Blue			
	964 555 072 41 5LZ	Burgundy	90		
	964 555 072 41 5WZ	Linen	90		
	964 555 072 41 7TH	Cashmere beige			
	964 555 072 41 6WC	Classic grey	91-		
	964 555 072 41 7ZK	Cobalt blue	91-		
	964 555 072 41 9YC	Magenta	91-		
	964 555 072 41 2ZV	Light grey	91-		
14	477 857 375 A	Support for seatbelt	89	2	M186
	477 857 375 A 01C	Black			
15	900 151 027 02	Washer	89-	4	M186
		B 5,3			
15	900 151 027 03	Washer	89-	4	M186
		B 5,3			
16	900 146 003 02	Oval-head screw	89	4	M186
		M 5 X 10			
17	N 014 093 3	Oval-head sheetmetal screw	89	4	
		BZ 4,2 X 13			
17	900 145 075 07	Tapping screw	90-	4	COUPE
		B 4,2 X 16			
18	911 555 615 01	Rosette	89	2	
(18)	911 803 615 00	Rosette	/L 90-	1	COUPE
	911 803 615 00 01C	Black			
18	911 803 616 00	Rosette	/R 90-	1	COUPE
	911 803 616 00 01C	Black			
19	999 507 020 02	Speed nut		4	COUPE
		4,2			
19	999 507 020 01	Speed nut		4	COUPE
		4,2			
(20)	911 555 757 00	Cover	/L	1	COUPE
		Lock pillar			

Model: 911 89 Model life 1989>>1994

Pos	Part Number	Description	Remark	Qty	Model
		Leatherette			
	911 555 757 00 3MK	Burgundy	-90		
	911 555 757 00 1MX	Mahogany	-90		
	911 555 757 00 05T	Black			
	911 555 757 00 1KX	Marine blue			
	911 555 757 00 4WX	Linen	-90		
	911 555 757 00 7RT	Cashmere beige			
	911 555 757 00 2WJ	Classic grey	91-		
	911 555 757 00 9ZH	Cobalt blue	91-		
	911 555 757 00 4WY	Magenta	91-		
	911 555 757 00 1ZU	Light grey	91-		
20	911 555 758 00	Cover	/R	1	COUPE
		Lock pillar			
		Leatherette			
	911 555 758 00 3MK	Burgundy	-90		
	911 555 758 00 1MX	Mahogany	-90		
	911 555 758 00 05T	Black			
	911 555 758 00 1KX	Marine blue			
	911 555 758 00 4WX	Linen	-90		
	911 555 758 00 7RT	Cashmere beige			
	911 555 758 00 2WJ	Classic grey	91-		
	911 555 758 00 9ZH	Cobalt blue	91-		
	911 555 758 00 4WY	Magenta	91-		
	911 555 758 00 1ZU	Light grey	91-		
(20)	911 555 757 40	Cover	/L -93	1	TARGA
		Lock pillar			
		Leatherette			
	911 555 757 40 3MK	Burgundy	-90		
	911 555 757 40 1MX	Mahogany	-90		
	911 555 757 40 05T	Black			
	911 555 757 40 1KX	Marine blue			
	911 555 757 40 4WX	Linen	-90		
	911 555 757 40 7RT	Cashmere beige			
	911 555 757 40 2WJ	Classic grey	91-		
	911 555 757 40 9ZH	Cobalt blue	91-		
	911 555 757 40 4WY	Magenta	91-		
	911 555 757 40 1ZU	Light grey	91-		
(20)	911 555 758 40	Cover	/R -93	1	TARGA
		Lock pillar			
		Leatherette			
	911 555 758 40 3MK	Burgundy	-90		
	911 555 758 40 1MX	Mahogany	-90		
	911 555 758 40 05T	Black			
	911 555 758 40 1KX	Marine blue			
	911 555 758 40 4WX	Linen	-90		
	911 555 758 40 7RT	Cashmere beige			
	911 555 758 40 2WJ	Classic grey	91-		
	911 555 758 40 9ZH	Cobalt blue	91-		
	911 555 758 40 4WY	Magenta	91-		
	911 555 758 40 1ZU	Light grey	91-		
(20)	911 555 757 70	Cover	/L	1	COUPE M981
		Lock pillar			
		Leather			
	911 555 757 70 2LX	Mahogany	-90		
	911 555 757 70 7LD	Burgundy	-90		
	911 555 757 70 7JX	Marine blue	-90		
	911 555 757 70 7VX	Linen	-90		
	911 555 757 70 1AJ	Black	-90		
	911 555 757 70 2WH	Cashmere beige	-90		
	911 555 757 70 5VT	Silk grey	-90		
	911 555 757 70 4MT	Velvet red	-90		
	911 555 757 70 2WT	Slate grey	-90		

Model: 911 89 Model life 1989>>1994

Pos	Part Number	Description	Remark	Qty	Model
	911 555 757 70 4UC	Caramel	-90		
	911 555 757 70 7KC	Venetian blue	-90		
	911 555 757 70 8YR	Black	91-		
	911 555 757 70 6XL	Classic grey	91-		
	911 555 757 70 9YL	Cobalt blue	91-		
	911 555 757 70 6YL	Magenta	91-		
	911 555 757 70 8ZL	Light grey	91-		
	911 555 757 70 4YU	Cashmere beige	91-		
	911 555 757 70 H05	Marine blue	91-		
	911 555 757 70 M05	Matador red	91-		
	911 555 757 70 D35	Carrara grey	91-		
	911 555 757 70 J25	Sherwood green	91-		
20	911 555 758 70	Cover	/R	1	COUPE M981
		Lock pillar			
		Leather			
	911 555 758 70 2LX	Mahogany	-90		
	911 555 758 70 7LD	Burgundy	-90		
	911 555 758 70 7JX	Marine blue	-90		
	911 555 758 70 7VX	Linen	-90		
	911 555 758 70 1AJ	Black	-90		
	911 555 758 70 2WH	Cashmere beige	-90		
	911 555 758 70 5VT	Silk grey	-90		
	911 555 758 70 4MT	Velvet red	-90		
	911 555 758 70 2WT	Slate grey	-90		
	911 555 758 70 4UC	Caramel	-90		
	911 555 758 70 7KC	Venetian blue	-90		
	911 555 758 70 8YR	Black	91-		
	911 555 758 70 6XL	Classic grey	91-		
	911 555 758 70 9YL	Cobalt blue	91-		
	911 555 758 70 6YL	Magenta	91-		
	911 555 758 70 8ZL	Light grey	91-		
	911 555 758 70 4YU	Cashmere beige	91-		
	911 555 758 70 H05	Marine blue	91-		
	911 555 758 70 M05	Matador red	91-		
	911 555 758 70 D35	Carrara grey	91-		
	911 555 758 70 J25	Sherwood green	91-		
(20)	911 555 757 75	Cover	/L -93	1	TARGA M981
		Lock pillar			
		Leather			
	911 555 757 75 2LX	Mahogany	-90		
	911 555 757 75 7LD	Burgundy	-90		
	911 555 757 75 7JX	Marine blue	-90		
	911 555 757 75 7VX	Linen	-90		
	911 555 757 75 1AJ	Black	-90		
	911 555 757 75 2WH	Cashmere beige	-90		
	911 555 757 75 5VT	Silk grey	-90		
	911 555 757 75 4MT	Velvet red	-90		
	911 555 757 75 2WT	Slate grey	-90		
	911 555 757 75 4UC	Caramel	-90		
	911 555 757 75 7KC	Venetian blue	-90		
	911 555 757 75 8YR	Black	91-		
	911 555 757 75 6XL	Classic grey	91-		
	911 555 757 75 9YL	Cobalt blue	91-		
	911 555 757 75 6YL	Magenta	91-		
	911 555 757 75 8ZL	Light grey	91-		
	911 555 757 75 4YU	Cashmere beige	91-		
	911 555 757 75 H05	Marine blue	91-		
	911 555 757 75 M05	Matador red	91-		
	911 555 757 75 D35	Carrara grey	91-		
	911 555 757 75 J25	Sherwood green	91-		
(20)	911 555 758 75	Cover	/R -93	1	TARGA

Model: 911 89 Model life 1989>>1994

Pos	Part Number	Description	Remark	Qty	Model
		Lock pillar			M981
		Leather			
	911 555 758 75 2LX	Mahogany	-90		
	911 555 758 75 7LD	Burgundy	-90		
	911 555 758 75 7JX	Marine blue	-90		
	911 555 758 75 7VX	Linen	-90		
	911 555 758 75 1AJ	Black	-90		
	911 555 758 75 2WH	Cashmere beige	-90		
	911 555 758 75 5VT	Silk grey	-90		
	911 555 758 75 4MT	Velvet red	-90		
	911 555 758 75 2WT	Slate grey	-90		
	911 555 758 75 4UC	Caramel	-90		
	911 555 758 75 7KC	Venetian blue	-90		
	911 555 758 75 8YR	Black	91-		
	911 555 758 75 6XL	Classic grey	91-		
	911 555 758 75 9YL	Cobalt blue	91-		
	911 555 758 75 6YL	Magenta	91-		
	911 555 758 75 8ZL	Light grey	91-		
	911 555 758 75 4YU	Cashmere beige	91-		
	911 555 758 75 H05	Marine blue	91-		
	911 555 758 75 M05	Matador red	91-		
	911 555 758 75 D35	Carrara grey	91-		
	911 555 758 75 J25	Sherwood green	91-		
(20)	911 555 757 70	Cover	/L	1	COUPE M981
		Lock pillar			
	911 555 757 70 E38	Rubicon grey	93		
20	911 555 758 70	Cover	/R	1	COUPE M981
		Lock pillar			
		Leather			
	911 555 758 70 E38	Rubicon grey	93		
(21)	901 555 023 01	Filler piece	/L -93	1	TARGA
21	901 555 024 01	Filler piece	/R -93	1	TARGA
(21)	911 555 641 00	Desk pad	/L	1	COUPE
(21)	911 555 642 00	Desk pad	/R	1	COUPE
(22)	964 555 091 02	Rear cover moulding	/L	1	COUPE
		Leatherette			
	964 555 091 02 3MK	Burgundy	-90		
	964 555 091 02 05T	Black			
	964 555 091 02 1MX	Mahogany	-90		
	964 555 091 02 1KX	Marine blue			
	964 555 091 02 2WJ	Classic grey	91-		
	964 555 091 02 9ZH	Cobalt blue	91-		
	964 555 091 02 4WY	Magenta	91-		
22	964 555 092 02	Rear cover moulding	/R	1	COUPE
		Leatherette			
	964 555 092 02 3MK	Burgundy	-90		
	964 555 092 02 05T	Black			
	964 555 092 02 1MX	Mahogany	-90		
	964 555 092 02 1KX	Marine blue			
	964 555 092 02 2WJ	Classic grey	91-		
	964 555 092 02 9ZH	Cobalt blue	91-		
	964 555 092 02 4WY	Magenta	91-		
(22)	964 555 091 40	Rear cover moulding	/L -93	1	TARGA
		Leatherette			
	964 555 091 40 3MK	Burgundy	-90		
	964 555 091 40 05T	Black			
	964 555 091 40 1MX	Mahogany	-90		
	964 555 091 40 1KX	Marine blue			
	964 555 091 40 2WJ	Classic grey	91-		

Model: 911 89 Model life 1989>>1994

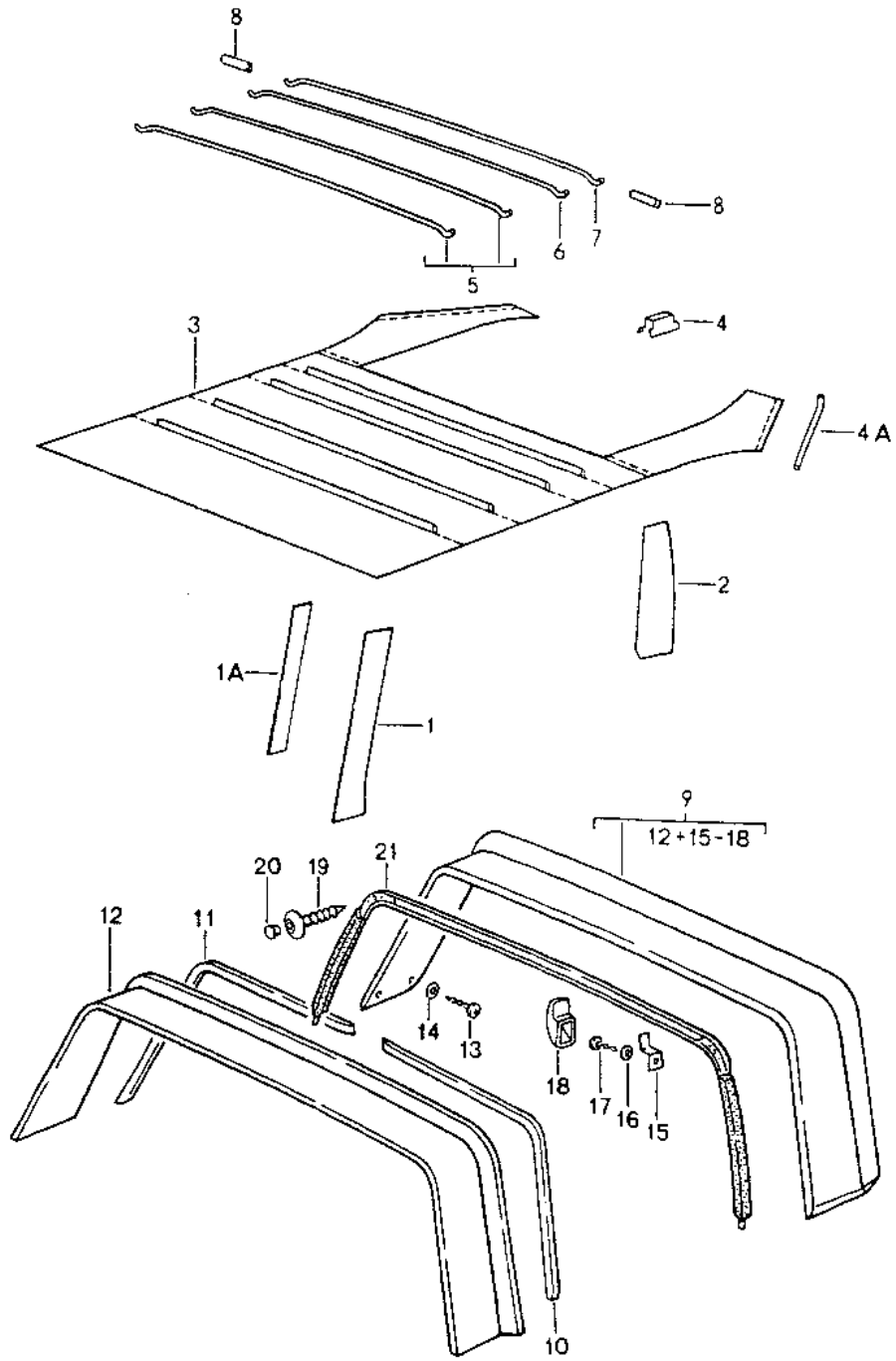
Pos	Part Number	Description	Remark	Qty	Model
(22)	964 555 091 40 9ZH	Cobalt blue	91-	1	TARGA
	964 555 091 40 4WY	Magenta	91-		
	964 555 092 40	Rear cover moulding	/R -93		
		Leatherette			
	964 555 092 40 3MK	Burgundy	-90		
	964 555 092 40 05T	Black			
	964 555 092 40 1MX	Mahogany	-90		
	964 555 092 40 1KX	Marine blue			
	964 555 092 40 2WJ	Classic grey	91-		
	964 555 092 40 9ZH	Cobalt blue	91-		
(22)	964 555 092 40 4WY	Magenta	91-	1	COUPE
	964 555 091 03	Rear cover moulding	/L		
		Leather			
	964 555 091 03 LG7	Burgundy	-90		
	964 555 091 03 TV1	Mahogany	-90		
	964 555 091 03 KZ2	Black	-90		
	964 555 091 03 TS1	Marine blue	-90		
	964 555 091 03 XN6	Velvet red	-90		
	964 555 091 03 XN7	Slate grey	-90		
	964 555 091 03 UD5	Caramel	-90		
22	964 555 091 03 UD6	Venetian blue	-90	1	COUPE
	964 555 091 03 8YR	Black	91-		
	964 555 091 03 6XL	Classic grey	91-		
	964 555 091 03 9YL	Cobalt blue	91-		
	964 555 091 03 6YL	Magenta	91-		
	964 555 091 03 H05	Marine blue	91-		
	964 555 091 03 M05	Matador red	91-		
	964 555 091 03 D35	Carrara grey	91-		
	964 555 091 03 J25	Sherwood green	91-		
	964 555 092 03	Rear cover moulding	/R		
(22)	964 555 092 03 LG7	Burgundy	-90	1	TARGA
	964 555 092 03 TV1	Mahogany	-90		
	964 555 092 03 KZ2	Black	-90		
	964 555 092 03 TS1	Marine blue	-90		
	964 555 092 03 XN6	Velvet red	-90		
	964 555 092 03 XN7	Slate grey	-90		
	964 555 092 03 UD5	Caramel	-90		
	964 555 092 03 UD6	Venetian blue	-90		
	964 555 092 03 8YR	Black	91-		
	964 555 092 03 6XL	Classic grey	91-		
964 555 092 03 9YL	Cobalt blue	91-			
(22)	964 555 092 03 6YL	Magenta	91-	1	TARGA
	964 555 092 03 H05	Marine blue	91-		
	964 555 092 03 M05	Matador red	91-		
	964 555 092 03 D35	Carrara grey	91-		
	964 555 092 03 J25	Sherwood green	91-		
	964 555 091 41	Rear cover moulding	/L -93		
		Leather			
	964 555 091 41 LG7	Burgundy	-90		
	964 555 091 41 TV1	Mahogany	-90		
	964 555 091 41 KZ2	Black	-90		
964 555 091 41 TS1	Marine blue	-90			
964 555 091 41 XN6	Velvet red	-90			
964 555 091 41 XN7	Slate grey	-90			
964 555 091 41 UD5	Caramel	-90			
964 555 091 41 UD6	Venetian blue	-90			
964 555 091 41 8YR	Black	91-			
964 555 091 41 6XL	Classic grey	91-			
964 555 091 41 9YL	Cobalt blue	91-			
964 555 091 41 6YL	Magenta	91-			
964 555 091 41 H05	Marine blue	91-			
964 555 091 41 M05	Matador red	91-			

Model: 911 89 Model life 1989>>1994

Pos	Part Number	Description	Remark	Qty	Model
(22)	964 555 091 41 D35	Carrara grey	91-	1	TARGA
	964 555 091 41 J25	Sherwood green	91-		
	964 555 092 41	Rear cover moulding	/R -93		
		Leather			
	964 555 092 41 LG7	Burgundy	-90		
	964 555 092 41 TV1	Mahogany	-90		
	964 555 092 41 KZ2	Black	-90		
	964 555 092 41 TS1	Marine blue	-90		
	964 555 092 41 XN6	Velvet red	-90		
	964 555 092 41 XN7	Slate grey	-90		
	964 555 092 41 UD5	Caramel	-90		
	964 555 092 41 UD6	Venetian blue	-90		
	964 555 092 41 8YR	Black	91-		
	964 555 092 41 6XL	Classic grey	91-		
	964 555 092 41 9YL	Cobalt blue	91-		
964 555 092 41 6YL	Magenta	91-			
964 555 092 41 H05	Marine blue	91-			
964 555 092 41 M05	Matador red	91-			
964 555 092 41 D35	Carrara grey	91-			
964 555 092 41 J25	Sherwood green	91-			
(22)	964 555 091 03	Rear cover moulding	/L	1	COUPE
		Leather			
	964 555 091 03 E38	Rubicon grey	93		
22	964 555 092 03	Rear cover moulding	/R	1	COUPE
		Leather			
	964 555 092 03 E38	Rubicon grey	93		
23	999 591 338 02	Speed nut		4	
		B 3,5			
23	999 591 460 01	Speed nut		4	
		B 3,5			
24	900 145 071 07	Tapping screw		6	COUPE
		B 3,5 X 13			
24		Tapping screw	-93	4	TARGA
		B 3,5 X 13			
25	999 591 102 17	Washer		6	COUPE
		3,5			
25	999 591 102 1H	Washer		6	COUPE
		3,5			
25	999 591 102 17	Washer	-93	4	TARGA
		3,5			
25	999 591 102 1H	Washer		4	TARGA
		3,5			
26	901 552 871 40	Cover		2	
27	900 025 003 02	Washer		2	
		A 5,3			
28	N 011 005 14	Hexagon nut		2	
		M 5			
28	900 076 091 01	Hexagon nut		2	
		M 5			
29	901 552 872 20	Coat hook		2	

Model: 911 89

Model life 1989>>1994



Model: 911 89 Model life 1989>>1994

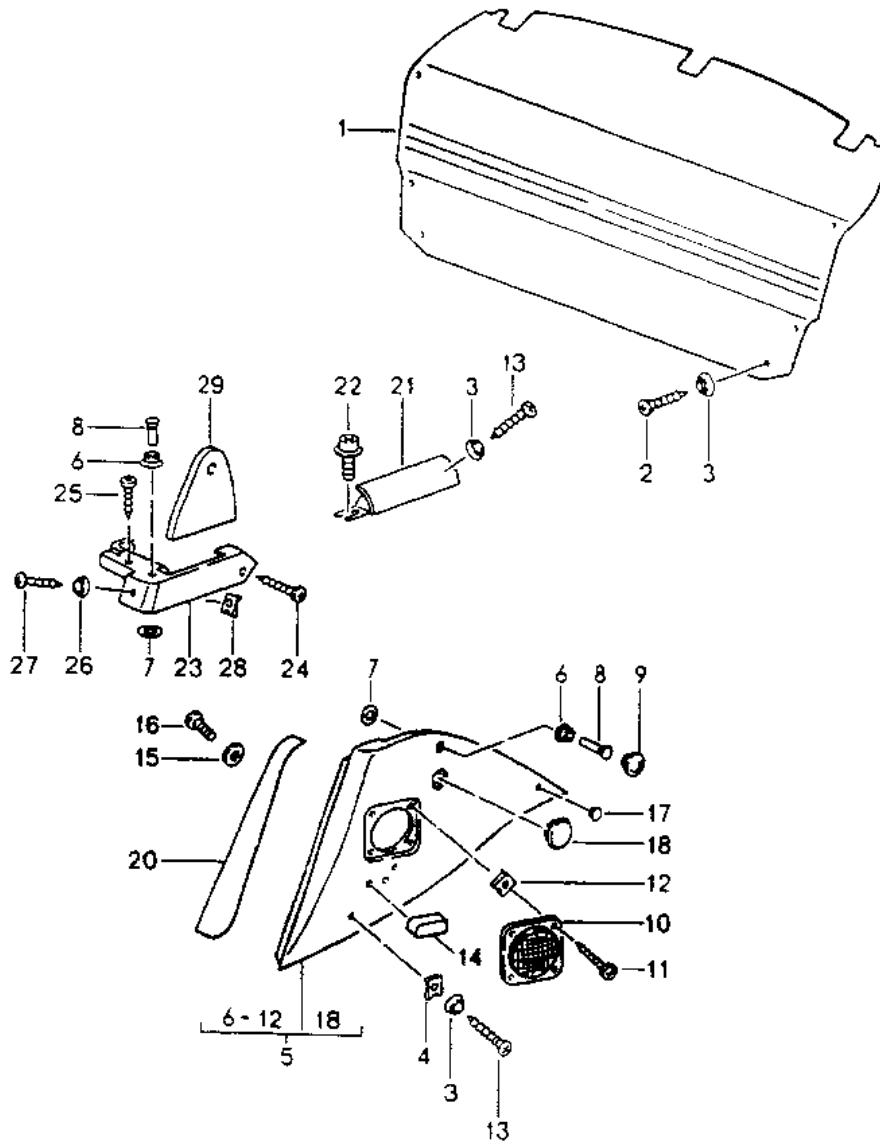
Pos	Part Number	Description	Remark	Qty	Model				
1	964 555 507 00	Interior equipment		1	COUPE TARGA COUPE				
		Roof							
		Roll bar	-93						
		Lining	/L						
		Windscreen frame part							
		964 555 507 00 702	Black						
		964 555 507 00 05T	Black			91-			
		964 555 507 00 1MX	Mahogany			-90			
		964 555 507 00 3MX	Burgundy			-90			
		964 555 507 00 1KX	Marine blue						
		964 555 507 00 2WJ	Classic grey			91-			
		964 555 507 00 9ZH	Cobalt blue			91-			
		964 555 507 00 4WY	Magenta			91-			
		964 555 507 00 5TP	Rubicon grey			93			
(1)	964 555 508 00	Lining	/R	1	COUPE				
		Windscreen frame part							
	964 555 508 00 702	Black							
	964 555 508 00 05T	Black	91-						
	964 555 508 00 1MX	Mahogany	-90						
	964 555 508 00 3MX	Burgundy	-90						
	964 555 508 00 1KX	Marine blue							
	964 555 508 00 2WJ	Classic grey	91-						
	964 555 508 00 9ZH	Cobalt blue	91-						
	964 555 508 00 4WY	Magenta	91-						
	964 555 508 00 5TP	Rubicon grey	93						
1A	964 555 563 00	Desk pad				2	COUPE		
		5 X 35 X 400							
2	911 555 505 01	Lining	/L			1	COUPE		
		Door pillar							
		911 555 505 01 702	Black						
		911 555 505 01 05T	Black						
		911 555 505 01 1MX	Mahogany	-90					
		911 555 505 01 3MX	Burgundy	-90					
		911 555 505 01 1KX	Marine blue						
		911 555 505 01 2WJ	Classic grey	91-					
		911 555 505 01 9ZH	Cobalt blue	91-					
		911 555 505 01 4WY	Magenta	91-					
		911 555 505 01 5TP	Rubicon grey	93					
		(2)	911 555 506 01	Lining	/R			1	COUPE
				Door pillar					
			911 555 506 01 702	Black					
	911 555 506 01 05T	Black							
	911 555 506 01 1MX	Mahogany	-90						
	911 555 506 01 3MX	Burgundy	-90						
	911 555 506 01 1KX	Marine blue							
	911 555 506 01 2WJ	Classic grey	91-						
	911 555 506 01 9ZH	Cobalt blue	91-						
	911 555 506 01 4WY	Magenta	91-						
	911 555 506 01 5TP	Rubicon grey	93						
3	964 555 055 00	Roof lining		1	COUPE				
		for cars without							
		Sunroof							
		964 555 055 00 700	Black						
		964 555 055 00 8LC	Burgundy			-90			
		964 555 055 00 1MX	Mahogany			-90			
		964 555 055 00 1KX	Marine blue						
		964 555 055 00 4WH	Classic grey			91-			
		964 555 055 00 2YR	Cobalt blue			91-			
		964 555 055 00 5VW	Magenta			91-			
		964 555 055 00 1SY	Rubicon grey			93			
		(3)	911 555 055 15			Roof lining		1	COUPE M650
						for cars with			

Model: 911 89 Model life 1989>>1994

Pos	Part Number	Description	Remark	Qty	Model
		Sunroof			
	911 555 055 15 700	Black			
	911 555 055 15 8LC	Burgundy	-90		
	911 555 055 15 1MX	Mahogany	-90		
	911 555 055 15 1KX	Marine blue			
	911 555 055 15 4WH	Classic grey	91-		
	911 555 055 15 2YR	Cobalt blue	91-		
	911 555 055 15 5VW	Magenta	91-		
	911 555 055 15 1SY	Rubicon grey	93		
4	999 591 336 01	Fastening clamp	/H	10	COUPE
		1,5 - 1,75			
(4)	999 591 342 02	Clamp	/V	8	COUPE
		2,5 - 3			
(4)	999 591 342 03	Clamp	/V	8	COUPE
		2,5 - 3			
4A	911 555 561 00	Tension wire		2	COUPE
5	901 555 511 20	Transverse strut		2	COUPE
		1 + 2			
6	901 555 512 20	Transverse strut		1	COUPE
		3			
7	901 555 513 20	Transverse strut		1	COUPE
		4			
8	644 555 515 00	Rubber profile		8	COUPE
9	964 565 019 00	Interior lining		1	TARGA
	964 565 019 00 702	Black			
10	911 565 513 40	Padding	/L	1	TARGA
11	911 565 514 40	Padding	/R	1	TARGA
(12)	901 565 511 40	Cover		1	TARGA
		Padding			
12	901 565 128 43	Cover		1	TARGA
	901 565 128 43 702	Black			
		Interior lining			
13	N 014 086 4	Rais. counters. h. tap. s.		4	TARGA
		B 3,5 X 13			
14	999 591 010 12	Washer		4	TARGA
		3,5			
15	901 552 872 20	Coat hook		2	TARGA
16	N 012 130 2	Shake-proof washer		2	TARGA
		A 5,3			
17	N 013 968 7	Tapping screw		2	TARGA
		B 4,8 X 13			
17	900 143 097 01	Tapping screw		2	TARGA
		B 4,8 X 13			
18	901 552 871 40	Cover		2	TARGA
19	999 703 186 40	Plastic plug		4	TARGA
		φ=6,9-7,1			
20	999 591 384 40	Cap		4	TARGA
		4,2 X 8 X 5			
21	911 565 091 47	Seal		1	TARGA
	911 565 091 47 8VB	Black			
		Roll bar			

Model: 911 89

Model life 1989>>1994



Model: 911 89 Model life 1989>>1994

Pos	Part Number	Description	Remark	Qty	Model
(1)	964 555 075 61	Interior equipment Rear Back wall lining Carpet		1	CABRIO SPEEDSTER CABRIO
	964 555 075 61 5FV	Black			
	964 555 075 61 5MF	Mahogany	-90		
	964 555 075 61 4KV	Marine blue			
	964 555 075 61 8MD	Burgundy	-90		
	964 555 075 61 2XF	Linen	-90		
	964 555 075 61 8UT	Cashmere beige			
	964 555 075 61 7VT	Silk grey	-90		
	964 555 075 61 9MT	Velvet red	-90		
	964 555 075 61 3WT	Slate grey	-90		
	964 555 075 61 5UM	Caramel	-90		
	964 555 075 61 3KM	Venetian blue	-90		
	964 555 075 61 4XR	Classic grey	91-		
	964 555 075 61 4ZN	Cobalt blue	91-		
	964 555 075 61 8WZ	Magenta	91-		
	964 555 075 61 6YR	Light grey	91-		
	964 555 075 61 M33	Matador red	91-		
	964 555 075 61 D13	Carrara grey	91-		
	964 555 075 61 J23	Sherwood green	91-		
	964 555 075 61 M10	Rhodamine	92		
	964 555 075 61 K20	Wimbledon green	92		
	964 555 075 61 D50	Florentine grey	92		
2	N 014 086 12	Tapping screw B 3,5 X 13		2	CABRIO
2	N 014 086 1C	Tapping screw B 3,5 X 13		2	CABRIO
3	999 591 116 07	Cone washer		6	CABRIO
4	999 507 020 02	Speed nut B 4,2		2	CABRIO
4	999 507 020 01	Speed nut 4,2		2	CABRIO
(5)	964 555 071 62	Side trim panel Carpet	/L	1	CABRIO
	964 555 071 62 5FV	Black			
	964 555 071 62 5MF	Mahogany	-90		
	964 555 071 62 4KV	Marine blue			
	964 555 071 62 8MD	Burgundy	-90		
	964 555 071 62 2XF	Linen	-90		
	964 555 071 62 8UT	Cashmere beige			
	964 555 071 62 7VT	Silk grey	-90		
	964 555 071 62 9MT	Velvet red	-90		
	964 555 071 62 3WT	Slate grey	-90		
	964 555 071 62 5UM	Caramel	-90		
	964 555 071 62 3KM	Venetian blue	-90		
	964 555 071 62 4XR	Classic grey	91-		
	964 555 071 62 4ZN	Cobalt blue	91-		
	964 555 071 62 8WZ	Magenta	91-		
	964 555 071 62 6YR	Light grey	91-		
	964 555 071 62 M33	Matador red	91-		
	964 555 071 62 D13	Carrara grey	91-		
	964 555 071 62 J23	Sherwood green	91-		
	964 555 071 62 M10	Rhodamine	92		
	964 555 071 62 K20	Wimbledon green	92		
	964 555 071 62 D50	Florentine grey	92		
5	964 555 072 62	Side trim panel Carpet	/R	1	CABRIO
	964 555 072 62 5FV	Black			
	964 555 072 62 5MF	Mahogany	-90		
	964 555 072 62 4KV	Marine blue			
	964 555 072 62 8MD	Burgundy	-90		

Model: 911 89 Model life 1989>>1994

Pos	Part Number	Description	Remark	Qty	Model
	964 555 072 62 2XF	Linen	-90		
	964 555 072 62 8UT	Cashmere beige			
	964 555 072 62 7VT	Silk grey	-90		
	964 555 072 62 9MT	Velvet red	-90		
	964 555 072 62 3WT	Slate grey	-90		
	964 555 072 62 5UM	Caramel	-90		
	964 555 072 62 3KM	Venetian blue	-90		
	964 555 072 62 4XR	Classic grey	91-		
	964 555 072 62 4ZN	Cobalt blue	91-		
	964 555 072 62 8WZ	Magenta	91-		
	964 555 072 62 6YR	Light grey	91-		
	964 555 072 62 M33	Matador red	91-		
	964 555 072 62 D13	Carrara grey	91-		
	964 555 072 62 J23	Sherwood green	91-		
	964 555 072 62 M10	Rhodamine	92		
	964 555 072 62 K20	Wimbledon green	92		
	964 555 072 62 D50	Florentine grey	92		
(5)	964 555 071 64	Side trim panel Carpet	/L	1	SPEEDSTER
(5)	964 555 071 64 5FV	Black			
	964 555 072 64	Side trim panel Carpet	/R	1	SPEEDSTER
	964 555 072 64 5FV	Black			
6	999 591 835 17	Snap fastener lower part		4	
7	900 025 001 02	Washer A 3,2		4	
8	999 190 162 37	Blind rivet B 3,2 X 12,6		4	
8	PCG 190 162 37	Blind rivet B 3,2 X 12,6		4	
9	911 561 434 00	Cap		2	
	911 561 434 00 70B	Black			
10	928 645 423 00	Loudspeaker grille		2	
11	900 143 132 07	Tapping screw B 3,9 X 16		8	
12	999 507 071 00	Speed nut B 3,9		8	
13	N 014 093 3	Oval-head sheetmetal screw 4,2 X 13		4	CABRIO
14	477 857 375 A	Support for seatbelt		2	CABRIO
	477 857 375 A 01C	Black			
15	900 151 027 02	Washer B 5,3		4	CABRIO
15	900 151 027 03	Washer B 5,3		4	CABRIO
16	N 014 129 6	Oval-head screw M 5 X 10		4	CABRIO
17	N 900 685 01	Push button		2	
18	911 555 523 66	Cap		2	CABRIO
	911 555 523 66 70B	Black			
(20)	911 555 757 40	for emergency control Cover	/L	1	
	911 555 757 40 05T	Black			
	911 555 757 40 1MX	Mahogany	90		
	911 555 757 40 1KX	Marine blue			
	911 555 757 40 3MK	Burgundy	90		
	911 555 757 40 4WX	Linen	90		
	911 555 757 40 7RT	Cashmere beige			
	911 555 757 40 2WJ	Classic grey	91-		
	911 555 757 40 9ZH	Cobalt blue	91-		
	911 555 757 40 4WY	Magenta	91-		

Model: 911 89 Model life 1989>>1994

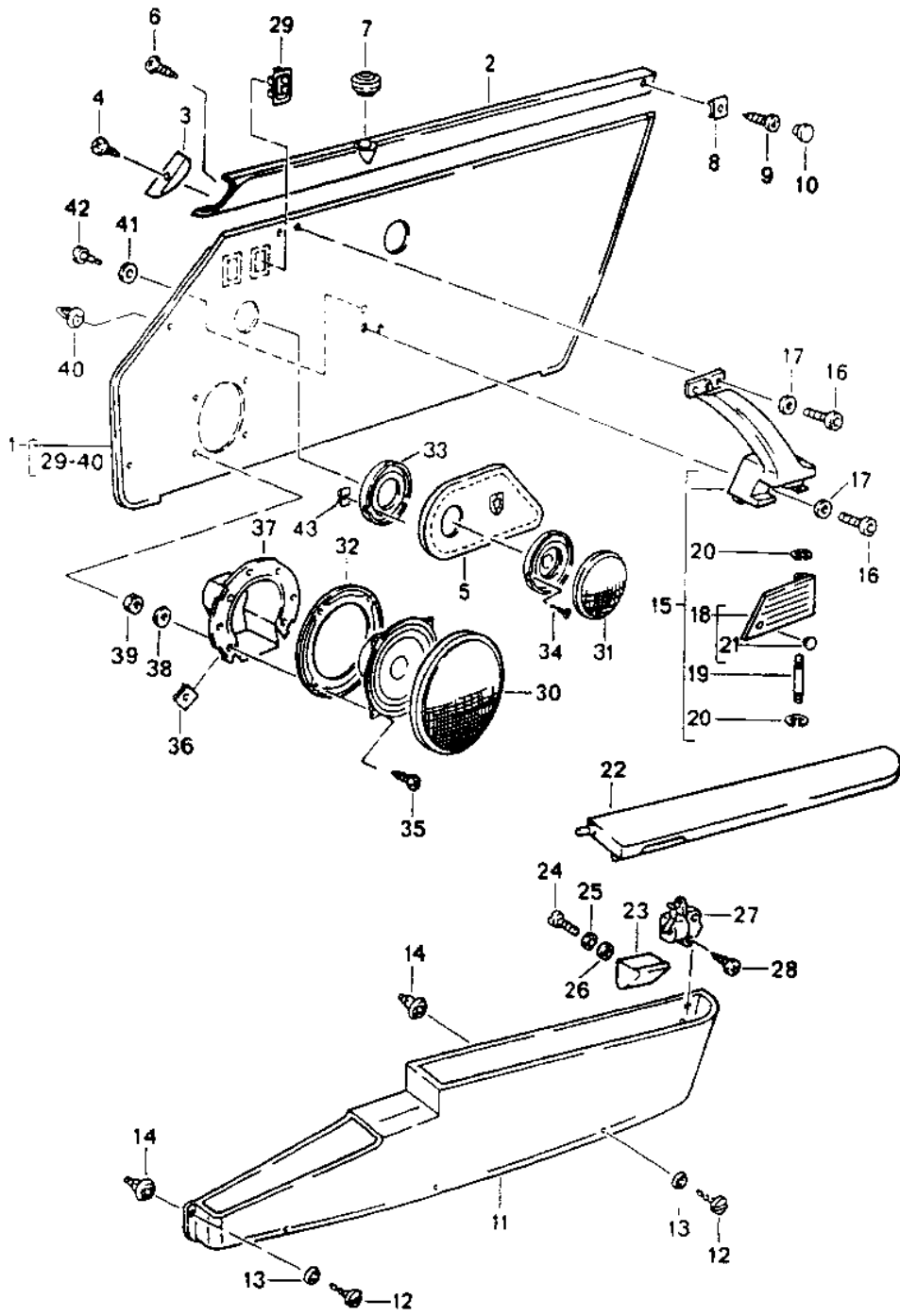
Pos	Part Number	Description	Remark	Qty	Model
20	911 555 757 40 1ZU	Light grey	91-	1	
	911 555 758 40	Cover	/R		
		Lock pillar			
		Leatherette			
	911 555 758 40 05T	Black			
	911 555 758 40 1MX	Mahogany	90		
	911 555 758 40 1KX	Marine blue			
	911 555 758 40 3MK	Burgundy	90		
	911 555 758 40 4WX	Linen	90		
	911 555 758 40 7RT	Cashmere beige			
(20)	911 555 758 40 2WJ	Classic grey	91-	1	
	911 555 758 40 9ZH	Cobalt blue	91-		
	911 555 758 40 4WY	Magenta	91-		
	911 555 758 40 1ZU	Light grey	91-		
	911 555 757 75	Cover	/L		
		Lock pillar			
		Leather			
	911 555 757 75 1AJ	Black	90		
	911 555 757 75 2LX	Mahogany	90		
	911 555 757 75 7JX	Marine blue	90		
	911 555 757 75 7VX	Linen	90		
	911 555 757 75 7LD	Burgundy	90		
	911 555 757 75 2WH	Cashmere beige	90		
	911 555 757 75 5VT	Silk grey	90		
	911 555 757 75 2WT	Slate grey	90		
	911 555 757 75 4MT	Velvet red	90		
	911 555 757 75 4UC	Caramel	90		
	911 555 757 75 7KC	Venetian blue	90		
	911 555 757 75 8YR	Black	91-		
	911 555 757 75 6XL	Classic grey	91-		
911 555 757 75 9YL	Cobalt blue	91-			
911 555 757 75 6YL	Magenta	91-			
911 555 757 75 8ZL	Light grey	91-			
911 555 757 75 4YU	Cashmere beige	91-			
911 555 757 75 H05	Marine blue	91-			
911 555 757 75 M05	Matador red	91-			
911 555 757 75 D35	Carrara grey	91-			
911 555 757 75 J25	Sherwood green	91-			
911 555 757 75 L37	Rhodamine	92			
911 555 757 75 J17	Wimbledon green	92			
911 555 757 75 E27	Florentine grey	92			
20	911 555 758 75	Cover	/R	1	
		Lock pillar			
		Leather			
	911 555 758 75 1AJ	Black	90		
	911 555 758 75 2LX	Mahogany	90		
	911 555 758 75 7JX	Marine blue	90		
	911 555 758 75 7VX	Linen	90		
	911 555 758 75 7LD	Burgundy	90		
	911 555 758 75 2WH	Cashmere beige	90		
	911 555 758 75 5VT	Silk grey	90		
	911 555 758 75 2WT	Slate grey	90		
	911 555 758 75 4MT	Velvet red	90		
	911 555 758 75 4UC	Caramel	90		
	911 555 758 75 7KC	Venetian blue	90		
	911 555 758 75 8YR	Black	91-		
	911 555 758 75 6XL	Classic grey	91-		
	911 555 758 75 9YL	Cobalt blue	91-		
	911 555 758 75 6YL	Magenta	91-		
	911 555 758 75 8ZL	Light grey	91-		
	911 555 758 75 4YU	Cashmere beige	91-		
911 555 758 75 H05	Marine blue	91-			
911 555 758 75 M05	Matador red	91-			

Model: 911 89 Model life 1989>>1994

Pos	Part Number	Description	Remark	Qty	Model
	911 555 758 75 D35	Carrara grey	91-		
	911 555 758 75 J25	Sherwood green	91-		
	911 555 758 75 L37	Rhodamine	92		
	911 555 758 75 J17	Wimbledon green	92		
	911 555 758 75 E27	Florentine grey	92		
21	911 555 077 60	Rear cover moulding Leatherette	/L	1	CABRIO
	911 555 077 60 700	Black			
(21)	911 555 078 60	Rear cover moulding Leatherette	/R	1	CABRIO
	911 555 078 60 700	Black			
22	900 067 271 09	Combination screw M 8 X 20		2	CABRIO
23	964 555 763 60	Cover	/L	1	CABRIO
	964 555 763 60 01C	Black			
(23)	964 555 764 60	Cover	/R	1	CABRIO
	964 555 764 60 01C	Black			
(23)	964 555 763 62	Cover	/L	1	SPEEDSTER
	964 555 763 62 01C	Satin black			
(23)	964 555 764 62	Cover	/R	1	SPEEDSTER
	964 555 764 62 01C	Satin black			
24	900 143 085 07	Tapping screw B 4,2 X 16		2	
25	900 144 028 07	Tapping screw B 3,5 X 13		2	
26	999 591 102 17	Washer 3,5		2	CABRIO
26	999 591 102 1H	Washer 3,5		2	CABRIO
27	900 144 031 07	Counters. head tapp. screw B 3,5 X 16		2	CABRIO
28	999 591 460 02	Speed nut B 3,5		2	CABRIO
(29)	964 555 181 00	Cover	/L	1	SPEEDSTER
	964 555 181 00 2XW	Black			
29	964 555 182 00	Cover	/R	1	SPEEDSTER
	964 555 182 00 2XW	Black			

Model: 911 89

Model life 1989>>1994



Model: 911 89 Model life 1989>>1994

Pos	Part Number	Description	Remark	Qty	Model
		Interior equipment Doors			CARRERA 2/4 TURBO-LOOK TURBO CARRERA RS M002
(1)	911 555 031 45	Door trim panel Leatherette	/L -92	1	
	911 555 031 45 3MK	Burgundy	-90		
	911 555 031 45 4WX	Linen	-90		
	911 555 031 45 05T	Black			
	911 555 031 45 1MX	Mahogany	-90		
	911 555 031 45 1KX	Marine blue			
	911 555 031 45 7RT	Cashmere beige			
	911 555 031 45 2WJ	Classic grey	91-		
	911 555 031 45 9ZH	Cobalt blue	91-		
	911 555 031 45 4WY	Magenta	91-		
	911 555 031 45 1ZU	Light grey	91-		
1	911 555 032 44	Door trim panel Leatherette	/R -92	1	
	911 555 032 44 3MK	Burgundy	-90		
	911 555 032 44 4WX	Linen	-90		
	911 555 032 44 05T	Black			
	911 555 032 44 1MX	Mahogany	-90		
	911 555 032 44 1KX	Marine blue			
	911 555 032 44 7RT	Cashmere beige			
	911 555 032 44 2WJ	Classic grey	91-		
	911 555 032 44 9ZH	Cobalt blue	91-		
	911 555 032 44 4WY	Magenta	91-		
	911 555 032 44 1ZU	Light grey	91-		
(1)	911 555 031 45	Door trim panel Leatherette	/L 93-	1	COUPE
	911 555 031 45 05T	Black			
	911 555 031 45 1KX	Marine blue			
	911 555 031 45 7RT	Cashmere beige			
	911 555 031 45 2WJ	Classic grey			
	911 555 031 45 9ZH	Cobalt blue			
	911 555 031 45 4WY	Magenta			
	911 555 031 45 1ZU	Light grey			
1	911 555 032 44	Door trim panel Leatherette	/R 93-	1	COUPE
	911 555 032 44 05T	Black			
	911 555 032 44 1KX	Marine blue			
	911 555 032 44 7RT	Cashmere beige			
	911 555 032 44 2WJ	Classic grey			
	911 555 032 44 9ZH	Cobalt blue			
	911 555 032 44 4WY	Magenta			
	911 555 032 44 1ZU	Light grey			
(1)	964 555 031 06	Door trim panel Leatherette	/L 93-	1	TARGA/CABRIO
	964 555 031 06 05T	Black			
	964 555 031 06 1KX	Marine blue			
	964 555 031 06 7RT	Cashmere beige			
	964 555 031 06 2WJ	Classic grey			
	964 555 031 06 9ZH	Cobalt blue			
	964 555 031 06 4WY	Magenta			
	964 555 031 06 1ZU	Light grey			
(1)	964 555 032 05	Door trim panel Leatherette	/R 93-	1	TARGA/CABRIO
	964 555 032 05 05T	Black			
	964 555 032 05 1KX	Marine blue			
	964 555 032 05 7RT	Cashmere beige			
	964 555 032 05 2WJ	Classic grey			
	964 555 032 05 9ZH	Cobalt blue			

Model: 911 89 Model life 1989>>1994

Pos	Part Number	Description	Remark	Qty	Model
(1)	964 555 032 05 4WY	Magenta		1	
	964 555 032 05 1ZU	Light grey			
	911 555 031 56	Door trim panel	/L -92		
		Leather			
	911 555 031 56 LG7	Burgundy	-90		
	911 555 031 56 TW1	Linen	-90		
	911 555 031 56 KZ2	Black	-90		
	911 555 031 56 XN4	Cashmere beige	-90		
	911 555 031 56 TV1	Mahogany	-90		
	911 555 031 56 XN5	Silk grey	-90		
	911 555 031 56 TS1	Marine blue	-90		
	911 555 031 56 XN6	Velvet red	-90		
	911 555 031 56 UD5	Caramel	-90		
	911 555 031 56 XN7	Slate grey	-90		
	911 555 031 56 UD6	Venetian blue	-90		
	911 555 031 56 8YR	Black	91-		
	911 555 031 56 6XL	Classic grey	91-		
	911 555 031 56 9YL	Cobalt blue	91-		
	911 555 031 56 6YL	Magenta	91-		
	911 555 031 56 8ZL	Light grey	91-		
	911 555 031 56 4YU	Cashmere beige	91-		
	911 555 031 56 H05	Marine blue	91-		
	911 555 031 56 M05	Matador red	91-		
	911 555 031 56 D35	Carrara grey	91-		
	911 555 031 56 J25	Sherwood green	91-		
	911 555 031 56 L37	Rhodamine	92		
	911 555 031 56 J17	Wimbledon green	92		
911 555 031 56 E27	Florentine grey	92			
(1)	911 555 032 55	Door trim panel	/R -92	1	
		Leather			
	911 555 032 55 LG7	Burgundy	-90		
	911 555 032 55 TW1	Linen	-90		
	911 555 032 55 KZ2	Black	-90		
	911 555 032 55 XN4	Cashmere beige	-90		
	911 555 032 55 TV1	Mahogany	-90		
	911 555 032 55 XN5	Silk grey	-90		
	911 555 032 55 TS1	Marine blue	-90		
	911 555 032 55 XN6	Velvet red	-90		
	911 555 032 55 UD5	Caramel	-90		
	911 555 032 55 XN7	Slate grey	-90		
	911 555 032 55 UD6	Venetian blue	-90		
	911 555 032 55 8YR	Black	91-		
	911 555 032 55 6XL	Classic grey	91-		
	911 555 032 55 9YL	Cobalt blue	91-		
	911 555 032 55 6YL	Magenta	91-		
	911 555 032 55 8ZL	Light grey	91-		
	911 555 032 55 4YU	Cashmere beige	91-		
	911 555 032 55 H05	Marine blue	91-		
	911 555 032 55 M05	Matador red	91-		
	911 555 032 55 D35	Carrara grey	91-		
	911 555 032 55 J25	Sherwood green	91-		
	911 555 032 55 L37	Rhodamine	92		
	911 555 032 55 J17	Wimbledon green	92		
	911 555 032 55 E27	Florentine grey	92		
	(1)	911 555 031 56	Door trim panel		
		Leather			
911 555 031 56 8YR		Black			
911 555 031 56 6XL		Classic grey			
911 555 031 56 9YL		Cobalt blue			
911 555 031 56 6YL		Magenta			
911 555 031 56 8ZL		Light grey			
911 555 031 56 4YU	Cashmere beige				

Model: 911 89 Model life 1989>>1994

Pos	Part Number	Description	Remark	Qty	Model
1	911 555 031 56 H05	Marine blue			
	911 555 031 56 M05	Matador red			
	911 555 031 56 D35	Carrara grey			
	911 555 031 56 J25	Sherwood green			
	911 555 031 56 L37	Rhodamine			
	911 555 031 56 J17	Wimbledon green			
	911 555 031 56 E27	Florentine grey			
	911 555 032 55	Door trim panel	/R	1	COUPE
		Leather			
	911 555 032 55 8YR	Black			
	911 555 032 55 6XL	Classic grey			
	911 555 032 55 9YL	Cobalt blue			
	911 555 032 55 6YL	Magenta			
	911 555 032 55 8ZL	Light grey			
	911 555 032 55 4YU	Cashmere beige			
	(1)	911 555 032 55 H05	Marine blue		
911 555 032 55 M05		Matador red			
911 555 032 55 D35		Carrara grey			
911 555 032 55 J25		Sherwood green			
911 555 032 55 L37		Rhodamine			
911 555 032 55 J17		Wimbledon green			
911 555 032 55 E27		Florentine grey			
964 555 031 10		Door trim panel	/L	1	TARGA/CABRIO
		Leather			
964 555 031 10 8YR		Black			
964 555 031 10 6XL		Classic grey			
964 555 031 10 9YL		Cobalt blue			
964 555 031 10 6YL		Magenta			
964 555 031 10 8ZL		Light grey			
964 555 031 10 4YU		Cashmere beige			
964 555 031 10 H05		Marine blue			
964 555 031 10 M05	Matador red				
964 555 031 10 D35	Carrara grey				
964 555 031 10 J25	Sherwood green				
964 555 031 10 L37	Rhodamine				
964 555 031 10 J17	Wimbledon green				
964 555 031 10 E27	Florentine grey				
(1)	964 555 032 09	Door trim panel	/R	1	TARGA/CABRIO
		Leather			
	964 555 032 09 8YR	Black			
	964 555 032 09 6XL	Classic grey			
	964 555 032 09 9YL	Cobalt blue			
	964 555 032 09 6YL	Magenta			
	964 555 032 09 8ZL	Light grey			
	964 555 032 09 4YU	Cashmere beige			
	964 555 032 09 H05	Marine blue			
	964 555 032 09 M05	Matador red			
	964 555 032 09 D35	Carrara grey			
	964 555 032 09 J25	Sherwood green			
	964 555 032 09 L37	Rhodamine			
	964 555 032 09 J17	Wimbledon green			
	964 555 032 09 E27	Florentine grey			
	(1)	911 555 031 56	Door trim panel	/L	1
		Leather			
(1)	911 555 031 56 E38	Rubicon grey	93		
	911 555 032 55	Door trim panel	/R	1	COUPE M096
(1)		Leather			
	911 555 032 55 E38	Rubicon grey	93		
(1)	911 555 031 47	Door trim panel	/L -92	1	
		All-cloth			

Model: 911 89 Model life 1989>>1994

Pos	Part Number	Description	Remark	Qty	Model
		Pin stripe velour	-90		
	911 555 031 47 7BN	Black-white			
	911 555 031 47 6LN	Mahogany-white			
	911 555 031 47 8GJ	Blue-white			
	911 555 031 47 4WJ	Linen white			
	911 555 031 47 1MJ	Burgundy-white			
	911 555 031 47 4TN	Cashmere beige-white			
(1)	911 555 032 46	Door trim panel	/R -92	1	
		All-cloth			
		Pin stripe velour	-90		
	911 555 032 46 7BN	Black-white			
	911 555 032 46 6LN	Mahogany-white			
	911 555 032 46 8GJ	Blue-white			
	911 555 032 46 4WJ	Linen white			
	911 555 032 46 1MJ	Burgundy-white			
	911 555 032 46 4TN	Cashmere beige-white			
(1)	911 555 031 47	Door trim panel	/L -92	1	
		Multicolour			
	911 555 031 47 2VV	Black			
	911 555 031 47 8XV	Mahogany	-90		
	911 555 031 47 9JV	Marine blue			
	911 555 031 47 9WT	Classic grey	91-		
	911 555 031 47 9YD	Cobalt blue	91-		
	911 555 031 47 1MV	Burgundy			
	911 555 031 47 6UV	Linen			
	911 555 031 47 5TC	Cashmere beige			
(1)	911 555 032 46	Door trim panel	/R -92	1	
		Multicolour			
	911 555 032 46 2VV	Black			
	911 555 032 46 8XV	Mahogany	-90		
	911 555 032 46 9JV	Marine blue			
	911 555 032 46 9WT	Classic grey	91-		
	911 555 032 46 9YD	Cobalt blue	91-		
	911 555 032 46 1MV	Burgundy			
	911 555 032 46 6UV	Linen			
	911 555 032 46 5TC	Cashmere beige			
(1)	911 555 031 47	Door trim panel	/L -92	1	
		Porsche lettering cloth			
	911 555 031 47 2CZ	Black			
	911 555 031 47 4MR	Mahogany	-90		
	911 555 031 47 6HZ	Blue			
	911 555 031 47 5WZ	Linen	-90		
	911 555 031 47 5LZ	Burgundy	-90		
	911 555 031 47 7TH	Cashmere beige			
	911 555 031 47 6WC	Classic grey	91-		
	911 555 031 47 7ZK	Cobalt blue	91-		
	911 555 031 47 9YC	Magenta	91-		
	911 555 031 47 2ZV	Light grey	91-		
(1)	911 555 032 46	Door trim panel	/R -92	1	
		Porsche lettering cloth			
	911 555 032 46 2CZ	Black			
	911 555 032 46 4MR	Mahogany	-90		
	911 555 032 46 6HZ	Blue			
	911 555 032 46 5WZ	Linen	-90		
	911 555 032 46 5LZ	Burgundy	-90		
	911 555 032 46 7TH	Cashmere beige			
	911 555 032 46 6WC	Classic grey	91-		
	911 555 032 46 7ZK	Cobalt blue	91-		
	911 555 032 46 9YC	Magenta	91-		
	911 555 032 46 2ZV	Light grey	91-		
(1)	911 555 031 47	Door trim panel	/L 93-	1	COUPE
		All-cloth			
		Multicolour			

Model: 911 89 Model life 1989>>1994

Pos	Part Number	Description	Remark	Qty	Model
	911 555 031 47 2VV	Black			
	911 555 031 47 9JV	Marine blue			
	911 555 031 47 9WT	Classic grey			
	911 555 031 47 9YD	Cobalt blue			
	911 555 031 47 1MV	Burgundy			
	911 555 031 47 6UV	Linen			
	911 555 031 47 5TC	Cashmere beige			
(1)	911 555 032 46	Door trim panel All-cloth Multicolour	/R 93-	1	COUPE
	911 555 032 46 2VV	Black			
	911 555 032 46 9JV	Marine blue			
	911 555 032 46 9WT	Classic grey			
	911 555 032 46 9YD	Cobalt blue			
	911 555 032 46 1MV	Burgundy			
	911 555 032 46 6UV	Linen			
	911 555 032 46 5TC	Cashmere beige			
(1)	964 555 031 08	Door trim panel All-cloth Multicolour	/L 93-	1	TARGA/CABRIO
	964 555 031 08 2VV	Black			
	964 555 031 08 9JV	Marine blue			
	964 555 031 08 9WT	Classic grey			
	964 555 031 08 9YD	Cobalt blue			
	964 555 031 08 1MV	Burgundy			
	964 555 031 08 6UV	Linen			
	964 555 031 08 5TC	Cashmere beige			
(1)	964 555 032 07	Door trim panel All-cloth Multicolour	/R 93-	1	TARGA/CABRIO
	964 555 032 07 2VV	Black			
	964 555 032 07 9JV	Marine blue			
	964 555 032 07 9WT	Classic grey			
	964 555 032 07 9YD	Cobalt blue			
	964 555 032 07 1MV	Burgundy			
	964 555 032 07 6UV	Linen			
	964 555 032 07 5TC	Cashmere beige			
(1)	911 555 031 47	Door trim panel Porsche lettering cloth	/L 93-	1	COUPE
	911 555 031 47 2CZ	Black			
	911 555 031 47 6HZ	Blue			
	911 555 031 47 7TH	Cashmere beige			
	911 555 031 47 6WC	Classic grey			
	911 555 031 47 7ZK	Cobalt blue			
	911 555 031 47 9YC	Magenta			
	911 555 031 47 2ZV	Light grey			
(1)	911 555 032 46	Door trim panel Porsche lettering cloth	/R 93-	1	COUPE
	911 555 032 46 2CZ	Black			
	911 555 032 46 6HZ	Blue			
	911 555 032 46 7TH	Cashmere beige			
	911 555 032 46 6WC	Classic grey			
	911 555 032 46 7ZK	Cobalt blue			
	911 555 032 46 9YC	Magenta			
	911 555 032 46 2ZV	Light grey			
(1)	964 555 031 08	Door trim panel Porsche lettering cloth	/L 93-	1	TARGA/CABRIO
	964 555 031 08 2CZ	Black			
	964 555 031 08 6HZ	Blue			
	964 555 031 08 7TH	Cashmere beige			
	964 555 031 08 6WC	Classic grey			
	964 555 031 08 7ZK	Cobalt blue			
	964 555 031 08 9YC	Magenta			

Model: 911 89 Model life 1989>>1994

Pos	Part Number	Description	Remark	Qty	Model
(1)	964 555 031 08 2ZV	Light grey			
	964 555 032 07	Door trim panel	/R 93-	1	TARGA/CABRIO
		Porsche lettering cloth			
	964 555 032 07 2CZ	Black			
	964 555 032 07 6HZ	Blue			
	964 555 032 07 7TH	Cashmere beige			
	964 555 032 07 6WC	Classic grey			
	964 555 032 07 7ZK	Cobalt blue			
	964 555 032 07 9YC	Magenta			
	964 555 032 07 2ZV	Light grey			
(2)	911 555 083 08	Cover strip	/L	1	
		Leatherette			
	911 555 083 08 7AE	Black	89		
	911 555 083 08 05T	Black	90-		
	911 555 083 08 1MX	Mahogany	-90		
	911 555 083 08 1KX	Marine blue			
	911 555 083 08 3MX	Burgundy	-90		
	911 555 083 08 9WH	Classic grey	91-		
	911 555 083 08 7YG	Cobalt blue	91-		
	911 555 083 08 9YF	Magenta	91-		
2	911 555 084 07	Cover strip	/R	1	
		Leatherette			
	911 555 084 07 7AE	Black	89		
	911 555 084 07 05T	Black	90-		
	911 555 084 07 1MX	Mahogany	-90		
	911 555 084 07 1KX	Marine blue			
	911 555 084 07 3MX	Burgundy	-90		
	911 555 084 07 9WH	Classic grey	91-		
	911 555 084 07 7YG	Cobalt blue	91-		
	911 555 084 07 9YF	Magenta	91-		
(2)	993 555 084 00	Cover strip	/R	1	
		Leatherette			
	993 555 084 00 7AE	Black			
	993 555 084 00 1KX	Marine blue			
	993 555 084 00 3MX	Burgundy			
(2)	911 555 083 62	Cover strip	/L	1	
		Leather			
	911 555 083 62 KZ2	Black	-90		
	911 555 083 62 TV1	Mahogany	-90		
	911 555 083 62 TS1	Marine blue	-90		
	911 555 083 62 LG7	Burgundy	-90		
	911 555 083 62 XN6	Velvet red	-90		
	911 555 083 62 XN7	Slate grey	-90		
	911 555 083 62 UD5	Caramel	-90		
	911 555 083 62 UD6	Venetian blue	-90		
	911 555 083 62 8YR	Black	91-		
	911 555 083 62 6XL	Classic grey	91-		
	911 555 083 62 9YL	Cobalt blue	91-		
	911 555 083 62 6YL	Magenta	91-		
	911 555 083 62 H05	Marine blue	91-		
	911 555 083 62 M05	Matador red	91-		
	911 555 083 62 D35	Carrara grey	91-		
	911 555 083 62 J25	Sherwood green	91-		
	911 555 083 62 L37	Rhodamine	92		
	911 555 083 62 J17	Wimbledon green	92		
	911 555 083 62 E27	Florentine grey	92		
	911 555 083 62 E38	Rubicon grey	93		
2	911 555 084 61	Cover strip	/R	1	
		Leather			
	911 555 084 61 KZ2	Black	-90		
	911 555 084 61 TV1	Mahogany	-90		
	911 555 084 61 TS1	Marine blue	-90		
	911 555 084 61 LG7	Burgundy	-90		

Model: 911 89 Model life 1989>>1994

Pos	Part Number	Description	Remark	Qty	Model
	911 555 084 61 XN6	Velvet red	-90		
	911 555 084 61 XN7	Slate grey	-90		
	911 555 084 61 UD5	Caramel	-90		
	911 555 084 61 UD6	Venetian blue	-90		
	911 555 084 61 8YR	Black	91-		
	911 555 084 61 6XL	Classic grey	91-		
	911 555 084 61 9YL	Cobalt blue	91-		
	911 555 084 61 6YL	Magenta	91-		
	911 555 084 61 H05	Marine blue	91-		
	911 555 084 61 M05	Matador red	91-		
	911 555 084 61 D35	Carrara grey	91-		
	911 555 084 61 J25	Sherwood green	91-		
	911 555 084 61 L37	Rhodamine	92		
	911 555 084 61 J17	Wimbledon green	92		
	911 555 084 61 E27	Florentine grey	92		
	911 555 084 61 E38	Rubicon grey	93		
(3)	911 555 421 00	Cap	/L	1	
	911 555 421 00 01C	Black			
	911 555 421 00 4MJ	Mahogany	89		
	911 555 421 00 9JJ	Marine blue	89		
	911 555 421 00 9MM	Burgundy	89		
3	911 555 422 00	Cap	/R	1	
	911 555 422 00 01C	Black			
	911 555 422 00 4MJ	Mahogany	89		
	911 555 422 00 9JJ	Marine blue	89		
	911 555 422 00 9MM	Burgundy	89		
4	900 145 096 07	Oval-head sheetmetal screw B 4,2 X 16		2	
4	900 145 096 0G	Oval-head sheetmetal screw B 4,2 X 16		2	
(5)	964 555 093 01	Trim cover Leather	/L	1	TARGA/CABRIO
	964 555 093 01 8YR	Black			
	964 555 093 01 6XL	Classic grey			
	964 555 093 01 9YL	Cobalt blue			
	964 555 093 01 6YL	Magenta			
	964 555 093 01 8ZL	Light grey			
	964 555 093 01 4YU	Cashmere beige			
	964 555 093 01 H05	Marine blue			
	964 555 093 01 M05	Matador red			
	964 555 093 01 D35	Carrara grey			
	964 555 093 01 J25	Sherwood green			
	964 555 093 01 L37	Rhodamine			
	964 555 093 01 J17	Wimbledon green			
	964 555 093 01 E27	Florentine grey			
5	964 555 094 01	Trim cover Leather	/R	1	TARGA/CABRIO
	964 555 094 01 8YR	Black			
	964 555 094 01 6XL	Classic grey			
	964 555 094 01 9YL	Cobalt blue			
	964 555 094 01 6YL	Magenta			
	964 555 094 01 8ZL	Light grey			
	964 555 094 01 4YU	Cashmere beige			
	964 555 094 01 H05	Marine blue			
	964 555 094 01 M05	Matador red			
	964 555 094 01 D35	Carrara grey			
	964 555 094 01 J25	Sherwood green			
	964 555 094 01 L37	Rhodamine			
	964 555 094 01 J17	Wimbledon green			
	964 555 094 01 E27	Florentine grey			
6	900 143 177 02	Combination tapping screw B 4,2 X 13		4	
7	928 555 569 02	Guide bush		2	

Model: 911 89 Model life 1989>>1994

Pos	Part Number	Description	Remark	Qty	Model
8	N 100 665 01	Speed nut B 3,5		2	
9	N 013 958 7	Oval-head sheetmetal screw B 3,5 X 13		4	
10	999 703 077 40	Cap		2	
(11)	911 555 037 06	Package box Carpet/ Wrapping strap Leatherette	/L	1	
	911 555 037 06 5FV	Black/black			
	911 555 037 06 5MF	Mahogany/mahogany	-90		
	911 555 037 06 4KV	Marine blue/marine blue			
	911 555 037 06 8MD	Burgundy/burgundy	-90		
	911 555 037 06 2XF	Linen	-90		
	911 555 037 06 8UT	Cashmere beige/cash. beige			
	911 555 037 06 4XR	Classic grey/classic grey	91-		
	911 555 037 06 4ZN	Cobalt blue/cobalt blue	91-		
	911 555 037 06 8WZ	Magenta/Magenta	91-		
	911 555 037 06 6YR	Light grey	91-		
11	911 555 038 06	Package box Carpet/ Wrapping strap Leatherette	/R	1	
	911 555 038 06 5FV	Black/black			
	911 555 038 06 5MF	Mahogany/mahogany	-90		
	911 555 038 06 4KV	Marine blue/marine blue			
	911 555 038 06 8MD	Burgundy/burgundy	-90		
	911 555 038 06 2XF	Linen	-90		
	911 555 038 06 8UT	Cashmere beige/cash. beige			
	911 555 038 06 4XR	Classic grey/classic grey	91-		
	911 555 038 06 4ZN	Cobalt blue/cobalt blue	91-		
	911 555 038 06 8WZ	Magenta/Magenta	91-		
	911 555 038 06 6YR	Light grey	91-		
(11)	911 555 037 05	Package box Carpet/ Wrapping strap Leather	/L	1	
	911 555 037 05 5FV	Black/black			
	911 555 037 05 4KV	Marine blue/marine blue			
	911 555 037 05 5MF	Mahogany/mahogany	-90		
	911 555 037 05 8MD	Burgundy/burgundy	-90		
	911 555 037 05 2XF	Linen	-90		
	911 555 037 05 8UT	Cashmere beige/cash. beige			
	911 555 037 05 9MT	Velvet red/velvet red	-90		
	911 555 037 05 3WT	Slate grey/slate grey	-90		
	911 555 037 05 7VT	Silk grey/silk grey	-90		
	911 555 037 05 5UM	Caramel/caramel	-90		
	911 555 037 05 3KM	Venetian bl./venetian blue	-90		
	911 555 037 05 4XR	Classic grey/classic grey	91-		
	911 555 037 05 4ZN	Cobalt blue/cobalt blue	91-		
	911 555 037 05 8WZ	Magenta/Magenta	91-		
	911 555 037 05 6YR	Light grey	91-		
	911 555 037 05 M33	Matador red/matador red	91-		
	911 555 037 05 D13	Carrara grey/carrara grey	91-		
	911 555 037 05 J23	Sherwood green/	91-		
	911 555 037 05 M10	Rhodamine/rhodamine	92		
	911 555 037 05 K20	Wimbledon gr./wimbl. green	92		
	911 555 037 05 D50	Florentine gr./flor. grey	92		
	911 555 037 05 8AS	Rubicon grey/rubicon grey	93		
11	911 555 038 05	Package box Carpet/ Wrapping strap Leather	/R	1	

Model: 911 89 Model life 1989>>1994

Pos	Part Number	Description	Remark	Qty	Model
	911 555 038 05 5FV	Black/black			
	911 555 038 05 4KV	Marine blue/marine blue			
	911 555 038 05 5MF	Mahogany/mahogany	-90		
	911 555 038 05 8MD	Burgundy/burgundy	-90		
	911 555 038 05 2XF	Linen	-90		
	911 555 038 05 8UT	Cashmere beige/cash. beige			
	911 555 038 05 9MT	Velvet red/velvet red	-90		
	911 555 038 05 3WT	Slate grey/slate grey	-90		
	911 555 038 05 7VT	Silk grey/silk grey	-90		
	911 555 038 05 5UM	Caramel/caramel	-90		
	911 555 038 05 3KM	Venetian bl./venetian blue	-90		
	911 555 038 05 4XR	Classic grey/classic grey	91-		
	911 555 038 05 4ZN	Cobalt blue/cobalt blue	91-		
	911 555 038 05 8WZ	Magenta/Magenta	91-		
	911 555 038 05 6YR	Light grey	91-		
	911 555 038 05 M33	Matador red/matador red	91-		
	911 555 038 05 D13	Carrara grey/carrara grey	91-		
	911 555 038 05 J23	Sherwood green/	91-		
	911 555 038 05 M10	Rhodamine/rhodamine	92		
	911 555 038 05 K20	Wimbledon gr./wimbl. green	92		
	911 555 038 05 D50	Florentine gr./flor. grey	92		
	911 555 038 05 8AS	Rubicon grey/rubicon grey	93		
12	900 145 026 07	Tapping screw B 4,2 X 22		8	
13	999 591 103 17	Protection washer		8	
13	PCG 591 103 17	Protection washer		8	
14	999 591 717 40	Expander nut B 4,2		10	
(15)	911 555 097 01	Grab handle Leatherette	/L	1	
	911 555 097 01 041	Black			
	911 555 097 01 3LN	Mahogany	-90		
	911 555 097 01 6JN	Marine blue			
	911 555 097 01 3MK	Burgundy	-90		
	911 555 097 01 8XN	Linen	-90		
	911 555 097 01 2UU	Cashmere beige			
	911 555 097 01 8WR	Classic grey	91-		
	911 555 097 01 6XW	Cobalt blue	91-		
	911 555 097 01 7XL	Magenta	91-		
	911 555 097 01 6ZL	Light grey	91-		
15	911 555 098 01	Grab handle Leatherette	/R	1	
	911 555 098 01 041	Black			
	911 555 098 01 3LN	Mahogany	-90		
	911 555 098 01 6JN	Marine blue			
	911 555 098 01 3MK	Burgundy	-90		
	911 555 098 01 8XN	Linen	-90		
	911 555 098 01 2UU	Cashmere beige			
	911 555 098 01 8WR	Classic grey	91-		
	911 555 098 01 6XW	Cobalt blue	91-		
	911 555 098 01 7XL	Magenta	91-		
	911 555 098 01 6ZL	Light grey	91-		
(15)	911 555 097 51	Grab handle Leather	/L	1	
	911 555 097 51 1AJ	Black	-90		
	911 555 097 51 2LX	Mahogany	-90		
	911 555 097 51 7JX	Marine blue	-90		
	911 555 097 51 7LD	Burgundy	-90		
	911 555 097 51 4UC	Caramel	-90		
	911 555 097 51 7VX	Linen	-90		
	911 555 097 51 2WH	Cashmere beige	-90		
	911 555 097 51 5VT	Silk grey	-90		
	911 555 097 51 4MT	Velvet red	-90		

Model: 911 89 Model life 1989>>1994

Pos	Part Number	Description	Remark	Qty	Model
	911 555 097 51 2WT	Slate grey	-90		
	911 555 097 51 7KC	Venetian blue	-90		
	911 555 097 51 8YR	Black	91-		
	911 555 097 51 6XL	Classic grey	91-		
	911 555 097 51 9YL	Cobalt blue	91-		
	911 555 097 51 6YL	Magenta	91-		
	911 555 097 51 8ZL	Light grey	91-		
	911 555 097 51 4YU	Cashmere beige	91-		
	911 555 097 51 H05	Marine blue	91-		
	911 555 097 51 M05	Matador red	91-		
	911 555 097 51 D35	Carrara grey	91-		
	911 555 097 51 J25	Sherwood green	91-		
	911 555 097 51 L37	Rhodamine	92		
	911 555 097 51 J17	Wimbledon green	92		
	911 555 097 51 E27	Florentine grey	92		
	911 555 097 51 E38	Rubicon grey	93		
15	911 555 098 51	Grab handle	/R	1	
		Leather			
	911 555 098 51 1AJ	Black	-90		
	911 555 098 51 2LX	Mahogany	-90		
	911 555 098 51 7JX	Marine blue	-90		
	911 555 098 51 7LD	Burgundy	-90		
	911 555 098 51 4UC	Caramel	-90		
	911 555 098 51 7VX	Linen	-90		
	911 555 098 51 2WH	Cashmere beige	-90		
	911 555 098 51 5VT	Silk grey	-90		
	911 555 098 51 4MT	Velvet red	-90		
	911 555 098 51 2WT	Slate grey	-90		
	911 555 098 51 7KC	Venetian blue	-90		
	911 555 098 51 8YR	Black	91-		
	911 555 098 51 6XL	Classic grey	91-		
	911 555 098 51 9YL	Cobalt blue	91-		
	911 555 098 51 6YL	Magenta	91-		
	911 555 098 51 8ZL	Light grey	91-		
	911 555 098 51 4YU	Cashmere beige	91-		
	911 555 098 51 H05	Marine blue	91-		
	911 555 098 51 M05	Matador red	91-		
	911 555 098 51 D35	Carrara grey	91-		
	911 555 098 51 J25	Sherwood green	91-		
	911 555 098 51 L37	Rhodamine	92		
	911 555 098 51 J17	Wimbledon green	92		
	911 555 098 51 E27	Florentine grey	92		
	911 555 098 51 E38	Rubicon grey	93		
16	N 014 761 2	Pan-head screw		8	
		M 6 X 12			
16	900 119 129 01	Pan-head screw		8	
		M 6 X 12			
17	N 011 524 7	Washer		8	
		A 6,4			
17	N 011 524 27	Washer		8	
		A 6,4			
(18)	911 531 251 00	Door opener	/L	1	
	911 531 251 00 70B	Black			
18	911 531 252 00	Door opener	/R	1	
	911 531 252 00 70B	Black			
19	911 555 583 00	Bolt		2	
19	911 555 583 01	Bolt		2	
20	900 116 002 01	Lock washer		2	
21	928 537 747 00	Luminous point		2	
(22)	911 555 039 03	Lid	/L	1	
		Lacquered			
	911 555 039 03 041	Black			
	911 555 039 03 3LN	Mahogany	-90		

Model: 911 89 Model life 1989>>1994

Pos	Part Number	Description	Remark	Qty	Model
	911 555 039 03 6JN	Marine blue			
	911 555 039 03 3MK	Burgundy	-90		
	911 555 039 03 8XN	Linen	-90		
	911 555 039 03 2UU	Cashmere beige			
	911 555 039 03 2YJ	Classic grey	91-		
	911 555 039 03 5ZJ	Cobalt blue	91-		
	911 555 039 03 5XA	Magenta	91-		
	911 555 039 03 B06	Light grey	91-		
22	911 555 040 03	Lid	/R	1	
		Lacquered			
	911 555 040 03 041	Black			
	911 555 040 03 3LN	Mahogany	-90		
	911 555 040 03 6JN	Marine blue			
	911 555 040 03 3MK	Burgundy	-90		
	911 555 040 03 8XN	Linen	-90		
	911 555 040 03 2UU	Cashmere beige			
	911 555 040 03 2YJ	Classic grey	91-		
	911 555 040 03 5ZJ	Cobalt blue	91-		
	911 555 040 03 5XA	Magenta	91-		
	911 555 040 03 B06	Light grey	91-		
(22)	911 555 039 52	Lid	/L	1	
		Leather			
	911 555 039 52 1AJ	Black	-90		
	911 555 039 52 2LX	Mahogany	-90		
	911 555 039 52 7JX	Marine blue	-90		
	911 555 039 52 7LD	Burgundy	-90		
	911 555 039 52 4UC	Caramel	-90		
	911 555 039 52 7VX	Linen	-90		
	911 555 039 52 2WH	Cashmere beige	-90		
	911 555 039 52 5VT	Silk grey	-90		
	911 555 039 52 4MT	Velvet red	-90		
	911 555 039 52 2WT	Slate grey	-90		
	911 555 039 52 7KC	Venetian blue	-90		
	911 555 039 52 8YR	Black	91-		
	911 555 039 52 6XL	Classic grey	91-		
	911 555 039 52 9YL	Cobalt blue	91-		
	911 555 039 52 6YL	Magenta	91-		
	911 555 039 52 8ZL	Light grey	91-		
	911 555 039 52 4YU	Cashmere beige	91-		
	911 555 039 52 H05	Marine blue	91-		
	911 555 039 52 M05	Matador red	91-		
	911 555 039 52 D35	Carrara grey	91-		
	911 555 039 52 J25	Sherwood green	91-		
	911 555 039 52 L37	Rhodamine	92		
	911 555 039 52 J17	Wimbledon green	92		
	911 555 039 52 E27	Florentine grey	92		
	911 555 039 52 E38	Rubicon grey	93		
22	911 555 040 52	Lid	/R	1	
		Leather			
	911 555 040 52 1AJ	Black	-90		
	911 555 040 52 2LX	Mahogany	-90		
	911 555 040 52 7JX	Marine blue	-90		
	911 555 040 52 7LD	Burgundy	-90		
	911 555 040 52 4UC	Caramel	-90		
	911 555 040 52 7VX	Linen	-90		
	911 555 040 52 2WH	Cashmere beige	-90		
	911 555 040 52 5VT	Silk grey	-90		
	911 555 040 52 4MT	Velvet red	-90		
	911 555 040 52 2WT	Slate grey	-90		
	911 555 040 52 7KC	Venetian blue	-90		
	911 555 040 52 8YR	Black	91-		
	911 555 040 52 6XL	Classic grey	91-		
	911 555 040 52 9YL	Cobalt blue	91-		

Model: 911 89 Model life 1989>>1994

Pos	Part Number	Description	Remark	Qty	Model
	911 555 040 52 6YL	Magenta	91-		
	911 555 040 52 8ZL	Light grey	91-		
	911 555 040 52 4YU	Cashmere beige	91-		
	911 555 040 52 H05	Marine blue	91-		
	911 555 040 52 M05	Matador red	91-		
	911 555 040 52 D35	Carrara grey	91-		
	911 555 040 52 J25	Sherwood green	91-		
	911 555 040 52 L37	Rhodamine	92		
	911 555 040 52 J17	Wimbledon green	92		
	911 555 040 52 E27	Florentine grey	92		
	911 555 040 52 E38	Rubicon grey	93		
23	914 555 059 10	Support		2	
24	900 146 011 02	Oval-head screw AM 4 X 10		2	
25	N 012 224 3	Spring washer B 4		2	
26	900 151 028 02	Washer B 4,3		2	
26	900 151 028 01	Washer B 4,3		2	
27	911 555 045 03	Bearing	/L	1	
(27)	911 555 046 03	Bearing	/R	1	
28	900 143 047 07	Tapping screw B 4,2 X 19		4	
28	900 073 007 01	Tapping screw B 4,2 X 19		4	
29	911 613 635 20	Assembly frame		3	
30	911 555 451 00	Loudspeaker grille		2	
	911 555 451 00 01C	Black Woofer			
30	911 555 451 01	Loudspeaker grille		2	
	911 555 451 01 01C	Black Woofer			
31	911 555 453 00	Loudspeaker grille Black Tweeter		2	
31	911 555 453 01	Loudspeaker grille		2	
	911 555 453 01 01C	Black Tweeter			
32	911 555 671 00	Bracket Woofer		2	
32	911 555 671 01	Bracket Woofer		2	
33	911 555 673 00	Bracket Tweeter		2	
34	900 143 124 07	Tapping screw BZ 3,5 X 13		6	
35	N 013 967 9	Tapping screw B 4,2 X 19		8	
36	999 591 575 02	Speed nut B 4,2		8	
36	999 591 575 01	Speed nut B 4,2		8	
37	911 555 217 00	Housing		2	
38	N 011 522 14	Washer A 4,3		6	
39	N 011 004 6	Hexagon nut M 4		6	
39	N 011 004 G	Nut M 4		6	
40	823 867 299	Clip		8	
41	900 151 001 02	Washer A 4,3		2	

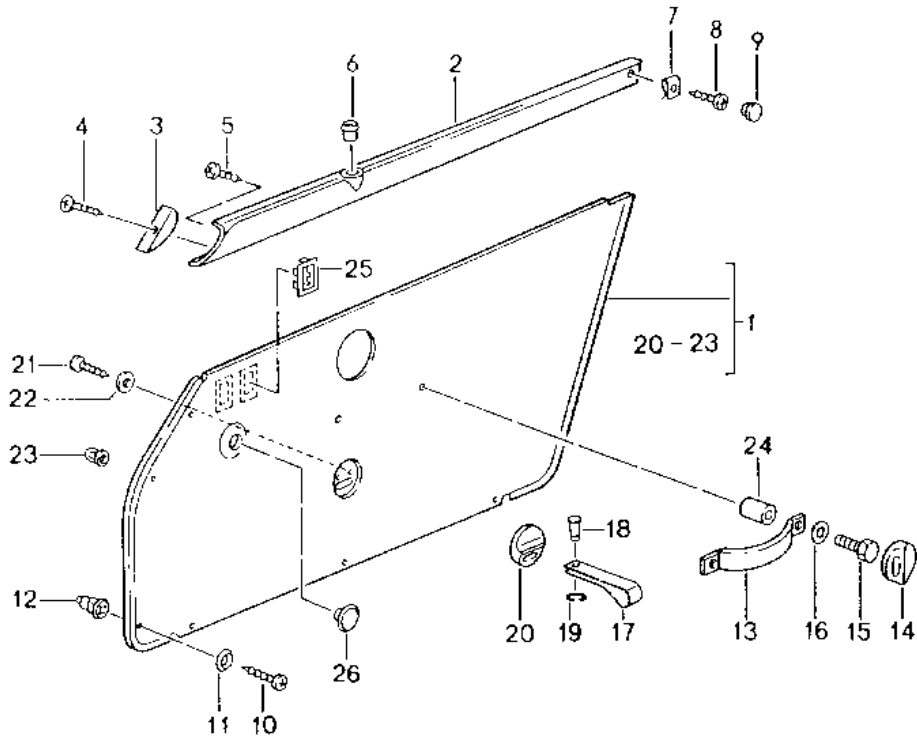
Model: 911 89

Model life 1989>>1994

Pos	Part Number	Description	Remark	Qty	Model
42	N 013 958 7	Oval-head sheetmetal screw B 3,5 X 13		2	
43	N 900 488 01	Speed nut B 3,5		6	

Model: 911 89

Model life 1989>>1994



Model: 911 89 Model life 1989>>1994

Pos	Part Number	Description	Remark	Qty	Model
		Interior equipment			CARRERA RS
		Doors			
(1)	964 555 031 00	Door trim panel	/L	1	
	964 555 031 00 05T	Leatherette			
1	964 555 031 00 05T	Black			
	964 555 032 00	Door trim panel	/R	1	
		Leatherette			
	964 555 032 00 05T	Black			
(2)	911 555 083 08	Cover strip	/L	1	
		Leatherette			
	911 555 083 08 05T	Black			
2	911 555 084 07	Cover strip	/R	1	
		Leatherette			
	911 555 084 07 05T	Black			
(3)	911 555 421 00	Cap	/L	1	
	911 555 421 00 01C	Black			
3	911 555 422 00	Cap	/R	1	
	911 555 422 00 01C	Black			
4	900 145 096 07	Oval-head sheetmetal screw		2	
		B 4,2 X 16			
4	900 145 096 0G	Oval-head sheetmetal screw		2	
		B 4,2 X 16			
5	900 143 177 02	Combination tapping screw		4	
		B 4,2 X 13			
6	928 555 569 02	Guide bush		2	
7	N 100 665 01	Speed nut		2	
		B 3,5			
8	N 013 958 7	Oval-head sheetmetal screw		2	
		B 3,5 X 13			
9	999 703 077 40	Cap		2	
10	900 145 096 07	Oval-head sheetmetal screw		10	
		B 4,2 X 16			
10	900 145 096 0G	Oval-head sheetmetal screw		10	
		B 4,2 X 16			
11	999 591 103 17	Protection washer		10	
11	PCG 591 103 17	Protection washer		10	
12	999 591 717 40	Expander nut		10	
		B 4,2			
13	964 555 251 00	Handle		2	
	964 555 251 00 01C	Black			
	964 555 251 00 8YR	Black			
14	964 555 761 01	Rosette		4	
	964 555 761 01 01C	Black			
14	964 555 761 02	Rosette		4	
	964 555 761 02 01C	Black			
15	900 075 017 02	Hexagon-head bolt		4	
		M 6 X 25			
15	900 075 017 03	Hexagon-head bolt		4	
		M 6 X 25			
16	999 025 128 02	Washer		4	
		6,5 X 14 X 1			
17	964 555 832 00	Door opener		2	
	964 555 832 00 G33	Rubystone red			
	964 555 832 00 H03	Maritime blue			
	964 555 832 00 N13	Guards red			
18	N 100 438 01	Bolt		2	
19	999 166 040 02	Kl-lock		2	
		5			
20	964 555 761 00	Rosette		2	
	964 555 761 00 01C	Black			
21	999 919 104 02	Oval-head screw		4	
		3,0 X 14			
22	900 151 028 02	Washer		4	

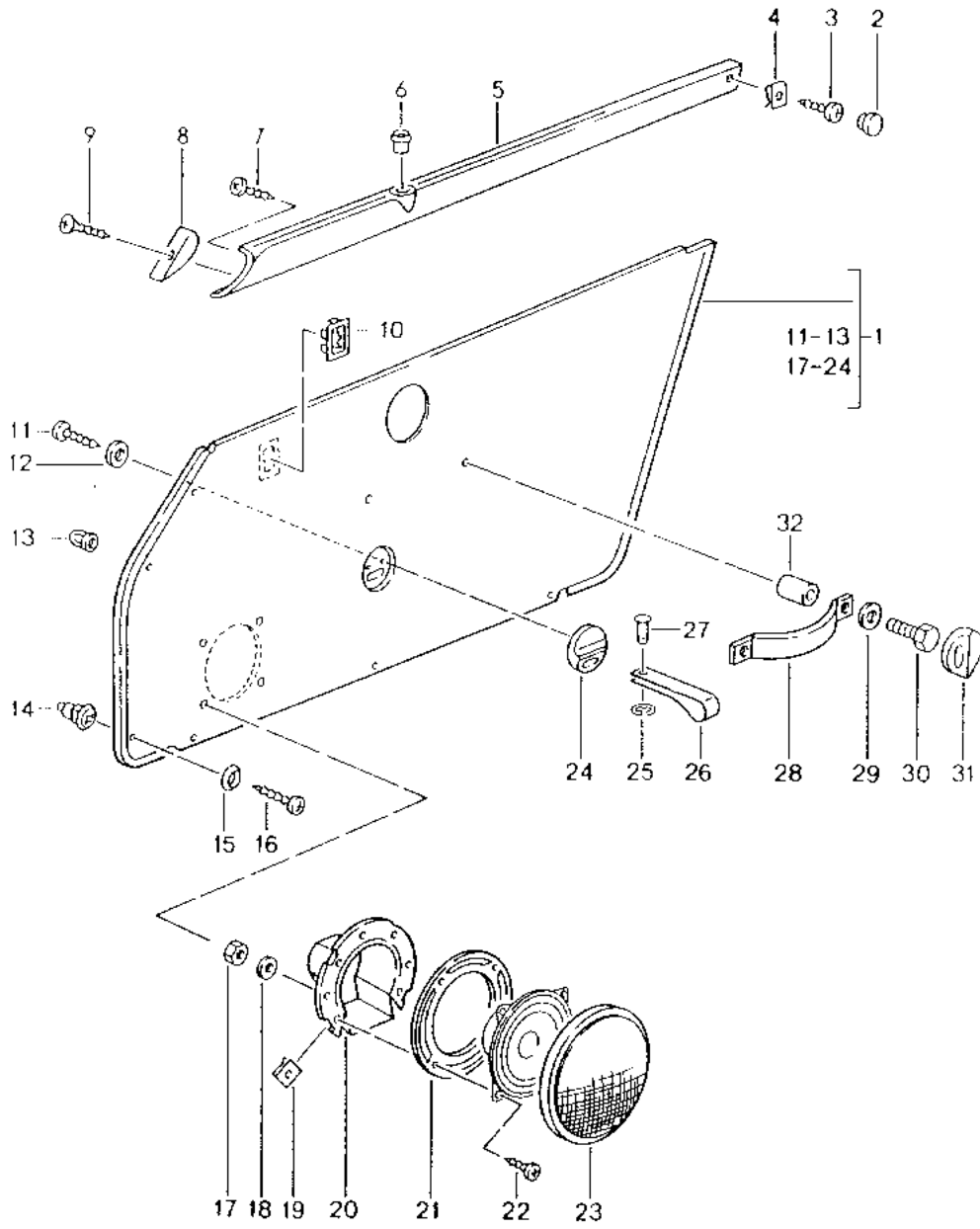
Model: 911 89

Model life 1989>>1994

Pos	Part Number	Description	Remark	Qty	Model
22	900 151 028 01	B 4,3 Washer		4	
23	823 867 299	B 4,3 Clip		8	
24	999 531 014 02	Bush 6,1 X 10,2		2	
25	911 613 635 20	Assembly frame		2	
26	999 703 404 40	Cap		2	
	999 703 404 40 1DB	Black			

Model: 911 89

Model life 1989>>1994



Model: 911 89 Model life 1989>>1994

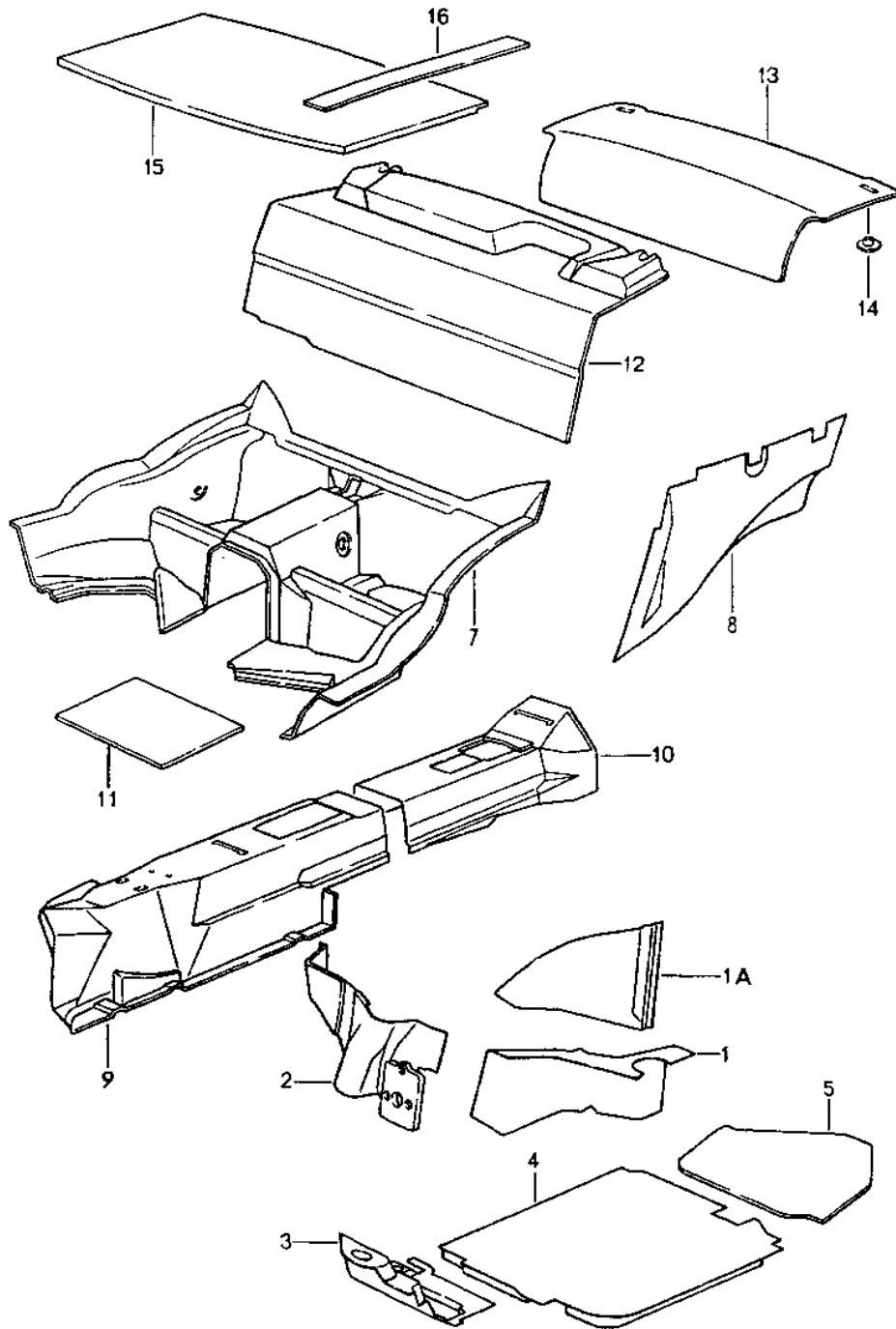
Pos	Part Number	Description	Remark	Qty	Model
		Interior equipment			SPEEDSTER
		Doors			RS AMERICA
(1)	964 555 031 04	Door trim panel	/L	1	
		Leatherette			
	964 555 031 04 05T	Black			
1	964 555 032 02	Door trim panel	/R	1	
		Leatherette			
	964 555 032 02 05T	Black			
2	999 703 077 40	Cap		2	
3	N 013 958 7	Oval-head sheetmetal screw		2	
		B 3,5 X 13			
4	N 100 665 01	Speed nut		2	
		B 3,5			
(5)	964 555 083 01	Cover strip	/L	1	
		Leatherette			
	964 555 083 01 05T	Black			
(5)	964 555 084 01	Cover strip	/R	1	
		Leatherette			
	964 555 084 01 05T	Black			
6	928 555 569 02	Guide bush		2	
7	900 143 177 02	Combination tapping screw		4	
		B 4,2 X 13			
(8)	911 555 421 00	Cover	/L	1	
		Satin black			
8	911 555 422 00	Cover	/R	1	
		Satin black			
	911 555 422 00 01C	Satin black			
9	900 145 096 07	Oval-head sheetmetal screw		2	
		B 4,2 X 16			
9	900 145 096 0G	Oval-head sheetmetal screw		2	
		B 4,2 X 16			
10	911 613 635 20	Assembly frame		3	
11	999 919 049 02	Oval-head screw		4	
		B 3,0 X 10			
12	900 151 028 02	Washer		4	
		B 4,3			
12	900 151 028 01	Washer		4	
		B 4,3			
13	823 867 299	Clip		8	
14	999 591 717 40	Expander nut		10	
		B 4,2			
15	999 591 103 17	Protection washer		10	
15	PCG 591 103 17	Protection washer		10	
16	900 145 096 07	Oval-head sheetmetal screw		10	
		B 4,2 X 16			
16	900 145 096 0G	Oval-head sheetmetal screw		10	
		B 4,2 X 16			
17	N 011 004 6	Hexagon nut		6	
		M 4			
17	N 011 004 G	Nut		6	
		M 4			
18	900 025 002 02	Washer		6	
		A 4,3			
18	900 025 002 03	Washer		6	
		A 4,3			
19	999 591 575 02	Speed nut		8	
		B 4,2			
19	999 591 575 01	Speed nut		8	
		B 4,2			
(20)	911 555 217 01	Housing		2	
21	911 555 671 00	Bracket		2	
		Woofers			
21	911 555 671 01	Bracket	88-	2	
		Woofers			

Model: 911 89 Model life 1989>>1994

Pos	Part Number	Description	Remark	Qty	Model
22	N 013 967 9	Tapping screw B 4,2 X 19		8	
23	911 555 451 00	Loudspeaker grille		2	
	911 555 451 00 01C	Black			
23	911 555 451 01	Loudspeaker grille	88-	2	
	911 555 451 01 01C	Black			
		Woofer			
24	964 555 761 00	Rosette		2	
	964 555 761 00 01C	Satin black			
25	999 166 040 02	Kl-lock		2	
26	964 555 832 00	Door opener		1	
	964 555 832 00 70A	Black			
	964 555 832 00 N13	Guards red			
	964 555 832 00 H03	Maritime blue			
	964 555 832 00 V02	Speed yellow			
27	N 100 438 01	Bolt		2	
28	964 555 251 00	Handle		2	
		Leather			
	964 555 251 00 01C	Black			
	964 555 251 00 8YR	Black			
	964 555 251 00 L29	Guards red			
	964 555 251 00 2XR	Pearl grey			
	964 555 251 00 G55	Maritime blue			
	964 555 251 00 U28	Speed yellow			
29	999 025 128 02	Washer		4	
		6,5 X 14 X 1			
30	900 075 017 02	Hexagon-head bolt		4	
		M 6 X 25			
30	900 075 017 03	Hexagon-head bolt		4	
		M 6 X 25			
31	964 555 761 01	Rosette		4	
	964 555 761 01 01C	Satin black			
31	964 555 761 02	Rosette		4	
	964 555 761 02 01C	Satin black			
32	999 531 014 02	Bush		2	
		6,1 X 10,2			

Model: 911 89

Model life 1989>>1994



1

Model: 911 89 Model life 1989>>1994

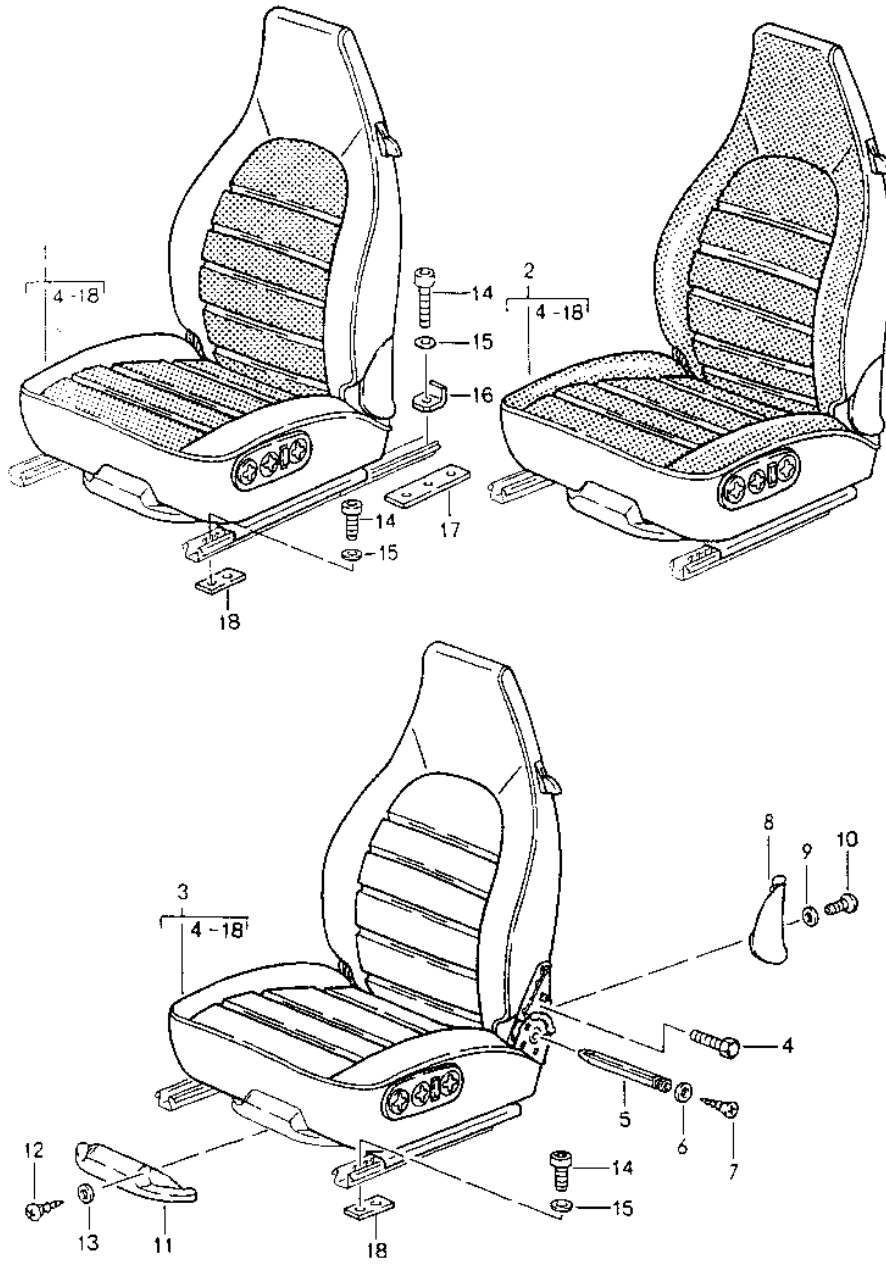
Pos	Part Number	Description	Remark	Qty	Model
		Body			
		Sound proofing 1			
1	964 556 205 00	Sound absorber	/LL /L	1	
(1)	964 556 205 02	Sound absorber	/RL /L	1	
(1)	964 556 206 02	Sound absorber	/LL /R	1	
(1)	964 556 206 01	Sound absorber	/RL /R	1	
		Side section	/V		
1A	964 556 207 01	Sound absorber	/LL /L	1	
(1A)	964 556 208 01	Sound absorber	/RL /R	1	
		Side section	/V		
		Upper			
2	964 556 261 00	Sound absorber	/LL /L	1	
(2)	964 556 262 00	Sound absorber	/RL /R	1	
		Firewall			
		Upper			
3	964 556 263 00	Sound absorber	/LL /L	1	
(3)	964 556 264 01	Sound absorber	/RL /R	1	
		Firewall			
		Lower			
4	964 556 217 00	Sound absorber	/LL /L	1	
(4)	964 556 217 02	Sound absorber	/RL /L -92	1	
(4)		Sound absorber	/RL /L	1	
(4)	964 556 218 00	Sound absorber	/LL /R -91	1	
(4)	964 556 218 02	Sound absorber	/LL /R 92-	1	
(4)	964 556 218 01	Sound absorber	/RL /R -91	1	
(4)	964 556 218 03	Sound absorber	/RL /R 92-	1	
		Floor	/V		
5	964 556 215 00	Sound absorber	/L	1	
(5)	964 556 216 00	Sound absorber	/R	1	
		Floor	/H		
7	964 556 233 01	Sound absorber		1	
		Seat well			
8	964 556 275 01	Sound absorber	/L	1	COUPE
(8)	964 556 276 01	Sound absorber	/R	1	COUPE
		Side section	/H		
		It is necessary to rework	89		
(9)	964 556 872 02	Sound absorber	/LL /V	1	
(9)	993 556 872 00	Sound absorber	/LL /V	1	
(9)	993 556 872 02	Sound absorber	/LL /V	1	
(9)	964 556 872 03	Sound absorber	/RL /V	1	
		Tunnel			
(9)	993 556 872 01	Sound absorber	/RL /V	1	
		Tunnel			
10	993 556 873 00	Sound absorber		1	
11	911 556 902 00	Damping mat		X	
12	964 556 239 00	Sound absorber	-90	1	COUPE/TARGA
12	964 556 239 01	Sound absorber	91-	1	COUPE/TARGA
(12)	993 556 239 02	Sound absorber	91-	1	COUPE/TARGA
		Upper part			
(12)	964 556 239 04	Sound absorber	91-	1	COUPE/TARGA
		Lower part			
(12)	964 556 239 02	Sound absorber	92	1	CARRERA RS
(12)	964 556 239 03	Sound absorber	92-	1	CARRERA RS
(12)	965 556 239 00	Sound absorber	91-	1	TURBO
		for rear panel			
(12)	964 556 239 60	Damping mat	90	1	CABRIO
(12)	993 556 239 03	Sound absorber	91-	1	CABRIO
		for rear panel			
13	964 556 281 01	Sound absorber		1	
		Engine compartment			
14	999 049 011 40	Push button		10	
		T 5			
15	911 556 023 01	Damping mat		1	

Model: 911 89 Model life 1989>>1994

Pos	Part Number	Description	Remark	Qty	Model
15	911 556 023 02	Roofliner Damping mat Roofliner 100 X 90		1	
16	911 556 248 00	It is necessary to rework Damping strip		3	

Model: 911 89

Model life 1989>>1994



Model: 911 89 Model life 1989>>1994

Pos	Part Number	Description	Remark	Qty	Model
-	TPC 000 000 00 TPC 000 000 00 6WC	Seat Complete Group 8/08/00 - 8/08/61 See group 8/06/60 - 8/06/94 Catalogue STZ.18 Cloth Cloth by the running meter PORSCHE logo Classic grey Running meter		1	

Model: 911 89

Model life 1989>>1994

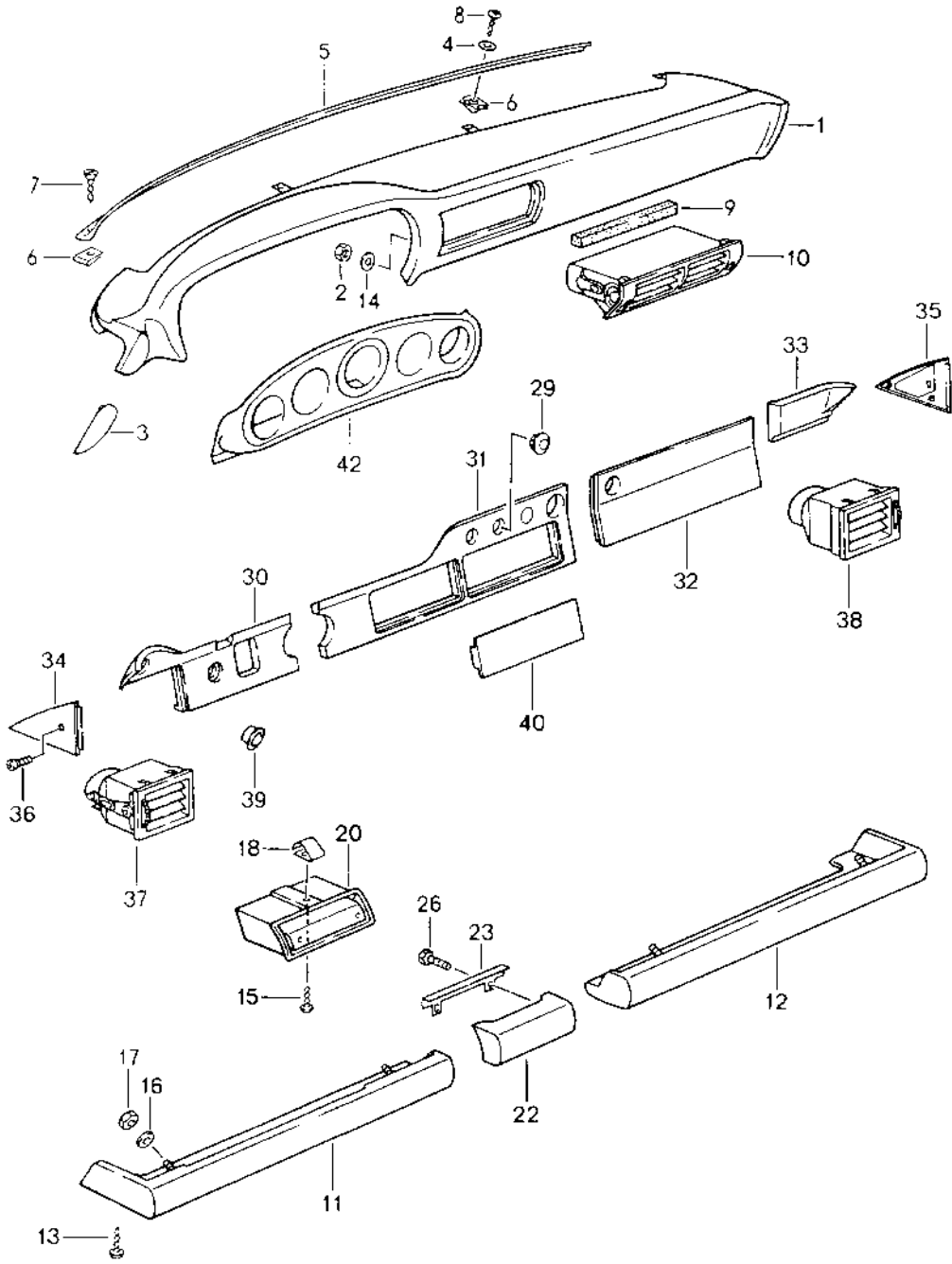


Model: 911 89 Model life 1989>>1994

Pos	Part Number	Description	Remark	Qty	Model
-	TPC 000 000 00 TPC 000 000 00 6WC	Cloth Cloth by the running meter PORSCHE logo Classic grey Running meter		1	

Model: 911 89

Model life 1989>>1994



Model: 911 89 Model life 1989>>1994

Pos	Part Number	Description	Remark	Qty	Model
1	964 552 055 00	Dashbord Knee protection strip for cars without Airbag Dashboard trim	/LL -91	1	
	964 552 055 00 7AE	Leatherette Black	89		
	964 552 055 00 05T	Black	90-		
	964 552 055 00 1MX	Mahogany	-90		
	964 552 055 00 3MX	Burgundy	-90		
	964 552 055 00 1KX	Marine blue			
	964 552 055 00 9WH	Classic grey	91-		
	964 552 055 00 7YG	Cobalt blue	91-		
	964 552 055 00 9YF	Magenta	91-		
1	964 552 055 02	Dashbord trim	/LL	1	
	964 552 055 02 7AE	Leatherette Black			
	964 552 055 02 05T	Black			
	964 552 055 02 1MX	Mahogany	-90		
	964 552 055 02 3MX	Burgundy	-90		
	964 552 055 02 1KX	Marine blue			
	964 552 055 02 9WH	Classic grey			
	964 552 055 02 7YG	Cobalt blue			
	964 552 055 02 9YF	Magenta			
1	964 552 055 04	Dashbord trim	/LL	1	CARRERA TURBO
	964 552 055 04 7AE	Leatherette Black			
	964 552 055 04 05T	Black			
	964 552 055 04 1MX	Mahogany	-90		
	964 552 055 04 3MX	Burgundy	-90		
	964 552 055 04 1KX	Marine blue			
	964 552 055 04 9WH	Classic grey			
	964 552 055 04 7YG	Cobalt blue			
	964 552 055 04 9YF	Magenta			
1	993 552 055 00	Dashbord trim	/LL	1	CARRERA TURBO
	993 552 055 00 7AE	Leatherette Black			
	993 552 055 00 05T	Black			
	993 552 055 00 1MX	Mahogany	-90		
	993 552 055 00 3MX	Burgundy	-90		
	993 552 055 00 1KX	Marine blue			
	993 552 055 00 9WH	Classic grey			
	993 552 055 00 7YG	Cobalt blue			
	993 552 055 00 9YF	Magenta			
(1)	964 552 056 00	Dashbord trim	/RL -91	1	
	964 552 056 00 7AE	Leatherette Black	89		
	964 552 056 00 05T	Black	90-		
	964 552 056 00 1MX	Mahogany	-90		
	964 552 056 00 3MX	Burgundy	-90		
	964 552 056 00 1KX	Marine blue			
	964 552 056 00 9WH	Classic grey	91-		
	964 552 056 00 7YG	Cobalt blue	91-		
	964 552 056 00 9YF	Magenta	91-		
(1)	964 552 056 02	Dashbord trim	/RL	1	
	964 552 056 02 7AE	Leatherette Black			

Model: 911 89 Model life 1989>>1994

Pos	Part Number	Description	Remark	Qty	Model
	964 552 056 02 05T	Black			
	964 552 056 02 1MX	Mahogany	-90		
	964 552 056 02 3MX	Burgundy	-90		
	964 552 056 02 1KX	Marine blue			
	964 552 056 02 9WH	Classic grey			
	964 552 056 02 7YG	Cobalt blue			
	964 552 056 02 9YF	Magenta			
(1)	964 552 056 05	Dashboard trim	/RL	1	CARRERA TURBO
		Leatherette			
	964 552 056 05 7AE	Black	89		
	964 552 056 05 05T	Black	90-		
	964 552 056 05 1MX	Mahogany	-90		
	964 552 056 05 3MX	Burgundy	-90		
	964 552 056 05 1KX	Marine blue			
	964 552 056 05 9WH	Classic grey	91-		
	964 552 056 05 7YG	Cobalt blue	91-		
	964 552 056 05 9YF	Magenta	91-		
(1)	993 552 056 00	Dashboard trim	/RL	1	CARRERA TURBO
		Leatherette			
	993 552 056 00 7AE	Black	89		
(1)	964 552 055 06	Dashboard trim	/LL	1	SPEEDSTER
		Leatherette			
	964 552 055 06 05T	Black			
(1)	964 552 056 06	Dashboard trim	/RL	1	SPEEDSTER
		Leatherette			
	964 552 056 06 05T	Black			
1	964 552 055 01	Dashboard trim	/LL	1	
		Leather			
	964 552 055 01 LG7	Burgundy	-90		
	964 552 055 01 TV1	Mahogany	-90		
	964 552 055 01 KZ2	Black	-90		
	964 552 055 01 TS1	Marine blue	-90		
	964 552 055 01 4MT	Velvet red	-90		
	964 552 055 01 UD5	Caramel	-90		
	964 552 055 01 2WT	Slate grey	-90		
	964 552 055 01 UD6	Venetian blue	-90		
	964 552 055 01 8YR	Black	91-		
	964 552 055 01 6XL	Classic grey	91-		
	964 552 055 01 9YL	Cobalt blue	91-		
	964 552 055 01 6YL	Magenta	91-		
	964 552 055 01 H05	Marine blue	91-		
	964 552 055 01 M05	Matador red	91-		
	964 552 055 01 D35	Carrara grey	91-		
	964 552 055 01 J25	Sherwood green	91-		
	964 552 055 01 L37	Rhodamine			
	964 552 055 01 J17	Wimbledon green			
	964 552 055 01 E27	Florentine grey			
	964 552 055 01 E38	Rubicon grey			
1	964 552 055 03	Dashboard trim	/LL	1	
		Leather			
	964 552 055 03 LG7	Burgundy	-90		
	964 552 055 03 TV1	Mahogany	-90		
	964 552 055 03 KZ2	Black	-90		
	964 552 055 03 TS1	Marine blue	-90		
	964 552 055 03 4MT	Velvet red	-90		
	964 552 055 03 UD5	Caramel	-90		
	964 552 055 03 2WT	Slate grey	-90		
	964 552 055 03 UD6	Venetian blue	-90		
	964 552 055 03 8YR	Black			

Model: 911 89 Model life 1989>>1994

Pos	Part Number	Description	Remark	Qty	Model
1	964 552 055 03 6XL	Classic grey		1	CARRERA TURBO
	964 552 055 03 9YL	Cobalt blue			
	964 552 055 03 6YL	Magenta			
	964 552 055 03 H05	Marine blue			
	964 552 055 03 M05	Matador red			
	964 552 055 03 D35	Carrara grey			
	964 552 055 03 J25	Sherwood green			
	964 552 055 03 L37	Rhodamine	92		
	964 552 055 03 J17	Wimbledon green	92		
	964 552 055 03 E27	Florentine grey	92		
	964 552 055 03 E38	Rubicon grey			
	964 552 055 51	Dashboard trim	/LL		
		Leather			
	964 552 055 51 LG7	Burgundy	-90		
964 552 055 51 TV1	Mahogany	-90			
964 552 055 51 KZ2	Black	-90			
964 552 055 51 TS1	Marine blue	-90			
964 552 055 51 4MT	Velvet red	-90			
964 552 055 51 UD5	Caramel	-90			
964 552 055 51 2WT	Slate grey	-90			
964 552 055 51 UD6	Slate grey	-90			
964 552 055 51 8YR	Black				
(1)	964 552 055 51 6XL	Classic grey		1	CARRERA TURBO
	964 552 055 51 9YL	Cobalt blue			
	964 552 055 51 6YL	Magenta			
	964 552 055 51 H05	Marine blue			
	964 552 055 51 M05	Matador red			
	964 552 055 51 D35	Carrara grey			
	964 552 055 51 J25	Sherwood green			
	964 552 055 51 L37	Rhodamine			
	964 552 055 51 J17	Wimbledon green			
	964 552 055 51 E27	Florentine grey			
	964 552 055 51 E38	Rubicon grey	93		
	964 552 056 01	Dashboard trim	/RL		
		Leather			
	964 552 056 01 LG7	Burgundy	-90		
964 552 056 01 TV1	Mahogany	-90			
964 552 056 01 KZ2	Black	-90			
964 552 056 01 TS1	Marine blue	-90			
964 552 056 01 4MT	Velvet red	-90			
964 552 056 01 UD5	Caramel	-90			
964 552 056 01 2WT	Slate grey	-90			
964 552 056 01 UD6	Venetian blue	-90			
964 552 056 01 8YR	Black	91-			
964 552 056 01 6XL	Classic grey	91-			
964 552 056 01 9YL	Cobalt blue	91-			
964 552 056 01 6YL	Magenta	91-			
964 552 056 01 H05	Marine blue	91-			
964 552 056 01 M05	Matador red	91-			
964 552 056 01 D35	Carrara grey	91-			
964 552 056 01 J25	Sherwood green	91-			
964 552 056 01 L37	Rhodamine				
964 552 056 01 J17	Wimbledon green				
964 552 056 01 E27	Florentine grey				
964 552 056 01 E38	Rubicon grey				
(1) 964 552 056 03	Dashboard trim	/RL	1		
	Leather				

Model: 911 89 Model life 1989>>1994

Pos	Part Number	Description	Remark	Qty	Model
	964 552 056 03 LG7	Burgundy	-90		
	964 552 056 03 TV1	Mahogany	-90		
	964 552 056 03 KZ2	Black	-90		
	964 552 056 03 TS1	Marine blue	-90		
	964 552 056 03 4MT	Velvet red	-90		
	964 552 056 03 UD5	Caramel	-90		
	964 552 056 03 2WT	Slate grey	-90		
	964 552 056 03 UD6	Venetian blue	-90		
	964 552 056 03 8YR	Black			
	964 552 056 03 6XL	Classic grey			
	964 552 056 03 9YL	Cobalt blue			
	964 552 056 03 6YL	Magenta			
	964 552 056 03 H05	Marine blue			
	964 552 056 03 M05	Matador red			
	964 552 056 03 D35	Carrara grey			
	964 552 056 03 J25	Sherwood green			
	964 552 056 03 L37	Rhodamine	92		
	964 552 056 03 J17	Wimbledon green	92		
	964 552 056 03 E27	Florentine grey	92		
	964 552 056 03 E38	Rubicon grey			
(1)	964 552 056 52	Dashboard trim	/RL	1	CARRERA TURBO
		Leather			
	964 552 056 52 LG7	Burgundy	-90		
	964 552 056 52 TV1	Mahogany	-90		
	964 552 056 52 KZ2	Black	-90		
	964 552 056 52 TS1	Marine blue	-90		
	964 552 056 52 4MT	Velvet red	-90		
	964 552 056 52 UD5	Caramel	-90		
	964 552 056 52 2WT	Slate grey	-90		
	964 552 056 52 UD6	Venetian blue	-90		
	964 552 056 52 8YR	Black			
	964 552 056 52 6XL	Classic grey			
	964 552 056 52 9YL	Cobalt blue			
	964 552 056 52 6YL	Magenta			
	964 552 056 52 H05	Marine blue			
	964 552 056 52 M05	Matador red			
	964 552 056 52 D35	Carrara grey			
	964 552 056 52 J25	Sherwood green			
	964 552 056 52 L37	Rhodamine			
	964 552 056 52 J17	Wimbledon green			
	964 552 056 52 E27	Florentine grey			
	964 552 056 52 E38	Rubicon grey	93		
2	999 090 003 02	Lock nut M 6		1	
3	964 552 231 00	Cover	/L -92	1	
3	964 552 231 01	Cover	/L	1	
(3)	964 552 231 01 01C	Satin black			
(3)	964 552 232 00	Cover	/R -92	1	
(3)	964 552 232 00 01C	Satin black			
(3)	964 552 232 01	Cover	/R	1	
4	964 552 232 01 01C	Satin black			
4	900 025 002 02	Washer A 4,3		4	
4	900 025 002 03	Washer A 4,3		4	
5	964 552 411 00	Defroster trim		1	
	964 552 411 00 5XJ	Black			
	964 552 411 00 8KM	Marine blue			

Model: 911 89 Model life 1989>>1994

Pos	Part Number	Description	Remark	Qty	Model
	964 552 411 00 7UJ	Mahogany	-90		
	964 552 411 00 9MJ	Burgundy	-90		
	964 552 411 00 5XL	Classic grey	91-		
	964 552 411 00 6ZH	Cobalt blue	91-		
	964 552 411 00 5XW	Magenta	91-		
5	964 552 411 01	Defroster trim		1	
	964 552 411 01 5XJ	Black			
6	999 591 713 02	Speed nut		7	
		B 4,2			
6	999 591 713 03	Speed nut		7	
		B 4,2			
7	900 145 084 07	Tapping screw		5	
		B 4,2 X 19			
8	N 013 964 4	Oval-head sheetmetal screw		4	
		B 4,2 X 16			
9	964 572 787 00	Plastic foam strip		1	
		365 X 15 X 10			
10	911 572 051 01	Centre nozzle	/LL -91	1	
	911 572 051 01 01C	Black			
10	964 572 051 00	Centre nozzle	/LL	1	
	964 572 051 00 01C	Black			
(10)	911 572 052 01	Centre nozzle	/RL -91	1	
	911 572 052 01 01C	Black			
(10)	964 572 052 00	Centre nozzle	/RL	1	
	964 572 052 00 01C	Black			
11	911 552 069 00	Knee protection strip	/LL /L	1	
		Leatherette			
	911 552 069 00 7AE	Black	89		
	911 552 069 00 05T	Black	90-		
	911 552 069 00 3MX	Burgundy	-90		
	911 552 069 00 1MX	Mahogany	-90		
	911 552 069 00 1KX	Marine blue			
	911 552 069 00 9WH	Classic grey	91-		
	911 552 069 00 7YG	Cobalt blue	91-		
	911 552 069 00 9YF	Magenta	91-		
11	911 552 069 01	Knee protection strip	/RL /L	1	
		Leatherette			
	911 552 069 01 7AE	Black	89		
	911 552 069 01 05T	Black	90-		
	911 552 069 01 3MX	Burgundy	-90		
	911 552 069 01 1MX	Mahogany	-90		
	911 552 069 01 1KX	Marine blue			
	911 552 069 01 9WH	Classic grey	91-		
	911 552 069 01 7YG	Cobalt blue	91-		
	911 552 069 01 9YF	Magenta	91-		
11	911 552 151 50	Knee protection strip	/LL /L	1	
		Leather			
	911 552 151 50 LG7	Burgundy	-90		
	911 552 151 50 KZ2	Black	-90		
	911 552 151 50 TV1	Mahogany	-90		
	911 552 151 50 TS1	Marine blue	-90		
	911 552 151 50 4MT	Velvet red	-90		
	911 552 151 50 2WT	Slate grey	-90		
	911 552 151 50 UD5	Caramel	-90		
	911 552 151 50 UD6	Venetian blue	-90		
	911 552 151 50 8YR	Black	91-		
	911 552 151 50 6XL	Classic grey	91-		
	911 552 151 50 9YL	Cobalt blue	91-		
	911 552 151 50 6YL	Magenta	91-		
	911 552 151 50 H05	Marine blue	91-		
	911 552 151 50 M05	Matador red	91-		
	911 552 151 50 D35	Carrara grey	91-		
	911 552 151 50 J25	Sherwood green	91-		

Model: 911 89 Model life 1989>>1994

Pos	Part Number	Description	Remark	Qty	Model		
(11)	911 552 151 50 L37	Rhodamine		1			
	911 552 151 50 J17	Wimbledon green					
	911 552 151 50 E27	Florentine grey					
	911 552 151 50 E38	Rubicon grey					
	911 552 151 51	Knee protection strip	/RL /L				
		Leather					
	911 552 151 51 LG7	Burgundy	-90				
	911 552 151 51 KZ2	Black	-90				
	911 552 151 51 TV1	Mahogany	-90				
	911 552 151 51 TS1	Marine blue	-90				
	911 552 151 51 4MT	Velvet red	-90				
	911 552 151 51 2WT	Slate grey	-90				
	911 552 151 51 UD5	Caramel	-90				
	911 552 151 51 UD6	Venetian blue	-90				
	911 552 151 51 8YR	Black	91-				
	911 552 151 51 6XL	Classic grey	91-				
	911 552 151 51 9YL	Cobalt blue	91-				
	911 552 151 51 6YL	Magenta	91-				
	911 552 151 51 H05	Marine blue	91-				
	911 552 151 51 M05	Matador red	91-				
	911 552 151 51 D35	Carrara grey	91-				
911 552 151 51 J25	Sherwood green	91-					
911 552 151 51 L37	Rhodamine	92					
911 552 151 51 J17	Wimbledon green	92					
911 552 151 51 E27	Florentine grey	92					
911 552 151 51 E38	Rubicon grey	93					
12	911 552 070 00	Knee protection strip	/LL /R	1			
		Leatherette					
	911 552 070 00 7AE	Black	89				
	911 552 070 00 05T	Black	90-				
	911 552 070 00 3MX	Burgundy	-90				
	911 552 070 00 1MX	Mahogany	-90				
	911 552 070 00 1KX	Marine blue					
	911 552 070 00 9WH	Classic grey	91-				
	911 552 070 00 7YG	Cobalt blue	91-				
	911 552 070 00 9YF	Magenta	91-				
12	911 552 070 01	Knee protection strip	/RL /R			1	
		Leatherette					
	911 552 070 01 7AE	Black	89				
	911 552 070 01 05T	Black	90-				
	911 552 070 01 3MX	Burgundy	-90				
	911 552 070 01 1MX	Mahogany	-90				
	911 552 070 01 1KX	Marine blue					
	911 552 070 01 9WH	Classic grey	91-				
	911 552 070 01 7YG	Cobalt blue	91-				
	911 552 070 01 9YF	Magenta	91-				
12	911 552 152 50	Knee protection strip	/LL /R	1			
		Leather					
	911 552 152 50 LG7	Burgundy	-90				
	911 552 152 50 KZ2	Black	-90				
	911 552 152 50 TV1	Mahogany	-90				
	911 552 152 50 TS1	Marine blue	-90				
	911 552 152 50 4MT	Velvet red	-90				
	911 552 152 50 2WT	Slate grey	-90				
	911 552 152 50 UD5	Caramel	-90				
	911 552 152 50 UD6	Venetian blue	-90				
	911 552 152 50 8YR	Black	91-				
	911 552 152 50 6XL	Classic grey	91-				
	911 552 152 50 9YL	Cobalt blue	91-				
	911 552 152 50 6YL	Magenta	91-				
	911 552 152 50 H05	Marine blue	91-				
	911 552 152 50 M05	Matador red	91-				
	911 552 152 50 D35	Carrara grey	91-				

Model: 911 89 Model life 1989>>1994

Pos	Part Number	Description	Remark	Qty	Model
	911 552 152 50 J25	Sherwood green	91-		
	911 552 152 50 L37	Rhodamine			
	911 552 152 50 J17	Wimbledon green			
	911 552 152 50 E27	Florentine grey			
	911 552 152 50 E38	Rubicon grey			
(12)	911 552 152 51	Knee protection strip	/RL /R	1	
		Leather			
	911 552 152 51 LG7	Burgundy	-90		
	911 552 152 51 KZ2	Black	-90		
	911 552 152 51 TV1	Mahogany	-90		
	911 552 152 51 TS1	Marine blue	-90		
	911 552 152 51 4MT	Velvet red	-90		
	911 552 152 51 2WT	Slate grey	-90		
	911 552 152 51 UD5	Caramel	-90		
	911 552 152 51 UD6	Venetian blue	-90		
	911 552 152 51 8YR	Black	91-		
	911 552 152 51 6XL	Classic grey	91-		
	911 552 152 51 9YL	Cobalt blue	91-		
	911 552 152 51 6YL	Magenta	91-		
	911 552 152 51 H05	Marine blue	91-		
	911 552 152 51 M05	Matador red	91-		
	911 552 152 51 D35	Carrara grey	91-		
	911 552 152 51 J25	Sherwood green	91-		
	911 552 152 51 L37	Rhodamine	92		
	911 552 152 51 J17	Wimbledon green	92		
	911 552 152 51 E27	Florentine grey	92		
	911 552 152 51 E38	Rubicon grey	93		
13	999 073 062 02	Tapping screw		2	
14	N 011 666 7	Washer		3	
		B 6,4			
15	900 143 007 02	Oval-head sheetmetal screw		2	
		B 4,2 X 13			
15	900 073 507 01	Oval-head sheetmetal screw		2	
		B 4,2 X 13			
16	N 011 665 3	Washer		4	
		B 5,3			
16	N 011 665 16	Washer		4	
		B 5,3			
17	N 011 005 14	Hexagon nut		4	
		M 5			
17	900 076 091 01	Hexagon nut		4	
		M 5			
18	999 591 850 02	Speed nut		2	
		B 4,2			
18	999 591 850 01	Speed nut		2	
		B 4,2			
20	911 552 101 00	Ashtray		1	
22	911 552 050 01	Ashtray handle		1	
		Leatherette			
	911 552 050 01 7AE	Black	89		
	911 552 050 01 05T	Black	90-		
	911 552 050 01 1MX	Mahogany	-90		
	911 552 050 01 3MX	Burgundy	-90		
	911 552 050 01 1KX	Marine blue			
	911 552 050 01 9WH	Classic grey	91-		
	911 552 050 01 7YG	Cobalt blue	91-		
	911 552 050 01 9YF	Magenta	91-		
22	911 552 049 50	Ashtray handle		1	
		Leather			
	911 552 049 50 LG7	Burgundy	-90		
	911 552 049 50 KZ2	Black	-90		
	911 552 049 50 TV1	Mahogany	-90		
	911 552 049 50 TS1	Marine blue	-90		

Model: 911 89 Model life 1989>>1994

Pos	Part Number	Description	Remark	Qty	Model
	911 552 049 50 4MT	Velvet red	-90		
	911 552 049 50 2WT	Slate grey	-90		
	911 552 049 50 UD5	Caramel	-90		
	911 552 049 50 UD6	Venetian blue	-90		
	911 552 049 50 8YR	Black	91-		
	911 552 049 50 6XL	Classic grey	91-		
	911 552 049 50 9YL	Cobalt blue	91-		
	911 552 049 50 6YL	Magenta	91-		
	911 552 049 50 H05	Marine blue	91-		
	911 552 049 50 M05	Matador red	91-		
	911 552 049 50 D35	Carrara grey	91-		
	911 552 049 50 J25	Sherwood green	91-		
	911 552 049 50 L37	Rhodamine	92		
	911 552 049 50 J17	Wimbledon green	92		
	911 552 049 50 E27	Florentine grey	92		
	911 552 049 50 E38	Rubicon grey	93		
23	911 552 607 00	Fireproof plate		1	
	911 552 607 00 70B	Black			
(23)	911 552 607 50	Fireproof plate		1	M981
	911 552 607 50 70B	Black			
26	900 075 408 07	Hexagon-head bolt M 4 X 16		2	
29	999 703 344 40	Cap		2	CARRERA RS
	999 703 344 40 01C	Black			
30	964 552 477 00	Cover	/LL /L 89	1	
	964 552 477 00 7AE	Black			
(30)	964 552 478 00	Cover	/RL /R 89	1	
	964 552 478 00 7AE	Black			
30	964 552 477 00	Cover	/LL /L 90-	1	
	964 552 477 00 05T	Black			
(30)	964 552 478 00	Cover	/RL /R 90-	1	
	964 552 478 00 05T	Black			
30	993 552 387 00	Cover	/LL /L 93-	1	M096
		Leather			
	993 552 387 00 E38	Rubicon grey			
	993 552 387 00 8YR	Black			
(30)	993 552 388 00	Cover	/RL /R 93-	1	M096
		Leather			
	993 552 388 00 E38	Rubicon grey			
	993 552 388 00 8YR	Black			
31	964 552 479 00	Cover	/LL 89	1	
	964 552 479 00 7AE	Black			
(31)	964 552 480 00	Cover	/RL 89	1	
	964 552 480 00 7AE	Black			
31	964 552 479 00	Cover	/LL 90-	1	
	964 552 479 00 05T	Black			
(31)	964 552 480 00	Cover	/RL 90-	1	
	964 552 480 00 05T	Black			
31	993 552 373 00	Cover	/LL 93-	1	M096
		Leather			
	993 552 373 00 E38	Rubicon grey			
	993 552 373 00 8YR	Black			
(31)	993 552 374 00	Cover	/RL 93-	1	M096
		Leather			
	993 552 374 00 E38	Rubicon grey			
	993 552 374 00 8YR	Black			
32	911 552 488 04	Cover	89	1	
	911 552 488 04 7AE	Black			
32	911 552 488 04	Cover	90-	1	
	911 552 488 04 05T	Black			
33	964 552 594 00	Cover	/LL /R 89	1	
	964 552 594 00 7AE	Black			
(33)	964 552 593 00	Cover	/RL /L 89	1	

Model: 911 89 Model life 1989>>1994

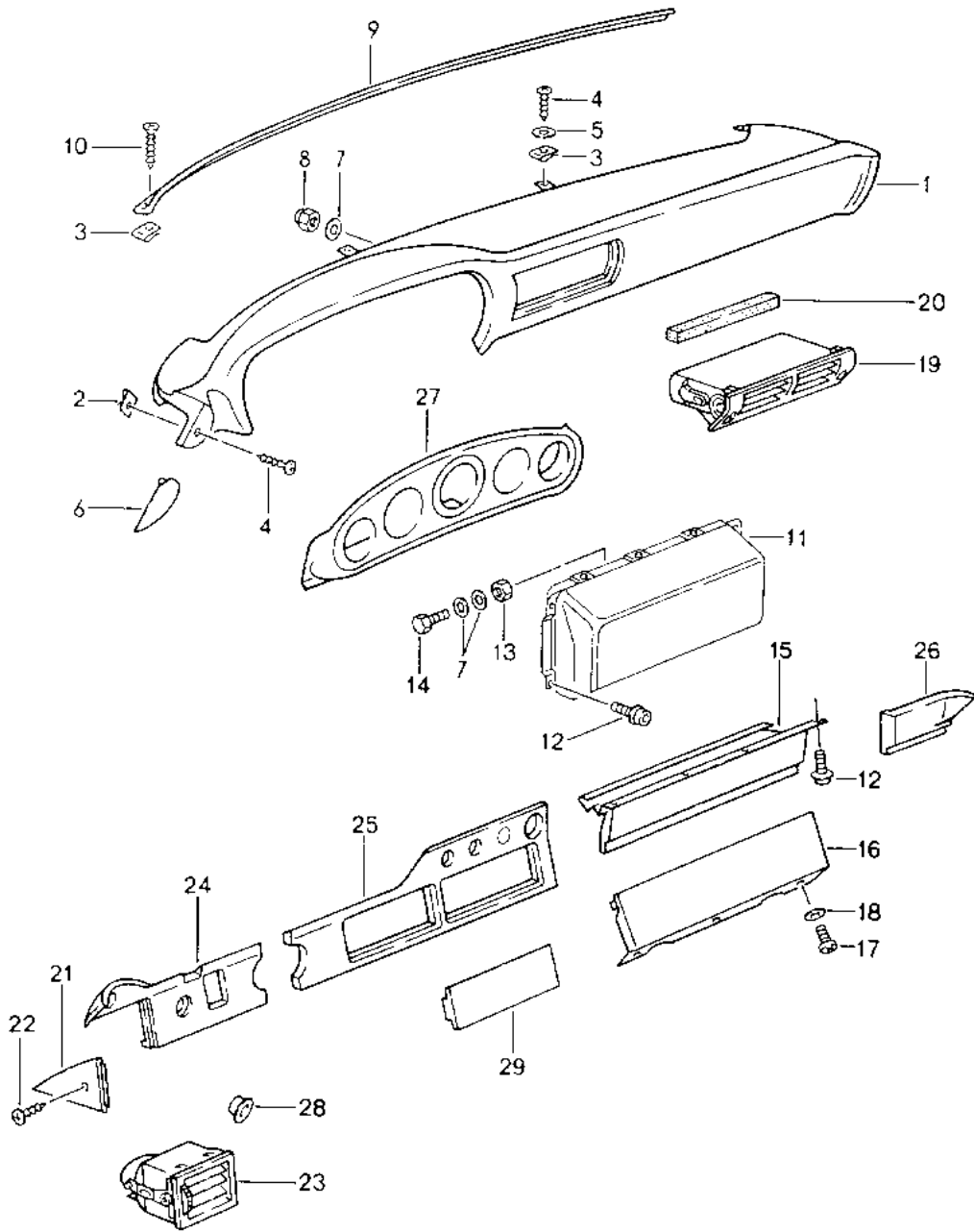
Pos	Part Number	Description	Remark	Qty	Model
33	964 552 593 00 7AE	Black			
	964 552 594 00	Cover	/LL /R 90-	1	
	964 552 594 00 05T	Black			
(33)	964 552 593 00	Cover	/RL /L 90-	1	
	964 552 593 00 05T	Black			
33	993 552 494 00	Cover	/LL /R 93-	1	M096
		Leather			
	993 552 494 00 E38	Rubicon grey			
	993 552 494 00 8YR	Black			
(33)	993 552 493 00	Cover	/RL /L 93-	1	M096
		Leather			
	993 552 493 00 E38	Rubicon grey			
	993 552 493 00 8YR	Black			
34	911 552 113 00	Cover	/L -91	1	
	911 552 113 00 01C	Black			
34	911 552 591 00	Cover	/L	1	
	911 552 591 00 01C	Black			
35	911 552 114 00	Cover	/R -91	1	
	911 552 114 00 01C	Black			
35	911 552 592 00	Cover	/R	1	
	911 552 592 00 01C	Black			
36	900 145 003 07	Tapping screw BZ 3,5 X 9,5		2	
37	911 572 041 00	Side vent	/LL /L -91	1	
	911 572 041 00 01C	Black			
37	964 572 261 00	Side vent	/LL /L	1	
	964 572 261 00 01C	Black			
(37)	911 572 075 00	Side vent	/RL /L -91	1	
	911 572 075 00 01C	Black			
(37)	964 572 261 01	Side vent	/RL /L	1	
	964 572 261 01 01C	Black			
38	911 572 042 00	Side vent	/LL /R -91	1	
	911 572 042 00 01C	Black			
(38)	964 572 262 00	Side vent	/LL /R	1	
	964 572 262 00 01C	Black			
(38)	911 572 076 00	Side vent	/RL /R -91	1	
	911 572 076 00 01C	Black			
(38)	964 572 262 01	Side vent	/RL /R	1	
	964 572 262 01 01C	Black			
39	911 552 217 00	Rosette		1	
	911 552 217 00 70B	Black			
		Lid-release cable			
40	911 552 463 02	Trim cover		1	
	911 552 463 02 70B	Black			
42	911 552 549 00	Cover	/LL	1	CARRERA TURBO
	911 552 549 00 700	Black			
(42)	911 552 550 00	Cover	/RL	1	CARRERA TURBO
	911 552 550 00 700	Black			
42	964 552 549 00	Cover	/LL	1	SPEEDSTER
		Leather			
	964 552 549 00 8YR	Black			
	964 552 549 00 L29	Guards red			
	964 552 549 00 2XR	Pearl grey			
	964 552 549 00 G55	Maritime blue			
	964 552 549 00 U28	Speed yellow			
(42)	964 552 550 00	Cover	/RL	1	SPEEDSTER
		Leather			
	964 552 550 00 8YR	Black			
	964 552 550 00 L29	Guards red			
	964 552 550 00 2XR	Pearl grey			
	964 552 550 00 G55	Maritime blue			

Model: 911 89 Model life 1989>>1994

Pos	Part Number	Description	Remark	Qty	Model
	964 552 550 00 U28	Speed yellow			

Model: 911 89

Model life 1989>>1994



Model: 911 89 Model life 1989>>1994

Pos	Part Number	Description	Remark	Qty	Model
-	964 552 981 03	Dashbord trim	90-		
	964 552 981 03 908	Rootwood		1	
		Airbag			
		Rootwood			
		Light			
		Installation set			
		Airbag			
		without			
		Radio			
		with			
		Position			
		24, 25, 15, 16, 26, 27			
1	964 552 055 00	Dashbord trim	-91	1	
		Leatherette			
	964 552 055 00 05T	Black			
	964 552 055 00 1KX	Marine blue			
	964 552 055 00 9WH	Classic grey	91-		
	964 552 055 00 7YG	Cobalt blue	91-		
	964 552 055 00 9YF	Magenta	91-		
1	964 552 055 02	Dashbord trim		1	
		Leatherette			
	964 552 055 02 05T	Black			
	964 552 055 02 1KX	Marine blue			
	964 552 055 02 9WH	Classic grey			
	964 552 055 02 7YG	Cobalt blue			
	964 552 055 02 9YF	Magenta			
1	964 552 055 04	Dashbord trim		1	CARRERA
		Leatherette			TURBO
	964 552 055 04 05T	Black			
	964 552 055 04 1KX	Marine blue			
	964 552 055 04 9WH	Classic grey			
	964 552 055 04 7YG	Cobalt blue			
	964 552 055 04 9YF	Magenta			
(1)	964 552 055 06	Dashbord trim		1	SPEEDSTER
		Leatherette			
	964 552 055 06 05T	Black			
1	964 552 055 01	Dashbord trim		1	
		Leather			
	964 552 055 01 8YR	Black	91-		
	964 552 055 01 6XL	Classic grey	91-		
	964 552 055 01 9YL	Cobalt blue	91-		
	964 552 055 01 6YL	Magenta	91-		
	964 552 055 01 H05	Marine blue	91-		
	964 552 055 01 M05	Matador red	91-		
	964 552 055 01 D35	Carrara grey	91-		
	964 552 055 01 J25	Sherwood green	91-		
	964 552 055 01 L37	Rhodamine			
	964 552 055 01 J17	Wimbledon green			
	964 552 055 01 E27	Florentine grey			
	964 552 055 01 E38	Rubicon grey			
1	964 552 055 03	Dashbord trim		1	
		Leather			
	964 552 055 03 8YR	Black			
	964 552 055 03 6XL	Classic grey			
	964 552 055 03 9YL	Cobalt blue			
	964 552 055 03 6YL	Magenta			
	964 552 055 03 H05	Marine blue			
	964 552 055 03 M05	Matador red			

Model: 911 89 Model life 1989>>1994

Pos	Part Number	Description	Remark	Qty	Model			
1	964 552 055 03 D35	Carrara grey		1				
	964 552 055 03 J25	Sherwood green						
	964 552 055 03 L37	Rhodamine	92					
	964 552 055 03 J17	Wimbledon green	92					
	964 552 055 03 E27	Florentine grey	92					
	964 552 055 03 E38	Rubicon grey						
	964 552 055 51	Dashboard trim						
		Leather						
	964 552 055 51 8YR	Black						
	964 552 055 51 6XL	Classic grey						
	964 552 055 51 9YL	Cobalt blue						
	964 552 055 51 6YL	Magenta						
	964 552 055 51 H05	Marine blue						
	964 552 055 51 M05	Matador red						
2	964 552 055 51 D35	Carrara grey		2				
	964 552 055 51 J25	Sherwood green						
	964 552 055 51 L37	Rhodamine						
	964 552 055 51 J17	Wimbledon green						
	964 552 055 51 E27	Florentine grey						
	964 552 055 51 E38	Rubicon grey	93					
	999 591 331 02	Speed nut						
		B 4,2						
	3	999 591 713 02	Speed nut				7	
			B 4,2					
	3	999 591 713 03	Speed nut				7	
			B 4,2					
	4	N 013 964 4	Oval-head sheetmetal screw				4	
			B 4,2 X 16					
5	900 025 002 02	Washer		4				
		A 4,3						
5	900 025 002 03	Washer		4				
		A 4,3						
6	964 552 231 00	Cover	/L -92	1				
	964 552 231 00 01C	Satin black						
6	964 552 231 01	Cover		1				
	964 552 231 01 01C	Satin black						
(6)	964 552 232 00	Cover	/R -92	1				
	964 552 232 00 01C	Satin black						
(6)	964 552 232 01	Cover		1				
	964 552 232 01 01C	Satin black						
7	N 011 666 7	Washer		3				
		B 6,4						
8	999 090 003 02	Lock nut		1				
		M 6						
9	964 552 411 00	Defroster vent		1				
	964 552 411 00 5XJ	Black						
	964 552 411 00 8KM	Marine blue						
	964 552 411 00 5XL	Classic grey	91-					
	964 552 411 00 6ZH	Cobalt blue	91-					
	964 552 411 00 5XW	Magenta	91-					
9	964 552 411 01	Defroster trim		1				
	964 552 411 01 5XJ	Black						
10	900 145 084 07	Tapping screw		5				
		B 4,2 X 19						
11		Airbag unit		1				
		Passenger's side						
		See group						
		4/03/06						
12	999 218 062 07	Combination screw		8				
		Micro-self-locking						
13		M 5 X 10		1				
	900 076 010 07	Hexagon nut						

Model: 911 89 Model life 1989>>1994

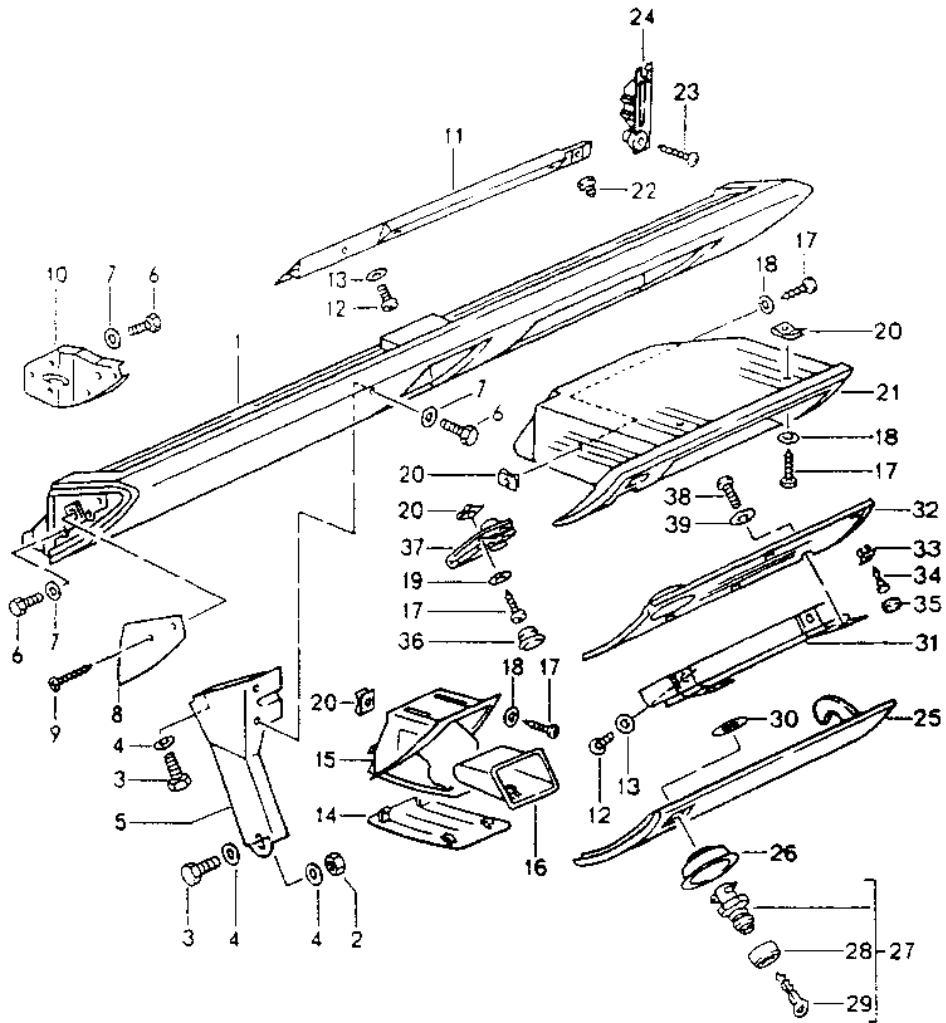
Pos	Part Number	Description	Remark	Qty	Model
14	900 075 057 02	M 6 Hexagon-head bolt		1	
14	900 075 057 03	M 6 X 16 Hexagon-head bolt		1	
15	964 552 088 00	Lid Upper part		1	
15	964 552 088 00 05T	Black			
15	993 552 078 00	Lid Upper part Leather	93-	1	M096
	993 552 078 00 E38	Rubicon grey			
	993 552 078 00 8YR	Black			
16	964 552 090 00	Lid Lower part		1	
	964 552 090 00 05T	Black			
16	993 552 080 00	Lid Lower part Leather	93-	1	M096
	993 552 080 00 E38	Rubicon grey			
	993 552 080 00 8YR	Black			
17	900 146 003 02	Oval-head screw M 5 X 10		3	
18	900 151 027 02	Washer B 5,3		3	
18	900 151 027 03	Washer B 5,3		3	
19	911 572 051 01	Centre nozzle	-91	1	
	911 572 051 01 01C	Black			
19	964 572 051 00	Centre nozzle		1	
	964 572 051 00 01C	Black			
20	964 572 787 00	Plastic foam strip 365 X 15 X 10		1	
21	911 552 113 00	Cover	/L -91	1	
	911 552 113 00 01C	Black			
21	911 552 591 00	Cover	/L	1	
	911 552 591 00 01C	Black			
(21)	911 552 114 00	Cover	/R -91	1	
	911 552 114 00 01C	Black			
(21)	911 552 592 00	Cover	/R	1	
	911 552 592 00 01C	Black			
22	900 145 003 07	Tapping screw BZ 3,5 X 9,5		2	
23	911 572 041 00	Side vent	/L -91	1	
	911 572 041 00 01C	Black			
23	964 572 261 00	Side vent	/L	1	
	964 572 261 00 01C	Black			
(23)	911 572 042 00	Side vent	/R -91	1	
	911 572 042 00 01C	Black			
(23)	964 572 262 00	Side vent	/R	1	
	964 572 262 00 01C	Black			
24	964 552 477 00	Cover	/LL	1	
	964 552 477 00 05T	Black			
24	993 552 387 00	Cover Leather	/LL 93-	1	M096
	993 552 387 00 E38	Rubicon grey			
	993 552 387 00 8YR	Black			
25	964 552 479 00	Cover	/LL	1	
	964 552 479 00 05T	Black			
25	993 552 373 00	Cover Leather	/LL 93-	1	M096
	993 552 373 00 E38	Rubicon grey			
	993 552 373 00 8YR	Black			

Model: 911 89 Model life 1989>>1994

Pos	Part Number	Description	Remark	Qty	Model
26	964 552 594 00	Cover	/LL /R	1	
	964 552 594 00 05T	Black			
26	993 552 494 00	Cover	/LL /R 93-	1	M096
		Leather			
	993 552 494 00 E38	Rubicon grey			
	993 552 494 00 8YR	Black			
27	911 552 549 00	Cover		1	
		Dashboard trim			
	911 552 549 00 700	Black			
27	964 552 549 00	Cover		1	SPEEDSTER
		Leather			
	964 552 549 00 8YR	Black			
	964 552 549 00 L29	Guards red			
	964 552 549 00 2XR	Pearl grey			
	964 552 549 00 G55	Maritime blue			
	964 552 549 00 U28	Speed yellow			
28	911 552 217 00	Rosette		1	
	911 552 217 00 70B	Black			
29	911 552 463 02	Trim cover		1	
	911 552 463 02 70B	Black			

Model: 911 89

Model life 1989>>1994



Model: 911 89 Model life 1989>>1994

Pos	Part Number	Description	Remark	Qty	Model
		Knee protection strip	90-		
		Airbag			
		for cars with			
		Glove compartment cover			
		Locking device			
		Left			
1	964 552 073 00	Knee protection strip	-91	1	
	964 552 073 00 05T	Black			
	964 552 073 00 1KX	Marine blue			
	964 552 073 00 9WH	Classic grey	91-		
	964 552 073 00 7YG	Cobalt blue	91-		
	964 552 073 00 9YF	Magenta	91-		
		Order also:	91-		
1	964 552 073 04	Knee protection strip		1	
		Leatherette			
	964 552 073 04 05T	Black			
	964 552 073 04 1KX	Marine blue			
	964 552 073 04 9WH	Classic grey			
	964 552 073 04 7YG	Cobalt blue			
	964 552 073 04 9YF	Magenta			
		Order also:	91-		
-	964 538 961 01	Lock cylinder		1	
1	964 552 073 05	Knee protection strip		1	
		Leather			
	964 552 073 05 8YR	Black	91-		
	964 552 073 05 6XL	Classic grey	91-		
	964 552 073 05 9YL	Cobalt blue	91-		
	964 552 073 05 6YL	Magenta	91-		
	964 552 073 05 8ZL	Light grey	91-		
	964 552 073 05 4YU	Cashmere beige	91-		
	964 552 073 05 M05	Matador red	91-		
	964 552 073 05 D35	Carrara grey	91-		
	964 552 073 05 J25	Sherwood green	91-		
	964 552 073 05 H05	Marine blue	91-		
	964 552 073 05 L37	Rhodamine	92		
	964 552 073 05 J17	Wimbledon green	92		
	964 552 073 05 E27	Florentine grey	92		
		Order also:	92		
-	964 538 961 01	Lock cylinder		1	
2	900 076 025 02	Hexagon nut		1	
		M 8			
2	900 076 064 02	Hexagon nut		1	
		M 8			
3	900 075 087 02	Hexagon-head bolt		2	
		M 8 X 16			
3	900 075 087 03	Hexagon-head bolt		2	
		M 8 X 16			
4	900 151 008 02	Washer		2	
		B 8,4			
5	964 552 069 01	Support		1	
		Tunnel			
6	900 075 057 02	Hexagon-head bolt		12	
		M 6 X 16			
6	900 075 057 03	Hexagon-head bolt		12	
		M 6 X 16			
7	900 151 003 02	Washer		12	
		A 6,4			
7	900 151 006 03	Washer		12	
		A 6,4			
8	964 552 465 00	Cover	/L	1	
	964 552 465 00 01C	Black			
(8)	964 552 466 00	Cover	/R	1	

Model: 911 89 Model life 1989>>1994

Pos	Part Number	Description	Remark	Qty	Model
9	964 552 466 00 01C 900 145 072 07	Black Tapping screw B 3,5 X 22		4	
10	993 552 377 00	Support	/L	1	
(10)	993 552 378 00	Support	/R	1	
11	993 552 195 00	Reinforcement		1	
12	900 146 003 02	Oval-head screw M 5 X 10		3	
13	900 151 027 02	Washer B 5,3		3	
13	900 151 027 03	Washer B 5,3		3	
14	964 552 571 00	Cover Leatherette		1	
	964 552 571 00 05T	Black			
	964 552 571 00 1KX	Marine blue			
	964 552 571 00 9WH	Classic grey	91-		
	964 552 571 00 7YG	Cobalt blue	91-		
	964 552 571 00 9YF	Magenta	91-		
14	964 552 571 01	Cover Leather		1	
	964 552 571 01 8YR	Black	91-		
	964 552 571 01 6XL	Classic grey	91-		
	964 552 571 01 9YL	Cobalt blue	91-		
	964 552 571 01 6YL	Magenta	91-		
	964 552 571 01 8ZL	Light grey	91-		
	964 552 571 01 4YU	Cashmere beige	91-		
	964 552 571 01 M05	Matador red	91-		
	964 552 571 01 D35	Carrara grey	91-		
	964 552 571 01 J25	Sherwood green	91-		
	964 552 571 01 H05	Marine blue	91-		
	964 552 571 01 L37	Rhodamine	92		
	964 552 571 01 J17	Wimbledon green	92		
	964 552 571 01 E27	Florentine grey	92		
14	964 552 571 00	Cover		1	
	964 552 571 00 9WH	Classic grey	91-		
15	964 552 923 00	Housing		1	
16	964 552 925 00	Container insert		1	
17	900 143 085 07	Tapping screw B 4,2 X 16		3	
18	900 151 028 07	Washer B 4,3		4	
19	900 025 049 07	Washer A 4,3		3	
20	999 591 713 02	Speed nut B 4,2		7	
20	999 591 713 03	Speed nut B 4,2		7	
21	964 552 501 01	Glove compartment	-91	1	
	964 552 501 01 71B	Black			
21	964 552 501 02	Glove compartment Order also:	-91	1	
-	964 613 602 00	Contact switch		1	
22	N 020 001 1	Stopper A 8,0 X 2,0	-91	1	
23	999 919 088 02	Oval-head screw 5,0 X 16	92-	1	
24	964 552 723 00	Stop		1	
25	964 552 125 00	Glove compartment cover Leatherette	-91	1	
	964 552 125 00 05T	Black			
	964 552 125 00 1KX	Marine blue			
	964 552 125 00 9WH	Classic grey	91-		

Model: 911 89 Model life 1989>>1994

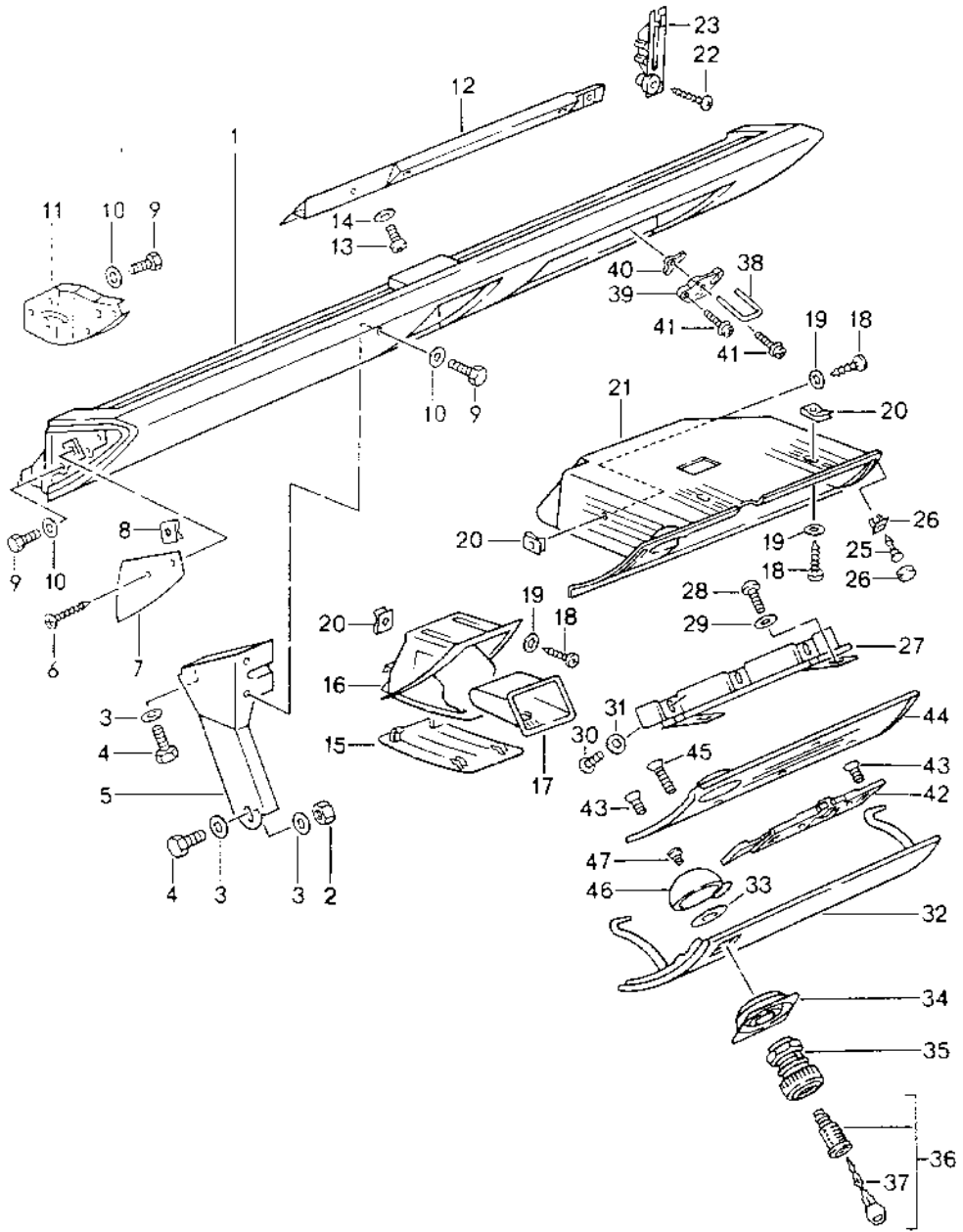
Pos	Part Number	Description	Remark	Qty	Model
25	964 552 125 00 7YG	Cobalt blue	91-	1	
	964 552 125 00 9YF	Magenta	91-		
	964 552 125 02	Glove compartment cover Leatherette			
	964 552 125 02 05T	Black			
	964 552 125 02 1KX	Marine blue			
	964 552 125 02 9WH	Classic grey			
25	964 552 125 02 7YG	Cobalt blue		1	
	964 552 125 02 9YF	Magenta			
	964 552 129 00	Glove compartment cover Leather			
	964 552 129 00 8YR	Black	91-		
	964 552 129 00 6XL	Classic grey	91-		
	964 552 129 00 9YL	Cobalt blue	91-		
	964 552 129 00 6YL	Magenta	91-		
	964 552 129 00 8ZL	Light grey	91-		
	964 552 129 00 4YU	Cashmere beige	91-		
	964 552 129 00 M05	Matador red	91-		
	964 552 129 00 D35	Carrara grey	91-		
	964 552 129 00 J25	Sherwood green	91-		
	964 552 129 00 H05	Marine blue	91-		
	964 552 129 00 L37	Rhodamine	92		
	964 552 129 00 J17	Wimbledon green	92		
	964 552 129 00 E27	Florentine grey	92		
26	964 552 312 00	Rosette		1	
	964 552 312 00 1DB	Black Lid lock			
27	964 538 959 00	Glove compartment lock W/o stipulated lock number		1	
27	964 538 959 01	Glove compartment lock State lock number		1	
28	964 538 561 00	Rotary knob		1	
	964 538 561 00 01C	Black			
29	911 538 902 00	Replacement key State lock number Information available		X	
	999 025 200 07	Washer 21,3 X 40 X 1			
	964 552 095 00	Hinge			
31	964 552 095 00 70B	Black		1	
	964 552 315 00	Interior frame	-91		
32	964 552 315 00 71B	Satin black Glove compartment cover		1	
	964 552 315 01	Interior frame	92-		
	964 552 315 01 71B	Satin black Glove compartment cover			
33	999 591 679 40	Special nut B 4,2		1	
34	N 902 662 01	Combination tapping screw B 3,5 X 16		1	
34	PCG 902 662 01	Combination tapping screw B 4,2 X 16		1	
35	944 552 259 00	Plug		1	
36	914 552 233 10	Filler piece		3	
	914 552 233 10 01C	Black			
	914 552 233 10	Filler piece			
36	914 552 233 10 01C	Black		3	
	964 552 261 00	Closing element			
	964 552 261 01	Closing element			
(38)	900 269 069 07	Countersunk-head screw M 5 X 12	-91	2	
38	900 146 132 07	Oval-head screw M 5 X 8	92-	2	

Model: 911 89 **Model life 1989>>1994**

Pos	Part Number	Description	Remark	Qty	Model
39	999 025 234 07	Washer 5,3 X 22 X 1,6	92-	2	

Model: 911 89

Model life 1989>>1994



Model: 911 89 Model life 1989>>1994

Pos	Part Number	Description	Remark	Qty	Model
(1)	964 552 053 00	Knee protection strip Airbag for cars with Glove compartment cover Locking device Centre		1	
	964 552 053 00 05T	Black			
	964 552 053 00 1KX	Marine blue			
	964 552 053 00 9WH	Classic grey			
	964 552 053 00 7YG	Cobalt blue			
	964 552 053 00 9YF	Magenta			
1	964 552 073 06	Knee protection strip Metal Leatherette		1	
	964 552 073 06 05T	Black			
	964 552 073 06 1KX	Marine blue			
	964 552 073 06 9WH	Classic grey			
	964 552 073 06 7YG	Cobalt blue			
	964 552 073 06 9YF	Magenta			
	964 552 073 06 3MX	Burgundy			
(1)	964 552 053 01	Knee protection strip Metal Leather		1	
	964 552 053 01 8YR	Black			
	964 552 053 01 6XL	Classic grey			
	964 552 053 01 9YL	Cobalt blue			
	964 552 053 01 6YL	Magenta			
	964 552 053 01 8ZL	Light grey			
	964 552 053 01 4YU	Cashmere beige			
	964 552 053 01 M05	Matador red			
	964 552 053 01 D35	Carrara grey			
	964 552 053 01 J25	Sherwood green			
	964 552 053 01 H05	Marine blue			
	964 552 053 01 L37	Rhodamine	92		
	964 552 053 01 J17	Wimbledon green	92		
	964 552 053 01 E27	Florentine grey	92		
	964 552 053 01 E38	Rubicon grey	93		
1	964 552 073 07	Knee protection strip Metal Leather		1	
	964 552 073 07 8YR	Black			
	964 552 073 07 6XL	Classic grey			
	964 552 073 07 9YL	Cobalt blue			
	964 552 073 07 6YL	Magenta			
	964 552 073 07 8ZL	Light grey			
	964 552 073 07 4YU	Cashmere beige			
	964 552 073 07 M05	Matador red			
	964 552 073 07 D35	Carrara grey			
	964 552 073 07 J25	Sherwood green			
	964 552 073 07 H05	Marine blue			
	964 552 073 07 L37	Rhodamine	92		
	964 552 073 07 J17	Wimbledon green	92		
	964 552 073 07 E27	Florentine grey	92		
	964 552 073 07 E38	Rubicon grey	93		
2	900 076 025 02	Hexagon nut M 8		1	
2	900 076 064 02	Hexagon nut M 8		1	
3	900 151 008 02	Washer		2	

Model: 911 89 Model life 1989>>1994

Pos	Part Number	Description	Remark	Qty	Model
4	900 075 087 02	B 8,4 Hexagon-head bolt		2	
4	900 075 087 03	M 8 X 16 Hexagon-head bolt		2	
5	964 552 069 01	M 8 X 16 Support Tunnel		1	
6	900 145 072 07	Tapping screw B 3,5 X 22		4	
7	964 552 465 00	Cover	/L	1	
(7)	964 552 466 00	964 552 465 00 01C Black Cover	/R	1	
8	999 591 725 02	964 552 466 00 01C Black Speed nut B 3,5		2	
9	900 075 057 02	Hexagon-head bolt M 6 X 16		12	
9	900 075 057 03	Hexagon-head bolt M 6 X 16		12	
10	900 151 003 02	Washer A 6,4		12	
10	900 151 006 03	Washer A 6,4		12	
11	993 552 377 00	Support	/L	1	
(11)	993 552 378 00	Support	/R	1	
12	993 552 195 00	Reinforcement		1	
13	900 146 003 02	Oval-head screw M 5 X 10		3	
14	900 151 027 02	Washer B 5,3		3	
14	900 151 027 03	Washer B 5,3		3	
15	964 552 571 00	Cover Leatherette		1	
	964 552 571 00 05T	Black			
	964 552 571 00 1KX	Marine blue			
	964 552 571 00 9WH	Classic grey			
	964 552 571 00 7YG	Cobalt blue			
	964 552 571 00 9YF	Magenta			
15	964 552 571 01	Cover Leather		1	
	964 552 571 01 8YR	Black			
	964 552 571 01 6XL	Classic grey			
	964 552 571 01 9YL	Cobalt blue			
	964 552 571 01 6YL	Magenta			
	964 552 571 01 8ZL	Light grey			
	964 552 571 01 4YU	Cashmere beige			
	964 552 571 01 M05	Matador red			
	964 552 571 01 D35	Carrara grey			
	964 552 571 01 J25	Sherwood green			
	964 552 571 01 H05	Marine blue			
	964 552 571 01 L37	Rhodamine	92		
	964 552 571 01 J17	Wimbledon green	92		
	964 552 571 01 E27	Florentine grey	92		
	964 552 571 01 E38	Rubicon grey	93		
15	964 552 571 00	Cover		1	
	964 552 571 00 9WH	Classic grey			
16	964 552 923 00	Housing		1	
17	964 552 925 00	Container insert		1	
18	900 143 085 07	Tapping screw B 4,2 X 16		3	
19	900 151 028 07	Washer B 4,3		4	

Model: 911 89 Model life 1989>>1994

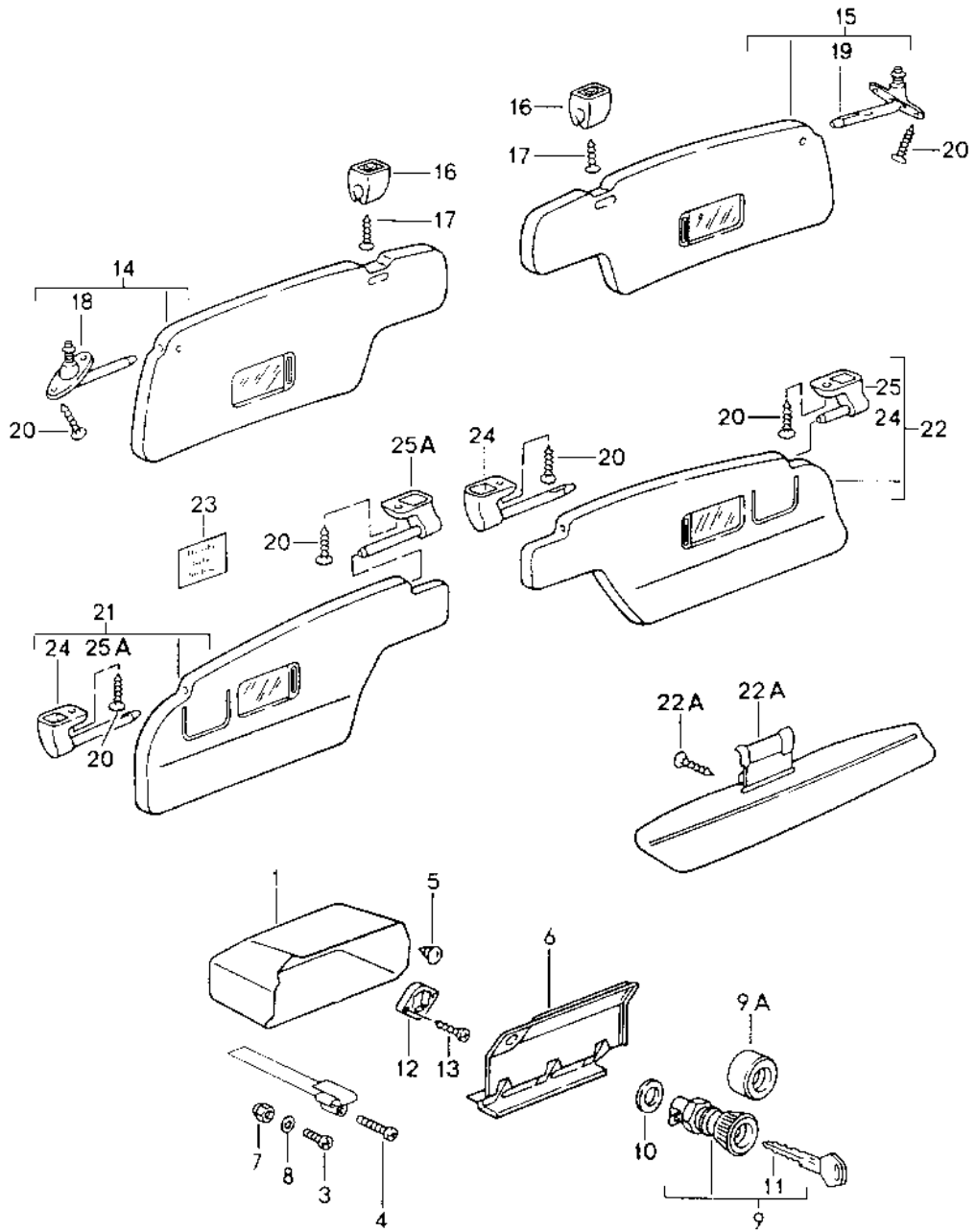
Pos	Part Number	Description	Remark	Qty	Model
20	999 591 713 02	Speed nut B 4,2		7	
20	999 591 713 03	Speed nut B 4,2		7	
21	964 552 501 03	Glove compartment		1	
22	999 919 088 02	Oval-head screw 5,0 X 16		2	
23	964 552 723 00	Stop		2	
24	999 591 679 40	Special nut B 4,2		2	
25	N 902 662 01	Combination tapping screw B 3,5 X 16		2	
25	PCG 902 662 01	Combination tapping screw B 4,2 X 16		2	
26	944 552 259 00	Plug		2	
27	964 552 095 00	Hinge		1	
	964 552 095 00 70B	Black			
28	900 146 132 07	Oval-head screw M 5 X 8		2	
29	999 025 234 07	Washer 5,3 X 22 X 1,6		2	
30	900 146 003 02	Oval-head screw M 5 X 10		2	
31	900 151 027 02	Washer B 5,3		2	
31	900 151 027 03	Washer B 5,3		2	
(32)	964 552 123 04	Glove compartment cover Leatherette		1	
	964 552 123 04 05T	Black			
	964 552 123 04 1KX	Marine blue			
	964 552 123 04 9WH	Classic grey			
	964 552 123 04 7YG	Cobalt blue			
	964 552 123 04 9YF	Magenta			
(32)	964 552 123 05	Glove compartment cover		1	
	964 552 123 05 8YR	Black			
	964 552 123 05 6XL	Classic grey			
	964 552 123 05 9YL	Cobalt blue			
	964 552 123 05 6YL	Magenta			
	964 552 123 05 8ZL	Light grey			
	964 552 123 05 4YU	Cashmere beige			
	964 552 123 05 M05	Matador red			
	964 552 123 05 D35	Carrara grey			
	964 552 123 05 J25	Sherwood green			
	964 552 123 05 H05	Marine blue			
	964 552 123 05 L37	Rhodamine	92		
	964 552 123 05 J17	Wimbledon green	92		
	964 552 123 05 E27	Florentine grey	92		
	964 552 123 05 E38	Rubicon grey	93		
32	993 552 129 00	Glove compartment cover Leather		1	
	993 552 129 00 8YR	Black			
	993 552 129 00 6XL	Classic grey			
	993 552 129 00 9YL	Cobalt blue			
	993 552 129 00 6YL	Magenta			
	993 552 129 00 8ZL	Light grey			
	993 552 129 00 4YU	Cashmere beige			
	993 552 129 00 M05	Matador red			
	993 552 129 00 D35	Carrara grey			
	993 552 129 00 J25	Sherwood green			
	993 552 129 00 H05	Marine blue			
	993 552 129 00 L37	Rhodamine	92		
	993 552 129 00 J17	Wimbledon green	92		

Model: 911 89 Model life 1989>>1994

Pos	Part Number	Description	Remark	Qty	Model
	993 552 129 00 E27	Florentine grey	92		
	993 552 129 00 E38	Rubicon grey	93		
33	999 025 200 07	Washer 21,3 X 40 X 1		1	
34	964 552 312 00	Rosette		1	
	964 552 312 00 1DB	Black			
35	964 538 061 00	Glove compartment lock		1	
	964 538 061 00 01C	Satin black			
36	964 538 961 00	Lock cylinder W/o stipulated lock number Order also: POS.35		1	
36	964 538 961 01	Lock cylinder State lock number Order also: POS.35		1	
37	911 538 902 00	Replacement key State lock number Information available		X	
38	964 552 633 00	Clip		1	
39	964 552 635 00	Mounting plate		1	
40	964 552 637 00	Clamping piece in your order POS.38 - 40		1	
38	964 552 633 01	Clip		1	
39	964 552 635 01	Mounting plate		1	
40	964 552 637 01	Clamping piece		1	
41	900 146 117 02	Combination screw M 5 X 12		2	
42	964 552 061 00	Mounting plate Locking device	/LL	1	
(42)	993 552 062 00	Glove compartment cover Mounting plate Locking device	/RL	1	
43	900 269 013 07	Glove compartment cover Countersunk-head screw M 5 X 8		5	
44	964 552 315 02	Interior frame	/LL	1	
(44)	993 552 316 00	Interior frame	/RL	1	
45	900 269 018 07	Countersunk-head screw M 5 X 16		2	
46	964 552 623 00	Control button		1	
	964 552 623 00 01C	Black			
47	900 270 046 07	Countersunk-head screw M 4 X 8		1	

Model: 911 89

Model life 1989>>1994



Model: 911 89 Model life 1989>>1994

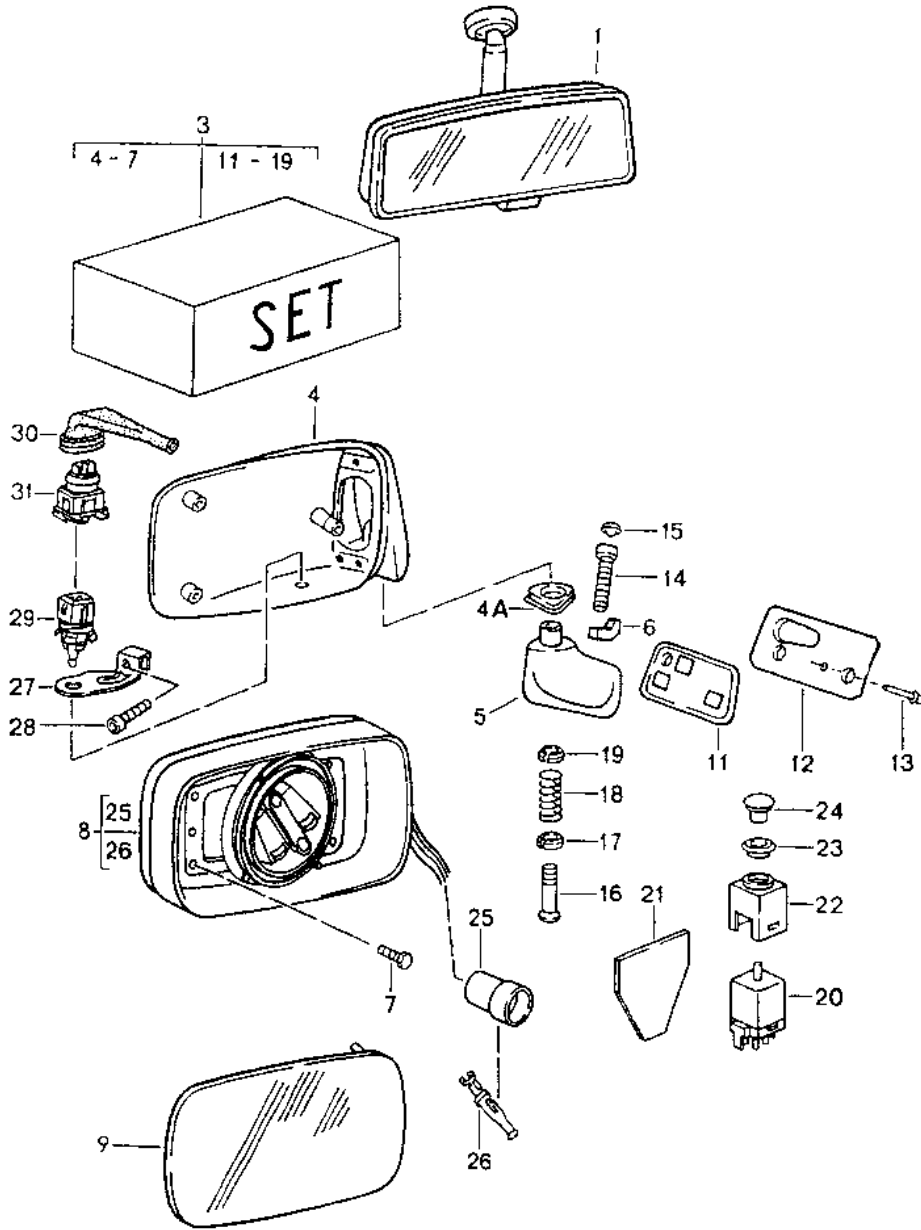
Pos	Part Number	Description	Remark	Qty	Model
		Glove compartment for cars without Airbag Sun visors			
1	964 552 501 00	Glove compartment		1	
1	964 552 903 00	Glove compartment		1	
3	900 146 003 02	Oval-head screw M 5 X 10		2	
4	N 014 153 1	Oval-head screw M 5 X 40		1	
5	999 703 230 40	Buffer \$=14		2	
6	911 552 010 05	Glove compartment cover		1	
6	911 552 010 05 GRV	Glove compartment cover Prime coated		1	
7	N 021 196 1	Lock nut M 5		4	
7	N 021 196 3	Hexagon nut M 5		4	
8	900 025 003 02	Washer 5,3		4	
9	911 552 902 07	Glove compartment lock W/o stipulated lock number Order also: POS.9A		1	
9	911 552 902 08	Glove compartment lock State lock number Order also: POS.9A		1	
9A	911 538 561 00	Knob		1	
10	911 552 103 01	Washer		1	
11	911 538 902 00	Replacement key State lock number Information available		2	
12	911 552 513 02	Door lock striker		1	
13	900 143 002 07	Tapping screw 2,9 X 9,5		2	
14	964 731 031 01	Sun visor	/L	1	COUPE
	964 731 031 01 CA9	Black			
	964 731 031 01 TV3	Mahogany	-90		
	964 731 031 01 TS3	Marine blue			
	964 731 031 01 RS8	Burgundy	-90		
	964 731 031 01 6WJ	Classic grey	91-		
	964 731 031 01 7YU	Cobalt blue	91-		
	964 731 031 01 8YA	Magenta	91-		
	964 731 031 01 2UE	Rubicon grey	93-		
14	964 731 031 00	Sun visor with mirror	/L	1	COUPE
	964 731 031 00 8YA	Magenta	91-		
	964 731 031 00 CA9	Black			
15	964 731 032 01	Sun visor with mirror	/R	1	COUPE
	964 731 032 01 CA9	Black			
	964 731 032 01 TV3	Mahogany	-90		
	964 731 032 01 TS3	Marine blue			
	964 731 032 01 RS8	Burgundy	-90		
	964 731 032 01 6WJ	Classic grey	91-		
	964 731 032 01 7YU	Cobalt blue	91-		
	964 731 032 01 8YA	Magenta	91-		
	964 731 032 01 2UE	Rubicon grey	93-		
16	911 731 331 00	Support		2	COUPE
17	900 143 111 07	Oval-head sheetmetal screw B 3,9 X 13		2	COUPE

Model: 911 89 Model life 1989>>1994

Pos	Part Number	Description	Remark	Qty	Model
18	964 731 319 00	Bearing	/L	1	COUPE
19	964 731 320 00	Bearing	/R	1	COUPE
20	900 145 075 07	Tapping screw B 4,2 X 16		4	
21	964 731 031 40	Sun visor with mirror	/L	1	TARGA/CABRIO
	964 731 031 40 CA9	Black			
21	964 731 031 42	Sun visor with mirror	/L	1	TARGA/CABRIO
	964 731 031 42 CA9	Black			
21	964 731 031 43	Sun visor with mirror	/L	1	TARGA/CABRIO
	964 731 031 43 CA9	Black			
22	964 731 032 40	Sun visor with mirror	/R	1	TARGA/CABRIO
	964 731 032 40 CA9	Black			
22	964 731 032 41	Sun visor with mirror	/R	1	TARGA/CABRIO
	964 731 032 41 CA9	Black			
22	964 731 032 40	Sun visor with mirror	/R	1	TARGA/CABRIO
	964 731 032 40 CA9	Black			
(22A)	964 731 031 02	Sun visor	/L	1	SPEEDSTER
	964 731 031 02 CA9	Black			
22A	964 731 032 02	Sun visor	/R	1	SPEEDSTER
	964 731 032 02 CA9	Black			
22B	900 270 009 02	Countersunk-head screw M 4 X 8		2	SPEEDSTER
23	964 701 401 00	Sticker		1	CABRIO
23	964 701 401 03	Sticker		1	CABRIO
24	964 731 319 40	Bearing bracket	/L	2	TARGA/CABRIO
25	964 731 320 40	Bearing bracket	/R -93	2	TARGA/CABRIO
25A		Bearing bracket	94-	2	TARGA/CABRIO

Model: 911 89

Model life 1989>>1994



Model: 911 89 Model life 1989>>1994

Pos	Part Number	Description	Remark	Qty	Model
1	477 857 511 A	Interior mirror	-91	1	CARRERA 2/4
1	477 857 511 A 01C	Door mirror Satin black	-91	1	
1	477 857 511 B	Interior mirror		1	
	477 857 511 B 01C	Satin black		1	
3	911 731 927 01	Repair kit	/LL /L	1	
(3)	911 731 928 01	Driver's door Repair kit	/LL /R	1	
3	911 731 931 01	Passenger's door Repair kit	/RL /L	1	
(3)	911 731 932 01	Passenger's door Repair kit	/RL /R	1	
4	911 731 043 03	Driver's door Mirror housing	/L	1	
(4)	911 731 044 03	Mirror housing	/R	1	
4A	944 731 143 00	Seal		2	
5	911 731 241 02	Mirror base	/LL /L	1	
(5)	911 731 287 02	Mirror base	/RL /L	1	
(5)	911 731 288 02	Mirror base	/LL /R	1	
(5)	911 731 242 02	Mirror base	/RL /R	1	
4	944 731 021 01	Mirror housing	/L	1	
	944 731 021 01 G3M	with Mirror base Grey Prime coated			
6	911 731 263 00	Mounting piece		2	
7	999 143 003 02	Hexagon-head bolt M 5 X 10		3	
8	944 731 027 01	Covering frame		2	
9	944 731 035 02	Mirror glass		1	
9	944 731 035 04	Mirror glass Plane	(S)	1	
(9)	944 731 035 03	Mirror glass Convex		1	
9	944 731 035 05	Mirror glass Convex	(S)	1	
11	911 731 247 00	Desk pad	/L	1	
(11)	911 731 248 00	Desk pad	/R	1	
12	911 531 197 00	Reinforcement	/L	1	
(12)	911 531 198 00	Reinforcement	/R	1	
13	999 190 123 02	Blind rivet 3,2 X 7,37		4	
13		Blind rivet 3,2 X 6,1		4	
14	999 218 021 02	Pan-head screw Micro-self-locking AM 5 X 35		2	
14	999 218 021 0C	Pan-head screw Micro-self-locking AM 5 X 35		2	
15	999 703 137 40	Cap		2	
16	911 731 257 02	Guide tube		1	
16	911 731 257 03	Guide tube		1	
17	911 731 345 02	Centring washer		1	
18	911 731 029 01	Compression spring		1	
19	911 731 347 00	Centring washer		1	
20		See group 9/03/06		1	
21	911 731 343 03	Gasket		1	
22-24		See group 9/03/06		1	
25	803 971 980	Pin connector socket		1	

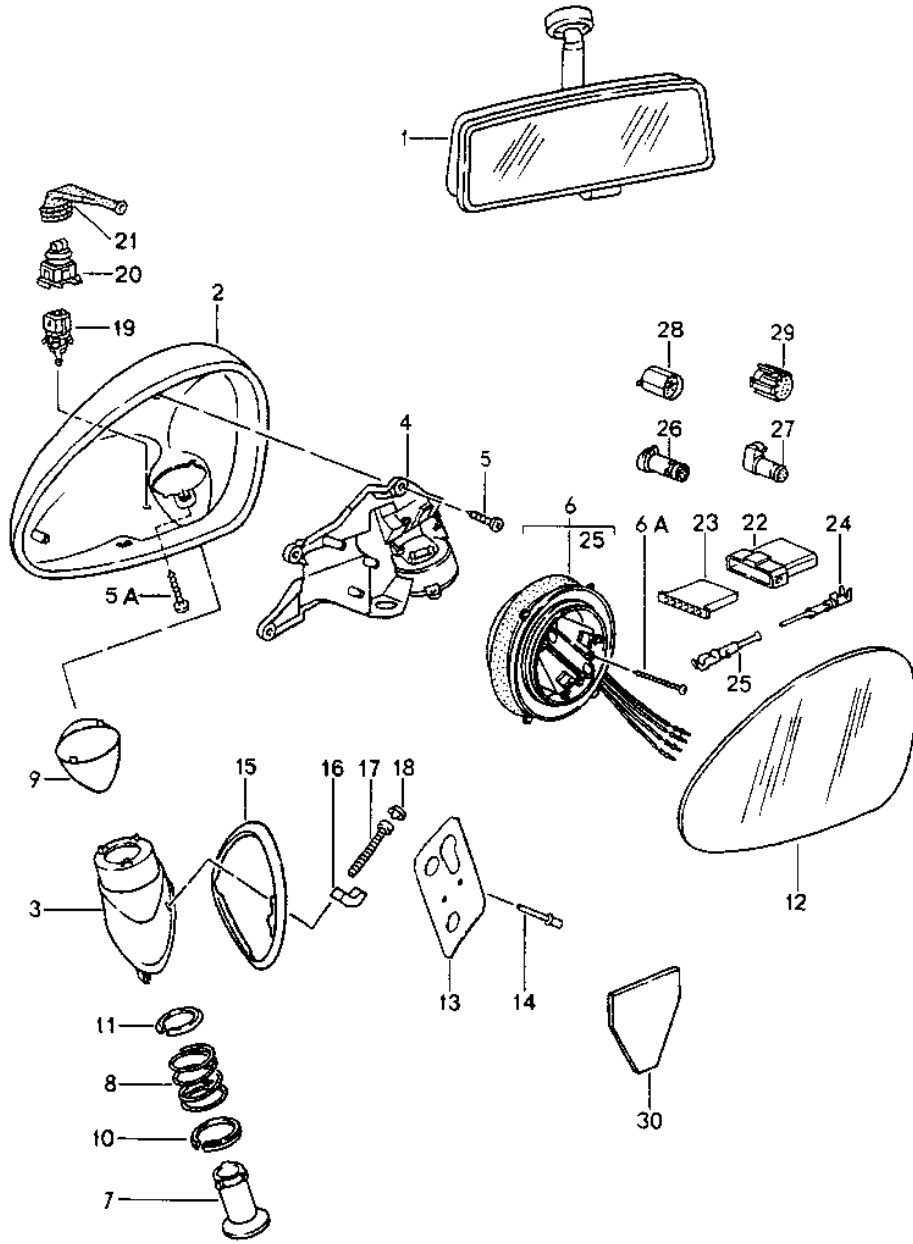
Model: 911 89

Model life 1989>>1994

Pos	Part Number	Description	Remark	Qty	Model
26	N 017 564 1	7-pole Round connector 1,6 - 1		X	
27	928 641 342 00	Support	/LL 90-	1	M659
(27)	927 641 342 00	Support	/RL 90-	1	M659
28	N 014 760 3	Pan-head screw M 5 X 12	90-	1	M659
28	900 067 070 01	Pan-head screw M 5 X 12	90-	1	M659
29	928 641 142 00	Temperature sensor	90-	1	M659
30	911 612 817 00	Protection cap	90-	1	M659
31	443 906 232	Connector housing	90-	1	M659

Model: 911 89

Model life 1989>>1994



Model: 911 89 Model life 1989>>1994

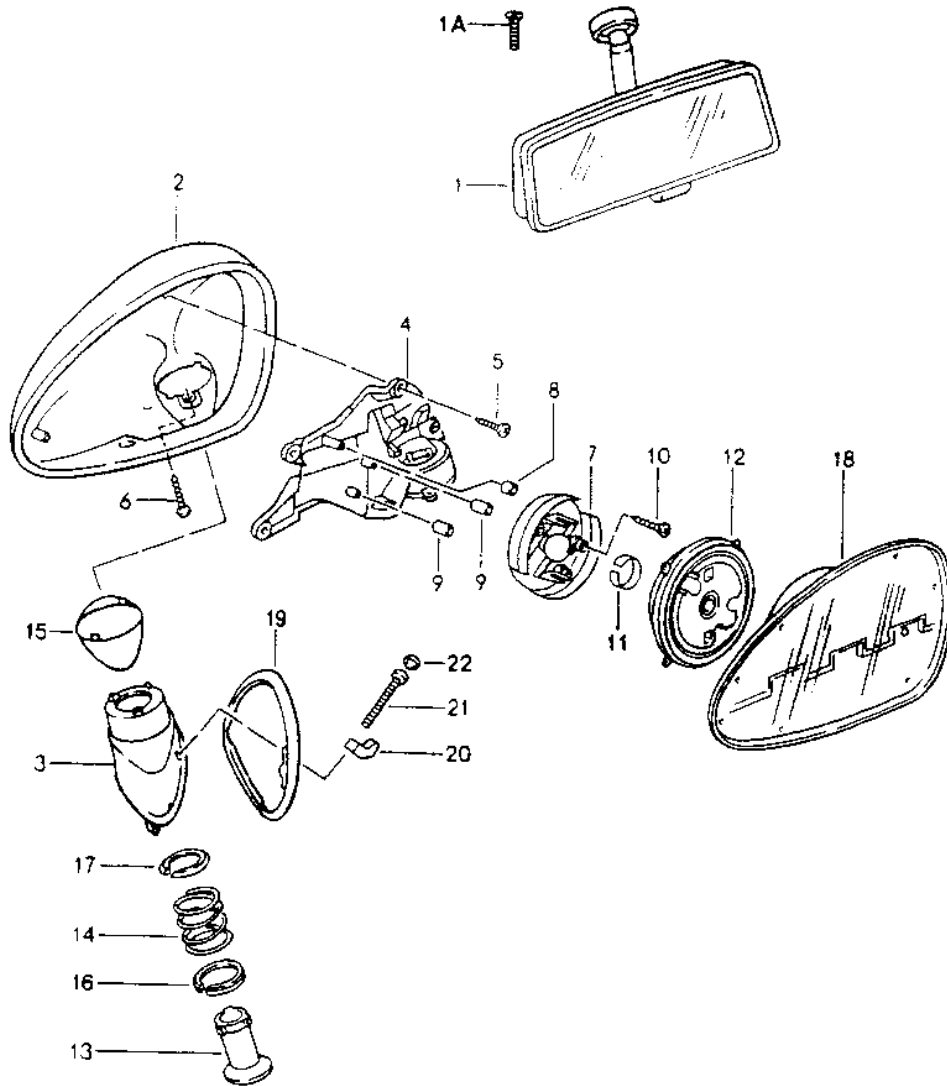
Pos	Part Number	Description	Remark	Qty	Model
		Interior mirror Door mirror			TURBO TURBO-LOOK CARRERA 2/4 CARRERA RS M002
1	477 857 511 A 477 857 511 A 01C	Interior mirror Satin black Adhesive See group 8/05/00		1	
1	477 857 511 B 477 857 511 B 01C	Interior mirror Satin black Adhesive See group 8/05/00		1	
2	965 731 243 00	Mirror housing	/L	1	
	965 731 243 00 G2L	Prime coated			
(2)	965 731 244 00	Mirror housing	/R	1	
	965 731 244 00 G2L	Prime coated			
3	965 731 241 00	Mirror base	/LL /L	1	
	965 731 241 00 G2M	Prime coated			
(3)	965 731 242 01	Mirror base	/LL /R	1	
	965 731 242 01 G2M	Prime coated			
(3)	965 731 241 01	Mirror base	/RL /L	1	
	965 731 241 01 G2M	Prime coated			
(3)	965 731 242 00	Mirror base	/RL /R	1	
	965 731 242 00 G2M	Prime coated			
4	965 731 245 00	Reinforcement plate	/L -91	1	
(4)	965 731 246 00	Reinforcement plate	/R -91	1	
4	965 731 245 01	Reinforcement plate	/L	1	
(4)	965 731 246 01	Reinforcement plate	/R	1	
5	999 919 109 02	Countersunk-head screw	-91	6	TURBO
5		Countersunk-head screw 3,0 X 12	92-	6	
5A		Countersunk-head screw 3,0 X 12	-91	2	TURBO
5A	999 919 110 02	Oval-head screw 3 X 14	92-	2	
6	965 624 049 02	Adjusting motor	-91	2	TURBO
(6)	965 624 901 00	Adjusting motor	92-	1	
(6)	965 624 901 01	Adjusting motor	92-	1	
6A	900 278 013 02	Oval-head screw M 3 X 30		6	
6A	900 278 008 01	Oval-head screw M 3 X 30		6	
7	965 731 257 00	Bolt		2	
8	965 731 259 00	Compression spring		2	
9	965 731 143 00	Gasket	/L	1	
(9)	965 731 144 00	Gasket	/R	1	
10	965 731 345 00	Centring washer Lower		2	
11	965 731 347 00	Centring washer Upper		2	
12	965 731 035 00	Mirror glass Plane	/L	1	
(12)	965 731 036 00	Mirror glass Plane	/R	1	
(12)	965 731 037 00	Mirror glass Convex	/L	1	
(12)	965 731 038 00	Mirror glass Convex	/R	1	
13	911 531 197 00	Reinforcement	/L	1	

Model: 911 89 Model life 1989>>1994

Pos	Part Number	Description	Remark	Qty	Model
(13)	911 531 198 00	Reinforcement	/R	1	
14	999 190 123 02	Blind rivet 3,2 X 7,37	-91	4	
14		Blind rivet 3,2 X 6,1		4	
15	965 731 247 00	Desk pad	/LL /L	1	
(15)	965 731 248 01	Desk pad	/LL /R	1	
(15)	965 731 247 01	Desk pad	/RL /L	1	
(15)	965 731 248 00	Desk pad	/RL /R	1	
		Mirror base			
16	911 731 263 00	Mounting piece		2	
17	999 218 021 02	Pan-head screw Micro-self-locking M 5 X 35		2	
17	999 218 021 0C	Pan-head screw Micro-self-locking M 5 X 35		2	
18	999 703 137 40	Cap		2	
19	928 641 142 00	Temperature sensor		1	
20	443 906 232	Connector housing	-91	1	
(20)	964 612 909 00	Wiring harness	92-	1	
(20)	964 612 909 01	Wiring harness	92-	1	
21	911 612 817 00	Protection cap		1	
22	171 971 998 E	Connector housing	-91	2	TURBO
23	171 971 999 E	Connector housing	-91	2	TURBO
24	N 017 564 1	Round connector \$ 0,5-1,0	-91	X	TURBO
(24)	999 652 711 10	Bush	92-	X	
25	N 017 562 4	Cylindrical socket \$ 0,5-1,0	-91	X	TURBO
(25)	999 652 710 10	Cylindrical socket	92-	X	
26	964 612 516 00	Pin connector socket 6-pole	92-	1	
27	964 612 616 00	Plug socket 6-pole	92-	1	
28	928 612 615 00	Pin connector socket 15-pole	92-	1	
29	928 612 515 02	Plug socket 15-pole	92-	1	
30	911 731 343 03	Gasket		1	

Model: 911 89

Model life 1989>>1994



Model: 911 89 Model life 1989>>1994

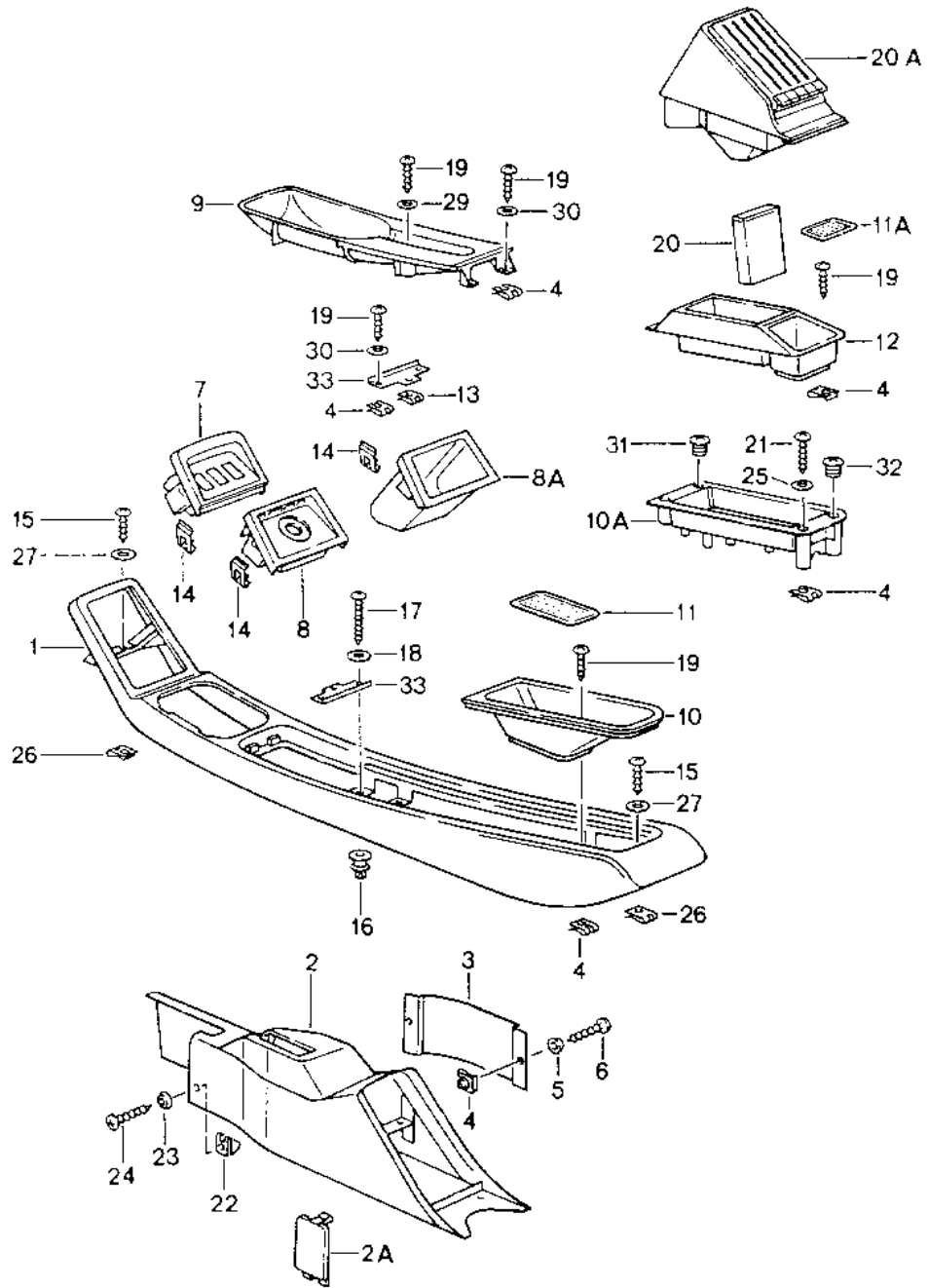
Pos	Part Number	Description	Remark	Qty	Model
1	477 857 511 A 477 857 511 A 01C	Interior mirror Door mirror Door mirror Interior mirror Satin black Adhesive See group 8/05/00		1	CARRERA RS SPEEDSTER CARRERA RS
1	477 857 511 B 477 857 511 B 01C	Interior mirror Satin black Adhesive See group 8/05/00		1	CARRERA RS
(1)	911 731 101 00 911 731 101 00 01C	Interior mirror Black		1	SPEEDSTER
(1)	911 731 101 00 911 731 101 00 01C	Interior mirror Black		1	SPEEDSTER
-	911 731 221 00	Mirror base for Interior mirror 91173110100		1	SPEEDSTER
1A	999 219 032 02	Countersunk-head screw Micro-self-locking M 5 X 12		1	SPEEDSTER
2	965 731 243 00 965 731 243 00 G2X	Mirror housing Prime coated	/L	1	
(2)	965 731 244 00 965 731 244 00 G2X	Mirror housing Prime coated	/R	1	
3	965 731 241 00 965 731 241 00 G2X	Mirror base Prime coated	/LL /L	1	
(3)	965 731 242 01 965 731 242 01 G2X	Mirror base Prime coated	/LL /R	1	
(3)	965 731 241 01 965 731 241 01 G2X	Mirror base Prime coated	/RL /L	1	
(3)	965 731 242 00 965 731 242 00 G2X	Mirror base Prime coated	/RL /R	1	
4	965 731 245 01	Reinforcement plate	/L	1	
(4)	965 731 246 01	Reinforcement plate	/R	1	
5	999 919 109 02	Countersunk-head screw 3,0 X 12		6	
6	999 919 110 02	Oval-head screw 3 X 14		2	
7	964 731 767 00	Plate with ball		2	
8	964 731 765 00	Bush 3,8		2	
9	964 731 769 00	Bush 8,8		4	
10	900 278 013 02	Oval-head screw M 3 X 30		6	
10	900 278 008 01	Oval-head screw M 3 X 30		6	
11	964 731 771 00	Circular spring		2	
12	964 731 763 00	Disc with spherical hole		2	
13	965 731 257 00	Bolt		2	
14	965 731 259 00	Compression spring		2	
15	965 731 143 00	Gasket	/L	1	
(15)	965 731 144 00	Gasket	/R	1	
16	965 731 345 00	Centring washer Lower		2	
17	965 731 347 00	Centring washer Upper		2	
18	964 731 035 00	Mirror glass Plane	/L	1	

Model: 911 89 Model life 1989>>1994

Pos	Part Number	Description	Remark	Qty	Model
(18)	964 731 036 00	Mirror glass Plane	/R	1	
(18)	964 731 037 00	Mirror glass Convex	/L	1	
(18)	964 731 038 00	Mirror glass Convex	/R	1	
19	965 731 247 00	Desk pad	/LL /L	1	
(19)	965 731 248 01	Desk pad	/LL /R	1	
(19)	965 731 247 01	Desk pad	/RL /L	1	
(19)	965 731 248 00	Desk pad	/RL /R	1	
		Mirror base			
20	911 731 263 00	Mounting piece		2	
21	999 218 021 02	Pan-head screw Micro-self-locking M 5 X 35		2	
21	999 218 021 0C	Pan-head screw Micro-self-locking M 5 X 35		2	
22	999 703 137 40	Cap		2	

Model: 911 89

Model life 1989>>1994



Model: 911 89 Model life 1989>>1994

Pos	Part Number	Description	Remark	Qty	Model
1	964 552 017 00	Centre console Centre console Upper part Leatherette		1	
	964 552 017 00 05T	Black			
	964 552 017 00 1MX	Mahogany	-90		
	964 552 017 00 1KX	Marine blue			
	964 552 017 00 3MX	Burgundy	-90		
	964 552 017 00 4WX	Linen	-90		
	964 552 017 00 7RT	Cashmere beige			
	964 552 017 00 2WJ	Classic grey	91-		
	964 552 017 00 9ZH	Cobalt blue	91-		
	964 552 017 00 4WY	Magenta	91-		
	964 552 017 00 1ZU	Light grey	91-		
1	964 552 017 01	Centre console Upper part Leather		1	
	964 552 017 01 KZ2	Black	-90		
	964 552 017 01 TV1	Mahogany	-90		
	964 552 017 01 TS1	Marine blue	-90		
	964 552 017 01 UD5	Caramel	-90		
	964 552 017 01 LG7	Burgundy	-90		
	964 552 017 01 TW1	Linen	-90		
	964 552 017 01 XN4	Cashmere beige	-90		
	964 552 017 01 XN5	Silk grey	-90		
	964 552 017 01 XN6	Velvet red	-90		
	964 552 017 01 XN7	Slate grey	-90		
	964 552 017 01 UD6	Venetian blue	-90		
	964 552 017 01 8YR	Black	91-		
	964 552 017 01 6XL	Classic grey	91-		
	964 552 017 01 9YL	Cobalt blue	91-		
	964 552 017 01 6YL	Magenta	91-		
	964 552 017 01 8ZL	Light grey	91-		
	964 552 017 01 4YU	Cashmere beige	91-		
	964 552 017 01 H05	Marine blue	91-		
	964 552 017 01 M05	Matador red	91-		
	964 552 017 01 D35	Carrara grey	91-		
	964 552 017 01 J25	Sherwood green	91-		
	964 552 017 01 L37	Rhodamine	92		
	964 552 017 01 J17	Wimbledon green	92		
	964 552 017 01 E27	Florentine grey	92		
	964 552 017 01 E38	Rubicon grey	93		
(2)	964 552 013 00	Centre console Lower part Carpet	/LL	1	M564
	964 552 013 00 5FV	Black			
	964 552 013 00 5MF	Mahogany	-90		
	964 552 013 00 4KV	Marine blue			
	964 552 013 00 8MD	Burgundy	-90		
	964 552 013 00 2XF	Linen	-90		
	964 552 013 00 8UT	Cashmere beige			
	964 552 013 00 7VT	Silk grey	-90		
	964 552 013 00 9MT	Velvet red	-90		
	964 552 013 00 3WT	Slate grey	-90		
	964 552 013 00 5UM	Caramel	-90		
	964 552 013 00 3KM	Venetian blue	-90		
	964 552 013 00 4XR	Classic grey	91-		
	964 552 013 00 4ZN	Cobalt blue	91-		
	964 552 013 00 8WZ	Magenta	91-		
	964 552 013 00 6YR	Light grey	91-		
	964 552 013 00 M33	Matador red	91-		
	964 552 013 00 D13	Carrara grey	91-		

Model: 911 89 Model life 1989>>1994

Pos	Part Number	Description	Remark	Qty	Model
	964 552 013 00 J23	Sherwood green	91-		
	964 552 013 00 M10	Rhodamine			
	964 552 013 00 K20	Wimbledon green			
	964 552 013 00 D50	Florentine grey			
	964 552 013 00 8AS	Rubicon grey			
(2)	964 552 013 02	Centre console	/LL 91-	1	
		Lower part			
		Carpet			
	964 552 013 02 5FV	Black			
	964 552 013 02 4KV	Marine blue			
	964 552 013 02 8UT	Cashmere beige			
	964 552 013 02 4XR	Classic grey	91-		
	964 552 013 02 4ZN	Cobalt blue	91-		
	964 552 013 02 8WZ	Magenta	91-		
	964 552 013 02 6YR	Light grey	91-		
	964 552 013 02 M33	Matador red	91-		
	964 552 013 02 D13	Carrara grey	91-		
	964 552 013 02 J23	Sherwood green	91-		
	964 552 013 02 M10	Rhodamine	92		
	964 552 013 02 K20	Wimbledon green	92		
	964 552 013 02 D50	Florentine grey	92		
	964 552 013 02 8AS	Rubicon grey	93		
2	964 552 013 06	Centre console	/LL 91-	1	
		Airbag			
		Lower part			
		Carpet			
	964 552 013 06 5FV	Black			
	964 552 013 06 4KV	Marine blue			
	964 552 013 06 8UT	Cashmere beige			
	964 552 013 06 4XR	Classic grey	91-		
	964 552 013 06 4ZN	Cobalt blue	91-		
	964 552 013 06 8WZ	Magenta	91-		
	964 552 013 06 6YR	Light grey	91-		
	964 552 013 06 M33	Matador red	91-		
	964 552 013 06 D13	Carrara grey	91-		
	964 552 013 06 J23	Sherwood green	91-		
	964 552 013 06 M10	Rhodamine	92		
	964 552 013 06 K20	Wimbledon green	92		
	964 552 013 06 D50	Florentine grey	92		
	964 552 013 06 8AS	Rubicon grey	93		
(2)	964 552 013 01	Centre console	/RL	1	
		Lower part			
		Carpet			
	964 552 013 01 5FV	Black			
	964 552 013 01 5MF	Mahogany	-90		
	964 552 013 01 4KV	Marine blue			
	964 552 013 01 8MD	Burgundy	-90		
	964 552 013 01 2XF	Linen	-90		
	964 552 013 01 8UT	Cashmere beige			
	964 552 013 01 7VT	Silk grey	-90		
	964 552 013 01 9MT	Velvet red	-90		
	964 552 013 01 3WT	Slate grey	-90		
	964 552 013 01 5UM	Caramel	-90		
	964 552 013 01 3KM	Venetian blue	-90		
	964 552 013 01 4XR	Classic grey	91-		
	964 552 013 01 4ZN	Cobalt blue	91-		
	964 552 013 01 8WZ	Magenta	91-		
	964 552 013 01 6YR	Light grey	91-		
	964 552 013 01 M33	Matador red	91-		
	964 552 013 01 D13	Carrara grey	91-		
	964 552 013 01 J23	Sherwood green	91-		
	964 552 013 01 M10	Rhodamine	92		
	964 552 013 01 K20	Wimbledon green	92		

Model: 911 89 Model life 1989>>1994

Pos	Part Number	Description	Remark	Qty	Model
	964 552 013 01 D50	Florentine grey	92		
	964 552 013 01 8AS	Rubicon grey	93		
2A	993 552 523 00	Cover		1	
	993 552 523 00 01C	Satin black			
3	964 552 133 00	Lid		1	
		Carpet			
	964 552 133 00 5FV	Black			
	964 552 133 00 5MF	Mahogany	-90		
	964 552 133 00 4KV	Marine blue			
	964 552 133 00 8MD	Burgundy	-90		
	964 552 133 00 2XF	Linen	-90		
	964 552 133 00 8UT	Cashmere beige			
	964 552 133 00 7VT	Silk grey	-90		
	964 552 133 00 9MT	Velvet red	-90		
	964 552 133 00 3WT	Slate grey	-90		
	964 552 133 00 5UM	Caramel	-90		
	964 552 133 00 3KM	Venetian blue	-90		
	964 552 133 00 4XR	Classic grey	91-		
	964 552 133 00 4ZN	Cobalt blue	91-		
	964 552 133 00 8WZ	Magenta	91-		
	964 552 133 00 6YR	Light grey	91-		
	964 552 133 00 M33	Matador red	91-		
	964 552 133 00 D13	Carrara grey	91-		
	964 552 133 00 J23	Sherwood green	91-		
	964 552 133 00 M10	Rhodamine	92		
	964 552 133 00 K20	Wimbledon green	92		
	964 552 133 00 D50	Florentine grey	92		
	964 552 133 00 8AS	Rubicon grey	93		
4	999 591 349 02	Speed nut		8	
		B 3,5			
5	999 591 102 17	Washer		2	
		3,5			
5	999 591 102 1H	Washer		2	
		3,5			
6	900 145 041 07	Tapping screw		2	
		B 3,5 X 16			
7	964 552 135 01	Cover		1	
	964 552 135 01 1DB	Black			
		without			
		Combined lights			
		When required order also:			
-	964 632 130 01	Combined lights		1	
		Black			
8	964 552 071 00	Cover	89	1	
	964 552 071 00 1DB	Black			
		Centre			
		without			
		Combined lights			
		When required order also:			
-	964 632 162 00	Combined lights		1	
8	964 552 071 04	Cover	90-	1	C.4
	964 552 071 04 1DB	Black			
		Centre			
		without			
		Combined lights			
		When required order also:			
-	964 632 162 04	Combined lights		1	
(8)	964 552 071 03	Cover	90-	1	C.2
	964 552 071 03 1DB	Black			
		Centre			
		without			
		Combined lights			
		When required order also:			

Model: 911 89 Model life 1989>>1994

Pos	Part Number	Description	Remark	Qty	Model
-	964 632 162 03	Combined lights		1	
8A	964 552 157 00	Package box		1	TURBO
	964 552 157 00 1DB	Black			
9	964 552 539 00	Cover		1	
	964 552 539 00 1DB	Black			
		Parking-brake lever			
10	964 552 159 00	Cup		1	
	964 552 159 00 1DB	Black			
10A	964 552 551 00	Bracket		1	M195/612
	964 552 551 00 1DB	Black			
11	964 552 121 00	Insert		1	
	964 552 121 00 01C	Black			
11A	964 552 715 00	Insert		1	
	964 552 715 00 01C	Black			
12	964 552 553 00	Cassette box		1	
	964 552 553 00 1DB	Black			
13	999 591 725 02	Speed nut		2	
		B 3,5			
14	944 552 557 00	Spring clamp		4	
15	900 143 007 02	Oval-head sheetmetal screw		6	
		B 4,2 X 13			
15	900 073 507 01	Oval-head sheetmetal screw		6	
		B 4,2 X 13			
16	999 591 919 40	Expander nut		2	
		B 4,8			
17	900 143 088 07	Tapping screw		2	
		B 4,8 X 32			
18	N 011 665 3	Washer		2	
		B 5,3			
18	N 011 665 16	Washer		2	
		B 5,3			
19	N 013 958 14	Tapping screw		7	
		B 3,5 X 13			
20	964 552 753 00	Cassette box		4	
	964 552 753 00 01C	Black			
20A	EXC 993 017 70	Box for cds		1	COUPE
		for		5	
		Leather			
		Black			
20A	EXC 993 017 80	Box for cds		1	
		for		8	
		Leather			
		Black			
21	N 013 959 3	Oval-head sheetmetal screw		4	
		B 3,5 X 16			
21	900 143 016 02	Oval-head sheetmetal screw		4	
		B 3,5 X 16			
22	999 591 850 02	Speed nut		4	
		B 4,2			
22	999 591 850 01	Speed nut		4	
		B 4,2			
23	999 591 116 07	Cone washer		2	
		4,5			
24	N 014 093 3	Oval-head sheetmetal screw		2	
		B 4,2 X 13			
25	N 011 663 1	Washer		2	
		B 3,7			
26	999 591 331 02	Speed nut		6	
		B 4,2			
27	900 151 028 02	Washer		6	
		B 4,3			
27	900 151 028 01	Washer		6	
		B 4,3			

Model: 911 89

Model life 1989>>1994

Pos	Part Number	Description	Remark	Qty	Model
29	N 011 663 4	Washer B 3,7		1	
30	900 025 013 07	Washer A 3,7		4	
31	999 703 376 40	Stopper 12 PE SW		1	M195/612
32	999 703 377 40	Stopper		1	M195/612
33	964 552 543 00	Reinforcement		2	

Model: 911 89

Model life 1989>>1994

17
Speedster

8
turbo

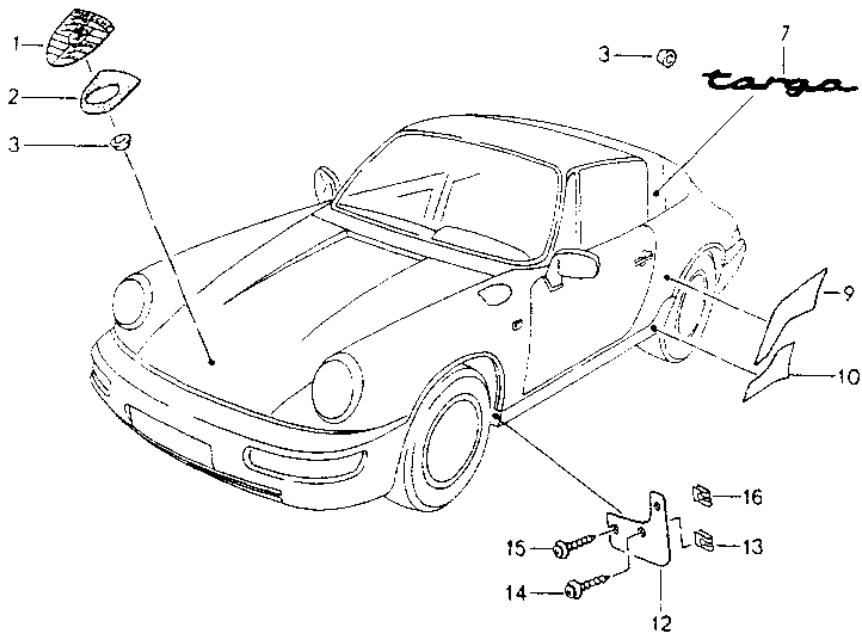
4
Carrera 2 — 6

18
turbo 3.6

4
Carrera 4 — 5

19
911

4
Carrera RS — 11



Model: 911 89 Model life 1989>>1994

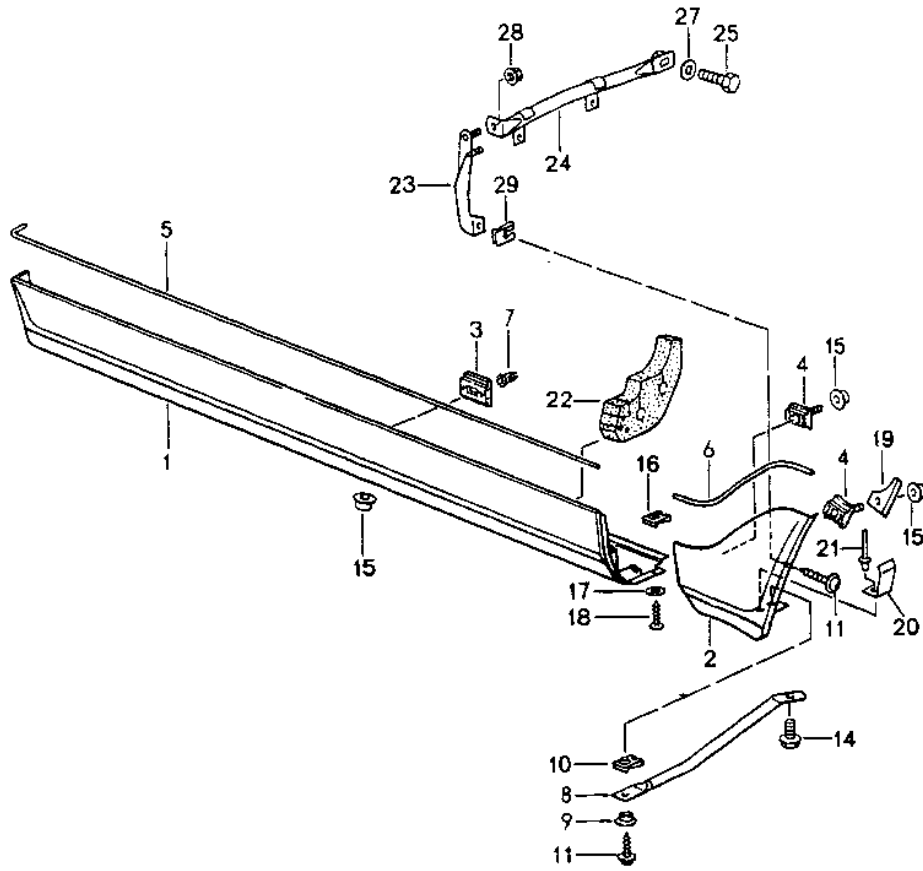
Pos	Part Number	Description	Remark	Qty	Model
		Insignias			
		Stone guard film			
1	901 559 210 20	Lid emblem		1	
1	901 559 210 26	Lid emblem		1	
2	901 559 215 20	Desk pad		1	
2	7L5 853 611 B	Desk pad		1	
3	999 591 423 03	Tapping nut		2	
4	911 559 037 00	Logo		1	
	911 559 037 00 70C	Black			
5	964 559 241 00	Logo		1	
	964 559 241 00 70C	Black			
6	964 559 241 01	Logo		1	
	964 559 241 01 70C	Black			
7	911 559 307 41	Logo	-93	2	
7	911 559 307 42	Logo		2	
8	930 559 317 02	Logo		1	
	930 559 317 02 70C	Black			
9	965 559 325 00	Stone guard film	/L	1	TURBO TURBO-LOOK
		Large			
	965 559 325 00 3YK	Clear			
(9)	965 559 326 00	Stone guard film	/R	1	TURBO TURBO-LOOK
		Large			
	965 559 326 00 3YK	Clear			
(9)	965 559 325 02	Stone guard film	/L	1	TURBO TURBO-LOOK
		Small			
	965 559 325 02 3YK	Clear			
(9)	965 559 326 02	Stone guard film	/R	1	TURBO TURBO-LOOK
		Small			
	965 559 326 02 3YK	Clear			
9	965 559 325 01	Stone guard film	/L	1	TURBO TURBO-LOOK
		Large			
	965 559 325 01 3YB	Grand prix white			
	965 559 325 01 Z07	Polar silver metallic			
(9)	965 559 326 01	Stone guard film	/R	1	TURBO TURBO-LOOK
		Large			
	965 559 326 01 3YB	Grand prix white			
	965 559 326 01 Z07	Polar silver metallic			
(9)	965 559 325 03	Stone guard film	/L	1	TURBO TURBO-LOOK
		Small			
	965 559 325 03 3YB	Grand prix white			
	965 559 325 03 Z07	Polar silver metallic			
(9)	965 559 326 03	Stone guard film	/R	1	TURBO TURBO-LOOK
		Small			
	965 559 326 03 3YB	Grand prix white			
	965 559 326 03 Z07	Polar silver metallic			
10	965 559 327 00	Stone guard film	/L	1	TURBO TURBO-LOOK
		Sill cover			
	965 559 327 00 3YK	Clear			
(10)	965 559 328 00	Stone guard film	/R	1	TURBO TURBO-LOOK
		Sill cover			
	965 559 328 00 3YK	Clear			
10	965 559 327 01	Stone guard film	/L	1	TURBO TURBO-LOOK

Model: 911 89 Model life 1989>>1994

Pos	Part Number	Description	Remark	Qty	Model
(10)	965 559 327 01 3YB	Sill cover Grand prix white	/R	1	TURBO TURBO-LOOK
	965 559 327 01 Z07	Polar silver metallic			
	965 559 328 01	Stone guard film			
11	965 559 328 01 3YB	Sill cover Grand prix white		1	
	965 559 328 01 Z07	Polar silver metallic			
	964 559 241 02	Logo			
12	964 559 241 02 70C	Black			
12	965 559 615 00	Stone guard	/L	1	TURBO TURBO-LOOK
12	965 559 615 00 01C	Satin black	/L	1	TURBO TURBO-LOOK
	965 559 615 01	Stone guard			
(12)	965 559 615 01 01C	Satin black	/R	1	TURBO TURBO-LOOK
	965 559 616 00	Stone guard			
13	965 559 616 00 01C	Satin black			
13	999 591 463 02	Speed nut B 4,2		4	TURBO TURBO-LOOK
	900 143 156 07	Combination screw B 4,2 X 16		4	TURBO TURBO-LOOK
14	999 073 080 02	Combination screw B 4,2 X 16		4	TURBO TURBO-LOOK
		Combination screw			
15		See group 8/01/50			
16		Speed nut See group 8/01/50			
	964 559 221 00	Logo		1	
17	964 559 221 00 70C	Black			
18	965 559 221 00	Logo		1	
19	964 559 221 01	Logo		1	M096
	964 559 221 01 4PU	Silver			

Model: 911 89

Model life 1989>>1994



Model: 911 89 Model life 1989>>1994

Pos	Part Number	Description	Remark	Qty	Model
1	964 559 093 01	Sill cover Sill cover	/V /L	1	CARRERA 2/4 CARRERA RS
(1)	964 559 093 01 G2X 965 559 193 01	Prime coated Sill cover	/V /L	1	TURBO TURBO-LOOK
(1)	965 559 193 01 G2X 965 559 193 02	Prime coated Sill cover	/V /L	1	TURBO TURBO-LOOK
(1)	965 559 193 02 G2X 964 559 094 01	Prime coated Sill cover	/V /R	1	CARRERA 2/4 CARRERA RS
(1)	964 559 094 01 G2X 965 559 194 01	Prime coated Sill cover	/V /R	1	TURBO TURBO-LOOK
(1)	965 559 194 01 G2X 965 559 194 02	Prime coated Sill cover	/V /R	1	TURBO TURBO-LOOK
(1)	965 559 194 02 G2X	Prime coated			
2	964 559 095 01	Sill cover	/H /L	1	CARRERA 2/4 CARRERA RS
(2)	964 559 095 01 G2X 965 559 195 00	Prime coated Sill cover	/H /L	1	TURBO TURBO-LOOK
(2)	965 559 195 00 G2X 965 559 195 02	Prime coated Sill cover	/H /L	1	TURBO TURBO-LOOK
(2)	965 559 195 02 G2X 964 559 096 01	Prime coated Sill cover	/H /R	1	CARRERA 2/4 CARRERA RS
(2)	964 559 096 01 G2X 965 559 196 00	Prime coated Sill cover	/H /R	1	TURBO TURBO-LOOK
(2)	965 559 196 00 G2X 965 559 196 02	Prime coated Sill cover	/H /R	1	TURBO TURBO-LOOK
(2)	965 559 196 02 G2X	Prime coated			
3	999 591 916 40	Clip		12	CARRERA 2/4 CARRERA RS
3	999 591 991 40	Clip \$ 5,8		14	TURBO TURBO-LOOK
4	999 507 373 00	Support	-90	6	CARRERA 2/4
4		Support		6	CARRERA 2/4 CARRERA RS
4	999 591 990 00	Support T 5		6	TURBO TURBO-LOOK
5	964 559 293 01	Cover strip	/V /L	1	CARRERA 2/4 CARRERA RS
(5)	964 559 293 01 70B 964 559 293 01 70A 964 559 293 01 01C 964 559 294 01	Black Black Black Cover strip	/V /R	1	CARRERA 2/4 CARRERA RS
(5)	964 559 294 01 70B 964 559 294 01 70A 964 559 294 01 01C 965 559 293 00	Black Black Black Cover strip	/V /L	1	TURBO TURBO-LOOK
(5)	965 559 293 00 70A 965 559 293 00 01C 965 559 294 00	Black Black Cover strip	-91 /V /R	1	TURBO TURBO-LOOK
(5)	965 559 294 00 70A	Black	-91		

Model: 911 89 Model life 1989>>1994

Pos	Part Number	Description	Remark	Qty	Model
6	965 559 294 00 01C 964 559 295 01	Black Cover strip	/H /L	1	CARRERA 2/4 CARRERA RS
	964 559 295 01 70B	Black			
	964 559 295 01 70A	Black	-91		
	964 559 295 01 01C	Black			
(6)	964 559 296 01	Cover strip	/H /R	1	CARRERA 2/4 CARRERA RS
	964 559 296 01 70B	Black			
	964 559 296 01 70A	Black	-91		
	964 559 296 01 01C	Black			
(6)	965 559 295 00	Cover strip	/H /L	1	TURBO TURBO-LOOK
	965 559 295 00 70A	Black			
	965 559 295 00 01C	Black			
(6)	965 559 296 00	Cover strip	/H /R	1	TURBO TURBO-LOOK
	965 559 296 00 70A	Black			
	965 559 296 00 01C	Black			
7	999 702 160 40	Grommet 4,5 X 9 X 14		12	CARRERA 2/4 CARRERA RS
7		Grommet 4,5 X 9 X 14		14	TURBO TURBO-LOOK
8	964 559 501 01	Bracket	/H /L	1	CARRERA 2/4 CARRERA RS
(8)	964 559 502 01	Bracket	/H /R	1	CARRERA 2/4 CARRERA RS
9	944 503 255 00	Spacer		2	
10	999 591 699 02	Speed nut B 4,8		2	
10	999 591 699 01	Speed nut B 4,8		2	
11	900 143 149 07	Combination screw B 4,8 X 16		4	
14	900 075 354 00	Combination screw M 6 X 16		2	
15	999 049 022 40	Plastic nut T 5		14	
16	999 591 883 02	Speed nut B 4,8		2	CARRERA 2/4 CARRERA RS
16	999 591 883 01	Speed nut B 4,8		2	CARRERA 2/4 CARRERA RS
17	900 025 053 07	Washer A 5,3		2	CARRERA 2/4 CARRERA RS
18	900 143 147 07	Tapping screw B 4,8 X 16		2	CARRERA 2/4 CARRERA RS
19	964 559 797 00	Clamping piece	/H /L	1	
(19)	964 559 798 00	Clamping piece	/H /R	1	
20	965 559 795 00	Clamping piece		2	TURBO TURBO-LOOK
21	999 190 104 30	Blind rivet A 3,2 X 7,9		2	TURBO TURBO-LOOK
22	964 559 522 00	Rubber insert	/H /R	1	
23	965 559 471 00	Retaining bracket	/L	1	TURBO TURBO-LOOK
(23)	965 559 472 00	Retaining bracket	/R	1	TURBO TURBO-LOOK
24	965 559 271 00	Support tube	/L	1	TURBO TURBO-LOOK
24	965 559 271 01	Support tube	/L	1	TURBO TURBO-LOOK
(24)	965 559 272 00	Support tube	/R	1	TURBO TURBO-LOOK

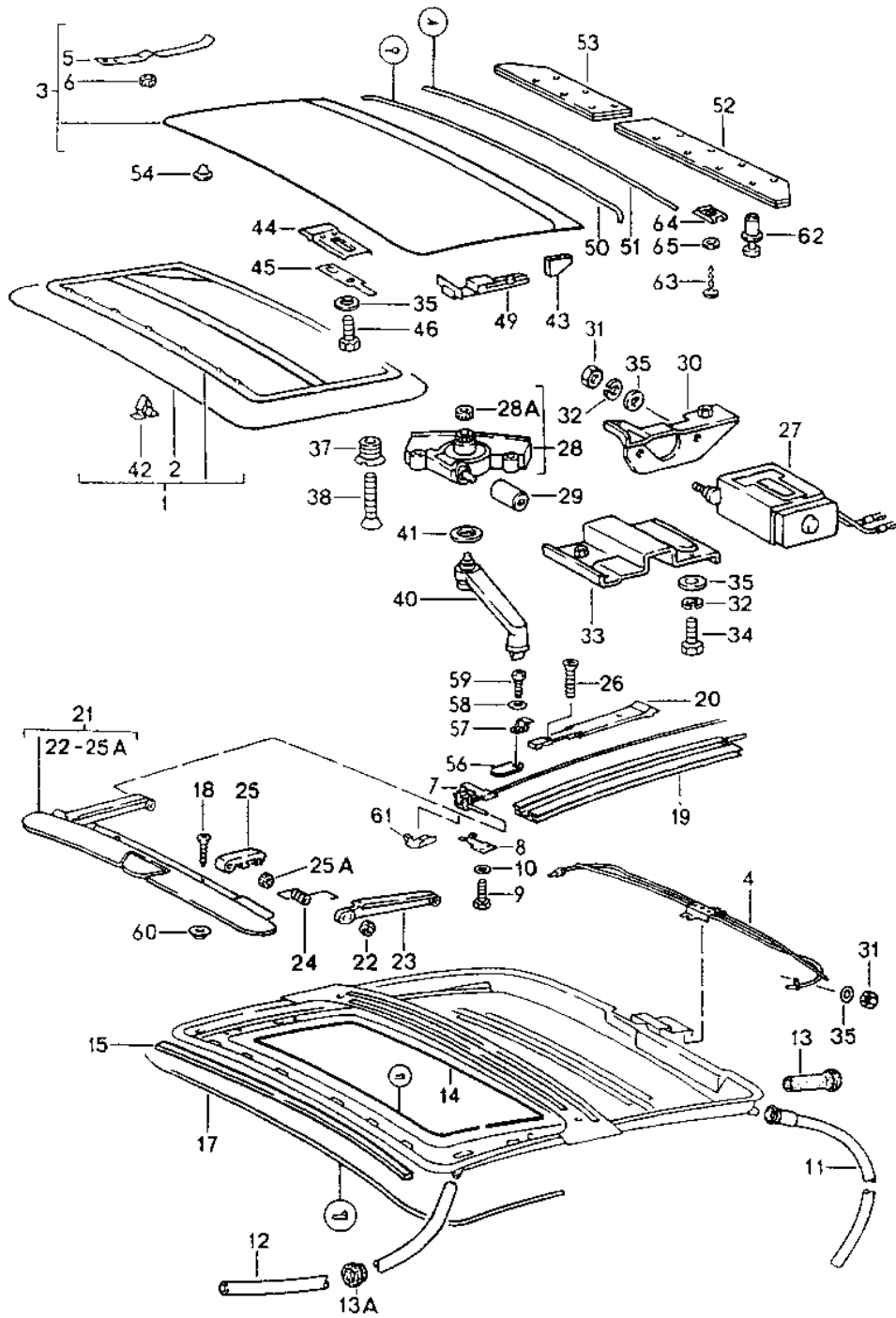
Model: 911 89

Model life 1989>>1994

Pos	Part Number	Description	Remark	Qty	Model
(24)	965 559 272 01	Support tube	/R	1	TURBO TURBO-LOOK
25	900 075 403 00	Hexagon-head bolt M 6 X 14		2	TURBO TURBO-LOOK
27	N 011 666 12	Washer B 6,4		2	TURBO TURBO-LOOK
27	900 025 047 07	Washer A 6,4		2	TURBO TURBO-LOOK
28	999 049 009 40	Plastic nut T 5		4	TURBO TURBO-LOOK
29	999 591 485 02	Speed nut B 4,8		2	TURBO TURBO-LOOK

Model: 911 89

Model life 1989>>1994



Model: 911 89 Model life 1989>>1994

Pos	Part Number	Description	Remark	Qty	Model
		Sunroof			
		See technical information			
		GR.6 NR.1/92			
1	964 564 020 00	Roofliner frame		1	
	964 564 020 00 700	Black			
	964 564 020 00 1MX	Mahogany	-90		
	964 564 020 00 1KX	Marine blue			
	964 564 020 00 8LC	Burgundy	-90		
	964 564 020 00 4WH	Classic grey	91-		
	964 564 020 00 2YR	Cobalt blue	91-		
	964 564 020 00 5VW	Magenta	91-		
	964 564 020 00 1SY	Rubicon grey	93		
2	964 564 201 00	Cover		1	
	964 564 201 00 700	Black			
	964 564 201 00 8LC	Burgundy	-90		
	964 564 201 00 1MX	Mahogany	-90		
	964 564 201 00 1KX	Marine blue			
	964 564 201 00 4WH	Classic grey	91-		
	964 564 201 00 2YR	Cobalt blue	91-		
	964 564 201 00 5VW	Magenta	91-		
	964 564 201 00 1SY	Rubicon grey	93		
3	964 564 051 01	Lid		1	
4	964 564 231 00	Pipeline		1	
5	911 564 417 00	Leaf spring		2	
6	911 564 420 00	Knurled nut		2	
(7)	964 564 143 00	Guide	/L	1	
7	964 564 144 00	Guide	/R	1	
8	901 564 451 05	Reinforcement		2	
9	900 075 106 02	Hexagon-head bolt M 4 X 6		4	
10	900 025 002 02	Washer A 4,3		4	
10	900 025 002 03	Washer A 4,3		4	
11	944 564 235 04	Water drain hose	/H	2	
11	944 564 924 00	Water drain hose	/H	2	
12	964 564 725 00	Water drain hose 8 X 1 X 1000	/V	2	
12	964 564 902 00	Water drain hose 8 X 1 X 1000	/V	2	
13	911 564 297 00	Grommet	/H	2	
13A	999 703 348 40	Rubber sleeve	/V	4	
14	911 564 465 00	Beading		1	
15	911 564 409 00	Sealing strip		1	
17	911 564 191 00	Velvet strip		1	
18	900 145 093 07	Oval-head sheetmetal screw BZ 3,9 X 9,5		2	
(19)	964 564 341 00	Guide rail	/L	1	
19	964 564 342 00	Guide rail	/R	1	
20	911 564 047 01	Intermediate piece		2	
20	993 564 047 00	Intermediate piece		2	
21	964 564 005 01	Air deflector		1	
	964 564 005 01 70K	Black			
22	911 564 423 00	Rubber stop		2	
23	911 564 127 00	Hinge		2	
24	964 564 125 00	Steering knuckle spring	/L	1	
(24)	964 564 126 00	Steering knuckle spring	/R	1	
25	911 564 123 00	Bearing clip		2	
25A	911 564 301 00	Spacer ring		2	
26	900 270 060 07	Countersunk-head screw M 4 X 10		4	
27	911 624 016 03	Motor		1	
28	911 564 601 01	Transmission		1	

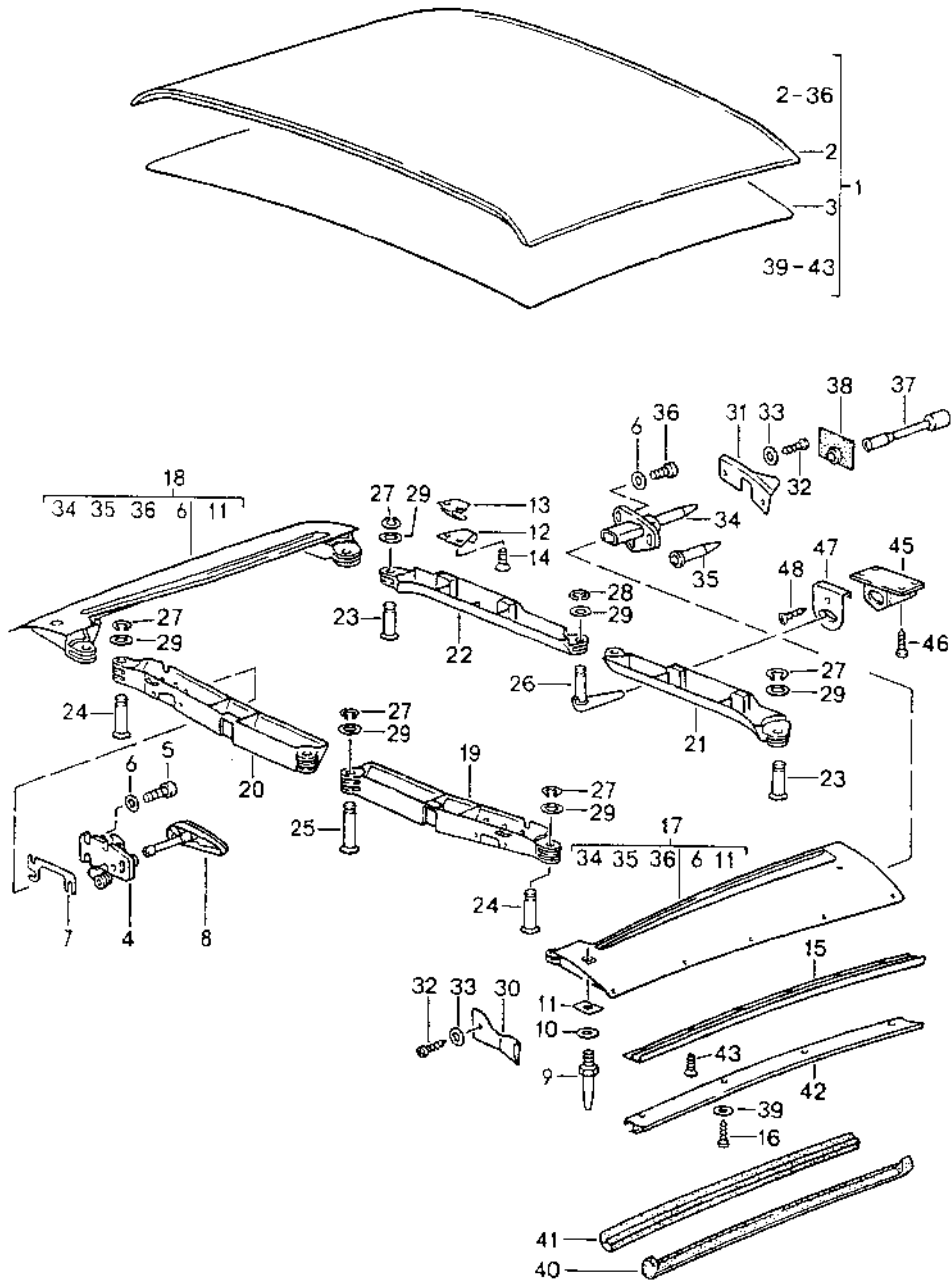
Model: 911 89

Model life 1989>>1994

Pos	Part Number	Description	Remark	Qty	Model
28A	928 564 125 02	Drive pinion		1	
29	911 624 103 00	Clutch		1	
29	911 624 103 01	Clutch		1	
30	911 624 007 01	Engine support		1	
31	N 011 005 14	Hexagon nut M 5		2	
31	900 076 091 01	Hexagon nut M 5		2	
32	N 012 005 3	Lock ring B 5		4	
33	964 564 035 00	Gear support		1	
34	900 075 001 03	Hexagon-head bolt M 5 X 8		2	
35	900 025 003 02	Washer A 5,3		10	
37	901 564 661 05	Screw		2	
38	900 269 012 02	Countersunk-head screw M 4 X 25		2	
40	901 564 085 05	Crank		1	
41	911 564 643 00	Washer		3	
42	901 564 299 05	Duct clamp		7	
42	901 564 299 0F	Duct clamp		7	
43	901 564 431 05	Guide shoe		2	
44	911 564 045 00	Guide		2	
45	911 564 451 00	Tab washer		2	
46	911 564 459 00	Wedge screw AM 5 X 12		4	
49	911 564 433 00	Support		2	
(49)	964 564 435 00	Support		1	
50	911 564 193 00	Velvet strip Small		1	
51	901 564 905 05	Sealing rubber Rear		1	
52	911 564 025 01	Cover F >>96MS4 00314	/L	1	
(52)	964 556 025 00	Cover F 96MS4 00315>>	/L	1	
(52)		Cover	/L	1	
53	911 564 026 00	Cover F >>96MS4 00314	/R	1	
(53)	911 556 026 00	Cover F 96MS4 00315>>	/R	1	
54	999 703 013 50	Stopper		2	
56	911 564 425 00	Threaded plate		2	
57	911 564 165 00	Terminal piece		2	
58	900 025 053 07	Washer A 5,3		2	
59	900 146 106 07	Oval-head screw M 5 X 12		2	
60	911 564 521 00	Protection cap		2	
61	964 564 241 00	Slide		2	
62	999 591 941 40	Expansion rivet \$=6 POM SW F 96MS4 00315>>		10	
63	900 145 079 07	Oval-head sheetmetal screw B 4,8 X 19 F >>96MS4 00314		4	
64	999 507 041 09	Speed nut B 4,8 F >>96MS4 00314		4	
65	999 704 605 07	Cone washer 5,3 F >>96MS4 00314		4	

Model: 911 89

Model life 1989>>1994



Model: 911 89 Model life 1989>>1994

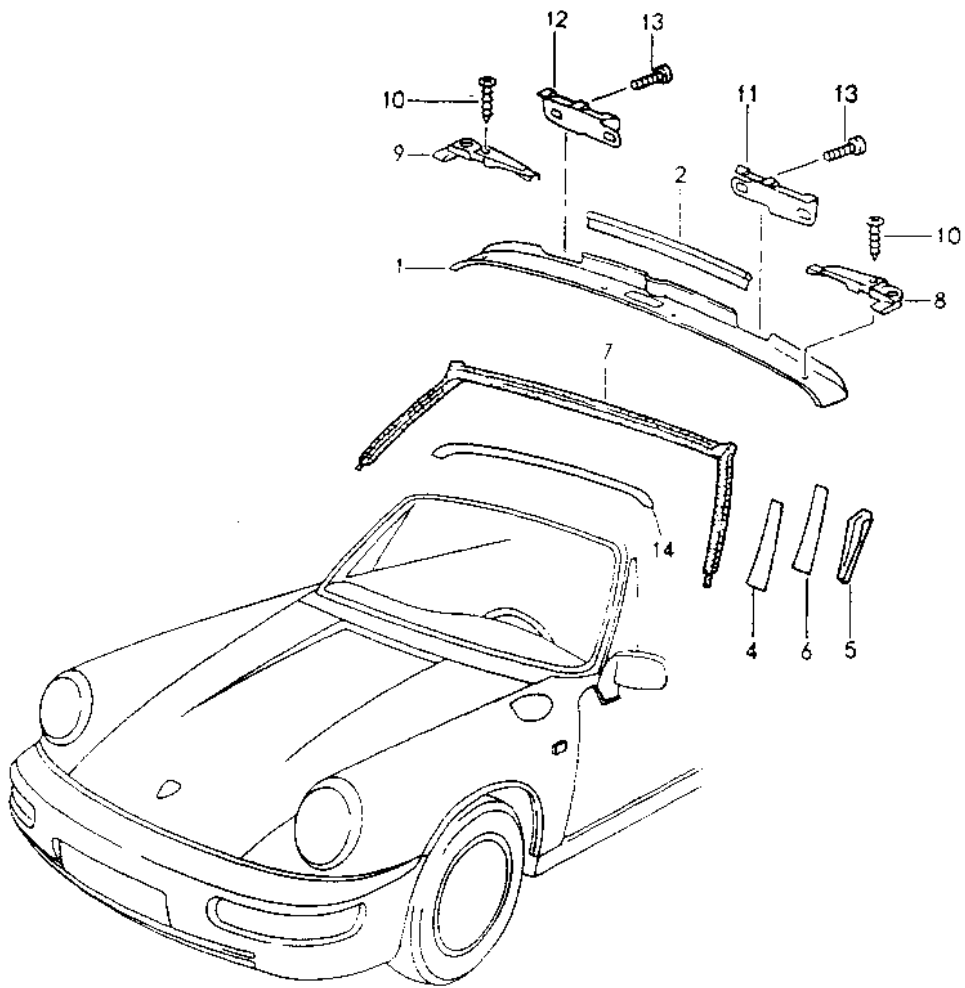
Pos	Part Number	Description	Remark	Qty	Model
		Soft top			TARGA
1	964 565 002 01	Soft top		1	
	964 565 002 01 707	Black			
2	964 565 035 01	Outer lining		1	
	964 565 035 01 707	Black			
3	901 565 036 43	Roofliner		1	
	901 565 036 43 700	Black			
4	911 565 031 64	Catch	/L	1	
	911 565 031 64 70C	Black			
(4)	964 565 031 00	Catch	/L	1	
(4)	911 565 032 64	Catch	/R	1	
	911 565 032 64 70C	Black			
(4)	964 565 032 00	Catch	/R	1	
5	900 067 117 07	Pan-head screw		6	
		M 6 X 16			
6	N 011 524 7	Washer		12	
		A 6,4			
6	N 011 524 27	Washer		12	
		A 6,4			
7	911 565 707 01	Shim		2	
8	911 565 075 62	Handle		2	
	911 565 075 62 70B	Black			
9	911 565 214 60	Locating peg		2	
10	N 011 525 15	Washer		2	
		A 8,4			
11	901 565 203 40	Threaded plate		2	
12	964 565 265 00	Latch		8	
12	964 565 265 01	Latch		8	
12	964 565 265 00	Latch		8	
12	964 565 265 01	Latch		8	
13	911 565 263 00	Clamp		4	
13	911 565 263 01	Clamp		4	
14	999 219 006 02	Countersunk-head screw		16	
		M 4 X 8			
15	911 565 301 00	Rain channel	/L	1	
	911 565 301 00 70K	Black			
(15)	911 565 302 00	Rain channel	/R	1	
	911 565 302 00 70K	Black			
16	N 013 957 5	Oval-head sheetmetal screw		8	
		B 3,5 X 9,5			
17	911 565 029 46	Roof frame	/L	1	
	911 565 029 46 70B	Black			
		Lateral			
17	911 565 029 46	Roof frame	/L	1	
	911 565 029 46 70B	Black			
		Lateral			
18	911 565 030 46	Roof frame	/R	1	
	911 565 030 46 70B	Black			
		Lateral			
19	911 565 207 46	Roof frame	/L	1	
	911 565 207 46 70B	Black			
		Front			
20	911 565 208 46	Roof frame	/R	1	
	911 565 208 46 70B	Black			
		Front			
21	911 565 211 45	Roof frame	/L	1	
	911 565 211 45 70B	Black			
		Rear			
22	911 565 212 45	Roof frame	/R	1	
	911 565 212 45 70B	Black			
		Rear			
23	964 565 765 01	Bolt		2	
	964 565 765 01 01C	Black			

Model: 911 89 Model life 1989>>1994

Pos	Part Number	Description	Remark	Qty	Model
24	964 565 765 02	Bolt		2	
	964 565 765 02 01C	Black			
25	964 565 765 00	Bolt		1	
	964 565 765 00 01C	Black			
26	964 565 145 00	Locking bolt		1	
27	900 041 004 01	Circlip		5	
28	N 012 439 2	Lock washer		1	
29	999 234 003 40	Shim		5	
		10,5 X 16			
30	911 565 283 00	Cover	/V /L	1	
(30)	911 565 284 00	Cover	/V /R	1	
31	901 565 273 45	Cover	/H /L	1	
(31)	901 565 274 45	Cover	/H /R	1	
32	N 013 953 10	Tapping screw		8	
		B 2,9 X 9,5			
33	900 025 001 02	Washer		8	
		A 3,2			
34	911 565 037 42	Silentbloc bearing	/L	1	
(34)	911 565 038 42	Silentbloc bearing	/R	1	
35	911 565 217 40	Covering		2	
36	N 014 765 2	Pan-head screw		6	
		M 6 X 10			
37	911 565 220 41	Silentbloc bearing		2	
37	911 565 220 42	Silentbloc bearing		2	
38	901 565 361 40	Seal		2	
39	900 151 028 02	Washer		8	
		B 4,3			
39	900 151 028 01	Washer		8	
		B 4,3			
40	911 565 193 00	Gasket	/L	1	
	911 565 193 00 4DG	Black	90		
	911 565 193 00 8VB	Black			
		Outer			
40	911 565 193 01	Gasket	/L	1	
	911 565 193 01 8VB	Black			
		Outer			
(40)	911 565 194 00	Gasket	/R	1	
	911 565 194 00 8VB	Black			
		Outer			
(40)	911 565 194 01	Gasket	/R	1	
	911 565 194 01 8VB	Black			
		Outer			
41	911 565 795 00	Gasket		2	
		Inner			
41	911 565 795 01	Gasket		2	
		Inner			
42	911 565 793 00	Rail	/L	1	
(42)	911 565 794 00	Rail	/R	1	
43	900 278 022 02	Screw		14	
		M M 3 X 10			
45	911 565 187 40	Mounting		1	
		Locking bolt			
46	N 013 957 5	Oval-head sheetmetal screw		4	
		B 3,5 X 9,5			
47	911 565 189 41	Cover plate		1	
48	900 145 003 07	Tapping screw		1	
		B 3,5 X 9,5			

Model: 911 89

Model life 1989>>1994

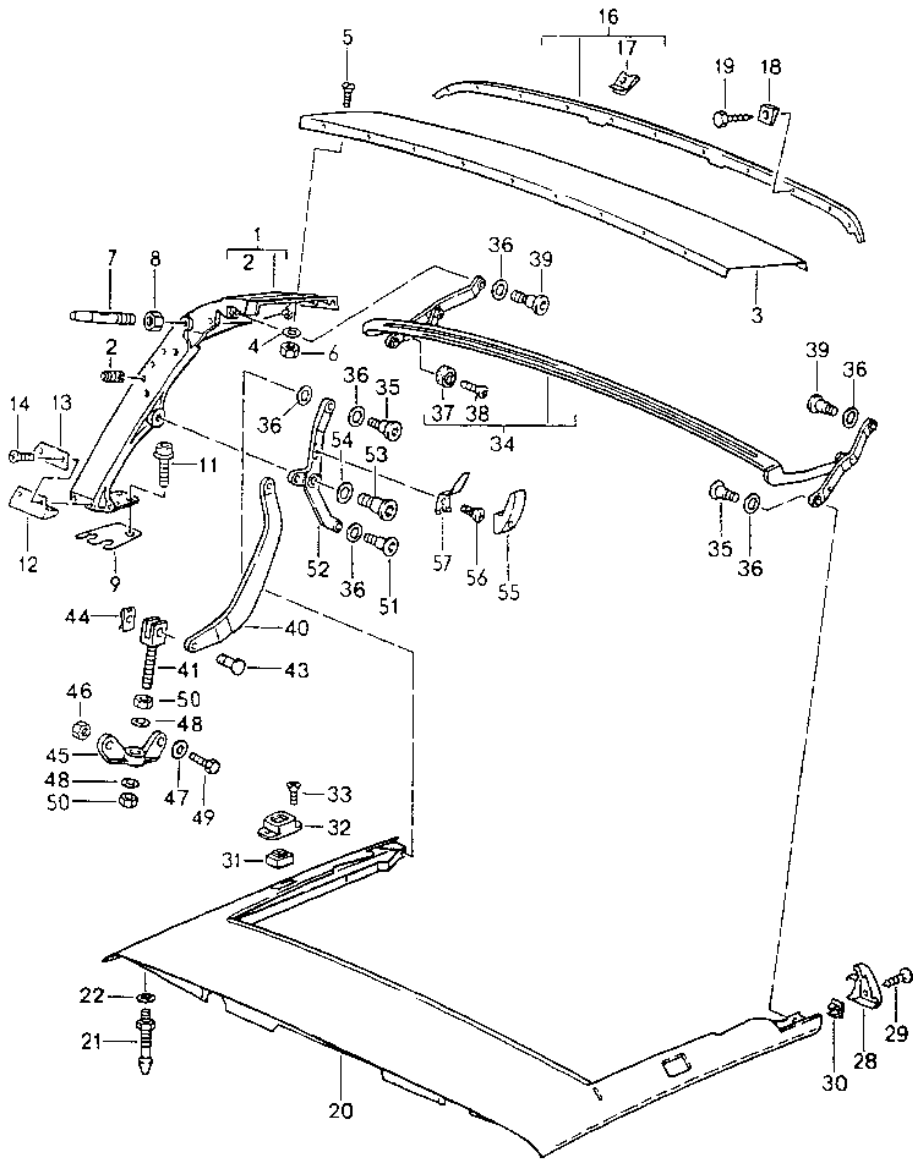


Model: 911 89 Model life 1989>>1994

Pos	Part Number	Description	Remark	Qty	Model
		Windscreen frame			TARGA/CABRIO
		Accessories			
1	911 555 059 61	Lining		1	
	911 555 059 61 702	Black			
2	911 561 499 00	Piping		1	
	911 561 499 00 70B	Black			
2	911 561 499 01	Piping		1	
	911 561 499 01 70B	Black			
4	964 555 563 00	Desk pad	/L	1	
(4)		Desk pad	/R	1	
		5 X 35 X 400			
5	911 555 419 00	Filler piece	/L	1	
(5)	911 555 420 00	Filler piece	/R	1	
6	964 555 507 40	Cover	/L	1	
	964 555 507 40 702	Black			
(6)	964 555 508 40	Cover	/R	1	
	964 555 508 40 702	Black			
7	911 799 565 80	Gasket		1	
		It is necessary to rework			
8	911 555 519 42	Guide rose	/L	1	TARGA
	911 555 519 42 70B	Black			
(8)	911 555 519 60	Guide rose	/L	1	CABRIO
	911 555 519 60 70B	Black			
9	911 555 520 42	Guide rose	/R	1	TARGA
	911 555 520 42 70B	Black			
(9)	911 555 520 60	Guide rose	/R	1	CABRIO
	911 555 520 60 70B	Black			
10	900 143 084 07	Oval-head sheetmetal screw		4	
		B 3,5 X 16			
11	911 561 729 03	Gate guide	/L	1	TARGA
	911 561 729 03 03C	Black			
(11)	911 561 739 03	Gate guide	/L	1	CABRIO
	911 561 739 03 03C	Black			
12	911 561 730 03	Gate guide	/R	1	TARGA
	911 561 730 03 03C	Black			
(12)	911 561 740 03	Gate guide	/R	1	CABRIO
	911 561 740 03 03C	Black			
13	999 119 013 07	Pan-head screw		4	
		M 6 X 12			
14	964 504 729 00	Protective film		1	TARGA

Model: 911 89

Model life 1989>>1994



Model: 911 89 Model life 1989>>1994

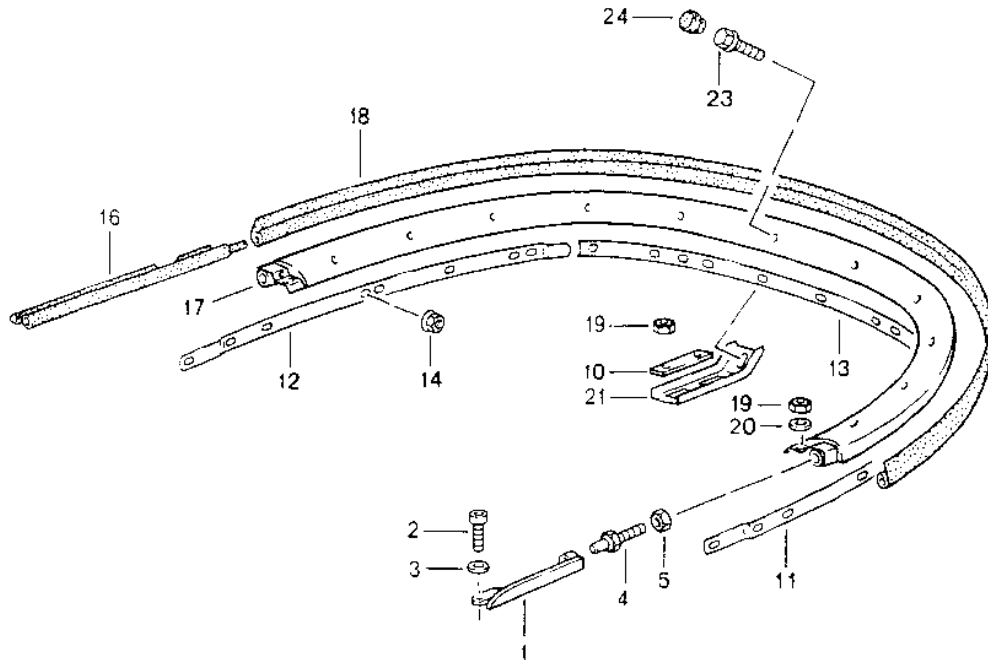
Pos	Part Number	Description	Remark	Qty	Model
		Main folding top bow Roof frame Single parts			CABRIO
(1)	911 561 927 00	Main folding top bow	/L	1	
	911 561 927 00 70B	Black			
1	911 561 928 00	Main folding top bow	/R	1	
	911 561 928 00 70B	Black			
2	999 504 069 02	Threaded insert M 6		4	
3	911 561 215 00	Bow plate		1	
4	900 025 003 02	Washer A 5,3		10	
5	900 269 017 02	Countersunk-head screw M 5 X 12		10	
6	900 910 007 02	Lock nut M 5		10	
7	911 561 449 65	Retaining pivot		2	
8	900 076 062 07	Hexagon nut M 8		2	
9	911 561 423 00	Plate 2 MM		X	
9	911 561 423 01	Plate 1 MM		X	
11	900 067 271 09	Combination screw M 8 X 20		6	
12	911 561 471 00	Gasket		2	
13	911 561 475 00	Plate		2	
14	900 269 056 07	Countersunk-head screw M 4 X 10		4	
16	911 561 035 00	Rail		1	
17	999 507 018 02	Speed nut B 4,2		11	
17	999 507 018 01	Speed nut B 4,2		11	
18	911 561 527 00	Base wedge		11	
19	900 187 017 02	Hexagon-head tapping screw BZ 4,2 X 19		11	
20	911 561 027 01	Roof frame		1	
	911 561 027 01 700	Black			
21	911 565 214 60	Locating peg		2	
22	N 011 525 15	Washer A 8,4 X 16 X 1,6		2	
28	911 561 139 65	End piece	/L	1	
(28)	911 561 140 65	End piece	/R	1	
29	N 014 086 12	Tapping screw 3,5 X 13		2	
29	N 014 086 1C	Tapping screw 3,5 X 13		2	
30	999 591 762 40	Special nut B 3,5		2	
31	911 561 453 00	Buffer		2	
32	911 561 451 00	Housing		2	
	911 561 451 00 70B	Black			
33	900 269 043 02	Countersunk-head screw M 4 X 12		4	
34	911 561 019 65	Intermed. folding top bow		1	
	911 561 019 65 70B	Black			
35	911 561 461 00	Screw M 8 X 20		4	
36	911 561 428 00	Washer 10,5		10	
37	911 561 402 00	Eccentric washer		2	
38	N 033 185 1	Countersunk-head screw		2	

Model: 911 89 Model life 1989>>1994

Pos	Part Number	Description	Remark	Qty	Model
39	911 561 421 00	M 4 X 16 Screw		2	
(40)	964 561 157 00	M 8 X 24 Steering arm	/L	1	
	964 561 157 00 70B	Black			
40	964 561 158 00	Steering arm	/R	1	
	964 561 158 00 70B	Black			
41	911 561 595 65	Joint fork		2	
41	911 561 595 66	Joint fork		2	
43	911 561 761 65	Bolt		2	
44	999 166 034 02	Sl-lock 8		2	
45	964 561 431 00	Bearing bracket		2	
46	900 910 003 02	Lock nut M 8		4	
46	900 910 003 04	Lock nut M 8		4	
47	900 223 001 02	Washer A 8,4		4	
48	900 025 008 09	Washer		4	
48	900 025 008 04	Washer		4	
48	900 025 008 09	Washer A 10,5		4	
48	900 025 008 04	Washer A 10,5		4	
49	900 075 078 02	Hexagon-head bolt M 8 X 15		4	
49	900 075 078 03	Hexagon-head bolt M 8 X 15		4	
50	N 011 010 13	Hexagon nut M 10		4	
51	911 561 418 00	Screw M 8 X 20		2	
(52)	911 561 119 65	Steering arm	/L	1	
	911 561 119 65 70B	Black			
52	911 561 120 65	Steering arm	/R	1	
	911 561 120 65 70B	Black			
53	911 561 420 00	Screw Micro-self-locking M 10 X 28		2	
54	911 561 430 00	Washer 13,5		2	
55	901 552 871 40	Cover		2	
56	900 250 006 02	Tapping screw AM 5 X 10		2	
57	901 552 872 20	Coat hook		2	

Model: 911 89

Model life 1989>>1994

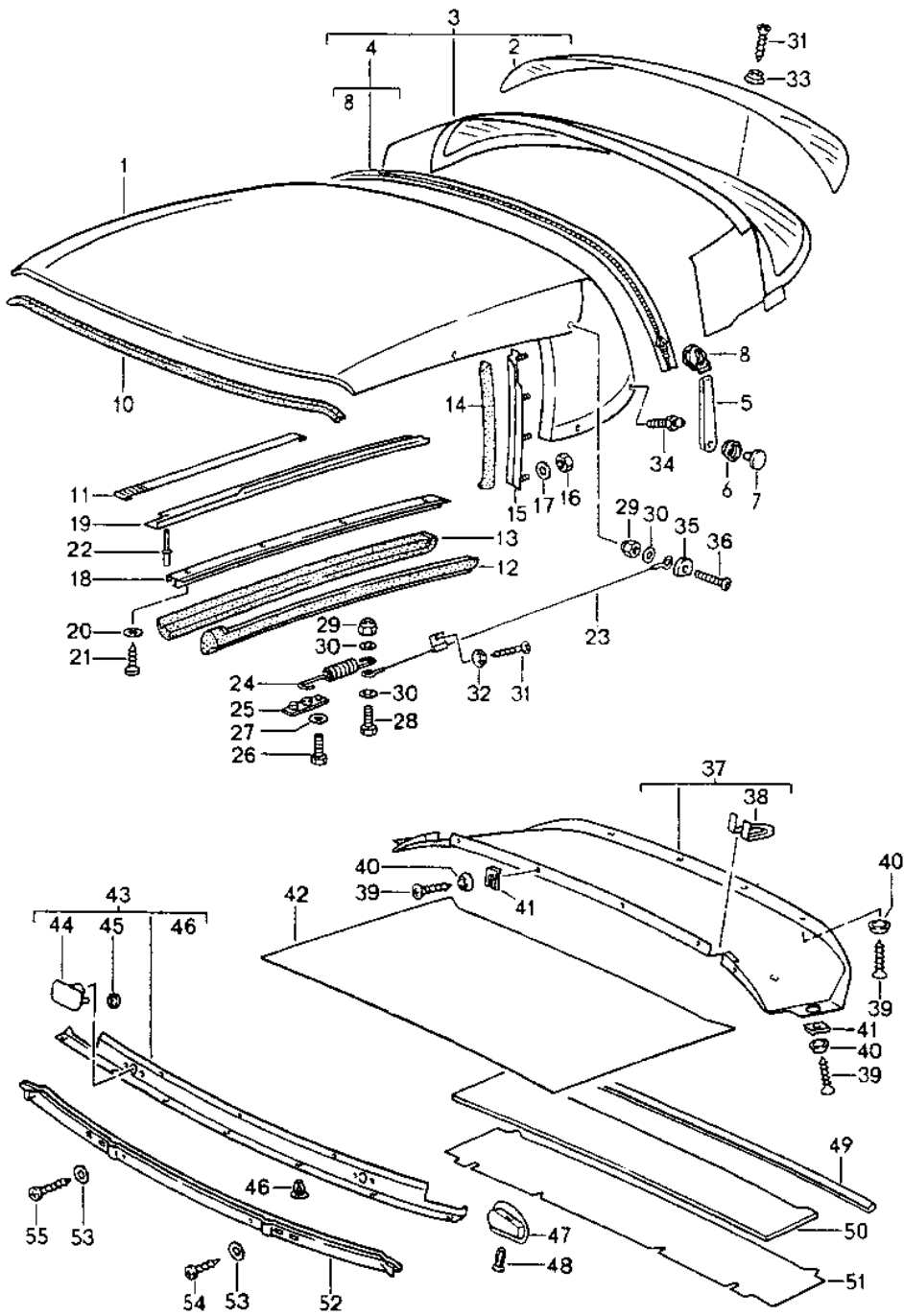


Model: 911 89 Model life 1989>>1994

Pos	Part Number	Description	Remark	Qty	Model
		Convertible top			CABRIO
		Clamp			
		Single parts			
1	911 561 341 01	Tensioner blade	/L	1	
(1)	911 561 342 01	Tensioner blade	/R	1	
2	N 014 765 2	Pan-head screw		2	
		M 6 X 10			
3	N 011 524 7	Washer		2	
		A 6,4			
3	N 011 524 27	Washer		2	
		A 6,4			
4	911 561 331 00	Locating peg		2	
5	900 076 062 07	Hexagon nut		2	
		M 8			
10	911 561 387 00	Desk pad		3	
	911 561 387 00 GRV	Prime coated			
11	911 561 283 00	Rail	/L	1	
12	911 561 284 00	Rail	/R	1	
13	911 561 281 00	Rail		1	
		Centre			
14	900 377 009 02	Hexagon nut		18	
		M 5			
(16)	911 561 463 00	Gasket	/L	1	
(16)	911 561 463 01	Gasket	/L	1	
16	911 561 464 00	Gasket	/R	1	
16	911 561 464 01	Gasket	/R	1	
17	911 561 083 01	Clamp		1	
	911 561 083 01 700	Black			
18	911 561 371 00	Sealing rubber		1	
19	900 076 010 02	Nut		8	
		M 6			
19	900 076 010 0B	Nut		8	
		M 6			
20	N 011 524 7	Washer		2	
		A 6,4			
20	N 011 524 27	Washer		2	
		A 6,4			
21	911 561 379 01	Support		3	
23	900 075 357 02	Combination screw		3	
		M 6 X 12			
23	900 075 456 01	Combination screw		3	
		M 6 X 12			
24	999 703 169 40	Cap		3	
		16 X 22 X 13			

Model: 911 89

Model life 1989>>1994



Model: 911 89 Model life 1989>>1994

Pos	Part Number	Description	Remark	Qty	Model
		Convertible top covering			CABRIO
		Seal			
		Single parts			
1	911 561 051 01	Convertible top covering		1	
		Roof			
	911 561 051 01 6HA	Dark blue	90		
	911 561 051 01 7JW	Blue/black			
	911 561 051 01 7MH	Mahogany	90		
	911 561 051 01 3WW	Mahogany	90		
	911 561 051 01 7MK	Burgundy	90		
	911 561 051 01 9LW	Burgundy	90		
	911 561 051 01 2XW	Black			
	911 561 051 01 3ZL	Cobalt blue	91-		
	911 561 051 01 5YH	Magenta	91-		
	911 561 051 01 5XF	Classic grey	92-		
	911 561 051 01 B39	Florentine grey	92		TURBO-LOOK
2	911 561 359 65	Rear window		1	
3	911 561 053 65	Rear window		1	
		with			
		Cover			
	911 561 053 65 6HA	Dark blue			
	911 561 053 65 7JW	Blue/black			
	911 561 053 65 7MH	Mahogany	90		
	911 561 053 65 3WW	Mahogany	90		
	911 561 053 65 7MK	Burgundy	90		
	911 561 053 65 9LW	Burgundy	90		
	911 561 053 65 2XW	Black			
	911 561 053 65 3ZL	Cobalt blue	91-		
	911 561 053 65 5YH	Magenta	91-		
	911 561 053 65 5XF	Classic grey	92-		
	911 561 053 65 B39	Florentine grey	92		TURBO-LOOK
4	911 561 405 02	Zip		1	
	911 561 405 02 3AV	Black			
5	911 561 523 02	Traction noose		1	
	911 561 523 02 8YR	Black			
6	999 591 836 17	Push button		1	
7	999 591 838 17	Push button		1	
8	000 043 022 00	Zip		X	
		Repair kit			
	000 043 022 00 3AV	Black			
10	911 561 244 01	Roof frame seal		1	
11	911 561 153 65	Restraining strap		2	
12	911 561 189 66	Roof frame seal	/L	1	
	911 561 189 66 8VB	Black			
		Outer			
(12)	911 561 190 66	Roof frame seal	/R	1	
	911 561 190 66 8VB	Black			
		Outer			
13	911 561 187 00	Roof frame seal	/L	1	
(13)	911 561 188 00	Roof frame seal	/R	1	
		Inner			
14	911 561 681 01	Gasket	/L	1	
	911 561 681 01 8VB	Black			
(14)	911 561 682 01	Gasket	/R	1	
	911 561 682 01 8VB	Black			
15	911 561 025 04	Rail	/L	1	
	911 561 025 04 70B	Black			
(15)	911 561 026 04	Rail	/R	1	
	911 561 026 04 70B	Black			
16	900 076 063 07	Hexagon nut		8	
		M 5			
17	900 151 038 07	Washer		8	
		A 5,3			

Model: 911 89 Model life 1989>>1994

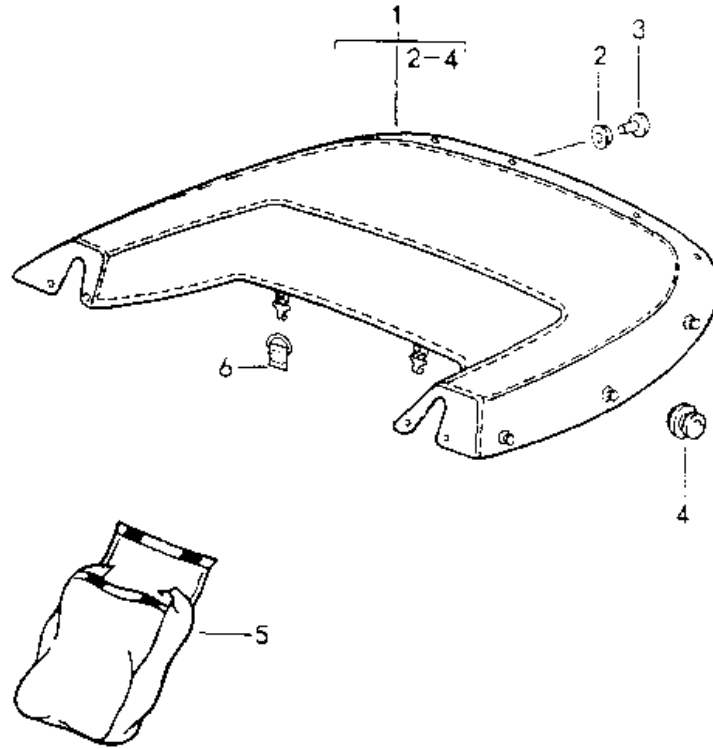
Pos	Part Number	Description	Remark	Qty	Model
18	911 561 793 00	Rail	/L	1	
(18)	911 561 794 00	Rail	/R	1	
19	911 561 301 00	Rain channel	/L	1	
	911 561 301 00 70K	Black			
(19)	911 561 302 00	Rain channel	/R	1	
	911 561 302 00 70K	Black			
20	900 151 028 02	Washer B 4,3		8	
20	900 151 028 01	Washer B 4,3		8	
21	N 013 957 5	Oval-head sheetmetal screw B 3,5 X 9,5		8	
22	999 190 162 37	Blind rivet B 3,2 X 12,6		12	
22	PCG 190 162 37	Blind rivet B 3,2 X 12,6		12	
23	911 561 239 00	Tension rope	/L	1	
(23)	911 561 240 00	Tension rope	/R	1	
24	911 561 403 01	Tension spring		2	
25	911 561 407 00	Support		2	
26	N 010 211 4	Hexagon-head bolt M 6 X 12		2	
27	N 011 524 7	Washer A 6,4		2	
27	N 011 524 27	Washer A 6,4		2	
28	900 075 100 02	Hexagon-head bolt M 4 X 12		2	
28	900 075 100 03	Hexagon-head bolt M 4 X 12		2	
29	900 910 006 02	Lock nut M 4		4	
29	900 084 020 01	Lock nut M 4		4	
30	900 025 002 02	Washer A 4,3		4	
30	900 025 002 03	Washer A 4,3		4	
31	900 144 028 07	Tapping screw B 3,5 X 13		4	
32	999 591 102 17	Washer \$=3,5		2	
32	999 591 102 1H	Washer \$=3,5		2	
33	999 591 835 17	Snap fastener lower part		2	
34	999 591 598 02	Tenax lower part B 4,2 X 16		2	
(34)	999 591 597 02	Tenax lower part B 4,2 X 10		6	
35	911 561 455 01	Corner piece	/L	1	
	911 561 455 01 70B	Black			
(35)	911 561 456 01	Corner piece	/R	1	
	911 561 456 01 70B	Black			
36	N 033 203 2	Countersunk-head screw M 4 X 20		2	
37	911 561 059 66	Lining		1	
	911 561 059 66 700	Black Main folding top bow			
38	911 561 597 00	Rosette	/L	1	
	911 561 597 00 70B	Black			
38	911 561 598 66	Rosette	/R	1	
	911 561 598 66 70B	Black			
39	900 145 096 07	Oval-head sheetmetal screw		12	

Model: 911 89 Model life 1989>>1994

Pos	Part Number	Description	Remark	Qty	Model
39	900 145 096 0G	4,2 X 16 Oval-head sheetmetal screw		12	
40	999 591 116 07	4,2 X 16 Cone washer		12	
41	999 507 020 02	Speed nut		4	
41	999 507 020 01	B 4,2 Speed nut		4	
42	911 561 050 00	4,2 Roofliner		1	
43	911 561 050 00 2FX	Black		1	
43	911 565 093 66	Padded cover		1	
44	911 565 093 66 700	Black		1	
44	911 561 781 65	Guide rose		2	
45	999 591 676 02	for emergency control Clamping washer		4	
45	999 591 676 01	\$ = 7,0 Clamping washer		4	
46	823 867 299	\$ = 7,0 Clip		6	
46	999 507 380 40	7,9 X 0,88 Clip		2	
47	911 565 271 65	8,0 X 0,88 Handle	/L	1	
(47)	911 565 271 65 70B	Black		1	
(47)	911 565 272 65	Handle	/R	1	
48	911 565 272 65 70B	Black		1	
48	999 591 587 40	Expansion rivet		2	
49	911 555 593 61	Edge protection		1	
50	911 565 299 60	Roof frame		2	
51	911 565 297 60	Moltoprene shim		1	
52	911 561 295 03	Cover		1	
53	911 561 295 03 70B	Black		1	
53	900 025 013 07	Washer		7	
54	900 143 133 07	A 3,7 Tapping screw		5	
55	900 143 124 07	BZ 3,5 X 6,5 Tapping screw		2	
		BZ 3,5 X 13			

Model: 911 89

Model life 1989>>1994

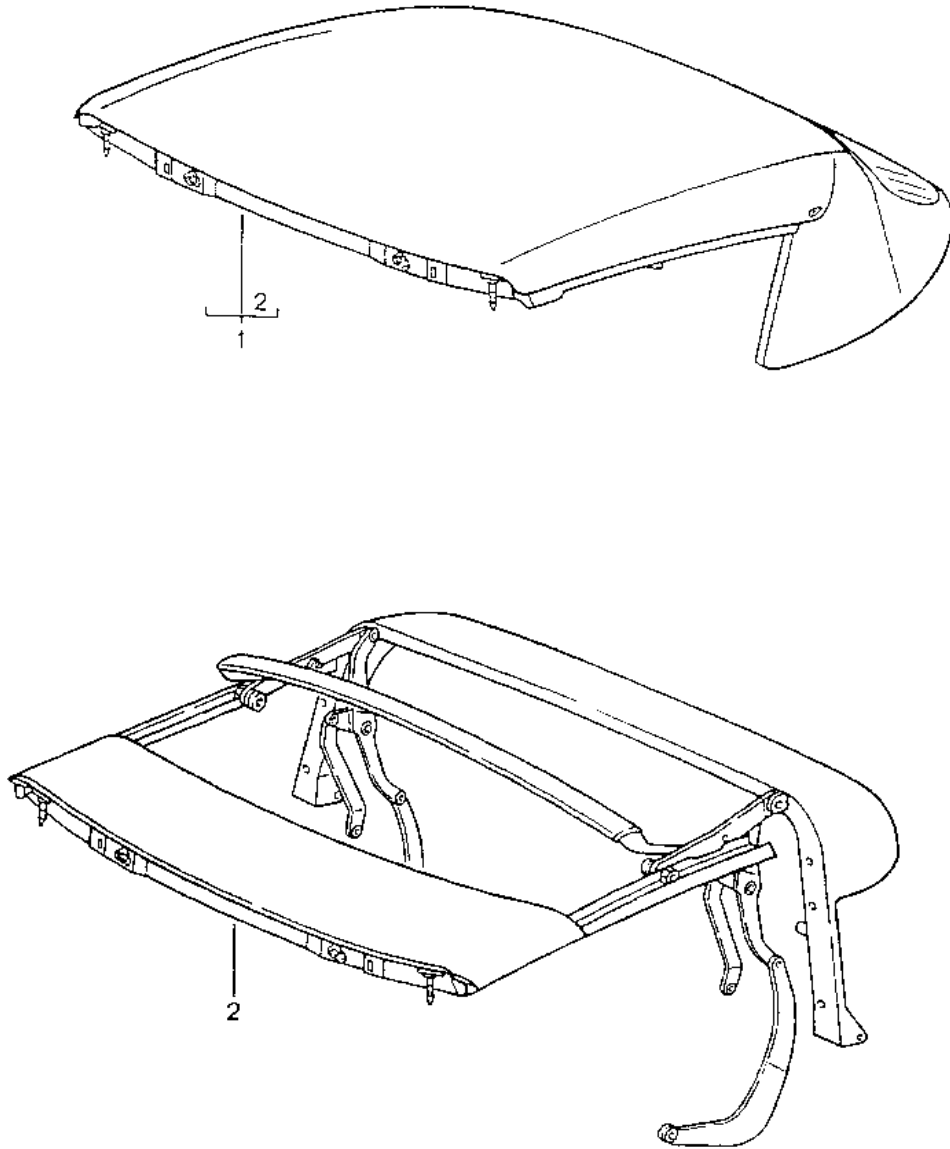


Model: 911 89 Model life 1989>>1994

Pos	Part Number	Description	Remark	Qty	Model
1	911 561 023 60	Convertible top cover		1	CABRIO
	911 561 023 60 6HA	Dark blue			
	911 561 023 60 7JW	Blue/black			
	911 561 023 60 7MH	Mahogany	90		
	911 561 023 60 7MK	Burgundy	90		
	911 561 023 60 9LW	Burgundy			
	911 561 023 60 2XW	Black			
	911 561 023 60 3ZL	Cobalt blue	91-		
	911 561 023 60 5YH	Magenta	91-		
	911 561 023 60 5XF	Classic grey	92-		
	911 561 023 60 B39	Florentine grey	92		TURBO-LOOK
2	999 591 836 17	Push button		6	
3	999 591 838 17	Push button		6	
4	999 591 983 12	Tenax upper part		8	
5	911 561 087 00	Bag		1	
6	911 561 493 00	Leather loop		2	

Model: 911 89

Model life 1989>>1994

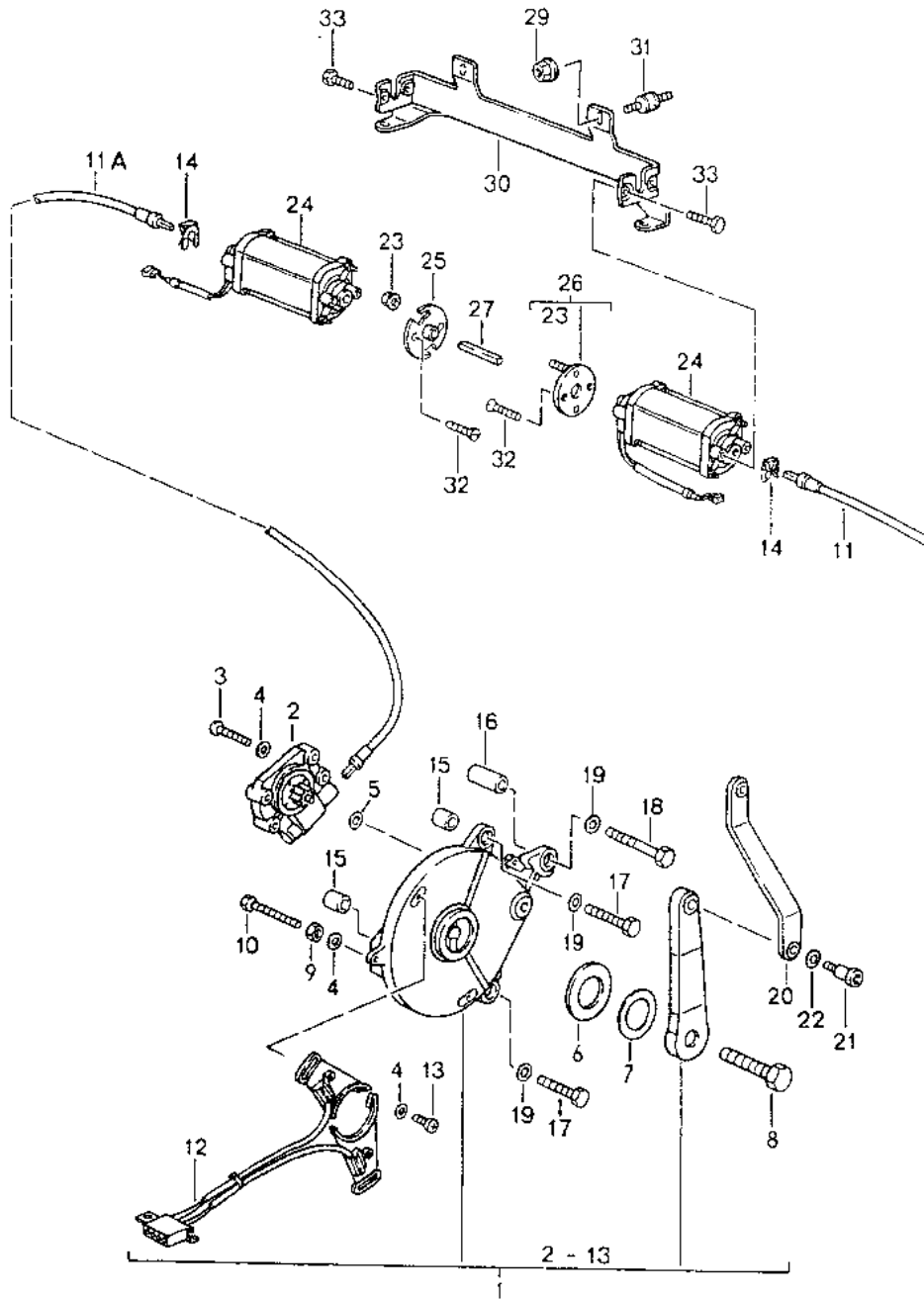


Model: 911 89 Model life 1989>>1994

Pos	Part Number	Description	Remark	Qty	Model	
1	964 561 005 01	Convertible top		1	CABRIO	
		Convertible top frame				
		Folding top				
		Complete				
		964 561 005 01 6HA	Dark blue			
		964 561 005 01 7JW	Dark blue			
		964 561 005 01 7MH	Mahogany			90
		964 561 005 01 3WW	Mahogany			90
		964 561 005 01 7MK	Burgundy			90
		964 561 005 01 9LW	Burgundy			90
		964 561 005 01 2XW	Black			
		964 561 005 01 3ZL	Cobalt blue			91-
		964 561 005 01 5YH	Magenta			91-
		964 561 005 01 5XF	Classic grey			92-
964 561 005 01 B39	Florentine grey	92				
2	964 561 011 01	Convertible top frame		1		
		964 561 011 01 70B	Black Complete			

Model: 911 89

Model life 1989>>1994



Model: 911 89 Model life 1989>>1994

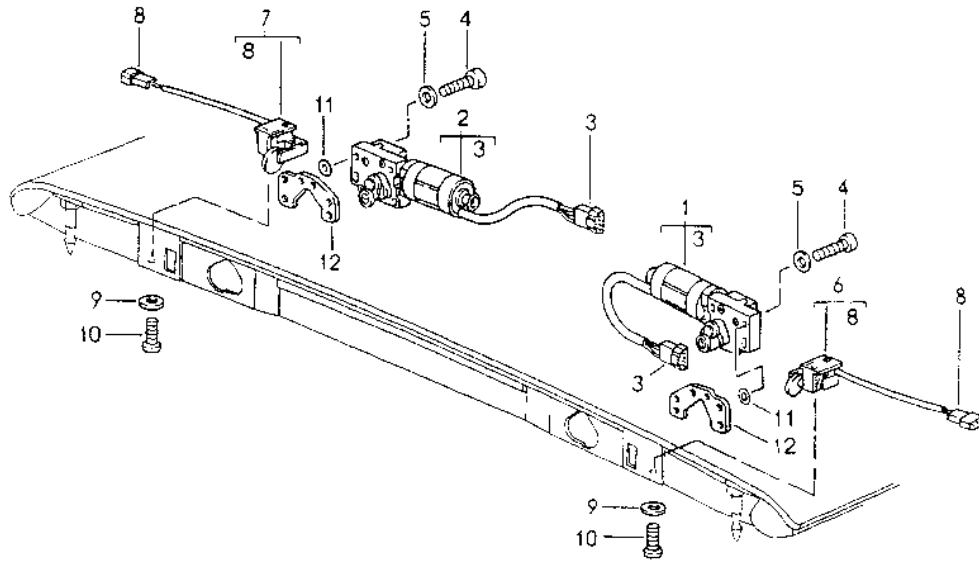
Pos	Part Number	Description	Remark	Qty	Model
		Convertible top			CABRIO
		Driving mechanism			
(1)	911 561 045 67	Transmission	/L	1	
	911 561 045 67 70B	Black			
1	911 561 046 67	Transmission	/R	1	
	911 561 046 67 70B	Black			
(2)	911 561 103 65	Planetary transmission	/L	1	
2	911 561 104 65	Planetary transmission	/R	1	
3	900 146 025 02	Half-round screw		4	
		M 4 X 18			
4	900 025 002 02	Washer		6	
		A 4,3			
4	900 025 002 03	Washer		6	
		A 4,3			
5	900 234 003 02	Shim		2	
		8 X 14 X 1,0			
5	900 234 003 01	Shim		2	
		8 X 14 X 1,0			
6	999 025 254 10	Washer		2	
		30 X 50 X 1,5			
7	900 234 143 02	Shim		X	
		30 X 42 X 0,1			
8	999 217 095 02	Hexagon-head bolt		2	
8	900 378 288 01	Hexagon-head bolt		2	
		Micro-self-locking			
		M 12 X 30			
9	N 011 004 6	Hexagon nut		2	
		M 4			
9	N 011 004 G	Nut		2	
		M 4			
10	N 040 257 1	Hexagon-head bolt		2	
		M 4 X 22			
11	993 561 921 03	Shaft	/L	1	
11A	993 561 922 03	Shaft	/R	1	
12	911 613 037 00	Microswitch		1	
		with			
		Plate			
12	911 613 037 01	Microswitch		1	
		with			
		Plate			
		It is necessary to rework			
		Use also:			
		Tie-wrap			
		1 x 999.513.049.40			
13	N 014 122 8	Oval-head screw		2	
		M 4 X 8			
13	N 014 122 17	Oval-head screw		2	
		M 4 X 8			
14	911 561 643 65	Spring clamp		2	
14	987 561 643 00	Spring clamp		2	
15	911 561 746 65	Spacer sleeve		4	
15	999 209 038 30	Spacer sleeve		4	
		8,0 X 6,0 X 15			
16	911 561 745 65	Spacer sleeve		2	
16	999 209 039 30	Spacer sleeve		2	
		8,0 X 6,0 X 30			
17	N 010 347 5	Hexagon-head bolt		4	
17	900 378 067 02	Hexagon-head bolt		4	
		M 6 X 35			
17	N 010 347 5	Hexagon-head bolt		4	
		M 6 X 35			
18	N 040 303 1	Hexagon-head bolt		2	
18	900 378 032 02	Hexagon-head bolt		2	

Model: 911 89 Model life 1989>>1994

Pos	Part Number	Description	Remark	Qty	Model
19	N 015 404 1	M 6 X 50 Washer		6	
19	900 223 030 02	A 6,4 Washer		6	
19	900 223 003 02	A 6,4 Washer		6	
19	900 223 001 02	A 6,4 Washer		6	
20	911 561 169 65	8,4 Push rod	/L	1	
(20)	911 561 170 65	70B Push rod	/R	1	
21	911 561 418 00	Black Screw		2	
22	911 561 428 00	M 8 X 20 Washer		2	
23	999 084 078 02	10,5 Hexagon nut		2	
24	911 624 117 00	M 5 Electric motor		2	
25	911 624 269 01	Washer		1	
26	911 624 171 01	§=50 Washer		1	
27	911 624 273 00	Connecting piece		1	
28	900 025 003 02	Washer		4	
29	900 377 009 02	A 5,3 Hexagon nut		4	
30	964 624 185 65	M 5 Support		1	
31	999 703 308 00	Bonded rubber mounting		4	
31	999 703 308 0A	15 X 8 / M5 Bonded rubber mounting		4	
32	999 919 045 02	15 X 8 / M5 Countersunk-head screw		4	
33	999 919 046 02	M 5 X 16 Hexagon-head bolt		4	
		M 5 X 16			

Model: 911 89

Model life 1989>>1994



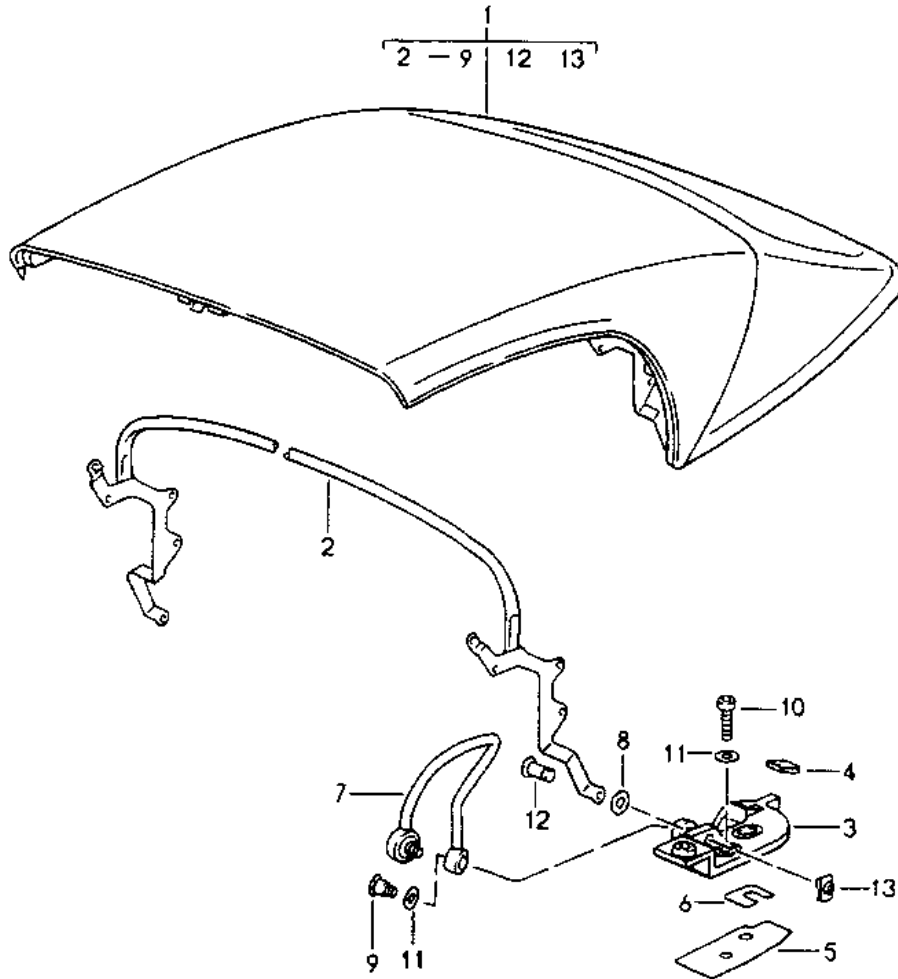
Model: 911 89

Model life 1989>>1994

Pos	Part Number	Description	Remark	Qty	Model
		Convertible top Catch			CABRIO
1	911 624 055 03	Electric motor	/L	1	
1	911 624 055 CX	Electric motor	/L	1	
2	911 624 056 03	Electric motor	/R	1	
2	911 624 056 CX	Electric motor	/R	1	
3	171 971 998 C	Connector housing		2	
4	N 014 743 2	Pan-head screw M 6 X 30		8	
4	900 067 012 03	Pan-head screw M 6 X 30		8	
5	N 011 524 7	Washer A 6,4		8	
5	N 011 524 27	Washer A 6,4		8	
6	911 613 015 00	Microswitch	/L	1	
7	911 613 016 00	Microswitch	/R	1	
8	171 971 998 A	Connector housing		2	
9	900 151 028 02	Washer B 4,3		4	
9	900 151 028 01	Washer B 4,3		4	
10	900 146 011 02	Oval-head screw M 4 X 10		4	
11	N 027 401 1	Shim 6 X 12 X 1,0		8	
12	911 561 547 01	Threaded plate		2	

Model: 911 89

Model life 1989>>1994

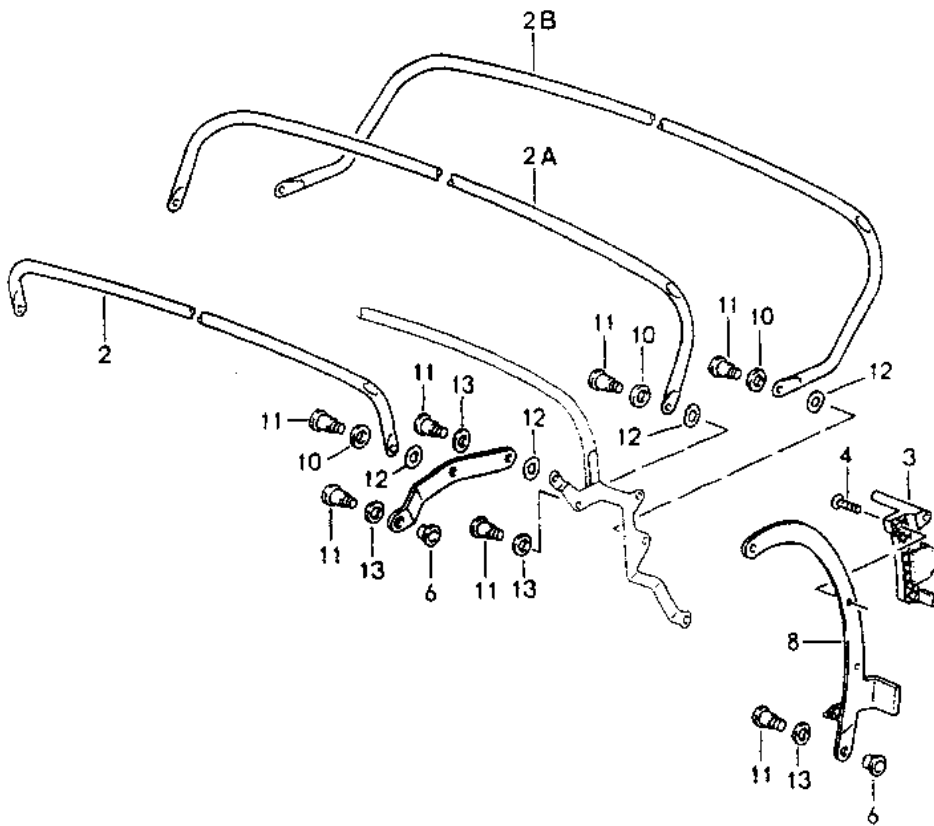
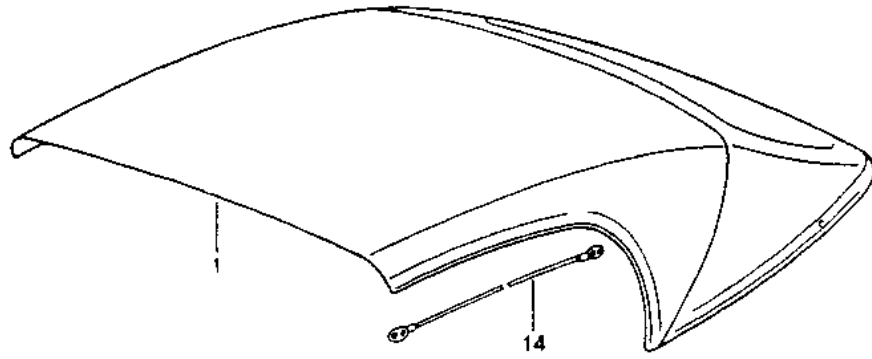


Model: 911 89 Model life 1989>>1994

Pos	Part Number	Description	Remark	Qty	Model
		Folding top Complete Main folding top bow Single parts			SPEEDSTER
1	964 563 005 00	Folding top Ready for installation		1	
	964 563 005 00 2XW	Black			
2	964 563 071 00	Main folding top bow		1	
3	964 563 743 01	Bearing	/L	1	
(3)	964 563 744 01	Bearing	/R	1	
4	964 563 747 00	Rubber buffer		2	
5	964 563 453 00	Desk pad		4	
(5)	964 563 453 01	Desk pad		2	
6	964 563 463 01	Desk pad		4	
(6)		Desk pad		2	
7	964 563 059 00	Clip	/L	1	
(7)	964 563 060 00	Clip	/R	1	
-	964 563 425 00	Screw M 6 for Clip Loctite Lock for Screw Use		2	
8	911 561 428 00	Washer		4	
9	911 561 421 00	Screw M 8		2	
10	900 067 353 09	Pan-head screw M 8 X 25		6	
11	900 025 048 07	Washer A 8,4 X 17 X 1,6		6	
12	999 088 017 02	Bolt 11 X 19,5		2	
13	999 166 044 01	S1-lock 8		2	
13	999 166 044 0B	S1-lock 8		2	

Model: 911 89

Model life 1989>>1994

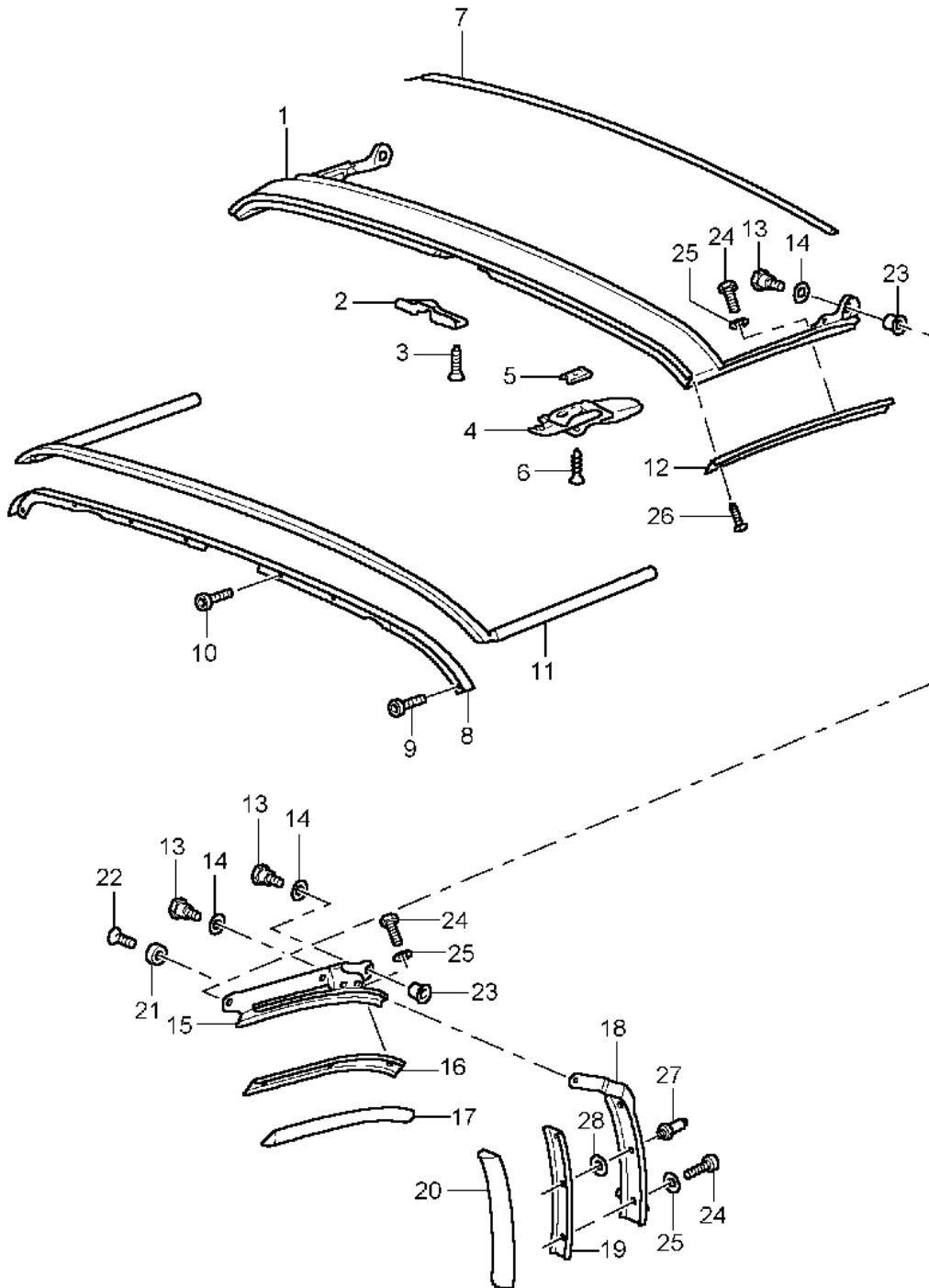


Model: 911 89 Model life 1989>>1994

Pos	Part Number	Description	Remark	Qty	Model
		Convertible top covering Convertible top frame Single parts			SPEEDSTER
1	964 563 049 00	Convertible top covering with Rear window		1	
	964 563 049 00 2XW	Black			
(1)	999 911 557 4A	Adhesive tape		1	
2	964 563 181 00	Roof strut		1	
	964 563 181 00 70K	Black			
2A	964 563 115 00	Roof strut		1	
	964 563 115 00 70K	Black			
2B	964 563 333 00	Roof strut		1	
	964 563 333 00 70K	Black			
3	964 563 421 00	Stop	/L	1	
(3)	964 563 422 00	Stop	/R	1	
4	900 249 001 07	Countersunk-head screw M 6 X 15		1	
5	964 563 179 00	Steering arm	/L	1	
(5)	964 563 180 00	Steering arm	/R	1	
6	999 209 027 40	Bush 10 X 11,5 X 7		4	
8	964 563 173 00	Steering arm	/H /L	1	
(8)	964 563 174 00	Steering arm	/H /R	1	
10	999 025 210 40	Washer 10,5 X 18 X 4		6	
11	999 218 052 07	Screw Micro-self-locking M 8 X 9,2		12	
12	900 222 009 07	Cup spring		10	
13	999 025 217 40	Washer 10,5 X 18 X 2		6	
14	964 563 405 00	Tension rope		2	
27	N 011 524 27	Washer A 6,4		2	
28	900 910 047 09	Lock nut M 6		2	

Model: 911 89

Model life 1989>>1994

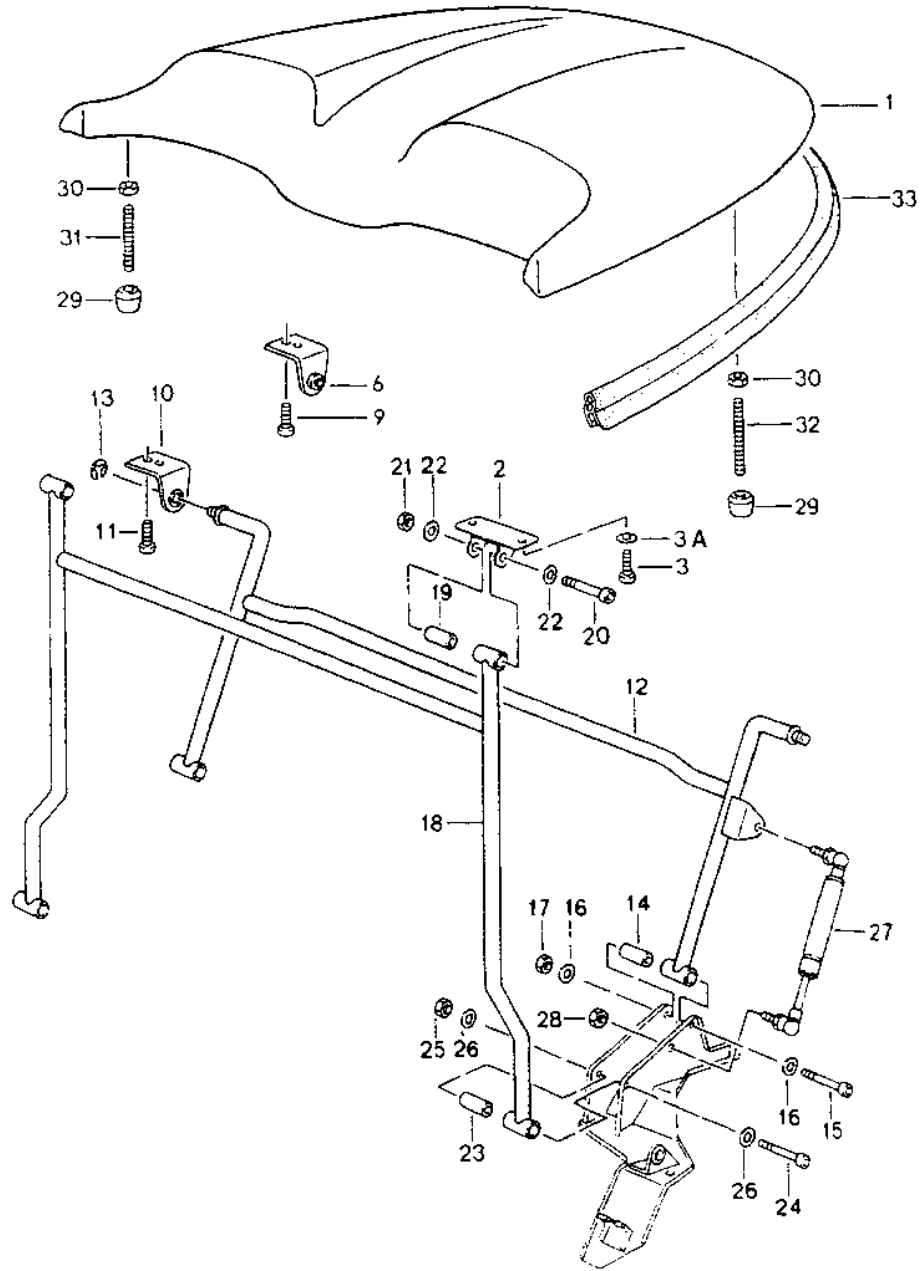


Model: 911 89 Model life 1989>>1994

Pos	Part Number	Description	Remark	Qty	Model
		Folding top			SPEEDSTER
		Seal			
1	964 563 027 01	Roof frame		1	
2	911 563 633 00	Roof frame		1	
	911 563 633 00 01C	Handle			
3	900 270 063 07	Black			
		Countersunk-head screw		2	
		M 5 X 10			
4	964 563 081 00	Catch		2	
6	N 014 098 6	Rais. counters. h. tap. s.		6	
		B 4,8 X 16			
7	911 555 593 61	Edge protection		1	
		1155 MM			
8	964 563 735 00	Rail		1	
9	900 144 028 07	Tapping screw		2	
		B 3,5 X 13			
10	999 073 040 00	Tapping screw		6	
		B 4,2 X 9,5			
11	964 563 325 00	Gasket		1	
12	964 563 511 01	Retaining strip	/V /L	1	
(12)	964 563 518 01	Retaining strip	/H /R	1	
13	999 218 052 07	Screw		6	
		Micro-self-locking			
		M 8 X 9,2			
14	999 025 217 40	Washer		10	
		10,5 X 18 X 2			
15	964 563 089 00	Roof frame	/L	1	
(15)	964 563 090 00	Roof frame	/R	1	
		Centre			
16	964 563 515 01	Retaining strip	/L	1	
(16)	964 563 516 01	Retaining strip	/R	1	
		Centre			
17	964 563 335 00	Gasket	/L	1	
(17)	964 563 336 00	Gasket	/R	1	
18	964 563 051 00	Roof frame	/H /L	1	
(18)	964 563 052 00	Roof frame	/H /R	1	
19	964 563 517 01	Retaining strip	/H /L	1	
(19)	964 563 518 01	Retaining strip	/H /R	1	
20	964 563 345 00	Gasket	/H /L	1	
(20)	964 563 346 00	Gasket	/H /R	1	
21	964 563 402 00	Eccentric washer		2	
22	N 033 185 1	Countersunk-head screw		2	
		M 4 X 16			
23	999 209 027 40	Bush		4	
		10 X 11,5 X 7			
24	900 067 344 07	Pan-head screw		18	
		M 4 X 8			
25	900 151 027 07	Washer		18	
		B 5,3			
26	999 025 246 40	Washer		2	
27	964 563 855 00	Locating peg		2	

Model: 911 89

Model life 1989>>1994

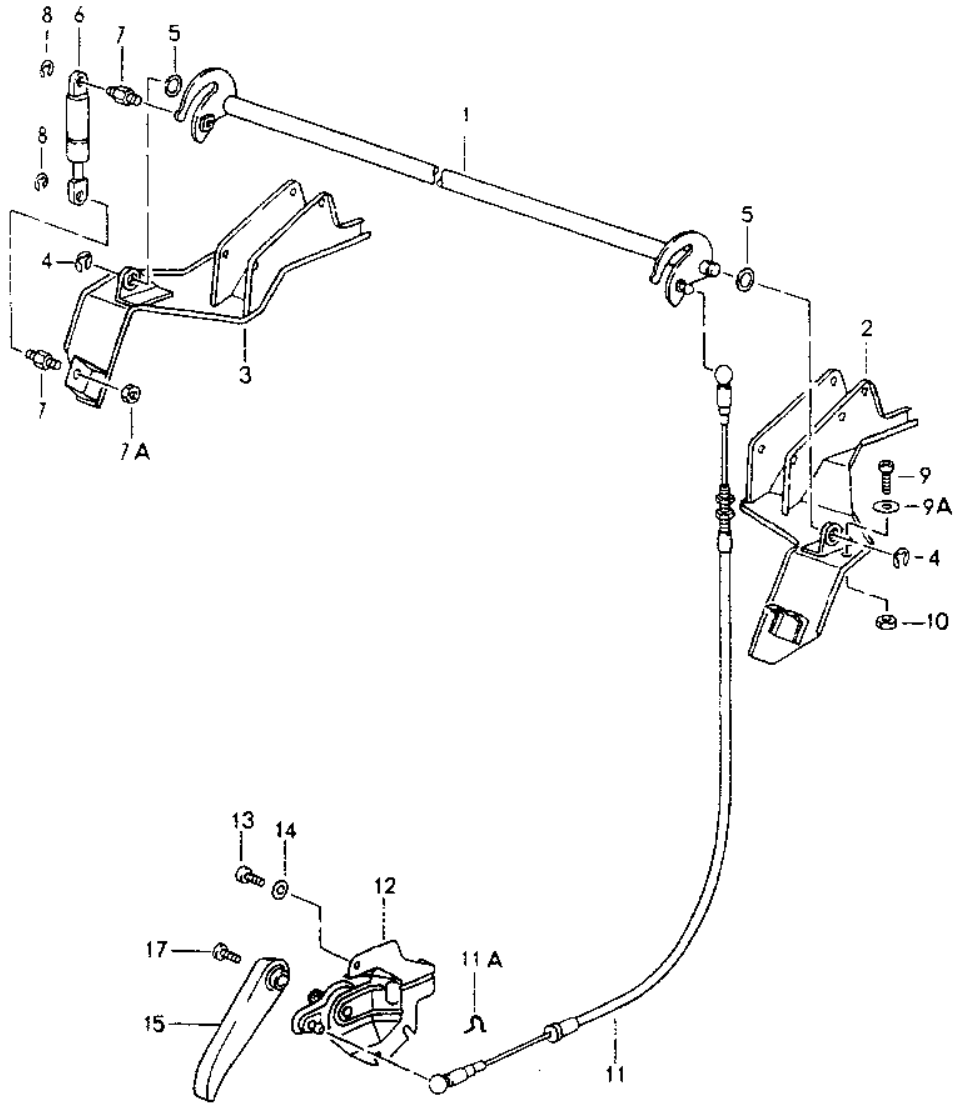


Model: 911 89 Model life 1989>>1994

Pos	Part Number	Description	Remark	Qty	Model
		Rear covering			SPEEDSTER
1	964 504 111 00	Rear covering		1	
	964 504 111 00 G2X	Prime coated			
2	964 504 361 00	Bearing bracket		1	
		Centre			
3	900 067 226 07	Pan-head screw		4	
		M 6 X 20			
3A	900 223 013 07	Washer		4	
		6,4			
6	964 504 663 00	Support		2	
9	900 067 226 07	Pan-head screw		4	
		M 6 X 20			
10	964 504 667 00	Bracket		2	
11	900 067 226 07	Pan-head screw		4	
		M 6 X 20			
12	964 504 441 00	Cross tube		1	
13	N 012 439 2	Lock washer		2	
		8			
14	964 504 890 00	Bush		4	
15	900 067 307 07	Pan-head screw		2	
		M 6 X 45			
16	900 025 047 07	Washer		4	
		A 6,4 X 12,5			
17	900 076 010 07	Hexagon nut		2	
		M 6			
18	964 504 433 00	Control arm		1	
19	964 504 890 00	Bush		4	
20	900 067 307 07	Pan-head screw		2	
		M 6 X 45			
21	900 076 010 07	Hexagon nut		2	
		M 6			
22	900 025 047 07	Washer		2	
		A 6,4 X 12,5			
23	964 504 890 00	Bush		4	
24	900 067 307 07	Pan-head screw		2	
		M 6 X 45			
25	900 076 010 07	Hexagon nut		2	
		M 6			
26	900 025 047 07	Washer		4	
		A 6,4 X 12,5			
27	911 504 231 00	Gas-pressure spring		1	
28	900 076 062 07	Hexagon nut		1	
		M 8			
29	911 504 733 00	Cap		2	
	911 504 733 00 70B	Black			
29	999 703 405 40	Stop		4	
		20,6 X 12,7			
30	900 076 010 07	Hexagon nut		4	
		M 6			
31	N 044 703 3	Pan-head screw		2	
		M 6 X 45			
31	900 402 011 07	Threaded bolt		2	
		M 6 X 50			
32	900 067 013 02	Pan-head screw		2	
		M 6 X 32			
32	900 402 012 07	Threaded bolt		2	
		M 6 X 40			
33	964 504 333 00	Gasket		1	

Model: 911 89

Model life 1989>>1994

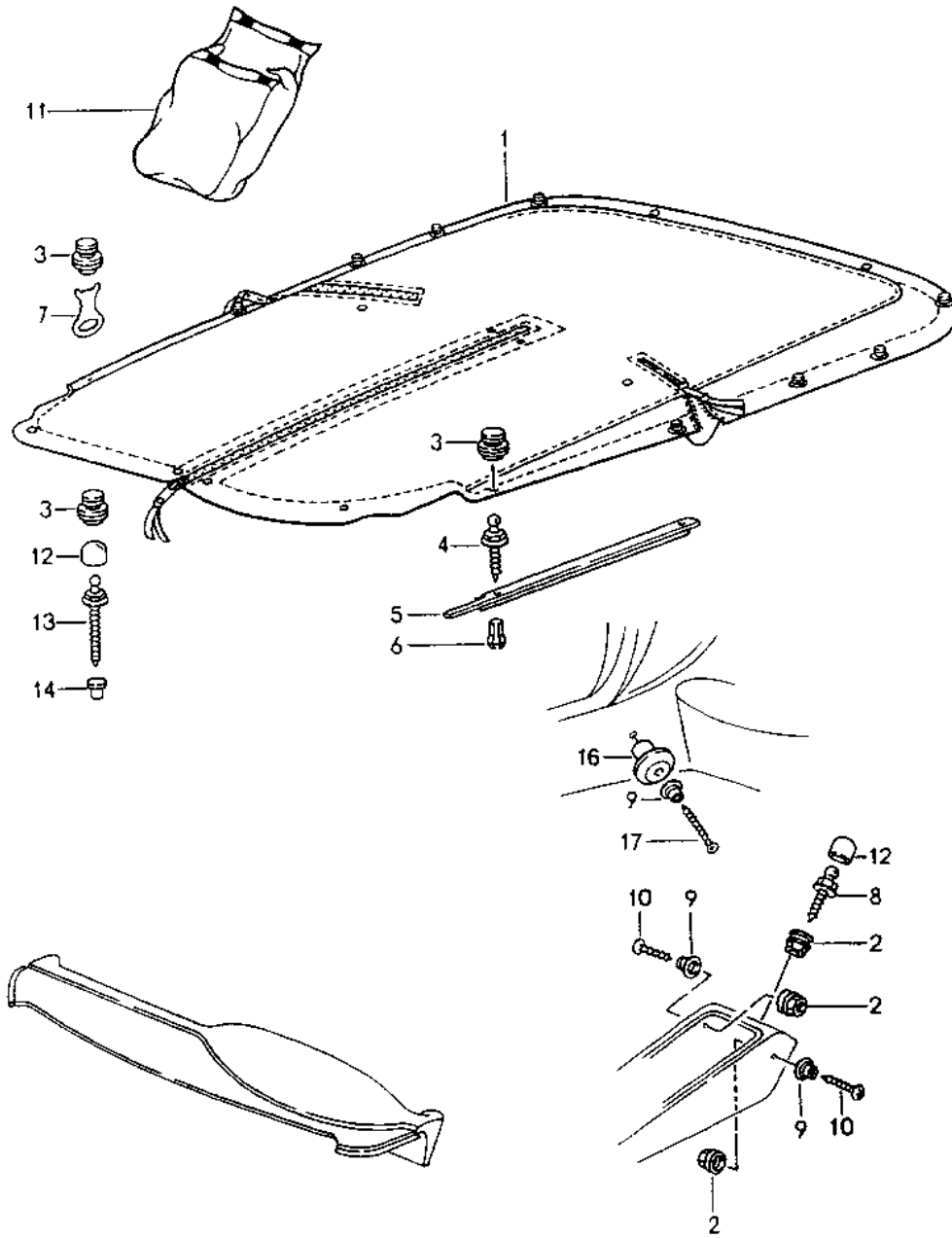


Model: 911 89 Model life 1989>>1994

Pos	Part Number	Description	Remark	Qty	Model
		Rear covering			SPEEDSTER
		Control shaft			
		Single parts			
1	964 504 279 00	Control shaft		1	
2	964 504 373 00	Mounting plate	/L	1	
3	964 504 374 00	Mounting plate	/R	1	
4	900 116 015 09	Lock washer		2	
		10			
5	964 504 879 00	Washer		2	
6	964 504 585 00	Gas-pressure spring		1	
7	964 504 795 00	Screw bolt		2	
7A	900 910 047 09	Lock nut		1	
		M 6			
8	900 116 004 09	Lock washer		2	
		5			
9	900 067 226 07	Pan-head screw		2	
		M 6 X 20			
9A	900 223 013 07	Washer		2	
		6,4			
10	900 076 010 07	Hexagon nut		4	
		M 6			
11	964 504 365 00	Bowden cable		1	
11A	900 169 014 02	Securing clip		1	
		8			
11A	900 169 014 01	Securing clip		1	
		8			
12	964 504 321 00	Support		1	
13	900 067 185 07	Pan-head screw		3	
		M 6 X 12			
14	900 025 047 07	Washer		3	
		A 6,4 X 12,5			
15	964 504 557 00	Crank		1	
	964 504 557 00 01C	Satin black			
16	111 837 595	Desk pad		1	
(17)	900 269 017 02	Countersunk-head screw		1	
17	900 146 139 07	Round head screw		1	
		Micro-self-locking			
		M 5 X 12			

Model: 911 89

Model life 1989>>1994

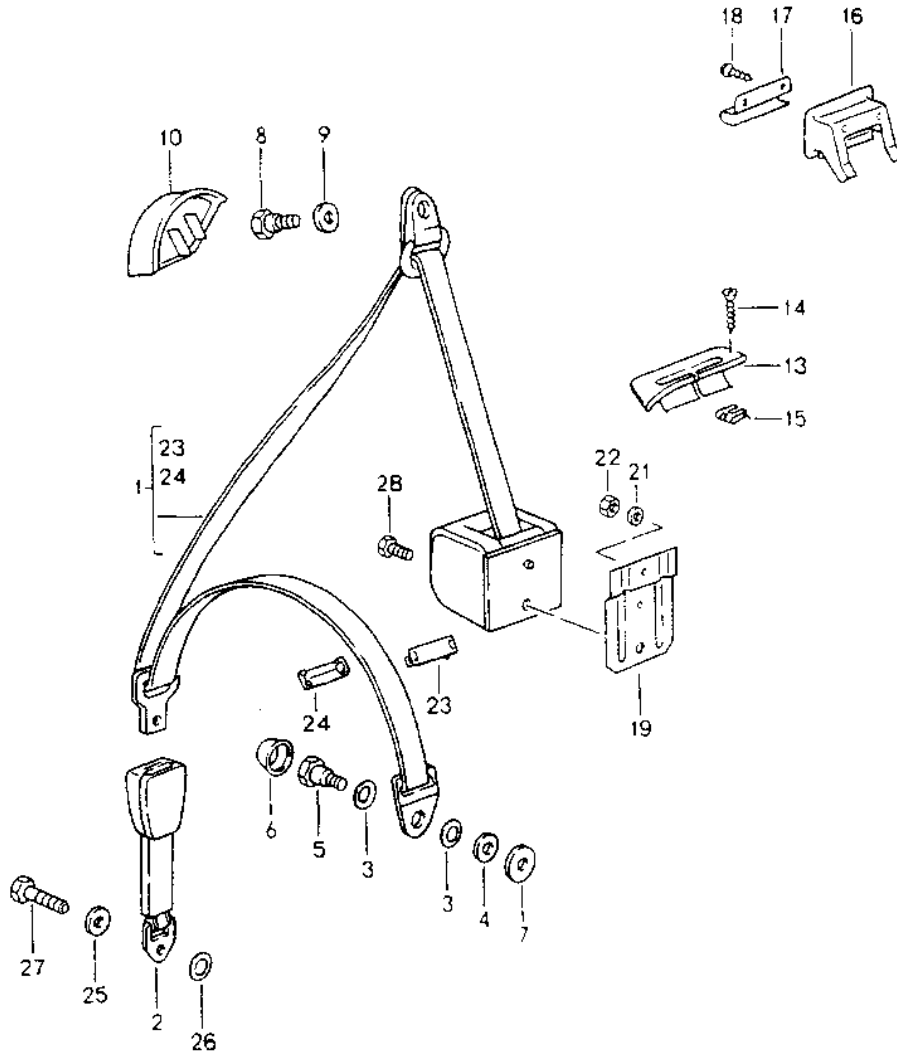


Model: 911 89 Model life 1989>>1994

Pos	Part Number	Description	Remark	Qty	Model
		Tonneau cover for subsequent installation See technical information GR.X NR.3/84			CABRIO
1	964 561 411 00	Tonneau cover	/LL	1	
	964 561 411 00 3AV	Black			
	964 561 411 00 7MH	Mahogany	90		
	964 561 411 00 6HA	Dark blue			
	964 561 411 00 7MK	Burgundy	90		
	964 561 411 00 2XW	Black			
	964 561 411 00 3ZL	Cobalt blue	91-		
	964 561 411 00 5YH	Magenta	91-		
	964 561 411 00 5XF	Classic grey	92-		
	964 561 411 00 B39	Florentine grey	92		
(1)	964 561 411 01	Tonneau cover	/RL	1	
	964 561 411 01 3AV	Black			
	964 561 411 01 7MH	Mahogany	90		
	964 561 411 01 6HA	Dark blue			
	964 561 411 01 7MK	Burgundy	90		
	964 561 411 01 2XW	Black			
	964 561 411 01 3ZL	Cobalt blue	91-		
	964 561 411 01 5YH	Magenta	91-		
	964 561 411 01 5XF	Classic grey	92-		
	964 561 411 01 B39	Florentine grey	92		
2	999 591 716 02	Tapping nut 3,0		3	
3	999 591 983 12	Tenax upper part		8	
4	999 591 598 02	Tenax lower part		4	
5	911 531 041 60	Moulding	/L	1	
	911 531 041 60 70K	Black			
(5)	911 531 042 60	Moulding	/R	1	
	911 531 042 60 70K	Black			
6	999 591 708 02	Prestole cage		4	
7	000 043 032 00	Key		X	
8	999 591 597 02	Tenax lower part		1	
9	999 591 834 17	Snap fastener lower part		4	
10	900 144 031 07	Counters. head tapp. screw 3,5 X 16		2	
11	911 561 087 00	Bag		1	
12	911 561 529 00	Cap		4	
13	999 591 608 17	Tenax lower part B 4,2 X 22		3	
14	999 703 182 40	Stopper \$=4		3	
16	964 561 731 00	Spacer sleeve		2	
	964 561 731 00 01C	Satin black			
17	900 145 082 07	Tapping screw B 3,5 X 38		2	

Model: 911 89

Model life 1989>>1994



Model: 911 89 Model life 1989>>1994

Pos	Part Number	Description	Remark	Qty	Model
1	928 803 126 10 928 803 126 10 70B	Seat belt Front Seat belt Black Automatic	TURBO 89	2	CARRERA 2/4 TURBO-LOOK
1	964 803 125 02 964 803 125 02 70B	Seat belt Black Automatic	90-91	2	
1	964 803 033 00 964 803 033 00 70B	Seat belt Black Automatic	90 -91	2	
1	964 803 033 03 964 803 033 03 70B	Seat belt Black Automatic	90-	2	
2	964 803 183 00 964 803 183 00 70B	Seat-belt buckle Black Passenger's side		1	
(2)	964 803 183 01 964 803 183 01 70B	Seat-belt buckle Black Driver's side		1	
3	211 857 771	Washer	89	4	
3		Washer	90-	4	
(4)	810 019 829	Spacer	89	2	
4	999 924 063 02	Spacer sleeve 12 X 18 X 5	90-	2	
5	111 857 793 E	Hexagon-head bolt		2	
6	811 857 845	Cap	89	2	
6		Cap	90-	2	
7	111 857 707 A	Spacer	90-	2	
7	WHT 001 373	Spacer	90-	2	
8	111 857 793 E	Hexagon-head bolt		2	COUPE
8	803 019 811 B	Hexagon-head bolt		2	TARGA
8	914 803 468 10	Screw		2	CABRIO
9	999 025 113 02	Washer 11,5 X 21 X 2		2	COUPE
(9)	477 857 643	Spacer sleeve		2	TARGA
(9)	999 209 033 02	Spacer sleeve		2	
10	944 803 141 00 944 803 141 00 70B	Cover Black		2	
13	911 555 615 01	Rosette	89	2	
13	911 803 615 00 911 803 615 00 01C	Rosette Black	/L 90-	1	COUPE
(13)	911 803 616 00 911 803 616 00 01C	Rosette Black	/R 90-	1	COUPE
14	N 014 093 3	Oval-head sheetmetal screw B 4,2 X 13		4	COUPE
15	999 507 020 02	Speed nut 4,2		4	COUPE
15	999 507 020 01	Speed nut 4,2		4	
16	901 803 139 00 901 803 139 00 01C	Rosette Black		2	TARGA
17	911 555 619 40	Relay lever		2	TARGA
18	900 145 071 07	Tapping screw B 3,5 X 13		4	TARGA
19	911 555 625 00	Support for seatbelt	89	2	
21	900 031 011 02	Washer 6,4		2	
22	900 076 010 02	Nut M 6		2	
22	900 076 010 0B	Nut M 6		2	
23	928 803 151 02	Clip	-91	2	

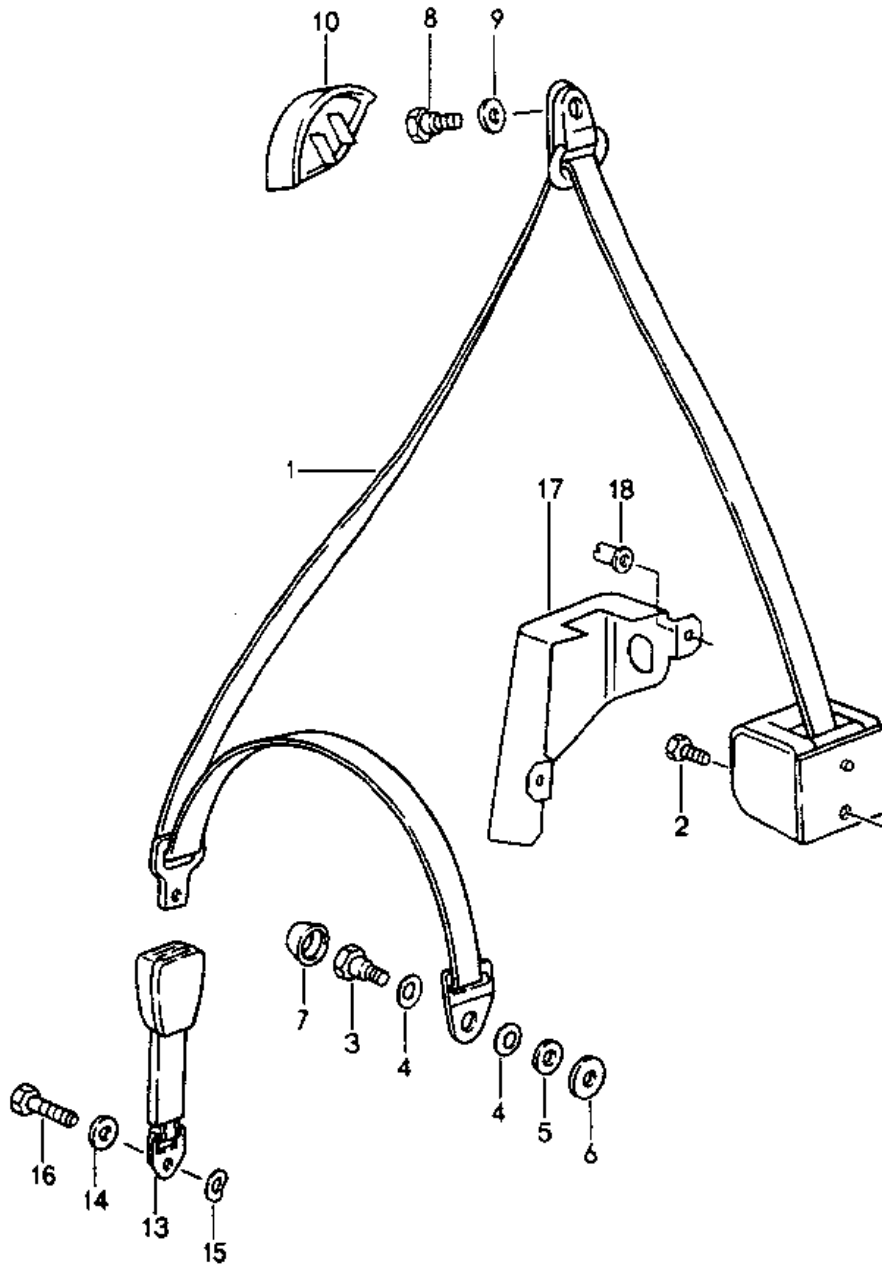
Model: 911 89

Model life 1989>>1994

Pos	Part Number	Description	Remark	Qty	Model
24	928 803 153 02	Upper part Clip	-91	2	
25	N 011 655 2	Lower part Washer		2	
26	999 028 014 02	Spring washer		2	
27	959 803 701 00	Hexagon-head bolt		2	
27	959 803 701 01	Hexagon-head bolt		2	
28	911 803 150 00	Screw		2	

Model: 911 89

Model life 1989>>1994

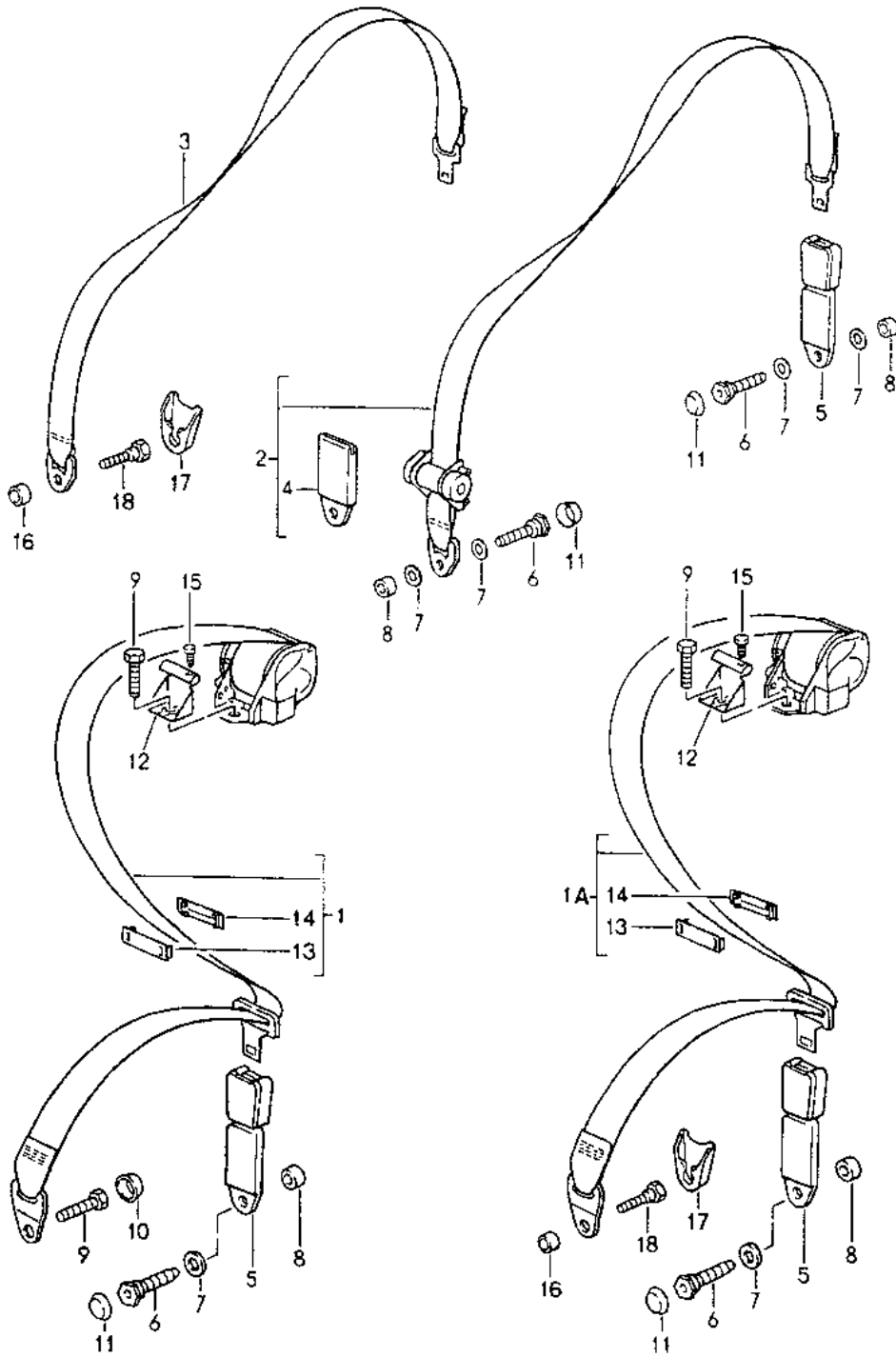


Model: 911 89 Model life 1989>>1994

Pos	Part Number	Description	Remark	Qty	Model
		Seat belt Front			CARRERA RS RS AMERICA SPEEDSTER
1	964 803 033 04	Seat belt Automatic		2	
	964 803 033 04 H03	Maritime blue			
	964 803 033 04 G33	Rubystone red			
	964 803 033 04 N13	Guards red			
	964 803 033 04 V02	Speed yellow	93		
1	964 803 033 03	Seat belt		2	
	964 803 033 03 70B	Black			
1	964 803 033 05	Seat belt Automatic		2	M562
	964 803 033 05 70B	Black			
1	964 803 033 06	Seat belt Automatic		2	M562
	964 803 033 06 H03	Maritime blue			
	964 803 033 06 N13	Guards red			
	964 803 033 06 V02	Speed yellow			
2	911 803 150 00	Screw		2	
3	111 857 793 E	Hexagon-head bolt		2	
4	211 857 771	Washer		4	
5	999 924 063 02	Spacer sleeve		2	
6	111 857 707 A	Spacer		2	
6	WHT 001 373	Spacer		2	
7	811 857 845	Cap		2	
8	111 857 793 E	Hexagon-head bolt		2	
8	914 803 468 10	Screw		2	SPEEDSTER
9	999 025 113 02	Washer		2	
10	944 803 141 00	Cover		2	
	944 803 141 00 70B	Black			
16	959 803 701 01	Hexagon-head bolt		2	
13-16		See group 8/06/76 - 8/06/77 Catalogue STZ 18			
17	964 555 327 00	Cover Carpet	/L	1	CARRERA RS
	964 555 327 00 5FV	Black			
(17)	964 555 328 00	Cover Carpet	/R	1	CARRERA RS
	964 555 328 00 5FV	Black			
18	999 049 001 40	Plastic nut		4	CARRERA RS

Model: 911 89

Model life 1989>>1994



Model: 911 89 Model life 1989>>1994

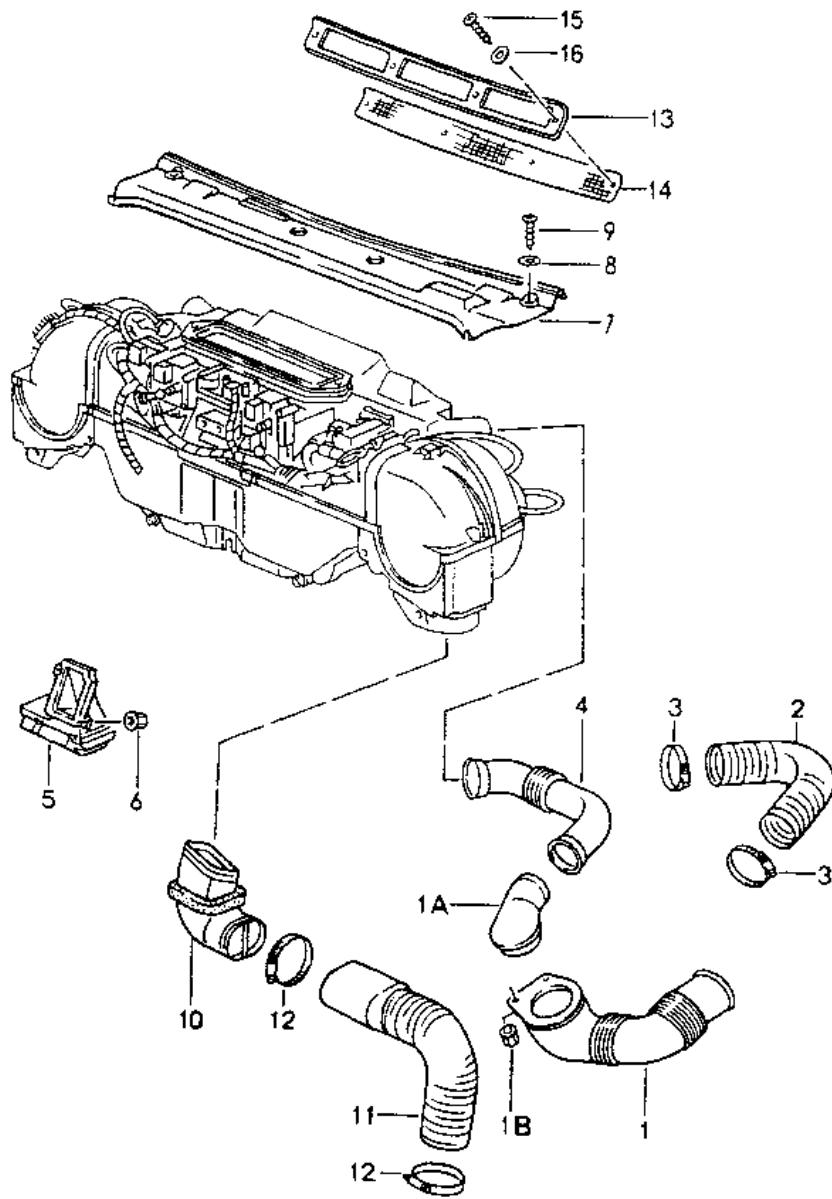
Pos	Part Number	Description	Remark	Qty	Model
1	911 803 049 07	Seat belt Rear Seat belt F >>96LS4 00425 F >>96LS4 10069		2	M335 COUPE TARGA
	911 803 049 07 70B	Black Automatic			
1A	964 803 021 00	Seat belt F 96LS4 00426>> F 96LS4 10070>>		2	COUPE/TARGA COUPE TARGA
	964 803 021 00 70B	Black Automatic			
(1A)	964 803 021 01	Seat belt F 96LS4 00426>> F 96LS4 10070>>		2	COUPE TARGA
	964 803 021 01 70B	Black Automatic			
(1A)	964 803 021 02	Seat belt F 96LS4 00426>> F 96LS4 10070>>		2	COUPE TARGA
	964 803 021 02 70B	Black Automatic			
(1A)	964 803 902 00	Seat belt F 96LS4 00426>> F 96LS4 10070>>	-93	2	COUPE/TARGA COUPE TARGA
	964 803 902 00 70B	Black Automatic 200 mm länger			
2	477 857 787 C	Child car seat	89-	2	M185/215
	477 857 787 C 70B	Seat belt			
2	477 857 787 C	Seat belt	90-	2	CABRIO M215
	477 857 787 C 70B	Automatic			
3	477 857 795	Seat belt		2	M186
	477 857 795 70B	Automatic F >>96LS4 00425 F >>96LS4 10069			COUPE TARGA
3	964 803 015 00	Lap belt F 96LS4 00426>> F 96LS4 10070>>		2	CABRIO M186 COUPE TARGA
	964 803 015 00 70B	Black Manually			
3	964 803 901 00	Lap belt F 96LS4 00426>> F 96LS4 10070>>		2	CABRIO COUPE TARGA TARGA
	964 803 901 00 70B	Black Manually 200 MM LÄNGER			
4	477 857 750 B	Child car seat	89	2	M185
4		Cap	90-	2	CABRIO
5	477 857 739 A	Seat-belt buckle		2	
5	477 857 739 B	Seat-belt buckle		2	
	477 857 739 B 70B	Black			
6	911 803 451 00	Fastening screw		2	
7	211 857 771	Washer		2	
8	901 803 116 40	Spacer sleeve		2	
9	111 857 799 A	Hexagon-head bolt	89	4	M335
9	3B0 857 799	Hexagon-head bolt	89-	4	M335
9	111 857 799 A	Hexagon-head bolt	90-	2	COUPE/TARGA
9	3B0 857 799	Hexagon-head bolt	90-	2	COUPE/TARGA

Model: 911 89 Model life 1989>>1994

Pos	Part Number	Description	Remark	Qty	Model
9	111 857 799	Hexagon-head bolt	93-	2	COUPE/TARGA
-	999 025 113 02	Washer	93-	2	COUPE/TARGA
		11,5 X 21 X 2			
10	811 857 845	Cap		2	M335
		F >>96LS4 00425			COUPE
		F >>96LS4 10069			TARGA
11	911 803 259 01	Cap		2	
	911 803 259 01 70B	Black			
12	911 803 479 00	Relay lever	89	2	M335
12		Relay lever	90-	2	COUPE/TARGA
13	928 803 151 02	Clip	89	2	M335
13		Clip	90-	2	COUPE/TARGA
		Upper part			
14	928 803 153 02	Clip	89	2	M335
14		Clip	90-	2	COUPE/TARGA
		Lower part			
15	477 885 699 C	Plug		2	COUPE/TARGA
16	999 924 064 02	Spacer sleeve		2	COUPE/TARGA
		12 X 18 X 14			CABRIO
		F 96LS4 00426>>			M186
		F 96LS4 10070>>			COUPE
16	999 924 064 01	Spacer sleeve		2	TARGA
		12 X 18 X 14			COUPE/TARGA
		F 96LS4 00426>>			CABRIO
		F 96LS4 10070>>			M186
17	964 803 141 00	Cap		2	COUPE/TARGA
					CABRIO
		F 96LS4 00426>>			M186
		F 96LS4 10070>>			COUPE
18	803 019 811 B	Hexagon-head bolt		2	TARGA
					COUPE/TARGA
		F 96LS4 00426>>			CABRIO
		F 96LS4 10070>>			M186
					COUPE
					TARGA

Model: 911 89

Model life 1989>>1994

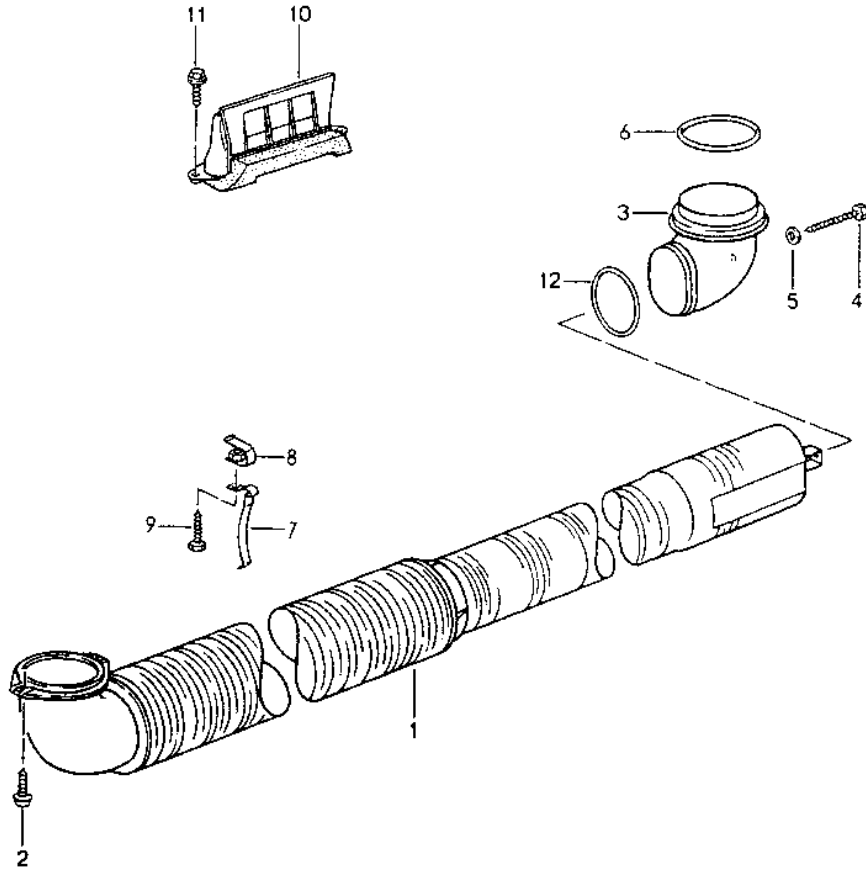


Model: 911 89 Model life 1989>>1994

Pos	Part Number	Description	Remark	Qty	Model
		Ventilation Heating system 1			
(1)	964 572 251 00	Air guide	/L 89	1	
(1)	964 572 252 00	Air guide	/R 89	1	
1	964 572 251 01	Air guide	/L	1	
		Side vent			
(1)	964 572 252 01	Air guide	/R	1	
		Side vent			
1A	964 572 241 00	Air guide		2	
		Cross panel			
1B	999 049 009 40	Plastic nut		1	
1B	999 591 839 40	Plastic nut		1	
		T 5			
2	911 573 115 00	Hose	/RL	2	
		LW 61 X 420			
3	999 512 349 02	Hose clamp	/RL	4	
		50-70/9			
3	999 512 349 01	Hose clamp	/RL	4	
		50-70/9			
3	999 512 349 0B	Hose clamp	/RL	4	
		50-70/9			
4	993 572 419 00	Air guide	/LL /L	1	
(4)	964 572 430 00	Air guide	/LL /R	1	
		Heater			
(5)	964 572 083 00	Footwell outlet vent	/L	1	
5	964 572 084 01	Footwell outlet vent	/R	1	
6	999 591 839 40	Plastic nut		4	
		T 5			
7	993 572 403 00	Cover		1	
8	999 025 188 07	Washer	89	2	
		5,3 X 17 X 1			
(8)	911 511 332 00	Spacer	90-	2	
9	900 143 124 07	Tapping screw	89	2	
		BZ 3,5 X 13			
(9)	900 143 047 07	Tapping screw	90-	2	
		B 4,2 X 19			
(9)	900 073 007 01	Tapping screw	90-	2	
		B 4,2 X 19			
10	964 572 045 00	Connection piece	/L	1	
(10)	964 572 046 00	Connection piece	/R	1	
		Upper			
11	964 572 527 01	Air hose	/L	1	
(11)	964 572 528 01	Air hose	/R	1	
12	999 512 351 02	Hose clamp		8	
		70 - 90/9			
13	911 559 401 00	Grille frame		1	
	911 559 401 00 70K	Black			
14	911 559 410 00	Grille		1	
14		Grille		1	
	911 559 410 00 70K				
14	993 559 411 00	Grille		1	
15	N 014 086 12	Tapping screw		4	
		B 3,5 X 13			
15	N 014 086 1C	Tapping screw		4	
		B 3,5 X 13			
16	901 559 491 20	Spacer		2	

Model: 911 89

Model life 1989>>1994

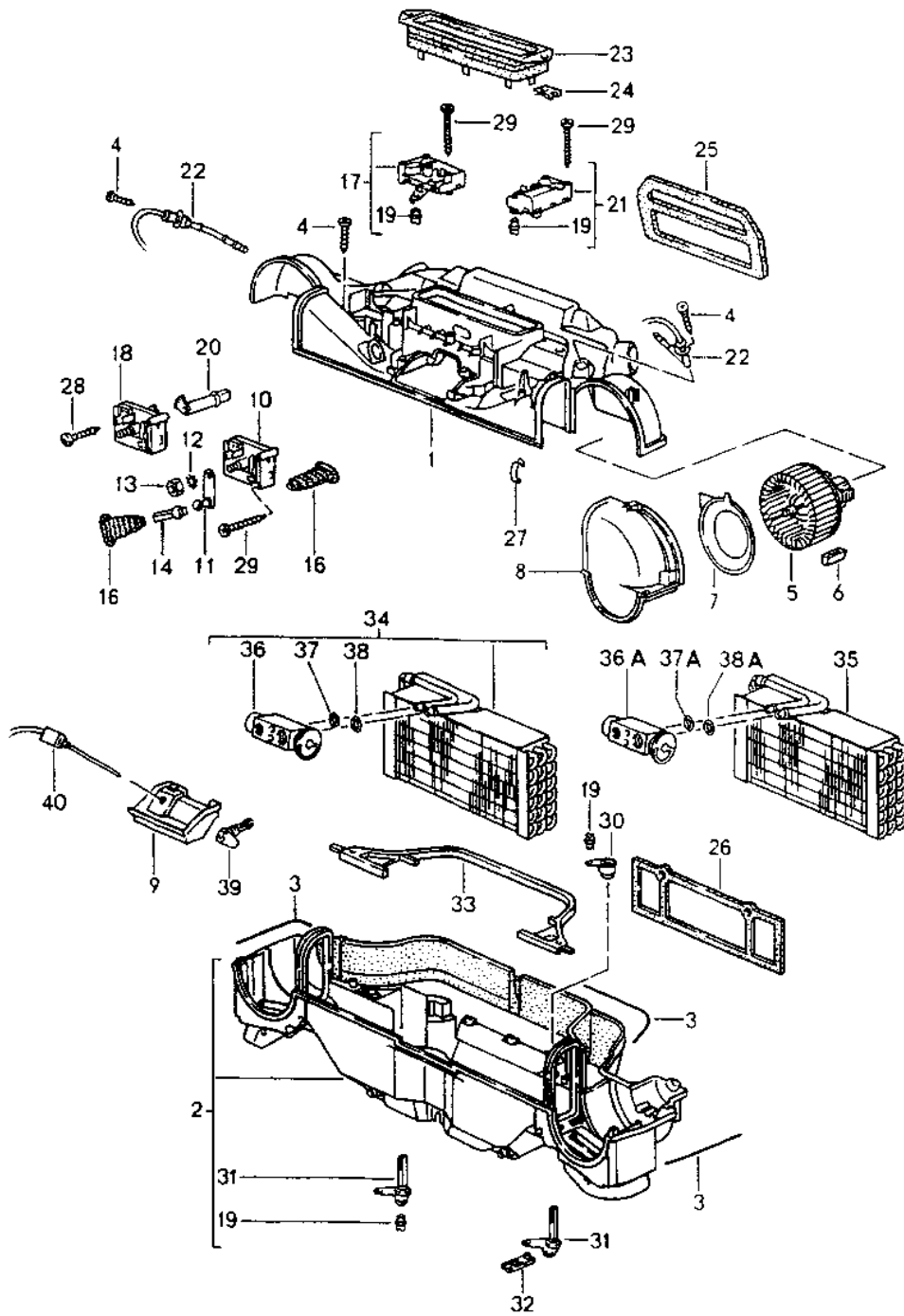


Model: 911 89 Model life 1989>>1994

Pos	Part Number	Description	Remark	Qty	Model
1	964 572 041 01	Ventilation Heating system 2 Muffler	TURBO	2	CARRERA 2/4 TURBO-LOOK
(1)	964 572 041 02	Muffler	002	2	CARRERA RS:M
(1)	964 572 041 01	Muffler		2	CARRERA RS
2	900 143 102 02	Combination screw B 4,2 X 19		4	CARRERA RS
2	900 143 093 01	Combination screw B 4,2 X 19		4	
3	964 572 185 00	Elbow		2	
4	900 187 033 02	Tapping screw B 4,8 X 50		2	
5	900 025 003 02	Washer A 5,3		2	
6	999 707 207 40	O-ring	-91	2	
6		O-ring	92-	2	
7	964 572 438 01	Clip	TURBO	4	CARRERA 2/4 TURBO-LOOK
(7)	964 572 438 02	Clip	002	4	CARRERA RS M CARRERA RS
8	999 591 614 02	Prestole cage B 4,2		4	
9	900 143 007 02	Oval-head sheetmetal screw B 4,2 X 13		4	
9	900 073 507 01	Oval-head sheetmetal screw B 4,2 X 13		4	
10	964 572 043 01	Insert Bleeding		2	
11	900 187 125 02	Combination screw B 3,5 X 13		4	
11	900 187 132 02	Combination screw B 3,5 X 13		4	
12	999 707 126 40	O-ring 66 X 3,0		2	

Model: 911 89

Model life 1989>>1994



Model: 911 89

Model life 1989>>1994

Pos	Part Number	Description	Remark	Qty	Model
1	964 572 901 00	Heater Air conditioner Single parts Housing Upper part Ready for installation		1	
2	964 572 902 00	Housing Lower part		1	
3	000 043 204 72	Sealing cord 2,10 M		1	
4	999 919 049 02	Oval-head screw 3 X 10		36	
5	964 572 015 01	Blower	/L	1	
(5)	964 572 016 01	Blower	/R	1	
6	964 572 433 01	Rubber mounting		8	
7	964 572 219 01	Intermediate layer	/L	1	
(7)	964 572 220 01	Intermediate layer	/R	1	
8	964 572 229 00	Housing cover	/L	1	
(8)	964 572 230 00	Housing cover	/R	1	
(9)	964 572 361 00	Lid		1	
9	964 573 361 00	Lid		1	M573
10	964 624 324 00	Centre Electric motor Temperature mixing flap Centre		2	
11	964 572 205 00	Crank		2	
12	900 025 003 02	Washer A 5,3		2	
13	900 910 007 02	Lock nut VM 5		2	
14	N 015 704 1	Ball socket		2	
16	964 572 507 01	Bellows		3	
17	964 624 901 00	Electric motor Fresh-air flap with Lever		1	
18	964 624 902 00	Electric motor Defroster flap with Segment	/R	1	
19	999 596 002 40	Linkage clip		4	
20	964 572 663 00	Joint		1	
21	964 624 903 00	Electric motor Footwell flap with Lever	/L	1	
22	964 659 901 00	Temperature sensor Mixing chamber Repair kit		2	
23	964 572 415 00	Bellows Upper		1	
24	999 591 571 02	Speed nut B 6,3		2	
25	964 572 437 02	Gasket Centre nozzle		1	
26	964 572 449 00	Gasket Lower		1	
27	928 570 423 00	Tensioning spring		32	
28	999 919 097 02	Oval-head screw 5 X 14		7	
29	900 143 135 07	Tapping screw B 4,2 X 45		4	
30	964 572 343 00	Lever		1	

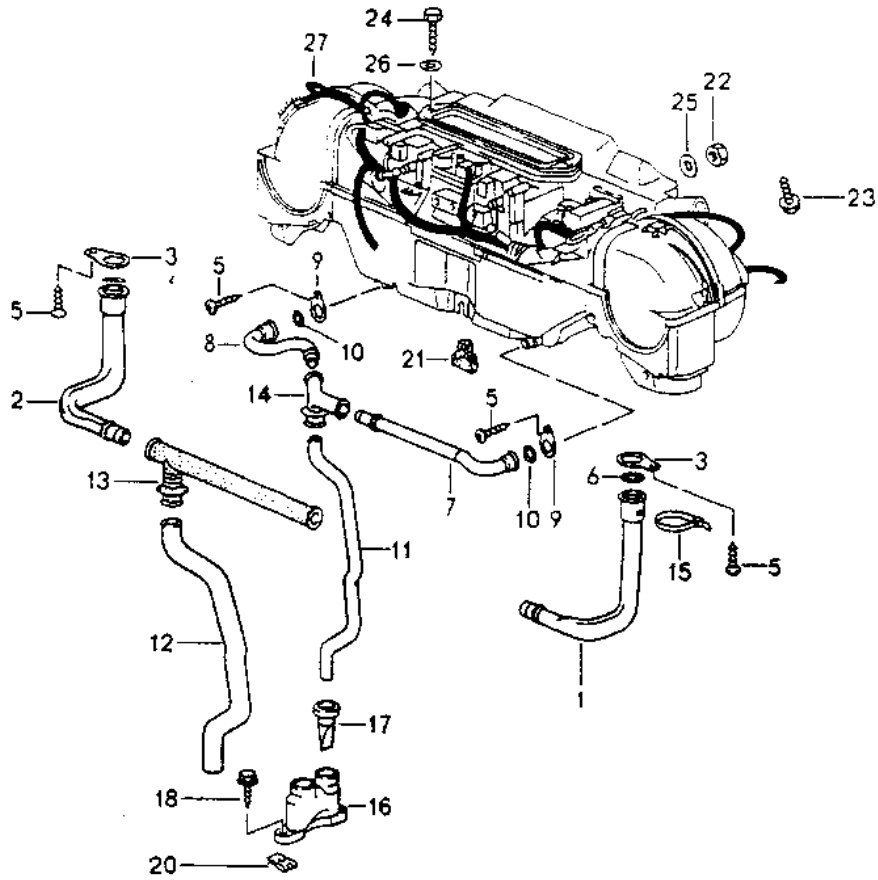
Model: 911 89

Model life 1989>>1994

Pos	Part Number	Description	Remark	Qty	Model
31	964 572 345 00	Upper Connecting lever		2	
32	964 572 651 00	Lower Special nut		1	
33	964 572 551 00	Gasket		1	
34	964 573 013 00	Evaporator	-92	1	M573
35	964 573 901 00	Evaporator	93-	1	M573
36	928 573 123 05	Expansion valve	-92	1	M573
36A		Expansion valve	93-	1	M573
-	000 043 300 11	Pan-head screw M5X35		2	
37	999 707 250 40	O-ring 10,52 X 1,8	-92	1	M573
37	999 707 434 41	O-ring 10,52 X 1,8		1	M573
37A	999 707 250 40	O-ring 10,6 X 2	93-	1	M573
37A	999 707 434 41	O-ring 10,6 X 2	93-	1	M573
38	999 707 251 40	O-ring 14 X 1,8	-92	1	M573
38A		O-ring 14 X 2	93-	1	M573
39	964 573 861 00	Guide piece		1	M573
40	964 618 943 00	Temperature sensor Repair kit		1	M573

Model: 911 89

Model life 1989>>1994



Model: 911 89 Model life 1989>>1994

Pos	Part Number	Description	Remark	Qty	Model
		Water drain tube			
		Mount			
		Wiring harness			
		Heater			
		Air conditioner			
1	964 572 517 01	Water drain tube	/L	1	
2	964 572 518 01	Water drain tube	/R	1	
		Upper			
3	964 572 537 00	Flange		2	
5	999 919 049 02	Oval-head screw		4	
		3 X 10			
6	999 707 143 40	O-ring	89	2	
6		O-ring		4	
		18 X 2,5			
7	964 572 511 01	Water drain tube		1	
		10 MM \$			
(7)	993 572 511 00	Water drain tube		1	
		18 MM \$			
8	964 572 512 01	Water drain tube		1	
		10 MM \$			
(8)	993 572 512 00	Water drain tube		1	
9	964 572 571 00	Flange		2	
		10 MM \$			
(9)	993 572 571 00	Flange		2	
		18 MM \$			
10	999 707 142 40	O-ring	89	2	
10		O-ring	90-	2	
		13 X 2,5			
11	964 572 561 00	Water drain tube	/LL	1	
		10 MM \$			
(11)	964 572 562 00	Water drain tube	/RL	1	
		10 MM \$			
(11)	993 572 561 00	Water drain tube	/LL	1	
		18 MM \$			
(11)	993 572 562 00	Water drain tube	/RL	1	
		18 MM \$			
		Lower			
12	964 572 567 00	Water drain tube	/LL	1	
(12)	964 572 568 00	Water drain tube	/RL	1	
		Lower			
13	964 572 897 00	Water drain tube		1	
14	964 572 898 00	Grommet		1	
		10 MM \$			
(14)	993 572 898 00	Grommet		1	
		18 MM \$			
15	999 513 003 40	Tie-wrap		4	
16	964 572 393 00	Guide piece		1	
		for			
		Water drain tube			
17	964 572 563 00	Check valve		1	
		10 MM\$			
(17)	993 572 563 00	Check valve		1	
		18 MM \$			
18	900 187 104 02	Tapping screw		1	
		B 4,8 X 13			
20	999 507 023 02	Speed nut		1	
		B 4,8			
20	999 507 023 01	Speed nut		1	
		B 4,8			
21	964 572 659 00	Spacer rubber		1	
22	900 076 010 02	Nut		2	
		M 6			
22	900 076 010 0B	Nut		2	

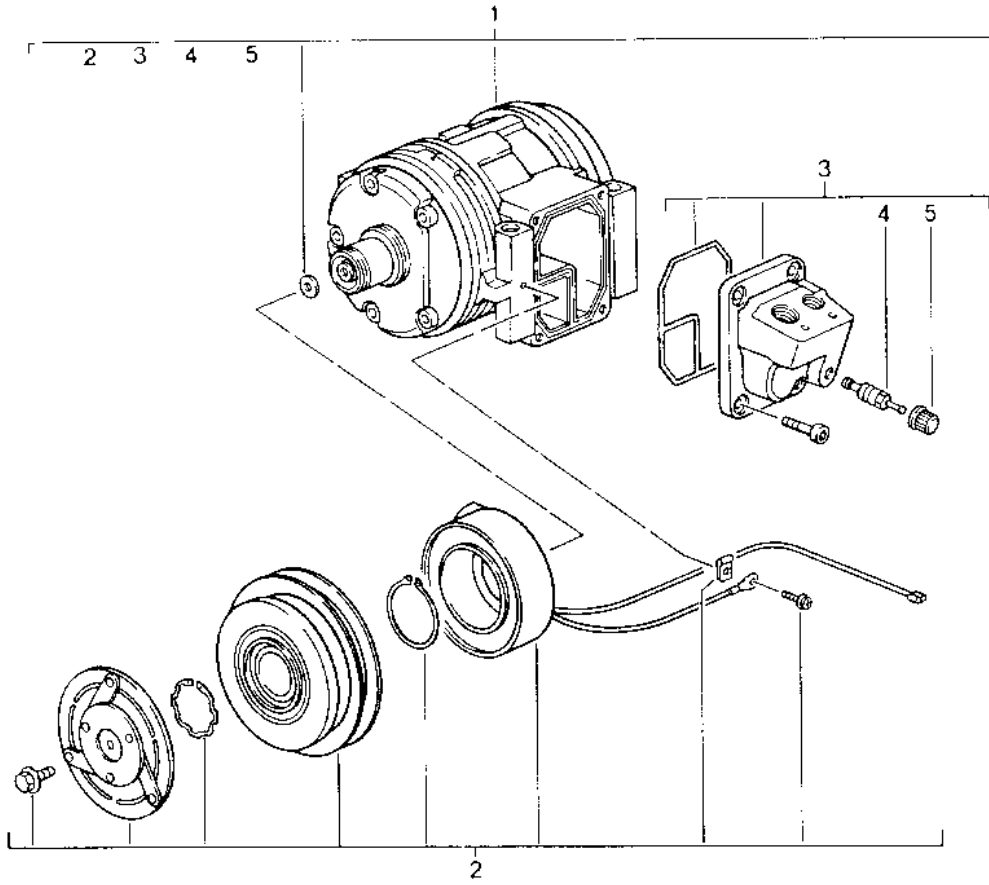
Model: 911 89

Model life 1989>>1994

Pos	Part Number	Description	Remark	Qty	Model
23	N 090 183 1	M 6 Combination screw		1	
24	900 187 010 02	B 6,3 X 16 Hexagon-head tapping screw		2	
24	900 187 010 03	B 6,3 X 19 Hexagon-head tapping screw		2	
25	900 151 003 02	A 6,4 Washer		2	
25	900 151 006 03	A 6,4 Washer		2	
26	803 955 637	Sealing washer		2	
27	964 612 180 06	Wiring harness	-92	1	M573
27	964 612 180 07	Wiring harness	93-	1	M573

Model: 911 89

Model life 1989>>1994

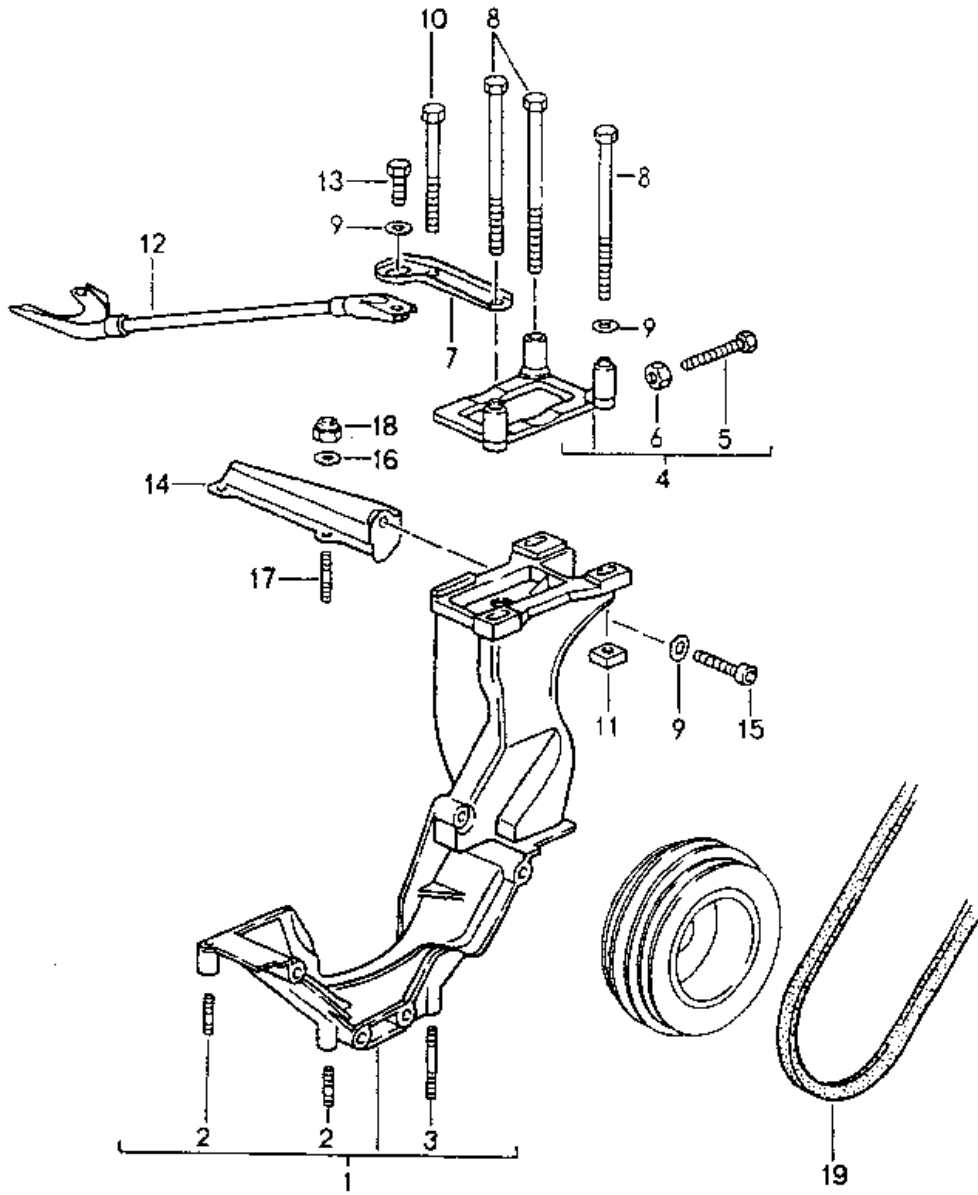


Model: 911 89 Model life 1989>>1994

Pos	Part Number	Description	Remark	Qty	Model
1	964 126 121 01	Compressor	-92	1	M64.01/02/03
(1)	964 126 121 02	Compressor	93-	1	M64.01/02/03
(1)	930 126 021 03	Compressor	-92	1	M30.69
(1)	930 126 021 04	Compressor	93-	1	M30.69
2	964 126 901 00	Repair kit Magnetic clutch	-92	1	M64.01/02/03
2	964 126 901 01	Repair kit Magnetic clutch	93-	1	M64.01/02/03
(2)	930 126 904 00	Repair kit Magnetic clutch	-92	1	M30.69
(2)	930 126 904 01	Repair kit Magnetic clutch	93-	1	M30.69
3	964 126 902 00	Repair kit	-92	1	
3	964 126 902 01	Suction + press. connect. Suction + press. connect. Suction + press. connect.	93-	1	
4	928 573 908 03	Valve insert	-92	2	
4	928 126 902 01	Valve insert with Cap	93-	2	
5	928 573 909 02	Cap	-92	2	

Model: 911 89

Model life 1989>>1994

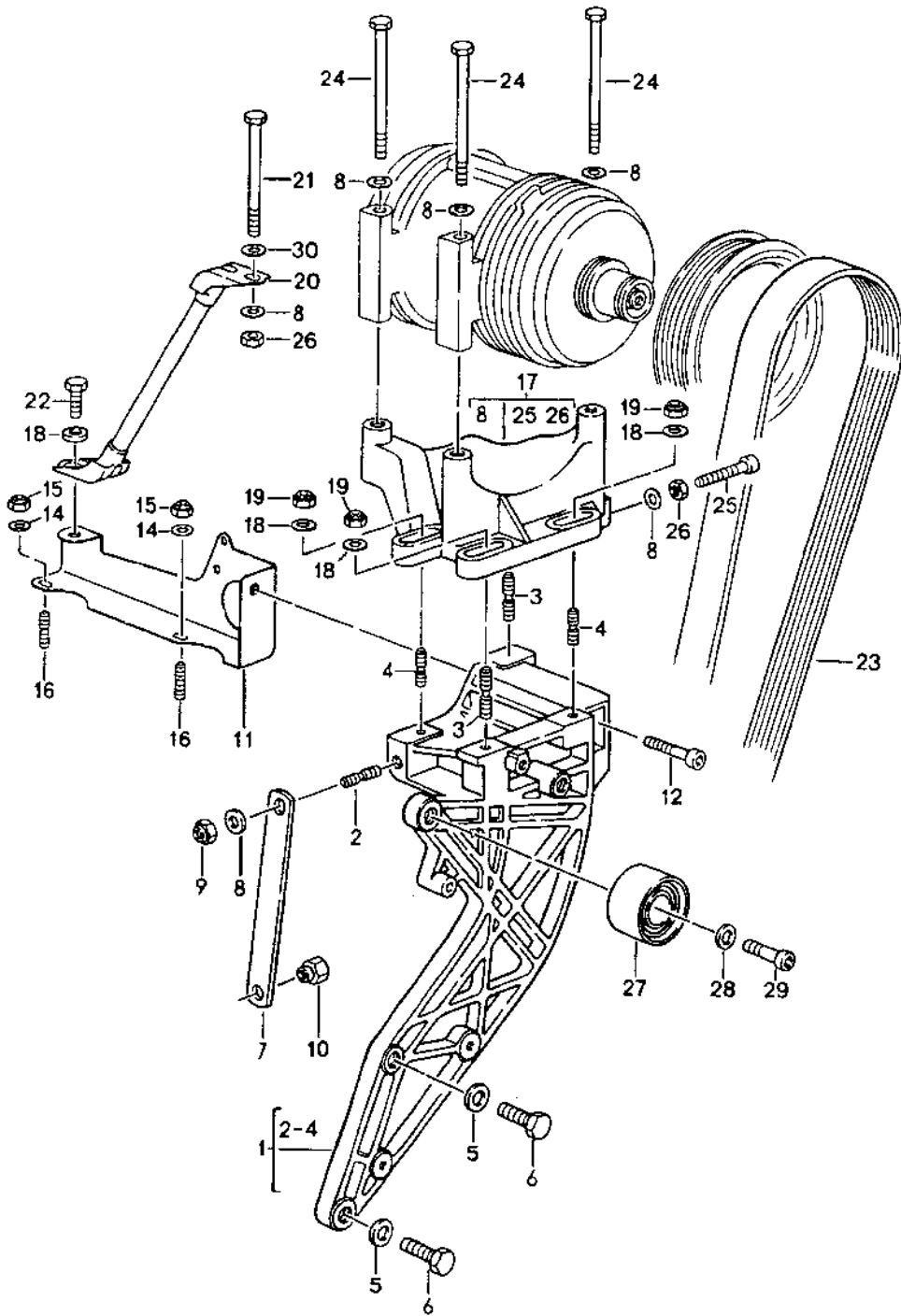


Model: 911 89 Model life 1989>>1994

Pos	Part Number	Description	Remark	Qty	Model
		Compressor Mounting Driving mechanism			M64.01/02/03
1	964 126 026 00	Bracket		1	
2	999 062 002 02	Stud BM 6 X 15		3	
3	999 062 096 02	Stud BM 6 X 40		1	
4	993 126 123 01	Compressor plate		1	
5	N 040 237 1	Hexagon-head bolt M 8 X 55		1	
6	900 076 025 02	Hexagon nut M 8		1	
6	900 076 064 02	Hexagon nut M 8		1	
7	964 126 124 00	Support		1	
8	900 074 051 02	Hexagon-head bolt M 8 X 125		3	
9	999 025 125 09	Washer 8,4 X 17 X 3,1		4	
9	999 025 125 01	Washer 8,4 X 17 X 3,1		4	
10	N 010 385 3	Hexagon-head bolt M 8 X 85		1	
11	964 126 311 00	Nut M 8		4	
12	964 126 128 02	Strut	89	1	
12	993 126 128 00	Strut		1	
12	964 126 128 04	Strut		1	
13	900 075 087 02	Hexagon-head bolt M 8 X 16		1	
13	900 075 087 03	Hexagon-head bolt M 8 X 16		1	
14	964 126 114 00	Fastening angle		1	
14	964 126 114 01	Fastening angle		1	
15	999 218 009 02	Pan-head screw Micro-self-locking M 8 X 40		1	
16	N 011 666 7	Washer 6,4		2	
17	999 062 085 02	Stud BM 6 X 20		2	
18	999 084 094 02	Lock nut M 6		2	
19	999 192 352 50	V-belt 12,5 X 1080	-92	1	
(19)	999 192 363 50	V-belt 12,5 X 1085		1	

Model: 911 89

Model life 1989>>1994



Model: 911 89

Model life 1989>>1994

Pos	Part Number	Description	Remark	Qty	Model
		Compressor			M30.69 M64.50
		Mounting			
		Driving mechanism			
		See technical information			
		GR.8 NR.2A/92			
1	930 126 015 04	Bracket	-92	1	
1		Bracket	93-	1	
2	999 062 073 02	Stud		1	
		BM 8 X 15			
3	999 062 115 02	Stud		2	
		BM 8 X 32			
4	999 062 008 02	Stud		2	
		BM 8 X 25			
5	900 025 008 09	Washer		2	
		A 10,5			
5	900 025 008 04	Washer		2	
		A 10,5			
6	N 010 289 4	Hexagon-head bolt		2	
		M 10 X 32			
7	911 126 124 02	Strut		1	M30.69
(7)	964 126 124 20	Strut		1	M64.50
8	900 025 007 02	Washer		4	
		A 8,4			
8	900 025 007 03	Washer		4	
		A 8,4			
9	900 084 004 03	Hexagon nut		1	
		M 8			
9	900 084 004 02	Hexagon nut		1	
		M 8			
10	964 126 125 20	Nut	-92	1	
10		Nut	93-	1	
11	930 126 114 04	Fastening angle		1	
12	999 218 009 02	Pan-head screw		1	
		M 8 X 40			
		Micro-self-locking			
14	N 011 666 7	Washer		2	
		B 6,4			
15	999 084 094 02	Lock nut		2	
		M 6			
16	999 062 085 02	Stud		2	
		BM 6 X 20			
17	964 126 023 20	Compressor plate	-92	1	
17		Compressor plate	93-	1	
18	900 223 001 02	Washer		4	
		8,4			
19	999 084 095 02	Lock nut		4	
		M 8			
20	930 126 128 00	Strut		1	
21	N 010 385 3	Hexagon-head bolt		1	
		M 8 X 85			
22	900 075 087 02	Hexagon-head bolt		1	
		M 8 X 16			
22	900 075 087 03	Hexagon-head bolt		1	
		M 8 X 16			
23	999 192 365 50	Poly-rib belt		1	
		6 PK 1411			
23		Poly-rib belt		1	
		6 PK 1554			
		See technical information			
		GR.8 NR.2A/92			
24	900 074 048 02	Hexagon-head bolt		3	
		M 8 X 95			

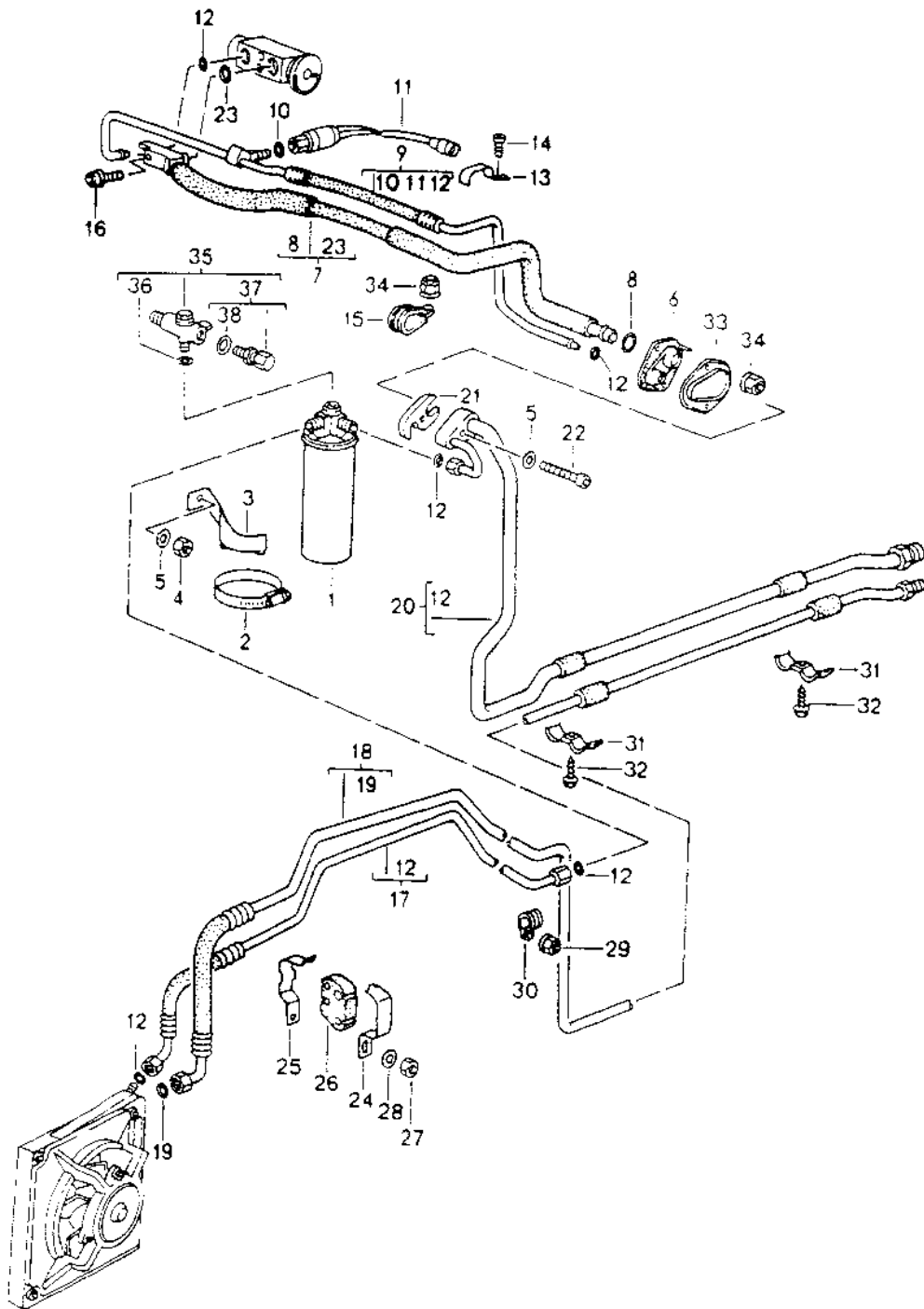
Model: 911 89

Model life 1989>>1994

Pos	Part Number	Description	Remark	Qty	Model
25	900 067 320 02	Pan-head screw M 8 X 55		1	
26	900 076 025 02	Hexagon nut		1	
26	900 076 064 02	Hexagon nut		1	
26	900 076 025 02	Hexagon nut M 8		1	
26	900 076 064 02	Hexagon nut M 8		1	
27	930 126 216 00	Tensioning roller		1	
27	930 126 216 01	Tensioning roller		1	
28	999 031 085 00	Washer 10,3 X 17 X 3		1	
29	900 067 046 02	Pan-head screw M 10 X 18		1	
30	999 025 125 09	Washer 8,4 X 17 X 3,1		3	
30	999 025 125 01	Washer 8,4 X 17 X 3,1		3	

Model: 911 89

Model life 1989>>1994



Model: 911 89 Model life 1989>>1994

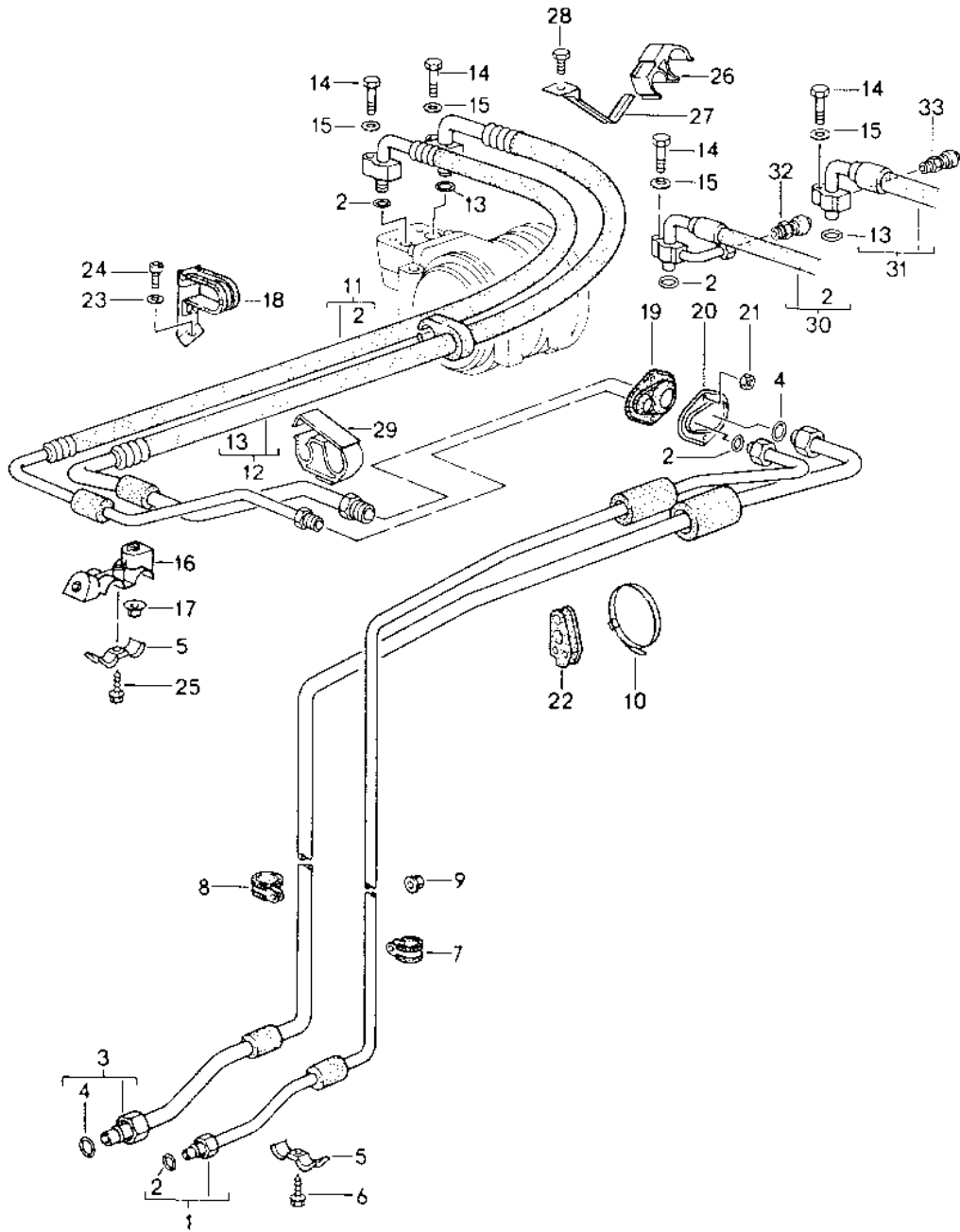
Pos	Part Number	Description	Remark	Qty	Model
		Refrigerant circuit			
		Front			
1	964 573 943 00	Desiccator	-92	1	
1	944 573 143 01	Desiccator	93-	1	
2	999 512 390 00	Hose clamp	-92	1	
		60-80 MM			
(2)	999 512 565 00	Hose clamp	93-	1	
		50-70 MM			
3	964 573 451 00	Support	-92	1	
3	964 573 451 01	Support	93-	1	
4	900 910 012 02	Lock nut		1	
		M 6			
4	900 910 047 09	Lock nut		1	
		M 6			
5	N 011 524 7	Washer		1	
		A 6,4			
5	N 011 524 27	Washer		1	
		A 6,4			
6	964 573 553 00	Rubber boot		2	
		for			
7	964 573 091 01	Intake pipe		1	
		Expansion valve			
		Wheel housing			
7	964 573 091 02	Intake pipe		1	
		Expansion valve			
		Wheel housing			
8	999 707 252 40	O-ring		1	
		17 X 2			
9	964 573 103 01	Pressure line	-92	1	
9	964 573 103 02	Pressure line		1	
(9)	964 573 103 01	Pressure line	93-	1	
		NW 8			
		Wheel housing			
		Expansion valve			
(9)	964 573 103 02	Pressure line	93-	1	
		NW 8			
		Wheel housing			
		Expansion valve			
10	999 707 261 40	O-ring	-92	1	
		9,3 X 1,78			
10		O-ring	93-	1	
		9,3 X 1,78			
11	964 613 137 00	Pressure switch	-92	1	
(11)	964 613 137 01	Pressure switch	93-	1	
		When required order also:			
-	999 652 787 40	Connector housing		1	
-	999 652 786 12	Flat connector		4	
-	999 652 788 40	Seal		4	
12	999 707 247 40	O-ring		4	
		7,5 X 2			
13	964 573 467 01	Retaining clip	-92	1	
(13)	964 573 467 02	Retaining clip	93-	1	
14	999 919 164 09	Oval-head screw		1	
		5 X 12			
15	999 511 187 02	Clip		1	
		16-22 X 12			
16	900 075 347 02	Combination screw		1	
		M 6 X 28			
17	964 573 093 00	Pressure line	-92	1	
(17)	964 573 093 01	Pressure line	93-	1	
		NW 8			
		Desiccator			
		Wheel housing			

Model: 911 89 Model life 1989>>1994

Pos	Part Number	Description	Remark	Qty	Model
(17)	964 573 093 03	Pressure line NW 8 Desiccator	93-	1	
18	964 573 107 01	Wheel housing Refrigerant line	-92	1	
(18)		Refrigerant line NW 10 Door sill Condenser	93-	1	
19	999 707 250 40	O-ring 10,6 X 2		1	
19	999 707 434 41	O-ring 10,6 X 2		1	
20	964 573 092 00	Intake pipe	-92	1	
20	964 573 092 02	Intake pipe		1	
(20)	964 573 092 01	Intake pipe Wheel housing Door sill	93-	1	
21	964 573 731 00	Flange		1	
22	900 067 013 02	Pan-head screw M 6 X 35		1	
23	999 707 251 40	O-ring 14 X 2		1	
24	964 573 463 00	Support Upper part		1	
25	964 573 453 00	Support Lower part		1	
26	964 573 455 00	Spacer rubber		1	
27	900 076 025 02	Hexagon nut M 8		1	
27	900 076 064 02	Hexagon nut M 8		1	
28	900 025 007 02	Washer A 8,4 X 16 X 1,6		1	
28	900 025 007 03	Washer A 8,4 X 16 X 1,6		1	
29	999 501 074 40	Plastic nut		1	
30	N 020 620 1	Clamp B 13 X 15		1	
31	964 207 303 00	Support	-90	2	
31		Support	91-	2	
32	N 090 183 1	Combination screw B 6,3 X 16		2	
33	964 573 565 00	Lid		1	
34	999 501 074 40	Plastic nut		2	
35	993 573 243 00	Distributing piece	93-	1	
36	999 707 262 40	O-ring 6,7 X 1,8	93-	1	
37	928 573 311 00	Relief valve	93-	1	
38	999 707 261 40	O-ring 9 X 1,8	93-	1	

Model: 911 89

Model life 1989>>1994



Model: 911 89 Model life 1989>>1994

Pos	Part Number	Description	Remark	Qty	Model
		Refrigerant circuit Rear			
1	964 573 105 00	Refrigerant line	-92	1	
1	964 573 105 03	Refrigerant line		1	
(1)	964 573 105 02	Refrigerant line	93-	1	
(1)		Refrigerant line		1	SPEEDSTER
2	999 707 250 40	O-ring 10,82 X 1,8	-92	3	
2	999 707 434 41	O-ring 10,82 X 1,8		3	
2	999 707 250 40	O-ring 10,6 X 2	93-	3	
2	999 707 434 41	O-ring 10,6 X 2	93-	3	
3	964 573 098 02	Intake pipe	-92	1	
3	964 573 098 03	Intake pipe		1	
(3)	964 573 098 02	Intake pipe	93-	1	
(3)	964 573 098 03	Intake pipe	93-	1	
(3)	964 573 098 02	Intake pipe		1	SPEEDSTER
(3)	964 573 098 03	Intake pipe		1	SPEEDSTER
4	999 707 252 40	O-ring 17 X 1,8	-92	2	
4		O-ring 17 X 2	93-	2	
5	964 207 303 00	Support	-90	2	
5		Support	91-	2	
6	N 090 183 1	Combination screw B 6,3 X 13	-90	1	
6		Combination screw B 6,3 X 16	91-	1	
7	999 511 212 02	Clip 14 X 15	-92	1	
7	N 020 602 1	Pipe clamp 15 X 15	93-	1	
8	999 511 142 02	Clamp 17 X 15	-92	1	
8	999 511 066 02	Clamp 18 X 15	93-	1	
9	999 049 001 40	Plastic nut T 5		1	
10	999 513 010 40	Tie-wrap 9 X 250		1	
11	964 573 097 01	Refrigerant line	-92	1	CARRERA 2/4 CARRERA RS TURBO-LOOK
11	964 573 097 05	Refrigerant line		1	CARRERA 2/4 CARRERA RS TURBO-LOOK
11	964 573 097 01	Refrigerant line	93-	1	CARRERA 2/4 TURBO-LOOK
11	964 573 097 05	Refrigerant line	93-	1	CARRERA 2/4 TURBO-LOOK
(11)	964 573 097 02	Refrigerant line		1	SPEEDSTER
(11)	965 573 097 01	Refrigerant line F >>96NS4 70091		1	TURBO
(11)	965 573 097 02	Refrigerant line F >>96NS4 70091		1	TURBO
(11)	965 573 097 01	Refrigerant line F 96NS4 70092>>	-92	1	TURBO
(11)	965 573 097 02	Refrigerant line - SIEHE - Technische Information - 1/95 6 ZYL. -	93-	1	TURBO

Model: 911 89 Model life 1989>>1994

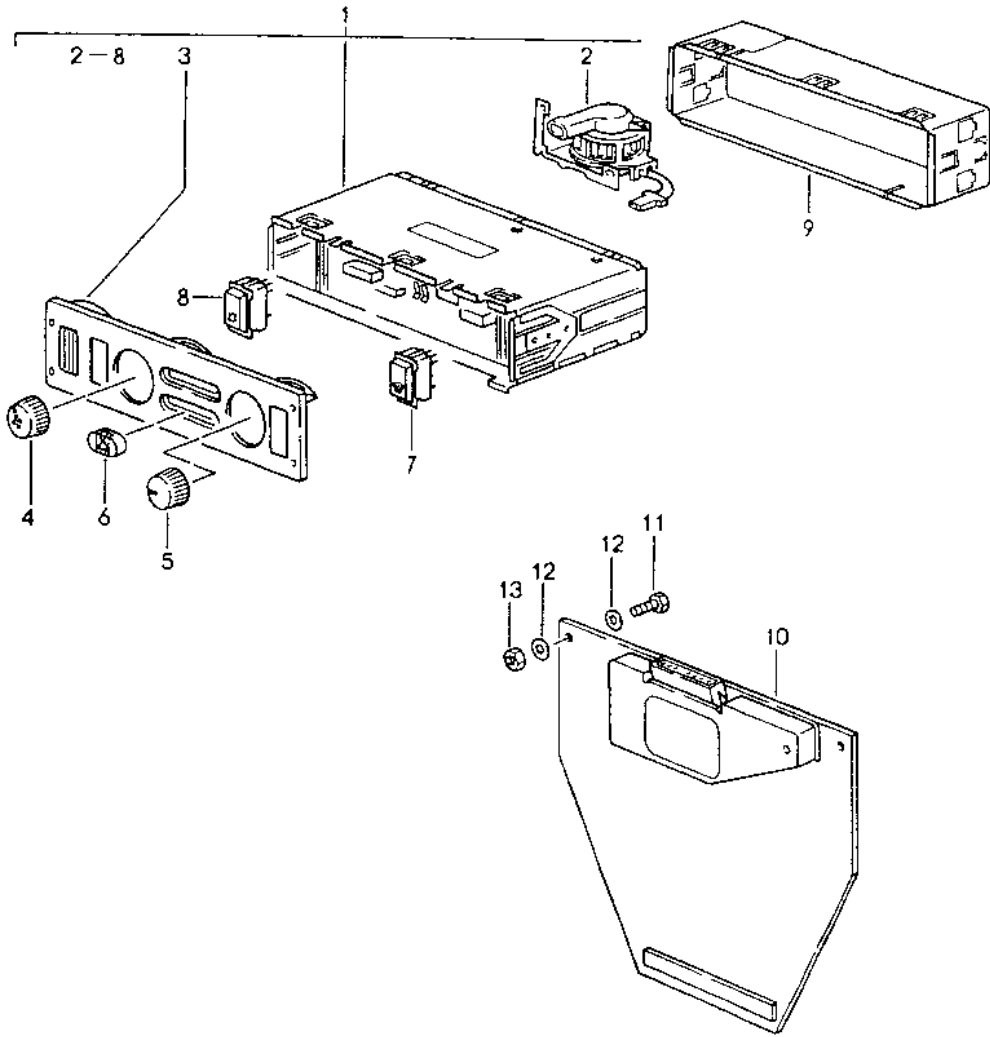
Pos	Part Number	Description	Remark	Qty	Model
12	964 573 099 01	Intake pipe	-92	1	CARRERA 2/4
12		Intake pipe	93-	1	CARRERA RS TURBO-LOOK CARRERA 2/4 TURBO-LOOK
(12)	964 573 099 02	Intake pipe		1	SPEEDSTER
(12)	965 573 099 00	Intake pipe F >>96NS4 70091		1	TURBO
(12)	965 573 099 01	Intake pipe F 96NS4 70092>>	-92	1	TURBO
(12)	965 573 099 02	Intake pipe	93-	1	TURBO
13	999 707 251 40	O-ring 14 X 1,8	-92	1	
13		O-ring 14 X 2	93-	1	
14	999 067 028 02	Hexagon-head bolt Micro-self-locking M 8 X 32		2	
15	900 025 007 02	Washer A 8,4		2	
15	900 025 007 03	Washer A 8,4		2	
16	999 507 354 40	Cable holder 2 X 28/40		1	
17	999 049 022 40	Plastic nut T 5		2	
18	964 126 015 00	Support	-90	1	CARRERA 2/4
(18)	964 126 011 01	Support	91-92	1	CARRERA 2/4 CARRERA RS TURBO-LOOK
(18)	964 126 011 02	Support	93-	1	CARRERA 2/4 CARRERA RS TURBO-LOOK
19	964 573 553 00	Rubber boot		1	
20	964 573 565 00	Lid		1	
21	900 076 010 02	Nut M 6		2	
21	900 076 010 0B	Nut M 6		2	
22	964 201 615 00	Rubber mounting		1	
23	N 011 524 7	Washer A 6,4	-90	1	CARRERA 2/4
23	N 011 524 27	Washer A 6,4		1	CARRERA 2/4
23	900 025 003 02	Washer A 5,3	91-	2	CARRERA 2/4 TURBO-LOOK CARRERA RS
24	900 067 008 02	Pan-head screw M 6 X 12		1	CARRERA 2/4
24	900 067 008 03	Pan-head screw M 6 X 12		1	CARRERA 2/4
24	900 067 111 02	Pan-head screw M 5 X 18	91-	2	CARRERA 2/4 TURBO-LOOK CARRERA RS
24	900 067 111 01	Pan-head screw M 5 X 18	91-	2	CARRERA 2/4 TURBO-LOOK CARRERA RS
25	999 919 085 02	Combination screw 6 X 22		1	
26	964 573 471 00	Support	-92	1	CARRERA 2/4 TURBO-LOOK
(26)	964 573 471 01	Support	93-	1	
27	964 573 473 00	Mounting		1	CARRERA 2/4

Model: 911 89 Model life 1989>>1994

Pos	Part Number	Description	Remark	Qty	Model
		Support			
28	N 010 210 13	Hexagon-head bolt M 6 X 10		1	TURBO-LOOK CARRERA RS CARRERA 2/4 TURBO-LOOK CARRERA RS
29	964 573 475 00	Support	/R	1	TURBO
(29)	964 573 471 00	Support	/L	1	TURBO
30	964 573 097 01	Refrigerant line	93-	1	CARRERA2/4 SPEEDSTER
30	964 573 097 05	Refrigerant line	93-	1	CARRERA2/4 SPEEDSTER
30	965 573 097 02	Refrigerant line	93-	1	TURBO
31	964 573 099 01	Intake pipe	93-	1	CARRERA 2/4 SPEEDSTER
31	965 573 099 02	Intake pipe	93-	1	TURBO
32	993 573 446 00	Valve	93-	1	
32	928 573 466 00	Valve	93-	1	
33	993 573 445 00	Valve	93-	1	

Model: 911 89

Model life 1989>>1994



Model: 911 89 Model life 1989>>1994

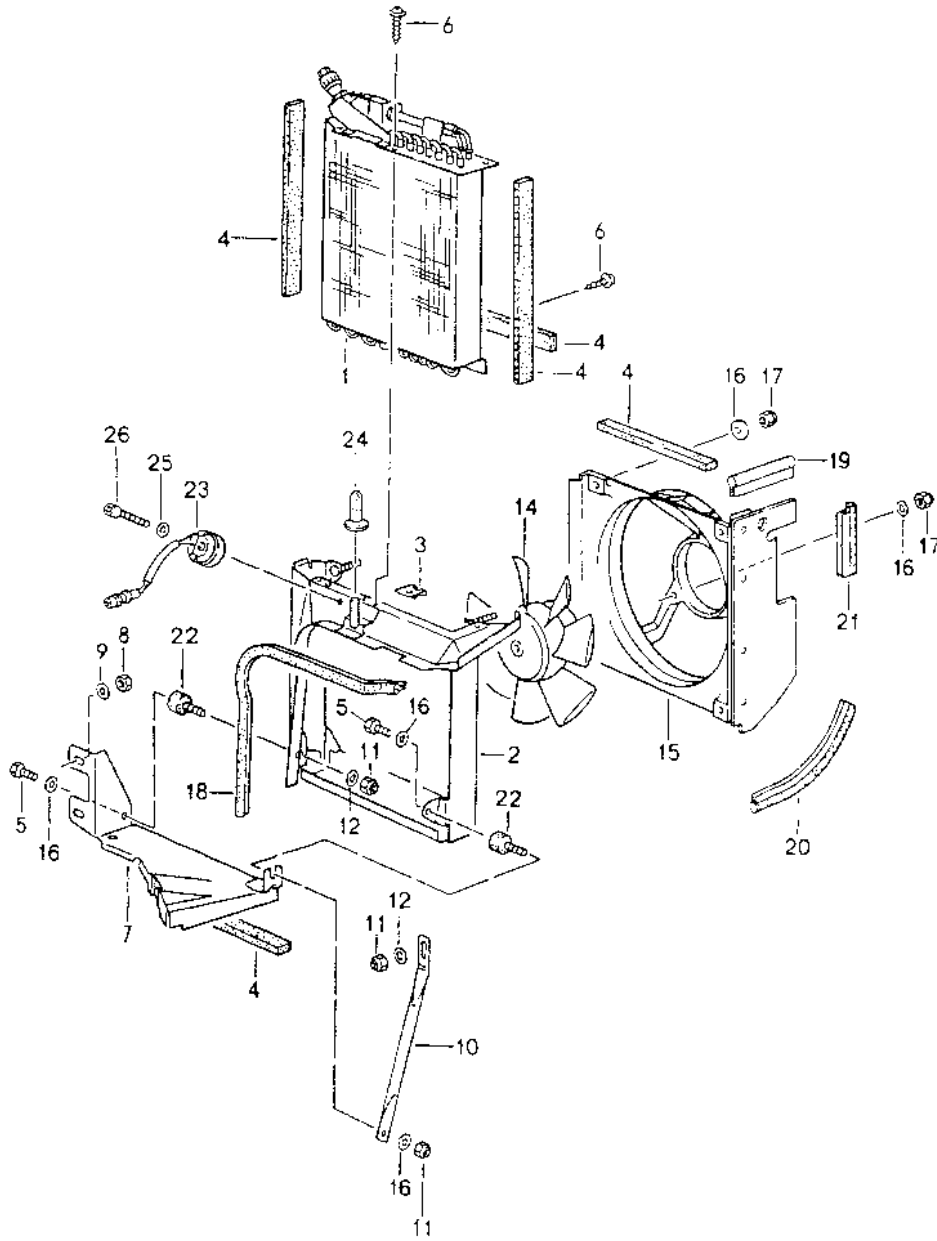
Pos	Part Number	Description	Remark	Qty	Model
		Control switch Driver See technical information GR.8 NR.2/91			
1	964 659 045 00	Control switch	/LL -90	1	C.2/4
	964 659 045 00 1DB	Black			
(1)	964 659 046 00	Control switch	/RL -90	1	C.2/4
	964 659 046 00 1DB	Black			
1	964 659 047 00	Control switch	/LL -90	1	C.2/4 M573
	964 659 047 00 1DB	Black			
(1)	964 659 048 00	Control switch	/RL -90	1	C.2/4 M573
	964 659 048 00 1DB	Black			
1	964 659 045 01	Control switch	/LL 91-	1	C.2/4
	964 659 045 01 01C	Black			
1	964 659 045 AX	Control switch	/LL 91-	1	C.2/4
	964 659 045 AX 01C	Black			
(1)	964 659 046 01	Control switch	/RL 91-	1	C.2/4
	964 659 046 01 01C	Black			
(1)	964 659 046 AX	Control switch	/RL 91-	1	C.2/4
	964 659 046 AX 01C	Black			
1	964 659 047 01	Control switch	/LL 91-	1	TURBO C.2/4 M573
	964 659 047 01 01C	Black			
1	964 659 047 AX	Control switch	/LL 91-	1	TURBO C.2/4 M573
	964 659 047 AX 01C	Black			
(1)	964 659 048 01	Control switch	/RL 91-	1	TURBO C.2/4 M573
	964 659 048 01 01C	Black for vehicles up to MOD.90 See workshop manual S.87-27 See technical information GR.8 2/93			
(1)	964 659 048 AX	Control switch	/RL	1	TURBO M573 C.2/4
	964 659 048 AX 01C	Black			
2	964 659 148 00	Blower Interior sensor		1	
3	964 659 945 00	Cover		1	
4	964 659 146 00	Knob		1	
	964 659 146 00 01C	Black			
5	944 653 208 00	Knob		1	
6	944 653 205 00	Knob		2	
7	944 653 923 00	Tip switch		1	
(7)	944 653 921 00	Tip switch	/LL	1	M573
8	944 653 924 00	Tip switch		1	
(8)	944 653 922 00	Tip switch		1	M573
(8)	964 653 921 00	Tip switch	/RL	1	M573
9	964 659 103 00	Retaining frame		1	
10	964 624 010 02	Driver for Blower		1	
11	N 010 207 6	Hexagon-head bolt M 5 X 12		2	
11	N 010 207 17	Hexagon-head bolt M 5 X 12		2	
12	900 025 003 02	Washer		4	

Model: 911 89 Model life 1989>>1994

Pos	Part Number	Description	Remark	Qty	Model
13	N 011 005 14	A 5,3 Hexagon nut		2	
13	900 076 091 01	Hexagon nut		2	
13	N 011 005 14	Hexagon nut		2	
		M 5			
13	900 076 091 01	Hexagon nut		2	
		M 5			

Model: 911 89

Model life 1989>>1994



Model: 911 89 Model life 1989>>1994

Pos	Part Number	Description	Remark	Qty	Model
		Condenser			
		Blower			
		Front			
1	964 573 011 03	Condenser		1	
1	993 573 011 01	Condenser		1	
1	993 573 011 02	Condenser		1	
2	964 573 241 01	Retaining frame	-91	1	
2		Retaining frame	92-	1	
3	999 591 713 02	Speed nut		3	
		B 4,2			
3	999 591 713 03	Speed nut		3	
		B 4,2			
-	000 043 204 88	Sealing strap		*	
-		Sealing strap		*	
		Roll with 10 meters			
		9 X 3			
4		280 MM			
5	N 010 208 5	Hexagon-head bolt		2	
		M 6 X 8			
6	900 143 117 02	Combination tapping screw		4	
		B 4,2 X 9,5			
7	964 573 301 00	Bracket		1	
		Condenser			
8	900 910 022 02	Lock nut		3	
		VF M 8			
9	900 151 008 02	Washer		3	
		B 8,4			
10	993 504 139 00	Tension strut		1	
11	900 910 010 09	Lock nut		2	
		M 6			
12	N 011 666 7	Washer		2	
		B 6,4			
14	964 624 035 01	Blower		1	
15	964 624 031 00	Air-guide cowl		1	
16	N 011 524 7	Washer		3	
		A 6,4			
16	N 011 524 27	Washer		3	
		A 6,4			
17	900 076 010 02	Nut		3	
		M 6			
17	900 076 010 0B	Nut		3	
		M 6			
-	999 911 398 40	Edge protection		*	
-		Edge protection		*	
		557 MM			
19		180 MM		1	
20		425 MM		1	
21		90 MM		1	
22	999 703 365 00	Bonded rubber buffer		2	
		25 X 15			
23	964 616 521 01	Ballast resistor		1	
24	944 573 457 00	Rubber sleeve		1	
25	N 011 556 2	Washer		1	
		5,3			
26	N 044 728 1	Pan-head screw		1	
		M 5 X 20			
26	900 067 125 01	Pan-head screw		1	
		M 5 X 20			

Model: 911 89

Model life 1989>>1994



Model: 911 89

Model life 1989>>1994

Pos	Part Number	Description	Remark	Qty	Model
-	964 573 943 00	Conversion set Air conditioner Refrigerant R134a -- TI 1/95 -- Desiccator with Desiccator Insert	89-92	1	
-		Desiccator with Desiccator Insert	91-92	1	Turbo
-	999 707 247 40	O-ring 7,5 x 2 mm		2	
-	928 573 965 03	Valve Eckventil 90 Grad		1	
-	928 573 965 01	Valve TI 1/95		1	
-	928 573 965 02	Valve Eckventil 90 Grad		1	
-	928 573 965 00	Valve TI 1/95		1	
-	000 043 200 04	Oil Oil		X	
-		Refrigerant R 134a		X	
-	964 701 141 02	Sticker		2	

Model: 911 89

Model life 1989>>1994



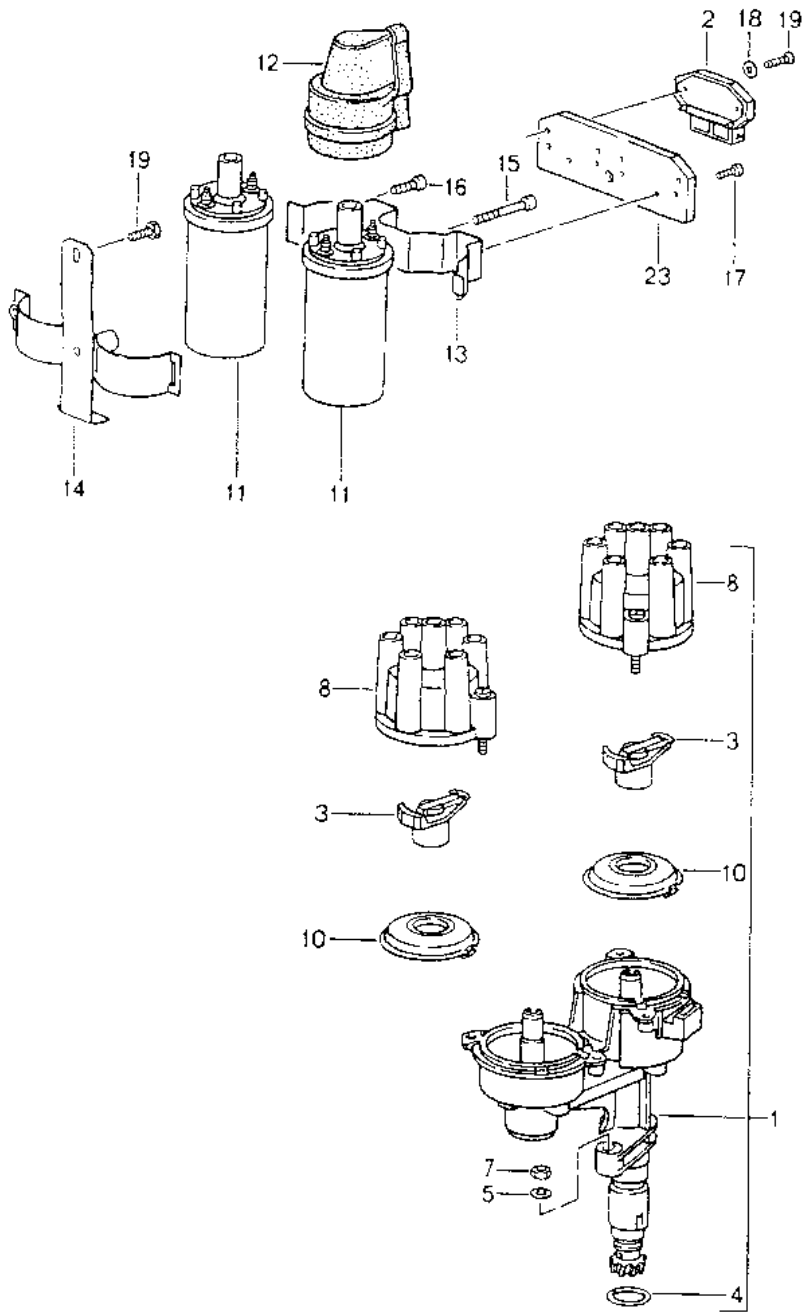
Model: 911 89

Model life 1989>>1994

Pos	Part Number	Description	Remark	Qty	Model
-	944 731 035 04	Plane Mirror glass	(S)	1	
-	944 731 035 03	Plane Mirror glass		1	
-	944 731 035 05	Convex Mirror glass	(S)	1	
		Convex			

Model: 911 89

Model life 1989>>1994

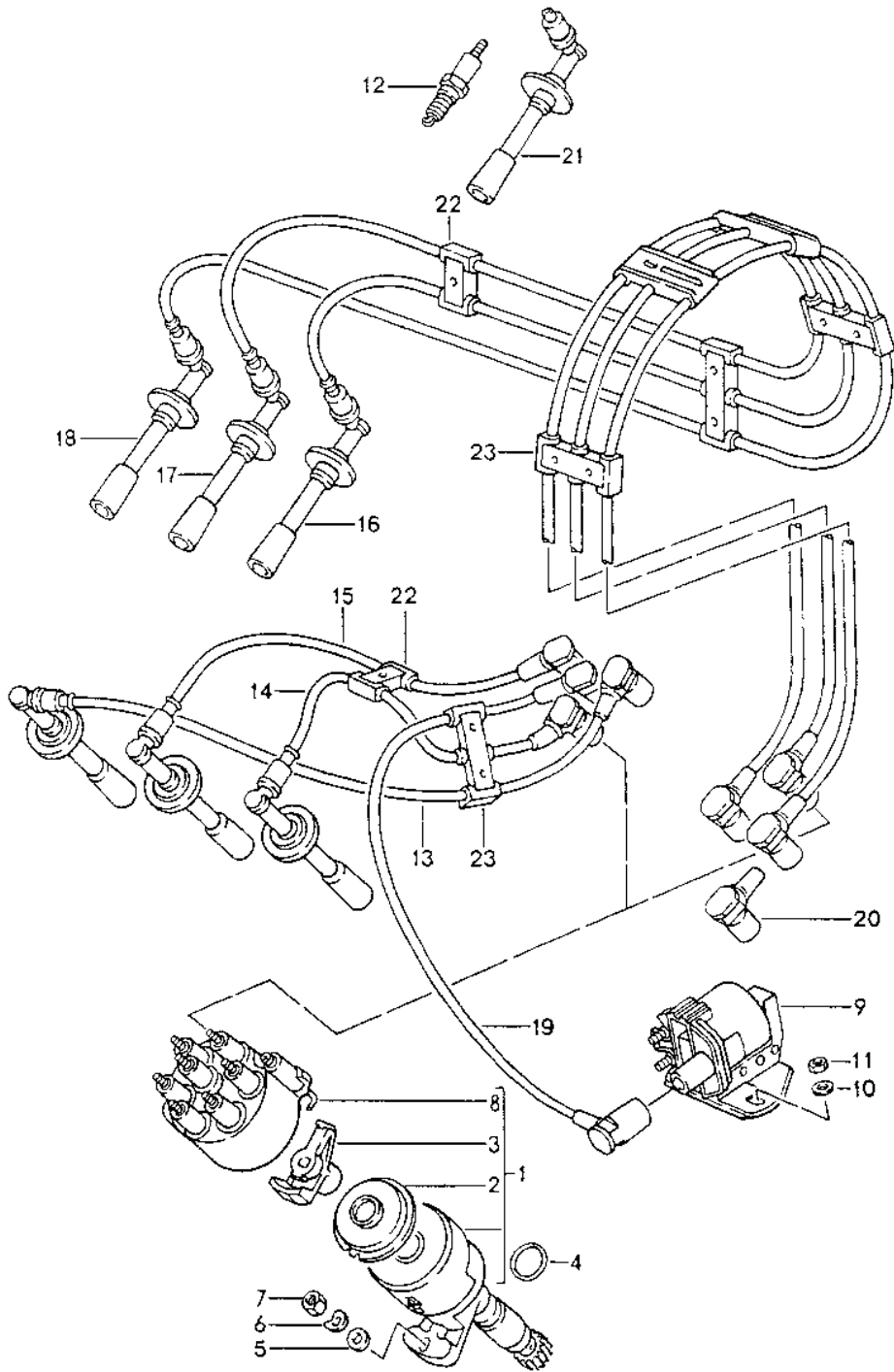


Model: 911 89 Model life 1989>>1994

Pos	Part Number	Description	Remark	Qty	Model
		Engine electrics 1 See technical information Group 2 NR. 1/94 NR. 2/95			M64.01/02 M64.03
-	000 043 202 52	Repair kit Distributor Vented		1	
1	930 602 015 AX	Distributor without Pos. 3, 8 10		1	
2	928 602 706 01	Ignition switch unit		2	
3	930 602 902 02	Rotor		2	
4	911 602 102 01	Sealing ring	-92	1	
4		Sealing ring	93-	1	
5	900 025 007 02	Washer B 8,4		1	
5	900 025 007 03	Washer B 8,4		1	
7	999 084 095 02	Lock nut M 8		1	
8	930 602 919 01	Distributor cap		2	
10	930 602 909 00	Dust cover		2	
11	944 602 115 00	Ignition coil		2	
12	944 602 801 00	Protection cap		2	
13	911 602 173 00	Restraining strap Upper part		1	
14	911 602 171 00	Restraining strap Lower part		1	
15	N 014 719 2	Pan-head screw M 6 X 50		1	
16	N 014 740 2	Pan-head screw M 6 X 16		1	
16	N 014 740 11	Pan-head screw M 6 X 16		1	
17	900 119 059 02	Pan-head screw M 4 X 10		2	
17	900 119 088 01	Pan-head screw M 4 X 10		2	
18	N 011 555 1	Washer 4,3		4	
19	N 014 119 1	Oval-head screw M 4 X 20		4	
19	N 014 119 8	Oval-head screw M 4 X 20		4	
20	N 014 750 3	Pan-head screw M 6 X 10		1	
20	N 014 750 13	Pan-head screw M 6 X 10		1	
23	911 602 377 00	Heat dissipator		1	

Model: 911 89

Model life 1989>>1994



Model: 911 89 Model life 1989>>1994

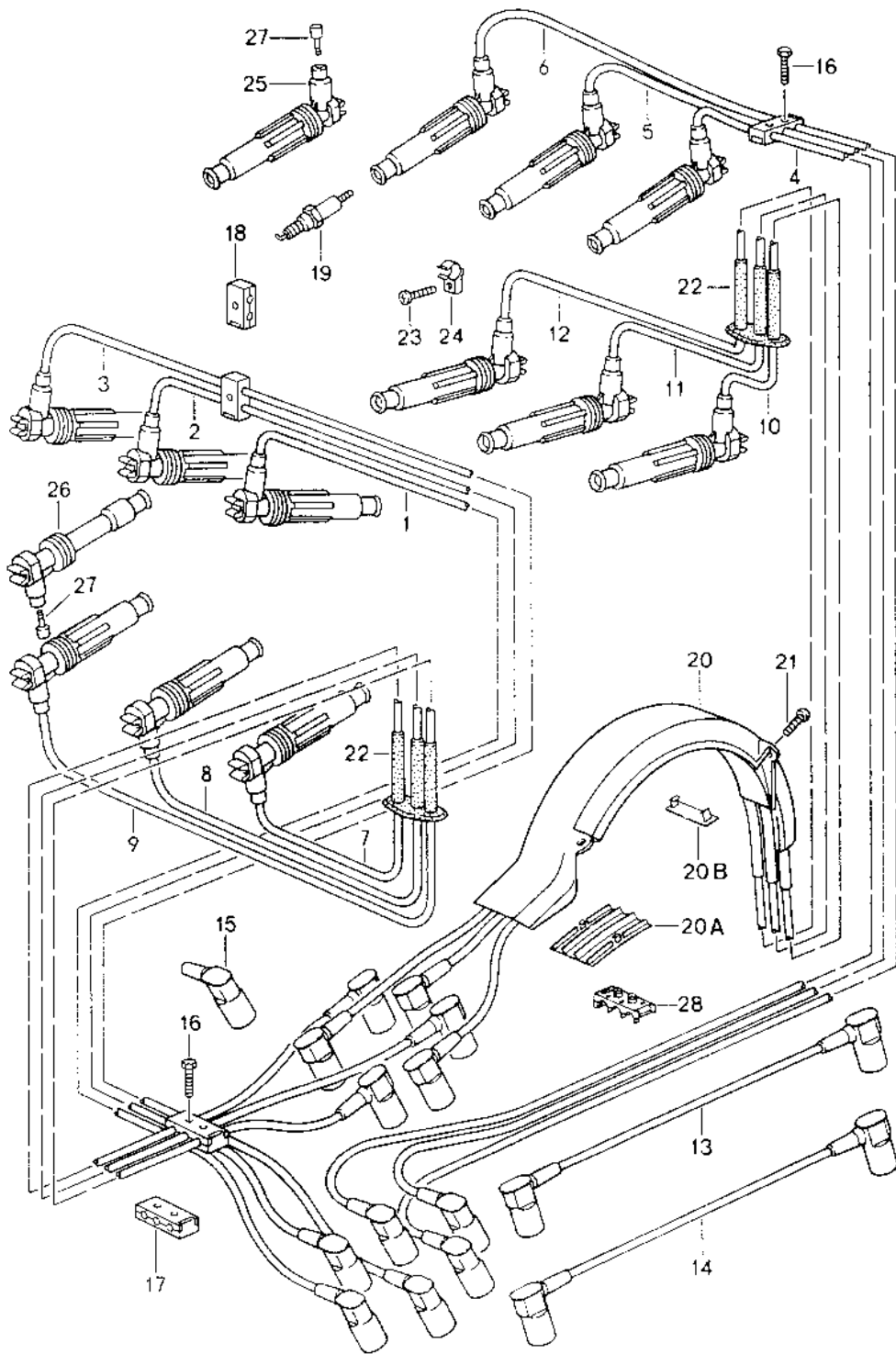
Pos	Part Number	Description	Remark	Qty	Model
		Engine electrics 1			M30.69 M64.50
1	930 602 023 00	Distributor		1	M30.69
1	965 602 024 00	Distributor		1	M64.50
2	930 602 918 00	Dust cover		1	
3	930 602 902 02	Rotor		1	
4	911 602 102 01	Sealing ring		1	
5	900 025 007 02	Washer B 8,4		1	
5	900 025 007 03	Washer B 8,4		1	
6	N 012 241 8	Spring washer B 8		1	
7	900 076 025 02	Hexagon nut M 8		1	
7	900 076 064 02	Hexagon nut M 8		1	
8	930 602 919 00	Distributor cap		1	
9	965 602 116 00	Ignition transformer		1	
10	N 011 524 7	Washer 6,4		2	
10	N 011 524 27	Washer 6,4		2	
11	900 076 010 02	Nut M 6		2	
11	900 076 010 0B	Nut M 6		2	
		Spark plug Use also: 547 09222 for Spark plug		X	
-	547 09 222	Nut for Spark plug		X	
12	999 170 186 90	Spark plug WR4 DPO		6	M30.69
12	999 170 195 90	Spark plug FR6 LDC		6	M64.50
13	965 602 060 08	Ignition lead Cylinder 1		1	M30.69
13	965 602 031 00	Ignition lead Cylinder 1		1	M64.50
14	965 602 060 09	Ignition lead Cylinder 2		1	M30.69
14	965 602 032 00	Ignition lead Cylinder 2		1	M64.50
15	965 602 060 10	Ignition lead Cylinder 3		1	M30.69
15	965 602 033 00	Ignition lead Cylinder 3		1	M64.50
16	965 602 060 11	Ignition lead Cylinder 4		1	M30.69
16	965 602 034 00	Ignition lead Cylinder 4		1	M64.50
17	965 602 060 12	Ignition lead Cylinder 5		1	M30.69
17	965 602 035 00	Ignition lead Cylinder 5		1	M64.50
18	965 602 060 13	Ignition lead Cylinder 6		1	M30.69
18	965 602 036 00	Ignition lead Cylinder 6		1	M64.50

Model: 911 89 Model life 1989>>1994

Pos	Part Number	Description	Remark	Qty	Model
19	965 602 060 15	Ignition lead		1	M30.69
19	965 602 037 00	Ignition lead		1	M64.50
20	928 602 557 01	Suppression connector		8	
21	911 602 315 00	Spark plug connector		6	M30.69
21	964 602 314 00	Spark plug connector		6	M64.50
22	928 602 322 00	Cable holder		2	
		Single parts			
		Complete			
		in pairs			
		Order			
23	928 602 323 00	Cable holder		10	
		Single parts			
		Complete			
		in pairs			
		Order			
26	930 602 424 02	Pinion		1	

Model: 911 89

Model life 1989>>1994



Model: 911 89 Model life 1989>>1994

Pos	Part Number	Description	Remark	Qty	Model
		Engine electrics 2			M64.01/02 M64.03
1	964 602 060 01	Ignition lead Cylinder 1		1	
2	964 602 060 02	Ignition lead Cylinder 2		1	
3	964 602 060 03	Ignition lead Cylinder 3		1	
4	964 602 060 04	Ignition lead Cylinder 4		1	
5	964 602 060 05	Ignition lead Cylinder 5		1	
6	964 602 060 06	Ignition lead Cylinder 6		1	
7	964 602 060 17	Ignition lead Cylinder 1	-91	1	
7		Ignition lead Cylinder 1	92-	1	
8	964 602 060 18	Ignition lead Cylinder 2	-91	1	
8		Ignition lead Cylinder 2	92-	1	
9	964 602 060 13	Ignition lead Cylinder 3		1	
10	964 602 060 14	Ignition lead Cylinder 4		1	
11	964 602 060 19	Ignition lead Cylinder 5	-91	1	
11		Ignition lead Cylinder 5	92-	1	
12	964 602 060 20	Ignition lead Cylinder 6	-91	1	
12		Ignition lead Cylinder 6	92-	1	
13	964 602 060 07	Ignition lead		1	
14	964 602 060 08	Ignition lead		1	
15	928 602 557 01	Suppression connector		16	
16	N 010 264 4	Hexagon-head bolt		6	
17	928 602 323 00	Cable holder Single parts Complete in pairs Order		2	
18	911 609 593 00	Cable holder Single parts Complete in pairs Order Spark plug Use also: 547 09222 for Spark plug Nut for Spark plug		4	
-	547 09 222	Nut for Spark plug		X	
19	999 170 183 90	Spark plug		12	
20	911 602 035 00	Cover Upper part		1	
20A	911 602 236 01	Cover Lower part		1	
20B	964 602 237 00	Cover Lower part		3	

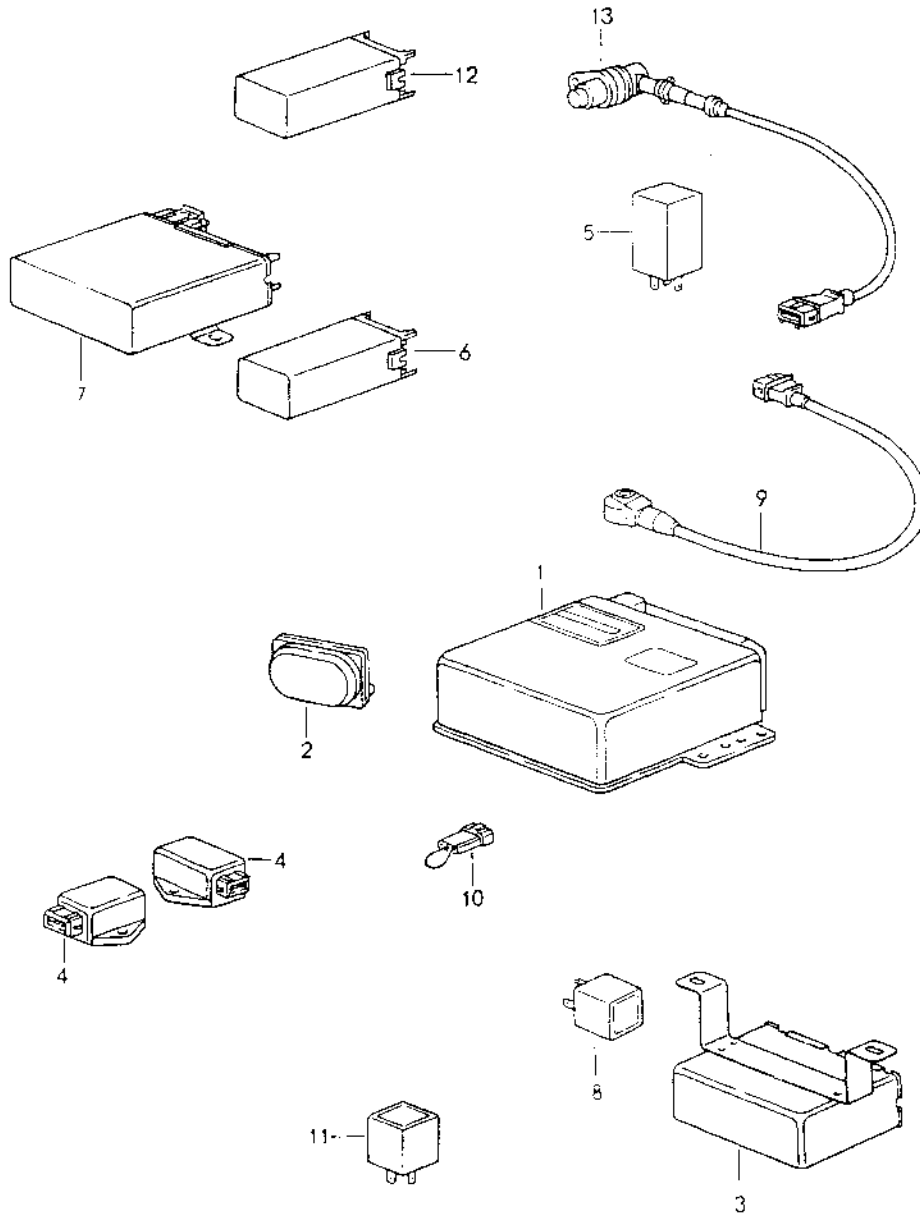
Model: 911 89

Model life 1989>>1994

Pos	Part Number	Description	Remark	Qty	Model
21	900 119 099 07	Pan-head screw		2	
22	911 602 403 02	Rubber sleeve		2	
23	999 919 096 00	Oval-head screw		6	
24	964 602 559 00	Clip		6	
25	964 602 314 00	Spark plug connector		11	
26	911 602 313 00	Spark plug connector		1	
		Cylinder 3			
		Exhaust			
27	911 609 310 00	Cable screw		X	
28	911 602 325 00	Support		1	

Model: 911 89

Model life 1989>>1994



Model: 911 89 Model life 1989>>1994

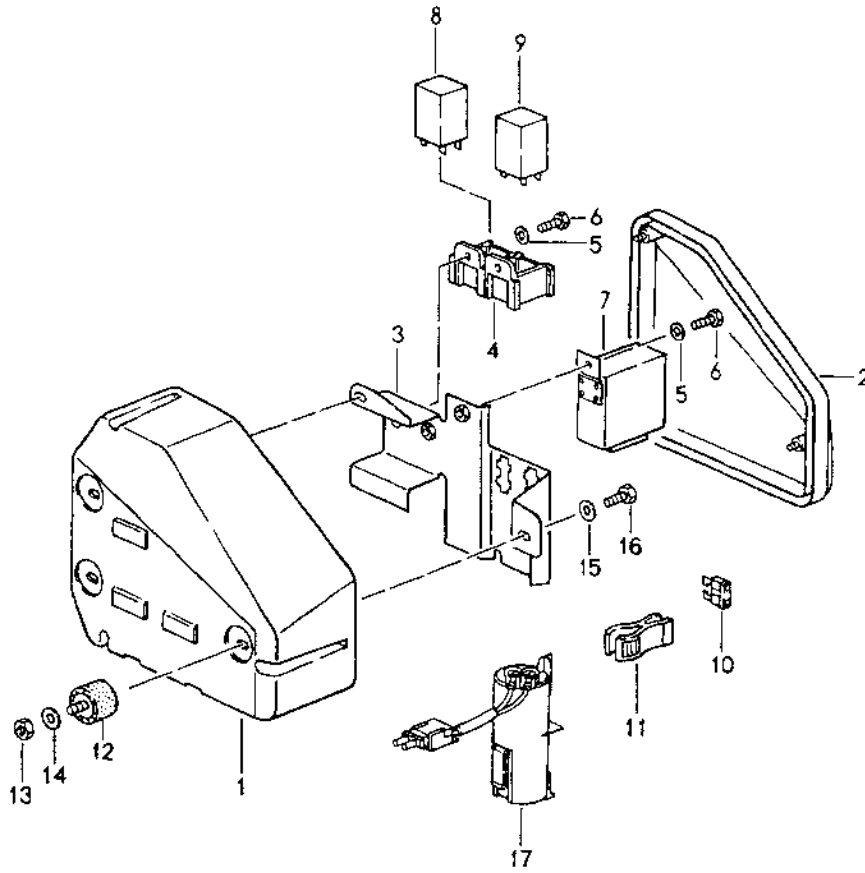
Pos	Part Number	Description	Remark	Qty	Model
1	911 618 124 04	Control units Control unit	-90	1	M64.01/02
1	964 618 124 03	- dme - Control unit	91-	1	M64.01/02 M64.02 M114
1	964 618 124 CX	- dme - Control unit	91-	1	M64.01/02 M64.02 M114
1	964 618 124 04	- dme - Control unit	91-	1	M64.03 M64.01 M114
1	964 618 124 DX	- dme - Control unit		1	M64.03 M64.01 M114
(1)	965 618 103 01	Lambda control unit		1	TURBO
(1)	964 618 115 01	Control unit Tiptronic	-91	1	
(1)	964 618 115 02	Control unit Tiptronic	-91	1	M114
(1)	964 618 110 00	Control unit Tiptronic	92-	1	
2	911 606 151 00	altitude capsule		1	
3	964 641 330 00	Central indicator		1	
3	964 641 330 X	Central indicator		1	
3	965 641 330 00	Central indicator		1	TURBO
4	993 606 153 00	Lateral accelerat. sensor		2	
4	993 606 153 01	Lateral accelerat. sensor		2	
5	964 618 142 00	Control unit for Rear spoiler	-90	1	
6	964 618 212 00	Control unit for Rear spoiler		1	
6	964 618 212 X	Control unit for Rear spoiler		1	
6		Control unit for Rear spoiler	91-	1	
-	964 618 121 00	Support	/LL	1	
-	964 618 117 01	Support for POS. 6	/RL	1	
7	911 617 227 00	Control unit Cruise control regulator		1	
7	911 617 227 X	Control unit Cruise control regulator		1	
8	111 953 227 D	Flasher relay		1	
8	191 953 227 A	Flasher relay		1	
8	1H0 953 227	Flasher relay		1	
9	964 606 141 00	Knock sensor		2	
-	999 217 082 02	Use also: Hexagon-head bolt Micro-self-locking M 8 X 30 See workshop manual 993 KD-NR. 97 50 41		2	
-	900 075 518 01	Hexagon-head bolt Micro-self-locking M 8 X 30 See workshop manual 993 KD-NR. 97 50 41		2	

Model: 911 89 Model life 1989>>1994

Pos	Part Number	Description	Remark	Qty	Model
10	928 607 422 00	Coding plug		1	
10	964 612 253 00	Coding plug		1	M249
11	928 618 104 00	Relay Rear window wiper		1	
12	928 637 104 03	Alarm control unit	-90	1	
12	928 637 104 04	Alarm control unit	(CH) -90	1	
(12)	928 618 260 01	Control unit Alarm system Central locking system	91-	1	
(12)	928 618 260 03	Control unit Alarm system Central locking system	91-	1	
(12)	964 618 103 00	Control unit Brightness control		1	
13	911 606 217 02	Pulse sender	89	1	M64.01
13	911 606 217 03	Pulse sender See workshop manual 993 KD-NR. 97 50 41	90-	1	M64.01/02 M30.69 M64.03 M64.50
-	965 618 131 01	Control unit Acceleration Enrichment	91	1	TURBO
-		Control unit Acceleration Enrichment	92	1	TURBO
-	965 618 131 02	Control unit Acceleration Enrichment	93-	1	TURBO
-	965 618 130 00	Control unit	-92	1	TURBO
-	965 618 130 01	Switch unit	93-	1	TURBO
-	965 641 381 00	Control unit for On-board computer		1	TURBO
-	964 618 022 00	Support for Control units	/L	1	
-	964 618 204 02	Support for Control units	/R	1	

Model: 911 89

Model life 1989>>1994

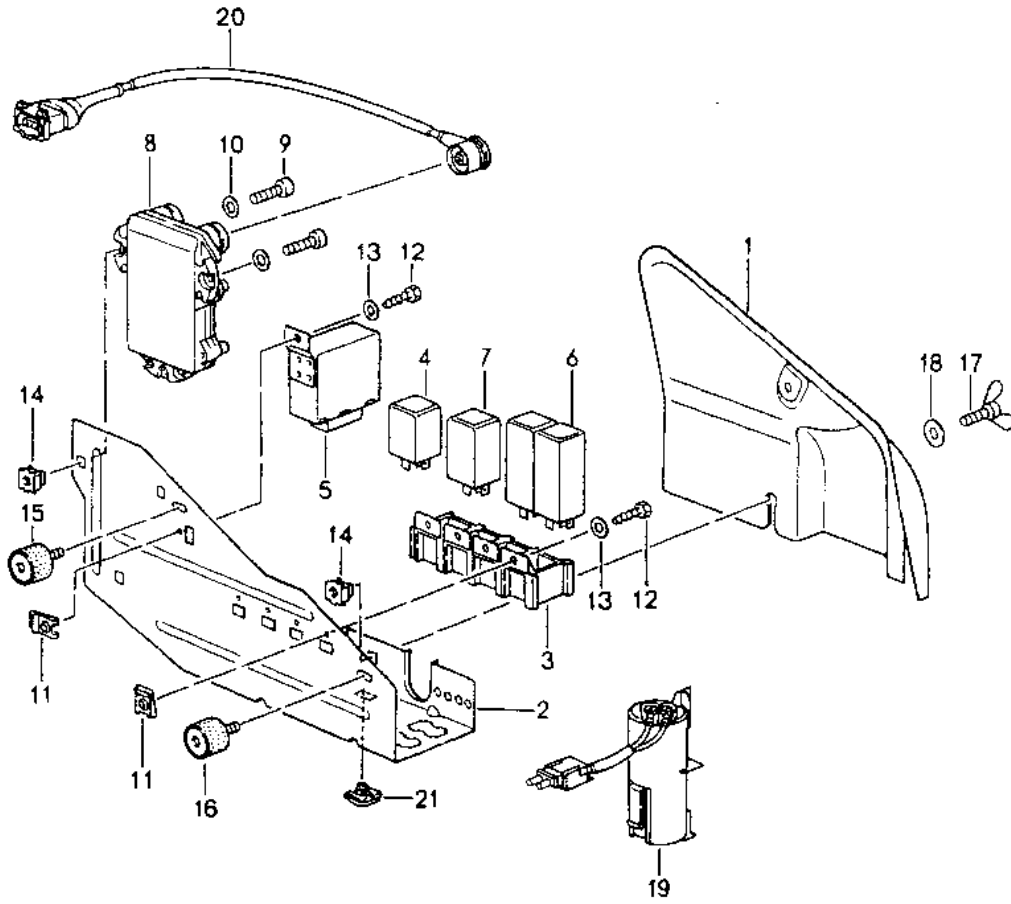


Model: 911 89 Model life 1989>>1994

Pos	Part Number	Description	Remark	Qty	Model
		Central electrical system Engine compartment			CARRERA2/4 TURBO-LOOK CARRERA RS
1	964 610 131 00	Housing		1	
2	964 610 022 00	Lid		1	
	964 610 022 00 01C	Black			
3	964 610 181 00	Mounting plate		1	
4	928 615 511 00	Relay holder		2	
5	900 025 003 02	Washer		3	
6	N 010 205 6	Hexagon-head bolt		3	
6	900 075 105 02	Screw		3	
7	911 615 115 00	Relay		1	
		Rear window heating			
8	964 615 215 00	Relay		1	M573
8	999 657 018 90	Relay		1	M573
9	811 951 253	Double relay		1	
10	999 607 005 00	Lock		1	
		7,5 A			
10	999 607 083 00	Lock		1	
		7,5 A			
10	999 607 009 00	Lock		2	
		25 A			
10	999 607 087 00	Lock		2	
		25 A			
11	443 941 802	Tool		1	
-	911 612 287 00	Fuse holder		3	
12	999 703 384 00	Megulastik pivot bearing		3	
12	999 703 384 01	Megulastik pivot bearing		3	
13	N 011 005 14	Hexagon nut		3	
		M 5			
13	900 076 091 01	Hexagon nut		3	
		M 5			
14	900 025 007 02	Washer		3	
14	900 025 007 03	Washer		3	
15	900 031 011 02	Washer		3	
16	N 010 205 6	Hexagon-head bolt		3	
16	900 075 105 02	Screw		3	
17	964 645 011 00	Suppressor condenser		1	

Model: 911 89

Model life 1989>>1994

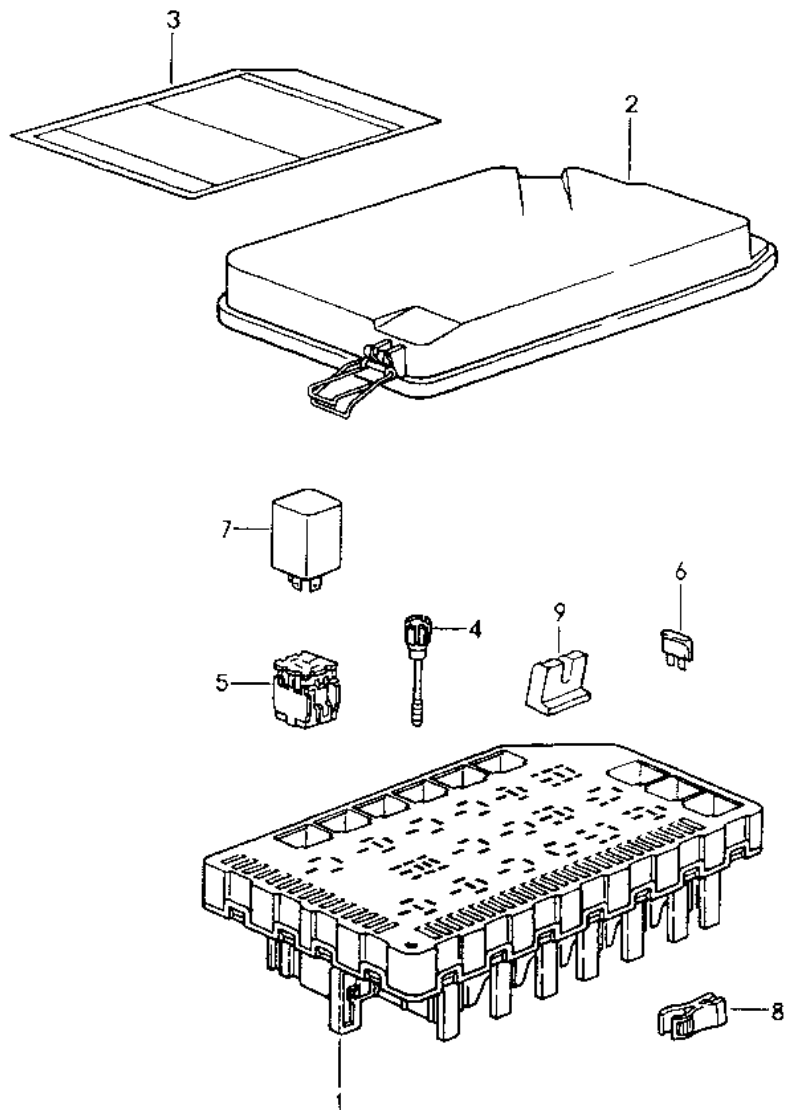


Model: 911 89 Model life 1989>>1994

Pos	Part Number	Description	Remark	Qty	Model
		Central electrical system			TURBO
		Engine compartment			
1	965 610 105 00	Cover		1	
2	965 610 281 02	Mounting plate		1	
3	928 615 511 00	Relay holder		4	
4	141 951 253 B	Relay		1	
5	964 615 215 00	Relay		1	M573
5	999 657 018 90	Relay		1	M573
6	811 951 253	Double relay		2	
7	911 615 115 00	Relay		1	
8	965 602 706 01	Switch unit	-92	1	TURBO
8	965 602 706 02	Control unit	93-	1	TURBO
9	N 014 703 2	Pan-head screw M 6X18		2	
10	900 031 011 02	Washer A 6,4		2	
11	N 015 429 2	Speed nut B 4,2		4	
11	N 015 429 6	Speed nut B 4,2		4	
12	900 187 013 02	Hexagon-head tapping screw BZ 4,2X13		4	
13	900 151 028 02	Washer B 4,3		4	
13	900 151 028 01	Washer B 4,3		4	
14	999 507 321 02	Captive nut M 6		3	
15	999 703 384 00	Megulastik pivot bearing		2	
15	999 703 384 01	Megulastik pivot bearing		2	
16	999 703 384 00	Megulastik pivot bearing		1	
16	999 703 384 01	Megulastik pivot bearing		1	
17	900 029 102 02	Wing screw		2	
18	900 151 003 02	Washer A 6,4		2	
18	900 151 006 03	Washer A 6,4		2	
19	965 645 011 00	Suppressor condenser		1	
20	965 606 175 00	Cable for Speed sensor		1	

Model: 911 89

Model life 1989>>1994



Model: 911 89 Model life 1989>>1994

Pos	Part Number	Description	Remark	Qty	Model
		Central electrical system See TPI GR.9 , NR.9 , 07/94			
1	964 610 011 00	Central electrical system		1	
2	964 610 076 00	Lid		1	
2	964 610 076 01	Lid		1	
3	964 610 209 00	Assignment sticker	89	1	
3	964 610 209 03	Assignment sticker	90	1	
3	964 610 209 04	Assignment sticker	91	1	CARRERA 2
3	964 610 209 10	Assignment sticker	92	1	CARRERA 2
3	964 610 209 13	Assignment sticker	93-	1	CARRERA 2
3	964 610 209 75	Assignment sticker		1	CARRERA RS
3	964 610 209 05	Assignment sticker	91	1	CARRERA 4
3	964 610 209 09	Assignment sticker	92	1	CARRERA 4
3	964 610 209 12	Assignment sticker	93-	1	CARRERA 4
3	965 610 209 00	Assignment sticker	91	1	TURBO
3	965 610 209 02	Assignment sticker	92	1	TURBO
3	965 610 209 03	Assignment sticker	93-	1	TURBO
3	964 610 209 11	Assignment sticker	92	1	CABRIO
3	964 610 209 14	Assignment sticker	93-	1	TURBO-LOOK CABRIO TURBO-LOOK
4	944 610 611 00	Screw		1	
5	928 610 511 00	Relay carrier		X	
6	999 607 005 00	Lock 7,5 A		17	
6	999 607 083 00	Lock 7,5 A		17	
6	999 607 007 00	Lock 15 A		12	
6	999 607 085 00	Lock 15 A		12	
6	999 607 009 00	Lock 25 A		7	
6	999 607 087 00	Lock 25 A		7	
6	999 607 010 00	Lock 30 A		4	
6	999 607 088 00	Lock 30 A		4	
6	999 607 052 00	Lock 40 A		3	
7		Relay		X	
(7)	141 951 253 B	Relay		1	
(7)	811 951 253	Rear fog light Back-up light Relay socket/code: Double relay	R01	1	
(7)	141 951 253 B	Oil cooler Blower Relay socket/code: Relay KL 15	R04	1	
(7)	964 610 183 02	Relay socket/code: Bridge adapter	R11	1	
(7)	964 610 183 06	Relay socket/code: Bridge adapter	R12	1	
(7)	964 610 183 03	Relay socket/code: Bridge adapter	R12	1	M487
(7)	964 610 183 05	Relay socket/code: Bridge adapter	R12	1	M193
(7)	964 610 183 08	Relay socket/code: Bridge adapter	R12	1	M193

Model: 911 89 Model life 1989>>1994

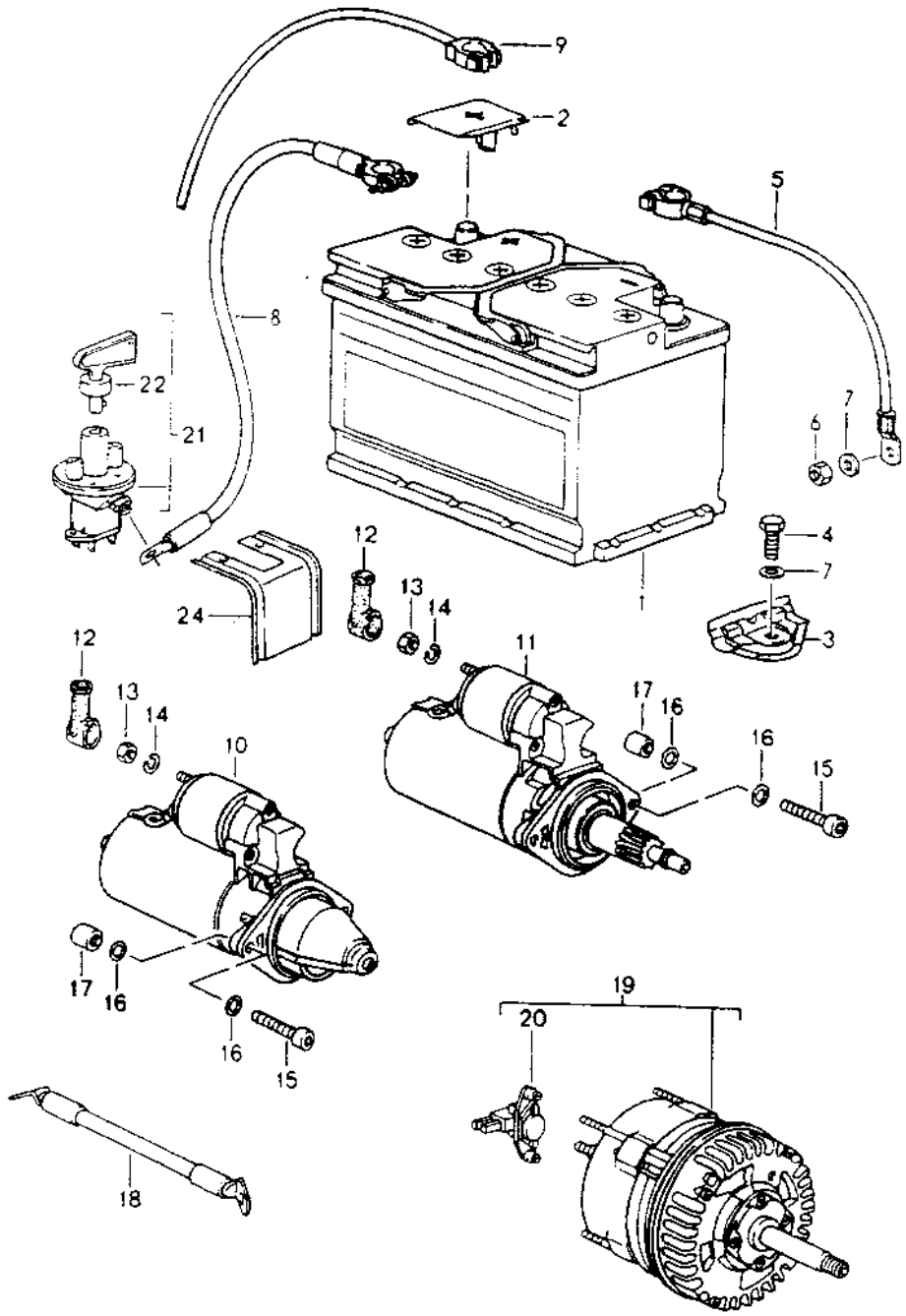
Pos	Part Number	Description	Remark	Qty	Model
(7)	964 610 184 01	Relay socket/code: Bridge adapter	R12	1	
(7)	964 610 183 76	Relay socket/code: Bridge adapter	R12 (J)	1	CARRERA RS
(7)	811 951 253	Relay socket/code: Double relay Air conditioner	R14	1	
(7)	964 610 184 00	Relay socket/code: Bridge adapter	R14	1	M439
(7)	944 615 112 02	Relay socket/code: Relay Power windows	R21	1	
(7)	928 615 203 00	Relay socket/code: Relay Fanfare	R22	1	
(7)	964 618 221 00	Relay socket/code: Control unit Frequency converter	R23 91-	1	CARRERA 4
(7)	141 951 253 B	Relay socket/code: Relay Fog headlamp	R24	1	
(7)	191 937 503	Relay socket/code: Relay X	R31	1	
(7)	928 615 124 01	Relay socket/code: Relay Anti-lock brake system	R33	1	
(7)	928 615 124 03	Relay socket/code: Relay Anti-lock brake system	R33	1	
(7)	993 615 227 00	Relay socket/code: Relay - dme -	R33	1	
(7)	993 615 227 01	Relay socket/code: Relay - dme -	R41	1	
(7)	993 615 101 00	Relay socket/code: Switch unit	R41	1	
(7)	993 615 101 01	Relay socket/code: Switch unit	R42	1	
(7)	928 618 111 00	Relay socket/code: Relay Headlight washer system	R42	1	
(7)	964 617 117 00	Relay socket/code: Control unit Temperature control Hinweis: Use 993.617.119.00 850°C	R43	1	
(7)	964 615 135 00	Relay socket/code: Relay Brake booster	R44	1	
(7)	964 615 135 01	Relay socket/code: Relay Brake booster	R51	1	
(7)	964 618 220 00	Relay socket/code: Control unit Frequency converter	R51	1	
(7)	964 618 220 51	Relay socket/code: Control unit Frequency converter	R52	1	

Model: 911 89 Model life 1989>>1994

Pos	Part Number	Description	Remark	Qty	Model
(7)	928 618 113 01	Relay socket/code: Relay	R52	1	M286
(7)	928 618 113 02	Relay socket/code: Relay	R53	1	M286
(7)	928 615 211 00	Relay socket/code: Bridge adapter	R53 90-	1	
(7)	964 610 184 00	Relay socket/code: Bridge adapter	R53	1	
(7)	141 951 253 B	Relay socket/code: Relay	R53 90-	1	M249
-	964 618 145 00	Automatic transmission Relay socket/code: Control unit	R61 92-	1	
-	964 618 102 00	Selector lever lock Relay		1	M249
-	911 618 313 01	Warning time relay Control unit		1	M439
-	964 618 105 00	for Convertible top See technical information GR.6, NR. 6/96 Plastic nut		2	M439
-	928 618 102 03	for Control unit Convertible top control Warning time relay		1	M215
8	443 941 802	Tool		1	
9	964 610 232 00	Spacer		2	
-	964 632 106 01	Retaining frame for Contact switch Luggage compartment lamp	-91	1	

Model: 911 89

Model life 1989>>1994



Model: 911 89 Model life 1989>>1994

Pos	Part Number	Description	Remark	Qty	Model
1	999 611 070 20	Battery Starter Generator Battery 12 V 70 AH Tech. information memo 02/97		1	
1	999 611 070 21	Battery 12 V 70 AH Tech. information memo 02/97		1	
(1)	999 611 036 20	Battery 12 V 36 AH		1	CARRERA RS
2	999 611 104 00	Pole covering		1	
3	964 611 209 01	Bracket		1	
4	900 075 078 02	Hexagon-head bolt M 8 X 15		1	
4	900 075 078 03	Hexagon-head bolt M 8 X 15		1	
5	964 611 799 00	Ground cable		1	
6	900 076 030 02	Hexagon nut M 8 X 1		1	
7	900 025 025 02	Washer 8,4		1	
8	964 612 021 70	Cable		1	CARRERA RS
8	964 612 021 71	Cable		1	CARRERA RS
(9)	964 612 022 03	Battery-starter cable	/LL	1	
(9)	964 612 022 75	Battery-starter cable	/LL	1	CARRERA RS
(9)	964 612 022 01	Battery-starter cable	/RL	1	
(9)	964 612 022 76	Battery-starter cable	/RL	1	CARRERA RS
10	911 604 102 01	Starter	89	1	M64.01
			90-		M64.02
(10)	911 604 102 AX	Starter	89	1	M64.01
			90-		M64.02
11	964 604 104 00	Starter	90-	1	M64.01/03
11	996 604 107 00	Starter	90-	1	M64.01/03
11	965 604 104 00	Starter		1	M30.69 M64.50
12	999 659 006 50	Protection cap		1	
13	900 076 025 02	Hexagon nut M 8		1	
13	900 076 064 02	Hexagon nut M 8		1	
14	N 012 009 3	Lock ring B 8		1	
15	900 067 124 02	Pan-head screw M 10X35		2	
16	900 031 005 02	Washer 10,5		4	
16	900 031 005 03	Washer 10,5		4	
17	901 104 382 02	Nut		2	
17	901 104 382 03	Nut		2	
18	964 612 609 01	Ground cable		1	
19	964 603 156 01	Generator		1	
19	964 603 156 AX	Generator		1	
19	964 603 156 BX	Generator		1	
20	928 603 142 00	Regulator		1	
21	944 612 927 00	Battery main switch		1	CARRERA RS
22	944 612 945 00	Key		1	CARRERA RS
23	964 612 021 70	Cable		1	CARRERA RS
23	964 612 021 71	Cable		1	CARRERA RS
24	964 613 126 75	Cap		1	

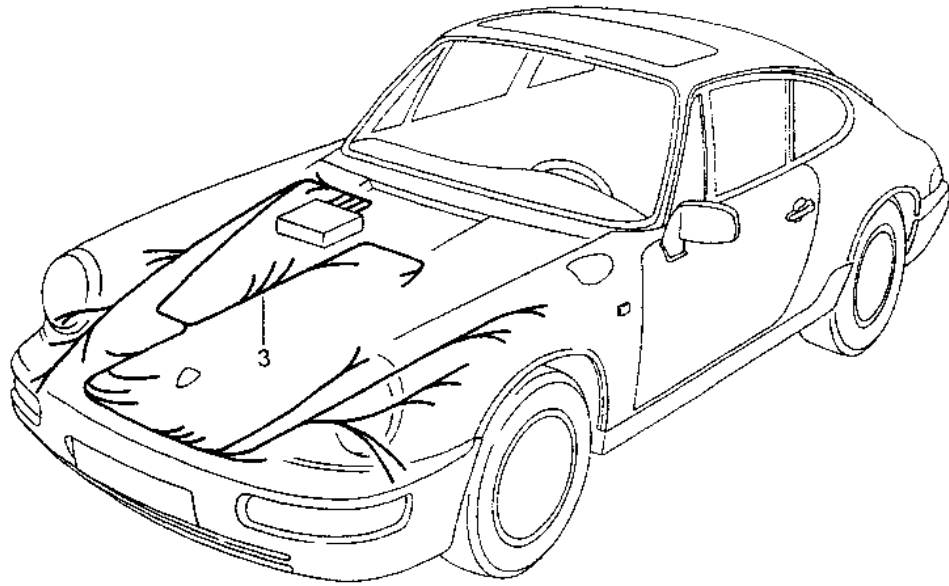
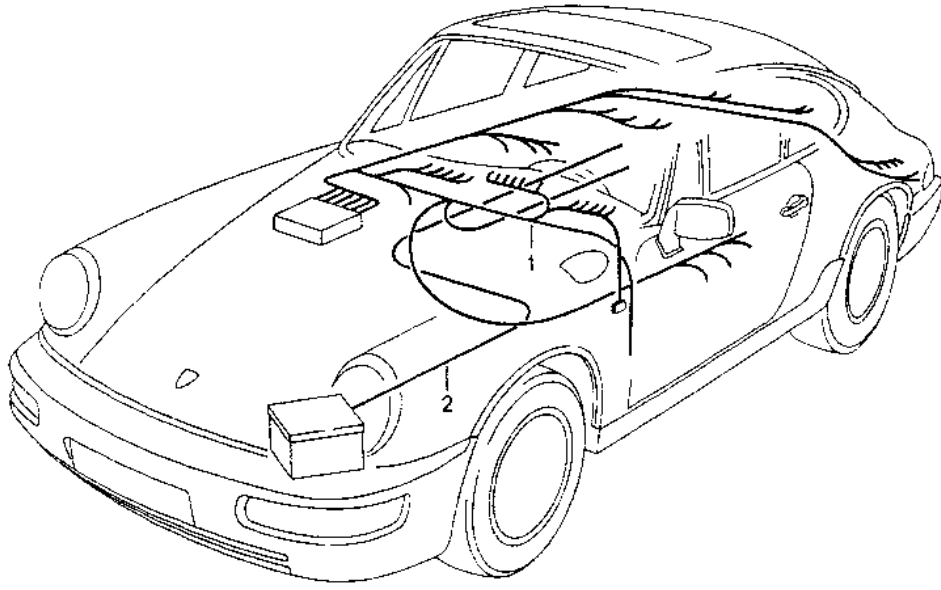
Model: 911 89

Model life 1989>>1994

Pos	Part Number	Description	Remark	Qty	Model
		for Battery main switch			

Model: 911 89

Model life 1989>>1994



Model: 911 89 Model life 1989>>1994

Pos	Part Number	Description	Remark	Qty	Model
1	964 612 002 06	Wiring harnesses Passenger compartment Starter battery FRONT luggage compartment Wiring harness NR. 2	/LL 89	1	CARRERA 4
1	964 612 002 12	Passenger compartment Wiring harness NR. 2	/LL 90	1	CARRERA 4
1	964 612 002 17	Passenger compartment Wiring harness NR. 2	/LL 91	1	CARRERA 4
1	964 612 002 20	Passenger compartment Wiring harness NR. 2	/LL 92	1	CARRERA 4
1	964 612 002 24	Passenger compartment Wiring harness NR. 2	/LL 93-	1	CARRERA 4
1	964 612 060 00	Passenger compartment Wiring harness NR.60	/RL 89	1	CARRERA 4
1	964 612 060 01	Passenger compartment Wiring harness NR.60	/RL 90	1	CARRERA 4
1	964 612 060 05	Passenger compartment Wiring harness NR.60	/RL 91	1	CARRERA 4
1	964 612 060 08	Passenger compartment Wiring harness NR.60	/RL 92	1	CARRERA 4
1	964 612 060 12	Passenger compartment Wiring harness NR.60	/RL 93	1	CARRERA 4
1	964 612 002 16	Passenger compartment Wiring harness NR. 2	/LL 90	1	CARRERA 2 M439/573 M249
1		Passenger compartment Wiring harness NR. 2	/LL 90	1	CARRERA 2
1	964 612 002 23	Passenger compartment Wiring harness NR. 2	/LL 91	1	CARRERA 2
1	964 612 002 22	Passenger compartment Wiring harness	/LL 92 /LL	1	CARRERA 2 CARRERA RS M002
1	964 612 002 26	NR. 2 Passenger compartment Wiring harness NR. 2	/LL 93-	1	CARRERA 2
1	964 612 002 18	Passenger compartment Wiring harness NR. 2	/LL 91	1	CARRERA 2 M249
1	964 612 002 21	Passenger compartment Wiring harness NR. 2	/LL 92	1	CARRERA 2 M249
1	964 612 002 25	Passenger compartment Wiring harness NR. 2	93-	1	CARRERA 2 M249
1	964 612 060 04	Wiring harness NR.60	/RL 90	1	CARRERA 2
1	964 612 060 03	Passenger compartment Wiring harness	/RL 90	1	CARRERA 2

Model: 911 89 Model life 1989>>1994

Pos	Part Number	Description	Remark	Qty	Model
1	964 612 060 11	NR.60 Passenger compartment Wiring harness	(J) /RL 91	1	CARRERA 2
1	964 612 060 10	NR.60 Passenger compartment Wiring harness	/RL 92	1	CARRERA 2
1	964 612 060 14	NR.60 Passenger compartment Wiring harness	/RL 93	1	CARRERA 2
1	964 612 060 75	NR.60 Passenger compartment Wiring harness	/RL	1	CARRERA RS M002
1	964 612 060 04	NR.60 Passenger compartment Wiring harness	/RL 90	1	CARRERA 2 M249
1	964 612 060 06	NR.60 Passenger compartment Wiring harness	/RL 91	1	CARRERA 2 M249
1	964 612 060 09	NR.60 Passenger compartment Wiring harness	/RL 92	1	CARRERA 2 M249
1	964 612 060 13	NR.60 Passenger compartment Wiring harness	/RL 93-	1	CARRERA 2 M249
1	965 612 002 01	NR. 2 Passenger compartment Wiring harness	/LL 91	1	TURBO
1	965 612 002 02	NR. 2 Passenger compartment Wiring harness	/LL 92	1	TURBO
1	965 612 002 03	NR. 2 Passenger compartment Wiring harness	/LL 93-	1	TURBO
1	965 612 060 00	NR.60 Passenger compartment Wiring harness	/RL 91	1	TURBO
1	965 612 060 01	NR.60 Passenger compartment Wiring harness	/RL 92	1	TURBO
1	965 612 060 02	NR.60 Passenger compartment Wiring harness	/RL 93-	1	TURBO
-	999 652 546 40	Plug socket for Diagnostic		1	
-	999 652 553 22	Cylindrical socket for 999.652.546.40		X	
-	964 612 501 00	Joint flange for Wiring harness		1	
2	964 612 022 03	NR.22 Starter battery Battery-starter cable	/LL	1	
2	964 612 022 04	NR.22 Starter battery Battery-starter cable	/LL	1	M249
2	964 612 022 01	NR.22 Starter battery Battery-starter cable	/RL	1	

Model: 911 89 Model life 1989>>1994

Pos	Part Number	Description	Remark	Qty	Model
2	964 612 022 76	Battery-starter cable NR. 22		1	CARRERA RS M002
3	964 612 003 07	Starter battery Wiring harness NR. 3	/LL 89	1	
3	964 612 003 10	Boot floor plate Wiring harness NR. 3	/LL 90	1	CARRERA 4
3	964 612 003 17	Boot floor plate Wiring harness NR. 3	/LL 91	1	CARRERA 4
3	964 612 003 18	Boot floor plate Wiring harness NR. 3	/LL 92	1	CARRERA 4
3	964 612 003 21	Boot floor plate Wiring harness NR. 3	/LL 93-	1	CARRERA 4
3	964 612 003 14	Boot floor plate Wiring harness NR. 3	/LL -91	1	CARRERA 2
3	964 612 003 19	Boot floor plate Wiring harness NR. 3	/LL 92	1	CARRERA 2
3	964 612 003 22	Boot floor plate Wiring harness NR. 3	/LL 93-	1	CARRERA 2
3	965 612 003 01	Boot floor plate Wiring harness NR. 3	/LL 91	1	TURBO
3	965 612 003 02	Boot floor plate Wiring harness NR. 3	/LL 92	1	TURBO
3	965 612 003 03	Boot floor plate Wiring harness NR. 3	/LL 93-	1	TURBO
3	964 612 003 20	Boot floor plate Wiring harness NR. 3	/LL 92 /LL	1	TURBO-LOOK CARRERA RS M002
3	964 612 003 23	Boot floor plate Wiring harness NR. 3	/LL 93-	1	TURBO-LOOK
3	964 612 063 00	Boot floor plate Wiring harness NR.63	/RL 89	1	CARRERA 4
3	964 612 063 02	Boot floor plate Wiring harness NR.63	/RL 90	1	CARRERA 4
3	964 612 063 07	Boot floor plate Wiring harness NR.63	/RL 91	1	CARRERA 4
3	964 612 063 08	Boot floor plate Wiring harness NR.63	/RL 92	1	CARRERA 4
3	964 612 063 11	Boot floor plate Wiring harness NR.63	/RL 93	1	CARRERA 4
3	964 612 063 06	Boot floor plate Wiring harness NR.63	/RL -91	1	CARRERA 2
3	964 612 063 09	Boot floor plate Wiring harness	/RL 92	1	CARRERA 2

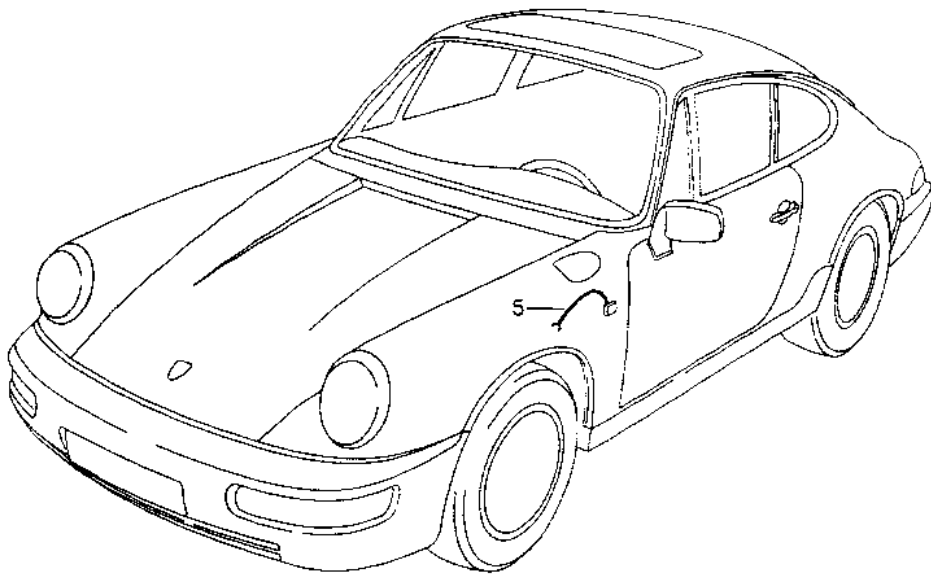
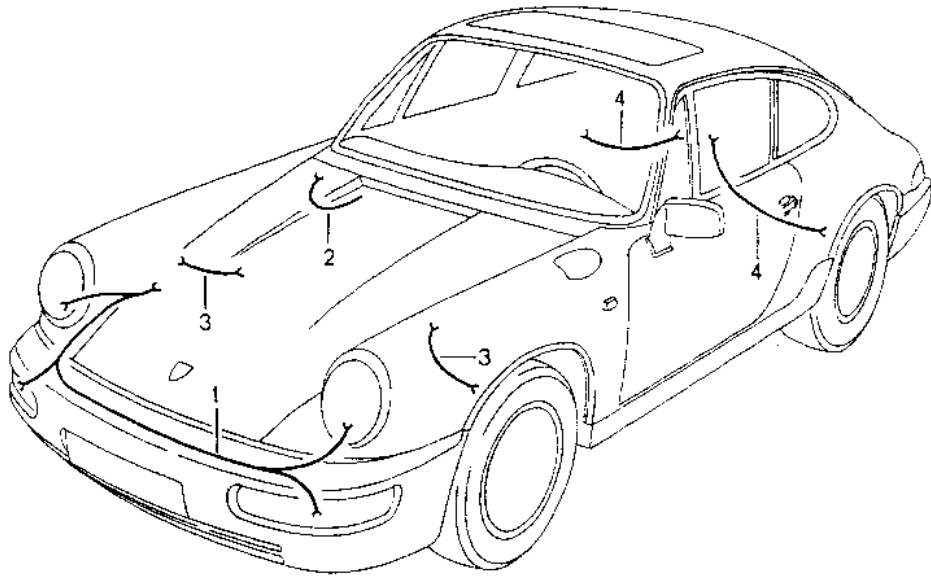
Model: 911 89

Model life 1989>>1994

Pos	Part Number	Description	Remark	Qty	Model
3	964 612 063 12	NR.63 Boot floor plate Wiring harness	/RL 93-	1	CARRERA 2
3	965 612 063 00	NR.63 Boot floor plate Wiring harness	/RL 91	1	TURBO
3	965 612 063 01	NR.63 Boot floor plate Wiring harness	/RL 92	1	TURBO
3	965 612 063 02	NR.63 Boot floor plate Wiring harness	/RL 93-	1	TURBO
3	964 612 063 10	NR.63 Boot floor plate Wiring harness	/RL 92 /RL	1	TURBO-LOOK CARRERA RS
3	964 612 063 13	NR.63 Boot floor plate Wiring harness Boot floor plate	/RL 93	1	M002 TURBO-LOOK

Model: 911 89

Model life 1989>>1994

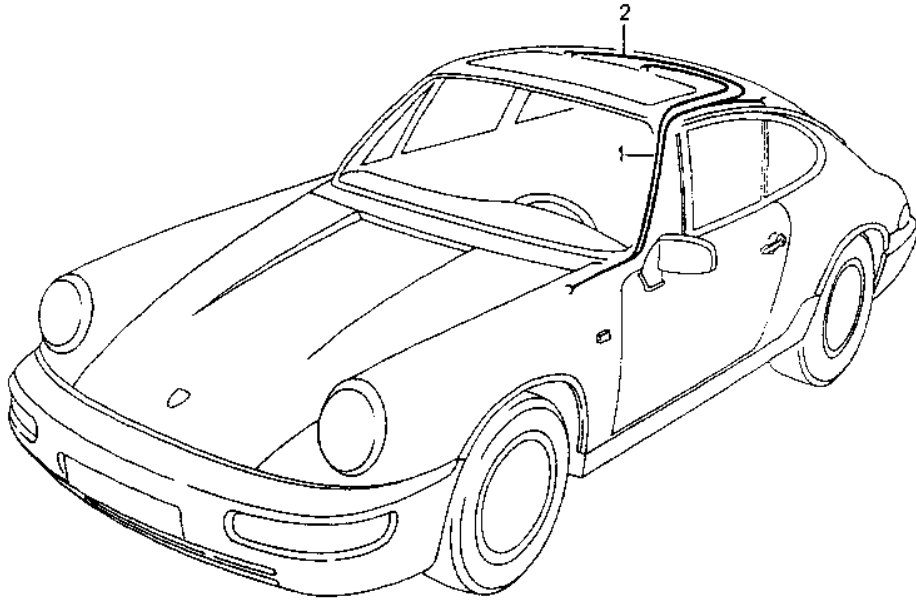


Model: 911 89 Model life 1989>>1994

Pos	Part Number	Description	Remark	Qty	Model
1	964 612 004 00	Wiring harnesses Headlamp Anti-lock brake system Wiring harness NR. 4		1	
2	911 612 044 21	Headlamp Wiring harness NR. 44		1	
3	964 612 184 00	Luggage compartment lamp Wiring harness Anti-lock brake system	/V -92	2	
3	964 612 184 01	Brake pad wear indicator Wiring harness Anti-lock brake system	/V 93-	2	
4	964 612 185 00	Brake pad wear indicator Wiring harness Anti-lock brake system	/H -92	2	
4	964 612 185 01	Brake pad wear indicator Wiring harness Anti-lock brake system	/H 93-	2	
-	964 612 984 00	Use also: Assembly kit Anti-lock brake system	93-	1	
5	911 612 177 02	Brake pad wear indicator Wiring harness NR. 177		2	

Model: 911 89

Model life 1989>>1994



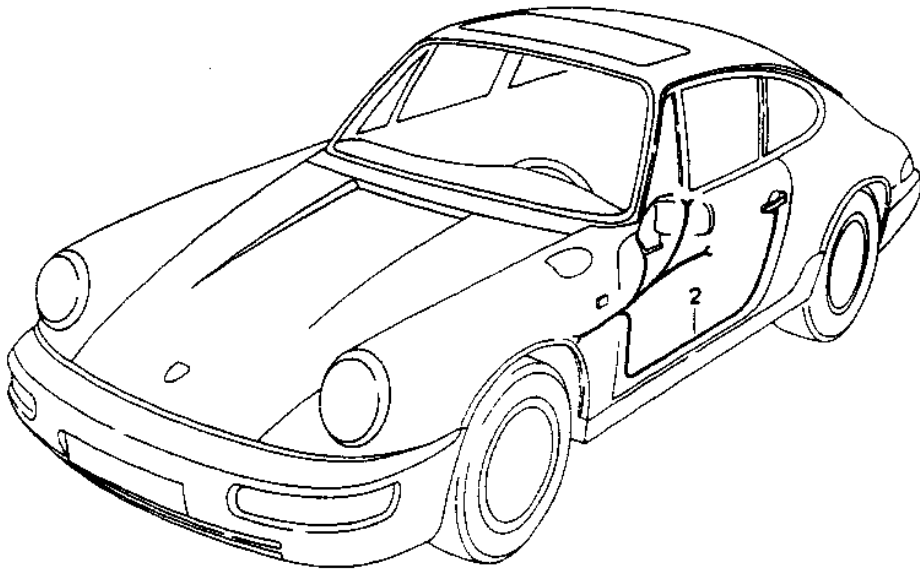
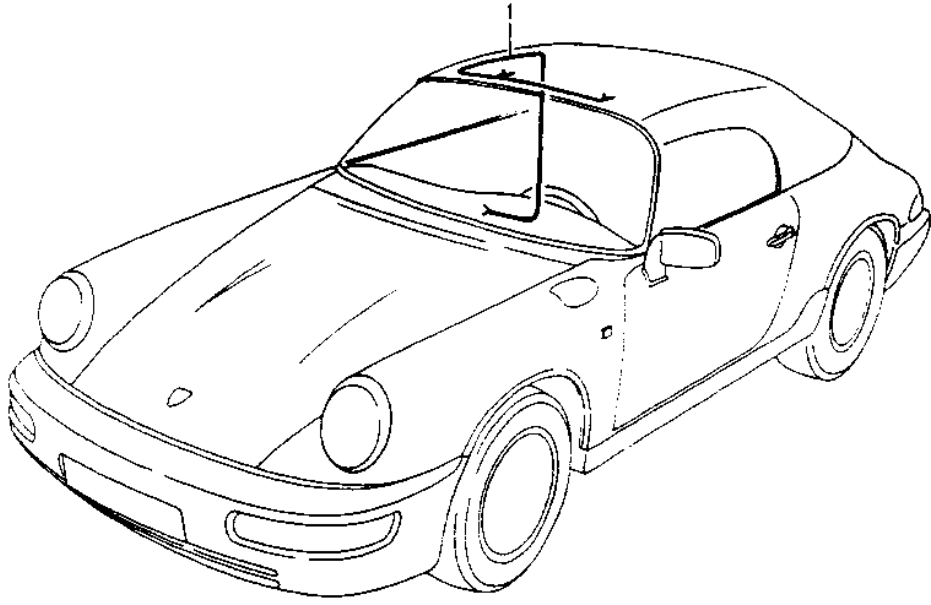
Model: 911 89

Model life 1989>>1994

Pos	Part Number	Description	Remark	Qty	Model
1	964 612 034 00	Wiring harnesses Passenger compartment Wiring harness NR. 34 Sunroof		1	M650
2		Wiring harness NR. 34 Interior light		1	

Model: 911 89

Model life 1989>>1994

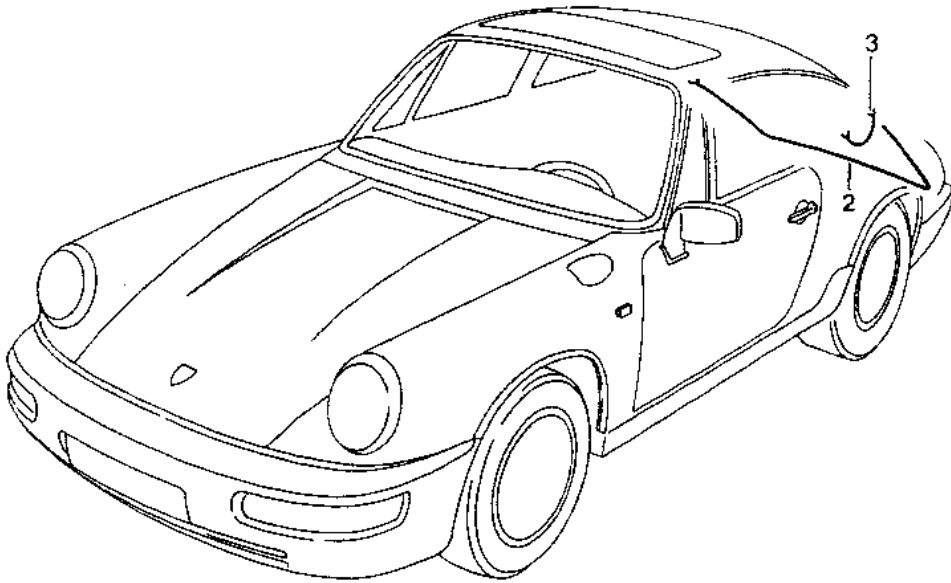
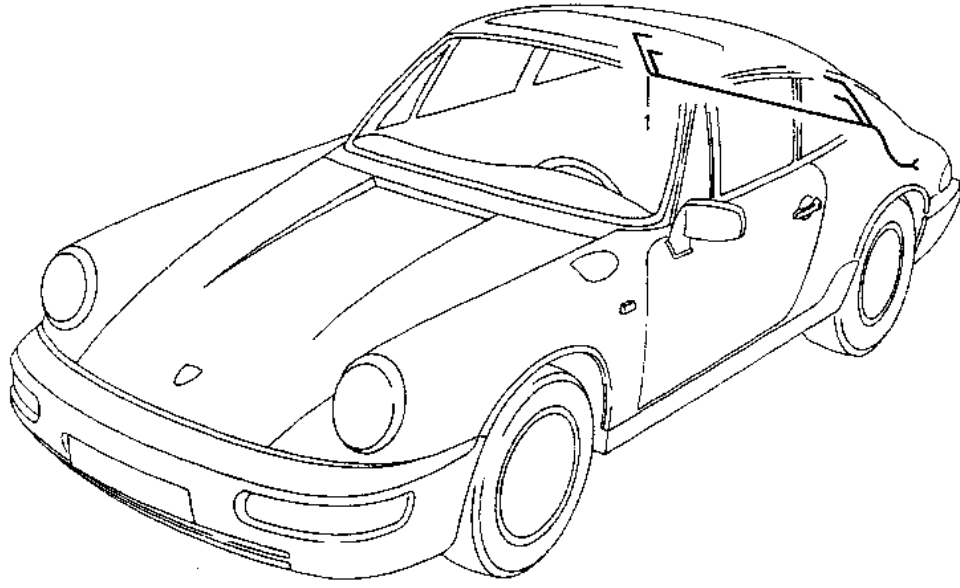


Model: 911 89 Model life 1989>>1994

Pos	Part Number	Description	Remark	Qty	Model
1	993 612 563 00	Wiring harnesses Convertible top control Driver's door Passenger's door Wiring harness NR. 563		1	
2	964 612 165 01	Convertible top control Wiring harness NR. 165	/LL -90	1	
2	964 612 165 03	Driver's door Wiring harness NR. 165	/RL -90	1	
2	964 612 165 05	Driver's door Wiring harness NR. 165	/LL -90	1	M659
2	964 612 165 13	Driver's door Wiring harness NR. 165	/LL 91	1	
2	965 612 165 00	Driver's door Wiring harness NR. 165	/LL	1	TURBO
2	964 612 165 06	Driver's door Wiring harness NR. 165	/RL -90	1	M659
2	964 612 165 14	Driver's door Wiring harness NR. 165	/RL 91	1	
2	965 612 165 01	Driver's door Wiring harness NR. 165	/RL	1	TURBO
2	964 612 165 17	Driver's door Wiring harness NR. 165	92	1	
2	964 612 165 18	Driver's door Wiring harness NR. 165	93-	1	
(2)	964 612 166 01	Driver's door Wiring harness NR. 166	/LL -90	1	
(2)	964 612 166 07	Passenger's door Wiring harness NR. 166	/LL 91	1	
(2)	965 612 166 00	Passenger's door Wiring harness NR. 166	/LL 91	1	TURBO
(2)	964 612 166 03	Passenger's door Wiring harness NR. 166	/RL -90	1	
(3)	964 612 166 08	Passenger's door Wiring harness NR. 166	/RL 91	1	
(3)	965 612 166 01	Passenger's door Wiring harness NR. 166	/RL 91	1	TURBO
(3)	964 612 166 09	Passenger's door Wiring harness NR. 166	92	1	
(3)	964 612 166 10	Passenger's door Wiring harness NR. 166	93-	1	
-	964 612 334 00	Passenger's door Grommet		2	

Model: 911 89

Model life 1989>>1994

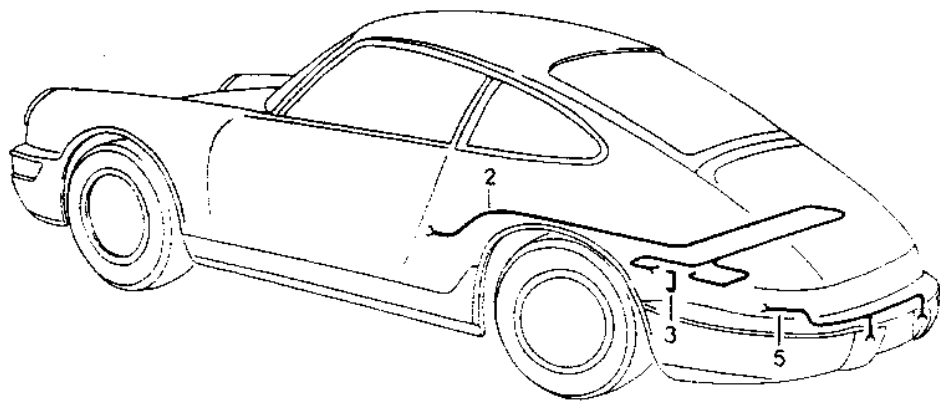
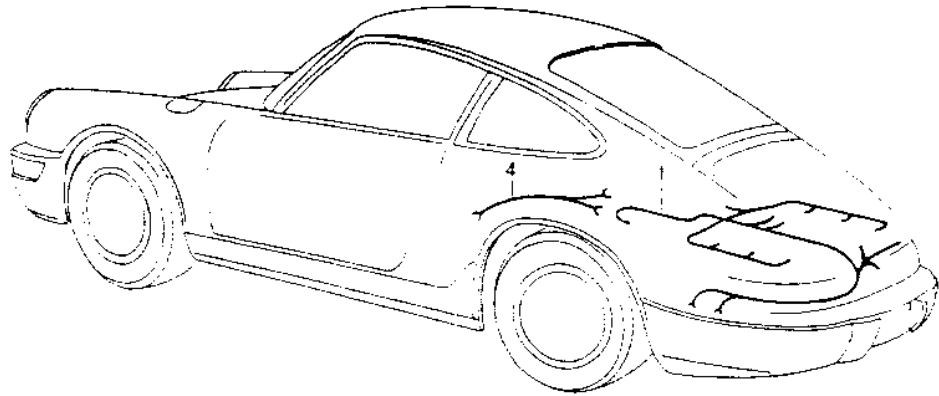


Model: 911 89 Model life 1989>>1994

Pos	Part Number	Description	Remark	Qty	Model
1	964 612 032 00	Wiring harnesses Rear end Wiring harness NR. 32		1	COUPE
1	964 612 032 01	Rear window heating Wiring harness NR. 32		1	COUPE M602
1	964 612 032 03	Rear window heating Wiring harness NR. 32		1	TARGA
(1)	964 612 035 01	Rear window heating Wiring harness NR. 35		1	
(1)	964 612 035 00	Rear wall with Rear window wiper Wiring harness NR. 35		1	
2	964 612 049 00	Rear wall without Rear window wiper Wiring harness NR. 49	89	1	
2	964 612 049 03	Rear spoiler with Switch Wiring harness NR. 49	-91	1	
2	964 612 049 05	Rear spoiler without Switch Wiring harness NR. 49	92-	1	
(2)	965 612 049 02	Rear spoiler without Switch Wiring harness Engine compartment lamp	91	1	TURBO
(2)	965 612 049 03	Wiring harness Engine compartment lamp	92-	1	TURBO
3	964 612 110 00	Ground strap for Bonnet		2	

Model: 911 89

Model life 1989>>1994



Model: 911 89 Model life 1989>>1994

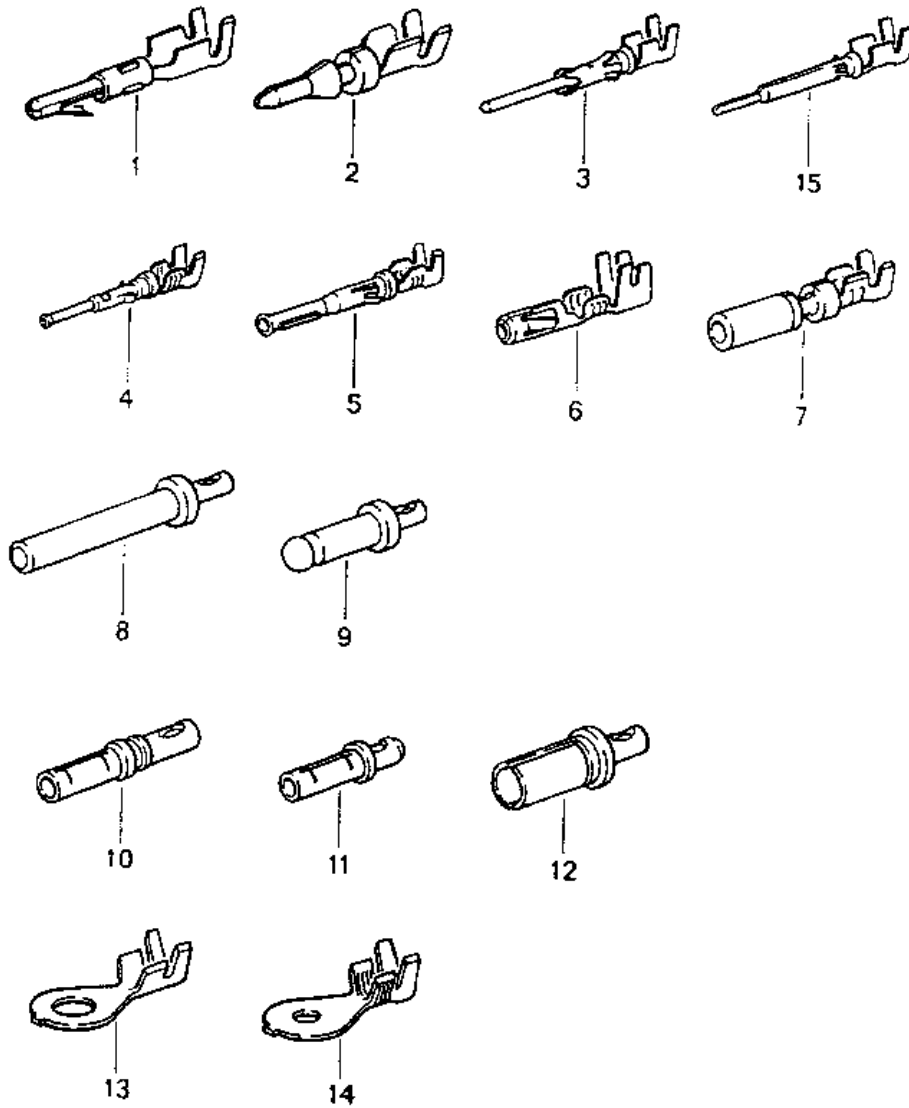
Pos	Part Number	Description	Remark	Qty	Model
1	964 607 016 01	Wiring harnesses Engine - dme - Wiring harness NR. 16 Engine	-90	1	M64.01
1	964 607 016 03	Wiring harness NR.16 Engine	91-	1	M64.01 M64.03
1	964 607 016 02	Wiring harness NR. 16 Engine		1	M64.02
1	965 607 016 01	Wiring harness NR.16 Engine		1	M30.69
1	965 607 016 02	M >> 61M 01764 Wiring harness NR.16 Engine		1	M30.69
1	965 607 016 03	M 61M 01765 >> Wiring harness NR.16 Engine		1	M64.50
2	964 612 173 02	Wiring harness NR. 173 - dme -	89	1	M481
2	964 612 173 04	Wiring harness NR. 173 - dme -	90-	1	M481
2	964 612 173 03	Wiring harness NR. 173 - dme -	-91	1	M249
2	964 612 173 06	Wiring harness NR. 173 - dme -	92-	1	M249
2	964 612 173 75	Wiring harness NR. 173 - dme -		1	M64.03
-	000 043 202 74	Repair kit for Connector Mass air flow meter		1	
(2)	965 612 173 01	Wiring harness O2 sensor closed-loop ctrl M >> 61M 01764		1	TURBO
(2)	965 612 173 02	Wiring harness O2 sensor closed-loop ctrl M 61M 01765 >>	-92	1	TURBO
(2)	965 612 173 03	Wiring harness O2 sensor closed-loop ctrl	93-	1	TURBO 3,6
3	911 612 422 00	Adapter plug		1	M150
4	964 612 012 01	Wiring harness NR.12 Automatic transmission	-91	1	M249
4	964 612 012 02	Wiring harness NR.12 Automatic transmission	92	1	
4	964 612 012 03	Wiring harness NR.12 Automatic transmission	93-	1	
5	964 612 018 00	Wiring harness License plate light		1	

Model: 911 89 **Model life 1989>>1994**

Pos	Part Number	Description	Remark	Qty	Model
-	964 612 620 00	Cap License plate light		2	
(5)	964 612 018 75	Wiring harness License plate light		1	TURBO 3,6 CARRERA RS M002

Model: 911 89

Model life 1989>>1994



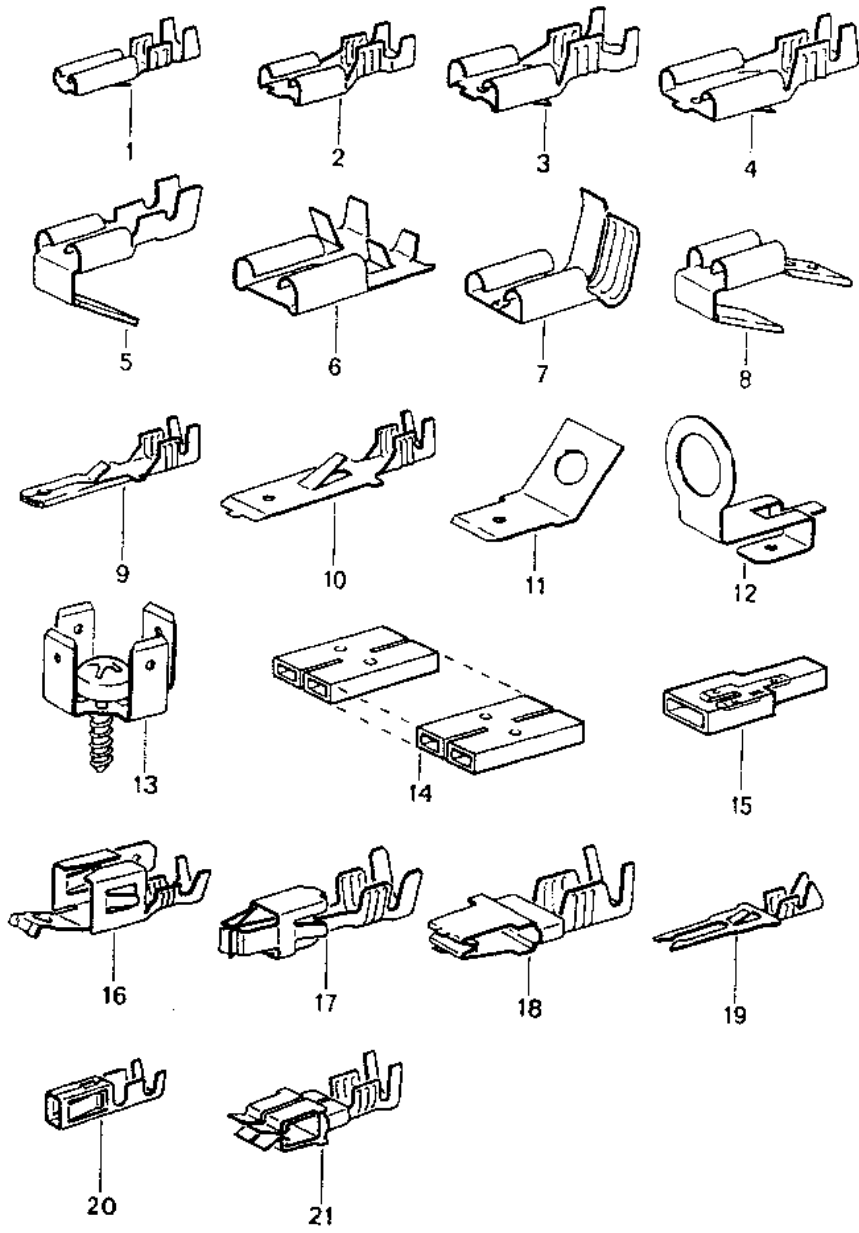
Model: 911 89

Model life 1989>>1994

Pos	Part Number	Description	Remark	Qty	Model
1	N 017 586 2	Round connector Contact pin Cable shoe		X	
2	944 612 428 00	Round connector \$ 0,5 - 1,0 CUZN		X	
3	N 017 564 1	Round connector \$ 0,5 - 1,0 CUSN		X	
4	N 017 562 4	Cylindrical socket \$ 0,5 - 1,0 CUSN		X	
6	N 017 599 4	Cylindrical socket \$ 2,5 - 6,0 CUSN		X	
7	944 612 427 00	Contact bush \$ 0,75 - 1,5 CUSN		X	
8	999 652 369 12	Pin \$ 0,5 - 2,0 CUAG		X	
9	911 612 907 00	Contact pin \$ 0,5 - 2,0 CUAG		X	
9	911 612 907 01	Contact pin \$ 0,5 - 2,0 CUAG		X	
10	944 612 548 00	Contact bush \$ 0,5 - 2,0 CUAG		X	
11	999 652 351 22	Contact bush \$ 0,5 - 2,0 CUAG		X	
12	999 652 371 12	Contact bush \$ 0,5 - 2,0 CUAG		X	
13	N 017 505 4	Cable shoe \$ 5,0 - 1,0		X	
(13)	N 017 515 4	Cable shoe \$ 5,0 - 2,5		X	
(13)	N 017 516 2	Cable shoe \$ 6,0 - 2,5		X	
(13)	999 650 532 00	Cable shoe \$ 8,0 - 2,5 CUSN		X	
(13)	999 652 246 10	Cable shoe \$ 8,0 - 2,5 CUZN		X	
(13)	999 652 225 10	Cable shoe \$ 8,0 - 2,5 CUZN		X	
(13)	999 652 235 10	Cable shoe \$ 10 - 2,5		X	
14	999 652 208 10	Cable shoe \$ 6,0 - 2,5		X	

Model: 911 89

Model life 1989>>1994



Model: 911 89

Model life 1989>>1994

Pos	Part Number	Description	Remark	Qty	Model
1	111 971 958	Flat plug Push-on connector Flat receptacle with Clip 2,8 X 1		X	
(1)		Flat receptacle without Clip 2,8 X 1 CUZN		X	
(1)		Flat receptacle without Clip 2,8 X 1 CUSN		X	
(1)	N 017 243 1	Flat receptacle without Clip 2,8 X 1,5 CUZN		X	
2	111 971 959	Flat receptacle with Clip 6,3 X 0,8		X	
(47)	PCG 971 959	Flat receptacle without Clip 6,3 X 1,0 SN		X	
2	N 017 491 8	Flat receptacle with Clip 6,3 X 2,5 CUZN		X	
2	N 017 494 3	Flat receptacle with Clip 6,3 X 6,0 CUSN		X	
(2)	999 652 106 02	Flat receptacle without Clip 6,3 X 1,5 CUSN		X	
(2)		Flat receptacle without Clip 6,3 X 1,5 CUZN		X	
(2)	N 017 491 8	Flat receptacle without Clip 6,3 X 2,5 CUZN		X	
(2)	N 017 494 3	Flat receptacle without Clip 6,3 X 6,0 CUZN		X	
3	N 017 453 1	Flat receptacle without Clip 7,7 X 2,5 CUZN		X	
3	N 017 245 1	Flat receptacle without Clip 7,7 X 10 CUSN		X	
5	N 017 242 1	Flat receptacle with Push-on connector 6,3 X 1		X	
6	N 017 498 2	Flat receptacle		X	

Model: 911 89 Model life 1989>>1994

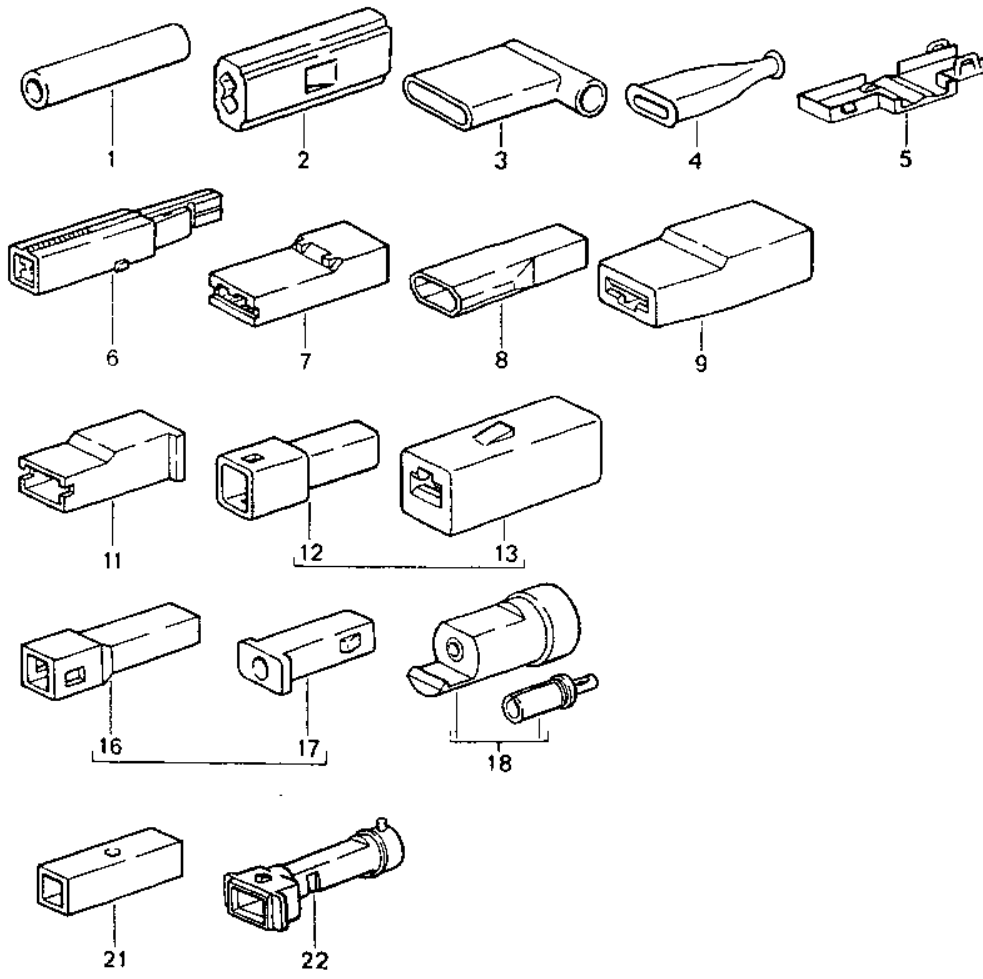
Pos	Part Number	Description	Remark	Qty	Model
-	N 017 498 A	6,3 X 1 Flat plug		X	
7	999 652 116 02	7,7 X 1 CuZn Retaining bracket		X	
8	999 652 122 10	6,3 X 1,5 Multiple plug connector		X	
9	N 017 457 2	6,3 Flat plug with Clip		X	
10	111 971 985	2,8 X 1 Flat plug with Clip		X	
10	111 971 986	6,3 X 1 Flat plug with Clip		X	
11	999 652 125 10	6,3 X 2,5 Flat plug		X	
11	999 652 315 02	6,3 \$ 2,8 Flat plug		X	
11		6,3 \$ 5,3 CUSN Flat plug		X	
(11)		6,3 \$ 5,3 CUZN Flat plug		X	
12	911 603 911 00	6,3 \$ 5,3 GERADE Push-on connector		X	
13	171 971 519 A	6,3 Ground connector		X	
13	PCG 971 519 A	6,3 Ground connector		X	
14	999 652 142 40	6,3 Push-on connector		X	
(14)		12-FACH Push-on connector		X	
(14)		6,3 5-FACH Push-on connector		X	
(14)		6,3 Triple Push-on connector		X	
(14)		6,3 2-FACH Push-on connector		X	
15	999 652 151 40	6,3 1-FACH Push-on connector		X	
16	999 652 275 10	6,3 Contact		X	
17	N 903 353 03	6,3 Contact spring		X	
18	999 652 451 22	\$ 2,5 - 3,5 Coding element		X	
19	999 652 380 12	6,3 \$ 0,5 - 1,0 Contact spring		X	
19	477 971 827 B	\$ 0,4 - 0,75 Cable connection		1	
19		2-FACH Cable connection		1	
20	999 652 269 12	1-FACH Contact spring		X	

Model: 911 89 Model life 1989>>1994

Pos	Part Number	Description	Remark	Qty	Model
21	999 652 456 22	Contact spring \$ 0,75 - 1,5		X	

Model: 911 89

Model life 1989>>1994



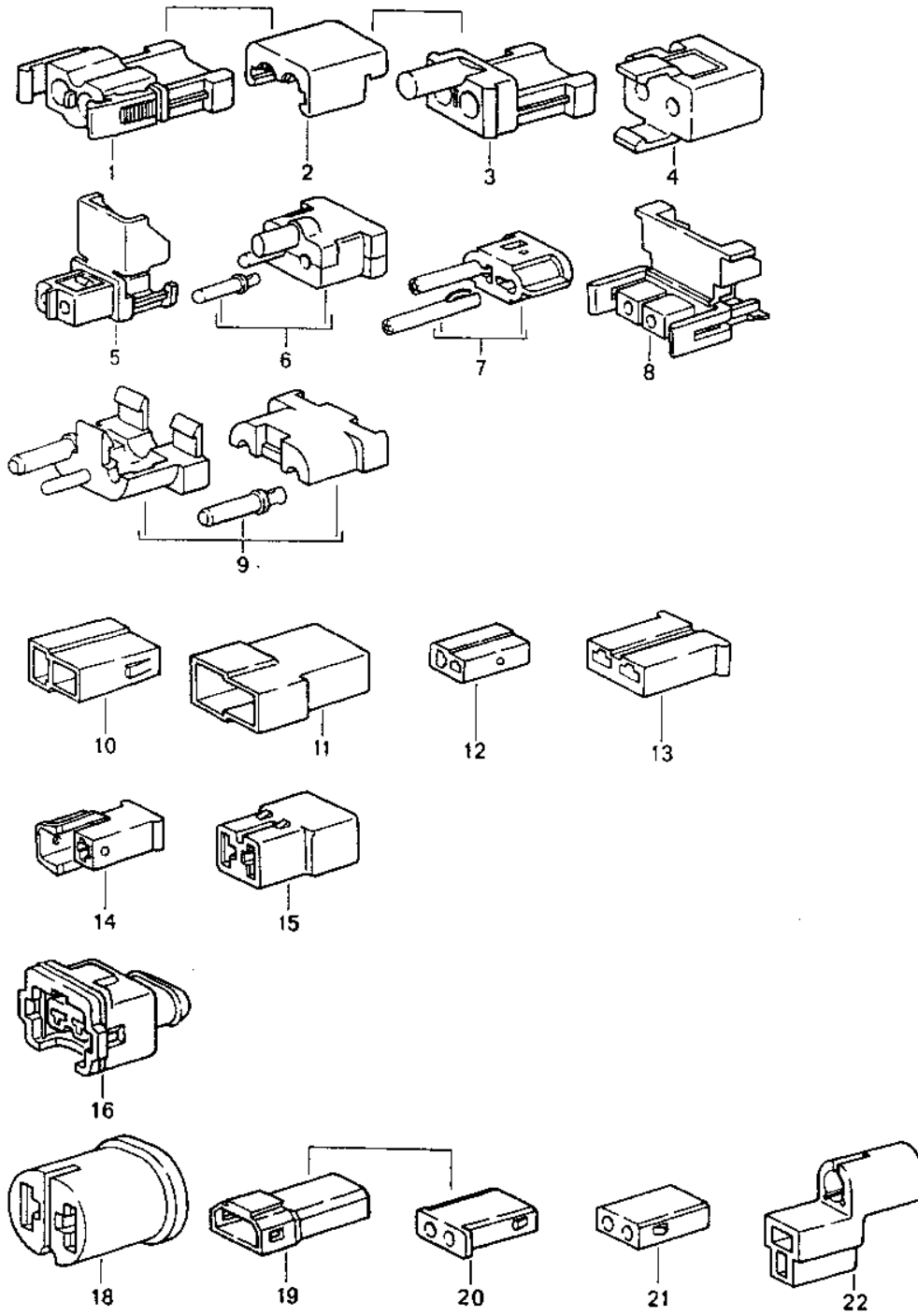
Model: 911 89

Model life 1989>>1994

Pos	Part Number	Description	Remark	Qty	Model
		Insulated cable connection Connector housing Single pole			
1	999 652 149 40	Insulated cable connection \$ 1,5		X	
2	111 971 921	Protection cap 6,3		X	
3	999 652 160 40	Sleeve 6,3		X	
5	211 971 921	Protection cap 6,3		X	
6	059 905 371	Diode connector 6,3		X	
7	111 971 921 B	Connector housing 6,3		X	
8	999 652 119 40	Connector housing 6,3		X	
9	825 971 990	Terminal sleeve housing 6,3		X	
11	431 971 995	Flat connector socket 6,3		X	
12	823 971 976	Flat connector socket 2,8		X	
13	823 971 990	Terminal sleeve housing 2,8		X	
16	171 971 998	Connector housing 1,6		X	
17	171 971 999	Terminal sleeve housing 1,6		X	
18	999 653 002 90	Connector housing with		X	
-	999 652 371 12	Contact bush		X	
21	111 971 977	Flat connector socket 6,3		X	
22	813 972 643 A	Flat connector socket		X	

Model: 911 89

Model life 1989>>1994

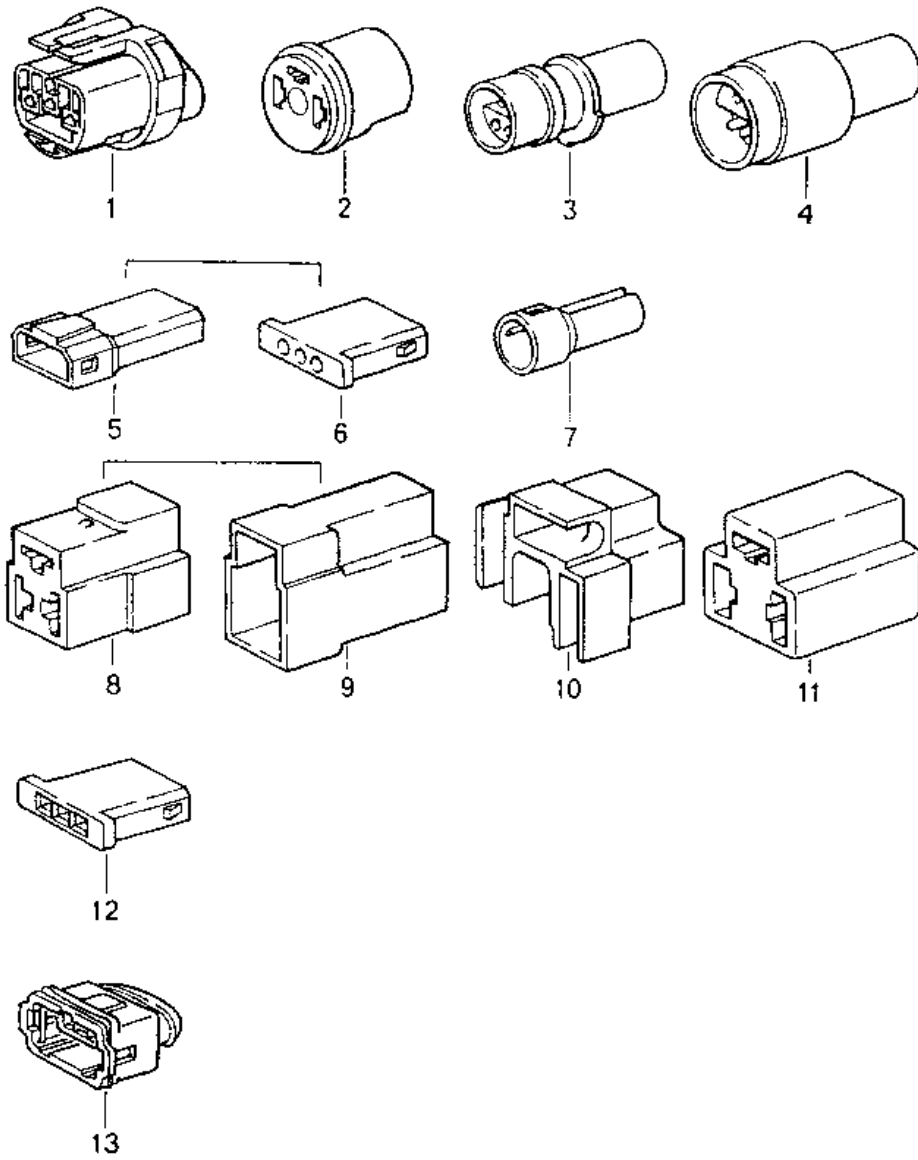


Model: 911 89 Model life 1989>>1994

Pos	Part Number	Description	Remark	Qty	Model
1	999 652 370 40	Connector housing 2-pole		X	
-	999 652 371 12	Connector housing for Contact bush		X	
2	999 652 372 40	Clip		X	
3	999 652 368 40	Connector housing for		X	
-	999 652 369 12	Pin		X	
4	911 612 887 00	Connector housing for		X	
-	999 652 351 22	Contact bush		X	
5	928 612 557 00	Connector housing for		X	
-	944 612 548 00	Contact bush		X	
6	999 652 381 00	Connector housing with Contact bush		X	
7	911 645 112 00	Adapter plug with Contact pin		2 1	
8	944 612 547 00	Connector housing for		X	
-	944 612 548 00	Contact bush		X	
9	911 612 118 00	Connector housing with Contact bush		X	
10	815 971 989 A	Connector housing 6,3		2 X	
11	815 971 988 A	Connector housing 6,3		X	
12	810 971 989	Connector housing 6,3		X	
13	171 906 231	Connector housing 6,3		X	
14	171 971 934	Connector housing 6,3		X	
15	815 971 989	Connector housing 6,3		X	
16	022 906 231 A	Connector housing Grey for		X	
-	N 903 353 03	Contact spring		X	
16	928 612 825 00	Connector housing Beige		X	
18	810 971 993	Terminal sleeve housing		X	
19	171 971 998 A	Connector housing 1,6		X	
20	171 971 999 A	Connector housing 1,6		X	
21		Terminal sleeve housing 1,6		X	
22	944 612 439 00	Connector housing for Cigarette lighter		X	

Model: 911 89

Model life 1989>>1994



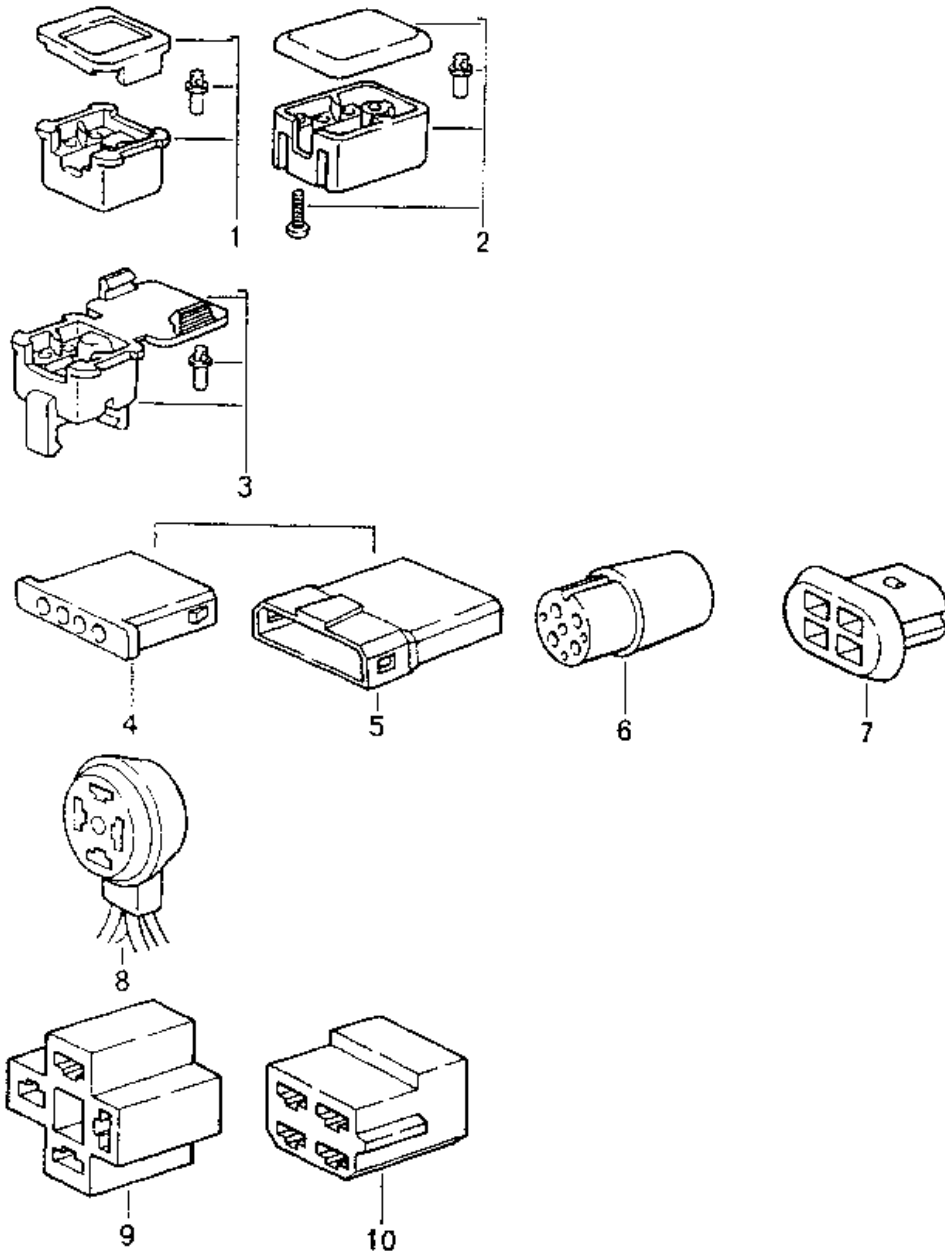
Model: 911 89

Model life 1989>>1994

Pos	Part Number	Description	Remark	Qty	Model
		Connector housing 3-pole			
1	165 941 165	Connector housing 3,5		X	
2	113 945 525	Terminal sleeve housing 6,3		X	
3	944 612 436 00	Connector for		X	
4	944 612 435 00	Connector housing for		X	
5	171 971 998 B	Connector housing 1,6		X	
6	171 971 999 B	Terminal sleeve housing 1,6		X	
7	113 919 113	Connector housing 1,6		X	
8	821 971 970	Connector housing 6,3		X	
9	821 971 975	Flat connector socket 6,3		X	
10	111 941 341	Terminal sleeve housing 6,3		X	
11	914 612 327 10	Connector housing 6,3		X	
12	311 906 231 B	Connector housing		X	
13	022 906 233 B	Connector housing		X	

Model: 911 89

Model life 1989>>1994



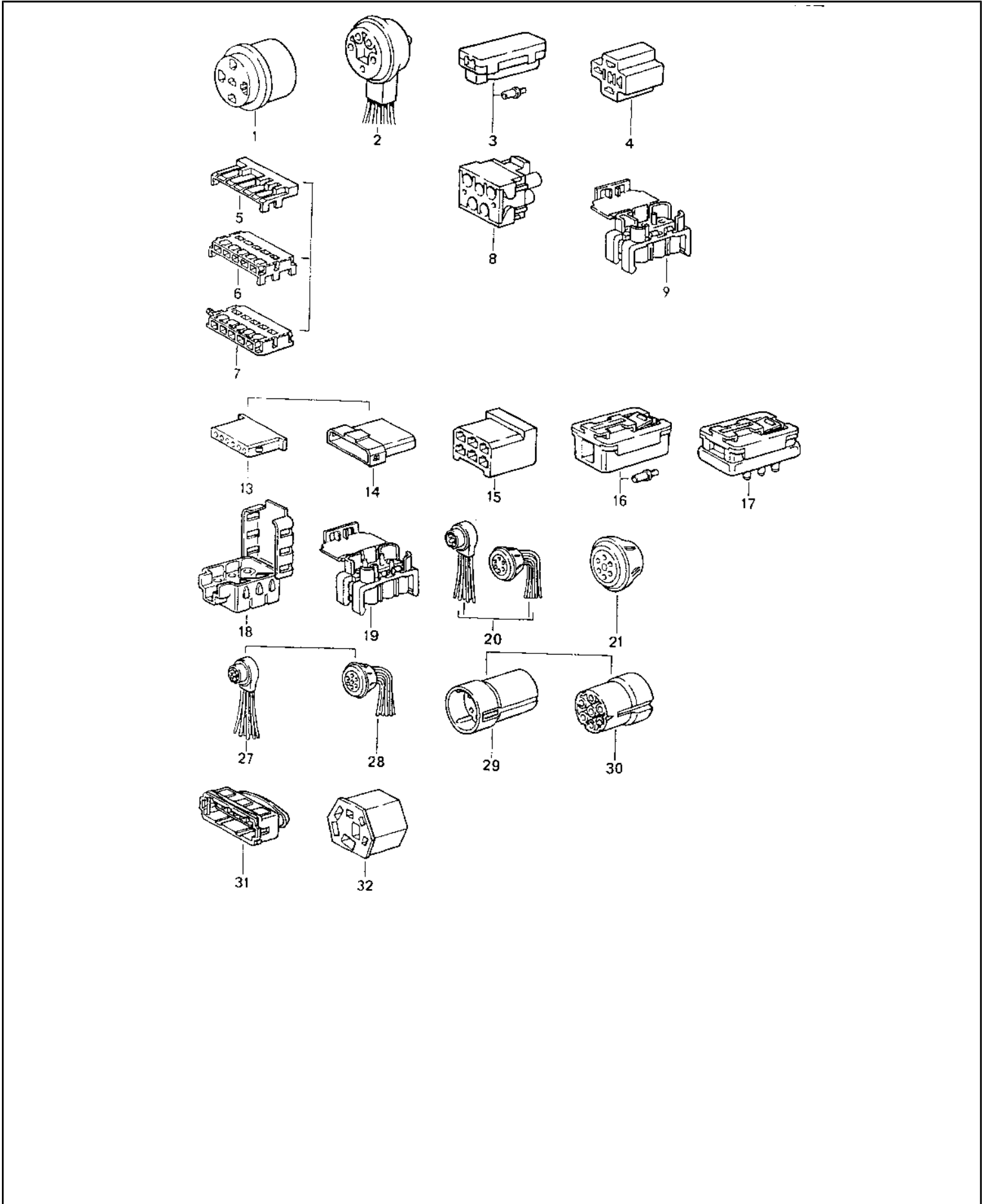
Model: 911 89

Model life 1989>>1994

Pos	Part Number	Description	Remark	Qty	Model
1	901 612 891 01	Connector housing 4-pole		X	
-	999 652 371 12	Connector housing with Contact bush		3	
2	901 612 891 00	Connector housing with		X	
-	999 652 371 12	Contact bush		4	
3	944 612 217 00	Connector housing for		X	
-	999 652 351 22	Contact bush		X	
4	171 971 999 C	Connector housing 1,6		X	
5	171 971 998 C	Connector housing 1,6		X	
6	914 612 325 00	Plug socket 1,6		X	
7	928 612 131 00	Connector housing		X	
8	901 612 334 00	Plug socket		X	
9	928 631 108 00	Connector housing 6,3		X	
10	803 905 897	Connector housing 6,3		X	

Model: 911 89

Model life 1989>>1994



Model: 911 89

Model life 1989>>1994

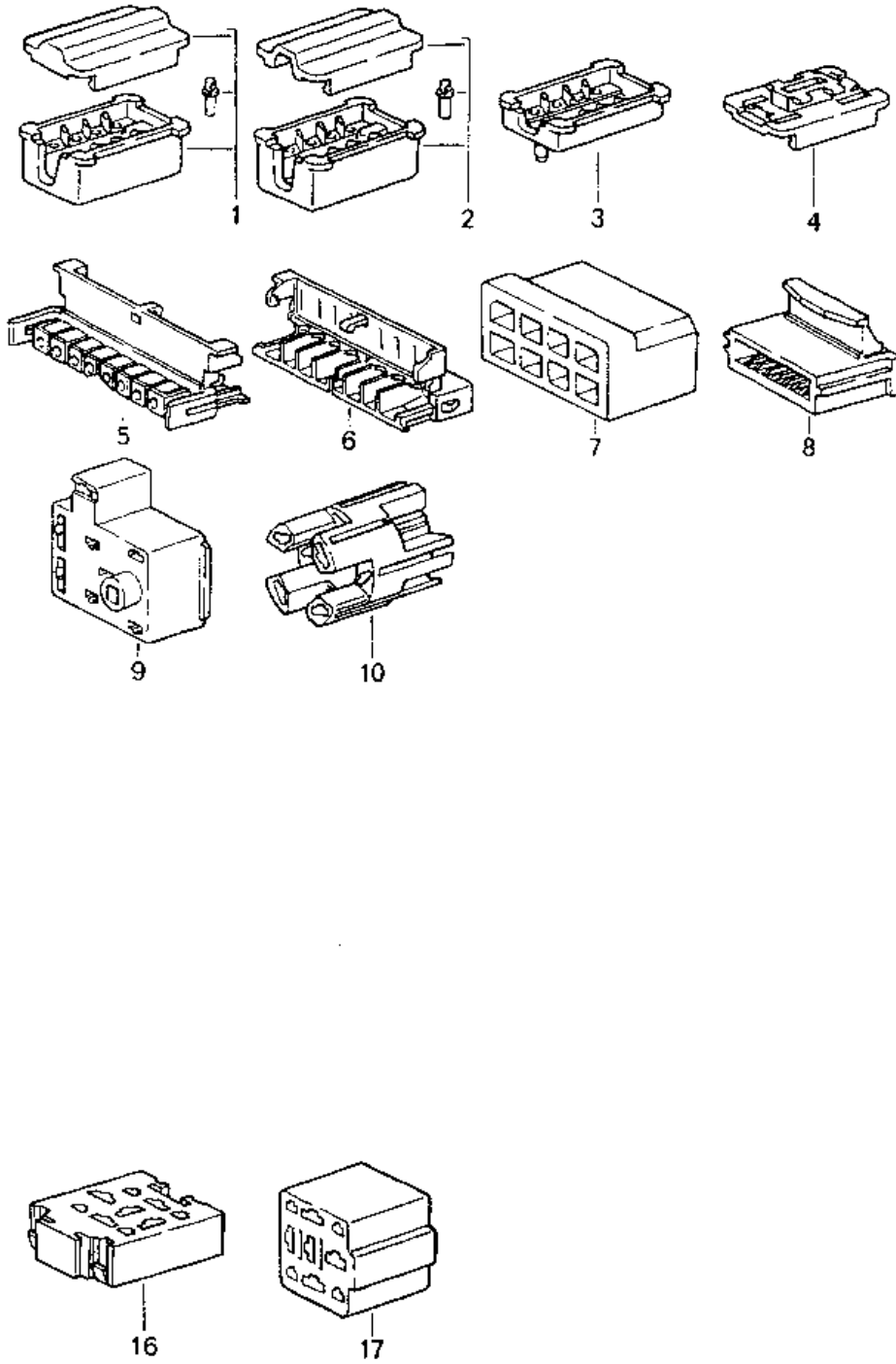
Pos	Part Number	Description	Remark	Qty	Model
		Connector housing 5-pole			
		6-pole			
		7-pole			
		5-pole			
1	113 971 835	Terminal sleeve housing 2, 8		X	
2	901 612 333 00	Plug socket for Standard type relay		X	
3	928 612 411 00	Clutch		X	
4	803 971 835 A	Terminal sleeve housing for Relay		X	
5	928 612 335 25	Coding element		1	
6	928 612 332 00	Module housing for Coding element		X	
-	999 652 451 22	Initial housing		X	
7	928 612 331 00	Clutch housing		X	
8	928 612 542 00	6-pole		X	
13	171 971 999 E	Connector housing 1, 6		X	
14	171 971 998 E	Connector housing 1, 6		X	
15	803 971 831	Terminal sleeve housing 6, 3		X	
16	911 612 868 01	Clutch with Contact bush		X	
17	911 612 867 02	Connector with Contact pin with Contact bush		X	
		6		6	
18	928 612 469 00	Clutch for Contact pin		X	
19	944 612 537 00	Clutch		X	
20	901 612 330 00	Multiple plug connection		X	
21	901 612 061 00	Push-on connector		X	
-	PCG 612 849 00	Clutch with Contact bush		1	
		6		6	
		7-pole			
27	911 612 331 00	Connector		X	
28	911 612 332 00	Plug socket		X	
29	803 971 980	Pin connector socket for Contact pin \$ 3,5 for Contact pin \$ 1,6		X	
		1		1	
		6		6	
30	803 971 979	Plug socket for Contact bush \$ 3,5 for Contact bush 1, 6		X	
		1		1	
		6		6	
31	071 906 233	Terminal sleeve housing for		X	

Model: 911 89 Model life 1989>>1994

Pos	Part Number	Description	Remark	Qty	Model
32	111 953 631	Flat connector Terminal sleeve housing 2,8 / 6,3		X X	

Model: 911 89

Model life 1989>>1994



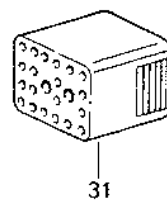
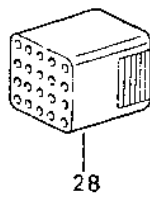
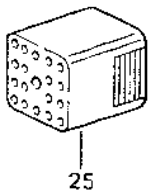
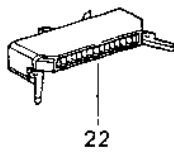
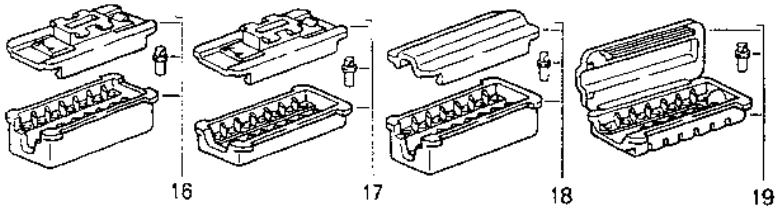
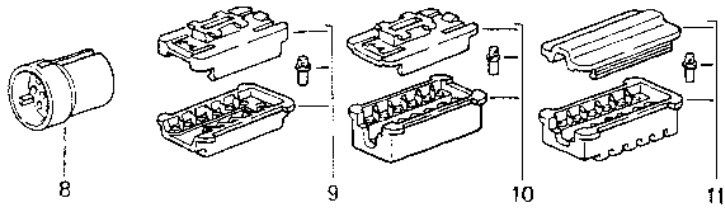
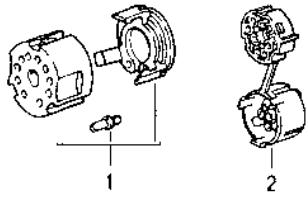
Model: 911 89

Model life 1989>>1994

Pos	Part Number	Description	Remark	Qty	Model
		Connector housing 8-pole			
		9-pole			
		8-pole			
1	944 612 117 00	Connector housing with		X	
-	999 652 371 12	Contact bush		8	
2	928 612 117 01	Connector housing with		X	
-	999 652 371 12	Contact bush		8	
3	999 652 395 40	Connector housing		X	
4	999 652 396 40	Clip		X	
5	944 612 554 00	Connector housing for		X	
-	944 612 548 00	Contact bush		X	
6	944 612 553 00	Connector housing		X	
7	803 971 971	Connector housing 6,3		X	
8	113 971 998 B	Connector housing		X	
9	321 971 999 A	Terminal sleeve housing 2,8 / 6,3		X	
10	911 612 120 00	Connector housing 6,3 9-pole		X	
16	135 937 501 A	Relay carrier 2,8 / 6,3		X	
17	849 941 593	Connector housing 2,8 / 6,3		X	

Model: 911 89

Model life 1989>>1994

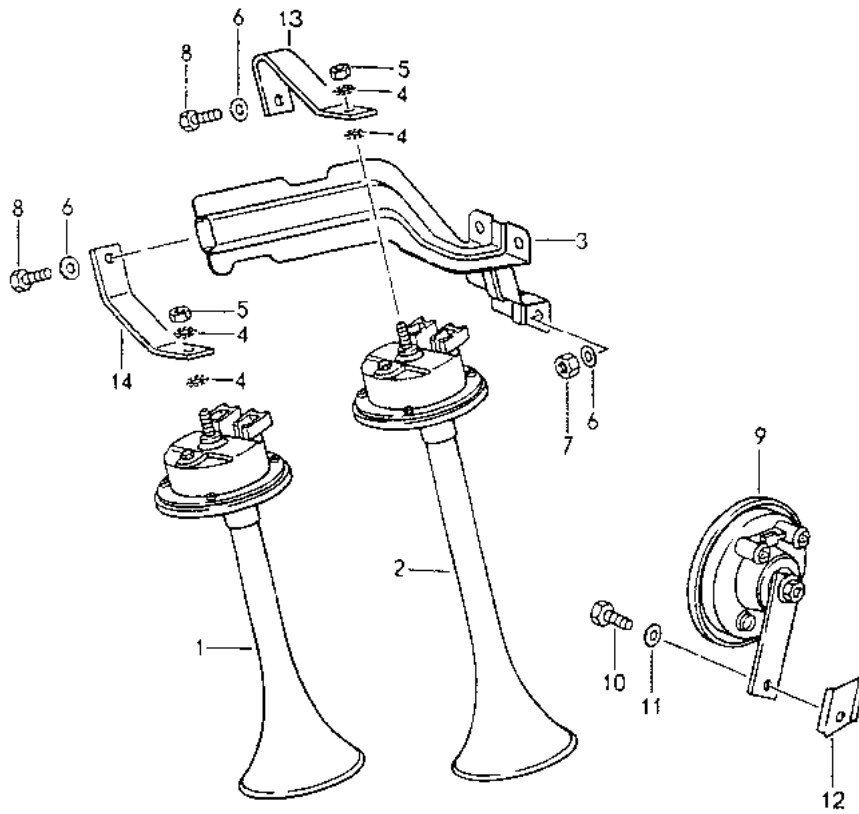


Model: 911 89 Model life 1989>>1994

Pos	Part Number	Description	Remark	Qty	Model
		Connector housing 10-pole Until 22-pole 10-pole			
1	911 612 889 00	Connector housing with		X	
-		Contact bush		10	
2	944 613 531 01	Connector housing for		X	
-	944 612 548 00	Contact bush		10	
-	964 612 809 00	Connector housing for		X	
-	999 652 472 12	Contact pin		10	
-	964 612 810 00	Plug socket for		X	
-	999 652 351 22	Contact bush 12-pole		10	
8	861 972 524	Connector housing 1,6 / 3,5		X	
9	911 612 122 02	Plug socket with		X	
		Contact bush		12	
9	911 612 122 04	Plug socket with		X	
		Contact bush		12	
10	928 612 423 00	Connector housing		X	
(10)	928 641 610 00	Adapter		X	
11	911 612 884 00	Connector housing		X	
11	911 612 121 01	Connector housing 14-pole		X	
16	911 612 115 02	Connector housing		X	
17	911 612 113 05	Connector housing		X	
18	911 612 115 03	Connector housing		X	
19	944 612 215 00	Connector housing without		X	
		Contact bush 99965235122 17-pole		14	
22	944 612 311 00	Connector housing for		X	
-	999 652 380 12	Contact spring 19-pole		X	
25	171 971 971 C	Connector housing Beige		X	
(25)	171 971 971 E	Connector housing White		X	
		20-pole			
28	171 971 971	Connector housing Yellow		X	
(28)	171 971 971 D	Connector housing Red		X	
		22-pole			
31	171 971 971 A	Connector housing Black		X	
(31)	171 971 971 B	Connector housing Blue		X	

Model: 911 89

Model life 1989>>1994

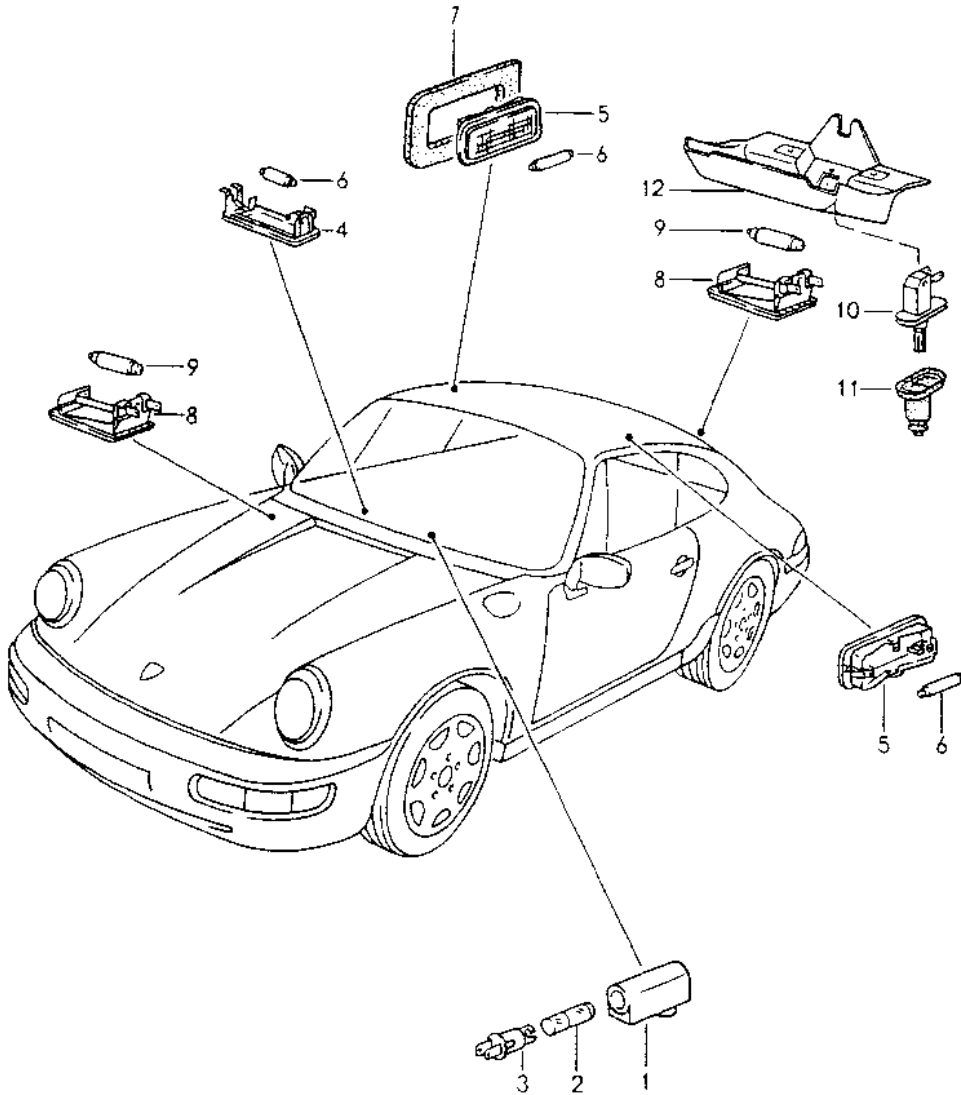


Model: 911 89 Model life 1989>>1994

Pos	Part Number	Description	Remark	Qty	Model
1	911 635 101 20	Horn Fanfare High-pitched		1	
1	911 635 101 21	Fanfare Short High-pitched		1	
2	911 635 102 20	Fanfare Long Low-pitched		1	
2	911 635 102 21	Fanfare Long Low-pitched		1	
3	964 635 031 01	Support		1	
4	N 042 121 3	Shake-proof washer A 6,4		2	
5	900 076 010 02	Nut M 6		2	
5	900 076 010 0B	Nut M 6		2	
6	N 011 524 7	Washer A 6,4		4	
6	N 011 524 27	Washer A 6,4		4	
7	900 076 010 02	Nut M 6		1	
7	900 076 010 0B	Nut M 6		1	
8	N 010 215 13	Hexagon-head bolt		2	
9	964 637 117 00	Horn for Alarm system		1	
10	900 075 078 02	Hexagon-head bolt		1	
10	900 075 078 03	Hexagon-head bolt		1	
11	900 025 007 02	Washer		1	
11	900 025 007 03	Washer		1	
12	964 637 101 00	Torsion protection		1	
13	964 635 103 00	Support		1	
14	964 635 113 00	Support		1	

Model: 911 89

Model life 1989>>1994

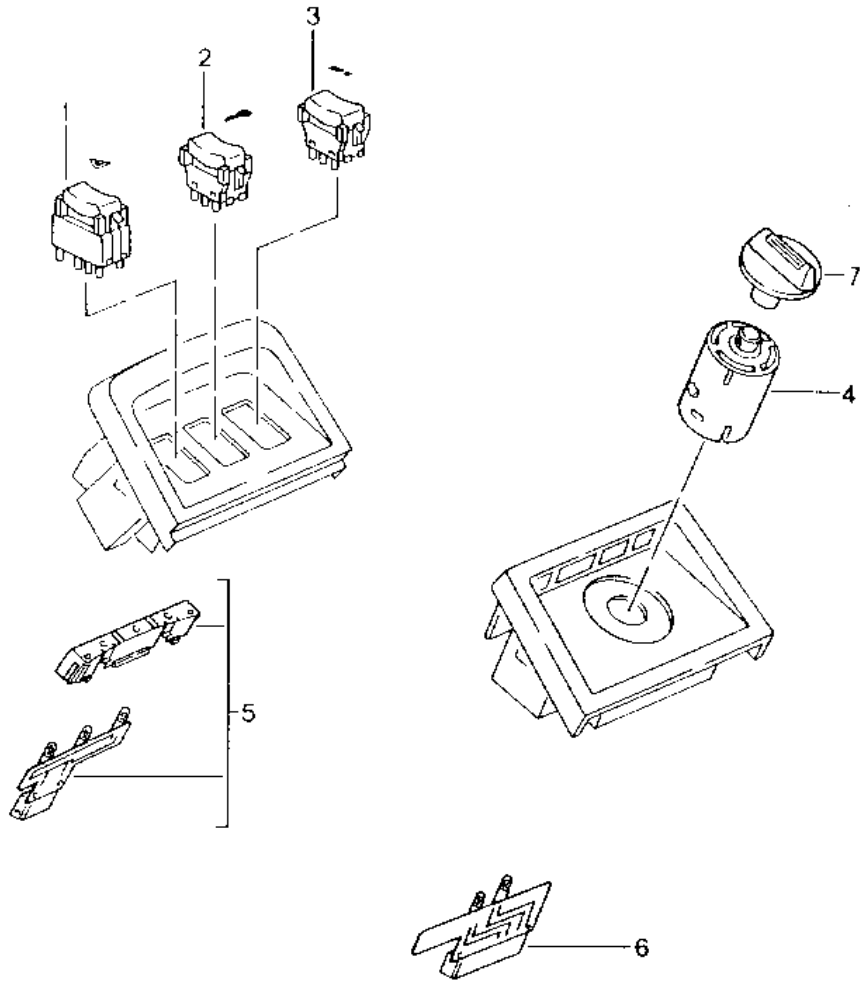


Model: 911 89 Model life 1989>>1994

Pos	Part Number	Description	Remark	Qty	Model
		Interior lights			
		Luggage compartment lamp			
		Engine compartment lamp			
1	964 632 113 01	Ashtray light		1	
2	900 631 132 90	Bulb		1	
		1,2 W			
3	999 632 014 00	Bulb socket		1	
		2-pole			
4	928 632 101 00	Glove compartment light		1	M562
4		Glove compartment light		2	SPEEDSTER
		Footwell			
4	911 632 102 00	Light		1	SPEEDSTER
	911 632 102 00 70A	Black			
		Footwell			
5	911 632 102 00	Light		1	TARGA/CABRIO
	911 632 102 00 70A	Black			
5	901 632 101 28	Interior light		2	COUPE
6	900 631 106 90	Linolite lamp		X	
		10 W			
7	964 555 153 00	Desk pad		2	COUPE
8	959 632 201 00	Luggage compartment lamp		2	
8	997 632 201 00	Light		2	
9	900 631 106 90	Linolite lamp		1	
		10 W			
10	895 947 561 A	Switch		1	TURBO
11	895 947 565	Cap		1	TURBO
12	965 632 105 01	Support	91	1	TURBO
	965 632 105 01 01C	Satin black			
12	965 632 105 02	Support	92-	1	TURBO
	965 632 105 02 01C	Satin black			

Model: 911 89

Model life 1989>>1994



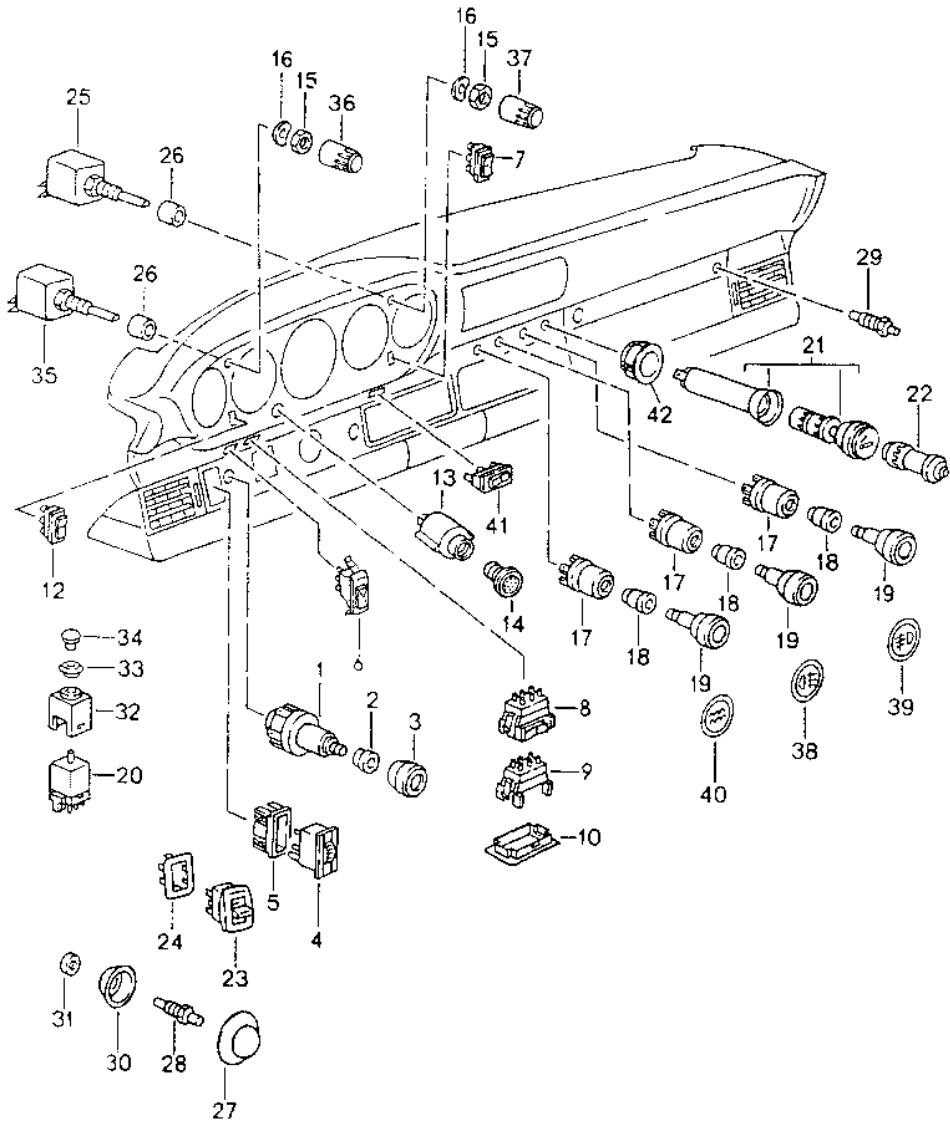
Model: 911 89

Model life 1989>>1994

Pos	Part Number	Description	Remark	Qty	Model
1	944 613 235 00	Switch Centre console Hazard warning light sw.		1	
	944 613 235 00 01C	Satin black			
2	951 613 147 00	Switch Door latch		1	
3	964 613 202 00	Rocker switch		1	
	964 613 202 00 01C	Satin black			
(3)	944 613 259 02	Cover		X	CARRERA RS
	944 613 259 02 1DB	Black			
4	964 613 162 00	Switch	89	1	CARRERA 4
4		Switch	90-	2	CARRERA 4
4		Switch		1	CARRERA 2
5	964 632 130 01	Combined lights		1	
6	964 632 162 00	Combined lights	89	1	CARRERA 4
6	964 632 162 04	Combined lights	90-	1	CARRERA 4
6	964 632 162 03	Combined lights		1	CARRERA 2
7	964 613 171 00	Knob		2	CARRERA 2/4
	964 613 171 00 01C	Satin black			

Model: 911 89

Model life 1989>>1994



Model: 911 89 Model life 1989>>1994

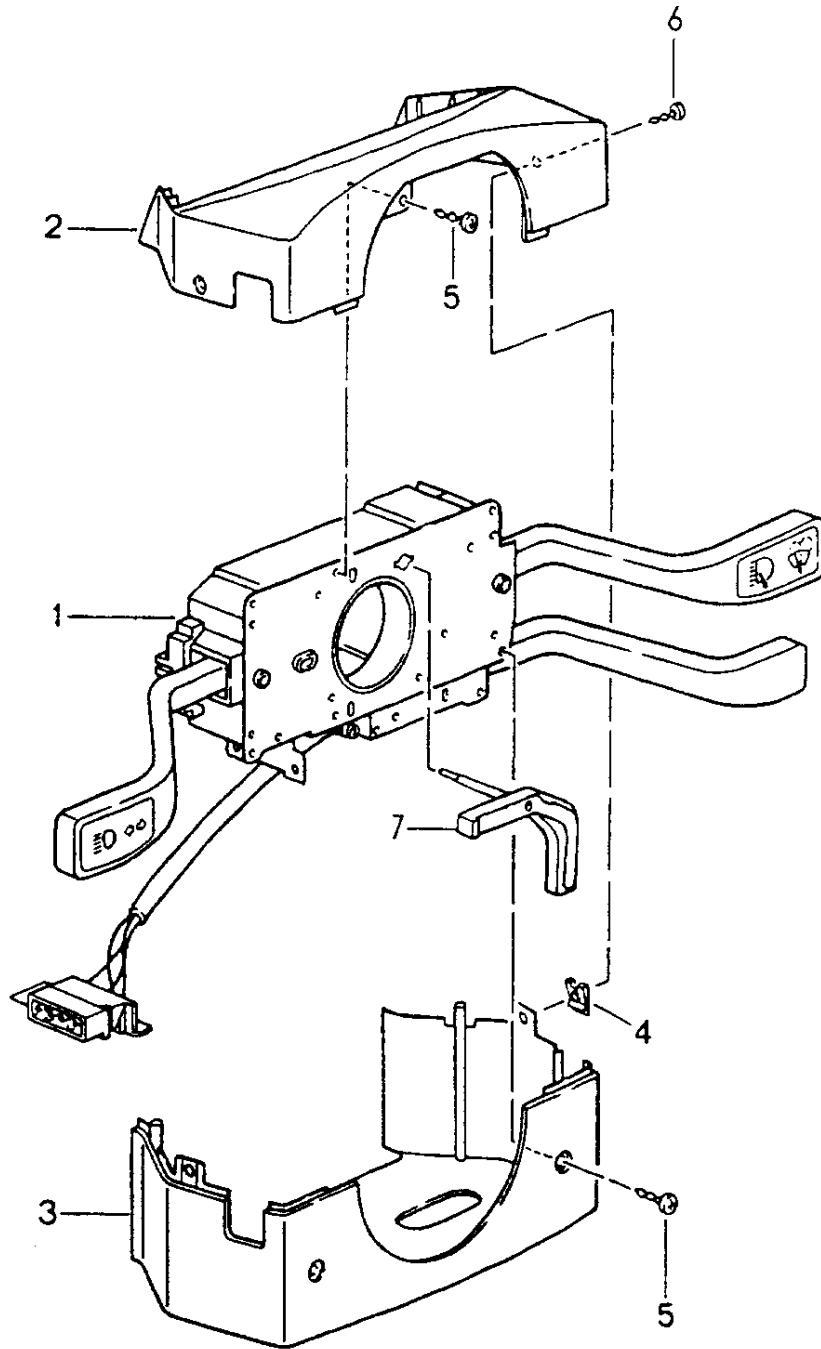
Pos	Part Number	Description	Remark	Qty	Model
1	993 613 531 00	Switch Light switch		1	
2	964 613 535 00	Rosette		1	
	964 613 535 00 01C	Satin black			
3	964 613 055 00	Knob		1	
	964 613 055 00 01C	Satin black			
4	911 631 231 00	Switch Headlight levelling system		1	M605
4	911 631 231 01	Switch Headlight levelling system		1	M605
5	911 613 342 00	Rosette		1	M605
	911 613 342 00 01C	Satin black			
6	911 613 622 00	Tip switch for sliding roof And Convertible top control		1	
6	911 613 622 01	Tip switch for sliding roof And Convertible top control		1	
7	964 613 319 00	Tip switch		1	
	964 613 319 00 01C	Satin black for Intensive windscreen washer			-
8	928 613 240 00	Switch		1	
	928 613 240 00 01C	Satin black			
9	928 612 325 00	Adapter plug		1	
	928 612 325 00 01C	Black			
10	911 613 615 01	Support		1	
	911 613 615 01 1DB	Black			
	911 613 615 01 01C	Satin black for Mirror changeover switch			
12	964 613 319 01	Tip switch		1	
	964 613 319 01 01C	Satin black for Rear window wiper			
13	964 635 401 00	Buzzer		1	
14	964 635 503 00	Rosette		1	
	964 635 503 00 01C	Satin black			
15	911 618 209 00	Hexagon nut M 7 X 0,75		1	
16	900 028 019 01	Spring washer		1	
17	964 613 149 00	Switch		3	
-	PCG 612 849 00	Clutch with Contact bush		1	
18	911 613 213 03	Rosette		6	
19	911 613 028 10	Knob		3	
20	928 613 241 00	Switch for Door mirror Heated		2	
21	964 652 307 00	Cigarette lighter		1	
22	901 613 801 00	Connector for Auxiliary units		1	
23	964 613 621 00	Switch		3	
	964 613 621 00 01C	Satin black for window opener			
24	911 613 635 20	Assembly frame		3	
25	964 618 147 00	Potentiometer		1	
26	911 618 207 00	Spacer sleeve		1	

Model: 911 89 Model life 1989>>1994

Pos	Part Number	Description	Remark	Qty	Model
27	901 615 616 20	Rubber cap		2	
28	928 613 147 00	Door contact switch		2	
28	964 613 601 00	Door contact switch		2	
29	901 615 601 02	Contact switch for Glove compartment light		1	
29	901 615 601 03	Contact switch for Glove compartment light		1	
29	964 613 601 00	Door contact switch for Glove compartment light		1	
29	964 613 602 00	Contact switch for Glove compartment light		1	M562
29	964 613 601 00	Rear luggage dump Door contact switch for Luggage compartment lamp		1	
29		Engine compartment lamp Door contact switch for Luggage compartment lamp		1	
30	901 615 615 20	Concave washer		2	
31	900 031 001 60	Washer 8,4		X	
32	911 613 423 00	Assembly frame		1	
33	911 613 425 00	Rosette		1	
34	911 613 425 00 01C	Satin black		1	
34	911 613 082 00	Knob		1	
35	911 613 082 00 01C	Satin black		1	
35	964 618 104 00	Potentiometer		1	
36	964 618 012 00	Knob		1	
36	964 618 012 00 01C	Satin black		1	
37	964 618 014 00	Knob		1	
37	964 618 014 00 01C	Satin black		1	
38	911 613 233 02	Cap with symbol		1	
38	911 613 233 02 01C	Satin black Fog headlamp		1	
38	911 613 233 03	Cap with symbol		1	
38	911 613 233 03 01C	Satin black Fog headlamp		1	
39	911 613 234 02	Cap with symbol		1	
39	911 613 234 02 01C	Satin black Rear fog light		1	
40	911 613 232 02	Cap with symbol		1	
40	911 613 232 02 01C	Satin black Rear window heating		1	
40	911 613 232 03	Cap with symbol		1	
40	911 613 232 03 01C	Satin black Rear window heating		1	
40	911 613 232 03	Cap with symbol		1	
40	911 613 232 03 01C	Satin black Rear window heating		1	
41	964 613 325 00	Tip switch		1	
41	964 613 325 00 01C	Satin black		1	
42	964 652 103 00	Retaining ring		1	
42	964 652 103 00 01C	Satin black		1	

Model: 911 89

Model life 1989>>1994



Model: 911 89 Model life 1989>>1994

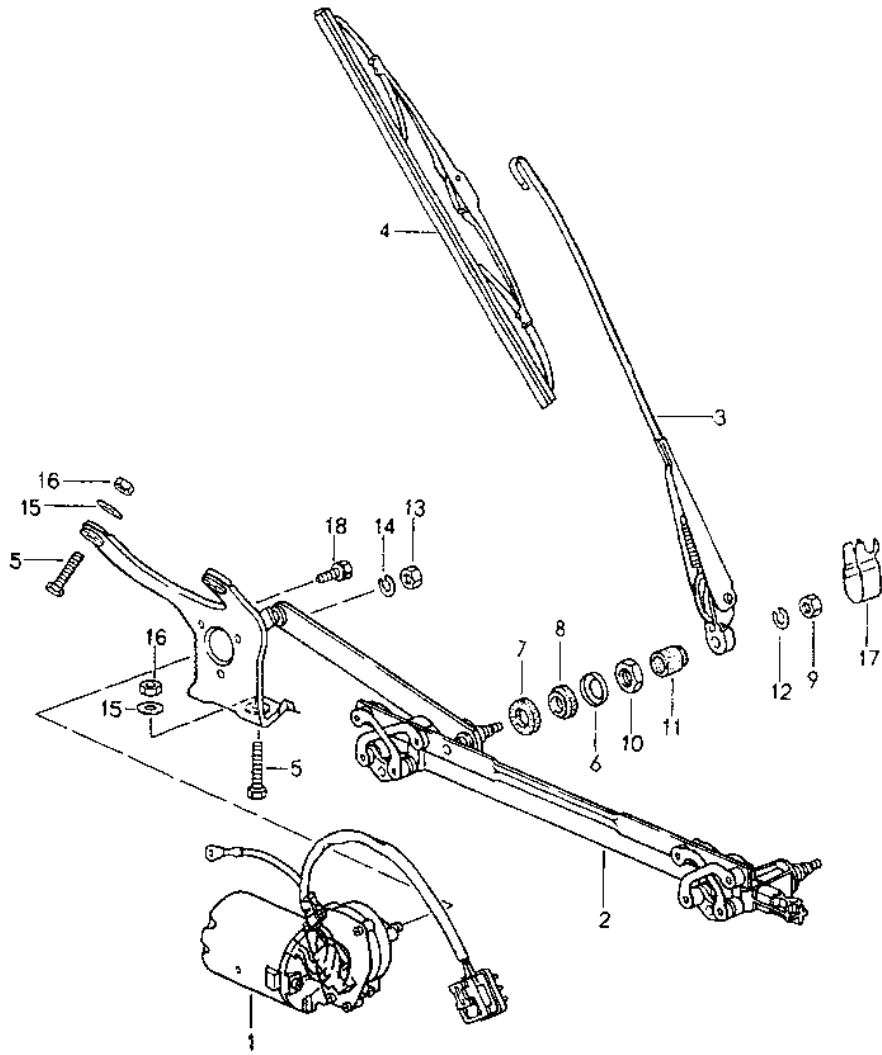
Pos	Part Number	Description	Remark	Qty	Model
1	928 613 308 00	Steering column switch	89	1	
	928 613 308 00 01C	Satin black			
1	928 613 312 00	Steering column switch	89	1	M454
	928 613 312 00 01C	Satin black			
1	928 613 314 00	Steering column switch	(F) 89	1	M454
	928 613 314 00 01C	Satin black			
1	928 613 304 00	Steering column switch	89	1	M288/454
	928 613 304 00 01C	Satin black			
1	928 613 306 00	Steering column switch	(F) 89	1	M288/454
	928 613 306 00 01C	Satin black			
1	928 613 305 00	Steering column switch	89	1	M288/454
	928 613 305 00 01C	Satin black			
1	964 613 346 00	Steering column switch	90-	1	
	964 613 346 00 01C	Satin black			
1	964 613 346 01	Steering column switch	90-	1	
	964 613 346 01 01C	Satin black			
		When required order also:			
1	N 014 133 8	Oval-head screw		2	
1	964 613 345 00	Steering column switch	90-	1	M659
	964 613 345 00 01C	Satin black			
1	964 613 345 01	Steering column switch	90-	1	M659
	964 613 345 01 01C	Satin black			
		When required order also:			
-	N 014 133 8	Oval-head screw		2	
1	964 613 341 00	Steering column switch	(F) 90-	1	M454/659
	964 613 341 00 01C	Satin black			
1	964 613 341 01	Steering column switch	(F) 90-	1	M454/659
	964 613 341 01 01C	Satin black			
		When required order also:			
-	N 014 133 8	Oval-head screw		2	
1	964 613 340 00	Steering column switch		1	M130/454/659
	964 613 340 00 01C	Satin black	90-		
1	964 613 340 01	Steering column switch		1	M130/454/659
	964 613 340 01 01C	Satin black			
		When required order also:			
-	N 014 133 8	Oval-head screw		2	
1	964 613 339 00	Steering column switch	90-	1	M454/659
	964 613 339 00 01C	Satin black			
1	964 613 339 01	Steering column switch	90-	1	M454/659
	964 613 339 01 01C	Satin black			
		When required order also:			
-	N 014 133 8	Oval-head screw		2	
1	964 613 344 00	Steering column switch	(F) 90-	1	M454
	964 613 344 00 01C	Satin black			
1	964 613 344 01	Steering column switch	(F) 90-	1	M454
	964 613 344 01 01C	Satin black			
		When required order also:			
-	N 014 133 8	Oval-head screw		2	
1	964 613 343 00	Steering column switch		1	M130/454
	964 613 343 00 01C	Satin black			
1	964 613 343 01	Steering column switch		1	M130/454
	964 613 343 01 01C	Satin black			
		When required order also:			
-	N 014 133 8	Oval-head screw		2	
1	964 613 342 00	Steering column switch	90-	1	M454
	964 613 342 00 01C	Satin black			
1	964 613 342 01	Steering column switch	90-	1	M454
	964 613 342 01 01C	Satin black			
		When required order also:			
-	N 014 133 8	Oval-head screw		2	
1	964 613 338 00	Steering column switch	90-	1	M288
	964 613 338 00 01C	Satin black			

Model: 911 89 Model life 1989>>1994

Pos	Part Number	Description	Remark	Qty	Model
1	964 613 338 01 964 613 338 01 01C	Steering column switch Satin black	90-	1	M288
-	N 014 133 8	When required order also: Oval-head screw		2	
1	964 613 337 00 964 613 337 00 01C	Steering column switch Satin black	90-	1	M288/659
1	964 613 337 01 964 613 337 01 01C	Steering column switch Satin black	90-	1	M288/659
-	N 014 133 8	When required order also: Oval-head screw		2	
1	964 613 336 00 964 613 336 00 01C	Steering column switch Satin black	(F) 90-	1	M288/454
1	964 613 336 01 964 613 336 01 01C	Steering column switch Satin black	(F) 90-	1	M288/454
-	N 014 133 8	When required order also: Oval-head screw		2	
1	964 613 335 00 964 613 335 00 01C	Steering column switch Satin black	90-	1	M288/454
1	964 613 335 01 964 613 335 01 01C	Steering column switch Satin black	90-	1	M130/288/454
-	N 014 133 8	When required order also: Oval-head screw		2	
1	964 613 334 00 964 613 334 00 01C	Steering column switch Satin black	90-	1	M288/454
1	964 613 334 01 964 613 334 01 01C	Steering column switch Satin black	90-	1	M288/454
-	N 014 133 8	When required order also: Oval-head screw		2	
1	964 613 333 00 964 613 333 00 01C	Steering column switch Satin black	(F) 90-	1	M288/454/659
1	964 613 332 00 964 613 332 00 01C	Steering column switch Satin black	(GB) 90-	1	M288/454/659
1	964 613 331 00 964 613 331 00 01C	Steering column switch Satin black	90-	1	M288/454/659
2	964 552 273 00 964 552 273 00 01C	Switch housing Satin black		1	
2	964 552 273 01 964 552 273 01 01C	Switch housing Satin black	90-	1	M562
3	964 552 275 00 964 552 275 00 01C	Switch housing Satin black		1	
3	964 552 275 02 964 552 275 02 01C	Switch housing Satin black	90-	1	M562
3	964 552 275 01 964 552 275 01 01C	Switch housing Satin black		1	M454
3	964 552 275 03 964 552 275 03 01C	Switch housing Satin black		1	M454/562
3	964 552 275 04 964 552 275 04 01C	Switch housing Satin black		1	M659
3	964 552 275 05 964 552 275 05 01C	Switch housing Satin black		1	M454/659
3	964 552 275 06 964 552 275 06 01C	Switch housing Satin black		1	M562/659
3	964 552 275 07 964 552 275 07 01C	Switch housing Satin black		1	M454/562
4	999 591 888 02	Speed nut		2	
5	999 073 047 02	Tapping screw		3	
(5)	999 073 050 02	Tapping screw	90-	4	M562
6	900 143 002 07	Tapping screw		2	
7	964 652 104 00	Contact plate	90-	1	

Model: 911 89

Model life 1989>>1994

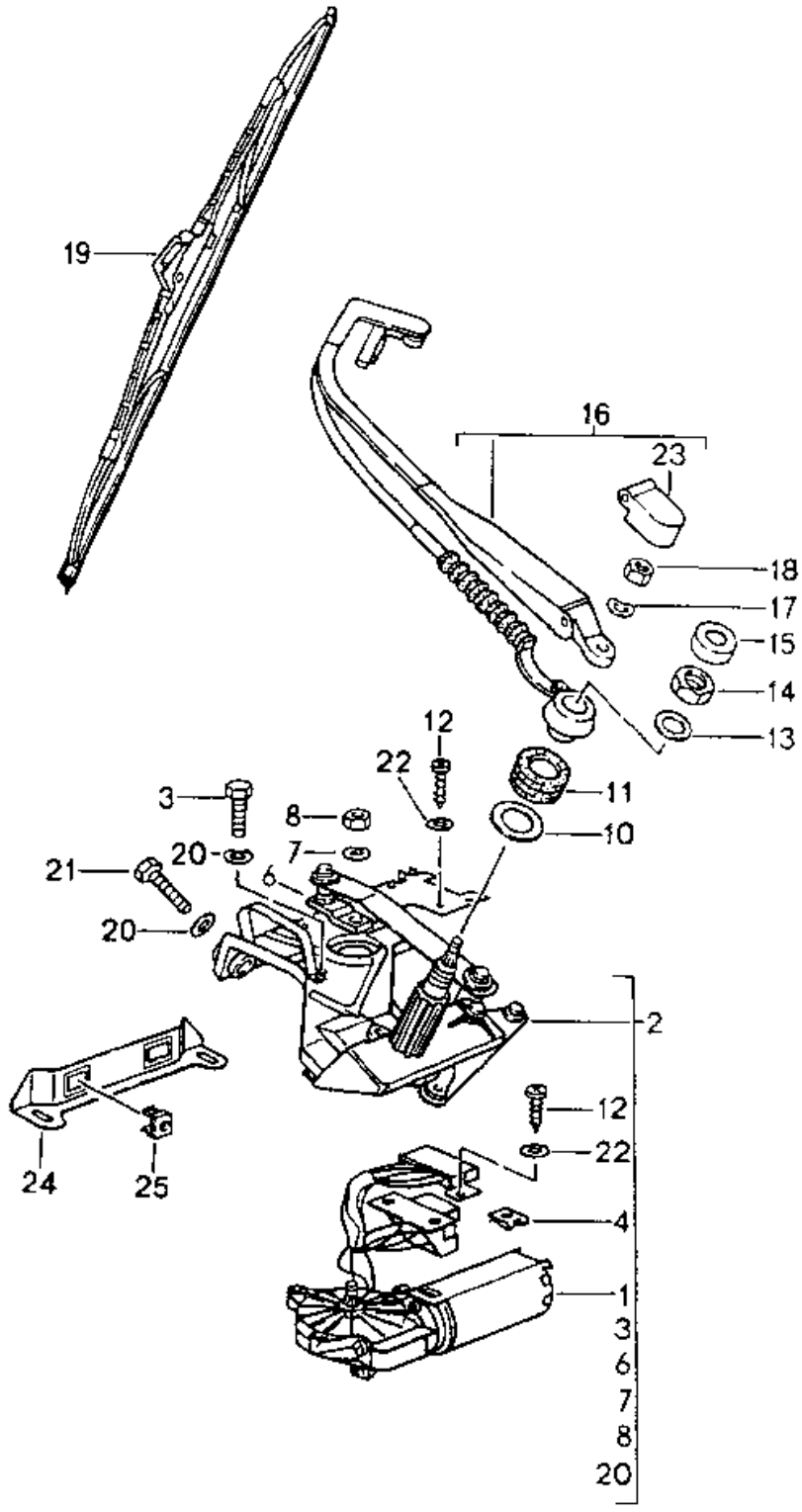


Model: 911 89 Model life 1989>>1994

Pos	Part Number	Description	Remark	Qty	Model
		Windscreen wiper system			
1	927 628 303 03	Wiper motor	/LL	1	
1	944 628 303 01	Wiper motor	/RL	1	
2	964 628 039 00	Crank drive	/LL	1	
2	964 628 040 00	Crank drive	/RL	1	
3	911 628 313 00	Wiper arm	/LL /L -91 /RL /R -91	1	
3	964 628 028 01	Wiper arm	/LL /L 92- /RL /R 92-	1	
3	911 628 314 00	Wiper arm	/LL /R -91	1	
3	964 628 028 02	Wiper arm	/LL /R 92-	1	
(3)	911 628 312 00	Wiper arm	/RL /L -91	1	
(3)	964 628 028 03	Wiper arm	/RL /L 92-	1	
4	964 628 901 01	Wiper blade		2	
4	964 628 901 02	Wiper blade		2	
5	N 010 217 9	Hexagon-head bolt M 6 X 20		4	
6	911 628 963 00	Flange washer Black		2	
7	901 628 923 01	Rubber bush		2	
8	901 628 924 00	Rubber bush		2	
9	N 011 118 11	Hexagon nut BM 8		2	
9	900 034 001 05	Hexagon nut BM 8		2	
10	911 628 825 00	Hexagon nut		2	
11	964 628 339 00	Cap		2	
12	901 628 927 00	Spring washer		2	
12	481 955 349	Spring washer		2	
12	803 955 437	Spring washer		2	
13	900 076 025 02	Hexagon nut M 8		1	
13	900 076 064 02	Hexagon nut M 8		1	
14	N 012 241 8	Spring washer B 8		1	
15	N 011 666 7	Washer B 6,4		4	
16	999 076 024 02	Hexagon nut M 6		1	
17	928 628 623 00	Cap	-91	2	
17	928 628 623 01	Cap	92-	2	
	928 628 623 01 01C	Satin black			
18	900 278 002 02	Hexagon-head bolt		3	

Model: 911 89

Model life 1989>>1994

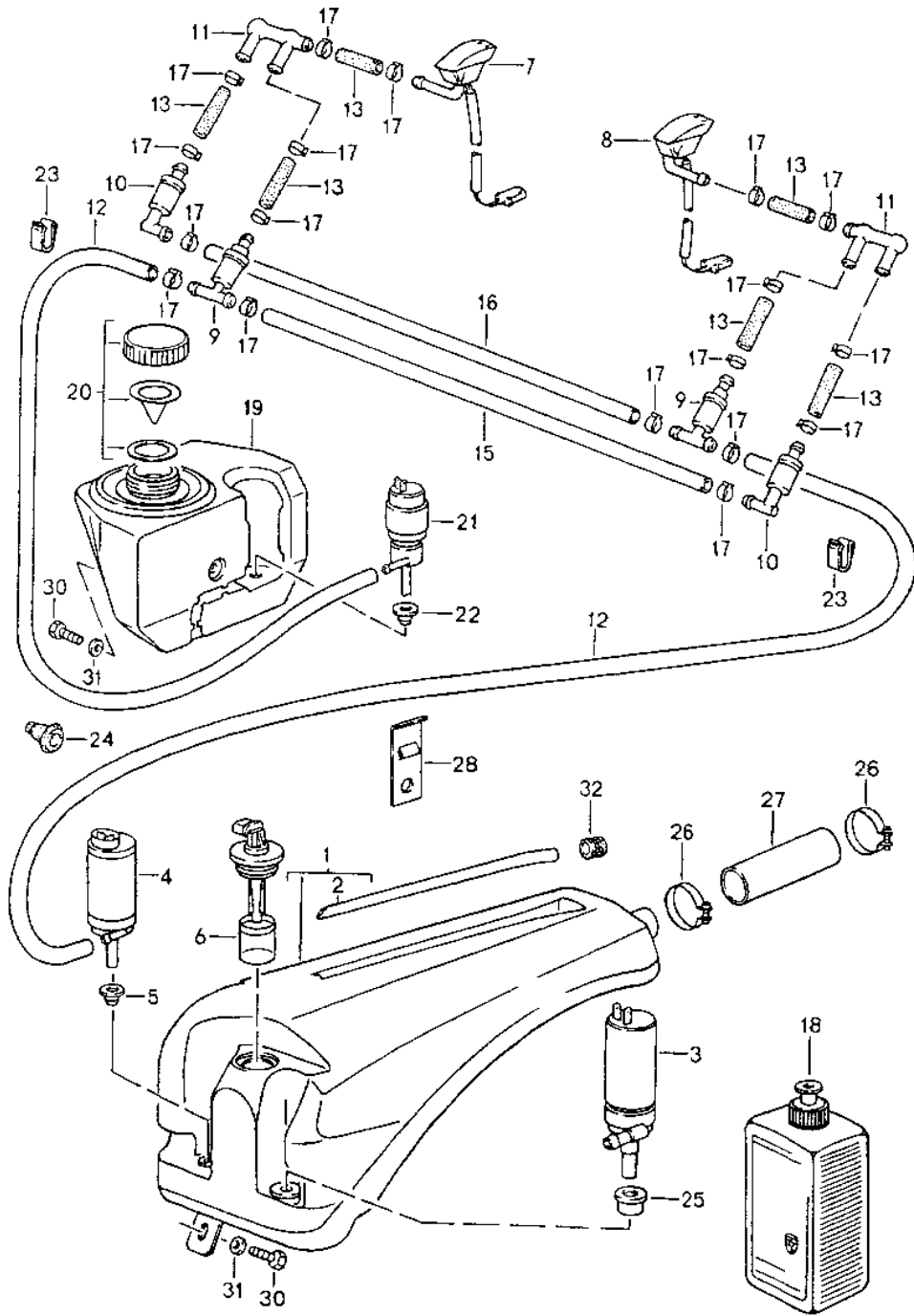


Model: 911 89 Model life 1989>>1994

Pos	Part Number	Description	Remark	Qty	Model
1	964 628 120 00	Rear window wiper Wiper motor		1	
2	964 628 087 00	Assembly frame with Engine		1	COUPE
2	964 628 085 00	Assembly frame with Engine		1	TARGA
3	N 090 317 1	Hexagon-head bolt		3	
4	477 807 191	Speed nut B 4,2		2	
4	999 591 772 01	Speed nut		2	
5	900 143 031 02	Oval-head sheetmetal screw		3	
6	964 628 160 00	Lever		1	
7	N 012 226 5	Spring washer		1	
8	900 076 010 02	Nut M 6		2	
8	900 076 010 0B	Nut M 6		2	
9	964 628 273 00	Rubber bush		2	
10	964 628 337 01	Washer		1	
11	964 628 270 01	Rubber bush		1	COUPE
11	964 628 270 02	Rubber bush		1	COUPE
11	964 628 275 00	Rubber bush		1	TARGA
12	900 143 031 02	Oval-head sheetmetal screw		1	
13	964 628 336 00	Washer		1	
14	911 628 825 00	Hexagon nut		1	
15	964 628 339 00	Cap		1	
16	993 628 032 00	Wiper arm		1	
17	803 955 437	Spring washer		1	
18	900 076 025 02	Hexagon nut		1	
18	900 076 064 02	Hexagon nut		1	
19	993 628 039 01	Wiper blade		1	
20	N 011 666 7	Washer A 6,4		2	
21	900 075 017 02	Hexagon-head bolt		2	
21	900 075 017 03	Hexagon-head bolt		2	
22	900 151 028 02	Washer		2	
22	900 151 028 01	Washer		2	
23	928 628 623 01	Cap		1	
24	964 628 328 01	Retaining bracket		1	
25	999 507 332 02	Captive nut		2	
-	944 612 552 00	Connector housing 6-pole Wiring harness		1	
-	999 652 762 22	Contact bush		6	
-	944 612 551 00	Connector housing 6-pole		1	
-	944 612 546 00	Wiper motor Contact pin		6	

Model: 911 89

Model life 1989>>1994

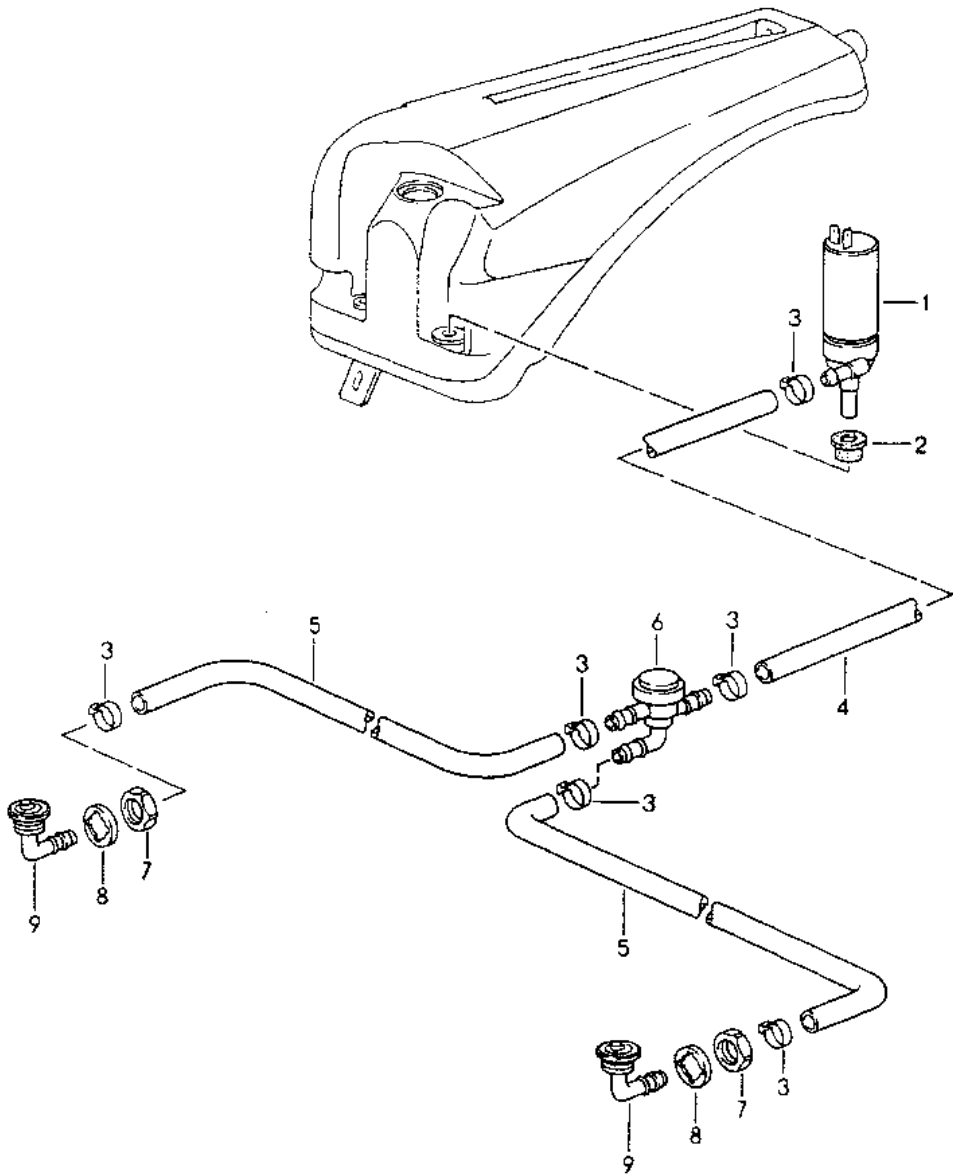


Model: 911 89 Model life 1989>>1994

Pos	Part Number	Description	Remark	Qty	Model
		Windscreen washer system			
1	964 528 073 02	Water reservoir		1	
-	999 063 015 40	Stopper		1	
2	964 528 575 00	Vent hose		1	
3	928 628 172 01	Pump	-92	1	
3	993 624 372 00	Pump	93-	1	
4	431 955 651	Pump		1	M286
5	431 955 465 B	Sealing ring		2	
6	964 628 185 00	Tank gauge switch		1	
7	993 628 077 01	Nozzle	/R	1	
	993 628 077 01 01C	Black			
8	993 628 077 00	Nozzle	/L	1	
	993 628 077 00 01C	Black			
9	914 628 433 00	Valve		2	M286
10	477 955 481	Valve		2	M286
11	911 628 617 00	Connecting piece		2	M286
-	999 181 722 40	Hose		*	
		4,6 X 8,2			
12		1650 MM		2	
13		150 MM		2	
14		25 MM		4	
15		820 MM		1	
16		840 MM		1	
17	N 100 020 01	Clip		20	
17	999 512 527 00	Clamp		20	
18	999 901 017 41	Window cleaner		X	
		250 ML			
		Summer			
18	999 901 017 42	Window cleaner		X	
		250 ML			
		Summer			
18	000 044 000 87	Window cleaner		X	
		250 ML			
		Summer			
18	999 901 033 40	Window cleaner		X	
		1000 ML			
		Winter			
19	964 528 019 02	Water reservoir	-92	1	
19		Water reservoir	93-	1	
20	911 628 077 00	Threaded cover		1	
21	431 955 651	Pump		1	
22	431 955 465 B	Sealing ring		1	
23	999 651 238 02	Cable holder		2	
24	911 612 413 00	Rubber sleeve		2	
25	928 628 193 00	Gasket		1	
26	N 024 147 1	Hose clamp		2	
27	900 922 006 40	Filling hose		1	
28	964 628 420 00	Support		2	
30	N 010 215 13	Hexagon-head bolt		2	
		M 6 X 15			
31	N 011 666 7	Washer		2	
		B 6,4			
32	999 702 173 50	Rubber sleeve		1	
33	964 628 194 00	Stopper		1	

Model: 911 89

Model life 1989>>1994



Model: 911 89

Model life 1989>>1994

Pos	Part Number	Description	Remark	Qty	Model
		Headlight washer system			
1	191 955 681	Pump		1	
2	928 628 193 00	Gasket		1	
3	N 023 570 2	Hose clamp		8	
-	999 181 806 40	Hose		*	
		PVC 10 X 16			
4		1000 MM		1	
5		610 MM		3	
6	281 955 187	Valve		1	
7	900 281 002 40	Hexagon nut		2	
8	951 628 173 00	Desk pad		2	
9	911 628 071 01	Jet carrier		2	
	911 628 071 01 01C	Satin black			
-	999 651 230 02	Hose holder		4	
		15,0 - 18,0			
-	999 651 239 09	Hose holder		5	
		10,0 - 11,0			

Model: 911 89 Model life 1989>>1994

Pos	Part Number	Description	Remark	Qty	Model
1	911 631 113 02	Headlamp		2	
1	911 631 112 02	Headlamp	/LL	2	M492
1	911 631 024 00	Headlamp	/LL	2	M605
1	911 631 023 00	Headlamp		2	M492/605
2	911 631 927 00	Lens	/LL	2	
-	PCG 911 631 00	Kit	/LL	1	
		Lens			
		Comprising:			
-	911 631 927 00	Lens		2	
-	911 631 115 02	Gasket		2	
-	911 631 967 00	Gasket		2	
-	113 951 539	Washer		2	
2	911 631 927 01	Lens	/RL	2	M492
-	PCG 911 631 01	Kit	/RL	1	
		Lens			
		Comprising:			
-	911 631 927 01	Lens		2	
-	911 631 115 02	Gasket		2	
-	911 631 967 00	Gasket		2	
-	113 951 539	Washer		2	
3	911 631 967 00	Gasket		2	
4	911 631 933 01	Headlamp ring		2	
5	911 631 115 02	Gasket		2	
6	911 631 141 00	Headlamp ring		2	
7	911 631 033 00	Ball screw		2	
9	911 631 139 00	Spacer sleeve		2	
10	911 631 132 00	Oval-head screw		2	
		M 4 X 9			
11	113 951 539	Washer		2	
12	901 631 116 02	Locking spring		6	
		Upper			
13	644 631 122 00	Locking spring		5	
		Lower			
14	911 631 259 02	Rubber sleeve		2	
15	900 631 103 90	Bulb		2	
		12V 4W			
16	964 612 325 00	Rubber sleeve		4	
		for			
		Wiring harness			
		Headlamp			
17	999 631 202 90	Bulb		2	
		H-4			
17	999 631 202 91	Halogen bulb	(F)	2	
		H-4			
18	911 631 108 00	Terminal sleeve housing		2	
-	N 017 498 A	Flat plug		X	
		7,7 X 1 CuZn			
35	964 631 405 00	Direction indicator light	/L	1	
35	964 631 405 02	Direction indicator light	/L	1	
		without			
		Bulb socket			
-	993 631 125 00	Bulb socket		2	
		FÜR			
		POS. 35			
(35)	964 631 406 00	Direction indicator light	/R	1	
(35)	964 631 406 02	Direction indicator light	/R	1	
		without			
		Bulb socket			
-	993 631 125 00	Bulb socket		2	
		FÜR			
		POS. 35			
36	N 902 689 01	Speed nut	/R	2	

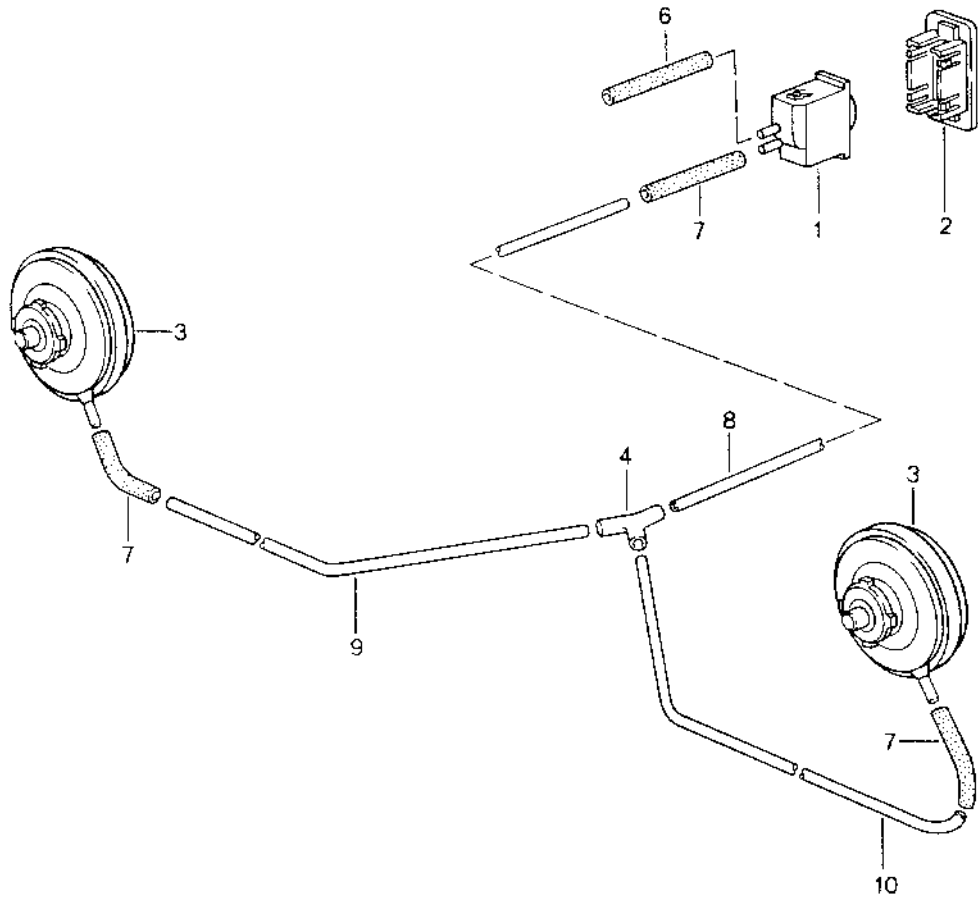
Model: 911 89

Model life 1989>>1994

Pos	Part Number	Description	Remark	Qty	Model
36	999 591 742 01	Speed nut	/R	2	
37	900 143 151 02	Combination tapping screw		2	
38	900 631 127 90	Bulb 12V 21W		2	
39	964 631 409 00	Trim cover	/L	1	
(39)	964 631 410 00	Trim cover	/R	1	
41	N 013 943 8	Combination screw B 4,2 X 22		6	
42	964 631 203 00	Fog headlamp	/L	1	
42	964 631 204 00	Fog headlamp	/R	1	
42	964 631 203 01	Fog headlamp	/L (F)	1	
42	964 631 204 01	Fog headlamp	/R (F)	1	
43	900 631 126 90	Halogen bulb		2	
44	964 631 661 00	Spacer sleeve		4	
45	N 011 005 14	Hexagon nut M 5		4	
45	900 076 091 01	Hexagon nut M 5		4	
46	964 631 415 00	Trim cover	/L	1	
(46)	964 631 416 00	Trim cover	/R	1	
47	964 631 417 01	Trim cover		2	
47		Trim cover	(F)	2	
48	4A0 949 101	Direction indicator light		2	
49	161 949 111	Bulb socket		2	
50	999 631 032 90	Bulb 12V 5W		2	
51	964 631 203 75	Trim cover	/L	1	CARRERA RS
51	964 631 204 75	Trim cover	/R	1	CARRERA RS
52	964 631 025 75	Housing		2	CARRERA RS

Model: 911 89

Model life 1989>>1994

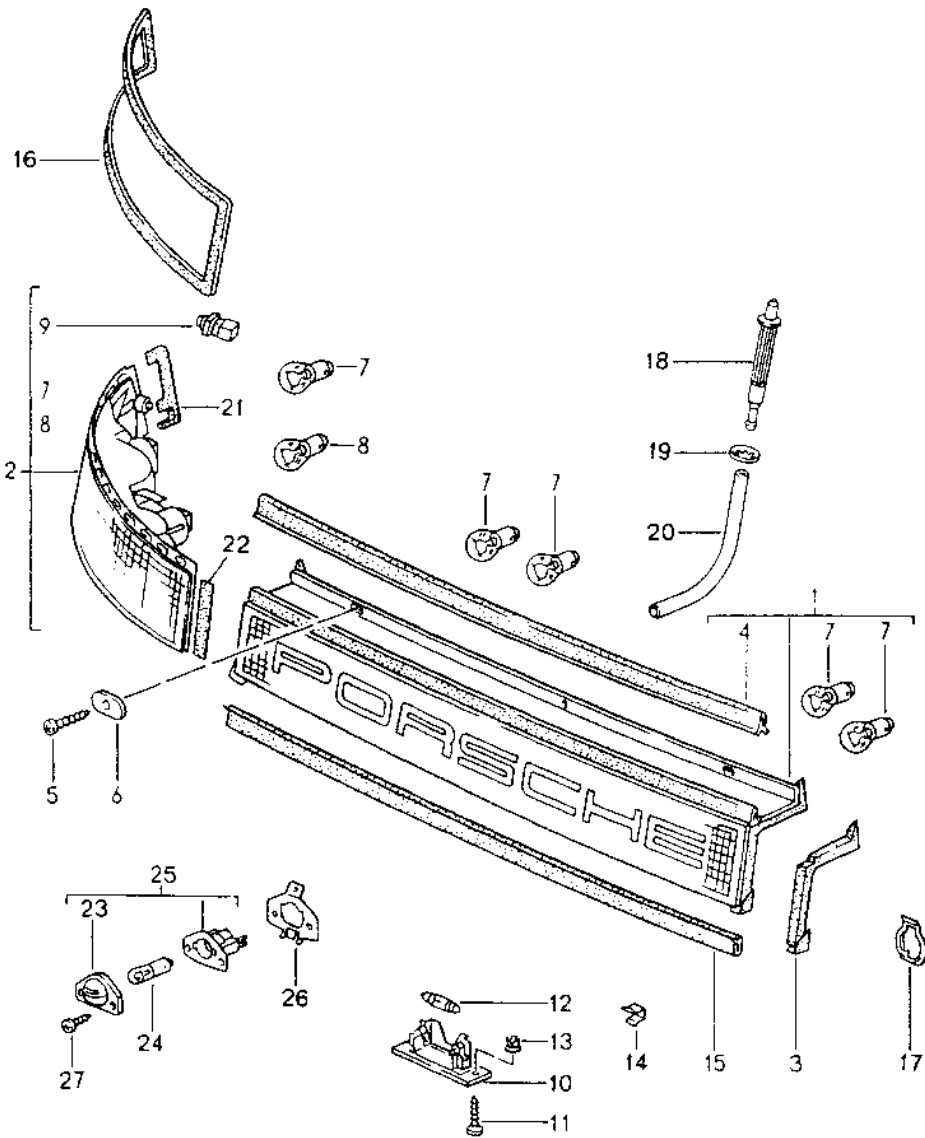


Model: 911 89 Model life 1989>>1994

Pos	Part Number	Description	Remark	Qty	Model
		Headlight levelling system			M605
1	911 631 231 00	Switch		1	CARRERA 2/4
1	911 631 231 01	Switch		1	CARRERA 2/4
1	965 631 231 00	Switch		1	TURBO
2	911 613 342 00	Rosette		1	
	911 613 342 00 01C	Black			
3	911 631 223 00	Actuator		2	
4	928 573 727 02	Distributing piece		2	
-	999 181 070 40	Connecting hose		X	
		3,5 X 8			
		120 MM		2	
		260 MM		1	
5		Connecting hose		X	
		120 MM		2	
6		Connecting hose		X	
		260 MM		3	
7	999 181 071 40	Connecting hose		X	
		3,5 X 8			
		60 MM		3	
7	PCG 181 070 41	Connecting hose		X	
		3,0 X 8			
		60 MM		3	
8	911 631 710 00	Vacuum line	/LL	1	
		1250 MM			
8	911 631 710 03	Vacuum line	/RL	1	
		2350 MM			
9	911 631 710 02	Vacuum line		1	
		1350 MM			
10	911 631 710 01	Vacuum line		1	
		380 MM			

Model: 911 89

Model life 1989>>1994



Model: 911 89 Model life 1989>>1994

Pos	Part Number	Description	Remark	Qty	Model
		Covering Combined lights Rear			
1	964 631 159 00	Covering		1	
1	964 631 159 01	Covering		1	
1	964 631 170 00	Covering	(J)	1	
1	964 631 170 01	Covering	(J)	1	
2	964 631 907 00	Combined lights	/L 89-	1	
2	964 631 907 02	Combined lights	/L 89-	1	
(2)	964 631 908 00	Combined lights	/R 89-	1	
(2)	964 631 908 02	Combined lights	/R 89-	1	
-	813 971 959	Connector housing for POS. 2		2	
-	443 972 921 C	Grommet for 813.971.959		2	
-	443 972 921 D	Gasket for 813.971.959		2	
-	443 972 616	Locking device for 813.971.959		2	
-	999 652 474 22	Flat plug \$ - 1,0 for 813.971.959		X	
-	999 652 475 22	Flat plug \$ - 2,5 for 813.971.959		X	
3	964 631 145 00	Gasket	/L -90	1	
3	964 631 145 01	Gasket	/L -90	1	
(3)	964 631 146 00	Gasket	/R -90	1	
(3)	964 631 146 01	Gasket	/R -90	1	
4	964 631 147 00	Gasket		1	
4	964 631 147 01	Gasket		1	
5	900 143 007 02	Oval-head sheetmetal screw		3	
5	900 073 507 01	Oval-head sheetmetal screw		3	
6	964 631 127 00	Spacer		3	
7	900 631 127 90	Bulb 12V 21W		6	
8	900 631 128 90	Bulb 12V 21/5W		2	
10	964 631 620 00	License plate light		2	
	964 631 620 00 01C	Black			
10	964 631 620 01	License plate light	(CH) (J)	2	
	964 631 620 01 01C	Black			
11	900 143 085 07	Tapping screw		2	
12	900 631 105 90	Bulb		2	
13	999 507 050 40	Expander nut		4	
14	999 591 895 02	Retaining clip		3	
14	999 591 895 01	Retaining clip		3	
15	964 631 148 00	Gasket	-90	1	
15	964 631 148 01	Gasket		1	
16	964 631 420 00	Gasket	/L -90	1	
(16)	964 631 421 00	Gasket	/R -90	1	
17	964 631 473 00	Cable guide		2	
18	964 631 423 00	Ventilation tube		1	
19	999 591 977 02	Clamping washer		1	
20	000 043 204 78	Hose		*	
21	964 631 911 00	Gasket	/L 91-	1	
(21)	964 631 912 00	Gasket	/R 91-	1	

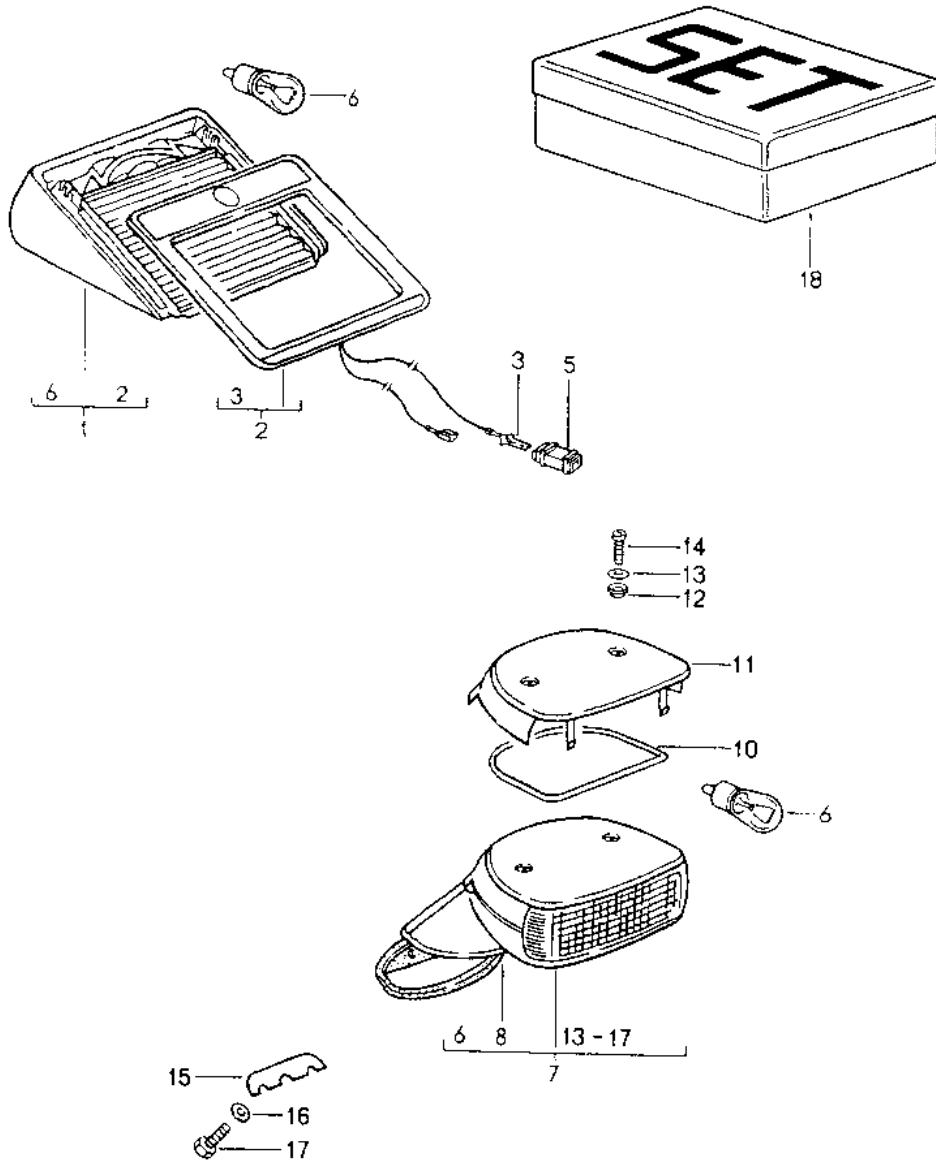
Model: 911 89

Model life 1989>>1994

Pos	Part Number	Description	Remark	Qty	Model
22	964 631 913 00	Gasket	91-	2	
23	911 631 606 00	Lens		2	CARRERA RS
24	900 631 104 90	Bulb 12V-5W		2	TURBO 3,6 CARRERA RS
25	911 631 620 04	License plate light		2	TURBO 3,6 CARRERA RS
26	964 505 609 00	Support		2	TURBO 3,6 CARRERA RS
27	900 146 041 07	Oval-head screw BM3X15		4	TURBO 3,6 CARRERA RS

Model: 911 89

Model life 1989>>1994

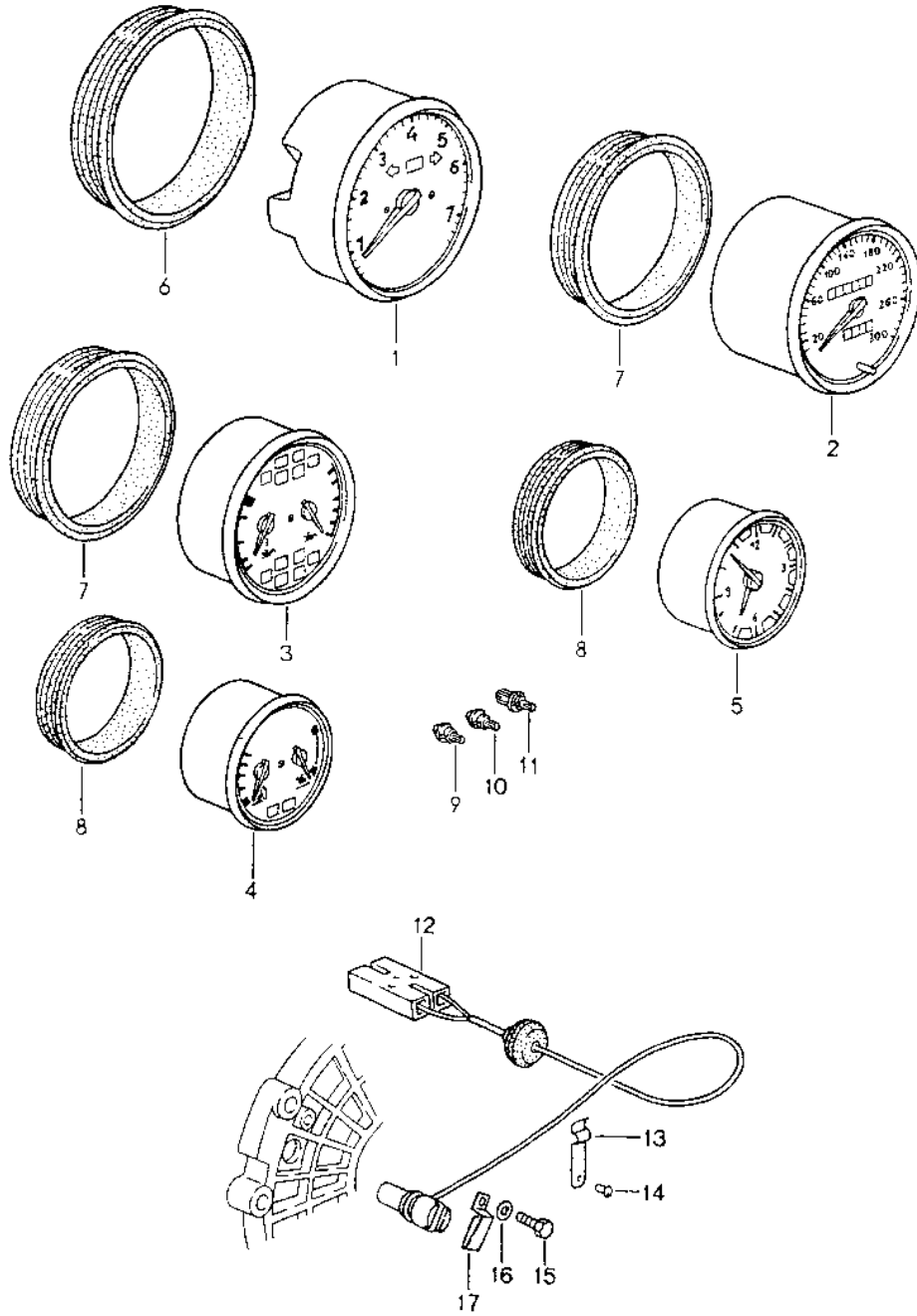


Model: 911 89 Model life 1989>>1994

Pos	Part Number	Description	Remark	Qty	Model
1	911 631 070 00 911 631 070 00 01C	Additional brake light Brake light Black Upper		1	COUPE/TARGA
2	911 631 061 01	Frame for light Lower		1	COUPE/TARGA
(2)	911 631 061 00	Frame for light Upper		1	COUPE/TARGA
3	111 971 985	Flat plug		1	
5	813 972 643 A	Flat connector socket		1	
6	900 631 127 90	Bulb 21 W		1	
7	964 631 072 00	Brake light Outer		1	CABRIO
7	964 631 072 01	Brake light Outer		1	CABRIO
7	911 631 072 01	Brake light Outer		1	CABRIO
8	964 631 458 00	Gasket		1	CABRIO
10	911 631 457 00	Gasket		1	
11	911 631 452 00	Lid		1	
12	911 631 422 00	Rubber washer		2	
13	911 631 421 00	Plastic washer PA 6		2	
14	900 146 067 07	Lens-head screw M 4 X 12		2	
15	911 631 419 00	Desk pad		1	
16	N 011 666 7	Washer B 6,4		2	
17	999 072 005 09	Hexagon nut M 6 X 12 4 X 21 X 8		2	
17	999 072 005 01	Hexagon nut M 6 X 12 4 X 21 X 8		2	
18	000 043 069 00	Adhesive set for Frame for light		1	
18	000 043 303 19	Adhesive set for Frame for light		1	

Model: 911 89

Model life 1989>>1994



Model: 911 89 Model life 1989>>1994

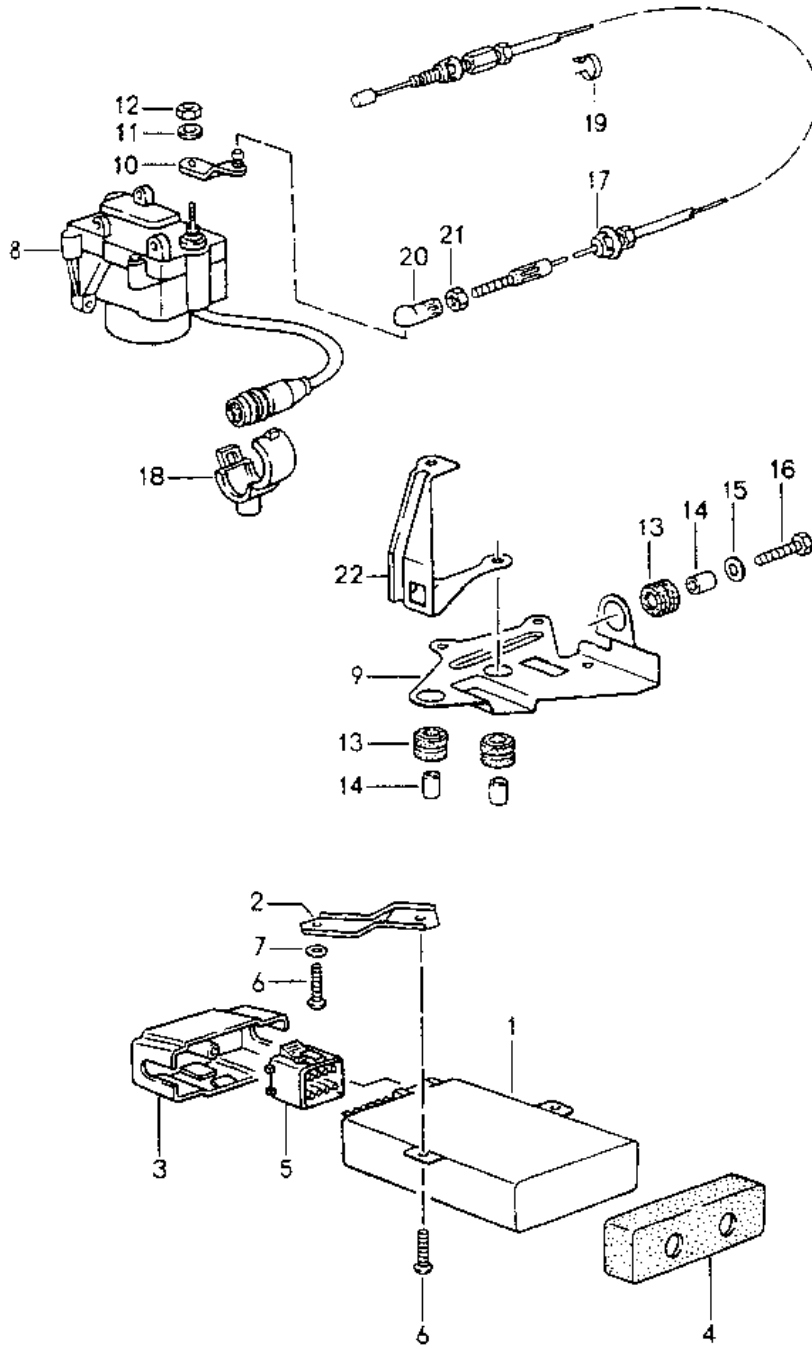
Pos	Part Number	Description	Remark	Qty	Model
		Instruments See technical information GR.X, NR.4/93 Tech. information memo GR.9, NR.5/98			
1	964 641 301 00	Tachometer		1	CARRERA 2/4 CARRERA RS
1	964 641 301 X	Tachometer		1	CARRERA 2/4 CARRERA RS
1	964 641 311 00	Tachometer	90-	1	CARRERA 2/4 M659
1	964 641 311 01	Tachometer	90-	1	CARRERA 2/4 M659
1	964 641 314 00	Tachometer	93-	1	CARRERA 2/4 M545/659
1	964 641 314 01	Tachometer	93-	1	CARRERA 2/4 M545/659
1	964 641 314 AX	Tachometer	93-	1	CARRERA 2/4 M545/659
1	964 641 313 00	Tachometer	90- (GB)	1	CARRERA 2/4 M659
1	964 641 313 AX	Tachometer	90- (GB)	1	CARRERA 2/4 M659
1	964 641 303 00	Tachometer		1	CARRERA 4 M096
	964 641 303 00 2QY	Rubicon grey			
1	964 641 315 00	Tachometer		1	CARRERA 4 M096/659
	964 641 315 00 2QY	Rubicon grey			
1	964 641 316 00	Tachometer	(GB)	1	CARRERA 4 M096/659
	964 641 316 00 2QY	Rubicon grey			
1	964 641 316 AX	Tachometer	(GB)	1	CARRERA 4 M096/659
	964 641 316 AX 2QY	Rubicon grey			
1	964 641 317 00	Tachometer		1	CARRERA 4 M096/545/659
	964 641 317 00 2QY	Rubicon grey			
1	965 641 321 00	Tachometer	-92	1	TURBO
1	965 641 321 02	Tachometer		1	TURBO
1	965 641 321 BX	Tachometer		1	TURBO
1	965 641 321 01	Tachometer	93-	1	TURBO
1	965 641 321 03	Tachometer	93-	1	TURBO
1	965 641 323 00	Tachometer	(GB) -92	1	TURBO
1	965 641 323 BX	Tachometer	(GB)	1	TURBO
1	965 641 323 01	Tachometer	(GB) 93-	1	TURBO
1	965 641 323 CX	Tachometer	(GB) 93-	1	TURBO
2	964 641 516 00	Speedometer		1	
2	964 641 516 X	Speedometer		1	
2	964 641 508 00	Speedometer	(GB)	1	
2	964 641 016 00	Speedometer		1	M215
2	964 641 016 X	Speedometer		1	M215
2	964 641 526 00	Speedometer	90-	1	M249
2	964 641 526 X	Speedometer	90-	1	M249
2	993 641 528 00	Speedometer	(GB) 90-	1	M249
2	964 641 026 00	Speedometer	90-	1	M215/249
2	964 641 026 X	Speedometer	90-	1	M215/249
2	964 641 536 00	Speedometer	90-	1	M659
2	964 641 536 X	Speedometer	90-	1	M659
2	993 641 538 00	Speedometer	90-	1	CARRERA TURBO
			(GB)		M659
2	964 641 036 00	Speedometer	90-	1	CARRERA

Model: 911 89 Model life 1989>>1994

Pos	Part Number	Description	Remark	Qty	Model
2	964 641 036 X	Speedometer	90-	1	TURBO M215/659 CARRERA TURBO M215/659
2	993 641 546 00	Speedometer	93-	1	TURBO M659
2	993 641 546 X	Speedometer	93-	1	TURBO M659
2	964 641 546 00	Speedometer		1	CARRERA 4
2	964 641 546 00 2QY	Rubicon grey	(GB)	1	M096
2	964 641 548 00	Speedometer		1	CARRERA 4
2	964 641 548 00 2QY	Rubicon grey		1	M096
2	964 641 046 00	Speedometer		1	CARRERA 4
2	964 641 046 00 2QY	Rubicon grey		1	M096/215
2	964 641 556 00	Speedometer		1	CARRERA 4
2	964 641 556 00 2QY	Rubicon grey		1	M096/659
2	964 641 556 X	Speedometer		1	CARRERA 4
2	964 641 556 X 2QY	Rubicon grey		1	M096/659
2	964 641 558 00	Speedometer	(GB)	1	CARRERA 4
2	964 641 558 00 2QY	Rubicon grey		1	M096/659
2	964 641 056 00	Speedometer		1	CARRERA 4
2	964 641 056 00 2QY	Rubicon grey		1	M096/215/659
3	964 641 103 00	Instrument cluster		1	
(3)	964 641 103 X	Instrument cluster		1	
3	964 641 104 00	Instrument cluster		1	CARRERA 4
3	964 641 104 00 2QY	Rubicon grey		1	
4	964 641 202 00	Instrument cluster		1	
4	964 641 202 X	Instrument cluster		1	
4	964 641 203 00	Instrument cluster		1	CARRERA 4
4	964 641 203 00 2QY	Rubicon grey		1	
5	993 641 701 00	Clock		1	
5	964 641 702 00	Clock		1	CARRERA 4
5	964 641 702 00 2QY	Rubicon grey		1	
6	911 641 903 01	Rubber ring		1	
7	911 641 902 01	Rubber ring		2	
8	911 641 901 01	Rubber ring		2	
9	964 641 920 00	Glass-base bulb 12 V 0,9 W		X	
10	999 631 027 90	Glass-base bulb 12 V 1,5 W		X	
11	964 641 920 00	Glass-base bulb 12 V 0,9 W		X	
12	964 606 210 01	Pulse sender	-90	1	
13	911 612 406 01	Cable holder	-90	1	
14	900 093 010 02	Grooved nail	-90	1	
15	999 072 005 09	Hexagon nut	-90	1	
15	999 072 005 01	Hexagon nut		1	
16	900 025 014 02	Washer	-90	1	
17	964 606 219 00	Tab washer	-90	1	

Model: 911 89

Model life 1989>>1994



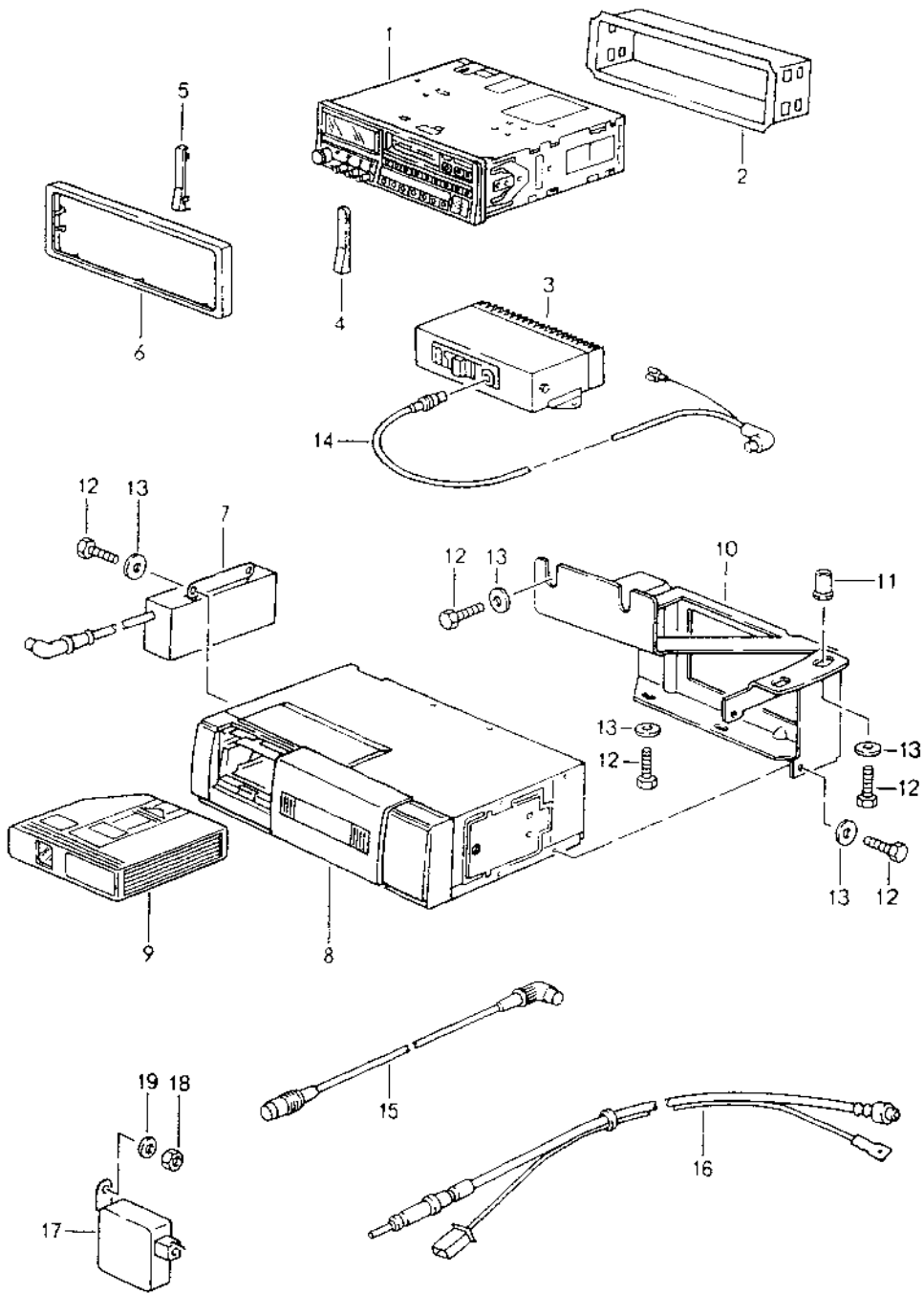
Model: 911 89

Model life 1989>>1994

Pos	Part Number	Description	Remark	Qty	Model
		Cruise control			CARRERA 2/4
1	911 617 227 00	Control unit		1	
1	911 617 227 X	Control unit		1	
2	911 617 021 00	Support	/LL	1	
2	911 617 021 01	Support	/LL	1	
(2)	911 617 022 00	Support	/RL	1	
3	911 617 133 02	Cap	/LL	1	
4	911 617 134 00	Cap	/RL	1	
5	911 617 427 00	Coding plug		1	
6	900 146 003 02	Oval-head screw M 5 X 10		3	
7	900 025 003 02	Washer A 5,3		4	
8	944 617 121 00	Drive link		1	
9	964 617 028 00	Support		1	
10	944 423 047 00	Rubber mounting		1	
11	N 012 229 3	Spring washer A 8		1	
12	N 011 018 4	Hexagon nut M 8 X 1		1	
13	999 702 133 40	Rubber mounting 10 X 18 X 2		3	
14	999 531 014 02	Bush 6,1 X 10,2		3	
15	N 011 666 7	Washer B 6,4		6	
16	900 075 017 02	Hexagon-head bolt M 6 X 25		3	
16	900 075 017 03	Hexagon-head bolt M 6 X 25		3	
17	964 110 025 02	Accelerator cable		1	
18	944 612 450 00	Fixing clip		1	
19	477 971 851	Cable clip		1	
20	N 015 521 3	Ball socket		1	
21	N 011 005 14	Hexagon nut M 5		1	
21	900 076 091 01	Hexagon nut M 5		1	
22	964 617 199 00	Support		1	

Model: 911 89

Model life 1989>>1994



Model: 911 89 Model life 1989>>1994

Pos	Part Number	Description	Remark	Qty	Model
1	911 645 071 01	Radio Installation parts	-90	1	M326
1	911 645 159 01	Radio BERLIN IQR 88	-90	1	
1	911 645 139 02	Radio BREMEN SQR 46	-90	1	
(1)	964 645 101 00	Radio TORONTO SQR 46	91	1	
(1)	964 645 103 00	Radio SYMPHONY	92-	1	M327
(1)	964 645 109 00	Radio SYMPHONY RDS	94-	1	TURBO M334
(1)	964 645 110 00	Radio BREMEN RCM 43	94-	1	TURBO M334 M692
(1)	964 645 015 00	Radio BREMEN RCM 43	(J) 92-	1	
(1)	964 645 107 00	Radio CR-2	93-	1	M693
(1)	964 645 108 00	Radio LONDON RDM 42	93-	1	M333
(1)	928 645 018 00	Installation set PARIS RCR 41		1	M690
2	911 645 173 03	CD player CD-10		1	
(2)	928 645 072 01	Retaining frame for Radio		1	
3	928 645 405 02	Retaining frame for CD-10		1	M494
4	928 645 904 00	Amplifier		1	M327
5	928 645 903 00	Cover		1	M327
6	928 645 071 00	Frame		1	
7	928 645 071 00 01C	Black for CR-2,CD-10		1	M327/334
8	964 645 112 00	Adapter for CD changer		1	M692
9	964 645 111 00	CD changer CDC-1		1	
10	964 645 113 00	Magazine for CD changer		1	
11	964 645 221 00	Support		1	
12	999 500 044 02	Nut		4	
12	900 075 057 02	Hexagon-head bolt M 6X16		4	
12	900 075 057 03	Hexagon-head bolt M 6X16		4	
13	N 011 666 7	Washer B 6,4		4	
14	964 645 175 01	Connecting cable Radio	-91	1	
14		Amplifier Connecting cable		1	
15	964 645 451 00	Radio Amplifier Connecting cable	/RL	1	

Model: 911 89 Model life 1989>>1994

Pos	Part Number	Description	Remark	Qty	Model
15	964 645 450 00	CD changer Connecting cable	/LL	1	
16	964 645 263 00	CD changer Connecting cable		1	M326
16	964 645 185 00	Antenna booster Connecting cable		1	SPEEDSTER
17	964 645 173 00	Antenna booster		1	
17	964 645 173 01	Antenna booster		1	
18	900 076 010 02	Nut M 6		1	
18	900 076 010 0B	Nut M 6		1	
19	N 011 524 7	Washer B 6,4		1	
19	N 011 524 27	Washer B 6,4		1	

Model: 911 89

Model life 1989>>1994



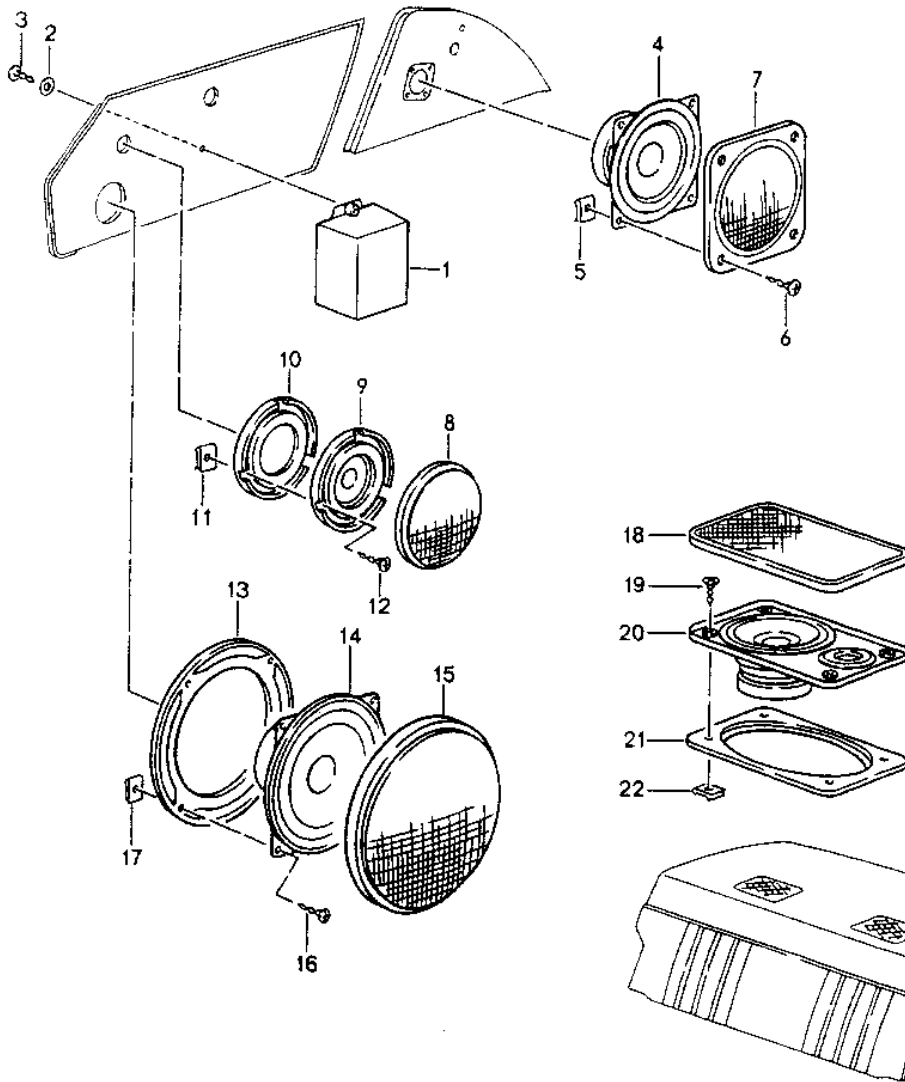
Model: 911 89

Model life 1989>>1994

Pos	Part Number	Description	Remark	Qty	Model
-	911 645 190 00	Radio Navigation system Installation parts		1	
-	911 645 191 00	Radio Navigation system with PORSCHE logo		1	
-	911 645 192 00	Radio Navigation system with TMC with PORSCHE logo		1	
-	911 645 195 00	Cover for Radio Navigation system with PORSCHE logo		1	
-	911 645 197 00	Cover for Radio Navigation system without PORSCHE logo		1	
-	911 645 196 00	Adapter		1	
-	911 642 105 00	Adapter		1	
-	911 642 105 00	Antenna		1	
-	911 642 100 00	Antenna		1	
-	911 642 100 00	Software Update 1-2011		1	
-	911 642 100 01	Software Update 1-2013		1	
-	911 642 100 02	Software Update 1-2014		1	
-	911 642 107 00	Microphone		1	
-	911 645 199 00	Handheld transmitter		1	
-	911 645 190 01	Navigation system Knob Control part Navigation system		2	

Model: 911 89

Model life 1989>>1994



Model: 911 89 Model life 1989>>1994

Pos	Part Number	Description	Remark	Qty	Model
		Loudspeaker See TPI GR.9 , NR.10 , 09/94			
1	911 645 575 00	Diplexer	-92	1	M490
1	911 645 575 01	Diplexer		1	M490
2	900 025 002 02	Washer B 4,3		2	
2	900 025 002 03	Washer B 4,3		2	
3	N 013 967 9	Tapping screw B 4,2X19		2	
4	911 645 421 00	Rear loudspeaker	-92	2	CABRIO
4	964 645 504 00	Loudspeaker	93-	2	CABRIO SPEEDSTER
5	999 507 071 00	Speed nut B 3,9		8	CABRIO
6	900 143 132 07	Tapping screw B 3,9X16		8	CABRIO
7	928 645 423 00	Loudspeaker grille		2	CABRIO
8	911 555 453 00	Loudspeaker grille Black Tweeter		2	
8	911 555 453 01	Loudspeaker grille	88-	2	
	911 555 453 01 01C	Black Tweeter			
9	911 645 417 00	Tweeter	-92	2	M490
9	964 645 502 00	Tweeter	93-	2	
10	911 555 673 00	Bracket		2	
11	N 900 488 01	Speed nut B 3,5		6	
12	900 143 124 07	Tapping screw B 3,5X13		6	
13	911 555 671 00	Bracket Woofer		2	
13	911 555 671 01	Bracket Woofer	88-	2	
14	911 645 433 00	Door speaker	-92	2	
14	911 645 415 00	Woofer	-92	2	M490
14	964 645 503 00	Woofer	93-	2	
(14)	911 645 434 00	Door speaker		2	SPEEDSTER
15	911 555 451 00	Loudspeaker grille		2	
	911 555 451 00 01C	Black			
15	911 555 451 01	Loudspeaker grille	88-	2	
	911 555 451 01 01C	Black Woofer			
16	N 013 967 9	Tapping screw B 4,2X19		8	
17	999 591 575 02	Speed nut B 4,2		8	
17	999 591 575 01	Speed nut B 4,2		8	
18	944 555 149 00	Loudspeaker grille		2	
	944 555 149 00 01C	Satin black			
18	944 555 149 01	Loudspeaker grille Satin black		2	
19	900 145 084 07	Tapping screw B 4,2X19		8	
20	911 645 435 00	Rear loudspeaker		2	
20	911 645 419 00	Rear loudspeaker		2	M490
21	944 555 159 00	Frame		2	
22	999 507 032 02	Speed nut B 3,9		8	