

Model: 996 98**Model life 1998>>2005**

ORDER-INFO

THIS PARTS CATALOGUE CONTAINS ALL ORDER INFORMATION OF
TYPE 996 FROM MODEL YEAR 1998

IT IS AVAILABLE IN TWO EDITIONS IN THE FOLLOWING LANGUAGES:

EDITION

USA, CANADA - *

EDITION

ALL OTHER COUNTRIES - GERMAN

* - ENGLISH

- FRENCH

- ITALIAN

- SPANISH

UPDATING IS BEING PERFORMED BY CHANGING OF UPDATE.

THE EDITION CAN BE RECOGNIZED BY THE CURRENT NO.
IN THE BOTTOM LINE OF SUBJECT UPDATE.

THE PREVIOUS UPDATE SHOULD NO LONGER BE USED.

ALL ILLUSTRATIONS ARE SUBJECT TO CHANGE WITHOUT OBLIGATION.

THE SEATS FOR EACH MODEL ARE AVAILABLE IN THE PARTS CATALOGUE
"SEATS (STZ 19)".

Model: 996 98

Model life 1998>>2005

EXPLANAT.- VIN

EXPLANATION OF THE ABRIDGED VERSION OF THE VEHICLE IDENT. NUMBERS (VIN)

=====

USED IN THE CATALOGUE

=====

DIGIT:		1	2	3	4	5	6	7	8	9	10	11	12	13	14	15	16	17
--------	--	---	---	---	---	---	---	---	---	---	----	----	----	----	----	----	----	----

EXAMPLE:		W	P	0	Z	Z	Z	9	9	Z	W	S	6	0	0	1	2	5
----------	--	---	---	---	---	---	---	---	---	---	---	---	---	---	---	---	---	---

							====				=										=====
--	--	--	--	--	--	--	------	--	--	--	---	--	--	--	--	--	--	--	--	--	-------

							!				!										!
--	--	--	--	--	--	--	---	--	--	--	---	--	--	--	--	--	--	--	--	--	---

VEHICLE TYPE 1ST+2ND DIGIT-----+

							!				!										!
--	--	--	--	--	--	--	---	--	--	--	---	--	--	--	--	--	--	--	--	--	---

							!				!										!
--	--	--	--	--	--	--	---	--	--	--	---	--	--	--	--	--	--	--	--	--	---

MODEL YEAR-----+

							!				!										!
--	--	--	--	--	--	--	---	--	--	--	---	--	--	--	--	--	--	--	--	--	---

							!				!										!
--	--	--	--	--	--	--	---	--	--	--	---	--	--	--	--	--	--	--	--	--	---

MANUFACTURING LOCATION-----+

							!				!										!
--	--	--	--	--	--	--	---	--	--	--	---	--	--	--	--	--	--	--	--	--	---

							!				!										!
--	--	--	--	--	--	--	---	--	--	--	---	--	--	--	--	--	--	--	--	--	---

VEHICLE TYPE 3RD DIGIT-----+

																					!
--	--	--	--	--	--	--	--	--	--	--	--	--	--	--	--	--	--	--	--	--	---

																					!
--	--	--	--	--	--	--	--	--	--	--	--	--	--	--	--	--	--	--	--	--	---

SERIAL NUMBER-----+

Model: 996 98

Model life 1998>>2005

SUMMARY TYPES

VEHICLE TYPE	MY	VIN	ENGINE	TYPE
996 COUPE	98 W	99WS6 00061>10000	M96.01	220 KW
996 COUPE (MEX)	98 W	99WS6 20061>30000	M96.01	220 KW
996 COUPE (USA) (CDN)	98 W	99XS6 20061>30000	M96.01	220 KW
996 COUPE (BR)	98 W	99VS6 29801>30000	M96.01	220 KW
996 COUPE (BR)	98 W	99WS6 29801>30000	M96.01	220 KW
996 CABRIO	98 W	99WS6 40061>49999	M96.01	220 KW
996 CABRIO (USA) (CDN) (MEX)	98 W	99WS6 50061>59999	M96.01	220 KW
996 COUPE 2	99 X	99XS6 00061>09999	M96.01	220 KW
996 COUPE 2 (USA) (CDN) (MEX)	99 X	99XS6 20061>29999	M96.01	220 KW
996 COUPE 2 (BR)	99 X	99WS6 29801>29999	M96.01	220 KW
996 COUPE 2 (BR)	99 X	99XS6 29801>29999	M96.01	220 KW
996 COUPE 4	99 X	99XS6 00061>09999	M96.02	220 KW
996 COUPE 4 (USA) (CDN) (MEX)	99 X	99XS6 20061>29999	M96.02	220 KW
996 COUPE 4 (BR)	99 X	99WS6 29401>29500	M96.02	220 KW
996 COUPE 4 (BR)	99 X	99XS6 29401>29500	M96.02	220 KW
996 CABRIO 2	99 X	99XS6 40061>49999	M96.01	220 KW
996 CABRIO 2 (USA) (CDN) (MEX)	99 X	99XS6 50061>59999	M96.01	220 KW
996 CABRIO 2 (BR)	99 X	99WS6 59601>59700	M96.01	220 KW
996 CABRIO 2 (BR)	99 X	99XS6 59601>59700	M96.01	220 KW
996 CABRIO 4	99 X	99XS6 40061>49999	M96.02	220 KW
996 CABRIO 4 (USA) (CDN) (MEX)	99 X	99XS6 50061>59999	M96.02	220 KW
996 CABRIO 4 (BR)	99 X	99WS6 59801>59999	M96.02	220 KW
996 CABRIO 4 (BR)	99 X	99XS6 59801>59999	M96.02	220 KW
996 COUPE 2/4	00 Y	99YS6 00061>10000	M96.04	220 KW
996 COUPE 2/4 (USA.CDN.MEX.BR)	00 Y	99YS6 20061>29000	M96.04	220 KW
996 COUPE 2/4 (BR)	00 Y	99XS6 50061>59000	M96.04	220 KW
996 CABRIO 2/4	00 Y	99YS6 40061>49000	M96.04	220 KW
996 CABRIO 2/4 (USA.CDN.MEX.BR)	00 Y	99YS6 50061>59000	M96.04	220 KW
996 CABRIO 2/4 (BR)	00 Y	99XS6 50061>59000	M96.04	220 KW
996 COUPE 2/4	01 1	991S6 00061>10000	M96.04	221 KW
996 COUPE 2/4 (USA.CDN.MEX.BR)	01 1	991S6 20061>29000	M96.04	221 KW
996 CABRIO 2/4	01 1	991S6 40061>49000	M96.04	221 KW
996 CABRIO 2/4 (USA.CDN.MEX.BR)	01 1	991S6 50061>59000	M96.04	221 KW
996 COUPE 2/4/4S	02 2	992S6 00061>10000	M96.03	232 KW
996 COUPE 2/4/4S (US.CN.MX.BR)	02 2	992S6 20061>29000	M96.03	232 KW
996 TARGA 2/4	02 2	992S6 30061>35000	M96.03	232 KW
996 TARGA 2/4 (USA.CDN.MEX.BR)	02 2	992S6 35061>40000	M96.03	232 KW
996 CABRIO 2/4	02 2	992S6 40061>49000	M96.03	232 KW
996 CABRIO 2/4 (USA.CDN.MEX.BR)	02 2	992S6 50061>59000	M96.03	232 KW
996 COUPE 2/4/4S	03 3	993S6 00061>10000	M96.03	235 KW
996 COUPE 2/4/4S (US.CN.MX.BR)	03 3	993S6 20061>29000	M96.03	235 KW
996 TARGA 2/4	03 3	993S6 30061>35000	M96.03	235 KW
996 TARGA 2/4 (USA.CDN.MEX.BR)	03 3	993S6 35061>40000	M96.03	235 KW
996 CABRIO 2/4	03 3	993S6 40061>49000	M96.03	235 KW

Model: 996 98**Model life 1998>>2005**

996 CABRIO 2/4 (USA.CDN.MEX.BR) 03 3 993S6 50061>59000 M96.03 235 KW

Model: 996 98

Model life 1998>>2005

SUMMARY TYPES

VEHICLE TYPE	MY	VIN	ENGINE TYPE
996 COUPE 2/4/4S	04 4	994S6 00061>10000	M96.03 235 KW
996 COUPE 2/4/4S (US.CN.MX.BR)	04 4	994S6 20061>29000	M96.03 235 KW
996 TARGA 2/4	04 4	994S6 30061>35000	M96.03 235 KW
996 TARGA 2/4 (USA.CDN.MEX.BR)	04 4	994S6 35061>40000	M96.03 235 KW
996 CABRIO 2/4	04 4	994S6 40061>49000	M96.03 235 KW
996 CABRIO 2/4/4S (US.CN.MX.BR)	04 4	994S6 50061>59000	M96.03 235 KW
996 COUPE 4S	05 5	995S6 00061>10000	M96.03 235 KW
996 COUPE 4S (USA.CDN.MEX.BR)	05 5	995S6 20061>29000	M96.03 235 KW
996 TARGA 2/4	05 5	995S6 30061>35000	M96.03 235 KW
996 TARGA 2/4 (USA.CDN.MEX.BR)	05 5	995S6 35061>40000	M96.03 235 KW
996 CABRIO 2/4	05 5	995S6 40061>49000	M96.03 235 KW
996 CABRIO 2/4/4S (US.CN.MX.BR)	05 5	995S6 50061>59000	M96.03 235 KW

Model: 996 98

Model life 1998>>2005

EXPL. ENGINE-NO.

EXPLANATION OF THE MOTOR-NUMBERS USED IN THE CATALOGUE

=====

DIGIT:		1	2	3		4	5	6	7	8
EXAMPLE:		6	6	W		0	0	1	3	6
		=	=	=		=	=	=	=	=
						!	!	!		!
ENGINE TYPE (6 = 6-CYL.-ENGINE)	-----+			!	!					!
				!	!					!
ENGINE VERSION	-----+			!						!
						!				!
MODEL YEAR	-----+									!
										!
SERIAL NUMBER	-----+									!

Model: 996 98

Model life 1998>>2005

SUMMARY ENGINES

VEHICLE TYPE	ENGINE		ENGINE NO.	TECHNICAL DATA
	TYPE	MY		
911 CARRERA	M96.01	98 W 66W	00501>60000	6ZYL/3,4L /220 KW
911 CARRERA	M96.01	99 X 66X	00501>60000	6ZYL/3,4L /220 KW
911 CARRERA +M620 C4	M96.02	99 X 68X	00501>60000	6ZYL/3,4L /220 KW
911 CARRERA 2/4	M96.04	00 Y 66Y	00501>60000	6ZYL/3,4L /220 KW
911 CARRERA 2/4	M96.04	01 1 661	00501>60000	6ZYL/3,4L /220 KW
911 CARRERA 2/4/4S FL	M96.03	02 2 662	00501>60000	6ZYL/3,6L /232 KW
911 CARRERA 2/4/4S FL	M96.03	03 3 663	00501>60000	6ZYL/3,6L /235 KW
911 CARRERA 2/4/4S FL	M96.03	04 4 664	00501>60000	6ZYL/3,6L /235 KW
911 CARRERA 2/4/4S FL	M96.03	05 5 665	00501>60000	6ZYL/3,6L /235 KW

Model: 996 98

Model life 1998>>2005

EXPL. TRANSM. NO.

EXPLANATION OF THE TRANSMISSION-NUMBERS USED IN THE CATALOGUE

DIGIT:	1	2	3	4	5	6	7	8	9	10	11
EXAMPLE:	G	9	6	0	0	1	0	0	5	4	3
	=	=====				=	=====				
	!		!			!			!		!
	!		!			!			!		!
TRANSMISSION TYPE-----+			!			!			!		!
			!			!			!		!
TRANSMISSION VERSION-----+						!			!		!
						!			!		!
INDEX OF VARIANTS-----+									!		!
									!		!
SERIAL NUMBER-----+											!

Model: 996 98

Model life 1998>>2005

SUMM. TRANSMISS.

VEHICLE TYPE	TYPE	MY	TRANSMISSION NO.	TECHNICAL DATA
911 CARRERA	G96.00	98 W	G9600 1 002001>999999	6-GANG
911 CARRERA M220	G96.00	98 W	G9600 2 002001>999999	6-GANG
911 CARRERA TIPTRONIC	A96.00	98 W	A9600 1 002001>999999	5-GANG
911 CARRERA	G96.00	99 X	G9600 1 002001>999999	6-GANG
911 CARRERA M220	G96.00	99 X	G9600 2 002001>999999	6-GANG
911 CARRERA TIPTRONIC	A96.00	99 X	A9600 1 002001>999999	5-GANG
911 CARRERA 4	G96.30	99 X	G9630 1 002001>999999	6-GANG
911 CARRERA 4 TIPTRONIC	A96.30	99 X	A9630 1 002001>999999	5-GANG
911 CARRERA 2	G96.00	00 Y	G9600 1 002001>999999	6-GANG
911 CARRERA 2 TIPTRONIC	A96.00	00 Y	A9600 1 002001>999999	5-GANG
911 CARRERA 4	G96.30	00 Y	G9630 1 002001>999999	6-GANG
911 CARRERA 4 TIPTRONIC	A96.30	00 Y	A9630 1 002001>999999	5-GANG
911 CARRERA 2	G96.00	01 1	G9600 1 002001>999999	6-GANG
911 CARRERA 2 TIPTRONIC	A96.00	01 1	A9600 1 002001>999999	5-GANG
911 CARRERA 4	G96.30	01 1	G9630 1 002001>999999	6-GANG
911 CARRERA 4 TIPTRONIC	A96.30	01 1	A9630 1 002001>999999	5-GANG
911 CARRERA 2	G96.01	02 2	G9601 1 002001>999999	6-GANG
911 CARRERA 2 TIPTRONIC	A96.10	02 2	A9610 1 002001>999999	5-GANG
911 CARRERA 4	G96.31	02 2	G9631 1 002001>999999	6-GANG
911 CARRERA 4 TIPTRONIC	A96.35	02 2	A9635 1 002001>999999	5-GANG
911 CARRERA 2	G96.01	03 3	G9601 1 002001>999999	6-GANG
911 CARRERA 2 TIPTRONIC	A96.10	03 3	A9610 1 002001>999999	5-GANG
911 CARRERA 4	G96.31	03 3	G9631 1 002001>999999	6-GANG
911 CARRERA 4 TIPTRONIC	A96.35	03 3	A9635 1 002001>999999	5-GANG
911 CARRERA 2	G96.01	04 4	G9601 1 002001>999999	6-GANG
911 CARRERA 2 TIPTRONIC	A96.10	04 4	A9610 1 002001>999999	5-GANG
911 CARRERA 4	G96.31	04 4	G9631 1 002001>999999	6-GANG
911 CARRERA 4 TIPTRONIC	A96.35	04 4	A9635 1 002001>999999	5-GANG
911 CARRERA 2	G96.01	05 5	G9601 1 002001>999999	6-GANG
911 CARRERA 2 TIPTRONIC	A96.10	05 5	A9610 1 002001>999999	5-GANG
911 CARRERA 4	G96.31	05 5	G9631 1 002001>999999	6-GANG
911 CARRERA 4 TIPTRONIC	A96.35	05 5	A9635 1 002001>999999	5-GANG

Model: 996 98

Model life 1998>>2005

LEGENDS/NOTICES

LEGENDS AND NOTICES

=====

IN COLUMN -S- STATUS

- N NEW ADDITION
- P PART ALREADY IN PROGRAMME, BUT NEW AT THIS APPLICATION
- W DELETED AT THIS APPLICATION, BUT CONTINUED TO BE CARRIED
- A STOCK TO BE USED UP
- U DELETED WITHOUT REPLACEMENT
- * PART ALSO OR ONLY AVAILABLE IN REPAIR KIT
- > ALSO AVAILABLE IN EXCHANGE

IN COLUMN - ILL. -

- 1 IDENTIFICATION NO. IN ILLUSTRATION
- (1) PART ONLY SIMILAR AS ILLUSTRATED
- PART IS NOT ILLUSTRATED

FIG.-NUMBERS FOR WHICH THERE IS SHOWN NO TEXT ARE NOT VALID FOR THIS EDITION OF CATALOGUE

IN COLUMN -PART NUMBER/CODE-

000 000 000 00 PART NUMBER EQUALS ORDERING NO., IF A CODE IS SHOWN, IT WILL HAVE TO BE PART OF ORDERING NUMBER

01C COLOUR CODE

IN COLUMN -TEXT

INSTALLATION WITH ENGINE OR CHASSIS NUMBER-RANGE

EXAMPLE:

M 66W 00389>> FROM ENGINE NO.

Model: 996 98**Model life 1998>>2005**

F

>>99WS6 00889

UP TO CHASSIS NO.

Model: 996 98

Model life 1998>>2005

LEGENDS/NOTICES

IN COLUMN - A -

IDENTIFICATION LETTER FOR PERIOD OF INSTALLATION
THAT IS REPEATED SEVERAL TIMES IN THE CATALOG GROUP.

EXPLANATION PLEASE FIND IN TEXT COLUMN OF THE CATALOG GROUP

IN COLUMN - QU - = NO. OF PIECES

- 1 NUMBER PER APPLICATION
- X NUMBER AS NEEDED
- * AVAILABLE ONLY IN RUNNING LENGTHS 1 = 1 METRE

IN COLUMN - MODEL/SYMBOL -

- M650 OPTIONAL EQUIPMENT - SEE M-NO. LIST
- 98 LIMITATION OF MODEL YEAR FOR INSTANCE: VALID UP TO
END OF MODEL YEAR 1997
- /LL LHD
- /RL RHD
- +
- /V FRONT I
I
- /H REAR I
I----> APPLIES TO
- /L LEFT I DIRECTION OF TRAVEL
I
- /R RIGHT I
-----+
- WW THE PART CAN BE USED INSTEAD OF THE
PRECEDING ONE.

Model: 996 98

Model life 1998>>2005

COUNTRY-EQIPM.

EQUIPMENT BY COUNTRY REGULATIONS

=====

(A)	AUSTRIA
(AG)	ARABIAN GULF STATES
(AUS)	AUSTRALIA
(B)	BELGIUM
(BR)	BRAZIL
(CDN)	CANADA
(CH)	SWITZERLAND
(D)	FEDERAL REPUBLIC OF GERMANY
(DK)	DENMARK
(E)	SPAIN
(F)	FRANCE
(GB)	GREAT BRITAIN
(GR)	GREECE
(HK)	HONGKONG
(I)	ITALY
(J)	JAPAN
(L)	LUXEMBURG
(N)	NORWAY
(NL)	NETHERLANDS
(NZ)	NEW ZEALAND
(P)	PORTUGAL
(RC)	TAIWAN
(S)	SWEDEN
(SA)	SAUDI ARABIA
(SF)	FINLAND
(USA)	UNITED STATES OF AMERICA
(ZA)	SOUTH AFRICA

Model: 996 98

Model life 1998>>2005

NR	Description
IXAA	Aerokit Cup
IXAB	Spyder rear in body colour
IXAF	Turbo aerokit
IXAG	Carrera - rear spoiler
IXAH	Carrera 4S aerokit
IXCA	Dashboard trim strip (3-part) sports seats
IXCC	Side air vents sports seats
IXCD	Center air vent bracket sports seats
IXCE	Rear center console sports seats
IXCG	Sports seat backrest in Aluminium Look finish
IXCZ	Short shifter
IXD9	Wheel painted in body colour
IXEA	Passive handset in leather
IXE8	Gear lever knob aluminium/dark burr maple/leather
IXE9	Handbrake lever aluminium/dark burr maple/leather
IXJB	Rear section of centre console in Arctic Silver
IXJ4	Leather cover for ignition lock surround
IXKB	Side air vent in light burr maple
IXKC	Side air vent in dark burr maple
IXKD	Side air vent in Carbon
IXKE	Side air vent in Arctic Silver
IXKG	"Defroster trim in light burr maple; leather"
IXKH	"Defroster trim in dark burr maple; leather"
IXKJ	Defroster trim in Carbon/leather
IXKL	Leather speaker covers
IXKM	Speaker covers in light burr maple
IXKN	Speaker covers in dark burr maple
IXKP	Carbon speaker covers
IXKR	Center air vent bracket in light burr maple
IXKS	Center air vent bracket in dark burr maple
IXKW	Center nozzle bracket arctic silver
IXKX	Instrument surround in Arctic Silver
IXLA	Boxster tailpipe
IXLF	Sports exhaust system
IXMA	Rooflining in leather
IXME	Rear section of centre console painted
IXMF	Front center console including 2 storage bins, leather
IXMJ	Rear section of centre console in Carbon
IXMK	Roll-over bar in exterior color
IXML	Rear center console in light burr maple
IXMP	Leather sun visor, 2 illuminated vanity mirrors *
IXMR	Sun visor in leather, 2 illuminated vanity mirrors,
IXMY	Roll-over bar in Arctic Silver
IXMZ	Rear section of centre console in leather
IXNB	Rear center console in dark burr maple
IXNG	Instrument surround in leather

Model: 996 98

Model life 1998>>2005

NR	Description
IXNH	Side vent, left/right defroster trim in leather
IXNN	Center air vent bracket in leather
IXNR	Carbon center air vent bracket
IXNS	Leather steering column trim, 4-part
IXNU	Leather trim strip (dashboard)
IXNV	Trim strip (dashboard) in light burr maple
IXNW	Trim strip (dashboard) in dark burr maple
IXNX	Carbon trim strip (dashboard)
IXNY	Trim strip in Arctic Silver
IXN3	Dashboard side air vent in leather
IXPA	3-spoke sports steering wheel in leather interior co
IXPB	3-spoke sports steering wheel, light burr maple, leather
IXPC	3-spoke sports steering wheel, dark burr maple, leather
IXPD	3-spoke sports steering wheel, Carbon/leather
IXPG	3-spoke sports steering wheel, sports seats
IXPP	Loudspeaker finisher on switch panel in interior colour
IXPW	Instrument surround in light burr maple
IXPX	Instrument surround in dark burr maple
	*
IXPY	Carbon instrument surround
IXRA	17-inch SPORTCLASSIC WHEEL
IXRB	18-inch Sport Classic II wheel
IXRC	18-inch SportTechno wheel
IXRL	18-inch SportDesign wheel
IXRN	17-mm spacers, rear
IXRP	5-mm spacers, front/rear
IXSA	Painted sports seat backrest
IXSB	Leather sports seat backrest
IXSC	Porsche Crest embossed in headrest
IXSD	Front seat controls in leather
IXSE	Bucket seat, left
IXSF	Bucket seat, right
IXSG	Racing bucket seat, left
IXSJ	6-point harness
IXSL	6-point safety catch
IXSM	Racing safety cage
IXSN	Omission of rear seats
IXSR	Carbon back for bucket seat, right
IXSS	Carbon back for bucket seat, left
IXSU	Upholstered seat
IXSW	Seat belts in Maritime Blue
IXSX	Seat belts in Guards Red
IXSY	Seat belts in Speed Yellow
IXTC	Door panel parts in leather
IXTE	Door panel parts in carbon/leather

Model: 996 98

Model life 1998>>2005

NR	Description
IXTF	Door panel parts in arctic silver/leather
IXTG	Inner door sills in leather
IXTJ	Door panel parts in light burr maple
IXTK	Door panel parts in dark burr maple
IXTL	Door panel parts in Carbon
IXTR	Door panel parts in Aluminium Look finish
IXV1	Defroster trim in leather
IXX1	Floor mats, logo, leather border
IXX2	Illuminated footwell
IXY5	Tiptronic gear selector gate in leather
IXZD	Interior light surround in leather
IX26	Steering wheel airbag, full leather
IX28	Steering wheel airbag, light burr walnut, leather
IX30	Steering wheel airbag, dark burr walnut, leather
IX45	Instrument dial in interior color
IX46	Tiptronic selector lever in aluminium/leather
IX47	Gear lever knob in Carbon/leather
IX48	Tiptronic selector lever in Carbon/aluminium
IX51	Powerkit 250 kW
IX58	Handbrake lever in Carbon/leather
IX65	Tiptronic selector lever in light burr maple/aluminium
IX66	Tiptronic selector lever in dark burr maple/aluminium
IX69	Door entry guards in Carbon with logo
IX70	Door entry guards in stainless steel with logo
IX71	Instrument dial painted/Aluminium Look finish
IX72	Gear lever knob aluminium/light burr maple/leather
IX73	Turbo sports suspension
IX74	Sports suspension (exclusive)
IX75	Differential lock (exclusive)
IX76	Inner door sill guard, left/right
IX77	Steering wheel airbag, carbon/leather
IX91	Handbrake lever aluminium/light burr maple/leather
IX97	Gear lever knob in aluminium/leather
IX98	Handbrake lever in aluminium/leather
IX99	Natural leather
M000	+-----+
	! Summary of optional extras "M"!
	+-----+
M004	GT3 RS (street)
M014	Sport package 996
M024	Version for Greece
M030	Sport-type chassis
M032	Touring suspension
M034	Version for Italy
M058	Impact absorbers, front and rear
M061	Version for Great Britain
M062	Version for Sweden

Model: 996 98 Model life 1998>>2005

NR	Description
M063	Version Luxemburg
M064	Version for Netherlands
M065	Version for Denmark
M066	Version for Norway
M067	Version for Finland
M068	Version for Thailand
M069	Other country version
M071	EU country version
M072	Version for Mexico
M073	Version for Russia
M094	Special model Millennium
M095	Special model '911 Anniversary Edition'
M111	Version for Austria
M113	Version for Canada
M114	Version for Taiwan
M119	Version for Spain
M124	Version for France
M126	Control and indications in French lettering
M127	Control and indications in Swedish
M130	Control and indications in English lettering
M139	Seat heating system, left seat
M150	Operation with leaded gas
M193	Version for Japan
M197	Stronger battery
M210	Licence plate holder version 2
M211	Licence plate holder version 3
M215	Version for Saudi Arabia
M218	Licence plate holder version 4
M219	Differential
M220	Locking differential 40 %
M222	Anti-slip regulation (ASR)
M224	Automatic limited slip differential
M225	Version for Belgium
M249	Tiptronic transmission
M265	Automatic anti-dazzle interior mirror with rain sensor
M266	Automatic anti-dazzle door mirror
M270	Door mirror -flat- driver's side, electrically adjustable and heatable
M271	Door mirror -aspherical- driver's side, electrically adjustable and heatable
M273	Door mirrors, electrically adjustable and heatable
M274	Vanity mirror illuminated
M277	Version for Switzerland
M288	Headlamp washer
M320	Radio "Porsche CR-11" ROW

Model: 996 98

Model life 1998>>2005

NR	Description
M321	Radio "Porsche CR 22"
M322	Radio "Porsche CR 220"
M325	Version for South Africa/New Zealand
M326	Radio "Porsche CR-21" ROW
M327	Radio "Porsche CR 2200"
M329	Radio "Porsche CR-210" USA
M330	Radio "Porsche CR-31" ROW
M335	Automatic seat belt, 3-point, rear
M338	Rear-wheel drive
M339	All-wheel drive
M340	Seat heating system, right seat
M342	Seat heating system, left/right seat
M369	Standard seat, left
M370	Standard seat, right
M375	Sports seat, backrest shell, left
M376	Sports seat, backrest shell, right
M392	17-inch Carrera wheel
M396	Cast wheel, 17-inch
M399	17-inch Carrera-4 wheel
M408	18-inch Techno wheel
M411	18-inch Carrera wheel
M413	18-inch Turbo-Look wheel
M414	18-inch Turbo-Look wheel, high gloss finish
M415	18-inch monobloc wheel Top
M416	Wheel, GT3 18-inch
M417	18-inch Carrera wheel, polished
M421	Front cassette compartment
M422	Rear cassette compartment
M424	CD compartment
M425	Rear window wiper
M432	Steering wheel with Tiptronic control
M436	3-spoke airbag steering wheel
M437	Comfort seat, left, electrically adjustable
M438	Comfort seat, right, electrically adjustable
M439	Electrical hood operation
M440	Manual antenna, 4 loudspeakers --- MY 2002 MY 2003 --- antenna diversity
M441	Radio preparation
M446	Concave wheel centers with full-colour Porsche Crest
M450	Ceramic brake (PCCB)
M454	Automatic speed control
M465	Rear foglamp, left

Model: 996 98 Model life 1998>>2005

NR	Description
M466	Rear foglamp, right
M476	Porsche Stability Management (PSM)
M479	Version for Australia
M480	6-speed manual transmission
M484	Version for USA
M488	Inscriptions in German language
M490	-MY 01 sound system MY 02 sound system Harmann analog
M492	Headlamps for left-hand traffic
M498	Deletion of model designation on rear end
M499	Version for Germany
M509	Fire extinguisher
M513	Lumbar support, right seat
M531	Anti-drive-off feature, central locking system
M532	Alarm system remote control omitted
M533	Radio convertible-top operation omitted
M534	Theft security system
M535	Anti-theft lock 315 MHz
M536	Alarm siren and tilt sensor
M537	Seating position control for comfort seat, left
M538	Seating position control for comfort seat, right
M539	Mechanical seat-height adjustment, left
M540	Mechanical seat-height adjustment, right
M549	Roof Transport System
M550	Hard top
M551	Wind deflector
M553	Version for USA, Canada
M562	Airbag, driver's side and front passenger's side
M563	Side airbag
M566	Front fog lights, white
M567	Windscreen tinted, upper part darker coloured
M571	Activated charcoal filter
M573	Air conditioner
M574	Without air conditioner
M580	Non-smoker's package
M581	Center console, front
M586	Lumbar support, left seat
M590	Power lid locking
M601	Litronic headlights
M602	Raised stop lamp
M605	Headlight levelling system
M606	Daytime driving lights
M614	Preparation for telephone installation

Model: 996 98 Model life 1998>>2005

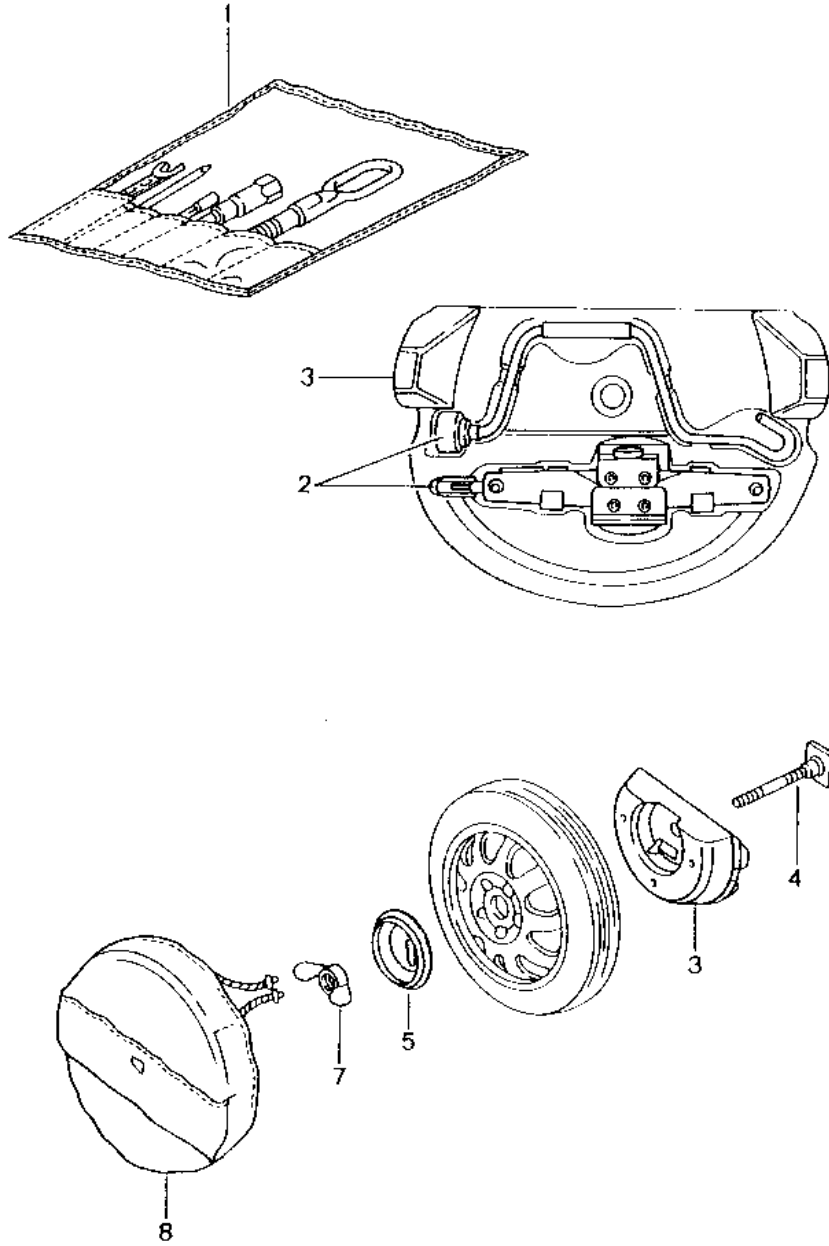
NR	Description
	Motorola 2200
M618	Preparation for telephone installation
M620	Electronic accelerator
M635	Parking assistent
M650	Electrical sliding roof
M651	Electric window opener
M652	without electric sunroof
M657	Power assisted steering
M659	On-board computer
M660	Obd 2
M661	Stricter emission-control concept
M662	Info/navigation system
M663	Passive handset
M664	Orvr
M665	PCM2 basic module including radio
M666	PCM2 telephone (GSM)
M668	PCM2 telephone handset
M670	PCM2 navigation
M680	-MY 01 digital sound package MY 02- sound system Bose analog
M685	Rear seats, split
M686	Radio "Porsche CDR-21" ROW
M688	Radio "Porsche CDR-210" USA
M689	Preperation of cd autochanger
M692	CD autochanger "Porsche "
M695	CD radio "Porsche CDR 22"
M696	CD radio "Porsche CDR 220"
M698	CD radio "Porsche CDR 32"
M699	MD radio "Porsche MDR32"
M936	Seat covers, rear, leather
M937	Seat covers, rear, leatherette
M939	Seat covers, rear, draped leather
M946	Seat covers, front, leather/leather/leatherette
M971	Natural leather, Toro-embossed
M981	Leather equipment without seat covers
M982	Seat covers, front, draped leather/leather/leather
M983	Seat covers, front, leather
M985	Cover "lorica", without seat covers
M990	Seat covers, front, cloth/cloth/leatherette
M999	Passenger compartment monitoring sensor for leather colour of choice

Model: 996 98

Model life 1998>>2005

Model: 996 98

Model life 1998>>2005

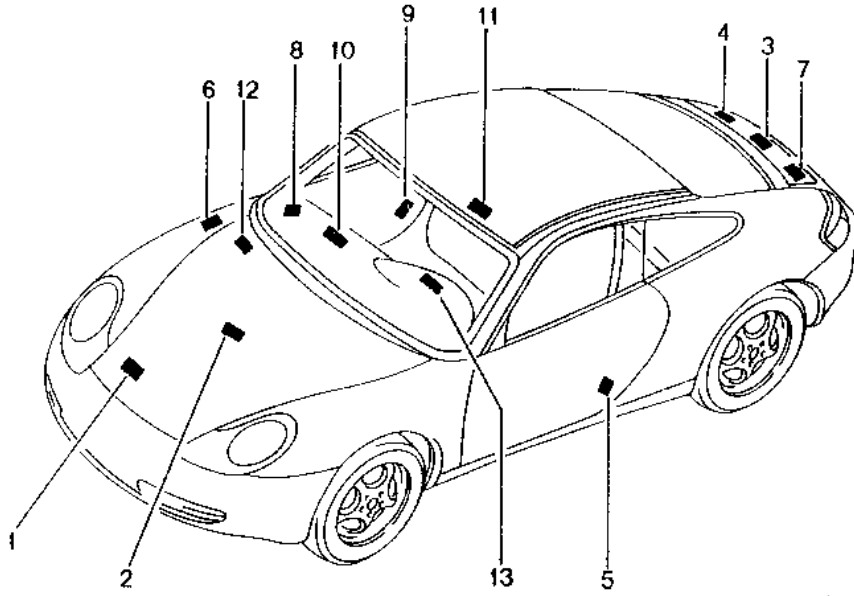


Model: 996 98 Model life 1998>>2005

Pos	Part Number	Description	Remark	Qty	Model
1	996 721 115 00	Tool Jack Tool bag with contents		1	
-	996 721 415 00	Comprising: Tool bag without Content		1	
-	996 361 521 00	Boot for Tyre		1	
-	999 914 001 40	Plastic gloves		1	
-	996 721 151 00	Towing lug		1	
-	477 012 229	Double-end spanner 10 X 13		1	
-	477 012 231	Screwdriver		1	
-	111 012 287	Handle for Screwdriver		1	
-	999 571 076 02	Socket wrench - 5 - for Headlamp		1	
-	999 571 074 30	Threaded bolt for Assembly Wheels		1	
-	477 012 221 A	Rim wrench		1	
-	999 571 070 30	Operating rod for Rim wrench		1	
2	996 721 211 00	Scissors type jack		1	
3	996 722 101 00	Foam part		1	M338
4	996 721 701 00	Fastening part		1	M338
5	477 813 157	Mounting plate		1	
7	900 029 004 02	Winged nut M 10		1	M338
(7)	900 029 109 02	Wing screw M 10 X 65	99-	1	M339
-	999 031 051 02	Washer 11,0 X 20 X 3,5		1	C4S M450/680
8		See group 8/07/00 POS.19		1	
-	000 722 722 02	Warning triangle		1	
-	993 722 041 00	First-aid kit		1	

Model: 996 98

Model life 1998>>2005



Model: 996 98 Model life 1998>>2005

Pos	Part Number	Description	Remark	Qty	Model
		Stickers			
		Stickers			
		Tyre pressure			
1	996 701 287 20	Sticker	-01	1	M338
1	996 701 287 40	Sticker	02-	1	M338
1	996 701 287 23	Sticker	-01	1	M339
1	996 701 287 43	Sticker	02-	1	M339
1	996 701 287 48	Sticker	02-	1	C4S
1	996 701 287 22	Sticker	(AUS) -01	1	M338
1	996 701 287 42	Sticker	(AUS) 02-	1	M338
1	996 701 287 25	Sticker	(AUS) -01	1	M339
1	996 701 287 45	Sticker	(AUS) 02-	1	M339
1	996 701 287 50	Sticker	(AUS) 02-	1	C4S
1	996 701 170 00	Sticker	99-	1	M339/499
		First-aid kit			
		Stickers		1	
		Emergency wheel			
2	996 361 701 10	Sticker	(AUS)	1	M338
		English			
2	996 361 701 00	Sticker	(AUS)	1	M339
		English			
2	996 361 701 20	Sticker	03-	1	C4S
		English	(AUS)		M450
2	928 701 150 00	Sticker		1	
		"MAX 80 KM/H"			
		Stickers			
		Engine specifications			
3	996 006 107 00	Sticker	(AUS) 98	1	
3	996 006 107 01	Sticker	(AUS) 99	1	
3	996 006 107 03	Sticker	(AUS) 00	1	
3	996 006 107 04	Sticker	(AUS) 01	1	
3	996 006 107 05	Sticker	(AUS) 02	1	
3	996 006 107 06	Sticker	(AUS) 03	1	
3	996 006 107 07	Sticker	(AUS) 04	1	
3	993 006 108 02	Sticker	-01	1	M068
3	996 006 108 00	Sticker	02-	1	M068
4	928 701 140 04	Sticker	-99	1	M068/325
		Exhaust gas			
		Stickers			
		Type of fuel			
6	996 006 117 00	Sticker		1	
		98 ROZ			
6	996 006 117 02	Sticker	(AUS)	1	
		96 ROZ			
6	996 006 117 01	Sticker		1	M150
		98 ROZ			
6	996 006 117 03	Sticker	(J)	1	
		93 RON/MON/2			
6	996 701 190 00	Sticker	01-	1	
		Fuel tank cap			
7	997 006 544 00	Sticker		1	
		Engine oil			
		- MOBIL 1 -			
7	7PP 010 786 T	Sticker		1	
		Engine oil			
		- MOBIL 1 -			
7	996 006 120 00	Indication sticker	00-	1	
		Expansion tank			
		Coolant			
		Stickers			
		Airbag			
8	996 701 421 01	Sticker	98	1	

Model: 996 98

Model life 1998>>2005

Pos	Part Number	Description	Remark	Qty	Model
8	3E0 010 219 B	Child car seat Sticker	99-	1	
8	8D0 010 141 Q	Child car seat Sticker	(AUS) 05	1	
8	996 701 430 00	Child car seat Sticker	01-	1	
		Child car seat German			
		English			
8	996 701 430 01	Sticker	01-	1	
		Child car seat Italian			
		French			
8	996 701 430 02	Sticker	01-	1	
		Child car seat English			
		Spanish			
8	996 701 430 03	Sticker	01-	1	
		Child car seat Swedish			
		English			
8	996 701 430 04	Sticker	04-	1	
		Child car seat Arabic			
		English			
12	996 701 141 01	Sticker		1	
		Air conditioner Stickers			
		Convertible top control See group			
		8/07/09			

Model: 996 98

Model life 1998>>2005



Model: 996 98

Model life 1998>>2005

Pos	Part Number	Description	Remark	Qty	Model
		Repair kit Maintenance set Assembly kit			

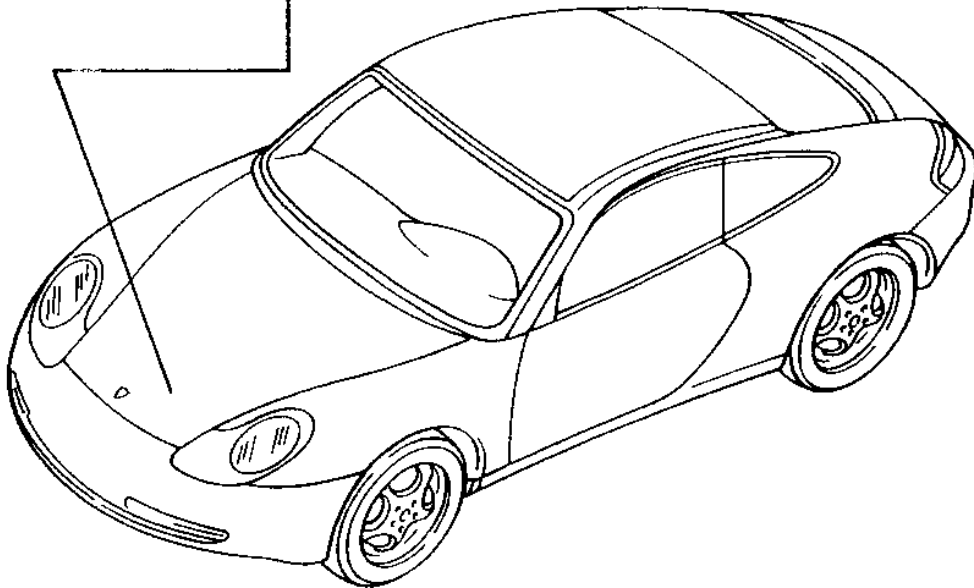
Model: 996 98

Model life 1998>>2005

FARBNUMMER
COLOUR NUMBER
NUMERO DE COULEUR
NUMERO COLORE
NUMERO DE COLOR

69719 1
DIAMOND BLUE METALLIC
DIAMANT BLAU METALLIC
F5

FARB BENENNUNG
COLOUR
COULEUR
COLORE
COLOR

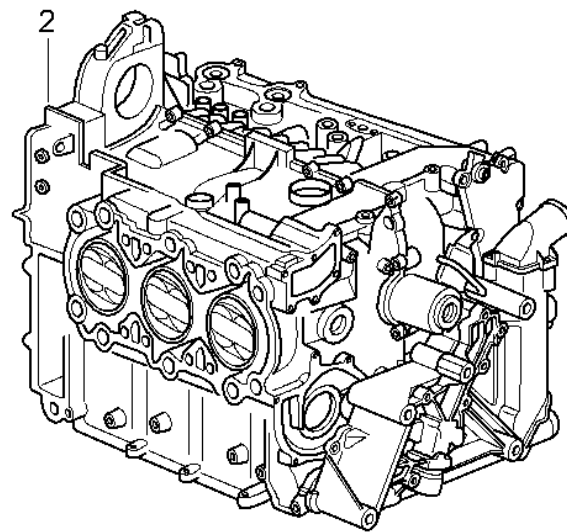
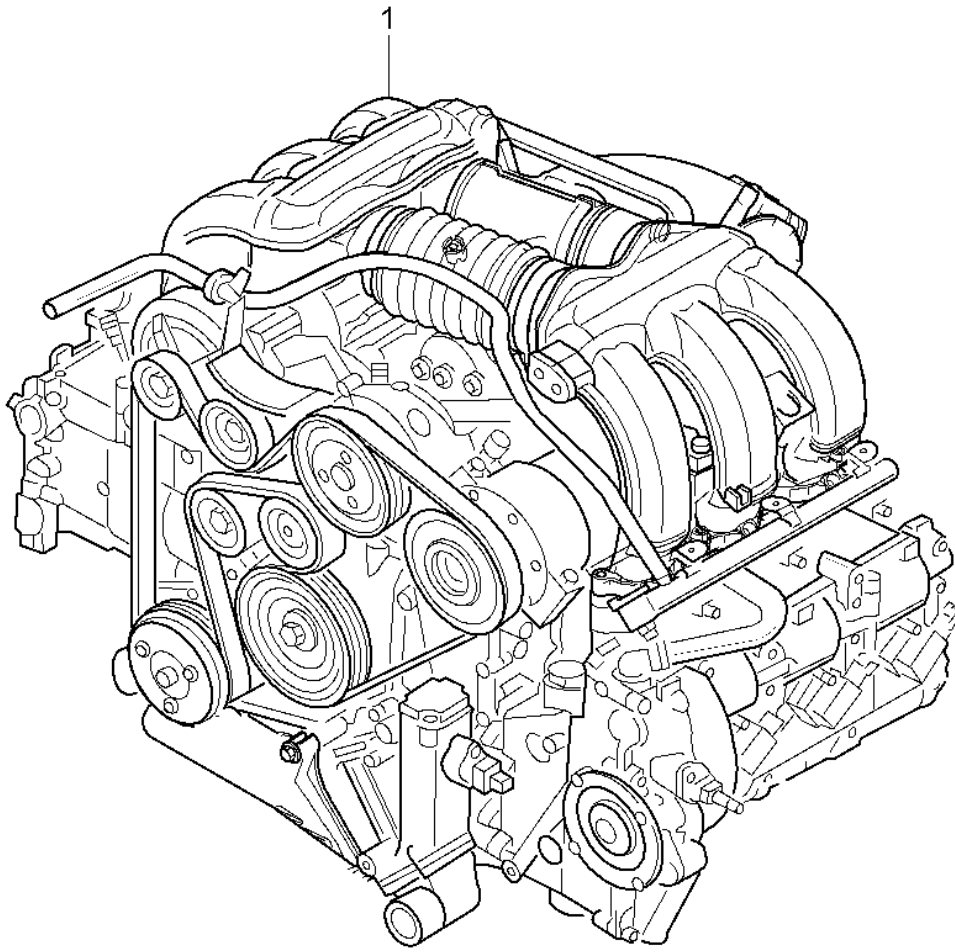


Model: 996 98 Model life 1998>>2005

Pos	Part Number	Description	Remark	Qty	Model
-	911 095 932 20	Paint touch-up applicator Lacquers		X	
	911 095 932 20 719	Paint touch-up applicator Black			A 1
	911 095 932 20 80K	Guards red			G 1
	911 095 932 20 3AT	Glacier white			Z 1
	911 095 932 20 9A3	Biarritz white			Z 2
	911 095 932 20 12L	Pastel yellow			Q 1
	911 095 932 20 3AR	Blue turquoise			J 1
	911 095 932 20 12G	Speed yellow			50 / X 4
	911 095 932 20 347	Dark blue			55
	911 095 932 20 B9A	Carrara white			B 4
-	911 095 933 20	Paint touch-up applicator Set Comprising: Paint touch-up applicator Primer Paint touch-up applicator Clear lacquer		X	
	911 095 933 20 92T	Arctic silver metallic			X 1
	911 095 933 20 3AY	Ocean blue metallic			E 1
	911 095 933 20 3AW	Zenith blue metallic			F 1
	911 095 933 20 84R	Arena red metallic			H 8
	911 095 933 20 25H	Ocean jade metallic			J 3
	911 095 933 20 746	Black-metallic			Z 8
	911 095 933 20 40W	Vesuvio grey metallic			K 3
	911 095 933 20 554	Mirage metallic			T 1
	911 095 933 20 23I	Wimbledon green metallic			51
	911 095 933 20 22E	Forest green metallic			53
	911 095 933 20 2A2	Rainforest green metallic			J 4
	911 095 933 20 39G	Violet metallic			54
	911 095 933 20 37U	Cobalt blue metallic			56
	911 095 933 20 92E	Polar silver metallic			58
	911 095 933 20 22D	Slate grey metallic			59
	911 095 933 20 39N	Iris blue metallic			61
	911 095 933 20 37W	Midnight Blue Metallic	-02		62
			-02		E 9
	911 095 933 20 3C4	Violet/chromaflair	00		/K 7
	911 095 933 20 8A4	Orient red metallic			L 1
	911 095 933 20 3A9	Lapis blue metallic	-02		E 3
	911 095 933 20 M5W	Lapis blue metallic	03-		J 2
	911 095 933 20 6A7	Meridian metallic	-03		X 2
			-03		64
	911 095 933 20 1A9	Zanzibar red	-02		N 1
			-02		63
	911 095 933 20 6B5	Seal grey metallic			Y 1
	911 095 933 20 C9Z	Basalt black metallic			Z 4
	911 095 933 20 M6W	Lagoon green metallic			G 4
	911 095 933 20 M3W	Carmon red metallic			E 4
	911 095 933 20 M7X	Atlas grey metallic			E 7
	911 095 933 20 M7Z	GT Silver Metallic	04		
			04		U 2
		Lacquers 1 LTR			
-	911 095 903 80	Synthetic resin prime coat		X	/K 7
	911 095 903 80 3C4	Violet/chromaflair			M094

Model: 996 98

Model life 1998>>2005



Model: 996 98 Model life 1998>>2005

Pos	Part Number	Description	Remark	Qty	Model
		Replacement engine without Drive plate Tiptronic without Flywheel Manual transmission without Compressor Short engine Comprising: Crankcase Connecting rod Crankshaft Oil pump Timing chain Parts kit without Gaskets			M96.01/02/03 M96.04 M96.01/02/03 M96.04
1	996 100 996 00	Replacement engine	-99	1	M96.01 M338
1	996 100 996 01	Replacement engine	-99	1	M96.02/04 M339
1	996 840 051 01	Replacement engine	99	1	M96.01 IX51/M338
1	996 100 951 01	Replacement engine	99	1	M96.01 IX51/M338
1	996 840 051 02	Replacement engine	00-01	1	M96.02 IX51/M338 M339/620
1	996 100 951 02	Replacement engine	00-01	1	M96.02 IX51/M338 M339/620
1	996 100 996 14	Replacement engine	02-03	1	M96.03 IX51/M480
1	996 100 996 20	Replacement engine Technical information GRUPPE 1 NR.4/04 Attention	04	1	M96.03 IX51/M480
1	996 100 996 30	Replacement engine	05	1	M96.03 IX51/M480
1	996 100 996 03	Replacement engine	00	1	M96.02/04 M660/661
1	996 100 996 11	Replacement engine	01	1	M96.02/04 M480/660/661
1	996 100 996 01	Replacement engine	00	1	M96.02/04
1	996 100 996 12	Replacement engine	01	1	M96.02/04 M249/660/661
		See technical information Group 1 NR.1/02 NR.2/02 Only for 996.100.996.07/08 996.100.996.09/10 Attention			
1	996 100 996 04	Replacement engine	02	1	M96.03 M660/661 M480
1	996 100 996 07	Replacement engine	02	1	M96.03 M660/661

Model: 996 98 Model life 1998>>2005

Pos	Part Number	Description	Remark	Qty	Model
1	996 100 996 09	Replacement engine	03	1	M480 M96.03 M660/661
1	996 100 996 18	Replacement engine	04	1	M480 M96.03 M660/661 M480
1	996 100 996 28	Technical information GRUPPE 1 NR.4/04 Attention Replacement engine	05	1	M96.03 M660/661 M480
1	996 100 996 05	Replacement engine	02	1	M96.03 M660/661 M249
1	996 100 996 08	Replacement engine	02	1	M96.03 M660/661 M249
1	996 100 996 10	Replacement engine	03	1	M96.03 M660/661 M249
1	996 100 996 19	Replacement engine	04	1	M96.03 M660/661 M249
1	996 100 996 29	Technical information GRUPPE 1 NR.4/04 Attention Replacement engine	05	1	M96.03 M249 M660/661
2	996 100 996 50	Short engine Comprising: Crankcase Connecting rod Crankshaft Oil pump Timing chain Parts kit without Gaskets Use also: 99610101600 99610421554 99610622352 00004320435 00004330013 90037813100 99917020791	-01	1	M96.01/02/04
2	996 100 996 TX	Short engine Comprising: Crankcase Connecting rod Crankshaft Oil pump Timing chain Parts kit without Gaskets Use also: 99610101600 99610421554 99610622352	-01	1	M96.01/02/04

Model: 996 98

Model life 1998>>2005

Pos	Part Number	Description	Remark	Qty	Model
-	996 104 270 05	00004320435 00004330013 90037813100 99917020791 Cylinder head gasket Short engine 99610099650/TX Parts kit for seals Cylinder head Use also: 99610426900 99610133150 99610133650 99611023350 99611321351 99610722151 99970740940 94411090101 99610632150 99970721540 99970755440 99970734340 99970738940 99611110755		X X 12 6 1	
-	996 106 326 50	Gasket Thermostat housing Short engine Parts kit for seals Accessories Use also: 99970220650 99970734840 99611010350 99610710351 99610634054 99610726150		1 2 2 2 1 1	
2	996 100 951 50	Short engine Comprising: Crankcase Connecting rod Crankshaft Oil pump Timing chain Parts kit without Gaskets Use also: 99610101600 99610421554 90037813100 99917020791 00004320435 00004330013 99610612553 99610522352	99-01	1	M96.01/02 IX51
2	996 100 951 TX	Short engine Comprising: Crankcase Connecting rod Crankshaft Oil pump Timing chain Parts kit	99-01	1	M96.01/02 IX51

Model: 996 98 Model life 1998>>2005

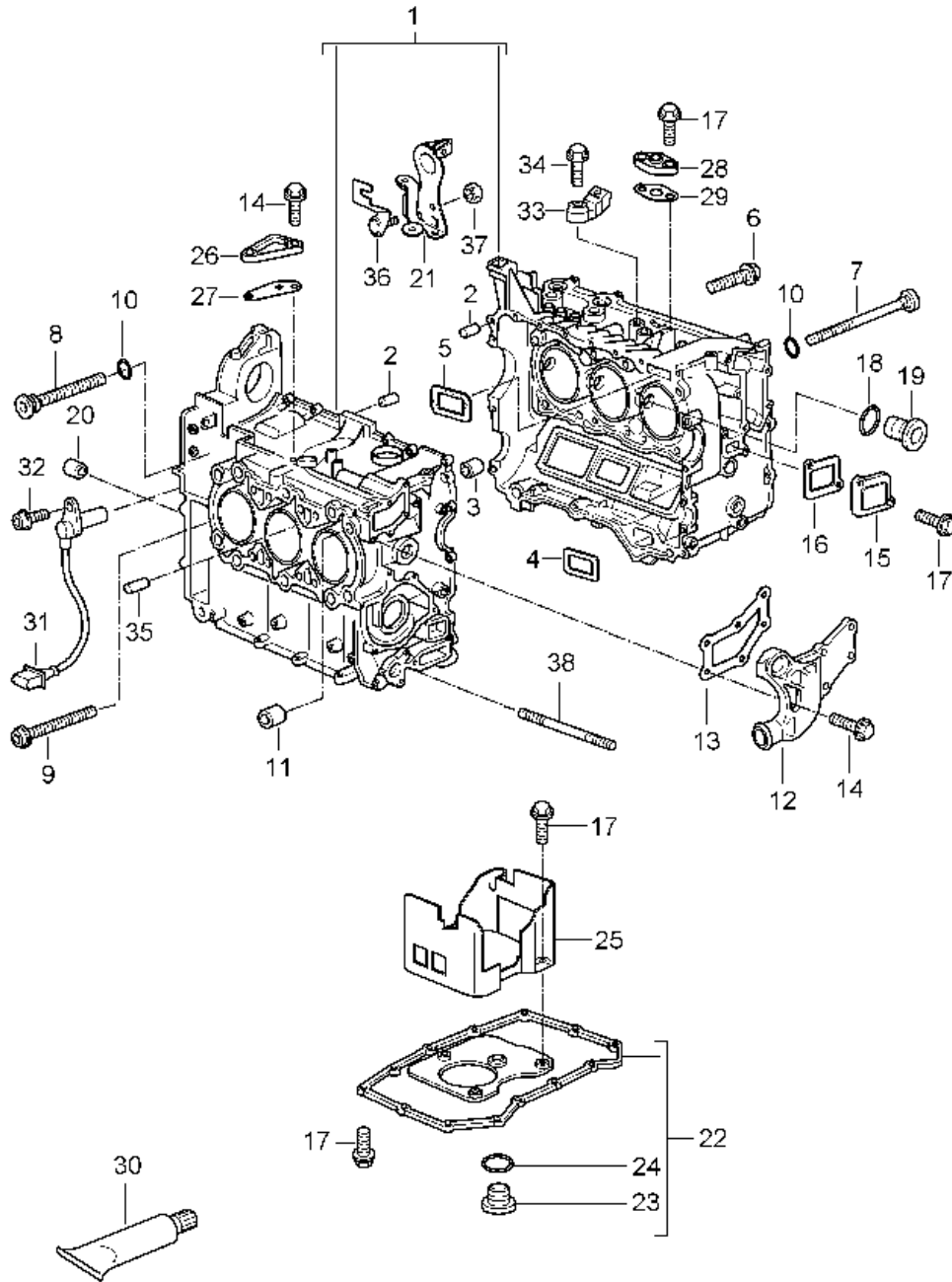
Pos	Part Number	Description	Remark	Qty	Model
-	996 104 270 05	without Gaskets Use also: 99610101600 99610421554 90037813100 99917020791 00004320435 00004330013 99610612553 99610522352 Cylinder head gasket Short engine 99610095150/TX Parts kit for seals Use also: 9961042690 99610133150 99610133650 99611323350 99611321351 99610722151 99970722151 94411090101 99610632150 99610631651 99970755440 99970721540 99970738940 99611110755 99970734340		1 4 12 6 X X 1 2 1 1 1 1 1 1 2 2 12 1 1 2 6 1 2 6	
-	996 106 326 50	Gasket Thermostat housing Short engine 99610095150/TX Parts kit Gaskets Accessories Use also: 99611010350 99970734840 99610710351 99610726150 99610634054 99970220650		1 2 2 2 1 1 1	
2	996 100 996 55	Short engine Comprising: Crankcase Connecting rod Crankshaft Oil pump Timing chain Parts kit without Gaskets Use also: 99610101600 99610421554 99610421602 99610524403 00004320435 00004330013 99610612553	-05	1 1 4 2 4 X X 1	M96.03

Model: 996 98 Model life 1998>>2005

Pos	Part Number	Description	Remark	Qty	Model
2	996 100 996 XX	Gaskets Use also: 99610101600 99610421554 99610421602 99610524403 00004320435 00004330013 99610612553 99907507100 99917022390 Short engine Comprising: Crankcase Connecting rod Crankshaft Oil pump Timing chain Parts kit without Gaskets Use also: 99610101600 99610421554 99610421602 99610524403 00004320435 00004330013 99610612553 99907507100 99917022390	-05	1 4 2 4 X X 1 12 6 1	M96.03 IX51
-	996 104 201 04	Cylinder head gasket 99610099665/XX Parts kit for seals Use also: 99710420103 99610133150 99610420300 99970176141 99610590305 99610133650 99611323350 99611321351 99610632150 99610631651 99970755440 99610722151 99970738940 99611110755 99970740940 94411090101		1 1 6 6 4 1 1 1 1 1 4 2 2 2 2 12	
-	996 106 326 50	Gasket Short engine 99610099665/XX Parts kit for seals Accessories Use also: 99970220650 99970734840 99610733750 99611010350 99610634054		1 1 1 2 1	

Model: 996 98

Model life 1998>>2005



Model: 996 98 Model life 1998>>2005

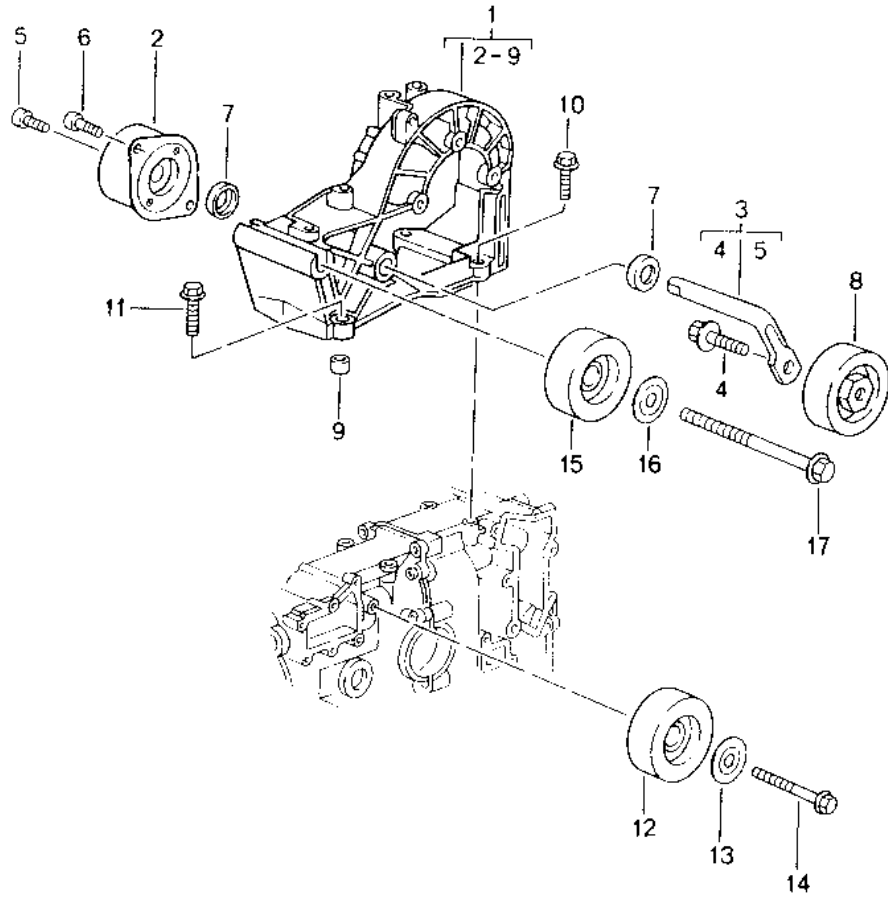
Pos	Part Number	Description	Remark	Qty	Model
		Crankcase			M96.01/02/03
1	996 101 901 01	Crankcase M >> 66X 11005 M >> 68X 05167 Use also: 996 101 007 05 996 101 018 51		1	M96.04 M96.01/02/04
(1)	996 101 006 03	Crankcase		1	M96.03
(1)	996 101 901 06	Crankcase		1	M96.03
2	999 012 049 00	Straight pin		3	
3	996 101 253 50	Dowel sleeve		1	
3	996 101 253 51	Dowel sleeve		1	
4	996 101 361 51	Gasket		1	
5	996 101 363 50	Gasket		1	
6	900 378 174 09	Hexagon-head bolt M 6 X 35		25	
(6)	999 217 151 09	Hexagon-head bolt M 6 X 35		25	
(6)	900 385 270 01	Outer hexagon round screw M 6 X 35		25	
7	996 101 219 52	Screw 9 X 150		1	
8	996 101 229 00	Screw M 9 X 94		1	
9	996 101 203 00	Screw 9 X 94		1	
10	999 701 789 40	O-ring 12 X 2		2	
11	999 095 043 01	Use also: 999 917 788 00 Dowel sleeve 17M 6 X 18,5		1 4	
12	996 101 021 51	Lid		1	
12	996 101 021 52	Lid		1	
13	996 101 331 50	Gasket		1	
14	900 378 103 09	Hexagon-head bolt M 6 X 20		10	
15	996 101 216 51	Lid		1	
15	996 101 016 00	Lid		1	
16	996 101 336 50	Gasket		1	
17	900 378 035 01	Hexagon-head bolt M 6 X 16		24	
18	900 123 147 30	Sealing ring A 27 X 32		1	
19	900 219 017 30	Screw plug M 27 X 2		1	
20	014 301 153 B	Dowel sleeve 13 X 16 X13,5		2	
21	996 101 213 56	Retaining bar		1	
21	996 101 213 57	Retaining bar		1	
21	996 101 213 58	Retaining bar		1	
22	996 107 031 55	Oil pan	98-	1	
22	996 107 031 57	Oil pan	98-	1	
22	996 107 031 58	Oil pan	98-	1	
23	900 219 009 30	Screw plug M 18 X 1,5		1	
24	900 123 106 30	Sealing ring A 18 X 24		1	
25	996 107 243 51	Bulkhead		1	
26	996 113 140 53	Lid		1	
27	996 113 233 50	Gasket		1	
28	996 113 340 50	Lid		1	

Model: 996 98 Model life 1998>>2005

Pos	Part Number	Description	Remark	Qty	Model
29	996 113 213 51	Gasket		1	
30	000 043 204 35	Sealing compound 50 ML Loctite 5900		X	
31	986 606 112 01	Pulse sender		1	
31	986 606 112 02	Pulse sender	-02	1	
31	986 606 112 03	Pulse sender	03-	1	
32	999 218 005 02	Pan-head screw M 6 X 16		1	
32	999 218 005 01	Pan-head screw M 6 X 16		1	
33	996 606 121 00	Knock sensor		2	
33	996 606 125 00	Knock sensor		2	
34	900 378 033 09	Hexagon-head bolt AM 8 X 30	-00	2	
(34)	900 378 033 01	Hexagon-head bolt AM 8 X 30	-00	2	
34	900 378 108 09	Hexagon-head bolt AM 8 X 35	01-	2	
(34)	900 378 108 01	Hexagon-head bolt AM 8 X 35	01-	2	
35	900 095 137 01	Roll pin 5,0 X 12		2	
36	996 101 613 50	Support		1	M249
37	900 377 010 09	Hexagon nut M 6		1	M249
38	999 218 110 09	Stud M 10 X 102		4	
-	900 036 029 02	Lid B 16		2	
-	999 036 005 02	Lid B 50		2	

Model: 996 98

Model life 1998>>2005

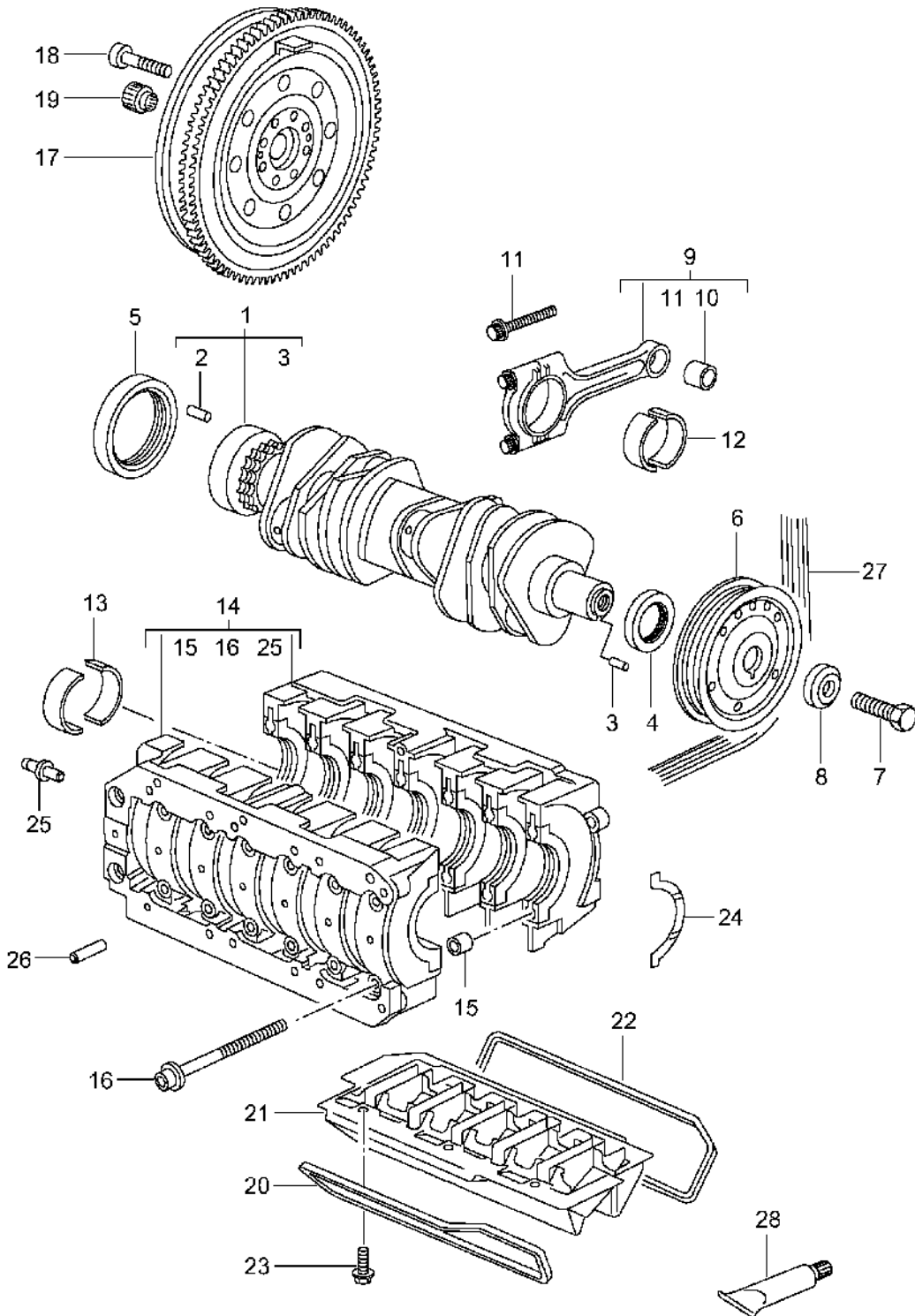


Model: 996 98 Model life 1998>>2005

Pos	Part Number	Description	Remark	Qty	Model
		Belt tensioner			M96.01/02/03 M96.04
		Belt drive			
1	996 102 016 69	Bracket		1	
1	996 102 016 01	Bracket		1	
1	996 102 016 03	Bracket		1	
2	996 102 260 50	Tensioner		1	
3	996 102 360 51	Lever		1	
4	999 072 039 09	Hexagon-head bolt M 10 X 30	-98	1	
4	999 072 041 09	Hexagon-head bolt M 10 X 30		1	
5	900 067 117 09	Pan-head screw M 6 X 16		1	
6	999 067 045 09	Pan-head screw M 8 X 22		2	
7	996 102 365 50	Dust boot		2	
8	996 102 117 54	Tensioning roller		1	
8	996 102 117 56	Tensioning roller		1	M249
(8)	997 102 117 00	Tensioning roller		1	M480
9	999 095 064 00	Dowel sleeve 12 M 6 X 13		2	
10	900 378 022 09	Hexagon-head bolt AM 8 X 25		2	
11	900 378 108 09	Hexagon-head bolt AM 8 X 35		2	
12	996 102 119 57	Deflection roller	-01	1	
12	996 102 119 58	Deflection roller	02-	1	M249
(12)	997 102 119 00	Deflection roller		1	M480
13	996 102 127 52	Cover disc		1	
13	996 102 127 54	Cover disc		1	
14	900 378 150 09	Hexagon-head bolt AM 8 X 55 M >> 66X 06240 M >> 68X 02730		1	
14	900 378 159 09	Hexagon-head bolt		1	
14	900 378 056 02	Hexagon-head bolt AM 8 X 60 M 66X 06241 >> M 68X 02731 >>		1	
15	996 102 118 53	Deflection roller	-01	1	
15	996 102 118 56	Deflection roller	02-	1	M249
(15)	997 102 118 00	Deflection roller		1	M480
16	996 102 125 53	Cover disc		1	
16	996 102 125 52	Cover disc		1	
17	900 378 181 09	Hexagon-head bolt M 10 X 145		1	

Model: 996 98

Model life 1998>>2005



Model: 996 98 Model life 1998>>2005

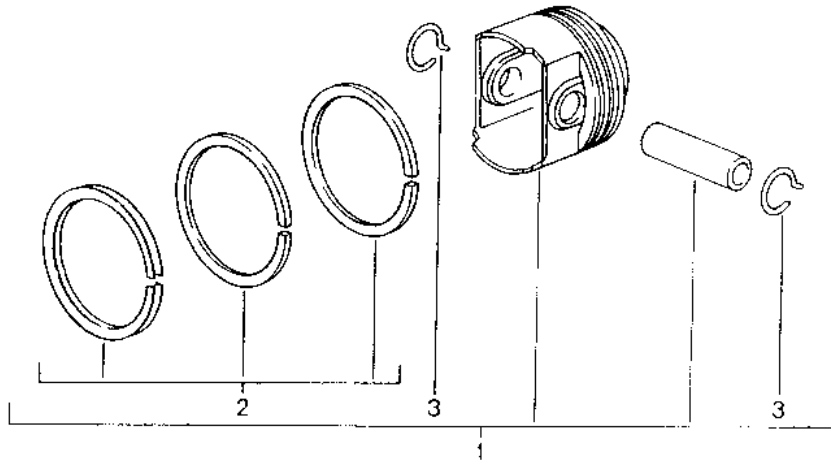
Pos	Part Number	Description	Remark	Qty	Model
		Crankshaft			M96.01/02/03 M96.04
1	996 102 011 54	Crankshaft	98	1	
1	996 102 011 55	Crankshaft	99	1	
1	996 102 011 57	Crankshaft	00	1	
		Rollenkette See technical information Group 1 NR. 10/00			
(1)	996 102 011 56	Crankshaft ZAHNKETTE See technical information Group 1 NR. 10/00	01	1	
(1)	996 102 011 58	Crankshaft ZAHNKETTE See technical information Group 1 NR. 10/00	01	1	
(1)	996 102 012 02	Crankshaft	02-	1	M96.03
(1)	996 102 012 03	Crankshaft	02-	1	M96.03
2	900 095 031 01	Roll pin 6,0 X 16		1	
3	900 012 154 00	Straight pin A 4,0 X 10	-01	1	
3	900 302 021 00	Straight pin A 4,0 X 10		1	
4	999 113 475 40	Shaft sealing ring 40 X 62 X 10		1	
5	999 113 476 40	Shaft sealing ring 85 X 105 X 11		1	
5	999 113 490 40	Shaft sealing ring 85 X 105 X 11		1	
5	997 101 212 00	Shaft sealing ring 85 x 105 x 11		1	
6	996 102 115 62	Pulley	-01	1	
(6)	996 102 115 63	Pulley		1	
7	900 082 085 09	Hexagon-head bolt M 16 X 1,5 X 60		1	
8	996 102 315 50	Thrust washer		1	
(9)	996 103 975 01	Connecting rod Set Connecting rods Comprising: 6 Connecting rods See workshop manual 986 GR.1-1	-01	1	
(9)	996 103 985 00	Connecting rod Set Connecting rods Comprising: 6 Connecting rods See workshop manual 986 GR.1-1	02-	1	M96.03
(9)	996 103 985 01	Connecting rod Set Connecting rods Comprising: 6 Connecting rods See workshop manual	02-	1	M96.03

Model: 996 98 Model life 1998>>2005

Pos	Part Number	Description	Remark	Qty	Model
		986 GR.1-1			
10	996 103 111 51	Connecting rod bush		6	
11	996 103 115 51	Connecting rod bolt		12	
11	997 103 115 01	Connecting rod bolt		12	
12	996 103 121 62	Connecting-rod bearing		12	
13	996 101 205 10	Crankshaft bearing	-01	14	
13	996 101 209 01	Crankshaft bearing	02-	14	M96.03
14	996 101 012 61	Bearing case	-98	1	
		Use also:			
	996 101 018 51			6	
(14)	996 101 012 64	Bearing case	-98	1	
		Use also:			
	996 101 018 51			6	
(14)	996 101 007 05	Bearing case	-01	1	
		Use also:			
	996 101 018 51			6	
(14)	996 101 057 03	Bearing case	02-	1	M96.03
		Use also:			
	996 101 018 51			6	
15	999 095 064 00	Dowel sleeve		3	
		12 M 6 X 13			
16	996 101 115 59	Screw		14	
		M 9 X 127			
17	996 114 012 03	Double-mass flywheel		1	
18	999 073 092 09	Pan-head screw		8	
		M 10 X 1 X 50			
18	999 073 092 01	Pan-head screw		8	
		M 10 X 1 X 50			
19	999 052 210 00	Deep-groove ball bearing		1	
		15 X 35 X 11			
20	996 101 241 51	Gasket		1	
21	996 101 016 50	Oil separator	-01	1	
(21)	996 101 010 00	Oil separator	02-	1	M96.03
22	996 101 242 51	Gasket		1	
23	999 218 005 02	Pan-head screw		6	
		M 6 X 16			
23	999 218 005 01	Pan-head screw		6	
		M 6 X 16			
24	996 101 129 51	Thrust washer		2	
(24)	996 101 129 52	Thrust washer	-01	2	
(24)	996 101 132 00	Thrust washer	02-	2	M96.03
25	996 101 117 53	Straight pin		1	
26	996 101 018 51	Spray jet		6	
27	996 102 151 65	Poly-rib belt		1	
27	996 102 151 64	Poly-rib belt		1	M573
28	000 043 204 17	Extreme-pressure grease		X	
		100 GR.			
28	000 043 305 56	Extreme-pressure grease		X	
		100 GR.			

Model: 996 98

Model life 1998>>2005

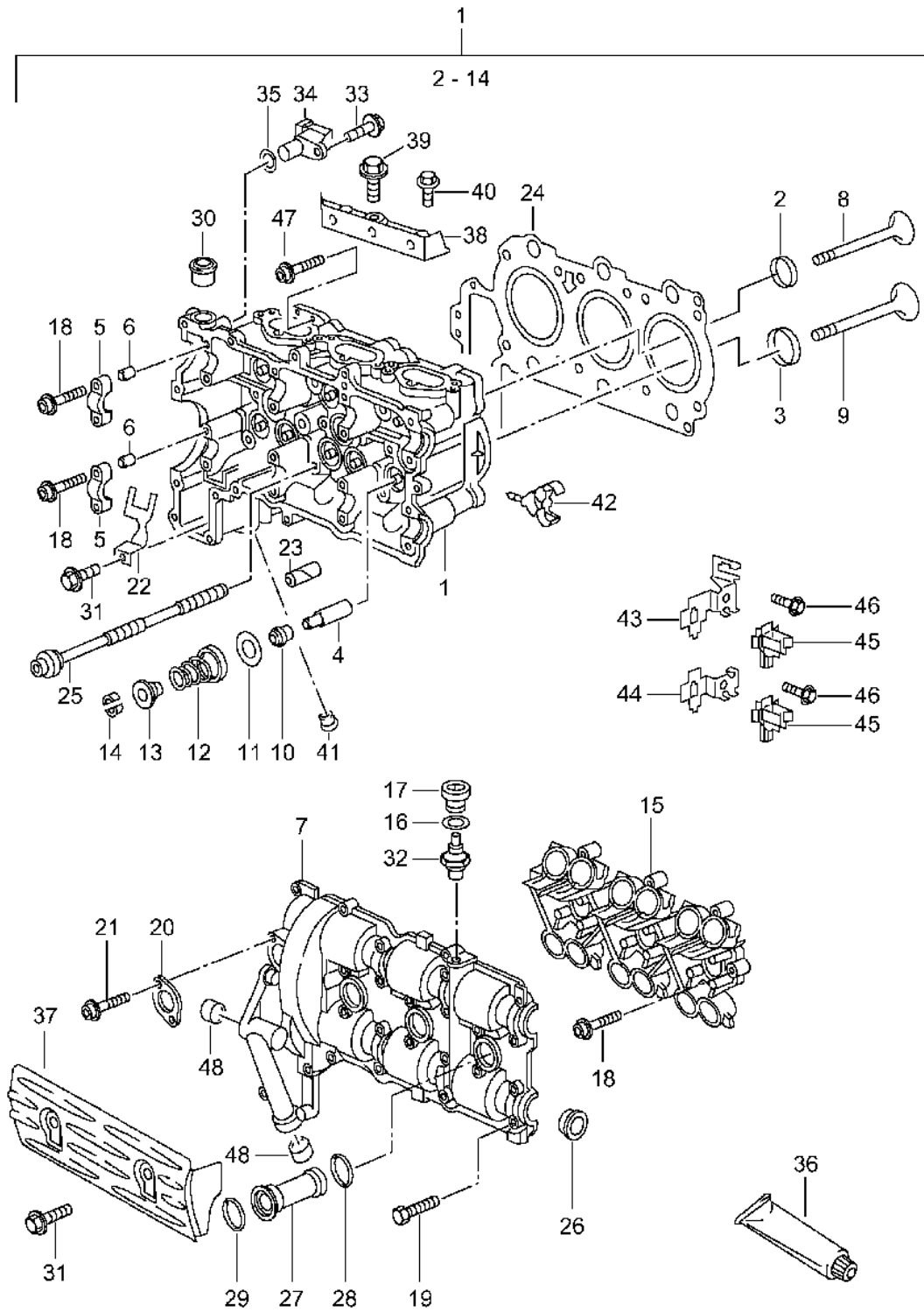


Model: 996 98 Model life 1998>>2005

Pos	Part Number	Description	Remark	Qty	Model
		Piston			M96.01/02/03 M96.04
1	996 103 051 18	Piston Tolerance range X Identification - 544 - 547 G		6	M96.01/02/04
1	996 103 051 19	Piston Tolerance range X Identification + 547 - 550 G		6	M96.01/02/04
1	996 103 052 09	Piston Tolerance range X Identification - 526 - 532 G		6	M96.03
1	996 103 052 10	Piston Tolerance range X Identification + 532 - 538 G		6	M96.03
(1)	996 103 052 19	Piston Tolerance range X Identification - 525 - 530 G		6	M96.03
(1)	996 103 052 20	Piston Tolerance range X Identification + 531 - 536 G		6	M96.03
2	996 103 053 02	Set of piston rings		6	M96.01/02/04
(2)	996 103 053 04	Set of piston rings		6	M96.03
3	996 103 141 02	Circlip	-99	12	
3	996 103 141 03	Circlip	00-	12	

Model: 996 98

Model life 1998>>2005



Model: 996 98 Model life 1998>>2005

Pos	Part Number	Description	Remark	Qty	Model
1	996 104 003 02	Cylinder head Cylinder head Cylinder 1-3	-01	1	M96.01/02/04
1	996 104 003 03	Cylinder head Cylinder 1-3		1	
1	996 104 003 05	Cylinder head Cylinder 1-3		1	
1	996 104 003 AX	Cylinder head Cylinder 1-3		1	
1	996 104 004 02	Cylinder head Cylinder 4-6		1	
1	996 104 004 03	Cylinder head Cylinder 4-6		1	
1	996 104 004 05	Cylinder head Cylinder 4-6		1	
1	996 104 004 AX	Cylinder head Cylinder 4-6		1	
5		Housing Matching with: Cylinder head		4	
6	996 104 117 50	Dowel sleeve		16	
7		Lid Matching with: Cylinder head		2	
8	996 105 111 52	Intake valve		12	
9	996 105 113 59	Exhaust valve	-98	12	
9	996 105 247 00	Exhaust valve		12	
10	996 105 115 52	Valve stem seal		24	
11	996 105 117 51	Concave washer		24	
12	996 105 119 53	Valve spring		24	
13	996 105 121 54	Concave washer		24	
14	996 105 123 51	Valve collet		48	
15	996 104 105 53	Housing	-01	2	
16	N 013 814 8	Sealing ring A 14 X 18		1	
16	900 123 007 30	Sealing ring A 14 X 18		1	
17	900 219 018 30	Screw plug M 14 X 1,5		1	
18	900 067 316 02	Combination screw M 6 X 35		38	
19	900 378 177 09	Hexagon-head bolt		23	
(19)	999 217 155 09	Hexagon-head bolt AM 6 X 30		23	
20	996 105 223 51	Lid		2	
20	996 105 223 52	Lid		2	
21	900 378 030 09	Hexagon-head bolt M 6 X 20		4	
22	996 104 233 01	Heat shield		1	
23	000 043 203 64	Assembly kit for Valve stem seal		1	
23	000 043 204 46	Sleeve for Valve stem seal		1	

Model: 996 98 Model life 1998>>2005

Pos	Part Number	Description	Remark	Qty	Model
24	996 104 270 05	Cylinder head gasket Cylinder 1 - 3		1	
24	996 104 971 05	Cylinder head gasket Cyl. 1 - 3 Oversize Only Exchange Engine		1	M96.01/04
(24)	996 104 269 00	Identification Attention Cylinder head gasket Cylinder 4 - 6		1	
(24)	996 104 968 00	Cylinder head gasket Cyl. 4 - 6 Oversize Only Exchange Engine		1	M96.01/04
25	996 104 180 56	Identification Attention Screw M 10 X 230		24	
25	996 104 180 58	Screw M 10 X 230		24	
26	996 104 215 54	Lid		6	
27	996 105 325 52	Pipe		6	
28	999 707 343 40	Use also: 999 917 788 00 O-ring 25,07 X 2,62		1 6	
29	999 707 215 40	O-ring 27,94 X 5,33		6	
30	996 104 207 53	Connection piece		1	
31	900 378 163 09	Hexagon-head bolt M 6 X 16 for POS.22		1	
(31)		Hexagon-head bolt M 6 X 16 for POS.37 Together with Ignition coil 99760210700 See illustrations 9/01/00 POS.1		4	
(31)	900 075 333 01	Combination screw M 6 X 25 for POS.37 Together with Ignition coil 99760210702 See illustrations 9/01/00 POS.1		4	
-	999 025 193 30	Use also: 99902519330 99902522030 Spacer		4 4 4	

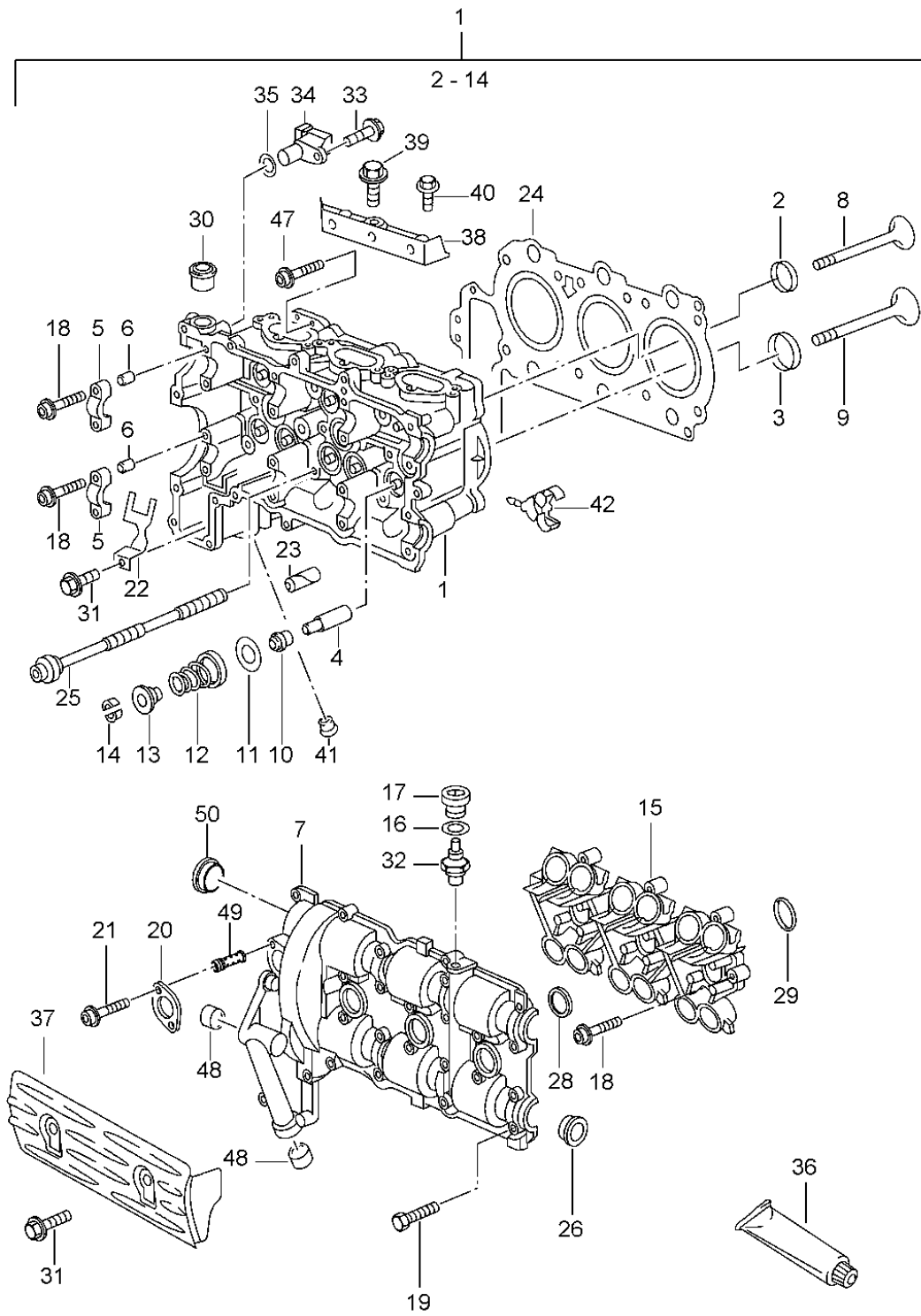
Model: 996 98

Model life 1998>>2005

Pos	Part Number	Description	Remark	Qty	Model
-	999 025 220 30	3 MM Spacer		4	
-	999 025 220 3A	5 MM Spacer		4	
32	996 606 203 00	5 MM Oil pressure switch		1	
33	999 218 005 02	Pan-head screw M 6 X 16		2	M660
33	999 218 005 01	Pan-head screw M 6 X 16		2	M660
34	996 606 106 02	Hall sender		2	M660
-	PCG 606 106 02	Stopper for Bore Hall sender Use also:		1	
35	999 707 404 40	O-ring 17,05 X 1,78		1	M660
36	000 043 203 73	Sealing compound 30 ML		X	
(36)	000 043 204 35	Sealing compound 50 ML		X	
(36)	000 043 024 00	Extreme-pressure grease 1 tube 80 Gr. for Camshaft		1	
37	996 104 425 02	Heat shield		2	
38	996 104 125 00	Bracket		2	
39	900 378 108 09	Hexagon-head bolt M 8 X 35		4	
40	900 378 017 09	Hexagon-head bolt M 8 X 20		2	
41	999 036 026 02	Lid 10 MM		X	
41	999 036 026 01	Lid 10 MM		X	
42	999 507 075 40	Cable holder 3,0 - 12		2	
43	996 607 105 00	Support		1	
44	996 607 103 00	Support		1	
45	986 607 104 00	Support		2	
46	900 378 036 09	Hexagon-head bolt M 6 X 12		2	
47	900 067 377 09	Pan-head screw M 6 X 30		8	
47	900 987 004 01	Combination screw M 6 x 30		8	
47	900 387 004 01	Combination screw M 6 x 30		8	
48	900 036 023 02	Lid D 18		2	
48	900 036 023 01	Lid D 18		2	

Model: 996 98

Model life 1998>>2005



Model: 996 98 Model life 1998>>2005

Pos	Part Number	Description	Remark	Qty	Model
1	996 104 903 00	Cylinder head Cylinder head Cyl. 1 - 3	02-	1	M96.03
(1)	996 104 909 00	Cylinder head Cyl. 1 - 3 Use also: 997.107.021.03		1	
(1)	996 104 909 AX	Cylinder head Cyl. 1 - 3 Use also: 997.107.021.03		X 1	
1	996 104 905 00	Cylinder head Cyl. 1 - 3		X 1	IX51
1	996 104 905 AX	Cylinder head Cyl. 1 - 3		1	IX51
(1)	996 104 904 00	Cylinder head Cyl. 4 - 6		1	
(1)	996 104 908 00	Cylinder head Cyl. 4 - 6 Use also: 997.107.021.03		1	
(1)	996 104 912 00	Cylinder head Cyl. 4 - 6 Use also: 997.107.021.03		X 1	
(1)	996 104 912 AX	Cylinder head Cyl. 4 - 6 Use also: 997.107.021.03		X 1	
(1)	996 104 906 00	Cylinder head Cyl. 4 - 6 M >> 683 00433		X 1	IX51
(1)	996 104 910 00	Cylinder head Cyl. 4 - 6 M 683 00434 >>		1	IX51
(1)	996 104 910 AX	Cylinder head Cyl. 4 - 6 M 683 00434 >>		1	IX51
5		Housing Matching with: Cylinder head		4	
6	996 104 117 50	Dowel sleeve		16	
7		Lid Matching with: Cylinder head		2	
8	996 105 271 00	Intake valve		12	
8	996 105 271 02	Intake valve		12	
9	996 105 273 01	Exhaust valve		12	
9	996 105 273 03	Exhaust valve		12	
9	996 105 273 04	Exhaust valve		12	
10	996 105 115 52	Valve stem seal		24	
11	996 105 117 51	Concave washer Lower		12	
12	996 105 118 00	Valve spring Exhaust		12	
12	996 105 118 01	Valve spring Exhaust		12	
13	996 105 121 54	Concave washer Upper		12	
-	996 105 147 00	Concave washer Lower		12	
-	996 105 939 00	Set of valve springs Intake		12	

Model: 996 98 Model life 1998>>2005

Pos	Part Number	Description	Remark	Qty	Model
-	996 105 145 00	Concave washer Upper		12	
14	996 105 123 51	Valve collet		48	
15	996 104 042 00	Housing Cam follower Hydraulic	02	2	
(15)	996 104 042 04	Housing Cam follower Hydraulic	03-	2	
(15)	996 104 042 05	Housing Cam follower Hydraulic		2	
16	900 123 007 30	Sealing ring A 14 X 18		1	
17	900 219 018 30	Screw plug M 14 X 1,5		1	
18	900 067 316 02	Combination screw M 6 X 35		38	
19	999 217 155 09	Hexagon-head bolt AM 6 X 30		23	
20	996 105 244 02	Lid		4	
20	996 105 244 03	Lid		4	
21	900 378 030 09	Hexagon-head bolt M 6 X 20		4	
22	996 104 233 01	Heat shield		1	
23	000 043 204 46	Sleeve for Valve stem seal		1	
24	996 104 201 02	Cylinder head gasket		2	
(24)	996 104 201 04	Cylinder head gasket		2	
25	996 104 180 58	Screw M 10 X 230		24	
26	996 104 215 54	Lid		4	
27	996 105 325 52	Pipe		6	
28	996 104 203 00	Gasket		6	
29	999 701 761 40	O-ring 28 X 2		6	
30	996 104 207 53	Connection piece		1	
31	900 378 163 09	Hexagon-head bolt M 6 X 16		5	
32	996 606 203 00	Oil pressure switch		1	
33	999 218 005 02	Pan-head screw M 6 X 16		2	
33	999 218 005 01	Pan-head screw M 6 X 16		2	
34	996 606 106 02	Hall sender	-02	2	
(34)	996 606 106 03	Hall sender	03-	2	
35	999 707 404 40	O-ring 17,05 X 1,78		2	
36	000 043 204 35	Sealing compound 50 ML		X	
(36)	000 043 024 00	Extreme-pressure grease 1 tube 80 Gr. for Camshaft		1	
37	996 104 445 01	Heat shield		2	
37	996 104 445 02	Heat shield		2	
38	996 104 126 00	Bracket		2	
38	996 104 126 01	Bracket		2	
38	996 104 126 02	Bracket		2	
39	900 378 022 09	Hexagon-head bolt M 8 X 35		4	

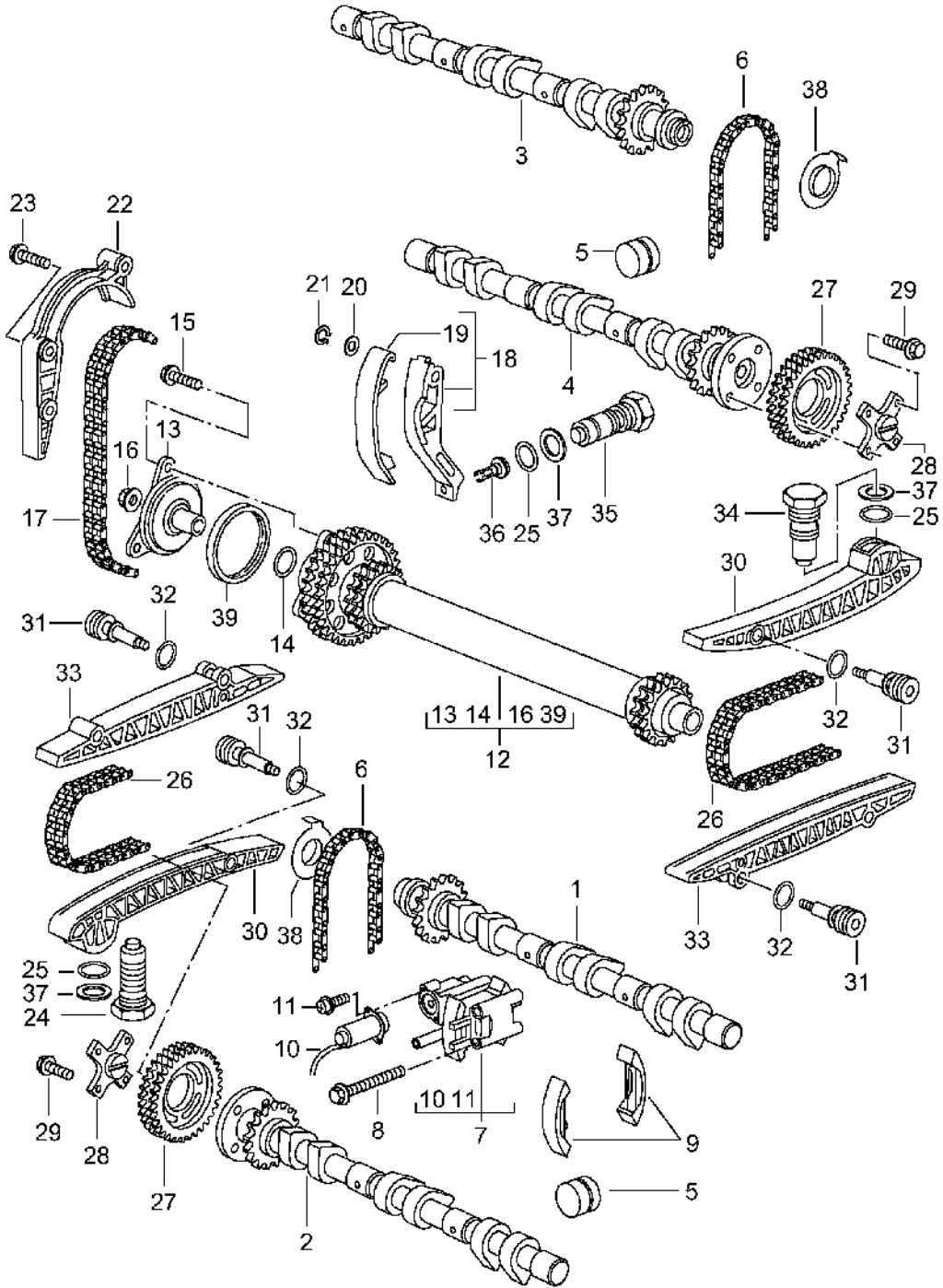
Model: 996 98

Model life 1998>>2005

Pos	Part Number	Description	Remark	Qty	Model
40	900 378 017 09	Hexagon-head bolt M 8 X 20		2	
41	999 036 026 02	Lid 10 MM		X	
41	999 036 026 01	Lid 10 MM		X	
42	999 507 075 40	Cable holder 3,0 - 12		2	
47	900 067 377 09	Pan-head screw M 6 X 30		8	
47	900 987 004 01	Combination screw M 6 x 30		8	
47	900 387 004 01	Combination screw M 6 x 30		8	
48	900 036 023 02	Lid D 18		2	
48	900 036 023 01	Lid D 18		2	
49	997 105 701 00	Oil strainer		2	
50	996 104 216 02	Lid		2	

Model: 996 98

Model life 1998>>2005



Model: 996 98 Model life 1998>>2005

Pos	Part Number	Description	Remark	Qty	Model
		Camshaft Driving mechanism	-01		M96.01/02/04
1	996 105 221 55	Camshaft Intake Cylinder 1 - 3		1	
2	996 105 222 55	Camshaft Exhaust Cylinder 1 - 3		1	
3	996 105 216 55	Camshaft Intake Cylinder 4 - 6		1	
4	996 105 218 55	Camshaft Exhaust Cylinder 4 - 6		1	
5	996 105 041 50	Hydraulic valve tappet		24	
5	996 105 041 72	Hydraulic valve tappet		24	
6	996 105 170 53	Timing chain		2	
7	996 105 051 57	Tensioner Cylinder 1 - 3	-98	1	
7	996 105 051 58	Tensioner Cylinder 1 - 3	99-	1	
(7)	996 105 053 57	Tensioner Cylinder 4 - 6	-98	1	
(7)	996 105 053 58	Tensioner Cylinder 4 - 6	99-	1	
8	900 067 372 09	Combination screw M 6 X 95		6	
9	996 105 253 00	Parts kit Guide rail		1	
10	996 605 901 00	Solenoid valve Cylinder 1 - 3		1	
10	996 605 902 00	Black Solenoid valve Cylinder 4 - 6 Grey See workshop manual GR.1 15/05/33		1	
11	999 141 032 07	Screw See technical information Group 1 NR. 10/00		2	
12	996 105 015 58	Intermediate shaft See technical information Group 1 NR. 10/00	-98	1	
12	996 105 015 63	Intermediate shaft See technical information Group 1 NR. 10/00	-00	1	
(12)	996 105 901 00	Intermediate shaft See technical information Group 1	-00	1	

Model: 996 98 Model life 1998>>2005

Pos	Part Number	Description	Remark	Qty	Model
(12)	996 105 901 01	NR. 10/00 Intermediate shaft M >> 661 14164 See technical information Group 1	01	1	
(12)	996 105 901 02	NR. 10/00 Intermediate shaft M 661 14165 >> See technical information Group 1		1	
13	999 707 391 40	NR. 10/00 O-ring 52 X 2,5 See technical information Group 1		1	
13	996 105 017 02	NR. 10/00 Housing M >> 661 14164 See technical information Group 1		1	
(13)	996 105 024 01	NR. 10/00 Housing M 661 14165 >> See technical information Group 1		1	
14	999 707 392 40	NR. 10/00 O-ring 7 X 2 See technical information Group 1		1	
15	900 378 156 09	NR. 10/00 Hexagon-head bolt M 6 X 20 See technical information Group 1		3	
(15)	999 217 150 09	NR. 10/00 Hexagon-head bolt M 6 X 20 See technical information Group 1		3	
(15)	900 385 093 01	NR. 10/00 Hexagon-head bolt M 6 X 20		3	
16	900 380 019 02	NR. 10/00 Hexagon nut M 8 X 1 See technical information Group 1		1	
17	996 105 171 55	NR. 10/00 Timing chain See technical information Group 1	-00	1	
(17)	996 105 171 56	NR. 10/00 Timing chain See technical information Group 1	01	1	
18	996 105 165 55	NR. 10/00 Tensioner blade See technical information Group 1		1	

Model: 996 98

Model life 1998>>2005

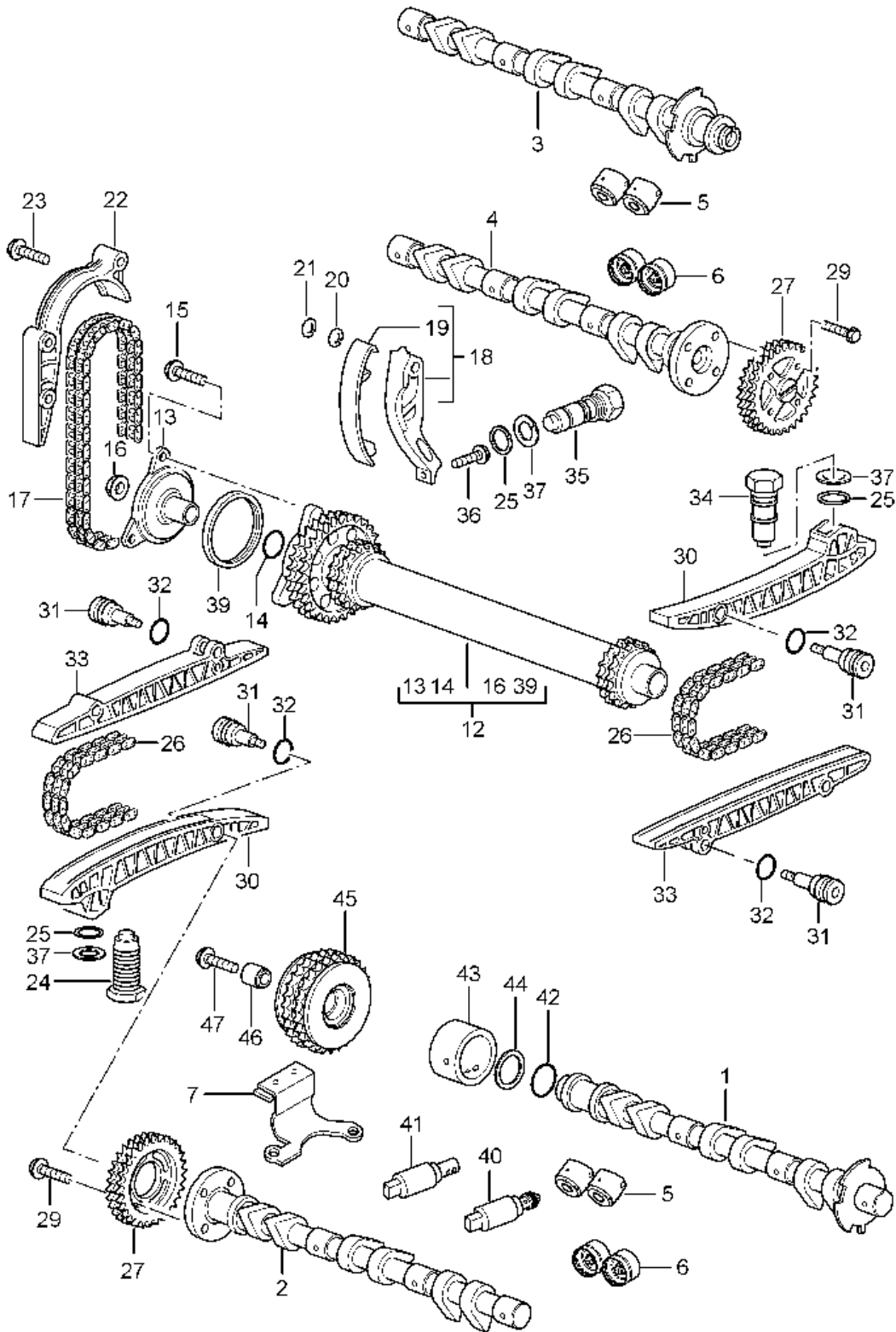
Pos	Part Number	Description	Remark	Qty	Model
19	996 105 195 00	Pad See technical information Group 1 NR. 10/00		1	
20	900 234 040 01	Shim 10 X 16 X 1,2 See technical information Group 1 NR. 10/00		1	
21	900 041 004 01	Circlip 10 X 1 See technical information Group 1 NR. 10/00		1	
22	996 105 166 51	Guide rail See technical information Group 1 NR. 10/00		1	
23	900 075 486 01	Combination screw AM 6 X 40 See technical information Group 1 NR. 10/00		3	
24	996 105 179 58	Chain adjuster See technical information Group 1 NR. 10/00		1	
25	999 707 344 40	O-ring 18,77 X 1,78 See technical information Group 1 NR. 10/00		3	
26	996 105 177 52	Timing chain See technical information Group 1 NR. 10/00		2	
27	996 105 178 52	Sprocket See technical information Group 1 NR. 10/00	-98	2	
27	996 105 178 53	Sprocket See technical information Group 1 NR. 10/00	-98	2	
(27)	996 105 178 54	Sprocket with Driver See technical information Group 1 NR. 10/00		2	
28	996 105 185 54	Driver See technical information Group 1 NR. 10/00	-98	2	
29	900 378 162 09	Hexagon-head bolt M 6 X 15 for 996 105 178 52 See technical information Group 1 NR. 10/00		8	
29	900 378 162 01	Hexagon-head bolt M 6 X 15		8	

Model: 996 98 Model life 1998>>2005

Pos	Part Number	Description	Remark	Qty	Model
29	900 378 242 09	for 996 105 178 52 See technical information Group 1 NR. 10/00 Hexagon-head bolt M 6 X 12		8	
30	996 105 175 52	for 996 105 178 53 See technical information Group 1 NR. 10/00 Tensioner blade See technical information Group 1 NR. 10/00		2	
31	996 105 162 52	Screw M 6 See technical information Group 1 NR. 10/00		6	
32	999 707 346 40	O-ring 15 X 3 See technical information Group 1 NR. 10/00		6	
33	996 105 173 53	Guide rail See technical information Group 1 NR. 10/00		2	
34	996 105 176 51	Chain adjuster See technical information Group 1 NR. 10/00		1	
35	996 105 180 54	Chain adjuster See technical information Group 1 NR. 10/00	-00	1	
35	996 105 180 55	Chain adjuster See technical information Group 1 NR. 10/00	-00	1	
(35)	996 105 180 56	Chain adjuster See technical information Group 1 NR. 10/00	01	1	
36	996 105 197 00	Pressure pin		1	
37	900 123 147 30	Sealing ring A 27 X 32		3	
38	996 105 129 52	Rotor trim		1	
39	996 105 112 01	Gasket See technical information Group 1 NR. 10/00		1	
-	000 043 024 00	Extreme-pressure grease 1 tube 80 Gr. for Camshaft		1	

Model: 996 98

Model life 1998>>2005



Model: 996 98 Model life 1998>>2005

Pos	Part Number	Description	Remark	Qty	Model
		Camshaft Driving mechanism Technical information NR. 2/04 Group 1 Attention	02-		M96.03
1	996 105 035 00	Camshaft Intake Cylinder 1 - 3		1	
1	996 105 035 40	Camshaft Intake Cylinder 1 - 3		1	IX51
2	996 105 262 05	Camshaft Exhaust Cylinder 1 - 3		1	
(2)	996 105 059 00	Camshaft Exhaust Cyl. 1 - 3		1	
3	996 105 036 00	Camshaft Intake Cylinder 4 - 6		1	
3	996 105 036 40	Camshaft Intake Cylinder 4 - 6		1	IX51
4	996 105 264 05	Camshaft Exhaust Cylinder 4 - 6		1	
(4)	996 105 060 00	Camshaft Exhaust Cyl. 4 - 6		1	
5	996 105 041 72	Hydraulic valve tappet Exhaust		12	
6	996 105 255 20	Hydraulic valve tappet Intake		12	
7	996 105 168 03	Rail		2	
12	996 105 901 02	Intermediate shaft		1	
-	000 043 209 24	Repair kit Bearing Intermediate shaft	02-05	1	
13	996 105 024 01	Housing		1	
14	999 707 392 40	O-ring 7 X 2		1	
15	999 217 150 09	Hexagon-head bolt M 6 X 20		3	
15	900 385 093 01	Hexagon-head bolt M 6 X 20		3	
16	900 380 019 02	Hexagon nut M 8 X 1		1	
17	996 105 171 56	Timing chain		1	
18	996 105 165 55	Tensioner blade		1	
19	996 105 195 00	Pad		1	
20	900 234 040 01	Shim 10 X 16 X 1,2		1	
21	900 041 004 01	Circlip 10 X 1		1	
22	996 105 166 51	Guide rail		1	
23	900 075 486 01	Combination screw		3	

Model: 996 98 Model life 1998>>2005

Pos	Part Number	Description	Remark	Qty	Model
24	996 105 186 00	AM 6 X 40 Chain adjuster		1	
25	999 707 344 40	O-ring 18,77 X 1,78		3	
26	996 105 152 00	Timing chain		2	
27	996 105 178 54	Sprocket with Driver		2	
29	900 378 242 09	Hexagon-head bolt M 6 X 12		8	
30	996 105 156 00	Tensioner blade Cylinder 1 - 3		1	
(30)	996 105 158 00	Tensioner blade Cylinder 4 - 6		1	
31	996 105 162 52	Screw M 6		6	
32	999 707 346 40	O-ring 15 X 3		6	
33	996 105 054 01	Guide rail Cylinder 1 - 3		1	
(33)	996 105 164 00	Guide rail Cylinder 4 - 6		1	
34	996 105 188 00	Chain adjuster		1	
35	996 105 180 55	Chain adjuster		1	
35	996 105 180 56	Chain adjuster		1	
36	996 105 197 00	Pressure pin		1	
37	900 123 147 30	Sealing ring A 27 X 32		3	
39	996 105 112 01	Gasket See technical information Group 1 NR. 10/00		1	
40	996 105 301 02	Actuator		2	
40	996 105 301 03	Actuator Valve		2	
40	996 105 301 04	Actuator Valve		2	
-	996 105 901 03	O-ring 21,00 X 3,00		X	
-	996 105 310 03	Support		2	
-	999 651 386 02	Cable clamp		4	
-	999 651 386 01	Cable clamp		4	
41	996 105 303 02	Actuator		2	
41	996 105 303 05	Actuator Camshaft		2	
-	996 104 376 00	Straight pin Actuator Camshaft		2	
-	996 105 903 05	O-ring		X	
-	996 105 256 01	Support		2	
(42)	996 105 280 50	Ring		4	
42	996 105 280 51	Ring		4	
43	996 104 205 06	Bearing sleeve		2	
43	996 104 205 07	Bearing sleeve		2	
44	996 105 203 00	Washer		2	
45	996 105 051 03	Camshaft adjuster Camshaft Intake Cylinder		1	

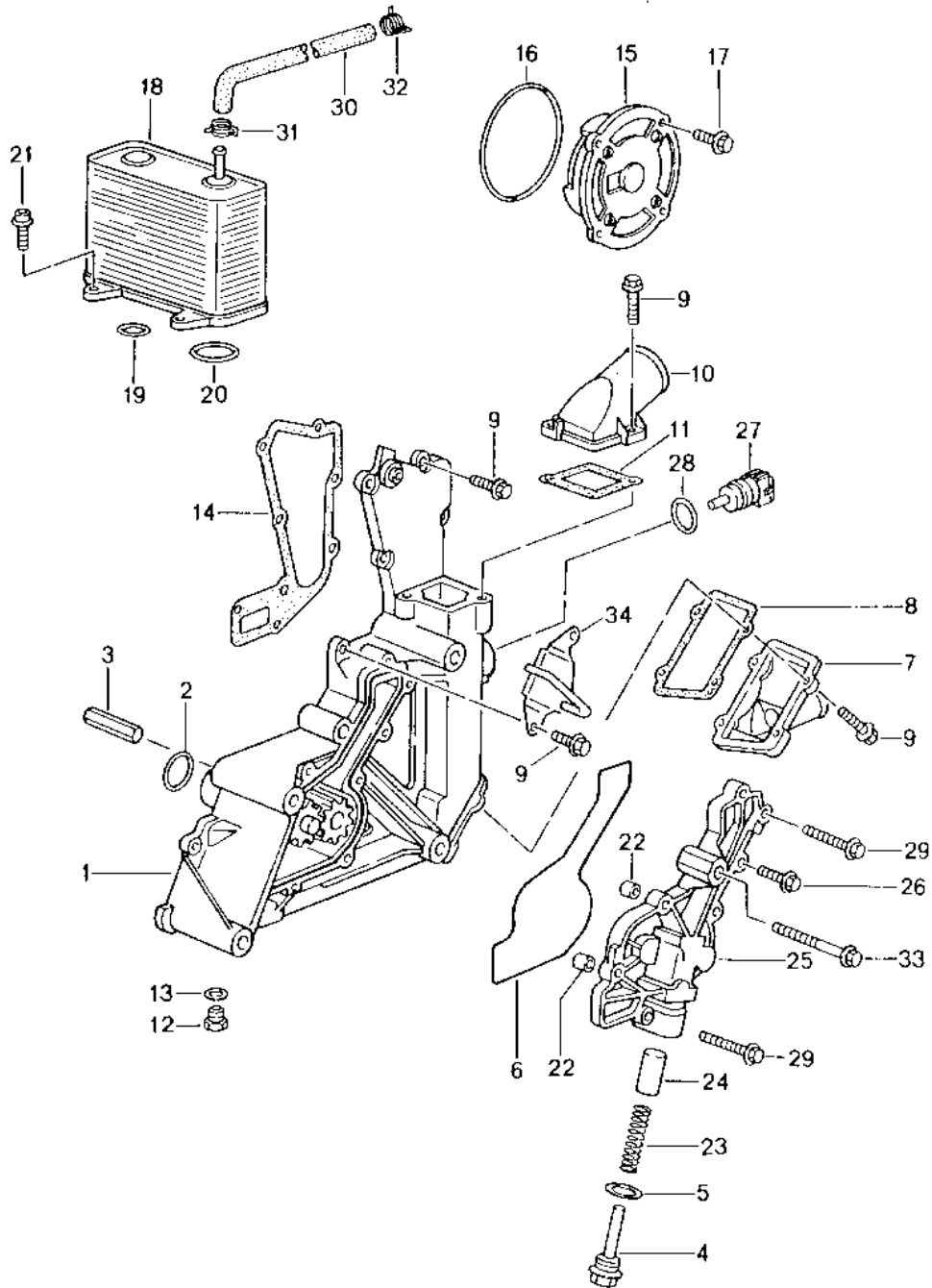
Model: 996 98

Model life 1998>>2005

Pos	Part Number	Description	Remark	Qty	Model
(45)	996 105 052 01	1 - 3 Camshaft adjuster Camshaft Intake Cylinder		1	
46	996 105 260 01	4 - 6 Intermediate piece		2	
47	996 105 254 00	Hexagon-head bolt		2	
-	000 043 024 00	Extreme-pressure grease 1 tube 80 Gr. for Camshaft		1	

Model: 996 98

Model life 1998>>2005



Model: 996 98 Model life 1998>>2005

Pos	Part Number	Description	Remark	Qty	Model
		Oil pump			M96.01/02/03 M96.04
1	996 107 012 58	Oil pump		1	
1	996 107 012 60	Oil pump		1	
1	996 107 012 61	Oil pump		1	
2	996 107 103 51	O-ring 29,1 X 2,55 Use also: 999 917 788 00		2	
3	996 107 121 50	Driver		1	
4	996 107 105 51	Screw plug Information available		1	
5	996 107 123 50	Gasket		1	
6	996 107 261 50	Sealing ring		1	
7	996 106 220 51	Connection piece Supply		1	
7	996 106 220 52	Connection piece Supply		1	
8	996 106 316 51	Gasket		1	
9	900 378 030 09	Hexagon-head bolt M 6 X 20		14	
10	996 106 216 53	Connection piece		1	
11	996 106 321 50	Gasket		1	
12	900 219 007 02	Screw plug M 10 X 1		1	
12	900 219 007 01	Screw plug M 10 X 1		1	
13	900 123 144 30	Sealing ring A 10 X 13,5		1	
14	996 107 337 50	Gasket		1	
15	996 107 021 54	Oil pump	01	2	
(15)	996 107 021 55	Oil pump M >> 664 03366 M >> 684 00607		2	
(15)	997 107 021 03	Oil pump M 664 03367 >> M 684 00608 >>		2	
16	996 107 221 51	O-ring 95 X 2,5 Use also: 999 917 788 00		2	
17	999 217 150 09	Hexagon-head bolt M 6 X 20		8	
17	999 073 316 02	Round head screw M 6 X 20		8	
18	996 107 025 57	Heat exchanger		1	
19	999 707 409 40	O-ring 26 X 3		2	
20	999 707 389 40	O-ring 35 X 4		2	
21	900 067 380 09	Pan-head screw M 6 X 18		4	
21	900 387 264 01	Pan-head screw M 6 X 18		4	
21	N 105 464 03	Pan-head screw M 6 X 18		4	
22	996 106 103 50	Dowel sleeve 8,2 X 7		2	
23	996 107 127 53	Spring		1	
24	996 107 125 51	Piston		1	
25	996 107 212 53	Lid for 996 107 012 56		1	

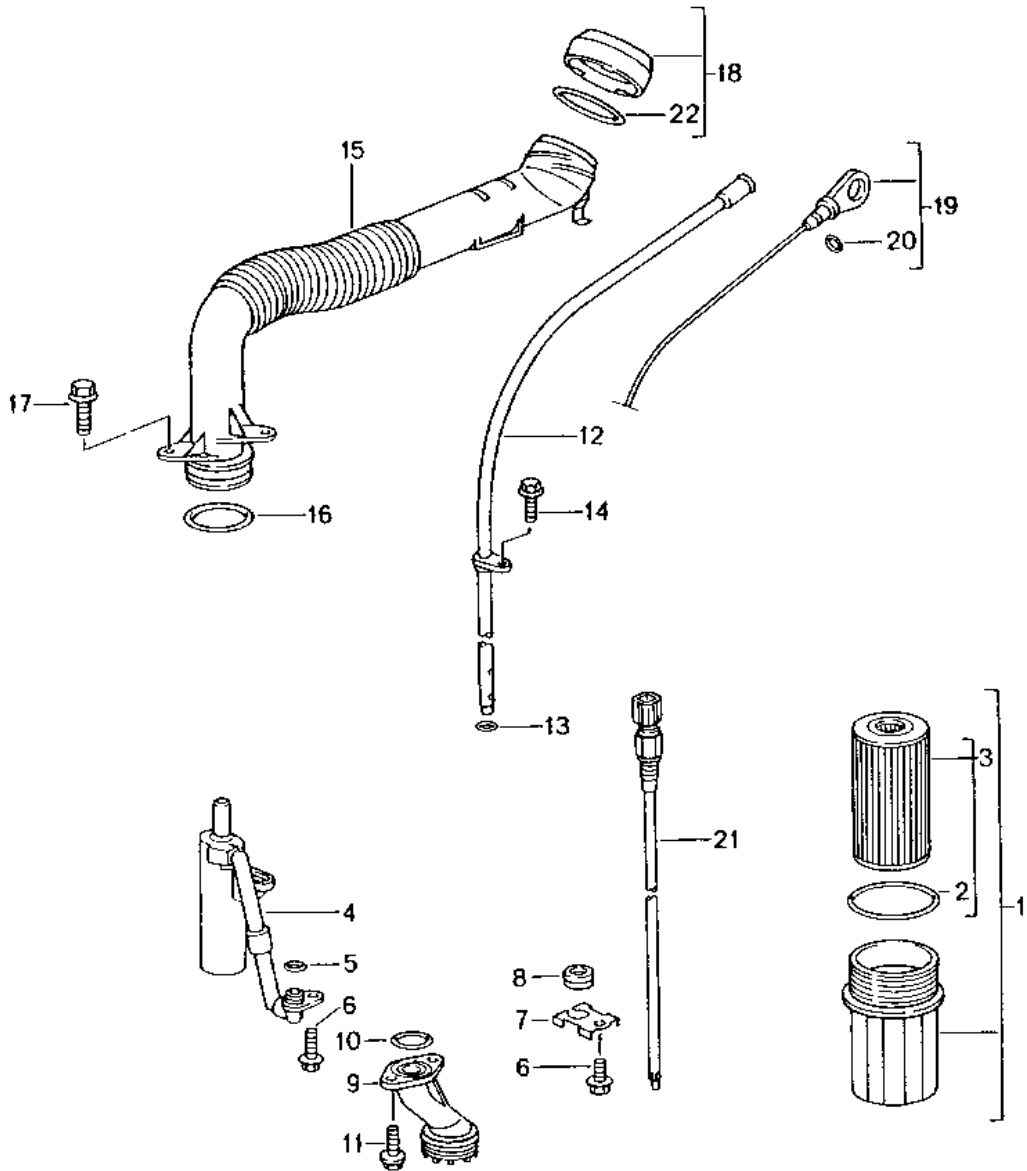
Model: 996 98

Model life 1998>>2005

Pos	Part Number	Description	Remark	Qty	Model
25	996 107 212 54	Lid for 996 107 012 57		1	
26	900 075 333 02	Combination screw M 6 X 25		7	
26	900 075 333 01	Combination screw M 6 X 25		7	
27	996 606 405 01	Temperature sensor		1	M96.01/02/04
27	996 606 410 00	Temperature sensor		1	M96.03
28		Sealing ring		1	
29	900 378 151 09	Hexagon-head bolt M 6 X 70		2	
29	900 385 027 01	Torx screw M 6 X 70		2	
30	996 106 230 53	Breather hose		1	
31	999 512 554 00	Hose clamp 12 - 22 MM		1	
32	999 512 652 09	Hose clamp 19 X 12	99-	1	
33	900 378 098 09	Hexagon-head bolt AM 10 X 60		1	
34	996 102 235 00	Clip		1	M573
34	996 102 235 01	Clip		1	M573

Model: 996 98

Model life 1998>>2005



Model: 996 98 Model life 1998>>2005

Pos	Part Number	Description	Remark	Qty	Model
		Engine lubrication			M96.01/02/03 M96.04
		See technical information			
		Group 1			
		NR.1/02 NR.2/02			
1	996 107 020 54	Oil filter		1	
2	996 107 313 51	Sealing ring		1	
		Use also:			
		999 917 788 00		1	
3	996 107 225 52	Filter element	-01	1	M96.01/02/04
3	996 107 225 53	Filter element	-01	1	M96.01/02/04
3	996 107 225 60	Filter element	02-	1	M96.03
4	996 107 080 54	Oil separator		2	
5	999 701 789 40	O-ring		2	
		12 X 2			
6	900 378 036 09	Hexagon-head bolt		5	
		M 6 X 12			
7	996 107 333 50	Support		1	
8	999 702 206 50	Grommet		1	
		9,5 X 18,0 X 1,2			
9	996 107 075 57	Suction tube		1	
10	999 707 375 40	O-ring		1	
		30 X 3			
11	900 378 030 09	Hexagon-head bolt		2	
		M 6 X 20			
12	996 107 113 56	Guide tube		1	
13	999 707 369 40	O-ring		1	
		9,5 X 3,5			
		Use also:			
		999 917 788 00		1	
14	900 378 035 01	Hexagon-head bolt		1	
		M 6 X 16			
15	996 107 150 60	Filler tube		1	
15	996 107 150 61	Filler tube		1	
15	997 107 131 00	Filler tube		1	
16	999 707 348 40	O-ring		1	
		42 X 4			
		Use also:			
		999 917 788 00		1	
17	900 378 163 09	Hexagon-head bolt		2	
		M 6 X 16			
18	996 107 035 50	Lid		1	
(18)	996 107 035 51	Lid		1	
(18)	996 107 035 52	Lid		1	
19	996 107 014 54	Oil level dipstick		1	
		M >> 662 11795			M96.03
(19)	996 107 014 55	Oil level dipstick		1	
		M 662 11796 >>			M96.03
20	999 707 402 40	O-ring		1	
		8 X 2,0			
21	996 606 150 00	Oil-level sender		1	
21	996 606 150 01	Oil-level sender		1	
-	999 650 168 40	Plug socket		1	
-	999 650 214 12	Connector		4	
-	999 650 215 40	Gasket		4	
22	999 707 285 40	O-ring		1	
		51 X 4,5			
(22)	996 107 336 00	Gasket		1	
23	000 043 301 19	Engine oil		X	
		EXXON MOBIL 1 0W-40			
		1 LITER			
		Container			
		Information available			

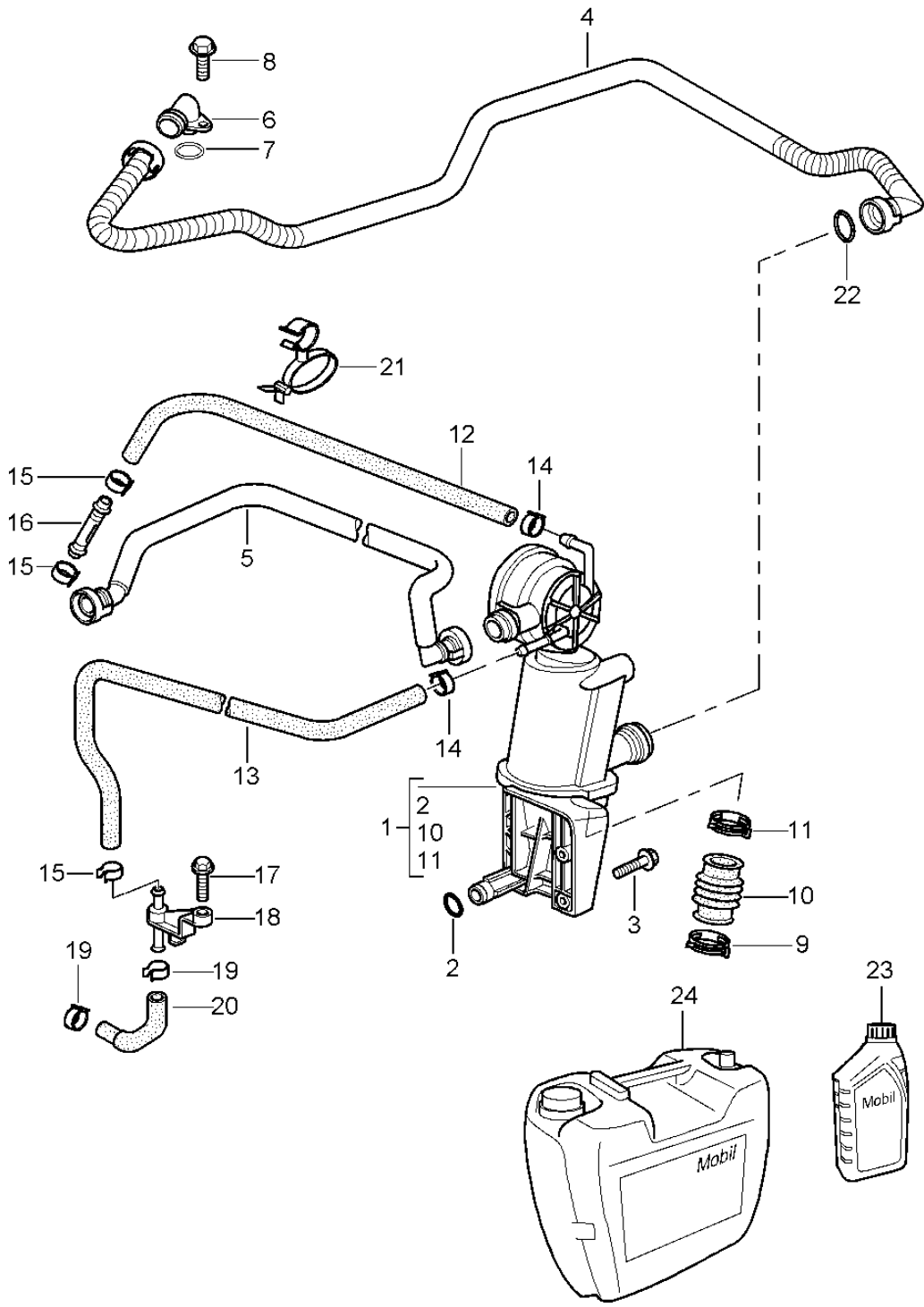
Model: 996 98

Model life 1998>>2005

Pos	Part Number	Description	Remark	Qty	Model
24	000 043 301 21	Engine oil EXXON MOBIL 1 0W-40 20 LITER Container Information available		X	

Model: 996 98

Model life 1998>>2005



Model: 996 98 Model life 1998>>2005

Pos	Part Number	Description	Remark	Qty	Model
		Crankcase			M96.01/02/03 M96.04
		Bleeding			
1	996 107 023 54	Oil separator	-01	1	M96.01/02/04
1	996 107 023 55	Oil separator	-01	1	M96.01/02/04
(1)	996 107 026 50	Oil separator	02-	1	M96.03
(1)	996 107 026 51	Oil separator	02-	1	M96.03
(2)	999 707 507 40	O-ring 29,74 X 2,95	02-	1	M96.03
2	996 107 122 00	Sealing ring 14 X 1,78	-01	1	M96.01/02/04
3	900 378 177 09	Hexagon-head bolt M 6 X 30		2	
4	996 107 147 55	Breather hose Cyl. 4 - 6 M >> 663 09950		1	
4	996 107 147 59	Vent line Cyl. 4 - 6 M 663 09951 >>		1	
5	996 107 145 55	Vent line	-01	1	M96.01/02/04
(5)	996 107 145 30	Vent line	-01 02-	1	M339 M96.03
6	996 107 047 51	Connection piece M >> 663 09950		1	
(6)	996 107 047 00	Connection piece M 663 09951 >>		1	M96.03
7	999 707 154 40	O-ring 18,77 X 1,78 M >> 663 09950		1	
(7)	999 707 364 40	Sealing ring 30 X2,5 M 663 09951 >>		1	M96.03
8	900 378 163 09	Hexagon-head bolt M 6 X 16 M >> 663 09950		1	
(8)		Hexagon-head bolt M 6 x 16 M 663 09951 >>		2	M96.03
9	999 512 630 00	Hose clamp 32 X 12		1	
(9)	999 512 683 09	Hose clamp 23 X 12	02-	2	M96.03
10	996 107 237 51	Bellows		1	
(10)	996 107 237 52	Bellows	-01	1	M96.01/02/04
(10)	996 107 175 50	Oil hose	02-	1	M96.03
11	999 512 551 00	Hose clamp 30 X 12	-01	1	
11	999 512 551 01	Hose clamp 30 X 12		1	
12	996 106 208 50	Hose		1	
13	996 106 224 51	Hose		1	
14	999 512 498 00	Hose clamp 13,1 - 15,3		2	
15	999 512 568 02	Clamp 13,9 - 16,1		3	
16	999 137 052 40	Intermediate piece GS 8		1	
17	900 378 035 01	Hexagon-head bolt M 6 X 16		1	
18	996 106 226 51	Joining socket		1	
18	996 106 226 52	Joining socket		1	
19	999 512 633 00	Clamp 15,6 - 17,8		2	

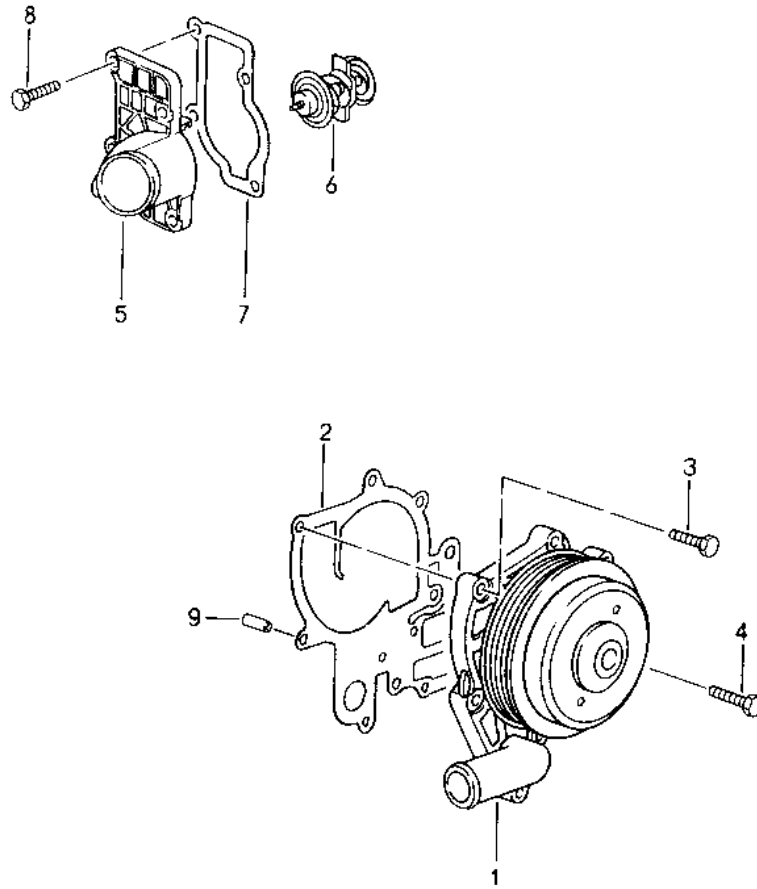
Model: 996 98

Model life 1998>>2005

Pos	Part Number	Description	Remark	Qty	Model
20	996 106 223 52	Hose		1	
21	999 507 644 40	Hose holder 8-33/-13		1	
22	999 707 446 40	O-ring 18,0 X 2,5		4	
23	000 043 301 19	Engine oil EXXON MOBIL 1 0W-40 1 LITER Container Information available		X	
24	000 043 301 21	Engine oil EXXON MOBIL 1 0W-40 20 LITER Container Information available		X	

Model: 996 98

Model life 1998>>2005



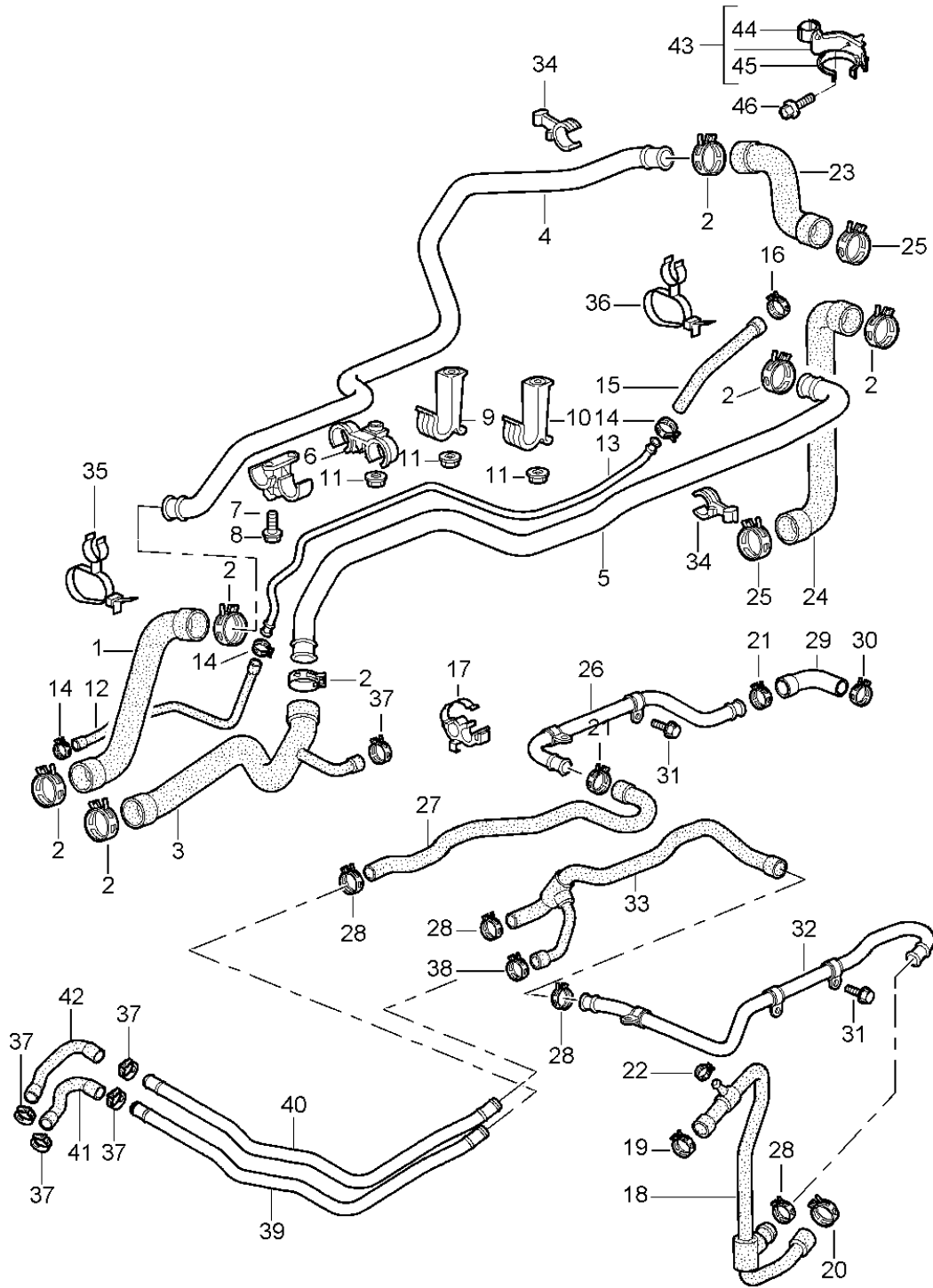
Model: 996 98

Model life 1998>>2005

Pos	Part Number	Description	Remark	Qty	Model
		Water pump			M96.01/02/03 M96.04
		Thermostat housing			
1	996 106 011 51	Water pump	-98	1	M96.01
(1)	996 106 011 54	Water pump	-04	1	M96.03
(1)	996 106 011 55	Water pump		1	M96.01/02/04
(1)	996 106 011 56	Water pump		1	M96.01/02/04
(1)	996 106 011 57	Water pump		1	M96.01/02/04
(1)	997 106 011 02	Water pump	05-	1	M96.03
(1)	997 106 011 05	Water pump	05-	1	M96.03
2	996 106 340 51	Gasket		1	
3	900 378 013 09	Hexagon-head bolt M 6 X 25		5	
4	900 378 177 09	Hexagon-head bolt M 6 X 30		2	
5	996 106 121 53	Lid		1	
5	996 106 121 55	Lid		1	
5	996 106 013 59	Thermostat		1	
6	996 106 125 52	Thermostat insert		1	
7	996 106 326 50	Gasket		1	
8	900 378 030 09	Hexagon-head bolt M 6 X 20		4	
9	996 106 103 50	Dowel sleeve 8,2 X 7		2	

Model: 996 98

Model life 1998>>2005



Model: 996 98 Model life 1998>>2005

Pos	Part Number	Description	Remark	Qty	Model
		Water cooling 1			M96.01/02/03
					M96.04
1	996 106 640 54	Water hose		1	M338
1	996 106 840 05	Water hose	02-	1	M338
1	996 106 840 06	Water hose	02-	1	M338
1	996 106 740 04	Water hose	99-01	1	M339
1	996 106 740 73	Hose	02-	1	M339
2	999 512 348 02	Hose clamp 49 X 12		8	
3	996 106 641 56	Hose	-01	1	M480
3	996 106 641 58	Hose	-01	1	M480
3	996 106 841 04	Hose	02-	1	M338/480
3	996 106 741 06	Hose	99-01	1	M339/480
3	996 106 888 02	Hose	02-	1	M339/480
3		Hose	02-	1	M339/480
3	996 106 888 08	Hose	02-	1	M339/480
(3)	996 106 641 59	Hose	99-01	1	M249/338
(3)	996 106 741 07	Hose	99-01	1	M249/339
(3)	996 106 888 03	Water hose	02-	1	M249/339
(3)	996 106 888 07	Water hose	02-	1	M249/339
(3)	996 106 888 09	Water hose	02-	1	M249/339
(3)	996 106 841 05	Water hose	02-	1	M249/338
(3)	996 106 841 09	Water hose	02-	1	M249/338
(3)	996 106 841 11	Water hose	02-	1	M249/338
4	996 106 610 56	Cooling water tube	-01	1	M338
4	996 106 610 74	Water tube	02-	1	
4	996 106 710 03	Water tube	-01	1	M339
4	996 106 710 04	Water tube	-01	1	M339
4	996 106 710 05	Water tube	-01	1	M339
-	996 106 505 00	Protection cap		1	
5	996 106 609 56	Cooling water tube	-01	1	
		Return line			
(5)	996 106 809 01	Cooling water tube	02-	1	
		Return line			
6	996 106 416 54	Support		2	
6	996 106 416 55	Support		2	
7	996 106 475 51	Support		1	
8	900 378 158 09	Hexagon-head bolt M 6 X 16		2	
9	996 106 417 51	Support		1	
10	996 106 428 50	Support		1	
11	900 377 010 09	Hexagon nut M 6		2	
12	996 106 136 51	Breather hose	-98	1	
12	996 106 136 52	Breather hose	-01	1	M338
(12)	996 106 826 00	Breather hose	02-	1	M338
12	996 106 336 01	Breather hose	-98	1	M339
12	996 106 336 02	Breather hose	-01	1	M339
(12)	996 106 836 02	Breather hose	02-	1	M339
13	996 106 681 56	Vent line	-98	1	
13	996 106 681 57	Vent line	99-	1	
13	996 106 681 59	Vent line	-01	1	
13	996 106 821 01	Vent line	02-	1	
14	999 512 554 00	Hose clamp 20 X 12		3	
				1	
15	996 106 251 71	Breather hose		1	
16	999 512 552 00	Hose clamp 25 X 12		3	
16	999 512 552 01	Hose clamp 25 X 12		3	
17	996 106 418 53	Support	-01	2	
		27,0/27,0			
(17)	996 106 438 00	Hose holder	02-	1	

Model: 996 98 Model life 1998>>2005

Pos	Part Number	Description	Remark	Qty	Model
		27, 0/27, 0			
18	996 106 250 53	Hose	-98	1	
18	996 106 250 54	Hose	-98	1	
		for 996.106.243.51			
18	996 106 250 55	Hose	99-	1	
		for 996.106.243.52			
(18)	996 106 850 00	Hose		1	
(18)	996 106 850 05	Hose		1	
(18)	996 106 850 01	Hose	02-	1	
		mit Use 996.106.851.02			
(18)	996 106 850 02	Hose	02-	1	
		mit Use 996.106.851.02			
(18)	996 106 850 04	Hose	02-	1	
		MIT Use 996.106.851.02			
(18)	996 106 850 06	Hose	02-	1	
		MIT Use 996.106.851.02			
19	999 512 552 00	Hose clamp 28 X 12		1	
19	999 512 552 01	Hose clamp 28 X 12		1	
20	999 512 551 00	Hose clamp 36 X 12		1	
20	999 512 551 01	Hose clamp 36 X 12		1	
21	999 512 551 00	Hose clamp 29 X 12		2	
21	999 512 551 01	Hose clamp 29 X 12		2	
22	999 512 554 00	Hose clamp 14 X 12		1	
23	996 106 501 53	Water hose	-00	1	
23	996 106 501 54	Water hose	-01	1	
23	996 106 501 56	Water hose	-01	1	
23	996 106 831 01	Water hose	02-	1	
23	997 106 831 02	Water hose	02-	1	
		Use also: 997.106.216.00			
23	997 106 831 03	Water hose	02-	1	
		Use also: 997.106.216.00			
24	996 106 502 53	Water hose	-98	1	
24	996 106 502 54	Water hose	-01	1	
(24)	996 106 832 01	Water hose	02-	1	
(24)	996 106 832 03	Water hose	02-	1	
(24)	996 106 832 04	Water hose	02-	1	
25	999 512 669 09	Hose clamp 53 X 12		2	
26	996 106 242 52	Water tube M >> 66X 01814 Supply	-01	1	
26	996 106 242 53	Water tube M 66X 01815 >> Supply	-01	1	

Model: 996 98 Model life 1998>>2005

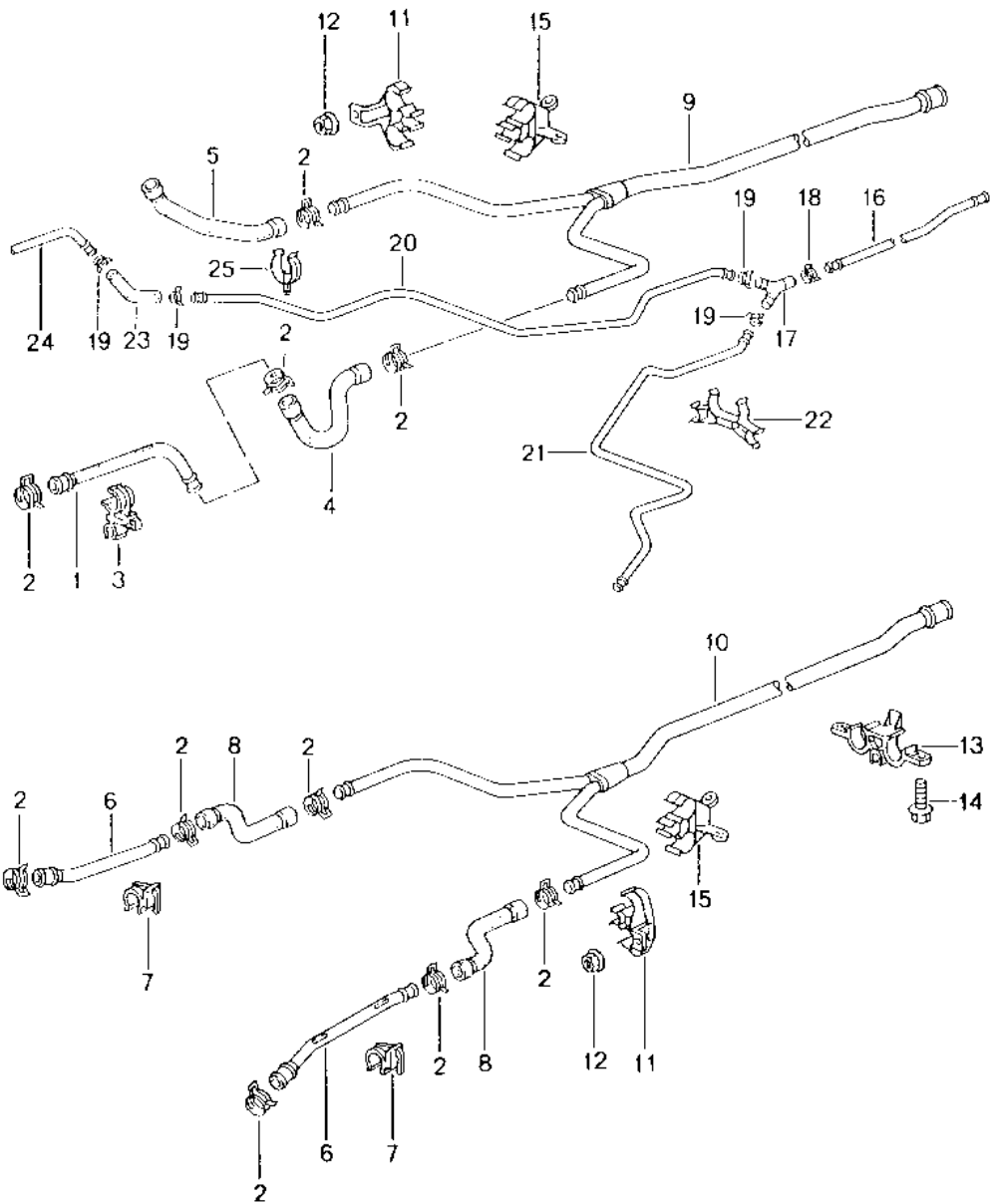
Pos	Part Number	Description	Remark	Qty	Model
(26)	996 106 242 55	Water tube Supply	02-	1	M480
(26)	996 106 842 02	Water tube Supply	02-	1	M249
27	996 106 212 51	Water hose Supply		1	
(27)	996 106 212 52	Hose Supply		1	
(27)	996 106 212 53	Hose Supply	-01	1	
(27)	996 106 212 59	Water hose Supply	02-	1	M480
(27)	996 106 212 61	Water hose Supply	02-	1	M480
(27)	996 106 812 03	Water hose Supply	02-	1	M249
28	999 512 552 00	Hose clamp 27 X 12		4	
28	999 512 552 01	Hose clamp 27 X 12		4	
29	996 106 233 51	Water hose M >> 66X 01814		1	
29	996 106 233 52	Hose M 66X 01815 >>		1	
29	996 106 233 53	Hose M 66X 01815 >>		1	
29	996 106 233 55	Hose M 66X 01815 >>		1	
30	999 512 551 00	Hose clamp 25 - 40		1	
30	999 512 551 01	Hose clamp 25 - 40		1	
31	900 378 036 09	Hexagon-head bolt M 6 X 12		3	
32	996 106 243 51	Water tube for 996.106.250.54	-98	1	
32	996 106 243 52	Return line Water tube Return line for 996.106.250.55	99-	1	
(32)	996 106 243 54	Water tube Return line	02-	1	M480
(32)	996 106 843 01	Cooling water tube Return line	02-	1	M249
(33)	996 106 222 52	Water hose Return line		1	M480
(33)	996 106 222 54	Hose Return line		1	M480
(33)	996 106 222 56	Hose Return line	-01	1	M480
(33)	996 106 222 64	Water hose Return line	02-	1	M480
(33)	996 106 222 67	Water hose Return line	02-	1	M480
33	996 106 222 53	Water hose Return line		1	M249
(33)	996 106 222 57	Water hose Return line	-01	1	M249
(33)	996 106 822 03	Water hose Return line	02-	1	M249
(33)	996 106 822 04	Water hose	02-	1	M249

Model: 996 98 Model life 1998>>2005

Pos	Part Number	Description	Remark	Qty	Model
34	996 106 421 51	Return line Support		2	
35	999 511 237 40	Hose holder 10-52/-18		2	
36	999 511 238 40	Hose holder 10-52/-13		1	
37	999 512 657 09	Hose clamp 26 X 12		1	
38	999 512 655 09	Hose clamp 22 X 12		1	
39	996 106 312 00	Water tube Supply Heating	02-	1	M249
40	996 106 322 00	Return pipe Heating	02-	1	M249
41	996 106 212 74	Hose Supply Heating	02-	1	M249
41	996 106 212 75	Hose Supply Heating	02-	1	M249
42	996 106 222 74	Hose Return line Heating	02-	1	M249
42	996 106 222 75	Hose Return line Heating	02-	1	M249
43	996 106 050 00	Support	02-	1	
44	999 507 793 40	Hose holder 23 mm	02-	1	
45	999 507 777 40	Hose holder 48 - 53	02-	1	
46	900 385 041 01	Torx screw M 6 X 12	02-	1	
47	996 106 851 00	Hose for 996.106.850.04		1	
47	996 106 851 02	Hose for 996.106.850.04		1	
47	996 106 851 03	Hose for 996.106.850.04		1	

Model: 996 98

Model life 1998>>2005

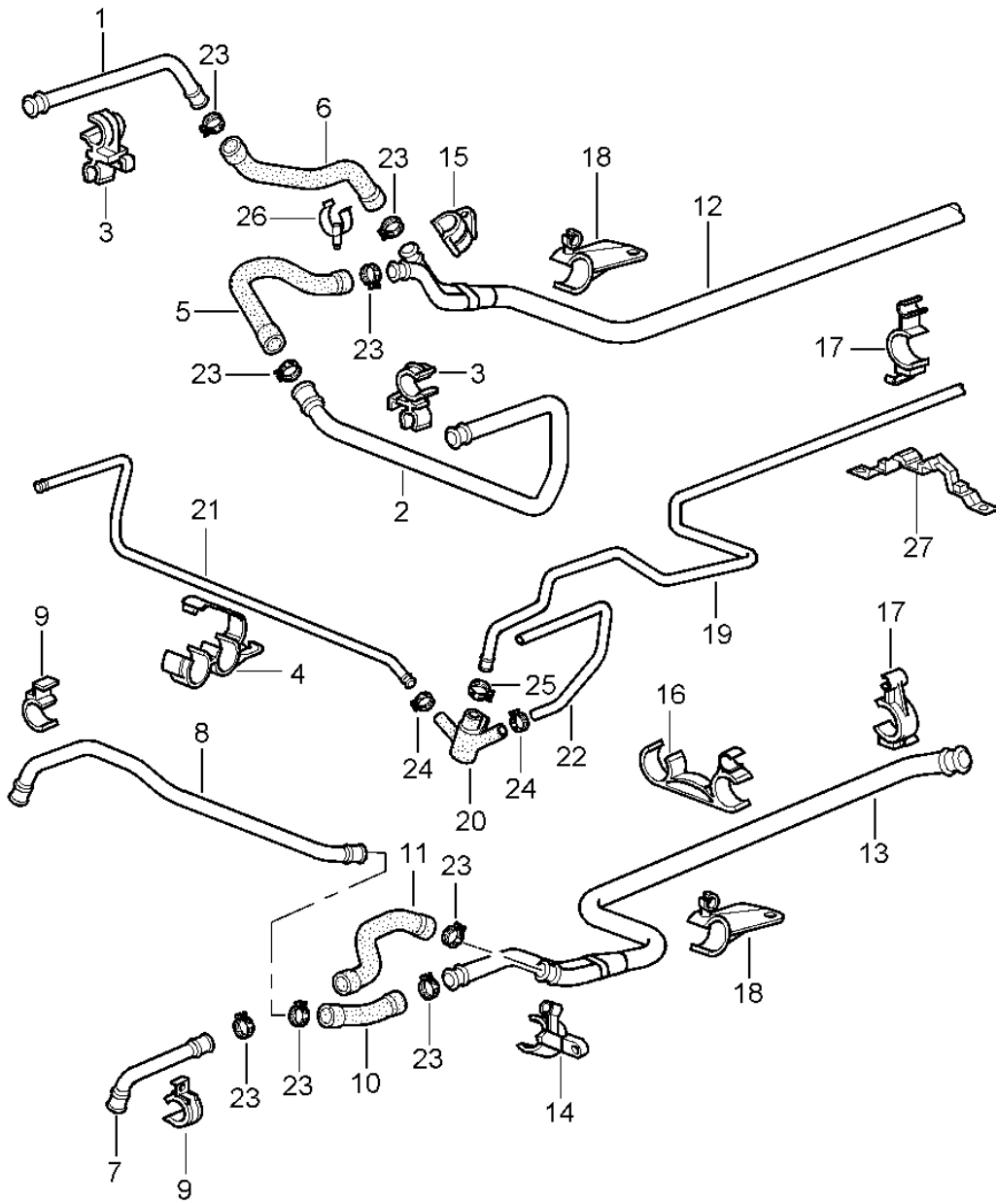


Model: 996 98 Model life 1998>>2005

Pos	Part Number	Description	Remark	Qty	Model
		Water cooling 2			M96.01/02/03 M96.04
1	996 106 611 52	Water tube Supply	-00	2	
1	996 106 611 53	Water tube Supply	01-	2	
2	999 512 499 00	Hose clamp 32 - 50		12	
3	996 106 414 55	Support		4	
4	996 106 623 53	Water hose Supply	/L	1	
5	996 106 624 53	Water hose	/R	1	
6	996 106 615 54	Water tube Return line		2	
7	996 106 419 52	Support		4	
8	996 106 627 52	Water hose		2	
8	996 106 627 55	Water hose		2	
9	996 106 651 54	Distributing piece Supply		1	
10	996 106 652 54	Distributing piece Return line		1	
11	996 106 413 52	Support		2	
12	999 084 629 09	Hexagon nut M 6		2	
12	999 084 629 01	Hexagon nut M 6		2	
13	996 106 415 52	Support		2	
14	900 378 035 01	Hexagon-head bolt M 6 X 16		6	
15	996 106 420 52	Support		2	
16	996 106 127 53	Vent line		1	
17	996 106 546 54	Y-piece		1	
17	996 106 546 55	Y-piece		1	
17	996 106 546 56	Y-piece		1	
18	999 512 554 00	Hose clamp 25 - 40		1	
19		Hose clamp 25 - 40		4	
20	996 106 126 54	Vent line	/R	1	
21	996 106 225 54	Vent line	/L	1	
22	996 106 412 51	Support		1	
23	996 106 135 52	Breather hose	-98	2	
23		Breather hose	99-	2	
24	996 106 685 53	Vent line		2	
25	999 507 378 40	Support		2	

Model: 996 98

Model life 1998>>2005

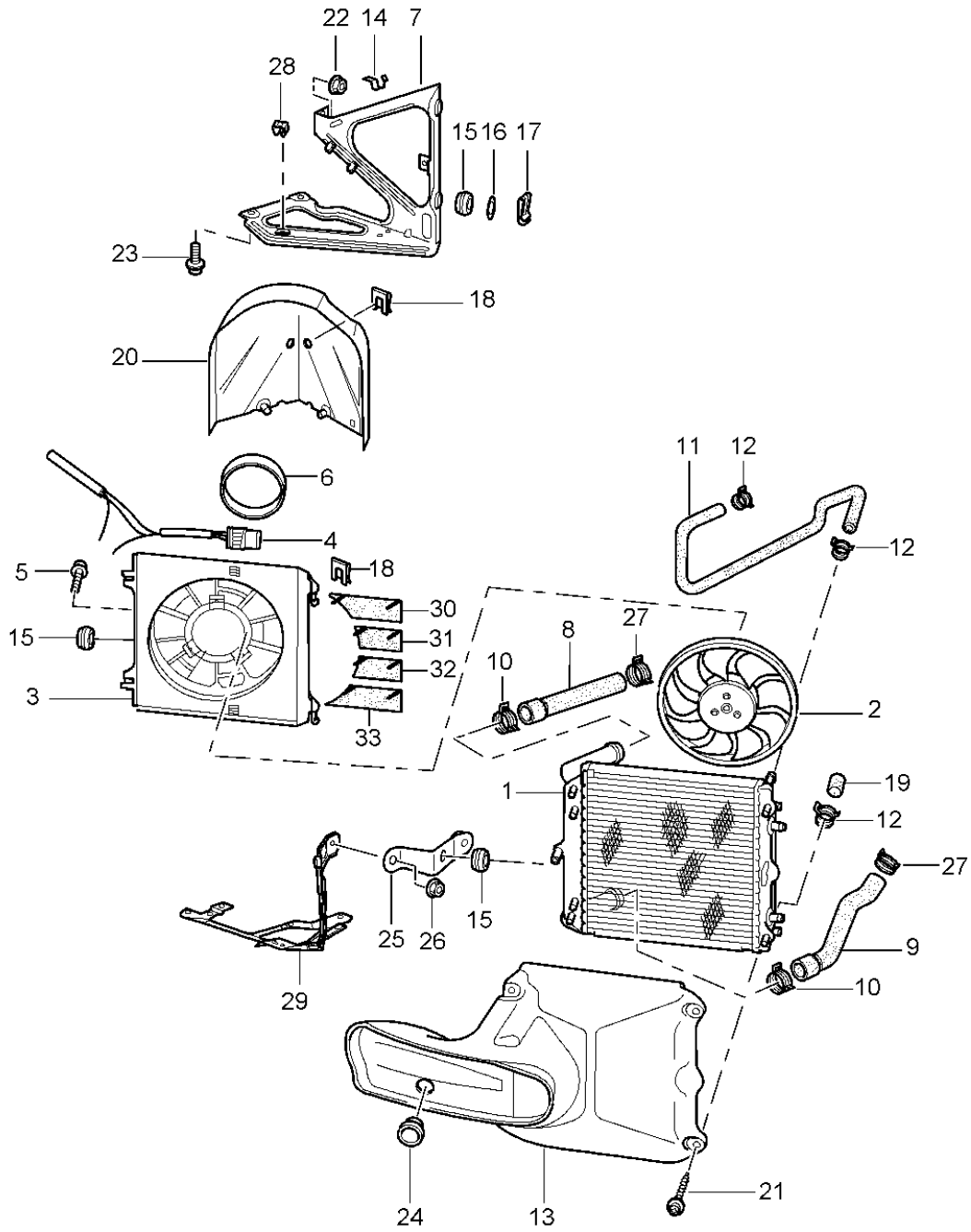


Model: 996 98 Model life 1998>>2005

Pos	Part Number	Description	Remark	Qty	Model
		Water cooling 2			M96.01/02/03 M96.04 M339
1	996 106 611 52	Water tube Supply	/R	1	
1	996 106 611 53	Water tube Supply	/R	1	
2	996 106 711 03	Water tube Supply	/L	1	
3	996 106 414 55	Support		4	
4	996 106 525 04	Support		2	
5	996 106 723 02	Hose Supply	/R	1	
6	996 106 724 03	Hose Supply	/R	1	
7	996 106 715 01	Water tube Return line	/L	1	
8	996 106 720 02	Water tube Return line	/R	1	
9	996 106 419 52	Support		3	
10	996 106 727 03	Hose Return line	/L	1	
10	996 106 727 05	Hose Return line	/L	1	
11	996 106 728 03	Hose Return line	/L	1	
12	996 106 752 03	Water tube Supply		1	
13	996 106 751 04	Water tube Return line		1	
14	996 106 513 01	Support	/L	1	
15	996 106 514 00	Support	/R	1	
16	996 106 540 00	Support Use with Transmission carrier 99637534303		1	
16	997 106 540 02	Support Use with Transmission carrier 99737534300		1	
17	996 106 515 01	Support		2	
18	996 106 520 01	Support		2	
19	996 106 227 72	Vent line		1	
20	996 106 647 04	Y-piece		1	
20	996 106 647 05	Y-piece		1	
20	996 106 647 06	Y-piece		1	
21	996 106 766 71	Vent line	/R	1	
22	996 106 765 71	Vent line	/L	1	
23	999 512 499 00	Hose clamp 32 - 50		8	
24	999 512 554 00	Hose clamp 12 - 22		2	
25		Hose clamp 12 - 22		1	
26	999 507 378 40	Support		2	
27	996 504 517 00	Support Cooling water tube		2	

Model: 996 98

Model life 1998>>2005



Model: 996 98 Model life 1998>>2005

Pos	Part Number	Description	Remark	Qty	Model
		Water cooling 3			M96.01/02/03 M96.04
1	996 106 131 50	Radiator		2	
1	996 106 131 51	Radiator	/L	1	
(1)	996 106 131 72	Radiator	/L 02-	1	C4S
(1)	996 106 131 74	Radiator	/L 02-	1	C4S
(1)	996 106 131 72	Radiator	/L 04	1	M095
(1)	996 106 131 74	Radiator	/L 04	1	M095
(1)	996 106 132 51	Radiator	/R	1	
(1)	996 106 132 70	Radiator	/R 02-	1	C4S
(1)	996 106 132 72	Radiator	/R 02-	1	C4S
(1)	996 106 132 70	Radiator	/R 04	1	M095
(1)	996 106 132 72	Radiator	/R 04	1	M095
2	996 624 135 00	Fan		2	
(2)	996 624 127 00	Fan	02-	2	C4S
(2)		Fan	04	2	M095
3	996 624 131 00	Air guide		2	
(3)	996 624 137 00	Air guide	02-	2	C4S
(3)		Air guide	04	2	M095
4	996 616 101 00	Series resistor		2	
(4)	996 624 141 00	Series resistor	02-	2	C4S
(4)		Series resistor	04	2	M095
5	900 146 116 09	Screw M 5 X 16		6	
6	996 624 136 00	Protection cap		2	
7	996 504 175 09	Bracket	/L	1	
(7)	996 504 155 00	Bracket	/L 02-	1	C4S
(7)		Bracket	/L 04	1	M095
(7)	996 504 176 09	Bracket	/R	1	
(7)	996 504 156 00	Bracket	/R 02-	1	C4S
(7)		Bracket	/R 04	1	M095
8	996 106 621 57	Hose Supply		1	
(8)	996 106 621 78	Water hose Supply	/L /R 02-	1	C4S
(8)		Water hose Supply	/L /R 04	1	M095
(8)	996 106 665 57	Hose Supply with one conection Radiator Centre	/L	1	M249
(8)	996 106 665 58	Hose Supply with one conection Radiator Centre	/L	1	M249
(8)	996 106 622 54	Hose Supply	/R	1	
9	996 106 625 54	Hose Return line	/L	1	
(9)	996 106 625 78	Hose Return line	/L 02-	1	C4S
(9)	996 106 625 79	Hose Return line	/L 02-	1	C4S
(9)	996 106 625 78	Hose Return line	/L 04	1	M095
(9)	996 106 625 79	Hose Return line	/L 04	1	M095
(9)	996 106 626 51	Hose Return line	/R	1	M480
(9)	996 106 626 77	Water hose Return line	/R 02-	1	C4S

Model: 996 98

Model life 1998>>2005

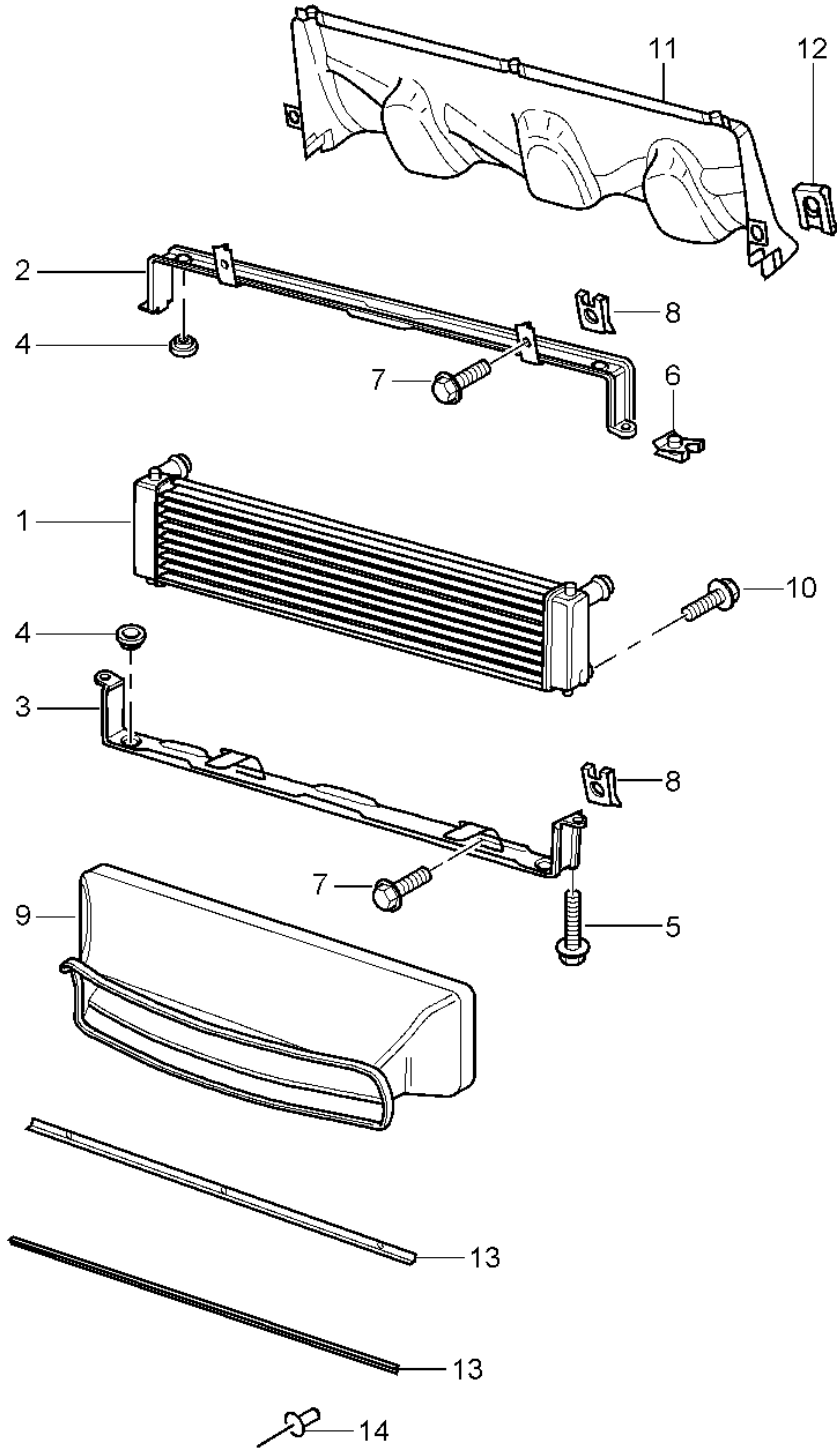
Pos	Part Number	Description	Remark	Qty	Model
(9)		Water hose Return line	/R 04	1	M095
(9)	996 106 666 55	Hose Return line with one conection Radiator Centre	/R	1	M249
(9)	996 106 666 56	Hose Return line with one conection Radiator Centre	/R	1	M249
10	999 512 499 00	Hose clamp 32 - 50		4	
11	996 106 137 53	Breather hose	/L	1	
(11)	996 106 137 77	Breather hose	/L 02-	1	C4S
(11)	996 106 137 78	Breather hose	/L 02-	1	C4S
(11)	996 106 137 77	Breather hose	/L 04	1	M095
(11)	996 106 137 78	Breather hose	/L 04	1	M095
(11)	996 106 138 53	Breather hose	/R	1	
(11)	996 106 138 74	Breather hose	/R 02-	1	C4S
(11)	996 106 138 83	Breather hose	/R 02-	1	C4S
(11)	996 106 138 74	Breather hose	/R 04	1	M095
(11)	996 106 138 83	Breather hose	/R 04	1	M095
12	999 512 585 09	Hose clamp 15 X 12		6	
13	996 575 321 00	Air guide	/L -01	1	
13	996 575 321 03	Air guide	/L 02-	1	
(13)	996 575 321 02	Air guide	/L 02-	1	C4S
(13)		Air guide	/L 04	1	M095
(13)	996 575 322 00	Air guide	/R -01	1	
(13)	996 575 322 03	Air guide	/R 02-	1	
(13)	996 575 322 02	Air guide	/R 02-	1	C4S
(13)		Air guide	/R 04	1	M095
14	999 651 305 02	Cable holder		2	
15	999 702 214 40	Grommet 14 X 20,5 X 7,5		6	
16	999 025 255 02	Washer		4	
17	999 166 083 09	Tab washer B 25		4	
18	999 166 077 02	Safety clip B 22		6	
19	999 703 418 40	Cap		2	
(19)	996 106 334 00	Rubber cap		2	
20	996 575 341 03	Air guide	-98	2	
20	996 575 341 04	Air guide	/L 99-	1	
(20)	996 575 342 00	Air guide	/R 99-	1	
(20)	996 575 351 00	Air guide	/L 02-	1	C4S
(20)	996 575 352 00	Air guide	/R 02-	1	C4S
(20)	996 575 351 30	Air guide	/L 04	1	M095
(20)	996 575 352 30	Air guide	/R 04	1	M095
21	999 919 134 09	Oval-head screw 6,0 X 16		14	
22	999 084 630 09	Hexagon nut M 8		2	
23	900 378 074 09	Hexagon-head bolt M 8 X 16		4	
24	999 702 214 40	Grommet 14 X 20,5 X 7,5		2	
24	803 803 583	Rubber sleeve 30,0 X 40,0	/R	1	
24	999 703 195 40	Rubber sleeve 30,0 X 40,0	/R	1	

Model: 996 98 Model life 1998>>2005

Pos	Part Number	Description	Remark	Qty	Model
25	996 504 721 00	Support		1	
	996 504 721 00 GRV	Prime coated			
26	900 377 003 02	Hexagon nut M 8		4	
27	999 512 552 00	Hose clamp 28 X 12		2	
27	999 512 552 01	Hose clamp 28 X 12		2	
28	999 507 590 02	Captive nut		1	
29	996 504 523 01	Support	/L 02-	1	C4S
29		Support	/L 04	1	M095
(29)	996 504 524 01	Support	/R 02-	1	C4S
(29)		Support	/R 04	1	M095
-	996 504 775 00	Support		2	
30	996 624 157 00	Air flap	/L 02-	1	C4S
(30)		Air flap	/L 04	1	M095
(30)	996 624 158 00	Air flap	/R 02-	1	C4S
(30)		Air flap	/R 04	1	M095
31	996 624 159 00	Air flap	/L 02-	1	C4S
(31)		Air flap	/L 04	1	M095
(31)	996 624 160 00	Air flap	/R 02-	1	C4S
(31)		Air flap	/R 04	1	M095
32	996 624 161 00	Air flap	/L 02-	1	C4S
(32)		Air flap	/L 04	1	M095
(32)	996 624 162 00	Air flap	/R 02-	1	C4S
(32)		Air flap	/R 04	1	M095
33	996 624 163 00	Air flap	/L 02-	1	C4S
(33)		Air flap	/L 04	1	M095
(33)	996 624 164 00	Air flap	/R 02-	1	C4S
(33)		Air flap	/R 04	1	M095

Model: 996 98

Model life 1998>>2005

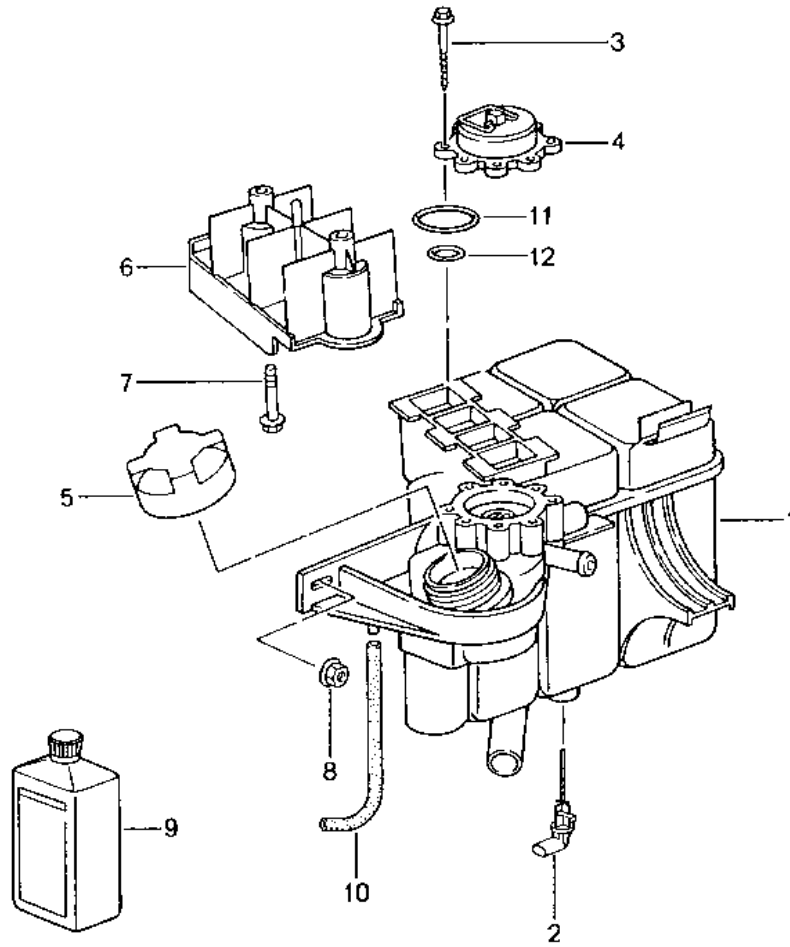


Model: 996 98 Model life 1998>>2005

Pos	Part Number	Description	Remark	Qty	Model
		Radiator			M96.01/02/03
		Centre			M96.04
					M249
					M96.03
					IX51/M480
1	996 106 037 51	Radiator		1	
2	996 504 487 02	Retaining frame		1	
3	996 504 485 02	Retaining frame		1	
(3)	996 504 493 00	Retaining frame		1	C4S
(3)		Retaining frame	04	1	M095
4	930 113 430 00	Rubber mounting		4	
5	900 378 036 09	Hexagon-head bolt		2	
		M 6 X 12			
6	999 507 550 02	Speed nut		2	
		M 6			
7	900 378 074 09	Hexagon-head bolt		4	
		M 8 X 16			
8	999 591 869 02	Speed nut		4	
		M 8			
9	996 575 141 01	Air guide		1	
		Radiator			
		Centre			
9	996 575 141 02	Air guide	-01	1	
		Radiator			
		Centre			
9	996 575 141 04	Air guide	02-	1	
		Radiator			
		Centre			
(9)	996 575 141 03	Air guide	04	1	M095
		Radiator			
		Centre			
10	996 106 901 00	Screw plug		1	
11	996 575 151 01	Air guide	04	1	M095
12	999 166 076 02	Safety clip	04	2	M095
12	999 166 076 01	Safety clip	04-	2	M095
13	996 575 761 00	Attachment strip	04	2	M095
14	999 190 419 30	Blind rivet	04	6	M095
		A 3,2 X 7,5			

Model: 996 98

Model life 1998>>2005



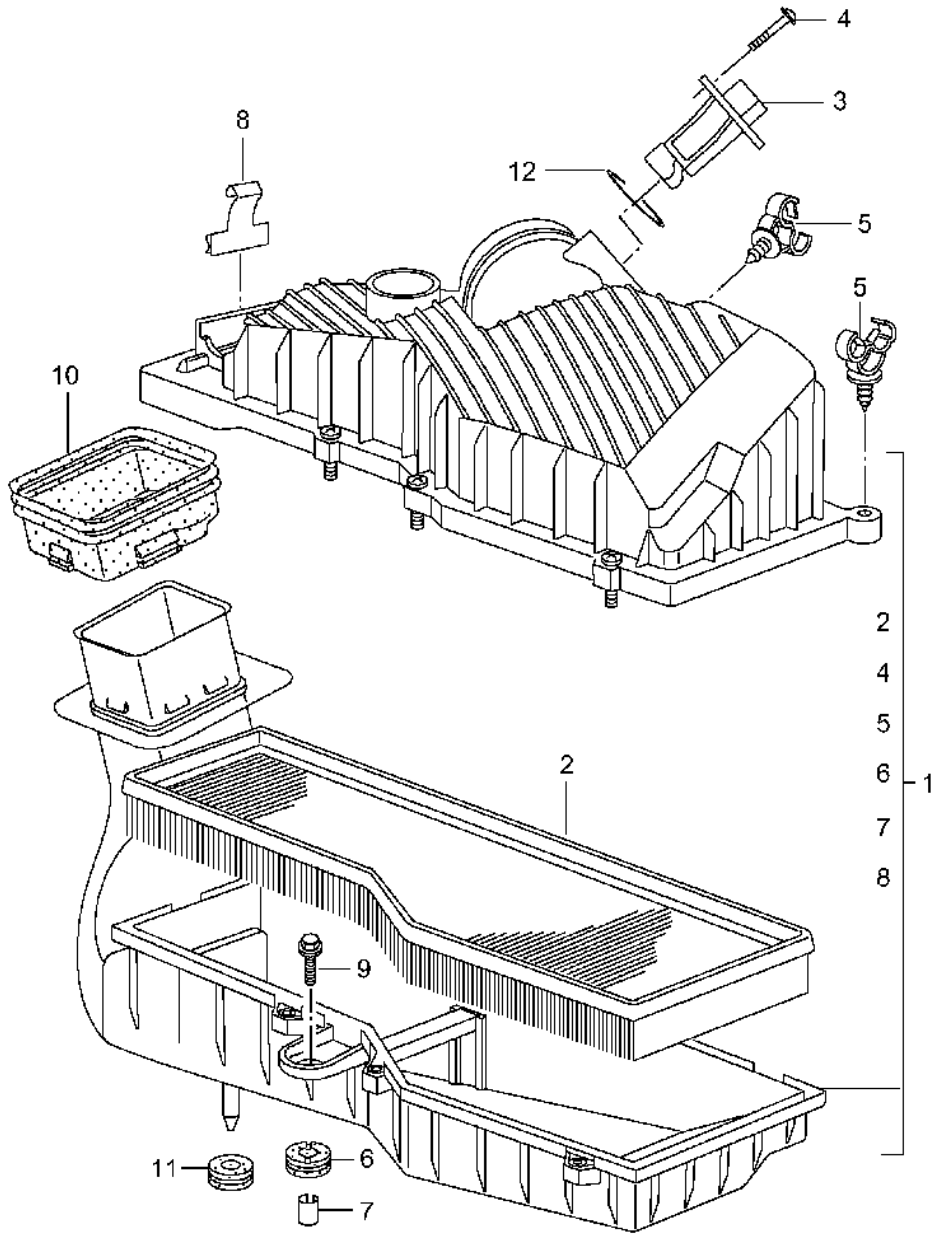
Model: 996 98

Model life 1998>>2005

Pos	Part Number	Description	Remark	Qty	Model
		Water cooling 4			M96.01/02/03 M96.04
1	996 106 147 54	Water reservoir	-98	1	
1	996 106 147 55	Water reservoir	-00	1	
1	996 106 147 56	Water reservoir	-00	1	
(1)	996 106 157 01	Water reservoir	01-	1	
(1)	996 106 157 02	Water reservoir	01-	1	
(1)	996 106 157 03	Water reservoir	03-	1	
2	996 641 503 00	Switch		1	
3	999 919 058 02	Hexagon-head bolt 5,0 X 40		8	
4	996 106 347 01	Bleeder valve		1	
5	996 106 447 01	Lid See technical manual Group 1 Nr.190101		1	
6	996 106 405 51	Support	-01	1	
(6)	996 106 405 52	Support	02-	1	
(6)	996 106 405 71	Support		1	C4S
7	900 378 033 09	Hexagon-head bolt M 8 X 30		2	
7	900 378 033 01	Hexagon-head bolt M 8 X 30		2	
8	999 076 071 02	Hexagon nut M 6		1	
9	000 043 203 78	Antifreeze 1 LTR. Container		X	
(9)	000 043 203 79	Antifreeze 25 LTR. Container		X	
(9)	000 043 300 31	Antifreeze 20 LTR. Container		X	
(9)	000 043 301 03	Antifreeze 1 LTR. Container		X	
(9)	000 043 301 04	Antifreeze 20 LTR. Container		X	
10	996 106 297 00	Overflow hose		1	
11	999 707 370 40	O-ring 47 X 4		1	
12	999 707 371 40	O-ring 17 X 4		1	

Model: 996 98

Model life 1998>>2005

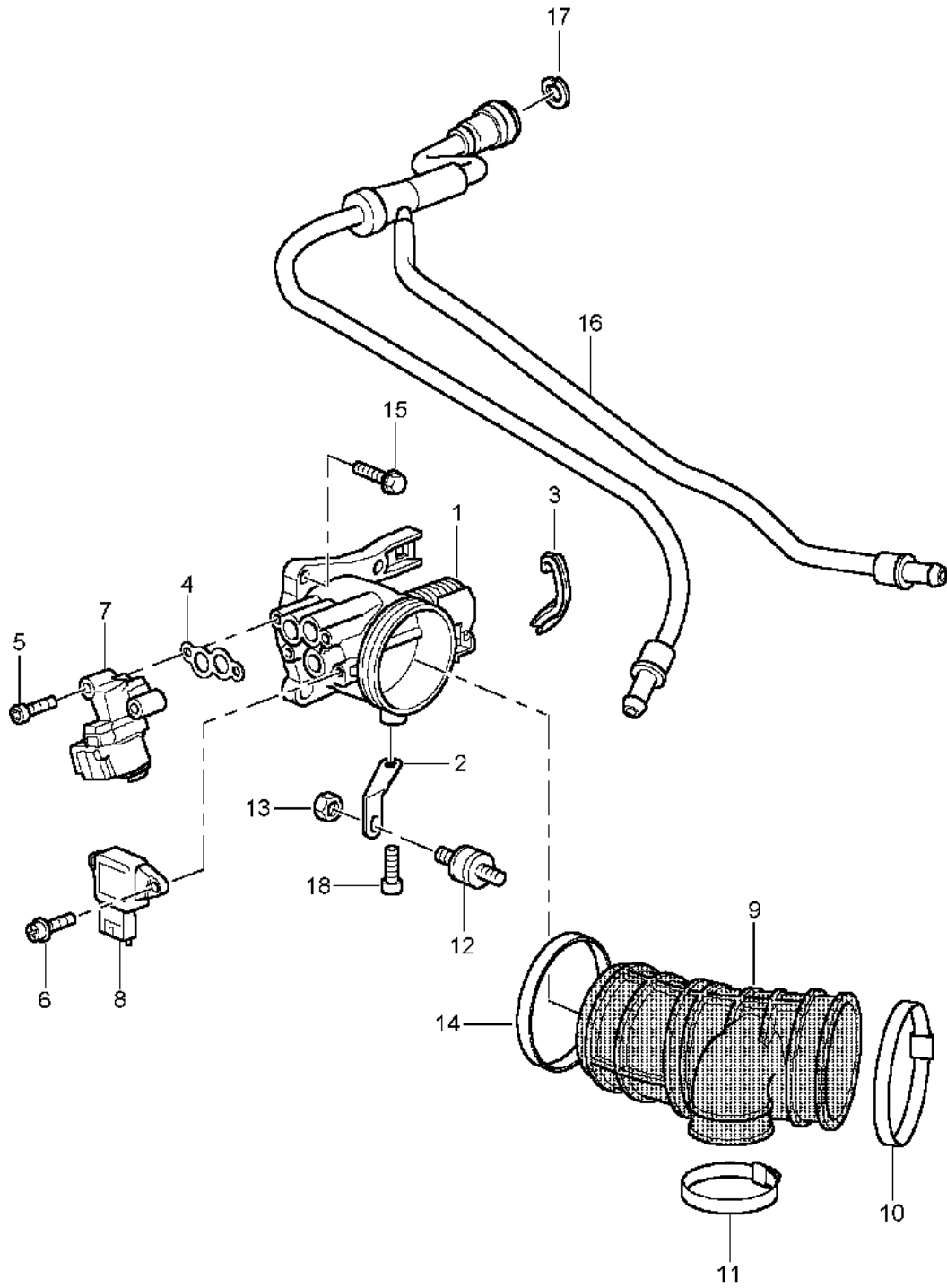


Model: 996 98 Model life 1998>>2005

Pos	Part Number	Description	Remark	Qty	Model
		Air cleaner			M96.01/02/03 M96.04
1	996 110 021 56	Air cleaner		1	
1	996 110 021 58	Air cleaner		1	M339
(1)	996 110 921 50	Air cleaner	02-	1	M96.03
2	996 110 131 52	Air cleaner cartridge		1	
3	996 606 123 00	Mass air flow meter	-99	1	-M620/M338
		Information available	-99		-M620/M338
3	996 606 124 00	Mass air flow meter	00-01	1	M338/620
		Information available	00-01		M338/620
3		Mass air flow meter	-01	1	M339
		Information available	-01		M339
3	986 606 125 01	Mass air flow meter	02-	1	M96.03
4	999 919 160 07	Oval-head screw		2	
		5,0 X 20			
5	999 507 544 40	Cable holder		2	
		4,0 - 12,0			
6	999 702 221 40	Grommet		3	
		11,8 X 18,0 X 18			
7	900 095 099 02	Roll pin		1	
		12,0 X 14			
8	996 110 224 50	Spring clamp		1	
9	999 075 063 02	Hexagon-head bolt		1	
		M 6 X 34			
10	996 110 250 52	Joint flange		1	
11	999 702 246 40	Grommet		2	
		12,0 X 17,0 X 3			
12	986 606 925 00	O-ring		1	
		for			
		Mass air flow meter			
-	999 650 408 40	Connector housing		1	
		HFM 996.606.124.00			
-	999 702 273 40	Grommet		1	
-	999 704 161 40	Gasket		5	
-	999 650 410 12	Bush		5	

Model: 996 98

Model life 1998>>2005

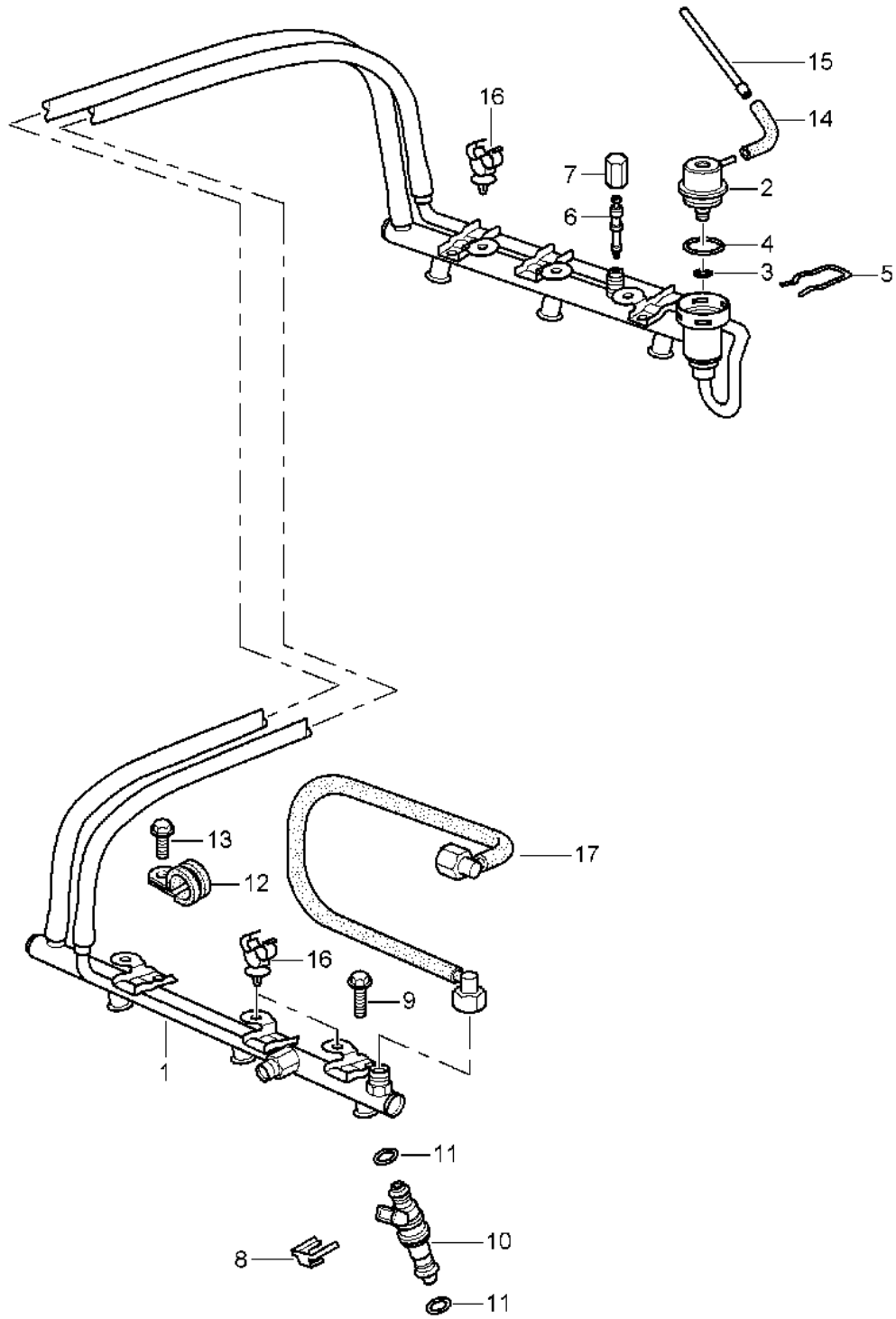


Model: 996 98 Model life 1998>>2005

Pos	Part Number	Description	Remark	Qty	Model
		Throttle body			M96.01/02/03 M96.04
1	996 110 065 52	Throttle body		1	
1	996 110 065 53	Throttle body		1	
(1)	996 605 115 01	Throttle body		1	M620
2	996 110 223 52	Bracket		1	
(2)	996 110 223 31	Bracket		1	M339
3	996 110 265 50	Securing clip		1	
4	996 110 310 50	Gasket		1	
5	996 110 965 00	Pan-head screw M 6 X 32		2	
6	900 146 150 02	Oval-head screw M 4 X 16		2	
7	996 606 160 01	Idle-speed adjuster	-01	1	
8	996 606 116 00	Throttle-valve switch		1	
9	996 110 221 57	Air guide	-00	1	
9		Air guide	01-	1	M480
(9)	996 110 221 58	Air guide	01-	1	M249
10	999 512 629 00	Hose clamp 90 - 100/9		1	
11	999 512 636 00	Hose clamp 40 - 60/9		1	
12	930 110 579 01	Bonded rubber buffer		1	
12	999 703 265 00	Bonded rubber buffer 20 X 15/M 6		1	
13	900 377 010 09	Hexagon nut M 6		1	
14	999 512 542 00	Hose clamp 80 - 100/9		1	
15	900 378 013 09	Hexagon-head bolt M 6 X 25		4	
(15)	900 378 029 09	Hexagon-head bolt M 6 X 40		4	M620
(15)	900 378 029 01	Hexagon-head bolt M 6 X 40		4	M620
16	996 110 170 50	Venturi tube	01	1	M96.04 M249
16	996 110 170 51	Venturi tube	02-	1	M96.03 M249
17	999 230 535 40	Lock		3	M249

Model: 996 98

Model life 1998>>2005



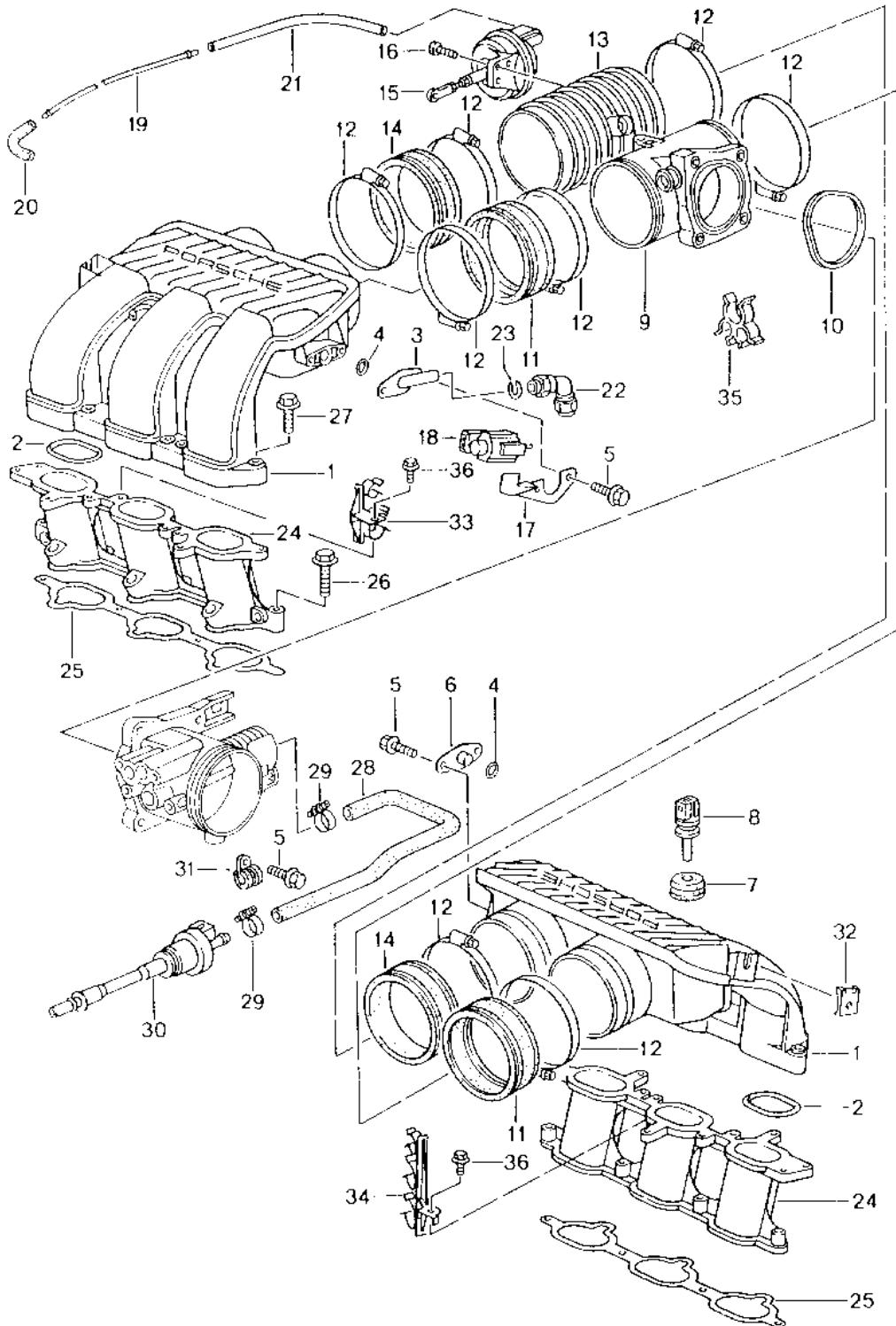
Model: 996 98

Model life 1998>>2005

Pos	Part Number	Description	Remark	Qty	Model
		Fuel collection pipe			M96.01/02/03 M96.04
1	996 110 031 56	Fuel collection pipe	-00	1	
1	996 110 931 50	Fuel collection pipe	-00	1	
(1)	996 110 031 57	Fuel collection pipe	01	1	M96.04
(1)	996 110 931 51	Fuel collection pipe	01	1	M96.04
(1)	996 110 036 55	Fuel collection pipe	02-	1	M96.03
2	993 110 199 01	Pressure regulator	-01	1	
3	999 707 276 40	O-ring 5 X 2,5		1	
4	999 707 277 40	O-ring 20 X 2,5		1	
5	993 110 196 00	Retaining clip		1	
6	993 110 217 00	Valve		1	
7	993 110 218 01	Cap		1	
8	996 110 113 52	Retaining clip		6	
9	900 378 036 09	Hexagon-head bolt M 6 X 12		4	
(10)	996 606 120 01	Injector valve		6	
(10)	996 606 122 00	Injector valve	01-	6	
11	944 110 901 01	O-ring 7,5 X 3,5		12	
12	999 511 194 02	Clamp 35 X 15		1	
13	900 378 035 01	Hexagon-head bolt M 6 X 16		1	
14	928 574 717 03	Moulded hose		1	
-	000 043 205 01	Pipe 4 X 1 420 MM		*	
15				1	
16	999 511 239 40	Cable holder 6,0 X 12		3	
17	996 110 315 55	Fuel line		1	M339

Model: 996 98

Model life 1998>>2005



Model: 996 98 Model life 1998>>2005

Pos	Part Number	Description	Remark	Qty	Model
		Intake distributor			M96.01/02/03 M96.04
1	996 110 015 55	Intake distributor		2	
1	996 110 980 40	Intake distributor		2	IX51
2	996 110 247 50	Gasket		6	
3	996 110 151 51	Adapter	-98	1	
3	996 110 151 52	Adapter	-00	1	
(3)		Adapter	01-	1	M480
(3)	996 110 151 01	Adapter	01-	1	M249
4	999 701 163 40	O-ring 11 X 2,5		2	
5	999 919 125 09	Hexagon-head bolt 6,0 X 16		5	
6	996 110 251 51	Lid		1	
7	993 110 530 00	Grommet		1	
8	996 606 113 00	Temperature sensor		1	
9	996 110 215 53	Intermediate piece		1	
9	996 110 116 00	Intermediate piece		1	M339
10	996 110 317 50	Sealing ring		1	
10	996 110 317 52	Sealing ring		1	
10	996 110 319 00	Gasket		1	M339
11	996 110 685 52	Rubber sleeve Information available		2	
12	999 512 539 00	Hose clamp 90 - 110/9		8	
12	999 512 539 01	Hose clamp 90 - 110/9		8	
13	996 110 120 53	Resonance tube		1	
14	996 110 686 50	Rubber sleeve Information available	-00	2	
(14)	996 110 686 51	Rubber sleeve Information available	01-	2	
15	993 110 462 02	Vacuum unit		1	
16	900 146 123 02	Screw M 5 X 16		2	
17	996 110 510 52	Retaining bracket		1	
-	996 110 511 50	Retaining bracket Venturi tube	01-	1	M249
18	996 605 123 01	Change-over valve		1	
18	7PP 906 270	Change-over valve		1	
-	000 043 205 01	Pipe 4 X 1 420 MM		*	
19				1	
20	928 574 717 03	Moulded hose		1	
-	000 043 204 99	Hose 3,5 X 2 148 MM 176 MM		*	
21				1	M661
(21)				1	
22	999 230 498 40	Angled pipe		1	
23	999 230 535 40	Lock		1	
24	996 110 101 52	Intake manifold		2	
(24)	996 110 983 00	Intake connection		2	IX51
25	996 110 103 50	Gasket		2	
26	900 378 174 09	Hexagon-head bolt M 6 X 35		8	
27	900 378 172 09	Hexagon-head bolt M 6 X 35		12	
27	900 385 017 01	Torx screw M 6 X 35		12	
28	996 110 127 50	Vent line		1	
(28)	996 110 127 30	Vent line		1	M339
29	999 512 554 00	Hose clamp 14 X 12		2	

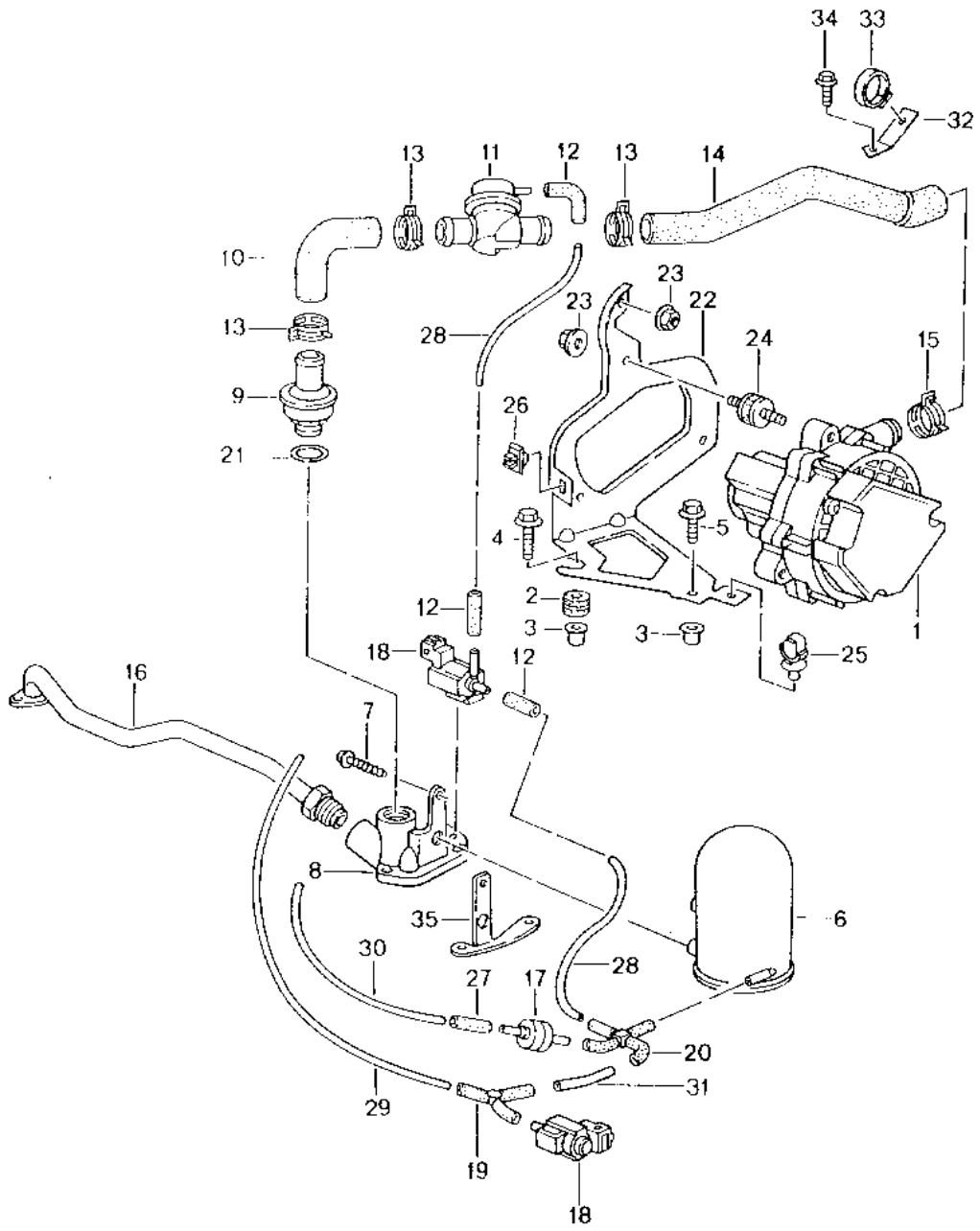
Model: 996 98

Model life 1998>>2005

Pos	Part Number	Description	Remark	Qty	Model
30	996 110 129 52	Vent line		1	
30	996 110 129 53	Vent line		1	
31	999 511 155 02	Pipe clamp 15 X 15		1	
31	999 511 155 01	Pipe clamp 15 X 15		1	
31	999 511 155 03	Pipe clamp 15 X 15		1	
32	999 507 246 02	Speed nut M 6		1	
33	996 607 107 00	Support		1	
34	996 607 108 00	Support		1	
35	996 607 109 00	Support	-01	1	
35	996 607 013 00	Support	02	1	
35	996 607 143 00	Support	03-	1	
36	900 378 163 09	Hexagon-head bolt M 6 X 16		2	

Model: 996 98

Model life 1998>>2005



Model: 996 98 Model life 1998>>2005

Pos	Part Number	Description	Remark	Qty	Model
		Air injection			M96.01/02/03 M96.04
1	996 605 103 01	Air pump	-99	1	
(1)	996 605 104 00	Air pump	00-	1	
(1)	996 605 104 01	Air pump	00-	1	
2	999 703 442 40	Rubber mounting 6,5 X 14 X 1,5		1	
3	999 500 078 00	Speed nut M 6		2	
4	900 075 333 02	Combination screw M 6 X 25		1	
4	900 075 333 01	Combination screw M 6 X 25		1	
5	900 378 035 01	Hexagon-head bolt M 6 X 16		1	
6	993 110 140 03	Vacuum tank		1	
7	999 919 115 02	Oval-head screw 5,0 X 22		1	
8	996 113 131 52	Distributor housing		1	
9	993 113 250 03	Check valve		1	
10	996 113 241 53	Hose		1	
11	993 113 245 01	Shut-off valve	-99	1	
(11)	996 113 249 01	Shut-off valve	00-	1	
12	928 574 717 03	Moulded hose		4	
13	999 512 657 09	Hose clamp 26 X 12		3	
14	996 113 239 55	Hose	-99	1	
(14)	996 113 239 56	Hose	00-	1	
15	999 512 552 00	Hose clamp 28 X 12		1	
15	999 512 552 01	Hose clamp 28 X 12		1	
16	996 113 117 55	Air tube		1	
17	964 110 950 01	Check valve		1	
17	964 110 950 02	Check valve		1	
18	996 605 123 01	Change-over valve		2	
18	7PP 906 270	Change-over valve		2	
19	928 573 727 03	Distributing piece		1	
19	928 573 727 05	Distributing piece		1	
20	928 573 729 02	Distributing piece		1	
21	900 123 011 30	Sealing ring A 22 X 27		1	
22	996 605 105 02	Support	-99	1	
(22)	996 605 124 00	Support	00-	1	
23	999 084 629 09	Hexagon nut M 6		5	
23	999 084 629 01	Hexagon nut M 6		5	
24	999 703 465 00	Bonded rubber buffer 20 X 20 M 6	-99	3	
(24)	999 703 477 40	Bonded rubber buffer 20 X 20 M 6	00-	3	
(24)	999 703 465 00	Bonded rubber buffer 20 X 20 M 6	00-	3	
25	999 511 239 40	Cable holder 6,0 - 12,0		1	
26	999 650 118 40	Clip		1	
27	999 239 040 40	Connecting piece		1	
-	000 043 205 01	Pipe 4 X 1,0		*	
28		120 MM		2	
29		420 MM		1	
30		150 MM		1	

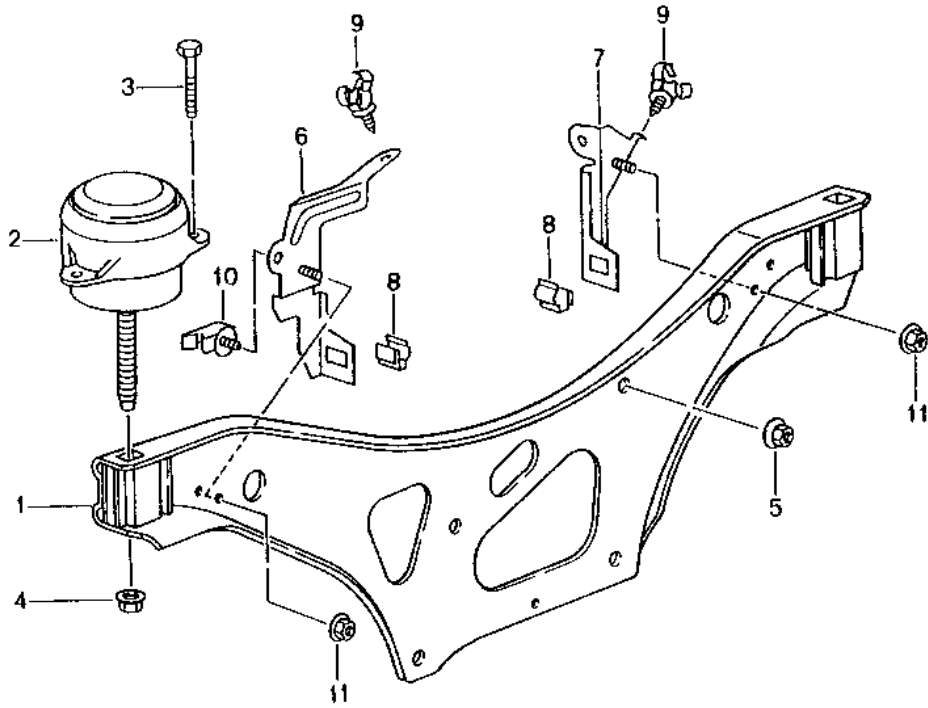
Model: 996 98

Model life 1998>>2005

Pos	Part Number	Description	Remark	Qty	Model
31		50 MM		1	
32	996 110 339 50	Retaining bracket		1	
33	999 651 319 40	Cable holder		1	
		B 27,00			
34	900 378 174 09	Hexagon-head bolt		1	
		M 6 X 35			
35	996 113 145 50	Support		1	
-	993 105 345 00	Stopper		1	M480

Model: 996 98

Model life 1998>>2005



Model: 996 98

Model life 1998>>2005

Pos	Part Number	Description	Remark	Qty	Model
		Engine suspension			M96.01/02/03 M96.04
1	996 375 011 06	Engine carrier		1	
1	996 375 011 07	Engine carrier		1	
(1)	996 375 011 08	Engine carrier	02-	1	M96.03
2	993 375 049 06	Engine mounting		2	
3	900 378 055 09	Hexagon-head bolt		4	
4	999 084 215 09	Lock nut M 12 X 1,5		2	
5	900 380 008 09	Lock nut M 10		4	
6	996 606 157 02	Support		1	
7	996 606 158 00	Support		1	
8	999 591 746 02	Cable clamp 7,0 - 9,0		2	
8	999 591 746 01	Cable clamp 7,0 - 9,0		2	
9	999 511 239 40	Cable holder 6,0 - 12,0		2	
10	999 507 511 40	Cable holder 6,0 - 8,0		1	
11	900 377 010 09	Hexagon nut M 6		2	

Model: 996 98

Model life 1998>>2005



Model: 996 98 Model life 1998>>2005

Pos	Part Number	Description	Remark	Qty	Model
		Gasket set			M96.01/02/03
		Repair kits			M96.04
>>	986 100 905 00	Gasket set Engine		1	
		Use also:			
		996 104 269 00		1	
		996 104 270 05		1	
		996 110 103 50		2	
		996 110 247 50		6	
-	996 101 361 51	Gasket		1	
-	996 101 363 50	Gasket		1	
-	999 701 789 40	O-ring 12 X 2		4	
-	996 101 331 50	Gasket		1	
-	996 101 336 50	Gasket		1	
-	900 123 147 30	Sealing ring A 27 X 32		4	
-	900 123 106 30	Sealing ring A 18 X 24		1	
-	996 113 233 50	Gasket		1	
-	996 113 213 51	Gasket		1	
-	999 113 475 40	Shaft sealing ring 40 X 62 X10		1	
-	999 113 490 40	Shaft sealing ring 85 X 105 X 11		1	
-	999 218 005 02	Pan-head screw M 6 X 16		6	
-	999 218 005 01	Pan-head screw M 6 X 16		6	
-	900 123 007 30	Sealing ring A 14 X 18		1	
-	996 105 223 52	Lid		2	
-	000 043 203 64	Assembly kit		1	
-	999 707 343 40	O-ring 25,07 X 2,62		6	
-	999 707 215 40	O-ring 27,94 X 5,33		6	
-	996 104 215 54	Lid		6	
-	999 707 391 40	O-ring 52 X 2,5		1	
-	999 707 346 40	O-ring 15 X 3		6	
-	999 707 344 40	O-ring 18,77 X 1,78		2	
-	996 107 103 51	O-ring		2	
-	996 107 261 50	Sealing ring		1	
-	996 106 316 51	Gasket		1	
-	996 106 321 50	Gasket		1	
-	900 123 144 30	Sealing ring A 10 X 13,5		1	
-	996 107 337 50	Gasket		1	
-	996 107 221 51	O-ring 95 X 2,5		2	
-	900 378 156 09	Hexagon-head bolt M 6 X 20		18	
-	999 073 316 02	Round head screw M 6 X 20		8	
-	900 385 093 01	Hexagon-head bolt		3	
-	999 707 409 40	O-ring 26 X 3		2	
-	999 707 389 40	O-ring 35 X 4		2	

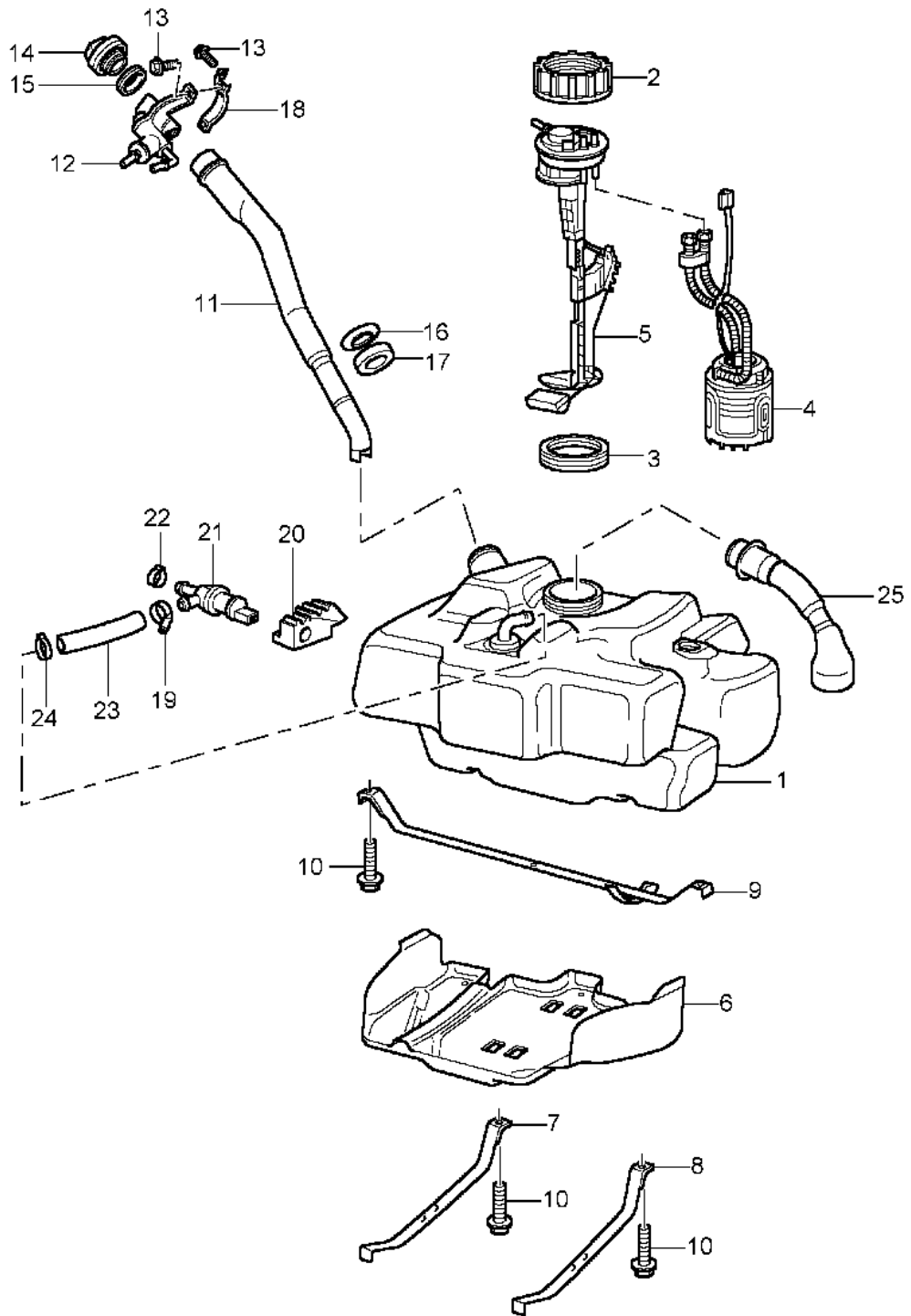
Model: 996 98

Model life 1998>>2005

Pos	Part Number	Description	Remark	Qty	Model
-	996 107 313 51	Sealing ring		1	
-	999 707 375 40	O-ring 30 X 3		1	
-	900 378 030 09	Hexagon-head bolt M 6 X 20		2	
-	999 707 369 40	O-ring 9,5 X 3,5		1	
-	999 707 348 40	O-ring 42 X 4		2	
-	996 107 122 00	Sealing ring 14 X 1,78		1	
-	999 707 154 40	O-ring 18,77 X 1,78		1	
-	996 106 340 51	Gasket		1	
-	996 106 326 50	Gasket		1	
-	996 110 247 01	Gasket		6	
-	900 378 172 09	Hexagon-head bolt AM 6 X 35		12	
-	900 385 017 01	Torx screw AM 6 X 35		12	
-	900 123 011 30	Sealing ring A 22 X 27		1	
-	996 111 107 54	Gasket		2	
-	900 378 131 00	Hexagon-head bolt M 8 X 28		12	
-	900 378 163 09	Hexagon-head bolt M 6 X 16		3	

Model: 996 98

Model life 1998>>2005



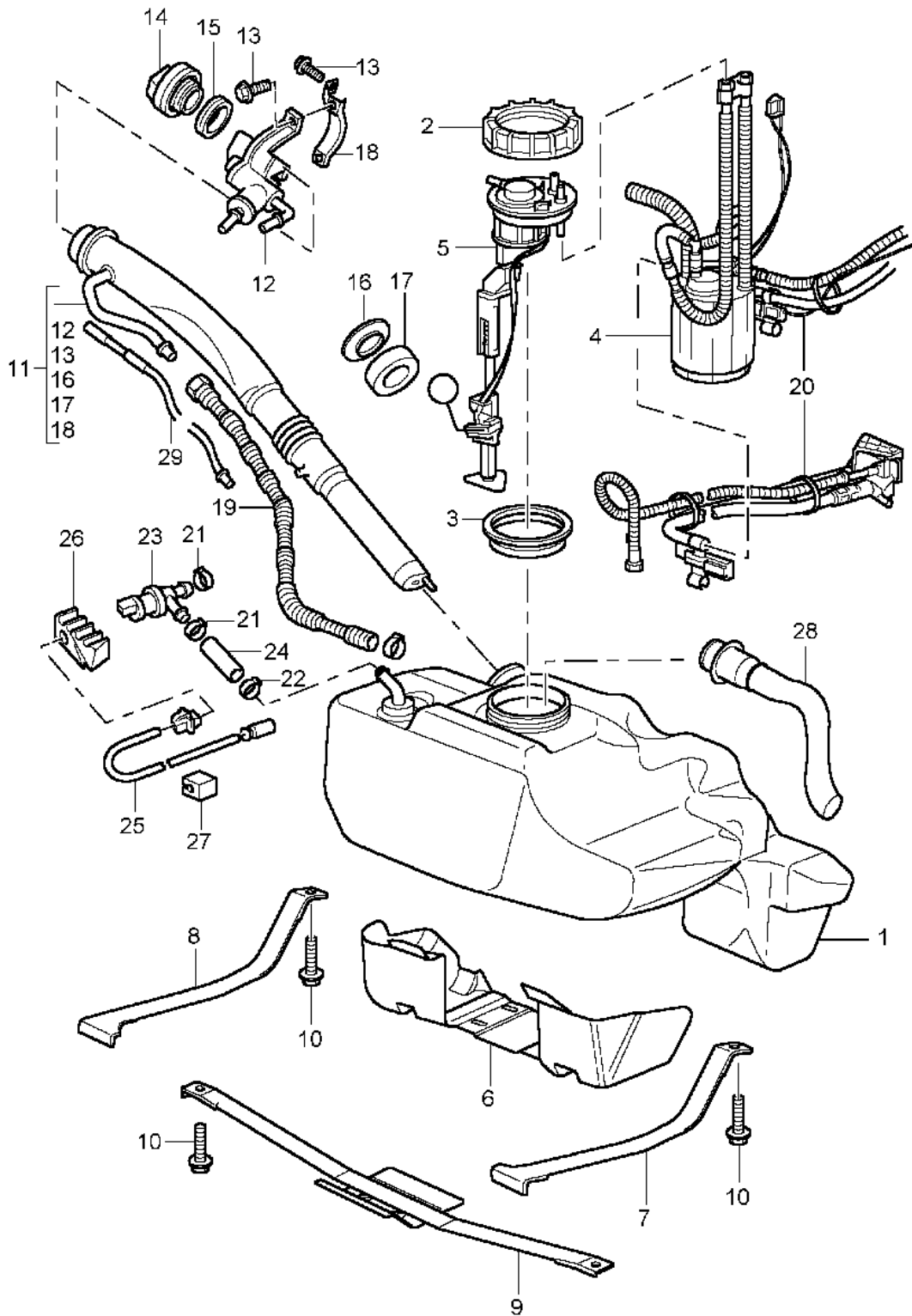
Model: 996 98

Model life 1998>>2005

Pos	Part Number	Description	Remark	Qty	Model
		Fuel tank for Targa	02-		M338
1	996 201 021 02	Fuel tank	/LL -01	1	
1	996 201 021 05	Fuel tank	/LL 02-	1	
(1)	996 201 022 02	Fuel tank	/RL -01	1	
(1)	996 201 022 03	Fuel tank	/RL 02-	1	
2	996 201 623 00	Union nut		1	
3	321 919 133	Sealing ring		1	
4	996 620 102 00	Fuel pump	-01	1	
(4)	996 620 132 00	Fuel pump	02-	1	
5	996 641 801 00	Tank gauge	-99	1	
(5)	996 620 808 00	Tank gauge	-01	1	
(5)	996 620 832 01	Tank gauge	02-	1	
6	996 201 331 00	Protective plate	/LL	1	
(6)	996 201 331 02	Protective plate	/RL	1	
7	996 201 105 02	Restraining strap		1	
8	996 201 106 02	Restraining strap		1	
9	996 201 107 02	Restraining strap	/LL	1	
9	996 201 108 00	Restraining strap	/RL	1	
10	900 075 479 09	Combination screw M 8 X 40		4	
11	996 201 043 00	Filler neck	-00	1	
11	996 201 043 09	Filler neck	01-	1	
11	996 201 043 01	Filler neck	-00	1	M150/193
11	996 201 043 10	Filler neck	01-	1	M150/193
12	996 201 143 01	Bleeder valve		1	
13	900 378 036 09	Hexagon-head bolt M 6 X 12		3	
14	996 201 241 00	Fuel tank cap	-98	1	
14	996 201 241 01	Fuel tank cap	-00	1	
(14)	996 201 241 02	Fuel tank cap with Clip	01-	1	
-	999 507 499 40	Expansion rivet		1	
15	191 201 557	Sealing ring Information available		1	
16	996 201 755 00	Support washer		1	
17	996 201 753 00	Gasket		1	
18	996 201 751 00	Support		1	
26	000 043 206 89	Additive Fuel 100 ml Behälter	CHINA	1	
26	000 043 209 02	Additive Fuel 100 ml Behälter	CHINA	1	

Model: 996 98

Model life 1998>>2005



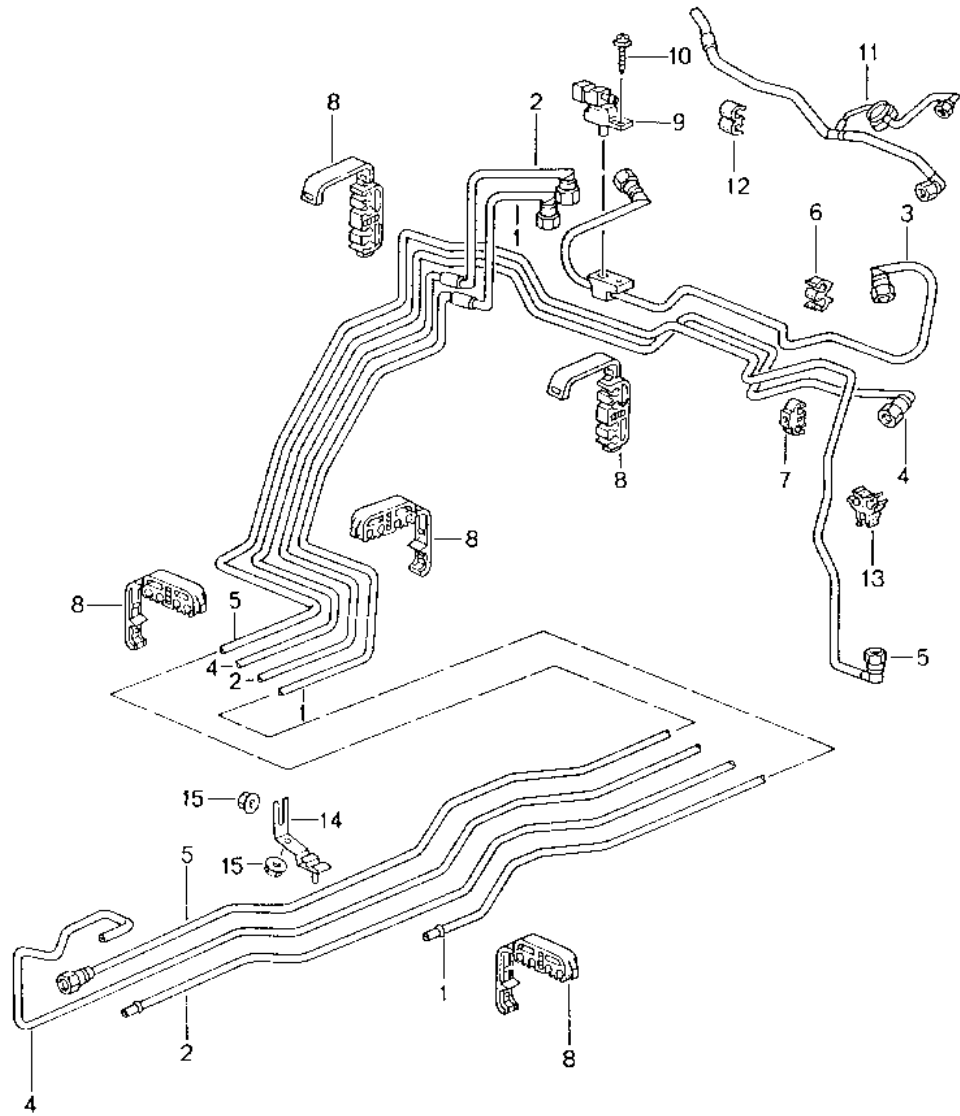
Model: 996 98

Model life 1998>>2005

Pos	Part Number	Description	Remark	Qty	Model
		Fuel tank for C4S	02-		M339
1	996 201 021 01	Fuel tank	/LL	1	
1	996 201 022 01	Fuel tank	/RL	1	
2	996 201 623 00	Union nut		1	
3	321 919 133	Sealing ring		1	
4	996 620 103 00	Fuel pump	/LL -01	1	
(4)	996 620 133 00	Fuel pump	/LL 02-	1	
4	996 620 104 00	Fuel pump	/RL -01	1	
(4)	996 620 134 00	Fuel pump	/RL 02-	1	
5	996 620 803 00	Tank gauge	/LL -01	1	
5	996 620 804 00	Tank gauge	/RL -01	1	
(5)	996 620 834 01	Tank gauge	/RL 02-	1	
(5)	996 620 833 02	Tank gauge	/LL 02-	1	
6	996 201 331 01	Protective plate	/LL	1	
(6)	996 201 331 03	Protective plate	/RL	1	
7	996 201 105 03	Restraining strap		1	
8	996 201 106 03	Restraining strap		1	
9	996 201 107 01	Restraining strap		1	
10	900 075 479 09	Combination screw M 8 X 40		4	
11	996 201 043 03	Filler neck		1	
11	996 201 043 04	Filler neck		1	M150/193
12	996 201 143 01	Bleeder valve		1	
13	900 378 036 09	Hexagon-head bolt M 6 X 12		3	
14	996 201 241 03	Fuel tank cap Information available		1	
15	191 201 557	Sealing ring Information available		1	
16	996 201 755 00	Support washer		1	
17	996 201 753 00	Gasket		1	
18	996 201 751 00	Support		1	
19	996 201 613 00	Vent line		1	
20	996 620 113 00	Venturi tube Set		1	
30	000 043 206 89	Additive Fuel 100 ml Behälter	CHINA	1	
30	000 043 209 02	Additive Fuel 100 ml Behälter	CHINA	1	

Model: 996 98

Model life 1998>>2005

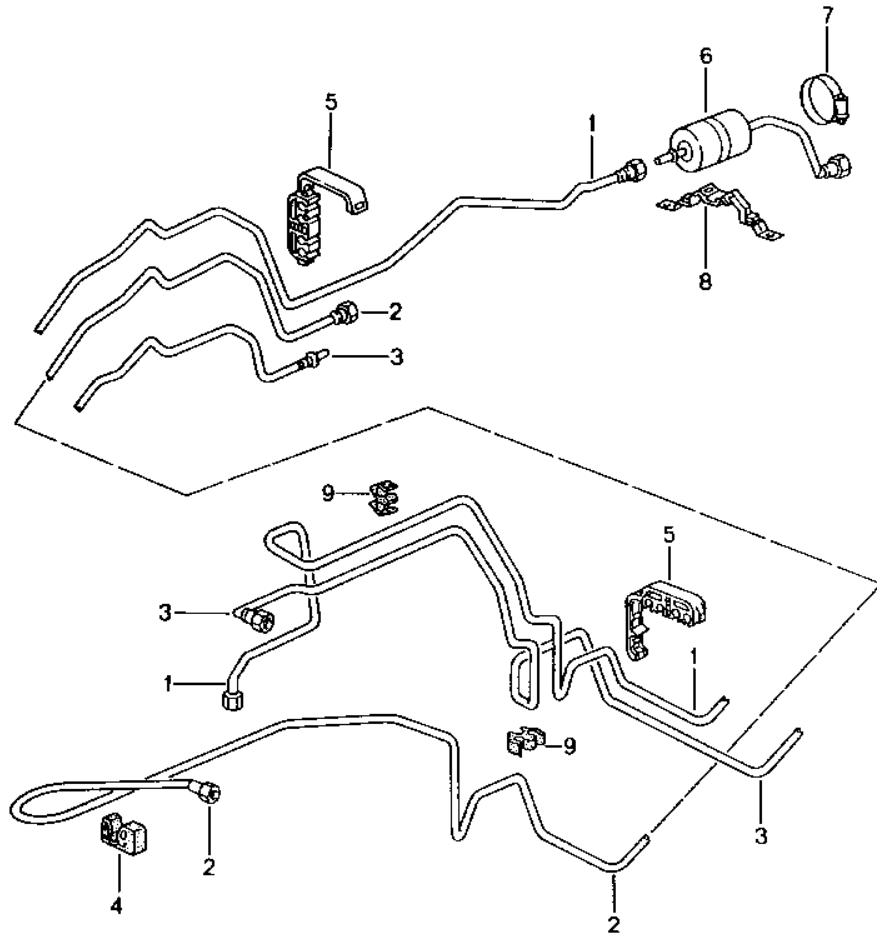


Model: 996 98 Model life 1998>>2005

Pos	Part Number	Description	Remark	Qty	Model
		Fuel system			
		Front			
1	986 201 261 01	Pressure line	-01	1	M338
1	996 201 261 02	Pressure line	02-	1	M338
1	996 201 261 01	Pressure line	-01	1	M339
1	996 201 261 03	Pressure line	02-	1	M339
2	996 201 271 00	Return line	-01	1	M338
2	996 201 271 01	Return line	-01	1	M339
2	996 201 271 03	Return line		1	M339
3	996 201 251 01	Vent line		1	M338
3	996 201 251 02	Vent line		1	M339
4	996 201 361 01	Air tube		1	
5	996 201 351 00	Air tube		1	
6	999 507 488 40	Cable holder		1	
7	999 507 487 40	Cable holder		1	
8	999 507 554 40	Cable holder		8	
14	996 201 535 00	Support		1	
15	999 049 022 40	Plastic nut		2	
		T5/22 X 10			

Model: 996 98

Model life 1998>>2005



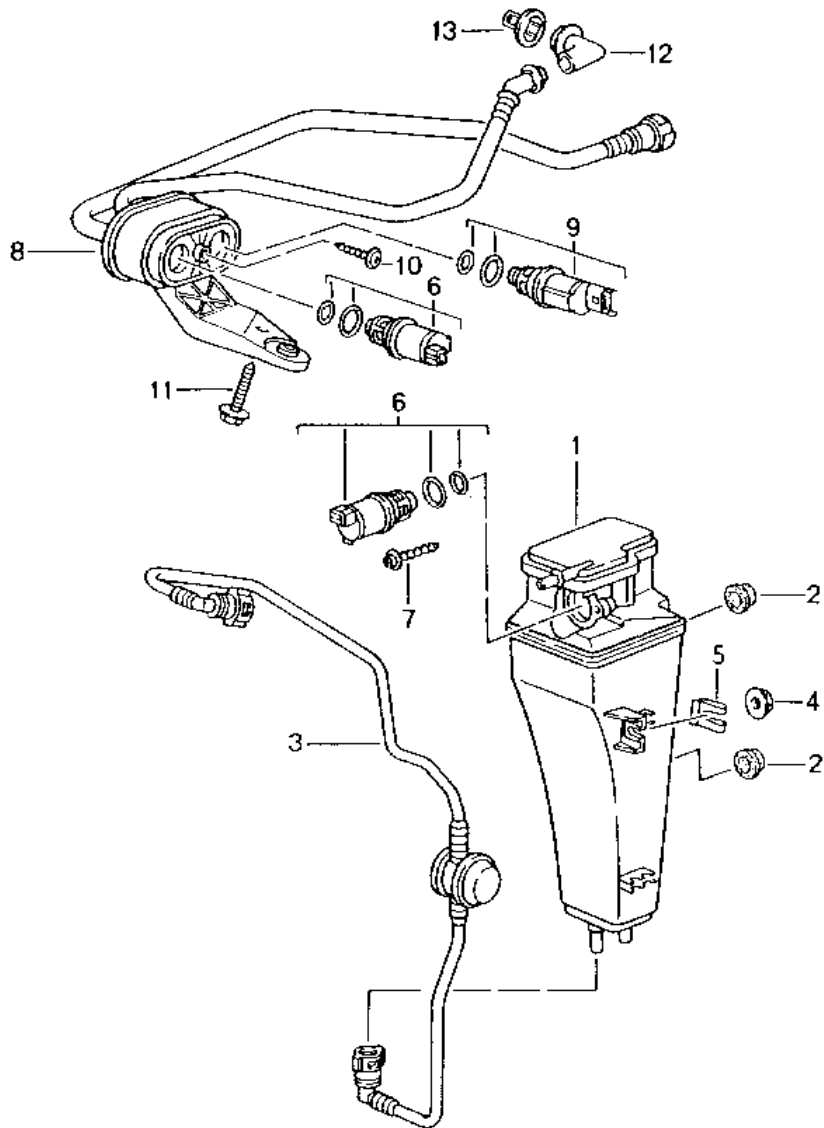
Model: 996 98

Model life 1998>>2005

Pos	Part Number	Description	Remark	Qty	Model
		Fuel system Rear			
1	996 201 265 00	Fuel line	-01	1	
1	996 201 265 05	Pressure line	02-	1	
1	996 201 265 01	Pressure line	-01	1	M339
2	996 201 275 02	Fuel line	-01	1	
2	996 201 275 04	Fuel line	-01	1	
3	996 201 355 00	Air tube	-01	1	
3	996 201 355 02	Purge-air line	02-	1	
4	999 591 922 40	Support	-01	2	
5	999 507 521 40	Cable holder		3	
6	996 110 253 01	Fuel filter	-01	1	
(6)	996 110 253 52	Fuel filter	-01	1	M339
7	999 512 635 00	Hose clamp 76 X 12	-01	1	
7	999 512 390 00	Hose clamp 60 - 80/13	-01	1	M339
8	996 504 517 00	Support	-01	1	
(8)	996 110 257 03	Support	-01	1	M339
9	999 507 488 40	Cable holder		4	
(9)	999 507 727 40	Cable holder	02-	2	

Model: 996 98

Model life 1998>>2005



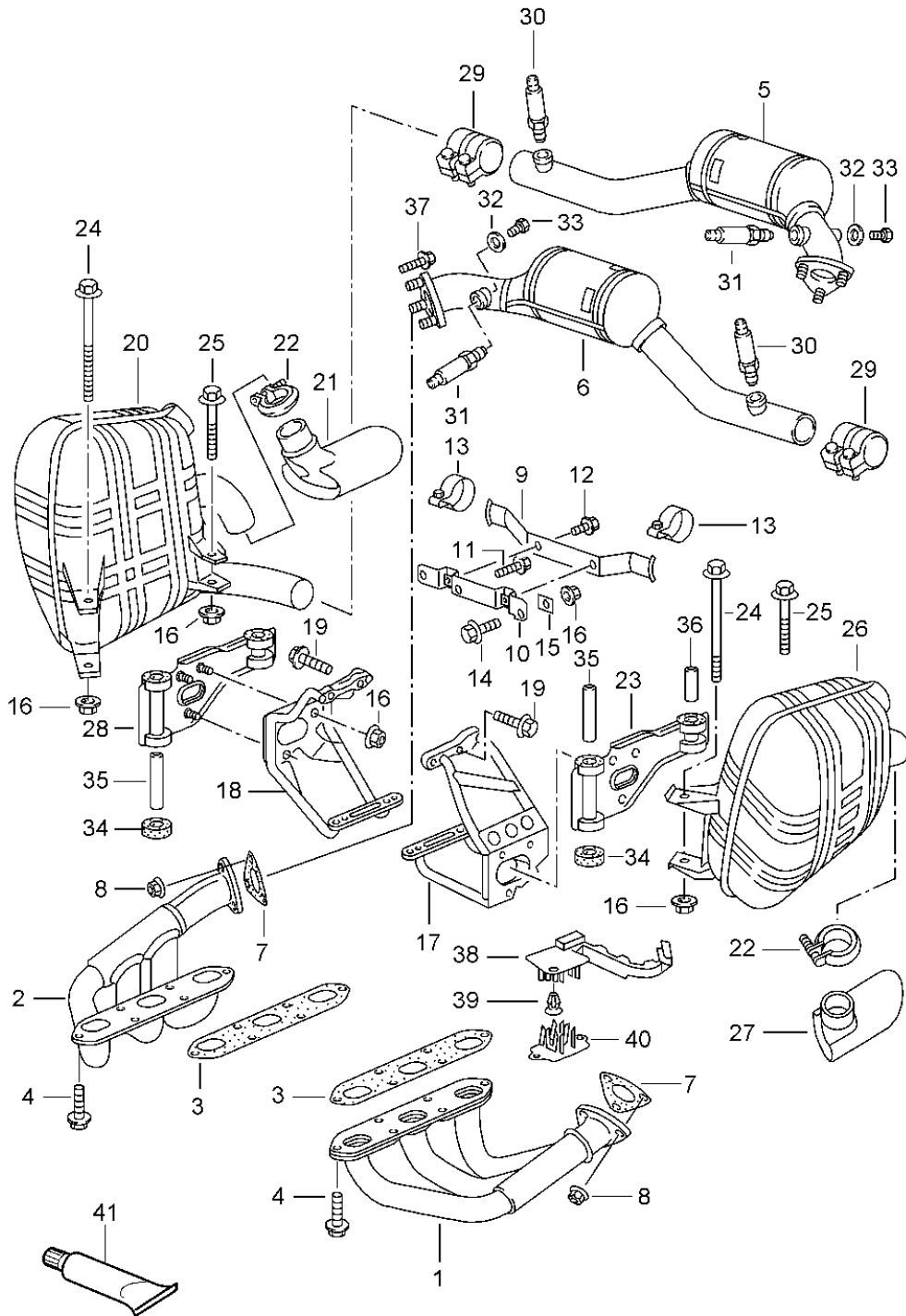
Model: 996 98

Model life 1998>>2005

Pos	Part Number	Description	Remark	Qty	Model
1	996 201 221 09	Carbon canister		1	
1	996 201 221 08	Carbon canister		1	
2	999 702 221 40	Grommet		2	
3	996 201 255 07	Vent line		1	
3	996 201 255 09	Vent line		1	
4	999 084 629 09	Hexagon nut M 6		1	
4	999 084 629 01	Hexagon nut M 6		1	
5	999 507 543 02	Clamp 2,00 - 3,00		1	
6	996 605 201 01	Shut-off valve		1	M660
7	999 919 171 07	Oval-head screw 5,0 X 20		1	M660

Model: 996 98

Model life 1998>>2005



Model: 996 98 Model life 1998>>2005

Pos	Part Number	Description	Remark	Qty	Model
		Exhaust system			M96.01/02/04
1	996 111 101 52	Exhaust manifold		1	
2	996 111 102 52	Exhaust manifold		1	
3	996 111 107 52	Gasket		2	
(3)	996 111 107 54	Gasket		2	
(3)	996 111 107 55	Gasket		2	
4	900 378 131 00	Hexagon-head bolt M 8 X 28		12	
5	996 113 021 54	Catalytic converter	-98	1	M499
5	996 113 021 57	Catalytic converter	99-	1	M499
5	996 113 021 56	Catalytic converter	01	1	M661
5	996 113 021 BX	Catalytic converter	01	1	M661
5	996 113 021 52	Catalytic converter	-98	1	
5	996 113 021 55	Catalytic converter	99-	1	
5	996 113 021 59	Catalytic converter	99-	1	
5	996 113 021 CX	Catalytic converter	99-	1	
6	996 113 022 54	Catalytic converter	-98	1	M499
6	996 113 022 57	Catalytic converter	99-	1	M499
6	996 113 022 56	Catalytic converter	01-	1	M661
6	996 113 022 BX	Catalytic converter	01-	1	M661
6	996 113 022 52	Catalytic converter	-98	1	
6	996 113 022 55	Catalytic converter	99-	1	
6	996 113 022 59	Catalytic converter	99-	1	
6	996 113 022 CX	Catalytic converter	99-	1	
7	996 111 113 50	Gasket		2	
8	999 084 052 02	Lock nut M 8		6	
9	996 113 123 52	Support		1	
10	996 113 223 50	Bracket		1	
11	900 378 188 09	Hexagon-head bolt M 6 X 20		1	
12	900 378 187 09	Hexagon-head bolt M 8 X 12		2	
13	900 165 004 00	Pipe clamp		2	
13	999 511 087 00	Pipe clamp		2	
14	900 378 022 09	Hexagon-head bolt M 8 X 25		2	
15	900 031 001 02	Washer 8,4 X 15 X 1,6		2	
15	900 031 105 01	Washer 8,4 X 15 X 1,6		2	
16	900 380 005 09	Hexagon nut M 8		12	
17	996 111 127 55	Support		1	
(17)	996 111 927 55	Support		1	
18	996 111 128 54	Support		1	
19	900 378 033 09	Hexagon-head bolt M 8 X 30		4	
19	900 378 033 01	Hexagon-head bolt M 8 X 30		4	
20	996 111 121 55	Muffler	-98	1	M480
20	996 111 121 56	Muffler	99	1	M480
20		Muffler	(J) 00-	1	M480
20	996 111 121 57	Muffler	00-	1	M480
(20)	996 111 131 54	Muffler		1	M249
21	996 111 251 54	Tail pipe	-00	1	
21	996 111 251 55	Tail pipe	01	1	
22	996 111 108 00	Clip		2	
23	996 111 227 02	Support		1	
24	900 378 183 09	Hexagon-head bolt M 8 X 140		2	
25	900 378 105 09	Hexagon-head bolt M 8 X 70		2	

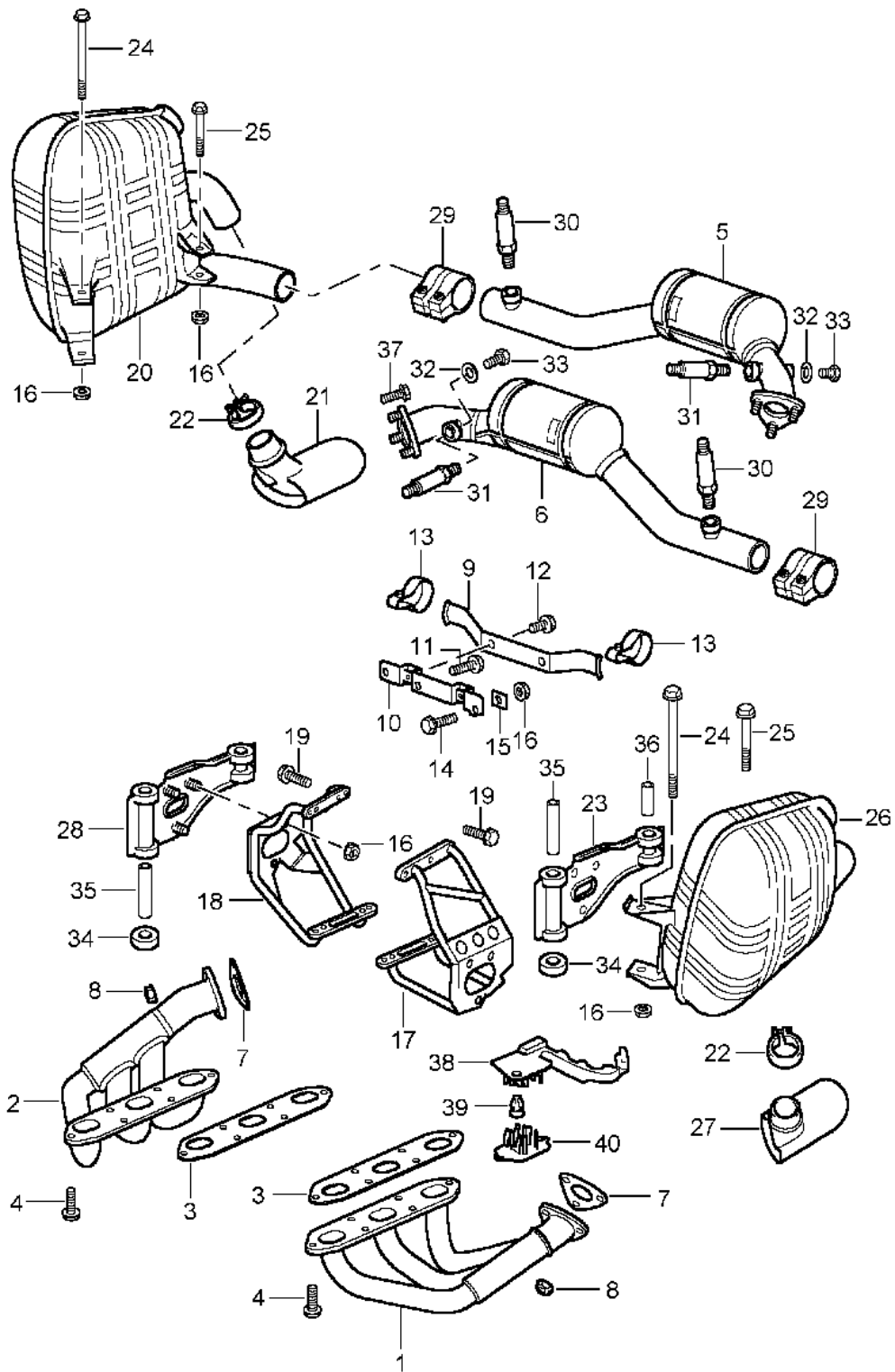
Model: 996 98

Model life 1998>>2005

Pos	Part Number	Description	Remark	Qty	Model
26	996 111 122 56	Muffler		1	M480
26		Muffler	(J) 00-	1	M480
26	996 111 122 57	Muffler	00-	1	M480
(26)	996 111 132 54	Muffler		1	M249
27	996 111 252 54	Tail pipe	-00	1	
27	996 111 252 55	Tail pipe	01	1	
28	996 111 228 02	Support		1	
29	996 111 220 01	Clamping sleeve		2	
(30)	993 606 118 01	Oxygen sensor	00-	2	M661
(30)	996 606 178 01	Oxygen sensor	02-	2	M661
31	993 606 128 01	Oxygen sensor		2	
31	996 606 168 01	Oxygen sensor	02-	2	M661
32	900 123 050 20	Sealing ring 8 X 11,5		2	
33	900 083 080 00	Hexagon-head bolt M 8 X 1 X 10		2	
34	996 111 229 01	Damping piece		8	
(34)	996 111 229 00	Damping piece		8	
35	996 111 230 00	Spacer sleeve Long		2	
36	996 111 231 00	Spacer sleeve Short		2	
37	900 074 287 02	Hexagon-head bolt M 8 X 35		6	
38	996 606 156 00	Cable guide		1	
39	999 591 941 40	Oxygen sensor Expansion rivet ST 4,2		3	
40	993 606 105 00	Support		1	
41	000 043 207 07	Oxygen sensor Grease for oxygen sensor		1	

Model: 996 98

Model life 1998>>2005



Model: 996 98 Model life 1998>>2005

Pos	Part Number	Description	Remark	Qty	Model
		Exhaust system	02-		M96.03
1	996 111 101 53	Exhaust manifold		1	
1	996 111 101 40	Exhaust manifold		1	X 51
2	996 111 102 53	Exhaust manifold		1	
2	996 111 102 40	Exhaust manifold		1	X 51
3	996 111 107 55	Gasket		2	
4	999 075 071 00	Hexagon-head bolt M 8 X 28		12	
5	996 113 021 58	Catalytic converter		1	M661
5	996 113 021 60	Catalytic converter		1	M661
5	996 113 021 DX	Catalytic converter		1	M661
5	996 113 021 55	Catalytic converter		1	
5	996 113 021 59	Catalytic converter		1	
5	996 113 021 CX	Catalytic converter		1	
6	996 113 022 58	Catalytic converter		1	M661
6	996 113 022 60	Catalytic converter		1	M661
6	996 113 022 DX	Catalytic converter		1	M661
6	996 113 022 55	Catalytic converter		1	
6	996 113 022 59	Catalytic converter		1	
6	996 113 022 CX	Catalytic converter		1	
7	996 111 113 50	Gasket		2	
8	999 084 052 02	Lock nut M 8		6	
9	996 113 123 53	Support		1	
10	996 113 223 50	Bracket		1	
11	900 378 030 09	Hexagon-head bolt M 6 X 20		1	
12	900 378 123 09	Hexagon-head bolt M 8 X 12		2	
13	999 511 087 00	Pipe clamp		2	
14	900 378 022 09	Hexagon-head bolt M 8 X 25		2	
15	900 031 001 02	Washer 8,4 X 15 X 1,6		2	
15	900 031 105 01	Washer 8,4 X 15 X 1,6		2	
16	900 380 005 09	Hexagon nut M 8		12	
17	996 111 127 58	Support	02	1	
17	996 111 127 59	Support	03-	1	
18	996 111 128 56	Support	02	1	
18	996 111 128 57	Support	03-	1	
19	900 378 033 09	Hexagon-head bolt M 8 X 30		4	
19	900 378 033 01	Hexagon-head bolt M 8 X 30		4	
20	996 111 131 57	Muffler		1	
20	996 111 985 03	Main exhaust muffler	-03	1	IXLF
20	996 111 985 04	Main exhaust muffler	04-	1	IXLF
20	996 111 131 66	Muffler		1	M 074 M114 M193/479
20	996 111 131 67	Muffler	C4S	1	M 074 M114 M193/479
20	996 111 131 63	Muffler	C4S	1	
20	996 111 985 02	Main exhaust muffler	C4S -03	1	IXLF
20	996 111 985 05	Main exhaust muffler	C4S 04-	1	IXLF
21	996 111 054 02	Tail pipe Right	02	1	
21	996 111 054 04	Tail pipe Right	03-	1	
(21)	996 111 054 03	Tail pipe	04-	1	M095

Model: 996 98 Model life 1998>>2005

Pos	Part Number	Description	Remark	Qty	Model
(21)	996 111 251 58	Right Tail pipe	C4S	1	
(21)	996 111 251 59	Right Tail pipe	C4S	1	
(21)	996 111 251 60	Right Tail pipe	C4S	1	
22	996 111 108 00	Clip		2	
23	996 111 237 02	Support		1	
24	900 378 183 09	Left Hexagon-head bolt M 8 X 140		2	
25	900 378 105 09	Hexagon-head bolt M 8 X 70		2	
26	996 111 132 57	Muffler		1	
26	996 111 984 03	Main exhaust muffler	-03	1	IXLF
26	996 111 984 04	Main exhaust muffler	04-	1	IXLF
26	996 111 132 66	Muffler		1	M 074 M114 M193/479
26	996 111 132 67	Muffler	C4S	1	M 074 M114 M193/479
26	996 111 132 63	Muffler	C4S	1	
26	996 111 984 02	Main exhaust muffler	C4S -03	1	IXLF
26	996 111 984 05	Main exhaust muffler	C4S 04-	1	IXLF
27	996 111 053 02	Tail pipe Left	02	1	
27	996 111 053 04	Tail pipe Left	03-	1	
(27)	996 111 053 03	Tail pipe Left	04-	1	M095
(27)	996 111 252 58	Tail pipe Left	C4S	1	
(27)	996 111 252 59	Tail pipe Left	C4S	1	
28	996 111 238 02	Support Right		1	
29	996 111 220 01	Clamping sleeve		2	
30	996 606 178 01	Oxygen sensor		2	M661
31	996 606 168 01	Oxygen sensor		2	
32	900 123 050 20	Sealing ring 8 X 11,5		2	
33	900 083 080 00	Hexagon-head bolt M 8 X 1 X 10		2	
37	900 074 287 02	Hexagon-head bolt M 8 X 35		6	
38	996 606 156 00	Cable guide Oxygen sensor		1	
39	999 591 941 40	Expansion rivet ST 4,2		3	
40	993 606 105 00	Support Oxygen sensor		1	
41	000 043 207 07	Grease for oxygen sensor		1	
-	996 606 157 07	Cable holder Oxygen sensor Left		1	
-	996 606 158 04	Cable holder Oxygen sensor Right		1	
-	999 651 386 02	Cable clamp		X	
-	999 651 386 01	Cable clamp		X	

Model: 996 98

Model life 1998>>2005

Pos	Part Number	Description	Remark	Qty	Model
-	996 111 351 02	Exhaust pipe Right	C4S	1	
-	996 111 352 02	Exhaust pipe Left	C4S	1	
-	900 050 023 01	Round head screw M 10 x 20 for Tail pipe		2	
-	900 910 129 02	Hexagon nut M 10		2	
-	996 111 988 01	Spacer sleeve		1	

Model: 996 98

Model life 1998>>2005



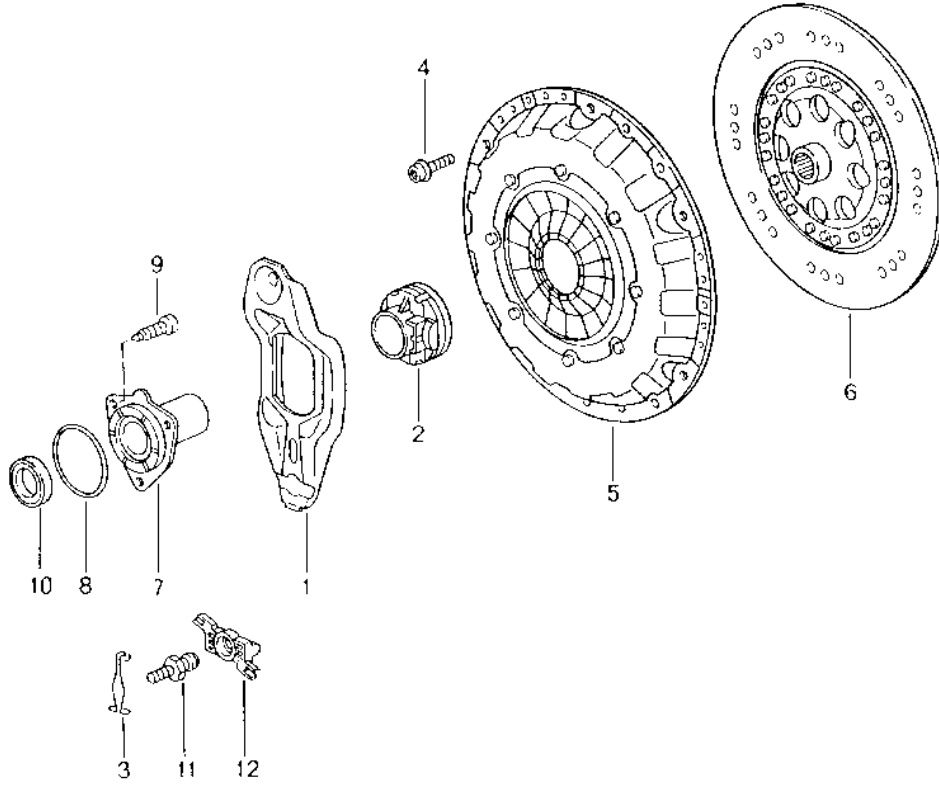
Model: 996 98

Model life 1998>>2005

Pos	Part Number	Description	Remark	Qty	Model
1	PCG 996 111 00	Assembly kit Maintenance set Repair Assembly kit Muffler Comprising:	98-05	1	
-	996 111 108 00	Clip		2	
-	996 111 220 02	Clamping sleeve		2	
-	900 378 105 01	Screw		2	
-	900 378 183 01	Screw		2	
-	900 380 005 01	Nut		4	

Model: 996 98

Model life 1998>>2005

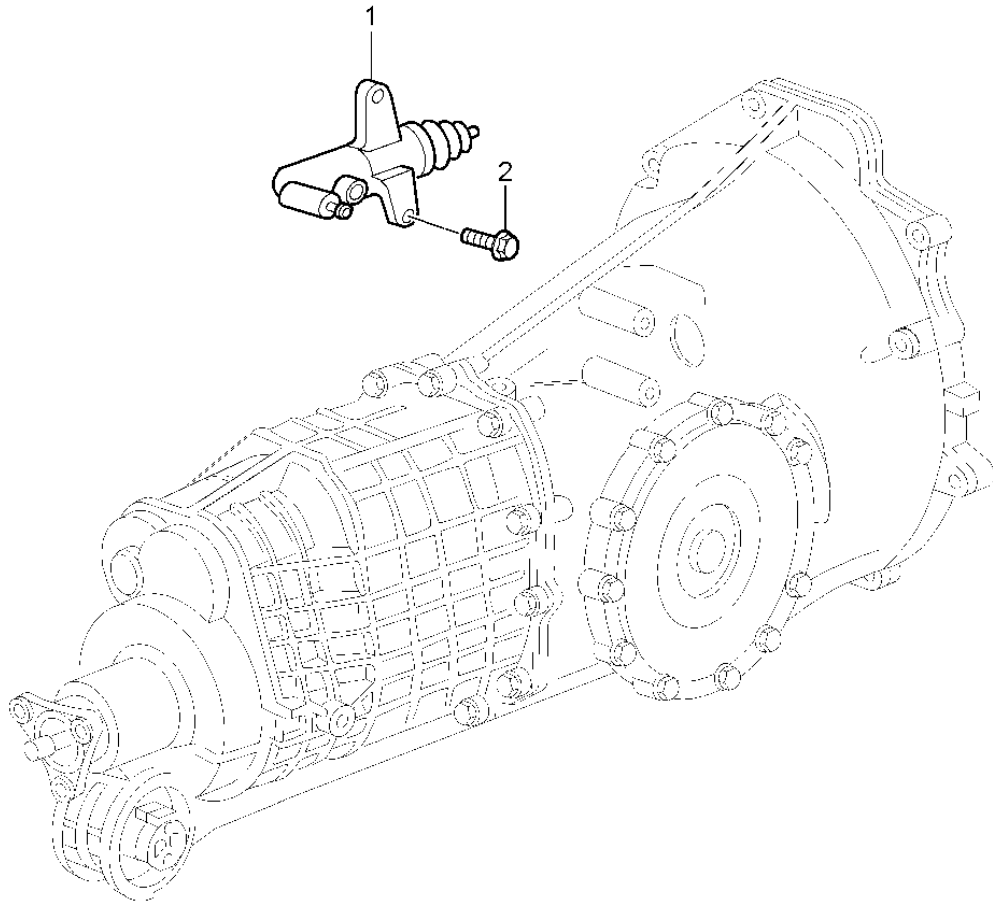


Model: 996 98 Model life 1998>>2005

Pos	Part Number	Description	Remark	Qty	Model
		Clutch	99-01		M96.01
			02-		M96.02/04
		See technical information			M96.03
		Group 3			
		NR. 7 / 00			
1	996 116 712 02	Clutch release lever		1	
2	996 116 080 03	Clutch release bearing		1	
2	996 116 080 04	Clutch release bearing		1	
3	012 141 741	Retainer spring		1	
4	900 067 131 02	Pan-head screw		6	
		M 8 X 16			
(4)	999 073 458 01	Screw		6	
		M 8 X 16			
5	996 116 027 02	Pressure plate	-01	1	
5	996 116 027 05	Pressure plate	02-	1	M96.03
5	996 116 027 06	Pressure plate	02-	1	M96.03
6	996 116 013 06	Clutch plate		1	
(6)	997 116 013 10	Clutch plate		1	
(6)	997 116 013 12	Clutch plate		1	
(6)	997 116 013 13	Clutch plate		1	
7	996 116 087 01	Guide sleeve		1	
9	N 903 663 01	Pan-head screw		2	
		M 8 X 22			
11	996 116 716 00	Ball pin	-99	1	
11	996 116 716 02	Ball pin	00-	1	
12	012 141 751 A	Intermediate piece		1	
(12)	012 141 751 B	Intermediate piece		1	
(12)	012 141 751 C	Intermediate piece		1	
-	996 116 911 00	Repair kit	-01	1	
		Complete			
		for			
		Clutch			
		Comprising:			
-	996 116 027 02	Pressure plate		1	
-	996 116 013 06	Clutch plate		1	
-	997 116 013 12	Clutch plate		1	
-	996 116 080 03	Clutch release bearing		1	
-	996 116 080 04	Clutch release bearing		1	
-	996 116 911 02	Repair kit	02-	1	
		for			
		Clutch			
		Comprising:			
-	996 116 027 06	Pressure plate		1	
-	997 116 013 10	Clutch plate		1	
-	997 116 013 12	Clutch plate		1	
-	996 116 080 04	Clutch release bearing		1	

Model: 996 98

Model life 1998>>2005

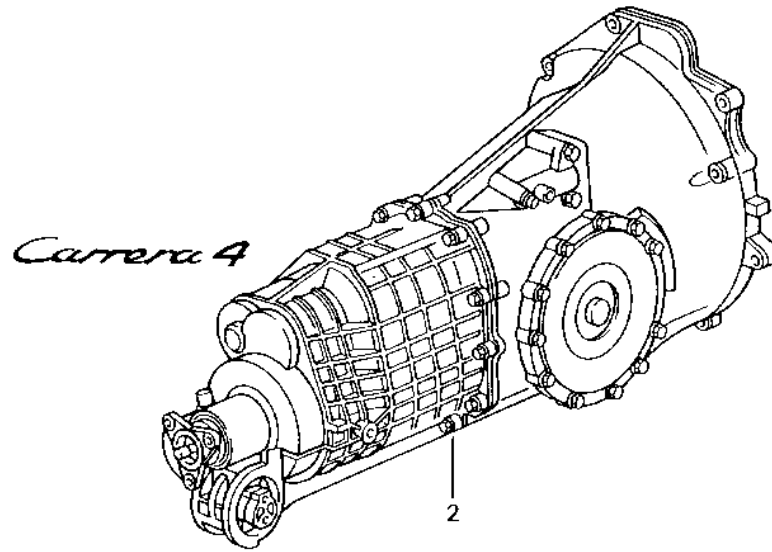
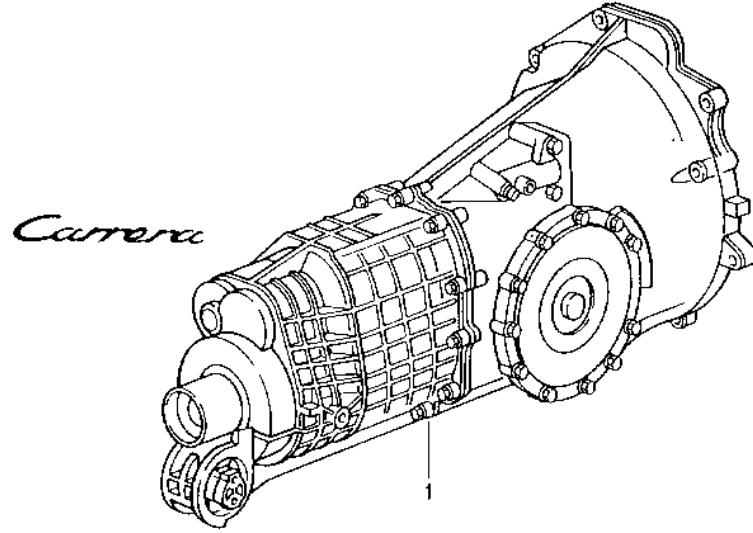


Model: 996 98 Model life 1998>>2005

Pos	Part Number	Description	Remark	Qty	Model
		Clutch release	-01		G96.00 M338
		Clutch operating cylinder	99-01		G96.30 M339
			02-		G96.01 M338
			02-		G96.31 M339
1	996 116 237 05	Clutch operating cylinder	-01	1	G96.00/30
(1)	996 116 237 06	Clutch operating cylinder	02-	1	G96.01/31
2	N 090 316 5	Combination screw M 8 X 30 Z1		2	
2	900 075 506 01	Combination screw M 8 X 30 Z1		2	

Model: 996 98

Model life 1998>>2005

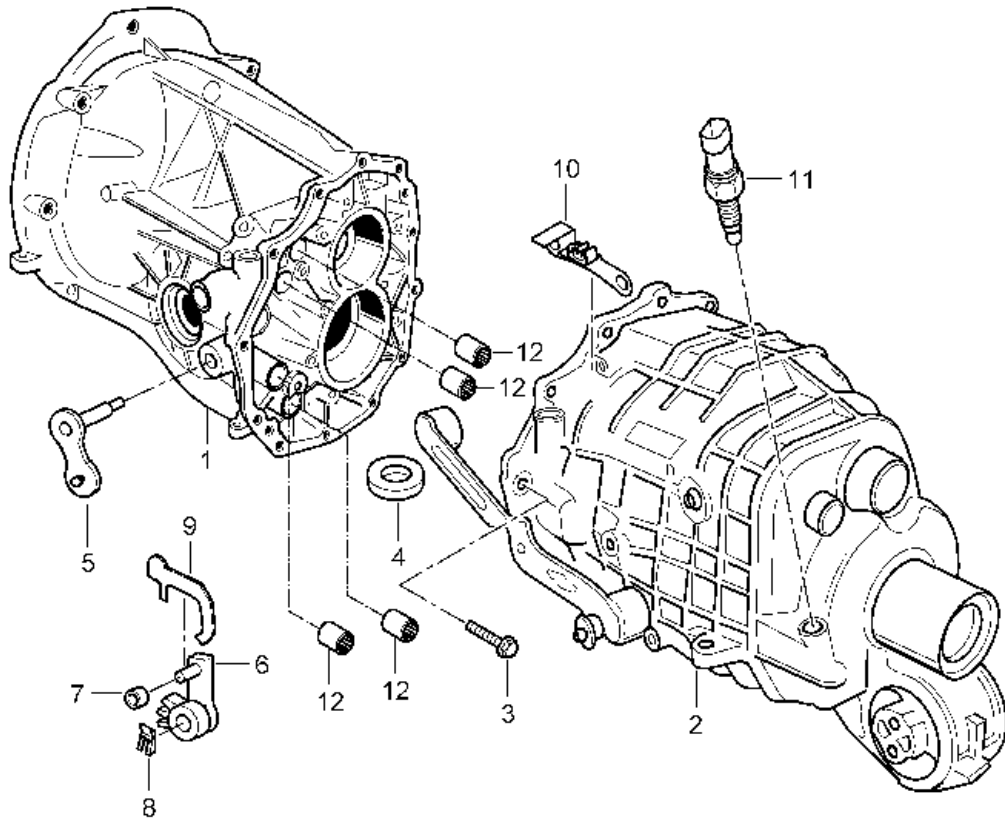


Model: 996 98 Model life 1998>>2005

Pos	Part Number	Description	Remark	Qty	Model
		Replacement transmission	-01		G96.00
			99-02		G96.30
			02-		G96.01
			02-		G96.31
		Ready for installation			
		Use also:			
		996.424.165.02		1	
		999.073.209.09		2	
1	996 300 010 01	Transmission		1	M219
1	996 300 020 00	Transmission		1	M220
		with			
		Limited-slip differential			
		22/40 %			
1	996 300 010 02	Transmission	98	1	M219
		F >>99WS6 05722			
		F >>99WS6 05672			
		Use also:			
-	996 424 041 12	Cable		1	
		Transmission control			
1	996 300 010 03	Transmission	99-01	1	M219
		F >>99WS6 05722			
		F >>99WS6 05672			
		Use also:			
-	996 424 041 12	Cable		1	
		Transmission control			
1	996 300 010 06	Transmission	02-	1	M219
1	996 300 020 01	Transmission	98	1	M220
		with			
		Limited-slip differential			
		22/40 %			
		F >>99WS6 05722			
		F >>99WS6 05672			
		Use also:			
-	996 424 041 12	Cable		1	
		Transmission control			
1	996 300 020 02	Transmission	99	1	M220
		with			
		Limited-slip differential			
		22/40 %			
		F >>99WS6 05722			
		F >>99WS6 05672			
		Use also:			
-	996 424 041 12	Cable		1	
		Transmission control			
2	996 300 010 33	Transmission	99-01	1	M339
2	996 300 010 36	Transmission	02	1	M339
2	996 300 010 37	Transmission	03-	1	M339
2	996 300 020 07	Transmission	04	1	M095/220
		with			
		Limited-slip differential			
2	996 300 020 37	Transmission	04-	1	IX75
		with			
		Limited-slip differential			
-	000 043 204 19	Transmission oil		X	
		Container			
		20 LTR.			
-	000 043 305 48	Transmission oil		X	
		Container			
		20 LTR.			

Model: 996 98

Model life 1998>>2005

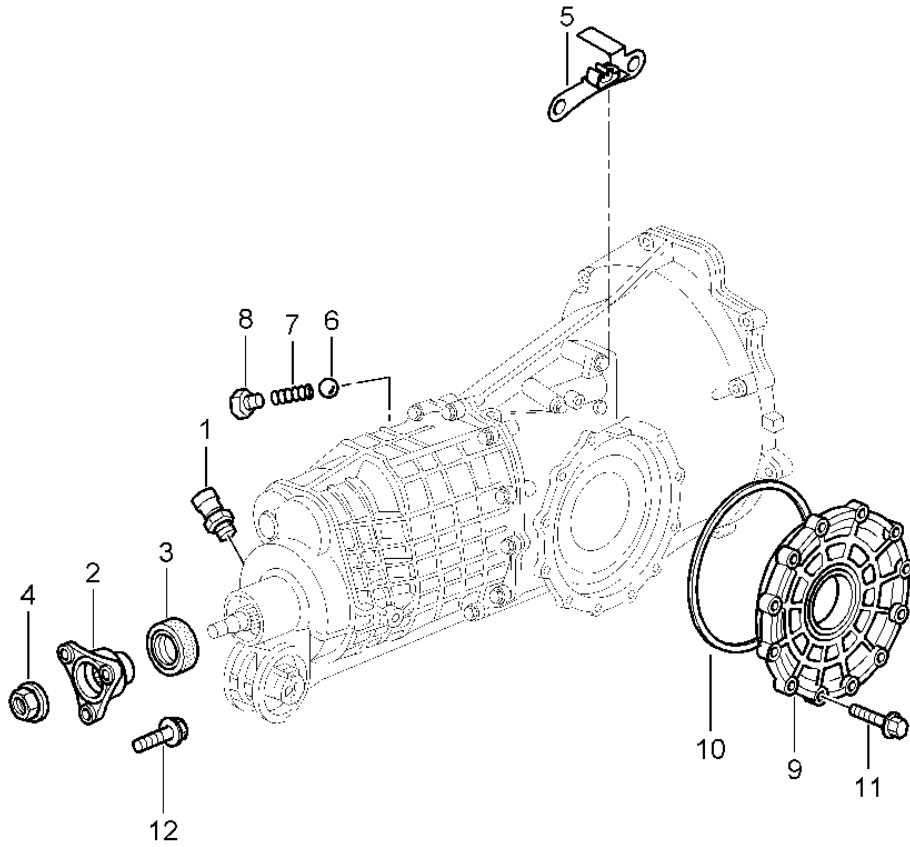


Model: 996 98 Model life 1998>>2005

Pos	Part Number	Description	Remark	Qty	Model
		Gear housing	-01		G96.00/30
		Transmission cover	02-		G96.01/31
1	996 301 020 00	Transmission case		1	G96.00/30
(1)	996 301 020 01	Transmission case		1	G96.01/31
					M219
(1)	996 301 020 02	Transmission case		1	G96.01/31
					M220
2		See illustrations 3/02/07		1	
3	996 301 317 00	Hexagon-head bolt M 8 X 35	-01	13	G96.00
4	996 301 804 00	Magnet		1	G96.01
5	996 303 055 01	Selector lever		1	
6	996 303 057 00	Pinion		1	G96.30
7	996 303 303 00	Roller 20 X 8 X 8		1	
8	996 303 383 00	Lock Rear		1	G96.31
9	996 303 053 00	Selector lever		1	
10		See illustrations 7/02/08		1	
11		See illustrations 3/02/05		1	
12	996 303 513 00	Round socket 15 X 21 X 22		4	

Model: 996 98

Model life 1998>>2005



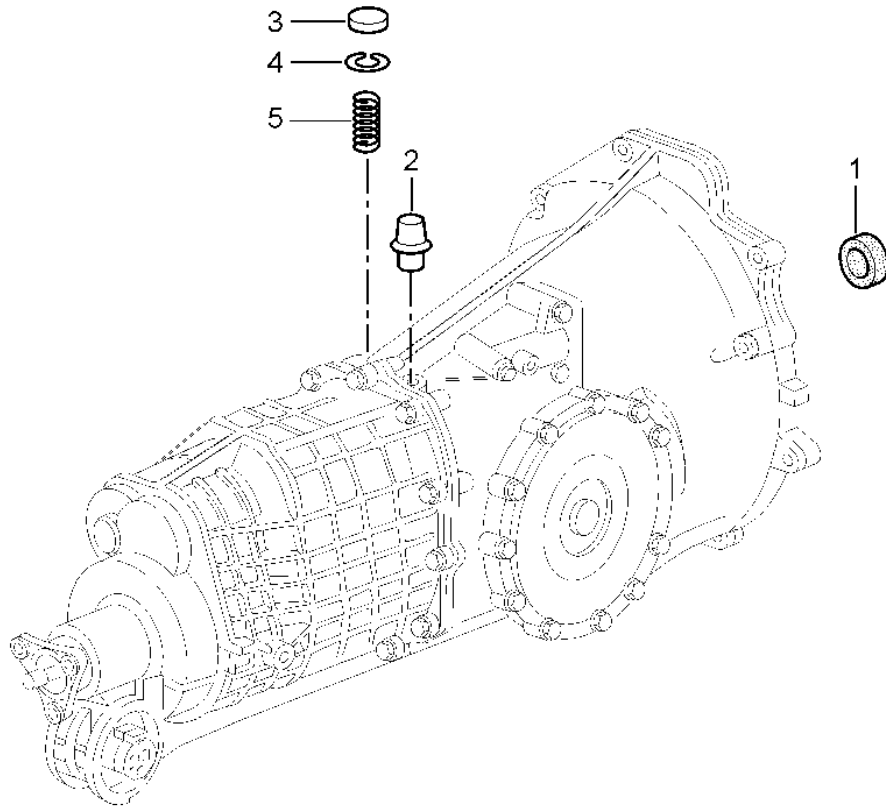
Model: 996 98

Model life 1998>>2005

Pos	Part Number	Description	Remark	Qty	Model
		Transmission	-01		G96.00 M338
			99-01		G96.30 M339
			02-		G96.01 M338
			02-		G96.31 M339
		Installed Single parts			
1	996 606 103 01	Switch		1	
2	996 302 033 00	Back-up light Flange	99-01	1	G96.30 M339
(2)	996 302 033 50	Flange		1	G96.31 M339
3	999 113 475 40	Shaft sealing ring 40 X 62 X 10	99-	1	M339
4	996 302 317 00	Collar nut	99-	1	M339
5	996 423 677 00	Support		1	
6	900 108 064 00	Ball 8		4	
7	996 303 245 00	Compression spring		4	
8	900 124 023 02	Screw plug M 10 X 1		4	
9	996 301 312 00	Transmission cover Lateral		1	
10	996 301 315 00	O-ring 190 X 3		1	
11	996 301 317 00	Hexagon-head bolt M 8 X 35		11	
12	900 378 101 09	Hexagon-head bolt M 10 X 35		3	
-	000 043 010 00	Loctite 574		1	

Model: 996 98

Model life 1998>>2005

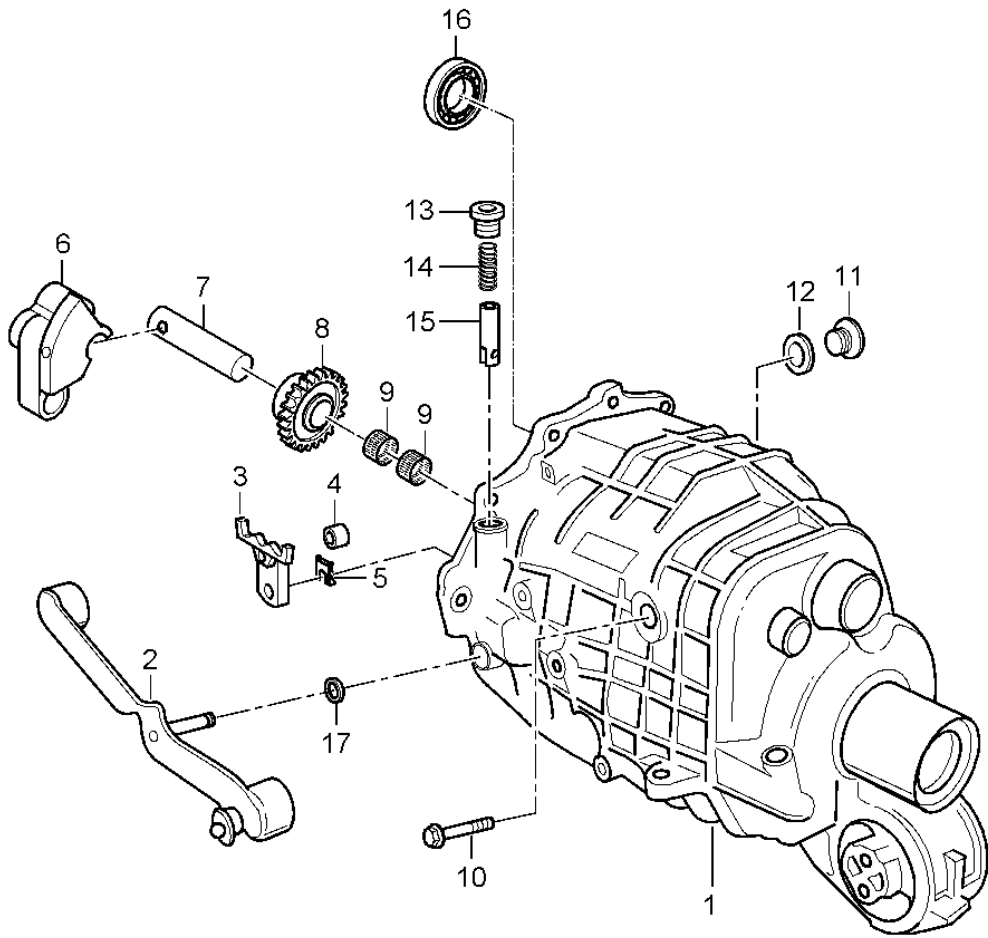


Model: 996 98 Model life 1998>>2005

Pos	Part Number	Description	Remark	Qty	Model
		Transmission	-01		G96.00 M338
			99-01		G96.30 M339
			02-		G96.01 M338
			02-		G96.31 M339
		Removed			
		Single parts			
1	996 302 131 00	Shaft sealing ring 28 X 40 X 8		1	
2	996 301 071 00	Bleeder 17 X 12 X 28,1		1	
3	996 303 257 00	Lid 20 X 4		1	
4	900 042 003 01	Circlip 20 X 1		1	
5	996 303 255 00	Compression spring		1	

Model: 996 98

Model life 1998>>2005



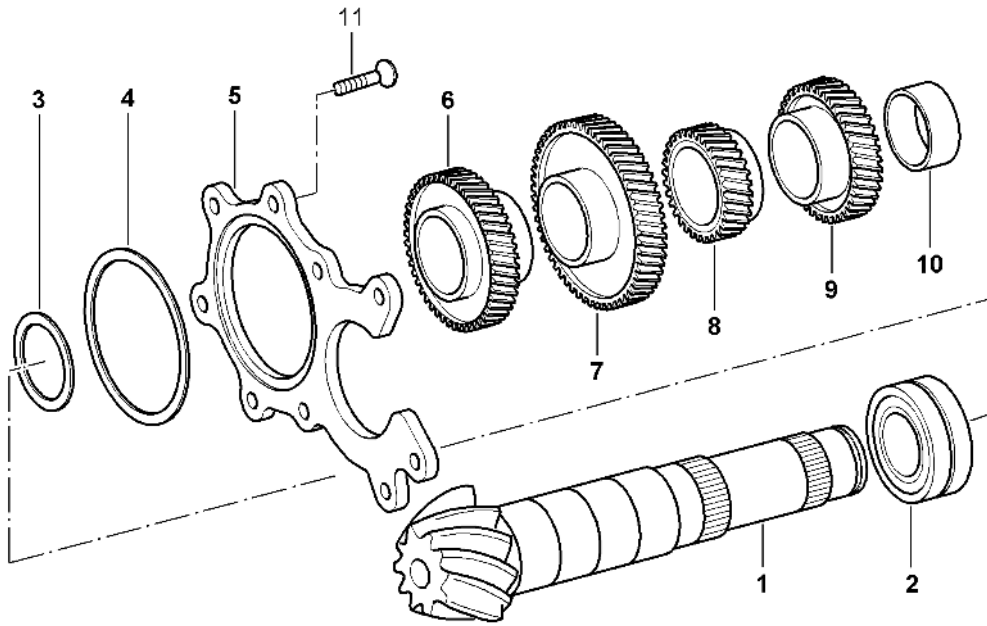
Model: 996 98

Model life 1998>>2005

Pos	Part Number	Description	Remark	Qty	Model
1	996 301 023 00	Gear housing Transmission cover Transmission case Rear	-01 02- -01	1	G96.00/30 G96.01/31 G96.00
(1)	996 301 023 01	Transmission case Rear		1	G96.01
(1)	996 301 023 30	Transmission case Rear	-01	1	G96.30
(1)	996 301 023 31	Transmission case Rear		1	G96.31
2	996 303 041 00	Gearshift lever		1	
3	996 303 033 00	Shift segment		1	
4	996 303 303 00	Roller 20 X 8 X 8		1	
5	996 303 383 00	Lock 18 X 25 X 1,10		1	
6	996 302 025 00	Segment	-01	1	G96.00/30
(6)	996 302 025 01	Segment		1	G96.01/31
7	996 302 228 00	Bolt		1	
8	996 302 226 00	Reverse idler gear		1	
9	996 302 224 00	Needle cage 20 X 26 X 17		2	
10	996 302 223 00	Hexagon-head bolt M 8 X 55		1	
11	900 219 001 02	Screw plug M 22 X 1,5		1	
12	900 123 118 30	Sealing ring A 22 X 27		1	
13	996 303 237 00	Screw plug M 18 X 1,5		1	
14	996 303 235 00	Compression spring		1	
15	996 303 035 00	Bolt		1	
16	996 301 808 00	Cylindrical-roller bearing Drive shaft 25 x 44 x 19,75		1	
17	996 303 517 01	Shaft sealing ring 15 X 21 X 7		1	
17	996 303 517 00	Shaft sealing ring 15 X 21 X 7		1	

Model: 996 98

Model life 1998>>2005



Model: 996 98 Model life 1998>>2005

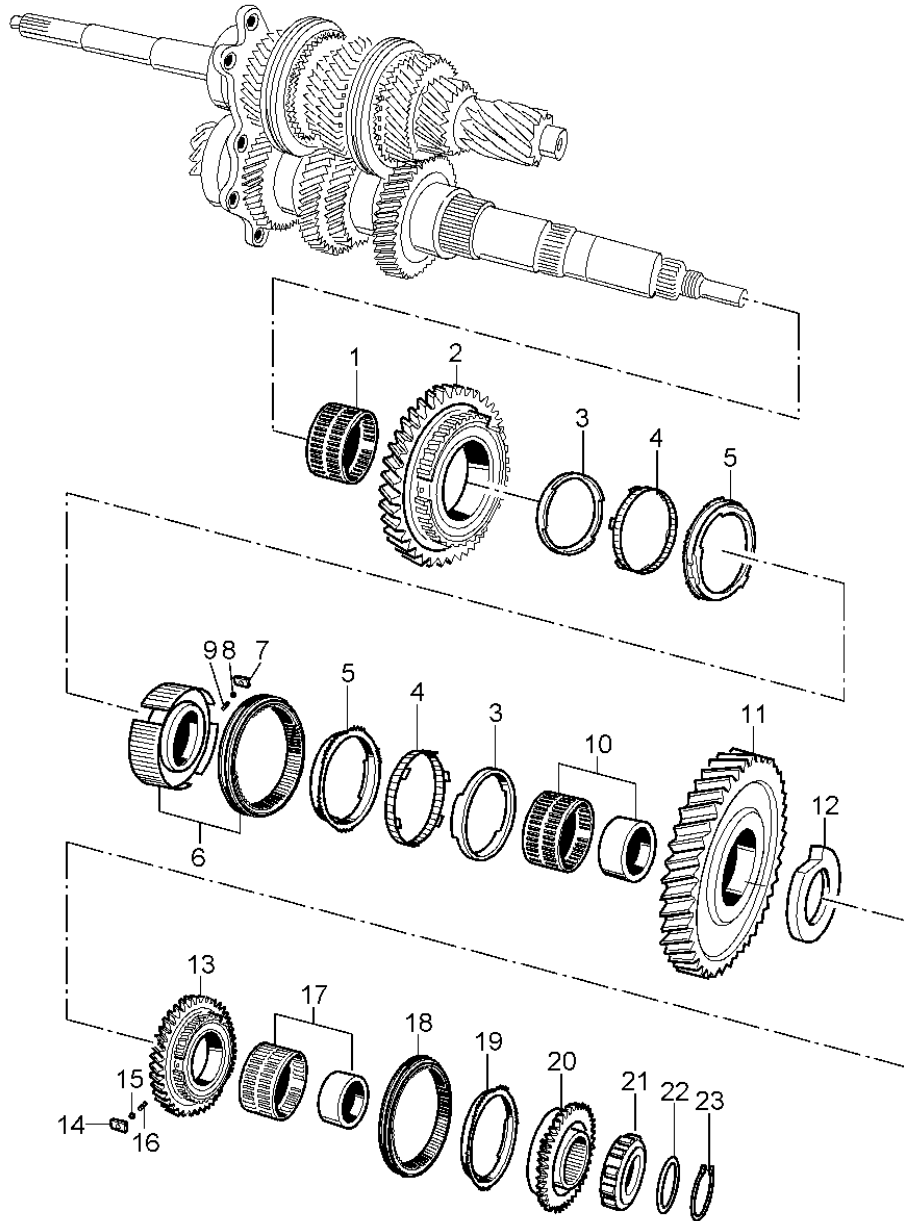
Pos	Part Number	Description	Remark	Qty	Model
		Gears and shafts	-01		G96.00/30
1		Pinion shaft See group 3/05/02	02-	1	G96.01/31
2	996 302 808 00	Angular-contact bearing		1	
3	996 302 114 00	Shim 48 X 60 X 0,50		1	
(3)	996 302 114 01	Shim 48 X 60 X 0,55		1	
(3)	996 302 114 02	Shim 48 X 60 X 0,60		1	
(3)	996 302 114 03	Shim 48 X 60 X 0,65		1	
(3)	996 302 114 04	Shim 48 X 60 X 0,70		1	
(3)	996 302 114 05	Shim 48 X 60 X 0,75		1	
(3)	996 302 114 06	Shim 48 X 60 X 0,80		1	
(3)	996 302 114 07	Shim 48 X 60 X 0,85		1	
(3)	996 302 114 08	Shim 48 X 60 X 0,90		1	
(3)	996 302 114 09	Shim 48 X 60 X 0,95		1	
4	996 302 122 00	Shim 85,5 X 93 X 0,50		1	
(4)	996 302 122 01	Shim 85,5 X 93 X 0,55		1	
(4)	996 302 122 02	Shim 85,5 X 93 X 0,60		1	
(4)	996 302 122 03	Shim 85,5 X 93 X 0,65		1	
(4)	996 302 122 04	Shim 85,5 X 93 X 0,70		1	
(4)	996 302 122 05	Shim 85,5 X 93 X 0,75		1	
(4)	996 302 122 06	Shim 85,5 X 93 X 0,80		1	
(4)	996 302 122 07	Shim 85,5 X 93 X 0,85		1	
(4)	996 302 122 08	Shim 85,5 X 93 X 0,90		1	
(4)	996 302 122 09	Shim 85,5 X 93 X 0,95		1	
(4)	996 302 122 10	Shim 85,5 X 93 X 1,00		1	
(4)	996 302 122 11	Shim 85,5 X 93 X 1,05		1	
(4)	996 302 122 12	Shim 85,5 X 93 X 1,10		X	
(4)	996 302 122 13	Shim 85,5 X 93 X 1,15		X	
(4)	996 302 122 14	Shim 85,5 X 93 X 1,20		X	
(4)	996 302 122 15	Shim 85,5 X 93 X 1,25		1	
(4)	996 302 122 16	Shim 85,5 X 93 X 1,30		1	
(4)	996 302 122 17	Shim 85,5 X 93 X 1,35		1	
(4)	996 302 122 18	Shim		1	

Model: 996 98 Model life 1998>>2005

Pos	Part Number	Description	Remark	Qty	Model
(4)	996 302 122 19	85,5 X 93 X 1,40 Shim		1	
(4)	996 302 122 20	85,5 X 93 X 1,45 Shim		1	
(4)	996 302 122 21	85,5 X 93 X 1,50 Shim		1	
(4)	996 302 122 22	85,5 X 93 X 1,55 Shim		1	
5	996 302 121 00	85,5 X 93 X 1,60 Retainer plate		1	
6	996 302 214 00	Fixed gear wheel 4th speed	-01	1	G96.00/30
(6)	996 302 214 05	Fixed gear wheel 4th speed		1	G96.01/31
7	996 302 213 00	Fixed gear wheel 3rd gear	-01	1	G96.00/30
(7)	996 302 213 05	Fixed gear wheel 3rd gear		1	G96.01/31
8	996 302 216 15	Fixed gear wheel 6th gear	-01	1	G96.00/30
(8)	996 302 216 20	Fixed gear wheel 6th gear		1	G96.01/31
9	996 302 215 00	Fixed gear wheel 5th gear	-01	1	G96.00/30
(9)	996 302 215 05	Fixed gear wheel 5th gear		1	G96.01/31
10	996 302 272 00	Inner ring		1	
11	996 302 817 00	Countersunk-head screw Mount Retainer plate		9	

Model: 996 98

Model life 1998>>2005



Model: 996 98 Model life 1998>>2005

Pos	Part Number	Description	Remark	Qty	Model
		Gears and shafts			G96.00/30 G96.01/31
(1)	996 302 815 01	Needle-roller bearing		1	
(1)	996 302 815 03	Needle-roller bearing	02-	1	G96.01/31
		Brown			
2	996 302 042 00	Loose gear wheel		1	
		2nd gear			
2	996 302 942 00	Loose gear wheel		1	
		2nd gear			
3	950 304 617 20	Ring		2	
4	996 304 613 20	Cone ring	-01	2	G96.00/30
(4)	996 304 613 21	Cone ring		2	G96.01/31
5	950 304 611 20	Synchroniser ring	98	2	
		6			
		Teeth			
(5)	996 304 611 00	Synchroniser ring	99-	2	
		7			
		Teeth			
6	996 304 061 02	Guide sleeve		1	
		1st / 2nd gear			
6	996 304 061 03	Guide sleeve		1	
		1st / 2nd gear			
7	996 304 651 00	Stone		3	
8	900 108 058 00	Ball		3	
9	996 304 661 00	Compression spring		3	
10	996 302 816 00	Needle cage		1	
11	996 302 041 00	Loose gear wheel	-01	1	G96.00/30
		1st gear			
(11)	996 302 041 05	Loose gear wheel		1	G96.01/31
		1st gear			
12	996 302 281 00	Thrust washer		1	
		1st gear			
13	996 302 094 00	Loose gear wheel		1	
		Reverse gear			
14	996 304 451 01	Stone		3	
15	900 108 058 00	Ball		3	
16	996 304 461 00	Compression spring		3	
17	996 302 816 00	Needle cage		1	
18		Shift sleeve		1	
		To			
		Use			
		996.302.094.00			
19	996 304 411 01	Synchroniser ring		1	
20	996 304 401 00	Clutch hub		1	
		Reverse gear wheel			
21	996 301 806 00	Cylindrical-roller bearing		1	
		35 X 72 X 10			
22	996 302 118 00	Shim		1	
		35 X 45 X 1,2			
(22)	996 302 118 01	Shim		1	
		35 X 45 X 1,3			
(22)	996 302 118 02	Shim		1	
		35 X 45 X 1,4			
(22)	996 302 118 03	Shim		1	
		35 X 45 X 1,5			
(22)	996 302 118 04	Shim		1	
		35 X 45 X 1,6			
(22)	996 302 118 05	Shim		1	
		35 X 45 X 1,7			
(22)	996 302 118 06	Shim		1	
		35 X 45 X 1,8			
(22)	996 302 118 07	Shim		1	
		35 X 45 X 1,9			

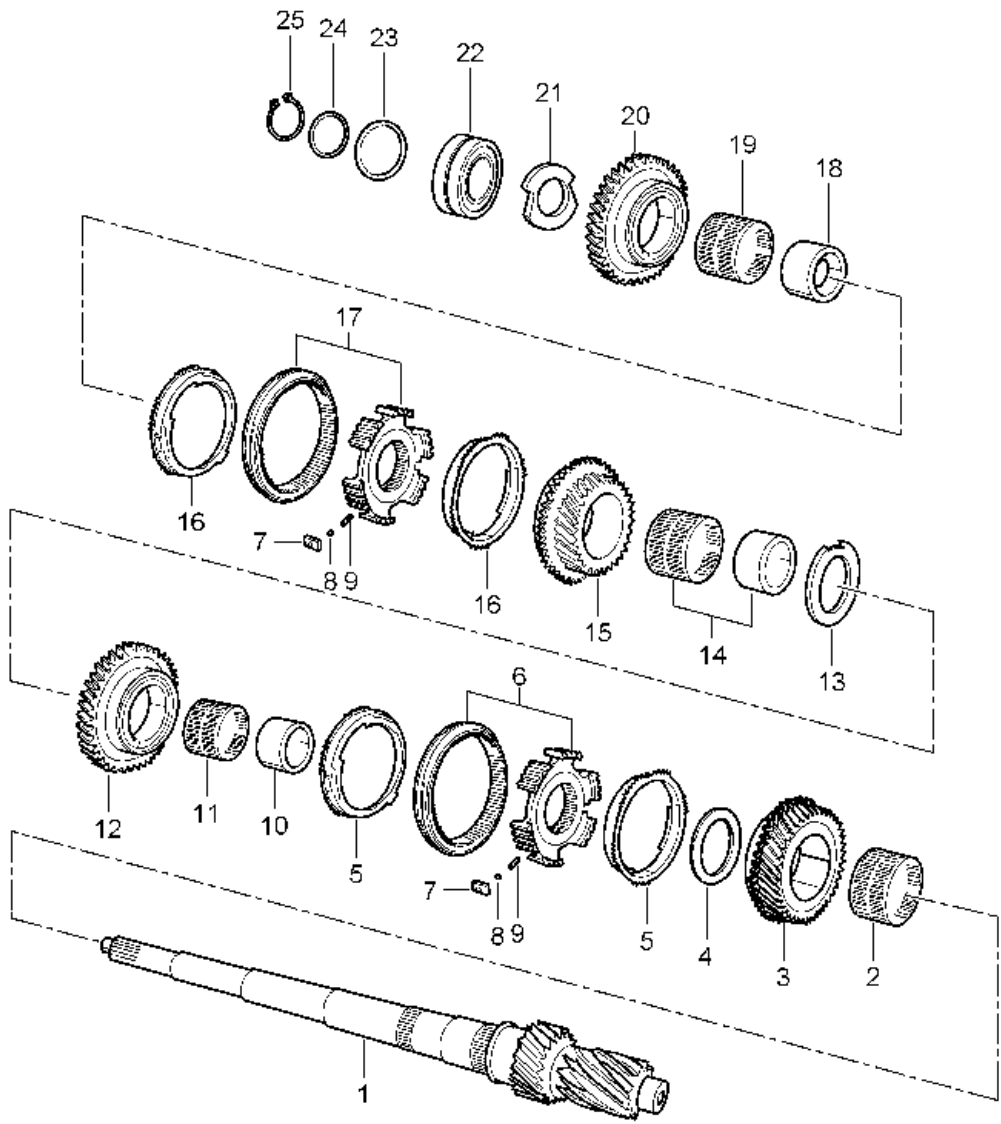
Model: 996 98

Model life 1998>>2005

Pos	Part Number	Description	Remark	Qty	Model
(22)	996 302 118 08	Shim 35 X 45 X 2,0		1	
(22)	996 302 118 09	Shim 35 X 45 X 2,1		1	
(22)	996 302 118 10	Shim 35 X 45 X 2,2		1	
(22)	996 302 118 11	Shim 35 X 45 X 2,3		1	
(22)	996 302 118 12	Shim 35 X 45 X 2,4		1	
(22)	996 302 118 13	Shim 35 X 45 X 2,5		1	
23	996 302 810 00	Circlip 35 X 2,25		1	
(23)	996 302 810 01	Circlip 35 X 2,30		1	
(23)	996 302 810 02	Circlip 35 X 2,35		1	
(23)	996 302 810 03	Circlip 35 X 2,40		1	
(23)	996 302 810 04	Circlip 35 X 2,45		1	

Model: 996 98

Model life 1998>>2005



Model: 996 98 Model life 1998>>2005

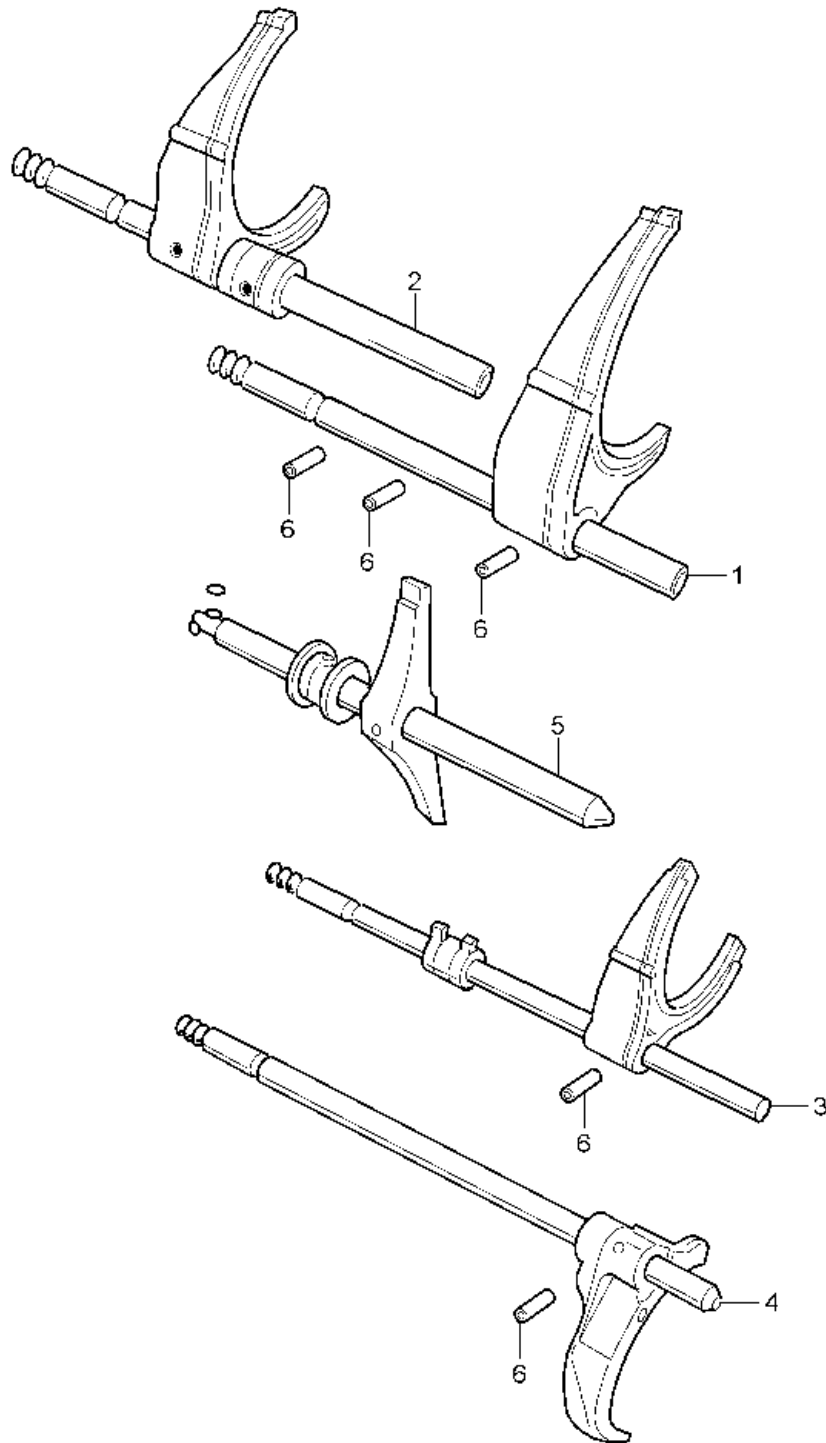
Pos	Part Number	Description	Remark	Qty	Model
		Gears and shafts	-01		G96.00/30
			02-		G96.01/31
1	996 302 101 00	Drive shaft	-01	1	G96.00/30
(1)	996 302 101 01	1st / 2nd gear Drive shaft		1	G96.01/31
2	996 302 811 00	Needle-roller bearing		1	
3	996 302 075 00	Loose gear wheel 5th gear		1	
4	996 302 295 00	Thrust washer 5th gear		1	
5	996 304 411 00	Synchroniser ring		2	
6	996 304 041 00	Guide sleeve 5th and 6th gear		1	
7	996 304 451 00	Stone		6	
8	900 108 058 00	Ball		6	
9	996 304 461 00	Compression spring		6	
10	996 302 266 00	Inner ring		1	
11	996 302 812 00	Needle-roller bearing White		1	
(11)	996 302 812 01	Needle-roller bearing Blue		1	
(11)	996 302 812 02	Needle-roller bearing Green		1	
12	996 302 076 15	Loose gear wheel 6th gear	-01	1	G96.00/30
(12)	996 302 076 20	Loose gear wheel 6th gear		1	G96.01/31
13	996 302 296 00	Thrust washer 3. + 6. Gang		1	
14	996 302 813 00	Needle-roller bearing		1	
15	996 302 073 00	Loose gear wheel 3rd gear	-01	1	G96.00/30
(15)	996 302 073 05	Loose gear wheel 3rd gear		1	G96.01/31
16	996 304 411 00	Synchroniser ring		2	
17	996 304 041 01	Guide sleeve		1	
18	996 302 264 00	Inner ring		1	
19	996 302 814 00	Needle-roller bearing White		1	
(19)	996 302 814 01	Needle-roller bearing Blue		1	
(19)	996 302 814 02	Needle-roller bearing Green		1	
20	996 302 074 00	Loose gear wheel 4th speed		1	
21	996 302 267 00	Spacer ring		1	
22	996 302 807 00	Angular-contact bearing		1	
23	996 302 124 00	Shim		1	
(23)	996 302 124 01	56 X 72 X 0,50 Shim		1	
(23)	996 302 124 02	56 X 72 X 0,55 Shim		1	
(23)	996 302 124 03	56 X 72 X 0,60 Shim		1	
24	996 302 173 00	56 X 72 X 0,65 Shim		1	
(24)	996 302 173 01	35 X 45 X 1,2 Shim		1	
(24)	996 302 173 02	35 X 45 X 1,3 Shim		1	
(24)	996 302 173 03	35 X 45 X 1,4 Shim		1	

Model: 996 98 Model life 1998>>2005

Pos	Part Number	Description	Remark	Qty	Model
(24)	996 302 173 04	35 X 45 X 1,5 Shim		1	
(24)	996 302 173 05	35 X 45 X 1,6 Shim		1	
(24)	996 302 173 06	35 X 45 X 1,7 Shim		1	
(24)	996 302 173 07	35 X 45 X 1,8 Shim		1	
(24)	996 302 173 08	35 X 45 X 1,9 Shim		1	
(24)	996 302 173 09	35 X 45 X 2,0 Shim		1	
(24)	996 302 173 10	35 X 45 X 2,1 Shim		1	
(24)	996 302 173 11	35 X 45 X 2,2 Shim		1	
(24)	996 302 173 12	35 X 45 X 2,3 Shim		1	
(24)	996 302 173 13	35 X 45 X 2,4 Shim		1	
25	996 302 810 00	35 X 45 X 2,5 Circlip		1	
(25)	996 302 810 01	35 X 2,25 Circlip		1	
(25)	996 302 810 02	35 X 2,30 Circlip		1	
(25)	996 302 810 03	35 X 2,35 Circlip		1	
(25)	996 302 810 04	35 X 2,40 Circlip		1	
		35 X 2,45 Circlip		1	

Model: 996 98

Model life 1998>>2005



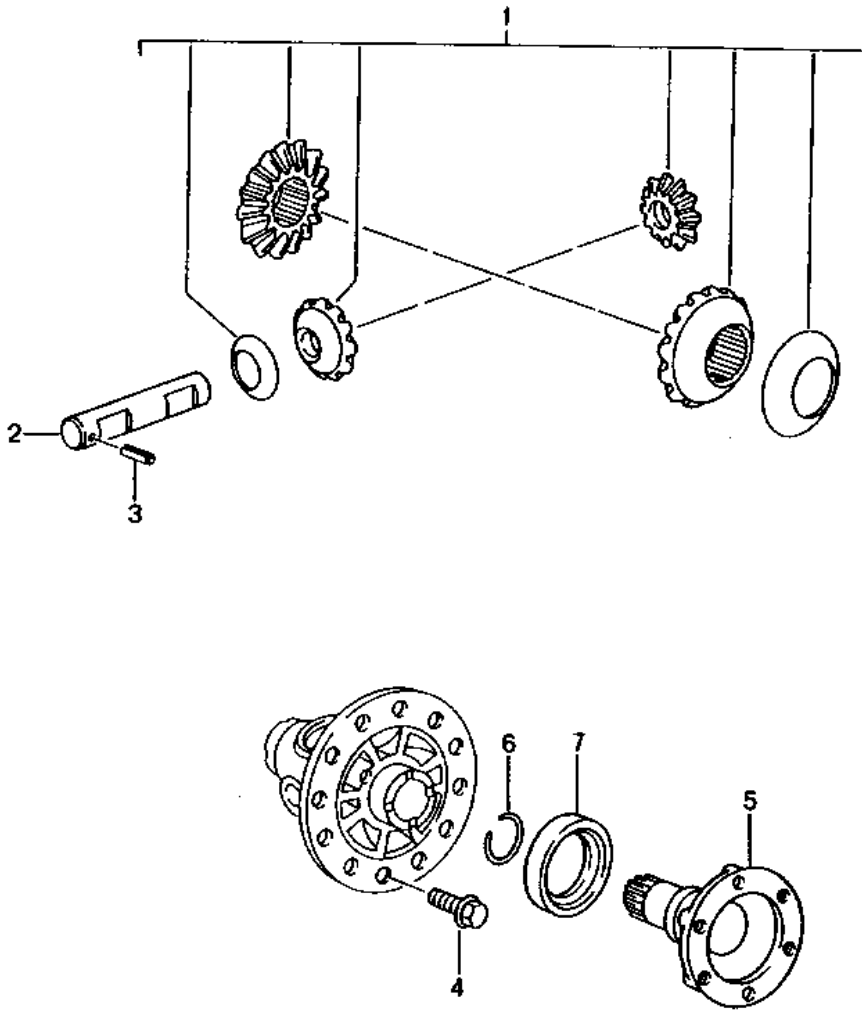
Model: 996 98

Model life 1998>>2005

Pos	Part Number	Description	Remark	Qty	Model
1	996 303 015 00	Gear shift rod Shift fork	-01 02-	1	G96.00/30 G96.01/31
2	996 303 013 00	Gear shift rod 5./6. Gang		1	
3	996 303 010 00	Gear shift rod 3./4. Gang		1	
4	996 303 016 00	Gear shift rod 1st / 2nd gear Reverse gear		1	
5	996 303 021 00	Shift rod		1	
-	996 303 403 00	Roller		4	
6	996 303 301 00	Spiral clamping pin		5	

Model: 996 98

Model life 1998>>2005

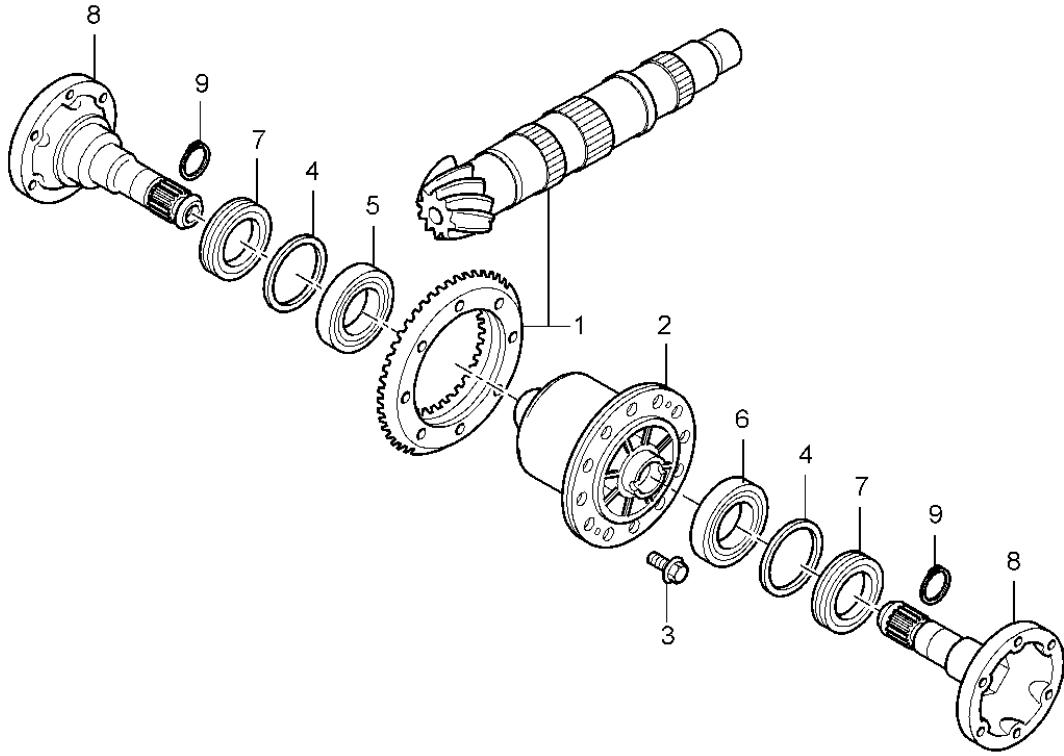


Model: 996 98 Model life 1998>>2005

Pos	Part Number	Description	Remark	Qty	Model
		Differential	-01		G96.00 M338
			99-01		G96.30 M339
			02-		G96.01 M338
			02-		G96.31 M339
1	996 332 922 00	Differential pinions 1 set		1	
2	996 332 205 00	Differential bolt		1	
3	900 309 038 01	Pin 5 X 16		1	
4	996 332 276 00	Hexagon-head bolt M 12 X 1,25 X 22,5		12	
5	996 332 209 00	Joint flange	-01	2	
(5)	996 332 209 50	Joint flange		2	
6	996 332 249 00	Circlip 35 X 2,5		2	
7	999 113 347 40	Shaft sealing ring 48 X 68 X 10		2	

Model: 996 98

Model life 1998>>2005



Model: 996 98 Model life 1998>>2005

Pos	Part Number	Description	Remark	Qty	Model
		Differential	-01		G96.00/30
		Rear axle	02-		G96.01/31
1	996 302 911 00	Gear set	-01	1	G96.00
(1)	996 302 911 01	Gear set		1	G96.01
(1)	996 302 911 30	Gear set	-01	1	G96.30
(1)	996 302 911 31	Gear set		1	G96.31
2	996 332 005 00	Differential	-01	1	G96.00/30 M219
(2)	996 332 005 55	Differential		1	G96.01/31 M219
(2)	996 332 083 01	Limited-slip differential	98	1	G96.00 M220
(2)	996 332 083 00	Limited-slip differential		1	G96.01/31 IX75/M095 M220
3	999 217 152 01	Hexagon-head bolt M 12 X 1,25		12	
4	996 332 266 50	Adjusting ring 1,50 MM		2	
(4)	996 332 266 51	Adjusting ring 1,55 MM		2	
(4)	996 332 266 52	Adjusting ring 1,60 MM		2	
(4)	996 332 266 53	Adjusting ring 1,65 MM		2	
(4)	996 332 266 54	Adjusting ring 1,70 MM		2	
(4)	996 332 266 55	Adjusting ring 1,75 MM		2	
(4)	996 332 266 56	Adjusting ring 1,80 MM		2	
(4)	996 332 266 57	Adjusting ring 1,85 MM		2	
(4)	996 332 266 58	Adjusting ring 1,90 MM		2	
(4)	996 332 266 59	Adjusting ring 1,95 MM		2	
(4)	996 332 266 60	Adjusting ring 2,00 MM		2	
(4)	996 332 266 61	Adjusting ring 2,05 MM		2	
(4)	996 332 266 62	Adjusting ring 2,10 MM		2	
(4)	996 332 266 63	Adjusting ring 2,15 MM		2	
(4)	996 332 266 64	Adjusting ring 2,20 MM		2	
(4)	996 332 266 65	Adjusting ring 2,25 MM		2	
(4)	996 332 266 66	Adjusting ring 2,30 MM		2	
(4)	996 332 266 67	Adjusting ring 2,35 MM		2	
(4)	996 332 266 68	Adjusting ring 2,40 MM		2	
(4)	996 332 266 69	Adjusting ring 2,45 MM		2	
(4)	996 332 266 70	Adjusting ring 2,50 MM		2	
(4)	996 332 266 71	Adjusting ring 2,55 MM		2	
(4)	996 332 266 72	Adjusting ring 2,60 MM		2	

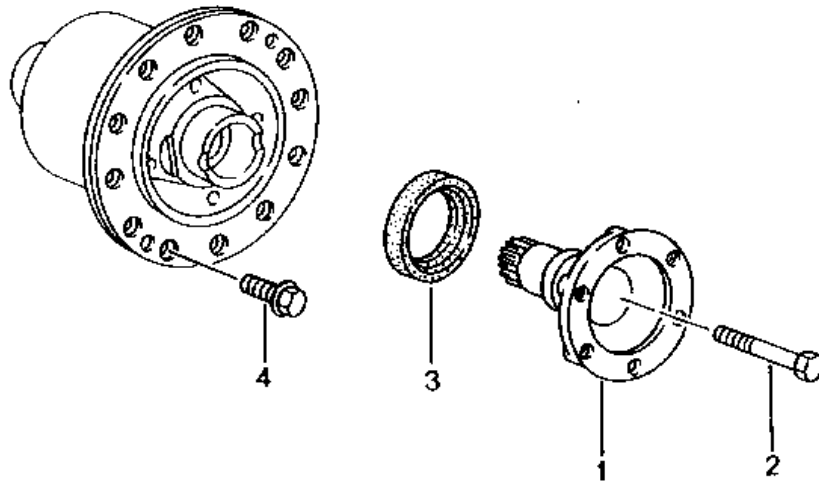
Model: 996 98

Model life 1998>>2005

Pos	Part Number	Description	Remark	Qty	Model
(4)	996 332 266 73	Adjusting ring 2,65 MM		2	
(4)	996 332 266 74	Adjusting ring 2,70 MM		2	
(4)	996 332 266 75	Adjusting ring 2,75 MM		2	
(4)	996 332 266 76	Adjusting ring 2,80 MM		2	
5	999 059 066 02	Taper roller bearing		1	
6	999 059 064 00	Taper roller bearing		1	
7	999 113 356 40	Shaft sealing ring AS 48 X 68 X 10		2	
8	996 332 209 00	Joint flange		2	
9	996 332 249 00	Circlip 35 X 2,5		2	

Model: 996 98

Model life 1998>>2005



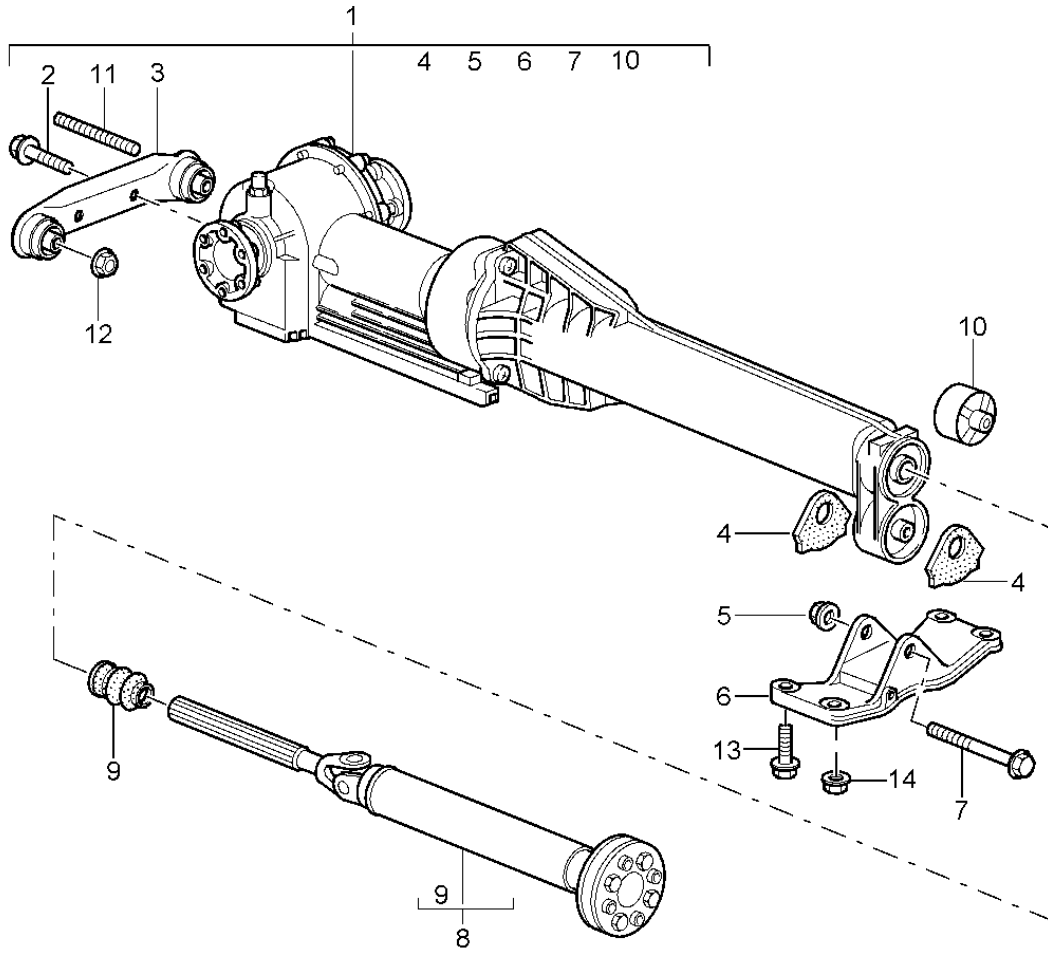
Model: 996 98

Model life 1998>>2005

Pos	Part Number	Description	Remark	Qty	Model
		Limited-slip differential	-99		G96.00/01
1	950 332 209 01	Joint flange		2	
2	N 010 472 4	Hexagon-head bolt M 10 X 85		2	
2	900 074 375 01	Hexagon-head bolt M 10 X 85		2	
3	999 113 347 40	Shaft sealing ring 48 X 68 X 10		2	
4	996 332 276 00	Hexagon-head bolt M 12 X 1,25 X 22,5		12	

Model: 996 98

Model life 1998>>2005



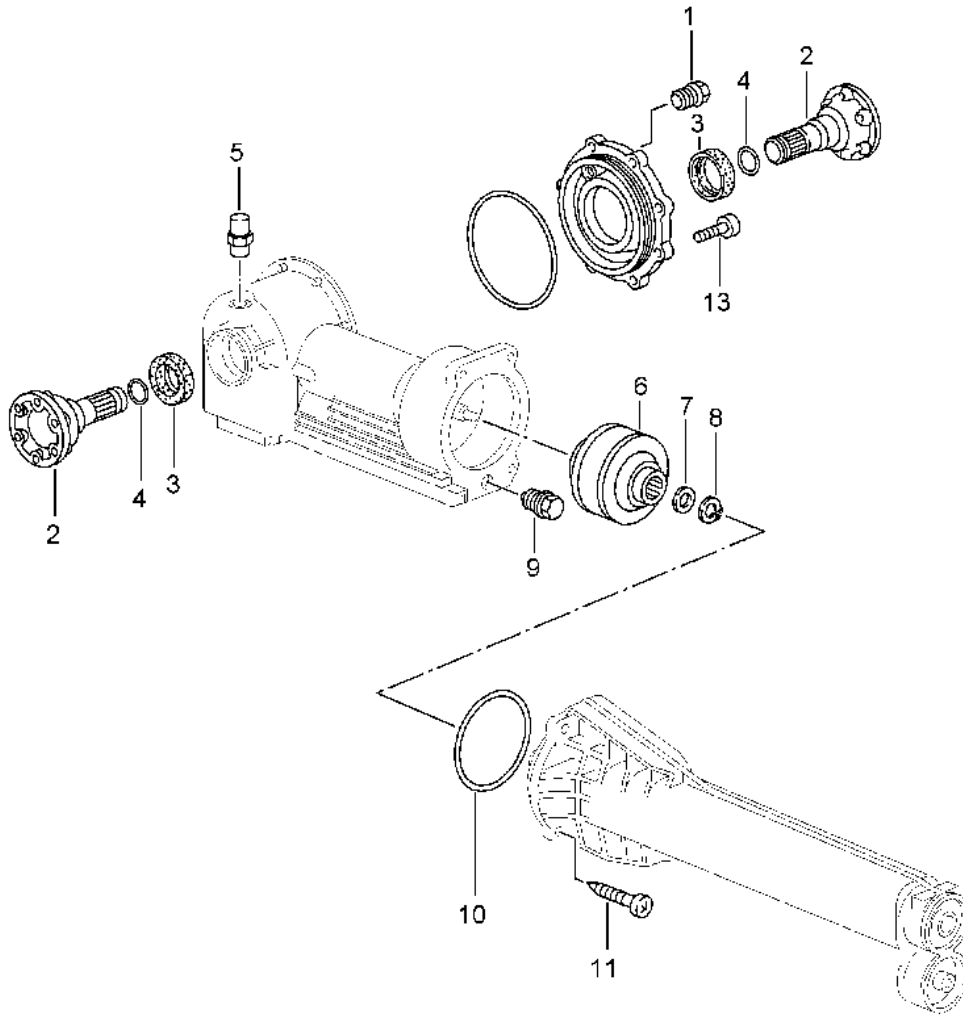
Model: 996 98

Model life 1998>>2005

Pos	Part Number	Description	Remark	Qty	Model
		Front-axle final drive	99-		A96.35 G96.30/31 M339
1	996 349 010 02	Cardan shaft Front-axle final drive Ready for installation		1	
(1)	996 349 010 03	Front-axle final drive Ready for installation		1	
2	999 072 034 09	Conical screw M 10 X 28		2	
3	996 375 034 00	Transmission carrier Front		1	
4	996 375 257 01	Stop		2	
5	900 380 008 09	Lock nut M 10		1	
6	996 375 343 03	Transmission carrier Rear		1	
7	900 378 142 09	Hexagon-head bolt M 10 X 90		1	
8	996 421 020 01	Cardan shaft	-01	1	
(8)	996 421 020 50	Cardan shaft		1	
(8)	997 421 020 00	Cardan shaft		1	
(8)	997 421 020 01	Cardan shaft	02-	1	
9	996 421 145 01	Boot		1	
-	PCG 421 020 01	Joint flange Bonded rubber mounting for Cardan shaft		1	
10	996 375 054 02	Transmission mounting Rear		1	
11	999 061 105 09	Stud M 10 X 90		2	
12	900 380 008 09	Lock nut M 10 Mount		2	
13	999 217 144 09	Front-axle final drive Cross member Combination screw M 10 X 48 Transmission carrier Floorpan Use with 99637534303		4	
13	999 217 144 01	Combination screw M 10 X 48 Transmission carrier Floorpan Use with 99637534303		4	
14	999 076 053 01	Hexagon nut M 10		2	

Model: 996 98

Model life 1998>>2005

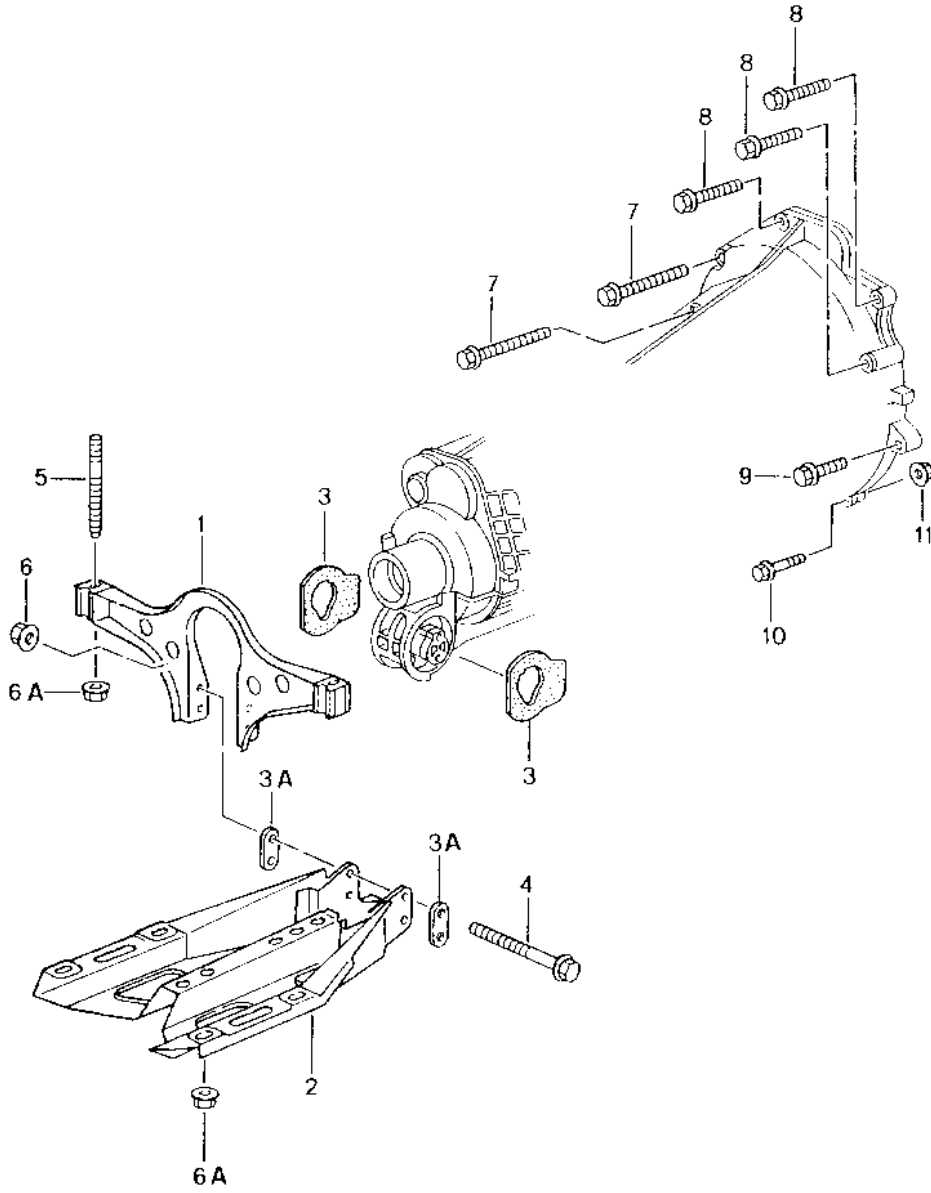


Model: 996 98 Model life 1998>>2005

Pos	Part Number	Description	Remark	Qty	Model
		Front-axle final drive	99-		G96.30/31 M339
1	N 016 161 1	Viscous clutch Single parts		1	
(1)	900 124 013 02	Screw plug M 18 X 1,5		1	
2	996 332 309 00	Screw plug M 18 X 1,5		2	
3	999 113 454 40	Joint flange		2	
(3)	999 113 454 41	Shaft sealing ring 40 X 60 X 9		2	
4	996 332 311 00	Shaft sealing ring 40 X 60 X 10		2	
5	996 301 071 00	Circlip 2,5 X 20		1	
6	996 339 021 02	Bleeder 17 X 12		1	
7	900 234 174 00	Viscous clutch Support washer		1	
8	999 041 021 01	20 X 28 X 2,0 Circlip		1	
9	900 124 025 02	20 X 1,2 Screw plug		1	
(9)	900 124 014 01	M 18 X 1,5 PM Screw plug		1	
10	999 707 455 40	M 18 X 1,5 PM O-ring		1	
11	N 903 660 01	123 X 3 Torx screw		4	
(11)	900 385 141 01	M 8 x 36 for 996.349.010.02 GETRAG 630.0.0130.00 Old version Torx screw		4	
13	N 903 660 01	M 8 X 40 for 996.349.010.03 GETRAG 630.0.0173.00 New design Torx screw		8	
-	999 701 743 40	M 8 X 36 O-ring 144,5 X 3 for Lateral		1	
-	000 043 209 23	Transmission cover Grease LIQUI MOLY PU 53 / WDR 50 GR.		X	

Model: 996 98

Model life 1998>>2005

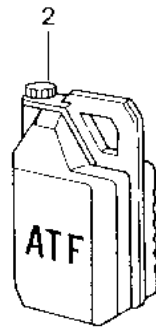
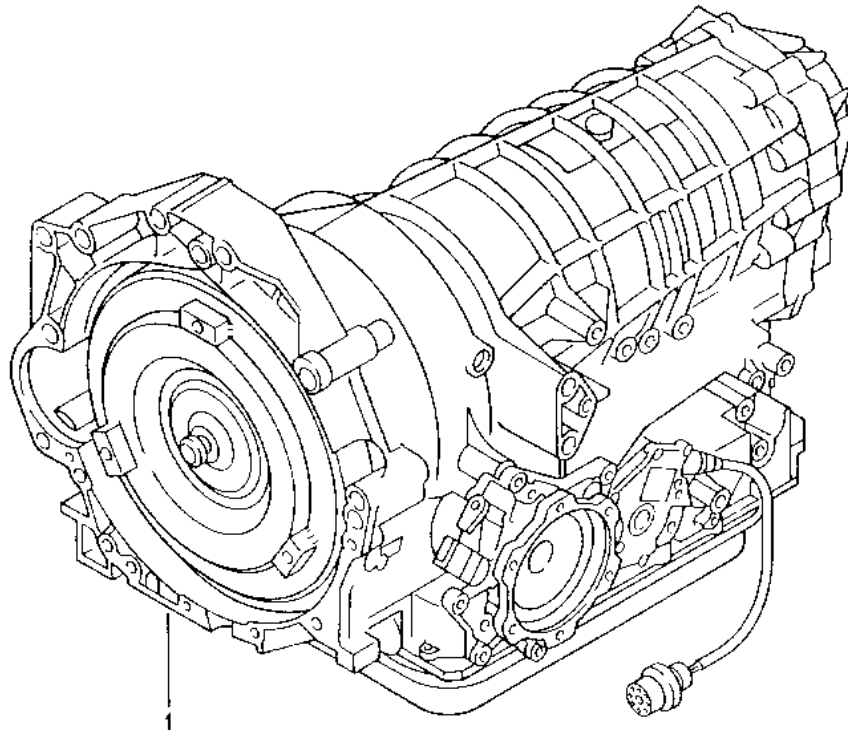


Model: 996 98 Model life 1998>>2005

Pos	Part Number	Description	Remark	Qty	Model
		Manual transmission	-01		G96.00
			99-01		M338
			02-		G96.30
			02-		M339
			02-		G96.01
			02-		M338
					G96.31
					M339
		Transmission suspension			
		Threaded joint			
		Engine			
1	996 375 039 02	Transmission carrier	-00	1	
(1)	996 375 039 03	Transmission carrier	01-	1	
2	996 375 031 07	Transmission carrier		1	-01
2	996 375 031 08	Transmission carrier		1	02-
3	996 375 255 04	Stop		2	-02
3	996 375 255 05	Stop		2	02-
3A	996 375 333 00	Packing plate		2	
4	900 378 167 09	Hexagon-head bolt M 10 X 110		2	
4	900 378 294 01	Hexagon-head bolt M 10 X 110		2	
5	999 061 106 09	Stud M 10 X 83		2	
6	900 380 008 09	Lock nut M 10		2	
(6A)	999 076 053 09	Hexagon nut M 10		6	
7	999 072 010 09	Hexagon-head bolt M 12 X 1,5 X 100		2	
7	999 072 010 01	Hexagon-head bolt M 12 X 1,5 X 100		2	
-	999 073 119 09	Pan-head screw Inner M 10 X 50		1	
8	999 072 008 09	Hexagon-head bolt M 12 X 1,5 X 70		3	
8	999 072 008 01	Hexagon-head bolt M 12 X 1,5 X 70		3	
9	900 378 061 09	Hexagon-head bolt M 12 X 1,5 X 50		1	
9	900 378 061 01	Hexagon-head bolt M 12 X 1,5 X 50		1	
10	900 378 076 09	Hexagon-head bolt M 10 X 50		1	
10	900 378 076 01	Hexagon-head bolt M 10 X 50		1	
11	900 377 011 09	Hexagon nut M 10		1	
11	900 377 011 01	Hexagon nut M 10		1	

Model: 996 98

Model life 1998>>2005

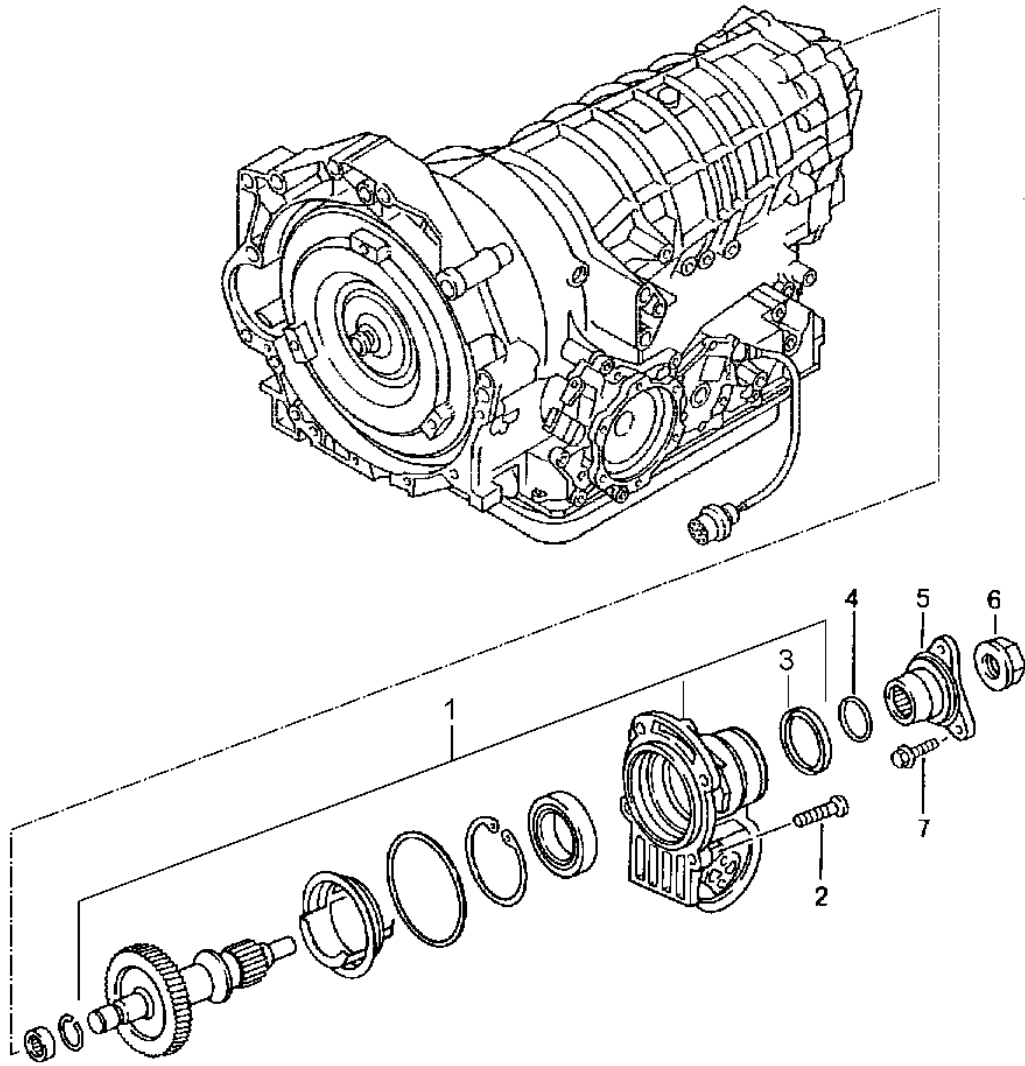


Model: 996 98 Model life 1998>>2005

Pos	Part Number	Description	Remark	Qty	Model
		Tiptronic	-01		A96.00
			99-01		M338
		Replacement transmission			A96.30
		Not			M339
		Ready for installation			
1	996 300 911 00	Transmission	98	1	M338
(1)	996 300 011 00	Transmission	98	1	M338
(1)	996 300 011 02	Transmission	99-00	1	M338
		F >>99XS6 00762			
		F >>99XS6 23794			
		F >>99XS6 40394			
		F >>99XS6 52188			
		Use also:			
		996.618.114.02			
(1)	996 300 011 03	Transmission	01	1	M338
(1)	996 300 011 30	Transmission	99-	1	M339
		F >>991S6 00606			
		F >>991S6 40456			
		F >>991S6 00987			
		F >>991S6 40767			
(1)	996 300 011 33	Transmission		1	M339
		F 991S6 00607>>			
		F 991S6 40457>>			
		F 991S6 00988>>			
		F 991S6 40768>>			
		Use also:			
		996.426.380.50		1	
2	000 043 205 09	Transmission oil		X	
		ATF			
		20 LTR.			
		Container			
3	999 917 546 00	Transmission oil		X	
		75 W 90			
		1 LTR.			
		Container			

Model: 996 98

Model life 1998>>2005



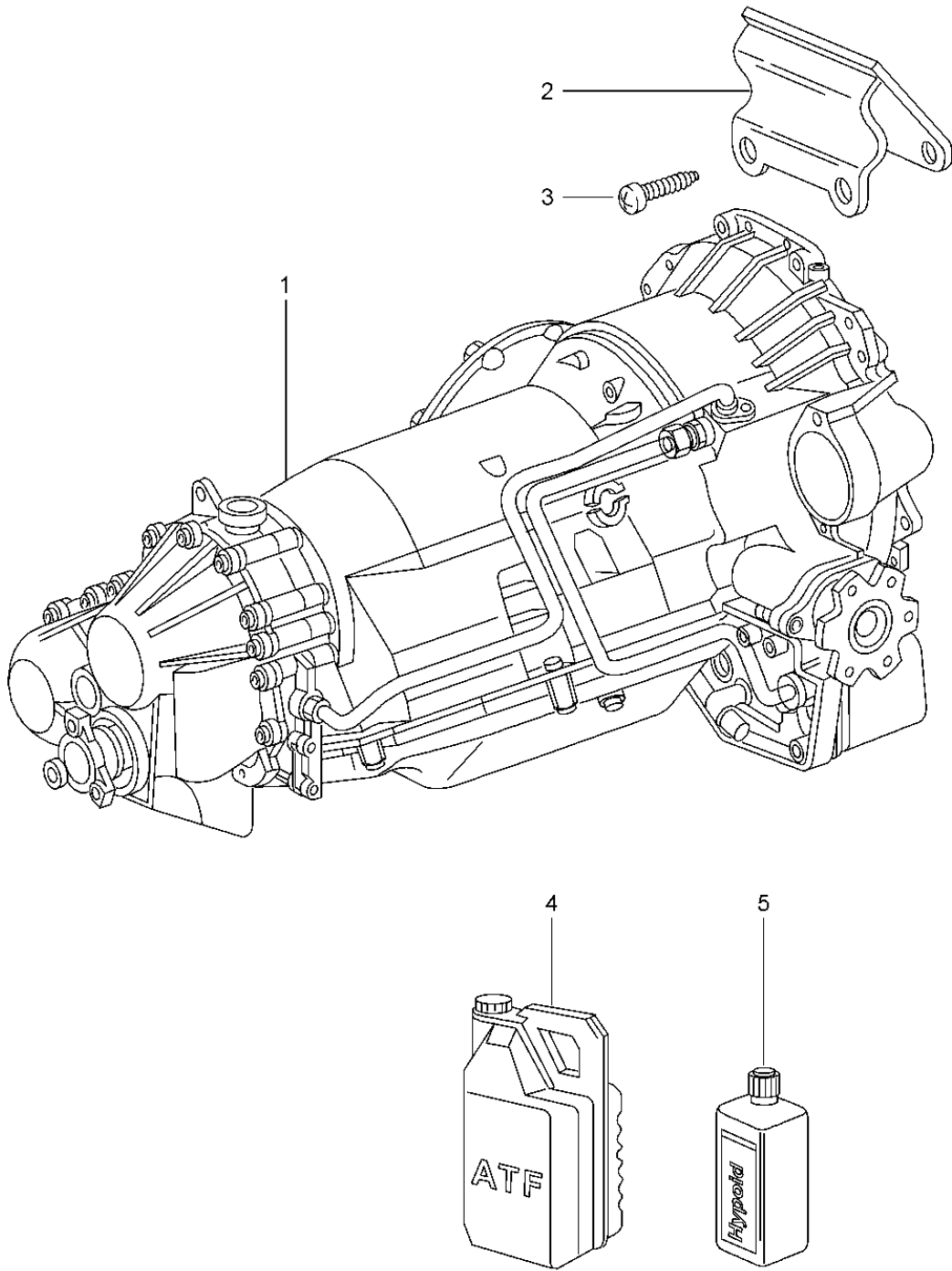
Model: 996 98

Model life 1998>>2005

Pos	Part Number	Description	Remark	Qty	Model
		Tiptronic	99-01		A96.30 M339
		All-wheel Driving mechanism			
1	996 321 056 00	Transmission bracket		1	
1	996 321 056 X	Transmission bracket		1	
2	996 397 011 00	Torx screw M 10 X 35		4	
3	996 397 012 00	Shaft sealing ring		1	
4	996 397 013 00	Round seal		1	
5	996 302 301 30	Flange		1	
6	944 332 293 00	Collar nut M 20 X 1,5		1	
7	900 378 101 09	Hexagon-head bolt M 10 X 35		3	

Model: 996 98

Model life 1998>>2005



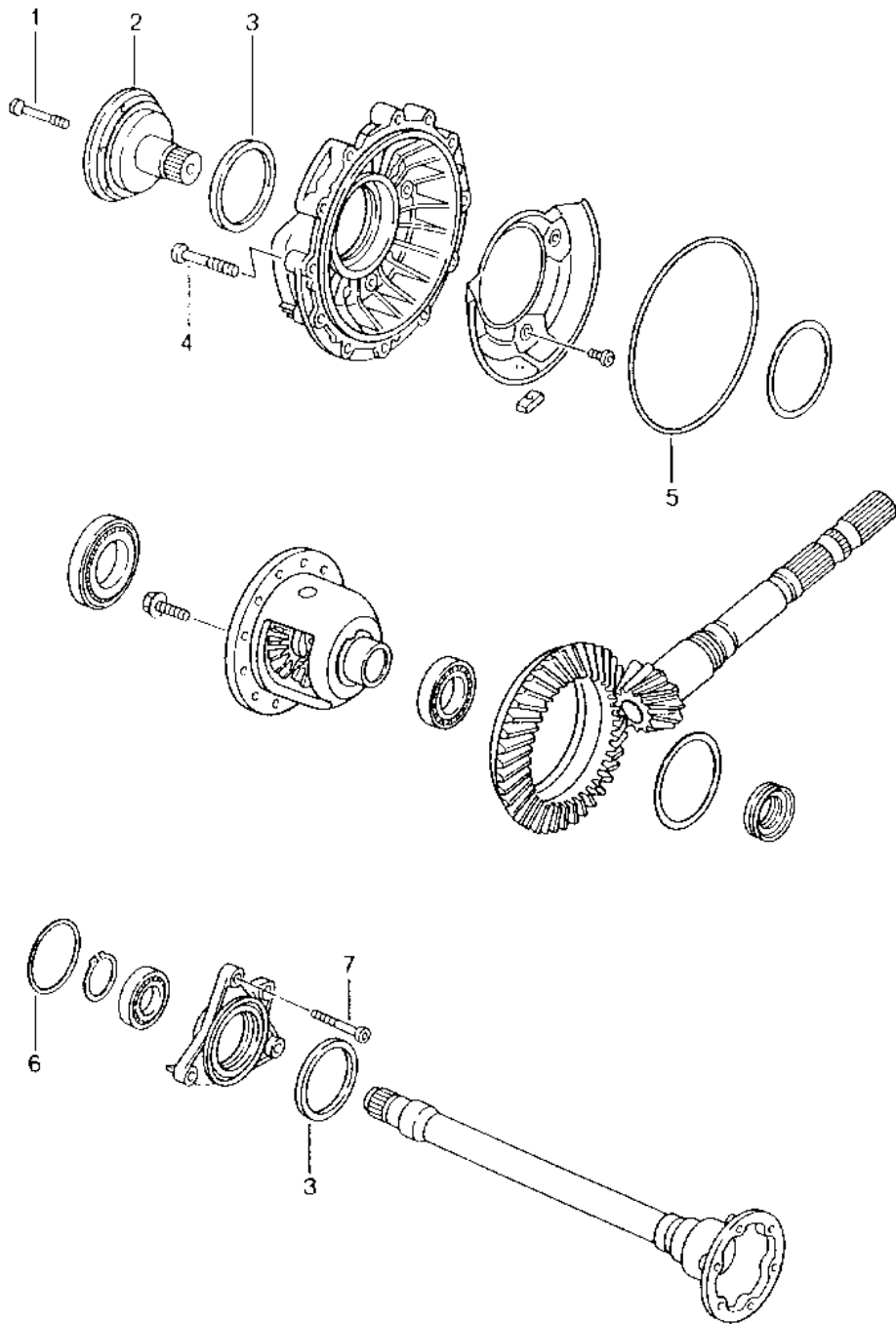
Model: 996 98

Model life 1998>>2005

Pos	Part Number	Description	Remark	Qty	Model
		Tiptronic	02-		A96.10
			02-		M338
		Replacement transmission			A96.35
		Transmission			M339
1	722 270 050 0	Transmission		1	A96.10
(1)	722 270 060 0	Transmission		1	A96.35
2	996 449 101 50	Hook		1	
2	997 449 101 50	Hook		1	
3	999 073 190 09	Oval-head screw M 8 X 60		2	
4	000 043 204 41	Transmission oil ATF 20 LTR. Container		X	
5	999 917 546 00	Transmission oil 75 W 90 1 LTR. Container		X	
-	996 116 101 10	Intermediate housing		1	

Model: 996 98

Model life 1998>>2005

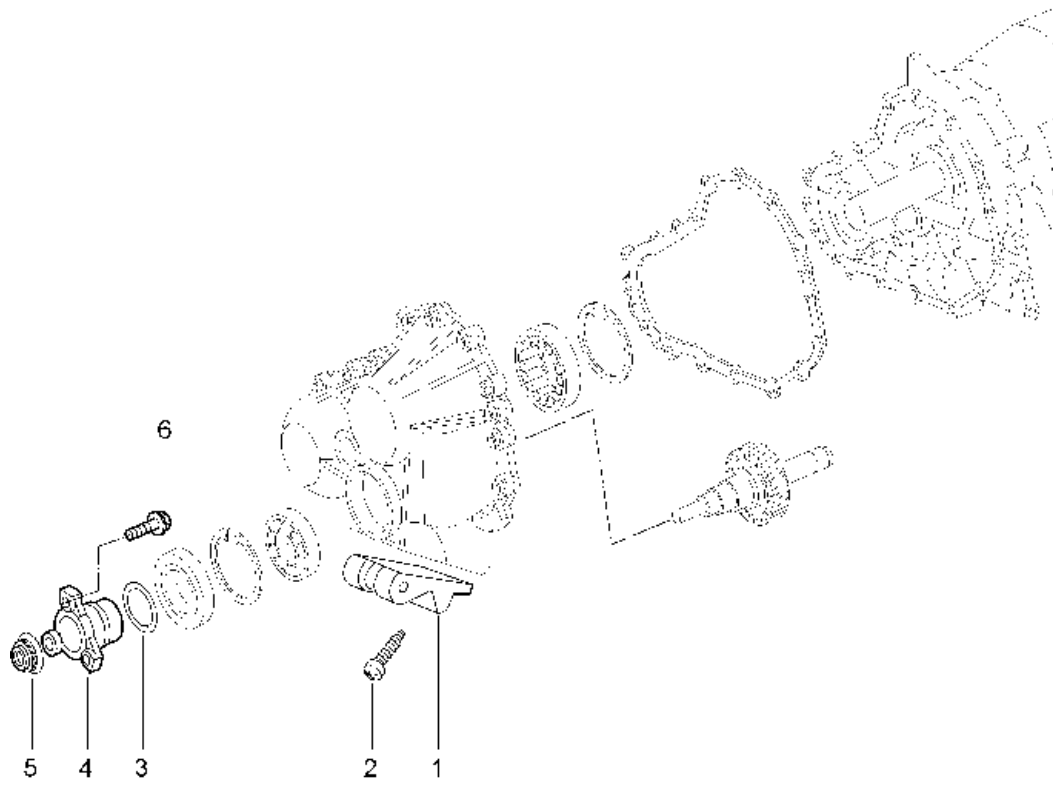


Model: 996 98 Model life 1998>>2005

Pos	Part Number	Description	Remark	Qty	Model
		Tiptronic			A96.00/10 M338 A96.30/35 M339
1	944 332 587 00	Differential housing Elastic bolt M 8		1	
2	996 332 202 00	Drive flange		1	
3	996 397 004 00	Shaft sealing ring for Lid	99-	1	A96.00 A96.30
3	999 113 484 40	Shaft sealing ring for Lid		1	A96.10/35
(3)	996 397 015 00	Shaft sealing ring for Flange	99-	1	A96.00 A96.30
(3)	999 113 482 40	Shaft sealing ring for Flange		1	A96.10/35
4	986 397 029 00	Pan-head screw M 8 X 45		12	
5	996 397 005 00	Round seal		1	
6	986 397 034 00	Round seal		1	
7	996 397 007 00	Pan-head screw M 8 X 30		3	
-	986 397 026 00	Screw plug		1	
-	986 397 026 01	Screw plug		1	

Model: 996 98

Model life 1998>>2005



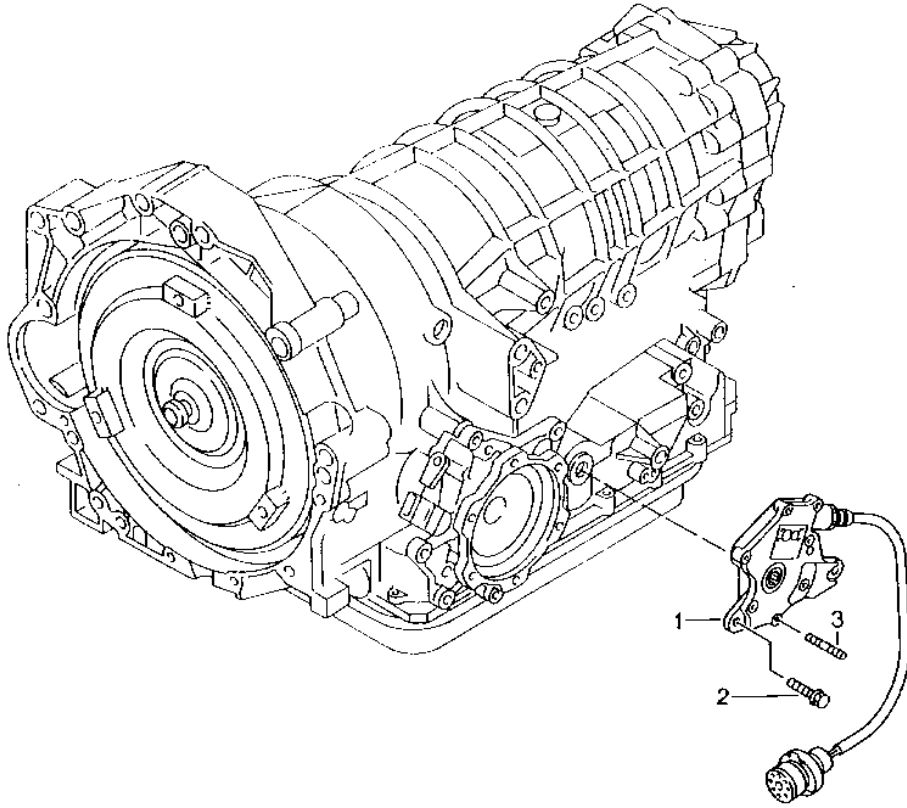
Model: 996 98

Model life 1998>>2005

Pos	Part Number	Description	Remark	Qty	Model
		Tiptronic			A96.35
		All-wheel	02-		M339
		Driving mechanism			
1	722 260 006 2	Bearing		1	
2	999 073 178 09	Oval-head screw		4	
		M 8 X 30			
3	168 997 004 5	O-ring		1	
		28 X 3			
4	722 270 022 0	Flange		1	
5	140 990 115 0	Collar nut		1	
		M 26 X 1,5			
6	900 378 101 09	Hexagon-head bolt		3	
		AM 10 X 35			
-	022 997 944 7	Shaft sealing ring		1	

Model: 996 98

Model life 1998>>2005

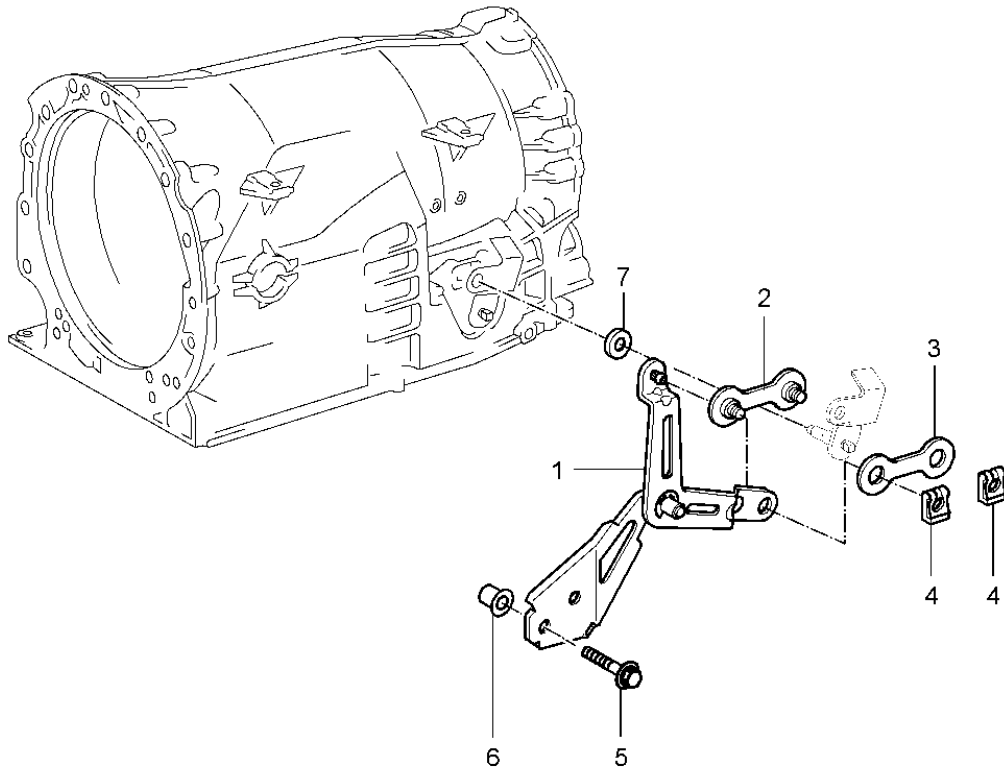


Model: 996 98 Model life 1998>>2005

Pos	Part Number	Description	Remark	Qty	Model
		Tiptronic	-01		A96.00
			99-01		M338
					A96.30
					M339
		Selector switch			
		Sealing rubber			
		Of			
		Housing			
1	986 325 612 00	Switch		1	
2	986 397 025 00	Pan-head screw		2	
		M 6 X 15			
2	986 397 025 01	Pan-head screw		2	
		M 6 X 15			
3	986 397 024 00	Straight pin		1	
		M 6 X 14			
-	996 397 008 00	Shaft sealing ring		1	
-	996 397 008 01	Shaft sealing ring		1	
-	986 397 037 00	Tensioning sleeve		1	
-	996 426 901 00	Gearshift lever		1	
-	722 271 028 7	Sealing rubber		2	
		Of			
		Housing			

Model: 996 98

Model life 1998>>2005



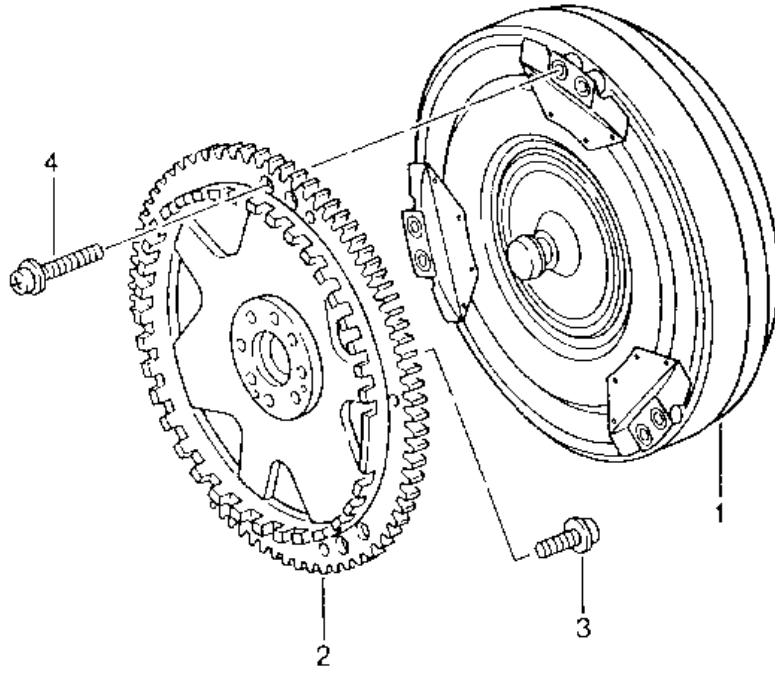
Model: 996 98

Model life 1998>>2005

Pos	Part Number	Description	Remark	Qty	Model
		Tiptronic	02-		A96.10
			02-		M338
					A96.35
					M339
1	722 270 011 0	Selector lever		1	
2	722 270 025 9	Selector lever		2	
(2)	722 270 055 9	Lever		2	
3	722 278 032 0	Lever		1	
4	999 166 079 02	Lever		2	
5	999 073 095 01	Lock washer		2	
		Oval-head screw			
		M8 X 30			
6	722 992 002 0	Sleeve		1	
7	009 997 484 7	Shaft sealing ring		1	
		Selector lever			

Model: 996 98

Model life 1998>>2005



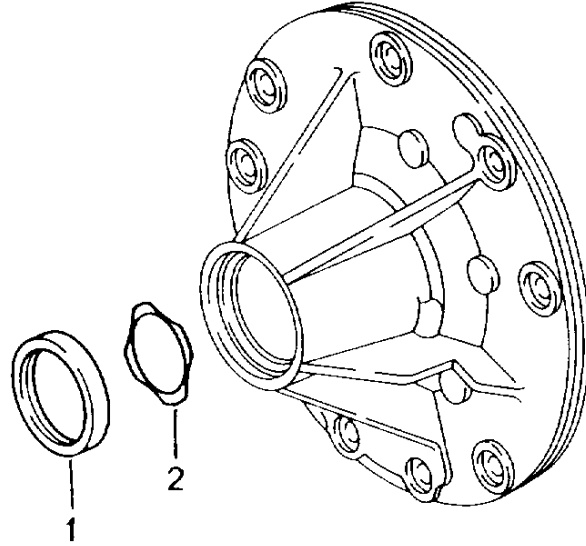
Model: 996 98

Model life 1998>>2005

Pos	Part Number	Description	Remark	Qty	Model
		Tiptronic	-01		A96.00
			99-01		M338
		Torque converter			A96.30
		Drive plate			M339
1	996 316 001 00	Torque converter		1	
1	996 316 001 01	Torque converter		1	
2	996 116 075 07	Drive plate		1	
3	999 073 091 09	Pan-head screw M 10 X 1 X 25		8	
4	900 067 369 09	Pan-head screw M 8 X 20		6	

Model: 996 98

Model life 1998>>2005



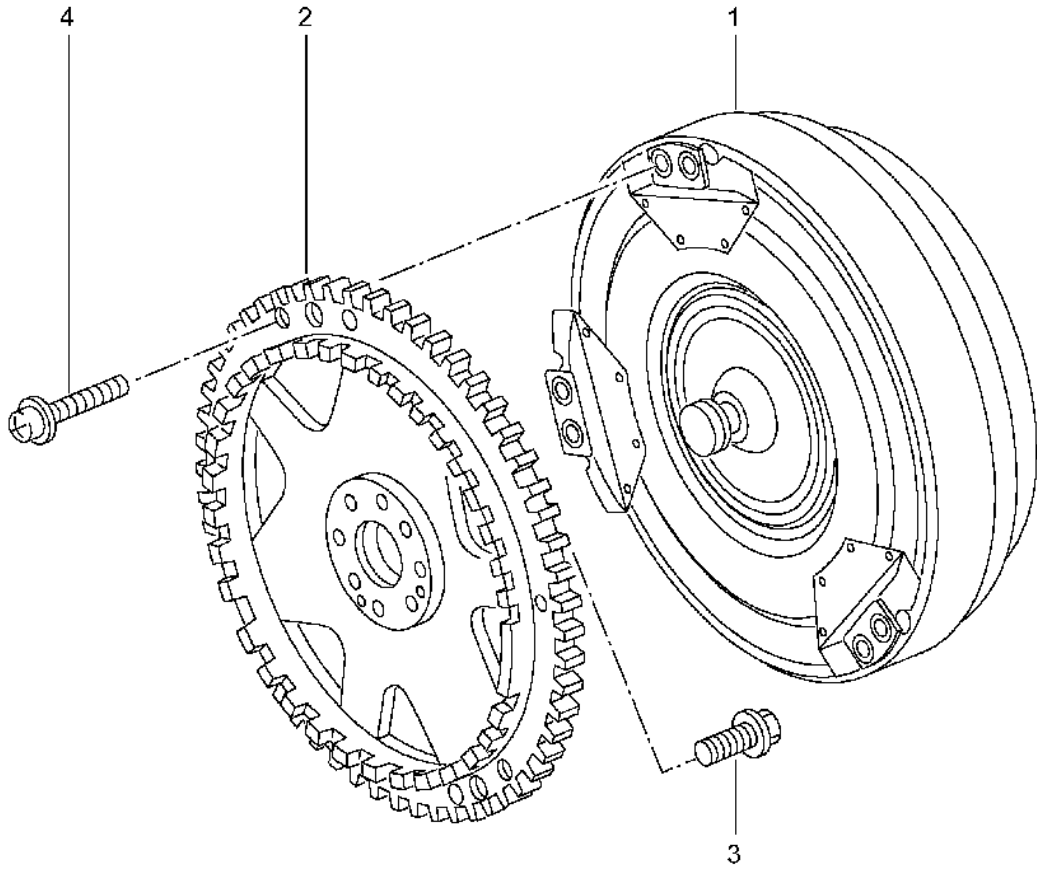
Model: 996 98

Model life 1998>>2005

Pos	Part Number	Description	Remark	Qty	Model
		Tiptronic	-01		A96.00
			99-01		M338
		Oil pump			A96.30
1	996 397 010 00	Shaft sealing ring		1	M339
2	986 397 012 00	Washer		1	

Model: 996 98

Model life 1998>>2005



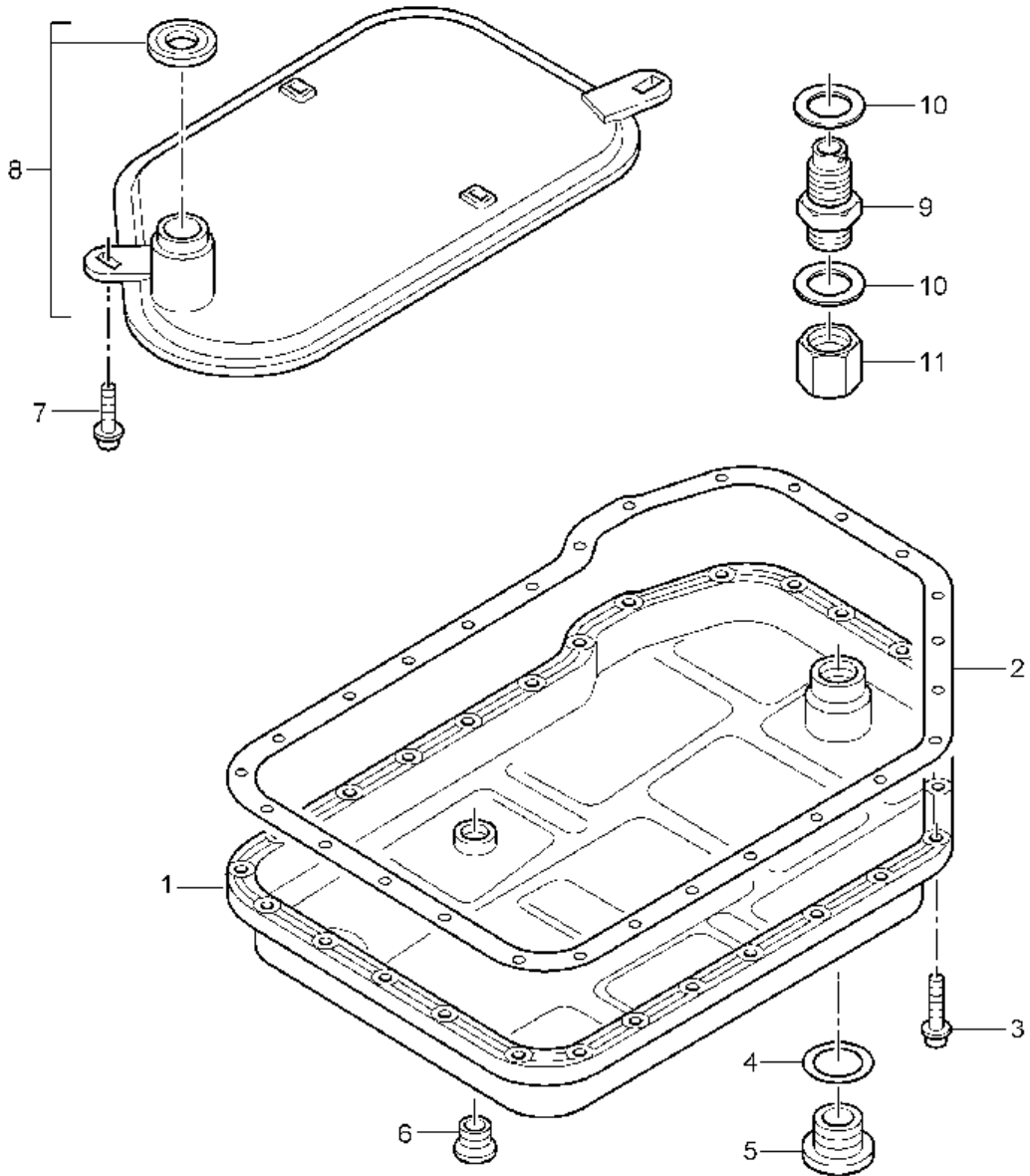
Model: 996 98

Model life 1998>>2005

Pos	Part Number	Description	Remark	Qty	Model
		Tiptronic Torque converter Drive plate	02-		A96.10/35
1	722 250 120 2	Torque converter		1	
2	996 116 075 16	Drive plate		1	
3	999 073 091 09	Pan-head screw M 10 X 1 X 25		8	
4	900 067 369 09	Pan-head screw M 8 X 20		6	
-	018 997 044 7	Sealing ring for Oil pump		1	

Model: 996 98

Model life 1998>>2005

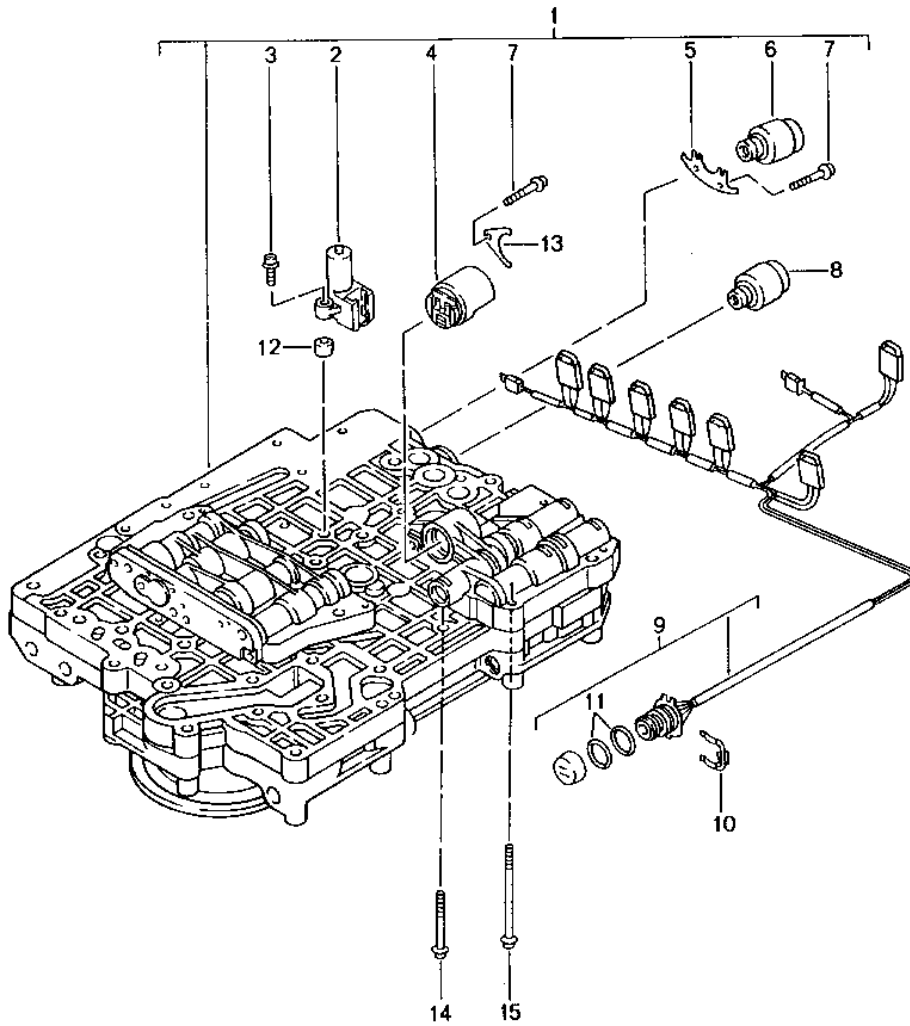


Model: 996 98 Model life 1998>>2005

Pos	Part Number	Description	Remark	Qty	Model
		Tiptronic	-01		A96.00/30
		Oil filter			
		Oil pan			
1	986 321 025 02	Oil pan		1	
2	986 397 016 00	Gasket		1	
3	943 397 039 00	Pan-head screw		27	
		M 6 X 20			
4	986 397 014 00	Round seal		1	
5	986 397 015 00	Screw plug		1	
		M 30 X 1,5			
5	986 397 015 01	Screw plug		1	
		M 30 X 1,5			
6	986 397 013 00	Screw plug		1	
		M 16 X 1,5			
7	943 397 045 00	Pan-head screw		2	
		M 5 X 12			
8	996 307 403 00	Filter		1	
9	996 307 055 11	Connection piece		1	
		Oil inlet			
10	900 123 007 30	Sealing ring		2	
		14 X 18			
11	900 070 011 01	Cap nut		1	
		M14 X 1,5			

Model: 996 98

Model life 1998>>2005

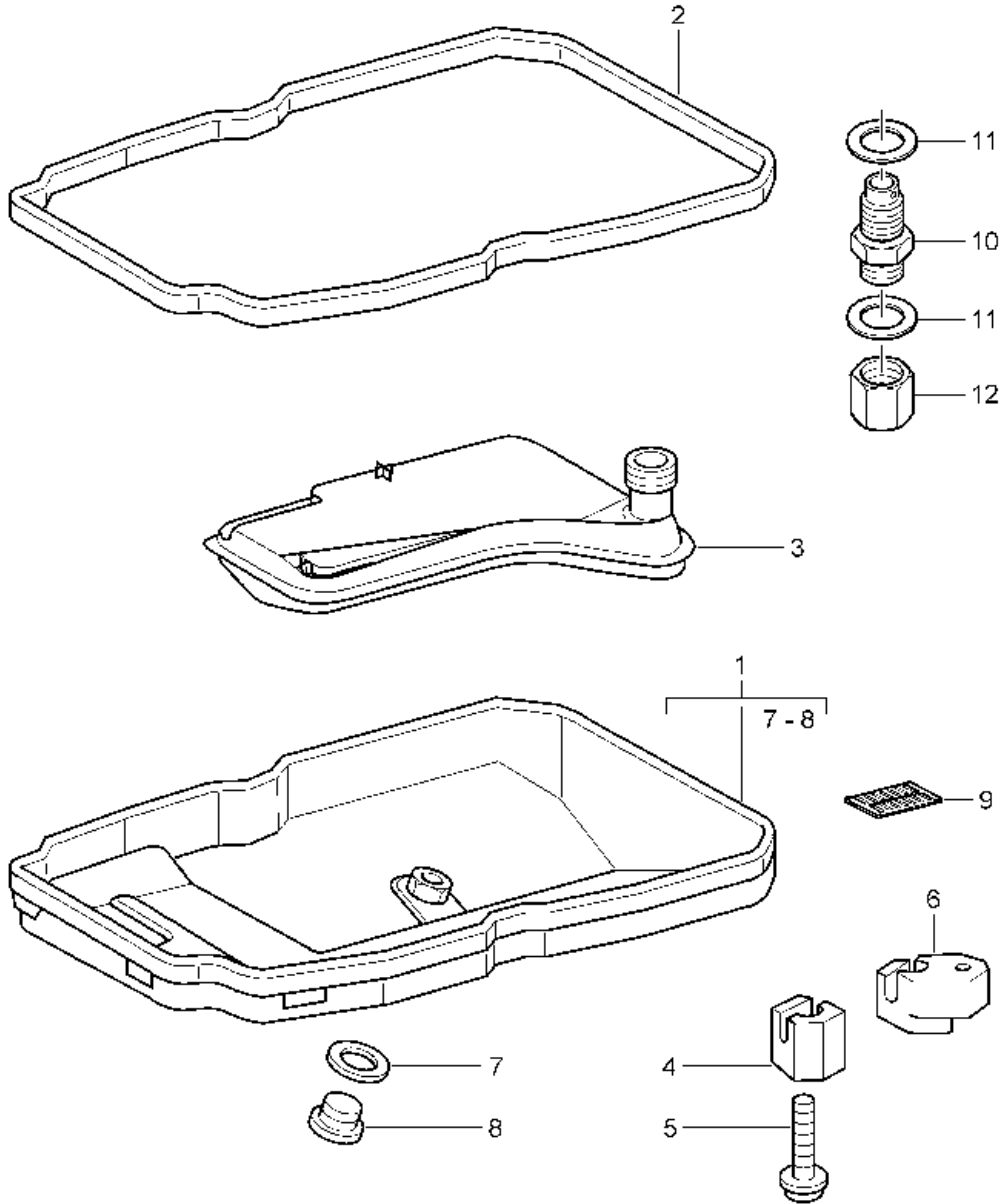


Model: 996 98 Model life 1998>>2005

Pos	Part Number	Description	Remark	Qty	Model
		Tiptronic Switch unit Solenoid valve Pressure regulator	-01		A96.00/30
1	996 325 617 00	Switch unit Type label Transmission case Attention To Use		1	
(1)	996 325 617 02	bis 1060 050 002 4966 Switch unit Type label Transmission case Attention To Use		1	
2	986 325 608 00	ab 1060 050 003 4967 Inductive transmitter		1	
3	986 397 019 00	Pan-head screw M 5 X 40		2	
4	986 325 604 00	Pressure regulator Type label Transmission case Attention To Use		1	
4	986 325 604 01	bis 1060 050 002 4966 Pressure regulator Type label Transmission case Attention To Use		1	
5	986 325 615 00	ab 1060 050 003 4967 Retaining bracket		2	
6	996 325 601 00	Solenoid valve		3	
7	943 397 045 00	Pan-head screw M 5 X 12		5	
8	986 325 603 00	Pressure regulator		3	
9	996 325 611 00	Wiring harness		1	
10	986 397 018 00	Clamp		1	
10	986 397 018 01	Clamp		1	
11	986 397 017 00	Round seal		2	
12	986 397 020 00	Spacer ring		2	
13	996 325 111 00	Retaining bracket		1	
14	943 397 013 00	Pan-head screw M 6 X 30		1	
15	943 397 005 00	Pan-head screw M 6 X 60		16	
16	986 325 609 00	Inductive transmitter		1	
17	996 397 001 00	Spacer ring		1	
18	996 397 002 00	Pan-head screw M 6 X 27		1	

Model: 996 98

Model life 1998>>2005



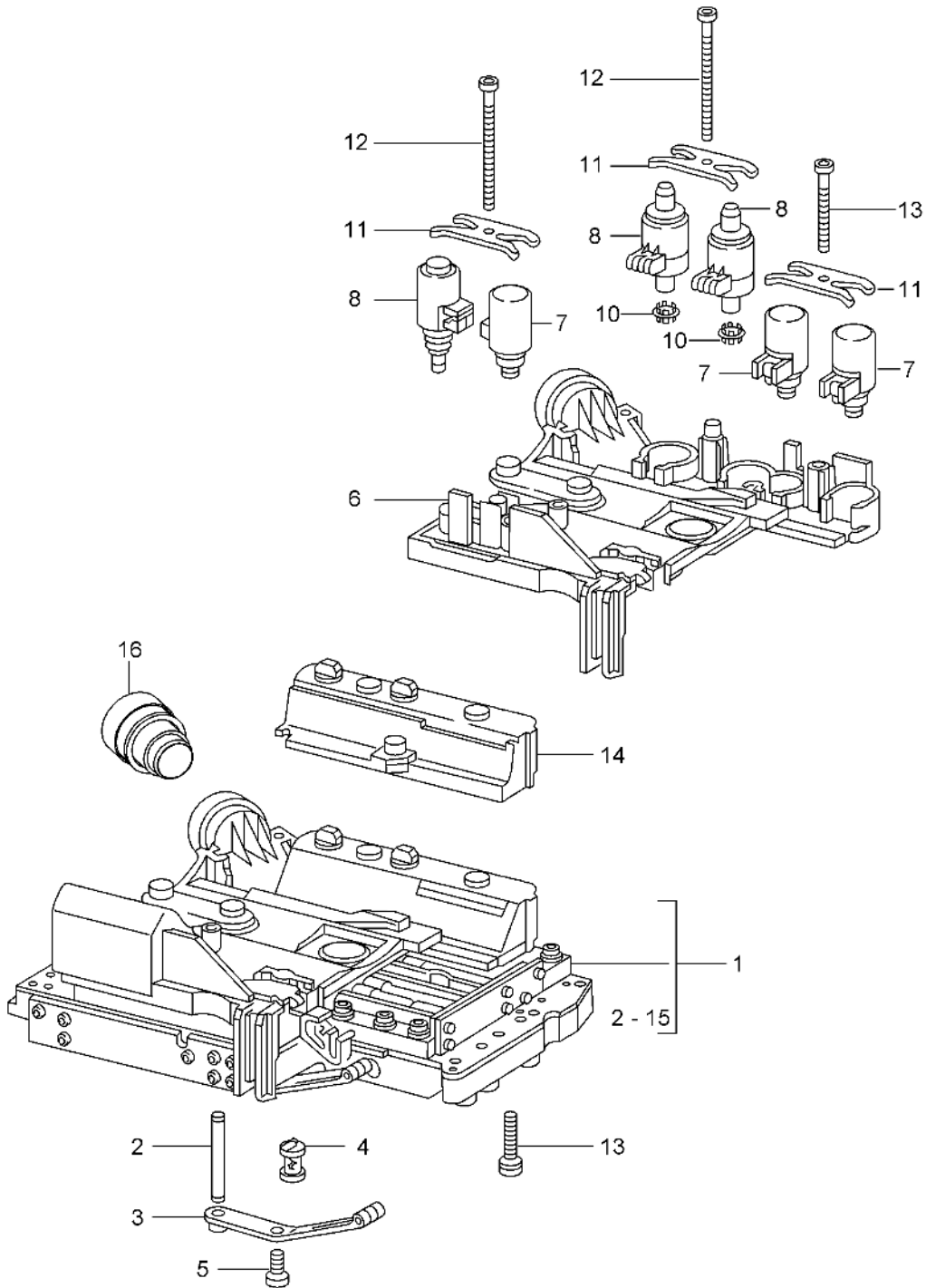
Model: 996 98

Model life 1998>>2005

Pos	Part Number	Description	Remark	Qty	Model
		Tiptronic	02-		A96.10/35
		Oil filter			
		Oil pan			
1	722 270 161 2	Oil pan		1	
2	140 271 008 0	Gasket		1	
3	722 277 009 5	Oil filter		1	
4	140 271 006 8	Clamping sleeve		6	
5	999 073 202 09	Pan-head screw M 6 X 22		6	
5	999 073 202 01	Pan-head screw M 6 X 22		6	
6	140 271 016 8	Clamping sleeve		X	
7	900 123 062 20	Sealing ring		2	
8	900 219 007 02	Screw plug		2	
8	900 219 007 01	Screw plug		2	
9	220 271 009 8	Magnet		1	
10	996 307 055 11	Connection piece Oil inlet		1	
11	900 123 007 30	Sealing ring 14 X 18		2	
12	900 070 011 01	Cap nut M14 X 1,5		1	

Model: 996 98

Model life 1998>>2005



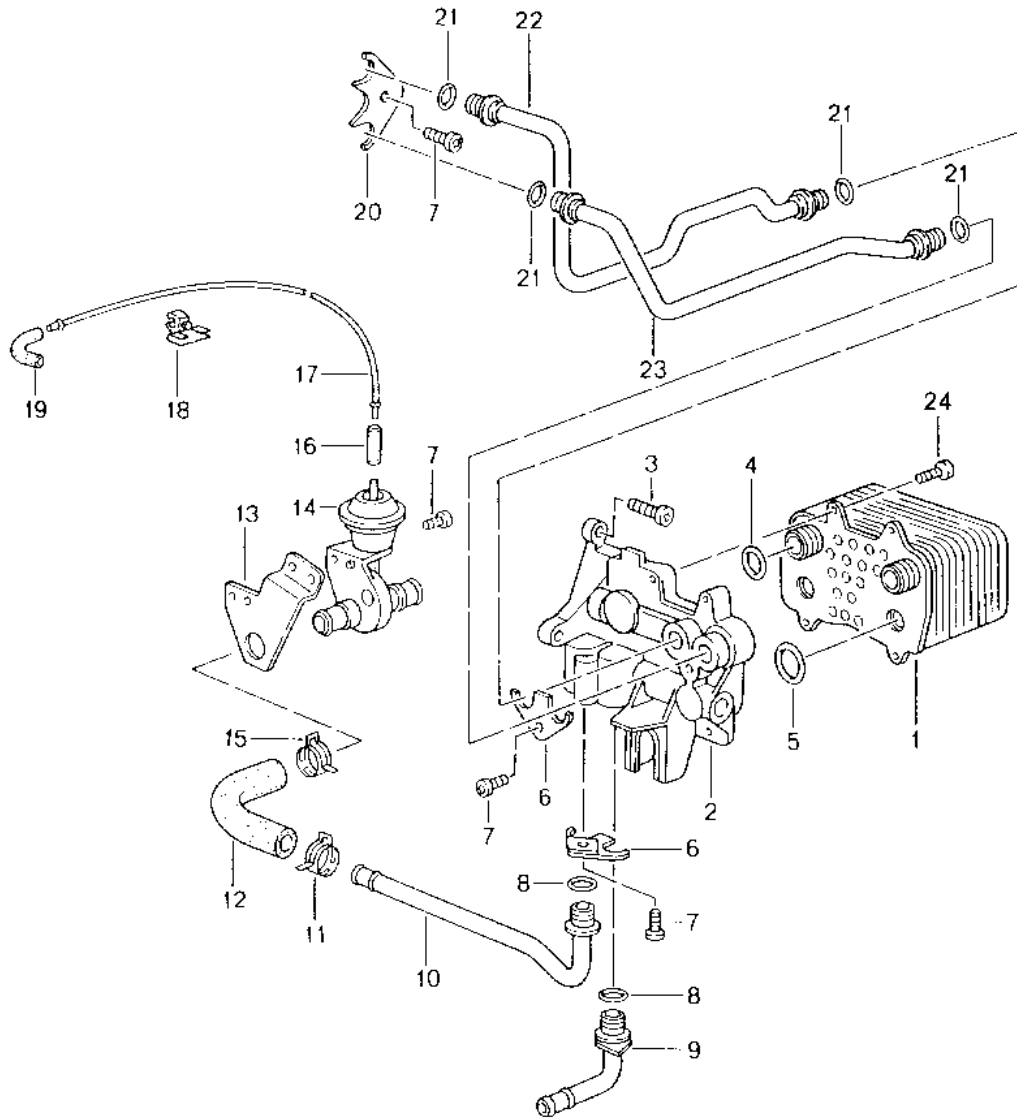
Model: 996 98

Model life 1998>>2005

Pos	Part Number	Description	Remark	Qty	Model
		Tiptronic	02-		A96.10
			02-		M338
					A96.35
					M339
		Switch unit			
		Solenoid valve			
		Pressure regulator			
1	722 270 020 6	Switch unit		1	
2	140 277 007 5	Pin		1	
3	140 270 017 8	Spring		1	
4	140 270 029 8	Filter		1	
5	170 990 012 0	Screw		1	
6	140 270 056 1	Cover plate		1	
		Electronic unit			
6	140 270 086 1	Cover plate		1	
		Electronic unit			
6	140 270 116 1	Cover plate		1	
		Electronic unit			
7	140 277 053 5	Valve		3	
8	140 277 039 8	Solenoid valve		2	
9	140 277 043 5	Solenoid valve		1	
10	140 270 049 8	Filter		2	
11	140 276 000 3	Spring plate		3	
12	140 277 107 1	Screw		2	
13	140 277 117 10	Screw		1	
14	140 271 078 2	Cover		1	
15	140 277 067 1	Screw		10	
16	000 043 207 28	Cable guide		1	

Model: 996 98

Model life 1998>>2005



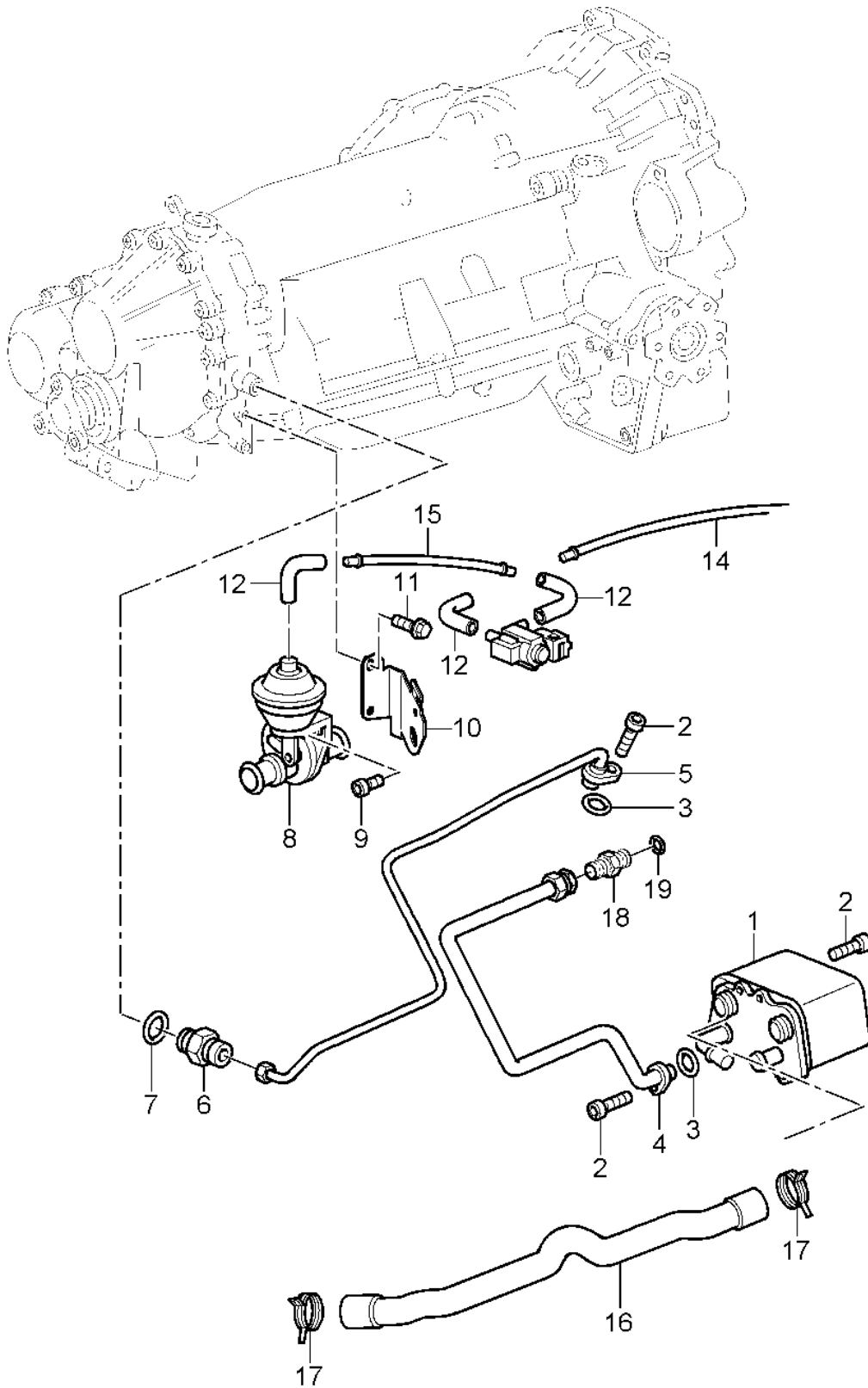
Model: 996 98

Model life 1998>>2005

Pos	Part Number	Description	Remark	Qty	Model
		Tiptronic	-01		A96.00
			99-01		M338
					A96.30
					M339
		Atf cooler			
		Atf lines			
1	996 307 017 01	Atf cooler		1	
2	996 307 020 01	Port plate		2	
		18,64 X 3,53			
3	999 073 095 09	Oval-head screw		3	
		M 8 X 30			
3	999 073 095 01	Oval-head screw		3	
		M 8 X 30			
4	999 707 388 40	O-ring		2	
		18,6 X 3,5			
5	900 331 034 40	O-ring		2	
		25,8 X 3,5			
6	996 307 144 00	Support		2	
7	999 073 094 09	Oval-head screw		5	
		M 8 X 20			
8	999 707 387 40	O-ring		2	
		15 X 2,5			
9	996 307 077 03	Water line	99-	1	
		Return line			
10	996 307 075 01	Water line		1	
		Supply			
11	999 512 552 00	Hose clamp		1	
		25 X 12			
11	999 512 552 01	Hose clamp		1	
		25 X 12			
12	996 307 651 00	Moulded hose		1	
13	996 307 401 00	Plate		1	
14	928 574 573 03	Disc valve		1	
14	928 574 573 04	Disc valve		1	
-	986 307 507 00	Cap		1	
15	999 512 655 09	Hose clamp		1	
		22 X 12			
16	999 239 040 40	Connecting piece		1	
		3,5 X 2 X 28			
-	000 043 205 01	Pipe		1	
		4 X 1 X 870			
18	996 307 061 00	Clamp		1	
-	999 591 965 40	Hose holder		1	
19	928 574 717 03	Moulded hose		1	
20	996 307 147 01	Support		4	
21	999 707 386 40	O-ring		4	
		12,3 X 2,6			
22	996 307 085 01	Oil pipe		1	
		Return line			
23	996 307 082 01	Oil pipe		1	
		Supply			
24	999 073 103 09	Oval-head screw		4	
		M 6 X 16			

Model: 996 98

Model life 1998>>2005



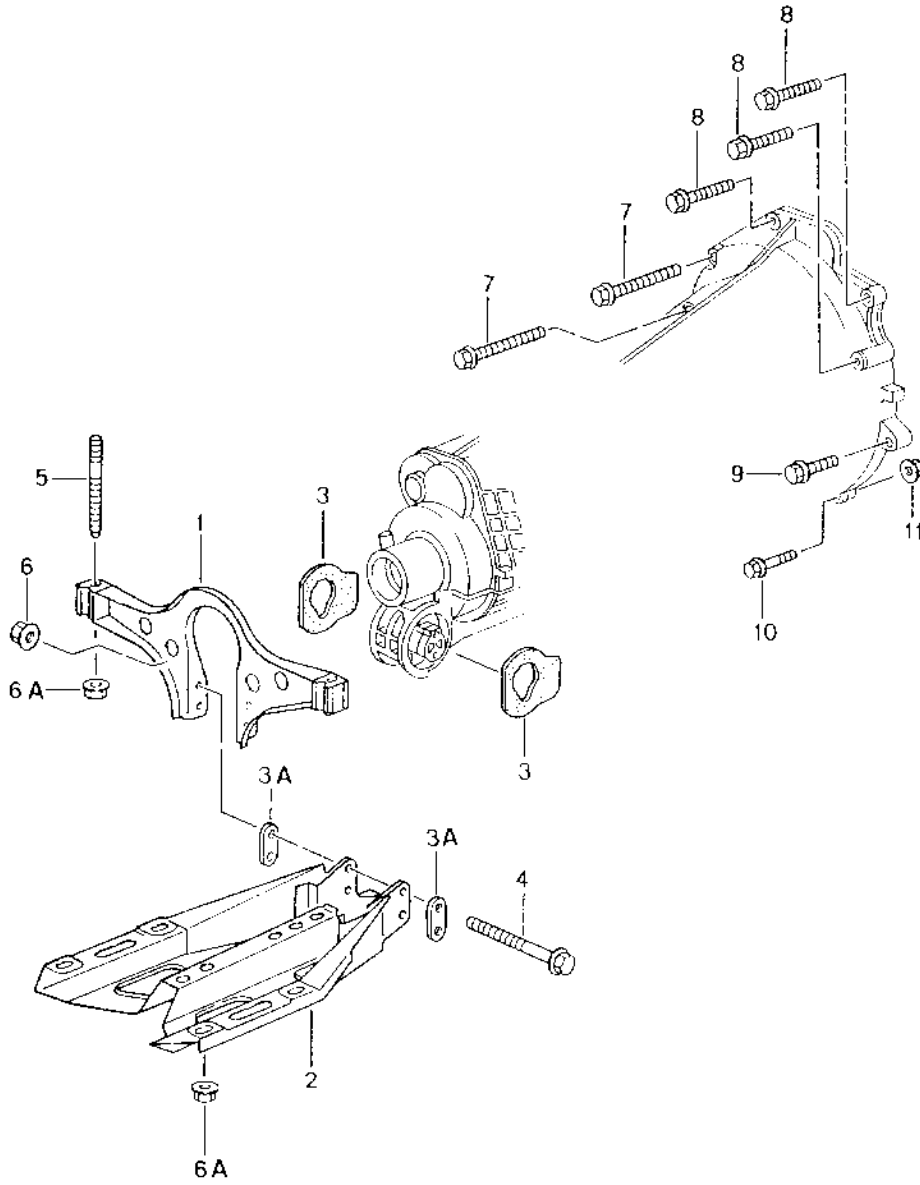
Model: 996 98

Model life 1998>>2005

Pos	Part Number	Description	Remark	Qty	Model
		Tiptronic	02-		A96.10
			02-		M338
					A96.35
					M339
		Atf cooler			
		Atf lines			
1	722 270 009 5	Atf cooler		1	
(1)	722 270 049 5	Atf cooler		1	
2	999 073 103 09	Oval-head screw		6	
		M 6 X 16			
3	029 997 184 8	Sealing ring		2	
		12,37 X 2,62			
4	722 270 089 6	Oil pipe		2	
5	722 270 079 6	Oil pipe		1	
6	000 997 117 1	Screw socket		1	
7	900 123 005 30	Sealing ring		1	
		A 12 X 16			
8	928 574 573 03	Disc valve		1	
8	928 574 573 04	Disc valve		1	
		Use also:			
-	986 307 507 00	Cap		1	
-		Cap		1	
9	900 146 011 01	Round head screw		1	
		M 4 X 10			
10	997 106 533 00	Support		1	
11	900 378 036 01	Hexagon-head bolt		2	
		M 6 X 12			
12	928 574 717 05	Moulded hose		3	
12	928 574 717 06	Moulded hose		3	
13	996 605 123 01	Change-over valve		1	
13	7PP 906 270	Change-over valve		1	
-	999 181 742 40	Pipe		X	
		4,0 X 1,0			
14		950MM		1	
15		75 MM		1	
16	996 307 711 12	Water hose		1	
17	999 512 656 09	Hose clamp		2	
		25 X 12			
18	000 997 107 1	Screw socket		1	
		M 18 X 1,5			
19	900 123 018 30	Sealing ring		1	
		A 16 X 20			
20	999 707 388 40	O-ring		1	

Model: 996 98

Model life 1998>>2005



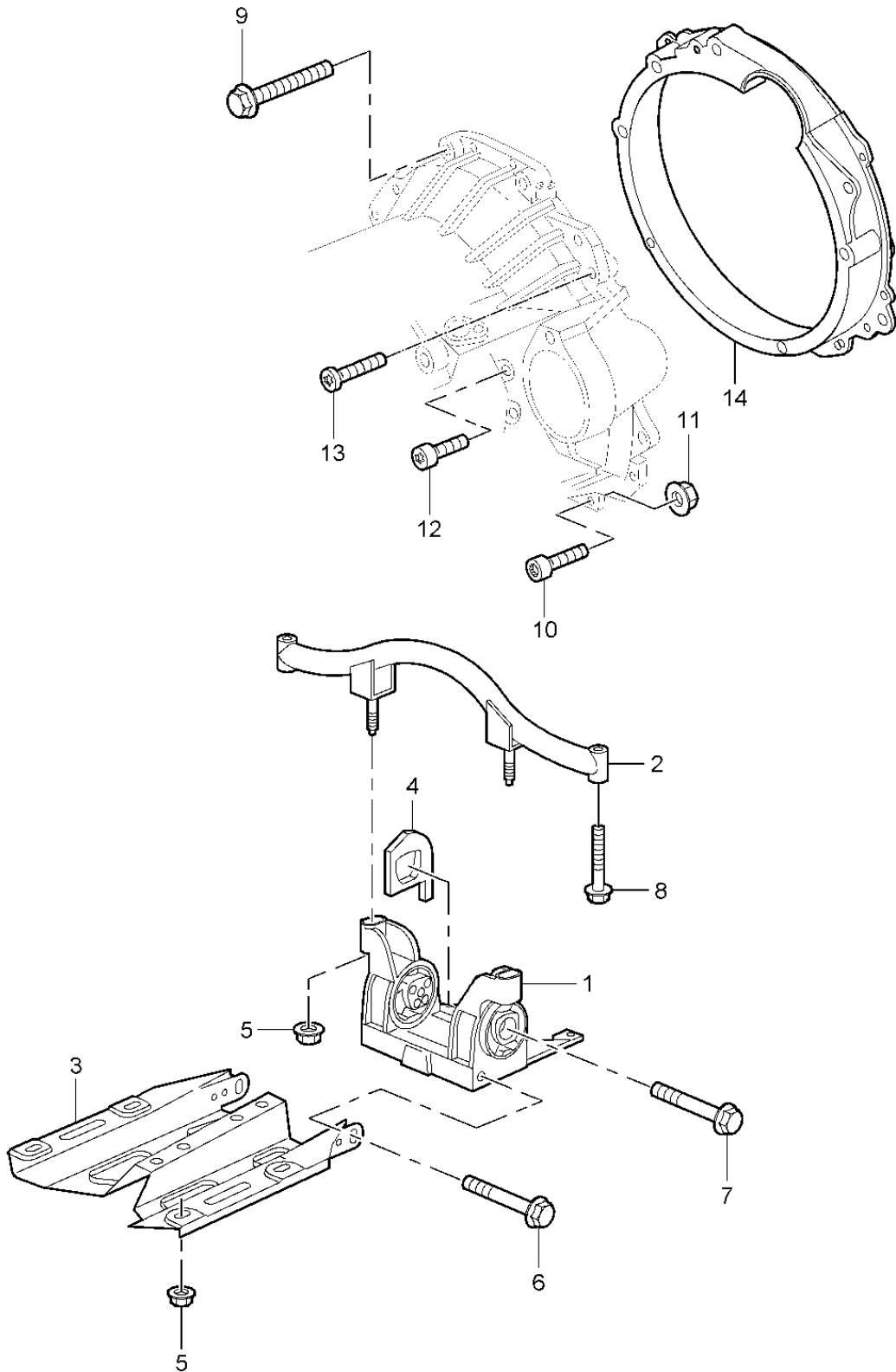
Model: 996 98

Model life 1998>>2005

Pos	Part Number	Description	Remark	Qty	Model
		Tiptronic	-01		A96.00
			99-01		M338
		Transmission suspension			A96.30
		Threaded joint			M339
		Engine			
1	996 375 039 02	Transmission carrier	-00	1	
(1)	996 375 039 03	Transmission carrier	01-	1	
2	996 375 031 08	Transmission carrier		1	
3	996 375 255 05	Stop		2	
3A	996 375 333 00	Packing plate		2	
4	900 378 167 09	Hexagon-head bolt		2	
		M 10 X 110			
4	900 378 294 01	Hexagon-head bolt		2	
		M 10 X 110			
5	999 061 106 09	Stud		2	
		M 10 X 83			
6	900 380 008 09	Lock nut		2	
		M 10			
(6A)	999 076 053 09	Hexagon nut		6	
		M 10			
7	999 072 010 09	Hexagon-head bolt		2	
		M 12 X 1,5 X 100			
7	999 072 010 01	Hexagon-head bolt		2	
		M 12 X 1,5 X 100			
-	999 073 119 09	Pan-head screw		1	
		Inner			
		M 10 X 50			
8	999 072 008 09	Hexagon-head bolt		3	
		M 12 X 1,5 X 70			
8	999 072 008 01	Hexagon-head bolt		3	
		M 12 X 1,5 X 70			
9	900 378 061 09	Hexagon-head bolt		1	
		M 12 X 1,5 X 50			
9	900 378 061 01	Hexagon-head bolt		1	
		M 12 X 1,5 X 50			
10	900 378 076 09	Hexagon-head bolt		1	
		M 10 X 50			
10	900 378 076 01	Hexagon-head bolt		1	
		M 10 X 50			
11	900 377 011 09	Hexagon nut		1	
		M 10			
11	900 377 011 01	Hexagon nut		1	
		M 10			
-	996 321 055 00	Transmission bracket		1	A96.00

Model: 996 98

Model life 1998>>2005



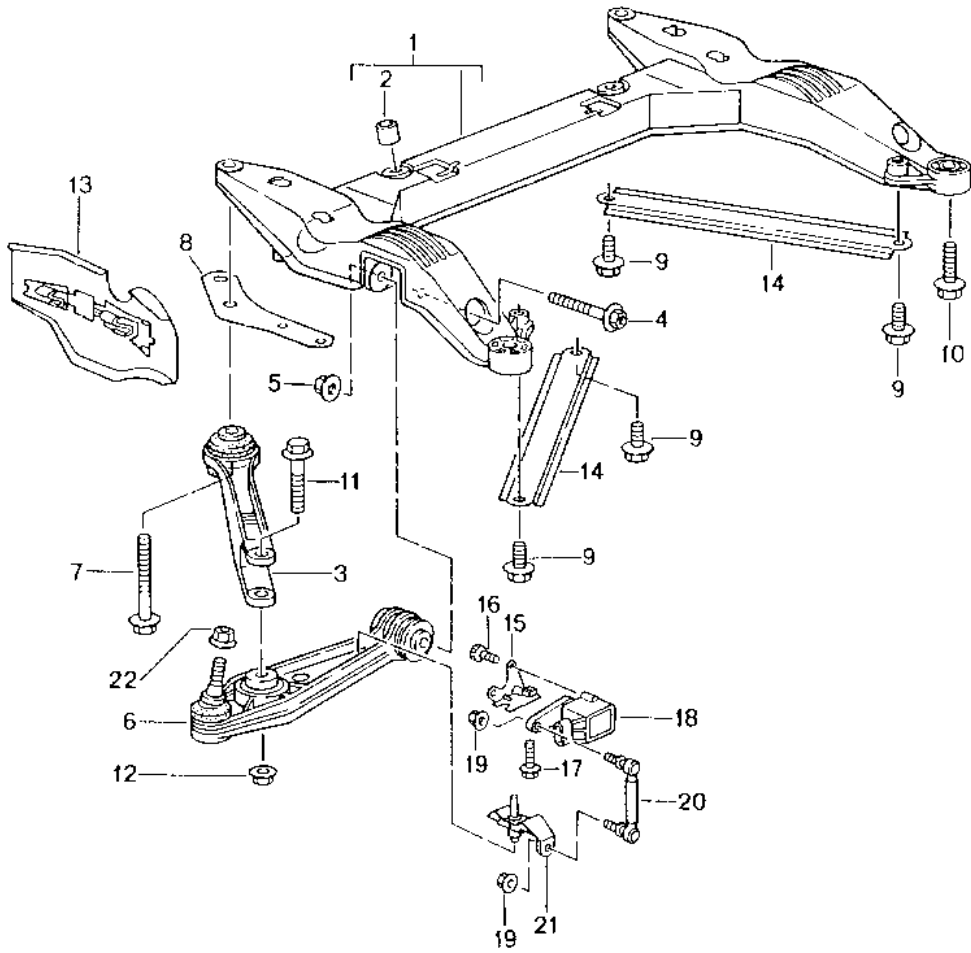
Model: 996 98

Model life 1998>>2005

Pos	Part Number	Description	Remark	Qty	Model
		Tiptronic	02-		A96.10
			02-		M338
		Transmission suspension			A96.35
		And			M339
		Mount			
1	996 375 033 03	Intermediate flange		1	
2	996 375 317 06	Transmission carrier		1	
		Bracket			
		Upper			
3	996 375 015 00	Side member		1	
4	996 375 259 07	Stop		2	
(4)	996 375 259 08	Stop		2	
5	999 076 053 09	Hexagon nut		6	
(5)	999 076 053 01	Hexagon nut		6	
		M 10			
6	900 378 167 09	Hexagon-head bolt		2	
		M 10 X 110			
6	900 378 294 01	Hexagon-head bolt		2	
		M 10 X 110			
7	999 072 010 09	Hexagon-head bolt		2	
		M 12 X 1,5 X 100			
7	999 072 010 01	Hexagon-head bolt		2	
		M 12 X 1,5 X 100			
8	900 378 098 09	Hexagon-head bolt		2	
		M 10 x 60			
9	999 072 008 09	Hexagon-head bolt		9	
		M 12 X 1,5 X 70			
(9)	999 072 008 01	Hexagon-head bolt		9	
		M 12 X 1,5 X 70			
10	999 073 119 01	Pan-head screw		2	
		M 10 X 50			
11	900 377 011 01	Hexagon nut		2	
		M 10			
12	999 073 091 01	Pan-head screw		8	
		M 10 X 1 X 25			
13	999 073 182 02	Lens-head screw		8	
		M 8 X 35			
(13)	999 073 373 01	Round head screw		8	
		M 8 X 35			
14	996 116 101 10	Intermediate housing		1	
		Engine			
		And			
		Transmission			

Model: 996 98

Model life 1998>>2005



Model: 996 98 Model life 1998>>2005

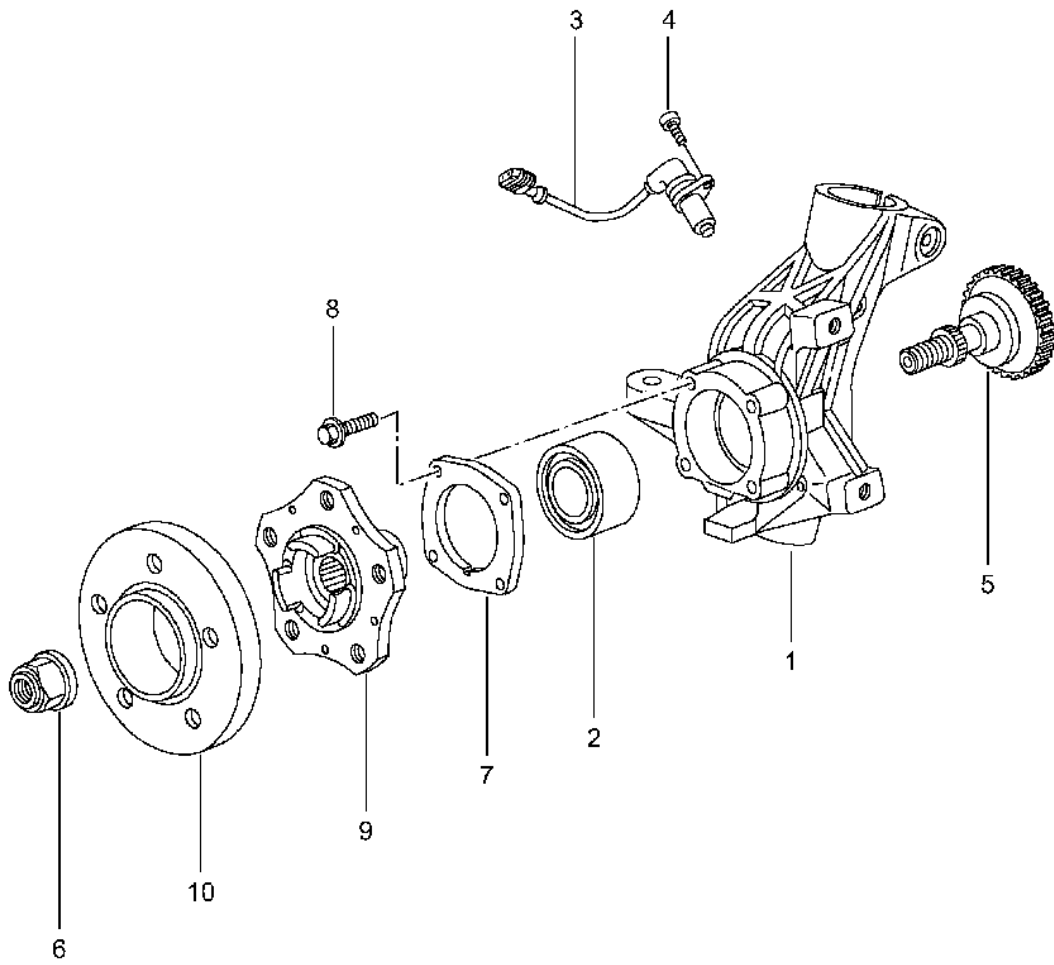
Pos	Part Number	Description	Remark	Qty	Model
1	996 341 081 05	Cross member Wishbone Cross member F >>99WS6 06191 F >>99WS6 40419		1	
(1)	996 341 081 30	Cross member F 99WS6 06192>> F 99WS6 40420>>		1	
(1)		Cross member	99-	1	
(1)	996 341 081 12	Cross member	-01	1	
(1)	996 341 081 14	Cross member	02-	1	
2	900 197 004 00	Guide sleeve 13 X 14	02-	1	
3	996 341 043 06	Control arm		2	
4	900 378 165 09	Hexagon-head bolt M 12 X 1,5 X 95		2	
5	999 084 445 09	Lock nut M 12 X 1,5		2	
6	996 341 053 07	Wishbone	-03	2	
(6)	996 341 053 16	Wishbone	04	2	
(6)	996 341 053 17	Wishbone	05-	2	
(6)	996 341 941 01	Wishbone Adjustable with Eccentric screw Eccentric washer And Hexagon nut		X	
7	900 378 146 09	Hexagon-head bolt M 14 X 1,5 X 110		2	
8	996 341 145 06	Plate		2	
9	900 378 094 09	Hexagon-head bolt M 12 X 1,5 X 25		4	
10	900 378 145 09	Hexagon-head bolt M 14 X 1,5 X 45 F >>99WS6 06191 F >>99WS6 40419		2	
(10)	900 378 192 09	Hexagon-head bolt M 14 X 1,5 X 50 F 99WS6 06192>> F 99WS6 40420>>	-01 02-	2 4	
(10)	900 378 192 01	Hexagon-head bolt M 14 X 1,5 X 50 F 99WS6 06192>> F 99WS6 40420>>		2	
11	900 378 135 09	Hexagon-head bolt M 14 X 1,5 X 73		2	
11	900 378 135 01	Hexagon-head bolt M 14 X 1,5 X 73		2	
12	900 380 012 09	Hexagon nut M 14 X 1,5		2	
12	900 380 012 01	Hexagon nut M 14 X 1,5		2	
13	996 341 483 01	Spoiler	/L	1	
(13)	996 341 483 02	Spoiler	/L 99-	1	M339
(13)		Spoiler	/L 04	1	M095/338
(13)	996 341 483 05	Spoiler F 995S6 40616>> F 995S6 00441>>	/L 05-	1	M339
(13)	996 341 484 01	Spoiler	/R	1	
(13)	996 341 484 02	Spoiler	/R 99-	1	M339

Model: 996 98 Model life 1998>>2005

Pos	Part Number	Description	Remark	Qty	Model
(13)		Spoiler	/R 04	1	M095/338
(13)	996 341 484 05	Spoiler F 995S6 40616>> F 995S6 00441>>	/R 05-	1	M339 M339
14	996 504 433 00	Strut		2	
15	996 341 511 01	Support	99	1	M601
(15)	996 341 511 02	Support	00-	1	M601
16	N 014 129 12	Oval-head screw M 5 X 10		2	M601
17	900 378 177 09	Hexagon-head bolt M 6 X 30		1	M601
18	996 631 121 00	Sensor	99-	1	M601
19	900 380 015 09	Hexagon nut VM 6		2	
19	900 380 015 01	Hexagon nut VM 6		2	
20	996 341 375 01	Strut	99-	1	M601
21	996 341 371 03	Support	99-	1	M601
22	999 084 449 09	Lock nut M 12 X 1,5		2	

Model: 996 98

Model life 1998>>2005



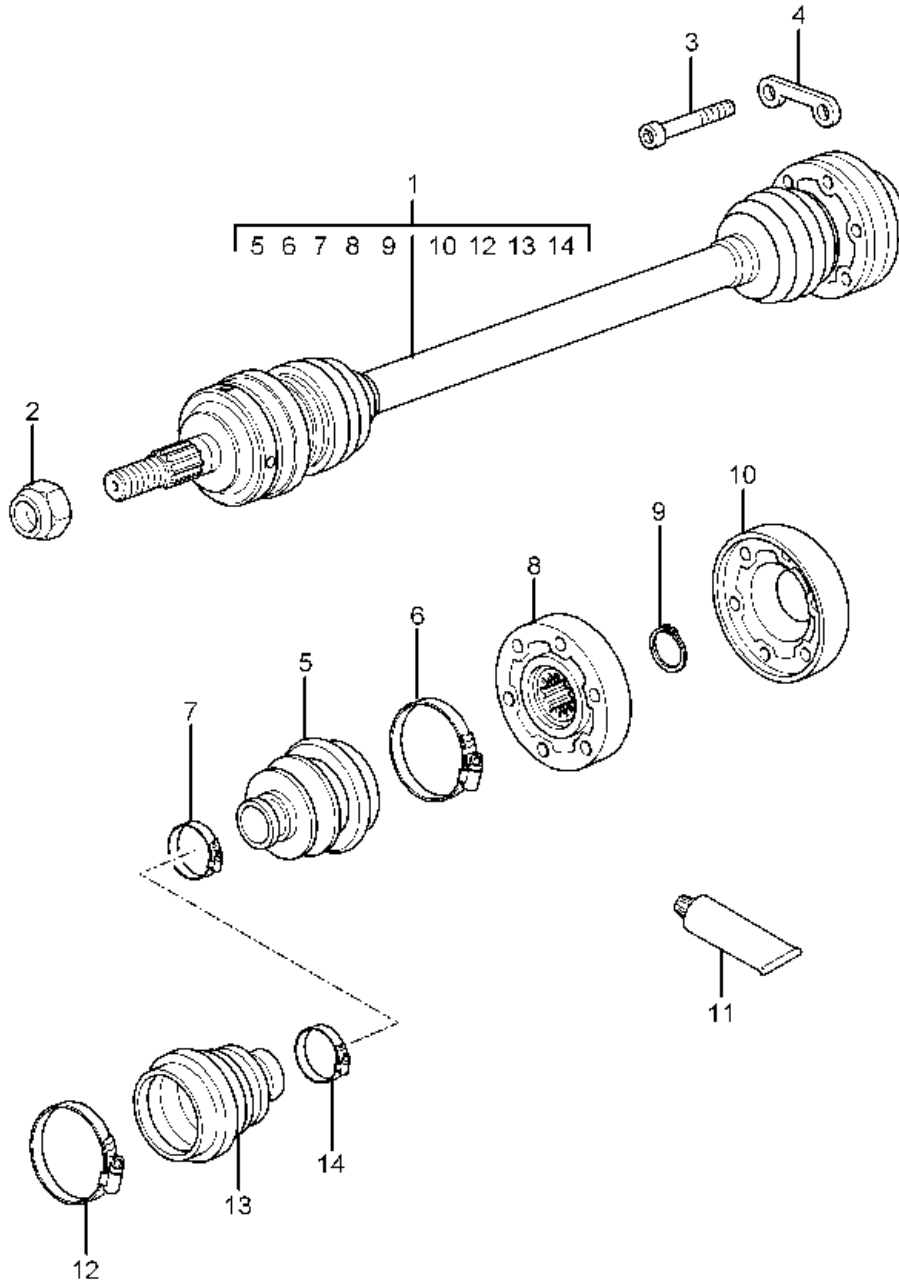
Model: 996 98

Model life 1998>>2005

Pos	Part Number	Description	Remark	Qty	Model
		Wheel carrier			
		Wheel hub			
1	996 341 157 09	Wheel carrier	/L	1	M338
(1)	996 341 157 11	Wheel carrier	/L	1	M338
(1)	996 341 957 11	Wheel carrier	/L -01	1	M338
(1)	996 341 957 12	Wheel carrier	/L	1	M338
(1)	996 341 158 09	Wheel carrier	/R	1	M338
(1)	996 341 158 11	Wheel carrier	/R	1	M338
(1)	996 341 958 11	Wheel carrier	/R -01	1	M338
(1)	996 341 958 12	Wheel carrier	/R	1	M338
(1)	996 341 155 04	Wheel carrier	/L 99-	1	M339
(1)	996 341 156 04	Wheel carrier	/R 99-	1	M339
(1)	996 341 165 06	Wheel carrier	/L 02-	1	C4S
(1)	996 341 166 06	Wheel carrier	/R 02-	1	C4S
2	999 053 041 02	Angular-contact bearing	-00	2	
(2)	999 053 041 03	Angular-contact bearing	01-	2	
(2)	999 053 042 07	Angular-contact bearing	02	2	C4S
(2)	999 053 054 05	Angular-contact bearing	03-	2	C4S
3	996 606 406 00	Speed sensor	-01	2	
(3)		Speed sensor	01	2	M476
(3)	996 606 407 02	Speed sensor	02-	2	
(3)	996 606 406 00	Speed sensor	02-	2	M476
4	900 067 117 09	Pan-head screw		2	
		M 6 X 16			
5	996 341 131 01	Tension bolt		2	M338
6	999 084 634 02	Lock nut		2	
		M 22 X 1,5			
7	964 341 661 01	Lid		2	
7	986 331 661 20	Lid	02-	2	C4S
8	999 217 042 09	Hexagon-head bolt		8	
		M 8 X 35			
9	996 341 605 54	Wheel hub		2	
(9)	997 341 605 01	Wheel hub	02-	2	C4S
10	997 361 605 90	Spacer ring	01-	2	IXRP
		5 MM			
		without			
		Wheel bolt			

Model: 996 98

Model life 1998>>2005



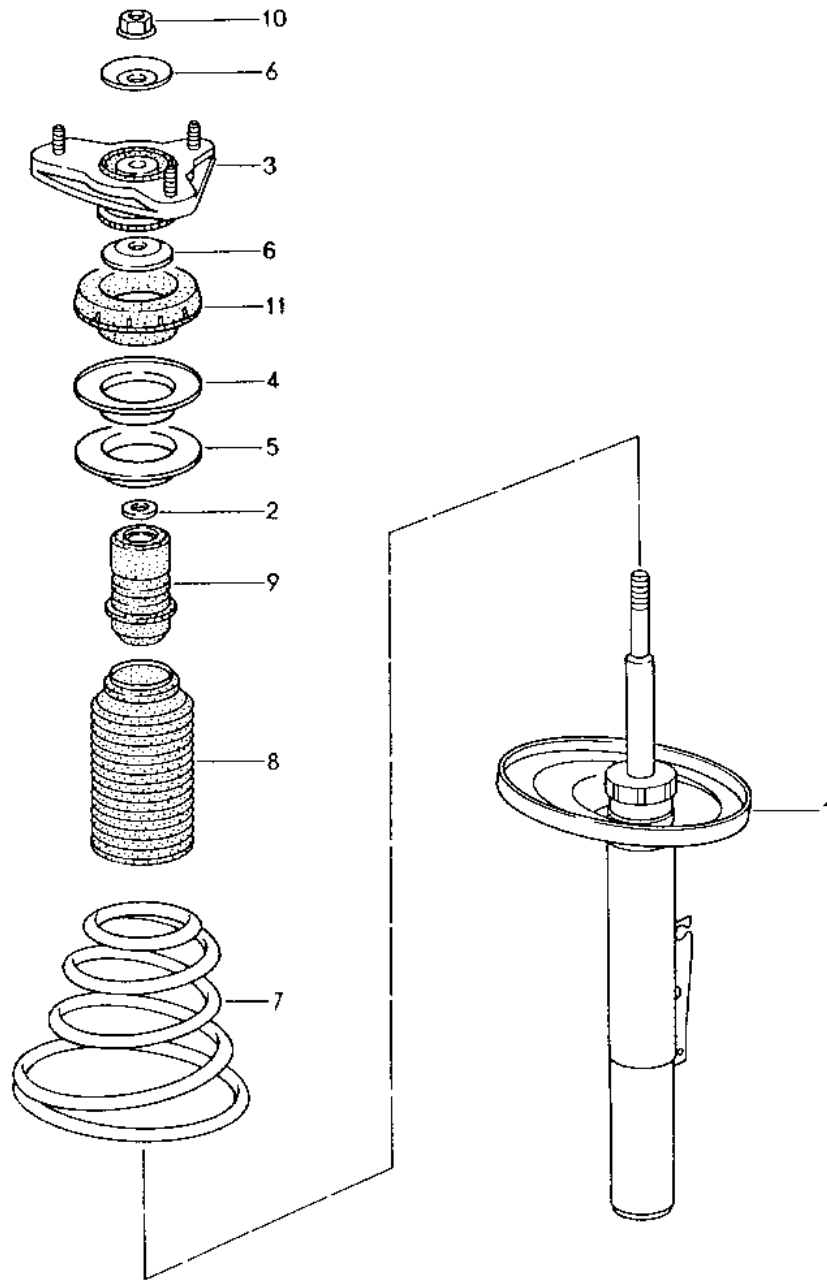
Model: 996 98

Model life 1998>>2005

Pos	Part Number	Description	Remark	Qty	Model
		Drive shaft			M339
1	996 349 038 01	Drive shaft	-99	2	
(1)	996 349 038 10	Drive shaft	00-	2	
2	999 084 641 02	Lock nut		2	
		M 22 X 1,5			
(2)		Lock nut		2	
		M 22 X 1,5			
3	900 067 211 09	Pan-head screw		12	
		M 8 X 50			
4	996 349 191 00	Plate		6	
(4)	996 349 191 01	Plate		6	
5	996 349 293 00	Dust bellows		2	
-	996 349 959 00	Bellow support		2	
		with			
		Dust bellows			
6	997 349 957 00	Clip		2	
7	996 349 257 03	Clip		2	
8	996 349 030 00	Joint		2	
9	900 041 011 01	Circlip		2	
10	996 349 267 00	Lid		2	
10	996 349 267 01	Lid		2	
11	000 043 110 01	Grease		X	
		1 100-gramme tube			
(11)	000 043 205 36	Sealing compound		X	
		Drive shaft			
		1 100-gramme tube			
12	996 349 257 00	Clip		2	
13	996 349 291 00	Dust bellows		2	
14	996 349 257 01	Clip		2	

Model: 996 98

Model life 1998>>2005



Model: 996 98 Model life 1998>>2005

Pos	Part Number	Description	Remark	Qty	Model
		suspension			M338
1	996 343 041 04	Shock absorber strut			
		Shock absorber	-01	2	
		- bilstein -			
1	996 343 041 30	Shock absorber	-01	2	
		- bilstein -			
1	996 343 041 39	Shock absorber	-01	2	
		- bilstein -			
(1)	996 343 041 20	Shock absorber	02	2	
		- bilstein -			
(1)	996 343 041 23	Shock absorber	03-	2	
		- bilstein -			
1	996 343 041 27	Shock absorber	03-	2	
		- bilstein -			
1	996 343 041 36	Shock absorber	03-	2	
		- bilstein -			
(1)	996 343 041 16	Shock absorber	-01	2	M030
		- bilstein -			
1	996 343 041 31	Shock absorber	-01	2	M030
		- bilstein -			
1	996 343 041 40	Shock absorber	-01	2	M030
		- bilstein -			
(1)	996 343 041 18	Shock absorber	02	2	M030
		- bilstein -			
(1)	996 343 041 21	Shock absorber	03-	2	M030
		- bilstein -			
1	996 343 041 28	Shock absorber	03-	2	M030
		- bilstein -			
1	996 343 041 37	Shock absorber	03-	2	M030
		- bilstein -			
1	996 343 041 36	Shock absorber	03-	2	
		- bilstein -			
(1)	996 343 980 06	Shock absorber		2	IX74
(1)	996 343 980 20	Shock absorber		2	IX74
(1)	996 343 980 40	Shock absorber		2	IX74
(1)	996 343 980 41	Shock absorber		2	IX74
		Mount			
		Shock absorber			
-	999 084 445 09	Lock nut		2	
		M 12 X 1,5			
2	996 343 513 00	Washer		2	
3	996 343 018 04	Supporting mount	-03	2	
(3)	997 343 018 00	Supporting mount	04-	2	
(3)	997 343 018 01	Supporting mount	04-	2	
(3)	996 343 980 08	Supporting mount	-01	2	IX74
(3)	996 343 980 37	Supporting mount	-01	2	IX74
(3)	996 343 980 08	Supporting mount	02-	2	IX74
(3)	996 343 980 37	Supporting mount	02-	2	IX74
-	999 084 447 09	Hexagon nut		6	
		M 8			
-	999 084 447 01	Hexagon nut		6	
		M 8			
-	999 703 429 40	Lid		2	
-	999 703 457 40	Lid		2	
4	996 343 517 01	Support ring		2	
5	996 343 511 00	Compensating plate		X	
		3,0 MM			
(5)	996 343 511 01	Compensating plate		X	
		6,5 MM			
6	996 343 107 02	Stop plate	-99	4	
(6)	996 343 107 03	Stop plate	00-	4	
7	996 343 531 01	Coil spring	-01	1	COUPE
		1 set			

Model: 996 98 Model life 1998>>2005

Pos	Part Number	Description	Remark	Qty	Model
	996 343 531 01 504	Identification Brown White			
(7)	996 343 531 15	Coil spring 1 set	02-	1	COUPE
	996 343 531 15 504	Identification Brown White			
(7)	996 343 531 02	Coil spring 1 set	-01	1	CABRIO
	996 343 531 02 504	Identification Brown Red			
(7)	996 343 531 16	Coil spring 1 set	02-	1	CABRIO TARGA
	996 343 531 16 504	Identification Brown Red			
(7)	996 343 531 11	Coil spring 1 set	-01	1	COUPE M030
	996 343 531 11 504	Identification Green White			
(7)	996 343 531 23	Coil spring 1 set	-01	1	COUPE M030
	996 343 531 23 504	Identification Green White			
(7)	996 343 531 19	Coil spring 1 set	02-	1	COUPE M030
	996 343 531 19 504	Identification Green White			
(7)	996 343 531 12	Coil spring 1 set	-01	1	CABRIO M030
	996 343 531 12 504	Identification Green Red			
(7)	996 343 531 20	Coil spring 1 set	02-	1	CABRIO M030 TARGA M030
	996 343 531 20 504	Identification Green Red			
(7)	996 343 980 07	Coil spring 1 set	-01	1	IX74
	996 343 980 07 504	Identification Red lilac Creamy white			
(7)	996 343 980 07	Coil spring 1 set	02-	1	IX74
	996 343 980 07 504	Identification Red lilac Creamy white F >>992S6 03565			
(7)	996 343 980 25	Coil spring		1	IX74

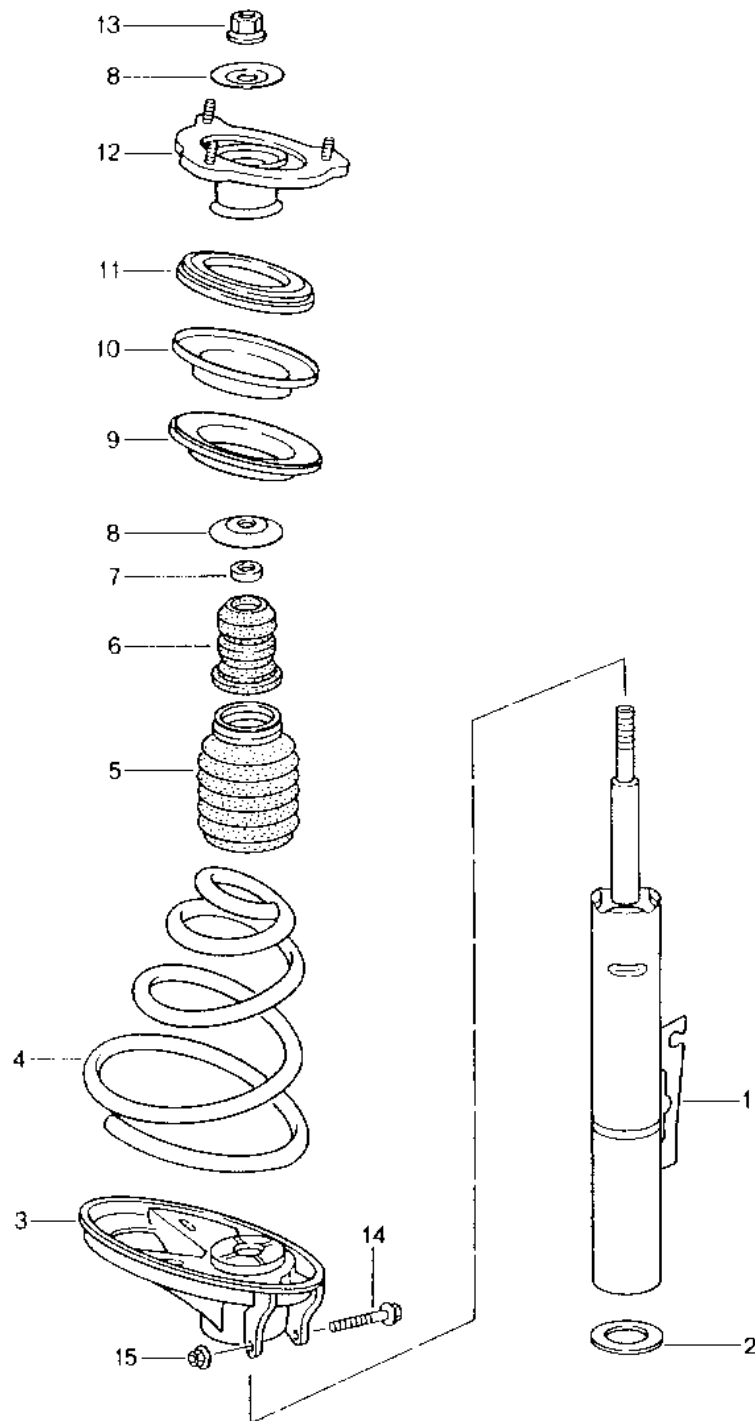
Model: 996 98

Model life 1998>>2005

Pos	Part Number	Description	Remark	Qty	Model
	996 343 980 25 504	1 set Identification Red lilac Creamy white F 992S6 03566>>			
8	996 343 505 00	Bellows		2	
9	996 343 301 02	Additional spring		2	
(9)	996 343 980 09	Additional spring	-01	2	IX74
9		Additional spring	02-	2	IX74
10	900 380 012 09	Hexagon nut M 14 X 1,5		2	
10	900 380 012 01	Hexagon nut M 14 X 1,5		2	
11	996 343 515 04	Deep-groove ball bearing with housing		2	
(11)	996 343 515 05	Deep-groove ball bearing with housing		2	

Model: 996 98

Model life 1998>>2005



Model: 996 98 Model life 1998>>2005

Pos	Part Number	Description	Remark	Qty	Model
		suspension	99-		M339
		Shock absorber strut			
1	996 343 043 02	Shock absorber	-01	2	
1	996 343 043 39	Shock absorber	-01	2	
(1)	996 343 043 22	Shock absorber	02-	2	
(1)	996 343 043 13	Shock absorber	-01	2	M030
(1)	996 343 043 40	Shock absorber	-01	2	M030
(1)	996 343 043 23	Shock absorber	02-	2	M030
(1)	996 343 043 45	Shock absorber	02-	2	M030
(1)	996 343 043 26	Shock absorber	02-	2	C4S
(1)	996 343 043 47	Shock absorber	02-	2	COUPE C4S
(1)	996 343 043 29	Shock absorber	04-	2	COUPE C4S
(1)	996 343 043 50	Shock absorber	04-	2	CABRIO C4S
(1)	996 343 980 12	Shock absorber	-01	2	CABRIO IX74
(1)	996 343 980 21	Shock absorber	02-	2	IX74
(1)	996 343 980 34	Shock absorber	03-	2	IX73
(1)	996 343 980 44	Shock absorber	03-	2	C4S COUPE IX73 C4S COUPE
-	900 378 138 09	Hexagon-head bolt M 12 X 1,5 X 70		2	
-	900 378 138 01	Hexagon-head bolt M 12 X 1,5 X 70		2	
-	999 084 445 09	Lock nut M 12 X 1,5		2	
2	996 343 521 01	Concave washer		2	
3	996 343 507 02	Concave washer	/L	1	
(3)	996 343 508 02	Concave washer	/R	1	
4	996 343 533 04	Coil spring	-01	1	COUPE
		1 set			
	996 343 533 04 504	Identification			
		Violet			
		Silver			
(4)	996 343 533 20	Coil spring	02-	1	COUPE
		1 set			
	996 343 533 20 504	Identification			
		Violet			
		Silver			
(4)	996 343 533 05	Coil spring	-01	1	CABRIO
		1 set			
	996 343 533 05 504	Identification			
		Violet			
		Orange			
(4)	996 343 533 21	Coil spring	02-	1	CABRIO
		1 set			
	996 343 533 21 504	Identification			
		Violet			
		Orange			
(4)	996 343 533 14	Coil spring	-01	1	COUPE M030
		1 set			
	996 343 533 14 504	Identification			
		Lilac			
		Silver			
(4)	996 343 533 24	Coil spring	02-	1	COUPE M030
		1 set			
	996 343 533 24 504	Identification			
		Lilac			

Model: 996 98 Model life 1998>>2005

Pos	Part Number	Description	Remark	Qty	Model
(4)	996 343 533 15	Silver Coil spring 1 set	-01	1	CABRIO M030
	996 343 533 15 504	Identification Lilac Orange			
(4)	996 343 533 33	Coil spring 1 set	-01	1	CABRIO M030
	996 343 533 33 504	Identification Lilac Orange			
(4)	996 343 533 25	Coil spring 1 set	02-	1	CABRIO M030
	996 343 533 25 504	Identification Lilac Orange			
(4)	996 343 533 30	Coil spring 1 set	02-	1	C4S
	996 343 533 30 504	Identification Pink Blue			
(4)	996 343 980 13	Coil spring 1 set	-01	1	IX74
	996 343 980 13 504	Identification Pale orange Creamy white			
(4)	996 343 980 13	Coil spring 1 set	02-	1	IX74
	996 343 980 13 504	Identification Pale orange Creamy white F >>992S6 03565			
(4)	996 343 980 26	Coil spring 1 set		1	IX74
	996 343 980 26 504	Identification Pale orange Creamy white F 992S6 03566>>			
(4)	996 343 980 27	Coil spring 1 set	03-	1	IX73 C4S COUPE
	996 343 980 27 504	Identification Blue Silver			
5	996 343 509 01	Bellows		2	
6	996 343 301 02	Additional spring		2	
(6)	996 343 980 09	Additional spring	-01	2	IX74
(6)		Additional spring	02-	2	IX74
(6)		Additional spring	03-	2	IX73 C4S COUPE
7	996 343 513 00	Washer		2	
8	996 343 107 02	Stop plate	-99	2	
(8)	996 343 107 03	Stop plate	00-	2	
9	996 343 525 00	Compensating plate 3,0 MM		X	
(9)	996 343 525 01	Compensating plate 6,5 MM		X	
10	996 343 523 00	Support ring		1	
11	996 343 501 00	Angular-contact bearing		1	
12	996 343 015 04	Supporting mount	/L	1	
(12)	996 343 980 15	Supporting mount	/L -01	1	IX74
(12)		Supporting mount	/L 02-	1	IX74
(12)		Supporting mount	/L 03-	1	IX73

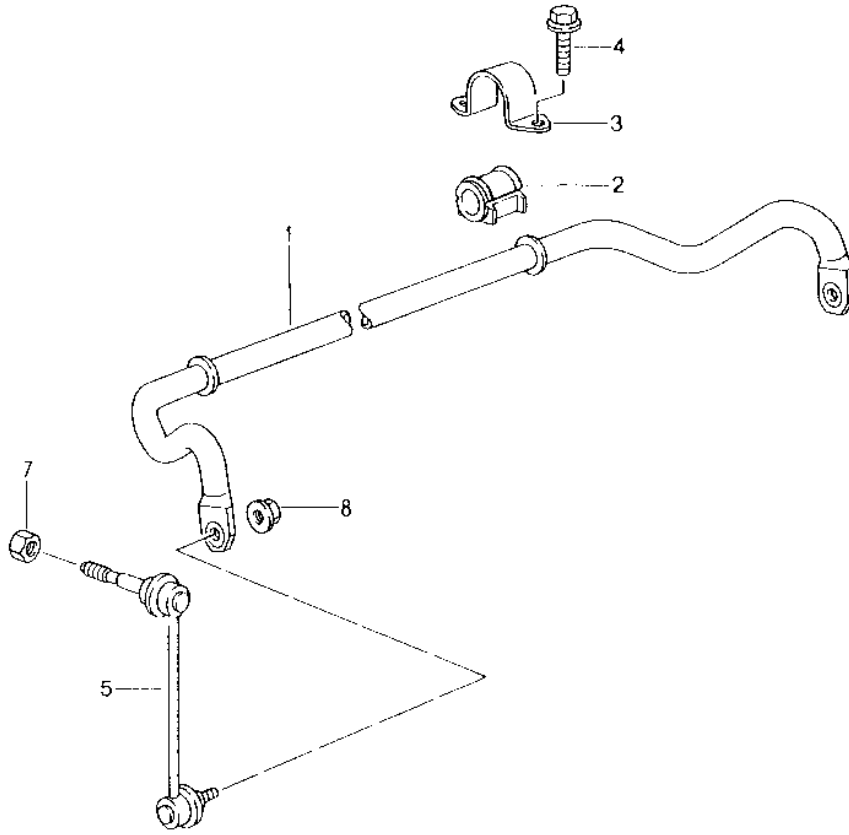
Model: 996 98

Model life 1998>>2005

Pos	Part Number	Description	Remark	Qty	Model
(12)	996 343 016 04	Supporting mount	/R	1	C4S COUPE
(12)	996 343 980 16	Supporting mount	/R -01	1	IX74
(12)		Supporting mount	/R 02-	1	IX74
(12)		Supporting mount	/R 03-	1	IX73 C4S COUPE
-	999 084 447 09	Hexagon nut M 8		6	
-	999 084 447 01	Hexagon nut M 8		6	
13	900 380 012 09	Hexagon nut M 14 X 1,5		2	
13	900 380 012 01	Hexagon nut M 14 X 1,5		2	
14	900 378 191 09	Hexagon-head bolt M 6 X 55		2	
15	900 377 010 09	Hexagon nut M 6		2	

Model: 996 98

Model life 1998>>2005



Model: 996 98 Model life 1998>>2005

Pos	Part Number	Description	Remark	Qty	Model
1	996 343 701 09	Stabiliser		1	COUPE
(1)	996 343 701 04	Stabiliser	99-	1	M480
				1	COUPE
				1	M249
				1	COUPE
				1	M030
				1	CABRIO
				1	CABRIO
			99-	1	M030
				1	/338
(1)	996 343 701 21	Stabiliser	99-	1	IX74
				1	COUPE
				1	M249
				1	COUPE
				1	M030
				1	CABRIO
				1	CABRIO
			99-	1	M030
				1	/338
(1)	996 343 701 04	Stabiliser	02-	1	IX74
				1	TARGA
(1)	996 343 701 20	Stabiliser	02-	1	M480
				1	TARGA
(1)	996 343 701 10	Stabiliser	02-	1	M249
				1	TARGA
(1)	996 343 701 23	Stabiliser	02-	1	M030
				1	TARGA
(1)	996 343 703 00	Stabiliser	99-	1	M030
(1)	996 343 703 02	Stabiliser	99-	1	M339
			02-	1	M030/339
				1	/339
				1	IX74
			02-	1	C4S
2	996 343 792 14	Stabiliser mounting		2	COUPE
(2)	996 343 792 12	Stabiliser mounting		2	M480
				2	COUPE
				2	M249
				2	COUPE
				2	M030
				2	CABRIO
				2	CABRIO
(2)	996 343 792 11	Stabiliser mounting	99-	2	M030
(2)	996 343 792 12	Stabiliser mounting	99-	2	M339
			02-	2	M030/339
				2	C4S
				2	TARGA
(2)	996 343 792 17	Stabiliser mounting	02-	2	M480
				2	TARGA
			02-	2	M249
				2	TARGA
				2	M030
3	996 343 777 01	Clip		2	
4	900 378 070 09	Hexagon-head bolt M 10 X 30		4	
5	996 343 069 02	Stabiliser mounting	/L -99	1	
(5)	996 343 069 03	Stabiliser mounting	/L 00-	1	
(5)	996 343 069 04	Stabiliser mounting	/L 00-	1	
(5)	996 343 070 02	Stabiliser mounting	/R -99	1	
(5)	996 343 070 03	Stabiliser mounting	/R 00-	1	
(5)	996 343 070 04	Stabiliser mounting	/R 00-	1	
(5)	996 343 073 03	Stabiliser mounting	99-	2	M339
(5)	996 343 073 04	Stabiliser mounting	00-	2	M339

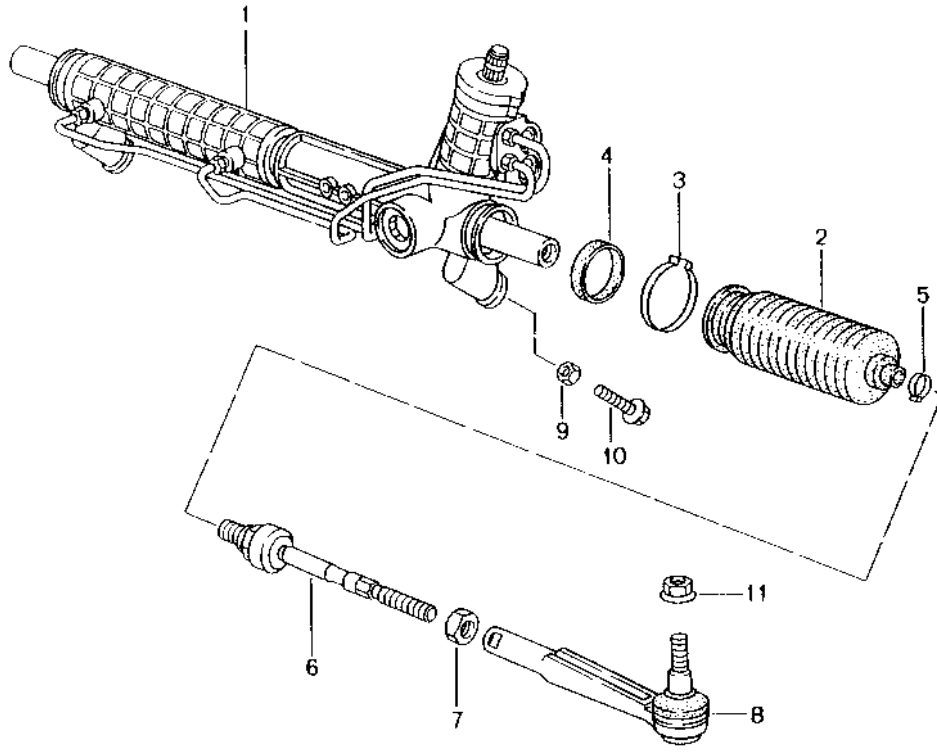
Model: 996 98

Model life 1998>>2005

Pos	Part Number	Description	Remark	Qty	Model
7	999 084 445 09	Lock nut M 12 X 1,5		2	
8	999 084 643 09	Hexagon nut M10		2	

Model: 996 98

Model life 1998>>2005



Model: 996 98 Model life 1998>>2005

Pos	Part Number	Description	Remark	Qty	Model
1	996 347 011 05	Power steering Steering gear	/LL	1	
(1)	996 347 011 06	Steering parts Steering gear	/LL	1	
(1)	996 347 011 07	Power steering Steering gear	/LL	1	
(1)	996 347 011 10	Power steering Steering gear	/LL	1	
(1)	996 347 012 05	Power steering Steering gear	/RL	1	
(1)	996 347 012 07	Power steering Steering gear	/RL	1	
(1)	996 347 012 08	Power steering Steering gear	/RL	1	
(1)	996 347 012 10	Power steering Steering gear	/RL	1	
-	996 347 110 01	Clip Pinion	-03	1	
-	996 347 110 02	Steering gear Clip Pinion	04-	1	
2	996 347 191 02	Steering gear Bellows for		2	
(2)	996 347 191 04	Steering gear 996.347.011.05 996.347.012.05 Bellows for		2	
3	996 347 293 03	Steering gear 996.347.011.06/07 996.347.012.07/08 Clamping ring for		2	
(3)	996 347 293 04	Steering gear 996.347.011.05 996.347.012.05 Clamping ring for		2	
4	997 347 373 00	Steering gear 996.347.011.06/07 996.347.012.07/08 Sealing ring for		2	
(4)		Steering gear 996.347.011.05 996.347.012.05 Sealing ring for		2	
5	999 512 645 09	Steering gear 996.347.011.06/07 996.347.012.07/08 Hose clamp		2	
6	996 347 322 03	Joint		2	
7	999 034 037 09	Hexagon nut M 14 X 1,5		2	
8	996 347 131 03	Track rod	-99	2	
(8)	996 347 131 04	Track rod	00-	2	
9		See illustrations 4/01/00			

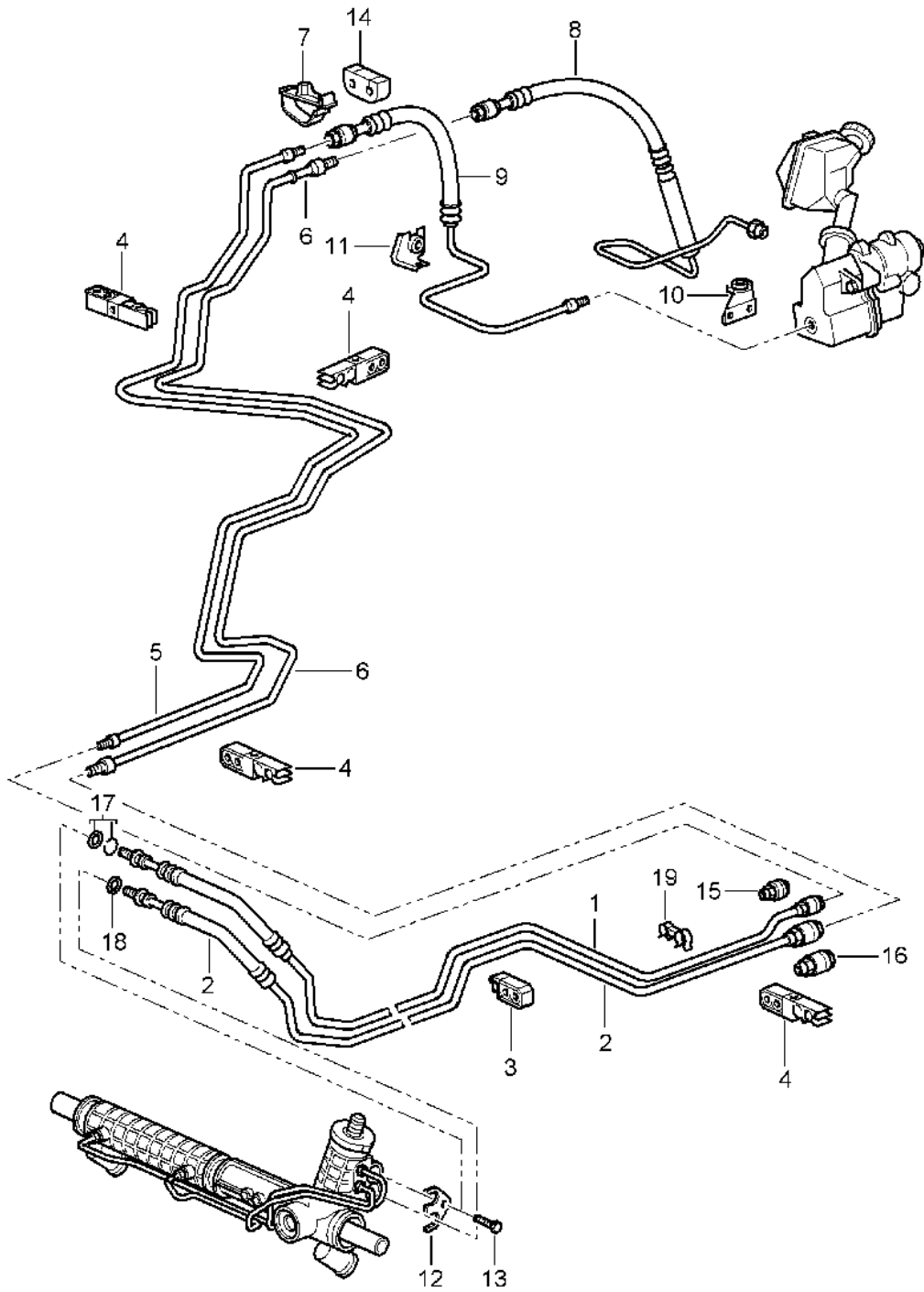
Model: 996 98

Model life 1998>>2005

Pos	Part Number	Description	Remark	Qty	Model
10	900 378 100 01	POS.2 Hexagon-head bolt AM 10 X 45		2	
11	999 084 449 09	Lock nut M 12 X 1,5		2	

Model: 996 98

Model life 1998>>2005



Model: 996 98 Model life 1998>>2005

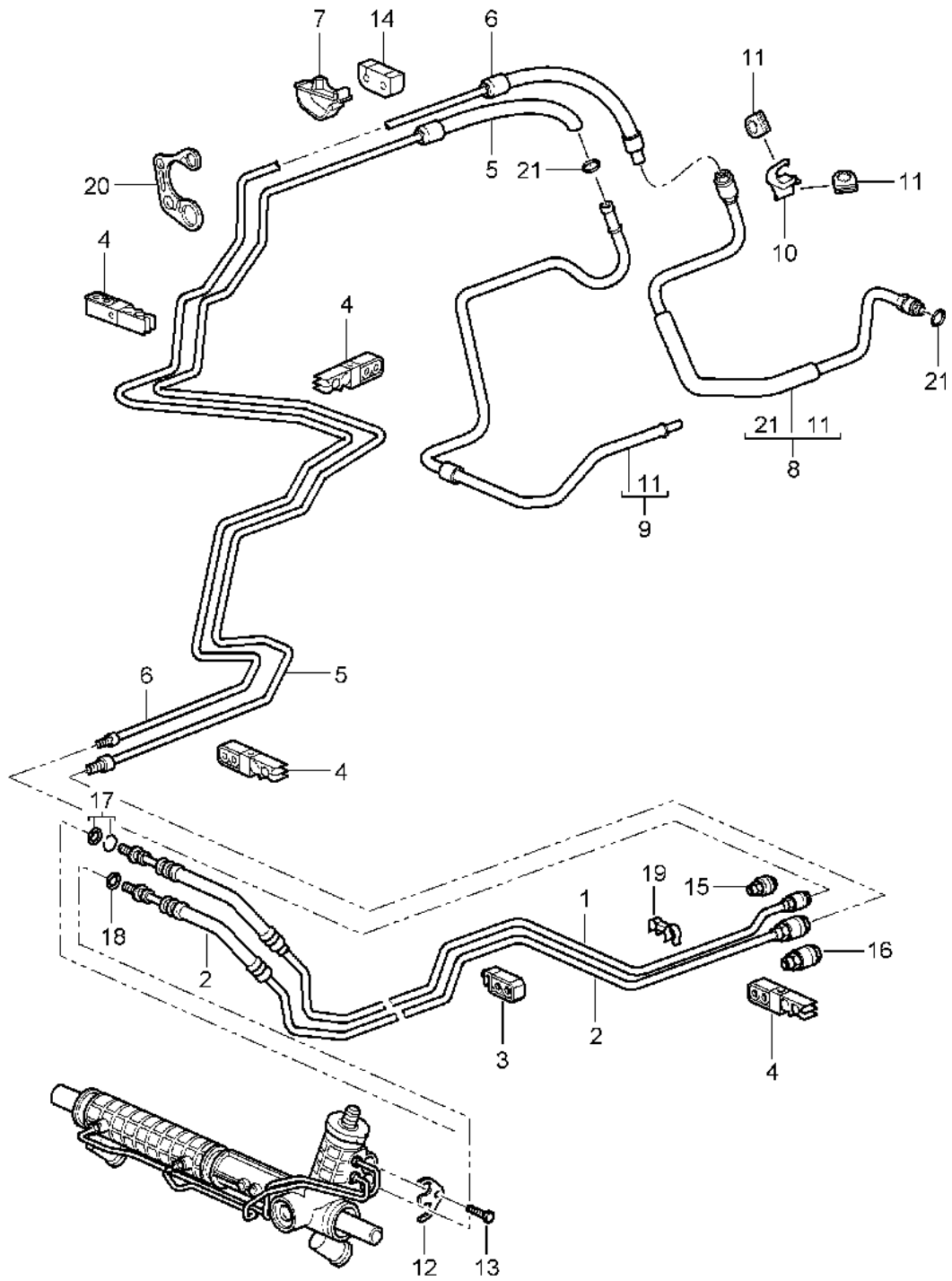
Pos	Part Number	Description	Remark	Qty	Model
		Power steering Lines F >>994S6 30356 F >>994S6 03928 F >>994S6 42725			
1	996 347 451 08	Pressure line	/LL -01	1	M338
(1)	996 347 451 11	Pressure line	/LL -01	1	M338
(1)	996 347 451 10	Pressure line	/LL 02	1	M338
(1)		Pressure line	/LL 03-	1	M338
(1)	996 347 451 27	Pressure line	/LL -00	1	M339
(1)	996 347 451 28	Pressure line	/LL 01	1	M339
(1)	996 347 451 29	Pressure line	/LL 02	1	M339
(1)	996 347 451 32	Pressure line	/LL 03-	1	M339
(1)	996 347 452 04	Pressure line	/RL -01	1	M338
(1)	996 347 452 07	Pressure line	/RL 02	1	M338
(1)	996 347 452 08	Pressure line	/RL 03-	1	M338
(1)	996 347 452 06	Pressure line	/RL -01	1	M339
(1)	996 347 452 09	Pressure line	/RL -01	1	M339
(1)	996 347 452 25	Pressure line	/RL 02	1	M339
(1)	996 347 452 27	Pressure line	/RL 03-	1	M339
2	996 347 449 06	Return line	/LL -01	1	M338
(2)	996 347 449 09	Return line	/LL 02-	1	M338
(2)	996 347 449 27	Return line	/LL -01	1	M339
(2)	996 347 449 30	Return line	/LL 02	1	M339
(2)	996 347 449 31	Return line	/LL 03-	1	M339
(2)	996 347 450 03	Return line	/RL -01	1	M338
(2)	996 347 450 08	Return line	/RL -01	1	M338
(2)	996 347 450 12	Return line	/RL -01	1	M338
(2)	996 347 450 06	Return line	/RL 02-	1	M338
(2)	996 347 450 05	Return line	/RL -01	1	M339
(2)	996 347 450 25	Return line	/RL 02-	1	M339
3	996 347 543 00	Cable holder		X	
(3)	996 347 553 00	Support	/RL 02-	1	TARGA
4	996 355 543 00	Support		1	
-	996 347 674 00	Support	/RL	1	
		Pressure line Return line			
5	996 347 539 04	Return line Centre		1	
(5)	996 347 539 05	F >>99XS6 06898 F >>99XS6 44623 Return line Centre	-01	1	
(5)	996 347 539 51	F 99XS6 06899>> F 99XS6 44624>> Return line	02-	1	
6	996 347 545 04	Pressure line Centre		1	
6	996 347 545 05	F >>99XS6 06898 F >>99XS6 44623 Pressure line Centre	-01	1	
(6)	996 347 545 52	F 99XS6 06899>> F 99XS6 44624>> Pressure line Centre	02-	1	
7	996 347 549 01	Support		2	
8	996 347 443 02	Pressure line Rear	-01	1	
(8)	996 347 443 05	Pressure line Rear F >>992S6 08512 F >>992S6 31981		1	

Model: 996 98 Model life 1998>>2005

Pos	Part Number	Description	Remark	Qty	Model
(8)	996 347 443 06	F >>992S6 45199 Pressure line Rear F 992S6 08513>> F 992S6 31982>> F 992S6 45200>>		1	
(8)	996 347 443 09	Pressure line Rear F 992S6 08513>> F 992S6 31982>> F 992S6 45200>>		1	
9	996 347 441 02	Return line Rear	-01	1	
9	996 347 441 04	Return line Rear	-01	1	
(9)	996 347 441 03	Return line Rear	02-	1	
-	999 230 551 10	Threaded joint NW 10		1	
-	999 230 552 10	Threaded joint NW 6		1	
-	999 230 685 40	Circlip for Threaded joint		1	
10	996 347 747 02	Support	-01	1	
(10)	996 347 747 04	Support	02-	1	
11	996 347 749 03	Support	-01	1	
(11)	996 347 749 04	Support	02-	1	
12	996 347 769 01	Tension shackle		1	
13	900 067 063 02	Pan-head screw M 10 X 20		1	
14	996 347 551 01	Retainer plate Mount Pressure line Return line Power steering		1	
-	996 347 671 01	Support Left	/RL	1	
-	996 347 672 01	Support Right	/RL	1	
-	996 347 771 02	Support Left	/RL 02-	1	C4S
-	996 347 672 02	Support Right	/RL 02-	1	C4S
-	997 347 544 00	Support Lines Mount Bracket		1	
15	999 230 539 10	Threaded joint		1	
16	999 230 540 10	Threaded joint		1	
17	999 230 543 40	Repair kit Gaskets		1	
18	999 230 542 40	O-ring		1	
19	999 507 575 40	Support 9,0/13,0		1	

Model: 996 98

Model life 1998>>2005

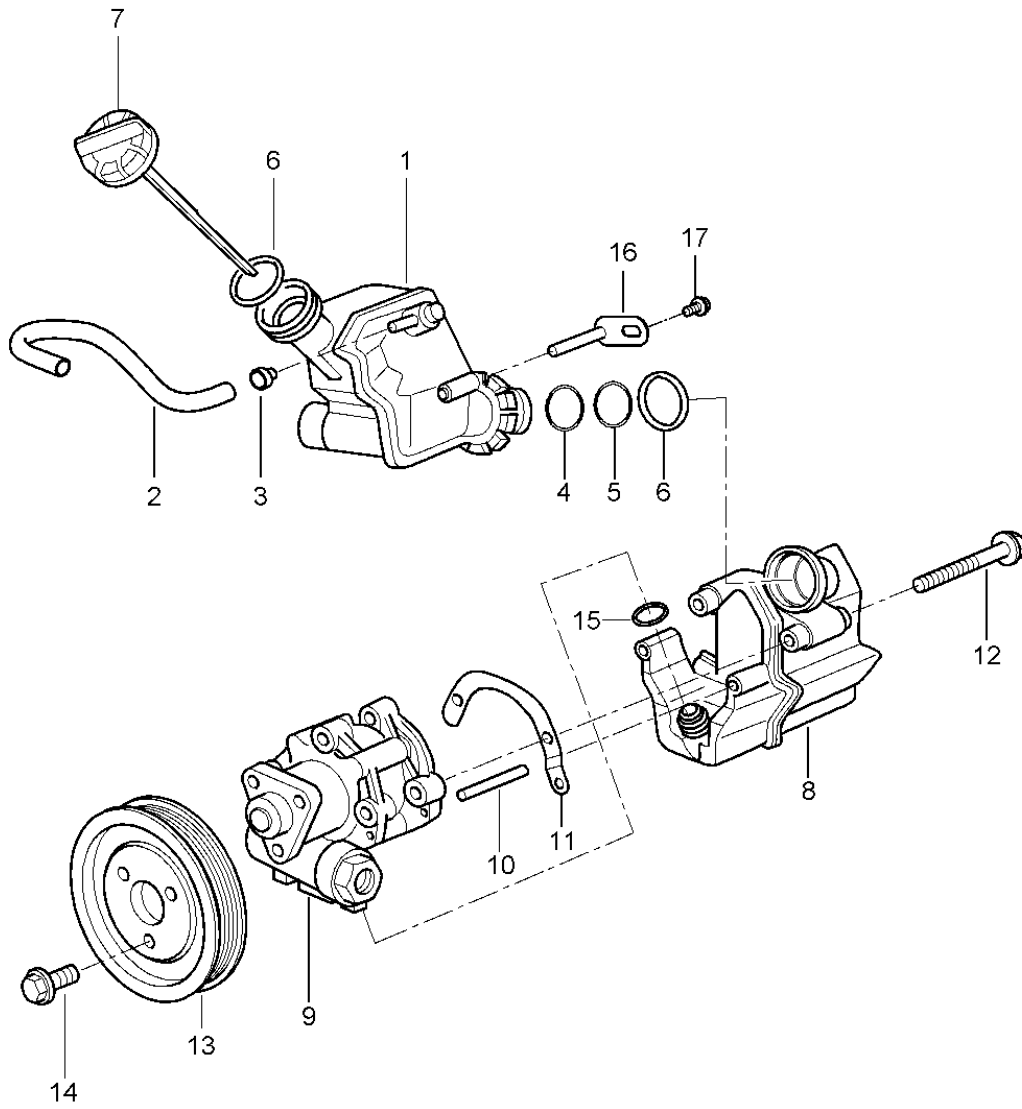


Model: 996 98 Model life 1998>>2005

Pos	Part Number	Description	Remark	Qty	Model
		Power steering Lines F 994S6 30357>> F 994S6 03929>> F 994S6 42726>>			
(1)	996 347 451 10	Pressure line	/LL	1	M338
(1)	996 347 451 32	Pressure line	/LL	1	M339
(1)	996 347 452 08	Pressure line	/RL	1	M338
(1)	996 347 452 27	Pressure line	/RL	1	M339
(2)	996 347 449 09	Return line	/LL	1	M338
(2)	996 347 449 31	Return line	/LL	1	M339
(2)	996 347 450 06	Return line	/RL	1	M338
(2)	996 347 450 25	Return line	/RL	1	M339
3	996 347 543 00	Cable holder		X	
(3)	996 347 553 00	Support	/RL	1	TARGA
4	996 355 543 00	Support		1	
-	996 347 674 00	Support	/RL	1	
		Pressure line Return line			
(5)	996 347 439 26	Return line Centre Information available		1	
(6)	996 347 445 26	Pressure line Centre		1	
-	999 230 578 40	Circlip for Threaded joint Return line		X	
7	996 347 549 01	Support Pressure line		2	
(8)	996 347 443 25	Pressure line Rear		1	
(9)	996 347 441 25	Return line Rear		1	
-	999 230 683 40	Safety clip for Threaded joint		1	
10	997 347 749 00	Support		1	
11	999 702 210 40	Rubber sleeve		1	
12	996 347 769 01	Tension shackle		1	
13	900 067 063 02	Pan-head screw M 10 X 20		1	
14	996 347 551 01	Retainer plate Mount Pressure line Return line		1	
-	996 347 671 01	Power steering Support Left	/RL	1	
-	996 347 672 01	Support Right	/RL	1	
-	996 347 771 02	Support Left	/RL	1	C4S
-	996 347 672 02	Support Right	/RL	1	C4S
15	999 230 539 10	Threaded joint		1	
16	999 230 540 10	Threaded joint		1	
17	999 230 543 40	Repair kit Gaskets		1	
18	999 230 542 40	O-ring		1	
19	999 507 091 40	Cable holder		1	
20	997 347 544 00	Support		1	
21	999 707 503 40	Sealing ring		1	

Model: 996 98

Model life 1998>>2005

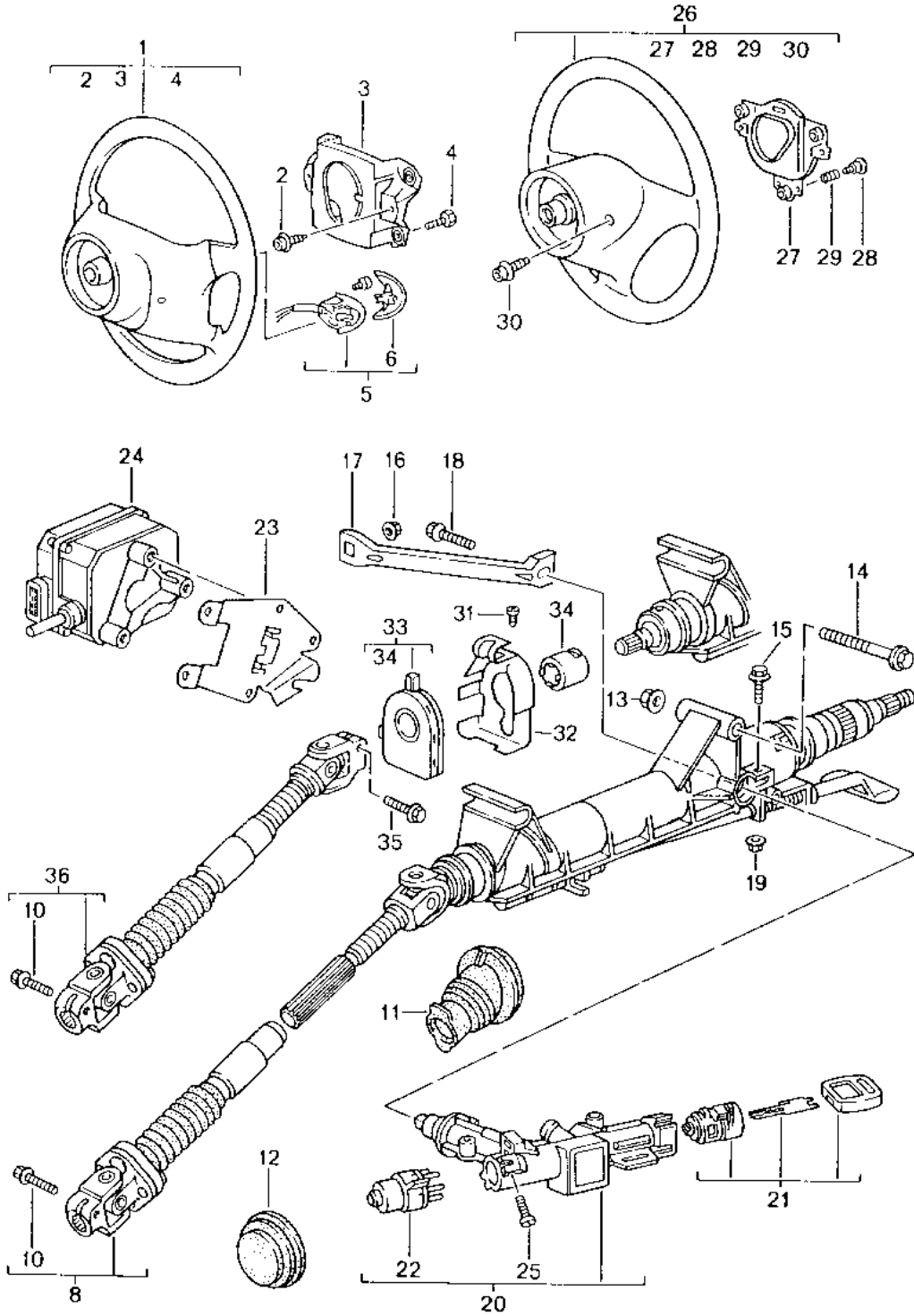


Model: 996 98 Model life 1998>>2005

Pos	Part Number	Description	Remark	Qty	Model
1	996 314 225 02	Power steering Power-steering pump Container Expansion tank M >> 664 01953 M >> 684 00519		1	
(1)	997 314 225 00	Expansion tank M 664 01954 >> M 684 00520 >>		1	
2	996 314 545 00	Hose	98	1	
(2)	996 314 545 01	Hose M >> 664 01953 M >> 684 00519	99-	1	
-	999 507 658 09	Cable holder	99-	1	
3	999 512 527 00	Clamp M >> 664 01953 M >> 684 00519		1	
4	999 707 362 40	Sealing ring		1	
5	999 707 363 40	Sealing ring		1	
6	999 701 154 40	Sealing ring		2	
7	996 314 223 01	Lid M >> 664 01953 M >> 684 00519		1	
(1)	997 314 223 00	Lid M 664 01954 >> M 684 00520 >>		1	
8	996 314 220 02	Oil tank	-02	1	
(8)	996 314 220 03	Oil tank	03	1	
(8)	997 314 220 00	Oil tank		1	
9	996 314 050 02	Power-steering pump		1	
10	996 314 320 03	Straight pin		2	
11	996 314 431 05	Bracket		1	
12	900 378 105 09	Hexagon-head bolt AM 8 X 70		2	
13	996 147 223 60	Pulley	-99	1	M249
(13)	996 147 223 53	Pulley	-99	1	M480/574
(13)	996 147 223 60	Pulley	-99	1	M480/573
14	900 378 123 09	Hexagon-head bolt M 8 X 12	00-	1	
15	999 707 204 40	Sealing ring 12.5 X 2N		3	
16	996 314 551 00	Bracket for Container		1	
-	000 043 203 33	Pentosin 1000 ML		X	
-	000 043 206 56	Pentosin 1000 ML		X	

Model: 996 98

Model life 1998>>2005



Model: 996 98 Model life 1998>>2005

Pos	Part Number	Description	Remark	Qty	Model
1	993 347 804 55	Steering outer tube Steering shaft Steering wheels Steering wheel		1	M480
	993 347 804 55 8YR	Black			
(1)	993 347 804 56	Steering wheel		1	M480
	993 347 804 56 8YR	Black	-00		
1	993 347 804 55	Steering wheel		1	M480
	993 347 804 55 A28	Black			
	993 347 804 55 B50	Space grey			
	993 347 804 55 C50	Graphite grey			
	993 347 804 55 C60	Graphite grey			
	993 347 804 55 G10	Metropole blue			
	993 347 804 55 G30	Metropole blue			
	993 347 804 55 S30	Savanna			
	993 347 804 55 S40	Savanna			
	993 347 804 55 J40	Nephrite green			
(1)	993 347 804 56	Steering wheel	99-01	1	M480
	993 347 804 56 A28	Black	01		
	993 347 804 56 B50	Space grey			
	993 347 804 56 C50	Graphite grey	-00		
	993 347 804 56 C60	Graphite grey	01		
	993 347 804 56 G10	Metropole blue	-00		
	993 347 804 56 G30	Metropole blue	01		
	993 347 804 56 S30	Savanna	-00		
	993 347 804 56 S40	Savanna	01		
	993 347 804 56 J40	Nephrite green	01		
(1)	993 347 981 01	Four-spoke steering wheel	-01	1	IX28/M480
	993 347 981 01 8YR	Black	-00		
	993 347 981 01 A28	Black	01		
	993 347 981 01 B50	Space grey	-00		
	993 347 981 01 C50	Graphite grey	-00		
	993 347 981 01 C60	Graphite grey	01		
	993 347 981 01 G10	Metropole blue	-00		
	993 347 981 01 G30	Metropole blue	01		
	993 347 981 01 S30	Savanna	-00		
	993 347 981 01 S40	Savanna	01		
	993 347 981 01 J30	Nephrite green	-00		
	993 347 981 01 J40	Nephrite green	01		
	993 347 981 01 M30	Boxster red	-00		
	993 347 981 01 M40	Boxster red	01		
	993 347 981 01 P20	Cinnamon brown	01		
	993 347 981 01 D11	Dark grey/natural	00-01		
	993 347 981 01 T11	Brown/natural	00-01		
(1)	996 347 981 01	Four-spoke steering wheel	-01	1	IX28/M480
	996 347 981 01 8YR	Black	-00		
	996 347 981 01 A28	Black	01		
	996 347 981 01 B50	Space grey	-00		
	996 347 981 01 C50	Graphite grey	-00		
	996 347 981 01 C60	Graphite grey	01		
	996 347 981 01 G10	Metropole blue	-00		
	996 347 981 01 G30	Metropole blue	01		
	996 347 981 01 S30	Savanna	-00		
	996 347 981 01 S40	Savanna	01		
	996 347 981 01 J30	Nephrite green	-00		
	996 347 981 01 J40	Nephrite green	01		
	996 347 981 01 M30	Boxster red	-00		

Model: 996 98 Model life 1998>>2005

Pos	Part Number	Description	Remark	Qty	Model
(1)	996 347 981 01 M40	Boxster red	01	1	IX30/M480
	996 347 981 01 P20	Cinnamon brown	01		
	996 347 981 01 D11	Dark grey/natural	00-01		
	996 347 981 01 T11	Brown/natural	00-01		
	996 347 981 03	Four-spoke steering wheel	-01		
	996 347 981 03 8YR	Black	-00		
	996 347 981 03 A28	Black	01		
	996 347 981 03 B50	Space grey	-00		
	996 347 981 03 C50	Graphite grey	-00		
	996 347 981 03 C60	Graphite grey	01		
	996 347 981 03 G10	Metropole blue	-00		
	996 347 981 03 G30	Metropole blue	01		
	996 347 981 03 S30	Savanna	-00		
	996 347 981 03 S40	Savanna	01		
	996 347 981 03 J30	Nephrite green	-00		
	996 347 981 03 J40	Nephrite green	01		
	(1)	996 347 981 03 M30	Boxster red		
996 347 981 03 M40		Boxster red	01		
996 347 981 03 P20		Cinnamon brown	01		
996 347 981 03 D11		Dark grey/natural	00-01		
996 347 981 03 T11		Brown/natural	00-01		
993 347 981 07		Four-spoke steering wheel	-01		
993 347 981 07 8YR		Black	-00		
993 347 981 07 A28		Black	01		
993 347 981 07 B50		Space grey	-00		
993 347 981 07 C50		Graphite grey	-00		
993 347 981 07 C60		Graphite grey	01		
993 347 981 07 G10		Metropole blue	-00		
993 347 981 07 G30		Metropole blue	01		
993 347 981 07 S30		Savanna	-00		
993 347 981 07 S40		Savanna	01		
993 347 981 07 J30		Nephrite green	-00		
993 347 981 07 J40		Nephrite green	01		
(1)	993 347 981 07 M30	Boxster red	-00	1	M249
	993 347 981 07 M40	Boxster red	01		
	993 347 981 07 P20	Cinnamon brown	01		
	993 347 981 07 D11	Dark grey/natural	00-01		
	993 347 981 07 T11	Brown/natural	00-01		
	993 347 804 63	Steering wheel			
	993 347 804 63 8YR	Black			
	993 347 804 63 A28	Black			
	993 347 804 63 B50	Space grey			
	993 347 804 63 C50	Graphite grey			
	993 347 804 63 C60	Graphite grey			
	993 347 804 63 G10	Metropole blue			
	993 347 804 63 G30	Metropole blue			
	993 347 804 63 S30	Savanna			
	993 347 804 63 S40	Savanna			
	993 347 804 63 J40	Nephrite green			
	(1)	993 347 804 64	Steering wheel		
993 347 804 64 8YR		Black	-00		
993 347 804 64 A28		Black	01		
993 347 804 64 B50		Space grey			
993 347 804 64 C50		Graphite grey	-00		
993 347 804 64 C60		Graphite grey	01		
993 347 804 64 G10		Metropole blue	-00		
993 347 804 64 G30		Metropole blue	01		
993 347 804 64 S30		Savanna	-00		

Model: 996 98 Model life 1998>>2005

Pos	Part Number	Description	Remark	Qty	Model
(1)	993 347 804 64 S40	Savanna	01	1	IX26/M432
	993 347 804 64 J40	Nephrite green	01		
	993 347 981 02	Four-spoke steering wheel	-01		
	993 347 981 02 8YR	Black	-00		
	993 347 981 02 A28	Black	01		
	993 347 981 02 B50	Space grey	-00		
	993 347 981 02 C50	Graphite grey	-00		
	993 347 981 02 C60	Graphite grey	-01		
	993 347 981 02 G10	Metropole blue	-00		
	993 347 981 02 G30	Metropole blue	01		
	993 347 981 02 S30	Savanna	-00		
	993 347 981 02 S40	Savanna	01		
	993 347 981 02 J30	Nephrite green	-00		
	993 347 981 02 J40	Nephrite green	01		
	(1)	993 347 981 02 M30	Boxster red		
993 347 981 02 M40		Boxster red	01		
993 347 981 02 P20		Cinnamon brown	01		
993 347 981 02 D11		Dark grey/natural	00-01		
993 347 981 02 T11		Brown/natural	00-01		
996 347 981 02		Four-spoke steering wheel	-01		
996 347 981 02 8YR		Black	-00		
996 347 981 02 A28		Black	01		
996 347 981 02 B50		Space grey	-00		
996 347 981 02 C50		Graphite grey	-00		
996 347 981 02 C60		Graphite grey	-01		
996 347 981 02 G10		Metropole blue	-00		
996 347 981 02 G30		Metropole blue	01		
996 347 981 02 S30		Savanna	-00		
996 347 981 02 S40		Savanna	01		
(1)	996 347 981 02 J30	Nephrite green	-00	1	IX30/M432
	996 347 981 02 J40	Nephrite green	01		
	996 347 981 02 M30	Boxster red	-00		
	996 347 981 02 M40	Boxster red	01		
	996 347 981 02 P20	Cinnamon brown	01		
	996 347 981 02 D11	Dark grey/natural	00-01		
	996 347 981 02 T11	Brown/natural	00-01		
	996 347 981 04	Four-spoke steering wheel	-01		
	996 347 981 04 8YR	Black	-00		
	996 347 981 04 A28	Black	01		
	996 347 981 04 B50	Space grey	-00		
	996 347 981 04 C50	Graphite grey	-00		
	996 347 981 04 C60	Graphite grey	-01		
	996 347 981 04 G10	Metropole blue	-00		
	996 347 981 04 G30	Metropole blue	01		
996 347 981 04 S30	Savanna	-00			
(1)	996 347 981 04 S40	Savanna	01	1	IX77/M432
	996 347 981 04 J30	Nephrite green	-00		
	996 347 981 04 J40	Nephrite green	01		
	996 347 981 04 M30	Boxster red	-00		
	996 347 981 04 M40	Boxster red	01		
	996 347 981 04 P20	Cinnamon brown	01		
	996 347 981 04 D11	Dark grey/natural	00-01		
	996 347 981 04 T11	Brown/natural	00-01		
	993 347 981 08	Four-spoke steering wheel	-01		
	993 347 981 08 8YR	Black	-00		
	993 347 981 08 A28	Black	01		
	993 347 981 08 B50	Space grey	-00		
	993 347 981 08 C50	Graphite grey	-00		
	993 347 981 08 C60	Graphite grey	-01		
	993 347 981 08 G10	Metropole blue	-00		
993 347 981 08 G30	Metropole blue	01			
993 347 981 08 S30	Savanna	-00			
993 347 981 08 S40	Savanna	01			

Model: 996 98 Model life 1998>>2005

Pos	Part Number	Description	Remark	Qty	Model
	993 347 981 08 J30	Nephrite green	-00		
	993 347 981 08 J40	Nephrite green	01		
	993 347 981 08 M30	Boxster red	-00		
	993 347 981 08 M40	Boxster red	01		
	993 347 981 08 P20	Cinnamon brown	01		
	993 347 981 08 D11	Dark grey/natural	00-01		
	993 347 981 08 T11	Brown/natural	00-01		
		Mount			
		Steering wheel			
		Steering shaft			
-	N 012 238 1	Spring washer		1	
		B 16			
-	900 078 006 01	Hexagon nut		1	
		M 16 X 1,5			
2	999 073 134 02	Pan-head screw		2	
		M 6 X 9,1			
3	993 347 088 01	Retaining frame		1	
4	999 073 127 02	Hexagon-head bolt		2	
		M 5 X 20			
5	993 347 831 00	Switch		1	M249/432
		without			
		Lever			
6	993 347 835 00	Lever	/L	1	M249/432
	993 347 835 00 01C	Black			
(6)	996 347 835 00	Lever	/L	1	M432/436
	996 347 835 00 01C	Black			
(6)	993 347 836 00	Lever	/R	1	M249/432
	993 347 836 00 01C	Black			
(6)	996 347 836 00	Lever	/R	1	M432/436
	996 347 836 00 01C	Black			
7	900 146 016 02	Oval-head screw		4	
		M 3 X 6			
8	996 347 007 04	Steering column	-99	1	
		Complete			
		with			
		Steering shaft			
(8)	996 347 007 05	Steering column	00-	1	
		Complete			
		with			
		Steering shaft			
(8)	996 347 007 09	Steering column	00-	1	
		Complete			
		with			
		Steering shaft			
(8)	996 347 007 02	Steering column	99	1	M476
		Complete			
		with			
		Steering shaft			
(8)	996 347 007 06	Steering column	-02	1	M476
		Complete			
		with			
		Steering shaft			
		See technical manual			
		Group 4			
		NR.45....			
(8)	996 347 007 07	Steering column	03-	1	M476
		Complete			
		with			
		Steering shaft			
(8)	996 347 007 08	Steering column	03-	1	M476
		Complete			
		with			
		Steering shaft			

Model: 996 98 Model life 1998>>2005

Pos	Part Number	Description	Remark	Qty	Model
10	999 217 042 09	Hexagon-head bolt M 8 X 35		1	
11	986 347 037 00	Bellows	-99	1	
(11)	986 347 037 01	Bellows Information available	00- 00-	1	
12	996 347 339 02	Rubber seal		1	
13	900 380 008 09	Lock nut M 10		1	
13	900 380 008 01	Hexagon nut M 10		1	
14	900 378 095 09	Hexagon-head bolt M 10 X 100		1	
15	900 378 157 09	Hexagon-head bolt AM 6 X 25		1	
16	999 076 055 09	Hexagon nut M 8		1	
17	996 347 243 01	Strut		1	
18	900 378 055 09	Hexagon-head bolt AM 8 X 40		1	
19	900 377 002 02	Hexagon nut M 6		1	
20	996 347 017 05	Steering lock housing		1	
(20)	996 347 017 06	Steering lock	-03	1	
(20)	996 347 017 07	Steering lock See technical information Group 2 NR.4/03	04-	1	
21	996 347 917 00	Lock cylinder with stipulated lock number	-01	1	
(21)	996 347 917 01	Lock cylinder with stipulated lock number	02-	1	
(21)	996 347 915 00	Lock cylinder W/o stipulated lock number	-01	1	
(21)	996 347 915 01	Lock cylinder W/o stipulated lock number	02-	1	
(21)	996 347 915 02	Lock cylinder W/o stipulated lock number		1	
22	4A0 905 849 B	Ignition starter switch	-03	1	
(22)	4B0 905 849	Ignition starter switch See technical information Group 2 NR.4/03	04-	1	
23	996 617 121 00	Support	/RL -99	1	
24	996 617 021 04	Control unit Cruise control	-99	1	
25	996 347 901 00	Slotted screw		2	
26	996 347 804 52	Steering wheel		1	M436
	996 347 804 52 8YR	Black			
	996 347 804 52 B50	Space grey			
	996 347 804 52 C50	Graphite grey			
	996 347 804 52 G10	Metropole blue			
	996 347 804 52 S30	Savanna			
(26)	996 347 804 53	Steering wheel	99	1	M436
	996 347 804 53 8YR	Black			
	996 347 804 53 B50	Space grey			
	996 347 804 53 C50	Graphite grey			
	996 347 804 53 G10	Metropole blue			
	996 347 804 53 S30	Savanna			
	996 347 804 53 M30	Boxster red			
	996 347 804 53 J30	Nephrite green			
(26)	996 347 804 54	Steering wheel	00-	1	M436
	996 347 804 54 8YR	Black			
	996 347 804 54 A08	Black	00		

Model: 996 98 Model life 1998>>2005

Pos	Part Number	Description	Remark	Qty	Model
	996 347 804 54 A28	Black	01-		
	996 347 804 54 B50	Space grey			
	996 347 804 54 C50	Graphite grey			
	996 347 804 54 C56	Graphite grey	00		
	996 347 804 54 C60	Graphite grey	01-		
	996 347 804 54 G10	Metropole blue			
	996 347 804 54 G16	Metropole blue	00		
	996 347 804 54 G30	Metropole blue	01-		
	996 347 804 54 S30	Savanna			
	996 347 804 54 S36	Savanna	00		
	996 347 804 54 S40	Savanna	01-		
	996 347 804 54 M30	Boxster red			
	996 347 804 54 M36	Boxster red	00		
	996 347 804 54 M40	Boxster red	01-		
	996 347 804 54 J30	Nephrite green			
	996 347 804 54 J36	Nephrite green	00		
	996 347 804 54 J40	Nephrite green	01-03		
	996 347 804 54 D11	Dark grey/natural	00-		
	996 347 804 54 T11	Brown/natural	00-		
	996 347 804 54 P20	Cinnamon brown	01-		
(26)	996 347 804 57	Steering wheel	04	1	M095/436
(26)	996 347 804 57 VTB	Dark grey/natural			
(26)	996 347 983 00	3-spoke steering wheel		1	IXPA/M480
	996 347 983 00 8YR	Black	-00		
	996 347 983 00 A28	Black	01-		
	996 347 983 00 B50	Space grey	-00		
	996 347 983 00 C50	Graphite grey	-00		
	996 347 983 00 C60	Graphite grey	01-		
	996 347 983 00 S30	Savanna	-00		
	996 347 983 00 S40	Savanna	01-		
	996 347 983 00 G10	Metropole blue	-00		
	996 347 983 00 G30	Metropole blue	01-		
	996 347 983 00 J30	Nephrite green	-00		
	996 347 983 00 J40	Nephrite green	01-03		
	996 347 983 00 M30	Boxster red	-00		
	996 347 983 00 M40	Boxster red	01-		
	996 347 983 00 P20	Cinnamon brown	01-		
	996 347 983 00 D11	Dark grey/natural	00-		
	996 347 983 00 T11	Brown/natural	00-		
(26)	996 347 983 04	3-spoke steering wheel		1	IXPB/M480
	996 347 983 04 8YR	Black	-00		
	996 347 983 04 A28	Black	01-		
	996 347 983 04 B50	Space grey	-00		
	996 347 983 04 C50	Graphite grey	-00		
	996 347 983 04 C60	Graphite grey	01-		
	996 347 983 04 S30	Savanna	-00		
	996 347 983 04 S40	Savanna	01-		
	996 347 983 04 G10	Metropole blue	-00		
	996 347 983 04 G30	Metropole blue	01-		
	996 347 983 04 J30	Nephrite green	-00		
	996 347 983 04 J40	Nephrite green	01-03		
	996 347 983 04 M30	Boxster red	-00		
	996 347 983 04 M40	Boxster red	01-		
	996 347 983 04 P20	Cinnamon brown	01-		
	996 347 983 04 D11	Dark grey/natural	00-		
(26)	996 347 983 04 T11	Brown/natural	00-		
(26)	996 347 983 10	3-spoke steering wheel		1	IXPC/M480
	996 347 983 10 8YR	Black	-00		
	996 347 983 10 A28	Black	01-		
	996 347 983 10 B50	Space grey	-00		
	996 347 983 10 C50	Graphite grey	-00		
	996 347 983 10 C60	Graphite grey	01-		
	996 347 983 10 S30	Savanna	-00		

Model: 996 98 Model life 1998>>2005

Pos	Part Number	Description	Remark	Qty	Model
	996 347 983 10 S40	Savanna	01-		
	996 347 983 10 G10	Metropole blue	-00		
	996 347 983 10 G30	Metropole blue	01-		
	996 347 983 10 J30	Nephrite green	-00		
	996 347 983 10 J40	Nephrite green	01-03		
	996 347 983 10 M30	Boxster red	-00		
	996 347 983 10 M40	Boxster red	01-		
	996 347 983 10 P20	Cinnamon brown	01-		
	996 347 983 10 D11	Dark grey/natural	00-		
	996 347 983 10 T11	Brown/natural	00-		
(26)	996 347 983 12	3-spoke steering wheel		1	IXPD/M480
	996 347 983 12 8YR	Black	-00		
	996 347 983 12 A28	Black	01-		
	996 347 983 12 B50	Space grey	-00		
	996 347 983 12 C50	Graphite grey	-00		
	996 347 983 12 C60	Graphite grey	01-		
	996 347 983 12 S30	Savanna	-00		
	996 347 983 12 S40	Savanna	01-		
	996 347 983 12 G10	Metropole blue	-00		
	996 347 983 12 G30	Metropole blue	01-		
	996 347 983 12 J30	Nephrite green	-00		
	996 347 983 12 J40	Nephrite green	01-03		
	996 347 983 12 M30	Boxster red	-00		
	996 347 983 12 M40	Boxster red	01-		
	996 347 983 12 P20	Cinnamon brown	01-		
	996 347 983 12 D11	Dark grey/natural	00-		
	996 347 983 12 T11	Brown/natural	00-		
(26)	996 347 983 28	3-spoke steering wheel	03-	1	IXPG/M480
	996 347 983 28 A28	Black			
	996 347 983 28 C60	Graphite grey			
	996 347 983 28 S40	Savanna			
	996 347 983 28 G30	Metropole blue			
	996 347 983 28 J40	Nephrite green	03		
	996 347 983 28 M40	Boxster red			
	996 347 983 28 P20	Cinnamon brown			
	996 347 983 28 D11	Dark grey/natural			
	996 347 983 28 T11	Brown/natural			
(26)	996 347 804 62	Steering wheel		1	M436 M432
	996 347 804 62 8YR	Black			
	996 347 804 62 B50	Space grey			
	996 347 804 62 C50	Graphite grey			
	996 347 804 62 G10	Metropole blue			
	996 347 804 62 S30	Savanna			
(26)	996 347 804 63	Steering wheel	99	1	M436 M432
	996 347 804 63 8YR	Black			
	996 347 804 63 B50	Space grey			
	996 347 804 63 C50	Graphite grey			
	996 347 804 63 G10	Metropole blue			
	996 347 804 63 S30	Savanna			
	996 347 804 63 M30	Boxster red			
	996 347 804 63 J30	Nephrite green			
(26)	996 347 804 64	Steering wheel	00-	1	M436 M432
	996 347 804 64 8YR	Black			
	996 347 804 64 A08	Black	00		
	996 347 804 64 A28	Black	01-		
	996 347 804 64 B50	Space grey			
	996 347 804 64 C50	Graphite grey			
	996 347 804 64 C56	Graphite grey	00		
	996 347 804 64 C60	Graphite grey	01-		
	996 347 804 64 G10	Metropole blue			

Model: 996 98 Model life 1998>>2005

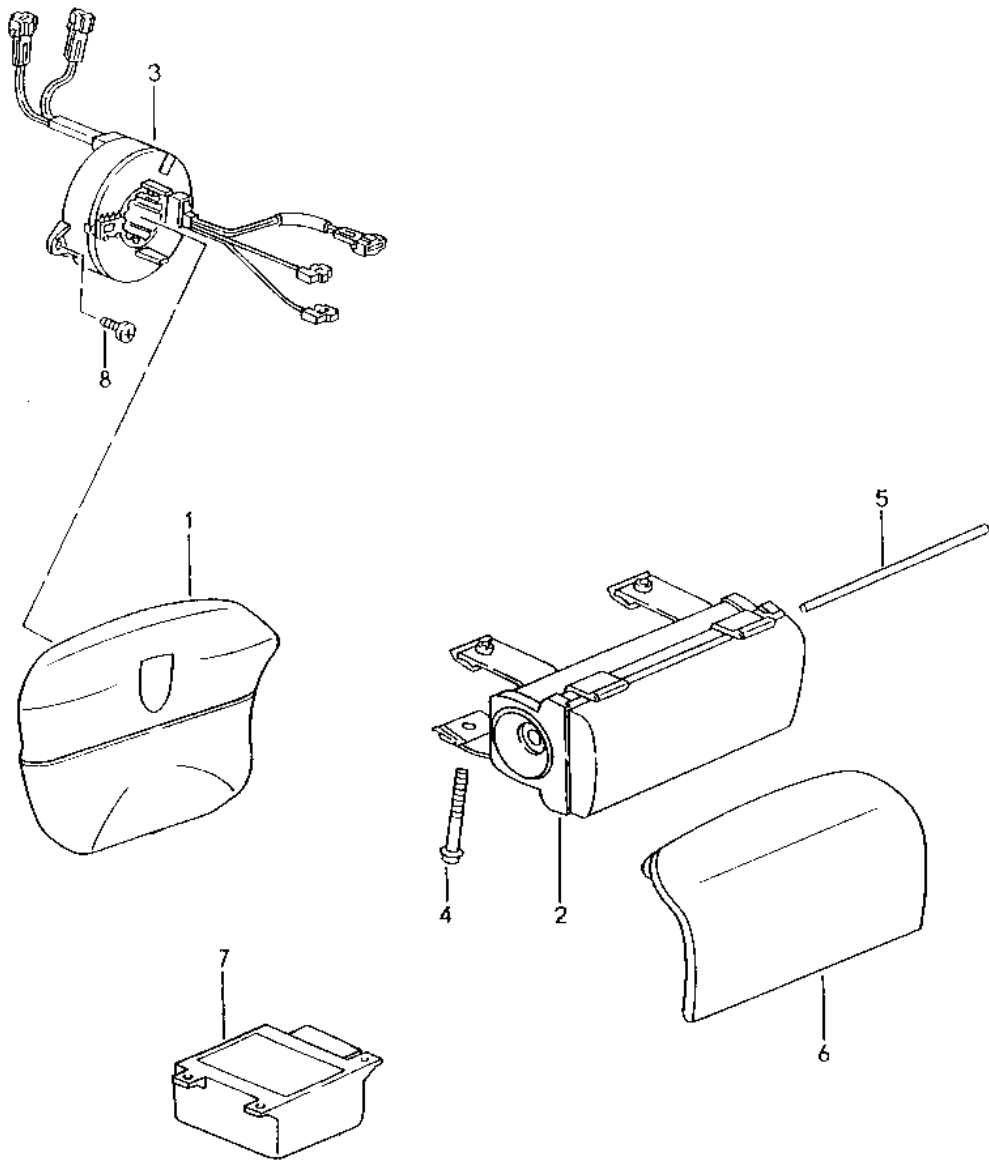
Pos	Part Number	Description	Remark	Qty	Model
	996 347 804 64 G16	Metropole blue	00		
	996 347 804 64 G30	Metropole blue	01-		
	996 347 804 64 S30	Savanna			
	996 347 804 64 S36	Savanna	00		
	996 347 804 64 S40	Savanna	01-		
	996 347 804 64 M30	Boxster red			
	996 347 804 64 M36	Boxster red	00		
	996 347 804 64 M40	Boxster red	01-		
	996 347 804 64 J30	Nephrite green			
	996 347 804 64 J36	Nephrite green	00		
	996 347 804 64 J40	Nephrite green	01-03		
	996 347 804 64 D11	Dark grey/natural	00		
	996 347 804 64 T11	Brown/natural	00		
	996 347 804 64 P20	Cinnamon brown	01-		
(26)	996 347 983 01	3-spoke steering wheel		1	IXPA/M432
	996 347 983 01 8YR	Black	00		
	996 347 983 01 A28	Black	01-		
	996 347 983 01 B50	Space grey	00		
	996 347 983 01 C50	Graphite grey	00		
	996 347 983 01 C60	Graphite grey	01-		
	996 347 983 01 S30	Savanna	00		
	996 347 983 01 S40	Savanna	01-		
	996 347 983 01 G10	Metropole blue	00		
	996 347 983 01 G30	Metropole blue	01-		
	996 347 983 01 J30	Nephrite green	00		
	996 347 983 01 J40	Nephrite green	01-03		
	996 347 983 01 M30	Boxster red	00		
	996 347 983 01 M40	Boxster red	01-		
	996 347 983 01 P20	Cinnamon brown	01-		
	996 347 983 01 D11	Dark grey/natural	00		
	996 347 983 01 T11	Brown/natural	00		
(26)	996 347 983 05	3-spoke steering wheel		1	IXPB/M432
	996 347 983 05 8YR	Black	00		
	996 347 983 05 A28	Black	01-		
	996 347 983 05 B50	Space grey	00		
	996 347 983 05 C50	Graphite grey	00		
	996 347 983 05 C60	Graphite grey	01-		
	996 347 983 05 S30	Savanna	00		
	996 347 983 05 S40	Savanna	01-		
	996 347 983 05 G10	Metropole blue	00		
	996 347 983 05 G30	Metropole blue	01-		
	996 347 983 05 J30	Nephrite green	00		
	996 347 983 05 J40	Nephrite green	01-03		
	996 347 983 05 M30	Boxster red	00		
	996 347 983 05 M40	Boxster red	01-		
	996 347 983 05 P20	Cinnamon brown	01-		
	996 347 983 05 D11	Dark grey/natural	00		
	996 347 983 05 T11	Brown/natural	00		
(26)	996 347 983 11	3-spoke steering wheel		1	IXPC/M432
	996 347 983 11 8YR	Black	00		
	996 347 983 11 A28	Black	01-		
	996 347 983 11 B50	Space grey	00		
	996 347 983 11 C50	Graphite grey	00		
	996 347 983 11 C60	Graphite grey	01-		
	996 347 983 11 S30	Savanna	00		
	996 347 983 11 S40	Savanna	01-		
	996 347 983 11 G10	Metropole blue	00		
	996 347 983 11 G30	Metropole blue	01-		
	996 347 983 11 J30	Nephrite green	00		
	996 347 983 11 J40	Nephrite green	01-03		
	996 347 983 11 M30	Boxster red	00		
	996 347 983 11 M40	Boxster red	01-		
	996 347 983 11 P20	Cinnamon brown	01-		

Model: 996 98 Model life 1998>>2005

Pos	Part Number	Description	Remark	Qty	Model
	996 347 983 11 D11	Dark grey/natural	00		
	996 347 983 11 T11	Brown/natural	00		
(26)	996 347 983 13	3-spoke steering wheel		1	IXPD/M432
	996 347 983 13 8YR	Black	00		
	996 347 983 13 A28	Black	01-		
	996 347 983 13 B50	Space grey	00		
	996 347 983 13 C50	Graphite grey	00		
	996 347 983 13 C60	Graphite grey	01-		
	996 347 983 13 S30	Savanna	00		
	996 347 983 13 S40	Savanna	01-		
	996 347 983 13 G10	Metropole blue	00		
	996 347 983 13 G30	Metropole blue	01-		
	996 347 983 13 J30	Nephrite green	00		
	996 347 983 13 J40	Nephrite green	01-03		
	996 347 983 13 M30	Boxster red	00		
	996 347 983 13 M40	Boxster red	01-		
	996 347 983 13 P20	Cinnamon brown	01-		
	996 347 983 13 D11	Dark grey/natural	00		
	996 347 983 13 T11	Brown/natural	00		
(26)	996 347 983 29	3-spoke steering wheel	03-	1	IXPG/M432
	996 347 983 29 A28	Black			
	996 347 983 29 C60	Graphite grey			
	996 347 983 29 S40	Savanna			
	996 347 983 29 G30	Metropole blue			
	996 347 983 29 J40	Nephrite green	03		
	996 347 983 29 M40	Boxster red			
	996 347 983 29 P20	Cinnamon brown			
	996 347 983 29 D11	Dark grey/natural			
	996 347 983 29 T11	Brown/natural			
		Mount			
		Steering wheel			
		Steering shaft		1	
-	N 012 238 1	Spring washer		1	
		B 16			
-	900 078 006 01	Hexagon nut		1	
		M 16 X 1,5			
27	996 347 880 00	Retaining frame		1	M436
(27)	996 347 880 01	Retaining frame	-99	1	M436
27	996 347 880 02	Retaining frame	00-	1	M436
28	999 073 184 02	Round head screw		3	M436
		M 5 X 18,7			
29	999 521 079 02	Compression spring		3	M436
30	999 073 183 02	Pan-head screw		2	M436
		M 6 X 10,5			
33	996 606 109 01	Steering-angle sensor	-02	1	M476
(33)	996 606 109 02	Steering-angle sensor	-02	1	M476
		See technical manual			
		Group 4			
		NR.45....			
(33)	996 606 119 00	Steering-angle sensor	03-	1	M476
-	996 610 123 00	Cable guide	-02	1	M476
		for			
		Steering-angle sensor			
-	996 610 123 01	Cable guide	03-	1	M476
		for			
		Steering-angle sensor			
34	996 347 705 00	Adapter		1	M476
35	999 217 042 09	Hexagon-head bolt		1	M476
		M 8 X 35			
36	996 347 023 00	Steering shaft		1	M476
36	996 347 023 01	Steering shaft	01-	1	M476

Model: 996 98

Model life 1998>>2005



Model: 996 98 Model life 1998>>2005

Pos	Part Number	Description	Remark	Qty	Model
1	996 803 089 03	Airbag Airbag unit Four-spoke steering wheel Plastic material		1	
	996 803 089 03 8YR	Black	-00		
	996 803 089 03 C50	Graphite grey	-00		
	996 803 089 03 S30	Savanna	-00		
	996 803 089 03 G10	Metropole blue	-00		
	996 803 089 03 B50	Space grey	-00		
	996 803 089 03 A28	Black	01		
	996 803 089 03 C60	Graphite grey	01		
	996 803 089 03 S40	Savanna	01		
	996 803 089 03 G30	Metropole blue	01		
	996 803 089 03 J40	Nephrite green	01		
	996 803 089 03 M40	Boxster red	01		
1	996 803 089 10	Airbag unit Four-spoke steering wheel Plastic material		1	
	996 803 089 10 S30	Savanna	-00		
	996 803 089 10 B50	Space grey	-00		
(1)	996 803 089 02	Airbag unit 3-spoke steering wheel Plastic material	-99	1	M436
	996 803 089 02 8YR	Black			
	996 803 089 02 C50	Graphite grey			
	996 803 089 02 S30	Savanna			
	996 803 089 02 G10	Metropole blue			
	996 803 089 02 B50	Space grey			
	996 803 089 02 M30	Boxster red			
	996 803 089 02 J30	Nephrite green			
(1)	996 803 089 07	Airbag unit 3-spoke steering wheel Plastic material	-99	1	M436
	996 803 089 07 B50	Space grey			
(1)	996 803 089 04	Airbag unit 3-spoke steering wheel Plastic material	00	1	M436
	996 803 089 04 A08	Black			
	996 803 089 04 C50	Graphite grey			
	996 803 089 04 C56	Graphite grey			
	996 803 089 04 S30	Savanna			
	996 803 089 04 S36	Savanna			
	996 803 089 04 G10	Metropole blue			
	996 803 089 04 G16	Metropole blue			
	996 803 089 04 B50	Space grey			
	996 803 089 04 J30	Nephrite green			
	996 803 089 04 J36	Nephrite green			
	996 803 089 04 M30	Boxster red			
	996 803 089 04 M36	Boxster red			
	996 803 089 04 D11	Dark grey/natural			
	996 803 089 04 T11	Brown/natural			
(1)	996 803 089 08	Airbag unit 3-spoke steering wheel Plastic material	00	1	M436
	996 803 089 08 A08	Black			
	996 803 089 08 C56	Graphite grey			
	996 803 089 08 S36	Savanna			
	996 803 089 08 G16	Metropole blue			
	996 803 089 08 B50	Space grey			
	996 803 089 08 J36	Nephrite green			
	996 803 089 08 M36	Boxster red			
	996 803 089 08 D11	Dark grey/natural			
	996 803 089 08 T11	Brown/natural			

Model: 996 98 Model life 1998>>2005

Pos	Part Number	Description	Remark	Qty	Model
(1)	996 803 089 02	Airbag unit 3-spoke steering wheel Plastic material	01-	1	M436
	996 803 089 02 A28	Black			
	996 803 089 02 C60	Graphite grey			
	996 803 089 02 S40	Savanna			
	996 803 089 02 G30	Metropole blue			
	996 803 089 02 J40	Nephrite green	01-03		
	996 803 089 02 M40	Boxster red			
	996 803 089 02 D11	Dark grey/natural			
	996 803 089 02 T11	Brown/natural			
	996 803 089 02 P20	Cinnamon brown			
(1)	996 803 089 07	Airbag unit 3-spoke steering wheel Plastic material	01-03	1	M436
	996 803 089 07 J40	Nephrite green			
	996 803 089 07 G30	Metropole blue			
(1)	996 803 089 05	Airbag unit 3-spoke steering wheel Leather	04-	1	M095/436
	996 803 089 05 D11	Dark grey/natural			
(1)	996 803 089 09	Airbag unit 3-spoke steering wheel Leather	04-	1	M095/436
	996 803 089 09 D11	Dark grey/natural			
(1)	996 803 980 02	Airbag unit Four-spoke steering wheel Leather Crest Embossed	99-01	1	X26/X28 X30/X77
	996 803 980 02 8YR	Black	99-00		
	996 803 980 02 A28	Black	01		
	996 803 980 02 C50	Graphite grey	99-00		
	996 803 980 02 C60	Graphite grey	01		
	996 803 980 02 S30	Savanna	99-00		
	996 803 980 02 S40	Savanna	01		
	996 803 980 02 G10	Metropole blue	99-00		
	996 803 980 02 G30	Metropole blue	01		
	996 803 980 02 B50	Space grey	99-00		
	996 803 980 02 M30	Boxster red	99-00		
	996 803 980 02 M40	Boxster red	01		
	996 803 980 02 J30	Nephrite green	99-00		
	996 803 980 02 J40	Nephrite green	01		
	996 803 980 02 D11	Dark grey/natural	00-01		
	996 803 980 02 T11	Brown/natural	00-01		
	996 803 980 02 P20	Cinnamon brown	01		
(1)	996 803 980 01	Airbag unit 3-spoke steering wheel Leather Crest Coloured		1	IXPA/XPB IXPC/XPD
	996 803 980 01 8YR	Black	-99		
	996 803 980 01 C50	Graphite grey	-99		
	996 803 980 01 S30	Savanna	-99		
	996 803 980 01 G10	Metropole blue	-99		
	996 803 980 01 B50	Space grey	-99		
	996 803 980 01 M30	Boxster red	-99		
	996 803 980 01 J30	Nephrite green	-99		
	996 803 980 01 A28	Black	01-		
	996 803 980 01 C60	Graphite grey	01-		
	996 803 980 01 S40	Savanna	01-		
	996 803 980 01 G30	Metropole blue	01-		
	996 803 980 01 J40	Nephrite green	01-03		

Model: 996 98 Model life 1998>>2005

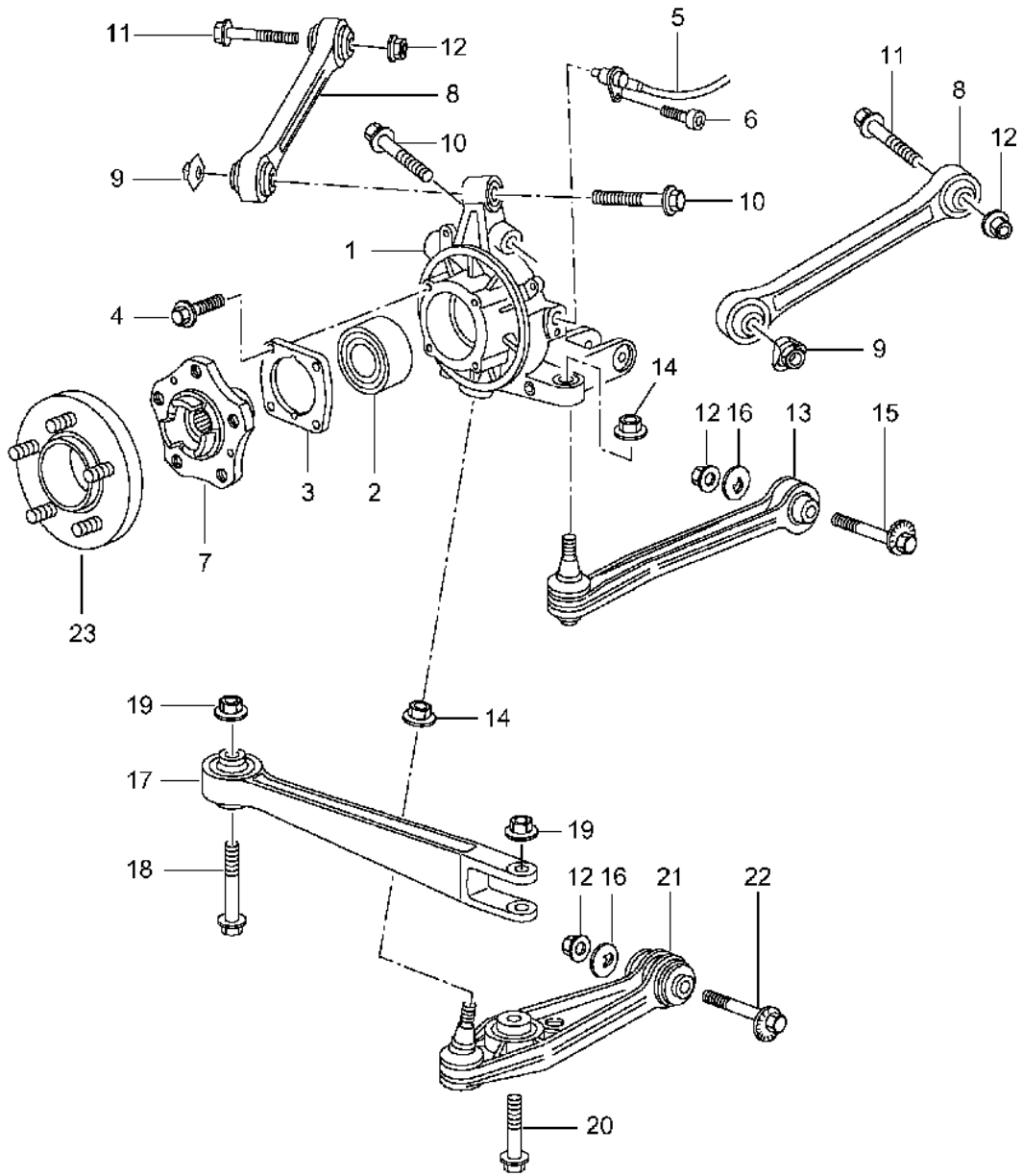
Pos	Part Number	Description	Remark	Qty	Model
(1)	996 803 980 01 M40	Boxster red	01-	1	IXPG
	996 803 980 01 P20	Cinnamon brown	01-		
	996 803 980 01 D11	Dark grey/natural	01-		
	996 803 980 01 T11	Brown/natural	01-		
	996 803 980 01	Airbag unit	03-		
		3-spoke steering wheel			
		Leather			
		Crest			
		Coloured			
	996 803 980 01 A28	Black			
	996 803 980 01 C60	Graphite grey			
	996 803 980 01 S40	Savanna			
	996 803 980 01 G30	Metropole blue			
	996 803 980 01 J40	Nephrite green	03		
(1)	996 803 980 01 M40	Boxster red	00	1	IXPC/M094
	996 803 980 01 P20	Cinnamon brown			
	996 803 980 01 D11	Dark grey/natural			
	996 803 980 01 T11	Brown/natural			
	996 803 980 01	Airbag unit			
		3-spoke steering wheel			
		Leather			
		Crest			
		Coloured			
	996 803 980 01 T11	Brown/natural			
	996 803 980 03	Airbag unit			
	3-spoke steering wheel				
	Leather				
	Crest				
	Silver				
996 803 980 03 8YR	Black				
996 803 980 03 C50	Graphite grey				
996 803 980 03 S30	Savanna				
996 803 980 03 G10	Metropole blue				
996 803 980 03 B50	Space grey				
996 803 980 03 M30	Boxster red				
996 803 980 03 J30	Nephrite green				
996 803 980 03 D11	Dark grey/natural				
996 803 980 03 T11	Brown/natural				
2	996 803 071 06	Airbag unit	-01	1	
(2)	996 803 071 07	Airbag unit	-03	1	
		See technical information			
		GR.6 NR.2/03			
(2)	996 803 071 08	Airbag unit	03-	1	
		See technical information			
		GR.6 NR.2/03			
-	996 803 091 00	Airbag unit	/L	1	M563
-	996 803 092 00	Airbag unit	/R	1	M563
-	900 378 222 09	Hexagon-head bolt		8	M563
		M 6 X 16			
3	996 652 211 00	Support for contact		1	M480
(3)	996 652 213 00	Support for contact		1	M249
4	900 378 137 09	Hexagon-head bolt		2	
		AM 8 X 95			
5	996 803 611 00	Hinge pin		1	
6	996 803 173 04	Lid		1	
		Leatherette			
	996 803 173 04 A18	Black	-99		
	996 803 173 04 B18	Space grey	-99		
	996 803 173 04 C18	Graphite grey	-99		
	996 803 173 04 S18	Savanna	-99		
	996 803 173 04 G18	Metropole blue	-99		
	996 803 173 04 A12	Black	00-		
	996 803 173 04 B52	Space grey	00		

Model: 996 98 Model life 1998>>2005

Pos	Part Number	Description	Remark	Qty	Model
(6)	996 803 173 04 C52	Graphite grey	00-	1	
	996 803 173 04 S32	Savanna	00-		
	996 803 173 04 G12	Metropole blue	00-		
	996 803 173 04 J32	Nephrite green	-03		
	996 803 173 05	Lid			
		Leather			
	996 803 173 05 A11	Black			
	996 803 173 05 B51	Space grey			
	996 803 173 05 C51	Graphite grey			
	996 803 173 05 S31	Savanna			
	996 803 173 05 J31	Nephrite green	-03		
	996 803 173 05 M31	Boxster red			
	996 803 173 05 G11	Metropole blue			
996 803 173 05 D12	Dark grey/natural				
996 803 173 05 T12	Brown/natural				
996 803 173 05 P12	Cinnamon brown				
7	996 618 217 01	Switch unit		1	M562
-	900 377 010 09	Hexagon nut M 6		1	M562
-	999 084 635 02	Shear-off nut M 6		2	M562
(7)	996 618 219 00	Control unit		1	M562/563
(7)	996 618 219 02	Switch unit		1	M562/563
-	900 377 010 09	Hexagon nut M 6		1	M562/563
-	944 618 401 00	Nut M 6		2	M562/563
-	996 618 221 00	Sensor Airbag	-01	2	M563
-	996 618 221 01	Sensor Airbag	02-	2	M563
-	999 073 152 09	Oval-head screw M 6 X 18		4	M563
8	900 146 024 07	Oval-head screw M 5 X 8		2	

Model: 996 98

Model life 1998>>2005



Model: 996 98 Model life 1998>>2005

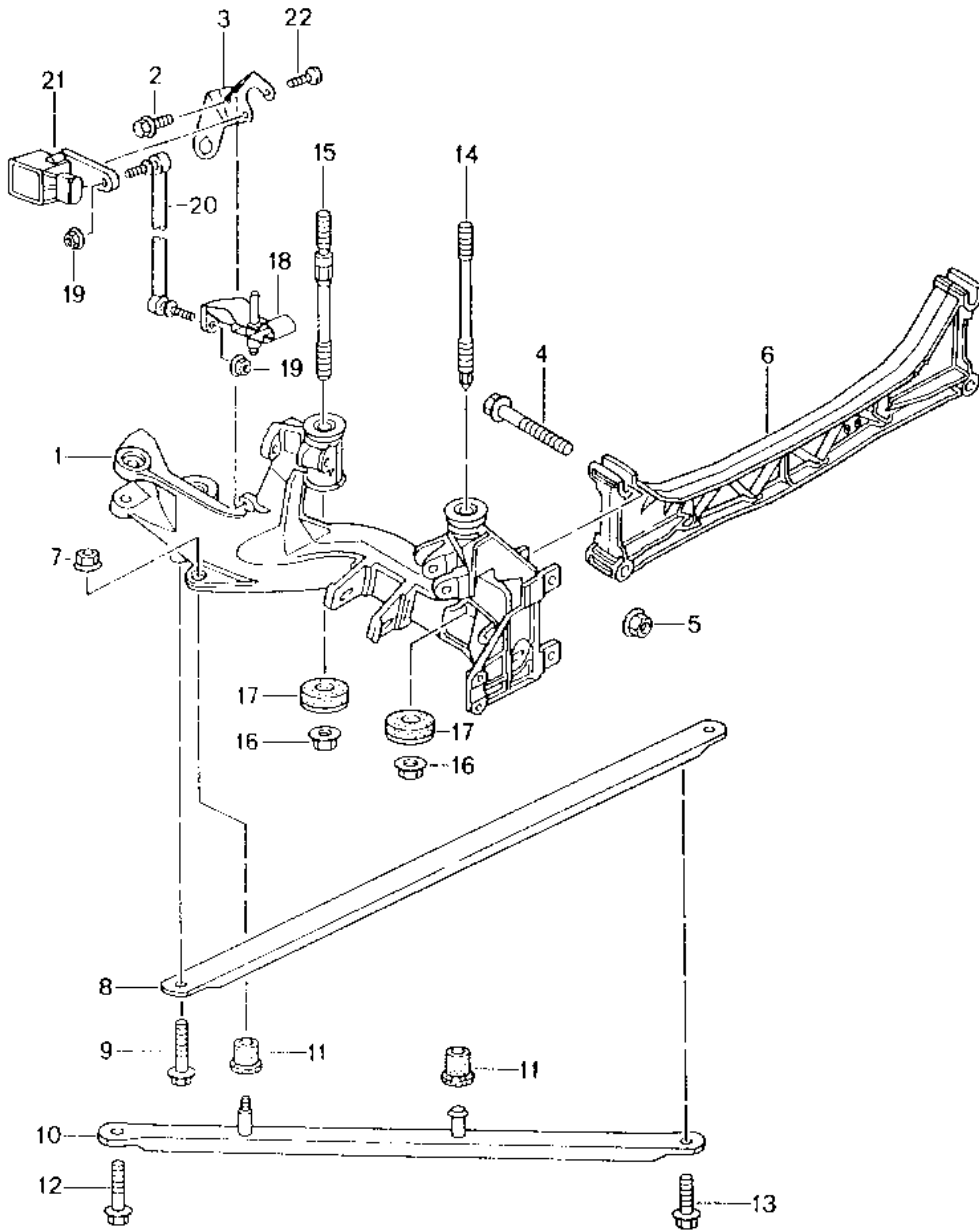
Pos	Part Number	Description	Remark	Qty	Model
1	996 331 111 05	Rear axle Wheel carrier Control arm Wheel hub See technical manual 42-27 42-28 42-29 Wheel carrier F >>99XS6 08187 F >>99XS6 46091 F >>99XS6 08184 F >>99XS6 46090	/L	1	
(1)	996 331 111 06	Wheel carrier F 99XS6 08188>> F 99XS6 46092>> F 99XS6 08185>> F 99XS6 46091>>	/L	1	
(1)	996 331 112 05	Wheel carrier F >>99XS6 08187 F >>99XS6 46091 F >>99XS6 08184 F >>99XS6 46090	/R	1	
(1)	996 331 112 06	Wheel carrier F 99XS6 08188>> F 99XS6 46092>> F 99XS6 08185>> F 99XS6 46091>>	/R	1	
2	999 053 055 02	Angular-contact bearing		2	
3	996 331 661 01	Lid		2	
4	999 217 042 09	Hexagon-head bolt M 8 X 35		8	
5	996 606 406 00	Speed sensor		2	
6	900 067 117 09	Pan-head screw M 6 X 16		2	
7	997 331 605 00	Wheel hub		2	
8	996 331 047 02	Wishbone	-01	2	
(8)	996 331 047 03	Wishbone	-03	2	
(8)	996 331 047 05	Wishbone	04-	2	
9	999 084 452 09	Hexagon nut M 12 X 1,5		4	
10	900 378 139 09	Hexagon-head bolt M 12 X 80		4	
10	900 378 139 01	Hexagon-head bolt M 12 X 80		4	
11	900 378 088 09	Hexagon-head bolt M 12 X 100		4	
11	900 378 088 01	Hexagon-head bolt M 12 X 100		4	
12	999 084 445 09	Lock nut M 12 X 1,5		10	
13	996 331 045 06	Track rod F >>99WS6 00422		2	
(13)	996 331 045 07	Track rod		2	
(13)	996 331 045 08	Track rod F 99WS6 00423>>		2	
(13)	996 331 045 12	Track rod		2	
14	999 084 449 09	Lock nut M 12 X 1,5		4	
15	996 331 217 02	Eccentric screw M 12 X 83		2	
16	996 331 219 00	Eccentric washer		2	
17	996 341 043 06	Control arm		2	

Model: 996 98 Model life 1998>>2005

Pos	Part Number	Description	Remark	Qty	Model
18	900 378 051 09	Hexagon-head bolt M 14 X 100		2	
19	900 380 012 09	Hexagon nut M 14 X 1,5		4	
19	900 380 012 01	Hexagon nut M 14 X 1,5		4	
20	900 378 135 09	Hexagon-head bolt M 14 X 75		2	
20	900 378 135 01	Hexagon-head bolt M 14 X 75		2	
21	996 341 053 07	Wishbone	-03	2	
(21)	996 341 053 16	Wishbone	04	2	
(21)	996 341 053 17	Wishbone	05-	2	
22	996 331 217 03	Eccentric screw		2	
23	996 361 617 00	Spacer ring 17 MM with Wheel bolt	01	2	IXRN
(23)		Spacer ring 17 MM with Wheel bolt	02-	2	/C4S IXRN
(23)	996 361 605 90	Spacer ring 5 MM without Wheel bolt	01-	2	IXRP

Model: 996 98

Model life 1998>>2005



Model: 996 98 Model life 1998>>2005

Pos	Part Number	Description	Remark	Qty	Model
		Rear axle Side section Bracket			
1	996 331 051 01	Side section	/L	1	
(1)	996 331 055 00	Side section	/L	1	
(1)	996 331 055 01	Side section	/L	1	
(1)	996 331 055 02	Side section	/L	1	
(1)	996 331 052 01	Side section	/R	1	
(1)	996 331 056 00	Side section	/R	1	
(1)	996 331 056 01	Side section	/R	1	
(1)	996 331 056 02	Side section	/R	1	
2	900 067 117 09	Pan-head screw M 6 X 16		2	
3	996 355 505 02	Support for Brake hose	/L	1	
(3)	996 355 505 04	Support for Brake hose	/L	1	M601
(3)	996 355 506 02	Support for Brake hose F >>994S6 30356 F >>994S6 03928 F >>994S6 42725	/R	1	
(3)	997 355 506 02	Support for Brake hose F 994S6 30357>> F 994S6 03929>> F 994S6 42726>>	/R	1	
4	900 378 139 09	Hexagon-head bolt M 12 X 80		4	
4	900 378 139 01	Hexagon-head bolt M 12 X 80		4	
5	999 084 445 09	Lock nut M 12 X 1,5		4	
6	996 331 261 05	Cross member	98	1	
(6)	996 331 261 06	Cross member	-99	1	
(6)	996 331 261 07	Cross member	-01	1	
(6)	996 331 261 10	Cross member	02-	1	
(6)	997 331 261 02	Cross member		1	
7	999 076 053 09	Hexagon nut M 10		2	
8	996 331 171 03	Transverse strut Front		1	M480
(8)	996 331 171 04	Transverse strut Front		1	M249
(8)	997 331 171 00	Transverse strut Front		1	M249
9	999 072 031 09	Hexagon-head bolt M 10 X 45		2	
9	999 072 031 01	Hexagon-head bolt M 10 X 45		2	
10	996 331 081 02	Strut	-04	2	
(10)	997 331 081 02	Strut		2	
11	996 331 385 00	Rubber mounting		6	
12	999 072 031 09	Hexagon-head bolt M 10 X 45		2	
12	999 072 031 01	Hexagon-head bolt M 10 X 45		2	
13	900 378 072 09	Hexagon-head bolt M 12 X 30		2	

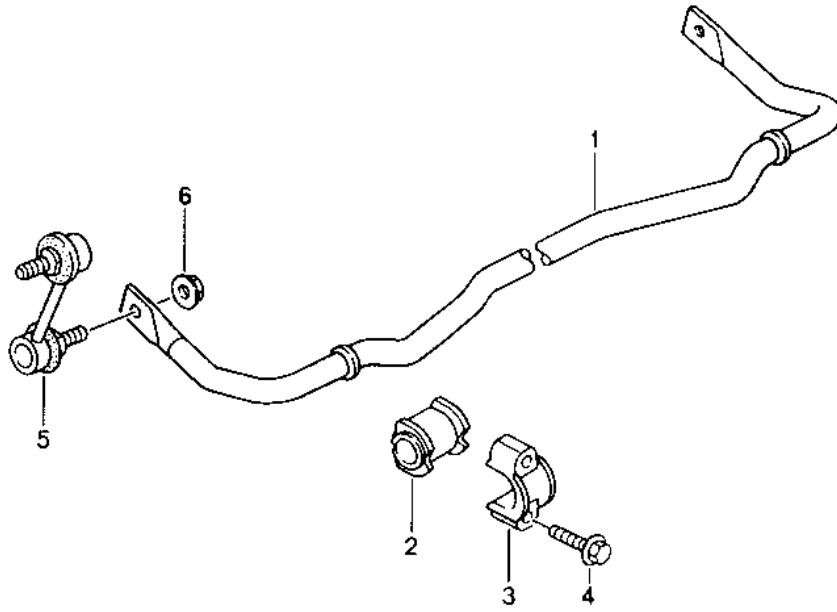
Model: 996 98

Model life 1998>>2005

Pos	Part Number	Description	Remark	Qty	Model
13	900 378 072 01	Hexagon-head bolt M 12 X 30		2	
14	999 061 102 09	Stud M 12 X 1,5		4	
15	999 061 103 09	Stud M 12 X 1,5		2	
15	999 061 103 01	Stud M 12 X 1,5		2	
16	999 084 445 09	Lock nut M 12 X 1,5		6	
17	996 331 291 02	Washer		6	
18	996 341 371 03	Support	99-	1	M601
19	900 380 015 09	Hexagon nut VM 6	99-	2	M601
19	900 380 015 01	Hexagon nut VM 6	99-	2	M601
20	996 331 375 01	Strut	99-	1	M601
21	996 631 121 00	Sensor	99-	1	M601
22	N 014 129 12	Oval-head screw M 5 X 10	99-	2	M601

Model: 996 98

Model life 1998>>2005



Model: 996 98 Model life 1998>>2005

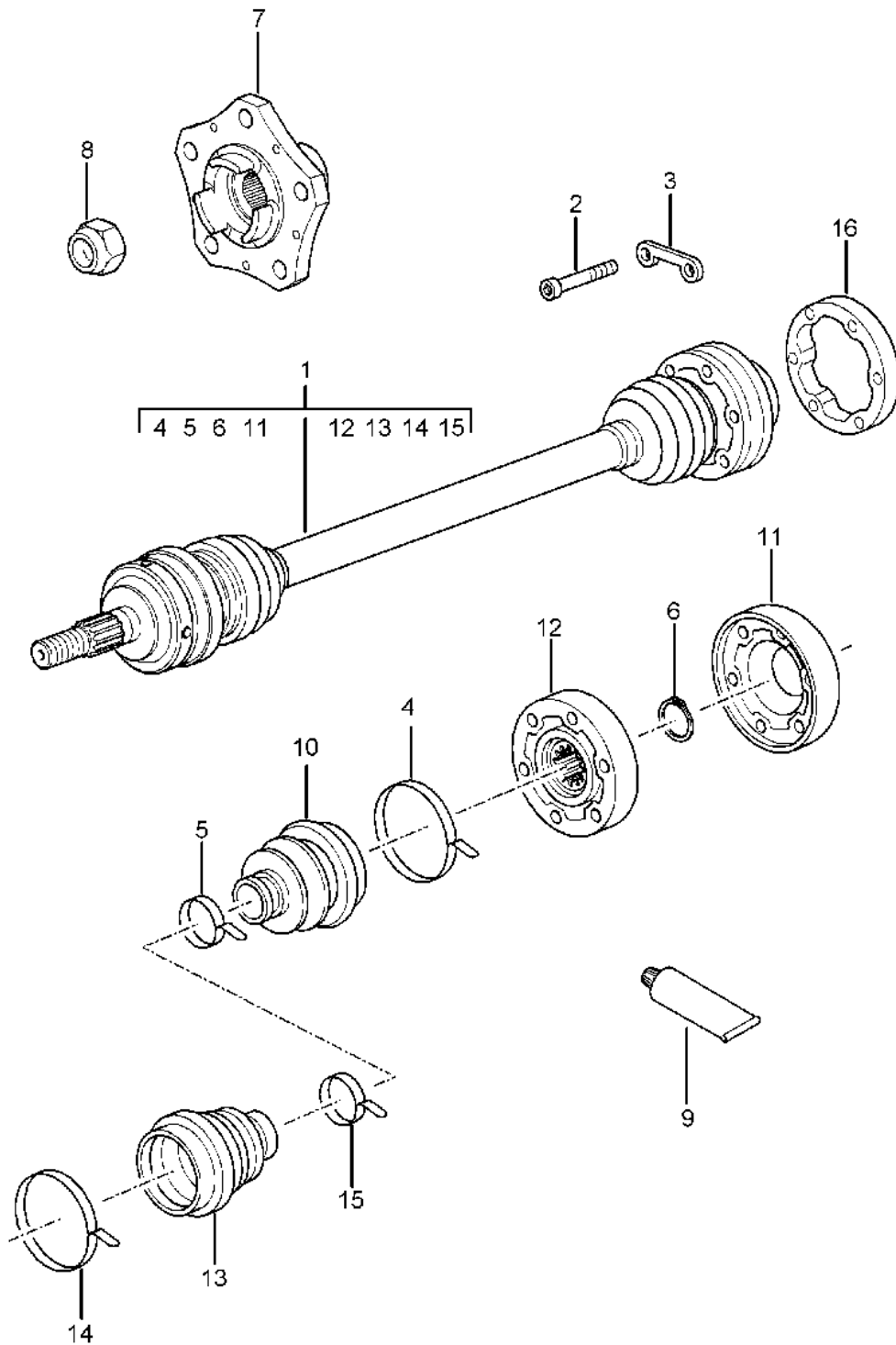
Pos	Part Number	Description	Remark	Qty	Model
1	996 333 701 12	Stabiliser See technical manual 42-27 42-28 42-29 F >>99XS6 08187 F >>99XS6 46091 F >>99XS6 08184 F >>99XS6 46090 Stabiliser		1	COUPE
(1)	996 333 701 13	Stabiliser	99	1	COUPE M030/249 CABRIO CABRIO M339
(1)	996 333 701 15	Stabiliser	99	1	COUPE M030/480
1	996 333 701 16	Stabiliser F 99XS6 08188>> F 99XS6 46092>> F 99XS6 08185>> F 99XS6 46091>> Stabiliser 18,50 MM	99	1	COUPE M030/339 /338 IX74
(1)	996 333 701 17	Stabiliser 19,60 MM		1	COUPE M338 COUPE M030/249/338
(1)	996 333 701 19	Stabiliser	00-	1	CABRIO M338 CABRIO M339
(1)	996 333 705 05	Stabiliser 19,60 MM	00-	1	CABRIO M030/249/338 COUPE
(1)	996 333 701 20	Stabiliser 21,70 MM 20,70 MM	02-	1	M030/338/480 COUPE M339 CABRIO
(1)	996 333 701 19	Stabiliser	02-	1	M030/338/480 CABRIO
(1)	996 333 701 20	Stabiliser	02-	1	M030/339 /338 IX74
(1)	996 333 701 19	Stabiliser	02-	1	COUPE M030/339
(1)	996 333 701 20	Stabiliser	02-	1	C4S TARGA TARGA M030/249
(1)	996 333 701 20	Stabiliser	02-	1	TARGA M030/480

Model: 996 98 Model life 1998>>2005

Pos	Part Number	Description	Remark	Qty	Model
2	996 333 792 24	Stabiliser mounting 18,70 MM	02- 98-	1 2	C4S
(2)	996 333 792 25	Stabiliser mounting 19,80 MM	98-	2	
			02- 02-	2 2	TARGA TARGA M030/249
(2)	996 333 792 26	Stabiliser mounting 20,90 MM	98-	2	
			02-	2	TARGA M030/480 M030/480
(2)		Information available Stabiliser mounting Information available	02- 02-	2	C4S
3	996 333 777 01	Bearing clamp	98-	2	
4	900 378 055 09	Hexagon-head bolt AM 8 X 40	98-	4	
5	996 333 069 02	Stabiliser mounting	-99	2	
(5)	996 333 069 03	Stabiliser mounting	00-	2	
6	999 084 643 09	Hexagon nut M 10	98-	2	

Model: 996 98

Model life 1998>>2005

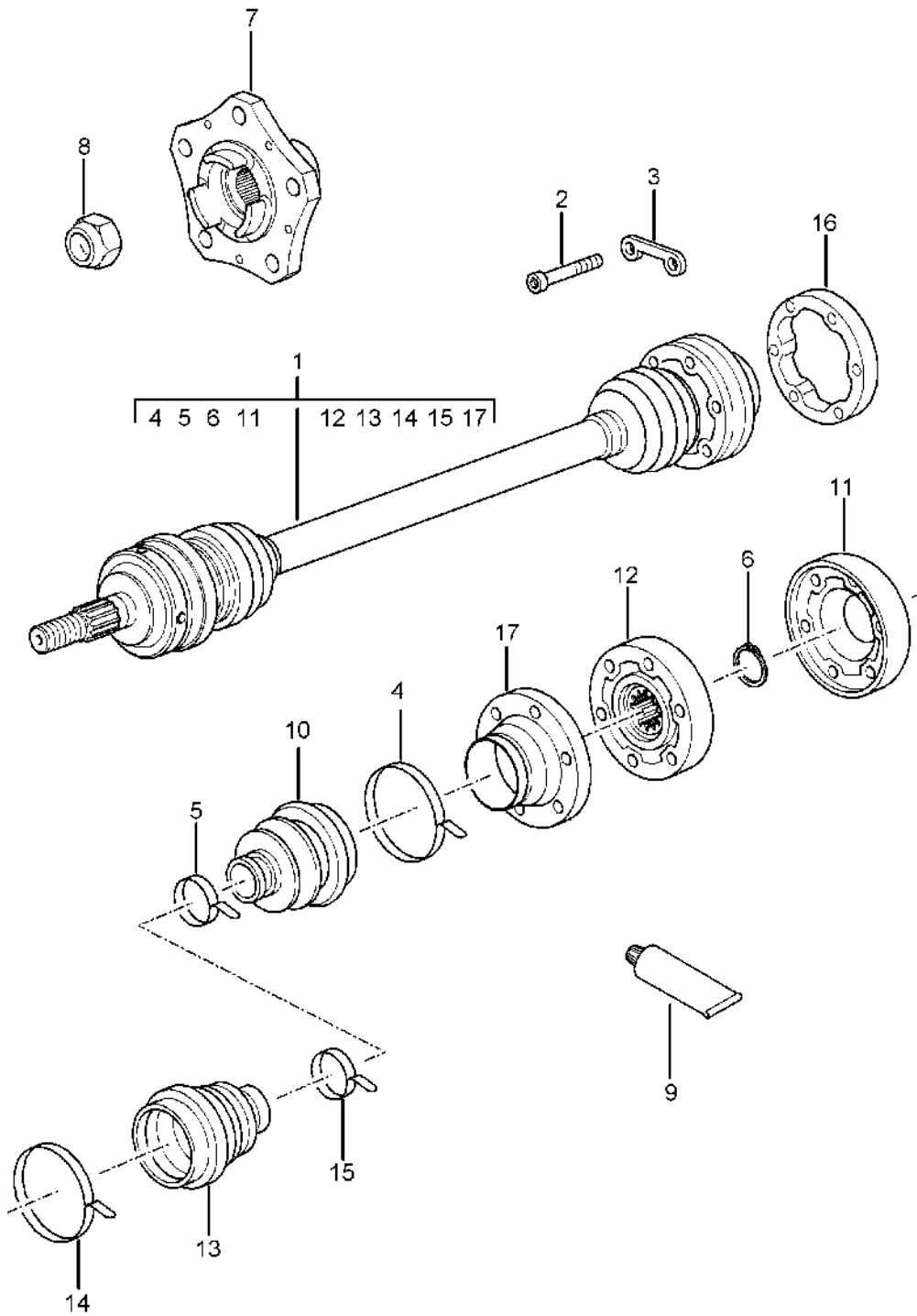


Model: 996 98 Model life 1998>>2005

Pos	Part Number	Description	Remark	Qty	Model
		Drive shaft			
		Wheel hub			
		F >>992S6 03555			M480
		F >>992S6 42147			M480
		F >>992S6 30713			M480
		F >>992S6 03622			M249
		F >>992S6 42181			M249
		F >>992S6 30736			M249
1	996 332 024 04	Drive shaft	-01	2	M249
1	996 332 024 14	Drive shaft	-01	2	M249
(1)	996 332 024 05	Drive shaft	02-	2	M249
(1)	996 332 024 15	Drive shaft	02-	2	M249
(1)	996 332 024 03	Drive shaft		2	M480
(1)	996 332 024 13	Drive shaft		2	M480
2	900 067 123 09	Pan-head screw M 10 X 50		12	M480
2	900 067 123 02	Pan-head screw M 10 X 50	-01	12	M249
(2)	999 510 041 09	Pan-head screw M 10 X 65		12	M249
(2)	999 510 041 01	Pan-head screw M 10 X 65		12	M249
3	993 332 191 00	Plate		6	
4	911 332 257 00	Clip \$ 73 MM		2	
5	928 332 257 01	Clip \$ 34 MM		2	
6	900 041 014 00	Circlip		2	
7	997 331 605 00	Wheel hub		2	
8	999 084 641 02	Lock nut M 22 X 1,5		2	
9	000 043 110 00	Grease for drive shaft 1 100-gramme tube		X	
(9)	000 043 205 36	Sealing compound Drive shaft 1 100-gramme tube		X	
10	928 332 293 02	Dust bellows		2	
-	911 332 259 01	Bellow support for Dust bellows		2	
-	911 332 259 02	Bellow support for Dust bellows		2	
11	928 332 267 01	Lid		2	
11	997 332 267 00	Lid		2	
12	911 332 030 01	Joint		2	
13	928 332 293 02	Dust bellows		2	
14	911 332 257 00	Clip		2	
15	928 332 257 01	Clip		2	
16	996 332 229 01	Spacer ring	02-	2	M249

Model: 996 98

Model life 1998>>2005

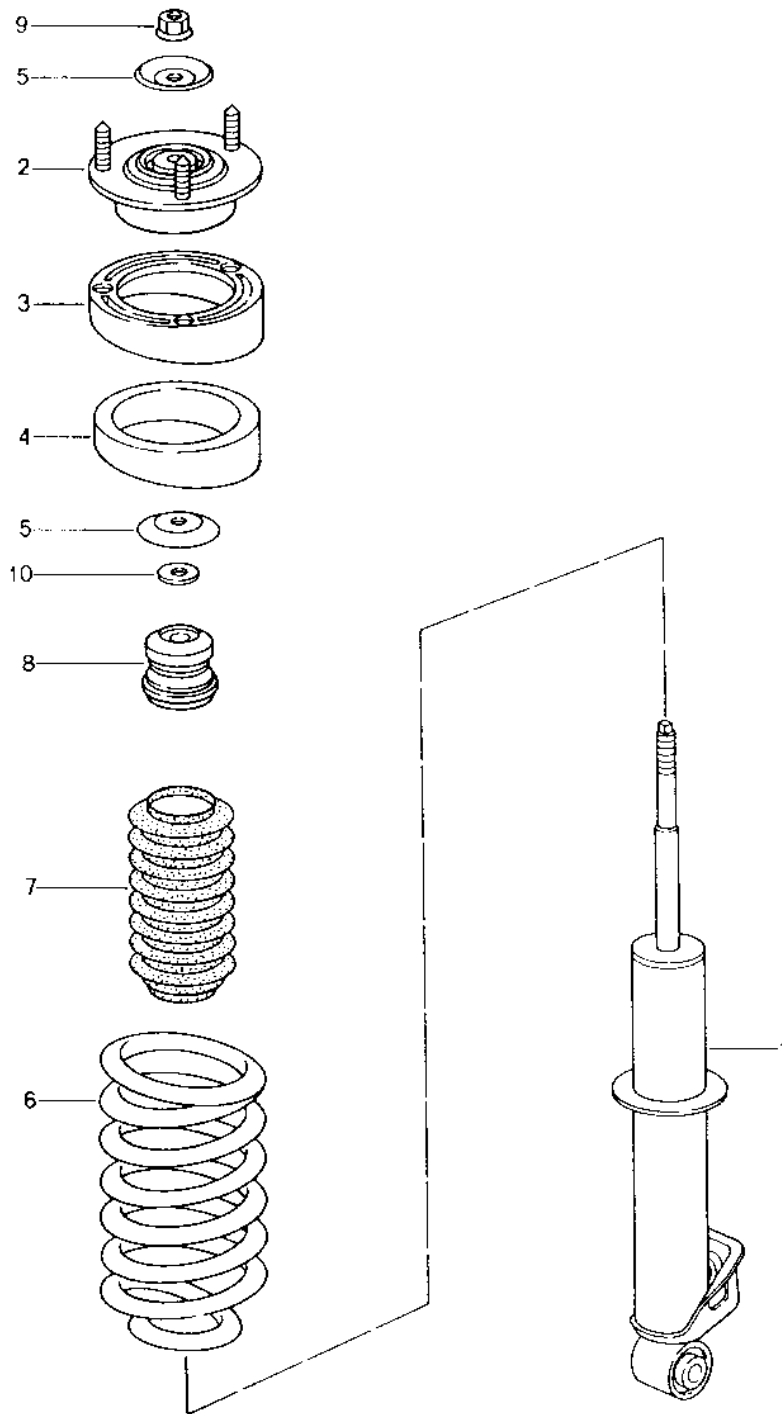


Model: 996 98 Model life 1998>>2005

Pos	Part Number	Description	Remark	Qty	Model
		Drive shaft			
		Wheel hub			
		F 992S6 03556>>			M480
		F 992S6 42148>>			M480
		F 992S6 30714>>			M480
		F 992S6 03623>>			M249
		F 992S6 42182>>			M249
		F 992S6 30737>>			M249
1	996 332 024 06	Drive shaft		2	M480
(1)	996 332 024 17	Drive shaft		2	M480
(1)	996 332 024 07	Drive shaft		2	M249
(1)	996 332 024 18	Drive shaft		2	M249
(1)	996 332 024 25	Drive shaft		2	M249
2	900 067 229 09	Pan-head screw M 10 X 48,4		12	M480
2	900 067 229 01	Pan-head screw M 10 X 48,4		12	M480
(2)	999 510 043 09	Pan-head screw M 10 X 61		12	M249
3	993 332 191 00	Plate		6	
(3)	996 332 191 00	Plate		6	
4	996 332 957 00	Clip \$ 73 MM		2	
5	996 332 257 00	Clip \$ 34 MM		2	
6	900 041 014 00	Circlip		2	
7	997 331 605 00	Wheel hub		2	
8	999 084 641 02	Lock nut M 22 X 1,5	-03	2	
(8)		Lock nut M 22 X 1,5	04-	2	
9	000 043 110 01	Grease 1 100-gramme tube		X	
10	996 332 293 00	Dust bellows Information available		2	
11	928 332 267 01	Lid		2	
11	997 332 267 00	Lid		2	
12	996 332 030 00	Joint		2	
13	996 332 293 00	Dust bellows Information available		2	
14	996 332 957 00	Clip		2	
15	996 332 257 00	Clip		2	
16	996 332 229 00	Spacer ring	02	2	M249
(16)	996 332 229 01	Spacer ring	03-	2	M249
17	996 332 259 00	Bellow support		2	

Model: 996 98

Model life 1998>>2005



Model: 996 98 Model life 1998>>2005

Pos	Part Number	Description	Remark	Qty	Model
1	996 333 051 04	Shock absorber Coil spring	-01	2	
(1)	996 333 051 21	Shock absorber - bilstein - Vibration damper	02	2	
(1)	996 333 051 25	- bilstein - Shock absorber	03	2	
(1)	996 333 051 33	- bilstein - Shock absorber	04-	2	
(1)	996 333 051 13	- bilstein - Shock absorber	-01	2	M030
(1)	996 333 051 22	- bilstein - Vibration damper	02	2	M030
(1)	996 333 051 26	- bilstein - Shock absorber	03	2	M030
(1)	996 333 051 34	- bilstein - Shock absorber	04-	2	M030
(1)	996 333 051 24	- bilstein - Vibration damper	02	2	C4S
(1)	996 333 051 28	- bilstein - Shock absorber	03	2	C4S COUPE
(1)	996 333 051 40	- bilstein - Shock absorber	04-	2	C4S COUPE
(1)	996 333 051 30	- bilstein - Shock absorber	04-	2	C4S CABRIO
(1)	996 333 051 41	- bilstein - Shock absorber	04-	2	C4S CABRIO
(1)	996 333 051 26	- bilstein - Shock absorber	04-	2	M095
(1)	996 333 980 06	Shock absorber	-01	2	IX74
(1)	996 333 980 26	Shock absorber	-01	2	IX74
(1)	996 333 980 10	Shock absorber	02-03	2	IX74
(1)		Shock absorber	03	2	IX73 C4S COUPE
(1)	996 333 980 24	Vibration damper	04- 04-	2	IX73 C4S COUPE
		Mount	04-	2	IX74
-	900 378 138 09	Shock absorber Hexagon-head bolt M 12 X 1,5 X 70		2	
-	900 378 138 01	Hexagon-head bolt M 12 X 1,5 X 70		2	
-	999 084 445 09	Lock nut M 12 X 1,5		2	
2	996 333 059 03	Supporting mount		2	
-	900 380 008 09	Lock nut M 10		6	
-	900 380 008 01	Hexagon nut M 10		6	
3	996 333 511 02	Compensating plate 0,5 MM		X	
(3)	996 333 511 03	Compensating plate 4,0 MM		X	
4	993 333 504 00	Base		2	
4	997 333 504 00	Base		2	
5	996 333 107 00	Stop plate		4	
6	996 333 531 03	Coil spring		1	COUPE M480
		1 set			

Model: 996 98 Model life 1998>>2005

Pos	Part Number	Description	Remark	Qty	Model
	996 333 531 03 504	Identification Brown White F >>991S6 41090 F >>991S6 00547 F >>991S6 40407 F >>991S6 40432			
(6)	996 333 531 36	Coil spring 1 set	-01	1	COUPE M480
	996 333 531 36 504	Identification Brown White F 991S6 41091>> F 991S6 00548>> F 991S6 40408>> F 991S6 40433>>			
(6)	996 333 531 23	Coil spring 1 set	02-	1	COUPE M480
	996 333 531 23 504	Identification Brown White			
(6)	996 333 531 04	Coil spring 1 set		1	COUPE M249
	996 333 531 04 504	Identification Brown Red F >>991S6 41090 F >>991S6 00547 F >>991S6 40407 F >>991S6 40432			
(6)	996 333 531 37	Coil spring 1 set	-01	1	COUPE M249
	996 333 531 37 504	Identification Brown Red F 991S6 01091>> F 991S6 00548>> F 991S6 40408>> F 991S6 40433>>			
(6)	996 333 531 24	Coil spring 1 set	02-	1	COUPE M249
	996 333 531 24 504	Identification Brown Red			
(6)	996 333 531 04	Coil spring 1 set		1	CABRIO M480
	996 333 531 04 504	Identification Brown Red F >>991S6 41090 F >>991S6 00547 F >>991S6 40407 F >>991S6 40432			
(6)	996 333 531 37	Coil spring 1 set	-01	1	CABRIO M480
	996 333 531 37 504	Identification			

Model: 996 98 Model life 1998>>2005

Pos	Part Number	Description	Remark	Qty	Model
(6)	996 333 531 24	Brown Red F 991S6 41091>> F 991S6 00548>> F 991S6 40408>> F 991S6 40433>> Coil spring	02-	1	CABRIO M480
	996 333 531 24 504	1 set Identification		1	TARGA M480
(6)	996 333 531 05	Brown Red Coil spring		1	CABRIO M249
	996 333 531 05 504	1 set Identification			
(6)	996 333 531 38	Brown Yellow F >>991S6 41090 F >>991S6 00547 F >>991S6 40407 F >>991S6 40432 Coil spring	-01	1	CABRIO M249
	996 333 531 38 504	1 set Identification			
(6)	996 333 531 25	Brown Yellow F 991S6 41091>> F 991S6 00548>> F 991S6 40408>> F 991S6 40433>> Coil spring	02-	1	CABRIO M249
	996 333 531 25 504	1 set Identification		1	TARGA M249
(6)	996 333 531 18	Brown Yellow Coil spring		1	CABRIO M249
	996 333 531 18 504	1 set Identification			
(6)	996 333 531 11	Blue Yellow F >>991S6 41090 F >>991S6 00547 F >>991S6 40407 F >>991S6 40432 Coil spring		1	M030/480 COUPE
	996 333 531 11 504	1 set Identification			
(6)	996 333 531 62	Green White F >>991S6 41090 F >>991S6 00547 F >>991S6 40407 F >>991S6 40432 Coil spring		1	M030/480 COUPE
		1 set			

Model: 996 98 Model life 1998>>2005

Pos	Part Number	Description	Remark	Qty	Model
	996 333 531 62 504	Identification Green White F >>991S6 41090 F >>991S6 00547 F >>991S6 40407 F >>991S6 40432			
(6)	996 333 531 39	Coil spring 1 set	-01	1	M030/480 COUPE
	996 333 531 39 504	Identification Green White F 991S6 41091>> F 991S6 00548>> F 991S6 40408>> F 991S6 40433>>			
(6)	996 333 531 26	Coil spring 1 set	02-	1	M030/480 COUPE
	996 333 531 26 504	Identification Green White			
(6)	996 333 531 12	Coil spring 1 set		1	M030/249 COUPE
	996 333 531 12 504	Identification Green Red F >>991S6 41090 F >>991S6 00547 F >>991S6 40407 F >>991S6 40432		1	M030/480 CABRIO
(6)	996 333 531 40	Coil spring 1 set	-01 -01	1 1	M030/249 COUPE M030/480 CABRIO
	996 333 531 40 504	Identification Green Red F 991S6 41091>> F 991S6 00548>> F 991S6 40408>> F 991S6 40433>>			
(6)	996 333 531 27	Coil spring 1 set	02- 02- 02-	1 1 1	M030/249 COUPE M030/480 CABRIO M030/480 TARGA
	996 333 531 27 504	Identification Green Red			
(6)	996 333 531 13	Coil spring 1 set		1	M030/249 CABRIO
	996 333 531 13 504	Identification Green Yellow F >>991S6 41090 F >>991S6 00547 F >>991S6 40407 F >>991S6 40432			

Model: 996 98 Model life 1998>>2005

Pos	Part Number	Description	Remark	Qty	Model
(6)	996 333 531 41	Coil spring 1 set	-01	1	M030/249 CABRIO
	996 333 531 41 504	Identification Green Yellow F 991S6 41091>> F 991S6 00548>> F 991S6 40408>> F 991S6 40433>>			
(6)	996 333 531 28	Coil spring	02-	1	M030/249 CABRIO
			02-	1	M030/249 TARGA
	996 333 531 28 504	1 set Identification Green Yellow			
(6)	996 333 531 48	Coil spring 1 set	02-	1	C4S COUPE
	996 333 531 48 504	Identification Blue White			
(6)	996 333 531 49	Coil spring 1 set	02-	1	C4S COUPE
	996 333 531 49 504	Identification Blue Red			
(6)	996 333 531 53	Coil spring 1 set	04-	1	C4S CABRIO
	996 333 531 53 504	Identification Blue Violet			
(6)	996 333 531 58	Coil spring 1 set	04-	1	C4S CABRIO
	996 333 531 58 504	Identification Blue Violet			
(6)	996 333 531 56	Coil spring 1 set	04-	1	M095
	996 333 531 56 504	Identification Green Green			
(6)	996 333 980 07	Coil spring 1 set	-01	1	IX74
	996 333 980 07 504	Identification Red lilac Creamy white			
(6)	996 333 980 07	Coil spring 1 set	02-	1	IX74
	996 333 980 07 504	Identification Red lilac Creamy white F >>992S6 03565			
(6)	996 333 980 11	Coil spring 1 set		1	IX74
	996 333 980 11 504	Identification Red lilac Creamy white F 992S6 03566>>			
(6)	996 333 980 13	Coil spring 1 set	03-	1	IX73 C4S COUPE
	996 333 980 13 504	Identification Creamy white			

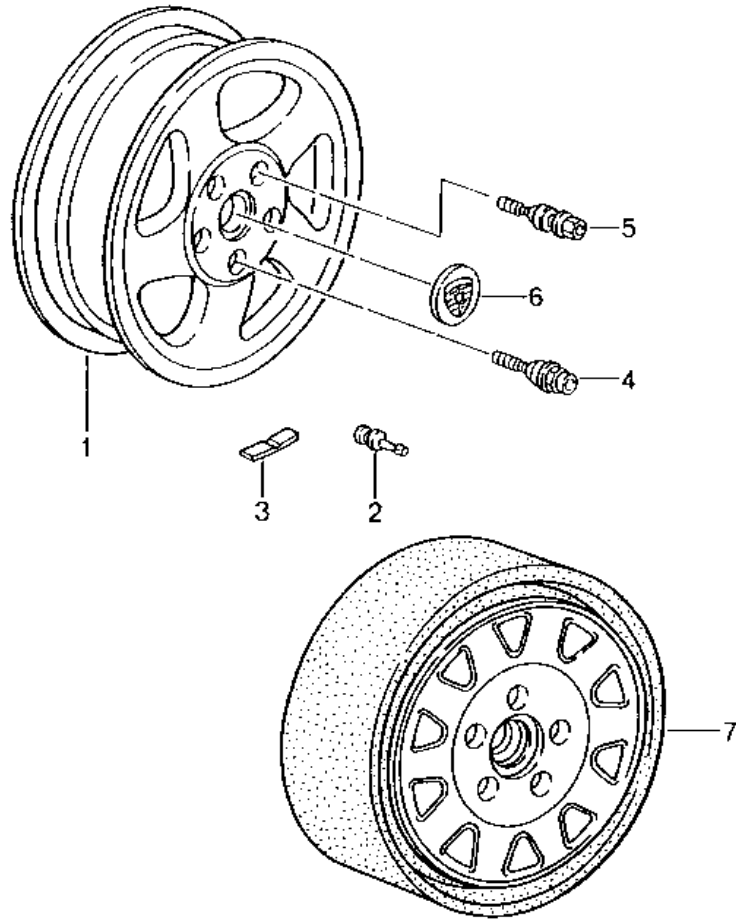
Model: 996 98

Model life 1998>>2005

Pos	Part Number	Description	Remark	Qty	Model
		Silver			
7	993 333 107 01	Bellows		2	
8	996 333 105 02	Additional spring		2	
(8)	964 333 105 80	Additional spring	-01	2	IX74
-	911 333 511 00	Washer	-01	2	IX74
(8)	996 333 105 03	Additional spring		2	M030
(8)		Additional spring		2	M030
			02-	2	C4S
(8)		Additional spring	02-	2	IX74
(8)		Additional spring	03-	2	IX73
					C4S
					COUPE
9	999 084 445 09	Lock nut M 10		2	
10	999 025 240 02	Washer Mount Shock absorber		2	
-	900 378 138 09	Hexagon-head bolt M 12 X 1,5 X 70		2	
-	900 378 138 01	Hexagon-head bolt M 12 X 1,5 X 70		2	
-	999 084 445 09	Lock nut M 12 X 1,5		2	
-	900 380 008 09	Lock nut M 10		6	
-	900 380 008 01	Hexagon nut M 10		6	

Model: 996 98

Model life 1998>>2005



Model: 996 98 Model life 1998>>2005

Pos	Part Number	Description	Remark	Qty	Model
1	993 362 134 05	Wheels Disc wheel 7,5 J X 18 ET 50	/V	2	M408
(1)	993 362 134 06	Disc wheel 7,5 J X 18 ET 50	/V -01	2	M413
(1)	993 362 136 01	Disc wheel 8 J X 18 ET52	/V 02-	2	M413
(1)	993 362 136 50	Disc wheel 8 J X 18 ET52	/V 02-	2	IXRB
(1)	996 362 136 50	Disc wheel 8 J X 18 ET 52	/V 02-	2	IXRL
(1)	996 362 136 51	Disc wheel 8 J X 18 ET 50	/V 02-	2	IXRC
(1)	996 362 136 07	Disc wheel 8 J X 18 ET 50	/V 04	2	M417
(1)	996 362 124 00	Disc wheel 7 J X 17 ET 55 for winter use	/V	2	M396
(1)	993 362 140 01	Disc wheel 10 J X 18 ET 65 see Technical information Group 4 37/11	/H	2	M408
(1)	993 362 140 04	Disc wheel 10 J X 18 ET 65	/H	2	M413
(1)	993 362 140 50	Disc wheel 10 J X 18 ET 65	/H 02-	2	IXRB
(1)	996 362 128 00	Disc wheel 9 J X 17 ET 55	/H	2	M396
(1)	996 362 140 50	Disc wheel 10 J X 18 ET 65	/H 02-	2	IXRL
(1)	996 362 142 51	Disc wheel 11 J X 18 ET 63	/H 02-03	2	IXRC
(1)	996 362 142 52	Disc wheel 11 J X 18 ET 63	/H 04-	2	IXRC
(1)	996 362 124 01	Disc wheel 7 J X 17 ET 55	/V 99-	2	M399
(1)	993 362 134 07	Disc wheel 7,5 J X 18 ET 50	/V 00-	2	M414
(1)	993 362 134 08	Disc wheel 7,5 J X 18 ET 50	/V 00-	2	M414
(1)	996 362 124 02	Disc wheel 7 J X 17 ET 50	/V 02-	2	M392

Model: 996 98

Model life 1998>>2005

Pos	Part Number	Description	Remark	Qty	Model
(1)	996 362 136 01	Disc wheel 8 J X 18 ET 50	/V 02-	2	C4S M415
(1)	996 362 136 02	Disc wheel 8 J X 18 ET 50	/V 04-	2	C4S M416
(1)	996 362 136 03	Disc wheel 8 J X 18 ET 50	/V 02-	2	M411
(1)	993 362 136 08	Disc wheel 8 J X 18 ET 52	/V 02-	2	M414
(1)	996 362 136 01	Disc wheel 8 J X 18 ET 50	/V 03-	2	M415
(1)	996 362 128 01	Disc wheel 9 J X 17 ET 55	/H 99-	2	M399
(1)	993 362 140 07	Disc wheel 10 J X 18 ET 65	/H 00-	2	M414
(1)	993 362 140 08	Disc wheel 10 J X 18 ET 65	/H 00-	2	M414
(1)	996 362 128 02	Disc wheel 9 J X 17 ET 55	/H 02-	2	M392
(1)	996 362 140 03	Disc wheel 10 J X 18 ET 65	/H 02-	2	M411
(1)	996 362 142 10	Disc wheel 11 J X 18 ET 45	/H 02	2	C4S M415
(1)		Disc wheel 11 J X 18 ET 45	/H 03-	2	C4S M415
(1)	996 362 142 02	Disc wheel 11 J X 18 ET 45	/H 04-	2	C4S M416
(1)	996 362 140 01	Disc wheel 10 J X 18 ET 47	/H 02	2	M415 C4S
(1)	996 362 140 02	Disc wheel 10 J X 18 ET 47 for winter use	/H 03-	2	M415 C4S
(1)	996 362 126 05	Disc wheel 8,5 J X 17 ET 50 for winter use	/H	2	
(1)	996 362 140 04	Disc wheel 10 J X 18 ET65	/H 03-	2	M415
(1)	996 362 140 07	Disc wheel 10 J X 18 ET 65	/H 04	2	M417
2	900 265 001 50	Rubber valve Rubber		4	M396 M392
2	900 265 001 51	Rubber valve Rubber		4	M396 M392
(2)	993 361 073 00	Valve Steel		4	M408

Model: 996 98 Model life 1998>>2005

Pos	Part Number	Description	Remark	Qty	Model
(2)		Valve Steel	02-	4	IXRC
3	901 361 410 50	Balance stick-on weight 5 G.	-03	X	
(3)	1K0 601 178 C	Balance stick-on weight 5 G.	04-	X	
(3)	901 361 410 00	Balance stick-on weight 10 G.	-03	X	
(3)	1K0 601 179 C	Balance stick-on weight 10 G.	04-	X	
(3)	901 361 411 50	Balance stick-on weight 15 G.	-03	X	
(3)	1K0 601 181 C	Balance stick-on weight 15 G.	04-	X	
(3)	901 361 411 00	Balance stick-on weight 20 G.	-03	X	
(3)	1K0 601 182 C	Balance stick-on weight 20 G.	04-	X	
(3)	901 361 412 50	Balance stick-on weight 25 G.	-03	X	
(3)	1K0 601 183 C	Balance stick-on weight 25 G.	04-	X	
(3)	901 361 412 00	Balance stick-on weight 30 G.	-03	X	
(3)	1K0 601 184 C	Balance stick-on weight 30 G.	04-	X	
(3)	901 361 413 50	Balance stick-on weight 35 G.	-03	X	
(3)	1K0 601 185 C	Balance stick-on weight 35 G.	04-	X	
(3)	901 361 413 00	Balance stick-on weight 40 G.	-03	X	
(3)	1K0 601 186 C	Balance stick-on weight 40 G.	04-	X	
(3)	901 361 414 50	Balance stick-on weight 45 G.	-03	X	
(3)	1K0 601 187 C	Balance stick-on weight 45 G.	04-	X	
(3)	901 361 414 00	Balance stick-on weight 50 G.	-03	X	
(3)	1K0 601 188 C	Balance stick-on weight 50 G.	04-	X	
(3)	901 361 415 50	Balance stick-on weight 55 G.	-03	X	
(3)	1K0 601 189 C	Balance stick-on weight 55 G.	04-	X	
(3)	901 361 415 00	Balance stick-on weight 60 G.	-03	X	
(3)	1K0 601 190 C	Balance stick-on weight 60 G.	04-	X	
(3)	997 361 465 00	Balance stick-on weight 65 G.		X	
(3)	997 361 470 00	Balance stick-on weight 70 G.		X	
(3)	997 361 475 00	Balance stick-on weight 75 G.		X	
(3)	997 361 480 00	Balance stick-on weight 80 G.		X	
(3)	997 361 485 00	Balance stick-on weight 85 G.		X	
(3)	997 361 490 00	Balance stick-on weight 90 G.		X	
4	996 361 057 00	Wheel bolt	-00	1	

Model: 996 98 Model life 1998>>2005

Pos	Part Number	Description	Remark	Qty	Model
(4)	996 361 057 01	Anti-theft protection 1 set Wheel bolt	-03	1	
(4)	996 361 057 02	Anti-theft protection 1 set Set	04-	1	
(4)	997 361 057 02	Anti-theft protection 1 set Set	04-	1	
(4)	996 361 057 90	Anti-theft protection 1 set Wheel bolt	-03	1	IXRP
(4)	996 361 980 02	Anti-theft protection 1 set Wheel bolt	04-	1	IXRP
5	996 361 203 00	Wheel bolt	-00	16	
(5)	996 361 203 01	Wheel bolt	-03	16	
(5)	996 361 203 02	See technical information Group 4 NR.10/03 Wheel bolt	04-	16	
(5)	996 361 203 90	See technical information Group 4 NR.10/03 Wheel bolt	-03	16	IXRP
(5)	996 361 980 00	See technical information Group 4 NR.10/03 Wheel bolt	04-	16	IXRP
-	999 182 003 36	Wheel nut	01	10	IXRN
-		Wheel nut	02-	10	/C4S IXRN
6	993 361 303 05	Hub cap	-99	4	M338
(6)	993 361 303 05 61M	Silver			
(6)	993 361 303 11	Hub cap	00	4	M338
(6)	993 361 303 11 61M	Silver			
(6)	993 361 303 11	Hub cap	02-	4	M338
(6)	993 361 303 11 9A1	Silver			
(6)	996 361 303 05	Hub cap	99	4	M339
(6)	996 361 303 05 9A1	Silver			
(6)	996 361 303 10	Hub cap	00-	4	M339
(6)	996 361 303 10 9A1	Silver			
(6)	993 361 303 09	Hub cap	-99	4	M446
(6)	993 361 303 09 92T	Arctic silver metallic Crest Coloured			
(6)	993 361 303 10	Hub cap	00-	4	M446
(6)	993 361 303 10 9A1	Silver Crest Coloured			
(6)	993 361 303 07	Hub cap	00-	4	M094
(6)	996 361 303 09	Polished Hub cap	00-	4	M094
(6)	996 361 306 00	Polished Hub cap	02-	4	C4S
(6)	996 361 306 00 9A1	Silver			
(6)	996 361 303 12	Hub cap	04	4	M417
7	996 362 030 00	Emergency wheel		1	M338

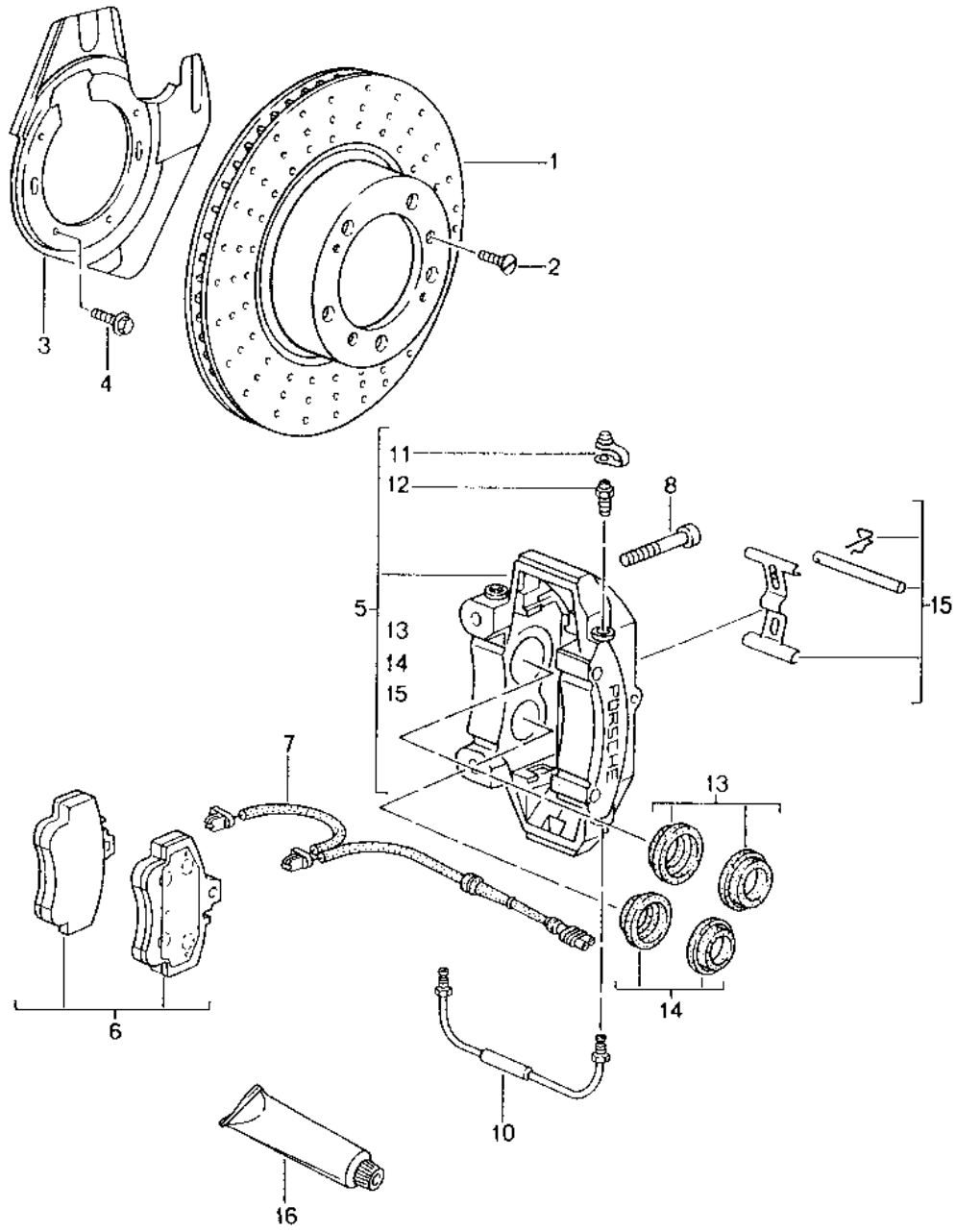
Model: 996 98

Model life 1998>>2005

Pos	Part Number	Description	Remark	Qty	Model
(7)	996 362 050 00	Emergency wheel	-03	1	M339
(7)	996 362 050 01	Emergency wheel	04-	1	M339
(7)	996 362 020 01	Emergency wheel	03-	1	C4S M450
(7)	996 362 020 03	Emergency wheel	04-	1	C4S M450
-	997 652 051 00	Compressor for Emergency wheel		1	
-	997 652 055 00	Compressor for Emergency wheel		1	
-	996 361 411 00	Belt for Emergency wheel	03-	1	C4S M450

Model: 996 98

Model life 1998>>2005



Model: 996 98 Model life 1998>>2005

Pos	Part Number	Description	Remark	Qty	Model
		Disc brake Front axle Brake disc Only in pairs Replace Technical manual Attention			M450
1	996 351 405 00	Brake disc	/L	1	
(1)	996 351 405 01	Brake disc	/L	1	
(1)	996 351 409 02	Brake disc	/L 02-	1	C4S
(1)	996 351 031 02	Brake disc	/L -04	1	C4S
(1)	996 351 031 03	Brake disc	/L 05-	1	M450 C4S M450
(1)	996 351 406 00	Brake disc	/R	1	
(1)	996 351 406 01	Brake disc	/R	1	
(1)	996 351 410 02	Brake disc	/R 02-	1	C4S
(1)	996 351 032 02	Brake disc	/R -04	1	C4S
(1)	996 351 032 03	Brake disc	/R 05-	1	M450 C4S M450
2	900 269 047 09	Countersunk-head screw M 6 X 12		4	
2	900 269 047 01	Countersunk-head screw M 6 X 12		4	
(2)	900 269 106 09	Countersunk-head screw M 6 X 16	01-	4	IXRP
(2)	900 269 106 01	Countersunk-head screw M 6 X 16	01-	4	IXRP
3	996 351 081 03	Cover plate F >>99XS6 01169 F >>99XS6 01376 F >>99XS6 40765 F >>99XS6 40773	/L	2	
(3)	996 351 082 03	Cover plate F >>99XS6 01169 F >>99XS6 01376 F >>99XS6 40765 F >>99XS6 40773	/R	2	
(3)	996 351 801 04	Cover plate F 99XS6 01170>> F 99XS6 01377>> F 99XS6 40766>> F 99XS6 40774>>	/L	1	
(3)	996 351 802 04	Cover plate F 99XS6 01170>> F 99XS6 01377>> F 99XS6 40766>> F 99XS6 40774>>	/R	1	
(3)	996 351 805 00	Protective plate	/L 02-	1	C4S
(3)		Protective plate	/L 03-	1	C4S M450
(3)	996 351 806 00	Protective plate	/R 02-	1	C4S
(3)		Protective plate	/R 03-	1	C4S M450
4	999 217 116 09	Hexagon-head bolt M 6 X 16		X	
5	996 351 425 01	Fixed calliper without pad	/L	1	
(5)	996 351 426 01	Fixed calliper without pad	/R	1	
(5)	996 351 425 21	Fixed calliper	/L 99-	1	M339

Model: 996 98

Model life 1998>>2005

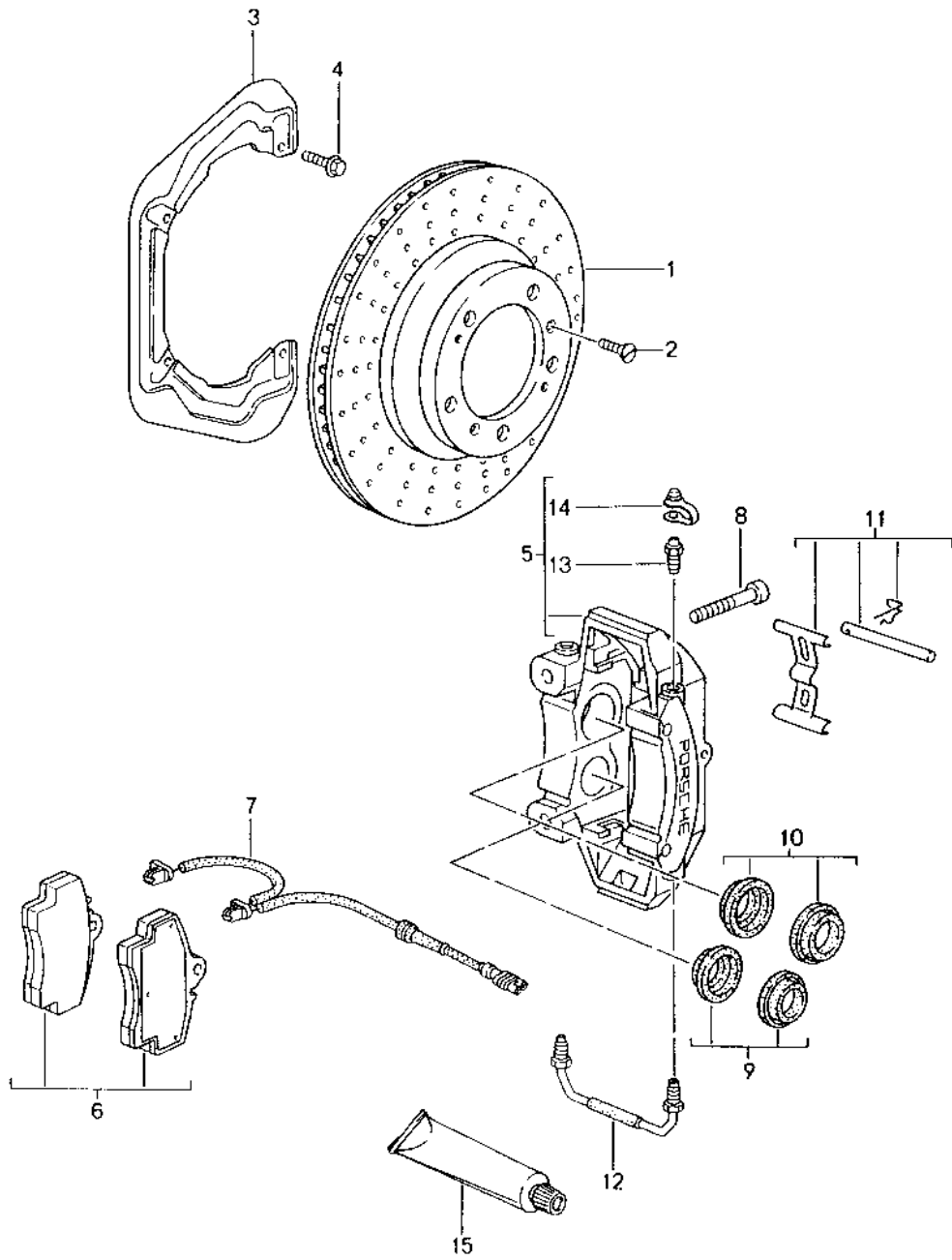
Pos	Part Number	Description	Remark	Qty	Model
(5)	996 351 425 22	without pad F >>99YS6 02736 F >>99YS6 21335 Fixed calliper without pad F 99YS6 02737>> F 99YS6 21336>>	/L 00-	1	M339
(5)	996 351 429 10	Fixed calliper without pad F 99YS6 02737>> F 99YS6 21336>>	/L 02-	1	C4S
(5)	996 351 431 30	Fixed calliper without pad F 99YS6 02737>> F 99YS6 21336>>	/L 03-	1	C4S
(5)	996 351 426 21	Fixed calliper without pad F >>99YS6 02736 F >>99YS6 21335	/R 99-	1	M450 M339
(5)	996 351 426 22	Fixed calliper without pad F 99YS6 02737>> F 99YS6 21336>>	/R 00-	1	M339
(5)	996 351 430 10	Fixed calliper without pad F 99YS6 02737>> F 99YS6 21336>>	/R 02-	1	C4S
(5)	996 351 432 30	Fixed calliper without pad F 99YS6 02737>> F 99YS6 21336>>	/R 03-	1	C4S M450
6	996 352 949 02	Brake pad repair set		1	
(6)	996 352 949 03	Brake pad repair set		1	
(6)	996 351 949 12	Brake pad repair set	02-	1	C4S
(6)	996 351 947 01	Brake pad repair set Use also: Mounting parts See technical manual Group 46 Nr.3619	03-	1	C4S M450
(6)	997 351 948 01	Brake pad repair set Use also: Mounting parts See technical manual Group 46 Nr.3619	03-	1	C4S M450
-	996 351 088 01	Damping plate		4	
-	996 351 089 00	Damping plate	02-	4	C4S
-	996 352 086 01	Damping plate See technical manual Group 46 Nr.3619	03-	6	C4S M450
-	996 352 086 02	Damping plate See technical manual Group 46 NR.3619	03-	6	C4S M450
7	996 612 365 00	Warning contact		2	
(7)	996 612 347 00	Warning contact	03-	2	C4S M450
-	999 507 464 40	Support		2	
-	944 612 627 00	Line bracket for Warning contact		2	
8	999 067 041 09	Pan-head screw M 12 X 1,5 X 72		4	
8	999 067 041 01	Pan-head screw M 12 X 1,5 X 72		4	

Model: 996 98 Model life 1998>>2005

Pos	Part Number	Description	Remark	Qty	Model
8	999 067 050 09	Pan-head screw M 12 X 1.5 X 77	02-	4	C4S
(8)	999 067 047 09	Pan-head screw M 12 X 1,5 X 85	03-	4	C4S M450
10	996 351 961 00	Connecting line	/L	1	
(10)	996 351 961 11	Connecting line	/L 02-	1	C4S
(10)	996 351 961 30	Connecting line	/L 03-	1	C4S M450
(10)	996 351 962 00	Connecting line	/R	1	
(10)	996 351 962 11	Connecting line	/R 02-	1	C4S
(10)	996 351 961 30	Connecting line	/R 03-	1	C4S M450
12	930 351 919 00	Ventilation valve		2	
11	930 351 927 00	Dust boot		2	
11	930 351 927 01	Dust boot		2	
13	951 351 917 01	Repair kit Protection caps 40 MM \$		2	
(13)	928 351 917 00	Repair kit Protection caps 44 MM \$	02-	2	C4S
14	951 351 917 00	Repair kit Protection caps 36 MM \$		2	
-	996 351 915 01	Repair kit Protection caps 38 MM \$	03-	2	C4S M450
-	996 351 915 00	Repair kit Protection caps 32 MM \$	03-	2	C4S M450
-	951 352 917 00	Repair kit Protection caps 28 MM \$	03-	2	C4S M450
15	996 351 959 01	Repair kit Mounting parts Bolt		1 2	
(15)	996 351 959 11	Expanding spring Securing clip Repair kit Mounting parts Bolt	02-	2 2 1	C4S
(15)	996 351 959 30	Expanding spring Securing clip Repair kit Mounting parts	03-	1	C4S M450
16	000 043 117 00	Brake cylinder paste 50 G		X	
16	000 043 305 11	Brake cylinder paste 50 G		X	
16	000 043 020 00	Optimoly 100 G		X	

Model: 996 98

Model life 1998>>2005



Model: 996 98 Model life 1998>>2005

Pos	Part Number	Description	Remark	Qty	Model
		Disc brake Rear axle Brake disc Only in pairs Replace Technical manual Attention			M450
1	996 352 401 03	Brake disc		2	
(1)	996 352 401 04	Brake disc		2	
(1)	996 352 401 05	Brake disc		2	
(1)	996 352 405 00	Brake disc	/L 02-	1	C4S
(1)	996 352 031 02	Brake disc	/L -04	1	C4S M450
(1)	996 352 031 03	Brake disc	/L 05-	1	C4S M450
(1)	996 352 406 00	Brake disc	/R 02-	1	C4S
(1)	996 352 032 02	Brake disc	/R -04	1	C4S M450
(1)	996 352 032 03	Brake disc	/R 05-	1	C4S M450
2	900 269 047 09	Countersunk-head screw M 6 X 12		4	
2	900 269 047 01	Countersunk-head screw M 6 X 12		4	
(2)	900 269 106 09	Countersunk-head screw M 6 X 16	01-	4	IXRP
(2)	900 269 106 01	Countersunk-head screw M 6 X 16	01-	4	IXRP
3	996 352 801 01	Protective plate		2	
(3)	996 352 801 03	Cover plate	02-	2	C4S
(3)		Cover plate	03-	2	C4S M450
4	999 217 116 09	Hexagon-head bolt M 6 X 16		X	
5	996 352 421 03	Fixed calliper without pad	/L	1	M338
(5)	996 352 421 23	Fixed calliper without pad	/L 99-	1	M339
(5)	996 352 421 24	Fixed calliper without pad F >>99YS6 02736 F >>99YS6 21335	/L 00-	1	M339
(5)	996 352 425 60	Fixed calliper without pad	/L 02-	1	C4S
(5)	996 352 423 30	Fixed calliper without pad	/L 03-	1	C4S M450
(5)	996 352 422 03	Fixed calliper without pad	/R	1	M338
(5)	996 352 422 23	Fixed calliper without pad F >>99YS6 02736 F >>99YS6 21335	/R 99-	1	M339
(5)	996 352 422 24	Fixed calliper without pad F 99YS6 02737>> F 99YS6 21336>>	/R 00-	1	M339
(5)	996 352 426 60	Fixed calliper without pad	/R 02-	1	C4S
(5)	996 352 424 30	Fixed calliper without pad	/R 03-	1	C4S M450

Model: 996 98 Model life 1998>>2005

Pos	Part Number	Description	Remark	Qty	Model
6	996 352 939 03	Brake pad repair set		1	
6	986 352 939 10	Brake pad repair set		1	
(6)	996 352 949 02	Brake pad repair set	-04	1	C4S
(6)	996 352 949 03	Brake pad repair set	05-	1	C4S
(6)	996 352 947 01	Brake pad repair set	03-	1	C4S
		See technical manual Group 46 Nr.3819 Use also: Mounting parts			M450
(6)	997 352 948 00	Brake pad repair set	03-	1	C4S
		See technical manual Group 46 Nr.3819 Use also: Mounting parts			M450
-	964 352 096 01	Damping plate 28 MM \$		4	
-	964 352 096 00	Damping plate 30 MM \$		4	
-	996 352 086 00	Damping plate 30 mm		4	
-	996 352 086 01	Damping plate 28 MM \$	03-	8	C4S M450
		See technical manual Group 46 Nr.3819			
-	996 352 086 02	Damping plate 28 mm \$	03-	8	C4S M450
		See technical manual Group 46 NR.3819			
7	996 612 365 00	Warning contact		2	
(7)	996 612 348 00	Warning contact	03-	2	C4S M450
8	999 067 041 09	Pan-head screw M 12 X 1,5 X 72		4	
8	999 067 041 01	Pan-head screw M 12 X 1,5 X 72		4	
(8)	999 067 050 09	Pan-head screw M 12 X 1,5 X 77	02-	4	C4S
(8)	999 067 047 09	Pan-head screw M 12 X 1,5 X 85	03-	4	C4S M450
-	944 612 627 00	Line bracket for Warning contact		2	
9	951 352 917 01	Repair kit Protection caps 30 MM \$		2	
10	951 352 917 00	Repair kit Protection caps 28 MM \$		2	
11	996 352 959 01	Repair kit Mounting parts Bolt		1	
		Expanding spring		2	
		Securing clip		2	
(11)	996 351 959 01	Repair kit Mounting parts	02-	1	C4S

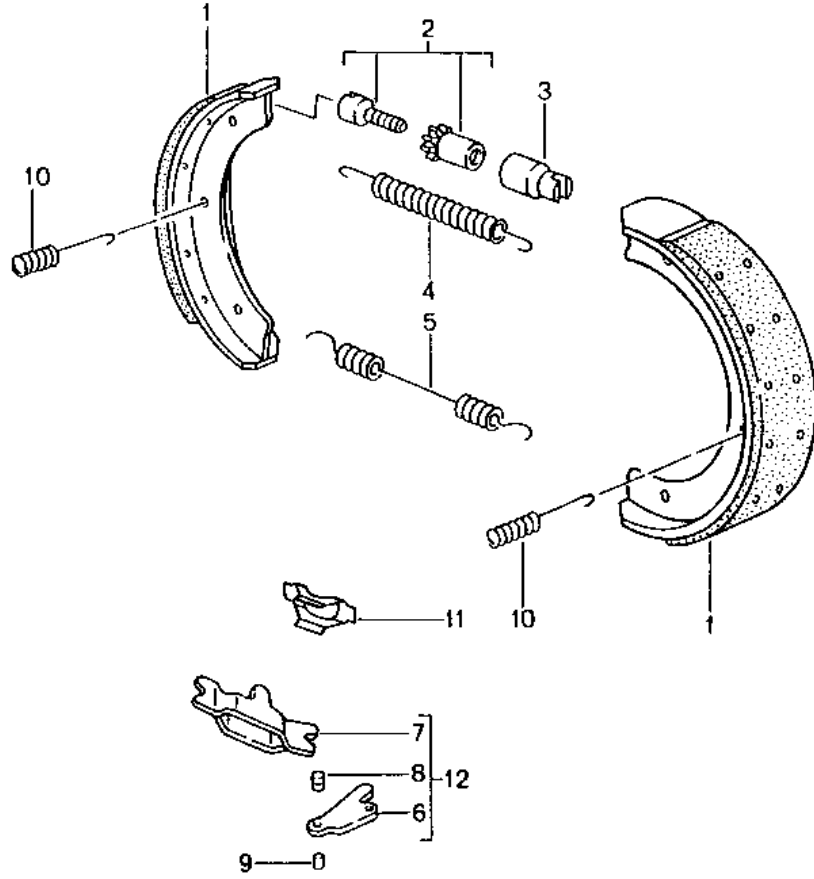
Model: 996 98

Model life 1998>>2005

Pos	Part Number	Description	Remark	Qty	Model
		Bolt		2	
		Expanding spring		2	
		Securing clip		2	
(11)		Repair kit	03-	1	C4S
		Mounting parts			M450
		Bolt		2	
		Expanding spring		2	
		Securing clip		2	
12	996 352 961 00	Connecting line	/L	1	
(12)	996 351 962 00	Connecting line	/L 02-	1	C4S
(12)	996 352 961 30	Connecting line	/L 03-	1	C4S
					M450
(12)	996 352 962 00	Connecting line	/R	1	
(12)	996 351 961 00	Connecting line	/R 02-	1	C4S
(12)	996 352 961 30	Connecting line	/R 03-	1	C4S
					M450
13	930 351 919 01	Ventilation valve		4	
14	930 351 927 00	Dust boot		4	
14	930 351 927 01	Dust boot		4	
15	000 043 117 00	Brake cylinder paste 50 G		X	
15	000 043 305 11	Brake cylinder paste 50 G		X	
(15)	000 043 020 00	Optimoly 100 G		X	

Model: 996 98

Model life 1998>>2005



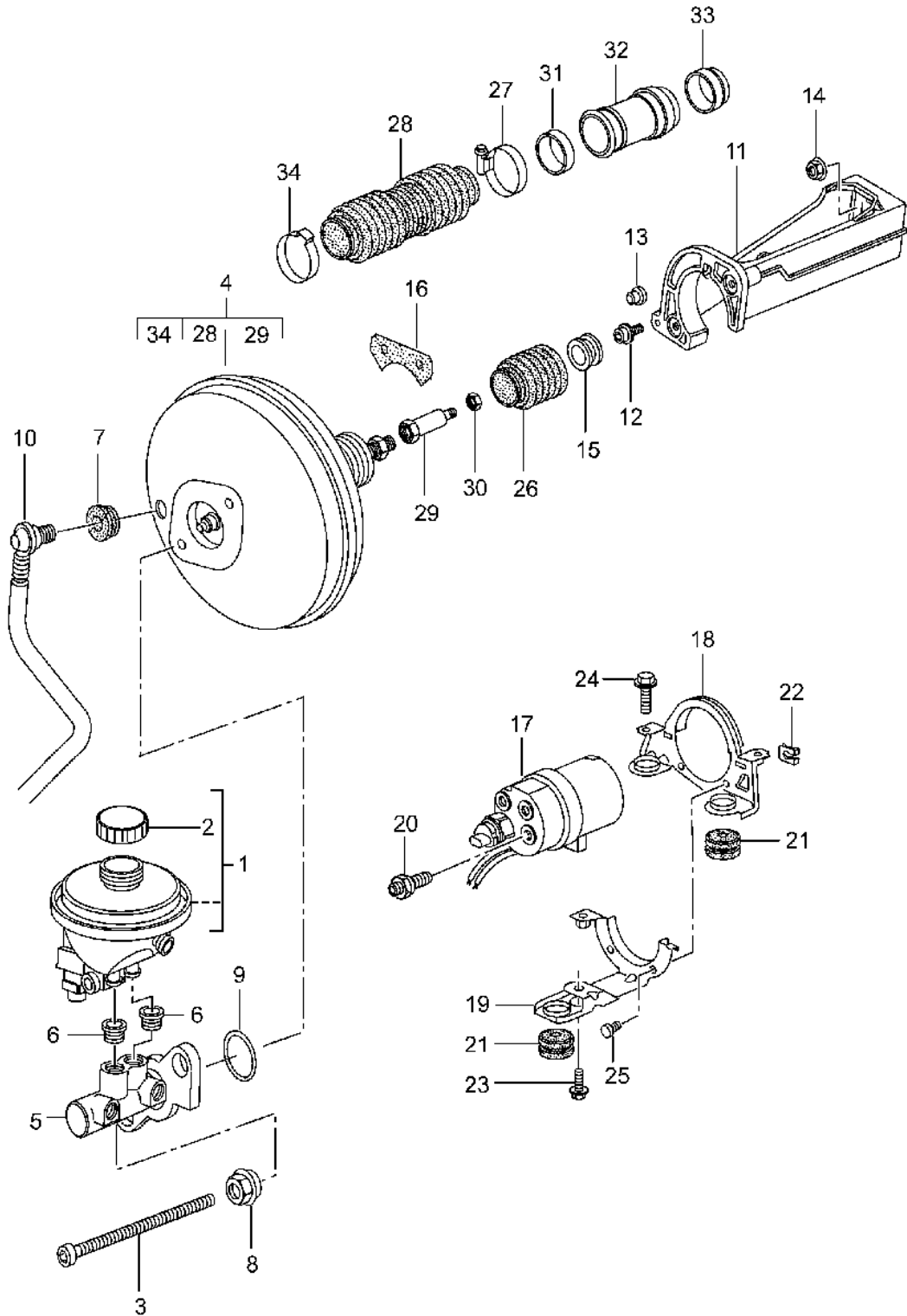
Model: 996 98

Model life 1998>>2005

Pos	Part Number	Description	Remark	Qty	Model
1	928 352 097 10	Handbrake			
(1)	996 352 993 02	Brake shoe	-02	4	
		Brake shoe	03-	1	
		Repair kit			
2	993 352 071 00	Adjusting screw		2	
2	298 609 723	Adjusting screw		2	
4	997 352 721 00	Tension spring		2	
		Short			
5	996 352 723 00	Tension spring		2	
		Long			
6	928 352 441 01	Actuating lever		2	
7	928 352 443 01	Clip		2	
8	993 352 735 00	Articulated bolt		2	
9	993 352 737 00	Bolt		2	
10	996 352 741 00	Compression spring		4	
11	996 352 807 00	Supporting plate		2	
12	993 352 073 00	Push-button lock		2	
		Complete			

Model: 996 98

Model life 1998>>2005



Model: 996 98 Model life 1998>>2005

Pos	Part Number	Description	Remark	Qty	Model
-	000 043 204 66	Brake master cylinder Brake booster Pre-charge pump Modification kit Seal Brake booster Comprising: 999.512.672.00 996.423.269.05 999.512.478.00 996.355.911.00 996.355.909.00 996.355.907.00 996.355.927.01 900.380.015.09 F >>99YS6 00595 F >>99YS6 40393 See technical information Group 4 NR.11/01		1	
1	996 355 013 00	Brake fluid reservoir	-03	1	M338/480
(1)	996 355 013 01	Brake fluid reservoir	04-	1	M338/480
(1)	996 355 013 20	Brake fluid reservoir	-03	1	M249/338
(1)	996 355 013 21	Brake fluid reservoir	04-	1	M249/338
(1)	996 355 013 46	Brake fluid reservoir	99	1	M339/480
(1)	996 355 013 47	Brake fluid reservoir	99	1	M249/339
(1)	996 355 013 44	Brake fluid reservoir	00	1	M476/480
(1)	996 355 013 46	Brake fluid reservoir	-03	1	M476/480
(1)	996 355 013 48	Brake fluid reservoir	04-	1	M476/480
(1)	996 355 013 45	Brake fluid reservoir	00	1	M249/476
(1)	996 355 013 47	Brake fluid reservoir	-03	1	M249/476
(1)	996 355 013 49	Brake fluid reservoir	04-	1	M249/476
2	996 355 119 01	Catch		1	
-	996 355 125 00	Contacts for Brake fluid reservoir 996.355.013.00 996.355.013.20	-03 -03	1	
-	996 355 125 02	Contacts for Brake fluid reservoir 996.355.013.00/01 996.355.013.20/21	04-	1	
-	996 355 125 01	Contacts for Brake fluid reservoir 996.355.013.44 996.355.013.45 996.355.013.46 996.355.013.47 996.355.013.48 996.355.013.49		1	
3	999 073 124 09	Pan-head screw M 8 X 154 X 80		2	
4	996 355 923 00	Brake booster		1	
-	996 355 137 01	Catch Threaded joint Brake booster		1	
5	996 355 910 00	Brake master cylinder		1	M338
(5)	996 355 910 40	Brake master cylinder	99- 00-	1	M339
(5)	996 355 910 50	Brake master cylinder	02-	1	M338/476 C4S

Model: 996 98 Model life 1998>>2005

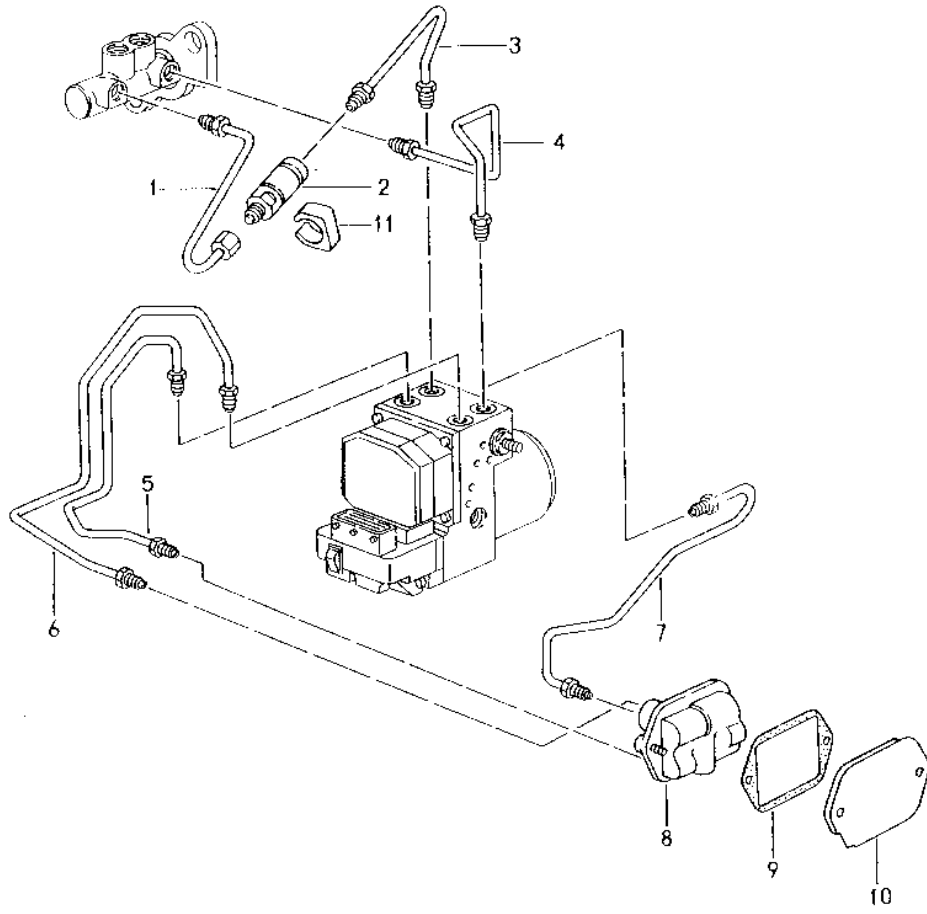
Pos	Part Number	Description	Remark	Qty	Model
6	993 355 922 00	Grommet		2	
7	999 702 182 40	Rubber bush		1	
8	997 355 925 00	Hexagon nut		2	
9	996 355 912 00	Sealing ring		1	
(10)	996 355 577 02	Vacuum line	/LL	1	M338
(10)	996 355 578 04	Vacuum line	/RL	1	M338
(10)	996 355 577 40	Vacuum line	/LL 99-	1	M339
(10)	996 355 578 42	Vacuum line	/RL 99-	1	M339
(10)	996 355 577 42	Vacuum line	/LL 00-	1	M338/476
(10)	996 355 577 43	Vacuum line	/LL 04-	1	M338/476
(10)	996 355 578 05	Vacuum line	/RL 00-	1	M338/476
(10)	996 355 578 06	Vacuum line	/RL 04-	1	M338/476
(10)	996 355 577 42	Vacuum line	/LL -03	1	M339/476
(10)	996 355 577 43	Vacuum line	/LL 04-	1	M339/476
(10)	996 355 578 42	Vacuum line	/RL -03	1	M339/476
(10)	996 355 578 43	Vacuum line	/RL 04-	1	M339/476
11	996 423 251 01	Intermediate piece		1	
12	900 067 240 02	Combination screw M 6 X 12 Z1		2	
13	999 703 448 50	Stopper	/R	1	
14	900 380 005 09	Hexagon nut M 8		2	
15	996 355 221 00	Grommet F >>99YS6 00595 F >>99YS6 40393 See technical information Group 4 NR.11/01		1	
16	996 423 301 00	Gasket		1	
-	996 355 901 01	Gasket		1	
		Brake booster Bulkhead			
17	996 355 975 40	Pre-charge pump	99	1	M339
(17)	996 355 975 41	Pre-charge pump	00-	1	M476
-	999 512 390 00	Hose clamp 60-80/13	00	1	M476
-	999 507 688 40	Cable clamp Wiring harness Pre-charge pump		1	
18	996 355 273 40	Support	99-	1	M339
(18)	996 355 183 40	Support	00-	1	M338
19	996 355 170 40	Support	99-	1	M339
20	996 355 635 40	Adapter	99-	1	M339
21	964 356 635 00	Rubber mounting	99-	3	
-	999 045 004 40	Hexagon nut		3	
22	999 166 080 02	Lock	99-	3	M339
23	900 378 036 09	Hexagon-head bolt M 6 X 12	99-	1	M339
24	900 378 035 01	Hexagon-head bolt M 6 X 16	99-	2	M339
25	996 355 559 00	Bolt		2	
26	996 355 930 00	Bellows F >>99YS6 00595 F >>99YS6 40393 See technical information Group 4 NR.11/01		1	
27	999 512 478 00	Hose clamp F >>99YS6 00595 F >>99YS6 40393 See technical information Group 4 NR.11/01		1	

Model: 996 98 Model life 1998>>2005

Pos	Part Number	Description	Remark	Qty	Model
(27)		Hose clamp F 99YS6 00596>> F 99YS6 40394>>		1	
28	996 423 269 04	Bellows F >>99YS6 00595 F >>99YS6 40393 See technical information Group 4 NR.11/01		1	
(28)	996 423 269 05	Bellows F 99YS6 00596>> F 99YS6 40394>>		1	
29	996 355 927 01	Connecting piece		1	
30	900 380 015 09	Hexagon nut M 6		1	
30	900 380 015 01	Hexagon nut M 6		1	
31	996 355 911 00	Sealing ring F >>99YS6 00595 F >>99YS6 40393 See technical information Group 4 NR.11/01		1	
32	996 355 909 00	Connecting piece F >>99YS6 00595 F >>99YS6 40393 See technical information Group 4 NR.11/01		1	
33	996 355 907 00	Sealing rubber Firewall F >>99YS6 00595 F >>99YS6 40393 See technical information Group 4 NR.11/01		1	
(33)	999 512 672 00	Clamp F >>99YS6 00595 F >>99YS6 40393 See technical information Group 4 NR.11/01		1	
34		Clamp F 99YS6 00596>> F 99YS6 40394>>		1	

Model: 996 98

Model life 1998>>2005



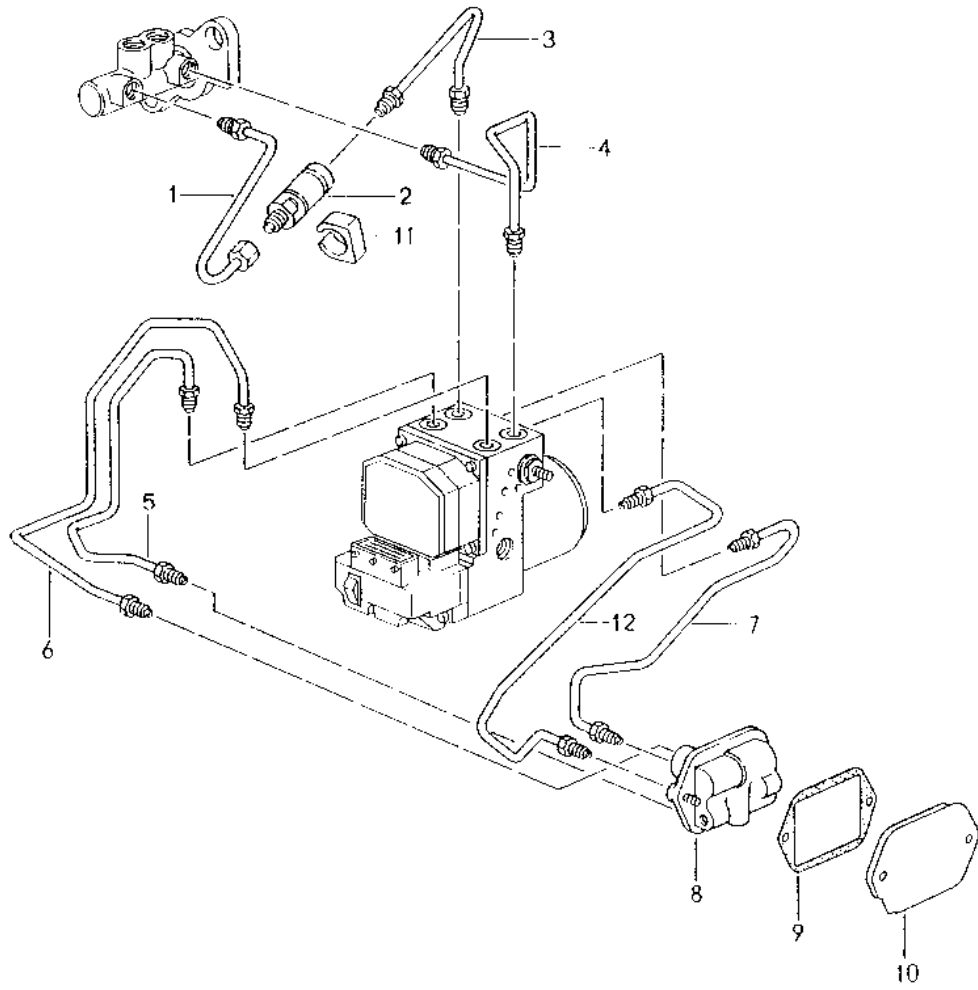
Model: 996 98

Model life 1998>>2005

Pos	Part Number	Description	Remark	Qty	Model
		Brake lines			
		Body front section			
1	996 355 309 01	Brake line	/LL -01	1	
(1)	996 355 308 04	Brake line	/RL -01	1	
2	996 355 305 00	Regulator	-01	1	
3	996 355 311 02	Brake line	/LL -01	1	
(3)	996 355 311 03	Brake line	/LL -01	1	
(3)	996 355 311 42	Pressure line	/LL 02-	1	
(3)	996 355 310 03	Brake line	/RL -01	1	
(3)	996 355 320 42	Pressure line	/RL 02-	1	
4	996 355 313 02	Brake line	/LL -01	1	
(4)	996 355 313 04	Brake line	/LL	1	
(4)	996 355 313 03	Brake line	/LL 02-	1	
(4)	996 355 313 05	Brake line	/LL 02-	1	
(4)	996 355 314 05	Brake line	/RL -01	1	
(4)	996 355 314 04	Brake line	/RL 02-	1	
5	996 355 315 02	Brake line	-01	1	
(5)	996 355 315 43	Brake line	02-	1	
6	996 355 327 03	Brake line	-01	1	
(6)	996 355 327 43	Brake line	02-	1	
7	996 355 326 04	Brake line	-01	1	
(7)	996 355 326 40	Brake line	02-	1	
8	996 355 650 02	Intermediate piece		1	
9	996 355 752 01	Gasket	-01	1	
9		Gasket	02-	1	
10	996 355 753 00	Reinforcement		1	
10	996 355 753 01	Reinforcement		1	
11	999 651 292 40	Support		1	

Model: 996 98

Model life 1998>>2005



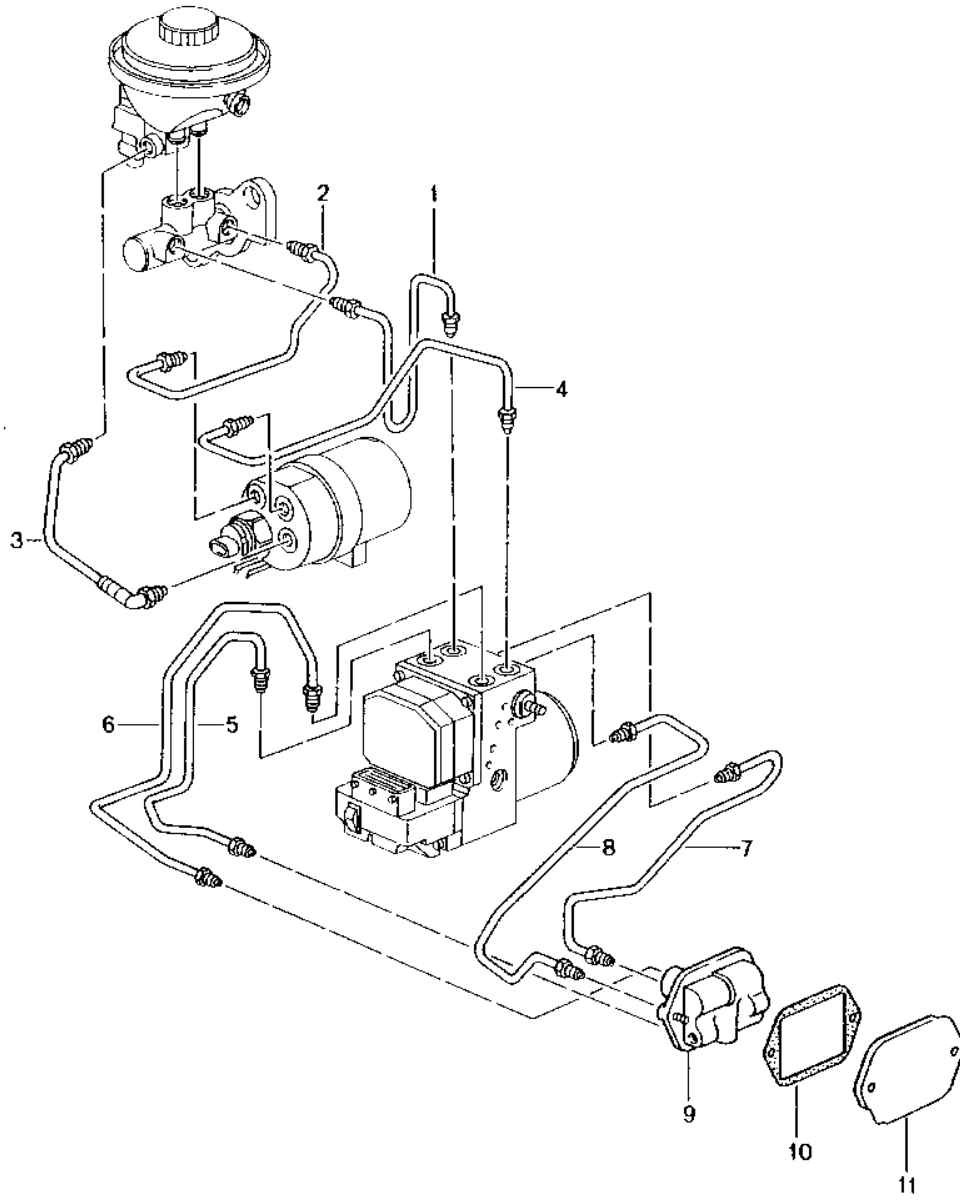
Model: 996 98

Model life 1998>>2005

Pos	Part Number	Description	Remark	Qty	Model
		Brake lines			M222/224
		Body front section	-99		M338
1	996 355 309 01	Brake line	/LL	1	
(1)	996 355 308 04	Brake line	/RL	1	
2	996 355 305 00	Regulator		1	
3	996 355 311 02	Brake line	/LL	1	
(3)	996 355 311 03	Brake line	/LL	1	
(3)	996 355 310 03	Brake line	/RL	1	
4	996 355 313 02	Brake line	/LL	1	
(4)	996 355 313 04	Brake line	/LL	1	
(4)	996 355 314 03	Brake line	/RL	1	
5	996 355 315 02	Brake line		1	
6	996 355 327 03	Brake line		1	
7	996 355 326 04	Brake line		1	
8	996 355 650 27	Intermediate piece		1	
9	996 355 752 00	Gasket	-01	1	
10	996 355 753 00	Reinforcement		1	
10	996 355 753 01	Reinforcement		1	
11	999 651 292 40	Support		1	
12	996 355 316 04	Brake line		1	

Model: 996 98

Model life 1998>>2005

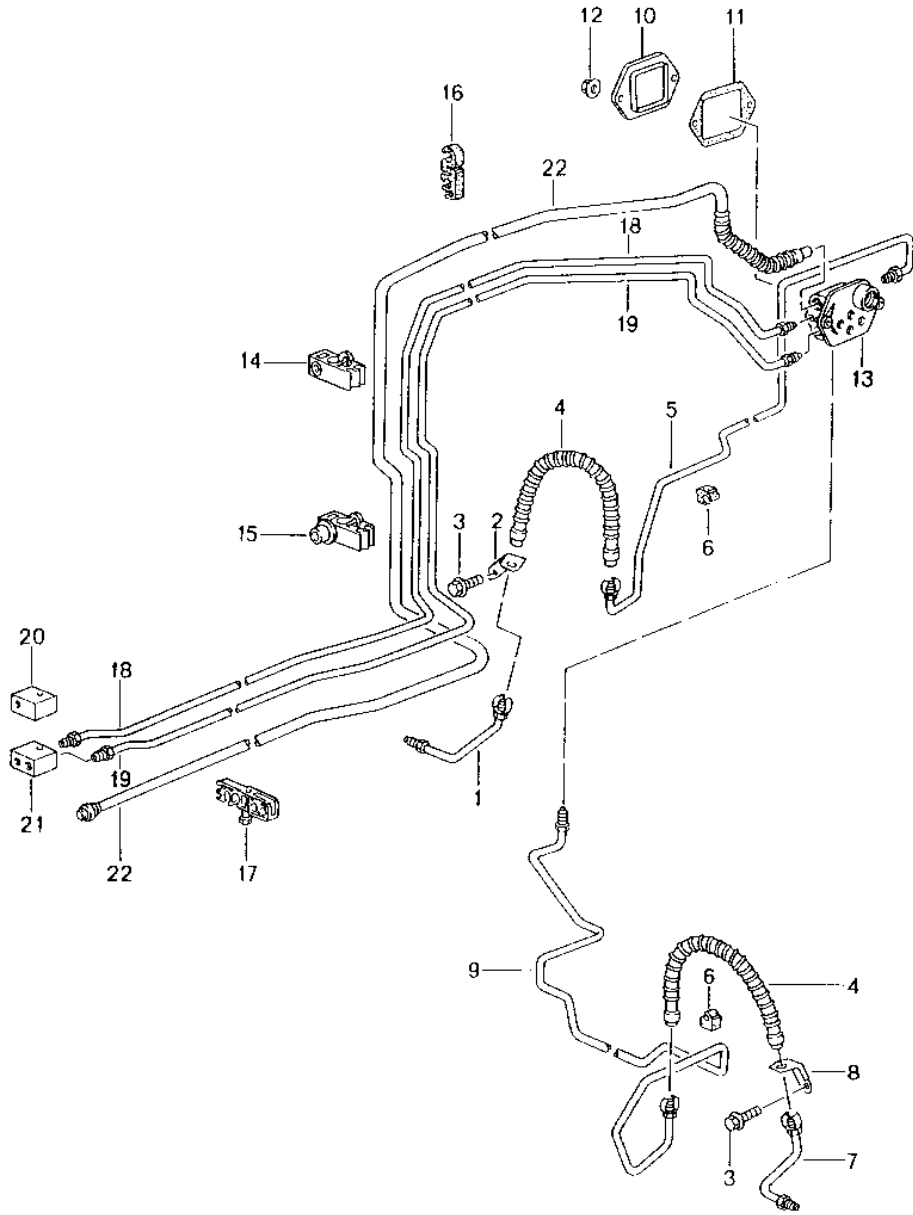


Model: 996 98 Model life 1998>>2005

Pos	Part Number	Description	Remark	Qty	Model
		Brake lines	99-		M339/476
		Body front section	00-		M338/476
1	996 355 311 41	Pressure line	/LL 99	1	
(1)	996 355 311 42	Pressure line	/LL 00-	1	
(1)	996 355 310 42	Pressure line	/RL 99	1	
(1)	996 355 312 42	Pressure line	/RL 00-	1	
2	996 355 307 40	Brake line		1	
3	996 355 323 41	Feed line		1	
4	996 355 331 41	Brake line	/LL 99	1	
(4)	996 355 333 41	Pressure line	/LL 00-	1	
(4)	996 355 333 42	Pressure line	/LL 00-	1	
(4)	996 355 328 41	Pressure line	/RL 99	1	
(4)	996 355 330 42	Pressure line	/RL 00-	1	
5	996 355 315 40	Brake line	99	1	
(5)	996 355 315 42	Brake line	00	1	
(5)	996 355 315 43	Brake line	01-	1	
6	996 355 327 40	Brake line	99	1	
(6)	996 355 327 42	Brake line	00	1	
(6)	996 355 327 43	Brake line	01-	1	
7	996 355 316 04	Brake line	-99	1	
(7)	996 355 316 41	Brake line	00-	1	
8	996 355 326 04	Brake line	99	1	
(8)	996 355 326 40	Brake line	00-	1	
9	996 355 650 27	Intermediate piece		1	
10	996 355 752 00	Gasket	-01	1	
10	996 355 752 01	Gasket	02-	1	
11	996 355 753 00	Reinforcement		1	
11	996 355 753 01	Reinforcement		1	
		Brake lines	00-		M338/476
(1)	996 355 311 42	Pressure line	/LL	1	
(1)	996 355 320 44	Pressure line	/RL	1	
(2)	996 355 353 42	Pressure line	/LL	1	
(2)	996 355 354 41	Pressure line	/RL	1	
(3)	996 355 321 41	Feed line	/LL	1	
(3)	996 355 322 41	Feed line	/RL	1	
(4)	996 355 357 42	Pressure line	-02	1	
(4)	996 355 357 43	Pressure line	03-	1	
(4)	996 355 357 47	Pressure line	03-	1	
(5)	996 355 315 42	Brake line	00	1	
(5)	996 355 315 43	Brake line	01-	1	
(6)	996 355 327 42	Brake line	00	1	
(6)	996 355 327 43	Brake line	01-	1	
(7)	996 355 316 41	Brake line		1	
(8)	996 355 326 40	Brake line		1	

Model: 996 98

Model life 1998>>2005



Model: 996 98 Model life 1998>>2005

Pos	Part Number	Description	Remark	Qty	Model
		Brake lines			
		Front axle			
		Underbody			
		Vacuum line			
1	996 355 581 06	Brake line	/L	1	
(1)	996 355 587 02	Brake line	/L 99-	1	M339
(1)	997 355 587 01	Brake line	/L 03-	1	C4S M450
2	996 355 501 06	Brake hose bracket	/L	1	
(2)	996 355 507 04	Brake hose bracket	/L 99-	1	M339
(2)	996 355 507 05	Brake hose bracket	/L 02-	1	C4S
3	900 067 117 09	Pan-head screw		2	
		M 6 X 16			
4	996 355 139 01	Brake hose		2	
(5)	996 355 175 07	Brake line	/L	1	
		F >>99WS6 06999			
		F >>99WS6 40804			
(5)	996 355 175 08	Brake line	/L	1	
		F 99WS6 07000>>			
		F 99WS6 40805>>			
(5)	996 355 175 27	Brake line	/L 99-	1	M339
(5)	996 355 175 28	Brake line	/L 02-	1	M339
6	999 591 930 40	Support		X	
7	996 355 584 06	Brake line	/R	1	
(7)	996 355 588 02	Brake line	/R 99-	1	M339
(7)	997 355 588 01	Brake line	/R 03-	1	C4S M450
8	996 355 502 06	Brake hose bracket	/R	1	
(8)	996 355 508 04	Brake hose bracket	/R 99-	1	M339
(8)	996 355 508 05	Brake hose bracket	/R 02-	1	C4S
9	996 355 176 06	Brake line		1	
		F >>99WS6 06999			
		F >>99WS6 40804			
(9)	996 355 176 07	Brake line		1	
		F 99WS6 07000>>			
		F 99WS6 40805>>			
(9)	996 355 176 10	Brake line		1	
		F 99WS6 07000>>			
		F 99WS6 40805>>			
(9)	996 355 176 29	Brake line	99-	1	M339
9	996 355 176 32	Brake line	02-	1	M339
10	996 355 753 00	Reinforcement		1	
10	996 355 753 01	Reinforcement		1	
11	996 355 752 01	Gasket	-01	1	
(11)		Gasket	02-	1	
12	900 380 015 09	Hexagon nut		3	
		M 6			
12	900 380 015 01	Hexagon nut		3	
		M 6			
13	996 355 650 27	Intermediate piece		1	M222/224
			99-	1	M339
(13)	996 355 650 02	Intermediate piece		1	
14	996 355 545 00	Support		3	
15	996 355 549 00	Support		1	
16	996 355 547 01	Support		2	
17	996 355 543 00	Support		1	
18	996 355 177 06	Brake line	-01	1	
(18)	996 355 177 07	Brake line	02	1	
18	996 355 177 08	Brake line	03-	1	
19	996 355 179 06	Brake line	-01	1	
(19)	996 355 179 07	Brake line	02	1	
19	996 355 179 08	Brake line	03-	1	
(19)	996 355 179 11	Brake line	03-	1	

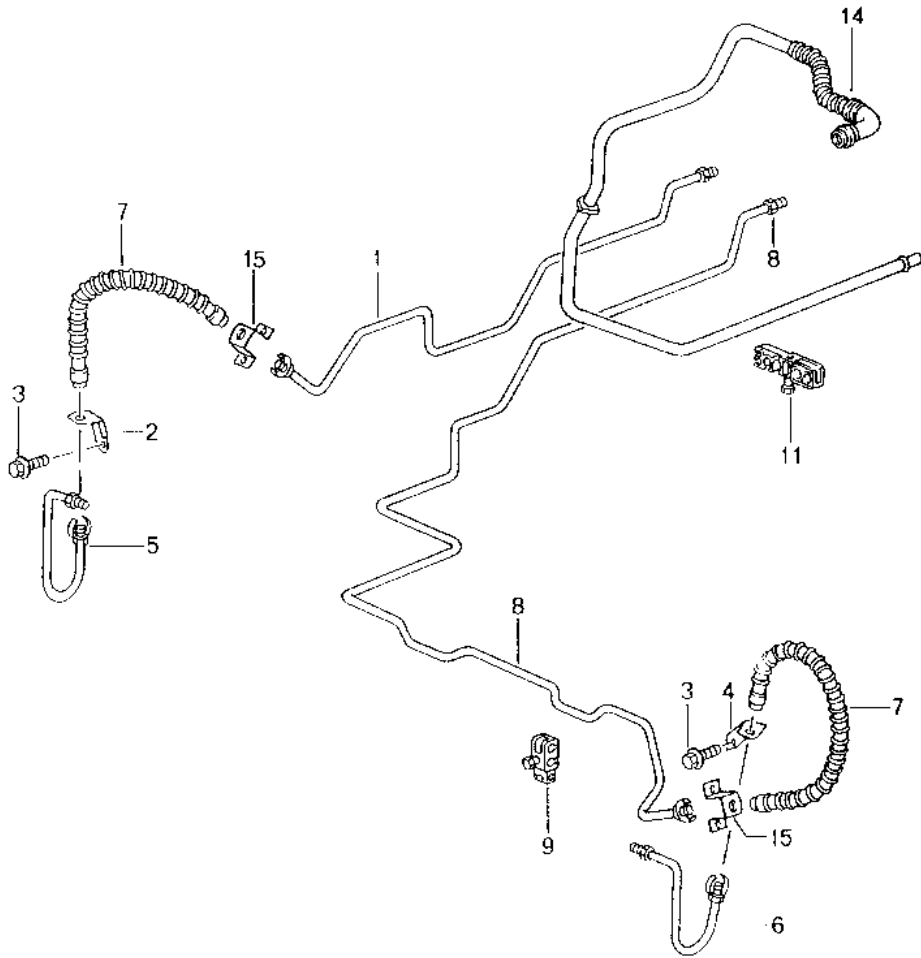
Model: 996 98

Model life 1998>>2005

Pos	Part Number	Description	Remark	Qty	Model
20	996 355 660 04	Connecting piece Triple		1	
(20)	996 355 660 06	Connecting piece Triple		1	
(21)	996 355 760 31	Connecting piece Fourfold		1	
22	996 355 571 05	Vacuum line	-01	1	
(22)	996 355 571 07	Vacuum line	02-	1	
-	999 230 535 40	Lock		1	
		Connecting piece			
		Vacuum line			

Model: 996 98

Model life 1998>>2005



Model: 996 98 Model life 1998>>2005

Pos	Part Number	Description	Remark	Qty	Model
		Brake line			
		Underbody			
		Rear axle			
		Vacuum line			
1	996 355 189 05	Brake line	/L 98	1	
(1)	996 355 189 06	Brake line	/L -02	1	
(1)	996 355 189 07	Brake line	/L 03-	1	
		F >>994S6 30356			
		F >>994S6 03928			
		F >>994S6 42725			
(1)	997 355 189 00	Brake line	/L	1	
		F 994S6 30357>>			
		F 994S6 03929>>			
		F 994S6 42726>>			
2	996 355 503 00	Brake hose bracket	/L	1	
(2)	996 355 503 10	Support	/L 03-	1	C4S M450
3	900 067 117 09	Pan-head screw		2	
		M 6 X 16			
4	996 355 504 00	Brake hose bracket	/R	1	
(4)	996 355 504 10	Support	/R 03-	1	C4S M450
5	996 355 585 00	Brake line	/L	1	
(5)	996 355 585 10	Brake line	/L 03-	1	C4S M450
6	996 355 586 00	Brake line	/R	1	
(6)	996 355 586 10	Brake line	/R 03-	1	C4S M450
7	996 355 139 01	Brake hose		2	
8	996 355 190 06	Brake line	/R	1	
		F >>99XS6 06898			
		F >>99XS6 44623			
(8)	996 355 190 07	Brake line	/R -01	1	
		F 99XS6 06899>>			
		F 99XS6 44624>>			
(8)	996 355 190 52	Brake line	/R 02	1	
(8)	996 355 190 53	Brake line	/R 03-	1	
		F >>994S6 30356			
		F >>994S6 03928			
		F >>994S6 42725			
(8)	997 355 190 02	Brake line	/R	1	
		F 994S6 30357>>			
		F 994S6 03929>>			
		F 994S6 42726>>			
9	996 347 543 00	Cable holder		3	
11	996 355 543 00	Support		1	
14	996 355 575 03	Vacuum line		1	
		F >>99XS6 06898			
		F >>99XS6 44623			
(14)	996 355 575 04	Vacuum line	-01	1	
		F 99XS6 06899>>			
		F 99XS6 44624>>			
(14)	996 355 575 05	Vacuum line	02-	1	
(14)	996 355 575 06	Vacuum line	02-	1	
		F >>994S6 30356			
		F >>994S6 03928			
		F >>994S6 42725			
(14)	996 355 575 07	Vacuum line		1	
		F 994S6 30357>>			
		F 994S6 03929>>			
		F 994S6 42726>>			
-	999 507 495 40	Support		1	
15	996 501 815 00	Support		2	

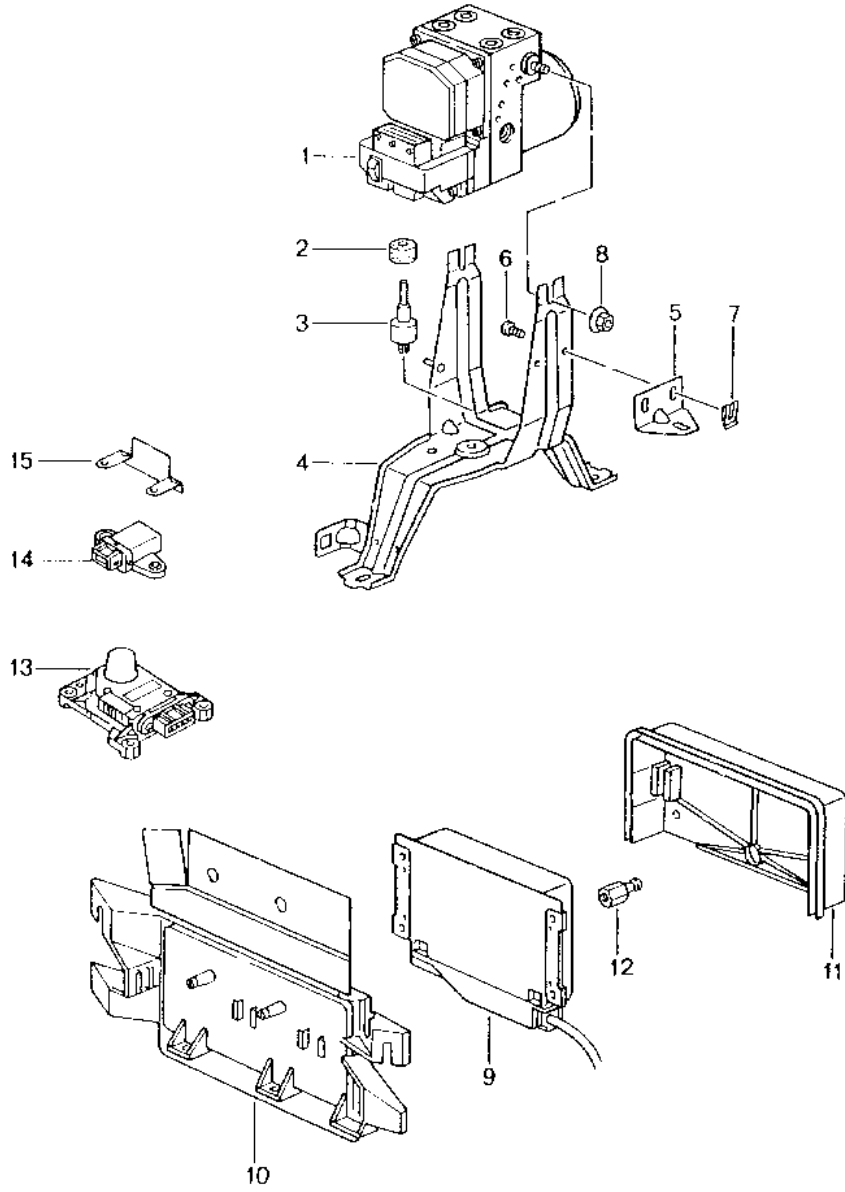
Model: 996 98

Model life 1998>>2005

Pos	Part Number	Description	Remark	Qty	Model
(15)	996 501 815 00 GRV 996 501 815 02 996 501 815 02 GRV	Prime coated F >>99WS6 06999 F >>99WS6 40804 Support Prime coated F 99WS6 07000>> F 99WS6 40805>>		2	

Model: 996 98

Model life 1998>>2005



Model: 996 98 Model life 1998>>2005

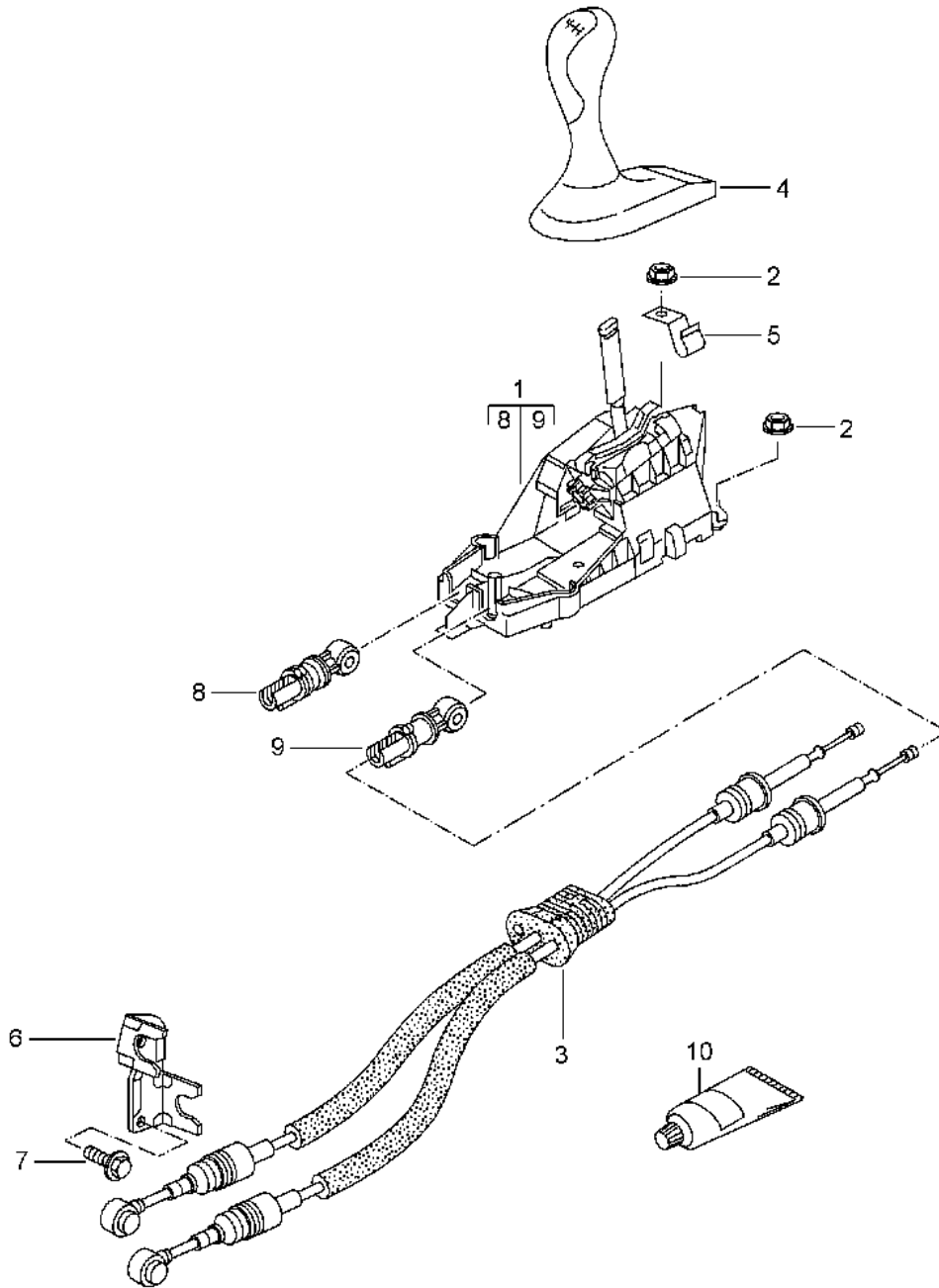
Pos	Part Number	Description	Remark	Qty	Model
		Hydraulic unit Anti-lock brake system Control			
1	996 355 955 03	Hydraulic unit		1	M338
(1)	996 355 955 04	Hydraulic unit	-01	1	M338
(1)	996 355 955 DX	Hydraulic unit		1	M338
(1)	996 355 955 05	Hydraulic unit	02	1	M338
(1)	996 355 955 06	Hydraulic unit	03-	1	M338
(1)	996 355 955 FX	Hydraulic unit	03-	1	M338
(1)	996 355 955 28	Hydraulic unit		1	M222/224
(1)	996 355 955 29	Hydraulic unit	-01	1	M222/224
(1)	996 355 955 31	Hydraulic unit	02-	1	M222/224
(1)	996 355 955 GX	Hydraulic unit	02-	1	M222/224
(1)	996 355 955 40	Hydraulic unit	99	1	M339/476
(1)	996 355 955 60	Hydraulic unit	99	1	M339/476
(1)	996 355 955 X	Hydraulic unit	99-	1	M339/476
(1)	996 355 955 46	Hydraulic unit	00	1	M338/476
		5.7 See technical manual Group 0 Diagnostic NR.45-5			
(1)	996 355 955 52	Hydraulic unit	01-	1	M338/476
(1)	996 355 955 54	Hydraulic unit	02-	1	M338/476
(1)	996 355 955 62	Hydraulic unit	02-	1	M338/476
(1)	996 355 955 BX	Hydraulic unit	02-	1	M338/476
(1)	996 355 955 47	Hydraulic unit	00	1	M339/476
		5.7 See technical manual Group 0 NR.45-5			
(1)	996 355 955 53	Hydraulic unit	01-	1	M339/476
(1)	996 355 955 55	Hydraulic unit	02-	1	M339/476
(1)	996 355 955 61	Hydraulic unit	02-	1	M339/476
(1)	996 355 955 AX	Hydraulic unit	02-	1	M339/476
(1)	996 355 955 63	Hydraulic unit	02-	1	C4S
(1)	996 355 955 CX	Hydraulic unit	02-	1	C4S
2	996 355 945 00	Damping piece		3	
3	996 355 541 00	Spacer		1	
4	996 355 133 03	Support	-99	1	
(4)	996 355 133 04	Support		1	
		Use also: 996.551.771.00			
(4)	996 355 033 41	Support	00-	1	M476
		with	02-	1	
-	964 356 635 00	Rubber mounting	00-	2	M338/476
		Rubber mounting	02-	3	M339/476
			02-	3	
-	999 703 379 40	Stopper	00-	2	M476
-	999 084 629 09	Hexagon nut		3	
		M 6			

Model: 996 98 Model life 1998>>2005

Pos	Part Number	Description	Remark	Qty	Model
-	999 084 629 01	Hexagon nut M 6		3	
-	999 045 004 40	Hexagon nut M 6		3	
5	996 355 535 02	Support		1	
6	996 355 559 00	Bolt		2	
7	999 166 080 02	Lock		2	
8	900 377 003 02	Hexagon nut VM 8		2	
9	996 618 140 00	Control unit	99	1	M339/476
10	996 606 301 00	Support	99	1	M339/476
11	996 618 038 00	Cover	99	1	M339/476
12	999 167 047 02	Ball pin	99	4	M339/476
13	996 606 110 01	Sensor	99	1	M339/476
14	996 606 108 00	Sensor	99	1	M339/476
15	996 606 208 00	Heat shield	99	1	M339/476
(14)	996 606 117 00	Sensor See technical manual Group 0 Diagnostic NR.45-5	00	1	M476
(14)	996 606 145 00	Sensor	01-	1	M476

Model: 996 98

Model life 1998>>2005



Model: 996 98 Model life 1998>>2005

Pos	Part Number	Description	Remark	Qty	Model
		Transmission control Manual transmission			
1	996 424 010 04	Gearshift bracket	-02	1	
(1)	996 424 010 05	Gearshift bracket	03-	1	
(1)	996 424 983 00	Gearshift bracket	04	1	IXCZ
(1)	997 424 983 00	Gearshift bracket	05-	1	IXCZ
2	999 084 629 09	Hexagon nut M 6		4	
2	999 084 629 01	Hexagon nut M 6		4	
3	996 424 041 08	Cable		1	
(3)	996 424 041 09	Cable F >>99WS6 05722 F >>99WS6 05672		1	
-	996 424 241 00	Clip Mount Cable		2	
(3)	996 424 041 10	Transmission control F >>99WS6 05722 F >>99WS6 05672 Cable	-00	1	
(3)	996 424 041 11	Transmission control F 99WS6 05723>> F 99WS6 05673>> F 99XS6 40074>> Cable	01	1	
(3)	996 424 041 12	Transmission control Cable	02	1	
(3)	996 424 041 13	Transmission control Cable	03	1	
(3)	996 424 041 14	Transmission control Cable	04-	1	
-	986 424 411 00	Transmission control Retainer spring Mount Cable for Support		2	
4	996 424 075 01	Gearshift knob		1	
	996 424 075 01 EKQ	Black			
	996 424 075 01 EKU	Space grey			
	996 424 075 01 EKR	Graphite grey			
	996 424 075 01 EKT	Metropole blue			
	996 424 075 01 EKV	Nephrite green			
	996 424 075 01 EKW	Boxster red			
	996 424 075 01 EKS	Savanna			
(4)	996 424 075 02	Gearshift knob	-99	1	
	996 424 075 02 ENH	Black/Silver			
	996 424 075 02 ENJ	Graphite grey/silver			
	996 424 075 02 ENL	Metropole blue/silver			
	996 424 075 02 ENM	Space grey/silver			
	996 424 075 02 ENK	Savanna/Silver			
	996 424 075 02 ENN	Nephrite green/silver			
	996 424 075 02 ENO	Boxster red/silver			
(4)	996 424 075 05	Gearshift knob	00-02	1	
	996 424 075 05 ENJ	Graphite grey/silver			
	996 424 075 05 ENK	Savanna/Silver			
	996 424 075 05 ENL	Metropole blue/silver			
	996 424 075 05 ENM	Space grey/silver			
	996 424 075 05 EVZ	Black/Silver			
	996 424 075 05 ENN	Nephrite green/silver			
	996 424 075 05 ENO	Boxster red/silver			
	996 424 075 05 VRE	Dark grey/natural			

Model: 996 98 Model life 1998>>2005

Pos	Part Number	Description	Remark	Qty	Model
	996 424 075 05 VRF	Silver Brown/natural			
	996 424 075 05 FEN	Silver Cinnamon brown	01-02		
(4)	996 424 075 05	Silver Gearshift knob	03-	1	
	996 424 075 05 FGT	Black Sport silver			
	996 424 075 05 FGU	Graphite grey Sport silver			
	996 424 075 05 FGV	Savanna Sport silver			
	996 424 075 05 FGW	Metropole blue Sport silver			
	996 424 075 05 FGX	Nephrite green Sport silver	03		
	996 424 075 05 FGY	Boxster red Sport silver			
	996 424 075 05 FGZ	Cinnamon brown Sport silver			
	996 424 075 05 VSW	Dark grey/natural Sport silver			
	996 424 075 05 VSX	Brown/natural Sport silver			
(4)	996 424 075 20	Gearshift knob	04	1	M095
	996 424 075 20 VTA	Dark grey/natural			
(4)	996 424 981 15	Gearshift knob		1	IX97
	996 424 981 15 VRJ	Black			
	996 424 981 15 C50	Graphite grey			
	996 424 981 15 S30	Savanna			
	996 424 981 15 G10	Metropole blue			
	996 424 981 15 J30	Nephrite green			
	996 424 981 15 M30	Boxster red			
	996 424 981 15 P11	Cinnamon brown			
	996 424 981 15 D11	Dark grey/natural			
	996 424 981 15 T11	Brown/natural			
(4)	996 424 981 16	Gearshift knob		1	IX72
	996 424 981 16 VRJ	Black			
	996 424 981 16 C50	Graphite grey			
	996 424 981 16 S30	Savanna			
	996 424 981 16 G10	Metropole blue			
	996 424 981 16 J30	Nephrite green			
	996 424 981 16 M30	Boxster red			
	996 424 981 16 P11	Cinnamon brown			
	996 424 981 16 D11	Dark grey/natural			
	996 424 981 16 T11	Brown/natural			
(4)	996 424 981 17	Gearshift knob		1	IXE8
	996 424 981 17 VRJ	Black			
	996 424 981 17 C50	Graphite grey			
	996 424 981 17 S30	Savanna			
	996 424 981 17 G10	Metropole blue			
	996 424 981 17 J30	Nephrite green			
	996 424 981 17 M30	Boxster red			
	996 424 981 17 P11	Cinnamon brown			
	996 424 981 17 D11	Dark grey/natural			
	996 424 981 17 T11	Brown/natural			
(4)	996 424 981 18	Gearshift knob		1	IX47
	996 424 981 18 VRJ	Black			
	996 424 981 18 C50	Graphite grey			

Model: 996 98 Model life 1998>>2005

Pos	Part Number	Description	Remark	Qty	Model
	996 424 981 18 S30	Savanna			
	996 424 981 18 G10	Metropole blue			
	996 424 981 18 J30	Nephrite green			
	996 424 981 18 M30	Boxster red			
	996 424 981 18 P11	Cinnamon brown			
	996 424 981 18 D11	Dark grey/natural			
	996 424 981 18 T11	Brown/natural			
(4)	996 424 981 22	Gearshift knob	03-	1	IX97
	996 424 981 22 VRJ	Black			
	996 424 981 22 C50	Graphite grey			
	996 424 981 22 S30	Savanna			
	996 424 981 22 G10	Metropole blue			
	996 424 981 22 J30	Nephrite green	03		
	996 424 981 22 M30	Boxster red			
	996 424 981 22 P11	Cinnamon brown			
	996 424 981 22 D11	Dark grey/natural			
	996 424 981 22 T11	Brown/natural			
(4)	996 424 981 25	Gearshift knob	03-	1	IX72
	996 424 981 25 VRJ	Black			
	996 424 981 25 C50	Graphite grey			
	996 424 981 25 S30	Savanna			
	996 424 981 25 G10	Metropole blue			
	996 424 981 25 J30	Nephrite green	03		
	996 424 981 25 M30	Boxster red			
	996 424 981 25 P11	Cinnamon brown			
	996 424 981 25 D11	Dark grey/natural			
	996 424 981 25 T11	Brown/natural			
(4)	996 424 981 28	Gearshift knob	03-	1	IXE8
	996 424 981 28 VRJ	Black			
	996 424 981 28 C50	Graphite grey			
	996 424 981 28 S30	Savanna			
	996 424 981 28 G10	Metropole blue			
	996 424 981 28 J30	Nephrite green	03		
	996 424 981 28 M30	Boxster red			
	996 424 981 28 P11	Cinnamon brown			
	996 424 981 28 D11	Dark grey/natural			
	996 424 981 28 T11	Brown/natural			
(4)	996 424 981 31	Gearshift knob	03-	1	IX47
	996 424 981 31 VRJ	Black			
	996 424 981 31 C50	Graphite grey			
	996 424 981 31 S30	Savanna			
	996 424 981 31 G10	Metropole blue			
	996 424 981 31 J30	Nephrite green	03		
	996 424 981 31 M30	Boxster red			
	996 424 981 31 P11	Cinnamon brown			
	996 424 981 31 D11	Dark grey/natural			
	996 424 981 31 T11	Brown/natural			
6	996 424 165 02	Bearing bracket		1	
7	999 073 209 09	Pan-head screw M 10 X 20		2	
-	996 424 445 00	Clip for		X	
8	996 424 145 00	Fastening part Fastening part for Cable Adjustable	-99	1	
(8)	996 424 145 01	Fastening part for Cable Adjustable	00-	1	
9	996 424 147 00	Fastening part for		1	

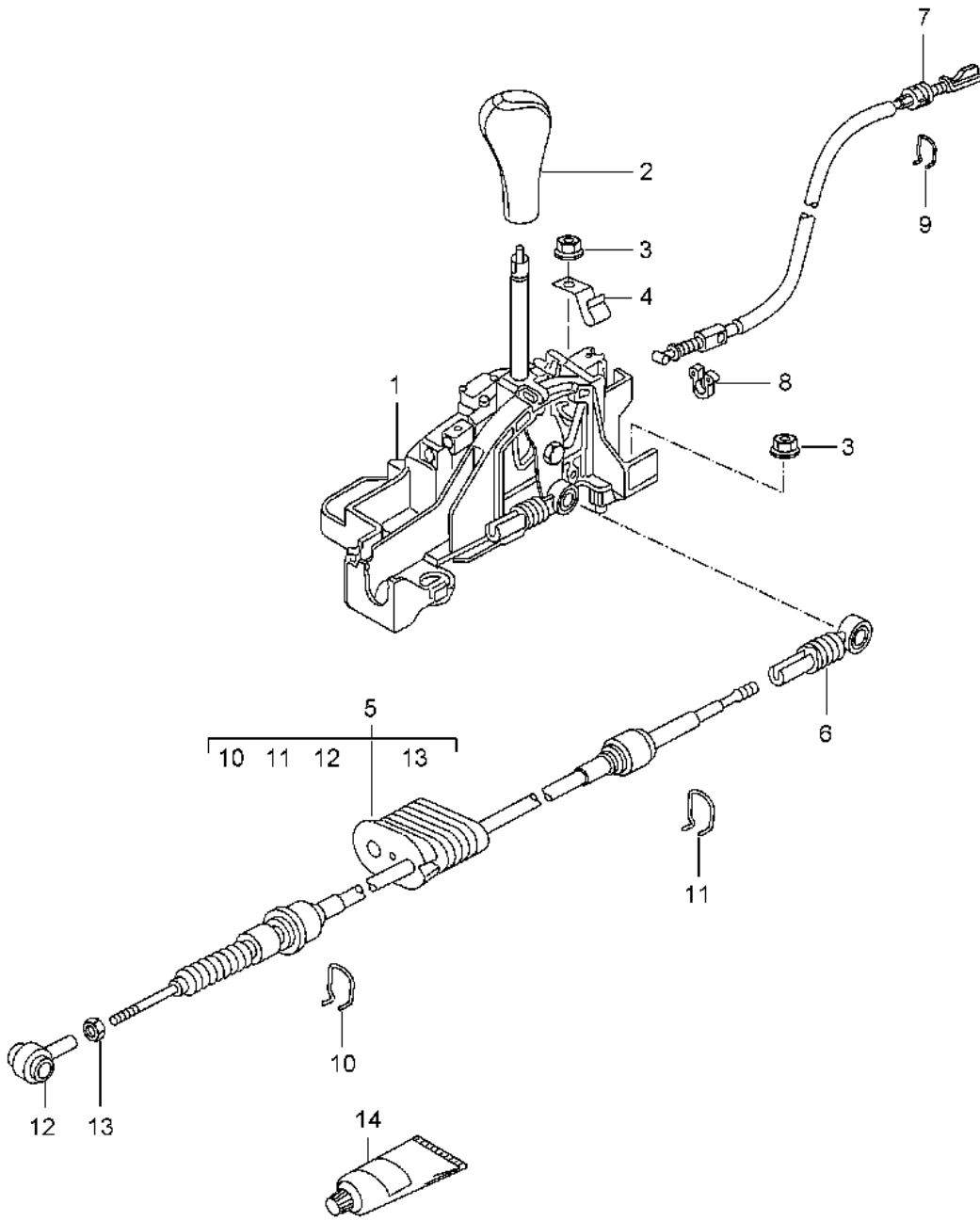
Model: 996 98

Model life 1998>>2005

Pos	Part Number	Description	Remark	Qty	Model
10	000 043 205 93	Cable Adjustable Grease 1 100-gramme tube		x	

Model: 996 98

Model life 1998>>2005



Model: 996 98 Model life 1998>>2005

Pos	Part Number	Description	Remark	Qty	Model
1	996 426 011 07	Selector lever Tiptronic	-99	1	
(1)	996 426 011 08	Selector lever with Housing	00	1	
(1)	996 426 011 09	Selector lever with Housing	01	1	
(1)	996 426 011 51	Selector lever with Housing	02-	1	
(1)	996 426 011 52	Selector lever with Housing	02-	1	
-	996 613 212 10	Switch		1	
-	996 624 223 00	Solenoid		1	
2	996 426 069 07	Gearshift knob	-99	1	
	996 426 069 07 ENU	Black/Silver			
	996 426 069 07 ENY	Space grey/silver			
	996 426 069 07 ENV	Graphite grey/silver			
	996 426 069 07 ENX	Metropole blue/silver			
	996 426 069 07 ENZ	Nephrite green/silver			
	996 426 069 07 EOA	Boxster red/silver			
	996 426 069 07 ENW	Savanna/Silver			
(2)	996 426 069 09	Gearshift knob	00-	1	
	996 426 069 09 EOO	Silver-black	00		
	996 426 069 09 ERB	Black/Silver	01		
	996 426 069 09 EOP	Graphite grey/silver			
	996 426 069 09 EOQ	Savanna/Silver			
	996 426 069 09 EOR	Metropole blue/silver			
	996 426 069 09 EOS	Space grey/silver			
	996 426 069 09 EOT	Nephrite green/silver			
	996 426 069 09 EPC	Boxster red/silver			
	996 426 069 09 VRG	Dark grey/natural			
	996 426 069 09 VRH	Brown/natural			
	996 426 069 09 FEO	Cinnamon brown	01		
(2)	996 426 069 10	Gearshift knob	02	1	
	996 426 069 10 EOO	Silver-black			
	996 426 069 10 ERB	Black/Silver			
	996 426 069 10 EOP	Graphite grey/silver			
	996 426 069 10 EOQ	Savanna/Silver			
	996 426 069 10 EOR	Metropole blue/silver			
	996 426 069 10 EOS	Space grey/silver			
	996 426 069 10 EOT	Nephrite green/silver			
	996 426 069 10 EPC	Boxster red/silver			
	996 426 069 10 VRG	Dark grey/natural			
	996 426 069 10 VRH	Brown/natural			
	996 426 069 10 FEO	Cinnamon brown			
(2)	996 426 069 10	Gearshift knob	03-	1	
	996 426 069 10 FGJ	Black			
	996 426 069 10 FGK	Sport silver			
	996 426 069 10 FGL	Graphite grey			
	996 426 069 10 FGM	Sport silver			
	996 426 069 10 FGN	Savanna			
	996 426 069 10 FGM	Sport silver			
	996 426 069 10 FGM	Metropole blue			
	996 426 069 10 FGM	Sport silver			
	996 426 069 10 FGN	Nephrite green	03		

Model: 996 98 Model life 1998>>2005

Pos	Part Number	Description	Remark	Qty	Model
	996 426 069 10 FGO	Sport silver	03		
	996 426 069 10 FGP	Boxster red			
	996 426 069 10 VSU	Sport silver			
	996 426 069 10 VSV	Cinnamon brown			
(2)	996 426 981 06	Sport silver		1	IX46
	996 426 981 06 VRJ	Dark grey/natural			
	996 426 981 06 C50	Sport silver			
	996 426 981 06 S30	Brown/natural			
	996 426 981 06 G10	Sport silver			
	996 426 981 06 J30	Gearshift knob			
	996 426 981 06 M30	Black			
	996 426 981 06 P11	Graphite grey			
	996 426 981 06 D11	Savanna			
	996 426 981 06 T11	Metropole blue			
(2)	996 426 981 11	Nephrite green	03-	1	IX46
	996 426 981 11 VRJ	Boxster red			
	996 426 981 11 C50	Cinnamon brown			
	996 426 981 11 S30	Dark grey/natural			
	996 426 981 11 G10	Brown/natural			
	996 426 981 11 J30	Gearshift knob	03		
	996 426 981 11 M30	Black			
	996 426 981 11 P11	Graphite grey			
	996 426 981 11 D11	Savanna			
	996 426 981 11 T11	Metropole blue			
(2)	996 426 981 07	Nephrite green	01-02	1	IX65
(2)	996 426 981 08	Boxster red	01-02	1	IX66
(2)	996 426 981 09	Cinnamon brown	01-02	1	IX48
(2)	996 426 981 12	Dark grey/natural	03-	1	IX65
(2)	996 426 981 13	Brown/natural	03-	1	IX66
(2)	996 426 981 14	Gearshift knob	03-	1	IX48
-	996 426 275 02	Key	-99	1	
	996 426 275 02 V01	Silver			
-	996 426 277 00	Compression spring	-99	1	
-	996 426 277 01	Compression spring	00-	1	
-	996 426 285 00	Fixing clip		1	
-	321 713 137	Roller	-99	1	
-	000 043 204 49	Repair kit	-01	1	
		Comprising:			
		Key			
		996.426.275.02 V01			
		Compression spring			
		996.426.277.02			
		Roller			
		321.713.137			
-	000 043 204 57	Repair kit	-01	1	
		Comprising:			
		Key			
		996.426.275.05 V01			
		Compression spring			
		996.426.277.02			
		Roller			
		321.713.137			
-	000 043 204 50	Repair kit	01	1	IX46/X48
		Comprising:			
		Key			
		996.426.275.02 V01			
		Compression spring			
		996.426.277.02			
		Roller			
		321.713.137			
		Repair kit	01	1	IX65/X66
		Comprising:			
		Key			
		996.426.275.05 V01			
		Compression spring			
		996.426.277.02			
		Roller			
		321.713.137			
		Repair kit	01	1	IX46/X48
		Comprising:			
		Key			
		996.426.275.02 V01			
		Compression spring			
		996.426.277.02			
		Roller			
		321.713.137			
		Repair kit	01	1	IX65/X66
		Comprising:			
		Key			
		996.426.275.05 V01			
		Compression spring			
		996.426.277.02			
		Roller			
		321.713.137			

Model: 996 98 Model life 1998>>2005

Pos	Part Number	Description	Remark	Qty	Model
-	000 043 204 57	Key Compression spring 996.426.277.02 Roller 321.713.137 Repair kit Comprising: Key 996.426.275.05 V01 Compression spring 996.426.277.02 Roller 321.713.137	02	1	
-	000 043 204 69	Repair kit Comprising: Key 996.426.275.05 V03 Compression spring 996.426.277.02 Roller 321.713.137	03-	1	
3	999 084 629 09	Hexagon nut M 6		4	
3	999 084 629 01	Hexagon nut M 6		4	
4	999 507 465 02	Cable holder		1	
5	996 426 033 03	Cable F >>99WS6 06582 F >>99WS6 40624		1	
(5)	996 426 033 07	Cable F 99WS6 06583>> F 99WS6 40625>> F >>991S6 00606 F >>991S6 40456 F >>991S6 00987 F >>991S6 40767	-01	1	
(5)	996 426 033 08	Cable	01	1	
(5)	996 426 033 09	Cable F 991S6 00607>> F 991S6 40457>> F 991S6 00988>> F 991S6 40768>>		1	
(5)	996 426 033 50	Cable	02	1	
(5)	996 426 033 51	Cable	03	1	
(5)	996 426 033 52	Cable	04-	1	
6	996 426 035 00	Fastening part for Cable Adjustable		1	
7	996 426 073 03	Cable		1	
8	996 426 181 00	Clip		1	
9	996 426 711 00	Securing clip		1	
10	996 426 335 00	Securing clip		1	
11	996 426 335 01	Securing clip		1	
12	996 426 380 00	Connecting piece F >>991S6 00606 F >>991S6 40456 F >>991S6 00987 F >>991S6 40767		1	
(12)	996 426 380 50	Connecting piece F 991S6 00607>> F 991S6 40457>> F 991S6 00988>>		1	

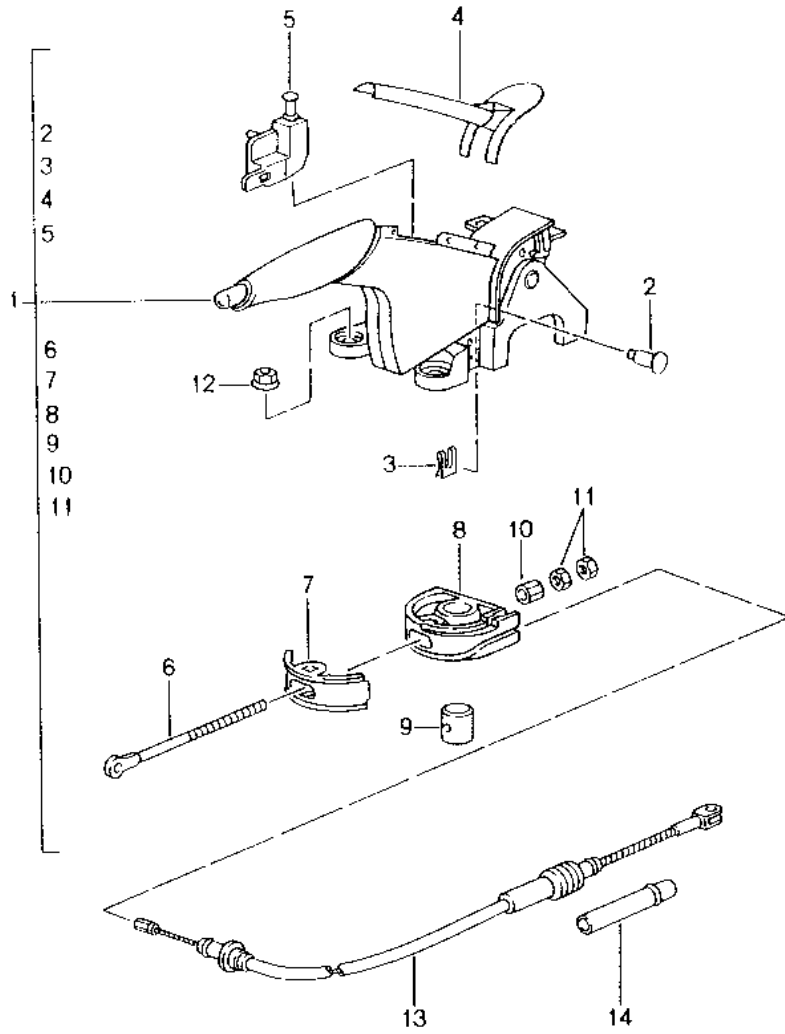
Model: 996 98

Model life 1998>>2005

Pos	Part Number	Description	Remark	Qty	Model
13	900 076 010 02	F 991S6 40768>> Nut M 6		1	
14	000 043 205 93	Grease 1 100-gramme tube		X	

Model: 996 98

Model life 1998>>2005



Model: 996 98 Model life 1998>>2005

Pos	Part Number	Description	Remark	Qty	Model
1	996 424 031 03	Handbrake Actuator Parking-brake lever Complete	98	1	
	996 424 031 03 EKH	Black/granite			
	996 424 031 03 EKM	Space grey/granite			
	996 424 031 03 EKJ	Graphite grey/granite			
	996 424 031 03 EKL	Metropole blue/granite			
	996 424 031 03 EKN	Nephrite green/granite			
	996 424 031 03 EKO	Boxster red/granite			
	996 424 031 03 EKK	Savanna/granite			
(1)	996 424 031 04	Parking-brake lever Complete	99	1	
	996 424 031 04 EKH	Black/granite			
	996 424 031 04 EKM	Space grey/granite			
	996 424 031 04 EKJ	Graphite grey/granite			
	996 424 031 04 EKL	Metropole blue/granite			
	996 424 031 04 EKN	Nephrite green/granite			
	996 424 031 04 EKO	Boxster red/granite			
	996 424 031 04 EKK	Savanna/granite			
(1)	996 424 031 05	Parking-brake lever Complete	00	1	
	996 424 031 05 EUK	Black			
	996 424 031 05 EUO	Space grey			
	996 424 031 05 EUL	Graphite grey			
	996 424 031 05 EUN	Metropole blue			
	996 424 031 05 EUP	Nephrite green			
	996 424 031 05 EUQ	Boxster red			
	996 424 031 05 EUM	Savanna			
	996 424 031 05 VRC	Dark grey/natural			
	996 424 031 05 VRD	Brown/natural			
(1)	996 424 031 06	Parking-brake lever Complete	01-02	1	
	996 424 031 06 EUK	Black			
	996 424 031 06 EUO	Space grey			
	996 424 031 06 EUL	Graphite grey			
	996 424 031 06 EUN	Metropole blue			
	996 424 031 06 EUP	Nephrite green			
	996 424 031 06 EUQ	Boxster red			
	996 424 031 06 EUM	Savanna			
	996 424 031 06 VRC	Dark grey/natural			
	996 424 031 06 VRD	Brown/natural			
	996 424 031 06 FEM	Cinnamon brown			
(1)	996 424 031 07	Parking-brake lever Complete	03-	1	
	996 424 031 07 FFR	Black			
	996 424 031 07 FFS	Sport silver			
	996 424 031 07 FFS	Graphite grey			
	996 424 031 07 FFS	Sport silver			
	996 424 031 07 FFU	Metropole blue			
	996 424 031 07 FFU	Sport silver			
	996 424 031 07 FFT	Savanna			
	996 424 031 07 FFT	Sport silver			
	996 424 031 07 FFV	Nephrite green	03		
	996 424 031 07 FFV	Sport silver			
	996 424 031 07 FFW	Boxster red			
	996 424 031 07 FFW	Sport silver			
	996 424 031 07 FFX	Cinnamon brown			
	996 424 031 07 FFX	Sport silver			
	996 424 031 07 VSR	Dark grey/natural			
	996 424 031 07 VSR	Sport silver			
	996 424 031 07 VST	Brown/natural			
	996 424 031 07 VST	Sport silver			

Model: 996 98 Model life 1998>>2005

Pos	Part Number	Description	Remark	Qty	Model
(1)	996 424 031 08	Parking-brake lever Complete	04	1	M095
(1)	996 424 031 08 VSZ	Dark grey/natural			
	996 424 980 22	Parking-brake lever	/LL 01-02	1	IX98
	996 424 980 22 VRJ	Black			
	996 424 980 22 C50	Graphite grey			
	996 424 980 22 S30	Savanna			
	996 424 980 22 G10	Metropole blue			
	996 424 980 22 J30	Nephrite green			
	996 424 980 22 M30	Boxster red			
	996 424 980 22 P11	Cinnamon brown			
	996 424 980 22 D11	Dark grey/natural			
	996 424 980 22 T11	Brown/natural			
(1)	996 424 980 23	Parking-brake lever	/RL 01-02	1	IX98
	996 424 980 23 VRJ	Black			
	996 424 980 23 C50	Graphite grey			
	996 424 980 23 S30	Savanna			
	996 424 980 23 G10	Metropole blue			
	996 424 980 23 J30	Nephrite green			
	996 424 980 23 M30	Boxster red			
	996 424 980 23 P11	Cinnamon brown			
	996 424 980 23 D11	Dark grey/natural			
	996 424 980 23 T11	Brown/natural			
(1)	996 424 980 24	Parking-brake lever	/LL 01-02	1	IX58
	996 424 980 24 VRJ	Black			
	996 424 980 24 C50	Graphite grey			
	996 424 980 24 S30	Savanna			
	996 424 980 24 G10	Metropole blue			
	996 424 980 24 J30	Nephrite green			
	996 424 980 24 M30	Boxster red			
	996 424 980 24 P11	Cinnamon brown			
	996 424 980 24 D11	Dark grey/natural			
	996 424 980 24 T11	Brown/natural			
(1)	996 424 980 25	Parking-brake lever	/RL 01-02	1	IX58
	996 424 980 25 VRJ	Black			
	996 424 980 25 C50	Graphite grey			
	996 424 980 25 S30	Savanna			
	996 424 980 25 G10	Metropole blue			
	996 424 980 25 J30	Nephrite green			
	996 424 980 25 M30	Boxster red			
	996 424 980 25 P11	Cinnamon brown			
	996 424 980 25 D11	Dark grey/natural			
	996 424 980 25 T11	Brown/natural			
(1)	996 424 980 26	Parking-brake lever	/LL 01-02	1	IX91
	996 424 980 26 VRJ	Black			
	996 424 980 26 C50	Graphite grey			
	996 424 980 26 S30	Savanna			
	996 424 980 26 G10	Metropole blue			
	996 424 980 26 J30	Nephrite green			
	996 424 980 26 M30	Boxster red			
	996 424 980 26 P11	Cinnamon brown			
	996 424 980 26 D11	Dark grey/natural			
	996 424 980 26 T11	Brown/natural			
(1)	996 424 980 27	Parking-brake lever	/RL 01-02	1	IX91
	996 424 980 27 VRJ	Black			
	996 424 980 27 C50	Graphite grey			
	996 424 980 27 S30	Savanna			
	996 424 980 27 G10	Metropole blue			
	996 424 980 27 J30	Nephrite green			
	996 424 980 27 M30	Boxster red			
	996 424 980 27 P11	Cinnamon brown			
	996 424 980 27 D11	Dark grey/natural			
	996 424 980 27 T11	Brown/natural			

Model: 996 98 Model life 1998>>2005

Pos	Part Number	Description	Remark	Qty	Model
(1)	996 424 980 28	Parking-brake lever	/LL 01-02	1	IXE9
	996 424 980 28 VRJ	Black			
	996 424 980 28 C50	Graphite grey			
	996 424 980 28 S30	Savanna			
	996 424 980 28 G10	Metropole blue			
	996 424 980 28 J30	Nephrite green			
	996 424 980 28 M30	Boxster red			
	996 424 980 28 P11	Cinnamon brown			
	996 424 980 28 D11	Dark grey/natural			
	996 424 980 28 T11	Brown/natural			
(1)	996 424 980 29	Parking-brake lever	/RL 01-02	1	IXE9
		Complete			
	996 424 980 29 VRJ	Black			
	996 424 980 29 C50	Graphite grey			
	996 424 980 29 S30	Savanna			
	996 424 980 29 G10	Metropole blue			
	996 424 980 29 J30	Nephrite green			
	996 424 980 29 M30	Boxster red			
	996 424 980 29 P11	Cinnamon brown			
	996 424 980 29 D11	Dark grey/natural			
	996 424 980 29 T11	Brown/natural			
(1)	996 424 980 38	Parking-brake lever	/LL 03-	1	IX98
		Complete			
	996 424 980 38 VRJ	Black			
	996 424 980 38 C50	Graphite grey			
	996 424 980 38 S30	Savanna			
	996 424 980 38 G10	Metropole blue			
	996 424 980 38 J30	Nephrite green	03		
	996 424 980 38 M30	Boxster red			
	996 424 980 38 P11	Cinnamon brown			
	996 424 980 38 D11	Dark grey/natural			
	996 424 980 38 T11	Brown/natural			
(1)	996 424 980 39	Parking-brake lever	/RL 03-	1	IX98
		Complete			
	996 424 980 39 VRJ	Black			
	996 424 980 39 C50	Graphite grey			
	996 424 980 39 S30	Savanna			
	996 424 980 39 G10	Metropole blue			
	996 424 980 39 J30	Nephrite green	03		
	996 424 980 39 M30	Boxster red			
	996 424 980 39 P11	Cinnamon brown			
	996 424 980 39 D11	Dark grey/natural			
	996 424 980 39 T11	Brown/natural			
(1)	996 424 980 50	Parking-brake lever	/LL 03-	1	IX58
		Complete			
	996 424 980 50 VRJ	Black			
	996 424 980 50 C50	Graphite grey			
	996 424 980 50 S30	Savanna			
	996 424 980 50 G10	Metropole blue			
	996 424 980 50 J30	Nephrite green	03		
	996 424 980 50 M30	Boxster red			
	996 424 980 50 P11	Cinnamon brown			
	996 424 980 50 D11	Dark grey/natural			
	996 424 980 50 T11	Brown/natural			
(1)	996 424 980 51	Parking-brake lever	/RL 03-	1	IX58
		Complete			
	996 424 980 51 VRJ	Black			
	996 424 980 51 C50	Graphite grey			
	996 424 980 51 S30	Savanna			
	996 424 980 51 G10	Metropole blue			
	996 424 980 51 J30	Nephrite green	03		
	996 424 980 51 M30	Boxster red			
	996 424 980 51 P11	Cinnamon brown			

Model: 996 98 Model life 1998>>2005

Pos	Part Number	Description	Remark	Qty	Model	
(1)	996 424 980 51 D11	Dark grey/natural				
	996 424 980 51 T11	Brown/natural				
	996 424 980 42	Parking-brake lever Complete	/LL 03-	1	IX91	
	996 424 980 42 VRJ	Black				
	996 424 980 42 C50	Graphite grey				
	996 424 980 42 S30	Savanna				
	996 424 980 42 G10	Metropole blue				
	996 424 980 42 J30	Nephrite green	03			
	996 424 980 42 M30	Boxster red				
	996 424 980 42 P11	Cinnamon brown				
(1)	996 424 980 42 D11	Dark grey/natural				
	996 424 980 42 T11	Brown/natural				
	996 424 980 43	Parking-brake lever Complete	/RL 03-	1	IX91	
	996 424 980 43 VRJ	Black				
	996 424 980 43 C50	Graphite grey				
	996 424 980 43 S30	Savanna				
	996 424 980 43 G10	Metropole blue				
	996 424 980 43 J30	Nephrite green	03			
	996 424 980 43 M30	Boxster red				
	996 424 980 43 P11	Cinnamon brown				
(1)	996 424 980 43 D11	Dark grey/natural				
	996 424 980 43 T11	Brown/natural				
	996 424 980 46	Parking-brake lever Complete	/LL 03-	1	IXE9	
	996 424 980 46 VRJ	Black				
	996 424 980 46 C50	Graphite grey				
	996 424 980 46 S30	Savanna				
	996 424 980 46 G10	Metropole blue				
	996 424 980 46 J30	Nephrite green	03			
	996 424 980 46 M30	Boxster red				
	996 424 980 46 P11	Cinnamon brown				
(1)	996 424 980 46 D11	Dark grey/natural				
	996 424 980 46 T11	Brown/natural				
	996 424 980 47	Parking-brake lever Complete	/RL 03-	1	IXE9	
	996 424 980 47 VRJ	Black				
	996 424 980 47 C50	Graphite grey				
	996 424 980 47 S30	Savanna				
	996 424 980 47 G10	Metropole blue				
	996 424 980 47 J30	Nephrite green	03			
	996 424 980 47 M30	Boxster red				
	996 424 980 47 P11	Cinnamon brown				
(4)	996 424 980 47 D11	Dark grey/natural				
	996 424 980 47 T11	Brown/natural				
	2	996 424 569 01	Bolt		1	
	3	999 166 079 02	Lock washer SLB 6		1	
	(4)	996 424 155 01	Cover		1	
		996 424 155 01 D05	Granite grey	-99		
		996 424 155 01 A03	Black	00-		
		996 424 155 01 B13	Space grey	00		
		996 424 155 01 C53	Graphite grey	00-		
		996 424 155 01 S33	Savanna	00-		
996 424 155 01 G13		Metropole blue	00-			
996 424 155 01 J33		Nephrite green	00-03			
996 424 155 01 M33		Boxster red	00-			
996 424 155 01 P13		Cinnamon brown	01-			
(4)	996 424 155 02	Cover	04	1	M095	
	996 424 155 02 M7Z	Silver metallic				
(4)	996 424 155 01	Cover	01-	1	IX98	
			01-	1	IX58	

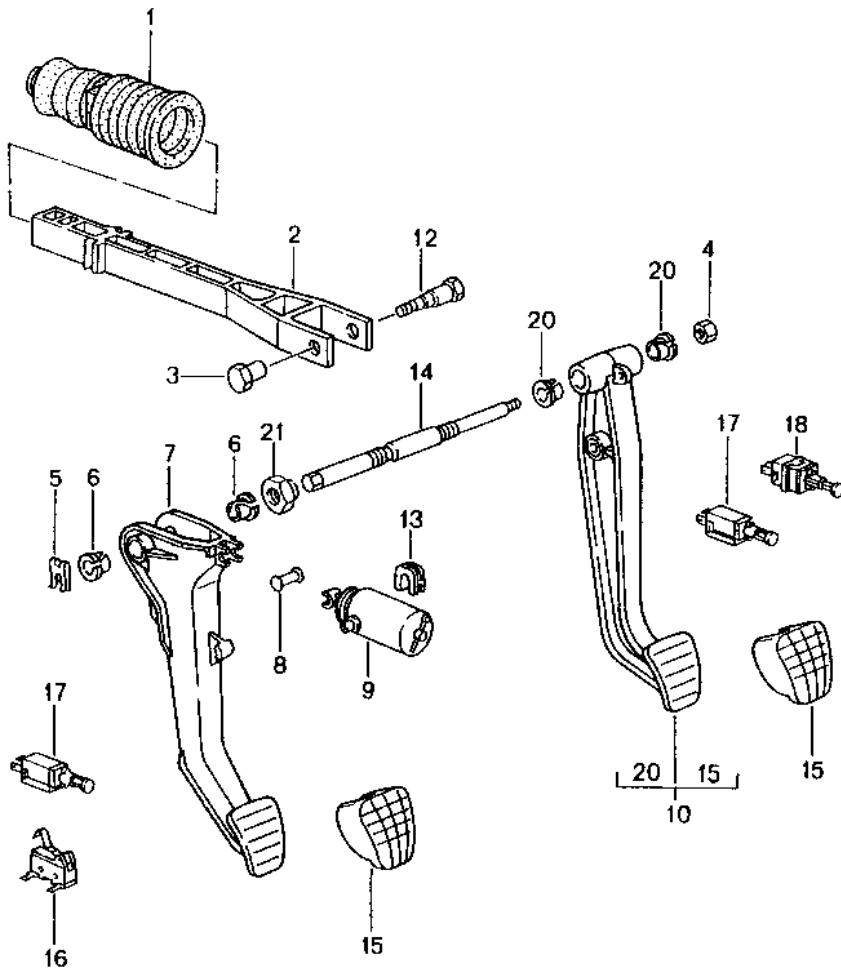
Model: 996 98

Model life 1998>>2005

Pos	Part Number	Description	Remark	Qty	Model
			01-	1	IX91
			01-	1	IXE9
	996 424 155 01 A03	Black			
	996 424 155 01 C53	Graphite grey			
	996 424 155 01 S33	Savanna			
	996 424 155 01 G13	Metropole blue			
	996 424 155 01 J33	Nephrite green	-03		
	996 424 155 01 M33	Boxster red			
	996 424 155 01 P13	Cinnamon brown			
5	996 613 112 01	Switch		1	
6	996 424 567 01	Pull rod		1	
7	964 424 570 00	Securing clip		1	
8	964 424 568 00	Turnbuckle		1	
9	996 424 574 00	Nipple		1	
10	996 424 572 00	Bush		1	
11	900 076 025 02	Hexagon nut M 8		2	
11	900 076 064 02	Hexagon nut M 8		2	
12	900 380 005 09	Hexagon nut M 8		2	
13	996 424 141 00	Parking-brake cable	-00	2	
(13)	996 424 141 10	Parking-brake cable	01-	2	
14	996 424 721 01	Guide tube	-00	2	
(14)	996 424 721 02	Guide tube	01-	2	

Model: 996 98

Model life 1998>>2005



Model: 996 98 Model life 1998>>2005

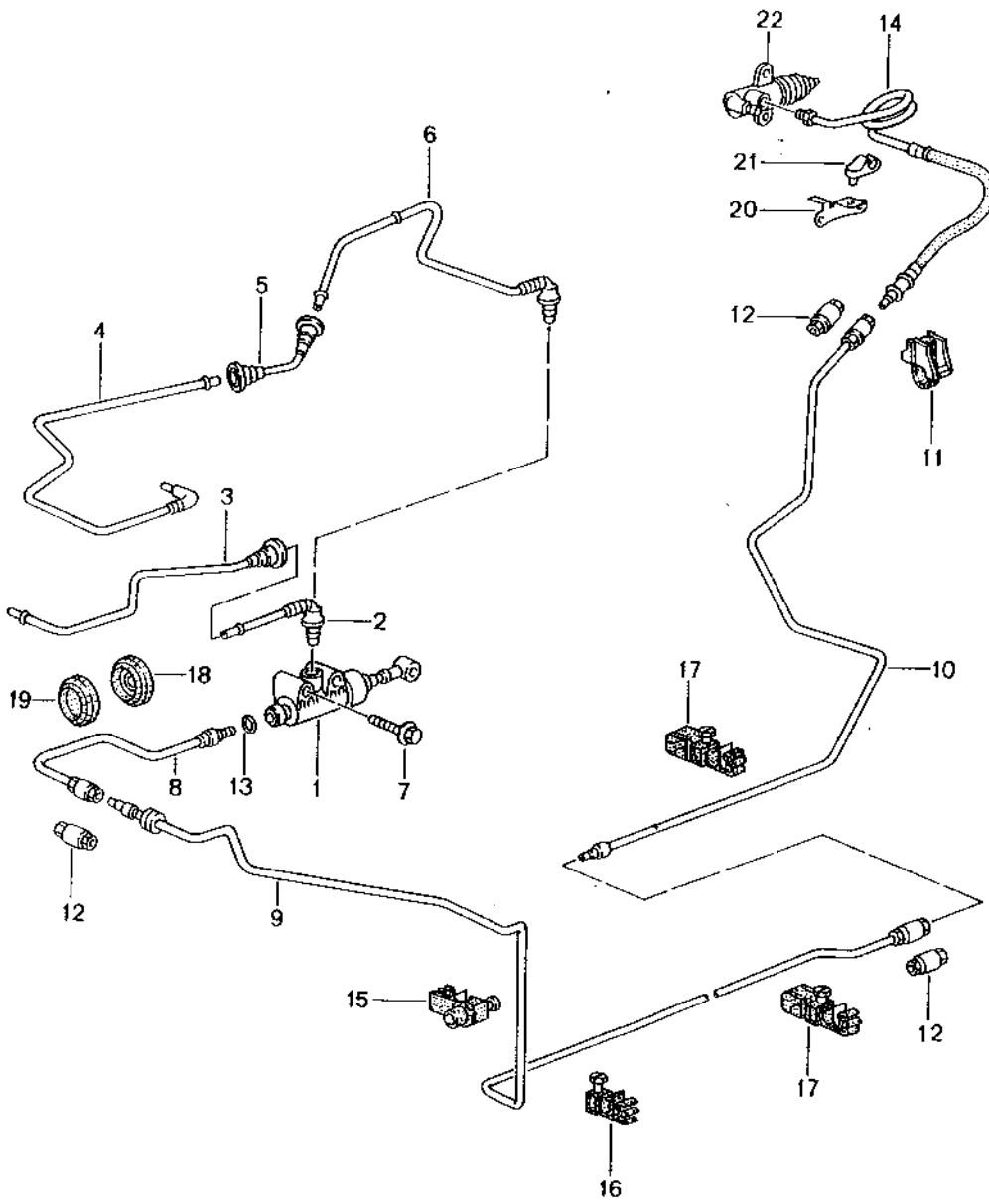
Pos	Part Number	Description	Remark	Qty	Model
		Pedals See technical manual 46 05 19 30 05 19 47 70 19			
-	000 043 203 37	Grease OPTITEMP LG2		X	
-	000 043 209 03	Grease OPTITEMP LG2		X	
1		Bellows See illustrations 6/04/00		1	
2	996 423 165 04	Push rod F >>99YS6 00595 F >>99YS6 40393 See technical information Group 4 NR.11/01		1	
(2)	996 423 165 05	Push rod F 99YS6 00596>> F 99YS6 40394>>		1	
-	999 166 075 02	Safety clip Push rod		1	
3	996 423 307 00	Brake booster Sleeve		1	
4	900 380 005 09	Hexagon nut M 8		3 2	
5	999 507 601 01	Lock		1	M480
6	996 423 399 01	Bush		2	M480
7	996 423 139 08	Clutch pedal F >>99XS6 01584 F >>99XS6 40899		1	M480
(7)	996 423 139 09	Clutch pedal	-99	1	M480
(7)	996 423 139 10	Clutch pedal F 99XS6 01585>> F 99XS6 40900>> Use also: 996.423.081.11		1	M480
8	996 423 313 01	Bolt F >>99XS6 01584 F >>99XS6 40899		1	M480
(8)	996 423 315 06	Bolt F 99XS6 01585>> F 99XS6 40900>>		1	M480
-	999 166 022 02	K1-lock for Bolt F 99XS6 01585>> F 99XS6 40900>>		1	M480
9	996 423 081 09	Clutch power spring F >>99XS6 01584 F >>99XS6 40899		1	M480
(9)	996 423 081 11	Clutch power spring F 99XS6 01585>> F 99XS6 40900>> Use also: 996.423.139.09		1	M480
(9)	996 423 081 12	Clutch power spring F 99XS6 01585>> F 99XS6 40900>> Use also: 996.423.139.09		1	M480
(9)	996 423 081 16	Clutch power spring		1	M480

Model: 996 98 Model life 1998>>2005

Pos	Part Number	Description	Remark	Qty	Model
(9)	996 423 081 19	F 99XS6 01585>> F 99XS6 40900>> Use also: 996.423.139.09 Clutch power spring		1	M480
(9)	996 423 081 14	F 99XS6 01585>> F 99XS6 40900>> Use also: 996.423.139.09 Clutch power spring	-02	1	M480
(9)	996 423 081 17	Clutch power spring	03	1	M480
(9)	996 423 081 20	Clutch power spring	03-	1	M480
(9)	996 423 081 18	Clutch power spring	04	1	M480
-	996 423 571 02	Bracket for Clutch power spring		1	M480
10	996 423 091 02	Brake pedal	/LL -99	1	M480
(10)	996 423 091 03	Brake pedal	/LL 00-	1	M480
(10)	996 423 092 02	Brake pedal	/RL -99	1	M480
(10)	996 423 092 03	Brake pedal	/RL 00-	1	M480
(10)	996 423 093 02	Brake pedal	/LL -99	1	M249
(10)	996 423 093 03	Brake pedal	/LL 00-	1	M249
(10)	996 423 094 02	Brake pedal	/RL -99	1	M249
(10)	996 423 094 03	Brake pedal	/RL 00-	1	M249
-	999 522 033 00	Return spring Brake pedal		2	
-	996 423 101 00	Protective tube Return spring Brake pedal		1	
-	996 423 243 00	Bush Return spring	00-	1	
12	996 423 308 00	Bolt		1	
13	996 423 581 00	Bush		1	
14	996 423 281 05	Axle	/LL	1	M480
(14)	996 423 284 05	Axle	/RL	1	M480
(14)	996 423 283 05	Axle	/LL	1	M249
(14)	996 423 286 05	Axle	/RL	1	M249
-	996 423 277 00	Bearing sleeve Brake pedal	/RL	1	
15	996 423 210 03	Pedal cap		2	M480
(15)	996 423 212 03	Pedal cap		1	M249
17	996 613 113 00	Switch Brake pedal		2	M454
(17)	996 613 113 01	Switch Brake pedal		2	M454
(17)	996 613 114 00	Switch Clutch pedal	-99	1	M454
(17)	996 613 114 01	Switch Clutch pedal	-99	1	M454
(17)		Switch Clutch pedal	00-	1	
18	996 613 113 01	Switch		1	
19	964 613 211 00	Kickdown switch		1	M249
20	996 423 399 01	Bush	/LL	2	
(20)	999 924 133 40	Bush	/RL	2	
21	996 423 275 04	Cap nut	-03	1	
(21)	996 423 275 05	Cap nut	04-	1	

Model: 996 98

Model life 1998>>2005



Model: 996 98 Model life 1998>>2005

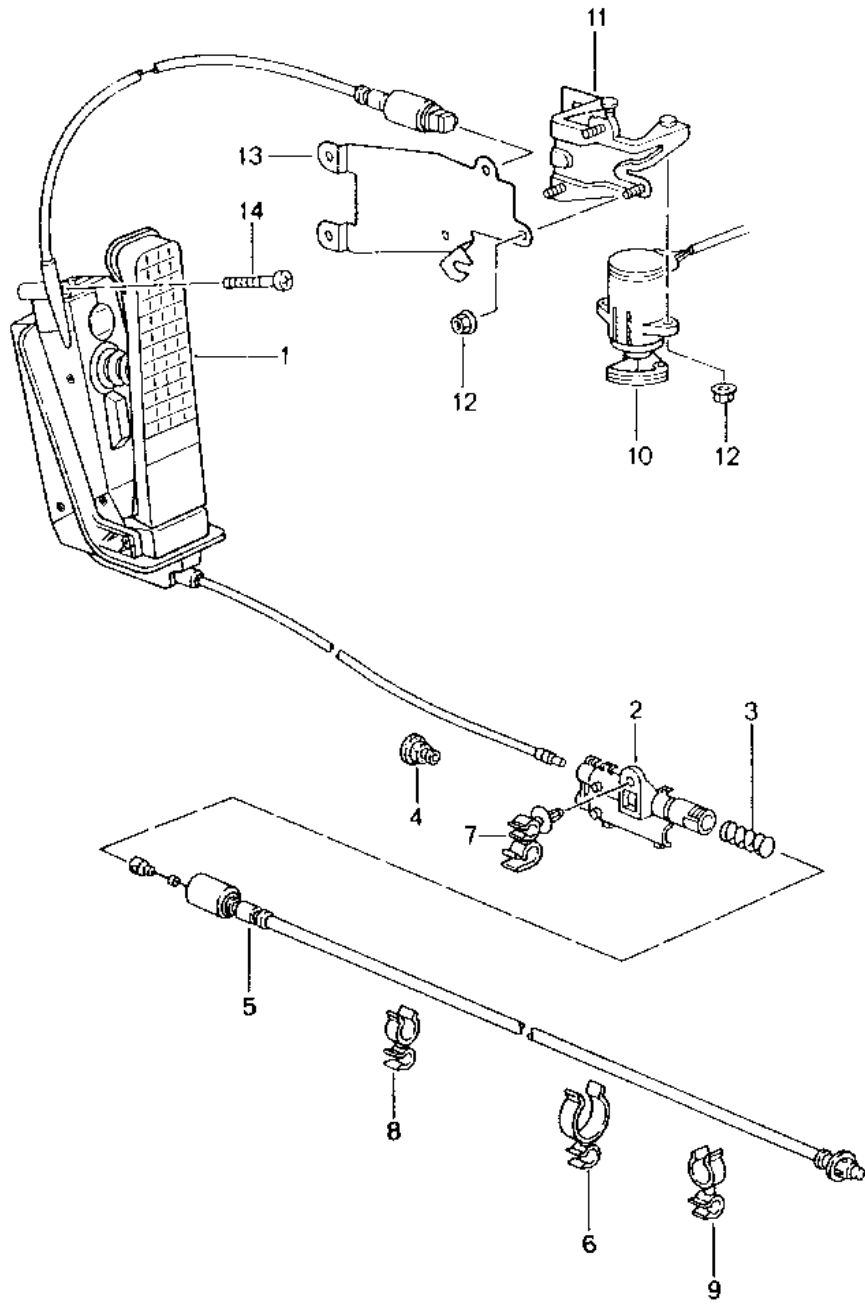
Pos	Part Number	Description	Remark	Qty	Model
		clutch actuation			
		Clutch master cylinder			
		Clutch pipeline			
1	996 423 171 05	Clutch master cylinder	-02	1	
(1)	996 423 171 06	Clutch master cylinder	03-	1	
-	996 423 614 00	Circlip		1	
		Pressure line			
-	996 423 315 06	Bolt		1	
-	999 166 022 02	Kl-lock		1	
		for			
		Bolt			
2	996 423 147 00	Feed line	/LL -02	1	
(2)	996 423 147 01	Feed line	/LL 03-	1	
3	997 423 137 00	Feed line	/LL	1	
4	996 423 138 03	Line	/RL -02	1	
(4)	996 423 138 04	Feed line	/RL 03-	1	
5	996 423 140 02	Feed line	/RL	1	
6	996 423 142 01	Feed line	/RL -02	1	
(6)	996 423 142 02	Feed line	/RL 03-	1	
7	900 378 029 09	Hexagon-head bolt		2	
		M 6 X 40			
7	900 378 029 01	Hexagon-head bolt		2	
		M 6 X 40			
8	996 423 107 10	Clutch pipeline	/LL	1	
(8)	996 423 108 10	Clutch pipeline	/RL	1	
9	996 423 109 10	Clutch pipeline		1	
10	996 423 113 04	Clutch pipeline		1	
		F >>99XS6 06898			
		F >>99XS6 44623			
(10)	996 423 113 05	Clutch pipeline	-01	1	
		F 99XS6 06899>>			
		F 99XS6 44624>>			
(10)	996 423 113 07	Clutch pipeline	02-	1	
		F >>994S6 30356			
		F >>994S6 03928			
		F >>994S6 42725			
(10)	997 423 113 00	Clutch pipeline		1	
		F 994S6 30357>>			
		F 994S6 03929>>			
		F 994S6 42726>>			
11	999 507 495 40	Support		1	
12	999 230 541 10	Threaded joint		3	
-	999 230 685 40	Circlip		3	
		for			
		Threaded joint			
13	999 707 333 40	Sealing ring		1	
14	996 423 377 07	Clutch hose	-01	1	
(14)	996 423 377 08	Clutch hose	02	1	
(14)	996 423 377 09	Clutch hose	03-	1	
		F >>994S6 30356			
		F >>994S6 03928			
		F >>994S6 42725			
(14)	997 423 377 00	Clutch hose		1	
		F 994S6 30357>>			
		F 994S6 03929>>			
		F 994S6 42726>>			
15	996 355 549 00	Support		1	
16	996 355 545 00	Support		2	
17	996 355 543 00	Support		4	
18	999 702 216 42	Grommet		1	
19	999 702 217 41	Grommet		1	M249
20	996 423 677 00	Support		1	
(20)		Support		1	

Model: 996 98 Model life 1998>>2005

Pos	Part Number	Description	Remark	Qty	Model
-	999 507 586 40	Cable holder		1	
21		Cable holder		1	
22	996 116 237 04	Clutch operating cylinder		1	
(22)	996 116 237 05	Clutch operating cylinder		1	
(22)	996 116 237 06	Clutch operating cylinder		1	
-	900 075 222 09	Combination screw M 8 X 30		2	

Model: 996 98

Model life 1998>>2005

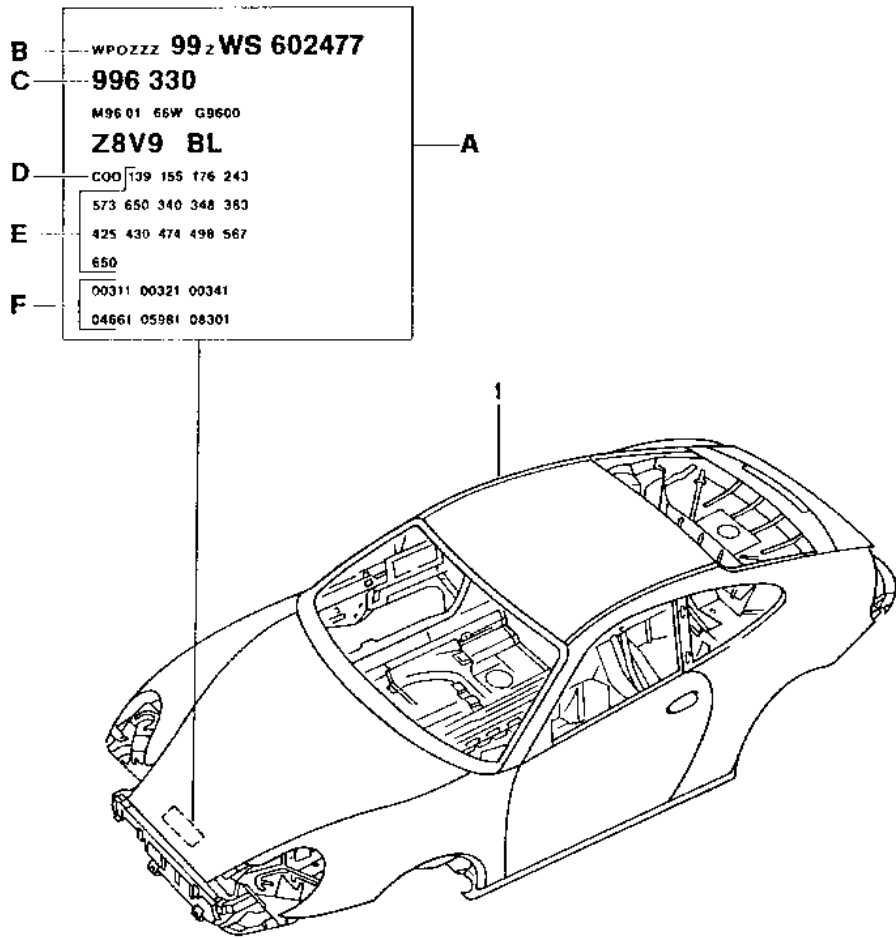


Model: 996 98 Model life 1998>>2005

Pos	Part Number	Description	Remark	Qty	Model
		Pedals			
		Accelerator control			
1	996 423 021 09	Accelerator control	/LL	1	M480
(1)	996 423 022 09	Accelerator control	/RL	1	M480
(1)	996 423 023 09	Accelerator control	/LL	1	M249
(1)	996 423 024 09	Accelerator control	/RL	1	M249
(1)	996 423 025 09	Accelerator control	/LL	1	M454/480
(1)	996 423 026 09	Accelerator control	/RL	1	M454/480
(1)	996 423 027 09	Accelerator control	/LL	1	M249/454
(1)	996 423 028 09	Accelerator control	/RL	1	M249/454
(1)	996 423 019 03	Accelerator control	/LL 99 -02	1	M620 M339/480
			/LL -02	1	M480/620
(1)	996 423 019 04	Accelerator control	/LL 99-	1	M480/620
(1)	996 423 029 03	Accelerator control	/LL 99 -02	1	M620 M249/339
			/LL -02	1	M249/620
(1)	996 423 029 04	Accelerator control	/LL 99-	1	M249/620
(1)	996 423 020 01	Accelerator control	/RL 99 -02	1	M620 M339/480
			/RL -02	1	M480/620
(1)	996 423 020 02	Accelerator control	/RL 99-	1	M480/620
(1)	996 423 030 01	Accelerator control	/RL 99 -02	1	M620 M249/339
			/RL -02	1	M249/620
(1)	996 423 030 02	Accelerator control	/RL 99-	1	M249/620
-	996 423 396 00	Circlip	03-	1	
		Connecting rod			
		Accelerator pedal			
2	996 423 131 04	Housing		1	
3	996 423 133 00	Spring		1	
4	996 423 331 00	Grommet		1	
(4)	803 803 583 A	Stopper		1	
(4)	999 703 196 40	Lid		1	
5	996 423 229 04	Accelerator cable	/LL	1	M480
(5)	996 423 228 04	Accelerator cable	/RL	1	M480
(5)	996 423 279 04	Accelerator cable	/LL	1	M249
(5)	996 423 280 04	Accelerator cable	/RL	1	M249
6	999 507 617 40	Hose holder		1	
7	999 507 605 40	Hose holder		1	
8	999 507 604 40	Hose holder		1	
9	999 591 928 40	Hose holder	/LL	1	
		Fuel line			
(9)	999 507 539 40	Hose holder	/LL	1	M480
		Clutch pipeline			
10	996 606 115 00	Pedal sensor	99 00-	1	M339/620
10	996 606 115 01	Pedal sensor	99 00-	1	M339/620
10	996 606 115 02	Pedal sensor	99 00-	1	M339/620
11	996 423 389 01	Support	99 00-	1	M339/620
12	900 377 010 09	Hexagon nut	99 00-	5 5	M339/620
		M 6			
13	996 423 394 00	Support	/RL 99 /RL 00-	1 1	M339/620
14	900 146 157 09	Round head screw M 5 X 55		1	

Model: 996 98

Model life 1998>>2005



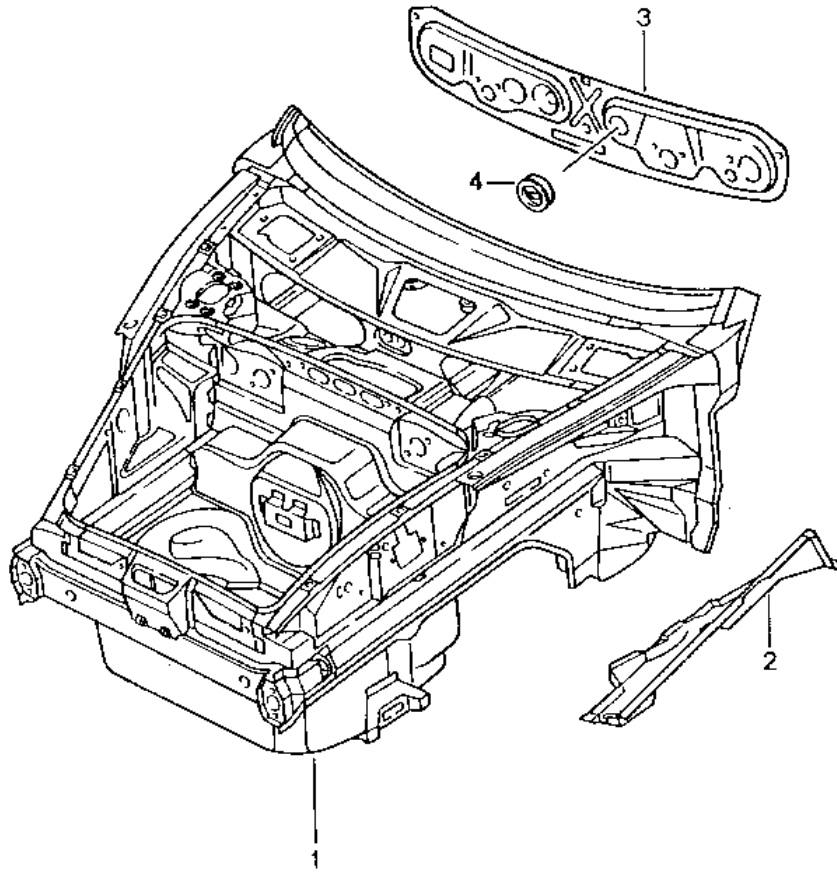
Model: 996 98

Model life 1998>>2005

Pos	Part Number	Description	Remark	Qty	Model
A		Body in white			
B		Prime coated			
C		Sealed			
D		with			
E		Underbody protection			
F		with			
		Doors/lids/wings			
		BodysHELLS can only			
		only available from current			
		Model year available			
		The data required			
		for your order			
		Can be found on the			
		Vehicle data carrier			
		Please indicate this data			
		in your order			
		Vehicle data carrier			
		Vehicle Ident. No.			
		Order type			
		Country equipment			
		Optional extras			
		Additional applications			
1	996 500 900 00	Body in white		1	
	996 500 900 00 GRV	Prime coated			

Model: 996 98

Model life 1998>>2005



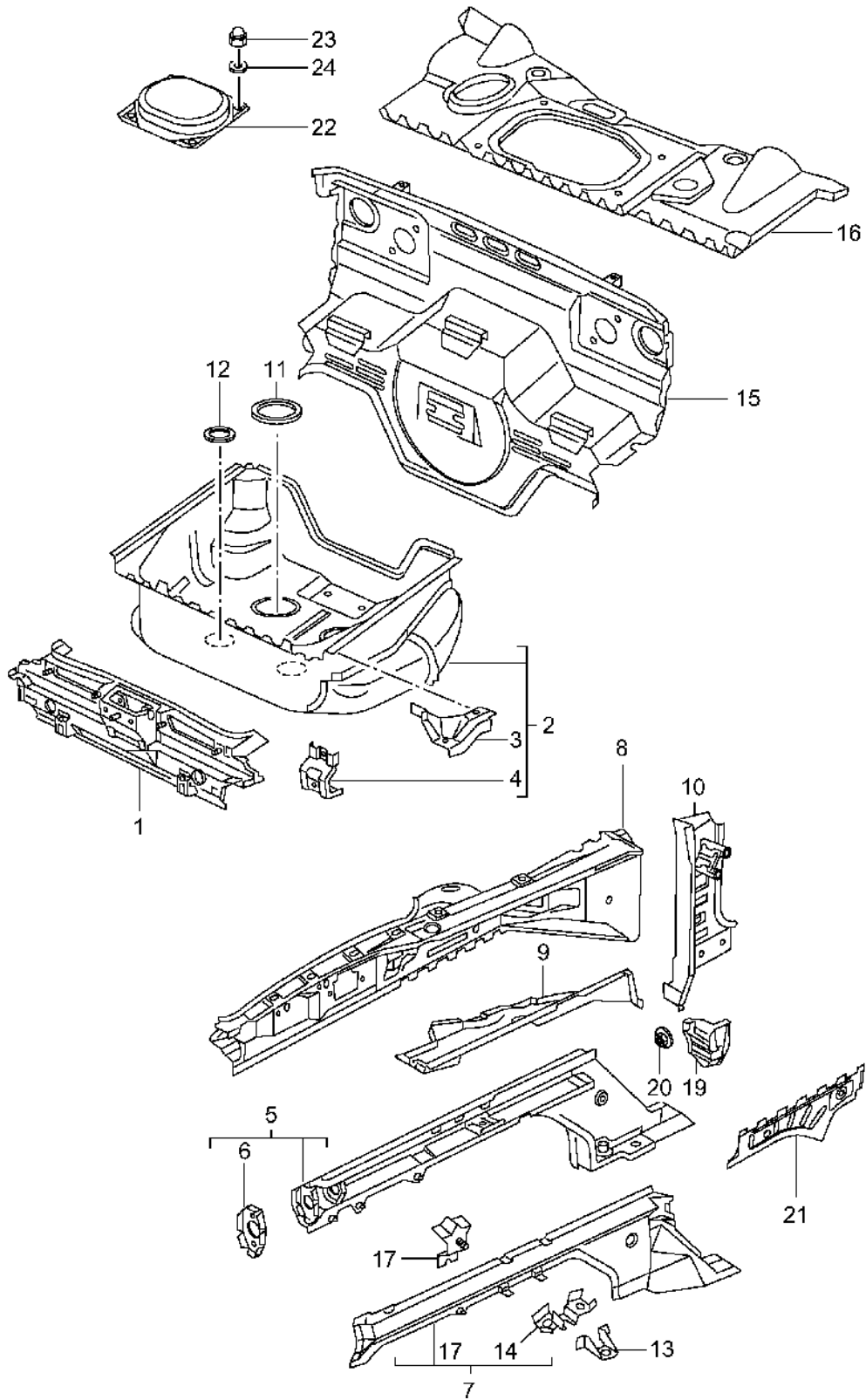
Model: 996 98

Model life 1998>>2005

Pos	Part Number	Description	Remark	Qty	Model
1	996 501 911 00	Body front section		1	M338
	996 501 911 00 GRV	Body front section Prime coated			
(1)	996 501 911 01	Body front section	/LL	1	M339
	996 501 911 01 GRV	Body front section Prime coated			
(1)	996 501 911 03	Body front section	/RL	1	M339
	996 501 911 03 GRV	Body front section Prime coated Use also:			
2	996 501 443 00	Bottom half	/L -01	1	
	996 501 443 00 GRV	Bottom half Prime coated			
(2)	996 501 444 01	Side member	/R -01	1	
	996 501 444 01 GRV	Side member Prime coated			
(2)	996 501 443 01	Lower part	/L 02-	1	
	996 501 443 01 GRV	Lower part Prime coated			
(2)	996 501 444 02	Lower part	/R 02-	1	
	996 501 444 02 GRV	Lower part Prime coated			
3	996 504 121 00	Lid	/LL	1	
		F >>99YS6 00595 F >>99YS6 40393			
(3)	996 504 121 02	Lid	/LL	1	
		Use also:			
-	000 043 300 94	Adhesive set		1	
(3)	996 504 121 01	Lid	/RL	1	
		F >>99YS6 00595 F >>99YS6 40393			
(3)	996 504 121 03	Lid	/RL	1	
		Use also:			
-	000 043 300 94	Adhesive set		1	
4	999 702 255 40	Lid		1	
		61,5 X 72,6			

Model: 996 98

Model life 1998>>2005



Model: 996 98 Model life 1998>>2005

Pos	Part Number	Description	Remark	Qty	Model
		Body front section			
		Single parts			
1	996 501 231 01	Terminal piece	-01	1	
	996 501 231 01 GRV	Prime coated			
1	996 501 231 02	Terminal piece	02-	1	
	996 501 231 02 GRV	Prime coated			
1	996 501 231 03	Terminal piece	02-	1	
	996 501 231 03 GRV	Prime coated			
2	996 501 979 00	Spare-wheel well		1	M338
	996 501 979 00 GRV	Prime coated			
(2)	996 501 979 01	Spare-wheel well	99-	1	M339
	996 501 979 01 GRV	Prime coated			
-	996 501 473 00	Support	99	2	
	996 501 473 00 GRV	Prime coated			
		for			
		Control unit			
		PSM			
3	996 501 649 00	Corner panel	/L	1	
	996 501 649 00 GRV	Prime coated			
(3)	996 501 650 00	Corner panel	/R	1	
	996 501 650 00 GRV	Prime coated			
4	996 501 621 00	Support		3	
	996 501 621 00 GRV	Prime coated			
5	996 501 305 04	Side member	/L -01	1	
	996 501 305 04 GRV	Prime coated			
(5)	996 501 306 04	Side member	/R -01	1	
	996 501 306 04 GRV	Prime coated			
(5)	996 501 305 05	Side member	/L 02	1	
	996 501 305 05 GRV	Prime coated			
(5)	996 501 306 05	Side member	/R 02	1	
	996 501 306 05 GRV	Prime coated			
(5)	996 501 305 06	Side member	/L 03-	1	
	996 501 305 06 GRV	Prime coated			
(5)	996 501 306 06	Side member	/R	1	
	996 501 306 06 GRV	Prime coated			
6	996 501 377 01	Mounting		2	
	996 501 377 01 GRV	Prime coated			
7	996 501 915 00	Side member	/L	1	
	996 501 915 00 GRV	Prime coated			
		F >>99WS6 06999			
		F >>99WS6 40804			
		It is necessary to rework			
		Use also:			
		POS.13			
(7)	996 501 916 00	Side member	/R	1	
	996 501 916 00 GRV	Prime coated			
		F >>99WS6 06999			
		F >>99WS6 40804			
		It is necessary to rework			
		Use also:			
		POS.13			
8	996 501 935 00	Wheel housing	/L -01	1	
	996 501 935 00 GRV	Prime coated			
(8)	996 501 936 01	Wheel housing	/R -01	1	
	996 501 936 01 GRV	Prime coated			
(8)	996 501 935 01	Wheel housing	/L 02-	1	
	996 501 935 01 GRV	Prime coated			
(8)	996 501 936 02	Wheel housing	/R 02-	1	
	996 501 936 02 GRV	Prime coated			
(8)	996 501 936 04	Wheel housing	/R 02-	1	
	996 501 936 04 GRV	Prime coated			
9	996 501 443 00	Bottom half	/L -00	1	
	996 501 443 00 GRV	Prime coated			

Model: 996 98 Model life 1998>>2005

Pos	Part Number	Description	Remark	Qty	Model
(9)	996 501 444 01	Side member	/R -00	1	
	996 501 444 01 GRV	Prime coated			
(9)	996 501 443 01	Lower part	/L 01-	1	
	996 501 443 01 GRV	Prime coated			
(9)	996 501 444 02	Lower part	/R 01-	1	
	996 501 444 02 GRV	Prime coated			
10	996 501 937 01	Hinge pillar	/L	1	
	996 501 937 01 GRV	Prime coated			
(10)	996 501 938 01	Hinge pillar	/R	1	
	996 501 938 01 GRV	Prime coated			
11	996 504 201 01	Lid		2	
		\$ 145 MM			
12	996 504 213 01	Lid		2	
		\$ 85 MM			
13	996 501 815 00	Support		2	
	996 501 815 00 GRV	Prime coated			
		F >>99WS6 06999			
		F >>99WS6 40804			
14	996 501 815 02	Support		2	
	996 501 815 02 GRV	Prime coated			
		F 99WS6 07000>>			
		F 99WS6 40805>>			
15	996 502 021 03	Bulkhead		1	M338
	996 502 021 03 GRV	Prime coated			
(15)	996 502 021 04	Bulkhead	/LL	1	M339
	996 502 021 04 GRV	Prime coated			
(15)	996 502 015 02	Bulkhead	/LL	1	M339
	996 502 015 02 GRV	Prime coated			
(15)	996 502 021 05	Bulkhead	/RL -01	1	M339
	996 502 021 05 GRV	Prime coated			
(15)	996 502 015 03	Bulkhead	/RL 02-	1	M339
	996 502 015 03 GRV	Prime coated			
16	996 502 017 01	Cross panel	-99	1	M338
	996 502 017 01 GRV	Prime coated			
16	996 502 017 04	Cross panel	00-	1	M338
	996 502 017 04 GRV	Prime coated			
(16)	996 502 017 03	Cross panel	-01	1	M339
	996 502 017 03 GRV	Prime coated			
(16)	996 502 017 05	Cross panel	02-	1	M339
	996 502 017 05 GRV	Prime coated			
-	996 504 665 00	Lid	/LL	1	M339
-	996 504 665 01	Lid	/RL	1	M339
		Bulkhead			
17	996 501 341 00	Support		2	
	996 501 341 00 GRV	Prime coated			
19	996 504 461 00	Cover	/L	1	
(19)	996 504 462 00	Cover	/R	1	
20	999 084 629 09	Hexagon nut		6	
		M 6			
20	999 084 629 01	Hexagon nut		6	
		M 6			
-	996 504 761 01	Gasket	/L	1	
-	996 504 762 01	Gasket	/R	1	
-	999 507 760 40	Expansion rivet		4	
		6,5 X 20			
21	996 501 665 00	Separator	/L	1	
	996 501 665 00 GRV	Prime coated			
(21)	996 501 666 00	Separator	/R	1	
	996 501 666 00 GRV	Prime coated			
22	996 504 471 00	Lid		1	M339
	996 504 471 00 01C	Satin black			
23	900 096 006 01	Cap nut		4	M339
		M 6			

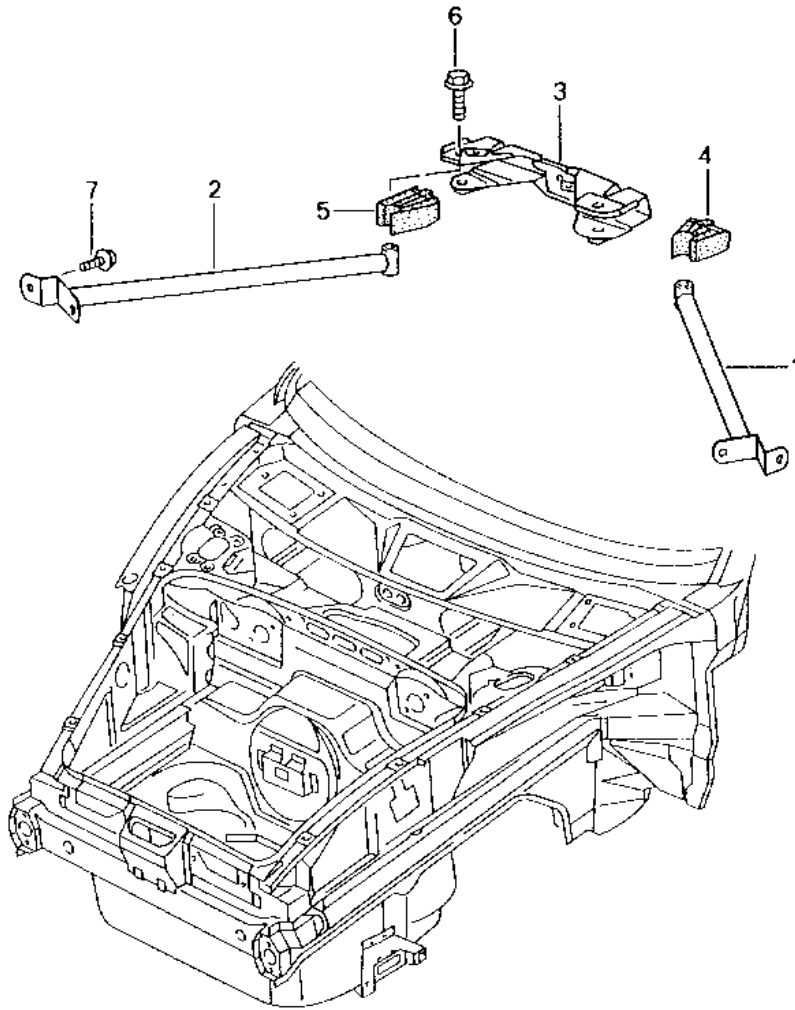
Model: 996 98

Model life 1998>>2005

Pos	Part Number	Description	Remark	Qty	Model
24	N 011 524 7	Washer A 6,4		4	M339
24	N 011 524 27	Washer A 6,4		4	M339
25	999 703 484 40	Water drain sleeve		X	

Model: 996 98

Model life 1998>>2005



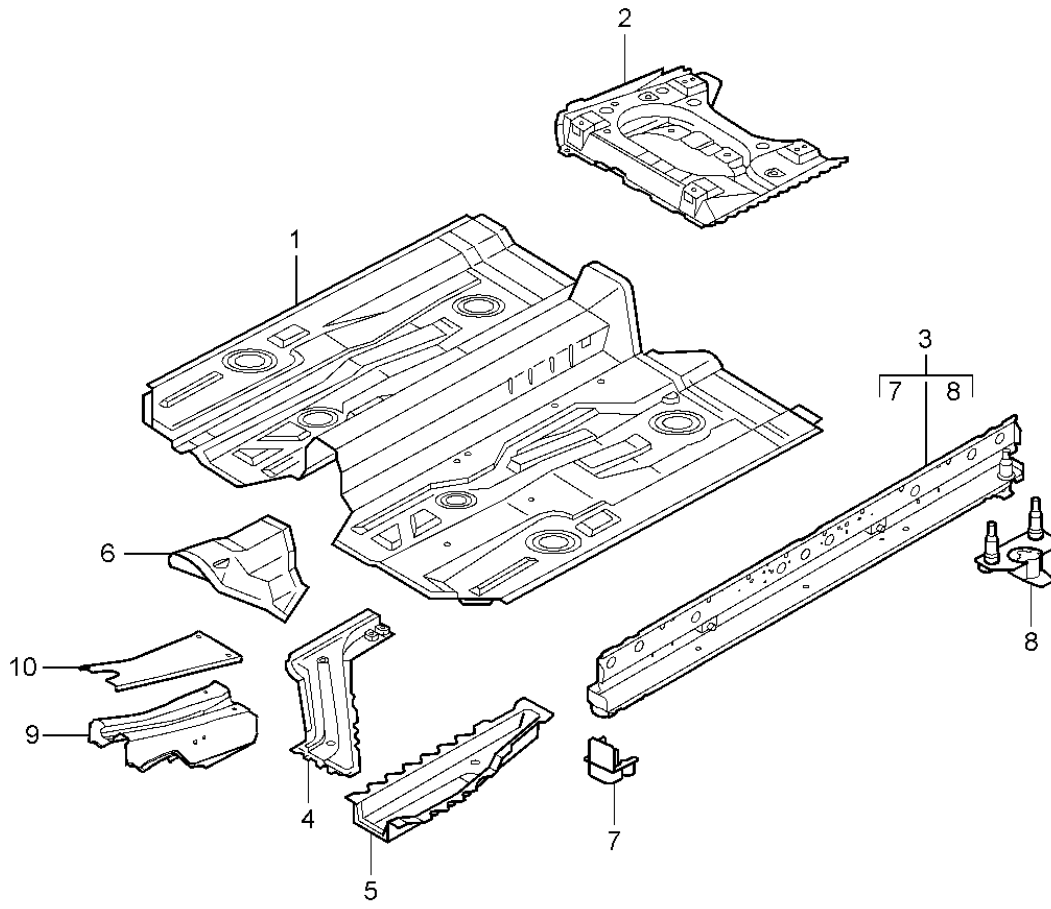
Model: 996 98

Model life 1998>>2005

Pos	Part Number	Description	Remark	Qty	Model
1	996 504 233 00	Dome strut	/L -02	1	
1	996 504 233 01	Dome strut	/L	1	
2	996 504 234 00	Dome strut	/R -02	1	
2	996 504 234 01	Dome strut	/R	1	
3	996 504 359 00	Bracket		1	
4	996 504 633 00	Filler piece	/L	1	
5	996 504 634 00	Filler piece	/R	1	
6	900 378 100 09	Hexagon-head bolt AM 10 X 45		2	
7	900 075 010 09	Hexagon-head bolt M 6 X 12		4	

Model: 996 98

Model life 1998>>2005

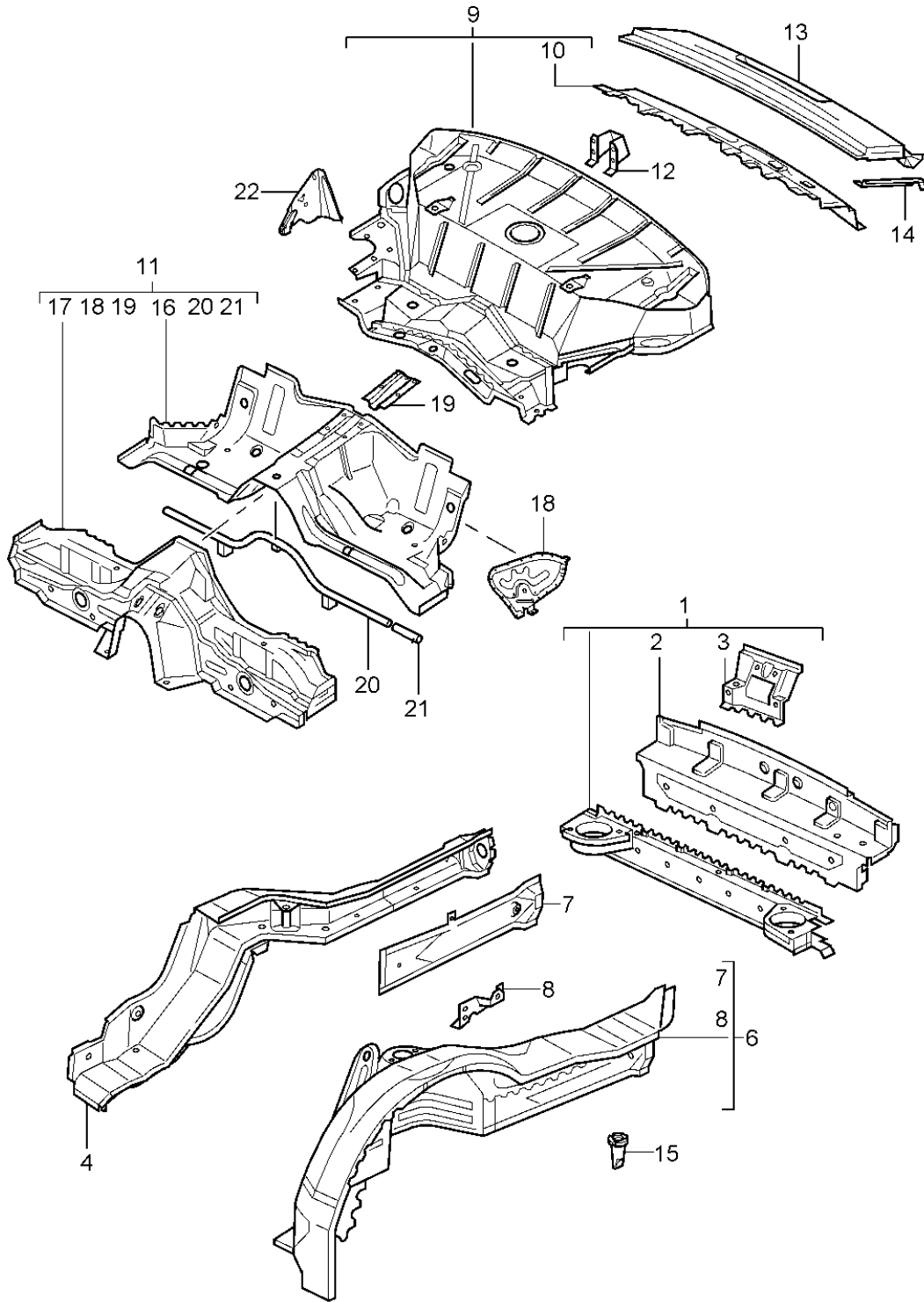


Model: 996 98 Model life 1998>>2005

Pos	Part Number	Description	Remark	Qty	Model
		Floor Centre			
1	996 501 551 00	Floor		1	
	996 501 551 00 GRV	Prime coated			
2	996 501 153 00	Seat support	/L	1	
	996 501 153 00 GRV	Prime coated			
(2)	996 501 154 00	Seat support	/R	1	
	996 501 154 00 GRV	Prime coated			
3	996 501 957 00	Side member	/L -01	1	
	996 501 957 00 GRV	Prime coated			
(3)	996 501 957 01	Side member	/L -02	1	
	996 501 957 01 GRV	Prime coated			
(3)	996 501 957 03	Side member	/L 03-	1	
	996 501 957 03 GRV	Prime coated			
(3)	996 501 958 01	Side member	/R -01	1	
	996 501 958 01 GRV	Prime coated			
(3)	996 501 958 02	Side member	/R -02	1	
	996 501 958 02 GRV	Prime coated			
(3)	996 501 958 04	Side member	/R 03-	1	
	996 501 958 04 GRV	Prime coated			
4	996 501 507 02	Reinforcement	/L	1	
	996 501 507 02 GRV	Prime coated			
(4)	996 501 508 02	Reinforcement	/R	1	
	996 501 508 02 GRV	Prime coated			
5	996 501 525 00	Side member	/L	1	
	996 501 525 00 GRV	Prime coated			
(5)	996 501 526 00	Side member	/R	1	
	996 501 526 00 GRV	Prime coated			
6	996 501 751 00	Extension		1	
	996 501 751 00 GRV	Prime coated			
7	996 501 785 00	Jacking point	/L /V	1	
	996 501 785 00 GRV	Prime coated			
(7)	996 501 786 00	Jacking point	/R /V	1	
	996 501 786 00 GRV	Prime coated			
8	996 501 481 01	Jacking point	/L /H	1	
	996 501 481 01 GRV	Prime coated			
(8)	996 501 482 01	Jacking point	/R /H	1	
	996 501 482 01 GRV	Prime coated			
9	996 501 409 01	Reinforcement		1	
	996 501 409 01 GRV	Prime coated			
		Tunnel			
10	996 501 719 00	Filler plate		1	
	996 501 719 00 GRV	Prime coated			
		Reinforcement			
-	996 504 201 01	Lid \$ 145 MM		X	
-	996 504 205 01	Lid \$ 130 MM		X	
-	996 504 207 01	Lid \$ 100 MM		X	

Model: 996 98

Model life 1998>>2005



Model: 996 98 Model life 1998>>2005

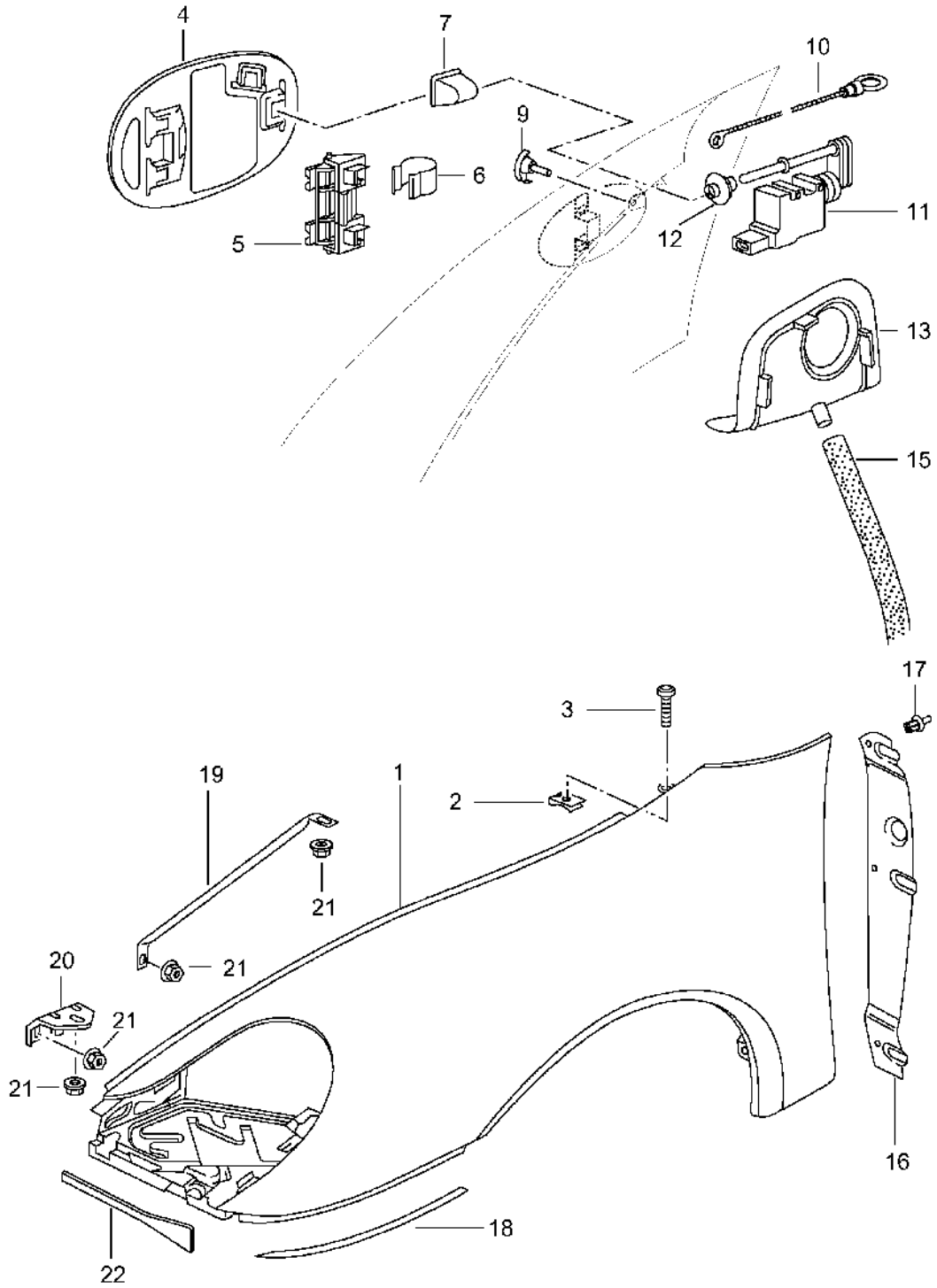
Pos	Part Number	Description	Remark	Qty	Model
1	996 501 973 00	Rear end Terminal piece		1	
	996 501 973 00 GRV	Prime coated			
2	996 501 273 01	End plate	-01	1	
	996 501 273 01 GRV	Prime coated See TPI Group 8 Nr.51			
2	996 501 273 02	End plate		1	
	996 501 273 02 GRV	Prime coated See TPI Group 8 Nr.51			
3	996 501 247 00	Lock carrier		1	
	996 501 247 00 GRV	Prime coated F >>99WS6 00563			
3	996 501 247 01	Lock carrier		1	
	996 501 247 01 GRV	Prime coated F 99WS6 00564>>			
4	996 501 977 00	Side member	/L	1	
	996 501 977 00 GRV	Prime coated			
(4)	996 501 978 00	Side member	/R	1	
	996 501 978 00 GRV	Prime coated			
-	996 501 977 01	Side member	/L	1	
	996 501 977 01 GRV	Prime coated Position 4 + 5 Use also:			
-	997 504 797 00	Bracket	/L	1	
	997 504 797 00 GRV	Prime coated			
6	996 501 943 00	Wheel housing	/L	1	
	996 501 943 00 GRV	Prime coated It is necessary to rework See workshop manual			
(6)	996 501 944 00	Wheel housing	/R	1	
	996 501 944 00 GRV	Prime coated It is necessary to rework See workshop manual			
7	996 501 595 00	Side member	/L -99	1	
	996 501 595 00 GRV	Prime coated			
7	996 501 595 01	Side member	/L	1	
	996 501 595 01 GRV	Prime coated			
(7)	996 501 596 00	Side member	/R -99	1	
	996 501 596 00 GRV	Prime coated			
(7)	996 501 596 01	Side member	/R	1	
	996 501 596 01 GRV	Prime coated			
8	996 501 571 00	Bracket	/L	1	CABRIO
	996 501 571 00 GRV	Prime coated			
(8)	996 501 572 00	Bracket	/R	1	CABRIO
	996 501 572 00 GRV	Prime coated			
9	996 502 911 00	Rear wall		1	
	996 502 911 00 GRV	Prime coated Order also: POS. 12 See workshop manual			CABRIO
10	996 502 673 00	Cross member		1	COUPE
	996 502 673 00 GRV	Prime coated			
10	996 502 673 03	Cross member		1	C4S COUPE
	996 502 673 03 GRV	Prime coated			
(10)	996 502 673 01	Cross member		1	CABRIO
	996 502 673 01 GRV	Prime coated			
(10)	996 502 673 07	Cross member		1	C4S CABRIO
	996 502 673 07 GRV	Prime coated			

Model: 996 98 Model life 1998>>2005

Pos	Part Number	Description	Remark	Qty	Model
(10)	996 502 561 00	Cross member		1	CABRIO
	996 502 561 00 GRV	Prime coated			
		Upper part			
(10)	996 502 561 01	Cross member		1	C4S CABRIO
	996 502 561 01 GRV	Prime coated			
		Upper part			
11	996 501 949 00	Seat well	-01	1	
	996 501 949 00 GRV	Prime coated			
(11)	996 501 049 03	Seat well	02-	1	
	996 501 049 03 GRV	Prime coated			
12	996 502 525 00	Bracket		1	CABRIO
	996 502 525 00 GRV	Prime coated			
13	996 503 211 00	Rear centre panel		1	COUPE
	996 503 211 00 GRV	Prime coated			
(13)	996 503 211 01	Rear centre panel		1	COUPE M425
	996 503 211 01 GRV	Prime coated			
(13)	996 503 211 04	Rear centre panel		1	C4S
	996 503 211 04 GRV	Prime coated			
(13)	996 503 211 03	Rear centre panel		1	C4S M425
	996 503 211 03 GRV	Prime coated			
14	996 545 549 00	Piping	/L	1	COUPE
14	996 545 549 02	Piping	/L	1	TARGA
14	996 545 549 03	Piping	/L 02-	1	C4S
(14)	996 545 550 00	Piping	/R	1	COUPE
(14)	996 545 550 02	Piping	/R	1	TARGA
(14)	996 545 550 03	Piping	/R 02-	1	C4S
15	996 561 825 00	Water drain valve		2	
		Wheel housing			
		Rear			
16	996 501 549 03	Seat well		1	
	996 501 549 03 GRV	Prime coated			
17	996 501 155 02	Cross member		1	
	996 501 155 02 GRV	Prime coated			
18	996 501 461 02	Reinforcement	/L	1	
	996 501 461 02 GRV	Prime coated			
(18)	996 501 462 02	Reinforcement	/R	1	
	996 501 462 02 GRV	Prime coated			
19	996 501 659 01	Bracket		1	
	996 501 659 01 GRV	Prime coated			
20	996 501 411 00	Pipe		1	
	996 501 411 00 GRV	Prime coated			
21	996 501 415 00	Sleeve		2	
	996 501 415 00 GRV	Prime coated			
22	996 504 797 00	Bracket	/L	1	
	996 504 797 00 GRV	Prime coated			
		Belt			
(22)	996 504 798 00	Bracket	/R	1	
	996 504 798 00 GRV	Prime coated			
		Belt			
23	996 502 653 01	Connecting piece	/L	1	COUPE/TARGA
	996 502 653 01 GRV	Prime coated			
(23)	996 502 654 01	Connecting piece	/R	1	COUPE/TARGA
	996 502 654 01 GRV	Prime coated			
(23)	997 502 553 00	Connecting piece	/L	1	CABRIO
	997 502 553 00 GRV	Prime coated			
(23)	997 502 554 00	Connecting piece	/R	1	CABRIO
	997 502 554 00 GRV	Prime coated			

Model: 996 98

Model life 1998>>2005

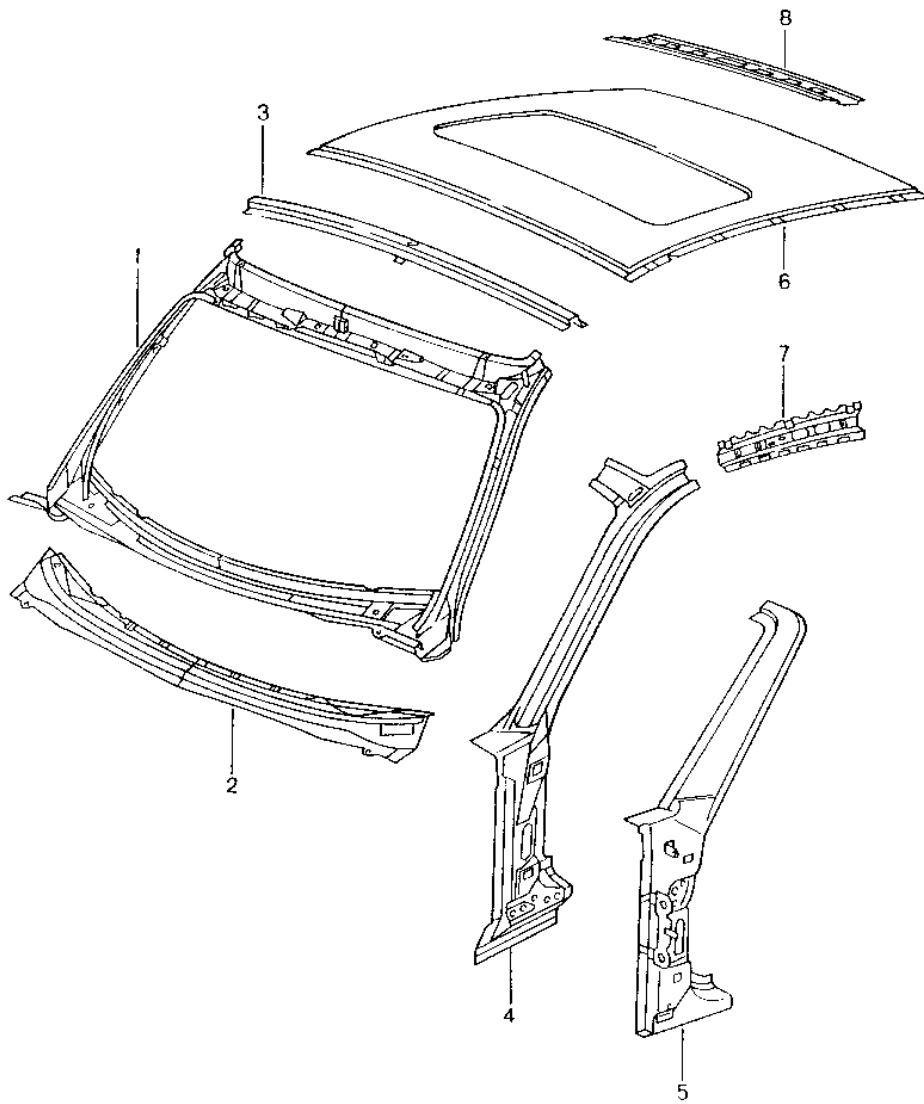


Model: 996 98 Model life 1998>>2005

Pos	Part Number	Description	Remark	Qty	Model
1	996 503 031 01	Wing			
	996 503 031 01 GRV	Wing	/L -01	1	
(1)	996 503 032 04	Prime coated			
	996 503 032 04 GRV	Wing	/R -01	1	
(1)	996 503 032 04 GRV	Prime coated			
	996 503 031 03	Wing	/L 02-	1	
	996 503 031 03 GRV	Prime coated			
(1)	996 503 032 05	Wing	/R 02-	1	
	996 503 032 05 GRV	Prime coated			
2	999 507 003 02	Speed nut		22	
		ST 6,3			
2	999 507 003 01	Speed nut		22	
		ST 6,3			
3	999 073 128 02	Tapping screw		22	
		ST 6,3 X 14			
4	996 504 133 02	Fuel filler flap	-01	1	
	996 504 133 02 GRV	Prime coated			
4	996 504 133 01	Fuel filler flap	02-	1	
	996 504 133 01 GRV	Prime coated			
5	996 201 063 00	Hinge		1	
6	996 201 413 01	Spring		1	
7	996 201 423 00	Cap		1	
9	996 201 513 00	Rubber stop		1	
10	996 201 493 00	Emergency operation		1	
11	996 624 113 00	Actuator		1	
12	996 624 505 02	Guide rose		1	
13	996 201 667 01	Sleeve		1	
15	996 201 153 00	Hose		1	
16	996 504 641 01	Cover	/L	1	
	996 504 641 01 01C	Black			
(16)	996 504 642 01	Cover	/R	1	
	996 504 642 01 01C	Black			
17	999 591 712 40	Expansion rivet		6	
		A 6,0 X 12,0			
18	996 504 531 00	Protective film	/L	1	
(18)	996 504 532 00	Protective film	/R	1	
19	996 504 441 00	Strut		2	
	996 504 441 00 GRV	Prime coated			
20	996 504 555 00	Bracket		2	
	996 504 555 00 GRV	Prime coated			
21	900 377 010 09	Hexagon nut		X	
		M 6			
22	996 504 617 00	Protective film	02-	2	

Model: 996 98

Model life 1998>>2005



Model: 996 98

Model life 1998>>2005

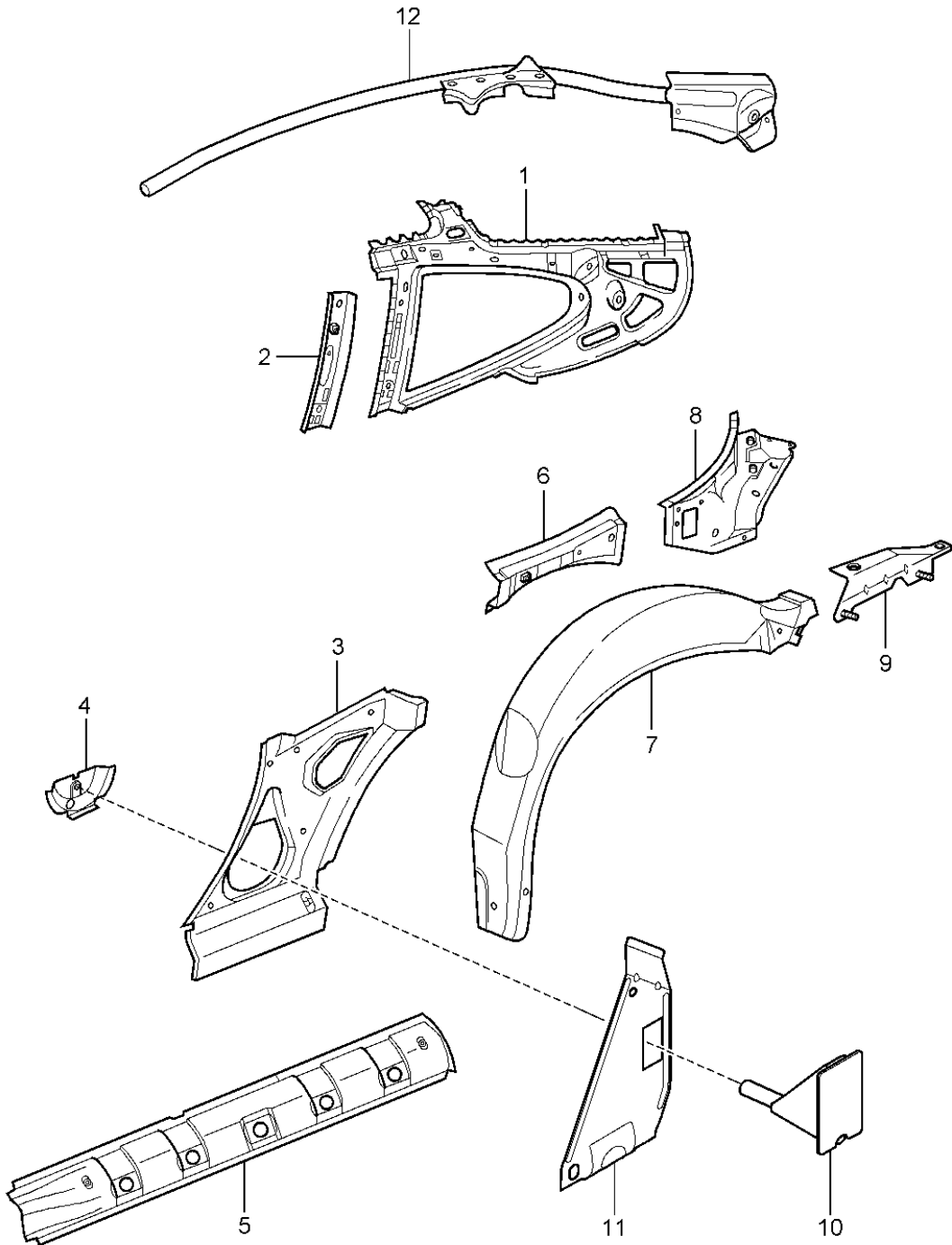
Pos	Part Number	Description	Remark	Qty	Model
1	996 502 137 05 996 502 137 05 GRV	Cowl Cowl Prime coated See group 8/07/09 Sun visor		1	COUPE
1	996 502 137 08 996 502 137 08 GRV	Cowl Cowl Prime coated See group 8/07/09 Sun visor		1	COUPE
(1)	996 502 137 04 996 502 137 04 GRV	Cowl Cowl Prime coated Inner		1	CABRIO
(1)	996 502 137 07 996 502 137 07 GRV	Cowl Cowl Prime coated Inner		1	TARGA
2	996 502 527 00 996 502 527 00 GRV	Cowl Cowl Prime coated Outer		1	
2	996 502 527 01 996 502 527 01 GRV	Cowl Cowl Prime coated Outer		1	
3	996 502 529 00 996 502 529 00 GRV	Cowl Cowl Prime coated Outer		1	CABRIO
3	996 502 529 01 996 502 529 01 GRV	Cowl Cowl Prime coated Outer		1	TARGA
4	996 502 135 02 996 502 135 02 GRV	Reinforcement Reinforcement Prime coated Inner	/L	1	COUPE
(4)	996 502 136 02 996 502 136 02 GRV	Reinforcement Reinforcement Prime coated Inner	/R	1	COUPE
(4)	996 502 135 00 996 502 135 00 GRV	Reinforcement Reinforcement Prime coated Inner	/L	1	CABRIO
(4)	996 502 136 00 996 502 136 00 GRV	Reinforcement Reinforcement Prime coated Inner	/R	1	CABRIO
(4)	996 502 135 03 996 502 135 03 GRV	Reinforcement Reinforcement Prime coated Inner	/L	1	TARGA
(4)	996 502 136 03 996 502 136 03 GRV	Reinforcement Reinforcement Prime coated Inner	/R	1	TARGA
5	996 502 335 00 996 502 335 00 GRV	Hinge pillar Hinge pillar Prime coated	/L	1	CABRIO
(5)	996 502 336 00 996 502 336 00 GRV	Hinge pillar Hinge pillar Prime coated	/R	1	CABRIO
(6)	996 503 501 00 996 503 501 00 GRV	Outer roof panel Outer roof panel Prime coated		1	
6	996 503 087 00 996 503 087 00 GRV	Outer roof panel Outer roof panel Prime coated	-01	1	M650
6	996 503 087 03 996 503 087 03 GRV	Outer roof panel Outer roof panel Prime coated	02-	1	M650
-	000 043 204 38	Use also: Sealing compound 70 ML		X	
-	996 504 801 00	See technical manual Filler piece Roof transport system		2	

Model: 996 98 Model life 1998>>2005

Pos	Part Number	Description	Remark	Qty	Model
7	996 502 305 00	Roof frame	/L -00	1	COUPE
	996 502 305 00 GRV	Prime coated			
7	996 502 305 03	Roof frame	/L 01-	1	COUPE
	996 502 305 03 GRV	Prime coated			
(7)	996 502 306 00	Roof frame	/R -00	1	COUPE
	996 502 306 00 GRV	Prime coated			
(7)	996 502 306 03	Roof frame	/R 01-	1	COUPE
	996 502 306 03 GRV	Prime coated			
8	996 502 505 00	Roof frame		1	
	996 502 505 00 GRV	Prime coated			
8	996 502 505 01	Roof frame		1	
	996 502 505 01 GRV	Prime coated			
-	996 504 911 00	Plate with Threaded pin		X	
-	996 504 505 00	Threaded bush		X	
-	900 025 008 09	Washer A 10,5		X	
-	900 025 008 04	Washer A 10,5		X	
-	996 502 737 00	Speed nut M 6 Cowl		2	CABRIO
-	997 502 739 00	Speed nut M 6 Cowl		1	CABRIO

Model: 996 98

Model life 1998>>2005



Model: 996 98 Model life 1998>>2005

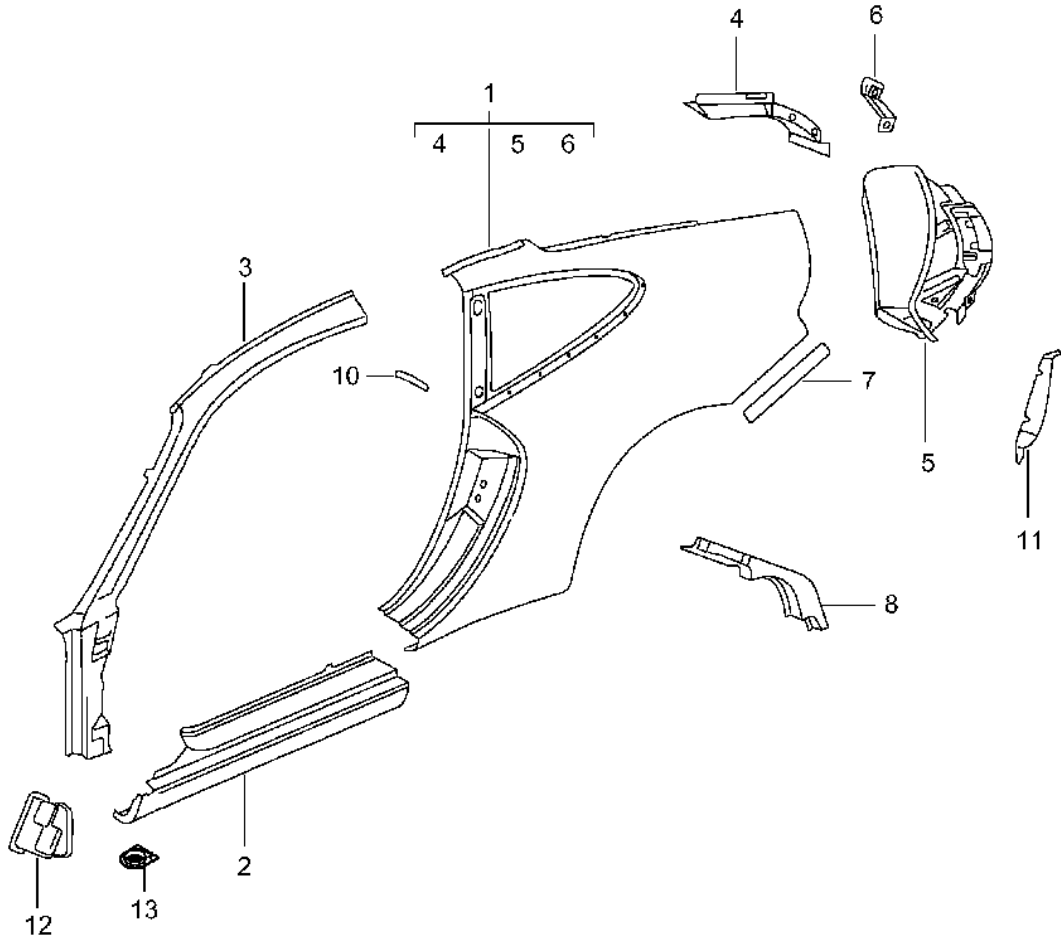
Pos	Part Number	Description	Remark	Qty	Model
		Side section Inner			COUPE/TARGA
(1)	996 502 043 01	Side section	/L	1	TARGA
	996 502 043 01 GRV	Prime coated			
1	996 502 043 02	Side section	/L	1	COUPE
	996 502 043 02 GRV	Prime coated			
(1)	996 502 044 01	Side section	/R	1	TARGA
	996 502 044 01 GRV	Prime coated			
(1)	996 502 044 02	Side section	/R	1	COUPE
	996 502 044 02 GRV	Prime coated			
2	996 502 423 00	Reinforcement	/L	1	
	996 502 423 00 GRV	Prime coated			
2	996 502 423 01	Reinforcement	/L	1	
	996 502 423 01 GRV	Prime coated			
(2)	996 502 424 00	Reinforcement	/R	1	
	996 502 424 00 GRV	Prime coated			
(2)	996 502 424 01	Reinforcement	/R	1	
	996 502 424 01 GRV	Prime coated			
(2)	996 502 423 02	Reinforcement	/L	1	COUPE/TARGA
	996 502 423 02 GRV	Prime coated			
(2)	996 502 424 02	Reinforcement	/R	1	COUPE/TARGA
	996 502 424 02 GRV	Prime coated			
3	996 502 083 00	Side section	/L -01	1	
	996 502 083 00 GRV	Prime coated			
3	996 502 083 02	Side section	/L 02-	1	COUPE/TARGA
	996 502 083 02 GRV	Prime coated			
(3)	996 502 084 00	Side section	/R -01	1	
	996 502 084 00 GRV	Prime coated			
(3)	996 502 084 02	Side section	/R 02-	1	COUPE/TARGA
	996 502 084 02 GRV	Prime coated			
4	996 502 383 01	Bracket		2	COUPE/TARGA
	996 502 383 01 GRV	Prime coated			
5	996 502 733 00	Reinforcement	/L	1	
	996 502 733 00 GRV	Prime coated			
5	996 502 733 01	Reinforcement	/L	1	COUPE/TARGA
	996 502 733 01 GRV	Prime coated			
(5)	996 502 734 00	Reinforcement	/R	1	
	996 502 734 00 GRV	Prime coated			
(5)	996 502 734 01	Reinforcement	/R	1	COUPE/TARGA
	996 502 734 01 GRV	Prime coated			
-	999 703 433 40	Stopper 30 X 42 for POS. 5		10	
6	996 502 115 00	Side section	/L	1	COUPE/TARGA
	996 502 115 00 GRV	Prime coated			
(6)	996 502 116 00	Side section	/R	1	COUPE/TARGA
	996 502 116 00 GRV	Prime coated			
7	996 502 515 00	Wheel housing	/L	1	COUPE/TARGA
	996 502 515 00 GRV	Prime coated			
(7)	996 502 516 00	Wheel housing	/R	1	COUPE/TARGA
	996 502 516 00 GRV	Prime coated			

Model: 996 98 Model life 1998>>2005

Pos	Part Number	Description	Remark	Qty	Model
(7)	996 502 215 01	Wheel housing	/L	1	C4S
	996 502 215 01 GRV	Prime coated POS. 7+9			
(7)	996 502 216 01	Wheel housing	/R	1	C4S
	996 502 216 01 GRV	Prime coated POS. 7+9			
8	996 502 161 01	Side section	/L	1	COUPE/TARGA
	996 502 161 01 GRV	Prime coated			
(8)	996 502 162 01	Side section	/R	1	COUPE/TARGA
	996 502 162 01 GRV	Prime coated			
9	996 502 219 01	Closing element	/L	1	COUPE/TARGA
	996 502 219 01 GRV	Prime coated			
(9)	996 502 220 01	Closing element	/R	1	COUPE/TARGA
	996 502 220 01 GRV	Prime coated			
10	996 502 617 00	Pipe	02-	2	
	996 502 617 00 GRV	Prime coated See technical manual			
11	997 502 745 00	Reinforcement plate	/L	1	
	997 502 745 00 GRV	Prime coated			
(11)	997 502 746 00	Reinforcement plate	/R	1	
	997 502 746 00 GRV	Prime coated			
12	996 502 619 00	Pipe	/L 02-	1	
	996 502 619 00 GRV	Prime coated			
12	997 502 619 00	Pipe	/L 02-	1	
	997 502 619 00 GRV	Prime coated			
(12)	996 502 620 00	Pipe	/R 02-	1	
	996 502 620 00 GRV	Prime coated			
(12)	997 502 620 00	Pipe	/R 02-	1	
	997 502 620 00 GRV	Prime coated			

Model: 996 98

Model life 1998>>2005



Model: 996 98 Model life 1998>>2005

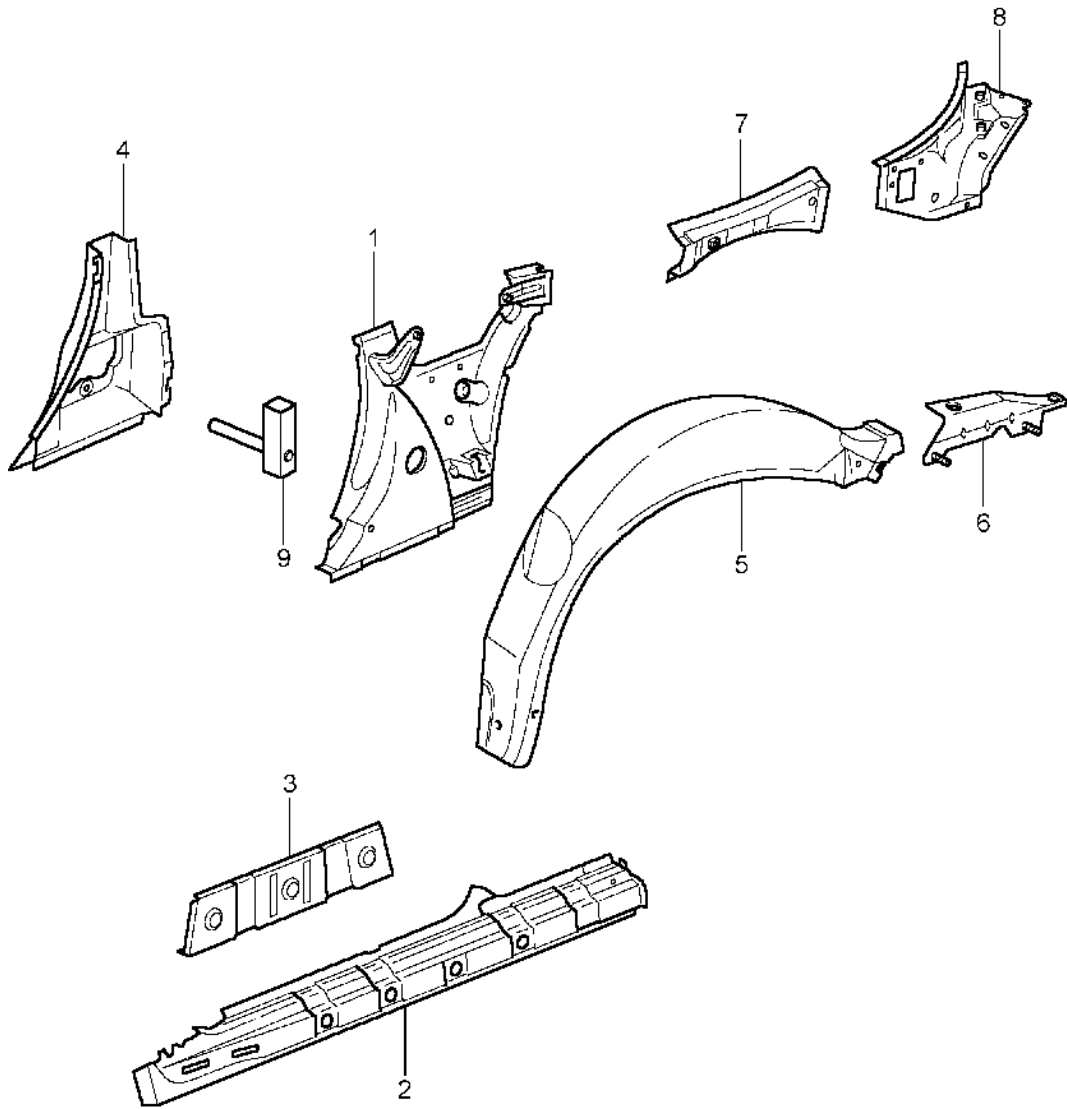
Pos	Part Number	Description	Remark	Qty	Model
		Side section Outer			COUPE
1	996 503 961 00	Side section	/L -99	1	
	996 503 961 00 GRV	Prime coated			
1	996 503 961 02	Side section	/L -01	1	
	996 503 961 02 GRV	Prime coated			
1	996 503 961 05	Side section	/L 02-	1	
	996 503 961 05 GRV	Prime coated			
(1)	996 503 962 00	Side section	/R -01	1	
	996 503 962 00 GRV	Prime coated			
(1)	996 503 962 05	Side section	/R 02-	1	
	996 503 962 05 GRV	Prime coated			
(1)	996 503 961 08	Side section	/L	1	C4S
	996 503 961 08 GRV	Prime coated			
(1)	996 503 962 08	Side section	/R	1	C4S
	996 503 962 08 GRV	Prime coated			
		Use also:			
-	999 915 650 40	Adhesive TEROMIX 6700		X	
-	000 043 300 48	Tool See technical manual Group 5 53 55 55		X	
2	996 503 963 00	Door sill	/L	1	
	996 503 963 00 GRV	Prime coated			
(2)	996 503 964 00	Door sill	/R	1	
	996 503 964 00 GRV	Prime coated			
(2)	996 503 963 02	Door sill	/L	1	C4S
	996 503 963 02 GRV	Prime coated			
(2)	996 503 964 02	Door sill	/R	1	C4S
	996 503 964 02 GRV	Prime coated			
3	996 503 965 00	Roof frame	/L -01	1	
	996 503 965 00 GRV	Prime coated			
3	996 503 965 02	Roof frame	/L 02-	1	
	996 503 965 02 GRV	Prime coated			
(3)	996 503 966 00	Roof frame	/R -01	1	
	996 503 966 00 GRV	Prime coated			
(3)	996 503 966 02	Roof frame	/R 02-	1	
	996 503 966 02 GRV	Prime coated			
4	996 502 665 00	Sealing channel	/L	1	
	996 502 665 00 GRV	Prime coated			
(4)	996 502 666 00	Sealing channel	/R	1	
	996 502 666 00 GRV	Prime coated			
4	996 502 665 03	Sealing channel	/L	1	C4S
	996 502 665 03 GRV	Prime coated			
(4)	996 502 666 03	Sealing channel	/R	1	C4S
	996 502 666 03 GRV	Prime coated			
5	996 502 461 04	Frame for light	/L	1	
	996 502 461 04 GRV	Prime coated			
5	996 502 461 01	Frame for light	/L	1	C4S
	996 502 461 01 GRV	Prime coated			
(5)	996 502 462 03	Frame for light	/R	1	
	996 502 462 03 GRV	Prime coated			
(5)	996 502 462 01	Frame for light	/R	1	C4S
	996 502 462 01 GRV	Prime coated			
6	996 502 213 00	Bracket	/L -01	1	
	996 502 213 00 GRV	Prime coated			
6	996 502 213 03	Bracket	/L 02-	1	
	996 502 213 03 GRV	Prime coated			
(6)	996 502 214 00	Bracket	/R -01	1	
	996 502 214 00 GRV	Prime coated			
(6)	996 502 214 03	Bracket	/R 02-	1	
	996 502 214 03 GRV	Prime coated			

Model: 996 98 Model life 1998>>2005

Pos	Part Number	Description	Remark	Qty	Model
(6)	996 502 213 01	Bracket	/L	1	C4S
	996 502 213 01 GRV	Prime coated			
(6)	996 502 214 01	Bracket	/R	1	C4S
	996 502 214 01 GRV	Prime coated			
7	996 504 631 00	Protective film	/L	1	
(7)	996 504 632 00	Protective film	/R	1	
(8)	996 504 907 00	Gasket	/L	1	
(8)	996 504 908 00	Gasket	/R	1	
		See workshop manual			
10	996 537 237 00	Protective film		2	
11	996 501 855 00	Angular plate	/L -00	1	
	996 501 855 00 GRV	Prime coated			
11	996 501 855 02	Angular plate	/L	1	
	996 501 855 02 GRV	Prime coated			
11	996 501 855 03	Angular plate	/L 01-	1	
	996 501 855 03 GRV	Prime coated			
(11)	996 501 487 00	Angular plate	/L 02-	1	C4S
	996 501 487 00 GRV	Prime coated			
(11)	996 501 856 00	Angular plate	/R -00	1	
	996 501 856 00 GRV	Prime coated			
(11)	996 501 856 03	Angular plate	/R 01-	1	
	996 501 856 03 GRV	Prime coated			
(11)	996 501 488 00	Angular plate	/R 02-	1	C4S
	996 501 488 00 GRV	Prime coated			
12	996 572 311 00	Water protection	/L	1	
(12)	996 572 312 00	Water protection	/R	1	
13	999 703 475 40	Water drain sleeve		2	
		Door sill			

Model: 996 98

Model life 1998>>2005

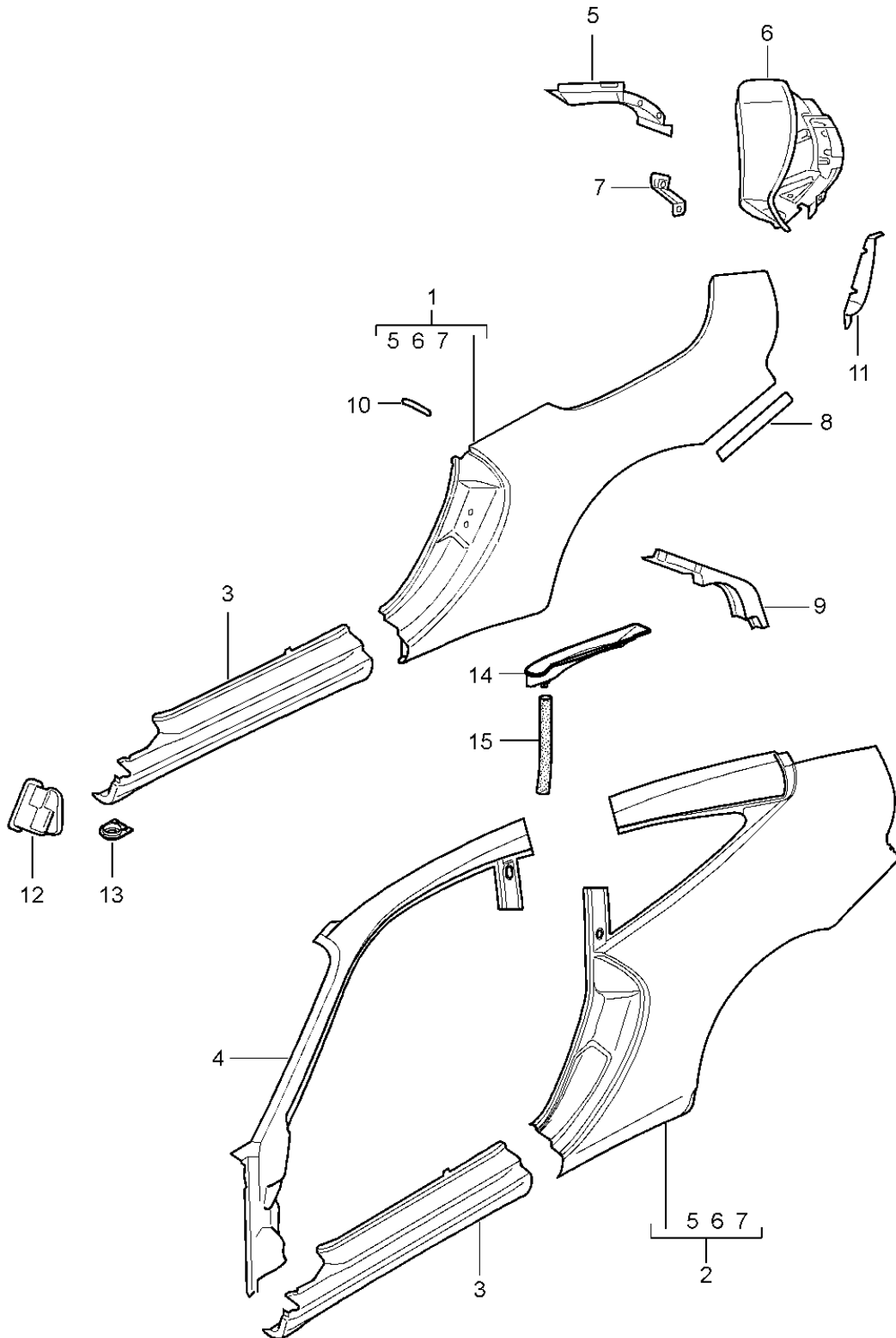


Model: 996 98 Model life 1998>>2005

Pos	Part Number	Description	Remark	Qty	Model
		Side section Inner			CABRIO
1	996 502 073 00	Side section	/L -00	1	
	996 502 073 00 GRV	Prime coated			
1	996 502 073 01	Side section	/L	1	
	996 502 073 01 GRV	Prime coated			
(1)	996 502 074 00	Side section	/R -00	1	
	996 502 074 00 GRV	Prime coated			
(1)	996 502 074 01	Side section	/R 01-	1	
	996 502 074 01 GRV	Prime coated			
2	996 502 663 01	Reinforcement	/L	1	
	996 502 663 01 GRV	Prime coated			
(2)	996 502 664 01	Reinforcement	/R	1	
	996 502 664 01 GRV	Prime coated			
(2)	996 502 664 02	Reinforcement	/R	1	
	996 502 664 02 GRV	Prime coated			
3	996 502 683 00	Separator	/L -01	1	
	996 502 683 00 GRV	Prime coated			
3	996 502 683 01	Separator	/L 02-	1	
	996 502 683 01 GRV	Prime coated			
(3)	996 502 684 00	Separator	/R -01	1	
	996 502 684 00 GRV	Prime coated			
(3)	996 502 684 01	Separator	/R 02-	1	
	996 502 684 01 GRV	Prime coated			
4	996 502 415 00	B-pillar	/L -01	1	
	996 502 415 00 GRV	Prime coated			
4	996 502 415 01	B-pillar	/L 02-	1	
	996 502 415 01 GRV	Prime coated			
(4)	996 502 416 00	B-pillar	/R -01	1	
	996 502 416 00 GRV	Prime coated			
(4)	996 502 416 01	B-pillar	/R 02-	1	
	996 502 416 01 GRV	Prime coated			
5	996 502 515 00	Wheel housing	/L	1	
	996 502 515 00 GRV	Prime coated			
(5)	996 502 516 00	Wheel housing	/R	1	
	996 502 516 00 GRV	Prime coated			
(5)	996 502 215 03	Wheel housing	/L	1	C4S
	996 502 215 03 GRV	Prime coated POS.5+6			
(5)	996 502 216 03	Wheel housing	/R	1	C4S
	996 502 216 03 GRV	Prime coated POS.5+6			
6	996 502 219 01	Closing element	/L	1	
	996 502 219 01 GRV	Prime coated			
(6)	996 502 220 01	Closing element	/R	1	
	996 502 220 01 GRV	Prime coated			
7	996 502 087 00	Side section	/L	1	
	996 502 087 00 GRV	Prime coated			
(7)	996 502 088 00	Side section	/R	1	
	996 502 088 00 GRV	Prime coated			
8	996 502 161 00	Side section	/L	1	
	996 502 161 00 GRV	Prime coated			
(8)	996 502 161 04	Side section	/L	1	
	996 502 161 04 GRV	Prime coated			
(8)	996 502 162 00	Side section	/R	1	
	996 502 162 00 GRV	Prime coated			
(8)	996 502 162 04	Side section	/R	1	
	996 502 162 04 GRV	Prime coated			
9	996 502 669 00	Pipe	02-	2	
	996 502 669 00 GRV	Prime coated			

Model: 996 98

Model life 1998>>2005



Model: 996 98 Model life 1998>>2005

Pos	Part Number	Description	Remark	Qty	Model
		Side section Outer			CABRIO/TARGA
1	996 503 961 03	Side section	/L -01	1	CABRIO
	996 503 961 03 GRV	Prime coated			
1	996 503 961 06	Side section	/L 02-	1	CABRIO
	996 503 961 06 GRV	Prime coated			
(1)	996 503 962 01	Side section	/R -01	1	CABRIO
	996 503 962 01 GRV	Prime coated			
(1)	996 503 962 06	Side section	/R 02-	1	CABRIO
	996 503 962 06 GRV	Prime coated			
(1)	996 503 961 09	Side section	/L 04-	1	C4S CABRIO
	996 503 961 09 GRV	Prime coated			
(1)	996 503 962 09	Side section	/R 04-	1	C4S CABRIO
	996 503 962 09 GRV	Prime coated			
-	996 503 061 03	Side section	/L	1	TARGA
	996 503 061 03 GRV	Prime coated			
		Complete			
-	996 503 062 03	Side section	/R	1	TARGA
	996 503 062 03 GRV	Prime coated			
		Complete			
2	996 503 961 11	Side section	/L	1	TARGA
	996 503 961 11 GRV	Prime coated			
(2)	996 503 962 11	Side section	/R	1	TARGA
	996 503 962 11 GRV	Prime coated			
		Use also:			
-	999 915 650 40	Adhesive		X	
		TEROMIX 6700			
-	000 043 300 48	Tool		X	
		See technical manual			
		Group 5			
		53 55 55			
3	996 503 963 01	Door sill	/L	1	CABRIO
	996 503 963 01 GRV	Prime coated			
3	996 503 963 00	Door sill	/L	1	TARGA
	996 503 963 00 GRV	Prime coated			
(3)	996 503 964 01	Door sill	/R	1	CABRIO
	996 503 964 01 GRV	Prime coated			
(3)	996 503 964 00	Door sill	/R	1	TARGA
	996 503 964 00 GRV	Prime coated			
(3)	996 503 963 03	Door sill	/L 04-	1	C4S CABRIO
	996 503 963 03 GRV	Prime coated			
(3)	996 503 964 03	Door sill	/R 04-	1	C4S CABRIO
	996 503 964 03 GRV	Prime coated			
4	996 503 965 04	A-pillar	/L	1	TARGA
	996 503 965 04 GRV	Prime coated			
(4)	996 503 966 04	A-pillar	/R	1	TARGA
	996 503 966 04 GRV	Prime coated			
5	996 502 665 01	Sealing channel	/L	1	
	996 502 665 01 GRV	Prime coated			
(5)	996 502 666 01	Sealing channel	/R	1	
	996 502 666 01 GRV	Prime coated			
6	996 502 461 04	Frame for light	/L	1	
	996 502 461 04 GRV	Prime coated			
6	996 502 461 01	Frame for light	/L	1	C4S
	996 502 461 01 GRV	Prime coated			
(6)	996 502 462 03	Frame for light	/R	1	
	996 502 462 03 GRV	Prime coated			
(6)	996 502 462 01	Frame for light	/R	1	C4S
	996 502 462 01 GRV	Prime coated			
7	996 502 213 00	Bracket	/L -01	1	
	996 502 213 00 GRV	Prime coated			
7	996 502 213 03	Bracket	/L 02-	1	
	996 502 213 03 GRV	Prime coated			

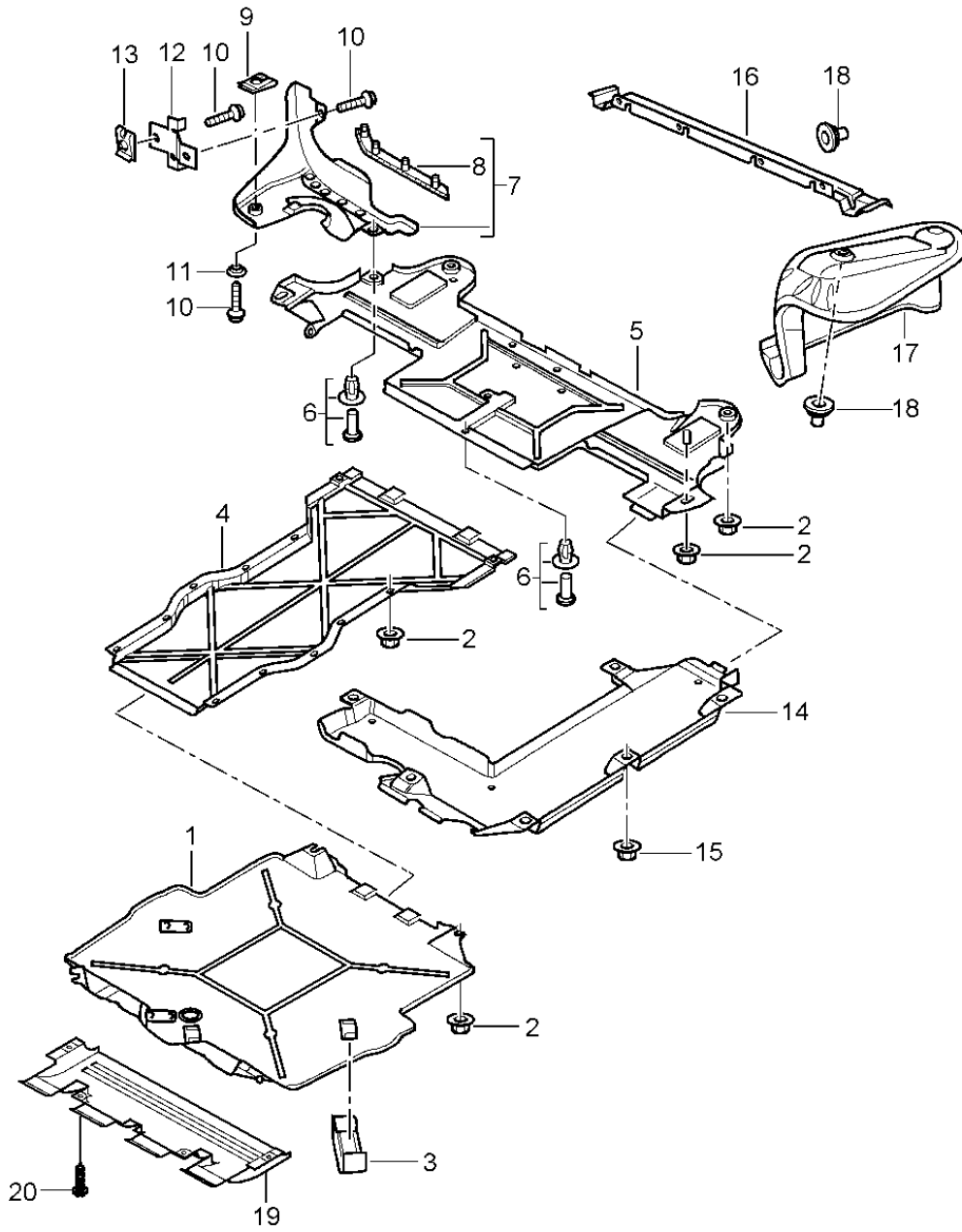
Model: 996 98

Model life 1998>>2005

Pos	Part Number	Description	Remark	Qty	Model
(7)	996 502 214 00	Bracket	/R -01	1	
	996 502 214 00 GRV	Prime coated			
(7)	996 502 214 03	Bracket	/R 02-	1	
	996 502 214 03 GRV	Prime coated			
(7)	996 502 213 01	Bracket	/L 04-	1	C4S CABRIO
	996 502 213 01 GRV	Prime coated			
(7)	996 502 214 01	Bracket	/R 04-	1	C4S CABRIO
	996 502 214 01 GRV	Prime coated			
8	996 504 631 00	Protective film	/L	1	
(8)	996 504 632 00	Protective film	/R	1	
(9)	996 504 907 00	Gasket	/L	1	
(9)	996 504 908 00	Gasket	/R	1	
		It is necessary to rework See workshop manual			
10	996 537 237 00	Protective film		2	
11	996 501 855 02	Angular plate	/L -00	1	
	996 501 855 02 GRV	Prime coated			
11	996 501 855 03	Angular plate	/L 01-	1	
	996 501 855 03 GRV	Prime coated			
(11)	996 501 856 02	Angular plate	/R -00	1	
	996 501 856 02 GRV	Prime coated			
(11)	996 501 856 03	Angular plate	/R 01-	1	
	996 501 856 03 GRV	Prime coated			
12	996 572 311 00	Water protection	/L	1	
(12)	996 572 312 00	Water protection	/R	1	
13	999 703 475 40	Water drain sleeve		2	
		Door sill			
14	997 504 967 00	Water drip pan	/L	1	CABRIO
(14)	997 504 968 00	Water drip pan	/R	1	CABRIO
		Use also:			
15	986 514 241 00	Water drain hose		2	CABRIO
		See technical manual			
		53 55			
16	996 504 697 02	Gasket	/L	1	
		Side section			
		Outer			
(16)	996 504 698 02	Gasket	/R	1	
		Side section			
		Outer			

Model: 996 98

Model life 1998>>2005

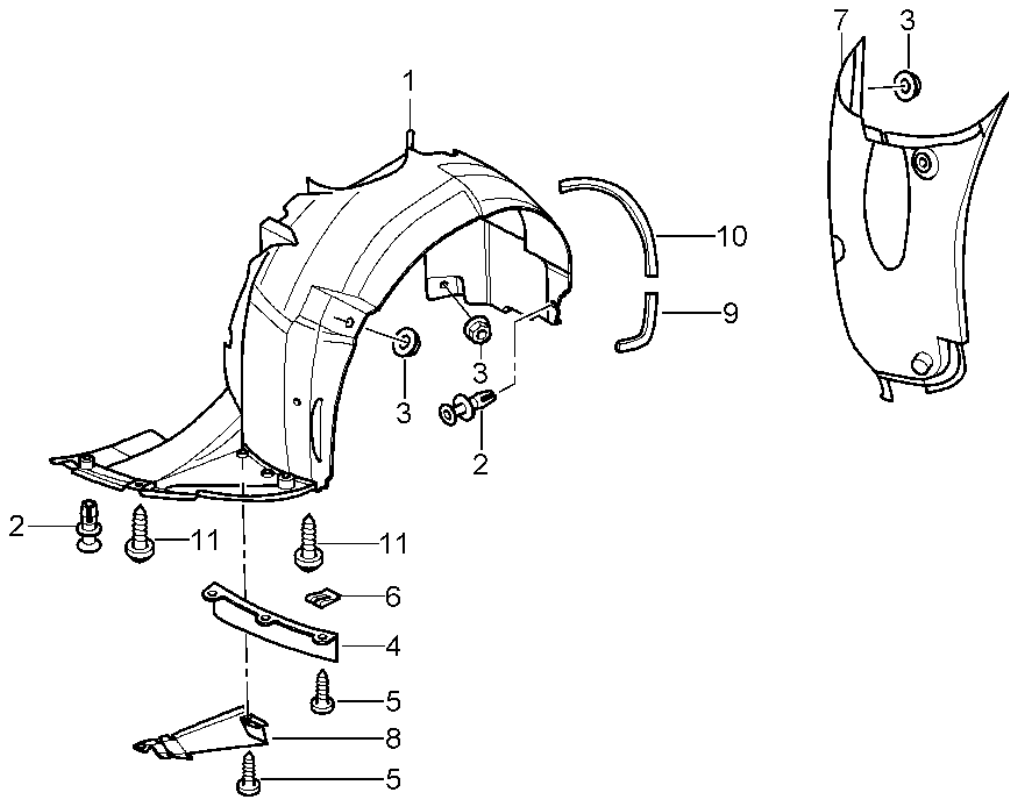


Model: 996 98 Model life 1998>>2005

Pos	Part Number	Description	Remark	Qty	Model
		Linings for Underbody			
1	996 504 527 02	Cover		1	M338
(1)	996 504 527 01	Cover	99-	1	M339
2	999 049 022 40	Plastic nut T 5		21	
3	999 507 657 09	Clamp		6	
4	996 504 043 02	Cover Centre		1	
5	996 504 129 01	Cover Rear		1	
6	999 507 497 40	Expansion rivet 8,0 X 14,0		4	
7	996 504 393 01	Cover	/L	1	
	996 504 393 01 01C	Satin black			
(7)	996 504 394 01	Cover	/R	1	
	996 504 394 01 01C	Satin black			
8	996 504 893 00	Rubber lip	/L	1	
(8)	996 504 894 00	Rubber lip	/R	1	
9	999 507 348 01	Speed nut ST 4,8		4	
10	999 073 061 02	Tapping screw ST 4,8 X 16		8	
11	944 503 255 00	Spacer		4	
12	996 504 593 00	Support		2	
13	999 507 462 02	Speed nut ST 4,8		4	
13	999 507 462 09	Speed nut ST 4,8		4	
14	996 504 561 00	Cover		1	
15	999 049 022 40	Plastic nut T5		6	
16	996 505 471 00	Heat protection Centre		1	
17	996 505 477 00	Heat protection	/L	1	
(17)	996 505 478 00	Heat protection	/R	1	
18	999 049 025 09	Collar nut T 5		12	
19	996 575 161 01	Air guide Front		1	C4S
20	N 906 487 02	Tapping screw ST 4,8 X 16		9	

Model: 996 98

Model life 1998>>2005

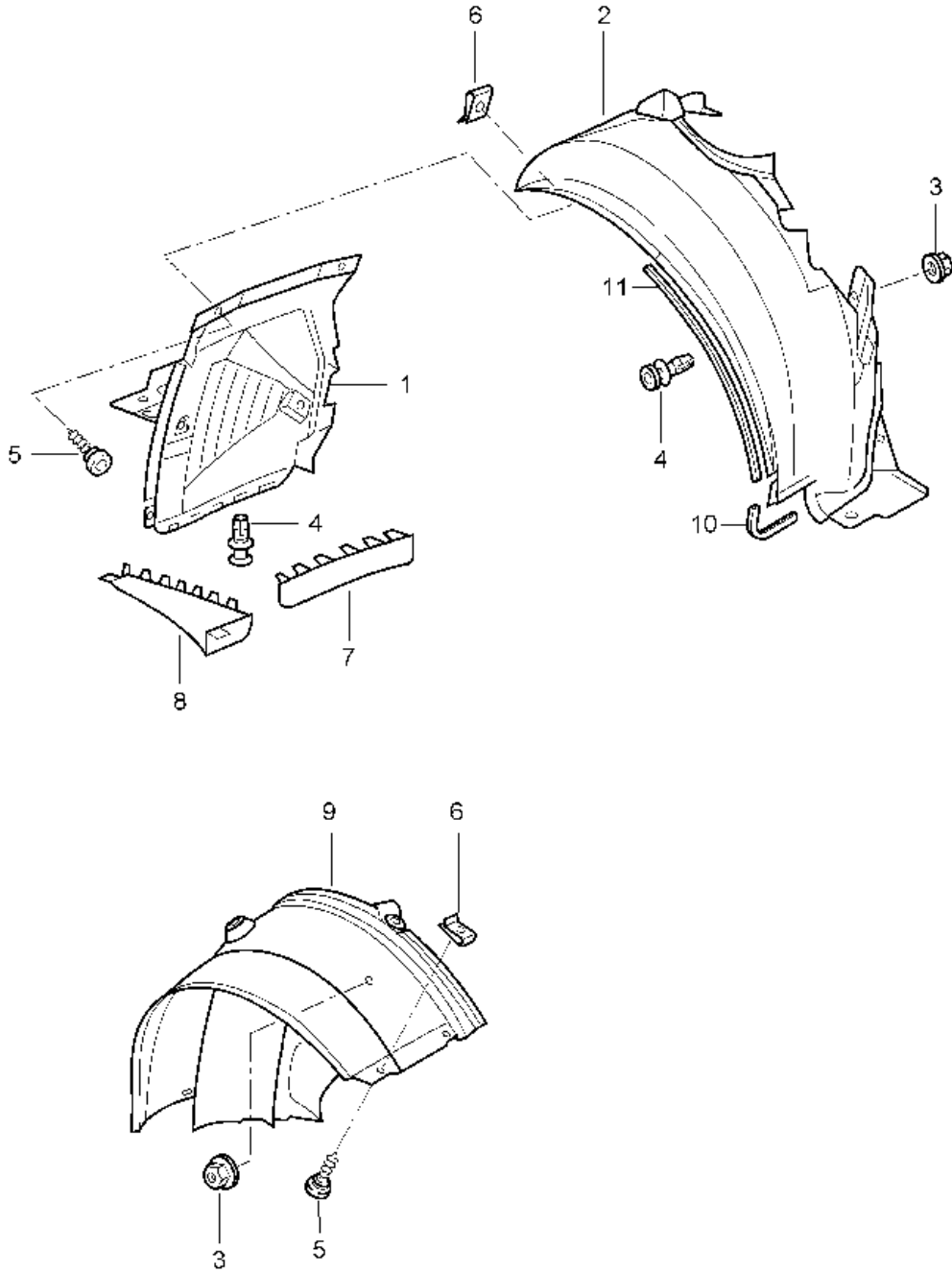


Model: 996 98 Model life 1998>>2005

Pos	Part Number	Description	Remark	Qty	Model
		Linings for	-01		
1	996 504 203 06	Wheel housing			
(1)	996 504 204 06	Wheel-housing liner	/L	1	
2	999 507 497 40	Wheel-housing liner	/R	1	
		Expansion rivet 8,0 X 14,0		13	
3	999 049 022 40	Plastic nut T5		10	
4	996 504 503 00	Rubber lip	/L	1	
(4)	996 504 504 00	Rubber lip	/R	1	
5	999 073 061 02	Tapping screw ST 4,8 X 16		6	
6	999 591 699 02	Speed nut ST 4,8		12	
6	999 591 699 01	Speed nut ST 4,8		12	
7	996 504 573 02	Wheel-housing liner	/L	1	
(7)	996 504 574 02	Wheel-housing liner	/R	1	
8	996 504 603 00	Air guide	/L	1	
(8)	996 504 604 00	Air guide	/R	1	
9	999 911 663 40	Sealing strap 10 X 10 X 180		2	
10	999 911 695 40	Sealing strap 10 X 30 X 680		2	
11	999 073 227 09	Tapping screw ST 4,8 X 19		4	

Model: 996 98

Model life 1998>>2005

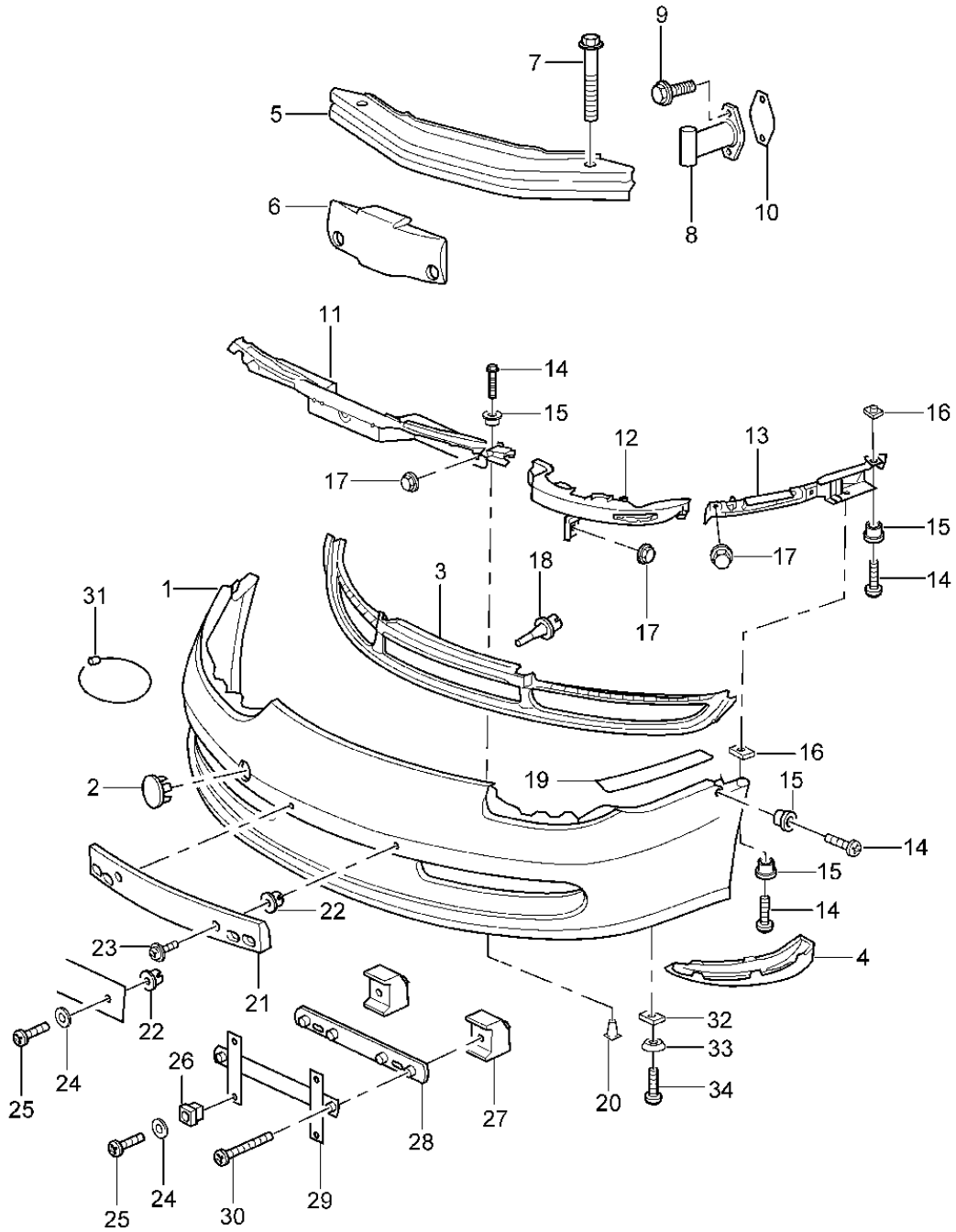


Model: 996 98 Model life 1998>>2005

Pos	Part Number	Description	Remark	Qty	Model
1		Linings for Wheel housing Wheel-housing liner POS1 Comprising: POS1 POS7 POS8	02-	1	
1	996 504 123 00	Wheel-housing liner	/L /V	1	M095
1		Wheel-housing liner	/L /V	1	
(1)	996 504 123 01	Wheel-housing liner	/L /V	1	-M095
(1)	996 504 123 03	Wheel-housing liner	/L /V	1	
		Front			
(1)	996 504 124 00	Wheel-housing liner	/R /V	1	M095
(1)		Wheel-housing liner	/R /V	1	
(1)	996 504 124 01	Wheel-housing liner	/R /V	1	-M095
(1)	996 504 124 03	Wheel-housing liner	/R /V	1	
		Front			
2	996 504 103 00	Wheel-housing liner	/L /H	1	
		Of			
2	996 504 203 08	Wheel-housing liner	/L /H	1	
		Front			
(2)	996 504 104 00	Wheel-housing liner	/R /H	1	
		Front			
(2)	996 504 204 08	Wheel-housing liner	/R /H	1	
		Front			
3	999 049 022 40	Plastic nut T5		X	
4	999 507 497 40	Expansion rivet 8,0 X 14,0		X	
5	N 906 487 02	Tapping screw ST 4,8 X 16		X	
6	999 507 668 01	Speed nut ST 4,8		X	
7	996 504 503 02	Rubber lip	/L	1	
7		Rubber lip	/L	1	M095
(7)	996 504 503 03	Rubber moulding	/L	1	
(7)	996 504 504 02	Rubber lip	/R	1	
(7)		Rubber lip	/R	1	M095
(7)	996 504 504 03	Rubber moulding	/R	1	
8	996 504 603 02	Air guide	/L	1	
8	996 504 603 03	Air guide	/L 02-	1	CABRIO TARGA C4S
(8)	996 504 604 01	Air guide	/R	1	
(8)	996 504 604 02	Air guide	/R	1	
(8)	996 504 604 03	Air guide	/R	1	CABRIO TARGA
9	996 504 573 01	Wheel-housing liner Rear	/L	1	
9	996 504 573 02	Wheel-housing liner Rear	/L	1	
(9)	996 504 574 01	Wheel-housing liner Rear	/R	1	
(9)	996 504 574 02	Wheel-housing liner Rear	/R	1	
10	999 911 663 40	Sealing strap 10 X 10 X 180		2	
11	999 911 695 40	Sealing strap 10 X 30 X 680		2	

Model: 996 98

Model life 1998>>2005



Model: 996 98 Model life 1998>>2005

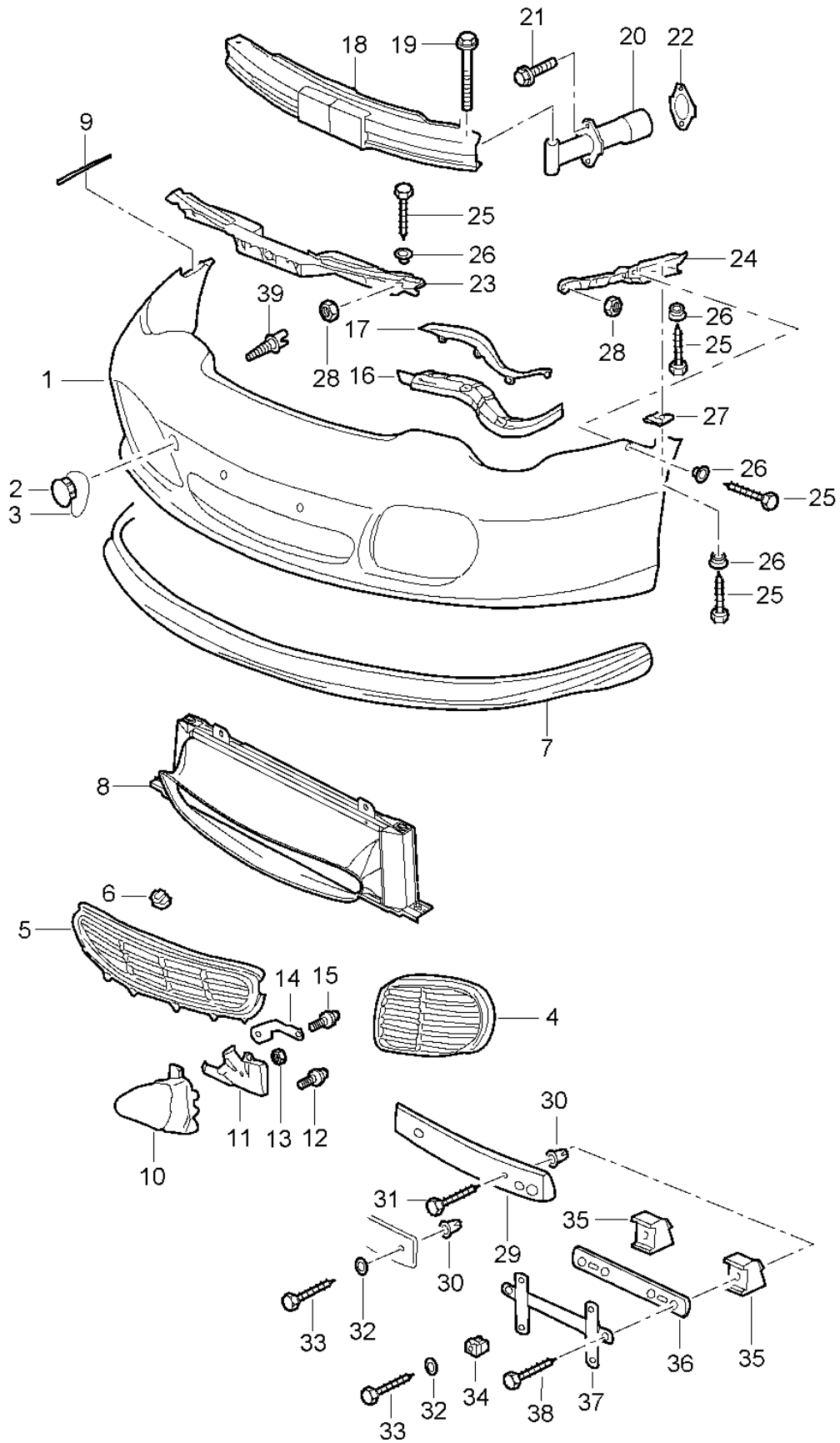
Pos	Part Number	Description	Remark	Qty	Model
		Bumper			
		Front			
1	996 505 311 04	Lining	-01	1	
	996 505 311 04 G2X	Prime coated			
(1)	996 505 311 06	Lining	02-	1	
	996 505 311 06 G2X	Prime coated			
(1)	996 505 111 22	Lining		1	M095/480
	996 505 111 22 G2X	Prime coated			
2	964 505 103 00	Cap		1	
	964 505 103 00 G2X	Prime coated			
3	996 505 553 04	Air inlet	-01	1	M480
	996 505 553 04 01C	Satin black			
(3)	996 505 561 01	Air inlet	02-	1	M480
	996 505 561 01 01C	Satin black			
(3)	996 505 553 05	Air inlet	-01	1	M249
	996 505 553 05 01C	Satin black			
(3)	996 505 561 02	Air inlet	02-	1	M249
	996 505 561 02 01C	Satin black			
4	996 505 525 00	Cover	/L -01	1	
	996 505 525 00 01C	Satin black			
4	996 505 525 01	Cover	/L 02-	1	
	996 505 525 01 01C	Satin black			
(4)	996 505 526 00	Cover	/R -01	1	
	996 505 526 00 01C	Satin black			
(4)	996 505 526 01	Cover	/R 02-	1	
	996 505 526 01 01C	Satin black			
5	996 505 011 00	Bumper reinforcement	-01	1	
5	996 505 011 05	Bumper reinforcement	02-	1	
6	986 505 777 01	Foam part		1	
7	900 378 088 09	Hexagon-head bolt		2	
		M 12 X 100			
7	900 378 088 01	Hexagon-head bolt		2	
		M 12 x 100			
8	996 505 019 00	Impact pipe	-01	2	
8	996 505 019 01	Impact pipe		2	
(8)	996 505 015 00	Impact absorber		2	M058
9	900 075 457 02	Combination screw		4	
		M 8 X 30			
10	996 505 775 00	Desk pad		2	
11	996 505 531 00	Retaining strip	-01	1	
11	996 505 531 01	Retaining strip		1	
		Centre			
12	996 505 539 00	Bracket	/L -01	1	
12	996 505 539 02	Bracket	/L 02-	1	
(12)	996 505 540 00	Bracket	/R -01	1	
(12)	996 505 540 02	Bracket	/R 02-	1	
-	996 505 741 01	Cover	/L 02-	1	
	996 505 741 01 01C	Satin black			
-	996 505 742 01	Cover	/R 02-	1	
	996 505 742 01 01C	Satin black			
13	996 505 535 00	Retaining strip	/L -01	1	
13	996 505 535 03	Retaining strip	/L 02-	1	
(13)	996 505 536 00	Retaining strip	/R -01	1	
(13)	996 505 536 03	Retaining strip	/R 02-	1	
14	900 144 101 02	Tapping screw		X	
		B 4,8 X 19			
15	999 209 045 09	Spacer		X	
16	999 507 072 02	Speed nut		X	
		B 4,8			
17	999 084 633 09	Hexagon nut		X	
		M 6			
18	996 641 142 00	Temperature sensor		1	
18	958 505 535 00	Sensor		1	

Model: 996 98 Model life 1998>>2005

Pos	Part Number	Description	Remark	Qty	Model
19	999 911 606 40	Adhesive tape		X	
19	000 043 204 83	Adhesive tape Roller 16,5 METER		X	
20	999 507 497 40	Expansion rivet 8 X 14		2	
21	996 701 105 00	Support	(E) (F) -01 (GB)	1	(BRD)
21	996 701 105 01	Support	(E) (F) 02- (GB)	1	(BRD)
22	999 507 040 40	Expander nut 4,2		X	
23	900 143 151 02	Combination tapping screw 4,2 X 16		2	
24	900 025 024 40	Washer		X	
25	900 143 134 00	Tapping screw B 4,2 X 9,5		X	
27	996 701 801 00	Spacer	/L	1	
(27)	996 701 802 00	Spacer	/R	1	
28	911 701 121 03	Support		1	M210
30	900 145 012 07	Counters. head tapp. screw B 4,2 X 32		2	
31	999 651 225 40	Safety rope		1	
32	999 591 699 02	Speed nut ST 4,8		4	
32	999 591 699 01	Speed nut ST 4,8		4	
34	999 073 198 09	Tapping screw		4	
34	999 073 227 09	Tapping screw ST 4,8 X 19		4	
37	996 505 531 00	Retaining strip		1	
38	996 505 321 92	Grille Centre		1	
39	996 505 323 91	Grille Left		1	
40	996 505 324 91	Grille Right		1	

Model: 996 98

Model life 1998>>2005



Model: 996 98 Model life 1998>>2005

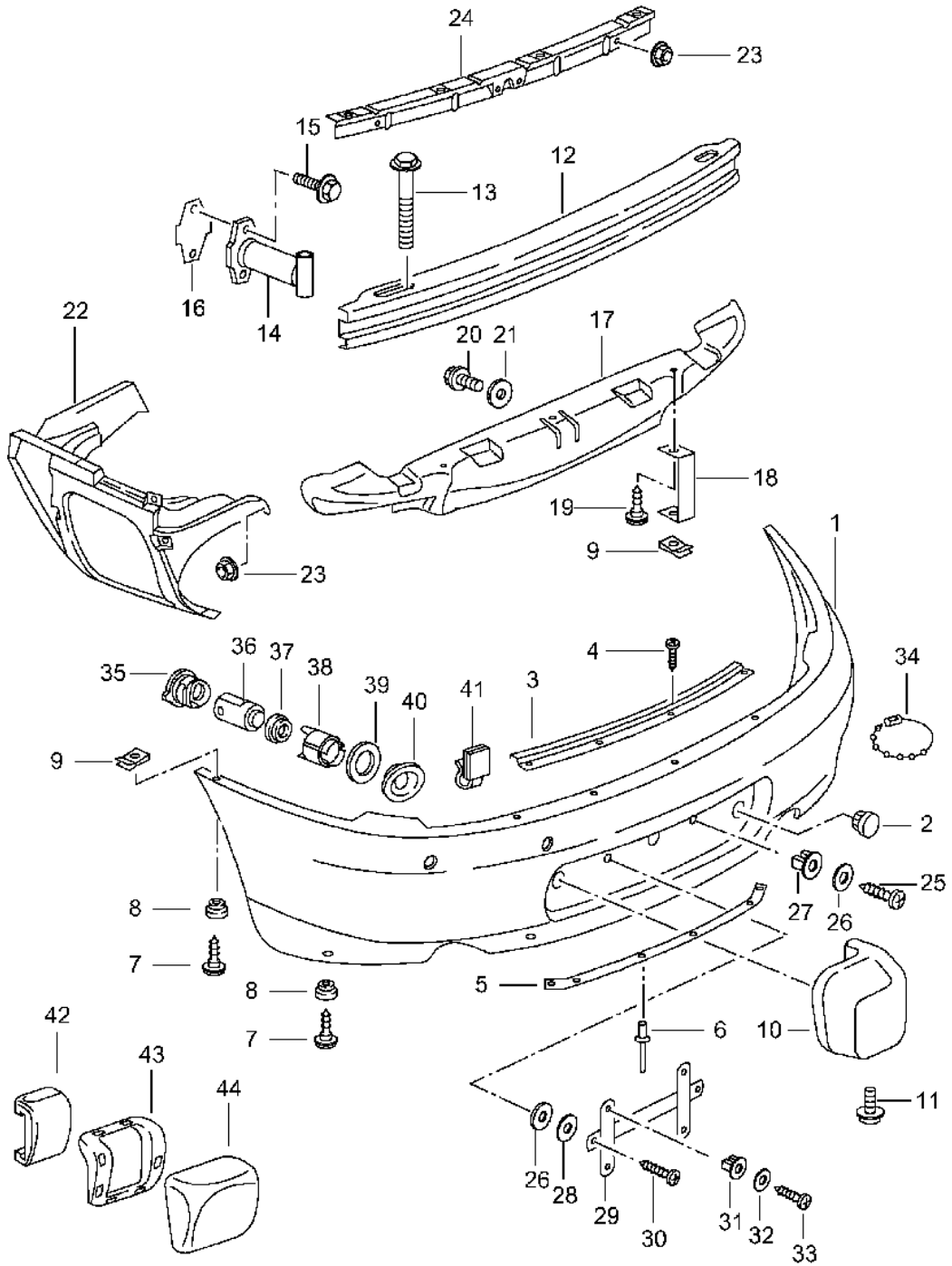
Pos	Part Number	Description	Remark	Qty	Model
		Bumper			C4S
		Front			
1	996 505 311 05	Lining		1	
	996 505 311 05 G2X	Prime coated			
2	964 505 103 00	Cap		1	
	964 505 103 00 G2X	Prime coated			
3	999 651 225 40	Safety rope		1	
4	996 505 563 00	Air inlet	/L	1	
	996 505 563 00 01C	Satin black			
(4)	996 505 564 00	Air inlet	/R	1	
	996 505 564 00 01C	Satin black			
(4)	996 505 563 01	Air inlet	/L	1	M215
	996 505 563 01 01C	Satin black			
(4)	996 505 564 01	Air inlet	/R	1	M215
	996 505 564 01 01C	Satin black			
4	996 505 563 03	Air inlet	/L	1	M095
	996 505 563 03 M7Z	Silver metallic			
(4)	996 505 564 03	Air inlet	/R	1	M095
	996 505 564 03 M7Z	Silver metallic			
5	996 505 561 03	Air inlet		1	
	996 505 561 03 01C	Satin black			
6	999 507 751 02	U-clamp		X	
7	996 505 555 02	Spoiler		1	M095
	996 505 555 02 01C	Satin black			
7	996 505 555 02	Spoiler		1	-IXAH
	996 505 555 02 01C	Satin black			
7	996 505 555 02	Spoiler		1	-IXAH
	996 505 555 02 01C	Satin black			
8	996 504 085 00	Air inlet		1	M095
9	996 504 627 00	Protective film		1	
		Set			
10	996 505 527 00	Buffer	/L	1	M215
	996 505 527 00 70C	Rally black			
(10)	996 505 528 00	Buffer	/R	1	M215
	996 505 528 00 70C	Rally black			
11	996 505 533 00	Mounting	/L	1	M215
(11)	996 505 534 00	Mounting	/R	1	M215
12	900 378 158 09	Hexagon-head bolt		2	M215
		M 6 X 16			
13	999 209 044 09	Spacer		2	M215
14	996 505 523 00	Desk pad	/L	1	M215
(14)	996 505 524 00	Desk pad	/R	1	M215
15	900 067 148 02	Pan-head screw		2	M215
		M 5 X 25			
16	996 505 539 03	Bracket	/L	1	
(16)	996 505 540 03	Bracket	/R	1	
17	996 505 741 02	Cover	/L	1	
	996 505 741 02 01C	Satin black			
(17)	996 505 742 02	Cover	/R	1	
	996 505 742 02 01C	Satin black			
18	996 505 011 02	Bumper reinforcement		1	
(18)	996 505 011 03	Bumper reinforcement		1	M215
19	900 378 088 09	Hexagon-head bolt		2	
		M 12 X 100			
19	900 378 088 01	Hexagon-head bolt		2	
		M 12 X 100			
(20)	996 505 019 01	Impact pipe		2	
20	996 505 015 00	Impact absorber		2	M058
21	900 075 457 02	Combination screw		4	
		M 8 X 30			
22	996 505 775 00	Desk pad		2	
23	996 505 531 01	Retaining strip		1	
24	996 505 535 03	Retaining strip	/L	1	

Model: 996 98 Model life 1998>>2005

Pos	Part Number	Description	Remark	Qty	Model
(24)	996 505 536 03	Retaining strip	/R	1	
25	900 144 101 02	Tapping screw ST 4,8 X 19		9	
26	999 209 045 09	Spacer		9	
27	999 507 072 02	Speed nut ST 4,8		X	
28	999 076 048 02	Hexagon nut M 6		11	
29	996 701 105 00	Support		1	M211
30	999 507 040 40	Expander nut 4,2		X	
31	999 073 080 02	Combination screw		X	
32	900 025 024 40	Washer		X	
33	900 143 134 00	Tapping screw B 4,2 X 9,5		X	
35	996 701 801 00	Spacer	/L	1	
(35)	996 701 802 00	Spacer	/R	1	
36	911 701 121 03	Support		1	M210
38	900 144 182 09	Tapping screw B 4,2 X 32		2	
39	996 641 142 00	Temperature sensor		1	
39	958 505 535 00	Sensor		1	

Model: 996 98

Model life 1998>>2005



Model: 996 98 Model life 1998>>2005

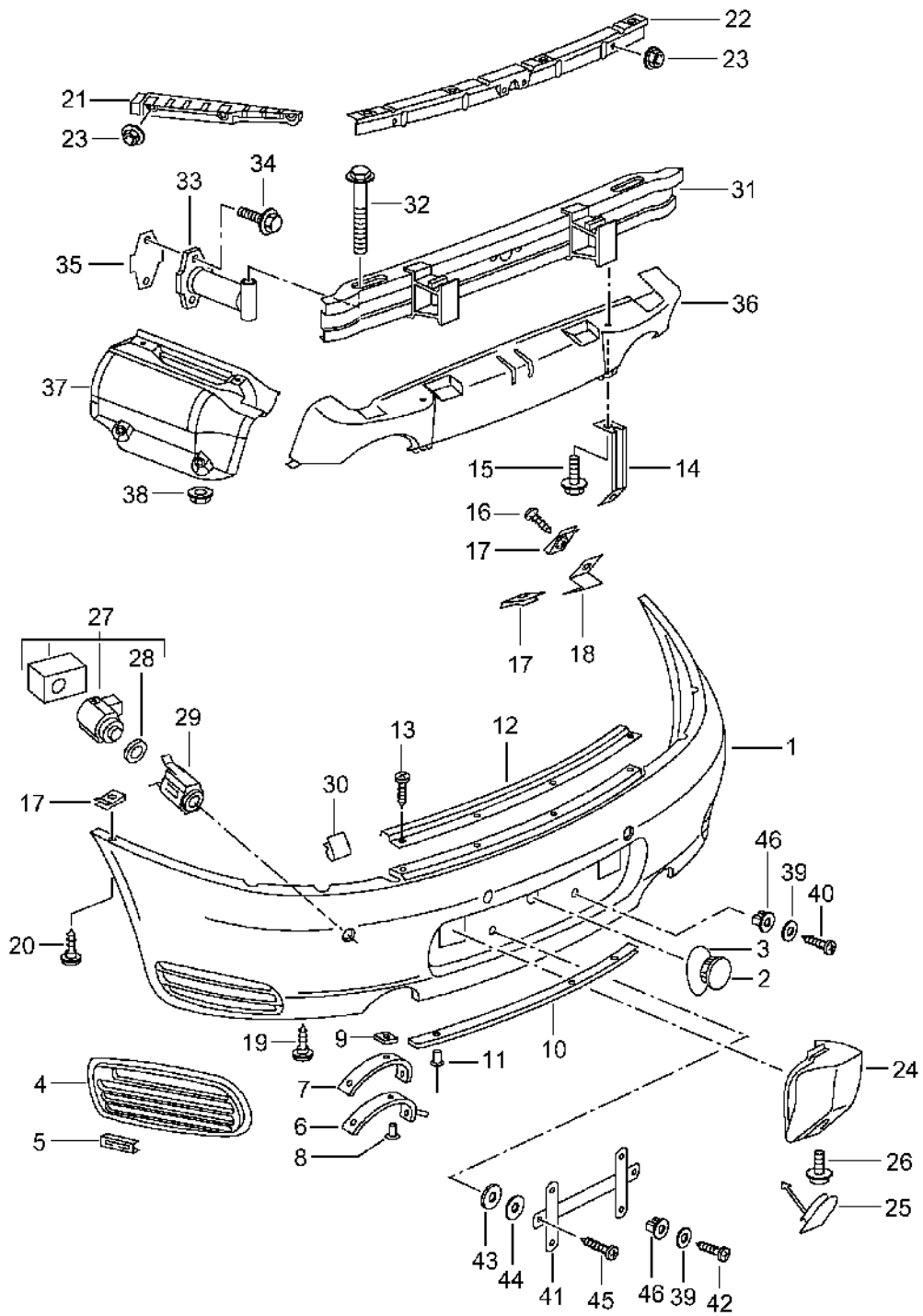
Pos	Part Number	Description	Remark	Qty	Model
		Bumper Rear			
1	996 505 411 08	Lining	-01	1	
	996 505 411 08 G2X	Prime coated			
1	996 505 411 08	Lining	-01	1	
	996 505 411 08 G2X	Prime coated			
		It is necessary to rework			M635
(1)	996 505 411 12	Lining	02-	1	
	996 505 411 12 G2X	Prime coated			
(1)	996 505 911 02	Lining	02-	1	M635
	996 505 911 02 G2X	Prime coated			
(1)	996 505 411 13	Lining	02-	1	M215
	996 505 411 13 G2X	Prime coated			
(1)	996 505 911 04	Lining	02-	1	M215/635
	996 505 911 04 G2X	Prime coated			
2	964 505 103 00	Cap	-01	1	
	964 505 103 00 G2X	Prime coated			
2	996 505 803 00	Cap	02-	1	
	996 505 803 00 G2X	Prime coated			
3	996 505 833 00	Retaining strip		1	
4	900 144 101 02	Tapping screw B 4,8 X 19		4	
5	996 505 837 00	Retaining strip	-01	1	
(5)	996 505 837 02	Retaining strip	02-	1	
6	999 190 104 30	Blind rivet 3,2 X 7,9		4	
7	999 073 198 09	Tapping screw		8	
7	999 073 227 09	Tapping screw ST 4,8 X 19		8	
9	999 507 072 02	Speed nut 4,8		4	
10	996 505 425 00	Buffer	/L -01	1	M215
	996 505 425 00 70C	Rally black			
(10)	996 505 426 00	Buffer	/R -01	1	M215
	996 505 426 00 70C	Rally black			
12	996 505 021 00	Bumper reinforcement	-01	1	
(12)	996 505 021 04	Bumper reinforcement	02-	1	
13	900 378 088 09	Hexagon-head bolt M 12 X 100		2	
13	900 378 088 01	Hexagon-head bolt M 12 X 100		2	
14	996 505 019 01	Impact pipe		2	
(14)	996 505 015 00	Impact absorber		2	M058
15	900 075 457 02	Combination screw M 8 X 30		4	
16	993 505 775 00	Desk pad		2	
17	996 505 475 00	Heat protection	-01	1	
(17)	996 505 475 02	Heat protection	02-	1	
18	996 505 639 00	Rear support	-01	2	
18	996 505 639 02	Rear support	02-	2	
19	999 075 048 02	Hexagon-head bolt M 6 X 22		2	
20	900 278 025 02	Hexagon-head bolt M 5 X 12		1	
21	999 025 243 02	Washer		1	
(22)	996 505 631 00	Retaining frame	/L -01	1	
(22)	996 505 631 01	Retaining frame	/L 02-	1	
(22)	996 505 631 02	Retaining frame	/L 02-	1	C4S
22	996 505 632 00	Retaining frame	/R -01	1	
22	996 505 632 01	Retaining frame	/R 02-	1	
22	996 505 632 02	Retaining frame	/R 02-	1	C4S
23	999 084 633 09	Hexagon nut M 6		13	

Model: 996 98 Model life 1998>>2005

Pos	Part Number	Description	Remark	Qty	Model
24	996 505 831 00	Retaining strip Centre		1	
25	900 143 151 02	Combination tapping screw B 4,2 X 16		2	
26	999 025 235 40	Rubber washer		X	
27	999 507 040 40	Expander nut 4,2		2	
34	999 651 225 40	Safety rope		1	
35	996 505 669 00	Retainer spring	-01	4	M635
36	996 606 171 00	Sensor	-01	4	M635
	996 606 171 00 9A4	Titanium metallic			
(36)	000 043 204 56	Sensor	02-	4	M635
37	996 606 471 00	Ring	-01	4	M635
(37)	996 606 473 00	Ring	02-	4	M635
38	996 505 865 00	Housing	-01	4	M635
38	996 505 940 00	Housing		4	M635
(38)	996 505 885 01	Housing	02-	2	M635
	996 505 885 01 G2X	Prime coated Inner			
(38)	996 505 887 01	Housing	02-	2	M635
	996 505 887 01 G2X	Prime coated Outer			
39	999 025 262 02	Washer 35 X 50 X 0,5	-01	4	M635
40	996 505 859 00	Cover	/L -01	1	M635
	996 505 859 00 G2X	Prime coated Inner			
(40)	996 505 860 00	Cover	/R -01	1	M635
	996 505 860 00 G2X	Prime coated Inner			
(40)	996 505 861 00	Cover	/L -01	1	M635
	996 505 861 00 G2X	Prime coated Outer			
(40)	996 505 862 00	Cover	/R -01	1	M635
	996 505 862 00 G2X	Prime coated Outer			
41	999 507 623 40	Cable holder		4	M635
42	996 505 845 00	Buffer	/L 02-	1	M215
42	996 505 845 01	Buffer	/L 02-	1	M215
(42)	996 505 846 00	Buffer	/R 02-	1	M215
(42)	996 505 846 01	Buffer	/R 02-	1	M215
43	996 505 645 00	Support frame	/L 02-	1	M215
(43)	996 505 646 00	Support frame	/R 02-	1	M215
44	996 505 625 00	Lining	/L 02-	1	M215
	996 505 625 00 G2X	Prime coated			
(44)	996 505 626 00	Lining	/R 02-	1	M215
	996 505 626 00 G2X	Prime coated			

Model: 996 98

Model life 1998>>2005



Model: 996 98

Model life 1998>>2005

Pos	Part Number	Description	Remark	Qty	Model
		Bumper Rear			C4S
1	996 505 411 16	Lining		1	
	996 505 411 16 G2X	Prime coated			
		It is necessary to rework			
(1)	996 505 911 00	Lining		1	M635
	996 505 911 00 G2X	Prime coated			
		It is necessary to rework			
2	964 505 103 00	Cap		1	
	964 505 103 00 G2X	Prime coated			
3	999 651 225 40	Safety rope		1	
4	996 505 663 01	Ventilation grille	/L	1	
	996 505 663 01 01C	Satin black			
(4)	996 505 664 01	Ventilation grille	/R	1	
	996 505 664 01 01C	Satin black			
5	999 507 696 00	U-clamp		24	
6	996 505 611 02	Cover	/L	1	
(6)	996 505 612 02	Cover	/R	1	
7	996 505 621 00	Heat shield	/L	1	
(7)	996 505 622 00	Heat shield	/R	1	
8	900 056 001 30	Rivet		4	
		4 X 12			
9	999 166 051 08	Clamping washer		6	
		4,0			
10	996 505 837 03	Retaining strip		1	
11	999 190 104 30	Blind rivet		4	
		A 3,2 X 7,9			
12	996 505 833 02	Rail		1	
13	900 144 101 02	Tapping screw		4	
		ST 4,8 X 19			
14	996 505 639 03	Rear support		2	
15	999 075 056 09	Combination screw		2	
		M 6 X 22			
16	N 906 487 02	Tapping screw		2	
		ST 4,8 X 16			
17	999 507 072 02	Speed nut		X	
		ST 4,8			
18	996 505 649 00	Bracket		2	
19	999 073 062 02	Tapping screw		2	
		ST 4,8 X 19			
20	999 073 227 09	Tapping screw		6	
		ST 4,8 X 19			
21	996 505 635 00	Retaining strip	/L	1	
(21)	996 505 636 00	Retaining strip	/R	1	
22	996 505 831 00	Retaining strip		1	
		Centre			
23	999 076 048 02	Hexagon nut		9	
		M 6			
24	996 505 425 01	Buffer	/L	1	M215
	996 505 425 01 70C	Rally black			
(24)	996 505 426 01	Buffer	/R	1	M215
	996 505 426 01 70C	Rally black			
25	996 505 403 00	Lid		2	M215
	996 505 403 00 70C	Rally black			
26	900 067 271 09	Combination screw		2	M215
27	000 043 204 56	Sensor		4	M635
28	996 606 473 00	Ring		4	M635
29	996 505 885 00	Housing		2	M635
	996 505 885 00 G2X	Prime coated			
		Inner			
(29)	996 505 887 00	Housing		2	M635
	996 505 887 00 G2X	Prime coated			
		Outer			

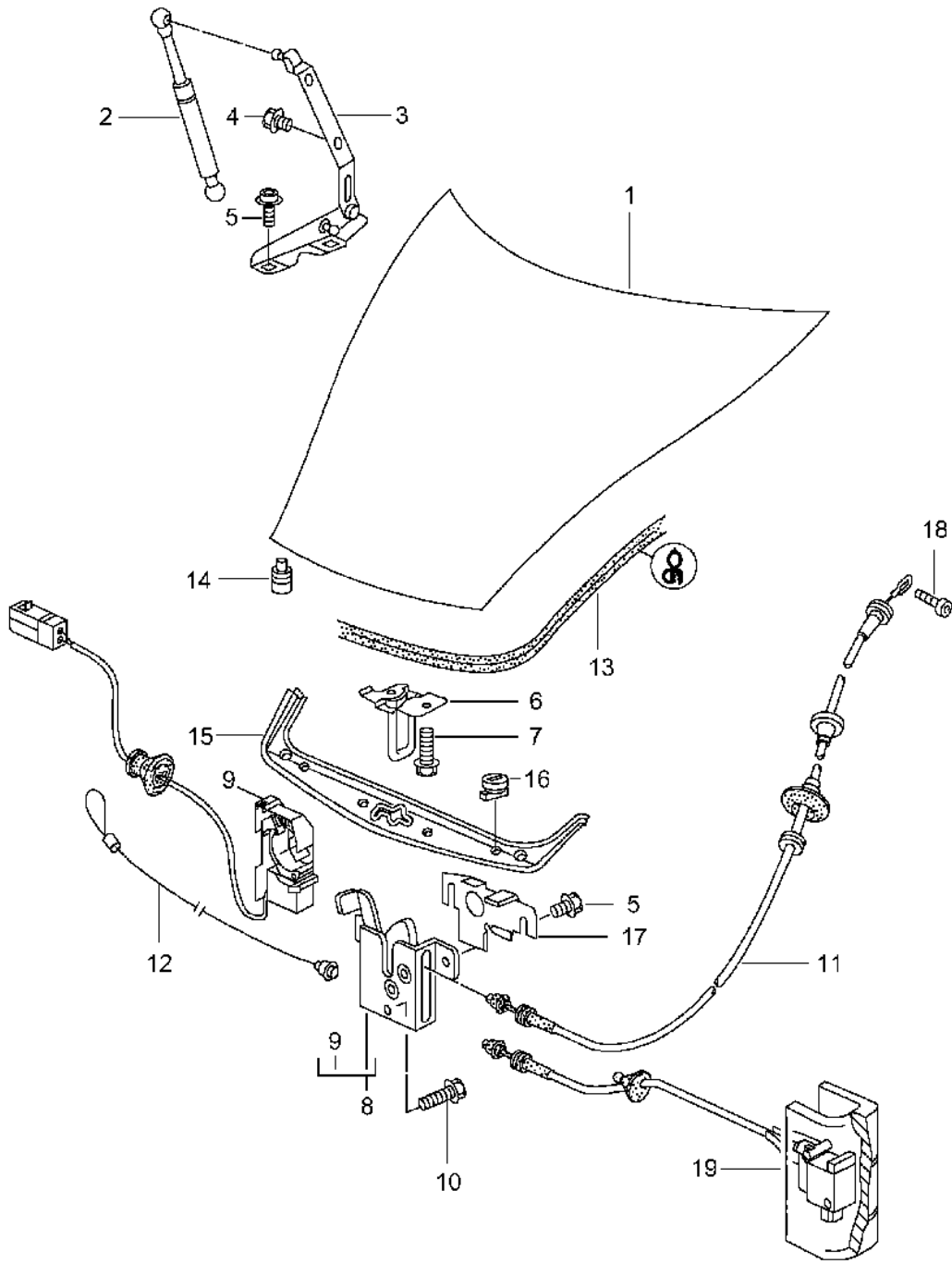
Model: 996 98

Model life 1998>>2005

Pos	Part Number	Description	Remark	Qty	Model
30	999 507 623 40	Cable holder		4	
31	996 505 021 02	Bumper reinforcement		1	
(31)	996 505 021 03	Bumper reinforcement		1	M215
32	900 378 088 09	Hexagon-head bolt M 12 X 100		2	
32	900 378 088 01	Hexagon-head bolt M 12 X 100		2	
33	996 505 019 01	Impact pipe		2	
(33)	996 505 015 00	Impact absorber		2	M058
34	900 075 457 02	Combination screw M 8 X 30		4	
35	993 505 775 00	Desk pad		2	
36	996 505 475 04	Heat protection		1	
37	996 505 477 00	Heat protection	/L	1	
(37)	996 505 478 00	Heat protection	/R	1	
38	999 049 025 09	Collar nut		12	
39	900 025 024 40	Washer		X	
40	999 073 080 02	Combination screw ST 4,2 X 16		X	
43	999 025 235 40	Rubber washer		X	
46	999 507 040 40	Expander nut ST 4,2		X	

Model: 996 98

Model life 1998>>2005



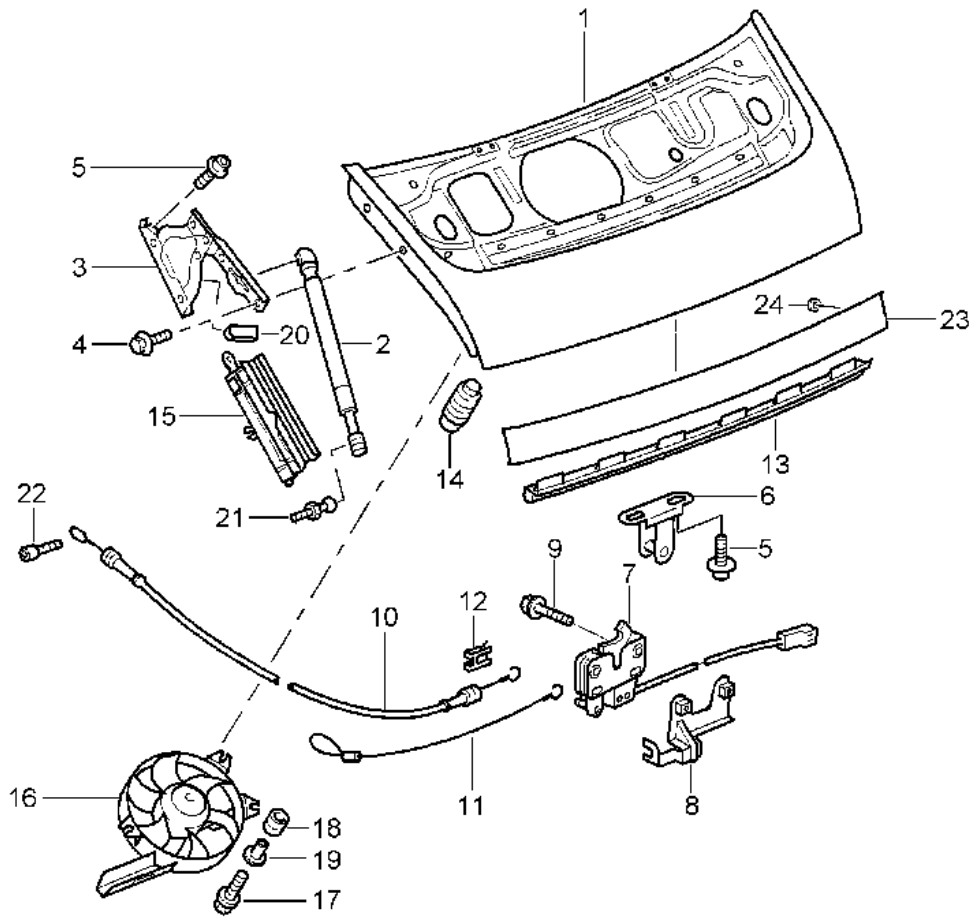
Model: 996 98

Model life 1998>>2005

Pos	Part Number	Description	Remark	Qty	Model
1	996 511 011 02	Lid Front		1	
	996 511 011 02 GRV	Lid Prime coated			
		Use also:			
-	000 043 204 38	Sealing compound		1	
2	996 511 551 01	Gas-pressure spring		2	
3	996 511 151 01	Hinge	/L	1	
(3)	996 511 152 01	Hinge	/R	1	
4	900 378 036 09	Hexagon-head bolt M 6 X 12		4	
5	900 075 466 09	Combination screw M 6 X 16		6	
6	996 511 051 02	Lock upper part		1	
7	900 378 173 09	Hexagon-head bolt M 6 X 20		2	
8	996 511 053 02	Lock lower part		1	
9	996 613 206 00	Microswitch		1	
10	900 075 347 02	Combination screw M 6 X 28		1	
11	996 511 017 01	Lid-release cable	/LL -00	1	
(11)	996 511 018 00	Lid-release cable	/RL -00	1	
12	996 511 521 00	Emergency operation		1	
13	996 511 611 00	Gasket		1	
14	999 703 140 40	Rubber buffer		2	
15	996 504 811 00	Trim cover	-01	1	
	996 504 811 00 01C	Satin black			
15	996 504 811 02	Trim cover	02-	1	
	996 504 811 02 01C	Satin black			
16	999 590 036 40	Cap nut		4	
	999 590 036 40 01C	Satin black			
17	996 511 653 00	Cover		1	
18	900 119 121 09	Pan-head screw M 4 X 14		1	
19	996 511 127 00	Actuator	01-	1	

Model: 996 98

Model life 1998>>2005



Model: 996 98 Model life 1998>>2005

Pos	Part Number	Description	Remark	Qty	Model
1	996 512 011 01	Lid		1	
	996 512 011 01 GRV	Rear Lid Prime coated			
-	000 043 204 38	Use also: Sealing compound		1	
(1)	996 512 221 01	Lid		1	C4S COUPE
	996 512 221 01 G2X	Prime coated			
(1)	996 512 221 02	Lid		1	C4S CABRIO
	996 512 221 02 G2X	Prime coated			
(1)	PCG 512 221 02	Lid		1	C4S CABRIO
	PCG 512 221 02 G2X	Prime coated Treated			
2	996 512 551 03	Gas-pressure spring	/R	1	
2	996 512 551 04	Gas-pressure spring		2	C4S COUPE
2	996 512 551 05	Gas-pressure spring		2	C4S CABRIO
		See technical information Group 5 3/97			
3	996 512 151 01	Hinge	/L	1	
3		Hinge	/L	1	C4S CABRIO
3	996 512 151 03	Hinge	/L	1	C4S COUPE
(3)	996 512 152 01	Hinge	/R	1	
(3)		Hinge	/R	1	C4S CABRIO
(3)	996 512 152 03	Hinge	/R	1	C4S COUPE
4	900 378 155 09	Hexagon-head bolt M 6 X 16		4	
5	900 075 466 09	Combination screw M 6 X 16		6	
6	993 512 213 00	Lock upper part	-00	1	
6	996 512 213 00	Lock upper part		1	
(7)	996 512 053 01	Lock lower part		1	
7	996 512 053 03	Lock lower part		1	
(8)	996 512 753 02	Mounting plate		1	
8	996 512 753 03	Mounting plate		1	
(8)	996 512 055 00	Actuator		1	M534/535
9	900 378 168 09	Hexagon-head bolt M 6 X 30		2	
10	996 512 017 00	Traction	/LL	1	
(10)	996 512 018 00	Traction	/RL	1	
11	996 512 521 00	Emergency operation		1	
12	999 166 054 02	Sl-lock	-00	1	
12	999 166 054 01	Sl-lock		1	
(12)	900 116 002 02	Lock washer	01-	1	
13	996 512 611 00	Gasket		1	
13	996 512 611 01	Gasket		1	C4S
-	000 043 157 00	Cleaning agent 30 ML		X	
14	999 703 140 40	Rubber buffer		2	
15	996 610 230 00	Cable holder		1	
16	996 624 036 04	Blower		1	
17	900 378 030 09	Hexagon-head bolt M 6 X 20		3	
18	999 703 451 40	Rubber sleeve		3	
19	999 209 049 02	Spacer sleeve		3	
20	996 512 153 00	Stop		2	
21	999 167 049 02	Ball pin M 6		1	
(21)	999 167 042 02	Ball pin M 8		1	
(21)	999 167 051 03	Ball pin M 8		1	
22	900 119 121 09	Pan-head screw		1	

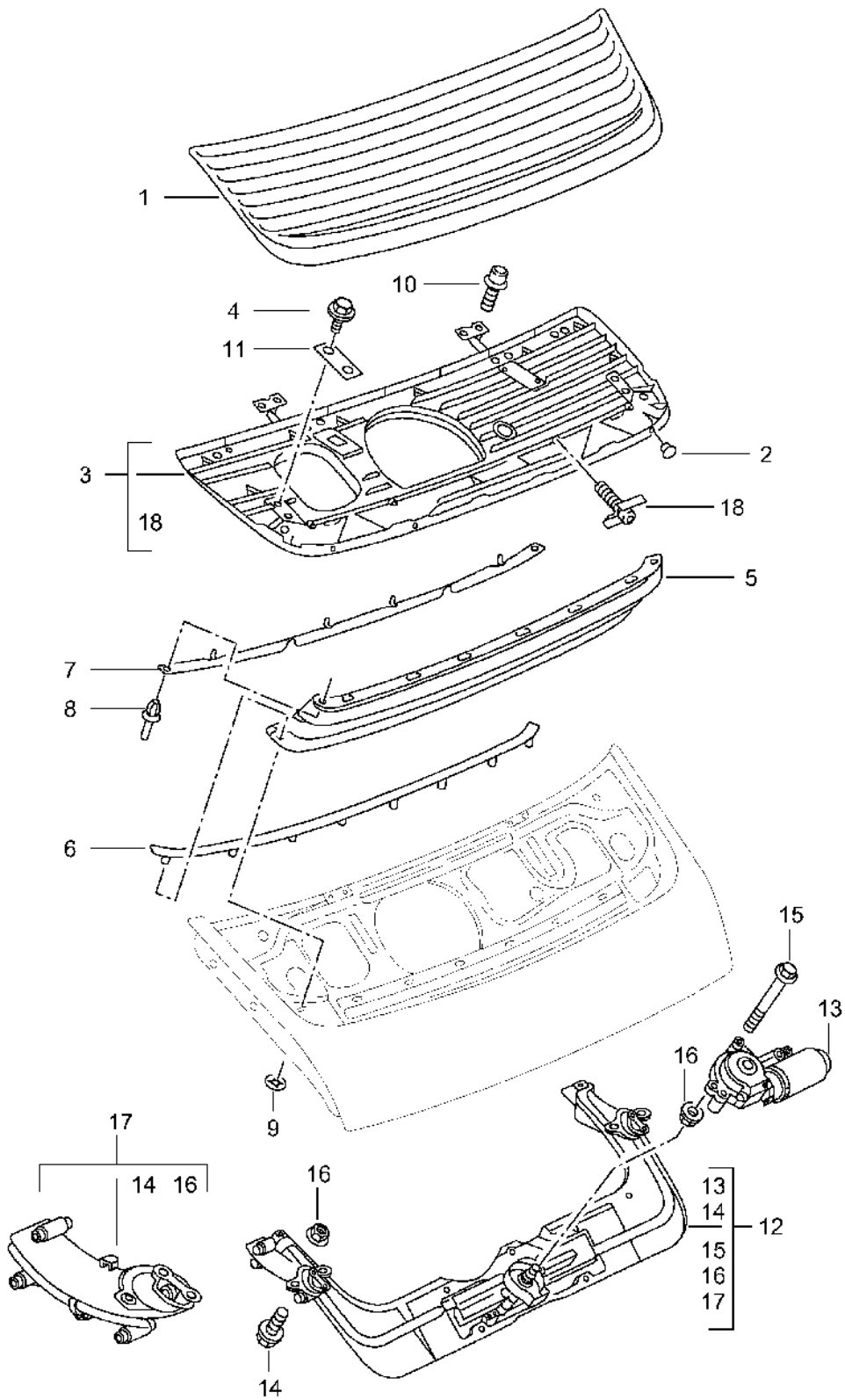
Model: 996 98

Model life 1998>>2005

Pos	Part Number	Description	Remark	Qty	Model
23	996 512 259 00	M 4 X 14 Reflector cover		1	C4S
24	996 512 671 00	Clamping nut		13	C4S
-	999 919 713 09	Oval-head screw M 5 X 10		13	C4S

Model: 996 98

Model life 1998>>2005

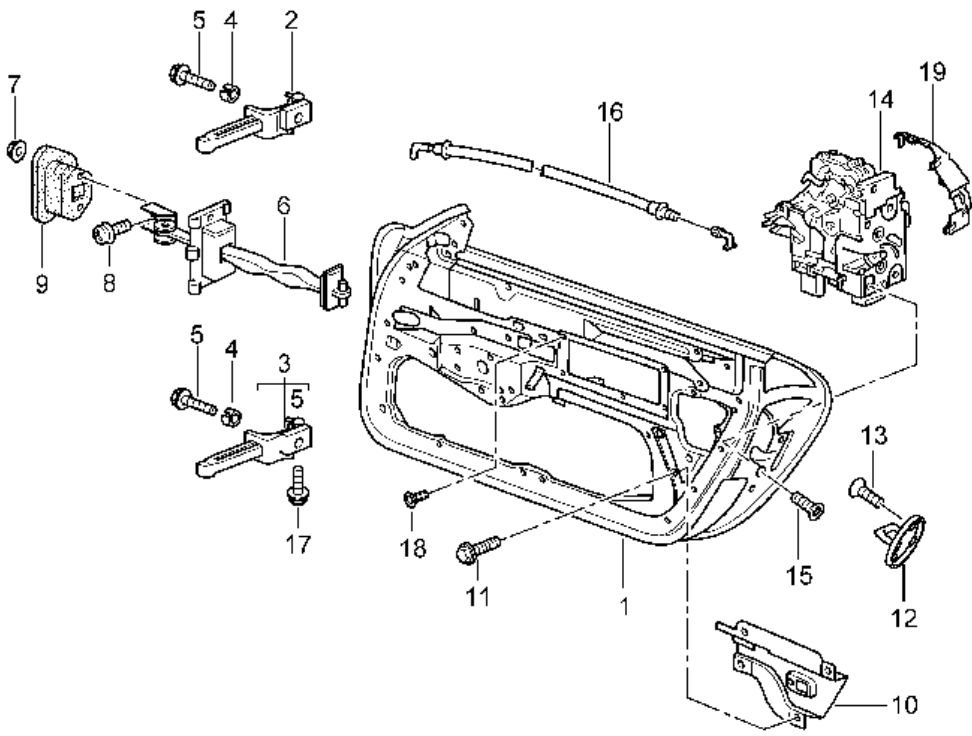


Model: 996 98 Model life 1998>>2005

Pos	Part Number	Description	Remark	Qty	Model
1	996 512 240 01	Rear spoiler		1	
	996 512 240 01 G2X	Spoiler Prime coated			
2	996 512 212 00	Upper part		4	
3	996 512 205 01	Stopper		1	
		Spoiler Lower part			
-	999 703 488 40	Buffer		2	
		5,9 X 11,5 X 16			
4	900 075 008 09	Hexagon-head bolt		4	
		M 6 X 8			
5	996 512 250 00	Rear wall		1	
6	996 512 163 00	Rail		1	
		Lower			
7	996 512 164 00	Rail		1	
		Upper			
8	999 591 712 40	Expansion rivet		2	
		6,0 X 12,0			
9	999 591 974 07	Clamping washer		8	
		5,0			
10	900 067 380 09	Pan-head screw		4	
		M 6 X 18			
10	900 387 264 01	Pan-head screw		4	
		M 6 X 18			
10	N 105 464 03	Pan-head screw		4	
		M 6 X 18			
10	900 067 273 09	Combination screw		4	
		M 6 X 18			
11	996 512 757 00	Desk pad		2	
12	996 512 109 00	Driving mechanism		1	
12	996 512 109 04	Driving mechanism		1	
(12)	996 512 109 02	Driving mechanism		1	C4S
(12)	996 512 109 06	Driving mechanism		1	C4S
13	996 624 151 00	Electric motor		1	
14	900 067 273 09	Combination screw		10	
		M 6 X 16			
15	900 074 364 02	Hexagon-head bolt		3	
		M 5 X 55			
		Micro-self-locking			
16	900 377 009 01	Hexagon nut		3	
		M 5			
17	996 512 911 00	Hinge		2	
17	996 512 911 01	Hinge		2	C4S
18	996 512 255 01	Support		4	

Model: 996 98

Model life 1998>>2005



Model: 996 98

Model life 1998>>2005

Pos	Part Number	Description	Remark	Qty	Model
(1)	996 531 011 04 996 531 011 04 GRV	Door in white Installation parts Door lock Door in white Prime coated Use also: POS.17 See technical information Group 5 5/00	/L	1	
(1)	996 531 011 05 996 531 011 05 GRV	Door in white Prime coated Use also: POS.17 See technical information Group 5 5/00	/L	1	
1	996 531 012 04 996 531 012 04 GRV	Door in white Prime coated Use also: POS.17 See technical information Group 5 5/00	/R	1	
1	996 531 012 05 996 531 012 05 GRV	Door in white Prime coated Use also: POS.17 See technical information Group 5 5/00	/R	1	
-	000 043 204 38	Sealing compound		1	
(2)	996 531 321 04	Hinge	/L	1	
2	996 531 322 04	Hinge	/R	1	
(3)	996 531 319 03	Hinge	/L	1	
3	996 531 320 03	Hinge	/R	1	
4	996 531 831 00	Sleeve		4	
5	999 073 192 02	Pan-head screw M 8 X 33		2	
6	996 537 151 02	Door arrester		2	
7	999 084 212 02	Hexagon nut M 6		4	
8	999 073 138 09	Screw M 8 X 25		2	
9	996 537 751 00	Seal		2	
(10)	996 537 523 00 996 537 523 00 GRV	Bracket Prime coated	/L	1	
10	996 537 524 00 996 537 524 00 GRV	Bracket Prime coated	/R	1	
11	900 075 487 09	Combination screw M 6 X 16		10	
12	3B0 837 033 P	Door lock striker		2	
13	N 907 985 02	Countersunk-head screw M 8 X 16,5		4	
(14)	8N1 837 015	Door lock	/LL /L -01	1	
(14)	8N1 837 015 B	Door lock	/LL /L	1	
14	8N1 837 016	Door lock	/LL /R -01	1	
14	8N1 837 016 B	Door lock	/LL /R	1	
(14)	3B1 837 016 M	Door lock	/LL /R	1	M534/535
(14)	8N2 837 015	Door lock	/RL /L -01	1	
(14)	8N2 837 015 B	Door lock	/RL /L	1	
(14)	3B2 837 015 F	Door lock	/RL /L	1	M534/535
(14)	8N2 837 016 B	Door lock	/RL /R -01	1	

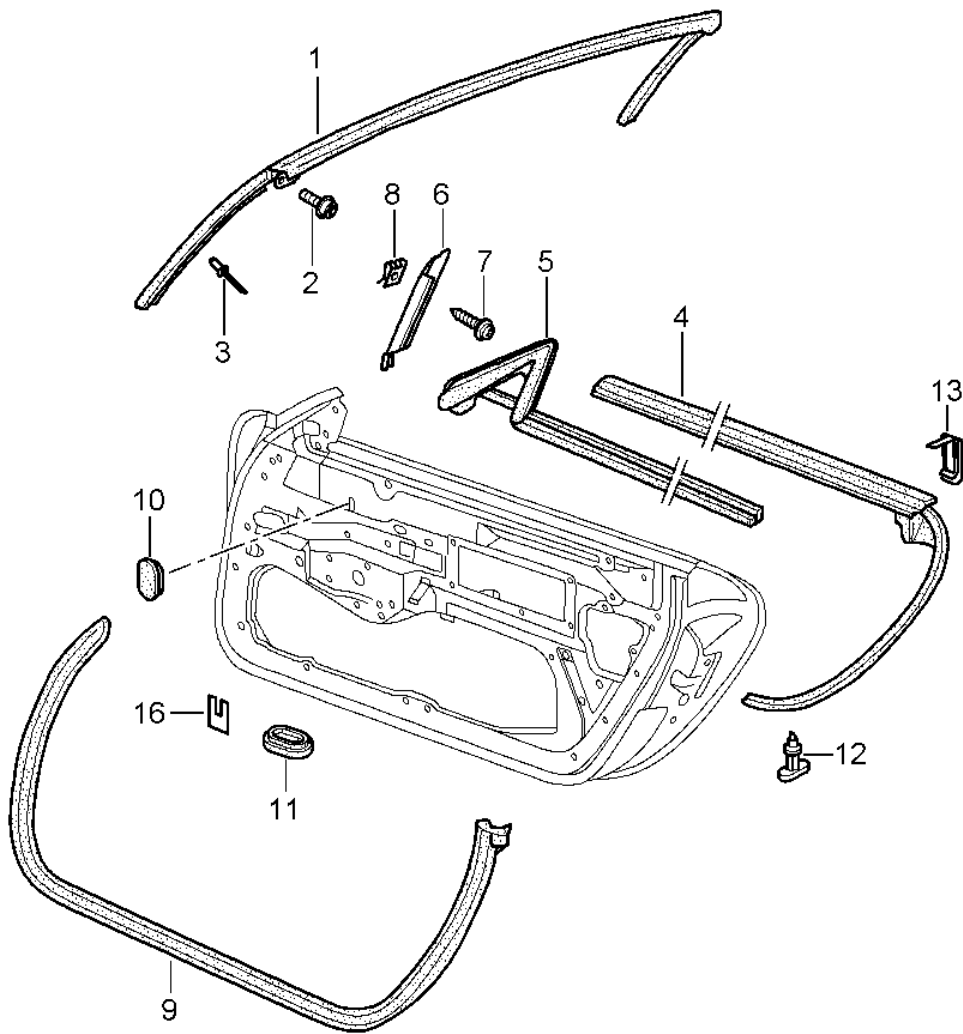
Model: 996 98

Model life 1998>>2005

Pos	Part Number	Description	Remark	Qty	Model
(14)		Door lock	/RL /R	1	
15	N 908 005 01	Oval-head screw M 8 X 14		4	
16	996 537 320 03	Bowden cable See workshop manual Group 70 59 19		2	
17	999 072 043 09	Hexagon-head bolt M 6 X 12 Micro-self-locking		4	
18	999 500 066 02	Blind rivet nut M 6/0,5 - 3		6	M563
(19)	996 537 545 00	Cover Lock	/L	1	
19	996 537 546 00	Cover Lock	/R	1	

Model: 996 98

Model life 1998>>2005

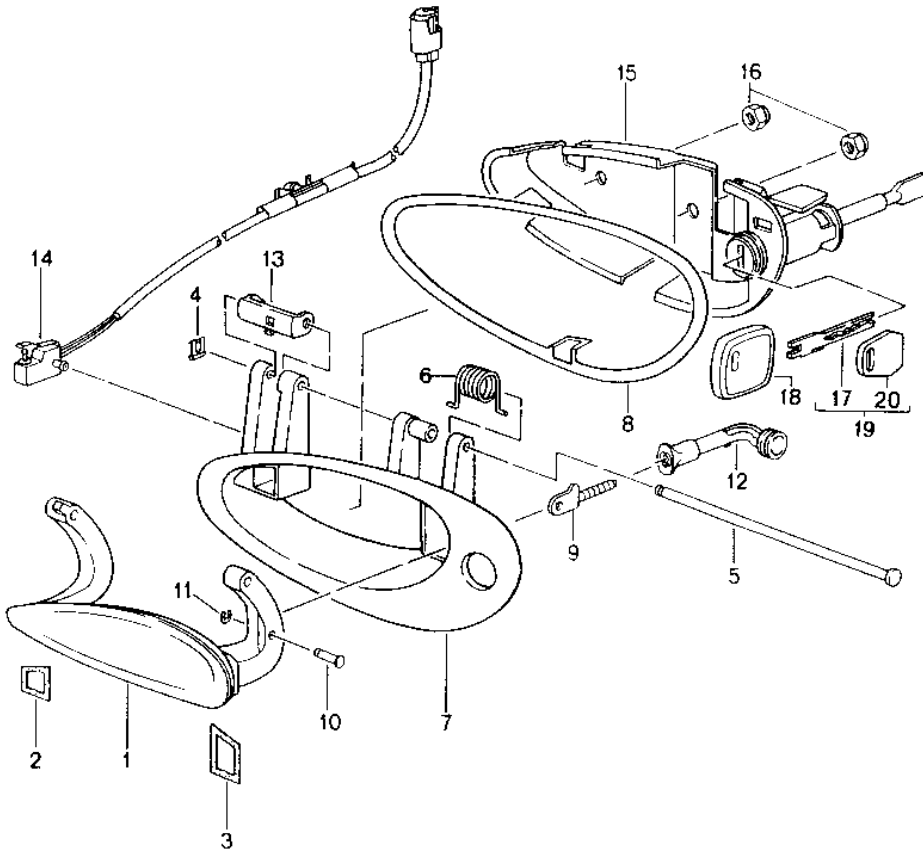


Model: 996 98 Model life 1998>>2005

Pos	Part Number	Description	Remark	Qty	Model
		Door seal			
		Gasket			
		Windscreen frame			
1	996 537 077 02	Gasket		1	CABRIO
2	999 507 678 01	U-clamp 4,0-4,5		2	CABRIO
3	999 190 445 37	Blind rivet A 4,0 X 7,9		36	CABRIO
(4)	996 537 085 07	Sealing for door slot Outer	/L	1	
4	996 537 086 07	Sealing for door slot Outer	/R	1	
5	996 537 531 06	Sealing for door slot Inner	/L	1	
5	996 537 532 06	Sealing for door slot Inner	/R	1	
(6)	996 537 725 02	Window guide	/L	1	
6	996 537 726 02	Window guide	/R	1	
7	999 073 047 02	Tapping screw ST 3,5 X 9,5		2	
8	999 591 725 02	Speed nut ST 3,5		2	
(9)	996 537 075 03	Gasket	/L	1	COUPE
9	996 537 076 03	Gasket	/R	1	COUPE
10	999 703 441 40	Lid 20 X 28 X 1		4	
11	999 703 417 40	Lid 24 X 39		8	
12	999 507 578 40	Clip Gasket Outer		36	
13	999 507 571 02	Clamp		2	
14	996 537 075 04	Gasket	/L	1	CABRIO
(14)	996 537 076 04	Gasket	/R	1	CABRIO
15	900 075 483 02	Combination screw M 5 X 20		2	CABRIO
16	996 537 337 00	Protective film		4	

Model: 996 98

Model life 1998>>2005

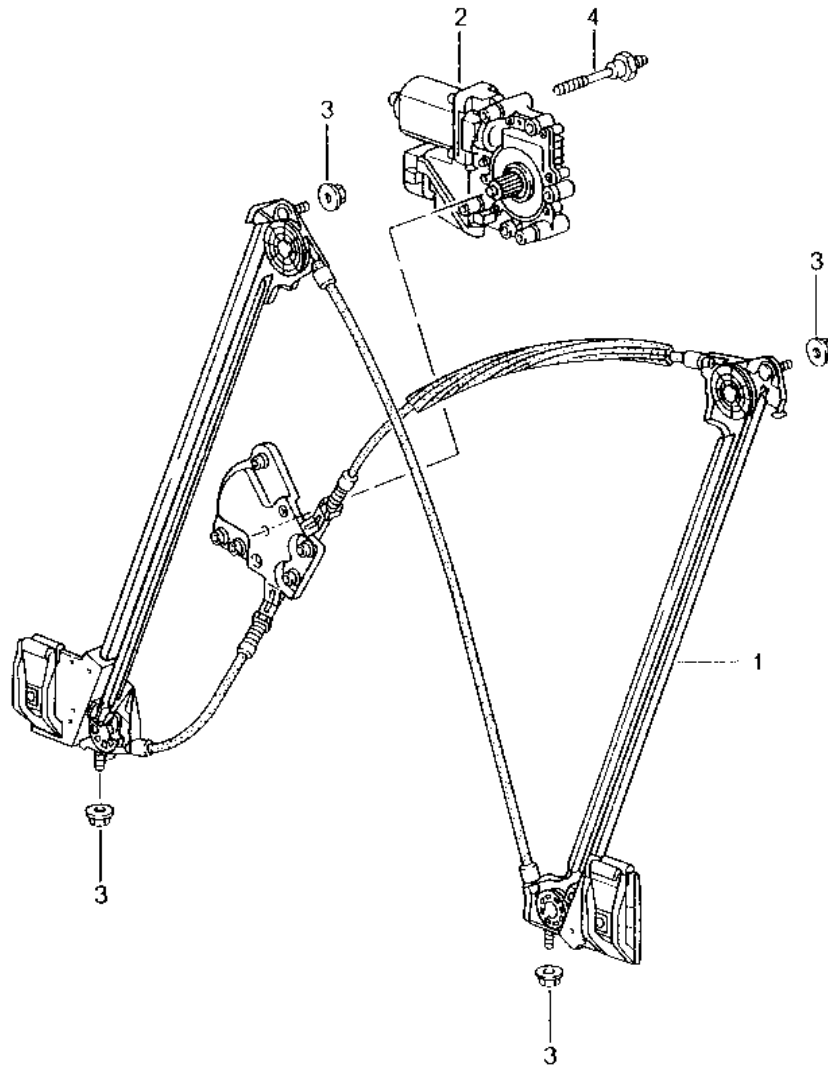


Model: 996 98 Model life 1998>>2005

Pos	Part Number	Description	Remark	Qty	Model
1	996 537 613 01	Door handle			
		Handle	/L	1	
	996 537 613 01 G2X	Prime coated			
(1)	996 537 614 01	Handle	/R	1	
	996 537 614 01 G2X	Prime coated			
2	996 537 623 01	Buffer		2	
3	996 537 625 00	Buffer		2	
4	996 537 631 00	Sl-lock		2	
5	996 537 621 00	Axle		2	
6	996 537 611 00	Return spring	/L	1	
(6)	996 537 612 00	Return spring	/R	1	
7	996 537 645 01	Handle liner	/LL /L	1	
	996 537 645 01 G2X	Prime coated			
(7)	996 537 645 01	Handle liner	/RL /L	1	M532
	996 537 645 01 G2X	Prime coated			
(7)	996 537 647 01	Handle liner	/RL /L	1	M534/535
	996 537 647 01 G2X	Prime coated			
(7)	996 537 646 01	Handle liner	/LL /R	1	M532
	996 537 646 01 G2X	Prime coated			
(7)	996 537 646 01	Handle liner	/RL /R	1	
	996 537 646 01 G2X	Prime coated			
(7)	996 537 648 01	Handle liner	/LL /R	1	M534/535
	996 537 648 01 G2X	Prime coated			
8	996 537 637 00	Desk pad	/L	1	
(8)	996 537 638 00	Desk pad	/R	1	
9	996 537 627 00	Operating rod		2	
10	996 537 629 01	Bolt		2	
11	996 537 641 00	Lock washer		2	
12	996 537 445 02	Connecting piece		2	
13	996 537 653 00	Eccentric	/L	1	
(13)	996 537 654 00	Eccentric	/R	1	
14	996 613 125 00	Microswitch	/L	1	
		Power windows			
(14)	996 613 126 00	Microswitch	/R	1	
		Power windows			
15	996 537 963 02	Support	/L	1	
		with lock cylinder			
		W/o stipulated lock number			
(15)	996 537 964 02	Support	/R	1	
		with lock cylinder			
		W/o stipulated lock number			
15	996 537 963 03	Support	/L	1	
		with lock cylinder			
		with stipulated lock number			
		State lock number			
(15)	996 537 964 03	Support	/R	1	
		with lock cylinder			
		with stipulated lock number			
		State lock number			
(15)	996 537 063 03	Support	/RL /L	1	
		without lock cylinder			
(15)	996 537 064 03	Support	/LL /R	1	
		without lock cylinder			
16	900 380 015 09	Hexagon nut		4	
		M 6			
17	996 538 531 00	Blank key		X	
18	996 538 423 01	Key cap		X	
19	996 538 932 00	Replacement key		X	
		with stipulated lock number			
		State lock number			
		Information available			
20	944 538 431 00	Key cap		X	

Model: 996 98

Model life 1998>>2005

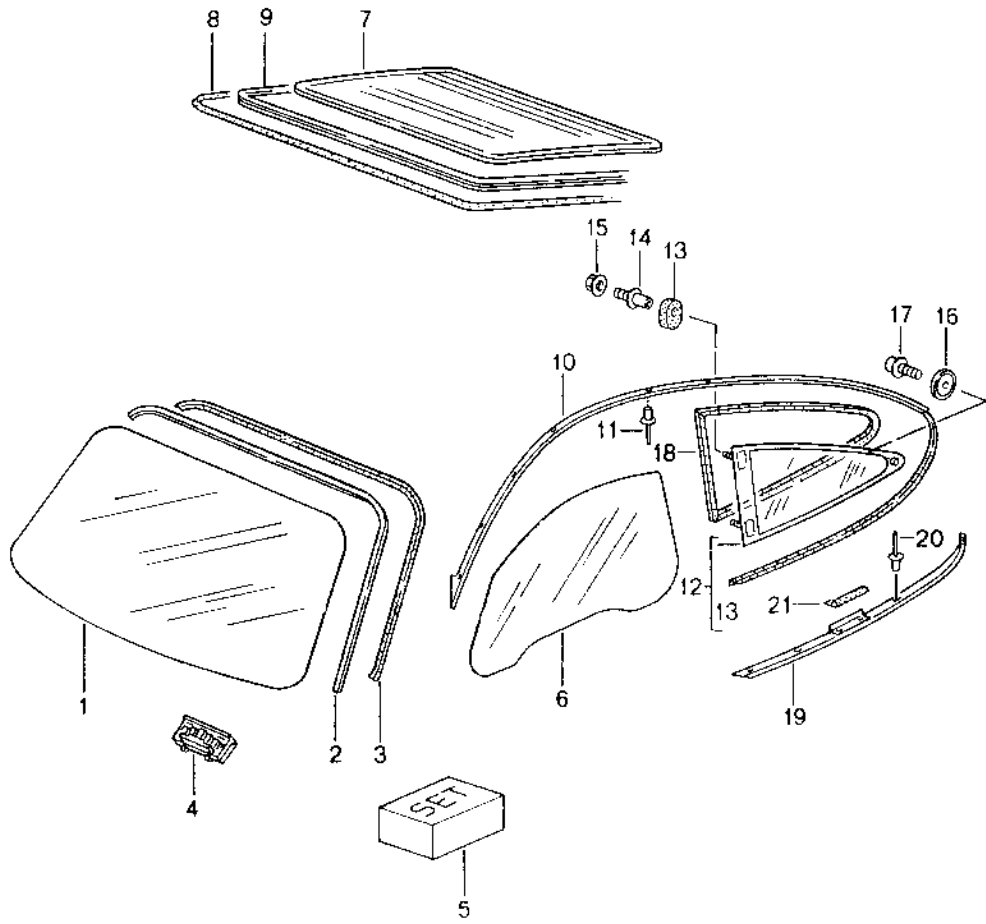


Model: 996 98 Model life 1998>>2005

Pos	Part Number	Description	Remark	Qty	Model
(1)	996 542 075 04	Power windows	/L	1	
1	996 542 076 04	Power windows	/R	1	
(2)	996 624 101 03	Electric motor	/L -02	1	COUPE/TARGA
(2)	996 624 101 05	Electric motor	/L	1	COUPE/TARGA
2	996 624 102 03	Electric motor	/R -02	1	COUPE/TARGA
2	996 624 102 05	Electric motor	/R	1	COUPE/TARGA
(2)	996 624 101 04	Electric motor	/L -02	1	CABRIO
(2)	996 624 101 06	Electric motor	/L	1	CABRIO
(2)	996 624 102 04	Electric motor	/R -02	1	CABRIO
(2)	996 624 102 06	Electric motor	/R	1	CABRIO
3	900 380 015 09	Hexagon nut M 6		14	
4	996 542 711 00	Threaded bolt		6	

Model: 996 98

Model life 1998>>2005



Model: 996 98 Model life 1998>>2005

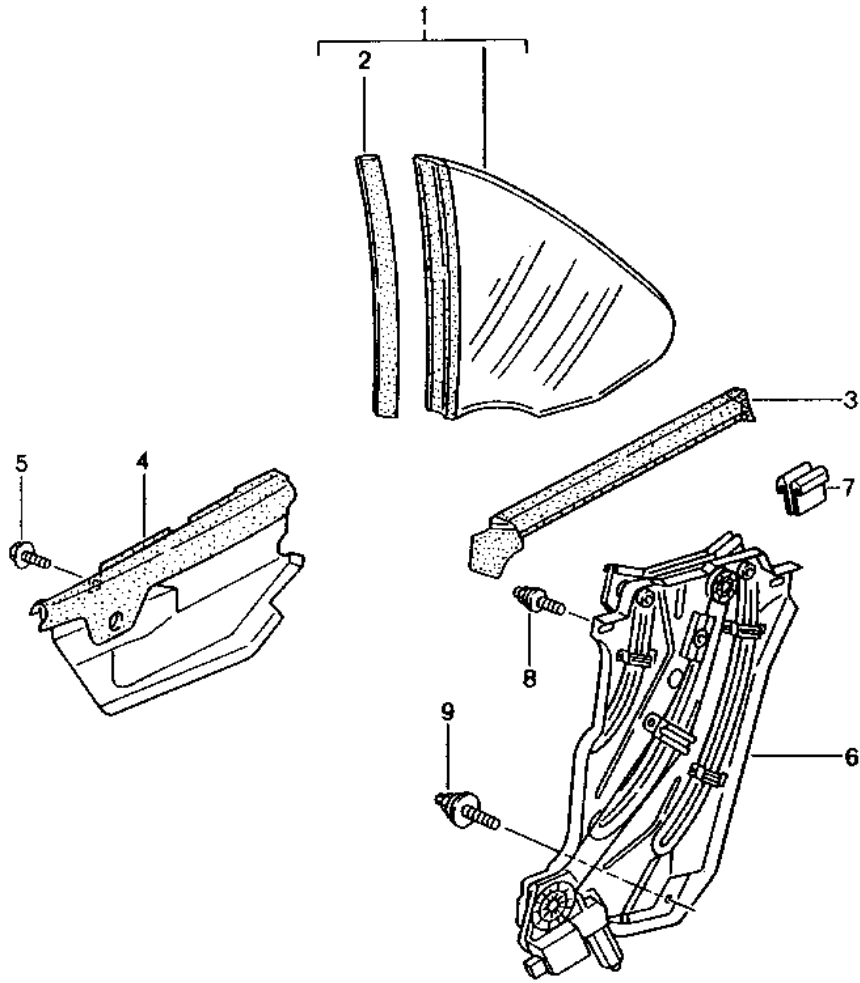
Pos	Part Number	Description	Remark	Qty	Model
1	996 541 901 00	window glazing Windscreen	-01	1	
		Tinted			
1	996 541 901 04	Windscreen	02-	1	
		Tinted			
1	996 541 901 02	Windscreen	01	1	M265
		Tinted			
1	996 541 901 06	Windscreen	02-	1	M265
		Tinted			
(1)	996 541 901 01	Windscreen	-01	1	
		Tinted			
		Green top tint			
(1)	996 541 901 05	Windscreen	02-	1	
		Tinted			
		Green top tint			
(1)	996 541 901 03	Windscreen	01	1	M265
		Tinted			
		Green top tint			
(1)	996 541 901 07	Windscreen	02-	1	M265
		Tinted			
		Green top tint			
(1)	996 541 901 08	Windscreen	03-	1	M440
		Tinted			
(1)	996 541 901 09	Windscreen	03-	1	M440
		Tinted			
		Green top tint			
(1)	996 541 901 10	Windscreen	03-	1	M265/440
		Tinted			
(1)	996 541 901 11	Windscreen	03-	1	M265/440
		Tinted			
		Green top tint			
-	996 541 903 00	Round rubber cord See technical information Group 6 4/99		1	
2	996 541 531 01	Sealing frame		1	
3	996 541 541 01	Trim frame	-01	1	
3	996 541 541 02	Trim frame	02-	1	
4	999 507 576 41	Support		2	
5	000 043 300 94	Adhesive set TEROSTAT 8593		1	
-	000 731 513 00	Adhesive plate for Interior mirror		1	
6	996 542 511 02	Door window glass	/L	1	COUPE TARGA
(6)	996 542 512 02	Door window glass	/R	1	COUPE TARGA
(6)	996 542 511 03	Door window glass	/L	1	CABRIO
(6)	996 542 512 03	Door window glass	/R	1	CABRIO
7	996 545 901 02	Rear window	-01	1	
7	996 545 901 03	Rear window	02-	1	
-	996 541 903 00	Round rubber cord See technical information Group 6 4/99		1	
8	996 545 521 03	Sealing frame		1	
8	996 545 521 04	Sealing frame		1	
9	996 545 545 01	Trim frame	-01	1	
9	996 545 545 02	Trim frame	02-	1	
10	996 537 481 06	Roof frame seal	/L -01	1	
10	996 537 481 08	Roof frame seal	/L	1	
10	996 537 481 04	Roof frame seal	/L	1	TARGA

Model: 996 98 Model life 1998>>2005

Pos	Part Number	Description	Remark	Qty	Model
(10)	996 537 482 06	Roof frame seal	/R -01	1	
(10)	996 537 482 08	Roof frame seal	/R	1	
(10)	996 537 482 04	Roof frame seal	/R	1	TARGA
11	999 190 445 37	Blind rivet A 4,0 X 7,9		26	
12	996 543 111 03	Rear window	/L	1	
12	996 543 111 06	Rear window	/L	1	TARGA
(12)	996 543 112 03	Rear window	/R	1	
(12)	996 543 112 06	Rear window	/R	1	TARGA
13	996 543 611 02	Gasket		4	
14	996 543 435 00	Threaded bush		4	
15	999 076 055 09	Hexagon nut M 8		4	
16	996 543 625 00	Sealing washer		2	
17	999 218 011 02	Pan-head screw M 6 X 12		2	
18	996 543 325 00	Sealing frame	/L	1	
18	996 543 325 01	Sealing frame	/L	1	TARGA
(18)	996 543 326 00	Sealing frame	/R	1	
(18)	996 543 326 01	Sealing frame	/R	1	TARGA
19	996 543 771 07	Retaining strip	/L -01	1	
19	996 543 771 08	Retaining strip	/L	1	
19	996 543 771 05	Retaining strip	/L	1	TARGA
19	996 537 485 00	Retaining strip	/L	1	TARGA
(19)	996 543 772 07	Retaining strip	/R -01	1	
(19)	996 543 772 08	Retaining strip	/R	1	
(19)	996 543 772 05	Retaining strip	/R	1	TARGA
(19)	996 537 486 00	Retaining strip	/R	1	TARGA
20	999 190 445 37	Blind rivet A 4,0 X 7,9		12	
21	996 543 543 01	Spacer See technical information Group 6 3/99		2	

Model: 996 98

Model life 1998>>2005



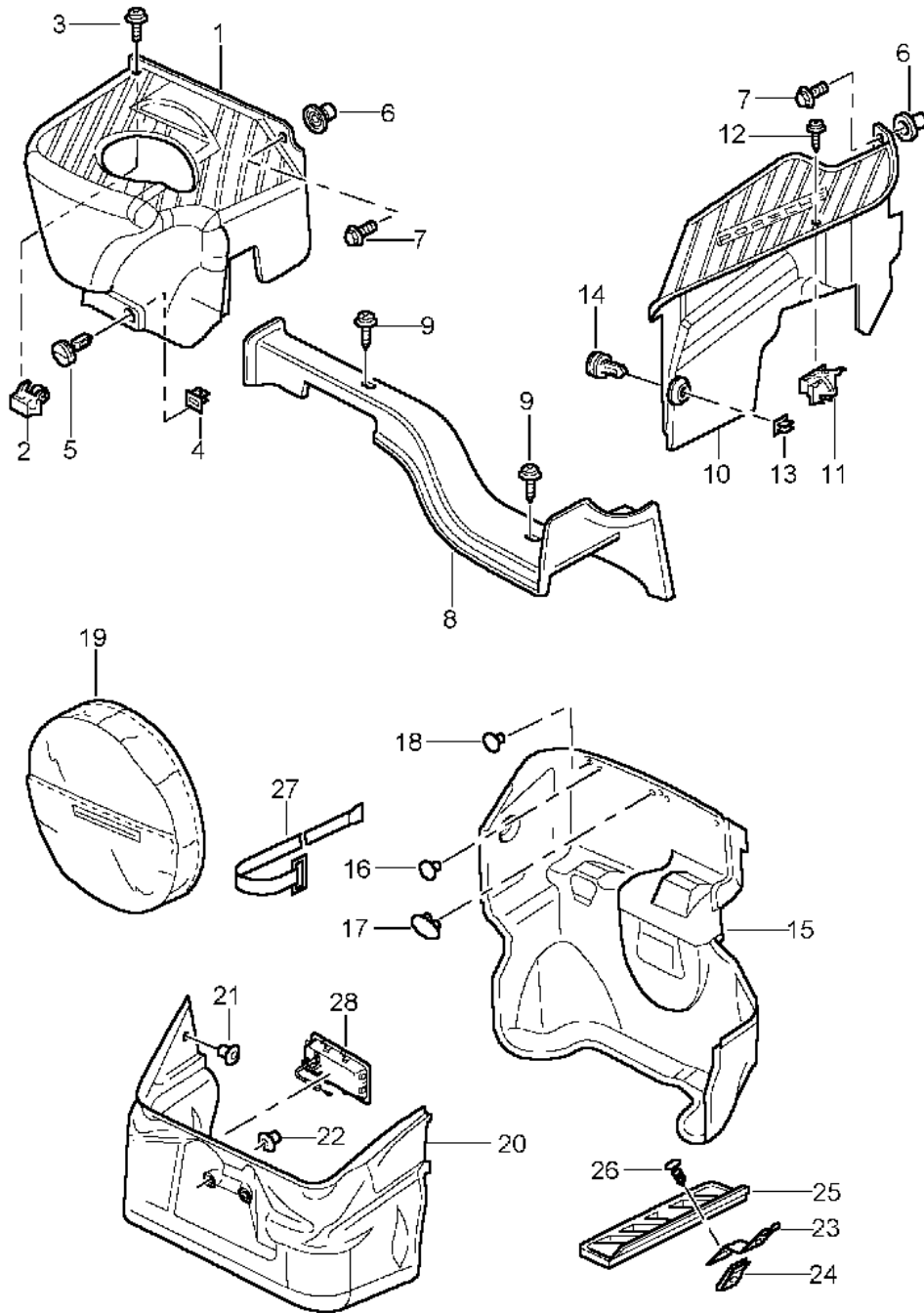
Model: 996 98

Model life 1998>>2005

Pos	Part Number	Description	Remark	Qty	Model
		Rear window			CABRIO
1	996 543 111 08	Rear window	/L -02	1	
1	996 543 111 09	Rear window	/L 03-	1	
1	997 543 111 11	Rear window	/L 03-	1	
(1)	996 543 112 08	Rear window	/R -02	1	
(1)	996 543 112 09	Rear window	/R 03-	1	
(1)	997 543 112 11	Rear window	/R 03-	1	
2	996 543 615 03	Gasket	/L	1	
(2)	996 543 616 03	Gasket	/R	1	
3	996 543 475 04	Gasket	/L	1	
		Outer			
(3)	996 543 476 04	Gasket	/R	1	
		Outer			
4	996 543 177 01	Gasket	/L	1	
		Inner			
(4)	996 543 178 01	Gasket	/R	1	
		Inner			
5	900 378 036 09	Hexagon-head bolt M 6 X 12		4	
6	996 543 015 04	Power windows	/L	1	
6	996 543 015 06	Power windows	/L	1	
(6)	996 543 016 04	Power windows	/R	1	
7	996 543 901 00	Insert		4	
8	996 543 903 00	Bolt		4	
		Upper			
9	996 543 905 00	Bolt		2	
		Lower			

Model: 996 98

Model life 1998>>2005



Model: 996 98 Model life 1998>>2005

Pos	Part Number	Description	Remark	Qty	Model
1	996 551 133 04	Luggage compartment Lining	/RL /R	1	M338
(1)	996 551 133 04 01C	Satin black			
(1)	996 551 134 00	Lining	/RL /R -00	1	M339
(1)	996 551 134 00 01C	Satin black			
(1)	996 551 134 01	Lining	/RL /R 01-	1	M339/692
(1)	996 551 134 01 01C	Satin black			
(1)	996 551 134 02	Lining	/RL /R 03-	1	M339/692
(1)	996 551 134 02 01C	Satin black			
(1)	996 551 131 03	Lining	/LL /L	1	M338
		Brake booster Hydraulic unit			
(1)	996 551 131 03 01C	Satin black			
(1)	996 551 131 02	Lining	/LL /L 99-	1	M339
		Brake booster Hydraulic unit			
(1)	996 551 131 02 01C	Satin black			
(1)	996 551 142 00	Lining	/LL 00-	1	M338/476
		Pre-charge pump			
(1)	996 551 142 00 01C	Satin black			
(1)	996 551 142 01	Lining	/RL 00-	1	M338/476
		Pre-charge pump			
(1)	996 551 142 01 01C	Satin black			
2	999 507 512 40	Support		1	
		3,5			
3	999 919 151 09	Oval-head screw		1	
		3,5 X 18			
4	999 590 046 40	Disc cam		1	
		10,0 X 11,5			
5	999 507 529 40	Catch		1	
		18,0			
6	999 500 078 00	Speed nut		2	
		M 6			
7	900 378 188 09	Hexagon-head bolt		1	
		M 6 X 20			
8	996 551 137 01	Lining	/RL	1	
(8)	996 551 137 01 01C	Satin black			
(8)	996 551 137 02	Lining	/LL 00-	1	M338/476
		Pipeline			
(8)	996 551 137 02 01C	Satin black			
-	999 507 674 40	Cable holder	/LL 00-	1	M338/476
9	999 919 151 09	Oval-head screw		2	
		3,5 X 18			
10	996 551 135 01	Lining	/RL /L 98	1	
		Satin black			
10	996 551 135 01	Lining	/RL /L 99	1	M338
		Satin black			
10	996 551 135 01 01C	Satin black			
10	996 551 135 02	Lining	/RL /L 00-	1	M338
		Satin black			
(10)	996 551 135 02 01C	Satin black			
(10)	996 551 135 03	Lining	/RL /L 03-	1	M338/692
		Satin black			
(10)	996 551 135 03 01C	Satin black			
(10)	996 551 133 03	Lining	/RL /L 99-	1	M339
		Hydraulic unit			
		Satin black			
11	999 507 512 40	Support	/RL	1	
11		Support	/LL	2	
		3,5			
(11)	996 551 771 00	Support		1	M338
(11)	996 551 773 00	Support	99-	1	M339
12	999 919 151 09	Oval-head screw	/RL	2	
12		Oval-head screw	/LL	3	
		3,5 X 18			
13	999 590 046 40	Disc cam	/RL	1	

Model: 996 98 Model life 1998>>2005

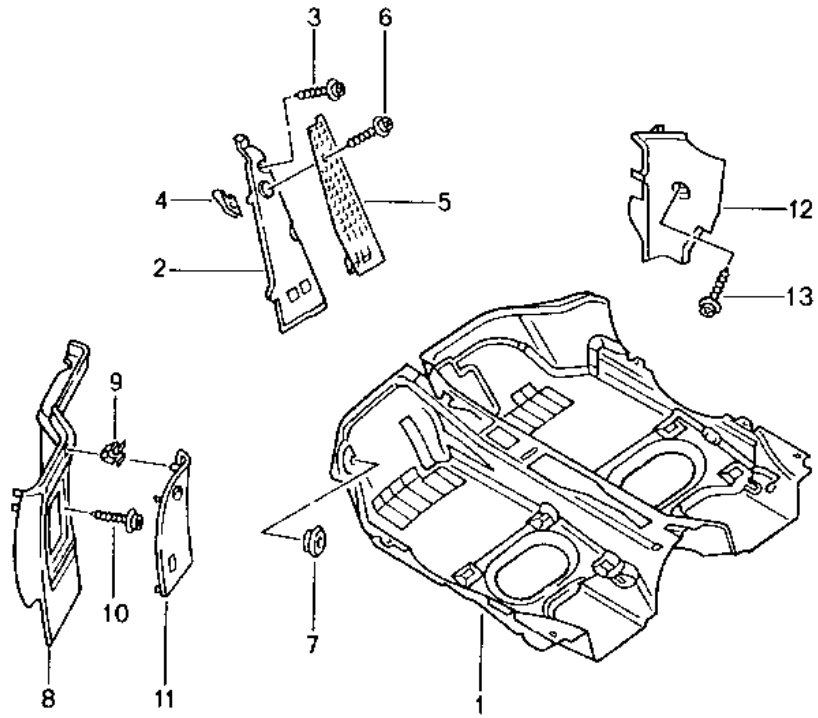
Pos	Part Number	Description	Remark	Qty	Model
13		Disc cam 10,0 X 11,5	/LL	2	
14	999 507 529 40	Catch 18,0		2	
15	996 551 051 14	Lining	/H -00	1	M338
	996 551 051 14 C10	Grey			
(15)	996 551 051 12	Lining	/H -00	1	M338/476
	996 551 051 12 C10	Grey			
(15)	996 551 051 09	Lining	/H -00	1	M339
	996 551 051 09 C10	Grey			
(15)	996 551 051 15	Lining	/RL /H -00	1	M338
	996 551 051 15 C10	Grey			
(15)	996 551 051 13	Lining	/RL /H -00	1	M338/476
	996 551 051 13 C10	Grey			
(15)	996 551 051 11	Lining	/RL /H 99	1	M339
	996 551 051 11 C10	Grey			
(15)	996 551 051 10	Lining	/RL /H 00	1	M339
		Luggage compartment			
	996 551 051 10 C10	Grey			
15	996 551 051 16	Lining	/LL 01-	1	M338
		Luggage compartment			
	996 551 051 16 A31	Black			
(15)	996 551 051 18	Lining	/LL 01-	1	M338/476
		Luggage compartment			
	996 551 051 18 A31	Black			
(15)	996 551 051 20	Lining	/LL -02	1	M339
		Luggage compartment			
	996 551 051 20 A31	Black			
(15)	996 551 051 22	Lining	/LL 03-	1	M339
		Luggage compartment			
	996 551 051 22 A31	Black			
(15)	996 551 051 17	Lining	/RL 01-	1	M338
		Luggage compartment			
	996 551 051 17 A31	Black			
(15)	996 551 051 19	Lining	/RL 01-	1	M338/476
		Luggage compartment			
	996 551 051 19 A31	Black			
(15)	996 551 051 21	Lining	/RL 01-	1	M339
		Luggage compartment			
	996 551 051 21 A31	Black			
16	999 703 432 40	Stopper 8,0		8	
		12,2 X 25			
17	999 703 456 40	Cap 49 X 26		1	
		12,2 X 25			
18	999 703 455 40	Cap 12,2 X 25		2	
19	996 551 061 00	Lining		1	COUPE M338
(19)	996 551 061 01	Lining		1	CABRIO M338
-	996 551 351 02	Lining Floor	99-00	1	M339
	996 551 351 02 C10	Grey			
-	996 551 351 03	Lining Floor	01	1	M339
	996 551 351 03 A31	Black			
-	996 551 351 04	Lining Floor	02-	1	M339
	996 551 351 04 A31	Black			
20	996 551 045 01	Lining	/V -00	1	M338
	996 551 045 01 C10	Grey			

Model: 996 98 Model life 1998>>2005

Pos	Part Number	Description	Remark	Qty	Model
(20)	996 551 045 03	Lining	/V 99	1	M339
	996 551 045 03 C10	Grey			
(20)	996 551 045 04	Lining	/V -00	1	M339
	996 551 045 04 C10	Grey			
20	996 551 045 06	Lining	/V 01-02	1	M338
	996 551 045 06 A31	Black			
20	996 551 045 08	Lining	/V 02-	1	M338
	996 551 045 08 A31	Black			
(20)	996 551 045 07	Lining	/V 01	1	M339
	996 551 045 07 A31	Black			
(20)	996 551 045 05	Lining	/V 02	1	M339
	996 551 045 05 A31	Black			
(20)	996 551 045 10	Lining	/V 02-	1	M339
	996 551 045 10 A31	Black			
-	996 551 845 00	Adhesive carpet		1	M339
21	999 703 432 40	Stopper 8,0		2	
22	999 507 565 40	Plastic nut T5/ 24,15		2	
(22)	999 507 566 40	Plastic nut T5/ 39,70		1	
23	996 551 761 00	Support	/LL -02	1	M339
23	996 551 761 01	Support Cover Booster	/LL 03-	1	M339
24	999 591 725 02	Speed nut 3,5		1	M339
25	996 551 451 00	Cover Booster		1	M339
	996 551 451 00 01C	Satin black			
26	900 144 103 09	Tapping screw 3,5 X 13		1	
27	996 551 741 00	Retaining strap First-aid kit		1	M338/692

Model: 996 98

Model life 1998>>2005



Model: 996 98 Model life 1998>>2005

Pos	Part Number	Description	Remark	Qty	Model
1	996 551 011 02	Carpet Linings Carpet	/LL	1	COUPE TARGA
	996 551 011 02 EEW	Black			
	996 551 011 02 EEX	Graphite grey			
	996 551 011 02 EEY	Savanna			
	996 551 011 02 EFB	Nephrite green	-01		
	996 551 011 02 FAR	Nephrite green	02-		
	996 551 011 02 EFC	Boxster red			
	996 551 011 02 EEZ	Metropole blue			
	996 551 011 02 EFA	Space grey	-00		
	996 551 011 02 VRL	Dark grey	00-		
	996 551 011 02 VRM	Brown/natural	00-		
	996 551 011 02 FAP	Cinnamon brown	01-		
(1)	996 551 011 03	Carpet	/RL	1	COUPE TARGA
	996 551 011 03 EEW	Black			
	996 551 011 03 EEX	Graphite grey			
	996 551 011 03 EEY	Savanna			
	996 551 011 03 EFB	Nephrite green	-01		
	996 551 011 03 FAR	Nephrite green	02-		
	996 551 011 03 EFC	Boxster red			
	996 551 011 03 EEZ	Metropole blue			
	996 551 011 03 EFA	Space grey	-00		
	996 551 011 03 VRL	Dark grey	00-		
	996 551 011 03 VRM	Brown/natural	00-		
	996 551 011 03 FAP	Cinnamon brown	01-		
(1)	996 551 011 04	Carpet	/LL	1	CABRIO
	996 551 011 04 EEW	Black			
	996 551 011 04 EEX	Graphite grey			
	996 551 011 04 EEY	Savanna			
	996 551 011 04 EFB	Nephrite green	-01		
	996 551 011 04 FAR	Nephrite green	02-		
	996 551 011 04 EFC	Boxster red			
	996 551 011 04 EEZ	Metropole blue			
	996 551 011 04 EFA	Space grey	-00		
	996 551 011 04 VRL	Dark grey	00-		
	996 551 011 04 VRM	Brown/natural	00-		
	996 551 011 04 FAP	Cinnamon brown	01-		
(1)	996 551 011 06	Carpet	/LL	1	CABRIO M680
	996 551 011 06 EEW	Black			
	996 551 011 06 EEX	Graphite grey			
	996 551 011 06 EEY	Savanna			
	996 551 011 06 EFB	Nephrite green	-01		
	996 551 011 06 FAR	Nephrite green	02-		
	996 551 011 06 EFC	Boxster red			
	996 551 011 06 EEZ	Metropole blue			
	996 551 011 06 EFA	Space grey	-00		
	996 551 011 06 VRL	Dark grey/natural			
	996 551 011 06 VRM	Brown/natural			
	996 551 011 06 FAP	Cinnamon brown			
(1)	996 551 011 05	Carpet	/RL	1	CABRIO
	996 551 011 05 EEW	Black			
	996 551 011 05 EEX	Graphite grey			
	996 551 011 05 EEY	Savanna			
	996 551 011 05 EFB	Nephrite green	-01		
	996 551 011 05 FAR	Nephrite green	02-		
	996 551 011 05 EFC	Boxster red			
	996 551 011 05 EEZ	Metropole blue			
	996 551 011 05 EFA	Space grey	-00		
	996 551 011 05 VRL	Dark grey	00-		

Model: 996 98 Model life 1998>>2005

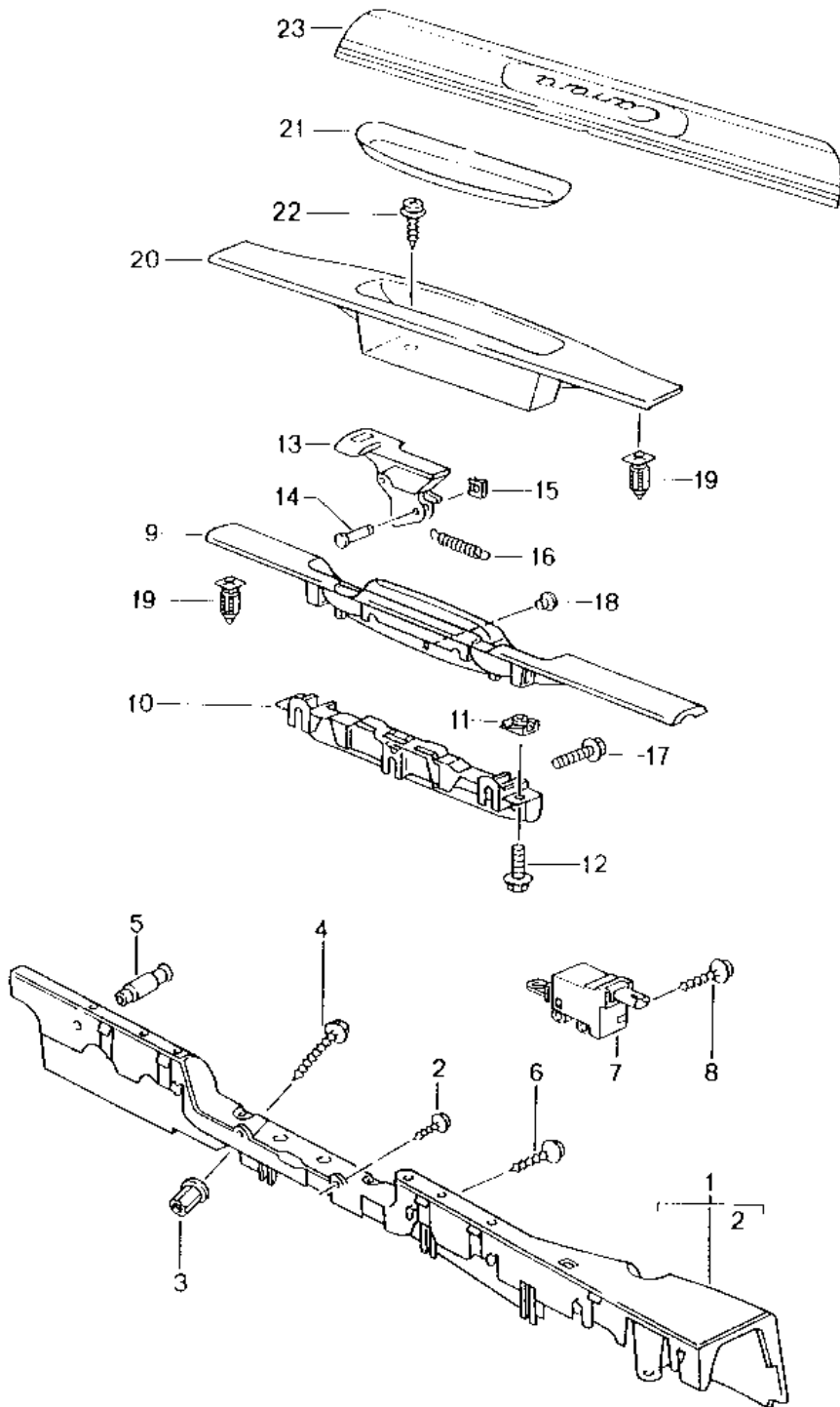
Pos	Part Number	Description	Remark	Qty	Model
(1)	996 551 011 05 VRM	Brown/natural	00-	1	CABRIO M680
	996 551 011 05 FAP	Cinnamon brown	01-		
	996 551 011 07	Carpet	/RL		
	996 551 011 07 EEW	Black			
	996 551 011 07 EEX	Graphite grey			
	996 551 011 07 EEY	Savanna			
	996 551 011 07 EFB	Nephrite green	-01		
	996 551 011 07 FAR	Nephrite green	02-		
	996 551 011 07 EFC	Boxster red			
	996 551 011 07 EEZ	Metropole blue			
(1)	996 551 011 07 EFA	Space grey	-00	1	TARGA M680
	996 551 011 07 VRL	Dark grey/natural			
	996 551 011 07 VRM	Brown/natural			
	996 551 011 07 FAP	Cinnamon brown			
	996 551 011 08	Carpet	/LL		
	996 551 011 08 EEW	Black			
	996 551 011 08 EEX	Graphite grey			
	996 551 011 08 EEY	Savanna			
	996 551 011 08 EFB	Nephrite green	-01		
	996 551 011 08 FAR	Nephrite green	02-		
(1)	996 551 011 08 EFC	Boxster red		1	TARGA M680
	996 551 011 08 EEZ	Metropole blue			
	996 551 011 08 EFA	Space grey	-00		
	996 551 011 08 VRL	Dark grey			
	996 551 011 08 VRM	Brown/natural			
	996 551 011 08 FAP	Cinnamon brown			
	996 551 011 09	Carpet	/RL		
	996 551 011 09 EEW	Black			
	996 551 011 09 EEX	Graphite grey			
	996 551 011 09 EEY	Savanna			
-	996 551 011 09 EFB	Nephrite green	-01	1	
	996 551 011 09 FAR	Nephrite green	02-		
	996 551 011 09 EFC	Boxster red			
	996 551 011 09 EEZ	Metropole blue			
	996 551 011 09 EFA	Space grey	-00		
	996 551 011 09 VRL	Dark grey			
	996 551 011 09 VRM	Brown/natural			
	996 551 011 09 FAP	Cinnamon brown			
	996 551 813 00	Protective film	/LL		
	996 551 815 00	Protective film	/RL		
2	996 551 211 00	Foot support	/LL	1	
(2)	996 551 212 00	Foot support	/RL	1	
3	999 073 062 02	Tapping screw 4,8 X 19	/LL	2	
(3)	900 143 155 09	Combination screw 4,8 X 32	/RL	1	
4	999 591 485 02	Speed nut 4,8	/RL	2	
5	996 551 611 00	Cover	/LL	1	
(5)	996 551 612 00	Cover	/RL	1	
6	999 919 161 09	Foot support Oval-head screw 5,0 X 18		1	
(6)	900 143 155 02	Oval-head screw 4,8 X 32	/RL	1	
7	803 803 583 A	Stopper 20,0 X 30,0		2	
7	999 703 196 40	Lid 20,0 X 30,0		2	
8	996 551 101 00	Lining	/LL	1	

Model: 996 98 Model life 1998>>2005

Pos	Part Number	Description	Remark	Qty	Model
		Carpet			
	996 551 101 00 EAQ	Black			
	996 551 101 00 EAR	Graphite grey			
	996 551 101 00 EAS	Savanna			
	996 551 101 00 EAT	Nephrite green			
	996 551 101 00 EAU	Boxster red			
	996 551 101 00 EAV	Space grey			
	996 551 101 00 EBU	Metropole blue			
	996 551 101 00 VRN	Dark grey	00-		
	996 551 101 00 VRO	Brown/natural	00-		
	996 551 101 00 FBZ	Cinnamon brown	01-		
(8)	996 551 102 00	Lining	/RL	1	
		Carpet			
	996 551 102 00 EAQ	Black			
	996 551 102 00 EAR	Graphite grey			
	996 551 102 00 EAS	Savanna			
	996 551 102 00 EAT	Nephrite green			
	996 551 102 00 EAU	Boxster red			
	996 551 102 00 EAV	Space grey			
	996 551 102 00 EBU	Metropole blue			
	996 551 102 00 VRN	Dark grey	00-		
	996 551 102 00 VRO	Brown/natural	00-		
	996 551 102 00 FBZ	Cinnamon brown	01-		
9	999 507 552 01	Spring clamp 9,0 X 13		2	
10	999 919 161 09	Oval-head screw 5,0 X 18		4	
11	996 551 621 00	Lid	/LL	1	
	996 551 621 00 01C	Satin black			
(11)	996 551 622 00	Lid	/RL	1	
	996 551 622 00 01C	Satin black			
12	996 551 712 01	Support	/LL /R	1	
		Carpet			
(12)	996 551 711 00	Support	/RL /L	1	
		Carpet			
13	999 073 226 09	Tapping screw 4,2 X 16		1	
-		Floor mats Set See group 8/07/05 Tequipment catalogue		1	

Model: 996 98

Model life 1998>>2005



Model: 996 98 Model life 1998>>2005

Pos	Part Number	Description	Remark	Qty	Model
		Lining			
		Door sill			
1	996 551 619 01	Support	/L	1	
(1)	996 551 620 01	Support	/R	1	
-	999 551 140 40	Felt strip		2	
2	900 143 082 02	Tapping screw 6,3 X 13		4	
3	999 500 078 00	Speed nut M 6		2	
-	999 049 022 40	Plastic nut		2	
4	900 378 029 09	Hexagon-head bolt M 6 X 40		2	
4	900 378 029 01	Hexagon-head bolt M 6 X 40		2	
5	996 551 873 00	Locating peg		2	
6	999 919 121 09	Oval-head screw 5,0 X 16		2	
7	996 624 115 01	Actuator Lid	-00	1	
8	999 919 121 09	Oval-head screw 5,0 X 16	-00	2	
(9)	996 551 019 09	Lining Lacquered	/LL -99	1	M537
	996 551 019 09 EMW	Granite grey with Handle Silver			
(9)	996 551 019 10	Lining Lacquered	/LL -99	1	M590
	996 551 019 10 EMW	Granite grey with Handle Silver			
(9)	996 551 019 11	Lining Lacquered	/LL -99	1	M537/590
	996 551 019 11 EMW	Granite grey with Handle Silver			
(9)	996 551 019 13	Lining Lacquered	/RL -99	1	M538
	996 551 019 13 EMW	Granite grey with Handle Silver			
(9)	996 551 019 14	Lining Lacquered	/RL -99	1	M590
	996 551 019 14 EMW	Granite grey with Handle Silver			
(9)	996 551 019 15	Lining Lacquered	/RL -99	1	M538/590
	996 551 019 15 EMW	Granite grey with Handle Silver			
(9)	996 551 019 09	Lining Lacquered	/LL 00	1	M537
	996 551 019 09 ERF	Black with Handle Silver			

Model: 996 98 Model life 1998>>2005

Pos	Part Number	Description	Remark	Qty	Model
(9)	996 551 019 16	Lining Lacquered	/LL 00	1	M590
	996 551 019 16 ERF	Black with Handle Silver			
(9)	996 551 019 17	Lining Lacquered	/LL 00	1	M537/590
	996 551 019 17 ERF	Black with Handle Silver			
(9)	996 551 019 13	Lining Lacquered	/RL 00	1	M538
	996 551 019 13 ERF	Black with Handle Silver			
(9)	996 551 019 18	Lining Lacquered	/RL 00	1	M590
	996 551 019 18 ERF	Black with Handle Silver			
(9)	996 551 019 19	Lining Lacquered	/RL 00	1	M538/590
	996 551 019 19 ERF	Black with Handle Silver			
9	996 551 119 01	Lining Lacquered without Handle	-00	1	COUPE/CABRIO
	996 551 119 01 D05	Granite grey	-99		
	996 551 119 01 A03	Black	00		
(9)	996 551 119 04	Lining without Handle	01-	1	COUPE/CABRIO
	996 551 119 04 A03	Black			
(9)	996 551 119 02	Lining without Handle	02-	1	TARGA
	996 551 119 02 A03	Black			
(9)	996 551 119 05	Lining without Handle	01-	1	COUPE/CABRIO M537/538
	996 551 119 05 A03	Black			
(9)	996 551 119 03	Lining without Handle	02-	1	TARGA M537/538
	996 551 119 03 A03	Black			
(9)	996 551 019 20	Lining Complete	/LL 01	1	COUPE/CABRIO
	996 551 019 20 A03	Black			
(9)	996 551 019 28	Lining Complete	/LL 02-	1	COUPE/CABRIO
	996 551 019 28 A03	Black			
(9)	996 551 019 24	Lining Complete	/LL 02-	1	TARGA
	996 551 019 24 A03	Black			

Model: 996 98 Model life 1998>>2005

Pos	Part Number	Description	Remark	Qty	Model
(9)	996 551 019 22	Lining Complete	/LL 01	1	COUPE/CABRIO M537
	996 551 019 22 A03	Black			
(9)	996 551 019 30	Lining Complete	/LL 02-	1	COUPE/CABRIO M537
	996 551 019 30 A03	Black			
(9)	996 551 019 26	Lining Complete	/LL 02-	1	TARGA M537
	996 551 019 26 A03	Black			
(9)	996 551 019 21	Lining Complete	/RL 01	1	COUPE/CABRIO
	996 551 019 21 A03	Black			
(9)	996 551 019 29	Lining Complete	/RL 02-	1	COUPE/CABRIO
	996 551 019 29 A03	Black			
(9)	996 551 019 25	Lining Complete	/RL 02-	1	TARGA
	996 551 019 25 A03	Black			
(9)	996 551 019 23	Lining Complete	/RL 01	1	COUPE/CABRIO M538
	996 551 019 23 A03	Black			
(9)	996 551 019 31	Lining Complete	/RL 02-	1	COUPE/CABRIO M538
	996 551 019 31 A03	Black			
(9)	996 551 019 27	Lining Complete Lacquered	/RL 02-	1	TARGA M538
	996 551 019 27 A03	Black			
(9)	996 551 980 20	Lining Complete Leather	/LL 01	1	COUPE/CABRIO IXTG
	996 551 980 20 A11	Black			
	996 551 980 20 C51	Graphite grey			
	996 551 980 20 S31	Savanna			
	996 551 980 20 G11	Metropole blue			
	996 551 980 20 J31	Nephrite green			
	996 551 980 20 M31	Boxster red			
	996 551 980 20 P12	Cinnamon brown			
	996 551 980 20 D12	Dark grey/natural			
	996 551 980 20 T12	Brown/natural			
(9)	996 551 980 21	Lining Complete Leather	/RL 01	1	COUPE/CABRIO IXTG
	996 551 980 21 A11	Black			
	996 551 980 21 C51	Graphite grey			
	996 551 980 21 S31	Savanna			
	996 551 980 21 G11	Metropole blue			
	996 551 980 21 J31	Nephrite green			
	996 551 980 21 M31	Boxster red			
	996 551 980 21 P12	Cinnamon brown			
	996 551 980 21 D12	Dark grey/natural			
	996 551 980 21 T12	Brown/natural			
(9)	996 551 980 22	Lining	/LL 01	1	COUPE/CABRIO /537 IXTG

Model: 996 98 Model life 1998>>2005

Pos	Part Number	Description	Remark	Qty	Model
		Complete Leather			
	996 551 980 22 A11	Black			
	996 551 980 22 C51	Graphite grey			
	996 551 980 22 S31	Savanna			
	996 551 980 22 G11	Metropole blue			
	996 551 980 22 J31	Nephrite green			
	996 551 980 22 M31	Boxster red			
	996 551 980 22 P12	Cinnamon brown			
	996 551 980 22 D12	Dark grey/natural			
	996 551 980 22 T12	Brown/natural			
(9)	996 551 980 23	Lining	/RL 01	1	COUPE/CABRIO /538 IXTG
		Complete Leather			
	996 551 980 23 A11	Black			
	996 551 980 23 C51	Graphite grey			
	996 551 980 23 S31	Savanna			
	996 551 980 23 G11	Metropole blue			
	996 551 980 23 J31	Nephrite green			
	996 551 980 23 M31	Boxster red			
	996 551 980 23 P12	Cinnamon brown			
	996 551 980 23 D12	Dark grey/natural			
	996 551 980 23 T12	Brown/natural			
(9)	996 551 980 28	Lining	/LL 02-	1	COUPE/CABRIO IXTG
		Complete Leather			
	996 551 980 28 VRK	Black			
	996 551 980 28 C51	Graphite grey			
	996 551 980 28 S31	Savanna			
	996 551 980 28 G11	Metropole blue			
	996 551 980 28 J31	Nephrite green			
	996 551 980 28 M31	Boxster red			
	996 551 980 28 P12	Cinnamon brown			
	996 551 980 28 D12	Dark grey/natural			
	996 551 980 28 T12	Brown/natural			
(9)	996 551 980 29	Lining	/RL 02-	1	COUPE/CABRIO IXTG
		Complete Leather			
	996 551 980 29 VRK	Black			
	996 551 980 29 C51	Graphite grey			
	996 551 980 29 S31	Savanna			
	996 551 980 29 G11	Metropole blue			
	996 551 980 29 J31	Nephrite green			
	996 551 980 29 M31	Boxster red			
	996 551 980 29 P12	Cinnamon brown			
	996 551 980 29 D12	Dark grey/natural			
	996 551 980 29 T12	Brown/natural			
(9)	996 551 980 30	Lining	/LL 02-	1	COUPE/CABRIO /537 IXTK
		Complete Leather			
	996 551 980 30 VRK	Black			
	996 551 980 30 C51	Graphite grey			
	996 551 980 30 S31	Savanna			
	996 551 980 30 G11	Metropole blue			
	996 551 980 30 J31	Nephrite green			
	996 551 980 30 M31	Boxster red			
	996 551 980 30 P12	Cinnamon brown			

Model: 996 98 Model life 1998>>2005

Pos	Part Number	Description	Remark	Qty	Model
(9)	996 551 980 30 D12	Dark grey/natural	/RL 02-	1	COUPE/CABRIO /538 IXTG
	996 551 980 30 T12	Brown/natural			
	996 551 980 31	Lining			
		Complete			
		Leather			
	996 551 980 31 VRK	Black			
	996 551 980 31 C51	Graphite grey			
	996 551 980 31 S31	Savanna			
	996 551 980 31 G11	Metropole blue			
	996 551 980 31 J31	Nephrite green			
	996 551 980 31 M31	Boxster red			
(9)	996 551 980 31 P12	Cinnamon brown	/LL 02-	1	TARGA IXTG
	996 551 980 31 D12	Dark grey/natural			
	996 551 980 31 T12	Brown/natural			
	996 551 980 24	Lining			
		Complete			
		Leather			
	996 551 980 24 VRK	Black			
	996 551 980 24 C51	Graphite grey			
	996 551 980 24 S31	Savanna			
	996 551 980 24 G11	Metropole blue			
	996 551 980 24 J31	Nephrite green			
(9)	996 551 980 24 M31	Boxster red	/RL 02-	1	TARGA IXTG
	996 551 980 24 D12	Dark grey			
	996 551 980 24 T12	Brown/natural			
	996 551 980 24 P12	Cinnamon brown			
	996 551 980 25	Lining			
		Complete			
		Leather			
	996 551 980 25 VRK	Black			
	996 551 980 25 C51	Graphite grey			
	996 551 980 25 S31	Savanna			
	996 551 980 25 G11	Metropole blue			
(9)	996 551 980 25 J31	Nephrite green	/LL 02-	1	TARGA IXTG M537
	996 551 980 25 M31	Boxster red			
	996 551 980 25 D12	Dark grey			
	996 551 980 25 T12	Brown/natural			
	996 551 980 25 P12	Cinnamon brown			
	996 551 980 26	Lining			
		Complete			
		Leather			
	996 551 980 26 VRK	Black			
	996 551 980 26 C51	Graphite grey			
	(9)	996 551 980 26 S31			
996 551 980 26 G11		Metropole blue			
996 551 980 26 J31		Nephrite green			
996 551 980 26 M31		Boxster red			
996 551 980 26 D12		Dark grey			
996 551 980 26 T12		Brown/natural			
996 551 980 26 P12		Cinnamon brown			
996 551 980 27		Lining			
		Complete			
		Leather			
996 551 980 27 VRK		Black			
996 551 980 27 C51	Graphite grey				

Model: 996 98 Model life 1998>>2005

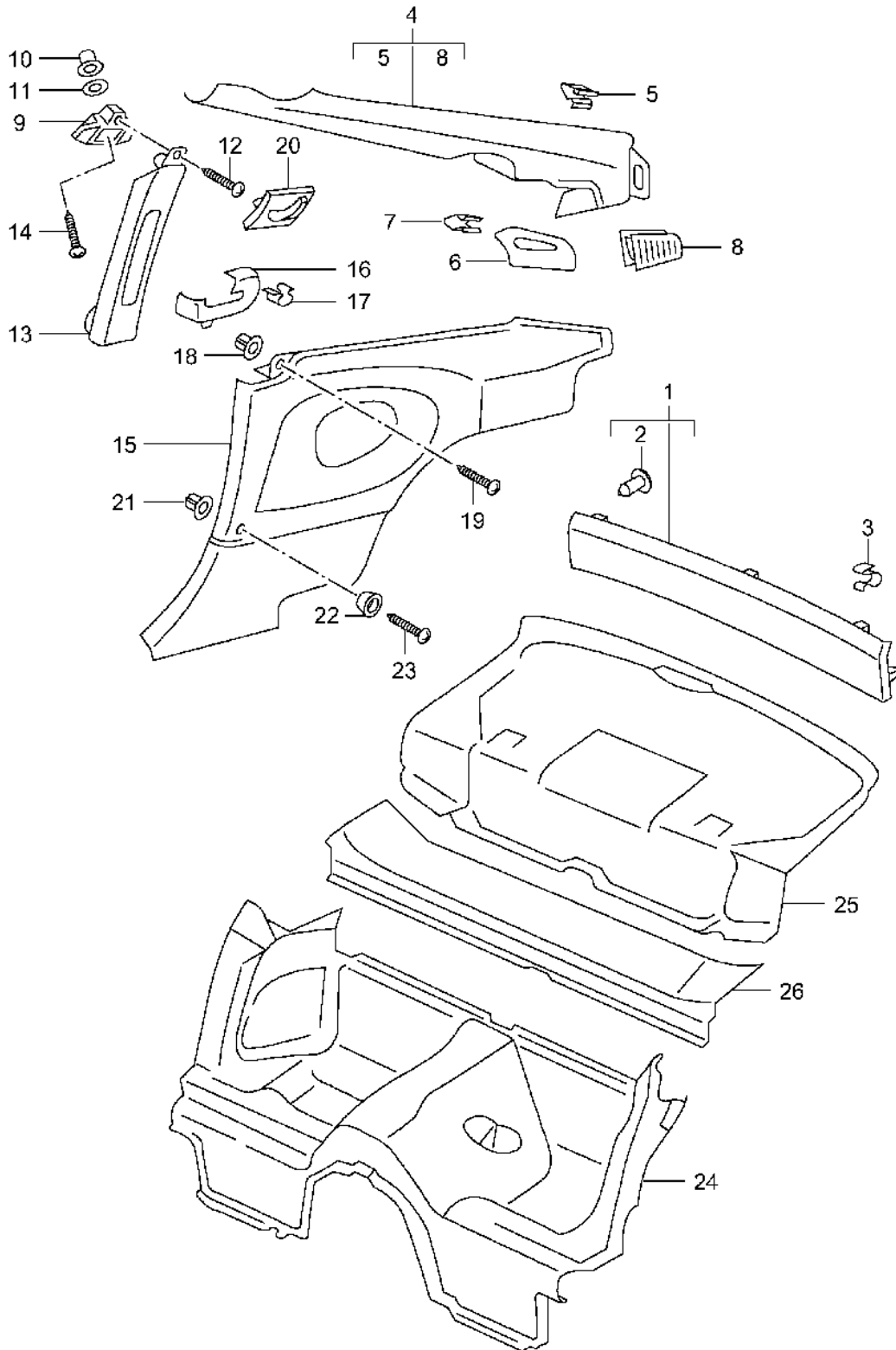
Pos	Part Number	Description	Remark	Qty	Model
	996 551 980 27 S31	Savanna			
	996 551 980 27 G11	Metropole blue			
	996 551 980 27 J31	Nephrite green			
	996 551 980 27 M31	Boxster red			
	996 551 980 27 D12	Dark grey			
	996 551 980 27 T12	Brown/natural			
	996 551 980 27 P12	Cinnamon brown			
10	996 551 719 00	Bracket Not for	-00	1	M590 M537/538
11	999 507 556 02	Speed nut Not for M 5	-00	2	M590 M537/538
12	900 075 145 02	Hexagon-head bolt Not for M 5 X 16	-00	2	M590 M537/538
13	996 551 511 03	Handle Lacquered	/LL /V -00	1	
(13)	996 551 511 03 V01	Silver			
(13)	996 551 512 05	Handle Lacquered	/LL /H -00	1	
(13)	996 551 512 05 V01	Silver			
(13)	996 551 511 04	Handle Lacquered	/RL /V -00	1	
(13)	996 551 511 04 V01	Silver			
(13)	996 551 512 06	Handle Lacquered	/RL /H -00	1	
(13)	996 551 512 06 V01	Silver			
14	999 088 033 02	Bolt Not for 6 X 22 X 19	-00	2	M537/538
15	999 166 079 02	Lock washer Not for	-00	2	M537/538
16	999 522 030 00	Tension spring Not for	-00	2	M537/538
17	999 218 106 02	Combination screw M 6 X 25	-00	3	
(17)	999 067 046 09	Pan-head screw M 6 X 20	01-	3	
18	999 703 443 40	Stopper 8,0 X 11 X 7,2		3	
	999 703 443 40 01C	Satin black			
19	999 507 484 40	Expander nut		18	
20	996 551 120 00	Lining Tray		1	
	996 551 120 00 D05	Granite grey	-99		
	996 551 120 00 A03	Black	00-		
20	996 551 981 01	Lining Tray Leather	01-	1	IXTG
	996 551 981 01 A11	Black	01		
	996 551 981 01 VRK	Black	02-		
	996 551 981 01 C51	Graphite grey			
	996 551 981 01 S31	Savanna			
	996 551 981 01 J31	Nephrite green			
	996 551 981 01 M31	Boxster red			
	996 551 981 01 G11	Metropole blue			
	996 551 981 01 D12	Dark grey			
	996 551 981 01 T12	Brown/natural			
	996 551 981 01 P12	Cinnamon brown			
21	996 551 513 00	Mat		1	
22	999 919 164 09	Oval-head screw 5,0 X 12		2	

Model: 996 98 Model life 1998>>2005

Pos	Part Number	Description	Remark	Qty	Model
23	996 551 303 00	Scuff plate		2	CARRERA
	996 551 303 00 D05	Granite grey	-99		
	996 551 303 00 A03	Black	00-		
(23)	996 551 303 01	Scuff plate	99-	2	CARRERA 4
	996 551 303 01 D05	Granite grey	-99		
	996 551 303 01 A03	Black	00-		
(23)	996 551 303 03	Scuff plate	00	2	M094
	996 551 303 03 A03	Black	00-		
(23)	996 551 303 04	Scuff plate		2	C4S
	996 551 303 04 D05	Granite grey	-99		
	996 551 303 04 A03	Black			
(23)	996 551 303 05	Scuff plate		2	TARGA
		Lacquered			
	996 551 303 05 D05	Granite grey	-99		
	996 551 303 05 A03	Black			
(23)	996 551 303 06	Scuff plate	04	2	M095
		Lacquered			
	996 551 303 06 VTF	Silver metallic			
		Scuff plate		1	
		Exclusive			
		See catalogue			
		Tequipment			
		8/07/05			

Model: 996 98

Model life 1998>>2005



Model: 996 98 Model life 1998>>2005

Pos	Part Number	Description	Remark	Qty	Model
		Linings			COUPE
		Rear			
1	996 555 081 02	Lining		1	
		Leatherette			
	996 555 081 02 A18	Black	-99		
	996 555 081 02 C18	Graphite grey	-99		
	996 555 081 02 S18	Savanna	-99		
	996 555 081 02 G18	Metropole blue	-99		
	996 555 081 02 B18	Space grey	-99		
	996 555 081 02 A12	Black	00-		
	996 555 081 02 C52	Graphite grey	00-		
	996 555 081 02 S32	Savanna	00-		
	996 555 081 02 G12	Metropole blue	00-		
	996 555 081 02 B52	Space grey	00		
	996 555 081 02 J32	Nephrite green	01-		
1	996 555 081 03	Lining		1	
		Leather			
	996 555 081 03 A11	Black			
	996 555 081 03 C51	Graphite grey			
	996 555 081 03 S31	Savanna			
	996 555 081 03 G11	Metropole blue			
	996 555 081 03 J31	Nephrite green			
	996 555 081 03 M31	Boxster red			
	996 555 081 03 B51	Space grey	-00		
	996 555 081 03 P12	Cinnamon brown	01-		
	996 555 081 03 D12	Dark grey	00-		
	996 555 081 03 T12	Brown/natural	00-		
2	999 507 687 05	Fixing clip		5	
3	999 651 307 02	Cable clamp		3	
		18,0			
(4)	996 555 187 02	Lining	/L	1	
		Upper			
		Leatherette			
	996 555 187 02 A18	Black	-99		
	996 555 187 02 C18	Graphite grey	-99		
	996 555 187 02 S18	Savanna	-99		
	996 555 187 02 G18	Metropole blue	-99		
	996 555 187 02 B18	Space grey	-99		
	996 555 187 02 A12	Black	00-		
	996 555 187 02 C52	Graphite grey	00-		
	996 555 187 02 S32	Savanna	00-		
	996 555 187 02 G12	Metropole blue	00-		
	996 555 187 02 B52	Space grey	00		
	996 555 187 02 J32	Nephrite green	01-		
4	996 555 188 02	Lining	/R	1	
		Upper			
		Leatherette			
	996 555 188 02 A18	Black	-99		
	996 555 188 02 C18	Graphite grey	-99		
	996 555 188 02 S18	Savanna	-99		
	996 555 188 02 G18	Metropole blue	-99		
	996 555 188 02 B18	Space grey	-99		
	996 555 188 02 A12	Black	00-		
	996 555 188 02 C52	Graphite grey	00-		
	996 555 188 02 S32	Savanna	00-		
	996 555 188 02 G12	Metropole blue	00-		
	996 555 188 02 B52	Space grey	00		
	996 555 188 02 J32	Nephrite green	01-		
(4)	996 555 187 03	Lining	/L	1	
		Upper			
		Leather			
	996 555 187 03 A11	Black			
	996 555 187 03 C51	Graphite grey			

Model: 996 98 Model life 1998>>2005

Pos	Part Number	Description	Remark	Qty	Model
	996 555 187 03 S31	Savanna			
	996 555 187 03 G11	Metropole blue			
	996 555 187 03 J31	Nephrite green			
	996 555 187 03 M31	Boxster red			
	996 555 187 03 B51	Space grey	-00		
	996 555 187 03 P12	Cinnamon brown	01-		
	996 555 187 03 D12	Dark grey	00-		
	996 555 187 03 T12	Brown/natural	00-		
4	996 555 188 03	Lining Upper Leather	/R	1	
	996 555 188 03 A11	Black			
	996 555 188 03 C51	Graphite grey			
	996 555 188 03 S31	Savanna			
	996 555 188 03 G11	Metropole blue			
	996 555 188 03 J31	Nephrite green			
	996 555 188 03 M31	Boxster red			
	996 555 188 03 B51	Space grey	-00		
	996 555 188 03 P12	Cinnamon brown	01-		
	996 555 188 03 D12	Dark grey	00-		
	996 555 188 03 T12	Brown/natural	00-		
-	999 551 609 40	Plastic washer 8, 0 X 23 X 3,0		16	
5	999 507 676 09	Clamp 2,7/2,20		2	
5	999 507 479 09	Clamp 2,5/0,9		4	
(6)	996 555 545 01	Rosette Lacquered	/L	1	
	996 555 545 01 D05	Granite grey	-99		
	996 555 545 01 A03	Black	00-		
	996 555 545 01 C53	Graphite grey	00-		
	996 555 545 01 S33	Savanna	00-		
	996 555 545 01 G13	Metropole blue	00-		
	996 555 545 01 B13	Space grey	00		
	996 555 545 01 J33	Nephrite green	00-		
	996 555 545 01 M33	Boxster red			
6	996 555 546 01	Rosette Lacquered	/R	1	
	996 555 546 01 D05	Granite grey	-99		
	996 555 546 01 A03	Black	00-		
	996 555 546 01 C53	Graphite grey	00-		
	996 555 546 01 S33	Savanna	00-		
	996 555 546 01 G13	Metropole blue	00-		
	996 555 546 01 B13	Space grey	00		
	996 555 546 01 J33	Nephrite green	00-		
	996 555 546 01 M33	Boxster red			
7	999 507 533 02	Clamp		2	
(8)	996 555 645 00	Grille Lacquered	/L	1	
	996 555 645 00 D05	Granite grey	-99		
	996 555 645 00 A03	Black	00-		
	996 555 645 00 C53	Graphite grey	00-		
	996 555 645 00 S33	Savanna	00-		
	996 555 645 00 G13	Metropole blue	00-		
	996 555 645 00 B13	Space grey	00-		
	996 555 645 00 J33	Nephrite green	00-		
	996 555 645 00 M33	Boxster red	00-		
8	996 555 646 00	Grille Lacquered	/R	1	
	996 555 646 00 D05	Granite grey	-99		
	996 555 646 00 A03	Black	00-		
	996 555 646 00 C53	Graphite grey	00-		

Model: 996 98 Model life 1998>>2005

Pos	Part Number	Description	Remark	Qty	Model
	996 555 646 00 S33	Savanna	00-		
	996 555 646 00 G13	Metropole blue	00-		
	996 555 646 00 B13	Space grey	00-		
	996 555 646 00 J33	Nephrite green	00-		
	996 555 646 00 M33	Boxster red	00-		
(9)	996 555 821 01	Bracket	/L -99	1	
		Coat hook			
9	996 555 822 01	Bracket	/R -99	1	
		Coat hook			
(9)	996 555 821 02	Bracket	/L 00-	1	
		Coat hook			
(9)	996 555 822 02	Bracket	/R 00-	1	
		Coat hook			
10	999 500 069 02	Blind rivet nut	-01	2	
(10)	999 507 695 02	Speed nut		2	
		4,2			
11	900 151 006 09	Washer		2	
(11)	999 025 268 09	Washer	00-	2	
		6,4			
12	999 919 164 09	Oval-head screw	-99	2	
		5,0 X 12,0			
(12)	999 073 060 02	Tapping screw	00-	2	
		4,8 X 13			
(13)	996 555 183 02	Lining	/L -99	1	
		B-pillar			
		Leatherette			
	996 555 183 02 A18	Black			
	996 555 183 02 C18	Graphite grey			
	996 555 183 02 S18	Savanna			
	996 555 183 02 G18	Metropole blue			
	996 555 183 02 B18	Space grey			
13	996 555 184 02	Lining	/R -99	1	
		B-pillar			
		Leatherette			
	996 555 184 02 A18	Black			
	996 555 184 02 C18	Graphite grey			
	996 555 184 02 S18	Savanna			
	996 555 184 02 G18	Metropole blue			
	996 555 184 02 B18	Space grey			
(13)	996 555 183 04	Lining	/L 00-	1	
		B-pillar			
		Leatherette			
	996 555 183 04 A12	Black			
	996 555 183 04 C52	Graphite grey			
	996 555 183 04 S32	Savanna			
	996 555 183 04 G12	Metropole blue			
	996 555 183 04 B52	Space grey	00		
	996 555 183 04 J32	Nephrite green	01-		
(13)	996 555 184 04	Lining	/R 00-	1	
		B-pillar			
		Leatherette			
	996 555 184 04 A12	Black			
	996 555 184 04 C52	Graphite grey			
	996 555 184 04 S32	Savanna			
	996 555 184 04 G12	Metropole blue			
	996 555 184 04 B52	Space grey	00		
	996 555 184 04 J32	Nephrite green	01-		
(13)	996 555 183 03	Lining	/L	1	
		B-pillar			
		Leather			
	996 555 183 03 A11	Black			
	996 555 183 03 C51	Graphite grey			
	996 555 183 03 S31	Savanna			

Model: 996 98 Model life 1998>>2005

Pos	Part Number	Description	Remark	Qty	Model
	996 555 183 03 G11	Metropole blue			
	996 555 183 03 B51	Space grey			
	996 555 183 03 J31	Nephrite green			
	996 555 183 03 M31	Boxster red			
	996 555 183 03 P12	Cinnamon brown	01-		
	996 555 183 03 D12	Dark grey	00-		
	996 555 183 03 T12	Brown/natural	00-		
13	996 555 184 03	Lining B-pillar Leather	/R	1	
	996 555 184 03 A11	Black			
	996 555 184 03 C51	Graphite grey			
	996 555 184 03 S31	Savanna			
	996 555 184 03 G11	Metropole blue			
	996 555 184 03 B51	Space grey			
	996 555 184 03 J31	Nephrite green			
	996 555 184 03 M31	Boxster red			
	996 555 184 03 P12	Cinnamon brown	01-		
	996 555 184 03 D12	Dark grey	00-		
	996 555 184 03 T12	Brown/natural	00-		
(13)	996 555 183 05	Lining B-pillar Leather	/L 00-	1	
	996 555 183 05 A11	Black			
	996 555 183 05 C51	Graphite grey			
	996 555 183 05 S31	Savanna			
	996 555 183 05 G11	Metropole blue			
	996 555 183 05 B51	Space grey	-00		
	996 555 183 05 J31	Nephrite green			
	996 555 183 05 M31	Boxster red			
	996 555 183 05 P12	Cinnamon brown	01-		
	996 555 183 05 D12	Dark grey/natural	00-		
	996 555 183 05 T12	Brown/natural	00-		
(13)	996 555 184 05	Lining B-pillar Leather	/R 00-	1	
	996 555 184 05 A11	Black			
	996 555 184 05 C51	Graphite grey			
	996 555 184 05 S31	Savanna			
	996 555 184 05 G11	Metropole blue			
	996 555 184 05 B51	Space grey	-00		
	996 555 184 05 J31	Nephrite green			
	996 555 184 05 M31	Boxster red			
	996 555 184 05 P12	Cinnamon brown	01-		
	996 555 184 05 D12	Dark grey/natural	00-		
	996 555 184 05 T12	Brown/natural	00-		
-	996 555 859 00	Grommet B-pillar	00-	2	
14	999 073 130 02	Oval-head screw M 6 X 16		1	
(15)	996 555 071 08	Side trim panel Leatherette	/L 98	1	
	996 555 071 08 DEO	Black			
	996 555 071 08 DEQ	Graphite grey			
	996 555 071 08 DET	Savanna			
	996 555 071 08 DFE	Metropole blue			
	996 555 071 08 DFK	Space grey			
	996 555 071 08 EVN	Black			
	996 555 071 08 EVO	Graphite grey			
	996 555 071 08 EVP	Savanna			
	996 555 071 08 EVQ	Metropole blue			
	996 555 071 08 EVR	Space grey			
	996 555 071 08 FDH	Nephrite green			

Model: 996 98 Model life 1998>>2005

Pos	Part Number	Description	Remark	Qty	Model
(15)	996 555 071 10	Side trim panel	/L 98-99	1	
	996 555 071 10 DEO	Black	-99		
15	996 555 072 08	Side trim panel	/R 98	1	
		Leatherette			
	996 555 072 08 DEO	Black			
	996 555 072 08 DEQ	Graphite grey			
	996 555 072 08 DET	Savanna			
	996 555 072 08 DFE	Metropole blue			
	996 555 072 08 DFK	Space grey			
	996 555 072 08 EVN	Black			
	996 555 072 08 EVO	Graphite grey			
	996 555 072 08 EVP	Savanna			
	996 555 072 08 EVQ	Metropole blue			
	996 555 072 08 EVR	Space grey			
	996 555 072 08 FDH	Nephrite green			
15	996 555 072 10	Side trim panel	/R 99-	1	
		Leatherette			
	996 555 072 10 DEO	Black	-99		
	996 555 072 10 DEQ	Graphite grey	-99		
	996 555 072 10 DET	Savanna	-99		
	996 555 072 10 DFE	Metropole blue	-99		
	996 555 072 10 DFK	Space grey	-99		
	996 555 072 10 EVN	Black	00-		
	996 555 072 10 EVO	Graphite grey	00-		
	996 555 072 10 EVP	Savanna	00-		
	996 555 072 10 EVQ	Metropole blue	00-		
	996 555 072 10 EVR	Space grey	00		
	996 555 072 10 FDH	Nephrite green	01-		
(15)	996 555 071 11	Side trim panel	/L	1	
		Leather			
	996 555 071 11 DFO	Black			
	996 555 071 11 DFY	Space grey			
15	996 555 072 11	Side trim panel	/R	1	
		Leather			
	996 555 072 11 DFO	Black			
	996 555 072 11 DFY	Space grey			
(15)	996 555 071 11	Side trim panel	/L -02	1	
		Leather			
	996 555 071 11 EVS	Black			
	996 555 071 11 DFV	Graphite grey			
	996 555 071 11 DFW	Savanna			
	996 555 071 11 DFX	Metropole blue			
	996 555 071 11 DFZ	Nephrite green			
	996 555 071 11 DGA	Boxster red			
	996 555 071 11 FEK	Cinnamon brown			
	996 555 071 11 VRT	Dark grey/natural			
	996 555 071 11 VRU	Brown/natural			
15	996 555 072 11	Side trim panel	/R -02	1	
		Leather			
	996 555 072 11 EVS	Black			
	996 555 072 11 DFV	Graphite grey			
	996 555 072 11 DFW	Savanna			
	996 555 072 11 DFX	Metropole blue			
	996 555 072 11 DFZ	Nephrite green			
	996 555 072 11 DGA	Boxster red			
	996 555 072 11 FEK	Cinnamon brown			
	996 555 072 11 VRT	Dark grey/natural			
	996 555 072 11 VRU	Brown/natural			
(15)	996 555 071 16	Side trim panel	/L 03-	1	
		Leather			
	996 555 071 16 EVS	Black			
	996 555 071 16 DFV	Graphite grey			
	996 555 071 16 DFW	Savanna			

Model: 996 98 Model life 1998>>2005

Pos	Part Number	Description	Remark	Qty	Model
	996 555 071 16 DFX	Metropole blue			
	996 555 071 16 DFZ	Nephrite green			
	996 555 071 16 DGA	Boxster red			
	996 555 071 16 FEK	Cinnamon brown			
	996 555 071 16 VRT	Dark grey/natural			
	996 555 071 16 VRU	Brown/natural			
15	996 555 072 16	Side trim panel	/R 03-	1	
		Leather			
	996 555 072 16 EVS	Black			
	996 555 072 16 DFV	Graphite grey			
	996 555 072 16 DFW	Savanna			
	996 555 072 16 DFX	Metropole blue			
	996 555 072 16 DFZ	Nephrite green			
	996 555 072 16 DGA	Boxster red			
	996 555 072 16 FEK	Cinnamon brown			
	996 555 072 16 VRT	Dark grey/natural			
	996 555 072 16 VRU	Brown/natural			
-	999 551 609 40	Plastic washer		6	
		8,0 X 23 X 3,0			
(16)	996 555 061 00	Rosette	/L -99	1	
		Seat belt			
		Lacquered			
	996 555 061 00 D05	Granite grey			
16	996 555 062 00	Rosette	/R -99	1	
		Seat belt			
		Lacquered			
	996 555 062 00 D05	Granite grey			
(16)	996 555 061 00	Rosette	/L 00-	1	
		Seat belt			
		Lacquered			
	996 555 061 00 A03	Black			
	996 555 061 00 C53	Graphite grey			
	996 555 061 00 S33	Savanna			
	996 555 061 00 G13	Metropole blue			
	996 555 061 00 B13	Space grey	00		
	996 555 061 00 J33	Nephrite green			
	996 555 061 00 M33	Boxster red			
	996 555 061 00 P13	Cinnamon brown	01-		
16	996 555 062 00	Rosette	/R 00-	1	
		Seat belt			
		Lacquered			
	996 555 062 00 A03	Black			
	996 555 062 00 C53	Graphite grey			
	996 555 062 00 S33	Savanna			
	996 555 062 00 G13	Metropole blue			
	996 555 062 00 B13	Space grey	00		
	996 555 062 00 J33	Nephrite green			
	996 555 062 00 M33	Boxster red			
	996 555 062 00 P13	Cinnamon brown	01-		
17	999 507 533 02	Clamp		2	
		4,2 X 19			
18	999 507 050 40	Expander nut		2	
		4,2			
		4,2 X 19			
19	999 073 079 02	Tapping screw		2	
		4,2 X 19			
(20)	996 555 571 01	Coat hook	/L -99	1	
		Lacquered			
	996 555 571 01 D05	Granite grey			
20	996 555 572 01	Coat hook	/R -99	1	
		Lacquered			
	996 555 572 01 D05	Granite grey			
(20)	996 555 571 02	Coat hook	/L 00-	1	

Model: 996 98 Model life 1998>>2005

Pos	Part Number	Description	Remark	Qty	Model
		Lacquered			
	996 555 571 02 A03	Black			
	996 555 571 02 C53	Graphite grey			
	996 555 571 02 S33	Savanna			
	996 555 571 02 G13	Metropole blue			
	996 555 571 02 B13	Space grey	00		
	996 555 571 02 J33	Nephrite green			
	996 555 571 02 M33	Boxster red			
	996 555 571 02 P13	Cinnamon brown	01-		
(20)	996 555 572 02	Coat hook	/R 00-	1	
		Lacquered			
	996 555 572 02 A03	Black			
	996 555 572 02 C53	Graphite grey			
	996 555 572 02 S33	Savanna			
	996 555 572 02 G13	Metropole blue			
	996 555 572 02 B13	Space grey	00		
	996 555 572 02 J33	Nephrite green			
	996 555 572 02 M33	Boxster red			
	996 555 572 02 P13	Cinnamon brown	01-		
21	999 507 050 40	Expander nut		2	
		4,2			
22	999 591 116 07	Cone washer		2	
		4,5			
23	900 144 182 09	Tapping screw		2	
		4,2 X 32			
24	996 551 021 00	Adhesive carpet	-00	1	
		Seat well			
		Carpet			
	996 551 021 00 A10	Black			
	996 551 021 00 C50	Graphite grey			
	996 551 021 00 S30	Savanna			
	996 551 021 00 G10	Metropole blue			
	996 551 021 00 B50	Space grey	-00		
	996 551 021 00 J30	Nephrite green			
	996 551 021 00 M30	Boxster red			
	996 551 021 00 D11	Dark grey/natural	00-		
	996 551 021 00 T11	Brown/natural	00-		
24	996 551 021 09	Adhesive carpet	01	1	
		Seat well			
		Carpet			
	996 551 021 09 A10	Black			
	996 551 021 09 C50	Graphite grey			
	996 551 021 09 S30	Savanna			
	996 551 021 09 G10	Metropole blue			
	996 551 021 09 B50	Space grey			
	996 551 021 09 J30	Nephrite green			
	996 551 021 09 M30	Boxster red			
	996 551 021 09 P11	Cinnamon brown			
	996 551 021 09 D11	Dark grey/natural			
	996 551 021 09 T11	Brown/natural			
(24)	996 551 021 05	Adhesive carpet	02-	1	
		Seat well			
		Carpet			
	996 551 021 05 A10	Black			
	996 551 021 05 C50	Graphite grey			
	996 551 021 05 S30	Savanna			
	996 551 021 05 G10	Metropole blue			
	996 551 021 05 B50	Space grey			
	996 551 021 05 J30	Nephrite green			
	996 551 021 05 M30	Boxster red			
	996 551 021 05 P11	Cinnamon brown			
	996 551 021 05 D11	Dark grey/natural			
	996 551 021 05 T11	Brown/natural			

Model: 996 98 Model life 1998>>2005

Pos	Part Number	Description	Remark	Qty	Model
25	996 551 031 00	Adhesive carpet	-99	1	
	996 551 031 00 A10	Black			
	996 551 031 00 C50	Graphite grey			
	996 551 031 00 S30	Savanna			
	996 551 031 00 G10	Metropole blue			
	996 551 031 00 B50	Space grey			
	996 551 031 00 J30	Nephrite green			
	996 551 031 00 M30	Boxster red			
	996 551 031 00 P11	Cinnamon brown			
	996 551 031 00 D11	Dark grey			
	996 551 031 00 T11	Brown/natural			
25	996 551 031 00	Adhesive carpet	00-01	1	
	996 551 031 00 A10	Black			
	996 551 031 00 C50	Graphite grey			
	996 551 031 00 S30	Savanna			
	996 551 031 00 G10	Metropole blue			
	996 551 031 00 B50	Space grey			
	996 551 031 00 J30	Nephrite green			
	996 551 031 00 M30	Boxster red			
	996 551 031 00 P11	Cinnamon brown			
	996 551 031 00 D11	Dark grey			
	996 551 031 00 T11	Brown/natural			
(25)	996 551 031 01	Adhesive carpet	-00	1	M113/479
	996 551 031 01 A10	Black			
	996 551 031 01 C50	Graphite grey			
	996 551 031 01 S30	Savanna			
	996 551 031 01 G10	Metropole blue			
	996 551 031 01 B50	Space grey			
	996 551 031 01 J30	Nephrite green			
	996 551 031 01 M30	Boxster red			
	996 551 031 01 P11	Cinnamon brown			
	996 551 031 01 D11	Dark grey			
	996 551 031 01 T11	Brown/natural			
(25)	996 551 031 01	Adhesive carpet	01	1	M479
	996 551 031 01 A10	Black			
	996 551 031 01 C50	Graphite grey			
	996 551 031 01 S30	Savanna			
	996 551 031 01 G10	Metropole blue			
	996 551 031 01 B50	Space grey			
	996 551 031 01 J30	Nephrite green			
	996 551 031 01 M30	Boxster red			
	996 551 031 01 P11	Cinnamon brown			
	996 551 031 01 D11	Dark grey			
	996 551 031 01 T11	Brown/natural			
(25)	996 551 031 14	Adhesive carpet	02-	1	
	996 551 031 14 A10	Black			
	996 551 031 14 C50	Graphite grey			
	996 551 031 14 S30	Savanna			
	996 551 031 14 G10	Metropole blue			
	996 551 031 14 B50	Space grey			
	996 551 031 14 J30	Nephrite green			
	996 551 031 14 M30	Boxster red			
	996 551 031 14 P11	Cinnamon brown			
	996 551 031 14 D11	Dark grey			
	996 551 031 14 T11	Brown/natural			
(25)	996 551 031 06	Adhesive carpet	02-	1	M680
	996 551 031 06 A10	Black			
	996 551 031 06 C50	Graphite grey			
	996 551 031 06 S30	Savanna			
	996 551 031 06 G10	Metropole blue			
	996 551 031 06 B50	Space grey			
	996 551 031 06 J30	Nephrite green			
	996 551 031 06 M30	Boxster red			

Model: 996 98 Model life 1998>>2005

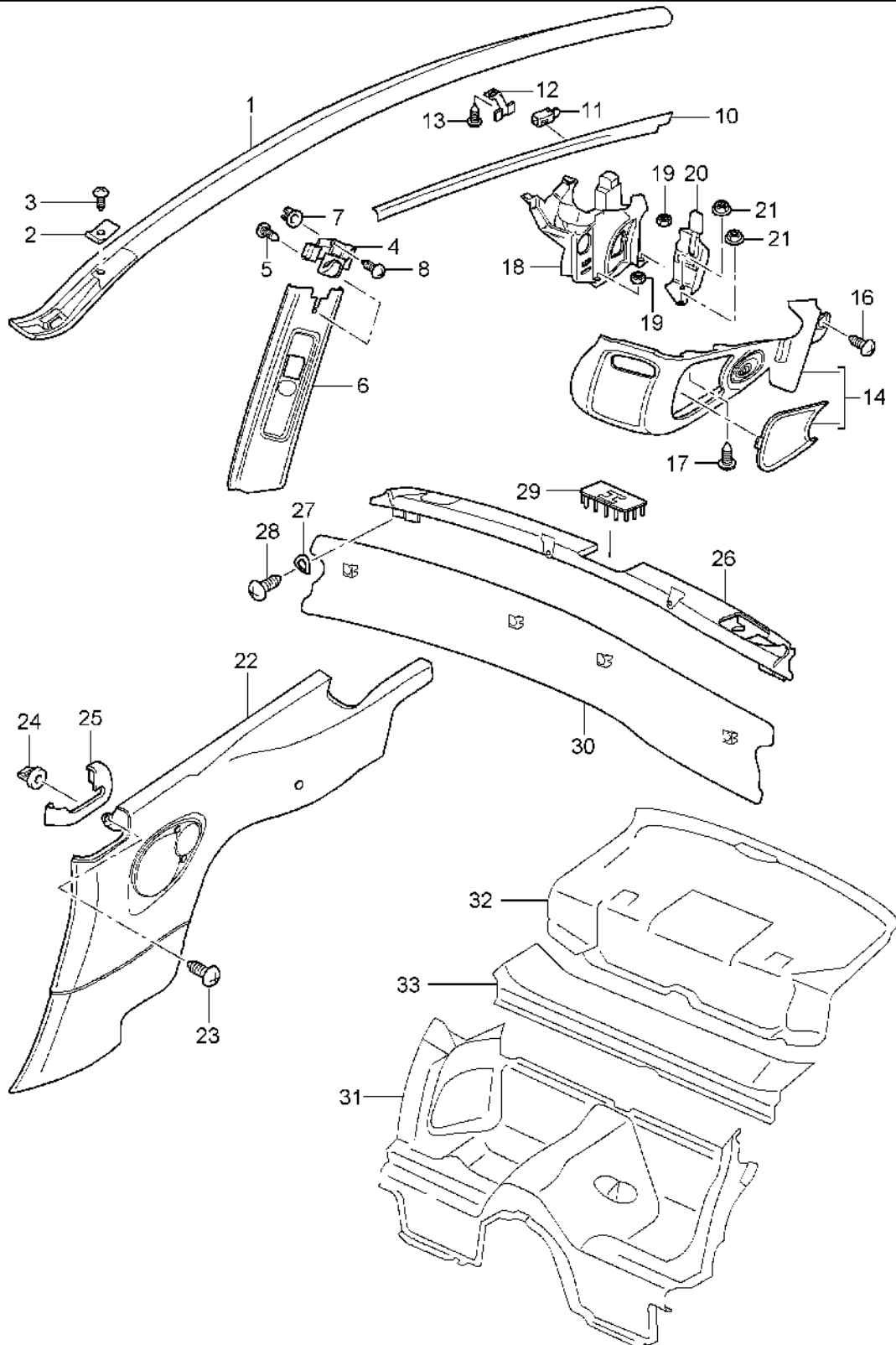
Pos	Part Number	Description	Remark	Qty	Model				
(25)	996 551 031 06 P11	Cinnamon brown	02-	1	M479/484				
	996 551 031 06 D11	Dark grey/natural							
	996 551 031 06 T11	Brown/natural							
	996 551 031 15	Adhesive carpet							
	996 551 031 15 A10	Black							
	996 551 031 15 C50	Graphite grey							
	996 551 031 15 S30	Savanna							
	996 551 031 15 G10	Metropole blue							
	996 551 031 15 B50	Space grey							
	996 551 031 15 J30	Nephrite green							
	996 551 031 15 M30	Boxster red							
	996 551 031 15 P11	Cinnamon brown							
	996 551 031 15 D11	Dark grey							
(25)	996 551 031 15 T11	Brown/natural	02-	1	M479/484 M680				
	996 551 031 07	Adhesive carpet							
	996 551 031 07 A10	Black							
	996 551 031 07 C50	Graphite grey							
	996 551 031 07 S30	Savanna							
	996 551 031 07 G10	Metropole blue							
	996 551 031 07 B50	Space grey							
	996 551 031 07 J30	Nephrite green							
	996 551 031 07 M30	Boxster red							
	996 551 031 07 P11	Cinnamon brown							
	996 551 031 07 D11	Dark grey/natural							
	996 551 031 07 T11	Brown/natural							
	-	996 551 551 00				Cover Child car seat Mount	01-	2	M113
26	996 551 033 00	Lining Control units Carpet	-01	1					
	996 551 033 00 A10	Black							
	996 551 033 00 C50	Graphite grey							
	996 551 033 00 S30	Savanna							
	996 551 033 00 G10	Metropole blue							
	996 551 033 00 B50	Space grey							
	996 551 033 00 J30	Nephrite green							
	996 551 033 00 M30	Boxster red							
	996 551 033 00 D11	Dark grey/natural							
	996 551 033 00 T11	Brown/natural							
	996 551 033 00 P11	Cinnamon brown							
	(26)	997 551 033 00				Lining Control units Carpet	02-	1	
		997 551 033 00 A10				Black			
997 551 033 00 C50		Graphite grey							
997 551 033 00 S30		Savanna							
997 551 033 00 J30		Nephrite green							
997 551 033 00 M30		Boxster red							
997 551 033 00 G10		Metropole blue							
997 551 033 00 P11		Cinnamon brown							
997 551 033 00 D11		Dark grey/natural							
997 551 033 00 T11		Brown/natural							
(26)		997 551 033 01	Lining Control units Carpet	02-	1	M680			
		997 551 033 01 A10	Black						
		997 551 033 01 C50	Graphite grey						
	997 551 033 01 S30	Savanna							
	997 551 033 01 J30	Nephrite green							
	997 551 033 01 M30	Boxster red							
	997 551 033 01 G10	Metropole blue							
	997 551 033 01								
		-03							

Model: 996 98 **Model life 1998>>2005**

Pos	Part Number	Description	Remark	Qty	Model
	997 551 033 01 P11	Cinnamon brown			
	997 551 033 01 D11	Dark grey/natural			
	997 551 033 01 T11	Brown/natural			

Model: 996 98

Model life 1998>>2005



Model: 996 98 Model life 1998>>2005

Pos	Part Number	Description	Remark	Qty	Model
		Linings	02-		TARGA
		Rear			
(1)	996 555 195 00	Lining	/L	1	
		Roof pillar			
		Leatherette			
	996 555 195 00 A12	Black			
	996 555 195 00 C52	Graphite grey			
	996 555 195 00 S32	Savanna			
	996 555 195 00 G12	Metropole blue			
	996 555 195 00 J32	Nephrite green			
1	996 555 196 00	Lining	/R	1	
		Roof pillar			
		Leatherette			
	996 555 196 00 A12	Black			
	996 555 196 00 C52	Graphite grey			
	996 555 196 00 S32	Savanna			
	996 555 196 00 G12	Metropole blue			
	996 555 196 00 J32	Nephrite green			
(1)	996 555 195 01	Lining	/L	1	
		Roof pillar			
		Leather			
	996 555 195 01 A11	Black			
	996 555 195 01 C51	Graphite grey			
	996 555 195 01 S31	Savanna			
	996 555 195 01 G11	Metropole blue			
	996 555 195 01 J31	Nephrite green			
	996 555 195 01 M31	Boxster red			
	996 555 195 01 P12	Cinnamon brown			
	996 555 195 01 D12	Dark grey			
	996 555 195 01 T12	Brown/natural			
1	996 555 196 01	Lining	/R	1	
		Roof pillar			
		Leather			
	996 555 196 01 A11	Black			
	996 555 196 01 C51	Graphite grey			
	996 555 196 01 S31	Savanna			
	996 555 196 01 G11	Metropole blue			
	996 555 196 01 J31	Nephrite green			
	996 555 196 01 M31	Boxster red			
	996 555 196 01 P12	Cinnamon brown			
	996 555 196 01 D12	Dark grey			
	996 555 196 01 T12	Brown/natural			
-	996 555 887 00	Piping		2	
(2)	996 555 879 00	Cover	/L	1	
	996 555 879 00 01C	Satin black			
2	996 555 880 00	Cover	/R	1	
	996 555 880 00 01C	Satin black			
3	999 073 218 09	Tapping screw		2	
		4,2 X 16			
(4)	996 555 571 03	Coat hook	/L	1	
		Lacquered			
	996 555 571 03 A03	Black			
	996 555 571 03 C53	Graphite grey			
	996 555 571 03 S33	Savanna			
	996 555 571 03 G13	Metropole blue			
	996 555 571 03 J33	Nephrite green			
4	996 555 572 03	Coat hook	/R	1	
		Lacquered			
	996 555 572 03 A03	Black			
	996 555 572 03 C53	Graphite grey			
	996 555 572 03 S33	Savanna			
	996 555 572 03 G13	Metropole blue			
	996 555 572 03 J33	Nephrite green			

Model: 996 98 Model life 1998>>2005

Pos	Part Number	Description	Remark	Qty	Model
-	996 555 771 00	Cover	/L	1	
		Coat hook			
	996 555 771 00 A03	Black			
	996 555 771 00 C53	Graphite grey			
	996 555 771 00 S33	Savanna			
	996 555 771 00 G13	Metropole blue			
	996 555 771 00 J33	Nephrite green			
	996 555 771 00 M33	Boxster red			
	996 555 771 00 P13	Cinnamon brown			
-	996 555 772 00	Cover	/R	1	
		Coat hook			
	996 555 772 00 A03	Black			
	996 555 772 00 C53	Graphite grey			
	996 555 772 00 S33	Savanna			
	996 555 772 00 G13	Metropole blue			
	996 555 772 00 J33	Nephrite green			
	996 555 772 00 M33	Boxster red			
	996 555 772 00 P13	Cinnamon brown			
5	999 919 164 09	Oval-head screw		2	
		5,0 X 12			
(6)	996 555 183 06	Lining	/L	1	
		B-pillar			
		Leatherette			
	996 555 183 06 A12	Black			
	996 555 183 06 C52	Graphite grey			
	996 555 183 06 S32	Savanna	-04		
	996 555 183 06 G12	Metropole blue	-04		
	996 555 183 06 J32	Nephrite green	-03		
6	996 555 184 06	Lining	/R	1	
		B-pillar			
		Leatherette			
	996 555 184 06 A12	Black			
	996 555 184 06 C52	Graphite grey			
	996 555 184 06 S32	Savanna	-04		
	996 555 184 06 G12	Metropole blue	-04		
	996 555 184 06 J32	Nephrite green	-03		
(6)	996 555 183 07	Lining	/L	1	
		B-pillar			
		Leather			
	996 555 183 07 A11	Black			
	996 555 183 07 C51	Graphite grey			
	996 555 183 07 S31	Savanna			
	996 555 183 07 G11	Metropole blue			
	996 555 183 07 J31	Nephrite green	-03		
	996 555 183 07 M31	Boxster red			
	996 555 183 07 P12	Cinnamon brown			
	996 555 183 07 D12	Dark grey			
	996 555 183 07 T12	Brown/natural			
6	996 555 184 07	Lining	/R	1	
		B-pillar			
		Leather			
	996 555 184 07 A11	Black			
	996 555 184 07 C51	Graphite grey			
	996 555 184 07 S31	Savanna			
	996 555 184 07 G11	Metropole blue			
	996 555 184 07 J31	Nephrite green	-03		
	996 555 184 07 M31	Boxster red			
	996 555 184 07 P12	Cinnamon brown			
	996 555 184 07 D12	Dark grey			
	996 555 184 07 T12	Brown/natural			
7	999 507 755 40	Expander nut		2	
8	999 073 064 02	Tapping screw		2	
		4,8 X 25			

Model: 996 98 Model life 1998>>2005

Pos	Part Number	Description	Remark	Qty	Model
(10)	996 555 187 04	Lining Upper Leatherette	/L	1	
	996 555 187 04 A12	Black			
	996 555 187 04 C52	Graphite grey			
	996 555 187 04 S32	Savanna			
	996 555 187 04 G12	Metropole blue			
	996 555 187 04 J32	Nephrite green			
10	996 555 188 04	Lining Upper Leatherette	/R	1	
	996 555 188 04 A12	Black			
	996 555 188 04 C52	Graphite grey			
	996 555 188 04 S32	Savanna			
	996 555 188 04 G12	Metropole blue			
	996 555 188 04 J32	Nephrite green			
(10)	996 555 187 05	Lining Upper Leather	/L	1	
	996 555 187 05 A11	Black			
	996 555 187 05 C51	Graphite grey			
	996 555 187 05 S31	Savanna			
	996 555 187 05 G11	Metropole blue			
	996 555 187 05 J31	Nephrite green			
	996 555 187 05 M31	Boxster red			
	996 555 187 05 P12	Cinnamon brown			
	996 555 187 05 D12	Dark grey/natural			
	996 555 187 05 T12	Brown/natural			
10	996 555 188 05	Lining Upper Leather	/R	1	
	996 555 188 05 A11	Black			
	996 555 188 05 C51	Graphite grey			
	996 555 188 05 S31	Savanna			
	996 555 188 05 G11	Metropole blue			
	996 555 188 05 J31	Nephrite green			
	996 555 188 05 M31	Boxster red			
	996 555 188 05 P12	Cinnamon brown			
	996 555 188 05 D12	Dark grey/natural			
	996 555 188 05 T12	Brown/natural			
11	996 555 581 00	Mounting Clip		10	
12	996 555 875 00	Clamp		4	
13	999 073 218 09	Tapping screw 4,2 X 16		4	
(14)	996 555 245 00	Cover Seat belt Lacquered	/L -04	1	
	996 555 245 00 A03	Black			
	996 555 245 00 C53	Graphite grey			
	996 555 245 00 S33	Savanna			
	996 555 245 00 G13	Metropole blue			
	996 555 245 00 J33	Nephrite green	-03		
	996 555 245 00 M33	Boxster red			
	996 555 245 00 P13	Cinnamon brown			
(14)	996 555 245 01	Cover Seat belt Lacquered	/L 05-	1	
	996 555 245 01 A03	Black			
	996 555 245 01 C53	Graphite grey			
	996 555 245 01 S33	Savanna			
	996 555 245 01 G13	Metropole blue			
	996 555 245 01 M33	Boxster red			

Model: 996 98 Model life 1998>>2005

Pos	Part Number	Description	Remark	Qty	Model
(14)	996 555 245 01 P13	Cinnamon brown			
	997 555 245 00	Cover	/L	1	
		Seat belt			
		Lacquered			
	997 555 245 00 A03	Black			
	997 555 245 00 C53	Graphite grey			
	997 555 245 00 S33	Savanna			
	997 555 245 00 G13	Metropole blue			
	997 555 245 00 J33	Nephrite green	-03		
	997 555 245 00 M33	Boxster red			
	997 555 245 00 P13	Cinnamon brown			
14	996 555 246 00	Cover	/R -04	1	
		Seat belt			
		Lacquered			
	996 555 246 00 A03	Black			
	996 555 246 00 C53	Graphite grey			
	996 555 246 00 S33	Savanna			
	996 555 246 00 G13	Metropole blue			
	996 555 246 00 J33	Nephrite green	-03		
	996 555 246 00 M33	Boxster red			
	996 555 246 00 P13	Cinnamon brown			
14	996 555 246 01	Cover	/R 05-	1	
		Seat belt			
		Lacquered			
	996 555 246 01 A03	Black			
	996 555 246 01 C53	Graphite grey			
	996 555 246 01 S33	Savanna			
	996 555 246 01 G13	Metropole blue			
	996 555 246 01 M33	Boxster red			
	996 555 246 01 P13	Cinnamon brown			
14	997 555 246 00	Cover	/R	1	
		Seat belt			
		Lacquered			
	997 555 246 00 A03	Black			
	997 555 246 00 C53	Graphite grey			
	997 555 246 00 S33	Savanna			
	997 555 246 00 G13	Metropole blue			
	997 555 246 00 J33	Nephrite green	-03		
	997 555 246 00 M33	Boxster red			
	997 555 246 00 P13	Cinnamon brown			
-	996 555 877 00	Clamp		2	
16	999 073 251 09	Tapping screw		2	
		4,2 X 25			
17	999 073 226 09	Tapping screw		2	
		4,2 X 16			
(18)	996 555 175 00	Support	/L -02	1	
(18)	996 555 175 01	Support	/L 03-	1	
18	996 555 176 00	Support	/R -02	1	
18	996 555 176 01	Support	/R 03-	1	
19	999 084 629 09	Hexagon nut		4	
		M 6			
19	999 084 629 01	Hexagon nut		4	
		M 6			
(20)	996 555 503 00	Support	/L	1	
20	996 555 504 00	Support	/R	1	
21	999 049 022 40	Plastic nut		4	
(22)	996 555 071 14	Side trim panel	/L	1	
		Leatherette			
	996 555 071 14 EVN	Black			
	996 555 071 14 EVO	Graphite grey			
	996 555 071 14 EVP	Savanna			
	996 555 071 14 EVQ	Metropole blue			
	996 555 071 14 FDH	Nephrite green			

Model: 996 98 Model life 1998>>2005

Pos	Part Number	Description	Remark	Qty	Model
22	996 555 072 14	Side trim panel Leatherette	/R	1	
	996 555 072 14 EVN	Black			
	996 555 072 14 EVO	Graphite grey			
	996 555 072 14 EVP	Savanna			
	996 555 072 14 EVQ	Metropole blue			
	996 555 072 14 FDH	Nephrite green			
(22)	996 555 071 15	Side trim panel Leather	/L 02	1	
	996 555 071 15 EVS	Black			
	996 555 071 15 DFV	Graphite grey			
	996 555 071 15 DFW	Savanna			
	996 555 071 15 DFX	Metropole blue			
	996 555 071 15 DFZ	Nephrite green			
	996 555 071 15 DGA	Boxster red			
	996 555 071 15 FEK	Cinnamon brown			
	996 555 071 15 VRT	Dark grey/natural			
	996 555 071 15 VRU	Brown/natural			
22	996 555 072 15	Side trim panel Leather	/R 02	1	
	996 555 072 15 EVS	Black			
	996 555 072 15 DFV	Graphite grey			
	996 555 072 15 DFW	Savanna			
	996 555 072 15 DFX	Metropole blue			
	996 555 072 15 DFZ	Nephrite green			
	996 555 072 15 DGA	Boxster red			
	996 555 072 15 FEK	Cinnamon brown			
	996 555 072 15 VRT	Dark grey/natural			
	996 555 072 15 VRU	Brown/natural			
(22)	996 555 071 18	Side trim panel Leather	/L 03-	1	
	996 555 071 18 EVS	Black			
	996 555 071 18 DFV	Graphite grey			
	996 555 071 18 DFW	Savanna			
	996 555 071 18 DFX	Metropole blue			
	996 555 071 18 DFZ	Nephrite green			
	996 555 071 18 DGA	Boxster red			
	996 555 071 18 FEK	Cinnamon brown			
	996 555 071 18 VRT	Dark grey/natural			
	996 555 071 18 VRU	Brown/natural			
22	996 555 072 18	Side trim panel Leather	/R 03-	1	
	996 555 072 18 EVS	Black			
	996 555 072 18 DFV	Graphite grey			
	996 555 072 18 DFW	Savanna			
	996 555 072 18 DFX	Metropole blue			
	996 555 072 18 DFZ	Nephrite green			
	996 555 072 18 DGA	Boxster red			
	996 555 072 18 FEK	Cinnamon brown			
	996 555 072 18 VRT	Dark grey/natural			
	996 555 072 18 VRU	Brown/natural			
23	999 073 079 02	Tapping screw		2	
24	999 507 050 40	Expander nut		2	
(25)	996 555 061 00	Rosette Seat belt Lacquered	/L	1	
	996 555 061 00 A03	Black			
	996 555 061 00 C53	Graphite grey			
	996 555 061 00 S33	Savanna			
	996 555 061 00 G13	Metropole blue			
	996 555 061 00 J33	Nephrite green			
	996 555 061 00 M33	Boxster red			
	996 555 061 00 P13	Cinnamon brown			

Model: 996 98 Model life 1998>>2005

Pos	Part Number	Description	Remark	Qty	Model
25	996 555 062 00	Rosette Seat belt Lacquered	/R	1	
	996 555 062 00 A03	Black			
	996 555 062 00 C53	Graphite grey			
	996 555 062 00 S33	Savanna			
	996 555 062 00 G13	Metropole blue			
	996 555 062 00 J33	Nephrite green			
	996 555 062 00 M33	Boxster red			
	996 555 062 00 P13	Cinnamon brown			
26	996 555 151 00	Lining Rear wall		1	
	996 555 151 00 A03	Black			
(26)	996 555 151 01	Lining Rear wall		1	M425
	996 555 151 01 A03	Black			
27	999 507 782 01	Spring washer 5,3 X 18		2	
28	999 073 061 02	Tapping screw		4	
29	996 555 885 00	Rosette Rear wall		1	
		Upper part			
30	996 555 081 08	Lining Rear wall Carpet		1	
	996 555 081 08 A10	Black			
	996 555 081 08 C50	Graphite grey			
	996 555 081 08 S30	Savanna			
	996 555 081 08 G10	Metropole blue			
	996 555 081 08 J30	Nephrite green			
	996 555 081 08 M30	Boxster red			
	996 555 081 08 P11	Cinnamon brown			
	996 555 081 08 D11	Dark grey/natural			
	996 555 081 08 T11	Brown/natural			
-	999 571 080 02	Tool Emergency operation		2	
31	996 551 021 05	Adhesive carpet Seat well Carpet		1	IXSN/M685
	996 551 021 05 A10	Black			
	996 551 021 05 C50	Graphite grey			
	996 551 021 05 S30	Savanna			
	996 551 021 05 G10	Metropole blue			
	996 551 021 05 J30	Nephrite green			
	996 551 021 05 M30	Boxster red			
	996 551 021 05 P11	Cinnamon brown			
	996 551 021 05 D11	Dark grey/natural			
	996 551 021 05 T11	Brown/natural			
32	996 551 031 02	Adhesive carpet		1	
	996 551 031 02 A10	Black			
	996 551 031 02 C50	Graphite grey			
	996 551 031 02 S30	Savanna			
	996 551 031 02 G10	Metropole blue			
	996 551 031 02 J30	Nephrite green			
	996 551 031 02 M30	Boxster red			
	996 551 031 02 P11	Cinnamon brown			
	996 551 031 02 D11	Dark grey			
	996 551 031 02 T11	Brown/natural			
(32)	996 551 031 03	Adhesive carpet		1	M479/484
	996 551 031 03 A10	Black			
	996 551 031 03 C50	Graphite grey			
	996 551 031 03 S30	Savanna			
	996 551 031 03 G10	Metropole blue			

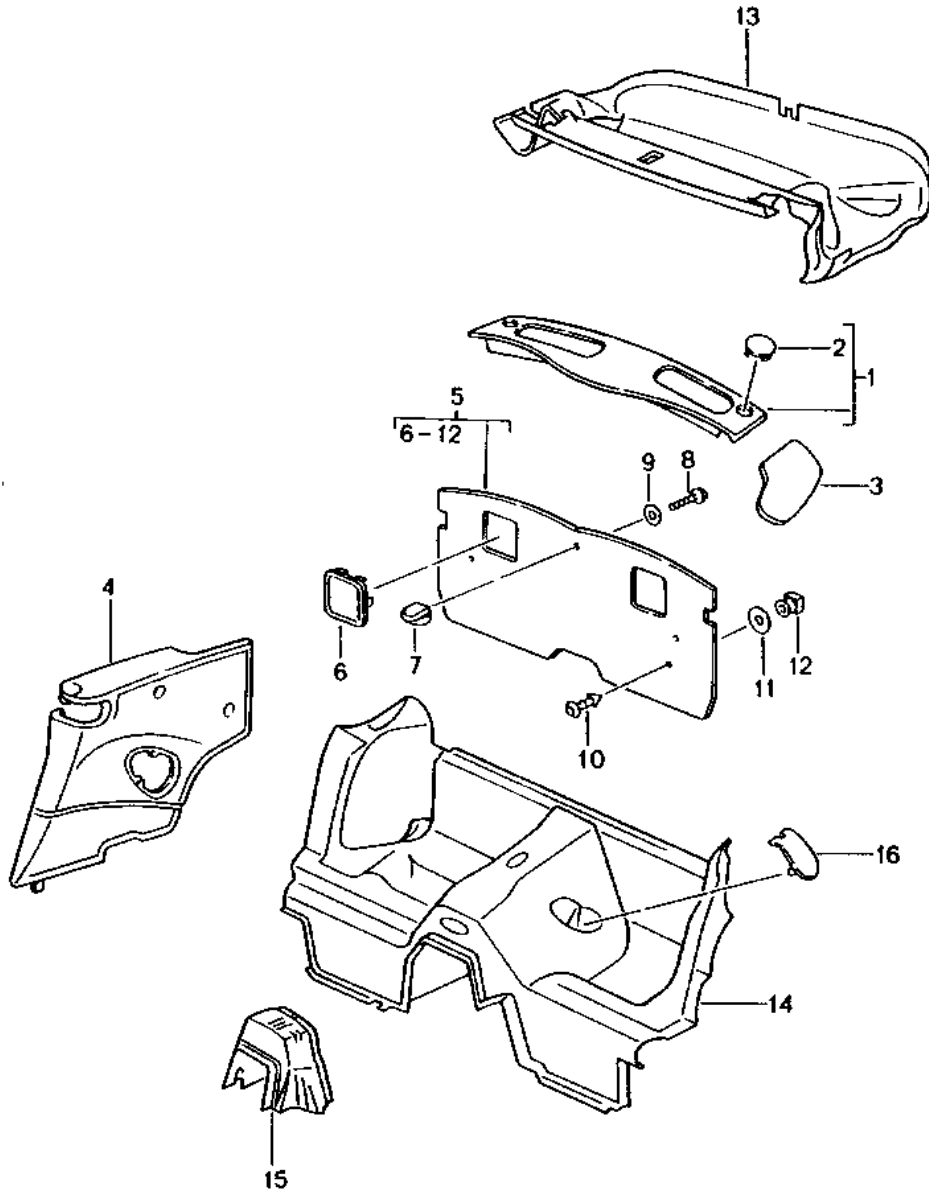
Model: 996 98

Model life 1998>>2005

Pos	Part Number	Description	Remark	Qty	Model
	996 551 031 03 J30	Nephrite green			
	996 551 031 03 M30	Boxster red			
	996 551 031 03 P11	Cinnamon brown			
	996 551 031 03 D11	Dark grey			
	996 551 031 03 T11	Brown/natural			
-	996 551 551 00	Cover		2	M113
		Child car seat			
		Mount			
33	997 551 033 00	Lining		1	
		Control units			
		Carpet			
	997 551 033 00 A10	Black			
	997 551 033 00 C50	Graphite grey			
	997 551 033 00 S30	Savanna			
	997 551 033 00 G10	Metropole blue			
	997 551 033 00 J30	Nephrite green	-03		
	997 551 033 00 M30	Boxster red			
	997 551 033 00 P11	Cinnamon brown			
	997 551 033 00 D11	Dark grey/natural			
	997 551 033 00 T11	Brown/natural			

Model: 996 98

Model life 1998>>2005



Model: 996 98 Model life 1998>>2005

Pos	Part Number	Description	Remark	Qty	Model
		Linings			CABRIO
		Rear			
1	996 555 083 02	Cover	-99	1	
		Convertible top			
		Cloth			
	996 555 083 02 EDK	Black			
	996 555 083 02 EDM	Metropole blue	-98		
	996 555 083 02 ERN	Metropole blue	99		
	996 555 083 02 EDL	Graphite grey			
	996 555 083 02 EDN	Space grey			
1	996 555 083 03	Cover	00	1	
		F >>99YS6 42288			
		F >>99YS6 52803			
		Convertible top			
		Cloth			
	996 555 083 03 EDK	Black			
	996 555 083 03 EDL	Graphite grey			
	996 555 083 03 ERN	Metropole blue			
	996 555 083 03 EDN	Space grey	-00		
1	996 555 083 04	Cover	00-	1	
		F 99YS6 42289>>			
		F 99YS6 52804>>			
		Convertible top			
		Cloth			
	996 555 083 04 EDK	Black			
	996 555 083 04 EDL	Graphite grey			
	996 555 083 04 ERN	Metropole blue			
	996 555 083 04 EDN	Space grey	00		
-	996 555 341 01	Flap	/L	1	
		Cover			
	996 555 341 01 A07	Black			
	996 555 341 01 B07	Space grey	-00		
	996 555 341 01 C07	Graphite grey			
	996 555 341 01 G03	Metropole blue			
-	996 555 342 01	Flap	/R	1	
		Cover			
	996 555 342 01 A07	Black			
	996 555 342 01 B07	Space grey	-00		
	996 555 342 01 C07	Graphite grey			
	996 555 342 01 G03	Metropole blue			
-	996 555 355 00	Hinge		2	
		Outer			
-	996 555 356 00	Hinge		2	
		Inner			
-	996 580 667 00	Support		2	
-	999 591 489 02	Speed nut		2	
		4,8			
-	999 591 489 01	Speed nut		2	
		4,8			
-	999 073 060 02	Tapping screw		3	
		4,8 X 13			
2	996 555 457 00	Lid		2	
		Lacquered			
	996 555 457 00 A10	Black			
	996 555 457 00 C50	Graphite grey			
	996 555 457 00 G10	Metropole blue			
	996 555 457 00 B50	Space grey	-00		
(3)	996 555 263 02	Flap	/L	1	
		Convertible top			
	996 555 263 02 A07	Black			
	996 555 263 02 C07	Graphite grey			
	996 555 263 02 G07	Metropole blue	-99		

Model: 996 98 Model life 1998>>2005

Pos	Part Number	Description	Remark	Qty	Model
3	996 555 263 02 G03	Metropole blue	00-	1	
	996 555 263 02 B07	Space grey			
	996 555 264 02	Flap	/R		
		Convertible top			
	996 555 264 02 A07	Black			
	996 555 264 02 C07	Graphite grey			
	996 555 264 02 G07	Metropole blue	-99		
	996 555 264 02 G03	Metropole blue	00-		
	996 555 264 02 B07	Space grey			
(3)	996 555 263 03	Flap	/L 00-	1	
		Convertible top			
	996 555 263 03 A07	Black			
	996 555 263 03 C07	Graphite grey			
	996 555 263 03 G03	Metropole blue	00-		
	996 555 263 03 B07	Space grey	-00		
3	996 555 264 03	Flap	/R 00-	1	
		Convertible top			
		Cloth			
	996 555 264 03 A07	Black			
	996 555 264 03 C07	Graphite grey			
	996 555 264 03 G03	Metropole blue	00-		
	996 555 264 03 B07	Space grey	-00		
(4)	996 555 071 12	Side trim panel	/L -99	1	
		Leatherette			
	996 555 071 12 DEO	Black			
	996 555 071 12 DEQ	Graphite grey			
	996 555 071 12 DET	Savanna			
	996 555 071 12 DFE	Metropole blue			
	996 555 071 12 DFK	Space grey			
4	996 555 072 12	Side trim panel	/R -99	1	
		Leatherette			
	996 555 072 12 DEO	Black			
	996 555 072 12 DEQ	Graphite grey			
	996 555 072 12 DET	Savanna			
	996 555 072 12 DFE	Metropole blue			
	996 555 072 12 DFK	Space grey			
(4)	996 555 071 12	Side trim panel	/L 00-	1	
		Leatherette			
	996 555 071 12 EVN	Black			
	996 555 071 12 EVO	Graphite grey			
	996 555 071 12 EVP	Savanna			
	996 555 071 12 EVQ	Metropole blue			
	996 555 071 12 EVR	Space grey	00		
	996 555 071 12 FDH	Nephrite green	01-		
4	996 555 072 12	Side trim panel	/R 00-	1	
		Leatherette			
	996 555 072 12 EVN	Black			
	996 555 072 12 EVO	Graphite grey			
	996 555 072 12 EVP	Savanna			
	996 555 072 12 EVQ	Metropole blue			
	996 555 072 12 EVR	Space grey	00		
	996 555 072 12 FDH	Nephrite green	01-		
(4)	996 555 071 13	Side trim panel	/L	1	
		Leather			
	996 555 071 13 DFO	Black	-99		
	996 555 071 13 DFY	Space grey	-00		
4	996 555 072 13	Side trim panel	/R	1	
		Leather			
	996 555 072 13 DFO	Black	-99		
	996 555 072 13 DFY	Space grey	-00		
(4)	996 555 071 13	Side trim panel	/L -02	1	
	996 555 071 13 EVS	Black			

Model: 996 98 Model life 1998>>2005

Pos	Part Number	Description	Remark	Qty	Model
	996 555 071 13 DFV	Graphite grey			
	996 555 071 13 DFW	Savanna			
	996 555 071 13 DFX	Metropole blue			
	996 555 071 13 DFZ	Nephrite green			
	996 555 071 13 DGA	Boxster red			
	996 555 071 13 FEK	Cinnamon brown			
	996 555 071 13 VRT	Dark grey/natural			
	996 555 071 13 VRU	Brown/natural			
4	996 555 072 13	Side trim panel	/R -02	1	
	996 555 072 13 EVS	Black			
	996 555 072 13 DFV	Graphite grey			
	996 555 072 13 DFW	Savanna			
	996 555 072 13 DFX	Metropole blue			
	996 555 072 13 DFZ	Nephrite green			
	996 555 072 13 DGA	Boxster red			
	996 555 072 13 FEK	Cinnamon brown			
	996 555 072 13 VRT	Dark grey/natural			
	996 555 072 13 VRU	Brown/natural			
(4)	996 555 071 17	Side trim panel	/L 03-	1	
	996 555 071 17 EVS	Black			
	996 555 071 17 DFV	Graphite grey			
	996 555 071 17 DFW	Savanna			
	996 555 071 17 DFX	Metropole blue			
	996 555 071 17 DFZ	Nephrite green			
	996 555 071 17 DGA	Boxster red			
	996 555 071 17 FEK	Cinnamon brown			
	996 555 071 17 VRT	Dark grey/natural			
	996 555 071 17 VRU	Brown/natural			
4	996 555 072 17	Side trim panel	/R 03-	1	
	996 555 072 17 EVS	Black			
	996 555 072 17 DFV	Graphite grey			
	996 555 072 17 DFW	Savanna			
	996 555 072 17 DFX	Metropole blue			
	996 555 072 17 DFZ	Nephrite green			
	996 555 072 17 DGA	Boxster red			
	996 555 072 17 FEK	Cinnamon brown			
	996 555 072 17 VRT	Dark grey/natural			
	996 555 072 17 VRU	Brown/natural			
-	999 551 609 40	Plastic washer 8,0 X 23 X 3,0		2	
-	999 507 676 09	Clamp 2,5/2,2		2	
-	999 507 050 40	Expander nut		2	
-	999 073 142 09	Tapping screw 4,2 X 19		2	
-	999 073 048 02	Tapping screw 3,5 X 13		2	
-	996 555 671 01	Rosette Seat belt Lacquered	/L	1	
	996 555 671 01 D05	Granite grey	-99		
	996 555 671 01 A03	Black	00-		
	996 555 671 01 C53	Graphite grey	00-		
	996 555 671 01 S33	Savanna	00-		
	996 555 671 01 G13	Metropole blue	00-		
	996 555 671 01 B13	Space grey	00		
	996 555 671 01 J33	Nephrite green	00-		
	996 555 671 01 M33	Boxster red	00-		
	996 555 671 01 P13	Cinnamon brown	01-		
-	996 555 672 01	Rosette Seat belt Lacquered	/R	1	
	996 555 672 01 D05	Granite grey	-99		

Model: 996 98 Model life 1998>>2005

Pos	Part Number	Description	Remark	Qty	Model
	996 555 672 01 A03	Black	00-		
	996 555 672 01 C53	Graphite grey	00-		
	996 555 672 01 S33	Savanna	00-		
	996 555 672 01 G13	Metropole blue	00-		
	996 555 672 01 B13	Space grey	00		
	996 555 672 01 J33	Nephrite green	00-		
	996 555 672 01 M33	Boxster red	00-		
	996 555 672 01 P13	Cinnamon brown	01-		
-	999 507 533 02	Clamp		4	
(5)	996 555 281 06	Back wall lining Carpet		1	
	996 555 281 06 A10	Black			
	996 555 281 06 C50	Graphite grey			
	996 555 281 06 S30	Savanna			
	996 555 281 06 G10	Metropole blue			
	996 555 281 06 B50	Space grey	-00		
	996 555 281 06 J30	Nephrite green			
	996 555 281 06 M30	Boxster red			
	996 555 281 06 P11	Cinnamon brown	01-		
	996 555 281 06 D11	Dark grey/natural	00-		
	996 555 281 06 T11	Brown/natural	00-		
5	996 555 281 07	Back wall lining Carpet		1	M479
	996 555 281 07 A10	Black			
	996 555 281 07 C50	Graphite grey			
	996 555 281 07 S30	Savanna			
	996 555 281 07 G10	Metropole blue			
	996 555 281 07 B50	Space grey	-00		
	996 555 281 07 J30	Nephrite green			
	996 555 281 07 M30	Boxster red			
	996 555 281 07 P11	Cinnamon brown	01-		
	996 555 281 07 D11	Dark grey/natural	00-		
	996 555 281 07 T11	Brown/natural	00-		
6	996 555 785 00	Cover Release Carpet		1	M479
	996 555 785 00 EDA	Black			
	996 555 785 00 EDB	Graphite grey			
	996 555 785 00 EDC	Savanna			
	996 555 785 00 EDD	Metropole blue			
	996 555 785 00 EDE	Space grey	-00		
	996 555 785 00 EDF	Nephrite green			
	996 555 785 00 EDG	Boxster red			
	996 555 785 00 FDJ	Cinnamon brown	01-		
	996 555 785 00 VSM	Dark grey/natural	00-		
	996 555 785 00 VSN	Brown/natural	00-		
7	996 555 789 00	Base		1	
	996 555 789 00 01C	Wind deflector Satin black			
10	999 507 381 40	Catch		4	
(10)	999 073 062 02	13,5 Tapping screw		2	
11	999 591 483 40	4,8 X 19 Lock washer		4	
13	996 551 035 01	20,3 X 1,5 Lining		1	
		Convertible top frame Carpet			
		14.10.98			
(13)	996 551 035 01 B04	Dark grey		1	
	996 551 035 03	Lining Convertible top frame Carpet	-01	1	

Model: 996 98 Model life 1998>>2005

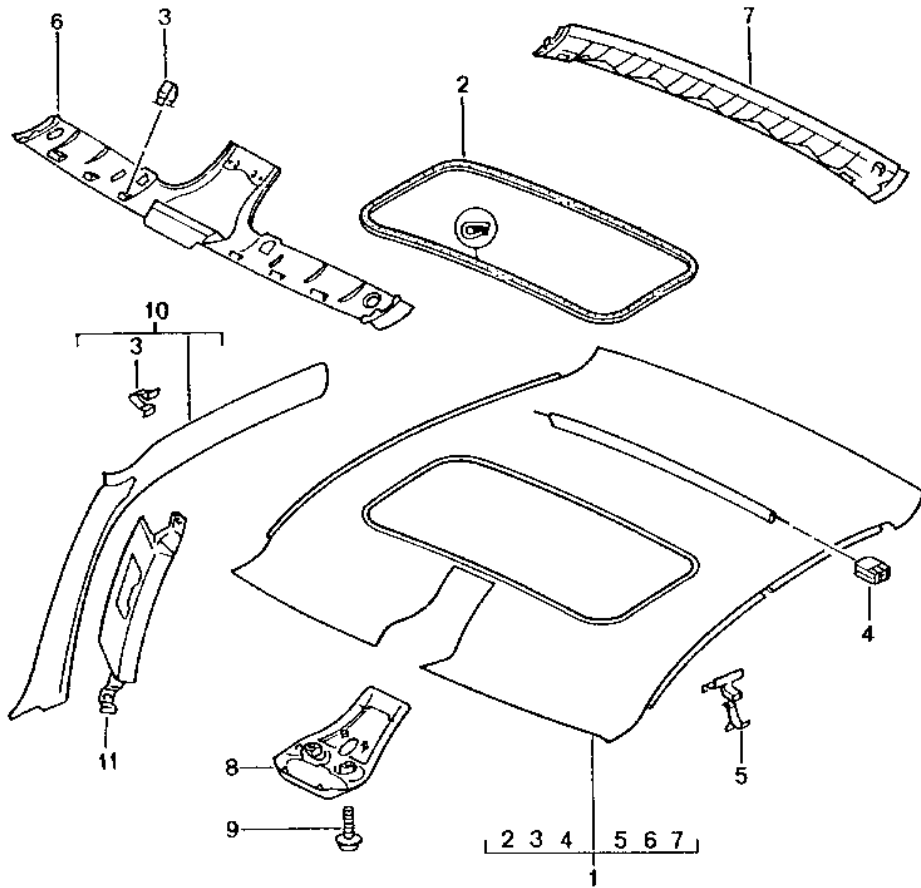
Pos	Part Number	Description	Remark	Qty	Model
		15.10.98			
	996 551 035 03 B04	Dark grey			
(13)	996 551 035 04	Dark grey Lining Convertible top frame Carpet	02-	1	
-	996 551 035 04 B04	Dark grey			
	999 703 432 40	Stopper 8,2 X 18		6	
14	996 551 021 01	Lining Seat well Carpet		1	
	996 551 021 01 A10	Black			
	996 551 021 01 C50	Graphite grey			
	996 551 021 01 S30	Savanna			
	996 551 021 01 G10	Metropole blue			
	996 551 021 01 B50	Space grey			
	996 551 021 01 J30	Nephrite green			
	996 551 021 01 M30	Boxster red			
	996 551 021 01 P11	Cinnamon brown	01-		
	996 551 021 01 D11	Dark grey	00-		
	996 551 021 01 T11	Brown/natural	00-		
14	996 551 021 03	Lining Seat well Carpet	00	1	
	996 551 021 03 A10	Black			
	996 551 021 03 C50	Graphite grey			
	996 551 021 03 S30	Savanna			
	996 551 021 03 G10	Metropole blue			
	996 551 021 03 B50	Space grey	-00		
	996 551 021 03 J30	Nephrite green			
	996 551 021 03 M30	Boxster red			
	996 551 021 03 D11	Dark grey	00-		
	996 551 021 03 T11	Brown/natural	00-		
14	996 551 021 10	Lining Seat well Carpet		1	
	996 551 021 10 A10	Black			
	996 551 021 10 C50	Graphite grey			
	996 551 021 10 S30	Savanna			
	996 551 021 10 G10	Metropole blue			
	996 551 021 10 B50	Space grey	-00		
	996 551 021 10 J30	Nephrite green			
	996 551 021 10 M30	Boxster red			
	996 551 021 10 P11	Cinnamon brown	01-		
	996 551 021 10 D11	Dark grey			
	996 551 021 10 T11	Brown/natural			
(14)	996 551 021 07	Lining Seat well Carpet		1	
	996 551 021 07 A10	Black			
	996 551 021 07 C50	Graphite grey			
	996 551 021 07 S30	Savanna			
	996 551 021 07 G10	Metropole blue			
	996 551 021 07 B50	Space grey	-00		
	996 551 021 07 J30	Nephrite green			
	996 551 021 07 M30	Boxster red			
	996 551 021 07 P11	Cinnamon brown			
	996 551 021 07 D11	Dark grey/natural			
	996 551 021 07 T11	Brown/natural			
15	996 551 221 01	Cover Sensor		1	

Model: 996 98 Model life 1998>>2005

Pos	Part Number	Description	Remark	Qty	Model
16	996 551 525 00	Cover Seat-belt buckle	/L	1	
	996 551 525 00 01C	Satin black			
(16)	996 551 526 00	Cover Seat-belt buckle	/R	1	
	996 551 526 00 01C	Satin black			

Model: 996 98

Model life 1998>>2005



Model: 996 98 Model life 1998>>2005

Pos	Part Number	Description	Remark	Qty	Model
		Rooflining A-pillar			COUPE COUPE/TARGA
(1)	996 555 091 00	Rooflining Leatherette	-99	1	COUPE
	996 555 091 00 A10	Black			
	996 555 091 00 C50	Graphite grey			
	996 555 091 00 S30	Savanna			
	996 555 091 00 G10	Metropole blue			
	996 555 091 00 B50	Space grey			
1	996 555 091 01	Rooflining	-99	1	COUPE M650
		Leatherette			
	996 555 091 01 A10	Black			
	996 555 091 01 C50	Graphite grey			
	996 555 091 01 S30	Savanna			
	996 555 091 01 G10	Metropole blue			
	996 555 091 01 B50	Space grey			
(1)	996 555 091 02	Rooflining Alcantara	00	1	COUPE
	996 555 091 02 A14	Black			
	996 555 091 02 C54	Graphite grey			
	996 555 091 02 S34	Savanna			
	996 555 091 02 G14	Metropole blue			
1	996 555 091 03	Rooflining	00	1	COUPE M650
		Alcantara			
	996 555 091 03 A14	Black			
	996 555 091 03 C54	Graphite grey			
	996 555 091 03 S34	Savanna			
	996 555 091 03 G14	Metropole blue			
(1)	996 555 091 04	Rooflining Alcantara	01	1	COUPE
	996 555 091 04 A14	Black			
	996 555 091 04 C54	Graphite grey			
	996 555 091 04 S34	Savanna			
	996 555 091 04 G14	Metropole blue			
	996 555 091 04 J34	Nephrite green	01-		
1	996 555 091 05	Rooflining	01	1	COUPE M650
		Alcantara			
	996 555 091 05 A14	Black			
	996 555 091 05 C54	Graphite grey			
	996 555 091 05 S34	Savanna			
	996 555 091 05 G14	Metropole blue			
	996 555 091 05 J34	Nephrite green	01-		
(1)	996 555 091 06	Rooflining Alcantara		1	COUPE
	996 555 091 06 A14	Black			
	996 555 091 06 C54	Graphite grey			
	996 555 091 06 S34	Savanna			
	996 555 091 06 G14	Metropole blue			
	996 555 091 06 J34	Nephrite green			
1	996 555 091 07	Rooflining		1	COUPE M650
		Alcantara			
	996 555 091 07 A14	Black			
	996 555 091 07 C54	Graphite grey			
	996 555 091 07 S34	Savanna			
	996 555 091 07 G14	Metropole blue			
	996 555 091 07 J34	Nephrite green			
1	996 555 091 06	Rooflining	05	1	C4S M652

Model: 996 98 Model life 1998>>2005

Pos	Part Number	Description	Remark	Qty	Model
1	996 555 091 06 A14	Alcantara Valid up to: F >>995S6 00227 Black	05	1	C4S M650
	996 555 091 06 C54	Graphite grey			
	996 555 091 06 S34	Savanna			
	996 555 091 06 G14	Metropole blue			
	996 555 091 06 J34	Nephrite green			
	996 555 091 07	Rooflining			
(1)	996 555 091 07 A14	Alcantara Valid up to: F >>995S6 00227 Black	05	1	C4S M652
	996 555 091 07 C54	Graphite grey			
	996 555 091 07 S34	Savanna			
	996 555 091 07 G14	Metropole blue			
	996 555 091 07 J34	Nephrite green			
	997 555 091 00	Rooflining			
1	997 555 091 00 A14	Alcantara Valid from: F 995S6 00228>> Black	05-	1	C4S M650
	997 555 091 00 C54	Graphite grey			
	997 555 091 00 S34	Savanna			
	997 555 091 00 G14	Metropole blue			
	997 555 091 01	Rooflining			
(1)	997 555 091 01 A14	Alcantara Valid from: F 995S6 00228>> Black	01-04	1	COUPE IXMA
	997 555 091 01 C54	Graphite grey			
	997 555 091 01 S34	Savanna			
	997 555 091 01 G14	Metropole blue			
	996 555 982 02	Rooflining			
1	996 555 982 02 A11	Leather Black	-03	1	COUPE IXMA M650
	996 555 982 02 C51	Graphite grey			
	996 555 982 02 S31	Savanna			
	996 555 982 02 G11	Metropole blue			
	996 555 982 02 J31	Nephrite green			
	996 555 982 02 M31	Boxster red			
	996 555 982 02 P12	Cinnamon brown			
	996 555 982 02 D12	Dark grey/natural			
	996 555 982 02 T12	Brown/natural			
	996 555 982 03	Rooflining			
(1)	996 555 982 03 A11	Leather Black	01-04	1	COUPE IXMA M650
	996 555 982 03 C51	Graphite grey			
	996 555 982 03 S31	Savanna			
	996 555 982 03 G11	Metropole blue			
	996 555 982 03 J31	Nephrite green			
	996 555 982 03 M31	Boxster red			
	996 555 982 03 P12	Cinnamon brown			
	996 555 982 03 D12	Dark grey/natural			
	996 555 982 03 T12	Brown/natural			
	996 555 982 02	Rooflining			

Model: 996 98 Model life 1998>>2005

Pos	Part Number	Description	Remark	Qty	Model
		Leather Valid up to: F >>995S6 00227			
	996 555 982 02 A11	Black			
	996 555 982 02 C51	Graphite grey			
	996 555 982 02 S31	Savanna			
	996 555 982 02 G11	Metropole blue			
	996 555 982 02 M31	Boxster red			
	996 555 982 02 P12	Cinnamon brown			
	996 555 982 02 D12	Dark grey/natural			
	996 555 982 02 T12	Brown/natural			
(1)	996 555 982 03	Rooflining	05	1	C4S IXMA/M650
		Leather Valid up to: F >>995S6 00227			
	996 555 982 03 A11	Black			
	996 555 982 03 C51	Graphite grey			
	996 555 982 03 S31	Savanna			
	996 555 982 03 G11	Metropole blue			
	996 555 982 03 M31	Boxster red			
	996 555 982 03 P12	Cinnamon brown			
	996 555 982 03 D12	Dark grey/natural			
	996 555 982 03 T12	Brown/natural			
(1)	997 555 980 00	Rooflining	05	1	C4S IXMA M652
		Leather Valid from: F 995S6 00228>>			
	997 555 980 00 A11	Black			
	997 555 980 00 C51	Graphite grey			
	997 555 980 00 S31	Savanna			
	997 555 980 00 G11	Metropole blue			
	997 555 980 00 M31	Boxster red			
	997 555 980 00 P12	Cinnamon brown			
	997 555 980 00 D12	Dark grey/natural			
	997 555 980 00 T12	Brown/natural			
(1)	997 555 980 01	Rooflining	05	1	C4S IXMA M650
		Leather Valid from: F 995S6 00228>>			
	997 555 980 01 A11	Black			
	997 555 980 01 C51	Graphite grey			
	997 555 980 01 S31	Savanna			
	997 555 980 01 G11	Metropole blue			
	997 555 980 01 M31	Boxster red			
	997 555 980 01 P12	Cinnamon brown			
	997 555 980 01 D12	Dark grey/natural			
	997 555 980 01 T12	Brown/natural			
-	999 551 609 40	Plastic washer 8,0 X 23 X 3,0		6	COUPE
2	996 564 231 02	Piping		1	COUPE M650
3	999 507 479 09	Clamp 2,5/0,9		3	
(3)	999 507 681 09	Clamp 2,5/3,0		10	COUPE
(3)		Clamp 2,5/3,0		12	TARGA
-	999 551 134 40	Adhesive tape		12	

Model: 996 98 Model life 1998>>2005

Pos	Part Number	Description	Remark	Qty	Model
4	996 555 823 00	20 X 65 Support		2	COUPE M650
5	996 555 691 02	Transverse strut Clip		8	COUPE
(6)	996 555 553 08	Cover Rooflining Front	-04	1	COUPE
(6)	996 555 553 09	Cover Rooflining Front	-04	1	COUPE M650
(6)	996 555 553 08	Cover Rooflining Front	05	1	C4S M652
(6)	996 555 553 09	Valid up to: F >>995S6 00227 Cover Rooflining Front	05	1	C4S M650
(6)	997 555 591 00	Valid up to: F >>995S6 00227 Cover Rooflining Front	05	1	C4S M652
6	997 555 591 01	Valid from: F 995S6 00228>> Cover Rooflining Front	05	1	C4S M650
(7)	996 555 155 06	Valid from: F 995S6 00228>> Cover Rooflining	/H	1	COUPE
7	996 555 155 07	Cover Rooflining	/H	1	COUPE M650
(8)	996 555 557 05	Cover Rooflining	-03	1	COUPE M652
	996 555 557 05 D05	Interior light Lacquered Granite grey	-99		
	996 555 557 05 A03	Black	00-		
	996 555 557 05 C53	Graphite grey	00-		
	996 555 557 05 S33	Savanna	00-		
	996 555 557 05 G13	Metropole blue	00-		
	996 555 557 05 B13	Space grey	00		
	996 555 557 05 J33	Nephrite green	00-03		
	996 555 557 05 M33	Boxster red	00-01		
	996 555 557 05 P13	Cinnamon brown	01		
(8)	996 555 557 10	Cover Interior light Lacquered		1	COUPE M652
	996 555 557 10 D05	Granite grey	-99		
	996 555 557 10 A03	Black			
	996 555 557 10 C53	Graphite grey			
	996 555 557 10 S33	Savanna			

Model: 996 98 Model life 1998>>2005

Pos	Part Number	Description	Remark	Qty	Model
8	996 555 557 10 G13	Metropole blue		1	COUPE M650
	996 555 557 10 B13	Space grey			
	996 555 557 10 J33	Nephrite green			
	996 555 557 10 M33	Boxster red			
	996 555 557 10 P13	Cinnamon brown			
	996 555 557 06	Cover			
		Interior light Lacquered			
	996 555 557 06 D05	Granite grey	-99		
	996 555 557 06 A03	Black	00-		
	996 555 557 06 C53	Graphite grey	00-		
996 555 557 06 S33	Savanna	00-			
996 555 557 06 G13	Metropole blue	00-			
996 555 557 06 B13	Space grey	00			
996 555 557 06 J33	Nephrite green	00-03			
996 555 557 06 M33	Boxster red	00-01			
996 555 557 06 P13	Cinnamon brown	01			
(8)	996 555 557 08	Cover	-03	1	COUPE M265/652
	Interior light Lacquered				
996 555 557 08 A03	Black				
996 555 557 08 C53	Graphite grey				
996 555 557 08 S33	Savanna				
996 555 557 08 G13	Metropole blue				
996 555 557 08 J33	Nephrite green	-03			
996 555 557 08 M33	Boxster red	01			
996 555 557 08 P13	Cinnamon brown	01			
(8)	996 555 557 11	Cover	04-	1	COUPE M265/652
	Interior light Lacquered				
996 555 557 11 A03	Black				
996 555 557 11 C53	Graphite grey				
996 555 557 11 S33	Savanna				
996 555 557 11 G13	Metropole blue				
996 555 557 11 M33	Boxster red				
996 555 557 11 P13	Cinnamon brown				
(8)	996 555 557 09	Cover	01-	1	COUPE M265/650
	Interior light Lacquered				
996 555 557 09 A03	Black				
996 555 557 09 C53	Graphite grey				
996 555 557 09 S33	Savanna				
996 555 557 09 G13	Metropole blue				
996 555 557 09 J33	Nephrite green	-03			
996 555 557 09 M33	Boxster red	01			
996 555 557 09 P13	Cinnamon brown	01			
8	996 555 993 01	Cover	01-	1	IXZD
	Interior light Leather				
996 555 993 01 A11	Black				
(8)	996 555 993 03	Cover	01-	1	IXZD/M265
	Interior light Leather				
996 555 993 03 A11	Black				
(8)	996 555 993 00	Information available Cover	01-	1	IXZD/M650
	Interior light Leather				
996 555 993 00 A11	Black				

Model: 996 98 Model life 1998>>2005

Pos	Part Number	Description	Remark	Qty	Model
(8)	996 555 993 02	Cover	01-	1	IXZD/M265 M650
		Interior light			
		Leather			
	996 555 993 02 A11	Black			
8	996 555 993 01	Cover	01-	1	IXZD
	996 555 993 01 C51	Graphite grey			
	996 555 993 01 S31	Savanna			
	996 555 993 01 G11	Metropole blue			
	996 555 993 01 J31	Nephrite green			
	996 555 993 01 M31	Boxster red			
	996 555 993 01 D12	Dark grey/natural			
	996 555 993 01 T12	Brown/natural			
	996 555 993 01 P12	Cinnamon brown			
(8)	996 555 993 03	Cover	01-	1	IXZD/M265
	996 555 993 03 C51	Graphite grey			
	996 555 993 03 S31	Savanna			
	996 555 993 03 G11	Metropole blue			
	996 555 993 03 J31	Nephrite green			
	996 555 993 03 M31	Boxster red			
	996 555 993 03 D12	Dark grey/natural			
	996 555 993 03 T12	Brown/natural			
	996 555 993 03 P12	Cinnamon brown			
		Information available			
(8)	996 555 993 00	Cover	01-	1	IXZD/M650
	996 555 993 00 C51	Graphite grey			
	996 555 993 00 S31	Savanna			
	996 555 993 00 G11	Metropole blue			
	996 555 993 00 J31	Nephrite green			
	996 555 993 00 M31	Boxster red			
	996 555 993 00 D12	Dark grey			
	996 555 993 00 T12	Brown/natural			
	996 555 993 00 P12	Cinnamon brown			
(8)	996 555 993 02	Cover	01-	1	IXZD/M265 M650
	996 555 993 02 C51	Graphite grey			
	996 555 993 02 S31	Savanna			
	996 555 993 02 G11	Metropole blue			
	996 555 993 02 J31	Nephrite green			
	996 555 993 02 M31	Boxster red			
	996 555 993 02 D12	Dark grey/natural			
	996 555 993 02 T12	Brown/natural			
	996 555 993 02 P12	Cinnamon brown			
9	999 073 166 09	Countersunk-head screw	-99	2	
		M 6 X 25			
(9)	999 073 061 02	Tapping screw	00-	2	
		4,8 X 16			
(10)	996 555 181 04	Lining	/L -99	1	COUPE
		A-pillar			
		Leatherette			
	996 555 181 04 A18	Black			
	996 555 181 04 C18	Graphite grey			
	996 555 181 04 S18	Savanna			
	996 555 181 04 G18	Metropole blue			
	996 555 181 04 B18	Space grey			
10	996 555 182 04	Lining	/R -99	1	COUPE
		A-pillar			
		Leatherette			
	996 555 182 04 A18	Black			
	996 555 182 04 C18	Graphite grey			
	996 555 182 04 S18	Savanna			
	996 555 182 04 G18	Metropole blue			
	996 555 182 04 B18	Space grey			

Model: 996 98 Model life 1998>>2005

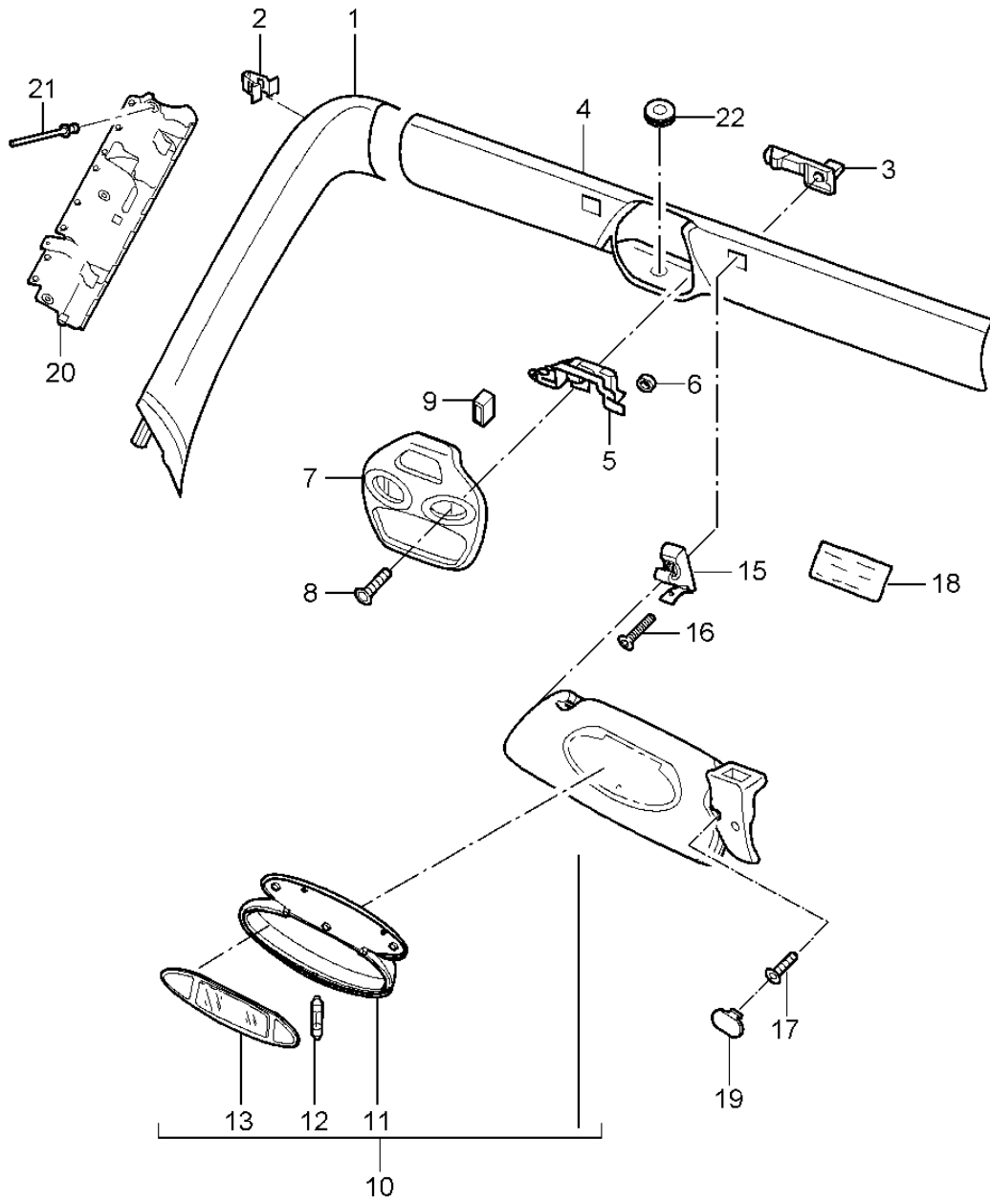
Pos	Part Number	Description	Remark	Qty	Model
(10)	996 555 181 08	Lining A-pillar Leatherette	/L 00-	1	COUPE
	996 555 181 08 A12	Black			
	996 555 181 08 C52	Graphite grey			
	996 555 181 08 S32	Savanna			
	996 555 181 08 G12	Metropole blue			
	996 555 181 08 B52	Space grey	00		
	996 555 181 08 J32	Nephrite green	01-		
(10)	996 555 182 08	Lining A-pillar Leatherette	/R 00-	1	COUPE
	996 555 182 08 A12	Black			
	996 555 182 08 C52	Graphite grey			
	996 555 182 08 S32	Savanna			
	996 555 182 08 G12	Metropole blue			
	996 555 182 08 B52	Space grey	00		
	996 555 182 08 J32	Nephrite green	01-		
(10)	996 555 181 14	Lining A-pillar Leatherette	/L	1	TARGA
	996 555 181 14 A12	Black			
	996 555 181 14 C52	Graphite grey			
	996 555 181 14 S32	Savanna			
	996 555 181 14 G12	Metropole blue			
	996 555 181 14 B52	Space grey			
	996 555 181 14 J32	Nephrite green			
(10)	996 555 182 14	Lining A-pillar Leatherette	/R	1	TARGA
	996 555 182 14 A12	Black			
	996 555 182 14 C52	Graphite grey			
	996 555 182 14 S32	Savanna			
	996 555 182 14 G12	Metropole blue			
	996 555 182 14 B52	Space grey			
	996 555 182 14 J32	Nephrite green			
(10)	996 555 181 05	Lining A-pillar Leather	/L -99	1	COUPE
	996 555 181 05 A11	Black			
	996 555 181 05 C51	Graphite grey			
	996 555 181 05 S31	Savanna			
	996 555 181 05 G11	Metropole blue			
	996 555 181 05 B51	Space grey			
	996 555 181 05 J31	Nephrite green			
	996 555 181 05 M31	Boxster red			
10	996 555 182 05	Lining A-pillar Leather	/R -99	1	COUPE
	996 555 182 05 A11	Black			
	996 555 182 05 C51	Graphite grey			
	996 555 182 05 S31	Savanna			
	996 555 182 05 G11	Metropole blue			
	996 555 182 05 B51	Space grey			
	996 555 182 05 J31	Nephrite green			
	996 555 182 05 M31	Boxster red			
(10)	996 555 181 09	Lining A-pillar Leather	/L 00-	1	COUPE
	996 555 181 09 A11	Black			
	996 555 181 09 C51	Graphite grey			
	996 555 181 09 S31	Savanna			
	996 555 181 09 G11	Metropole blue			

Model: 996 98 Model life 1998>>2005

Pos	Part Number	Description	Remark	Qty	Model
	996 555 181 09 B51	Space grey	00		
	996 555 181 09 J31	Nephrite green			
	996 555 181 09 M31	Boxster red			
	996 555 181 09 D12	Dark grey/natural			
	996 555 181 09 T12	Brown/natural			
	996 555 181 09 P12	Cinnamon brown	01-		
(10)	996 555 182 09	Lining A-pillar Leather	/R 00-	1	COUPE
	996 555 182 09 A11	Black			
	996 555 182 09 C51	Graphite grey			
	996 555 182 09 S31	Savanna			
	996 555 182 09 G11	Metropole blue			
	996 555 182 09 B51	Space grey	00		
	996 555 182 09 J31	Nephrite green			
	996 555 182 09 M31	Boxster red			
	996 555 182 09 D12	Dark grey/natural			
	996 555 182 09 T12	Brown/natural			
	996 555 182 09 P12	Cinnamon brown	01-		
(10)	996 555 181 15	Lining A-pillar Leather	/L	1	TARGA
	996 555 181 15 A11	Black			
	996 555 181 15 C51	Graphite grey			
	996 555 181 15 S31	Savanna			
	996 555 181 15 G11	Metropole blue			
	996 555 181 15 B51	Space grey			
	996 555 181 15 J31	Nephrite green			
	996 555 181 15 M31	Boxster red			
	996 555 181 15 D12	Dark grey/natural			
	996 555 181 15 T12	Brown/natural			
	996 555 181 15 P12	Cinnamon brown			
(10)	996 555 182 15	Lining A-pillar Leather	/R	1	TARGA
	996 555 182 15 A11	Black			
	996 555 182 15 C51	Graphite grey			
	996 555 182 15 S31	Savanna			
	996 555 182 15 G11	Metropole blue			
	996 555 182 15 B51	Space grey			
	996 555 182 15 J31	Nephrite green			
	996 555 182 15 M31	Boxster red			
	996 555 182 15 D12	Dark grey/natural			
	996 555 182 15 T12	Brown/natural			
	996 555 182 15 P12	Cinnamon brown			
(11)	996 555 291 00	Deformation element	/L 00-	1	
11	996 555 292 00	Deformation element	/R 00-	1	
12	999 190 167 30	Blind rivet 4,0 X 6,3	00-	10	
-	999 551 138 40	Felt strip 25 X 25 X 1		2	
-	999 551 609 40	Plastic washer 8,0 X 23 X 3,0		8	TARGA
13	996 555 619 00	Grommet Wiring harness Rain sensor	01-	1	M265

Model: 996 98

Model life 1998>>2005



Model: 996 98 Model life 1998>>2005

Pos	Part Number	Description	Remark	Qty	Model
1	996 555 181 12	Windscreen frame Windscreen frame Sun visors Sun visors Lining A-pillar Leatherette	/L -99	1	CABRIO TARGA COUPE/CABRIO TARGA CABRIO
	996 555 181 12 A18	Black			
	996 555 181 12 C18	Graphite grey			
	996 555 181 12 S18	Savanna			
	996 555 181 12 G18	Metropole blue			
	996 555 181 12 B18	Space grey			
(1)	996 555 182 12	Lining A-pillar Leatherette	/R -99	1	CABRIO
	996 555 182 12 A18	Black			
	996 555 182 12 C18	Graphite grey			
	996 555 182 12 S18	Savanna			
	996 555 182 12 G18	Metropole blue			
	996 555 182 12 B18	Space grey			
(1)	996 555 181 10	Lining A-pillar Leatherette	/L 00-	1	CABRIO
	996 555 181 10 A12	Black			
	996 555 181 10 C52	Graphite grey			
	996 555 181 10 S32	Savanna			
	996 555 181 10 G12	Metropole blue			
	996 555 181 10 B52	Space grey	00		
	996 555 181 10 J32	Nephrite green	01-		
(1)	996 555 182 10	Lining A-pillar Leatherette	/R 00-	1	CABRIO
	996 555 182 10 A12	Black			
	996 555 182 10 C52	Graphite grey			
	996 555 182 10 S32	Savanna			
	996 555 182 10 G12	Metropole blue			
	996 555 182 10 B52	Space grey	00		
	996 555 182 10 J32	Nephrite green	01-		
1	996 555 181 13	Lining Leather	/L -99	1	CABRIO
	996 555 181 13 A11	Black			
	996 555 181 13 C51	Graphite grey			
	996 555 181 13 S31	Savanna			
	996 555 181 13 G11	Metropole blue			
	996 555 181 13 B51	Space grey			
	996 555 181 13 J31	Nephrite green			
	996 555 181 13 M31	Boxster red			
(1)	996 555 182 13	Lining Leather	/R -99	1	CABRIO
	996 555 182 13 A11	Black			
	996 555 182 13 C51	Graphite grey			
	996 555 182 13 S31	Savanna			
	996 555 182 13 G11	Metropole blue			
	996 555 182 13 B51	Space grey			
	996 555 182 13 J31	Nephrite green			
	996 555 182 13 M31	Boxster red			
(1)	996 555 181 11	Lining Leather	/L 00-	1	CABRIO
	996 555 181 11 A11	Black			
	996 555 181 11 C51	Graphite grey			
	996 555 181 11 S31	Savanna			
	996 555 181 11 G11	Metropole blue			
	996 555 181 11 B51	Space grey	00		

Model: 996 98 Model life 1998>>2005

Pos	Part Number	Description	Remark	Qty	Model
(1)	996 555 181 11 J31	Nephrite green			
	996 555 181 11 M31	Boxster red			
	996 555 181 11 D12	Dark grey/natural			
	996 555 181 11 T12	Brown/natural			
	996 555 181 11 P12	Cinnamon brown	01-		
	996 555 182 11	Lining	/R 00-	1	CABRIO
		Leather			
	996 555 182 11 A11	Black			
	996 555 182 11 C51	Graphite grey			
	996 555 182 11 S31	Savanna			
	996 555 182 11 G11	Metropole blue			
	996 555 182 11 B51	Space grey	00		
	996 555 182 11 J31	Nephrite green			
	996 555 182 11 M31	Boxster red			
996 555 182 11 D12	Dark grey/natural				
996 555 182 11 T12	Brown/natural				
996 555 182 11 P12	Cinnamon brown	01-			
2	999 507 574 02	Clamp		4	
		8 X 10/1,2			
2	999 507 681 09	Clamp	00-	10	
		2,5/3,00			
3	986 731 541 01	Plate		2	
4	996 555 059 02	Lining		1	CABRIO
		Windscreen frame part			
		Leatherette			
	996 555 059 02 A18	Black	-99		
	996 555 059 02 C18	Graphite grey	-99		
	996 555 059 02 S18	Savanna	-99		
	996 555 059 02 G18	Metropole blue	-99		
	996 555 059 02 B18	Space grey	-99		
	996 555 059 02 A12	Black	00-		
	996 555 059 02 C52	Graphite grey	00-		
	996 555 059 02 S32	Savanna	00-		
	996 555 059 02 G12	Metropole blue	00-		
	996 555 059 02 B52	Space grey	00		
	996 555 059 02 J32	Nephrite green	01-		
(4)	996 555 059 06	Lining		1	CABRIO M265
		Windscreen frame part			
		Leatherette			
	996 555 059 06 A18	Black	-99		
	996 555 059 06 C18	Graphite grey	-99		
	996 555 059 06 S18	Savanna	-99		
	996 555 059 06 G18	Metropole blue	-99		
	996 555 059 06 B18	Space grey	-99		
	996 555 059 06 A12	Black			
	996 555 059 06 C52	Graphite grey			
	996 555 059 06 S32	Savanna			
	996 555 059 06 G12	Metropole blue			
	996 555 059 06 B52	Space grey			
	996 555 059 06 J32	Nephrite green	01-		
4	996 555 059 04	Lining		1	TARGA
		Windscreen frame part			
		Leatherette			
	996 555 059 04 A18	Black	-99		
	996 555 059 04 C18	Graphite grey	-99		
	996 555 059 04 S18	Savanna	-99		
	996 555 059 04 G18	Metropole blue	-99		
	996 555 059 04 B18	Space grey	-99		
	996 555 059 04 A12	Black			
	996 555 059 04 C52	Graphite grey			
	996 555 059 04 S32	Savanna			
	996 555 059 04 G12	Metropole blue			

Model: 996 98 Model life 1998>>2005

Pos	Part Number	Description	Remark	Qty	Model
(4)	996 555 059 04 B52	Space grey		1	TARGA M265
	996 555 059 04 J32	Nephrite green			
	996 555 059 08	Lining			
		Windscreen frame part			
		Leatherette			
	996 555 059 08 A18	Black	-99		
	996 555 059 08 C18	Graphite grey	-99		
	996 555 059 08 S18	Savanna	-99		
	996 555 059 08 G18	Metropole blue	-99		
	996 555 059 08 B18	Space grey	-99		
	996 555 059 08 A12	Black			
	996 555 059 08 C52	Graphite grey			
	996 555 059 08 S32	Savanna			
996 555 059 08 G12	Metropole blue				
996 555 059 08 B52	Space grey				
996 555 059 08 J32	Nephrite green				
4	996 555 059 03	Lining		1	CABRIO
		Windscreen frame			
		Leather			
	996 555 059 03 A11	Black			
	996 555 059 03 C51	Graphite grey			
	996 555 059 03 S31	Savanna			
	996 555 059 03 G11	Metropole blue			
	996 555 059 03 B51	Space grey	-00		
	996 555 059 03 J31	Nephrite green			
	996 555 059 03 M31	Boxster red			
	996 555 059 03 D12	Dark grey	00-		
	996 555 059 03 T12	Brown/natural	00-		
	996 555 059 03 P12	Cinnamon brown	01-		
(4)	996 555 059 07	Lining	01-	1	CABRIO M265
		Windscreen frame			
		Leather			
	996 555 059 07 A11	Black			
	996 555 059 07 C51	Graphite grey			
	996 555 059 07 S31	Savanna			
	996 555 059 07 G11	Metropole blue			
	996 555 059 07 B51	Space grey			
	996 555 059 07 J31	Nephrite green			
	996 555 059 07 M31	Boxster red			
	996 555 059 07 D12	Dark grey/natural			
	996 555 059 07 T12	Brown/natural			
	996 555 059 07 P12	Cinnamon brown			
4	996 555 059 05	Lining	02-	1	TARGA
		Windscreen frame			
		Leather			
	996 555 059 05 A11	Black			
	996 555 059 05 C51	Graphite grey			
	996 555 059 05 S31	Savanna			
	996 555 059 05 G11	Metropole blue			
	996 555 059 05 B51	Space grey			
	996 555 059 05 J31	Nephrite green			
	996 555 059 05 M31	Boxster red			
	996 555 059 05 D12	Dark grey/natural			
	996 555 059 05 T12	Brown/natural			
	996 555 059 05 P12	Cinnamon brown			
(4)	996 555 059 09	Lining	02-	1	TARGA M265
		Windscreen frame			
		Leather			
	996 555 059 09 A11	Black			
	996 555 059 09 C51	Graphite grey			

Model: 996 98 Model life 1998>>2005

Pos	Part Number	Description	Remark	Qty	Model
	996 555 059 09 S31	Savanna			
	996 555 059 09 G11	Metropole blue			
	996 555 059 09 B51	Space grey			
	996 555 059 09 J31	Nephrite green			
	996 555 059 09 M31	Boxster red			
	996 555 059 09 D12	Dark grey/natural			
	996 555 059 09 T12	Brown/natural			
	996 555 059 09 P12	Cinnamon brown			
5	996 613 795 01	Microswitch		1	CABRIO
6	999 507 534 02	Clamping washer 2,5		2	CABRIO
7	996 561 635 00	Cover Interior light Lacquered		1	CABRIO
(7)	996 561 635 00 A09	Rally black			
	996 555 557 07	Cover Interior light	02-	1	TARGA
	996 555 557 07 A03	Black			
	996 555 557 07 C53	Graphite grey			
	996 555 557 07 S33	Savanna			
	996 555 557 07 G13	Metropole blue			
	996 555 557 07 J33	Nephrite green			
	996 555 557 07 M33	Boxster red			
	996 555 557 07 P13	Cinnamon brown			
8	999 073 166 09	Countersunk-head screw M 6 X 25		2	CABRIO
(8)	999 073 061 02	Tapping screw 4,8 X 16		2	TARGA
9	996 561 609 00	Cap		1	CABRIO
(10)	996 731 031 06	Sun visor Leatherette	/L -99	1	COUPE
	996 731 031 06 ELC	Black			
	996 731 031 06 ELD	Graphite grey			
	996 731 031 06 ELE	Savanna			
	996 731 031 06 ELG	Metropole blue			
	996 731 031 06 ELF	Space grey			
(10)	996 731 032 06	Sun visor Leatherette	/R -99	1	COUPE
	996 731 032 06 ELC	Black			
	996 731 032 06 ELD	Graphite grey			
	996 731 032 06 ELE	Savanna			
	996 731 032 06 ELG	Metropole blue			
	996 731 032 06 ELF	Space grey			
(10)	996 731 031 15	Sun visor Leatherette Valid up to: F >>995S6 00227	/L 00-	1	COUPE
	996 731 031 15 A12	Black			
	996 731 031 15 C52	Graphite grey			
	996 731 031 15 S32	Savanna			
	996 731 031 15 G12	Metropole blue			
	996 731 031 15 J32	Nephrite green	01-		
(10)	996 731 032 15	Information available Sun visor Leatherette Valid up to: F >>995S6 00227	01- /R 00-	1	COUPE
	996 731 032 15 A12	Black			
	996 731 032 15 C52	Graphite grey			
	996 731 032 15 S32	Savanna			
	996 731 032 15 G12	Metropole blue			
	996 731 032 15 J32	Nephrite green	01-		
		Information available	01-		

Model: 996 98 Model life 1998>>2005

Pos	Part Number	Description	Remark	Qty	Model
(10)	997 731 031 00	Sun visor Leatherette Valid from: F 995S6 00228>>	/L	1	C4S COUPE M274
	997 731 031 00 A12	Black			
	997 731 031 00 C52	Graphite grey			
	997 731 031 00 S32	Savanna			
	997 731 031 00 G12	Metropole blue			
(10)	997 731 032 00	Sun visor Leatherette Valid from: F 995S6 00228>>	/R	1	C4S COUPE M274
	997 731 032 00 A12	Black			
	997 731 032 00 C52	Graphite grey			
	997 731 032 00 S32	Savanna			
	997 731 032 00 G12	Metropole blue			
(10)	996 731 980 09	Sun visor Leather Valid up to:	/L 01-	1	COUPE IXMP
	996 731 980 09 VRK	Black			
	996 731 980 09 C51	Graphite grey			
	996 731 980 09 S31	Savanna			
	996 731 980 09 J31	Nephrite green			
	996 731 980 09 G11	Metropole blue			
	996 731 980 09 M31	Boxster red			
	996 731 980 09 D12	Dark grey/natural			
	996 731 980 09 T12	Brown/natural			
	996 731 980 09 P12	Cinnamon brown			
10	996 731 981 09	Sun visor Leather Valid up to:	/R 01-	1	COUPE IXMP
	996 731 981 09 VRK	Black			
	996 731 981 09 C51	Graphite grey			
	996 731 981 09 S31	Savanna			
	996 731 981 09 J31	Nephrite green			
	996 731 981 09 G11	Metropole blue			
	996 731 981 09 M31	Boxster red			
	996 731 981 09 D12	Dark grey/natural			
	996 731 981 09 T12	Brown/natural			
	996 731 981 09 P12	Cinnamon brown			
(10)	996 731 980 19	Sun visor Leather Valid from: F 995S6 00228>>	/L	1	C4S COUPE IXMP
	996 731 980 19 VRK	Black			
	996 731 980 19 C51	Graphite grey			
	996 731 980 19 S31	Savanna			
	996 731 980 19 G11	Metropole blue			
	996 731 980 19 M31	Boxster red			
	996 731 980 19 P12	Cinnamon brown			
	996 731 980 19 D12	Dark grey/natural			
	996 731 980 19 T12	Brown/natural			
(10)	996 731 981 19	Sun visor Leather Valid from: F 995S6 00228>>	/R	1	C4S COUPE IXMP
	996 731 981 19 VRK	Black			

Model: 996 98 Model life 1998>>2005

Pos	Part Number	Description	Remark	Qty	Model
	996 731 981 19 C51	Graphite grey			
	996 731 981 19 S31	Savanna			
	996 731 981 19 G11	Metropole blue			
	996 731 981 19 M31	Boxster red			
	996 731 981 19 P12	Cinnamon brown			
	996 731 981 19 D12	Dark grey/natural			
	996 731 981 19 T12	Brown/natural			
(10)	996 731 031 09	Sun visor Leatherette	/L -99	1	CABRIO
	996 731 031 09 ELH	Black			
	996 731 031 09 ELJ	Graphite grey			
	996 731 031 09 ELK	Savanna			
	996 731 031 09 ELL	Metropole blue			
	996 731 031 09 ELM	Space grey			
10	996 731 032 09	Sun visor Leatherette	/R -99	1	CABRIO
	996 731 032 09 ELH	Black			
	996 731 032 09 ELJ	Graphite grey			
	996 731 032 09 ELK	Savanna			
	996 731 032 09 ELL	Metropole blue			
	996 731 032 09 ELM	Space grey			
(10)	996 731 031 18	Sun visor Leatherette	/L 00-	1	CABRIO
	996 731 031 18 A12	Black			
	996 731 031 18 C52	Graphite grey			
	996 731 031 18 S32	Savanna			
	996 731 031 18 G12	Metropole blue			
	996 731 031 18 J32	Nephrite green	01-		
(10)	996 731 032 18	Sun visor Leatherette	/R 00-	1	CABRIO
	996 731 032 18 A12	Black			
	996 731 032 18 C52	Graphite grey			
	996 731 032 18 S32	Savanna			
	996 731 032 18 G12	Metropole blue			
	996 731 032 18 J32	Nephrite green	01-		
(10)	996 731 980 12	Sun visor Leather	/L 01-	1	CABRIO IXMP
	996 731 980 12 VRK	Black			
	996 731 980 12 C51	Graphite grey			
	996 731 980 12 S31	Savanna			
	996 731 980 12 J31	Nephrite green			
	996 731 980 12 M31	Boxster red			
	996 731 980 12 G11	Metropole blue			
	996 731 980 12 D12	Dark grey			
	996 731 980 12 T12	Brown/natural			
	996 731 980 12 P12	Cinnamon brown			
10	996 731 981 12	Sun visor Leather	/R 01-	1	CABRIO IXMP
	996 731 981 12 VRK	Black			
	996 731 981 12 C51	Graphite grey			
	996 731 981 12 S31	Savanna			
	996 731 981 12 J31	Nephrite green			
	996 731 981 12 M31	Boxster red			
	996 731 981 12 G11	Metropole blue			
	996 731 981 12 D12	Dark grey			
	996 731 981 12 T12	Brown/natural			
	996 731 981 12 P12	Cinnamon brown			
(10)	996 731 031 12	Sun visor Leatherette	/L 02-	1	TARGA M274
	996 731 031 12 A12	Black			

Model: 996 98 Model life 1998>>2005

Pos	Part Number	Description	Remark	Qty	Model				
(10)	996 731 031 12 C52	Graphite grey	/R 02-	1	TARGA M274				
	996 731 031 12 S32	Savanna							
	996 731 031 12 G12	Metropole blue							
	996 731 031 12 J32	Nephrite green							
	996 731 032 12	Sun visor							
(10)		Leatherette	/L 03-	1	TARGA IXMP				
	996 731 032 12 A12	Black							
	996 731 032 12 C52	Graphite grey							
	996 731 032 12 S32	Savanna							
	996 731 032 12 G12	Metropole blue							
	996 731 032 12 J32	Nephrite green							
	996 731 980 06	Sun visor							
		Leather							
	996 731 980 06 VRK	Black							
	996 731 980 06 C51	Graphite grey							
(10)	996 731 980 06 S31	Savanna	/R 03-	1	TARGA IXMP				
	996 731 980 06 G11	Metropole blue							
	996 731 980 06 M31	Boxster red							
	996 731 980 06 P12	Cinnamon brown							
	996 731 980 06 D12	Dark grey/natural							
	996 731 980 06 T12	Brown/natural							
	996 731 981 06	Sun visor							
		Leather							
	996 731 981 06 VRK	Black							
	996 731 981 06 C51	Graphite grey							
11	996 731 981 06 S31	Savanna		1					
	996 731 981 06 G11	Metropole blue							
	996 731 981 06 M31	Boxster red							
	996 731 981 06 P12	Cinnamon brown							
	996 731 981 06 D12	Dark grey/natural							
	996 731 981 06 T12	Brown/natural							
	996 731 903 00	Mirror housing with illumination							
	996 731 903 00 01C	Satin black							
	12	999 631 137 90				Bulb 3 W		4	M274
	12	999 631 147 90				Bulb 3 W		4	M274
13	996 731 531 01	Mirror glass with Frame		2	M274				
(14)	996 731 531 01 01C	Satin black	/L	1	CABRIO				
	996 561 607 01	Mounting							
14	996 561 607 01 A09	Rally black	/R	1	CABRIO				
	996 561 608 01	Mounting							
15	996 561 608 01 A09	Rally black	/L	1					
	996 731 341 00	Support							
(15)	996 731 341 00 01C	Satin black		1					
	996 731 342 00	Support Sun visor							
16	996 731 342 00 01C	Satin black		2	COUPE				
	999 073 139 02	Oval-head screw M 5 X 25 Valid up to: F >>995S6 00227							
16	999 073 326 09	Oval-head screw M 5 X 10 Valid from:		2					

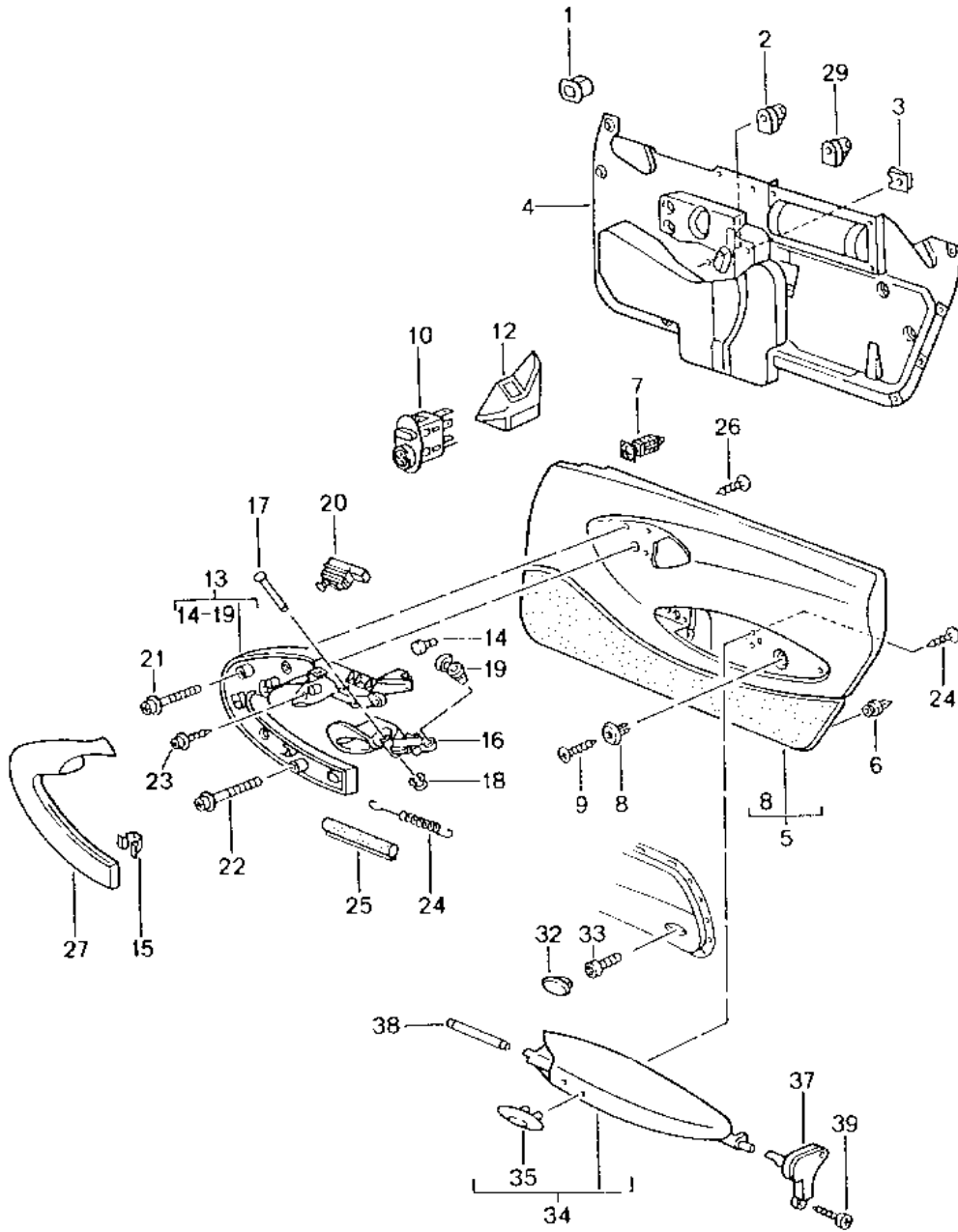
Model: 996 98

Model life 1998>>2005

Pos	Part Number	Description	Remark	Qty	Model
(16)	999 500 093 02	F 995S6 00228>> Nut M 5		2	COUPE
16	900 146 117 09	Combination screw M 5 X 16		4	TARGA
17	999 073 166 09	Countersunk-head screw M 6 X 25		4	CABRIO
18	996 701 401 06	Sticker	-02	1	CABRIO
18	996 701 401 12	Sticker Convertible top control German	03-	1	CABRIO
18	996 701 401 07	Sticker	-02	1	CABRIO
18	996 701 401 13	Indication sticker Convertible top control English	03-	1	CABRIO
19	996 561 613 00	Cover Mounting		2	CABRIO
	996 561 613 00 01C	Satin black			
20	996 555 291 00	Deformation element A-pillar	/L 00-	1	
20	996 555 292 00	Deformation element A-pillar	/R 00-	1	
21	999 190 167 30	Blind rivet 4,0 X 6,3	00-	10	
22	996 555 619 00	Grommet Wiring harness Rain sensor	01-	1	M265

Model: 996 98

Model life 1998>>2005



Model: 996 98 Model life 1998>>2005

Pos	Part Number	Description	Remark	Qty	Model
		Door trim panel			
		Accessories			
1	191 853 615 A	Grommet		3	
2	999 920 013 40	Plug-in nut		4	
		5,0 X 1,0 X 8			
3	999 591 882 02	Speed nut		2	
		M 6			
3	999 591 882 01	Speed nut		2	
		M 6			
(4)	996 555 831 04	Seal	/L	1	
4	996 555 832 04	Seal	/R	1	
(4)	996 555 831 05	Seal	/L	1	M490/680
(4)	996 555 832 05	Seal	/R	1	M490/680
		Repair material			
		Use also:			
-	000 043 101 00	Sealing cord		1	
(5)	996 555 121 00	Door trim panel	/L 98	1	
		Leatherette			
	996 555 121 00 EHF	Black			
	996 555 121 00 EHG	Graphite grey			
	996 555 121 00 EHH	Savanna			
	996 555 121 00 EHJ	Metropole blue			
	996 555 121 00 EHK	Space grey			
5	996 555 122 00	Door trim panel	/R 98	1	
		Leatherette			
	996 555 122 00 EHF	Black			
	996 555 122 00 EHG	Graphite grey			
	996 555 122 00 EHH	Savanna			
	996 555 122 00 EHJ	Metropole blue			
	996 555 122 00 EHK	Space grey			
(5)	996 555 121 02	Door trim panel	/L 98	1	M490
		Leatherette			
	996 555 121 02 EHF	Black			
	996 555 121 02 EHG	Graphite grey			
	996 555 121 02 EHH	Savanna			
	996 555 121 02 EHJ	Metropole blue			
	996 555 121 02 EHK	Space grey			
(5)	996 555 122 02	Door trim panel	/R 98	1	M490
		Leatherette			
	996 555 122 02 EHF	Black			
	996 555 122 02 EHG	Graphite grey			
	996 555 122 02 EHH	Savanna			
	996 555 122 02 EHJ	Metropole blue			
	996 555 122 02 EHK	Space grey			
(5)	996 555 121 04	Door trim panel	/L -99	1	M563
		Leatherette			
	996 555 121 04 EHF	Black			
	996 555 121 04 EHG	Graphite grey			
	996 555 121 04 EHH	Savanna			
	996 555 121 04 EHJ	Metropole blue			
	996 555 121 04 EHK	Space grey			
(5)	996 555 122 04	Door trim panel	/R -99	1	M563
		Leatherette			
	996 555 122 04 EHF	Black			
	996 555 122 04 EHG	Graphite grey			
	996 555 122 04 EHH	Savanna			
	996 555 122 04 EHJ	Metropole blue			
	996 555 122 04 EHK	Space grey			
(5)	996 555 121 06	Door trim panel	/L -99	1	M490/563
		Leatherette			
	996 555 121 06 EHF	Black			
	996 555 121 06 EHG	Graphite grey			
	996 555 121 06 EHH	Savanna			

Model: 996 98 Model life 1998>>2005

Pos	Part Number	Description	Remark	Qty	Model
(5)	996 555 121 06 EHJ	Metropole blue		1	M490/563
	996 555 121 06 EHK	Space grey			
	996 555 122 06	Door trim panel Leatherette	/R -99		
	996 555 122 06 EHF	Black			
	996 555 122 06 EHG	Graphite grey			
	996 555 122 06 EHH	Savanna			
(5)	996 555 122 06 EHJ	Metropole blue		1	M563
	996 555 122 06 EHK	Space grey			
	996 555 121 04	Door trim panel Leatherette	/L 00-		
	996 555 121 04 ESY	Black			
	996 555 121 04 ESZ	Graphite grey			
	996 555 121 04 ETA	Savanna			
(5)	996 555 121 04 ETB	Metropole blue		1	M563
	996 555 121 04 EUY	Space grey	00		
	996 555 121 04 FEQ	Nephrite green	01-		
	996 555 122 04	Door trim panel Leatherette	/R 00-		
	996 555 122 04 ESY	Black			
	996 555 122 04 ESZ	Graphite grey			
(5)	996 555 122 04 ETA	Savanna		1	M490/563/680
	996 555 122 04 ETB	Metropole blue			
	996 555 122 04 EUY	Space grey	00		
	996 555 122 04 FEQ	Nephrite green	01-		
	996 555 121 06	Door trim panel Leatherette	/L 00-		
	996 555 121 06 ESY	Black			
(5)	996 555 121 06 ESZ	Graphite grey		1	M490/563/680
	996 555 121 06 ETA	Savanna			
	996 555 121 06 ETB	Metropole blue			
	996 555 121 06 EUY	Space grey	00		
	996 555 121 06 FEQ	Nephrite green	01-		
	996 555 122 06	Door trim panel Leatherette	/R 00-		
(5)	996 555 122 06 ESY	Black		1	M490/563/680
	996 555 122 06 ESZ	Graphite grey			
	996 555 122 06 ETA	Savanna			
	996 555 122 06 ETB	Metropole blue			
	996 555 122 06 EUY	Space grey	00		
	996 555 122 06 FEQ	Nephrite green	01-		
(5)	996 555 121 01	Door trim panel Leather	/L 98	1	M490/563/680
	996 555 121 01 EHL	Black			
	996 555 121 01 EHM	Graphite grey			
	996 555 121 01 EHN	Savanna			
	996 555 121 01 EHQ	Nephrite green			
	996 555 121 01 EHR	Boxster red			
5	996 555 121 01 EHO	Metropole blue		1	M490/563/680
	996 555 121 01 EHP	Space grey			
	996 555 122 01	Door trim panel Leather	/R 98		
	996 555 122 01 EHL	Black			
	996 555 122 01 EHM	Graphite grey			
	996 555 122 01 EHN	Savanna			
(5)	996 555 122 01 EHQ	Nephrite green		1	M490
	996 555 122 01 EHR	Boxster red			
	996 555 122 01 EHO	Metropole blue			
	996 555 122 01 EHP	Space grey			
	996 555 121 03	Door trim panel Leather	/L 98		
	996 555 121 03 EHL	Black			
	996 555 121 03 EHM	Graphite grey			

Model: 996 98 Model life 1998>>2005

Pos	Part Number	Description	Remark	Qty	Model
	996 555 121 03 EHN	Savanna			
	996 555 121 03 EHQ	Nephrite green			
	996 555 121 03 EHR	Boxster red			
	996 555 121 03 EHO	Metropole blue			
	996 555 121 03 EHP	Space grey			
(5)	996 555 122 03	Door trim panel Leather	/R 98	1	M490
	996 555 122 03 EHL	Black			
	996 555 122 03 EHM	Graphite grey			
	996 555 122 03 EHN	Savanna			
	996 555 122 03 EHQ	Nephrite green			
	996 555 122 03 EHR	Boxster red			
	996 555 122 03 EHO	Metropole blue			
	996 555 122 03 EHP	Space grey			
(5)	996 555 121 05	Door trim panel Leather	/L -99	1	M563
	996 555 121 05 EHL	Black			
	996 555 121 05 EHM	Graphite grey			
	996 555 121 05 EHN	Savanna			
	996 555 121 05 EHQ	Nephrite green			
	996 555 121 05 EHR	Boxster red			
	996 555 121 05 EHO	Metropole blue			
	996 555 121 05 EHP	Space grey			
(5)	996 555 122 05	Door trim panel Leather	/R -99	1	M563
	996 555 122 05 EHL	Black			
	996 555 122 05 EHM	Graphite grey			
	996 555 122 05 EHN	Savanna			
	996 555 122 05 EHQ	Nephrite green			
	996 555 122 05 EHR	Boxster red			
	996 555 122 05 EHO	Metropole blue			
	996 555 122 05 EHP	Space grey			
(5)	996 555 121 07	Door trim panel Leather	/L -99	1	M490/563
	996 555 121 07 EHL	Black			
	996 555 121 07 EHM	Graphite grey			
	996 555 121 07 EHN	Savanna			
	996 555 121 07 EHQ	Nephrite green			
	996 555 121 07 EHR	Boxster red			
	996 555 121 07 EHO	Metropole blue			
	996 555 121 07 EHP	Space grey			
(5)	996 555 122 07	Door trim panel Leather	/R -99	1	M490/563
	996 555 122 07 EHL	Black			
	996 555 122 07 EHM	Graphite grey			
	996 555 122 07 EHN	Savanna			
	996 555 122 07 EHQ	Nephrite green			
	996 555 122 07 EHR	Boxster red			
	996 555 122 07 EHO	Metropole blue			
	996 555 122 07 EHP	Space grey			
(5)	996 555 121 05	Door trim panel Leather	/L -02	1	M563
	996 555 121 05 ETC	Black			
	996 555 121 05 ETD	Graphite grey			
	996 555 121 05 ETE	Savanna			
	996 555 121 05 ETF	Metropole blue			
	996 555 121 05 EUX	Space grey	00		
	996 555 121 05 ETG	Nephrite green			
	996 555 121 05 ETH	Boxster red			
	996 555 121 05 VRV	Dark grey/natural			
	996 555 121 05 VRW	Brown/natural			
	996 555 121 05 FEL	Cinnamon brown	01-		
(5)	996 555 122 05	Door trim panel	/R -02	1	M563

Model: 996 98

Model life 1998>>2005

Pos	Part Number	Description	Remark	Qty	Model
		Leather			
	996 555 122 05 ETC	Black			
	996 555 122 05 ETD	Graphite grey			
	996 555 122 05 ETE	Savanna			
	996 555 122 05 ETF	Metropole blue			
	996 555 122 05 EUX	Space grey	00		
	996 555 122 05 ETG	Nephrite green			
	996 555 122 05 ETH	Boxster red			
	996 555 122 05 VRV	Dark grey/natural			
	996 555 122 05 VRW	Brown/natural			
	996 555 122 05 FEL	Cinnamon brown	01-		
(5)	996 555 121 07	Door trim panel	/L -02	1	M490/563/680
		Leather			
	996 555 121 07 ETC	Black			
	996 555 121 07 ETD	Graphite grey			
	996 555 121 07 ETE	Savanna			
	996 555 121 07 ETF	Metropole blue			
	996 555 121 07 EUX	Space grey	00		
	996 555 121 07 ETG	Nephrite green			
	996 555 121 07 ETH	Boxster red			
	996 555 121 07 VRV	Dark grey/natural			
	996 555 121 07 VRW	Brown/natural			
	996 555 121 07 FEL	Cinnamon brown	01-		
(5)	996 555 122 07	Door trim panel	/R -02	1	M490/563/680
		Leather			
	996 555 122 07 ETC	Black			
	996 555 122 07 ETD	Graphite grey			
	996 555 122 07 ETE	Savanna			
	996 555 122 07 ETF	Metropole blue			
	996 555 122 07 EUX	Space grey	00		
	996 555 122 07 ETG	Nephrite green			
	996 555 122 07 ETH	Boxster red			
	996 555 122 07 VRV	Dark grey/natural			
	996 555 122 07 VRW	Brown/natural			
	996 555 122 07 FEL	Cinnamon brown	01-		
(5)	996 555 121 08	Door trim panel	/L 03-	1	M563
		Leather			
	996 555 121 08 ETC	Black			
	996 555 121 08 ETD	Graphite grey			
	996 555 121 08 ETE	Savanna			
	996 555 121 08 ETF	Metropole blue			
	996 555 121 08 ETG	Nephrite green			
	996 555 121 08 ETH	Boxster red			
	996 555 121 08 FEL	Cinnamon brown			
	996 555 121 08 VRV	Dark grey/natural			
	996 555 121 08 VRW	Brown/natural			
(5)	996 555 122 08	Door trim panel	/R 03-	1	M563
		Leather			
	996 555 122 08 ETC	Black			
	996 555 122 08 ETD	Graphite grey			
	996 555 122 08 ETE	Savanna			
	996 555 122 08 ETF	Metropole blue			
	996 555 122 08 ETG	Nephrite green			
	996 555 122 08 ETH	Boxster red			
	996 555 122 08 FEL	Cinnamon brown			
	996 555 122 08 VRV	Dark grey/natural			
	996 555 122 08 VRW	Brown/natural			
(5)	996 555 121 09	Door trim panel	/L 03-	1	M490/563
		Leather			
	996 555 121 09 ETC	Black			
	996 555 121 09 ETD	Graphite grey			
	996 555 121 09 ETE	Savanna			
	996 555 121 09 ETF	Metropole blue			

Model: 996 98 Model life 1998>>2005

Pos	Part Number	Description	Remark	Qty	Model
	996 555 121 09 ETG	Nephrite green			
	996 555 121 09 ETH	Boxster red			
	996 555 121 09 FEL	Cinnamon brown			
	996 555 121 09 VRV	Dark grey/natural			
	996 555 121 09 VRW	Brown/natural			
(5)	996 555 121 09	Door trim panel Leather	/L 03-	1	M490/563/680
	996 555 121 09 ETC	Black			
	996 555 121 09 ETD	Graphite grey			
	996 555 121 09 ETE	Savanna			
	996 555 121 09 ETF	Metropole blue			
	996 555 121 09 ETG	Nephrite green			
	996 555 121 09 ETH	Boxster red			
	996 555 121 09 FEL	Cinnamon brown			
	996 555 121 09 VRV	Dark grey/natural			
	996 555 121 09 VRW	Brown/natural			
(5)	996 555 122 09	Door trim panel Leather	/R 03-	1	M490/563/680
	996 555 122 09 ETC	Black			
	996 555 122 09 ETD	Graphite grey			
	996 555 122 09 ETE	Savanna			
	996 555 122 09 ETF	Metropole blue			
	996 555 122 09 ETG	Nephrite green			
	996 555 122 09 ETH	Boxster red			
	996 555 122 09 FEL	Cinnamon brown			
	996 555 122 09 VRV	Dark grey/natural			
	996 555 122 09 VRW	Brown/natural			
-	999 911 688 40	Adhesive tape 10 X 0,1 X 370		4	
6	999 507 505 40	Clip Grey		8	
6	999 507 582 40	Clip White		8	
		8,0 X 0,9			
7	999 507 651 40	Expander nut 9,0 X 0,9		2	
8	999 507 427 40	Expander nut 6,3	-04	2	
10	996 613 241 00	Switch Door mirror		1	
(12)	996 613 241 00 01C	Satin black			
	996 555 651 03	Lining Door mirror	/LL /L	1	
	996 555 651 03 D05	Granite grey	-99		
	996 555 651 03 A03	Black	00-		
	996 555 651 03 C53	Graphite grey	00-		
	996 555 651 03 S33	Savanna	00-		
	996 555 651 03 G13	Metropole blue	00-		
	996 555 651 03 B13	Space grey	00		
	996 555 651 03 J33	Nephrite green	00-		
	996 555 651 03 M33	Boxster red	00-		
	996 555 651 03 P13	Cinnamon brown	01-		
(12)	996 555 652 03	Lining Door mirror	/RL /R	1	
	996 555 652 03 D05	Granite grey	-99		
	996 555 652 03 A03	Black	00-		
	996 555 652 03 C53	Graphite grey	00-		
	996 555 652 03 S33	Savanna	00-		
	996 555 652 03 G13	Metropole blue	00-		
	996 555 652 03 B13	Space grey	00		
	996 555 652 03 J33	Nephrite green	00-		
	996 555 652 03 M33	Boxster red	00-		
	996 555 652 03 P13	Cinnamon brown	01-		

Model: 996 98 Model life 1998>>2005

Pos	Part Number	Description	Remark	Qty	Model
(12)	996 555 651 03	Lining	/LL /L 00	1	IXTK/M094 M273
		Door mirror			
	996 555 651 03 T12	Brown/natural			
(12)	996 555 652 03	Lining	/RL /L 00	1	IXTK/M094 M273
		Door mirror			
	996 555 652 03 T12	Brown/natural			
(12)	996 555 652 02	Lining	/LL /R	1	
	996 555 652 02 D05	Granite grey	-99		
	996 555 652 02 A03	Black	00-		
	996 555 652 02 C53	Graphite grey	00-		
	996 555 652 02 S33	Savanna	00-		
	996 555 652 02 G13	Metropole blue	00-		
	996 555 652 02 B13	Space grey	00		
	996 555 652 02 J33	Nephrite green	00-		
	996 555 652 02 M33	Boxster red	00-		
	996 555 652 02 P13	Cinnamon brown	01-		
(12)	996 555 651 02	Lining	/RL /L	1	
		Door mirror			
	996 555 651 02 D05	Granite grey	-99		
	996 555 651 02 A03	Black	00-		
	996 555 651 02 C53	Graphite grey	00-		
	996 555 651 02 S33	Savanna	00-		
	996 555 651 02 G13	Metropole blue	00-		
	996 555 651 02 B13	Space grey	00		
	996 555 651 02 J33	Nephrite green	00-		
	996 555 651 02 M33	Boxster red	00-		
	996 555 651 02 P13	Cinnamon brown	01-		
(12)	996 555 652 02	Lining	/LL /R	1	IXTK/M094 M273
		Door mirror			
	996 555 652 02 T12	Brown/natural			
(12)	996 555 651 02	Lining	/RL /L	1	IXTK/M094 M273
		Door mirror			
	996 555 651 02 T12	Brown/natural			
(12)	996 555 983 00	Lining	/LL /L	1	IXTF/XTJ/XTK IXTL/XTR
		Leather			
	996 555 983 00 A11	Black			
	996 555 983 00 C51	Graphite grey			
	996 555 983 00 S31	Savanna			
	996 555 983 00 G11	Metropole blue			
	996 555 983 00 J31	Nephrite green			
	996 555 983 00 M31	Boxster red			
	996 555 983 00 D12	Dark grey/natural			
	996 555 983 00 T12	Brown/natural			
	996 555 983 00 P12	Cinnamon brown	01-		
(12)	996 555 984 01	Lining	/LL /R	1	IXTF/XTJ/XTK IXTL/XTR
		Leather			
	996 555 984 01 A11	Black			
	996 555 984 01 C51	Graphite grey			
	996 555 984 01 S31	Savanna			
	996 555 984 01 G11	Metropole blue			
	996 555 984 01 J31	Nephrite green			
	996 555 984 01 M31	Boxster red			
	996 555 984 01 D12	Dark grey/natural			
	996 555 984 01 T12	Brown/natural			
	996 555 984 01 P12	Cinnamon brown	01-		
(12)	996 555 983 01	Lining	/RL /L	1	IXTF/XTJ/XTK IXTL/XTR

Model: 996 98 Model life 1998>>2005

Pos	Part Number	Description	Remark	Qty	Model
		Leather			
	996 555 983 01 A11	Black			
	996 555 983 01 C51	Graphite grey			
	996 555 983 01 S31	Savanna			
	996 555 983 01 G11	Metropole blue			
	996 555 983 01 J31	Nephrite green			
	996 555 983 01 M31	Boxster red			
	996 555 983 01 D12	Dark grey/natural			
	996 555 983 01 T12	Brown/natural			
	996 555 983 01 P12	Cinnamon brown			
(12)	996 555 984 00	Lining	01- /RL /R	1	IXTF/XTJ/XTK IXTL/XTR
		Leather			
	996 555 984 00 A11	Black			
	996 555 984 00 C51	Graphite grey			
	996 555 984 00 S31	Savanna			
	996 555 984 00 G11	Metropole blue			
	996 555 984 00 J31	Nephrite green			
	996 555 984 00 M31	Boxster red			
	996 555 984 00 D12	Dark grey/natural			
	996 555 984 00 T12	Brown/natural			
	996 555 984 00 P12	Cinnamon brown			
13	996 555 371 00	Inner door release	01- /L 98	1	
		Valid up to: Order also: 996.537.320.03 Complete			
		Leather			
	996 555 371 00 ENH	Black			
	996 555 371 00 ENJ	Graphite grey			
	996 555 371 00 ENK	Savanna			
	996 555 371 00 ENL	Metropole blue			
	996 555 371 00 ENM	Space grey			
	996 555 371 00 ENN	Nephrite green			
	996 555 371 00 ENO	Boxster red			
(13)	996 555 372 00	Inner door release	/R 98	1	
		Valid up to: Order also: 996.537.320.03 Complete			
		Leather			
	996 555 372 00 ENH	Black			
	996 555 372 00 ENJ	Graphite grey			
	996 555 372 00 ENK	Savanna			
	996 555 372 00 ENL	Metropole blue			
	996 555 372 00 ENM	Space grey			
	996 555 372 00 ENN	Nephrite green			
	996 555 372 00 ENO	Boxster red			
13	996 555 371 01	Inner door release	/L 99	1	
		Valid up to: Order also: 996.537.320.03 Complete			
		Leather			
	996 555 371 01 ENH	Black			
	996 555 371 01 ENJ	Graphite grey			
	996 555 371 01 ENK	Savanna			
	996 555 371 01 ENL	Metropole blue			
	996 555 371 01 ENM	Space grey			
	996 555 371 01 ENN	Nephrite green			
	996 555 371 01 ENO	Boxster red			
(13)	996 555 372 01	Inner door release	/R 99	1	
		Valid up to:			

Model: 996 98 Model life 1998>>2005

Pos	Part Number	Description	Remark	Qty	Model
		Order also: 996.537.320.03 Complete Leather			
	996 555 372 01 ENH	Black			
	996 555 372 01 ENJ	Graphite grey			
	996 555 372 01 ENK	Savanna			
	996 555 372 01 ENL	Metropole blue			
	996 555 372 01 ENM	Space grey			
	996 555 372 01 ENN	Nephrite green			
	996 555 372 01 ENO	Boxster red			
13	996 555 371 02	Inner door release Valid up to: Order also: 996.537.320.03 Complete Leather	/L -99	1	
	996 555 371 02 ENH	Black			
	996 555 371 02 ENJ	Graphite grey			
	996 555 371 02 ENK	Savanna			
	996 555 371 02 ENL	Metropole blue			
	996 555 371 02 ENM	Space grey			
	996 555 371 02 ENN	Nephrite green			
	996 555 371 02 ENO	Boxster red			
(13)	996 555 372 02	Inner door release Valid up to: Order also: 996.537.320.03 Complete Leather	/R -99	1	
	996 555 372 02 ENH	Black			
	996 555 372 02 ENJ	Graphite grey			
	996 555 372 02 ENK	Savanna			
	996 555 372 02 ENL	Metropole blue			
	996 555 372 02 ENM	Space grey			
	996 555 372 02 ENN	Nephrite green			
	996 555 372 02 ENO	Boxster red			
(13)	996 555 251 00	Inner door release Complete Leather	/L 00	1	
	996 555 251 00 A11	Black			
	996 555 251 00 C51	Graphite grey			
	996 555 251 00 S31	Savanna			
	996 555 251 00 G11	Metropole blue			
	996 555 251 00 B51	Space grey	00		
	996 555 251 00 J31	Nephrite green			
	996 555 251 00 M31	Boxster red			
	996 555 251 00 D12	Dark grey			
	996 555 251 00 T12	Brown/natural			
(13)	996 555 252 00	Inner door release Complete Leather	/R 00	1	
	996 555 252 00 A11	Black			
	996 555 252 00 C51	Graphite grey			
	996 555 252 00 S31	Savanna			
	996 555 252 00 G11	Metropole blue			
	996 555 252 00 B51	Space grey	00		
	996 555 252 00 J31	Nephrite green			
	996 555 252 00 M31	Boxster red			
	996 555 252 00 D12	Dark grey			
	996 555 252 00 T12	Brown/natural			
(13)	996 555 903 01	Inner door release Complete	/L 00	1	

Model: 996 98 Model life 1998>>2005

Pos	Part Number	Description	Remark	Qty	Model
		Leather			
	996 555 903 01 A11	Black			
	996 555 903 01 C51	Graphite grey			
	996 555 903 01 S31	Savanna			
	996 555 903 01 G11	Metropole blue			
	996 555 903 01 B51	Space grey	00		
	996 555 903 01 J31	Nephrite green			
	996 555 903 01 M31	Boxster red			
	996 555 903 01 D12	Dark grey			
	996 555 903 01 T12	Brown/natural			
(13)	996 555 904 01	Inner door release Complete	/R 00	1	
		Leather			
	996 555 904 01 A11	Black			
	996 555 904 01 C51	Graphite grey			
	996 555 904 01 S31	Savanna			
	996 555 904 01 G11	Metropole blue			
	996 555 904 01 B51	Space grey	00		
	996 555 904 01 J31	Nephrite green			
	996 555 904 01 M31	Boxster red			
	996 555 904 01 D12	Dark grey			
	996 555 904 01 T12	Brown/natural			
(13)	996 555 251 01	Inner door release Complete	/LL /L 01	1	
		Leather			
	996 555 251 01 A11	Black			
	996 555 251 01 C51	Graphite grey			
	996 555 251 01 S31	Savanna			
	996 555 251 01 G11	Metropole blue			
	996 555 251 01 J31	Nephrite green			
	996 555 251 01 M31	Boxster red			
	996 555 251 01 D12	Dark grey			
	996 555 251 01 T12	Brown/natural			
	996 555 251 01 P12	Cinnamon brown			
(13)	996 555 252 01	Inner door release Complete	/LL /R 01	1	
		Leather			
	996 555 252 01 A11	Black			
	996 555 252 01 C51	Graphite grey			
	996 555 252 01 S31	Savanna			
	996 555 252 01 G11	Metropole blue			
	996 555 252 01 J31	Nephrite green			
	996 555 252 01 M31	Boxster red			
	996 555 252 01 D12	Dark grey			
	996 555 252 01 T12	Brown/natural			
	996 555 252 01 P12	Cinnamon brown			
(13)	996 555 251 02	Inner door release Complete	/RL /L 01	1	
		Leather			
	996 555 251 02 A11	Black			
	996 555 251 02 C51	Graphite grey			
	996 555 251 02 S31	Savanna			
	996 555 251 02 G11	Metropole blue			
	996 555 251 02 J31	Nephrite green			
	996 555 251 02 M31	Boxster red			
	996 555 251 02 D12	Dark grey			
	996 555 251 02 T12	Brown/natural			
	996 555 251 02 P12	Cinnamon brown			
(13)	996 555 252 02	Inner door release Complete	/RL /R 01	1	
		Leather			
	996 555 252 02 A11	Black			
	996 555 252 02 C51	Graphite grey			

Model: 996 98 Model life 1998>>2005

Pos	Part Number	Description	Remark	Qty	Model
	996 555 252 02 S31	Savanna			
	996 555 252 02 G11	Metropole blue			
	996 555 252 02 J31	Nephrite green			
	996 555 252 02 M31	Boxster red			
	996 555 252 02 D12	Dark grey			
	996 555 252 02 T12	Brown/natural			
	996 555 252 02 P12	Cinnamon brown			
(13)	996 555 251 03	Inner door release Complete Leather	/LL /L 02	1	
	996 555 251 03 A11	Black			
	996 555 251 03 C51	Graphite grey			
	996 555 251 03 S31	Savanna			
	996 555 251 03 G11	Metropole blue			
	996 555 251 03 J31	Nephrite green			
	996 555 251 03 M31	Boxster red			
	996 555 251 03 D12	Dark grey			
	996 555 251 03 T12	Brown/natural			
	996 555 251 03 P12	Cinnamon brown			
(13)	996 555 251 07	Inner door release Complete Leather	/LL /L 02	1	
	996 555 251 07 A11	Black			
	996 555 251 07 C51	Graphite grey			
	996 555 251 07 S31	Savanna			
	996 555 251 07 G11	Metropole blue			
	996 555 251 07 J31	Nephrite green			
	996 555 251 07 M31	Boxster red			
	996 555 251 07 D12	Dark grey			
	996 555 251 07 T12	Brown/natural			
	996 555 251 07 P12	Cinnamon brown			
(13)	996 555 252 03	Inner door release Complete Leather	/LL /R 02	1	
	996 555 252 03 A11	Black			
	996 555 252 03 C51	Graphite grey			
	996 555 252 03 S31	Savanna			
	996 555 252 03 G11	Metropole blue			
	996 555 252 03 J31	Nephrite green			
	996 555 252 03 M31	Boxster red			
	996 555 252 03 D12	Dark grey			
	996 555 252 03 T12	Brown/natural			
	996 555 252 03 P12	Cinnamon brown			
(13)	996 555 252 07	Inner door release Complete Leather	/LL /R 02	1	
	996 555 252 07 A11	Black			
	996 555 252 07 C51	Graphite grey			
	996 555 252 07 S31	Savanna			
	996 555 252 07 G11	Metropole blue			
	996 555 252 07 J31	Nephrite green			
	996 555 252 07 M31	Boxster red			
	996 555 252 07 D12	Dark grey			
	996 555 252 07 T12	Brown/natural			
	996 555 252 07 P12	Cinnamon brown			
(13)	996 555 251 04	Inner door release Complete Leather	/RL /L 02	1	
	996 555 251 04 A11	Black			
	996 555 251 04 C51	Graphite grey			
	996 555 251 04 S31	Savanna			
	996 555 251 04 G11	Metropole blue			
	996 555 251 04 J31	Nephrite green			

Model: 996 98 Model life 1998>>2005

Pos	Part Number	Description	Remark	Qty	Model
(13)	996 555 251 04 M31	Boxster red			
	996 555 251 04 D12	Dark grey			
	996 555 251 04 T12	Brown/natural			
	996 555 251 04 P12	Cinnamon brown			
	996 555 251 08	Inner door release Complete Leather	/RL /L 02	1	
	996 555 251 08 A11	Black			
	996 555 251 08 C51	Graphite grey			
	996 555 251 08 S31	Savanna			
	996 555 251 08 G11	Metropole blue			
	996 555 251 08 J31	Nephrite green			
	996 555 251 08 M31	Boxster red			
	996 555 251 08 D12	Dark grey			
	996 555 251 08 T12	Brown/natural			
(13)	996 555 251 08 P12	Cinnamon brown			
	996 555 252 04	Inner door release Complete Leather	/RL /R 02	1	
	996 555 252 04 A11	Black			
	996 555 252 04 C51	Graphite grey			
	996 555 252 04 S31	Savanna			
	996 555 252 04 G11	Metropole blue			
	996 555 252 04 J31	Nephrite green			
	996 555 252 04 M31	Boxster red			
	996 555 252 04 D12	Dark grey			
	996 555 252 04 T12	Brown/natural			
	996 555 252 04 P12	Cinnamon brown			
	996 555 252 08	Inner door release Complete Leather	/RL /R 02	1	
	996 555 252 08 A11	Black			
996 555 252 08 C51	Graphite grey				
996 555 252 08 S31	Savanna				
996 555 252 08 G11	Metropole blue				
996 555 252 08 J31	Nephrite green				
996 555 252 08 M31	Boxster red				
996 555 252 08 D12	Dark grey				
996 555 252 08 T12	Brown/natural				
996 555 252 08 P12	Cinnamon brown				
(13)	996 555 251 05	Inner door release Complete Leather	/LL /L 03-	1	
	996 555 251 05 A11	Black			
	996 555 251 05 C51	Graphite grey			
	996 555 251 05 S31	Savanna			
	996 555 251 05 G11	Metropole blue			
	996 555 251 05 J31	Nephrite green			
	996 555 251 05 M31	Boxster red			
	996 555 251 05 D12	Dark grey/natural			
	996 555 251 05 T12	Brown/natural			
	996 555 251 05 P12	Cinnamon brown			
	996 555 251 09	Inner door release Complete Leather	/LL /L 03-	1	
	996 555 251 09 A11	Black			
	996 555 251 09 C51	Graphite grey			
996 555 251 09 S31	Savanna				
996 555 251 09 G11	Metropole blue				
996 555 251 09 J31	Nephrite green				
996 555 251 09 M31	Boxster red				
996 555 251 09 D12	Dark grey				
996 555 251 09 T12	Brown/natural				

Model: 996 98 Model life 1998>>2005

Pos	Part Number	Description	Remark	Qty	Model
(13)	996 555 251 09 P12	Cinnamon brown			
	996 555 252 05	Inner door release Complete Leather	/LL /R 03-	1	
	996 555 252 05 A11	Black			
	996 555 252 05 C51	Graphite grey			
	996 555 252 05 S31	Savanna			
	996 555 252 05 G11	Metropole blue			
	996 555 252 05 J31	Nephrite green			
	996 555 252 05 M31	Boxster red			
	996 555 252 05 D12	Dark grey			
	996 555 252 05 T12	Brown/natural			
(13)	996 555 252 05 P12	Cinnamon brown			
	996 555 252 09	Inner door release Complete Leather	/LL /R 03-	1	
	996 555 252 09 A11	Black			
	996 555 252 09 C51	Graphite grey			
	996 555 252 09 S31	Savanna			
	996 555 252 09 G11	Metropole blue			
	996 555 252 09 J31	Nephrite green			
	996 555 252 09 M31	Boxster red			
	996 555 252 09 D12	Dark grey/natural			
	996 555 252 09 T12	Brown/natural			
(13)	996 555 252 09 P12	Cinnamon brown			
	996 555 251 06	Inner door release Complete Leather	/RL /L 03-	1	
	996 555 251 06 A11	Black			
	996 555 251 06 C51	Graphite grey			
	996 555 251 06 S31	Savanna			
	996 555 251 06 G11	Metropole blue			
	996 555 251 06 J31	Nephrite green			
	996 555 251 06 M31	Boxster red			
	996 555 251 06 D12	Dark grey/natural			
	996 555 251 06 T12	Brown/natural			
(13)	996 555 251 06 P12	Cinnamon brown			
	996 555 251 10	Inner door release Complete Leather	/RL /L 03-	1	
	996 555 251 10 A11	Black			
	996 555 251 10 C51	Graphite grey			
	996 555 251 10 S31	Savanna			
	996 555 251 10 G11	Metropole blue			
	996 555 251 10 J31	Nephrite green			
	996 555 251 10 M31	Boxster red			
	996 555 251 10 D12	Dark grey/natural			
	996 555 251 10 T12	Brown/natural			
(13)	996 555 251 10 P12	Cinnamon brown			
	996 555 252 06	Inner door release Complete Leather	/RL /R 03-	1	
	996 555 252 06 A11	Black			
	996 555 252 06 C51	Graphite grey			
	996 555 252 06 S31	Savanna			
	996 555 252 06 G11	Metropole blue			
	996 555 252 06 J31	Nephrite green			
	996 555 252 06 M31	Boxster red			
	996 555 252 06 D12	Dark grey/natural			
	996 555 252 06 T12	Brown/natural			
(13)	996 555 252 06 P12	Cinnamon brown			
	996 555 252 10	Inner door release Complete	/RL /R 03-	1	

Model: 996 98 Model life 1998>>2005

Pos	Part Number	Description	Remark	Qty	Model
		Leather			
	996 555 252 10 A11	Black			
	996 555 252 10 C51	Graphite grey			
	996 555 252 10 S31	Savanna			
	996 555 252 10 G11	Metropole blue			
	996 555 252 10 J31	Nephrite green			
	996 555 252 10 M31	Boxster red			
	996 555 252 10 D12	Dark grey/natural			
	996 555 252 10 T12	Brown/natural			
	996 555 252 10 P12	Cinnamon brown			
14	999 703 440 40	Buffer		2	
		7 X 10 X 16			
15	999 507 476 01	Clamp		12	
		8 X 10 X16			
(16)	996 555 425 01	Handle	/L	1	
	996 555 425 01 V01	Silver			
16	996 555 426 01	Handle	/R	1	
	996 555 426 01 V01	Silver			
(16)	996 555 425 03	Handle	/L -02	1	
	996 555 425 03 V01	Silver			
16	996 555 426 03	Handle	/R -02	1	
	996 555 426 03 V01	Silver			
(16)	996 555 425 04	Handle	/L 03-	1	
	996 555 425 04 V03	Silver			
16	996 555 426 04	Handle	/R 03-	1	
	996 555 426 04 V03	Silver			
17	999 166 084 02	Bolt		2	
		4 X 39 X 37			
18	999 166 026 02	Lock		2	
		4			
19	999 507 568 40	Linkage clip		2	
(19)	999 702 281 40	Grommet		2	
20	996 613 123 00	Microswitch		2	
21	999 073 113 09	Oval-head screw		2	
		M 6 X 50			
22	999 073 112 09	Oval-head screw		2	
		M 6 X 80			
23	999 073 061 02	Tapping screw		2	
		4,8 X 16			
24	999 522 015 00	Tension spring		2	
25	996 555 635 00	Hose		2	
26	999 073 080 02	Combination screw		8	
		4,2 X 16			
(27)	996 555 591 00	Cover	/L	1	
		Handle			
		Leather			
	996 555 591 00 A11	Black			
	996 555 591 00 C51	Graphite grey			
	996 555 591 00 S31	Savanna			
	996 555 591 00 G11	Metropole blue			
	996 555 591 00 B51	Space grey	-00		
	996 555 591 00 J31	Nephrite green			
	996 555 591 00 M31	Boxster red			
	996 555 591 00 D12	Dark grey/natural	00-		
	996 555 591 00 T12	Brown/natural	00-		
	996 555 591 00 P12	Cinnamon brown	01-		
27	996 555 592 00	Cover	/R	1	
		Handle			
		Leather			
	996 555 592 00 A11	Black			
	996 555 592 00 C51	Graphite grey			
	996 555 592 00 S31	Savanna			
	996 555 592 00 G11	Metropole blue			

Model: 996 98 Model life 1998>>2005

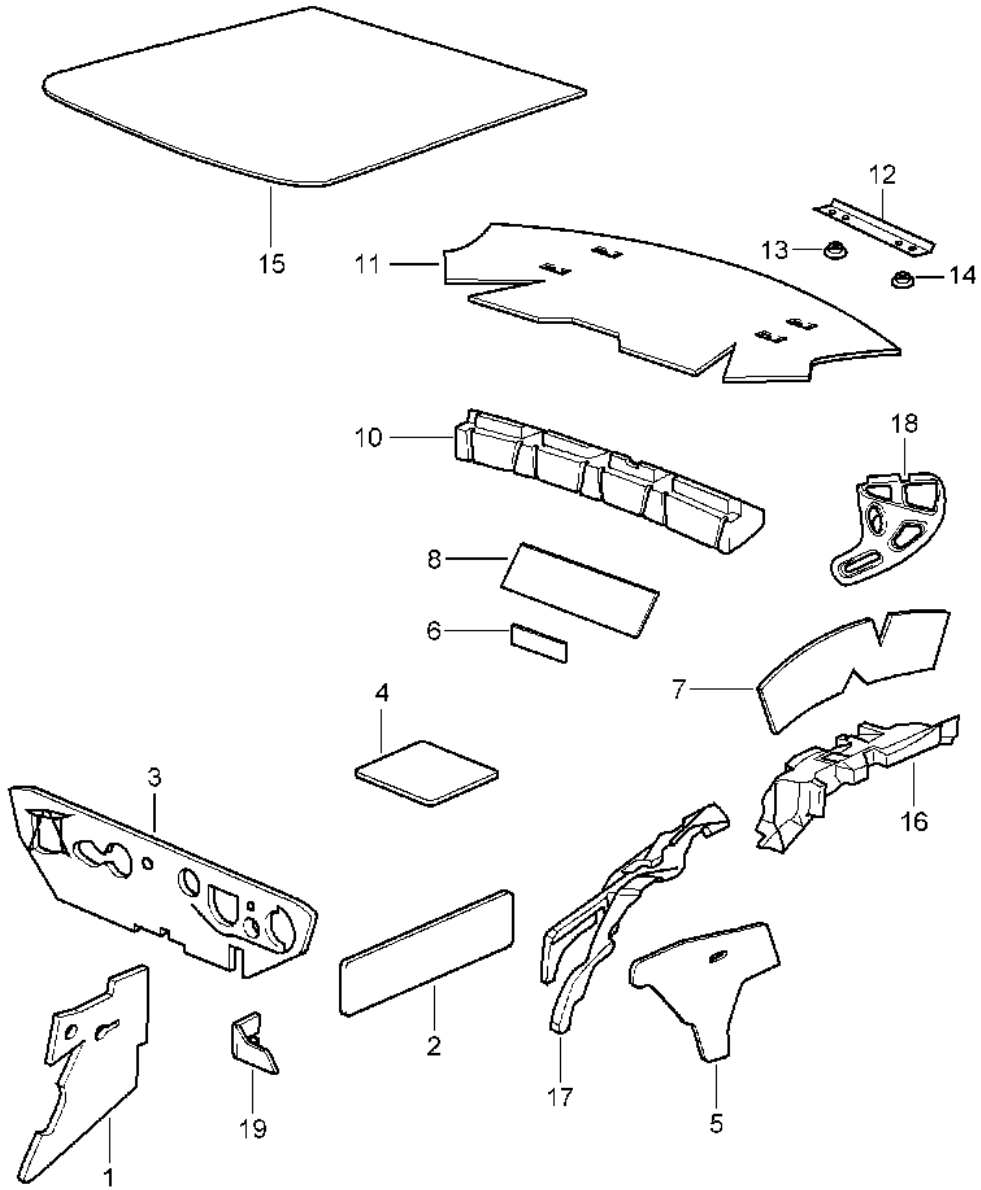
Pos	Part Number	Description	Remark	Qty	Model
	996 555 592 00 B51	Space grey	-00		
	996 555 592 00 J31	Nephrite green			
	996 555 592 00 M31	Boxster red			
	996 555 592 00 D12	Dark grey/natural	00-		
	996 555 592 00 T12	Brown/natural	00-		
	996 555 592 00 P12	Cinnamon brown	01-		
(27)	996 555 988 02	Cover Carbon	/L 01-	1	IXTL
27	996 555 989 02	Cover Carbon	/R 01-	1	IXTL
29	999 920 011 40	Plug-in nut 5,0 X 2,0 X 8		4	
32	996 555 623 00	Cap	-99	2	
	996 555 623 00 01C	Satin black			
32	996 555 623 01	Cap	00-02	2	
	996 555 623 01 V01	Silver			
32	996 555 623 02	Cap	03-	2	
	996 555 623 02 V03	Sport silver			
33	999 067 043 02	Pan-head screw M 5 X 10		1	
(34)	996 555 221 00	Lid Leather	/L -02	1	
	996 555 221 00 EHS	Black	-99		
	996 555 221 00 EHT	Graphite grey	-99		
	996 555 221 00 EHU	Savanna	-99		
	996 555 221 00 EHV	Metropole blue	-99		
	996 555 221 00 EHW	Space grey	-99		
	996 555 221 00 EHX	Nephrite green	-99		
	996 555 221 00 EHY	Boxster red	-99		
	996 555 221 00 A11	Black			
	996 555 221 00 C51	Graphite grey			
	996 555 221 00 S31	Savanna			
	996 555 221 00 G11	Metropole blue			
	996 555 221 00 B51	Space grey	-00		
	996 555 221 00 J31	Nephrite green			
	996 555 221 00 M31	Boxster red			
	996 555 221 00 D12	Dark grey	00-		
	996 555 221 00 T12	Brown/natural	00-		
	996 555 221 00 P12	Cinnamon brown	01-		
34	996 555 222 00	Lid Leather	/R -02	1	
	996 555 222 00 EHS	Black	-99		
	996 555 222 00 EHT	Graphite grey	-99		
	996 555 222 00 EHU	Savanna	-99		
	996 555 222 00 EHV	Metropole blue	-99		
	996 555 222 00 EHW	Space grey	-99		
	996 555 222 00 EHX	Nephrite green	-99		
	996 555 222 00 EHY	Boxster red	-99		
	996 555 222 00 A11	Black			
	996 555 222 00 C51	Graphite grey			
	996 555 222 00 S31	Savanna			
	996 555 222 00 G11	Metropole blue			
	996 555 222 00 B51	Space grey	-00		
	996 555 222 00 J31	Nephrite green			
	996 555 222 00 M31	Boxster red			
	996 555 222 00 D12	Dark grey	00-		
	996 555 222 00 T12	Brown/natural	00-		
	996 555 222 00 P12	Cinnamon brown	01-		
34	996 555 221 01	Lid Leather	/L 03-	1	
	996 555 221 01 A11	Black			
	996 555 221 01 C51	Graphite grey			
	996 555 221 01 S31	Savanna			

Model: 996 98 Model life 1998>>2005

Pos	Part Number	Description	Remark	Qty	Model
	996 555 221 01 G11	Metropole blue			
	996 555 221 01 J31	Nephrite green			
	996 555 221 01 M31	Boxster red			
	996 555 221 01 P12	Cinnamon brown			
	996 555 221 01 D12	Dark grey/natural			
	996 555 221 01 T12	Brown/natural			
(34)	996 555 222 01	Lid	/R 03-	1	
		Leather			
	996 555 222 01 A11	Black			
	996 555 222 01 C51	Graphite grey			
	996 555 222 01 S31	Savanna			
	996 555 222 01 G11	Metropole blue			
	996 555 222 01 J31	Nephrite green			
	996 555 222 01 M31	Boxster red			
	996 555 222 01 P12	Cinnamon brown			
	996 555 222 01 D12	Dark grey/natural			
	996 555 222 01 T12	Brown/natural			
34	996 555 980 00	Lid	/L -02	1	IXTJ
		Rootwood			
		Light			
34	996 555 980 04	Lid	/L 03-	1	IXTJ
		Rootwood			
		Light			
(34)	996 555 981 00	Lid	/R -02	1	IXTJ
		Rootwood			
		Light			
(34)	996 555 981 04	Lid	/R 03-	1	IXTJ
		Rootwood			
		Light			
34	996 555 980 01	Lid	/L -02	1	IXTK
		Rootwood			
		Dark			
34	996 555 980 05	Lid	/L 03-	1	IXTK
		Rootwood			
		Dark			
(34)	996 555 981 01	Lid	/R 01-02	1	IXTK
		Rootwood			
		Dark			
(34)	996 555 981 05	Lid	/R 03-	1	IXTK
		Rootwood			
		Dark			
(34)	996 555 980 02	Lid	/L -02	1	IXTL
		Carbon			
(34)	996 555 981 02	Lid	/R -02	1	IXTL
		Carbon			
(34)	996 555 980 06	Lid	/L	1	IXTL
		Carbon			
(34)	996 555 981 06	Lid	/R	1	IXTL
		Carbon			
-	996 555 483 00	Buffer		4	
35	996 555 611 01	Handle	-02	2	
		Lacquered			
	996 555 611 01 V01	Silver			
35	996 555 611 02	Handle	03-	2	
		Lacquered			
	996 555 611 02 V03	Sport silver			
(37)	996 555 441 00	Closing element	/L	1	
37	996 555 442 00	Closing element	/R	1	
38	999 094 018 00	Bolt		2	
39	999 073 081 02	Tapping screw		4	
		4,2 X 13			

Model: 996 98

Model life 1998>>2005



Model: 996 98 Model life 1998>>2005

Pos	Part Number	Description	Remark	Qty	Model
1	996 556 605 01	Body Sound proofing 1 Sound absorber	/L	1	COUPE
(1)	996 556 606 01	Wheel housing Front Sound absorber	/R	1	
2	996 556 531 01	Wheel housing Front Insulation		2	
3	996 556 723 01	Door in white Sound absorber	/LL	1	
(3)	996 556 724 01	Firewall Sound absorber	/RL	1	
4	996 556 503 01	Firewall Insulation		1	
5	996 556 655 02	Floor 228 X 230 Sound absorber	/L	1	
(5)	996 556 656 02	Sound absorber	/R	1	
6	996 556 503 01	Side trim panel Insulation	/L /R	1	
7	996 556 507 01	Seat well It is necessary to rework 160 X 40 Insulation	/H /L	1	
(7)	996 556 508 01	Insulation	/H /R	1	
8	996 556 511 01	Wheel housing Insulation		1	
10	996 556 581 00	Rear wall 430 X 120 Sound absorber	-01	1	
11	996 556 711 03	Rear wall Sound absorber		1	
(11)	996 556 711 04	F >>994S6 03928 F >>994S6 30356 Engine compartment Sound absorber		1	
12	996 556 761 00	F 994S6 03929>> F 994S6 30357>> Engine compartment Retaining strip	-00	1	
(12)	996 556 762 00	Engine compartment Retaining strip	-00	1	
(12)	996 556 761 01	Engine compartment Retaining strip	01-	1	
13	999 049 020 40	Engine compartment Plastic nut T5/30 X 5,1		5	
14	999 049 011 40	Roof Push button T5/30 X 6,0	-00	3	
15	997 556 647 00	Roof Sound absorber		1	
16	996 556 657 00	Roof Sound absorber	/H /L -02	1	
16	996 556 657 03	Wheel-housing liner Sound absorber	/H /L 03-	1	
(16)	996 556 658 00	Wheel-housing liner Sound absorber	/H /R -02	1	
(16)	996 556 658 03	Wheel-housing liner Sound absorber	/H /R 03-	1	
17	996 556 571 00	Wheel-housing liner Sound absorber	/L	1	

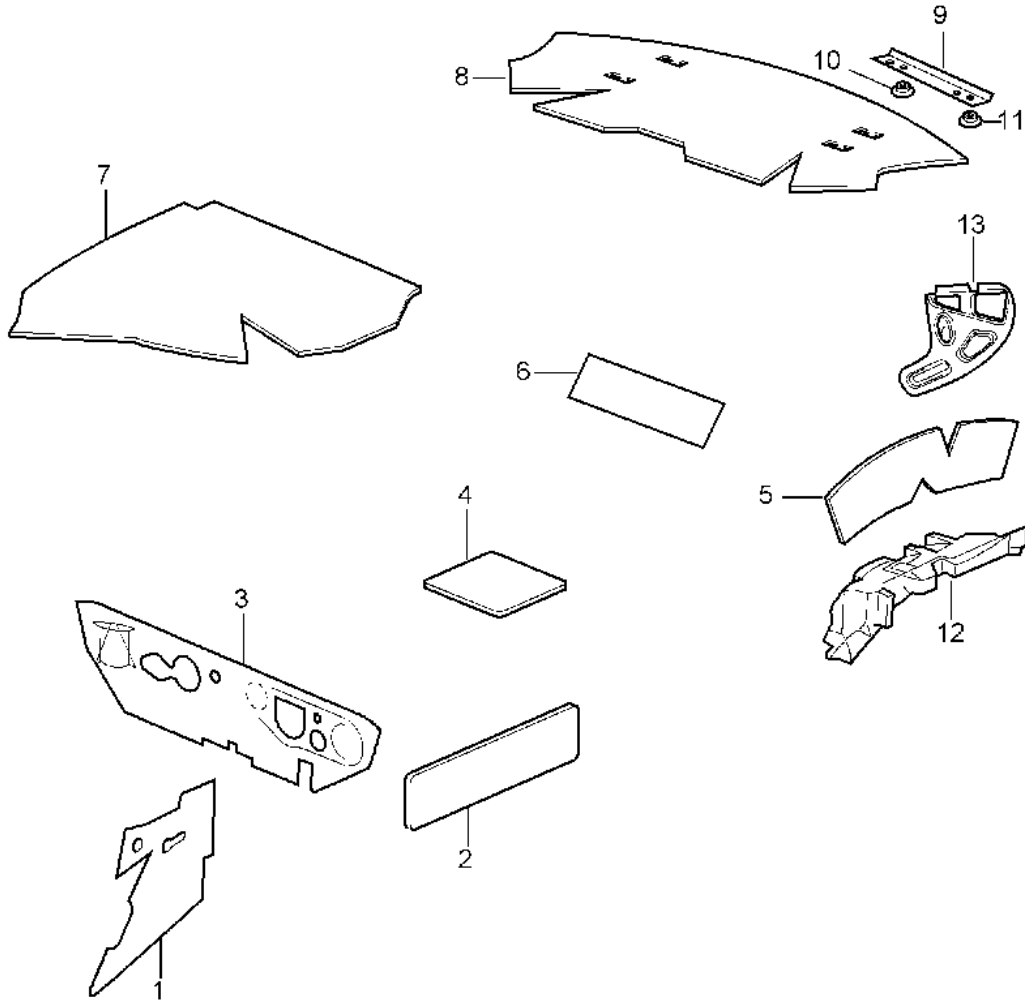
Model: 996 98

Model life 1998>>2005

Pos	Part Number	Description	Remark	Qty	Model
(17)	996 556 572 00	Sound absorber Side trim panel	/R	1	
(18)	996 556 753 01	Seal	/L /O	1	
(18)	996 556 754 01	Seal	/R /O	1	
		Side section			
-	996 556 811 01	Filler piece	/L	1	
-	996 556 812 01	Filler piece	/R	1	
		Tray			
-	1H0 819 943	Screw		2	
-	996 572 511 02	Sound absorber Air conditioner	/LL -02	1	
-	996 572 511 04	Sound absorber Air conditioner	/LL 03-	1	
-	996 572 511 06	Sound absorber Air conditioner	/LL 03-	1	
-	996 572 511 03	Sound absorber Air conditioner	/RL -02	1	
-	996 572 511 05	Sound absorber Air conditioner	/RL 03-	1	
-	996 572 511 07	Sound absorber Air conditioner	/RL 03-	1	

Model: 996 98

Model life 1998>>2005



Model: 996 98 Model life 1998>>2005

Pos	Part Number	Description	Remark	Qty	Model
1	996 556 605 01	Body Sound proofing 1 Sound absorber	/L	1	CABRIO
(1)	996 556 606 01	Wheel housing Front Sound absorber	/R	1	
2	996 556 531 01	Wheel housing Front Insulation		2	
3	996 556 723 01	Door in white Sound absorber	/LL	1	
(3)	996 556 724 01	Firewall Sound absorber	/RL	1	
4	996 556 503 01	Firewall Insulation		1	
-		Floor 228 X 230 Insulation	/L /R	1	
5	996 556 507 02	Seat well 160 X 40 Insulation	/L	1	
(5)	996 556 508 02	Wheel housing Rear Insulation	/R	1	
6	996 556 511 01	Wheel housing Rear Insulation		1	
(7)	996 556 611 00	Rear wall 430 X 120 Sound absorber	-99	1	
(7)	996 556 611 02	Convertible top Tray Sound absorber	/L 00-	1	
(7)	996 556 612 01	Convertible top Tray Sound absorber	/R	1	
8	996 556 711 03	Convertible top Tray Sound absorber		1	
(8)	996 556 711 04	F >>9946S 42725 F >>9946S 30356 Engine compartment Sound absorber		1	
9	996 556 761 00	F 994S6 42726>> F 994S6 30357>> Engine compartment Retaining strip	-00	2	
(9)	996 556 762 00	Engine compartment Retaining strip	-00	1	M620
9	996 556 761 01	Engine compartment Retaining strip	01-	1	
10	999 049 020 40	Engine compartment Plastic nut T5/30 X 5,1		5	
11	999 049 011 40	Push button T5/30 X 6,0	-00	3	
12	996 556 657 02	Sound absorber Wheel-housing liner Rear	/L -02	1	
12	996 556 657 04	Sound absorber Wheel-housing liner Rear	/L 03-	1	
(12)	996 556 658 02	Sound absorber	/R -02	1	

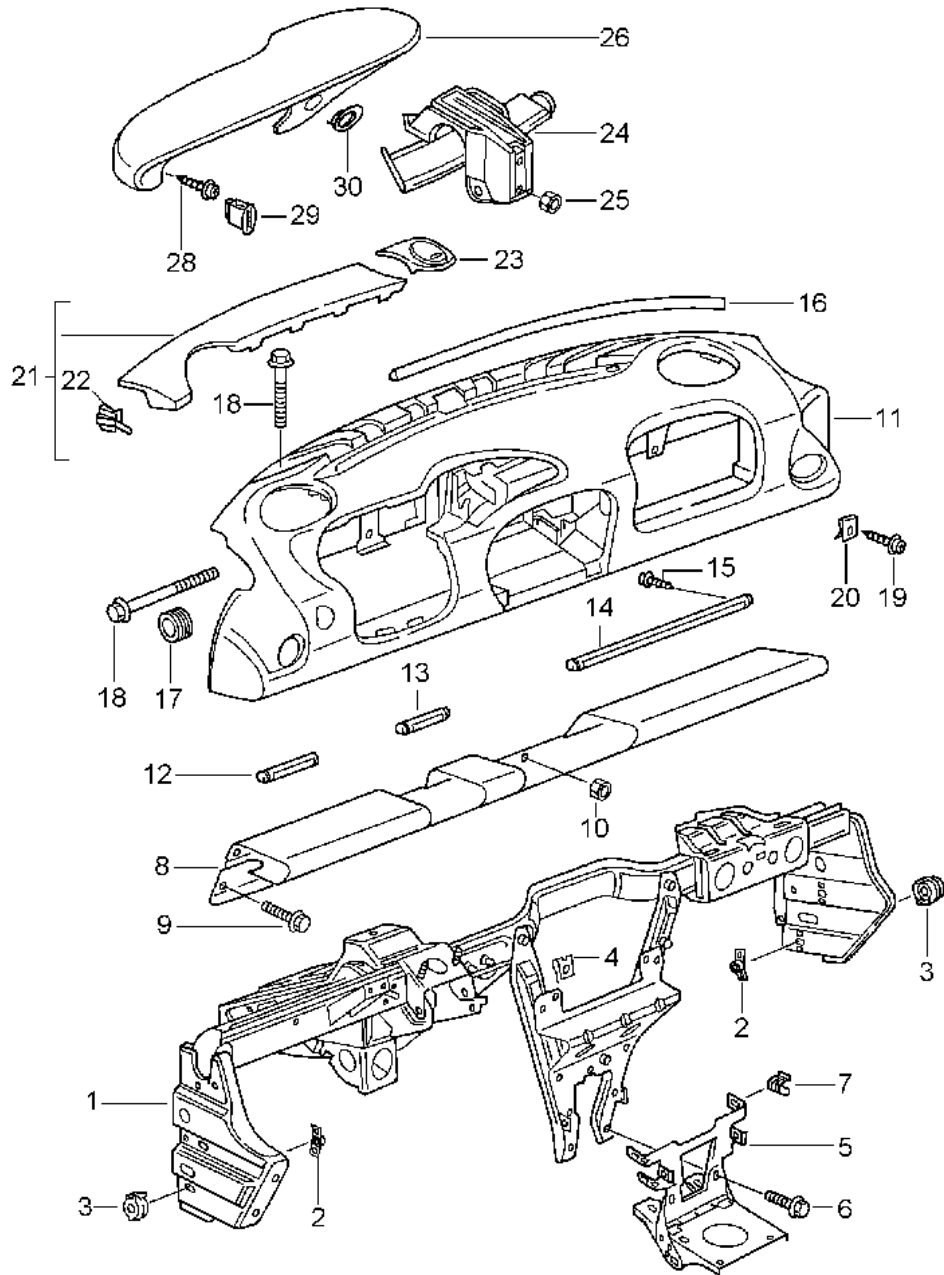
Model: 996 98

Model life 1998>>2005

Pos	Part Number	Description	Remark	Qty	Model
(12)	996 556 658 04	Wheel-housing liner Rear Sound absorber	/R 03-	1	
13	996 556 653 00	Wheel-housing liner Rear Sound absorber Control units		1	

Model: 996 98

Model life 1998>>2005



Model: 996 98 Model life 1998>>2005

Pos	Part Number	Description	Remark	Qty	Model
		Dashboard trim with Retaining frame			
1	996 552 061 12	Retaining frame	/LL	1	
(1)	996 552 061 13	Retaining frame	/RL	1	
2	996 552 805 00	Threaded plate		4	
3	996 552 545 00	Shim		4	
4	999 507 462 02	Speed nut		9	
4	999 507 462 09	Speed nut		9	
4	999 591 855 02	Speed nut 4,8		1	
4	999 591 855 01	Speed nut 4,8		1	
(5)	996 552 309 07	Support	01-	1	
(5)	996 552 309 08	Support	01-	1	M476
6	900 378 155 09	Hexagon-head bolt M 6 X 16		6	
7	999 507 574 02	Clamp 8 X 10/1,2		4	
11	996 552 109 00	Dashboard trim Leatherette	/LL -99	1	
	996 552 109 00 A18	Black			
	996 552 109 00 C18	Graphite grey			
	996 552 109 00 S18	Savanna			
	996 552 109 00 G18	Metropole blue			
	996 552 109 00 B18	Space grey			
(11)	996 552 110 00	Dashboard trim Leatherette	/RL -99	1	
	996 552 110 00 A18	Black			
	996 552 110 00 C18	Graphite grey			
	996 552 110 00 S18	Savanna			
	996 552 110 00 G18	Metropole blue			
	996 552 110 00 B18	Space grey			
11	996 552 109 00	Dashboard trim Leatherette	/LL	1	
	996 552 109 00 A12	Black			
	996 552 109 00 C52	Graphite grey			
	996 552 109 00 S32	Savanna			
	996 552 109 00 G12	Metropole blue			
	996 552 109 00 B52	Space grey	00		
	996 552 109 00 J32	Nephrite green			
(11)	996 552 110 00	Dashboard trim Leatherette	/RL	1	
	996 552 110 00 A12	Black			
	996 552 110 00 C52	Graphite grey			
	996 552 110 00 S32	Savanna			
	996 552 110 00 G12	Metropole blue			
	996 552 110 00 B52	Space grey	00		
	996 552 110 00 J32	Nephrite green			
(11)	996 552 109 02	Dashboard trim Leatherette	/LL	1	
	996 552 109 02 A12	Black			
	996 552 109 02 C52	Graphite grey			
	996 552 109 02 S32	Savanna			
	996 552 109 02 G12	Metropole blue			
	996 552 109 02 B52	Space grey			
	996 552 109 02 J32	Nephrite green	00		
(11)	996 552 110 02	Dashboard trim Leatherette	/RL	1	
	996 552 110 02 A12	Black			
	996 552 110 02 C52	Graphite grey			
	996 552 110 02 S32	Savanna			
	996 552 110 02 G12	Metropole blue			

Model: 996 98 Model life 1998>>2005

Pos	Part Number	Description	Remark	Qty	Model
11	996 552 110 02 B52	Space grey		1	
	996 552 110 02 J32	Nephrite green	-03		
	996 552 101 00	Dashboard trim	/LL -01		
		Leather			
	996 552 101 00 A11	Black	-99		
	996 552 101 00 EVL	Black	00-		
	996 552 101 00 C51	Graphite grey			
	996 552 101 00 S31	Savanna			
	996 552 101 00 G11	Metropole blue			
	996 552 101 00 B51	Space grey	-00		
	996 552 101 00 J31	Nephrite green			
	996 552 101 00 M31	Boxster red			
996 552 101 00 D12	Dark grey/natural	00-			
996 552 101 00 T12	Brown/natural	00-			
996 552 101 00 P12	Cinnamon brown	01			
(11)	996 552 102 00	Dashboard trim	/RL -01	1	
		Leather			
	996 552 102 00 A11	Black	-99		
	996 552 102 00 EVL	Black	00-		
	996 552 102 00 C51	Graphite grey			
	996 552 102 00 S31	Savanna			
	996 552 102 00 G11	Metropole blue			
	996 552 102 00 B51	Space grey	-00		
	996 552 102 00 J31	Nephrite green			
	996 552 102 00 M31	Boxster red			
	996 552 102 00 D12	Dark grey/natural	00-		
	996 552 102 00 T12	Brown/natural	00-		
	996 552 102 00 P12	Cinnamon brown	01		
11	996 552 101 01	Dashboard trim	/LL 02-	1	
		Leather			
		with			
		Cut-outs			
		Glove compartment			
	996 552 101 01 A11	Black			
	996 552 101 01 C51	Graphite grey			
	996 552 101 01 S31	Savanna			
	996 552 101 01 G11	Metropole blue			
	996 552 101 01 J31	Nephrite green			
	996 552 101 01 M31	Boxster red			
	996 552 101 01 D12	Dark grey/natural			
	996 552 101 01 T12	Brown/natural			
	996 552 101 01 P12	Cinnamon brown			
(11)	996 552 102 01	Dashboard trim	/RL 02-	1	
		Leather			
		with			
		Cut-outs			
		Glove compartment			
	996 552 102 01 A11	Black			
	996 552 102 01 C51	Graphite grey			
	996 552 102 01 S31	Savanna			
	996 552 102 01 G11	Metropole blue			
	996 552 102 01 J31	Nephrite green			
	996 552 102 01 M31	Boxster red			
	996 552 102 01 D12	Dark grey/natural			
	996 552 102 01 T12	Brown/natural			
	996 552 102 01 P12	Cinnamon brown			
-	999 551 145 40	Lining strap		2	
		15 X 1,3 X 50			
-	999 507 768 02	Speed nut		18	
		4,2			
-	999 507 533 02	Clamp		23	
		8 X 10/2,5			
-	996 552 749 00	Reinforcement strip	/LL 02-	1	

Model: 996 98 Model life 1998>>2005

Pos	Part Number	Description	Remark	Qty	Model
-	996 552 750 00	Reinforcement strip Driver's side	/RL 02-	1	
-	996 552 753 00	Reinforcement strip	/LL 02-	1	M573
-	996 552 754 00	Reinforcement strip	/RL 02-	1	M573
-	996 552 753 01	Reinforcement strip	/LL 02-	1	M574
-	996 552 754 01	Reinforcement strip Glove compartment	/RL 02-	1	M574
-	999 073 169 07	Tapping screw 4,8 X 16	02-	2	
-	999 507 462 02	Speed nut 4,8	02-	5	
-	999 507 462 09	Speed nut 4,8	02-	5	
-	999 507 796 02	U-clamp 2,0	02-	3	
12	996 552 381 02	Moulding Driver's side Lacquered	/LL /L	1	
	996 552 381 02 D05	Granite grey	-99		
	996 552 381 02 A03	Black	00-		
	996 552 381 02 C53	Graphite grey	00-		
	996 552 381 02 S33	Savanna	00-		
	996 552 381 02 G13	Metropole blue	00-		
	996 552 381 02 B13	Space grey	00		
	996 552 381 02 J33	Nephrite green	00-		
	996 552 381 02 M33	Boxster red	00-		
	996 552 381 02 P13	Cinnamon brown	01-		
(12)	996 552 382 01	Moulding Driver's side Lacquered	/RL /R	1	
	996 552 382 01 D05	Granite grey	-99		
	996 552 382 01 A03	Black	00-		
	996 552 382 01 C53	Graphite grey	00-		
	996 552 382 01 S33	Savanna	00-		
	996 552 382 01 G13	Metropole blue	00-		
	996 552 382 01 B13	Space grey	00		
	996 552 382 01 J33	Nephrite green	00-		
	996 552 382 01 M33	Boxster red	00-		
	996 552 382 01 P13	Cinnamon brown	01-		
12	996 552 381 04	Moulding Driver's side Lacquered	/LL /L 04	1	M095
	996 552 381 04 V03	Sport silver			
(12)	996 552 382 03	Moulding Driver's side Lacquered	/RL /R 04	1	M095
	996 552 382 03 V03	Sport silver			
12	996 552 996 00	Moulding Driver's side Leather	/LL /L 01-	1	IXNU
	996 552 996 00 A11	Black			
	996 552 996 00 C51	Graphite grey			
	996 552 996 00 S31	Savanna			
	996 552 996 00 G11	Metropole blue			
	996 552 996 00 J31	Nephrite green			
	996 552 996 00 M31	Boxster red			
	996 552 996 00 D12	Dark grey/natural			
	996 552 996 00 T12	Brown/natural			
	996 552 996 00 P12	Cinnamon brown			
(12)	996 552 997 00	Moulding Driver's side Leather	/RL /R 01-	1	IXNU
	996 552 997 00 A11	Black			

Model: 996 98 Model life 1998>>2005

Pos	Part Number	Description	Remark	Qty	Model
	996 552 997 00 C51	Graphite grey			
	996 552 997 00 S31	Savanna			
	996 552 997 00 G11	Metropole blue			
	996 552 997 00 J31	Nephrite green			
	996 552 997 00 M31	Boxster red			
	996 552 997 00 D12	Dark grey			
	996 552 997 00 T12	Brown/natural			
	996 552 997 00 P12	Cinnamon brown			
12	996 552 996 04	Cover strip Driver's side Rootwood Light	/LL /L 01-	1	IXNV
(12)	996 552 997 04	Moulding Driver's side Rootwood Light	/RL /R 01-	1	IXNV
12	996 552 996 05	Cover strip Driver's side Rootwood Dark	/LL /L 01-	1	IXNW
(12)	996 552 997 05	Cover strip Driver's side Rootwood Dark	/RL /R 01-	1	IXNW
12	996 552 996 01	Cover strip Driver's side Carbon	/LL /L 01-	1	IXNX
(12)	996 552 997 01	Cover strip Driver's side Carbon	/RL /R 01-	1	IXNX
12	996 552 996 03	Cover strip Driver's side Aluminium Arctic silver	/LL /L 01-	1	IXNY
(12)	996 552 997 03	Cover strip Driver's side Aluminium Arctic silver	/RL /R 01-	1	IXNY
12	996 552 996 12	Moulding Aluminium Driver's side Silver	/LL /L 03-	1	IXCA
(12)	996 552 997 12	Moulding Aluminium Driver's side Silver	/RL /R 03-	1	IXCA
13	996 552 383 02	Moulding Centre Lacquered	/LL	1	
	996 552 383 02 D05	Granite grey	-99		
	996 552 383 02 A03	Black	00-		
	996 552 383 02 C53	Graphite grey	00-		
	996 552 383 02 S33	Savanna	00-		
	996 552 383 02 G13	Metropole blue	00-		
	996 552 383 02 B13	Space grey	00		
	996 552 383 02 J33	Nephrite green	-03		
	996 552 383 02 M33	Boxster red	00-		
	996 552 383 02 P13	Cinnamon brown	01-		
(13)	996 552 384 01	Moulding Centre Lacquered	/RL	1	
	996 552 384 01 D05	Granite grey	-99		
	996 552 384 01 A03	Black	00-		

Model: 996 98 Model life 1998>>2005

Pos	Part Number	Description	Remark	Qty	Model
	996 552 384 01 C53	Graphite grey	00-		
	996 552 384 01 S33	Savanna	00-		
	996 552 384 01 G13	Metropole blue	00-		
	996 552 384 01 B13	Space grey	00		
	996 552 384 01 J33	Nephrite green	-03		
	996 552 384 01 M33	Boxster red	00-		
	996 552 384 01 P13	Cinnamon brown	01-		
13	996 552 383 03	Moulding Centre Lacquered	/LL 04	1	M095
(13)	996 552 383 03 V03	Sport silver			
	996 552 384 02	Moulding Centre Lacquered	/RL 04	1	M095
	996 552 384 02 V03	Sport silver			
13	996 552 998 00	Moulding Centre Leather	/LL 01-	1	IXNU
	996 552 998 00 A11	Black			
	996 552 998 00 C51	Graphite grey			
	996 552 998 00 S31	Savanna			
	996 552 998 00 G11	Metropole blue			
	996 552 998 00 J31	Nephrite green			
	996 552 998 00 M31	Boxster red			
	996 552 998 00 D12	Dark grey/natural			
	996 552 998 00 T12	Brown/natural			
	996 552 998 00 P12	Cinnamon brown			
(13)	996 552 998 01	Moulding Centre Leather	/RL 01-	1	IXNU
	996 552 998 01 A11	Black			
	996 552 998 01 C51	Graphite grey			
	996 552 998 01 S31	Savanna			
	996 552 998 01 G11	Metropole blue			
	996 552 998 01 J31	Nephrite green			
	996 552 998 01 M31	Boxster red			
	996 552 998 01 D12	Dark grey/natural			
	996 552 998 01 T12	Brown/natural			
	996 552 998 01 P12	Cinnamon brown			
13	996 552 998 08	Cover strip Centre Rootwood Light	/LL 01-	1	IXNV
(13)	996 552 998 09	Moulding Centre Rootwood Light	/RL 01-	1	IXNV
13	996 552 998 06	Cover strip Centre Aluminium Arctic silver	/LL 01-02	1	IXNY
(13)	996 552 998 07	Cover strip Centre Aluminium Arctic silver	/RL 01-02	1	IXNY
13	996 552 998 14	Moulding Aluminium Centre Silver	/LL 03-	1	IXCA
(13)	996 552 998 15	Moulding Aluminium Centre Silver	/RL 03-	1	IXCA

Model: 996 98 Model life 1998>>2005

Pos	Part Number	Description	Remark	Qty	Model
13	996 552 998 10	Cover strip Centre Rootwood Dark	/LL 01-	1	IXNW
(13)	996 552 998 11	Cover strip Centre Rootwood Dark	/RL 01-	1	IXNW
13	996 552 998 02	Cover strip Centre Carbon	/LL 01-	1	IXNX
(13)	996 552 998 03	Cover strip Centre Carbon	/RL 01-	1	IXNX
14	996 552 385 02	Moulding Passenger's side Lacquered	/LL /R -00	1	
	996 552 385 02 D05	Granite grey	-99		
	996 552 385 02 A03	Black	00		
	996 552 385 02 C53	Graphite grey	00		
	996 552 385 02 S33	Savanna	00		
	996 552 385 02 G13	Metropole blue	00		
	996 552 385 02 B13	Space grey	00		
	996 552 385 02 J33	Nephrite green	00		
	996 552 385 02 M33	Boxster red	00		
(14)	996 552 386 02	Moulding Passenger's side Lacquered	/RL /L -00	1	
	996 552 386 02 D05	Granite grey	-99		
	996 552 386 02 A03	Black	00		
	996 552 386 02 C53	Graphite grey	00		
	996 552 386 02 S33	Savanna	00		
	996 552 386 02 G13	Metropole blue	00		
	996 552 386 02 B13	Space grey	00		
	996 552 386 02 J33	Nephrite green	00		
	996 552 386 02 M33	Boxster red	00		
14	996 552 385 03	Moulding Passenger's side Lacquered	/LL /R 01-	1	
	996 552 385 03 A03	Black			
	996 552 385 03 C53	Graphite grey			
	996 552 385 03 S33	Savanna			
	996 552 385 03 G13	Metropole blue			
	996 552 385 03 J33	Nephrite green	-03		
	996 552 385 03 M33	Boxster red			
	996 552 385 03 P13	Cinnamon brown			
(14)	996 552 386 03	Moulding Passenger's side Lacquered	/RL /L 01-	1	
	996 552 386 03 A03	Black			
	996 552 386 03 C53	Graphite grey			
	996 552 386 03 S33	Savanna			
	996 552 386 03 G13	Metropole blue			
	996 552 386 03 J33	Nephrite green	-03		
	996 552 386 03 M33	Boxster red			
	996 552 386 03 P13	Cinnamon brown			
14	996 552 385 04	Moulding Passenger's side Lacquered	/LL /L 04	1	M095
	996 552 385 04 V03	Sport silver			
(14)	996 552 386 04	Moulding Passenger's side Lacquered	/RL /R 04	1	M095

Model: 996 98 Model life 1998>>2005

Pos	Part Number	Description	Remark	Qty	Model
14	996 552 386 04 V03	Sport silver			
	996 552 959 00	Moulding	/LL /R 01-	1	IXNU
		Passenger's side			
		Leather			
	996 552 959 00 A11	Black			
	996 552 959 00 C51	Graphite grey			
	996 552 959 00 S31	Savanna			
	996 552 959 00 G11	Metropole blue			
	996 552 959 00 J31	Nephrite green			
	996 552 959 00 M31	Boxster red			
	996 552 959 00 D12	Dark grey/natural			
	996 552 959 00 T12	Brown/natural			
	996 552 959 00 P12	Cinnamon brown	01-		
(14)	996 552 959 01	Moulding	/RL /L 01-	1	IXNU
		Passenger's side			
		Leather			
	996 552 959 01 A11	Black			
	996 552 959 01 C51	Graphite grey			
	996 552 959 01 S31	Savanna			
	996 552 959 01 G11	Metropole blue			
	996 552 959 01 J31	Nephrite green			
	996 552 959 01 M31	Boxster red			
	996 552 959 01 D12	Dark grey/natural			
	996 552 959 01 T12	Brown/natural			
	996 552 959 01 P12	Cinnamon brown	01-		
14	996 552 959 02	Moulding	/LL /R 01-	1	IXNV
		Passenger's side			
		Rootwood			
		Light			
(14)	996 552 959 03	Moulding	/RL /L 01-	1	IXNV
		Passenger's side			
		Rootwood			
		Light			
14	996 552 959 04	Moulding	/LL /R 01-	1	IXNW
		Passenger's side			
		Rootwood			
		Dark			
(14)	996 552 959 05	Moulding	/RL /L 01-	1	IXNW
		Passenger's side			
		Rootwood			
		Dark			
14	996 552 959 06	Moulding	/LL /R 01-	1	IXNX
		Passenger's side			
		Carbon			
(14)	996 552 959 07	Moulding	/RL /L 01-	1	IXNX
		Passenger's side			
		Carbon			
14	996 552 959 08	Moulding	/LL /R -02	1	IXNY
		Passenger's side			
		Aluminium			
		Arctic silver			
(14)	996 552 959 09	Moulding	/RL /L -02	1	IXNY
		Passenger's side			
		Aluminium			
		Arctic silver			
14	996 552 959 10	Moulding	/LL 03-	1	IXCA
		Aluminium			
		Passenger's side			
		Silver			
(14)	996 552 959 11	Moulding	/RL /L 03-	1	IXCA
		Aluminium			
		Passenger's side			
		Silver			

Model: 996 98 Model life 1998>>2005

Pos	Part Number	Description	Remark	Qty	Model
15	999 919 203 07	Oval-head screw 3 X 10		11	
16	996 552 645 00	Gasket Cowl Information available		1	
17	999 703 466 40	Stopper 15,0 X 25,5		2	
(17)		Stopper 15,0 X 5,0		2	
18	999 074 057 09	Hexagon-head bolt M 8 X 125		4	
19	999 073 169 07	Tapping screw 4,8 X 16		11	
20	999 507 462 02	Speed nut 4,8		10	
20	999 507 462 09	Speed nut 4,8		10	
21	996 552 185 04	Defroster trim Lacquered	/L	1	
	996 552 185 04 D05	Granite grey	-99		
	996 552 185 04 A03	Black	00-		
	996 552 185 04 C53	Graphite grey	00-		
	996 552 185 04 S33	Savanna	00-		
	996 552 185 04 G13	Metropole blue	00-		
	996 552 185 04 B13	Space grey	00		
	996 552 185 04 J33	Nephrite green	00-		
	996 552 185 04 M33	Boxster red	00-		
	996 552 185 04 P13	Cinnamon brown	01-		
(21)	996 552 186 04	Defroster trim Lacquered	/R	1	
	996 552 186 04 D05	Granite grey	-99		
	996 552 186 04 A03	Black	00-		
	996 552 186 04 C53	Graphite grey	00-		
	996 552 186 04 S33	Savanna	00-		
	996 552 186 04 G13	Metropole blue	00-		
	996 552 186 04 B13	Space grey	00		
	996 552 186 04 J33	Nephrite green	00-		
	996 552 186 04 M33	Boxster red	00-		
	996 552 186 04 P13	Cinnamon brown	01-		
21	996 552 988 05	Defroster trim Leather	/L 01-	1	IXV1
	996 552 988 05 VRK	Black			
	996 552 988 05 C51	Graphite grey			
	996 552 988 05 S31	Savanna			
	996 552 988 05 J31	Nephrite green			
	996 552 988 05 M31	Boxster red			
	996 552 988 05 G11	Metropole blue			
	996 552 988 05 D12	Dark grey/natural			
	996 552 988 05 T12	Brown/natural			
	996 552 988 05 P12	Cinnamon brown			
(21)	996 552 989 05	Defroster trim Leather	/R 01-	1	IXV1
	996 552 989 05 VRK	Black			
	996 552 989 05 C51	Graphite grey			
	996 552 989 05 S31	Savanna			
	996 552 989 05 J31	Nephrite green			
	996 552 989 05 M31	Boxster red			
	996 552 989 05 G11	Metropole blue			
	996 552 989 05 D12	Dark grey/natural			
	996 552 989 05 T12	Brown/natural			
	996 552 989 05 P12	Cinnamon brown			
21	996 552 988 04	Defroster trim Carbon	/L 01-	1	IXKJ

Model: 996 98 Model life 1998>>2005

Pos	Part Number	Description	Remark	Qty	Model
		Leather			
	996 552 988 04 VRK	Black			
	996 552 988 04 C51	Graphite grey			
	996 552 988 04 S31	Savanna			
	996 552 988 04 J31	Nephrite green			
	996 552 988 04 M31	Boxster red			
	996 552 988 04 G11	Metropole blue			
	996 552 988 04 D12	Dark grey/natural			
	996 552 988 04 T12	Brown/natural			
	996 552 988 04 P12	Cinnamon brown			
(21)	996 552 989 04	Defroster trim	/R 01-	1	IXKJ
		Carbon			
		Leather			
	996 552 989 04 VRK	Black			
	996 552 989 04 C51	Graphite grey			
	996 552 989 04 S31	Savanna			
	996 552 989 04 J31	Nephrite green			
	996 552 989 04 M31	Boxster red			
	996 552 989 04 G11	Metropole blue			
	996 552 989 04 D12	Dark grey/natural			
	996 552 989 04 T12	Brown/natural			
	996 552 989 04 P12	Cinnamon brown			
21	996 552 988 03	Defroster trim	/L 01-	1	IXKH
		Dark maple rootwood			
		Leather			
	996 552 988 03 VRK	Black			
	996 552 988 03 C51	Graphite grey			
	996 552 988 03 S31	Savanna			
	996 552 988 03 J31	Nephrite green			
	996 552 988 03 M31	Boxster red			
	996 552 988 03 G11	Metropole blue			
	996 552 988 03 D12	Dark grey			
	996 552 988 03 T12	Brown/natural			
	996 552 988 03 P12	Cinnamon brown			
(21)	996 552 989 03	Defroster trim	/R 01-	1	IXKH
		Dark maple rootwood			
		Leather			
	996 552 989 03 VRK	Black			
	996 552 989 03 C51	Graphite grey			
	996 552 989 03 S31	Savanna			
	996 552 989 03 J31	Nephrite green			
	996 552 989 03 M31	Boxster red			
	996 552 989 03 G11	Metropole blue			
	996 552 989 03 D12	Dark grey			
	996 552 989 03 T12	Brown/natural			
	996 552 989 03 P12	Cinnamon brown			
21	996 552 988 02	Defroster trim	/L 01-	1	IXKG
		Light maple rootwood			
		Leather			
	996 552 988 02 VRK	Black			
	996 552 988 02 C51	Graphite grey			
	996 552 988 02 S31	Savanna			
	996 552 988 02 J31	Nephrite green			
	996 552 988 02 M31	Boxster red			
	996 552 988 02 G11	Metropole blue			
	996 552 988 02 D12	Dark grey/natural			
	996 552 988 02 T12	Brown/natural			
	996 552 988 02 P12	Cinnamon brown			
(21)	996 552 989 02	Defroster trim	/R 01-	1	IXKG
		Light maple rootwood			
		Leather			
	996 552 989 02 VRK	Black			
	996 552 989 02 C51	Graphite grey			

Model: 996 98 Model life 1998>>2005

Pos	Part Number	Description	Remark	Qty	Model
	996 552 989 02 S31	Savanna			
	996 552 989 02 J31	Nephrite green			
	996 552 989 02 M31	Boxster red			
	996 552 989 02 G11	Metropole blue			
	996 552 989 02 D12	Dark grey/natural			
	996 552 989 02 T12	Brown/natural			
	996 552 989 02 P12	Cinnamon brown			
22	999 507 531 02	Clamp 1,8-2,8	98	2	
22	999 507 685 02	Clamp 1,5-2,0	99-	2	
23	996 552 181 04	Cover		1	
	996 552 181 04 D05	Granite grey	-99		
	996 552 181 04 A03	Black	00-		
	996 552 181 04 C53	Graphite grey	00-		
	996 552 181 04 S33	Savanna	00-		
	996 552 181 04 G13	Metropole blue	00-		
	996 552 181 04 B13	Space grey	00		
	996 552 181 04 J33	Nephrite green	00-		
	996 552 181 04 M33	Boxster red	00-		
	996 552 181 04 P13	Cinnamon brown	01-		
23	996 552 990 02	Cover Light Leather	01-	1	IXV1
	996 552 990 02 VRK	Black			
	996 552 990 02 C51	Graphite grey			
	996 552 990 02 S31	Savanna			
	996 552 990 02 J31	Nephrite green			
	996 552 990 02 M31	Boxster red			
	996 552 990 02 G11	Metropole blue			
	996 552 990 02 D12	Dark grey/natural			
	996 552 990 02 T12	Brown/natural			
	996 552 990 02 P12	Cinnamon brown			
24	996 552 617 03	Support	/LL	1	
(24)	996 552 618 02	Support Instrument Wiring harness	/RL	1	
-	999 591 883 02	Speed nut 4,8		2	
-	999 591 883 01	Speed nut 4,8		2	
25	900 380 015 09	Hexagon nut M 6		2	
26	996 552 059 02	Cover Instruments	/LL -99	1	
	996 552 059 02 EFM	Black			
	996 552 059 02 EFN	Graphite grey			
	996 552 059 02 EFO	Savanna			
	996 552 059 02 EFP	Metropole blue			
	996 552 059 02 EFQ	Space grey			
(26)	996 552 060 02	Cover Instruments Leatherette	/RL -99	1	
	996 552 060 02 EFM	Black			
	996 552 060 02 EFN	Graphite grey			
	996 552 060 02 EFO	Savanna			
	996 552 060 02 EFP	Metropole blue			
	996 552 060 02 EFQ	Space grey			
26	996 552 059 02	Cover Leatherette	/LL 00-	1	
	996 552 059 02 EUD	Black			
	996 552 059 02 EUE	Graphite grey			
	996 552 059 02 EUF	Savanna			

Model: 996 98 Model life 1998>>2005

Pos	Part Number	Description	Remark	Qty	Model
(26)	996 552 059 02 EUG	Metropole blue		1	
	996 552 059 02 EUH	Space grey	00		
	996 552 059 02 EWB	Nephrite green	01-		
	996 552 060 02	Cover	/RL 00-		
		Leatherette			
	996 552 060 02 EUD	Black			
	996 552 060 02 EUE	Graphite grey			
	996 552 060 02 EUF	Savanna			
	996 552 060 02 EUG	Metropole blue			
	996 552 060 02 EUH	Space grey	00		
26	996 552 060 02 EWB	Nephrite green	01-	1	
	996 552 025 01	Cover	/LL -99		
		Instruments			
		Leather			
	996 552 025 01 EDQ	Black			
	996 552 025 01 EDR	Graphite grey			
	996 552 025 01 EDS	Savanna			
	996 552 025 01 EDT	Metropole blue			
	996 552 025 01 EDU	Space grey			
	996 552 025 01 EDV	Nephrite green			
(26)	996 552 025 01 EDW	Boxster red		1	
	996 552 026 01	Cover	/RL -99		
		Instruments			
		Leather			
	996 552 026 01 EDQ	Black			
	996 552 026 01 EDR	Graphite grey			
	996 552 026 01 EDS	Savanna			
	996 552 026 01 EDT	Metropole blue			
	996 552 026 01 EDU	Space grey			
	996 552 026 01 EDV	Nephrite green			
26	996 552 026 01 EDW	Boxster red		1	
	996 552 025 01	Cover	/LL -02		
		Leather			
	996 552 025 01 ETQ	Black			
	996 552 025 01 EUR	Graphite grey			
	996 552 025 01 EUS	Savanna			
	996 552 025 01 EUT	Metropole blue			
	996 552 025 01 EUU	Space grey	00		
	996 552 025 01 EUV	Nephrite green			
	996 552 025 01 EUW	Boxster red			
(26)	996 552 025 01 VRP	Dark grey/natural		1	
	996 552 025 01 VRQ	Brown/natural			
	996 552 025 01 FEJ	Cinnamon brown	01-		
	996 552 026 01	Cover	/RL -02		
		Leather			
	996 552 026 01 ETQ	Black			
	996 552 026 01 EUR	Graphite grey			
	996 552 026 01 EUS	Savanna			
	996 552 026 01 EUT	Metropole blue			
	996 552 026 01 EUU	Space grey	00		
26	996 552 026 01 EUV	Nephrite green		1	
	996 552 026 01 EUW	Boxster red			
	996 552 026 01 VRP	Dark grey/natural			
	996 552 026 01 VRQ	Brown/natural			
	996 552 026 01 FEJ	Cinnamon brown	01-		
	996 552 025 02	Cover	/LL 03-		
		Instruments			
	996 552 025 02 ETQ	Black			
	996 552 025 02 EUR	Graphite grey			
	996 552 025 02 EUS	Savanna			
996 552 025 02 EUT	Metropole blue				
996 552 025 02 EUV	Nephrite green				
996 552 025 02 EUW	Boxster red				

Model: 996 98 Model life 1998>>2005

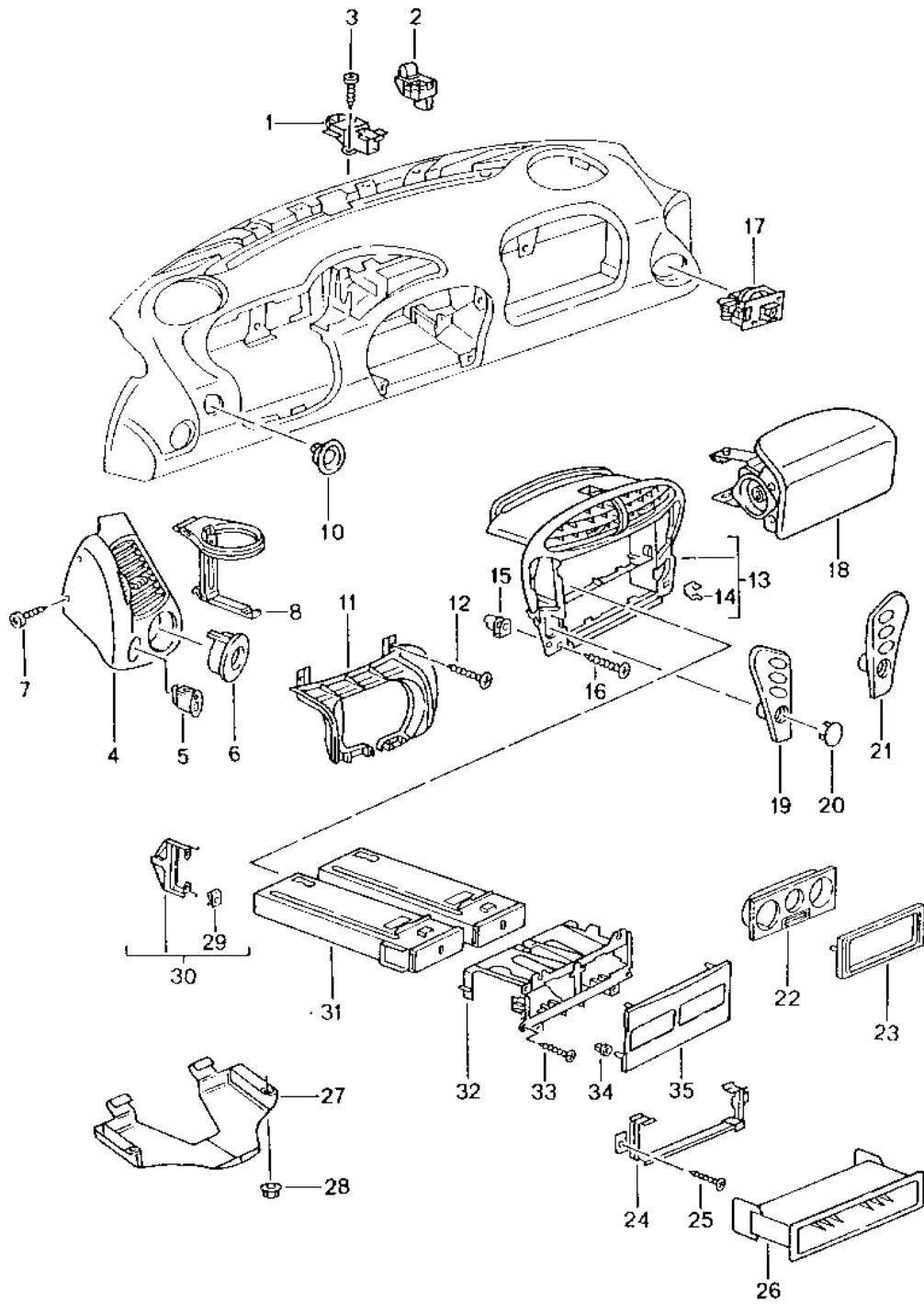
Pos	Part Number	Description	Remark	Qty	Model
(26)	996 552 025 02 FEJ	Cinnamon brown		1	
	996 552 025 02 VRP	Dark grey/natural			
	996 552 025 02 VRQ	Brown/natural			
	996 552 026 02	Cover	/RL 03-		
		Instruments			
	996 552 026 02 ETQ	Black			
	996 552 026 02 EUR	Graphite grey			
	996 552 026 02 EUS	Savanna			
	996 552 026 02 EUT	Metropole blue			
	996 552 026 02 EUV	Nephrite green			
	996 552 026 02 EUW	Boxster red			
-	996 552 026 02 FEJ	Cinnamon brown		1	
	996 552 026 02 VRP	Dark grey/natural			
	996 552 026 02 VRQ	Brown/natural			
	996 552 251 01	Cover	/LL		
		Instrument cluster			
	996 552 251 01 A03	Black			
	996 552 251 01 C53	Graphite grey			
	996 552 251 01 S33	Savanna			
	996 552 251 01 G13	Metropole blue			
	996 552 252 01	Cover	/RL		
		Instrument cluster			
28	996 552 252 01 A03	Black		2	
	996 552 252 01 C53	Graphite grey			
	996 552 252 01 S33	Savanna			
	996 552 252 01 G13	Metropole blue			
(28)	999 919 188 09	Oval-head screw	-00	2	
		5,0 X 30			
(28)	999 073 220 09	Tapping screw	01-	2	
		4,8 X 25			
29	996 552 625 02	Cover	/LL	1	
		Microphone			
	996 552 625 02 D05	Granite grey	-99		
	996 552 625 02 A03	Black	00-		
	996 552 625 02 C53	Graphite grey	00-		
	996 552 625 02 S33	Savanna	00-		
	996 552 625 02 G13	Metropole blue	00-		
	996 552 625 02 B13	Space grey	00		
	996 552 625 02 J33	Nephrite green	00-		
	996 552 625 02 M33	Boxster red	00-		
	996 552 625 02 P13	Cinnamon brown	01-		
	996 552 626 02	Cover	/RL		
		Microphone			
		Lacquered			
	996 552 626 02 D05	Granite grey	-99		
	996 552 626 02 A03	Black	00-		
996 552 626 02 C53	Graphite grey	00-			
996 552 626 02 S33	Savanna	00-			
996 552 626 02 G13	Metropole blue	00-			
996 552 626 02 B13	Space grey	00			
996 552 626 02 J33	Nephrite green	00-			
996 552 626 02 M33	Boxster red	00-			
996 552 626 02 P13	Cinnamon brown	01-			
30	996 552 626 02	Cover	/RL	1	
		Microphone			
		Lacquered			
	996 552 626 02 D05	Granite grey	-99		
	996 552 626 02 A03	Black	00-		
	996 552 626 02 C53	Graphite grey	00-		
	996 552 626 02 S33	Savanna	00-		
	996 552 626 02 G13	Metropole blue	00-		
	996 552 626 02 B13	Space grey	00		
	996 552 626 02 J33	Nephrite green	00-		
	996 552 626 02 M33	Boxster red	00-		
996 552 626 02 P13	Cinnamon brown	01-			
30	996 552 469 01	Rosette	/LL	1	
		Hazard warning light sw.			
		Lacquered			
	996 552 469 01 A10	Black	-99		
	996 552 469 01 D05	Granite grey	-99		
	996 552 469 01 A03	Black			
	996 552 469 01 C53	Graphite grey	00-		
	996 552 469 01 S33	Savanna	00-		
	996 552 469 01 G13	Metropole blue	00-		
	996 552 469 01 B13	Space grey	00		

Model: 996 98 Model life 1998>>2005

Pos	Part Number	Description	Remark	Qty	Model
(30)	996 552 469 01 J33	Nephrite green	00-	1	
	996 552 469 01 M33	Boxster red	00-		
	996 552 469 01 P13	Cinnamon brown	01-		
	996 552 470 01	Rosette	/RL		
		Hazard warning light sw.			
		Lacquered			
	996 552 470 01 A10	Black	-99		
	996 552 470 01 D05	Granite grey	-99		
	996 552 470 01 A03	Black			
	996 552 470 01 C53	Graphite grey	00-		
996 552 470 01 S33	Savanna	00-			
996 552 470 01 G13	Metropole blue	00-			
996 552 470 01 B13	Space grey	00			
996 552 470 01 J33	Nephrite green	00-			
996 552 470 01 M33	Boxster red	00-			
996 552 470 01 P13	Cinnamon brown	01-			
30	996 552 469 01	Rosette	/LL 00	1	IXNG/M094
		Hazard warning light sw.			
		Lacquered			
(30)	996 552 469 01 A03	Black		1	IXNG/M094
	996 552 470 01	Rosette	/RL 00		
		Hazard warning light sw.			
		Lacquered			
30	996 552 470 01 A03	Black		1	
	996 552 966 00	Rosette	/LL 01-		
		Hazard warning light sw.			
		Leather			
	996 552 966 00 A11	Black			
	996 552 966 00 C51	Graphite grey			
	996 552 966 00 S31	Savanna			
	996 552 966 00 G11	Metropole blue			
	996 552 966 00 J31	Nephrite green	-03		
	996 552 966 00 M31	Boxster red			
	996 552 966 00 P12	Cinnamon brown			
	996 552 966 00 D12	Dark grey/natural			
	996 552 966 00 T12	Brown/natural			
(30)	996 552 966 01	Rosette	/RL 01-	1	
		Hazard warning light sw.			
		Leather			
	996 552 966 01 A11	Black			
	996 552 966 01 C51	Graphite grey			
	996 552 966 01 S31	Savanna			
	996 552 966 01 G11	Metropole blue			
	996 552 966 01 J31	Nephrite green	-03		
	996 552 966 01 M31	Boxster red			
	996 552 966 01 P12	Cinnamon brown			
	996 552 966 01 D12	Dark grey/natural			
	996 552 966 01 T12	Brown/natural			

Model: 996 98

Model life 1998>>2005



Model: 996 98 Model life 1998>>2005

Pos	Part Number	Description	Remark	Qty	Model
1	996 552 541 02	Accessories Dashboard trim Mounting Light	-01	1	
2	996 653 251 00	Sensor		1	M534/535
3	999 919 120 09	Oval-head screw 4,0 X 18		2	
4	996 552 225 05	Side vent Lacquered	/L	1	
	996 552 225 05 D05	Granite grey	-99		
	996 552 225 05 A03	Black	00-		
	996 552 225 05 C53	Graphite grey	00-		
	996 552 225 05 S33	Savanna	00-		
	996 552 225 05 G13	Metropole blue	00-		
	996 552 225 05 B13	Space grey	00		
	996 552 225 05 J33	Nephrite green	00-		
	996 552 225 05 M33	Boxster red	00-		
	996 552 225 05 P13	Cinnamon brown	01-		
(4)	996 552 228 05	Side vent Lacquered	/R	1	
	996 552 228 05 D05	Granite grey	-99		
	996 552 228 05 A03	Black	00-		
	996 552 228 05 C53	Graphite grey	00-		
	996 552 228 05 S33	Savanna	00-		
	996 552 228 05 G13	Metropole blue	00-		
	996 552 228 05 B13	Space grey	00		
	996 552 228 05 J33	Nephrite green	00-		
	996 552 228 05 M33	Boxster red	00-		
	996 552 228 05 P13	Cinnamon brown	01-		
4	996 552 984 00	Side vent Leather	/L 01-	1	IXN3
	996 552 984 00 VRK	Black			
	996 552 984 00 C51	Graphite grey			
	996 552 984 00 S31	Savanna			
	996 552 984 00 G11	Metropole blue			
	996 552 984 00 J31	Nephrite green			
	996 552 984 00 M31	Boxster red			
	996 552 984 00 D12	Dark grey/natural			
	996 552 984 00 T12	Brown/natural			
	996 552 984 00 P12	Cinnamon brown			
(4)	996 552 985 00	Side vent Leather	/R 01-	1	IXN3
	996 552 985 00 VRK	Black			
	996 552 985 00 C51	Graphite grey			
	996 552 985 00 S31	Savanna			
	996 552 985 00 G11	Metropole blue			
	996 552 985 00 J31	Nephrite green			
	996 552 985 00 M31	Boxster red			
	996 552 985 00 D12	Dark grey/natural			
	996 552 985 00 T12	Brown/natural			
	996 552 985 00 P12	Cinnamon brown			
4	996 552 984 03	Side vent Carbon Leather	/L 01-	1	IXKD
	996 552 984 03 VRK	Black			
	996 552 984 03 C51	Graphite grey			
	996 552 984 03 S31	Savanna			
	996 552 984 03 J31	Nephrite green			
	996 552 984 03 M31	Boxster red			
	996 552 984 03 G11	Metropole blue			
	996 552 984 03 D12	Dark grey/natural			
	996 552 984 03 T12	Brown/natural			
	996 552 984 03 P12	Cinnamon brown			

Model: 996 98 Model life 1998>>2005

Pos	Part Number	Description	Remark	Qty	Model
(4)	996 552 985 03	Side vent Carbon Leather	/R 01-	1	IXKD
	996 552 985 03 VRK	Black			
	996 552 985 03 C51	Graphite grey			
	996 552 985 03 S31	Savanna			
	996 552 985 03 J31	Nephrite green			
	996 552 985 03 M31	Boxster red			
	996 552 985 03 G11	Metropole blue			
	996 552 985 03 D12	Dark grey/natural			
	996 552 985 03 T12	Brown/natural			
	996 552 985 03 P12	Cinnamon brown			
4	996 552 984 01	Side vent Rootwood Light Leather	/L 01-	1	IXKB
	996 552 984 01 VRK	Black			
	996 552 984 01 C51	Graphite grey			
	996 552 984 01 S31	Savanna			
	996 552 984 01 J31	Nephrite green			
	996 552 984 01 M31	Boxster red			
	996 552 984 01 G11	Metropole blue			
	996 552 984 01 D12	Dark grey			
	996 552 984 01 T12	Brown/natural			
	996 552 984 01 P12	Cinnamon brown			
(4)	996 552 985 01	Side vent Rootwood Light Leather	/R 01-	1	IXKB
	996 552 985 01 VRK	Black			
	996 552 985 01 C51	Graphite grey			
	996 552 985 01 S31	Savanna			
	996 552 985 01 J31	Nephrite green			
	996 552 985 01 M31	Boxster red			
	996 552 985 01 G11	Metropole blue			
	996 552 985 01 D12	Dark grey			
	996 552 985 01 T12	Brown/natural			
	996 552 985 01 P12	Cinnamon brown			
4	996 552 984 02	Side vent Rootwood Dark Leather	/L 01-	1	IXKC
	996 552 984 02 VRK	Black			
	996 552 984 02 C51	Graphite grey			
	996 552 984 02 S31	Savanna			
	996 552 984 02 J31	Nephrite green			
	996 552 984 02 M31	Boxster red			
	996 552 984 02 G11	Metropole blue			
	996 552 984 02 D12	Dark grey			
	996 552 984 02 T12	Brown/natural			
	996 552 984 02 P12	Cinnamon brown			
(4)	996 552 985 02	Side vent Rootwood Dark Leather	/R 01-	1	IXKC
	996 552 985 02 VRK	Black			
	996 552 985 02 C51	Graphite grey			
	996 552 985 02 S31	Savanna			
	996 552 985 02 J31	Nephrite green			
	996 552 985 02 M31	Boxster red			
	996 552 985 02 G11	Metropole blue			
	996 552 985 02 D12	Dark grey			
	996 552 985 02 T12	Brown/natural			

Model: 996 98 Model life 1998>>2005

Pos	Part Number	Description	Remark	Qty	Model
4	996 552 985 02 P12	Cinnamon brown	/L 01-	1	IXKD
	996 552 984 03	Side vent			
		Carbon			
		Leather			
	996 552 984 03 VRK	Black			
	996 552 984 03 C51	Graphite grey			
	996 552 984 03 S31	Savanna			
	996 552 984 03 J31	Nephrite green			
	996 552 984 03 M31	Boxster red			
	996 552 984 03 G11	Metropole blue			
	996 552 984 03 D12	Dark grey/natural			
	996 552 984 03 T12	Brown/natural			
	996 552 984 03 P12	Cinnamon brown			
(4)	996 552 985 03	Side vent	/R 01-	1	IXKD
		Carbon			
		Leather			
	996 552 985 03 VRK	Black			
	996 552 985 03 C51	Graphite grey			
	996 552 985 03 S31	Savanna			
	996 552 985 03 J31	Nephrite green			
	996 552 985 03 M31	Boxster red			
	996 552 985 03 G11	Metropole blue			
	996 552 985 03 D12	Dark grey/natural			
	996 552 985 03 T12	Brown/natural			
	996 552 985 03 P12	Cinnamon brown			
	4	996 552 984 05			
		Arctic silver			
		Leather			
996 552 984 05 VRK		Black			
996 552 984 05 C51		Graphite grey			
996 552 984 05 S31		Savanna			
996 552 984 05 J31		Nephrite green			
996 552 984 05 M31		Boxster red			
996 552 984 05 G11		Metropole blue			
996 552 984 05 D12		Dark grey			
996 552 984 05 T12		Brown/natural			
996 552 984 05 P12		Cinnamon brown			
(4)		996 552 985 05	Side vent	/R 01-	1
		Arctic silver			
		Leather			
	996 552 985 05 VRK	Black			
	996 552 985 05 C51	Graphite grey			
	996 552 985 05 S31	Savanna			
	996 552 985 05 J31	Nephrite green			
	996 552 985 05 M31	Boxster red			
	996 552 985 05 G11	Metropole blue			
	996 552 985 05 D12	Dark grey			
	996 552 985 05 T12	Brown/natural			
	996 552 985 05 P12	Cinnamon brown			
	5	996 552 621 01	Cover		
		Headlight levelling system			
		Lacquered			
996 552 621 01 D05		Granite grey			
996 552 621 01 A03		Black			
996 552 621 01 C53		Graphite grey			
996 552 621 01 S33		Savanna			
996 552 621 01 G13		Metropole blue			
996 552 621 01 B13		Space grey			
996 552 621 01 J33		Nephrite green			
996 552 621 01 M33		Boxster red			
996 552 621 01 P13		Cinnamon brown			
5		996 552 986 00	Cover	01-	1
		Headlight levelling system			

Model: 996 98 Model life 1998>>2005

Pos	Part Number	Description	Remark	Qty	Model
		Leather			
	996 552 986 00 A11	Black			
	996 552 986 00 C51	Graphite grey			
	996 552 986 00 S31	Savanna			
	996 552 986 00 J31	Nephrite green			
	996 552 986 00 M31	Boxster red			
	996 552 986 00 G11	Metropole blue			
	996 552 986 00 D12	Dark grey/natural			
	996 552 986 00 T12	Brown/natural			
	996 552 986 00 P12	Cinnamon brown			
5	996 552 986 01	Cover	01	2	IXKB
		Headlight levelling system			
		Rootwood			
		Light			
5	996 552 986 02	Cover	01	2	IXKC
		Headlight levelling system			
		Rootwood			
		Dark			
5	996 552 986 03	Cover	01	2	IXKD
		Headlight levelling system			
		Carbon			
6	996 552 417 02	Rosette		1	
		Interior sensor			
		Lacquered			
	996 552 417 02 D05	Granite grey	-99		
	996 552 417 02 A03	Black	00-		
	996 552 417 02 C53	Graphite grey	00-		
	996 552 417 02 S33	Savanna	00-		
	996 552 417 02 G13	Metropole blue	00-		
	996 552 417 02 B13	Space grey	00		
	996 552 417 02 J33	Nephrite green	00-		
	996 552 417 02 M33	Boxster red	00-		
	996 552 417 02 P13	Cinnamon brown	01-		
6	996 552 987 00	Rosette	01-	1	IXNH
		Interior sensor			
		Leather			
	996 552 987 00 A11	Black			
	996 552 987 00 C51	Graphite grey			
	996 552 987 00 S31	Savanna			
	996 552 987 00 J31	Nephrite green			
	996 552 987 00 M31	Boxster red			
	996 552 987 00 G11	Metropole blue			
	996 552 987 00 D12	Dark grey/natural			
	996 552 987 00 T12	Brown/natural			
	996 552 987 00 P12	Cinnamon brown			
7	999 919 120 09	Oval-head screw	-00	4	
		4,0 X 18			
7	999 073 218 09	Tapping screw	01-	4	
		4,2 X 16			
8	986 552 183 00	Support	/L -99	1	
	986 552 183 00 01C	Satin black			
(8)	986 552 184 00	Support	/R -99	1	
		Beverages			
	986 552 184 00 01C	Satin black			
10	996 552 235 03	Rosette	/LL	1	
		Ignition starter lock			
	996 552 235 03 D05	Granite grey	-99		
	996 552 235 03 A03	Black	00-		
	996 552 235 03 C53	Graphite grey	00-		
	996 552 235 03 S33	Savanna	00-		
	996 552 235 03 G13	Metropole blue	00-		
	996 552 235 03 B13	Space grey	00		
	996 552 235 03 J33	Nephrite green	00-		

Model: 996 98 Model life 1998>>2005

Pos	Part Number	Description	Remark	Qty	Model
(10)	996 552 235 03 M33	Boxster red	00-	1	
	996 552 235 03 P13	Cinnamon brown	01-		
	996 552 236 03	Rosette	/RL		
		Ignition starter lock			
	996 552 236 03 D05	Granite grey	-99		
	996 552 236 03 A03	Black	00-		
	996 552 236 03 C53	Graphite grey	00-		
	996 552 236 03 S33	Savanna	00-		
	996 552 236 03 G13	Metropole blue	00-		
	996 552 236 03 B13	Space grey	00		
10	996 552 236 03 J33	Nephrite green	00-	1	IXJ4
	996 552 236 03 M33	Boxster red	00-		
	996 552 236 03 P13	Cinnamon brown	01-		
	996 552 980 00	Rosette	/LL 01-		
		Ignition starter lock			
		Leather			
	996 552 980 00 A11	Black			
	996 552 980 00 C51	Graphite grey			
	996 552 980 00 S31	Savanna			
	996 552 980 00 G11	Metropole blue			
(10)	996 552 980 00 J31	Nephrite green		1	IXJ4
	996 552 980 00 M31	Boxster red			
	996 552 980 00 P12	Cinnamon brown			
	996 552 980 00 D12	Dark grey/natural			
	996 552 980 00 T12	Brown/natural			
	996 552 980 01	Rosette	/RL 01-		
		Ignition starter lock			
		Leather			
	996 552 980 01 A11	Black			
	996 552 980 01 C51	Graphite grey			
11	996 552 980 01 S31	Savanna		1	
	996 552 980 01 G11	Metropole blue			
	996 552 980 01 J31	Nephrite green			
	996 552 980 01 M31	Boxster red			
	996 552 980 01 P12	Cinnamon brown			
	996 552 980 01 D12	Dark grey/natural			
	996 552 980 01 T12	Brown/natural			
	996 552 271 03	Cover			
		Steering			
	11	996 552 271 03 A03	Black		
996 552 271 03 C53		Graphite grey			
996 552 271 03 S33		Savanna			
996 552 271 03 G13		Metropole blue			
996 552 271 03 J33		Nephrite green			
996 552 271 03 M33		Boxster red			
996 552 271 03 P13		Cinnamon brown			
986 552 988 03		Cover	01-		
		Steering			
		Leather			
12	986 552 988 03 VRK	Black		8	
	986 552 988 03 S31	Savanna			
	986 552 988 03 G11	Metropole blue			
	986 552 988 03 J31	Nephrite green			
	986 552 988 03 M31	Boxster red			
	986 552 988 03 D12	Dark grey/natural			
	986 552 988 03 T12	Brown/natural			
	986 552 988 03 C51	Graphite grey			
	986 552 988 03 P12	Cinnamon brown			
	999 919 123 09	Oval-head screw			
13	996 552 131 02	Support frame	98	1	
	996 552 131 02 EJK	Granite grey			
(13)	996 552 131 03	Support frame	98	1	M662

Model: 996 98 Model life 1998>>2005

Pos	Part Number	Description	Remark	Qty	Model	
13	996 552 131 03 EJK	Granite grey				
	996 552 131 04	Support frame	99-01	1		
	996 552 131 04 EJK	Granite grey	99			
	996 552 131 04 A03	Black	00-			
	996 552 131 04 C53	Graphite grey	00-			
	996 552 131 04 S33	Savanna	00-			
	996 552 131 04 G13	Metropole blue	00-			
	996 552 131 04 B13	Space grey	00			
	996 552 131 04 J33	Nephrite green	00-			
	996 552 131 04 M33	Boxster red	00-			
	996 552 131 04 P13	Cinnamon brown	01			
	(13)	996 552 131 05	Support frame	99-01	1	M662
		996 552 131 05 EJK	Granite grey	99		
996 552 131 05 A03		Black	00-			
996 552 131 05 C53		Graphite grey	00-			
996 552 131 05 S33		Savanna	00-			
996 552 131 05 G13		Metropole blue	00-			
996 552 131 05 B13		Space grey	00			
996 552 131 05 J33		Nephrite green	00-			
996 552 131 05 M33		Boxster red	00-			
996 552 131 05 P13		Cinnamon brown	01			
(13)		996 552 969 08	Support frame	01	1	IXNN
		996 552 969 08 A11	Black			
		996 552 969 08 C51	Graphite grey			
	996 552 969 08 S31	Savanna				
		Savanna				
	996 552 969 08 G11	Metropole blue				
	996 552 969 08 J31	Nephrite green				
	996 552 969 08 M31	Boxster red				
	996 552 969 08 D12	Dark grey/natural				
	996 552 969 08 T12	Brown/natural				
	996 552 969 08 P12	Cinnamon brown				
	(13)	996 552 969 09	Support frame	01	1	IXNN/M662
			Leather			
996 552 969 09 A11		Black				
996 552 969 09 C51		Graphite grey				
996 552 969 09 S31		Savanna				
		Savanna				
996 552 969 09 G11		Metropole blue				
996 552 969 09 J31		Nephrite green				
996 552 969 09 M31		Boxster red				
996 552 969 09 D12		Dark grey/natural				
996 552 969 09 T12		Brown/natural				
996 552 969 09 P12		Cinnamon brown				
(13)		996 552 969 10	Support frame		1	IXKR
		Rootwood				
	996 552 969 10 01C	Satin black				
	996 552 969 10 C53	Graphite grey				
	996 552 969 10 S33	Savanna				
	996 552 969 10 G13	Metropole blue				
	996 552 969 10 J33	Nephrite green				
	996 552 969 10 M33	Boxster red				
	996 552 969 10 D12	Dark grey				
	996 552 969 10 T12	Brown/natural				
	996 552 969 10 P13	Cinnamon brown	01			
	(13)	996 552 969 11	Support frame		1	IXKR/M662
			Rootwood			
		Light				
996 552 969 11 01C		Satin black				
996 552 969 11 C53		Graphite grey				
996 552 969 11 S33		Savanna				
996 552 969 11 G13		Metropole blue				
996 552 969 11 J33	Nephrite green					

Model: 996 98 Model life 1998>>2005

Pos	Part Number	Description	Remark	Qty	Model
	996 552 969 11 M33	Boxster red			
	996 552 969 11 D12	Dark grey/natural			
	996 552 969 11 T12	Brown/natural			
	996 552 969 11 P13	Cinnamon brown	01		
	996 552 969 11 S30	Savanna			
(13)	996 552 969 12	Support frame	01	1	IXKS
		Rootwood			
	996 552 969 12 01C	Satin black			
	996 552 969 12 C53	Graphite grey			
	996 552 969 12 S33	Savanna			
	996 552 969 12 G13	Metropole blue			
	996 552 969 12 J33	Nephrite green			
	996 552 969 12 M33	Boxster red			
	996 552 969 12 D12	Dark grey/natural			
	996 552 969 12 T12	Brown/natural			
	996 552 969 12 P13	Cinnamon brown			
	996 552 969 12 S30	Savanna			
(13)	996 552 969 13	Support frame	01	1	IXKS/M662
		Rootwood			
		Dark			
	996 552 969 13 01C	Satin black			
	996 552 969 13 C53	Graphite grey			
	996 552 969 13 S33	Savanna			
	996 552 969 13 G13	Metropole blue			
	996 552 969 13 J33	Nephrite green			
	996 552 969 13 M33	Boxster red			
	996 552 969 13 D12	Dark grey/natural			
	996 552 969 13 T12	Brown/natural			
	996 552 969 13 P13	Cinnamon brown			
(13)	996 552 969 14	Support frame		1	IXNR
		Carbon			
	996 552 969 14 01C	Satin black			
	996 552 969 14 C53	Graphite grey			
	996 552 969 14 S33	Savanna			
	996 552 969 14 G13	Metropole blue			
	996 552 969 14 J33	Nephrite green			
	996 552 969 14 M33	Boxster red			
	996 552 969 14 D12	Dark grey/natural			
	996 552 969 14 T12	Brown/natural			
	996 552 969 14 P13	Cinnamon brown	01		
(13)	996 552 969 15	Support frame		1	IXNR/M662
		Carbon			
	996 552 969 15 01C	Satin black			
	996 552 969 15 C53	Graphite grey			
	996 552 969 15 S33	Savanna			
	996 552 969 15 G13	Metropole blue			
	996 552 969 15 J33	Nephrite green			
	996 552 969 15 M33	Boxster red			
	996 552 969 15 D12	Dark grey			
	996 552 969 15 T12	Brown/natural			
	996 552 969 15 P13	Cinnamon brown	01		
(13)	996 552 969 16	Support frame	01	1	IXKW
		Arctic silver			
(13)	996 552 969 16 92T	Arctic silver			
(13)	996 552 969 17	Support frame	01	1	IXKW/M662
		Arctic silver			
	996 552 969 17 92T	Arctic silver			
14	999 507 533 02	Clamp		4	
		8/2,5			
(15)	999 920 015 40	Plug-in nut	-99	11	
		4,0 X 4,0 X 9			
15	999 920 012 40	Plug-in nut		4	
		5,0 X 3,5 X 8			

Model: 996 98 Model life 1998>>2005

Pos	Part Number	Description	Remark	Qty	Model
(15)	999 507 744 01	Speed nut 4,2	-00	18	
(15)	999 507 768 02	Speed nut 4,2	01	16	
(15)	999 507 767 02	Speed nut 4,2	01	2	
16	999 919 123 09	Oval-head screw 5,0 X 20	-00	4	
16	999 073 218 09	Tapping screw 4,2 X 16	01	4	
17	996 653 241 00	Interior sensor		1	M573
18		Side vent		1	
		See group 4/03/06		1	
19	996 552 233 03	Trim for switch	/L 98	1	
		Upper part/lower part			
	996 552 233 03 D05	Granite grey/granite grey			
	996 552 233 03 EFY	Granite grey/graphite grey			
	996 552 233 03 EFZ	Granite grey/savanna			
	996 552 233 03 EJG	Granite grey/metrop. blue			
	996 552 233 03 EJH	Granite grey/space grey			
19	996 552 233 04	Trim for switch	/L 99-01	1	
		Upper part/lower part			
	996 552 233 04 D05	Granite grey/granite grey	99		
	996 552 233 04 EFY	Granite grey/graphite grey	99		
	996 552 233 04 EFZ	Granite grey/savanna	99		
	996 552 233 04 EJG	Granite grey/metrop. blue	99		
	996 552 233 04 EJH	Granite grey/space grey	99		
	996 552 233 04 A03	Black	00-		
	996 552 233 04 C53	Graphite grey	00-		
	996 552 233 04 S33	Savanna	00-		
	996 552 233 04 G13	Metropole blue	00-		
	996 552 233 04 B13	Space grey	00		
	996 552 233 04 J33	Nephrite green	00-		
	996 552 233 04 M33	Boxster red	00-		
	996 552 233 04 P13	Cinnamon brown	01		
19	996 552 967 04	Trim for switch	/L 01	1	IXNN
		Leather			
	996 552 967 04 A11	Black			
	996 552 967 04 C51	Graphite grey			
	996 552 967 04 S31	Savanna			
	996 552 967 04 G11	Metropole blue			
	996 552 967 04 J31	Nephrite green			
	996 552 967 04 M31	Boxster red			
	996 552 967 04 D12	Dark grey			
	996 552 967 04 T12	Brown/natural			
	996 552 967 04 P12	Cinnamon brown			
19	996 552 967 05	Trim for switch	/L 01	1	IXKR
		Rootwood			
		Light			
19	996 552 967 06	Trim for switch	/L 01	1	IXKS
		Rootwood			
		Dark			
19	996 552 967 07	Trim for switch	/L 01	1	IXNR
		Carbon			
21	996 552 234 03	Trim for switch	/R 98	1	
		Upper part/lower part			
	996 552 234 03 D05	Granite grey/granite grey			
	996 552 234 03 EFY	Granite grey/graphite grey			
	996 552 234 03 EFZ	Granite grey/savanna			
	996 552 234 03 EJG	Granite grey/metrop. blue			
	996 552 234 03 EJH	Granite grey/space grey			
21	996 552 234 04	Trim for switch	/R 99-01	1	

Model: 996 98 Model life 1998>>2005

Pos	Part Number	Description	Remark	Qty	Model
		Upper part/lower part			
	996 552 234 04 D05	Granite grey/granite grey	99		
	996 552 234 04 EFY	Granite grey/graphite grey	99		
	996 552 234 04 EFZ	Granite grey/savanna	99		
	996 552 234 04 EJG	Granite grey/metrop. blue	99		
	996 552 234 04 EJH	Granite grey/space grey	99		
	996 552 234 04 A03	Black			
	996 552 234 04 C53	Graphite grey	00-		
	996 552 234 04 S33	Savanna	00-		
	996 552 234 04 G13	Metropole blue	00-		
	996 552 234 04 B13	Space grey	00		
	996 552 234 04 J33	Nephrite green	00-		
	996 552 234 04 M33	Boxster red	00-		
	996 552 234 04 P13	Cinnamon brown	01		
21	996 552 968 04	Trim for switch Leather	/R 01	1	IXNN
	996 552 968 04 A11	Black			
	996 552 968 04 C51	Graphite grey			
	996 552 968 04 S31	Savanna			
	996 552 968 04 G11	Metropole blue			
	996 552 968 04 J31	Nephrite green			
	996 552 968 04 M31	Boxster red			
	996 552 968 04 D12	Dark grey			
	996 552 968 04 T12	Brown/natural			
	996 552 968 04 P12	Cinnamon brown			
21	996 552 968 05	Trim for switch Rootwood Light	/R 01	1	IXKR
21	996 552 968 06	Trim for switch Rootwood Dark	/R 01	1	IXKS
21	996 552 968 07	Trim for switch Carbon	/R 01	1	IXNR
22	996 552 153 01	Support frame Heating	01-	1	M574
22	996 552 153 01 01C	Satin black			
22	996 552 991 00	Support frame Heating Leather		1	IXKW/XNN M574
	996 552 991 00 A11	Black			
	996 552 991 00 C51	Graphite grey			
	996 552 991 00 S31	Savanna			
	996 552 991 00 J31	Nephrite green			
	996 552 991 00 M31	Boxster red			
	996 552 991 00 G11	Metropole blue			
	996 552 991 00 D12	Dark grey			
	996 552 991 00 T12	Brown/natural			
	996 552 991 00 P12	Cinnamon brown			
23	996 552 677 00	Frame Air-conditioning switch		1	
	996 552 677 00 01C	Satin black			
24	996 552 673 02	Retaining bar		1	
(24)	996 552 653 01	Retaining bar		1	M662
25	999 919 123 09	Oval-head screw 5,0 X 20	-00	2	
25	999 073 218 09	Tapping screw 4,2 X 16	01-	2	
26	996 552 253 01	Shelf Instead of Radio		1	
	996 552 253 01 01C	Satin black			
26	996 552 994 01	Shelf Leather	01-	1	IXMF

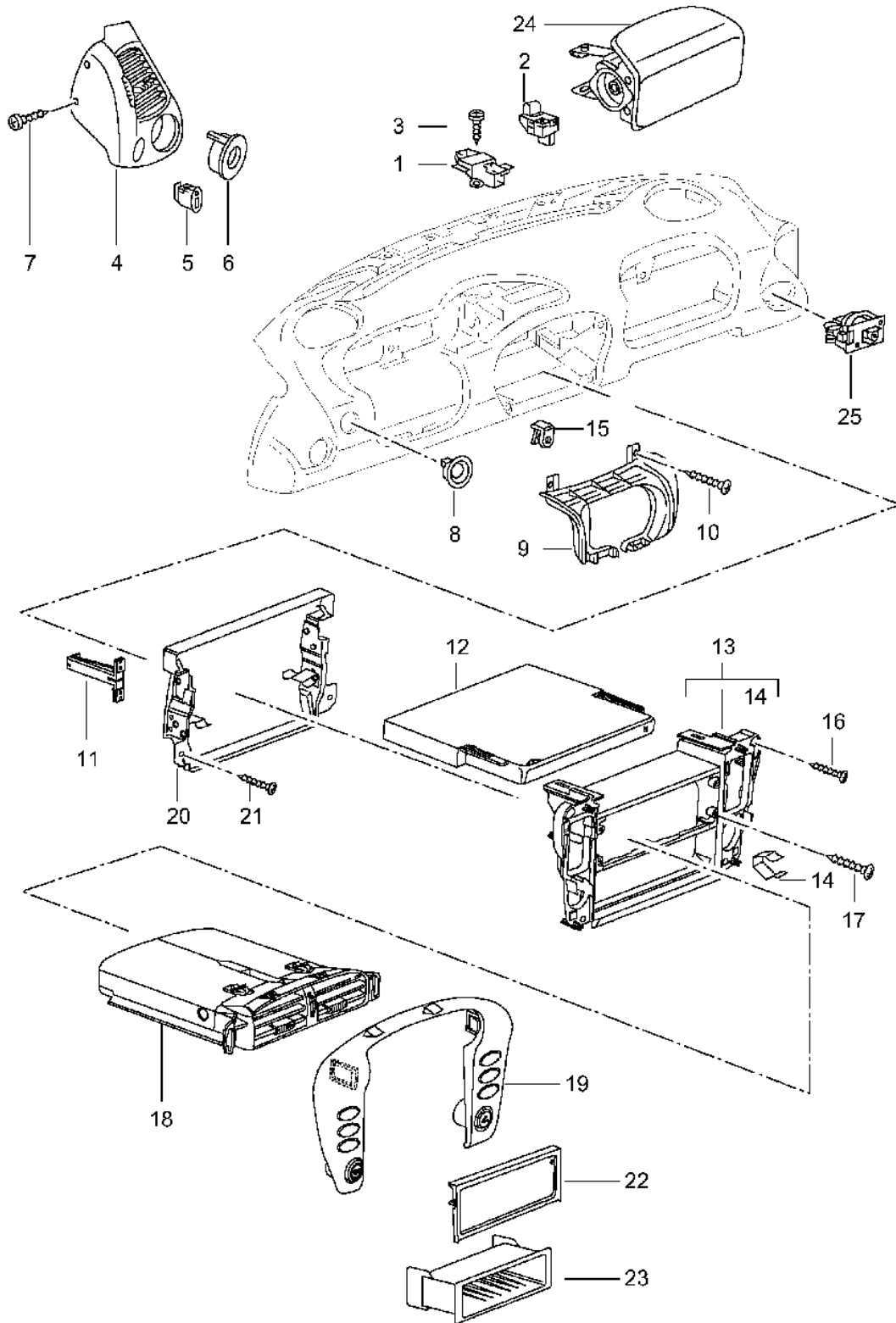
Model: 996 98

Model life 1998>>2005

Pos	Part Number	Description	Remark	Qty	Model
	996 552 994 01 A11	Black			
	996 552 994 01 C51	Graphite grey			
	996 552 994 01 S31	Savanna			
	996 552 994 01 J31	Nephrite green			
	996 552 994 01 M31	Boxster red			
	996 552 994 01 G11	Metropole blue			
	996 552 994 01 D12	Dark grey			
	996 552 994 01 T12	Brown/natural			
	996 552 994 01 P12	Cinnamon brown			
27	996 552 173 00	Shelf	-99	1	
	996 552 173 00 01C	Satin black			
27	996 552 173 01	Shelf		1	
		Driver's side			
		Lacquered			
	996 552 173 01 A03	Black	00-		
	996 552 173 01 S30	Savanna	-99		
	996 552 173 01 C50	Graphite grey	-99		
	996 552 173 01 G10	Metropole blue	-99		
	996 552 173 01 B50	Space grey	-99		
	996 552 173 01 C53	Graphite grey	00-		
	996 552 173 01 S33	Savanna	00-		
	996 552 173 01 G13	Metropole blue	00-		
	996 552 173 01 B13	Space grey	00		
	996 552 173 01 J33	Nephrite green	00-		
	996 552 173 01 M33	Boxster red	00-		
	996 552 173 01 P13	Cinnamon brown	01-		
(28)	999 591 712 40	Expansion rivet 6,0 X 12,0		2	

Model: 996 98

Model life 1998>>2005



Model: 996 98 Model life 1998>>2005

Pos	Part Number	Description	Remark	Qty	Model
1	996 552 541 02	Accessories Dashboard trim Mounting Light	02-	1	
2	996 653 251 00	Sensor		1	M534/535
3	999 919 120 09	Oval-head screw 4,0 X 18		2	
4	996 552 225 06	Side vent Lacquered	/L	1	
	996 552 225 06 A03	Black			
	996 552 225 06 C53	Graphite grey			
	996 552 225 06 S33	Savanna			
	996 552 225 06 G13	Metropole blue			
	996 552 225 06 J33	Nephrite green			
	996 552 225 06 M33	Boxster red			
	996 552 225 06 P13	Cinnamon brown			
(4)	996 552 228 06	Side vent Lacquered	/R	1	
	996 552 228 06 A03	Black			
	996 552 228 06 C53	Graphite grey			
	996 552 228 06 S33	Savanna			
	996 552 228 06 G13	Metropole blue			
	996 552 228 06 J33	Nephrite green			
	996 552 228 06 M33	Boxster red			
	996 552 228 06 P13	Cinnamon brown			
4	996 552 984 00	Side vent Leather	/L	1	IXN3
	996 552 984 00 VRK	Black			
	996 552 984 00 C51	Graphite grey			
	996 552 984 00 S31	Savanna			
	996 552 984 00 G11	Metropole blue			
	996 552 984 00 J31	Nephrite green			
	996 552 984 00 M31	Boxster red			
	996 552 984 00 D12	Dark grey/natural			
	996 552 984 00 T12	Brown/natural			
	996 552 984 00 P12	Cinnamon brown			
(4)	996 552 985 00	Side vent Leather	/R	1	IXN3
	996 552 985 00 VRK	Black			
	996 552 985 00 C51	Graphite grey			
	996 552 985 00 S31	Savanna			
	996 552 985 00 G11	Metropole blue			
	996 552 985 00 J31	Nephrite green			
	996 552 985 00 M31	Boxster red			
	996 552 985 00 D12	Dark grey/natural			
	996 552 985 00 T12	Brown/natural			
	996 552 985 00 P12	Cinnamon brown			
4	996 552 984 01	Side vent Rootwood Light Leather	/L	1	IXKB
	996 552 984 01 VRK	Black			
	996 552 984 01 C51	Graphite grey			
	996 552 984 01 S31	Savanna			
	996 552 984 01 J31	Nephrite green			
	996 552 984 01 M31	Boxster red			
	996 552 984 01 G11	Metropole blue			
	996 552 984 01 D12	Dark grey			
	996 552 984 01 T12	Brown/natural			
	996 552 984 01 P12	Cinnamon brown			
(4)	996 552 985 01	Side vent Rootwood Light	/R	1	IXKB

Model: 996 98 Model life 1998>>2005

Pos	Part Number	Description	Remark	Qty	Model
	996 552 985 01 VRK	Leather Black			
	996 552 985 01 C51	Graphite grey			
	996 552 985 01 S31	Savanna			
	996 552 985 01 J31	Nephrite green			
	996 552 985 01 M31	Boxster red			
	996 552 985 01 G11	Metropole blue			
	996 552 985 01 D12	Dark grey			
	996 552 985 01 T12	Brown/natural			
	996 552 985 01 P12	Cinnamon brown			
4	996 552 984 02	Side vent Rootwood Dark Leather	/L	1	IXKC
	996 552 984 02 VRK	Black			
	996 552 984 02 C51	Graphite grey			
	996 552 984 02 S31	Savanna			
	996 552 984 02 J31	Nephrite green			
	996 552 984 02 M31	Boxster red			
	996 552 984 02 G11	Metropole blue			
	996 552 984 02 D12	Dark grey			
	996 552 984 02 T12	Brown/natural			
	996 552 984 02 P12	Cinnamon brown			
(4)	996 552 985 02	Side vent Rootwood Dark Leather	/R	1	IXKC
	996 552 985 02 VRK	Black			
	996 552 985 02 C51	Graphite grey			
	996 552 985 02 S31	Savanna			
	996 552 985 02 J31	Nephrite green			
	996 552 985 02 M31	Boxster red			
	996 552 985 02 G11	Metropole blue			
	996 552 985 02 D12	Dark grey			
	996 552 985 02 T12	Brown/natural			
	996 552 985 02 P12	Cinnamon brown			
4	996 552 984 03	Side vent Carbon Leather	/L	1	IXKD
	996 552 984 03 VRK	Black			
	996 552 984 03 C51	Graphite grey			
	996 552 984 03 S31	Savanna			
	996 552 984 03 J31	Nephrite green			
	996 552 984 03 M31	Boxster red			
	996 552 984 03 G11	Metropole blue			
	996 552 984 03 D12	Dark grey/natural			
	996 552 984 03 T12	Brown/natural			
	996 552 984 03 P12	Cinnamon brown			
(4)	996 552 985 03	Side vent Carbon Leather	/R	1	IXKD
	996 552 985 03 VRK	Black			
	996 552 985 03 C51	Graphite grey			
	996 552 985 03 S31	Savanna			
	996 552 985 03 J31	Nephrite green			
	996 552 985 03 M31	Boxster red			
	996 552 985 03 G11	Metropole blue			
	996 552 985 03 D12	Dark grey/natural			
	996 552 985 03 T12	Brown/natural			
	996 552 985 03 P12	Cinnamon brown			
4	996 552 984 05	Side vent Arctic silver Leather	/L	1	IXKE

Model: 996 98 Model life 1998>>2005

Pos	Part Number	Description	Remark	Qty	Model			
(4)	996 552 984 05 VRK	Black						
	996 552 984 05 C51	Graphite grey						
	996 552 984 05 S31	Savanna						
	996 552 984 05 J31	Nephrite green						
	996 552 984 05 M31	Boxster red						
	996 552 984 05 G11	Metropole blue						
	996 552 984 05 D12	Dark grey						
	996 552 984 05 T12	Brown/natural						
	996 552 984 05 P12	Cinnamon brown						
	996 552 985 05	Side vent Arctic silver Leather				/R	1	IXKE
4	996 552 985 05 VRK	Black						
	996 552 985 05 C51	Graphite grey						
	996 552 985 05 S31	Savanna						
	996 552 985 05 J31	Nephrite green						
	996 552 985 05 M31	Boxster red						
	996 552 985 05 G11	Metropole blue						
	996 552 985 05 D12	Dark grey						
	996 552 985 05 T12	Brown/natural						
	996 552 985 05 P12	Cinnamon brown						
	996 552 984 07	Side vent Aluminium look Leather				/L 03-	1	IXCC
(4)	996 552 984 07 VRK	Black						
	996 552 984 07 C51	Graphite grey						
	996 552 984 07 S31	Savanna						
	996 552 984 07 G11	Metropole blue						
	996 552 984 07 J31	Nephrite green						
	996 552 984 07 M31	Boxster red						
	996 552 984 07 P12	Cinnamon brown						
	996 552 984 07 D12	Dark grey/natural						
	996 552 984 07 T12	Brown/natural						
	996 552 985 07	Side vent Aluminium look Leather				/R 03-	1	IXCC
5	996 552 985 07 VRK	Black						
	996 552 985 07 C51	Graphite grey						
	996 552 985 07 S31	Savanna						
	996 552 985 07 G11	Metropole blue						
	996 552 985 07 J31	Nephrite green						
	996 552 985 07 M31	Boxster red						
	996 552 985 07 P12	Cinnamon brown						
	996 552 985 07 D12	Dark grey/natural						
	996 552 985 07 T12	Brown/natural						
	996 552 621 01	Cover Headlight levelling system Lacquered					1	
5	996 552 621 01 A03	Black						
	996 552 621 01 C53	Graphite grey						
	996 552 621 01 S33	Savanna						
	996 552 621 01 G13	Metropole blue						
	996 552 621 01 J33	Nephrite green						
	996 552 621 01 M33	Boxster red						
	996 552 621 01 P13	Cinnamon brown						
	996 552 986 00	Cover Headlight levelling system Leather					1	IXNH
	996 552 986 00 A11	Black						
	996 552 986 00 C51	Graphite grey						
996 552 986 00 S31	Savanna							
996 552 986 00 J31	Nephrite green							
996 552 986 00 M31	Boxster red							

Model: 996 98 Model life 1998>>2005

Pos	Part Number	Description	Remark	Qty	Model	
5	996 552 986 00 G11	Metropole blue		2	IXKB	
	996 552 986 00 D12	Dark grey/natural				
	996 552 986 00 T12	Brown/natural				
	996 552 986 00 P12	Cinnamon brown				
	996 552 986 01	Cover				
5	996 552 986 02	Headlight levelling system		2	IXKC	
		Rootwood				
		Light				
		Cover				
		Headlight levelling system				
5	996 552 986 03	Rootwood		2	IXKD	
		Dark				
		Cover				
		Headlight levelling system				
		Carbon				
6	996 552 417 02	Rosette		1	IXNH	
		Interior sensor				
		Lacquered				
		996 552 417 02 A03	Black			
		996 552 417 02 C53	Graphite grey			
		996 552 417 02 S33	Savanna			
		996 552 417 02 G13	Metropole blue			
		996 552 417 02 J33	Nephrite green			
		996 552 417 02 M33	Boxster red			
		996 552 417 02 P13	Cinnamon brown			
		996 552 987 00	Rosette			
		Interior sensor				
		Leather				
		996 552 987 00 A11	Black			
		996 552 987 00 C51	Graphite grey			
996 552 987 00 S31	Savanna					
996 552 987 00 J31	Nephrite green					
996 552 987 00 M31	Boxster red					
996 552 987 00 G11	Metropole blue					
996 552 987 00 D12	Dark grey/natural					
996 552 987 00 T12	Brown/natural					
996 552 987 00 P12	Cinnamon brown					
7	999 073 218 09	Tapping screw		4		
8	996 552 235 03	4,2 X 16		1		
		Rosette	/LL			
		Ignition starter lock				
		996 552 235 03 A03	Black			
		996 552 235 03 C53	Graphite grey			
		996 552 235 03 S33	Savanna			
		996 552 235 03 G13	Metropole blue			
		996 552 235 03 J33	Nephrite green			
		996 552 235 03 M33	Boxster red			
		996 552 235 03 P13	Cinnamon brown			
(8)	996 552 236 03	Rosette	/RL	1		
8	996 552 236 03	Ignition starter lock		1	IXJ4	
		Black				
		Graphite grey				
		Savanna				
		Metropole blue				
		Nephrite green				
		Boxster red				
		Cinnamon brown				
		Rosette	/LL			
		Ignition starter lock				
		Leather				
		996 552 980 00 A11	Black			
		996 552 980 00 C51	Graphite grey			
		996 552 980 00 S31	Savanna			

Model: 996 98 Model life 1998>>2005

Pos	Part Number	Description	Remark	Qty	Model
	996 552 980 00 G11	Metropole blue			
	996 552 980 00 J31	Nephrite green			
	996 552 980 00 M31	Boxster red			
	996 552 980 00 P12	Cinnamon brown			
	996 552 980 00 D12	Dark grey/natural			
	996 552 980 00 T12	Brown/natural			
(8)	996 552 980 01	Rosette	/RL	1	IXJ4
		Ignition starter lock			
		Leather			
	996 552 980 01 A11	Black			
	996 552 980 01 C51	Graphite grey			
	996 552 980 01 S31	Savanna			
	996 552 980 01 G11	Metropole blue			
	996 552 980 01 J31	Nephrite green			
	996 552 980 01 M31	Boxster red			
	996 552 980 01 P12	Cinnamon brown			
	996 552 980 01 D12	Dark grey/natural			
	996 552 980 01 T12	Brown/natural			
9	996 552 271 03	Cover		1	
		Steering			
	996 552 271 03 A03	Black			
	996 552 271 03 C53	Graphite grey			
	996 552 271 03 S33	Savanna			
	996 552 271 03 G13	Metropole blue			
	996 552 271 03 J33	Nephrite green			
	996 552 271 03 M33	Boxster red			
	996 552 271 03 P13	Cinnamon brown			
9	986 552 988 03	Cover		1	IXNS
		Steering			
		Leather			
	986 552 988 03 VRK	Black			
	986 552 988 03 S31	Savanna			
	986 552 988 03 G11	Metropole blue			
	986 552 988 03 J31	Nephrite green			
	986 552 988 03 M31	Boxster red			
	986 552 988 03 D12	Dark grey/natural			
	986 552 988 03 T12	Brown/natural			
	986 552 988 03 C51	Graphite grey			
	986 552 988 03 P12	Cinnamon brown			
10	999 919 123 09	Oval-head screw		8	
		5,0 X 20			
11	996 573 501 00	Adapter		2	
12	996 552 183 00	Support	/LL	1	
		Beverages			
	996 552 183 00 01C	Satin black			
12	996 552 183 02	Support	/LL	1	
		Beverages			
	996 552 183 02 01C	Satin black			
(12)	996 552 184 00	Support	/RL	1	
		Beverages			
	996 552 184 00 01C	Satin black			
12	996 552 958 00	Support	/LL	1	IXKR/XKS/XNN
		Beverages			
		Leather			
	996 552 958 00 A11	Black			
	996 552 958 00 C51	Graphite grey			
	996 552 958 00 S31	Savanna			
	996 552 958 00 G11	Metropole blue			
	996 552 958 00 J31	Nephrite green			
	996 552 958 00 M31	Boxster red			
	996 552 958 00 P12	Cinnamon brown			
	996 552 958 00 D12	Dark grey/natural			
	996 552 958 00 T12	Brown/natural			

Model: 996 98 Model life 1998>>2005

Pos	Part Number	Description	Remark	Qty	Model
(12)	996 552 958 01	Support Beverages Leather	/RL	1	IXKR/XKS/XNN
	996 552 958 01 A11	Black			
	996 552 958 01 C51	Graphite grey			
	996 552 958 01 S31	Savanna			
	996 552 958 01 G11	Metropole blue			
	996 552 958 01 J31	Nephrite green			
	996 552 958 01 M31	Boxster red			
	996 552 958 01 P12	Cinnamon brown			
	996 552 958 01 D12	Dark grey/natural			
	996 552 958 01 T12	Brown/natural			
13	996 552 231 11	Support frame		1	
	996 552 231 11 01C	Satin black			
(13)	996 552 231 13	Support frame	02	1	M662
	996 552 231 13 01C	Satin black			
(13)	996 552 231 12	Support frame	03-	1	M665
	996 552 231 12 01C	Satin black			
13	996 552 969 25	Support frame Leather		1	IXNN
	996 552 969 25 A11	Black			
	996 552 969 25 C51	Graphite grey			
	996 552 969 25 S31	Savanna			
	996 552 969 25 G11	Metropole blue			
	996 552 969 25 J31	Nephrite green	-03		
	996 552 969 25 M31	Boxster red			
	996 552 969 25 D12	Dark grey/natural			
	996 552 969 25 T12	Brown/natural			
	996 552 969 25 P12	Cinnamon brown			
(13)	996 552 969 27	Support frame Leather		1	IXNN/M662
	996 552 969 27 A11	Black			
	996 552 969 27 C51	Graphite grey			
	996 552 969 27 S31	Savanna			
	996 552 969 27 G11	Metropole blue			
	996 552 969 27 J31	Nephrite green			
	996 552 969 27 M31	Boxster red			
	996 552 969 27 D12	Dark grey			
	996 552 969 27 T12	Brown/natural			
	996 552 969 27 P12	Cinnamon brown			
(13)	996 552 969 26	Support frame Leather	03-	1	IXNN/M665
	996 552 969 26 A11	Black			
	996 552 969 26 C51	Graphite grey			
	996 552 969 26 S31	Savanna			
	996 552 969 26 G11	Metropole blue			
	996 552 969 26 J31	Nephrite green	-03		
	996 552 969 26 M31	Boxster red			
	996 552 969 26 D12	Dark grey/natural			
	996 552 969 26 T12	Brown/natural			
	996 552 969 26 P12	Cinnamon brown			
13	996 552 969 28	Support frame Rootwood Light	02-	1	IXKR
(13)	996 552 969 30	Support frame Rootwood Light	02	1	IXKR/M662
(13)	996 552 969 29	Support frame Rootwood Light	03-	1	IXKR/M665
13	996 552 969 31	Support frame Rootwood Dark	02-	1	IXKS

Model: 996 98 Model life 1998>>2005

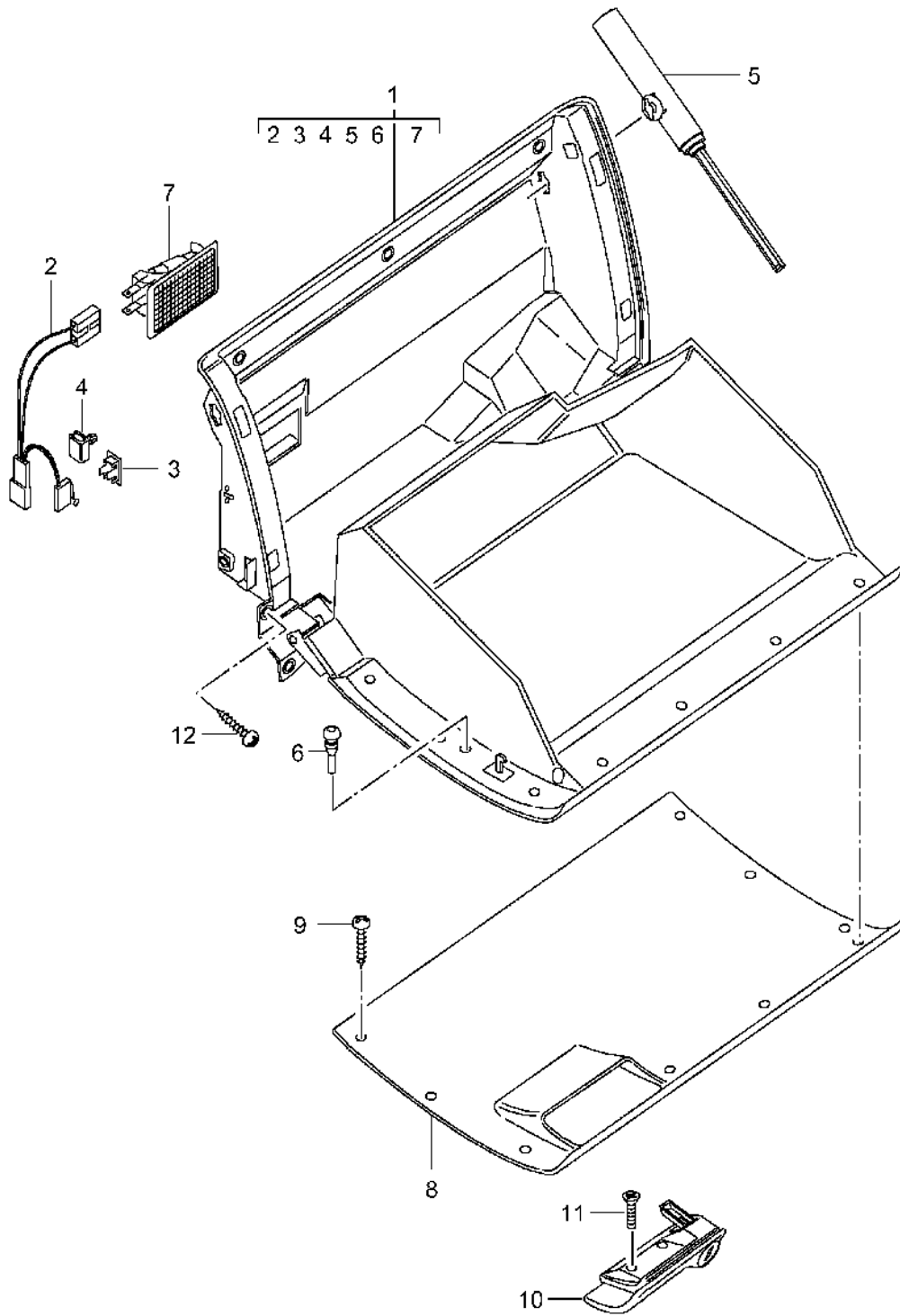
Pos	Part Number	Description	Remark	Qty	Model
(13)	996 552 969 33	Support frame Rootwood Dark	02	1	IXKS/M662
(13)	996 552 969 32	Support frame Rootwood Dark	03-	1	IXKS/M665
13	996 552 969 34	Support frame Carbon	02-	1	IXNR
(13)	996 552 969 36	Support frame Carbon	02	1	IXNR/M662
(13)	996 552 969 35	Support frame Carbon	03-	1	IXNR/M665
15	999 507 768 02	Speed nut 4,2		16	
(15)	999 507 767 02	Speed nut 4,2	01-	2	
16	999 073 218 09	Tapping screw 4,2 X 16		4	
17	900 143 076 09	Tapping screw 4,2 X 25		2	M573
18	996 552 263 01	Centre nozzle		1	
-	996 552 263 01 01C	Satin black			
-	999 507 770 09	Clamp 2,5		2	
18	996 552 950 00	Centre nozzle		1	IXKR/XKS/XNN IXNR
		Leather			
	996 552 950 00 A11	Black			
	996 552 950 00 C51	Graphite grey			
	996 552 950 00 S31	Savanna			
	996 552 950 00 G11	Metropole blue			
	996 552 950 00 J31	Nephrite green			
	996 552 950 00 M31	Boxster red			
	996 552 950 00 P12	Cinnamon brown			
	996 552 950 00 D12	Dark grey/natural			
	996 552 950 00 T12	Brown/natural			
18	996 552 951 00	Centre nozzle	03-	1	IXCD
		Aluminium look			
	996 552 951 00 A11	Black			
	996 552 951 00 C51	Graphite grey			
	996 552 951 00 S31	Savanna			
	996 552 951 00 G11	Metropole blue			
	996 552 951 00 J31	Nephrite green			
	996 552 951 00 M31	Boxster red			
	996 552 951 00 P12	Cinnamon brown			
	996 552 951 00 D12	Dark grey/natural			
	996 552 951 00 T12	Brown/natural			
19	996 552 233 06	Trim for switch Lacquered		1	
	996 552 233 06 A03	Black			
	996 552 233 06 C53	Graphite grey			
	996 552 233 06 S33	Savanna			
	996 552 233 06 G13	Metropole blue			
	996 552 233 06 J33	Nephrite green	-03		
	996 552 233 06 M33	Boxster red			
	996 552 233 06 P13	Cinnamon brown			
19	996 552 967 08	Trim for switch		1	IXNN
		Leather			
	996 552 967 08 A11	Black			
	996 552 967 08 C51	Graphite grey			
	996 552 967 08 S31	Savanna			
	996 552 967 08 G11	Metropole blue			
	996 552 967 08 J31	Nephrite green			

Model: 996 98 Model life 1998>>2005

Pos	Part Number	Description	Remark	Qty	Model
19	996 552 967 08 M31	Boxster red			
	996 552 967 08 D12	Dark grey/natural			
	996 552 967 08 T12	Brown/natural			
	996 552 967 08 P12	Cinnamon brown			
	996 552 967 09	Trim for switch Rootwood Light		1	IXKR
19	996 552 967 10	Trim for switch Rootwood Dark		1	IXKS
19	996 552 967 11	Trim for switch Carbon		1	IXNR
19	996 552 967 13	Trim for switch Arctic silver		1	IXKW
20	996 552 673 03	Retaining bar		1	
(20)	996 552 653 03	Retaining bar	02	1	M662
(20)	996 552 653 02	Retaining bar	03-	1	M665
21	999 073 218 09	Tapping screw 4,2 X 16		2	
22	986 552 153 00	Frame		1	M574
22	986 552 153 00 01C	Satin black			
	996 552 677 01	Cover		1	M573
22	996 552 677 01 01C	Satin black			
	996 552 992 00	Frame		1	IXKW/XNN M573
		Air-conditioning switch Leather			
	996 552 992 00 A11	Black			
	996 552 992 00 C51	Graphite grey			
	996 552 992 00 S31	Savanna			
	996 552 992 00 G11	Metropole blue			
	996 552 992 00 J31	Nephrite green			
	996 552 992 00 M31	Boxster red			
	996 552 992 00 D12	Dark grey/natural			
	996 552 992 00 T12	Brown/natural			
	996 552 992 00 P12	Cinnamon brown			
23	996 552 253 01	Shelf Instead of Radio		1	
23	996 552 253 01 01C	Satin black			
	996 552 994 01	Shelf Leather	02	1	IXMF
	996 552 994 01 A11	Black			
	996 552 994 01 C51	Graphite grey			
	996 552 994 01 S31	Savanna			
	996 552 994 01 J31	Nephrite green			
	996 552 994 01 M31	Boxster red			
	996 552 994 01 G11	Metropole blue			
	996 552 994 01 D12	Dark grey			
	996 552 994 01 T12	Brown/natural			
	996 552 994 01 P12	Cinnamon brown			
24		See group 4/03/06		1	
25	996 653 241 00	Interior sensor		1	

Model: 996 98

Model life 1998>>2005



Model: 996 98 Model life 1998>>2005

Pos	Part Number	Description	Remark	Qty	Model
1	996 552 119 00	Glove compartment	02-		
	996 552 119 00 01C	Glove compartment	/LL	1	
(1)	996 552 120 00	Satin black			
	996 552 120 00 01C	Glove compartment	/RL	1	
	996 552 120 00 01C	Satin black			
2	996 622 501 00	Wiring harness		1	
3	999 650 564 40	Clip		1	
		for			
		Wiring harness			
		Microswitch			
4	999 650 565 40	Clip		1	
		for			
		Wiring harness			
5	996 552 779 00	Damper		2	
6	999 703 491 50	Buffer		2	
		7 X 9,5 X 19,5			
7	928 632 101 00	Glove compartment light		1	
8	996 552 133 00	Glove compartment cover	/LL	1	
		Leatherette			
	996 552 133 00 A12	Black			
	996 552 133 00 C52	Graphite grey			
	996 552 133 00 S32	Savanna			
	996 552 133 00 G12	Metropole blue			
	996 552 133 00 J32	Nephrite green			
(8)	996 552 134 00	Glove compartment cover	/RL	1	
		Leatherette			
	996 552 134 00 A12	Black			
	996 552 134 00 C52	Graphite grey			
	996 552 134 00 S32	Savanna			
	996 552 134 00 G12	Metropole blue			
	996 552 134 00 J32	Nephrite green			
8	996 552 133 01	Glove compartment cover	/LL	1	
		Leather			
	996 552 133 01 A11	Black			
	996 552 133 01 C51	Graphite grey			
	996 552 133 01 S31	Savanna			
	996 552 133 01 G11	Metropole blue			
	996 552 133 01 J31	Nephrite green			
	996 552 133 01 M31	Boxster red			
	996 552 133 01 P12	Cinnamon brown			
	996 552 133 01 D12	Dark grey/natural			
	996 552 133 01 T12	Brown/natural			
(8)	996 552 134 01	Glove compartment cover	/RL	1	
		Leather			
	996 552 134 01 A11	Black			
	996 552 134 01 C51	Graphite grey			
	996 552 134 01 S31	Savanna			
	996 552 134 01 G11	Metropole blue			
	996 552 134 01 J31	Nephrite green			
	996 552 134 01 M31	Boxster red			
	996 552 134 01 P12	Cinnamon brown			
	996 552 134 01 D12	Dark grey/natural			
	996 552 134 01 T12	Brown/natural			
9	999 073 249 07	Tapping screw	02	11	
		3,5 X 11			
9	999 073 308 07	Tapping screw	03-	11	
		3,5 X 12			
10	996 552 349 00	Handle	/LL 02	1	
	996 552 349 00 V01	Silver			
(10)	996 552 350 00	Handle	/RL 02	1	
	996 552 350 00 V01	Silver			
10	996 552 349 01	Handle	/LL 03-	1	
	996 552 349 01 V03	Sport silver			

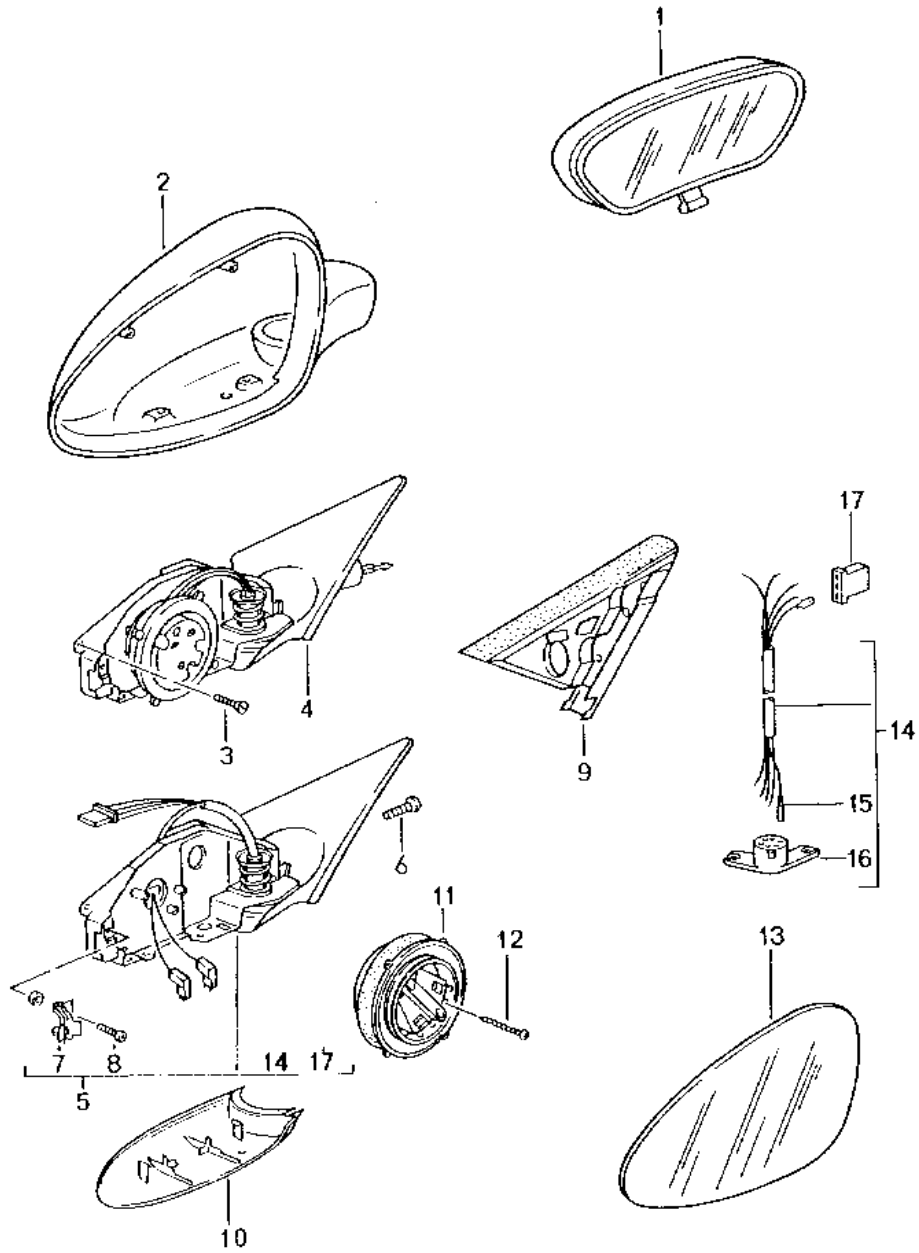
Model: 996 98

Model life 1998>>2005

Pos	Part Number	Description	Remark	Qty	Model
(10)	996 552 350 01	Handle	/RL 03-	1	
	996 552 350 01 V03	Sport silver			
-	996 552 915 00	Lock cylinder		1	
		Glove compartment			
		Vehicle Ident. No.			
		Indicate			
11	999 073 240 02	Screw		2	
		M 4 X 10			
12	999 073 169 07	Tapping screw		7	
		4,8 X 16			
13	996 552 879 00	Adapter	02-	2	
		for			
		Damper			

Model: 996 98

Model life 1998>>2005



Model: 996 98 Model life 1998>>2005

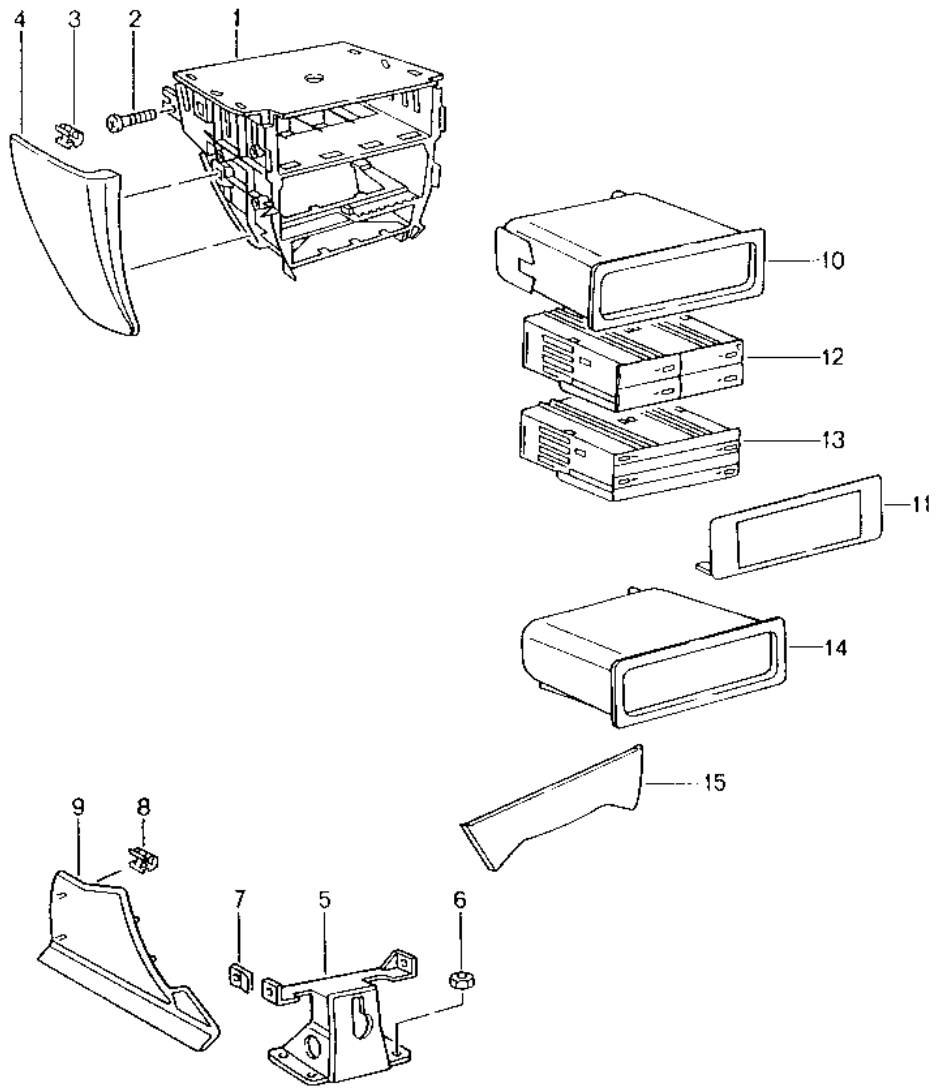
Pos	Part Number	Description	Remark	Qty	Model
		Interior mirror			
		Door mirror			
1	996 731 511 01	Interior mirror		1	
	996 731 511 01 01C	Satin black			
(1)	996 731 982 00	Interior mirror	-00	1	XEH/XE3
	996 731 982 00 01C	Satin black			
(1)	996 731 511 02	Interior mirror	01-	1	M265
	996 731 511 02 01C	Satin black			
-	996 731 811 01	Cover	/L 01-	1	M265
	996 731 811 01 01C	Satin black			
-	996 731 812 01	Cover	/R 01-	1	M265
	996 731 812 01 01C	Satin black			
2	996 731 619 00	Housing	/L	1	
	996 731 619 00 G2L	Prime coated			
(2)	996 731 620 00	Housing	/R	1	
	996 731 620 00 G2L	Prime coated			
3	999 919 170 02	Countersunk-head screw		6	
		3,0 X 10			
5	996 731 219 00	Mirror base	/LL /L	1	
		Door mirror			
		Electrically adjustable			
	996 731 219 00 G2L	Prime coated			
5	996 731 219 04	Mirror base	/LL /L 01-	1	M266
		Door mirror			
		Electrically adjustable			
	996 731 219 04 G2L	Prime coated			
(5)	996 731 220 00	Mirror base	/LL /R	1	
		Door mirror			
		Electrically adjustable			
	996 731 220 00 G2L	Prime coated			
(5)	996 731 219 01	Mirror base	/RL /L	1	
		Door mirror			
		Electrically adjustable			
	996 731 219 01 G2L	Prime coated			
(5)	996 731 220 01	Mirror base	/RL /R	1	
		Door mirror			
		Electrically adjustable			
	996 731 220 01 G2L	Prime coated			
(5)	996 731 220 04	Mirror base	/RL /R 01-	1	M266
		Door mirror			
		Electrically adjustable			
	996 731 220 04 G2L	Prime coated			
(5)	996 731 219 02	Mirror base	/LL /L	1	M537
		Door mirror			
		Electrically adjustable			
	996 731 219 02 G2L	Prime coated			
(5)	996 731 219 05	Mirror base	/LL /L 01-	1	M266/537
		Door mirror			
		Electrically adjustable			
	996 731 219 05 G2L	Prime coated			
(5)	996 731 220 02	Mirror base	/LL /R	1	M537
		Door mirror			
		Electrically adjustable			
	996 731 220 02 G2L	Prime coated			
(5)	996 731 219 03	Mirror base	/RL /L	1	M538
		Door mirror			
		Electrically adjustable			
	996 731 219 03 G2L	Prime coated			
(5)	996 731 220 03	Mirror base	/RL /R	1	M538
		Door mirror			
		Electrically adjustable			
	996 731 220 03 G2L	Prime coated			
(5)	996 731 220 05	Mirror base	/RL /R 01-	1	M266/538

Model: 996 98 Model life 1998>>2005

Pos	Part Number	Description	Remark	Qty	Model
6	996 731 220 05 G2L 999 073 125 02	Door mirror Electrically adjustable Prime coated Oval-head screw M 5 X 14		6	
7	999 507 549 02	Spring clamp		2	
8	900 278 010 02	Oval-head screw		2	
9	996 537 731 00	Filler piece	/L	1	
(9)	996 537 732 00	Filler piece Outer	/R	1	
(9)	996 537 733 00	Filler piece	/L	1	
(9)	996 537 734 00	Filler piece Inner	/R	1	
10	996 731 719 00	Cover Lower	/L	1	
(10)	996 731 719 00 G2L 996 731 720 00	Prime coated Cover Lower	/R	1	
11	996 731 720 00 G2L 996 624 047 00	Prime coated Adjusting motor Aspherical		2	
11	996 624 048 00	Adjusting motor Aspherical		2	M537/538
12	900 278 013 02	Oval-head screw M 3 X 30 Aspherical		6	
13	996 731 035 01	Mirror glass Aspherical	/L	1	M270
13	996 731 035 03	Mirror glass Plane Aspherical	/L 01-	1	M266/270
(13)	996 731 035 02	Mirror glass Aspherical	/L	1	M271
(13)	996 731 035 04	Mirror glass Aspherical	/L 01-	1	M266/271
(13)	996 731 037 01	Mirror glass Convex	/RL /L	1	
(13)	996 731 036 01	Mirror glass	/RL /R	1	M270
(13)	996 731 036 03	Mirror glass Plane	/RL /R 01-	1	M266/270
(13)	996 731 036 02	Mirror glass	/RL /R	1	M271
(13)	996 731 036 04	Mirror glass Aspherical	/RL /R 01-	1	M266/271
(13)	996 731 038 02	Mirror glass Convex	/LL /R	1	
(13)	996 731 038 04	Mirror glass Convex	/LL /R (SA)	1	
(14)	996 612 674 00	Wiring harness		1	
15	999 652 710 10	Cylindrical socket		30	
16	999 650 173 40	Pin connector socket 15-pole		2	
17	311 906 231 B	Connector housing 3-pole		2	
(17)	999 650 177 40	Plug socket 8-pole		2	M537/538
(17)	999 650 178 40	Slide 8-pole		2	M537/538

Model: 996 98

Model life 1998>>2005



Model: 996 98 Model life 1998>>2005

Pos	Part Number	Description	Remark	Qty	Model
1	996 552 115 01	Centre console Front Bracket	98	1	
	996 552 115 01 01C	Satin black Information available			
1	996 552 115 02	Bracket	99-	1	
	996 552 115 02 01C	Satin black			
1	996 552 973 01	Bracket Leather		1	IXMF
	996 552 973 01 A11	Black			
	996 552 973 01 C51	Graphite grey			
	996 552 973 01 S31	Savanna			
	996 552 973 01 J31	Nephrite green			
	996 552 973 01 M31	Boxster red			
	996 552 973 01 G11	Metropole blue			
	996 552 973 01 D12	Dark grey/natural			
	996 552 973 01 T12	Brown/natural			
	996 552 973 01 P12	Cinnamon brown	01-		
2	999 919 121 09	Oval-head screw 5,0 X 16		4	
3	999 507 476 01	Clamp 8,0 X 10,2		3	
4	996 552 091 05	Cover Leatherette	/L 98	1	
	996 552 091 05 A18	Black			
	996 552 091 05 C18	Graphite grey			
	996 552 091 05 S18	Savanna			
	996 552 091 05 G18	Metropole blue			
	996 552 091 05 B18	Space grey			
(4)	996 552 092 05	Cover Leatherette	/R 98	1	
	996 552 092 05 A18	Black			
	996 552 092 05 C18	Graphite grey			
	996 552 092 05 S18	Savanna			
	996 552 092 05 G18	Metropole blue			
	996 552 092 05 B18	Space grey			
(4)	996 552 091 06	Cover Leatherette	/L 99	1	
	996 552 091 06 A18	Black			
	996 552 091 06 C18	Graphite grey			
	996 552 091 06 S18	Savanna			
	996 552 091 06 G18	Metropole blue			
	996 552 091 06 B18	Space grey			
(4)	996 552 092 06	Cover Leatherette	/R 99	1	
	996 552 092 06 A18	Black			
	996 552 092 06 C18	Graphite grey			
	996 552 092 06 S18	Savanna			
	996 552 092 06 G18	Metropole blue			
	996 552 092 06 B18	Space grey			
4	996 552 091 06	Cover Leatherette	/L 00-	1	
	996 552 091 06 A12	Black			
	996 552 091 06 C52	Graphite grey			
	996 552 091 06 S32	Savanna			
	996 552 091 06 G12	Metropole blue			
	996 552 091 06 B52	Space grey	00		
	996 552 091 06 J32	Nephrite green	01-		
(4)	996 552 092 06	Cover Leatherette	/R 00-	1	
	996 552 092 06 A12	Black			
	996 552 092 06 C52	Graphite grey			
	996 552 092 06 S32	Savanna			

Model: 996 98 Model life 1998>>2005

Pos	Part Number	Description	Remark	Qty	Model			
4	996 552 092 06 G12	Metropole blue		1				
	996 552 092 06 B52	Space grey	00					
	996 552 092 06 J32	Nephrite green	01-					
	996 552 091 03	Cover	/L 98					
		Leather						
	996 552 091 03 A11	Black						
	996 552 091 03 C51	Graphite grey						
	996 552 091 03 S31	Savanna						
	996 552 091 03 J31	Nephrite green						
	996 552 091 03 M31	Boxster red						
(4)	996 552 091 03 G11	Metropole blue		1				
	996 552 091 03 B51	Space grey						
	996 552 092 03	Cover	/R 98					
		Leather						
	996 552 092 03 A11	Black						
	996 552 092 03 C51	Graphite grey						
	996 552 092 03 S31	Savanna						
	996 552 092 03 J31	Nephrite green						
	996 552 092 03 M31	Boxster red						
	996 552 092 03 G11	Metropole blue						
4	996 552 092 03 B51	Space grey		1				
	996 552 091 07	Cover	/L 99-					
		Leather						
	996 552 091 07 A11	Black						
	996 552 091 07 C51	Graphite grey						
	996 552 091 07 S31	Savanna						
	996 552 091 07 J31	Nephrite green						
	996 552 091 07 M31	Boxster red						
	996 552 091 07 G11	Metropole blue						
	996 552 091 07 B51	Space grey						
(4)	996 552 091 07 D12	Dark grey/natural	00-	1				
	996 552 091 07 T12	Brown/natural	00-					
	996 552 091 07 P12	Cinnamon brown	01-					
	996 552 092 07	Cover	/R 99-					
		Leather						
	996 552 092 07 A11	Black						
	996 552 092 07 C51	Graphite grey						
	996 552 092 07 S31	Savanna						
	996 552 092 07 J31	Nephrite green						
	996 552 092 07 M31	Boxster red						
(5)	996 552 092 07 G11	Metropole blue		1	M581			
	996 552 092 07 B51	Space grey						
	996 552 092 07 D12	Dark grey/natural	00-					
	996 552 092 07 T12	Brown/natural	00-					
	996 552 092 07 P12	Cinnamon brown	01-					
	996 552 267 05	Support						
		Lower						
	6	999 084 629 09	Hexagon nut				4	
			M 6					
	6	999 084 629 01	Hexagon nut				4	
		M 6						
7	999 920 011 40	Plug-in nut		4				
		5,0 X 1,0 X 8						
8	999 507 476 01	Clamp		2				
		8,0 X 10,2						
9	996 552 113 02	Cover	/L	1				
		Carpet						
	996 552 113 02 A10	Black						
	996 552 113 02 C50	Graphite grey						
	996 552 113 02 S30	Savanna						
	996 552 113 02 J30	Nephrite green						
	996 552 113 02 M30	Boxster red						
	996 552 113 02 G10	Metropole blue						

Model: 996 98 Model life 1998>>2005

Pos	Part Number	Description	Remark	Qty	Model
	996 552 113 02 B50	Space grey	-00		
	996 552 113 02 D11	Dark grey/natural	00-		
	996 552 113 02 T11	Brown/natural	00-		
	996 552 113 02 P11	Cinnamon brown	01-		
(9)	996 552 114 02	Cover	/R	1	
		Carpet			
	996 552 114 02 A10	Black			
	996 552 114 02 C50	Graphite grey			
	996 552 114 02 S30	Savanna			
	996 552 114 02 J30	Nephrite green			
	996 552 114 02 M30	Boxster red			
	996 552 114 02 G10	Metropole blue			
	996 552 114 02 B50	Space grey	-00		
	996 552 114 02 D11	Dark grey/natural	00-		
	996 552 114 02 T11	Brown/natural	00-		
	996 552 114 02 P11	Cinnamon brown	01-		
10	996 552 253 01	Shelf		1	
	996 552 253 01 01C	Satin black			
10	996 552 994 01	Shelf	01-02	1	IXMF
		Leather			
	996 552 994 01 A11	Black			
	996 552 994 01 C51	Graphite grey			
	996 552 994 01 S31	Savanna			
	996 552 994 01 J31	Nephrite green			
	996 552 994 01 M31	Boxster red			
	996 552 994 01 G11	Metropole blue			
	996 552 994 01 D12	Dark grey			
	996 552 994 01 T12	Brown/natural			
	996 552 994 01 P12	Cinnamon brown			
11	996 552 443 00	Frame		1	
	996 552 443 00 01C	Satin black			
(11)	996 552 992 00	Frame	01-	1	IXKW/XNN
		Air-conditioning switch			
		Leather			
	996 552 992 00 A11	Black			
	996 552 992 00 C51	Graphite grey			
	996 552 992 00 S31	Savanna			
	996 552 992 00 G11	Metropole blue			
	996 552 992 00 J31	Nephrite green			
	996 552 992 00 M31	Boxster red			
	996 552 992 00 D12	Dark grey/natural			
	996 552 992 00 T12	Brown/natural			
	996 552 992 00 P12	Cinnamon brown			
12	996 552 763 00	Cassette box	-02	4	M421
(12)	996 552 981 01	Tray	01-02	1	IXMF/M421
		Cassette box			
		Leather			
	996 552 981 01 A11	Black			
	996 552 981 01 C51	Graphite grey			
	996 552 981 01 S31	Savanna			
	996 552 981 01 G11	Metropole blue			
	996 552 981 01 J31	Nephrite green			
	996 552 981 01 M31	Boxster red			
	996 552 981 01 D12	Dark grey/natural			
	996 552 981 01 T12	Brown/natural			
	996 552 981 01 P12	Cinnamon brown			
13	996 552 773 00	Box for cds		1	M424
(13)	996 552 981 00	Tray	01-	1	IXMF/M424
		Box for cds			
		Leather			
	996 552 981 00 A11	Black			
	996 552 981 00 C51	Graphite grey			
	996 552 981 00 S31	Savanna			

Model: 996 98 Model life 1998>>2005

Pos	Part Number	Description	Remark	Qty	Model
	996 552 981 00 G11	Metropole blue			
	996 552 981 00 J31	Nephrite green			
	996 552 981 00 M31	Boxster red			
	996 552 981 00 D12	Dark grey/natural			
	996 552 981 00 T12	Brown/natural			
	996 552 981 00 P12	Cinnamon brown			
14	996 552 243 01	Shelf		1	
	996 552 243 01 01C	Satin black			
14	996 552 982 01	Shelf	01-	1	IXMF
		Leather			
	996 552 982 01 A11	Black			
	996 552 982 01 C51	Graphite grey			
	996 552 982 01 S31	Savanna			
	996 552 982 01 J31	Nephrite green			
	996 552 982 01 M31	Boxster red			
	996 552 982 01 G11	Metropole blue			
	996 552 982 01 D12	Dark grey/natural			
	996 552 982 01 T12	Brown/natural			
	996 552 982 01 P12	Cinnamon brown			
(14)	996 552 963 00	Cover	01-	1	IXMF/XNN
		Leather			
	996 552 963 00 A11	Black			
	996 552 963 00 C51	Graphite grey			
	996 552 963 00 S31	Savanna			
	996 552 963 00 G11	Metropole blue			
	996 552 963 00 J31	Nephrite green			
	996 552 963 00 M31	Boxster red			
	996 552 963 00 D12	Dark grey			
	996 552 963 00 T12	Brown/natural			
	996 552 963 00 P12	Cinnamon brown			
(14)	996 552 963 01	Cover	01-	1	IXKR
		Rootwood			
		Light			
(14)	996 552 963 02	Frame	01-	1	IXKS
		Rootwood			
		Dark			
(14)	996 552 963 04	Cover	01-	1	IXNR
		Carbon			
15	996 552 335 00	Trim for switch		1	
	996 552 335 00 01C	Satin black			
(15)	996 552 335 01	Trim for switch		1	TARGA M139/340
		4			
		Hole			
(15)	996 552 335 01 01C	Satin black		1	M139/340
(15)	996 552 335 02	Trim for switch			
		2			
		Hole			
(15)	996 552 335 02 01C	Satin black			
(15)	996 552 972 00	Trim for switch	01-	1	IXKR/M581
		Light maple rootwood			
(15)	996 552 972 01	Trim for switch	01-	1	139/340 IXKR
		2			
		Hole			
		Light maple rootwood			
(15)	996 552 972 06	Trim for switch		1	TARGA 139/340 IXKR
		4			
		Hole			
		Light maple rootwood			
(15)	996 552 972 04	Trim for switch	01-	1	/581

Model: 996 98

Model life 1998>>2005

Pos	Part Number	Description	Remark	Qty	Model
		Carbon			IXNR
(15)	996 552 972 05	Trim for switch	01-	1	/139/340 IXNR
		2			
		Hole			
(15)	996 552 972 08	Carbon Trim for switch		1	TARGA /139/340 IXNR
		4			
		Hole			
		Carbon			
(15)	996 552 972 02	Trim for switch	01-	1	IXKS/M581
(15)	996 552 972 03	Trim for switch	01-	1	139/340 IXKS
		2			
		Hole			
(15)	996 552 972 07	Trim for switch		1	TARGA M139/340
		4			
		Hole			
		Dark maple rootwood			
15	996 552 983 00	Trim for switch	01-	1	IXKW/XMF/XNN
		Leather			
	996 552 983 00 A11	Black			
	996 552 983 00 C51	Graphite grey			
	996 552 983 00 S31	Savanna			
	996 552 983 00 J31	Nephrite green			
	996 552 983 00 M31	Boxster red			
	996 552 983 00 G11	Metropole blue			
	996 552 983 00 D12	Dark grey/natural			
	996 552 983 00 T12	Brown/natural			
	996 552 983 00 P12	Cinnamon brown			
(15)	996 552 983 01	Trim for switch	01-	1	IXKW/XMF/XNN M139/340
		2			
		Hole			
		Leather			
	996 552 983 01 A11	Black			
	996 552 983 01 C51	Graphite grey			
	996 552 983 01 S31	Savanna			
	996 552 983 01 J31	Nephrite green			
	996 552 983 01 M31	Boxster red			
	996 552 983 01 G11	Metropole blue			
	996 552 983 01 D12	Dark grey			
	996 552 983 01 T12	Brown/natural			
	996 552 983 01 P12	Cinnamon brown			
(15)	996 552 983 02	Trim for switch		1	TARGA IXMF/XNN M139/340
		4			
		Hole			
		Leather			
	996 552 983 02 A11	Black			
	996 552 983 02 C51	Graphite grey			
	996 552 983 02 S31	Savanna			
	996 552 983 02 J31	Nephrite green			
	996 552 983 02 M31	Boxster red			
	996 552 983 02 G11	Metropole blue			
	996 552 983 02 D12	Dark grey/natural			
	996 552 983 02 T12	Brown/natural			
	996 552 983 02 P12	Cinnamon brown			

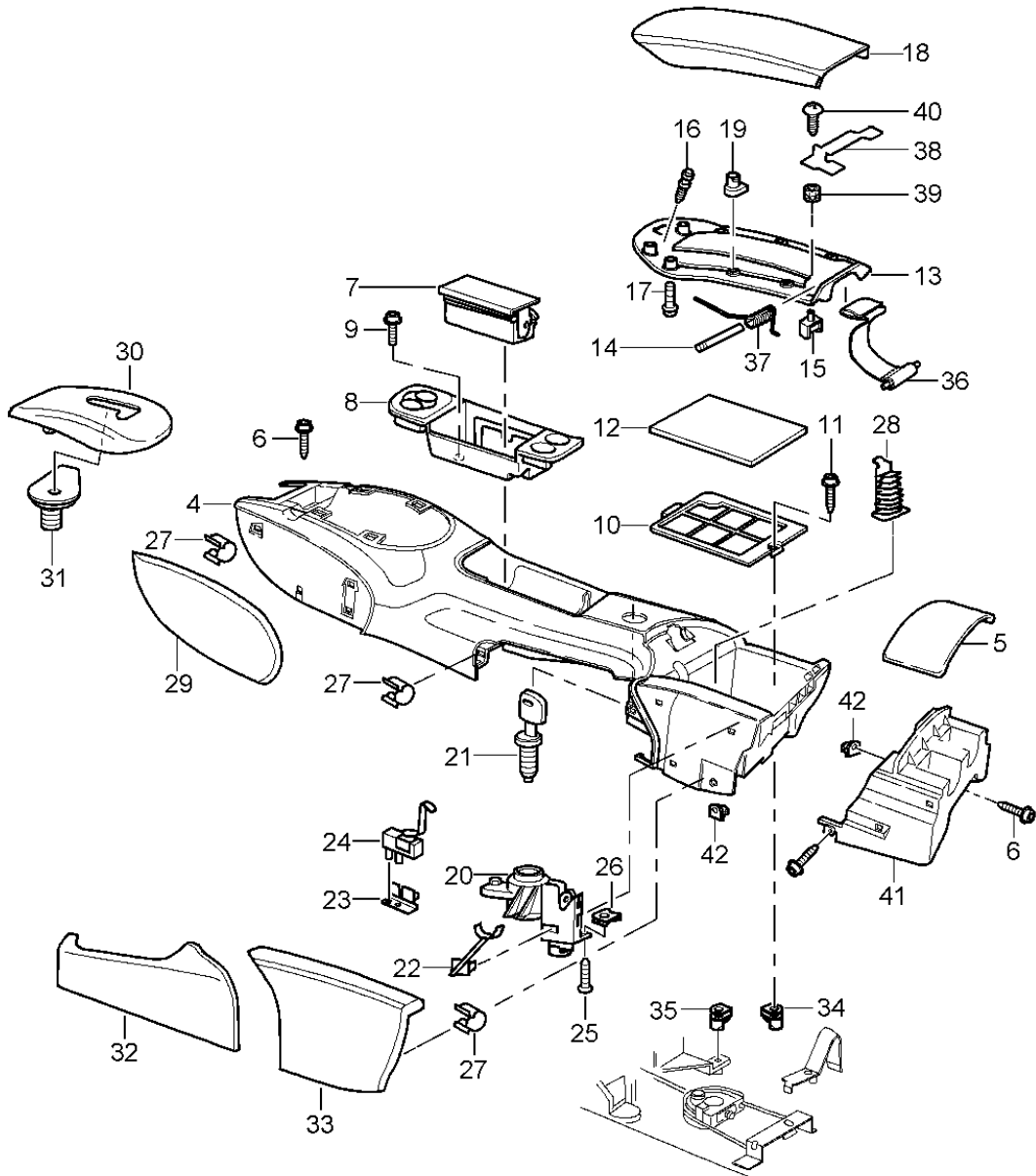
Model: 996 98

Model life 1998>>2005

Pos	Part Number	Description	Remark	Qty	Model
(15)		Trim for switch Centre console Vehicle Ident. No. Indicate	00	1	M094
(15)		Trim for switch Centre console Vehicle Ident. No. Indicate	04	1	M095

Model: 996 98

Model life 1998>>2005



Model: 996 98 Model life 1998>>2005

Pos	Part Number	Description	Remark	Qty	Model
4	996 552 125 03	Centre console Centre		1	
	996 552 125 03 D05	Granite grey	-99		
	996 552 125 03 A03	Black	00-		
	996 552 125 03 C53	Graphite grey	00-		
	996 552 125 03 S33	Savanna	00-		
	996 552 125 03 G13	Metropole blue	00-		
	996 552 125 03 B13	Space grey	00		
	996 552 125 03 J33	Nephrite green	-03		
	996 552 125 03 M33	Boxster red	00-		
	996 552 125 03 P13	Cinnamon brown	01-		
4	996 552 125 04	Centre console Lacquered	04	1	M095
	996 552 125 04 M7Z	GT Silver Metallic			
4	986 552 995 09	Centre console	-02	1	IXJB
	986 552 995 09 92U	Arctic silver metallic			
4	986 552 995 09	Centre console	01-	1	IXME
	986 552 995 09 39G	Violet metallic	-01		
	986 552 995 09 746	Black-metallic	-01		
	986 552 995 09 3W7	Dark blue	-01		
	986 552 995 09 23I	Wimbledon green metallic	-01		
	986 552 995 09 9A3	Biarritz white	-01		
	986 552 995 09 2A2	Rainforest green metallic	-02		
	986 552 995 09 92U	Arctic silver metallic			
	986 552 995 09 041	Black			
	986 552 995 09 84A	Guards red			
	986 552 995 09 12H	Speed yellow			
	986 552 995 09 8A3	Orient red metallic			
	986 552 995 09 M5W	Lapis blue metallic			
	986 552 995 09 6A6	Meridian metallic			
	986 552 995 09 39C	Midnight Blue Metallic			
	986 552 995 09 6B4	Seal grey metallic			
	986 552 995 09 2B4	Forest green metallic			
	986 552 995 09 3C8	Cobalt blue metallic			
	986 552 995 09 92M	Polar silver metallic			
	986 552 995 09 23F	Slate grey metallic			
	986 552 995 09 1A8	Zanzibar red			
	986 552 995 09 B9A	Carrara white	02-		
	986 552 995 09 C9Z	Basalt black metallic	02-		
	986 552 995 09 M6W	Lagoon green metallic	03-		
4	986 552 995 09	Centre console	03-	1	IXCE
	986 552 995 09 V03	Sport silver			
4	986 552 995 01	Centre console		1	IXMZ
	986 552 995 01 VRK	Black			
	986 552 995 01 C51	Graphite grey			
	986 552 995 01 S31	Savanna			
	986 552 995 01 G11	Metropole blue			
	986 552 995 01 J31	Nephrite green			
	986 552 995 01 M31	Boxster red			
	986 552 995 01 D12	Dark grey/natural			
	986 552 995 01 T12	Brown/natural			
	986 552 995 01 P12	Cinnamon brown	01-		
4	986 552 995 05	Centre console Leather		1	IXMZ
	986 552 995 05 VRK	Black			
	986 552 995 05 C51	Graphite grey			
	986 552 995 05 S31	Savanna			
	986 552 995 05 G11	Metropole blue			
	986 552 995 05 J31	Nephrite green			
	986 552 995 05 M31	Boxster red			
	986 552 995 05 D12	Dark grey/natural			
	986 552 995 05 T12	Brown/natural			

Model: 996 98 Model life 1998>>2005

Pos	Part Number	Description	Remark	Qty	Model
4	986 552 995 05 P12	Cinnamon brown			
	986 552 995 08	Centre console	01-	1	IXMJ
		Carbon			
4	986 552 995 03	Centre console	01	1	IXML
4	986 552 995 06	Centre console	02-	1	IXML
		Rootwood			
		Light			
4	986 552 995 07	Centre console	01-	1	IXNB
		Rootwood			
		Dark			
-	996 552 841 01	Sound absorber		1	
		Front			
-	996 552 841 02	Sound absorber		1	
		Front			
-	996 552 843 01	Sound absorber		1	
		Centre			
-	996 552 845 01	Sound absorber		1	
		Rear			
(5)	996 552 127 00	Extension	/H	1	COUPE/TARGA
		Upper part			
		Leather			
	996 552 127 00 A11	Black			
	996 552 127 00 C51	Graphite grey			
	996 552 127 00 S31	Savanna			
	996 552 127 00 G11	Metropole blue			
	996 552 127 00 B51	Space grey	-00		
	996 552 127 00 J31	Nephrite green	-03		
	996 552 127 00 M31	Boxster red			
	996 552 127 00 P12	Cinnamon brown	01-		
	996 552 127 00 D12	Dark grey/natural	00-		
	996 552 127 00 T12	Brown/natural	00-		
(5)	996 552 962 00	Extension	/H 01-	1	COUPE/TARGA
		Upper part			IXMZ
		Leather			
	996 552 962 00 VRK	Black			
	996 552 962 00 C51	Graphite grey			
	996 552 962 00 S31	Savanna			
	996 552 962 00 G11	Metropole blue			
	996 552 962 00 J31	Nephrite green	-03		
	996 552 962 00 M31	Boxster red			
	996 552 962 00 D12	Dark grey/natural			
	996 552 962 00 T12	Brown/natural			
	996 552 962 00 P12	Cinnamon brown			
6	999 919 121 09	Oval-head screw		X	
		5,0 X 16			
7	996 552 595 01	Insert		1	
		Ashtray			
	996 552 595 01 D05	Granite grey	-99		
	996 552 595 01 A03	Black	00-		
	996 552 595 01 C53	Graphite grey	00-		
	996 552 595 01 S33	Savanna	00-		
	996 552 595 01 G13	Metropole blue	00-		
	996 552 595 01 B13	Space grey	00		
	996 552 595 01 J33	Nephrite green	-03		
	996 552 595 01 M33	Boxster red	00-		
	996 552 595 01 P13	Cinnamon brown	01-		
7	996 552 595 02	Insert	04	1	M095
		Ashtray			
		Lacquered			
	996 552 595 02 M7Z	GT Silver Metallic			
7	986 552 997 01	Insert	01-	1	IXMZ
		Ashtray			

Model: 996 98 Model life 1998>>2005

Pos	Part Number	Description	Remark	Qty	Model
	986 552 997 01 A11	Leather Black			
	986 552 997 01 C51	Graphite grey			
	986 552 997 01 S31	Savanna			
	986 552 997 01 G11	Metropole blue			
	986 552 997 01 J31	Nephrite green			
	986 552 997 01 M31	Boxster red			
	986 552 997 01 D12	Dark grey/natural			
	986 552 997 01 T12	Brown/natural			
	986 552 997 01 P12	Cinnamon brown			
7	986 552 997 02	Insert Ashtray	01-	1	IXMJ
		Carbon			
7	986 552 997 03	Insert Ashtray	01-	1	IXML
		Rootwood			
		Light			
7	986 552 997 04	Insert Ashtray	01-	1	IXNB
		Rootwood			
		Dark			
7	986 552 997 00	Insert Ashtray	01-	1	
		Lacquered			
	986 552 997 00 92T	Arctic silver	-02		
	986 552 997 00 V03	Silver	03-		IXCE
	986 552 997 00 G2X	Prime coated			
8	996 552 095 01	Ashtray		1	
		Lacquered			
	996 552 095 01 D05	Granite grey	-99		
	996 552 095 01 A03	Black	00-		
	996 552 095 01 C53	Graphite grey	00-		
	996 552 095 01 S33	Savanna	00-		
	996 552 095 01 G13	Metropole blue	00-		
	996 552 095 01 B13	Space grey	00		
	996 552 095 01 J33	Nephrite green			
	996 552 095 01 M33	Boxster red	00-		
	996 552 095 01 P13	Cinnamon brown	01-		
8	996 552 095 02	Ashtray		1	
		Lacquered			
	996 552 095 02 D05	Granite grey	-99		
	996 552 095 02 A03	Black			
	996 552 095 02 C53	Graphite grey			
	996 552 095 02 S33	Savanna			
	996 552 095 02 G13	Metropole blue			
	996 552 095 02 B13	Space grey			
	996 552 095 02 J33	Nephrite green	-03		
	996 552 095 02 M33	Boxster red			
	996 552 095 02 P13	Cinnamon brown	01-		
-	996 632 113 00	Ashtray light		1	
8	996 552 095 03	Ashtray	04	1	M095
		Lacquered			
	996 552 095 03 M7Z	GT Silver Metallic			
(8)	986 552 996 05	Ashtray		1	IXMZ
		Leather			
	986 552 996 05 A11	Black			
	986 552 996 05 C51	Graphite grey			
	986 552 996 05 S31	Savanna			
	986 552 996 05 G11	Metropole blue			
	986 552 996 05 J31	Nephrite green			
	986 552 996 05 M31	Boxster red			
	986 552 996 05 D12	Dark grey/natural			

Model: 996 98 Model life 1998>>2005

Pos	Part Number	Description	Remark	Qty	Model
(8)	986 552 996 05 T12	Brown/natural			
	986 552 996 05 P12	Cinnamon brown	01-		
	986 552 996 06	Ashtray Rootwood Light	01-	1	IXML
(8)	986 552 996 07	Ashtray Rootwood Dark	01-	1	IXNB
(8)	986 552 996 08	Ashtray Carbon	01-	1	IXMJ
(8)	986 552 996 09	Ashtray	01-	1	IXJB
	986 552 996 09 92T	Arctic silver	-02		
(8)	986 552 996 09 V03	Silver	03-		IXCE
	996 552 096 01	Shelf		1	M580
	996 552 096 01 D05	Granite grey	-99		
	996 552 096 01 A03	Black	00-		
-	996 552 596 00	Insert		1	M580
(9)	999 591 941 40	Expansion rivet with Expander nut		2	
10	996 552 365 00	Floor Shelf		1	
11	999 919 121 09	Oval-head screw M 5 X 16		1	
12	996 552 665 00	Insert Shelf		1	
13	996 552 205 00	Lid		1	
	996 552 205 00 01C	Satin black			
13	996 552 375 00	Lid Centre console INTERNTEIL ZSB 99655220500 01C		1	
13	996 552 305 01	Lid		1	
	996 552 305 01 01C	Satin black INTERNTEIL ZSB 99655220500 01C			
14	996 552 605 00	Hinge pin		1	
15	996 552 813 00	Support		2	
16	996 552 833 00	Rubber stop		2	
17	999 919 175 09	Oval-head screw 3,5 X 12		8	
18	996 552 155 03	Lid Leather		1	
	996 552 155 03 A11	Black			
	996 552 155 03 C51	Graphite grey			
	996 552 155 03 S31	Savanna			
	996 552 155 03 J31	Nephrite green			
	996 552 155 03 M31	Boxster red			
	996 552 155 03 G11	Metropole blue			
	996 552 155 03 B51	Space grey	-00		
	996 552 155 03 D12	Dark grey/natural	00-		
	996 552 155 03 T12	Brown/natural	00-		
	996 552 155 03 P12	Cinnamon brown	01-		
	996 552 965 00	Lid Leather	01-	1	IXMZ
	996 552 965 00 VRK	Black			
	996 552 965 00 C51	Graphite grey			
	996 552 965 00 S31	Savanna			
996 552 965 00 G11	Metropole blue				
996 552 965 00 J31	Nephrite green				
996 552 965 00 M31	Boxster red				
996 552 965 00 D12	Dark grey				
996 552 965 00 T12	Brown/natural				

Model: 996 98 Model life 1998>>2005

Pos	Part Number	Description	Remark	Qty	Model
19	996 552 965 00 P12 999 920 017 40	Cinnamon brown Plug-in nut 3,5 X 2,5 X 5		8	
20	996 552 097 01	Lock		1	
21	996 552 097 01 01C	Satin black		1	
	996 552 907 00	Lock cylinder W/o stipulated lock number			
21	996 552 907 01	Lock cylinder State lock number		1	
22	986 552 297 00	Cover		1	
23	986 552 297 00 B12	Black-grey		1	
	996 637 211 00	Support			
24	996 613 205 00	Microswitch		1	
25	999 919 121 09	Oval-head screw 5 X 16		3	
	999 920 017 40	Plug-in nut 3,5 X 2,5 X 5			
26	999 507 476 01	Clamp 8,0 X 10,2		25	
	996 552 695 00	Coin box			
28	996 552 695 00 01C	Satin black		1	
	996 552 087 05	Cover	/L -99		
29	996 552 087 05 A18	Leatherette Black		1	M581
	996 552 087 05 C18	Graphite grey			
(29)	996 552 087 05 S18	Savanna		1	M581
	996 552 087 05 G18	Metropole blue			
(29)	996 552 087 05 B18	Space grey Cover	/R -99	1	M581
	996 552 088 05 A18	Leatherette Black			
29	996 552 088 05 C18	Graphite grey		1	M581
	996 552 088 05 S18	Savanna			
(29)	996 552 088 05 G18	Metropole blue		1	M581
	996 552 088 05 B18	Space grey Cover	/L 00-		
(29)	996 552 087 05 A12	Leatherette Black		1	M581
	996 552 087 05 C52	Graphite grey			
(29)	996 552 087 05 S32	Savanna		1	M581
	996 552 087 05 G12	Metropole blue			
(29)	996 552 087 05 B52	Space grey	-00	1	M581
	996 552 087 05 J32	Nephrite green Cover	01- /R 00-		
29	996 552 088 05 A12	Leatherette Black		1	M581
	996 552 088 05 C52	Graphite grey			
29	996 552 088 05 S32	Savanna		1	M581
	996 552 088 05 G12	Metropole blue			
29	996 552 088 05 B52	Space grey	-00	1	M581
	996 552 088 05 J32	Nephrite green Cover	01- /L		
29	996 552 087 03 A11	Leather Black		1	M581
	996 552 087 03 C51	Graphite grey			
29	996 552 087 03 S31	Savanna		1	M581
	996 552 087 03 J31	Nephrite green			
29	996 552 087 03 M31	Boxster red		1	M581
	996 552 087 03 G11	Metropole blue			
29	996 552 087 03 B51	Space grey		1	M581
	996 552 087 03 D12	Dark grey/natural	00-		
29	996 552 087 03 T12	Brown/natural	00-	1	M581
	996 552 087 03 P12	Cinnamon brown	01-		

Model: 996 98 Model life 1998>>2005

Pos	Part Number	Description	Remark	Qty	Model
-	996 552 187 01	Bracket Centre console Rear ZSB INTERNTEIL		1	
(29)	996 552 088 03	Cover Leather	/R	1	M581
	996 552 088 03 A11	Black			
	996 552 088 03 C51	Graphite grey			
	996 552 088 03 S31	Savanna			
	996 552 088 03 J31	Nephrite green			
	996 552 088 03 M31	Boxster red			
	996 552 088 03 G11	Metropole blue			
	996 552 088 03 B51	Space grey			
	996 552 088 03 D12	Dark grey/natural	00-		
	996 552 088 03 T12	Brown/natural	00-		
	996 552 088 03 P12	Cinnamon brown	01-		
(30)	996 552 655 01	Retaining frame		1	M480
30	996 552 257 02	Cover Lacquered	/LL 98	1	M249
(30)	996 552 257 02 EJM	Granite grey			
(30)	996 552 257 04	Cover Lacquered	/RL 98	1	M249
(30)	996 552 257 04 EJM	Granite grey			
(30)	996 552 259 00	Cover Lacquered	/LL 99-02	1	M249
	996 552 259 00 EOW	Granite grey	99		
		Silver	99		
	996 552 259 00 EOY	Black	00-		
	996 552 259 00 ETR	Graphite grey	00-		
	996 552 259 00 ETS	Savanna	00-		
	996 552 259 00 ETT	Metropole blue	00-		
	996 552 259 00 ETU	Space grey	00		
	996 552 259 00 ETV	Nephrite green	00-		
	996 552 259 00 ETW	Boxster red	00-		
	996 552 259 00 FAO	Cinnamon brown	01-		
(30)	996 552 259 01	Cover Lacquered	/RL 99-02	1	M249
	996 552 259 01 EOW	Granite grey	99		
		Silver	99		
	996 552 259 01 EOY	Black	00-		
	996 552 259 01 ETR	Graphite grey	00-		
	996 552 259 01 ETS	Savanna	00-		
	996 552 259 01 ETT	Metropole blue	00-		
	996 552 259 01 ETU	Space grey	00		
	996 552 259 01 ETV	Nephrite green	00-		
	996 552 259 01 ETW	Boxster red	00-		
	996 552 259 01 FAO	Cinnamon brown	01-		
30	996 552 259 02	Cover Lacquered	/LL 03-	1	M249
	996 552 259 02 EOU	Black/Silver			
	996 552 259 02 EOZ	Graphite grey			
	996 552 259 02 EPA	Savanna			
	996 552 259 02 EPB	Metropole blue			
	996 552 259 02 EPD	Nephrite green	-03		
	996 552 259 02 EPE	Boxster red			
	996 552 259 02 EPF	Cinnamon brown			
(30)	996 552 259 03	Cover Lacquered	/RL 03-	1	M249
	996 552 259 03 EOU	Black/Silver			
	996 552 259 03 EOZ	Graphite grey			
	996 552 259 03 EPA	Savanna			
	996 552 259 03 EPB	Metropole blue			

Model: 996 98 Model life 1998>>2005

Pos	Part Number	Description	Remark	Qty	Model
	996 552 259 03 EPD	Nephrite green	-03		
	996 552 259 03 EPE	Boxster red			
	996 552 259 03 EPF	Cinnamon brown			
(30)	996 552 977 20	Shift gate Cover Leather	/LL 01-02	1	IXY5/M249
	996 552 977 20 VRK	Black			
	996 552 977 20 C51	Graphite grey			
	996 552 977 20 S31	Savanna			
	996 552 977 20 J31	Nephrite green			
	996 552 977 20 M31	Boxster red			
	996 552 977 20 G11	Metropole blue			
	996 552 977 20 T12	Brown/natural			
	996 552 977 20 D12	Dark grey			
	996 552 977 20 P12	Cinnamon brown			
(30)	996 552 977 21	Shift gate Cover Leather	/RL 01-02	1	IXY5/M249
	996 552 977 21 VRK	Black			
	996 552 977 21 C51	Graphite grey			
	996 552 977 21 S31	Savanna			
	996 552 977 21 J31	Nephrite green			
	996 552 977 21 M31	Boxster red			
	996 552 977 21 G11	Metropole blue			
	996 552 977 21 T12	Brown/natural			
	996 552 977 21 D12	Dark grey			
	996 552 977 21 P12	Cinnamon brown			
30	996 552 977 26	Cover Leather	/LL 03-	1	IXY5/M249
	996 552 977 26 VRK	Black			
	996 552 977 26 C51	Graphite grey			
	996 552 977 26 S31	Savanna			
	996 552 977 26 G11	Metropole blue			
	996 552 977 26 J31	Nephrite green			
	996 552 977 26 M31	Boxster red			
	996 552 977 26 P12	Cinnamon brown			
	996 552 977 26 D12	Dark grey/natural			
	996 552 977 26 T12	Brown/natural			
(30)	996 552 977 27	Cover Leather	/RL 03-	1	IXY5/M249
	996 552 977 27 VRK	Black			
	996 552 977 27 C51	Graphite grey			
	996 552 977 27 S31	Savanna			
	996 552 977 27 G11	Metropole blue			
	996 552 977 27 J31	Nephrite green			
	996 552 977 27 M31	Boxster red			
	996 552 977 27 P12	Cinnamon brown			
	996 552 977 27 D12	Dark grey/natural			
	996 552 977 27 T12	Brown/natural			
31	996 552 687 00	Slide		1	M249
	996 552 687 00 01C	Satin black			
32	996 552 283 02	Cover Handbrake		1	
	996 552 283 02 D05	Granite grey	-99		
	996 552 283 02 A03	Black	00-		
	996 552 283 02 C53	Graphite grey	00-		
	996 552 283 02 S33	Savanna	00-		
	996 552 283 02 G13	Metropole blue	00-		
	996 552 283 02 B13	Space grey	00		
	996 552 283 02 J33	Nephrite green	-03		
	996 552 283 02 M33	Boxster red	00-		
	996 552 283 02 P13	Cinnamon brown	01-		
32	996 552 283 03	Cover	04	1	M095

Model: 996 98 Model life 1998>>2005

Pos	Part Number	Description	Remark	Qty	Model			
32	996 552 283 03 M7Z	Handbrake Lacquered GT Silver Metallic		1	IXMZ			
	996 552 993 00	Cover Handbrake Leather						
	996 552 993 00 A11	Black						
	996 552 993 00 C51	Graphite grey						
	996 552 993 00 S31	Savanna						
	996 552 993 00 G11	Metropole blue						
	996 552 993 00 J31	Nephrite green						
	996 552 993 00 M31	Boxster red						
	996 552 993 00 T12	Brown/natural						
	996 552 993 00 D12	Dark grey						
	996 552 993 00 P12	Cinnamon brown	01-					
	32	996 552 993 02	Cover Handbrake Carbon			01-	1	IXMJ
32	996 552 993 03	Cover Handbrake Rootwood Light	01-	1	IXML			
32	996 552 993 04	Cover Handbrake Rootwood Dark	01-	1	IXNB			
32	996 552 993 01	Cover Handbrake Lacquered	03-	1	IXCE			
33	996 552 993 01 V03	Sport silver		1	COUPE/TARGA			
	996 552 089 02	Cover Leatherette	/L					
	996 552 089 02 A18	Black	-99					
	996 552 089 02 C18	Graphite grey	-99					
	996 552 089 02 S18	Savanna	-99					
	996 552 089 02 G18	Metropole blue	-99					
	996 552 089 02 B18	Space grey	-99					
	996 552 089 02 A12	Black	00-					
	996 552 089 02 C52	Graphite grey	00-					
	996 552 089 02 S32	Savanna	00-					
	996 552 089 02 G12	Metropole blue	00-					
	996 552 089 02 B52	Space grey	00					
	996 552 089 02 J32	Nephrite green	01-					
	(33)	996 552 090 02	Cover Leatherette			/R	1	COUPE/TARGA
		996 552 090 02 A18	Black			-99		
	996 552 090 02 C18	Graphite grey	-99					
	996 552 090 02 S18	Savanna	-99					
	996 552 090 02 G18	Metropole blue	-99					
	996 552 090 02 B18	Space grey	-99					
	996 552 090 02 A12	Black	00-					
	996 552 090 02 C52	Graphite grey	00-					
	996 552 090 02 S32	Savanna	00-					
	996 552 090 02 G12	Metropole blue	00-					
	996 552 090 02 B52	Space grey	00					
	996 552 090 02 J32	Nephrite green	01-					
(33)	996 552 089 05	Cover Lacquered	/L	1	CABRIO			
	996 552 089 05 D05	Granite grey	99					
	996 552 089 05 A03	Black	00-					
	996 552 089 05 C53	Graphite grey	00-					
	996 552 089 05 S33	Savanna	00-					
	996 552 089 05 G13	Metropole blue	00-					

Model: 996 98 Model life 1998>>2005

Pos	Part Number	Description	Remark	Qty	Model
(33)	996 552 089 05 J33	Nephrite green	00-	1	CABRIO
	996 552 089 05 M33	Boxster red	00-		
	996 552 089 05 B13	Space grey	00		
	996 552 089 05 P13	Cinnamon brown	01-		
	996 552 090 05	Cover	/R		
		Lacquered			
	996 552 090 05 D05	Granite grey	99		
	996 552 090 05 A03	Black	00-		
	996 552 090 05 C53	Graphite grey	00-		
	996 552 090 05 S33	Savanna	00-		
	996 552 090 05 G13	Metropole blue	00-		
	996 552 090 05 J33	Nephrite green	00-		
	996 552 090 05 M33	Boxster red	00-		
33	996 552 090 05 B13	Space grey	00	1	COUPE/TARGA
	996 552 090 05 P13	Cinnamon brown	01-		
	996 552 089 03	Cover	/L		
		Leather			
	996 552 089 03 A11	Black			
	996 552 089 03 C51	Graphite grey			
	996 552 089 03 S31	Savanna			
	996 552 089 03 J31	Nephrite green	-03		
	996 552 089 03 M31	Boxster red			
	996 552 089 03 G11	Metropole blue			
	996 552 089 03 B51	Space grey	-00		
	996 552 089 03 D12	Dark grey/natural	00-		
	996 552 089 03 T12	Brown/natural	00-		
(33)	996 552 089 03 P12	Cinnamon brown	01-	1	COUPE/TARGA
	996 552 090 03	Cover	/R		
		Leather			
	996 552 090 03 A11	Black			
	996 552 090 03 C51	Graphite grey			
	996 552 090 03 S31	Savanna			
	996 552 090 03 J31	Nephrite green	-03		
	996 552 090 03 M31	Boxster red			
	996 552 090 03 G11	Metropole blue			
	996 552 090 03 B51	Space grey	-00		
	996 552 090 03 D12	Dark grey/natural	00-		
	996 552 090 03 T12	Brown/natural	00-		
	33	996 552 090 03 P12	Cinnamon brown		
996 552 089 04		Cover	/L		
		Leather			
996 552 089 04 A11		Black			
996 552 089 04 C51		Graphite grey			
996 552 089 04 S31		Savanna			
996 552 089 04 J31		Nephrite green	-03		
996 552 089 04 M31		Boxster red			
996 552 089 04 G11		Metropole blue			
996 552 089 04 B51		Space grey	-00		
996 552 089 04 D12		Dark grey/natural	00-		
996 552 089 04 T12		Brown/natural	00-		
(33)		996 552 089 04 P12	Cinnamon brown	01-	1
	996 552 090 04	Cover	/R		
		Leather			
	996 552 090 04 A11	Black			
	996 552 090 04 C51	Graphite grey			
	996 552 090 04 S31	Savanna			
	996 552 090 04 J31	Nephrite green	-03		
	996 552 090 04 M31	Boxster red			
	996 552 090 04 G11	Metropole blue			
	996 552 090 04 B51	Space grey	-00		
	996 552 090 04 D12	Dark grey/natural	00-		
	996 552 090 04 T12	Brown/natural	00-		
	996 552 090 04 P12	Cinnamon brown	01-		

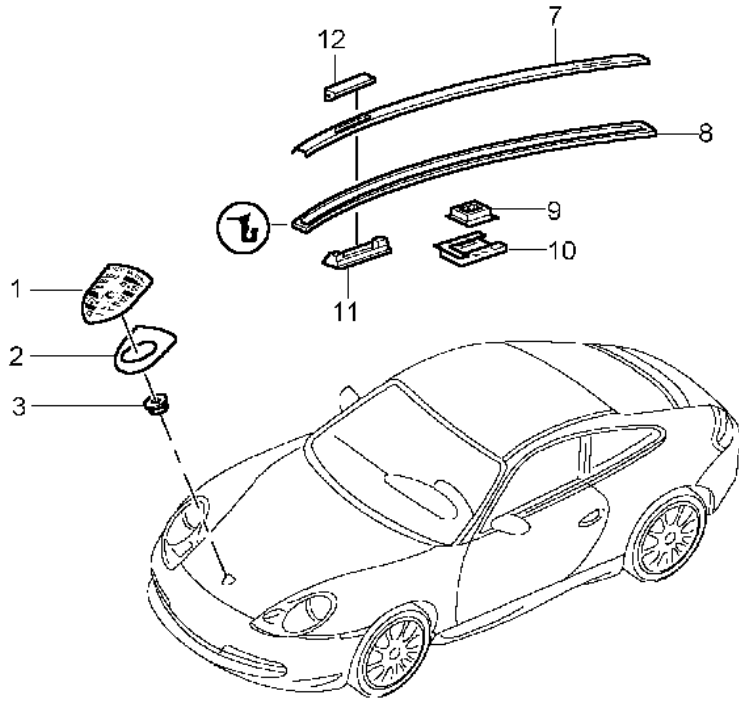
Model: 996 98 Model life 1998>>2005

Pos	Part Number	Description	Remark	Qty	Model
-	986 552 269 02	Support		1	
-	900 333 002 30	Blind rivet		1	
34	999 920 013 40	Plug-in nut 5,0 X 1,0 X 8		1	
35	999 920 012 40	Plug-in nut 5,0 X 3,5 X 8		2	
36	996 552 691 00	Retaining belt with Retaining pin		1	
(36)	996 552 960 01	Hinge Set Repair material	-01	1	
(36)	996 552 507 00	Hinge	02-	1	
-	999 073 228 09	Tapping screw 4,8 X 13	02-	2	
37	996 552 795 01	Spring		1	
38	996 552 793 01	Retaining bracket Package box Lid		1	
39	999 507 645 02	Threaded piece		2	
40	999 073 081 02	Tapping screw 4,2 X 13		2	
41	996 552 227 00	Extension Lower part		1	COUPE/TARGA
42	999 920 011 40	Plug-in nut 5,0 X 2 X 8		X	COUPE/TARGA

Model: 996 98

Model life 1998>>2005

4— *Carrera 4* —5
6— *911*



Model: 996 98 Model life 1998>>2005

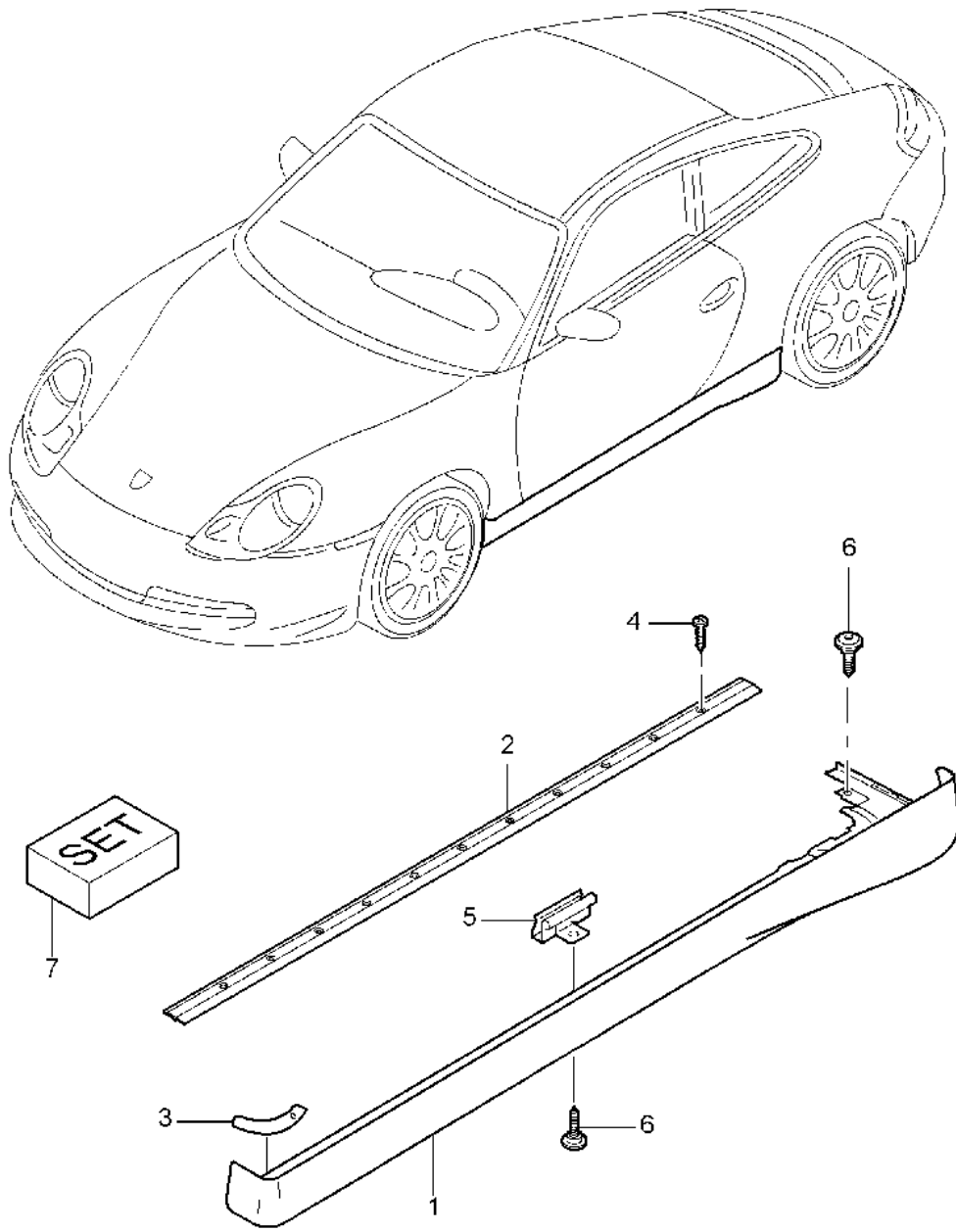
Pos	Part Number	Description	Remark	Qty	Model
1	997 559 211 00	Insignias Decorative fittings Lid emblem Information available		1	
(1)	996 559 211 01	Lid emblem Information available		1	
2	901 559 215 20	Desk pad		1	
(2)	7L5 853 611 B	Desk pad		1	
3	999 591 423 03	Tapping nut		2	
4	996 559 237 06	Logo * CARRERA *	-01	1	M338
		Rear lid Upper			
4	996 559 237 06 70C	Rally black			
4	996 559 237 06	Logo * CARRERA *	04-	1	MXAA M338
		Rear lid Upper			
4	996 559 237 06 70C	Rally black			
4	996 559 237 09	Logo *CARRERA *	02-	1	M338
		Rear lid Lower			
(4)	996 559 237 09 70C	Rally black			
(4)	996 559 237 07	Logo * CARRERA *	-01	1	M339
		Rear lid Upper			
(4)	996 559 237 07 4PU	Silver			
(4)	996 559 237 07	Logo * CARRERA *	02-	1	C4S M339
		Rear lid Upper			
(4)	996 559 237 07 4PU	Silver			
(4)	996 559 237 07	Logo * CARRERA *	04-	1	IXAA/M339
		Rear lid Upper			
(4)	996 559 237 07 4PU	Silver			
(4)	996 559 237 10	Logo * CARRERA *	02-	1	M339
		Rear lid Lower			
5	996 559 237 10 4PU	Silver			
5	996 559 241 01	Logo * 4 *	-01	1	M339
		Rear lid Upper			
5	996 559 241 01 4PU	Silver			
5	996 559 241 01	Logo * 4 *	02-	1	C4S M339
		Rear lid Upper			
5	996 559 241 01 4PU	Silver			
5	996 559 241 01	Logo * 4 *	04-	1	IXAA/M339
		Rear lid Upper			
(5)	996 559 241 01 4PU	Silver			
(5)	996 559 241 02	Logo	02-	1	M339

Model: 996 98 Model life 1998>>2005

Pos	Part Number	Description	Remark	Qty	Model
		* 4 *			
		Rear lid			
		Lower			
	996 559 241 02 4PU	Silver			
-	996 559 243 00	Logo	02-	1	C4S
		* S *			
	996 559 243 00 D04	Grey			
-	996 559 237 08	Logo	02-	1	TARGA
		* TARGA *			
	996 559 237 08 70C	Rally black			
6	996 559 237 05	Logo	00	1	M094
		911			
		Silver			
(6)	996 559 237 11	Logo	04	1	M095
		911			
(7)	996 559 401 00	Roof edge strip	/L	1	
	996 559 401 00 G2X	Prime coated			
(7)	996 559 402 00	Roof edge strip	/R	1	
	996 559 402 00 G2X	Prime coated			
(8)	996 559 721 00	Gasket	/L	1	
8	996 559 722 00	Gasket	/R	1	
9	996 559 405 01	Adapter		10	
10	996 559 403 01	Clip		10	
11	996 559 729 00	Bracket		4	
		for			
		Flap			
12	996 559 501 00	Flap	/V	2	
	996 559 501 00 G2X	Prime coated			
(12)	996 559 503 00	Flap	/H	2	
	996 559 503 00 G2X	Prime coated			

Model: 996 98

Model life 1998>>2005



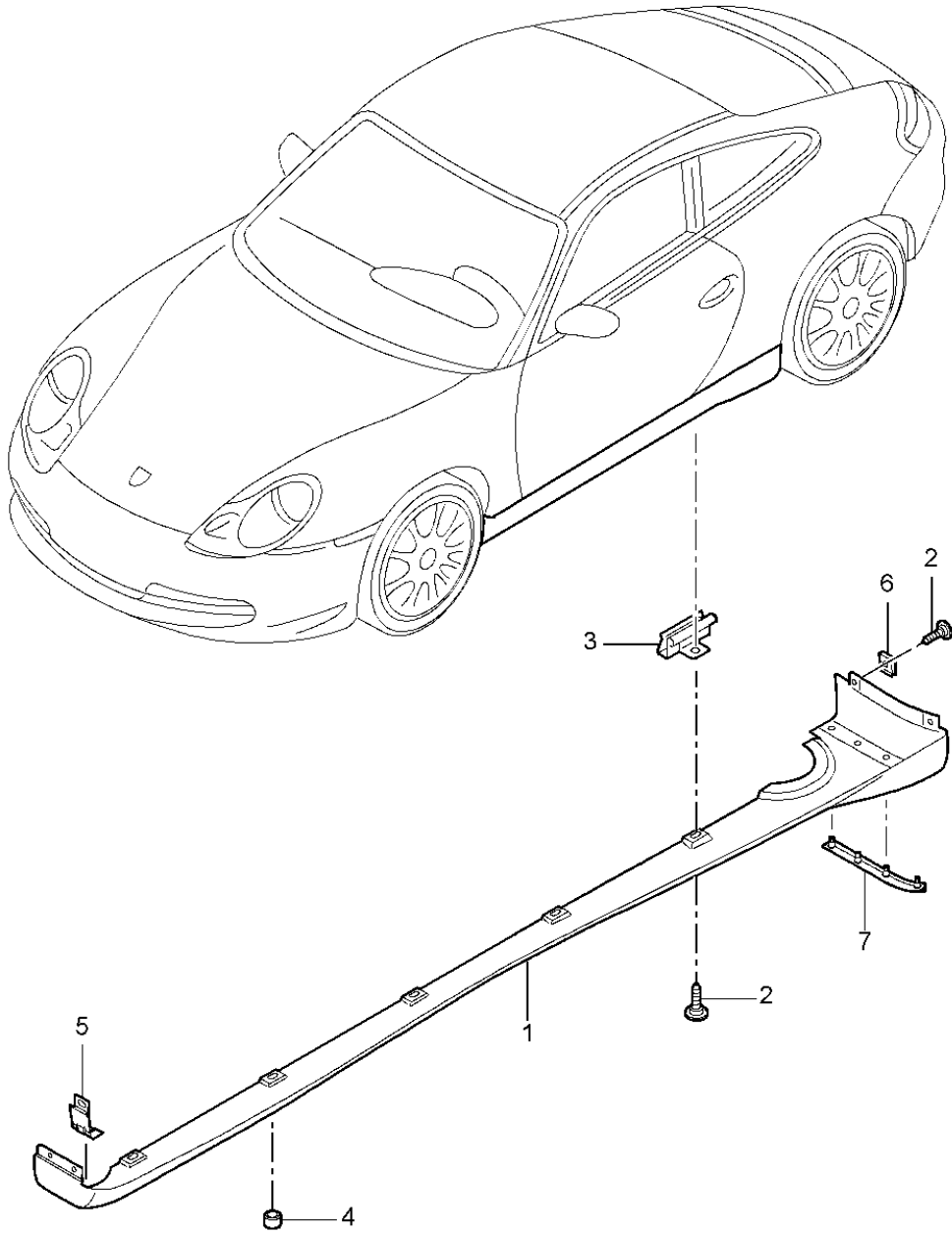
Model: 996 98

Model life 1998>>2005

Pos	Part Number	Description	Remark	Qty	Model
		Sill cover			IX76
1	996 559 983 02	Sill cover	/L -02	1	
	996 559 983 02 G2X	Prime coated			
(1)	996 559 984 02	Sill cover	/R -02	1	
	996 559 984 02 G2X	Prime coated			
-	000 044 802 05	Sill cover	/L /R -02	1	
		Sill cover			
		Prime coated			
		Comprising:			
		99655998402G2X			
		99655998302G2X			
		POS 5 + 6			
1	996 559 983 03	Sill cover	/L 03-	1	IXAA/X76
	996 559 983 03 G2X	Prime coated			
(1)	996 559 984 03	Sill cover	/R 03-	1	IXAA/X76
	996 559 984 03 G2X	Prime coated			
2	996 559 982 00	Retaining strip		2	
3	996 559 985 01	Adhesive film	/L -02	1	
(3)	996 559 986 01	Adhesive film	/R -02	1	
(3)	986 559 990 02	Adhesive film	03-	2	
(3)	986 559 990 03	Adhesive film	03-	2	
4	900 145 041 07	Tapping screw		22	
		ST 3,5 X 16			
5	999 507 640 09	U-clamp		18	
6	999 073 231 09	Tapping screw		20	
		4,8 X 16			
6	999 073 061 02	Tapping screw		2	
		4,8 X 16			
		Use also:			
7	000 044 000 97	Adhesive set		1	

Model: 996 98

Model life 1998>>2005



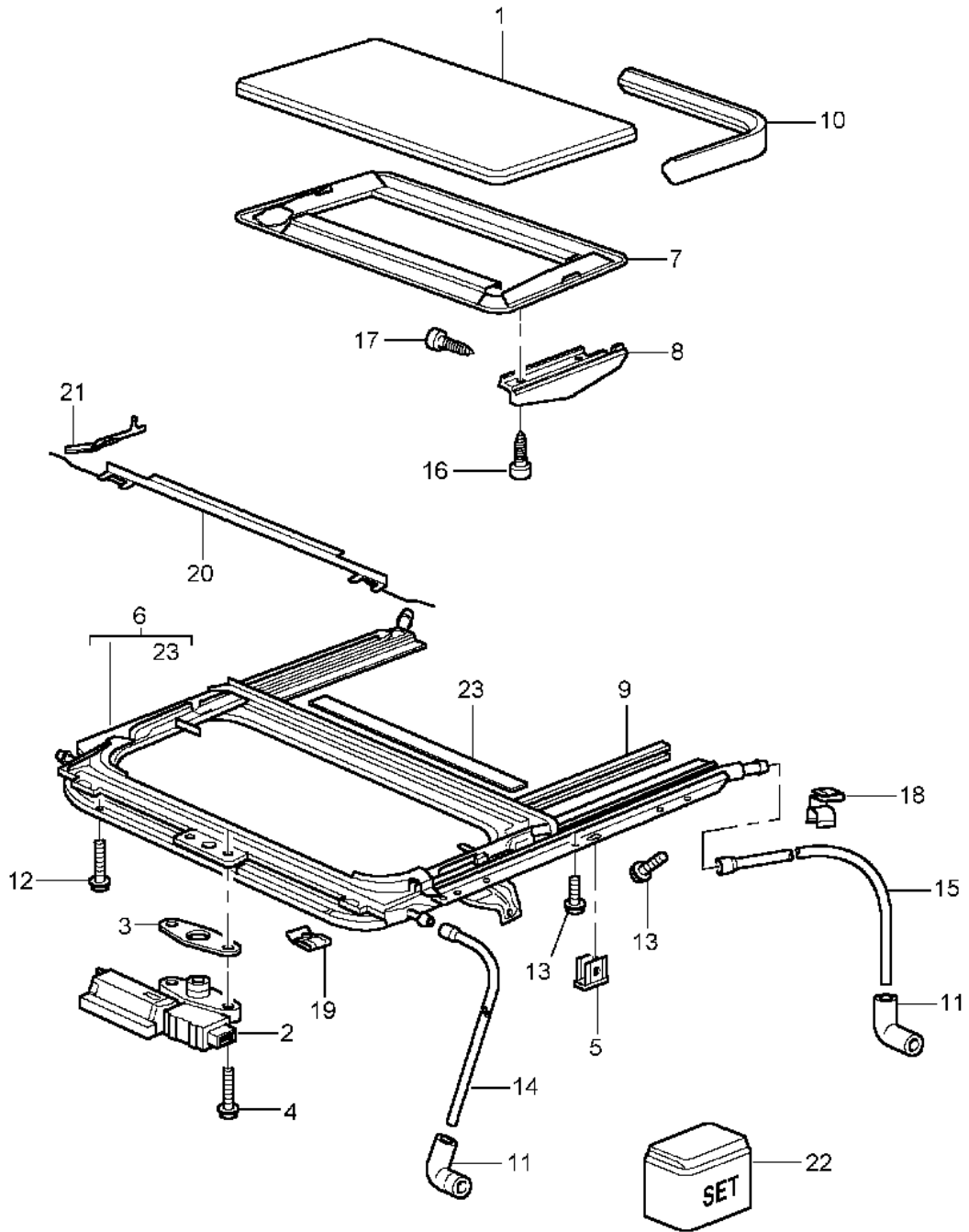
Model: 996 98

Model life 1998>>2005

Pos	Part Number	Description	Remark	Qty	Model
		Trim cover			
		Sill cover			
		Single parts			CARRERA 4
1	996 504 363 00	Sill cover	/L	1	
	996 504 363 00 01C	Satin black			
(1)	996 504 364 00	Sill cover	/R	1	
	996 504 364 00 01C	Satin black			
1	996 504 363 01	Sill cover	/L 02-	1	IXAH
	996 504 363 01 G2X	Prime coated			
1	996 504 364 01	Sill cover	/R 02-	1	IXAH
	996 504 364 01 G2X	Prime coated			
2	N 906 487 02	Tapping screw		10	
		4,8 X 16			
3	999 507 640 09	U-clamp		10	
		3,30 - 4,00			
4	996 504 715 00	Grommet		20	
5	996 504 743 00	Support	/L	1	
(5)	996 504 744 00	Support	/R	1	
6	999 507 668 02	Speed nut		4	
		4,8			
6	999 507 668 01	Speed nut		4	
		4,8			
7	996 504 893 00	Rubber lip	/L	1	
(7)	996 504 894 00	Rubber lip	/R	1	

Model: 996 98

Model life 1998>>2005



Model: 996 98 Model life 1998>>2005

Pos	Part Number	Description	Remark	Qty	Model
		Sunroof			M650
1	996 564 941 01	Lid		1	
	996 564 941 01 GRV	Prime coated			
2	996 624 211 02	Driving mechanism		1	
2	997 624 211 00	Driving mechanism		1	
3	996 564 213 00	Spacer		1	
4	999 073 135 07	Countersunk-head screw		2	
5	999 703 258 41	Clip		2	
6	996 564 015 02	Frame		1	
		Complete			
		for vehicles up to			
		01.01			
		Use also:			
-	996 564 915 00	Assembly kit		1	
		for			
		Frame			
7	996 564 021 01	Roofliner	-99	1	
	996 564 021 01 A10	Black			
	996 564 021 01 B50	Space grey			
	996 564 021 01 C50	Graphite grey			
	996 564 021 01 G10	Metropole blue			
	996 564 021 01 S30	Savanna			
7	996 564 021 02	Roofliner	00	1	
	996 564 021 02 A14	Black			
	996 564 021 02 C54	Graphite grey			
	996 564 021 02 G14	Metropole blue			
	996 564 021 02 S34	Savanna			
7	996 564 021 03	Roofliner	01-02	1	
	996 564 021 03 A14	Black			
	996 564 021 03 C54	Graphite grey			
	996 564 021 03 S34	Savanna			
	996 564 021 03 G14	Metropole blue			
	996 564 021 03 J34	Nephrite green			
7	996 564 021 04	Roofliner	03-05	1	
		Alcantara			
	996 564 021 04 A14	Black			
	996 564 021 04 C54	Graphite grey			
	996 564 021 04 G14	Metropole blue			
	996 564 021 04 S34	Savanna			
	996 564 021 04 J34	Nephrite green			
7	996 564 983 00	Roofliner	01-	1	IXMA
		Leather			
	996 564 983 00 A11	Black			
	996 564 983 00 C51	Graphite grey			
	996 564 983 00 S31	Savanna			
	996 564 983 00 G11	Metropole blue			
	996 564 983 00 J31	Nephrite green			
	996 564 983 00 M31	Boxster red			
	996 564 983 00 D12	Dark grey/natural			
	996 564 983 00 T12	Natural brown			
	996 564 983 00 P12	Cinnamon brown			
8	996 564 181 00	Cover	/L	1	
		Outer			
	996 564 181 00 01C	Black			
(8)	996 564 182 00	Cover	/R	1	
		Outer			
	996 564 182 00 01C	Black			
(9)	996 564 241 00	Interior lining	/L	1	
		Inner			
(9)	996 564 242 00	Interior lining	/R	1	
		Inner			
10	996 564 211 01	Gasket	-01	1	
10	997 564 211 00	Gasket	02-	1	

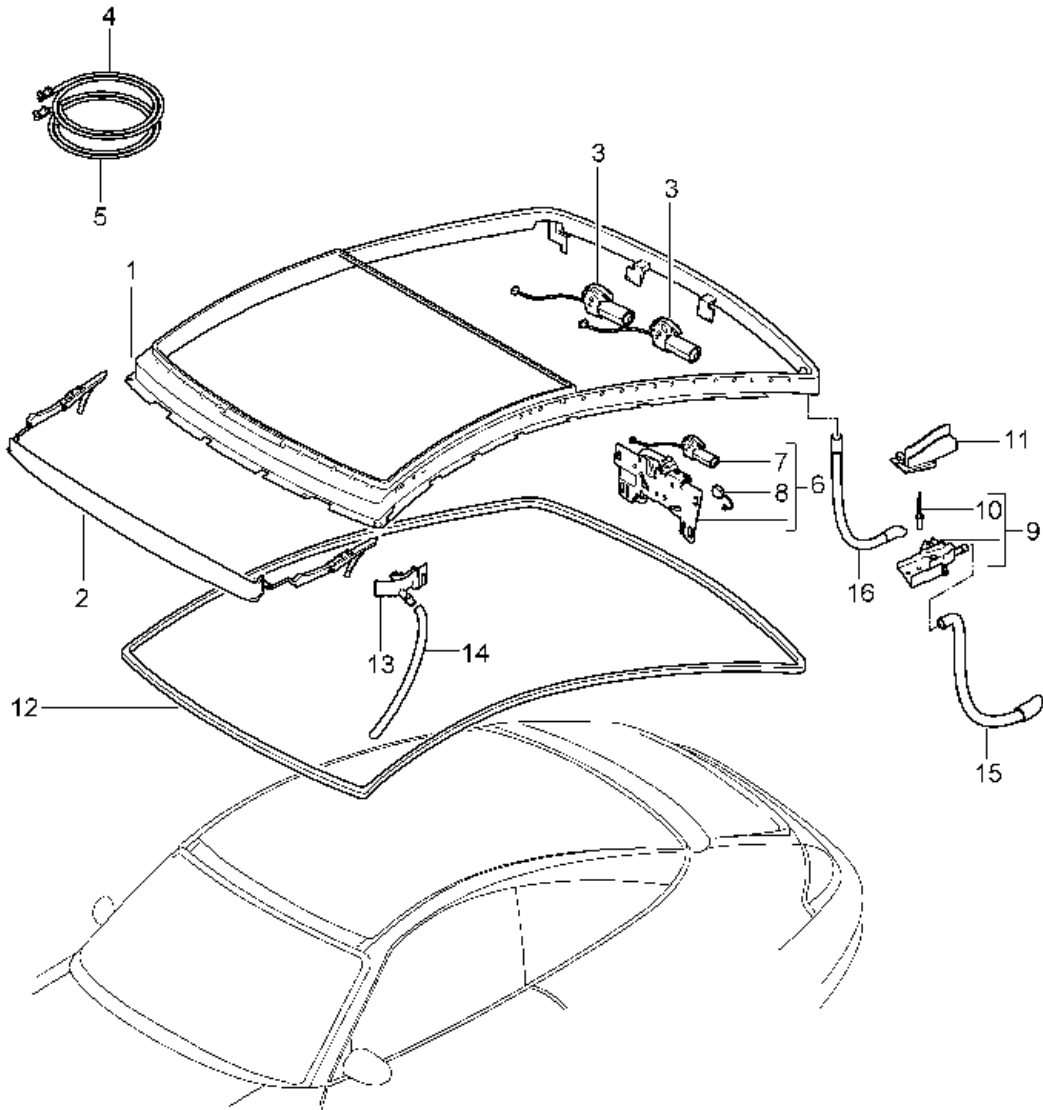
Model: 996 98

Model life 1998>>2005

Pos	Part Number	Description	Remark	Qty	Model
11	999 702 248 41	Grommet		4	
12	999 073 131 02	Oval-head screw M6X25		4	
12	999 073 366 02	Oval-head screw M6X30		4	
13	999 073 130 02	Oval-head screw M6X16		6	
14	996 564 207 00	Water drain hose Front		2	
15	996 564 237 01	Water drain hose Rear		2	
16	900 143 133 07	Tapping screw		4	
17	996 564 245 00	Combination screw		4	
18	999 507 631 02	Cable holder		6	
19	999 591 348 02	Speed nut		2	
19	999 591 348 01	Speed nut		2	
20	996 564 161 02	Air deflector		1	
21	996 564 521 01	Hinge		1	
(21)	996 564 522 01	Hinge		1	
-	996 564 950 00	Sound absorber for Roofliner		1	
22	996 564 915 00	Assembly kit for Frame		1	
23	996 564 907 01	Edge protection		1	

Model: 996 98

Model life 1998>>2005



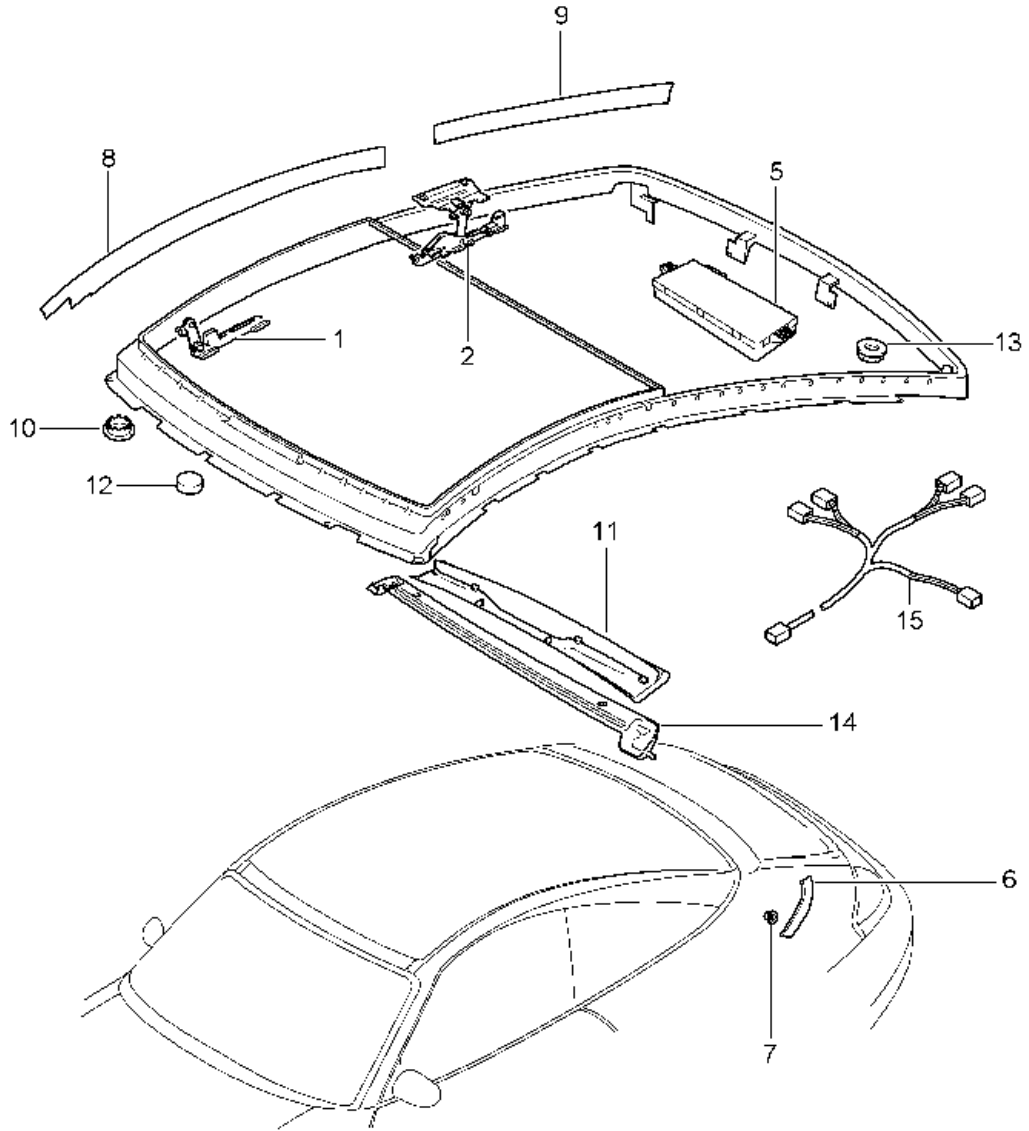
Model: 996 98

Model life 1998>>2005

Pos	Part Number	Description	Remark	Qty	Model
		Glass roof			TARGA
1	996 562 905 01	Frame		1	
2	996 562 953 00	Air deflector		1	
3	996 624 221 00	Electric drive		2	
4	996 562 315 00	Cable	/L	1	
5	996 562 316 00	Cable	/R	1	
6	996 562 335 00	Catch		1	
6	997 562 335 01	Catch		1	
7	996 624 231 00	Driving mechanism		1	
8	996 613 231 00	Microswitch		1	
9	996 562 439 00	End piece	/L	1	
		Guide rail			
(9)	996 562 440 00	End piece	/R	1	
		Guide rail			
10	999 190 172 30	Blind rivet		2	
11	996 562 437 00	Lid	/L	1	
(11)	996 562 438 00	Lid	/R	1	
12	996 562 425 00	Sealing strap		1	
13	996 562 401 00	Water drain tube	/L	1	
(13)	996 562 402 00	Water drain tube	/R	1	
14	996 562 203 01	Water drain hose		2	
-	996 562 910 00	Guide with Wiring harness Shade		1	
-	996 612 344 00	Wiring harness Shade		1	
-	000 043 157 00	Cleaning agent 30 ML		1	
-	999 703 488 40	Buffer		2	
-	996 562 913 00	Guide tube with Drive shaft		1	
15	996 562 205 01	Water drain hose Rear Outer		2	
16	996 562 207 01	Water drain hose Rear Inner		2	

Model: 996 98

Model life 1998>>2005



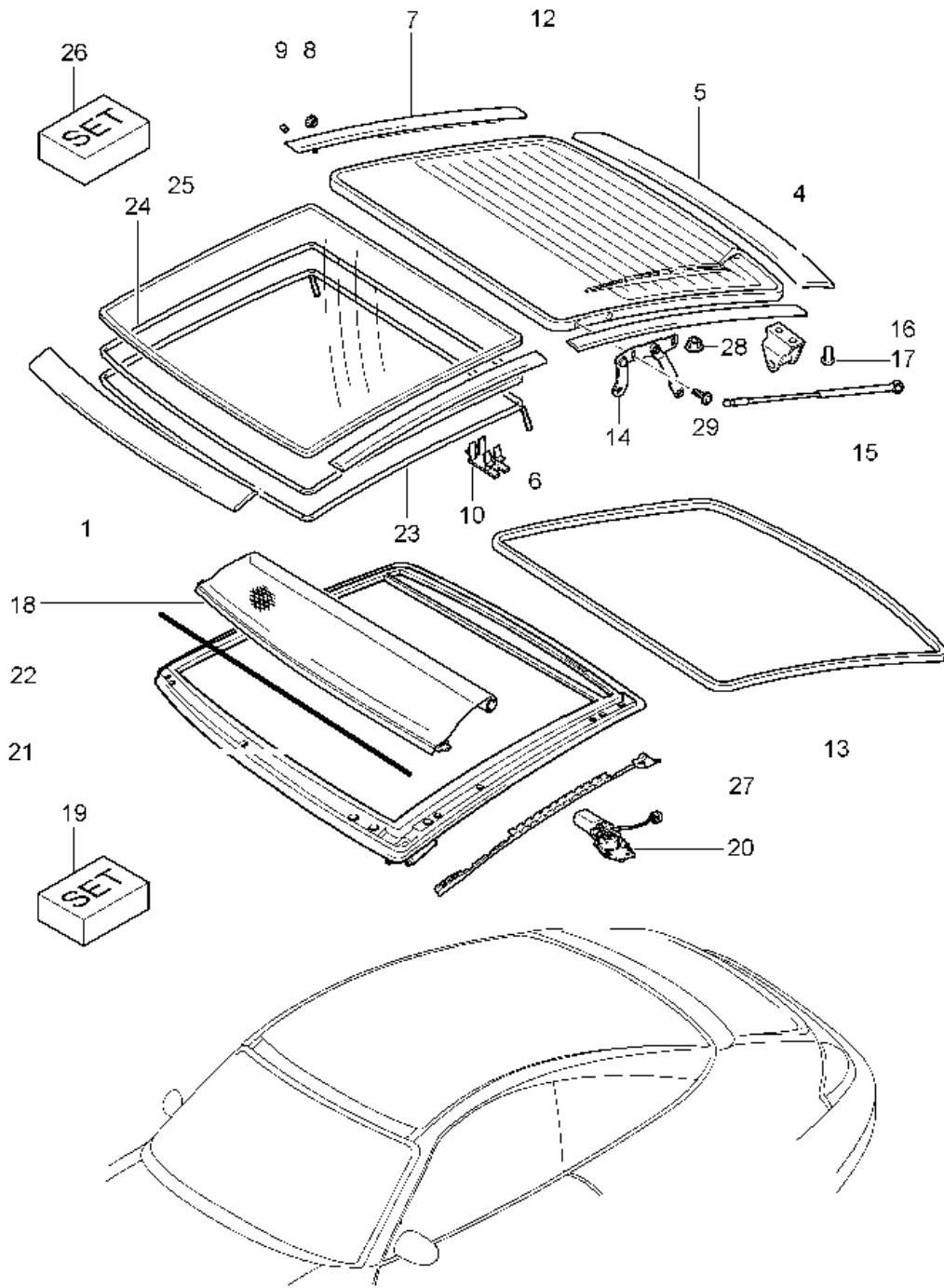
Model: 996 98

Model life 1998>>2005

Pos	Part Number	Description	Remark	Qty	Model
		Glass roof			TARGA
		Driving mechanism			
-	996 562 906 00	Repair kit		1	
		Knock-out lever		1	
		Comprising:			
		POS. 1 + 2			
5	996 618 241 00	Control unit		1	
6	996 562 541 00	Cover	/L	1	
	996 562 541 00 GRV	Prime coated			
(6)	996 562 542 00	Cover	/R	1	
	996 562 542 00 GRV	Prime coated			
7	893 853 231 A	Clamping bush		4	
8	996 562 407 00	Cover	/L	1	
(8)	996 562 408 00	Cover	/R	1	
9	996 562 911 00	Cover	/L	1	
9	996 562 404 00	Cover	/R	1	
10	999 703 866 40	Lid		3	
11	996 562 943 00	Lining		1	
12	986 561 633 01	Buffer		2	
13	999 084 456 09	Hexagon nut		X	
14	996 562 459 00	Profile strip		1	
15	996 612 343 00	Wiring harness		1	
-	996 562 427 00	Bracket		1	
		for			
		Profile strip			

Model: 996 98

Model life 1998>>2005



Model: 996 98

Model life 1998>>2005

Pos	Part Number	Description	Remark	Qty	Model
		Glass roof			TARGA
		Linings			
1	996 562 021 00	Cover		1	
		Cowl			
2	996 562 523 00	Gasket		1	
		Cover			
		Cowl			
3	999 919 207 09	Oval-head screw		3	
4	996 562 651 00	Cover	/L	1	
(4)	996 562 652 00	Cover	/R	1	
5	996 562 653 00	Cover	/H	1	
(5)	996 562 928 00	Trim cover	/H	1	
		Rear window			
6	996 562 303 00	Cover strip	/L	1	
(6)	996 562 304 00	Cover strip	/R	1	
7	996 562 341 00	Cover		1	
(7)	996 562 342 00	Cover	/R	1	
8	999 076 073 07	Hexagon nut		2	
9	900 228 017 09	Threaded pin		2	
10	996 562 409 00	Clip		X	
12	996 562 323 00	Rear lid		1	
12	996 562 323 02	Rear lid		1	
12	996 562 323 01	Rear lid		1	M425
12	996 562 323 03	Rear lid		1	M425
-	000 043 207 64	Assembly kit		1	M425
		with			
		Shaft			
		Rear window wiper			
		Use also:			
		996.562.453.00			
-	996 562 453 00	Grommet		1	M425
		Rear window wiper			
13	996 562 337 00	Gasket		1	
14	996 562 319 00	Hinge	/L	1	
(14)	996 562 320 00	Hinge	/R	1	
15	996 562 429 00	Gas-pressure spring	/L	1	
(15)	996 562 430 00	Gas-pressure spring	/R	1	
16	996 562 325 00	Clip		1	
-	999 073 189 09	Torx screw		2	
		Clip			
		M6x12			
-	996 562 461 00	Cap		1	
17	900 228 017 09	Threaded pin		2	
18	996 562 405 00	Shade		1	
18	997 562 405 00	Shade		1	
19	997 562 913 00	Repair kit	/L	1	
(19)	997 562 914 00	Repair kit	/R	1	
		Shade			
		mitverwenden			
-	996 562 431 00	Cable		1	
20	996 624 241 00	Electric motor		1	
21	996 562 901 00	Roof strut		1	
-	996 613 221 00	Microswitch		1	
22	996 562 333 02	Retaining frame		1	
-	996 562 933 01	Repair kit		1	
		Retaining frame			
-	999 073 262 09	Torx screw		10	
		M 5X14			
23	996 562 455 00	Gasket		1	
24	996 562 331 00	Gasket		1	
25	996 562 329 00	Glass roof		1	
25	996 562 329 01	Glass roof		1	
26	996 562 903 00	Spacer		1	

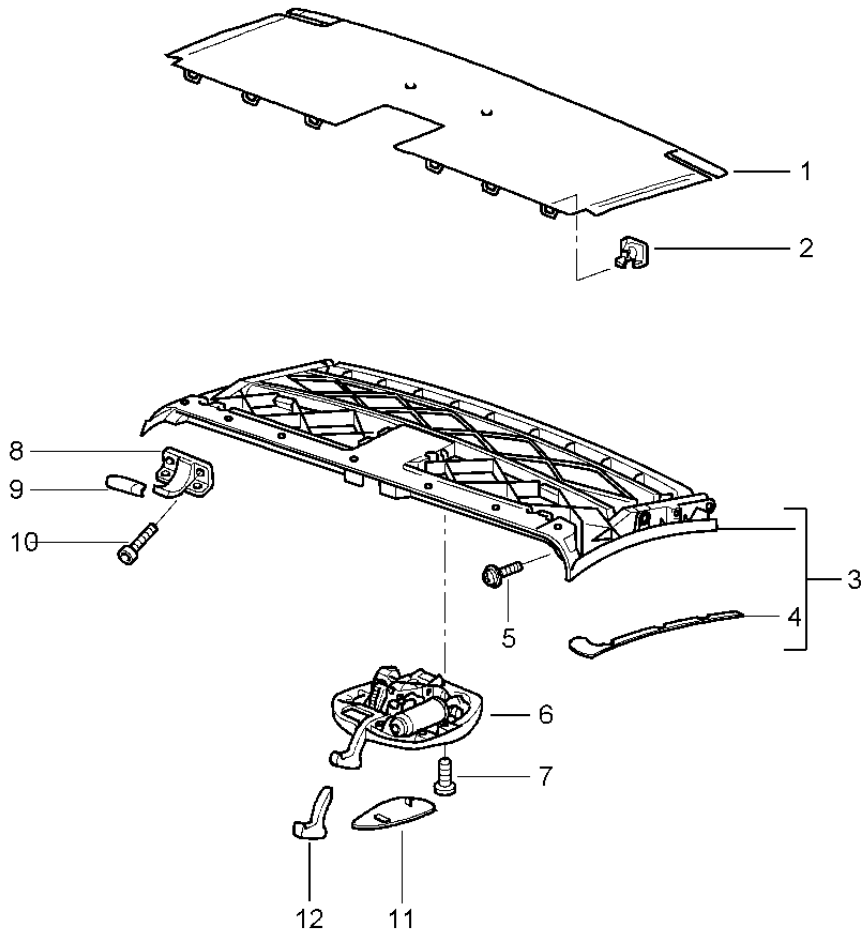
Model: 996 98

Model life 1998>>2005

Pos	Part Number	Description	Remark	Qty	Model
		Set			
27	996 562 907 00	Cover	/L	1	
(27)	996 562 908 00	Cover	/R	1	
-	996 562 459 00	Profile strip		1	
		Sunroof			
-	996 562 441 00	Gasket		1	
		Centre piece			
-	999 703 100 40	Buffer		2	
		Rear lid			
-	000 043 157 00	Cleaning agent		1	
		30 ML			
-	996 562 421 00	Water drain valve		2	
28	999 084 456 09	Hexagon nut		3	
		M6			
29	999 073 264 09	Oval-head screw		2	
		M6x10			

Model: 996 98

Model life 1998>>2005

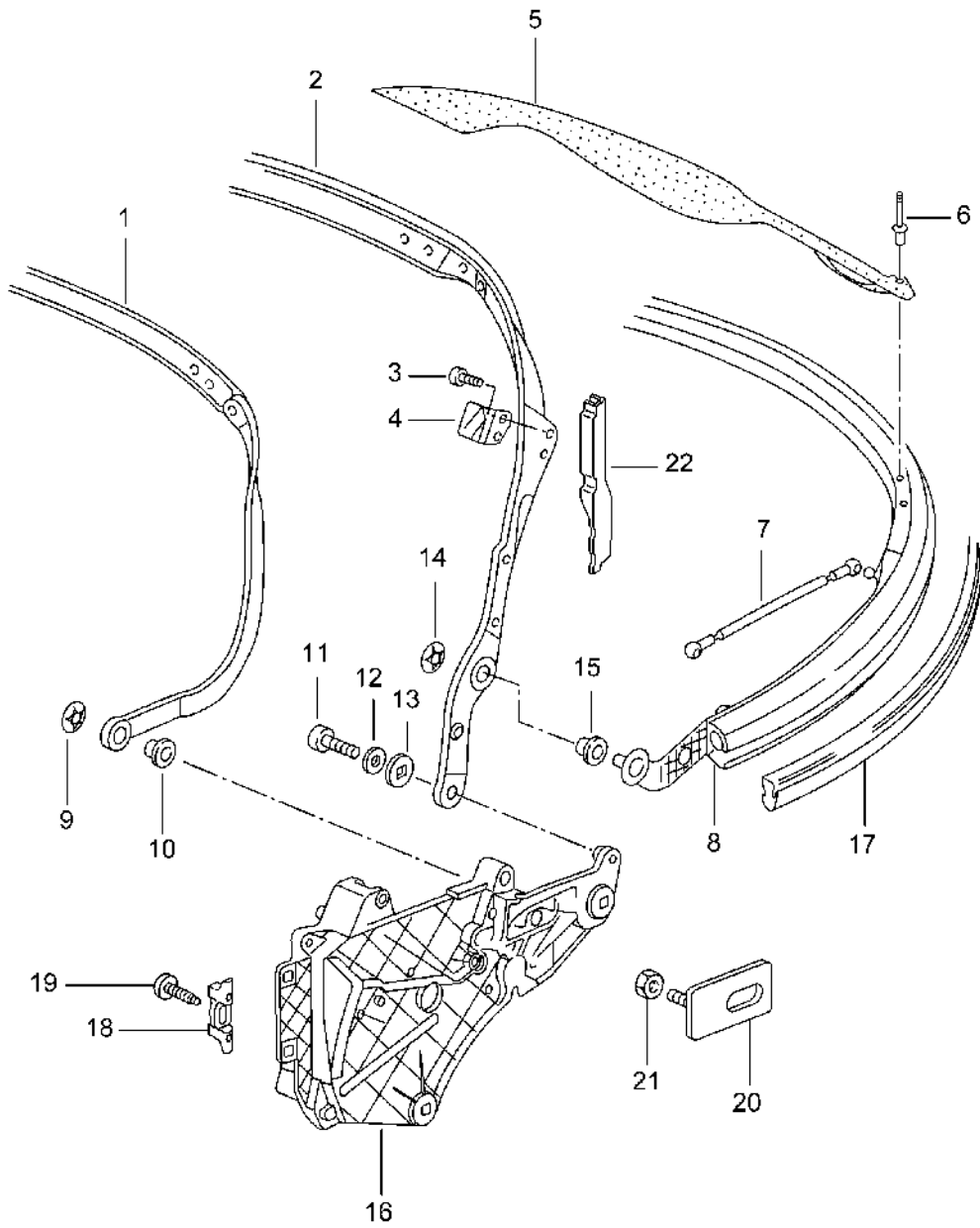


Model: 996 98 Model life 1998>>2005

Pos	Part Number	Description	Remark	Qty	Model
		Convertible top frame			
		Front			
		Roof frame			
		Catch			
1	996 561 963 00	Base		1	
2	996 561 731 00	Clip		6	
3	996 561 953 00	Roof frame		1	
	996 561 953 00 A09	Black			
4	996 561 807 00	Gasket	/L	1	
		Roof frame			
		Plastic foam strip			
(4)	996 561 808 00	Gasket	/R	1	
		Roof frame			
		Plastic foam strip			
5	996 561 247 00	Expansion rivet		6	
6	996 561 017 01	Catch	-04	1	
	996 561 017 01 A09	Black			
(6)	997 561 117 00	Catch	05-	1	
-	996 561 947 00	Adapter	-04	1	
-	997 561 515 00	Trim cover	05-	1	
	997 561 515 00 01C	Black			
7	999 073 195 09	Oval-head screw		4	
8	996 561 605 01	Centring journal	/L -02	1	
	996 561 605 01 A09	Black			
8	996 561 605 02	Centring journal	/L 03-	1	
(8)	996 561 606 01	Centring journal	/R -02	1	
	996 561 606 01 A09	Black			
(8)	996 561 606 02	Centring journal	/R 03-	1	
9	996 561 705 01	Cap	/L	1	
	996 561 705 01 01C	Black			
(9)	996 561 706 01	Cap	/R	1	
	996 561 706 01 01C	Black			
10	999 919 144 09	Oval-head screw		4	
11	996 561 837 00	Cap	/L -04	1	
	996 561 837 00 D05	Granite grey			
	996 561 837 00 A03	Black			
(11)	996 561 838 00	Cap	/R -04	1	
	996 561 838 00 D05	Granite grey			
	996 561 838 00 A03	Black			
11	996 561 937 00	Set		1	
		Cap			
12	996 561 787 00	Cap		1	
	996 561 787 00 01C	Black			
12	996 561 787 01	Cap		1	
	996 561 787 01 01C	Black			

Model: 996 98

Model life 1998>>2005



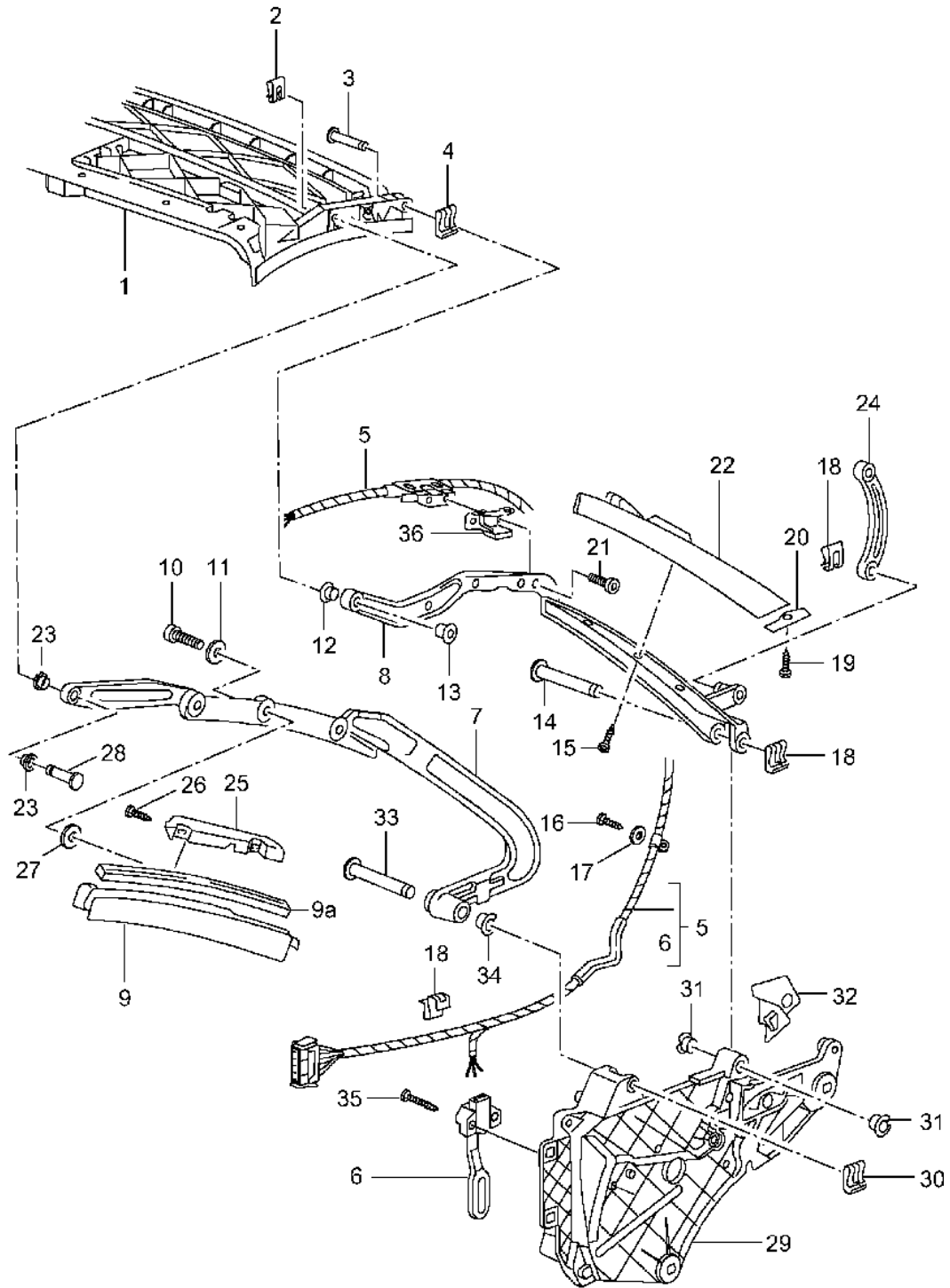
Model: 996 98

Model life 1998>>2005

Pos	Part Number	Description	Remark	Qty	Model
		Convertible top frame			
		Single parts			
1	996 561 042 00	Roof strut		1	
2	996 561 037 00	Main folding top bow		1	
3	900 146 003 02	Oval-head screw		4	
4	996 561 959 00	Thrust wedge		2	
5	996 561 089 00	Restraining strap	/L -01	1	
5	996 561 089 01	Restraining strap	/L 02-	1	
(5)	996 561 090 00	Restraining strap	/R -01	1	
(5)	996 561 090 02	Restraining strap	/R -01	1	
(5)	996 561 090 01	Restraining strap	/R 02-	1	
6	999 190 446 30	Blind rivet		X	
7	996 561 191 00	Tension rope		2	
8	996 561 041 00	Roof strut	-01	1	
8	996 561 041 01	Roof strut	02-	1	
9	996 561 645 00	Lock		4	
10	999 924 122 40	Bush		4	
11	999 073 195 09	Oval-head screw		2	
12	900 151 006 09	Washer		2	
13	999 924 131 30	Washer		2	
14	996 561 645 00	Lock		4	
15	999 924 122 40	Bush		X	
16	996 561 443 00	Convertible top support	/L	1	
(16)	996 561 444 00	Convertible top support	/R	1	
17	996 561 693 00	Gaskets for Roof strut POS.8		1	
18	996 561 735 02	Adjusting shim		2	
19	999 073 138 09	Screw		2	
20	996 561 715 00	Support		2	
21	999 084 630 09	Hexagon nut		2	
22	996 561 259 00	Gasket	/L	1	
(22)	996 561 260 00	Gasket	/R	1	

Model: 996 98

Model life 1998>>2005

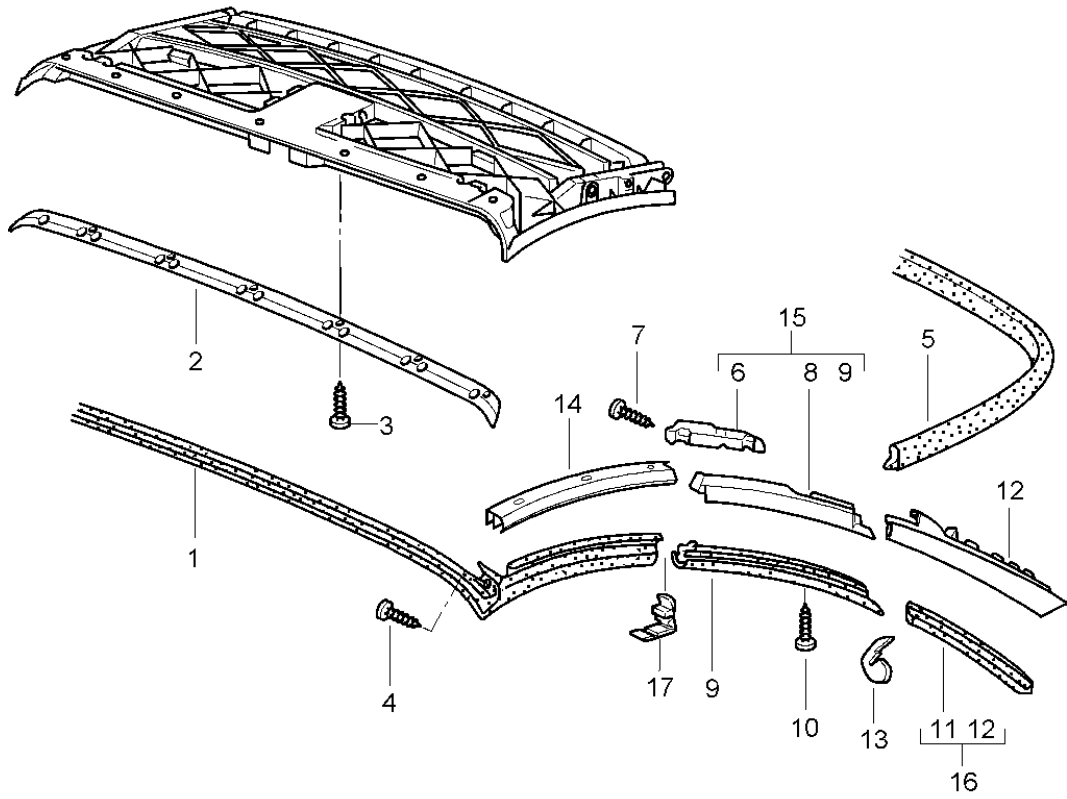


Model: 996 98 Model life 1998>>2005

Pos	Part Number	Description	Remark	Qty	Model
		Convertible top frame			
		Single parts			
1	996 561 953 00	Roof frame		1	
	996 561 953 00 A09	Black			
2	999 166 075 02	Safety clip		X	
3	999 088 041 30	Bolt		2	
		8X23,2			
4	999 166 075 02	Safety clip		X	
5	996 612 005 15	Wiring harness	-04	1	
5	997 612 698 00	Wiring harness	05-	1	
6	996 613 313 02	Potentiometer		1	
7	996 561 335 00	Roof frame	/L	1	
(7)	996 561 336 00	Roof frame		1	
8	996 561 339 00	Roof frame	/L	1	
(8)	996 561 340 00	Roof frame	/R	1	
9	996 561 355 00	Sealing frame	/L	1	
	996 561 355 00 A09	Black			
(9)	996 561 356 00	Sealing frame	/R	1	
	996 561 356 00 A09	Black			
9A	996 561 219 00	Gasket		2	
		for			
		Sealing frame			
10	999 073 195 09	Oval-head screw		X	
		M 6X20			
11	900 151 006 09	Washer		X	
12	999 924 152 00	Bush		2	
13		Bush		2	
14	999 088 037 30	Bolt		1	
15	999 919 152 09	Oval-head screw		X	
16	900 144 101 02	Tapping screw		X	
17	900 151 027 02	Washer		8	
18	999 166 076 02	Safety clip		X	
18	999 166 076 01	Safety clip		X	
19	999 919 152 09	Oval-head screw		4	
20	996 561 239 00	Gasket	/L	1	
(20)	996 561 240 00	Gasket	/R	1	
21	N 014 128 13	Oval-head screw		4	
22	996 561 319 00	Frame	/L	1	
(22)	996 561 320 00	Frame		1	
23	999 924 152 00	Bush		4	
24	996 561 051 01	Lever	/L	1	
(24)	996 561 052 01	Lever	/R	1	
25	996 561 535 00	Guide	/L	1	
(25)	996 561 536 00	Guide	/R	1	
26	999 919 141 09	Oval-head screw		4	
27	999 025 267 09	Washer		8	
28	999 088 040 30	Bolt		2	
29	996 561 443 00	Convertible top support	/L	1	
(29)	996 561 444 00	Convertible top support	/R	1	
30	999 166 076 02	Safety clip		6	
30	999 166 076 01	Safety clip		6	
31	999 924 125 40	Bush		4	
32	996 561 249 01	Sealing strip	/L -00	1	
32		Sealing strip	/L 01-	1	
(32)	996 561 250 01	Sealing strip	/R -00	1	
(32)		Sealing strip	/R 01-	1	
33	999 088 031 30	Bolt		4	
34	999 924 125 40	Bush		4	
35	999 919 152 09	Oval-head screw		2	
36	996 561 631 00	Bracket	-01	2	
37	996 610 114 00	Guide	-01	1	

Model: 996 98

Model life 1998>>2005

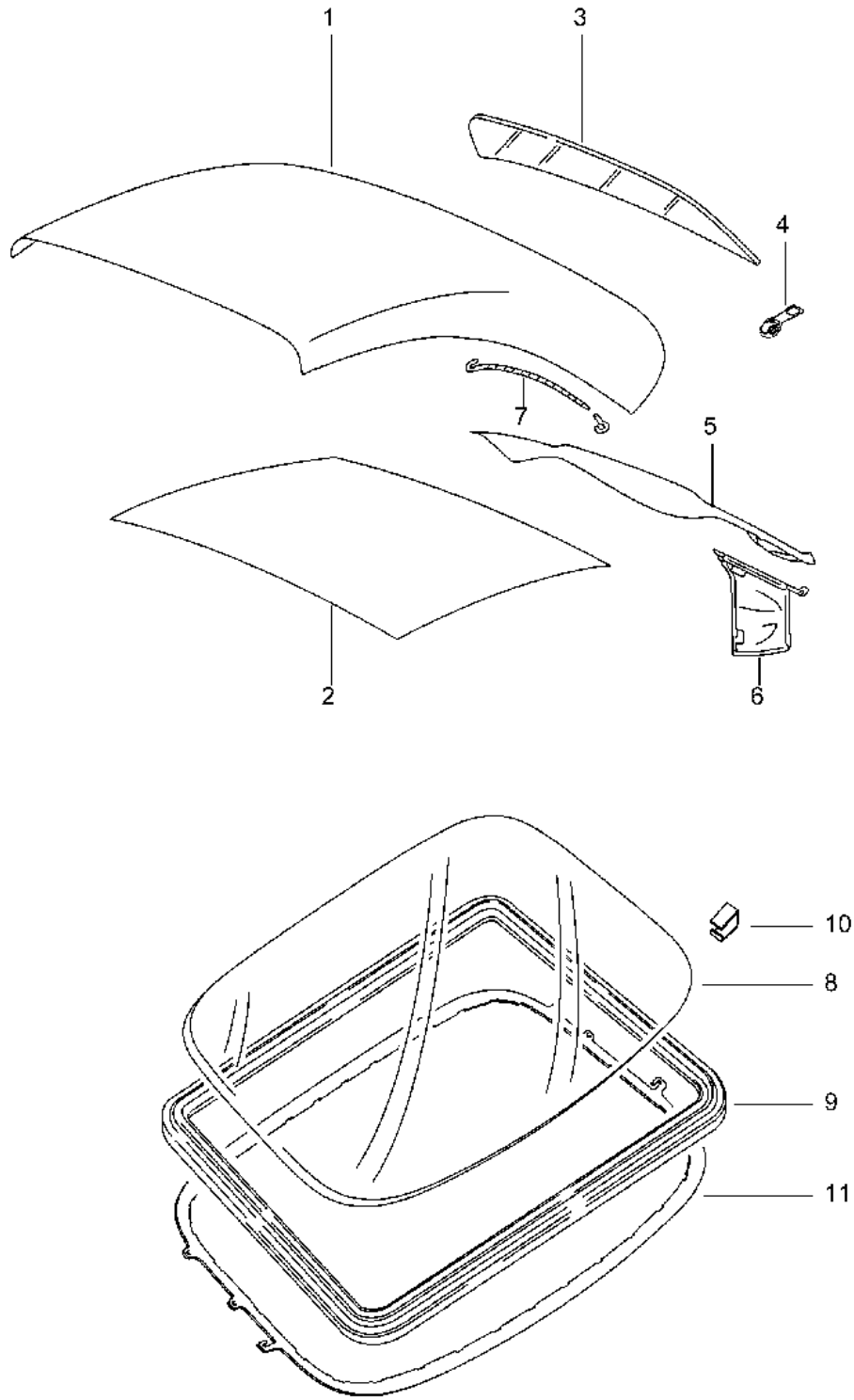


Model: 996 98 Model life 1998>>2005

Pos	Part Number	Description	Remark	Qty	Model
		Convertible top Seal			
1	996 561 027 00	Roof frame seal		1	
2	996 561 501 01	Retaining strip	-04	1	
2	997 561 501 00	Retaining strip	05-	1	
3	999 919 139 09	Oval-head screw		7	
4		Oval-head screw		2	
5	996 561 449 00	Gasket		1	
6	996 561 535 00	Guide	/L -01	1	
		Order			
		Pos. 15 + 16			
(6)	996 561 536 00	Guide	/R -01	1	
		Order			
		Pos. 15 + 16			
7	999 919 152 09	Oval-head screw		4	
8	996 561 355 00	Sealing frame	/L	1	
		Order			
		Pos. 15 + 16			
(8)	996 561 356 00	Sealing frame	/R	1	
		Order			
		Pos. 15 + 16			
9	996 561 413 00	Gasket	/L	1	
		Order			
		Pos. 15 + 16			
9	996 561 414 00	Gasket	/R	1	
		Order			
		Pos. 15 + 16			
10	999 919 152 09	Oval-head screw		8	
11	996 561 411 00	Gasket	/L	1	
		Order			
		Pos. 15 + 16			
(11)	996 561 412 00	Gasket	/R	1	
		Order			
		Pos. 15 + 16			
12	996 561 319 00	Frame	/L	1	
		Order			
		Pos. 15 + 16			
12	996 561 320 00	Frame	/R	1	
		Order			
		Pos. 15 + 16			
13	996 561 935 00	Filler piece		2	
		Set			
14	996 561 527 00	Mounting	/L	1	
(14)	996 561 528 00	Mounting	/R	1	
15	997 561 913 01	Gaskets	/L	1	
(15)	997 561 914 01	Gaskets	/R	1	
		Assembly kit			
		Pos. 6,8,9			
		Roof frame			
		Front			
16	997 561 923 00	Gaskets	/L	1	
(16)	997 561 924 00	Gaskets	/R	1	
		Assembly kit			
		Pos. 11,12			
		Roof frame			
		Rear			
17	997 561 813 00	Filler piece	/L	1	
17	997 561 814 00	Filler piece	/R	1	

Model: 996 98

Model life 1998>>2005

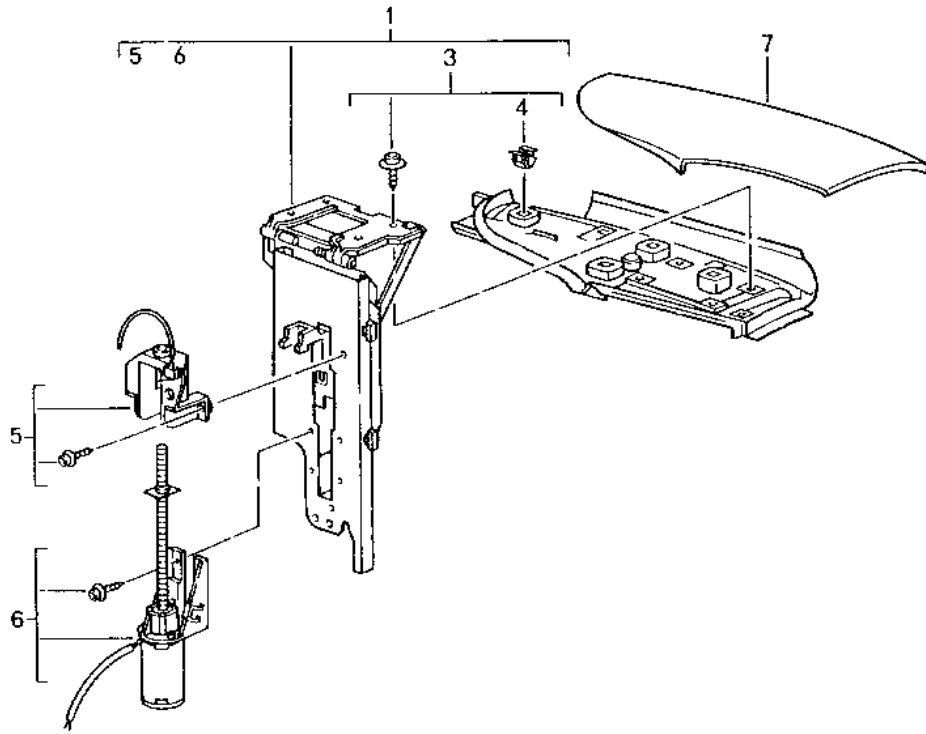


Model: 996 98 Model life 1998>>2005

Pos	Part Number	Description	Remark	Qty	Model
1	996 561 915 01	Convertible top covering Roofliner	-01	1	
	996 561 915 01 A10	Black			
	996 561 915 01 B50	Space grey			
	996 561 915 01 G10	Metropole blue			
	996 561 915 01 C50	Graphite grey			
1	996 561 915 02	Convertible top covering without Rear window	02-04	1	
	996 561 915 02 A10	Black			
	996 561 915 02 C50	Graphite grey			
	996 561 915 02 G02	Metropole blue			
1	997 561 901 00	Convertible top covering without Rear window	05-	1	
	997 561 901 00 A10	Black			
	997 561 901 00 C50	Graphite grey			
	997 561 901 00 G02	Metropole blue			
1	997 561 901 01	Convertible top covering without Rear window	05-	1	
	997 561 901 01 A10	Black			
	997 561 901 01 C50	Graphite grey			
	997 561 901 01 G02	Metropole blue			
2	996 561 085 00	Roofliner	-01	1	
	996 561 085 00 A20	Black			
2	996 561 085 01	Roofliner	02-	1	
	996 561 085 01 A21	Black			
3	996 561 111 00	Rear window order at the same time POS.4	-01	1	
4	993 561 959 00	Slide		1	
5	996 561 089 00	Restraining strap	/L -01	1	
(5)	996 561 089 01	Restraining strap	/L 02-	1	
(5)	996 561 090 00	Restraining strap	/R -01	1	
(5)	996 561 090 02	Restraining strap	/R -01	1	
(5)	996 561 090 01	Restraining strap	/R 02-	1	
6	996 561 095 00	Cover strip	/L -01	1	
	996 561 095 00 A20	Black			
(6)	996 561 095 01	Bag	/L 02-	1	
	996 561 095 01 A20	Black			
	996 561 096 00	Information available Cover strip	/R -01	1	
	996 561 096 00 A20	Black			
(6)	996 561 096 01	Bag	/R 02-	1	
	996 561 096 01 A20	Black			
	996 561 931 01	Information available Tension rope		2	
8	996 561 101 00	Rear window	02-	1	
9	996 561 331 00	Gasket	02-	1	
10	996 561 205 00	Clamp		32	
11	996 561 203 00	Frame		1	

Model: 996 98

Model life 1998>>2005



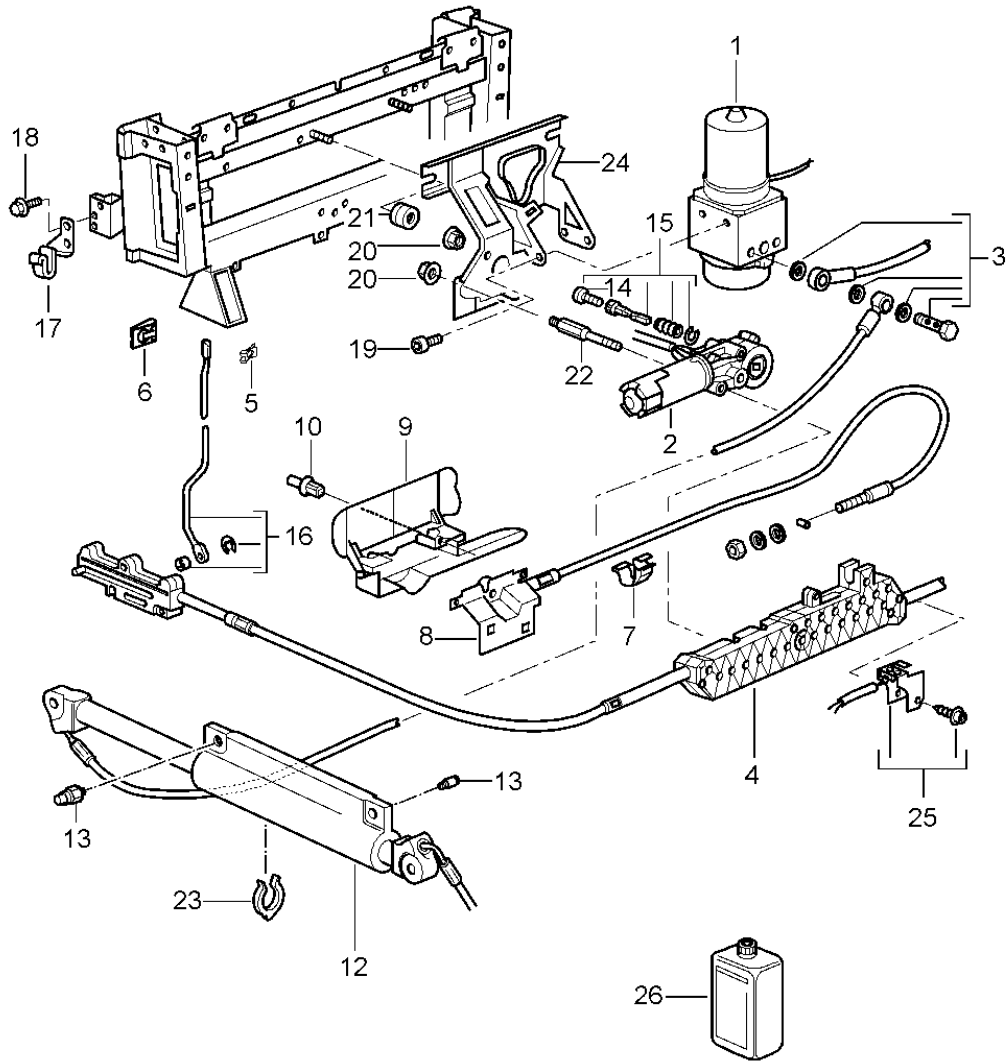
Model: 996 98

Model life 1998>>2005

Pos	Part Number	Description	Remark	Qty	Model
		Flap Lateral Folding top			
1	996 561 175 01	Flap	/L	1	
(1)	996 561 176 01	Flap	/R	1	
3	996 561 625 00	Lower part	/L	1	
(3)	996 561 626 00	Lower part	/R	1	
4	999 507 533 02	Clamp		X	
5	996 561 685 00	Microswitch	/L	1	
(5)	996 561 686 00	Microswitch	/R	1	
6	996 561 675 00	Driving mechanism	/L	1	
(6)	996 561 676 00	Driving mechanism	/R	1	
7		See illustrations 8/07/07	/R	1	

Model: 996 98

Model life 1998>>2005



Model: 996 98 Model life 1998>>2005

Pos	Part Number	Description	Remark	Qty	Model
1	996 561 307 01	Convertible top Driving mechanism Hydraulic Pump See workshop manual Group 6 61-7031	-03	1	
1	996 561 307 02	Pump See workshop manual Group 6 61-7031	04-	1	
1	997 561 307 00	Hydraulic unit See workshop manual Group 6 61-7031 for subsequent installat. Use also:	04-	1	
-	996 561 217 01	Support Hydraulic unit	-03	1	
2	996 561 933 00	Engine	-03	1	
2	996 561 933 01	Engine	04-	1	
3	996 561 573 00	Banjo bolt		2	
4	996 561 021 03	Driving mechanism	-03	1	
4	996 561 021 04	Driving mechanism	04-	1	
-	999 919 184 09	Oval-head screw		2	
5	999 166 054 02	Sl-lock		2	
5	999 166 054 01	Sl-lock		2	
6	999 703 425 40	Spacer sleeve		2	
7	999 507 683 40	Cable holder		X	
8	996 561 065 01	Locking device		1	
9	996 561 265 01	Lining	-01	1	
9	996 561 265 03	Lining	02-	1	
10	999 591 941 40	Expansion rivet		X	
12	996 561 945 02	Cylinder		2	
13	996 561 245 00	Bolt		1	
14	996 561 671 00	Screw		1	
15	996 561 673 00	Repair kit	-03	1	
15	996 561 673 01	Repair kit	04-	1	
16	996 561 229 00	Push rod	/L	1	
16	996 561 230 00	Push rod	/R	1	
17	996 561 105 00	Bracket	/L	1	
(17)	996 561 106 00	Bracket	/R	1	
18	900 378 173 09	Hexagon-head bolt		X	
19	N 014 750 3	Pan-head screw		4	
19	N 014 750 13	Pan-head screw		4	
21	999 703 424 40	Rubber buffer		2	
22	996 561 863 00	Bolt	-03	2	
(22)	996 561 863 01	Stud	04-	3	
23	996 561 281 00	Retainer		2	
24	996 561 117 01	Bracket	-01	1	
24	996 561 117 02	Bracket		1	
24	996 561 217 00	Bracket	02-	1	
(24)	996 561 217 01	Support	04-	1	
(24)	996 561 207 01	Support	04-	1	
25	996 561 165 00	Convertible top compartm. Driving mechanism Microswitch	-03	1	
25	996 561 165 01	Microswitch	04-	1	
26	000 043 204 89	Oil 250 ML		X	
27	996 561 221 00	Knock-out lever	/L	1	
(27)	996 561 222 00	Knock-out lever Gate guide	/R	1	

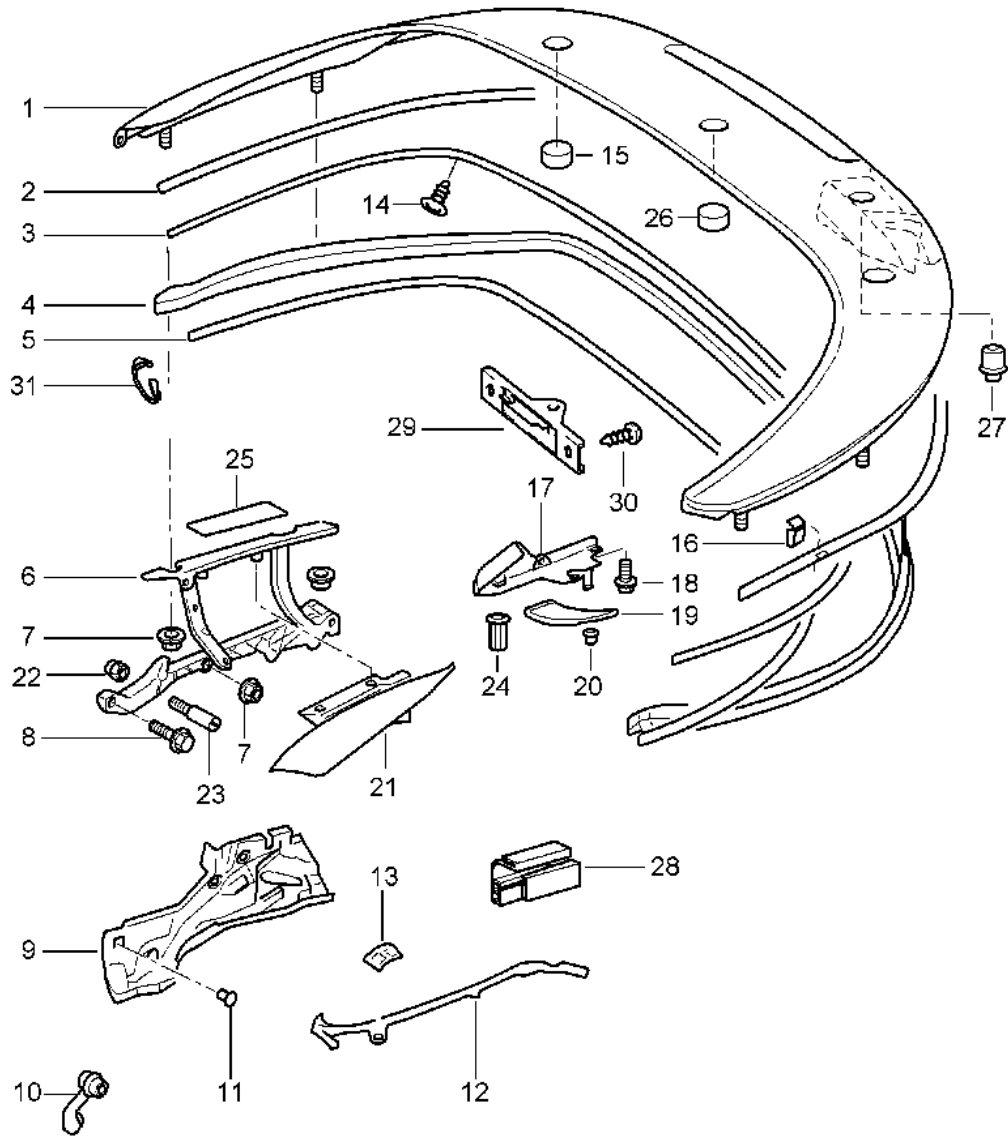
Model: 996 98

Model life 1998>>2005

Pos	Part Number	Description	Remark	Qty	Model
28	999 919 205 09	Torx screw M6x12		2	

Model: 996 98

Model life 1998>>2005



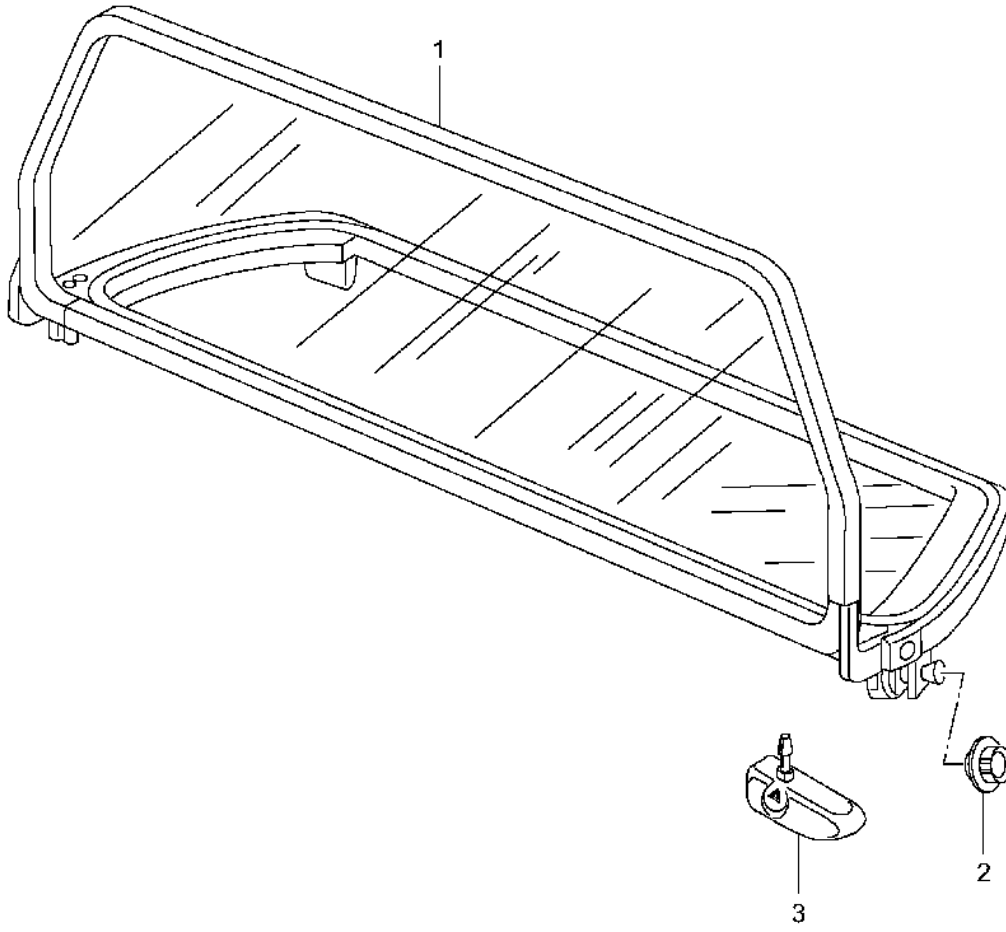
Model: 996 98

Model life 1998>>2005

Pos	Part Number	Description	Remark	Qty	Model
		Convertible top compartm.			
		Lid			
1	996 514 011 01	Gaskets		1	
	996 514 011 01 GRV	Lid			
1	996 514 011 03	Prime coated		1	C4S
	996 514 011 03 GRV	Lid			
2	997 514 633 01	Prime coated		1	
		Sealing strip			
		Use also:			
-	000 043 207 26	Adhesive tape		1	
3	996 514 731 00	Gasket		1	
4	996 514 714 00	Edge protection		1	
5	996 514 211 04	Gasket	-02	1	
5		Gasket	03-	1	
6	996 561 907 02	Hinge	/L	1	
6	996 561 908 02	Hinge	/R	1	
7	900 377 003 02	Hexagon nut		4	
8	900 378 180 09	Hexagon-head bolt		2	
9	996 561 805 02	Water drip pan	/L	1	
9	996 561 806 02	Water drip pan	/R	1	
-	996 561 871 00	Clip		X	
		WASSERSCHALE			
		Side trim panel			
10	996 561 815 01	Water drain hose	/L	1	
10	996 561 816 01	Water drain hose	/R	1	
-	996 561 809 00	Clamp		2	
		for			
		Pos. 10			
11	999 703 432 40	Stopper		2	
12	996 561 755 00	Water drain strip	-03	1	
12	996 561 755 01	Water drain strip	04-	1	
(12)	996 561 756 00	Water drain strip	-03	1	
(12)	996 561 756 01	Water drain strip	04-	1	
13	999 507 647 02	Tab washer		4	
14	999 073 047 02	Tapping screw		2	
15	996 561 633 01	Buffer		2	
16	999 507 600 09	U-clamp		2	
17	996 514 651 01	Mounting	/L	1	
17	996 514 651 02	Mounting	/L	1	C4S
17	996 514 652 01	Mounting	/R	1	
17	996 514 652 02	Mounting	/R	1	C4S
18	999 073 189 09	Torx screw		6	
19	996 504 861 00	Cover	/L	1	
	996 504 861 00 GRV	Prime coated			
(19)	996 504 862 00	Cover	/R	1	
	996 504 862 00 GRV	Prime coated			
20	999 702 264 40	Grommet		4	
21	996 561 061 02	Flap	/L	1	
(21)	996 561 062 02	Flap	/R	1	
22	999 500 086 02	Blind rivet nut		4	
23	999 242 004 02	Threaded pin		2	
24	900 360 001 02	Hexagon nut		2	
(24)	996 504 855 01	Mounting		4	
-	999 500 084 01	Special nut		X	
25	996 561 904 00	Gasket		X	
26	986 561 633 01	Buffer		1	
27	999 703 140 40	Rubber buffer		1	
28	996 561 401 00	Stop	/L	1	
(28)	996 561 402 00	Stop	/R	1	
29	996 561 465 00	Clip		1	
30	999 073 130 02	Oval-head screw		2	
31	996 514 511 00	Clip		2	

Model: 996 98

Model life 1998>>2005



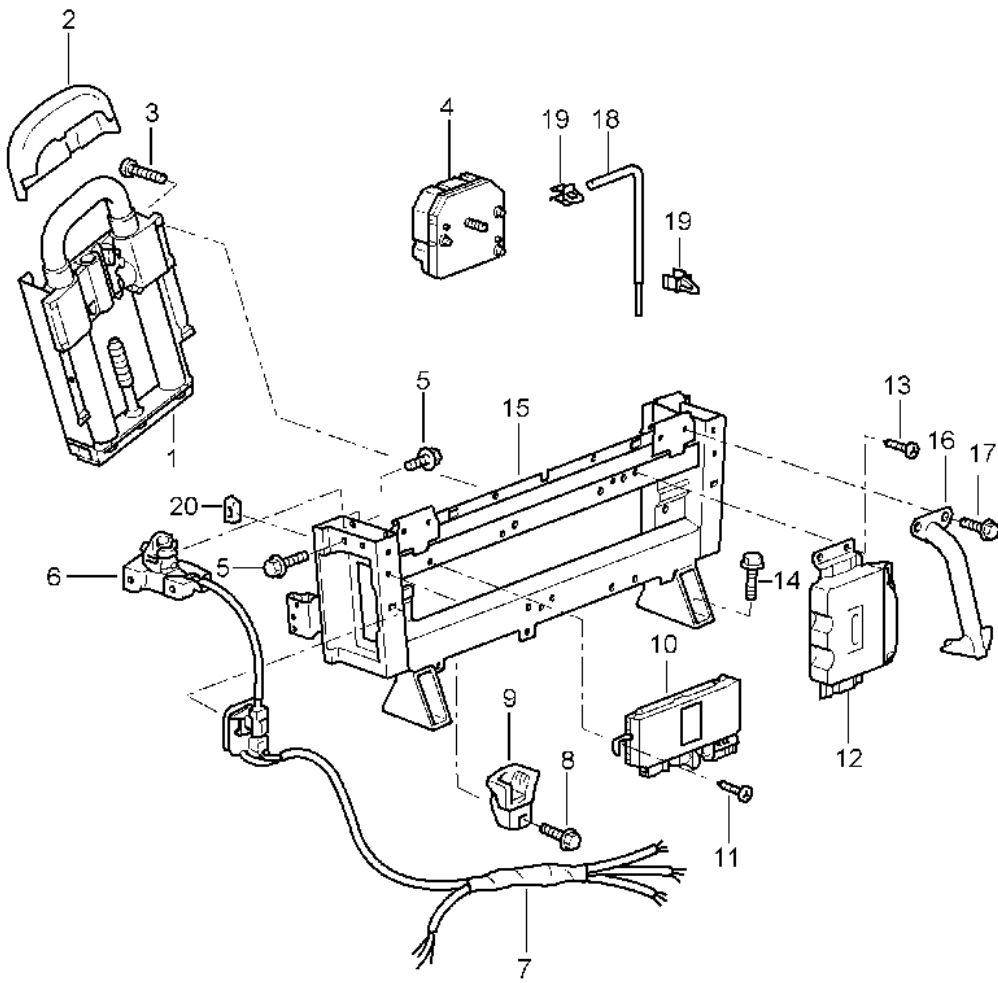
Model: 996 98

Model life 1998>>2005

Pos	Part Number	Description	Remark	Qty	Model
1	996 561 125 02	Wind deflector		1	
	996 561 125 02 01C	Black			
2	996 561 127 00	Rosette	/L	1	
	996 561 127 00 01C	Black			
2	996 561 128 00	Rosette	/R	1	
	996 561 128 00 01C	Black			
3	996 561 955 00	Repair kit	/L	1	
(3)	996 561 956 00	Repair kit	/R	1	

Model: 996 98

Model life 1998>>2005

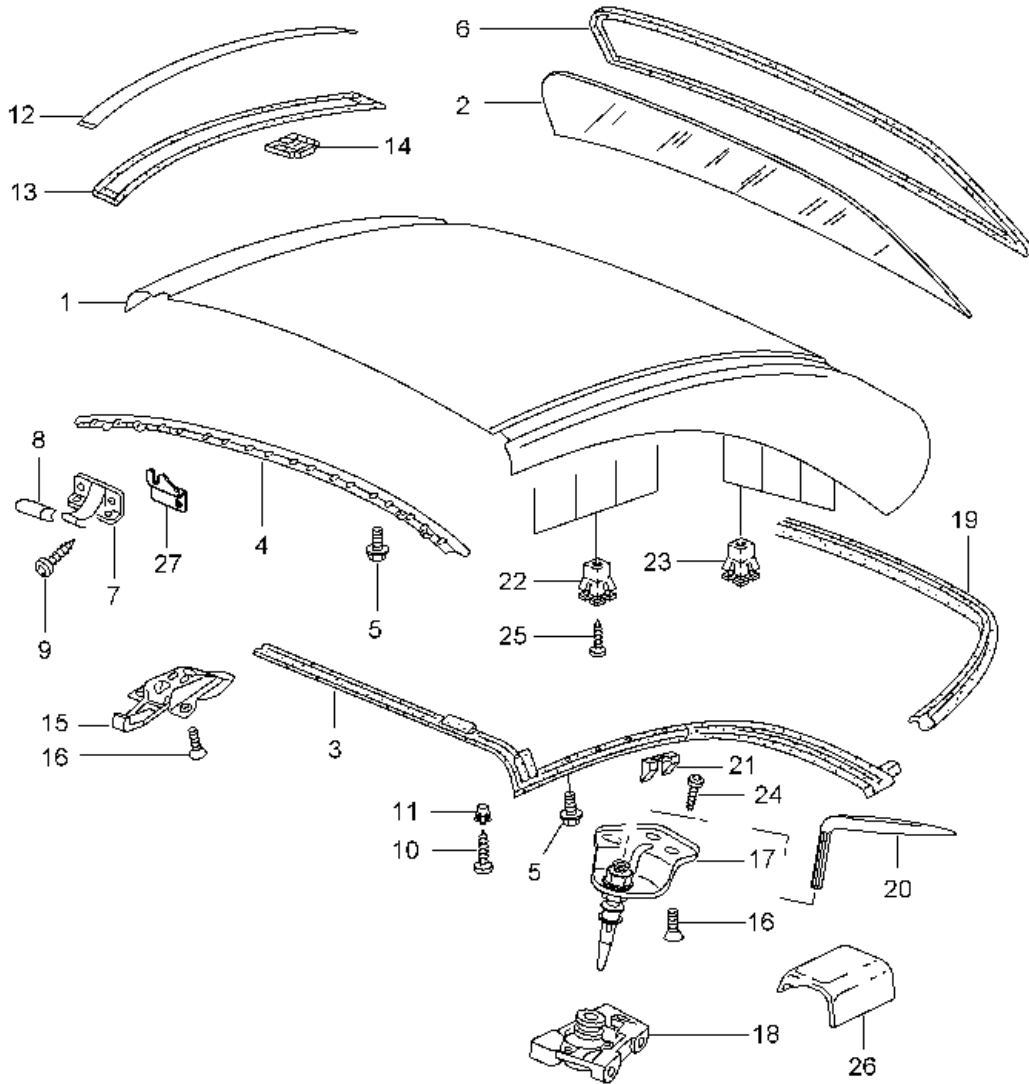


Model: 996 98 Model life 1998>>2005

Pos	Part Number	Description	Remark	Qty	Model
		Roll-over bar			CABRIO
1	996 580 021 01	Roll-over bar		2	
2	996 580 191 01	Cover		2	
3	900 067 382 09	Pan-head screw		12	
4	996 618 281 00	Control unit		1	
5	900 378 173 09	Hexagon-head bolt		4	
-	999 084 635 02	Shear-off nut		3	
6		Mounting		2	M550
		See illustrations			
		8/11/16			
7	996 612 065 01	Wiring harness	-01	1	
7	996 612 065 15	Wiring harness	02-	1	
8	900 378 173 09	Hexagon-head bolt		2	
9	996 561 463 02	Guide	/L	1	
(9)	996 561 464 02	Guide	/R	1	
10	996 618 111 03	Control unit	-02	1	
10	996 618 111 04	Control unit	03-	1	
11	999 073 060 02	Tapping screw		X	
12		Control unit		X	
		- dme -			
		See group			
		9/01/03			
13	999 073 060 02	Tapping screw		X	
14	900 378 173 09	Hexagon-head bolt		4	
15	996 580 311 01	Auxiliary support	-01	1	
15	996 580 311 03	Auxiliary support	-01	1	
15	996 580 311 02	Auxiliary support	02-	1	
-	999 590 050 40	Catch		4	
-	999 650 176 40	Clip		3	
16	996 580 331 01	Bracket	/L -01	1	
16	996 580 331 02	Bracket	/L 02-	1	
(16)	996 580 332 01	Bracket	/R -01	1	
(16)	996 580 332 02	Bracket	/R 02-	1	
17	900 378 173 09	Hexagon-head bolt		X	
18	999 571 079 03	Screwdriver		1	
19	999 507 633 40	Clamp		2	
20	996 561 457 00	Sleeve		2	
21	996 561 297 00	Insert	/L	1	
(21)	996 561 298 00	Insert	/R	1	

Model: 996 98

Model life 1998>>2005



Model: 996 98 Model life 1998>>2005

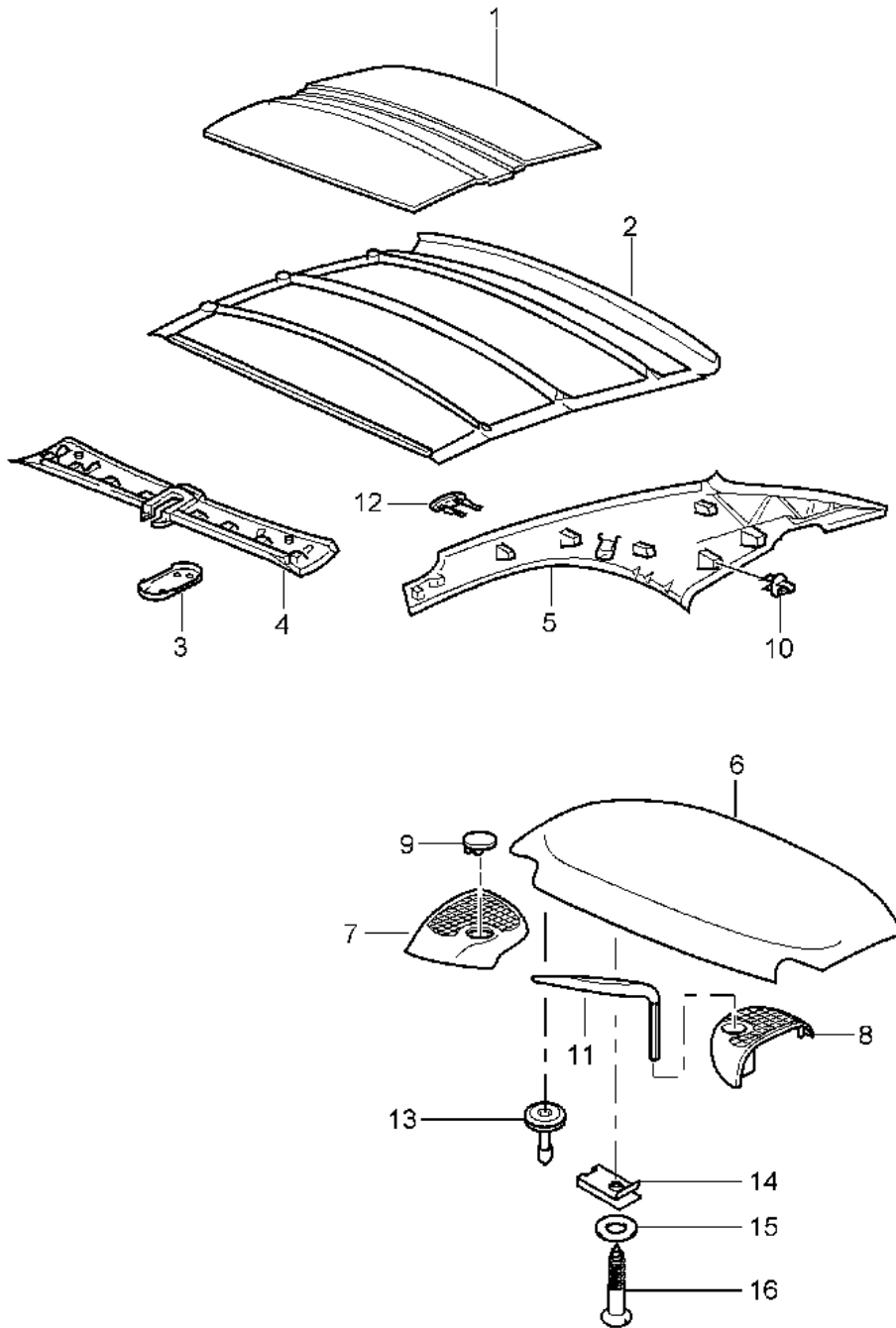
Pos	Part Number	Description	Remark	Qty	Model
		Hardtop Accessories Gaskets			M550
1	996 563 911 00	Hardtop		1	
	996 563 911 00 GRV	Prime coated without Accessories			
2	996 563 091 00	Rear window Ready for installation		1	
3	996 563 025 02	Roof frame seal		1	
-	996 563 309 00	Retaining strip	/L	1	
-	996 563 310 00	Retaining strip	/R	1	
4	996 563 319 00	Retaining strip		1	
5	900 067 378 09	Pan-head screw		10	
6	996 563 029 00	Gasket		1	
7	996 563 405 00	Centring journal	/L	1	
(7)	996 563 406 00	Centring journal	/R	1	
8	996 563 705 01	Cap	/L	1	
8	996 563 706 01	Cap	/R	1	
9	999 919 144 09	Oval-head screw		4	
10	999 073 049 02	Tapping screw		14	
11	999 507 547 40	Expander nut		8	
12	996 563 707 00	Cover strip	/L	1	
	996 563 707 00 GRV	Prime coated			
(12)	996 563 708 00	Cover strip	/R	1	
	996 563 708 00 GRV	Prime coated			
13	996 563 361 00	Gasket	/L	1	
(13)	996 563 362 00	Gasket	/R	1	
14	986 563 721 00	Clip		8	
15	996 563 401 00	Catch		1	
16	900 378 030 09	Hexagon-head bolt M 6X20		3	
17	996 563 403 03	Catch See technical information NR.:1/02	/L -04	1	
17	996 563 403 04	Catch	/L 05-	1	
(17)	996 563 404 03	Catch	/R -04	1	
(17)		Catch	-04	1	
(17)	996 563 404 04	Catch	05-	1	
18	996 561 653 03	Mounting	/L -04	1	
18	996 561 653 04	Mounting	/L	1	
-	996 561 657 01	Insert	-04	1	
-	996 561 657 02	Insert	05-	1	
-	900 249 031 09	Countersunk-head screw		6	
(18)	996 561 654 03	Mounting	/R -04	1	
(18)	996 561 654 04	Mounting	/R 05-	1	
-	996 561 658 01	Insert		1	
-	996 561 658 02	Insert		1	
19	996 563 027 01	Gasket		1	
20	996 563 413 00	Tool		1	
21	996 563 125 00	Thrust wedge		2	
22	999 507 923 40	Expander nut		8	
23	999 507 924 40	Expander nut		8	
24	999 450 008 09	Tapping screw		2	
25	999 073 049 02	Tapping screw		16	
26	996 563 421 01	Protective tab		2	
-	999 507 659 40	Expander nut	/L	1	
-	999 507 662 40	Expander nut	/R	1	
27	996 563 509 00	Support for Lining See group 8/11/17 POS. 5	/L	1	

Model: 996 98 **Model life 1998>>2005**

Pos	Part Number	Description	Remark	Qty	Model
(27)	996 563 510 00	Support for Lining See group 8/11/17 POS. 5	/R	1	

Model: 996 98

Model life 1998>>2005



Model: 996 98 Model life 1998>>2005

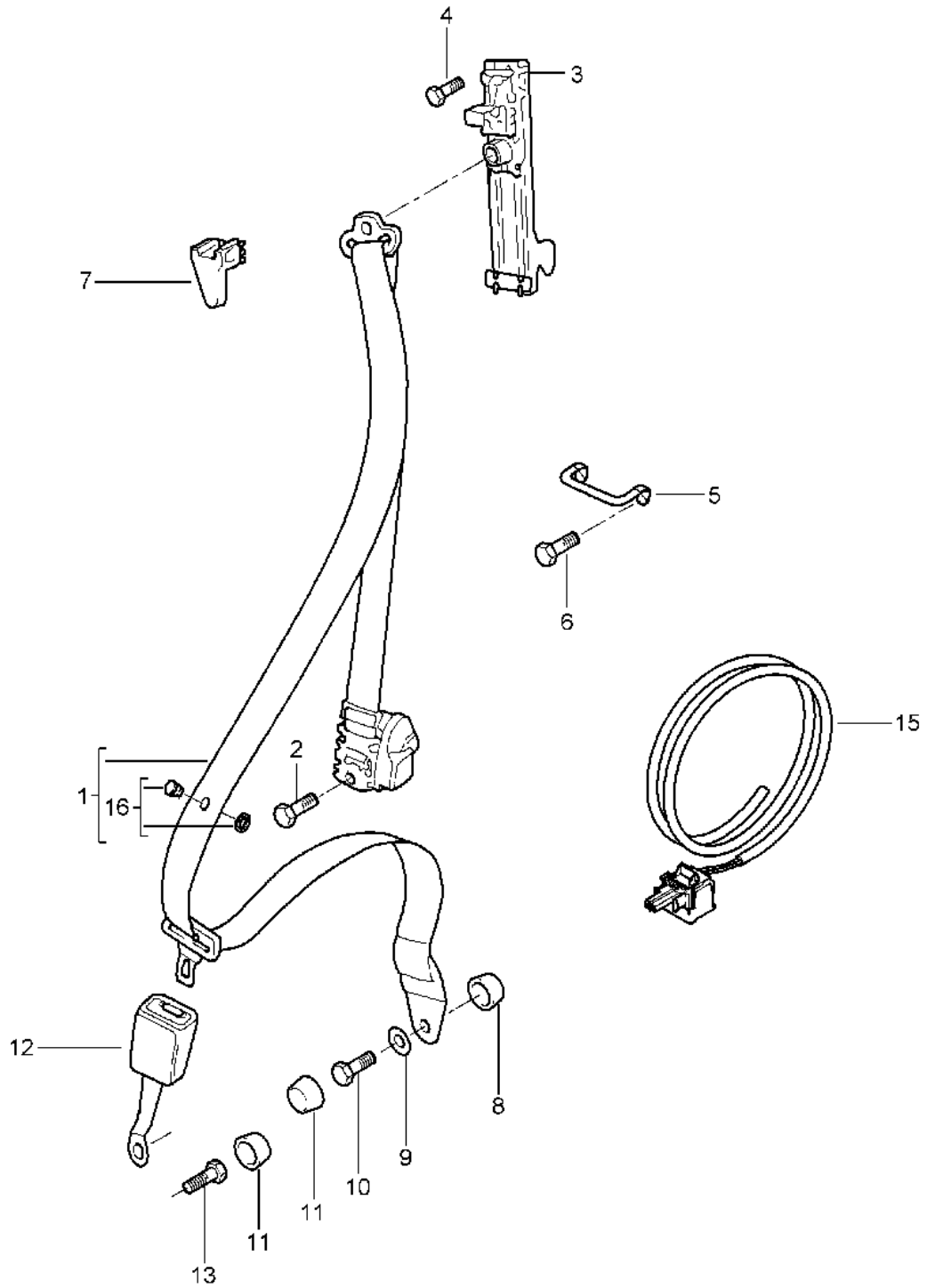
Pos	Part Number	Description	Remark	Qty	Model
		Hardtop			M550
		Sound absorber			
1	996 563 523 00	Sound absorber		1	
2	996 563 111 00	Roofliner		1	
	996 563 111 00 A20	Black			
3	996 563 551 00	Trim cover		1	
	996 563 551 00 01C	Black			
4	996 563 501 00	Lining		1	
		Leatherette			
	996 563 501 00 A18	Black	-99		
	996 563 501 00 A12	Black	00-		
	996 563 501 00 B18	Space grey	-99		
	996 563 501 00 B52	Space grey	00-		
	996 563 501 00 C18	Graphite grey	-99		
	996 563 501 00 C52	Graphite grey	00-		
	996 563 501 00 G18	Metropole blue	-99		
	996 563 501 00 G12	Metropole blue	00-		
	996 563 501 00 S18	Savanna	-99		
	996 563 501 00 S32	Savanna	00-		
	996 563 501 00 J32	Nephrite green			
4	996 563 501 01	Lining	-99	1	
		Leather			
	996 563 501 01 A11	Black			
	996 563 501 01 B51	Space grey			
	996 563 501 01 C51	Graphite grey			
	996 563 501 01 G11	Metropole blue			
	996 563 501 01 J31	Nephrite green			
	996 563 501 01 M31	Boxster red			
	996 563 501 01 S31	Savanna			
	996 563 501 01 D12	Dark grey			
5	996 563 503 00	Lining	/L	1	
		Leatherette			
	996 563 503 00 A18	Black	-99		
	996 563 503 00 A12	Black	00-		
	996 563 503 00 B18	Space grey	-99		
	996 563 503 00 B52	Space grey	00-		
	996 563 503 00 C18	Graphite grey	-99		
	996 563 503 00 C52	Graphite grey	00-		
	996 563 503 00 G18	Metropole blue	-99		
	996 563 503 00 G12	Metropole blue	00-		
	996 563 503 00 S18	Savanna	-99		
	996 563 503 00 S32	Savanna	00-		
	996 563 503 00 J32	Nephrite green	00-		
(5)	996 563 504 00	Lining	/R	1	
		Leatherette			
	996 563 504 00 A18	Black	-99		
	996 563 504 00 A12	Black	00-		
	996 563 504 00 B18	Space grey	-99		
	996 563 504 00 B52	Space grey	00-		
	996 563 504 00 C18	Graphite grey	-99		
	996 563 504 00 C52	Graphite grey	00-		
	996 563 504 00 G18	Metropole blue	-99		
	996 563 504 00 G12	Metropole blue	00-		
	996 563 504 00 S18	Savanna	-99		
	996 563 504 00 S32	Savanna	00-		
	996 563 504 00 J32	Nephrite green	00-		
(5)	996 563 503 01	Lining	/L -99	1	
		Leather			
	996 563 503 01 A11	Black			
	996 563 503 01 B51	Space grey			
	996 563 503 01 C51	Graphite grey			
	996 563 503 01 G11	Metropole blue			
	996 563 503 01 J31	Nephrite green			

Model: 996 98 Model life 1998>>2005

Pos	Part Number	Description	Remark	Qty	Model
(5)	996 563 503 01 M31	Boxster red			
	996 563 503 01 S31	Savanna			
	996 563 503 01 D12	Dark grey			
	996 563 504 01	Lining Leather	/R -99	1	
	996 563 504 01 A11	Black			
	996 563 504 01 B51	Space grey			
	996 563 504 01 C51	Graphite grey			
	996 563 504 01 G11	Metropole blue			
	996 563 504 01 J31	Nephrite green			
	996 563 504 01 M31	Boxster red			
6	996 563 504 01 S31	Savanna			
	996 563 504 01 D12	Dark grey			
	996 563 505 00	Lining		1	
	996 563 505 00 A07	Black			
	996 563 505 00 B07	Space grey			
	996 563 505 00 C07	Graphite grey			
	996 563 505 00 G07	Metropole blue			
7	996 563 554 00	Lining	/R	1	
	996 563 554 00 A10	Black			
	996 563 554 00 B50	Space grey			
	996 563 554 00 C50	Graphite grey			
8	996 563 554 00 G10	Metropole blue			
	996 563 553 00	Lining	/L	1	
	996 563 553 00 A10	Black			
	996 563 553 00 B50	Space grey			
9	996 563 553 00 C50	Graphite grey			
	996 563 553 00 G10	Metropole blue			
	996 555 457 00	Lid		2	
	996 555 457 00 A10	Black			
10	996 555 457 00 C50	Graphite grey			
	996 555 457 00 G10	Metropole blue			
	996 555 457 00 B50	Space grey			
	999 507 764 40	Clip		X	
11	996 563 413 00	Tool		1	
12	996 563 561 00	Rubber stop		2	
	996 563 561 00 01C	Black for Sun visors			
13	999 507 764 40	Clip		X	
14	999 507 030 02	Speed nut		2	
15	900 151 027 02	Washer		2	
16	900 143 046 02	Oval-head sheetmetal screw		2	
16	900 143 046 01	Oval-head sheetmetal screw		2	

Model: 996 98

Model life 1998>>2005

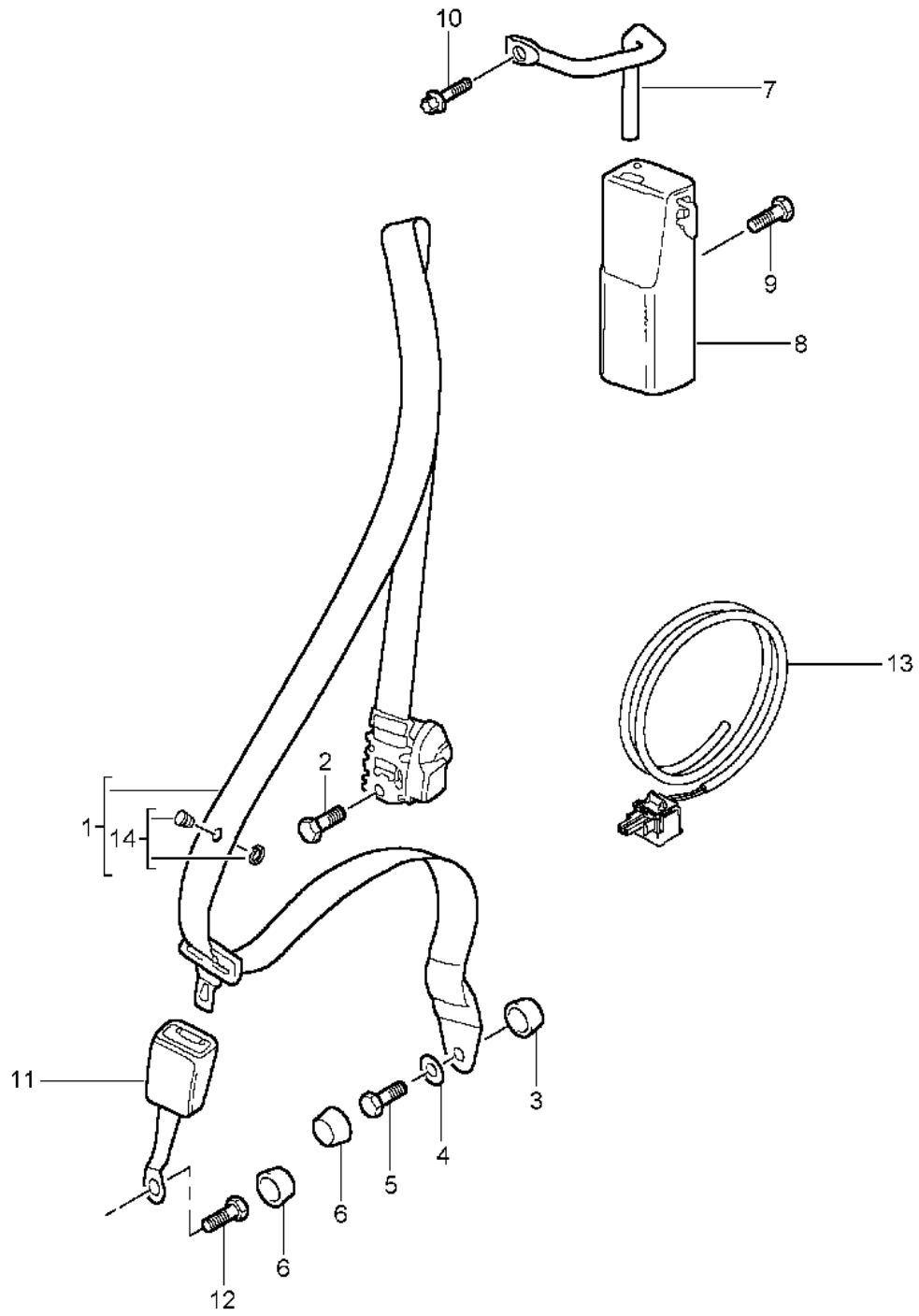


Model: 996 98 Model life 1998>>2005

Pos	Part Number	Description	Remark	Qty	Model
		Seat belt Front			COUPE TARGA
1	996 803 033 04	Seat belt	/L -01	1	
1	996 803 033 02	Seat belt	/L 02-	1	
1	996 803 981 04	Seat belt	/L 02-	1	
	996 803 981 04 V02	Speed yellow			
	996 803 981 04 H03	Maritime blue			
	996 803 981 04 N13	Guards red			
(1)	996 803 034 08	Seat belt	/R -01	1	
(1)	996 803 034 04	Seat belt Black	/R 02-	1	
(1)	996 803 034 06	Seat belt for Child car seat	/R 02-	1	
(1)	996 803 982 06	Seat belt	/R 02-	1	
	996 803 982 06 V02	Speed yellow			
	996 803 982 06 H03	Maritime blue			
	996 803 982 06 N13	Guards red			
(1)	996 803 982 08	Seat belt for Child car seat	/R 02-	1	
	996 803 982 08 V02	Speed yellow			
	996 803 982 08 H03	Maritime blue			
	996 803 982 08 N13	Guards red			
2	911 803 150 00	Screw		2	
3	996 803 231 02	Support for seatbelt Height adjustment		2	
4	900 067 131 02	Pan-head screw		2	
5	996 803 825 01	Relay lever		2	
6	900 378 036 09	Hexagon-head bolt		4	
7	996 803 541 00	Cover	-99	2	
	996 803 541 00 01C	Black			
7	996 803 521 00	Cover	00-	2	
	996 803 521 00 A03	Black			
8	999 924 064 02	Spacer sleeve		2	
8	999 924 064 01	Spacer sleeve		2	
9	211 857 771	Washer		2	
10	999 075 073 09	Hexagon-head bolt		2	
11	811 857 845	Cap		2	
	811 857 845 01C	Satin black			
12	996 803 183 04	Seat-belt buckle Driver's side Information available	-01	1	
12	996 803 183 07	Seat-belt buckle Driver's side	02-	1	
12	996 803 183 01	Seat-belt buckle Passenger's side	-01	1	
12	996 803 183 08	Seat-belt buckle Passenger's side	02-	1	
13	999 218 101 02	Hexagon-head bolt		2	
15	996 612 991 10	Cable Driver's side for Seat-belt tensioner		X	
15	996 612 991 00	Cable Passenger's side for Seat-belt tensioner		X	
16	955 803 056 00	Knob		2	
	955 803 056 00 HCP	Black			

Model: 996 98

Model life 1998>>2005

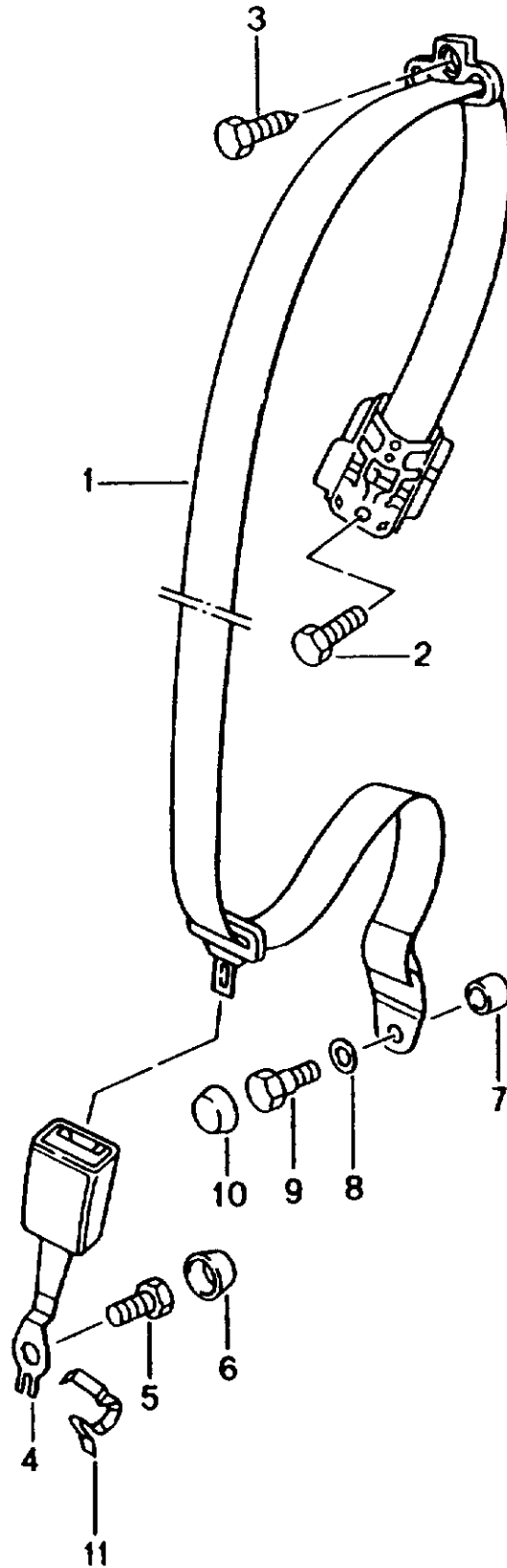


Model: 996 98 Model life 1998>>2005

Pos	Part Number	Description	Remark	Qty	Model
		Seat belt Front			CABRIO
1	996 803 033 01	Seat belt	/L -01	1	
1	996 803 033 03	Seat belt	/L 02-	1	
1	996 803 981 03	Seat belt	/L 02-	1	
	996 803 981 03 V02	Speed yellow			
	996 803 981 03 H03	Maritime blue			
	996 803 981 03 N13	Guards red			
(1)	996 803 034 01	Seat belt	/R -01	1	
(1)	996 803 034 05	Seat belt	/R 02-	1	
(1)	996 803 982 07	Seat belt	/R 02-	1	
	996 803 982 07 V02	Speed yellow			
	996 803 982 07 H03	Maritime blue			
	996 803 982 07 N13	Guards red			
(1)	996 803 982 09	Seat belt	/R 02-	1	
		for Child car seat			
	996 803 982 09 V02	Speed yellow			
	996 803 982 09 H03	Maritime blue			
	996 803 982 09 N13	Guards red			
2	911 803 150 00	Screw		2	
3	999 924 064 02	Spacer sleeve		2	
3	999 924 064 01	Spacer sleeve		2	
4	211 857 771	Washer		2	
5	803 019 811 B	Hexagon-head bolt		2	
6	811 857 845	Cap		2	
7	996 803 815 00	Reverse lever	/L	1	
7	996 803 816 00	Reverse lever	/R	1	
8	996 803 581 00	Mounting	/L	1	
8	996 803 582 00	Mounting	/R	1	
9	900 378 074 09	Hexagon-head bolt		4	
10	900 378 017 09	Hexagon-head bolt		2	
11	996 803 183 04	Seat-belt buckle	-01	1	
		Driver's side Information available			
11	996 803 183 07	Seat-belt buckle	02-	1	
		Driver's side			
(11)	996 803 183 01	Seat-belt buckle	-01	1	
		Passenger's side			
11	996 803 183 08	Seat-belt buckle	02-	1	
		Passenger's side			
12	999 218 101 02	Hexagon-head bolt		2	
13	996 612 991 10	Cable		X	
		Driver's side for Seat-belt tensioner			
13	996 612 991 00	Cable		X	
		Passenger's side for Seat-belt tensioner			
14	955 803 056 00	Knob		2	
	955 803 056 00 HCP	Black			

Model: 996 98

Model life 1998>>2005



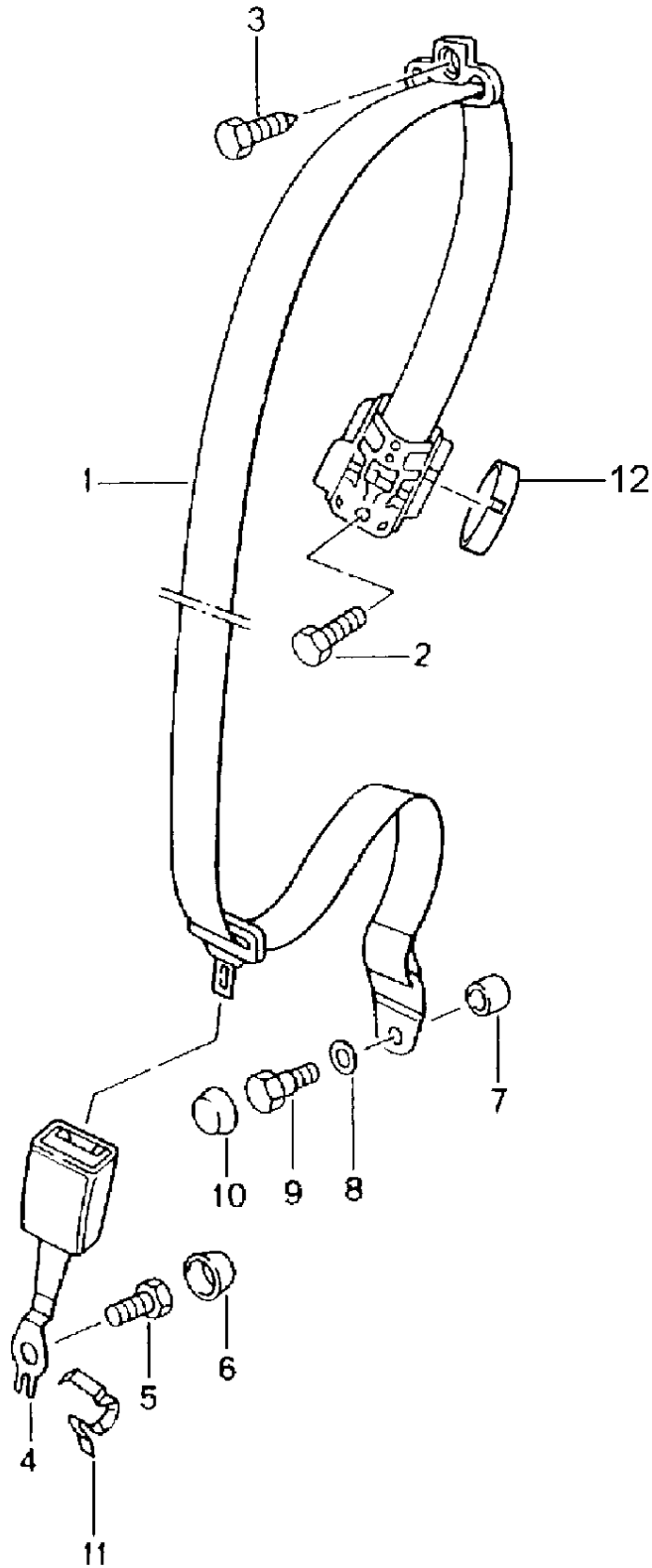
Model: 996 98

Model life 1998>>2005

Pos	Part Number	Description	Remark	Qty	Model
		Seat belt Rear			COUPE
1	996 803 035 08	Seat belt	/L	1	
1	996 803 983 06	Seat belt	/L 02-	1	
	996 803 983 06 V02	Speed yellow			
	996 803 983 06 H03	Maritime blue			
	996 803 983 06 N13	Guards red			
(1)	996 803 036 08	Seat belt	/R	1	
(1)	996 803 984 06	Seat belt	/R 02-	1	
	996 803 984 06 V02	Speed yellow			
	996 803 984 06 H03	Maritime blue			
	996 803 984 06 N13	Guards red			
2	911 803 150 00	Screw		2	
3	999 075 057 09	Hexagon-head bolt		2	
4	996 803 165 01	Seat-belt buckle	/L	1	
(4)	996 803 166 01	Seat-belt buckle	/R	1	
5	911 803 150 00	Screw		2	
6	811 857 845	Cap		2	
7	999 924 064 02	Spacer sleeve		2	
7	999 924 064 01	Spacer sleeve		2	
8	211 857 771	Washer		2	
9	803 019 811 B	Hexagon-head bolt		2	
10	811 857 845	Cap		2	M193
11	996 551 745 00	Fastening clamp	/L	2	
11	996 551 746 00	Fastening clamp	/R	2	

Model: 996 98

Model life 1998>>2005

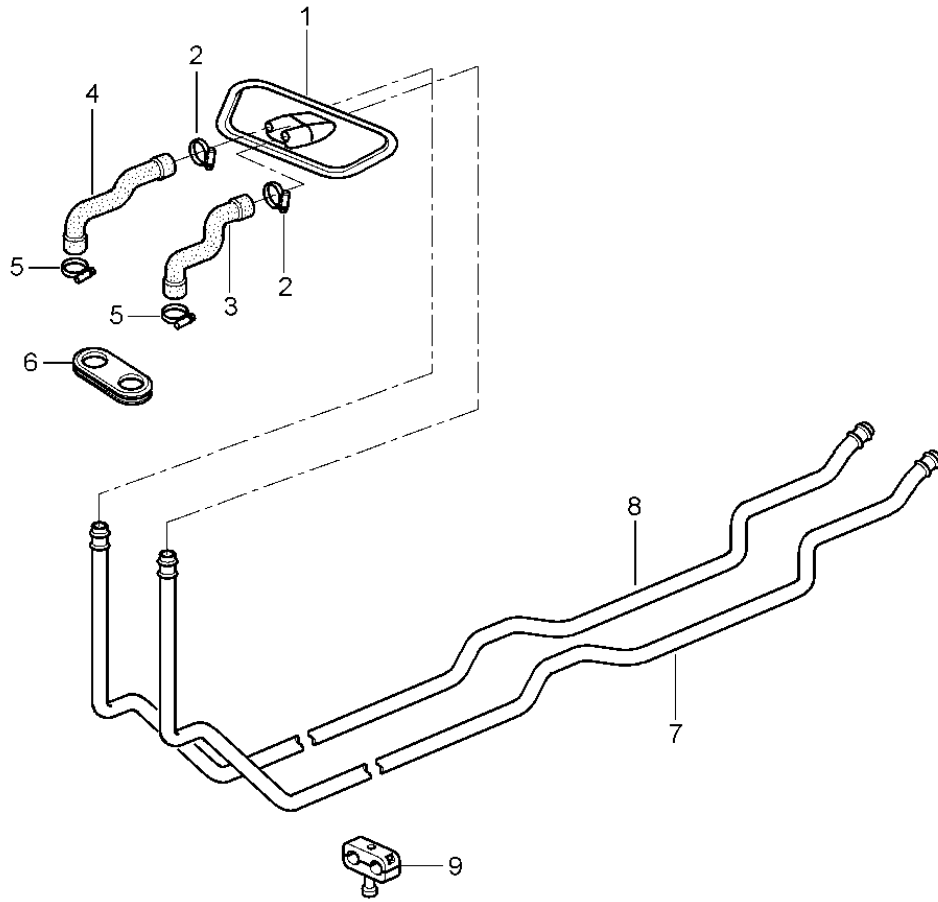


Model: 996 98 Model life 1998>>2005

Pos	Part Number	Description	Remark	Qty	Model
		Seat belt Rear			CABRIO TARGA
1	996 803 035 06	Seat belt	/L	1	CABRIO
1	996 803 983 08	Seat belt	/L	1	CABRIO
	996 803 983 08 V02	Speed yellow			
	996 803 983 08 H03	Maritime blue			
	996 803 983 08 N13	Guards red			
1	996 803 035 04	Seat belt	/L	1	TARGA
1	996 803 983 04	Seat belt	/L	1	TARGA
	996 803 983 04 V02	Speed yellow			
	996 803 983 04 H03	Maritime blue			
	996 803 983 04 N13	Guards red			
1	996 803 036 06	Seat belt	/R	1	CABRIO
1	996 803 984 08	Seat belt	/R	1	CABRIO
	996 803 984 08 V02	Speed yellow			
	996 803 984 08 H03	Maritime blue			
	996 803 984 08 N13	Guards red			
1	996 803 036 04	Seat belt	/R	1	TARGA
1	996 803 984 04	Seat belt	/R	1	TARGA
	996 803 984 04 V02	Speed yellow			
	996 803 984 04 H03	Maritime blue			
	996 803 984 04 N13	Guards red			
2	911 803 150 00	Screw		2	CABRIO
2	999 075 070 09	Hexagon-head bolt		2	TARGA
3	999 075 057 09	Hexagon-head bolt		2	
4	996 803 165 01	Seat-belt buckle	/L	1	
4	996 803 166 01	Seat-belt buckle	/R	1	
5	911 803 150 00	Screw		2	
6	811 857 845	Cap		2	
7	999 924 064 02	Spacer sleeve		2	
7	999 924 064 01	Spacer sleeve		2	
8	211 857 771	Washer		2	
9	803 019 811 B	Hexagon-head bolt		2	
10	811 857 845	Cap		2	
	811 857 845 01C	Satin black			
11	996 551 745 00	Fastening clamp		2	
12	996 803 545 00	Cap		2	TARGA

Model: 996 98

Model life 1998>>2005



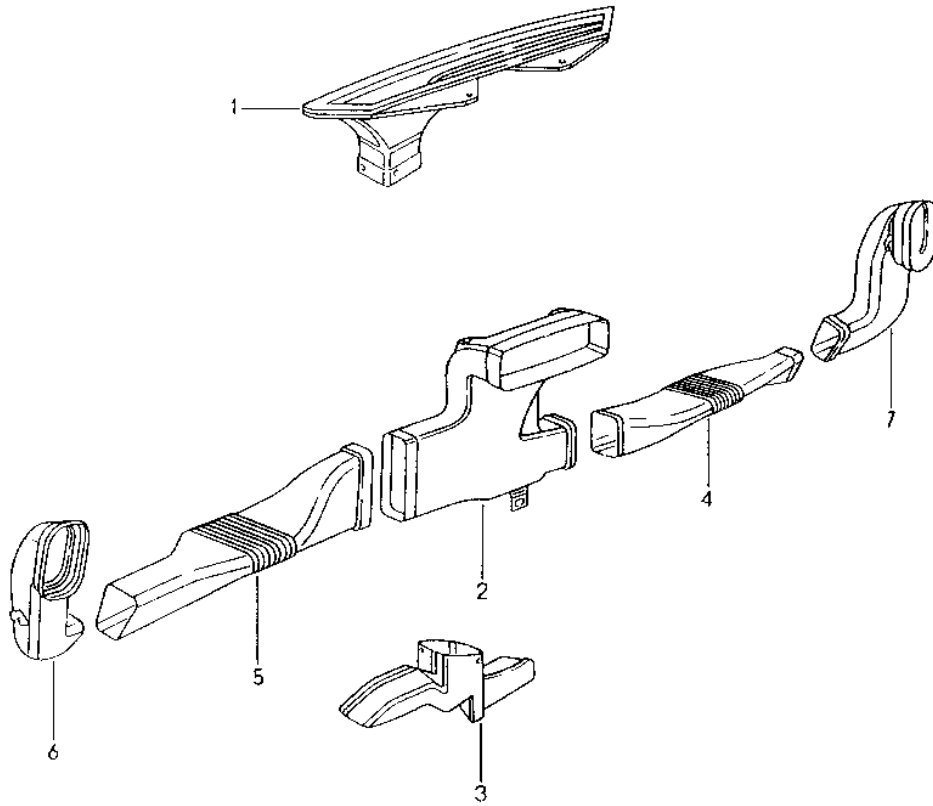
Model: 996 98

Model life 1998>>2005

Pos	Part Number	Description	Remark	Qty	Model
		Heating system 1			
		Feed line			
		Return line			
1	996 572 263 02	Gasket	/LL	1	
1	996 572 263 03	Gasket	/RL	1	
2	999 512 441 02	Hose clamp		1	
3	996 572 585 00	Heater hose	/LL	1	
3	996 572 585 04	Heater hose	/LL	1	
3	997 572 555 00	Heater hose	/LL	1	
(3)	996 572 585 01	Heater hose	/RL	1	
(3)	996 572 585 05	Heater hose	/RL	1	
(3)	997 572 555 01	Heater hose	/RL	1	
4	996 572 583 00	Heater hose	/LL	1	
4	996 572 583 04	Heater hose	/LL	1	
4	997 572 553 00	Heater hose	/LL	1	
(4)	996 572 583 01	Heater hose	/RL	1	
(4)	996 572 583 05	Heater hose	/RL	1	
(4)	997 572 553 01	Heater hose	/RL	1	
5	999 512 441 02	Hose clamp		1	
6	996 572 765 01	Grommet		1	
7	996 572 683 03	Return line		1	-01
7	996 572 683 05	Return line		1	02-
8	996 572 681 03	Hot air duct		1	-01
		Supply			
(8)	996 572 681 05	Heater pipeline		1	02-
		Supply			
9	999 511 230 40	Cable holder		4	
-	999 511 232 41	Rubber mounting		4	

Model: 996 98

Model life 1998>>2005



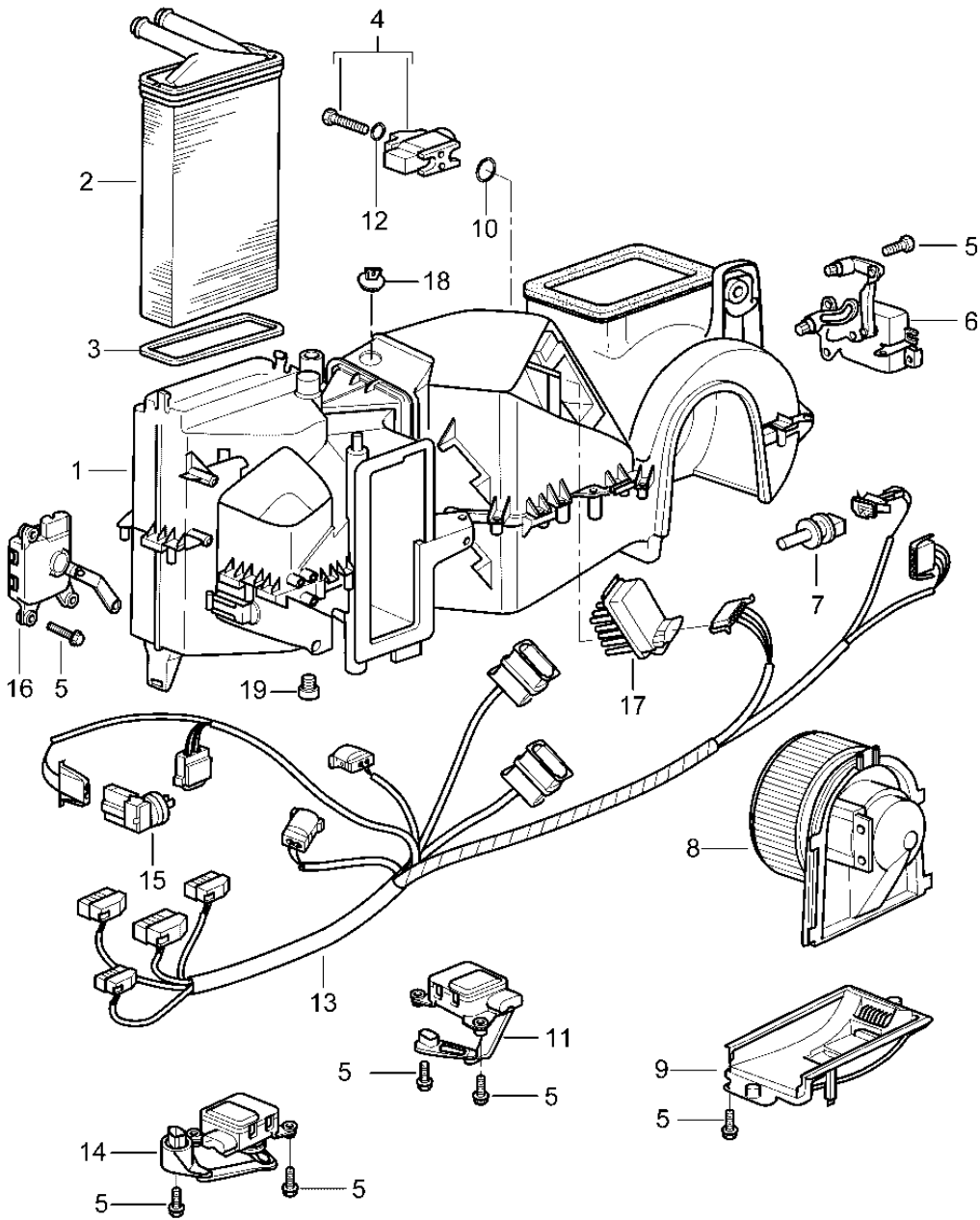
Model: 996 98

Model life 1998>>2005

Pos	Part Number	Description	Remark	Qty	Model
		Heating			
		Air distributor			
1	996 572 631 00	Defroster vent	/LL	1	
(1)	996 572 631 01	Defroster vent	/RL	1	
2	996 572 171 00	Air distributor	/LL -01	1	
2	996 572 171 04	Air distributor	/LL 02-	1	
(2)	996 572 171 01	Air distributor	/RL -01	1	
(2)	996 572 171 05	Air distributor	/RL 02-	1	
3	996 572 793 02	Footwell outlet vent	/LL	1	
3	996 572 793 04	Footwell outlet vent	/LL	1	M680
(3)	996 572 793 01	Footwell outlet vent	/RL -02	1	
(3)	996 572 793 05	Footwell outlet vent	/RL 03-	1	
(3)	996 572 793 06	Footwell outlet vent	/RL 03-	1	M680
4	996 572 464 01	Air guide	/LL /R	1	-02
4	996 572 464 02	Air guide	/LL /R	1	03-
4	996 572 464 00	Air guide	/RL /R	1	
5	996 572 463 00	Air guide	/LL /L	1	
5	996 572 463 01	Air guide	/RL /L	1	-02
5	996 572 463 02	Air guide	/RL /L	1	03-
6	996 572 767 00	Air guide	/LL /L	1	
6	996 572 767 01	Air guide	/RL /L	1	
7	996 572 768 00	Air guide	/RL /R	1	
(7)	996 572 768 01	Air guide	/LL /R	1	

Model: 996 98

Model life 1998>>2005

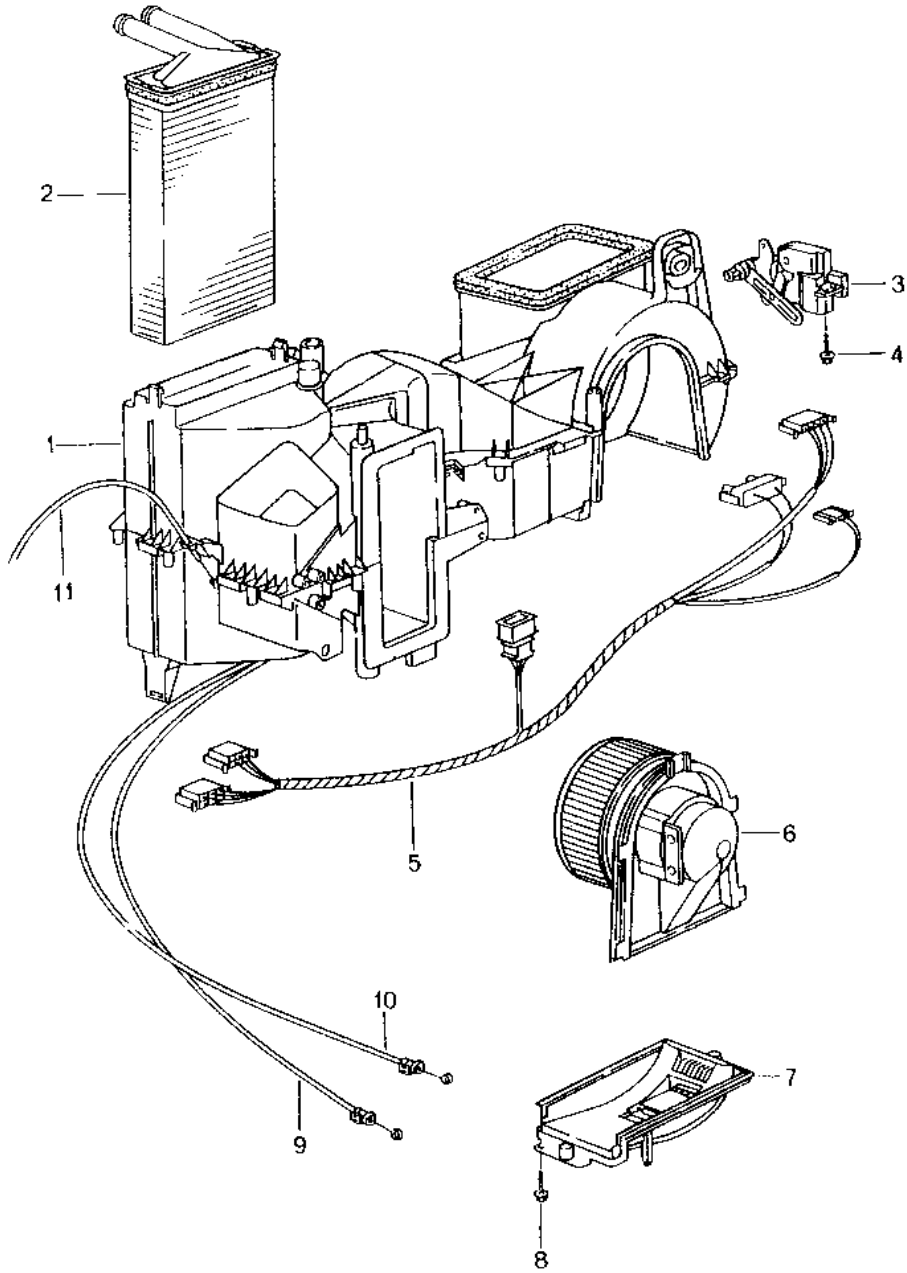


Model: 996 98 Model life 1998>>2005

Pos	Part Number	Description	Remark	Qty	Model
		Air conditioner Single parts			M573
1	996 573 901 02	Air conditioner without Heat exchanger with Evaporator	/LL	1	
1	996 573 901 01	Air conditioner without Heat exchanger with Evaporator	/RL	1	
-	996 552 601 01	Support		1	
2	996 572 129 00	Heat exchanger		1	
2	997 572 129 00	Heat exchanger		1	
3	996 572 913 00	Gasket		1	
4	996 573 929 01	Expansion valve		1	
5	900 143 093 01	Combination screw ST4,8X19-C		X	
6	996 573 915 00	Electric motor Central valve	/LL	1	
6	996 573 915 01	Electric motor Central valve	/RL	1	
7	1J0 907 543 B	Temperature sensor		1	
8	996 572 903 02	Blower	/LL -99	1	
8	996 624 107 01	Blower Use also:	/LL 00- -99	1	
-	000 043 300 99	Parts kit		1	
8	996 572 903 03	Blower	/RL -99	1	
8	996 624 108 01	Blower Use also:	/RL 00-	1	
-	000 043 300 99	Parts kit		1	
9	996 573 905 00	Lid		1	
10	999 707 596 40	O-ring 14X1,82		1	
11	996 573 919 00	Electric motor Temperature valve	/LL	1	
(11)	996 573 919 01	Electric motor Temperature valve	/RL	1	
12	999 707 534 41	O-ring 17X2,00		1	
13	996 612 047 00	Wiring harness	/LL 98	1	
(13)	996 612 047 01	Wiring harness	/LL 99-	1	
(13)	996 622 047 00	Wiring harness	/LL 01-	1	
(13)	996 612 048 00	Wiring harness	/RL 98	1	
(13)	996 612 048 01	Wiring harness	/RL 99-	1	
(13)	996 622 048 00	Wiring harness	/RL 01-	1	
14	996 573 917 00	Electric motor Defroster flap	/LL	1	
(14)	996 573 917 01	Electric motor Defroster flap	/RL	1	
15	1H0 907 543 A	Temperature sensor		1	
16	996 573 921 00	Electric motor Air flow sensor plate	/LL	1	
(16)	996 573 921 01	Electric motor Air flow sensor plate	/RL	1	
17	996 573 923 00	Resistor		1	
18	997 573 935 00	Stopper		1	
19	996 573 927 00	Blower outlet sensor		1	
-	996 552 601 01	Support for Heating and ventilation unit		1	

Model: 996 98

Model life 1998>>2005



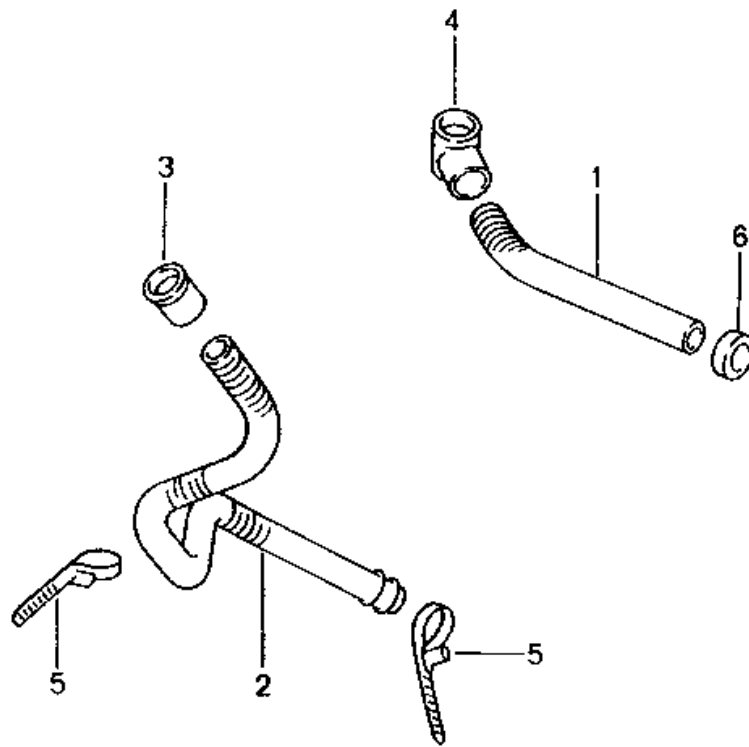
Model: 996 98

Model life 1998>>2005

Pos	Part Number	Description	Remark	Qty	Model
		Heater			
		Single parts			
1	996 572 901 00	Housing	/LL	1	
(1)	996 572 901 01	Housing	/RL	1	
2	996 572 129 00	Heat exchanger		1	
3	996 572 915 00	Electric motor		1	
4	999 919 049 02	Oval-head screw		1	
5	996 612 045 00	Wiring harness	/LL 98	1	
5	996 612 045 01	Wiring harness	/LL 99-	1	
(5)	996 612 046 00	Wiring harness	/RL 98	1	
(5)	996 612 046 01	Wiring harness	/RL 99-	1	
6	996 572 903 02	Blower	/LL -99	1	
6	996 624 107 01	Blower	/LL 00-	1	
		Use also:	-99		
-	000 043 300 99	Parts kit		1	
(6)	996 572 903 03	Blower	/RL -99	1	
(6)	996 624 108 01	Blower	/RL 00-	1	
		Use also:	-99		
-	000 043 300 99	Parts kit		1	
7	996 572 905 00	Lid		1	
		with			
		Resistor			
8	999 919 049 02	Oval-head screw		2	
9	996 572 605 00	Bowden cable	/LL	1	
		Defroster			
9	996 572 605 01	Bowden cable	/RL	1	
		Defroster			
10	996 572 607 00	Bowden cable	/LL	1	
		Temperature valve			
10	996 572 607 01	Bowden cable	/RL	1	
		Temperature valve			
11	996 572 601 00	Bowden cable	/LL	1	
		Central valve			
11	996 572 601 01	Bowden cable	/RL	1	
		Central valve			

Model: 996 98

Model life 1998>>2005



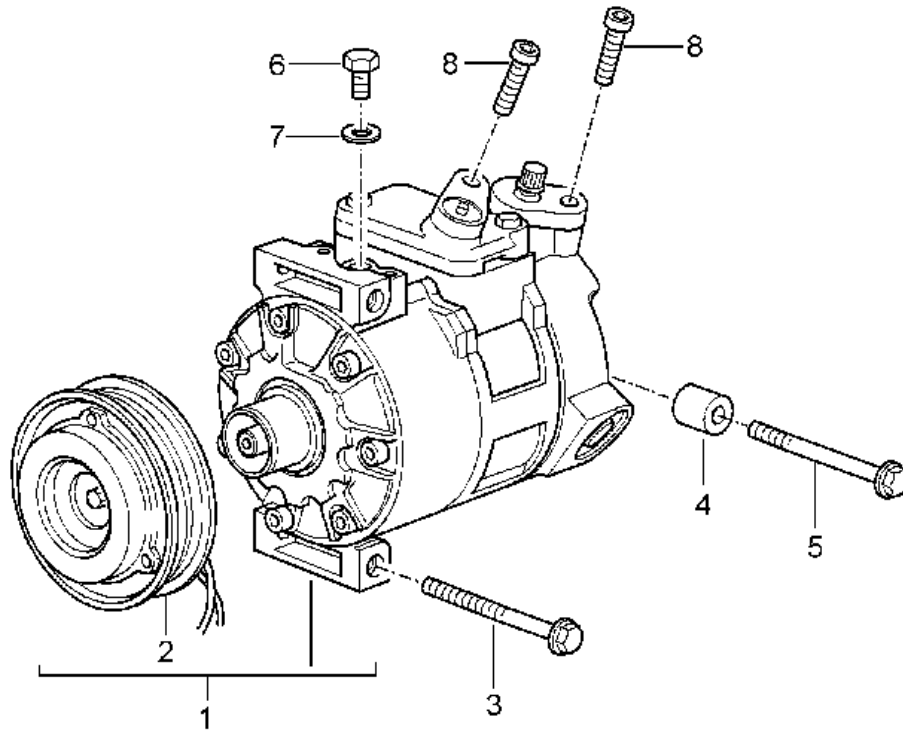
Model: 996 98

Model life 1998>>2005

Pos	Part Number	Description	Remark	Qty	Model
		Water drain tube			
		Mount			
		Sound absorber			
		Heater			
		Air conditioner			
1	996 504 643 00	Water drain tube		1	
2	996 504 644 00	Water drain tube		1	
3	996 504 645 00	Grommet		1	
4	996 504 646 00	Grommet		1	
5	999 513 049 40	Tie-wrap		1	
6	999 702 156 40	Grommet		1	
-	996 573 797 02	Connecting piece		1	
-	996 573 795 01	Grommet		1	
-	996 573 793 01	Water drain tube		1	
-	996 573 794 01	Water drain tube		1	
-	996 504 649 00	Grommet		2	

Model: 996 98

Model life 1998>>2005



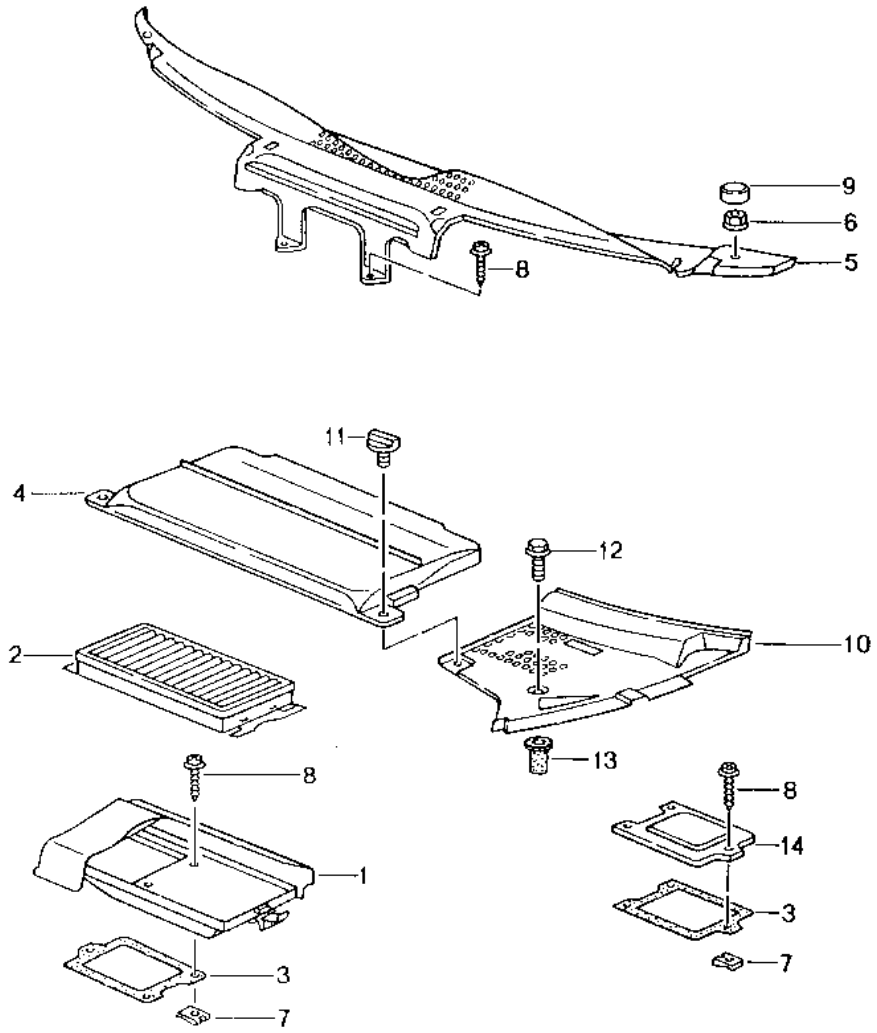
Model: 996 98

Model life 1998>>2005

Pos	Part Number	Description	Remark	Qty	Model
1	996 126 011 52	Compressor		1	
2	996 573 926 00	Magnetic clutch		1	
3	900 378 075 09	Hexagon-head bolt M 8X90		1	
4	996 126 102 52	Spacer	-03	1	
4	996 126 102 53	Spacer	04-	1	
5	900 378 136 09	Hexagon-head bolt M 8X120		1	
6	996 573 926 01	Oil filler screw		1	
7	996 573 926 02	Sealing ring		1	
8	900 067 252 02	Pan-head screw		2	

Model: 996 98

Model life 1998>>2005

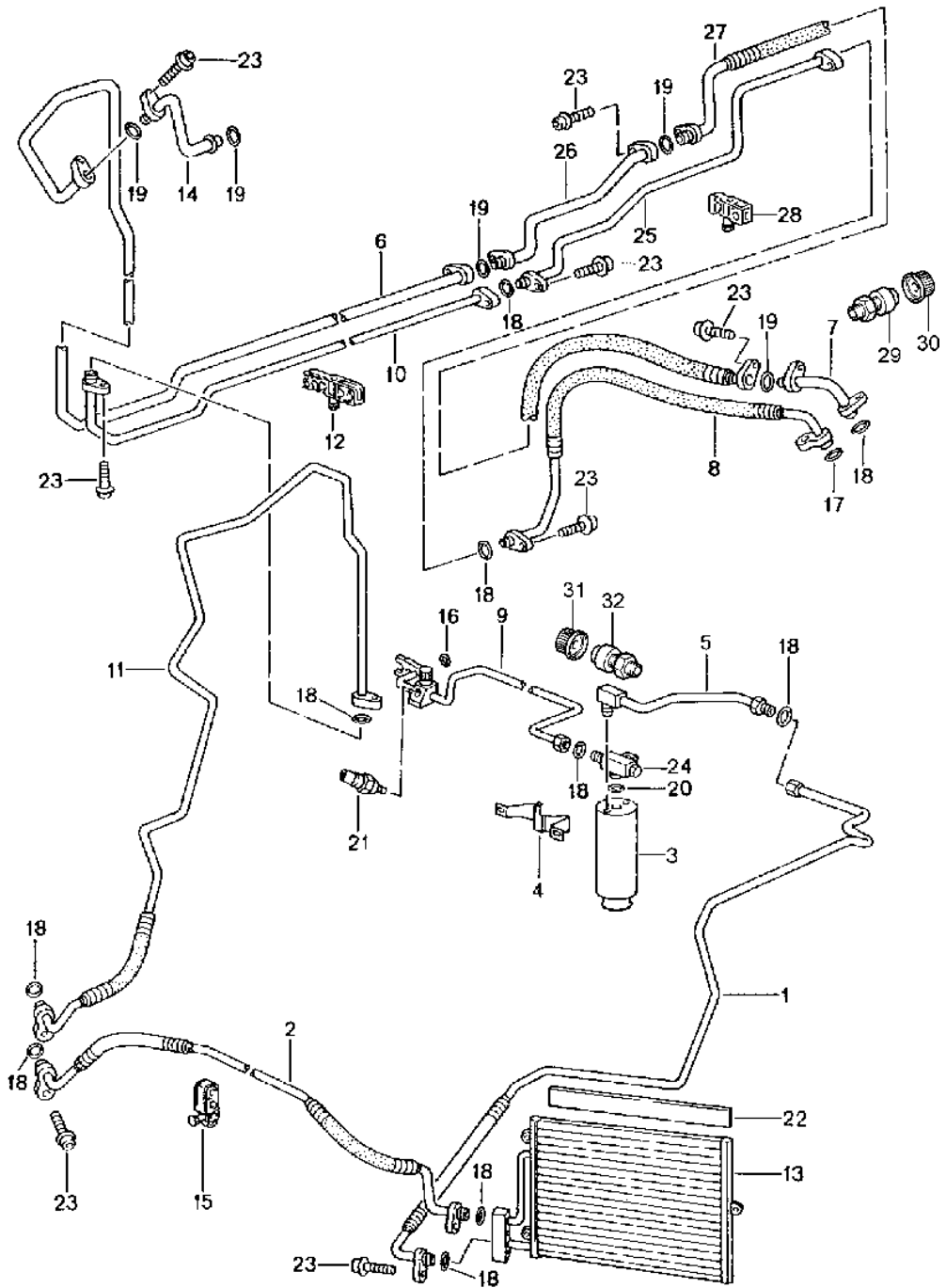


Model: 996 98 Model life 1998>>2005

Pos	Part Number	Description	Remark	Qty	Model
		Particle filter			
		Cowl panel covering			
1	996 572 019 02	Housing	/LL	1	
1	996 572 019 03	Housing	/RL	1	
2	996 572 219 01	Particle filter		1	-M571
2	996 572 219 02	Particle filter		1	-M571
2	996 571 219 03	Particle filter		1	M571
3	996 572 221 01	Gasket		1	
3	996 572 221 02	Gasket	02-	1	
4	996 572 567 01	Cover		1	
	996 572 567 01 01C	Black			
		Battery			
(4)	996 572 729 00	Cover	/LL	1	
		Particle filter			
(4)	996 572 729 02	Cover	/RL	1	
		Particle filter			
5	996 572 563 04	Cowl panel covering	/LL -00	1	
	996 572 563 04 01C	Black			
5	996 572 563 06	Cowl panel covering	/LL 01-	1	
	996 572 563 06 01C	Black			
		Use also:			
-	996 572 931 00	Gasket		1	
-	996 572 661 00	Cover		1	
		Vehicle Ident. No.			
5	996 572 563 05	Cowl panel covering	/RL -00	1	
	996 572 563 05 01C	Black			
5	996 572 563 07	Cowl panel covering	/RL 01-	1	
	996 572 563 07 01C	Black			
		Use also:			
-	996 572 931 00	Gasket		1	
6	999 049 008 40	Plastic nut		2	
7	999 591 722 02	Speed nut		3	
8	999 073 142 09	Tapping screw		3	
9	996 572 569 00	Cap	-00	2	
	996 572 569 00 01C	Black			
(9)	996 572 569 01	Cap	/L 01-	1	
	996 572 569 01 01C	Black			
(9)	996 572 570 01	Cap	/R 01-	1	
	996 572 570 01 01C	Black			
10	996 572 561 01	Cover	/L	1	
	996 572 561 01 01C	Black			
(10)	996 572 562 01	Cover	/R	1	
	996 572 562 01 01C	Black			
11	999 590 045 40	Screw plug		X	
-	999 590 046 40	Disc cam		X	
12	999 073 143 09	Oval-head screw		2	
12	999 073 143 01	Oval-head screw		2	
13	999 500 092 00	Nut		2	
14	996 572 719 01	Lid	-03	2	
14	996 572 719 02	Lid	04-	2	
15	999 591 742 02	Speed nut		2	
		ST 4,2			
15	999 591 742 01	Speed nut		2	
		ST 4,2			

Model: 996 98

Model life 1998>>2005

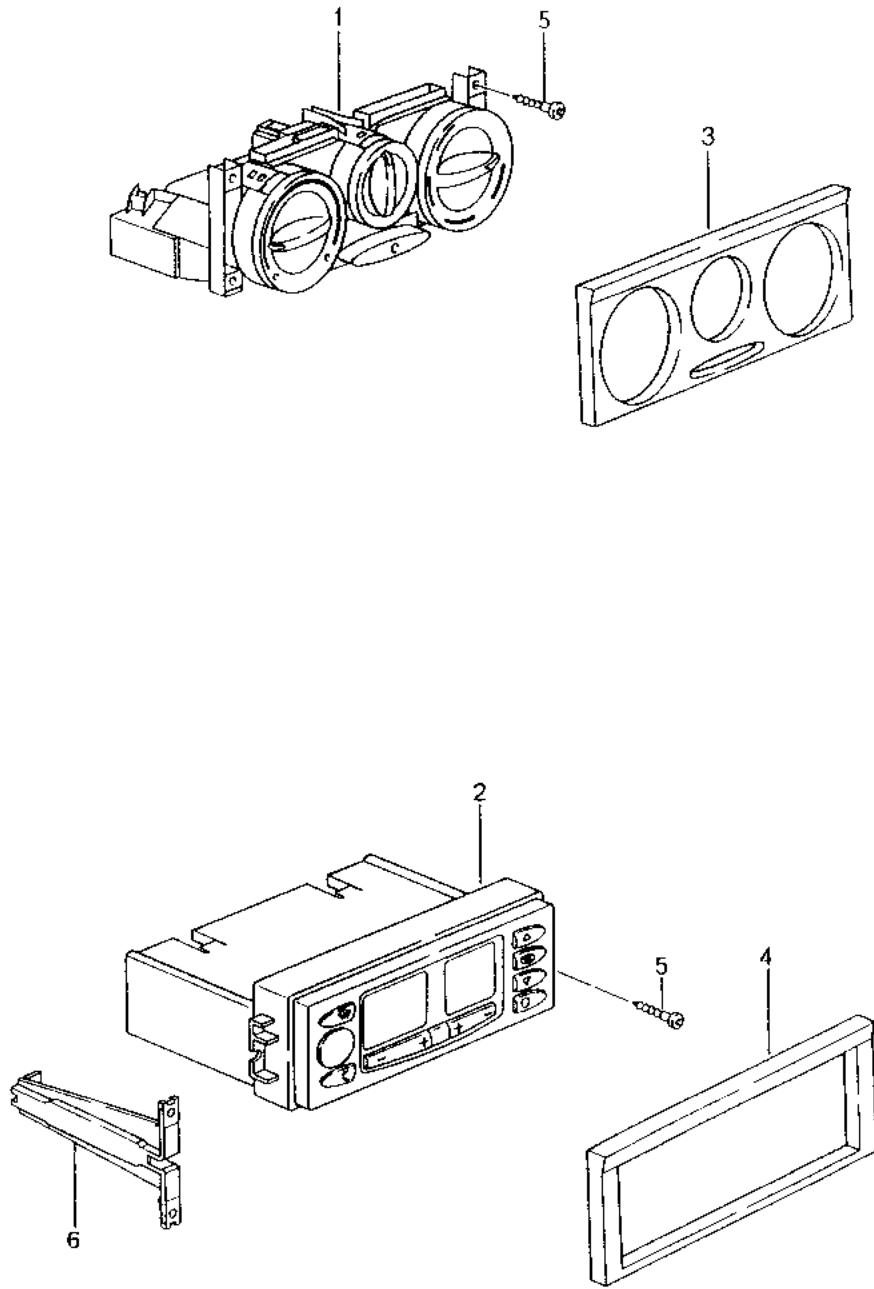


Model: 996 98 Model life 1998>>2005

Pos	Part Number	Description	Remark	Qty	Model
		Refrigerant circuit			
1	996 573 105 03	Refrigerant line	-01	1	
1	996 573 105 05	Pressure line	02-	1	
1	996 573 105 04	Refrigerant	02-	1	C4S
1	996 573 105 06	Refrigerant line	02-	1	C4S
2	996 573 104 02	Refrigerant line		1	
2	996 573 104 03	Refrigerant line		1	C4S
3	944 573 143 01	Desiccator		1	
4	996 573 451 00	Support		1	
5	996 573 106 00	Refrigerant line		1	
6	996 573 091 01	Intake pipe		1	
-	996 573 769 01	Grommet		1	
7	996 573 099 02	Refrigerant line		1	
8	996 573 097 02	Refrigerant line		1	
9	996 573 108 01	Pressure line	/RL	1	
(9)	996 573 108 02	Pressure line	/LL -01	1	
(9)	996 573 108 03	Pressure line	/LL 02-	1	
10	996 573 092 01	Pressure line		1	
11	996 573 094 02	Refrigerant line	-01	1	
11	996 573 094 04	Pressure line	02-	1	
11	996 573 094 03	Refrigerant line		1	C4S
11	996 573 094 05	Refrigerant line		1	C4S
12	996 347 543 00	Cable holder		2	
13	996 573 111 00	Condenser		2	
(13)	996 573 111 03	Condenser	02-	2	C4S
(13)		Condenser	04	2	M095
14	996 573 093 02	Intake pipe	/LL	1	
14	996 573 093 03	Intake pipe	/RL	1	
15	996 347 543 00	Cable holder		2	
16	999 707 247 40	O-ring 7,5X2		2	
17	999 707 382 40	O-ring 23,8X2,4		8	
18	999 707 250 40	O-ring 10,6X2		8	
18	999 707 434 41	O-ring 10,6X2		8	
19	999 707 252 40	O-ring 17X2		3	
20	999 707 262 40	O-ring 6,7X1,8		X	
21	964 613 137 01	Pressure switch		1	
22	996 573 711 00	Cover strip		2	
22	996 573 711 01	Frame	02-	2	C4S
22		Frame	04	2	M095
23	900 067 247 02	Combination screw		X	
23	900 067 247 01	Combination screw		X	
24	993 573 243 00	Distributing piece		1	
25	996 573 096 02	Pressure line	-01	1	
25	996 573 096 05	Refrigerant line	02-	1	
26	996 573 931 00	Intake pipe	-01	1	
27	996 573 930 00	Intake pipe	-01	1	
(27)	996 573 095 05	Intake pipe	02-	1	
(27)	996 573 095 07	Intake pipe	02-	1	
(27)	996 573 095 08	Intake pipe	02-	1	
28	999 511 230 40	Cable holder		X	
		Use also:			
-	999 511 231 41	Rubber mounting		X	
29	996 573 465 00	Valve		1	
30	944 573 663 01	Cap		1	
31	944 573 663 02	Cap		1	
32	996 573 466 00	Valve		1	

Model: 996 98

Model life 1998>>2005

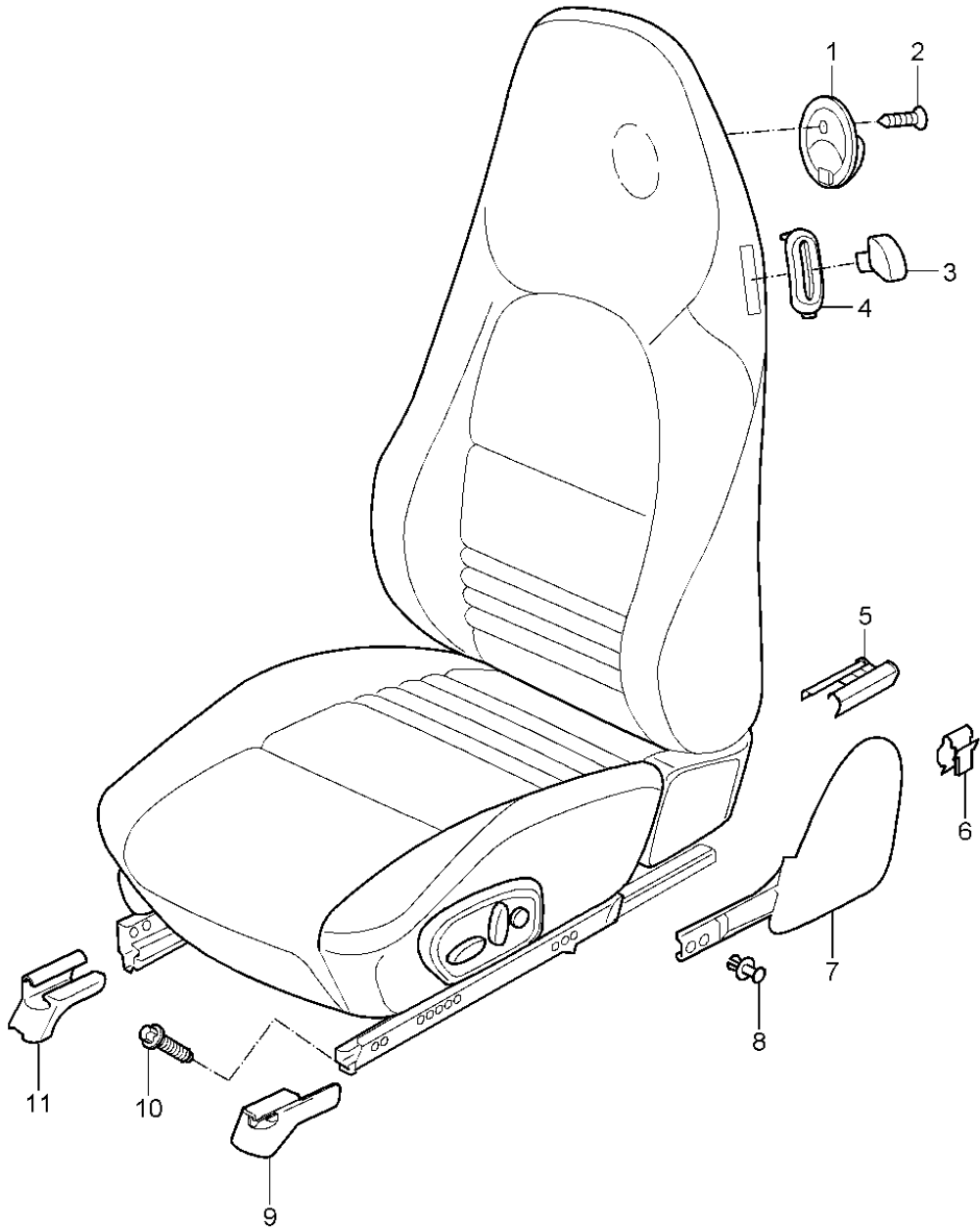


Model: 996 98 Model life 1998>>2005

Pos	Part Number	Description	Remark	Qty	Model
1	996 572 101 00	Control switch Control part Heating	-01	1	
	996 572 101 00 01C	Black			
1	996 572 101 01	Control part Heating	02-	1	
	996 572 101 01 01C	Black			
-	900 631 132 90	Bulb		1	
2	996 653 101 03	Control part Air conditioner	-01	1	M573
	996 653 101 03 EFR	Black			
2	996 653 101 CX	Control part Air conditioner	-01	1	M573
	996 653 101 CX EFR	Black			
2	996 653 101 09	Control part Air conditioner	02-	1	M573
	996 653 101 09 EFR	Black mat			
2	996 653 101 IX	Control part Air conditioner	02-	1	M573
	996 653 101 IX EFR	Black mat			
2	996 653 101 10	Control part Air conditioner	03-	1	M573
	996 653 101 10 FFA	Black mat			
2	996 653 101 JX	Control part Air conditioner	03-	1	M573
	996 653 101 JX FFA	Black mat			
3	996 552 153 01	Support frame Air conditioner	-02	1	M574
	996 552 153 01 01C	Satin black			
4	996 552 677 00	Frame Air conditioner	-01	1	M573
	996 552 677 00 01C	Black			
4	996 552 677 01	Cover Air conditioner	02-	1	M573
	996 552 677 01 01C	Black			
(4)	996 552 339 00	Frame Air conditioner		1	M581/665
	996 552 339 00 01C	Black			
-	191 853 615 A	Grommet for POS.4		X	
5	900 143 076 09	Tapping screw		X	
6	996 573 501 00	Adapter		2	M573

Model: 996 98

Model life 1998>>2005



Model: 996 98 Model life 1998>>2005

Pos	Part Number	Description	Remark	Qty	Model
		Front seat			CARRERA
		Front seat Complete Not available			
1	996 521 373 00	Coat hook		2	
	996 521 373 00 A03	Black			
2	999 919 199 09	Countersunk-head screw M 5 X 25		2	
3	996 521 321 00	Actuating lever	-99	4	
(3)	996 521 421 00	Control button	/L 00-	2	
(3)	996 521 422 00	Control button	/R 00-	2	
4	996 521 323 00	Rosette	/L 99	2	
		Satin black			
(4)	996 521 324 00	Rosette	/R 99	2	
		Satin black			
(4)	996 521 323 02	Rosette	/L 00-	2	
		Satin black			
(4)	996 521 324 02	Rosette	/R 00-	2	
		Satin black			
5	996 521 357 00	Cover	/L -99	2	IXSE/XSF
		Rear			
	996 521 357 00 01C	Satin black			
(5)	996 521 358 00	Cover	/R -99	2	IXSE/XSF
		Rear			
	996 521 358 00 01C	Satin black			
6	999 507 592 01	Cable clamp		2	
		Cover			
		1,0 - 6,0			
7	996 521 315 01	Cap	/L	1	
	996 521 315 01 D05	Granite grey	-99		
	996 521 315 01 A03	Black	00-		
	996 521 315 01 C53	Graphite grey	00-		
	996 521 315 01 S33	Savanna	00-		
	996 521 315 01 G13	Metropole blue	00-		
	996 521 315 01 J33	Nephrite green	00-		
	996 521 315 01 M33	Boxster red	00-		
(7)	996 521 316 01	Cap	/R -02	1	
	996 521 316 01 D05	Granite grey	-99		
	996 521 316 01 A03	Black	00-		
	996 521 316 01 C53	Graphite grey	00-		
	996 521 316 01 S33	Savanna	00-		
	996 521 316 01 G13	Metropole blue	00-		
	996 521 316 01 J33	Nephrite green	00-		
	996 521 316 01 M33	Boxster red	00-		
8	999 507 599 40	Expansion rivet		2	
		10			
9	996 521 359 01	Cover	/L	1	IXSE
		Seat rail			
		Front			
		Outer			
	996 521 359 01 01C	Satin black			
(9)	996 521 360 01	Cover	/R	1	IXSF
		Seat rail			
		Front			
		Outer			
	996 521 360 01 01C	Satin black			
(9)	996 521 363 01	Cover	/L	1	M437/438
		Seat rail			
		Front			
		Outer			
	996 521 363 01 01C	Satin black			
(9)	996 521 364 01	Cover	/R	1	M437/438

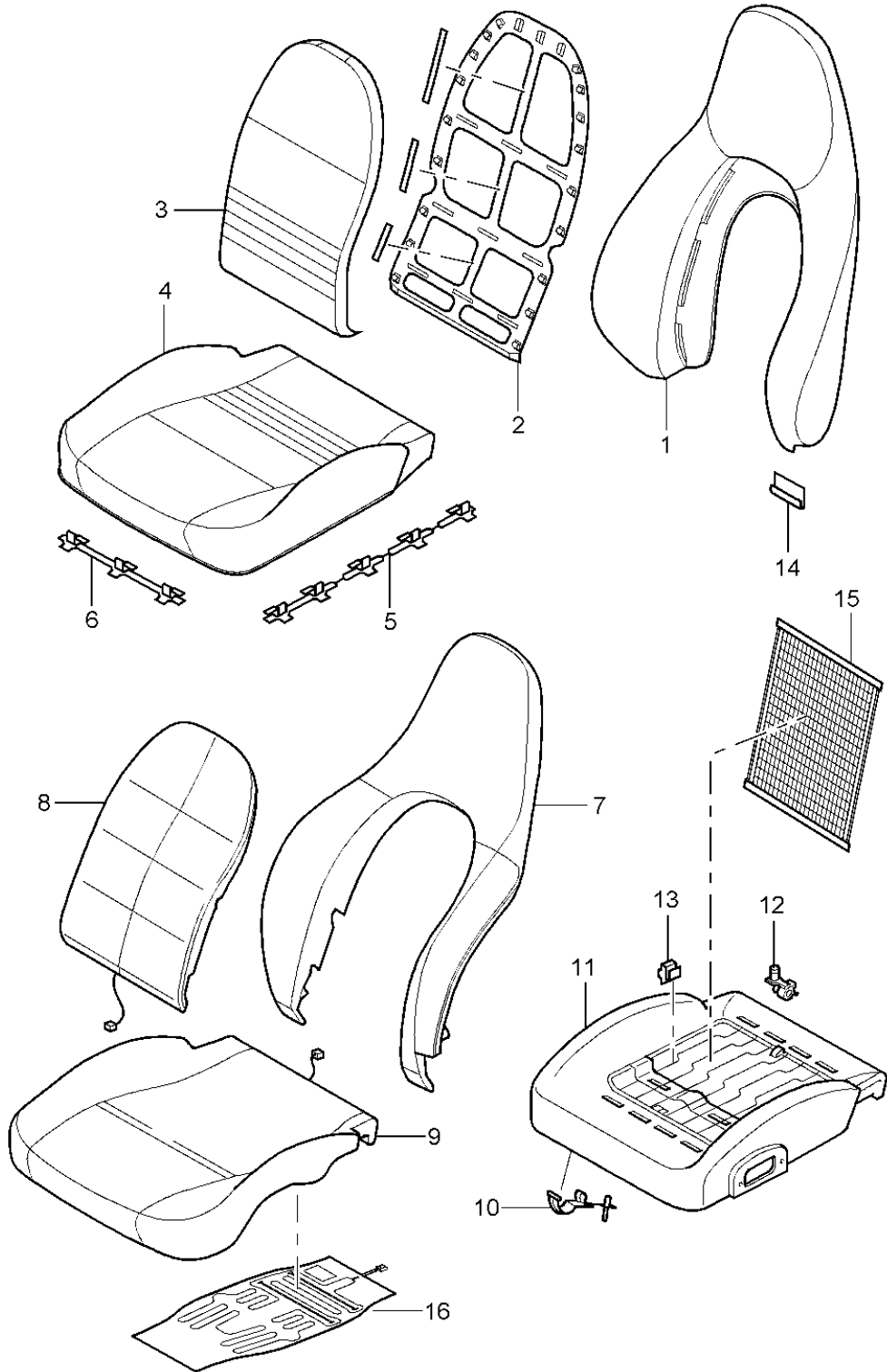
Model: 996 98

Model life 1998>>2005

Pos	Part Number	Description	Remark	Qty	Model
10	996 521 364 01 01C 999 141 039 07	Seat rail Front Outer Satin black Screw M 10 X 28		8	IXSE/XSF
11	996 521 361 01	Cover Seat rail Front Inner	/R	1	IXSF
(11)	996 521 361 01 01C 996 521 362 01	Satin black Cover Seat rail Front Inner	/L	1	IXSE
(11)	996 521 362 01 01C 996 521 364 01	Satin black Cover Seat rail Front Inner	/R	1	M437/438
(11)	996 521 364 01 01C 996 521 363 01	Satin black Cover Seat rail Front Inner	/L	1	M437/438
	996 521 363 01 01C	Satin black			

Model: 996 98

Model life 1998>>2005



Model: 996 98 Model life 1998>>2005

Pos	Part Number	Description	Remark	Qty	Model
		Cover			CARRERA
		Foam part			
		Standard seat			
		Comfort seat			
1	996 521 141 01	Backrest cover	-99	2	M946
		Outer part			
		Leatherette/leather			
	996 521 141 01 EAE	Black/black			
	996 521 141 01 EEE	Graphite grey/graphite gr.			
	996 521 141 01 EGH	Space grey/space grey			
	996 521 141 01 EFE	Metropole bl./metrop. blue			
	996 521 141 01 EGE	Savanna/savanna			
(1)	996 521 141 01	Backrest cover	-00	2	M946
		Outer part			
		Leatherette/leather			
	996 521 141 01 ESJ	Space grey/space grey			
	996 521 141 01 ESH	Metropole bl./metrop. blue			
	996 521 141 01 ESG	Savanna/savanna			
	996 521 141 01 ESF	Graphite grey/graphite gr.			
	996 521 141 01 ESE	Black/black			
(1)	996 521 141 05	Cover	01-	2	M946
		Backrest			
		Outer part			
	996 521 141 05 ESE	Black			
	996 521 141 05 ESF	Graphite grey			
	996 521 141 05 ESG	Savanna			
	996 521 141 05 ESH	Metropole blue			
	996 521 141 05 FEP	Nephrite green			
(1)	996 521 993 00	Backrest cover	99-	2	IXSC/M946
		Outer part			
		with			
		Porsche			
		Crest			
		Leatherette/leather			
	996 521 993 00 8YR	Black/black	99		
	996 521 993 00 B50	Space grey/space grey			
	996 521 993 00 C50	Graphite grey/graphite gr.			
	996 521 993 00 G10	Metropole bl./metrop. blue			
	996 521 993 00 S30	Savanna/savanna			
	996 521 993 00 ETO	Black	00-		
(1)	996 521 141 02	Backrest cover	-01	2	M982/983
		Outer part			
		Leather			
	996 521 141 02 EAF	Black	-99		
	996 521 141 02 ERZ	Black	-00		
	996 521 141 02 EEF	Graphite grey			
	996 521 141 02 EGJ	Space grey	-00		
	996 521 141 02 EFF	Metropole blue			
	996 521 141 02 EGF	Savanna			
	996 521 141 02 ELA	Nephrite green			
	996 521 141 02 ENA	Boxster red			
	996 521 141 02 VRA	Dark grey	-00		
	996 521 141 02 VRB	Brown/natural	-00		
	996 521 141 02 FEH	Cinnamon brown	-00		
(1)	996 521 141 03	Cover		2	IXSU/M946
		Outer part			
	996 521 141 03 ESE	Black			
	996 521 141 03 ESF	Graphite grey			
	996 521 141 03 ESG	Savanna			
	996 521 141 03 ESH	Metropole blue			
	996 521 141 03 FEP	Nephrite green			
(1)	996 521 141 04	Cover		2	IXSU
		Outer part			M982/983

Model: 996 98 Model life 1998>>2005

Pos	Part Number	Description	Remark	Qty	Model
	996 521 141 04 ERZ	Black			
	996 521 141 04 EEF	Graphite grey			
	996 521 141 04 EGF	Savanna			
	996 521 141 04 EFF	Metropole blue			
	996 521 141 04 ELA	Nephrite green			
	996 521 141 04 ENA	Boxster red			
	996 521 141 04 FEH	Cinnamon brown			
	996 521 141 04 VRA	Dark grey/natural			
	996 521 141 04 VRB	Brown/natural			
(1)	996 521 141 06	Cover	01-	2	M982/983
		Backrest			
		Outer part			
	996 521 141 06 ERZ	Black			
	996 521 141 06 EEF	Graphite grey			
	996 521 141 06 EGF	Savanna			
	996 521 141 06 EFF	Metropole blue			
	996 521 141 06 ELA	Nephrite green			
	996 521 141 06 ENA	Boxster red			
	996 521 141 06 FEH	Cinnamon brown			
	996 521 141 06 VRA	Dark grey/natural			
	996 521 141 06 VRB	Brown/natural			
(1)	996 521 993 01	Backrest cover		2	IXSC M982/983
		Outer part			
		with			
		Porsche			
		Crest			
		Leather			
	996 521 993 01 8YR	Black	99		
	996 521 993 01 B50	Space grey	-00		
	996 521 993 01 C50	Graphite grey			
	996 521 993 01 G10	Metropole blue			
	996 521 993 01 S30	Savanna			
	996 521 993 01 J30	Nephrite green			
	996 521 993 01 M30	Boxster red			
	996 521 993 01 T11	Brown/natural			
	996 521 993 01 D11	Dark grey/natural			
	996 521 993 01 P11	Cinnamon brown			
	996 521 993 01 ETO	Black	00-		
2	996 521 551 00	Frame	-00	2	
(2)	996 521 551 01	Frame	01-	2	
		Backrest cover			
3	996 521 151 01	Backrest cushion cover	-00	2	M946/983
		Leather			
	996 521 151 01 8YR	Black	-99		
	996 521 151 01 ETO	Black	00		
	996 521 151 01 C50	Graphite grey			
	996 521 151 01 B50	Space grey	-00		
	996 521 151 01 G10	Metropole blue			
	996 521 151 01 S30	Savanna			
	996 521 151 01 J30	Nephrite green			
	996 521 151 01 M30	Boxster red			
	996 521 151 01 D11	Dark grey	00		
	996 521 151 01 T11	Brown/natural	00		
(3)	996 521 151 05	Backrest cushion cover	01-	2	M946/983
		Leather			
		Not for			
		Lowering			
		Foam part			
	996 521 151 05 ETO	Black			
	996 521 151 05 C50	Graphite grey			
	996 521 151 05 S30	Savanna			
	996 521 151 05 J30	Nephrite green			
	996 521 151 05 M30	Boxster red			

Model: 996 98 Model life 1998>>2005

Pos	Part Number	Description	Remark	Qty	Model
	996 521 151 05 G10	Metropole blue			
	996 521 151 05 P11	Cinnamon brown			
	996 521 151 05 D11	Dark grey			
	996 521 151 05 T11	Brown/natural			
(3)	996 521 151 03	Backrest cushion cover Draped leather	-00	2	M982
	996 521 151 03 8YR	Black	-99		
	996 521 151 03 ETO	Black	00		
	996 521 151 03 C50	Graphite grey			
	996 521 151 03 B50	Space grey	-00		
	996 521 151 03 G10	Metropole blue			
	996 521 151 03 S30	Savanna			
	996 521 151 03 J30	Nephrite green			
	996 521 151 03 M30	Boxster red			
	996 521 151 03 D11	Dark grey	00		
	996 521 151 03 T11	Brown/natural	00		
(3)	996 521 151 06	Backrest cushion cover Centre part Draped leather Not for Lowering Foam part	01-	2	M982
	996 521 151 06 ETO	Black			
(3)	996 521 151 06	Backrest cushion cover Centre part Draped leather Not for Lowering Foam part	01-	2	M982
	996 521 151 06 C50	Graphite grey			
	996 521 151 06 S30	Savanna			
	996 521 151 06 G10	Metropole blue			
	996 521 151 06 J30	Nephrite green			
	996 521 151 06 M30	Boxster red			
	996 521 151 06 P11	Cinnamon brown			
	996 521 151 06 D11	Dark grey/natural			
	996 521 151 06 T11	Brown/natural			
(3)	996 521 151 07	Backrest cushion cover		2	IXSU
	996 521 151 07 ETO	Black			
	996 521 151 07 C50	Graphite grey			
	996 521 151 07 S30	Savanna			
	996 521 151 07 G10	Metropole blue			
	996 521 151 07 J30	Nephrite green			
	996 521 151 07 M30	Boxster red			
	996 521 151 07 P11	Cinnamon brown			
	996 521 151 07 D11	Dark grey/natural			
	996 521 151 07 T11	Brown/natural			
(3)	996 521 151 08	Backrest cushion cover Backrest Draped leather Centre part with Lowering		2	IXSU/M982
	996 521 151 08 ETO	Black			
	996 521 151 08 C50	Graphite grey			
	996 521 151 08 S30	Savanna			
	996 521 151 08 G10	Metropole blue			
	996 521 151 08 J30	Nephrite green			
	996 521 151 08 M30	Boxster red			
	996 521 151 08 P11	Cinnamon brown			
	996 521 151 08 D11	Dark grey/natural			
	996 521 151 08 T11	Brown/natural			
(3)	996 521 151 09	Cover		2	M095/983

Model: 996 98 Model life 1998>>2005

Pos	Part Number	Description	Remark	Qty	Model
	996 521 151 09 D13	Centre part Dark grey/natural Special model Forty fast years			
4	996 521 161 01	Seat cover Leatherette/ Seat surface Leather	-00	2	M946
	996 521 161 01 EAE	Black/black	99		
	996 521 161 01 ESF	Graphite grey/graphite gr.			
	996 521 161 01 ESJ	Space grey/space grey			
	996 521 161 01 ESH	Metropole bl./metrop. blue			
	996 521 161 01 ESG	Savanna/savanna			
	996 521 161 01 ESE	Black/black	00-		
(4)	996 521 161 05	Seat cover Leatherette/ Seat surface Leather	01-	2	M946
	996 521 161 05 ESE	Black/black			
	996 521 161 05 ESF	Graphite grey/graphite gr.			
	996 521 161 05 ESG	Savanna/savanna			
	996 521 161 05 ESH	Metropole bl./metrop. blue			
	996 521 161 05 FEP	Nephrite gr./nephr. green			
(4)	996 521 161 02	Seat cover Seat cushion Leather	-00	2	M983
	996 521 161 02 EAF	Black	-99		
	996 521 161 02 ERZ	Black	00-		
	996 521 161 02 EEF	Graphite grey			
	996 521 161 02 EGJ	Space grey/space grey	-00		
	996 521 161 02 EFF	Metropole bl./metrop. blue			
	996 521 161 02 EGF	Savanna			
	996 521 161 02 ELA	Nephrite green			
	996 521 161 02 ENA	Boxster red			
	996 521 161 02 VRA	Dark grey	00-		
	996 521 161 02 VRB	Brown/natural	00-		
(4)	996 521 161 06	Cover for cushion Seat cushion Leather		2	M983
	996 521 161 06 EAF	Black	-99		
	996 521 161 06 ERZ	Black			
	996 521 161 06 EEF	Graphite grey			
	996 521 161 06 EGJ	Space grey/space grey	-00		
	996 521 161 06 EFF	Metropole bl./metrop. blue			
	996 521 161 06 EGF	Savanna			
	996 521 161 06 ELA	Nephrite green			
	996 521 161 06 ENA	Boxster red			
	996 521 161 06 VRA	Dark grey			
	996 521 161 06 VRB	Brown/natural			
(4)	996 521 161 06 FEH	Cinnamon brown	01-		
(4)	996 521 161 09	Cover		2	IXSU/M983
	996 521 161 09 ERZ	Black	03-		
	996 521 161 09 EEF	Graphite grey			
	996 521 161 09 EGF	Savanna			
	996 521 161 09 EFF	Metropole blue			
	996 521 161 09 ELA	Nephrite green			
	996 521 161 09 ENA	Boxster red			
	996 521 161 09 FEH	Cinnamon brown			
	996 521 161 09 VRA	Dark grey/natural			
	996 521 161 09 VRB	Brown/natural			
(4)	996 521 161 10	Cover Seat cushion with		2	IXSU/M982

Model: 996 98 Model life 1998>>2005

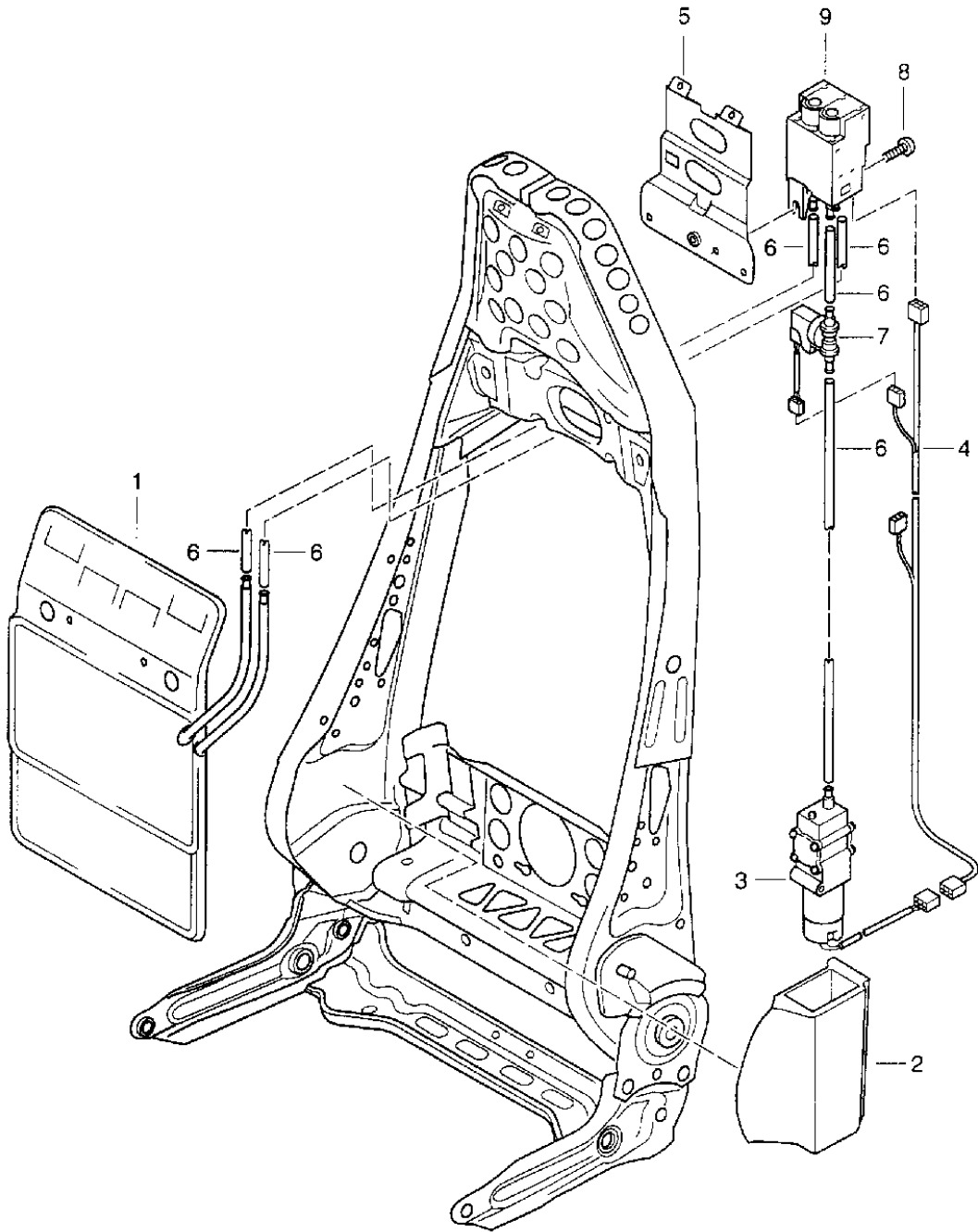
Pos	Part Number	Description	Remark	Qty	Model
	996 521 161 10 ERZ	Lowering Black	03-		
	996 521 161 10 EEF	Graphite grey			
	996 521 161 10 EGF	Savanna			
	996 521 161 10 EFF	Metropole blue			
	996 521 161 10 ELA	Nephrite green			
	996 521 161 10 ENA	Boxster red			
	996 521 161 10 FEH	Cinnamon brown			
	996 521 161 10 VRA	Dark grey/natural			
	996 521 161 10 VRB	Brown/natural			
(4)	996 521 161 11	Seat cover Seat cushion Special model	04-	2	M095/983
	996 521 161 11 VSY	Dark grey/natural 40 JAHRE PORSCHE			
(4)	996 521 161 03	Seat cover		2	M982
	996 521 161 03 EAF	Black	-99		
	996 521 161 03 ERZ	Black	00-		
	996 521 161 03 EEF	Graphite grey			
	996 521 161 03 FEH	Cinnamon brown			
	996 521 161 03 EFF	Metropole blue			
	996 521 161 03 EGF	Savanna			
	996 521 161 03 ELA	Nephrite green			
	996 521 161 03 ENA	Boxster red			
	996 521 161 03 VRA	Dark grey	00		
	996 521 161 03 VRB	Brown/natural	00		
(4)	996 521 161 07	Seat cover Draped leather		2	M982
	996 521 161 07 EAF	Black	-99		
	996 521 161 07 ERZ	Black			
	996 521 161 07 EEF	Graphite grey			
	996 521 161 07 FEH	Cinnamon brown	01		
	996 521 161 07 EFF	Metropole blue			
	996 521 161 07 EGF	Savanna			
	996 521 161 07 ELA	Nephrite green			
	996 521 161 07 ENA	Boxster red			
	996 521 161 07 VRA	Dark grey			
	996 521 161 07 VRB	Brown/natural			
(4)	996 521 161 08	Cover Seat cushion	02-	2	IXSU/M946
	996 521 161 08 ESE	Black			
	996 521 161 08 ESF	Graphite grey			
	996 521 161 08 ESG	Savanna			
	996 521 161 08 ESH	Metropole blue			
	996 521 161 08 FEP	Nephrite green			
5	996 521 543 00	Clamp Long	-00	4	
6	996 521 541 00	Clamp Short	-00	6	
7	996 521 535 04	Foam part Backrest frame		2	
(7)	996 521 535 06	Foam part Backrest Outer part	02-	2	IXSU
(8)	996 521 531 00	Foam part Backrest cushion without heating		2	
8	996 521 531 01	Foam part Backrest cushion with heating		2	M139/340 M342
(8)	996 521 539 00	Foam part Backrest with heating		2	IXSU/M139 M340/342

Model: 996 98 Model life 1998>>2005

Pos	Part Number	Description	Remark	Qty	Model
(8)	996 521 537 00	Foam part Backrest cushion without heating	02-	2	IXSU
(9)	996 521 521 00	Foam part Seat cushion without heating	-00	2	
9	996 521 521 01	Foam part Seat cushion with heating	-00	2	M139/340
(9)	996 521 571 00	Foam part Seat cushion	01-	2	
(9)	996 521 523 00	Foam part Seat cushion without heating	02-	2	IXSU
(9)	996 521 525 00	Foam part Seat cushion with heating	02-	2	IXSU/M139 M340/342
10	996 521 597 00	Clip Seat cushion Front seat		8	
(10)	996 521 937 00	Clip for Cushion carrier Seat cushion Front seat	01-	10	
11	996 521 509 00	Cushion carrier Seat cushion Front seat	-00	2	
(11)	996 521 505 00	Cushion carrier Seat cushion Front seat	01-	2	
12	999 507 506 40	Cable holder 5,0		1	M539/540
13	999 651 314 01	Cable clamp 3,0 - 4,0		8	M139/340 M553
14	996 521 515 00	Catch for Backrest cover		4	
15	996 521 507 01	Mat Seat cushion Cushion carrier		1	
16	996 653 105 01	Heating element	01-	1	M342
(16)	996 653 105 02	Heating element Seat surface	02-	1	IXSU/M342

Model: 996 98

Model life 1998>>2005

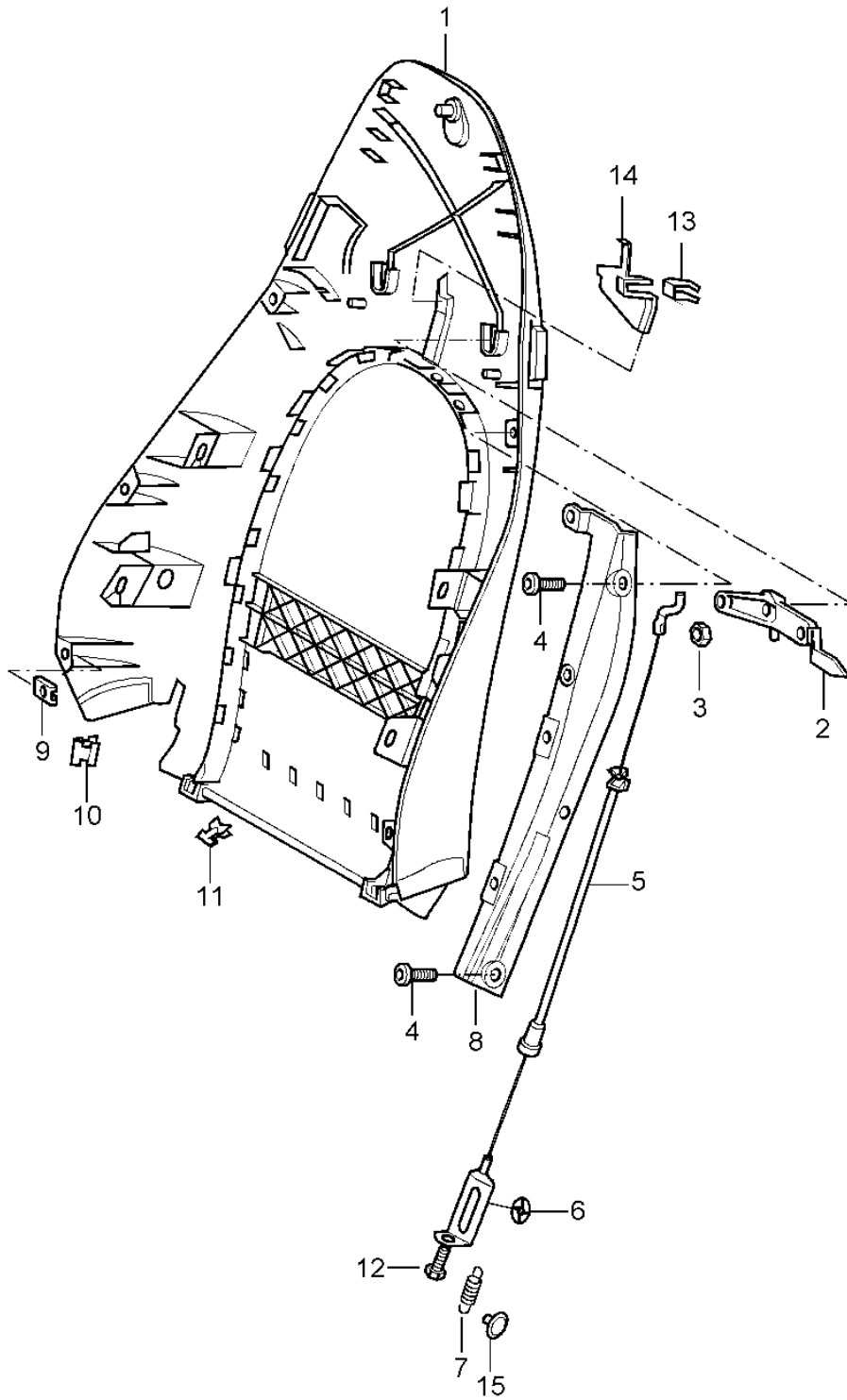


Model: 996 98 Model life 1998>>2005

Pos	Part Number	Description	Remark	Qty	Model
		Lumbar support			CARRERA
1	996 521 709 00	Lumbar support Complete		2	M513/586
2	996 521 719 00	Sound absorber Compressor		2	M513/586
3	996 620 725 00	Compressor		2	M513/586
4	996 612 541 00	Wiring harness Lumbar support adjustment		2	M513/586
(4)	996 612 542 00	Wiring harness Lumbar support adjustment		2	M513/586
5	996 521 721 00	Support Valve housing		2	M513/586
6	999 181 749 40	Air hose Seating position control		2	M513/586 M537/538
7	996 613 725 00	Pressure switch		2	M513/586
8	900 067 051 02	Pan-head screw M 5 X 10		2	M513/586
9	996 617 725 00	Valve housing without Memory		2	M513/586
(9)	996 617 726 00	Valve housing Seating position control		2	M513/586 M537/538

Model: 996 98

Model life 1998>>2005



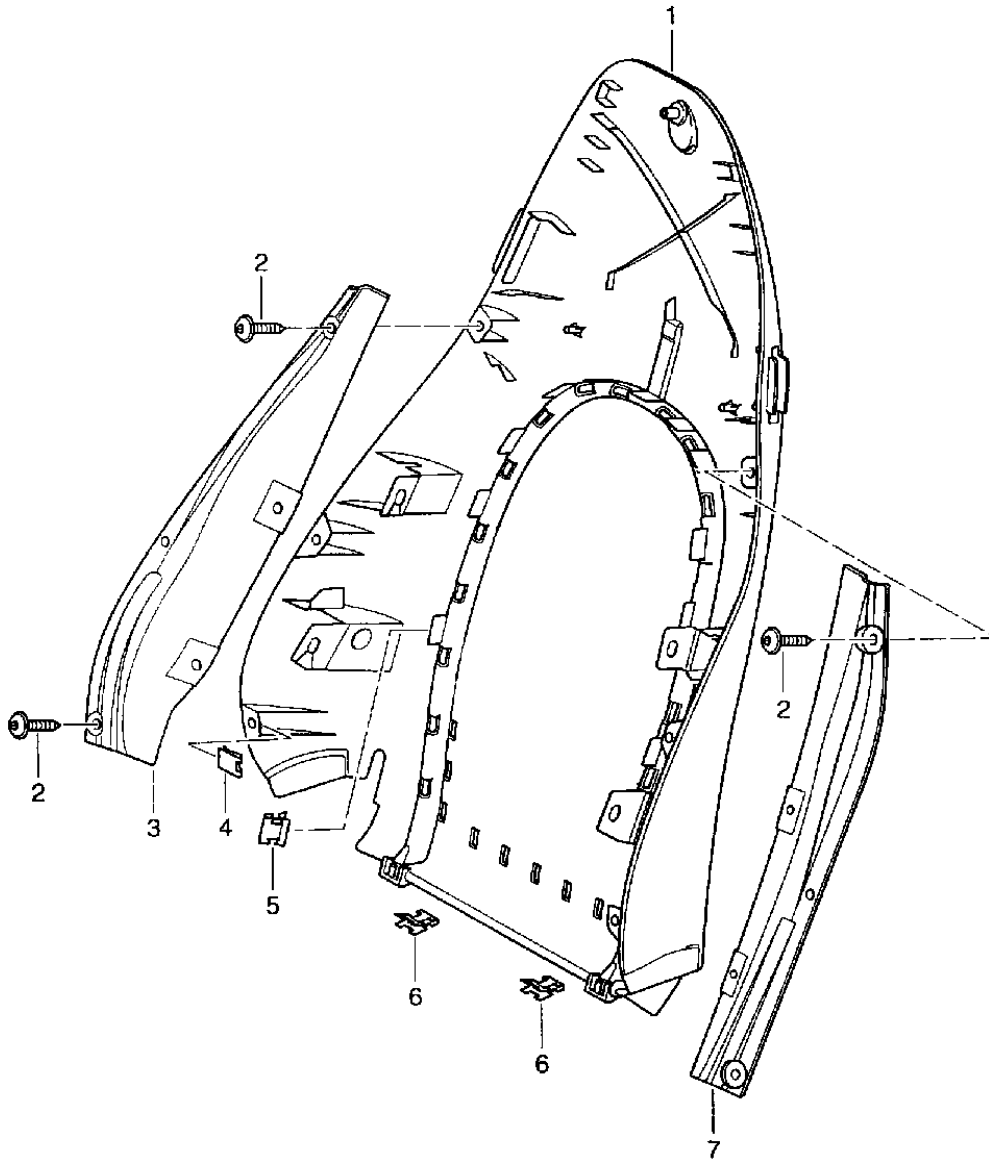
Model: 996 98

Model life 1998>>2005

Pos	Part Number	Description	Remark	Qty	Model
		Backrest shell Standard seat Comfort seat	98		CARRERA
1	996 521 083 00	Backrest shell Leatherette		2	
	996 521 083 00 A10	Black			
	996 521 083 00 B50	Space grey			
	996 521 083 00 C50	Graphite grey			
	996 521 083 00 G10	Metropole blue			
	996 521 083 00 S30	Savanna			
1	996 521 083 01	Backrest shell Leather	98	2	
	996 521 083 01 8YR	Black			
	996 521 083 01 C50	Graphite grey			
	996 521 083 01 G10	Metropole blue			
	996 521 083 01 S30	Savanna			
	996 521 083 01 J30	Nephrite green			
	996 521 083 01 M30	Boxster red			
2	996 521 311 00	Linkage lever	/L	2	
		Backrest shell			
(2)	996 521 312 00	Linkage lever	/R	2	
		Backrest shell			
3	996 521 339 00	Deflection roller		4	
		Backrest shell			
4	999 143 009 01	Screw		X	
		Backrest shell M 5 X 16			
		Backrest shell			
-	900 151 027 02	Washer 5,3		4	
		Backrest shell			
5	996 521 385 01	Cable		4	
6	N 900 114 02	Clamping washer 4		4	
7	999 522 032 00	Tension spring 0,7 X 7,5 X 15		4	
8	996 521 319 00	Bracket	/R	2	
(8)	996 521 319 01	Cup	/R	2	
(8)	996 521 320 00	Bracket	/R	2	
(8)	996 521 320 01	Cup	/R	2	
9	999 507 677 01	Speed nut M 5		8	
10	999 507 594 01	U-clamp Backrest cover 1,0 - 2,0		28	
11	311 881 247	Clip Mount Cover		2	
		Centre part			
-	N 900 151 01	Clamping washer 5		2	
13	999 507 596 01	U-clamp 1,00 - 1,50		2	
14	996 521 341 00	Relay lever		2	
15	999 703 474 40	Stopper		2	
-	996 521 903 00	Repair kit Backrest locking lever See technical information GR. 7 BOXSTER NR. 1A/98		2	

Model: 996 98

Model life 1998>>2005



Model: 996 98 Model life 1998>>2005

Pos	Part Number	Description	Remark	Qty	Model
		Backrest shell Standard seat Comfort seat			CARRERA
1	996 521 083 03	Backrest shell Leatherette	99	2	M946
	996 521 083 03 A10	Black			
	996 521 083 03 B50	Space grey			
	996 521 083 03 C50	Graphite grey			
	996 521 083 03 G10	Metropole blue			
	996 521 083 03 S30	Savanna			
(1)	996 521 083 07	Backrest shell Leatherette	00-01	2	M946
	996 521 083 07 A12	Black			
	996 521 083 07 C52	Graphite grey			
	996 521 083 07 S32	Savanna			
	996 521 083 07 G12	Metropole blue			
	996 521 083 07 B52	Space grey			
(1)	996 521 083 09	Backrest shell Leatherette	01-05	2	M946
	996 521 083 09 A12	Black			
	996 521 083 09 C52	Graphite grey			
	996 521 083 09 S32	Savanna			
	996 521 083 09 G12	Metropole blue			
	996 521 083 09 J32	Nephrite green			
(1)	996 521 083 04	Backrest shell Leather	99-00	2	M982/983
	996 521 083 04 8YR	Black			
	996 521 083 04 C50	Graphite grey			
	996 521 083 04 G10	Metropole blue			
	996 521 083 04 S30	Savanna			
	996 521 083 04 J30	Nephrite green			
	996 521 083 04 M30	Boxster red			
(1)	996 521 083 08	Backrest shell Leather	00-01	2	M982/983
	996 521 083 08 8YR	Black			
	996 521 083 08 C50	Graphite grey			
	996 521 083 08 S30	Savanna			
	996 521 083 08 G10	Metropole blue			
	996 521 083 08 B50	Space grey	-00		
	996 521 083 08 J30	Nephrite green			
	996 521 083 08 M30	Boxster red			
	996 521 083 08 D11	Dark grey			
	996 521 083 08 T11	Brown/natural			
(1)	996 521 083 10	Backrest shell Leather	01-05	2	M982/983
	996 521 083 10 8YR	Black			
	996 521 083 10 C50	Graphite grey			
	996 521 083 10 S30	Savanna			
	996 521 083 10 G10	Metropole blue			
	996 521 083 10 J30	Nephrite green			
	996 521 083 10 M30	Boxster red			
	996 521 083 10 P11	Cinnamon brown			
	996 521 083 10 D11	Dark grey/natural			
	996 521 083 10 T11	Brown/natural			
(1)	996 521 083 11	Backrest shell	02-05	2	M982/983 M985
	996 521 083 11 A80	Black			
	996 521 083 11 C01	Graphite grey			
	996 521 083 11 S02	Savanna			
	996 521 083 11 G01	Metropole blue			
	996 521 083 11 J01	Nephrite green			
	996 521 083 11 M01	Boxster red			
	996 521 083 11 P01	Cinnamon brown			
2	999 143 009 01	Screw		X	

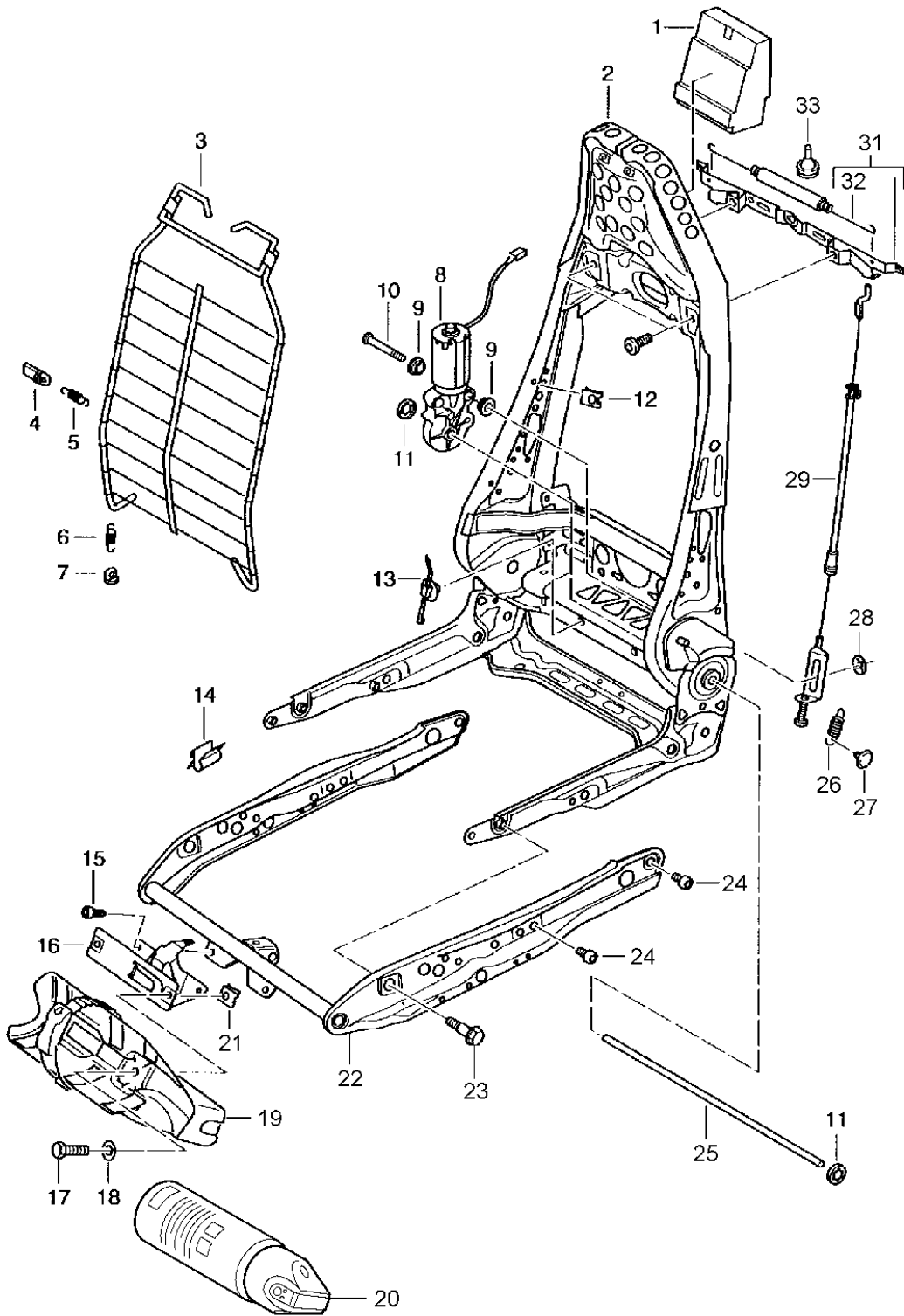
Model: 996 98

Model life 1998>>2005

Pos	Part Number	Description	Remark	Qty	Model
-	900 151 027 02	Backrest shell M 5 X 16 Washer Backrest shell 5,3		4	
3	996 521 320 00	Bracket	/R -00	2	
(3)	996 521 320 01	Cup	/R 01-	2	
4	999 507 677 01	Speed nut ST 4,8		8	
5	999 507 594 01	U-clamp Backrest cover 1,0 - 2,0		28	
6	311 881 247	Clip Backrest cover Centre part 1,5 X 1,75		2	
7	996 521 319 00	Bracket	/L -00	2	
(7)	996 521 319 01	Cup	/L 01-	2	

Model: 996 98

Model life 1998>>2005



Model: 996 98 Model life 1998>>2005

Pos	Part Number	Description	Remark	Qty	Model
		Backrest frame			CARRERA
		Seat frame			
		Standard seat			
		Comfort seat			
1	996 521 883 00	Foam part	-01	2	
		Backrest frame			
(2)	996 521 329 00	Backrest frame	-99	2	
(2)	996 521 329 01	Backrest frame	00-	2	
3	996 521 355 01	Mat		2	
4	996 521 367 00	Support		8	
		Spring			
		Centre			
5	996 521 333 00	Spring		8	
		Centre			
6	996 521 331 01	Spring		4	
		Lower			
7	996 521 365 00	Support		4	
		Spring			
		Lower			
8	996 624 321 00	Engine		2	
(8)	996 624 331 00	Engine		2	M537/538
		Seating position control for backrest adjustment			
9	999 924 129 40	Bush		4	
		6 X 12 X 4,5			
10	999 073 141 02	Oval-head screw		2	
		M 6 X 42,5			
11	999 507 597 01	Clamping washer		4	
		10,0			
12	999 507 598 02	Speed nut		8	
		M 5			
13	999 513 063 40	Cable holder		4	
		12,0 - 35			
15	999 141 028 02	Pan-head screw		3	
		M 5 X 10			
16	996 521 674 00	Support	/LL /R	1	M509
		Fire extinguisher			
(16)	996 521 673 00	Support	/RL /L	1	M509
		Fire extinguisher			
17	900 067 137 02	Pan-head screw		2	M509
		M 5 X 16			
18	900 151 027 02	Washer		2	M509
		5,3			
19	996 521 607 00	Cup		1	M509
		Fire extinguisher			
20	996 722 115 00	Fire extinguisher		1	M509
		Information available			
		Information available			
21	999 507 067 02	Speed nut		2	M509
		M 5			
22	996 521 227 00	Seat frame		1	
23	996 521 681 01	Bearing pin		1	
		Complete			
24	999 141 027 02	Oval-head screw		8	
		M 8 X 10			
25	996 521 343 01	Drive shaft		2	
		for backrest adjustment			
26	999 522 032 00	Tension spring	-99	4	
		0,7 X 7,5 X 20			
27	999 703 474 40	Stopper	-98	4	
		5,4 X 15 X 7,5			
(27)	999 703 102 40	Stopper		4	
		4,5 X 6,9 X 11,2			

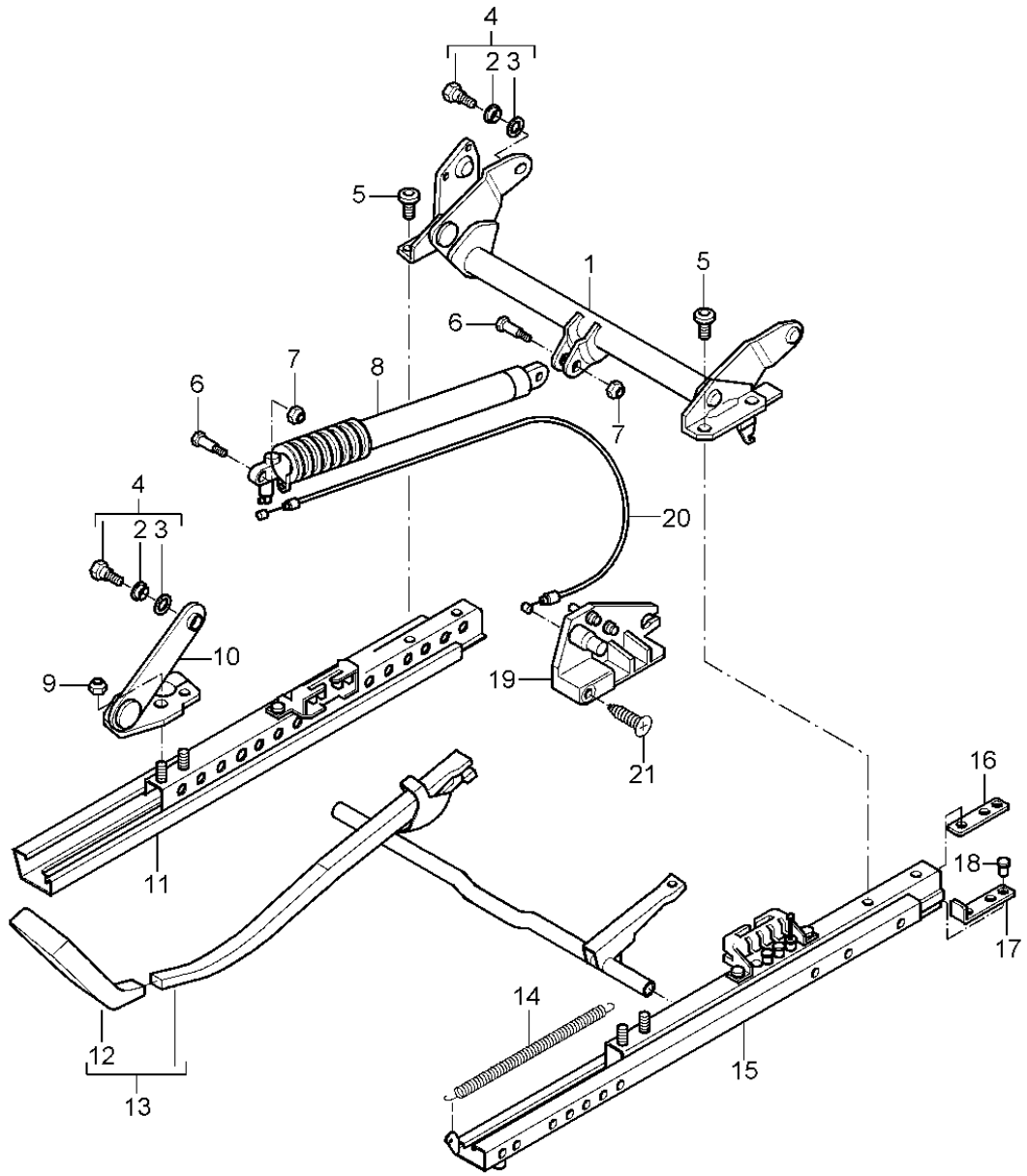
Model: 996 98

Model life 1998>>2005

Pos	Part Number	Description	Remark	Qty	Model
28	N 900 114 02	Clamping washer 4	-99	4	
29	996 521 185 00	Cable		4	
31	996 521 175 00	Backrest locking lever		2	
32	996 521 195 00	Clutch power spring		2	
33	996 521 403 00	Rubber buffer		2	

Model: 996 98

Model life 1998>>2005

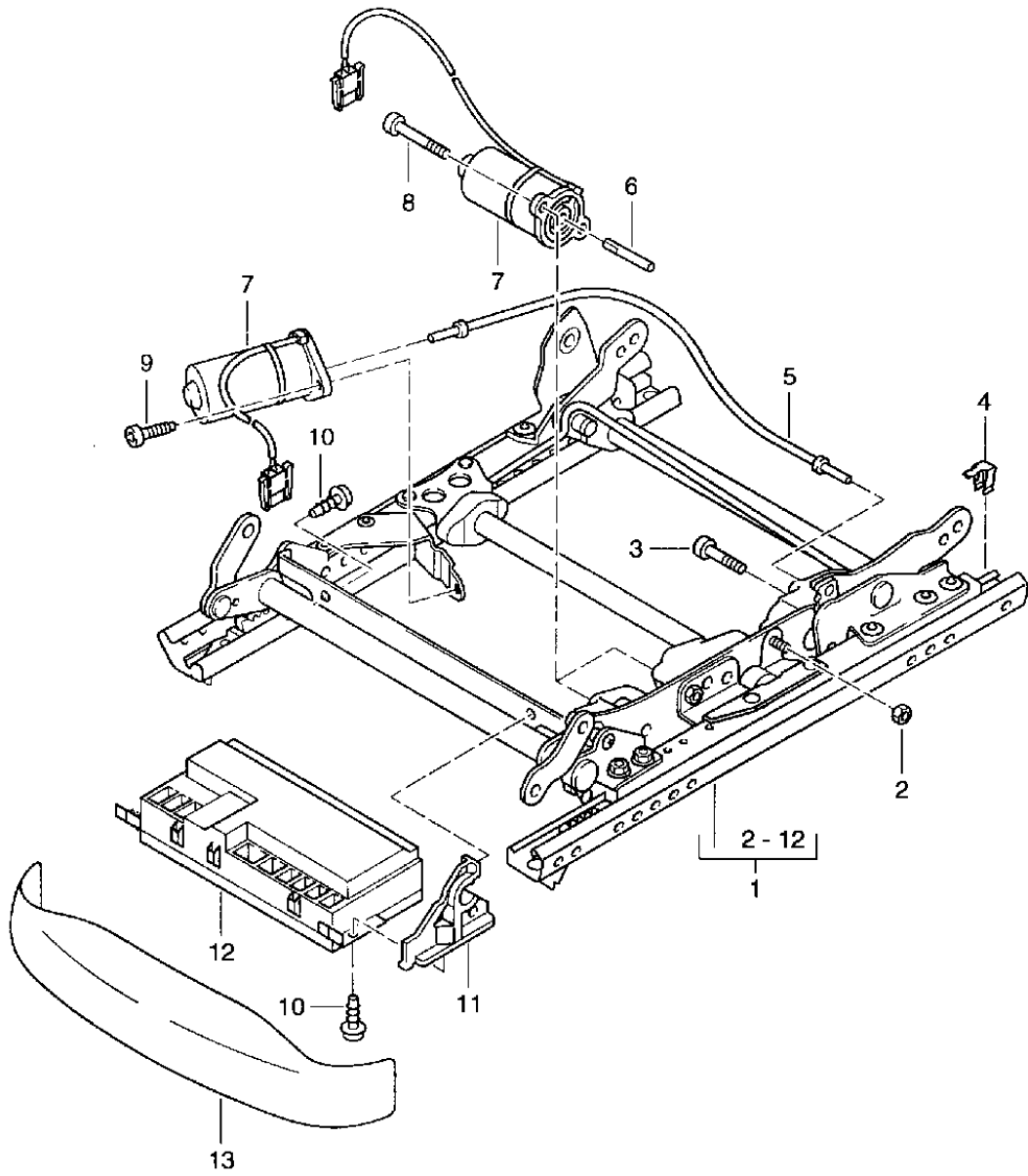


Model: 996 98 Model life 1998>>2005

Pos	Part Number	Description	Remark	Qty	Model
		Seat adjuster Standard seat with Height adjustment			CARRERA
1	996 521 641 00	Pipe	/L	1	
(1)	996 521 642 00	Rear Pipe	/R	1	
-	999 025 258 40	Rear Washer 12 X 19,5 X 0,5		8	M539/540
2	999 924 132 40	Bush	-01	4	
(2)	999 924 156 00	12 X 14 X 4,9 Bush	01-	4	
3	999 209 051 00	12 X 14 X 6,5 Spacer sleeve		2	
4	996 521 259 02	Screw	/H	4	M539/540
(4)	996 521 681 00	Complete Bearing pin Seat frame	/V	8	
5	986 521 659 00	Screw		8	
5	986 521 659 02	Adapter Screw		8	
6	999 311 008 01	Adapter Square screw Gas-pressure spring M 5 X 23,6		2	
7	986 521 687 00	Nut Gas-pressure spring		2	
8	996 521 615 01	Gas-pressure spring		1	M539/540
9	900 910 003 07	Hexagon nut Adapter M 8		8	
(10)	986 521 679 00	Adapter Seat frame Front	/L	2	
10	986 521 680 00	Adapter Seat frame Front	/R	2	
11	996 521 692 01	Seat rail Inner	/R	1	M369/375
(11)	996 521 691 01	Seat rail Inner	/L	1	M370/376
12	996 521 617 01	Handle	/L	1	M369/375
(12)	996 521 618 01	Handle	/R	1	M370/376
13	996 521 621 01	Lever Complete	/L	1	M369/375
(13)	996 521 622 01	Lever Complete	/R	1	M370/376
14	996 521 645 00	Clutch power spring		2	
15	996 521 689 01	Seat rail Outer	/L	1	M369/375
(15)	996 521 690 01	Seat rail Outer	/R	1	M370/376
16	986 521 643 00	Threaded plate		4	
(17)	996 521 603 01	Stop		4	
18	996 521 601 00	Fixing clip Stop		4	
19	996 521 675 00	Adjusting mechanism	/L	1	M539
(19)	996 521 676 00	Adjusting mechanism	/R	1	M540
20	986 521 683 00	Bowden cable		2	M539/540
21	999 919 195 07	Countersunk-head screw	-00	2	
(21)	999 919 199 09	Countersunk-head screw M 5 X 18	01-	2	

Model: 996 98

Model life 1998>>2005

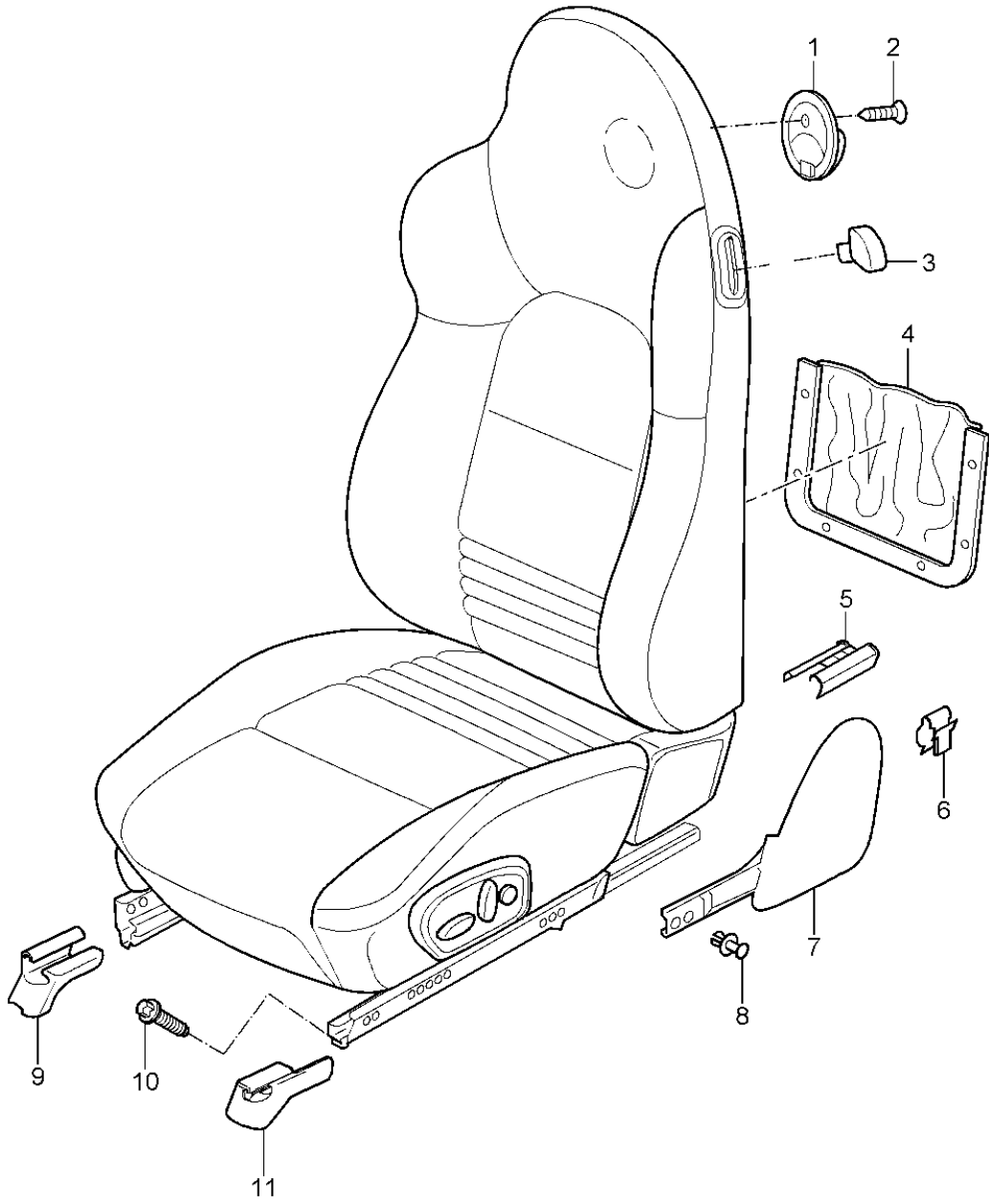


Model: 996 98 Model life 1998>>2005

Pos	Part Number	Description	Remark	Qty	Model
		Seat adjuster Comfort seat			CARRERA
1	996 521 401 02	Seat adjuster Complete	/L	1	M437
(1)	996 521 402 02	Seat adjuster Complete	/R	1	M438
(1)	996 521 401 03	Seat adjuster Complete	/L -00	1	M437/537
(1)	996 521 402 03	Seat adjuster Complete	/R -00	1	M438/539
(1)	996 521 401 06	Seat adjuster Complete	/L 01-	1	M437/537
(1)	996 521 402 06	Seat adjuster Complete	/R 01-	1	M438/538
(1)	996 521 401 07	Seat adjuster Complete	/L 02-	1	M437/537
(1)	996 521 402 07	Seat adjuster Complete	/R 02-	1	M438/538
2	999 084 451 02	Hexagon nut M 5		4	
3	999 073 144 02	Pan-head screw M 5 X 39,3		4	
5	996 521 609 00	Drive shaft Rear vertical adjustment		2	M437/438
6	996 521 611 00	Shaft		4	M437/438
7	996 624 322 00	Engine		X	
(7)	996 624 332 00	Engine Seating position control		X	M537/538
8	999 073 147 02	Pan-head screw TORX M 5 X 58		8	
9	999 073 148 02	Oval-head screw M 5 X 14		4	
10	999 073 145 02	Oval-head screw M 5,0 X 12		X	
11	996 618 547 00	Support Control unit		4	M537/538
12	996 618 537 00	Control unit	-99	2	M537/538
(12)	996 618 537 02	Control unit	00	2	M537/538
(12)	996 618 537 01	Control unit	01	2	M537/538
(12)	996 618 537 03	Control unit Seating position control	02-	2	M537/538
13	996 521 317 00	Cover Control unit Seating position control		2	M537/538
	996 521 317 00 01C	Black			

Model: 996 98

Model life 1998>>2005



Model: 996 98 Model life 1998>>2005

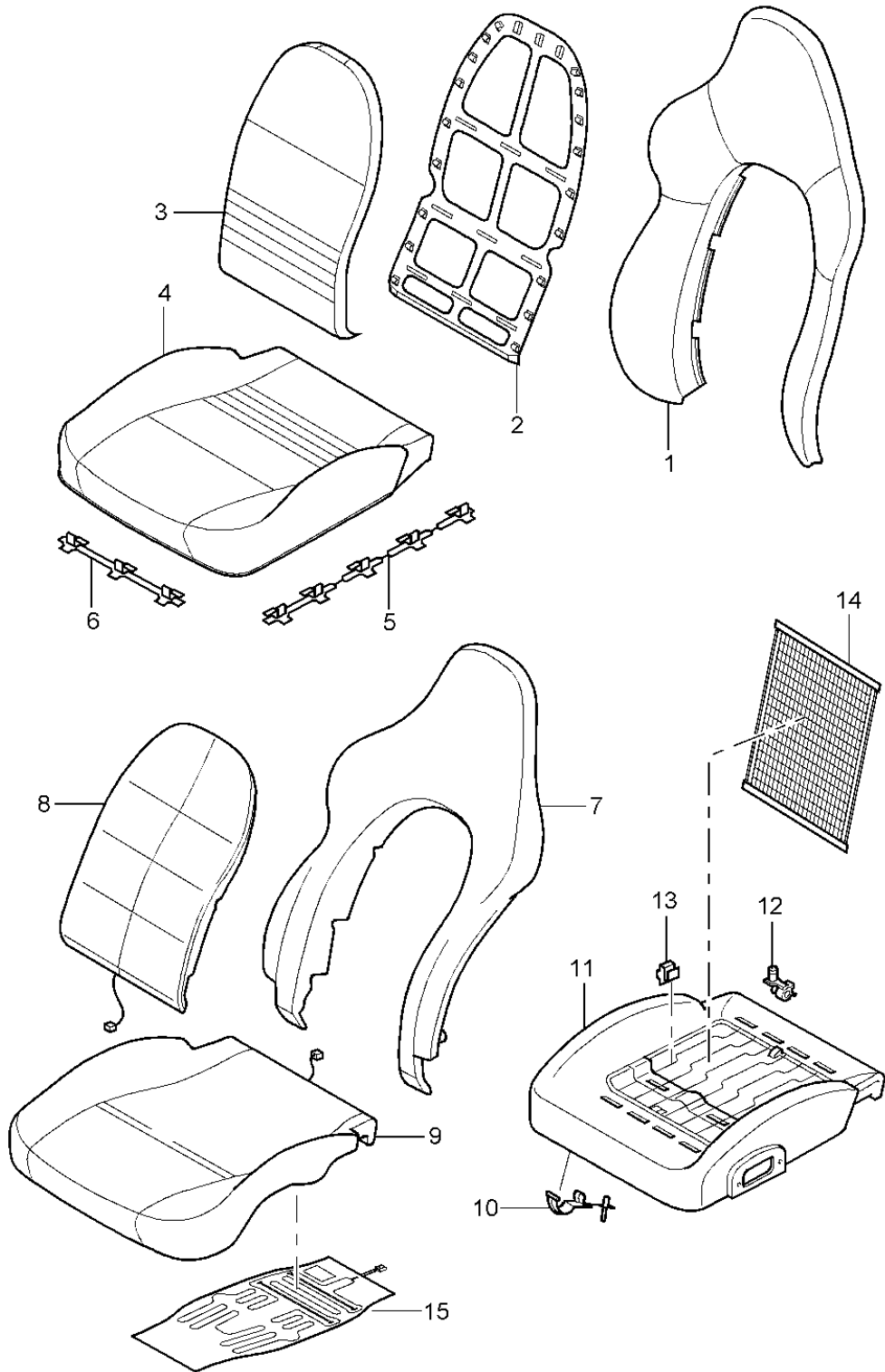
Pos	Part Number	Description	Remark	Qty	Model
		Sports seat			CARRERA
		Sports seat Complete			
		Not available			
(1)	996 521 781 00	Crest	-00	2	
1	996 521 373 00	Coat hook	01-	2	
	996 521 373 00 A03	Black			
2	999 919 183 09	Oval-head screw		2	
		M 3,5 X 25			
(2)	999 919 199 09	Countersunk-head screw	00-	2	
		M 5,0 X 25			
3	996 521 321 01	Control button	/L 98	2	M375/376
(3)	996 521 421 00	Control button	/L 99-	2	
(3)	996 521 322 01	Control button	/R 98	2	M375/376
(3)	996 521 422 00	Control button	/R 99-	2	
4	996 521 313 01	Bag	98-	2	M983
		Leather			
	996 521 313 01 8YR	Black	-99		
	996 521 313 01 C50	Graphite grey			
	996 521 313 01 B50	Space grey			
	996 521 313 01 G10	Metropole blue			
	996 521 313 01 S30	Savanna			
	996 521 313 01 J30	Nephrite green			
	996 521 313 01 M30	Boxster red			
	996 521 313 01 D11	Dark grey	00-		
	996 521 313 01 T11	Brown/natural	00-		
	996 521 313 01 P11	Cinnamon brown			
5	996 521 357 00	Cover	/L -99	2	
		Rear			
	996 521 357 00 01C	Satin black			
(5)	996 521 358 00	Cover	/R -99	2	
		Rear			
	996 521 358 00 01C	Satin black			
6	999 507 592 01	Cable clamp		2	
		Cover			
		1,0 - 6,0			
7	996 521 315 01	Cap	/L	1	
	996 521 315 01 D05	Granite grey	-99		
	996 521 315 01 A03	Black	00-		
	996 521 315 01 C53	Graphite grey	00-		
	996 521 315 01 S33	Savanna	00-		
	996 521 315 01 G13	Metropole blue	00-		
	996 521 315 01 J33	Nephrite green	00-		
	996 521 315 01 M33	Boxster red	00-		
	996 521 315 01 B13	Space grey	00-		
	996 521 315 01 P13	Cinnamon brown	01-		
(7)	996 521 316 01	Cap	/R	1	
	996 521 316 01 D05	Granite grey	-99		
	996 521 316 01 A03	Black	00-		
	996 521 316 01 C53	Graphite grey	00-		
	996 521 316 01 S33	Savanna	00-		
	996 521 316 01 G13	Metropole blue	00-		
	996 521 316 01 J33	Nephrite green	00-		
	996 521 316 01 M33	Boxster red	00-		
	996 521 316 01 B13	Space grey	00-		
	996 521 316 01 P13	Cinnamon brown	01-		
8	999 507 599 40	Expansion rivet		2	
		10			
9	996 521 362 00	Cover	/L -00	1	IXSE/M375
		Inner			
	996 521 362 00 01C	Satin black			
9	996 521 362 01	Cover	/L 01-	1	IXSE/M375

Model: 996 98 Model life 1998>>2005

Pos	Part Number	Description	Remark	Qty	Model
(9)	996 521 362 01 01C 996 521 361 00	Inner Satin black Cover	/R -00	1	IXSF/M376
(9)	996 521 361 00 01C 996 521 361 01	Inner Satin black Cover	/R 01-	1	IXSF/M376
10	996 521 361 01 01C 999 141 038 07	Inner Satin black Torx screw M 10 X 26,5	-02	8	IXSE/XSF
(10)	999 141 039 07	Screw M 10 X 28	03-	8	IXSE/XSF
11	996 521 360 00	Cover Outer	/R	1	IXSF/M376
11	996 521 360 00 01C 996 521 360 01	Satin black Cover Outer	/R	1	IXSF/M376
(11)	996 521 360 01 01C 996 521 359 00	Satin black Cover Outer	/L	1	IXSE/M375
(11)	996 521 359 00 01C 996 521 359 01	Satin black Cover Outer	/L	1	IXSE/M375
	996 521 359 01 01C	Satin black			

Model: 996 98

Model life 1998>>2005



Model: 996 98 Model life 1998>>2005

Pos	Part Number	Description	Remark	Qty	Model
		Cover			CARRERA
		Foam part			
		Sports seat			
1	996 521 993 02	Backrest cover with Porsche Crest Outer part Leather	99-	2	IXSC/M983
	996 521 993 02 8YR	Black	99		
	996 521 993 02 C50	Graphite grey			
	996 521 993 02 B50	Space grey			
	996 521 993 02 G10	Metropole blue			
	996 521 993 02 S30	Savanna			
	996 521 993 02 J30	Nephrite green			
	996 521 993 02 M30	Boxster red			
	996 521 993 02 T11	Brown/natural			
	996 521 993 02 D11	Dark grey/natural			
	996 521 993 02 P11	Cinnamon brown			
	996 521 993 02 ETO	Black	00-		
1	996 521 155 02	Backrest cover Outer part Leather	-00	2	M983
	996 521 155 02 8YR	Black			
	996 521 155 02 C50	Graphite grey			
	996 521 155 02 G10	Metropole blue			
	996 521 155 02 S30	Savanna			
	996 521 155 02 J30	Nephrite green			
	996 521 155 02 M30	Boxster red			
	996 521 155 02 B50	Space grey			
1	996 521 155 04	Backrest cover Outer part Leather	-01	2	M983
	996 521 155 04 EEF	Graphite grey			
	996 521 155 04 EGF	Savanna			
	996 521 155 04 EFF	Metropole blue			
	996 521 155 04 EGJ	Space grey			
	996 521 155 04 ELA	Nephrite green			
	996 521 155 04 ENA	Boxster red			
	996 521 155 04 ERZ	Black			
	996 521 155 04 VRA	Dark grey/natural			
	996 521 155 04 VRB	Brown/natural			
(1)	996 521 155 05	Cover Backrest Outer part Leather	02-	2	IXSU/M983
	996 521 155 05 ERZ	Black			
	996 521 155 05 EEF	Graphite grey			
	996 521 155 05 EGF	Savanna			
	996 521 155 05 EFF	Metropole blue			
	996 521 155 05 ELA	Nephrite green			
	996 521 155 05 ENA	Boxster red			
	996 521 155 05 FEH	Cinnamon brown			
	996 521 155 05 VRA	Dark grey/natural			
	996 521 155 05 VRB	Brown/natural			
(1)	996 521 155 06	Cover Backrest Outer part Leather	01-	2	M983
	996 521 155 06 ERZ	Black			
	996 521 155 06 EEF	Graphite grey			
	996 521 155 06 EGF	Savanna			
	996 521 155 06 EFF	Metropole blue			
	996 521 155 06 ELA	Nephrite green			

Model: 996 98 Model life 1998>>2005

Pos	Part Number	Description	Remark	Qty	Model
(1)	996 521 155 06 ENA	Boxster red			
	996 521 155 06 FEH	Cinnamon brown			
	996 521 155 06 VRA	Dark grey/natural			
	996 521 155 06 VRB	Brown/natural			
	996 521 155 07	Cover	04	1	M095/983
		Outer part			
		Special model			
		Forty fast years			
	996 521 155 07 VTE	Dark grey/natural			
2	996 521 551 00	Frame	-00	2	
		Backrest			
(2)	996 521 551 01	Frame	01-	2	
		Backrest			
3	996 521 151 01	Backrest cushion cover	-00	2	M946/983
		Leather			
	996 521 151 01 8YR	Black	-99		
	996 521 151 01 C50	Graphite grey	98-		
	996 521 151 01 B50	Space grey	-00		
	996 521 151 01 G10	Metropole blue	98-		
	996 521 151 01 S30	Savanna	98-		
	996 521 151 01 J30	Nephrite green	98-		
	996 521 151 01 M30	Boxster red	98-		
	996 521 151 01 ETO	Black	00-		
	996 521 151 01 D11	Dark grey	00-		
	996 521 151 01 T11	Brown/natural	00-		
(3)	996 521 151 05	Backrest cushion cover		2	M946/983
		Leather			
	996 521 151 05 8YR	Black	-99		
	996 521 151 05 C50	Graphite grey			
	996 521 151 05 B50	Space grey	-00		
	996 521 151 05 G10	Metropole blue			
	996 521 151 05 S30	Savanna			
	996 521 151 05 J30	Nephrite green			
	996 521 151 05 M30	Boxster red			
	996 521 151 05 ETO	Black			
	996 521 151 05 D11	Dark grey			
	996 521 151 05 T11	Brown/natural			
(3)	996 521 151 09	Cover	04	2	M095/983
		Centre part			
		Special model			
		Forty fast years			
	996 521 151 09 D13	Dark grey/natural			
4	996 521 165 02	Seat cover	-00	2	M983
		Leather			
	996 521 165 02 EAF	Black	-99		
	996 521 165 02 EEF	Graphite grey			
	996 521 165 02 EGJ	Space grey	-00		
	996 521 165 02 EFF	Metropole blue			
	996 521 165 02 EGF	Savanna			
	996 521 165 02 ELA	Nephrite green			
	996 521 165 02 ENA	Boxster red			
	996 521 165 02 ERZ	Black	00-		
	996 521 165 02 VRA	Dark grey	00-		
	996 521 165 02 VRB	Brown/natural	00-		
(4)	996 521 165 04	Cover	01-	2	M983
		Seat cushion			
	996 521 165 04 ERZ	Black			
	996 521 165 04 EEF	Graphite grey			
	996 521 165 04 EGF	Savanna			
	996 521 165 04 EFF	Metropole blue			
	996 521 165 04 ELA	Nephrite green			
	996 521 165 04 ENA	Boxster red			
	996 521 165 04 FEH	Cinnamon brown			

Model: 996 98 Model life 1998>>2005

Pos	Part Number	Description	Remark	Qty	Model				
(4)	996 521 165 04 VRA	Dark grey/natural	02-	2	IXSU/M983				
	996 521 165 04 VRB	Brown/natural							
	996 521 165 05	Cover							
		Seat cushion							
	996 521 165 05 ERZ	Black							
	996 521 165 05 EEF	Graphite grey							
	996 521 165 05 EGF	Savanna							
	996 521 165 05 EFF	Metropole blue							
	996 521 165 05 ELA	Nephrite green							
	996 521 165 05 ENA	Boxster red							
(4)	996 521 165 05 FEH	Cinnamon brown	04	2	M095/983				
	996 521 165 05 VRA	Dark grey/natural							
	996 521 165 05 VRB	Brown/natural							
	996 521 165 06	Cover							
		Seat cushion							
		Special model							
		Forty fast years							
	996 521 165 06 VSY	Dark grey/natural							
	5	996 521 543 00				Clamp	-00	4	
	6	996 521 541 00				Clamp	-00	6	
7	996 521 535 01	Long	98	2					
		Short							
(7)	996 521 535 02	Foam part	99	2					
		Backrest frame							
(7)	996 521 535 03	Foam part	00-	2					
		Backrest frame							
(7)	996 521 535 05	Foam part	02-	2	IXSU				
		Backrest							
(8)	996 521 531 00	Outer part		2					
		Foam part							
8	996 521 531 01	Foam part		2	M139/340				
(8)	996 521 537 00	Foam part	02-	2	IXSU				
(8)	996 521 539 00	Foam part	02-	2	IXSU/M342				
		Backrest cushion							
(9)	996 521 521 04	Foam part	-00	2					
(9)	996 521 521 05	Foam part	-00	2	M139/340				
(9)	996 521 571 01	Foam part	01-	2					
(9)	996 521 523 01	Foam part	02-	2	TARGA 375/376				
		Seat cushion without heating							
9	996 521 525 01	Foam part	02-	2	TARGA 375/376 139/342				
		Seat cushion with heating							
(10)	996 521 597 00	Clip		8					
(10)	996 521 937 00	Cushion carrier	01-	10					
		Clip							
11	996 521 509 00	Cushion carrier	-00	2					
		Seat cushion							
(11)	996 521 505 00	Front seat	01-	2					
		Cushion carrier							
12	999 507 506 40	Seat cushion		1	M539/540				
		Front seat							
13	999 651 314 01	Cable holder		8					
		5,0							
14	996 521 507 01	Cable clamp		1					
		3,0 - 4,0							
15	996 653 105 01	Mat	01-	1					
		Seat cushion							
		Cushion carrier							
		Heating element							

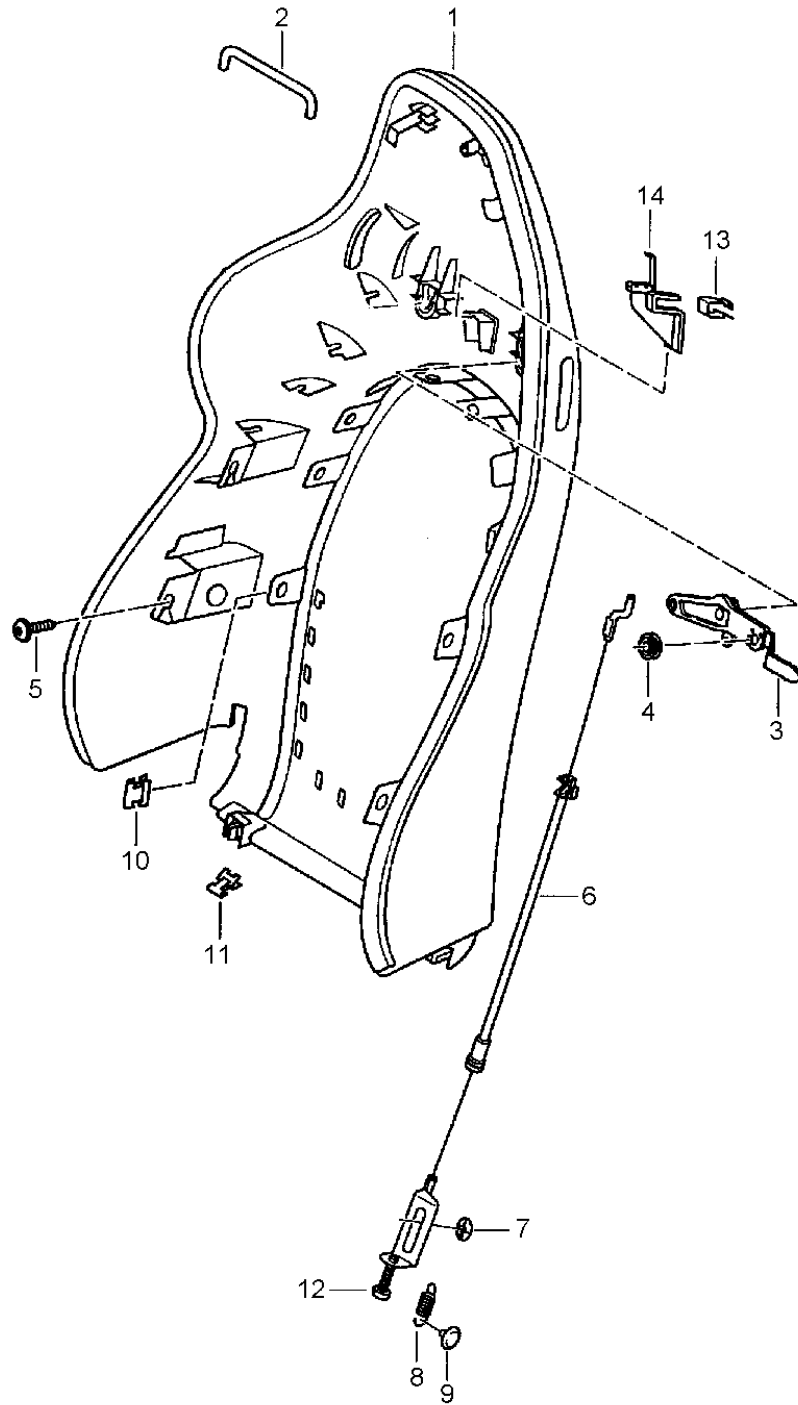
Model: 996 98

Model life 1998>>2005

Pos	Part Number	Description	Remark	Qty	Model
		Seat surface			

Model: 996 98

Model life 1998>>2005

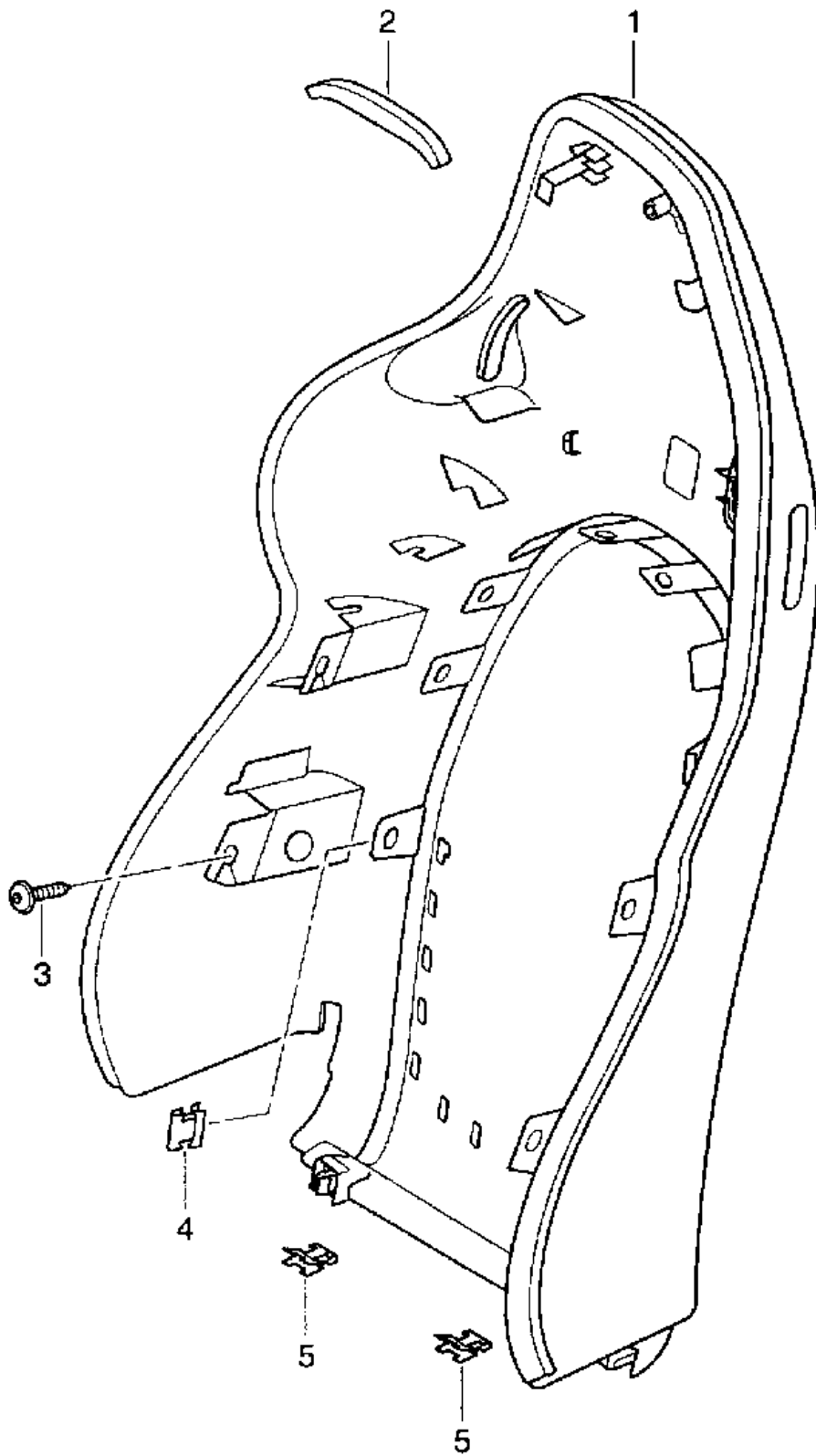


Model: 996 98 Model life 1998>>2005

Pos	Part Number	Description	Remark	Qty	Model
1	996 521 083 02	Backrest shell Sports seat		2	CARRERA
(1)	996 521 083 02 D05	Lacquered Granite grey			
	996 521 992 02	Backrest shell Sports seat	00-	2	IXSA
		Lacquered Black			
	996 521 992 02 80K	Guards red			
	996 521 992 02 9A3	Biarritz white			
	996 521 992 02 12G	Speed yellow			
	996 521 992 02 92T	Arctic silver metallic			
	996 521 992 02 746	Black-metallic			
	996 521 992 02 2A2	Rainforest green metallic			
	996 521 992 02 1A9	Zanzibar red			
	996 521 992 02 8A4	Orient red metallic			
	996 521 992 02 6A7	Meridian metallic			
	996 521 992 02 6B5	Seal grey metallic			
	996 521 992 02 3A9	Lapis blue metallic			
	996 521 992 02 92E	Polar silver metallic			
	996 521 992 02 37U	Cobalt blue metallic			
	996 521 992 02 22E	Forest green metallic			
	996 521 992 02 22D	Slate grey metallic			
	996 521 992 02 37W	Midnight Blue Metallic			
	996 521 992 02 347	Dark blue			
	996 521 992 02 23I	Wimbledon green metallic			
	996 521 992 02 39G	Violet metallic			
2	996 521 885 00	Foam part		2	
3	996 521 311 00	Linkage lever	/L	2	
(3)	996 521 312 00	Linkage lever	/R	2	
4	996 521 339 00	Deflection roller		4	
5	999 143 009 01	Screw		X	
		Backrest shell M 5 X 16			
-	900 151 027 02	Washer 5,3		4	
6	996 521 385 01	Cable		4	
7	N 900 114 02	Clamping washer 4		4	
8	999 522 032 00	Tension spring 0,7 X 7,5 X 15		4	
9	999 703 474 40	Stopper 5,4 X 15 X 7,5		4	
(9)	999 703 102 40	Stopper 4,5 X 6,9 X 11,2	03-	4	
10	999 507 594 01	U-clamp 1,50 - 1,75 Mount		28	
11	311 881 247	Backrest cover Clip		4	
-	N 900 151 01	Centre part Clamping washer 5		2	
13	999 507 596 01	U-clamp 1,00 - 1,50		2	
14	996 521 341 00	Relay lever		2	
-	996 521 903 00	Repair kit Backrest locking lever See technical information GR. 7 BOXSTER NR. 1A/98		2	

Model: 996 98

Model life 1998>>2005



Model: 996 98 Model life 1998>>2005

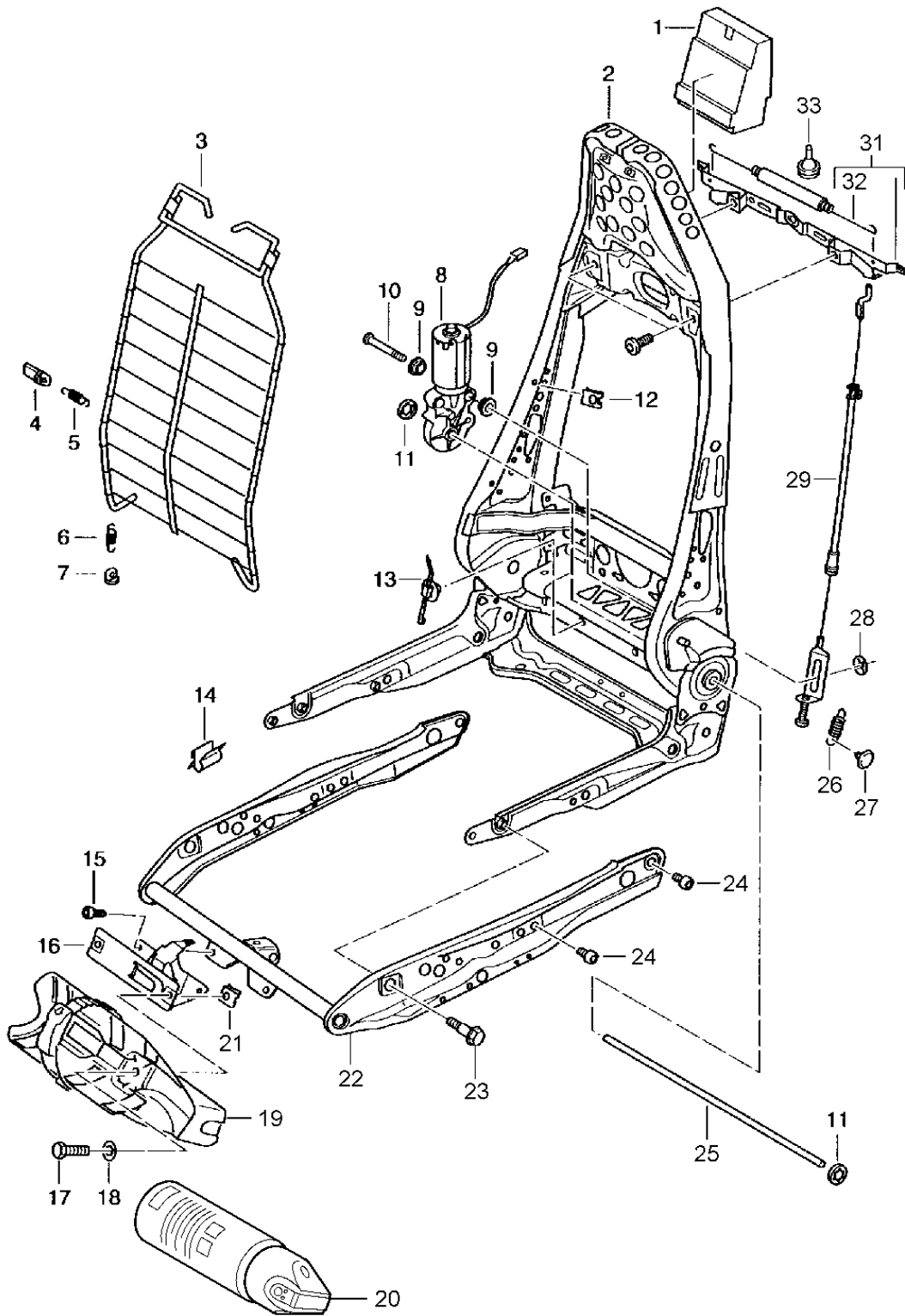
Pos	Part Number	Description	Remark	Qty	Model
		Backrest shell Sports seat			CARRERA
1	996 521 083 05	Backrest shell Lacquered	-00	2	
(1)	996 521 083 05 D05	Granite grey			
	996 521 083 06	Backrest shell Lacquered	-01	2	
	996 521 083 06 A03	Black			
	996 521 083 06 C53	Graphite grey			
	996 521 083 06 S33	Savanna			
	996 521 083 06 G13	Metropole blue			
	996 521 083 06 B13	Space grey			
	996 521 083 06 M33	Boxster red			
	996 521 083 06 J33	Nephrite green			
	996 521 083 06 P13	Cinnamon brown			
(1)	986 521 303 11	Backrest shell Sports seat	01-	1	
	986 521 303 11 A03	Black			
	986 521 303 11 C53	Graphite grey			
	986 521 303 11 S33	Savanna			
	986 521 303 11 G13	Metropole blue			
	986 521 303 11 J33	Nephrite green			
	986 521 303 11 M33	Boxster red			
	986 521 303 11 P13	Cinnamon brown			
(1)	996 521 992 02	Backrest shell Sports seat Lacquered	00-	2	M375/376 IXSA
	996 521 992 02 80K	Guards red			
	996 521 992 02 747	Black			
	996 521 992 02 9A3	Biarritz white			
	996 521 992 02 12G	Speed yellow			
	996 521 992 02 92T	Arctic silver metallic			
	996 521 992 02 746	Black-metallic			
	996 521 992 02 2A2	Rainforest green metallic			
	996 521 992 02 1A9	Zanzibar red			
	996 521 992 02 8A4	Orient red metallic			
	996 521 992 02 6A7	Meridian metallic			
	996 521 992 02 6B5	Seal grey metallic			
	996 521 992 02 3A9	Lapis blue metallic			
	996 521 992 02 92E	Polar silver metallic			
	996 521 992 02 37U	Cobalt blue metallic			
	996 521 992 02 22E	Forest green metallic			
	996 521 992 02 22D	Slate grey metallic			
	996 521 992 02 37W	Midnight Blue Metallic			
	996 521 992 02 347	Dark blue			
	996 521 992 02 23I	Wimbledon green metallic			
	996 521 992 02 39G	Violet metallic			
(1)	986 521 987 03	Backrest shell Sports seat	01-	2	IXSB M375/376
	986 521 987 03 A11	Black			
	986 521 987 03 C51	Graphite grey			
	986 521 987 03 S31	Savanna			
	986 521 987 03 G11	Metropole blue			
	986 521 987 03 J31	Nephrite green			
	986 521 987 03 M31	Boxster red			
	986 521 987 03 P12	Cinnamon brown			
	986 521 987 03 D12	Dark grey/natural			
	986 521 987 03 T12	Brown/natural			
(1)	996 521 987 03	Backrest shell Sports seat	00-	2	IXSB M375/376
	996 521 987 03 A11	Black			
	996 521 987 03 C51	Graphite grey			
	996 521 987 03 S31	Savanna			

Model: 996 98 Model life 1998>>2005

Pos	Part Number	Description	Remark	Qty	Model
	996 521 987 03 G11	Metropole blue			
	996 521 987 03 B51	Space grey			
	996 521 987 03 T12	Brown/natural			
	996 521 987 03 D12	Dark grey/natural			
	996 521 987 03 M31	Boxster red			
	996 521 987 03 J31	Nephrite green			
	996 521 987 03 P12	Cinnamon brown			
(1)	996 521 992 06	Backrest shell	04	2	M375/376
		Sports seat			IXCG
		Lacquered			
	996 521 992 06 V03	Sport silver			
2	996 521 885 00	Foam part		2	
3	999 143 009 01	Screw		X	
		Backrest shell			
		M 5 X 16			
4	999 507 594 01	U-clamp		14	
		Mount			
		Backrest cover			
		1,0 - 2,0			
5	311 881 247	Clip		2	
		Mount			
		Cover			
		Centre part			

Model: 996 98

Model life 1998>>2005



Model: 996 98

Model life 1998>>2005

Pos	Part Number	Description	Remark	Qty	Model
		Backrest frame Seat frame Sports seat Foam part		2	CARRERA
1	996 521 883 00	Backrest frame		2	
2	996 521 329 00	Backrest frame	-99	2	
(2)	996 521 329 01	Backrest frame	00-	2	
3	996 521 355 01	Mat		2	
4	996 521 367 00	Support Spring Centre		8	
5	996 521 333 00	Spring Centre		8	
6	996 521 331 01	Spring Lower		4	
7	996 521 365 00	Support Spring Lower		4	
8	996 624 321 00	Engine for backrest adjustment		2	
9	999 924 129 40	Bush 6 X 12 X 4,5		4	
10	999 073 141 02	Oval-head screw M 6 X 42,5		2	
11	999 507 597 01	Clamping washer 10,0		4	
12	999 507 598 02	Speed nut M 5		8	
13	999 513 063 40	Cable holder 12,0 - 35		4	
15	999 141 028 02	Pan-head screw M 5 X 10		3	M509
16	996 521 674 00	Support	/LL /R	1	M509
(16)	996 521 673 00	Fire extinguisher Support	/RL /L	1	M509
17	900 067 137 02	Fire extinguisher Pan-head screw M 5 X 16		2	M509
18	900 151 027 02	Washer 5,3		2	M509
18	900 151 027 03	Washer 5,3		2	M509
19	996 521 607 00	Cup Fire extinguisher		1	M509
20	996 722 115 00	Fire extinguisher * KEIN ERSATZTEIL * * GEFAHRGUT/HALTBARKEIT *		1	
21	999 507 067 02	Information available Speed nut M 5		2	M509
(21)	999 507 067 03	Speed nut M 5		2	M509
22	996 521 227 00	Seat frame		1	
23	996 521 681 01	Bearing pin Complete		1	
24	999 141 027 02	Oval-head screw M 8 X 10		8	
25	996 521 343 01	Drive shaft for backrest adjustment		2	
26	999 522 032 00	Tension spring 0,7 X 7,5 X 15		4	
27	999 703 474 40	Stopper		4	
28	N 900 114 02	Clamping washer		4	

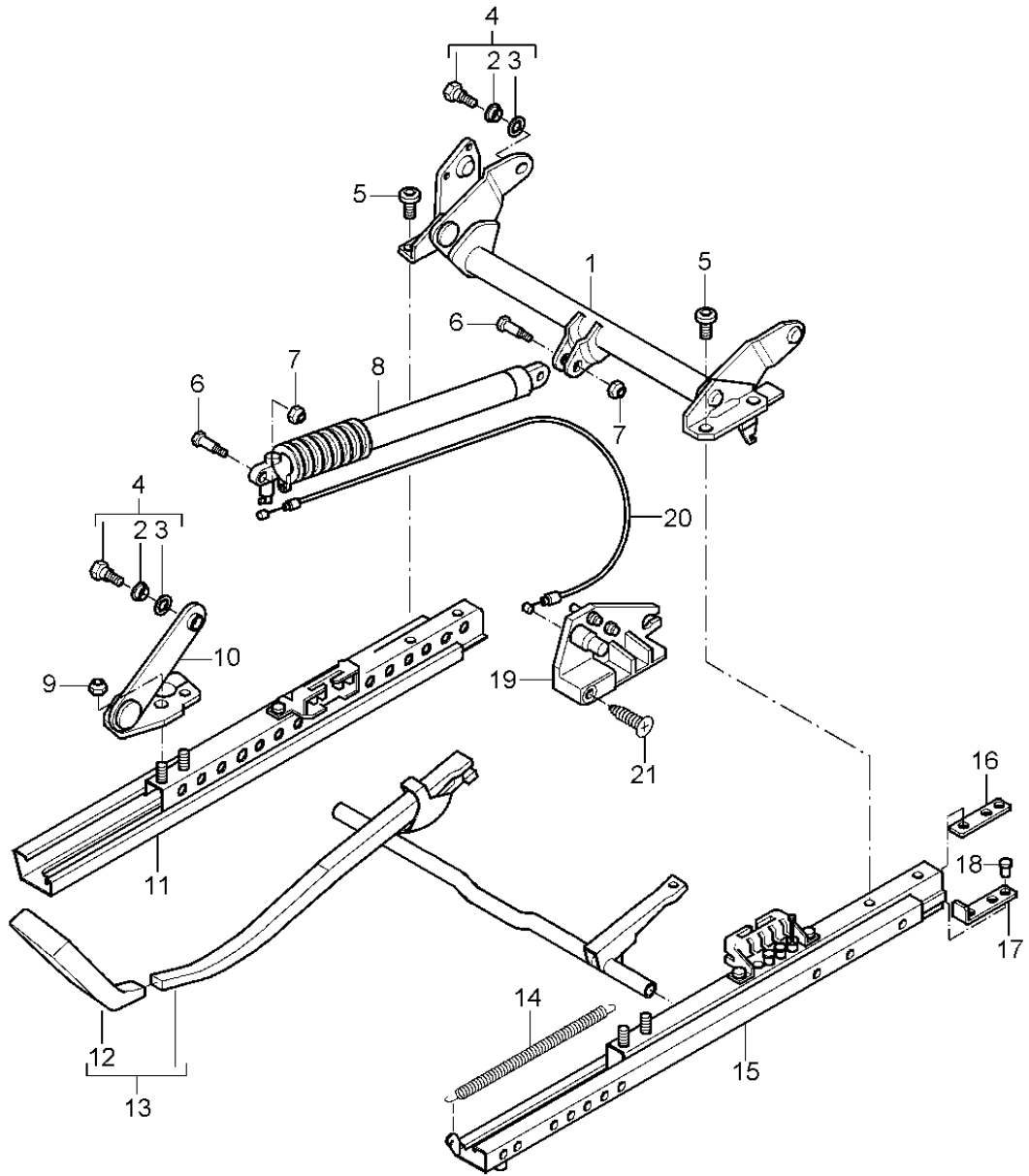
Model: 996 98

Model life 1998>>2005

Pos	Part Number	Description	Remark	Qty	Model
		4			
29	996 521 185 00	Cable		4	
31	996 521 175 00	Backrest locking lever		2	
32	996 521 195 00	Clutch power spring		2	
33	996 521 403 00	Rubber buffer		2	

Model: 996 98

Model life 1998>>2005

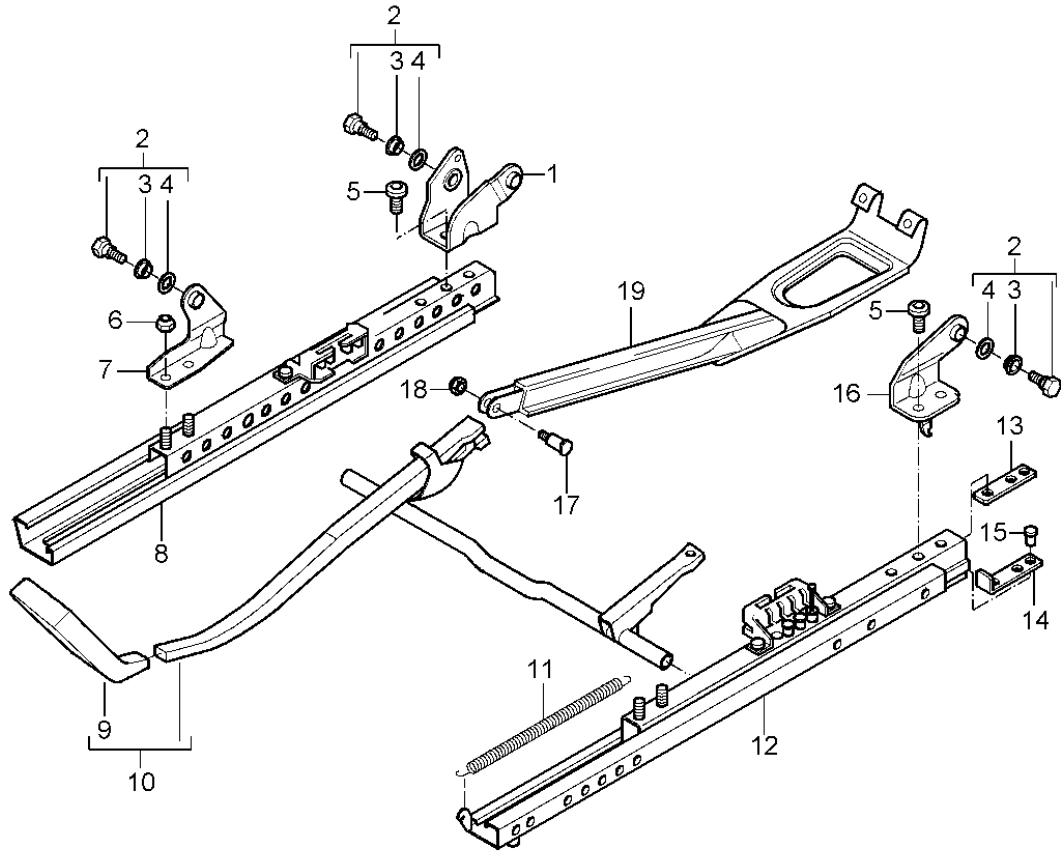


Model: 996 98 Model life 1998>>2005

Pos	Part Number	Description	Remark	Qty	Model
		Seat adjuster Sports seat with Height adjustment			CARRERA
1	996 521 641 00	Pipe	/L	1	
(1)	996 521 642 00	Rear Pipe	/R	1	
3	999 209 051 00	Rear Spacer sleeve		2	
4	996 521 259 02	Screw	/H	4	M539/540
(4)	996 521 681 00	Complete Bearing pin	/V	8	
5	986 521 659 00	Seat frame Screw		8	
5	986 521 659 02	Adapter Screw		8	
6	999 311 008 01	Adapter Square screw		2	
7	986 521 687 00	Gas-pressure spring M 5 X 23,6 Nut		2	
8	996 521 615 01	Gas-pressure spring		1	M539/540
9	900 910 003 07	Hexagon nut Adapter M 8		8	
(10)	986 521 679 00	Adapter Seat frame Front	/L	2	
10	986 521 680 00	Adapter Seat frame Front	/R	2	
11	996 521 692 01	Seat rail Inner	/R	1	M369/375
(11)	996 521 691 01	Seat rail Inner	/L	1	M370/376
12	996 521 617 01	Handle	/L	1	M369/375
(12)	996 521 618 01	Handle	/R	1	M370/376
13	996 521 621 01	Lever Complete	/L	1	M369/375
(13)	996 521 622 01	Lever Complete	/R	1	M370/376
14	996 521 645 00	Clutch power spring		2	
15	996 521 689 01	Seat rail Outer	/L	1	M369/375
(15)	996 521 690 01	Seat rail Outer	/R	1	M370/376
16	986 521 643 00	Threaded plate		4	
(17)	996 521 603 01	Stop		4	
18	996 521 601 00	Fixing clip Stop		4	
19	996 521 675 00	Adjusting mechanism	/L	1	M539
(19)	996 521 676 00	Adjusting mechanism	/R	1	M540
20	986 521 683 00	Bowden cable		2	M539/540
21	999 919 195 07	Countersunk-head screw	-00	2	
(21)	999 919 199 09	Countersunk-head screw M 5 X 18	01-	2	

Model: 996 98

Model life 1998>>2005

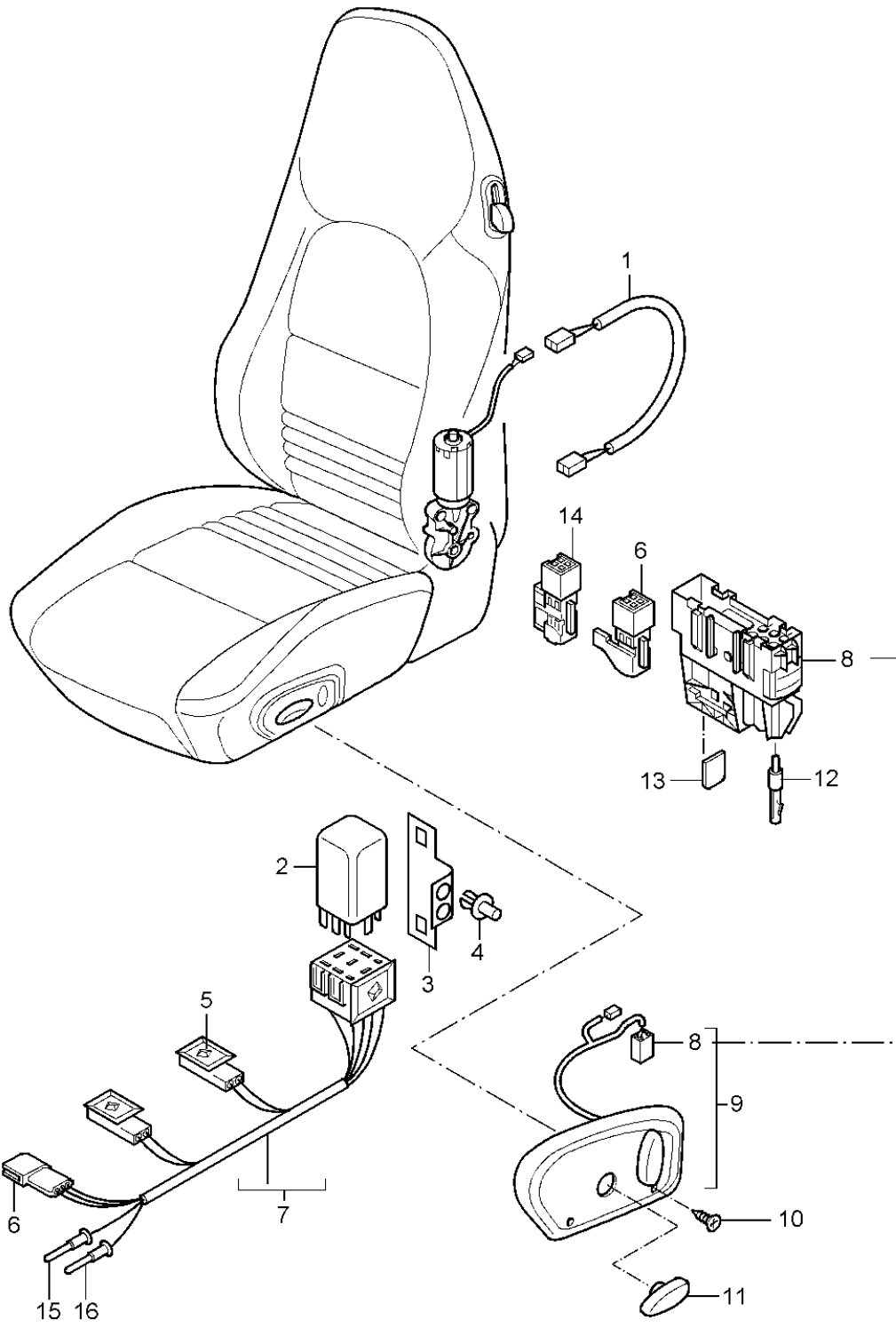


Model: 996 98 Model life 1998>>2005

Pos	Part Number	Description	Remark	Qty	Model
(1)	986 521 639 00	Seat adjuster Sports seat without Height adjustment Adapter	/L	1	CARRERA
1	986 521 640 00	Seat-belt buckle Seat frame Inner rear Adapter	/R	1	
2	996 521 259 02	Seat-belt buckle Seat frame Inner rear Screw		8	
3	999 924 156 00	Complete Bush		4	
4	999 209 051 00	12 X 14 X 6,5 Spacer sleeve		2	
5	986 521 659 00	Screw		8	
5	986 521 659 02	Screw		8	
6	900 910 003 07	Hexagon nut Adapter M 8		8	
(7)	986 521 679 00	Adapter	/L	2	
7	986 521 680 00	Adapter Seat frame Front	/R	2	
8	996 521 692 01	Seat rail Inner	/R	1	M369/375
(8)	996 521 691 01	Seat rail Inner	/L	1	M370/376
9	996 521 617 01	Handle	/L	1	M369/375
(9)	996 521 618 01	Handle	/R	1	M370/376
10	996 521 621 01	Lever Complete	/L	1	M369/375
(10)	996 521 622 01	Lever Complete	/R	1	M370/376
11	996 521 645 00	Clutch power spring		2	
12	996 521 689 01	Seat rail Outer	/L	1	M369/375
(12)	996 521 690 01	Seat rail Outer	/R	1	M370/376
13	986 521 643 00	Threaded plate		4	
14	996 521 603 01	Stop		4	
15	996 521 601 00	Fixing clip Stop		4	
16	986 521 691 00	Adapter Seat frame Rear Outer	/L	1	
(16)	986 521 690 00	Adapter Seat frame Rear Outer	/R	1	
17	999 311 008 01	Square screw M 5 X 23,6		1	
18	986 521 687 00	Nut		1	
19	986 521 667 00	Seat adjuster guard		1	
21	996 521 665 00	Stop Telephone Inner		1	M614/618 M540/663

Model: 996 98

Model life 1998>>2005



Model: 996 98 Model life 1998>>2005

Pos	Part Number	Description	Remark	Qty	Model
		Wiring harnesses			CARRERA
		Switch			
		Standard seat			
		Sports seat			
1	996 612 543 00	Wiring harness		2	
		for backrest adjustment			
2	996 618 521 00	Control unit		2	M342
		Seat heater			
3	996 618 531 00	Support		2	M342
		Control unit			
4	999 591 712 40	Expansion rivet	-02	2	
		6,0 X 12,0			
(4)	900 143 191 02	Tapping screw	02-	4	
		Support			
5	999 507 407 40	Clip		X	
6	999 650 216 40	Pin connector socket		1	
		4-pole			
7	996 612 540 01	Wiring harness		2	M342
		Seat heater			
8	999 650 180 40	Pin connector socket		2	M537/538
		6-pole			
9	996 613 713 01	Switch	/L	1	M369/375
		Complete			
		with			
		Handle			
		for backrest adjustment			
	996 613 713 01 EJM	Granite grey	-99		
	996 613 713 01 A03	Black	00-		
	996 613 713 01 C53	Graphite grey	00-		
	996 613 713 01 S33	Savanna	00-		
	996 613 713 01 G13	Metropole blue	00-		
	996 613 713 01 J33	Nephrite green	00-		
	996 613 713 01 M33	Boxster red	00-		
	996 613 713 01 B13	Space grey	00		
	996 613 713 01 P13	Cinnamon brown	01-		
(9)	996 613 714 01	Switch	/R	1	M370/376
		Complete			
		with			
		Handle			
		for backrest adjustment			
	996 613 714 01 EJM	Granite grey	-99		
	996 613 714 01 A03	Black	00-		
	996 613 714 01 C53	Graphite grey	00-		
	996 613 714 01 S33	Savanna	00-		
	996 613 714 01 G13	Metropole blue	00-		
	996 613 714 01 J33	Nephrite green	00-		
	996 613 714 01 M33	Boxster red	00-		
	996 613 714 01 B13	Space grey	00		
	996 613 714 01 P13	Cinnamon brown	01-		
(9)	886 613 980 00	Switch	/L	1	IXSD
	886 613 980 00 S30	Savanna	98-		
	886 613 980 00 8YR	Black	-00		
	886 613 980 00 C50	Graphite grey	98-		
	886 613 980 00 G10	Metropole blue	98-		
	886 613 980 00 B50	Space grey	98-		
	886 613 980 00 J30	Nephrite green	98-		
	886 613 980 00 M30	Boxster red	98-		
	886 613 980 00 VRJ	Black	00-		
	886 613 980 00 D11	Dark grey/natural	00-		
	886 613 980 00 T11	Brown/natural	00-		
	886 613 980 00 P11	Cinnamon brown	01-		
(9)	886 613 981 00	Switch	/R	1	IXSD
		Standard seat			

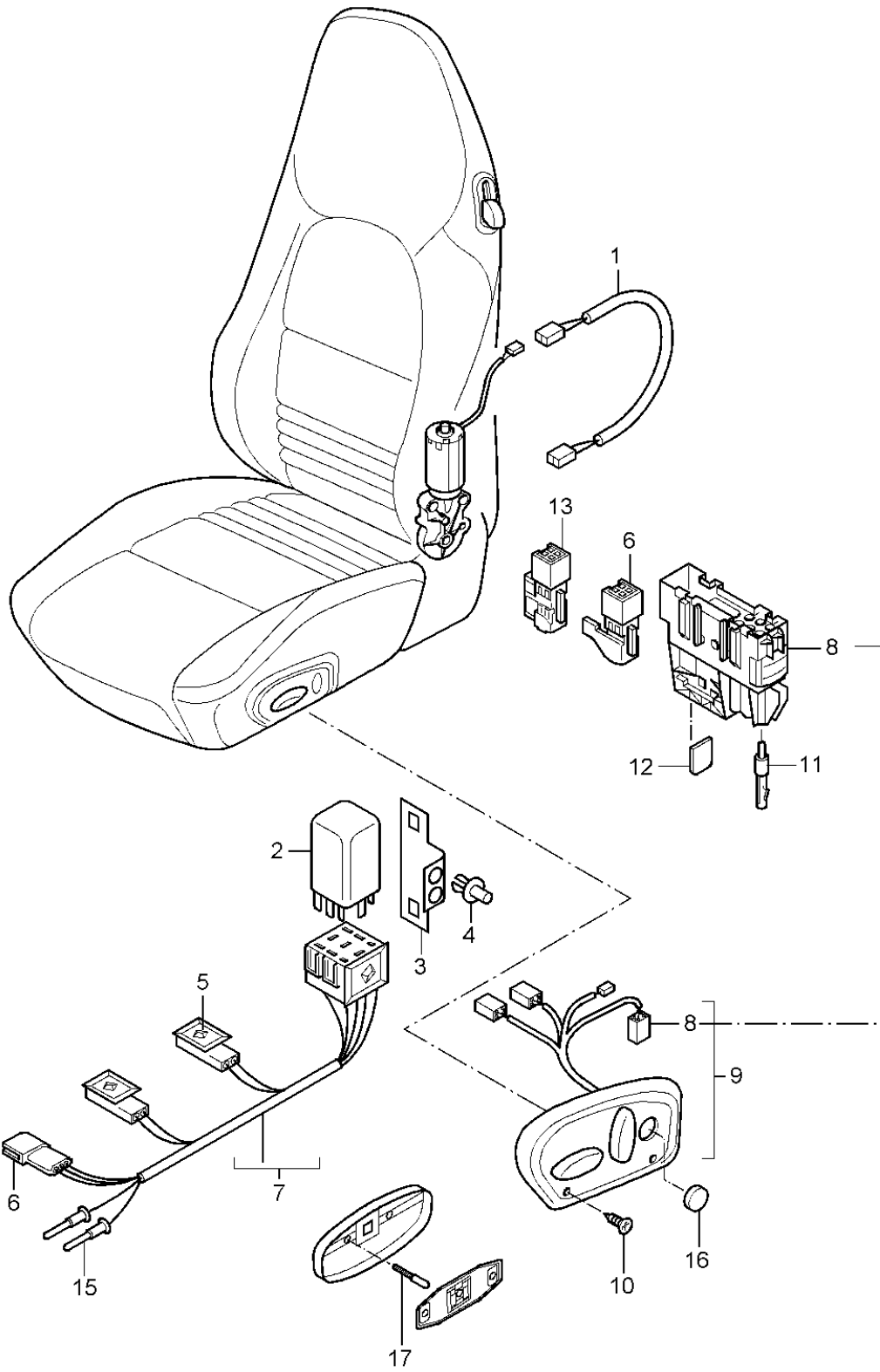
Model: 996 98

Model life 1998>>2005

Pos	Part Number	Description	Remark	Qty	Model
		Sports seat			
	986 613 981 00 S30	Savanna	98-		
	986 613 981 00 8YR	Black	-00		
	986 613 981 00 C50	Graphite grey	98-		
	986 613 981 00 G10	Metropole blue	98-		
	986 613 981 00 B50	Space grey	98-		
	986 613 981 00 J30	Nephrite green	98-		
	986 613 981 00 M30	Boxster red	98-		
	986 613 981 00 VRJ	Black	00-		
	986 613 981 00 D11	Dark grey/natural	00-		
	986 613 981 00 T11	Brown/natural	00-		
	986 613 981 00 P11	Cinnamon brown	01-		
10	999 919 173 02	Countersunk-head screw 3,0 X 18		4	
11	986 521 627 00	Handle Height adjustment	/L	1	M539
(11)	986 521 628 00	Handle Height adjustment	/R	1	M540
12	999 650 225 40	Pin 2,5		2	
13	999 652 960 40	Lid		2	
14	999 650 218 40	Pin connector socket 4-pole		2	
15	999 650 216 40	Pin connector socket 4-pole		2	
16	999 652 571 22	Connector 1.0 - 2.5 QMM		X	

Model: 996 98

Model life 1998>>2005



Model: 996 98 Model life 1998>>2005

Pos	Part Number	Description	Remark	Qty	Model
		Wiring harnesses			CARRERA
		Switch			
1	996 612 543 00	Comfort seat		2	
(1)	996 612 544 00	Wiring harness		2	M537/538
		Wiring harness			
		for backrest adjustment			
2	996 618 521 00	Control unit		2	M342
		Seat heater			
3	996 618 531 00	Support		2	M342
		Control unit			
4	999 591 712 40	Expansion rivet	-02	2	
		6,0 X 12,0			
(4)	900 143 191 02	Tapping screw	02-	4	
		Support			
5	999 507 407 40	Clip		X	
6	999 650 216 40	Pin connector socket		1	
		4-pole			
		Black			
7	996 612 540 01	Wiring harness		2	
		Seat heater			
8	999 650 180 40	Pin connector socket		2	M537/538
		6-pole			
		Wiring harness			
		Passenger compartment			
9	996 613 715 01	Switch	/L	1	M437
		Comfort seat			
	996 613 715 01 P13	Cinnamon brown	00-		
	996 613 715 01 EJM	Granite grey	98-		
	996 613 715 01 A03	Black	00-		
	996 613 715 01 C53	Graphite grey	00-		
	996 613 715 01 S33	Savanna	00-		
	996 613 715 01 G13	Metropole blue	00-		
	996 613 715 01 B13	Space grey	00-		
	996 613 715 01 J33	Nephrite green	00-		
	996 613 715 01 M33	Boxster red	00-		
(9)	996 613 716 01	Switch	/R	1	M438
		Comfort seat			
		Complete			
	996 613 716 01 A03	Black	00-		
	996 613 716 01 C53	Graphite grey	00-		
	996 613 716 01 S33	Savanna	00-		
	996 613 716 01 G13	Metropole blue	00-		
	996 613 716 01 B13	Space grey	00-		
	996 613 716 01 J33	Nephrite green	00-		
	996 613 716 01 M33	Boxster red	00-		
	996 613 716 01 P13	Cinnamon brown	01-		
	996 613 716 01 EJM	Granite grey	98-		
(9)	996 613 717 01	Switch	/L	1	M437/586
		Comfort seat			
		Lumbar support			
		Complete			
	996 613 717 01 EJM	Granite grey	99		
	996 613 717 01 A03	Black	00-		
	996 613 717 01 B13	Space grey			
	996 613 717 01 J33	Nephrite green			
	996 613 717 01 M33	Boxster red			
	996 613 717 01 P13	Cinnamon brown			
(9)	996 613 718 01	Switch	/R	1	M438/513
		Comfort seat			
		Lumbar support			
		Complete			
	996 613 718 01 EJM	Granite grey	99		
	996 613 718 01 A03	Black	00-		

Model: 996 98 Model life 1998>>2005

Pos	Part Number	Description	Remark	Qty	Model
(9)	996 613 718 01 B13	Space grey		1	M437/537
	996 613 718 01 J33	Nephrite green			
	996 613 719 01	Switch	/L 98-		
	996 613 719 01 A03	Black	00-		
	996 613 719 01 C53	Graphite grey	00-		
	996 613 719 01 S33	Savanna	00-		
	996 613 719 01 G13	Metropole blue	00-		
	996 613 719 01 B13	Space grey	00		
	996 613 719 01 J33	Nephrite green	00-		
	996 613 719 01 M33	Boxster red	00-		
(9)	996 613 719 01 EJM	Granite grey	00-	1	M438/538
	996 613 719 01 P13	Cinnamon brown			
	996 613 720 01	Switch	/R		
		Comfort seat			
		Seating position control			
		Complete			
	996 613 720 01 A03	Black			
	996 613 720 01 C53	Graphite grey			
	996 613 720 01 G13	Metropole blue			
	996 613 720 01 J33	Nephrite green			
(9)	996 613 720 01 M33	Boxster red		1	M437/537/586
	996 613 720 01 S33	Savanna			
	996 613 720 01 P13	Cinnamon brown			
	996 613 720 01 B13	Space grey			
	996 613 720 01 01C	Satin black			
	996 613 721 01	Switch	/L 99-		
	996 613 721 01 A03	Black			
	996 613 721 01 EJM	Granite grey			
	996 613 721 01 C53	Graphite grey			
	996 613 721 01 G13	Metropole blue			
(9)	996 613 721 01 J33	Nephrite green		1	IXSD/M437
	996 613 721 01 M33	Boxster red			
	996 613 721 01 S33	Savanna			
	996 613 721 01 P13	Cinnamon brown			
	996 613 721 01 B13	Space grey			
	996 613 980 02	Switch	/L 98-		
	996 613 980 02 VRJ	Black			
	996 613 980 02 C50	Graphite grey			
	996 613 980 02 S30	Savanna			
	996 613 980 02 G10	Metropole blue			
(9)	996 613 980 02 M30	Boxster red		1	IXSD/M437 M586
	996 613 980 02 P11	Cinnamon brown			
	996 613 980 02 D11	Dark grey/natural			
	996 613 980 02 T11	Brown/natural			
	996 613 980 03	Switch	/L 98-		
	996 613 980 03 VRJ	Black			
	996 613 980 03 C50	Graphite grey			
	996 613 980 03 S30	Savanna			
	996 613 980 03 G10	Metropole blue			
	996 613 980 03 M30	Boxster red			
(9)	996 613 980 03 P11	Cinnamon brown		1	IXSD/M437 M537
	996 613 980 03 D11	Dark grey/natural			
	996 613 980 03 T11	Brown/natural			
	996 613 980 04	Switch	/L 98-		
		without			
		Lumbar support			
	996 613 980 04 VRJ	Black			
	996 613 980 04 C50	Graphite grey			
	996 613 980 04 S30	Savanna			
	996 613 980 04 G10	Metropole blue			
996 613 980 04 M30	Boxster red				

Model: 996 98 Model life 1998>>2005

Pos	Part Number	Description	Remark	Qty	Model
(9)	996 613 980 04 P11	Cinnamon brown	/L 98-	1	IXSD/M437 M537/586
	996 613 980 04 D11	Dark grey/natural			
	996 613 980 04 T11	Brown/natural			
	996 613 980 05	Switch			
		Leather			
	996 613 980 05 S30	Savanna			
	996 613 980 05 G10	Metropole blue			
	996 613 980 05 J30	Nephrite green			
	996 613 980 05 VRJ	Black			
	996 613 980 05 C50	Graphite grey			
(9)	996 613 980 05 M30	Boxster red	/R 98-	1	IXSD/M438
	996 613 980 05 P11	Cinnamon brown			
	996 613 980 05 D11	Dark grey/natural			
	996 613 980 05 T11	Brown/natural			
	996 613 981 02	Switch			
		Leather			
	996 613 981 02 S30	Savanna			
	996 613 981 02 G10	Metropole blue			
	996 613 981 02 J30	Nephrite green			
	996 613 981 02 VRJ	Black			
(9)	996 613 981 02 C50	Graphite grey	/R 98-	1	IXSD/M438 M513
	996 613 981 02 M30	Boxster red			
	996 613 981 02 P11	Cinnamon brown			
	996 613 981 02 D11	Dark grey/natural			
	996 613 981 02 T11	Brown/natural			
	996 613 981 03	Switch			
		Leather			
	996 613 981 03 S30	Savanna			
	996 613 981 03 G10	Metropole blue			
	996 613 981 03 J30	Nephrite green			
(9)	996 613 981 03 VRJ	Black	/R 98-	1	IXSD/M438 M538
	996 613 981 03 C50	Graphite grey			
	996 613 981 03 M30	Boxster red			
	996 613 981 03 P11	Cinnamon brown			
	996 613 981 03 D11	Dark grey/natural			
	996 613 981 03 T11	Brown/natural			
	996 613 981 04	Switch			
		Leather			
	996 613 981 04 S30	Savanna			
	996 613 981 04 G10	Metropole blue			
(9)	996 613 981 04 J30	Nephrite green	/R 98-	1	IXSD/M438 M513/538
	996 613 981 04 VRJ	Black			
	996 613 981 04 C50	Graphite grey			
	996 613 981 04 M30	Boxster red			
	996 613 981 04 P11	Cinnamon brown			
	996 613 981 04 D11	Dark grey/natural			
	996 613 981 04 T11	Brown/natural			
	996 613 981 05	Switch			
		Leather			
	996 613 981 05 S30	Savanna			
(9)	996 613 981 05 G10	Metropole blue	/R	1	M438/513/538
	996 613 981 05 J30	Nephrite green			
	996 613 981 05 VRJ	Black			
	996 613 981 05 C50	Graphite grey			
	996 613 981 05 M30	Boxster red			
	996 613 981 05 P11	Cinnamon brown			
	996 613 981 05 D11	Dark grey/natural			
	996 613 981 05 T11	Brown/natural			
	996 613 722 01	Switch			

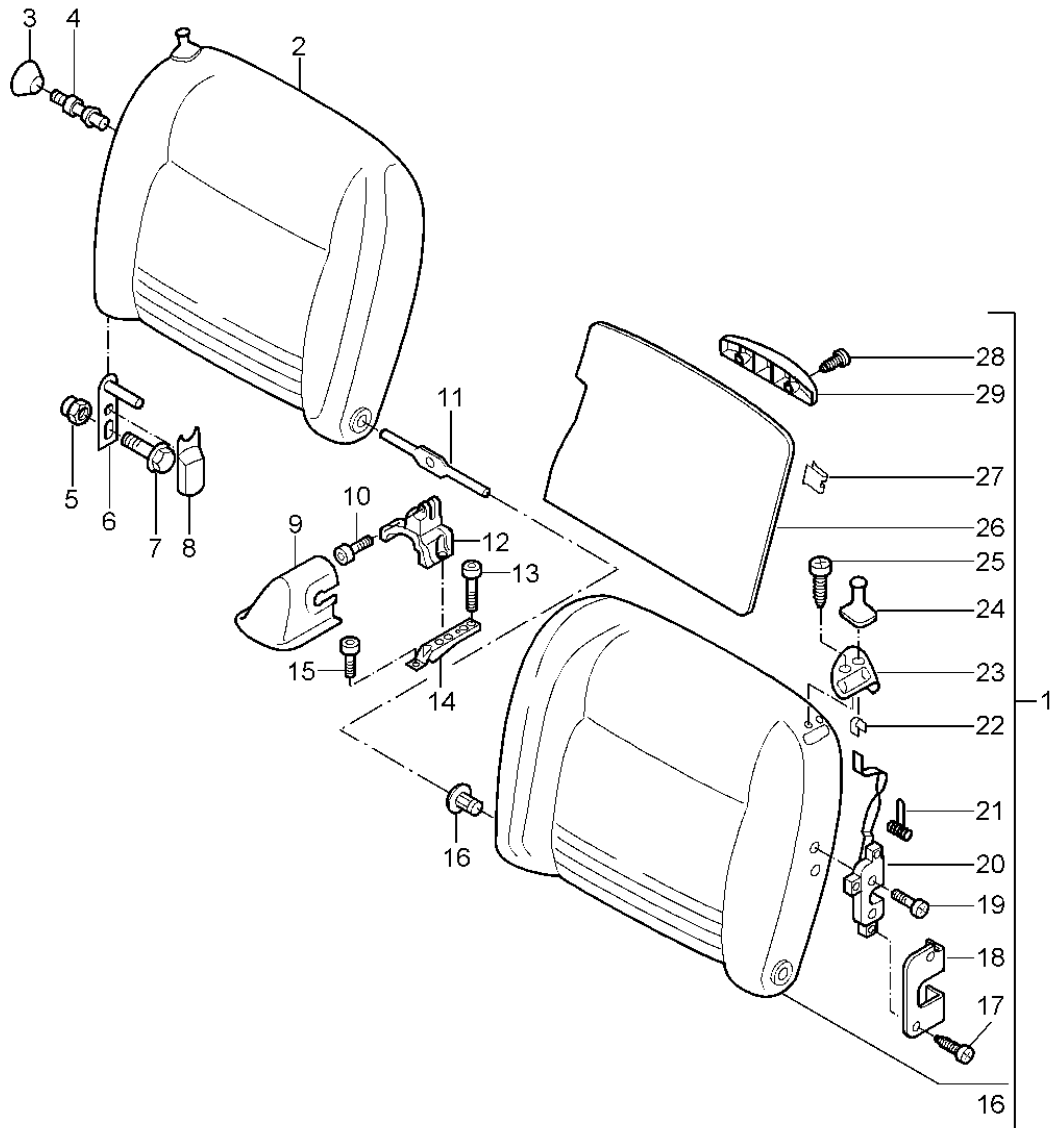
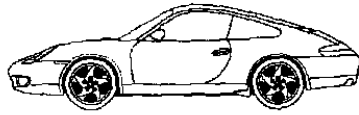
Model: 996 98

Model life 1998>>2005

Pos	Part Number	Description	Remark	Qty	Model
		Comfort seat Seating position control Lumbar support Complete			
	996 613 722 01 EJM	Granite grey	-99		
	996 613 722 01 A03	Black	00-		
	996 613 722 01 C53	Graphite grey	00-		
	996 613 722 01 S33	Savanna	00-		
	996 613 722 01 G13	Metropole blue	00-		
	996 613 722 01 J33	Nephrite green	00-		
	996 613 722 01 M33	Boxster red	00-		
	996 613 722 01 B13	Space grey	00		
	996 613 722 01 P13	Cinnamon brown	01-		
-	986 521 627 00	Handle for Height adjustment	/L	1	
-	986 521 628 00	Handle for Height adjustment	/R	1	
10	999 919 173 02	Countersunk-head screw 3,0 X 18		4	
11	999 650 225 40	Pin 2,5		2	
12	999 652 960 40	Lid		2	
13	999 650 218 40	Pin connector socket 4-pole White		2	M139/340 M342
15	999 652 571 22	Connector 1.0 - 2.5 QMM		X	M439
16	996 521 327 00	Cover Lumbar support		X	M437/438
17	996 613 955 00	Control button Seat adjuster Repair kit	02-	1	M437/438

Model: 996 98

Model life 1998>>2005



Model: 996 98 Model life 1998>>2005

Pos	Part Number	Description	Remark	Qty	Model
		Back seat backrest			CARRERA COUPE/TARGA
1	996 522 011 01	Back seat backrest Leatherette/carpet	/L -01	1	M685/937
	996 522 011 01 A10	Black/black	-99		
	996 522 011 01 B50	Space grey/space grey	-99		
	996 522 011 01 C50	Graphite grey/graphite gr.	-99		
	996 522 011 01 G10	Metropole bl./metrop. blue	-99		
	996 522 011 01 S30	Savanna/savanna	-99		
	996 522 011 01 C52	Graphite grey/graphite gr.	00-		
	996 522 011 01 S32	Savanna/savanna	00-		
	996 522 011 01 G12	Metropole bl./metrop. blue	00-		
	996 522 011 01 EVJ	Black/black	00-		
1	996 522 012 01	Back seat backrest Leatherette/carpet	/R -01	1	M685/937
	996 522 012 01 A10	Black/black	-99		
	996 522 012 01 B50	Space grey/space grey	-99		
	996 522 012 01 C50	Graphite grey/graphite gr.	-99		
	996 522 012 01 G10	Metropole bl./metrop. blue	-99		
	996 522 012 01 S30	Savanna/savanna	-99		
	996 522 012 01 C52	Graphite grey/graphite gr.	00-		
	996 522 012 01 S32	Savanna/savanna	00-		
	996 522 012 01 G12	Metropole bl./metrop. blue	00-		
	996 522 012 01 EVJ	Black/black	00-		
(1)	996 522 011 10	Back seat backrest Leatherette	/L 02-	1	M685/937
	996 522 011 10 EVJ	Black			
	996 522 011 10 C52	Graphite grey			
	996 522 011 10 S32	Savanna			
	996 522 011 10 G12	Metropole blue			
	996 522 011 10 J32	Nephrite green			
(1)	996 522 012 10	Back seat backrest Leatherette	/R 02-	1	M685/937
	996 522 012 10 EVJ	Black			
	996 522 012 10 C52	Graphite grey			
	996 522 012 10 S32	Savanna			
	996 522 012 10 G12	Metropole blue			
	996 522 012 10 J32	Nephrite green			
(1)	996 522 011 02	Back seat backrest Leather	/L -01	1	M685/936
	996 522 011 02 EVK	Black/black			
	996 522 011 02 C50	Graphite grey			
	996 522 011 02 S30	Savanna			
	996 522 011 02 G10	Metropole blue			
	996 522 011 02 J30	Nephrite green			
	996 522 011 02 M30	Boxster red			
	996 522 011 02 P11	Cinnamon brown			
	996 522 011 02 D11	Dark grey/natural			
	996 522 011 02 T11	Brown/natural			
(1)	996 522 012 02	Back seat backrest Leather	/R -01	1	M685/936
	996 522 012 02 EVK	Black/black			
	996 522 012 02 C50	Graphite grey			
	996 522 012 02 S30	Savanna			
	996 522 012 02 G10	Metropole blue			
	996 522 012 02 J30	Nephrite green			
	996 522 012 02 M30	Boxster red			
	996 522 012 02 P11	Cinnamon brown			
	996 522 012 02 D11	Dark grey/natural			
	996 522 012 02 T11	Brown/natural			
(1)	996 522 011 11	Back seat backrest Leather	/L 02-	1	M685/936

Model: 996 98 Model life 1998>>2005

Pos	Part Number	Description	Remark	Qty	Model
	996 522 011 11 EVK	Black			
	996 522 011 11 C50	Graphite grey			
	996 522 011 11 S30	Savanna			
	996 522 011 11 G10	Metropole blue			
	996 522 011 11 J30	Nephrite green			
	996 522 011 11 M30	Boxster red			
	996 522 011 11 P11	Cinnamon brown			
	996 522 011 11 D11	Dark grey/natural			
	996 522 011 11 T11	Brown/natural			
(1)	996 522 012 11	Back seat backrest Leather	/R 02-	1	M685/936
	996 522 012 11 EVK	Black			
	996 522 012 11 C50	Graphite grey			
	996 522 012 11 S30	Savanna			
	996 522 012 11 G10	Metropole blue			
	996 522 012 11 J30	Nephrite green			
	996 522 012 11 M30	Boxster red			
	996 522 012 11 P11	Cinnamon brown			
	996 522 012 11 D11	Dark grey/natural			
	996 522 012 11 T11	Brown/natural			
(1)	996 522 011 03	Back seat backrest Draped leather Carpet	/L -02	1	M685/939
	996 522 011 03 8YR	Black/black	-99		
	996 522 011 03 B50	Space grey/space grey	98-		
	996 522 011 03 C50	Graphite grey/graphite gr.	98-		
	996 522 011 03 G10	Metropole bl./metrop. blue	98-		
	996 522 011 03 S30	Savanna/savanna	98-		
	996 522 011 03 J30	Nephrite gr./neph. green	98-		
	996 522 011 03 M30	Boxster red/boxster red	98-		
	996 522 011 03 EVK	Black/black	00-		
	996 522 011 03 D11	Dark grey/natural	00-		
	996 522 011 03 T11	Brown/natural			
	996 522 011 03 P11	Cinnamon brown			
(1)	996 522 012 03	Back seat backrest Draped leather Carpet	/R -02	1	M685/939
	996 522 012 03 8YR	Black/black	-99		
	996 522 012 03 B50	Space grey/space grey	98-		
	996 522 012 03 C50	Graphite grey/graphite gr.	98-		
	996 522 012 03 G10	Metropole bl./metrop. blue	98-		
	996 522 012 03 S30	Savanna/savanna	98-		
	996 522 012 03 J30	Nephrite gr./neph. green	98-		
	996 522 012 03 M30	Boxster red/boxster red	98-		
	996 522 012 03 EVK	Black/black	00-		
	996 522 012 03 D11	Dark grey/natural	00-		
	996 522 012 03 T11	Brown/natural			
	996 522 012 03 P11	Cinnamon brown			
(1)	996 522 011 12	Back seat backrest Draped leather	/L 02-	1	M685/939
	996 522 011 12 EVK	Black			
	996 522 011 12 C50	Graphite grey			
	996 522 011 12 S30	Savanna			
	996 522 011 12 G10	Metropole blue			
	996 522 011 12 J30	Nephrite green			
	996 522 011 12 M30	Boxster red			
	996 522 011 12 P11	Cinnamon brown			
	996 522 011 12 D11	Dark grey/natural			
	996 522 011 12 T11	Brown/natural			
(1)	996 522 012 12	Back seat backrest Draped leather	/R 02-	1	M685/939
	996 522 012 12 EVK	Black			
	996 522 012 12 C50	Graphite grey			

Model: 996 98 Model life 1998>>2005

Pos	Part Number	Description	Remark	Qty	Model
	996 522 012 12 S30	Savanna			
	996 522 012 12 G10	Metropole blue			
	996 522 012 12 J30	Nephrite green			
	996 522 012 12 M30	Boxster red			
	996 522 012 12 P11	Cinnamon brown			
	996 522 012 12 D11	Dark grey/natural			
	996 522 012 12 T11	Brown/natural			
(1)	996 522 011 16	Back seat backrest Leather	04-	1	M095/936
	996 522 011 16 VTG	Dark grey/natural			
(1)	996 522 012 16	Back seat backrest Leather Special model	04-	1	M095/936
	996 522 012 16 VTG	Dark grey/natural			
2	996 522 221 01	Cover Back seat backrest	98-	1	M685/937
	996 522 221 01 A10	Black			
	996 522 221 01 C50	Graphite grey			
	996 522 221 01 S30	Savanna			
	996 522 221 01 G10	Metropole blue			
	996 522 221 01 B50	Space grey			
(2)	996 522 221 02	Cover Back seat backrest	-01	1	M685/936
	996 522 221 02 8YR	Black			
	996 522 221 02 C50	Graphite grey			
	996 522 221 02 S30	Savanna			
	996 522 221 02 G10	Metropole blue			
	996 522 221 02 B50	Space grey			
	996 522 221 02 J30	Nephrite green			
	996 522 221 02 M30	Boxster red			
(2)	996 522 221 06	Cover Back seat backrest	02-	1	M685/936
	996 522 221 06 ETO	Black			
	996 522 221 06 C50	Graphite grey			
	996 522 221 06 S30	Savanna			
	996 522 221 06 G10	Metropole blue			
	996 522 221 06 J30	Nephrite green			
	996 522 221 06 M30	Boxster red			
	996 522 221 06 P11	Cinnamon brown			
	996 522 221 06 D11	Dark grey/natural			
	996 522 221 06 T11	Brown/natural			
(2)	996 522 221 07	Cover Back seat backrest	02-	1	M685/939
	996 522 221 07 ETO	Black			
	996 522 221 07 C50	Graphite grey			
	996 522 221 07 S30	Savanna			
	996 522 221 07 G10	Metropole blue			
	996 522 221 07 J30	Nephrite green			
	996 522 221 07 M30	Boxster red			
	996 522 221 07 P11	Cinnamon brown			
	996 522 221 07 D11	Dark grey/natural			
	996 522 221 07 T11	Brown/natural			
(2)	996 522 222 01	Cover Back seat backrest	-01	2	M685/937
	996 522 222 01 A10	Black			
	996 522 222 01 C50	Graphite grey			
	996 522 222 01 S30	Savanna			
	996 522 222 01 G10	Metropole blue			
	996 522 222 01 B50	Space grey			
(2)	996 522 222 02	Cover Backrest Back seat backrest	-02	1	M685/936
	996 522 222 02 8YR	Black			

Model: 996 98 Model life 1998>>2005

Pos	Part Number	Description	Remark	Qty	Model
	996 522 222 02 C50	Graphite grey			
	996 522 222 02 S30	Savanna			
	996 522 222 02 B50	Space grey			
	996 522 222 02 J30	Nephrite green			
	996 522 222 02 M30	Boxster red			
	996 522 222 02 G10	Metropole blue			
(2)	996 522 222 06	Cover	02-	1	M685/936
		Back seat backrest			
	996 522 222 06 ETO	Black			
	996 522 222 06 C50	Graphite grey			
	996 522 222 06 S30	Savanna			
	996 522 222 06 G10	Metropole blue			
	996 522 222 06 J30	Nephrite green			
	996 522 222 06 M30	Boxster red			
	996 522 222 06 P11	Cinnamon brown			
	996 522 222 06 D11	Dark grey/natural			
	996 522 222 06 T11	Brown/natural			
(2)	996 522 222 07	Cover	02-	1	M685/939
		Back seat backrest			
	996 522 222 07 ETO	Black			
	996 522 222 07 C50	Graphite grey			
	996 522 222 07 S30	Savanna			
	996 522 222 07 G10	Metropole blue			
	996 522 222 07 J30	Nephrite green			
	996 522 222 07 M30	Boxster red			
	996 522 222 07 P11	Cinnamon brown			
	996 522 222 07 D11	Dark grey/natural			
	996 522 222 07 T11	Brown/natural			
3	996 522 097 02	Rosette	-99	2	
		Bolt			
(3)	996 522 097 02 01C	Satin black			
(3)	996 522 097 04	Rosette	-02	2	
		Bolt			
(3)	996 522 097 04 01C	Satin black			
(3)	996 522 097 06	Rosette	-03	2	
		Bolt			
(3)	996 522 097 06 01C	Satin black			
(3)	996 522 097 08	Rosette	03-	2	
		Bolt			
(3)	996 522 097 08 01C	Satin black			
(3)	996 522 097 07	Rosette	04-	2	TARGA
		Bolt			
(4)	996 522 097 07 01C	Satin black			
(4)	996 522 267 04	Bolt	-01	2	
(4)	996 522 267 06	Bolt	02-	2	
5	996 522 271 00	Bush		2	
6	996 522 211 01	Bearing		2	
		Outer			
7	999 073 138 09	Screw		2	
		M 8 X 25			
8	996 522 425 01	Cover		1	
	996 522 425 01 01C	Satin black			
9	996 522 431 02	Cover		1	
	996 522 431 02 01C	Satin black			
(10)	N 044 734 1	Pan-head screw		1	
		M 5 X 15			
(10)	900 067 137 01	Pan-head screw		1	
		M 5 X 15			
(11)	996 522 615 00	Bearing shaft	-02	1	
11	996 522 615 01	Bearing shaft	02-	1	
11	997 522 615 01	Bearing shaft	02-	1	
12	996 522 333 00	Bracket		1	
		Bearing			

Model: 996 98 Model life 1998>>2005

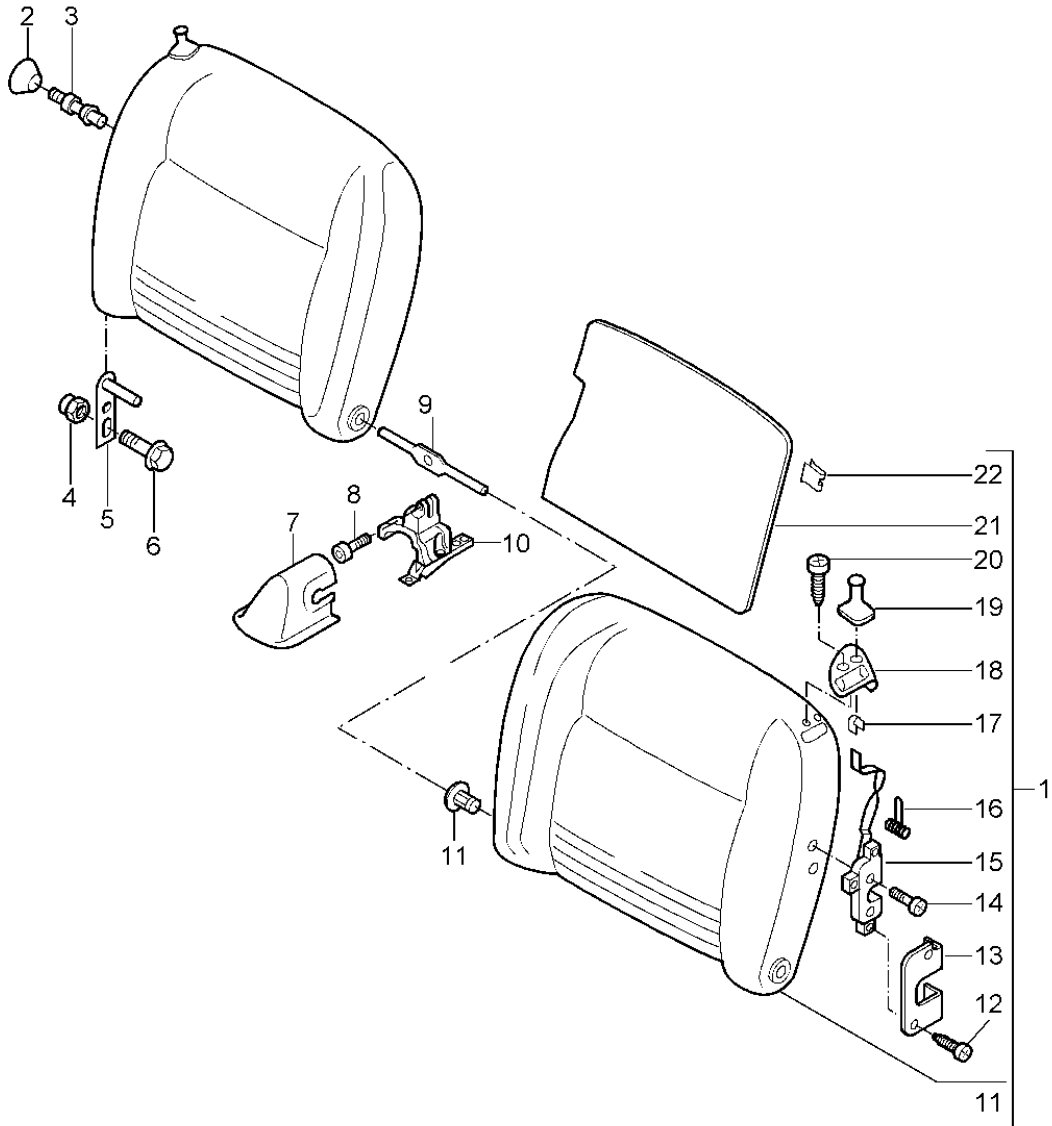
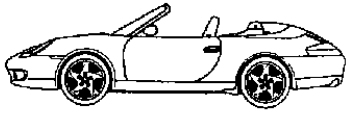
Pos	Part Number	Description	Remark	Qty	Model
13	999 073 188 09	Centre Oval-head screw M 6 X 25	/H	2	
14	996 522 261 00	Bearing bracket Centre		2	
15	999 073 151 09	Oval-head screw M 6 X 12	/V	2	
16	996 522 571 00	Protection washer		1	
	996 522 571 00 01C	Satin black			
17	999 073 049 02	Tapping screw ST 3,5 X 16		4	
18	996 522 771 00	Cover	/L	1	
	996 522 771 00 01C	Satin black			
18	997 522 771 00	Cover	/L	1	
	997 522 771 00 01C	Satin black			
(18)	996 522 772 00	Cover	/R	1	
	996 522 772 00 01C	Satin black			
(18)	997 522 772 00	Trim cover	/R	1	
	997 522 772 00 01C	Satin black			
19	900 269 028 02	Countersunk-head screw M 8 X 30		4	
20	996 522 281 01	Lock	/L	1	
(20)	996 522 282 01	Lock	/R	1	
(20)	996 522 281 02	Lock	/L	1	
(20)	996 522 282 02	Lock	/R	1	
21	996 522 653 00	Spring		2	
22	999 507 630 01	Clamp 2,0		2	
23	996 522 315 00	Rosette	/L	1	
	996 522 315 00 01C	Satin black			
(23)	996 522 316 00	Rosette	/R	1	
	996 522 316 00 01C	Satin black			
24	996 522 321 00	Actuating lever	/L -98	1	
	996 522 321 00 01C	Satin black			
(24)	996 522 321 01	Actuating lever	/L 99-	1	
	996 522 321 01 01C	Satin black			
(24)	996 522 322 00	Actuating lever	/R -98	1	
	996 522 322 00 01C	Satin black			
(24)	996 522 322 01	Actuating lever	/R 99-	1	
	996 522 322 01 01C	Satin black			
25	900 145 041 07	Tapping screw B 3,5 X 16		4	
26	996 522 173 00	Carpet Fine tuft velour	/L	1	
	996 522 173 00 B50	Space grey	98-		
	996 522 173 00 C50	Graphite grey	98-		
	996 522 173 00 G10	Metropole blue	98-		
	996 522 173 00 S30	Savanna	98-		
	996 522 173 00 J30	Nephrite green	98-		
	996 522 173 00 M30	Boxster red	98-		
	996 522 173 00 D11	Dark grey/natural	00-		
	996 522 173 00 T11	Brown/natural	00-		
	996 522 173 00 P11	Cinnamon brown	01-		
26	996 522 173 00	Carpet Fine tuft velour Until Chassis number See technical information GR.7 NR. 17/11 KD-NR. 70	/L	1	
	996 522 173 00 A10	Black	98-		
26	997 522 173 00	Carpet Fine tuft velour	/L	1	

Model: 996 98 Model life 1998>>2005

Pos	Part Number	Description	Remark	Qty	Model
		From Chassis number See technical information GR.7 NR. 17/11 KD-NR. 70			
(26)	997 522 173 00 A10	Black	98-		
	996 522 174 00	Carpet	/R	1	
		Fine tuft velour			
	996 522 174 00 B50	Space grey	98-		
	996 522 174 00 C50	Graphite grey	98-		
	996 522 174 00 G10	Metropole blue	98-		
	996 522 174 00 S30	Savanna	98-		
	996 522 174 00 J30	Nephrite green	98-		
	996 522 174 00 M30	Boxster red	98-		
	996 522 174 00 D11	Dark grey/natural	00-		
	996 522 174 00 T11	Brown/natural	00-		
	996 522 174 00 P11	Cinnamon brown	01-		
(26)	996 522 174 00	Carpet	/R	1	
		Fine tuft velour			
		Until			
		Chassis number See technical information GR.7 NR. 17/11 KD-NR. 70			
(26)	996 522 174 00 A10	Black	98-		
	996 522 174 00	Carpet	/R	1	
		Fine tuft velour			
		Until			
		Chassis number See technical information GR.7 NR. 17/11 KD-NR. 70			
(26)	996 522 174 00 A10	Black	98-		
	997 522 174 00	Carpet	/R	1	
		Fine tuft velour			
		From			
		Chassis number See technical information GR.7 NR. 17/11 KD-NR. 70			
27	997 522 174 00 A10	Black	98-		
	999 507 593 01	U-clamp		X	
		1,25 - 1,50			
28	999 073 050 02	Tapping screw		4	
		3,5 X 19			
29	993 522 421 00	Stop	-01	2	
	993 522 421 00 01C	Satin black			
(29)	996 522 421 00	Stop	01-	2	
	996 522 421 00 01C	Satin black			

Model: 996 98

Model life 1998>>2005



Model: 996 98 Model life 1998>>2005

Pos	Part Number	Description	Remark	Qty	Model
		Back seat backrest			CARRERA CABRIO M937
1	996 522 011 05	Back seat backrest Leatherette/carpet	/L -01	1	
	996 522 011 05 A10	Black/black	-99		
	996 522 011 05 B50	Space grey/space grey	-99		
	996 522 011 05 C50	Graphite grey/graphite gr.	-99		
	996 522 011 05 G10	Metropole bl./metrop. blue	-99		
	996 522 011 05 S30	Savanna/savanna	-99		
	996 522 011 05 C52	Graphite grey/graphite gr.	00-		
	996 522 011 05 S32	Savanna/savanna	00-		
	996 522 011 05 G12	Metropole bl./metrop. blue	00-		
(1)	996 522 012 05	Back seat backrest Leatherette/carpet	/R -01	1	M937
	996 522 012 05 A10	Black/black	-99		
	996 522 012 05 B50	Space grey/space grey	-99		
	996 522 012 05 C50	Graphite grey/graphite gr.	-99		
	996 522 012 05 G10	Metropole bl./metrop. blue	-99		
	996 522 012 05 S30	Savanna/savanna	-99		
	996 522 012 05 C52	Graphite grey/graphite gr.	00-		
	996 522 012 05 S32	Savanna/savanna	00-		
	996 522 012 05 G12	Metropole bl./metrop. blue	00-		
(1)	996 522 011 13	Back seat backrest Leatherette	/L 02-	1	M937
	996 522 011 13 EVJ	Black			
	996 522 011 13 C52	Graphite grey			
	996 522 011 13 S32	Savanna			
	996 522 011 13 G12	Metropole blue			
	996 522 011 13 J32	Nephrite green			
(1)	996 522 012 13	Back seat backrest Leatherette	/R 02-	1	M937
	996 522 012 13 EVJ	Black			
	996 522 012 13 C52	Graphite grey			
	996 522 012 13 S32	Savanna			
	996 522 012 13 G12	Metropole blue			
	996 522 012 13 J32	Nephrite green			
(1)	996 522 011 06	Back seat backrest Leather/carpet	/L -01	1	M936
	996 522 011 06 B50	Space grey			
	996 522 011 06 C50	Graphite grey			
	996 522 011 06 D11	Dark grey/natural			
	996 522 011 06 EVK	Black/black			
	996 522 011 06 G10	Metropole blue			
	996 522 011 06 J30	Nephrite green			
	996 522 011 06 M30	Boxster red			
	996 522 011 06 S30	Savanna			
	996 522 011 06 T11	Brown/natural			
	996 522 011 06 8YR	Black			
	996 522 011 06 P11	Cinnamon brown			
	996 522 011 06 D11	Dark grey/natural			
(1)	996 522 012 06	Back seat backrest Leather/carpet	/R -01	1	M936
	996 522 012 06 B50	Space grey			
	996 522 012 06 C50	Graphite grey			
	996 522 012 06 D11	Dark grey/natural			
	996 522 012 06 EVK	Black/black			
	996 522 012 06 G10	Metropole blue			
	996 522 012 06 J30	Nephrite green			
	996 522 012 06 M30	Boxster red			
	996 522 012 06 S30	Savanna			
	996 522 012 06 T11	Brown/natural			
	996 522 012 06 8YR	Black			
	996 522 012 06 P11	Cinnamon brown			

Model: 996 98 Model life 1998>>2005

Pos	Part Number	Description	Remark	Qty	Model
(1)	996 522 012 06 D11	Dark grey/natural			
	996 522 011 14	Back seat backrest	/L 02-	1	M936
	996 522 011 14 EVK	Black			
	996 522 011 14 C50	Graphite grey			
	996 522 011 14 S30	Savanna			
	996 522 011 14 G10	Metropole blue			
	996 522 011 14 J30	Nephrite green			
	996 522 011 14 M30	Boxster red			
	996 522 011 14 P11	Cinnamon brown			
	996 522 011 14 D11	Dark grey/natural			
	996 522 011 14 T11	Brown/natural			
(1)	996 522 012 14	Back seat backrest	/R 02-	1	M936
		Leather			
	996 522 012 14 EVK	Black			
	996 522 012 14 C50	Graphite grey			
	996 522 012 14 S30	Savanna			
	996 522 012 14 G10	Metropole blue			
	996 522 012 14 J30	Nephrite green			
	996 522 012 14 M30	Boxster red			
	996 522 012 14 P11	Cinnamon brown			
	996 522 012 14 D11	Dark grey/natural			
	996 522 012 14 T11	Brown/natural			
(1)	996 522 011 07	Back seat backrest	/L -01	1	M939
		Draped leather			
	996 522 011 07 8YR	Black/black	-99		
	996 522 011 07 B50	Space grey/space grey	98-		
	996 522 011 07 C50	Graphite grey/graphite gr.	98-		
	996 522 011 07 G10	Metropole bl./metrop. blue	98-		
	996 522 011 07 S30	Savanna/savanna	98-		
	996 522 011 07 J30	Nephrite gr./nephr. green	98-		
	996 522 011 07 M30	Boxster red/boxster red	98-		
	996 522 011 07 EVK	Black/black	00-		
(1)	996 522 012 07	Back seat backrest	/R -01	1	M939
		Draped leather			
		Carpet			
	996 522 012 07 8YR	Black/black	-99		
	996 522 012 07 B50	Space grey/space grey	98-		
	996 522 012 07 C50	Graphite grey/graphite gr.	98-		
	996 522 012 07 G10	Metropole bl./metrop. blue	98-		
	996 522 012 07 S30	Savanna/savanna	98-		
	996 522 012 07 J30	Nephrite gr./nephr. green	98-		
	996 522 012 07 M30	Boxster red/boxster red	98-		
	996 522 012 07 EVK	Black/black	00-		
(1)	996 522 011 15	Back seat backrest	/L 02-	1	M939
		Draped leather			
	996 522 011 15 EVK	Black			
	996 522 011 15 C50	Graphite grey			
	996 522 011 15 S30	Savanna			
	996 522 011 15 G10	Metropole blue			
	996 522 011 15 J30	Nephrite green			
	996 522 011 15 M30	Boxster red			
	996 522 011 15 P11	Cinnamon brown			
	996 522 011 15 D11	Dark grey/natural			
	996 522 011 15 T11	Brown/natural			
(1)	996 522 012 15	Back seat backrest	/R 02-	1	M939
		Draped leather			
	996 522 012 15 EVK	Black			
	996 522 012 15 C50	Graphite grey			
	996 522 012 15 S30	Savanna			
	996 522 012 15 G10	Metropole blue			
	996 522 012 15 J30	Nephrite green			
	996 522 012 15 M30	Boxster red			
	996 522 012 15 P11	Cinnamon brown			

Model: 996 98

Model life 1998>>2005

Pos	Part Number	Description	Remark	Qty	Model
(1)	996 522 012 15 D11 996 522 012 15 T11 996 522 011 17	Dark grey/natural Brown/natural Back seat backrest	05-	1	/971 M936
		Leather			
(1)	996 522 011 17 VTG 996 522 011 17 VTK 996 522 012 17	Darkgrey natural/grey Brown nat./brown nat. Back seat backrest	05-	1	/971 M936
		Leather			
2	996 522 012 17 VTG 996 522 012 17 VTK 996 522 097 03	Darkgrey natural/grey Brown nat./brown nat. Rosette	-99	2	
(2)	996 522 097 03 01C 996 522 097 05	Satin black Rosette	00-	2	
(2)	996 522 097 05 01C 996 522 097 08	Satin black Rosette	00-	2	
3	996 522 097 08 01C 996 522 267 05	Satin black Bolt	-01	2	
(3)	996 522 267 07	Bolt	02-	2	
4	996 522 271 00	Bush		2	
5	996 522 211 01	Bearing		2	
6	999 073 138 09	Outer Screw M 8 X 25		2	
7	996 522 431 02 996 522 431 02 01C	Cover Satin black		1	
8	N 044 734 1	Pan-head screw M 5 X 15		1	
8	900 067 137 01	Pan-head screw M 5 X 15		1	
9	996 522 615 00	Bearing shaft	-02	1	
(9)	996 522 615 01	Bearing shaft	02-	1	
(9)	997 522 615 01	Bearing shaft	02-	1	
10	996 522 041 00	Bearing Centre		1	
-	999 073 151 09	Oval-head screw M 6 X 12	/V	2	
-	999 073 188 09	Oval-head screw M 6 X 25	/H	2	
11	996 522 571 00 996 522 571 00 01C	Protection washer Satin black		1	
12	999 073 049 02	Tapping screw ST 3,5 X 16		4	
13	996 522 771 00 996 522 771 00 01C	Cover Satin black	/L	1	
13	997 522 771 00 997 522 771 00 01C	Cover Satin black	/L	1	
(13)	996 522 772 00 996 522 772 00 01C	Cover Satin black	/R	1	
(13)	997 522 772 00 997 522 772 00 01C	Trim cover Satin black	/R	1	
14	900 269 028 02	Countersunk-head screw M 8 X 30		4	
15	996 522 281 01	Lock	-99	1	
(15)	996 522 282 02	Lock	/R -99	1	
(15)	996 522 281 02	Lock	/L 00-	1	
(15)	996 522 282 02	Lock	/R 00-	1	
16	996 522 653 00	Spring		2	
17	999 507 630 01	Clamp 2,0		2	
18	996 522 315 00 996 522 315 00 01C	Rosette Satin black	/L	1	

Model: 996 98 Model life 1998>>2005

Pos	Part Number	Description	Remark	Qty	Model
(18)	996 522 316 00	Rosette	/R	1	
	996 522 316 00 01C	Satin black			
19	996 522 321 00	Actuating lever	/L -98	1	
	996 522 321 00 01C	Satin black			
(19)	996 522 321 01	Actuating lever	/L 99-	1	
	996 522 321 01 01C	Satin black			
(19)	996 522 322 00	Actuating lever	/R -98	1	
	996 522 322 00 01C	Satin black			
(19)	996 522 322 01	Actuating lever	/R 99-	1	
	996 522 322 01 01C	Satin black			
20	900 145 041 07	Tapping screw B 3,5 X 16		4	
21	996 522 173 00	Carpet	/L	1	
		Fine tuft velour			
	996 522 173 00 A10	Black	98-		
	996 522 173 00 B50	Space grey	98-		
	996 522 173 00 C50	Graphite grey	98-		
	996 522 173 00 G10	Metropole blue	98-		
	996 522 173 00 S30	Savanna	98-		
	996 522 173 00 J30	Nephrite green	98-		
	996 522 173 00 M30	Boxster red	98-		
	996 522 173 00 D11	Dark grey/natural	00-		
	996 522 173 00 T11	Brown/natural	00-		
	996 522 173 00 P11	Cinnamon brown	01-		
21	996 522 173 00	Carpet	/L	1	
		Fine tuft velour			
		Until			
		Chassis number			
		See technical information			
		GR.7 NR. 17/11			
		KD-NR. 70			
	996 522 173 00 A10	Black	98-		
21	997 522 173 00	Carpet	/L	1	
		Fine tuft velour			
		From			
		Chassis number			
		See technical information			
		GR.7 NR. 17/11			
		KD-NR. 70			
	997 522 173 00 A10	Black	98-		
(21)	996 522 174 00	Carpet	/R	1	
		Fine tuft velour			
	996 522 174 00 B50	Space grey	98-		
	996 522 174 00 C50	Graphite grey	98-		
	996 522 174 00 G10	Metropole blue	98-		
	996 522 174 00 S30	Savanna	98-		
	996 522 174 00 J30	Nephrite green	98-		
	996 522 174 00 M30	Boxster red	98-		
	996 522 174 00 D11	Dark grey/natural	00-		
	996 522 174 00 T11	Brown/natural	00-		
	996 522 174 00 P11	Cinnamon brown	01-		
(21)	996 522 174 00	Carpet	/R	1	
		Fine tuft velour			
		Until			
		Chassis number			
		See technical information			
		GR.7 NR. 17/11			
		KD-NR. 70			
	996 522 174 00 A10	Black	98-		
(26)	997 522 174 00	Carpet	/R	1	
		Fine tuft velour			
		From			
		Chassis number			

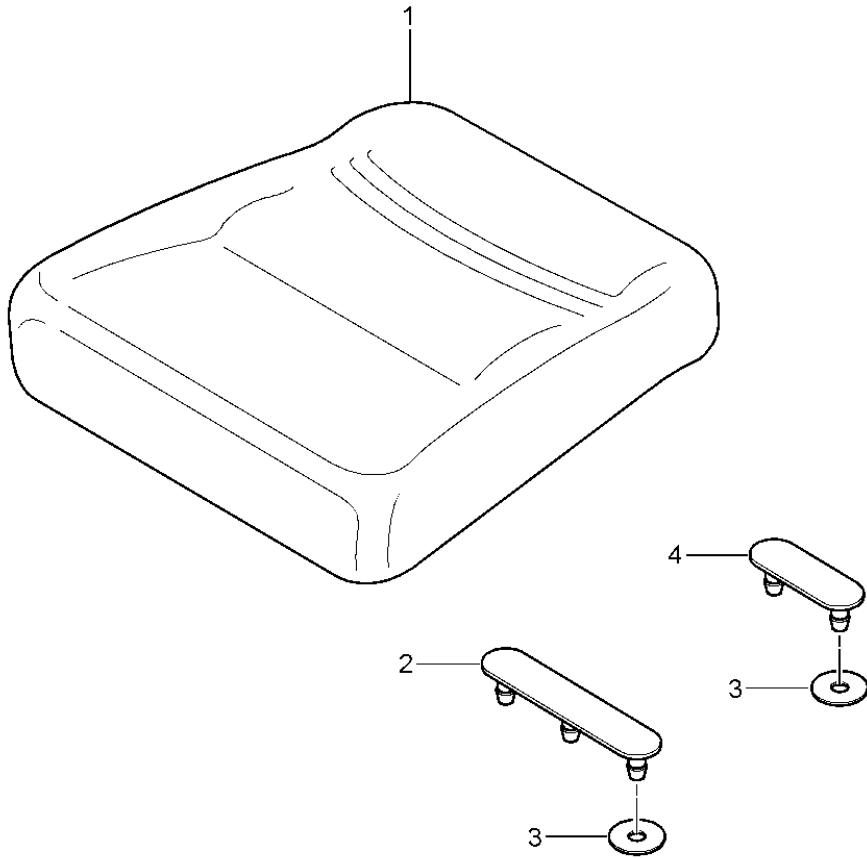
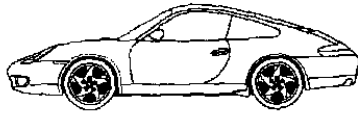
Model: 996 98

Model life 1998>>2005

Pos	Part Number	Description	Remark	Qty	Model
22	997 522 174 00 A10 999 507 593 01	See technical information GR.7 NR. 17/11 KD-NR. 70 Black U-clamp 1,25 - 1,50	98-	X	

Model: 996 98

Model life 1998>>2005



Model: 996 98 Model life 1998>>2005

Pos	Part Number	Description	Remark	Qty	Model
		Back seat cushion			CARRERA COUPE/TARGA
1	996 522 051 01	Back seat cushion Leatherette	/L -01	1	M937
	996 522 051 01 A10	Black	-99		
	996 522 051 01 B50	Space grey	-99		
	996 522 051 01 C50	Graphite grey	-99		
	996 522 051 01 G10	Metropole blue	-99		
	996 522 051 01 S30	Savanna	-99		
	996 522 051 01 C52	Graphite grey	00-		
	996 522 051 01 S32	Savanna	00-		
	996 522 051 01 G12	Metropole blue	00-		
	996 522 051 01 B52	Space grey	00-		
	996 522 051 01 ETN	Black	00-		
	996 522 051 01 J32	Nephrite green	00-		
(1)	996 522 052 01	Back seat cushion Leatherette	/R -01	1	M937
	996 522 052 01 A10	Black	-99		
	996 522 052 01 B50	Space grey	-99		
	996 522 052 01 C50	Graphite grey	-99		
	996 522 052 01 G10	Metropole blue	-99		
	996 522 052 01 S30	Savanna	-99		
	996 522 052 01 C52	Graphite grey	00-		
	996 522 052 01 S32	Savanna	00-		
	996 522 052 01 G12	Metropole blue	00-		
	996 522 052 01 B52	Space grey	00-		
	996 522 052 01 ETN	Black	00-		
	996 522 052 01 J32	Nephrite green	00-		
(1)	996 522 051 02	Back seat cushion	/L -01	1	M936
	996 522 051 02 8YR	Black	-99		
	996 522 051 02 ETO	Black	00-		
	996 522 051 02 C50	Graphite grey			
	996 522 051 02 S30	Savanna			
	996 522 051 02 G10	Metropole blue			
	996 522 051 02 J30	Nephrite green			
	996 522 051 02 M30	Boxster red			
	996 522 051 02 B50	Space grey			
	996 522 051 02 D11	Dark grey/natural			
	996 522 051 02 T11	Brown/natural			
	996 522 051 02 P11	Cinnamon brown			
(1)	996 522 052 02	Back seat cushion Leather	/R -01	1	M936
	996 522 052 02 8YR	Black	-99		
	996 522 052 02 ETO	Black	00-		
	996 522 052 02 C50	Graphite grey			
	996 522 052 02 S30	Savanna			
	996 522 052 02 G10	Metropole blue			
	996 522 052 02 J30	Nephrite green			
	996 522 052 02 M30	Boxster red			
	996 522 052 02 B50	Space grey			
	996 522 052 02 D11	Dark grey/natural			
	996 522 052 02 T11	Brown/natural			
	996 522 052 02 P11	Cinnamon brown			
(1)	996 522 051 03	Back seat cushion Draped leather	/L -01	1	M939
	996 522 051 03 8YR	Black	-99		
	996 522 051 03 ETO	Black	00-		
	996 522 051 03 B50	Space grey			
	996 522 051 03 C50	Graphite grey			
	996 522 051 03 G10	Metropole blue			
	996 522 051 03 S30	Savanna			
	996 522 051 03 J30	Nephrite green			

Model: 996 98 Model life 1998>>2005

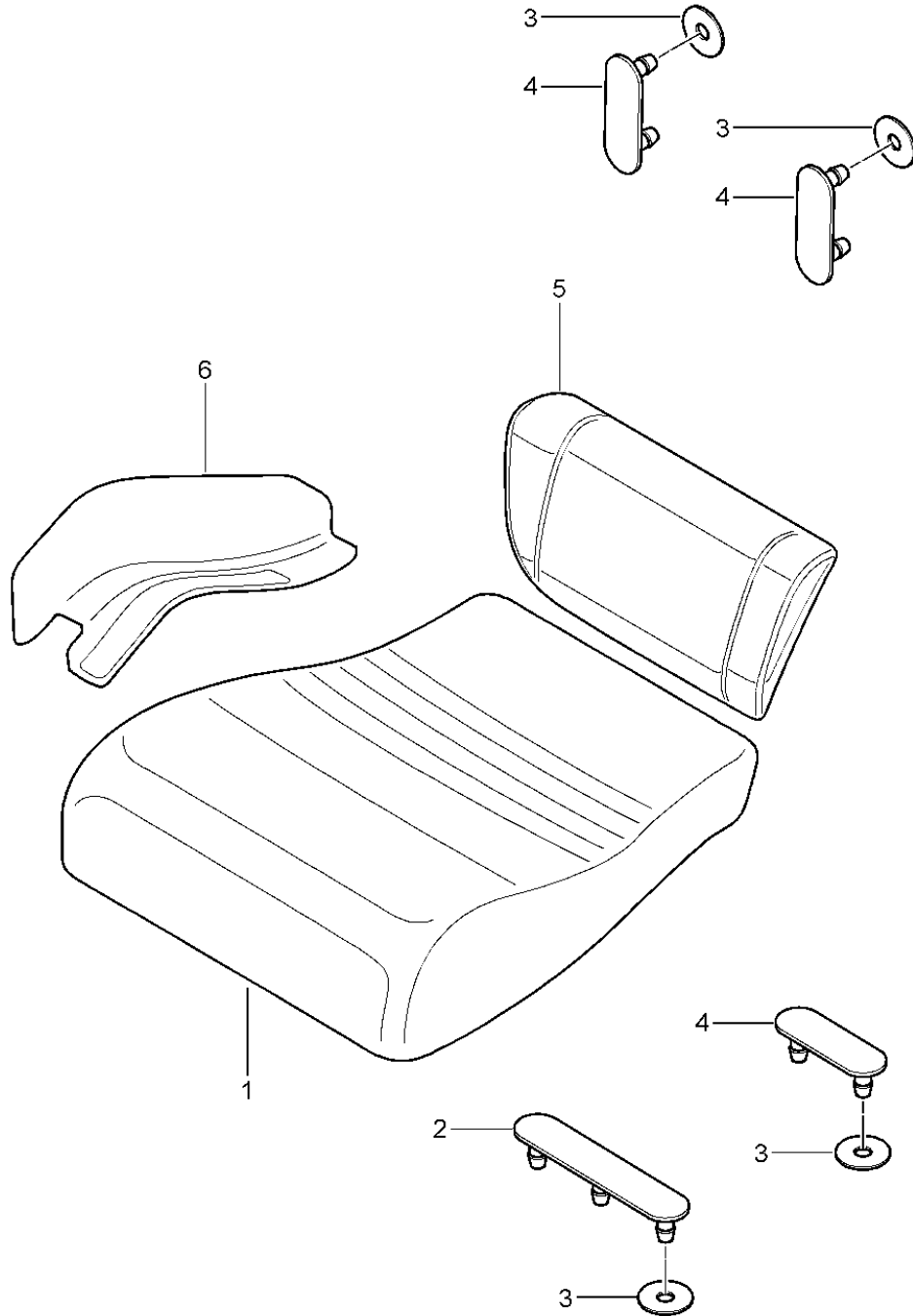
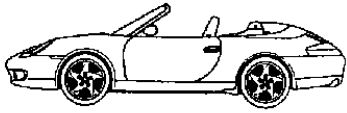
Pos	Part Number	Description	Remark	Qty	Model
(1)	996 522 051 03 M30	Boxster red			
	996 522 051 03 D11	Dark grey			
	996 522 051 03 T11	Brown/natural			
	996 522 051 03 P11	Cinnamon brown			
	996 522 052 03	Back seat cushion Draped leather	/R -01	1	M939
	996 522 052 03 8YR	Black	-99		
	996 522 052 03 ETO	Black	00-		
	996 522 052 03 B50	Space grey			
	996 522 052 03 C50	Graphite grey			
	996 522 052 03 G10	Metropole blue			
	996 522 052 03 S30	Savanna			
(1)	996 522 052 03 J30	Nephrite green			
	996 522 052 03 M30	Boxster red			
	996 522 052 03 D11	Dark grey			
	996 522 052 03 T11	Brown/natural			
	996 522 052 03 P11	Cinnamon brown			
	996 522 051 14	Back seat cushion Leatherette	01-	1	M937
	996 522 051 14 ETN	Black			
	996 522 051 14 C52	Graphite grey			
	996 522 051 14 S32	Savanna			
	996 522 051 14 G12	Metropole blue			
	996 522 051 14 J32	Nephrite green			
(1)	996 522 052 14	Back seat cushion Leatherette	01-	1	M937
	996 522 052 14 ETN	Black			
	996 522 052 14 C52	Graphite grey			
	996 522 052 14 S32	Savanna			
	996 522 052 14 G12	Metropole blue			
	996 522 052 14 J32	Nephrite green			
	996 522 051 15	Back seat cushion Leather	01-	1	M936
	996 522 051 15 ETO	Black			
	996 522 051 15 C50	Graphite grey			
	996 522 051 15 S30	Savanna			
	996 522 051 15 G10	Metropole blue			
(1)	996 522 051 15 J30	Nephrite green			
	996 522 051 15 M30	Boxster red			
	996 522 051 15 P11	Cinnamon brown			
	996 522 051 15 D11	Dark grey/natural			
	996 522 051 15 T11	Brown/natural			
	996 522 052 15	Back seat cushion Leather	01-	1	M936
	996 522 052 15 ETO	Black			
	996 522 052 15 C50	Graphite grey			
	996 522 052 15 S30	Savanna			
	996 522 052 15 G10	Metropole blue			
	996 522 052 15 J30	Nephrite green			
(1)	996 522 052 15 M30	Boxster red			
	996 522 052 15 P11	Cinnamon brown			
	996 522 052 15 D11	Dark grey/natural			
	996 522 052 15 T11	Brown/natural			
	996 522 051 16	Back seat cushion Draped leather	01-	1	M939
	996 522 051 16 ETO	Black			
	996 522 051 16 C50	Graphite grey			
	996 522 051 16 S30	Savanna			
	996 522 051 16 G10	Metropole blue			
	996 522 051 16 J30	Nephrite green			
	996 522 051 16 M30	Boxster red			
996 522 051 16 P11	Cinnamon brown				
996 522 051 16 D11	Dark grey/natural				

Model: 996 98 Model life 1998>>2005

Pos	Part Number	Description	Remark	Qty	Model
(1)	996 522 051 16 T11	Brown/natural			
	996 522 052 16	Back seat cushion	01-	1	M939
		Draped leather			
	996 522 052 16 ETO	Black			
	996 522 052 16 C50	Graphite grey			
	996 522 052 16 S30	Savanna			
	996 522 052 16 G10	Metropole blue			
	996 522 052 16 J30	Nephrite green			
	996 522 052 16 M30	Boxster red			
	996 522 052 16 P11	Cinnamon brown			
	996 522 052 16 D11	Dark grey/natural			
	996 522 052 16 T11	Brown/natural			
(1)	996 522 051 23	Back seat cushion	04	1	M095/936
		Special model			
		Leather			
	996 522 051 23 VTB	Dark grey/natural			
	996 522 051 23 VTL	Brown/natural			
(1)	996 522 052 23	Back seat cushion	04	1	M095/936
		Special model			
		Leather			
	996 522 052 23 VTB	Dark grey/natural			
	996 522 052 23 VTL	Brown/natural			
2	996 522 893 00	Clip		X	
		Triple			
3	996 522 897 00	Clips nut		X	
4	996 522 895 00	Clip		X	
		Double			

Model: 996 98

Model life 1998>>2005



Model: 996 98 Model life 1998>>2005

Pos	Part Number	Description	Remark	Qty	Model
		Back seat cushion			CARRERA
		Back seat			CABRIO
		Centre part			
1	996 522 051 05	Back seat cushion	/L	1	M937
		Leatherette			
	996 522 051 05 A10	Black	-99		
	996 522 051 05 B50	Space grey	-99		
	996 522 051 05 C50	Graphite grey	-99		
	996 522 051 05 G10	Metropole blue	-99		
	996 522 051 05 S30	Savanna	-99		
	996 522 051 05 ETN	Black	00-		
	996 522 051 05 C52	Graphite grey	00-		
	996 522 051 05 S32	Savanna	00-		
	996 522 051 05 G12	Metropole blue	00-		
	996 522 051 05 B52	Space grey	00		
	996 522 051 05 J32	Nephrite green	01-		
(1)	996 522 052 05	Back seat cushion	/R	1	M937
		Leatherette			
	996 522 052 05 A10	Black	-99		
	996 522 052 05 B50	Space grey	-99		
	996 522 052 05 C50	Graphite grey	-99		
	996 522 052 05 G10	Metropole blue	-99		
	996 522 052 05 S30	Savanna	-99		
	996 522 052 05 ETN	Black	00-		
	996 522 052 05 C52	Graphite grey	00-		
	996 522 052 05 S32	Savanna	00-		
	996 522 052 05 G12	Metropole blue	00-		
	996 522 052 05 B52	Space grey	00		
	996 522 052 05 J32	Nephrite green	01-		
(1)	996 522 051 08	Back seat cushion	/L	1	M193/937
		Leatherette			
	996 522 051 08 A10	Black	-99		
	996 522 051 08 B50	Space grey	-99		
	996 522 051 08 C50	Graphite grey	-99		
	996 522 051 08 G10	Metropole blue	-99		
	996 522 051 08 S30	Savanna	-99		
	996 522 051 08 ETN	Black	00-		
	996 522 051 08 C52	Graphite grey	00-		
	996 522 051 08 S32	Savanna	00-		
	996 522 051 08 G12	Metropole blue	00-		
	996 522 051 08 B52	Space grey	00		
	996 522 051 08 J32	Nephrite green	01-		
(1)	996 522 052 08	Back seat cushion	/R	1	M193/937
		Leatherette			
	996 522 052 08 A10	Black	-99		
	996 522 052 08 B50	Space grey	-99		
	996 522 052 08 C50	Graphite grey	-99		
	996 522 052 08 G10	Metropole blue	-99		
	996 522 052 08 S30	Savanna	-99		
	996 522 052 08 ETN	Black	00-		
	996 522 052 08 C52	Graphite grey	00-		
	996 522 052 08 S32	Savanna	00-		
	996 522 052 08 G12	Metropole blue	00-		
	996 522 052 08 B52	Space grey	00		
	996 522 052 08 J32	Nephrite green	01-		
(1)	996 522 051 17	Back seat cushion	01-	1	M937
		Leatherette			
	996 522 051 17 ETN	Black			
	996 522 051 17 C52	Graphite grey			
	996 522 051 17 S32	Savanna			
	996 522 051 17 G12	Metropole blue			
	996 522 051 17 J32	Nephrite green			
(1)	996 522 052 17	Back seat cushion	01-	1	M937

Model: 996 98 Model life 1998>>2005

Pos	Part Number	Description	Remark	Qty	Model
		Leatherette			
		Not for			
		Japan			
	996 522 052 17 ETN	Black			
	996 522 052 17 C52	Graphite grey			
	996 522 052 17 S32	Savanna			
	996 522 052 17 G12	Metropole blue			
	996 522 052 17 J32	Nephrite green			
(1)	996 522 051 20	Back seat cushion	01-	1	M193/937
	996 522 051 20 ETN	Black			
	996 522 051 20 C52	Graphite grey			
	996 522 051 20 S32	Savanna			
	996 522 051 20 G12	Metropole blue			
	996 522 051 20 J32	Nephrite green			
(1)	996 522 052 20	Back seat cushion	01-	1	M193/937
		Leatherette			
	996 522 052 20 ETN	Black			
	996 522 052 20 C52	Graphite grey			
	996 522 052 20 S32	Savanna			
	996 522 052 20 G12	Metropole blue			
	996 522 052 20 J32	Nephrite green			
(1)	996 522 051 06	Back seat cushion	/L	1	M936
		Leather			
	996 522 051 06 8YR	Black	-99		
	996 522 051 06 ETO	Black	00-		
	996 522 051 06 C50	Graphite grey			
	996 522 051 06 S30	Savanna			
	996 522 051 06 J30	Nephrite green			
	996 522 051 06 M30	Boxster red			
	996 522 051 06 B50	Space grey	-00		
	996 522 051 06 G10	Metropole blue			
	996 522 051 06 D11	Dark grey	00-		
	996 522 051 06 T11	Brown/natural	00-		
	996 522 051 06 P11	Cinnamon brown	01-		
(1)	996 522 052 06	Back seat cushion	/R	1	M936
		Leather			
	996 522 052 06 8YR	Black	-99		
	996 522 052 06 ETO	Black	00-		
	996 522 052 06 C50	Graphite grey			
	996 522 052 06 S30	Savanna			
	996 522 052 06 J30	Nephrite green			
	996 522 052 06 M30	Boxster red			
	996 522 052 06 B50	Space grey	-00		
	996 522 052 06 G10	Metropole blue			
	996 522 052 06 D11	Dark grey	00-		
	996 522 052 06 T11	Brown/natural	00-		
	996 522 052 06 P11	Cinnamon brown	01-		
(1)	996 522 051 09	Back seat cushion	/L	1	M193/936
		Leather			
	996 522 051 09 8YR	Black	-99		
	996 522 051 09 ETO	Black	00-		
	996 522 051 09 C50	Graphite grey			
	996 522 051 09 S30	Savanna			
	996 522 051 09 J30	Nephrite green			
	996 522 051 09 M30	Boxster red			
	996 522 051 09 B50	Space grey	-00		
	996 522 051 09 G10	Metropole blue			
	996 522 051 09 D11	Dark grey	00-		
	996 522 051 09 T11	Brown/natural	00-		
	996 522 051 09 P11	Cinnamon brown	01-		
(1)	996 522 052 09	Back seat cushion	/R	1	M193/936
		Leather			
	996 522 052 09 8YR	Black	-99		

Model: 996 98 Model life 1998>>2005

Pos	Part Number	Description	Remark	Qty	Model
	996 522 052 09 ETO	Black	00-		
	996 522 052 09 C50	Graphite grey			
	996 522 052 09 S30	Savanna			
	996 522 052 09 J30	Nephrite green			
	996 522 052 09 M30	Boxster red			
	996 522 052 09 B50	Space grey	-00		
	996 522 052 09 G10	Metropole blue			
	996 522 052 09 D11	Dark grey	00-		
	996 522 052 09 T11	Brown/natural	00-		
	996 522 052 09 P11	Cinnamon brown	01-		
(1)	996 522 051 18	Back seat cushion Leather	01-	1	M936
	996 522 051 18 ETO	Black			
	996 522 051 18 C50	Graphite grey			
	996 522 051 18 S30	Savanna			
	996 522 051 18 G10	Metropole blue			
	996 522 051 18 J30	Nephrite green			
	996 522 051 18 M30	Boxster red			
	996 522 051 18 P11	Cinnamon brown			
	996 522 051 18 D11	Dark grey/natural			
	996 522 051 18 T11	Brown/natural			
(1)	996 522 052 18	Back seat cushion Leather Not for Japan	01-	1	M936
	996 522 052 18 ETO	Black			
	996 522 052 18 C50	Graphite grey			
	996 522 052 18 S30	Savanna			
	996 522 052 18 G10	Metropole blue			
	996 522 052 18 J30	Nephrite green			
	996 522 052 18 M30	Boxster red			
	996 522 052 18 P11	Cinnamon brown			
	996 522 052 18 D11	Dark grey/natural			
	996 522 052 18 T11	Brown/natural			
(1)	996 522 051 21	Back seat cushion Leather	01-	1	M193/936
	996 522 051 21 ETO	Black			
	996 522 051 21 S30	Savanna			
	996 522 051 21 J30	Nephrite green			
	996 522 051 21 P11	Cinnamon brown			
	996 522 051 21 T11	Brown/natural			
	996 522 051 21 C50	Graphite grey			
	996 522 051 21 G10	Metropole blue			
	996 522 051 21 M30	Boxster red			
	996 522 051 21 D11	Dark grey/natural			
(1)	996 522 052 21	Back seat cushion Leather	01-	1	M193/936
	996 522 052 21 ETO	Black			
	996 522 052 21 S30	Savanna			
	996 522 052 21 J30	Nephrite green			
	996 522 052 21 P11	Cinnamon brown			
	996 522 052 21 T11	Brown/natural			
	996 522 052 21 C50	Graphite grey			
	996 522 052 21 G10	Metropole blue			
	996 522 052 21 M30	Boxster red			
	996 522 052 21 D11	Dark grey/natural			
(1)	996 522 051 07	Back seat cushion Draped leather	/L -01	1	M939
	996 522 051 07 8YR	Black	-99		
	996 522 051 07 ETO	Black	00-		
	996 522 051 07 B50	Space grey			
	996 522 051 07 C50	Graphite grey			
	996 522 051 07 G10	Metropole blue			

Model: 996 98 Model life 1998>>2005

Pos	Part Number	Description	Remark	Qty	Model
	996 522 051 07 S30	Savanna			
	996 522 051 07 J30	Nephrite green			
	996 522 051 07 M30	Boxster red			
	996 522 051 07 D11	Dark grey	00-		
	996 522 051 07 T11	Brown/natural			
	996 522 051 07 P11	Cinnamon brown			
(1)	996 522 052 07	Back seat cushion Draped leather	/R -01	1	M939
	996 522 052 07 8YR	Black	-99		
	996 522 052 07 ETO	Black	00-		
	996 522 052 07 B50	Space grey			
	996 522 052 07 C50	Graphite grey			
	996 522 052 07 G10	Metropole blue			
	996 522 052 07 S30	Savanna			
	996 522 052 07 J30	Nephrite green			
	996 522 052 07 M30	Boxster red			
	996 522 052 07 D11	Dark grey	00-		
	996 522 052 07 T11	Brown/natural			
	996 522 052 07 P11	Cinnamon brown			
(1)	996 522 051 10	Back seat cushion Draped leather	/L -01	1	M193/939
	996 522 051 10 8YR	Black	-99		
	996 522 051 10 ETO	Black	00-		
	996 522 051 10 B50	Space grey			
	996 522 051 10 C50	Graphite grey			
	996 522 051 10 G10	Metropole blue			
	996 522 051 10 S30	Savanna			
	996 522 051 10 J30	Nephrite green			
	996 522 051 10 M30	Boxster red			
	996 522 051 10 D11	Dark grey	00-		
	996 522 051 10 T11	Brown/natural			
	996 522 051 10 P11	Cinnamon brown			
(1)	996 522 052 10	Back seat cushion Draped leather	/R -01	1	M139/939
	996 522 052 10 8YR	Black	-99		
	996 522 052 10 ETO	Black	00-		
	996 522 052 10 B50	Space grey			
	996 522 052 10 C50	Graphite grey			
	996 522 052 10 G10	Metropole blue			
	996 522 052 10 S30	Savanna			
	996 522 052 10 J30	Nephrite green			
	996 522 052 10 M30	Boxster red			
	996 522 052 10 D11	Dark grey	00-		
	996 522 052 10 T11	Brown/natural			
	996 522 052 10 P11	Cinnamon brown			
(1)	996 522 051 19	Back seat cushion	/L 01-	1	M939
	996 522 051 19 ETO	Black			
	996 522 051 19 C50	Graphite grey			
	996 522 051 19 S30	Savanna			
	996 522 051 19 G10	Metropole blue			
	996 522 051 19 J30	Nephrite green			
	996 522 051 19 M30	Boxster red			
	996 522 051 19 P11	Cinnamon brown			
	996 522 051 19 D11	Dark grey/natural			
	996 522 051 19 T11	Brown/natural			
(1)	996 522 052 19	Back seat cushion Draped leather	/R 01-	1	M939
		Not for Japan			
	996 522 052 19 ETO	Black			
	996 522 052 19 C50	Graphite grey			
	996 522 052 19 S30	Savanna			
	996 522 052 19 G10	Metropole blue			

Model: 996 98 Model life 1998>>2005

Pos	Part Number	Description	Remark	Qty	Model
	996 522 052 19 J30	Nephrite green			
	996 522 052 19 M30	Boxster red			
	996 522 052 19 P11	Cinnamon brown			
	996 522 052 19 D11	Dark grey/natural			
	996 522 052 19 T11	Brown/natural			
(1)	996 522 051 22	Back seat cushion	01-	1	M193/939
	996 522 051 22 ETO	Black			
	996 522 051 22 C50	Graphite grey			
	996 522 051 22 S30	Savanna			
	996 522 051 22 G10	Metropole blue			
	996 522 051 22 J30	Nephrite green			
	996 522 051 22 M30	Boxster red			
	996 522 051 22 P11	Cinnamon brown			
	996 522 051 22 D11	Dark grey/natural			
	996 522 051 22 T11	Brown/natural			
(1)	996 522 052 22	Back seat cushion	01-	1	M193/939
		Draped leather			
	996 522 052 22 ETO	Black			
	996 522 052 22 C50	Graphite grey			
	996 522 052 22 S30	Savanna			
	996 522 052 22 G10	Metropole blue			
	996 522 052 22 J30	Nephrite green			
	996 522 052 22 M30	Boxster red			
	996 522 052 22 P11	Cinnamon brown			
	996 522 052 22 D11	Dark grey/natural			
	996 522 052 22 T11	Brown/natural			
(1)	996 522 051 24	Back seat cushion	/L 05-	1	/971 M936
		Leather			
		Not for			
		Japan			
	996 522 051 24 VTB	Dark grey/natural			
	996 522 051 24 VTL	Brown/natural			
(1)	996 522 052 24	Back seat cushion	/R 05-	1	/971 M936
		Leather			
		Not for			
		Japan			
	996 522 052 24 VTB	Dark grey/natural			
	996 522 052 24 VTL	Brown/natural			
(1)	996 522 051 25	Back seat cushion	/L 05-	1	M193/936 M971 M971
		Leather			
	996 522 051 25 VTB	Dark grey/natural			
	996 522 051 25 VTL	Brown/natural			
(1)	996 522 052 25	Back seat cushion	/R 05-	1	M193/936 M971
		Leather			
	996 522 052 25 VTB	Dark grey/natural			
	996 522 052 25 VTL	Brown/natural			
2	996 522 893 00	Clip		X	
		Triple			
3	996 522 897 00	Clips nut		X	
4	996 522 895 00	Clip		X	
		Double			
5	996 522 235 01	Centre part	/L -99	1	M937
		Leatherette			
	996 522 235 01 A10	Black			
	996 522 235 01 C50	Graphite grey			
	996 522 235 01 B50	Space grey			
	996 522 235 01 G10	Metropole blue			
	996 522 235 01 S30	Savanna			
(5)	996 522 236 01	Centre part	/R -99	1	M937
		Leatherette			

Model: 996 98 Model life 1998>>2005

Pos	Part Number	Description	Remark	Qty	Model
	996 522 236 01 A10	Black			
	996 522 236 01 C50	Graphite grey			
	996 522 236 01 B50	Space grey			
	996 522 236 01 G10	Metropole blue			
	996 522 236 01 S30	Savanna			
(5)	996 522 235 07	Centre part Leatherette	/L 00-	1	M937
	996 522 235 07 A12	Black			
	996 522 235 07 C52	Graphite grey			
	996 522 235 07 S32	Savanna			
	996 522 235 07 G12	Metropole blue			
	996 522 235 07 B52	Space grey	00		
	996 522 235 07 J32	Nephrite green	01-		
(5)	996 522 236 07	Centre part Leatherette	/R 00-	1	M937
	996 522 236 07 A12	Black			
	996 522 236 07 C52	Graphite grey			
	996 522 236 07 S32	Savanna			
	996 522 236 07 G12	Metropole blue			
	996 522 236 07 B52	Space grey	00		
	996 522 236 07 J32	Nephrite green	01-		
(5)	996 522 235 02	Centre part Draped leather	/L -99	1	M939
	996 522 235 02 8YR	Black			
	996 522 235 02 C50	Graphite grey			
	996 522 235 02 B50	Space grey			
	996 522 235 02 G10	Metropole blue			
	996 522 235 02 S30	Savanna			
	996 522 235 02 J30	Nephrite green			
	996 522 235 02 M30	Boxster red			
(5)	996 522 236 02	Centre part Draped leather	/R -99	1	M939
	996 522 236 02 8YR	Black			
	996 522 236 02 C50	Graphite grey			
	996 522 236 02 B50	Space grey			
	996 522 236 02 G10	Metropole blue			
	996 522 236 02 S30	Savanna			
	996 522 236 02 J30	Nephrite green			
	996 522 236 02 M30	Boxster red			
(5)	996 522 235 03	Centre part Draped leather	/L -99	1	M939
	996 522 235 03 8YR	Black	-99		
	996 522 235 03 C50	Graphite grey			
	996 522 235 03 B50	Space grey			
	996 522 235 03 G10	Metropole blue			
	996 522 235 03 S30	Savanna			
	996 522 235 03 J30	Nephrite green			
	996 522 235 03 M30	Boxster red			
(5)	996 522 236 03	Centre part Draped leather	/R -99	1	M939
	996 522 236 03 8YR	Black	-99		
	996 522 236 03 C50	Graphite grey			
	996 522 236 03 B50	Space grey			
	996 522 236 03 G10	Metropole blue			
	996 522 236 03 S30	Savanna			
	996 522 236 03 J30	Nephrite green			
	996 522 236 03 M30	Boxster red			
(5)	996 522 235 08	Centre part	/L 00-	1	M936
	996 522 235 08 8YR	Black			
	996 522 235 08 C50	Graphite grey			
	996 522 235 08 S30	Savanna			
	996 522 235 08 G10	Metropole blue			
	996 522 235 08 B50	Space grey	00		

Model: 996 98 Model life 1998>>2005

Pos	Part Number	Description	Remark	Qty	Model
	996 522 235 08 J30	Nephrite green			
	996 522 235 08 M30	Boxster red			
	996 522 235 08 D11	Dark grey/natural			
	996 522 235 08 T11	Brown/natural			
	996 522 235 08 P11	Cinnamon brown			
(5)	996 522 236 08	Centre part Leather	/R 00-	1	M936
	996 522 236 08 8YR	Black			
	996 522 236 08 C50	Graphite grey			
	996 522 236 08 S30	Savanna			
	996 522 236 08 G10	Metropole blue			
	996 522 236 08 B50	Space grey	00		
	996 522 236 08 J30	Nephrite green			
	996 522 236 08 M30	Boxster red			
	996 522 236 08 D11	Dark grey/natural			
	996 522 236 08 T11	Brown/natural			
	996 522 236 08 P11	Cinnamon brown			
(5)	996 522 235 09	Centre part	/L 00-	1	M939
	996 522 235 09 8YR	Black			
	996 522 235 09 C50	Graphite grey			
	996 522 235 09 S30	Savanna			
	996 522 235 09 G10	Metropole blue			
	996 522 235 09 B50	Space grey	00		
	996 522 235 09 J30	Nephrite green			
	996 522 235 09 M30	Boxster red			
	996 522 235 09 D11	Dark grey/natural			
	996 522 235 09 T11	Brown/natural			
	996 522 235 09 P11	Cinnamon brown			
(5)	996 522 236 09	Centre part Draped leather	/R 00-	1	M939
	996 522 236 09 8YR	Black			
	996 522 236 09 C50	Graphite grey			
	996 522 236 09 S30	Savanna			
	996 522 236 09 G10	Metropole blue			
	996 522 236 09 B50	Space grey	00		
	996 522 236 09 J30	Nephrite green			
	996 522 236 09 M30	Boxster red			
	996 522 236 09 D11	Dark grey/natural			
	996 522 236 09 T11	Brown/natural			
	996 522 236 09 P11	Cinnamon brown			
(5)	996 522 235 13	Centre part	/L 05-	1	/971 M936
		Leather			
	996 522 235 13 D13	Dark grey/natural			
	996 522 235 13 T14	Brown/natural			
(5)	996 522 236 13	Centre part	/R 05-	1	/971 M936
		Leather			
	996 522 236 13 D13	Dark grey/natural			
	996 522 236 13 T14	Brown/natural			
6	996 522 065 00	Back seat extension Leatherette	/L -01	1	M193/937
	996 522 065 00 A10	Black	-99		
	996 522 065 00 B50	Space grey	-99		
	996 522 065 00 C50	Graphite grey	-99		
	996 522 065 00 G10	Metropole blue	-99		
	996 522 065 00 S30	Savanna	-99		
	996 522 065 00 A12	Black	00-		
	996 522 065 00 C52	Graphite grey	00-		
	996 522 065 00 S32	Savanna	00-		
	996 522 065 00 B52	Space grey	00		
	996 522 065 00 G12	Metropole blue	00-		
	996 522 065 00 J32	Nephrite green	01-		

Model: 996 98 Model life 1998>>2005

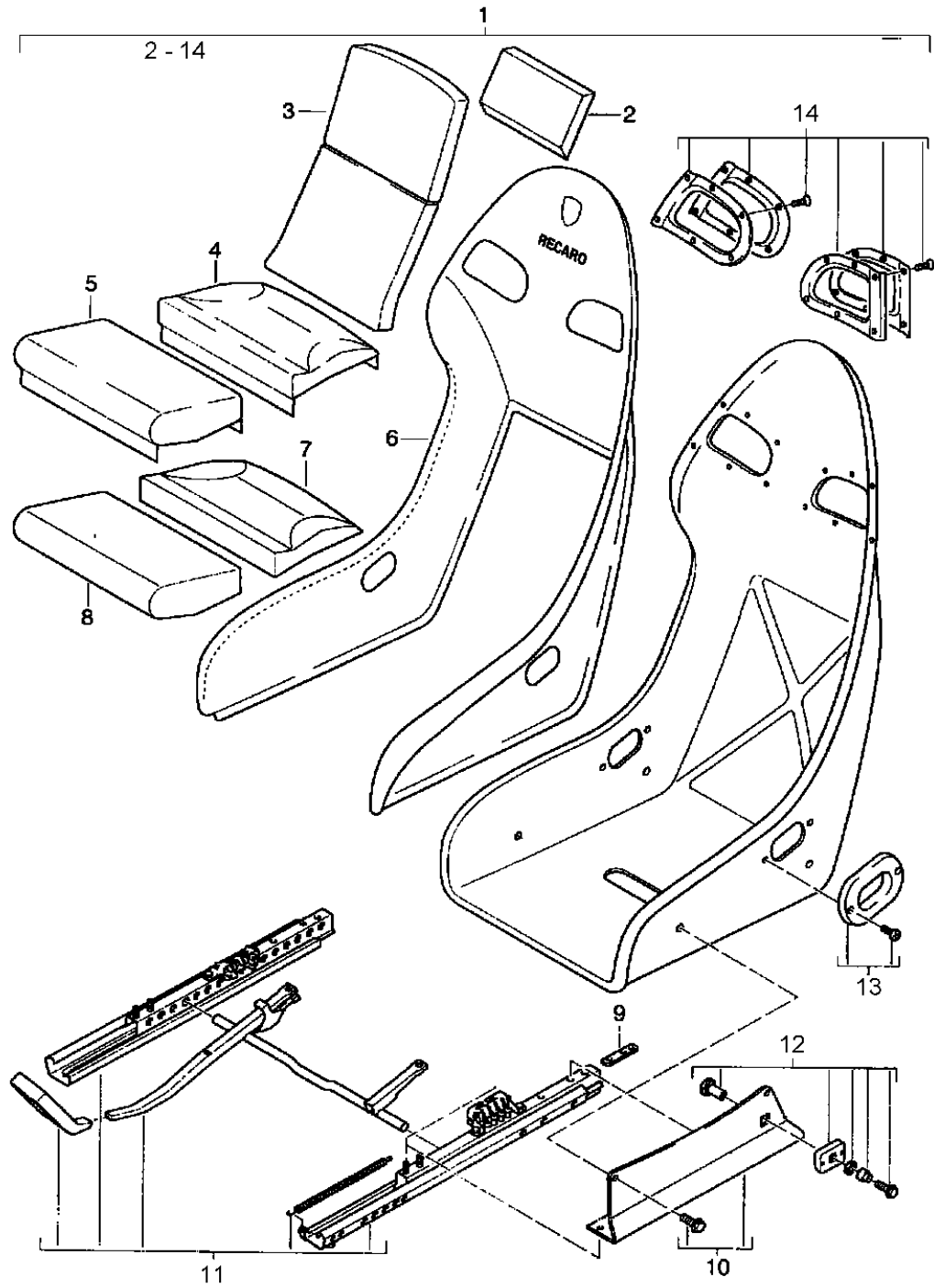
Pos	Part Number	Description	Remark	Qty	Model
(6)	996 522 066 00	Back seat extension Leatherette	/R -01	1	M193/937
	996 522 066 00 A10	Black	-99		
	996 522 066 00 B50	Space grey	-99		
	996 522 066 00 C50	Graphite grey	-99		
	996 522 066 00 G10	Metropole blue	-99		
	996 522 066 00 S30	Savanna	-99		
	996 522 066 00 A12	Black	00-		
	996 522 066 00 C52	Graphite grey	00-		
	996 522 066 00 S32	Savanna	00-		
	996 522 066 00 B52	Space grey	00		
	996 522 066 00 G12	Metropole blue	00-		
	996 522 066 00 J32	Nephrite green	01-		
(6)	996 522 065 02	Back seat extension	/L 01-	1	M193/937
	996 522 065 02 A12	Black			
	996 522 065 02 C52	Graphite grey			
	996 522 065 02 S32	Savanna			
	996 522 065 02 G12	Metropole blue			
	996 522 065 02 J32	Nephrite green			
(6)	996 522 066 02	Back seat extension Leatherette	/R 01-	1	M193/937
	996 522 066 02 A12	Black			
	996 522 066 02 C52	Graphite grey			
	996 522 066 02 S32	Savanna			
	996 522 066 02 G12	Metropole blue			
	996 522 066 02 J32	Nephrite green			
(6)	996 522 065 01	Back seat extension	/L -00	1	M193/936 M939 M939
		Leather			
	996 522 065 01 8YR	Black			
	996 522 065 01 B50	Space grey	-00		
	996 522 065 01 C50	Graphite grey			
	996 522 065 01 G10	Metropole blue			
	996 522 065 01 S30	Savanna			
	996 522 065 01 J30	Nephrite green			
	996 522 065 01 M30	Boxster red			
	996 522 065 01 D11	Dark grey	00-		
	996 522 065 01 T11	Brown/natural	00-		
(6)	996 522 066 01	Back seat extension	/R -00	1	M193/936 M939
		Leather			
	996 522 066 01 8YR	Black			
	996 522 066 01 B50	Space grey	-00		
	996 522 066 01 C50	Graphite grey			
	996 522 066 01 G10	Metropole blue			
	996 522 066 01 S30	Savanna			
	996 522 066 01 J30	Nephrite green			
	996 522 066 01 M30	Boxster red			
	996 522 066 01 D11	Dark grey	00-		
	996 522 066 01 T11	Brown/natural	00-		
(6)	996 522 065 03	Back seat extension	01-	1	M193/936 M939
		Leather			
	996 522 065 03 8YR	Black			
	996 522 065 03 C50	Graphite grey			
	996 522 065 03 S30	Savanna			
	996 522 065 03 G10	Metropole blue			
	996 522 065 03 J30	Nephrite green			
	996 522 065 03 M30	Boxster red			
	996 522 065 03 P11	Cinnamon brown			
	996 522 065 03 D11	Dark grey/natural			
	996 522 065 03 T11	Brown/natural			
(6)	996 522 066 03	Back seat extension Back seat cushion Leather	01-	1	M193/936 M939

Model: 996 98 Model life 1998>>2005

Pos	Part Number	Description	Remark	Qty	Model
	996 522 066 03 8YR	Black			
	996 522 066 03 C50	Graphite grey			
	996 522 066 03 S30	Savanna			
	996 522 066 03 G10	Metropole blue			
	996 522 066 03 J30	Nephrite green			
	996 522 066 03 M30	Boxster red			
	996 522 066 03 P11	Cinnamon brown			
	996 522 066 03 D11	Dark grey/natural			
	996 522 066 03 T11	Brown/natural			

Model: 996 98

Model life 1998>>2005



Model: 996 98 Model life 1998>>2005

Pos	Part Number	Description	Remark	Qty	Model
		Bucket seat with Perlon velour Cover			CARRERA
1	996 521 985 00	Bucket seat Perlon velour Black	/LL /L	1	IXSE/M990
(1)	996 521 986 00	Bucket seat Perlon velour Black	/LL /R	1	IXSF/M990
(1)	996 521 985 02	Bucket seat Perlon velour Black	/RL /L	1	IXSE/M990
(1)	996 521 986 02	Bucket seat Perlon velour Black	/RL /R	1	IXSF/M990
(1)	996 521 985 07	Bucket seat	/LL	1	IXSS/M983
	996 521 985 07 ERZ	Black			
(1)	996 521 985 09	Bucket seat	/RL	1	IXSS/M983
	996 521 985 09 ERZ	Black			
(1)	996 521 986 07	Bucket seat	/LL	1	IXSR/M983
	996 521 986 07 ERZ	Black			
(1)	996 521 986 09	Bucket seat	/RL	1	IXSR/M983
	996 521 986 09 ERZ	Black			
2	996 521 911 90	Lumbar support		2	IXSE/XSF IXSR/XSS
3	996 521 913 90	Backrest cushion Perlon velour Black		2	IXSE/XSF M990
4	996 521 915 90	Cover for cushion Seat cushion Rear		2	IXSE/XSF M990
5	996 521 919 90	Cover for cushion Seat cushion Front Perlon velour Black		2	IXSE/XSF M990
6	996 521 988 00	Outer lining Perlon velour Black		2	IXSE/XSF M990
7	996 521 917 90	Foam part Seat cushion Rear		2	IXSE/XSF IXSR/XSS
8	996 521 921 90	Foam part Seat cushion Front		2	IXSE/XSF IXSR/XSS
9	996 521 931 90	Stop		2	IXSE/XSF IXSR/XSS
(9)	996 521 603 01	Stop Short	02-	2	
10	996 521 923 90	Parts kit Adapter	/L	2	IXSE/XSS
(10)	996 521 924 90	Parts kit Adapter	/R	2	IXSF/XSR
11	996 521 929 90	Parts kit Seat rail Use also:	/L	1	IXSE/XSS
-	996 521 645 00	Clutch power spring	/L	2	IXSE/XSS
(11)	996 521 930 90	Parts kit Seat rail Use also:	/R	1	IXSF/XSR
-	996 521 645 00	Clutch power spring	/L	2	IXSE/XSS
(12)	996 521 925 90	Set of fastening parts		2	

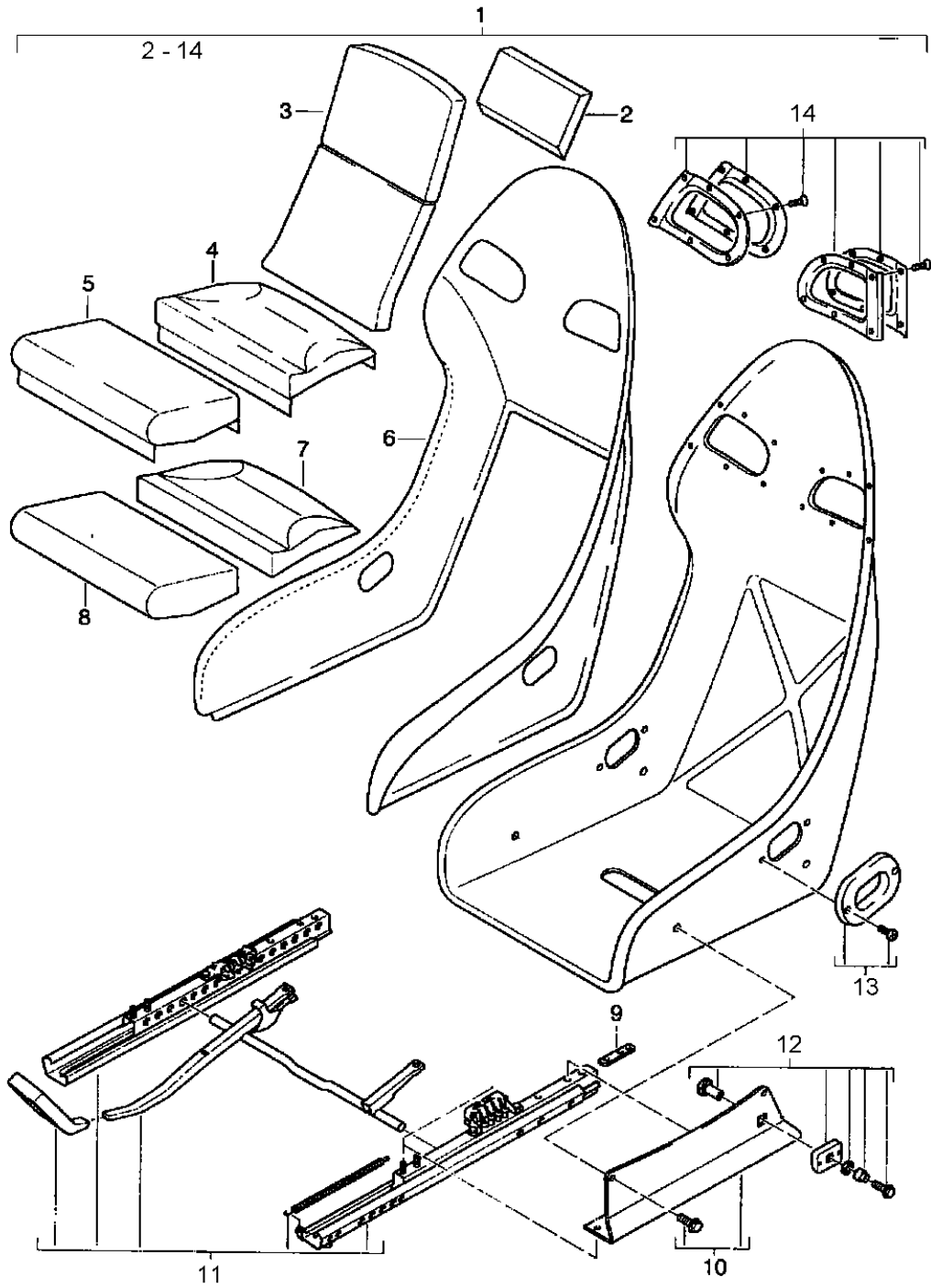
Model: 996 98

Model life 1998>>2005

Pos	Part Number	Description	Remark	Qty	Model
12	996 521 927 90	Seat-belt buckle Inner Set of fastening parts Seat-belt buckle Outer		2	
13	996 521 907 90	Parts kit Rosette Belt Lower		2	
14	996 521 905 90	Parts kit Rosette Belt Upper		2	

Model: 996 98

Model life 1998>>2005



Model: 996 98 Model life 1998>>2005

Pos	Part Number	Description	Remark	Qty	Model
		Bucket seat with Whole-leather Cover			CARRERA
1	996 521 985 01	Bucket seat Leather	/LL /L	1	IXSE/M983
	996 521 985 01 8YR	Black	-00		
	996 521 985 01 ERZ	Black	01-		
	996 521 985 01 B50	Space grey			
	996 521 985 01 C50	Graphite grey			
	996 521 985 01 G10	Metropole blue			
	996 521 985 01 S30	Savanna			
	996 521 985 01 J30	Nephrite green			
	996 521 985 01 M30	Boxster red			
	996 521 985 01 T11	Brown/natural			
	996 521 985 01 D11	Dark grey/natural			
	996 521 985 01 P11	Cinnamon brown			
(1)	996 521 986 01	Bucket seat Leather	/LL /R	1	IXSF/M983
	996 521 986 01 8YR	Black	-00		
	996 521 986 01 ERZ	Black	01-		
	996 521 986 01 B50	Space grey			
	996 521 986 01 C50	Graphite grey			
	996 521 986 01 G10	Metropole blue			
	996 521 986 01 S30	Savanna			
	996 521 986 01 J30	Nephrite green			
	996 521 986 01 M30	Boxster red			
	996 521 986 01 T11	Brown/natural			
	996 521 986 01 D11	Dark grey/natural			
	996 521 986 01 P11	Cinnamon brown			
(1)	996 521 985 03	Bucket seat Leather	/RL /L	1	IXSE/M983
	996 521 985 03 8YR	Black	-00		
	996 521 985 03 ERZ	Black	01-		
	996 521 985 03 B50	Space grey			
	996 521 985 03 C50	Graphite grey			
	996 521 985 03 G10	Metropole blue			
	996 521 985 03 S30	Savanna			
	996 521 985 03 J30	Nephrite green			
	996 521 985 03 M30	Boxster red			
	996 521 985 03 T11	Brown/natural			
	996 521 985 03 D11	Dark grey/natural			
	996 521 985 03 P11	Cinnamon brown			
(1)	996 521 986 03	Bucket seat Leather	/RL /R	1	IXSF/M983
	996 521 986 03 8YR	Black	-00		
	996 521 986 03 ERZ	Black	01-		
	996 521 986 03 B50	Space grey			
	996 521 986 03 C50	Graphite grey			
	996 521 986 03 G10	Metropole blue			
	996 521 986 03 S30	Savanna			
	996 521 986 03 J30	Nephrite green			
	996 521 986 03 M30	Boxster red			
	996 521 986 03 T11	Brown/natural			
	996 521 986 03 D11	Dark grey/natural			
	996 521 986 03 P11	Cinnamon brown			
2	996 521 911 90	Lumbar support		2	IXSE/XSF IXSR/XSS
3	996 521 989 00	Backrest cushion Leather		2	IXSE/XSF/XSR IXSS/M983
	996 521 989 00 8YR	Black			
	996 521 989 00 B50	Space grey			
	996 521 989 00 C50	Graphite grey			

Model: 996 98 Model life 1998>>2005

Pos	Part Number	Description	Remark	Qty	Model
	996 521 989 00 G10	Metropole blue			
	996 521 989 00 S30	Savanna			
	996 521 989 00 J30	Nephrite green			
	996 521 989 00 M30	Boxster red			
	996 521 989 00 T11	Brown/natural			
	996 521 989 00 D11	Dark grey/natural			
	996 521 989 00 P11	Cinnamon brown			
	996 521 989 00 ERZ	Black			
4	996 521 990 00	Cover for cushion Rear Leather		2	IXSE/XSF/XSR IXSS/M983
	996 521 990 00 8YR	Black	-00		
	996 521 990 00 B50	Space grey			
	996 521 990 00 C50	Graphite grey			
	996 521 990 00 G10	Metropole blue			
	996 521 990 00 S30	Savanna			
	996 521 990 00 J30	Nephrite green			
	996 521 990 00 M30	Boxster red			
	996 521 990 00 T11	Brown/natural			
	996 521 990 00 D11	Dark grey/natural			
	996 521 990 00 P11	Cinnamon brown			
	996 521 990 00 ERZ	Black	01-		
5	996 521 991 00	Cover for cushion Leather Front		2	IXSE/XSF/XSR IXSS/M983
	996 521 991 00 8YR	Black	-00		
	996 521 991 00 B50	Space grey			
	996 521 991 00 C50	Graphite grey			
	996 521 991 00 G10	Metropole blue			
	996 521 991 00 S30	Savanna			
	996 521 991 00 J30	Nephrite green			
	996 521 991 00 M30	Boxster red			
	996 521 991 00 T11	Brown/natural			
	996 521 991 00 D11	Dark grey/natural			
	996 521 991 00 P11	Cinnamon brown			
	996 521 991 00 ERZ	Black	01-		
6	996 521 988 01	Outer lining Leather		2	IXSE/XSF/XSR IXSS/M983
	996 521 988 01 8YR	Black			
	996 521 988 01 B50	Space grey			
	996 521 988 01 C50	Graphite grey			
	996 521 988 01 G10	Metropole blue			
	996 521 988 01 S30	Savanna			
	996 521 988 01 J30	Nephrite green			
	996 521 988 01 M30	Boxster red			
	996 521 988 01 T11	Brown/natural			
	996 521 988 01 D11	Dark grey/natural			
	996 521 988 01 P11	Cinnamon brown			
	996 521 988 01 ERZ	Black			
7	996 521 917 90	Foam part Seat cushion Rear		2	IXSE/XSF IXSR/XSS
8	996 521 921 90	Foam part Seat cushion Front		2	IXSE/XSF IXSR/XSS
9	996 521 931 90	Stop		2	
(9)	996 521 603 01	Stop Short		2	
10	996 521 923 90	Parts kit Adapter	/L	2	IXSE/XSS
(10)	996 521 924 90	Parts kit Adapter	/R	2	IXSF/XSR
11	996 521 929 90	Parts kit	/L	1	IXSE/XSS

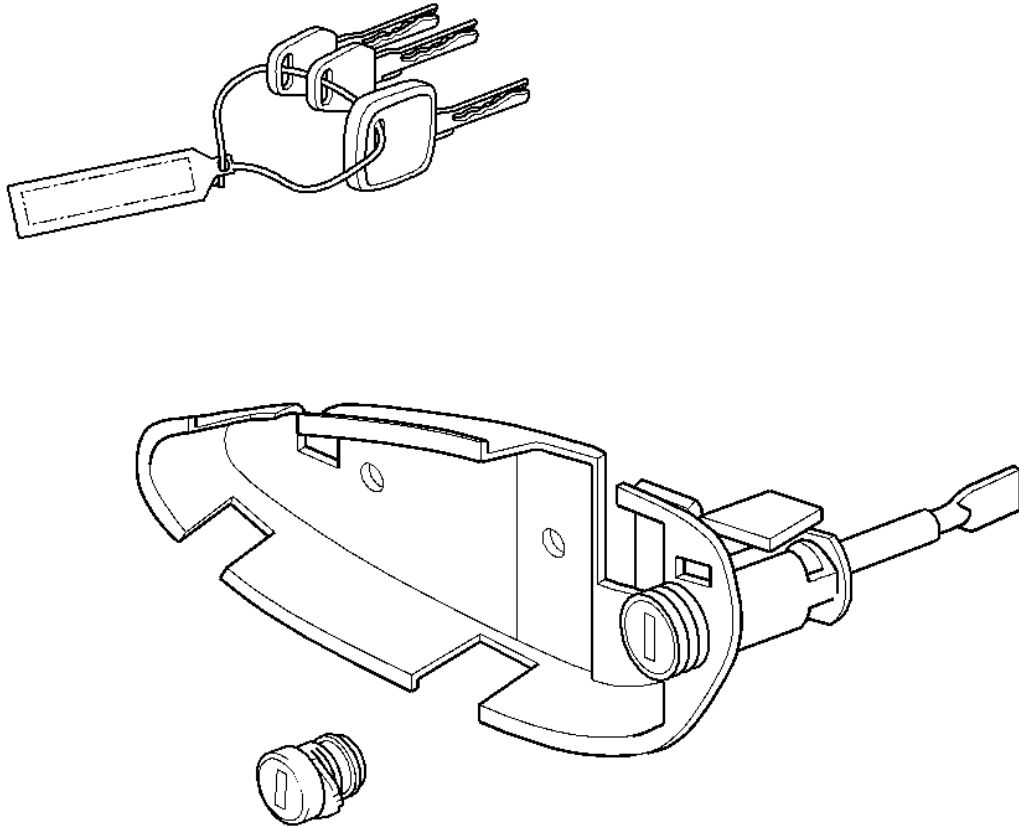
Model: 996 98

Model life 1998>>2005

Pos	Part Number	Description	Remark	Qty	Model
-	996 521 645 00	Seat rail			
		Use also:			
(11)	996 521 930 90	Clutch power spring	/L	2	IXSE/XSS
		Parts kit	/R	1	IXSF/XSR
		Seat rail			
		Use also:			
-	996 521 645 00	Clutch power spring	/L	2	IXSE/XSS
(12)	996 521 925 90	Set of fastening parts		2	
		Seat-belt buckle			
		Inner			
12	996 521 927 90	Set of fastening parts		2	
		Seat-belt buckle			
		Outer			
13	996 521 907 90	Parts kit		2	
		Rosette			
		Belt			
		Lower			
14	996 521 905 90	Parts kit		2	
		Rosette			
		Belt			
		Upper			

Model: 996 98

Model life 1998>>2005



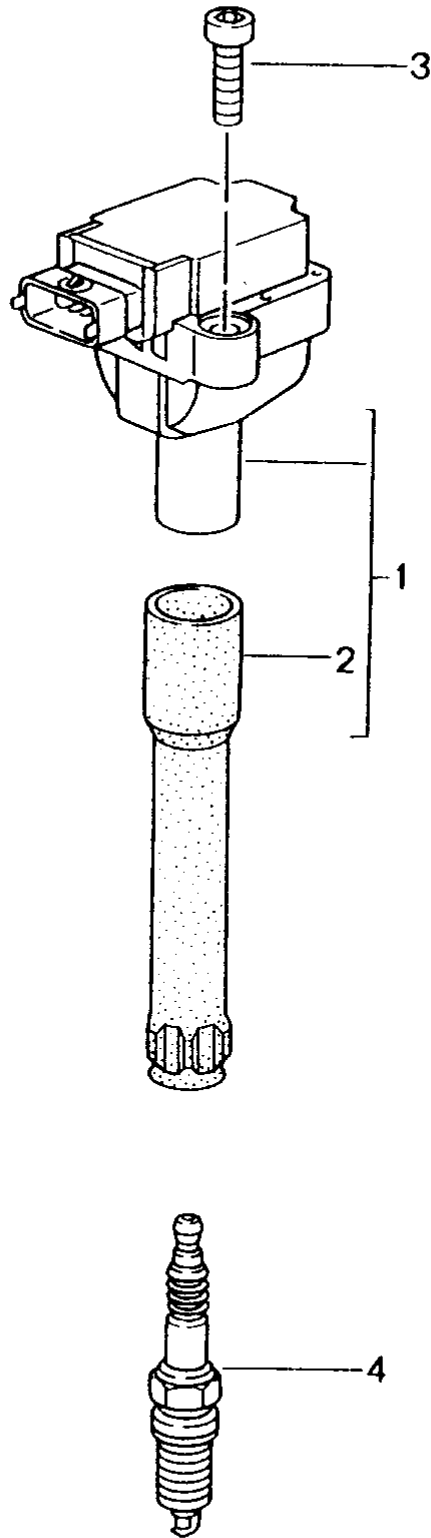
Model: 996 98

Model life 1998>>2005

Pos	Part Number	Description	Remark	Qty	Model
		Repair kits Set of locks Comprising: Support Outer door handle Glove compartment lock Key Key tag			
>>	996 538 001 03	Set of locks	-01	1	M531/532
>>	996 538 001 04	Set of locks	/LL -02	1	M534/535
>>	996 538 001 06	Set of locks with Glove compartment lock	/LL 02-	1	M531/532
>>	996 538 001 07	Set of locks with Glove compartment lock	/LL 03-	1	M534/535
>>	996 538 001 05	Set of locks	/RL -02	1	M534/535
>>	996 538 001 08	Set of locks with Glove compartment lock	/RL 03-	1	M534/535

Model: 996 98

Model life 1998>>2005

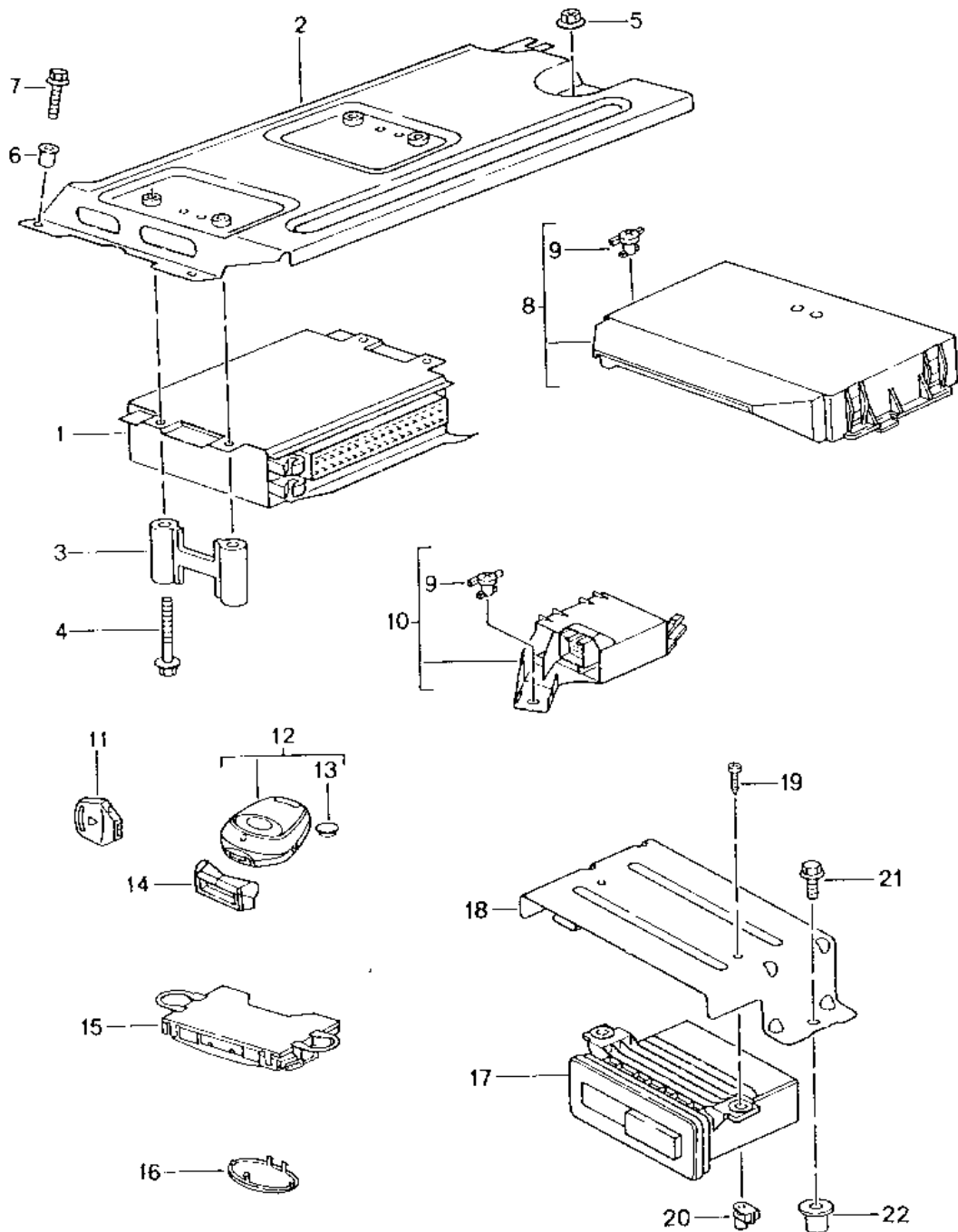


Model: 996 98 Model life 1998>>2005

Pos	Part Number	Description	Remark	Qty	Model
1	997 602 107 00	Ignition system Ignition coil	-01	6	M96.01/02 04
1	997 602 107 02	Ignition coil Use also: 900.385.025.01 900.075.333.01 999.025.193.30 999.025.220.30	-01	6 12 4 4 4	M96.01/02 04
-	900 385 025 01	Torx screw BM 6 X 40		12	
-	900 075 333 01	Combination screw M 6 X 25		4	
-	999 025 193 30	Spacer 3MM		4	
-	999 025 220 30	Spacer 5MM		4	
-	999 025 220 3A	Spacer 5MM		4	
-	999 652 916 40	Plug socket		6	
-	999 650 052 12	Connector		18	
-	999 704 161 40	Gasket		18	
-	996 607 401 00	Rubber sleeve		4	
-	996 607 402 00	Rubber sleeve		2	
1	997 602 104 02	Ignition coil Use also: 900.385.025.01	02-	6 12	M96.03
2	996 602 103 01	Spark plug connector	-01	6	M96.01/02 04
2	996 602 105 00	Spark plug connector	02-	6	M96.03
3	900 067 089 09	Pan-head screw M 6 X 25 M >> 664 08139 M >> 684 01577		12	IX51
3	900 067 089 01	Pan-head screw M 6 X 25 M >> 664 08139 M >> 684 01577		12	IX51
3	900 387 008 01	Pan-head screw M 6 X 25 M 664 08140 >> M 684 01578 >>		12	M96.03 M96.03 IX51
4	999 170 207 91	Spark plug 14FGR 6KQU	-01	6	M96.01/02 04
4	999 170 223 90	Spark plug FGR 5KQE0	02-	6	M96.03

Model: 996 98

Model life 1998>>2005



Model: 996 98 Model life 1998>>2005

Pos	Part Number	Description	Remark	Qty	Model
1	996 618 601 04	Control units Control unit	-99	1	
		- dme -			
1	996 618 601 DX	Control unit	-99	1	
		- dme -			
(1)	996 618 605 00	Control unit	-01	1	M620
		- dme -			
(1)	996 618 605 X	Control unit	-01	1	M620
		- dme -			
(1)	996 618 604 00	Control unit	02-	1	M620
		- dme -			
		See technical information GR.2 NR.8/02			
(1)	996 618 604 X	Control unit	02-	1	M620
		- dme -			
(1)	996 618 150 00	Control unit	02-	1	M339/664
		Fuel pump			
(1)	996 618 150 01	Control unit	02-	1	M339/664
		Fuel pump			
-	999 919 125 09	Hexagon-head bolt 6,0 X16 for Control unit	02-	2	M339/664
		Fuel pump			
(1)	996 618 114 01	Control unit		1	M249/338
		Tiptronic F >>99XS6 00762 F >>99XS6 40394			COUPE CABRIO
(1)	996 618 114 02	Control unit	-99	1	M249/338
		Tiptronic F 99XS6 00763>> F 99XS6 40395>>			COUPE CABRIO
(1)	996 618 132 02	Control unit	99	1	M249/339
		Tiptronic			
(1)	996 618 120 02	Control unit	-01	1	M249
		Tiptronic			
(1)	996 618 180 07	Control unit	02-	1	M249
		Tiptronic			
		See technical information GR. 3 , NR. 6/02			
2	996 618 129 00	Support	-00	1	COUPE
		Control unit			
		- dme -			
		Tiptronic			
(2)	996 618 129 01	Support	01-	1	COUPE
		Control unit			
		- dme -			
		Tiptronic			
(2)	996 618 131 00	Support		1	CABRIO
		Control unit			
		- dme -			
(2)	996 618 133 00	Support	-01	2	CABRIO M249
		Control unit			
		Tiptronic			
(2)	996 618 257 00	Support	02-04	1	M249
		Control unit			
		Tiptronic			
		F >>994S6 52490			
(2)	996 618 257 01	Support	04-	1	M249
		Control unit			
		Tiptronic			
		F 994S6 52491>>			

Model: 996 98 Model life 1998>>2005

Pos	Part Number	Description	Remark	Qty	Model
3	996 618 214 00	Spacer	-01	2	COUPE M249
4	900 378 036 01	Hexagon-head bolt M 6 X 12		4	COUPE
(4)	900 378 032 09	Hexagon-head bolt M 6 X 50	-01	4	COUPE M249
(4)	900 378 032 01	Hexagon-head bolt M 6 X 50	-01	4	COUPE M249
(4)	900 146 040 02	Screw M 6 X 25	02-	1	M249
5	999 084 629 09	Hexagon nut M 6		1	COUPE
5	999 084 629 01	Hexagon nut M 6		1	COUPE
6	999 500 078 00	Speed nut M 6	-00	2	COUPE
6		Speed nut M 6	02-	1	M249
7	900 075 413 09	Combination screw M 6 X 16 Z2	-00	2	COUPE
(7)	999 084 629 09	Hexagon nut M 6	01-	2	COUPE
(7)	999 084 629 01	Hexagon nut M 6	01-	2	COUPE
(7)	999 073 060 02	Tapping screw 4,8 X 13		X	CABRIO
-		Control unit Convertible top control See group 8/11/15		1	CABRIO
-		Control unit Roll-over bar See group 8/11/15		1	CABRIO
8	996 618 260 06	Control unit Immobiliser Central locking system Alarm system	-00	1	M534
8	996 618 262 02	Control unit Immobiliser Central locking system Alarm system	01-	1	M534
-	996 612 034 00	Cable Antenna for POS. 8	01-	1	M534
8	996 618 260 07	Control unit Immobiliser Central locking system Alarm system	-00	1	M535
8	996 618 262 03	Control unit Immobiliser Central locking system Alarm system	01-	1	M535
-	996 612 035 00	Cable Antenna for POS. 8	01-	1	M535
-	996 612 054 00	Connecting line Antenna booster Control unit	03-	1	M665

Model: 996 98 Model life 1998>>2005

Pos	Part Number	Description	Remark	Qty	Model
-	999 607 064 00	POS. 8 Lock 15 A for		X	
-	999 507 925 40	POS. 8 Fixing clip for Wiring harness Seat Plug socket for		1	
-	999 650 161 40	POS. 8 Plug socket		1	
-	999 650 099 12	Connector		X	
-	999 650 097 40	Cap White		1	
-	999 650 101 40	Cap White		1	M534
-	999 650 102 40	Cap Blue		1	M535
-	999 650 113 40	Plug socket 12-pole Black		1	
-	N 903 353 04	Flat plug 2,5		X	
-	N 903 352 04	Connector 1,0		X	
9	996 618 261 00	Locking device		1	
10	996 618 159 01	Signal transducer		1	
11	996 637 041 00	Key lamp		1	M532
-	928 537 630 02	Bulb for Key lamp		X	
12	996 637 243 00	Handheld transmitter	-00 -00	1	COUPE M534 CABRIO M533 M534
-	996 637 247 00	Handheld transmitter Upper part for 996.637.243.00	-00	1	
12	996 637 244 30	Handheld transmitter	01-03	1	COUPE M534 CABRIO M533 M534
12	996 637 244 40	Handheld transmitter 2	01-	1	COUPE M534 CABRIO M533 M534
-	996 637 353 00	Knob Handheld transmitter Upper part for 996.637.244.30/40	01-	1	
(12)	996 637 243 20	Handheld transmitter	-00	1	CABRIO M534
-	996 637 347 00	Handheld transmitter Upper part for 996.637.243.20	-00	1	
(12)	996 637 244 33	Handheld transmitter	01-03	1	CABRIO

Model: 996 98 Model life 1998>>2005

Pos	Part Number	Description	Remark	Qty	Model
(12)	996 637 244 41	Handheld transmitter 3 Knob	01-	1	M534 CABRIO M534
-	996 637 355 00	Handheld transmitter Upper part for 996.637.244.33/41	01-	1	
12	996 637 243 01	Handheld transmitter	-00	1	M535
-	996 637 247 00	Handheld transmitter Upper part for 996.637.243.01	-00	1	M535
12	996 637 244 36	Handheld transmitter	01-03	1	COUPE M535 CABRIO M533 M535
12	996 637 244 42	Handheld transmitter	01-	1	COUPE M535 CABRIO M533 M535
-	996 637 353 00	Handheld transmitter Upper part for 996.637.244.31/36/42	01-	1	
(12)	996 637 244 34	Handheld transmitter	01-02	1	CABRIO M535
(12)	996 637 244 37	Handheld transmitter	03	1	CABRIO M535
(12)	996 637 244 43	Handheld transmitter	01-	1	CABRIO M535
-	996 637 355 00	Handheld transmitter Upper part for 996.637.244.34/37/43	01-	1	
12	996 637 243 02	Handheld transmitter	(J) -00 (J) 98	1	COUPE CABRIO M535
-	996 637 247 00	Handheld transmitter Upper part for 996.637.243.02		1	
12	996 637 244 32	Handheld transmitter	(J) 01-03	1	COUPE M535
12	996 637 244 44	Handheld transmitter	(J) 01-	1	COUPE M535
-	996 637 353 00	Handheld transmitter Upper part for 996.637.244.32/44	01-	1	
(12)	996 637 243 22	Handheld transmitter	(J) -00	1	CABRIO M535
-	996 637 347 00	Handheld transmitter Upper part for 996.637.243.22	-00	1	
(12)	996 637 244 35	Handheld transmitter	(J) 01-03	1	CABRIO M535
(12)	996 637 244 45	Handheld transmitter	(J) 01-	1	CABRIO M535

Model: 996 98 Model life 1998>>2005

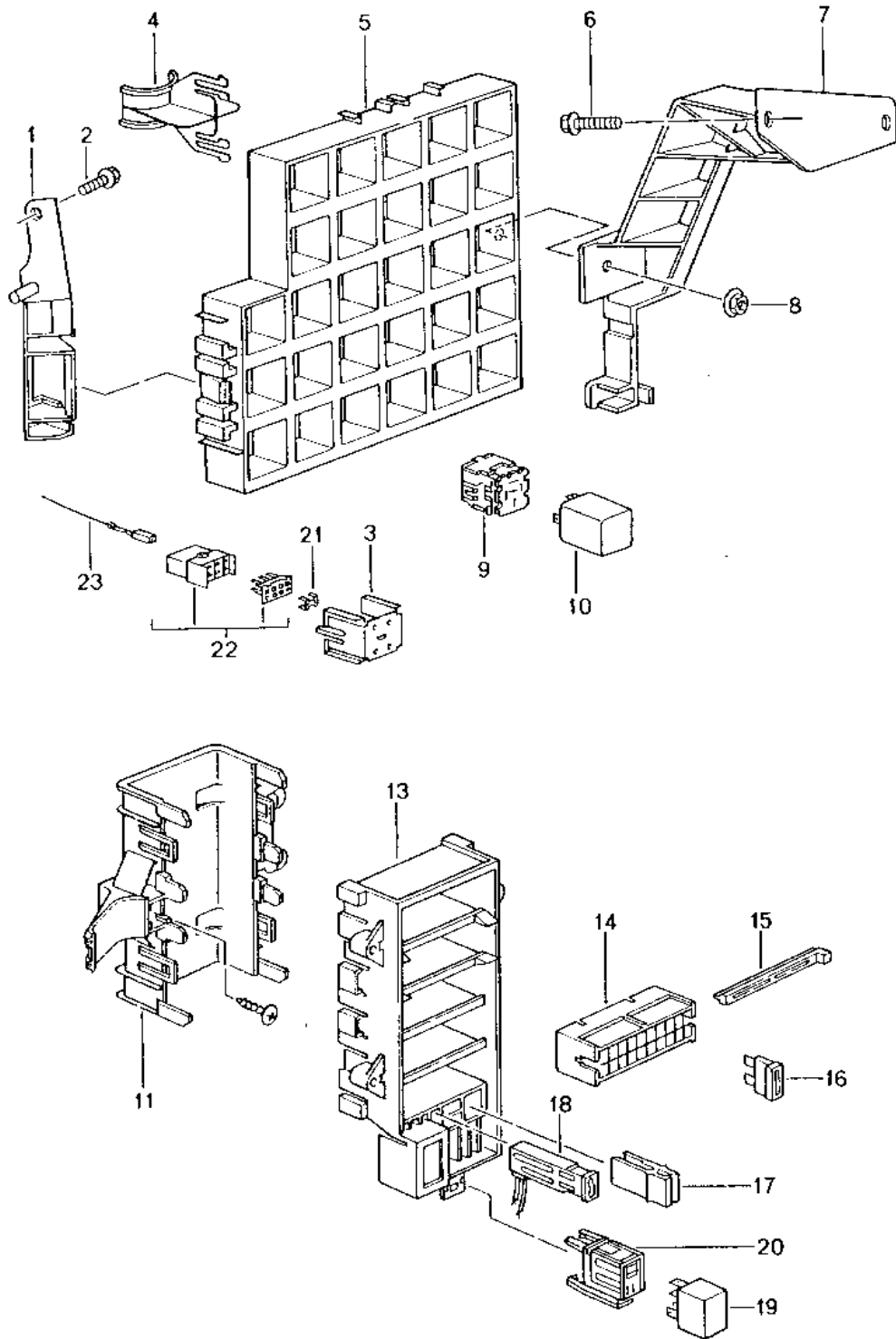
Pos	Part Number	Description	Remark	Qty	Model
-	996 637 355 00	Handheld transmitter Upper part for 996.637.244.35/45	01-	1	
(12)	986 637 244 13	Handheld transmitter	-03	1	TARGA M534
(12)	986 637 244 17	Handheld transmitter	02-	1	TARGA M534
-	996 637 351 00	Handheld transmitter Upper part for 986.637.244.13/17	02-	1	
(12)	986 637 244 16	Handheld transmitter	-03	1	TARGA M535
(12)	986 637 244 18	Handheld transmitter	02-	1	TARGA M535
-	996 637 351 00	Handheld transmitter Upper part for 986.637.244.14/16/18	02-	1	
(12)	986 637 244 15	Handheld transmitter	(J) -03	1	TARGA M535
(12)	986 637 244 19	Handheld transmitter	(J) 02-	1	TARGA M535
-	996 637 351 00	Handheld transmitter Upper part for 986.637.244.15/19	02-	1	
-	996 637 443 00	Crest Coloured for Key lamp And Handheld transmitter	02-	1	
13	999 611 108 00	Battery See technical information GR. 9 , NR. 20/03		1	M534/535
14	996 637 344 00	Identification ring Key 1 set Red Yellow	01-	1	
14	996 637 344 01	Identification ring Key 1 set Blue Green	01-	1	
15	996 618 210 02	Sensor Interior monitoring		1	M534/535
15	996 618 210 03	Sensor Interior monitoring for Leather paint Can-can-red Flamenco red Plum red Pearl white White Ferrari yellow Speed yellow Orchid metallic Magnolia		1	M534/535 M999
-	999 650 236 40	Plug socket		1	

Model: 996 98 Model life 1998>>2005

Pos	Part Number	Description	Remark	Qty	Model
-	999 650 256 22	Connector		4	
(16)	996 618 212 02	Trim cover		2	
		Alarm siren			M536
		Tilt sensor			M536
		See group			
		9/03/00			
17	996 618 171 01	Control unit	-99	1	M635
		ParkAssist			
		Tech. information memo			
		GR. 9 , NR. 7/98			
		F >>99XS6 00294			
		F >>99XS6 40108			
17	996 618 171 03	Control unit	99-	1	M635
		ParkAssist			
		F 99XS6 00295>>			
		F 99XS6 40109>>			
18	996 618 371 00	Support	-01	1	M635
(18)	996 618 371 01	Support	02-	1	M635
19	999 919 120 09	Oval-head screw		2	M635
		4,0 X 18			
20	999 920 015 40	Plug-in nut		2	M635
		4,0			
21	900 378 179 09	Hexagon-head bolt		2	M635
		M 6 X 16			
22	999 500 078 00	Speed nut		2	M635
		M 6			
		Sensor			M635
		See group			
		8/02/05			

Model: 996 98

Model life 1998>>2005



Model: 996 98 Model life 1998>>2005

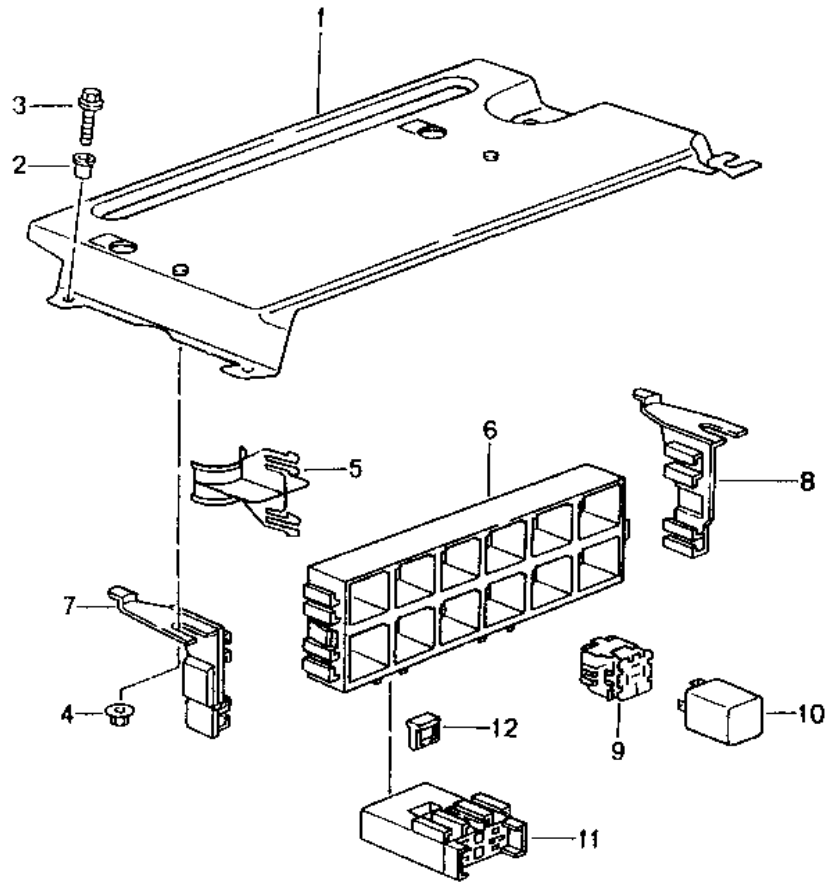
Pos	Part Number	Description	Remark	Qty	Model
		Central electrical system			
		Dashboard			
1	996 610 117 00	Support	/LL /L	1	
(1)	996 610 119 00	Support	/RL /L	1	
2	900 378 155 09	Hexagon-head bolt M 6 X 16 ASP		1	
3	996 610 104 00	Retaining frame		X	
4	996 610 112 00	Cable holder		X	
5	996 610 109 00	Relay carrier Support frame		1	
6	900 378 155 09	Hexagon-head bolt M 6 X 16 ASP		2	
7	996 610 116 00	Support	/LL /R	1	
(7)	996 610 118 00	Support	/RL /R	1	
8	900 377 010 01	Hexagon nut M 6		1	
9	928 610 511 00	Relay carrier		X	
10		Relay			
(10)	1H0 953 227	Flasher relay		1	
(10)	996 615 117 00	Relay socket/code: Relay	S3	1	
(10)	999 657 005 90	Rear window heating Relay socket/code: Relay	S4 -00	1	M614/618
(10)	996 615 111 00	Relay socket/code: Relay	S5	1	M606
(10)	996 618 113 00	Relay socket/code: Relay	S6/7	1	M288
(10)	141 951 253 B	Headlight washer system Relay socket/code: Relay	S8	1	
(10)		KL. XE Relay socket/code: Relay	S9	1	
(10)	431 951 253 G	Fanfare Relay socket/code: Relay	S10 (J) -98	1	
(10)	141 951 253 B	Relay socket/code: Relay	S12 (J) 99-	1	
(10)	996 615 101 00	Relay socket/code: Relay	S12	1	
(10)	996 615 103 00	Fuel pump Relay socket/code: Interval relay	S13	1	
(10)	141 951 253 B	Relay socket/code: Relay	S16	1	
(10)		Heating Relay socket/code: Relay	S18	1	
(10)		Radiator fan 1 Setting 1 Relay socket/code: Relay	S19	1	
(10)		Radiator fan 1 Setting2 Relay socket/code: Relay	S20	1	
(10)		Radiator fan 2 Setting 1 Relay socket/code: Relay	S21	1	
(10)		Radiator fan 2 Setting2			

Model: 996 98 Model life 1998>>2005

Pos	Part Number	Description	Remark	Qty	Model
		Relay socket/code:	S22		
11	996 610 210 00	Lid		1	
13	996 610 211 01	Bracket		1	
14	999 650 209 40	Fuse holder		X	
15	999 650 210 40	Slide		X	
16	999 607 082 00	Lock		X	
		5 A			
16	999 607 083 00	Lock		X	
		7 , 5 A			
(16)	999 607 085 00	Lock		X	
		15 A			
(16)	999 607 087 00	Lock		X	
		25 A			
(16)	999 607 010 00	Lock		X	
		30 A			
(16)	999 607 089 00	Lock		X	
		40 A			
17	996 610 214 00	Tool		X	
-	996 610 217 01	Assignment sticker	-99	X	
		Lock			
-	996 610 217 02	Assignment sticker	00	X	
		Lock			
-	996 610 217 04	Assignment sticker	-02	X	
		Lock			
-	996 610 217 05	Assignment sticker	03-	X	
		Lock			
		Emergency operation	01-		
		Lid			
18	996 610 240 00	Terminal clamp	01-	1	
19	999 657 006 90	Relay	01-	1	
20	999 650 538 40	Relay carrier	01-	1	
		5-pole			
		Tip switch			
		Rear spoiler			
		See group			
		9/03/05			
-		Cover		X	
		for			
		Housing			
		Lock			
		See group			
		8/07/02			
21	999 650 319 22	Contact bridge		X	
		4-pole			
(21)	999 650 318 22	Contact bridge		X	
		8-pole			
22	999 650 317 40	Plug socket		X	
		8-pole			
23	999 650 320 22	Contact bush		X	
		2,8 / 0,75			
(23)	999 650 321 22	Contact bush		X	
		2,8 / 2,5			

Model: 996 98

Model life 1998>>2005



Model: 996 98 Model life 1998>>2005

Pos	Part Number	Description	Remark	Qty	Model
		Central electrical system			
		Rear end			
1	996 610 129 00	Mounting plate	-00	1	COUPE
(1)	996 610 129 02	Mounting plate	01-05	1	COUPE/TARGA
(1)	996 610 229 03	F >>995S6 00785 Mounting plate	05-	1	COUPE/TARGA
2	999 500 078 00	Speed nut	-00	2	COUPE
3	900 075 413 09	Combination screw	-00	2	COUPE
(3)	999 084 629 09	M 6 X 16 Z2 Hexagon nut	01-	2	
(3)	999 084 629 01	M 6 Hexagon nut	01-	2	
4	900 380 015 01	M 6 Hexagon nut		2	
5	996 610 112 00	F >>995S6 00785 Cable holder		X	
(5)	996 610 115 00	Cable holder		X	CABRIO
6	996 610 111 00	Relay carrier		1	
7	996 610 126 00	Support frame			
(7)	987 610 118 00	Support	/R	1	
8	996 610 127 00	F >>995S6 00785 Support	/R	1	
(8)	987 610 117 00	F 995S6 00786>> Support	/L	1	
-	996 610 128 00	F >>995S6 00785 Support	/L	1	
9	928 610 511 00	F 995S6 00786>> Fixing clip		2	CABRIO
10		Relay carrier		X	
(10)	141 951 253 B	Relay		1	
(10)		- dme - Relay socket/code:	S1	1	
(10)		Relay		1	
(10)	996 615 102 00	Ignition Relay socket/code:	S2	1	
(10)		Relay		1	
(10)	964 615 215 00	Spoiler Relay socket/code:	S3	1	M573
(10)		Relay		1	
(10)	999 657 018 90	Air conditioner Relay socket/code:	S4	1	M573
(10)		Relay		1	
(10)	996 615 112 00	Air conditioner Relay socket/code:	S4	1	CABRIO
(10)		Relay	02-	1	
(10)	996 615 110 00	Rear window heating Relay socket/code:	S5	1	
(10)		Relay		1	
(10)	141 951 253 B	Starter Relay socket/code:	S7	1	
(10)		Relay		1	
(10)	996 615 102 00	Blower Engine compartment Relay socket/code:	S8	1	
(10)		Relay		1	
(10)	993 615 115 00	Spoiler Relay socket/code:	S9	1	M661
(10)		Relay		1	
(10)		Secondary pump Relay socket/code:	S10	1	

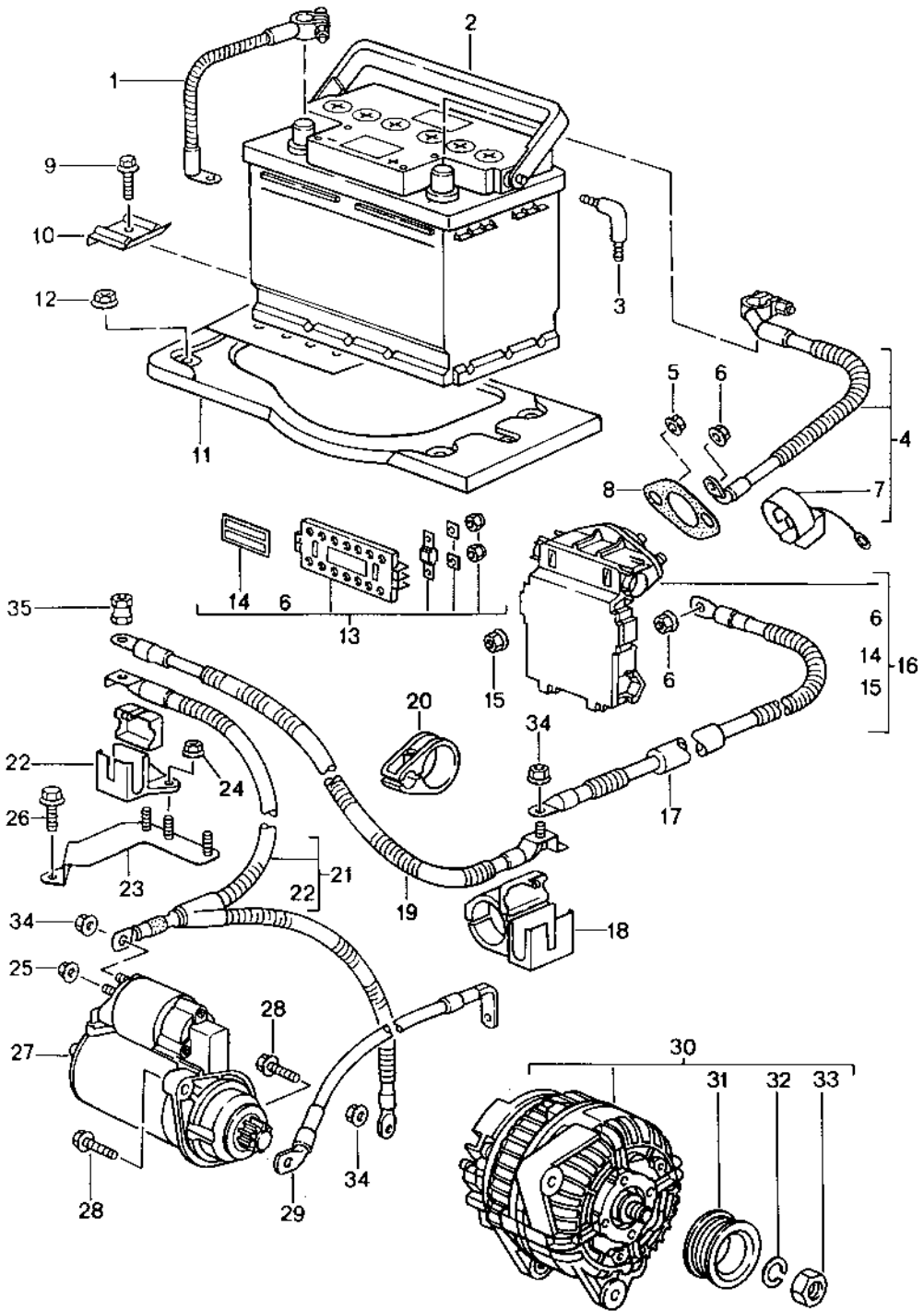
Model: 996 98

Model life 1998>>2005

Pos	Part Number	Description	Remark	Qty	Model
(10)	993 615 115 01	Relay Secondary pump		1	M661
		Relay socket/code:	S10		
11	999 650 193 40	Fuse holder		1	M661
12	999 650 371 40	Locking device		1	M661
-	999 650 194 22	Contact bush		X	M661
-	999 607 073 00	Lock 40 A		1	M661

Model: 996 98

Model life 1998>>2005



Model: 996 98 Model life 1998>>2005

Pos	Part Number	Description	Remark	Qty	Model
		Battery			
		Power distributor			
		Starter			
		Generator			
1	997 611 090 00	Ground strap	/LL	1	
(1)	997 611 091 00	Ground strap	/RL	1	
(2)	999 611 070 20	Battery		1	
		12 V 70 AH			
(2)	999 611 070 21	Battery		1	
		12 V 70 AH			
2	999 611 080 20	Battery		1	
		12 V 80 AH			
(2)	999 611 080 21	Battery		1	
		12 V 80 AH			
3	893 915 507	Angled pipe		1	
4	996 612 090 09	Cable	/LL	1	
		Battery			
		Power distributor			
(4)	996 612 090 10	Cable	/RL	1	
		Battery			
		Power distributor			
5	900 380 005 09	Hexagon nut		2	
		VM 8			
6	900 084 030 02	Hexagon nut		2	
		M 8			
		for			
		Power distributor			
7	996 610 309 00	Protection cap		1	
		Terminal clamp			
		Power distributor			
8	996 610 302 00	Flange gasket		1	
		for			
		Power distributor			
9	900 378 017 01	Hexagon-head bolt		1	
		M 8 X 20			
10	996 611 209 00	Rail		1	
11	996 504 151 00	Carrier plate for battery		1	M338
(11)	997 504 151 01	Carrier plate for battery	99-	1	M339
-	996 504 622 00	Gasket		1	M338
		Carrier plate for battery			
		Information available			
-	996 504 622 01	Gasket	99-	1	M339
		Carrier plate for battery			
12	999 084 630 01	Hexagon nut		4	
		VM 8 SB			
13	996 610 306 00	Repair kit		1	
		Replacement			
		Fuse element			
		Comprising:			
-		Fuse element		1	
		50 AMPERE			
-		Fuse element		1	
		80 AMPERE			
-		Hexagon nut		4	
		M 5			
6	900 084 030 02	Hexagon nut		1	
		M 8			
-		Intermediate layer		4	
-		Cover		1	
		Blue			
14	996 610 311 00	Seal label		2	
		Red			
14		Seal label		2	

Model: 996 98 Model life 1998>>2005

Pos	Part Number	Description	Remark	Qty	Model
15	900 084 031 02	Red Hexagon nut M 6 for Power distributor		7	
16	996 610 308 00	Repair kit Replacement Power distributor Comprising:		1	
-		Power distributor Complete		1	
15	900 084 031 02	Hexagon nut M 6		7	
6	900 084 030 02	Hexagon nut M 8		2	
14	996 610 311 00	Seal label Red Use also: POS. 8		2	
17	996 612 091 11	Cable Power distributor Connection point F >>991S6 03740 F >>991S6 02976 F >>991S6 42694 F >>991S6 42142	-01 /LL /RL /LL /RL	1	COUPE COUPE CABRIO CABRIO
(17)	996 612 091 14	Cable Power distributor Connection point F 991S6 03741>> F 991S6 42695>>	/LL -01 /LL /LL	1	COUPE CABRIO
(17)	996 612 091 15	Cable Power distributor Connection point F 991S6 02977>> F 991S6 42143>>	/RL -01 /RL /RL	1	COUPE CABRIO
-	996 610 187 00	When required order also: Cable holder F 991S6 03741>> F 991S6 02977>> F 991S6 42695>> F 991S6 42143>>	 /LL /RL /LL /RL	1	COUPE COUPE CABRIO CABRIO
-	999 919 172 09	Hexagon-head bolt 7,0 X14 F 991S6 03741>> F 991S6 02977>> F 991S6 42695>> F 991S6 42143>>	 /LL /RL /LL /RL	1	COUPE COUPE CABRIO CABRIO
(17)	996 612 091 12	Cable Power distributor Connection point	/LL 02-	1	
(17)	996 612 091 13	Cable Power distributor Connection point	/RL 02-	1	
-	900 075 497 01	Combination screw M 5 X 10 Z2	02-	1	
-	999 507 702 01	Speed nut M 5	02-	1	
-	999 084 629 01	Hexagon nut M 6	02-	1	
18	996 611 310 00	Connection point Complete	-01	1	
18	996 611 316 00	Connection point	02-	1	

Model: 996 98 Model life 1998>>2005

Pos	Part Number	Description	Remark	Qty	Model
19	996 612 092 00	Complete	-01	1	
19	996 612 092 01	Cable	02-	1	
20	996 612 094 00	Cable holder		4	
-	999 513 051 40	Hose clamp	02-	1	
21	996 607 019 01	Wiring harness with Connection point Generator Starter M >> 663 09950 M >> 683 00734		1	IX51
21	996 607 019 03	Wiring harness with Connection point Generator Starter M 663 09951 >> M 683 00735 >>		1	IX51
-	999 650 312 40	Protection cap Wiring harness		1	
22	996 611 201 01	Connection point		1	
(23)	996 607 012 01	Complete Support Connection point		1	
24	900 380 015 01	Hexagon nut VM 6		3	
25	900 377 010 01	Hexagon nut M 6		1	
26	900 378 035 01	Hexagon-head bolt M 6 X 16		1	
27	996 604 103 00	Starter		1	
28	900 378 101 09	Hexagon-head bolt AM 10 X 35 M >> 664 08139 M >> 684 01577		2	
28	900 385 097 09	Torx screw BM 10 X 35 M 664 08140 >> M 684 01578 >>		2	IX51
29	996 607 030 00	Ground strap		1	
30	996 603 012 01	Generator	-99	1	
(30)	996 603 012 03	Generator with Pulley without Free wheel lock M >> 664 12967 M >> 684 02282	00-	1	M249
(30)	996 603 012 05	Generator with Pulley without Free wheel lock M >> 664 12967 M >> 684 02282	00-	1	IX51 M249
(30)	997 603 012 06	Generator with Pulley without Free wheel lock M 664 12968 >> M 684 02283 >>		1	IX51 M249 IX51

Model: 996 98 Model life 1998>>2005

Pos	Part Number	Description	Remark	Qty	Model
(30)	996 603 012 02	Generator with Pulley Free wheel lock M >> 664 12967 M >> 684 02282	00-	1	M480
(30)	997 603 012 07	Generator with Pulley Free wheel lock M 664 12968 >> M 684 02283 >>		1	IX51 M480
(30)	997 603 012 09	Generator with Pulley Free wheel lock M 664 12968 >> M 684 02283 >>		1	IX51 M480
(30)	997 603 012 JX	Generator with Pulley Free wheel lock M 664 12968 >> M 684 02283 >>		1	IX51 M480
-	999 650 166 40	Plug socket		1	
-	999 652 694 12	Contact bush		1	
-	999 704 161 40	Gasket		1	
-	999 652 965 40	Gasket		1	
31	996 603 151 55	Pulley without Free wheel lock		1	
31	996 603 152 50	Pulley with Free wheel lock Use also: 996.603.153.50	00-	1	
-	996 603 153 50	Protection cap for Pulley with Free wheel lock		1	
32	N 012 016 1	Lock ring B 16		1	
33	900 034 013 01	Hexagon nut M 16 X 1,5		1	
-	996 603 113 00	Protection cap for POS. 33 with Pulley without Free wheel lock Mounting parts Regulator Generator	00-	1	M249
-	000 043 204 22	Oval-head screw M 4 X 19 Micro-self-locking		2	
-	000 043 204 23	Spring washer B4 Mounting parts Generator		2	
-	900 378 070 09	Hexagon-head bolt	-01	1	

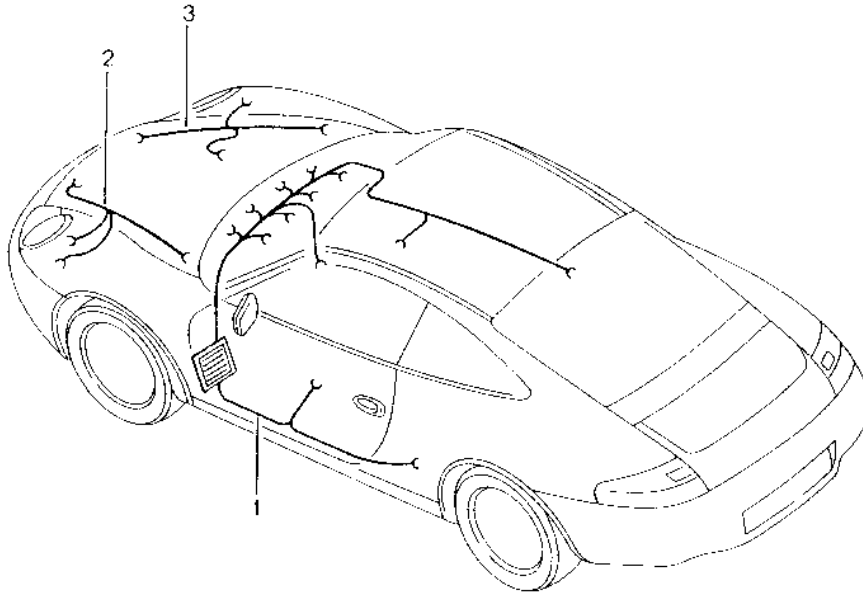
Model: 996 98

Model life 1998>>2005

Pos	Part Number	Description	Remark	Qty	Model
-	900 378 101 09	M 10 X 30 Hexagon-head bolt AM 10 X 35 M >> 664 08139 M >> 684 01577	02-	1	
-	900 385 097 09	Torx screw BM 10 X 35 M 664 08140 >> M 684 01578 >>		1	IX51
-	900 378 181 09	Hexagon-head bolt M 10 X 145 M >> 664 08139 M >> 684 01577		1	IX51
-	900 385 092 04	Torx screw BM 10 X 145 M 664 08140 >> M 684 01578 >>		1	IX51
34	900 377 003 03	Hexagon nut M 8		3	IX51
35	999 076 069 02	Hexagon nut M 8		1	

Model: 996 98

Model life 1998>>2005



Model: 996 98 Model life 1998>>2005

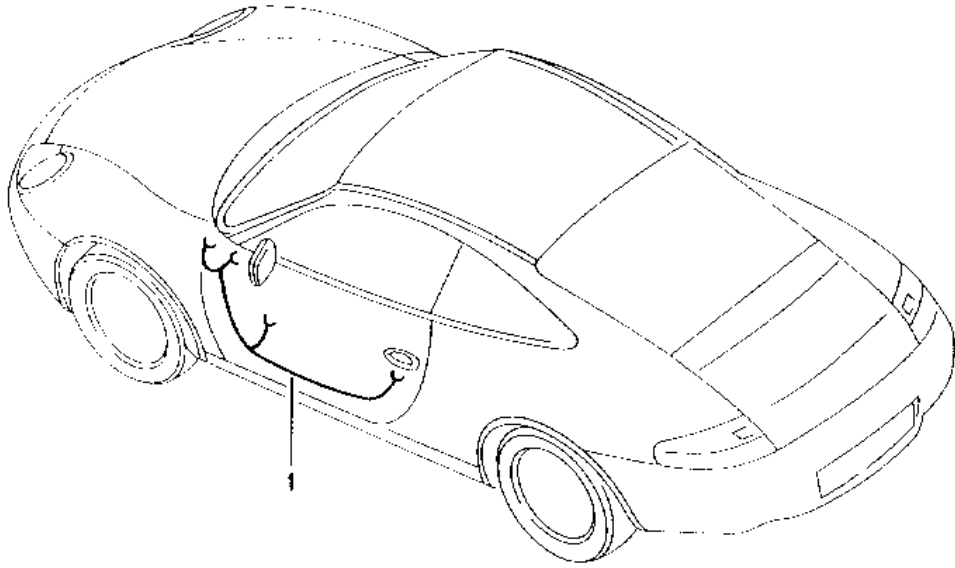
Pos	Part Number	Description	Remark	Qty	Model
1	996 612 903 00	Wiring harnesses Passenger compartment Glove compartment FRONT luggage compartment Repair kit Anti-lock brake system Brake pad wear indicator Front axle Wiring harness Passenger compartment Vehicle Ident. No. Indicate		1	
-	996 610 120 00	Support Plug socket Diagnostic connector		1	
-	999 651 302 40	Fixing clip Wiring harness Passenger compartment Door sill		X	
-	999 651 284 40	Fixing clip Wiring harness Passenger compartment Door sill Connection point X 11 / 12		X	
-	999 652 931 40	Pin connector socket		2	
-	999 652 570 22	Connector Contact pin 2,5 - 1		X	
-	999 652 571 22	Connector 2,5 - 2,5		X	
-	999 652 932 40	Pin connector socket 10-pole Black		2	
-	999 652 923 40	Cap Black		2	
-	999 652 933 40	Pin connector socket 10-pole White		2	
-	999 652 922 40	Cap White		2	
-	999 652 921 40	Locking device Blue		4	
-	999 652 983 22	Contact pin 0,63 - 0,5		X	
-	996 622 501 00	Wiring harness Glove compartment	02-	1	
-	999 650 564 40	Clip Microswitch	02-	1	
-	999 650 565 40	Clip Connector housing	02-	1	
2	996 612 303 01	Wiring harness FRONT luggage compartment	/L -99	1	M573/659
2	996 612 303 05	Wiring harness FRONT luggage compartment	/L 00	1	M573/659
2	996 612 303 10	Wiring harness FRONT luggage compartment	/L 01	1	M573/659
2	996 612 303 15	Wiring harness FRONT luggage compartment	/L 02-	1	
2	996 612 313 00	Wiring harness FRONT luggage compartment	/L 99	1	M573/601 M659
2	996 612 313 05	Wiring harness FRONT luggage compartment	/L 00	1	M573/601 M659

Model: 996 98 Model life 1998>>2005

Pos	Part Number	Description	Remark	Qty	Model
2	996 612 313 10	Wiring harness FRONT luggage compartment	/L 01	1	M573/601 M659
2	996 612 313 15	Wiring harness FRONT luggage compartment	/L 02-	1	M601
3	996 612 302 01	Wiring harness FRONT luggage compartment	/R -01	1	
3	996 612 312 00	Wiring harness FRONT luggage compartment	/R -01	1	M601
3		Wiring harness FRONT luggage compartment Is a component of Wiring harness Passenger compartment	/R 02-	1	
(3)	996 612 340 00	Wiring harness	/LL 99	1	M339/476
(3)	996 612 341 00	Wiring harness	/RL 99	1	M339/476
-	993 615 136 00	Relay Repair kit Wiring harness Anti-lock brake system Brake pad wear indicator Front axle	99	2	M339/476
-	996 612 951 00	Repair kit Wiring harness	/V /L -01	1	M338
-		Repair kit Wiring harness	/V /L 02-	1	M338/476
-	996 612 960 00	Repair kit Wiring harness	/V /L 02-	1	M338
-	996 612 957 00	Repair kit Wiring harness	/V /L	1	M339
-	996 612 952 00	Repair kit Wiring harness	/V /R -01	1	M338
-		Repair kit Wiring harness	/V /R 02-	1	M338/476
-	996 612 961 00	Repair kit Wiring harness	/V /R 02-	1	M338
-	996 612 958 00	Repair kit Wiring harness Repair kit Wiring harness Rear axle See group 9/02/20	/V /R	1	M339

Model: 996 98

Model life 1998>>2005



Model: 996 98 Model life 1998>>2005

Pos	Part Number	Description	Remark	Qty	Model
		Wiring harnesses Driver's door Passenger's door Convertible top control Auxiliary support			
1	996 612 630 04	Wiring harness Driver's door	98	1	
1	996 612 630 05	Wiring harness Driver's door	99	1	
1	996 612 634 02	Wiring harness Driver's door	98	1	M563
1	996 612 634 03	Wiring harness Driver's door	-00	1	M563
(1)	996 612 634 11	Wiring harness Driver's door	01-	1	
(1)	996 612 632 04	Wiring harness Passenger's door	98	1	
(1)	996 612 632 05	Wiring harness Passenger's door	99	1	
(1)	996 612 635 02	Wiring harness Passenger's door	98	1	M563
(1)	996 612 635 03	Wiring harness Passenger's door	-00	1	M563
(1)	996 612 635 11	Wiring harness Passenger's door Connection point X 11 / 12	01-	1	
-	999 652 930 40	Plug socket		2	
-	999 652 567 22	Cylindrical socket 2,5 - 1		X	
-	999 652 568 22	Cylindrical socket 2,5 - 2,5		X	
-	999 652 927 40	Plug socket 10-pole White		2	
-	999 652 924 40	Cap White		2	
-	999 652 928 40	Plug socket 10-pole Black		2	
-	999 652 925 40	Cap Black		2	
-	999 652 921 40	Locking device Blue		4	
-	999 652 901 22	Connector 0,63 - 0,5 Mount Wiring harness Doors		X	
-	996 610 320 01	Cable guide		2	M273
-	999 703 470 40	Cable clamp		2	M273
-	999 507 627 02	Cable clamp		2	
-	996 610 141 01	Rubber boot A-pillar		2	
-	996 610 144 00	Frame Reinforcement Rubber boot A-pillar Mount Connection point A-pillar		2	
-	999 919 237 00	Oval-head screw 5 X 20		2	

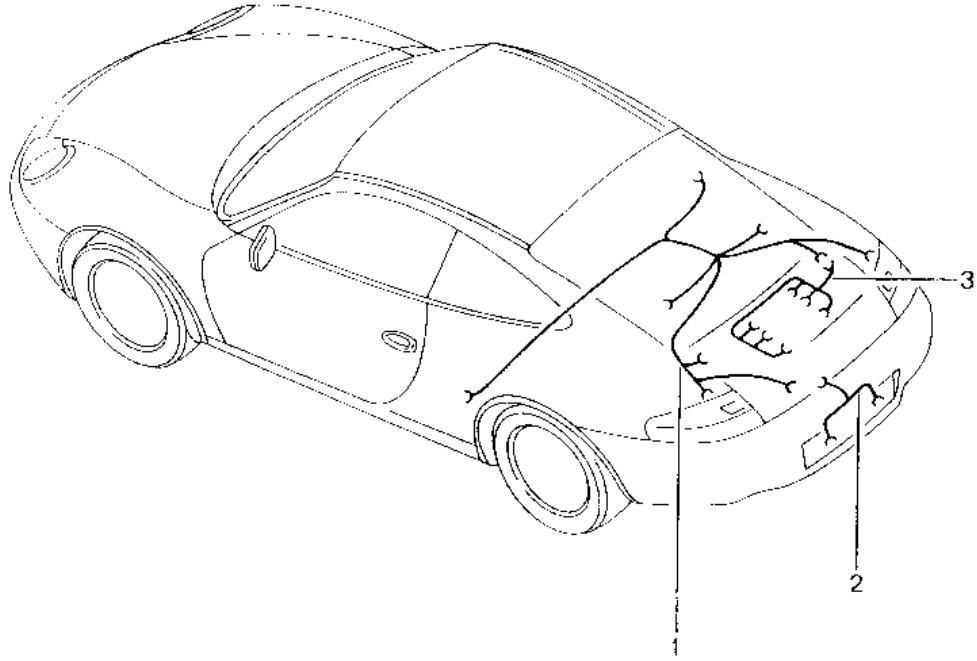
Model: 996 98

Model life 1998>>2005

Pos	Part Number	Description	Remark	Qty	Model
-	999 507 649 40	Expansion rivet 4, 8		2	
-	996 610 321 00	Cable holder		2	
-		Door arrester		1	CABRIO
-		Wiring harness		1	CABRIO
-		Convertible top control			
-		See group 8/11/07			
-		Wiring harness		1	CABRIO
-		Auxiliary support			
-		See group 8/11/15			

Model: 996 98

Model life 1998>>2005



Model: 996 98 Model life 1998>>2005

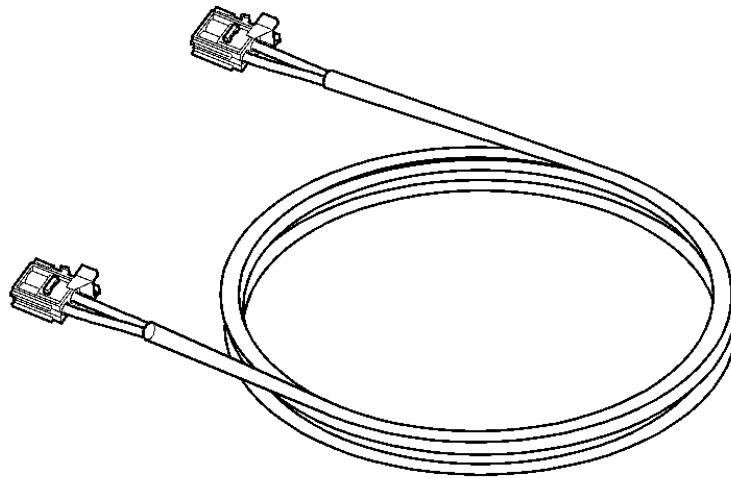
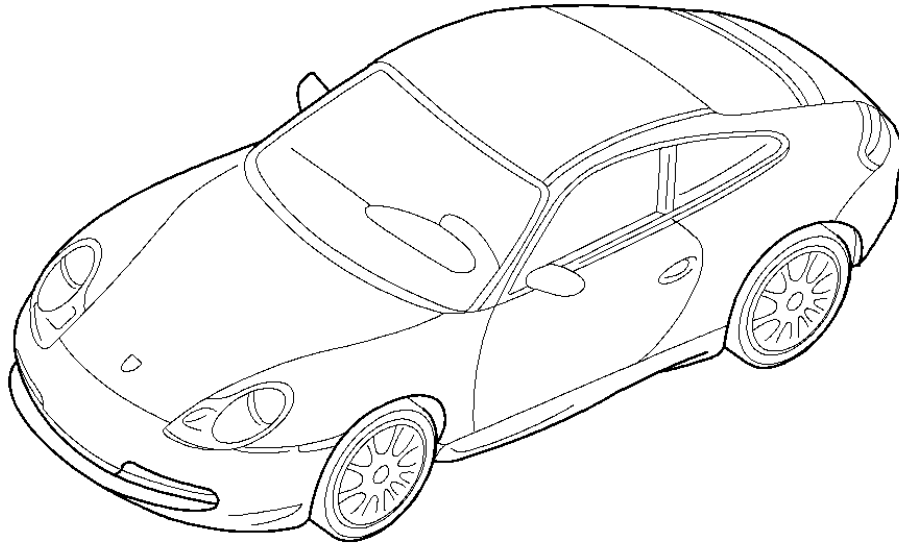
Pos	Part Number	Description	Remark	Qty	Model
		Wiring harnesses Rear end Additional brake light License plate light Engine Transmission Repair kit Anti-lock brake system Brake pad wear indicator Rear axle			CABRIO M249
1	996 612 905 00	Wiring harness Rear end Vehicle Ident. No. Indicate		1	
-	996 612 507 02	Wiring harness		1	CABRIO M602
-	996 423 101 00	Additional brake light Protective tube		1	CABRIO M602
2	996 612 060 00	for Wiring harness	-01	1	CARRERA
2	996 612 062 00	Wiring harness License plate light	02-	1	CARRERA
(2)	996 612 061 00	Wiring harness License plate light	-01	1	CARRERA M635
(2)	996 612 064 00	Wiring harness License plate light	02-	1	CARRERA M635
2	996 612 060 00	Wiring harness License plate light	02-	1	C4S
(2)	996 612 063 00	Wiring harness License plate light	02-	1	C4S M635
-	999 650 013 40	Fixing clip Connection point Wiring harness License plate light		1	
3	996 607 002 04	Wiring harness Engine	-99	1	M480
3	996 607 010 04	Wiring harness Engine	99	1	M480/620
3	996 607 010 05	Wiring harness Engine	-01	1	M480/660
3	996 607 010 08	Wiring harness Engine	-01	1	M480
(3)	996 607 002 06	Wiring harness Engine	-99	1	M249
(3)	996 607 010 06	Wiring harness Engine	99	1	M249/620
(3)	996 607 010 07	Wiring harness Engine	-01	1	M249/660
(3)	996 607 010 09	Wiring harness Engine	-01	1	M249
(3)	996 607 010 10	Wiring harness Engine	02	1	M96.03
(3)	996 607 010 16	Wiring harness Engine	03-	1	M96.03
(3)	996 612 401 00	Wiring harness Transmission	02-	1	M249
-	999 507 752 40	Cable holder for Wiring harness Transmission	02-	1	M249

Model: 996 98 Model life 1998>>2005

Pos	Part Number	Description	Remark	Qty	Model
-	999 591 746 02	Cable clamp for Wiring harness Transmission	02-	3	M249
-	999 591 746 01	Cable clamp for Wiring harness Transmission	02-	3	M249
-	999 507 729 40	Cable strap 8 - 50 Water tube Supply Right		1	
-	999 507 730 40	Cable strap 8 - 33 Wiring harness Engine		1	
-	996 607 101 02	Support Connection point Wiring harness Engine		1	
-	997 610 131 00	Support Connection point Wiring harness Engine		1	
-	996 607 102 00	Support Wiring harness Engine Repair kit Wiring harness Anti-lock brake system Brake pad wear indicator Rear axle		1	
-	996 612 953 01	Repair kit Wiring harness	/H /L -01	1	
-		Repair kit Wiring harness	/H /L 02-	1	M476
-	996 612 964 00	Repair kit Wiring harness	/H /L 02-	1	
-	996 612 954 01	Repair kit Wiring harness	/H /R -01	1	
-		Repair kit Wiring harness	/H /R 02-	1	M476
-	996 612 965 00	Repair kit Wiring harness Repair kit Wiring harness Front axle See group 9/02/10	/H /R 02-	1	

Model: 996 98

Model life 1998>>2005



Model: 996 98 Model life 1998>>2005

Pos	Part Number	Description	Remark	Qty	Model
-	996 622 702 00	Optical waveguide Optical waveguide Module	03- /LL	1	M666
-	996 622 722 00	Optical waveguide Optical waveguide Module	/RL	1	M666
-	996 622 704 00	Optical waveguide Optical waveguide Module	/LL	1	M338/490 M680
-	996 622 724 00	Optical waveguide Optical waveguide Module	/RL	1	M338/490 M680
-	996 622 701 00	Optical waveguide Optical waveguide Module	/LL	1	M339/490 M680
-	996 622 721 00	Optical waveguide Optical waveguide Module	/RL	1	M339/490 M680
-	996 622 706 00	Optical waveguide Optical waveguide Module	/LL	1	M338/692
-	996 622 726 00	Optical waveguide Optical waveguide Module	/RL	1	M338/692
-	996 622 729 00	Optical waveguide Optical waveguide Module	/LL	1	M339/692
-	996 622 709 00	Optical waveguide Optical waveguide Module	/RL	1	M339/692
-	996 622 716 00	Optical waveguide Optical waveguide Module	/LL	1	M338/666 M692
-	996 622 736 00	Optical waveguide Optical waveguide Module	/RL	1	M338/666 M692
-	996 622 739 00	Optical waveguide Optical waveguide Module	/LL	1	M339/666 M692
-	996 622 719 00	Optical waveguide Optical waveguide Module	/RL	1	M339/666 M692
-	996 622 703 00	Optical waveguide Optical waveguide Module	/LL	1	M338/490 M666/680
-	996 622 723 00	Optical waveguide Optical waveguide Module	/RL	1	M338/490 M666/680
-	996 622 707 00	Optical waveguide Optical waveguide Module	/LL	1	M339/490 M666/680
-	996 622 727 00	Optical waveguide Optical waveguide Module	/RL	1	M339/490 M666/680
-	996 622 705 00	Optical waveguide Optical waveguide Module	/LL	1	M338/490 M680/692
-	996 622 725 00	Optical waveguide Optical waveguide Module	/RL	1	M338/490 M680/692
-	996 622 708 00	Optical waveguide Optical waveguide Module	/LL	1	M339/490 M680/692
-	996 622 728 00	Optical waveguide Optical waveguide Module	/RL	1	M339/490 M680/692
-	996 622 715 00	Optical waveguide Optical waveguide Module	/LL	1	M338/490 M666/680 M692
-	996 622 745 00	Optical waveguide Optical waveguide Module	/RL	1	M338/490 M666/680 M692
-	996 622 718 00	Optical waveguide Optical waveguide Module	/LL	1	M339/490 M666/680 M692
-	996 622 738 00	Optical waveguide Optical waveguide Module	/RL	1	M339/490 M666/680 M692
-	996 610 122 00	Support Connection point Luggage compartment		1	
-	999 507 804 40	Expander nut for Support		1	

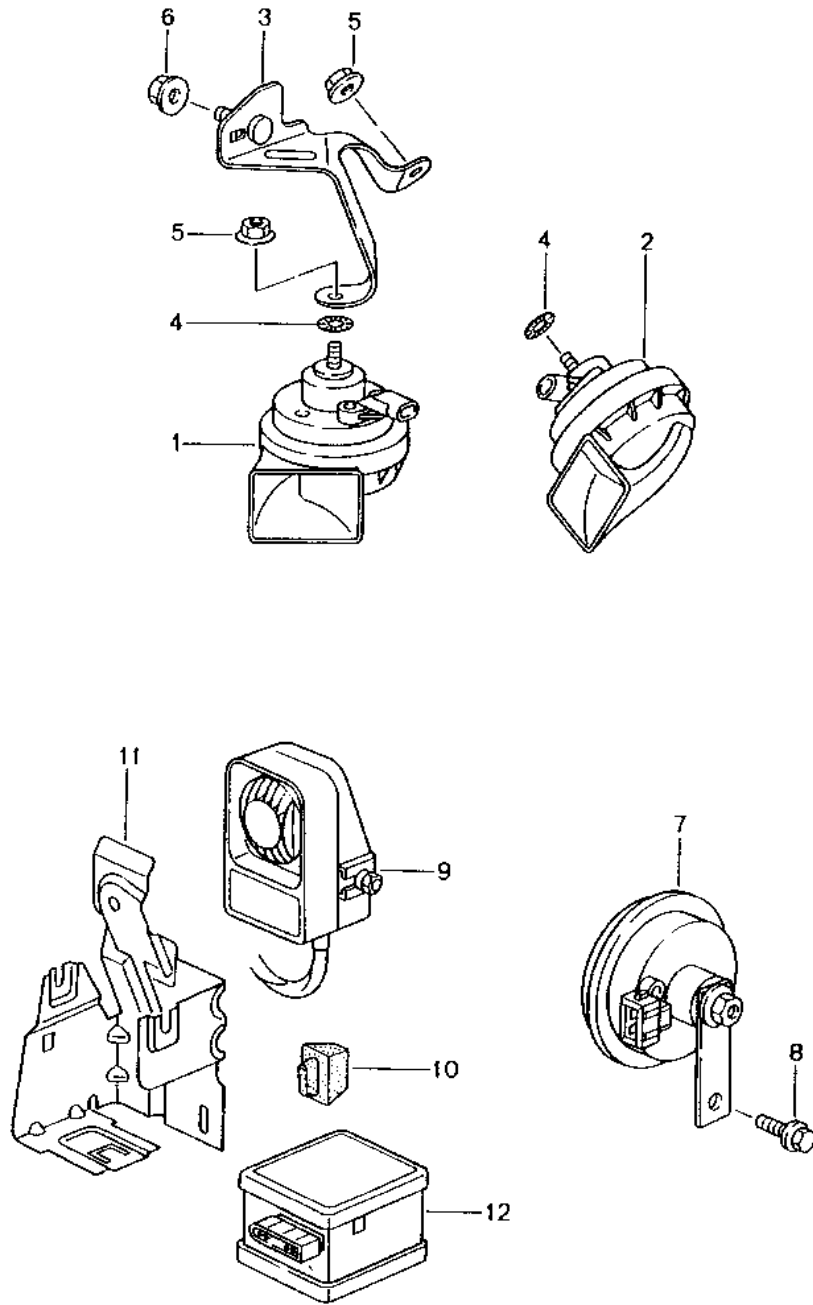
Model: 996 98

Model life 1998>>2005

Pos	Part Number	Description	Remark	Qty	Model
-	996 610 132 00	Cable guide T-piece Luggage compartment		1	

Model: 996 98

Model life 1998>>2005



Model: 996 98 Model life 1998>>2005

Pos	Part Number	Description	Remark	Qty	Model
1	996 635 206 04	Fanfare Horn Alarm system		1	M536
1	996 635 206 07	Fanfare High-pitched		1	
2	996 635 205 04	Fanfare Low-pitched		1	
2	996 635 205 07	Fanfare Low-pitched		1	
-	999 650 490 40	Plug socket		2	
-	999 650 135 22	Connector		4	
-	999 650 126 40	Gasket		4	
3	996 635 150 00	Support		1	
4	N 042 121 3	Shake-proof washer A 6,4		2	
5	900 380 015 01	Hexagon nut M 6		2	
6	900 377 003 03	Hexagon nut M 8		1	
7	996 637 117 02	Horn for Alarm system		1	
7	996 637 117 03	Horn for Alarm system		1	
7	996 637 117 04	Horn for Alarm system		1	
8	900 075 459 09	Combination screw		1	
8	900 075 459 01	Combination screw M 6 X 12 Z2		1	
9	996 618 237 04	Alarm siren		1	M536
9	996 618 237 05	Alarm siren		1	M536
-	999 652 946 40	Plug socket 3-pole		1	
-	999 650 126 40	Gasket		X	
-	999 650 127 40	Gasket		X	
-	999 652 934 22	Contact bush 0,63 - 0,5		X	
10	999 703 459 40	Rubber mounting		1	M536
11	996 637 420 01	Support	/LL	1	M536
(11)	996 637 419 01	Support for Alarm siren 99661823704	/RL	1	M536
(11)	996 637 419 03	Support for Alarm siren 99661823705	/RL	1	M536
12	996 618 265 00	Tilt sensor See technical manual GR.9 / 96 64 32 Use also:	-01	1	M536
-	996 622 904 00	Wiring harness		1	
-	999 650 335 40	Plug socket 6-pole	-01	1	M536
-	999 652 775 22	Contact bush 2,5 - 1	-01	X	M536
(12)	996 618 265 01	Tilt sensor	02-	1	M536
-	996 637 421 00	Support Tilt sensor	02-	1	M536

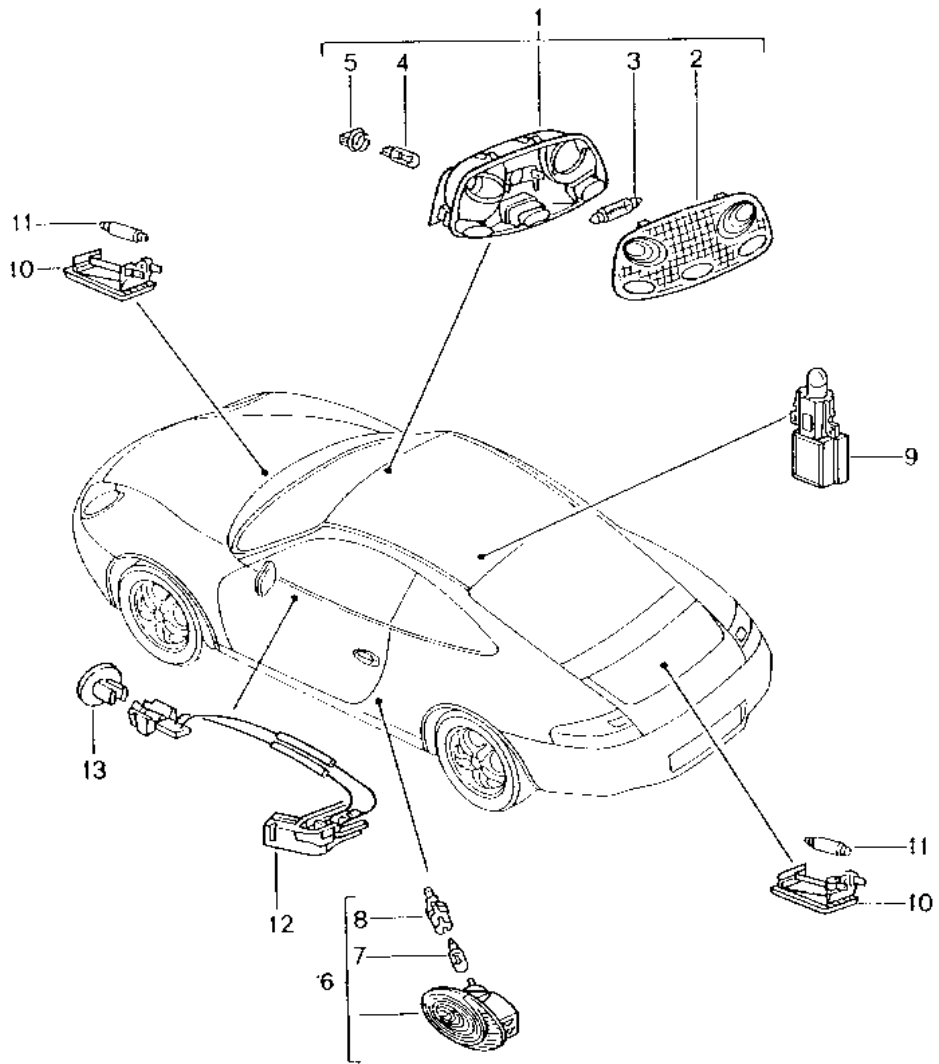
Model: 996 98

Model life 1998>>2005

Pos	Part Number	Description	Remark	Qty	Model
-	900 378 179 09	Hexagon-head bolt M 6 X 16	02-	1	M536
-	999 500 078 00	Speed nut M 6	02-	1	M536

Model: 996 98

Model life 1998>>2005



Model: 996 98 Model life 1998>>2005

Pos	Part Number	Description	Remark	Qty	Model
		Interior lights			
		Luggage compartment lamp			
		Engine compartment lamp			
		Glove compartment light			
		Footwell light			IXX2
		Combined lights			
		Door opener			
1	996 632 051 01	Interior light	-00	1	
1	996 632 053 01	Interior light	01	1	
1	996 632 053 10	Interior light	02-	1	
1	996 632 051 01	Interior light	01	1	M265
1	996 632 051 10	Interior light	02-	1	M265
2	996 632 151 00	Lens	-00	1	
2	996 632 153 00	Lens	01	1	
2	996 632 153 10	Lens	02-	1	
2	996 632 151 00	Lens	01-	1	M265
3	900 631 106 90	Linolite lamp		1	
		10 W			
4	999 631 134 90	Bulb		2	
		6 W			
5	999 632 018 00	Bulb socket		2	
6	996 632 132 01	Door guard light		2	
6	996 632 135 00	Light	02-	2	TARGA
		Tray			
		Luggage			
7	999 631 032 90	Bulb		2	
		5 W			
8	161 949 111	Bulb socket		2	
9	996 632 113 00	Ashtray light		1	
		Luggage compartment lamp			
		Engine compartment lamp			
		Footwell light			IXX2
10	997 632 201 00	Light		2	
-	815 971 989 B	Flat receptacle		2	
-	N 017 490 6	Flat connector		4	
-	996 632 980 00	Support		2	IXX2
		Footwell light			
(10)	928 632 101 00	Glove compartment light	02-	1	
11	900 631 106 90	Linolite lamp		2	
		10 W			
(11)	999 631 018 90	Bulb	02-	1	
		3 W			
		Glove compartment light			
-	999 631 137 90	Bulb	-01	4	M274
		3 W			
		Vanity mirror			
-	999 631 147 90	Bulb	02-	4	
		3 W			
		Vanity mirror			
12	996 632 121 02	Combined lights	/LL 01-	1	
		Driver's door			
		Door opener			
		Ignition starter lock			
(12)	996 632 124 02	Combined lights	/RL 01-	1	
		Driver's door			
		Door opener			
		Ignition starter lock			
(12)	996 632 122 02	Combined lights	/LL 01-	1	
		Passenger's door			
		Door opener			
(12)	996 632 123 02	Combined lights	/RL 01-	1	
		Passenger's door			
		Door opener			

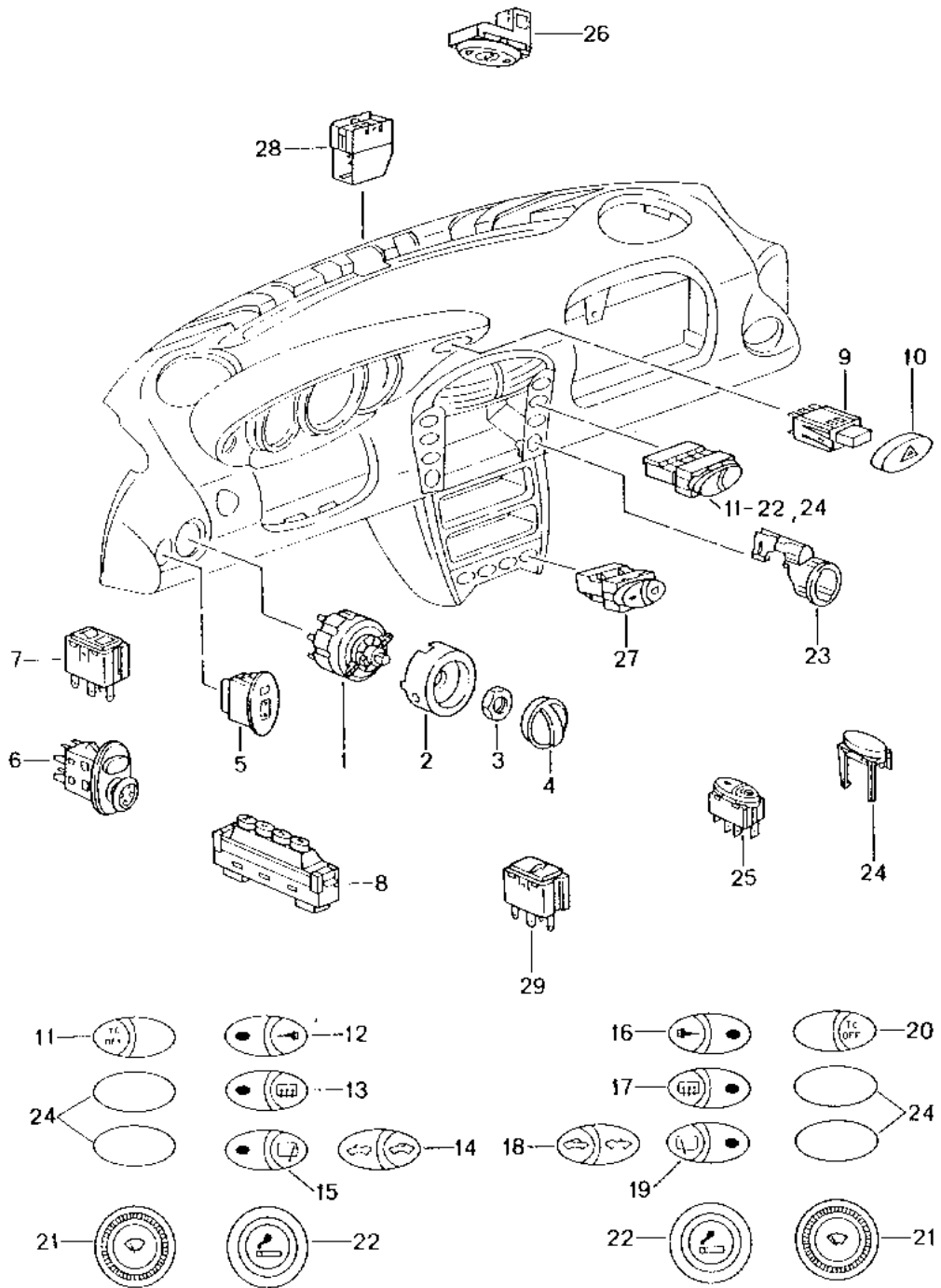
Model: 996 98

Model life 1998>>2005

Pos	Part Number	Description	Remark	Qty	Model
13	996 632 125 00	Rosette Driver's door Combined lights Ignition starter lock	/LL 01-	1	
(13)	996 632 126 00	Rosette Driver's door Combined lights Ignition starter lock	/RL 01-	1	

Model: 996 98

Model life 1998>>2005



Model: 996 98 Model life 1998>>2005

Pos	Part Number	Description	Remark	Qty	Model
1	996 613 535 00	Switch		1	
-	999 650 346 40	Light switch		1	
-	999 650 343 40	Terminal sleeve housing		1	
-	999 652 437 12	Lid		1	
-	999 652 437 12	Connector		X	
-	999 652 351 22	\$ 4,0			
-	999 652 351 22	Contact bush		X	
-	999 652 351 22	\$ 2,5			
2	996 613 631 01	Headlight unit	/LL	1	
2	996 613 631 02	Headlight unit	/LL	1	
(2)	996 613 632 01	Headlight unit	/RL	1	
-	999 652 972 40	Plug socket		1	
-	999 650 512 40	Plug socket		1	
-	999 652 973 40	Cap		1	
-	999 650 512 40	Plug socket		1	
-	999 652 901 22	Connector		5	
3	999 034 030 09	Hexagon nut		1	
		M 16 X 1			
4	996 613 533 01	Rotary knob	-01	1	
	996 613 533 01 A01	Gloss black			
4	996 613 533 10	Rotary knob	02-	1	
	996 613 533 10 A05	Black mat			
5	996 613 230 01	Potentiometer	-00	1	M605
	996 613 230 01 A01	Gloss black			
		Headlight levelling system			
6	996 613 241 00	Switch		1	M273
	996 613 241 00 01C	Satin black			
		Door mirror			
(6)	996 613 980 01	Mirror changeover switch	01-	1	IXTJ/XTK/XTL IXTR
		Door mirror			
		Leather			
	996 613 980 01 A11	Black			
	996 613 980 01 C51	Graphite grey			
	996 613 980 01 S31	Savanna			
	996 613 980 01 G11	Metropole blue			
	996 613 980 01 J31	Nephrite green			
	996 613 980 01 M31	Boxster red			
	996 613 980 01 P12	Cinnamon brown			
	996 613 980 01 D12	Dark grey/natural			
	996 613 980 01 T12	Brown/natural			
-	993 612 501 00	Plug socket		1	
-	N 903 352 04	Connector		5	
-	999 652 790 12	Cylindrical socket		2	
7	996 613 102 00	Tip switch		1	
		Rear spoiler			
-	999 650 035 40	Plug socket		1	
-	999 650 330 00	Connector		5	
8	996 613 103 01	Memory switch	-01	1	M537/538
(8)	996 613 103 02	Memory switch	02-	1	M537/538
9	996 613 120 01	Hazard warning light sw.		1	
10	996 613 121 00	Key	-01	1	
	996 613 121 00 A02	Gloss black			
10	996 613 121 10	Key	02-	1	
	996 613 121 10 A05	Black mat			
-	999 650 191 40	Plug socket		1	
-	999 650 192 40	Locking device		1	
-	999 652 475 22	Flat plug		9	
-		Rosette		X	
		Hazard warning light sw.			
		See group			
		8/09/00			
11	996 613 141 00	Tip switch	/LL -99	1	M222
	996 613 141 00 A02	Gloss black			

Model: 996 98 Model life 1998>>2005

Pos	Part Number	Description	Remark	Qty	Model
(11)	996 613 145 00	Tip switch	/LL -01	1	M476
	996 613 145 00 A02	Gloss black			
(11)	996 613 145 10	Tip switch	/LL 02-	1	M476
	996 613 145 10 A05	Black mat			
-	999 650 107 40	Plug socket Yellow		1	
-	999 650 103 12	Connector		5	
12	996 613 144 00	Tip switch	/LL -01	1	
	996 613 144 00 A02	Gloss black Central locking system			
12	996 613 144 10	Tip switch	/LL 02-	1	
	996 613 144 10 A05	Black mat Central locking system			
-	999 650 107 40	Plug socket Yellow		1	
-	999 650 330 00	Connector		5	
13	996 613 134 00	Tip switch	/LL -01	1	
	996 613 134 00 A02	Gloss black Heating Rear window Door mirror			
13	996 613 134 10	Tip switch	/LL 02-	1	
	996 613 134 10 A05	Black mat Heating Rear window Door mirror			
-	999 650 110 40	Plug socket		1	
-	999 650 103 12	Connector		5	
14	996 613 138 00	Tip switch	/LL -01	1	CABRIO
	996 613 138 00 A02	Gloss black Convertible top control			
14	996 613 138 10	Tip switch	/LL 02-	1	CABRIO
	996 613 138 10 A05	Black mat Convertible top control			
-	999 650 111 40	Plug socket		1	
-	999 650 330 00	Connector		5	
15	996 613 136 00	Tip switch	/LL -01	1	M425
	996 613 136 00 A02	Gloss black Rear window wiper			
15	996 613 136 10	Tip switch	/LL 02-	1	M425
	996 613 136 10 A05	Black mat Rear window wiper			
-	999 650 111 40	Plug socket		1	
-	999 650 330 00	Connector		5	
16	996 613 143 00	Tip switch	/RL -01	1	
	996 613 143 00 A02	Gloss black Central locking system			
16	996 613 143 10	Tip switch	/RL 02-	1	
	996 613 143 10 A05	Black mat Central locking system			
-	999 650 107 40	Plug socket Yellow		1	
-	999 650 330 00	Connector		5	
17	996 613 133 00	Tip switch	/RL -01	1	
	996 613 133 00 A02	Gloss black Heating Rear window Door mirror			
17	996 613 133 10	Tip switch	/RL 02-	1	
	996 613 133 10 A05	Black mat Heating Rear window Door mirror			

Model: 996 98 Model life 1998>>2005

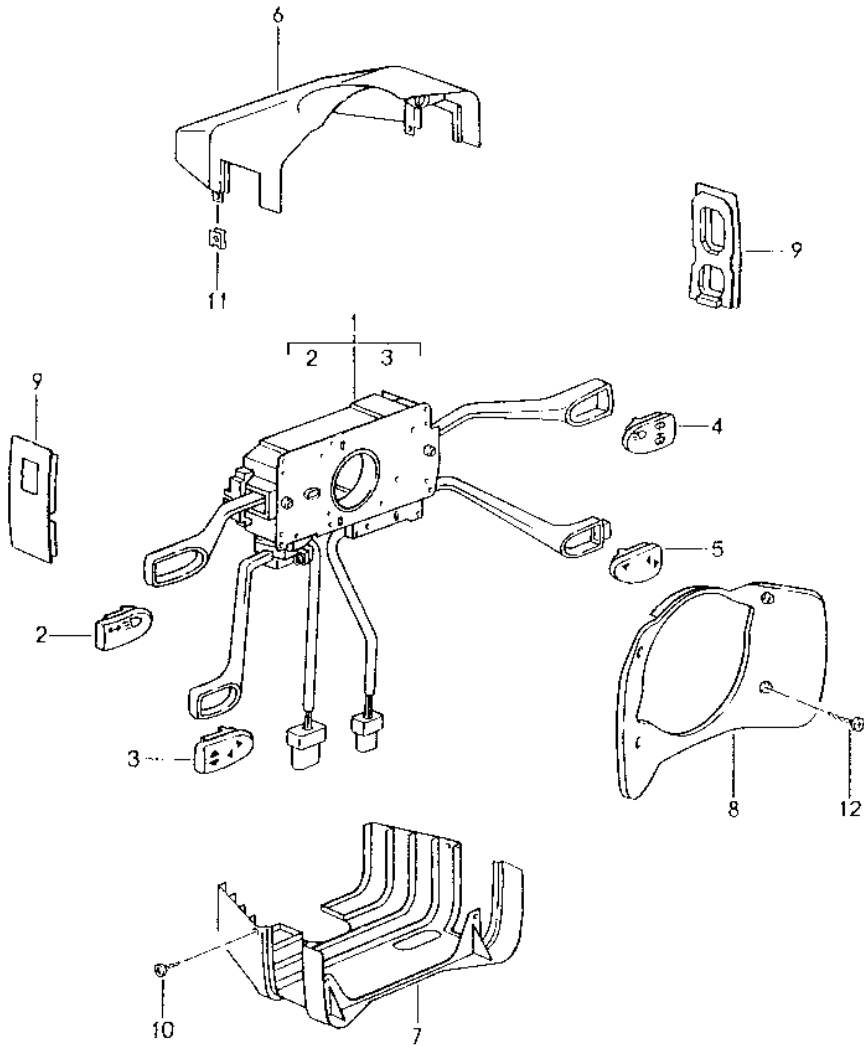
Pos	Part Number	Description	Remark	Qty	Model
-	999 650 110 40	Plug socket		1	
-	999 650 103 12	Connector		5	
18	996 613 137 00	Tip switch	/RL -01	1	CABRIO
	996 613 137 00 A02	Gloss black Convertible top control			
18	996 613 137 10	Tip switch	/RL 02-	1	CABRIO
	996 613 137 10 A05	Black mat Convertible top control			
-	999 650 111 40	Plug socket		1	
-	999 650 330 00	Connector		5	
19	996 613 135 00	Tip switch	/RL -01	1	M425
	996 613 135 00 A02	Gloss black Rear window wiper			
19	996 613 135 10	Tip switch	/RL 02-	1	M425
	996 613 135 10 A05	Black mat Rear window wiper			
-	999 650 111 40	Plug socket		1	
-	999 650 330 00	Connector		5	
20	996 613 142 00	Tip switch	/RL -99	1	M222
	996 613 142 00 A02	Gloss black			
(20)	996 613 146 00	Tip switch	/RL -01	1	M476
	996 613 146 00 A02	Gloss black			
(20)	996 613 146 10	Tip switch	/RL 02-	1	M476
	996 613 146 10 A05	Black mat			
-	999 650 107 40	Plug socket Yellow		1	
-	999 650 103 12	Connector		5	
21	996 613 115 00	Potentiometer	-01	1	
	996 613 115 00 A02	Gloss black Wipe interval			
21	996 613 115 10	Potentiometer	02-	1	
	996 613 115 10 A05	Black mat Wipe interval			
21	996 613 127 00	Potentiometer	01	1	M265
	996 613 127 00 A02	Gloss black Wipe interval			
21	996 613 127 10	Potentiometer	02-	1	M265
	996 613 127 10 A05	Black mat Wipe interval			
22	996 652 101 00	Cigarette lighter	-01	1	
22	997 652 101 00	Cigarette lighter	02-	1	
	997 652 101 00 A05	Black mat			
-	999 650 284 40	Plug socket		1	
-	999 652 735 12	Connector		3	
(22)	996 652 103 00	Plug socket		1	M580
	996 652 103 00 A01	Gloss black			
23	996 652 102 01	Headlight unit	-01	1	
23	996 652 102 10	Headlight unit	02-	1	
(23)	996 652 104 00	Tensioning sleeve		1	M580
24	996 552 425 00	Cover	-99	X	
	996 552 425 00 A01	Gloss black			
(24)	986 613 425 00	Cover	-01	X	
	986 613 425 00 A01	Gloss black Switch Display specimen			
(24)	996 613 425 10	Cover	02-	X	
	996 613 425 10 A05	Black mat Switch Display specimen			
(24)	996 613 980 06	Tip switch	02-	1	IXX2
	996 613 980 06 A05	Black mat Footwell light			
(24)	996 613 987 10	Tip switch		1	IXLF

Model: 996 98 Model life 1998>>2005

Pos	Part Number	Description	Remark	Qty	Model
	996 613 987 10 A05	Black mat	/LL /RL		COUPE/TARGA CABRIO
(24)	996 613 988 10	Tip switch		1	IXLF
	996 613 988 10 A05	Black mat	/LL /RL		CABRIO COUPE/TARGA
25	996 613 151 00	Tip switch	-01	2	COUPE
	996 613 151 00 A02	Gloss black Power windows	-01 -01		CABRIO
25	996 613 151 10	Tip switch	02-	2	COUPE
	996 613 151 10 A05	Black mat Power windows	02- 02-		CABRIO
-	999 650 109 40	Plug socket	/L	1	
-	999 650 330 00	Connector	/L	5	
-	999 650 035 40	Plug socket	/R	1	
-	999 650 330 00	Connector	/R	5	
26	996 613 147 00	Tip switch	-01	1	M650
	996 613 147 00 A02	Gloss black Sunroof			
26	996 613 147 10	Tip switch	02-	1	M650
	996 613 147 10 A05	Black mat Sunroof			
27	996 613 153 00	Tip switch	/L -01	1	M139
	996 613 153 00 A02	Gloss black Seat heater			
(27)	996 613 154 00	Tip switch	/R -01	1	M340
	996 613 154 00 A02	Gloss black Seat heater			
27	996 613 153 10	Tip switch	/L -02 /L 03-	1	M139 M342
	996 613 153 10 A05	Black mat Seat heater			
(27)	996 613 154 10	Tip switch	/R -02 /R 03-	1	M340 M342
	996 613 154 10 A05	Black mat Seat heater			
-	999 650 109 40	Plug socket	/L	1	
-	999 650 330 00	Connector	/L	5	
-	999 650 035 40	Plug socket	/R	1	
-	999 650 330 00	Connector	/R	5	
(27)	996 613 157 10	Tip switch	02-	1	TARGA
	996 613 157 10 A05	Black mat Glass roof			
(27)	996 613 119 10	Tip switch	02-	1	TARGA
	996 613 119 10 A05	Black mat Shade			
28	996 653 251 00	Sensor Alarm system with Light		1	M534/535 M573
-	999 650 221 40	Plug socket		1	
29	996 613 105 10	Tip switch	01-	1	
	996 613 105 10 A05	Black mat Lid Front			
(29)	996 613 106 10	Tip switch	01-	1	
	996 613 106 10 A05	Black mat Lid Rear			
(29)	996 613 107 10	Tip switch	02-	1	TARGA
	996 613 107 10 A05	Black mat Rear lid release			

Model: 996 98

Model life 1998>>2005



Model: 996 98 Model life 1998>>2005

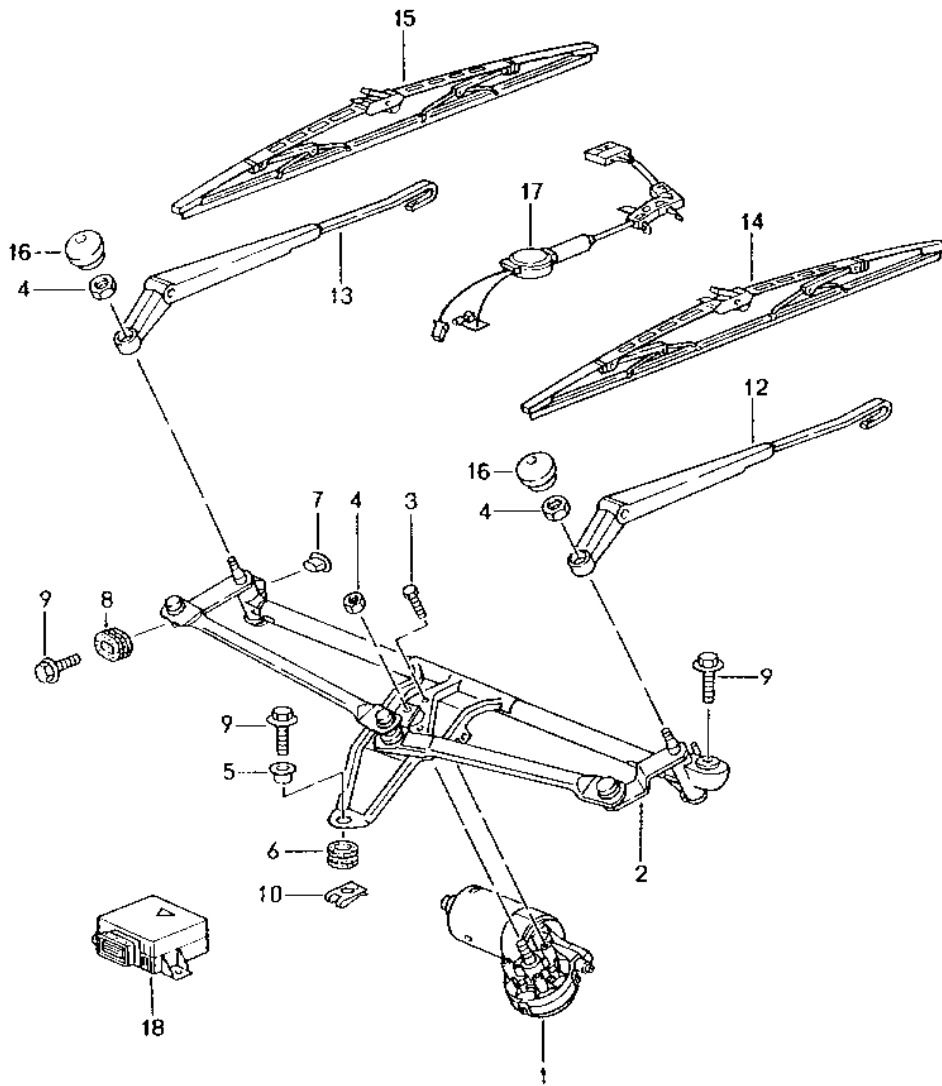
Pos	Part Number	Description	Remark	Qty	Model
1	996 613 219 10	Steering column switch		1	M454/659
1	996 613 219 10 EWC	Black mat/satin black		1	M454
1	996 613 217 10	Steering column switch		1	M454
1	996 613 217 10 EWC	Black mat/satin black		1	M659
1	996 613 215 10	Steering column switch		1	M659
1	996 613 215 10 EWC	Black mat/satin black		1	
1	996 613 213 10	Steering column switch		1	
1	996 613 213 10 EWC	Black mat/satin black		1	
-	999 652 640 40	Plug socket	/L	1	
-	999 652 639 22	Contact bush	/L	X	
-	999 652 641 40	Plug socket	/R	1	
-	999 652 639 22	Contact bush	/R	X	
-	999 650 056 40	Plug socket		1	M659
-	999 650 057 40	Cap		1	M659
-	999 652 901 22	Connector		X	M659
-	999 652 972 40	Plug socket		1	M454
-	999 650 512 40	Plug socket		1	M454
-	999 652 973 40	Cap		1	M454
-	999 650 512 40	Plug socket		1	M454
-	999 652 901 22	Connector		X	M454
2	996 613 509 00	When required order also: Cap with symbol	-01	1	
2	996 613 509 00 A01	Gloss black Direction indicator light High beam		1	
2	996 613 509 10	Cap with symbol	02-	1	
2	996 613 509 10 A05	Black mat Direction indicator light High beam		1	
3	996 613 503 01	Cap with symbol	-01	1	M659
3	996 613 503 01 A01	Gloss black		1	M659
3	996 613 503 10	Cap with symbol	02-	1	M659
3	996 613 503 10 A05	Black mat		1	M288
4	996 613 507 00	Cap with symbol	-01	1	M288
4	996 613 507 00 A01	Gloss black		1	M288
4	996 613 507 10	Cap with symbol	02-	1	M288
4	996 613 507 10 A05	Black mat		1	
(4)	996 613 508 00	Cap with symbol	-01	1	
(4)	996 613 508 00 A01	Gloss black		1	
(4)	996 613 508 10	Cap with symbol	02-	1	
(4)	996 613 508 10 A05	Black mat		1	
5	996 613 504 00	Cap with symbol	-01	1	M454
5	996 613 504 00 A01	Gloss black German		1	M454
5	996 613 504 10	Cap with symbol	02-	1	M454
5	996 613 504 10 A05	Black mat German		1	M454
(5)	996 613 505 00	Cap with symbol	-01	1	M454
(5)	996 613 505 00 A01	Gloss black English		1	M454
(5)	996 613 505 10	Cap with symbol	02-	1	M454
(5)	996 613 505 10 A05	Black mat English		1	M454
(5)	996 613 506 00	Cap with symbol	-01	1	M454
(5)	996 613 506 00 A01	Gloss black French		1	M454
(5)	996 613 506 10	Cap with symbol	02-	1	M454
(5)	996 613 506 10 A05	Black mat French		1	M454
6	996 552 273 00	Switch housing	-99	1	
6	996 552 273 00 01C	Satin black		1	
6	996 552 273 01	Switch housing		1	

Model: 996 98 Model life 1998>>2005

Pos	Part Number	Description	Remark	Qty	Model
		Lacquered			
	996 552 273 01 B50	Space grey	-99		
	996 552 273 01 C50	Graphite grey	-99		
	996 552 273 01 G10	Metropole blue	-99		
	996 552 273 01 S30	Savanna	-99		
	996 552 273 01 A03	Black	00-		
	996 552 273 01 B13	Space grey	00-		
	996 552 273 01 C53	Graphite grey	00-		
	996 552 273 01 G13	Metropole blue	00-		
	996 552 273 01 J33	Nephrite green	00-		
	996 552 273 01 M33	Boxster red	00-		
	996 552 273 01 S33	Savanna	00-		
	996 552 273 01 P13	Cinnamon brown	01-		
7	996 552 275 02	Switch housing	-99	1	
	996 552 275 02 01C	Satin black			
7	996 552 275 03	Switch housing		1	
		Lacquered			
	996 552 275 03 B50	Space grey	-99		
	996 552 275 03 C50	Graphite grey	-99		
	996 552 275 03 G10	Metropole blue	-99		
	996 552 275 03 S30	Savanna	-99		
	996 552 275 03 A03	Black	00-		
	996 552 275 03 B13	Space grey	00-		
	996 552 275 03 C53	Graphite grey	00-		
	996 552 275 03 G13	Metropole blue	00-		
	996 552 275 03 J33	Nephrite green	00-		
	996 552 275 03 M33	Boxster red	00-		
	996 552 275 03 S33	Savanna	00-		
	996 552 275 03 P13	Cinnamon brown	01-		
-	996 610 206 00	Support		1	
		for			
		Connector housing			
8	993 552 277 00	Cover	-99	1	
	993 552 277 00 01C	Satin black			
8	996 552 277 00	Cover		1	
		Lacquered			
	996 552 277 00 B50	Space grey	-99		
	996 552 277 00 C50	Graphite grey	-99		
	996 552 277 00 G10	Metropole blue	-99		
	996 552 277 00 S30	Savanna	-99		
	996 552 277 00 A03	Black	00-		
	996 552 277 00 B13	Space grey	00-		
	996 552 277 00 C53	Graphite grey	00-		
	996 552 277 00 G13	Metropole blue	00-		
	996 552 277 00 J33	Nephrite green	00-		
	996 552 277 00 M33	Boxster red	00-		
	996 552 277 00 S33	Savanna	00-		
	996 552 277 00 P13	Cinnamon brown	01-		
9	993 552 573 00	Cover		X	
	993 552 573 00 01C	Satin black			
					M454 M659
(9)	993 552 573 01	Cover		X	
	993 552 573 01 01C	Satin black			
					M454/659 M454 M659
10	900 143 002 07	Tapping screw		2	
		B 2,9 X 9,5			
11	999 591 888 02	Speed nut		2	
		B 2,9			
12	900 143 072 02	Oval-head sheetmetal screw		4	
		B 3,5 X 19			

Model: 996 98

Model life 1998>>2005

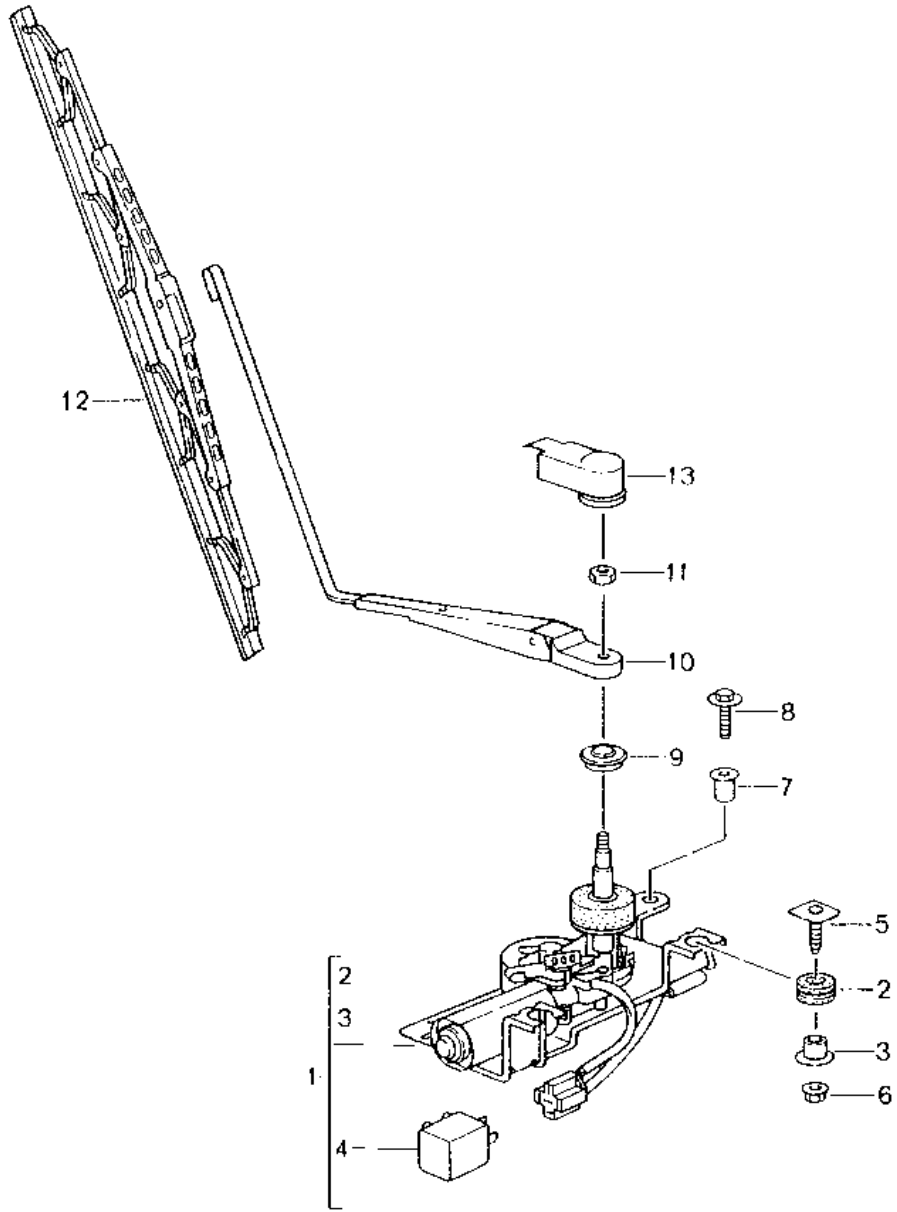


Model: 996 98 Model life 1998>>2005

Pos	Part Number	Description	Remark	Qty	Model
		Windscreen wiper system			
		Rain sensor			M265
1	997 624 105 01	Wiper motor	/LL	1	
(1)	997 624 106 01	Wiper motor	/RL	1	
2	997 628 235 01	Crank drive	/LL	1	
(2)	997 628 236 00	Crank drive	/RL	1	
(2)	997 628 236 01	Crank drive	/RL	1	
3	900 075 014 02	Hexagon-head bolt M 6 X 18	-04	3	
3	900 075 014 03	Hexagon-head bolt M 6 X 18		3	
(3)	999 073 152 02	Torx screw M 6 X 18	05	3	
4	900 076 064 02	Hexagon nut M 8		3	
5	999 924 102 02	Bearing sleeve		1	
6	999 702 204 50	Rubber bush		1	
7	996 628 713 00	Bearing sleeve		1	
8	996 628 703 00	Rubber bush		1	
9	999 075 075 01	Combination screw M 6 X 22 SC		3	
10	999 507 246 01	Speed nut M 6		1	
12	997 628 027 00	Wiper arm Driver's side	/LL	1	
(12)	997 628 030 00	Wiper arm Passenger's side	/RL	1	
13	997 628 029 00	Wiper arm Passenger's side	/LL	1	
(13)	997 628 028 00	Wiper arm Driver's side	/RL	1	
(14)	996 628 901 08	Wiper blade Set Driver's side Passenger's side See technical information GR. 9 , NR. 1/03	/LL	1	
(15)		Wiper blade Set Driver's side Passenger's side See technical information GR. 9 , NR. 1/03	/RL	1	
16	944 628 305 01	Cap		2	
17	996 612 506 00	Rain sensor		1	COUPE M265
(17)	996 612 516 00	with Wiring harness Rain sensor		1	CABRIO M265
(17)	996 612 526 00	with Wiring harness Rain sensor	02-	1	TARGA M265
-	000 043 204 65	with Wiring harness Adhesive film for Rain sensor See technical manual GR. 9 / 92 12 19		1	M265
18	996 615 113 00	Control unit Rain sensor		1	M265

Model: 996 98

Model life 1998>>2005



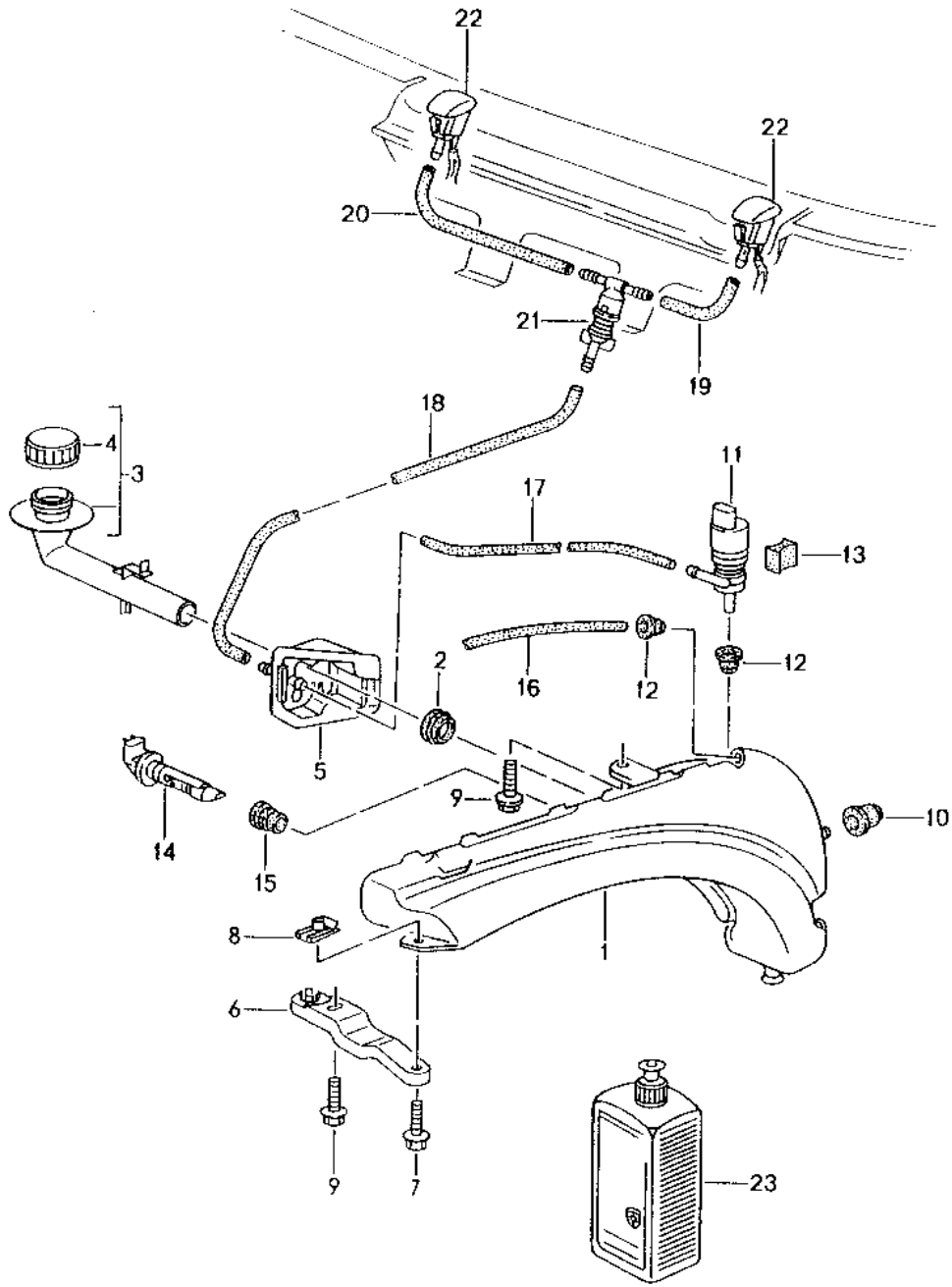
Model: 996 98

Model life 1998>>2005

Pos	Part Number	Description	Remark	Qty	Model
		Rear window wiper			COUPE/TARGA
1	996 628 080 00	Wiper motor		1	CARRERA
1	996 628 080 01	Wiper motor	02-	1	C4S
(1)	996 628 090 00	Wiper motor	02-	1	TARGA
2	999 702 204 50	Rubber bush		2	
3	999 924 102 02	Bearing sleeve		2	
4	928 618 104 00	Relay		1	
5	999 081 004 02	Screw		2	
6	999 084 212 02	Hexagon nut M 6		2	
7	999 500 078 00	Speed nut		1	
8	999 075 056 09	Combination screw M 6 X 22 Z2		1	
9	996 628 273 01	Grommet		1	
10	996 628 040 00	Wiper arm		1	COUPE
(10)	996 628 050 00	Wiper arm	02-	1	TARGA
11	900 076 064 02	Hexagon nut M 8		1	
12	996 628 045 00	Wiper blade		1	
13	944 628 122 00	Cap		1	

Model: 996 98

Model life 1998>>2005



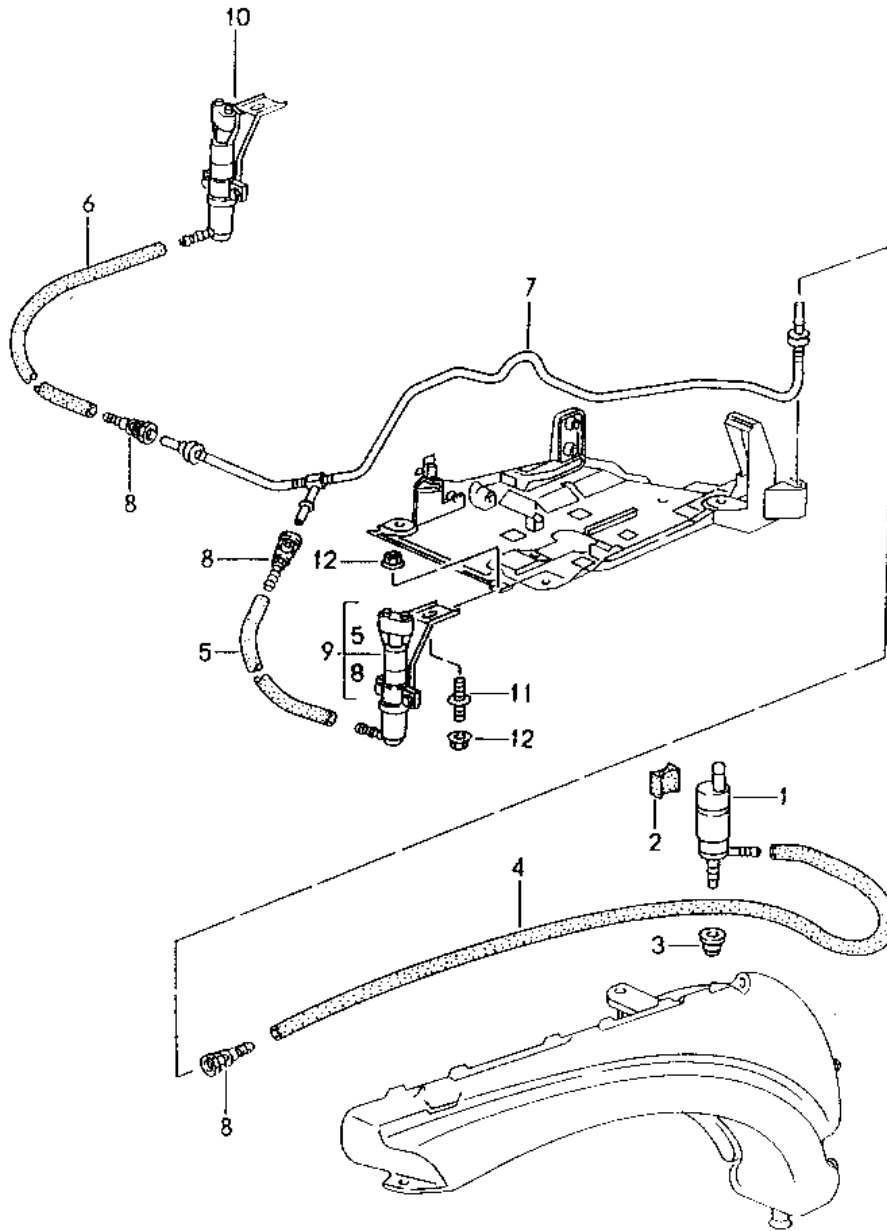
Model: 996 98

Model life 1998>>2005

Pos	Part Number	Description	Remark	Qty	Model
		Windscreen washer system			
1	996 528 701 00	Water reservoir		1	M288
(1)	996 528 701 01	Water reservoir		1	
2	996 528 711 00	Gasket		1	
3	996 528 605 00	Filler neck		1	
4	996 528 607 00	Lid		1	
5	996 528 615 01	Bracket		1	
-	999 137 091 40	Joining socket		X	
		Repair material for Bracket 996.528.615.00/01			
(6)	996 528 611 02	Support		1	M288
7	900 378 030 09	Hexagon-head bolt M 6 X 20		1	M288
8	999 591 882 02	Speed nut M 6		1	M288
8	999 591 882 01	Speed nut M 6		1	M288
9	900 378 154 01	Hexagon-head bolt AM 8 X 35 SB		1 2	M288
10	999 702 221 40	Grommet		2	
11	996 628 172 00	Pump		1	
12	431 955 465 B	Sealing ring		2	
13	993 628 213 00	Spacer		1	M288
14	996 628 105 00	Tank gauge switch		1	
15	996 528 721 00	Grommet		1	
16	999 181 347 40	Breather pipe 245 MM 640 MM		*	M288
-	999 181 815 40	Hose 5,0 X 2,5		*	
17		400 MM		1	
18		560 MM		1	
19		80 MM		1	
20		380 MM		1	
21	996 628 102 00	T-piece		1	
22	996 628 077 00	Nozzle Adjustable	98	2	
(22)	996 628 077 03	Nozzle Not Adjustable	99-	2	
-	997 612 976 00	When required order also: Repair kit		2	
23	999 901 017 41	Wiring harness Window cleaner 250 ML Summer		X	
23	999 901 017 42	Window cleaner 250 ML Summer		X	
23	000 044 000 87	Window cleaner 250 ML Summer		X	
23	999 901 033 40	Window cleaner 1000 ML Winter		X	

Model: 996 98

Model life 1998>>2005



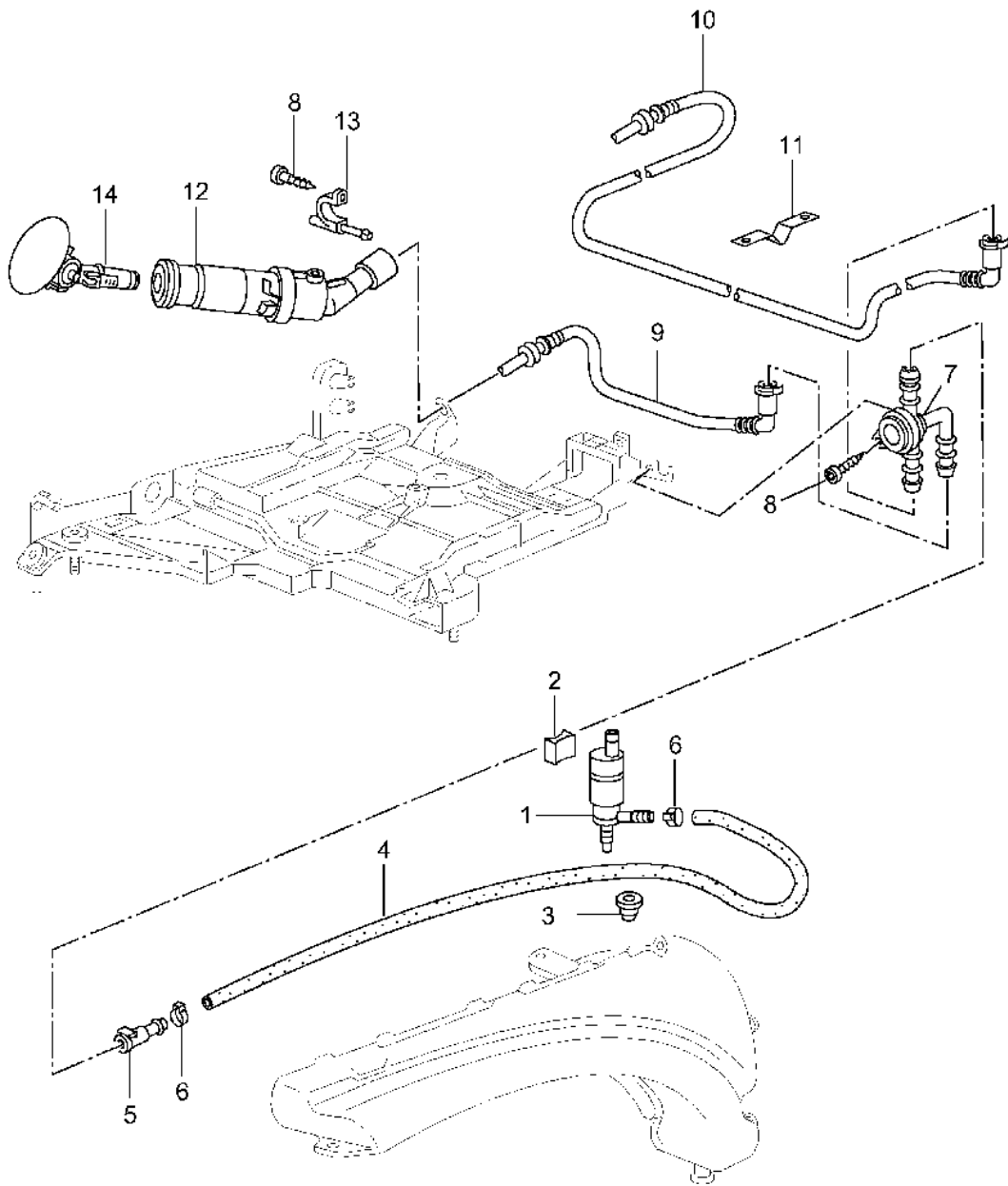
Model: 996 98

Model life 1998>>2005

Pos	Part Number	Description	Remark	Qty	Model
		Headlight washer system	-01		M288
1	996 624 502 00	Pump		1	
2	993 628 213 00	Spacer		1	
3	928 628 193 00	Gasket without Strainer		1	
(3)	996 628 393 00	Gasket with Strainer		1	
-	000 043 204 79	Hose 8 X 3 1020 MM		*	
4		170 MM		1	
5		930 MM		1	
6		Hose clamp for POS. 1 + 8		X	
-	999 512 568 02	Clamp for POS. 5 + 6		X	
7	996 628 673 00	Line		1	
8	996 628 675 00	Clutch Quick-connecting lock		3	
9	996 628 333 00	Nozzle	/L	1	
10	996 628 334 00	Nozzle	/R	1	
11	996 628 335 00	Threaded bolt		2	
12	999 076 064 02	Hexagon nut M 6-S		4	

Model: 996 98

Model life 1998>>2005



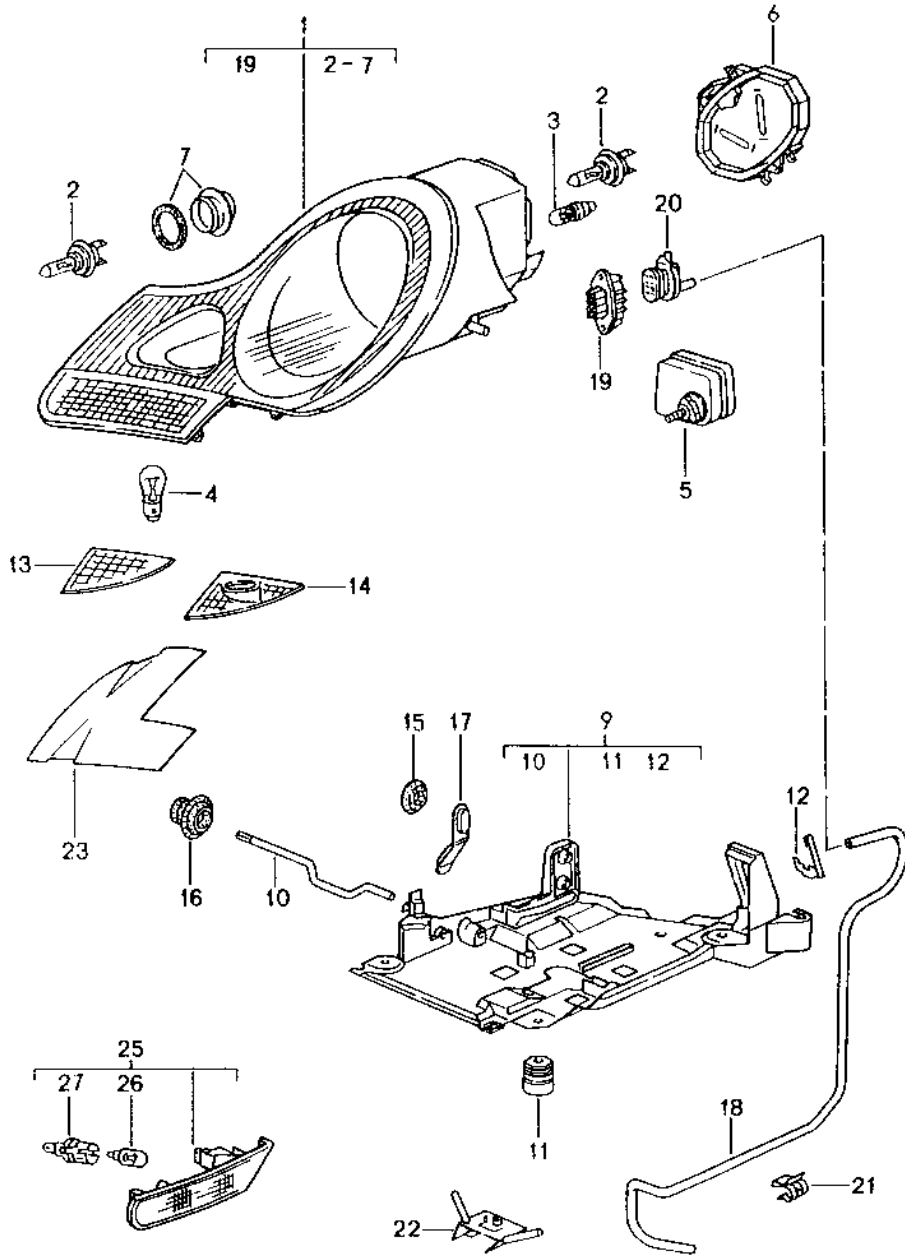
Model: 996 98

Model life 1998>>2005

Pos	Part Number	Description	Remark	Qty	Model
		Headlight washer system	02-		M288
1	996 624 502 00	Pump		1	
2	993 628 213 00	Spacer		1	
3	928 628 193 00	Gasket without Strainer		1	
(3)	996 628 393 00	Gasket with Strainer		1	
-	999 181 750 40	Hose 10 X 3 1020 MM		*	
4				1	
5	996 628 204 00	Clutch		1	
6	999 512 673 00	Hose clamp		2	
7	996 628 160 00	Distributing piece		1	
8	999 919 017 02	Oval-head screw 4,0 X 16		3	
9	996 628 135 00	Pipeline	/L	1	
10	996 628 136 01	Pipeline	/R	1	
11	996 628 110 00	Support		2	
12	996 628 161 00	Jet carrier	/L	1	
(12)	996 628 162 00	Jet carrier	/R	1	
13	996 631 116 00	Guide pin		2	
14	996 628 143 00	Trim cover with Nozzle	/L	1	
(14)	996 628 144 00	Trim cover with Nozzle	/R	1	

Model: 996 98

Model life 1998>>2005



Model: 996 98 Model life 1998>>2005

Pos	Part Number	Description	Remark	Qty	Model
		Headlamp Direction indicator light Headlamp with Headlight levelling system	-01		
1	996 631 153 04	Headlamp	/L 98	1	
1	996 631 154 04	Headlamp	/R 98	1	
1	996 631 153 08	Headlamp	/L 98	1	M492
1	996 631 154 08	Headlamp	/R 98	1	M492
1	996 631 153 12	Headlamp	/L (J) 98	1	M492
1	996 631 154 12	Headlamp	/R (J) 98	1	M492
		Headlamp without Headlight levelling system	01		
(1)	996 631 163 01	Headlamp	/L 99-	1	
(1)	996 631 164 01	Headlamp	/R 99-	1	
(1)	996 631 163 11	Headlamp	/L 99-	1	M492
(1)	996 631 164 11	Headlamp	/R 99-	1	M492
		for vehicles up to Model year 00 with Headlight levelling system When required order also: 993.624.209.00			
2	999 631 133 90	Halogen bulb H 7 White		6	
3	999 631 032 90	Bulb 5 W		2	
4	900 631 127 90	Bulb 21 W		2	
5	993 624 209 00	Electric motor Headlight levelling system	-00	2	
6	996 631 231 00	Protective cap Headlamp		2	
7	996 631 233 00	Protective cap Fog headlamp		2	
9	996 631 041 00	Mounting	/L	1	
(9)	996 631 042 00	Mounting	/R	1	
10	996 631 243 00	Clamping bow		2	
11	996 631 077 00	Fastening part		6	
12	996 631 245 00	Locking device Connector housing	/L	1	
(12)	996 631 246 00	Locking device Connector housing	/R	1	
13	996 631 035 00	Trim cover Orange	/L 98	1	
13	996 631 045 00	Trim cover White	/L 99-	1	
(13)	996 631 036 00	Trim cover Orange	/R 98	1	
(13)	996 631 046 00	Trim cover White	/R 99-	1	
14	996 631 035 01	Trim cover Orange	/L 98	1	M288
14	996 631 045 01	Trim cover White	/L 99-	1	M288
(14)	996 631 036 01	Trim cover Orange	/R 98	1	M288
(14)	996 631 046 01	Trim cover White	/R 99-	1	M288
15	803 803 583 A	Stopper		2	

Model: 996 98 Model life 1998>>2005

Pos	Part Number	Description	Remark	Qty	Model
15	999 703 196 40	Lid		2	
16	999 703 413 40	Stopper		2	
17	993 631 170 03	Stopper		6	
18	996 631 641 03	Breather pipe	/L	1	
(18)	996 631 642 03	Breather pipe	/R	1	
19	999 652 832 40	Connector housing		2	
		Headlamp			
20	999 650 150 40	Connector housing		2	
		Wiring harness			
-	999 652 744 20	Connector		16	
-	999 704 161 40	Gasket		16	
21	999 651 317 09	Fastening clamp		X	
		Breather pipe			
(21)	999 651 276 40	Cable holder		X	
		Breather pipe			
		Wing strut			
(21)	999 651 282 40	Cable holder		X	
		Breather pipe			
		Front apron			
22	996 631 693 00	Support		1	
		Mount			
		Front apron			
23	996 631 137 00	Set		1	
		Cover foil			
		Headlamp			
		for			
		Right-hand drive vehicles			
		in rh traffic countries			
		See TPI			
		GR.9 / NR. 15			
(23)	996 631 138 00	Set		1	
		Cover foil			
		Headlamp			
		for			
		Left-hand drive vehicles			
		in lh traffic countries			
		See TPI			
		GR. 9 / NR. 15			
		Side marker light			
		Direction indicator light			
25	996 631 033 01	Direction indicator light	/L 98	1	
25	996 631 033 02	Direction indicator light	/L 98	1	
(25)	996 631 033 03	Direction indicator light	/L 98	1	
25	996 631 043 01	Direction indicator light	/L 99-	1	
25	996 631 043 02	Direction indicator light	/L 99-	1	
(25)	996 631 043 03	Direction indicator light	/L 99-	1	
(25)	996 631 034 01	Direction indicator light	/R 98	1	
(25)	996 631 034 02	Direction indicator light	/R 98	1	
(25)	996 631 034 03	Direction indicator light	/R 98	1	
(25)	996 631 044 01	Direction indicator light	/R 99-	1	
(25)	996 631 044 02	Direction indicator light	/R 99-	1	
(25)	996 631 044 03	Direction indicator light	/R 99-	1	
-	999 652 838 40	Plug socket		2	
-	999 652 771 12	Connector		4	
-	999 704 161 40	Gasket		4	
26	999 631 032 90	Bulb		2	
		5 W			
		White			
26	999 631 138 90	Bulb	99-	2	
		5 W			
		Yellow			
27	996 631 133 00	Bulb socket		2	
		for			

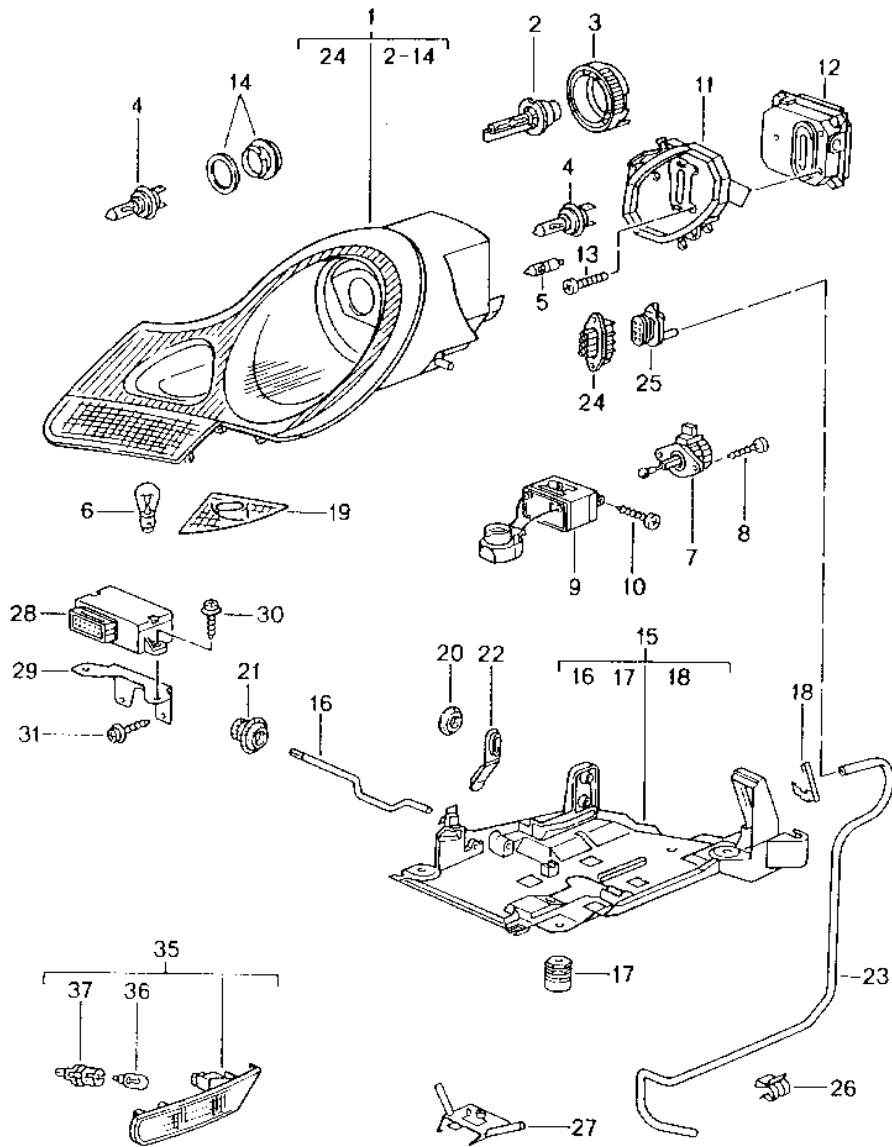
Model: 996 98

Model life 1998>>2005

Pos	Part Number	Description	Remark	Qty	Model
(27)	996 631 133 01	Bulb White Bulb socket for Bulb Yellow		2	

Model: 996 98

Model life 1998>>2005



Model: 996 98 Model life 1998>>2005

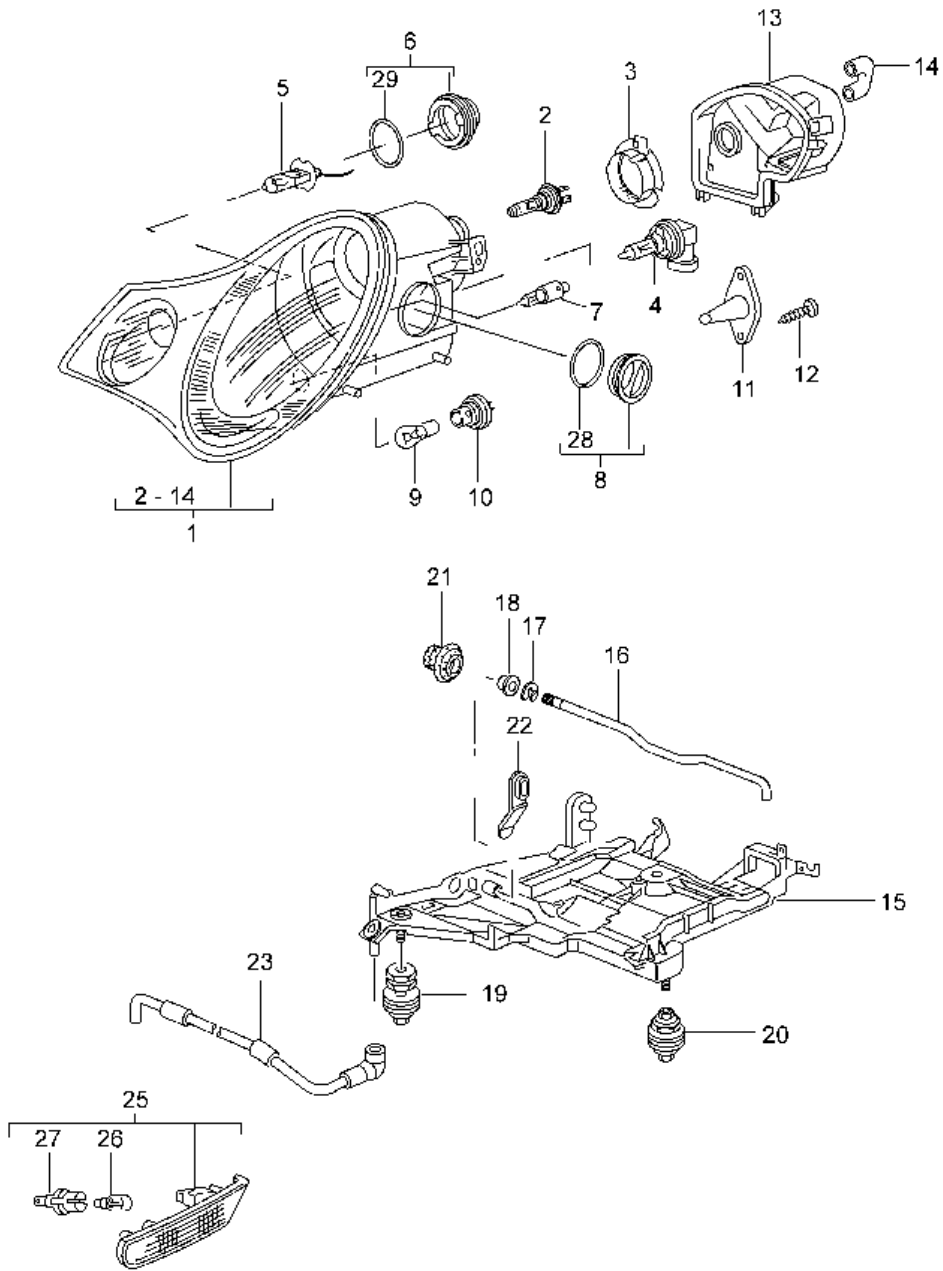
Pos	Part Number	Description	Remark	Qty	Model
		Headlamp	-01		M601
		Direction indicator light			
1	996 631 157 01	Headlamp	/L	1	
1	996 631 158 01	Headlamp	/R	1	
1	996 631 157 04	Headlamp	/L	1	M492
1	996 631 158 04	Headlamp	/R	1	M492
2	999 631 036 90	Bulb		2	
		- PHILIPS -			
3	996 631 189 00	Retainer		2	
4	999 631 133 90	Halogen bulb		4	
		H 7			
5	999 631 140 90	Bulb		2	
		H 6 W			
		Position light			
6	900 631 127 90	Bulb		2	
		21 W			
		Direction indicator light			
7	996 631 125 00	Electric motor		2	
		Headlight levelling system			
8	996 631 199 00	Screw		4	
		3,9 X 16			
9	996 631 195 01	Ignition control unit		2	
10	996 631 199 00	Screw		4	
		3,9 X 16			
11	996 631 241 01	Protective cap	/L	1	
		Headlamp			
(11)	996 631 242 01	Protective cap	/R	1	
		Headlamp			
12	993 631 193 02	Control unit		2	
13	900 146 123 02	Screw		6	
		M 5 X 16			
14	996 631 233 00	Protective cap		2	
		Fog headlamp			
15	996 631 041 00	Mounting	/L	1	
(15)	996 631 042 00	Mounting	/R	1	
16	996 631 243 00	Clamping bow		2	
17	996 631 077 00	Fastening part		6	
18	996 631 245 00	Locking device	/L	1	
		Connector housing			
(18)	996 631 246 00	Locking device	/R	1	
		Connector housing			
19	996 631 045 01	Trim cover	/L	1	
(19)	996 631 046 01	Trim cover	/R	1	
20	803 803 583 A	Stopper		2	
20	999 703 196 40	Lid		2	
21	999 703 413 40	Stopper		2	
22	993 631 170 03	Stopper		6	
23	996 631 641 03	Breather pipe	/L	1	
(23)	996 631 642 03	Breather pipe	/R	1	
24	999 652 832 40	Connector housing		2	
		Headlamp			
25	999 650 150 40	Connector housing		2	
		Wiring harness			
-	999 652 744 20	Connector		16	
-	999 704 161 40	Gasket		16	
26	999 651 317 09	Fastening clamp		X	
		Breather pipe			
(26)	999 651 276 40	Cable holder		X	
		Breather pipe			
		Wing strut			
(26)	999 651 282 40	Cable holder		X	
		Breather pipe			
		Front apron			

Model: 996 98 Model life 1998>>2005

Pos	Part Number	Description	Remark	Qty	Model
27	996 631 693 00	Support Mount		1	
28	996 618 151 15	Front apron Control unit		1	
29	996 618 155 00	Headlight levelling system Support		1	
		F >>991S6 05390			
		F >>991S6 43853			
29	996 618 155 13	Support		1	
		F 991S6 05391>>			
		F 991S6 43854>>			
30	900 143 157 07	Combination screw		2	
		BZ 4,2 X 13 Z2			
31	999 073 169 07	Tapping screw		2	
		ST 4,8 X 16			
		Sensor			
		Headlight levelling system			
		See group			
		4/01/00	/V		
		5/01/01	/H		
		Side marker light			
		Direction indicator light			
35	996 631 043 01	Direction indicator light	/L	1	
35	996 631 043 02	Direction indicator light	/L	1	
(35)	996 631 043 03	Direction indicator light	/L	1	
(35)	996 631 044 01	Direction indicator light	/R	1	
(35)	996 631 044 02	Direction indicator light	/R	1	
(35)	996 631 044 03	Direction indicator light	/R	1	
-	999 652 838 40	Plug socket		2	
-	999 652 771 12	Connector		4	
-	999 704 161 40	Gasket		4	
36	999 631 138 90	Bulb		2	
		5 W			
		Yellow			
(37)	996 631 133 01	Bulb socket		2	
		for			
		Bulb			
		Yellow			

Model: 996 98

Model life 1998>>2005



Model: 996 98 Model life 1998>>2005

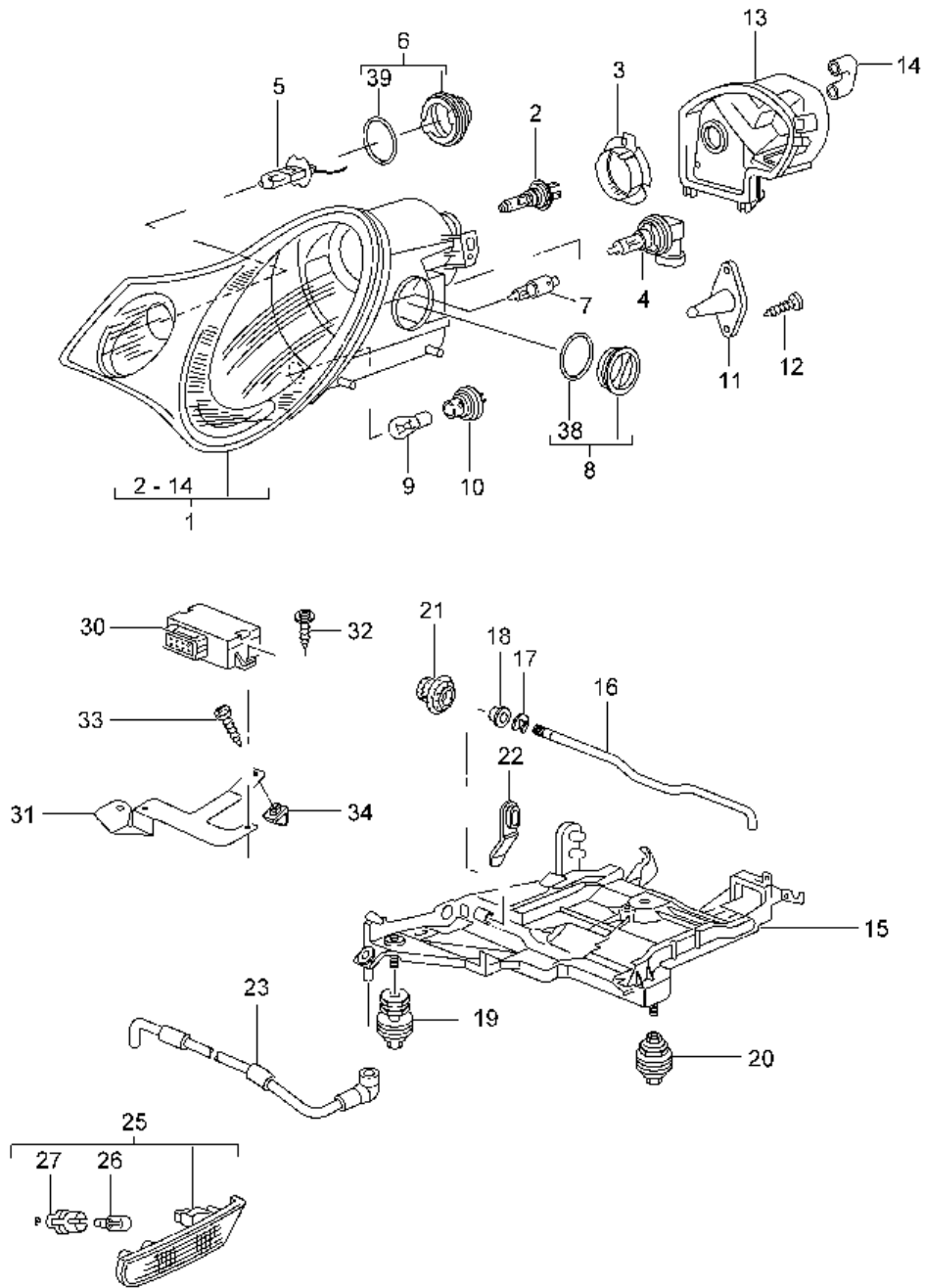
Pos	Part Number	Description	Remark	Qty	Model
		Headlamp	02-		
		Direction indicator light			
1	996 631 055 50	Headlamp	/L	1	
1	996 631 056 50	Headlamp	/R	1	
1	996 631 065 50	Headlamp	/L	1	M492
1	996 631 066 50	Headlamp	/R	1	M492
2	999 631 133 90	Halogen bulb		2	
		H 7			
3	996 631 128 00	Bulb socket		2	
4	999 631 143 90	Halogen bulb		2	
		H 9			
5	900 631 126 90	Halogen bulb		2	
		H 3			
6	996 631 123 00	Lid		2	
		Fog headlamp			
7	999 631 140 90	Bulb		2	
		H 6 W			
		Position light			
8	996 631 134 00	Lid		2	
		Position light			
9	900 631 131 90	Bulb		2	
		21 W			
		Yellow			
		Direction indicator light			
10	996 631 118 00	Bulb socket		2	
		Direction indicator light			
11	996 631 114 00	Bearing bracket		2	
12	999 919 093 02	Oval-head screw		4	
		4,0 X 10			
13	996 631 101 50	Protective cap	/L	1	
		Headlamp			
(13)	996 631 102 50	Protective cap	/R	1	
		Headlamp			
14	996 631 120 00	Breather adapter		2	
15	996 631 173 00	Mounting	/L	1	
(15)	996 631 174 00	Mounting	/R	1	
16	996 631 273 00	Clamping bow		2	
17	900 116 004 09	Lock washer		2	
18	996 631 272 00	Bearing sleeve		2	
19	996 631 079 00	Fastening part		4	
20	996 631 078 00	Fastening part		2	
21	999 703 413 40	Stopper		2	
22	993 631 170 03	Stopper		6	
-	996 631 140 00	Sealing washer		2	
		Ventilation pipe			
(23)	996 631 149 00	Ventilation component		2	
		See technical information			
		GR.9 , NR. 7/02			
		Side marker light			
		Direction indicator light			
25	996 631 043 01	Direction indicator light	/L	1	
25	996 631 043 02	Direction indicator light	/L	1	
(25)	996 631 043 03	Direction indicator light	/L	1	
(25)	996 631 044 01	Direction indicator light	/R	1	
(25)	996 631 044 02	Direction indicator light	/R	1	
(25)	996 631 044 03	Direction indicator light	/R	1	
26	999 631 138 90	Bulb		2	
		5 W			
		Yellow			
(27)	996 631 133 01	Bulb socket		2	
28	PCG 631 134 00	Gasket		2	
		for			
		Lid			

Model: 996 98 Model life 1998>>2005

Pos	Part Number	Description	Remark	Qty	Model
29	PCG 631 123 00	Position light Gasket for Lid Fog headlamp		2	

Model: 996 98

Model life 1998>>2005



Model: 996 98 Model life 1998>>2005

Pos	Part Number	Description	Remark	Qty	Model
		Headlamp	02-		M601
		Direction indicator light			
1	996 631 055 20	Headlamp	/L	1	
1	996 631 055 21	Headlamp	/L	1	
1	996 631 056 20	Headlamp	/R	1	
1	996 631 056 21	Headlamp	/R	1	
1	996 631 065 20	Headlamp	/L	1	M492
1	996 631 066 20	Headlamp	/R	1	M492
2	999 631 036 90	Bulb - PHILIPS -		2	
3	996 631 179 00	Retainer		2	
4	999 631 144 91	Halogen bulb H 11		2	
5	900 631 126 90	Halogen bulb H 3		2	
6	996 631 123 00	Lid Fog headlamp		2	
7	999 631 140 90	Bulb H 6 W		2	
8	996 631 134 00	Position light Lid		2	
9	900 631 131 90	Position light Bulb 21 W Yellow		2	
10	996 631 118 00	Direction indicator light Bulb socket		2	
11	996 631 135 00	Direction indicator light Bearing bracket		2	
(11)		Bearing bracket		2	
12	999 919 093 02	Headlight levelling system Oval-head screw 4,0 X 10		4	
13	996 631 101 10	Protective cap Headlamp	/L	1	
(13)	996 631 102 10	Protective cap Headlamp	/R	1	
14	996 631 120 00	Breather adapter		2	
15	996 631 173 00	Mounting	/L	1	
(15)	996 631 174 00	Mounting	/R	1	
16	996 631 273 00	Clamping bow		2	
17	900 116 004 09	Lock washer		2	
-	996 631 183 00	Control unit		2	
-	999 919 017 02	Oval-head screw 4,0 X 16 for		2	
-	996 631 161 00	Control unit Support for	/L	1	
-	996 631 162 00	Control unit Support for	/R	1	
18	996 631 272 00	Control unit		2	
19	996 631 079 00	Bearing sleeve		4	
20	996 631 078 00	Fastening part		2	
21	999 703 413 40	Fastening part		2	
22	993 631 170 03	Stopper		6	
(23)	996 631 149 00	Stopper Ventilation component		2	
-	996 631 140 00	See technical information GR.9 , NR. 7/02 Sealing washer Ventilation pipe		2	

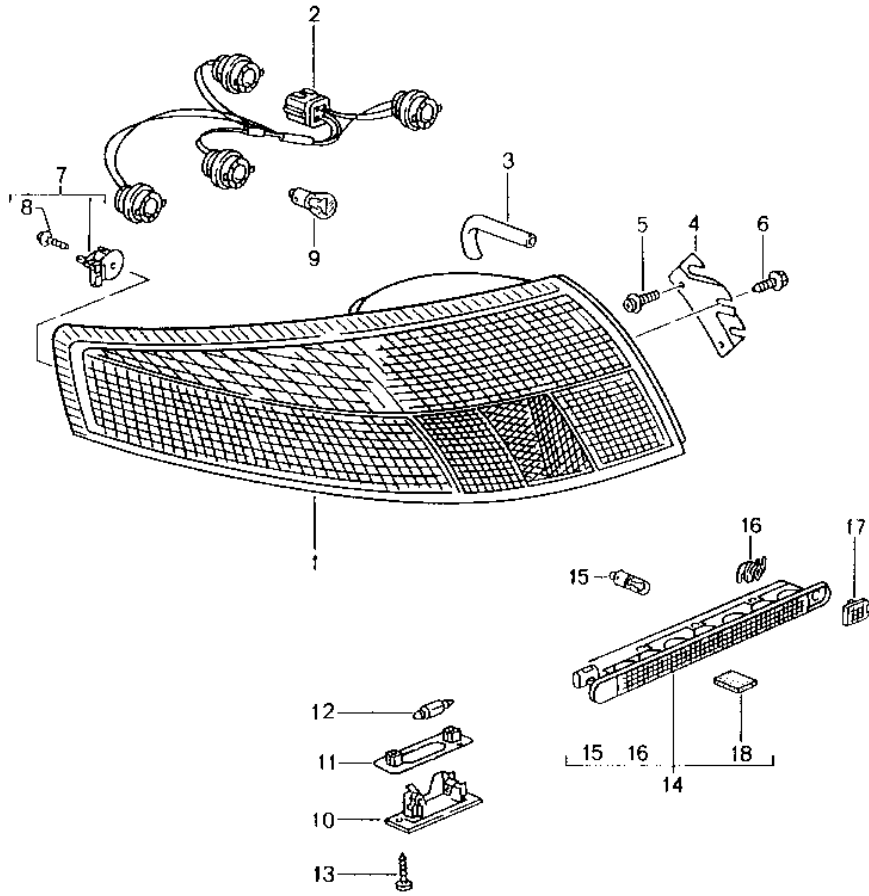
Model: 996 98

Model life 1998>>2005

Pos	Part Number	Description	Remark	Qty	Model
		Side marker light			
		Direction indicator light			
25	996 631 043 01	Direction indicator light	/L	1	
25	996 631 043 02	Direction indicator light	/L	1	
(25)	996 631 043 03	Direction indicator light	/L	1	
(25)	996 631 044 01	Direction indicator light	/R	1	
(25)	996 631 044 02	Direction indicator light	/R	1	
(25)	996 631 044 03	Direction indicator light	/R	1	
26	999 631 138 90	Bulb		2	
		5 W			
		Yellow			
(27)	996 631 133 01	Bulb socket		2	
30	996 618 151 15	Control unit		1	
		Headlight levelling system			
31	996 618 155 10	Support		1	
32	900 143 157 07	Combination screw		2	
		BZ 4,2 X 13 Z2			
33	999 073 196 09	Tapping screw		1	
		ST 4,8 X 9,5			
34	999 591 855 02	Speed nut		1	
		4,8			
34	999 591 855 01	Speed nut		1	
		4,8			
		Sensor			
		Headlight levelling system			
		See group			
		4/01/00	/V		
		5/01/01	/H		
38	PCG 631 134 00	Gasket		2	
		for			
		Lid			
		Position light			
39	PCG 631 123 00	Gasket		2	
		for			
		Lid			
		Fog headlamp			

Model: 996 98

Model life 1998>>2005



Model: 996 98 Model life 1998>>2005

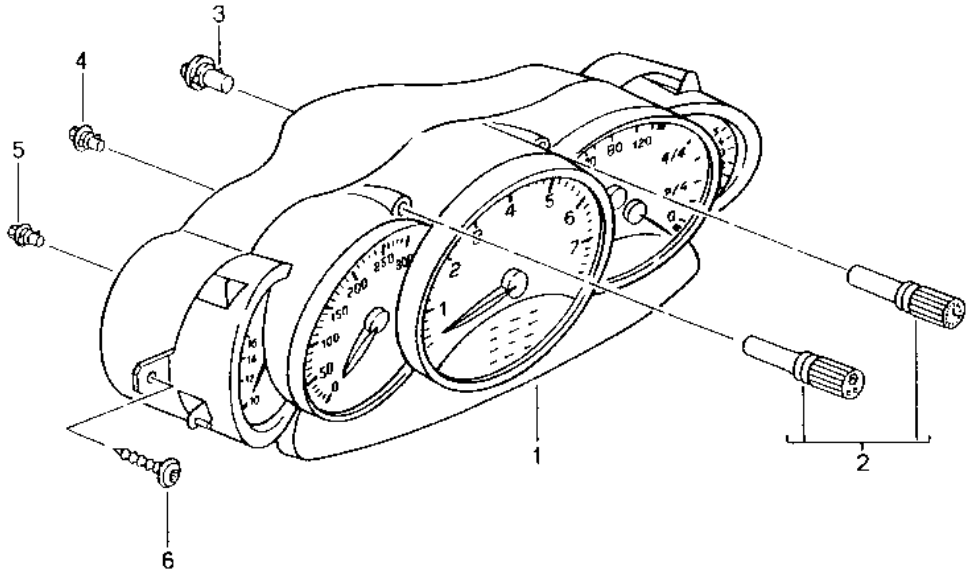
Pos	Part Number	Description	Remark	Qty	Model
1	996 631 433 01	Rear light License plate light Additional brake light Tail light housing	/L 98	1	M602 CARRERA
1	996 631 485 00	Tail light housing	/L 99-	1	CARRERA
(1)	996 631 487 00	Tail light housing	/L 02-	1	C4S
(1)	996 631 434 01	Tail light housing	/R 98	1	CARRERA
(1)	996 631 486 00	Tail light housing	/R 99-	1	CARRERA
(1)	996 631 488 00	Tail light housing	/R 02-	1	C4S
2	996 631 435 00	Wiring harness	98	2	CARRERA
2	996 631 436 01	Wiring harness	99-	2	CARRERA
(2)	996 631 437 01	Wiring harness	02-	2	C4S
(3)	996 631 451 01	Connection piece		4	
4	996 631 463 02	Support	/L	1	CARRERA
(4)	996 631 465 01	Support	/L 02-	1	C4S
(4)	996 631 464 02	Support	/R	1	CARRERA
(4)	996 631 466 01	Support	/R 02-	1	C4S
5	999 074 113 02	Combination screw M 5 X 18		4	
6	999 074 115 09	Hexagon-head bolt M 6 X 16		2	CARRERA
6	999 073 250 09	Oval-head screw M 5 X 15	02-	4	C4S
7	996 631 471 00	Mounting		2	
8	999 919 121 09	Oval-head screw		2	
9	900 631 127 90	Bulb 21 W White		X	
9	900 631 131 90	Bulb 21 W Yellow	99-	X	
(9)	900 631 128 90	Bulb 21/5 W		X	
(9)	900 631 104 90	Bulb 5 W	02-	X	C4S
10	964 631 620 00	License plate light	-01	2	CARRERA
(10)	964 631 620 00 01C	Black			
(10)	997 631 620 01	License plate light	02-	2	CARRERA
(10)	997 631 620 02	License plate light	02-	2	CARRERA
10	964 631 620 00	License plate light	02-	2	C4S
(10)	964 631 620 00 01C	Black			
11	993 631 166 00	Desk pad	-01 02-	2	CARRERA C4S
12	900 631 105 90	Bulb 12V 5W		2	
13	900 143 085 07	Tapping screw 4,2 X 16	-01 02-	4	CARRERA C4S
14	996 631 050 00	Additional brake light		2	M602
14	996 631 050 02	Additional brake light		2	M602
14	996 631 050 04	Additional brake light		2	M602
14	996 631 050 06	Additional brake light		2	M602
15	900 631 019 90	Glass-base bulb		X	M602

Model: 996 98 **Model life 1998>>2005**

Pos	Part Number	Description	Remark	Qty	Model
16	996 631 168 00	3 W Fastening part		2	M602
17	996 631 165 00	Cap		2	M602
18	996 631 105 00	Desk pad		2	M602

Model: 996 98

Model life 1998>>2005



Model: 996 98 Model life 1998>>2005

Pos	Part Number	Description	Remark	Qty	Model
		Instruments Complete Tech. information memo GR.9 , NR. 17/98 Instruments X45/X71 See group 9/06/02 Instrument cluster C A R R E R A 2	01- -01		M338
(1)	996 641 105 01	Instrument cluster Complete	-99	1	M338/480
(1)	996 641 105 01 70C 996 641 106 01	Rally black Instrument cluster Complete	-99	1	M249/338
1	996 641 106 01 70C 996 641 105 02	Rally black Instrument cluster Complete	00-01	1	M338/480
(1)	996 641 105 02 70C 996 641 106 02	Rally black Tech. information memo GR.9 , NR. 3/00 + 3A/00 See TPI GR.9 , NR. 20 Instrument cluster Complete	01- 00-01	1	M249/338
(1)	996 641 106 02 70C 996 641 107 01	Rally black Tech. information memo GR.9 , NR. 3/00 + 3A/00 See TPI GR.9 , NR. 20 Instrument cluster	01- (GB) -99	1	M338 M480
(1)	996 641 107 01 70C 996 641 108 01	Complete Rally black Instrument cluster	(GB) -99	1	M338 M249
(1)	996 641 108 01 70C 996 641 107 02	Complete Rally black Instrument cluster	(GB) 00-01	1	M338 M480
(1)	996 641 107 02 70C 996 641 108 02	Complete Rally black Tech. information memo GR.9 , NR. 3/00 + 3A/00 See TPI GR.9 , NR. 20 Instrument cluster	01- (GB) 00-01	1	M338 M249
(1)	996 641 108 02 70C 996 641 115 03	Complete Rally black Tech. information memo GR.9 , NR. 3/00 + 3A/00 See TPI GR.9 , NR. 20 Instrument cluster C A R R E R A 4 Tech. information memo GR.9 , NR. 10/00 Instrument cluster Complete	01- -01 -99 -01	1	M339 M339 M339/480
	996 641 115 03 70C	Rally black See TPI GR.9 , NR. 20	01-		

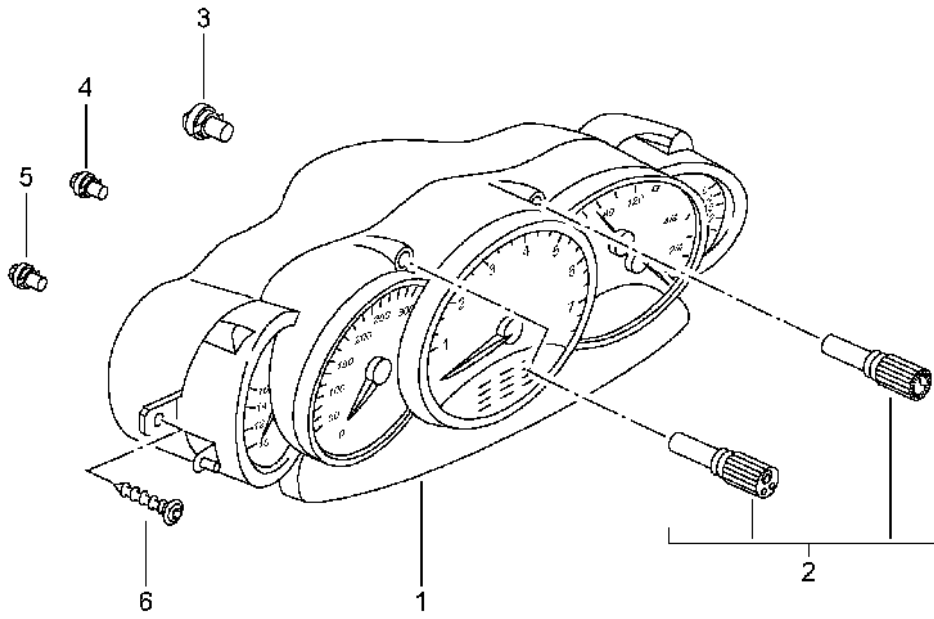
Model: 996 98

Model life 1998>>2005

Pos	Part Number	Description	Remark	Qty	Model
(1)	996 641 116 03	Instrument cluster Complete	-01	1	M249/339
	996 641 116 03 70C	Rally black See TPI GR.9 , NR. 20	01-		
(1)	996 641 117 03	Instrument cluster Complete	(GB) -01	1	M339 M480
	996 641 117 03 70C	Rally black See TPI GR.9 , NR. 20	01-		
(1)	996 641 118 03	Instrument cluster Complete	(GB) -01	1	M339 M249
	996 641 118 03 70C	Rally black See TPI GR.9 , NR. 20	01-		
(1)	996 641 225 03	Instrument cluster Complete	02- 02-	1	M480
	996 641 225 03 70C	Rally black			
(1)	996 641 226 03	Instrument cluster Complete	02-	1	M249
	996 641 226 03 70C	Rally black			
(1)	996 641 225 02	Instrument cluster Complete	04	1	M095/480
	996 641 225 02 FHB	Black/Silver			
(1)	996 641 227 03	Instrument cluster Complete	(GB) 02-	1	M480
	996 641 227 03 70C	Rally black			
(1)	996 641 228 03	Instrument cluster Complete	(GB) 02-	1	M249
	996 641 228 03 70C	Rally black			
(1)	996 641 227 02	Instrument cluster Complete	(GB) 04	1	M095 M480
	996 641 227 02 FHB	Black/Silver			
(2)	996 641 911 00	Knob Actuator Trip meter And Clock		1	
(3)	999 631 304 90	Glass-base bulb 12 V 3 W	-01	X	
(4)	999 631 303 90	Glass-base bulb 12 V 1,5 W	-01	X	
(5)	999 631 302 90	Glass-base bulb 12 V 1,2 W	-01	X	
(6)	999 919 188 09	Oval-head screw 5,0 X 30		2	

Model: 996 98

Model life 1998>>2005



Model: 996 98 Model life 1998>>2005

Pos	Part Number	Description	Remark	Qty	Model
		Instruments Complete	01-		IX45/X71
		Instrument cluster Dial Lacquered Interior colour for			IX45
1	996 641 980 22	C A R R E R A 2 Instrument cluster Complete	01 01 01	1	M338 M338 M338/480
	996 641 980 22 J33	Nephrite green			
	996 641 980 22 C53	Graphite grey			
	996 641 980 22 S33	Savanna			
	996 641 980 22 G13	Metropole blue			
	996 641 980 22 M33	Boxster red			
	996 641 980 22 P13	Cinnamon brown			
	996 641 980 22 D12	Dark grey/natural			
	996 641 980 22 T12	Brown/natural			
1	996 641 980 24	Instrument cluster Complete	(GB) 01	1	M338 M480
	996 641 980 24 J33	Nephrite green			
	996 641 980 24 C53	Graphite grey			
	996 641 980 24 S33	Savanna			
	996 641 980 24 G13	Metropole blue			
	996 641 980 24 M33	Boxster red			
	996 641 980 24 P13	Cinnamon brown			
	996 641 980 24 D12	Dark grey/natural			
	996 641 980 24 T12	Brown/natural			
1	996 641 980 23	Instrument cluster Complete	01	1	M249/338
	996 641 980 23 J33	Nephrite green			
	996 641 980 23 C53	Graphite grey			
	996 641 980 23 S33	Savanna			
	996 641 980 23 G13	Metropole blue			
	996 641 980 23 M33	Boxster red			
	996 641 980 23 P13	Cinnamon brown			
	996 641 980 23 D12	Dark grey/natural			
	996 641 980 23 T12	Brown/natural			
1	996 641 980 25	Instrument cluster Complete	(GB) 01	1	M338 M249
	996 641 980 25 J33	Nephrite green			
	996 641 980 25 C53	Graphite grey			
	996 641 980 25 S33	Savanna			
	996 641 980 25 G13	Metropole blue			
	996 641 980 25 M33	Boxster red			
	996 641 980 25 P13	Cinnamon brown			
	996 641 980 25 D12	Dark grey/natural			
	996 641 980 25 T12	Brown/natural			
		for	01		M339
		C A R R E R A 4	01		M339
1	996 641 982 42	Instrument cluster Complete	01	1	M339/480
	996 641 982 42 J33	Nephrite green			
	996 641 982 42 C53	Graphite grey			
	996 641 982 42 S33	Savanna			
	996 641 982 42 G13	Metropole blue			
	996 641 982 42 M33	Boxster red			
	996 641 982 42 P13	Cinnamon brown			
	996 641 982 42 D12	Dark grey/natural			
	996 641 982 42 T12	Brown/natural			
1	996 641 982 44	Instrument cluster	(GB) 01	1	M339

Model: 996 98 Model life 1998>>2005

Pos	Part Number	Description	Remark	Qty	Model
		Complete			M480
	996 641 982 44 J33	Nephrite green			
	996 641 982 44 C53	Graphite grey			
	996 641 982 44 S33	Savanna			
	996 641 982 44 G13	Metropole blue			
	996 641 982 44 M33	Boxster red			
	996 641 982 44 P13	Cinnamon brown			
	996 641 982 44 D12	Dark grey/natural			
	996 641 982 44 T12	Brown/natural			
1	996 641 982 43	Instrument cluster	01	1	M249/339
		Complete			
	996 641 982 43 J33	Nephrite green			
	996 641 982 43 C53	Graphite grey			
	996 641 982 43 S33	Savanna			
	996 641 982 43 G13	Metropole blue			
	996 641 982 43 M33	Boxster red			
	996 641 982 43 P13	Cinnamon brown			
	996 641 982 43 D12	Dark grey/natural			
	996 641 982 43 T12	Brown/natural			
1	996 641 982 45	Instrument cluster	(GB) 01	1	M339 M249
		Complete			
	996 641 982 45 J33	Nephrite green			
	996 641 982 45 C53	Graphite grey			
	996 641 982 45 S33	Savanna			
	996 641 982 45 G13	Metropole blue			
	996 641 982 45 M33	Boxster red			
	996 641 982 45 P13	Cinnamon brown			
	996 641 982 45 D12	Dark grey/natural			
	996 641 982 45 T12	Brown/natural			
		for	02-		IX45
(1)	996 641 981 25	C A R R E R A 2 / 4 / 4S Instrument cluster	02-	1	IX45 M480
		Complete	02-		
	996 641 981 25 J33	Nephrite green			
	996 641 981 25 C53	Graphite grey			
	996 641 981 25 S33	Savanna			
	996 641 981 25 G13	Metropole blue			
	996 641 981 25 M33	Boxster red			
	996 641 981 25 P13	Cinnamon brown			
	996 641 981 25 D12	Dark grey/natural			
	996 641 981 25 T12	Brown/natural			
(1)	996 641 981 27	Instrument cluster	(GB) 02-	1	M480
		Complete			
	996 641 981 27 J33	Nephrite green			
	996 641 981 27 C53	Graphite grey			
	996 641 981 27 S33	Savanna			
	996 641 981 27 G13	Metropole blue			
	996 641 981 27 M33	Boxster red			
	996 641 981 27 P13	Cinnamon brown			
	996 641 981 27 D12	Dark grey/natural			
	996 641 981 27 T12	Brown/natural			
(1)	996 641 981 26	Instrument cluster	02-	1	M249
		Complete			
	996 641 981 26 J33	Nephrite green			
	996 641 981 26 C53	Graphite grey			
	996 641 981 26 S33	Savanna			
	996 641 981 26 G13	Metropole blue			
	996 641 981 26 M33	Boxster red			
	996 641 981 26 P13	Cinnamon brown			
	996 641 981 26 D12	Dark grey/natural			
	996 641 981 26 T12	Brown/natural			

Model: 996 98 Model life 1998>>2005

Pos	Part Number	Description	Remark	Qty	Model
(1)	996 641 981 28	Instrument cluster Complete	(GB) 02-	1	M249
	996 641 981 28 J33	Nephrite green			
	996 641 981 28 C53	Graphite grey			
	996 641 981 28 S33	Savanna			
	996 641 981 28 G13	Metropole blue			
	996 641 981 28 M33	Boxster red			
	996 641 981 28 P13	Cinnamon brown			
	996 641 981 28 D12	Dark grey/natural			
	996 641 981 28 T12	Brown/natural			
		Instrument cluster Dial Aluminium for C A R R E R A 2	01 01		IX71 M338 M338
1	996 641 980 28	Instrument cluster Complete	01	1	M338/480
	996 641 980 28 70C	Rally black			
1	996 641 980 30	Instrument cluster Complete	(GB) 01	1	M338 M480
	996 641 980 30 70C	Rally black			
1	996 641 980 29	Instrument cluster Complete	01	1	M249/338
	996 641 980 29 70C	Rally black			
1	996 641 980 31	Instrument cluster Complete	(GB) 01	1	M338 M249
	996 641 980 31 70C	Rally black for C A R R E R A 4	01 01		M339 M339
1	996 641 982 48	Instrument cluster Complete	01	1	M339/480
	996 641 982 48 70C	Rally black			
1	996 641 982 50	Instrument cluster Complete	(GB) 01	1	M339 M480
	996 641 982 50 70C	Rally black			
1	996 641 982 49	Instrument cluster Complete	01	1	M249/339
	996 641 982 49 70C	Rally black			
1	996 641 982 51	Instrument cluster Complete	(GB) 01	1	M339 M249
	996 641 982 51 70C	Rally black for C A R R E R A 2 / 4 / 4S	02- 02- 02-		IX71 IX71 M480
(1)	996 641 981 75	Instrument cluster Complete		1	M480
	996 641 981 75 70C	Rally black			
(1)	996 641 981 77	Instrument cluster Complete	(GB) 02-	1	M480
	996 641 981 77 70C	Rally black			
(1)	996 641 981 76	Instrument cluster Complete	02-	1	M249
	996 641 981 76 70C	Rally black			
(1)	996 641 981 78	Instrument cluster Complete	(GB) 02-	1	M249
	996 641 981 78 70C	Rally black			
2	996 641 911 00	Knob Actuator Trip meter And		1	

Model: 996 98

Model life 1998>>2005

Pos	Part Number	Description	Remark	Qty	Model
3	999 631 304 90	Clock Glass-base bulb 12 V 3 W	01	X	
4	999 631 303 90	Glass-base bulb 12 V 1,5 W	01	X	
5	999 631 302 90	Glass-base bulb 12 V 1,2 W	01	X	
6	999 919 188 09	Oval-head screw 5,0 X 30		2	

Model: 996 98

Model life 1998>>2005



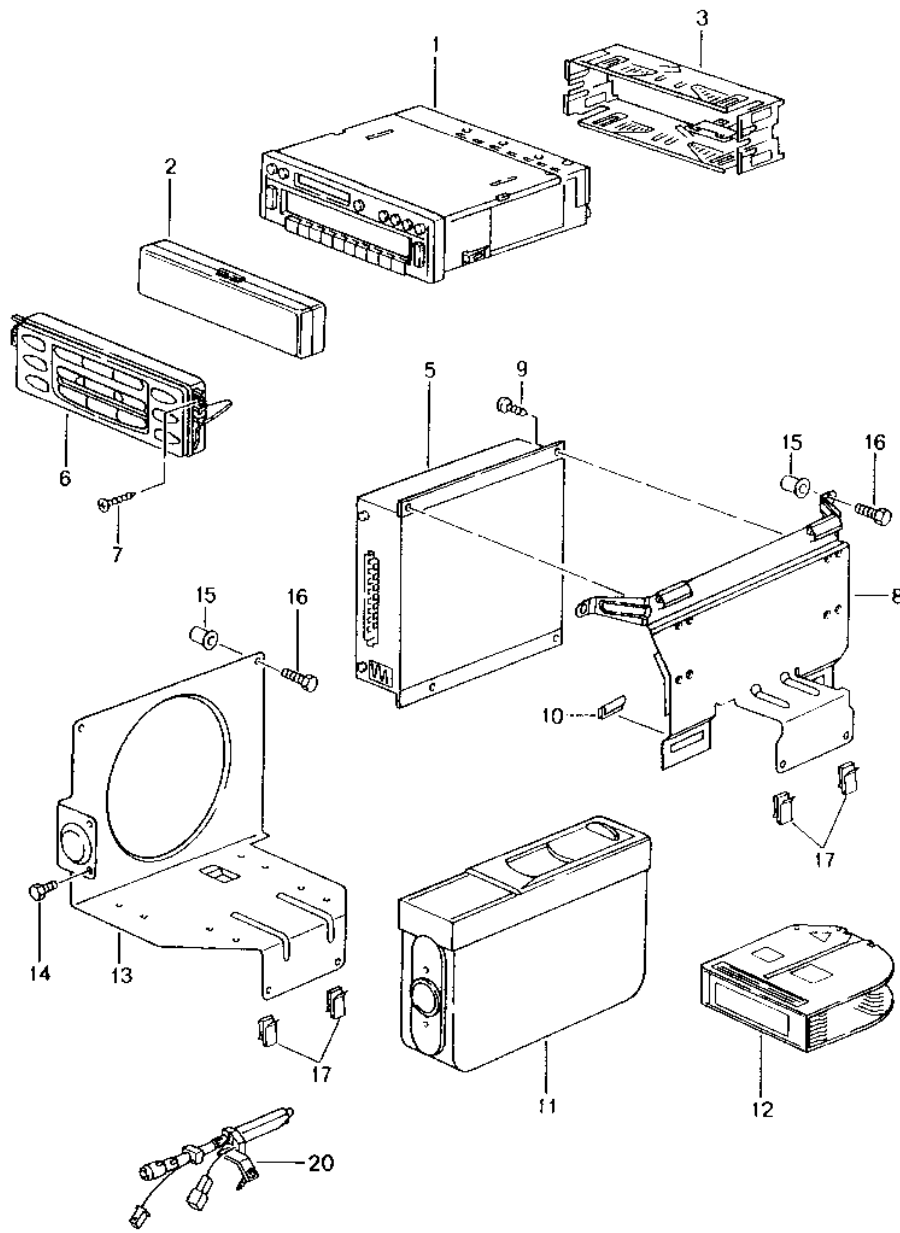
Model: 996 98

Model life 1998>>2005

Pos	Part Number	Description	Remark	Qty	Model
		Cruise control See group 4/03/05			

Model: 996 98

Model life 1998>>2005



Model: 996 98 Model life 1998>>2005

Pos	Part Number	Description	Remark	Qty	Model
1	993 645 118 01	Radio Booster	-02 -02	1	M330
1	993 645 116 01	Radio CR - 31	-98	1	M326
1	993 645 115 01	Radio CR - 21	-98	1	M320
1	993 645 119 01	Radio CR - 11	-98	1	M686
2	993 645 190 00	Case for Control part Radio	-98	1	
(2)	996 645 190 00	New design Radio See catalogue - EQUIPMENT - Case for Control part Radio	99- 99-	1	
3	993 645 173 00	Retaining frame	-98	1	
-	996 645 106 00	Contact plate Alarm contact for Radio	-01	1	
-	996 645 107 00	Contact plate Alarm contact for Radio	02	1	
5	996 645 301 01	Booster	-00	1	COUPE M490
5	996 645 321 00	Booster	01- 02	1	COUPE M490 TARGA M490
5	996 645 303 01	Booster	-00	1	CABRIO M490
5	996 645 323 00	Booster	01-	1	CABRIO M490
-	996 610 149 00	Cap Connector housing Booster		1	M490
(5)	996 645 302 05	Booster	98	1	COUPE M680
(5)	996 645 312 00	Digital sound processing Booster	-00	1	COUPE M680
(5)	996 645 322 01	Digital sound processing Booster	01	1	COUPE M680
(5)	996 645 338 00	Digital sound processing Booster	02	1	COUPE M680
(5)	996 645 304 04	Bose Booster	98	1	CABRIO M680
(5)	996 645 314 00	Digital sound processing Booster	-00	1	CABRIO M680
(5)	996 645 324 01	Digital sound processing Booster	01	1	CABRIO

Model: 996 98 Model life 1998>>2005

Pos	Part Number	Description	Remark	Qty	Model
					M490/680
(5)	996 645 339 00	Digital sound processing Booster	02	1	CABRIO/TARGA M680
(5)	996 645 341 00	Additional amplifier Bose	02	1	M680
-	996 610 151 00	Cover Connector housing Booster	/LL 02	1	M338/490 M680
-	996 610 150 01	Cover Connector housing Booster	/RL 02	1	M338/490 M680
-	996 610 152 00	Cover Connector housing Additional amplifier	02	1	M338/680
6	996 645 201 02	Control part	-01	1	M680
	996 645 201 02 EFR	Gloss black			
7	999 919 182 09	Oval-head screw 4,0 X 20	-01	2	M680
8	996 646 025 01	Support	-01	1	M338/490 M680
8		Support	02	1	M338/490
(8)	996 645 255 11	Support	02	1	M338/680
(8)	996 645 235 01	Support Upper part	/LL -01	1	M339/490 M680
(8)	996 645 235 02	Support Upper part	/LL 02	1	M339/490 M680
(8)	996 645 335 00	Support Lower part	/LL 99-	1	M339/490 M680
(8)	996 645 236 00	Support	/RL 99-	1	M339/490 M680
(8)	996 645 265 00	Support	02	1	M339/680
(8)	996 645 239 01	Support Additional amplifier	02	1	M339/680
9	900 143 031 02	Oval-head sheetmetal screw 4,2 X 9,5		2	M490/680
10	999 507 510 02	U-clamp		2	M490/680
(10)	999 591 954 09	U-clamp	/RL 99-	2	M339/490 M680
(10)	999 507 532 02	U-clamp	/RL 99-	2	M339/490 M680
(10)	999 507 532 01	U-clamp	/RL 99-	2	M339/490 M680
-	999 591 725 02	Speed nut ST 3,5	/LL 99-	1	M339/490 M680
-	999 507 771 40	Stopper 5,5 X 4,8	02	1	M680
-	999 073 048 02	Tapping screw 3,5 X 13	02	1	M680
11	993 645 130 00	CD changer CDC - 3		1	M692
12	993 645 113 00	Magazine for CD changer		1	M692
13	996 645 221 00	Support	/LL	1	M338/692
(13)	996 645 222 00	Support	/RL	1	M338/692
(13)	996 645 231 00	Support	/LL 99-	1	M339/692
(13)	996 645 232 01	Support	/RL	1	M339/692
-	996 610 207 00	Cable cover CD changer	/LL 99-	1	M339/692
14	999 075 067 09	Combination screw M 4 X 8		6	M692
15	999 500 078 00	Speed nut		4	

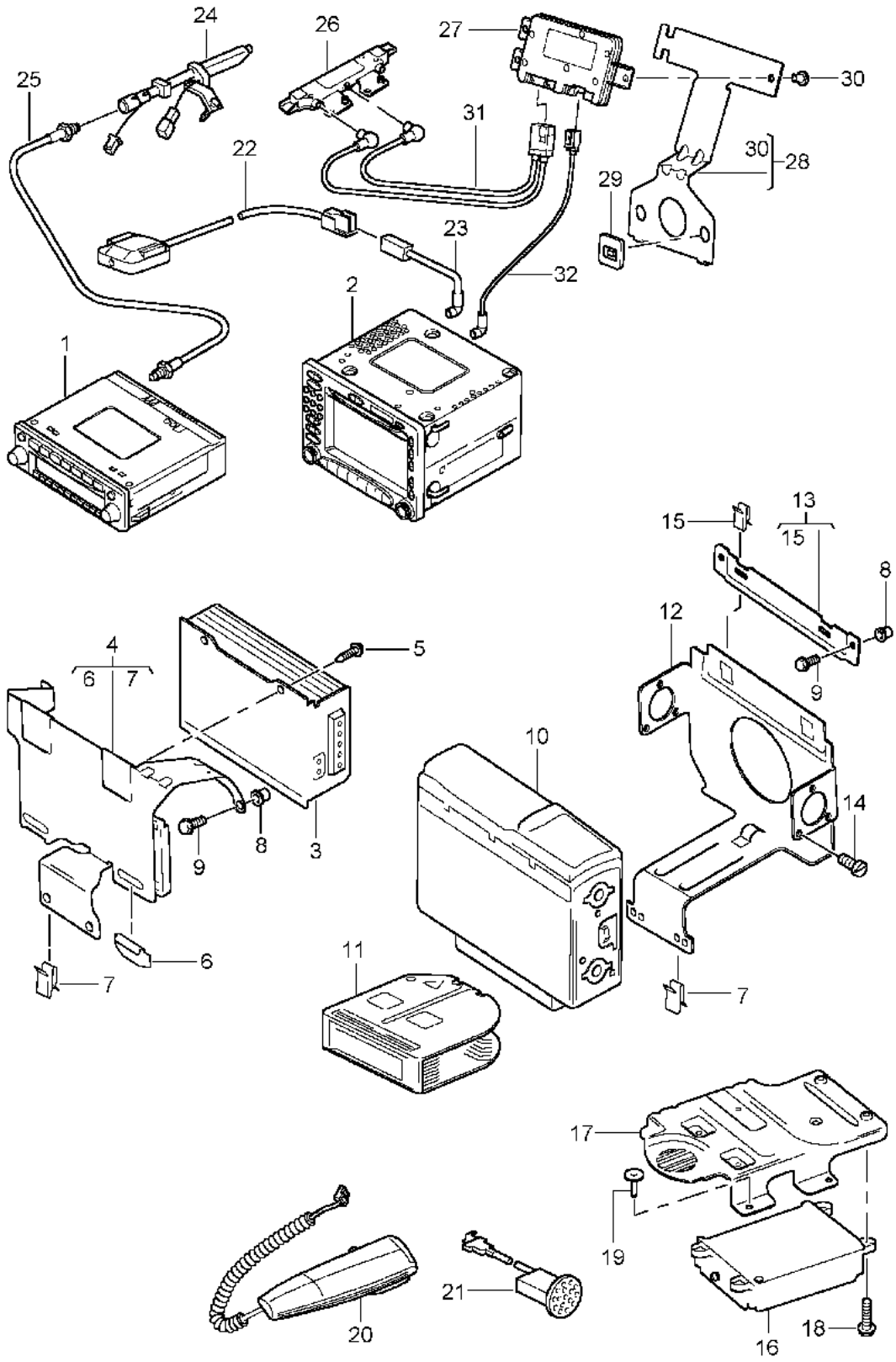
Model: 996 98

Model life 1998>>2005

Pos	Part Number	Description	Remark	Qty	Model
16	900 378 188 09	M 6 Hexagon-head bolt M 6 X 20		4	
17	999 507 532 02	U-clamp		4	
17	999 507 532 01	U-clamp		4	
20	996 647 105 00	Antenna booster		1	
-	996 612 072 00	Connecting cable Antenna booster Radio		1	

Model: 996 98

Model life 1998>>2005



Model: 996 98 Model life 1998>>2005

Pos	Part Number	Description	Remark	Qty	Model
1		Radio Booster Navigation system Telephone Radio See catalogue Tequipment	03- 03- 03- 03-		
2	996 642 204 02 996 642 204 02 A05	Control part Black mat See technical information GR.9 , NR. 2/03 GR.9 , NR. 3/03	03	1	M665
2	996 642 204 03 996 642 204 03 A05	Control part Black mat See technical information GR.9 , NR. 2/03 GR.9 , NR. 3/03 GR.9 , NR.11/03	03	1	M665
2	996 642 204 04 996 642 204 04 A05	Control part Black mat See technical information GR.9 , NR. 2/03 GR.9 , NR. 3/03 GR.9 , NR.11/03	03	1	M665
2	996 642 204 05 996 642 204 05 A05	Control part Black mat See technical information GR.9 , NR. 11/03	03-	1	M665
2	996 642 204 06 996 642 204 06 A05	Control part Black mat See technical information GR.9 , NR. 11/03	-04	1	M665
2	996 642 204 07 996 642 204 07 A05	Control part Black mat See technical information GR.9 , NR. 11/03	03-	1	M665
(2)	996 642 214 02 996 642 214 02 A05	Control part Black mat See technical information GR.9 , NR. 2/03 GR.9 , NR. 3/03	03	1	M490/665/680
(2)	996 642 214 03 996 642 214 03 A05	Control part Black mat See technical information GR.9 , NR. 2/03 GR.9 , NR. 3/03 GR.9 , NR.11/03	03	1	M490/665/680
(2)	996 642 214 04 996 642 214 04 A05	Control part Black mat See technical information GR.9 , NR. 2/03 GR.9 , NR. 3/03 GR.9 , NR.11/03	03	1	M490/665/680
(2)	996 642 214 05 996 642 214 05 A05	Control part Black mat See technical information GR,9 , NR. 11/03	03-	1	M490/665/680
(2)	996 642 214 06 996 642 214 06 A05	Control part Black mat See technical information GR,9 , NR. 11/03	-04	1	M490/665/680
(2)	996 642 214 07 996 642 214 07 A05	Control part Black mat	03-	1	M490/665/680

Model: 996 98 Model life 1998>>2005

Pos	Part Number	Description	Remark	Qty	Model
-	996 642 951 00	See technical information GR,9 , NR. 11/03 Rotary knob for POS. 2	/L 03-	1	
-	996 642 952 00	Rotary knob for POS. 2	/R 03-	1	
-	996 642 941 00	Cover Drawer SIM card for POS. 2	03-	1	
-	996 642 205 01	Module Navigation system	03	1	M670
-	996 642 205 02	Module Navigation system	03-	1	M670
-	996 642 030 00	CD-ROM Navigation system	03	1	M670
-	996 642 030 01	See technical information GR.9 , NR. 11/03 CD-ROM Navigation system	-04	1	M670
-	996 642 030 02	CD-ROM Navigation system	05	1	M670
-	996 642 034 01	See technical information GR.9 , NR. 11/03 CD-ROM Navigation system	(ZA) 04	1	M670
-	996 642 034 02	CD-ROM Navigation system	(ZA) 05	1	M670
-	996 642 035 01	See technical information GR.9 , NR. 11/03 CD-ROM Navigation system	04	1	(SA), (AG) M670
-	996 642 036 01	See technical information GR.9 , NR. 11/03 CD-ROM Navigation system	(AUS) 04	1	M670
-	996 642 036 02	CD-ROM Navigation system	(AUS) 05	1	M670
-	996 642 037 01	See technical information GR.9 , NR. 11/03 CD-ROM	04	1	/M 074 M068 M670
-	996 642 037 02	Navigation system CD-ROM	05	1	/M 074 M068 M670
3	996 645 331 01	See technical information GR.9 , NR. 11/03 Booster		1	M490
3	996 645 331 02	See technical information GR.9 , NR. 2/03 GR.9 , NR. 3/03 Booster	03	1	M490
3	996 645 331 CX	See technical information GR.9 , NR. 2/03 GR.9 , NR. 3/03 Booster	03-	1	M490

Model: 996 98 Model life 1998>>2005

Pos	Part Number	Description	Remark	Qty	Model
3	996 645 331 03	GR.9 , NR. 2/03 GR.9 , NR. 3/03 Booster See technical information	03-	1	M490
(3)	996 645 333 02	GR.9 , NR. 2/03 GR.9 , NR. 3/03 Booster See technical information	/LL 03	1	M680
(3)	996 645 333 03	GR.9 , NR. 2/03 GR.9 , NR. 3/03 Booster See technical information	/LL 03	1	M680
(3)	996 645 333 04	GR.9 , NR. 2/03 GR.9 , NR. 3/03 GR.9 , NR.11/03 Booster See technical information	/LL 03	1	M680
(3)	996 645 333 05	GR.9 , NR. 2/03 GR.9 , NR. 3/03 GR.9 , NR.11/03 Booster	/LL 03-	1	M680
(3)	996 645 333 07	GR.9 , NR. 15/03 GR.9 , NR. 11/03 Booster See technical information	/LL 03-	1	M680
(3)	996 645 333 02	GR.9 , NR. 15/03 GR.9 , NR. 11/03 Booster See technical information	/RL 03	1	M339/680
(3)	996 645 333 03	GR.9 , NR. 2/03 GR.9 , NR. 3/03 Booster	/RL 03	1	M339/680
(3)	996 645 333 04	GR.9 , NR. 2/03 GR.9 , NR. 3/03 GR.9 , NR.11/03 Booster See technical information	/RL 03	1	M339/680
(3)	996 645 333 05	GR.9 , NR. 2/03 GR.9 , NR. 3/03 GR.9 , NR.11/03 Booster See technical information	/RL 03-	1	M339/680
(3)	996 645 333 07	GR.9 , NR. 15/03 GR.9 , NR. 11/03 Booster See technical information	/RL 03-	1	M339/680
(3)	996 645 332 01	GR.9 , NR. 15/03 GR.9 , NR. 11/03 Booster See technical information	/RL 03	1	M338/680
(3)	996 645 332 03	GR.9 , NR. 2/03 GR.9 , NR. 3/03 GR.9 , NR.11/03 Booster See technical information	/RL 03	1	M338/680
(3)	996 645 332 04	GR.9 , NR. 2/03 GR.9 , NR. 3/03 GR.9 , NR.11/03 Booster See technical information	/RL 03	1	M338/680
(3)	996 645 332 05	GR.9 , NR. 2/03 GR.9 , NR. 3/03 GR.9 , NR.11/03 Booster See technical information	/RL 03-	1	M338/680
(3)	996 645 332 07	GR.9 , NR. 15/03 GR.9 , NR. 11/03 Booster See technical information	/RL 03-	1	M338/680

Model: 996 98 Model life 1998>>2005

Pos	Part Number	Description	Remark	Qty	Model
-	996 610 151 00	GR.9 , NR. 15/03 GR.9 , NR. 11/03 Cover Connector housing Booster	/LL	1	M338/490 M680
-	996 610 150 01	Cover Connector housing Booster	/RL	1	M338/490 M680
4	996 645 255 01	Support		1	M338/490 M680
(4)	996 645 265 00	Support		1	M339/490 M680
5	900 143 031 02	Oval-head sheetmetal screw 4,2 X 9,5		2	M490/680
6	999 507 510 02	U-clamp		2	M490/680
7	999 507 532 02	U-clamp		X	
7	999 507 532 01	U-clamp		X	
8	999 500 078 00	Speed nut M 6		X	
9	900 378 188 09	Hexagon-head bolt M 6 X 20		X	
(9)	900 380 015 01	Hexagon nut M 6		2	M339/490 M680
10	996 645 140 02	CD changer CDC 4 Adjustment Installation Attention See technical information GR.9 , NR. 2/03 GR.9 , NR. 3/03	/RL	1	M339/692
10	997 645 140 02	CD changer CDC 4 Adjustment Installation Attention See technical information GR.9 , NR. 2/03 GR.9 , NR. 3/03	/LL	1	M692
10	997 645 140 03	CD changer CDC 4 Adjustment Installation Attention See technical information GR.9 , NR. 2/03 GR.9 , NR. 3/03	/LL /RL	1	M692 M338/692
11	996 645 113 00	Magazine CD changer		1	M692
12	996 645 225 00	Support		1	M338/692
(12)	996 645 229 00	Support	/LL	1	M339/692
(12)	996 645 230 00	Support	/RL	1	M339/692
13	996 645 227 00	Support		1	M338/692
14	N 014 128 13	Oval-head screw M 5 X 8		6	M692
15	999 591 954 09	U-clamp		2	M338/692
16	996 642 207 01	Control unit Telephone See technical information GR.9 , NR. 2/03 GR.9 , NR. 3/03	03	1	M666
16	996 642 207 02	Control unit	03	1	M666

Model: 996 98 Model life 1998>>2005

Pos	Part Number	Description	Remark	Qty	Model
16	996 642 207 04	Telephone See technical information GR.9 , NR. 2/03 GR.9 , NR. 3/03 Control unit	03	1	M666
16	996 642 207 05	Telephone See technical information GR.9 , NR. 2/03 GR.9 , NR. 3/03 Control unit		1	M666
16	997 646 207 01	Telephone See technical information GR.9 , NR. 9/04 Control unit		1	M666
16	997 646 207 02	Telephone MOTOROLA Control unit		1	M666
16	997 646 208 04	Telephone MOTOROLA F >>995S6 00354 F >>995S6 30090 F >>995S6 40515 Control unit		1	COUPE TARGA CABRIO M666
-	997 612 989 00	Telephone HARMAN - BECKER F 995S6 00355>> F 995S6 30091>> F 995S6 40516>> When required order also: Connecting line Adapter for Control unit 997.646.208.04		1	COUPE TARGA CABRIO M666
17	996 642 216 00	Support		1	M666
18	900 378 035 01	Hexagon-head bolt M 6 X 16		2	M666
19	999 073 060 02	Tapping screw 4,8 X 13 Antenna		4	M666
20	996 642 212 01	Telephone See group 9/11/10 Receiver		1	M668
20	996 642 212 02	Telephone Receiver		1	M668
(20)	996 642 980 14	Telephone Receiver Leather		1	IXEA
	996 642 980 14 A11	Black			
	996 642 980 14 C51	Graphite grey			
	996 642 980 14 S31	Savanna			
	996 642 980 14 G11	Metropole blue			
	996 642 980 14 J31	Nephrite green			
	996 642 980 14 M31	Boxster red			
	996 642 980 14 P12	Cinnamon brown			
	996 642 980 14 D12	Dark grey/natural			
	996 642 980 14 T12	Brown/natural			
(20)	996 642 980 15	Receiver Telephone Leather		1	IXEA
	996 642 980 15 A11	Black			

Model: 996 98 Model life 1998>>2005

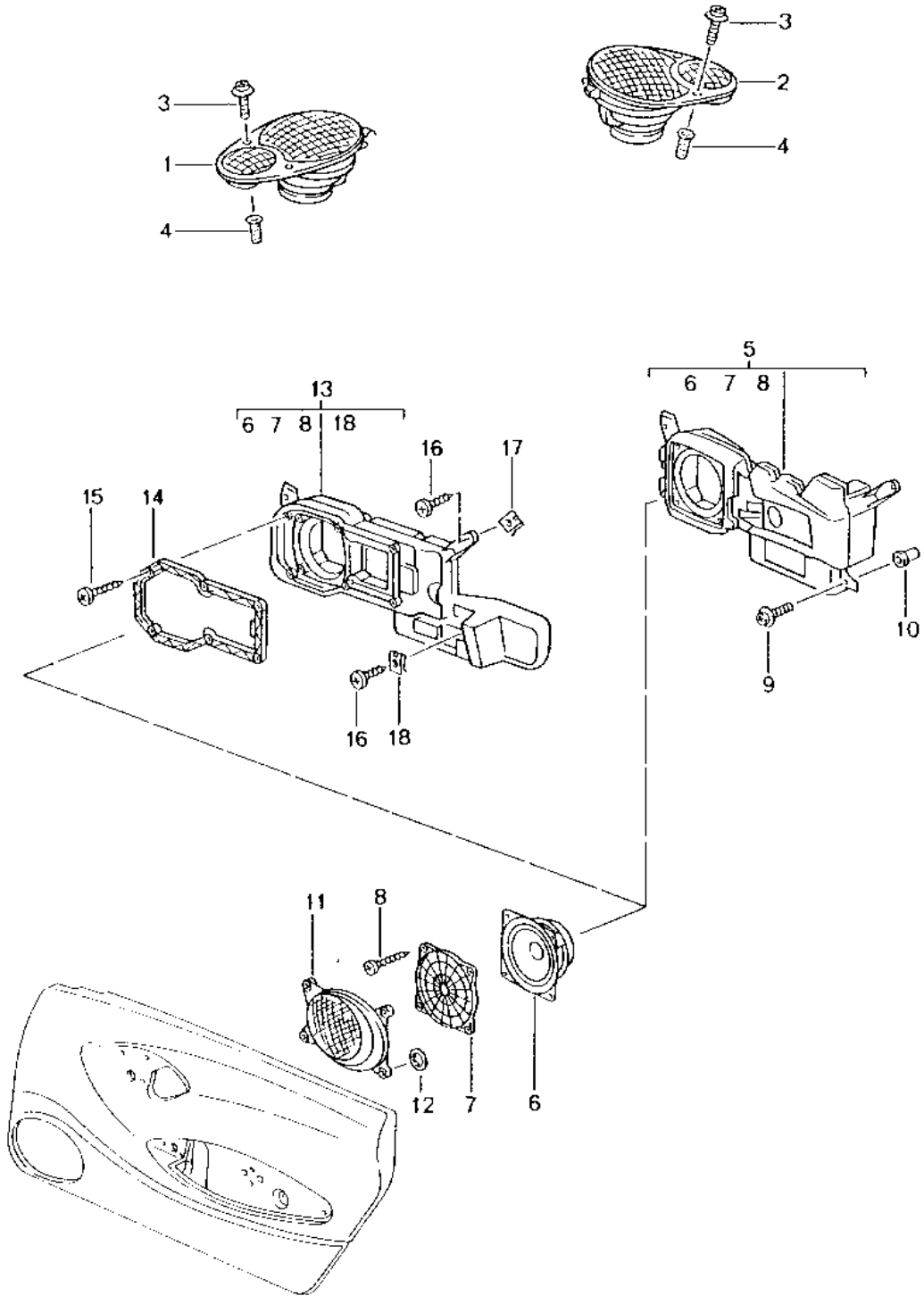
Pos	Part Number	Description	Remark	Qty	Model
	996 642 980 15 C51	Graphite grey			
	996 642 980 15 S31	Savanna			
	996 642 980 15 G11	Metropole blue			
	996 642 980 15 J31	Nephrite green			
	996 642 980 15 M31	Boxster red			
	996 642 980 15 P12	Cinnamon brown			
	996 642 980 15 D12	Dark grey/natural			
	996 642 980 15 T12	Brown/natural			
		Bracket			
		Telephone			
		See group			
		9/11/10			
21	996 646 307 02	Microphone	/LL	1	M618/666
	996 646 307 02 A03	Black			
	996 646 307 02 C53	Graphite grey			
	996 646 307 02 S33	Savanna			
	996 646 307 02 G13	Metropole blue			
	996 646 307 02 J33	Nephrite green			
	996 646 307 02 M33	Boxster red			
	996 646 307 02 P13	Cinnamon brown			
(21)	996 646 308 02	Microphone	/RL	1	M618/666
	996 646 308 02 A03	Black			
	996 646 308 02 C53	Graphite grey			
	996 646 308 02 S33	Savanna			
	996 646 308 02 G13	Metropole blue			
	996 646 308 02 J33	Nephrite green			
	996 646 308 02 M33	Boxster red			
	996 646 308 02 P13	Cinnamon brown			
(21)	996 646 307 03	Microphone	/LL	1	M618/666 M680
	996 646 307 03 A03	Black			
	996 646 307 03 C53	Graphite grey			
	996 646 307 03 S33	Savanna			
	996 646 307 03 G13	Metropole blue			
	996 646 307 03 J33	Nephrite green			
	996 646 307 03 M33	Boxster red			
	996 646 307 03 P13	Cinnamon brown			
(21)	996 646 308 03	Microphone	/RL	1	M618/666 M680
	996 646 308 03 A03	Black			
	996 646 308 03 C53	Graphite grey			
	996 646 308 03 S33	Savanna			
	996 646 308 03 G13	Metropole blue			
	996 646 308 03 J33	Nephrite green			
	996 646 308 03 M33	Boxster red			
	996 646 308 03 P13	Cinnamon brown			
(21)	996 646 307 04	Microphone	/LL	1	M680
	996 646 307 04 A03	Black			
	996 646 307 04 C53	Graphite grey			
	996 646 307 04 S33	Savanna			
	996 646 307 04 G13	Metropole blue			
	996 646 307 04 J33	Nephrite green			
	996 646 307 04 M33	Boxster red			
	996 646 307 04 P13	Cinnamon brown			
(21)	996 646 308 04	Microphone	/RL	1	M680
	996 646 308 04 A03	Black			
	996 646 308 04 C53	Graphite grey			
	996 646 308 04 S33	Savanna			
	996 646 308 04 G13	Metropole blue			
	996 646 308 04 J33	Nephrite green			
	996 646 308 04 M33	Boxster red			
	996 646 308 04 P13	Cinnamon brown			
22	996 642 206 00	Antenna		1	M670

Model: 996 98 Model life 1998>>2005

Pos	Part Number	Description	Remark	Qty	Model
23	996 612 009 00	GPS Connecting line Antenna Module Navigation system		1	M670
24	996 647 105 00	Antenna booster Radio		1	M441
25	996 612 072 01	Connecting line Antenna booster Radio		1	M441
26	996 647 117 00	Antenna booster	/L	1	M440
(26)	996 647 118 00	Antenna booster	/R	1	M440
27	996 647 124 00	Control unit		1	M440
28	996 647 202 00	Support		1	M440
29	999 507 772 40	Clip		1	M440
30	999 507 771 40	Stopper		1	M440
31	996 612 057 00	Connecting line Antenna booster Left Control unit	/LL	1	M665
(31)	996 612 067 00	Connecting line Antenna booster Left Control unit	/RL	1	M665
(31)	996 612 056 00	Connecting line Antenna booster Right Control unit	/LL	1	M665
(31)	996 612 066 00	Connecting line Antenna booster Right Control unit	/RL	1	M665
32	996 612 058 00	Connecting line Control unit Control part Connector CURRY	/LL	1	M665
(32)	996 612 068 00	Connecting line Control unit Control part Connector CURRY	/RL	1	M665
(32)	996 612 059 00	Connecting line Control unit Control part Connector Natural colours	/LL	1	M665
(32)	996 612 069 00	Connecting line Control unit Control part Connector Natural colours	/RL	1	M665

Model: 996 98

Model life 1998>>2005



Model: 996 98 Model life 1998>>2005

Pos	Part Number	Description	Remark	Qty	Model
		Loudspeaker			
		Loudspeaker			
		M 680/MJ.02-			
		See group			
		9/11/06			
1	996 645 037 01	Loudspeaker	/V /L	1	M490
	996 645 037 01 A10	Black	98		
	996 645 037 01 B50	Space grey			
	996 645 037 01 C50	Graphite grey			
	996 645 037 01 G10	Metropole blue			
	996 645 037 01 J30	Nephrite green			
	996 645 037 01 M30	Boxster red			
	996 645 037 01 S30	Savanna			
	996 645 037 01 P10	Cinnamon brown			
(1)	996 645 035 01	Loudspeaker	/V /L	1	M441
	996 645 035 01 A10	Black	98		
	996 645 035 01 B50	Space grey			
	996 645 035 01 C50	Graphite grey			
	996 645 035 01 G10	Metropole blue			
	996 645 035 01 J30	Nephrite green			
	996 645 035 01 M30	Boxster red			
	996 645 035 01 S30	Savanna			
	996 645 035 01 P10	Cinnamon brown			
(1)	996 645 048 01	Loudspeaker	/H /L	1	COUPE
			/H /L 02-		M490
			/H /R		TARGA
			98		M490
	996 645 048 01 A10	Black			CABRIO
	996 645 048 01 B50	Space grey			M490
	996 645 048 01 C50	Graphite grey			
	996 645 048 01 G10	Metropole blue			
	996 645 048 01 J30	Nephrite green			
	996 645 048 01 M30	Boxster red			
	996 645 048 01 S30	Savanna			
	996 645 048 01 P10	Cinnamon brown			
(1)	996 645 046 01	Loudspeaker	/H /L	1	COUPE
			/H /L 02-		M441
			/H /R		TARGA
			98		M441
	996 645 046 01 A10	Black			CABRIO
	996 645 046 01 B50	Space grey			M441
	996 645 046 01 C50	Graphite grey			
	996 645 046 01 G10	Metropole blue			
	996 645 046 01 J30	Nephrite green			
	996 645 046 01 M30	Boxster red			
	996 645 046 01 S30	Savanna			
	996 645 046 01 P10	Cinnamon brown			
2	996 645 038 01	Loudspeaker	/V /R	1	M490
	996 645 038 01 A10	Black	98		
	996 645 038 01 B50	Space grey			
	996 645 038 01 C50	Graphite grey			
	996 645 038 01 G10	Metropole blue			
	996 645 038 01 J30	Nephrite green			
	996 645 038 01 M30	Boxster red			
	996 645 038 01 S30	Savanna			
	996 645 038 01 P10	Cinnamon brown			
(2)	996 645 036 01	Loudspeaker	/V /R	1	M441
	996 645 036 01 A10	Black	98		
	996 645 036 01 B50	Space grey			

Model: 996 98 Model life 1998>>2005

Pos	Part Number	Description	Remark	Qty	Model
	996 645 036 01 C50	Graphite grey			
	996 645 036 01 G10	Metropole blue			
	996 645 036 01 J30	Nephrite green			
	996 645 036 01 M30	Boxster red			
	996 645 036 01 S30	Savanna			
	996 645 036 01 P10	Cinnamon brown			
(2)	996 645 047 01	Loudspeaker	/H /R	1	COUPE M490 TARGA M490 CABRIO M490
			/H /R 02-		
			/H /L		
	996 645 047 01 A10	Black	98		
	996 645 047 01 B50	Space grey			
	996 645 047 01 C50	Graphite grey			
	996 645 047 01 G10	Metropole blue			
	996 645 047 01 J30	Nephrite green			
	996 645 047 01 M30	Boxster red			
	996 645 047 01 S30	Savanna			
	996 645 047 01 P10	Cinnamon brown			
(2)	996 645 045 01	Loudspeaker	/H /R	1	COUPE M441 TARGA M441 CABRIO M441
			/H /R 02-		
			/H /L		
	996 645 045 01 A10	Black	98		
	996 645 045 01 B50	Space grey			
	996 645 045 01 C50	Graphite grey			
	996 645 045 01 G10	Metropole blue			
	996 645 045 01 J30	Nephrite green			
	996 645 045 01 M30	Boxster red			
	996 645 045 01 S30	Savanna			
	996 645 045 01 P10	Cinnamon brown			
(2)	996 645 049 01	Loudspeaker grille		4	
	996 645 049 01 A10	Black	98		
	996 645 049 01 B50	Space grey			
	996 645 049 01 C50	Graphite grey			
	996 645 049 01 G10	Metropole blue			
	996 645 049 01 J30	Nephrite green			
	996 645 049 01 M30	Boxster red			
	996 645 049 01 S30	Savanna			
	996 645 049 01 P10	Cinnamon brown			
1	996 645 037 02	Loudspeaker	/V /L 99-	1	M490
(1)	996 645 037 02 01C	Satin black			
(1)	996 645 035 02	Loudspeaker	/V /L 99-	1	M441
	996 645 035 02 01C	Satin black			
(1)	996 645 048 02	Loudspeaker	/H /L 99-	1	COUPE M490 TARGA M490 CABRIO M490
			/H /L 02-		
			/H /R 99-		
(1)	996 645 048 02 01C	Satin black			
(1)	996 645 046 02	Loudspeaker	/H /L 99-	1	COUPE M441 TARGA M441 CABRIO M441
			/H /L 02-		
			/H /R 99-		
2	996 645 046 02 01C	Satin black			
	996 645 038 02	Loudspeaker	/V /R 99-	1	M490
	996 645 038 02 01C	Satin black			

Model: 996 98 Model life 1998>>2005

Pos	Part Number	Description	Remark	Qty	Model
(2)	996 645 036 02	Loudspeaker	/V /R 99-	1	M441
	996 645 036 02 01C	Satin black			
(2)	996 645 047 02	Loudspeaker	/H /R 99-	1	COUPE
			/H /R 02-		M490
			/H /L 99-		TARGA
					M490
					CABRIO
					M490
(2)	996 645 047 02 01C	Satin black			
	996 645 045 02	Loudspeaker	/H /R 99-	1	COUPE
			/H /R 02-		M441
			/H /L 99-		TARGA
					M441
					CABRIO
					M441
(2)	996 645 045 02 01C	Satin black			
	996 645 049 02	Loudspeaker grille	99-	4	
	996 645 049 02 01C	Satin black			
		Loudspeaker			IXKL/XKM/XKN
		Front			IXKP
		Leather			
1	996 645 983 01	Loudspeaker	/V /L 01-	1	M490
	996 645 983 01 VRK	Black			
	996 645 983 01 S31	Savanna			
	996 645 983 01 C51	Graphite grey			
	996 645 983 01 G11	Metropole blue			
	996 645 983 01 J31	Nephrite green			
	996 645 983 01 M31	Boxster red			
	996 645 983 01 P12	Cinnamon brown			
	996 645 983 01 D12	Dark grey/natural			
	996 645 983 01 T12	Brown/natural			
(1)	996 645 981 01	Loudspeaker	/V /L 01-	1	M441
	996 645 981 01 VRK	Black			
	996 645 981 01 S31	Savanna			
	996 645 981 01 C51	Graphite grey			
	996 645 981 01 G11	Metropole blue			
	996 645 981 01 J31	Nephrite green			
	996 645 981 01 M31	Boxster red			
	996 645 981 01 P12	Cinnamon brown			
	996 645 981 01 D12	Dark grey/natural			
	996 645 981 01 T12	Brown/natural			
2	996 645 984 01	Loudspeaker	/V /R 01-	1	M490
	996 645 984 01 VRK	Black			
	996 645 984 01 S31	Savanna			
	996 645 984 01 C51	Graphite grey			
	996 645 984 01 G11	Metropole blue			
	996 645 984 01 J31	Nephrite green			
	996 645 984 01 M31	Boxster red			
	996 645 984 01 P12	Cinnamon brown			
	996 645 984 01 D12	Dark grey/natural			
	996 645 984 01 T12	Brown/natural			
(2)	996 645 982 01	Loudspeaker	/V /R 01-	1	M441
	996 645 982 01 VRK	Black			
	996 645 982 01 S31	Savanna			
	996 645 982 01 C51	Graphite grey			
	996 645 982 01 G11	Metropole blue			
	996 645 982 01 J31	Nephrite green			
	996 645 982 01 M31	Boxster red			
	996 645 982 01 P12	Cinnamon brown			
	996 645 982 01 D12	Dark grey/natural			
	996 645 982 01 T12	Brown/natural			
		Loudspeaker			IXKL
		Rear			

Model: 996 98 Model life 1998>>2005

Pos	Part Number	Description	Remark	Qty	Model
(1)	996 645 989 05	Leather Loudspeaker	/H /L 01- /H /L 01- /H /R 01-	1	COUPE M490 TARGA M490 CABRIO M490
	996 645 989 05 VRK	Black			
	996 645 989 05 S31	Savanna			
	996 645 989 05 C51	Graphite grey			
	996 645 989 05 G11	Metropole blue			
	996 645 989 05 J31	Nephrite green			
	996 645 989 05 M31	Boxster red			
	996 645 989 05 P12	Cinnamon brown			
	996 645 989 05 D12	Dark grey/natural			
	996 645 989 05 T12	Brown/natural			
(1)	996 645 987 05	Loudspeaker	/H /L 01- /H /L 01- /H /R 01-	1	COUPE M441 TARGA M441 CABRIO M441
	996 645 987 05 VRK	Black			
	996 645 987 05 S31	Savanna			
	996 645 987 05 C51	Graphite grey			
	996 645 987 05 G11	Metropole blue			
	996 645 987 05 J31	Nephrite green			
	996 645 987 05 M31	Boxster red			
	996 645 987 05 P12	Cinnamon brown			
	996 645 987 05 D12	Dark grey/natural			
	996 645 987 05 T12	Brown/natural			
(2)	996 645 988 05	Loudspeaker	/H /R 01- /H /R 02- /H /L 01-	1	COUPE M490 TARGA M490 CABRIO M490
	996 645 988 05 VRK	Black			
	996 645 988 05 S31	Savanna			
	996 645 988 05 C51	Graphite grey			
	996 645 988 05 G11	Metropole blue			
	996 645 988 05 J31	Nephrite green			
	996 645 988 05 M31	Boxster red			
	996 645 988 05 P12	Cinnamon brown			
	996 645 988 05 D12	Dark grey/natural			
	996 645 988 05 T12	Brown/natural			
(2)	996 645 986 05	Loudspeaker	/H /R 01- /H /R 02- /H /L 01-	1	COUPE M441 TARGA M441 CABRIO M441
	996 645 986 05 VRK	Black			
	996 645 986 05 S31	Savanna			
	996 645 986 05 C51	Graphite grey			
	996 645 986 05 G11	Metropole blue			
	996 645 986 05 J31	Nephrite green			
	996 645 986 05 M31	Boxster red			
	996 645 986 05 P12	Cinnamon brown			
	996 645 986 05 D12	Dark grey/natural			
	996 645 986 05 T12	Brown/natural			
		Loudspeaker			IXKM
		Rear			

Model: 996 98 Model life 1998>>2005

Pos	Part Number	Description	Remark	Qty	Model
(1)	996 645 989 01	Light maple rootwood Loudspeaker	/H /L 01- /H /L 01- /H /R 01-	1	COUPE M490 TARGA M490 CABRIO M490
	996 645 989 01 A03	Black			
	996 645 989 01 C53	Graphite grey			
	996 645 989 01 S33	Savanna			
	996 645 989 01 G13	Metropole blue			
	996 645 989 01 J33	Nephrite green			
	996 645 989 01 M33	Boxster red			
	996 645 989 01 P13	Cinnamon brown			
	996 645 989 01 D12	Dark grey/natural			
	996 645 989 01 T12	Brown/natural			
(1)	996 645 987 01	Loudspeaker	/H /L 01- /H /L 01- /H /R 01-	1	COUPE M441 TARGA M441 CABRIO M441
	996 645 987 01 A03	Black			
	996 645 987 01 C53	Graphite grey			
	996 645 987 01 S33	Savanna			
	996 645 987 01 G13	Metropole blue			
	996 645 987 01 J33	Nephrite green			
	996 645 987 01 M33	Boxster red			
	996 645 987 01 P13	Cinnamon brown			
	996 645 987 01 D12	Dark grey/natural			
	996 645 987 01 T12	Brown/natural			
(2)	996 645 988 01	Loudspeaker	/H /R 01- /H /R 02- /H /L 01-	1	COUPE M490 TARGA M490 CABRIO M490
	996 645 988 01 A03	Black			
	996 645 988 01 C53	Graphite grey			
	996 645 988 01 S33	Savanna			
	996 645 988 01 G13	Metropole blue			
	996 645 988 01 J33	Nephrite green			
	996 645 988 01 M33	Boxster red			
	996 645 988 01 P13	Cinnamon brown			
	996 645 988 01 D12	Dark grey/natural			
	996 645 988 01 T12	Brown/natural			
(2)	996 645 986 01	Loudspeaker	/H /R 01- /H /R 02- /H /L 01-	1	COUPE M441 TARGA M441 CABRIO M441
	996 645 986 01 A03	Black			
	996 645 986 01 C53	Graphite grey			
	996 645 986 01 S33	Savanna			
	996 645 986 01 G13	Metropole blue			
	996 645 986 01 J33	Nephrite green			
	996 645 986 01 M33	Boxster red			
	996 645 986 01 P13	Cinnamon brown			
	996 645 986 01 D12	Dark grey/natural			
	996 645 986 01 T12	Brown/natural			
		Loudspeaker			IXKN
		Rear			

Model: 996 98 Model life 1998>>2005

Pos	Part Number	Description	Remark	Qty	Model
(2)	996 645 989 02	Dark maple rootwood Loudspeaker	/H /L 01- /H /L 01- /H /R 01-	1	COUPE M490 TARGA M490 CABRIO M490
	996 645 989 02 A03	Black			
	996 645 989 02 C53	Graphite grey			
	996 645 989 02 S33	Savanna			
	996 645 989 02 G13	Metropole blue			
	996 645 989 02 J33	Nephrite green			
	996 645 989 02 M33	Boxster red			
	996 645 989 02 P13	Cinnamon brown			
	996 645 989 02 D12	Dark grey/natural			
	996 645 989 02 T12	Brown/natural			
(2)	996 645 987 02	Loudspeaker	/H /L 01- /H /L 01- /H /R 01-	1	COUPE M441 TARGA M441 CABRIO M441
	996 645 987 02 A03	Black			
	996 645 987 02 C53	Graphite grey			
	996 645 987 02 S33	Savanna			
	996 645 987 02 G13	Metropole blue			
	996 645 987 02 J33	Nephrite green			
	996 645 987 02 M33	Boxster red			
	996 645 987 02 P13	Cinnamon brown			
	996 645 987 02 D12	Dark grey/natural			
	996 645 987 02 T12	Brown/natural			
(2)	996 645 988 02	Loudspeaker	/H /R 01- /H /R 02- /H /L 01-	1	COUPE M490 TARGA M490 CABRIO M490
	996 645 988 02 A03	Black			
	996 645 988 02 C53	Graphite grey			
	996 645 988 02 S33	Savanna			
	996 645 988 02 G13	Metropole blue			
	996 645 988 02 J33	Nephrite green			
	996 645 988 02 M33	Boxster red			
	996 645 988 02 P13	Cinnamon brown			
	996 645 988 02 D12	Dark grey/natural			
	996 645 988 02 T12	Brown/natural			
(2)	996 645 986 02	Loudspeaker	/H /R 01- /H /R 02- /H /L 01-	1	COUPE M441 TARGA M441 CABRIO M441
	996 645 986 02 A03	Black			
	996 645 986 02 C53	Graphite grey			
	996 645 986 02 S33	Savanna			
	996 645 986 02 G13	Metropole blue			
	996 645 986 02 J33	Nephrite green			
	996 645 986 02 M33	Boxster red			
	996 645 986 02 P13	Cinnamon brown			
	996 645 986 02 D12	Dark grey/natural			
	996 645 986 02 T12	Brown/natural			
		Loudspeaker			IXKP
		Rear			

Model: 996 98 Model life 1998>>2005

Pos	Part Number	Description	Remark	Qty	Model
(1)	996 645 989 03	Carbon Loudspeaker	/H /L 01- /H /L 01- /H /R 01-	1	COUPE M490 TARGA M490 CABRIO M490
	996 645 989 03 A03	Black			
	996 645 989 03 C53	Graphite grey			
	996 645 989 03 S33	Savanna			
	996 645 989 03 G13	Metropole blue			
	996 645 989 03 J33	Nephrite green			
	996 645 989 03 M33	Boxster red			
	996 645 989 03 P13	Cinnamon brown			
	996 645 989 03 D12	Dark grey/natural			
	996 645 989 03 T12	Brown/natural			
(1)	996 645 987 03	Loudspeaker	/H /L 01- /H /L 01- /H /R 01-	1	COUPE M441 TARGA M441 CABRIO M441
	996 645 987 03 A03	Black			
	996 645 987 03 C53	Graphite grey			
	996 645 987 03 S33	Savanna			
	996 645 987 03 G13	Metropole blue			
	996 645 987 03 J33	Nephrite green			
	996 645 987 03 M33	Boxster red			
	996 645 987 03 P13	Cinnamon brown			
	996 645 987 03 D12	Dark grey/natural			
	996 645 987 03 T12	Brown/natural			
(2)	996 645 988 03	Loudspeaker	/H /R 01- /H /R 02- /H /L 01-	1	COUPE M490 TARGA M490 CABRIO M490
	996 645 988 03 A03	Black			
	996 645 988 03 C53	Graphite grey			
	996 645 988 03 S33	Savanna			
	996 645 988 03 G13	Metropole blue			
	996 645 988 03 J33	Nephrite green			
	996 645 988 03 M33	Boxster red			
	996 645 988 03 P13	Cinnamon brown			
	996 645 988 03 D12	Dark grey/natural			
	996 645 988 03 T12	Brown/natural			
(2)	996 645 986 03	Loudspeaker	/H /R 01- /H /R 02- /H /L 01-	1	COUPE M441 TARGA M441 CABRIO M441
	996 645 986 03 A03	Black			
	996 645 986 03 C53	Graphite grey			
	996 645 986 03 S33	Savanna			
	996 645 986 03 G13	Metropole blue			
	996 645 986 03 J33	Nephrite green			
	996 645 986 03 M33	Boxster red			
	996 645 986 03 P13	Cinnamon brown			
	996 645 986 03 D12	Dark grey/natural			
	996 645 986 03 T12	Brown/natural			
3	999 919 166 07	Oval-head screw 4,0 X 30	-01	8	

Model: 996 98 Model life 1998>>2005

Pos	Part Number	Description	Remark	Qty	Model
3		Oval-head screw 4,0 X 30	/H 02-	4	
(3)	999 073 224 09	Tapping screw 4,2 X 25	/V 02-	4	
4	999 920 015 40	Plug-in nut 4,0	-01	8	
4		Plug-in nut 4,0	/H 02-	4	
(4)	999 507 767 02	Speed nut 4,2	/V 02-	2	
(4)	999 507 768 02	Speed nut 4,2	/V 02-	2	
(5)	996 645 011 01	Loudspeaker	/L -00	1	M490
5	996 645 012 01	Loudspeaker	/R -00	1	M490
6	996 645 501 00	Woofer	-02	2	M490
6	996 645 502 00	Woofer	03-	2	M490
7	996 645 550 00	Protective grille		2	M490
(8)	999 919 176 07	Oval-head screw 4,0 X 16		8	M490
9	999 919 237 00	Oval-head screw 5,0 X 20	98	8	M490
(9)	999 073 061 02	Tapping screw ST 4,8 X 16 Only together with 999.591.499.02	-00	8	M490
10	999 920 013 40	Plug-in nut 5,0	98	8	M490
(10)	999 591 499 02	Speed nut 4,8 Only together with 999.073.061.02	-00	8	M490
11	996 555 801 01	Loudspeaker grille		2	M490
	996 555 801 01 D05	Granite grey	-99		
	996 555 801 01 A03	Black	00-		
(11)	000 043 206 22	Loudspeaker grille Leather	01-	2	IXKL/M490
	000 043 206 22 VRK	Black			
	000 043 206 22 S31	Savanna			
	000 043 206 22 C51	Graphite grey			
	000 043 206 22 G11	Metropole blue			
	000 043 206 22 J31	Nephrite green			
	000 043 206 22 M31	Boxster red			
	000 043 206 22 P12	Cinnamon brown			
	000 043 206 22 D12	Dark grey/natural			
	000 043 206 22 T12	Brown/natural			
(11)	000 043 206 23	Loudspeaker grille Light maple rootwood	/L 01-	1	IXKM/M490
	000 043 206 23 A03	Black			
	000 043 206 23 C53	Graphite grey			
	000 043 206 23 S33	Savanna			
	000 043 206 23 G13	Metropole blue			
	000 043 206 23 J33	Nephrite green			
	000 043 206 23 M33	Boxster red			
	000 043 206 23 P13	Cinnamon brown			
	000 043 206 23 D12	Dark grey/natural			
	000 043 206 23 T12	Brown/natural			
(11)	000 043 206 49	Loudspeaker grille Light maple rootwood	/R 01-	1	IXKM/M490
	000 043 206 49 A03	Black			
	000 043 206 49 C53	Graphite grey			
	000 043 206 49 S33	Savanna			
	000 043 206 49 G13	Metropole blue			
	000 043 206 49 J33	Nephrite green			

Model: 996 98 Model life 1998>>2005

Pos	Part Number	Description	Remark	Qty	Model
(11)	000 043 206 49 M33	Boxster red	/L 01-	1	IXKN/M490
	000 043 206 49 P13	Cinnamon brown			
	000 043 206 49 D12	Dark grey/natural			
	000 043 206 49 T12	Brown/natural			
	000 043 206 24	Loudspeaker grille Dark maple rootwood			
	000 043 206 24 A03	Black			
	000 043 206 24 C53	Graphite grey			
	000 043 206 24 S33	Savanna			
	000 043 206 24 G13	Metropole blue			
	000 043 206 24 J33	Nephrite green			
	000 043 206 24 M33	Boxster red			
(11)	000 043 206 24 P13	Cinnamon brown	/R 01-	1	IXKN/M490
	000 043 206 24 D12	Dark grey/natural			
	000 043 206 24 T12	Brown/natural			
	000 043 206 50	Loudspeaker grille Dark maple rootwood			
	000 043 206 50 A03	Black			
	000 043 206 50 C53	Graphite grey			
	000 043 206 50 S33	Savanna			
	000 043 206 50 G13	Metropole blue			
	000 043 206 50 J33	Nephrite green			
	000 043 206 50 M33	Boxster red			
	000 043 206 50 P13	Cinnamon brown			
(11)	000 043 206 50 D12	Dark grey/natural	/L 01-	1	IXKP/M490
	000 043 206 50 T12	Brown/natural			
	000 043 206 25	Loudspeaker grille Carbon			
	000 043 206 25 A03	Black			
	000 043 206 25 C53	Graphite grey			
	000 043 206 25 S33	Savanna			
	000 043 206 25 G13	Metropole blue			
	000 043 206 25 J33	Nephrite green			
	000 043 206 25 M33	Boxster red			
	000 043 206 25 P13	Cinnamon brown			
	000 043 206 25 D12	Dark grey/natural			
(11)	000 043 206 25 T12	Brown/natural	/R 01-	1	IXKP/M490
	000 043 206 51	Loudspeaker grille Carbon			
	000 043 206 51 A03	Black			
	000 043 206 51 C53	Graphite grey			
	000 043 206 51 S33	Savanna			
	000 043 206 51 G13	Metropole blue			
	000 043 206 51 J33	Nephrite green			
	000 043 206 51 M33	Boxster red			
	000 043 206 51 P13	Cinnamon brown			
	000 043 206 51 D12	Dark grey/natural			
	000 043 206 51 T12	Brown/natural			
(11)	000 043 206 88	Loudspeaker grille Frame Leather Grille Aluminium look	/R 01-	2	IXTR/M490
	000 043 206 88 A10	Black			
	000 043 206 88 C50	Graphite grey			
	000 043 206 88 S30	Savanna			
	000 043 206 88 G10	Metropole blue			
	000 043 206 88 J30	Nephrite green			
	000 043 206 88 M30	Boxster red			
	000 043 206 88 P11	Cinnamon brown			
	000 043 206 88 D11	Dark grey/natural			
	000 043 206 88 T11	Brown/natural			
	12	999 591 946 02			

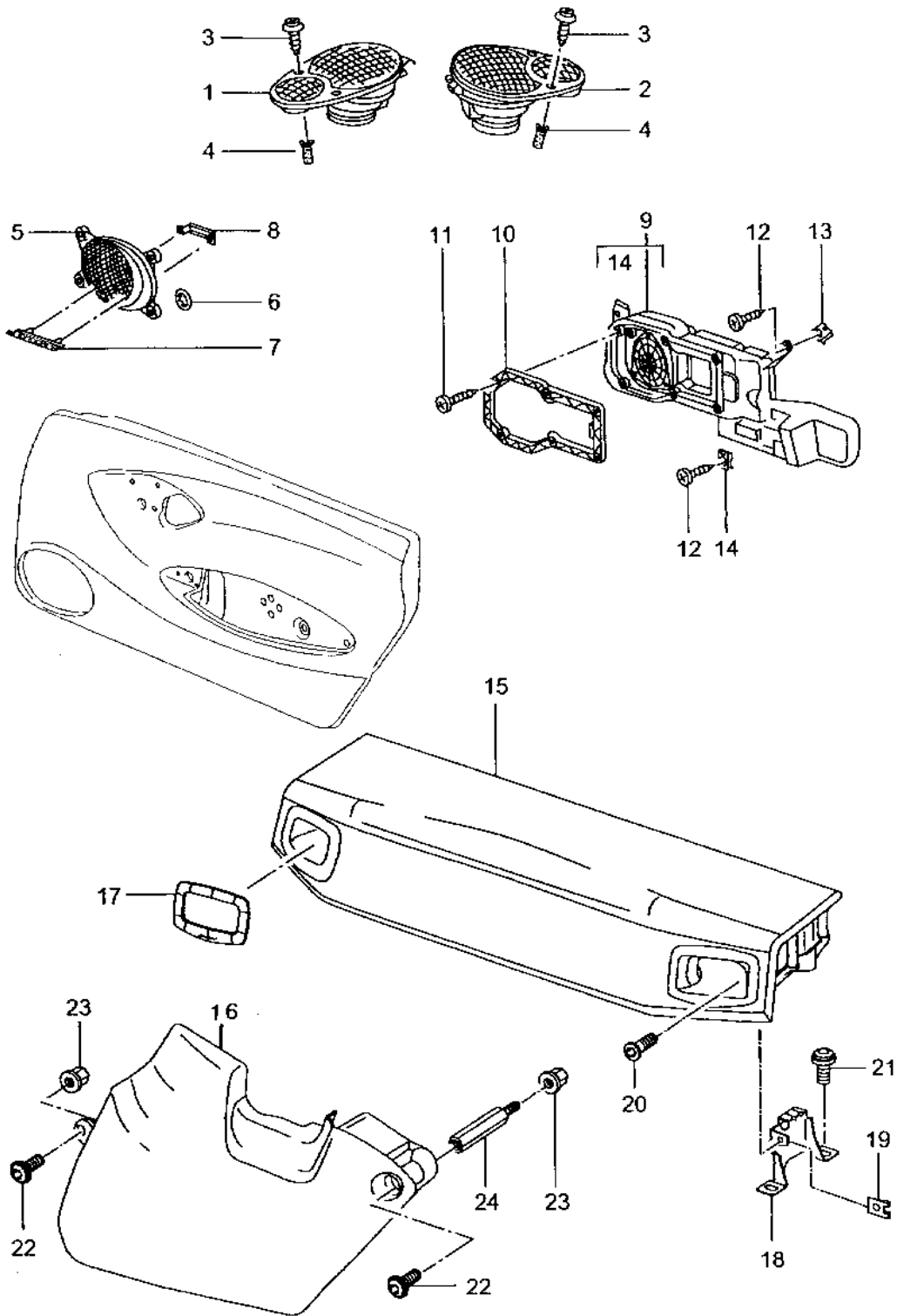
Model: 996 98

Model life 1998>>2005

Pos	Part Number	Description	Remark	Qty	Model
12	999 591 946 03	5,0 Clamping washer		8	M490
13	996 645 551 00	5,0 Loudspeaker	/L -02	1	M490
13	996 645 551 01	Loudspeaker	/L 03-	1	M490
(13)	996 645 552 00	Loudspeaker	/R -02	1	M490
(13)	996 645 552 01	Loudspeaker	/R 03-	1	M490
14	996 645 553 00	Frame	01-	2	M490
15	999 919 086 02	Oval-head screw 4,0 X 14	01-	12	M490
16	999 073 061 02	Tapping screw 4,8 X 16	01-	8	M490
17	999 591 499 02	Speed nut 4,8	01-	6	M490
18	999 507 759 09	Speed nut 4,8	01-	2	M490

Model: 996 98

Model life 1998>>2005



Model: 996 98 Model life 1998>>2005

Pos	Part Number	Description	Remark	Qty	Model
1	996 645 033 00	Loudspeaker	02-	1	M680
	996 645 033 00 C50	Loudspeaker	/V /L		M680
	996 645 033 00 G10	Graphite grey			
	996 645 033 00 J30	Metropole blue			
	996 645 033 00 M30	Nephrite green			
	996 645 033 00 S30	Boxster red			
	996 645 033 00 P10	Savanna			
(1)	996 645 044 00	Cinnamon brown		1	COUPE
		Loudspeaker	/H /L		M680
			/H /L		TARGA
			/H /R		M680
	996 645 044 00 C50	Graphite grey			CABRIO
	996 645 044 00 G10	Metropole blue			M680
	996 645 044 00 J30	Nephrite green			
	996 645 044 00 M30	Boxster red			
	996 645 044 00 S30	Savanna			
	996 645 044 00 P10	Cinnamon brown			
2	996 645 034 00	Loudspeaker	/V /R	1	M680
	996 645 034 00 C50	Graphite grey			
	996 645 034 00 G10	Metropole blue			
	996 645 034 00 J30	Nephrite green			
	996 645 034 00 M30	Boxster red			
	996 645 034 00 S30	Savanna			
	996 645 034 00 P10	Cinnamon brown			
(2)	996 645 043 00	Loudspeaker	/H /R	1	COUPE
			/H /R		M680
			/H /L		TARGA
					M680
	996 645 043 00 C50	Graphite grey			CABRIO
	996 645 043 00 G10	Metropole blue			M680
	996 645 043 00 J30	Nephrite green			
	996 645 043 00 M30	Boxster red			
	996 645 043 00 S30	Savanna			
	996 645 043 00 P10	Cinnamon brown			
1	996 645 033 01	Loudspeaker	/V /L	1	M680
	996 645 033 01 01C	Satin black			
(1)	996 645 044 01	Loudspeaker	/H /L	1	COUPE
			/H /L		M680
			/H /R		TARGA
			/H /R		M680
			/H /L		CABRIO
	996 645 044 01 01C	Satin black			M680
2	996 645 034 01	Loudspeaker	/V /R	1	M680
	996 645 034 01 01C	Satin black			
(2)	996 645 043 01	Loudspeaker	/H /R	1	COUPE
			/H /R		M680
			/H /R		TARGA
			/H /L		M680
					CABRIO
	996 645 043 01 01C	Satin black			M680
		Loudspeaker			IXKL/XKM/XKN
		Front			IXKP
		Leather			
1	996 645 983 02	Loudspeaker	/V /L	1	M680
	996 645 983 02 VRK	Black			
	996 645 983 02 S31	Savanna			

Model: 996 98 Model life 1998>>2005

Pos	Part Number	Description	Remark	Qty	Model
	996 645 983 02 C51	Graphite grey			
	996 645 983 02 G11	Metropole blue			
	996 645 983 02 J31	Nephrite green			
	996 645 983 02 M31	Boxster red			
	996 645 983 02 P12	Cinnamon brown			
	996 645 983 02 D12	Dark grey/natural			
	996 645 983 02 T12	Brown/natural			
2	996 645 984 02	Loudspeaker	/V /R	1	M680
	996 645 984 02 VRK	Black			
	996 645 984 02 S31	Savanna			
	996 645 984 02 C51	Graphite grey			
	996 645 984 02 G11	Metropole blue			
	996 645 984 02 J31	Nephrite green			
	996 645 984 02 M31	Boxster red			
	996 645 984 02 P12	Cinnamon brown			
	996 645 984 02 D12	Dark grey/natural			
	996 645 984 02 T12	Brown/natural			
		Loudspeaker			IXKL
		Rear			
		Leather			
(1)	996 645 989 06	Loudspeaker	/H /L	1	COUPE M680 TARGA M680 CABRIO M680
			/H /L		
			/H /R		
	996 645 989 06 VRK	Black			
	996 645 989 06 S31	Savanna			
	996 645 989 06 C51	Graphite grey			
	996 645 989 06 G11	Metropole blue			
	996 645 989 06 J31	Nephrite green			
	996 645 989 06 M31	Boxster red			
	996 645 989 06 P12	Cinnamon brown			
	996 645 989 06 D12	Dark grey/natural			
	996 645 989 06 T12	Brown/natural			
(2)	996 645 988 06	Loudspeaker	/H /R	1	COUPE M680 TARGA M680 CABRIO M680
			/H /R		
			/H /L		
	996 645 988 06 VRK	Black			
	996 645 988 06 S31	Savanna			
	996 645 988 06 C51	Graphite grey			
	996 645 988 06 G11	Metropole blue			
	996 645 988 06 J31	Nephrite green			
	996 645 988 06 M31	Boxster red			
	996 645 988 06 P12	Cinnamon brown			
	996 645 988 06 D12	Dark grey/natural			
	996 645 988 06 T12	Brown/natural			
		Loudspeaker			IXKM
		Rear			
		Light maple rootwood			
(1)	996 645 989 07	Loudspeaker	/H /L	1	COUPE M680 TARGA M680 CABRIO M680
			/H /L		
			/H /R		
	996 645 989 07 A03	Black			
	996 645 989 07 C53	Graphite grey			
	996 645 989 07 S33	Savanna			
	996 645 989 07 G13	Metropole blue			

Model: 996 98 Model life 1998>>2005

Pos	Part Number	Description	Remark	Qty	Model
(2)	996 645 989 07 J33	Nephrite green		1	COUPE M680 TARGA M680 CABRIO M680
	996 645 989 07 M33	Boxster red			
	996 645 989 07 P13	Cinnamon brown			
	996 645 989 07 D12	Dark grey/natural			
	996 645 989 07 T12	Brown/natural			
	996 645 988 07	Loudspeaker	/H /R		
			/H /R		
			/H /L		
	996 645 988 07 A03	Black			
	996 645 988 07 C53	Graphite grey			
996 645 988 07 S33	Savanna				
996 645 988 07 G13	Metropole blue				
996 645 988 07 J33	Nephrite green				
996 645 988 07 M33	Boxster red				
996 645 988 07 P13	Cinnamon brown				
996 645 988 07 D12	Dark grey/natural				
996 645 988 07 T12	Brown/natural				
(1)		Loudspeaker		1	IXKN COUPE M680 TARGA M680 CABRIO M680
		Rear			
		Dark maple rootwood			
	996 645 989 08	Loudspeaker	/H /L		
			/H /L		
			/H /R		
	996 645 989 08 A03	Black			
	996 645 989 08 C53	Graphite grey			
	996 645 989 08 S33	Savanna			
	996 645 989 08 G13	Metropole blue			
996 645 989 08 J33	Nephrite green				
996 645 989 08 M33	Boxster red				
996 645 989 08 P13	Cinnamon brown				
996 645 989 08 D12	Dark grey/natural				
996 645 989 08 T12	Brown/natural				
(2)	996 645 988 08	Loudspeaker	/H /R	1	COUPE M680 TARGA M680 CABRIO M680
			/H /R		
			/H /L		
	996 645 988 08 A03	Black			
	996 645 988 08 C53	Graphite grey			
	996 645 988 08 S33	Savanna			
	996 645 988 08 G13	Metropole blue			
	996 645 988 08 J33	Nephrite green			
	996 645 988 08 M33	Boxster red			
	996 645 988 08 P13	Cinnamon brown			
996 645 988 08 D12	Dark grey/natural				
996 645 988 08 T12	Brown/natural				
(1)		Loudspeaker		1	IXKP COUPE M680 TARGA M680 CABRIO M680
		Rear			
		Carbon			
	996 645 989 09	Loudspeaker	/H /L		
			/H /L		
			/H /R		
	996 645 988 09 A03	Black			

Model: 996 98 Model life 1998>>2005

Pos	Part Number	Description	Remark	Qty	Model
(2)	996 645 989 09 C53	Graphite grey			
	996 645 989 09 S33	Savanna			
	996 645 989 09 G13	Metropole blue			
	996 645 989 09 J33	Nephrite green			
	996 645 989 09 M33	Boxster red			
	996 645 989 09 P13	Cinnamon brown			
	996 645 989 09 D12	Dark grey/natural			
	996 645 989 09 T12	Brown/natural			
	996 645 988 09	Loudspeaker	/H /R	1	COUPE M680
			/H /R		TARGA M680
		/H /L		CABRIO M680	
3	996 645 988 09 A03	Black			
	996 645 988 09 C53	Graphite grey			
	996 645 988 09 S33	Savanna			
	996 645 988 09 G13	Metropole blue			
	996 645 988 09 J33	Nephrite green			
	996 645 988 09 M33	Boxster red			
	996 645 988 09 P13	Cinnamon brown			
	996 645 988 09 D12	Dark grey/natural			
	996 645 988 09 T12	Brown/natural			
	999 919 166 07	Oval-head screw 4,0 X 30	/H	4	
(3)	999 073 224 09	Tapping screw 4,2 X 25	/V	4	
	999 920 015 40	Plug-in nut 4,0	/H	4	
(4)	999 507 767 02	Speed nut 4,2	/V	2	
(4)	999 507 768 02	Speed nut 4,2	/V	2	
5	996 555 801 01	Loudspeaker grille		2	M680
	996 555 801 01 A03	Black			
(5)	000 043 206 22	Loudspeaker grille Leather		2	IXKL/M680
	000 043 206 22 VRK	Black			
	000 043 206 22 S31	Savanna			
	000 043 206 22 C51	Graphite grey			
	000 043 206 22 G11	Metropole blue			
	000 043 206 22 J31	Nephrite green			
	000 043 206 22 M31	Boxster red			
	000 043 206 22 P12	Cinnamon brown			
	000 043 206 22 D12	Dark grey/natural			
	000 043 206 22 T12	Brown/natural			
	000 043 206 23	Loudspeaker grille Light maple rootwood	/L	1	IXKM/M680
		000 043 206 23 A03	Black		
		000 043 206 23 C53	Graphite grey		
		000 043 206 23 S33	Savanna		
		000 043 206 23 G13	Metropole blue		
		000 043 206 23 J33	Nephrite green		
		000 043 206 23 M33	Boxster red		
		000 043 206 23 P13	Cinnamon brown		
		000 043 206 23 D12	Dark grey/natural		
		000 043 206 23 T12	Brown/natural		
(5)	000 043 206 49	Loudspeaker grille Light maple rootwood	/R	1	IXKM/M680
		000 043 206 49 A03	Black		
	000 043 206 49 C53	Graphite grey			
	000 043 206 49 S33	Savanna			
	000 043 206 49 G13	Metropole blue			

Model: 996 98 Model life 1998>>2005

Pos	Part Number	Description	Remark	Qty	Model
(5)	000 043 206 49 J33	Nephrite green			
	000 043 206 49 M33	Boxster red			
	000 043 206 49 P13	Cinnamon brown			
	000 043 206 49 D12	Dark grey/natural			
	000 043 206 49 T12	Brown/natural			
	000 043 206 24	Loudspeaker grille Dark maple rootwood	/L	1	IXKN/M680
	000 043 206 24 A03	Black			
	000 043 206 24 C53	Graphite grey			
	000 043 206 24 S33	Savanna			
	000 043 206 24 G13	Metropole blue			
	000 043 206 24 J33	Nephrite green			
	000 043 206 24 M33	Boxster red			
	000 043 206 24 P13	Cinnamon brown			
(5)	000 043 206 24 D12	Dark grey/natural			
	000 043 206 24 T12	Brown/natural			
	000 043 206 50	Loudspeaker grille Dark maple rootwood	/R	1	IXKN/M680
	000 043 206 50 A03	Black			
	000 043 206 50 C53	Graphite grey			
	000 043 206 50 S33	Savanna			
	000 043 206 50 G13	Metropole blue			
	000 043 206 50 J33	Nephrite green			
	000 043 206 50 M33	Boxster red			
	000 043 206 50 P13	Cinnamon brown			
	000 043 206 50 D12	Dark grey/natural			
	000 043 206 50 T12	Brown/natural			
	(5)	000 043 206 25	Loudspeaker grille Carbon	/L	1
000 043 206 25 A03		Black			
000 043 206 25 C53		Graphite grey			
000 043 206 25 S33		Savanna			
000 043 206 25 G13		Metropole blue			
000 043 206 25 J33		Nephrite green			
000 043 206 25 M33		Boxster red			
000 043 206 25 P13		Cinnamon brown			
000 043 206 25 D12		Dark grey/natural			
000 043 206 25 T12		Brown/natural			
000 043 206 51		Loudspeaker grille Carbon	/R	1	M 608 IXKP
000 043 206 51 A03		Black			
000 043 206 51 C53		Graphite grey			
000 043 206 51 S33	Savanna				
000 043 206 51 G13	Metropole blue				
000 043 206 51 J33	Nephrite green				
000 043 206 51 M33	Boxster red				
000 043 206 51 P13	Cinnamon brown				
000 043 206 51 D12	Dark grey/natural				
000 043 206 51 T12	Brown/natural				
(5)	000 043 206 88	Loudspeaker grille Frame Leather Grille Aluminium look		2	IXTR/M680
	000 043 206 88 A10	Black			
	000 043 206 88 C50	Graphite grey			
	000 043 206 88 S30	Savanna			
	000 043 206 88 G10	Metropole blue			
	000 043 206 88 J30	Nephrite green			
	000 043 206 88 M30	Boxster red			
	000 043 206 88 P11	Cinnamon brown			
	000 043 206 88 D11	Dark grey/natural			

Model: 996 98 Model life 1998>>2005

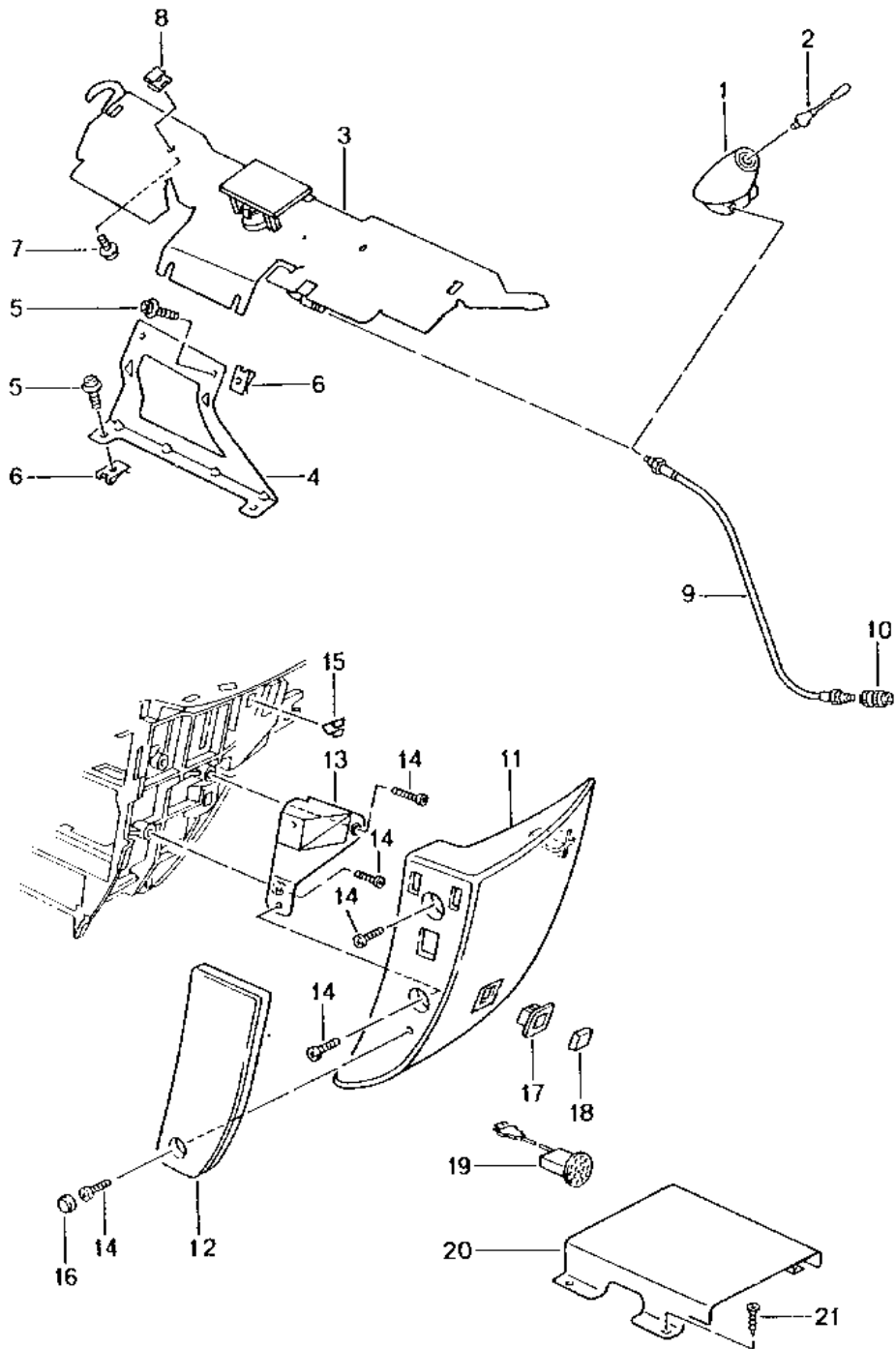
Pos	Part Number	Description	Remark	Qty	Model
6	000 043 206 88 T11 999 591 946 02	Brown/natural Clamping washer 5,0		8	M680
6	999 591 946 03	Clamping washer 5,0		8	M680
7	996 645 511 00	Logo		2	M680
8	996 645 512 00	Clip		2	M680
9	996 645 561 00	Loudspeaker	/L	1	M680
(9)	996 645 562 00	Loudspeaker	/R	1	M680
10	996 645 553 00	Frame		2	M680
11	999 919 086 02	Oval-head screw 4,0 X 14		12	M680
12	999 073 061 02	Tapping screw 4,8 X 16		8	M680
13	999 591 499 02	Speed nut 4,8		6	M680
14	999 507 759 09	Speed nut 4,8		2	M680
15	996 645 564 00	Subwoofer Subwoofer	/H	1	M680 COUPE M680
	996 645 564 00 FFB	Black			
	996 645 564 00 FFC	Graphite grey			
	996 645 564 00 FFD	Savanna			
	996 645 564 00 FFE	Metropole blue			
	996 645 564 00 FFG	Nephrite green			
	996 645 564 00 FFH	Boxster red			
	996 645 564 00 FFJ	Cinnamon brown			
	996 645 564 00 VSP	Dark grey/natural			
	996 645 564 00 VSQ	Brown/natural			
16	996 645 567 00	Subwoofer	/LL /LL	1	CABRIO M680 TARGA M680
	996 645 567 00 A10	Black			
	996 645 567 00 C50	Graphite grey			
	996 645 567 00 S30	Savanna			
	996 645 567 00 G10	Metropole blue			
	996 645 567 00 J30	Nephrite green			
	996 645 567 00 M30	Boxster red			
	996 645 567 00 P11	Cinnamon brown			
	996 645 567 00 D11	Dark grey/natural			
	996 645 567 00 T11	Brown/natural			
(16)	996 645 566 00	Subwoofer	/RL /RL	1	CABRIO M680 TARGA M680
	996 645 566 00 A10	Black			
	996 645 566 00 C50	Graphite grey			
	996 645 566 00 S30	Savanna			
	996 645 566 00 G10	Metropole blue			
	996 645 566 00 J30	Nephrite green			
	996 645 566 00 M30	Boxster red			
	996 645 566 00 P11	Cinnamon brown			
	996 645 566 00 D11	Dark grey/natural			
	996 645 566 00 T11	Brown/natural			
17	996 645 568 00	Rosette	/H	2	COUPE M680
	996 645 568 00 A10	Black			
	996 645 568 00 C50	Graphite grey			
	996 645 568 00 S30	Savanna			
	996 645 568 00 G10	Metropole blue			
	996 645 568 00 J30	Nephrite green			

Model: 996 98 Model life 1998>>2005

Pos	Part Number	Description	Remark	Qty	Model
(18)	996 645 568 00 M30	Boxster red	/L	1	COUPE M680
	996 645 568 00 P10	Cinnamon brown			
	996 645 245 00	Support M 6,0 X 25			
18	996 645 246 00	Support M 6,0 X 25	/R	1	COUPE M680 TARGA M680
19	999 507 766 02	Speed nut M 6 M 6,0 X 25		2	COUPE M680 TARGA M680
20	999 073 113 09	Oval-head screw M 6,0 X 50 ASP M 6,0 X 25		2	COUPE M680 TARGA M680
21	900 380 015 01	Hexagon nut VM 6 M 6,0 X 25		4	COUPE M680 TARGA M680
22	999 073 223 07	Oval-head screw M 6,0 X 25		2	CABRIO M680 TARGA M680
22	999 073 223 01	Combination screw M 6,0 X 25		2	CABRIO M680 TARGA M680
23	999 500 069 01	Blind rivet nut M 6/0,5 - 3		2	CABRIO M680 TARGA M680
24	999 061 272 36	Spacer bolt M 6 X 82,5		1	CABRIO M680 TARGA M680

Model: 996 98

Model life 1998>>2005



Model: 996 98 Model life 1998>>2005

Pos	Part Number	Description	Remark	Qty	Model
1	996 647 103 00	Preparation for telephone Antenna base	-00	1	M614/618
-	996 647 106 00	Use also: Cap for Antenna base See technical information GR.9 , NR. 2/00	-00	1	COUPE
-	996 647 201 00	Reinforcement for Antenna base See technical information GR.9 , NR. 10/99	-00	1	COUPE
2	996 647 104 00	Antenna rod	-00	1	
3	996 647 125 00	Antenna	/LL 01-	1	
(3)	996 647 126 00	Antenna	/RL 01-	1	
4	996 647 127 00	Support POS. 5 + 6 Attention	/LL -04	1	
(4)	997 647 127 00	Support POS. 5 + 6 Attention	/LL 04-	1	
(4)	996 647 128 00	Support POS. 5 + 6 Attention	/RL -04	1	
(4)	997 647 128 00	Support POS. 5 + 6 Attention	/RL 04-	1	
5	999 073 203 00	Round head screw M 5 X 12 - Z2 for Support 996.647.127/128.00	-04	4	
5	999 073 236 0A	Oval-head screw M 6 X 10 for Support 997.647.127/128.00	04-	4	
6	999 507 067 09	Speed nut M 5 for Support 996.647.127/128.00	-04	4	
6	999 507 550 01	Speed nut M 6 for Support 997.647.127/128.00	04-	4	
7	999 073 210 00	Tapping screw 4,8 X 13	01-	2	
8	999 507 441 01	Speed nut 4,8	01-	2	
9	996 612 086 00	Extension cable	-00	1	COUPE
9	986 612 096 00	Extension cable	-00	1	CABRIO
9	996 612 037 00	Extension cable	01-	1	M618
(9)	996 612 007 00	Extension cable	03-	1	M666
10	964 646 318 00	Adapter plug	/LL	1	M618
(10)	996 646 318 00	Adapter plug	/RL	1	M618
11	996 552 094 02	Bracket Leatherette	/LL 98	1	
	996 552 094 02 A18	Black			
	996 552 094 02 C18	Graphite grey			
	996 552 094 02 S18	Savanna			

Model: 996 98 Model life 1998>>2005

Pos	Part Number	Description	Remark	Qty	Model
(11)	996 552 094 02 G18	Metropole blue		1	
	996 552 094 02 B18	Space grey			
	996 552 093 02	Bracket	/RL 98		
		Leatherette			
	996 552 093 02 A18	Black			
	996 552 093 02 C18	Graphite grey			
	996 552 093 02 S18	Savanna			
	996 552 093 02 G18	Metropole blue			
	996 552 093 02 B18	Space grey			
	996 552 094 04	Bracket	/LL 99-		
11		Leatherette		1	
	996 552 094 04 A18	Black	99		
	996 552 094 04 C18	Graphite grey	99		
	996 552 094 04 S18	Savanna	99		
	996 552 094 04 G18	Metropole blue	99		
	996 552 094 04 B18	Space grey	99		
	996 552 094 04 A12	Black	00-		
	996 552 094 04 C52	Graphite grey	00-		
	996 552 094 04 S32	Savanna	00-		
	996 552 094 04 G12	Metropole blue	00-		
(11)	996 552 094 04 B52	Space grey	00-	1	
	996 552 094 04 J32	Nephrite green	01-		
	996 552 093 04	Bracket	/RL 99-		
		Leatherette			
	996 552 093 04 A18	Black	99		
	996 552 093 04 C18	Graphite grey	99		
	996 552 093 04 S18	Savanna	99		
	996 552 093 04 G18	Metropole blue	99		
	996 552 093 04 B18	Space grey	99		
	996 552 093 04 A12	Black	00-		
11	996 552 093 04 C52	Graphite grey	00-	1	
	996 552 093 04 S32	Savanna	00-		
	996 552 093 04 G12	Metropole blue	00-		
	996 552 093 04 B52	Space grey	00-		
	996 552 093 04 J32	Nephrite green	01-		
	996 552 094 01	Bracket	/LL 98		
		Leather			
	996 552 094 01 A11	Black			
	996 552 094 01 C51	Graphite grey			
	996 552 094 01 S31	Savanna			
(11)	996 552 094 01 J31	Nephrite green		1	
	996 552 094 01 M31	Boxster red			
	996 552 094 01 G11	Metropole blue			
	996 552 094 01 B51	Space grey			
	996 552 093 01	Bracket	/RL 98		
		Leather			
	996 552 093 01 A11	Black			
	996 552 093 01 C51	Graphite grey			
	996 552 093 01 S31	Savanna			
	996 552 093 01 J31	Nephrite green			
11	996 552 093 01 M31	Boxster red		1	
	996 552 093 01 G11	Metropole blue			
	996 552 093 01 B51	Space grey			
	996 552 094 03	Bracket	/LL 99-		
		Leather			
	996 552 094 03 A11	Black			
	996 552 094 03 C51	Graphite grey			
	996 552 094 03 S31	Savanna			
	996 552 094 03 J31	Nephrite green			
	996 552 094 03 M31	Boxster red			
11	996 552 094 03 G11	Metropole blue		1	
	996 552 094 03 B51	Space grey			
	996 552 094 03 D12	Dark grey/natural	00-		

Model: 996 98 Model life 1998>>2005

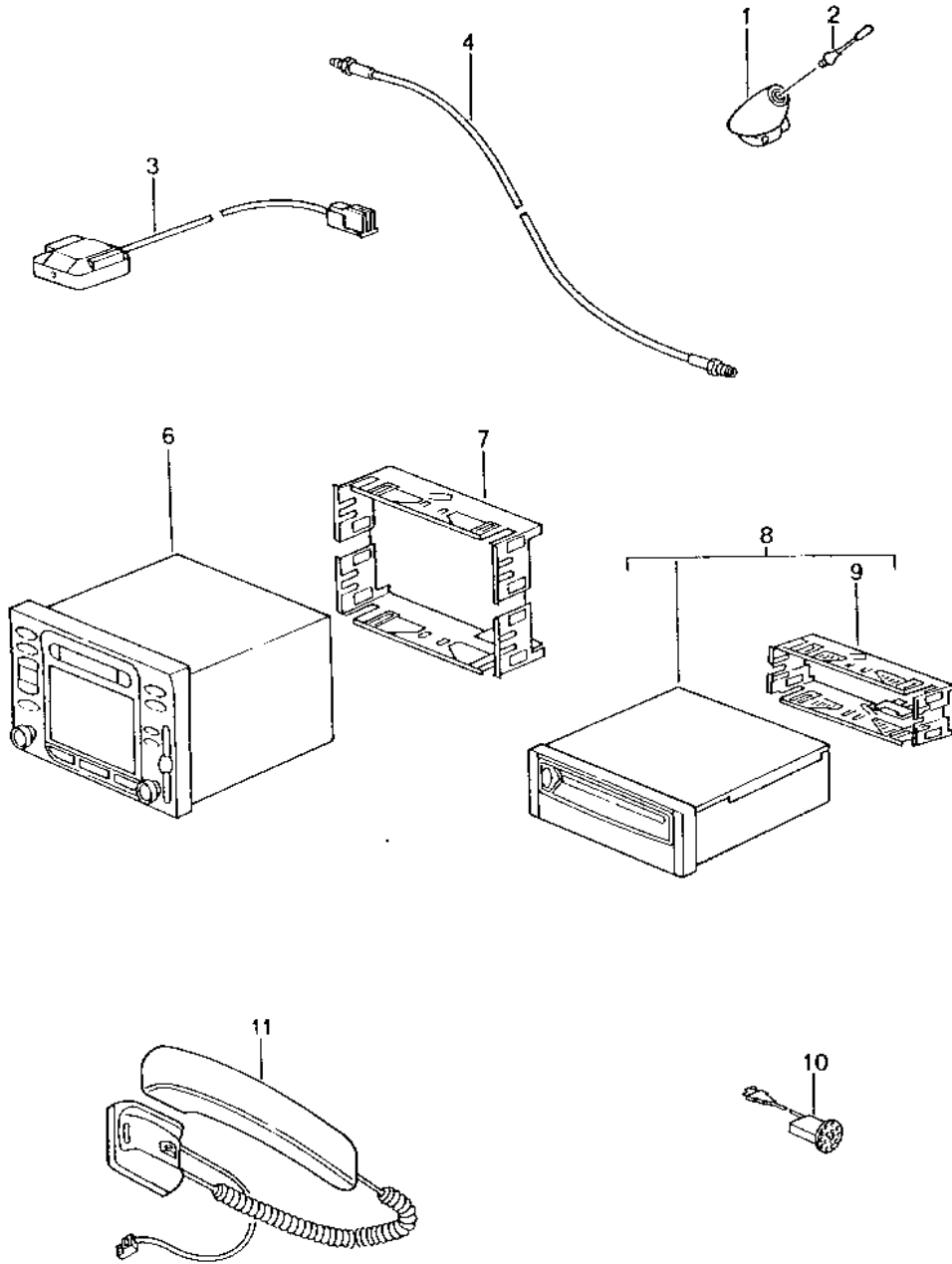
Pos	Part Number	Description	Remark	Qty	Model
(11)	996 552 094 03 T12	Brown/natural	00-	1	
	996 552 094 03 P12	Cinnamon brown	01-		
	996 552 093 03	Bracket	/RL 99-		
		Leather			
	996 552 093 03 A11	Black			
	996 552 093 03 C51	Graphite grey			
	996 552 093 03 S31	Savanna			
	996 552 093 03 J31	Nephrite green			
	996 552 093 03 M31	Boxster red			
	996 552 093 03 G11	Metropole blue			
	996 552 093 03 B51	Space grey			
996 552 093 03 D12	Dark grey/natural	00-			
996 552 093 03 T12	Brown/natural	00-			
996 552 093 03 P12	Cinnamon brown	01-			
12	996 552 298 00	Attachment	/LL	1	
(12)	996 552 298 00 01C	Satin black		1	
	996 552 297 00	Attachment	/RL		
12	996 552 297 00 01C	Satin black		1	IXEA
	996 552 979 00	Attachment	/LL		
(12)		Leather		1	IXEA
	996 552 979 00 A11	Black			
	996 552 979 00 C51	Graphite grey			
	996 552 979 00 S31	Savanna			
	996 552 979 00 G11	Metropole blue			
	996 552 979 00 J31	Nephrite green			
	996 552 979 00 M31	Boxster red			
	996 552 979 00 P12	Cinnamon brown			
	996 552 979 00 D12	Dark grey/natural			
	996 552 979 00 T12	Brown/natural			
	996 552 979 01	Attachment	/RL		
	Leather				
996 552 979 01 A11	Black				
996 552 979 01 C51	Graphite grey				
996 552 979 01 S31	Savanna				
996 552 979 01 G11	Metropole blue				
996 552 979 01 J31	Nephrite green				
996 552 979 01 M31	Boxster red				
996 552 979 01 P12	Cinnamon brown				
996 552 979 01 D12	Dark grey/natural				
996 552 979 01 T12	Brown/natural				
13	996 552 624 01	Adapter	98	1	
		See TPI			
		GR.9 , NR.17 , JAN/99			
(13)	996 552 624 02	Adapter	99-	1	
-	996 552 581 00	Filler piece	/RL 99-	1	
		Bracket			
		Telephone			
-	996 552 581 00 01C	Satin black		1	
	996 552 582 00	Filler piece	/LL 99-		
		Bracket			
		Telephone			
14	996 552 582 00 01C	Satin black		6	
	999 919 121 09	Oval-head screw			
		5,0 X 16			
15	999 507 476 01	Clamp		3	
		8,0 X 10,2			
16	996 552 824 00	Cap		1	
	996 552 824 00 01C	Satin black		1	IXEA
16	996 552 978 00	Cap			
		Leather			
	996 552 978 00 A11	Black			
	996 552 978 00 C51	Graphite grey			
	996 552 978 00 S31	Savanna			

Model: 996 98 Model life 1998>>2005

Pos	Part Number	Description	Remark	Qty	Model
	996 552 978 00 G11	Metropole blue			
	996 552 978 00 J31	Nephrite green			
	996 552 978 00 M31	Boxster red			
	996 552 978 00 P12	Cinnamon brown			
	996 552 978 00 D12	Dark grey/natural			
	996 552 978 00 T12	Brown/natural			
17	996 646 125 01	Frame		1	
18	996 646 126 00	Cover		1	
19	996 646 307 01	Microphone	/LL -01	1	
	996 646 307 01 D05	Granite grey			
	996 646 307 01 A03	Black			
	996 646 307 01 C53	Graphite grey			
	996 646 307 01 S33	Savanna			
	996 646 307 01 G13	Metropole blue			
	996 646 307 01 B13	Space grey			
	996 646 307 01 J33	Nephrite green			
	996 646 307 01 M33	Boxster red			
	996 646 307 01 P13	Cinnamon brown	01		
(19)	996 646 308 01	Microphone	/RL -01	1	
	996 646 308 01 D05	Granite grey			
	996 646 308 01 A03	Black			
	996 646 308 01 C53	Graphite grey			
	996 646 308 01 S33	Savanna			
	996 646 308 01 G13	Metropole blue			
	996 646 308 01 B13	Space grey			
	996 646 308 01 J33	Nephrite green			
	996 646 308 01 M33	Boxster red			
	996 646 308 01 P13	Cinnamon brown	01		
(19)	996 646 307 02	Microphone	/LL 02	1	
	996 646 307 02 A03	Black			
	996 646 307 02 C53	Graphite grey			
	996 646 307 02 S33	Savanna			
	996 646 307 02 G13	Metropole blue			
	996 646 307 02 J33	Nephrite green			
	996 646 307 02 M33	Boxster red			
	996 646 307 02 P13	Cinnamon brown			
(19)	996 646 308 02	Microphone	/RL 02	1	
	996 646 308 02 A03	Black			
	996 646 308 02 C53	Graphite grey			
	996 646 308 02 S33	Savanna			
	996 646 308 02 G13	Metropole blue			
	996 646 308 02 J33	Nephrite green			
	996 646 308 02 M33	Boxster red			
	996 646 308 02 P13	Cinnamon brown			
20	996 646 235 01	Support		1	M618
(20)	996 646 233 00	Support	99-	1	M339/614
-	999 084 629 01	Hexagon nut	99-	4	M339/614
		VM 6			
21	999 073 060 02	Tapping screw		4	M618
		4,8 X 13			
-	996 521 663 01	Stop		1	M437/438
		Seat rail			
		Inner			
-	996 521 665 00	Stop		1	M369/370
		Seat rail			M375/376
		Inner			M540

Model: 996 98

Model life 1998>>2005



Model: 996 98 Model life 1998>>2005

Pos	Part Number	Description	Remark	Qty	Model
		Navigation system	-02		M662
		Receiver	-02		M663
		See technical information			
		GR.0 , NR. 4/97			
		Tech. information memo			
		GR.9 , NR. 2A/97			
		See technical information			
		GR.9 , NR.3/02			
1	996 647 103 00	Antenna base	-00	1	
		Use also:			
-	996 647 106 00	Cap	-00	1	COUPE
		for			
		Antenna base			
		See technical information			
		GR.9 , NR. 2/00			
-	996 647 201 00	Reinforcement	-00	1	COUPE
		for			
		Antenna base			
		See technical information			
		GR.9 , NR. 10/99			
2	996 647 104 00	Antenna rod	-00	1	
		Antenna	01-		
		Telephone			
		See group			
		9/11/10			
3	996 642 206 00	Antenna		1	
		- GPS -			
4	996 612 083 00	Extension cable	-00	1	
		Telephone			
4	996 612 038 00	Extension cable	01-	1	
		Telephone			
(4)	996 612 970 01	Extension cable		1	
		- GPS -			
(6)	996 642 904 04	Control part	-01	1	
	996 642 904 04 EFR	Gloss black			
		Tech. information memo			
		GR.9 , 4A/00			
-	996 642 953 00	Rotary knob	/L -01	1	
-	996 642 954 00	Rotary knob	/R -01	1	
(6)	996 642 944 00	Control part	02	1	
	996 642 944 00 EWD	Black mat			
-	996 642 955 00	Rotary knob	/L 02	1	
-	996 642 956 00	Rotary knob	/R 02	1	
7	996 642 103 01	Retaining frame		1	
(8)	996 642 122 01	Computer		1	
	996 642 122 01 EFR	Gloss black			
		F >>991S6 03524			
		F >>991S6 42489			
		CD-ROM			
		for			
		Computer			
		996.642.122.00.EFR			
		996.642.122.01.EFR			
-	996 642 131 06	CD-ROM		1	M499
-	996 642 132 06	CD-ROM		1	M124
-	996 642 133 06	CD-ROM		1	M061
-	996 642 134 06	CD-ROM		1	M111/277
-	996 642 135 06	CD-ROM		1	M063/064
					M225
-	996 642 136 06	CD-ROM		1	M119
-	996 642 137 06	CD-ROM		1	M062
-	996 642 138 06	CD-ROM		1	M034
(8)	996 642 122 03	Computer	-01	1	

Model: 996 98 Model life 1998>>2005

Pos	Part Number	Description	Remark	Qty	Model
	996 642 122 03 EFR	Gloss black F 991S6 03525>> F 991S6 42490>>			
(8)	996 642 122 12	Computer	02	1	
	996 642 122 12 EWD	Black mat CD-ROM for Computer 996.642.122.03.EFR 996.642.122.12.EWD			
-	996 642 131 07	CD-ROM		1	M499
-	996 642 132 07	CD-ROM Replacement See catalogue Tequipment		1	M124
-	996 642 133 07	CD-ROM		1	M061
-	996 642 134 07	CD-ROM		1	M111/277
-	996 642 135 07	CD-ROM		1	M063/064 M225
-	996 642 136 07	CD-ROM		1	M119
-	996 642 137 07	CD-ROM		1	M062
-	996 642 138 07	CD-ROM		1	M034
9	993 645 173 00	Retaining frame		1	
10	996 646 307 01	Microphone	/LL -01	1	
	996 646 307 01 D05	Granite grey			
	996 646 307 01 A03	Black			
	996 646 307 01 C53	Graphite grey			
	996 646 307 01 S33	Savanna			
	996 646 307 01 G13	Metropole blue			
	996 646 307 01 B13	Space grey			
	996 646 307 01 J33	Nephrite green			
	996 646 307 01 M33	Boxster red			
	996 646 307 01 P13	Cinnamon brown	01		
(10)	996 646 308 01	Microphone	/RL -01	1	
	996 646 308 01 D05	Granite grey			
	996 646 308 01 A03	Black			
	996 646 308 01 C53	Graphite grey			
	996 646 308 01 S33	Savanna			
	996 646 308 01 G13	Metropole blue			
	996 646 308 01 B13	Space grey			
	996 646 308 01 J33	Nephrite green			
	996 646 308 01 M33	Boxster red			
	996 646 308 01 P13	Cinnamon brown	01		
(10)	996 646 307 02	Microphone	/LL 02	1	
	996 646 307 02 A03	Black			
	996 646 307 02 C53	Graphite grey			
	996 646 307 02 S33	Savanna			
	996 646 307 02 G13	Metropole blue			
	996 646 307 02 J33	Nephrite green			
	996 646 307 02 M33	Boxster red			
	996 646 307 02 P13	Cinnamon brown			
(10)	996 646 308 02	Microphone	/RL 02	1	
	996 646 308 02 A03	Black			
	996 646 308 02 C53	Graphite grey			
	996 646 308 02 S33	Savanna			
	996 646 308 02 G13	Metropole blue			
	996 646 308 02 J33	Nephrite green			
	996 646 308 02 M33	Boxster red			
	996 646 308 02 P13	Cinnamon brown			
11	996 642 111 01	Receiver		1	M663
11	996 642 980 00	Receiver Leather		1	IXEA
	996 642 980 00 A11	Black			

Model: 996 98

Model life 1998>>2005

Pos	Part Number	Description	Remark	Qty	Model
	996 642 980 00 C51	Graphite grey			
	996 642 980 00 S31	Savanna			
	996 642 980 00 G11	Metropole blue			
	996 642 980 00 J31	Nephrite green			
	996 642 980 00 M31	Boxster red			
	996 642 980 00 P12	Cinnamon brown			
	996 642 980 00 D12	Dark grey/natural			
	996 642 980 00 T12	Brown/natural			
		Bracket			
		See group			
		9/11/10			
		Stop			
		Seat rail			
		See group			
		9/11/10			