

Model: 997 05

Model life 2005&gt;&gt;2008

## Model Overview Sales Type

| Sales term | Description       | Mounting time | Remark |
|------------|-------------------|---------------|--------|
| 997110     | Carrera Coupe     | 08/04-07/08   |        |
| 997111     | Carrera Coupe     | 08/04-07/08   |        |
| 997120     | Carrera S Coupe   | 08/04-07/08   |        |
| 997121     | Carrera S Coupe   | 08/04-07/08   |        |
| 997310     | Carrera Cabrio    | 08/04-07/08   |        |
| 997311     | Carrera Cabrio    | 08/04-07/08   |        |
| 997320     | Carrera S Cabrio  | 08/04-07/08   |        |
| 997321     | Carrera S Cabrio  | 08/04-07/08   |        |
| 997410     | Carrera 4 Coupe   | 08/05-07/08   |        |
| 997411     | Carrera 4 Coupe   | 08/05-07/08   |        |
| 997430     | Carrera 4S Coupe  | 08/05-07/08   |        |
| 997431     | Carrera 4S Coupe  | 08/05-07/08   |        |
| 997510     | Carrera 4 Targa   | 08/06-07/08   |        |
| 997511     | Carrera 4 Targa   | 08/06-07/08   |        |
| 997520     | Carrera 4S Targa  | 08/06-07/08   |        |
| 997521     | Carrera 4S Targa  | 08/06-07/08   |        |
| 997610     | Carrera 4 Cabrio  | 08/05-07/08   |        |
| 997611     | Carrera 4 Cabrio  | 08/05-07/08   |        |
| 997620     | Carrera 4S Cabrio | 08/05-07/08   |        |
| 997621     | Carrera 4S Cabrio | 08/05-07/08   |        |

**Model: 997 05**

**Model life 2005>>2008**

Model Overview EC

| EC    | Sales term | LTR  | KW  | Hp  | Cyl | Mounting time | Remark |
|-------|------------|------|-----|-----|-----|---------------|--------|
| 9605  |            | 3,60 | 239 | 325 | 6   | 08/04-07/08   |        |
| 9701  |            | 3,80 | 261 | 354 | 6   | 08/04-07/08   |        |
| 9701S |            | 3,80 | 280 | 380 | 6   | 08/06-07/08   |        |

**Model: 997 05****Model life 2005>>2008**

## Model Overview TC

| TC    | Sales term | Type | Mounting time | Remark |
|-------|------------|------|---------------|--------|
| A9701 |            | 5A   | 08/04-07/08   |        |
| A9731 |            | 5A   | 08/05-07/08   |        |
| G9701 |            | 6S   | 08/04-07/08   |        |
| G9731 |            | 6S   | 08/05-07/08   |        |

Model: 997 05 Model life 2005>>2008

VIN-Numbers Overview

| Model | year | Date       | VIN                      | Remark                              |
|-------|------|------------|--------------------------|-------------------------------------|
| 2005  |      | 01.08.2004 | 99-5S750061 >99-5S755000 | 997 Cabrio                          |
| 2005  |      | 01.08.2004 | 99-5S760061 >99-5S765000 | 997 Cabrio S                        |
| 2005  |      | 01.08.2004 | 99-5S700061 >99-5S710000 | 997 Coupe                           |
| 2005  |      | 01.08.2004 | 99-5S730061 >99-5S740000 | 997 Coupe S                         |
| 2005  |      | 01.08.2004 | 99-5S715061 >99-5S730000 | 997 Coupe<br>(USA, CDN, MEX, BR)    |
| 2005  |      | 01.08.2004 | 99-5S740061 >99-5S750000 | 997 Coupe S<br>(USA, CDN, MEX, BR)  |
| 2005  |      | 01.08.2004 | 99-5S755061 >99-5S760000 | 997 Cabrio<br>(USA, CDN, MEX, BR)   |
| 2005  |      | 01.08.2004 | 99-5S765061 >99-5S770000 | 997 Cabrio S<br>(USA, CDN, MEX, BR) |
| 2006  |      | 01.08.2005 | 99-6S750061 >99-6S755000 | 997 Cabrio                          |
| 2006  |      | 01.08.2005 | 99-6S700061 >99-6S710000 | 997 Coupe                           |
| 2006  |      | 01.08.2005 | 99-6S730061 >99-6S740000 | 997 Coupe S                         |
| 2006  |      | 01.08.2005 | 99-6S715061 >99-6S730000 | 997 Coupe<br>(USA, CDN, MEX, BR)    |
| 2006  |      | 01.08.2005 | 99-6S740061 >99-6S750000 | 997 Coupe S<br>(USA, CDN, MEX, BR)  |
| 2006  |      | 01.08.2005 | 99-6S755061 >99-6S760000 | 997 Cabrio<br>(USA, CDN, MEX, BR)   |
| 2006  |      | 01.08.2005 | 99-6S765061 >99-6S771000 | 997 Cabrio S<br>(USA, CDN, MEX, BR) |
| 2006  |      | 01.08.2005 | 99-6S760061 >99-6S765000 | 997 Cabrio S<br>(rest of the world) |
| 2006  |      | 01.08.2005 | 99-6S775000 >99-6S780000 | 997 Cabrio S<br>(rest of the world) |
| 2007  |      | 01.08.2006 | 99-7S760061 >99-7S765000 | 997 Cabrio                          |
| 2007  |      | 01.08.2006 | 99-7S770061 >99-7S775000 | 997 Cabrio S                        |
| 2007  |      | 01.08.2006 | 99-7S795001 >99-7S796000 | 997 Cabrio S                        |
| 2007  |      | 01.08.2006 | 99-7S700061 >99-7S710000 | 997 Coupe                           |
| 2007  |      | 01.08.2006 | 99-7S720061 >99-7S730000 | 997 Coupe S                         |
| 2007  |      | 01.08.2006 | 99-7S740061 >99-7S745000 | 997 Targa                           |
| 2007  |      | 01.08.2006 | 99-7S750061 >99-7S755000 | 997 Targa S                         |
| 2007  |      | 01.08.2006 | 99-7S710061 >99-7S720000 | 997 Coupe<br>(USA, CDN, MEX, BR)    |
| 2007  |      | 01.08.2006 | 99-7S730061 >99-7S740000 | 997 Coupe S<br>(USA, CDN, MEX, BR)  |
| 2007  |      | 01.08.2006 | 99-7S765061 >99-7S770000 | 997 Cabrio<br>(USA, CDN, MEX, BR)   |
| 2007  |      | 01.08.2006 | 99-7S775061 >99-7S780000 | 997 Cabrio S<br>(USA, CDN, MEX, BR) |
| 2007  |      | 01.08.2006 | 99-7S745061 >99-7S750000 | 997 Targa<br>(USA, CDN, MEX, BR)    |
| 2007  |      | 01.08.2006 | 99-7S755061 >99-7S760000 | 997 Targa S<br>(USA, CDN, MEX, BR)  |
| 2008  |      | 01.08.2007 | 99-8S760061 >99-8S765000 | 997 Cabrio                          |
| 2008  |      | 01.08.2007 | 99-8S770061 >99-8S775000 | 997 Cabrio S                        |
| 2008  |      | 01.08.2007 | 99-8S700061 >99-8S710000 | 997 Coupe                           |
| 2008  |      | 01.08.2007 | 99-8S720061 >99-8S730000 | 997 Coupe S                         |
| 2008  |      | 01.08.2007 | 99-8S740061 >99-8S745000 | 997 Targa                           |
| 2008  |      | 01.08.2007 | 99-8S750061 >99-8S755000 | 997 Targa S                         |
| 2008  |      | 01.08.2007 | 99-8S710061 >99-8S720000 | 997 Coupe<br>(USA, CN, CDN, MEX,    |

**Model: 997 05**                      **Model life 2005>>2008**

|      |            |             |              |  |
|------|------------|-------------|--------------|--|
| 2008 | 01.08.2007 | 99-8S730061 | >99-8S740000 | BR)<br>997 Coupe S<br>(USA, CN, CDN, MEX,<br>BR) |
| 2008 | 01.08.2007 | 99-8S745061 | >99-8S750000 | 997 Targa<br>(USA, CN, CDN, MEX,<br>BR)          |
| 2008 | 01.08.2007 | 99-8S755061 | >99-8S760000 | 997 Targa S<br>(USA, CN, CDN, MEX,<br>BR)        |
| 2008 | 01.08.2007 | 99-8S765061 | >99-8S770000 | 997 Cabrio<br>(USA, CN, CDN, MEX,<br>BR)         |
| 2008 | 01.08.2007 | 99-8S775061 | >99-8S780000 | 997 Cabrio S<br>(USA, CN, CDN, MEX,<br>BR)       |

**Model: 997 05****Model life 2005>>2008**

## Engine Numbers

| Engine number   | Model year | Vehicle type                 | Engine type |
|-----------------|------------|------------------------------|-------------|
| 695 00501>20000 | 2005       | 997 COUPE/CABRIO             | 9605        |
| 685 00501>60000 | 2005       | 997 COUPE S/CABRIO S         | 9701        |
| 696 00501>20000 | 2006       | 997 COUPE/CABRIO             | 9605        |
| 686 00501>60000 | 2006       | 997 COUPE S/CABRIO S         | 9701        |
| 697 00501>20000 | 2007       | 997 COUPE/CABRIO             | 9605        |
| 687 00501>40000 | 2007       | 997 COUPE S/CABRIO S         | 9701        |
| 687 40501>60000 | 2007       | 997 COUPE S/CABRIO S KIT X51 | 9701S       |
| 698 00501>20000 | 2008       | 997 COUPE/CABRIO             | 9605        |
| 688 00501>40000 | 2008       | 997 COUPE S/CABRIO S         | 9701        |
| 688 40501>60000 | 2008       | 997 COUPE S/CABRIO S KIT X51 | 9701S       |

**Model: 997 05****Model life 2005>>2008**

## Transmission Numbers

| Transmission Number   | Model year | Vehicle type          | Gearbox type |
|-----------------------|------------|-----------------------|--------------|
| A9701 1 002001>999999 | 2005       | 997 CARRERA TIPTRONIC | A9701        |
| G9701 1 002001>999999 | 2005       | 997 CARRERA           | G9701        |
| A9701 1 002001>999999 | 2006       | 997 CARRERA TIP C2    | A9701        |
| A9731 1 002001>999999 | 2006       | 997 CARRERA TIP C4    | A9731        |
| G9701 1 002001>999999 | 2006       | 997 CARRERA C2        | G9701        |
| G9731 1 002001>999999 | 2006       | 997 CARRERA C4        | G9731        |
| A9701 1 002001>999999 | 2007       | 997 CARRERA TIP C2    | A9701        |
| A9731 1 002001>999999 | 2007       | 997 CARRERA TIP C4    | A9731        |
| G9701 1 002001>999999 | 2007       | 997 CARRERA C2        | G9701        |
| G9731 1 002001>999999 | 2007       | 997 CARRERA C4        | G9731        |
| A9701 1 002001>999999 | 2008       | 997 CARRERA TIP C2    | A9701        |
| A9731 1 002001>999999 | 2008       | 997 CARRERA TIP C4    | A9731        |
| G9701 1 002001>999999 | 2008       | 997 CARRERA C2        | G9701        |
| G9731 1 002001>999999 | 2008       | 997 CARRERA C4        | G9731        |

Model: 997 05

Model life 2005&gt;&gt;2008

| NR  | Description   |
|-----|---|
| 022 | Black-coloured instrument dials, instrument cluster   |
| 023 | Silver -coloured instrument dials, instrument cluster |
| 024 | Version for Greece                                    |
| 025 | Black-coloured instrument dials, stopwatch            |
| 026 | Silver-coloured instrument dials, stopwatch           |
| 029 | Standard chassis                                      |
| 030 | Sports suspension                                     |
| 032 | Touring suspension                                    |
| 034 | Version for Italy                                     |
| 058 | Impact absorbers, front and rear                      |
| 061 | Version for Great Britain                             |
| 062 | sweden version  |
| 063 | Version Luxemburg                                     |
| 064 | Version for Netherlands                               |
| 065 | Version for Denmark                                   |
| 066 | Version for Norway                                    |
| 067 | Version for Finland                                   |
| 068 | PAP right-hand drive version                          |
| 069 | Other country version                                 |
| 071 | EU country version                                    |
| 072 | Version for Mexico                                    |
| 073 | Version for Russia                                    |
| 074 | PAP left-hand drive version                           |
| 075 | Chinese version                                       |
| 098 | Left-hand drive version                               |
| 099 | Right-hand drive version                              |
| 111 | Version for Austria                                   |
| 113 | Version for Canada                                    |
| 114 | Version for Taiwan                                    |
| 119 | Version for Spain                                     |
| 124 | Version for France                                    |
| 126 | Control and indications in French lettering           |
| 127 | Control and indications in Swedish lettering          |
| 130 | Control and indications in English lettering          |
| 150 | Operation with leaded gas                             |
| 159 | Curbed engine, 155 kW/211 bhp                         |
| 193 | japan version   |
| 194 | Battery, 60 Ah  |
| 195 | Battery, 70 Ah  |
| 196 | Battery, 80 Ah  |
| 197 | Stronger battery                                      |
| 198 | Enhanced starter motor (1.7 kW)                       |
| 199 | Battery disconnection switch                          |
| 200 | 95 Ah battery   |
| 210 | Licence plate holder version 2                        |
| 211 | Licence plate holder version 3                        |



Model: 997 05

Model life 2005&gt;&gt;2008

| NR  | Description   |
|-----|---|
| 215 | Version for Saudi Arabia  |
| 218 | Licence plate holder version 4  |
| 219 | Differential  |
| 220 | Locking differential 40 %   |
| 225 | Version for Belgium   |
| 249 | Tiptronic transmission  |
| 265 | Automatic anti-dazzle interior mirror with rain sensor                        |
| 266 | Automatic anti-dazzle door mirror   |
| 267 | Automatically dimmable interior and door mirrors                              |
| 268 | Rain sensor   |
| 270 | Door mirrors -flat - driver's side, electrically adjustable and heatable      |
| 271 | Door mirrors -aspherical- driver's side, electrically adjustable and heatable |
| 273 | Door mirrors, electrically adjustable and heatable                            |
| 274 | Vanity mirror, illuminated  |
| 277 | Swiss version   |
| 288 | Headlamp washer   |
| 301 | Transmission ratio long   |
| 325 | Version for South Africa/New Zealand  |
| 335 | Automatic seat belt, 3-point, rear  |
| 338 | Rear-wheel drive  |
| 339 | All-wheel drive   |
| 342 | Seat heating, left/right seat   |
| 369 | Standard seat, left   |
| 370 | Standard seat, right  |
| 375 | Sports seat, backrest shell, left   |
| 376 | Sports seat, backrest shell, right  |
| 377 | Sports seat, backrest shell, left, electrically adjustable                    |
| 378 | Sports seat, backrest shell, right, electrically adjustable                   |
| 388 | Sports bucket seat, left  |
| 389 | Sports bucket seat, right   |
| 392 | 17-inch Carrera wheel   |
| 393 | 17-inch Boxster II wheel (987)  |
| 397 | 18-inch Boxster II wheel (987)  |
| 398 | 19" Cayman S wheel  |
| 401 | 18-in. Cayman S wheel   |
| 402 | Carrera 3 wheel 18-inch   |
| 403 | Carrera S wheel 19-inch   |
| 404 | 19" Turbo-1 wheel   |
| 405 | Carrera Classic wheel 19-inch   |

Model: 997 05

Model life 2005&gt;&gt;2008

| NR  | Description  |
|-----|--|
| 406 | Carrera GT wheel 19-inch/20-inch                               |
| 407 | SportDesign wheel 19-inch                                      |
| 410 | 18" Turbo-2/Panamera wheel                                     |
| 411 | 18-inch Carrera wheel -->2005<br>19-inch Carrera wheel 2012--> |
| 415 | 18-inch Turbo-Look II wheel                                    |
| 416 | 18-inch GT3 wheel  |
| 418 | 18-inch Turbo II wheel in GT Silver                            |
| 424 | CD storage unit  |
| 425 | Rear window wiper  |
| 426 | Without rear window wiper                                      |
| 431 | Multi-function steering wheel, touch + feel                    |
| 432 | Steering wheel with Tiptronic operation                        |
| 435 | Sports steering wheel  |
| 436 | 3-spoke airbag steering wheel                                  |
| 437 | Comfort seat, left,<br>electrically adjustable                 |
| 438 | Comfort seat, right,<br>electrically adjustable                |
| 439 | 20" 911 Turbo 4 wheel  |
| 440 | Antenna diversity  |
| 441 | prepared for radio   |
| 444 | Anti-theft lock, wheel bolts "THATCHAM"                        |
| 446 | Concave wheel centers<br>with full-colour Porsche Crest        |
| 447 | Emergency wheel  |
| 448 | Brake pad; sport version                                       |
| 450 | Ceramic brake (PCCB)   |
| 451 | Multi-function steering wheel, Makassar Ebony,<br>touch + feel |
| 452 | Multi-function steering wheel, Sycamore,<br>touch + feel       |
| 453 | Multi-function steering wheel, Carbon, touch + feel            |
| 454 | Automatic speed control  |
| 459 | 3-spoke airbag steering wheel, touch + feel                    |
| 460 | 20" RS Spyder Design wheel                                     |
| 461 | External antenna   |
| 465 | Rear fog light, left   |
| 466 | Rear fog light, right  |
| 475 | "PASM" electronic damper control                               |
| 476 | Porsche Stability Management (PSM)                             |
| 479 | Version for Australia  |
| 480 | 6-speed manual transmission                                    |
| 482 | Tire Pressure Monitoring TPM, 433 MHz                          |
| 483 | 315-MHz TPM, Tire Pressure Monitoring                          |
| 484 | Version for USA  |
| 488 | Inscriptions in German language                                |

Model: 997 05

Model life 2005&gt;&gt;2008

| NR  | Description   |
|-----|---|
| 490 | Sound system "ASK"  |
| 492 | Headlights for left-hand traffic                              |
| 498 | Deletion of model designation on rear end                     |
| 499 | Version for Germany   |
| 501 | Car cover   |
| 509 | Fire extinguishers  |
| 513 | Lumbar support, right seat                                    |
| 521 | Tilt sensor   |
| 524 | Immobilizer, central locking, 433 MHz                         |
| 525 | Immobilizer, central locking, 315 MHz                         |
| 532 | Alarm system remote control omitted                           |
| 533 | Radio convertible-top operation omitted                       |
| 534 | Theft security system, 433 MHz                                |
| 535 | Theft security system, 315 MHz                                |
| 536 | -07 Alarm siren and tilt sensor<br>08- Alarm siren            |
| 537 | Seat position control for<br>comfort seat, left               |
| 538 | Seat position control for<br>comfort seat, right              |
| 539 | Mechanical seat height adjustment, left                       |
| 540 | Mechanical seat height adjustment, right                      |
| 544 | Anti-theft protection without infrared<br>monitoring, 433 MHz |
| 545 | Anti-theft protection without infrared<br>monitoring, 315 MHz |
| 549 | Roof Transport System   |
| 550 | Hardtop   |
| 551 | Wind deflector  |
| 553 | Version for USA, Canada                                       |
| 554 | Front spoiler lip included                                    |
| 555 | Black seat belts  |
| 560 | Advanced airbag   |
| 562 | Airbag, driver's side and front passenger's side              |
| 563 | Side airbag   |
| 566 | Front fog lights, white                                       |
| 567 | Windscreen tinted, upper part<br>darker coloured              |
| 568 | Windscreen without shade band                                 |
| 571 | Activated charcoal filter                                     |
| 572 | Manual air-conditioning system                                |
| 573 | Air conditioner   |
| 574 | No air conditioning   |
| 575 | Luggage compartment cooling system                            |
| 581 | Centre console, front   |
| 584 | Storage box on engine cover                                   |
| 586 | Lumbar support, left seat                                     |

Model: 997 05

Model life 2005&gt;&gt;2008

| NR  | Description  |
|-----|--|
| 594 | Alcantara rooflining                                 |
| 601 | Xenon lighting system                                |
| 602 | Center high-mounted stop light                       |
| 606 | Daytime driving lights                               |
| 607 | Garage door opener "Homelink", 315 MHz               |
| 608 | Garage door opener "Homelink" 433 MHz                |
| 610 | DVD navigation, "Europe package"                     |
| 611 | DVD navigation South Africa                          |
| 612 | DVD navigation middle east                           |
| 613 | DVD navigation australia                             |
| 614 | DVD navigation asia-pacific                          |
| 615 | DVD navigation system, North America                 |
| 616 | DVD, Navigation Russia                               |
| 617 | DVD Navigation China                                 |
| 618 | Phone preparation                                    |
| 619 | Mobile phone preparation (BLUETOOTH) without console |
| 621 | 12-V socket, passenger's side, footwell              |
| 625 | "KESSY" Porsche Entry and Drive                      |
| 635 | Park distance control                                |
| 639 | Sport Chrono package                                 |
| 640 | Sport Chrono Plus package                            |
| 641 | electronic log book                                  |
| 650 | Electrical sliding roof                              |
| 651 | Electric window opener                               |
| 652 | Without sliding/tilting roof                         |
| 657 | Power steering                                       |
| 659 | on-board computer                                    |
| 660 | Obd 2  |
| 661 | Stricter emission-control concept                    |
| 664 | Orvr   |
| 665 | -2008 PCM 2, 2009- PCM 3 basic module incl. radio    |
| 666 | -2008 PCM 2, 2009- PCM 3 telephone (GSM)             |
| 668 | PCM2 telephone handset                               |
| 669 | PCM 3 - Telephone handset (BLUETOOTH)                |
| 670 | PCM2 navigation                                      |
| 672 | -2008 PCM 2, 2009- PCM 3 Offroad navigation          |
| 673 | Navigation system preparation, China                 |
| 674 | "Vehicle Tracking System" preparation                |
| 675 | Without radio preparation (Japan navigation system)  |
| 676 | TV tuner   |
| 677 | "Driver card" antenna                                |
| 678 | Alarm system connection                              |
| 679 | Restart inhibitor                                    |
| 680 | BOSE sound package                                   |
| 685 | Rear seats, split                                    |
| 689 | Preperation for CD autochanger                       |
| 690 | CD radio "Porsche Online Pro"                        |

Model: 997 05

Model life 2005&gt;&gt;2008

| NR  | Description  |
|-----|--|
| 692 | CD autochanger "Porsche"   |
| 694 | CD radio "PORSCHE CDR 24"  |
| 697 | CD radio "Porsche CDR-23"  |
| 711 | Omission underbody protection  |
| 751 | PCCB, front axle and rear axle 3K                                    |
| 752 | PCCB, front axle MFF / rear axle 3K                                  |
| 796 | Full leather trim natural leather                                    |
| 798 | Full leather trim special leather                                    |
| 799 | Full leather trim by choice  |
| 801 | Makassar Ebony wood package, dark (matt satin finish)                |
| 802 | Sycamore package, light (matt satin finish)                          |
| 803 | Carbon package   |
| 804 | GT2 Carbon exterior package  |
| 805 | Lifestyle package  |
| 810 | foot mats  |
| 912 | without identification plate   |
| 936 | Seat covers, rear, leather   |
| 937 | Seat covers, rear, leatherette                                       |
| 939 | Seat covers, rear, draped leather                                    |
| 946 | Seat covers, front, leather/leather/leatherette                      |
| 950 | Alcantara seat covers, front   |
| 951 | Seat covers front, Alcantara/leather/leather                         |
| 970 | Two-tone interior  |
| 971 | "TORO" embossed leather  |
| 981 | Leather equipment, without seat covers                               |
| 982 | Seat covers, front, draped leather/leather/leather                   |
| 983 | Seat covers, front, leather  |
| 985 | Seat covers, leather/leather/leatherette, 2                          |
| 990 | Seat covers, front, cloth/cloth/leatherette                          |
| 991 | Steering wheel airbag module in leather                              |
| 998 | Leather, natural   |
| 999 | Passenger compartment monitoring sensor for leather colour of choice |
| B0D | Component set for USA  |
| CD3 | 18-inch Turbo wheel-2 (8 X 18 RO 57)                                 |
| XAA | Aerokit Cup  |
| XAF | Turbo aerokit  |
| XAG | Carrera - rear spoiler   |
| XAH | Carrera 4S aerokit   |
| XAJ | Painted sill covers  |
| XCA | Dashboard trim strip (3-part) sports seats                           |
| XCB | Instrument surround sports seats                                     |
| XCC | Side air vents sports seats  |

Model: 997 05

Model life 2005&gt;&gt;2008

| NR  | Description                                       |
|-----|---|
| XCD | Center air vent bracket sports seats              |
| XCE | Rear center console sports seats                  |
| XCG | Sports seat backrest in Aluminium Look finish     |
| XCH | Side/centre air vent slats, sports seats          |
| XCK | Rear center console in Galvano Silver             |
| XCL | Instrument surround in Galvano Silver             |
| XCM | Roll-over bar in Galvano Silver                   |
| XCN | Side air vents in Aluminium Look finish (997)     |
| XCY | Center air vent in Aluminium Look finish          |
| XCZ | Short shifter                                     |
| XD9 | Wheel painted in body colour                      |
| XEA | Passive handset in leather                        |
| XE8 | Gear lever knob aluminium/dark burr maple/leather |
| XE9 | Handbrake lever aluminium/dark burr maple/leather |
| XFD | Instrument dials in Sand Beige                    |
| XFE | Instrument dials in Terracotta                    |
| XFF | Instrument dials in Brown/Natural                 |
| XFG | Instrument dials in Guards Red                    |
| XFH | Instrument dials in Speed Yellow                  |
| XFJ | Instrument dials in Carrara White                 |
| XGB | Decorative dashboard trim, carbon                 |
| XGC | Dashboard carbon/Alcantara                        |
| XGD | Parking brake handle carbon/Alcantara             |
| XGE | Handle recess insert, carbon                      |
| XJL | Makassar Ebony side air vent                      |
| XJM | Sycamore side air vent                            |
| XJN | Makassar Ebony center air vent                    |
| XJP | Sycamore center air vent                          |
| XJR | Makassar Ebony windscreen defroster panel         |
| XJS | Sycamore windscreen defroster panel               |
| XJT | Makassar Ebony rear center console                |
| XJU | Sycamore rear center console                      |
| XJ4 | Leather cover for ignition lock surround          |
| XKB | Side air vent in light burr maple                 |
| XKC | Side air vent in dark burr maple                  |
| XKD | Side air vent in Carbon                           |
| XKG | "Defroster trim in light burr maple; leather"     |
| XKH | "Defroster trim in dark burr maple; leather"      |
| XKJ | Defroster trim in Carbon/leather                  |
| XKL | Leather speaker covers                            |
| XKM | Speaker covers in light burr maple                |
| XKN | Speaker covers in dark burr maple                 |
| XKP | Carbon speaker covers                             |
| XKR | Center air vent bracket in light burr maple       |
| XKS | Center air vent bracket in dark burr maple        |
| XLA | Boxster tailpipe                                  |
| XLF | Sports exhaust system                             |

Model: 997 05

Model life 2005&gt;&gt;2008

| NR  | Description  |
|-----|--|
| XMA | Rooflining in leather                                    |
| XME | Rear section of centre console painted                   |
| XMF | Front center console including 2 storage bins, leather   |
| XMJ | Rear section of centre console in Carbon                 |
| XMK | Roll-over bar in exterior color                          |
| XML | Rear center console in light burr maple                  |
| XMP | Leather sun visor, 2 illuminated vanity mirrors<br>*     |
| XMR | Sun visor in leather, 2 illuminated vanity mirrors,      |
| XMZ | Rear section of centre console in leather                |
| XNB | Rear center console in dark burr maple                   |
| XNG | Instrument surround in leather                           |
| XNN | Center air vent bracket in leather                       |
| XNR | Carbon center air vent bracket                           |
| XNS | Leather steering column trim, 4-part                     |
| XNU | Leather trim strip (dashboard)                           |
| XNV | Trim strip (dashboard) in light burr maple               |
| XNW | Trim strip (dashboard) in dark burr maple                |
| XNX | Carbon trim strip (dashboard)                            |
| XN3 | Dashboard side air vent in leather                       |
| XPA | 3-spoke sports steering wheel in leather interior co     |
| XPB | 3-spoke sports steering wheel, light burr maple, leather |
| XPC | 3-spoke sports steering wheel, dark burr maple, leather  |
| XPD | 3-spoke sports steering wheel, Carbon/leather            |
| XPG | 3-spoke sports steering wheel, sports seats              |
| XPV | Multi-function steering wheel, Galvano Silver            |
| XPW | Instrument surround in light burr maple                  |
| XPX | Instrument surround in dark burr maple<br>*              |
| XPY | Carbon instrument surround                               |
| XRB | 18-inch Sport Classic II wheel                           |
| XRC | 18-inch SportTechno wheel                                |
| XRL | 18-inch SportDesign wheel                                |
| XRN | 17-mm spacers, rear                                      |
| XRP | 5-mm spacers, front/rear                                 |
| XRR | 19-in. Carrera Sport wheel                               |
| XSA | Painted sports seat backrest                             |
| XSB | Leather sports seat backrest                             |
| XSC | Porsche Crest embossed in headrest                       |
| XSD | Front seat controls in leather                           |
| XSE | Bucket seat, left  |
| XSF | Bucket seat, right                                       |
| XSG | Racing bucket seat, left                                 |
| XSH | Silver seat belts  |

Model: 997 05

Model life 2005&gt;&gt;2008

| NR  | Description  |
|-----|--|
| XSJ | 6-point harness  |
| XSL | 6-point safety catch                                   |
| XSM | Racing safety cage                                     |
| XSN | Omission of rear seats                                 |
| XSR | Carbon back for bucket seat, right                     |
| XSS | Carbon back for bucket seat, left                      |
| XSU | Upholstered seat                                       |
| XSW | Seat belts in Maritime Blue                            |
| XSX | Seat belts in Guards Red                               |
| XSY | Seat belts in Speed Yellow                             |
| XTG | Inner door sills in leather                            |
| XTJ | Door panel parts in light burr maple                   |
| XTK | Door panel parts in dark burr maple                    |
| XTL | Door panel parts in Carbon                             |
| XTR | Door panel parts in Aluminium Look finish              |
| XTT | Makassar Ebony door panel parts                        |
| XTU | Sycamore door panel parts                              |
| XTV | Leather door panel parts                               |
| XTW | Door panel parts in Galvano Silver                     |
| XVM | Leather center air vent                                |
| XVP | Trim strip including cupholder cover in leather        |
| XVR | Side/centre air vent in leather                        |
| XV1 | Defroster trim in leather                              |
| XXF | Red tail lights  |
| XXZ | Footrest   |
| XX1 | Floor mats, logo, leather border                       |
| XX2 | footwell light   |
| XY5 | Tiptronic gear selector gate in leather                |
| XZB | Carbon centre air vent                                 |
| XZD | Interior light surround in leather                     |
| X45 | Instrument dial in interior color                      |
| X46 | Tiptronic selector lever in aluminium/leather          |
| X47 | Gear lever knob in Carbon/leather                      |
| X48 | Tiptronic selector lever in Carbon/aluminium           |
| X50 | Powerkit 331/340 kW                                    |
| X51 | Powerkit 250 kW  |
| X54 | Stainless steel tailpipes                              |
| X58 | Handbrake lever in Carbon/leather                      |
| X65 | Tiptronic selector lever in light burr maple/aluminium |
| X66 | Tiptronic selector lever in dark burr maple/aluminium  |
| X69 | Door entry guards in Carbon with logo                  |
| X70 | Door entry guards in stainless steel with logo         |
| X71 | Instrument dial painted/Aluminium Look finish          |
| X72 | Gear lever knob aluminium/light burr maple/leather     |
| X73 | Turbo sports suspension                                |



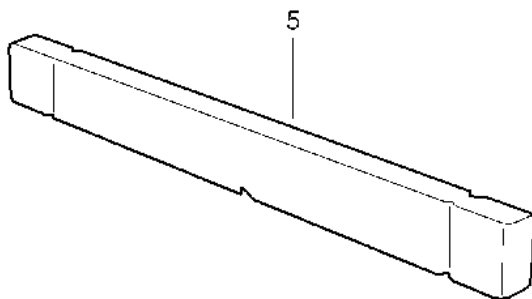
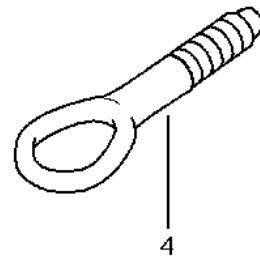
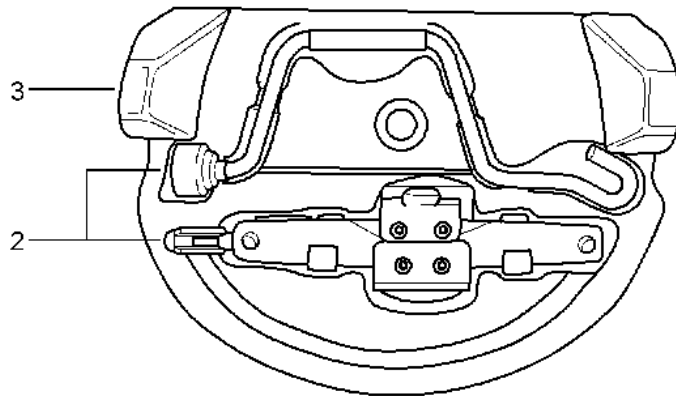
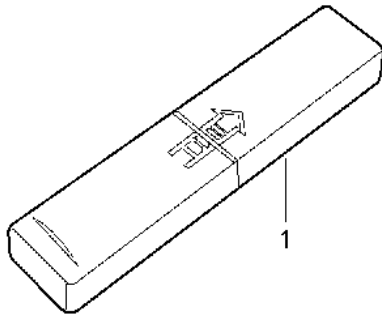
Model: 997 05

Model life 2005&gt;&gt;2008

| NR  | Description  |
|-----|--|
| X74 | Sports suspension (exclusive)                      |
| X75 | Differential lock (exclusive)                      |
| X76 | Inner door sill guard, left/right                  |
| X91 | Handbrake lever aluminium/light burr maple/leather |
| X97 | Gear lever knob in aluminium/leather               |
| X98 | Handbrake lever in aluminium/leather               |
| X99 | Natural leather                                    |

Model: 997 05

Model life 2005>>2008



Model: 997 05 Model life 2005>>2008

| Pos | Part Number    | Description   | Remark | Qty | Model                 |
|-----|----------------|---|--------|-----|-----------------------|
| 1   | 997 721 115 00 | Tool<br>jack<br>Toolbox<br>with contents<br>comprising: |        | 1   |                       |
| -   | 477 012 229    | Double open-ended spanner<br>10 X 13                    |        | 1   |                       |
| -   | 477 012 231    | screwdriver   |        | 1   |                       |
| -   | 111 012 287    | handle<br>for<br>screwdriver                            |        | 1   |                       |
| -   | 999 571 077 02 | Socket wrench<br>- 5 -<br>for<br>Headlights             |        | 1   |                       |
| 2   | 996 721 211 00 | Scissors type jack                                      |        | 1   | PR:447                |
| 3   | 996 722 101 00 | Foam part   |        | 1   | PR:447                |
| -   | 999 571 074 30 | Threaded stud<br>for<br>Assembly<br>Wheels              |        | 1   | PR:447                |
| -   | 477 012 221 A  | wheel bolt wrench                                       |        | 1   | PR:447                |
| -   | 999 571 070 30 | operating rod<br>for<br>Rim wrench                      |        | 1   | PR:447                |
| -   | 997 722 801 00 | Mounting for vehicle tools                              |        | 1   | PR:447                |
| -   | 996 361 521 00 | Protective sleeve                                       |        | 1   | PR:447                |
| -   | 997 722 061 00 | Cover<br>Spare wheel<br>Discontinued part               |        | 1   | PR:447                |
| -   | 997 722 061 01 | Cover<br>Spare wheel                                    |        | 1   | PR:447                |
| -   | 997 722 103 00 | Support<br>Spare wheel                                  |        | 1   | COUPE/TARGA<br>PR:447 |
| -   | 997 722 103 01 | Support<br>Spare wheel                                  |        | 1   | CABRIO<br>PR:447      |
| 4   | 997 721 551 00 | Tow hitch   |        | 1   |                       |
| 5   | 000 722 722 05 | warning triangle<br>Discontinued part                   |        | 1   |                       |
| 5   | 000 722 722 06 | warning triangle  |        | 1   |                       |
| -   | 997 722 709 00 | retaining strap for warning<br>triangle                 |        | 2   | CARRERA 4/4S          |
| -   | 993 722 041 00 | first aid kit   |        | 1   |                       |

Model: 997 05

Model life 2005>>2008



Model: 997 05 Model life 2005>>2008


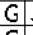
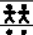
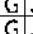
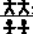
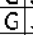
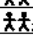
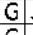
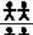
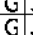
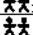
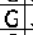
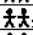
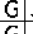
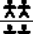
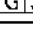
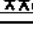
| Pos | Part Number    | Description  | Remark | Qty | Model  |
|-----|----------------|--|--------|-----|--------|
| -   |                | Signs/notices  |        | 1   | PR:447 |
| -   | 996 361 701 20 | Signs/notices<br>Spare wheel<br>Sticker  |        | 1   | "AUS"  |
| -   | 997 361 701 00 | English<br>Sticker   |        | 1   | PR:215 |
| -   | 928 701 150 00 | Arabic<br>Sticker  |        | 1   |        |
| -   |                | "MAX 80 KM/H"  |        |     |        |
| -   |                | Signs/notices  |        |     |        |
| 2   | 996 006 108 00 | Engine specifications<br>Sticker   |        | 1   | PR:068 |
| 2   | 997 006 108 00 | D - MJ 2005>> - MJ 2005<br>Sticker   |        | 1   | PR:068 |
| (2) | 955 701 675 00 | D - MJ 2006>><br>Sticker   |        | 1   | PR:193 |
| 3   | 996 006 120 00 | Reservoir<br>D - MJ 2008>> - MJ 2008<br>Notice                                   |        | 1   |        |
| 4   | 997 006 544 00 | Reservoir<br>Coolant<br>D - MJ 2005>> - MJ 2005<br>Sticker                       |        | 1   |        |
| (4) | 997 701 535 00 | engine oil<br>- MOBIL 1 -<br>Sticker   |        | 1   | PR:193 |
| -   |                | Engine-oil level<br>D - MJ 2008>> - MJ 2008                                      |        |     |        |
| 5   | 996 006 117 00 | Signs/notices<br>Type of fuel<br>Sticker   |        | 1   |        |
| 5   | 996 006 117 02 | 98 ROZ<br>Sticker  |        | 1   | "AUS"  |
| 5   | 996 006 117 01 | 96 ROZ<br>Sticker  |        | 1   | PR:150 |
| 5   | 996 006 117 03 | 98 ROZ<br>Sticker  |        | 1   | PR:193 |
| 5   | 955 701 676 15 | 93 RON/MON/2<br>sticker for  |        | 1   | PR:193 |
| 5   | 955 701 676 10 | fuel filler neck<br>D - MJ 2008>> - MJ 2008<br>Sticker                           |        | 1   | PR:193 |
| -   |                | Fuel filler flap<br>D - MJ 2008>> - MJ 2008                                      |        |     |        |
| 6   | 3B0 010 219 B  | Signs/notices<br>Airbag<br>sticker with pictogram for<br>- airbag / child's seat |        | 1   |        |
| 6   | 8D0 010 141 Q  | child seat<br>sticker with pictogram for<br>- airbag / child's seat              |        | 1   | "AUS"  |
| 6   | 997 701 430 00 | child seat<br>Sticker  |        | 1   |        |
| 6   | 997 701 430 01 | child seat<br>German<br>Sticker  |        | 1   |        |
| 6   | 997 701 430 02 | child seat<br>English<br>Sticker   |        | 1   |        |
| 6   | 997 701 430 03 | child seat<br>French<br>Sticker  |        | 1   |        |
|     |                | child seat   |        |     |        |

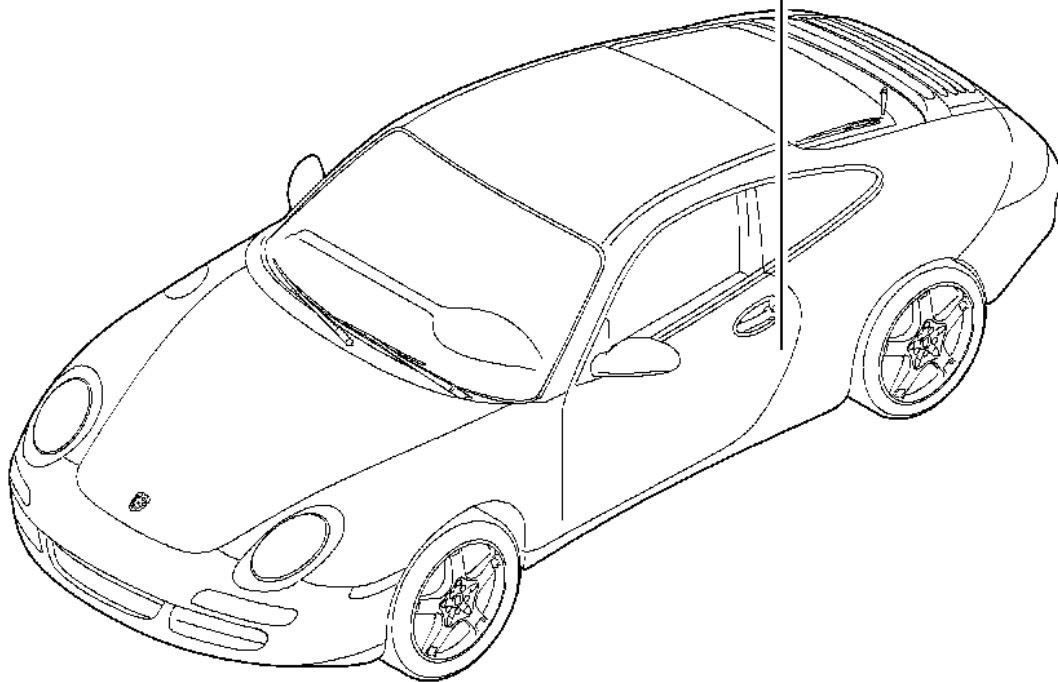
Model: 997 05 Model life 2005>>2008

| Pos  | Part Number    | Description   | Remark  | Qty | Model  |
|------|----------------|---|---------|-----|--------|
| 6    | 997 701 430 04 | Italian<br>Sticker<br>child seat  |         | 1   |        |
| 6    | 997 701 430 05 | Swedish<br>Sticker<br>child seat  |         | 1   |        |
| 6    | 997 701 430 06 | Spanish<br>Sticker<br>child seat  |         | 1   |        |
| 6    | 997 701 430 07 | Arabic<br>Sticker<br>child seat   |         | 1   |        |
| (6)  | 955 701 675 10 | Chinese<br>D - MJ 2006>><br>Sticker<br>Recycling<br>D - MJ 2008>> - MJ 2008 |         | 1   | PR:193 |
| 9    | 996 701 141 01 | Sticker<br>Air conditioning   |         | 1   |        |
| (9)  | 997 701 521 00 | Sticker<br>Air conditioning<br>D - MJ 2008>> - MJ 2008                      |         | 1   | PR:193 |
| (9)  | 955 701 673 00 | Sticker<br>Battery<br>D - MJ 2008>> - MJ 2008                               |         | 1   | PR:193 |
| 10   | 997 701 170 00 | Sticker<br>first aid kit  |         | 1   |        |
| (10) | 997 701 527 00 | Sticker<br>Headlights<br>D - MJ 2008>> - MJ 2008                            |         | 1   | PR:193 |
| (10) | 955 701 675 05 | Sticker<br>brake fluid<br>D - MJ 2008>> - MJ 2008                           |         | 1   | PR:193 |
| 11   | 955 701 675 15 | Sticker<br>Import<br>Japan<br>D - MJ 2008>> - MJ 2008                       |         | 1   | PR:193 |
| 12   | 997 701 531 00 | Sticker<br>Airbag<br>D - MJ 2008>> - MJ 2008                                |         | 1   | PR:193 |
| (12) | 955 701 676 00 | Sticker<br>Warning light<br>Engine<br>D - MJ 2008>> - MJ 2008               |         | 1   | PR:193 |
| -    | -              | Signs/notices<br>Convertible top control<br>see illustration:               | 807-009 |     | CABRIO |

Model: 997 05

Model life 2005>>2008

|  |   |   |                 |  |   |
|--|---|---|-----------------|--|---|
| Cabriolet 251i<br>Libellé<br>Turbo<br>Metallic |  |   | Made in Germany |  |   |
|  |   | ber/psi   | bar/psi         |  | Reifenfülldruck kalte Reifen (20°). Nur Porsche freigegebene Reifen verwenden. Bei Reifenpanne siehe Fahrzeug-Bedienungsanleitung.  |
|  | E   | G J   K M F |                 |  | Cold tyre inflation pressure (20°). Use only tyres released by Porsche. In case of tyre trouble see Operating Instructions.   |
|  | S   | G J   K M T |                 |  | Pression des pneus froids (20°). N'utilisez que des pneus autorisés par Porsche. En cas de crevaison d'un pneu consulter les Instructions de service.                             |
|  | E   | G J   K M F |                 |  | Pression de neumáticos fríos (20°). Utilice únicamente neumáticos homologados por Porsche. En caso de pinchazo de neumático consulte las instrucciones de servicio del automóvil. |
|  | S   | G J   K M T |                 |  | Pressione pneumatici freddi (20°). Usare soltanto pneumatici omologati da Porsche. In caso di foratura vedere libretto uso e manutenzione.  |
|  | E   | G J   K M F |                 |  |   |
|  | S   | G J   K M T |                 |  |   |
|  | E   | G J   K M F |                 |  |   |
|  | S   | G J   K M T |                 |  |   |



Model: 997 05

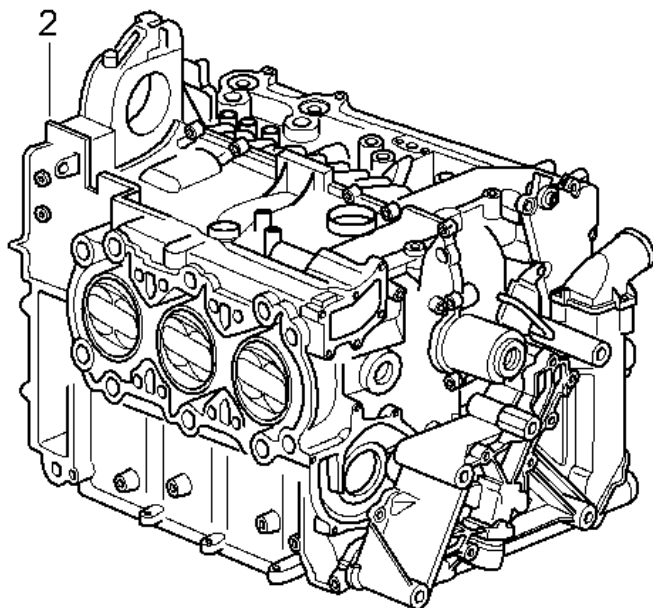
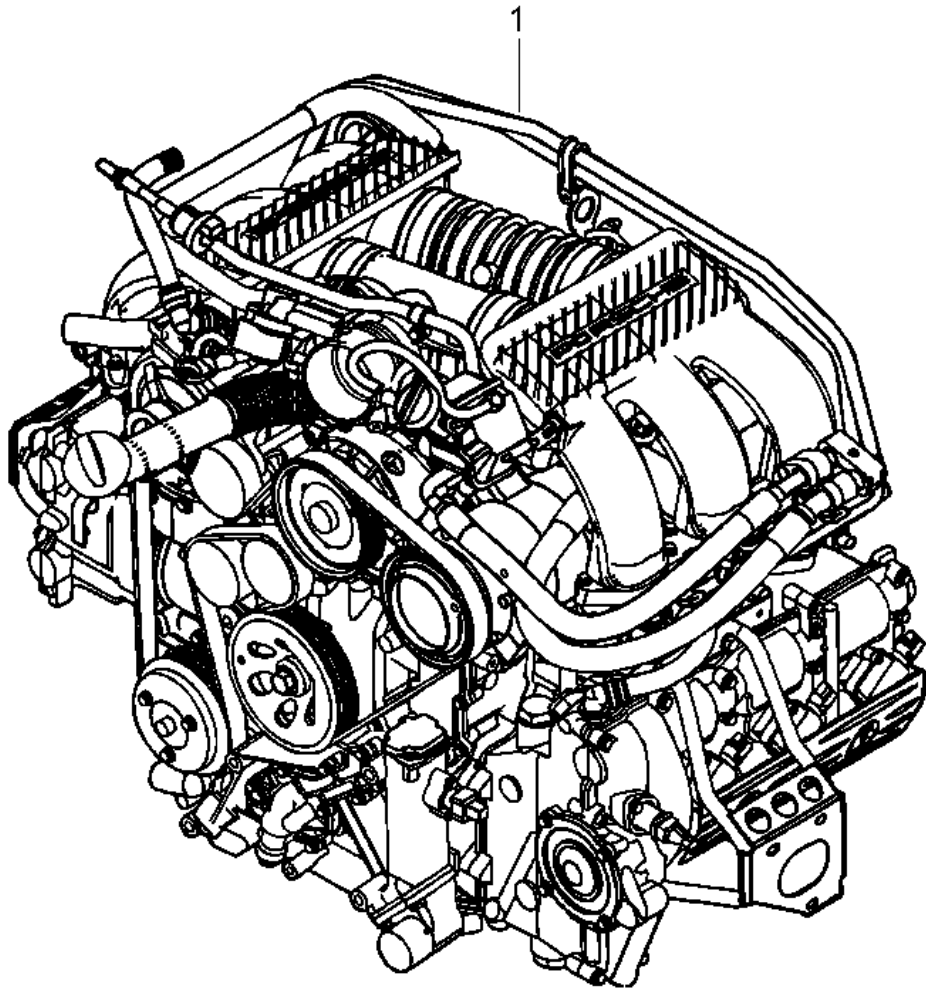
Model life 2005>>2008

| Pos | Part Number        | Description               | Remark | Qty | Model |
|-----|--------------------|---------------------------|--------|-----|-------|
|     |                    | paint touch-up applicator |        |     |       |
|     |                    | Paints                    |        |     |       |
| -   | 911 095 932 20     | paint touch-up applicator |        | X   |       |
|     | 911 095 932 20 041 | Black                     |        |     | A 1   |
|     | 911 095 932 20 80K | guards red (Porsche)      |        |     | G 1   |
|     | 911 095 932 20 B9A | Carrara white             |        |     | B 4   |
|     | 911 095 932 20 12G | Speed yellow              |        |     | X 4   |
| -   | 911 095 933 20     | Paint pen set             |        | X   |       |
|     |                    | Set                       |        |     |       |
|     |                    | comprising:               |        |     |       |
|     |                    | base paint                |        |     |       |
|     |                    | clear paint               |        |     |       |
|     | 911 095 933 20 92T | Arctic silver metallic    |        |     | X 1   |
|     | 911 095 933 20 M3W | Carmon red metallic       |        |     | E 4   |
|     | 911 095 933 20 M5W | Lapis blue metallic       |        |     | J 2   |
|     | 911 095 933 20 M6W | Lagoon green metallic     |        |     | G 4   |
|     | 911 095 933 20 C9Z | Basalt black metallic     |        |     | Z 4   |
|     | 911 095 933 20 M7X | Atlas grey metallic       |        |     | E 7   |
|     | 911 095 933 20 37W | Midnight Blue Metallic    |        |     | E 9   |
|     | 911 095 933 20 6B4 | Seal grey metallic        |        |     | Y 1   |
|     | 911 095 933 20 22E | Forest green metallic     |        |     | 53    |
|     | 911 095 933 20 37U | Cobalt blue metallic      |        |     | 56    |
|     | 911 095 933 20 22D | Slate grey metallic       |        |     | 59    |
|     | 911 095 933 20 M7Z | GT Silver Metallic        |        |     | U 2   |
|     | 911 095 933 20 M6X | Dark olive-metallic       |        |     | 7 G   |
|     | 911 095 933 20 M7W | Meteor Grey Metallic      |        |     | 9 Q   |
|     |                    | D - MJ 2007>>             |        |     |       |
|     | 911 095 933 20 8A7 | Ruby red metallic         |        |     | L 2   |
|     |                    | D - MJ 2008>> - MJ 2008   |        |     |       |
|     | 911 095 933 20 M8W | Macadamia Metallic        |        |     | 9 S   |
|     |                    | D - MJ 2008>> - MJ 2008   |        |     |       |
|     | 911 095 933 20 2B5 | Malachite Green Metallic  |        |     | H 1   |
|     |                    | D - MJ 2008>> - MJ 2008   |        |     |       |
|     | 911 095 933 20 M2Z | Nordic Gold Metallic      |        |     | 8 W   |
|     |                    | D - MJ 2008>> - MJ 2008   |        |     |       |



Model: 997 05

Model life 2005>>2008



Model: 997 05 Model life 2005>>2008

| Pos | Part Number    | Description   | Remark | Qty | Model                |
|-----|----------------|---|--------|-----|----------------------|
|     |                | Replacement engine<br>without:<br>Clutch plate<br>Tiptronic<br>without:<br>flywheel<br>Manual gearbox<br>without:<br>Compressor |        |     | 9701, 9605           |
| 1   | 997 100 997 00 | Replacement engine  |        | 1   | 9701+<br>PR:480      |
| 1   | 997 100 997 02 | D - MJ 2005>> - MJ 2005<br>Replacement engine   |        | 1   | 9701+<br>PR:480      |
| 1   | 997 100 997 04 | D - MJ 2006>> - MJ 2006<br>Replacement engine   |        | 1   | 9701+<br>PR:480      |
| 1   | 997 100 997 06 | D - MJ 2007>> - MJ 2007<br>Replacement engine   |        | 1   | 9701+<br>PR:480      |
| 1   | 997 100 997 40 | D - MJ 2008>> - MJ 2008<br>Replacement engine   |        | 1   | 9701+<br>PR:480, X51 |
| 1   | 997 100 997 42 | D - MJ 2006>> - MJ 2006<br>Replacement engine   |        | 1   | 9701+<br>PR:480, X51 |
| 1   | 997 100 997 44 | D - MJ 2007>> - MJ 2007<br>Replacement engine   |        | 1   | 9701+<br>PR:480, X51 |
| 1   | 997 100 997 01 | D - MJ 2008>> - MJ 2008<br>Replacement engine   |        | 1   | 9701+<br>PR:249      |
| 1   | 997 100 997 03 | D - MJ 2005>> - MJ 2005<br>Replacement engine   |        | 1   | 9701+<br>PR:249      |
| 1   | 997 100 997 05 | D - MJ 2006>> - MJ 2006<br>Replacement engine   |        | 1   | 9701+<br>PR:249      |
| 1   | 997 100 997 07 | D - MJ 2007>> - MJ 2007<br>Replacement engine   |        | 1   | 9701+<br>PR:249      |
| 1   | 997 100 997 41 | D - MJ 2008>> - MJ 2008<br>Replacement engine   |        | 1   | 9701+<br>PR:249, X51 |
| 1   | 997 100 997 43 | D - MJ 2006>> - MJ 2006<br>Replacement engine   |        | 1   | 9701+<br>PR:249, X51 |
| 1   | 997 100 997 45 | D - MJ 2007>> - MJ 2007<br>Replacement engine   |        | 1   | 9701+<br>PR:249, X51 |
|     |                | Technical information<br>Gruppe 1 Nr.4/04<br>Attention  |        |     |                      |
| (1) | 996 100 996 21 | D - MJ 2008>> - MJ 2008<br>Replacement engine   |        | 1   | 9605+<br>PR:480      |
| (1) | 996 100 996 31 | D - MJ 2005>> - MJ 2005<br>Discontinued part<br>Replacement engine  |        | 1   | 9605+<br>PR:480      |
| (1) | 996 100 996 33 | D - MJ 2005>> - MJ 2005<br>Discontinued part<br>Replacement engine  |        | 1   | 9605+                |

Model: 997 05 Model life 2005>>2008

| Pos | Part Number    | Description  | Remark         | Qty | Model           |
|-----|----------------|--|----------------|-----|-----------------|
|     |                | Until<br>01/05<br>Use<br>D - MJ 2005>> - MJ 2005   |                |     | PR:480          |
| (1) | 996 100 997 02 | Replacement engine   |                | 1   | 9605+<br>PR:480 |
|     |                | From<br>02/05<br>Use<br>D - MJ 2006>> - MJ 2006  |                |     |                 |
| (1) | 996 100 997 04 | Replacement engine   |                | 1   | 9605+<br>PR:480 |
|     |                | D - MJ 2007>> - MJ 2007  |                |     |                 |
| (1) | 996 100 997 06 | Replacement engine   |                | 1   | 9605+<br>PR:480 |
|     |                | D - MJ 2008>> - MJ 2008  |                |     |                 |
| (1) | 996 100 996 22 | Replacement engine   |                | 1   | 9605+<br>PR:249 |
|     |                | D - MJ 2005>> - MJ 2005<br>Discontinued part   |                |     |                 |
| (1) | 996 100 996 32 | Replacement engine   |                | 1   | 9605+<br>PR:249 |
|     |                | D - MJ 2005>> - MJ 2005<br>Discontinued part   |                |     |                 |
| (1) | 996 100 996 34 | Replacement engine   |                | 1   | 9605+<br>PR:249 |
|     |                | Until<br>01/05<br>Use<br>D - MJ 2005>> - MJ 2005   |                |     |                 |
| (1) | 996 100 997 03 | Replacement engine   |                | 1   | 9605+<br>PR:249 |
|     |                | From<br>02/05<br>Use<br>D - MJ 2006>> - MJ 2006  |                |     |                 |
| (1) | 996 100 997 05 | Replacement engine   |                | 1   | 9605+<br>PR:249 |
|     |                | D - MJ 2007>> - MJ 2007  |                |     |                 |
| (1) | 996 100 997 07 | Replacement engine   |                | 1   | 9605+<br>PR:249 |
|     |                | D - MJ 2008>> - MJ 2008  |                |     |                 |
| 2   | 996 100 997 50 | Short block<br>comprising:<br>Crankcase housing<br>Connecting rod<br>Crankshaft<br>piston<br>oil pump<br>timing chain<br>Parts kit |                | 1   | 9605            |
|     |                | without:<br>Gaskets  |                |     |                 |
|     |                | also use:  | 996 101 016 00 | 1   |                 |
|     |                |  | 996 104 215 54 | 4   |                 |
|     |                |  | 996 104 216 02 | 2   |                 |
|     |                |  | 996 105 244 03 | 4   |                 |
|     |                |  | 000 043 204 35 | X   |                 |
|     |                |  | 000 043 300 13 | X   |                 |
|     |                |  | 996 106 125 53 | 1   |                 |
|     |                |  | 999 075 074 00 | 12  |                 |
|     |                |  | 999 170 223 90 | 6   |                 |
| 2   | 996 100 997 TX | D - MJ 2005>> - MJ 2008<br>Short block<br>comprising:  |                | 1   | 9605            |

Model: 997 05 Model life 2005>>2008

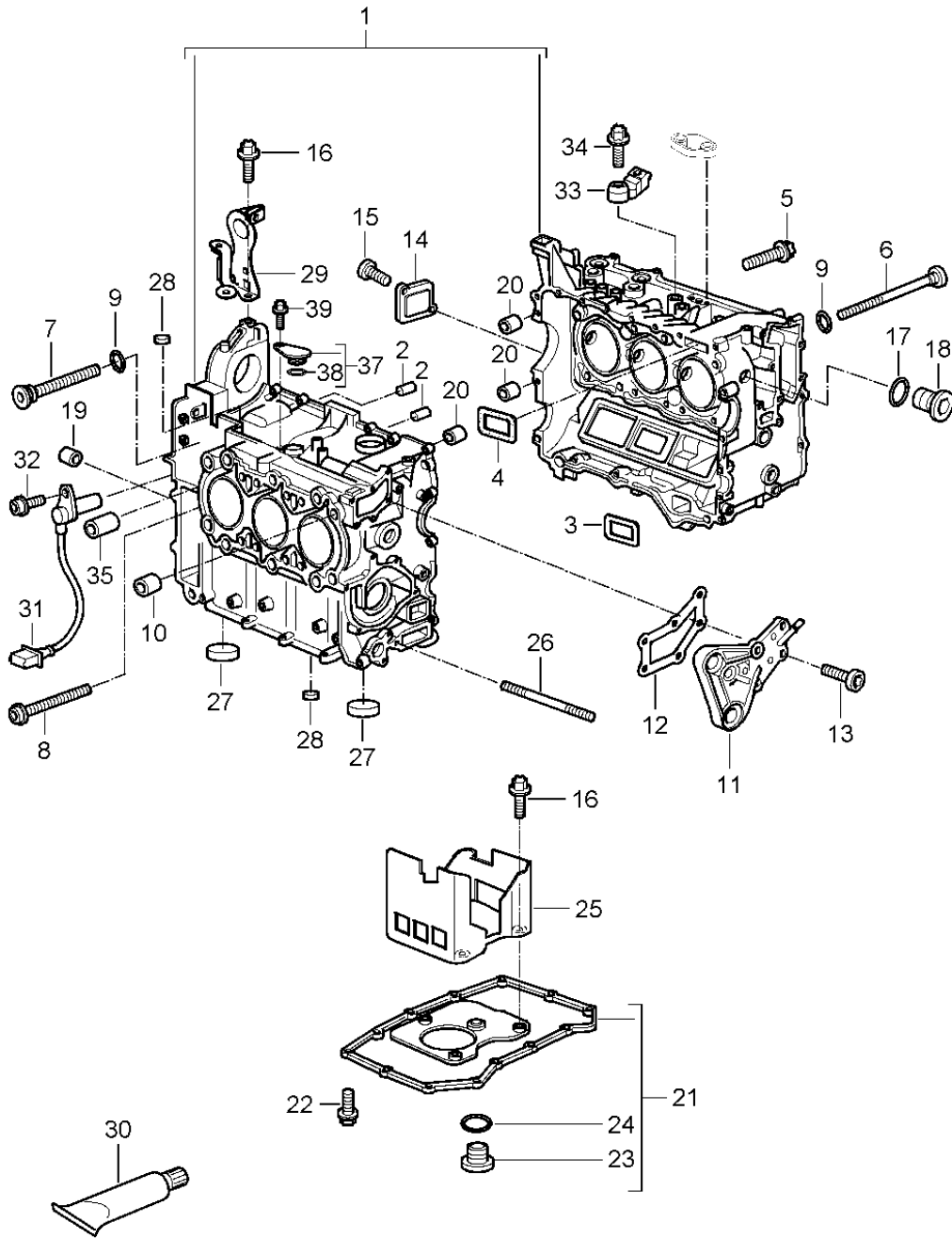
| Pos | Part Number    | Description  | Remark         | Qty | Model |
|-----|----------------|--|----------------|-----|-------|
|     |                | Crankcase housing<br>Connecting rod<br>Crankshaft<br>piston<br>oil pump<br>Parts kit   |                |     |       |
|     |                | without:   |                |     |       |
|     |                | Gaskets  |                |     |       |
|     |                | also use:  | 996 101 016 00 | 1   |       |
|     |                |  | 996 104 215 54 | 4   |       |
|     |                |  | 996 104 216 02 | 2   |       |
|     |                |  | 996 105 244 03 | 4   |       |
|     |                |  | 000 043 204 35 | X   |       |
|     |                |  | 000 043 300 13 | X   |       |
|     |                |  | 996 106 125 53 | 1   |       |
|     |                |  | 999 075 074 00 | 12  |       |
|     |                |  | 999 170 223 90 | 6   |       |
| -   | 996 104 201 04 | D - MJ 2005>> - MJ 2008<br>Cylinder head gasket<br>Short block<br>99610099750/TX<br>Parts kit for seals                            |                | 2   |       |
|     |                | also use:  | 996 113 213 51 | 1   |       |
|     |                |  | 997 107 021 03 | 2   |       |
|     |                |  | 996 101 331 50 | 1   |       |
|     |                |  | 996 104 203 00 | 6   |       |
|     |                |  | 999 701 761 41 | 6   |       |
|     |                |  | 996 105 903 05 | 4   |       |
|     |                |  | 999 707 479 40 | 2   |       |
|     |                |  | 996 106 321 50 | 1   |       |
|     |                |  | 996 106 316 51 | 1   |       |
|     |                |  | 999 707 554 40 | 2   |       |
|     |                |  | 999 707 547 40 | 2   |       |
|     |                |  | 999 707 389 40 | 1   |       |
|     |                |  | 996 111 107 55 | 2   |       |
|     |                |  | 999 707 574 40 | 6   |       |
|     |                |  | 999 707 573 40 | 6   |       |
| -   | 996 106 326 50 | Seal<br>thermostat housing<br>Short block<br>99610099750/TX<br>Parts kit for seals<br>Accessories                                  |                | 1   |       |
|     |                | also use:  | 996 107 261 50 | 1   |       |
|     |                |  | 996 107 337 50 | 1   |       |
|     |                |  | 999 702 206 50 | 1   |       |
|     |                |  | 999 707 348 40 | 1   |       |
|     |                |  | 996 106 340 54 | 1   |       |
|     |                |  | 996 106 801 03 | 6   |       |
|     |                |  | 997 110 247 02 | 6   |       |
|     |                |  | 997 113 233 01 | 1   |       |
|     |                |  | 996 113 213 51 | 1   |       |
| 2   | 997 100 997 50 | Short block<br>comprising:<br>Crankcase housing<br>Connecting rod<br>Crankshaft<br>piston<br>oil pump<br>timing chain<br>Parts kit |                | 1   | 9701  |
|     |                | without:   |                |     |       |
|     |                | Gaskets  |                |     |       |

Model: 997 05 Model life 2005>>2008

| Pos | Part Number    | Description  | Remark  | Qty  | Model |
|-----|----------------|--|---|--|-------|
| 2   | 997 100 997 TX | D - MJ 2005>> - MJ 2008<br>Short block<br>comprising:<br>Crankcase housing<br>Connecting rod<br>Crankshaft<br>piston<br>oil pump<br>timing chain<br>Parts kit<br><br>without:<br>Gaskets | also use:<br>996 101 016 00<br>996 104 215 54<br>996 104 216 02<br>996 105 244 03<br>000 043 204 35<br>000 043 300 13<br>996 106 125 53<br>999 075 074 00<br>999 170 223 90   | 1<br>4<br>2<br>4<br>X<br>X<br>1<br>12<br>6<br>1                              | 9701  |
| -   | 997 104 201 03 | D - MJ 2005>> - MJ 2008<br>Cylinder head gasket<br>Short block<br>99710099750/TX<br>Parts kit for seals  | also use:<br>996 101 016 00<br>996 104 215 54<br>996 104 216 02<br>996 105 244 03<br>000 043 204 35<br>000 043 300 13<br>996 106 125 53<br>999 075 074 00<br>999 170 223 90   | 1<br>4<br>2<br>4<br>X<br>X<br>1<br>12<br>6<br>2                              |       |
| -   | 996 106 326 50 | Seal<br>thermostat housing<br>Short block<br>99710099750/TX<br>Parts kit for seals<br>Accessories  | also use:<br>996 101 331 50<br>996 104 203 00<br>999 701 761 41<br>996 105 903 05<br>999 707 479 40<br>999 707 404 40<br>999 707 344 40<br>996 106 321 50<br>996 106 316 51<br>999 707 554 40<br>999 707 547 40<br>999 707 389 40<br>996 111 107 55<br>999 707 574 40<br>999 707 573 40 | 1<br>6<br>6<br>2<br>2<br>2<br>4<br>1<br>1<br>2<br>2<br>1<br>2<br>6<br>6<br>1 |       |
|     |                | also use:  | 999 702 206 50<br>999 707 348 40<br>900 331 053 40<br>997 107 538 00<br>996 106 340 54<br>996 106 801 03<br>997 110 247 02<br>997 113 233 01<br>996 113 213 51  | 1<br>2<br>2<br>1<br>1<br>6<br>1<br>1<br>1                                    |       |

Model: 997 05

Model life 2005>>2008



Model: 997 05 Model life 2005>>2008

| Pos  | Part Number    | Description   | Remark                   | Qty    | Model     |
|------|----------------|---|--------------------------|--------|-----------|
| 1    | 997 101 001 06 | Crankcase housing   |                          | 1      | 9701,9605 |
| (1)  | 996 101 901 07 | Crankcase housing   |                          | 1      | 9701      |
| 2    | 996 101 253 00 | Crankcase housing<br>dowel sleeve<br>for<br>Bearing housing |                          | 2      | 9605      |
| 3    | 996 101 361 51 | Seal  |                          | 1      |           |
| 4    | 996 101 363 50 | Seal  |                          | 1      |           |
| 5    | 900 385 270 04 | Torx screw<br>M 6 X 35                                      |                          | 19     |           |
| (5)  | 999 385 004 09 | Torx screw<br>BM 6 X 35<br>blue<br>Coated<br>D >> - MJ 2007 |                          | 4      |           |
| (5)  | 999 385 004 01 | Torx screw<br>BM 6 X 35<br>white<br>Coated<br>D - MJ 2008>> |                          | 4      |           |
| 6    | 996 101 219 52 | Screw<br>9 X 150  |                          | 1      |           |
| 7    | 996 101 229 00 | Screw<br>M 9 X 94   |                          | 1      |           |
| 8    | 996 101 203 00 | Screw<br>M 9 X 94   |                          | 1      |           |
| 9    | 999 701 789 40 | O-ring<br>12 X 2  |                          | 2      |           |
| 10   | 999 095 043 01 | dowel sleeve<br>17P 6 X 18,5                                | also use: 000 043 300 13 | X<br>4 |           |
| 11   | 997 101 021 00 | End cap<br>Cyl. 1 - 3                                       |                          | 1      |           |
| 12   | 996 101 331 50 | Seal  |                          | 1      |           |
| 13   | 900 378 103 01 | Hexagon bolt<br>M 6 X 20                                    |                          | 6      |           |
| 14   | 996 101 016 00 | End cap<br>Cyl. 4 - 6                                       |                          | 1      |           |
| 15   | 999 073 344 01 | flat round head bolt<br>M 6 x 20                            |                          | 2      |           |
| 16   | 900 385 009 01 | Torx screw<br>M 6 X 16                                      |                          | 5      |           |
| 17   | 900 123 147 30 | seal ring<br>A 27 X 32                                      |                          | 1      |           |
| 18   | 900 219 017 30 | sealing plug<br>M 27 X 2                                    |                          | 1      |           |
| 19   | 014 301 153 B  | dowel sleeve<br>13 X 16 X13,5                               |                          | 2      |           |
| 20   | 996 101 253 52 | dowel sleeve  |                          | 3      |           |
| 21   | 996 107 031 55 | oil sump<br>Discontinued part                               |                          | 1      |           |
| (21) | 996 107 031 57 | oil sump<br>Discontinued part                               |                          | 1      |           |
| (21) | 996 107 031 58 | oil sump  |                          | 1      |           |
| 22   | 900 385 019 01 | Torx screw<br>M 6 X 20                                      |                          | 13     |           |
| 23   | 900 219 009 30 | sealing plug<br>M 18 X 1,5                                  |                          | 1      |           |
| 24   | 900 123 106 30 | seal ring<br>A 18 X 24                                      |                          | 1      |           |
| 25   | 997 107 243 00 | filler plate  |                          | 1      |           |
| 26   | 999 218 110 09 | Threaded pin<br>M 10 X 102                                  |                          | 4      |           |

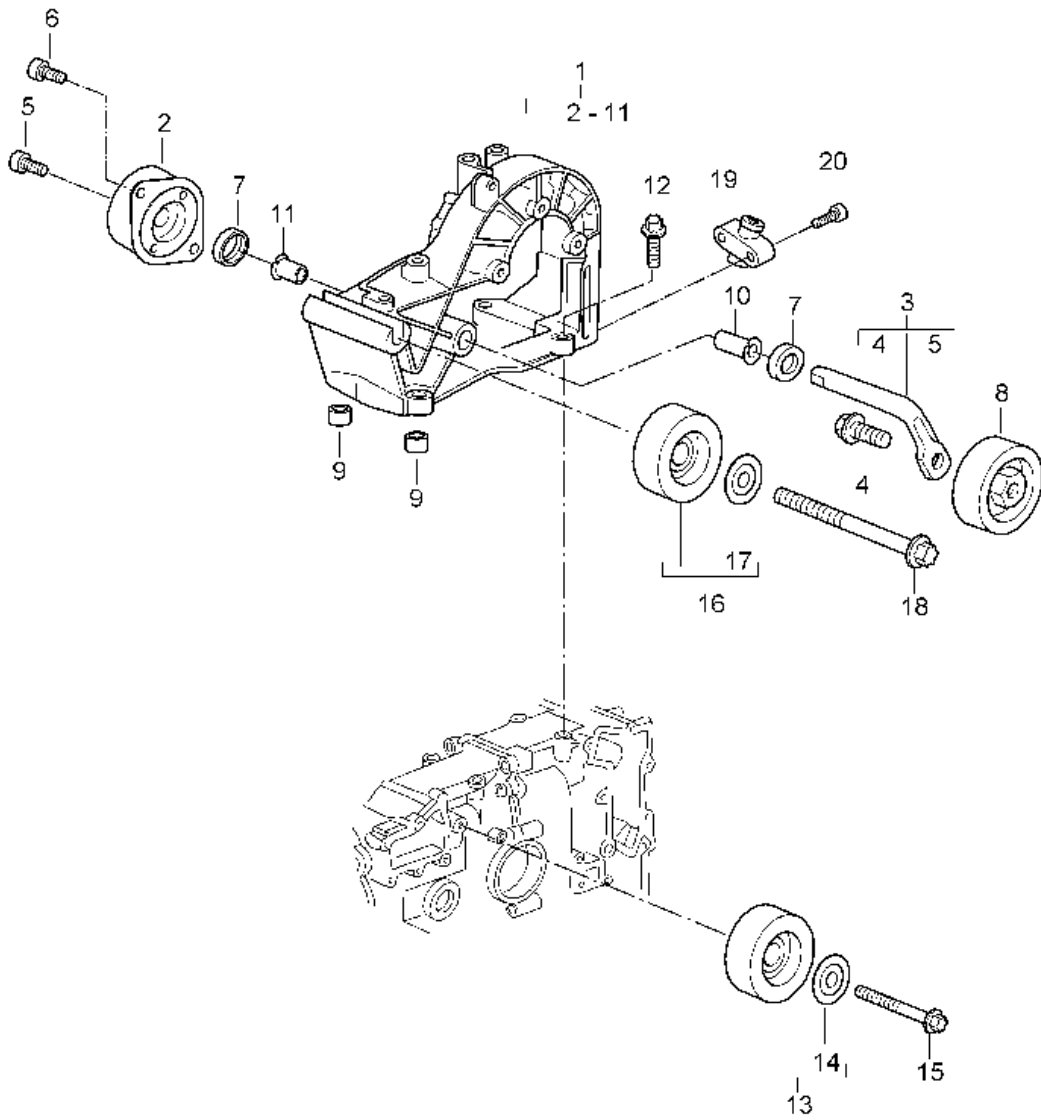
Model: 997 05 Model life 2005>>2008

| Pos | Part Number    | Description                                       | Remark  | Qty | Model |
|-----|----------------|---|---------|-----|-------|
| 27  | 999 036 005 02 | End cap<br>B 50                                   |         | 2   |       |
| 28  | 900 036 029 02 | End cap<br>B 16                                   |         | 2   |       |
| 29  |                | see illustration:                                 | 107-005 | 1   |       |
| 30  | 000 043 204 35 | sealant<br>50 ML<br>Loctite<br>5900               |         | X   |       |
| 31  | 986 606 112 03 | impulse sender<br>Discontinued part               |         | 1   |       |
| 31  | 986 606 112 04 | impulse sender                                    |         | 1   |       |
| -   | 997 606 155 01 | Bracket<br>impulse sender                         |         | 1   |       |
| 32  | 900 387 264 01 | Socket head bolt<br>M 6 X 16<br>Discontinued part |         | 1   |       |
| 32  | N 105 464 03   | Hexagon socket head<br>bolt<br>M 6 X 16           |         | 1   |       |
| 33  | 997 606 121 00 | Knock sensor                                      |         | 2   |       |
| 34  | 900 385 090 04 | Torx screw<br>BM 8 X 35                           |         | 2   |       |
| 35  | 996 107 177 51 | Sleeve  |         | 1   |       |
| 36  |                | see illustration:                                 | 108-005 | X   |       |
| 37  | 997 107 034 01 | Sealing cap<br>Oil dipstick                       |         | 1   |       |
| 38  |                | O-ring<br>in<br>997.107.034.01<br>ENTHALTEN       |         | 1   |       |
| 39  | 900 378 035 01 | Hexagon bolt<br>M 6 X 16                          |         | 1   |       |



Model: 997 05

Model life 2005>>2008



Model: 997 05 Model life 2005>>2008

| Pos  | Part Number    | Description       | Remark | Qty | Model      |
|------|----------------|-------------------|--------|-----|------------|
|      |                | Belt tensioner    |        |     | 9701, 9605 |
|      |                | Belt drive        |        |     |            |
| 1    | 997 102 016 00 | Console           |        | 1   | 9701       |
| 1    | 997 102 016 00 | Console           |        | 1   | 9605+      |
| (1)  | 996 102 016 01 | Console           |        | 1   | PR:480     |
|      |                | Discontinued part |        |     | 9605+      |
| (1)  | 996 102 016 03 | Console           |        | 1   | PR:249     |
|      |                | Discontinued part |        |     | 9605+      |
| 2    | 997 102 260 00 | tensioner         |        | 1   | PR:249     |
| 3    | 996 102 360 51 | lever             |        | 1   |            |
| 4    | 999 072 041 09 | Hexagon bolt      |        | 1   |            |
|      |                | M 10 X 30         |        |     |            |
| 5    | 900 067 117 03 | Socket head bolt  |        | 1   |            |
|      |                | M 6 X 16          |        |     |            |
| 6    | 999 067 045 09 | Socket head bolt  |        | 2   |            |
|      |                | M 8 X 22          |        |     |            |
| 7    | 996 102 365 50 | dust cap          |        | 2   |            |
| 8    | 997 102 117 00 | Tensioning roller |        | 1   | 9701       |
| (8)  | 997 102 117 00 | Tensioning roller |        | 1   | 9605+      |
|      |                | Discontinued part |        |     | PR:480     |
| (8)  | 996 102 117 57 | Tensioning roller |        | 1   | 9605+      |
|      |                | Discontinued part |        |     | PR:249     |
| 9    | 999 095 064 00 | dowel sleeve      |        | 2   |            |
|      |                | 12 M 6 X 13       |        |     |            |
| 10   | 997 102 167 00 | Bush              |        | 1   |            |
| 11   | 997 102 165 00 | Bush              |        | 1   |            |
| 12   | 900 385 006 01 | Torx screw        |        | 4   |            |
|      |                | BM 8 X 35         |        |     |            |
|      |                | Discontinued part |        |     |            |
| 12   | 900 385 042 01 | Torx screw        |        | 4   |            |
|      |                | BM 8 X 35         |        |     |            |
| 13   | 997 102 119 00 | idler pulley      |        | 1   | 9701       |
| (13) | 997 102 119 00 | idler pulley      |        | 1   | 9605+      |
|      |                | Discontinued part |        |     | PR:480     |
| (13) | 996 102 119 58 | idler pulley      |        | 1   | 9605+      |
|      |                | Discontinued part |        |     | PR:249     |
| 14   | 996 102 127 54 | Cover disc        |        | 1   | 9605+      |
|      |                | Discontinued part |        |     | PR:249     |
| 15   | 900 385 091 04 | Torx screw        |        | 1   |            |
|      |                | BM 8 X 60         |        |     |            |
|      |                | Discontinued part |        |     |            |
| 15   | 900 385 091 01 | Hexagon head bolt |        | 1   |            |
|      |                | BM 8 X 60         |        |     |            |
| 16   | 997 102 118 00 | idler pulley      |        | 1   | 9701       |
| (16) | 997 102 118 00 | idler pulley      |        | 1   | 9605+      |
|      |                | Discontinued part |        |     | PR:480     |
| (16) | 996 102 118 56 | idler pulley      |        | 1   | 9605+      |
|      |                | Discontinued part |        |     | PR:249     |
| 17   | 996 102 125 53 | Cover disc        |        | 1   | 9605+      |
|      |                | Discontinued part |        |     | PR:249     |
| 18   | 900 385 092 01 | Torx screw        |        | 1   |            |
|      |                | BM 10 X 145       |        |     |            |
| 19   | 997 126 101 00 | Bracket           |        | 1   |            |
|      |                | Compressor        |        |     |            |
|      |                | Air conditioning  |        |     |            |
| 20   | 900 067 403 01 | Socket head bolt  |        | 2   |            |
|      |                | Bracket           |        |     |            |
|      |                | M 8 X 37          |        |     |            |



Model: 997 05 Model life 2005>>2008

| Pos  | Part Number    | Description  | Remark         | Qty | Model     |
|------|----------------|--|----------------|-----|-----------|
|      |                | Crankshaft   |                |     | 9701,9605 |
| 1    | 996 102 012 04 | Crankshaft   |                | 1   |           |
| 2    | 900 095 031 01 | spring pin<br>6,0 X 16   |                | 1   |           |
| 3    | 900 302 021 00 | Cylinder pin<br>A 4,0 X 10                                     |                | 1   |           |
| 4    | 999 113 475 40 | Shaft oil seal<br>40 X 62 X 10                                 |                | 1   |           |
| 5    | 999 113 490 41 | Shaft oil seal<br>85 X 105 X 11                                |                | 1   |           |
| 5    | 997 101 212 00 | No longer use the part here<br>Shaft oil seal<br>85 x 105 x 11 |                | 1   |           |
| 6    | 996 102 115 63 | pulley   |                | 1   | 9605      |
| 7    | 900 082 085 09 | Hexagon bolt<br>M 16 X 1,5 X 60                                |                | 1   |           |
| 8    | 996 102 315 51 | pressure washer  |                | 1   | 9605      |
| 9    | 996 103 985 02 | Connecting rod<br>Connecting rods<br>comprising:<br>6          |                | 1   |           |
| 10   | 996 103 111 51 | Connecting rods<br>bush - connecting rod                       |                | 6   |           |
| 11   | 997 103 115 01 | bolt - connecting rod  |                | 12  |           |
| 12   | 996 103 121 62 | connecting rod bearing shell                                   |                | 12  |           |
| 13   | 996 101 209 04 | crankshaft bearing   |                | 14  |           |
| 14   | 996 101 007 06 | Bearing housing  |                | 1   |           |
|      |                | also use:  | 996 101 018 51 | 6   |           |
| (14) | 996 101 007 08 | Discontinued part<br>Bearing housing                           |                | 1   |           |
|      |                | also use:  | 996 101 018 51 | 6   |           |
| 15   | 999 095 064 00 | dowel sleeve<br>12 M 6 X 13                                    |                | 3   |           |
| 16   | 996 101 115 59 | Screw<br>M 9 X 127   |                | 14  |           |
| 17   | 997 114 012 00 | Dual-mass flywheel<br>M >> 688 01785                           |                | 1   | 9701      |
| 17   | 997 114 012 01 | Dual-mass flywheel<br>M 688 01786 >>                           |                | 1   | 9701      |
| (17) | 996 114 012 03 | Dual-mass flywheel<br>M >> 698 01020                           |                | 1   | 9605      |
| (17) | 996 114 012 04 | Dual-mass flywheel<br>M 698 01021 >>                           |                | 1   | 9605      |
| 18   | 999 073 092 09 | Socket head bolt<br>M 10 X 1 X 50                              |                | 8   |           |
| 18   | 999 073 092 01 | Discontinued part<br>Socket head bolt<br>M 10 X 1 X 50         |                | 8   |           |
| 18   | 999 073 092 02 | Discontinued part<br>Socket head bolt<br>M 10 X 1 X 50         |                | 8   |           |
| 19   | 999 052 210 00 | grooved ball bearing<br>15 X 35 X 11                           |                | 1   |           |
| 20   | 996 101 241 51 | Seal   |                | 1   |           |
| 21   | 996 101 010 00 | oil separator  |                | 1   |           |
| 22   | 996 101 242 51 | Seal   |                | 1   |           |
| 23   | 900 385 050 01 | Hexagon head bolt<br>M 6 X 16                                  |                | 6   |           |
| 24   | 996 101 132 00 | thrust washer  |                | 2   |           |
| 25   | 996 101 117 54 | Cylinder pin   |                | 1   |           |
| 26   | 996 101 018 51 | Spray jet  |                | 6   |           |
| 27   | 996 102 151 66 | Poly-rib belt  |                | 1   | PR:573    |
| 28   | 000 043 204 17 | Extreme-pressure grease  |                | X   |           |

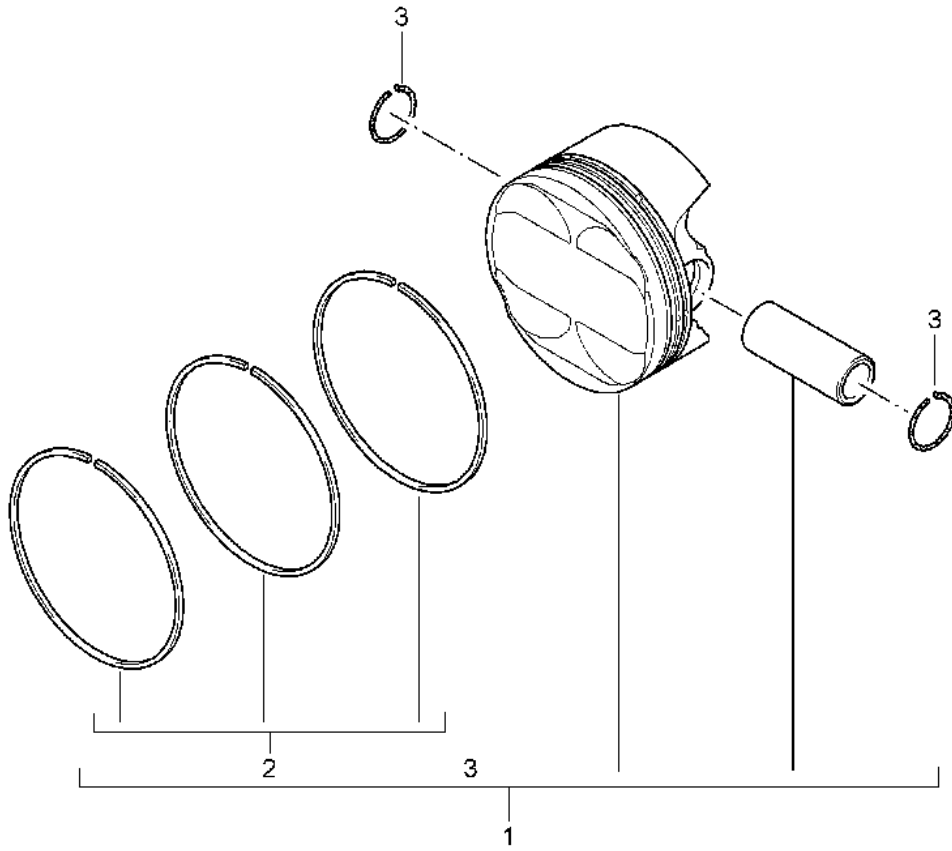
Model: 997 05

Model life 2005>>2008

| Pos | Part Number    | Description                           | Remark | Qty | Model |
|-----|----------------|---------------------------------------|--------|-----|-------|
| 29  | 997 102 241 01 | Otipit<br>100 GR.<br>vibration damper |        | 1   | 9701  |
| 30  | 997 102 203 00 | Washer                                |        | 1   | 9701  |
| 31  | 997 102 202 00 | Bolt with washer                      |        | 1   | 9701  |

Model: 997 05

Model life 2005>>2008

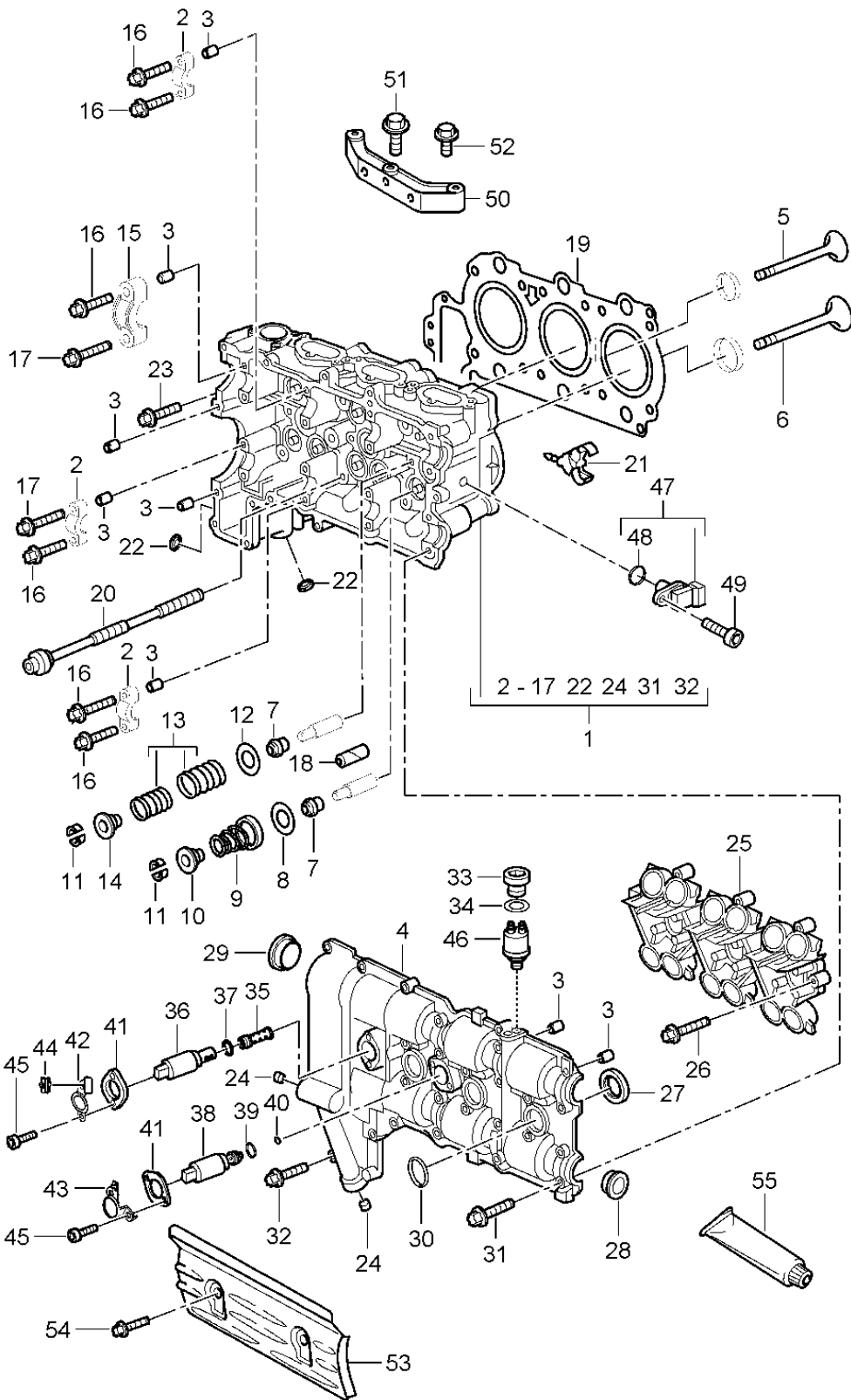


Model: 997 05 Model life 2005>>2008

| Pos | Part Number    | Description  | Remark | Qty | Model              |
|-----|----------------|--|--------|-----|--------------------|
| 1   | 997 103 030 30 | piston<br>piston<br>Tolerance range<br>X<br>Identification: >> >><br>-           |        | 6   | 9701, 9605<br>9701 |
| 1   | 997 103 030 31 | 536 - 542 G<br>piston<br>Tolerance range<br>X<br>Identification: >> >>           |        | 6   | 9701               |
| (1) | 996 103 052 19 | +<br>542 - 548 G<br>piston<br>Tolerance range<br>X<br>Identification: >> >><br>- |        | 6   | 9605               |
| (1) | 996 103 052 20 | 525 - 530 G<br>piston<br>Tolerance range<br>X<br>Identification: >> >><br>+      |        | 6   | 9605               |
| 2   | 997 103 053 05 | 531 - 536 G<br>1 set: piston rings   |        | 6   | 9701               |
| (2) | 996 103 053 04 | 1 set: piston rings  |        | 6   | 9605               |
| 3   | 996 103 141 03 | Securing ring  |        | 12  |                    |

Model: 997 05

Model life 2005>>2008





Model: 997 05 Model life 2005>>2008

| Pos | Part Number    | Description  | Remark | Qty | Model             |
|-----|----------------|--|--------|-----|-------------------|
| 1   | 997 104 903 00 | Cylinder head<br>Cylinder head<br>Cyl. 1 - 3           |        | 1   | 9701,9605<br>9701 |
| 1   | 997 104 903 AX | Cylinder head<br>Cyl. 1 - 3                            |        | 1   | 9701              |
| 1   | 997 104 901 00 | Cylinder head<br>Cyl. 1 - 3<br>D - MJ 2006>>           |        | 1   | 9701+<br>PR:X51   |
| 1   | 997 104 901 AX | Cylinder head<br>Cyl. 1 - 3<br>D - MJ 2006>>           |        | 1   | 9701+<br>PR:X51   |
| (1) | 996 104 913 00 | Complete cylinder head<br>Cyl. 1 - 3<br>M >> 695 08696 |        | 1   | 9605              |
| (1) | 996 104 913 AX | Complete cylinder head<br>Cyl. 1 - 3<br>M >> 695 08696 |        | 1   | 9605              |
| (1) | 987 104 913 00 | Cylinder head<br>Cyl. 1 - 3<br>M 695 08697 >>          |        | 1   | 9605              |
| (1) | 987 104 913 AX | Cylinder head<br>Cyl. 1 - 3<br>M 695 08697 >>          |        | 1   | 9605              |
| 1   | 997 104 904 00 | Cylinder head<br>Cyl. 4 - 6                            |        | 1   | 9701              |
| 1   | 997 104 904 AX | Cylinder head<br>Cyl. 4 - 6                            |        | 1   | 9701              |
| 1   | 997 104 902 00 | Cylinder head<br>Cyl. 4 - 6<br>D - MJ 2006>>           |        | 1   | 9701+<br>PR:X51   |
| 1   | 997 104 902 AX | Cylinder head<br>Cyl. 4 - 6<br>D - MJ 2006>>           |        | 1   | 9701+<br>PR:X51   |
| (1) | 996 104 914 00 | Complete cylinder head<br>Cyl. 4 - 6<br>M >> 695 08696 |        | 1   | 9605              |
| (1) | 996 104 914 AX | Complete cylinder head<br>Cyl. 4 - 6<br>M >> 695 08696 |        | 1   | 9605              |
| (1) | 987 104 914 00 | Cylinder head<br>Cyl. 4 - 6<br>M 695 08697 >>          |        | 1   | 9605              |
| (1) | 987 104 914 AX | Cylinder head<br>Cyl. 4 - 6<br>M 695 08697 >>          |        | 1   | 9605              |
| 2   |                | Bearing cover<br>Matching with:<br>Cylinder head       |        | 6   |                   |
| 3   | 996 104 117 50 | dowel sleeve   |        | 28  |                   |
| 4   |                | Cover<br>Matching with:<br>Cylinder head               |        | 2   |                   |
| 5   | 996 105 271 00 | Inlet valve<br>Discontinued part                       |        | 12  |                   |
| 5   | 996 105 271 02 | Inlet valve  |        | 12  |                   |
| 6   | 996 105 273 03 | exhaust valve<br>Discontinued part                     |        | 12  |                   |
| 6   | 996 105 273 04 | exhaust valve  |        | 12  |                   |
| (6) | 997 105 112 40 | exhaust valve  |        | 12  | 9701+<br>PR:X51   |
| 7   | 996 105 115 52 | Valve stem seal  |        | 24  |                   |
| 8   | 996 105 117 51 | spring disc  |        | 12  |                   |
| 9   | 996 105 118 01 | Valve spring   |        | 12  |                   |

Model: 997 05 Model life 2005>>2008

| Pos  | Part Number    | Description            | Remark | Qty | Model     |
|------|----------------|------------------------|--------|-----|-----------|
| 10   | 996 105 121 54 | spring disc            |        | 12  |           |
| 11   | 996 105 123 51 | Valve collet           |        | 48  |           |
| 12   | 996 105 147 00 | spring disc            | lower  | 12  |           |
|      |                | Intake                 |        |     |           |
| 13   | 996 105 939 00 | 1 set of valve springs |        | 12  |           |
|      |                | Set                    |        |     |           |
|      |                | Intake                 |        |     |           |
| 14   | 996 105 145 00 | spring disc            | upper  | 12  |           |
|      |                | Intake                 |        |     |           |
| 15   |                | Bearing cover          |        | 2   |           |
|      |                | Intake                 |        |     |           |
|      |                | Matching with:         |        |     |           |
|      |                | Cylinder head          |        |     |           |
| 16   | 900 385 017 09 | Torx screw             |        | 12  |           |
|      |                | BM 6 X 35              |        |     |           |
|      |                | Discontinued part      |        |     |           |
| 16   | 900 385 025 01 | Torx screw             |        | 12  |           |
|      |                | BM 6 X 35              |        |     |           |
| 17   | 900 385 025 09 | Torx screw             |        | 4   |           |
|      |                | BM 6 X 40              |        |     |           |
|      |                | Discontinued part      |        |     |           |
| 17   | 900 385 025 01 | Torx screw             |        | 4   |           |
|      |                | BM 6 X 40              |        |     |           |
| 18   | 000 043 204 46 | Sleeve                 |        | 1   |           |
|      |                | for                    |        |     |           |
|      |                | Valve stem seal        |        |     |           |
| 19   | 997 104 201 02 | Cylinder head gasket   |        | 2   | 9701      |
|      |                | Discontinued part      |        |     |           |
| 19   | 997 104 201 03 | Cylinder head gasket   |        | 2   | 9701      |
| (19) | 996 104 201 04 | Cylinder head gasket   |        | 2   | 9605      |
| 20   | 996 104 180 58 | Screw                  |        | 24  |           |
|      |                | M 10 X 230             |        |     |           |
|      |                | Discontinued part      |        |     |           |
| 20   | 996 104 180 59 | Screw                  |        | 24  |           |
|      |                | M 10 X 230             |        |     |           |
| 21   | 999 507 075 40 | Cable holder           |        | 2   |           |
|      |                | 3,0 - 12               |        |     |           |
| 22   | 999 036 026 02 | End cap                |        | 4   |           |
|      |                | 10 MM                  |        |     |           |
|      |                | Discontinued part      |        |     |           |
| 22   | 999 036 026 01 | End cap                |        | 4   |           |
|      |                | 10 MM                  |        |     |           |
| 23   | 900 385 048 04 | Torx screw             |        | 8   |           |
|      |                | BM 6 X 30              |        |     |           |
|      |                | Mount                  |        |     |           |
|      |                | Cylinder head          |        |     |           |
|      |                | Crankcase housing      |        |     |           |
|      |                | Discontinued part      |        |     |           |
| 23   | 900 385 048 01 | Torx screw             |        | 8   |           |
|      |                | BM 6 X 30              |        |     |           |
|      |                | Mount                  |        |     |           |
|      |                | Cylinder head          |        |     |           |
|      |                | Crankcase housing      |        |     |           |
| 24   | 900 036 023 02 | End cap                |        | 4   |           |
|      |                | B 18                   |        |     |           |
|      |                | Discontinued part      |        |     |           |
| 24   | 900 036 023 01 | End cap                |        | 4   |           |
|      |                | B 18                   |        |     |           |
| 25   | 996 104 042 05 | housing                |        | 2   | 9605,9701 |
|      |                | Tappets                |        |     |           |
|      |                | Hydraulic              |        |     |           |
|      |                | M >> 695 08637         |        |     |           |
|      |                | M >> 685 11779         |        |     |           |

Model: 997 05 Model life 2005>>2008

| Pos  | Part Number    | Description   | Remark | Qty | Model     |
|------|----------------|---|--------|-----|-----------|
| (25) | 997 104 043 00 | Together with<br>996.105.301.03<br>housing<br>Tappets<br>Hydraulic<br>M 695 08638 >><br>M 685 11780 >><br>Together with<br>997.105.301.00 |        | 2   | 9605,9701 |
| 26   | 900 385 017 09 | Torx screw<br>BM 6 X35  |        | 22  |           |
| 27   | 996 104 203 00 | Seal  |        | 6   |           |
| 28   | 996 104 215 54 | End cap   |        | 4   |           |
| 29   | 996 104 216 02 | End cap   |        | 2   |           |
| 30   | 999 701 761 41 | O-ring<br>28 X 2  |        | 6   |           |
| 31   | 999 385 003 09 | Torx screw<br>BM 6 X 30<br>Discontinued part  |        | 16  |           |
| 31   | 999 385 003 01 | Torx screw<br>BM 6 X 30   |        | 16  |           |
| 32   | 900 385 048 04 | Torx screw<br>BM 6 X 30   |        | 24  |           |
| 33   | 900 219 018 30 | sealing plug<br>M 14 X 1,5<br>No longer use the part here   |        | 1   |           |
| 33   | 999 063 038 01 | sealing plug<br>M 14 X 1,5  |        | 1   |           |
| 34   | 900 123 104 30 | seal ring<br>A 14 X 18<br>No longer use the part here   |        | 1   |           |
| 34   | 900 123 173 20 | seal ring<br>A 14 X 18  |        | 1   |           |
| 35   | 997 105 701 00 | oil strainer  |        | 2   |           |
| 36   | 996 105 303 05 | throttle control element<br>Camshaft<br>Discontinued part   |        | 2   |           |
| (36) | 996 105 303 06 | throttle control element<br>Camshaft  |        | 2   |           |
| 37   | 996 105 903 05 | O-ring<br>throttle control element<br>Camshaft  |        | 2   |           |
| 38   | 996 105 301 03 | throttle control element<br>Valve<br>M >> 695 08637<br>M >> 685 11779<br>Discontinued part  |        | 2   | 9605,9701 |
| (38) | 996 105 301 04 | throttle control element<br>Valve   |        | 2   |           |
| 38   | 997 105 301 00 | throttle control element<br>Valve<br>M 695 08638 >><br>M 685 11780 >>   |        | 2   | 9605,9701 |
| 39   | 999 707 479 40 | O-ring<br>22 X 15   |        | 2   |           |
| 40   | 999 707 441 40 | O-ring<br>18 X 15   |        | 2   |           |
| 41   | 996 105 244 03 | End cap<br>throttle control element   |        | 4   |           |
| 42   | 996 105 256 01 | bracket f.throttle contr.elem.  |        | 2   |           |
| 43   | 996 105 310 03 | Bracket   |        | 2   |           |
| 44   | 999 651 386 01 | Cable clamp<br>5,5 - 9,0  |        | 4   |           |

Model: 997 05 Model life 2005>>2008

| Pos  | Part Number    | Description  | Remark | Qty | Model |
|------|----------------|--|--------|-----|-------|
| 44   | 999 651 386 03 | Discontinued part<br>Cable clamp<br>5,5 - 9,0                  |        | 4   |       |
| 45   | 900 387 006 09 | Socket head bolt<br>M 6 X 20                                   |        | 8   |       |
| (45) | 900 387 006 01 | Discontinued part<br>Socket head bolt<br>M 6 X 20              |        | 8   |       |
| 46   | 996 606 203 01 | Oil pressure switch  |        | 1   |       |
| (46) | 996 606 203 02 | Discontinued part<br>Oil pressure switch                       |        | 1   |       |
| 47   | 997 606 106 01 | Hall sensor  |        | 2   |       |
| 47   | 997 606 106 03 | Discontinued part<br>Hall sensor                               |        | 2   |       |
| 48   | 999 707 404 40 | O-ring<br>17,05 X 1,78   |        | 2   |       |
|      |                | To<br>Use<br>997.606.106.03<br>No longer use the part here     |        |     |       |
| 49   | 900 387 264 09 | Socket head bolt<br>M 6 X 16                                   |        | 2   |       |
| 49   | 900 387 264 01 | Discontinued part<br>Socket head bolt<br>M 6 X 16              |        | 2   |       |
| 49   | N 105 464 03   | Hexagon socket head<br>bolt<br>M 6 X 16                        |        | 2   |       |
| 50   | 996 104 126 01 | Console  |        | 2   |       |
| 50   | 996 104 126 02 | Discontinued part<br>Console                                   |        | 2   |       |
| 51   | 900 378 055 09 | Hexagon bolt<br>AM 8 X 40                                      |        | 2   |       |
| 51   | 900 378 055 01 | Discontinued part<br>Hexagon bolt<br>AM 8 X 40                 |        | 2   |       |
| 52   | 900 378 022 09 | Hexagon bolt<br>AM 8 X 25                                      |        | 4   |       |
| 52   | 900 378 022 01 | Discontinued part<br>Hexagon bolt<br>AM 8 X 25                 |        | 4   |       |
| 53   | 996 104 445 02 | Guard plate  |        | 2   |       |
| 54   | 900 385 009 09 | Torx screw<br>M 6 X 16   |        | 4   |       |
| 54   | 900 385 009 01 | Discontinued part<br>Torx screw<br>M 6 X 16                    |        | 4   |       |
| 55   | 000 043 204 35 | sealant<br>50 ML   |        | X   |       |
| (55) | 000 043 024 00 | Extreme-pressure grease<br>1 tube<br>80 Gr.<br>for<br>Camshaft |        | 1   |       |



Model: 997 05 Model life 2005>>2008

| Pos | Part Number    | Description                          | Remark  | Qty | Model     |
|-----|----------------|--------------------------------------|---------|-----|-----------|
|     |                | Camshaft<br>Driving mechanism        |         |     | 9701,9605 |
| 1   | 997 105 947 00 | Camshaft<br>Intake<br>Cyl. 1 - 3     |         | 1   | 9701      |
|     |                | No longer use the part here          |         |     |           |
| 1   | 997 105 947 01 | Camshaft<br>Intake<br>Cyl. 1 - 3     |         | 1   | 9701      |
| (1) | 996 105 947 03 | Camshaft<br>Intake<br>Cyl. 1 - 3     |         | 1   | 9605      |
|     |                | No longer use the part here          |         |     |           |
| (1) | 996 105 947 04 | Camshaft<br>Intake<br>Cyl. 1 - 3     |         | 1   | 9605      |
|     |                | Discontinued part                    |         |     |           |
| (1) | 996 105 035 00 | Camshaft<br>Intake<br>Cyl. 1 - 3     |         | 1   | 9605      |
| 2   | 996 105 059 01 | Camshaft<br>Exhaust<br>Cyl. 1 - 3    |         | 1   |           |
|     |                | Discontinued part                    |         |     |           |
| (2) | 996 105 059 02 | Camshaft<br>Exhaust<br>Cyl. 1 - 3    |         | 1   |           |
| 3   | 997 105 948 00 | Camshaft<br>Intake<br>Cyl. 4 - 6     |         | 1   | 9701      |
|     |                | No longer use the part here          |         |     |           |
| 3   | 997 105 948 01 | Camshaft<br>Intake<br>Cyl. 4 - 6     |         | 1   | 9701      |
| (3) | 996 105 948 03 | Camshaft<br>Intake<br>Cyl. 4 - 6     |         | 1   | 9605      |
|     |                | No longer use the part here          |         |     |           |
| (3) | 996 105 948 04 | Camshaft<br>Intake<br>Cyl. 4 - 6     |         | 1   | 9605      |
|     |                | Discontinued part                    |         |     |           |
| (3) | 996 105 036 00 | Camshaft<br>Intake<br>Cyl. 4 - 6     |         | 1   | 9605      |
| 4   | 997 105 060 01 | Camshaft<br>Exhaust<br>Cyl. 4 - 6    |         | 1   |           |
|     |                | Discontinued part                    |         |     |           |
| (4) | 997 105 060 02 | Camshaft<br>Exhaust<br>Cyl. 4 - 6    |         | 1   |           |
| 5   | 996 105 041 72 | Hydraulic tappet<br>Exhaust          |         | 12  |           |
| 6   | 996 105 255 22 | Hydraulic tappet<br>Intake           |         | 12  |           |
| 7   | 996 105 168 03 | Rail<br>Discontinued part            |         | 2   |           |
| 7   | 996 105 168 04 | Rail                                 |         | 2   |           |
| 8   |                | throttle control element<br>Camshaft |         | 1   |           |
|     |                | see illustration:                    | 103-000 |     |           |
| 9   |                | throttle control element             |         | 1   |           |

Model: 997 05 Model life 2005>>2008

| Pos  | Part Number    | Description  | Remark  | Qty | Model |
|------|----------------|--|---------|-----|-------|
|      |                | Valve<br>see illustration:   | 103-000 |     |       |
| 12   | 996 105 901 02 | Intermediate shaft<br>No longer use the part here                    |         | 1   |       |
| 12   | 996 105 901 04 | Intermediate shaft<br>Discontinued part                              |         | 1   |       |
| (12) | 996 105 901 06 | Intermediate shaft   |         | 1   |       |
| 13   | 996 105 024 01 | Bearing cover<br>for<br>Intermediate shaft<br>996.105.901.02         |         | 1   |       |
| 13   | 996 105 024 06 | Bearing cover<br>for<br>Intermediate shaft<br>996.105.901.04/06      |         | 1   |       |
| 14   | 999 707 392 40 | O-ring<br>7 X 2<br>for<br>Intermediate shaft<br>996.105.901.02       |         | 1   |       |
| (14) | 999 707 571 40 | O-ring<br>18 x 2<br>for<br>Intermediate shaft<br>996.105.901.04/06   |         | 1   |       |
| 15   | 900 385 093 09 | Hexagon bolt<br>M 6 X 20<br>Discontinued part                        |         | 3   |       |
| 15   | 900 385 093 01 | Hexagon bolt<br>M 6 X 20   |         | 3   |       |
| 16   | 900 380 019 02 | Hexagon nut<br>M 8 X 1<br>for<br>Bearing cover<br>996.105.024.01     |         | 1   |       |
| (16) | 999 084 434 01 | Hexagon nut<br>M 12 x 1,25<br>No longer use the part here            |         | 1   |       |
| (16) | 999 076 084 01 | Hexagon nut<br>M 12 x 1,25<br>for<br>Bearing cover<br>996.105.024.06 |         | 1   |       |
| 17   | 996 105 171 56 | timing chain<br>Discontinued part                                    |         | 1   |       |
| 17   | 996 105 171 58 | timing chain   |         | 1   |       |
| 18   | 996 105 165 55 | Tensioner blade  |         | 1   |       |
| 19   | 996 105 195 00 | covering   |         | 1   |       |
| 20   | 900 234 040 01 | fitted washer<br>10 X 16 X 1,2                                       |         | 1   |       |
| 21   | 900 041 004 01 | Securing ring<br>10 X 1  |         | 1   |       |
| 22   | 996 105 166 51 | slide rail   |         | 1   |       |
| 23   | 900 075 486 01 | Bolt with washer<br>M 6 X 40   |         | 3   |       |
| 24   | 996 105 186 01 | chain tensioner<br>Discontinued part                                 |         | 1   |       |
| 24   | 996 105 186 02 | chain tensioner  |         | 1   |       |
| 25   | 999 707 344 40 | O-ring<br>18,77 X 1,78   |         | 4   |       |
| 26   | 996 105 152 00 | timing chain<br>Discontinued part                                    |         | 2   |       |
| 26   | 996 105 152 01 | timing chain   |         | 2   |       |

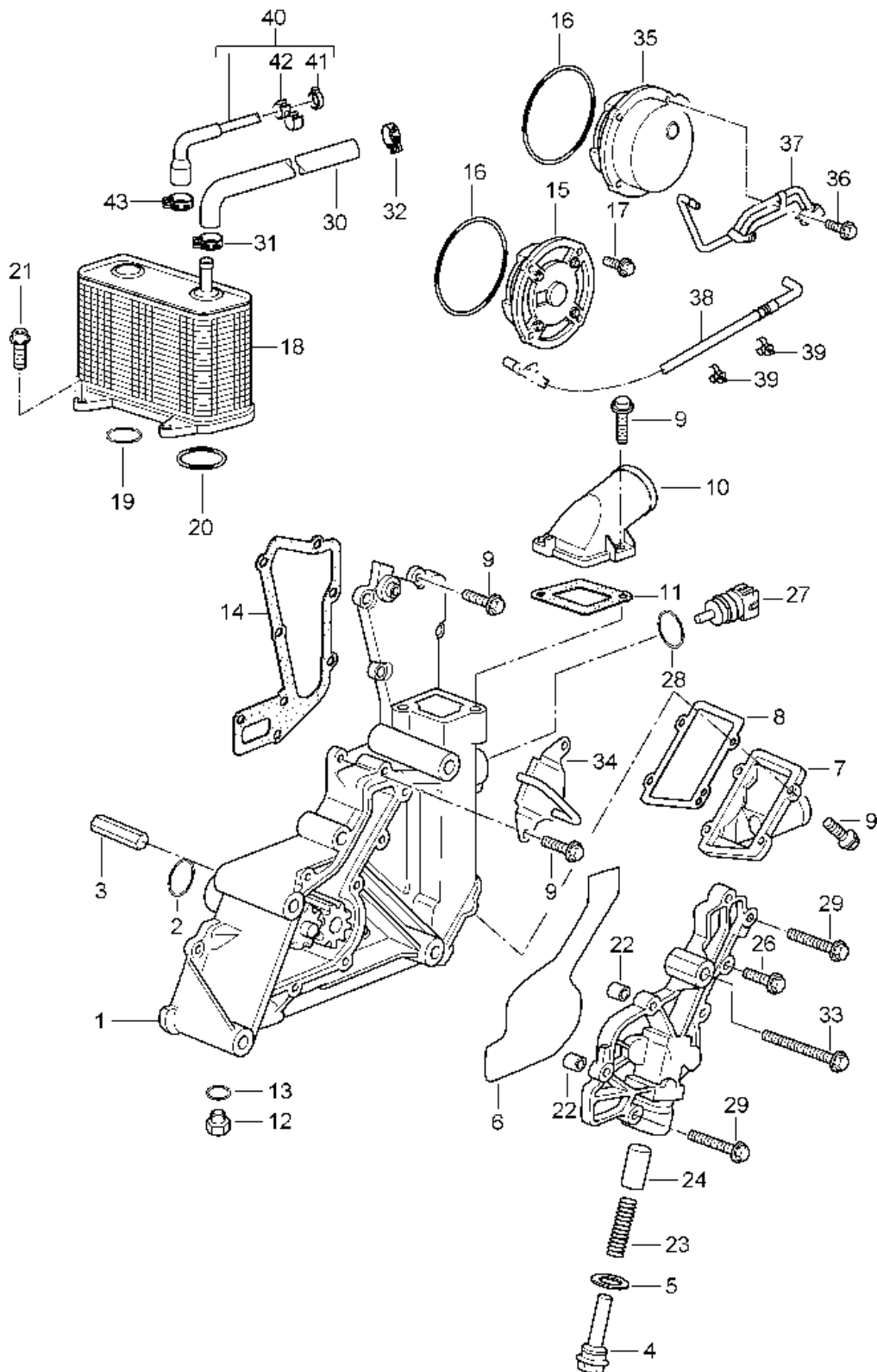
Model: 997 05 Model life 2005>>2008

| Pos  | Part Number    | Description  | Remark | Qty | Model |
|------|----------------|--|--------|-----|-------|
| 27   | 996 105 178 54 | Chain sprocket   |        | 2   |       |
|      |                | with:  |        |     |       |
| 29   | 900 385 272 09 | Follower<br>Hexagon bolt<br>M 6 X 12                           |        | 8   |       |
|      |                | Discontinued part  |        |     |       |
| 29   | 900 385 041 01 | Torx screw<br>M 6 X 12   |        | 8   |       |
| 30   | 996 105 156 00 | Tensioner blade<br>cylinder<br>1 - 3                           |        | 1   |       |
| (30) | 996 105 158 00 | Tensioner blade<br>cylinder<br>4 - 6                           |        | 1   |       |
|      |                | Discontinued part  |        |     |       |
| (30) | 996 105 158 01 | Tensioner blade<br>cylinder<br>4 - 6                           |        | 1   |       |
| 31   | 996 105 062 01 | Screw<br>M 6   |        | 6   |       |
|      |                | Discontinued part  |        |     |       |
| (31) | 9A1 105 062 01 | Socket head bolt<br>M 6  |        | 6   |       |
| 32   | 999 707 346 40 | O-ring<br>15 X 3   |        | 6   |       |
| 33   | 996 105 054 01 | slide rail<br>cylinder<br>1 - 3                                |        | 1   |       |
| (33) | 996 105 164 00 | slide rail<br>cylinder<br>4 - 6                                |        | 1   |       |
| 34   | 996 105 188 01 | chain tensioner<br>Discontinued part                           |        | 1   |       |
| 34   | 996 105 188 02 | chain tensioner  |        | 1   |       |
| 35   | 996 105 180 56 | chain tensioner<br>Discontinued part                           |        | 1   |       |
| 35   | 996 105 180 58 | chain tensioner  |        | 1   |       |
| 36   | 996 105 197 00 | Pressure pin   |        | 1   |       |
| 37   | 900 123 147 30 | seal ring<br>A 27 X 32   |        | 3   |       |
| 39   | 996 105 112 01 | Seal   |        | 1   |       |
| 40   | 996 105 280 51 | ring   |        | 4   |       |
| 41   | 996 104 205 07 | Bearing bush   |        | 2   |       |
| 42   | 996 105 203 00 | Washer   |        | 2   |       |
| 43   | 996 105 051 03 | camshaft adjuster unit<br>Cyl. 1 - 3                           |        | 1   |       |
|      |                | Discontinued part  |        |     |       |
| 43   | 996 105 051 04 | camshaft adjuster unit<br>Cyl. 1 - 3                           |        | 1   |       |
| (43) | 996 105 052 01 | camshaft adjuster unit<br>Cyl. 4 - 6                           |        | 1   |       |
|      |                | Discontinued part  |        |     |       |
| (43) | 996 105 052 02 | camshaft adjuster unit<br>Cyl. 4 - 6                           |        | 1   |       |
| 44   | 987 105 260 01 | Intermediate piece   |        | 2   |       |
| 45   | 987 105 254 00 | Hexagon bolt<br>M 12 X 1,5 X 130                               |        | 2   |       |
| -    | 000 043 024 00 | Extreme-pressure grease<br>1 tube<br>80 Gr.<br>for<br>Camshaft |        | 1   |       |



Model: 997 05

Model life 2005>>2008



Model: 997 05

Model life 2005>>2008

| Pos  | Part Number    | Description                                       | Remark                   | Qty | Model     |
|------|----------------|---|--------------------------|-----|-----------|
|      |                | oil pump<br>Tandem pump                           |                          |     | 9701,9605 |
| 1    | 996 107 012 58 | oil pump  |                          | 1   |           |
| 1    | 996 107 012 61 | oil pump  |                          | 1   |           |
| 2    | 996 107 103 51 | O-ring<br>29,1 X 2,55                             |                          | 2   |           |
|      |                |   | also use: 000 043 300 13 | 1   |           |
| 3    | 996 107 121 50 | Follower  |                          | 1   |           |
| 4    | 996 107 105 51 | sealing plug                                      |                          | 1   |           |
| 5    | 996 107 123 50 | Seal  |                          | 1   |           |
| 6    | 996 107 261 50 | seal ring   |                          | 1   |           |
| 7    | 996 106 220 51 | connection piece<br>Supply<br>Discontinued part   |                          | 1   |           |
| 7    | 996 106 220 52 | connection piece<br>Supply                        |                          | 1   |           |
| 8    | 996 106 316 51 | Seal  |                          | 1   |           |
| 9    | 900 378 030 09 | Hexagon bolt<br>M 6 X 20                          |                          | 14  |           |
| 10   | 997 106 216 00 | connection piece                                  |                          | 1   |           |
| 11   | 996 106 321 50 | Seal  |                          | 1   |           |
| 12   | 900 219 007 02 | sealing plug<br>M 10 X 1<br>Discontinued part     |                          | 1   |           |
| 12   | 900 219 007 01 | sealing plug<br>M 10 X 1                          |                          | 1   |           |
| 13   | 900 123 144 30 | seal ring<br>A 10 X 13,5                          |                          | 1   |           |
| 14   | 996 107 337 50 | Seal for oil pump                                 |                          | 1   |           |
| 15   | 997 107 021 03 | oil pump<br>Discontinued part                     |                          | 1   |           |
| 15   | 997 107 021 04 | oil pump  |                          | 1   |           |
| 16   | 999 707 554 40 | O-ring<br>95 X 2,5                                |                          | 2   |           |
|      |                |   | also use: 000 043 300 13 | 1   |           |
| 17   | 999 073 316 09 | Hexagon bolt<br>M 6 X 20                          |                          | 4   |           |
| 18   | 997 107 025 00 | heat exchanger<br>Discontinued part               |                          | 1   | 9701      |
| 18   | 997 107 025 02 | heat exchanger                                    |                          | 1   | 9701      |
| (18) | 996 107 025 57 | heat exchanger<br>Discontinued part               |                          | 1   | 9605      |
| (18) | 996 107 025 59 | heat exchanger                                    |                          | 1   | 9605      |
| 19   | 999 707 547 40 | O-ring<br>28 X 3                                  |                          | 2   |           |
| 20   | 999 707 389 40 | O-ring<br>35 X 4                                  |                          | 2   |           |
| 21   | 900 387 264 09 | Socket head bolt<br>M 6 X 16<br>Discontinued part |                          | 4   |           |
| 21   | 900 387 264 01 | Socket head bolt<br>M 6 X 16                      |                          | 4   |           |
| 21   | N 105 464 03   | Hexagon socket head<br>bolt<br>M 6 X 16           |                          | 4   |           |
| 22   | 996 106 103 50 | dowel sleeve<br>8,2 X 7                           |                          | 2   |           |
| 23   | 996 107 127 53 | Spring for<br>oil pressure relief valve           |                          | 1   |           |
| 24   | 997 107 125 01 | piston  |                          | 1   |           |
| 25   | 996 107 212 53 | Oil pump cover<br>for<br>996 107 012 56           |                          | 1   |           |

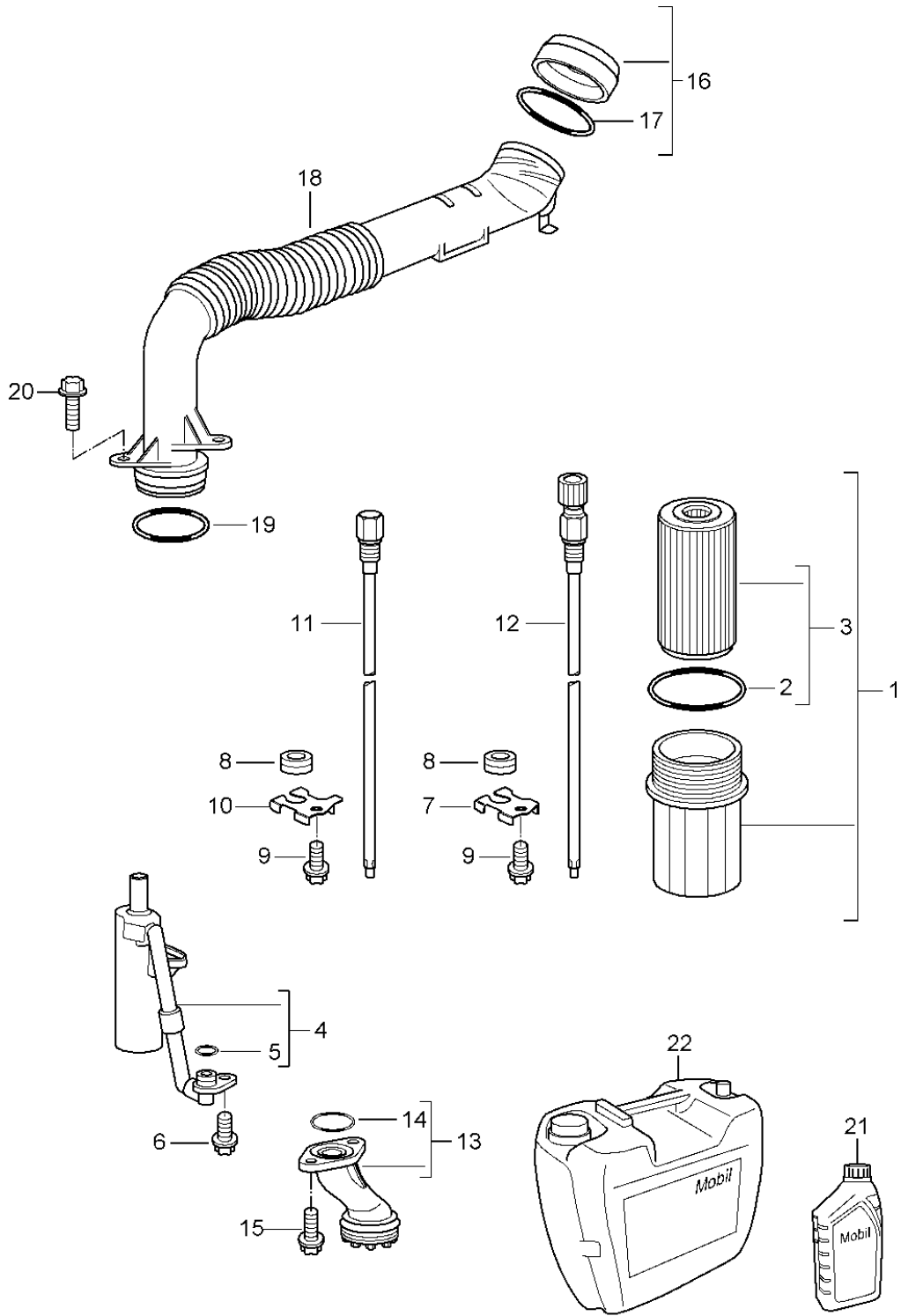
Model: 997 05

Model life 2005>>2008

| Pos | Part Number    | Description                                 | Remark | Qty | Model      |
|-----|----------------|---|--------|-----|------------|
| 25  | 996 107 212 54 | Oil pump cover<br>for<br>996 107 012 58     |        | 1   |            |
| 26  | 900 385 019 09 | Torx screw<br>BM 6 X 20                     |        | 7   |            |
| 27  | 996 606 410 00 | Temperature sensor                          |        | 1   |            |
| 28  |                | seal ring                                   |        | 1   |            |
| 29  | 900 385 066 09 | Hexagon bolt<br>M 6 X 80                    |        | 2   |            |
| 30  | 996 106 230 53 | Vent hose                                   |        | 1   |            |
| 31  | 999 512 554 00 | Hose clamp<br>12 - 22 MM                    |        | 1   |            |
| 32  | 999 512 652 09 | Hose clamp<br>19 X 12                       |        | 1   |            |
| 33  | 900 385 004 09 | Hexagon bolt<br>M 10 X 60                   |        | 1   |            |
| 34  | 996 102 235 01 | arm   |        | 1   | PR:249,573 |
| 35  | 997 107 022 01 | Tandem pump<br>Discontinued part            |        | 1   |            |
| 35  | 997 107 022 02 | Tandem pump<br>Discontinued part            |        | 1   |            |
| 35  | 997 107 022 03 | Tandem pump<br>Discontinued part            |        | 1   |            |
| 35  | 997 107 022 04 | Tandem pump                                 |        | 1   |            |
| 36  | 999 073 317 09 | flat round head bolt<br>M 6 X 30            |        | 4   |            |
| 37  | 997 107 055 05 | Vacuum line<br>for<br>Tandem pump           |        | 1   |            |
| -   | 999 701 789 40 | O-ring<br>12 X 2<br>for<br>Vacuum line      |        | 2   |            |
| 38  | 997 110 055 03 | Vacuum line<br>Pump                         |        | 1   |            |
| 39  | 999 507 968 41 | Brake<br>Clip<br>for<br>Vacuum line<br>Pump |        | 2   |            |
| 40  | 997 106 023 03 | Brake<br>Breather line                      |        | 1   |            |
| 41  | 999 512 776 01 | Oil-water radiator<br>Clamp<br>13,2-15,7    |        | 2   |            |
| 42  | 999 507 826 40 | Bracket<br>16,0/15,0                        |        | 1   |            |
| 43  | 999 512 650 09 | Hose clamp<br>28 X 12                       |        | 1   |            |

Model: 997 05

Model life 2005>>2008

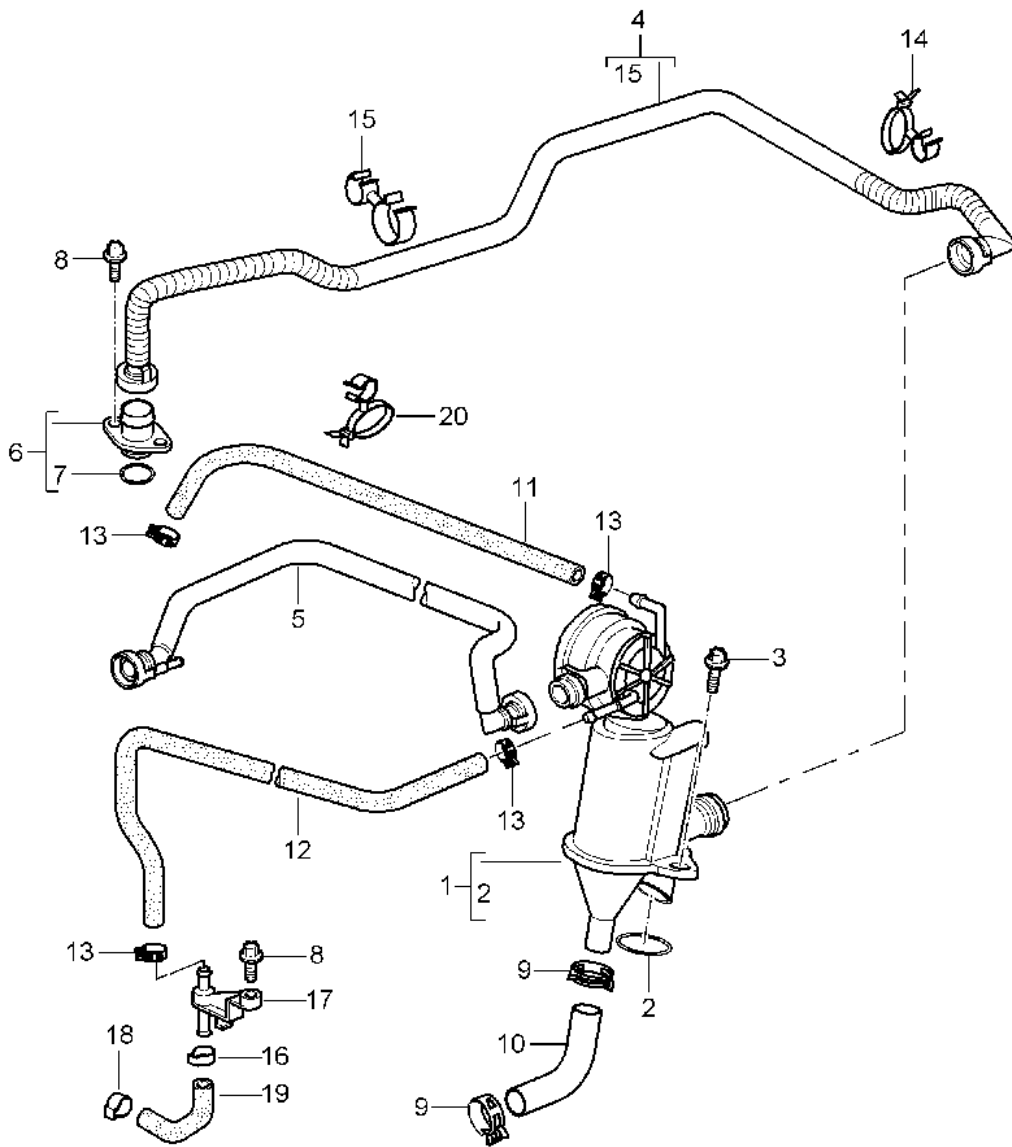


Model: 997 05 Model life 2005>>2008

| Pos  | Part Number    | Description   | Remark                   | Qty | Model           |
|------|----------------|---|--------------------------|-----|-----------------|
|      |                | Engine lubrication  |                          |     | 9701,9605       |
| 1    | 996 107 020 55 | oil filter  |                          | 1   |                 |
| 2    | 996 107 313 51 | seal ring   |                          | 1   |                 |
|      |                |   | also use: 000 043 205 10 | X   |                 |
| 3    | 996 107 225 53 | filter element  |                          | 1   |                 |
| 4    | 996 107 080 54 | oil separator   |                          | 2   |                 |
| 5    | 999 701 789 40 | O-ring<br>12 X 2  |                          | 2   |                 |
| 6    | 900 385 019 04 | Torx screw<br>BM 6 X 20   |                          | 4   |                 |
| 7    | 996 107 333 50 | Bracket   |                          | 1   |                 |
| 8    | 999 702 206 50 | oil level sender<br>Grommet<br>9,5 X 18,0 X 1,2                         |                          | 2   |                 |
| 9    | 900 385 041 09 | Torx screw<br>BM 6 X 12   |                          | 2   |                 |
| 10   | 997 107 333 50 | Bracket   |                          | 1   | 9701            |
| 11   | 997 107 638 02 | Return pipe<br>Return pipe<br>engine oil                                |                          | 1   | 9701            |
| 12   | 996 606 150 00 | oil level sender  |                          | 1   |                 |
| 13   | 996 107 075 57 | Suction tube  |                          | 1   |                 |
| 14   | 999 707 375 40 | O-ring<br>30 X 3  |                          | 1   |                 |
| 15   | 900 385 275 09 | Torx screw<br>BM 6 X 20   |                          | 2   |                 |
| 16   | 996 107 035 52 | End cap   |                          | 1   |                 |
| 17   | 996 107 336 00 | Seal  |                          | 1   |                 |
| 18   | 996 107 150 60 | Filler tube<br>Discontinued part  |                          | 1   |                 |
| 18   | 997 107 131 00 | Filler tube   |                          | 1   |                 |
| (18) | 997 107 915 00 | Filler tube<br>D - MJ 2006>>  |                          | 1   | 9701+<br>PR:X51 |
| 19   | 999 707 348 40 | O-ring<br>42 X 4  |                          | 1   |                 |
|      |                |   | also use: 000 043 300 13 | X   |                 |
| 20   | 900 385 050 09 | Torx screw<br>M 6 X 16<br>Discontinued part                             |                          | 2   |                 |
| (20) | 900 385 050 01 | Hexagon head bolt<br>M 6 X 16   |                          | 2   |                 |
| 21   | 000 043 301 19 | engine oil<br>EXXON MOBIL 1 0W-40<br>1 Liter                            |                          | X   |                 |
| 22   | 000 043 301 21 | Container<br>engine oil<br>EXXON MOBIL 1 0W-40<br>20 LITER<br>Container |                          | X   |                 |

Model: 997 05

Model life 2005>>2008



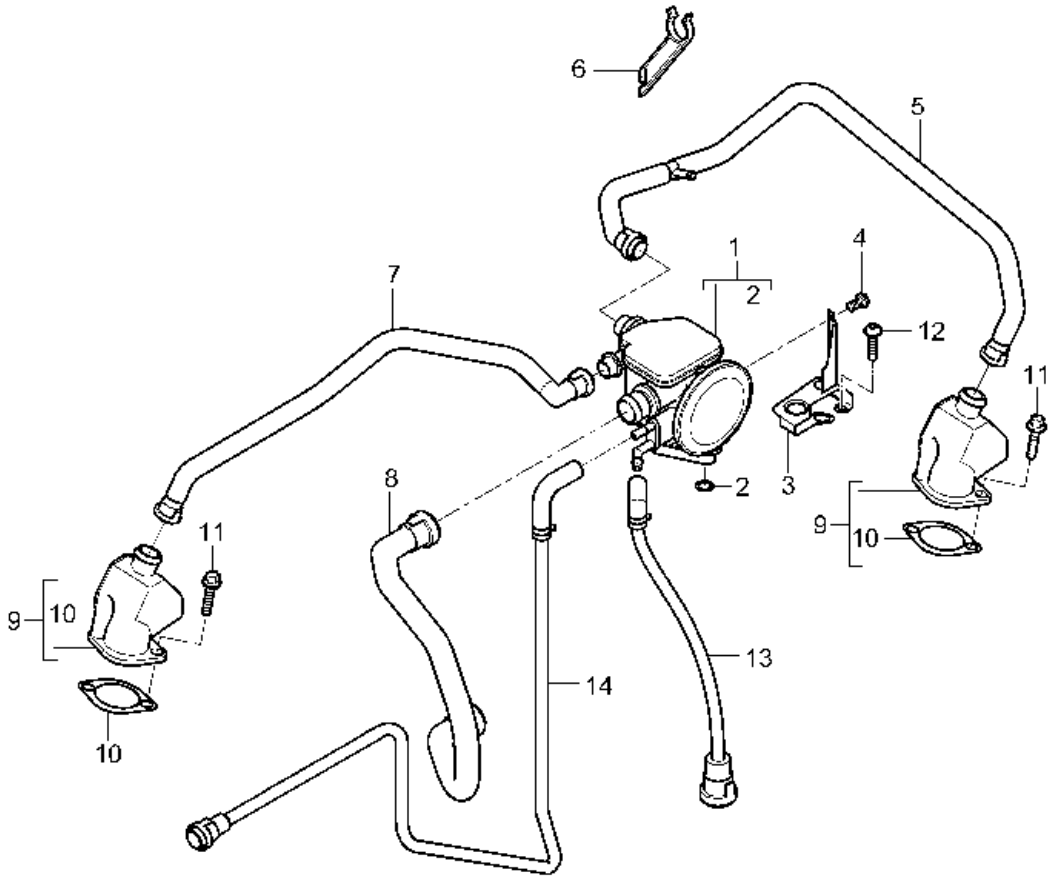
Model: 997 05

Model life 2005>>2008

| Pos | Part Number    | Description   | Remark | Qty | Model |
|-----|----------------|---|--------|-----|-------|
|     |                | Crankcase housing                                   |        |     | 9605  |
| 1   | 996 107 026 50 | Bleeding<br>oil separator                           |        | 1   |       |
| (1) | 996 107 026 51 | Discontinued part<br>oil separator                  |        | 1   |       |
| 2   | 999 707 507 40 | O-ring<br>29,74 X 2,95                              |        | 1   |       |
| 3   | 900 385 275 09 | Torx screw<br>BM 6 X 20                             |        | 2   |       |
| 4   | 997 107 147 02 | Breather line                                       |        | 1   |       |
| 5   | 996 107 145 30 | Breather line                                       |        | 1   |       |
| 6   | 996 107 047 01 | ventilation union                                   |        | 1   |       |
| 7   | 999 707 364 40 | seal ring<br>30 X 2,5                               |        | 1   |       |
| 8   | 900 385 050 09 | Torx screw<br>BM 6 X 16                             |        | 3   |       |
| (8) | 900 385 050 01 | Discontinued part<br>Hexagon head bolt<br>BM 6 X 16 |        | 3   |       |
| 9   | 999 512 683 09 | Hose clamp<br>23 X 12                               |        | 2   |       |
| 10  | 996 107 175 50 | Oil hose  |        | 1   |       |
| 11  | 996 106 208 50 | Hose  |        | 1   |       |
| 12  | 997 106 223 00 | Hose  |        | 1   |       |
| 13  | 999 512 650 09 | Hose clamp<br>B 14 X 12                             |        | 4   |       |
| 14  | 999 507 097 40 | Hose bracket<br>25 / 20                             |        | 1   |       |
| 15  | 999 507 816 40 | Hose bracket<br>25 / 16                             |        | 1   |       |
| 16  | 999 512 568 02 | Clamp<br>13,9 - 16,1                                |        | 1   |       |
| 17  | 996 106 226 52 | Connector union                                     |        | 1   |       |
| 18  | 999 512 633 00 | Clamp<br>15,6 - 17,8                                |        | 1   |       |
| 19  | 996 106 223 52 | Hose  |        | 1   |       |
| 20  | 999 507 644 40 | Hose bracket<br>26 / 13                             |        | 1   |       |

Model: 997 05

Model life 2005>>2008



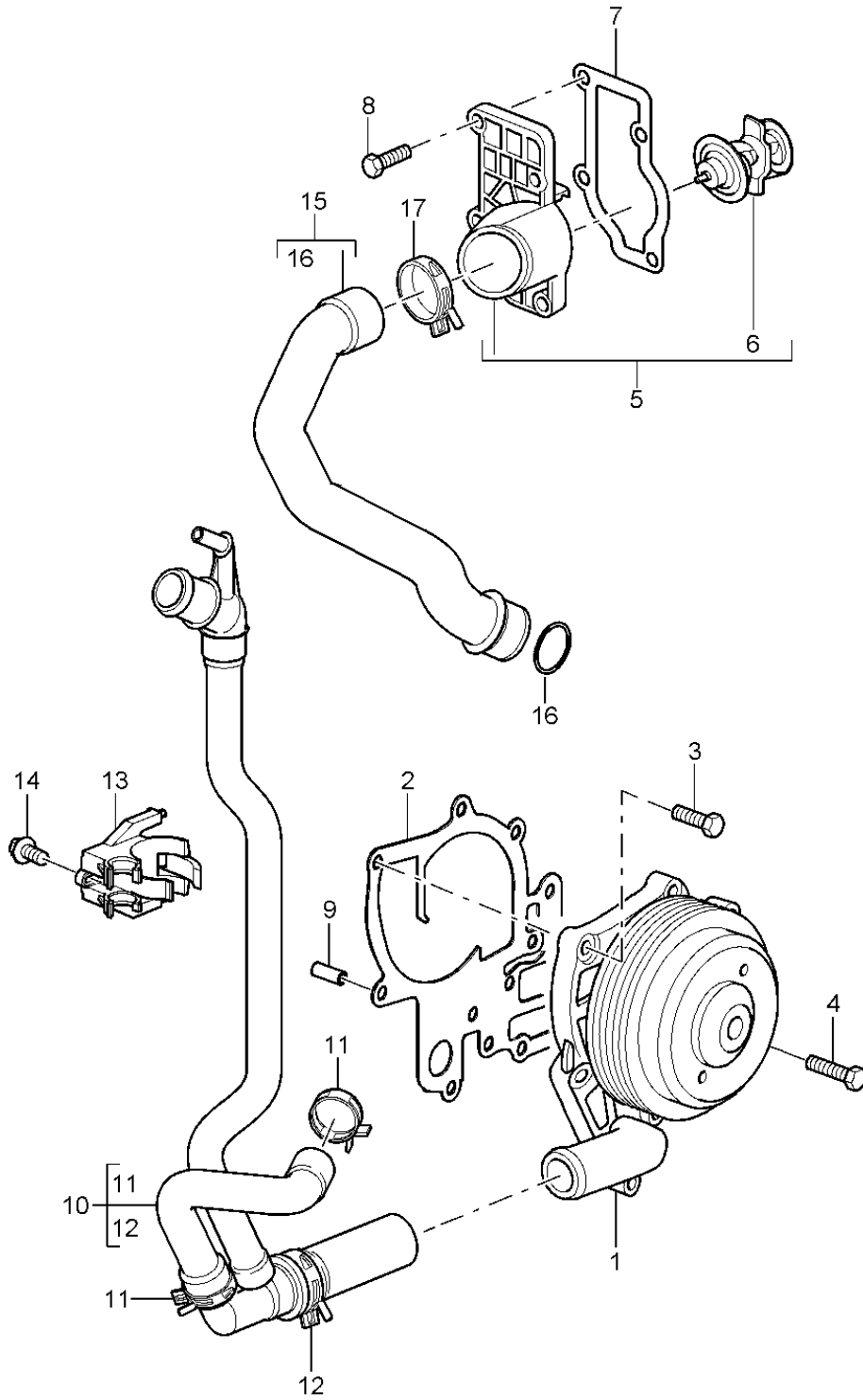


Model: 997 05 Model life 2005>>2008

| Pos | Part Number    | Description                                       | Remark  | Qty | Model |
|-----|----------------|---|---------|-----|-------|
|     |                | Crankcase housing                                 |         |     | 9701  |
| 1   | 997 107 038 00 | Bleeding<br>oil separator                         |         | 1   |       |
| 2   | 900 331 053 40 | O-ring<br>12,37 X 2,62                            |         | 2   |       |
| 3   | 997 107 338 01 | Bracket<br>oil separator                          |         | 1   |       |
| 4   | 999 919 121 09 | fillister hd. bolt<br>5 X 16                      |         | 2   |       |
| 5   | 997 107 146 03 | Breather line<br>Cyl. 4 - 6                       |         | 1   |       |
| 6   | 997 107 547 00 | Bracket   |         | 1   |       |
| 7   | 997 107 143 01 | Breather line<br>Cyl. 1 - 3                       |         | 1   |       |
| 8   | 997 107 145 02 | Line<br>Distributor tube                          |         | 1   |       |
| 9   | 997 107 138 00 | oil separator                                     |         | 2   |       |
| 10  | 997 107 538 00 | Seal  |         | 2   |       |
| 11  | 900 385 023 04 | Torx screw<br>M 6 X 25                            |         | 4   |       |
| 12  |                | see illustration:                                 | 108-005 | 2   |       |
| 13  | 997 106 024 01 | Feed line<br>oil separator                        |         | 1   |       |
| 13  | 997 106 024 02 | Discontinued part<br>Feed line<br>oil separator   |         | 1   |       |
| 14  | 997 106 028 01 | return line<br>oil separator                      |         | 1   |       |
| 14  | 997 106 028 02 | Discontinued part<br>return line<br>oil separator |         | 1   |       |

Model: 997 05

Model life 2005>>2008



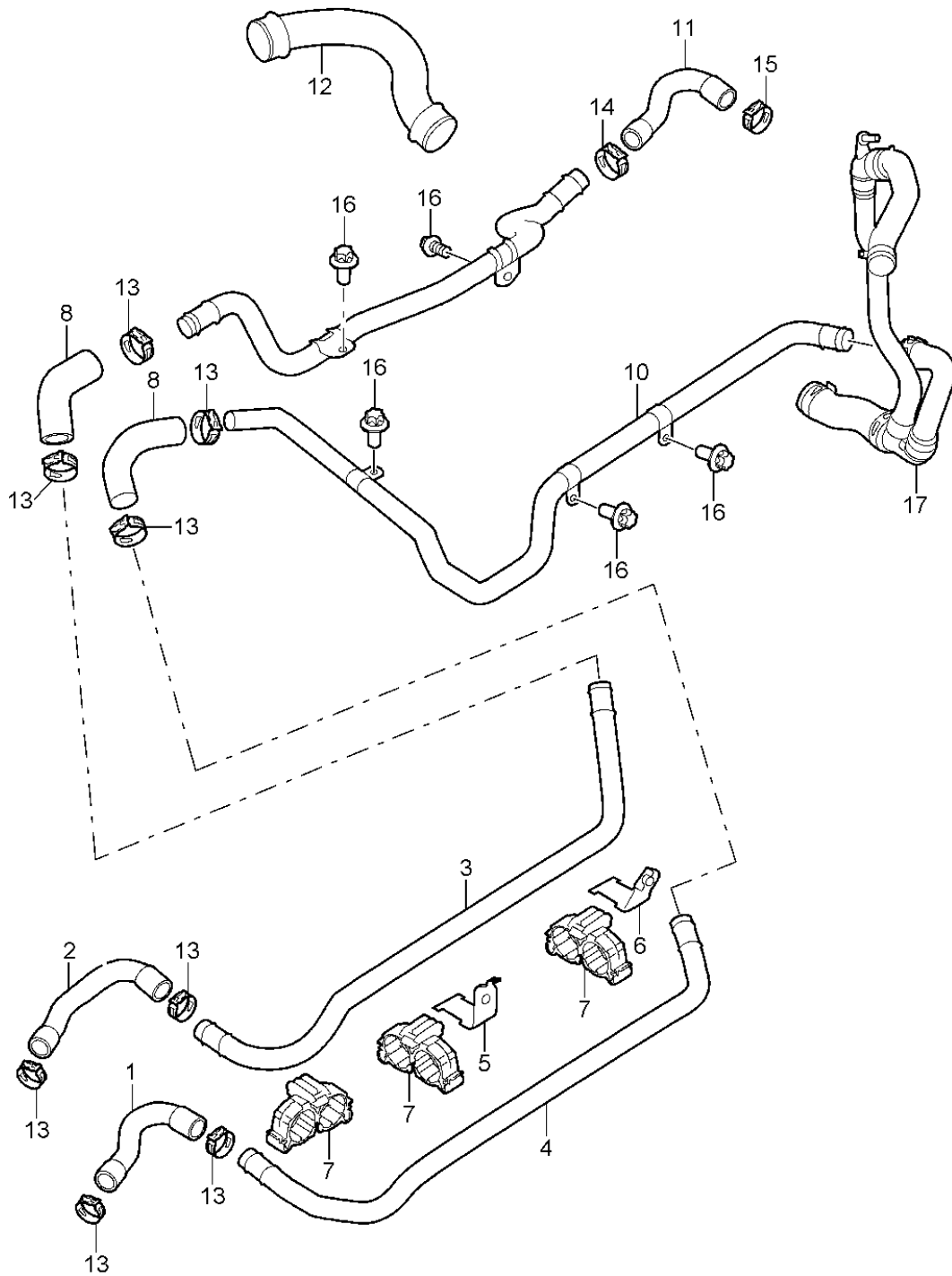
Model: 997 05

Model life 2005>>2008

| Pos  | Part Number    | Description                                       | Remark | Qty | Model     |
|------|----------------|---|--------|-----|-----------|
|      |                | Coolant pump<br>thermostat housing                |        |     | 9701,9605 |
| 1    | 997 106 011 02 | Coolant pump                                      |        | 1   |           |
| (1)  | 997 106 011 05 | Discontinued part<br>Coolant pump                 |        | 1   |           |
| (1)  | 997 106 011 06 | Discontinued part<br>Coolant pump                 |        | 1   |           |
| 2    | 996 106 340 54 | Seal  |        | 1   |           |
| 3    | 900 378 013 01 | Hexagon bolt<br>M 6 X 25                          |        | 5   |           |
| 4    | 900 378 177 01 | Hexagon bolt<br>M 6 X 30                          |        | 2   |           |
| 5    | 996 106 013 59 | thermostat  |        | 1   |           |
|      |                | with:   |        |     |           |
| 6    | 996 106 125 53 | Thermostat insert                                 |        | 1   |           |
| 7    | 996 106 326 50 | Thermostat insert                                 |        | 1   |           |
| 8    | 900 385 019 01 | Seal  |        | 1   |           |
|      |                | Torx screw<br>M 6 X 20                            |        | 4   |           |
| 9    | 996 106 103 50 | dowel sleeve<br>8,2 X 7                           |        | 2   |           |
| 10   | 997 106 850 01 | Water hose  |        | 1   |           |
| 11   | 999 512 662 09 | Hose clamp<br>32 X 12                             |        | 1   |           |
| 12   | 999 512 672 09 | Hose clamp<br>40 X 12                             |        | 1   |           |
| 13   | 997 106 550 00 | Hose bracket                                      |        | 1   |           |
| 14   | 900 385 050 01 | Hexagon head bolt<br>M 6 X 16                     |        | 1   |           |
| 15   | 997 106 832 01 | Water hose<br>Return line                         |        | 1   |           |
| (15) | 997 106 832 02 | D - MJ 2005>> - MJ 2005<br>Water hose             |        | 1   | PR:X51    |
| (15) | 997 106 832 03 | Return line<br>Water hose                         |        | 1   |           |
| (15) | 997 106 832 04 | Return line<br>D - MJ 2006>><br>Discontinued part |        | 1   |           |
| 16   | 996 106 801 03 | Water hose<br>Return line                         |        | 1   |           |
| 17   | 999 512 669 09 | D - MJ 2006>><br>O-ring                           |        | 1   |           |
|      |                | Hose clamp<br>53 X 12                             |        | 1   |           |

Model: 997 05

Model life 2005>>2008

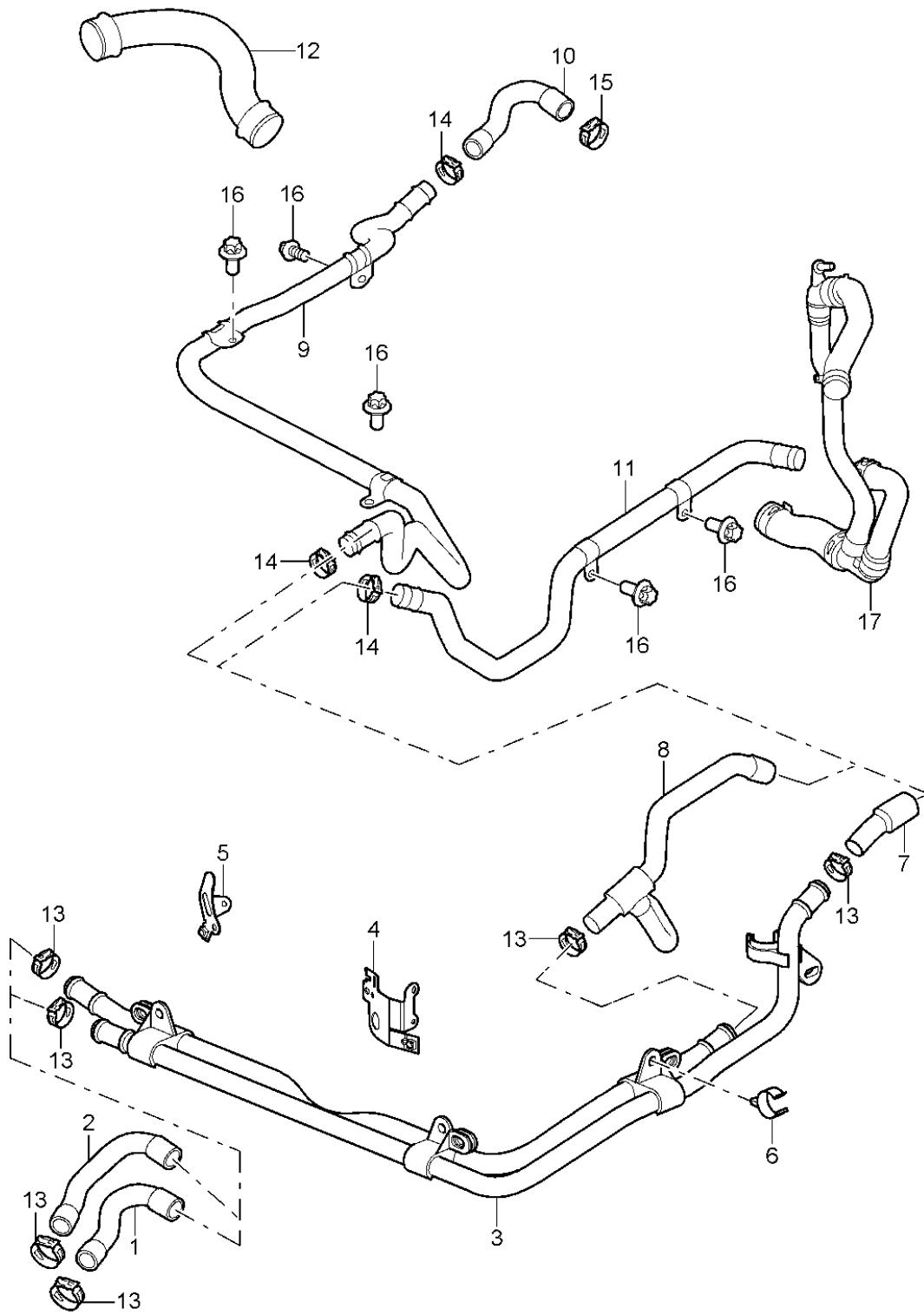


Model: 997 05 Model life 2005>>2008

| Pos | Part Number    | Description  | Remark  | Qty | Model                |
|-----|----------------|--|---------|-----|----------------------|
| 1   | 996 106 212 74 | Lines<br>heater<br>Hose<br>Supply<br>Discontinued part |         | 1   | 9701,9605+<br>PR:480 |
| 1   | 996 106 212 75 | Hose<br>Supply   |         | 1   |                      |
| 2   | 996 106 222 74 | Return hose<br>Discontinued part                       |         | 1   |                      |
| 2   | 996 106 222 75 | Return hose  |         | 1   |                      |
| 3   | 997 106 312 00 | Water pipe<br>Supply                                   |         | 1   |                      |
| 4   | 997 106 322 00 | Water pipe<br>Return line                              |         | 1   |                      |
| 5   | 997 106 535 01 | Bracket  |         | 1   |                      |
| 6   | 997 106 536 00 | Bracket  |         | 1   |                      |
| 7   | 999 507 700 41 | Hose bracket   |         | 3   |                      |
| 8   | 997 106 612 01 | Hose<br>Discontinued part                              |         | 2   |                      |
| (8) | 997 106 612 03 | Hose   |         | 2   |                      |
| 9   | 997 106 242 00 | Heater pipeline<br>Supply                              |         | 1   |                      |
| 10  | 997 106 243 00 | Heater pipeline<br>Return line                         |         | 1   |                      |
| 11  | 996 106 233 55 | Hose   |         | 1   |                      |
| 12  | 997 106 831 02 | Water hose<br>Discontinued part                        |         | 1   |                      |
| 12  | 997 106 831 03 | Water hose   |         | 1   |                      |
| 13  | 999 512 657 09 | Hose clamp<br>26 X 12                                  |         | 8   |                      |
| 14  | 999 512 660 09 | Hose clamp<br>29 X 12                                  |         | 2   |                      |
| 15  | 999 512 662 09 | Hose clamp<br>32 X 12                                  |         | 1   |                      |
| 16  | 900 385 041 01 | Torx screw<br>M 6 X 12                                 |         | 5   |                      |
| 17  |                | see illustration:                                      | 105-000 | 1   |                      |

Model: 997 05

Model life 2005>>2008



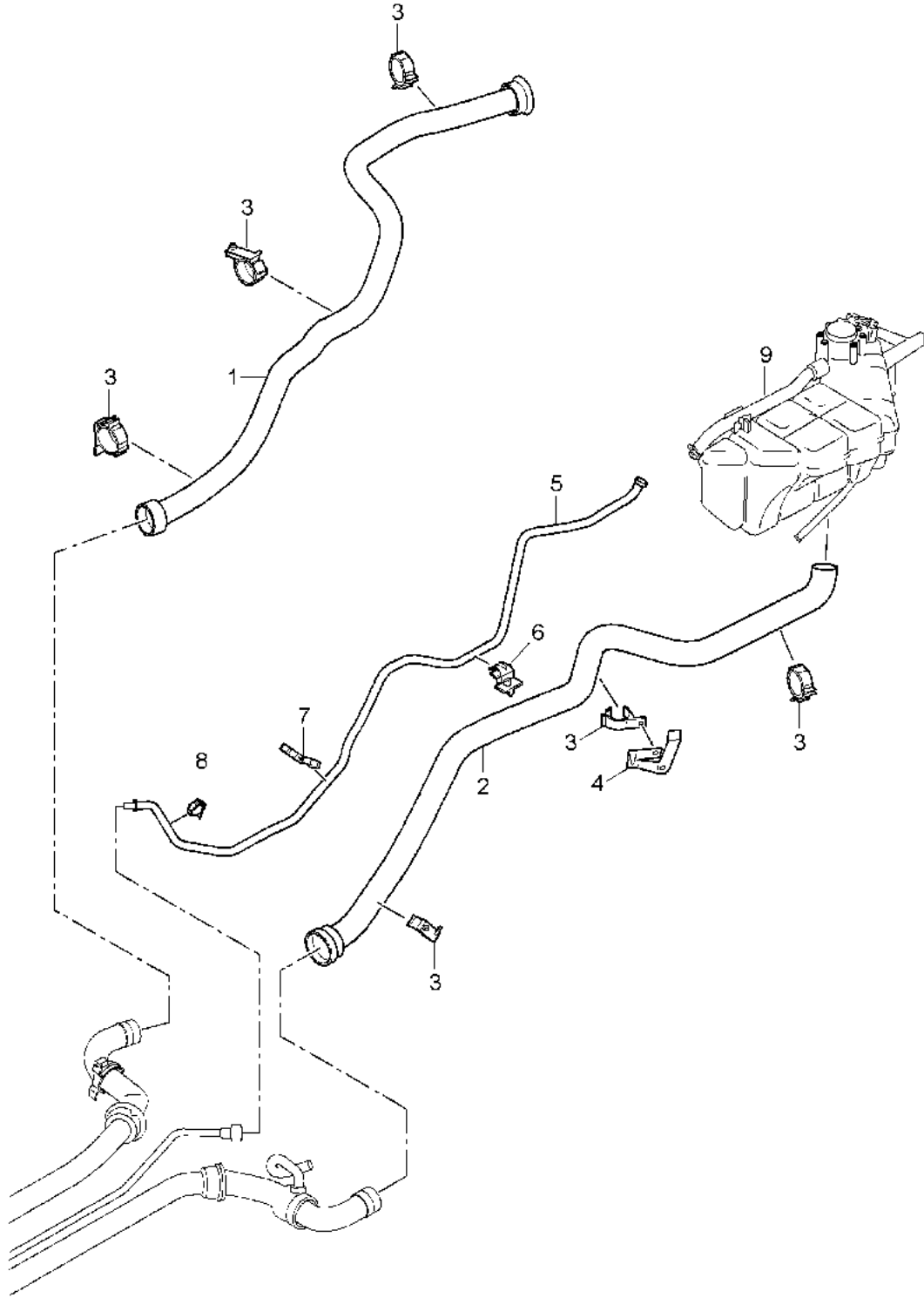
Model: 997 05

Model life 2005>>2008

| Pos | Part Number    | Description  | Remark  | Qty | Model                |
|-----|----------------|--|---------|-----|----------------------|
| 1   | 996 106 212 74 | Lines<br>heater<br>Hose<br>Supply<br>Discontinued part |         | 1   | 9701,9605+<br>PR:249 |
| 1   | 996 106 212 75 | Hose<br>Supply   |         | 1   |                      |
| 2   | 996 106 222 74 | Return hose<br>Discontinued part                       |         | 1   |                      |
| 2   | 996 106 222 75 | Return hose  |         | 1   |                      |
| 3   | 997 106 182 21 | Heater pipeline  |         | 1   |                      |
| 4   | 997 106 533 00 | Bracket  |         | 1   |                      |
| 5   | 997 106 534 00 | Bracket  |         | 1   |                      |
| 6   | 999 507 817 40 | Cable holder   |         | 1   |                      |
| 7   | 997 106 812 02 | Water hose<br>Supply<br>Short                          |         | 1   |                      |
| (7) | 996 106 812 04 | Water hose<br>Supply<br>Long                           |         | 1   |                      |
| 8   | 996 106 822 03 | Water hose<br>Return line<br>Discontinued part         |         | 1   |                      |
| 8   | 996 106 822 04 | Water hose<br>Return line                              |         | 1   |                      |
| 9   | 996 106 842 02 | Water pipe<br>Supply                                   |         | 1   |                      |
| 10  | 996 106 233 55 | Hose<br>Supply   |         | 1   |                      |
| 11  | 996 106 843 01 | Coolant pipe<br>Return line                            |         | 1   |                      |
| 12  | 997 106 831 02 | Water hose<br>Discontinued part                        |         | 1   |                      |
| 12  | 997 106 831 03 | Water hose   |         | 1   |                      |
| 13  | 999 512 657 09 | Hose clamp<br>26 X 12                                  |         | 6   |                      |
| 14  | 999 512 660 09 | Hose clamp<br>29 X 12                                  |         | 4   |                      |
| 15  | 999 512 662 09 | Hose clamp<br>32 X 12                                  |         | 1   |                      |
| 16  | 900 385 041 01 | Torx screw<br>M 6 X 12                                 |         | 5   |                      |
| 17  |                | see illustration:                                      | 105-000 | 1   |                      |

Model: 997 05

Model life 2005>>2008



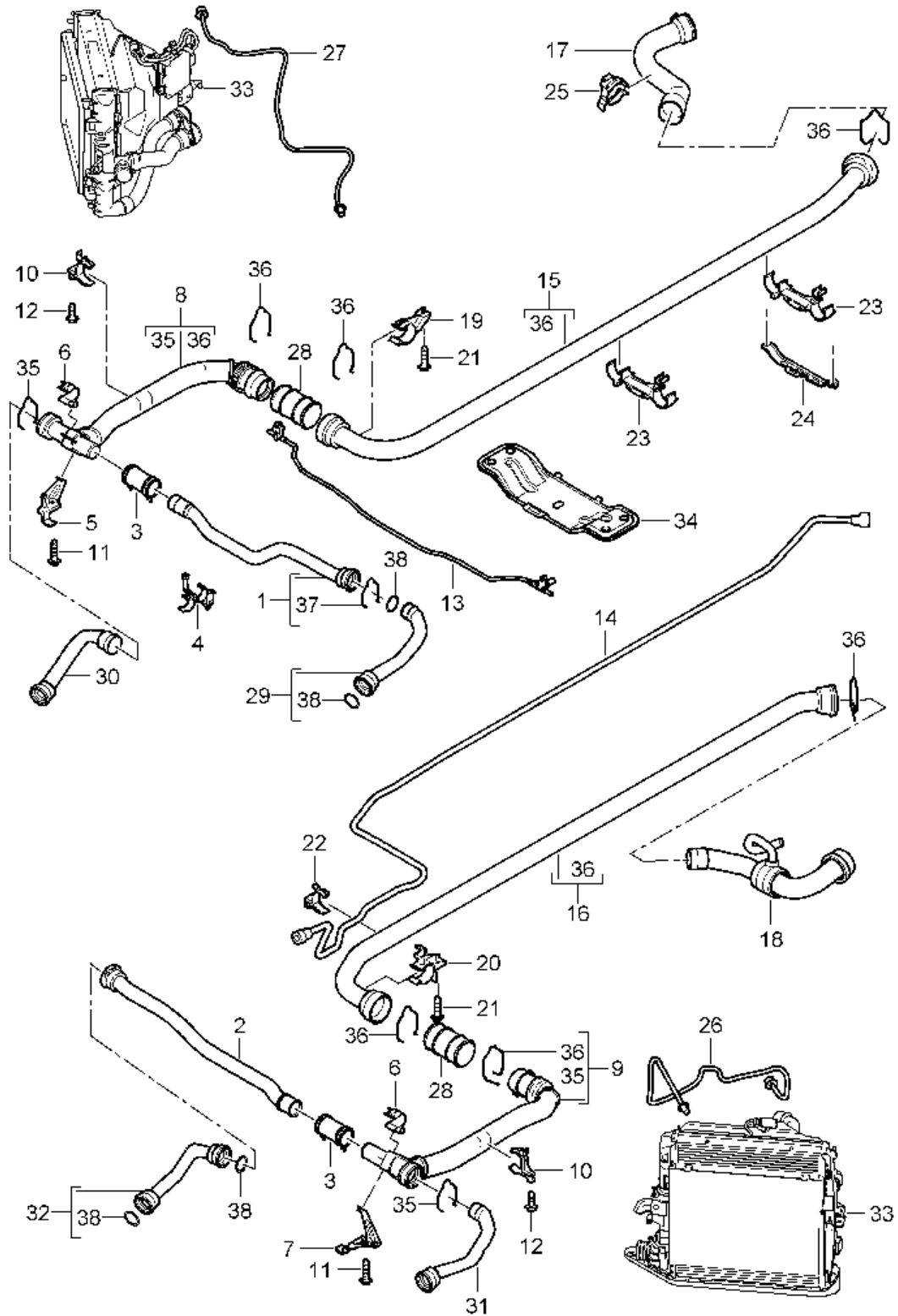


Model: 997 05 Model life 2005>>2008

| Pos | Part Number    | Description  | Remark  | Qty | Model     |
|-----|----------------|--|---------|-----|-----------|
| 1   | 997 106 610 00 | Water cooling 1<br>Coolant pipe<br>Supply  | right   | 1   | 9701,9605 |
| 1   | 997 106 610 01 | Discontinued part<br>Coolant pipe<br>Supply  | right   | 1   |           |
| 1   | 997 106 610 03 | Coolant pipe<br>Vorlauf<br>Discontinued part   | right   | 1   |           |
| 1   | 997 106 610 31 | Coolant pipe<br>Supply   | right   | 1   |           |
| 2   | 997 106 809 00 | Coolant pipe<br>Return line  | left    | 1   |           |
| 3   | 996 106 417 73 | Bracket<br>Coolant pipe<br>To<br>Use   |         | 6   |           |
|     |                | with:  |         |     |           |
| (3) | 996 106 417 73 | Coolant pipe<br>997.106.610.00<br>997.106.610.01<br>997.106.610.02<br>997.106.610.03<br>Bracket<br>Coolant pipe<br>To<br>Use |         | 5   |           |
|     |                | with:  |         |     |           |
| (3) | 997 106 457 32 | Coolant pipe<br>997.106.610.31<br>Bracket<br>Coolant pipe<br>To<br>Use   |         | 1   |           |
|     |                | with:  |         |     |           |
| 4   | 997 106 609 00 | Coolant pipe<br>997.106.610.31<br>Bracket  |         | 1   |           |
| 5   | 997 106 681 03 | Breather line  |         | 1   |           |
| (5) | 997 106 681 04 | D >> - MJ 2006<br>Breather line<br>D - MJ 2007>>   |         | 1   |           |
| 6   | 997 106 581 01 | Bracket<br>Breather line   |         | 1   |           |
| 7   | 999 507 961 41 | Cable holder<br>Breather line  |         | 1   |           |
| 8   | 999 507 743 40 | Cable holder<br>Breather line  |         | 1   |           |
| 9   |                | see illustration:  | 105-020 | X   |           |

Model: 997 05

Model life 2005>>2008



Model: 997 05 Model life 2005>>2008

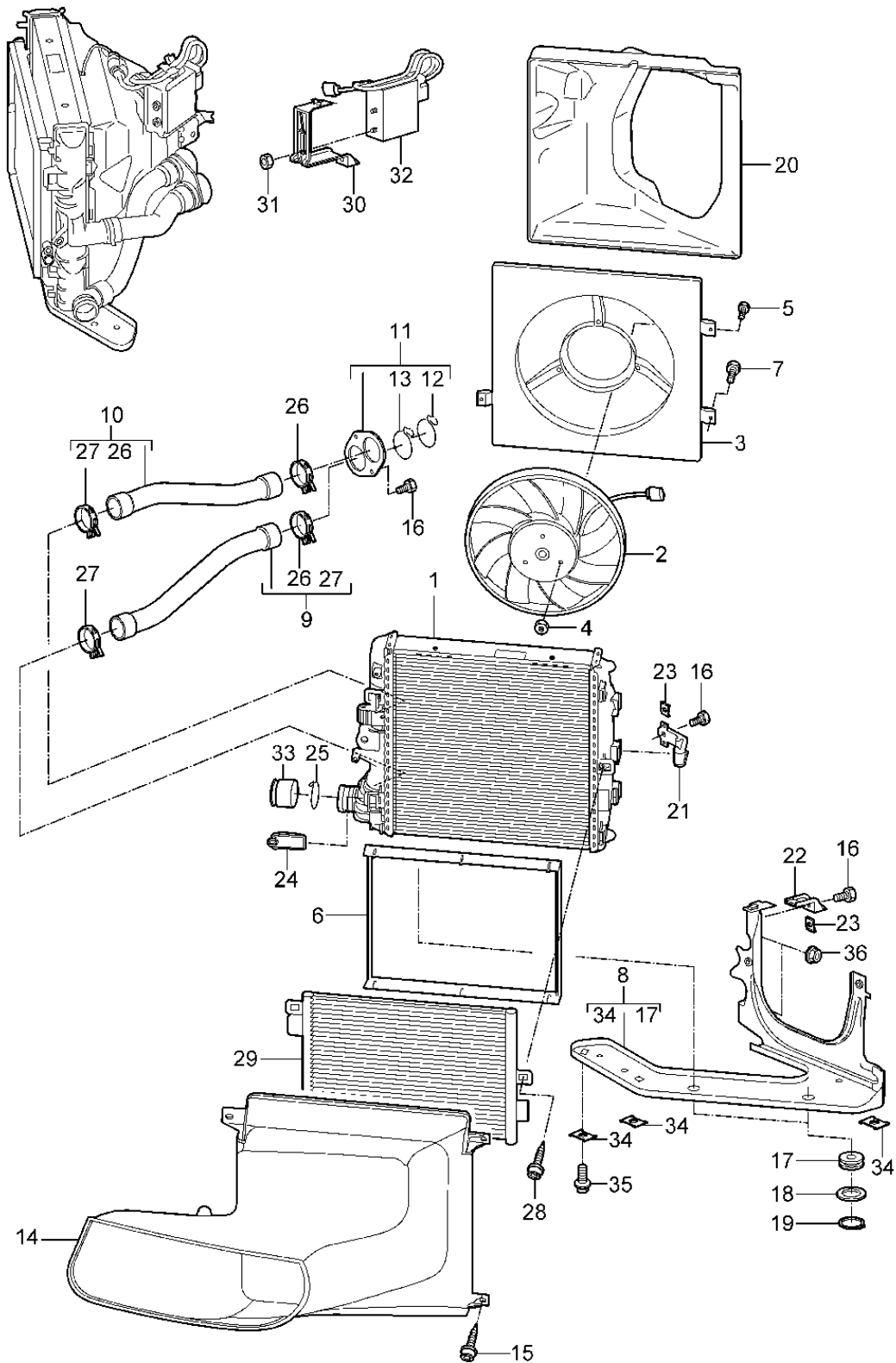
| Pos  | Part Number    | Description  | Remark | Qty | Model     |
|------|----------------|--|--------|-----|-----------|
| 1    | 997 106 711 01 | Water cooling 2<br>Water pipe<br>Cross tube<br>Supply<br>Discontinued part |        | 1   | 9701,9605 |
| 1    | 997 106 711 02 | Water pipe<br>Cross tube<br>Supply<br>Discontinued part                    |        | 1   |           |
| 1    | 997 106 711 03 | Water pipe<br>Cross tube<br>Supply   |        | 1   |           |
| 2    | 997 106 720 01 | Water pipe<br>Cross tube<br>Return line<br>Discontinued part               |        | 1   |           |
| 2    | 997 106 720 02 | Water pipe<br>Cross tube<br>Return line<br>Discontinued part               |        | 1   |           |
| 2    | 997 106 720 03 | Water pipe<br>Cross tube<br>Return line                                    |        | 1   |           |
| 3    | 997 106 723 04 | Water hose   |        | 2   |           |
| 4    | 997 106 525 01 | Bracket<br>Water pipe<br>Cross tube  | center | 1   |           |
| 5    | 997 106 574 02 | pipe holder<br>Distributor tube  | right  | 1   |           |
| 6    | 997 106 526 01 | Bracket<br>Cross tube  | upper  | 2   |           |
| -    | 900 378 032 01 | Hexagon bolt<br>AM 6 X 50  |        | 2   |           |
| 7    | 997 106 573 02 | pipe holder<br>Distributor tube  | left   | 1   |           |
| 8    | 997 106 752 03 | Distributor tube<br>Return line<br>Discontinued part                       |        | 1   |           |
| 8    | 997 106 752 04 | Distributor tube<br>Return line  |        | 1   |           |
| 9    | 997 106 751 03 | Distributor tube<br>Supply<br>Discontinued part                            |        | 1   |           |
| (9)  | 997 106 751 04 | Distributor tube<br>Supply   |        | 1   |           |
| 10   | 997 106 413 01 | pipe holder<br>Distributor tube  |        | 2   | PR:-601   |
| (10) | 997 106 414 00 | Bracket<br>Distributor tube  | right  | 1   | PR:601    |
| (10) | 997 106 413 01 | pipe holder<br>Distributor tube  | left   | 1   | PR:601    |
| 11   | 900 378 013 09 | Hexagon bolt<br>M6 X 25  |        | 2   |           |
| 12   | 900 378 036 09 | Hexagon bolt<br>M6 X 12  |        | 2   |           |
| 13   | 997 106 767 02 | Breather line<br>Transverse  |        | 1   |           |
| 14   | 997 106 227 02 | Breather line<br>tunnel  |        | 1   |           |
| (14) | 997 106 227 03 | D >> - MJ 2006<br>Breather line<br>tunnel<br>D - MJ 2007>>                 |        | 1   |           |

Model: 997 05 Model life 2005>>2008

| Pos  | Part Number    | Description                                    | Remark  | Qty | Model  |
|------|----------------|--|---------|-----|--------|
| 15   | 997 106 651 02 | Water pipe<br>Supply<br>tunnel                 |         | 1   |        |
| 16   | 997 106 652 02 | Return pipe<br>tunnel                          |         | 1   |        |
| 17   | 997 106 740 04 | Water hose<br>Supply                           |         | 1   | PR:480 |
| (17) | 997 106 740 05 | Water hose<br>Supply<br>Discontinued part      |         | 1   | PR:249 |
| (17) | 997 106 740 06 | Water hose<br>Supply                           |         | 1   | PR:249 |
| 18   | 997 106 741 04 | Water hose<br>Return line<br>Discontinued part |         | 1   | PR:480 |
| 18   | 997 106 741 06 | Water hose<br>Return line                      |         | 1   | PR:480 |
| (18) | 997 106 742 03 | Water hose<br>Return line<br>Discontinued part |         | 1   | PR:249 |
| (18) | 997 106 742 05 | Water hose<br>Return line                      |         | 1   | PR:249 |
| 19   | 997 106 520 02 | Bracket<br>filler plate                        | right   | 1   |        |
| 20   | 997 106 521 01 | Bracket<br>filler plate                        | left    | 1   |        |
| 21   | 900 378 035 01 | Hexagon bolt<br>M6 X 16                        |         | 2   |        |
| 22   | 997 106 512 03 | Distance piece<br>Breather line                |         | 1   |        |
| 23   | 997 106 540 02 | Bracket<br>tunnel                              |         | 2   |        |
| 24   | 997 106 515 02 | Bridge<br>tunnel                               |         | 1   |        |
| 25   | 997 106 427 00 | Bracket<br>Heel plate                          |         | 1   |        |
| 26   | 997 106 765 02 | Line   | left    | 1   |        |
| 27   | 997 106 766 02 | Line   | right   | 1   |        |
| 28   | 997 106 551 03 | Sleeve   |         | 2   |        |
| 29   | 997 106 623 03 | Water hose<br>Supply                           | left    | 1   |        |
| 30   | 997 106 627 03 | Water hose<br>Supply                           | right   | 1   |        |
| 31   | 997 106 728 03 | Water hose<br>Return line                      | left    | 1   |        |
| 32   | 997 106 624 03 | Water hose<br>Return line                      | right   | 1   |        |
| 33   |                | see illustration:                              | 105-015 |     |        |
| 34   |                | see illustration:                              | 801-070 |     |        |
| 35   | 997 106 802 02 | Spring<br>SCB 36                               |         | 2   |        |
| 36   | 997 106 802 03 | Spring<br>SCB 42                               |         | 6   |        |
| 37   | 997 106 802 01 | Spring<br>SCB 33                               |         | 2   |        |
| 38   | 996 106 801 02 | O-ring   |         | 2   |        |

Model: 997 05

Model life 2005>>2008



Model: 997 05 Model life 2005>>2008

| Pos  | Part Number    | Description                              | Remark                                | Qty | Model     |
|------|----------------|--|---------------------------------------|-----|-----------|
|      |                | Water cooling 3                          |                                       |     | 9701,9605 |
| 1    | 997 106 131 02 | Radiator                                 | left                                  | 1   |           |
| (1)  | 997 106 132 02 | Radiator                                 | right                                 | 1   |           |
| 2    | 997 624 135 02 | Radiator fan                             | left                                  | 1   |           |
| (2)  | 997 624 136 02 | Radiator fan                             | right                                 | 1   |           |
| 3    | 997 624 131 02 | Air guide                                | left                                  | 1   |           |
| (3)  | 997 624 132 02 | Air guide                                | right                                 | 1   |           |
| 4    | 900 377 001 02 | Hexagon nut<br>M 6                       |                                       | 6   |           |
| 5    | 900 146 116 09 | Screw<br>M 5 X 16                        |                                       | 6   |           |
| 6    | 997 573 711 00 | Sealing frame                            |                                       | 1   |           |
| 7    | 999 919 125 09 | Hexagon bolt<br>plastic<br>M 6 x 16      |                                       | 6   |           |
| 8    | 997 106 155 01 | Console                                  | left                                  | 1   |           |
| (8)  | 997 106 156 01 | Console                                  | right                                 | 1   |           |
| 9    | 997 106 625 03 | Water hose<br>Return line                | left                                  | 1   |           |
| (9)  | 997 106 626 03 | Water hose<br>Return line                | right                                 | 1   |           |
| 10   | 997 106 621 03 | Water hose<br>Supply                     | left                                  | 1   |           |
| (10) | 997 106 622 03 | Water hose<br>Supply                     | right                                 | 1   |           |
| 11   | 997 106 255 02 | Connecting piece                         |                                       | 2   |           |
| 12   | 997 106 802 01 | Spring<br>SCB 33                         |                                       | 1   |           |
| 13   | 997 106 802 02 | Spring<br>SCB 36                         |                                       | 1   |           |
| 14   | 997 575 321 00 | Air guide                                | left                                  | 1   |           |
| (14) | 997 575 322 00 | Air guide                                | right                                 | 1   |           |
| 15   | 999 919 134 09 | fillister hd. bolt<br>M 6 X 16           |                                       | 6   |           |
| 16   | 900 385 009 09 | Torx screw<br>M 6 X 16                   |                                       | 6   |           |
| 17   | 999 703 494 40 | Rubber bush<br>15 X 19,5                 |                                       | 4   |           |
| 18   | 999 025 255 02 | Washer                                   |                                       | 4   |           |
| 19   | 999 166 083 09 | Retaining plate<br>B 25                  |                                       | 4   |           |
| 20   | 997 575 341 00 | Air guide                                | left                                  | 1   |           |
| (20) | 997 575 342 00 | Air guide                                | right                                 | 1   |           |
| 21   | 997 106 232 01 | Bracket                                  | outer                                 | 2   |           |
| 22   | 997 106 455 00 | Bracket                                  | left                                  | 1   |           |
| 23   | 999 591 350 02 | panel nut<br>ST 4,8                      |                                       | 6   |           |
| 23   | 999 591 350 01 | Discontinued part<br>panel nut<br>ST 4,8 |                                       | 6   |           |
| 24   | 997 106 231 02 | Bracket                                  | inner                                 | 2   |           |
| 25   | 997 106 802 00 | Spring<br>SCB 26                         |                                       | 2   |           |
| 26   | 997 106 901 00 | clamp                                    |                                       | 2   |           |
| 27   | 997 106 902 00 | clamp                                    |                                       | 2   |           |
| 28   | 999 919 125 09 | Hexagon bolt<br>6,0 X 16                 |                                       | 1   |           |
| 29   |                | Condenser                                |                                       |     |           |
| 30   | 997 106 456 00 | Bracket                                  | see illustration:<br>813-025<br>right | 1   |           |
| 31   | 900 377 010 09 | Hexagon nut<br>M 6                       |                                       | 2   |           |
| 32   |                | Control unit                             |                                       | 1   |           |

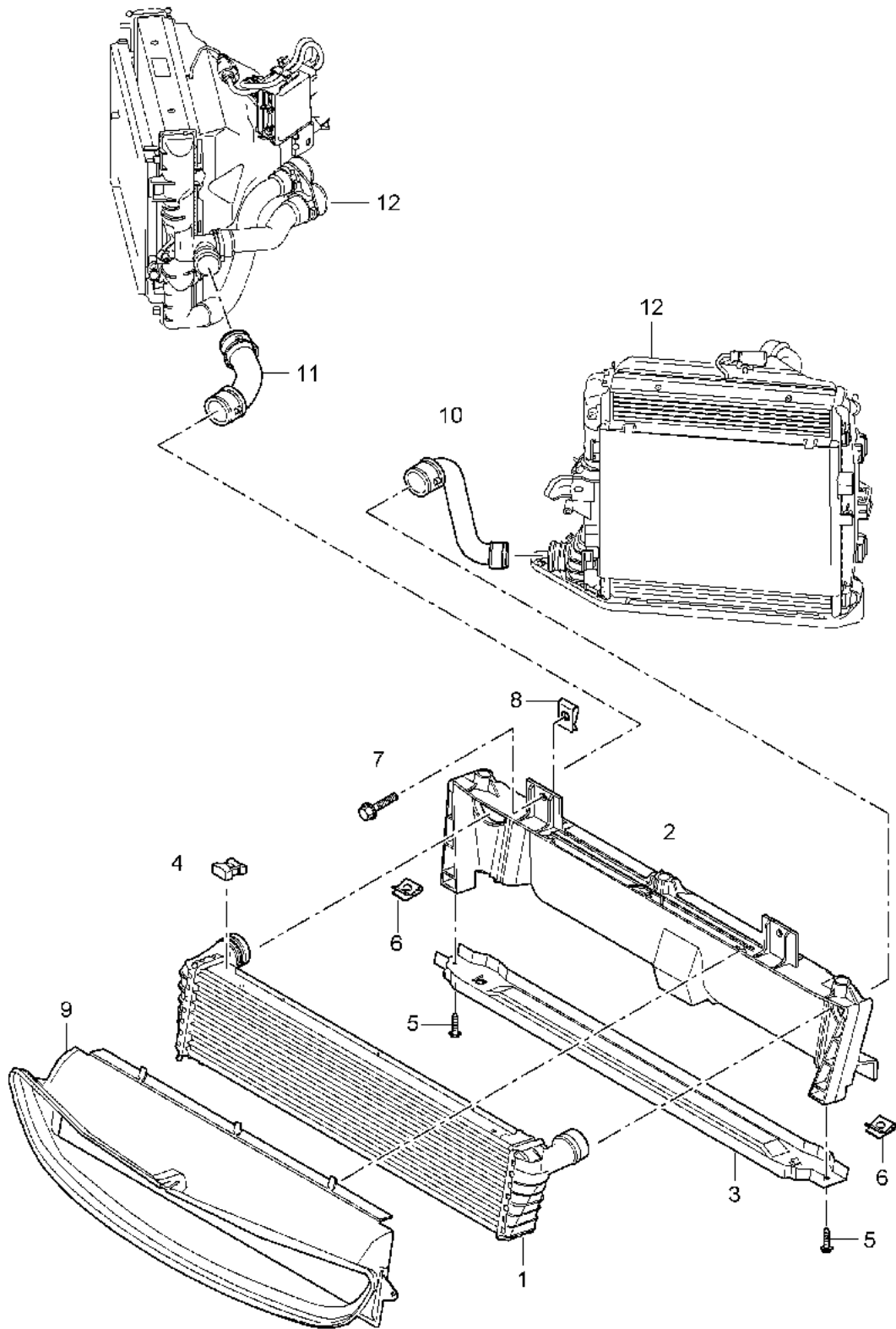
Model: 997 05

Model life 2005>>2008

| Pos | Part Number    | Description                              | Remark  | Qty | Model |
|-----|----------------|--|---------|-----|-------|
|     |                | Cooling air control<br>see illustration: | 901-003 |     |       |
| 33  | 997 106 546 02 | Bungs                                    |         | 2   |       |
| 34  | 999 591 329 01 | panel nut<br>ST 4,8                      |         | 3   |       |
| 35  | 999 072 048 01 | Hexagon bolt<br>M 8 X 25                 |         | 2   |       |
| 36  | 999 084 447 01 | Hexagon nut<br>M 8                       |         | 4   |       |
| 36  | PAF 003 923    | Hexagon nut<br>M 8                       |         | 4   |       |

Model: 997 05

Model life 2005>>2008





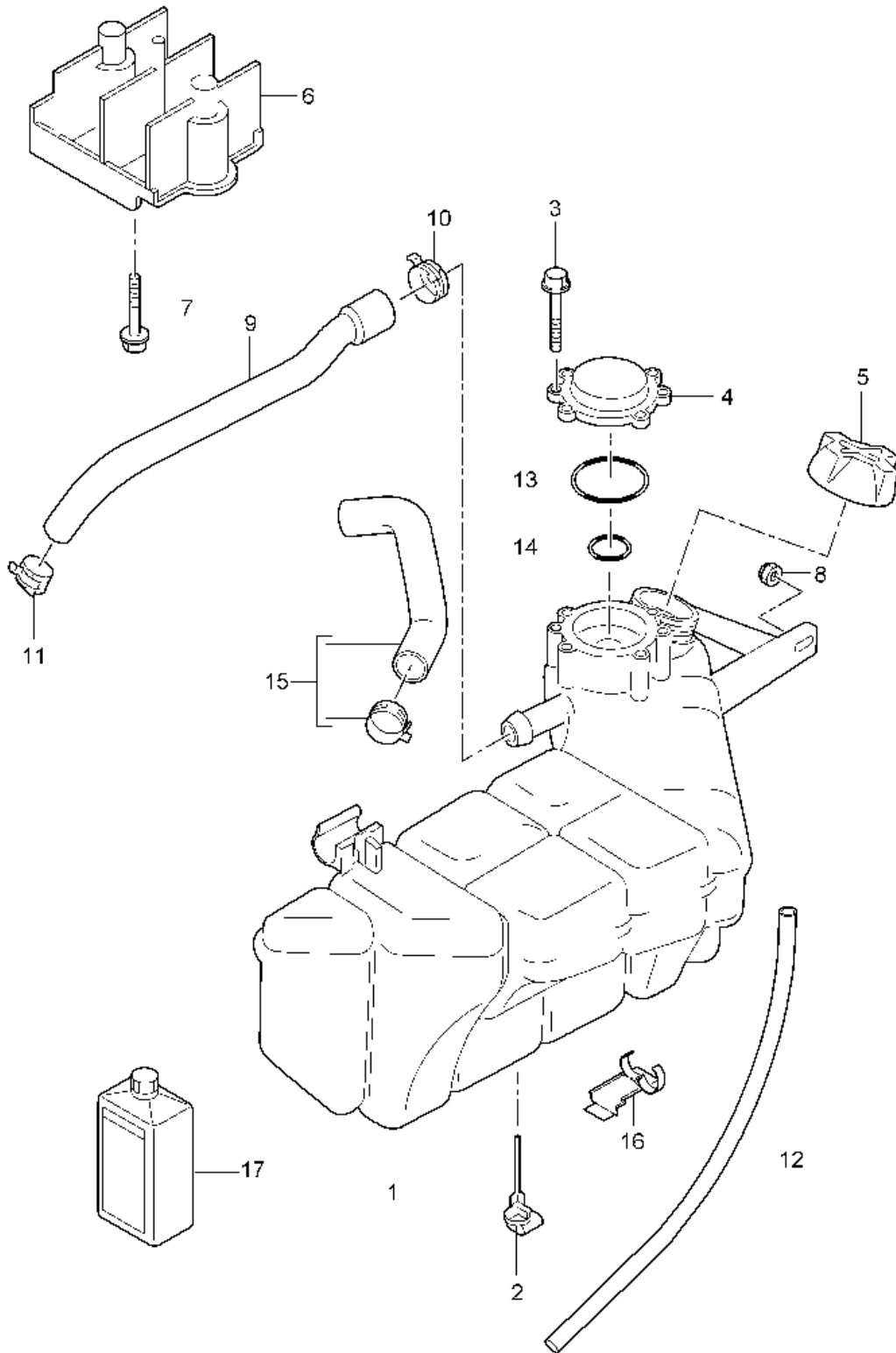
Model: 997 05

Model life 2005>>2008

| Pos | Part Number    | Description                           | Remark  | Qty | Model                |
|-----|----------------|---------------------------------------|---------|-----|----------------------|
|     |                | Radiator                              | center  |     | 9701,9605+<br>PR:249 |
| 1   | 997 106 037 02 | Radiator                              |         | 1   |                      |
| 2   | 997 504 487 00 | Retaining frame                       | upper   | 1   |                      |
| 3   | 997 504 485 00 | Retaining frame                       | lower   | 1   |                      |
| 4   | 997 106 437 00 | Rubber bush                           |         | 4   |                      |
| 5   | 900 378 035 01 | Hexagon bolt<br>M 6 X 16              |         | 2   |                      |
| 6   | 999 591 882 02 | panel nut<br>M 6                      |         | 2   |                      |
| 6   | 999 591 882 01 | Discontinued part<br>panel nut<br>M 6 |         | 2   |                      |
| 7   | 900 378 074 09 | Hexagon bolt<br>M 8 X 16              |         | 4   |                      |
| 8   | 999 591 869 02 | panel nut<br>M 8                      |         | 4   |                      |
| 9   | 997 575 141 00 | Air guide<br>Radiator                 | center  | 1   |                      |
| 10  | 997 106 639 03 | Water hose<br>Return line             |         | 1   |                      |
| 11  | 997 106 638 03 | Water hose<br>Supply                  |         | 1   |                      |
| 12  |                | see illustration:                     | 105-015 | X   |                      |

Model: 997 05

Model life 2005>>2008

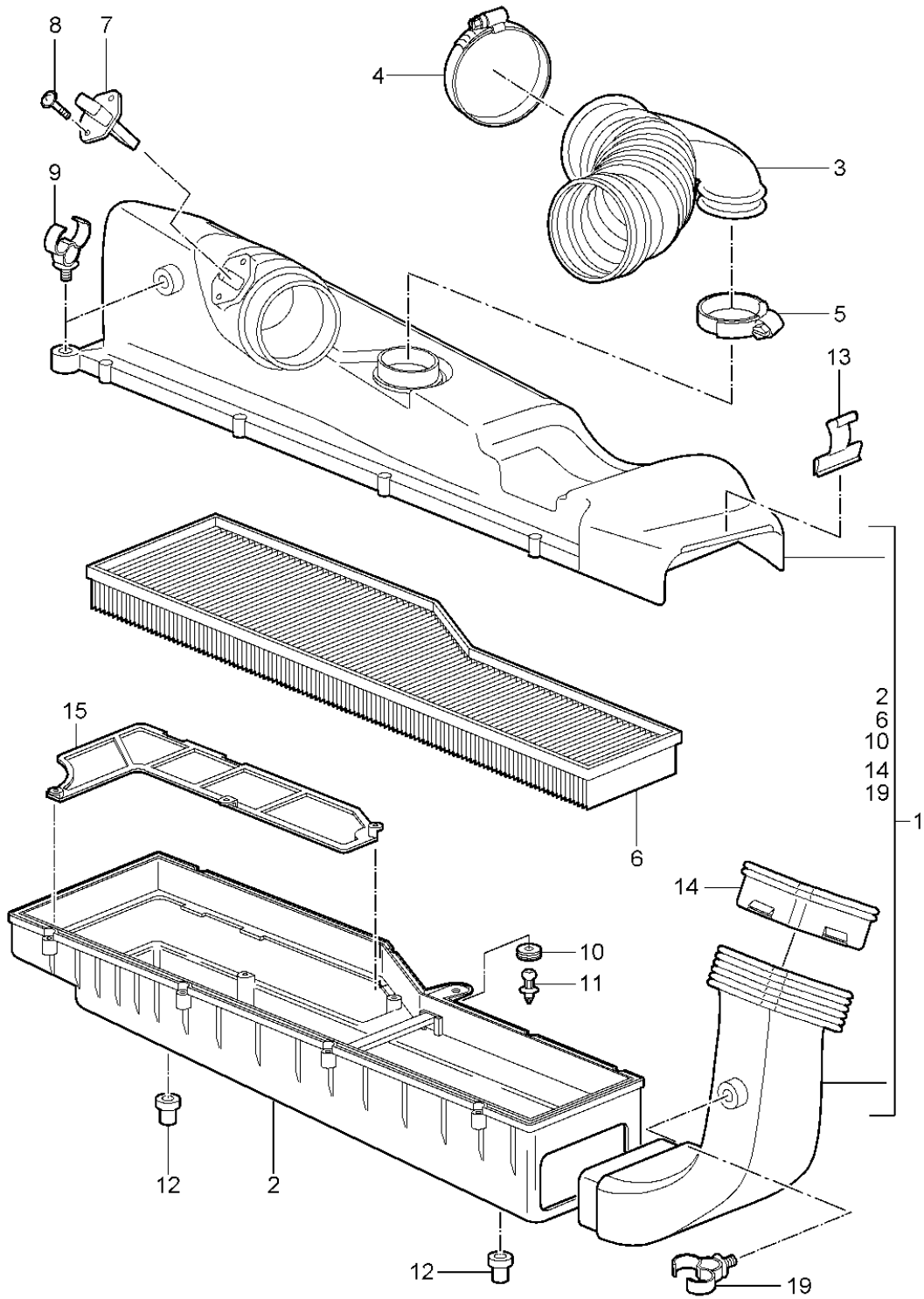


Model: 997 05 Model life 2005>>2008

| Pos  | Part Number    | Description  | Remark   | Qty | Model     |
|------|----------------|--|----------|-----|-----------|
|      |                | Water cooling 4  |          |     | 9701,9605 |
| 1    | 996 106 157 03 | Water reservoir  |          | 1   |           |
| 2    | 997 641 503 00 | Switch   |          | 1   |           |
| 3    | 999 919 058 02 | Hexagon bolt<br>5,0 X 40                                     |          | 8   |           |
| 4    | 996 106 347 02 | Bleed valve  |          | 1   |           |
| 5    | 996 106 447 01 | cap for<br>expansion tank<br>See technical manual<br>Group 1 |          | 1   |           |
| 6    | 996 106 405 52 | Retainer for reservoir                                       |          | 1   |           |
| 7    | 900 378 141 09 | Hexagon bolt<br>M 6 X 35                                     |          | 2   |           |
| 8    | 999 076 071 02 | Hexagon nut<br>M 6   |          | 1   |           |
| 9    | 996 106 251 71 | Vent hose  |          | 1   |           |
| 10   | 999 512 657 09 | Hose clamp<br>26 X 12  |          | 1   |           |
| 11   | 999 512 653 09 | Hose clamp<br>20 X 12  |          | 1   |           |
| 12   | 996 106 297 04 | Overflow hose<br>Discontinued part                           |          | 1   |           |
| 12   | 996 106 297 05 | Overflow hose  |          | 1   |           |
| 13   | 999 707 370 40 | O-ring<br>47 X 4   |          | 1   |           |
| 14   | 999 707 371 40 | O-ring<br>17 X 4   |          | 1   |           |
| 15   | 997 106 851 01 | Water hose   |          | 1   |           |
| 16   | 996 110 260 00 | Retainer for fuel line                                       |          | 1   |           |
| 17   | 000 043 203 78 | Antifreeze<br>1 LTR.<br>Container<br>Discontinued part       |          | X   |           |
| 17   | 000 043 301 03 | Coolant additive<br>Discontinued part                        | 1.0 Ltr. | X   |           |
| (17) | 000 043 301 04 | Coolant additive<br>Discontinued part                        | 20ltr.   | X   |           |
| (17) | 000 043 301 47 | Coolant additive<br>Discontinued part                        | 1.0 Ltr. | X   |           |
| (17) | 000 043 305 15 | Coolant additive   | 1.0 Ltr. | X   |           |
| (17) | 000 043 301 48 | Coolant additive<br>Discontinued part                        | 20ltr.   | X   |           |
| (17) | 000 043 305 16 | Coolant additive   | 20ltr.   | X   |           |
| (17) | 000 043 305 64 | Cleaning solution  | 20ltr.   | 1   |           |

Model: 997 05

Model life 2005>>2008



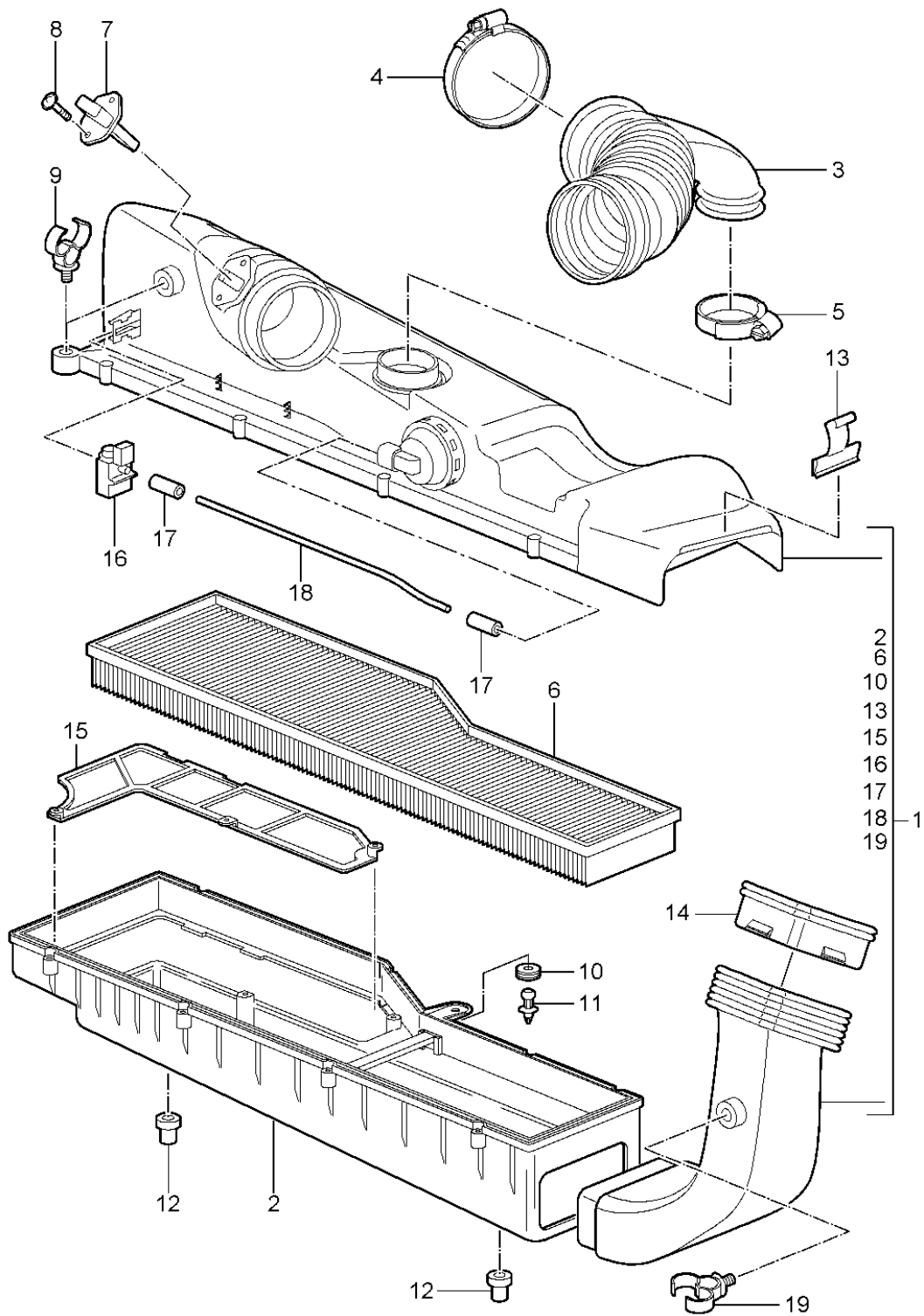
Model: 997 05

Model life 2005>>2008

| Pos | Part Number    | Description  | Remark  | Qty | Model |
|-----|----------------|--|---------|-----|-------|
| 1   | 997 110 023 00 | Air filter<br>Air filter<br>Discontinued part        |         | 1   | 9605  |
| (1) | 997 110 923 01 | Air filter   |         | 1   |       |
| 2   | 997 110 122 01 | air cleaner, lower part                              |         | 1   |       |
| 3   |                | Air guide<br>see illustration:                       | 107-000 | 1   |       |
| 4   | 999 512 016 00 | Hose clamp<br>80 - 100                               |         | 1   |       |
| 5   | 999 512 636 00 | Hose clamp<br>40 - 60                                |         | 1   |       |
| 6   | 996 110 131 52 | Air filter element                                   |         | 1   |       |
| 7   | 986 606 125 01 | Air mass meter                                       |         | 1   |       |
| 8   | 999 919 160 07 | fillister hd. bolt<br>M 5 X 20                       |         | 2   |       |
| 9   | 999 507 544 40 | Cable holder   |         | 2   |       |
| 10  | 999 702 246 40 | Grommet<br>12 X 17                                   |         | 1   |       |
| 11  | 997 110 137 01 | Clip   |         | 1   |       |
| 12  | 999 703 478 40 | bush   |         | 1   |       |
| 13  | 997 110 237 00 | Clip for air cleaner<br>housing<br>Discontinued part |         | 1   |       |
| 13  | 997 110 237 01 | Clip for air cleaner<br>housing                      |         | 1   |       |
| 14  | 997 110 250 00 | Sealing bellows                                      |         | 1   |       |
| 15  | 997 110 240 00 | Frame  |         | 1   |       |
| 16  | 999 511 240 40 | Cable holder<br>11,0 - 18                            |         | 1   |       |

Model: 997 05

Model life 2005>>2008

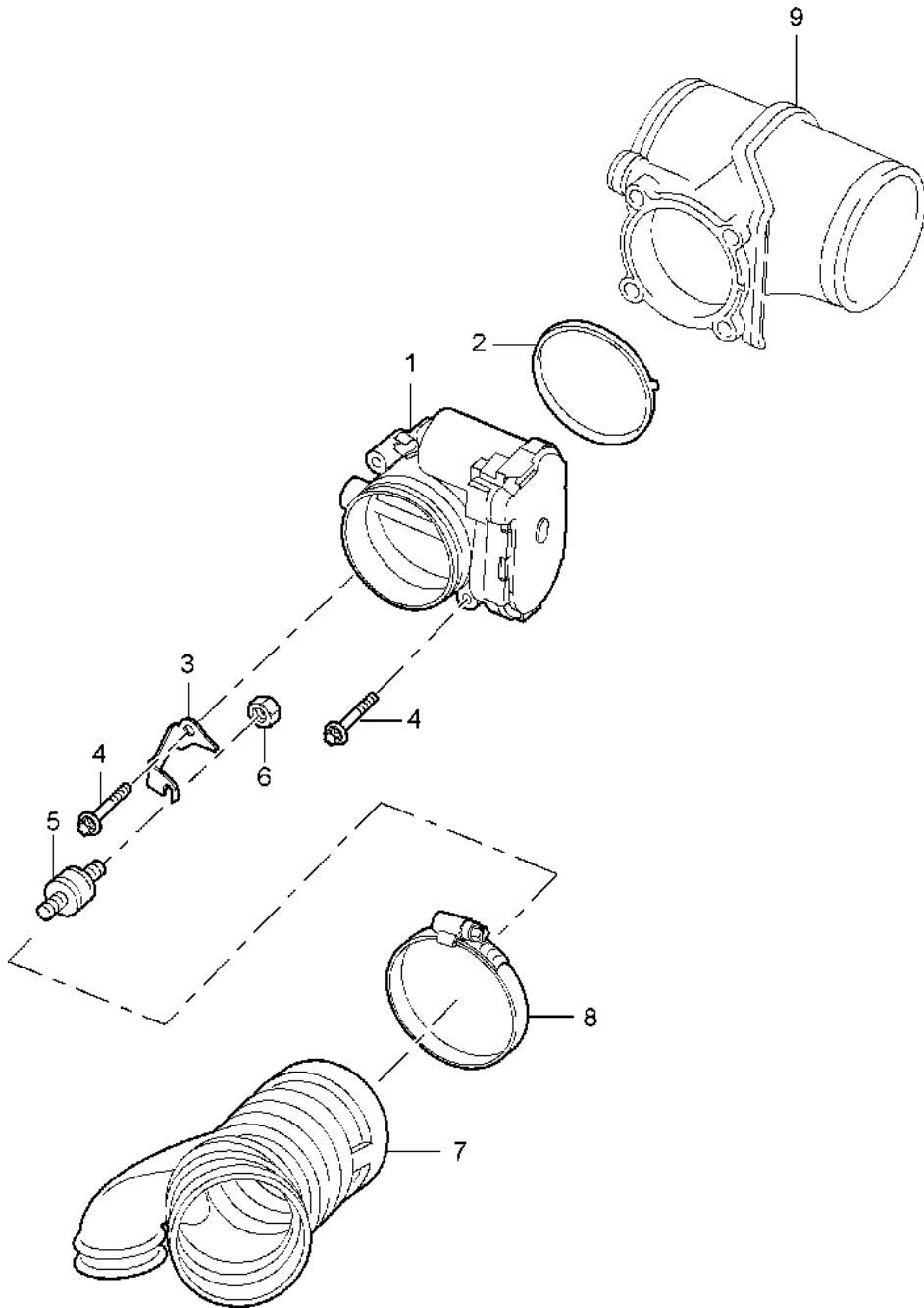


Model: 997 05 Model life 2005>>2008

| Pos  | Part Number    | Description  | Remark  | Qty | Model           |
|------|----------------|--|---------|-----|-----------------|
| 1    | 997 110 021 00 | Air filter   |         | 1   | 9701            |
| 1    | 997 110 921 00 | Air filter   |         | 1   |                 |
|      |                | without:   |         |     |                 |
| (1)  | 997 110 921 01 | Air mass meter<br>Air filter                               |         | 1   |                 |
|      |                | without:   |         |     |                 |
| 1    | 997 110 925 00 | Air mass meter<br>Air filter                               |         | 1   | 9701+<br>PR:X51 |
|      |                | without:   |         |     |                 |
| 2    | 997 110 122 00 | Air mass meter<br>D - MJ 2006>><br>air cleaner, lower part |         | 1   |                 |
| 3    |                | Air guide  |         |     |                 |
|      |                | see illustration:  | 107-000 |     |                 |
| 4    | 999 512 016 00 | Hose clamp<br>80 - 100                                     |         | 1   |                 |
| 5    | 999 512 636 00 | Hose clamp<br>40 - 60                                      |         | 1   |                 |
| 6    | 996 110 131 52 | Air filter element   |         | 1   |                 |
| 6    | 997 110 132 00 | Air filter element<br>D - MJ 2006>>                        |         | 2   | 9701+<br>PR:X51 |
| 7    | 986 606 125 01 | Air mass meter   |         | 1   |                 |
| 8    | 999 919 160 07 | fillister hd. bolt<br>M 5 X 20                             |         | 2   |                 |
| 9    | 999 507 544 40 | Cable holder   |         | 2   |                 |
| 10   | 999 702 246 40 | Grommet<br>12 X 17   |         | 1   |                 |
| 11   | 997 110 137 01 | Clip   |         | 1   |                 |
| 12   | 999 703 478 40 | bush   |         | 1   |                 |
| 13   | 997 110 237 00 | Clip for air cleaner<br>housing                            |         | 1   |                 |
|      |                | Discontinued part  |         |     |                 |
| 13   | 997 110 237 01 | Clip for air cleaner<br>housing                            |         | 1   |                 |
| 14   | 997 110 250 00 | Sealing bellows  |         | 1   |                 |
| (14) | 997 110 252 00 | Sealing bellows  | right   | 1   | 9701+<br>PR:X51 |
|      |                | D - MJ 2006>>  |         |     |                 |
| 15   | 997 110 240 00 | Frame  |         | 1   |                 |
| 16   | 996 605 123 01 | Change-over valve  |         | 1   |                 |
| 17   | 999 239 040 40 | Connecting piece   |         | 2   |                 |
| 18   | 999 181 369 40 | Pipe   |         | 1   |                 |
| 19   | 999 511 240 40 | Cable holder   |         | 1   |                 |

Model: 997 05

Model life 2005>>2008



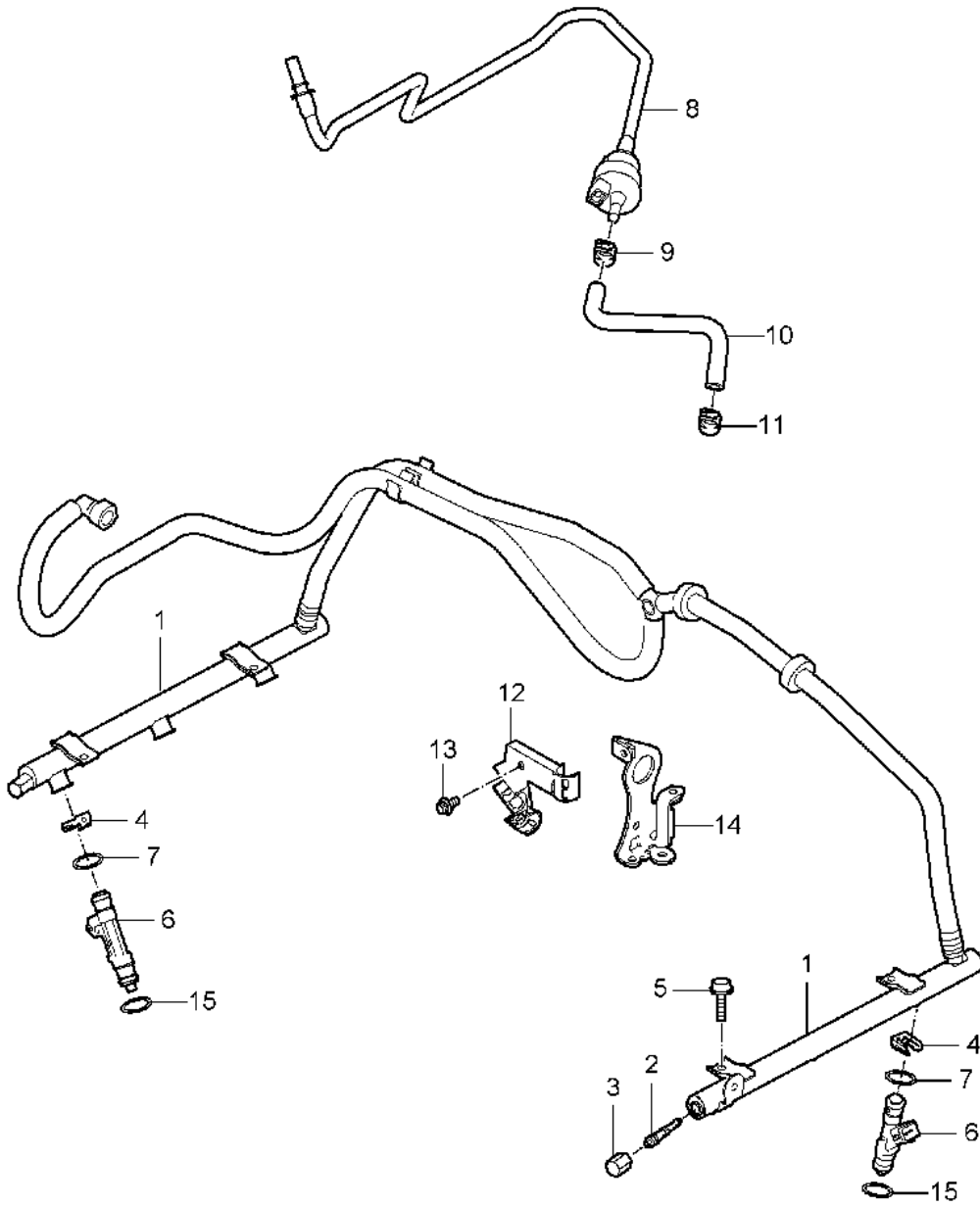


Model: 997 05 Model life 2005>>2008

| Pos | Part Number    | Description   | Remark  | Qty | Model           |
|-----|----------------|---|---------|-----|-----------------|
| 1   | 996 605 115 01 | throttle valve adapter                                |         | 1   | 9701,9605       |
| (1) | 997 605 115 00 | throttle valve adapter<br>D - MJ 2005>> - MJ 2005     |         | 1   |                 |
| (1) | 997 605 116 00 | throttle valve adapter<br>D - MJ 2006>>               |         | 1   | 9701+<br>PR:X51 |
| 2   | 997 110 319 00 | Seal  |         | 1   |                 |
| (2) | 997 110 319 40 | Distributor tube<br>Seal                              |         | 1   | 9701+<br>PR:X51 |
| 3   | 997 110 423 02 | Distributor tube<br>D - MJ 2006>>                     |         | 1   | 9701            |
| (3) | 996 110 223 32 | Support   |         | 1   | 9605            |
| (3) | 997 110 423 40 | Support<br>D - MJ 2006>>                              |         | 1   | 9701+<br>PR:X51 |
| 4   | 900 385 025 04 | Torx screw<br>M 6 X 40                                |         | 4   |                 |
| (4) | 900 385 125 01 | Torx screw<br>M 6 x 45<br>D - MJ 2006>>               |         | 4   | 9701+<br>PR:X51 |
| 5   | 999 703 349 00 | Rubber bush   |         | 1   |                 |
| 6   | 900 377 010 04 | Hexagon nut<br>M 6                                    |         | 1   |                 |
| (6) | 900 377 010 01 | D >> - MJ 2007<br>Hexagon nut<br>M 6<br>D - MJ 2008>> |         | 1   |                 |
| 7   | 997 110 221 00 | air guide for air cleaner                             |         | 1   | 9701            |
| (7) | 997 110 223 00 | air guide for air cleaner                             |         | 1   | 9605            |
| (7) | 997 110 225 00 | air guide for air cleaner<br>D - MJ 2006>>            |         | 1   | 9701+<br>PR:X51 |
| 8   | 999 512 016 00 | Hose clamp<br>80 - 100/12                             |         | 1   |                 |
| 9   |                | Distributor tube<br>see illustration:                 | 107-010 |     |                 |

Model: 997 05

Model life 2005>>2008



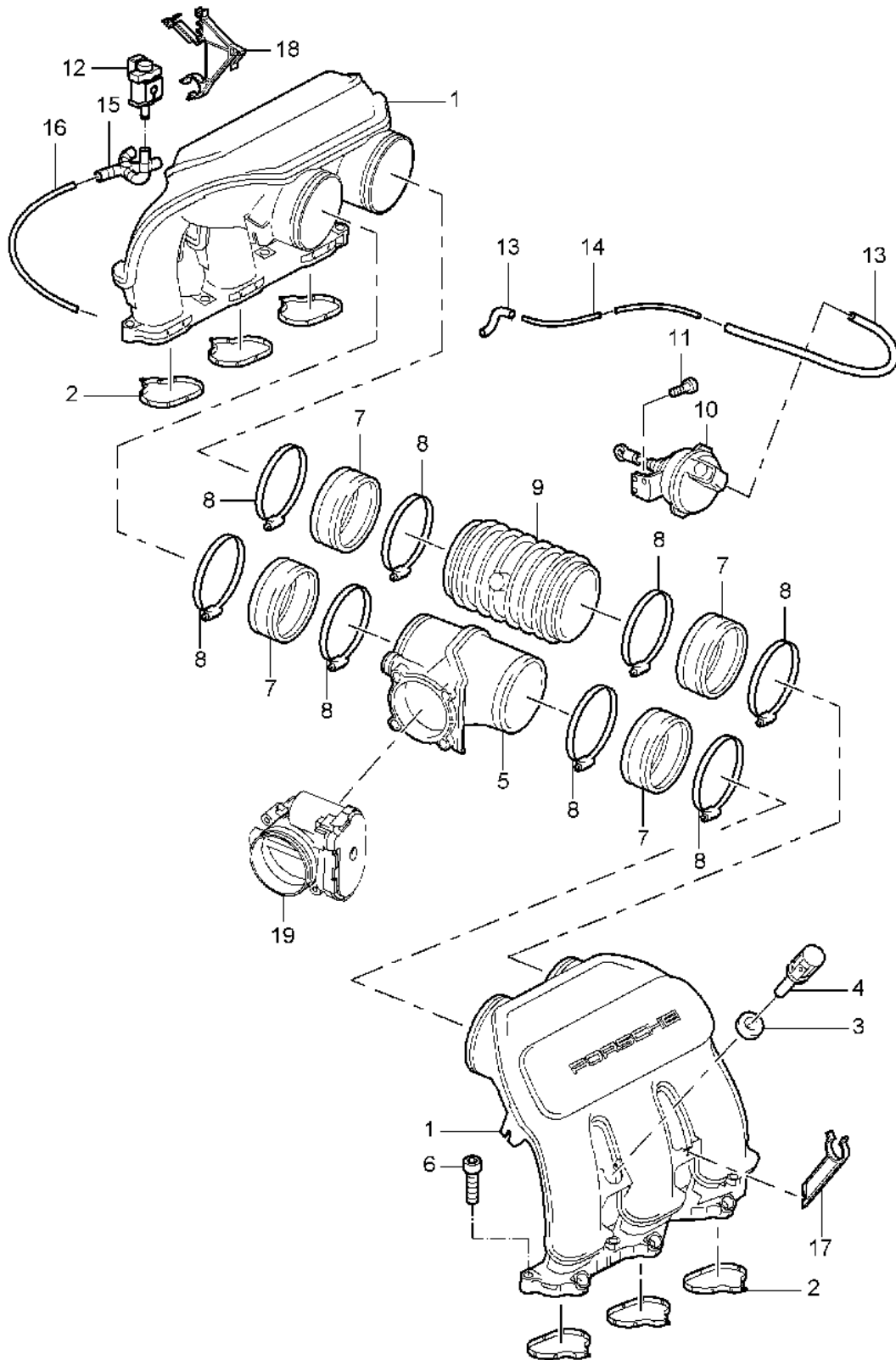
Model: 997 05

Model life 2005>>2008

| Pos | Part Number    | Description  | Remark | Qty | Model           |
|-----|----------------|--|--------|-----|-----------------|
|     |                | Fuel collection pipe                                 |        |     | 9701,9605       |
| 1   | 997 110 031 03 | Fuel collection pipe                                 |        | 1   |                 |
| 2   | 993 110 217 00 | Valve  |        | 2   |                 |
| 3   | 997 110 218 00 | Cap closure  |        | 2   |                 |
| 4   | 996 110 113 52 | Retaining clip                                       |        | 6   |                 |
| 5   | 900 385 041 09 | Torx screw<br>M 6 X 12                               |        | 4   |                 |
| 6   | 997 605 123 00 | Injection valve                                      |        | 6   |                 |
| 7   | 999 707 574 40 | O-ring<br>7,52 X 3,51                                |        | 6   |                 |
| 8   | 997 110 129 00 | Breather line  |        | 1   | 9701            |
| (8) | 997 110 129 40 | Breather line<br>D - MJ 2006>>                       |        | 1   | 9701+<br>PR:X51 |
| 8   | 997 110 128 01 | Breather line  |        | 1   | 9605            |
| 9   | 999 512 650 09 | Hose clamp   |        | 1   |                 |
| 10  | 997 110 127 00 | Hose   |        | 1   | 9605            |
| 11  | 999 512 651 09 | Hose clamp<br>B 15 X 12                              |        | 1   |                 |
| 12  | 996 101 223 00 | Bracket  |        | 1   |                 |
| 13  | 900 385 279 09 | Hexagon bolt<br>M6 X 12 MK                           |        | 1   |                 |
| 13  | 900 385 279 01 | Discontinued part<br>Hexagon head bolt<br>M6 X 12 MK |        | 1   |                 |
| 14  | 996 101 213 56 | Retaining bar  |        | 1   |                 |
| 15  | 999 707 573 40 | O-ring<br>8,3 X 3,05                                 |        | 6   |                 |

Model: 997 05

Model life 2005>>2008



Model: 997 05 Model life 2005>>2008

| Pos  | Part Number    | Description                 | Remark             | Qty | Model     |
|------|----------------|-----------------------------|--------------------|-----|-----------|
| 1    | 997 110 115 03 | intake air distributor      |                    | 2   | 9701,9605 |
| (1)  | 996 110 015 55 | intake air distributor      |                    | 2   | 9701      |
|      |                | intake air distributor      |                    | 2   | 9605      |
|      |                | M >> 695 08696              |                    |     |           |
| -    | 996 110 101 52 | intake manifold             |                    | 2   | 9605      |
| (1)  | 997 110 036 01 | intake air distributor      |                    | 2   | 9605      |
|      |                | M 695 08697 >>              |                    |     |           |
| (1)  | 997 110 115 40 | intake air distributor      |                    | 2   | 9701+     |
|      |                | D - MJ 2006>>               |                    |     | PR:X51    |
| 2    | 997 110 247 01 | Seal                        |                    | 6   |           |
| 3    | 993 110 530 01 | Grommet                     |                    | 1   |           |
| 4    | 997 606 213 00 | Temperature sensor          |                    | 1   |           |
| 5    | 997 110 416 03 | Distributor tube            |                    | 1   | 9701      |
| (5)  | 996 110 116 01 | Distributor tube            |                    | 1   | 9605      |
| (5)  | 997 110 416 40 | Distributor tube            |                    | 1   | 9701+     |
|      |                | D - MJ 2006>>               |                    |     | PR:X51    |
| 6    | 900 385 017 04 | Torx screw                  |                    | 8   |           |
|      |                | M 6 X 35                    |                    |     |           |
|      |                | Discontinued part           |                    |     |           |
| 6    | 900 385 017 01 | Torx screw                  |                    | 8   |           |
|      |                | M 6 X 35                    |                    |     |           |
| 7    | 997 110 685 00 | Rubber sleeve               |                    | 4   |           |
| 7    | 997 110 685 40 | Rubber sleeve               |                    | 4   | 9701+     |
|      |                | D - MJ 2006>>               |                    |     | PR:X51    |
| 8    | 999 512 539 00 | Hose clamp                  |                    | 8   | PR:-X51   |
|      |                | 90 - 110/9                  |                    |     |           |
| 8    | 999 512 539 01 | Hose clamp                  |                    | 8   | PR:-X51   |
|      |                | 90 - 110/9                  |                    |     |           |
| 8    | 999 512 694 00 | Hose clamp                  |                    | 8   | 9701+     |
|      |                | 170 - 190/9                 |                    |     | PR:X51    |
|      |                | D - MJ 2006>>               |                    |     |           |
| 9    | 996 110 120 53 | Resonance tube              |                    | 1   |           |
| 10   | 993 110 462 02 | Vacuum unit                 |                    | 1   |           |
| 11   | 900 146 123 02 | Screw                       |                    | 2   |           |
|      |                | M 5 X 16                    |                    |     |           |
| 12   | 996 605 123 01 | Change-over valve           |                    | 1   |           |
| 13   | 928 574 717 05 | Molded hose                 |                    | 1   |           |
| 13   | 928 574 717 07 | Molded hose                 |                    | 1   |           |
|      |                | No longer use the part here |                    |     |           |
| 13   | 9P1 129 487    | Molded hose                 |                    | 1   |           |
| -    | 000 043 205 01 | Pipe                        |                    | *   |           |
|      |                | 4 X 1                       |                    |     |           |
| 14   |                |                             | shorten to: 340 MM | 1   | 9605      |
| (14) |                |                             | shorten to: 420 MM | 1   | 9701      |
| (14) |                |                             | shorten to: 210 MM | 1   | 9701+     |
|      |                | D - MJ 2006>>               |                    |     | PR:X51    |
| 15   | 928 573 727 03 | Distributor                 |                    | 1   |           |
|      |                | Triple                      |                    |     |           |
|      |                | Discontinued part           |                    |     |           |
| 15   | 928 573 727 05 | Distributor                 |                    | 1   |           |
|      |                | Triple                      |                    |     |           |
| 15   | 928 573 729 03 | Distributor                 |                    | 1   |           |
|      |                | Fourfold                    |                    |     |           |
|      |                | Discontinued part           |                    |     |           |
| 15   | 928 573 729 05 | Distributor                 |                    | 1   |           |
|      |                | Fourfold                    |                    |     |           |
| (15) | 928 574 717 05 | Molded hose                 |                    | 1   |           |
| (15) | 928 574 717 07 | Molded hose                 |                    | 1   |           |
|      |                | No longer use the part here |                    |     |           |
| (15) | 9P1 129 487    | Molded hose                 |                    | 1   |           |
| -    | 000 043 205 01 | Pipe                        |                    | *   |           |
|      |                | 4 X 1                       |                    |     |           |
| 16   |                |                             | shorten to: 270 MM | 1   | 9605      |

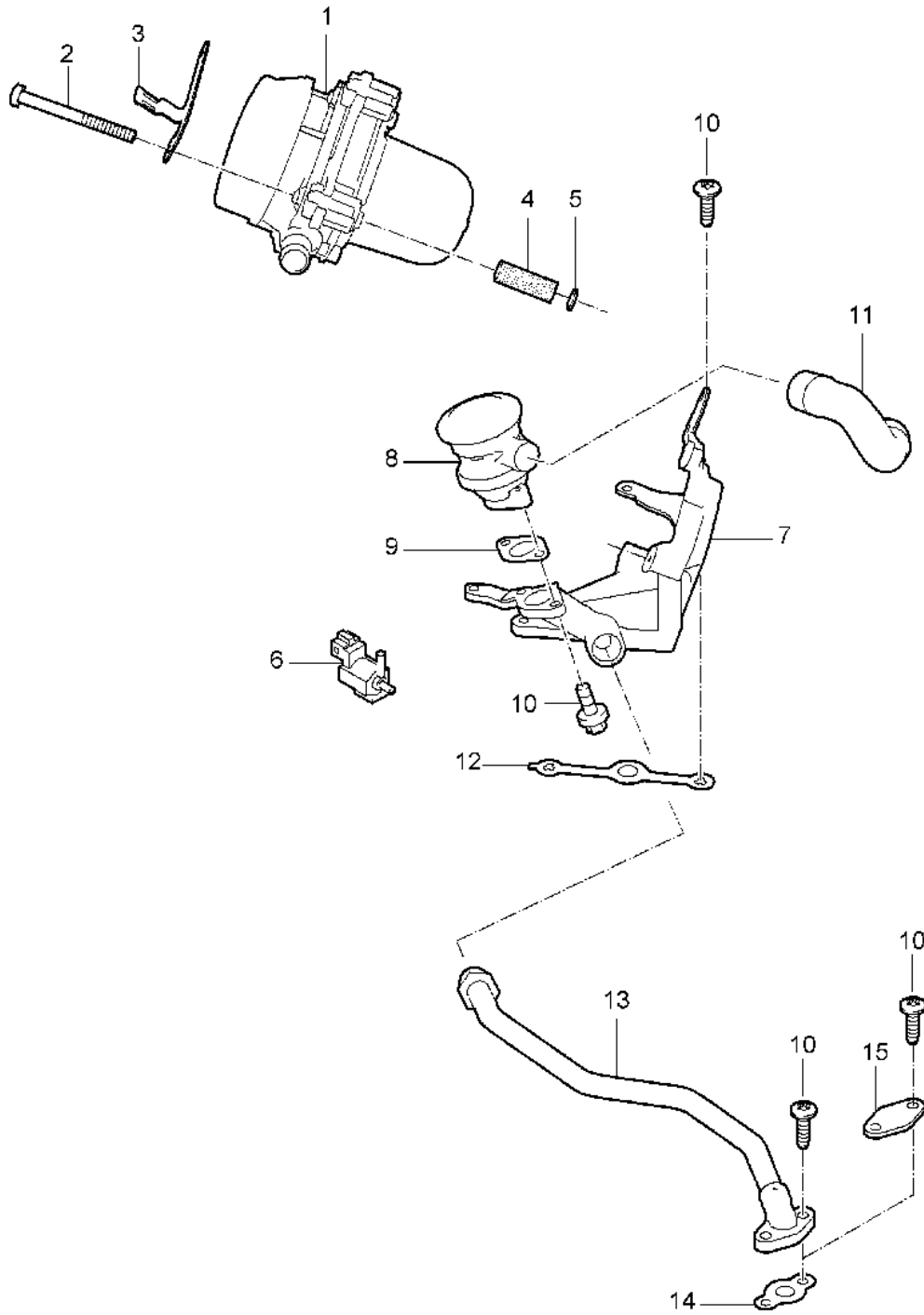
Model: 997 05

Model life 2005>>2008

| Pos  | Part Number    | Description                                   | Remark  | Qty | Model           |
|------|----------------|---|---------|-----|-----------------|
| (16) |                | shorten to:                                   | 210 MM  | 1   | 9701            |
| (16) |                | shorten to:                                   | 210 MM  | 1   | 9701+           |
|      |                | D - MJ 2006>>                                 |         |     | PR:X51          |
| (16) |                | shorten to:                                   | 1100 MM | 1   | 9701            |
| (16) |                | shorten to:                                   | 1140 MM | 1   | PR:249          |
| 17   |                | see illustration:                             | 104-011 | 1   |                 |
| 18   | 997 110 547 00 | Line holder<br>Lines                          |         | 1   | 9701            |
| 19   |                | see illustration:                             | 107-000 |     |                 |
| -    | 997 110 433 40 | Bracket<br>Change-over valve<br>D - MJ 2006>> |         | 2   | 9701+<br>PR:X51 |

Model: 997 05

Model life 2005>>2008



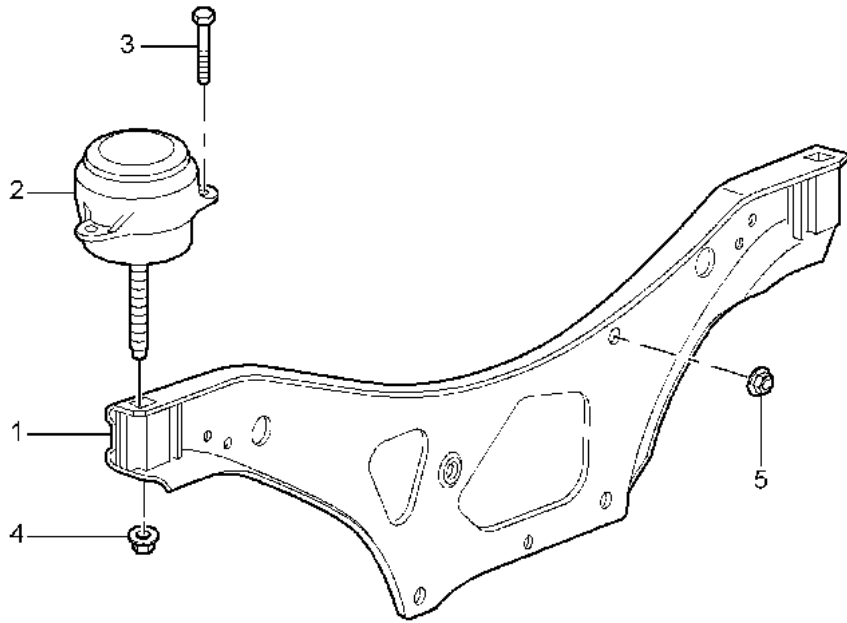
Model: 997 05 Model life 2005>>2008

| Pos  | Part Number    | Description                                       | Remark | Qty | Model               |
|------|----------------|---|--------|-----|---------------------|
| 1    | 997 605 104 00 | Air injection<br>Secondary pump<br>D >> - MJ 2007 |        | 1   | 9701,9605<br>PR:661 |
| (1)  | 997 605 104 02 | Secondary pump<br>D - MJ 2008>>                   |        | 1   | PR:661              |
| 2    | 955 113 325 00 | fillister hd. bolt<br>M 6 X 50                    |        | 2   | 9701                |
| (2)  | 955 113 325 00 | fillister hd. bolt<br>M 6 X 50                    |        | 3   | PR:661              |
| 3    | 997 110 429 02 | Bracket<br>Tank ventilation                       |        | 1   | 9701                |
| (3)  | 997 110 429 40 | Bracket<br>Tank ventilation                       |        | 1   | 9701+<br>PR:X51     |
| 4    | 999 703 868 40 | Rubber bush<br>8,76 X 33,3                        |        | 3   | PR:661              |
| 5    | 999 209 077 02 | spacer sleeve<br>6,5 X 1<br>Discontinued part     |        | 2   | 9701                |
| 5    | 999 209 077 01 | spacer sleeve<br>6,5 X 1                          |        | 2   | 9701                |
| (5)  | 999 209 077 02 | spacer sleeve<br>6,5 X 1<br>Discontinued part     |        | 3   | PR:661              |
| 5    | 999 209 077 01 | spacer sleeve<br>6,5 X 1                          |        | 2   | 9701                |
| 6    | 996 605 123 01 | Change-over valve                                 |        | 1   |                     |
| 7    | 997 113 137 01 | Console<br>Secondary pump                         |        | 1   |                     |
| 8    | 948 113 203 51 | Valve   |        | 1   | PR:661              |
| 9    | 993 113 258 51 | Seal  |        | 1   | PR:661              |
| 10   | 999 073 344 04 | flat round head bolt<br>M 6 X 20                  |        | 5   |                     |
| (10) | 999 073 344 04 | flat round head bolt<br>M 6 X 20                  |        | 7   | PR:661              |
| 11   | 997 113 339 02 | Hose  |        | 1   | PR:661              |
| 12   | 997 113 233 01 | Seal<br>Console                                   |        | 1   | PR:661              |
| (12) | 997 113 233 02 | Seal<br>Console                                   |        | 1   |                     |
| 13   | 997 113 117 01 | Connecting line                                   |        | 1   | PR:661              |
| 14   | 996 113 213 51 | Seal  |        | 1   |                     |
| 15   | 997 113 340 00 | End cap   |        | 1   |                     |



Model: 997 05

Model life 2005>>2008



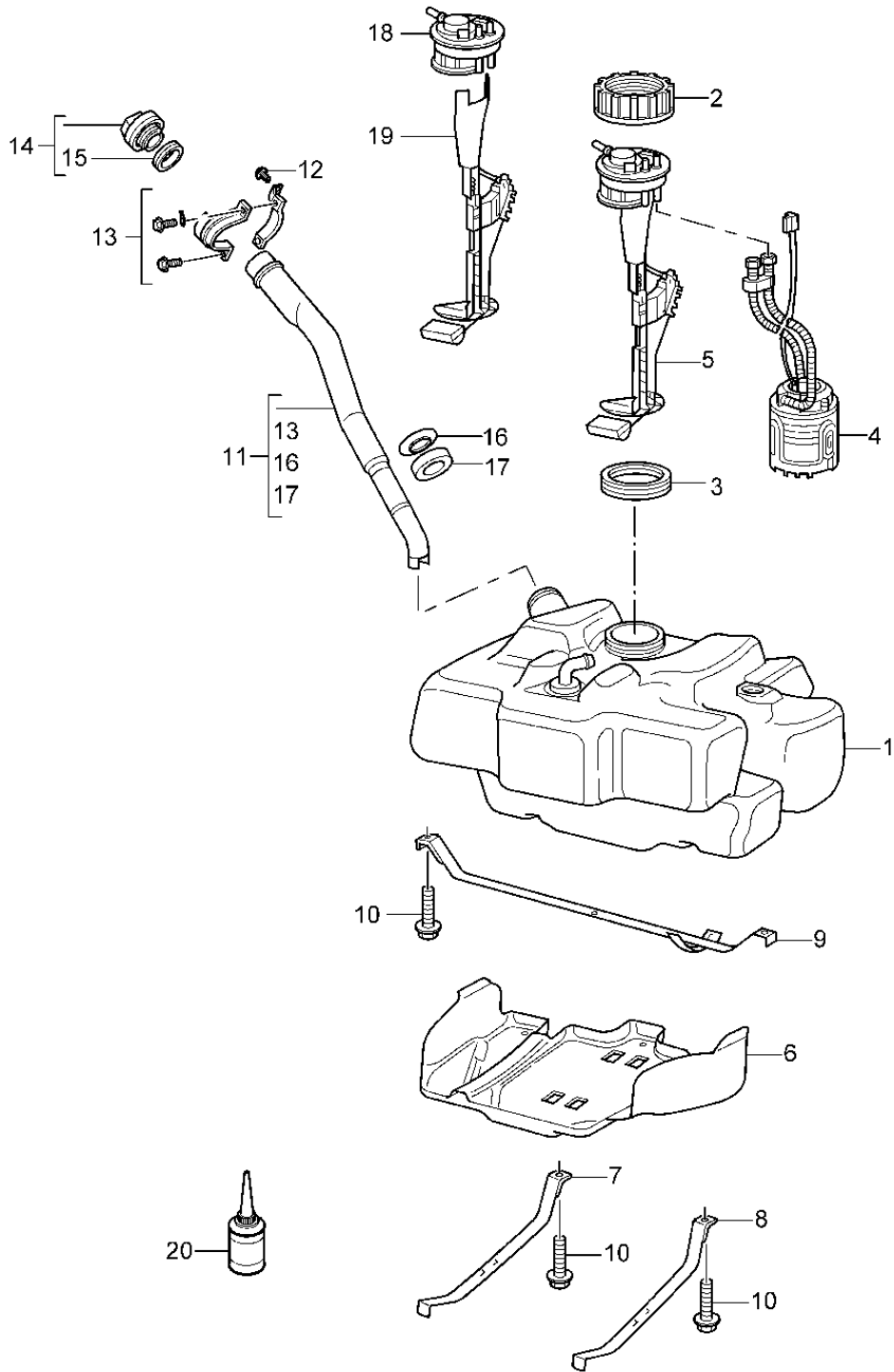
Model: 997 05

Model life 2005>>2008

| Pos | Part Number    | Description       | Remark | Qty | Model     |
|-----|----------------|-------------------|--------|-----|-----------|
| 1   | 997 375 011 01 | Engine suspension |        | 1   | 9701,9605 |
| 2   | 997 375 049 03 | Engine brackets   |        | 2   | CABRIO    |
|     |                | hydro-mounting    |        |     |           |
|     |                | D >> - MJ 2006    |        |     |           |
| (2) | 997 375 049 05 | hydro-mounting    |        | 2   | CABRIO    |
|     |                | D - MJ 2007>>     |        |     |           |
| (2) | 997 375 049 04 | hydro-mounting    |        | 2   | COUPE     |
|     |                | D >> - MJ 2006    |        |     |           |
| (2) | 997 375 049 06 | hydro-mounting    |        | 2   | COUPE     |
|     |                | D - MJ 2007>>     |        |     |           |
| 3   | 900 378 055 09 | Hexagon bolt      |        | 4   |           |
|     |                | M 8 X 40          |        |     |           |
| 4   | 999 084 215 09 | Locknut           |        | 2   |           |
|     |                | M 12 X 1,5        |        |     |           |
| 5   | 999 076 053 09 | Hexagon nut       |        | 4   |           |
|     |                | M 10              |        |     |           |

Model: 997 05

Model life 2005>>2008



Model: 997 05 Model life 2005>>2008

| Pos  | Part Number    | Description   | Remark         | Qty | Model      |
|------|----------------|---|----------------|-----|------------|
| 1    | 996 201 021 05 | Fuel tank   |                | 1   | C2/C2S     |
| (1)  | 997 201 022 01 | Fuel tank   | lhd            | 1   | PR:098     |
| 2    | 996 201 623 00 | Union nut   | rhd            | 1   | PR:099     |
| 3    | 321 919 133    | seal ring   |                | 1   |            |
| 4    | 996 620 132 00 | Fuel pump   |                | 1   | C2         |
| 4    | 997 620 132 00 | Fuel pump   |                | 1   | C2S        |
| 5    | 996 620 832 02 | Tank gauge  |                | 1   |            |
|      |                | with:   |                |     |            |
| 6    | 997 201 331 02 | flange<br>Bottom protection for fuel tank   | lhd            | 1   | PR:098     |
| (6)  | 997 201 331 03 | Bottom protection for fuel tank   | rhd            | 1   | PR:099     |
| 7    | 996 201 106 02 | tensioning strap  | right          | 1   |            |
| 8    | 996 201 105 02 | tensioning strap  | left           | 1   |            |
| 9    | 996 201 107 02 | tensioning strap  | lhd            | 1   | PR:098     |
| (9)  | 996 201 108 00 | tensioning strap  | rhd            | 1   | PR:099     |
| 10   | 900 075 479 09 | Bolt with washer<br>M 8 X 40  |                | 4   |            |
| 11   | 997 201 043 00 | fuel filler neck<br>F >> 99-5S734 723   |                | 1   |            |
| 11   | 997 201 043 06 | fuel filler neck<br>F 99-5S734 724>>  |                | 1   |            |
| -    |                | also use:   | 997 201 951 00 | 1   |            |
| (11) | 997 201 043 01 | fuel filler neck<br>F >> 99-5S716 897<br>F >> 99-5S703 178  |                | 1   | PR:150,193 |
| (11) | 997 201 043 07 | fuel filler neck<br>F 99-5S716 898>><br>F 99-5S703 179>>  |                | 1   | PR:150,193 |
| -    |                | also use:   | 997 201 951 00 | 1   |            |
| 12   | 999 015 025 09 | Oval-head screw<br>M 6 X 12<br>F >> 99-5S734 723<br>F >> 99-5S716 897<br>F >> 99-5S703 178        |                | 1   | PR:150,193 |
| (12) | 999 073 348 09 | fillister hd. bolt<br>M 6 X 12<br>F 99-5S734 724>><br>F 99-5S716 898>><br>F 99-5S703 179>>        |                | 1   | PR:150,193 |
| 13   | 997 201 951 00 | Bracket<br>(complete)<br>F >> 99-5S734 723<br>F >> 99-5S716 897<br>F >> 99-5S703 178              |                | 1   | PR:150,193 |
| 13   | 997 201 951 02 | Bracket for filler neck<br>(complete)<br>F 99-5S734 724>><br>F 99-5S716 898>><br>F 99-5S703 179>> |                | 1   | PR:150,193 |
| 14   | 996 201 241 03 | Fuel tank cap   |                | 1   |            |
|      |                | with:   |                |     |            |
| -    | 999 507 499 40 | Clip  |                | 1   |            |
| 15   | 191 201 557    | Spreader rivet  |                | 1   |            |
| 16   | 996 201 755 00 | seal ring   |                | 1   |            |
| 16   | 996 201 755 00 | support washer  |                | 1   |            |
| 17   | 996 201 753 00 | Seal  |                | 1   |            |
| 20   | 000 043 206 89 | Multi-purpose additive<br>for Otto engine fuels<br>100 ML<br>Discontinued part                    |                | 1   |            |

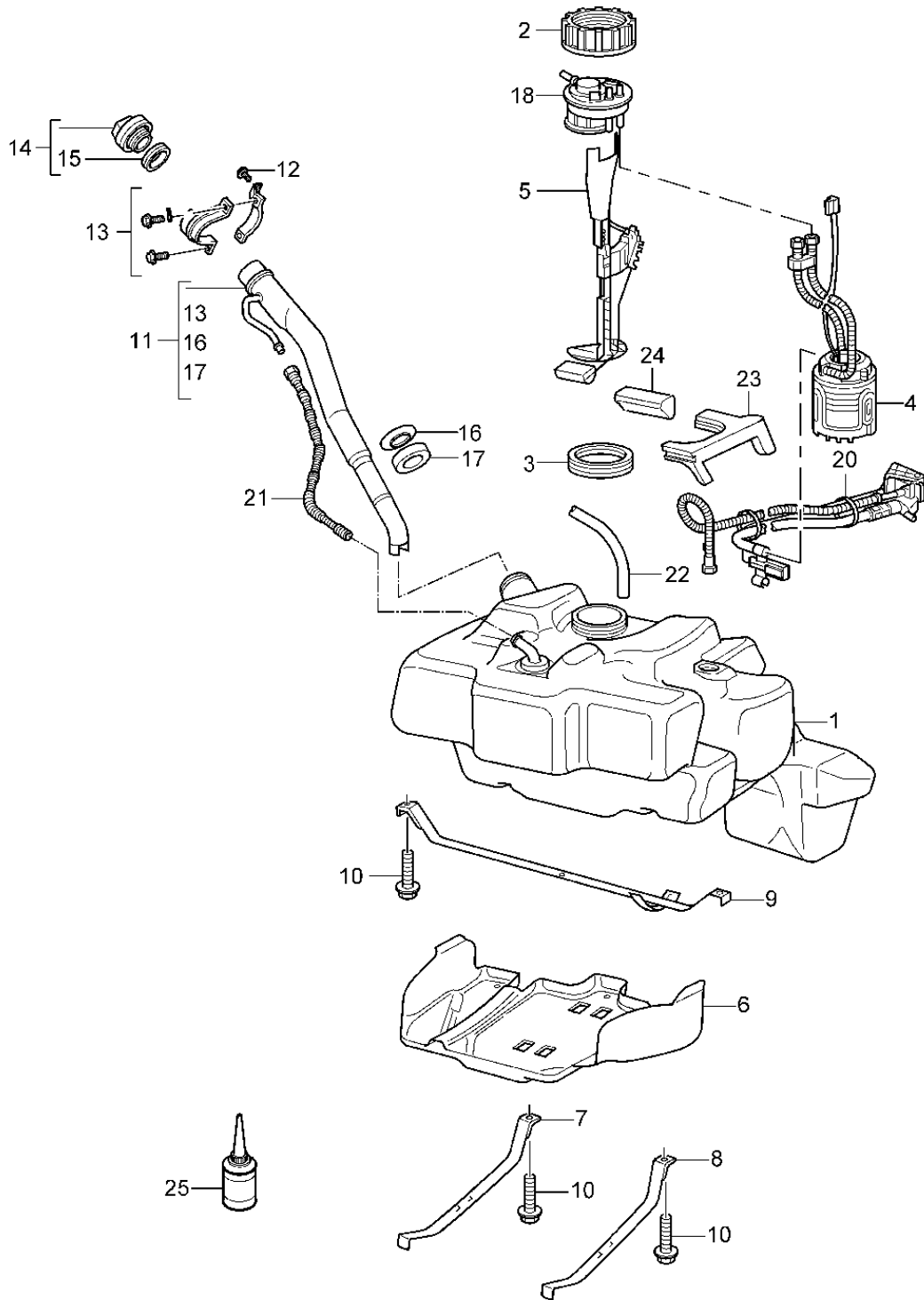
Model: 997 05

Model life 2005>>2008

| Pos | Part Number    | Description   | Remark | Qty | Model |
|-----|----------------|---|--------|-----|-------|
| 20  | 000 043 209 02 | Multi-purpose additive<br>for Otto engine fuels<br>100 ML |        | 1   |       |

Model: 997 05

Model life 2005>>2008

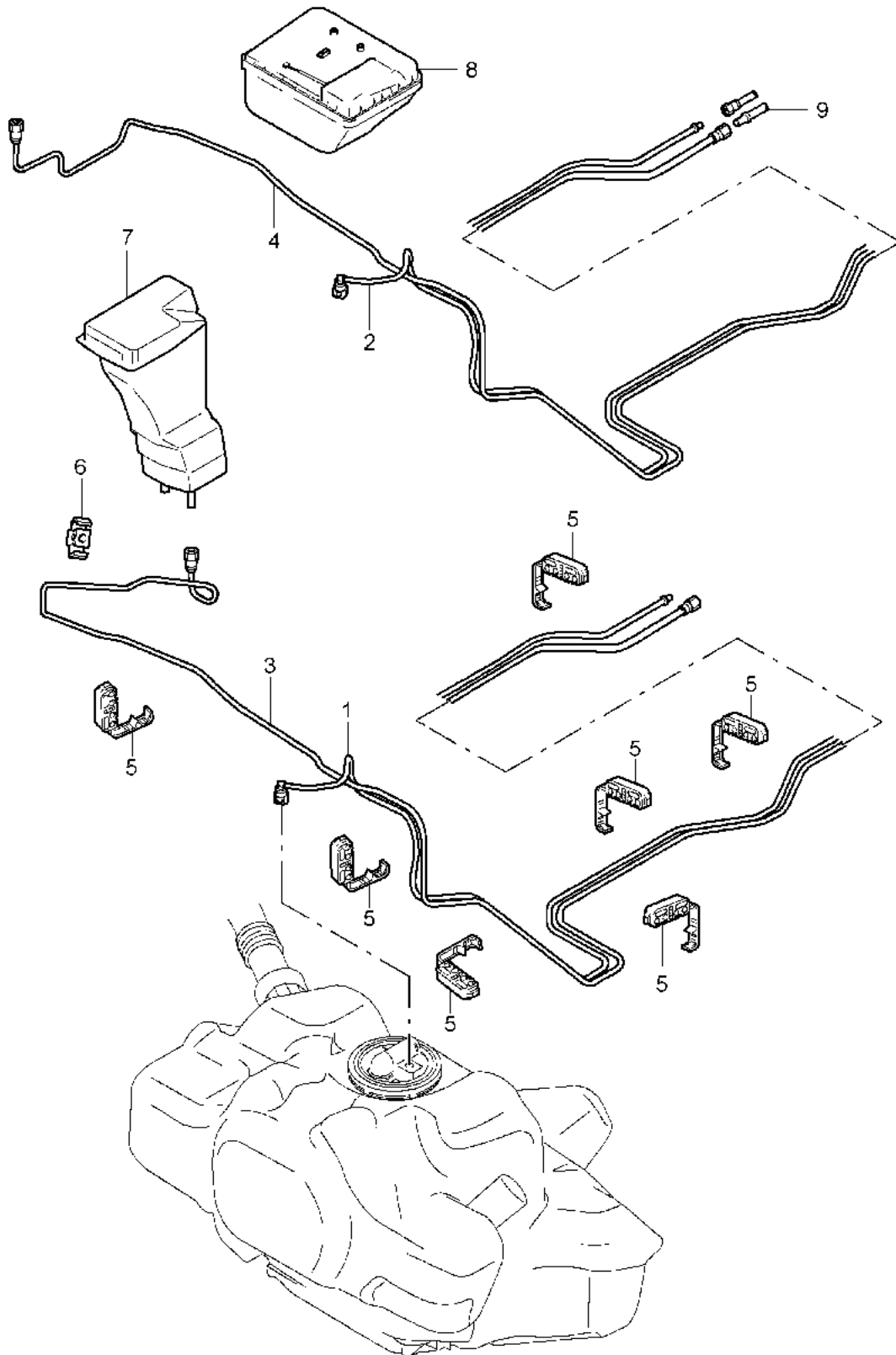


Model: 997 05 Model life 2005>>2008

| Pos  | Part Number    | Description  | Remark | Qty | Model      |
|------|----------------|--|--------|-----|------------|
| 1    | 997 201 021 01 | Fuel tank  | lhd    | 1   | C4/C4S     |
| (1)  | 997 201 022 00 | Fuel tank  | rhd    | 1   | PR:098     |
| 2    | 997 201 623 00 | Union nut  |        | 1   | PR:099     |
| 3    | 997 201 733 00 | seal ring  |        | 1   |            |
| 4    | 997 620 133 00 | Fuel pump  |        | 1   |            |
|      |                | Discontinued part                                      |        |     |            |
| 4    | 997 620 133 01 | Fuel pump  |        | 1   |            |
| 5    | 997 620 833 00 | Tank gauge   |        | 1   |            |
|      |                | without:   |        |     |            |
|      |                | flange   |        |     |            |
| 6    | 997 201 331 00 | Bottom protection for fuel tank                        |        | 1   |            |
| 7    | 997 201 106 00 | tensioning strap                                       | right  | 1   |            |
| 8    | 997 201 105 00 | tensioning strap                                       | left   | 1   |            |
| 9    | 997 201 107 00 | tensioning strap                                       |        | 1   |            |
| 10   | 900 075 479 09 | Bolt with washer M 8 X 40                              |        | 4   |            |
| 11   | 997 201 043 12 | fuel filler neck                                       |        | 1   |            |
| (11) | 997 201 043 10 | fuel filler neck                                       |        | 1   | PR:150,193 |
| 12   | 999 073 348 09 | fillister hd. bolt                                     |        | 1   |            |
| 13   | 997 201 951 02 | Bracket for filler neck                                |        | 1   |            |
| 14   | 996 201 241 03 | Fuel tank cap  |        | 1   |            |
|      |                | with:  |        |     |            |
|      |                | Clip   |        |     |            |
| -    | 999 507 499 40 | Spreader rivet   |        | 1   |            |
| 15   | 191 201 557    | seal ring  |        | 1   |            |
| 16   | 996 201 755 00 | support washer   |        | 1   |            |
| 17   | 996 201 753 00 | Seal   |        | 1   |            |
| 18   | 997 201 421 01 | flange for Tank gauge                                  |        | 1   |            |
| 20   | 997 620 113 00 | suction jet pump                                       |        | 1   |            |
| 21   | 996 201 613 00 | Breather line Fuel tank                                | rhd    | 1   | PR:099     |
|      |                | To fuel filler neck                                    |        |     |            |
| (21) | 997 201 711 00 | Breather line Fuel tank                                | lhd    | 1   | PR:098     |
|      |                | To fuel filler neck                                    |        |     |            |
| (22) | 997 201 721 00 | Breather line In-tank fuel pump                        | inner  | 1   |            |
|      |                | To Multi-purpose additive for Otto engine fuels 100 ML |        |     |            |
| 25   | 000 043 206 89 | Multi-purpose additive for Otto engine fuels 100 ML    |        | 1   |            |
|      |                | Discontinued part                                      |        |     |            |
| 25   | 000 043 209 02 | Multi-purpose additive for Otto engine fuels 100 ML    |        | 1   |            |

Model: 997 05

Model life 2005>>2008





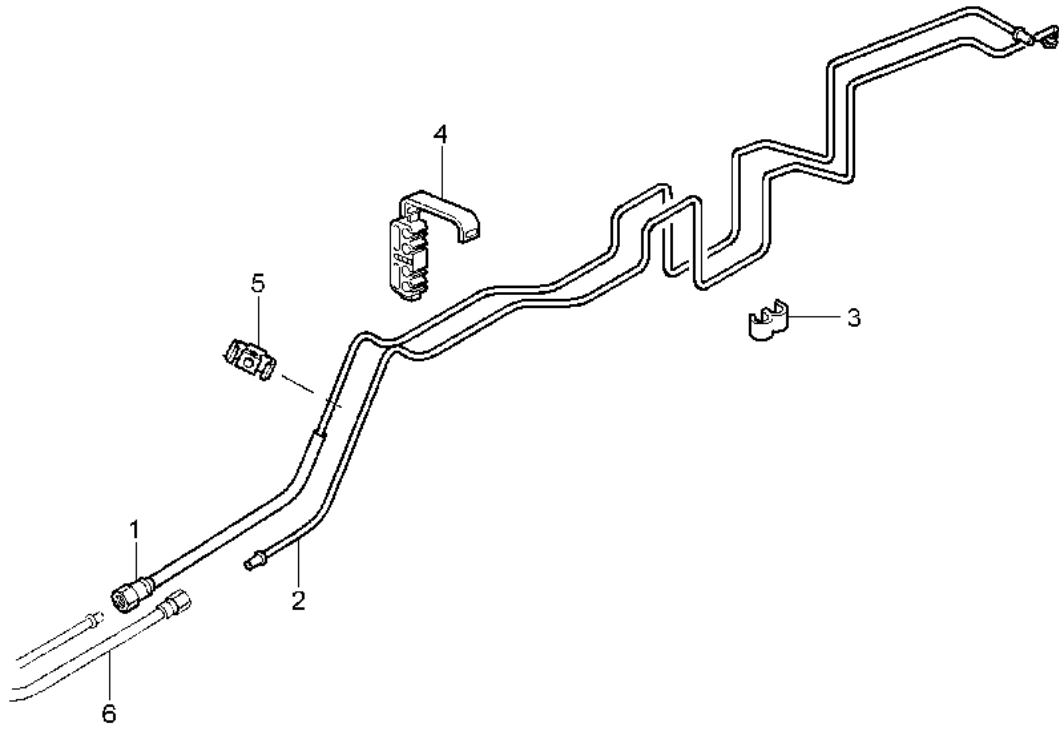
Model: 997 05

Model life 2005>>2008

| Pos | Part Number    | Description   | Remark          | Qty | Model            |
|-----|----------------|---|-----------------|-----|------------------|
| 1   | 997 201 261 02 | Fuel system<br>Fuel line<br>Discontinued part                       | front           | 1   | C2/C2S           |
| (1) | 997 201 261 06 | Fuel line   |                 | 1   | C2/C2S           |
| (1) | 997 201 261 03 | Fuel line   | front           | 1   | C4/C4S           |
|     |                | Fuel pump<br>for<br>Engine  |                 |     |                  |
| 3   | 997 201 351 02 | Purge-air line<br>Activated charcoal container<br>for<br>Engine     | front           | 1   |                  |
| 4   | 997 201 351 00 | Purge-air line<br><br>Activated charcoal container<br>for<br>Engine | front           | 1   | C2/C2S<br>PR:664 |
| 5   | 999 507 521 40 | Cable holder<br>8,0/8/10  |                 | 8   |                  |
| 6   | 999 507 727 40 | Cable holder<br>8,0/10,0  |                 | 1   |                  |
| -   | 999 507 488 40 | Cable holder<br>5,00/10,0   |                 | 1   | C2/C2S           |
| 7   |                | Activated charcoal container<br>see illustration:                   | 201-020         | 1   |                  |
| 9   |                | Lines<br>see illustration:  | rear<br>201-010 | 1   |                  |

Model: 997 05

Model life 2005>>2008



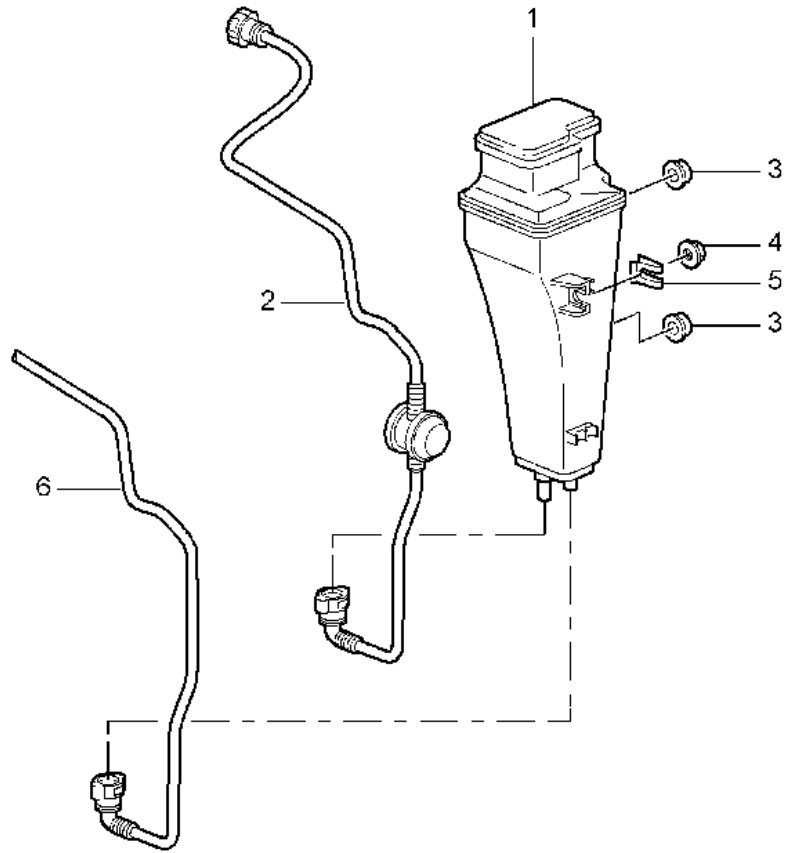
Model: 997 05

Model life 2005>>2008

| Pos | Part Number    | Description   | Remark           | Qty | Model |
|-----|----------------|---|------------------|-----|-------|
| 1   | 997 201 265 00 | Fuel system<br>Fuel line<br>Fuel pump<br>for<br>Engine    | rear<br>rear     | 1   |       |
| 2   | 997 201 355 00 | Air line<br>Activated charcoal container<br>for<br>Engine | rear             | 1   |       |
| (3) | 999 507 488 40 | Cable holder<br>5,00/10,0                                 |                  | 4   |       |
| (4) | 999 507 521 40 | Cable holder<br>8,0/8/10                                  |                  | 1   |       |
| (5) | 999 507 727 40 | Cable holder<br>8,0/10,0                                  |                  | 3   |       |
| 6   |                | Lines<br>see illustration:                                | front<br>201-005 | 1   |       |

Model: 997 05

Model life 2005>>2008



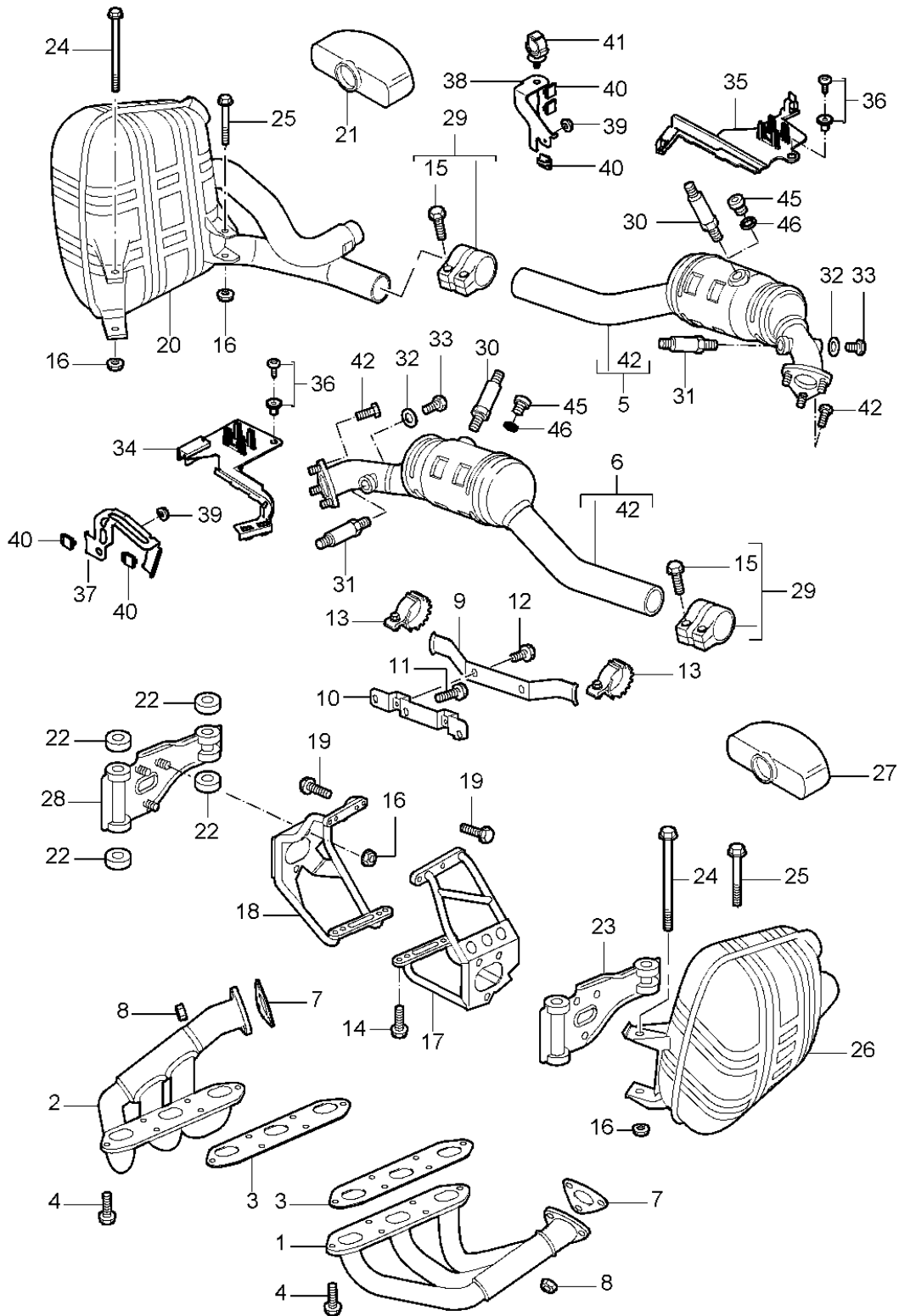
Model: 997 05

Model life 2005>>2008

| Pos | Part Number    | Description  | Remark  | Qty | Model  |
|-----|----------------|--|---------|-----|--------|
| 1   | 997 201 221 01 | Activated charcoal container<br>Activated charcoal container<br>(complete) |         | 1   |        |
| 2   | 997 201 251 00 | Breather line<br>Fuel tank<br>for<br>Activated charcoal container          |         | 1   | PR:338 |
| (2) | 997 201 251 01 | Breather line<br>Fuel tank<br>for<br>Activated charcoal container          |         | 1   | PR:339 |
| 3   | 999 702 221 40 | Grommet  |         | 2   |        |
| 4   | 999 084 629 09 | Hexagon nut<br>M 6<br>Discontinued part                                    |         | 1   |        |
| 4   | 999 084 629 01 | Hexagon nut<br>M 6   |         | 1   |        |
| 5   | 999 507 543 02 | Clip<br>2,00 - 3,00  |         | 1   |        |
| 6   |                | Purge-air line   | front   | 1   |        |
| -   |                | see illustration:  | 201-005 | X   |        |

Model: 997 05

Model life 2005>>2008



Model: 997 05 Model life 2005>>2008

| Pos | Part Number    | Description   | Remark | Qty | Model |
|-----|----------------|---|--------|-----|-------|
|     |                | exhaust system  |        |     | 9605  |
| 1   | 997 111 103 01 | Exhaust manifolds<br>Cyl. 1 - 3   |        | 1   |       |
| 2   | 997 111 104 01 | Exhaust manifolds<br>Cyl. 4 - 6   |        | 1   |       |
| 3   | 996 111 107 55 | Seal<br>Exhaust manifolds   |        | 2   |       |
| 4   | 999 075 074 00 | Hexagon bolt<br>M 8 X 26  |        | 12  |       |
| 5   | 997 113 033 02 | Catalytic converter<br>Cyl. 1 - 3                                       |        | 1   |       |
| (5) | 997 113 033 04 | Discontinued part<br>Catalytic converter<br>Cyl. 1 - 3                  |        | 1   |       |
| (5) | 997 113 033 05 | Discontinued part<br>Catalytic converter<br>Cyl. 1 - 3                  |        | 1   |       |
| (5) | 997 113 033 06 | Discontinued part<br>Catalytic converter<br>Cyl. 1 - 3                  |        | 1   |       |
| (5) | 997 113 033 AX | D >> - MJ 2005<br>Catalytic converter<br>Cyl. 1 - 3                     |        | 1   |       |
| (5) | 997 113 035 00 | D >> - MJ 2005<br>Catalytic converter<br>Cyl. 1 - 3                     |        | 1   |       |
| (5) | 997 113 035 01 | D - MJ 2006>><br>Discontinued part<br>Catalytic converter<br>Cyl. 1 - 3 |        | 1   |       |
| (5) | 997 113 035 03 | Discontinued part<br>Catalytic converter<br>Cyl. 1 - 3                  |        | 1   |       |
| (5) | 997 113 035 04 | Discontinued part<br>Catalytic converter<br>Cyl. 1 - 3                  |        | 1   |       |
| (5) | 997 113 035 05 | Discontinued part<br>Catalytic converter<br>Cyl. 1 - 3                  |        | 1   |       |
| (5) | 997 113 035 AX | Catalytic converter<br>Cyl. 1 - 3                                       |        | 1   |       |
| 6   | 997 113 034 02 | Catalytic converter<br>Cyl. 4 - 6                                       |        | 1   |       |
| (6) | 997 113 034 04 | Discontinued part<br>Catalytic converter<br>Cyl. 4 - 6                  |        | 1   |       |
| (6) | 997 113 034 05 | Discontinued part<br>Catalytic converter<br>Cyl. 4 - 6                  |        | 1   |       |
| (6) | 997 113 034 06 | Discontinued part<br>Catalytic converter<br>Cyl. 4 - 6                  |        | 1   |       |
| (6) | 997 113 034 AX | D >> - MJ 2005<br>Catalytic converter<br>Cyl. 4 - 6                     |        | 1   |       |
| (6) | 997 113 036 00 | D >> - MJ 2005<br>Catalytic converter<br>Cyl. 4 - 6                     |        | 1   |       |
| (6) | 997 113 036 01 | D - MJ 2006>><br>Discontinued part<br>Catalytic converter<br>Cyl. 4 - 6 |        | 1   |       |
|     |                | Discontinued part   |        |     |       |

Model: 997 05

Model life 2005&gt;&gt;2008

| Pos  | Part Number    | Description  | Remark | Qty | Model                  |
|------|----------------|--|--------|-----|------------------------|
| (6)  | 997 113 036 03 | Catalytic converter<br>Cyl. 4 - 6                      |        | 1   |                        |
| (6)  | 997 113 036 04 | Discontinued part<br>Catalytic converter<br>Cyl. 4 - 6 |        | 1   |                        |
| (6)  | 997 113 036 05 | Discontinued part<br>Catalytic converter<br>Cyl. 4 - 6 |        | 1   |                        |
| (6)  | 997 113 036 AX | Catalytic converter<br>Cyl. 4 - 6                      |        | 1   |                        |
| 7    | 997 111 113 00 | Seal   |        | 2   |                        |
| 8    | 999 084 046 02 | Locknut<br>M 8   |        | 6   |                        |
| 9    | 996 113 123 55 | Bracket  |        | 1   |                        |
| 10   | 996 113 223 50 | Console  |        | 1   |                        |
| 11   | 900 385 019 04 | Torx screw<br>M 6 X 20                                 |        | 1   |                        |
| 12   | 900 378 123 09 | Hexagon bolt<br>M 8 X 12                               |        | 2   |                        |
| 13   | 997 111 230 01 | Clip   |        | 2   |                        |
| 14   | 900 385 098 09 | Screw<br>M 8 X 30                                      |        | 4   |                        |
| 15   | 900 378 055 09 | Hexagon bolt<br>M 8 X 40                               |        | 4   |                        |
| 16   | 900 380 005 09 | Hexagon nut<br>M 8                                     |        | 10  |                        |
| 17   | 996 111 127 60 | Bracket<br>Discontinued part                           |        | 1   |                        |
| (17) | 996 111 127 61 | Bracket  |        | 1   |                        |
| 18   | 996 111 128 57 | Bracket<br>Discontinued part                           |        | 1   |                        |
| (18) | 996 111 128 58 | Bracket  |        | 1   |                        |
| 19   | 900 385 096 09 | Screw<br>M 8 X 30                                      | upper  | 4   |                        |
| 20   | 997 111 211 02 | Silencer<br>Cyl. 1 - 3<br>Discontinued part            |        | 1   |                        |
| (20) | 997 111 211 03 | Silencer<br>Cyl. 1 - 3                                 |        | 1   |                        |
| (20) | 997 111 231 02 | Silencer<br>Cyl. 1 - 3<br>Discontinued part            |        | 1   | PR:068,074,<br>193,479 |
| (20) | 997 111 231 03 | Silencer<br>Cyl. 1 - 3                                 |        | 1   | PR:068,074,<br>193,479 |
| 21   | 997 111 151 00 | Tailpipe<br>Discontinued part                          | right  | 1   | PR:-X54                |
| (21) | 997 111 151 01 | Tailpipe   | right  | 1   | PR:-X54                |
| (21) | 997 111 981 10 | Tailpipe<br>Discontinued part                          | right  | 1   | PR:X54                 |
| (21) | 997 111 981 11 | Tailpipe   | right  | 1   | PR:X54                 |
| 22   | 996 111 229 01 | sound absorber piece                                   |        | 8   |                        |
| 23   | 996 111 237 03 | Bracket  |        | 1   |                        |
| 24   | 900 378 183 09 | Hexagon bolt<br>M 8 X 140                              |        | 2   |                        |
| 25   | 900 378 105 09 | Hexagon bolt<br>M 8 X 70                               |        | 2   |                        |
| 26   | 997 111 212 02 | Silencer<br>Cyl. 4 - 6<br>Discontinued part            |        | 1   |                        |
| (26) | 997 111 212 03 | Silencer<br>Cyl. 4 - 6                                 |        | 1   |                        |
| (26) | 997 111 232 02 | Silencer<br>Cyl. 4 - 6                                 |        | 1   | PR:068,074,<br>193,479 |



Model: 997 05 Model life 2005>>2008

| Pos  | Part Number    | Description  | Remark | Qty | Model                  |
|------|----------------|--|--------|-----|------------------------|
| 26   | 997 111 232 03 | Discontinued part<br>Silencer<br>Cyl. 4 - 6                          |        | 1   | PR:068,074,<br>193,479 |
| 27   | 997 111 152 00 | Tailpipe<br>Discontinued part  | left   | 1   | PR:-X54                |
| (27) | 997 111 152 01 | Tailpipe   | left   | 1   | PR:-X54                |
| (27) | 997 111 982 10 | Tailpipe<br>Discontinued part  | left   | 1   | PR:X54                 |
| (27) | 997 111 982 11 | Tailpipe   | left   | 1   | PR:X54                 |
| 28   | 996 111 238 03 | Bracket  |        | 1   |                        |
| 29   | 997 111 520 00 | Clamping sleeve  |        | 2   |                        |
| 30   | 996 606 178 01 | Lambda probe<br>After<br>Catalytic converter<br>D >> - MJ 2005       |        | 2   |                        |
| 30   | 997 606 177 01 | Lambda probe<br>After<br>Catalytic converter<br>D - MJ 2006>>        |        | 2   |                        |
| 31   | 996 606 168 01 | Lambda probe<br>in front of<br>Catalytic converter<br>D >> - MJ 2005 |        | 2   |                        |
| 31   | 997 606 176 01 | Lambda probe<br>in front of<br>Catalytic converter<br>D - MJ 2006>>  |        | 2   |                        |
| -    | 000 043 207 07 | grease<br>for oxygen sensor  |        | 1   |                        |
| 34   | 996 606 156 00 | Cable guide<br>Lambda probe<br>D >> - MJ 2005                        |        | 1   |                        |
| (34) | 997 606 156 01 | Cable guide<br>Lambda probe<br>D - MJ 2006>>                         |        | 1   |                        |
| 35   | 997 606 157 00 | Cable guide<br>Lambda probe<br>D >> - MJ 2005                        |        | 1   |                        |
| (35) | 997 606 157 01 | Cable guide<br>Lambda probe<br>D - MJ 2006>>                         |        | 1   |                        |
| 36   | 999 591 941 40 | Spreader rivet<br>4,2  |        | 4   |                        |
| 37   | 996 606 158 04 | Cable holder<br>Line<br>Lambda probe<br>D >> - MJ 2005               |        | 1   |                        |
| (37) | 997 606 148 01 | Holder for lambda probe<br>Line<br>D - MJ 2006>>                     |        | 1   |                        |
| 38   | 996 606 157 07 | Cable holder<br>Line<br>Lambda probe<br>D >> - MJ 2005               |        | 1   |                        |
| (38) | 997 606 147 01 | Holder for lambda probe<br>Line<br>D - MJ 2006>>                     |        | 1   |                        |
| 39   | 900 377 010 04 | Hexagon nut<br>M 6<br>D >> - MJ 2007                                 |        | 2   |                        |
| (39) | 900 377 010 01 | Hexagon nut<br>M 6<br>D - MJ 2008>>                                  |        | 2   |                        |

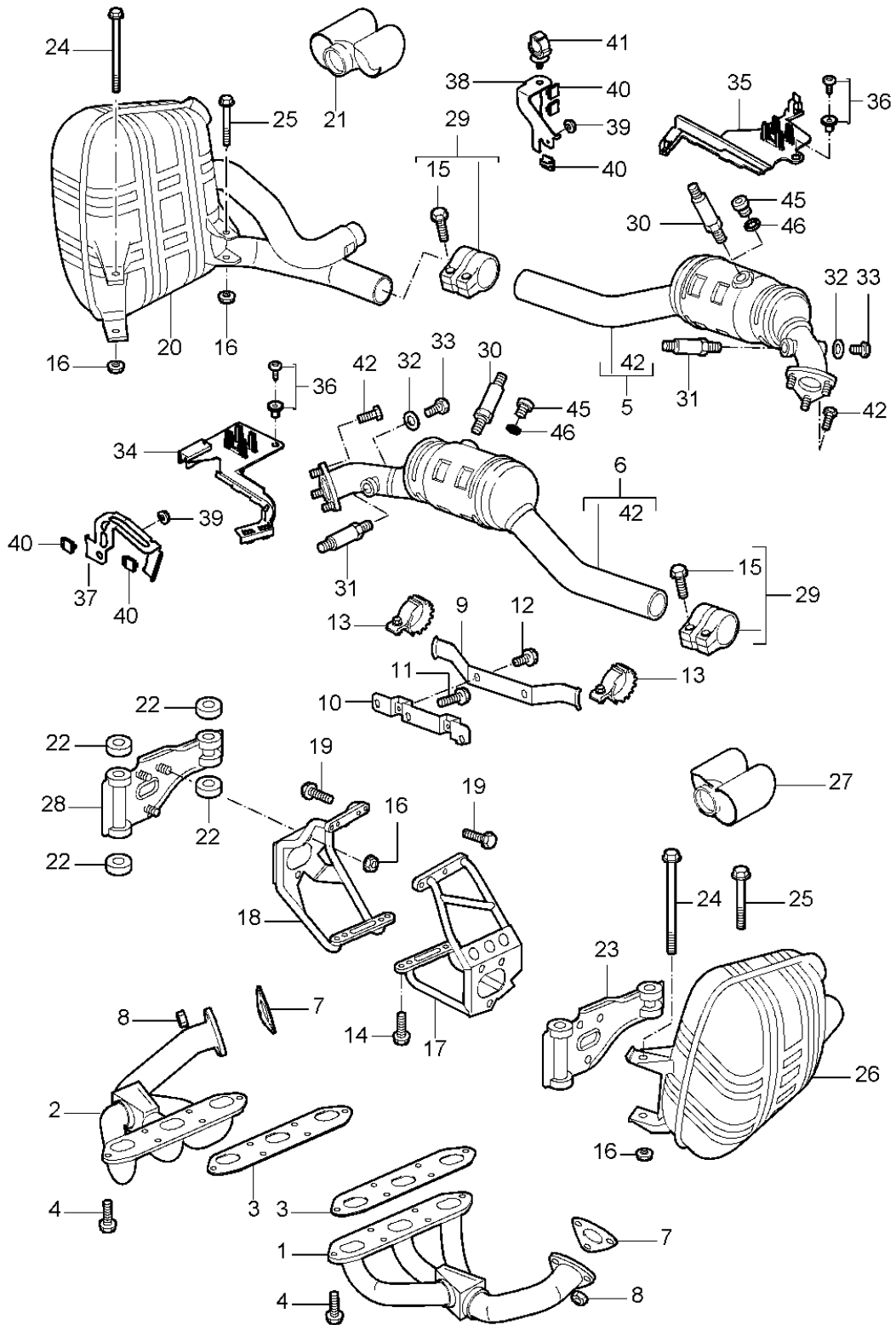
Model: 997 05

Model life 2005>>2008

| Pos  | Part Number    | Description   | Remark | Qty | Model |
|------|----------------|---|--------|-----|-------|
| 40   | 999 651 386 02 | Cable clamp<br>D >> - MJ 2005<br>Discontinued part                                    |        | 6   |       |
| 40   | 999 651 386 01 | Cable clamp   |        | 6   |       |
| (40) | 999 651 394 40 | Cable holder<br>D - MJ 2006>>   |        | 4   |       |
| 41   | 999 511 239 40 | Cable holder<br>D >> - MJ 2005  |        | 1   |       |
| 42   | 900 075 365 02 | Screw<br>M 8 X 30   |        | X   |       |
| 45   | 900 219 015 00 | sealing plug<br>M 18 X 1,5<br>Deleted<br>Lambda probe<br>After<br>Catalytic converter |        | 2   |       |
| 46   | 900 123 009 20 | seal ring<br>18 X 24<br>Deleted<br>Lambda probe<br>After<br>Catalytic converter       |        | 2   |       |

Model: 997 05

Model life 2005>>2008



Model: 997 05

Model life 2005&gt;&gt;2008

| Pos | Part Number    | Description   | Remark | Qty | Model           |
|-----|----------------|---|--------|-----|-----------------|
| 1   | 997 111 101 02 | exhaust system<br>Exhaust manifolds<br>Cyl. 1 - 3                       |        | 1   | 9701<br>PR:-X51 |
| (1) | 997 111 105 00 | Exhaust manifolds<br>Cyl. 1 - 3   |        | 1   | PR:X51          |
| 2   | 997 111 102 02 | Exhaust manifolds<br>Cyl. 4 - 6   |        | 1   | PR:-X51         |
| (2) | 997 111 106 00 | Exhaust manifolds<br>Cyl. 4 - 6   |        | 1   | PR:X51          |
| 3   | 996 111 107 55 | Seal<br>Exhaust manifolds   |        | 2   |                 |
| 4   | 999 075 074 00 | Hexagon bolt<br>M 8 X 26  |        | 12  |                 |
| 5   | 997 113 033 02 | Catalytic converter<br>Cyl. 1 - 3<br>Discontinued part                  |        | 1   |                 |
| (5) | 997 113 033 04 | Catalytic converter<br>Cyl. 1 - 3<br>Discontinued part                  |        | 1   |                 |
| (5) | 997 113 033 05 | Catalytic converter<br>Cyl. 1 - 3<br>Discontinued part                  |        | 1   |                 |
| (5) | 997 113 033 06 | Catalytic converter<br>Cyl. 1 - 3<br>D >> - MJ 2005                     |        | 1   |                 |
| (5) | 997 113 033 AX | Catalytic converter<br>Cyl. 1 - 3<br>D >> - MJ 2005                     |        | 1   |                 |
| (5) | 997 113 035 00 | Catalytic converter<br>Cyl. 1 - 3<br>Discontinued part                  |        | 1   |                 |
| (5) | 997 113 035 01 | Catalytic converter<br>Cyl. 1 - 3<br>Discontinued part                  |        | 1   |                 |
| (5) | 997 113 035 03 | Catalytic converter<br>Cyl. 1 - 3<br>Discontinued part                  |        | 1   |                 |
| (5) | 997 113 035 04 | Catalytic converter<br>Cyl. 1 - 3<br>D - MJ 2006>><br>Discontinued part |        | 1   |                 |
| (5) | 997 113 035 05 | Catalytic converter<br>Cyl. 1 - 3<br>D - MJ 2006>><br>Discontinued part |        | 1   |                 |
| (5) | 997 113 035 AX | Catalytic converter<br>Cyl. 1 - 3<br>D - MJ 2006>>                      |        | 1   |                 |
| 6   | 997 113 034 02 | Catalytic converter<br>Cyl. 4 - 6<br>Discontinued part                  |        | 1   |                 |
| (6) | 997 113 034 04 | Catalytic converter<br>Cyl. 4 - 6<br>Discontinued part                  |        | 1   |                 |
| (6) | 997 113 034 05 | Catalytic converter<br>Cyl. 4 - 6<br>Discontinued part                  |        | 1   |                 |
| (6) | 997 113 034 06 | Catalytic converter<br>Cyl. 4 - 6<br>D >> - MJ 2005                     |        | 1   |                 |
| (6) | 997 113 034 AX | Catalytic converter<br>Cyl. 4 - 6<br>D >> - MJ 2005                     |        | 1   |                 |
| (6) | 997 113 036 00 | Catalytic converter   |        | 1   |                 |

Model: 997 05

Model life 2005>>2008

| Pos  | Part Number    | Description  | Remark | Qty | Model                  |
|------|----------------|--|--------|-----|------------------------|
| (6)  | 997 113 036 01 | Cyl. 4 - 6<br>Discontinued part<br>Catalytic converter             |        | 1   |                        |
| (6)  | 997 113 036 03 | Cyl. 4 - 6<br>Discontinued part<br>Catalytic converter             |        | 1   |                        |
| (6)  | 997 113 036 04 | Cyl. 4 - 6<br>Discontinued part<br>Catalytic converter             |        | 1   |                        |
| (6)  | 997 113 036 05 | D - MJ 2006>><br>Discontinued part<br>Catalytic converter          |        | 1   |                        |
| (6)  | 997 113 036 AX | Cyl. 4 - 6<br>D - MJ 2006>><br>Catalytic converter                 |        | 1   |                        |
| 7    | 997 111 113 00 | Seal   |        | 2   |                        |
| 8    | 999 084 046 02 | Locknut<br>M 8   |        | 6   |                        |
| 9    | 996 113 123 55 | Bracket  |        | 1   |                        |
| 10   | 996 113 223 50 | Console  |        | 1   |                        |
| 11   | 900 385 019 04 | Torx screw<br>M 6 X 20   |        | 1   |                        |
| 12   | 900 378 123 09 | Hexagon bolt<br>M 8 X 12   |        | 2   |                        |
| 13   | 997 111 230 01 | Clip   |        | 2   |                        |
| 14   | 900 385 098 09 | Screw<br>M 8 X 30  |        | 4   |                        |
| 15   | 900 378 055 09 | Hexagon bolt<br>M 8 X 40   |        | 4   |                        |
| 16   | 900 380 005 09 | Hexagon nut<br>M 8   |        | 10  |                        |
| 17   | 996 111 127 60 | Bracket<br>Discontinued part                                       |        | 1   |                        |
| (17) | 996 111 127 61 | Bracket  |        | 1   |                        |
| 18   | 996 111 128 57 | Bracket<br>Discontinued part                                       |        | 1   |                        |
| (18) | 996 111 128 58 | Bracket  |        | 1   |                        |
| 19   | 900 385 096 09 | Screw<br>M 8 X 30  | upper  | 4   |                        |
| 20   | 997 111 411 03 | Silencer<br>Cyl. 1 - 3<br>Discontinued part                        |        | 1   |                        |
| (20) | 997 111 411 04 | Silencer<br>Cyl. 1 - 3   |        | 1   |                        |
| (20) | 997 111 431 03 | Silencer<br>Cyl. 1 - 3<br>Discontinued part                        |        | 1   | PR:068,074,<br>193,479 |
| (20) | 997 111 431 04 | Silencer<br>Cyl. 1 - 3   |        | 1   | PR:068,074,<br>193,479 |
| 21   | 997 111 351 01 | Tailpipe<br>Brushed stainless steel<br>Discontinued part           | right  | 1   | PR:X54                 |
| (21) | 997 111 351 02 | Tailpipe<br>Brushed stainless steel<br>No longer use the part here | right  | 1   | PR:X54                 |
| (21) | 997 111 351 03 | Tailpipe<br>Brushed stainless steel<br>No longer use the part here | right  | 1   | PR:X54                 |
| (21) | 997 111 351 04 | Tailpipe<br>Brushed stainless steel                                | right  | 1   | PR:X54                 |

Model: 997 05

Model life 2005&gt;&gt;2008

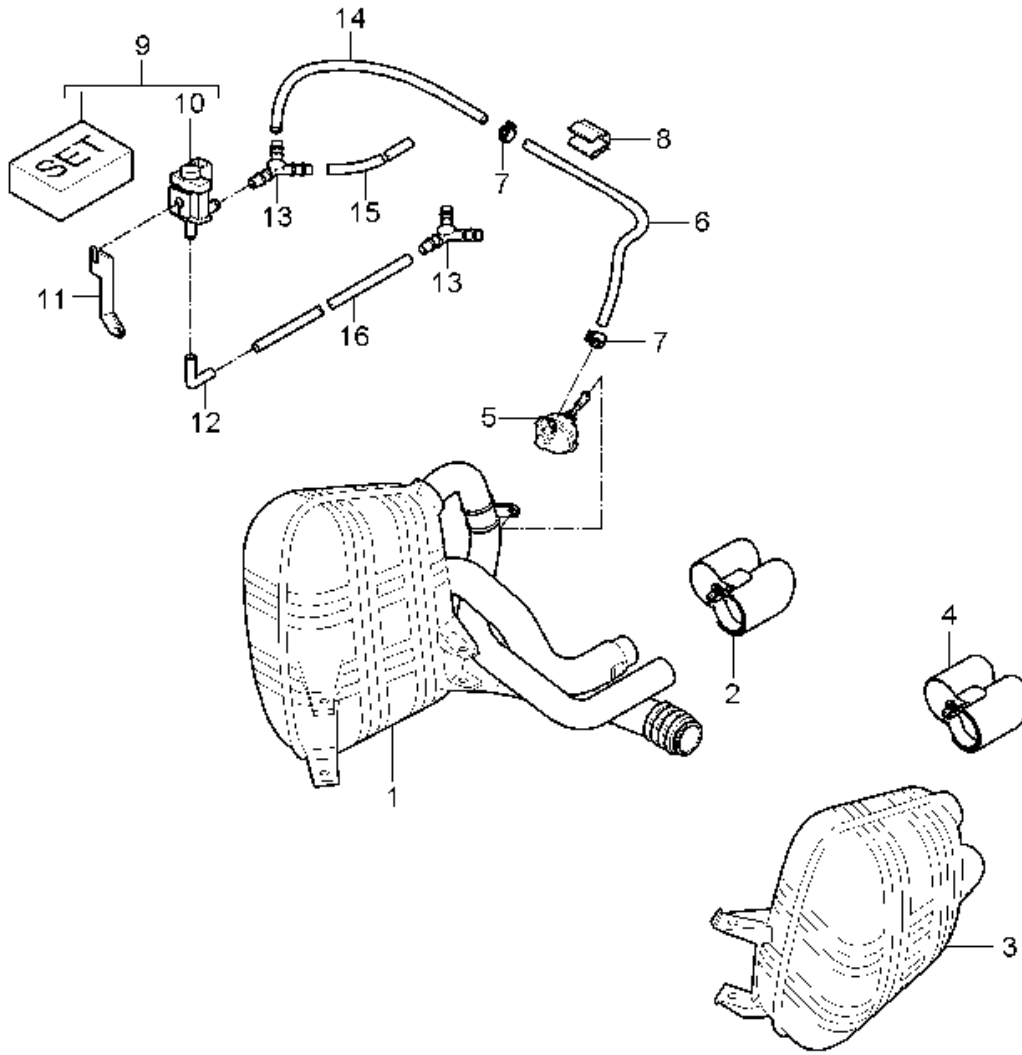
| Pos  | Part Number    | Description  | Remark | Qty | Model                  |
|------|----------------|--|--------|-----|------------------------|
| (21) | 997 111 981 02 | Exhaust pipe<br>chrome<br>Discontinued part                          | right  | 1   | PR:-X54                |
| (21) | 997 111 981 03 | Tailpipe<br>chrome   | right  | 1   | PR:-X54                |
| 22   | 996 111 229 01 | sound absorber piece   |        | 8   |                        |
| 23   | 996 111 237 03 | Bracket  |        | 1   |                        |
| 24   | 900 378 183 09 | Hexagon bolt<br>M 8 X 140  |        | 2   |                        |
| 25   | 900 378 105 09 | Hexagon bolt<br>M 8 X 70   |        | 2   |                        |
| 26   | 997 111 412 03 | Silencer<br>Cyl. 4 - 6<br>Discontinued part                          |        | 1   |                        |
| (26) | 997 111 412 04 | Silencer<br>Cyl. 4 - 6   |        | 1   |                        |
| (26) | 997 111 432 03 | Silencer<br>Cyl. 4 - 6<br>Discontinued part                          |        | 1   | PR:068,074,<br>193,479 |
| (26) | 997 111 432 04 | Silencer<br>Cyl. 4 - 6   |        | 1   | PR:068,074,<br>193,479 |
| 27   | 997 111 352 01 | Tailpipe<br>Brushed stainless steel<br>Discontinued part             | left   | 1   |                        |
| (27) | 997 111 352 02 | Tailpipe<br>Brushed stainless steel<br>No longer use the part here   | left   | 1   | PR:X54                 |
| (27) | 997 111 352 03 | Tailpipe<br>Brushed stainless steel<br>No longer use the part here   | left   | 1   | PR:X54                 |
| (27) | 997 111 352 04 | Tailpipe<br>Brushed stainless steel                                  | left   | 1   | PR:X54                 |
| (27) | 997 111 982 02 | Exhaust pipe<br>chrome<br>Discontinued part                          | left   | 1   | PR:-X54                |
| (27) | 997 111 982 03 | Tailpipe<br>chrome   | left   | 1   | PR:-X54                |
| 28   | 996 111 238 03 | Bracket  |        | 1   |                        |
| 29   | 997 111 520 00 | Clamping sleeve  |        | 2   |                        |
| 30   | 996 606 178 01 | Lambda probe<br>After<br>Catalytic converter                         |        | 2   |                        |
| 30   | 997 606 177 01 | Lambda probe<br>After<br>Catalytic converter<br>D - MJ 2006>>        |        | 2   |                        |
| 31   | 996 606 168 01 | Lambda probe<br>in front of<br>Catalytic converter<br>D >> - MJ 2005 |        | 2   |                        |
| 31   | 997 606 176 01 | Lambda probe<br>in front of<br>Catalytic converter<br>D - MJ 2006>>  |        | 2   |                        |
| -    | 000 043 207 07 | grease<br>for oxygen sensor  |        | 1   |                        |
| 32   | 900 123 050 20 | seal ring<br>8 X 11,5  |        | 2   | PR:660                 |
| 33   | 900 124 021 05 | sealing plug<br>M 8 X 1  |        | 2   | PR:660                 |
| 34   | 996 606 156 00 | Cable guide<br>Lambda probe<br>D >> - MJ 2005                        |        | 1   |                        |

Model: 997 05 Model life 2005>>2008

| Pos  | Part Number    | Description  | Remark | Qty | Model |
|------|----------------|--|--------|-----|-------|
| (34) | 997 606 156 01 | Cable guide<br>Lambda probe<br>D - MJ 2006>>   |        | 1   |       |
| 35   | 997 606 157 00 | Cable guide<br>Lambda probe<br>D >> - MJ 2005  |        | 1   |       |
| (35) | 997 606 157 01 | Cable guide<br>Lambda probe<br>D - MJ 2006>>   |        | 1   |       |
| 36   | 999 591 941 40 | Spreader rivet<br>4,2  |        | 4   |       |
| 37   | 996 606 158 04 | Cable holder<br>Line<br>Lambda probe<br>D >> - MJ 2005   |        | 1   |       |
| (37) | 997 606 148 01 | Holder for lambda probe<br>Line<br>D - MJ 2006>>   |        | 1   |       |
| 38   | 996 606 157 07 | Cable holder<br>Line<br>Lambda probe<br>D >> - MJ 2005   |        | 1   |       |
| (38) | 997 606 147 01 | Holder for lambda probe<br>Line<br>D - MJ 2006>>   |        | 1   |       |
| 39   | 900 377 010 04 | Hexagon nut<br>M 6<br>D >> - MJ 2007   |        | 2   |       |
| (39) | 900 377 010 01 | Hexagon nut<br>M 6<br>D - MJ 2008>>  |        | 2   |       |
| 40   | 999 651 386 02 | Cable clamp<br>D >> - MJ 2005  |        | 6   |       |
| 40   | 999 651 386 01 | Discontinued part<br>Cable clamp   |        | 6   |       |
| (40) | 999 651 394 40 | Cable holder<br>D - MJ 2006>>  |        | 4   |       |
| 41   | 999 511 239 40 | Cable holder<br>D >> - MJ 2005   |        | 1   |       |
| 42   | 900 075 365 02 | Screw<br>M 8 X 30  |        | X   |       |
| 45   | 900 219 015 00 | sealing plug<br>M 18 X 1,5<br>Deleted<br>Lambda probe<br>After   |        | 2   |       |
| 46   | 900 123 009 20 | Catalytic converter<br>seal ring<br>18 X 24<br>Deleted<br>Lambda probe<br>After<br>Catalytic converter |        | 2   |       |

Model: 997 05

Model life 2005>>2008





Model: 997 05

Model life 2005>>2008

| Pos  | Part Number    | Description  | Remark                | Qty               | Model                |
|------|----------------|--|-----------------------|-------------------|----------------------|
| 1    | 997 111 611 00 | exhaust system<br>Sport version<br>Silencer<br>Cyl. 1 - 3<br>No longer use the part here |                       | 1                 | 9605,9701+<br>PR:XLF |
| (1)  | 997 111 611 02 | Silencer<br>Cyl. 1 - 3<br>Discontinued part  |                       | 1                 |                      |
| (1)  | 997 111 611 03 | Silencer<br>Cyl. 1 - 3   |                       | 1                 |                      |
| 2    | 997 111 981 20 | Tailpipe<br>Discontinued part  | right                 | 1                 |                      |
| (2)  | 997 111 981 21 | Tailpipe   | right                 | 1                 |                      |
| 3    | 997 111 612 00 | Silencer<br>Cyl. 4 - 6<br>No longer use the part here                                    |                       | 1                 |                      |
| (3)  | 997 111 612 02 | Silencer<br>Cyl. 4 - 6<br>Discontinued part  |                       | 1                 |                      |
| (3)  | 997 111 612 03 | Silencer<br>Cyl. 4 - 6   |                       | 1                 |                      |
| 4    | 997 111 982 20 | Tailpipe<br>Discontinued part  | left                  | 1                 |                      |
| (4)  | 997 111 982 21 | Tailpipe   | left                  | 1                 |                      |
| 5    | 997 111 680 00 | Vacuum unit<br><br>with:<br><br>selector shaft<br>and<br>Hose<br>3 X 380                 | left<br>left<br>right | 2                 |                      |
| 6    | 917 355 021 00 | Hose<br>3 X 380  |                       | 2                 |                      |
| 7    | 999 512 361 02 | Hose clamp<br>6 X 7  |                       | 4                 |                      |
| 8    | 999 591 746 02 | Cable fastener<br>7,0 - 9,0<br>Discontinued part   |                       | 4                 |                      |
| 8    | 999 591 746 01 | Cable fastener<br>7,0 - 9,0  |                       | 4                 |                      |
| -    | 999 513 049 40 | Cable ties<br>8,0 - 30   |                       | 2                 |                      |
| 9    | 997 612 905 00 | repair set<br>comprising:<br>Change-over valve<br>Wire set<br>Cable ties                 |                       | 1<br>1<br>3<br>12 |                      |
| 9    | 997 612 905 02 | repair set<br>comprising:<br>Change-over valve<br>Wire set<br>Cable ties                 |                       | 1<br>1<br>3<br>12 |                      |
| 10   | 996 605 123 01 | Change-over valve  |                       | 1                 |                      |
| 11   | 996 111 989 00 | Retaining plate<br>for<br>Change-over valve  |                       | 1                 |                      |
| 12   | 928 574 717 03 | Molded hose<br>Discontinued part   |                       | 1                 |                      |
| (12) | 928 574 717 05 | Molded hose  |                       | 1                 |                      |
| (12) | 928 574 717 07 | Molded hose<br>No longer use the part here   |                       | 1                 |                      |
| (12) | 9P1 129 487    | Molded hose  |                       | 1                 |                      |
| 13   | 928 573 727 03 | Distributor<br>Triple<br>Discontinued part   |                       | 2                 |                      |
| 13   | 928 573 727 05 | Distributor  |                       | 2                 |                      |

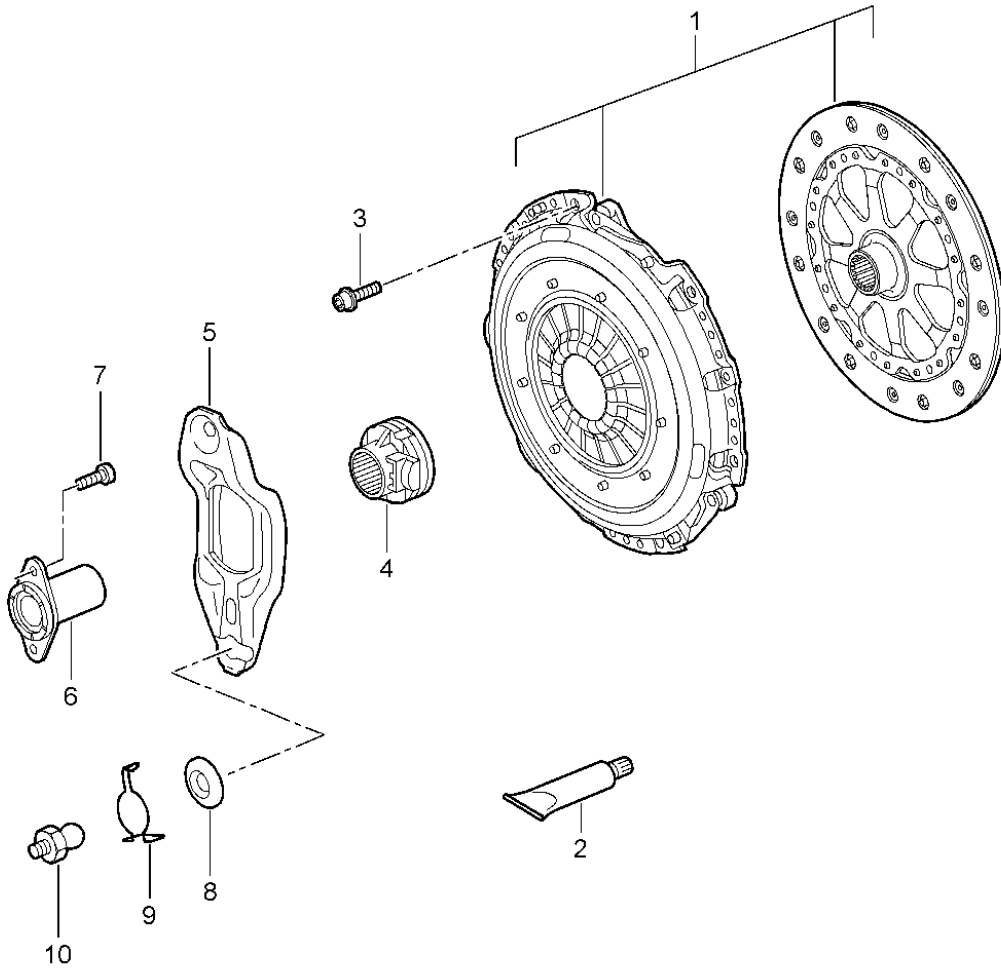
Model: 997 05

Model life 2005>>2008

| Pos  | Part Number    | Description   | Remark  | Qty | Model  |
|------|----------------|---|---------|-----|--------|
| (13) | 928 573 729 03 | Triple<br>Distributor<br>Fourfold<br>in<br>Line<br>Vacuum pump<br>Discontinued part |         | 1   | PR:249 |
| (13) | 928 573 729 05 | Distributor<br>Fourfold<br>in<br>Line<br>Vacuum pump                                |         | 1   | PR:249 |
| 14   | 999 181 374 40 | Hose<br>4 X 1 X 250   | right   | 1   |        |
| 15   | 999 181 424 40 | Hose<br>4 X 1 X 800   | left    | 1   |        |
| 16   | 999 181 401 40 | Hose<br>Change-over valve<br>To<br>Vacuum pump<br>4 X 1 X 580                       |         | 1   |        |
| -    |                | Tip switch<br>see illustration:   | 903-005 | 1   |        |

Model: 997 05

Model life 2005>>2008

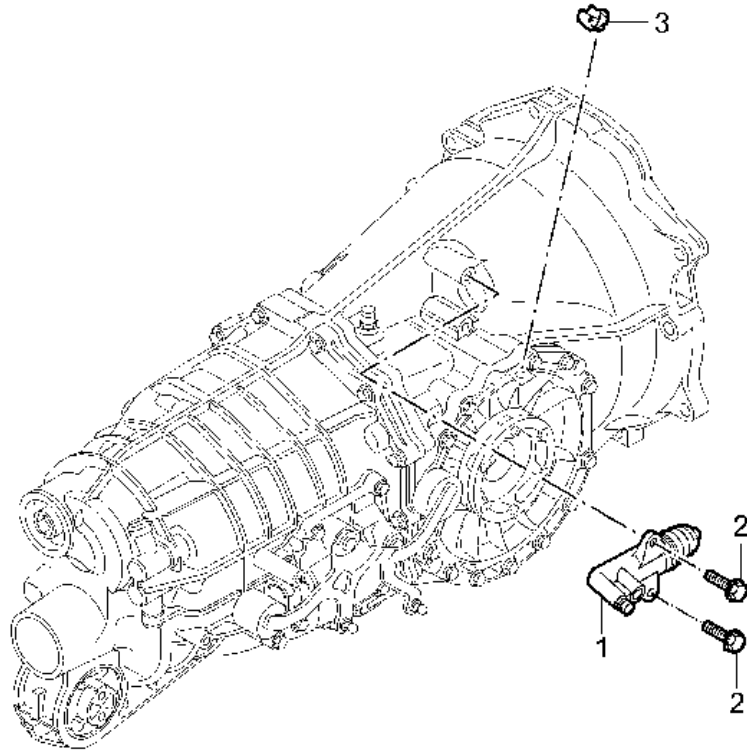


Model: 997 05 Model life 2005>>2008

| Pos  | Part Number    | Description   | Remark | Qty | Model                |
|------|----------------|---|--------|-----|----------------------|
|      |                | Coupling  |        |     | 9701,9605+<br>PR:480 |
| -    | 997 116 027 12 | Pressure plate<br>No longer use the part here               |        | 1   | 9701                 |
| (1)  | 997 116 913 13 | Coupling<br>Set<br>Use<br>Discontinued part                 |        | 1   | 9701                 |
| 1    | 997 116 913 14 | Coupling<br>Set<br>Use<br>Discontinued part                 |        | 1   | 9701                 |
| (1)  | 997 116 913 15 | Coupling<br>Set<br>Use<br>Discontinued part                 |        | 1   | 9701                 |
| -    | 997 116 027 00 | Pressure plate<br>No longer use the part here               |        | 1   | 9605                 |
| (1)  | 997 116 913 01 | Coupling<br>Set<br>Use<br>Discontinued part                 |        | 1   | 9605                 |
| (1)  | 997 116 913 02 | Coupling<br>Set<br>Use<br>Discontinued part                 |        | 1   | 9605                 |
| (1)  | 997 116 913 03 | Coupling<br>Set<br>Use<br>Discontinued part                 |        | 1   | 9605                 |
| 2    | 000 043 304 02 | Grease<br>Container<br>50 GR.                               |        | 1   |                      |
| 3    | 900 067 131 03 | Socket head bolt<br>M 8 X 16<br>No longer use the part here |        | 6   |                      |
| (3)  | 999 073 458 01 | Screw<br>M 8 X 16   |        | 6   |                      |
| 4    | 997 116 080 00 | release bearing<br>Discontinued part                        |        | 1   |                      |
| (4)  | 997 116 080 01 | release bearing   |        | 1   |                      |
| 5    | 997 116 712 00 | clutch operating lever                                      |        | 1   |                      |
| 6    | 996 116 087 01 | guide sleeve  |        | 1   |                      |
| 7    | N 903 663 01   | Socket head bolt<br>M 8 X 22                                |        | 2   |                      |
| 8    | 996 116 743 00 | seal ring   |        | 1   |                      |
| 9    | 996 116 741 00 | Clip  |        | 1   |                      |
| 10   | 997 116 716 00 | Ball stud<br>Discontinued part                              |        | 1   |                      |
| (10) | 997 116 716 01 | Ball stud   |        | 1   |                      |

Model: 997 05

Model life 2005>>2008



Model: 997 05

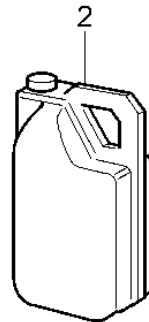
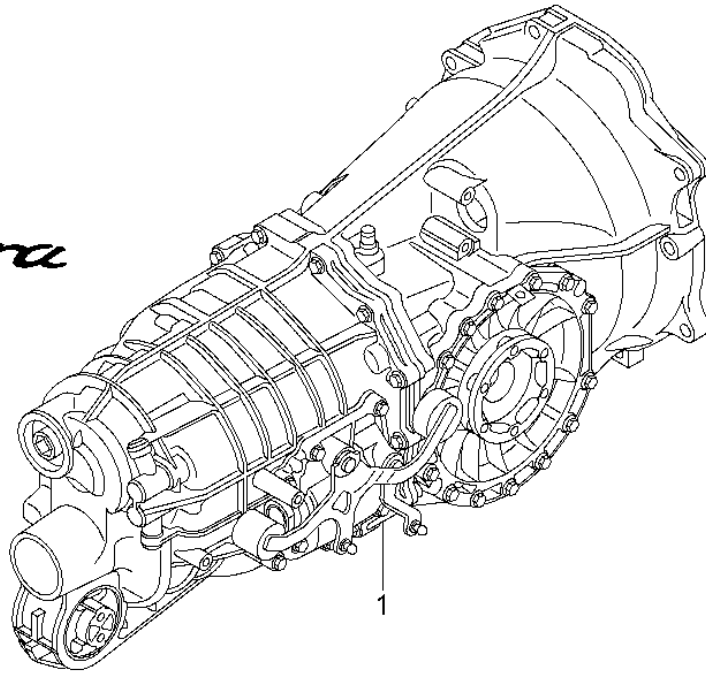
Model life 2005>>2008

| Pos | Part Number    | Description           | Remark | Qty | Model        |
|-----|----------------|-----------------------|--------|-----|--------------|
|     |                | Clutch release        |        |     | G9701, G9731 |
|     |                | Clutch slave cylinder |        |     |              |
| 1   | 997 116 237 03 | Clutch slave cylinder |        | 1   |              |
| 2   | 900 378 033 09 | Hexagon bolt          |        | 2   |              |
|     |                | M 8 X 30              |        |     |              |
| 3   | 999 507 586 40 | Cable holder          |        | 1   |              |

Model: 997 05

Model life 2005>>2008

*Carrera*



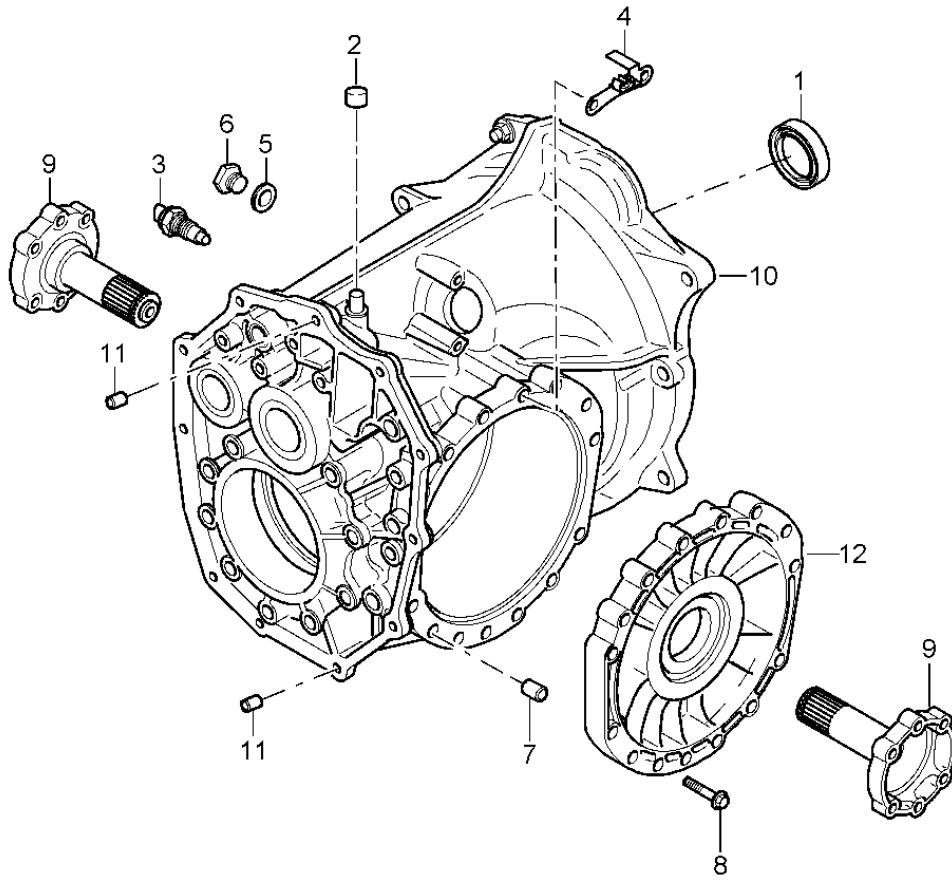
Model: 997 05 Model life 2005>>2008

| Pos | Part Number    | Description   | Remark | Qty | Model            |
|-----|----------------|---|--------|-----|------------------|
|     |                | Manual gearbox<br>Replacement transmission  |        |     | G9701, G9731     |
| 1   | 997 300 010 01 | 6-speed manual transmission<br>Discontinued part  |        | 1   | G9701+<br>PR:219 |
| 1   | 997 300 010 02 | 6-speed manual transmission   |        | 1   | G9701+<br>PR:219 |
| 1   | 997 300 010 31 | 6-speed manual transmission<br>D - MJ 2006>>  |        | 1   | G9731+<br>PR:219 |
| 1   | 997 300 010 32 | 6-speed manual transmission<br>D - MJ 2006>>  |        | 1   | G9731+<br>PR:219 |
| (1) | 997 300 020 01 | 6-speed manual transmission<br>with:<br>limited slip differential<br>Discontinued part                  |        | 1   | G9701+<br>PR:220 |
| (1) | 997 300 020 02 | 6-speed manual transmission<br>with:<br>limited slip differential                                       |        | 1   | G9701+<br>PR:220 |
| (1) | 997 300 020 31 | 6-speed manual transmission<br>with:<br>limited slip differential<br>D - MJ 2006>><br>Discontinued part |        | 1   | G9731+<br>PR:220 |
| (1) | 997 300 020 32 | 6-speed manual transmission<br>with:<br>limited slip differential<br>D - MJ 2006>>                      |        | 1   | G9731+<br>PR:220 |
| 2   | 000 043 204 19 | Transmission fluid<br>20 LTR.<br>Container  |        | X   |                  |
| 2   | 000 043 305 48 | Discontinued part<br>Transmission fluid<br>20 LTR.<br>Container   |        | X   |                  |



Model: 997 05

Model life 2005>>2008



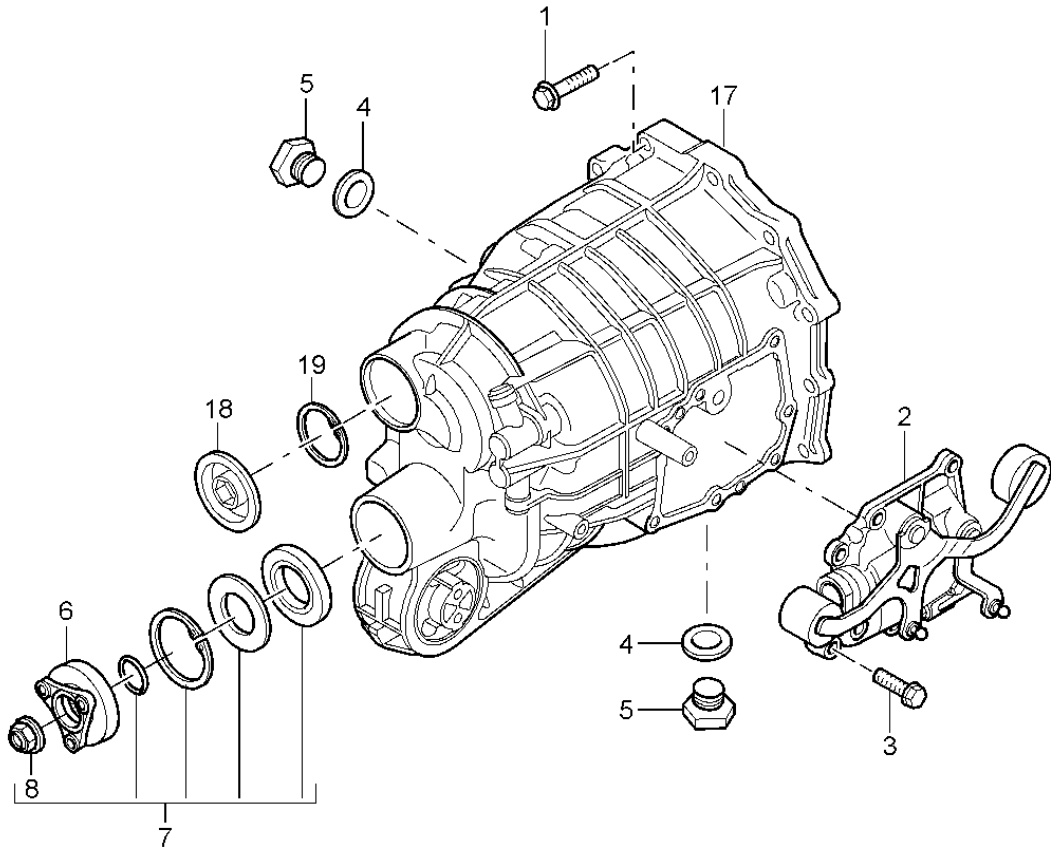
Model: 997 05

Model life 2005>>2008

| Pos | Part Number    | Description   | Remark           | Qty | Model        |
|-----|----------------|---|------------------|-----|--------------|
|     |                | Manual gearbox<br>Individual parts<br>Gear housing<br>vorne |                  |     | G9701, G9731 |
| 1   | 997 302 807 00 | Shaft oil seal  |                  | 1   |              |
| 2   | 997 301 071 00 | breather assy.<br>Discontinued part                         |                  | 1   |              |
| 2   | 997 301 071 05 | breather assy.  |                  | 1   |              |
| 3   | 997 613 180 00 | Reverse light switch<br>No longer use the part here         |                  | 1   |              |
| 3   | 997 613 180 01 | Reverse light switch  |                  | 1   |              |
| 4   | 997 423 777 00 | Bracket   |                  | 1   |              |
| 5   | 997 301 808 00 | seal ring   |                  | 1   |              |
| 6   | 997 301 807 00 | sealing plug  |                  | 1   |              |
| 7   | 997 301 802 00 | Cylinder pin  |                  | 2   |              |
| 8   | 997 301 804 00 | Hexagon bolt  |                  | 14  |              |
| 9   |                | Drive flange  |                  |     |              |
| 10  | 997 301 010 00 | see illustration:<br>Gear housing                           | 305-005<br>front | 1   |              |
| 11  | 997 301 801 00 | Cylinder pin  | lower            | 2   |              |
| 12  | 997 301 012 00 | Gearbox cover   |                  | 1   |              |
| 13  |                | Shaft oil seal<br>see illustration:                         | 305-000          |     |              |

Model: 997 05

Model life 2005>>2008



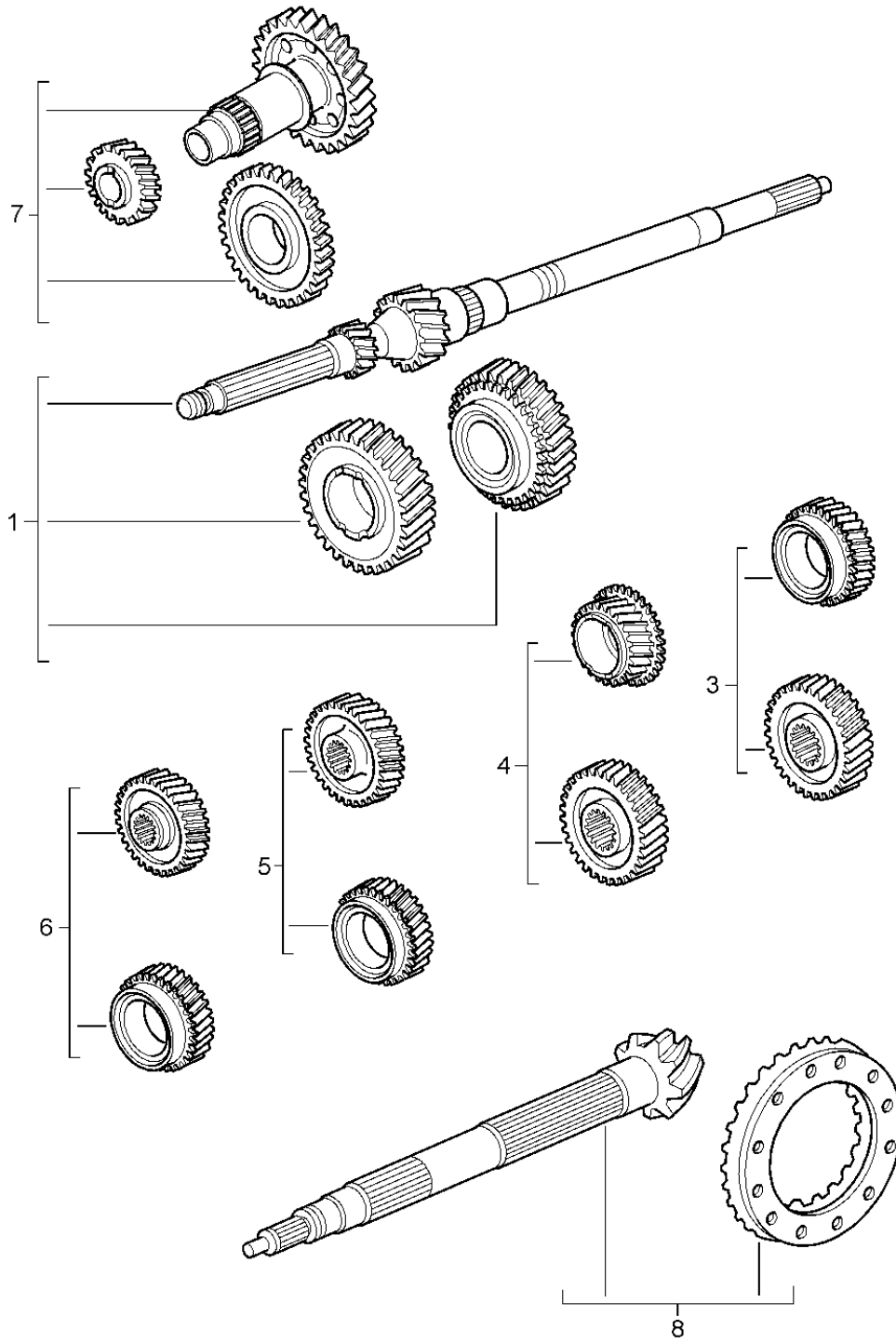
Model: 997 05

Model life 2005>>2008

| Pos  | Part Number    | Description                 | Remark | Qty | Model        |
|------|----------------|-----------------------------|--------|-----|--------------|
|      |                | Manual gearbox              | rear   |     | G9701, G9731 |
|      |                | Individual parts            |        |     |              |
| 1    | 997 301 803 00 | Gear housing                |        | 12  |              |
| 2    | 997 303 030 00 | Hexagon bolt                |        | 1   |              |
|      |                | Switching module            |        |     |              |
|      |                | Discontinued part           |        |     |              |
| 2    | 997 303 930 00 | Switching module            |        | 1   |              |
| 3    | 997 303 808 00 | Hexagon bolt                |        | 7   |              |
| 4    | 997 301 808 00 | seal ring                   |        | 2   |              |
| 5    | 997 301 807 00 | sealing plug                |        | 2   |              |
| 6    | 997 302 301 00 | Output flange               |        | 1   | G9731        |
|      |                | No longer use the part here |        |     |              |
| 6    | 997 301 903 00 | Output flange<br>(complete) |        | 1   | G9731        |
|      |                | also use:                   |        |     |              |
|      |                | Position                    |        |     |              |
|      |                | 7                           |        |     |              |
| 7    | 997 301 911 05 | repair set                  |        | 1   | G9731        |
|      |                | Output flange               |        |     |              |
|      |                | comprising:                 |        |     |              |
|      |                | Shaft oil seal              |        |     |              |
|      |                | Spacer ring                 |        |     |              |
|      |                | Securing ring               |        |     |              |
|      |                | O-ring                      |        |     |              |
|      |                | Hexagon nut                 |        |     |              |
| 8    | 997 302 303 00 | guiding plate               |        | 1   | G9731        |
|      |                | No longer use the part here |        |     |              |
| 9    | 997 302 813 00 | O-ring                      |        | 1   | G9731        |
| 10   | 997 301 810 00 | Securing ring               |        | 1   | G9731        |
| 11   | 997 301 113 00 | Spacer ring                 |        | 1   | G9731        |
| 12   | 997 301 809 00 | Shaft oil seal              |        | 1   | G9731        |
|      |                | No longer use the part here |        |     |              |
| 13   | 997 302 319 00 | Hexagon nut                 |        | 1   | G9731        |
| 14   | 997 302 119 00 | Oil-conducting housing      |        | 1   | G9731        |
| 15   | 997 302 811 00 | feather key                 |        | 1   | G9731        |
|      |                | Discontinued part           |        |     |              |
| 15   | 997 302 811 05 | feather key                 |        | 1   | G9731        |
| 16   | 997 302 812 05 | O-ring                      |        | 1   | G9731        |
| 17   | 997 301 013 00 | Gear housing                | rear   | 1   | G9701        |
| (17) | 997 301 013 31 | Gear housing                | rear   | 1   | G9731        |
| 18   | 997 301 805 00 | End cap                     | rear   | 1   |              |
|      |                | Gear housing                |        |     |              |
| 19   | 997 301 902 00 | Set                         |        | 1   |              |
|      |                | snap ring                   |        |     |              |

Model: 997 05

Model life 2005>>2008



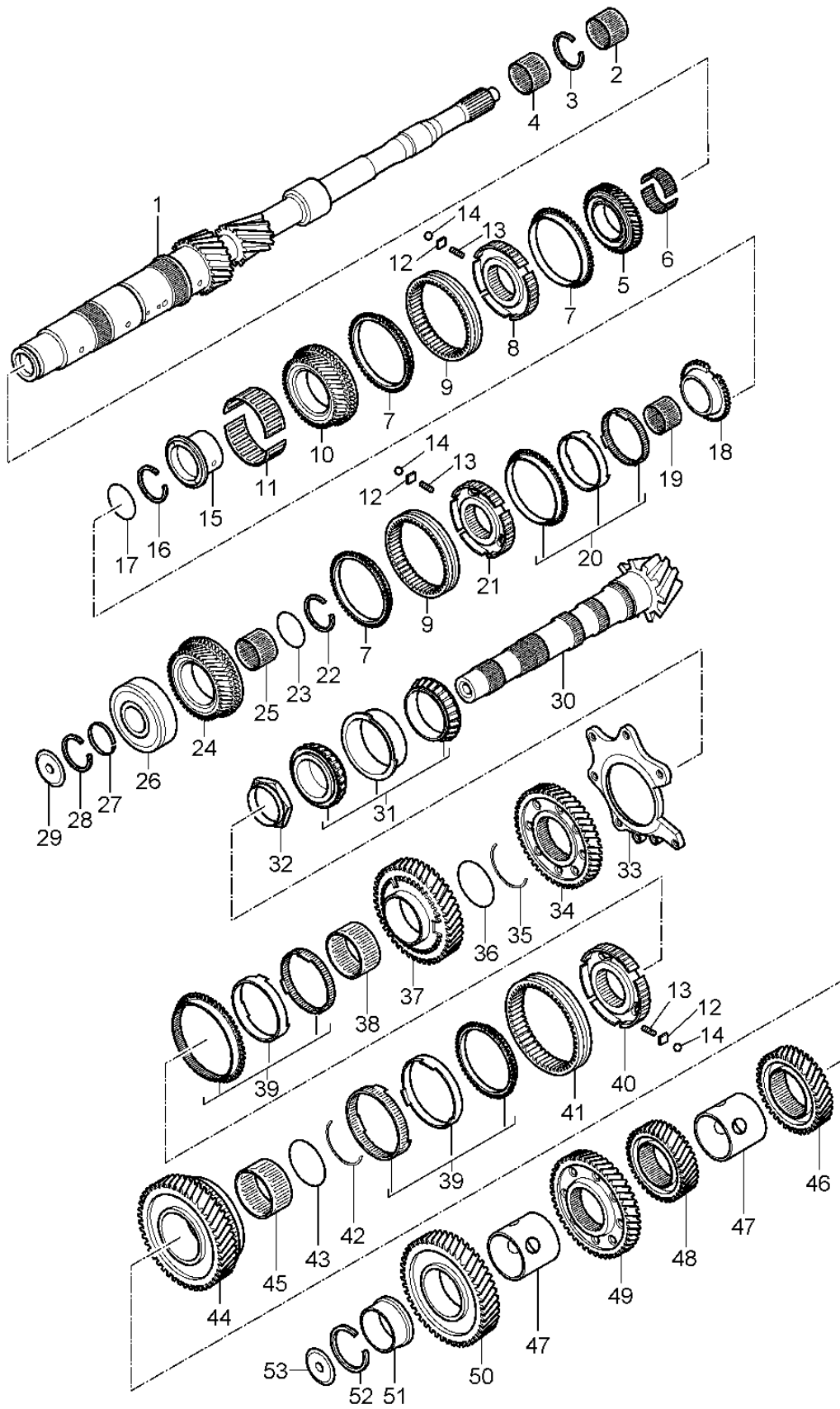
Model: 997 05

Model life 2005>>2008

| Pos | Part Number    | Description   | Remark | Qty | Model        |
|-----|----------------|---|--------|-----|--------------|
| -   |                | Gear wheel sets<br>see<br>Technical information<br>Group 3<br>NR. 67/10 |        |     | G9701, G9731 |
| 1   | 997 302 901 00 | gear set<br>1st / 2nd gear  |        | 1   |              |
| 1   | 997 302 901 01 | gear set<br>1st / 2nd gear<br>No longer use the part here               |        | 1   |              |
| 3   | 997 302 903 00 | gear set<br>3rd gear  |        | 1   |              |
| 4   | 997 302 904 00 | gear set<br>4th speed   |        | 1   |              |
| 5   | 997 302 905 00 | gear set<br>5th gear  |        | 1   |              |
| 6   | 997 302 906 00 | gear set<br>6th gear  |        | 1   |              |
| 7   | 997 302 907 00 | gear set<br>Reverse gear  |        | 1   |              |
| 8   | 997 302 911 00 | pinion gear set   |        | 1   | G9701        |
| 8   | 997 302 911 31 | pinion gear set   |        | 1   | G9731        |

Model: 997 05

Model life 2005>>2008



Model: 997 05

Model life 2005&gt;&gt;2008

| Pos | Part Number    | Description  | Remark  | Qty | Model        |
|-----|----------------|--|---------|-----|--------------|
| -   |                | gears and shafts<br>see<br>Technical information<br>Group 3<br>Nr. 67/10 |         |     | G9701, G9731 |
| 1   |                | Input shaft<br>see illustration:   | 303-000 |     |              |
| 2   | 997 302 808 00 | needle bearing for<br>drive shaft  |         | 1   |              |
| 3   | 997 302 931 00 | 1 set circlips   |         | 1   |              |
| 4   | 997 302 801 00 | Taper roller bearing   |         | 1   |              |
| 5   |                | Loose gear wheel<br>5th gear<br>see illustration:                        | 303-000 |     |              |
| 6   | 997 302 925 00 | Set<br>needle bearing -<br>5th gear                                      |         | 1   |              |
| 7   | 997 304 211 02 | synchronizer ring<br>4-speed<br>5-speed<br>6th gear                      |         | 3   |              |
| 8   | 997 304 221 01 | Guide sleeve<br>5th and 6th gear   |         | 1   |              |
| 9   | 997 304 231 00 | Shift collar   |         | 2   |              |
| 10  |                | Loose gear wheel<br>6th gear<br>see illustration:                        | 303-000 |     |              |
| 11  | 997 302 926 00 | Set<br>needle bearing -<br>6th gear                                      |         | 1   |              |
| 12  | 997 304 251 00 | Follower   |         | 9   |              |
| 13  | 997 304 261 00 | Pressure spring  |         | 12  |              |
| 14  | 997 304 271 00 | ball   |         | 9   |              |
| 15  | 997 302 266 00 | inner ring<br>5th and 6th gear   |         | 1   |              |
| 16  | 997 302 932 00 | 1 set circlips   |         | 1   |              |
| 17  | 997 302 233 00 | Spacer ring<br>3rd gear  |         | 1   |              |
| 18  | 997 302 083 01 | Loose gear wheel<br>3rd gear<br>see illustration:                        | 303-000 |     |              |
| 19  | 997 302 923 00 | Set<br>needle bearing -<br>3rd gear                                      |         | 1   |              |
| 20  | 997 304 611 05 | Set<br>synchronizer ring<br>3rd gear                                     |         | 1   |              |
| 21  | 997 304 221 00 | Guide sleeve<br>3. + 4.Gang  |         | 1   |              |
| 22  | 997 302 933 00 | 1 set circlips<br>4th speed  |         | 1   |              |
| 23  | 997 302 234 00 | Spacer ring<br>4th speed   |         | 1   |              |
| 24  | 997 302 084 00 | Loose gear wheel<br>4th speed<br>see illustration:                       | 303-000 |     |              |
| 25  | 997 302 924 00 | Set<br>needle bearing -<br>4th speed                                     |         | 1   |              |
| 26  | 997 302 802 00 | Taper roller bearing   |         | 1   |              |
| 27  | 997 301 902 00 | Set<br>snap ring   |         | 1   |              |
| 28  | 997 302 934 00 | 1 set circlips   |         | 1   |              |



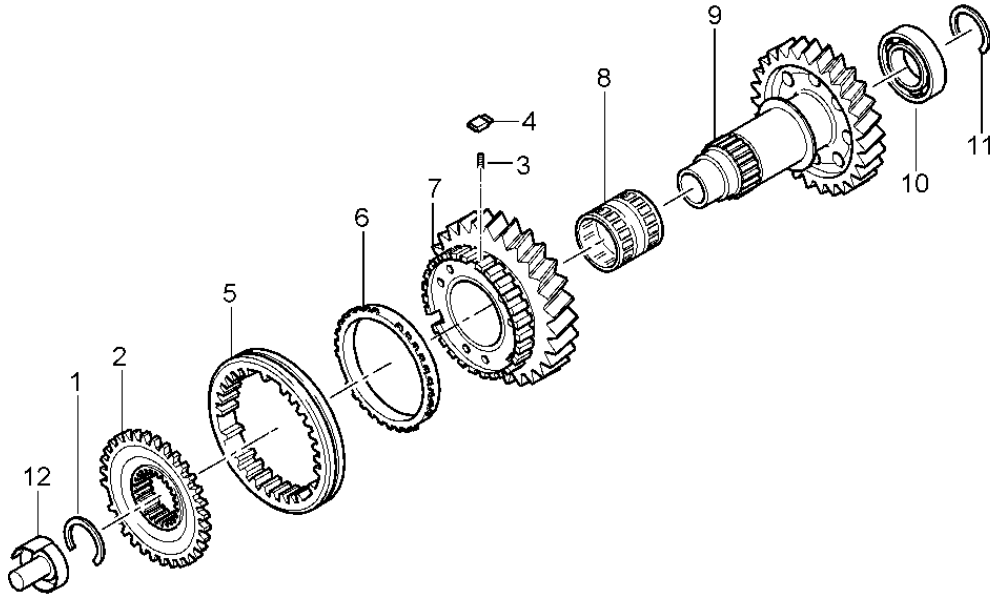
Model: 997 05

Model life 2005&gt;&gt;2008

| Pos | Part Number    | Description   | Remark  | Qty | Model |
|-----|----------------|---|---------|-----|-------|
| 29  | 997 307 107 00 | Cover<br>Oil duct   |         | 1   |       |
| 30  |                | Pinion shaft<br>see illustration:                             | 303-000 |     |       |
| 31  | 997 302 803 00 | Taper roller bearing<br>Output shaft                          |         | 1   |       |
| 32  | 997 302 317 00 | Hexagon nut   |         | 1   |       |
| 33  | 997 302 121 00 | Retaining plate   |         | 1   |       |
| 34  |                | Reversing fixed gear<br>see illustration:                     | 303-000 |     |       |
| 35  | 997 302 935 00 | 1 set circlips<br>Reverse gear                                |         | 1   |       |
| 36  | 997 302 231 00 | Spacer ring<br>Reverse gear                                   |         | 1   |       |
| 37  | 997 302 211 05 | Loose gear wheel<br>1st gear<br>see illustration:             | 303-000 | 1   |       |
| 38  | 997 302 921 00 | Set<br>needle bearing -<br>1st gear                           |         | 1   |       |
| 39  | 997 304 811 05 | Set<br>synchronizer ring                                      |         | 2   |       |
| 40  | 997 304 821 05 | 1st / 2nd gear<br>Guide sleeve                                |         | 1   |       |
| 41  | 997 304 831 05 | 1st / 2nd gear<br>Shift collar                                |         | 1   |       |
| 42  | 997 302 939 00 | 1st / 2nd gear<br>1 set circlips                              |         | 1   |       |
| 43  | 997 302 232 00 | 1st / 2nd gear<br>Spacer ring                                 |         | 1   |       |
| 44  | 997 302 212 05 | 2nd gear<br>Loose gear wheel<br>2nd gear<br>see illustration: | 303-000 | 1   |       |
| 45  | 997 302 922 00 | Set<br>Nadellager<br>2nd gear                                 |         | 1   |       |
| 46  |                | Fixed gear wheel<br>5th gear<br>see illustration:             | 303-000 |     |       |
| 47  | 997 302 267 00 | spacer bush<br>5th and 6th gear                               |         | 2   |       |
| 48  |                | Fixed gear wheel<br>6th gear<br>see illustration:             | 303-000 |     |       |
| 49  |                | Fixed gear wheel<br>3rd gear<br>see illustration:             | 303-000 |     |       |
| 50  |                | Fixed gear wheel<br>4th speed<br>see illustration:            | 303-000 |     |       |
| 51  | 997 302 804 00 | cylinder roller bearing<br>Output shaft                       |         | 1   |       |
| 52  | 997 302 936 00 | 1 set circlips  |         | 1   |       |
| 53  | 997 307 111 00 | Cover<br>Oil duct   |         | 1   |       |

Model: 997 05

Model life 2005>>2008



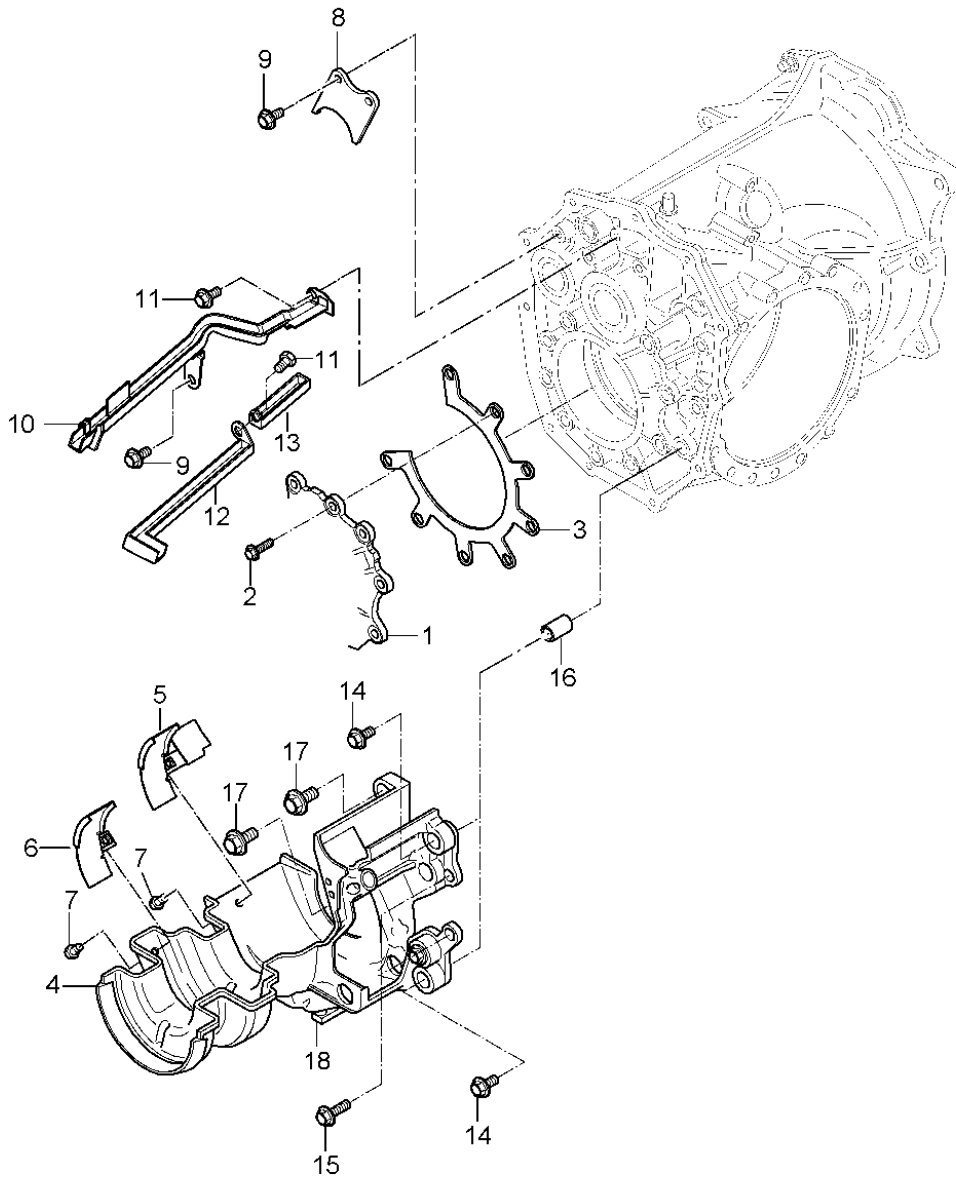
Model: 997 05

Model life 2005>>2008

| Pos | Part Number    | Description   | Remark  | Qty | Model        |
|-----|----------------|---|---------|-----|--------------|
| 1   | 997 302 938 00 | Reverse gear<br>1 set circlips  |         | 1   | G9701, G9731 |
| 2   | 997 304 201 00 | Reverse gear<br>Clutch body   |         | 1   |              |
| 3   | 997 304 261 00 | Reverse gear<br>Pressure spring   |         | 12  |              |
| 4   | 997 304 251 01 | Reverse gear<br>Follower  |         | 3   |              |
| 5   | 997 304 231 01 | Reverse gear<br>Shift collar  |         | 1   |              |
| 6   | 997 304 211 01 | Reverse gear<br>synchronizer ring                                       |         | 1   |              |
| 7   |                | Reverse gear<br>Reversing gear  |         |     |              |
| 8   | 997 302 806 00 | see illustration:<br>needle bearing -                                   | 303-000 | 1   |              |
| 9   |                | reverse gear idler spindle<br>reverse gear idler spindle                |         |     |              |
| 10  | 997 302 805 00 | see illustration:<br>grooved ball bearing                               | 303-000 | 1   |              |
| 11  | 997 302 937 00 | reverse gear idler spindle<br>1 set circlips                            |         | 1   |              |
| 12  | 997 301 060 00 | reverse gear idler spindle<br>Bearing set<br>reverse gear idler spindle |         | 1   |              |

Model: 997 05

Model life 2005>>2008



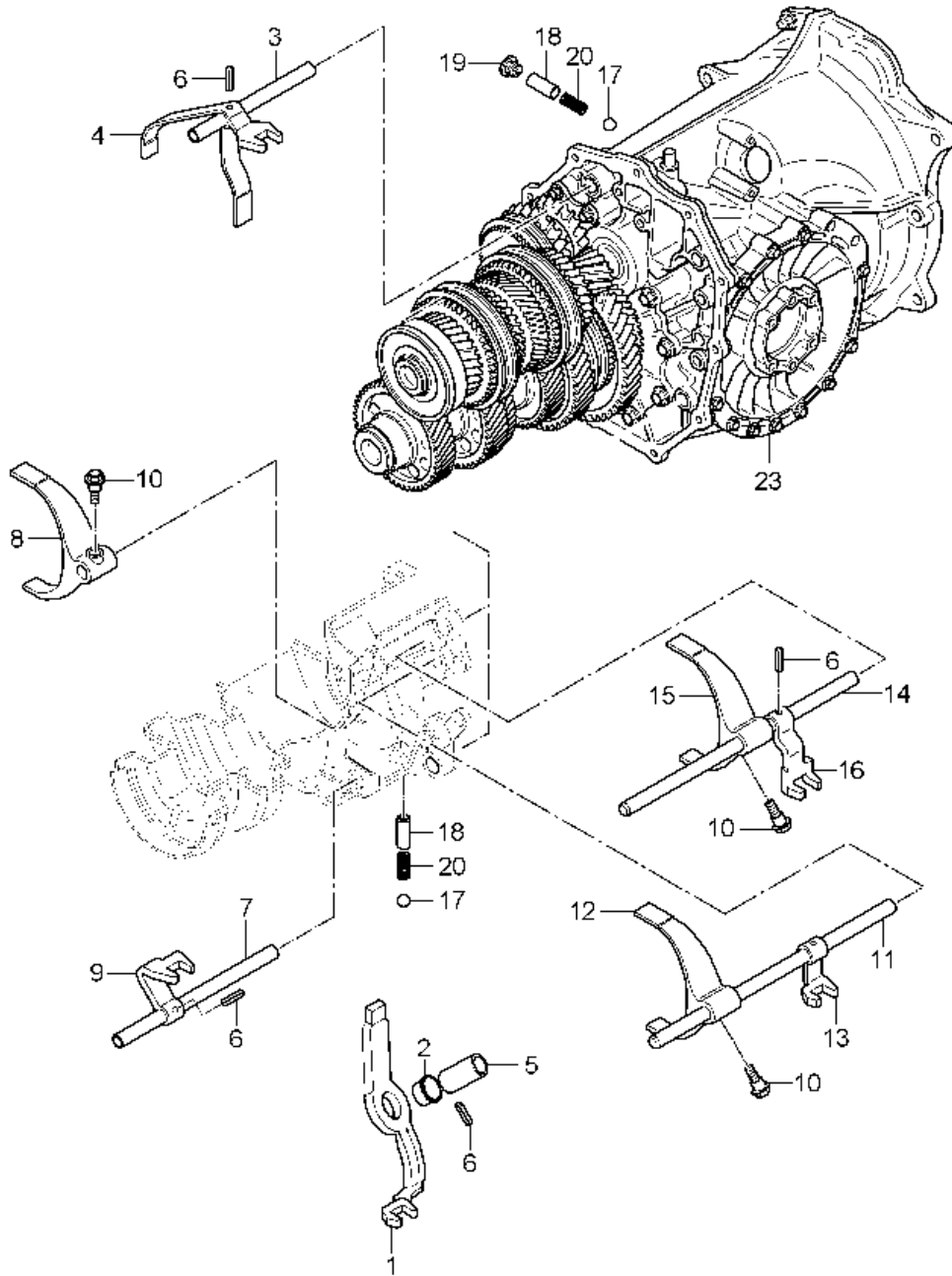
Model: 997 05

Model life 2005>>2008

| Pos | Part Number    | Description   | Remark  | Qty | Model        |
|-----|----------------|---|---------|-----|--------------|
| 1   |                | gears and shafts<br>guiding plate<br>Retaining plate<br>see illustration: | 303-003 |     | G9701, G9731 |
| 2   | 997 302 810 00 | Screw   |         | 8   |              |
| 3   | 997 302 163 00 | 1 set shims<br>Retaining plate  |         | 1   |              |
| 4   | 997 307 020 00 | Capsule<br>gear set   |         | 1   |              |
| 5   | 997 307 250 00 | plate   |         | 1   |              |
| 6   | 997 307 252 00 | plate   |         | 1   |              |
| 7   | 997 307 806 01 | Hexagon bolt  |         | 2   |              |
| 8   | 997 302 236 00 | Retaining plate   |         | 1   |              |
| 9   | 997 302 237 00 | Screw   |         | 2   |              |
| 10  | 997 307 010 00 | Oil guide plate<br>Input shaft  |         | 1   |              |
| 11  | 997 307 801 00 | Hexagon bolt<br>guiding plate   |         | 3   |              |
| 12  | 997 307 101 00 | Oil guide plate<br>Output shaft   |         | 1   |              |
| 13  | 997 307 102 00 | Oil guide plate   |         | 1   |              |
| 14  | 997 307 804 05 | Hexagon bolt  |         | 2   |              |
| 15  | 997 307 805 00 | Hexagon bolt  |         | 2   |              |
| 16  | 997 307 802 00 | dowel sleeve  |         | 2   |              |
| 17  | 997 301 803 00 | Hexagon bolt  |         | 2   |              |
| 18  | 997 307 030 00 | Magnet  |         | 1   |              |

Model: 997 05

Model life 2005>>2008



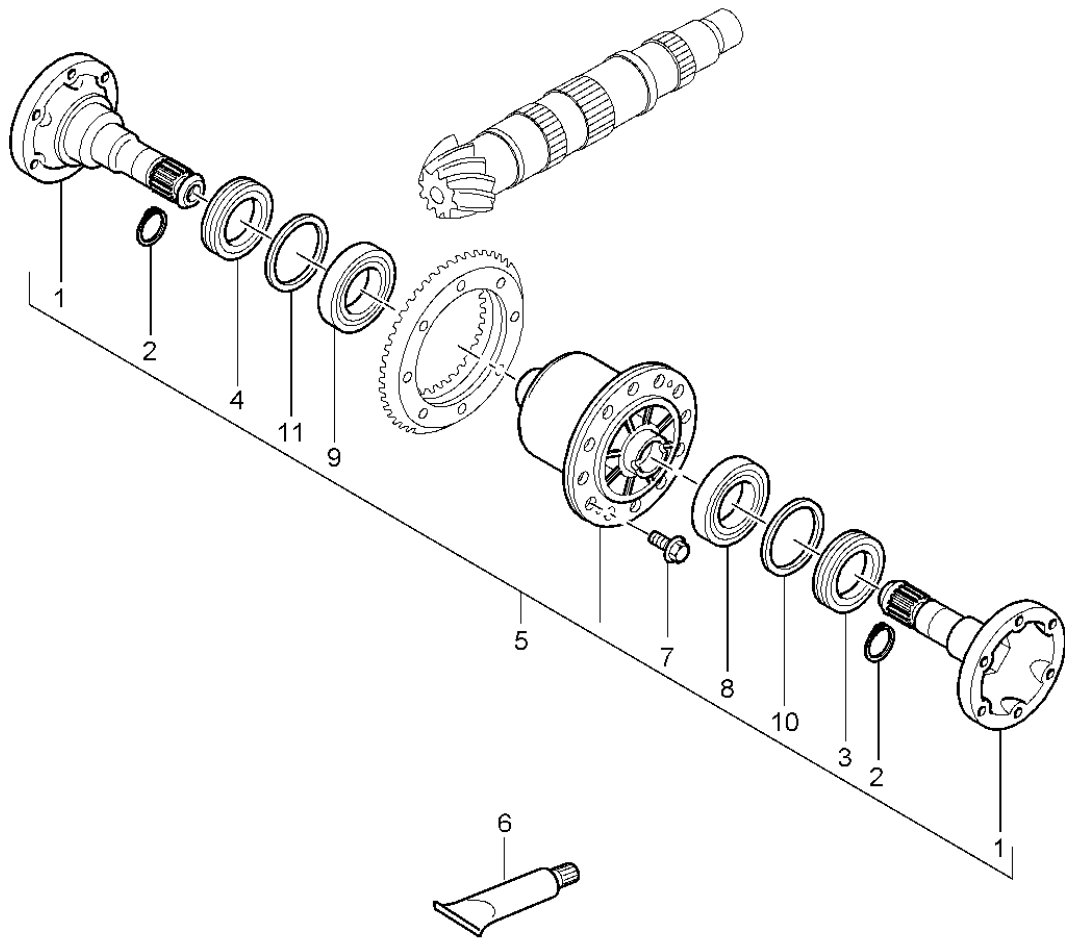
Model: 997 05

Model life 2005&gt;&gt;2008

| Pos | Part Number    | Description                                  | Remark | Qty | Model        |
|-----|----------------|--|--------|-----|--------------|
|     |                | selector shaft<br>shift rod<br>Selector fork |        |     | G9701, G9731 |
| 1   | 997 303 127 00 | relay lever                                  |        | 1   |              |
| 2   | 997 303 137 00 | Reverse gear<br>axle<br>relay lever          |        | 1   |              |
| 3   | 997 303 107 00 | Reverse gear<br>selector shaft               |        | 1   |              |
| 4   | 997 303 117 00 | Reverse gear<br>Selector fork                |        | 1   |              |
| 5   | 997 303 801 00 | Reverse gear<br>needle bearing -             |        | 25  |              |
| 6   | 997 303 802 00 | Reverse gear<br>spring pin                   |        | 5   |              |
| 7   | 997 303 101 00 | selector shaft<br>1st / 2nd gear             |        | 1   |              |
| 8   | 997 303 111 00 | Selector fork<br>1st / 2nd gear              |        | 1   |              |
| 9   | 997 303 121 00 | Follower<br>1st / 2nd gear                   |        | 1   |              |
| 10  | 997 303 805 00 | Hexagon bolt                                 |        | 3   |              |
| 11  | 997 303 103 00 | selector shaft<br>3rd/4th gear               |        | 1   |              |
| 12  | 997 303 113 00 | Selector fork<br>3rd/4th gear                |        | 1   |              |
| 13  | 997 303 123 00 | Follower<br>3rd/4th gear                     |        | 1   |              |
| 14  | 997 303 105 00 | selector shaft<br>5. / 6. Gang               |        | 1   |              |
| 15  | 997 303 115 00 | Selector fork<br>5. / 6. Gang                |        | 1   |              |
| 16  | 997 303 125 00 | Follower<br>5. / 6. Gang                     |        | 1   |              |
| 17  | 997 303 241 00 | ball   |        | 4   |              |
| 18  | 997 303 243 00 | Sleeve                                       |        | 4   |              |
| 19  | 997 303 245 00 | Sealing cap                                  |        | 3   |              |
| 20  | 997 303 247 00 | Pressure spring                              |        | 4   |              |
| 21  | 997 303 803 00 | Round socket                                 |        | 4   |              |
| 22  | 997 303 804 00 | Round socket                                 |        | 4   |              |

Model: 997 05

Model life 2005>>2008





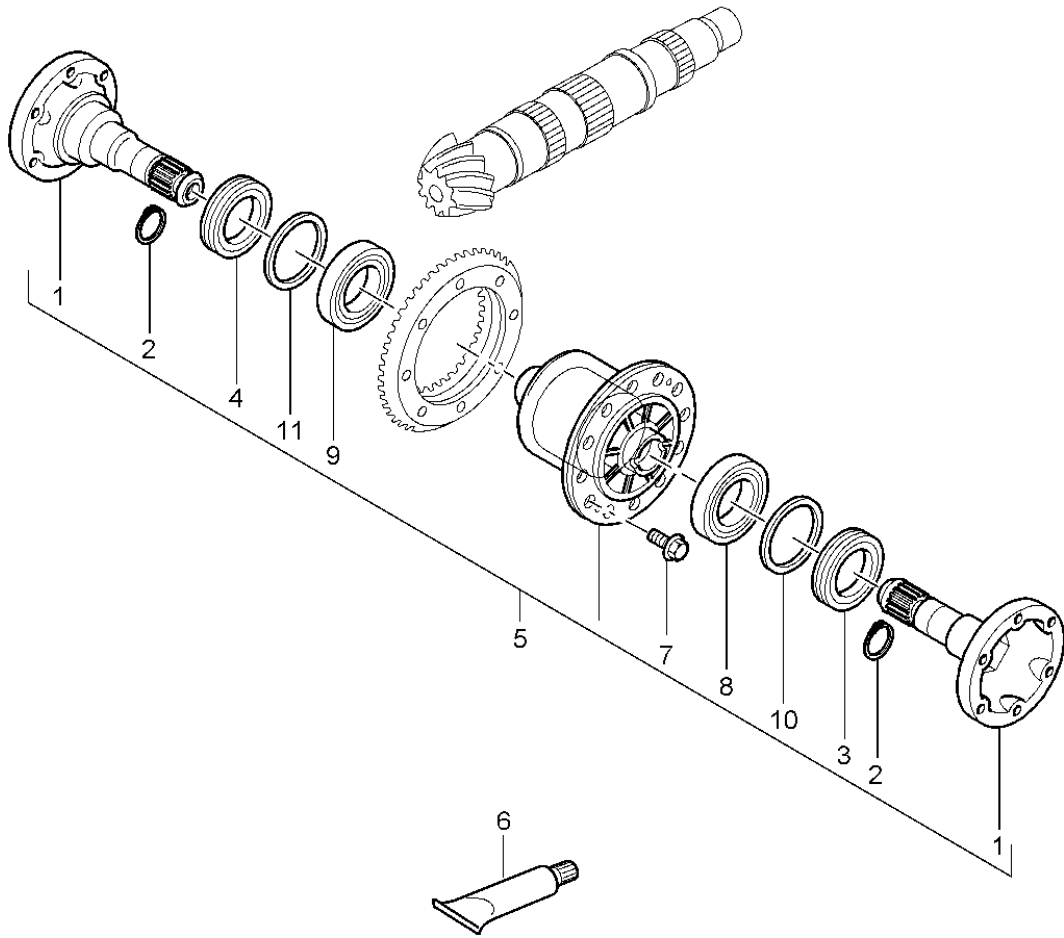
Model: 997 05

Model life 2005>>2008

| Pos | Part Number    | Description   | Remark    | Qty | Model                   |
|-----|----------------|---|-----------|-----|-------------------------|
| -   |                | repair set<br>Differential<br>Up to transmission number<br>G97.01 1034656<br>G97.31 1034656<br>repair set<br>See workshop manual<br>Group 0<br>Document<br>0830IN |           |     | G9701, G9731+<br>PR:219 |
| -   |                | From transmission no.<br>G97.01 1034657<br>G97.31 1034657<br>Individual parts<br>Use  |           |     |                         |
| 1   | 997 332 209 02 | Drive flange<br>Discontinued part   |           | 2   |                         |
| 1   | 997 332 209 05 | Drive flange  |           | 2   |                         |
| 2   | 997 332 249 01 | snap ring   |           | 2   |                         |
| 3   | 997 332 804 01 | Shaft oil seal<br>Gearbox cover<br>68,2 mm  |           | 1   |                         |
| 4   | 997 332 803 01 | Shaft oil seal<br>70 mm   |           | 1   |                         |
| 5   | 997 332 905 01 | repair set  |           | 1   |                         |
| 6   | 000 043 010 00 | Loctite<br>574<br>50 Ml.  | also use: | X   |                         |
| 7   | 997 332 276 00 | Hexagon bolt  |           | 16  |                         |
| 8   | 997 332 801 00 | Taper roller bearing  |           | 1   |                         |
| 9   | 997 332 802 00 | Taper roller bearing  |           | 1   |                         |
| 10  | 997 332 266 00 | 1 set shims<br>1,02 - 1,86  |           | 1   |                         |
| 11  | 997 332 268 00 | 1 set shims<br>0,92 - 1,76  |           | 1   |                         |

Model: 997 05

Model life 2005>>2008



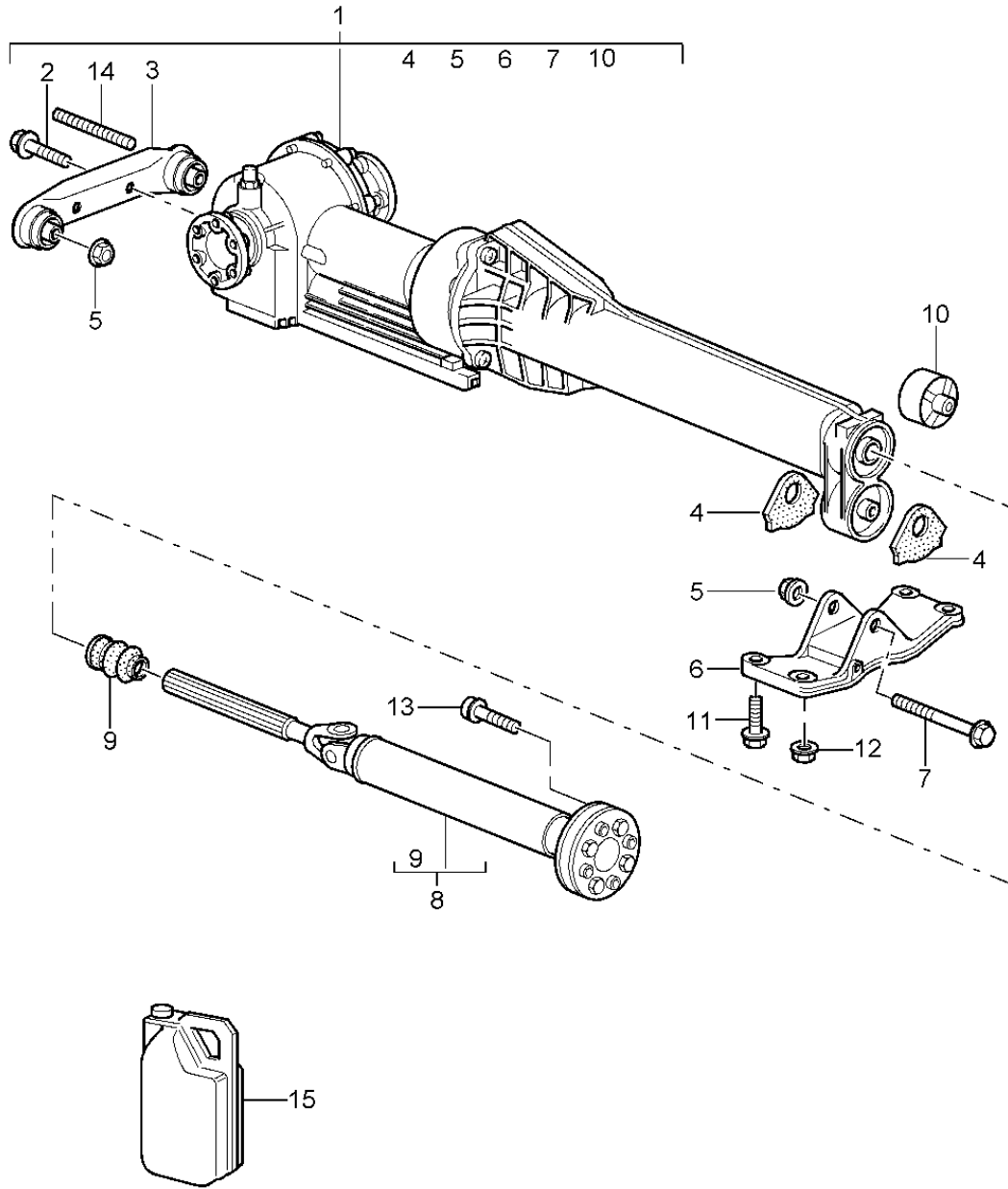
Model: 997 05

Model life 2005>>2008

| Pos | Part Number    | Description  | Remark    | Qty | Model                   |
|-----|----------------|--|-----------|-----|-------------------------|
| -   |                | repair set<br>limited slip differential<br>Up to transmission number<br>G97.01 1034656<br>G97.31 1034656 |           |     | G9701, G9731+<br>PR:220 |
| -   |                | repair set<br>See workshop manual<br>Group 0<br>Document<br>0830IN                                       |           |     |                         |
| -   |                | From transmission no.<br>G97.01 1034657<br>G97.31 1034657<br>Individual parts<br>Use                     |           |     |                         |
| 1   | 997 332 209 02 | Drive flange<br>Discontinued part  |           | 2   |                         |
| 1   | 997 332 209 05 | Drive flange   |           | 2   |                         |
| 2   | 997 332 249 01 | snap ring  |           | 2   |                         |
| 3   | 997 332 804 01 | Shaft oil seal<br>Gearbox cover<br>68,2 mm   |           | 1   |                         |
| 4   | 997 332 803 01 | Shaft oil seal<br>70 mm  |           | 1   |                         |
| 5   | 997 332 908 01 | repair set   |           | 1   |                         |
| 6   | 000 043 010 00 | Loctite<br>574<br>50 Ml.   | also use: | X   |                         |
| 7   | 997 332 276 00 | Hexagon bolt   |           | 16  |                         |
| 8   | 997 332 801 00 | Taper roller bearing   |           | 1   |                         |
| 9   | 997 332 802 00 | Taper roller bearing   |           | 1   |                         |
| 10  | 997 332 266 00 | 1 set shims<br>1,02 - 1,86   |           | 1   |                         |
| 11  | 997 332 268 00 | 1 set shims<br>0,92 - 1,76   |           | 1   |                         |

Model: 997 05

Model life 2005>>2008



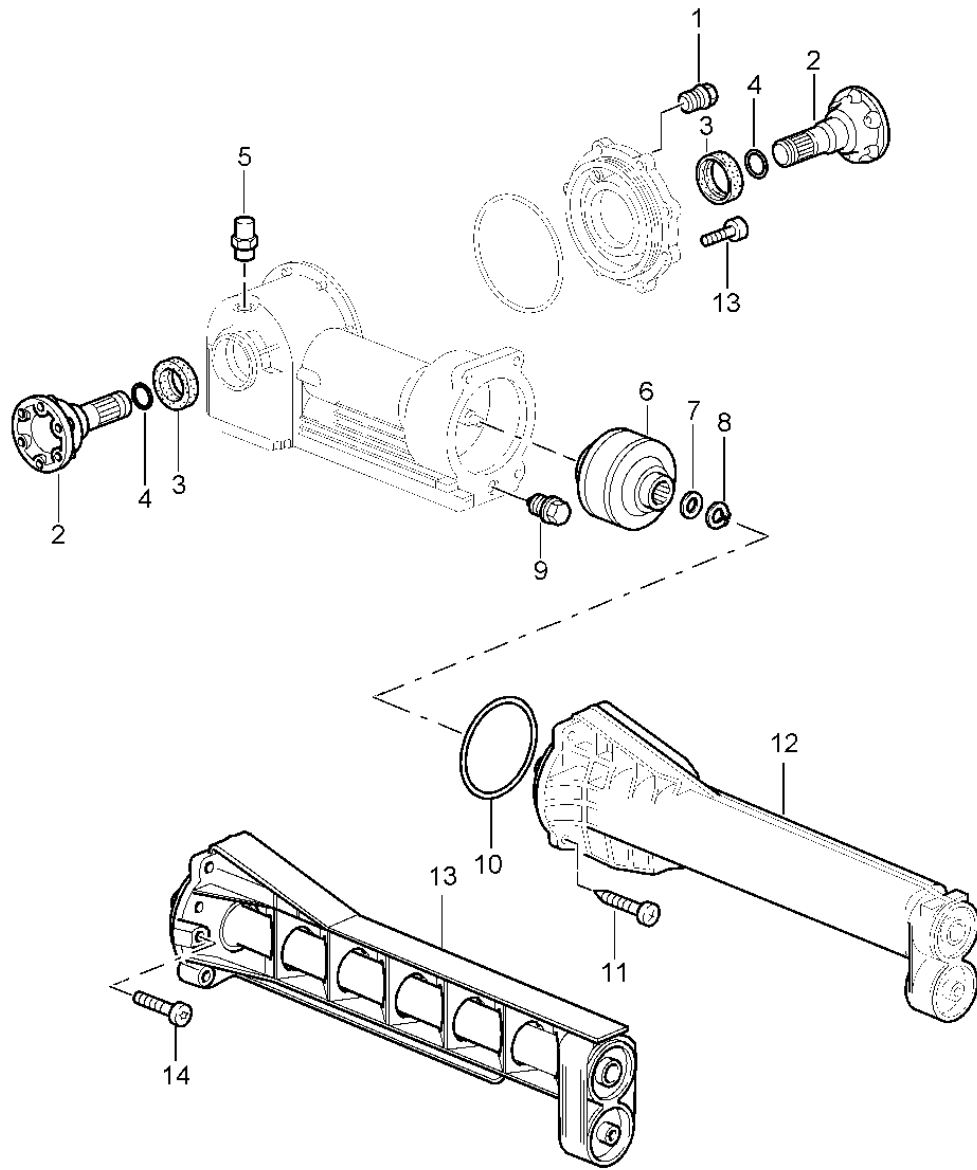
Model: 997 05

Model life 2005>>2008

| Pos | Part Number    | Description  | Remark | Qty | Model                  |
|-----|----------------|--|--------|-----|------------------------|
|     |                | Front axle differential<br>Cardan shaft  |        |     | Z97.00<br>G9731, A9731 |
| 1   | 997 349 010 00 | Front axle differential<br>Ready for installation  |        | 1   |                        |
| 2   | 999 072 034 09 | Conical screw<br>M 10 X 28   |        | 2   |                        |
| 3   | 997 375 934 00 | transmission carrier   | front  | 1   |                        |
| 4   | 997 375 257 00 | Stop   |        | 2   |                        |
| 5   | 900 380 008 09 | Locknut<br>M 10  |        | 1   |                        |
| 6   | 997 375 343 00 | transmission carrier   | rear   | 1   |                        |
| 7   | 900 378 142 09 | Hexagon bolt<br>M 10 X 90  |        | 1   |                        |
| 8   | 996 421 020 50 | Cardan shaft<br>Discontinued part  |        | 1   |                        |
| 8   | 997 421 020 00 | Cardan shaft<br>Discontinued part  |        | 1   |                        |
| 8   | 997 421 020 01 | Cardan shaft   |        | 1   |                        |
| 9   | 996 421 145 01 | Gaiter   |        | 1   |                        |
| 10  | 996 375 054 02 | gearbox mounting   |        | 1   |                        |
| 11  | 900 385 123 01 | Bolt with washer<br>M 10 X 25  |        | 4   |                        |
| 12  | 999 076 053 09 | Hexagon nut<br>M 10  |        | 2   |                        |
| 13  | 900 385 097 01 | Torx screw<br>M 10 X 35  |        | 3   |                        |
| 14  | 999 061 111 99 | Threaded pin<br>M 10 X 121   |        | 2   |                        |
| 15  | 000 043 204 20 | Transmission fluid<br>Front axle differential<br>MOBILUBE PTX<br>75 W 90<br>Container<br>20 LTR. |        | X   |                        |

Model: 997 05

Model life 2005>>2008



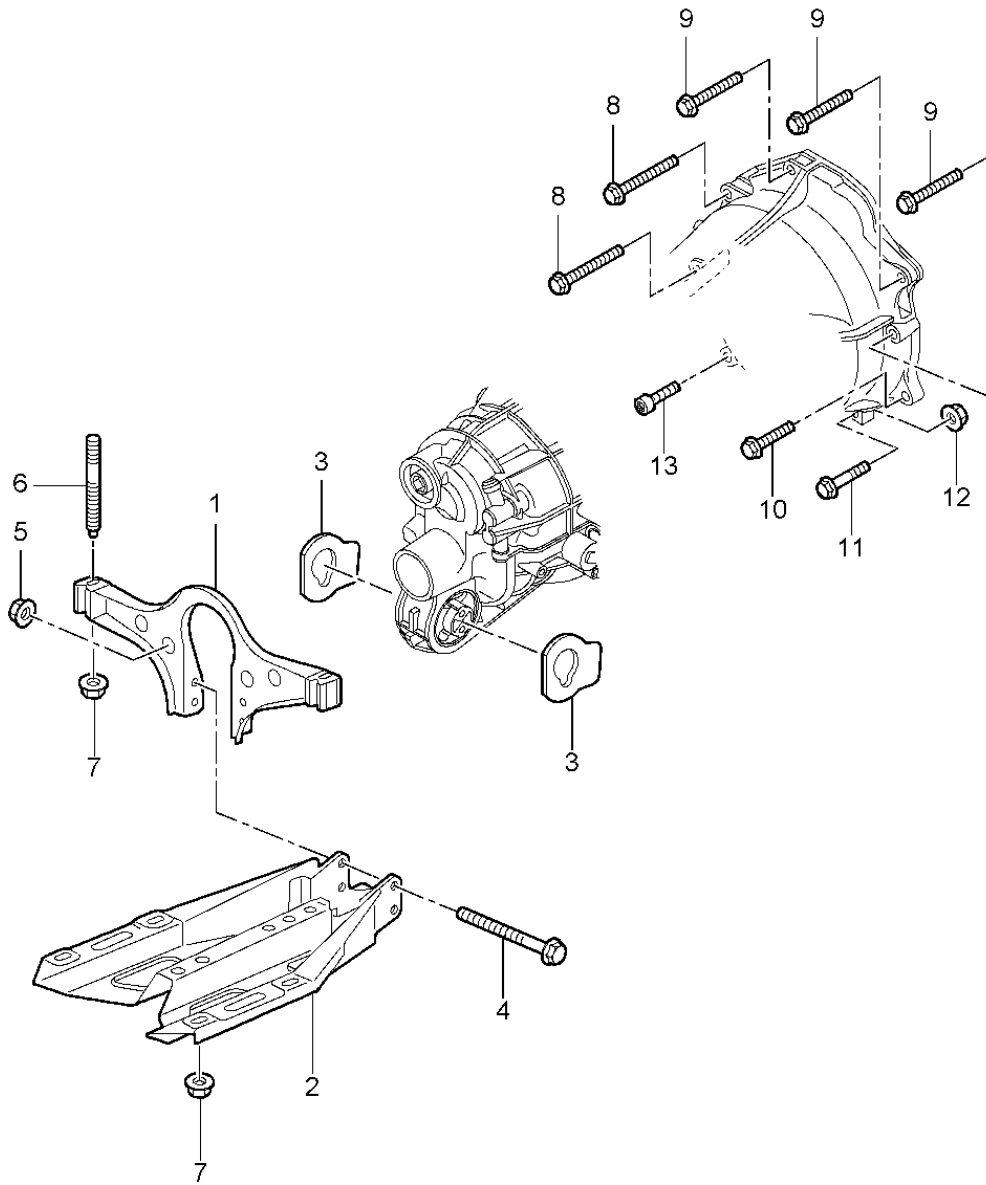
Model: 997 05

Model life 2005>>2008

| Pos | Part Number    | Description   | Remark | Qty | Model                 |
|-----|----------------|---|--------|-----|-----------------------|
|     |                | Front axle differential   |        |     | Z97.00<br>G9731,A9731 |
| 1   | N 016 161 1    | Viscous clutch<br>Individual parts<br>sealing plug<br>M 18 X 1,5<br>Discontinued part |        | 1   |                       |
| 1   | 900 124 013 02 | sealing plug<br>M 18 X 1,5  |        | 1   |                       |
| 2   | 996 332 309 00 | Drive flange  |        | 2   |                       |
| 3   | 999 113 454 40 | Shaft oil seal<br>40 X 60 X 9   |        | 2   |                       |
| 4   | 996 332 311 00 | snap ring<br>2,5 X 20   |        | 2   |                       |
| 5   | 996 301 071 00 | breather assy.<br>17 X 12   |        | 1   |                       |
| 6   | 996 339 021 02 | Viscous clutch  |        | 1   |                       |
| 7   | 900 234 174 00 | support washer<br>20 X 28 X 2,0   |        | 1   |                       |
| 8   | 999 041 021 01 | Securing ring<br>20 X 1,2   |        | 1   |                       |
| 9   | 900 124 025 02 | sealing plug<br>M 18 X 1,5 PM<br>Discontinued part                                    |        | 1   |                       |
| 9   | 900 124 014 01 | sealing plug<br>M 18 X 1,5 PM   |        | 1   |                       |
| 10  | 999 707 455 40 | O-ring<br>123 X 3   |        | 1   |                       |
| 11  | N 903 660 01   | Oval hexagon socket head bolt<br>M 8 X 36   |        | 4   |                       |
|     |                | only in conj. with:   |        |     |                       |
| 12  |                | Position 12<br>Support<br>Cardan shaft  |        | 1   |                       |
|     |                | with:   |        |     |                       |
|     |                | Use<br>N_903.660.01   |        |     |                       |
| 13  | 997 337 041 00 | Support<br>Cardan shaft   |        | 1   |                       |
|     |                | with:   |        |     |                       |
|     |                | Use<br>900.385.141.01   |        |     |                       |
| 14  | 900 385 141 01 | Torx screw<br>M 8 x 40  |        | 4   |                       |
|     |                | only in conj. with:<br>997.337.041.00   |        |     |                       |

Model: 997 05

Model life 2005>>2008





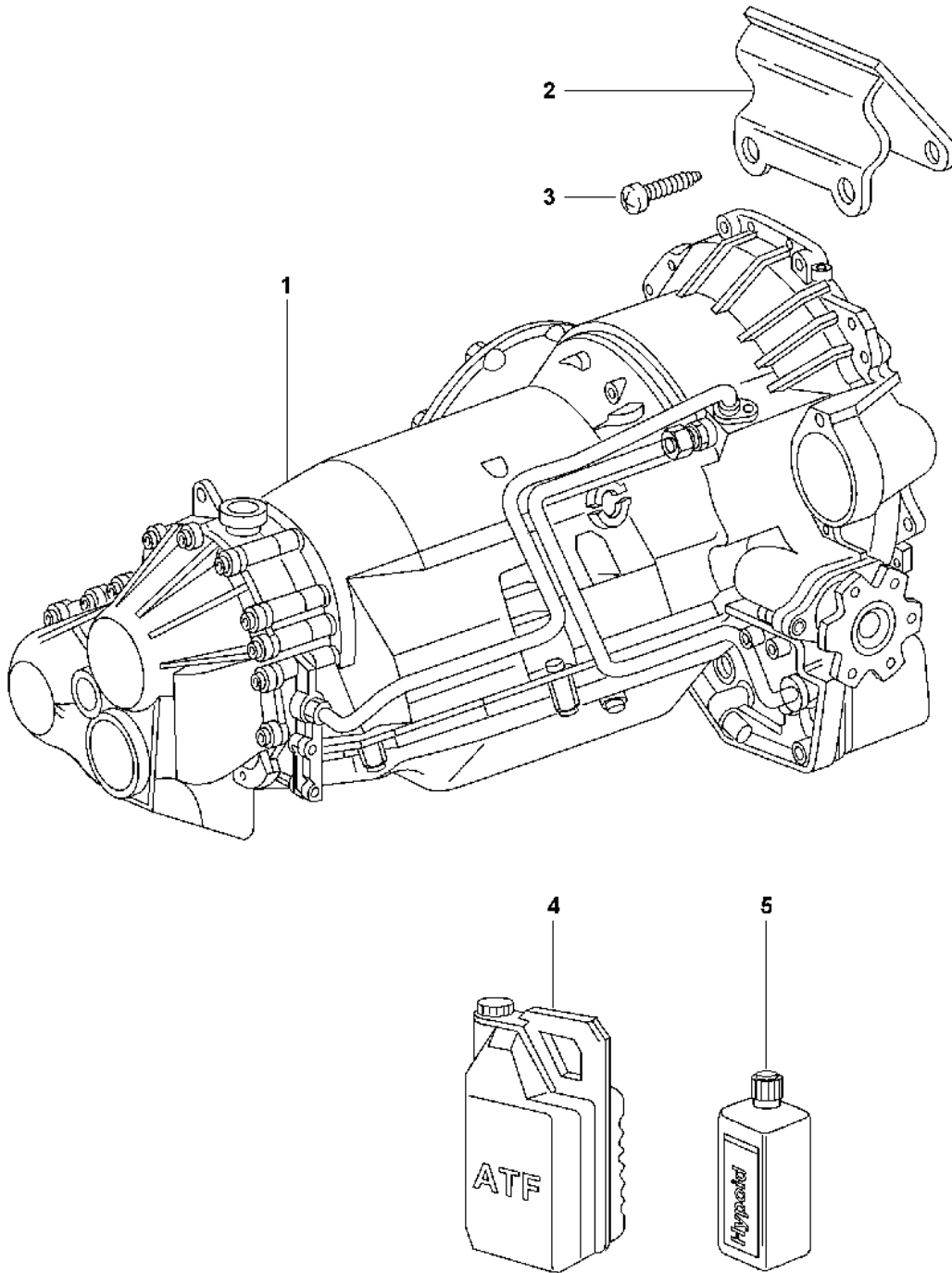
Model: 997 05

Model life 2005>>2008

| Pos | Part Number    | Description   | Remark | Qty | Model        |
|-----|----------------|---|--------|-----|--------------|
|     |                | Manual gearbox<br>Transmission suspension<br>Threaded joint<br>Engine |        |     | G9701, G9731 |
| 1   | 997 375 039 00 | transmission carrier  |        | 1   |              |
| 2   | 997 375 313 00 | transmission carrier  |        | 1   |              |
|     |                | No longer use the part here   |        |     |              |
| 2   | 997 375 113 00 | transmission carrier  |        | 1   |              |
|     |                | Lengthways  |        |     |              |
| 3   | 997 375 255 00 | Stop  |        | 2   |              |
| 4   | 900 378 132 09 | Hexagon bolt  |        | 2   |              |
|     |                | Discontinued part   |        |     |              |
| 4   | 900 378 314 01 | Hexagon bolt  |        | 2   |              |
|     |                | M 10 X 115  |        |     |              |
| 5   | 900 380 008 09 | Locknut   |        | 2   |              |
|     |                | M 10  |        |     |              |
| 6   | 999 061 106 09 | Threaded pin  |        | 2   |              |
|     |                | M 10 X 84   |        |     |              |
|     |                | No longer use the part here   |        |     |              |
| 6   | 999 061 115 01 | Threaded pin  |        | 2   |              |
|     |                | M 10 x 80   |        |     |              |
| 7   | 999 076 053 09 | Hexagon nut   |        | 6   |              |
|     |                | M 10  |        |     |              |
| 8   | 999 072 010 09 | Hexagon bolt  |        | 2   |              |
|     |                | M 12 X 1,5 X 100  |        |     |              |
| 9   | 999 072 008 09 | Hexagon bolt  |        | 3   |              |
|     |                | M 12 X 1,5 X 70   |        |     |              |
|     |                | Discontinued part   |        |     |              |
| 9   | 999 072 008 01 | Hexagon bolt  |        | 3   |              |
|     |                | M 12 X 1,5 X 70   |        |     |              |
| 10  | 900 378 061 09 | Hexagon bolt  |        | 1   |              |
|     |                | M 12 X 1,5 X 50   |        |     |              |
| 11  | 900 378 076 09 | Hexagon bolt  |        | 1   |              |
|     |                | M 10 X 50   |        |     |              |
| 12  | 900 377 011 09 | Hexagon nut   |        | 1   |              |
|     |                | M 10  |        |     |              |
| 13  | 999 073 119 09 | Socket head bolt  |        | 1   |              |
|     |                | M 10 X 50   |        |     |              |
| 14  | 997 375 055 01 | gearbox mounting  |        | 1   |              |

Model: 997 05

Model life 2005>>2008



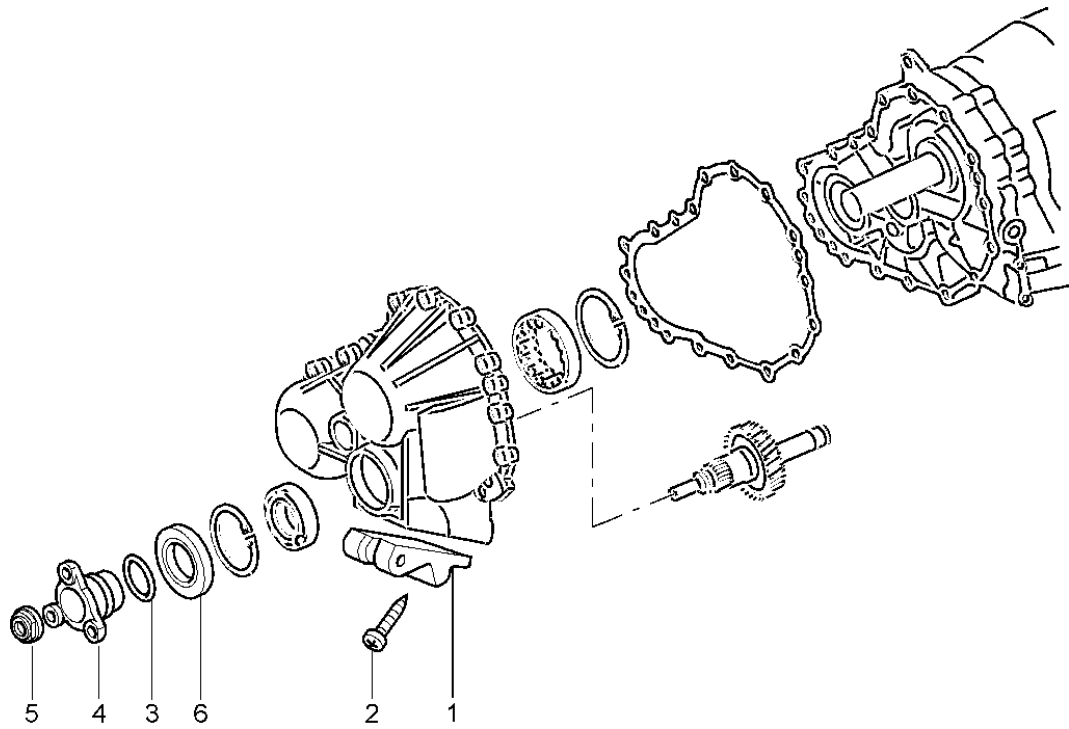
Model: 997 05

Model life 2005>>2008

| Pos | Part Number    | Description                           | Remark | Qty | Model        |
|-----|----------------|---------------------------------------|--------|-----|--------------|
|     |                | Tiptronic<br>Replacement transmission |        |     | A9701, A9731 |
| 1   | 722 270 230 0  | Gearbox                               |        | 1   | A9701        |
| 1   | 722 270 240 0  | Gearbox                               |        | 1   | A9731        |
|     |                | D - MJ 2006>>                         |        |     |              |
| 2   | 996 449 101 50 | Catch hook                            |        | 1   |              |
|     |                | No longer use the part here           |        |     |              |
| 2   | 997 449 101 50 | Catch hook                            |        | 1   |              |
| 3   | 999 073 190 09 | fillister hd. bolt                    |        | 2   |              |
|     |                | M 8 X 60                              |        |     |              |
| 4   | 000 043 204 63 | Transmission fluid                    |        | X   |              |
|     |                | ATF                                   |        |     |              |
|     |                | 20 LTR.                               |        |     |              |
|     |                | Container                             |        |     |              |
| (4) | 000 043 304 00 | Transmission fluid                    |        | X   |              |
|     |                | ATF                                   |        |     |              |
|     |                | 1 LTR.                                |        |     |              |
|     |                | Container                             |        |     |              |
| (4) | 000 043 305 43 | Transmission fluid                    |        | X   |              |
|     |                | ATF                                   |        |     |              |
|     |                | 1 LTR.                                |        |     |              |
|     |                | Container                             |        |     |              |
| 5   | 999 917 546 00 | Transmission fluid                    |        | X   |              |
|     |                | 75 W 90                               |        |     |              |
|     |                | 1 LTR.                                |        |     |              |
|     |                | Container                             |        |     |              |
|     |                | Differential                          |        |     |              |

Model: 997 05

Model life 2005>>2008



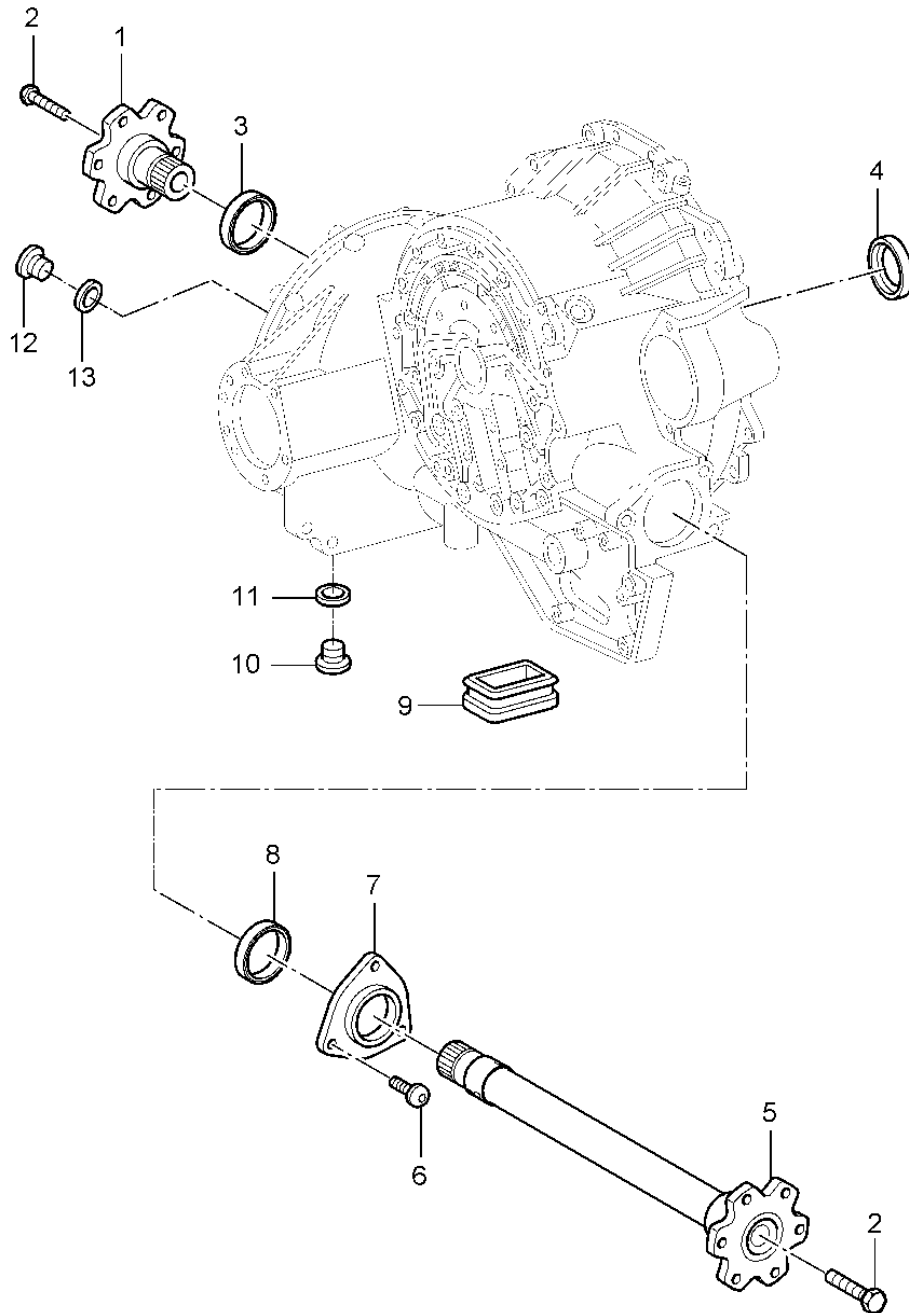
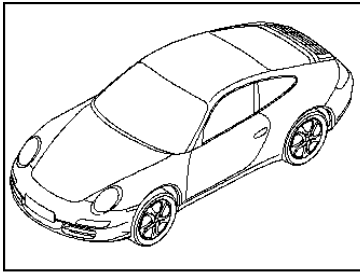
Model: 997 05

Model life 2005>>2008

| Pos | Part Number    | Description  | Remark | Qty | Model |
|-----|----------------|--|--------|-----|-------|
|     |                | Tiptronic<br>All-wheel<br>Driving mechanism<br>D - MJ 2006>> |        |     | A9731 |
| 1   | 722 260 006 2  | gearbox mounting   |        | 1   |       |
| 2   | 999 073 178 09 | fillister hd. bolt<br>M 8 X 30                               |        | 4   |       |
| 3   | 168 997 004 5  | O-ring<br>28 X 3   |        | 1   |       |
| 4   | 722 270 022 0  | flange   |        | 1   |       |
| 5   | 140 990 115 0  | Collar nut<br>M 26 X 1,5                                     |        | 1   |       |
| 6   | 022 997 944 7  | Shaft oil seal   |        | 1   |       |

Model: 997 05

Model life 2005>>2008



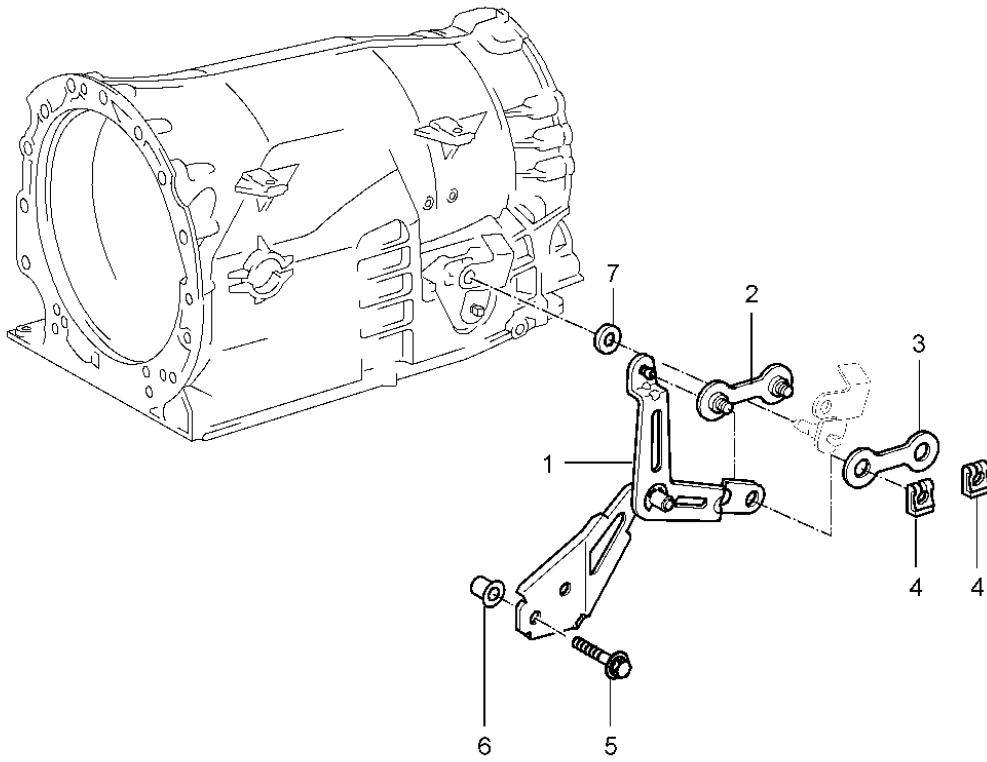
Model: 997 05

Model life 2005>>2008

| Pos | Part Number    | Description                                    | Remark | Qty | Model        |
|-----|----------------|--|--------|-----|--------------|
|     |                | Tiptronic<br>Differential                      |        |     | A9701, A9731 |
| 1   | 722 274 024 5  | Drive flange<br>Short                          |        | 1   |              |
| 2   | 900 074 192 09 | Hexagon bolt<br>M 10 X 55<br>Discontinued part |        | 1   |              |
| 2   | 900 074 192 03 | Hexagon bolt<br>M 10 X 55                      |        | 1   |              |
| 3   | 022 997 924 7  | Shaft oil seal                                 |        | 1   |              |
| 4   | 018 997 044 7  | seal ring<br>oil pump                          |        | 1   |              |
| 5   | 722 270 062 0  | flange<br>Long                                 |        | 1   |              |
| 6   |                | Hexagon bolt<br>M 5 X 12                       |        | 1   |              |
| 7   | 722 353 070 6  | Cover  |        | 1   |              |
| 8   | 999 113 484 40 | Shaft oil seal<br>for<br>Cover                 |        | 1   |              |
| 9   | 722 271 028 7  | Sealing rubber                                 |        | 1   |              |
| 10  | 210 997 003 2  | sealing plug                                   |        | 1   |              |
| 11  | 900 123 060 30 | seal ring<br>24 x 29                           |        | 1   |              |
| 12  | 900 219 009 01 | sealing plug<br>M18 x 1,5                      |        | 1   |              |
| 13  | 900 123 044 30 | seal ring<br>18 x 22                           |        | 1   |              |

Model: 997 05

Model life 2005>>2008





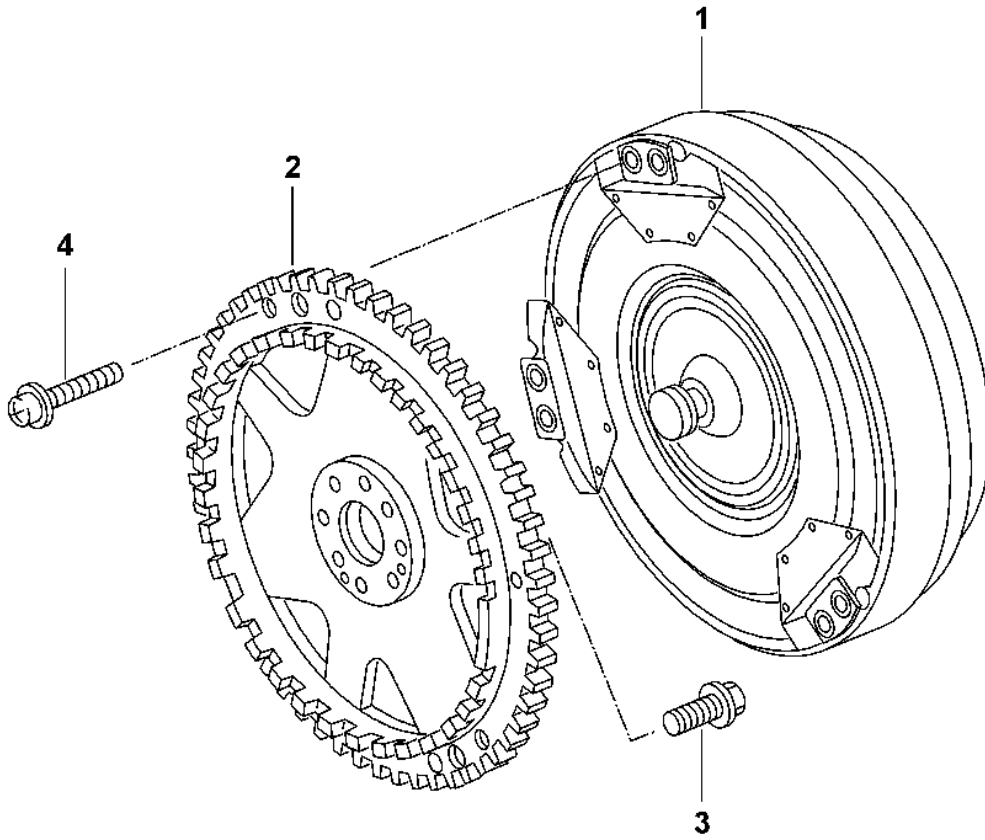
Model: 997 05

Model life 2005>>2008

| Pos | Part Number    | Description                      | Remark | Qty | Model        |
|-----|----------------|----------------------------------|--------|-----|--------------|
|     |                | Tiptronic<br>selector lever      |        |     | A9701, A9731 |
| 1   | 722 270 011 0  | selector lever                   |        | 1   |              |
| 2   | 722 270 025 9  | lever                            |        | 2   |              |
| 3   | 722 278 032 0  | lever                            |        | 1   |              |
| 4   | 999 166 079 02 | Retaining washer                 |        | 2   |              |
| 5   | 999 073 095 01 | fillister hd. bolt<br>M 8 X 30   |        | 2   |              |
| 6   | 722 992 002 0  | Sleeve                           |        | 1   |              |
| 7   | 009 997 484 7  | Shaft oil seal<br>selector lever |        | 1   |              |

Model: 997 05

Model life 2005>>2008



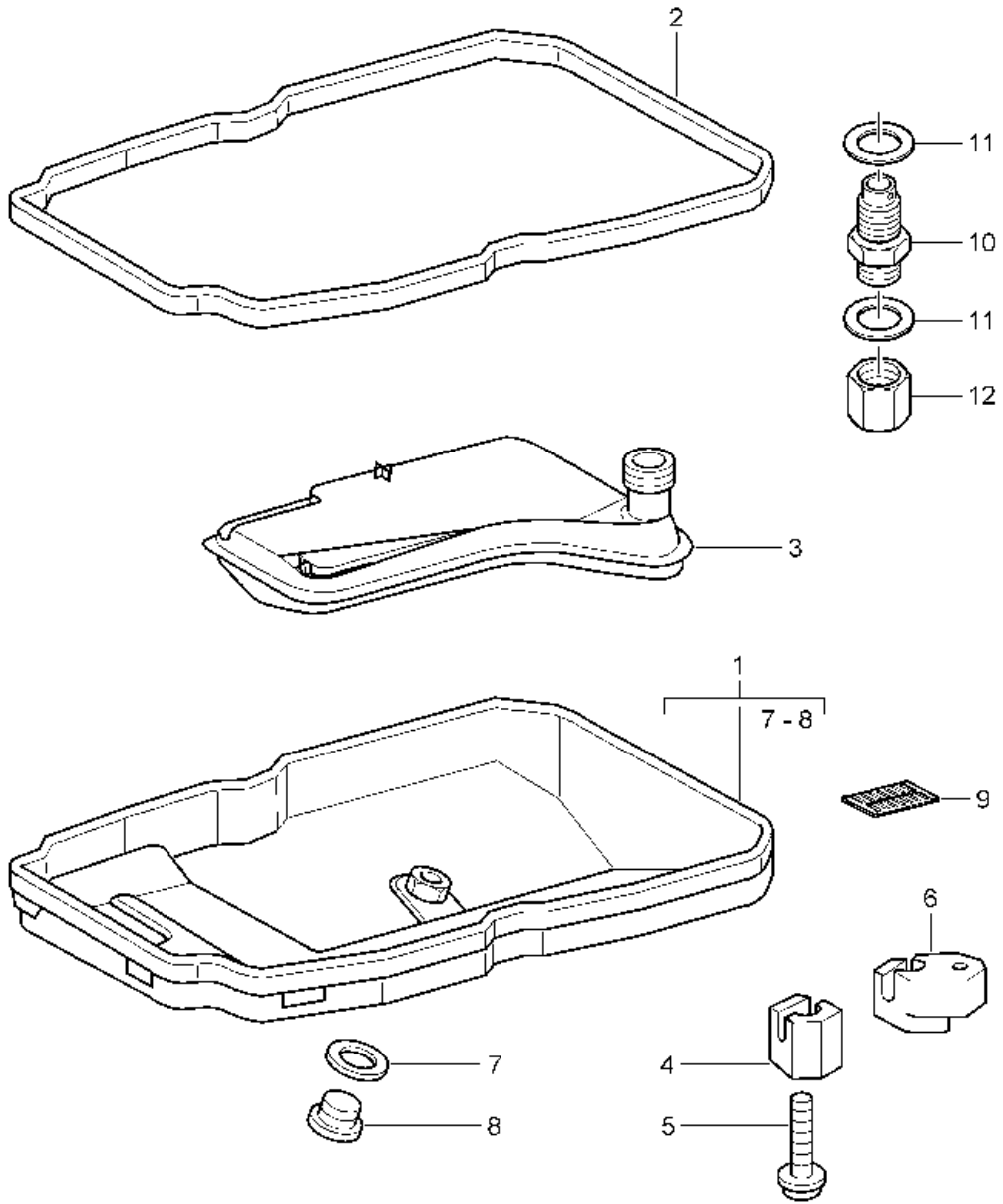
Model: 997 05

Model life 2005>>2008

| Pos | Part Number    | Description          | Remark | Qty | Model        |
|-----|----------------|----------------------|--------|-----|--------------|
|     |                | Tiptronic            |        |     | A9701, A9731 |
|     |                | Torque converter     |        |     |              |
| 1   | 722 250 120 2  | Clutch plate         |        | 1   |              |
| 2   | 996 116 075 16 | Torque converter     |        | 1   |              |
| 3   | 999 073 091 09 | Clutch plate         |        | 8   |              |
|     |                | Socket head bolt     |        |     |              |
|     |                | M 10 X 1 X 25        |        |     |              |
| 4   | 900 067 369 09 | Socket head bolt     |        | 6   |              |
|     |                | M 8 X 20             |        |     |              |
| 5   | 996 116 101 10 | Intermediate housing |        | 1   |              |
|     |                | Engine               |        |     |              |
|     |                | and                  |        |     |              |
|     |                | Gearbox              |        |     |              |

Model: 997 05

Model life 2005>>2008



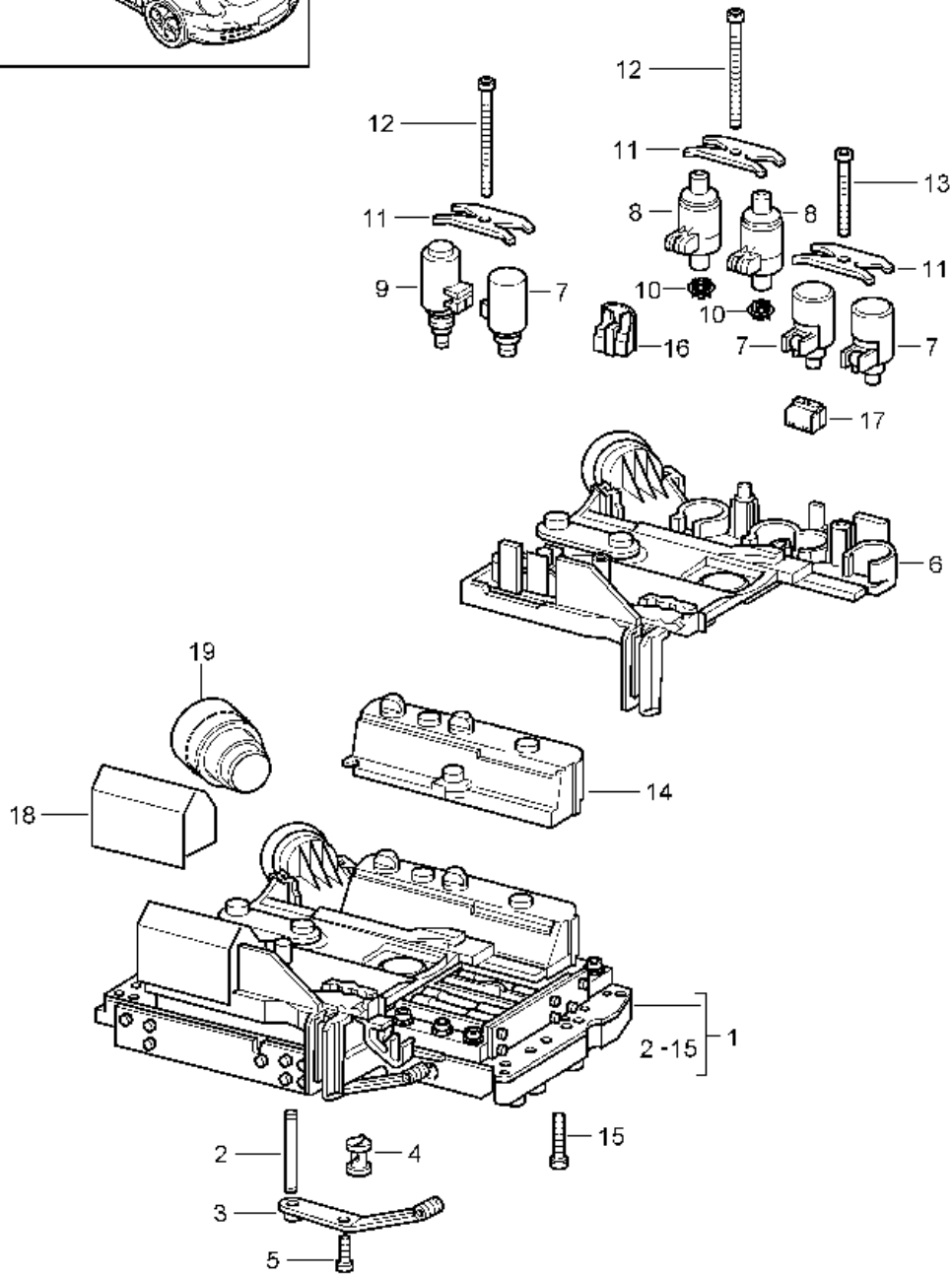
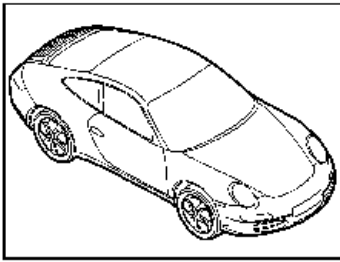
Model: 997 05

Model life 2005>>2008

| Pos | Part Number    | Description                         | Remark | Qty | Model        |
|-----|----------------|-------------------------------------|--------|-----|--------------|
|     |                | Tiptronic<br>oil filter<br>oil sump |        |     | A9701, A9731 |
| 1   | 722 270 161 2  | oil sump                            |        | 1   |              |
| 2   | 140 271 008 0  | gasket for oil sump                 |        | 1   |              |
| 3   | 722 277 009 5  | oil filter                          |        | 1   |              |
| 4   | 140 271 006 8  | Clamping sleeve                     |        | 6   |              |
|     |                | Discontinued part                   |        |     |              |
| 4   | 220 271 006 8  | Clamping sleeve                     |        | 6   |              |
| 5   | 999 073 202 09 | Socket head bolt<br>M 6 X 22        |        | 6   |              |
|     |                | Discontinued part                   |        |     |              |
| 5   | 999 073 202 01 | Socket head bolt<br>M 6 X 22        |        | 6   |              |
| 6   | 140 271 016 8  | Clamping sleeve                     |        | X   |              |
| 7   | 900 123 062 20 | seal ring                           |        | 1   |              |
| 8   | 900 219 007 02 | sealing plug                        |        | 1   |              |
|     |                | Discontinued part                   |        |     |              |
| 8   | 900 219 007 01 | sealing plug                        |        | 1   |              |
| 9   | 220 271 009 8  | Magnet                              |        | 1   |              |
| 10  | 996 307 055 11 | connection piece                    |        | 1   |              |
|     |                | Oil inlet                           |        |     |              |
| 11  | 900 123 007 30 | seal ring                           |        | 2   |              |
|     |                | 14 x 18                             |        |     |              |
| 12  | 900 070 011 01 | domed cap nut<br>M 14 X 1,5         |        | 1   |              |

Model: 997 05

Model life 2005>>2008



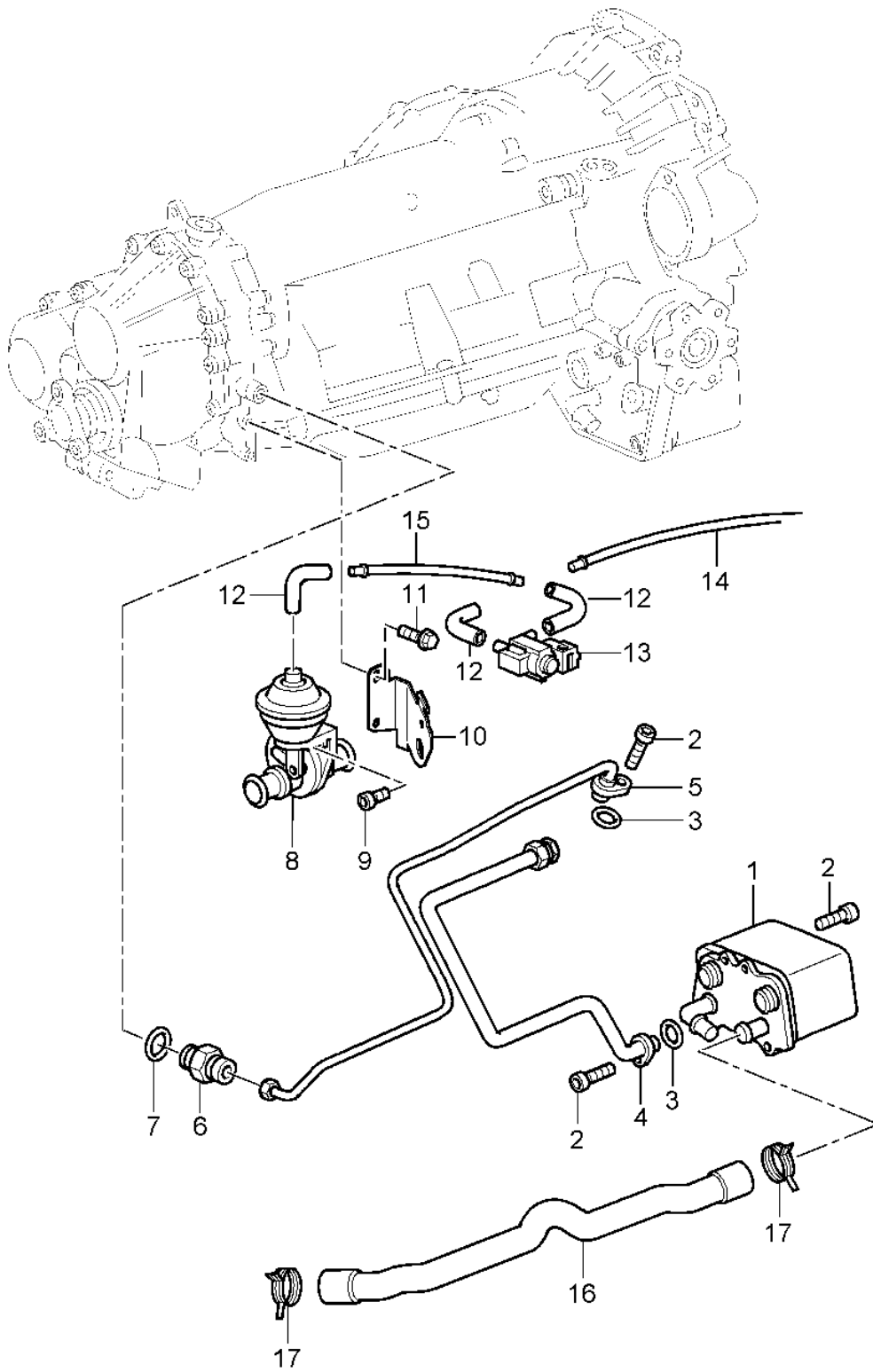
Model: 997 05

Model life 2005>>2008

| Pos  | Part Number      | Description   | Remark | Qty | Model        |
|------|------------------|---|--------|-----|--------------|
| -    |                  | Tiptronic<br>Control unit<br>Solenoid valve<br>pressure regulator |        |     | A9701, A9731 |
| 1    | 722 270 020 6    | Switch unit   |        | 1   |              |
| 2    | 140 277 007 5    | Pin   |        | 1   |              |
| 3    | 140 270 017 8    | Spring  |        | 1   |              |
| 4    | 140 270 029 8    | Filter  |        | 1   |              |
| 5    | 170 990 012 0    | Screw   |        | 1   |              |
| 6    | 140 270 056 1    | Cover plate<br>Electronic unit<br>Discontinued part               |        | 1   |              |
| 6    | 140 270 086 1    | Cover plate<br>Electronic unit<br>Discontinued part               |        | 1   |              |
| 6    | 140 270 116 1    | Cover plate<br>Electronic unit                                    |        | 1   |              |
| 7    | 240 270 028 9    | Valve   |        | 3   |              |
| 7    | 240 270 160 0    | Valve   |        | 3   |              |
| 8    | 203 270 008 9    | Solenoid valve  |        | 2   |              |
| 9    | 140 277 043 5    | Solenoid valve  |        | 1   |              |
| 10   | 140 270 049 8    | Filter  |        | 2   |              |
| 11   | 140 276 000 3    | spring plate<br>Discontinued part                                 |        | 3   |              |
| (11) | 140 276 020 3    | spring plate  |        | 3   |              |
| 12   | 140 277 107 1    | Screw   |        | 2   |              |
| 13   | 140 277 117 10   | Screw   |        | 1   |              |
| 14   | 140 271 078 2    | Cover   |        | 1   |              |
| 15   | 140 277 067 1    | Screw   |        | 10  |              |
| 16   | 240 271 008 2    | Cover cap<br>Discontinued part                                    |        | 2   |              |
| 16   | 240 271 008 2    | Cover cap   |        | 2   |              |
|      | 240 271 008 2 28 | Cover cap   |        |     |              |
| 17   | 240 271 018 2    | Cover cap   |        | 3   |              |
| 18   | 140 271 088 2    | Cover   |        | 1   |              |
| 19   | 000 043 207 28   | Cable guide   |        | 1   |              |

Model: 997 05

Model life 2005>>2008





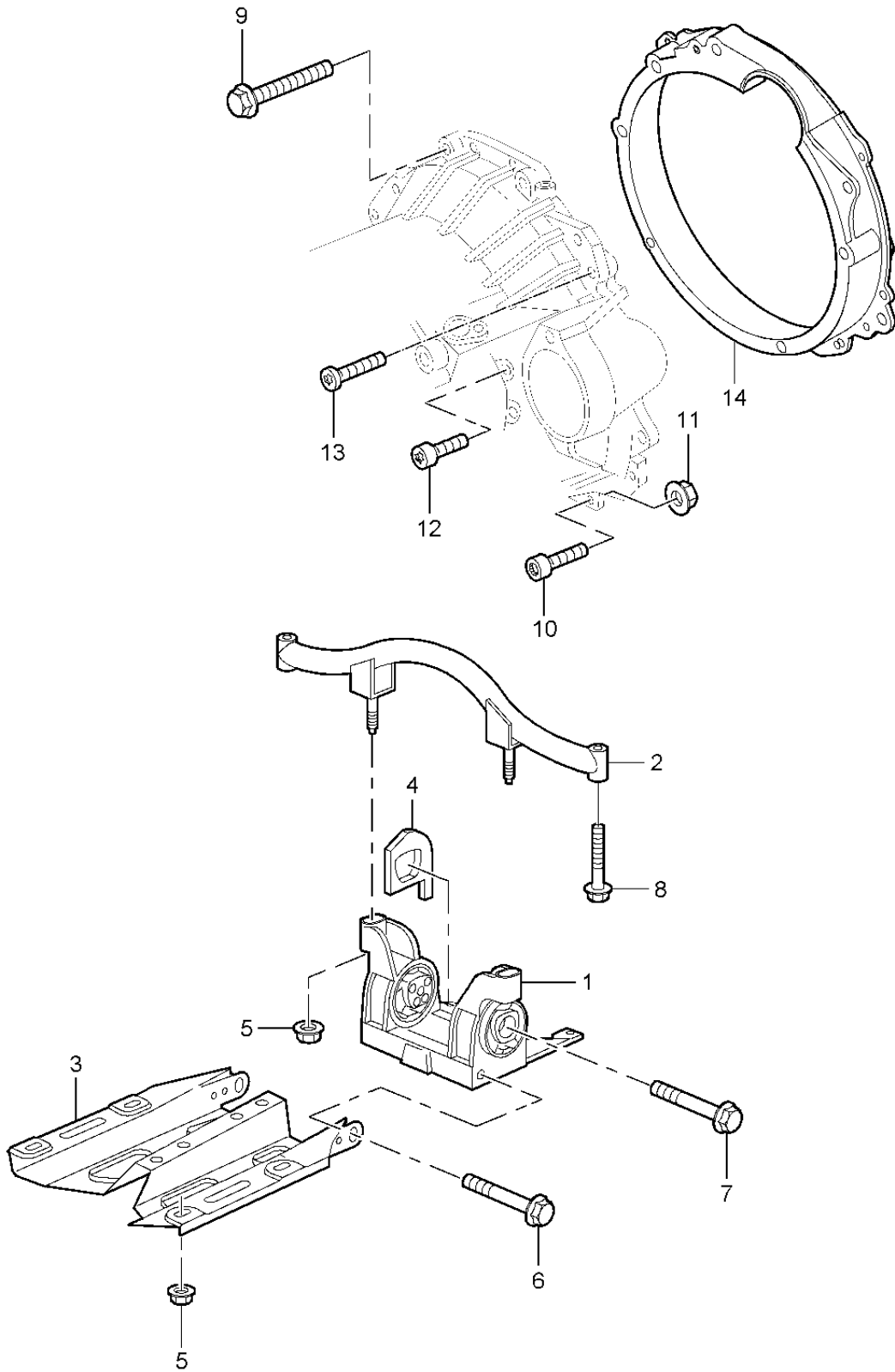
Model: 997 05

Model life 2005>>2008

| Pos | Part Number    | Description                 | Remark             | Qty | Model        |
|-----|----------------|-----------------------------|--------------------|-----|--------------|
|     |                | Tiptronic                   |                    |     | A9701, A9731 |
|     |                | Atf cooler                  |                    |     |              |
|     |                | Atf lines                   |                    |     |              |
| 1   | 722 270 009 5  | Atf cooler                  |                    | 1   |              |
| (1) | 722 270 049 5  | Atf cooler                  |                    | 1   |              |
| 2   | 999 073 103 09 | fillister hd. bolt          |                    | 6   |              |
|     |                | M 6 X 16                    |                    |     |              |
| 3   | 029 997 184 8  | seal ring                   |                    | 2   |              |
|     |                | 12,37 X 2,62                |                    |     |              |
| 4   | 722 270 089 6  | Oil pipe                    |                    | 2   |              |
| 5   | 722 270 079 6  | Oil pipe                    |                    | 1   |              |
| 6   | 000 997 117 1  | Screwed socket              |                    | 1   |              |
| 7   | 900 123 005 30 | seal ring                   |                    | 1   |              |
|     |                | A 12 X 16                   |                    |     |              |
| 8   | 928 574 573 03 | Disc valve                  |                    | 1   |              |
| 9   | 900 146 011 01 | flat round head bolt        |                    | 1   |              |
|     |                | M 4 X 10                    |                    |     |              |
| 10  | 997 106 533 00 | Bracket                     |                    | 1   |              |
| 11  | 900 378 036 01 | Hexagon bolt                |                    | 2   |              |
|     |                | M 6 X 12                    |                    |     |              |
| 12  | 928 574 717 05 | Molded hose                 |                    | 3   |              |
| 12  | 928 574 717 07 | Molded hose                 |                    | 3   |              |
|     |                | No longer use the part here |                    |     |              |
| 12  | 9P1 129 487    | Molded hose                 |                    | 3   |              |
| 13  | 996 605 123 01 | Change-over valve           |                    | 1   |              |
| -   | 999 181 742 40 | Pipe                        |                    | X   |              |
|     |                | 4,0 X 1,0                   |                    |     |              |
| 14  |                |                             | shorten to: 950 MM | 1   |              |
| 15  |                |                             | shorten to: 75 MM  | 1   |              |
| 16  | 996 307 711 12 | Water hose                  |                    | 1   |              |
|     |                | Discontinued part           |                    |     |              |
| 16  | 996 307 711 13 | Water hose                  |                    | 1   |              |
| 17  | 999 512 656 09 | Hose clamp                  |                    | 2   |              |
|     |                | 25 X 12                     |                    |     |              |
| 18  | 999 707 388 40 | O-ring                      |                    | 1   |              |

Model: 997 05

Model life 2005>>2008



Model: 997 05

Model life 2005>>2008

| Pos | Part Number    | Description   | Remark | Qty | Model        |
|-----|----------------|---|--------|-----|--------------|
|     |                | Tiptronic<br>Transmission suspension<br>and<br>Mount<br>Intermediate flange |        |     | A9701, A9731 |
| 1   | 997 375 033 03 | transmission carrier  |        | 1   |              |
| 2   | 996 375 317 06 | Carrier   | upper  | 1   |              |
| 3   | 997 375 115 00 | Side member   |        | 1   |              |
| 4   | 997 375 259 01 | Stop  |        | 2   |              |
| 5   | 999 076 053 09 | Hexagon nut   |        | 6   |              |
| 6   | 900 378 200 09 | Hexagon bolt  |        | 2   |              |
|     |                | Discontinued part   |        |     |              |
| 6   | 900 378 313 01 | Hexagon bolt  |        | 2   |              |
|     |                | M 10 X 55   |        |     |              |
| 7   | 900 378 208 09 | Hexagon bolt  |        | 2   |              |
| 8   | 900 378 098 09 | Hexagon bolt  |        | 2   |              |
|     |                | M 10 X 60   |        |     |              |
| 9   | 999 072 008 01 | Hexagon bolt  |        | 6   |              |
|     |                | M 12 X 1,5 X 70   |        |     |              |
| 10  | 999 073 091 01 | Socket head bolt  |        | 8   |              |
|     |                | M 10 X 1 X 25   |        |     |              |
| 11  | 900 377 011 01 | Hexagon nut   |        | 2   |              |
|     |                | M 10  |        |     |              |
| 12  | 999 073 119 01 | Socket head bolt  |        | 2   |              |
|     |                | M 10 X 50   |        |     |              |
| 13  | 999 073 373 01 | flat round head bolt  |        | 8   |              |
|     |                | M8 x 35   |        |     |              |
| 14  | 996 116 101 10 | Intermediate housing  |        | 1   |              |
|     |                | Engine<br>and<br>Gearbox  |        |     |              |



Model: 997 05 Model life 2005>>2008

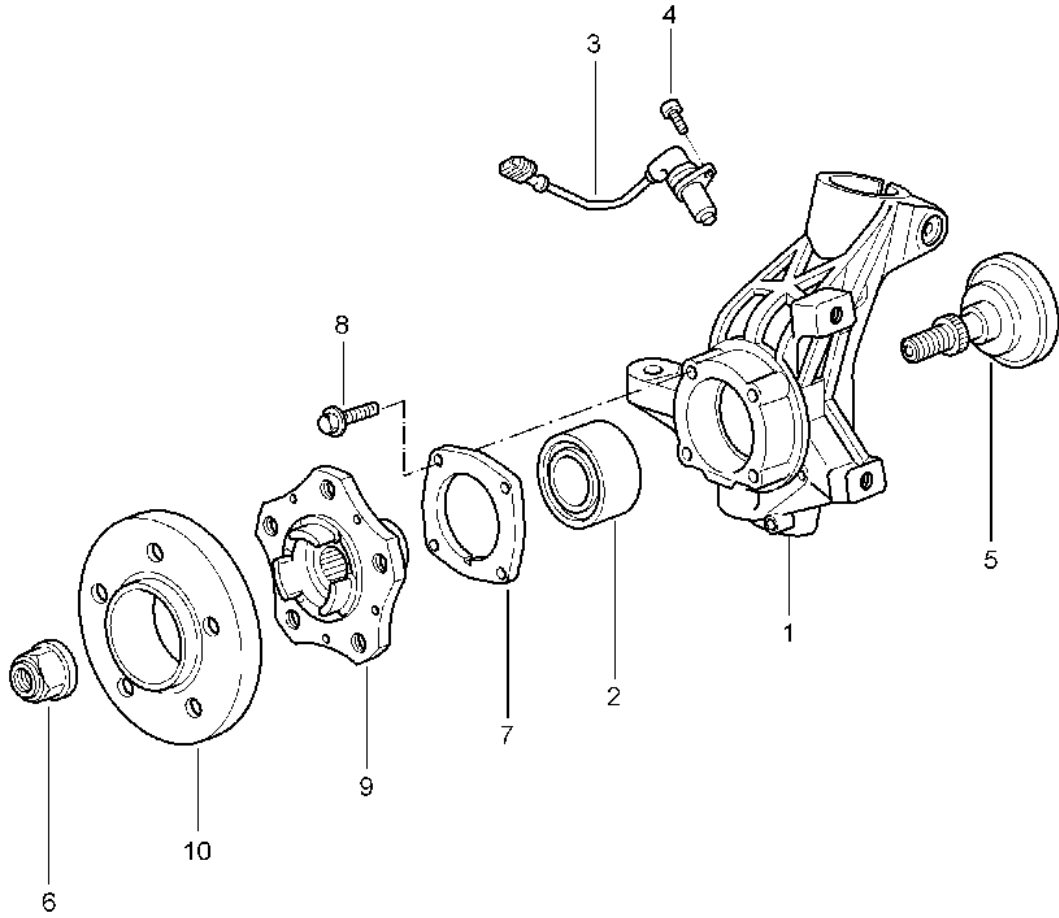
| Pos  | Part Number    | Description   | Remark | Qty | Model                   |
|------|----------------|---|--------|-----|-------------------------|
| 1    | 997 341 081 04 | Cross member<br>Wishbone<br>Cross member              |        | 1   | CARRERA 2<br>CARRERA 2S |
| (1)  | 997 341 081 06 | Discontinued part<br>Cross member                     |        | 1   | CARRERA 2<br>CARRERA 2S |
| (1)  | 997 341 081 11 | Cross member  |        | 1   | CARRERA 4<br>CARRERA 4S |
|      |                |   |        | 1   | TARGA                   |
|      |                |   |        | 1   | TARGA S                 |
| 2    | 900 197 070 00 | D - MJ 2006>><br>spring pin<br>13 X 14                |        | 1   |                         |
| 3    | 997 341 043 00 | Guide   |        | 2   |                         |
| 4    | 900 378 165 09 | Hexagon bolt<br>M 12 X 1,5 X 95                       |        | 2   |                         |
| 5    | 999 084 445 01 | Locknut<br>M 12 X 1,5                                 |        | 2   |                         |
| 6    | 997 341 053 00 | Wishbone<br>D - MJ 2005>> - MJ 2005                   |        | 2   |                         |
| (6)  | 997 341 053 03 | Discontinued part<br>Wishbone                         |        | 2   |                         |
| 7    | 900 378 241 09 | Hexagon bolt<br>M 14 X 1,5 X 120                      |        | 2   | CARRERA 2<br>CARRERA 2S |
| (7)  | 999 072 050 09 | Discontinued part<br>Hexagon bolt<br>M 14 X 1,5 X 120 |        | 2   | CARRERA 4               |
|      |                |   |        | 2   | CARRERA 4S              |
|      |                |   |        | 2   | TARGA                   |
|      |                |   |        | 2   | TARGA S                 |
| 8    | 997 341 145 01 | plate   |        | 2   | CARRERA 2<br>CARRERA 2S |
| (8)  | 997 341 145 05 | Discontinued part<br>plate                            |        | 2   | CARRERA 4<br>CARRERA 4S |
|      |                |   |        | 2   | TARGA                   |
|      |                |   |        | 2   | TARGA S                 |
| 9    | 999 072 047 09 | Hexagon bolt<br>M 12 X 1,5 X 30                       |        | 4   |                         |
| (9)  | 999 072 047 01 | Discontinued part<br>Hexagon bolt                     |        | 4   |                         |
| (10) | 900 378 072 01 | M 12 x 1,5 x 30<br>Hexagon bolt                       | front  | 2   |                         |
| 10   | 900 378 192 09 | M 12 X 1,5 X 30<br>Hexagon bolt                       | rear   | 2   |                         |
|      |                | M 14 X 1,5 X 50<br>Discontinued part                  |        |     |                         |
| 10   | 900 378 192 01 | Hexagon bolt<br>M 14 x 1,5 x 50                       | rear   | 2   |                         |
| 11   | 900 378 279 09 | Hexagon bolt<br>M 14 X 1,5 X 95                       |        | 2   |                         |
| (11) | 900 378 279 01 | D >> - MJ 2007<br>Hexagon bolt<br>M 14 X 1,5 X 95     |        | 2   |                         |
|      |                | D - MJ 2008>>   |        |     |                         |
| 12   | 900 380 012 09 | Hexagon nut<br>M 14 X 1,5                             |        | 2   |                         |
|      |                | Discontinued part                                     |        |     |                         |
| 12   | 900 380 012 01 | Hexagon nut<br>M 14 X 1,5                             |        | 2   |                         |
| 13   | 996 341 483 05 | Spoiler   | left   | 1   |                         |
| (13) | 996 341 484 05 | Spoiler   | right  | 1   |                         |
| 14   | 997 504 433 00 | Brace   |        | 2   | CARRERA 2               |

Model: 997 05 Model life 2005>>2008

| Pos  | Part Number    | Description  | Remark  | Qty | Model   |
|------|----------------|--|---------|-----|---|
| (14) | 997 504 433 01 | Brace  |         | 2   | CARRERA 2S<br>CARRERA 4<br>CARRERA 4S<br>TARGA<br>TARGA S |
| 15   |                | Bracket<br>see illustration:                         | 105-010 | 1   | PR:601  |
| 16   | 900 146 003 02 | fillister hd. bolt<br>M 5 X 10                       |         | 2   | PR:601  |
| (16) | 900 146 003 03 | fillister hd. bolt<br>M 5 x 10                       |         | 2   | PR:601  |
| 17   | 900 378 036 09 | Hexagon bolt<br>M 6 X 12                             |         | 1   |   |
| 18   | 997 631 121 00 | Level sensor   |         | 1   | PR:601  |
| 19   | 900 380 015 09 | Hexagon nut<br>VM 6<br>Discontinued part             |         | 2   |   |
| (19) | 900 380 015 01 | Hexagon nut<br>VM 6                                  |         | 2   |   |
| 20   | 997 341 375 01 | Brace  |         | 1   | PR:601  |
| 21   | 996 341 371 03 | Bracket for cross member                             |         | 1   | PR:601  |
| 22   | 999 084 449 09 | Locknut<br>M 12 X 1,5                                |         | 2   |   |
| 23   | 997 341 431 02 | Stop   |         | 1   | CARRERA 4<br>CARRERA 4S<br>TARGA<br>TARGA S               |
| 24   | 999 072 047 09 | Hexagon bolt<br>M 12 X 1,5 X 30<br>Discontinued part |         | 4   | CARRERA 4<br>CARRERA 4S<br>TARGA<br>TARGA S               |
| (24) | 999 072 047 01 | Hexagon bolt<br>M 12 X 1,5 X 30                      |         | 4   | CARRERA 4<br>CARRERA 4S<br>TARGA<br>TARGA S               |
| 25   | 999 084 445 01 | Locknut<br>M 12 X 1,5                                |         | 2   |   |

Model: 997 05

Model life 2005>>2008



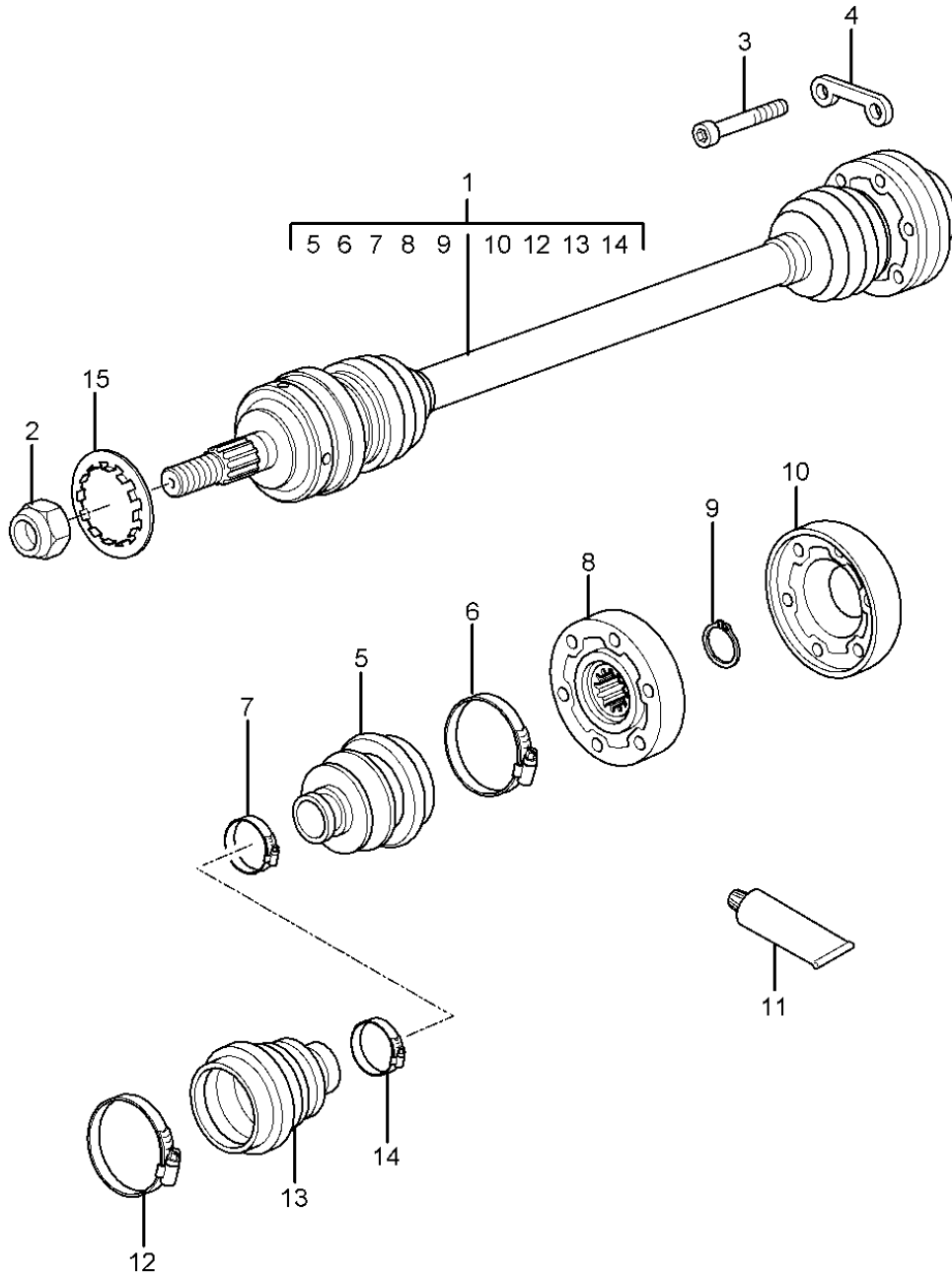
Model: 997 05 Model life 2005>>2008

| Pos | Part Number    | Description                        | Remark | Qty | Model  |
|-----|----------------|------------------------------------|--------|-----|--|
| 1   | 997 341 157 05 | Wheel carrier<br>Wheel hub         |        |     |  |
| (1) | 997 341 157 25 | Wheel carrier                      | left   | 1   | CARRERA 2                                    |
| (1) | 997 341 157 25 | Wheel carrier                      | left   | 1   | CARRERA 2S                                   |
| (1) | 997 341 157 25 | Wheel carrier                      | left   | 1   | CARRERA 2<br>PR:450                          |
| (1) | 997 341 165 03 | Wheel carrier                      | left   | 1   | CARRERA 4<br>TARGA                           |
| (1) | 997 341 165 04 | Discontinued part<br>Wheel carrier | left   | 1   | CARRERA 4<br>TARGA                           |
| (1) | 997 341 165 23 | Wheel carrier                      | left   | 1   | CARRERA 4<br>TARGA                           |
| (1) | 997 341 165 23 | Discontinued part<br>Wheel carrier | left   | 1   | CARRERA 4<br>PR:450<br>CARRERA 4S<br>TARGA S |
| (1) | 997 341 165 24 | Discontinued part<br>Wheel carrier | left   | 1   | CARRERA 4<br>TARGA                           |
| (1) | 997 341 165 24 | Wheel carrier                      | left   | 1   | CARRERA 4<br>PR:450<br>CARRERA 4S<br>TARGA S |
| (1) | 997 341 158 05 | Wheel carrier                      | right  | 1   | CARRERA 2                                    |
| (1) | 997 341 158 25 | Wheel carrier                      | right  | 1   | CARRERA 2S                                   |
| (1) | 997 341 158 25 | Wheel carrier                      | right  | 1   | CARRERA 2<br>PR:450                          |
| (1) | 997 341 166 03 | Wheel carrier                      | right  | 1   | CARRERA 4<br>TARGA                           |
| (1) | 997 341 166 04 | Discontinued part<br>Wheel carrier | right  | 1   | CARRERA 4<br>TARGA                           |
| (1) | 997 341 166 23 | Wheel carrier                      | right  | 1   | CARRERA 4<br>TARGA                           |
| (1) | 997 341 166 23 | Discontinued part<br>Wheel carrier | right  | 1   | CARRERA 4<br>PR:450<br>CARRERA 4S<br>TARGA S |
| (1) | 997 341 166 24 | Discontinued part<br>Wheel carrier | right  | 1   | CARRERA 4<br>TARGA                           |
| (1) | 997 341 166 24 | Wheel carrier                      | right  | 1   | CARRERA 4<br>PR:450<br>CARRERA 4S<br>TARGA S |
| 2   | 999 053 054 05 | angular ball bearing               |        | 2   |  |
| 3   | 997 606 407 01 | speed sensor                       |        | 2   |  |
| 4   | 900 067 117 09 | Socket head bolt<br>M 6 X 16       |        | 2   |  |
| 5   | 997 341 131 00 | retaining bolt                     |        | 2   |  |
| 6   | 999 084 641 02 | Locknut<br>M 22 X 1,5              |        | 2   |  |
| 7   | 986 331 661 20 | Cover                              |        | 2   |  |
| 8   | 999 217 042 09 | Hexagon bolt<br>M 8 X 35           |        | 8   |  |
| 9   | 997 341 605 01 | Wheel hub                          |        | 2   |  |
| 9   | 991 341 605 02 | Discontinued part<br>Wheel hub     |        | 2   |  |
| 9   | 991 341 605 03 | Discontinued part<br>Wheel hub     |        | 2   |  |
| 10  | 997 361 605 90 | Spacer ring<br>5 MM                |        | 2   | PR:XRP                                       |



Model: 997 05

Model life 2005>>2008

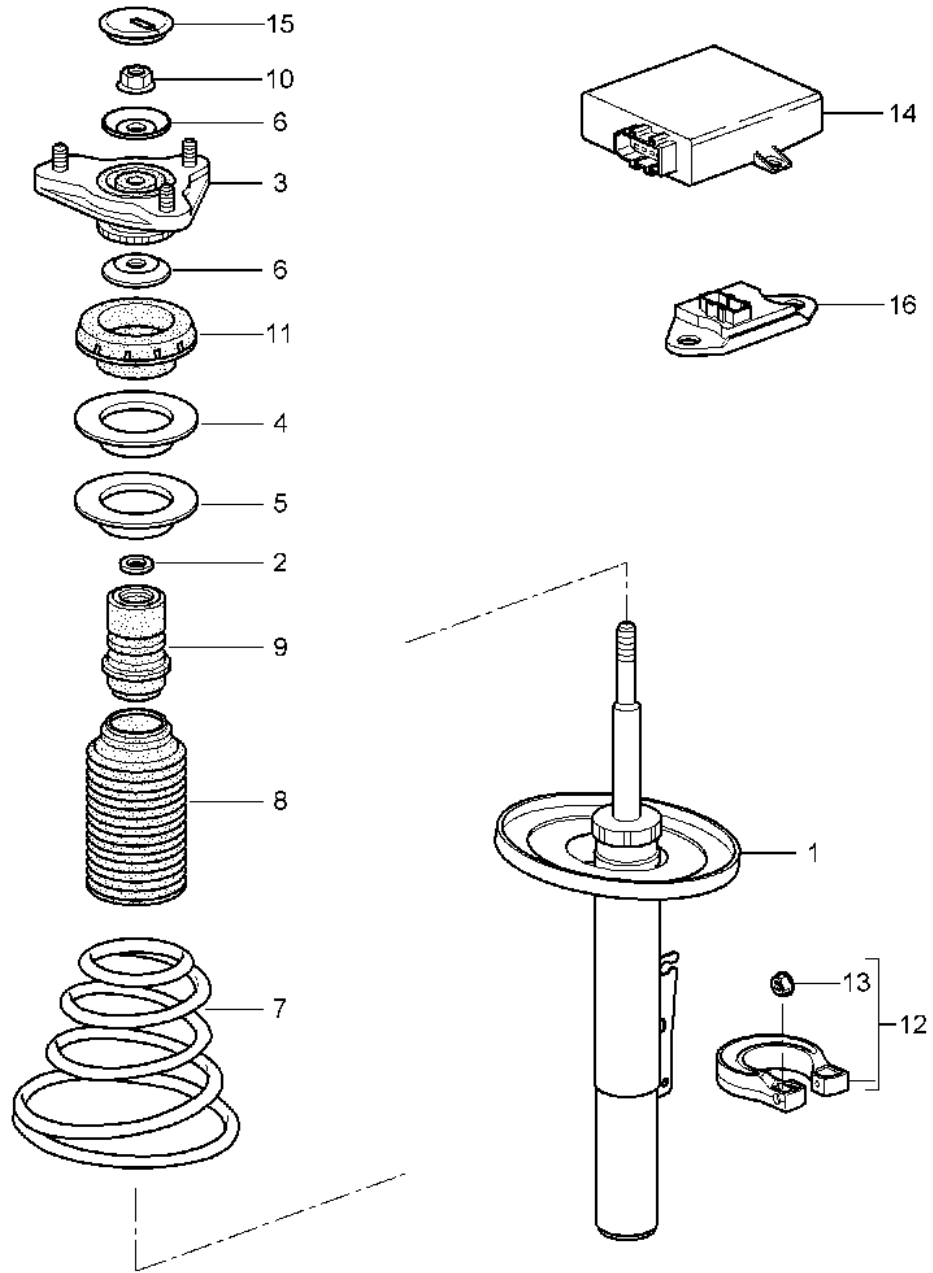


Model: 997 05 Model life 2005>>2008

| Pos  | Part Number    | Description             | Remark | Qty | Model                                       |
|------|----------------|-------------------------|--------|-----|---|
|      |                | Drive shaft             |        |     | CARRERA 4<br>CARRERA 4S<br>TARGA<br>TARGA S |
| 1    | 997 349 038 00 | Drive shaft             |        | 2   |   |
|      |                | D - MJ 2005>> - MJ 2005 |        |     |   |
| (1)  | 997 349 038 01 | Drive shaft             |        | 2   |   |
|      |                | D - MJ 2006>>           |        |     |   |
| (2)  | 999 084 641 02 | Locknut                 |        | 2   |   |
|      |                | M 22 X 1,5              |        |     |   |
| 3    | 900 067 073 09 | Socket head bolt        |        | 12  |   |
|      |                | M 8 X 45                |        |     |   |
|      |                | Discontinued part       |        |     |   |
| (3)  | 900 067 073 02 | Socket head bolt        |        | 12  |   |
|      |                | M 8 x 45                |        |     |   |
| (4)  | 996 349 191 01 | Spacer                  |        | 6   |   |
|      |                | Discontinued part       |        |     |   |
| (4)  | 9P1 407 306    | Spacer                  |        | 6   |   |
| 5    | 996 349 293 00 | Dust bellows            |        | 2   |   |
| -    | 996 349 959 00 | Bellow support          |        | 2   |   |
|      |                | for                     |        |     |   |
|      |                | Dust bellows            |        |     |   |
| 6    | 997 349 957 00 | Clip                    |        | 2   |   |
| 7    | 996 349 257 03 | Clip                    |        | 2   |   |
| 8    | 996 349 030 00 | Joint                   |        | 2   |   |
| 9    | 900 041 011 01 | Securing ring           |        | 2   |   |
| 10   | 996 349 267 00 | End cap                 |        | 2   |   |
|      |                | Discontinued part       |        |     |   |
| 10   | 996 349 267 01 | End cap                 |        | 2   |   |
| 11   | 000 043 110 01 | Grease                  |        | X   |   |
|      |                | 1 100-gramme tube       |        |     |   |
| (11) | 000 043 205 36 | sealant                 |        | X   |   |
|      |                | Drive shaft             |        |     |   |
|      |                | 1 100-gramme tube       |        |     |   |
| 12   | 996 349 257 00 | Clip                    |        | 2   |   |
| 13   | 996 349 291 00 | Dust bellows            |        | 2   |   |
| 14   | 996 349 257 01 | Clip                    |        | 2   |   |
| 15   | 997 349 269 00 | protective ring         |        | 2   |   |

Model: 997 05

Model life 2005>>2008



Model: 997 05 Model life 2005>>2008

| Pos | Part Number        | Description  | Remark | Qty | Model                             |
|-----|--------------------|--|--------|-----|-----------------------------------|
| 1   | 997 343 041 09     | suspension<br>Shock absorber strut<br>vibration damper |        | 2   | CARRERA 2<br>CARRERA 2S<br>PR:029 |
| (1) | 997 343 041 11     | Discontinued part<br>vibration damper                  |        | 2   | PR:029                            |
| (1) | 997 343 041 13     | Discontinued part<br>vibration damper                  |        | 2   | PR:029                            |
| (1) | 997 343 041 10     | Discontinued part<br>vibration damper                  |        | 2   | PR:030,480                        |
| (1) | 997 343 041 12     | Discontinued part<br>vibration damper                  |        | 2   | PR:030,480                        |
| (1) | 997 343 045 13     | Discontinued part<br>vibration damper                  |        | 2   | PR:475                            |
| (1) | 997 343 045 14     | Discontinued part<br>vibration damper                  |        | 2   | PR:475                            |
| (1) | 997 343 045 16     | Discontinued part<br>vibration damper                  |        | 2   | PR:475                            |
| 2   | 996 343 513 00     | Washer   |        | 2   |                                   |
| 3   | 997 343 018 00     | Shock absorber bearing<br>Discontinued part            |        | 2   |                                   |
| 3   | 997 343 018 01     | Shock absorber bearing                                 |        | 2   |                                   |
| -   | 999 084 447 09     | Hexagon nut<br>M 8                                     |        | 6   |                                   |
| -   | 999 084 447 01     | Discontinued part<br>Hexagon nut<br>M 8                |        | 6   |                                   |
| -   | PAF 003 923        | Hexagon nut<br>M 8                                     |        | 6   |                                   |
| 4   | 996 343 517 01     | Thrust ring  |        | 2   |                                   |
| 5   | 996 343 511 00     | Balancing plate<br>3,0 MM                              |        | X   |                                   |
| (5) | 996 343 511 01     | Balancing plate<br>6,5 MM                              |        | X   |                                   |
| 6   | 997 343 107 01     | Stop plate   |        | 2   |                                   |
| (6) | 997 343 107 00     | Stop plate   | upper  | 1   | PR:475                            |
| 6   | 997 343 107 01     | Stop plate   | lower  | 1   | PR:475<br>COUPE                   |
| (6) | 997 343 272 00     | Washer   |        | 2   | PR:030,480                        |
| 7   | 997 343 531 22     | Coil spring  |        | 1   | PR:029,249                        |
|     |                    |  |        | 1   | CABRIO                            |
|     |                    |  |        | 1   | CARRERA 2                         |
|     |                    | 1 set  |        |     | COUPE                             |
|     | 997 343 531 22 504 | 1 pair of springs<br>violet                            |        |     | CARRERA 2                         |
| (7) | 997 343 531 23     | white<br>Coil spring                                   |        | 1   | PR:029,480                        |
|     |                    |  |        | 1   | COUPE                             |
|     |                    | 1 set  |        |     | CARRERA 2                         |
|     | 997 343 531 23 504 | 1 pair of springs<br>violet                            |        |     |                                   |
| (7) | 997 343 531 24     | red<br>Coil spring                                     |        | 1   | PR:030,480                        |
|     |                    |  |        |     | COUPE                             |
|     |                    | 1 set  |        |     | CARRERA 2                         |
|     | 997 343 531 24 504 | 1 pair of springs<br>silver                            |        |     | CARRERA 2 S                       |
| 7   | 997 343 531 31     | silver<br>Coil spring                                  |        | 1   | PR:475                            |
|     |                    |  |        |     | COUPE                             |
|     |                    | 1 set  |        |     | CARRERA 2                         |
|     |                    | Discontinued part                                      |        |     | CARRERA 2 S                       |

Model: 997 05 Model life 2005>>2008

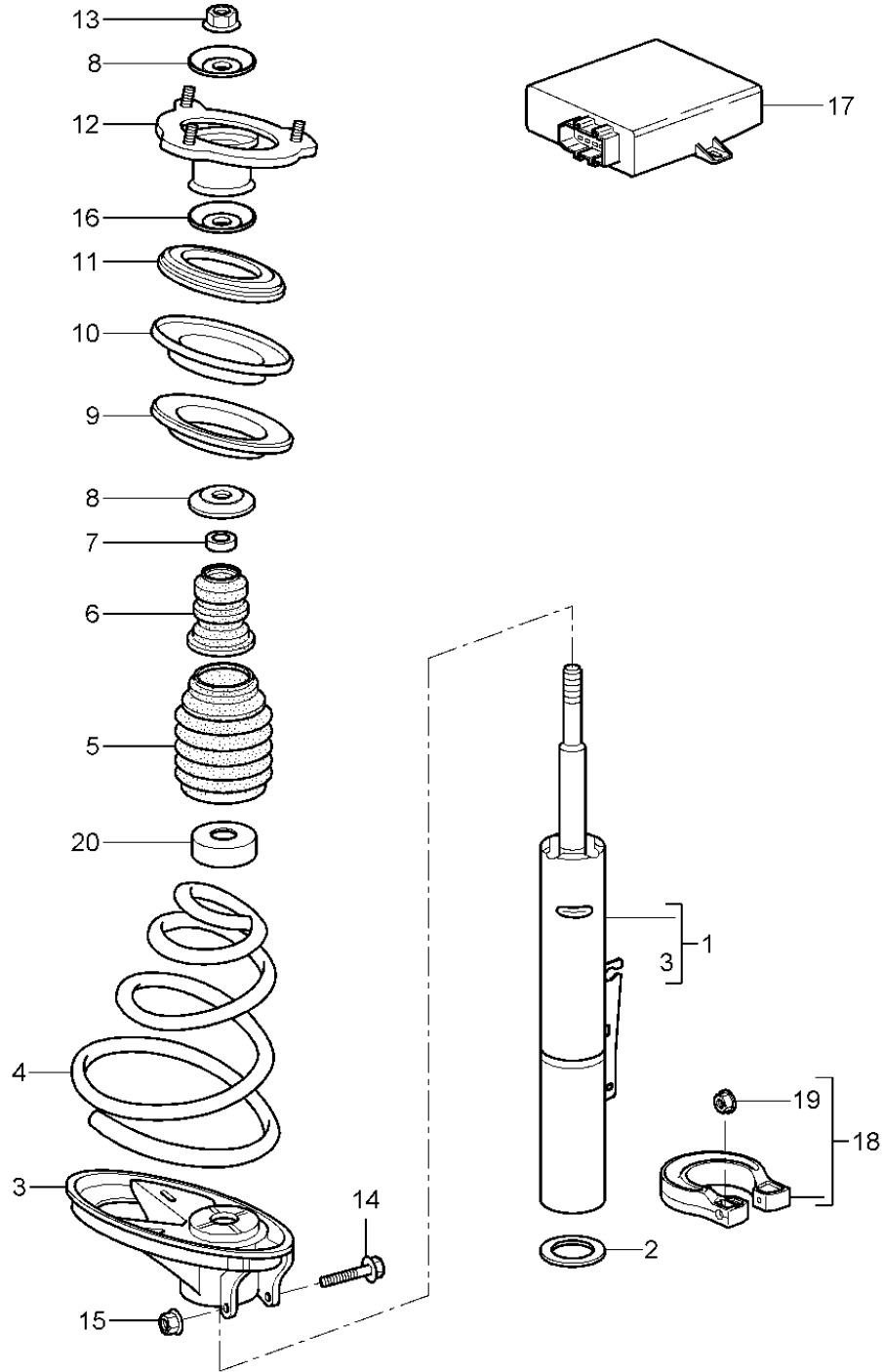
| Pos  | Part Number        | Description                                  | Remark | Qty    | Model  |
|------|--------------------|--|--------|--------|--|
|      | 997 343 531 31 504 | 1 pair of springs<br>red<br>green            |        |        |  |
| (7)  | 997 343 531 42     | Coil spring                                  |        | 1      | PR:475<br>COUPE<br>CARRERA 2<br>CARRERA 2 S  |
|      | 997 343 531 42 504 | 1 set<br>1 pair of springs<br>red<br>green   |        |        |  |
| (7)  | 997 343 531 35     | Coil spring                                  |        | 1      | PR:475<br>CABRIO<br>CARRERA 2<br>CARRERA 2 S |
|      | 997 343 531 35 504 | 1 set<br>1 pair of springs<br>red<br>yellow  |        |        |  |
| 8    | 996 343 505 00     | Bellows                                      |        | 2      |  |
| 9    | 996 343 301 02     | helper spring                                |        | 2      |  |
| (9)  | 996 343 980 09     | helper spring                                |        | 2      | PR:030,480                                   |
| (9)  | 996 343 301 02     | helper spring                                |        | 2      | PR:475                                       |
| 10   | 900 380 012 09     | Hexagon nut<br>M 14 X 1,5                    |        | 2      |  |
|      |                    | Discontinued part                            |        |        |  |
| 10   | 900 380 012 01     | Hexagon nut<br>M 14 X 1,5                    |        | 2      |  |
| 11   | 996 343 515 05     | grooved ball bearing<br>with housing         |        | 2      |  |
| 12   | 997 343 569 00     | Clamp  |        | 2      | CARRERA 2                                    |
| 13   | 900 377 010 09     | Hexagon nut                                  |        | 2      | CARRERA 2                                    |
| -    | 900 378 111 09     | Hexagon bolt<br>M 6 X 60                     |        | 2      | CARRERA 2                                    |
| 14   | 997 618 105 03     | Control unit                                 |        | 1<br>1 | CARRERA 2<br>CARRERA 2S                      |
|      |                    | D - MJ 2005>> - MJ 2005<br>Discontinued part |        |        |  |
| (14) | 997 618 105 04     | Control unit                                 |        | 1<br>1 | CARRERA 2<br>CARRERA 2S                      |
|      |                    | D - MJ 2005>> - MJ 2005<br>Discontinued part |        |        |  |
| (14) | 997 618 105 14     | Control unit                                 |        | 1<br>1 | CARRERA 2<br>CARRERA 2S                      |
|      |                    | D - MJ 2005>> - MJ 2005<br>Discontinued part |        |        |  |
| (14) | 997 618 105 15     | Control unit                                 |        | 1<br>1 | CARRERA 2<br>CARRERA 2S                      |
|      |                    | D - MJ 2005>> - MJ 2005                      |        |        |  |
| (14) | 997 618 105 05     | Control unit                                 |        | 1<br>1 | CARRERA 2<br>CARRERA 2S                      |
|      |                    | D - MJ 2006>> - MJ 2006<br>Discontinued part |        |        |  |
| (14) | 997 618 105 06     | Control unit                                 |        | 1<br>1 | CARRERA 2<br>CARRERA 2S                      |
|      |                    | D - MJ 2007>> - MJ 2007<br>Discontinued part |        |        |  |
| (14) | 997 618 105 07     | Control unit                                 |        | 1<br>1 | CARRERA 2<br>CARRERA 2S                      |
|      |                    | D - MJ 2008>><br>Discontinued part           |        |        |  |
| (14) | 997 618 105 08     | Control unit                                 |        | 1<br>1 | CARRERA 2<br>CARRERA 2S                      |
|      |                    | D - MJ 2008>>                                |        |        |  |
| 15   | 999 703 457 40     | End cap                                      |        | 2      |  |

Model: 997 05 Model life 2005>>2008

| Pos  | Part Number    | Description  | Remark | Qty | Model |
|------|----------------|--|--------|-----|-------|
| 16   | 997 606 111 01 | Acceleration sensor for<br>bodywork                                  |        | 2   |       |
| 17   | 997 606 212 00 | Bracket<br>Accelerator sensor<br>D >> - MJ 2006<br>Discontinued part |        | 1   |       |
| (17) | 997 606 212 01 | Bracket<br>Accelerator sensor<br>D - MJ 2007>>                       |        | 1   |       |

Model: 997 05

Model life 2005>>2008



Model: 997 05 Model life 2005>>2008

| Pos | Part Number    | Description                          | Remark | Qty | Model  |
|-----|----------------|--------------------------------------|--------|-----|--|
|     |                | suspension<br>Shock absorber strut   |        |     | CARRERA 4<br>CARRERA 4S<br>TARGA<br>TARGA S<br>PR:029<br>CARRERA 4 |
| 1   | 997 343 043 02 | Shock absorbers                      | left   | 1   | PR:029<br>CARRERA 4  |
| (1) | 997 343 043 04 | Discontinued part<br>Shock absorbers | left   | 1   | PR:029<br>CARRERA 4  |
| (1) | 997 343 043 06 | Discontinued part<br>Shock absorbers | left   | 1   | PR:029<br>CARRERA 4  |
| (1) | 997 343 044 02 | Shock absorbers                      | right  | 1   | PR:029<br>CARRERA 4  |
| (1) | 997 343 044 04 | Discontinued part<br>Shock absorbers | right  | 1   | PR:029<br>CARRERA 4  |
| (1) | 997 343 044 06 | Discontinued part<br>Shock absorbers | right  | 1   | PR:029<br>CARRERA 4  |
| (1) | 997 343 043 03 | Shock absorbers                      | left   | 1   | PR:030,480<br>CARRERA 4<br>CARRERA 4S                              |
| (1) | 997 343 043 05 | Discontinued part<br>Shock absorbers | left   | 1   | PR:030,480<br>CARRERA 4<br>CARRERA 4S                              |
| (1) | 997 343 043 07 | Discontinued part<br>Shock absorbers | left   | 1   | PR:030,480<br>CARRERA 4<br>CARRERA 4S                              |
| (1) | 997 343 044 03 | Shock absorbers                      | right  | 1   | PR:030,480<br>CARRERA 4<br>CARRERA 4S                              |
| (1) | 997 343 044 05 | Discontinued part<br>Shock absorbers | right  | 1   | PR:030,480<br>CARRERA 4<br>CARRERA 4S                              |
| (1) | 997 343 044 07 | Discontinued part<br>Shock absorbers | right  | 1   | PR:030,480<br>CARRERA 4<br>CARRERA 4S                              |
| (1) | 997 343 047 08 | Shock absorbers                      | left   | 1   | PR:475<br>CARRERA 4<br>CARRERA 4S                                  |
| (1) | 997 343 047 14 | Discontinued part<br>Shock absorbers | left   | 1   | PR:475<br>CARRERA 4<br>CARRERA 4S                                  |
| (1) | 997 343 048 08 | Shock absorbers                      | right  | 1   | PR:475<br>CARRERA 4<br>CARRERA 4S                                  |
| (1) | 997 343 048 14 | Discontinued part<br>Shock absorbers | right  | 1   | PR:475<br>CARRERA 4<br>CARRERA 4S                                  |
| (1) | 997 343 048 15 | Discontinued part<br>Shock absorbers | right  | 1   | PR:475<br>CARRERA 4<br>CARRERA 4S                                  |
| (1) | 997 343 049 03 | Shock absorbers                      | left   | 1   | PR:029<br>TARGA  |
|     |                | D - MJ 2007>>                        |        |     |  |



Model: 997 05

Model life 2005&gt;&gt;2008

| Pos | Part Number        | Description                      | Remark | Qty | Model                                  |
|-----|--------------------|----------------------------------|--------|-----|--|
| (1) | 997 343 050 03     | Shock absorbers                  | right  | 1   | PR:029<br>TARGA                        |
| (1) | 997 343 051 03     | D - MJ 2007>><br>Shock absorbers | left   | 1   | PR:475<br>TARGA                        |
|     |                    |                                  | left   | 1   | TARGA S                                |
| (1) | 997 343 052 03     | D - MJ 2007>><br>Shock absorbers | right  | 1   | PR:475<br>TARGA                        |
|     |                    |                                  | right  | 1   | TARGA S                                |
| -   |                    | D - MJ 2007>><br>Mount           |        |     |  |
| -   | 900 378 138 01     | Shock absorbers<br>Hexagon bolt  |        | 2   |  |
|     |                    | M 12 X 1,5 X 70                  |        |     |  |
| -   | 999 084 445 01     | Locknut                          |        | 2   |  |
|     |                    | M 12 X 1,5                       |        |     |  |
| 2   | 996 343 521 01     | Cup washer                       |        | 2   |  |
| (4) | 997 343 533 00     | Coil spring                      |        | 1   | PR:029,480,<br>249                     |
|     |                    | 1 set                            |        |     | COUPE                                  |
|     | 997 343 533 00 504 | 1 pair of springs                |        |     | CABRIO                                 |
|     |                    | brown                            |        |     | CARRERA 4                              |
|     |                    | white                            |        |     | PR:030,480                             |
| (4) | 997 343 533 03     | Coil spring                      |        | 1   |  |
|     |                    | 1 set                            |        |     | COUPE                                  |
|     | 997 343 533 03 504 | 1 pair of springs                |        |     | CARRERA 4                              |
|     |                    | green                            |        |     | CARRERA 4S                             |
|     |                    | white                            |        |     | PR:475                                 |
| (4) | 997 343 533 04     | Coil spring                      |        | 1   |  |
|     |                    | 1 set                            |        |     |  |
|     | 997 343 533 04 504 | 1 pair of springs                |        |     |  |
|     |                    | yellow                           |        |     |  |
|     |                    | white                            |        |     |  |
| (4) | 997 343 533 23     | Coil spring                      |        | 1   | PR:029                                 |
|     |                    | D - MJ 2007>>                    |        |     |  |
|     | 997 343 533 23 504 | 1 pair of springs                |        |     | TARGA                                  |
|     |                    | Identification: >> >>            |        |     |  |
|     |                    | pink                             |        |     |  |
|     |                    | gold                             |        |     |  |
| (4) | 997 343 533 24     | Coil spring                      |        | 1   | PR:475<br>TARGA                        |
|     |                    | 1 set                            |        |     |  |
|     |                    | D - MJ 2007>>                    |        |     |  |
|     |                    | Discontinued part                |        |     |  |
|     | 997 343 533 24 504 | 1 pair of springs                |        |     | TARGA S                                |
|     |                    | blue                             |        |     |  |
|     |                    | silver                           |        |     |  |
| (4) | 997 343 533 42     | Coil spring                      |        | 1   | PR:475<br>TARGA                        |
|     |                    | 1 set                            |        |     |  |
|     |                    | D - MJ 2007>>                    |        |     |  |
|     | 997 343 533 42 504 | 1 pair of springs                |        |     | TARGA S                                |
|     |                    | blue                             |        |     |  |
|     |                    | silver                           |        |     |  |
| 5   | 996 343 509 01     | Bellows                          |        | 2   |  |
| 6   | 996 343 301 02     | helper spring                    |        | 2   | CARRERA 4<br>PR:029                    |
| 6   | 996 343 301 02     | helper spring                    |        | 2   | CARRERA 4                              |
|     |                    |                                  |        | 2   | CARRERA 4 S                            |
|     |                    |                                  |        | 2   | PR:475                                 |
| (6) | 996 343 980 09     | helper spring                    |        | 2   | CARRERA 4<br>CARRERA 4 S<br>PR:030,480 |

Model: 997 05 Model life 2005>>2008

| Pos  | Part Number    | Description  | Remark | Qty | Model            |
|------|----------------|--|--------|-----|------------------|
| 7    | 996 343 513 00 | Washer   |        | 2   |                  |
| (8)  | 997 343 107 01 | Stop plate   |        | 4   |                  |
| 8    | 997 343 107 01 | Stop plate   |        | 2   |                  |
| 9    | 996 343 525 00 | Balancing plate<br>3,0 MM  |        | 2   |                  |
| (9)  | 996 343 525 01 | Balancing plate<br>6,5 MM  |        | 2   |                  |
| 10   | 996 343 523 00 | Thrust ring  |        | 2   |                  |
| 11   | 996 343 501 00 | angular ball bearing   |        | 2   |                  |
| 12   | 997 343 015 00 | Shock absorber bearing<br>D >> - MJ 2006                               | left   | 1   |                  |
| (12) | 997 343 015 01 | Discontinued part<br>Shock absorber bearing<br>D - MJ 2007>> - MJ 2007 | left   | 1   |                  |
| (12) | 997 343 015 02 | Discontinued part<br>Shock absorber bearing<br>D - MJ 2008>>           | left   | 1   |                  |
| (12) | 997 343 016 00 | Shock absorber bearing<br>D >> - MJ 2006                               | right  | 1   |                  |
| (12) | 997 343 016 01 | Discontinued part<br>Shock absorber bearing<br>D - MJ 2007>> - MJ 2007 | right  | 1   |                  |
| (12) | 997 343 016 02 | Discontinued part<br>Shock absorber bearing<br>D - MJ 2008>>           | right  | 1   |                  |
| 13   | 900 380 012 09 | Hexagon nut<br>M 14 X 1,5  |        | 2   |                  |
|      |                | Discontinued part  |        |     |                  |
| 13   | 900 380 012 01 | Hexagon nut<br>M 14 X 1,5  |        | 2   |                  |
| 14   | 900 378 191 09 | Hexagon bolt<br>M 6 X 55   |        | 2   |                  |
| 15   | 900 377 010 09 | Hexagon nut<br>M 6   |        | 2   |                  |
| (16) | 997 343 107 01 | Stop plate   |        | 2   |                  |
| 16   | 997 343 107 00 | Stop plate   |        | 2   | PR:475           |
| 17   | 997 618 115 03 | Control unit<br>D - MJ 2006>> - MJ 2006                                |        | 1   |                  |
| (17) | 997 618 115 04 | Control unit<br>D - MJ 2007>> - MJ 2007                                |        | 1   |                  |
| (17) | 997 618 115 06 | Control unit<br>D - MJ 2008>>  |        | 1   |                  |
|      |                | Discontinued part  |        |     |                  |
| (17) | 997 618 115 08 | Control unit<br>D - MJ 2008>>  |        | 1   |                  |
| (17) | 997 618 115 05 | Control unit<br>D - MJ 2007>> - MJ 2007                                |        | 1   | TARGA<br>TARGA S |
| (17) | 997 618 115 07 | Control unit<br>D - MJ 2008>>  |        | 1   | TARGA<br>TARGA S |
| -    | 999 703 457 40 | End cap  |        | 2   |                  |
| -    | 997 606 111 01 | Acceleration sensor for<br>bodywork                                    |        | 1   |                  |
| -    | 900 378 111 09 | Hexagon bolt<br>M 6 X 60   |        | 2   |                  |
| 20   | 997 343 272 00 | Washer   |        | 2   | PR:030           |
| 21   | 997 606 111 01 | Acceleration sensor for<br>bodywork                                    |        | 2   |                  |
| 22   | 997 606 212 00 | Bracket<br>Accelerator sensor<br>D >> - MJ 2006                        |        | 1   |                  |
|      |                | Discontinued part  |        |     |                  |

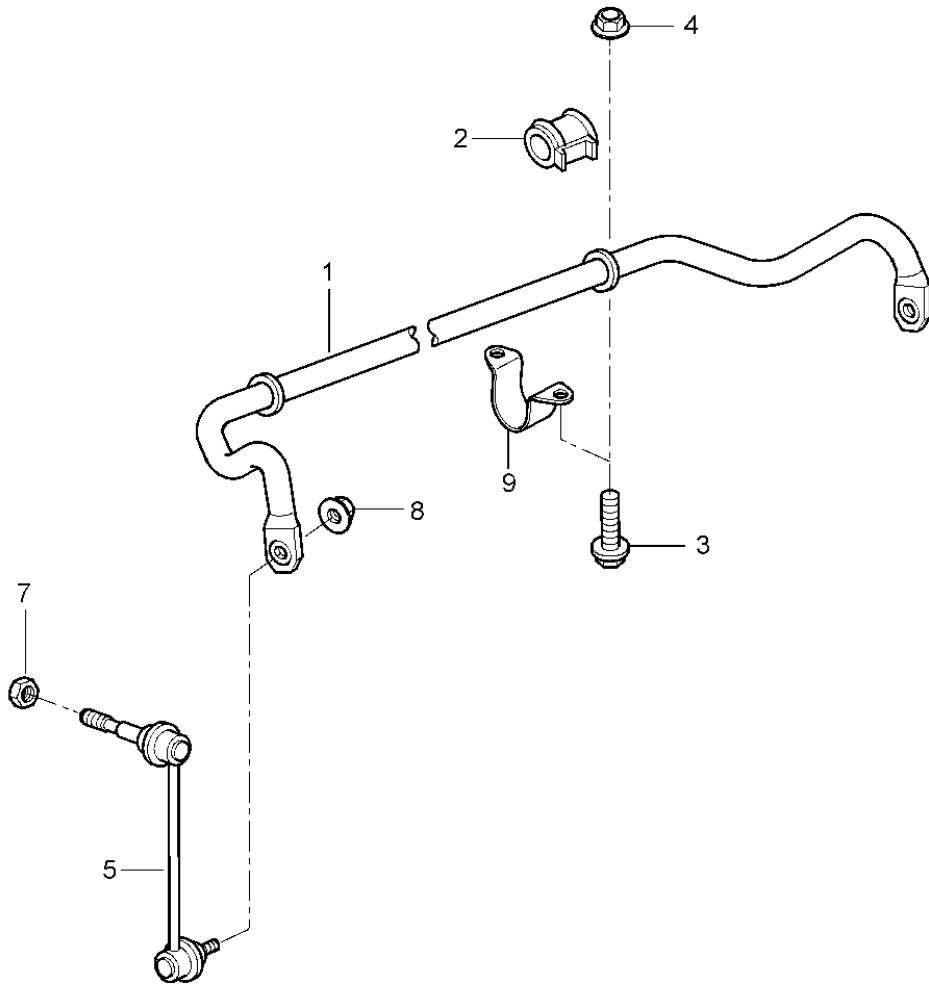
Model: 997 05

Model life 2005>>2008

| Pos  | Part Number    | Description                                    | Remark | Qty | Model |
|------|----------------|--|--------|-----|-------|
| (22) | 997 606 212 01 | Bracket<br>Accelerator sensor<br>D - MJ 2007>> |        | 1   |       |

Model: 997 05

Model life 2005>>2008



Model: 997 05 Model life 2005>>2008

| Pos | Part Number    | Description                        | Remark | Qty | Model                                      |
|-----|----------------|------------------------------------|--------|-----|--|
| 1   | 997 343 701 03 | Anti-roll bar<br>Anti-roll bar     |        | 1   | CARRERA 2<br>COUPE<br>CABRIO<br>PR:029,480 |
| (1) | 997 343 701 04 | Anti-roll bar                      |        | 1   | CARRERA 2<br>COUPE<br>PR:029,249           |
| (1) | 997 343 701 07 | Discontinued part<br>Anti-roll bar |        | 1   | CARRERA 2<br>COUPE<br>PR:029,249           |
| (1) | 997 343 701 05 | Anti-roll bar                      |        | 1   | CARRERA 2<br>CABRIO<br>PR:029,249          |
| (1) | 997 343 701 04 | Anti-roll bar                      |        | 1   | CARRERA 2<br>CARRERA 2S<br>COUPE<br>PR:030 |
| (1) | 997 343 701 07 | Discontinued part<br>Anti-roll bar |        | 1   | CARRERA 2<br>CARRERA 2S<br>COUPE<br>PR:030 |
| (1) | 997 343 701 04 | Anti-roll bar                      |        | 1   | CARRERA 2<br>COUPE<br>PR:475               |
| (1) | 997 343 701 07 | Discontinued part<br>Anti-roll bar |        | 1   | CARRERA 2<br>COUPE<br>PR:475               |
| (1) | 997 343 701 05 | Anti-roll bar                      |        | 1   | CARRERA 2<br>CABRIO<br>PR:475              |
| (1) | 997 343 701 04 | Anti-roll bar                      |        | 1   | CARRERA 2S<br>COUPE<br>CABRIO<br>PR:475    |
| (1) | 997 343 701 07 | Discontinued part<br>Anti-roll bar |        | 1   | CARRERA 2S<br>COUPE<br>CABRIO<br>PR:475    |
| (1) | 997 343 703 04 | Anti-roll bar                      |        | 1   | CARRERA 4<br>COUPE                         |
| (1) | 997 343 703 07 | Discontinued part<br>Anti-roll bar |        | 1   | CARRERA 4S<br>COUPE<br>PR:030,480          |
| (1) | 997 343 703 05 | Anti-roll bar                      |        | 1   | CARRERA 4<br>COUPE                         |
| (1) | 997 343 703 08 | Discontinued part<br>Anti-roll bar |        | 1   | CARRERA 4<br>CABRIO<br>PR:029              |
|     |                |                                    |        | 1   | CARRERA 4<br>COUPE<br>CARRERA 4            |

Model: 997 05 Model life 2005>>2008

| Pos | Part Number    | Description                        | Remark | Qty | Model   |
|-----|----------------|------------------------------------|--------|-----|---|
| (1) | 997 343 703 06 | Anti-roll bar                      |        | 1   | CABRIO<br>PR:029<br>CARRERA 4<br>COUPE                            |
|     |                |                                    |        | 1   | CARRERA 4<br>CABRIO<br>PR:475                                     |
| (1) | 997 343 703 09 | Discontinued part<br>Anti-roll bar |        | 1   | CARRERA 4<br>COUPE  |
|     |                |                                    |        | 1   | CARRERA 4<br>CABRIO<br>PR:475                                     |
| (1) | 997 343 703 06 | Anti-roll bar                      |        | 1   | CARRERA 4S<br>COUPE   |
|     |                |                                    |        | 1   | CARRERA 4S<br>CABRIO<br>PR:475                                    |
| (1) | 997 343 703 09 | Anti-roll bar                      |        | 1   | TARGA<br>PR:029,475   |
| (1) | 997 343 703 09 | D - MJ 2007>><br>Anti-roll bar     |        | 1   | TARGA S<br>PR:475   |
| 2   | 996 343 792 12 | anti-roll bar bearing bracket      |        | 2   | CARRERA 2<br>PR:029,480   |
| (2) | 996 343 792 17 | anti-roll bar bearing bracket      |        | 2   | CARRERA 2<br>COUPE<br>CABRIO                                      |
|     |                |                                    |        | 2   | CARRERA 2<br>CARRERA 2S<br>COUPE<br>PR:029,480,<br>030            |
| (2) | 996 343 792 17 | anti-roll bar bearing bracket      |        | 2   | CARRERA 2<br>CARRERA 2<br>CARRERA 2S<br>COUPE<br>CABRIO<br>PR:475 |
| (2) | 997 343 792 00 | anti-roll bar bearing bracket      |        | 2   | CARRERA 4<br>COUPE  |
|     |                |                                    |        | 2   | CARRERA 4S<br>COUPE<br>PR:030,480                                 |
| (2) | 996 343 792 11 | anti-roll bar bearing bracket      |        | 2   | CARRERA 4<br>COUPE  |
|     |                |                                    |        | 2   | CARRERA 4<br>CABRIO<br>PR:029                                     |
| (2) | 996 343 792 12 | anti-roll bar bearing bracket      |        | 2   | CARRERA 4<br>COUPE  |
|     |                |                                    |        | 2   | CARRERA 4<br>CABRIO<br>CARRERA 4S<br>COUPE                        |
|     |                |                                    |        | 2   | CARRERA 4S<br>CABRIO<br>PR:475                                    |
| (2) | 996 343 792 12 | anti-roll bar bearing bracket      |        | 2   | TARGA<br>PR:029,475   |
|     |                | D - MJ 2007>>                      |        |     |   |

Model: 997 05 Model life 2005>>2008

| Pos | Part Number    | Description                                  | Remark | Qty | Model             |
|-----|----------------|--|--------|-----|-------------------|
| (2) | 996 343 792 12 | anti-roll bar bearing bracket                |        | 2   | TARGA S<br>PR:475 |
| 3   | 900 378 098 09 | D - MJ 2007>><br>Hexagon bolt<br>M 10 X 60   |        | 4   |                   |
| 4   | 900 380 008 09 | Locknut<br>M 10                              |        | 4   | CARRERA 4         |
|     |                |  |        | 4   | CARRERA 4S        |
|     |                |  |        | 4   | TARGA             |
|     |                |  |        | 4   | TARGA S           |
| 4   | 900 380 008 01 | Discontinued part<br>Hexagon nut<br>M 10     |        | 4   | CARRERA 4         |
|     |                |  |        | 4   | CARRERA 4S        |
|     |                |  |        | 4   | TARGA             |
|     |                |  |        | 4   | TARGA S           |
| 5   | 997 343 069 00 | Coupling rod                                 | left   | 1   | CARRERA 2         |
|     |                | See technical manual<br>Group 4<br>NR.407719 | left   | 1   | CARRERA 2S        |
| (5) | 997 343 069 01 | Coupling rod                                 | left   | 1   | CARRERA 2         |
|     |                | See technical manual<br>Group 4<br>NR.407819 | left   | 1   | CARRERA 2S        |
| (5) | 997 343 073 02 | Coupling rod                                 | left   | 1   | CARRERA 4         |
|     |                |  | left   | 1   | CARRERA 4S        |
|     |                |  | left   | 1   | TARGA             |
|     |                |  | left   | 1   | TARGA S           |
| (5) | 997 343 070 00 | Coupling rod                                 | right  | 1   | CARRERA 2         |
|     |                | See technical manual<br>Group 4<br>NR.407819 |        | 1   | CARRERA 2S        |
| (5) | 997 343 070 01 | Coupling rod                                 | right  | 1   | CARRERA 2         |
|     |                | See technical manual<br>Group 4<br>NR.407819 | right  | 1   | CARRERA 2S        |
| (5) | 997 343 074 02 | Coupling rod                                 | right  | 1   | CARRERA 4         |
|     |                |  | right  | 1   | CARRERA 4S        |
|     |                |  | right  | 1   | TARGA             |
|     |                |  | right  | 1   | TARGA S           |
| 7   | 999 084 445 01 | Locknut<br>M 12 X 1,5                        |        | 2   | CARRERA 2         |
|     |                | See technical manual<br>Group 4<br>NR.407819 |        | 2   | CARRERA 2S        |
| (7) | 999 084 123 09 | Hexagon nut<br>M 10                          |        | 2   | CARRERA 2         |
|     |                | See technical manual<br>Group 4<br>NR.707819 |        | 2   | CARRERA 2S        |
| (7) | 999 084 445 01 | Locknut<br>M 12 x 1,5                        |        | 2   | CARRERA 4         |
|     |                | See technical manual<br>Group 4<br>NR.407819 |        | 2   | CARRERA 4S        |
| 8   | 999 084 643 09 | Hexagon nut<br>M10                           |        | 2   | CARRERA 2         |
|     |                | See technical manual<br>Group 4<br>NR.407819 |        | 2   | CARRERA 2S        |
| (8) | 999 084 123 09 | Hexagon nut                                  |        | 2   | CARRERA 2         |

Model: 997 05

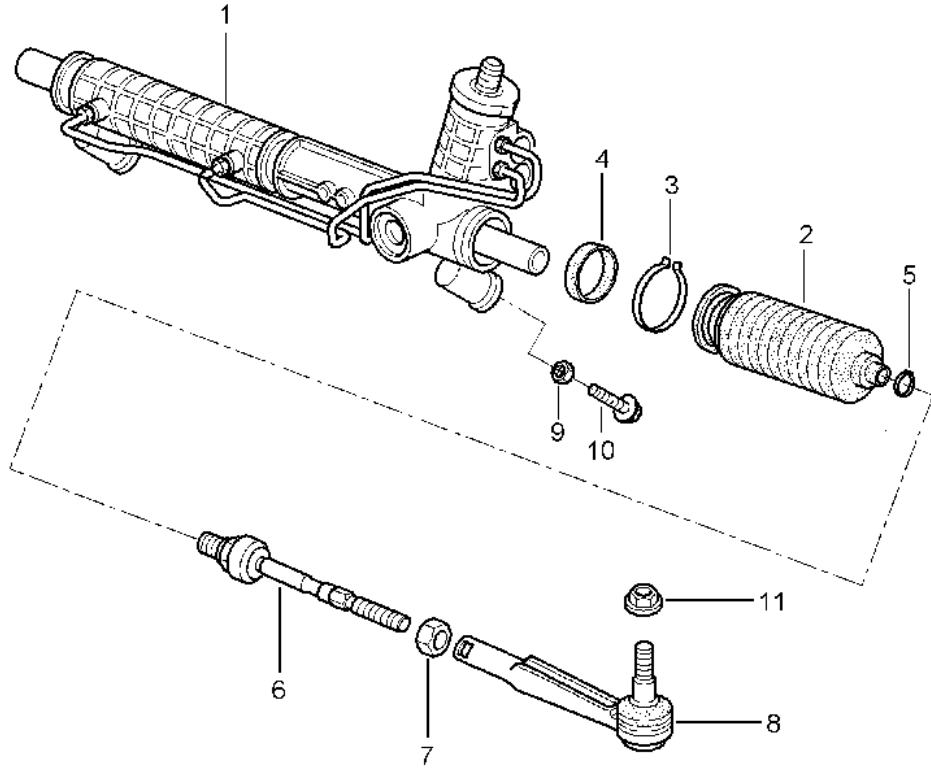
Model life 2005>>2008

| Pos | Part Number    | Description  | Remark | Qty | Model      |
|-----|----------------|--|--------|-----|------------|
|     |                | M 10<br>See technical manual<br>Group 4<br>NR.407819 |        | 2   | CARRERA 2S |
| (8) | 999 084 123 09 | Hexagon nut<br>M 10                                  |        | 2   | CARRERA 4  |
|     |                |  |        | 2   | CARRERA 4S |
|     |                |  |        | 2   | TARGA      |
|     |                |  |        | 2   | TARGA S    |
| 9   | 997 343 777 01 | Clamp  |        | 2   | CARRERA 4  |
|     |                |  |        | 2   | CARRERA 4S |
|     |                |  |        | 2   | TARGA      |
|     |                |  |        | 2   | TARGA S    |



Model: 997 05

Model life 2005>>2008

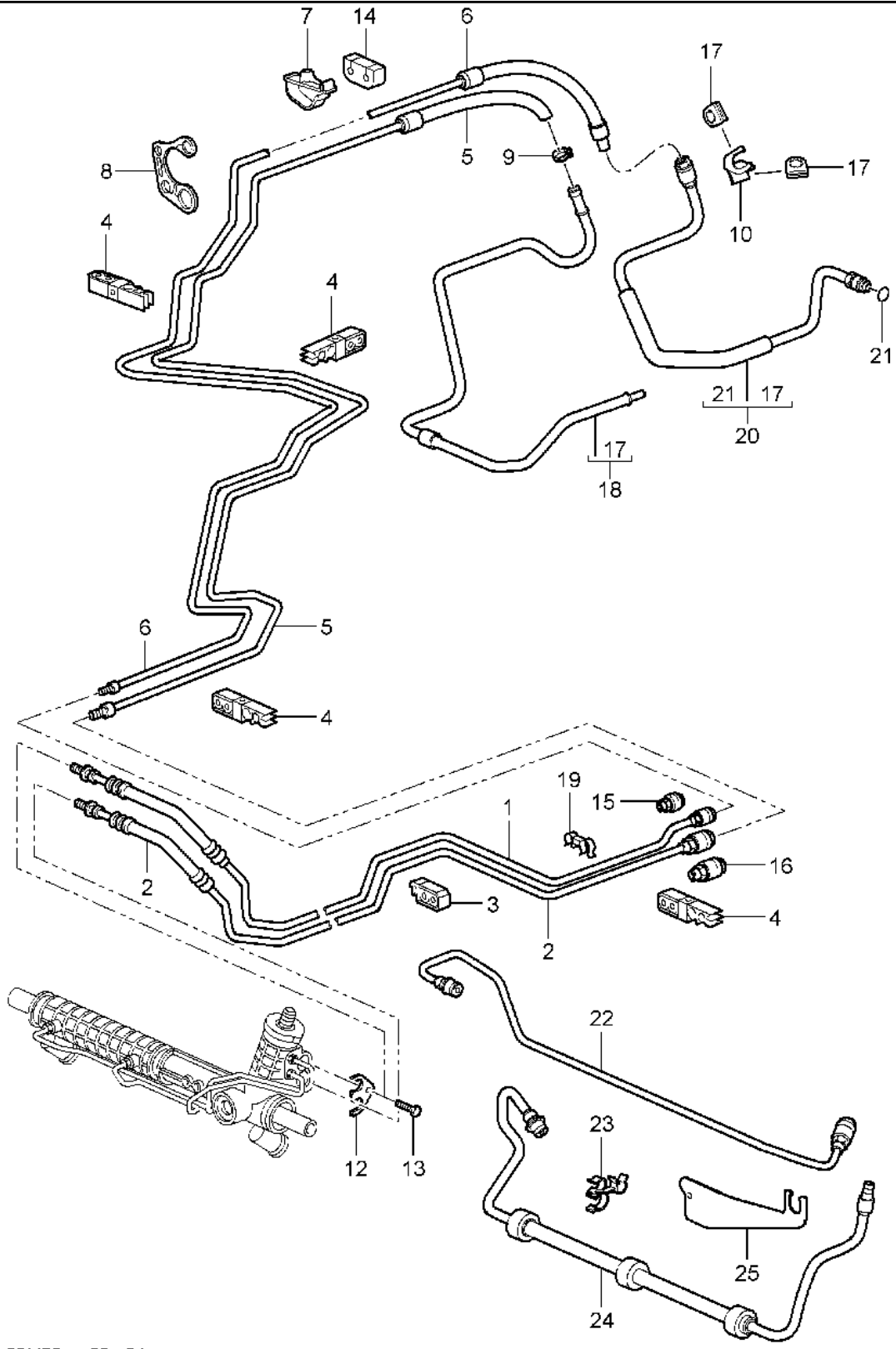


Model: 997 05 Model life 2005>>2008

| Pos | Part Number    | Description   | Remark    | Qty | Model  |
|-----|----------------|---|-----------|-----|--------|
| 1   | 997 347 011 04 | Power steering<br>Steering gear<br>Steering parts<br>Steering gear<br>Power steering<br>D >> - MJ 2007<br>Discontinued part |           | 1   | PR:098 |
| (1) | 997 347 011 05 | Steering gear<br>Power steering<br>D >> - MJ 2007   |           | 1   | PR:098 |
| (1) | 997 347 011 06 | Steering gear<br>Power steering<br>D - MJ 2008>>  |           | 1   | PR:098 |
| (1) | 997 347 012 03 | Steering gear<br>Power steering<br>D >> - MJ 2007<br>Discontinued part  |           | 1   | PR:099 |
| (1) | 997 347 012 04 | Steering gear<br>Power steering<br>D >> - MJ 2007   |           | 1   | PR:099 |
| (1) | 997 347 012 05 | Steering gear<br>Power steering<br>D - MJ 2008>>  |           | 1   | PR:099 |
| -   | 996 347 110 02 | Clip<br>pinion<br>Steering gear<br>Only<br>for<br>997.347.011.04<br>997.347.012.03  |           | 1   |        |
| 2   | 997 347 191 00 | Bellows   |           | 2   |        |
| 3   | 996 347 293 04 | clamping ring   |           | 2   |        |
| 4   | 997 347 373 00 | seal ring   |           | 2   |        |
| 5   | 999 512 693 09 | clamping ring   |           | 2   |        |
| 6   | 997 347 322 00 | Joint<br>D >> - MJ 2007   |           | 2   |        |
| (6) | 997 347 322 01 | Joint<br>D - MJ 2008>>  |           | 2   |        |
| 7   | 999 034 037 09 | Hexagon nut<br>M 14 X 1,5   |           | 2   |        |
| 8   | 996 347 131 04 | Track rod   |           | 2   |        |
| 9   |                | see illustration, item:   | 401-000,2 | 2   |        |
| 10  | 900 378 100 01 | Hexagon bolt<br>AM 10 X 45  |           | 2   |        |
| 11  | 999 084 449 09 | Locknut<br>M 12 X 1,5   |           | 2   |        |

Model: 997 05

Model life 2005>>2008



Model: 997 05 Model life 2005>>2008

| Pos | Part Number    | Description   | Remark | Qty | Model      |
|-----|----------------|---|--------|-----|------------|
| 1   | 997 347 451 02 | Power steering<br>Lines<br>Pressure line<br>D >> - MJ 2006<br>Discontinued part |        | 1   | PR:098     |
| (1) | 997 347 451 03 | Pressure line<br>D - MJ 2007>> - MJ 2007<br>Discontinued part                   |        | 1   | PR:098     |
| (1) | 997 347 451 04 | Pressure line<br>D - MJ 2008>><br>Discontinued part                             |        | 1   | PR:098     |
| (1) | 997 347 451 05 | Pressure line<br>D - MJ 2008>>  |        | 1   | PR:098     |
| (1) | 997 347 452 02 | Pressure line   |        | 1   | PR:099     |
| 2   | 997 347 449 02 | return line   |        | 1   | CARRERA 2  |
|     |                |   |        | 1   | CARRERA 2S |
|     |                |   |        | 1   | PR:098     |
| (2) | 987 347 449 00 | Discontinued part<br>return line  |        | 1   | CARRERA 2  |
|     |                |   |        | 1   | CARRERA 2S |
| (2) | 987 347 449 00 | return line   |        | 1   | PR:098     |
|     |                |   |        | 1   | CARRERA 4  |
|     |                |   |        | 1   | CARRERA 4S |
| (2) | 987 347 449 03 | return line   |        | 1   | PR:098     |
|     |                |   |        | 1   | TARGA      |
|     |                |   |        | 1   | TARGA S    |
|     |                |   |        | 1   | PR:098     |
| (2) | 997 347 650 01 | D - MJ 2007>><br>return line  |        | 1   | CARRERA 2  |
|     |                |   |        | 1   | CARRERA 2S |
| (2) | 987 347 650 00 | return line   |        | 1   | PR:099     |
|     |                |   |        | 1   | CARRERA 4  |
|     |                |   |        | 1   | CARRERA 4S |
|     |                |   |        | 1   | PR:099     |
| (2) | 987 347 650 03 | Discontinued part<br>return line  |        | 1   | CARRERA 4  |
|     |                |   |        | 1   | CARRERA 4S |
|     |                |   |        | 1   | PR:099     |
| (2) | 987 347 650 03 | return line   |        | 1   | TARGA      |
|     |                |   |        | 1   | TARGA S    |
|     |                |   |        | 1   | PR:099     |
| 3   | 996 347 543 00 | D - MJ 2007>><br>Cable holder   |        | X   |            |
| 4   | 996 355 543 00 | Bracket   |        | 1   |            |
| 5   | 997 347 439 01 | return line   | center | 1   | CARRERA 2  |
|     |                |   |        | 1   | CARRERA 2S |
| (5) | 997 347 439 02 | Discontinued part<br>return line  | center | 1   | CARRERA 2  |
|     |                |   |        | 1   | CARRERA 2S |
|     |                |   |        | 1   | CARRERA 4  |
|     |                |   |        | 1   | CARRERA 4S |
|     |                |   |        | 1   | TARGA      |
|     |                |   |        | 1   | TARGA S    |
| (5) | 997 347 439 03 | Discontinued part<br>return line  | center | 1   | CARRERA 2  |
|     |                |   |        | 1   | CARRERA 2S |
|     |                |   |        | 1   | CARRERA 4  |
|     |                |   |        | 1   | CARRERA 4S |
|     |                |   |        | 1   | TARGA      |
|     |                |   |        | 1   | TARGA S    |
| (5) | 997 347 439 04 | Discontinued part<br>return line  | center | 1   | CARRERA 2  |
|     |                |   |        | 1   | CARRERA 2S |
|     |                |   |        | 1   | CARRERA 4  |

Model: 997 05 Model life 2005>>2008

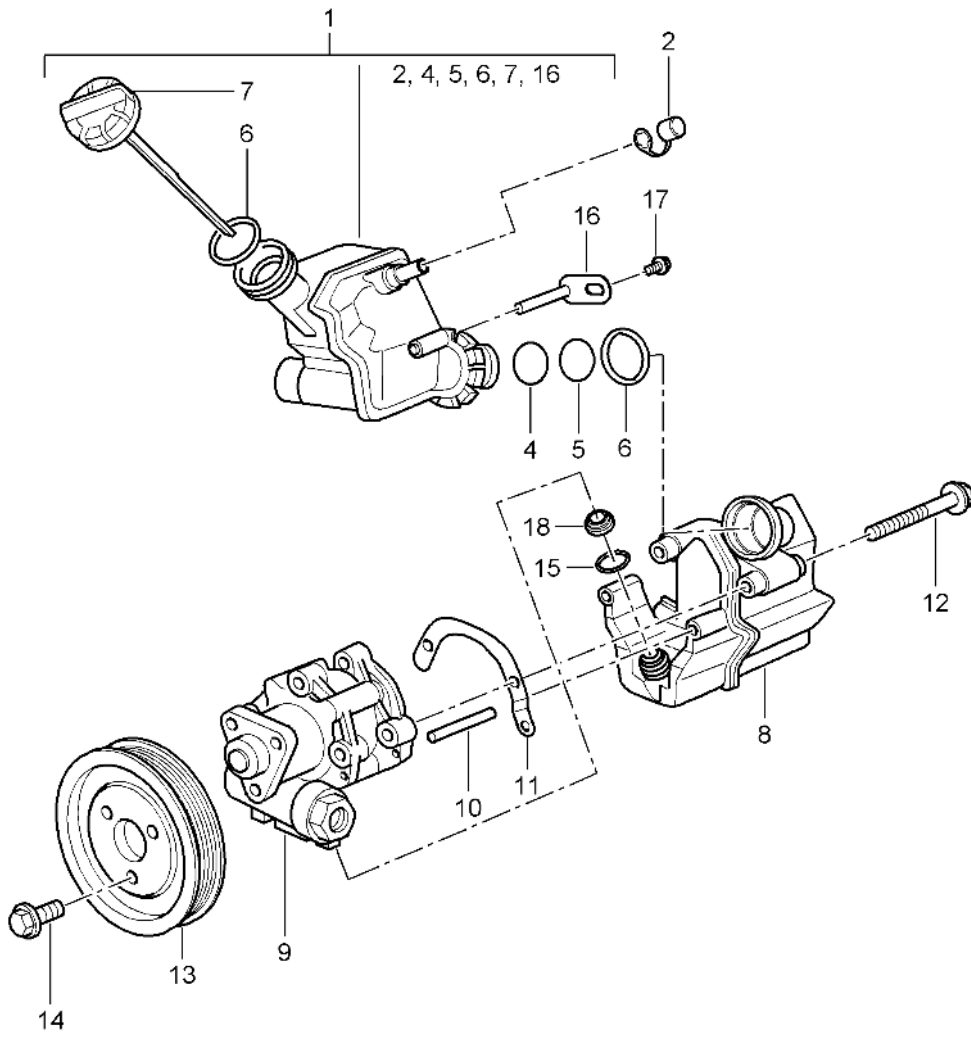
| Pos  | Part Number    | Description               | Remark | Qty | Model      |
|------|----------------|---------------------------|--------|-----|------------|
|      |                |                           |        | 1   | CARRERA 4S |
|      |                |                           |        | 1   | TARGA      |
| 6    | 997 347 445 01 | Pressure line             | center | 1   | TARGA S    |
|      |                |                           |        | 1   | CARRERA 2  |
|      |                |                           |        | 1   | CARRERA 2S |
|      |                | F >> 99-5S741 101         |        |     |            |
| (6)  | 997 347 445 02 | Pressure line             | center | 1   | CARRERA 2  |
|      |                |                           |        | 1   | CARRERA 2S |
|      |                | F 99-5S741 102>>          |        |     |            |
|      |                | Discontinued part         |        |     |            |
| (6)  | 997 347 445 03 | Pressure line             | center | 1   | CARRERA 2  |
|      |                |                           |        | 1   | CARRERA 2S |
|      |                | F 99-5S741 102>>          |        |     |            |
| (6)  | 997 347 445 02 | Pressure line             | center | 1   | CARRERA 4  |
|      |                |                           |        | 1   | CARRERA 4S |
|      |                |                           |        | 1   | TARGA      |
|      |                |                           |        | 1   | TARGA S    |
|      |                | Discontinued part         |        |     |            |
| (6)  | 997 347 445 03 | Pressure line             | center | 1   | CARRERA 4  |
|      |                |                           |        | 1   | CARRERA 4S |
|      |                |                           |        | 1   | TARGA      |
|      |                |                           |        | 1   | TARGA S    |
| 7    | 996 347 549 01 | bracket for pressure line |        | 2   |            |
| 8    | 997 347 544 00 | Line holder               |        | 1   |            |
| 9    | 999 512 639 09 | Spring clip               |        | 1   |            |
| -    | 999 707 503 40 | seal ring                 |        | 1   |            |
|      |                | Pressure line             |        |     |            |
| -    | 999 230 551 10 | Threaded joint            |        | 1   |            |
|      |                | NW 10                     |        |     |            |
| -    | 999 230 552 10 | Threaded joint            |        | 1   |            |
|      |                | NW 6                      |        |     |            |
| -    | 999 230 683 40 | securing clip             |        | 1   |            |
|      |                | for                       |        |     |            |
|      |                | Threaded joint            |        |     |            |
|      |                | Pressure line             |        |     |            |
| -    | 999 230 584 40 | Securing ring             |        | 1   | PR:098     |
|      |                | for                       |        |     |            |
|      |                | Threaded joint            |        |     |            |
|      |                | return line               |        |     |            |
| -    | 999 230 584 40 | Securing ring             |        | 2   | PR:099     |
|      |                | for                       |        |     |            |
|      |                | Threaded joint            |        |     |            |
|      |                | return line               |        |     |            |
| 10   | 997 347 749 00 | Line holder               |        | 1   |            |
| 12   | 996 347 769 01 | Tension shackle           |        | 1   |            |
| 13   | 900 067 063 02 | Socket head bolt          |        | 1   |            |
|      |                | M 10 X 20                 |        |     |            |
|      |                | D >> - MJ 2007            |        |     |            |
| (13) | 900 067 063 03 | Socket head bolt          |        | 1   |            |
|      |                | M 10 x 20                 |        |     |            |
|      |                | D - MJ 2008>>             |        |     |            |
| 14   | 996 347 551 01 | Retaining plate           |        | 1   |            |
| 15   | 999 230 539 10 | Threaded joint            |        | 1   |            |
| 16   | 999 230 540 10 | Threaded joint            |        | 1   |            |
| 17   | 999 702 210 40 | Rubber grommet            |        | 2   |            |
| 18   | 997 347 441 02 | return line               |        | 1   |            |
| 19   | 999 507 575 40 | Bracket                   |        | 1   |            |
| 20   | 997 347 443 00 | Pressure line             |        | 1   |            |
|      |                | D >> - MJ 2007            |        |     |            |
| (20) | 997 347 443 01 | Pressure line             |        | 1   |            |
|      |                | D - MJ 2008>>             |        |     |            |
| 21   | 999 707 503 40 | seal ring                 |        | 1   |            |
| 22   | 997 347 564 02 | Pressure line             |        | 1   | PR:099     |

Model: 997 05 Model life 2005>>2008

| Pos  | Part Number    | Description   | Remark | Qty | Model  |
|------|----------------|---|--------|-----|--------|
| (22) | 997 347 564 03 | D >> - MJ 2007<br>Pressure line                             |        | 1   | PR:099 |
| (22) | 997 347 564 04 | D - MJ 2008>><br>Discontinued part<br>Pressure line         |        | 1   | PR:099 |
| 23   | 999 507 963 40 | D - MJ 2008>><br>Line holder                                |        | 1   | PR:099 |
| 24   | 997 347 462 01 | return line<br>D - MJ 2005>> - MJ 2005                      |        | 1   | PR:099 |
| (24) | 997 347 462 02 | Discontinued part<br>return line<br>D - MJ 2006>> - MJ 2006 |        | 1   | PR:099 |
| (24) | 997 347 462 03 | return line<br>D - MJ 2007>><br>Discontinued part           |        | 1   | PR:099 |
| (24) | 997 347 462 04 | return line<br>D - MJ 2007>>                                |        | 1   | PR:099 |
| 25   | 997 347 560 00 | Line holder   |        | 1   | PR:099 |
| 26   | 999 230 543 40 | repair set<br>Gaskets                                       |        | X   |        |
| 27   | 999 230 542 40 | O-ring  |        | X   |        |

Model: 997 05

Model life 2005>>2008



Model: 997 05

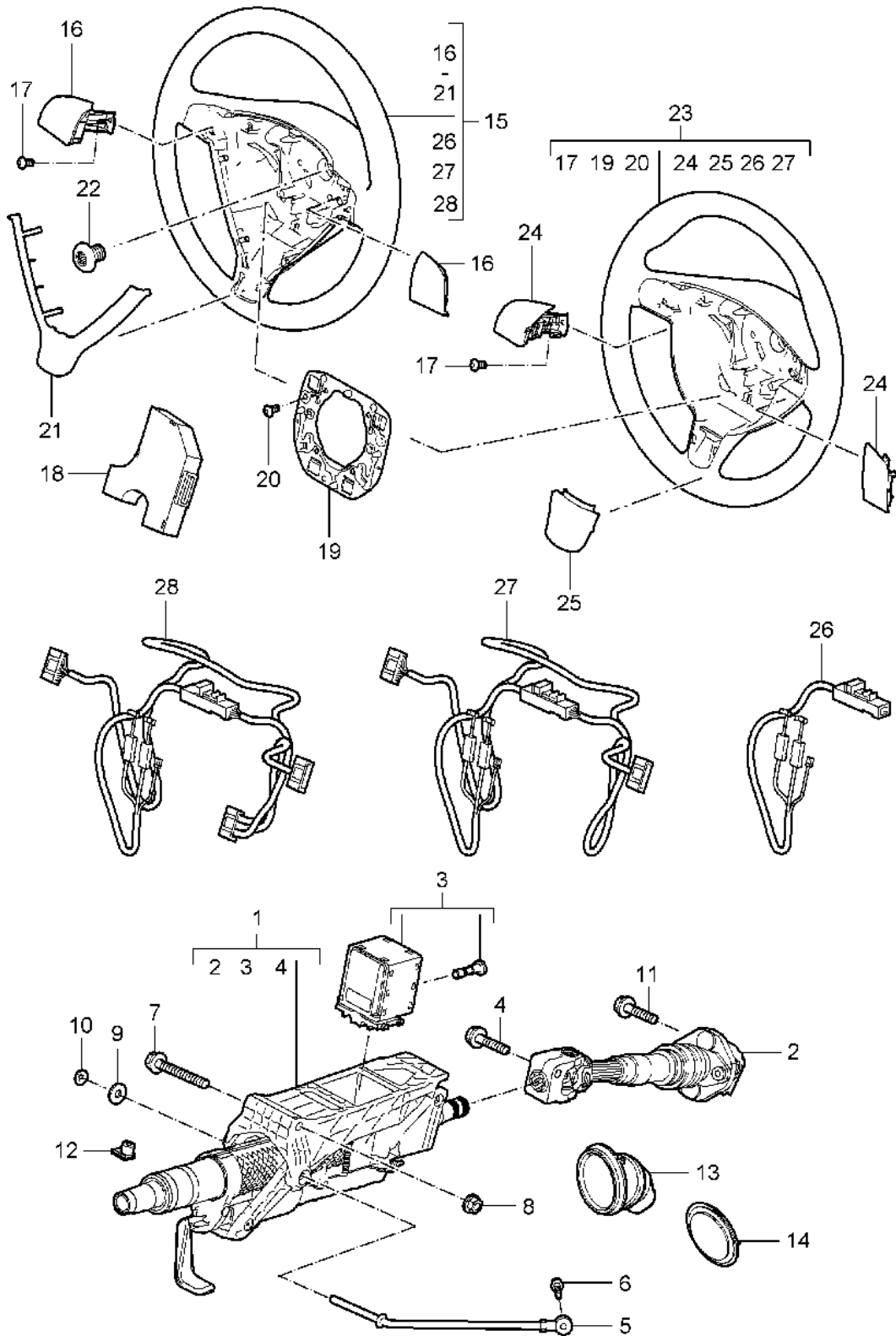
Model life 2005>>2008

| Pos | Part Number    | Description  | Remark | Qty | Model |
|-----|----------------|--|--------|-----|-------|
|     |                | Power steering<br>Power-steering pump<br>container |        |     |       |
| 1   | 997 314 225 00 | expansion chamber                                  |        | 1   |       |
| 2   | 997 314 332 00 | Rubber flap  |        | 1   |       |
| 4   | 999 707 362 40 | seal ring  |        | 1   |       |
| 5   | 999 707 363 40 | seal ring  |        | 1   |       |
| 6   | 999 701 154 40 | seal ring  |        | 2   |       |
| 7   | 997 314 223 00 | Cover  |        | 1   |       |
| (8) | 997 314 220 00 | oil container                                      |        | 1   |       |
| 9   | 996 314 050 02 | Power-steering pump                                |        | 1   |       |
| 10  | 996 314 320 03 | Cylinder pin                                       |        | 2   |       |
| 11  | 996 314 431 05 | Support  |        | 1   |       |
| 12  | 900 378 105 09 | Hexagon bolt<br>AM 8 X 70                          |        | 2   |       |
| 13  | 996 147 223 60 | pulley   |        | 1   |       |
| 14  | 900 378 123 01 | Hexagon bolt<br>M 8 X 12                           |        | 3   |       |
| 15  | 999 707 204 40 | seal ring<br>12.5 X 2N                             |        | 1   |       |
| 16  | 996 314 551 00 | Support<br>for<br>container                        |        | 1   |       |
| 17  | 900 378 163 01 | Hexagon bolt<br>See technical manual               |        | 1   |       |
|     |                | Group:<br>48 34 19<br>48 98 19                     |        |     |       |
| -   | 000 043 203 33 | Pentosin<br>1000 ML                                |        | X   |       |
| 18  | 996 314 427 00 | Guide  |        | 1   |       |



Model: 997 05

Model life 2005>>2008



Model: 997 05 Model life 2005>>2008

| Pos  | Part Number        | Description   | Remark | Qty | Model      |
|------|--------------------|---|--------|-----|------------|
| 1    | 997 347 007 05     | Steering protective pipe<br>Intermediate steering shaft<br>Steering wheels<br>Complete steering column<br>with: |        | 1   |            |
| (1)  | 997 347 007 07     | Intermediate steering shaft<br>Discontinued part<br>Complete steering column<br>with:                           |        | 1   |            |
| (1)  | 997 347 007 09     | Intermediate steering shaft<br>Discontinued part<br>Complete steering column<br>with:                           |        | 1   |            |
| 2    | 997 347 023 02     | Intermediate steering shaft<br>Intermediate steering shaft<br>Discontinued part                                 |        | 1   |            |
| (2)  | 997 347 023 04     | Intermediate steering shaft   |        | 1   |            |
| 3    | 997 618 158 03     | Control unit<br>Steering column<br>with:  |        | 1   |            |
| (3)  | 997 618 158 04     | Screw<br>D >> - MJ 2007<br>Discontinued part<br>Control unit<br>Steering column<br>with:                        |        | 1   |            |
| 4    | 999 217 042 09     | Screw<br>D - MJ 2008>><br>Hexagon bolt<br>M 8 X 35  |        | 1   |            |
| 5    | 997 347 243 00     | Support   |        | 1   |            |
| 6    | 900 378 173 09     | Hexagon bolt<br>AM 6 X 20   |        | 1   |            |
| 7    | 900 378 095 09     | Hexagon bolt<br>M 10 X 100  |        | 1   |            |
| 8    | 900 380 008 09     | Locknut<br>M 10<br>Discontinued part  |        | 1   |            |
| 8    | 900 380 008 01     | Hexagon nut<br>M 10   |        | 1   |            |
| 9    | 900 151 006 09     | Washer  |        | 1   |            |
| 10   | 999 507 217 07     | Clamping washer   |        | 1   |            |
| 11   | 999 217 042 09     | Hexagon bolt<br>M 8 X 35  |        | 1   |            |
| 12   | 999 920 019 40     | Plug-in nut<br>3,5 X 2,5 X 9  |        | 1   |            |
| 13   | 986 347 037 01     | Bellows   |        | 1   |            |
| 14   | 996 347 339 02     | Rubber seal<br>filler plate   |        | 1   |            |
| 15   | 997 347 804 03     | steering wheel (leather)<br>Embossed  |        | 1   | PR:436,480 |
|      | 997 347 804 03 FOA | Black<br>Discontinued part  |        |     |            |
|      | 997 347 804 03 FOB | Stone grey  |        |     |            |
|      | 997 347 804 03 FOC | Sand beige<br>Discontinued part   |        |     |            |
|      | 997 347 804 03 FOD | Palm green  |        |     |            |
|      | 997 347 804 03 FOE | sea blue  |        |     |            |
|      | 997 347 804 03 FOF | Terracotta  |        |     |            |
|      | 997 347 804 03 FOG | Cocoa   |        |     |            |
|      | 997 347 804 03 FOH | Dark grey/natural   |        |     |            |
|      | 997 347 804 03 FOJ | Brown/natural   |        |     |            |
| (15) | 997 347 804 60     | steering wheel (leather)  |        | 1   | PR:436,480 |

Model: 997 05 Model life 2005>>2008

| Pos  | Part Number        | Description              | Remark | Qty | Model      |
|------|--------------------|--------------------------|--------|-----|------------|
|      |                    | Embossed                 |        |     |            |
|      |                    | Discontinued part        |        |     |            |
|      | 997 347 804 60 A34 | Black                    |        |     |            |
|      | 997 347 804 60 B24 | Stone grey               |        |     |            |
|      | 997 347 804 60 T24 | Sand beige               |        |     |            |
|      | 997 347 804 60 J24 | Palm green               |        |     |            |
|      | 997 347 804 60 E24 | sea blue                 |        |     |            |
|      | 997 347 804 60 M24 | Terracotta               |        |     |            |
|      | 997 347 804 60 R24 | Cocoa                    |        |     |            |
|      | 997 347 804 60 D14 | Dark grey/natural        |        |     |            |
|      | 997 347 804 60 T34 | Brown/natural            |        |     |            |
| (15) | 997 347 804 72     | steering wheel (leather) |        | 1   | PR:436,480 |
|      |                    | Embossed                 |        |     |            |
|      | 997 347 804 72 A34 | Black                    |        |     |            |
|      | 997 347 804 72 B24 | Stone grey               |        |     |            |
|      | 997 347 804 72 T24 | Sand beige               |        |     |            |
|      | 997 347 804 72 E24 | sea blue                 |        |     |            |
|      | 997 347 804 72 M24 | Terracotta               |        |     |            |
|      | 997 347 804 72 R24 | Cocoa                    |        |     |            |
|      | 997 347 804 72 D14 | Dark grey/natural        |        |     |            |
|      | 997 347 804 72 T34 | Brown/natural            |        |     |            |
| (15) | 997 347 804 04     | steering wheel (leather) |        | 1   | PR:436,249 |
|      |                    | Embossed                 |        |     |            |
|      |                    | Discontinued part        |        |     |            |
|      | 997 347 804 04 FOA | Black                    |        |     |            |
|      | 997 347 804 04 FOB | Stone grey               |        |     |            |
|      | 997 347 804 04 FOC | Sand beige               |        |     |            |
|      | 997 347 804 04 FOD | Palm green               |        |     |            |
|      | 997 347 804 04 FOE | sea blue                 |        |     |            |
|      | 997 347 804 04 FOF | Terracotta               |        |     |            |
|      | 997 347 804 04 FOG | Cocoa                    |        |     |            |
|      | 997 347 804 04 FOH | Dark grey/natural        |        |     |            |
|      | 997 347 804 04 FOJ | Brown/natural            |        |     |            |
| (15) | 997 347 804 61     | steering wheel (leather) |        | 1   | PR:436,249 |
|      |                    | Embossed                 |        |     |            |
|      |                    | Discontinued part        |        |     |            |
|      | 997 347 804 61 FOA | Black                    |        |     |            |
|      | 997 347 804 61 FOB | Stone grey               |        |     |            |
|      | 997 347 804 61 FOC | Sand beige               |        |     |            |
|      | 997 347 804 61 FOD | Palm green               |        |     |            |
|      | 997 347 804 61 FOE | sea blue                 |        |     |            |
|      | 997 347 804 61 FOF | Terracotta               |        |     |            |
|      | 997 347 804 61 FOG | Cocoa                    |        |     |            |
|      | 997 347 804 61 FOH | Dark grey/natural        |        |     |            |
|      | 997 347 804 61 FOJ | Brown/natural            |        |     |            |
| (15) | 997 347 804 61     | steering wheel (leather) |        | 1   | PR:436,249 |
|      |                    | Embossed                 |        |     |            |
|      | 997 347 804 61 A34 | Black                    |        |     |            |
|      | 997 347 804 61 B24 | Stone grey               |        |     |            |
|      | 997 347 804 61 T24 | Sand beige               |        |     |            |
|      | 997 347 804 61 J24 | Palm green               |        |     |            |
|      | 997 347 804 61 E24 | sea blue                 |        |     |            |
|      | 997 347 804 61 M24 | Terracotta               |        |     |            |
|      | 997 347 804 61 R24 | Cocoa                    |        |     |            |
|      | 997 347 804 61 D14 | Dark grey/natural        |        |     |            |
|      | 997 347 804 61 T34 | Brown/natural            |        |     |            |
| (15) | 997 347 804 01     | steering wheel           |        | 1   | PR:459,480 |
|      |                    | Plain leather            |        |     |            |
|      | 997 347 804 01 FOK | black/grey               |        |     |            |
|      | 997 347 804 01 FOL | Stone grey/stone grey    |        |     |            |
|      | 997 347 804 01 FOM | Sand beige/sand beige    |        |     |            |
|      | 997 347 804 01 FON | Palmgreen/palmgreen      |        |     |            |
|      | 997 347 804 01 FOO | Sea blue/grey            |        |     |            |

Model: 997 05 Model life 2005>>2008

| Pos  | Part Number        | Description                  | Remark | Qty | Model      |
|------|--------------------|------------------------------|--------|-----|------------|
| (15) | 997 347 804 01 FOP | Terracotta/terracotta        |        | 1   | PR:459,249 |
|      | 997 347 804 01 FOQ | Cocoa/Cocoa                  |        |     |            |
|      | 997 347 804 01 FOR | Darkgrey natural/grey        |        |     |            |
|      | 997 347 804 01 FOS | Brown nat./brown nat.        |        |     |            |
|      | 997 347 804 11     | steering wheel               |        |     |            |
|      |                    | Plain leather                |        |     |            |
|      | 997 347 804 11 FOK | black/grey                   |        |     |            |
|      | 997 347 804 11 FOL | Stone grey/stone grey        |        |     |            |
|      | 997 347 804 11 FOM | Sand beige/sand beige        |        |     |            |
|      | 997 347 804 11 FON | Palmgreen/palmgreen          |        |     |            |
| (15) | 997 347 804 11 FOO | Sea blue/grey                |        | 1   | PR:431,480 |
|      | 997 347 804 11 FOP | Terracotta/terracotta        |        |     |            |
|      | 997 347 804 11 FOQ | Cocoa/Cocoa                  |        |     |            |
|      | 997 347 804 11 FOR | Darkgrey natural/grey        |        |     |            |
|      | 997 347 804 11 FOS | Brown nat./brown nat.        |        |     |            |
|      | 997 347 804 05     | steering wheel (leather)     |        |     |            |
|      |                    | Plain leather                |        |     |            |
|      |                    | Multi-function               |        |     |            |
|      |                    | Discontinued part            |        |     |            |
|      | 997 347 804 05 FOK | black/grey                   |        |     |            |
| (15) | 997 347 804 05 FOL | Stone grey/stone grey        |        | 1   | PR:431,480 |
|      | 997 347 804 05 FOM | Sand beige/sand beige        |        |     |            |
|      | 997 347 804 05 FON | Palmgreen/palmgreen          |        |     |            |
|      | 997 347 804 05 FOO | Sea blue/grey                |        |     |            |
|      |                    | Discontinued part            |        |     |            |
|      | 997 347 804 05 FOP | Terracotta/terracotta        |        |     |            |
|      | 997 347 804 05 FOQ | Cocoa/Cocoa                  |        |     |            |
|      | 997 347 804 05 FOR | Darkgrey natural/grey        |        |     |            |
|      | 997 347 804 05 FOS | Brown nat./brown nat.        |        |     |            |
|      | 997 347 804 63     | multifunction steering wheel |        |     |            |
| (15) | 997 347 804 63 A34 | black/grey                   |        | 1   | PR:431,249 |
|      | 997 347 804 63 B24 | Stone grey/stone grey        |        |     |            |
|      | 997 347 804 63 T24 | Sand beige/sand beige        |        |     |            |
|      | 997 347 804 63 E24 | Sea blue/grey                |        |     |            |
|      | 997 347 804 63 M24 | Terracotta/terracotta        |        |     |            |
|      | 997 347 804 63 R24 | Cocoa/Cocoa                  |        |     |            |
|      | 997 347 804 63 D14 | Darkgrey natural/grey        |        |     |            |
|      | 997 347 804 63 T34 | Brown nat./brown nat.        |        |     |            |
|      | 997 347 804 63 N14 | Carrera Red/Carrera Red      |        |     |            |
|      | 997 347 804 06     | steering wheel (leather)     |        |     |            |
| (15) | 997 347 804 06 FOK | black/grey                   |        | 1   | PR:431,249 |
|      | 997 347 804 06 FOL | Stone grey/stone grey        |        |     |            |
|      | 997 347 804 06 FOM | Sand beige/sand beige        |        |     |            |
|      | 997 347 804 06 FON | Palmgreen/palmgreen          |        |     |            |
|      | 997 347 804 06 FOO | Sea blue/grey                |        |     |            |
|      | 997 347 804 06 FOP | Terracotta/terracotta        |        |     |            |
|      | 997 347 804 06 FOQ | Cocoa/Cocoa                  |        |     |            |
|      | 997 347 804 06 FOR | Darkgrey natural/grey        |        |     |            |
|      | 997 347 804 06 FOS | Brown nat./brown nat.        |        |     |            |
|      | 997 347 804 65     | steering wheel (leather)     |        |     |            |
| (15) | 997 347 804 65 A34 | black/grey                   |        | 1   | PR:431,249 |
|      | 997 347 804 65 B24 | Stone grey/stone grey        |        |     |            |
|      | 997 347 804 65 T24 | Sand beige/sand beige        |        |     |            |
|      |                    | Plain leather                |        |     |            |

Model: 997 05 Model life 2005>>2008

| Pos  | Part Number        | Description   | Remark | Qty | Model      |
|------|--------------------|---|--------|-----|------------|
|      | 997 347 804 65 J24 | Palmgreen/palmgreen   |        |     |            |
|      | 997 347 804 65 E24 | Sea blue/grey   |        |     |            |
|      | 997 347 804 65 M24 | Terracotta/terracotta                                       |        |     |            |
|      | 997 347 804 65 R24 | Cocoa/Cocoa   |        |     |            |
|      | 997 347 804 65 D14 | Darkgrey natural/grey                                       |        |     |            |
|      | 997 347 804 65 T34 | Brown nat./brown nat.                                       |        |     |            |
| (15) | 997 347 804 77     | steering wheel (leather)<br>Plain leather<br>Multi-function |        | 1   | PR:431,249 |
|      | 997 347 804 77 A34 | Black   |        |     |            |
|      | 997 347 804 77 B24 | Stone grey  |        |     |            |
|      | 997 347 804 77 T24 | Sand beige  |        |     |            |
|      | 997 347 804 77 E24 | sea blue  |        |     |            |
|      | 997 347 804 77 M24 | Terracotta  |        |     |            |
|      | 997 347 804 77 R24 | Cocoa   |        |     |            |
|      | 997 347 804 77 D14 | Dark grey/natural   |        |     |            |
|      | 997 347 804 77 T34 | Brown/natural   |        |     |            |
| (15) | 997 347 804 22     | steering wheel<br>Multi-function<br>Wood<br>macassar        |        | 1   | PR:451,480 |
|      | 997 347 804 22 FOK | black/grey  |        |     |            |
|      | 997 347 804 22 FOL | Stone grey/stone grey                                       |        |     |            |
|      | 997 347 804 22 FOM | Sand beige/sand beige                                       |        |     |            |
|      | 997 347 804 22 FON | Palmgreen/palmgreen   |        |     |            |
|      | 997 347 804 22 FOO | Sea blue/grey   |        |     |            |
|      | 997 347 804 22 FOP | Terracotta/terracotta                                       |        |     |            |
|      | 997 347 804 22 FOQ | Cocoa/Cocoa   |        |     |            |
|      | 997 347 804 22 FOR | Darkgrey natural/grey                                       |        |     |            |
|      | 997 347 804 22 FOS | Brown nat./brown nat.                                       |        |     |            |
| (15) | 997 347 804 32     | steering wheel<br>Multi-function<br>Wood<br>macassar        |        | 1   | PR:451,249 |
|      | 997 347 804 32 FOK | black/grey  |        |     |            |
|      | 997 347 804 32 FOL | Stone grey/stone grey                                       |        |     |            |
|      | 997 347 804 32 FOM | Sand beige/sand beige                                       |        |     |            |
|      | 997 347 804 32 FON | Palmgreen/palmgreen   |        |     |            |
|      | 997 347 804 32 FOO | Sea blue/grey   |        |     |            |
|      | 997 347 804 32 FOP | Terracotta/terracotta                                       |        |     |            |
|      | 997 347 804 32 FOQ | Cocoa/Cocoa   |        |     |            |
|      | 997 347 804 32 FOR | Darkgrey natural/grey                                       |        |     |            |
|      | 997 347 804 32 FOS | Brown nat./brown nat.                                       |        |     |            |
|      | 997 347 804 32 FSQ | Carrera Red   |        |     |            |
| (15) | 997 347 804 23     | steering wheel<br>Multi-function<br>Wood<br>Sycamore wood   |        | 1   | PR:452,480 |
|      | 997 347 804 23 FOK | black/grey  |        |     |            |
|      | 997 347 804 23 FOL | Stone grey/stone grey                                       |        |     |            |
|      | 997 347 804 23 FOM | Sand beige/sand beige                                       |        |     |            |
|      | 997 347 804 23 FON | Palmgreen/palmgreen   |        |     |            |
|      | 997 347 804 23 FOO | Sea blue/grey   |        |     |            |
|      | 997 347 804 23 FOP | Terracotta/terracotta                                       |        |     |            |
|      | 997 347 804 23 FOQ | Cocoa/Cocoa   |        |     |            |
|      | 997 347 804 23 FOR | Darkgrey natural/grey                                       |        |     |            |
|      | 997 347 804 23 FOS | Brown nat./brown nat.                                       |        |     |            |
| (15) | 997 347 804 33     | steering wheel<br>Multi-function<br>Wood<br>Sycamore wood   |        | 1   | PR:452,249 |
|      | 997 347 804 33 FOK | black/grey  |        |     |            |
|      | 997 347 804 33 FOL | Stone grey/stone grey                                       |        |     |            |

Model: 997 05 Model life 2005>>2008

| Pos  | Part Number        | Description  | Remark | Qty | Model      |
|------|--------------------|--|--------|-----|------------|
|      | 997 347 804 33 FOM | Sand beige/sand beige                                  |        |     |            |
|      | 997 347 804 33 FON | Palmgreen/palmgreen                                    |        |     |            |
|      | 997 347 804 33 FOO | Sea blue/grey  |        |     |            |
|      | 997 347 804 33 FOP | Terracotta/terracotta                                  |        |     |            |
|      | 997 347 804 33 FOQ | Cocoa/Cocoa  |        |     |            |
|      | 997 347 804 33 FOR | Darkgrey natural/grey                                  |        |     |            |
|      | 997 347 804 33 FOS | Brown nat./brown nat.                                  |        |     |            |
| (15) | 997 347 804 24     | steering wheel<br>Multi-function<br>Carbon             |        | 1   | PR:453,480 |
|      | 997 347 804 24 FOK | black/grey   |        |     |            |
|      | 997 347 804 24 FOL | Stone grey/stone grey                                  |        |     |            |
|      | 997 347 804 24 FOM | Sand beige/sand beige                                  |        |     |            |
|      | 997 347 804 24 FON | Palmgreen/palmgreen                                    |        |     |            |
|      | 997 347 804 24 FOO | Sea blue/grey  |        |     |            |
|      | 997 347 804 24 FOP | Terracotta/terracotta                                  |        |     |            |
|      | 997 347 804 24 FOQ | Cocoa/Cocoa  |        |     |            |
|      | 997 347 804 24 FOR | Darkgrey natural/grey                                  |        |     |            |
|      | 997 347 804 24 FOS | Brown nat./brown nat.                                  |        |     |            |
| (15) | 997 347 804 34     | steering wheel<br>Multi-function<br>Carbon             |        | 1   | PR:453,249 |
|      | 997 347 804 34 FOK | black/grey   |        |     |            |
|      | 997 347 804 34 FOL | Stone grey/stone grey                                  |        |     |            |
|      | 997 347 804 34 FOM | Sand beige/sand beige                                  |        |     |            |
|      | 997 347 804 34 FON | Palmgreen/palmgreen                                    |        |     |            |
|      | 997 347 804 34 FOO | Sea blue/grey  |        |     |            |
|      | 997 347 804 34 FOP | Terracotta/terracotta                                  |        |     |            |
|      | 997 347 804 34 FOQ | Cocoa/Cocoa  |        |     |            |
|      | 997 347 804 34 FOR | Darkgrey natural/grey                                  |        |     |            |
|      | 997 347 804 34 FOS | Brown nat./brown nat.                                  |        |     |            |
| (15) | 997 347 981 00     | multifunction steering wheel<br>Aluminium look         |        | 1   | PR:480,XPV |
|      | 997 347 981 00 A34 | Black  |        |     |            |
|      | 997 347 981 00 B24 | Stone grey   |        |     |            |
|      | 997 347 981 00 D14 | Dark grey/natural                                      |        |     |            |
|      | 997 347 981 00 E24 | sea blue   |        |     |            |
|      | 997 347 981 00 J24 | Palm green   |        |     |            |
|      | 997 347 981 00 M24 | Terracotta   |        |     |            |
|      | 997 347 981 00 R24 | Cocoa  |        |     |            |
|      | 997 347 981 00 T24 | Sand beige   |        |     |            |
|      | 997 347 981 00 T34 | Brown/natural  |        |     |            |
| (15) | 997 347 981 01     | multifunction steering wheel<br>Aluminium look         |        | 1   | PR:432,XPV |
|      | 997 347 981 01 A34 | Black  |        |     |            |
|      | 997 347 981 01 B24 | Stone grey   |        |     |            |
|      | 997 347 981 01 D14 | Dark grey/natural                                      |        |     |            |
|      | 997 347 981 01 E24 | sea blue   |        |     |            |
|      | 997 347 981 01 J24 | Palm green   |        |     |            |
|      | 997 347 981 01 M24 | Terracotta   |        |     |            |
|      | 997 347 981 01 R24 | Cocoa  |        |     |            |
|      | 997 347 981 01 T24 | Sand beige   |        |     |            |
|      | 997 347 981 01 T34 | Brown/natural  |        |     |            |
| 16   | 997 347 837 00     | Dummy cover  | left   | 1   | PR:480     |
|      | 997 347 837 00 V04 | Galvano silver   |        |     |            |
| (16) | 997 347 838 00     | Dummy cover  | right  | 1   | PR:480     |
|      | 997 347 838 00 V04 | Galvano silver   |        |     |            |
| (16) | 997 613 431 01     | Switching module                                       | left   | 1   | PR:249     |
|      |                    | with:<br>Tiptronic<br>Lever<br>D - MJ 2005>> - MJ 2005 |        |     |            |
|      | 997 613 431 01 V04 | Galvano silver   |        |     |            |

Model: 997 05 Model life 2005>>2008

| Pos  | Part Number                          | Description  | Remark | Qty | Model  |
|------|--------------------------------------|--|--------|-----|--------|
| (16) | 997 613 431 02                       | Switching module<br>with:<br>Tiptronic<br>Lever<br>D - MJ 2006>>   | left   | 1   | PR:249 |
| (16) | 997 613 431 02 V04<br>997 613 432 01 | Galvano silver<br>Switching module<br>with:<br>Tiptronic<br>Lever<br>D - MJ 2005>> - MJ 2005   | right  | 1   | PR:249 |
| (16) | 997 613 432 01 V04<br>997 613 432 02 | Galvano silver<br>Switching module<br>with:<br>Tiptronic<br>Lever<br>D - MJ 2006>>   | right  | 1   | PR:249 |
| (16) | 997 613 432 02 V04<br>997 613 433 01 | Galvano silver<br>Switching module<br>Multi-function<br>Manual gearbox<br>D - MJ 2005>> - MJ 2005  | left   | 1   | PR:480 |
| (16) | 997 613 433 01 V04<br>997 613 433 02 | Galvano silver<br>Switching module<br>Multi-function<br>Manual gearbox<br>D - MJ 2006>>  | left   | 1   | PR:480 |
| (16) | 997 613 433 02 V04<br>997 613 433 03 | Galvano silver<br>Switching module<br>Multi-function<br>Manual gearbox<br>D - MJ 2006>><br>>> - 15.10.2006                                       | left   | 1   | PR:480 |
|      | 997 613 433 03 V04                   | Galvano silver<br>D - 16.10.2006>><br>also use:<br>997 613 445 03<br>997 613 445 03<br>(V04)<br>See technical manual<br>Group:                   |        |     |        |
| (16) | 997 613 434 01                       | 91 6119<br>91 7719<br>Switching module<br>Multi-function<br>Manual gearbox<br>D - MJ 2005>> - MJ 2005  | right  | 1   | PR:480 |
| (16) | 997 613 434 01 V04<br>997 613 434 02 | Galvano silver<br>Switching module<br>Multi-function<br>Manual gearbox<br>D - MJ 2006>>  | right  | 1   | PR:480 |
| (16) | 997 613 434 02 V04<br>997 613 434 03 | Galvano silver<br>D - MJ 2006>><br>>> - 15.10.2006<br>Switching module<br>Multi-function<br>Manual gearbox                                       | right  | 1   | PR:480 |
|      | 997 613 434 03 V04                   | Galvano silver<br>D - 16.10.2006>><br>also use:<br>997 613 445 03<br>997 613 433 03<br>(V04)<br>Multi-function<br>See technical manual<br>Group: |        |     |        |

Model: 997 05 Model life 2005>>2008

| Pos  | Part Number                          | Description  | Remark | Qty | Model  |
|------|--------------------------------------|--|--------|-----|--------|
| (16) | 997 613 435 01                       | 91 6119<br>91 7719<br>Switching module<br>Multi-function<br><br>with:<br>Tiptronic<br>Lever<br>D - MJ 2005>> - MJ 2005                             | left   | 1   | PR:249 |
| (16) | 997 613 435 01 V04<br>997 613 435 02 | Galvano silver<br>Switching module<br>Multi-function<br><br>with:<br>Tiptronic<br>Lever<br>D - MJ 2006>><br>Discontinued part                      | left   | 1   | PR:249 |
| (16) | 997 613 435 02 V04<br>997 613 435 03 | Galvano silver<br>D >> - 15.10.2006<br>Switching module<br>Multi-function<br><br>with:<br>Tiptronic<br>Lever<br>Galvano silver<br>D - 16.10.2006>> | left   | 1   | PR:249 |
|      |                                      | also use: 997 613 445 03<br>997 613 436 03<br>(V04)<br><br>Multi-function<br>See technical manual  |        |     |        |
| (16) | 997 613 436 01                       | Group:<br>91 6119<br>91 7719<br>Switching module<br>Multi-function<br><br>with:<br>Tiptronic<br>Lever<br>D - MJ 2005>> - MJ 2005                   | right  | 1   | PR:249 |
| (16) | 997 613 436 01 V04<br>997 613 436 02 | Galvano silver<br>Switching module<br>Multi-function<br><br>with:<br>Tiptronic<br>Lever<br>D - MJ 2006>><br>Discontinued part                      | right  | 1   | PR:249 |
| (16) | 997 613 436 02 V04<br>997 613 436 03 | Galvano silver<br>D >> - 15.10.2006<br>Switching module<br>Multi-function<br><br>with:<br>Tiptronic<br>Lever<br>Galvano silver<br>D - 16.10.2006>> | right  | 1   | PR:249 |
|      |                                      | also use: 997 613 445 03<br>997 613 445 03<br>(V04)<br><br>Multi-function<br>See technical manual  |        |     |        |
|      |                                      | Group:<br>91 6119  |        |     |        |



Model: 997 05 Model life 2005>>2008

| Pos  | Part Number        | Description   | Remark   | Qty | Model                              |
|------|--------------------|---|--|-----|------------------------------------|
| 17   | 999 073 318 09     | 91 7719<br>Round-head screw<br>M 4 X 10                                 |  | 2   |                                    |
| 18   | 997 613 445 01     | Electronic unit<br>Multi-function<br>D - MJ 2005>> - MJ 2005            |  | 1   | PR:431,451,<br>452,453             |
| (18) | 997 613 445 02     | Electronic unit<br>Multi-function<br>D >> - 15.10.2006<br>D - MJ 2006>> |  | 1   | PR:431,451,<br>452,453             |
| (18) | 997 613 445 03     | Electronic unit<br>Multi-function<br>D - 16.10.2006>>                   |  | 1   | PR:431,451,<br>452,453,480,<br>249 |
|      |                    | also use:   | 997 613 433 03<br>(V04)<br>left<br>997 613 434 03<br>(V04)<br>right<br>997 613 435 03<br>(V04)<br>left<br>997 613 436 03<br>(V04)<br>right |     |                                    |
|      |                    | See technical manual  |  |     |                                    |
|      |                    | Group:  |  |     |                                    |
| 19   | 997 347 880 00     | 91 6119<br>91 7719<br>retaining frame                                   |  | 1   |                                    |
| 20   | 999 141 022 09     | flat round head bolt<br>M 5 X 12,5                                      |  | 4   |                                    |
| 21   | 997 347 821 00     | Trim  |  | 1   |                                    |
|      | 997 347 821 00 D07 | Volcano grey  |  |     |                                    |
| 22   | N 910 207 01       | Screw with int. serrations<br>M 18 X 1,5 X 26                           |  | 1   |                                    |
| 23   | 997 347 804 40     | sports steering wheel (leather)<br>Embossed                             |  | 1   | PR:435,480                         |
|      | 997 347 804 40 FOA | Black   |  |     |                                    |
|      | 997 347 804 40 FOB | Stone grey  |  |     |                                    |
|      | 997 347 804 40 FOC | Sand beige  |  |     |                                    |
|      | 997 347 804 40 FOD | Palm green  |  |     |                                    |
|      | 997 347 804 40 FOE | sea blue  |  |     |                                    |
|      | 997 347 804 40 FOF | Terracotta  |  |     |                                    |
|      | 997 347 804 40 FOG | Cocoa   |  |     |                                    |
|      | 997 347 804 40 FOH | Dark grey/natural   |  |     |                                    |
|      | 997 347 804 40 FOJ | Brown/natural   |  |     |                                    |
| (23) | 997 347 804 50     | sports steering wheel (leather)<br>Embossed<br>Discontinued part        |  | 1   | PR:435,249                         |
|      | 997 347 804 50 FOA | Black   |  |     |                                    |
|      | 997 347 804 50 FOB | Stone grey  |  |     |                                    |
|      | 997 347 804 50 FOC | Sand beige  |  |     |                                    |
|      | 997 347 804 50 FOD | Palm green  |  |     |                                    |
|      | 997 347 804 50 FOE | sea blue  |  |     |                                    |
|      | 997 347 804 50 FOF | Terracotta  |  |     |                                    |
|      | 997 347 804 50 FOG | Cocoa   |  |     |                                    |
|      | 997 347 804 50 FOH | Dark grey/natural   |  |     |                                    |
|      | 997 347 804 50 FOJ | Brown/natural   |  |     |                                    |
|      | 997 347 804 50 FSQ | Carrera Red   |  |     |                                    |
| (23) | 997 347 804 57     | sports steering wheel (leather)<br>Embossed<br>Discontinued part        |  | 1   | PR:435,249                         |

Model: 997 05 Model life 2005>>2008

| Pos  | Part Number        | Description  | Remark | Qty | Model      |
|------|--------------------|--|--------|-----|------------|
|      | 997 347 804 57 FOA | Black  |        |     |            |
|      | 997 347 804 57 FOB | Stone grey   |        |     |            |
|      | 997 347 804 57 FOC | Sand beige   |        |     |            |
|      | 997 347 804 57 FOD | Palm green   |        |     |            |
|      | 997 347 804 57 FOE | sea blue   |        |     |            |
|      | 997 347 804 57 FOF | Terracotta   |        |     |            |
|      | 997 347 804 57 FOG | Cocoa  |        |     |            |
|      | 997 347 804 57 FOH | Dark grey/natural  |        |     |            |
|      | 997 347 804 57 FOJ | Brown/natural  |        |     |            |
|      | 997 347 804 57 FSQ | Carrera Red  |        |     |            |
| (23) | 997 347 804 57     | sports steering wheel (leather)<br>Embossed<br>Discontinued part |        | 1   | PR:435,249 |
|      | 997 347 804 57 A34 | Black  |        |     |            |
|      | 997 347 804 57 B24 | Stone grey   |        |     |            |
|      | 997 347 804 57 T24 | Sand beige   |        |     |            |
|      | 997 347 804 57 J24 | Palm green   |        |     |            |
|      | 997 347 804 57 E24 | sea blue   |        |     |            |
|      | 997 347 804 57 M24 | Terracotta   |        |     |            |
|      | 997 347 804 57 R24 | Cocoa  |        |     |            |
|      | 997 347 804 57 D14 | Dark grey/natural  |        |     |            |
|      | 997 347 804 57 T34 | Brown/natural  |        |     |            |
|      | 997 347 804 57 N14 | Carrera Red  |        |     |            |
| (23) | 997 347 804 69     | sports steering wheel (leather)<br>Embossed                      |        | 1   | PR:435,249 |
|      | 997 347 804 69 A34 | Black  |        |     |            |
|      | 997 347 804 69 B24 | Stone grey   |        |     |            |
|      | 997 347 804 69 T24 | Sand beige   |        |     |            |
|      | 997 347 804 69 E24 | sea blue   |        |     |            |
|      | 997 347 804 69 M24 | Terracotta   |        |     |            |
|      | 997 347 804 69 R24 | Cocoa  |        |     |            |
|      | 997 347 804 69 D14 | Dark grey/natural  |        |     |            |
|      | 997 347 804 69 T34 | Brown/natural  |        |     |            |
|      | 997 347 804 69 N14 | Carrera Red  |        |     |            |
| (23) | 997 347 804 41     | sports steering wheel<br>Plain leather                           |        | 1   | PR:460,480 |
|      | 997 347 804 41 FOK | black/grey   |        |     |            |
|      | 997 347 804 41 FOL | Stone grey/stone grey  |        |     |            |
|      | 997 347 804 41 FOM | Sand beige/sand beige  |        |     |            |
|      | 997 347 804 41 FON | Palmgreen/palmgreen  |        |     |            |
|      | 997 347 804 41 FOO | Sea blue/grey  |        |     |            |
|      | 997 347 804 41 FOP | Terracotta/terracotta  |        |     |            |
|      | 997 347 804 41 FOQ | Cocoa/Cocoa  |        |     |            |
|      | 997 347 804 41 FOR | Darkgrey natural/grey  |        |     |            |
|      | 997 347 804 41 FOS | Brown nat./brown nat.  |        |     |            |
| (23) | 997 347 804 51     | sports steering wheel<br>Plain leather<br>Discontinued part      |        | 1   | PR:460,249 |
|      | 997 347 804 51 FOK | black/grey   |        |     |            |
|      | 997 347 804 51 FOL | Stone grey/stone grey  |        |     |            |
|      | 997 347 804 51 FOM | Sand beige/sand beige  |        |     |            |
|      | 997 347 804 51 FON | Palmgreen/palmgreen  |        |     |            |
|      | 997 347 804 51 FOO | Sea blue/grey  |        |     |            |
|      | 997 347 804 51 FOP | Terracotta/terracotta  |        |     |            |
|      | 997 347 804 51 FOQ | Cocoa/Cocoa  |        |     |            |
|      | 997 347 804 51 FOR | Darkgrey natural/grey  |        |     |            |
|      | 997 347 804 51 FOS | Brown nat./brown nat.  |        |     |            |
| (23) | 997 347 804 58     | sports steering wheel<br>Plain leather<br>Discontinued part      |        | 1   | PR:460,249 |
|      | 997 347 804 58 FOK | black/grey   |        |     |            |
|      | 997 347 804 58 FOL | Stone grey/stone grey  |        |     |            |
|      | 997 347 804 58 FOM | Sand beige/sand beige  |        |     |            |

Model: 997 05 Model life 2005>>2008

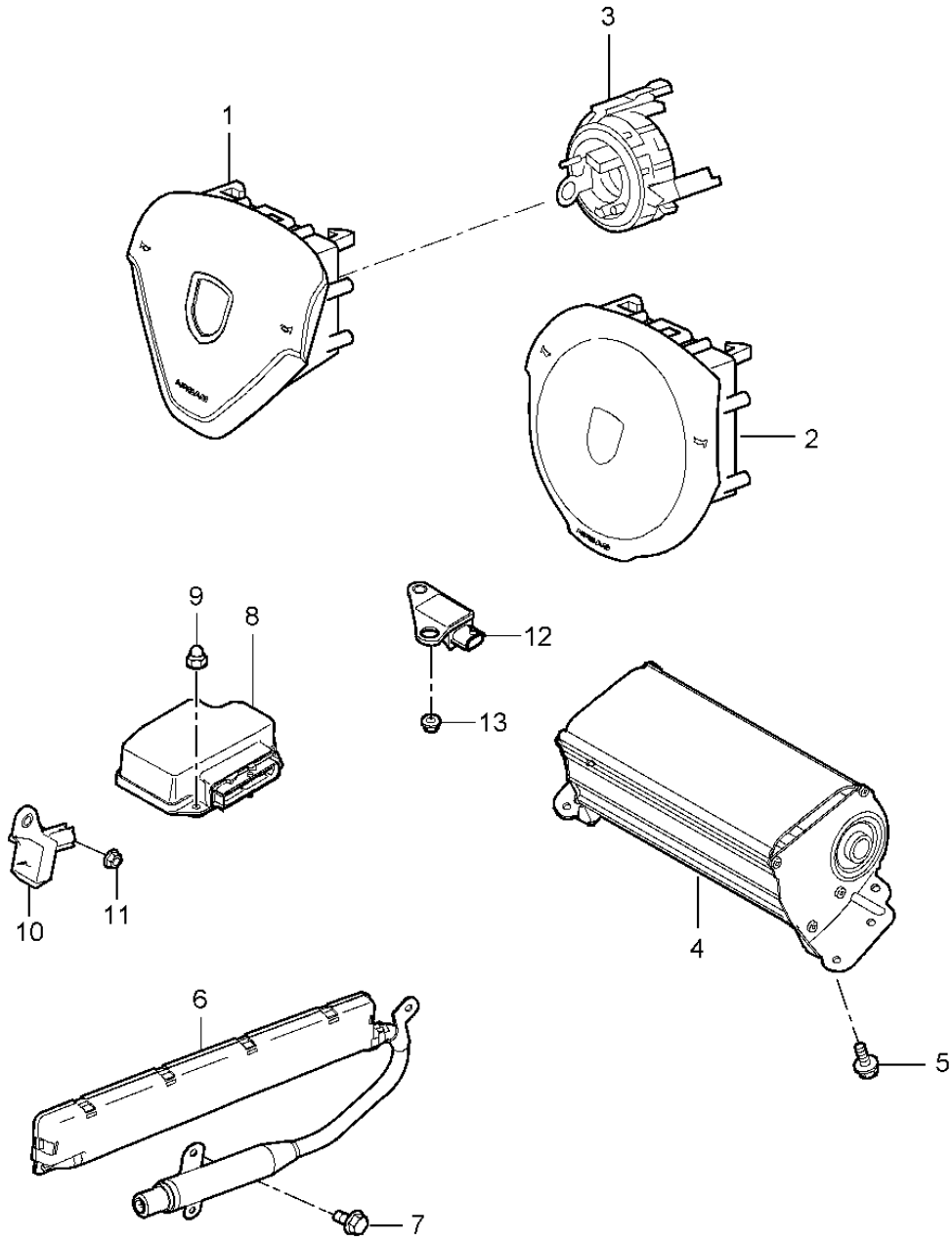
| Pos  | Part Number        | Description   | Remark | Qty | Model      |
|------|--------------------|---|--------|-----|------------|
|      | 997 347 804 58 FON | Palmgreen/palmgreen   |        |     |            |
|      | 997 347 804 58 FOO | Sea blue/grey   |        |     |            |
|      | 997 347 804 58 FOP | Terracotta/terracotta                                       |        |     |            |
|      | 997 347 804 58 FOQ | Cocoa/Cocoa   |        |     |            |
|      | 997 347 804 58 FOR | Darkgrey natural/grey                                       |        |     |            |
|      | 997 347 804 58 FOS | Brown nat./brown nat.                                       |        |     |            |
| (23) | 997 347 804 58     | sports steering wheel<br>Plain leather<br>Discontinued part |        | 1   | PR:460,249 |
|      | 997 347 804 58 A34 | black/grey  |        |     |            |
|      | 997 347 804 58 B24 | Stone grey/stone grey                                       |        |     |            |
|      | 997 347 804 58 T24 | Sand beige/sand beige                                       |        |     |            |
|      | 997 347 804 58 J24 | Palmgreen/palmgreen   |        |     |            |
|      | 997 347 804 58 E24 | Sea blue/grey   |        |     |            |
|      | 997 347 804 58 M24 | Terracotta/terracotta                                       |        |     |            |
|      | 997 347 804 58 R24 | Cocoa/Cocoa   |        |     |            |
|      | 997 347 804 58 D14 | Darkgrey natural/grey                                       |        |     |            |
|      | 997 347 804 58 T34 | Brown nat./brown nat.                                       |        |     |            |
| (23) | 997 347 804 70     | sports steering wheel<br>Plain leather                      |        | 1   | PR:460,249 |
|      | 997 347 804 70 A34 | Black   |        |     |            |
|      | 997 347 804 70 B24 | Stone grey  |        |     |            |
|      | 997 347 804 70 T24 | Sand beige  |        |     |            |
|      | 997 347 804 70 E24 | sea blue  |        |     |            |
|      | 997 347 804 70 M24 | Terracotta  |        |     |            |
|      | 997 347 804 70 R24 | Cocoa   |        |     |            |
|      | 997 347 804 70 D14 | Dark grey/natural   |        |     |            |
|      | 997 347 804 70 T34 | Brown/natural   |        |     |            |
| (23) | 997 347 980 00     | sports steering wheel (leather)                             |        | 1   | PR:480,XPA |
|      | 997 347 980 00 A34 | Black   |        |     |            |
|      | 997 347 980 00 B24 | Stone grey  |        |     |            |
|      | 997 347 980 00 D14 | Dark grey/natural   |        |     |            |
|      | 997 347 980 00 E24 | sea blue  |        |     |            |
|      | 997 347 980 00 J24 | Palm green  |        |     |            |
|      | 997 347 980 00 M24 | Terracotta  |        |     |            |
|      | 997 347 980 00 R24 | Cocoa   |        |     |            |
|      | 997 347 980 00 T24 | Sand beige  |        |     |            |
|      | 997 347 980 00 T34 | Brown/natural   |        |     |            |
| (23) | 997 347 980 01     | sports steering wheel (leather)                             |        | 1   | PR:432,XPA |
|      | 997 347 980 01 A34 | Black   |        |     |            |
|      | 997 347 980 01 B24 | Stone grey  |        |     |            |
|      | 997 347 980 01 D14 | Dark grey/natural   |        |     |            |
|      | 997 347 980 01 E24 | sea blue  |        |     |            |
|      | 997 347 980 01 J24 | Palm green  |        |     |            |
|      | 997 347 980 01 M24 | Terracotta  |        |     |            |
|      | 997 347 980 01 R24 | Cocoa   |        |     |            |
|      | 997 347 980 01 T24 | Sand beige  |        |     |            |
|      | 997 347 980 01 T34 | Brown/natural   |        |     |            |
| 24   | 997 347 837 40     | Dummy cover   | left   | 1   | PR:480     |
|      | 997 347 837 40 V04 | Galvano silver  |        |     |            |
| (24) | 997 347 838 40     | Dummy cover   | right  | 1   | PR:480     |
|      | 997 347 838 40 V04 | Galvano silver  |        |     |            |
| (24) | 997 613 437 00     | Switching module  | left   | 1   | PR:249     |
|      |                    | with:<br>Tiptronic<br>Lever<br>D - MJ 2005>> - MJ 2005      |        |     |            |
| (24) | 997 613 437 00 V04 | Galvano silver  |        |     |            |
|      | 997 613 437 02     | Switching module  | left   | 1   | PR:249     |
|      |                    | with:<br>Tiptronic<br>Lever<br>D - MJ 2006>>                |        |     |            |

Model: 997 05 Model life 2005>>2008

| Pos  | Part Number                          | Description   | Remark | Qty | Model                  |
|------|--------------------------------------|---|--------|-----|------------------------|
| (24) | 997 613 437 02 V04<br>997 613 438 00 | Galvano silver<br>Switching module<br><br>with:<br>Tiptronic<br>Lever<br>D - MJ 2005>> - MJ 2005                                | right  | 1   | PR:249                 |
| (24) | 997 613 438 00 V04<br>997 613 438 02 | Galvano silver<br>Switching module<br><br>with:<br>Tiptronic<br>Lever<br>D - MJ 2006>>  | right  | 1   | PR:249                 |
| 25   | 997 613 438 02 V04<br>997 347 821 40 | Galvano silver<br>Dummy cover   |        | 1   |                        |
| 26   | 997 347 821 40 V04<br>997 612 672 00 | Galvano silver<br>Wire set<br>3-spoke steering wheel<br>sports steering wheel<br><br>without:                                   |        | 1   | PR:480                 |
| 27   | 997 612 674 00                       | Multi-function<br>Manual gearbox<br>Wire set<br>3-spoke steering wheel<br>sports steering wheel<br><br>without:                 |        | 1   | PR:249                 |
| 28   | 997 612 673 00                       | Multi-function<br>Tiptronic<br>Wire set<br>3-spoke steering wheel<br><br>with:<br>Multi-function<br>Manual gearbox<br>Tiptronic |        | 1   | PR:431,451,<br>452,453 |

Model: 997 05

Model life 2005>>2008



Model: 997 05 Model life 2005>>2008

| Pos | Part Number        | Description   | Remark | Qty | Model                              |
|-----|--------------------|---|--------|-----|------------------------------------|
| 1   | 997 803 089 05     | Airbag<br>Airbag unit<br>3-spoke steering wheel<br>plastic<br>Porsche crest<br>Coloured |        | 1   | PR:436                             |
|     | 997 803 089 05 A32 | Black   |        |     |                                    |
|     | 997 803 089 05 B22 | Stone grey  |        |     |                                    |
|     | 997 803 089 05 T22 | Sand beige  |        |     |                                    |
|     | 997 803 089 05 E22 | sea blue  |        |     |                                    |
|     | 997 803 089 05 J22 | Palm green  |        |     |                                    |
|     | 997 803 089 05 M22 | Terracotta  |        |     |                                    |
|     | 997 803 089 05 R32 | Cocoa   |        |     |                                    |
|     | 997 803 089 05 T32 | Brown/natural   |        |     |                                    |
| (1) | 997 803 089 06     | Airbag unit<br>3-spoke steering wheel<br>Leather<br>Porsche crest<br>Coloured           |        | 1   | PR:431,451,<br>452,453,459,<br>991 |
|     | 997 803 089 06 A34 | Black   |        |     |                                    |
|     | 997 803 089 06 B24 | Stone grey  |        |     |                                    |
|     | 997 803 089 06 T24 | Sand beige  |        |     |                                    |
|     | 997 803 089 06 E24 | sea blue  |        |     |                                    |
|     | 997 803 089 06 J24 | Palm green  |        |     |                                    |
|     | 997 803 089 06 M24 | Terracotta  |        |     |                                    |
|     | 997 803 089 06 R24 | Cocoa   |        |     |                                    |
|     | 997 803 089 06 D14 | Dark grey/natural   |        |     |                                    |
|     | 997 803 089 06 T34 | Brown/natural   |        |     |                                    |
| (1) | 997 803 089 06     | Airbag unit<br>3-spoke steering wheel<br>Leather<br>Porsche crest<br>Coloured           |        | 1   | PR:XPV,991                         |
|     | 997 803 089 06 A34 | Black   |        |     |                                    |
|     | 997 803 089 06 B24 | Stone grey  |        |     |                                    |
|     | 997 803 089 06 T24 | Sand beige  |        |     |                                    |
|     | 997 803 089 06 E24 | sea blue  |        |     |                                    |
|     | 997 803 089 06 J24 | Palm green  |        |     |                                    |
|     | 997 803 089 06 M24 | Terracotta  |        |     |                                    |
|     | 997 803 089 06 R24 | Cocoa   |        |     |                                    |
|     | 997 803 089 06 D14 | Dark grey/natural   |        |     |                                    |
|     | 997 803 089 06 T34 | Brown/natural   |        |     |                                    |
| 2   | 997 803 089 07     | Airbag unit<br>sports steering wheel<br>plastic<br>Porsche crest<br>Coloured            |        | 1   | PR:435                             |
|     | 997 803 089 07 A32 | Black   |        |     |                                    |
|     | 997 803 089 07 B22 | Stone grey  |        |     |                                    |
|     | 997 803 089 07 T22 | Sand beige  |        |     |                                    |
|     | 997 803 089 07 E22 | sea blue  |        |     |                                    |
|     | 997 803 089 07 J22 | Palm green  |        |     |                                    |
|     | 997 803 089 07 M22 | Terracotta  |        |     |                                    |
|     | 997 803 089 07 R32 | Cocoa   |        |     |                                    |
|     | 997 803 089 07 T32 | Brown/natural   |        |     |                                    |
| (2) | 997 803 089 08     | Airbag unit<br>sports steering wheel<br>Leather<br>Porsche crest<br>Coloured            |        | 1   | PR:460,991                         |
|     | 997 803 089 08 A34 | Black   |        |     |                                    |
|     | 997 803 089 08 B24 | Stone grey  |        |     |                                    |
|     | 997 803 089 08 T24 | Sand beige  |        |     |                                    |

Model: 997 05 Model life 2005>>2008

| Pos | Part Number        | Description             | Remark | Qty | Model       |
|-----|--------------------|-------------------------|--------|-----|-------------|
|     | 997 803 089 08 E24 | sea blue                |        |     |             |
|     | 997 803 089 08 J24 | Palm green              |        |     |             |
|     | 997 803 089 08 M24 | Terracotta              |        |     |             |
|     | 997 803 089 08 R24 | Cocoa                   |        |     |             |
|     | 997 803 089 08 D14 | Dark grey/natural       |        |     |             |
|     | 997 803 089 08 T34 | Brown/natural           |        |     |             |
| (2) | 997 803 089 08     | Airbag unit             |        | 1   | PR:XPA, 991 |
|     |                    | sports steering wheel   |        |     |             |
|     |                    | Leather                 |        |     |             |
|     |                    | Porsche crest           |        |     |             |
|     |                    | Coloured                |        |     |             |
|     | 997 803 089 08 A34 | Black                   |        |     |             |
|     | 997 803 089 08 B24 | Stone grey              |        |     |             |
|     | 997 803 089 08 T24 | Sand beige              |        |     |             |
|     | 997 803 089 08 E24 | sea blue                |        |     |             |
|     | 997 803 089 08 J24 | Palm green              |        |     |             |
|     | 997 803 089 08 M24 | Terracotta              |        |     |             |
|     | 997 803 089 08 R24 | Cocoa                   |        |     |             |
|     | 997 803 089 08 D14 | Dark grey/natural       |        |     |             |
|     | 997 803 089 08 T34 | Brown/natural           |        |     |             |
| 3   | 955 652 211 11     | Spring                  |        | 1   |             |
|     |                    | with:                   |        |     |             |
|     |                    | steering sensor         |        |     |             |
| 4   | 997 803 071 04     | Airbag unit             |        | 1   |             |
|     |                    | (passenger side)        |        |     |             |
|     |                    | Discontinued part       |        |     |             |
| (4) | 997 803 071 06     | Airbag unit             |        | 1   |             |
|     |                    | (passenger side)        |        |     |             |
|     |                    | Discontinued part       |        |     |             |
| (4) | 997 803 071 07     | Airbag unit             |        | 1   |             |
|     |                    | (passenger side)        |        |     |             |
| 5   | 900 378 222 09     | Hexagon bolt            |        | 4   |             |
|     |                    | M 6 X 16                |        |     |             |
| 6   | 997 803 091 03     | Side airbag unit        | left   | 1   |             |
|     |                    | for                     |        |     |             |
|     |                    | Head airbag unit        |        |     |             |
| (6) | 997 803 092 03     | Side airbag unit        | right  | 1   |             |
|     |                    | for                     |        |     |             |
|     |                    | Head airbag unit        |        |     |             |
| 7   | 900 378 035 01     | Hexagon bolt            |        | 6   |             |
|     |                    | M 6 X 16                |        |     |             |
| 8   | 997 618 217 04     | Control unit for airbag |        | 1   | COUPE       |
|     |                    | Discontinued part       |        |     |             |
| (8) | 997 618 217 05     | Control unit for airbag |        | 1   | COUPE       |
|     |                    | Discontinued part       |        |     |             |
| (8) | 997 618 217 07     | Control unit for airbag |        | 1   | COUPE       |
|     |                    | Discontinued part       |        |     |             |
| (8) | 997 618 217 08     | Control unit for airbag |        | 1   |             |
| (8) | 997 618 219 03     | Control unit for airbag |        | 1   | CABRIO      |
|     |                    | Discontinued part       |        |     |             |
| (8) | 997 618 219 05     | Control unit for airbag |        | 1   | CABRIO      |
|     |                    | F >> 99-5S750 295       |        |     |             |
|     |                    | F >> 99-5S760 296       |        |     |             |
| (8) | 997 618 219 07     | Control unit for airbag |        | 1   | CABRIO      |
|     |                    | F 99-5S750 296>>        |        |     |             |
|     |                    | F 99-5S760 297>>        |        |     |             |
| (8) | 997 618 219 08     | Control unit for airbag |        | 1   | CABRIO      |
|     |                    | D - MJ 2006>>           |        |     |             |
| 9   | 999 070 015 02     | domed cap nut           |        | 3   |             |
|     |                    | M 6                     |        |     |             |
| 10  | 997 618 221 00     | Crash sensor for airbag |        | 2   |             |
|     |                    | Side airbag unit        |        |     |             |
| 11  | 999 084 629 09     | Hexagon nut             |        | 8   |             |

Model: 997 05

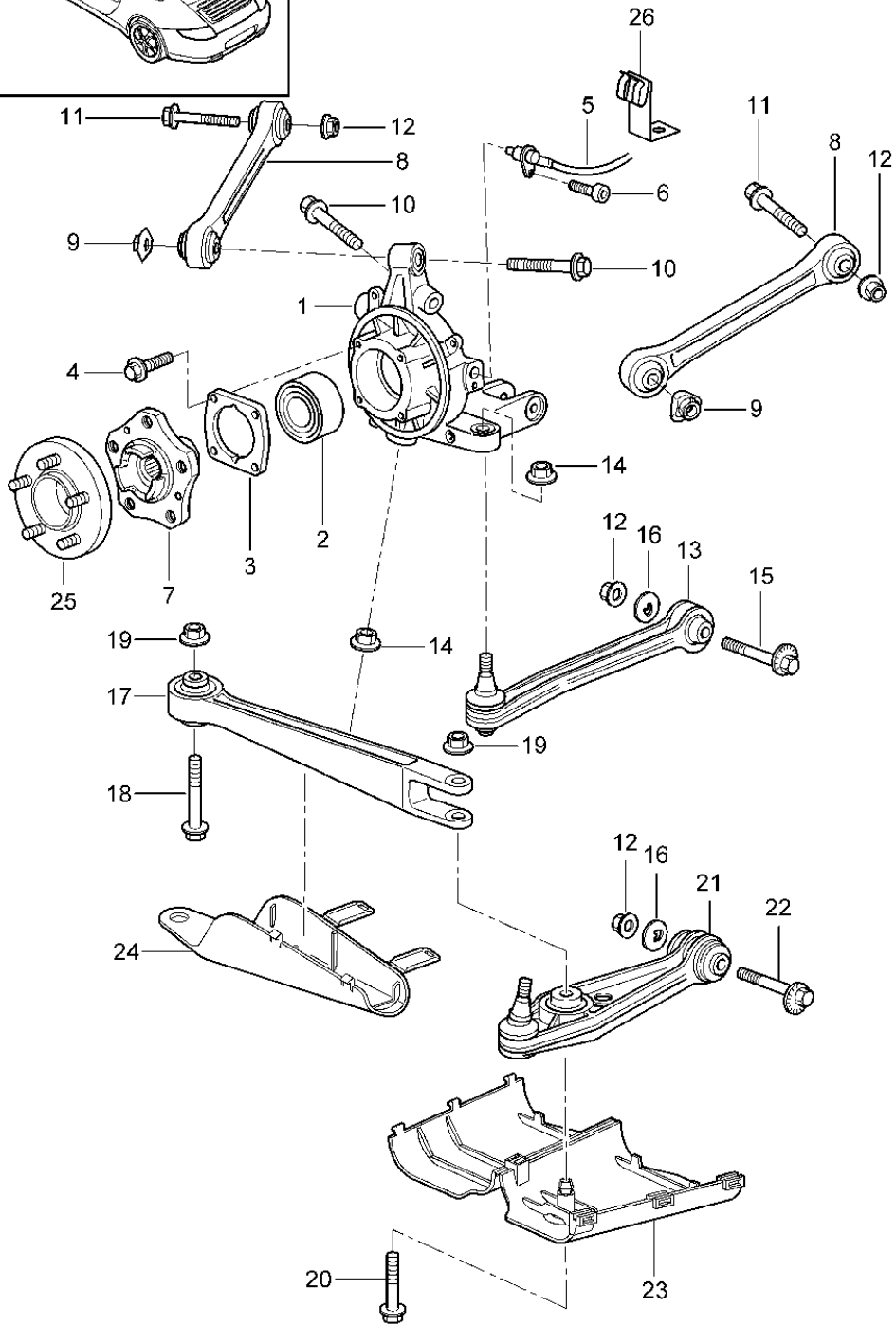
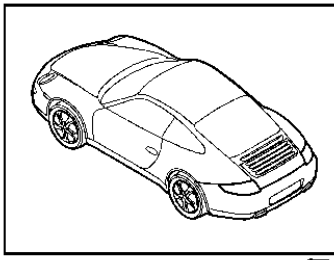
Model life 2005>>2008

| Pos | Part Number    | Description                                  | Remark | Qty | Model |
|-----|----------------|--|--------|-----|-------|
| 12  | 997 618 223 01 | M 6<br>Accelerator sensor<br>Airbag<br>Front |        | 2   |       |
| 13  | 999 084 638 01 | Hexagon nut<br>m 6 SB                        |        | 2   |       |



Model: 997 05

Model life 2005>>2008



Model: 997 05 Model life 2005>>2008

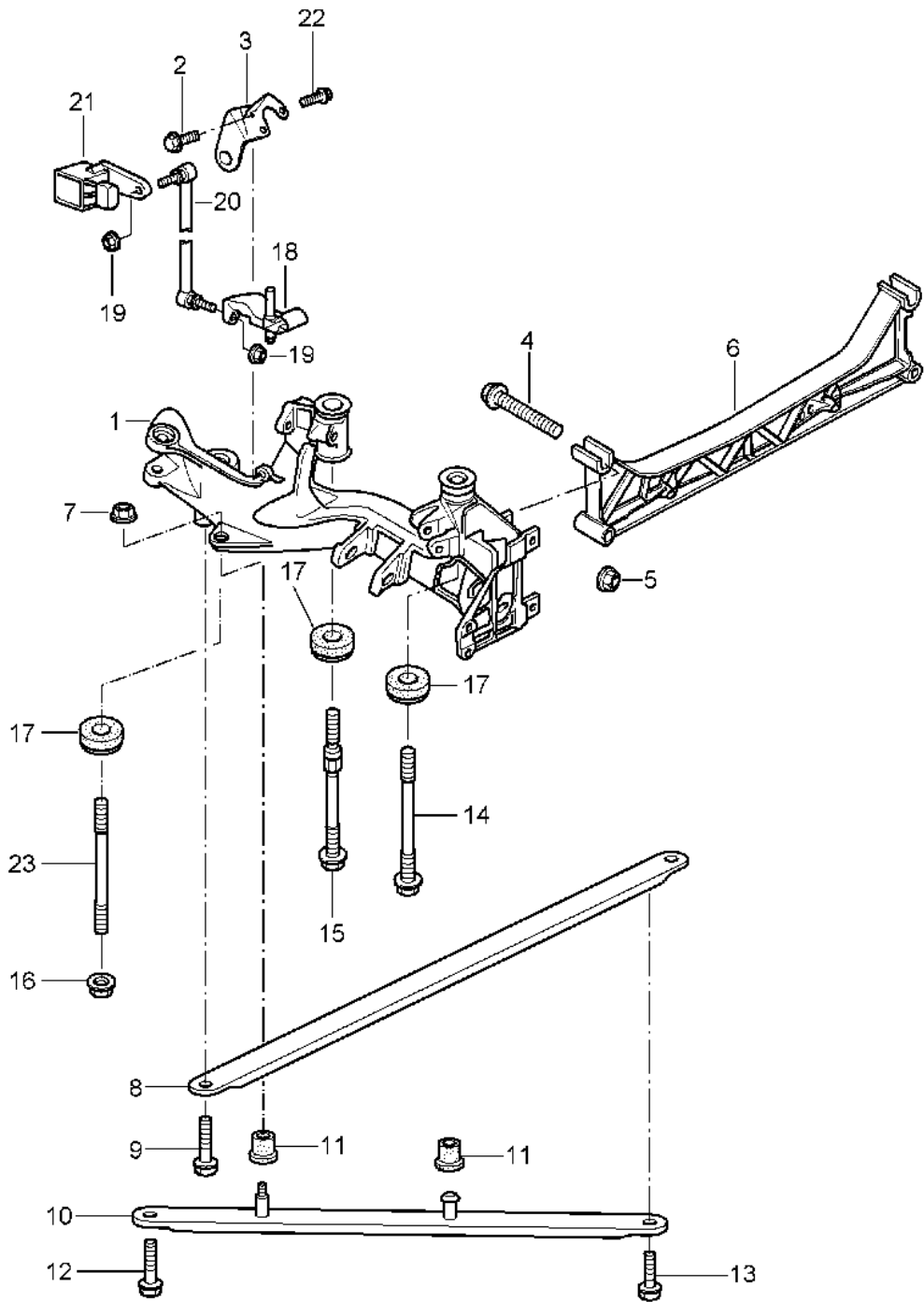
| Pos  | Part Number    | Description   | Remark                           | Qty | Model                                       |
|------|----------------|---|----------------------------------|-----|---|
| 1    | 997 331 111 06 | Rear axle<br>Wheel carrier<br>Guide<br>Wheel hub<br>Wheel carrier | left<br>left                     | 1   | CARRERA 2<br>CARRERA 2S                     |
| 1    | 997 331 111 07 | Discontinued part<br>Wheel carrier                                | left<br>left                     | 1   | CARRERA 2<br>CARRERA 2S                     |
| (1)  | 997 331 111 07 | Wheel carrier   | also use:<br>997 352 993 02      | 1   |   |
| (1)  | 997 331 112 06 | Wheel carrier   | left<br>left<br>left<br>left     | 1   | CARRERA 4<br>CARRERA 4S<br>TARGA<br>TARGA S |
| (1)  | 997 331 112 06 | Wheel carrier   | right<br>right                   | 1   | CARRERA 2<br>CARRERA 2S                     |
| 1    | 997 331 112 07 | Discontinued part<br>Wheel carrier                                | right<br>right                   | 1   | CARRERA 2<br>CARRERA 2S                     |
| (1)  | 997 331 112 07 | Wheel carrier   | also use:<br>997 352 993 02      | 1   |   |
| (1)  | 997 331 112 07 | Wheel carrier   | right<br>right<br>right<br>right | 1   | CARRERA 4<br>CARRERA 4S<br>TARGA<br>TARGA S |
| 2    | 999 053 055 02 | angular ball bearing  |                                  | 2   |   |
| 3    | 996 331 661 01 | Cover   |                                  | 2   |   |
| 4    | 999 217 042 09 | Hexagon bolt<br>M 8 X 35  |                                  | 8   |   |
| 5    | 997 606 407 01 | speed sensor  |                                  | 2   |   |
| 6    | 900 067 117 09 | Socket head bolt<br>M 6 X 16                                      |                                  | 2   |   |
| 7    | 997 331 605 00 | Wheel hub   |                                  | 2   |   |
| 7    | 997 331 605 01 | Discontinued part<br>Wheel hub                                    |                                  | 2   |   |
| (8)  | 996 331 047 06 | Wishbone  |                                  | 2   | CARRERA 2<br>CARRERA 2S                     |
| (8)  | 997 331 047 00 | Discontinued part<br>Wishbone                                     |                                  | 2   | CARRERA 4<br>CARRERA 4S<br>TARGA<br>TARGA S |
| 9    | 999 084 445 01 | Locknut<br>M 12 X 1,5   |                                  | 4   |   |
| 10   | 900 378 138 09 | Hexagon bolt<br>M 12 X 70   |                                  | 4   |   |
| 10   | 900 378 138 01 | Discontinued part<br>Hexagon bolt<br>M 12 X 70                    |                                  | 4   |   |
| 11   | 900 378 165 09 | Hexagon bolt<br>M 12 X 95   |                                  | 4   |   |
| 12   | 999 084 445 01 | Locknut<br>M 12 X 1,5   |                                  | 10  |   |
| 13   | 996 331 045 12 | Track rod<br>D - MJ 2005>> - MJ 2005                              |                                  | 2   |   |
| (13) | 997 331 045 04 | Discontinued part<br>Track rod<br>D - MJ 2006>>                   |                                  | 2   |   |
| 14   | 999 084 449 09 | Locknut<br>M 12 X 1,5   |                                  | 4   |   |
| 15   | 996 331 217 02 | Eccentric bolt<br>M 12 X 83                                       |                                  | 2   |   |
| 16   | 996 331 219 00 | eccentric washer  |                                  | 2   |   |
| 17   | 997 331 043 01 | Guide   |                                  | 2   |   |

Model: 997 05 Model life 2005>>2008

| Pos  | Part Number    | Description  | Remark | Qty | Model   |
|------|----------------|--|--------|-----|---|
| 18   | 900 378 051 09 | Hexagon bolt<br>M 14 X 100<br>Discontinued part  |        | 2   |   |
| (18) | 900 378 051 01 | Hexagon bolt<br>M 14 x 100   |        | 2   |   |
| 19   | 900 380 012 09 | Hexagon nut<br>M 14 X 1,5<br>Discontinued part   |        | 4   |   |
| 19   | 900 380 012 01 | Hexagon nut<br>M 14 X 1,5  |        | 4   |   |
| 20   | 900 378 135 09 | Hexagon bolt<br>M 14 X 75<br>Discontinued part   |        | 2   |   |
| (20) | 900 378 135 01 | Hexagon bolt<br>M 14 x 75  |        | 2   |   |
| 21   | 996 341 053 17 | Wishbone<br>F >> 99-6S702 239<br>F >> 99-6S751 332<br>F >> 99-6S735 222<br>F >> 99-6S762 833 |        | 2   |   |
| 21   | 997 331 053 01 | Wishbone<br>F 99-6S702 240>><br>F 99-6S751 333>><br>F 99-6S735 223>><br>F 99-6S762 834>>     |        | 2   |   |
| 21   | 997 331 053 01 | Wishbone<br>D - MJ 2007>>  |        | 2   |   |
| 22   | 996 331 217 03 | Eccentric bolt   |        | 2   |   |
| 23   | 997 331 483 01 | Rear transverse trim<br>D - MJ 2005>> - MJ 2005<br>No longer use the part here               |        | 2   |   |
| 24   | 997 331 485 00 | Trim<br>Guide<br>D - MJ 2005>> - MJ 2005<br>No longer use the part here                      |        | 2   |   |
| (25) | 997 361 605 90 | Spacer ring<br>5 mm  |        | X   | PR:XRP  |
| 25   | 996 361 617 00 | Spacer ring<br>17 MM<br>with:<br>Wheel bolt  |        | 2   | PR:XRN<br>CARRERA 4<br>CARRERA 4S<br>TARGA<br>TARGA S |
| 26   | 999 507 530 00 | Cable holder<br>speed sensor   |        | 2   |   |
| 27   | 900 060 070 01 | Threaded pin<br>M6X30<br>Mount<br>speed sensor<br>D - MJ 2010>>                              |        | 1   |   |

Model: 997 05

Model life 2005>>2008



Model: 997 05 Model life 2005>>2008

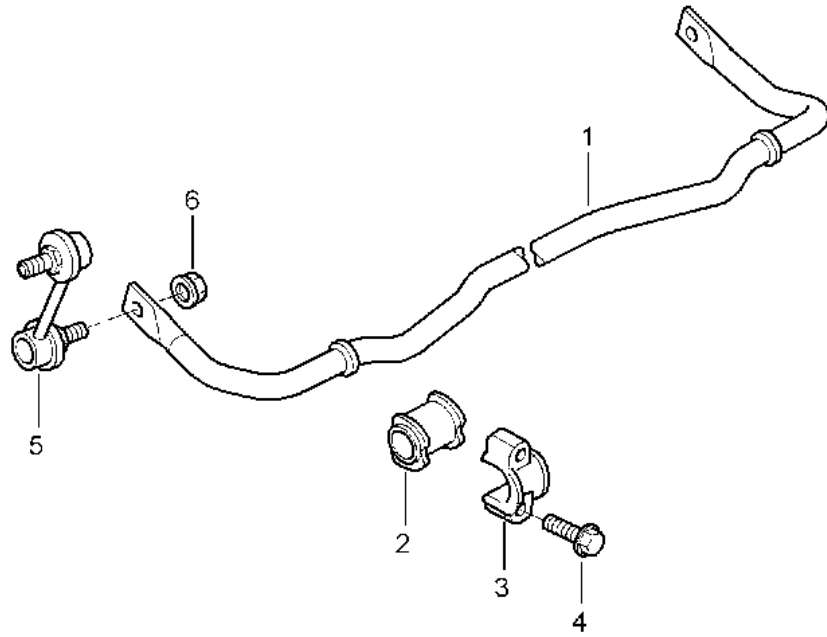
| Pos  | Part Number    | Description  | Remark         | Qty    | Model            |
|------|----------------|--|----------------|--------|------------------|
| (1)  | 997 331 051 04 | Rear axle<br>Side part<br>Carrier<br>Side part<br>F >> 99-6S702 032<br>F >> 99-6S751 185<br>F >> 99-6S734 605<br>F >> 99-6S762 460 | left           | 1      |                  |
| (1)  | 997 331 051 05 | Side part<br>F 99-6S702 033>><br>F 99-6S751 186>><br>F 99-6S734 606>><br>F 99-6S762 461>>  | left           | 1      |                  |
| (1)  | 997 331 051 05 | Side part  | left           | 1      | TARGA            |
| (1)  | 997 331 052 04 | D - MJ 2007>><br>Side part<br>F >> 99-6S702 032<br>F >> 99-6S751 185<br>F >> 99-6S734 605<br>F >> 99-6S762 460                     | left<br>left   | 1<br>1 | TARGA S          |
| (1)  | 997 331 052 05 | Side part<br>F 99-6S702 033>><br>F 99-6S751 186>><br>F 99-6S734 606>><br>F 99-6S762 461>>  | right          | 1      |                  |
| (1)  | 997 331 052 05 | Side part  | right<br>right | 1<br>1 | TARGA<br>TARGA S |
| 2    | 900 067 117 09 | D - MJ 2007>><br>Socket head bolt<br>M 6 X 16  |                | 2      |                  |
| 3    | 997 355 505 02 | Retainer for brake hose<br>for   | left           | 1      |                  |
| (3)  | 997 355 506 02 | Retainer for brake hose<br>for   | right          | 1      |                  |
| 4    | 900 378 139 09 | Hexagon bolt<br>M 12 X 1,5 x 80<br>Discontinued part   |                | 4      |                  |
| (4)  | 900 378 139 01 | Hexagon bolt<br>M 12 x1,5 x 80   |                | 4      |                  |
| 5    | 999 084 445 01 | Locknut<br>M 12 X 1,5  |                | 4      |                  |
| 6    | 996 331 261 10 | Cross member<br>Discontinued part  |                | 1      |                  |
| (6)  | 997 331 261 02 | Cross member   |                | 1      |                  |
| 7    | 999 076 053 09 | Hexagon nut<br>M 10  |                | 2      |                  |
| 8    | 996 331 171 03 | Transverse strut   | front          | 1      | PR:480           |
| (8)  | 996 331 171 04 | Transverse strut<br>D >> - MJ 2006<br>Discontinued part  | front          | 1      | PR:249           |
| (8)  | 997 331 171 00 | Transverse strut   | front          | 1      | PR:249           |
| 9    | 999 072 020 09 | Hexagon bolt<br>M 10 X 40  |                | 2      |                  |
| 10   | 997 331 081 01 | Brace<br>D >> - MJ 2005<br>Discontinued part   |                | 2      |                  |
| (10) | 997 331 081 02 | Brace  |                | 2      |                  |
| 11   | 996 331 385 00 | Rubber bush  |                | 6      |                  |
| (12) | 999 072 031 01 | Hexagon bolt<br>M 10 X 45<br>F >> 99-8S770 599<br>F >> 99-8S720 956  |                | 2      |                  |

Model: 997 05 Model life 2005>>2008

| Pos  | Part Number    | Description                        | Remark | Qty | Model  |
|------|----------------|------------------------------------|--------|-----|--------|
|      |                | F >> 99-8S740 138                  |        |     |        |
|      |                | F >> 99-8S760 241                  |        |     |        |
|      |                | F >> 99-8S700 480                  |        |     |        |
|      |                | F >> 99-8S770 604                  |        |     |        |
|      |                | F >> 99-8S760 245                  |        |     |        |
|      |                | F >> 99-8S720 963                  |        |     |        |
|      |                | F >> 99-8S750 228                  |        |     |        |
|      |                | F >> 99-8S700 483                  |        |     |        |
| (12) | 999 073 443 01 | Bolt with washer<br>12 X 1,5 X 40  |        | 2   |        |
|      |                | F 99-8S770 600>>                   |        |     |        |
|      |                | F 99-8S720 957>>                   |        |     |        |
|      |                | F 99-8S740 139>>                   |        |     |        |
|      |                | F 99-8S760 242>>                   |        |     |        |
|      |                | F 99-8S700 481>>                   |        |     |        |
|      |                | F 99-8S770 605>>                   |        |     |        |
|      |                | F 99-8S760 246>>                   |        |     |        |
|      |                | F 99-8S720 964>>                   |        |     |        |
|      |                | F 99-8S750 229>>                   |        |     |        |
|      |                | F 99-8S700 484>>                   |        |     |        |
| 13   | 900 378 072 09 | Hexagon bolt<br>M 12 X 30          |        | 2   |        |
|      |                | Discontinued part                  |        |     |        |
| 13   | 900 378 072 01 | Hexagon bolt<br>M 12 X 30          |        | 2   |        |
|      |                | Discontinued part                  |        |     |        |
| 14   | 900 178 010 09 | Hexagon bolt<br>M 12 X 130         |        | 2   |        |
|      |                | Discontinued part                  |        |     |        |
| (14) | 900 178 010 01 | Hexagon bolt<br>M 12 x 130         |        | 2   |        |
| 15   | 900 178 010 09 | Hexagon bolt<br>M 12 X 130         |        | 2   |        |
|      |                | Discontinued part                  |        |     |        |
| (15) | 900 178 010 01 | Hexagon bolt<br>M 12 x 130         |        | 2   |        |
| 16   | 999 084 445 01 | Locknut<br>M 12 X 1,5              |        | 2   |        |
| 17   | 996 331 291 02 | Washer                             |        | 6   |        |
|      |                | D - MJ 2005>> - MJ 2005            |        |     |        |
| (17) | 997 331 291 00 | Washer                             |        | 6   |        |
|      |                | D - MJ 2006>>                      |        |     |        |
| 18   | 996 341 371 03 | Bracket for cross member           |        | 1   | PR:601 |
| 19   | 900 380 015 09 | Hexagon nut<br>VM 6                |        | 2   | PR:601 |
|      |                | Discontinued part                  |        |     |        |
| (19) | 900 380 015 01 | Hexagon nut<br>vm 6                |        | 2   | PR:601 |
| 20   | 997 331 375 02 | Brace                              |        | 1   | PR:601 |
|      |                | D >> - MJ 2006                     |        |     |        |
|      |                | Discontinued part                  |        |     |        |
| (20) | 997 331 375 03 | Brace                              |        | 1   | PR:601 |
| 21   | 997 631 121 00 | Level sensor                       |        | 1   | PR:601 |
| 22   | N 014 129 12   | fillister hd. bolt                 |        | 2   | PR:601 |
| 23   | 999 061 103 09 | Threaded pin<br>M 12 X 1,5 x 107,5 |        | 2   |        |
|      |                | Discontinued part                  |        |     |        |
| (23) | 999 061 103 01 | Threaded pin<br>M 12 X 1,5 X 107,5 |        | 2   |        |

Model: 997 05

Model life 2005>>2008



Model: 997 05 Model life 2005>>2008

| Pos | Part Number    | Description                                    | Remark | Qty | Model  |
|-----|----------------|--|--------|-----|--|
| 1   | 997 333 701 14 | Anti-roll bar                                  |        | 1   | PR:029<br>CARRERA 2                            |
| (1) | 997 333 701 14 | Anti-roll bar                                  |        | 1   | PR:475<br>CARRERA 2                            |
| (1) | 997 333 701 14 | Anti-roll bar                                  |        | 1   | /CABRIO<br>CARRERA 2S                          |
| (1) | 997 333 701 15 | Anti-roll bar                                  |        | 1   | PR:475<br>/COUPE<br>CARRERA 2<br>CARRERA 2S    |
| (1) | 997 333 701 15 | Anti-roll bar                                  |        | 1   | PR:030<br>/COUPE<br>CARRERA 2S                 |
| (1) | 997 333 701 14 | Anti-roll bar                                  |        | 1   | PR:475<br>CABRIO<br>CARRERA 4<br>CARRERA 4S    |
| (1) | 997 333 701 15 | Anti-roll bar                                  |        | 1   | PR:249,475<br>COUPE<br>CARRERA 4<br>CARRERA 4S |
| (1) | 997 333 701 16 | Anti-roll bar                                  |        | 1   | PR:030,480<br>COUPE<br>CARRERA 4<br>CARRERA 4S |
| (1) | 997 333 701 15 | Anti-roll bar                                  |        | 1   | PR:475<br>CABRIO<br>CARRERA 4                  |
| (1) | 997 333 701 16 | Anti-roll bar                                  |        | 1   | PR:480<br>CABRIO<br>CARRERA 4S                 |
| (1) | 997 333 701 20 | Discontinued part<br>Anti-roll bar             |        | 1   | PR:475,480<br>CABRIO<br>CARRERA 4S             |
| (1) | 997 333 701 20 | Anti-roll bar                                  |        | 1   | COUPE<br>CARRERA 4                             |
| (1) | 997 333 701 21 | Anti-roll bar                                  |        | 1   | PR:029<br>PR:029<br>TARGA                      |
| (1) | 997 333 701 20 | D - MJ 2007>><br>Anti-roll bar                 |        | 1   | PR:475   |
|     |                |  |        | 1   | TARGA S<br>TARGA S                             |
| 2   | 996 333 792 24 | D - MJ 2007>><br>anti-roll bar bearing bracket |        | 2   | PR:029<br>CARRERA 2                            |
| (2) | 996 333 792 24 | anti-roll bar bearing bracket                  |        | 2   | PR:475<br>CARRERA 2                            |
| (2) | 996 333 792 24 | anti-roll bar bearing bracket                  |        | 2   | /CABRIO<br>CARRERA 2S                          |
| (2) | 996 333 792 25 | anti-roll bar bearing bracket                  |        | 2   | PR:475<br>/COUPE<br>CARRERA 2<br>CARRERA 2S    |
| (2) | 996 333 792 25 | anti-roll bar bearing bracket                  |        | 2   | PR:030<br>/COUPE<br>CARRERA 2S                 |
| (2) | 996 333 792 24 | anti-roll bar bearing bracket                  |        | 2   | PR:475<br>CABRIO<br>CARRERA 4                  |



Model: 997 05 Model life 2005>>2008

| Pos | Part Number    | Description  | Remark         | Qty    | Model  |
|-----|----------------|--|----------------|--------|--|
| (2) | 996 333 792 25 | anti-roll bar bearing bracket  |                | 2      | CARRERA 4S<br>PR:249,475<br>COUPE<br>CARRERA 4<br>CARRERA 4S<br>PR:030,480 |
| (2) | 996 333 792 26 | anti-roll bar bearing bracket  |                | 2      | COUPE<br>CARRERA 4<br>CARRERA 4S<br>PR:475                                 |
| (2) | 996 333 792 26 | anti-roll bar bearing bracket  |                | 2      | CABRIO<br>CARRERA 4<br>PR:480  |
| (2) | 996 333 792 26 | anti-roll bar bearing bracket  |                | 2<br>2 | CABRIO<br>CARRERA 4S<br>PR:475,480   |
| (2) | 996 333 792 26 | anti-roll bar bearing bracket  |                | 2<br>2 | COUPE<br>CARRERA 4<br>PR:029   |
| (2) | 996 333 792 29 | anti-roll bar bearing bracket  |                | 2      | PR:029<br>TARGA  |
| (2) | 996 333 792 26 | anti-roll bar bearing bracket<br>D - MJ 2007>>   |                | 2<br>2 | PR:475<br>TARGA S<br>TARGA S   |
| 3   | 996 333 777 01 | Bearing clamp<br>D - MJ 2007>>   |                | 2      |  |
| 4   | 900 378 055 01 | Hexagon bolt<br>AM 8 X 40  |                | 4      |  |
| 5   | 997 333 069 04 | Coupling rod<br>See technical manual<br>Group 4<br>NR.429019<br>Discontinued part                  | left           | 1      |  |
| (5) | 997 333 069 05 | Coupling rod<br>See technical manual<br>Group 4<br>NR.429019                                       | left           | 1      |  |
| (5) | 997 333 069 05 | Coupling rod   | left<br>left   | 1<br>1 | TARGA<br>TARGA S   |
| (5) | 997 333 070 04 | Coupling rod<br>D - MJ 2007>><br>See technical manual<br>Group 4<br>NR.429019<br>Discontinued part | right          | 1      |  |
| (5) | 997 333 070 05 | Coupling rod<br>See technical manual<br>Group 4<br>NR.429019                                       | right          | 1      |  |
| (5) | 997 333 070 05 | Coupling rod<br>D - MJ 2007>>  | right<br>right | 1<br>1 | TARGA<br>TARGA S   |
| 6   | 999 084 643 09 | Hexagon nut<br>M 10<br>See technical manual<br>Group 4<br>NR.429019                                |                | 2      |  |
| (6) | 999 084 123 09 | Hexagon nut<br>M 10<br>See technical manual<br>Group 4<br>NR.429019                                |                | 2      |  |

Model: 997 05

Model life 2005>>2008

| Pos | Part Number    | Description   | Remark | Qty    | Model            |
|-----|----------------|---|--------|--------|------------------|
| (6) | 999 084 123 09 | D - MJ 2007>><br>Hexagon nut<br>M 10<br>D - MJ 2007>> |        | 2<br>2 | TARGA<br>TARGA S |



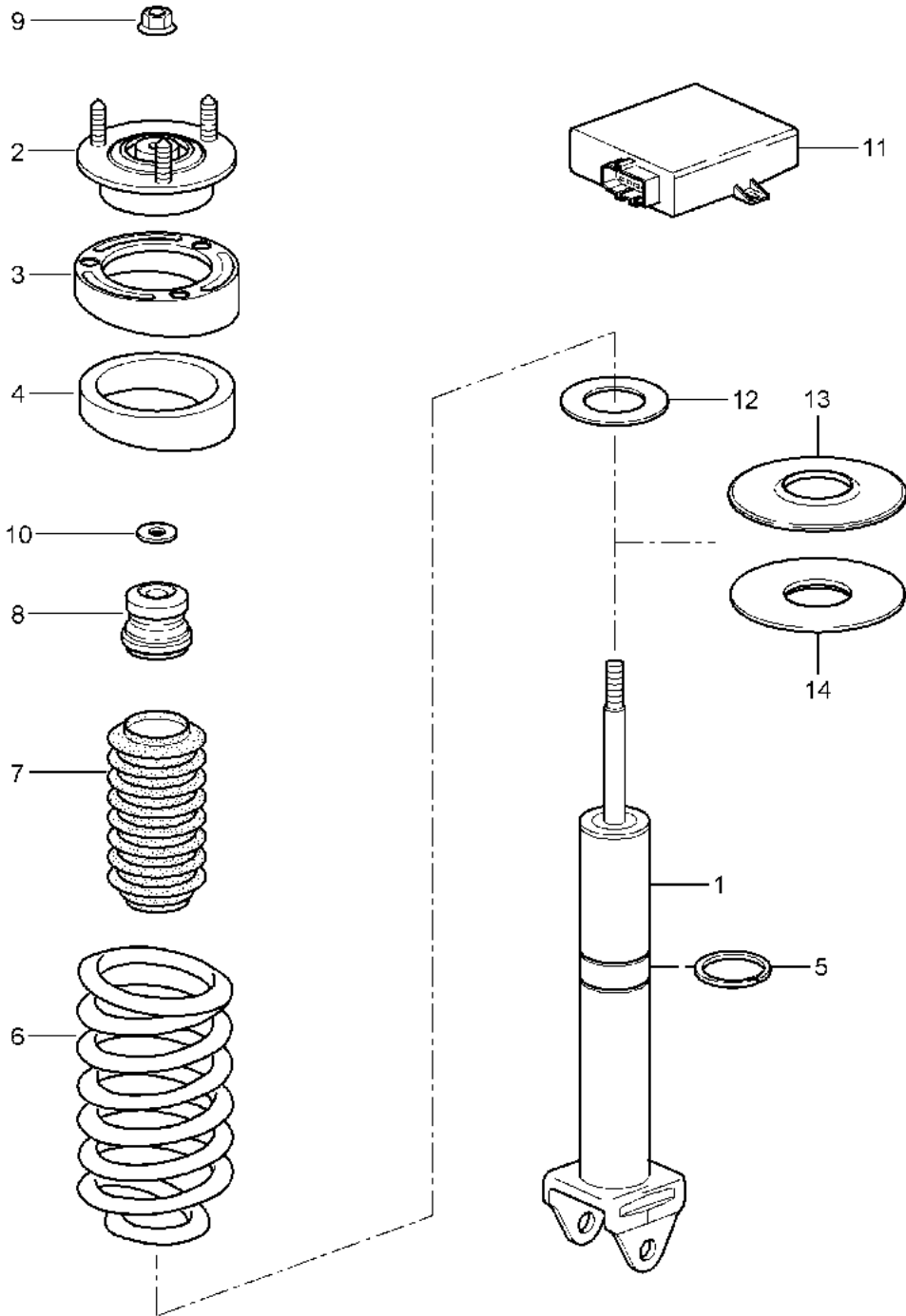
Model: 997 05

Model life 2005>>2008

| Pos  | Part Number    | Description                           | Remark | Qty | Model  |
|------|----------------|---------------------------------------|--------|-----|--------|
|      |                | Drive shaft                           |        |     |        |
|      |                | Wheel hub                             |        |     |        |
| 1    | 997 332 024 02 | Drive shaft                           |        | 2   | PR:480 |
| (1)  | 997 332 024 03 | Drive shaft                           |        | 2   | PR:249 |
| 2    | 900 067 229 09 | Socket head bolt<br>M 10 X 48,4       |        | 12  | PR:480 |
|      |                | Discontinued part                     |        |     |        |
| (2)  | 900 067 229 01 | Socket head bolt<br>M 10 X 48,4       |        | 12  | PR:480 |
| (2)  | 999 510 043 09 | Socket head bolt<br>M 10 X 61         |        | 12  | PR:249 |
| (3)  | 996 332 191 00 | Spacer                                |        | 6   |        |
| 4    | 911 332 257 00 | terminal<br>73 MM                     |        | 2   |        |
| 5    | 996 332 257 00 | Clip<br>34 MM                         |        | 2   |        |
| 6    | 900 041 014 00 | Securing ring                         |        | 2   |        |
| 7    | 997 331 605 00 | Wheel hub                             |        | 2   |        |
|      |                | Discontinued part                     |        |     |        |
| 7    | 997 331 605 01 | Wheel hub                             |        | 2   |        |
| 8    | 999 084 641 02 | Locknut<br>M 22 X 1,5                 |        | 2   |        |
| 9    | 000 043 110 01 | Grease<br>1 100-gramme tube           |        | X   |        |
| (9)  | 000 043 205 36 | sealant<br>1 100-gramme tube          |        | X   |        |
| 10   | 996 332 293 00 | Dust bellows                          |        | 2   |        |
| 11   | 928 332 267 01 | End cap                               |        | 2   |        |
|      |                | Discontinued part                     |        |     |        |
| 11   | 997 332 267 00 | End cap                               |        | 2   |        |
| 12   | 996 332 030 00 | Joint                                 |        | 2   |        |
| 13   | 996 332 293 00 | Dust bellows                          |        | 2   |        |
| 14   | 911 332 257 00 | terminal                              |        | 2   |        |
| 15   | 996 332 257 00 | Clip                                  |        | 2   |        |
| (16) | 996 332 229 01 | Spacer ring                           |        | 2   |        |
| 17   | 996 332 259 00 | Bellow support<br>for<br>Dust bellows |        | 2   |        |

Model: 997 05

Model life 2005>>2008



Model: 997 05

Model life 2005>>2008

| Pos | Part Number    | Description  | Remark | Qty | Model   |
|-----|----------------|--|--------|-----|---|
| 1   | 997 333 051 11 | Shock absorbers<br>Coil spring<br>Shock absorbers      |        | 2   | CARRERA 2<br>CARRERA 2S<br>PR:029<br>COUPE/CABRIO           |
| (1) | 997 333 051 09 | Shock absorbers  |        | 2   | CARRERA 2<br>PR:030,480<br>COUPE<br>CARRERA 2<br>CARRERA 2S |
| (1) | 997 333 053 20 | Shock absorbers  |        | 2   | PR:475<br>COUPE/CABRIO<br>CARRERA 2<br>CARRERA 2S           |
| (1) | 997 333 053 25 | D >> - MJ 2006<br>Discontinued part<br>Shock absorbers |        | 2   | PR:475<br>COUPE/CABRIO<br>CARRERA 2<br>CARRERA 2S           |
| -   |                | Mount  |        |     |   |
| -   | 900 378 138 09 | Shock absorbers<br>Hexagon bolt<br>M 12 X 1,5 X 70     |        | 2   |   |
| -   | 900 378 138 01 | Discontinued part<br>Hexagon bolt<br>M 12 X 1,5 X 70   |        | 2   |   |
| -   | 999 084 445 01 | Locknut<br>M 12 X 1,5                                  |        | 2   |   |
| 2   | 997 333 061 00 | Shock absorber bearing                                 |        | 2   | PR:029<br>COUPE   |
| (2) | 997 333 061 01 | Shock absorber bearing                                 |        | 2   | PR:030,480<br>COUPE<br>CARRERA 2                            |
| (2) | 997 333 061 01 | Shock absorber bearing                                 |        | 2   | PR:475<br>COUPE<br>CARRERA 2                                |
| (2) | 997 333 061 01 | Shock absorber bearing                                 |        | 2   | PR:030,480<br>COUPE<br>CARRERA 2S                           |
| (2) | 997 333 061 03 | Shock absorber bearing                                 |        | 2   | PR:029<br>CABRIO<br>CARRERA 2                               |
| (2) | 997 333 061 01 | Shock absorber bearing                                 |        | 2   | PR:475<br>COUPE<br>CARRERA 2S                               |
| (2) | 997 333 061 02 | Shock absorber bearing                                 |        | 2   | PR:475<br>CABRIO<br>CARRERA 2<br>CARRERA 2S                 |
| -   | 900 380 008 09 | Locknut<br>M 10  |        | 6   |   |
| -   | 900 380 008 01 | Discontinued part<br>Hexagon nut<br>M 10               |        | 6   |   |
| 3   | 996 333 511 02 | Balancing plate<br>0,5 MM                              |        | X   |   |
| (3) | 996 333 511 03 | Balancing plate<br>4,0 MM                              |        | X   |   |
| 4   | 997 333 504 00 | shelf  |        | 2   |   |
| 5   | 999 152 163 00 | snap ring<br>SW 52                                     |        | 2   |   |
| 6   | 997 333 531 37 | Coil spring<br>1 set                                   |        | 1   | PR:029<br>C2 COUPE  |

Model: 997 05 Model life 2005>>2008

| Pos | Part Number        | Description   | Remark | Qty | Model                                  |
|-----|--------------------|---|--------|-----|--|
|     | 997 333 531 37 504 | Identification: >> >><br>1 pair of springs<br>white                       |        |     | C2 COUPE S                             |
| (6) | 997 333 531 37     | Coil spring<br>1 set  |        | 1   | PR:029,480<br>C2 CABRIO<br>C2 CABRIO S |
|     | 997 333 531 37 504 | Identification: >> >><br>1 pair of springs<br>white                       |        |     |  |
| (6) | 997 333 531 39     | Coil spring<br>1 set  |        | 1   | PR:029,249<br>CABRIO<br>CARRERA 2      |
|     | 997 333 531 39 504 | Identification: >> >><br>Discontinued part<br>1 pair of springs<br>yellow |        |     |  |
| (6) | 997 333 531 56     | Coil spring<br>1 set  |        | 1   | PR:029,249<br>CABRIO<br>CARRERA 2      |
|     | 997 333 531 56 504 | Identification: >> >><br>Discontinued part<br>1 pair of springs<br>yellow |        |     |  |
| (6) | 997 333 531 85     | Coil spring<br>1 set  |        | 1   | PR:029,249<br>CABRIO<br>CARRERA 2      |
|     | 997 333 531 85 504 | Identification: >> >><br>1 pair of springs<br>yellow                      |        |     |  |
| (6) | 997 333 531 41     | Coil spring<br>1 set  |        | 1   | PR:475,480<br>C2 COUPE<br>C2 COUPE S   |
|     | 997 333 531 41 504 | Identification: >> >><br>Discontinued part<br>1 pair of springs<br>white  |        |     |  |
| (6) | 997 333 531 41     | Coil spring<br>1 set  |        | 1   | PR:475,480<br>C2 CABRIO<br>C2 CABRIO S |
|     | 997 333 531 41 504 | Identification: >> >><br>Discontinued part<br>1 pair of springs<br>white  |        |     |  |
| (6) | 997 333 531 58     | Coil spring<br>1 set  |        | 1   | PR:475<br>C2 COUPE<br>C2 COUPE S       |
|     | 997 333 531 58 504 | Identification: >> >><br>1 pair of springs<br>white                       |        |     |  |
| (6) | 997 333 531 58     | Coil spring<br>1 set  |        | 1   | PR:475,480<br>C2 CABRIO<br>C2 CABRIO S |
|     | 997 333 531 58 504 | Identification: >> >><br>1 pair of springs<br>white                       |        |     |  |
| (6) | 997 333 531 43     | Coil spring<br>1 set  |        | 1   | PR:475,249<br>C2 CABRIO<br>C2 CABRIO S |
|     | 997 333 531 43 504 | Identification: >> >><br>Discontinued part<br>1 pair of springs<br>yellow |        |     |  |
| (6) | 997 333 531 59     | Coil spring<br>1 set  |        | 1   | PR:475,249<br>C2 CABRIO<br>C2 CABRIO S |
|     | 997 333 531 59 504 | Identification: >> >><br>1 pair of springs<br>blue                        |        |     |  |
| (6) | 997 333 531 49     | Coil spring<br>1 set  |        | 1   | PR:030,480<br>C2 COUPE<br>C2 COUPE S   |
|     | 997 333 531 49 504 | Identification: >> >><br>Discontinued part<br>1 pair of springs           |        |     |  |

Model: 997 05 Model life 2005>>2008

| Pos  | Part Number        | Description   | Remark | Qty    | Model                                |
|------|--------------------|---|--------|--------|--------------------------------------|
| (6)  | 997 333 531 1F     | blue<br>Coil spring<br>1 set<br>Identification: >> >> |        | 1      | PR:030,480<br>C2 COUPE<br>C2 COUPE S |
|      | 997 333 531 1F 504 | 1 pair of springs<br>blue                             |        |        |                                      |
| 7    | 993 333 107 01     | Bellows   |        | 2      |                                      |
| 8    | 996 333 105 02     | helper spring   |        | 2      | PR:029                               |
| (8)  | 997 333 105 01     | helper spring   |        | 2      | PR:475                               |
| 9    | 999 084 050 02     | Hexagon nut<br>M 12 X 1                               |        | 2      |                                      |
| 10   | 999 025 271 02     | Washer  |        | 2      |                                      |
| -    |                    | Mount<br>Shock absorbers                              |        |        |                                      |
| -    | 900 378 138 09     | Hexagon bolt<br>M 12 X 1,5 X 70<br>Discontinued part  |        | 2      |                                      |
| -    | 900 378 138 01     | Hexagon bolt<br>M 12 X 1,5 X 70                       |        | 2      |                                      |
| -    | 999 084 445 01     | Locknut<br>M 12 X 1,5                                 |        | 2      |                                      |
| 11   | 997 618 105 03     | Control unit  |        | 1<br>1 | CARRERA 2<br>CARRERA 2S<br>PR:475    |
|      |                    | D - MJ 2005>> - MJ 2005<br>Discontinued part          |        |        |                                      |
| (11) | 997 618 105 04     | Control unit  |        | 1<br>1 | CARRERA 2<br>CARRERA 2S<br>PR:475    |
|      |                    | D - MJ 2005>> - MJ 2005<br>Discontinued part          |        |        |                                      |
| (11) | 997 618 105 14     | Control unit  |        | 1<br>1 | CARRERA 2<br>CARRERA 2S<br>PR:475    |
|      |                    | D - MJ 2005>> - MJ 2005<br>Discontinued part          |        |        |                                      |
| (11) | 997 618 105 15     | Control unit  |        | 1<br>1 | CARRERA 2<br>CARRERA 2S<br>PR:475    |
|      |                    | D - MJ 2005>> - MJ 2005<br>Discontinued part          |        |        |                                      |
| (11) | 997 618 105 05     | Control unit  |        | 1<br>1 | CARRERA 2<br>CARRERA 2S<br>PR:475    |
|      |                    | Discontinued part                                     |        |        |                                      |
| (11) | 997 618 105 06     | Control unit  |        | 1<br>1 | CARRERA 2<br>CARRERA 2S<br>PR:475    |
|      |                    | Discontinued part                                     |        |        |                                      |
| (11) | 997 618 105 07     | Control unit  |        | 1<br>1 | CARRERA 2<br>CARRERA 2S<br>PR:475    |
|      |                    | Discontinued part                                     |        |        |                                      |
| (11) | 997 618 105 08     | Control unit  |        | 1<br>1 | CARRERA 2<br>CARRERA 2S<br>PR:475    |
| -    | 997 618 205 00     | Retainer for control units<br>for                     |        | 1<br>1 | CARRERA 2<br>CARRERA 2S<br>PR:475    |
| -    | 997 606 111 01     | Acceleration sensor for<br>bodywork                   |        | 1      | PR:475                               |
| 12   | 997 333 513 00     | spring disc   |        | 2      | PR:029,475                           |
| 13   | 997 333 523 00     | spring disc   |        | 2      | PR:030                               |
| 14   | 997 333 513 01     | spring disc   |        | 2      | PR:030                               |



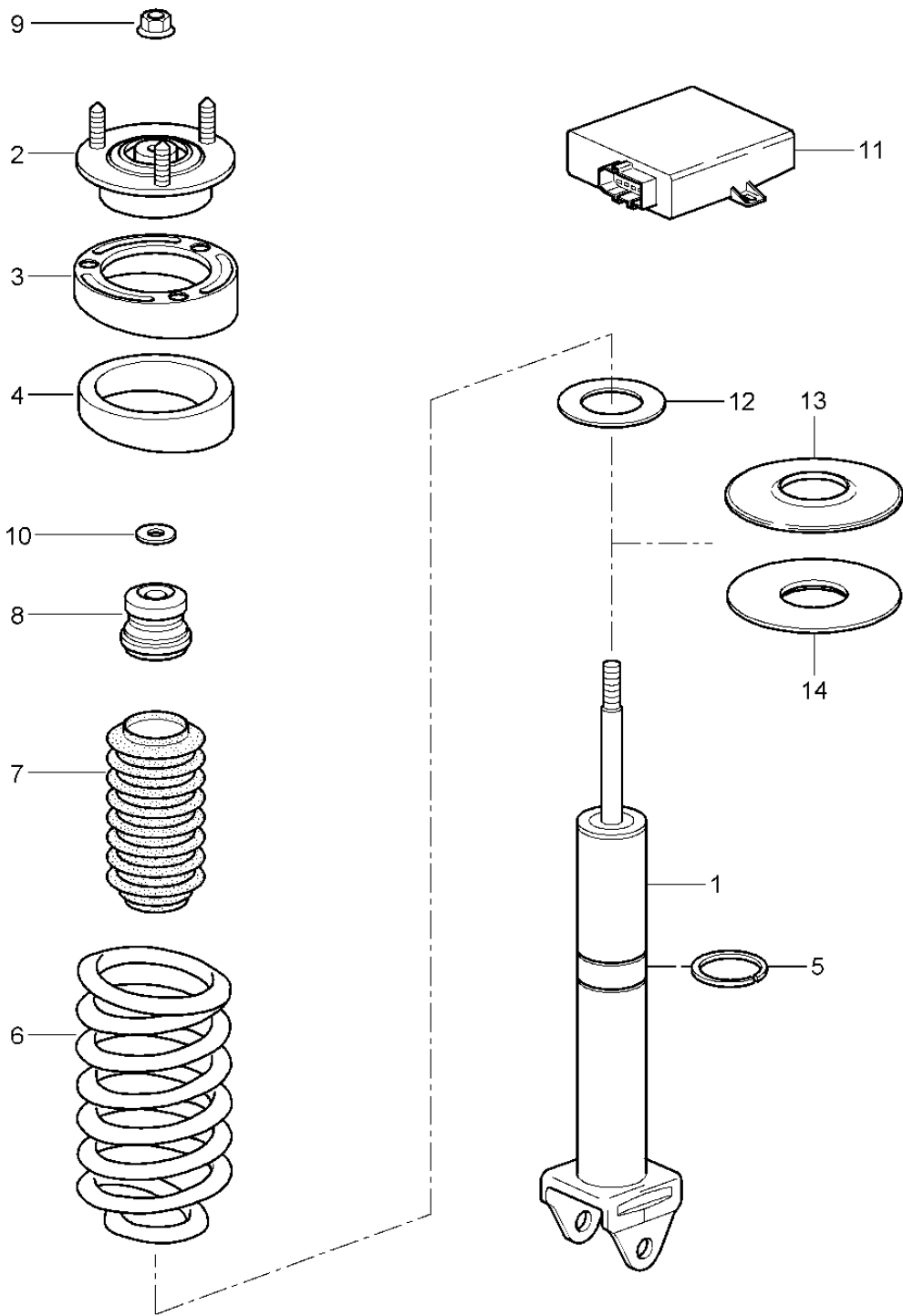
Model: 997 05

Model life 2005&gt;&gt;2008

| Pos | Part Number    | Description                         | Remark | Qty | Model |
|-----|----------------|-------------------------------------|--------|-----|-------|
| 15  | 997 606 111 01 | Acceleration sensor for<br>bodywork |        | 1   |       |
| 16  | 997 606 214 00 | Bracket<br>Accelerator sensor       |        | 1   |       |

Model: 997 05

Model life 2005>>2008



Model: 997 05 Model life 2005>>2008

| Pos | Part Number    | Description   | Remark | Qty | Model   |
|-----|----------------|---|--------|-----|---|
|     |                | Shock absorbers<br>Coil spring                              |        |     | CARRERA 4<br>CARRERA 4S<br>TARGA<br>TARGA S             |
| (1) | 997 333 051 11 | Shock absorbers   |        | 2   | PR:029<br>CARRERA 4                                     |
| (1) | 997 333 051 09 | Shock absorbers   |        | 2   | PR:030,480<br>CARRERA 4<br>CARRERA 4S                   |
| (1) | 997 333 053 20 | Shock absorbers   |        | 2   | PR:475<br>CARRERA 4<br>CARRERA 4S                       |
|     |                | D >> - MJ 2006<br>Discontinued part                         |        |     |   |
| (1) | 997 333 053 25 | Shock absorbers   |        | 2   | PR:475<br>CARRERA 4<br>CARRERA 4S                       |
| (1) | 997 333 059 03 | Shock absorbers   |        | 2   | PR:029<br>TARGA   |
|     |                | D - MJ 2007>>   |        |     |   |
| (1) | 997 333 049 03 | Shock absorbers   |        | 2   | PR:475<br>TARGA   |
|     |                |   |        | 2   | TARGA S   |
| -   | 900 378 138 09 | Mount<br>Shock absorbers<br>Hexagon bolt<br>M 12 X 1,5 X 70 |        | 2   |   |
|     |                | Discontinued part   |        |     |   |
| -   | 900 378 138 01 | Hexagon bolt<br>M 12 X 1,5 X 70                             |        | 2   |   |
| -   | 999 084 445 01 | Locknut<br>M 12 X 1,5                                       |        | 2   |   |
| (2) | 997 333 061 00 | Shock absorber bearing                                      |        | 2   | PR:029<br>CARRERA 4<br>COUPE                            |
| (2) | 997 333 061 01 | Shock absorber bearing                                      |        | 2   | PR:030,480<br>CARRERA 4<br>COUPE<br>CARRERA 4S<br>COUPE |
| (2) | 997 333 061 01 | Shock absorber bearing                                      |        | 2   | PR:475<br>CARRERA 4<br>COUPE<br>CARRERA 4S<br>COUPE     |
| (2) | 997 333 061 02 | Shock absorber bearing                                      |        | 2   | PR:475<br>CARRERA 4<br>CARRERA 4S                       |
| (2) | 997 333 061 03 | Shock absorber bearing                                      |        | 2   | CABRIO<br>PR:029<br>CARRERA 4                           |
| (2) | 997 333 061 00 | Shock absorber bearing                                      |        | 2   | CABRIO<br>PR:029<br>TARGA                               |
|     |                | D - MJ 2007>>   |        |     |   |
| (2) | 997 333 061 01 | Shock absorber bearing                                      |        | 2   | PR:475<br>TARGA<br>TARGA S                              |
|     |                | D - MJ 2007>>   |        |     |   |
| -   | 900 380 008 09 | Locknut<br>M 10<br>Discontinued part                        |        | 6   |   |

Model: 997 05 Model life 2005>>2008

| Pos | Part Number        | Description  | Remark | Qty | Model                |
|-----|--------------------|--|--------|-----|----------------------|
| -   | 900 380 008 01     | Hexagon nut<br>M 10  |        | 6   |                      |
| 3   | 996 333 511 02     | Balancing plate<br>0,5 MM  |        | X   |                      |
| (3) | 996 333 511 03     | Balancing plate<br>4,0 MM  |        | X   |                      |
| 4   | 997 333 504 00     | shelf  |        | 2   |                      |
| 5   | 999 152 163 00     | snap ring<br>SW 52   |        | 2   |                      |
| (6) | 997 333 531 37     | Coil spring<br>1 set<br>Identification: >> >><br>Discontinued part |        | 1   | PR:029<br>COUPE      |
|     | 997 333 531 37 504 | 1 pair of springs<br>white   |        |     |                      |
| (6) | 997 333 531 62     | Coil spring<br>1 set<br>Identification: >> >><br>Discontinued part |        | 1   | PR:029<br>COUPE      |
|     | 997 333 531 62 504 | 1 pair of springs<br>white   |        |     |                      |
| (6) | 997 333 531 1J     | Coil spring<br>1 set<br>Identification: >> >><br>Discontinued part |        | 1   | PR:029<br>COUPE      |
|     | 997 333 531 1J 504 | 1 pair of springs<br>white   |        |     |                      |
| (6) | 997 333 531 37     | Coil spring<br>1 set<br>Identification: >> >><br>Discontinued part |        | 1   | PR:029,480<br>CABRIO |
|     | 997 333 531 37 504 | 1 pair of springs<br>white   |        |     |                      |
| (6) | 997 333 531 62     | Coil spring<br>1 set<br>Identification: >> >><br>Discontinued part |        | 1   | PR:029,480<br>CABRIO |
|     | 997 333 531 62 504 | 1 pair of springs<br>white   |        |     |                      |
| (6) | 997 333 531 1J     | Coil spring<br>1 set<br>Identification: >> >><br>Discontinued part |        | 1   | PR:029,480<br>CABRIO |
|     | 997 333 531 1J 504 | 1 pair of springs<br>white   |        |     |                      |
| (6) | 997 333 531 39     | Coil spring<br>1 set<br>Identification: >> >><br>Discontinued part |        | 1   | PR:029,249<br>CABRIO |
|     | 997 333 531 39 504 | 1 pair of springs<br>yellow  |        |     |                      |
| (6) | 997 333 531 56     | Coil spring<br>1 set<br>Identification: >> >><br>Discontinued part |        | 1   | PR:029,249<br>CABRIO |
|     | 997 333 531 56 504 | 1 pair of springs<br>yellow  |        |     |                      |
| (6) | 997 333 531 85     | Coil spring<br>1 set<br>Identification: >> >><br>Discontinued part |        | 1   | PR:029,249<br>CABRIO |
|     | 997 333 531 85 504 | 1 pair of springs<br>yellow  |        |     |                      |
| (6) | 997 333 531 49     | Coil spring<br>1 set<br>Identification: >> >>                      |        | 1   | PR:030,480<br>COUPE  |

Model: 997 05 Model life 2005>>2008

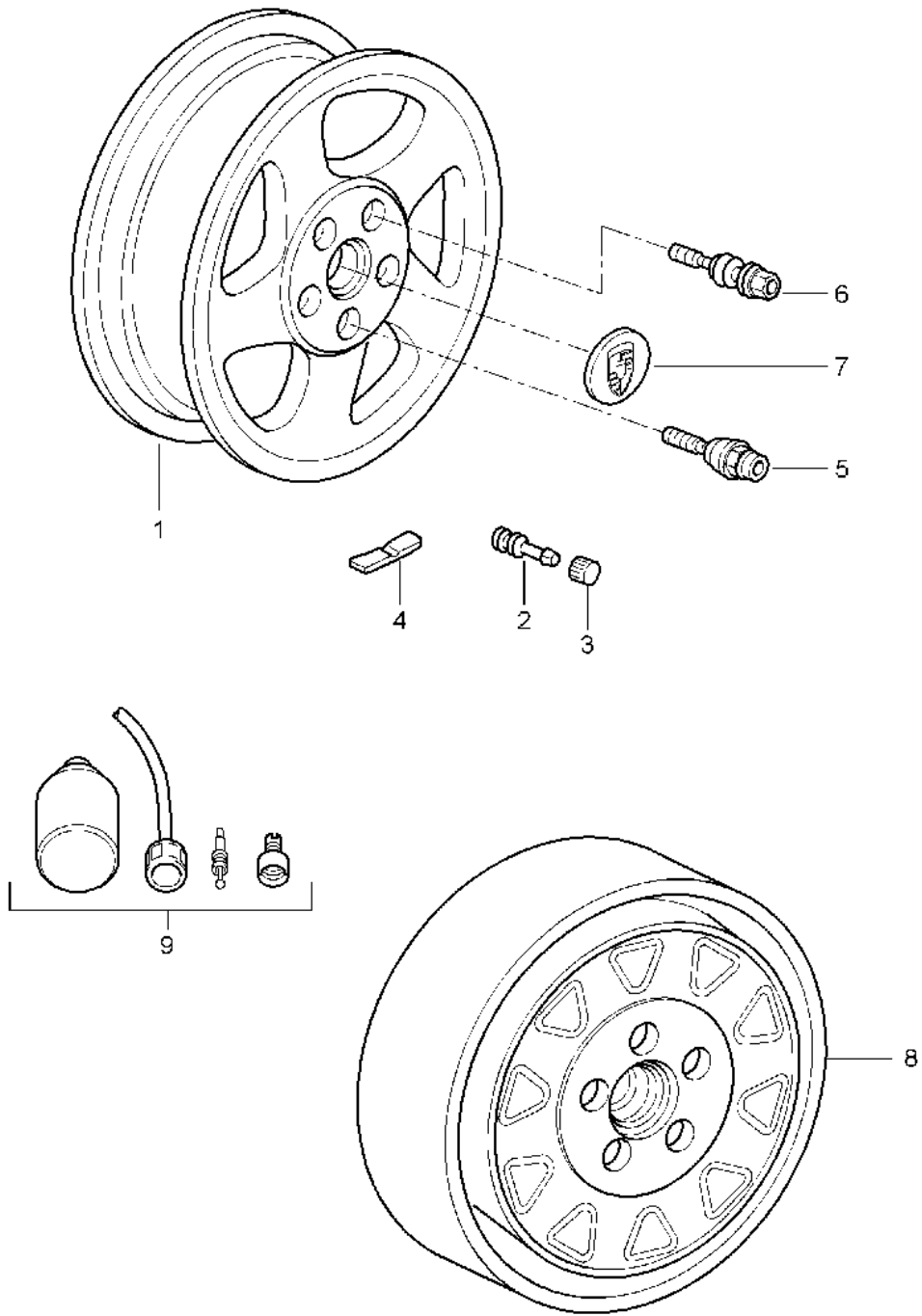
| Pos | Part Number        | Description                                      | Remark | Qty | Model                |
|-----|--------------------|--|--------|-----|----------------------|
|     | 997 333 531 49 504 | Discontinued part<br>1 pair of springs<br>blue   |        |     |                      |
| (6) | 997 333 531 60     | Coil spring<br>1 set<br>Identification: >> >>    |        | 1   | PR:030,480<br>COUPE  |
|     | 997 333 531 60 504 | 1 pair of springs<br>blue                        |        |     |                      |
| (6) | 997 333 531 41     | Coil spring<br>1 set<br>Identification: >> >>    |        | 1   | PR:475<br>COUPE      |
|     | 997 333 531 41 504 | Discontinued part<br>1 pair of springs<br>white  |        |     |                      |
| (6) | 997 333 531 58     | Coil spring<br>1 set<br>Identification: >> >>    |        | 1   | PR:475<br>COUPE      |
|     | 997 333 531 58 504 | Discontinued part<br>1 pair of springs<br>white  |        |     |                      |
| (6) | 997 333 531 1D     | Coil spring<br>1 set<br>Identification: >> >>    |        | 1   | PR:475<br>COUPE      |
|     | 997 333 531 1D 504 | 1 pair of springs<br>white                       |        |     |                      |
| (6) | 997 333 531 41     | Coil spring<br>1 set<br>Identification: >> >>    |        | 1   | PR:475,480<br>CABRIO |
|     | 997 333 531 41 504 | Discontinued part<br>1 pair of springs<br>white  |        |     |                      |
| (6) | 997 333 531 58     | Coil spring<br>1 set<br>Identification: >> >>    |        | 1   | PR:475,480<br>CABRIO |
|     | 997 333 531 58 504 | Discontinued part<br>1 pair of springs<br>white  |        |     |                      |
| (6) | 997 333 531 1D     | Coil spring<br>1 set<br>Identification: >> >>    |        | 1   | PR:475,480<br>CABRIO |
|     | 997 333 531 1D 504 | 1 pair of springs<br>white                       |        |     |                      |
| (6) | 997 333 531 43     | Coil spring<br>1 set<br>Identification: >> >>    |        | 1   | PR:475,249<br>CABRIO |
|     | 997 333 531 43 504 | Discontinued part<br>1 pair of springs<br>yellow |        |     |                      |
| (6) | 997 333 531 59     | Coil spring<br>1 set<br>Identification: >> >>    |        | 1   | PR:475,249<br>CABRIO |
|     | 997 333 531 59 504 | Discontinued part<br>1 pair of springs<br>blue   |        |     |                      |
| (6) | 997 333 531 1E     | Coil spring<br>1 set<br>Identification: >> >>    |        | 1   | PR:475,249<br>CABRIO |
|     | 997 333 531 1E 504 | 1 pair of springs<br>blue                        |        |     |                      |
| (6) | 997 333 531 54     | Coil spring<br>1 set<br>Identification: >> >>    |        | 1   | PR:029,480<br>TARGA  |
|     |                    | Discontinued part                                |        |     |                      |

Model: 997 05 Model life 2005>>2008

| Pos  | Part Number        | Description  | Remark | Qty | Model   |
|------|--------------------|--|--------|-----|---|
|      | 997 333 531 54 504 | 1 pair of springs<br>brown   |        |     |   |
| (6)  | 997 333 531 96     | Coil spring<br>1 set<br>Identification: >> >>                      |        | 1   | PR:029,480<br>TARGA                                   |
|      | 997 333 531 96 504 | 1 pair of springs<br>brown   |        |     |   |
| (6)  | 997 333 531 55     | Coil spring<br>1 set<br>Identification: >> >><br>Discontinued part |        | 1   | PR:475<br>TARGA                                       |
|      | 997 333 531 55 504 | 1 pair of springs<br>green   |        |     |   |
| (6)  | 997 333 531 1A     | Coil spring<br>1 set<br>Identification: >> >>                      |        | 1   | PR:475<br>TARGA                                       |
|      | 997 333 531 1A 504 | 1 pair of springs<br>green   |        |     |   |
| 7    | 993 333 107 01     | Bellows  |        | 2   |   |
| 8    | 996 333 105 02     | helper spring  |        | 2   | PR:029  |
| (8)  | 997 333 105 01     | helper spring  |        | 2   | PR:475  |
| 9    | 999 084 050 02     | Hexagon nut<br>M 12 X 1  |        | 2   |   |
| 10   | 999 025 271 02     | Washer<br>Mount  |        | 2   |   |
| -    |                    | Shock absorbers  |        |     |   |
| -    | 900 378 138 09     | Hexagon bolt<br>M 12 X 1,5 X 70<br>Discontinued part               |        | 2   |   |
| -    | 900 378 138 01     | Hexagon bolt<br>M 12 X 1,5 X 70                                    |        | 2   |   |
| -    | 999 084 445 01     | Locknut<br>M 12 X 1,5  |        | 2   |   |
| (11) | 997 618 115 03     | Control unit   |        | 1   | PR:475<br>CARRERA 4<br>CARRERA 4 S                    |
| (11) | 997 618 115 04     | D - MJ 2006>> - MJ 2006<br>Control unit                            |        | 1   | PR:475<br>CARRERA 4<br>CARRERA 4 S                    |
| (11) | 997 618 115 05     | D - MJ 2007>><br>Control unit                                      |        | 1   | PR:475<br>TARGA                                       |
| (11) | 997 618 115 07     | D >> - MJ 2007<br>Control unit                                     |        | 1   | PR:475<br>TARGA                                       |
| -    | 997 618 205 00     | D - MJ 2008>><br>Retainer for control units<br>for                 |        | 1   | PR:475<br>CARRERA 4<br>CARRERA 4S<br>TARGA<br>TARGA S |
| -    | 997 606 111 01     | D - MJ 2007>><br>Acceleration sensor for<br>bodywork               |        | 1   | PR:475  |
| 12   | 997 333 513 00     | spring disc  |        | 2   | PR:029,475  |
| 13   | 997 333 523 00     | spring disc  |        | 2   | PR:030  |
| 14   | 997 333 513 01     | spring disc  |        | 2   | PR:030  |
| 15   | 997 606 111 01     | Acceleration sensor for<br>bodywork                                |        | 1   |   |
| 16   | 997 606 214 00     | Bracket<br>Accelerator sensor<br>Body                              |        | 1   |   |

Model: 997 05

Model life 2005>>2008



Model: 997 05 Model life 2005>>2008

| Pos | Part Number    | Description   | Remark | Qty | Model                             |
|-----|----------------|---|--------|-----|-----------------------------------|
| -   |                | Wheels<br>Wheel bolts<br>see<br>Technical information<br>84/11<br>Group 4<br>4407 |        |     |                                   |
| 1   | 997 362 136 00 | Alloy wheel<br>8 J X 18<br>ET 57<br>-BBS-   | front  | 2   | PR:402                            |
| (1) | 997 362 136 01 | Alloy wheel<br>8 J X 18<br>ET 57<br>-LEMMERZ-                                     | front  | 2   | PR:402                            |
| (1) | 997 362 156 00 | Alloy wheel<br>-BBS-<br>8 J X 19<br>ET 57   | front  | 2   | PR:403                            |
| (1) | 997 362 156 06 | Alloy wheel<br>-RONAL-<br>8 J X 19<br>ET 57                                       | front  | 2   | PR:403                            |
| (1) | 997 362 156 01 | Alloy wheel<br>8 J X 19<br>ET 57  | front  | 2   | PR:403<br>CARRERA 4<br>CARRERA 4S |
| (1) | 997 362 156 02 | D - MJ 2006>><br>Alloy wheel<br>8 J x 19<br>Et 57                                 | front  | 2   | PR:404                            |
| (1) | 997 362 156 03 | D - MJ 2007>><br>Alloy wheel<br>8 J X 19<br>ET 57                                 | front  | 2   | PR:405                            |
| (1) | 997 362 156 04 | Alloy wheel<br>8 J X 19<br>ET 57  | front  | 2   | PR:407                            |
| (1) | 997 362 156 55 | Alloy wheel<br>8,5 J x 19<br>Et 55  | front  | 2   | PR:XRR                            |
| (1) | 997 362 140 01 | Alloy wheel<br>10 J X 18<br>ET 58<br>-BBS-  | rear   | 2   | PR:402                            |
| (1) | 997 362 140 02 | Alloy wheel<br>10 J X 18<br>ET 58<br>-LEMMERZ-                                    | rear   | 2   | PR:402                            |
| (1) | 997 362 142 00 | Alloy wheel<br>11 J X 18<br>ET 51<br>-BBS-  | rear   | 2   | PR:402                            |
| (1) | 997 362 162 01 | Alloy wheel<br>-BBS-<br>11 J X 19<br>ET 67  | rear   | 2   | PR:403                            |
| (1) | 997 362 162 08 | Alloy wheel<br>-RONAL-<br>11 J X 19<br>ET 67                                      | rear   | 2   | PR:403                            |
| (1) | 997 362 162 00 | Alloy wheel<br>11 J X 19<br>ET 51   | rear   | 2   | PR:403<br>CARRERA 4<br>CARRERA 4S |



Model: 997 05 Model life 2005>>2008

| Pos | Part Number    | Description   | Remark  | Qty | Model                             |
|-----|----------------|---|---------|-----|-----------------------------------|
| (1) | 997 362 162 04 | D - MJ 2006>><br>Alloy wheel<br>11 J X 19<br>ET 67                                      | rear    | 2   | PR:405                            |
| (1) | 997 362 162 02 | Alloy wheel<br>11 J x 19<br>Et 51   | rear    | 2   | PR:404                            |
| (1) | 997 362 162 03 | D - MJ 2007>><br>Alloy wheel<br>11 J X 19<br>ET 51                                      | rear    | 2   | PR:405<br>CARRERA 4<br>CARRERA 4S |
| (1) | 997 362 162 07 | D - MJ 2006>><br>Alloy wheel<br>11 J X 19<br>ET 67                                      | rear    | 2   | PR:407<br>CARRERA 2<br>CARRERA 2S |
| (1) | 997 362 162 06 | Alloy wheel<br>11 J X 19<br>ET 51<br>-BBS-  | rear    | 2   | PR:407<br>CARRERA 4<br>CARRERA 4S |
| (1) | 997 362 162 09 | Alloy wheel<br>11 J x 19<br>Et 67   | rear    | 2   | PR:404<br>CARRERA 2<br>CARRERA 2S |
| (1) | 997 362 162 55 | D - MJ 2007>><br>Alloy wheel<br>11,5 J x 19<br>ET 67                                    | rear    | 2   | PR:XRR<br>CARRERA 2<br>CARRERA 2S |
| (1) | 997 362 162 55 | Alloy wheel<br>11,5 J x 19<br>ET 67   | rear    | 2   | PR:XRR<br>CARRERA 4<br>CARRERA 4S |
| (1) | 997 362 162 56 | D >> - MJ 2007<br>Alloy wheel<br>11,5 J X 19<br>ET 50                                   | rear    | 2   | PR:XRR<br>CARRERA 4<br>CARRERA 4S |
| 2   | 900 265 001 50 | D - MJ 2008>><br>Rubber valve<br>Rubber   |         | 4   |                                   |
| (2) | 900 265 001 51 | Rubber valve<br>Rubber  |         | 4   |                                   |
| (2) | 311 601 361    | Discontinued part<br>Rubber valve<br>Rubber   |         | 4   |                                   |
| (2) |                | Valve<br>tyre pressure control system<br>see illustration:                              | 601-005 | 4   | PR:482,483                        |
| 3   | 955 361 163 00 | Cap<br>for<br>Rubber valve  |         | 4   |                                   |
| 4   | 1K0 601 178 C  | Balancer weight<br>(self-adhesive)<br>5 G.  |         | X   |                                   |
| (4) | 997 361 405 00 | D - MJ 2005>> - MJ 2005<br>Balancer weight<br>(self-adhesive)<br>5.G.                   |         | X   |                                   |
| (4) | 1K0 601 179 C  | D - MJ 2006>><br>Balancer weight<br>(self-adhesive)<br>10 G.                            |         | X   |                                   |
| (4) | 997 361 410 00 | D - MJ 2005>> - MJ 2005<br>Balancer weight<br>(self-adhesive)<br>10 G.<br>D - MJ 2006>> |         | X   |                                   |

Model: 997 05 Model life 2005>>2008

| Pos | Part Number    | Description  | Remark | Qty | Model |
|-----|----------------|--|--------|-----|-------|
| (4) | 1K0 601 181 C  | Balancer weight<br>(self-adhesive)<br>15 G.<br>D - MJ 2005>> - MJ 2005 |        | X   |       |
| (4) | 997 361 415 00 | Balancer weight<br>(self-adhesive)<br>15 G.<br>D - MJ 2006>>           |        | X   |       |
| (4) | 1K0 601 182 C  | Balancer weight<br>(self-adhesive)<br>20 G.<br>D - MJ 2005>> - MJ 2005 |        | X   |       |
| (4) | 997 361 420 00 | Balancer weight<br>(self-adhesive)<br>20 G.<br>D - MJ 2006>>           |        | X   |       |
| (4) | 1K0 601 183 C  | Balancer weight<br>(self-adhesive)<br>25 G.<br>D - MJ 2005>> - MJ 2005 |        | X   |       |
| (4) | 997 361 425 00 | Balancer weight<br>(self-adhesive)<br>25 G.<br>D - MJ 2006>>           |        | X   |       |
| (4) | 1K0 601 184 C  | Balancer weight<br>(self-adhesive)<br>30 G.<br>D - MJ 2005>> - MJ 2005 |        | X   |       |
| (4) | 997 361 430 00 | Balancer weight<br>(self-adhesive)<br>30 G.<br>D - MJ 2006>>           |        | X   |       |
| (4) | 1K0 601 185 C  | Balancer weight<br>(self-adhesive)<br>35 G.<br>D - MJ 2005>> - MJ 2005 |        | X   |       |
| (4) | 997 361 435 00 | Balancer weight<br>(self-adhesive)<br>35 G.<br>D - MJ 2006>>           |        | X   |       |
| (4) | 1K0 601 186 C  | Balancer weight<br>(self-adhesive)<br>40 G.<br>D - MJ 2005>> - MJ 2005 |        | X   |       |
| (4) | 997 361 440 00 | Balancer weight<br>(self-adhesive)<br>40 G.<br>D - MJ 2006>>           |        | X   |       |
| (4) | 1K0 601 187 C  | Balancer weight<br>(self-adhesive)<br>45 G.<br>D - MJ 2005>> - MJ 2005 |        | X   |       |
| (4) | 997 361 445 00 | Balancer weight<br>(self-adhesive)<br>45 G.<br>D - MJ 2006>>           |        | X   |       |
| (4) | 1K0 601 188 C  | Balancer weight<br>(self-adhesive)<br>50 G.<br>D - MJ 2005>> - MJ 2005 |        | X   |       |
| (4) | 997 361 450 00 | Balancer weight<br>(self-adhesive)<br>50 G.                            |        | X   |       |

Model: 997 05 Model life 2005>>2008

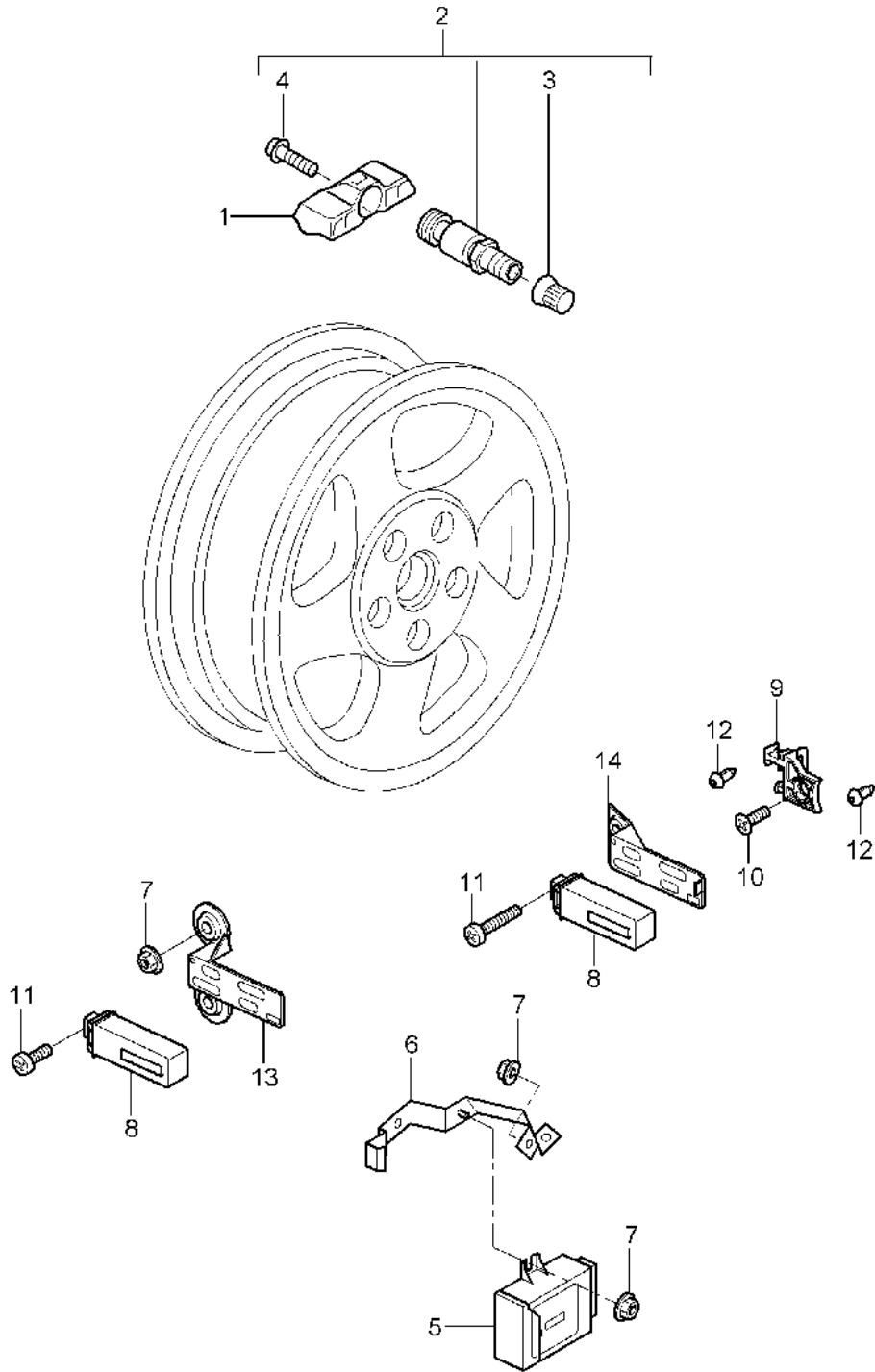
| Pos | Part Number    | Description   | Remark | Qty | Model               |
|-----|----------------|---|--------|-----|---------------------|
| (4) | 1K0 601 189 C  | D - MJ 2006>><br>Balancer weight<br>(self-adhesive)<br>55 G.            |        | X   |                     |
| (4) | 997 361 455 00 | D - MJ 2005>> - MJ 2005<br>Balancer weight<br>(self-adhesive)<br>55 G.  |        | X   |                     |
| (4) | 1K0 601 190 C  | D - MJ 2006>><br>Balancer weight<br>(self-adhesive)<br>60 G.            |        | X   |                     |
| (4) | 997 361 460 00 | D - MJ 2005>> - MJ 2005<br>Balancer weight<br>(self-adhesive)<br>60 G.  |        | X   |                     |
| (4) | 997 361 465 00 | D - MJ 2006>><br>Balancer weight<br>(self-adhesive)<br>65 G.            |        | X   |                     |
| (4) | 997 361 470 00 | Balancer weight<br>(self-adhesive)<br>70 G.                             |        | X   |                     |
| (4) | 997 361 475 00 | Balancer weight<br>(self-adhesive)<br>75 G.                             |        | X   |                     |
| (4) | 997 361 480 00 | Balancer weight<br>(self-adhesive)<br>80 G.                             |        | X   |                     |
| (4) | 997 361 485 00 | Balancer weight<br>(self-adhesive)<br>85 G.                             |        | X   |                     |
| (4) | 997 361 490 00 | Balancer weight<br>(self-adhesive)<br>90 G.                             |        | X   |                     |
| -   |                | Wheel bolts<br>see<br>Technical information<br>84/11<br>Group 4<br>4407 |        |     |                     |
| 5   | 996 361 057 02 | Set<br>Anti-theft protection<br>1 set<br>silver<br>Discontinued part    |        | 1   |                     |
| 5   | 997 361 057 02 | Set<br>Anti-theft protection<br>1 set<br>silver                         |        | 1   |                     |
| (5) | 997 361 057 00 | Set<br>Anti-theft protection<br>1 set<br>silver<br>Discontinued part    |        | 1   | PR:444<br>"GB."     |
| (5) | 997 361 057 01 | Set<br>Anti-theft protection<br>1 set<br>silver                         |        | 1   | PR:444<br>"GB."     |
| (5) | 997 361 980 09 | Set<br>Anti-theft protection<br>1 set<br>silver                         |        | 1   | PR:XRP,444<br>"GB." |

Model: 997 05 Model life 2005>>2008

| Pos  | Part Number        | Description  | Remark   | Qty    | Model                    |
|------|--------------------|--|--|--------|--------------------------|
| 6    | 996 361 203 02     | Wheel bolt<br>silver                               |  | X      |                          |
| 6    | 997 361 203 01     | Discontinued part<br>Wheel bolt<br>silver          |  | X      |                          |
| 6    | 997 361 203 02     | Discontinued part<br>Wheel bolt<br>silver          |  | X      |                          |
| (6)  | 996 361 980 00     | Wheel bolt<br>silver                               |  | X      | PR:XRP                   |
| 7    | 955 361 303 00     | Hub cap  |  | 4      |                          |
| (7)  | 955 361 303 05     | 9A1 silver<br>Hub cap                              |  | 4      | PR:444                   |
| (7)  | 955 361 303 05 9A1 | silver   |  | 4      | PR:XRR                   |
| (7)  | 997 361 303 01     | Hub cap<br>Porsche crest<br>Coloured<br>silver     |  | 4      | PR:404                   |
| (7)  | 997 361 305 00     | Hub cap<br>D - MJ 2007>><br>Discontinued part      |  | 4      | PR:404                   |
| (7)  | 7PP 601 149 F      | Hub cap<br>D - MJ 2007>>                           |  | 4      | PR:404                   |
| 8    | 996 362 020 03     | Spare wheel  |  | 1      | PR:447                   |
| 9    | 955 722 631 00     | Compressed air bottle<br>Discontinued part         |  | 1      |                          |
| 9    | 4L0 012 619 A      | Tyre sealant                                       |  | 1      |                          |
| 10   | 996 361 521 00     | Protective sleeve<br>for<br>Spare wheel            |  | 1      | PR:447                   |
| 11   | 999 914 001 40     | Plastic gloves<br>No longer use the part here      |  | X      | PR:447                   |
| 12   | 997 652 051 00     | Compressor<br>for<br>Spare wheel                   |  | 1      | CARRERA 2<br>CARRERA 2-S |
| (12) | 997 652 055 00     | D >> - MJ 2006<br>Compressor<br>for<br>Spare wheel |  | 1      | CARRERA 2<br>CARRERA 2 S |
|      |                    | also use:  | 991 555 575 03<br>(1E0)<br>991 555 765 02<br>(1E0) | 1<br>1 |                          |
|      |                    | D - MJ 2007>>                                      |  |        |                          |

Model: 997 05

Model life 2005>>2008



Model: 997 05 Model life 2005>>2008

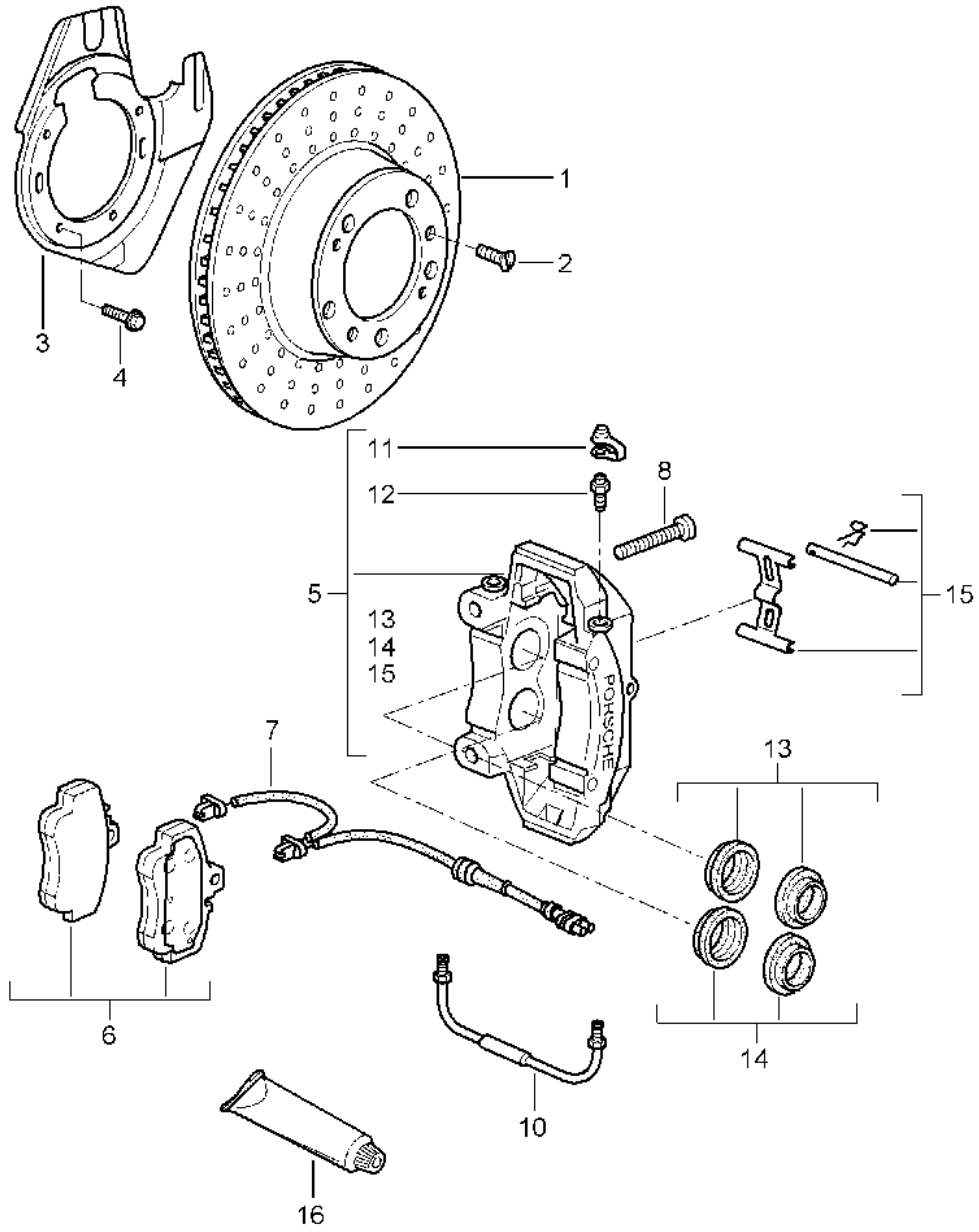
| Pos | Part Number    | Description   | Remark         | Qty              | Model                                       |
|-----|----------------|---|----------------|------------------|---|
| 1   | 997 606 021 00 | tyre pressure control system<br>Tyre pressure sensor<br>tyre pressure control system<br>also use:<br>D >> - MJ 2007 | 955 361 053 00 | 4                | PR:482,483<br>PR:482                        |
| (1) | 997 606 021 01 | Tyre pressure sensor<br>tyre pressure control system<br>also use:<br>D - MJ 2008>><br>Discontinued part             | 955 361 053 00 | 4                | PR:482                                      |
| (1) | 997 606 021 02 | Tyre pressure sensor<br>tyre pressure control system<br>also use:<br>D - MJ 2008>>                                  | 955 361 053 00 | 4                | PR:482                                      |
| (1) | 997 606 023 00 | Tyre pressure sensor<br>tyre pressure control system<br>also use:<br>D >> - MJ 2007<br>Discontinued part            | 955 361 053 00 | 4                | PR:483                                      |
| (1) | 997 606 023 01 | Tyre pressure sensor<br>tyre pressure control system<br>also use:<br>D - MJ 2008>><br>Discontinued part             | 955 361 053 00 | 4                | PR:483                                      |
| (2) | 997 606 023 02 | Tyre pressure sensor<br>tyre pressure control system<br>also use:<br>Discontinued part                              | 955 361 053 00 | 4                | PR:483<br>-"ROK"                            |
| (2) | 997 606 023 03 | Tyre pressure sensor<br>tyre pressure control system<br>also use:   | 955 361 053 00 | 4                | PR:483<br>-"ROK"                            |
| (2) | 997 606 025 00 | Tyre pressure sensor<br>tyre pressure control system<br>also use:<br>Discontinued part                              | 955 361 053 00 | 4                | PR:483<br>"ROK"                             |
| (2) | 997 606 021 02 | Tyre pressure sensor<br>tyre pressure control system<br>also use:   | 955 361 053 00 | 4                | "ROK"                                       |
| 2   | 955 361 053 00 | Valve<br>aluminium<br>Discontinued part   |                | 4                |   |
| (2) | 9P1 601 361 A  | Valve<br>aluminium  |                | 4                |   |
| 3   | N 908 729 01   | Valve cap for<br>valve unit   |                | 4                |   |
| 4   | 4D0 601 365    | Hexagon socket head bolt,<br>self-locking   |                | 4                |   |
| 5   | 997 618 103 05 | Control unit for tyre pressure<br>control<br>F >> 99-5S760 077  |                | 1<br>1           | CARRERA 2<br>CARRERA 2S                     |
| (5) | 997 618 103 06 | Control unit for tyre pressure<br>control<br>F 99-5S760 078>>   |                | 1<br>1           | CARRERA 2<br>CARRERA 2S                     |
| (5) | 997 618 103 06 | Control unit for tyre pressure<br>control   |                | 1<br>1<br>1<br>1 | CARRERA 4<br>CARRERA 4S<br>TARGA<br>TARGA S |
| 6   | 997 618 203 00 | Bracket<br>Control unit   |                | 1<br>1           |   |
| 7   | 999 076 081 40 | Hexagon plastic collar nut<br>T5 16 X 11, 2   |                | 7                |   |
| 8   | 997 606 101 00 | Aerial<br>433 MHZ   |                | 4                | PR:482                                      |

Model: 997 05 Model life 2005>>2008

| Pos | Part Number    | Description  | Remark         | Qty | Model  |
|-----|----------------|--|----------------|-----|--------|
| (8) | 997 606 102 00 | Aerial<br>433 MHZ<br>also use:                             | 997 606 225 00 | 4   | "ROK"  |
| (8) | 997 606 103 00 | Aerial<br>315 MHZ<br>only in conj. with:<br>997.606.021.02 |                | 4   | PR:483 |
| 9   | 997 606 225 00 | Clip<br>for<br>Aerial                                      | 997 606 225 00 | 2   |        |
| 10  | 999 919 121 09 | Rear axle<br>fillister hd. bolt<br>M 5 X 16                |                | 2   |        |
| 11  | 999 919 023 09 | fillister hd. bolt<br>M 5 X 35                             |                | 4   |        |
| 12  | N 105 168 01   | expanding nut<br>ST 4,8                                    |                | 4   |        |
| 13  | 997 606 141 00 | Retainer for aerial  | front          | 2   |        |
| 14  | 997 606 131 00 | Retainer for aerial<br>Rear axle                           |                | 2   |        |
| -   | 997 652 053 01 | Compressor<br>for<br>Spare wheel                           |                | 1   |        |

Model: 997 05

Model life 2005>>2008





Model: 997 05

Model life 2005>>2008

| Pos | Part Number    | Description  | Remark      | Qty | Model   |
|-----|----------------|--|-------------|-----|---|
| -   |                | Disc brake<br>Front axle<br>Brake disc<br>Only<br>in pairs<br>Replace<br>Technical manual<br>Attention |             |     | CARRERA 2<br>CARRERA 2S<br><br>PR:450,751,<br>752 |
| 1   | 996 351 405 01 | Brake disc   | left front  | 1   | CARRERA 2   |
| (1) | 996 351 409 02 | Brake disc   | left front  | 1   | CARRERA 2S  |
| (1) | 996 351 031 03 | Brake disc   | left front  | 1   | PR:450  |
| (1) | 997 351 031 01 | Brake disc   | left front  | 1   | PR:450  |
| (1) | 996 351 406 01 | Brake disc   | right front | 1   | CARRERA 2   |
| (1) | 996 351 410 02 | Brake disc   | right front | 1   | CARRERA 2S  |
| (1) | 996 351 032 03 | Brake disc   | right front | 1   | PR:450  |
| (1) | 997 351 032 01 | Brake disc   | right front | 1   | PR:450  |
| 2   | 900 269 047 09 | countersunk bolt<br>M 6 X 12   |             | 4   |   |
| 2   | 900 269 047 01 | Discontinued part<br>countersunk bolt<br>M 6 X 12  |             | 4   |   |
| 3   | 997 351 801 02 | Cover plate  | left        | 1   | CARRERA 2   |
| (3) | 997 351 805 04 | Cover plate  | left        | 1   | CARRERA 2S  |
| (3) | 997 351 805 05 | Cover plate  | left        | 1   | PR:450  |
| (3) | 997 351 802 02 | Cover plate  | right       | 1   | CARRERA 2   |
| (3) | 997 351 806 04 | Cover plate  | right       | 1   | CARRERA 2S  |
| (3) | 997 351 806 05 | Cover plate  |             | 1   | PR:450  |
| 4   | 999 217 116 09 | Hexagon bolt<br>M 6 X 16   |             | X   |   |
| 5   | 997 351 421 00 | caliper without brake pads   | left        | 1   | CARRERA 2   |
| (5) | 996 351 429 10 | caliper without brake pads   | left        | 1   | CARRERA 2S  |
| (5) | 996 351 431 30 | caliper without brake pads<br>D >> - MJ 2007   | left        | 1   | PR:450  |
| (5) | 996 351 431 31 | caliper without brake pads<br>D - MJ 2008>>  | left        | 1   | PR:450  |
| (5) | 997 351 422 00 | caliper without brake pads   | right       | 1   | CARRERA 2   |
| (5) | 996 351 430 10 | caliper without brake pads   | right       | 1   | CARRERA 2S  |
| (5) | 996 351 432 30 | caliper without brake pads<br>D >> - MJ 2007   | right       | 1   | PR:450  |
| (5) | 996 351 432 31 | caliper without brake pads<br>D - MJ 2008>>  | right       | 1   | PR:450  |
| (6) | 997 351 939 03 | 1 set of brake pads for<br>disk brake  | front       | 1   | CARRERA 2   |
|     |                | also use:<br>Fasteners   |             |     |   |
|     |                | also use:<br>1 X 997.612.759.00  |             |     |   |
| (6) | 997 351 939 05 | Discontinued part<br>1 set of brake pads for<br>disk brake   | front       | 1   | CARRERA 2   |
|     |                | also use:<br>Fasteners   |             |     |   |
|     |                | also use:<br>1 X 997.612.759.00  |             |     |   |
| (6) | 996 351 949 12 | 1 set of brake pads for<br>disk brake  | front       | 1   | CARRERA 2S  |
|     |                | also use:<br>Fasteners   |             |     |   |
|     |                | also use:<br>1 X 997.612.678.00  |             |     |   |
| (6) | 996 351 947 01 | 1 set of brake pads for  | front       | 1   | PR:450  |

Model: 997 05 Model life 2005>>2008

| Pos | Part Number    | Description   | Remark | Qty | Model      |
|-----|----------------|---|--------|-----|------------|
| (6) | 997 351 948 01 | disk brake<br>See technical manual<br>Group:<br>also use:<br>Fasteners<br>also use:<br>1 X 997.612.679.00<br>F >> 99-6S734 958<br>F >> 99-6S762 734<br>F >> 99-6S702 380<br>Discontinued part<br>1 set of brake pads for<br>disk brake<br>See technical manual<br>Group:<br>also use:<br>Fasteners<br>also use:<br>1 X 997.612.679.00<br>F 99-6S734 959>><br>F 99-6S762 735>><br>F 99-6S702 381>> | front  | 1   | PR:450     |
| -   | 996 351 088 01 | Damping plate   |        | 4   | CARRERA 2  |
| -   | 996 351 089 00 | Damping plate   |        | 4   | CARRERA 2S |
| -   | 996 352 086 01 | Damping plate<br>See technical manual<br>Group:<br>46 34 20<br>F >> 99-6S734 958<br>F >> 99-6S762 734<br>F >> 99-6S702 380<br>Discontinued part   |        | 12  | PR:450     |
| -   | 996 352 086 02 | Damping plate<br>See technical manual<br>Group:<br>46 34 20<br>F >> 99-6S734 958<br>F >> 99-6S762 734<br>F >> 99-6S702 380  |        | 12  | PR:450     |
| (7) | 997 612 756 00 | sender wire<br>(pad wear indicator)   | left   | 1   | CARRERA 2  |
| (7) | 997 612 759 00 | sender wire<br>(pad wear indicator)   | right  | 1   | CARRERA 2  |
| (7) | 997 612 757 00 | sender wire<br>(pad wear indicator)   | left   | 1   | CARRERA 2S |
| (7) | 997 612 678 00 | sender wire<br>(pad wear indicator)   | right  | 1   | CARRERA 2S |
| (7) | 997 612 675 01 | sender wire<br>(pad wear indicator)   | left   | 1   | PR:450     |
| (7) | 997 612 679 00 | sender wire<br>(pad wear indicator)   | right  | 1   | PR:450     |
| -   | 999 507 464 40 | bracket for speed sensor  |        | 2   |            |
| -   | 944 612 627 00 | Line holder<br>for<br>Warning contact   |        | 3   |            |
| 8   | 999 067 041 09 | Socket head bolt<br>M 12 X 1,5 X 72<br>Discontinued part  |        | 4   | CARRERA 2  |
| 8   | 999 067 041 01 | Socket head bolt<br>M 12 X 1,5 X 72   |        | 4   | CARRERA 2  |
| (8) | 999 067 050 09 | Socket head bolt<br>M 12 X 1,5 X 77   |        | 4   | CARRERA 2S |
| (8) | 999 067 047 09 | Socket head bolt  |        | 4   | PR:450     |

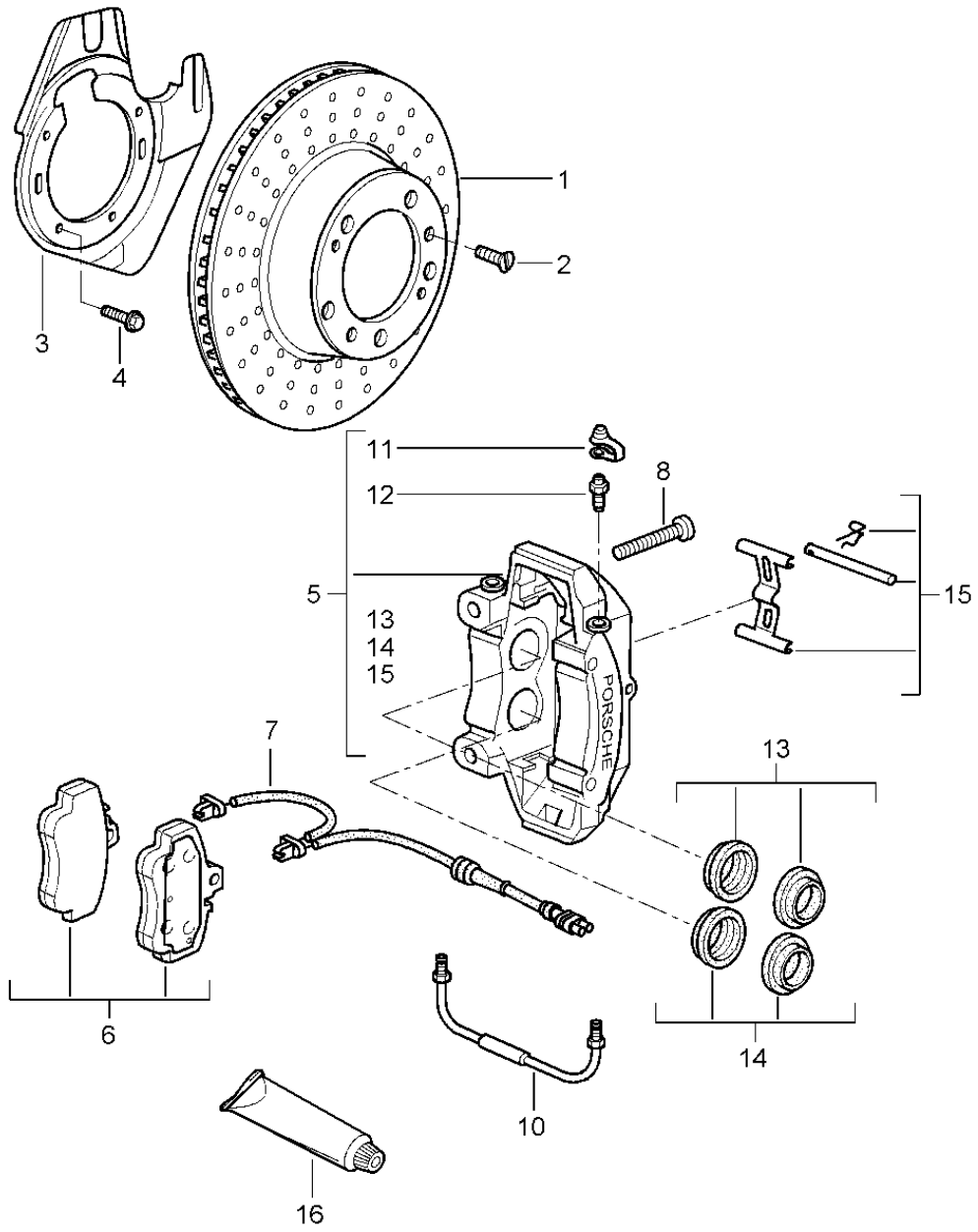
Model: 997 05

Model life 2005>>2008

| Pos  | Part Number    | Description   | Remark | Qty | Model      |
|------|----------------|---|--------|-----|------------|
| (10) | 996 351 961 11 | M 12 X 1,5 X 85<br>Connecting line  | left   | 1   |            |
| (10) | 996 351 962 11 | Connecting line   | right  | 1   |            |
| (10) | 996 351 961 30 | Connecting line   |        | 2   | PR:450     |
| 11   | 930 351 927 00 | dust cap<br>Discontinued part   |        | 2   |            |
| 11   | 930 351 927 01 | dust cap  |        | 2   |            |
| 12   | 930 351 919 00 | Breather valve  |        | 2   |            |
| 13   | 951 351 917 01 | repair set<br>Protection caps<br>40 MM  |        | X   | CARRERA 2  |
| 14   | 951 351 917 00 | repair set<br>Protection caps<br>36 MM  |        | X   | CARRERA 2  |
| (13) | 928 351 917 00 | repair set<br>Protection caps<br>44 mm  |        | X   | CARRERA 2S |
| (14) | 951 351 917 00 | repair set<br>Protection caps<br>36 mm  |        | X   | CARRERA 2S |
| -    | 996 351 915 01 | repair set<br>Protection caps<br>38 MM  |        | X   | PR:450     |
| -    | 996 351 915 00 | repair set<br>Protection caps<br>32 MM  |        | X   | PR:450     |
| -    | 951 352 917 00 | repair set<br>Protection caps<br>28 MM  |        | X   | PR:450     |
| (15) | 955 352 960 00 | Repair set for<br>rear axle<br>Fasteners<br>Pin<br>Cup expander spring<br>Securing bars |        | X   | CARRERA 2  |
| (15) | 996 351 959 11 | Repair set for front axle<br>Fasteners<br>Pin<br>Cup expander spring<br>Securing bars   |        | 1   | CARRERA 2S |
| (15) | 996 351 959 30 | repair set<br>Fasteners<br>Pin<br>Screw<br>Cup expander spring                          |        | 1   | PR:450     |
| 16   | 000 043 117 00 | brake cylinder paste<br>50 G  |        | X   |            |
| 16   | 000 043 020 00 | Assembly paste<br>100 G   |        | X   |            |

Model: 997 05

Model life 2005>>2008



Model: 997 05 Model life 2005>>2008

| Pos | Part Number    | Description  | Remark      | Qty | Model                                       |
|-----|----------------|--|-------------|-----|---|
| -   |                | Disc brake<br>Front axle   |             |     | CARRERA 4<br>CARRERA 4S<br>TARGA<br>TARGA S |
| -   |                | Brake disc<br>Only<br>in pairs<br>Replace<br>Technical manual<br>Attention |             |     | PR:450,751,<br>752                          |
| 1   | 996 351 405 01 | Brake disc   | left front  | 1   | CARRERA 4                                   |
| (1) | 996 351 409 02 | Brake disc   | left front  | 1   | TARGA                                       |
| (1) | 996 351 031 04 | Brake disc   | left front  | 1   | CARRERA 4S                                  |
| (1) | 997 351 031 00 | D - MJ 2007>> - MJ 2007  | left front  | 1   | TARGA S<br>PR:450                           |
| (1) | 997 351 031 01 | D - MJ 2008>><br>Discontinued part   | left front  | 1   | PR:450                                      |
| (1) | 996 351 406 01 | Brake disc   | right front | 1   | CARRERA 4                                   |
| (1) | 996 351 410 02 | Brake disc   | right front | 1   | TARGA                                       |
| (1) | 996 351 032 04 | D - MJ 2007>> - MJ 2007  | right front | 1   | CARRERA 4S                                  |
| (1) | 997 351 032 00 | D - MJ 2008>><br>Discontinued part   | right front | 1   | TARGA S<br>PR:450                           |
| (1) | 997 351 032 01 | D - MJ 2008>>  | right front | 1   | PR:450                                      |
| 2   | 900 269 047 09 | countersunk bolt<br>M 6 X 12   |             | 4   |   |
| 2   | 900 269 047 01 | Discontinued part<br>countersunk bolt<br>M 6 X 12                          |             | 4   |   |
| (3) | 997 351 805 00 | Cover plate  | left        | 1   | CARRERA 4                                   |
| (3) | 997 351 805 04 | Cover plate  | left        | 1   | TARGA                                       |
| (3) | 997 351 805 05 | Cover plate  | left        | 1   | CARRERA 4S                                  |
| (3) | 997 351 806 00 | Cover plate  | left        | 1   | TARGA S                                     |
| (3) | 997 351 806 04 | Cover plate  | right       | 1   | PR:450                                      |
| (3) | 997 351 806 05 | Cover plate  | right       | 1   | CARRERA 4                                   |
| 4   | 999 217 116 09 | Hexagon bolt<br>M 6 X 16   |             | 1   | TARGA                                       |
| 5   | 997 351 421 00 | caliper without brake pads   | left        | 1   | CARRERA 4S                                  |
| (5) | 996 351 429 10 | caliper without brake pads   | left        | 1   | TARGA                                       |
| (5) | 996 351 431 30 | D >> - MJ 2007   | left        | 1   | CARRERA 4S                                  |
| (5) | 996 351 431 31 | D - MJ 2008>>  | right       | 1   | TARGA S<br>PR:450                           |
| (5) | 997 351 422 00 | caliper without brake pads   | right       | 1   | PR:450                                      |
| (5) | 996 351 430 10 | caliper without brake pads   | right       | 1   | CARRERA 4                                   |
|     |                |  |             | 1   | TARGA                                       |
|     |                |  |             | 1   | CARRERA 4S                                  |
|     |                |  |             | 1   | TARGA S                                     |

Model: 997 05 Model life 2005>>2008

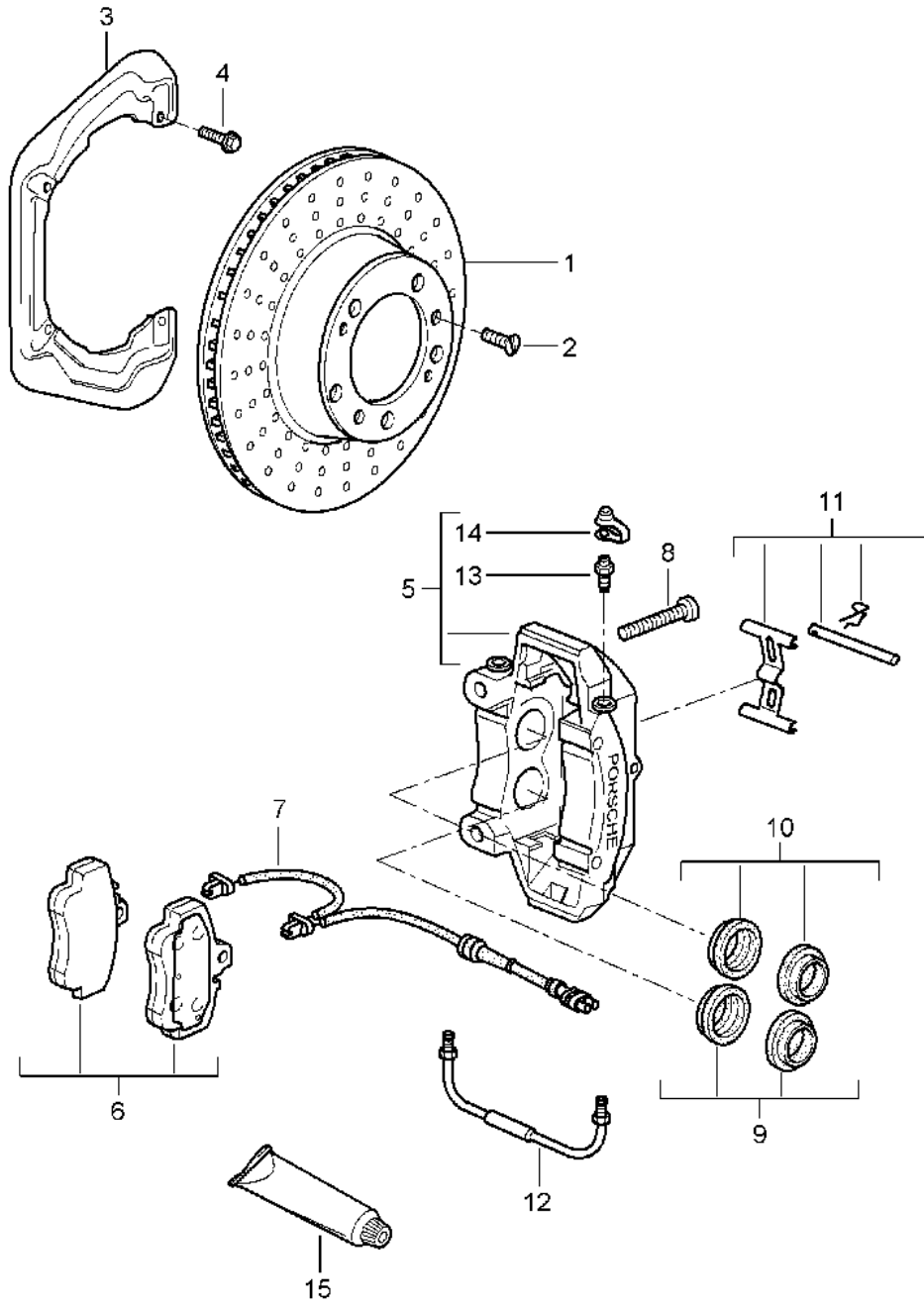
| Pos | Part Number    | Description   | Remark | Qty | Model      |
|-----|----------------|---|--------|-----|------------|
| (5) | 996 351 432 30 | caliper without brake pads<br>D >> - MJ 2007  | right  | 1   | PR:450     |
| (5) | 996 351 432 31 | caliper without brake pads<br>D - MJ 2008>>   | right  | 1   | PR:450     |
| (6) | 997 351 939 04 | 1 set of brake pads for<br>disk brake   | front  | 1   | CARRERA 4  |
|     |                | also use:<br>Fasteners  |        | 1   | TARGA      |
| (6) | 996 351 949 12 | 1 set of brake pads for<br>disk brake   | front  | 1   | CARRERA 4S |
|     |                | also use:<br>Fasteners  |        | 1   | TARGA S    |
| (6) | 996 351 947 01 | 1 set of brake pads for<br>disk brake<br>See technical manual   | front  | 1   | PR:450     |
|     |                | Group:<br>also use:<br>Fasteners  |        |     |            |
| (6) | 997 351 948 01 | F >> 99-6S762 658<br>Discontinued part<br>1 set of brake pads for<br>disk brake<br>See technical manual | front  | 1   | PR:450     |
|     |                | Group:<br>also use:<br>Fasteners  |        |     |            |
| -   | 996 351 088 01 | F 99-6S762 659>><br>Damping plate   |        | 4   | CARRERA 4  |
| -   | 996 351 089 00 | Damping plate   |        | 4   | TARGA      |
| -   | 996 352 089 00 | Damping plate   |        | 4   | CARRERA 4S |
| -   | 996 352 086 01 | Damping plate<br>See technical manual   |        | 4   | TARGA S    |
|     |                | Group:<br>46 36 19  |        | 12  | PR:450     |
|     |                | F >> 99-6S734 934   |        |     |            |
|     |                | F >> 99-6S762 658   |        |     |            |
| -   | 996 352 086 02 | Discontinued part<br>Damping plate<br>See technical manual  |        | 12  | PR:450     |
|     |                | Group:<br>46 36 19  |        |     |            |
|     |                | F >> 99-6S734 934   |        |     |            |
|     |                | F >> 99-6S762 658   |        |     |            |
| 7   | 997 612 677 00 | sender wire<br>(pad wear indicator)   |        | 2   | CARRERA 4  |
| (7) | 997 612 680 00 | sender wire<br>(pad wear indicator)   |        | 2   | TARGA      |
| (7) | 997 612 677 00 | sender wire<br>(pad wear indicator)   |        | 2   | CARRERA 4S |
| -   | 999 507 464 40 | bracket for speed sensor  |        | 2   | TARGA S    |
| -   | 944 612 627 00 | Line holder<br>for<br>Warning contact   |        | 3   | PR:450     |
| 8   | 999 067 041 09 | Socket head bolt<br>M 12 X 1,5 X 72   |        | 4   | CARRERA 4  |
|     |                | Discontinued part   |        | 4   | TARGA      |
| 8   | 999 067 041 01 | Socket head bolt<br>M 12 X 1,5 X 72   |        | 4   | CARRERA 4  |
|     |                |   |        | 4   | TARGA      |
| (8) | 999 067 050 09 | Socket head bolt<br>M 12 X 1,5 X 77   |        | 4   | CARRERA 4S |
|     |                |   |        | 4   | TARGA S    |
| (8) | 999 067 047 09 | Socket head bolt  |        | 4   | PR:450     |

Model: 997 05 Model life 2005>>2008

| Pos  | Part Number    | Description   | Remark | Qty    | Model                 |
|------|----------------|---|--------|--------|-----------------------|
| (10) | 996 351 961 11 | M 12 X 1,5 X 85<br>Connecting line  | left   | 1      |                       |
| (10) | 996 351 962 11 | Connecting line   | right  | 1      |                       |
| (10) | 996 351 961 30 | Connecting line   |        | 2      | PR:450                |
| 11   | 930 351 927 00 | dust cap<br>Discontinued part   |        | 2      |                       |
| 11   | 930 351 927 01 | dust cap  |        | 2      |                       |
| 12   | 930 351 919 00 | Breather valve  |        | 2      |                       |
| 13   | 951 351 917 01 | repair set<br>Protection caps<br>40 MM  |        | X      | CARRERA 4<br>TARGA    |
| 14   | 951 351 917 00 | repair set<br>Protection caps<br>36 MM  |        | X      | CARRERA 4<br>TARGA    |
| (13) | 928 351 917 00 | repair set<br>Protection caps<br>44 mm  |        | X      | CARRERA 4S<br>TARGA S |
| (14) | 951 351 917 00 | repair set<br>Protection caps<br>36 mm  |        | X      | CARRERA 4S<br>TARGA S |
| -    | 996 351 915 01 | repair set<br>Protection caps<br>38 MM  |        | X      | PR:450                |
| -    | 996 351 915 00 | repair set<br>Protection caps<br>32 MM  |        | X      | PR:450                |
| -    | 951 352 917 00 | repair set<br>Protection caps<br>28 MM  |        | X      | PR:450                |
| (15) | 955 352 960 00 | Repair set for<br>rear axle<br><br>Fasteners<br>Pin<br>Cup expander spring<br>Securing bars |        | X      | CARRERA 4<br>TARGA    |
| (15) | 996 351 959 11 | Repair set for front axle<br>Fasteners<br>Pin<br>Cup expander spring<br>Securing bars       |        | 1<br>1 | CARRERA 4S<br>TARGA S |
| (15) | 996 351 959 30 | repair set<br>Fasteners<br>Pin<br>Screw<br>Cup expander spring<br>Securing bars             |        | 1      | PR:450                |
| 16   | 000 043 117 00 | brake cylinder paste<br>50 G  |        | X      |                       |
| 16   | 000 043 020 00 | Assembly paste<br>100 G   |        | X      |                       |

Model: 997 05

Model life 2005>>2008





Model: 997 05 Model life 2005>>2008

| Pos | Part Number    | Description   | Remark     | Qty | Model   |
|-----|----------------|---|------------|-----|---|
| -   |                | Disc brake<br>Rear axle<br>Brake disc<br>Only<br>in pairs<br>Replace<br>Technical manual<br>Attention |            |     | CARRERA 2<br>CARRERA 2S<br><br>PR:450,751,<br>752 |
| (1) | 996 352 401 04 | Brake disc  |            | 2   | CARRERA 2   |
| (1) | 996 352 405 00 | Brake disc  | left rear  | 1   | CARRERA 2S  |
| (1) | 996 352 031 03 | Brake disc<br>D >> - MJ 2006  | left rear  | 1   | PR:450  |
| (1) | 996 352 031 04 | Brake disc<br>D - MJ 2007>> - MJ 2007   | left rear  | 1   | PR:450  |
| (1) | 997 352 031 00 | Brake disc<br>D - MJ 2008>><br>Discontinued part  | left rear  | 1   | PR:450  |
| (1) | 997 352 031 01 | Brake disc<br>D - MJ 2008>><br>Discontinued part  | left rear  | 1   | PR:450  |
| (1) | 298 615 601    | Brake disc<br>D - MJ 2008>><br>Discontinued part  | left rear  | 1   | PR:450  |
| (1) | 298 615 601 C  | Brake disc<br>D - MJ 2008>>   | left rear  | 1   | PR:450  |
| (1) | 996 352 406 00 | Brake disc  | right rear | 1   | CARRERA 2S  |
| (1) | 996 352 032 03 | Brake disc<br>D >> - MJ 2006  | right rear | 1   | PR:450  |
| (1) | 996 352 032 04 | Brake disc<br>D - MJ 2007>> - MJ 2007   | right rear | 1   | PR:450  |
| (1) | 997 352 032 00 | Brake disc<br>D - MJ 2008>><br>Discontinued part  | right rear | 1   | PR:450  |
| (1) | 997 352 032 01 | Brake disc<br>D - MJ 2008>><br>Discontinued part  | right rear | 1   | PR:450  |
| (1) | 298 615 602    | Brake disc<br>D - MJ 2008>><br>Discontinued part  | right rear | 1   | PR:450  |
| (1) | 298 615 602 C  | Brake disc<br>D - MJ 2008>>   | right rear | 1   | PR:450  |
| (2) | 900 269 047 09 | countersunk bolt<br>M 6 X 12<br>Discontinued part   |            | 4   |   |
| (2) | 900 269 047 01 | countersunk bolt<br>M 6 X 12  |            | 4   |   |
| (2) | 900 269 106 01 | countersunk bolt<br>M 6 x 16  |            | 4   | PR:XRP  |
| (3) | 996 352 801 03 | Cover plate   |            | 2   |   |
| (3) | 997 352 801 02 | Cover plate   | left       | 1   | PR:450  |
| (3) | 997 352 802 02 | Cover plate   | right      | 1   | PR:450  |
| 4   | 999 217 116 09 | Hexagon bolt<br>M 6 X 16  |            | X   |   |
| 5   | 997 352 421 00 | caliper without brake pads  | left       | 1   | CARRERA 2   |
| (5) | 996 352 425 60 | caliper without brake pads  | left       | 1   | CARRERA 2S  |
| (5) | 996 352 423 30 | caliper without brake pads<br>D >> - MJ 2007  | left       | 1   | PR:450  |
| (5) | 996 352 423 31 | caliper without brake pads<br>D - MJ 2008>>   | left       | 1   | PR:450  |
| (5) | 997 352 422 00 | caliper without brake pads  | right      | 1   | CARRERA 2   |
| (5) | 996 352 426 60 | caliper without brake pads  | right      | 1   | CARRERA 2S  |

Model: 997 05 Model life 2005>>2008

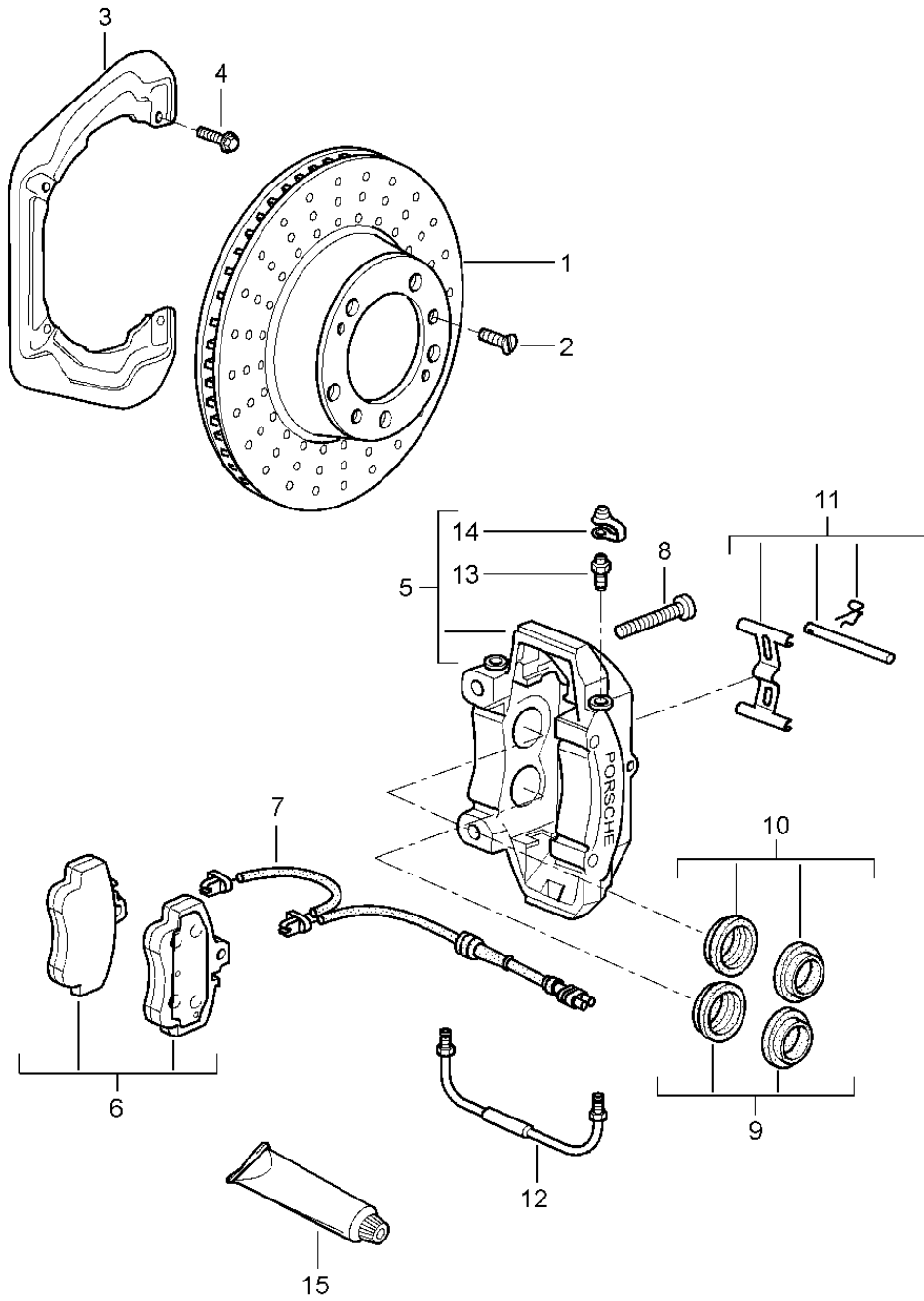
| Pos | Part Number    | Description  | Remark               | Qty | Model      |
|-----|----------------|--|----------------------|-----|------------|
| (5) | 996 352 424 30 | caliper without brake pads<br>D >> - MJ 2007   | right                | 1   | PR:450     |
| (5) | 996 352 424 31 | caliper without brake pads<br>D - MJ 2008>>  | right                | 1   | PR:450     |
| (6) | 986 352 939 10 | 1 set of brake pads for<br>disk brake<br><br>also use:<br>Fasteners  | rear                 | 1   | CARRERA 2  |
| (6) | 997 351 939 03 | 1 set of brake pads for<br>disk brake<br><br>also use:<br>Fasteners  | rear                 | 1   | CARRERA 2S |
| (6) | 997 351 939 05 | Discontinued part<br>1 set of brake pads for<br>disk brake<br><br>also use:<br>Fasteners   | rear                 | 1   | CARRERA 2S |
| (6) | 996 352 947 01 | 1 set of brake pads for<br>disk brake<br>See technical manual<br><br>Group:<br>also use:<br>Fasteners  | rear                 | 1   | PR:450     |
| (6) | 997 352 948 00 | F >> 99-6S734 771<br>1 set of brake pads for<br>disk brake<br>See technical manual<br><br>Group:<br>also use:<br>Fasteners                                   | rear<br><br>46 35 20 | 1   | PR:450     |
| -   | 964 352 096 00 | F 99-6S734 772>><br>F 99-6S762 736>><br>F 99-6S702 381>><br>Damping plate<br>30 MM   |                      | X   | CARRERA 2  |
| -   | 996 352 086 01 | Damping plate<br>28 MM<br>Discontinued part  |                      | X   | CARRERA 2  |
| -   | 996 352 086 02 | Damping plate<br>28 MM   |                      | X   | CARRERA 2  |
| -   | 964 352 096 00 | Damping plate<br>30 MM   |                      | X   | CARRERA 2S |
| -   | 996 352 086 01 | Damping plate<br>28 MM<br>Discontinued part  |                      | X   | CARRERA 2S |
| -   | 996 352 086 02 | Damping plate<br>28 MM   |                      | X   | CARRERA 2S |
| -   | 996 352 086 01 | Damping plate<br>28 MM<br>See technical manual<br><br>Group:<br>46 35 20<br>F >> 99-6S734 771<br>F >> 99-6S762 735<br>F >> 99-6S702 380<br>Discontinued part |                      | X   | PR:450     |
| -   | 996 352 086 02 | Damping plate<br>28 MM   |                      | X   | PR:450     |

Model: 997 05 Model life 2005>>2008

| Pos  | Part Number    | Description  | Remark | Qty | Model      |
|------|----------------|--|--------|-----|------------|
|      |                | See technical manual                                     |        |     |            |
|      |                | Group:   |        |     |            |
|      |                | 46 35 20   |        |     |            |
|      |                | F >> 99-6S734 771  |        |     |            |
|      |                | F >> 99-6S762 735  |        |     |            |
|      |                | F >> 99-6S702 380  |        |     |            |
| 7    | 996 612 365 00 | sender wire<br>(pad wear indicator)                      |        | 2   | CARRERA 2  |
| (7)  | 997 612 676 01 | sender wire<br>(pad wear indicator)                      |        | 2   | CARRERA 2S |
| (7)  | 997 612 676 01 | sender wire<br>(pad wear indicator)                      |        | 2   | PR:450     |
| -    | 999 507 464 40 | bracket for speed sensor                                 |        | 2   |            |
| (8)  | 999 067 041 09 | Warning contact<br>Socket head bolt<br>M 12 X 1,5 X 72   |        | 4   | CARRERA 2  |
| (8)  | 999 067 041 01 | Discontinued part<br>Socket head bolt<br>M 12 X 1,5 X 72 |        | 4   | CARRERA 2  |
| (8)  | 999 067 050 09 | Socket head bolt<br>m 12 x 1,5 x 77                      |        | 4   | CARRERA 2S |
| (8)  | 999 067 047 09 | Socket head bolt<br>m 12 x 1,5 x 85                      |        | 4   | PR:450     |
| 9    | 951 352 917 01 | repair set   |        | 2   | CARRERA 2  |
|      |                | Protection caps<br>30 MM                                 |        | 2   | CARRERA 2S |
| 10   | 951 352 917 00 | repair set   |        | 2   | CARRERA 2  |
|      |                | Protection caps<br>28 MM                                 |        | 2   | CARRERA 2S |
| (10) | 951 352 917 00 | repair set   |        | X   | PR:450     |
|      |                | Protection caps<br>28 MM                                 |        |     |            |
| (11) | 996 352 959 01 | repair set   |        | 1   | CARRERA 2  |
|      |                | Fasteners  |        |     |            |
|      |                | Pin  |        | 2   |            |
|      |                | Cup expander spring                                      |        | 2   |            |
|      |                | Securing bars  |        | 2   |            |
| (11) | 955 352 960 00 | Repair set for<br>rear axle                              |        | 1   | CARRERA 2S |
|      |                | Fasteners  |        | 2   |            |
|      |                | Pin  |        | 2   |            |
|      |                | Cup expander spring                                      |        | 2   |            |
|      |                | Securing bars  |        | 2   |            |
| (11) | 996 351 959 01 | repair set   |        | 1   | PR:450     |
|      |                | Fasteners  |        |     |            |
|      |                | Pin  |        | 2   |            |
|      |                | Cup expander spring                                      |        | 2   |            |
|      |                | Securing bars  |        | 2   |            |
| 12   | 996 352 961 00 | Connecting line  | left   | 1   | CARRERA 2  |
| (12) | 996 351 962 00 | Connecting line  | left   | 1   | CARRERA 2S |
| (12) | 996 352 962 00 | Connecting line  | right  | 1   | CARRERA 2  |
| (12) | 996 351 961 00 | Connecting line  | right  | 1   | CARRERA 2S |
| (12) | 996 352 961 30 | Connecting line  |        | 2   | PR:450     |
| 13   | 930 351 919 01 | Breather valve   |        | 4   |            |
| 14   | 930 351 927 00 | dust cap   |        | 4   |            |
|      |                | Discontinued part  |        |     |            |
| 14   | 930 351 927 01 | dust cap   |        | 4   |            |
| 15   | 000 043 117 00 | brake cylinder paste<br>50 G                             |        | X   |            |
| (15) | 000 043 020 00 | Assembly paste<br>100 G                                  |        | X   |            |

Model: 997 05

Model life 2005>>2008



Model: 997 05 Model life 2005>>2008

| Pos | Part Number    | Description  | Remark       | Qty    | Model                                       |
|-----|----------------|--|--------------|--------|---|
| -   |                | Disc brake<br>Rear axle  |              |        | CARRERA 4<br>CARRERA 4S<br>TARGA<br>TARGA S |
| -   |                | Brake disc<br>Only<br>in pairs<br>Replace<br>Technical manual<br>Attention |              |        | PR:450,751,<br>752                          |
| (1) | 996 352 401 04 | Brake disc   | rear         | 2      | CARRERA 4                                   |
| (1) | 996 352 405 00 | Brake disc   | left rear    | 2      | TARGA                                       |
| (1) | 996 352 031 04 | Brake disc   | left         | 1      | CARRERA 4S                                  |
| (1) | 996 352 031 04 | Brake disc   | left rear    | 1      | TARGA S                                     |
| (1) | 997 352 031 00 | D >> - MJ 2007<br>Brake disc   | left rear    | 1      | PR:450                                      |
| (1) | 997 352 031 01 | D - MJ 2008>><br>Discontinued part<br>Brake disc                           | left rear    | 1      | PR:450                                      |
| (1) | 298 615 601    | D - MJ 2008>><br>Discontinued part<br>Brake disc                           | left rear    | 1      | PR:450                                      |
| (1) | 298 615 601 C  | D - MJ 2008>><br>Discontinued part<br>Brake disc                           | left rear    | 1      | PR:450                                      |
| (1) | 996 352 406 00 | Brake disc   | right rear   | 1      | CARRERA 4S                                  |
| (1) | 996 352 032 04 | Brake disc   | right rear   | 1      | TARGA S                                     |
| (1) | 997 352 032 00 | D >> - MJ 2007<br>Brake disc   | right rear   | 1      | PR:450                                      |
| (1) | 997 352 032 01 | D - MJ 2008>><br>Discontinued part<br>Brake disc                           | right rear   | 1      | PR:450                                      |
| (1) | 298 615 602    | D - MJ 2008>><br>Discontinued part<br>Brake disc                           | right rear   | 1      | PR:450                                      |
| (1) | 298 615 602 C  | D - MJ 2008>><br>Discontinued part<br>Brake disc                           | right rear   | 1      | PR:450                                      |
| (2) | 900 269 047 09 | countersunk bolt<br>M 6 X 12   |              | 4      | CARRERA 4                                   |
| (2) | 900 269 047 01 | Discontinued part<br>countersunk bolt<br>M 6 X 12                          |              | 4      | CARRERA 4S                                  |
| (2) | 900 269 106 09 | countersunk bolt<br>M 6 X 16   |              | 4      | PR:XRP                                      |
| (2) | 900 269 106 01 | Discontinued part<br>countersunk bolt<br>M 6 X 16                          |              | 4      | TARGA<br>TARGA S                            |
| (3) | 996 352 801 03 | Cover plate  |              | 2      |   |
| (3) | 997 352 801 02 | Cover plate  | left         | 1      | PR:450                                      |
| (3) | 997 352 802 02 | Cover plate  | right        | 1      | PR:450                                      |
| 4   | 999 217 116 09 | Hexagon bolt<br>M 6 X 16   |              | X      |   |
| 5   | 997 352 421 00 | caliper without brake pads<br>without pad                                  | left<br>left | 1<br>1 | CARRERA 4<br>TARGA                          |

Model: 997 05 Model life 2005>>2008

| Pos | Part Number    | Description  | Remark           | Qty              | Model                                       |
|-----|----------------|--|------------------|------------------|---|
| (5) | 996 352 425 60 | caliper without brake pads<br>without pad                                  | left<br>left     | 1<br>1           | CARRERA 4S<br>TARGA S                       |
| (5) | 996 352 423 30 | caliper without brake pads<br>D >> - MJ 2007                               | left             | 1                | PR:450                                      |
| (5) | 996 352 423 31 | caliper without brake pads<br>D - MJ 2008>>                                | left             | 1                | PR:450                                      |
| (5) | 997 352 422 00 | caliper without brake pads<br>without pad                                  | right<br>right   | 1<br>1           | CARRERA 4<br>TARGA                          |
| (5) | 996 352 426 60 | caliper without brake pads<br>without pad                                  | right<br>right   | 1<br>1           | CARRERA 4S<br>TARGA S                       |
| (5) | 996 352 424 30 | caliper without brake pads<br>D >> - MJ 2007                               | right            | 1                | PR:450                                      |
| (5) | 996 352 424 31 | caliper without brake pads<br>D - MJ 2008>>                                | right            | 1                | PR:450                                      |
| (6) | 986 352 939 10 | 1 set of brake pads for<br>disk brake                                      | rear             | 1<br>1           | CARRERA 4<br>TARGA                          |
|     |                | also use:<br>Fasteners   |                  |                  |   |
| (6) | 997 351 939 03 | 1 set of brake pads for<br>disk brake                                      | rear             | 1<br>1           | CARRERA 4S<br>TARGA S                       |
|     |                | also use:<br>Fasteners   |                  |                  |   |
| (6) | 997 351 939 05 | Discontinued part<br>1 set of brake pads for<br>disk brake                 | rear             | 1<br>1           | CARRERA 4S<br>TARGA S                       |
|     |                | also use:<br>Fasteners   |                  |                  |   |
| (6) | 996 352 947 01 | 1 set of brake pads for<br>disk brake<br>See technical manual              | rear             | 1                | PR:450                                      |
|     |                | Group:<br>also use:  |                  |                  |   |
| (6) | 997 352 948 00 | Fasteners<br>1 set of brake pads for<br>disk brake<br>See technical manual | rear<br>46 38 19 | 1                | PR:450                                      |
|     |                | Group:<br>also use:  |                  |                  |   |
| (6) | 997 352 948 00 | Fasteners<br>F 99-6S762 575>><br>1 set of brake pads for<br>disk brake     | rear             | 1                | PR:450<br>TARGA<br>TARGA S                  |
| -   | 964 352 096 00 | D - MJ 2007>><br>Damping plate<br>30 MM                                    |                  | X<br>X<br>X<br>X | CARRERA 4<br>CARRERA 4S<br>TARGA<br>TARGA S |
| -   | 996 352 086 01 | Damping plate<br>28 MM   |                  | X<br>X<br>X<br>X | CARRERA 4<br>CARRERA 4S<br>TARGA<br>TARGA S |
| -   | 996 352 086 02 | Discontinued part<br>Damping plate<br>28 MM                                |                  | X<br>X<br>X<br>X | CARRERA 4<br>CARRERA 4S<br>TARGA<br>TARGA S |
| -   | 996 352 086 01 | Damping plate<br>28 MM<br>See technical manual                             |                  | X                | PR:450                                      |
|     |                | Group:<br>46 38 19   |                  |                  |   |

Model: 997 05 Model life 2005>>2008

| Pos  | Part Number    | Description  | Remark | Qty | Model      |
|------|----------------|--|--------|-----|------------|
| -    | 996 352 086 02 | F >> 99-6S734 772<br>F >> 99-6S762 574<br>Discontinued part<br>Damping plate<br>28 MM<br>See technical manual                      |        | X   | PR:450     |
|      |                | Group:<br>46 38 19   |        |     |            |
| 7    | 996 612 365 00 | F >> 99-6S734 772<br>F >> 99-6S762 574<br>sender wire<br>(pad wear indicator)  |        | 2   | CARRERA 4  |
| (7)  | 997 612 676 01 | sender wire<br>(pad wear indicator)  |        | 2   | TARGA      |
| 7    | 997 612 676 01 | sender wire<br>(pad wear indicator)  |        | 2   | CARRERA 4S |
| -    | 999 507 464 40 | bracket for speed sensor<br>Warning contact  |        | 2   | TARGA S    |
| (8)  | 999 067 041 09 | Socket head bolt<br>M 12 X 1,5 X 72  |        | 4   | PR:450     |
| (8)  | 999 067 041 01 | Discontinued part<br>Socket head bolt<br>M 12 X 1,5 X 72   |        | 4   | CARRERA 4  |
| (8)  | 999 067 050 09 | Socket head bolt<br>M 12 X 1,5 X 77  |        | 4   | TARGA      |
| (8)  | 999 067 047 09 | Socket head bolt<br>M 12 X 1,5 X 85  |        | 4   | CARRERA 4S |
| 9    | 951 352 917 01 | repair set<br>Protection caps<br>30 MM   |        | 4   | TARGA S    |
| 10   | 951 352 917 00 | repair set<br>Protection caps<br>28 MM   |        | 2   | CARRERA 4  |
| (10) | 951 352 917 00 | repair set<br>Protection caps<br>28 MM   |        | 2   | CARRERA 4S |
| (11) | 996 352 959 01 | repair set<br>Fasteners<br>Pin<br>Cup expander spring  |        | 2   | TARGA      |
| (11) | 955 352 960 00 | Securing bars<br>Repair set for<br>rear axle   |        | 2   | CARRERA 4S |
| (11) | 996 351 959 01 | Fasteners<br>Pin<br>Cup expander spring<br>Securing bars<br>repair set<br>Fasteners<br>Pin<br>Cup expander spring<br>Securing bars |        | 2   | TARGA S    |
| 12   | 996 352 961 00 | Connecting line  | left   | 1   | PR:450     |
| (12) | 996 352 962 00 | Connecting line  | left   | 2   | CARRERA 4  |
| (12) | 996 351 962 00 | Connecting line  | right  | 2   | TARGA      |
| (12) | 996 351 962 00 | Connecting line  | right  | 2   | CARRERA 4  |
| (12) | 996 351 961 00 | Connecting line  | left   | 1   | TARGA      |
| (12) | 996 351 961 00 | Connecting line  | left   | 1   | CARRERA 4S |
| (12) | 996 351 961 00 | Connecting line  | right  | 1   | TARGA S    |
| (12) | 996 351 961 00 | Connecting line  | right  | 1   | CARRERA 4S |
| (12) | 996 351 961 00 | Connecting line  | right  | 1   | TARGA S    |

Model: 997 05

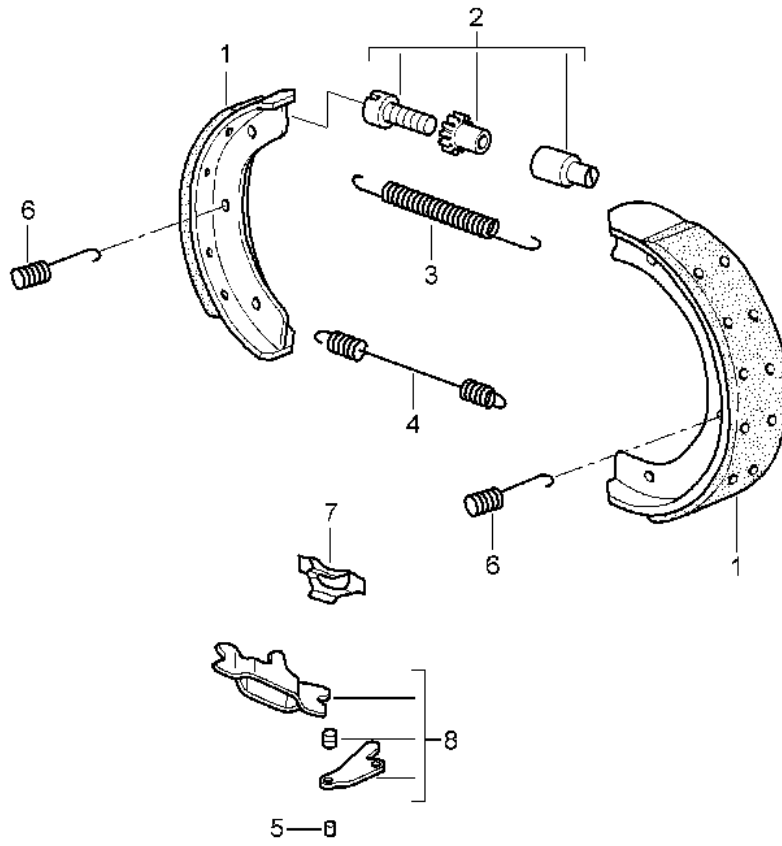
Model life 2005>>2008

| Pos  | Part Number    | Description          | Remark | Qty | Model  |
|------|----------------|----------------------|--------|-----|--------|
| (12) | 996 352 961 30 | Connecting line      | left   | 1   | PR:450 |
| (12) | 996 352 961 30 | Connecting line      | right  | 1   | PR:450 |
| 13   | 930 351 919 01 | Breather valve       |        | 4   |        |
| 14   | 930 351 927 00 | dust cap             |        | 4   |        |
|      |                | Discontinued part    |        |     |        |
| 14   | 930 351 927 01 | dust cap             |        | 4   |        |
| 15   | 000 043 117 00 | brake cylinder paste |        | X   |        |
|      |                | 50 G                 |        |     |        |
| (15) | 000 043 020 00 | Assembly paste       |        | X   |        |
|      |                | 100 G                |        |     |        |



Model: 997 05

Model life 2005>>2008

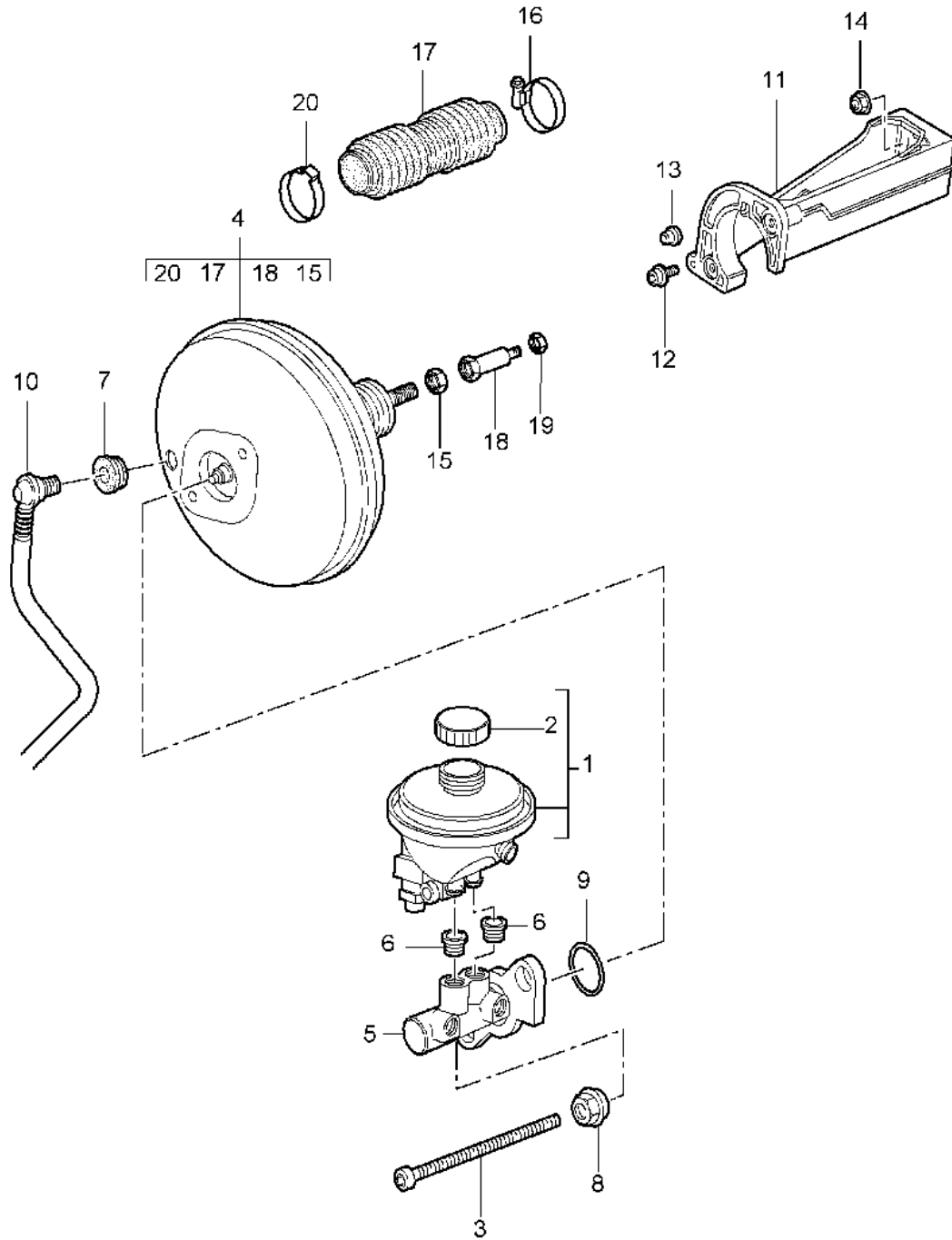


Model: 997 05 Model life 2005>>2008

| Pos | Part Number    | Description                                  | Remark | Qty | Model |
|-----|----------------|--|--------|-----|-------|
| -   |                | handbrake<br>See technical manual            |        |     |       |
|     |                | Group:                                       |        |     |       |
|     |                | 46 83 20                                     |        |     |       |
| (1) | 996 352 993 02 | Brake shoe<br>1 set                          |        | 1   |       |
|     |                | only in conj. with:                          |        |     |       |
|     |                | Pressure spring<br>997.352.741.01            |        |     |       |
|     |                | D >> - 29.06.2006                            |        |     |       |
| (1) | 997 352 993 01 | Discontinued part<br>Brake shoe<br>1 set     |        | 1   |       |
|     |                | D - 30.06.2006>> - 26.04.2007                |        |     |       |
| (1) | 997 352 993 02 | Discontinued part<br>Brake shoe<br>1 set     |        | 1   |       |
|     |                | D - 27.04.2007>>                             |        |     |       |
| 2   | 993 352 071 00 | adjustment screw<br>Discontinued part        |        | 2   |       |
| 2   | 298 609 723    | adjustment screw                             |        | 2   |       |
| 3   | 997 352 721 01 | tension spring<br>Short<br>Discontinued part |        | 2   |       |
| (3) | 298 609 717    | tension spring<br>Short                      |        | 2   |       |
| 4   | 997 352 723 02 | tension spring<br>Long                       |        | 2   |       |
| 5   | 993 352 737 00 | Pin  |        | 2   |       |
| (6) | 997 352 741 01 | Pressure spring<br>only in conj. with:       |        | 4   |       |
|     |                | Brake shoe<br>996.352.993.00/01/02           |        |     |       |
| 7   | 997 352 807 00 | Support panel                                |        | 2   |       |
| 8   | 993 352 073 00 | Push-button lock<br>(complete)               |        | 2   |       |

Model: 997 05

Model life 2005>>2008



Model: 997 05 Model life 2005>>2008

| Pos  | Part Number    | Description   | Remark   | Qty | Model      |
|------|----------------|---|----------|-----|------------|
| -    | 000 043 210 82 | Brake master cylinder<br>Brake servo<br>brake fluid | 1.0 Ltr. | X   |            |
| -    | 000 043 210 86 | brake fluid   | 30ltr.   | X   |            |
| 1    | 997 355 013 01 | Reservoir for<br>brake fluid                        |          | 1   | PR:480     |
| (1)  | 997 355 013 21 | Reservoir for<br>brake fluid                        |          | 1   | PR:249     |
| 2    | 996 355 119 01 | catch   |          | 1   |            |
| -    | 997 355 125 00 | contact carrier<br>for<br>container                 |          | 1   |            |
| 3    | 999 073 124 09 | Socket head bolt<br>M 8 X 154 X 80                  |          | 2   | CARRERA 2  |
|      |                | Discontinued part                                   |          | 2   | CARRERA 2S |
| (3)  | 999 073 124 02 | Socket head bolt<br>M 8 X 154 X 80                  |          | 2   | CARRERA 2  |
|      |                | Discontinued part                                   |          | 2   | CARRERA 2S |
| (3)  | 999 073 615 01 | Socket head bolt<br>M 8 X 154 X 80                  |          | 2   | CARRERA 2  |
|      |                |   |          | 2   | CARRERA 2S |
| (3)  | 999 073 327 09 | Socket head bolt<br>M 8 X 197 X 29                  |          | 2   | CARRERA 4  |
|      |                |   |          | 2   | CARRERA 4S |
|      |                |   |          | 2   | TARGA      |
|      |                |   |          | 2   | TARGA S    |
| 4    | 997 355 923 00 | Brake servo   |          | 1   | CARRERA 2  |
|      |                |   |          | 1   | CARRERA 2S |
| (4)  | 997 355 923 20 | Brake servo   |          | 1   | CARRERA 4  |
|      |                |   |          | 1   | TARGA      |
| (4)  | 997 355 925 37 | Brake servo   |          | 1   | PR:450     |
|      |                |   |          | 1   | CARRERA 4  |
| -    | 996 355 137 01 | catch<br>Threaded joint                             |          | 1   |            |
| 5    | 997 355 910 00 | Brake servo<br>Brake master cylinder                |          | 1   | CARRERA 2  |
| (5)  | 997 355 910 10 | Brake master cylinder                               |          | 1   | CARRERA 2S |
|      |                |   |          | 1   | PR:450     |
| (5)  | 997 355 910 10 | Brake master cylinder                               |          | 1   | CARRERA 2S |
| (5)  | 997 355 910 10 | Brake master cylinder                               |          | 1   | CARRERA 4  |
|      |                |   |          | 1   | TARGA      |
| (5)  | 997 355 910 30 | Brake master cylinder                               |          | 1   | PR:450     |
|      |                |   |          | 1   | CARRERA 4  |
| (5)  | 997 355 910 30 | Brake master cylinder                               |          | 1   | CARRERA 4S |
|      |                |   |          | 1   | TARGA S    |
| (5)  | 997 355 910 30 | Brake master cylinder                               |          | 1   | CARRERA 4S |
|      |                |   |          | 1   | TARGA S    |
| 6    | 993 355 922 00 | Grommet   |          | 2   |            |
| 7    | 999 702 182 40 | Rubber bush   |          | 1   |            |
| 8    | 997 355 925 00 | Hexagon nut   |          | 2   |            |
| 9    | 993 355 212 00 | Seal  |          | 1   |            |
| 10   | 997 355 577 00 | Vacuum line   |          | 1   | CARRERA 2  |
|      |                |   |          | 1   | CARRERA 2S |
|      |                |   |          | 1   | PR:098     |
| (10) | 997 355 577 25 | Vacuum line   |          | 1   | CARRERA 4  |
|      |                |   |          | 1   | CARRERA 4S |
|      |                |   |          | 1   | TARGA      |
|      |                |   |          | 1   | TARGA S    |
|      |                |   |          | 1   | PR:098     |
| (10) | 997 355 578 00 | Vacuum line   |          | 1   | CARRERA 2  |
|      |                |   |          | 1   | CARRERA 2S |
|      |                |   |          | 1   | PR:099     |
| (10) | 997 355 578 25 | Vacuum line   |          | 1   | CARRERA 4  |
|      |                |   |          | 1   | CARRERA 4S |
|      |                |   |          | 1   | TARGA      |

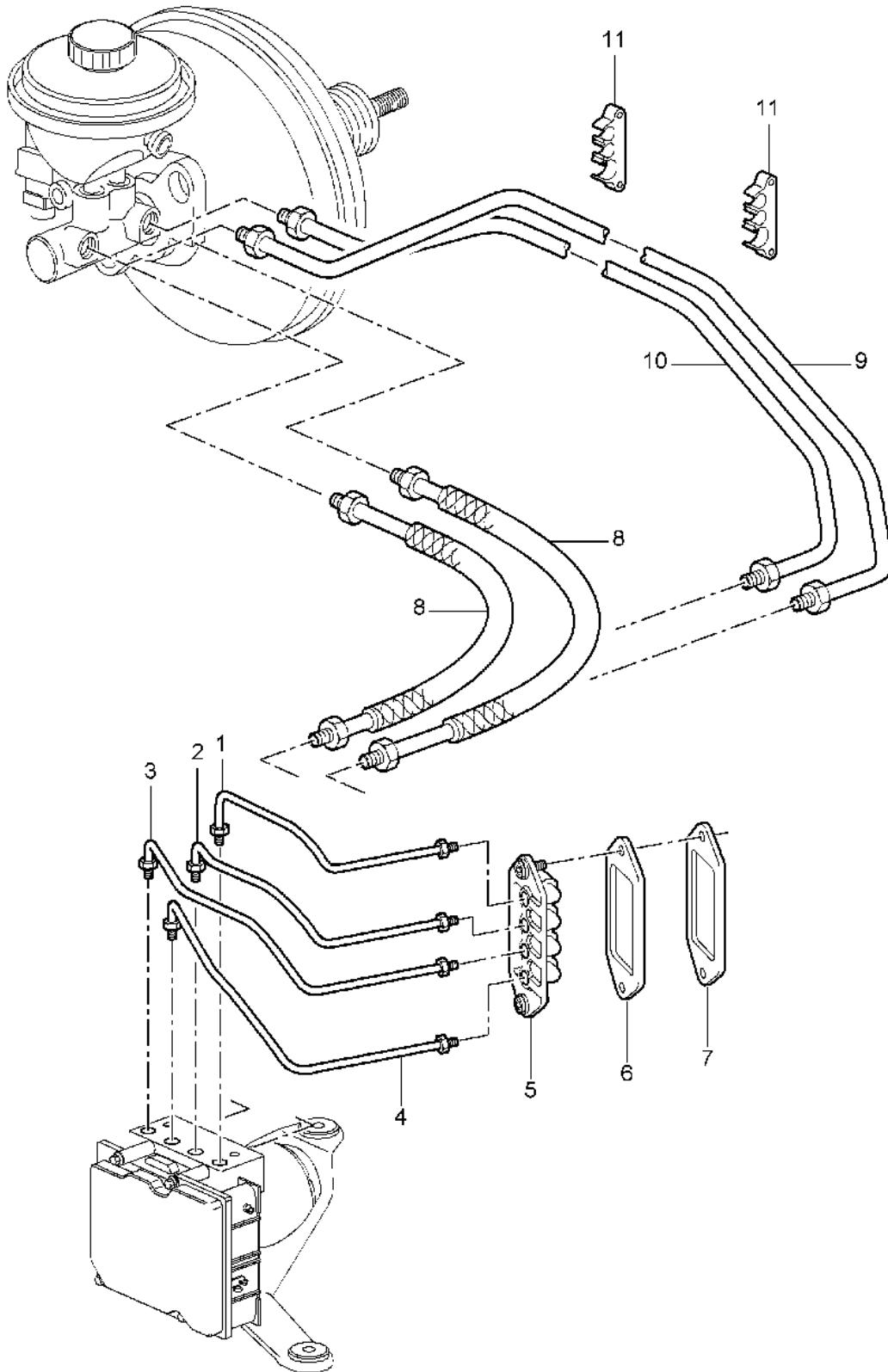
Model: 997 05

Model life 2005>>2008

| Pos  | Part Number    | Description                             | Remark | Qty | Model             |
|------|----------------|---|--------|-----|-------------------|
|      |                |   |        | 1   | TARGA S<br>PR:099 |
| 11   | 997 423 251 00 | Intermediate piece                      |        | 1   |                   |
| 12   | 999 073 189 01 | flat round head bolt<br>M 6 X 12        |        | 2   |                   |
| 13   | 999 703 448 50 | Bungs                                   | right  | 1   |                   |
| 14   | 999 084 630 09 | Hexagon nut<br>M 8                      |        | 2   |                   |
| 15   | 900 183 015 02 | Hexagon nut<br>M 12 X 1,5               |        | 1   |                   |
| -    | 996 355 901 01 | Seal<br>Brake servo<br>filler plate     |        | 1   |                   |
| 16   | 999 512 478 00 | Hose clamp                              |        | 1   |                   |
| 17   | 996 423 269 05 | Bellows                                 |        | 1   | CARRERA 2         |
| (17) | 997 355 969 00 | Bellows                                 |        | 1   | CARRERA 2S        |
|      |                |   |        | 1   | CARRERA 4         |
|      |                |   |        | 1   | CARRERA 4S        |
|      |                |   |        | 1   | TARGA             |
|      |                |   |        | 1   | TARGA S           |
| 18   | 996 355 927 01 | Connecting piece                        |        | 1   |                   |
| 19   | 900 380 015 09 | Hexagon nut<br>M 6                      |        | 1   |                   |
| (19) | 900 380 015 01 | Discontinued part<br>Hexagon nut<br>M 6 |        | 1   |                   |
| 20   | 999 512 672 00 | clamp                                   |        | 1   |                   |

Model: 997 05

Model life 2005>>2008



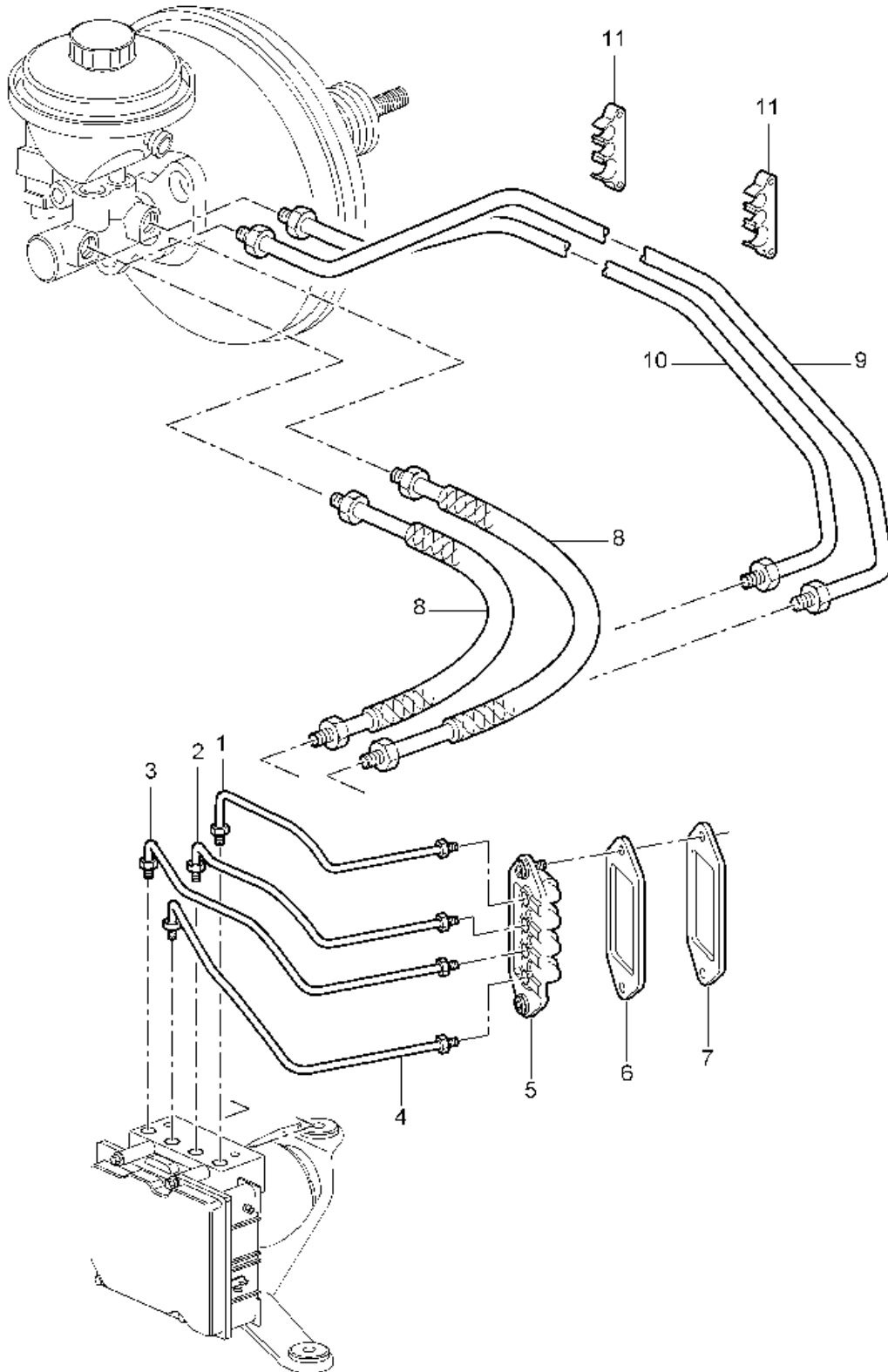
Model: 997 05

Model life 2005>>2008

| Pos | Part Number    | Description        | Remark | Qty | Model      |
|-----|----------------|--------------------|--------|-----|------------|
|     |                | Brake lines        |        |     | CARRERA 2  |
|     |                | Front end          |        |     | CARRERA 2S |
| 1   | 997 355 315 00 | Brake line         |        | 1   |            |
| 2   | 997 355 316 00 | Brake line         |        | 1   |            |
| 3   | 997 355 327 00 | Brake line         |        | 1   |            |
| 4   | 997 355 326 00 | Brake line         |        | 1   |            |
| 5   | 997 355 650 00 | Intermediate piece |        | 1   |            |
| 6   | 997 355 752 00 | Seal               |        | 1   |            |
| 7   | 997 355 753 00 | Reinforcement      |        | 1   |            |
| 8   | 997 355 311 00 | Pressure line      |        | 2   | PR:098     |
| 9   | 997 355 312 00 | Pressure line      |        | 1   | PR:099     |
| 10  | 997 355 314 00 | Pressure line      |        | 1   | PR:099     |
| 11  | 999 507 632 40 | Cable holder       |        | 2   |            |

Model: 997 05

Model life 2005>>2008





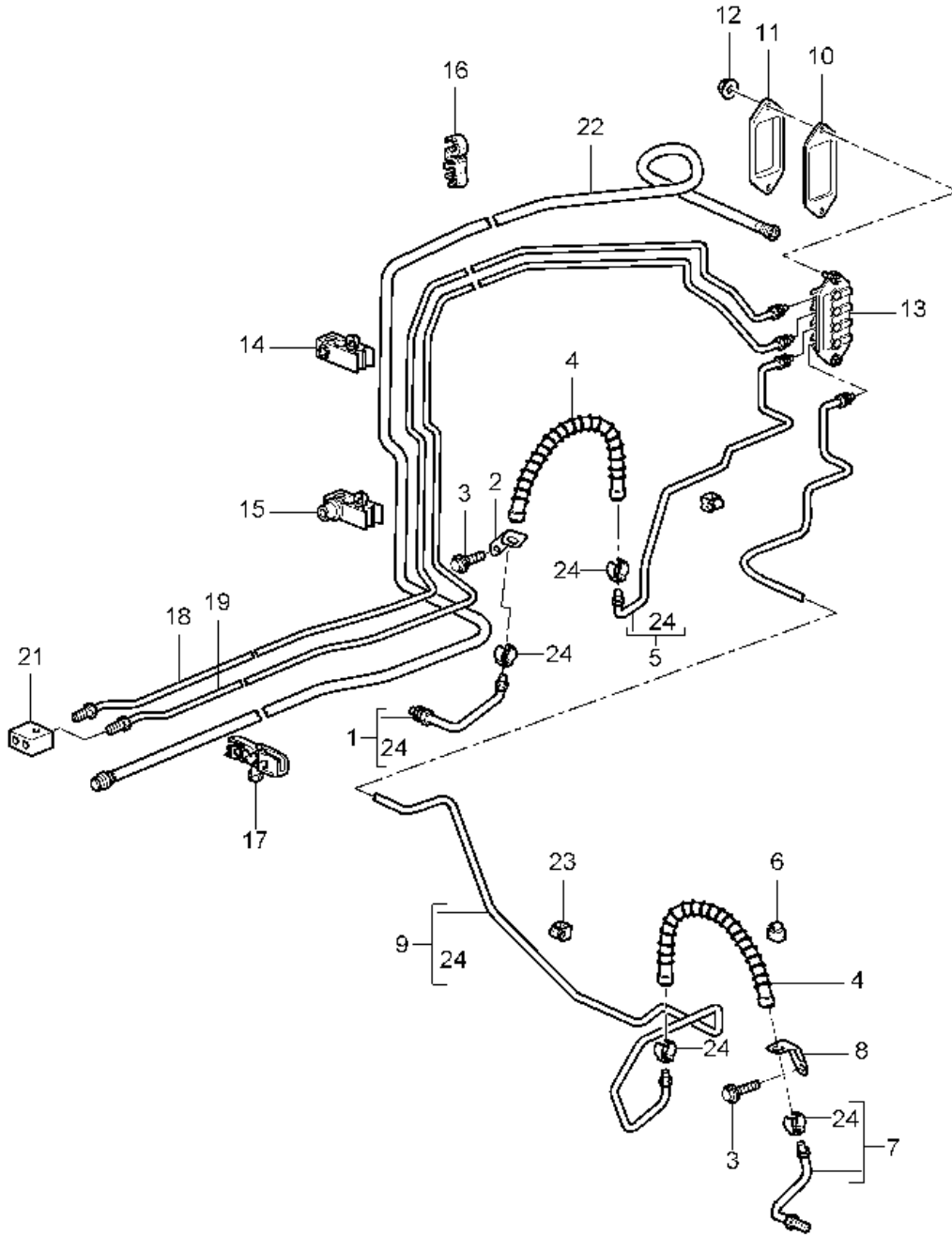
Model: 997 05

Model life 2005>>2008

| Pos | Part Number    | Description                     | Remark | Qty | Model   |
|-----|----------------|---------------------------------|--------|-----|---|
|     |                | Brake lines<br>Front end        |        |     | CARRERA 4<br>CARRERA 4S<br>TARGA<br>TARGA S<br>PR:098 |
| (1) | 997 355 315 26 | Brake line<br>Discontinued part |        | 1   | PR:098  |
| (1) | 997 355 315 30 | Brake line<br>Discontinued part |        | 1   | PR:098  |
| (1) | 997 355 315 31 | Brake line                      |        | 1   | PR:098  |
| 1   | 997 355 315 00 | Brake line                      |        | 1   | PR:099  |
| (2) | 997 355 316 26 | Brake line<br>Discontinued part |        | 1   | PR:098  |
| (2) | 997 355 316 30 | Brake line<br>Discontinued part |        | 1   | PR:098  |
| (2) | 997 355 316 31 | Brake line                      |        | 1   | PR:098  |
| 2   | 997 355 316 00 | Brake line                      |        | 1   | PR:099  |
| (3) | 997 355 327 27 | Brake line                      |        | 1   | PR:098  |
| 3   | 997 355 327 00 | Brake line                      |        | 1   | PR:099  |
| (4) | 997 355 326 27 | Brake line<br>Discontinued part |        | 1   | PR:098  |
| (4) | 997 355 326 30 | Brake line<br>Discontinued part |        | 1   | PR:098  |
| (4) | 997 355 326 31 | Brake line                      |        | 1   | PR:098  |
| 4   | 997 355 326 00 | Brake line                      |        | 1   | PR:099  |
| 5   | 997 355 650 00 | Intermediate piece              |        | 1   |   |
| 6   | 997 355 752 00 | Seal                            |        | 1   |   |
| 7   | 997 355 753 00 | Reinforcement                   |        | 1   |   |
| 8   | 997 355 311 00 | Pressure line                   |        | 2   | PR:098  |
| 9   | 997 355 312 25 | Pressure line                   |        | 1   | PR:099  |
| 10  | 997 355 314 25 | Pressure line                   |        | 1   | PR:099  |
| 11  | 999 507 632 40 | Cable holder                    |        | 2   | PR:099  |

Model: 997 05

Model life 2005>>2008



Model: 997 05 Model life 2005>>2008

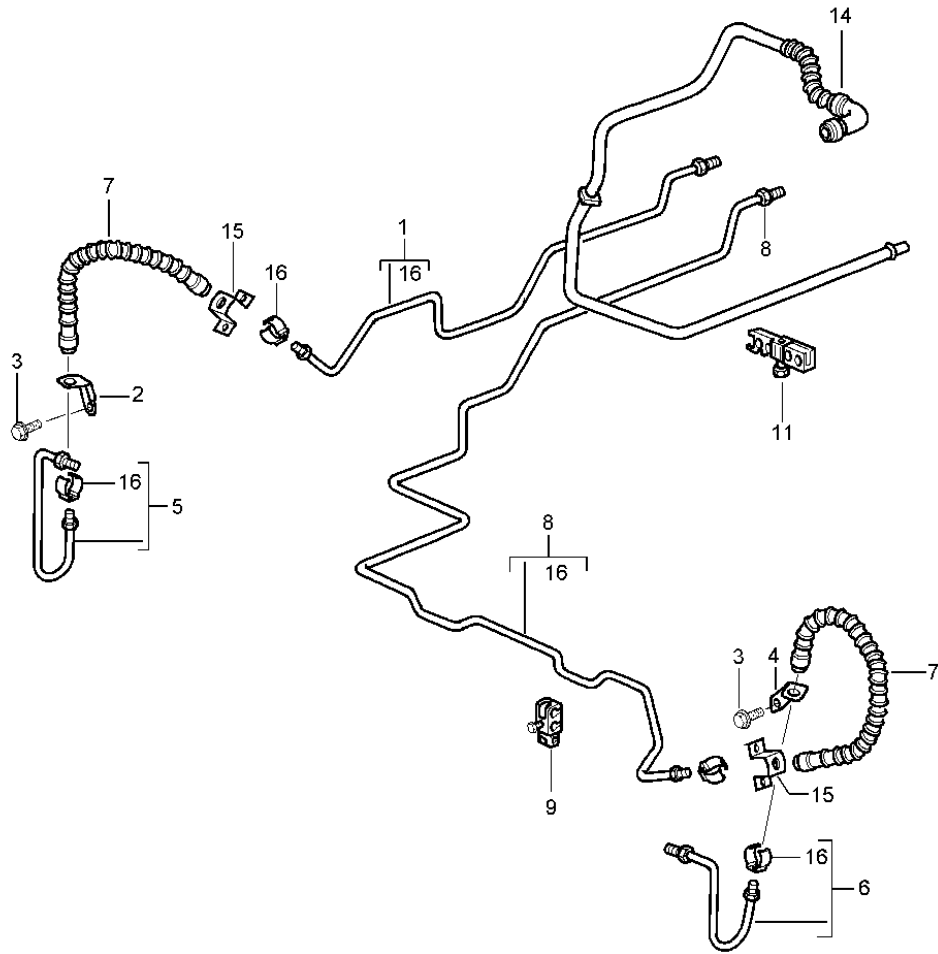
| Pos | Part Number    | Description  | Remark                                    | Qty                   | Model   |
|-----|----------------|--|---|-----------------------|---|
| 1   | 996 355 581 06 | Brake lines<br>Brake lines<br>Underbody<br>Vacuum line<br>Brake line | left<br>left                              | 1<br>1                | CARRERA 2<br>CARRERA 2S   |
| (1) | 996 355 581 9B | Brake line   | left                                      | 1                     | PR:450<br>CARRERA 2S  |
| (1) | 997 355 587 00 | Brake line   | left<br>left                              | 1<br>1                | CARRERA 4<br>CARRERA 4S   |
| (1) | 997 355 587 01 | Brake line   | left<br>left<br>left<br>left              | 1<br>1<br>1<br>1      | TARGA<br>TARGA S<br>PR:450<br>CARRERA 4<br>CARRERA 4S<br>TARGA<br>TARGA S |
| 2   | 996 355 501 06 | Brake hose bracket   | left                                      | 1                     | CARRERA 2   |
| (2) | 996 355 507 05 | Brake hose bracket   | left<br>left<br>left<br>left              | 1<br>1<br>1<br>1      | CARRERA 2S<br>CARRERA 4<br>CARRERA 4S<br>TARGA<br>TARGA S                 |
| 3   | 900 067 117 09 | Socket head bolt<br>M 6 X 16   |   | 2                     |   |
| 4   | 996 355 139 01 | Brake hose<br>Discontinued part                                      |   | 2                     |   |
| (4) | 996 355 139 03 | Brake hose   |   | 2                     |   |
| 5   | 997 355 175 02 | Brake line   | left<br>left                              | 1<br>1                | CARRERA 2<br>CARRERA 2S   |
| 5   | 997 355 175 10 | Discontinued part<br>Brake line                                      | left<br>left                              | 1<br>1                | CARRERA 2<br>CARRERA 2S   |
| 5   | 997 355 175 11 | Discontinued part<br>Brake line                                      | left<br>left                              | 1<br>1                | CARRERA 2<br>CARRERA 2S   |
| (5) | 997 355 175 26 | Brake line   | left<br>left<br>left<br>left<br>left      | 1<br>1<br>1<br>1<br>1 | CARRERA 4<br>CARRERA 4S<br>TARGA<br>TARGA S                               |
| 6   | 999 591 930 40 | Bracket  |   | X                     |   |
| 7   | 996 355 584 06 | Brake line   | right<br>right                            | 1<br>1                | CARRERA 2<br>CARRERA 2S   |
| (7) | 996 355 584 9B | Brake line   | right                                     | 1                     | PR:450<br>CARRERA 2S  |
| (7) | 997 355 588 00 | Brake line   | right<br>right<br>right<br>right          | 1<br>1<br>1<br>1      | CARRERA 4<br>CARRERA 4S<br>TARGA<br>TARGA S                               |
| (7) | 997 355 588 01 | Brake line   | right<br>right<br>right<br>right<br>right | 1<br>1<br>1<br>1<br>1 | PR:450<br>CARRERA 4<br>CARRERA 4S<br>TARGA<br>TARGA S                     |
| 8   | 996 355 502 06 | Brake hose bracket   | right                                     | 1                     | CARRERA 2   |
| (8) | 996 355 508 05 | Brake hose bracket   | right<br>right<br>right<br>right<br>right | 1<br>1<br>1<br>1<br>1 | CARRERA 2S<br>CARRERA 4<br>CARRERA 4S<br>TARGA<br>TARGA S                 |
| 9   | 997 355 176 02 | Brake line   |   | 1                     | CARRERA 2   |
| (9) | 997 355 176 27 | Brake line   |   | 1                     | CARRERA 2S<br>CARRERA 4   |

Model: 997 05 Model life 2005>>2008

| Pos  | Part Number    | Description                           | Remark | Qty | Model      |
|------|----------------|---------------------------------------|--------|-----|------------|
|      |                |                                       |        | 1   | CARRERA 4S |
|      |                |                                       |        | 1   | TARGA      |
|      |                |                                       |        | 1   | TARGA S    |
| 10   | 997 355 753 00 | Reinforcement                         |        | 1   |            |
| 11   | 997 355 752 00 | Seal                                  |        | 1   |            |
| 12   | 900 380 015 09 | Hexagon nut<br>M 6                    |        | 3   |            |
|      |                | Discontinued part                     |        |     |            |
| (12) | 900 380 015 01 | Hexagon nut<br>M 6                    |        | 3   |            |
| 13   | 997 355 650 00 | Intermediate piece                    |        | 1   |            |
| 14   | 996 355 545 00 | Bracket                               |        | 3   |            |
| 15   | 996 355 549 00 | Bracket                               |        | 1   |            |
| 16   | 996 355 547 01 | Bracket                               |        | 2   |            |
| 17   | 996 355 543 00 | Bracket                               |        | 1   |            |
| 18   | 997 355 177 01 | Brake line                            |        | 1   |            |
| 19   | 997 355 179 01 | Brake line                            |        | 1   |            |
|      |                | Discontinued part                     |        |     |            |
| 19   | 997 355 179 10 | Brake line                            |        | 1   |            |
|      |                | Discontinued part                     |        |     |            |
| 19   | 997 355 179 11 | Brake line                            |        | 1   |            |
| 21   | 996 355 760 31 | Connecting piece                      |        | 1   |            |
| 22   | 997 355 571 01 | Vacuum line                           |        | 1   |            |
| -    | 999 702 289 40 | Grommet                               |        | 1   |            |
|      |                | Wheel housing                         |        |     |            |
| 23   | 999 651 331 40 | Cable holder                          |        | 5   |            |
| 24   | 997 355 331 00 | retaining spring<br>for<br>Brake hose |        | X   |            |

Model: 997 05

Model life 2005>>2008

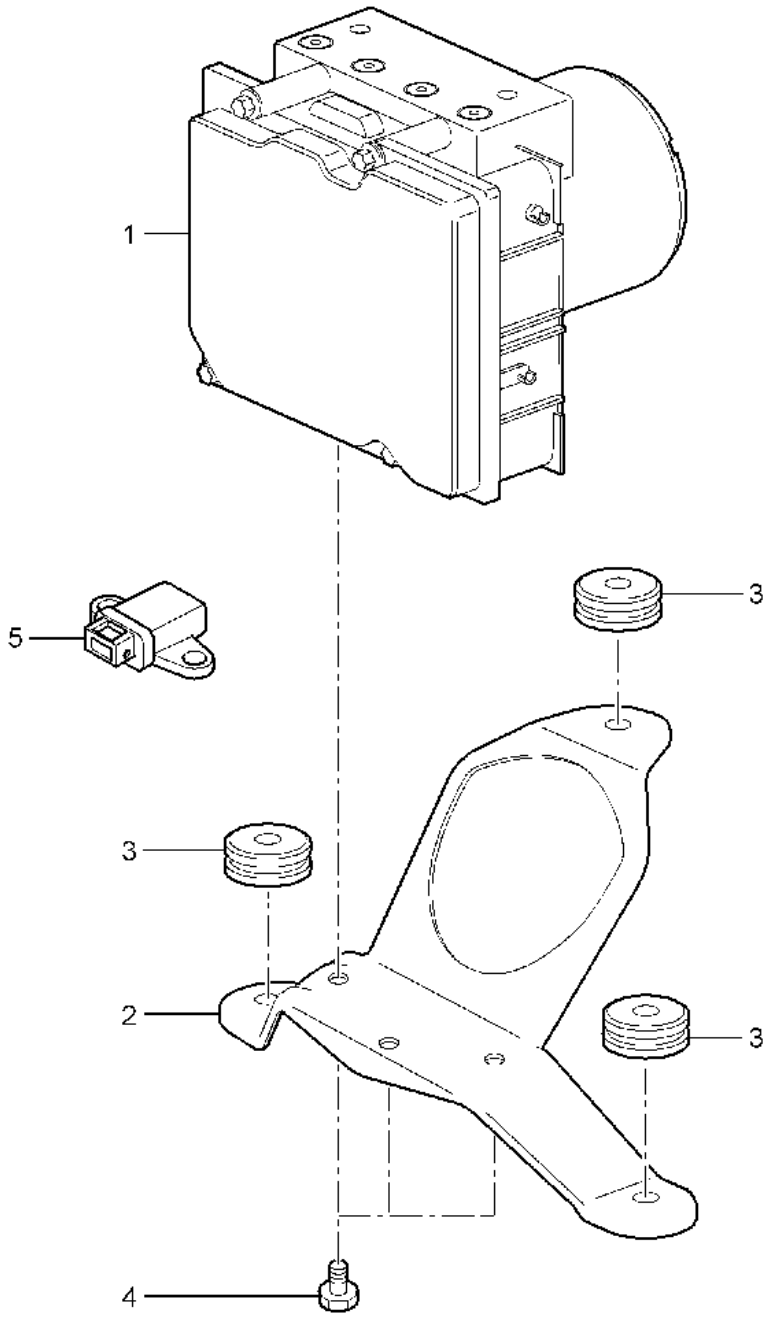


Model: 997 05 Model life 2005>>2008

| Pos  | Part Number        | Description   | Remark | Qty | Model  |
|------|--------------------|---|--------|-----|--------|
| 1    | 997 355 189 00     | Brake line<br>Underbody<br>Rear axle<br>Vacuum line |        |     |        |
| 1    | 997 355 189 10     | Brake line<br>Discontinued part                     | left   | 1   |        |
| 1    | 997 355 189 11     | Brake line  | left   | 1   |        |
| 2    | 996 355 503 00     | Brake hose bracket                                  | left   | 1   |        |
| (2)  | 997 355 503 10     | Retainer for brake hose                             | left   | 1   | PR:450 |
| 3    | 900 067 117 09     | Socket head bolt<br>M 6 X 16                        |        | 2   |        |
| 4    | 996 355 504 00     | Brake hose bracket                                  | right  | 1   |        |
| (4)  | 997 355 504 10     | Retainer for brake hose                             | right  | 1   | PR:450 |
| 5    | 996 355 585 00     | Brake line  | left   | 1   |        |
| (5)  | 996 355 585 10     | Brake line  | left   | 1   | PR:450 |
| 6    | 996 355 586 00     | Brake line  | right  | 1   |        |
| (6)  | 996 355 586 10     | Brake line  | right  | 1   | PR:450 |
| 7    | 996 355 139 00     | Brake hose  |        | 2   |        |
| 8    | 997 355 190 02     | Brake line  |        | 1   |        |
| 9    | 996 347 543 00     | Cable holder  |        | 3   |        |
| 11   | 996 355 543 00     | Bracket   |        | 1   |        |
| 14   | 997 355 575 00     | Vacuum line<br>Discontinued part                    |        | 1   |        |
| (14) | 997 355 575 01     | Vacuum line   |        | 1   |        |
| -    | 999 507 495 40     | Bracket   |        | 1   |        |
| (15) | 996 501 815 02     | Brake line bracket                                  |        | 2   |        |
|      | 996 501 815 02 GRV | primed  |        |     |        |
| 16   | 997 355 331 00     | retaining spring<br>for<br>Brake hose               |        | X   |        |

Model: 997 05

Model life 2005>>2008



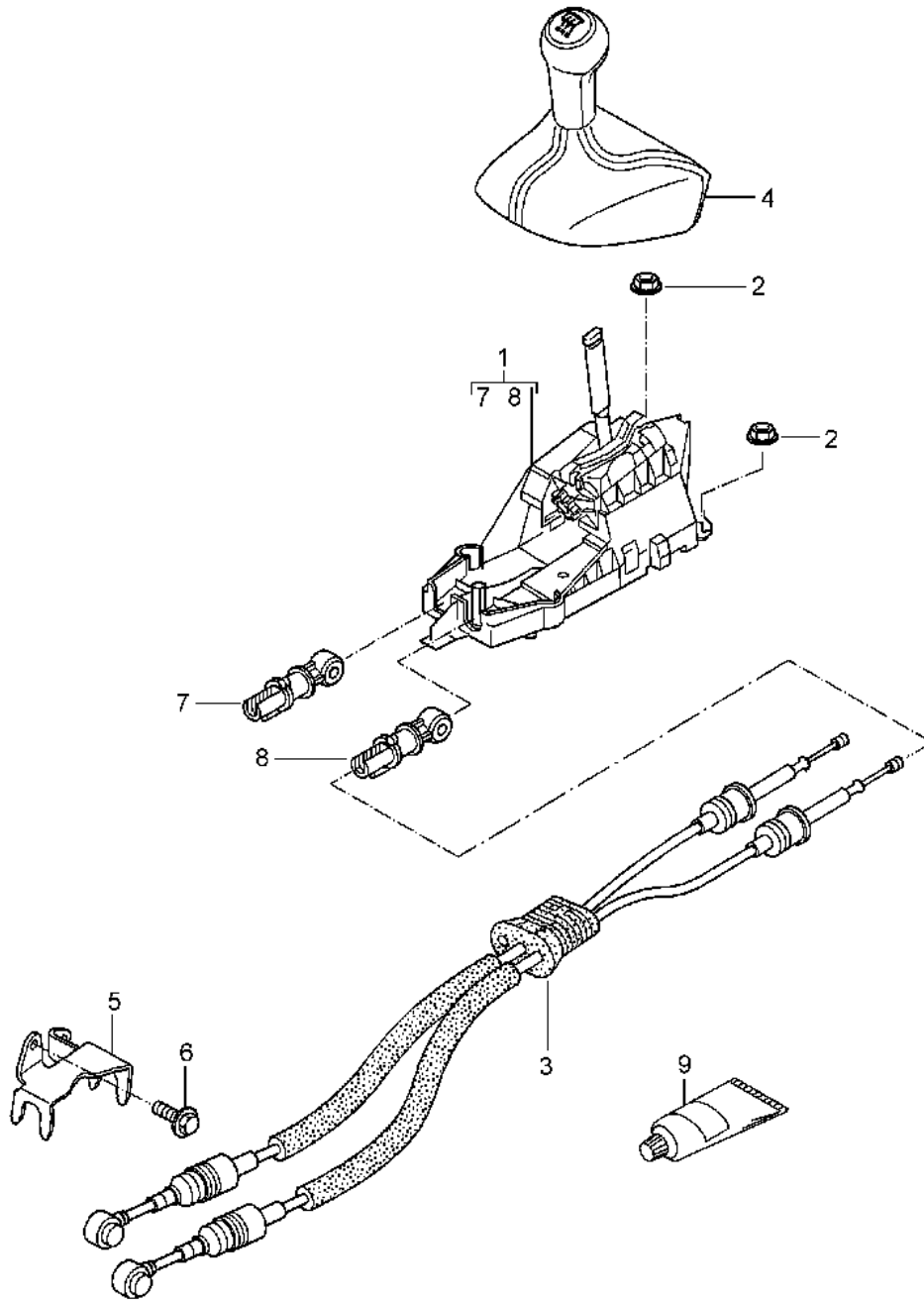
Model: 997 05 Model life 2005>>2008

| Pos | Part Number    | Description   | Remark | Qty    | Model                   |
|-----|----------------|---|--------|--------|-------------------------|
| 1   | 997 355 955 05 | Hydraulic unit<br>anti-locking brake syst. -abs-<br>Control<br>Hydraulic unit |        | 1<br>1 | CARRERA 2<br>CARRERA 2S |
| (1) | 997 355 955 06 | Discontinued part<br>Hydraulic unit   |        | 1      | CARRERA 2               |
| (1) | 997 355 955 28 | Hydraulic unit  |        | 1      | CARRERA 2S              |
| (1) | 997 355 955 30 | Discontinued part<br>Hydraulic unit   |        | 1      | CARRERA 4               |
|     |                |   |        | 1      | CARRERA 4S              |
|     |                |   |        | 1      | TARGA                   |
|     |                |   |        | 1      | TARGA S                 |
| 2   | 997 355 033 00 | Bracket   |        | 1      | CARRERA 2               |
|     |                |   | with:  | 1      | CARRERA 2S              |
| (2) | 997 355 033 25 | Rubber bush<br>Bracket  |        | 1      | CARRERA 4               |
|     |                |   | with:  | 1      | CARRERA 4S              |
|     |                | Rubber bush   |        | 1      | TARGA                   |
|     |                |   |        | 1      | TARGA S                 |
| (2) | 997 355 033 00 | Bracket   |        | 1      | PR:098<br>CARRERA 4     |
|     |                |   | with:  | 1      | CARRERA 4S              |
|     |                | Rubber bush   |        | 1      | TARGA                   |
|     |                |   |        | 1      | TARGA S                 |
|     |                |   |        | 1      | PR:099                  |
| 3   | 964 356 635 00 | Rubber bush   |        | 3      |                         |
| -   | 999 045 004 40 | Hexagon nut<br>plastic  |        | 3      |                         |
| 4   | 900 385 060 09 | Screw<br>BM 6 X 10  |        | 3      |                         |
| (4) | 900 385 060 01 | Discontinued part<br>Screw<br>BM 6 x 10                                       |        | 3      |                         |
| 5   | 996 606 145 00 | Sensor  |        | 1      |                         |



Model: 997 05

Model life 2005>>2008



Model: 997 05 Model life 2005>>2008

| Pos | Part Number        | Description   | Remark | Qty              | Model                                    |
|-----|--------------------|---|--------|------------------|--|
|     |                    | Transmission control<br>Manual gearbox  |        |                  | PR:480                                   |
| 1   | 997 424 010 00     | ball housing - gearshift lever  |        | 1                |  |
| (1) | 997 424 983 00     | ball housing - gearshift lever  |        | 1                | PR:XCZ                                   |
| 2   | 999 084 629 09     | Hexagon nut<br>M 6SB  |        | 4                |  |
| 3   | 997 424 041 00     | cable for shift mechanism<br>Transmission control   |        | 1                |  |
| (3) | 997 424 041 01     | No longer use the part here<br>cable for shift mechanism<br>Transmission control                          |        | 1                |  |
| 4   | 997 424 075 00     | gearstick knob (leather)<br>Shift pattern<br>Black<br>D - MJ 2005>> - MJ 2005                             |        | 1                | CARRERA                                  |
|     | 997 424 075 00 FOT | black/black   |        |                  |  |
|     | 997 424 075 00 FOU | Stone grey/stone grey   |        |                  |  |
|     | 997 424 075 00 FOV | Sand beige/sand beige   |        |                  |  |
|     | 997 424 075 00 FOW | Sea blue/sea blue   |        |                  |  |
|     | 997 424 075 00 FOX | Palmgreen/palmgreen   |        |                  |  |
|     | 997 424 075 00 FPW | Terracotta/terracotta   |        |                  |  |
|     | 997 424 075 00 FPX | Cocoa/Cocoa   |        |                  |  |
|     | 997 424 075 00 FOY | Dark grey/dark grey   |        |                  |  |
|     | 997 424 075 00 FOZ | Brown nat./brown nat.   |        |                  |  |
| (4) | 997 424 075 01     | gearstick knob (leather)<br>Gearshift knob<br>Leather<br>Shift pattern<br>Aluminium look<br>D - MJ 2006>> |        | 1<br>1<br>1<br>1 | CARRERA<br>CARRERA S<br>TARGA<br>TARGA S |
|     | 997 424 075 01 FOT | black/black   |        |                  |  |
|     | 997 424 075 01 FOU | Stone grey/stone grey   |        |                  |  |
|     | 997 424 075 01 FOV | Sand beige/sand beige   |        |                  |  |
|     | 997 424 075 01 FOW | Sea blue/sea blue   |        |                  |  |
|     | 997 424 075 01 FOX | Palmgreen/palmgreen   |        |                  |  |
|     | 997 424 075 01 FPW | Terracotta/terracotta   |        |                  |  |
|     | 997 424 075 01 FPX | Cocoa/Cocoa   |        |                  |  |
|     | 997 424 075 01 FOY | Dark grey/dark grey   |        |                  |  |
|     | 997 424 075 01 FOZ | Brown nat./brown nat.   |        |                  |  |
| (4) | 997 424 075 03     | gearstick knob<br>Carbon<br>Shift pattern<br>Aluminium look   |        | 1                | PR:803                                   |
|     | 997 424 075 03 FPP | Black   |        |                  |  |
|     | 997 424 075 03 FPQ | Stone grey  |        |                  |  |
|     | 997 424 075 03 FPR | Sand beige  |        |                  |  |
|     | 997 424 075 03 FPS | sea blue  |        |                  |  |
|     | 997 424 075 03 FPT | Palm green  |        |                  |  |
|     | 997 424 075 03 FQC | Terracotta  |        |                  |  |
|     | 997 424 075 03 FQD | Cocoa   |        |                  |  |
|     | 997 424 075 03 FPU | Dark grey/natural   |        |                  |  |
|     | 997 424 075 03 FPV | Brown/natural   |        |                  |  |
| (4) | 997 424 075 04     | gearstick knob (leather)<br>macassar<br>Shift pattern<br>Aluminium look                                   |        | 1                | PR:801                                   |
|     | 997 424 075 04 FPA | Black   |        |                  |  |
|     | 997 424 075 04 FPB | Stone grey  |        |                  |  |
|     | 997 424 075 04 FPC | Sand beige  |        |                  |  |
|     | 997 424 075 04 FPD | sea blue  |        |                  |  |
|     | 997 424 075 04 FPE | Palm green  |        |                  |  |
|     | 997 424 075 04 FPY | Terracotta  |        |                  |  |
|     | 997 424 075 04 FPZ | Cocoa   |        |                  |  |

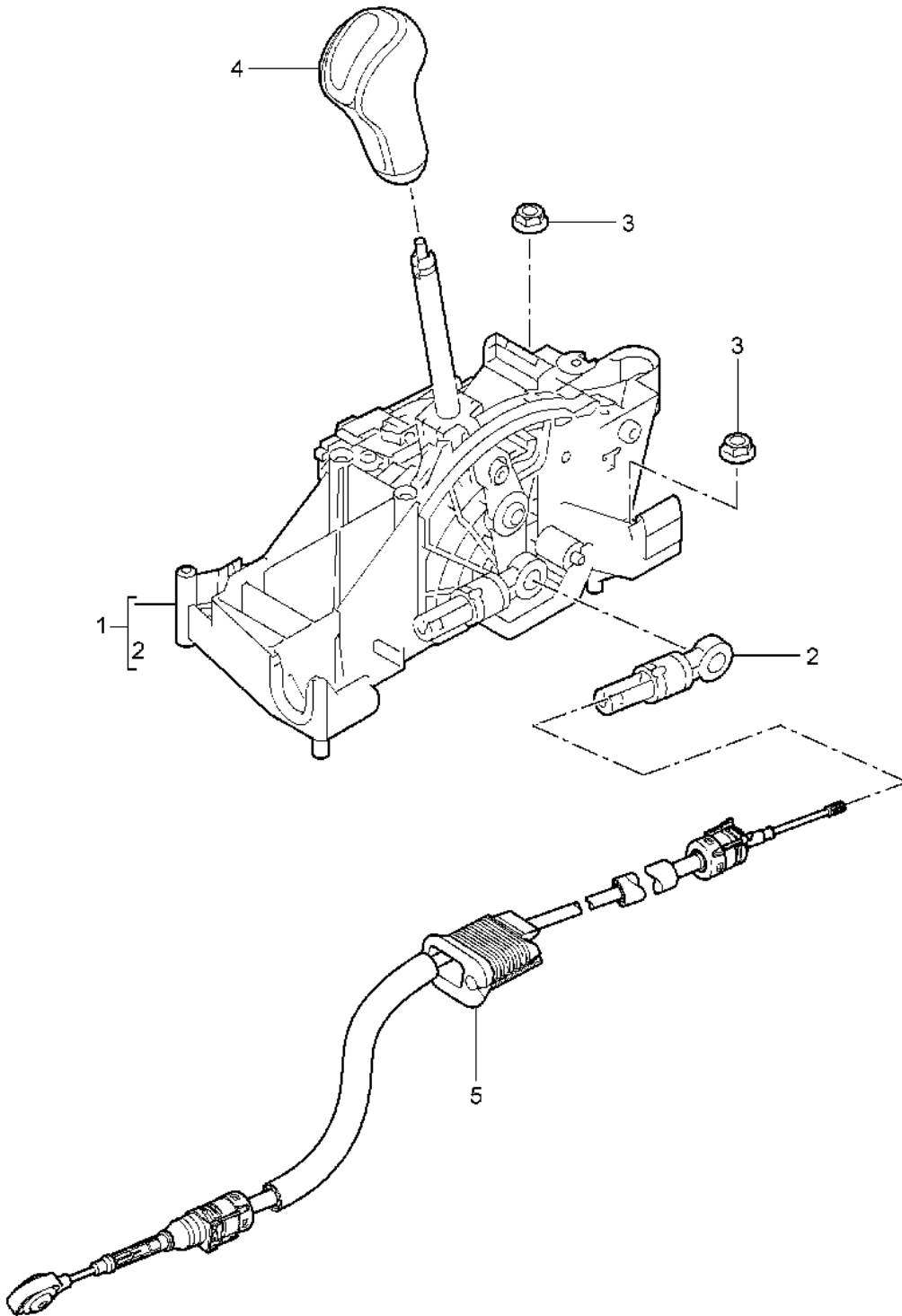
Model: 997 05

Model life 2005>>2008

| Pos                | Part Number        | Description                 | Remark | Qty | Model  |
|--------------------|--------------------|-----------------------------|--------|-----|--------|
| (4)                | 997 424 075 04 FPF | Dark grey/natural           |        | 1   | PR:802 |
|                    | 997 424 075 04 FPG | Brown/natural               |        |     |        |
|                    | 997 424 075 04     | gearstick knob (leather)    |        |     |        |
|                    |                    | Sycamore wood               |        |     |        |
|                    |                    | Shift pattern               |        |     |        |
|                    |                    | Aluminium look              |        |     |        |
|                    | 997 424 075 04 FPH | Black                       |        |     |        |
|                    | 997 424 075 04 FPJ | Stone grey                  |        |     |        |
|                    | 997 424 075 04 FPK | Sand beige                  |        |     |        |
|                    | 997 424 075 04 FPL | sea blue                    |        |     |        |
| (4)                | 997 424 075 04 FPM | Palm green                  |        | 1   | PR:X97 |
|                    | 997 424 075 04 FQA | Terracotta                  |        |     |        |
|                    | 997 424 075 04 FQB | Cocoa                       |        |     |        |
|                    | 997 424 075 04 FPN | Dark grey/natural           |        |     |        |
|                    | 997 424 075 04 FPO | Brown/natural               |        |     |        |
|                    | 997 424 981 00     | gearstick knob              |        |     |        |
|                    |                    | aluminium                   |        |     |        |
|                    |                    | Leather                     |        |     |        |
|                    |                    | D - MJ 2006>>               |        |     |        |
|                    | 997 424 981 00 8YR | Black                       |        |     |        |
| 997 424 981 00 5X5 | Stone grey         |                             |        |     |        |
| 997 424 981 00 8G1 | Sand beige         |                             |        |     |        |
| 997 424 981 00 3S8 | sea blue           |                             |        |     |        |
| 997 424 981 00 4P1 | Palm green         |                             |        |     |        |
| 997 424 981 00 9N2 | Terracotta         |                             |        |     |        |
| 997 424 981 00 9Q3 | Cocoa              |                             |        |     |        |
| 997 424 981 00 D11 | Dark grey/natural  |                             |        |     |        |
| 997 424 981 00 T11 | Brown/natural      |                             |        |     |        |
| -                  | 996 424 445 00     | Clip                        |        | X   |        |
|                    |                    | for                         |        |     |        |
|                    |                    | Securing element            |        |     |        |
| 5                  | 997 424 165 02     | Bracket                     |        | 1   |        |
|                    |                    | No longer use the part here |        |     |        |
| (5)                | 997 424 165 04     | Bracket                     |        | 12  |        |
| 6                  | 900 378 017 09     | Hexagon bolt                |        | 2   |        |
|                    |                    | M 8 X 20                    |        |     |        |
| 7                  | 996 424 145 01     | Securing element            |        | 1   |        |
|                    |                    | for                         |        |     |        |
|                    |                    | Cable                       |        |     |        |
| 8                  | 996 424 147 00     | Adjustable                  |        | 1   |        |
|                    |                    | Securing element            |        |     |        |
|                    |                    | for                         |        |     |        |
|                    |                    | Cable                       |        |     |        |
| 9                  | 000 043 205 93     | Adjustable                  |        | X   |        |
|                    |                    | grease                      |        |     |        |
|                    |                    | 1 100-gramme tube           |        |     |        |

Model: 997 05

Model life 2005>>2008



Model: 997 05 Model life 2005>>2008

| Pos | Part Number        | Description  | Remark | Qty | Model  |
|-----|--------------------|--|--------|-----|--------|
| 1   | 997 426 011 01     | selector lever<br>Tiptronic<br>Support<br><br>with:<br>housing<br>D >> - MJ 2006 |        | 1   | PR:249 |
| (1) | 997 426 011 02     | Discontinued part<br>Support<br><br>with:<br>housing                             |        | 1   |        |
| -   | 997 613 243 02     | Switch<br>selector lever   |        | 1   |        |
| -   | 996 613 212 10     | No longer use the part here<br>Switch<br>selector lever                          |        | 1   |        |
| 2   | 996 426 035 00     | Securing element<br>for<br>Cable<br>Adjustable                                   |        | 1   |        |
| 3   | 999 084 629 09     | Hexagon nut<br>M 6   |        | 4   |        |
| 4   | 997 426 069 00     | Selector knob<br>Leather<br>D >> - MJ 2006                                       |        | 1   |        |
|     | 997 426 069 00 8YR | Black  |        |     |        |
|     | 997 426 069 00 5X5 | Stone grey   |        |     |        |
|     | 997 426 069 00 8G1 | Sand beige   |        |     |        |
|     | 997 426 069 00 3S8 | sea blue   |        |     |        |
|     | 997 426 069 00 4P1 | Palm green   |        |     |        |
|     | 997 426 069 00 9N2 | Discontinued part<br>Terracotta  |        |     |        |
|     | 997 426 069 00 9Q3 | Cocoa  |        |     |        |
|     | 997 426 069 00 D11 | Dark grey/natural  |        |     |        |
|     | 997 426 069 00 T11 | Brown/natural  |        |     |        |
| (4) | 997 426 069 10     | Selector knob<br>Leather<br>D >> - MJ 2006                                       |        | 1   |        |
|     | 997 426 069 10 4P1 | Palm green   |        |     |        |
| (4) | 997 426 069 10     | Selector knob<br>Leather<br>D - MJ 2007>>  |        | 1   |        |
|     | 997 426 069 10 8YR | Black  |        |     |        |
|     | 997 426 069 10 5X5 | Stone grey   |        |     |        |
|     | 997 426 069 10 8G1 | Sand beige   |        |     |        |
|     | 997 426 069 10 3S8 | sea blue   |        |     |        |
|     | 997 426 069 10 4P1 | Palm green   |        |     |        |
|     | 997 426 069 10 9N2 | Terracotta   |        |     |        |
|     | 997 426 069 10 9Q3 | Cocoa  |        |     |        |
|     | 997 426 069 10 D11 | Dark grey/natural  |        |     |        |
|     | 997 426 069 10 T11 | Brown/natural  |        |     |        |
| (4) | 997 426 069 03     | Selector knob<br>D >> - MJ 2006  |        | 1   | PR:803 |
|     | 997 426 069 03 A35 | Carbon   |        |     |        |
| (4) | 997 426 069 13     | Selector knob<br>D - MJ 2007>>   |        | 1   | PR:803 |
|     | 997 426 069 13 A35 | Carbon   |        |     |        |
| (4) | 997 426 069 04     | Selector knob<br>D >> - MJ 2006  |        | 1   | PR:801 |
|     | 997 426 069 04 S61 | macassar   |        |     |        |
| (4) | 997 426 069 14     | Selector knob<br>D - MJ 2007>>   |        | 1   | PR:801 |
|     | 997 426 069 14 S61 | macassar   |        |     |        |
| (4) | 997 426 069 04     | Selector knob  |        | 1   | PR:802 |

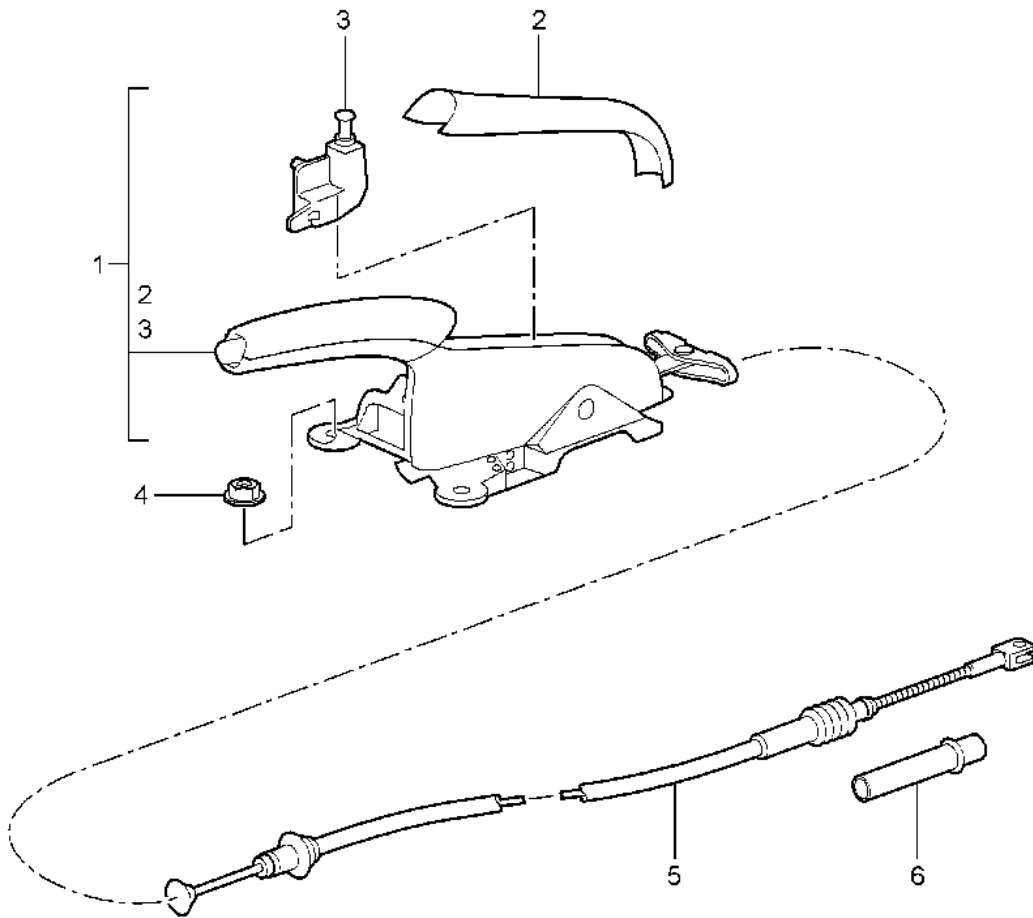
Model: 997 05

Model life 2005>>2008

| Pos | Part Number        | Description                       | Remark | Qty | Model  |
|-----|--------------------|-----------------------------------|--------|-----|--------|
|     |                    | D >> - MJ 2006                    |        |     |        |
| (4) | 997 426 069 04 S62 | Sycamore wood                     |        |     |        |
|     | 997 426 069 14     | Selector knob                     |        | 1   | PR:802 |
|     |                    | D - MJ 2007>>                     |        |     |        |
|     | 997 426 069 14 S62 | Sycamore wood                     |        |     |        |
| -   | 997 426 275 00     | Button for selector lever release |        | 1   |        |
|     | 997 426 275 00 V05 | Galvano silver                    |        |     |        |
| 5   | 997 426 033 00     | Cable                             |        | 1   |        |
|     |                    | No longer use the part here       |        |     |        |
| (5) | 997 426 033 01     | Cable                             |        | 1   |        |

Model: 997 05

Model life 2005>>2008



Model: 997 05 Model life 2005>>2008

| Pos | Part Number        | Description   | Remark | Qty | Model  |
|-----|--------------------|---|--------|-----|--------|
| 1   | 997 424 031 42     | handbrake<br>Actuator<br>handbrake lever grip (leather)<br>(complete)<br>D >> - MJ 2006 |        | 1   |        |
|     | 997 424 031 42 8YR | Black   |        |     |        |
|     | 997 424 031 42 5X5 | Stone grey  |        |     |        |
|     | 997 424 031 42 8G1 | Sand beige  |        |     |        |
|     | 997 424 031 42 3S8 | sea blue  |        |     |        |
|     | 997 424 031 42 4P1 | Palm green  |        |     |        |
|     | 997 424 031 42 9N2 | Terracotta  |        |     |        |
|     | 997 424 031 42 9Q3 | Cocoa   |        |     |        |
|     | 997 424 031 42 D11 | Dark grey/natural   |        |     |        |
|     | 997 424 031 42 T11 | Brown/natural   |        |     |        |
| (1) | 997 424 031 52     | handbrake lever grip (leather)<br>(complete)<br>D - MJ 2007>> - MJ 2007                 |        | 1   |        |
|     | 997 424 031 52 8YR | Black   |        |     |        |
|     | 997 424 031 52 5X5 | Stone grey  |        |     |        |
|     | 997 424 031 52 8G1 | Sand beige  |        |     |        |
|     | 997 424 031 52 3S8 | sea blue  |        |     |        |
|     | 997 424 031 52 4P1 | Palm green  |        |     |        |
|     | 997 424 031 52 9N2 | Terracotta  |        |     |        |
|     | 997 424 031 52 9Q3 | Cocoa   |        |     |        |
|     | 997 424 031 52 D11 | Dark grey/natural   |        |     |        |
|     | 997 424 031 52 T11 | Brown/natural   |        |     |        |
| (1) | 997 424 031 62     | handbrake lever grip (leather)<br>(complete)<br>D - MJ 2008>><br>Discontinued part      |        | 1   |        |
|     | 997 424 031 62 8YR | Black   |        |     |        |
|     | 997 424 031 62 5X5 | Stone grey  |        |     |        |
|     | 997 424 031 62 8G1 | Sand beige  |        |     |        |
|     | 997 424 031 62 3S8 | sea blue  |        |     |        |
|     | 997 424 031 62 4P1 | Palm green  |        |     |        |
|     | 997 424 031 62 9N2 | Terracotta  |        |     |        |
|     | 997 424 031 62 9Q3 | Cocoa   |        |     |        |
|     | 997 424 031 62 D11 | Dark grey/natural   |        |     |        |
|     | 997 424 031 62 T11 | Brown/natural   |        |     |        |
|     | 997 424 031 62 N11 | Carrera Red   |        |     |        |
| (1) | 997 424 031 67     | handbrake lever grip (leather)<br>(complete)<br>D - MJ 2008>>                           |        | 1   |        |
|     | 997 424 031 67 8YR | Black   |        |     |        |
|     | 997 424 031 67 5X5 | Stone grey  |        |     |        |
|     | 997 424 031 67 8G1 | Sand beige  |        |     |        |
|     | 997 424 031 67 3S8 | sea blue  |        |     |        |
|     | 997 424 031 67 4P1 | Palm green  |        |     |        |
|     | 997 424 031 67 9N2 | Terracotta  |        |     |        |
|     | 997 424 031 67 9Q3 | Cocoa   |        |     |        |
|     | 997 424 031 67 D11 | Dark grey/natural   |        |     |        |
|     | 997 424 031 67 T11 | Brown/natural   |        |     |        |
|     | 997 424 031 67 N11 | Carrera Red   |        |     |        |
| (1) | 997 424 031 63     | Brake lever<br>(complete)<br>macassar<br>Discontinued part                              |        | 1   | PR:801 |
|     | 997 424 031 63 8YR | Black   |        |     |        |
|     | 997 424 031 63 5X5 | Stone grey  |        |     |        |
|     | 997 424 031 63 8G1 | Sand beige  |        |     |        |
|     | 997 424 031 63 3S8 | sea blue  |        |     |        |
|     | 997 424 031 63 4P1 | Palm green  |        |     |        |
|     | 997 424 031 63 9N2 | Terracotta  |        |     |        |



Model: 997 05 Model life 2005>>2008

| Pos | Part Number        | Description   | Remark | Qty | Model  |
|-----|--------------------|---|--------|-----|--------|
| (1) | 997 424 031 63 9Q3 | Cocoa   |        | 1   | PR:801 |
|     | 997 424 031 63 D11 | Dark grey/natural   |        |     |        |
|     | 997 424 031 63 T11 | Brown/natural   |        |     |        |
|     | 997 424 031 63 N11 | Carrera Red   |        |     |        |
|     | 997 424 031 68     | Brake lever<br>(complete)<br>macassar                                 |        |     |        |
|     | 997 424 031 68 8YR | Black   |        |     |        |
|     | 997 424 031 68 5X5 | Stone grey  |        |     |        |
|     | 997 424 031 68 8G1 | Sand beige  |        |     |        |
|     | 997 424 031 68 3S8 | sea blue  |        |     |        |
|     | 997 424 031 68 4P1 | Palm green  |        |     |        |
| (1) | 997 424 031 68 9N2 | Terracotta  |        | 1   | PR:802 |
|     | 997 424 031 68 9Q3 | Cocoa   |        |     |        |
|     | 997 424 031 68 D11 | Dark grey/natural   |        |     |        |
|     | 997 424 031 68 T11 | Brown/natural   |        |     |        |
|     | 997 424 031 68 N11 | Carrera Red   |        |     |        |
|     | 997 424 031 44     | Brake lever<br>(complete)<br>Sycamore wood<br>D >> - MJ 2006          |        |     |        |
|     | 997 424 031 44 8YR | Black   |        |     |        |
|     | 997 424 031 44 5X5 | Stone grey  |        |     |        |
|     | 997 424 031 44 8G1 | Sand beige  |        |     |        |
|     | 997 424 031 44 3S8 | sea blue  |        |     |        |
| (1) | 997 424 031 44 4P1 | Palm green  |        | 1   | PR:802 |
|     | 997 424 031 44 9N2 | Terracotta  |        |     |        |
|     | 997 424 031 44 9Q3 | Cocoa   |        |     |        |
|     | 997 424 031 44 D11 | Dark grey/natural   |        |     |        |
|     | 997 424 031 44 T11 | Brown/natural   |        |     |        |
|     | 997 424 031 54     | Brake lever<br>(complete)<br>Sycamore wood<br>D - MJ 2007>> - MJ 2007 |        |     |        |
|     | 997 424 031 54 8YR | Black   |        |     |        |
|     | 997 424 031 54 5X5 | Stone grey  |        |     |        |
|     | 997 424 031 54 8G1 | Sand beige  |        |     |        |
|     | 997 424 031 54 3S8 | sea blue  |        |     |        |
| (1) | 997 424 031 54 4P1 | Palm green  |        | 1   | PR:802 |
|     | 997 424 031 54 9N2 | Terracotta  |        |     |        |
|     | 997 424 031 54 9Q3 | Cocoa   |        |     |        |
|     | 997 424 031 54 D11 | Dark grey/natural   |        |     |        |
|     | 997 424 031 54 T11 | Brown/natural   |        |     |        |
|     | 997 424 031 64     | Brake lever<br>(complete)<br>Sycamore wood<br>D - MJ 2008>>           |        |     |        |
|     | 997 424 031 64 8YR | Black   |        |     |        |
|     | 997 424 031 64 5X5 | Stone grey  |        |     |        |
|     | 997 424 031 64 8G1 | Sand beige  |        |     |        |
|     | 997 424 031 64 3S8 | sea blue  |        |     |        |
| (1) | 997 424 031 64 4P1 | Palm green  |        | 1   | PR:802 |
|     | 997 424 031 64 9N2 | Terracotta  |        |     |        |
|     | 997 424 031 64 9Q3 | Cocoa   |        |     |        |
|     | 997 424 031 64 D11 | Dark grey/natural   |        |     |        |
|     | 997 424 031 64 T11 | Brown/natural   |        |     |        |
|     | 997 424 031 64 N11 | Carrera Red   |        |     |        |
|     | 997 424 031 69     | Brake lever<br>(complete)<br>Sycamore wood<br>D - MJ 2008>>           |        |     |        |
|     | 997 424 031 69 8YR | Black   |        |     |        |
|     | 997 424 031 69 5X5 | Stone grey  |        |     |        |

Model: 997 05 Model life 2005>>2008

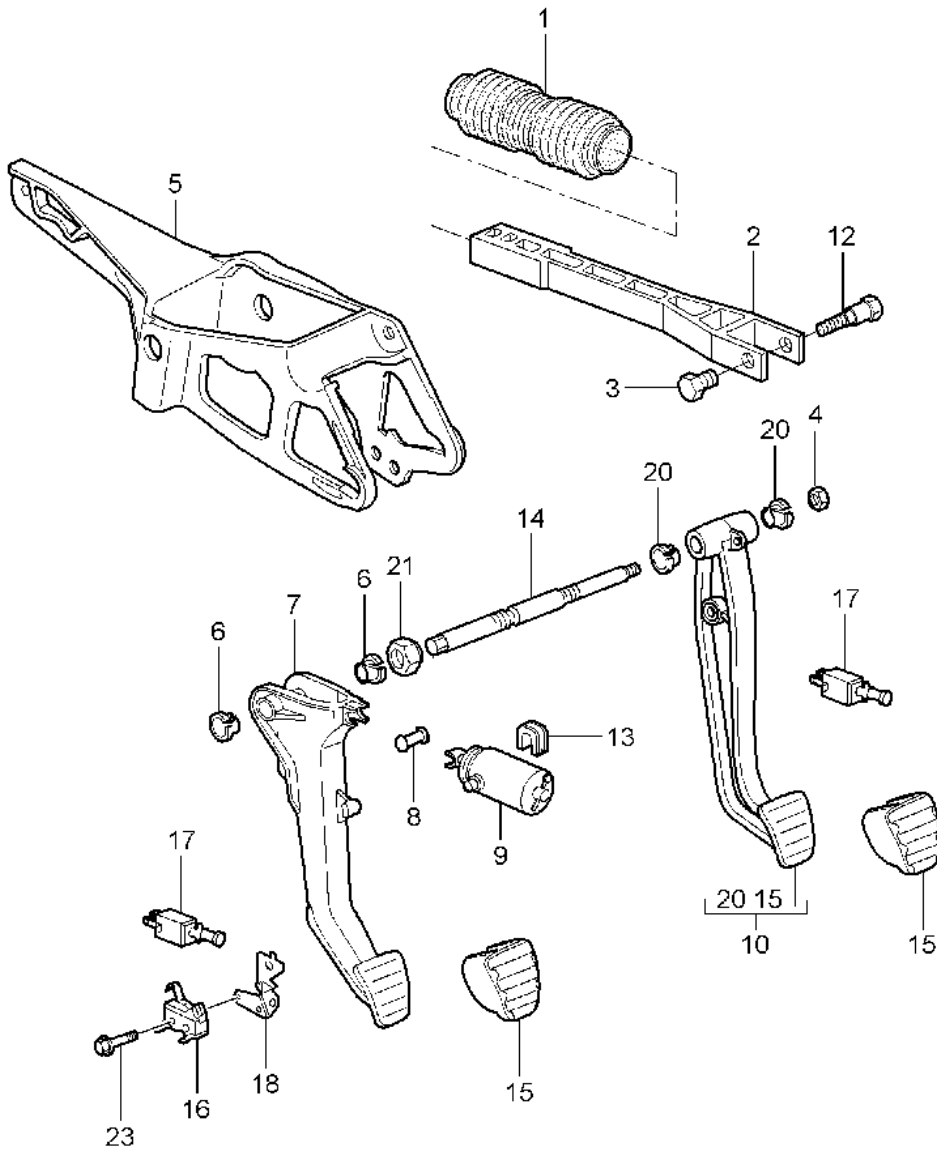
| Pos                | Part Number        | Description   | Remark  | Qty | Model  |
|--------------------|--------------------|---|---|-----|--------|
| (1)                | 997 424 031 69 8G1 | Sand beige  |   | 1   | PR:803 |
|                    | 997 424 031 69 3S8 | sea blue  |   |     |        |
|                    | 997 424 031 69 4P1 | Palm green  |   |     |        |
|                    | 997 424 031 69 9N2 | Terracotta  |   |     |        |
|                    | 997 424 031 69 9Q3 | Cocoa   |   |     |        |
|                    | 997 424 031 69 D11 | Dark grey/natural   |   |     |        |
|                    | 997 424 031 69 T11 | Brown/natural   |   |     |        |
|                    | 997 424 031 69 N11 | Carrera Red   |   |     |        |
|                    | 997 424 031 45     | Brake lever<br>(complete)<br>Carbon<br>D >> - MJ 2006                               |   |     |        |
|                    | 997 424 031 45 8YR | Black   |   |     |        |
|                    | 997 424 031 45 5X5 | Stone grey  |   |     |        |
|                    | 997 424 031 45 8G1 | Sand beige  |   |     |        |
|                    | 997 424 031 45 3S8 | sea blue  |   |     |        |
|                    | 997 424 031 45 4P1 | Palm green  |   |     |        |
|                    | (1)                | 997 424 031 45 9N2  | Terracotta  |     |        |
| 997 424 031 45 9Q3 |                    | Cocoa   |   |     |        |
| 997 424 031 45 D11 |                    | Dark grey/natural   |   |     |        |
| 997 424 031 45 T11 |                    | Brown/natural   |   |     |        |
| 997 424 031 55     |                    | Brake lever<br>(complete)<br>Carbon<br>D - MJ 2007>> - MJ 2007<br>Discontinued part |   |     |        |
| 997 424 031 55 8YR |                    | Black   |   |     |        |
| 997 424 031 55 5X5 |                    | Stone grey  |   |     |        |
| 997 424 031 55 8G1 |                    | Sand beige  |   |     |        |
| 997 424 031 55 3S8 |                    | sea blue  |   |     |        |
| 997 424 031 55 4P1 |                    | Palm green  |   |     |        |
| 997 424 031 55 9N2 |                    | Terracotta  |   |     |        |
| 997 424 031 55 9Q3 |                    | Cocoa   |   |     |        |
| 997 424 031 55 D11 |                    | Dark grey/natural   |   |     |        |
| 997 424 031 55 T11 |                    | Brown/natural   |   |     |        |
| (1)                |                    | 997 424 031 65  | Brake lever<br>(complete)<br>Carbon<br>D - MJ 2008>><br>Discontinued part |     | 1      |
|                    | 997 424 031 65 8YR | Black   |   |     |        |
|                    | 997 424 031 65 5X5 | Stone grey  |   |     |        |
|                    | 997 424 031 65 8G1 | Sand beige  |   |     |        |
|                    | 997 424 031 65 3S8 | sea blue  |   |     |        |
|                    | 997 424 031 65 4P1 | Palm green  |   |     |        |
|                    | 997 424 031 65 9N2 | Terracotta  |   |     |        |
|                    | 997 424 031 65 9Q3 | Cocoa   |   |     |        |
|                    | 997 424 031 65 D11 | Dark grey/natural   |   |     |        |
|                    | 997 424 031 65 T11 | Brown/natural   |   |     |        |
|                    | 997 424 031 65 N11 | Carrera Red   |   |     |        |
|                    | 997 424 031 70     | Brake lever<br>(complete)<br>Carbon<br>D - MJ 2008>>                                |   |     |        |
|                    | 997 424 031 70 8YR | Black   |   |     |        |
|                    | 997 424 031 70 5X5 | Stone grey  |   |     |        |
|                    | 997 424 031 70 8G1 | Sand beige  |   |     |        |
| 997 424 031 70 3S8 | sea blue           |   |   |     |        |
| 997 424 031 70 4P1 | Palm green         |   |   |     |        |
| 997 424 031 70 9N2 | Terracotta         |   |   |     |        |
| 997 424 031 70 9Q3 | Cocoa              |   |   |     |        |
| 997 424 031 70 D11 | Dark grey/natural  |   |   |     |        |
| 997 424 031 70 T11 | Brown/natural      |   |   |     |        |

Model: 997 05 Model life 2005>>2008

| Pos | Part Number        | Description  | Remark | Qty | Model      |
|-----|--------------------|--|--------|-----|------------|
| (1) | 997 424 031 70 N11 | Carrera Red  |        |     |            |
|     | 997 424 980 06     | handbrake lever grip (leather)<br>(complete)<br>D - MJ 2007>>                      | lhd    | 1   | PR:X98,098 |
|     | 997 424 980 06 8YR | Black  |        |     |            |
|     | 997 424 980 06 5X5 | Stone grey   |        |     |            |
|     | 997 424 980 06 8G1 | Sand beige   |        |     |            |
|     | 997 424 980 06 3S8 | sea blue   |        |     |            |
|     | 997 424 980 06 4P1 | Palm green   |        |     |            |
|     | 997 424 980 06 9N2 | Terracotta   |        |     |            |
|     | 997 424 980 06 9Q3 | Cocoa  |        |     |            |
|     | 997 424 980 06 D11 | Dark grey/natural  |        |     |            |
|     | 997 424 980 06 T11 | Brown/natural  |        |     |            |
| (1) | 997 424 980 01     | handbrake lever grip (leather)<br>(complete)<br>D - MJ 2007>><br>Discontinued part | rhd    | 1   | PR:X98,099 |
|     | 997 424 980 01 8YR | Black  |        |     |            |
|     | 997 424 980 01 5X5 | Stone grey   |        |     |            |
|     | 997 424 980 01 8G1 | Sand beige   |        |     |            |
|     | 997 424 980 01 3S8 | sea blue   |        |     |            |
|     | 997 424 980 01 4P1 | Palm green   |        |     |            |
|     | 997 424 980 01 9N2 | Terracotta   |        |     |            |
|     | 997 424 980 01 9Q3 | Cocoa  |        |     |            |
|     | 997 424 980 01 D11 | Dark grey/natural  |        |     |            |
|     | 997 424 980 01 T11 | Brown/natural  |        |     |            |
| (1) | 997 424 980 07     | handbrake lever grip (leather)<br>(complete)<br>D - MJ 2007>>                      | rhd    | 1   | PR:X98,099 |
|     | 997 424 980 07 8YR | Black  |        |     |            |
|     | 997 424 980 07 5X5 | Stone grey   |        |     |            |
|     | 997 424 980 07 8G1 | Sand beige   |        |     |            |
|     | 997 424 980 07 3S8 | sea blue   |        |     |            |
|     | 997 424 980 07 4P1 | Palm green   |        |     |            |
|     | 997 424 980 07 9N2 | Terracotta   |        |     |            |
|     | 997 424 980 07 9Q3 | Cocoa  |        |     |            |
|     | 997 424 980 07 D11 | Dark grey/natural  |        |     |            |
|     | 997 424 980 07 T11 | Brown/natural  |        |     |            |
| 2   | 997 424 155 00     | trim for handbrake lever<br>Leather  |        | 1   |            |
|     | 997 424 155 00 8YR | Black  |        |     |            |
|     | 997 424 155 00 5X5 | Stone grey   |        |     |            |
|     | 997 424 155 00 8G1 | Sand beige   |        |     |            |
|     | 997 424 155 00 3S8 | sea blue   |        |     |            |
|     | 997 424 155 00 4P1 | Palm green   |        |     |            |
|     | 997 424 155 00 9N2 | Terracotta   |        |     |            |
|     | 997 424 155 00 9Q3 | Cocoa  |        |     |            |
|     | 997 424 155 00 D11 | Dark grey/natural  |        |     |            |
|     | 997 424 155 00 T11 | Brown/natural  |        |     |            |
| 3   | 996 613 112 01     | Switch   |        | 1   |            |
| 4   | 999 084 630 09     | Hexagon nut<br>M 8   |        | 4   |            |
| 5   | 997 424 141 05     | Parking-brake cable<br>D >> - MJ 2007<br>Discontinued part                         |        | 2   |            |
| (5) | 997 424 141 06     | Parking-brake cable  |        | 2   |            |
| 6   | 996 424 721 02     | guide tube   |        | 2   |            |

Model: 997 05

Model life 2005>>2008



Model: 997 05 Model life 2005>>2008

| Pos  | Part Number    | Description  | Remark  | Qty | Model      |
|------|----------------|--|---------|-----|------------|
| -    | 000 043 206 17 | Pedals<br>universal low temperat. grease<br>1 tube |         | X   |            |
| 1    |                | Bellows<br>see illustration:                       | 604-000 | 1   |            |
| (2)  | 996 423 165 05 | push rod   |         | 1   |            |
| 3    | 996 423 307 00 | Sleeve   |         | 1   |            |
| 4    | 900 380 005 09 | Hexagon nut<br>M 8                                 |         | 3   |            |
|      |                |  |         | 2   |            |
| 5    | 997 423 571 02 | Console<br>for<br>Servo spring<br>bush             |         | 1   | PR:480     |
| 6    | 997 423 399 01 | bush   |         | 2   | PR:480     |
| 7    | 997 423 139 01 | Clutch pedal switch                                |         | 1   | PR:480     |
| (8)  | 996 423 315 06 | Pin  |         | 1   | PR:480     |
| -    | 999 166 022 02 | K1-lock<br>for<br>Pin                              |         | 1   | PR:480     |
| 9    | 997 423 081 04 | Servo spring<br>Discontinued part                  |         | 1   | CARRERA 2  |
| (9)  | 997 423 081 06 | Servo spring                                       |         | 1   | CARRERA 2  |
|      |                |  |         | 1   | CARRERA 4  |
|      |                |  |         | 1   | TARGA      |
| (9)  | 997 423 081 05 | Servo spring                                       |         | 1   | CARRERA 2S |
|      |                |  |         | 1   | CARRERA 4S |
|      |                |  |         | 1   | TARGA S    |
| (10) | 997 423 091 03 | brake pedal<br>Discontinued part                   |         | 1   | PR:480,098 |
| (10) | 997 423 091 04 | brake pedal  |         | 1   | PR:480,098 |
| (10) | 997 423 092 03 | brake pedal<br>Discontinued part                   |         | 1   | PR:480,099 |
| (10) | 997 423 092 04 | brake pedal  |         | 1   | PR:480,099 |
| (10) | 997 423 093 03 | brake pedal<br>Discontinued part                   |         | 1   | PR:249,098 |
| (10) | 997 423 093 04 | brake pedal  |         | 1   | PR:249,098 |
| 10   | 997 423 094 03 | brake pedal<br>Discontinued part                   |         | 1   | PR:249,099 |
| 10   | 997 423 094 04 | brake pedal  |         | 1   | PR:249,099 |
| 12   | 996 423 308 00 | Pin  |         | 1   |            |
| 13   | 997 423 581 00 | bearing shell                                      |         | 1   |            |
| 14   | 997 423 281 00 | axle   |         | 1   | PR:480,098 |
| (14) | 997 423 284 00 | axle   |         | 1   | PR:480,099 |
| (14) | 996 423 283 05 | axle   |         | 1   | PR:249,098 |
| (14) | 996 423 286 05 | axle   |         | 1   | PR:249,099 |
| -    | 996 423 277 00 | Bearing sleeve<br>brake pedal                      |         | 1   | PR:099     |
| 15   | 997 423 910 00 | pad for<br>brake and clutch pedals                 |         | 2   | PR:480     |
| (15) | 997 423 912 00 | Cap for foot brake pedal                           |         | 1   | PR:249     |
| 16   | 997 613 109 00 | Switch   |         | 1   | PR:480     |
| (17) | 996 613 113 01 | Switch<br>brake pedal                              |         | 1   |            |
| (17) | 996 613 114 01 | Switch for clutch<br>pedal<br>Clutch pedal switch  |         | 1   | PR:480     |
| 18   | 997 423 541 00 | Bracket  |         | 1   |            |
| 20   | 997 423 401 00 | bush   |         | 2   | PR:098     |
| (20) | 997 423 402 00 | bush   |         | 2   | PR:099     |
| 21   | 997 423 275 01 | sealing plug                                       |         | 1   |            |
| 22   | 900 378 273 09 | Hexagon bolt<br>M 6 X 18<br>Discontinued part      |         | 1   |            |
| (22) | 900 378 273 01 | Hexagon bolt                                       |         | 1   |            |

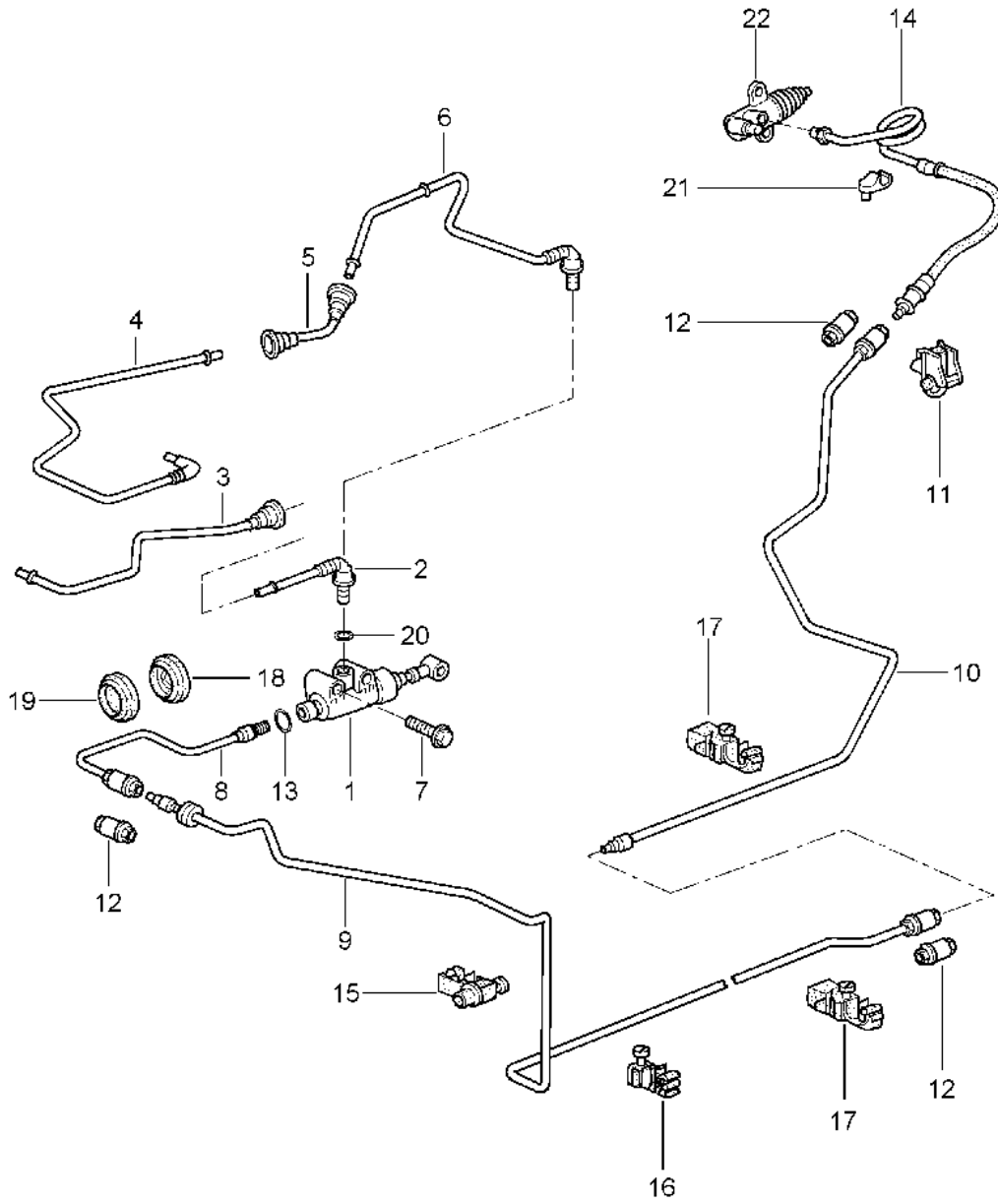
Model: 997 05

Model life 2005>>2008

| Pos | Part Number    | Description                                       | Remark | Qty | Model |
|-----|----------------|---|--------|-----|-------|
| 23  | 900 146 159 02 | M 6 x 18<br>flat round head bolt                  |        | 1   |       |
| 23  | 999 073 480 01 | M 3 X 20<br>Discontinued part<br>Bolt with washer |        | 1   |       |
| 24  | 997 423 695 00 | M 3 X 20<br>Rubber stop                           |        | 1   |       |
| 25  | 997 423 697 00 | Rubber stop                                       |        | 1   |       |

Model: 997 05

Model life 2005>>2008



Model: 997 05 Model life 2005>>2008

| Pos  | Part Number    | Description              | Remark | Qty | Model      |
|------|----------------|--------------------------|--------|-----|------------|
|      |                | clutch actuation         |        |     | PR:480     |
|      |                | Clutch master cylinder   |        |     |            |
|      |                | Clutch tube              |        |     |            |
| 1    | 997 423 171 01 | Clutch master cylinder   |        | 1   |            |
| -    | 996 423 614 00 | Securing ring            |        | 1   |            |
|      |                | Pressure line            |        |     |            |
| -    | 996 423 315 06 | Pin                      |        | 1   |            |
| -    | 999 166 022 02 | Kl-lock<br>for<br>Pin    |        | 1   |            |
| 2    | 997 423 147 00 | Feed line                |        | 1   | PR:098     |
| 3    | 997 423 137 00 | Feed line                |        | 1   | PR:098     |
|      |                |                          |        | 1   | CARRERA 2  |
|      |                |                          |        | 1   | CARRERA 2S |
| (3)  | 997 423 137 25 | Feed line                |        | 1   | PR:098     |
|      |                |                          |        |     | CARRERA 4  |
|      |                |                          |        |     | CARRERA 4S |
|      |                |                          |        |     | TARGA      |
|      |                |                          |        |     | TARGA S    |
| 4    | 996 423 138 04 | Feed line                |        | 1   | PR:099     |
|      |                |                          |        |     | CARRERA 2  |
|      |                |                          |        |     | CARRERA 2S |
| (4)  | 997 423 138 25 | Line                     |        | 1   | PR:099     |
|      |                |                          |        |     | CARRERA 4  |
|      |                |                          |        |     | CARRERA 4S |
|      |                |                          |        |     | TARGA      |
|      |                |                          |        |     | TARGA S    |
| 5    | 996 423 140 02 | Feed line                |        | 1   | PR:099     |
| 6    | 996 423 142 02 | Feed line                |        | 1   | PR:099     |
| -    | 999 703 421 40 | Grommet                  |        | 1   | PR:249     |
|      |                | Side part                |        |     |            |
| 7    | 900 378 217 09 | Hexagon bolt<br>M 6 X 40 |        | 2   |            |
| 8    | 996 423 107 10 | Clutch tube              |        | 1   | PR:098     |
|      |                | Discontinued part        |        |     |            |
| (8)  | 996 423 107 11 | Clutch tube              |        | 1   | PR:098     |
| (8)  | 997 423 108 00 | Clutch tube              |        | 1   | PR:099     |
|      |                | Discontinued part        |        |     |            |
| (8)  | 997 423 108 01 | Clutch tube              |        | 1   | PR:099     |
| -    | 999 702 174 50 | Grommet                  |        | 1   | PR:098     |
| 9    | 997 423 109 00 | Clutch tube              |        | 1   |            |
|      |                | D >> - MJ 2008           |        |     |            |
|      |                | Discontinued part        |        |     |            |
| (9)  | 997 423 109 01 | Clutch tube              |        | 1   |            |
|      |                | D >> - MJ 2008           |        |     |            |
| (9)  | 997 423 109 11 | Clutch tube              |        | 1   |            |
|      |                | D - MJ 2009>>            |        |     |            |
| 10   | 997 423 113 00 | Clutch tube              |        | 1   |            |
| 11   | 999 507 495 40 | Bracket                  |        | 1   |            |
| 12   | 999 230 541 10 | Threaded joint           |        | 3   |            |
| 13   | 999 707 333 40 | seal ring                |        | 1   |            |
| 14   | 997 423 377 00 | Clutch hose              |        | 1   |            |
|      |                | Discontinued part        |        |     |            |
| (14) | 997 423 377 01 | Clutch hose              |        | 1   |            |
|      |                | Discontinued part        |        |     |            |
| (14) | 997 423 377 02 | Clutch hose              |        | 1   |            |
| 15   | 996 355 549 00 | Bracket                  |        | 1   |            |
| 16   | 996 355 545 00 | Bracket                  |        | 2   |            |
| 17   | 996 355 543 00 | Bracket                  |        | 4   |            |
| 18   | 999 702 216 42 | Grommet                  |        | 1   |            |
| 19   | 999 702 217 41 | Grommet                  |        | 1   | PR:249     |
| -    | 999 507 586 40 | Cable holder             |        | 1   |            |
| 20   | 999 707 333 40 | seal ring                |        | 1   |            |



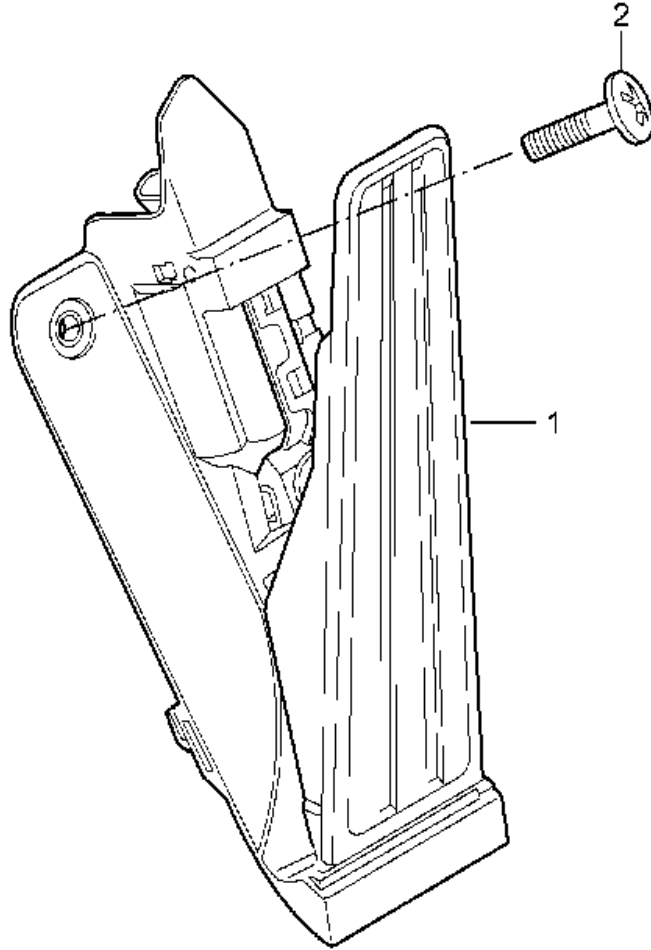
Model: 997 05

Model life 2005>>2008

| Pos  | Part Number    | Description                  | Remark | Qty | Model |
|------|----------------|------------------------------|--------|-----|-------|
| 21   | 999 507 586 40 | 6,07 X 1,78N<br>Cable holder |        | 1   |       |
| 22   | 997 116 237 01 | Clutch slave cylinder        |        | 1   |       |
|      |                | D >> - MJ 2007               |        |     |       |
| (22) | 997 116 237 02 | Clutch slave cylinder        |        | 1   |       |
|      |                | D - MJ 2008>>                |        |     |       |
| -    | 900 378 033 01 | Hexagon bolt<br>M 8 X 30     |        | 2   |       |

Model: 997 05

Model life 2005>>2008



Model: 997 05

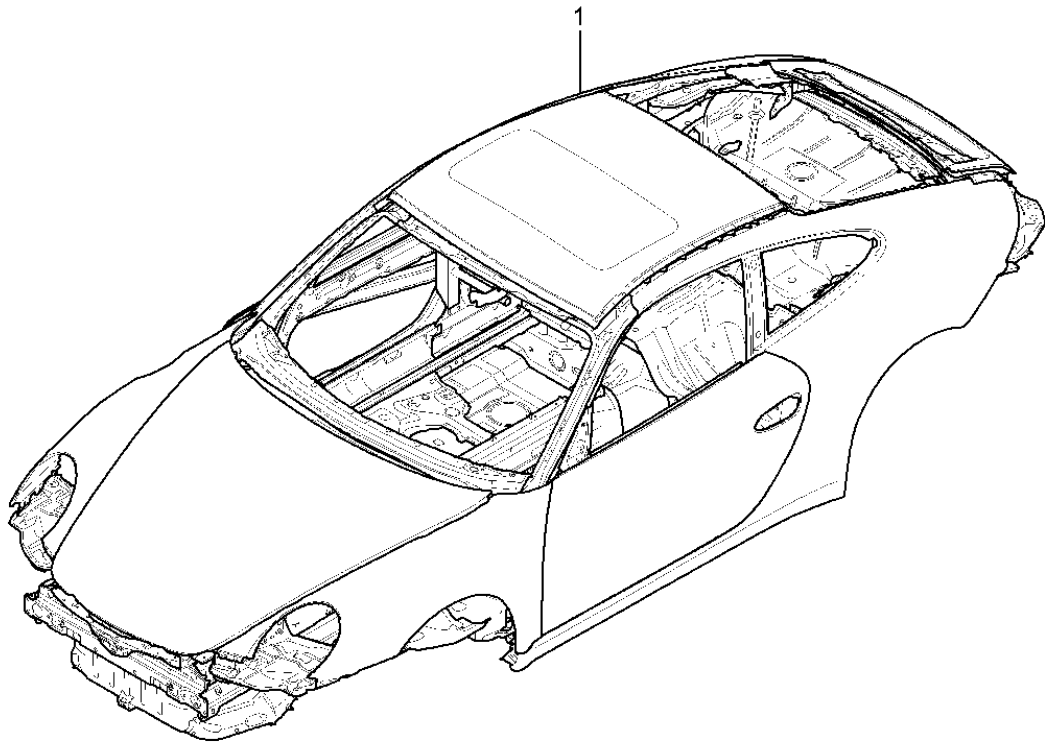
Model life 2005>>2008

| Pos | Part Number    | Description                      | Remark | Qty | Model  |
|-----|----------------|----------------------------------|--------|-----|--------|
|     |                | Pedals                           |        |     |        |
| 1   | 997 423 019 02 | throttle control                 |        | 1   | PR:480 |
| (1) | 997 423 021 02 | throttle control                 |        | 1   | PR:249 |
| 2   | 900 146 161 09 | flat round head bolt<br>M 6 X 20 |        | 1   |        |

Model: 997 05

Model life 2005>>2008

- B — WPOZZZ **99 z 5S730070**
  - C — **997 121**  
M9701-685 G9701
  - G — **L6B4 AT**
  - D — C00 267 268 425 437
  - E — 438 446 454 537 610  
635 640 650 666 670
  - F — 00641 20772
- A —



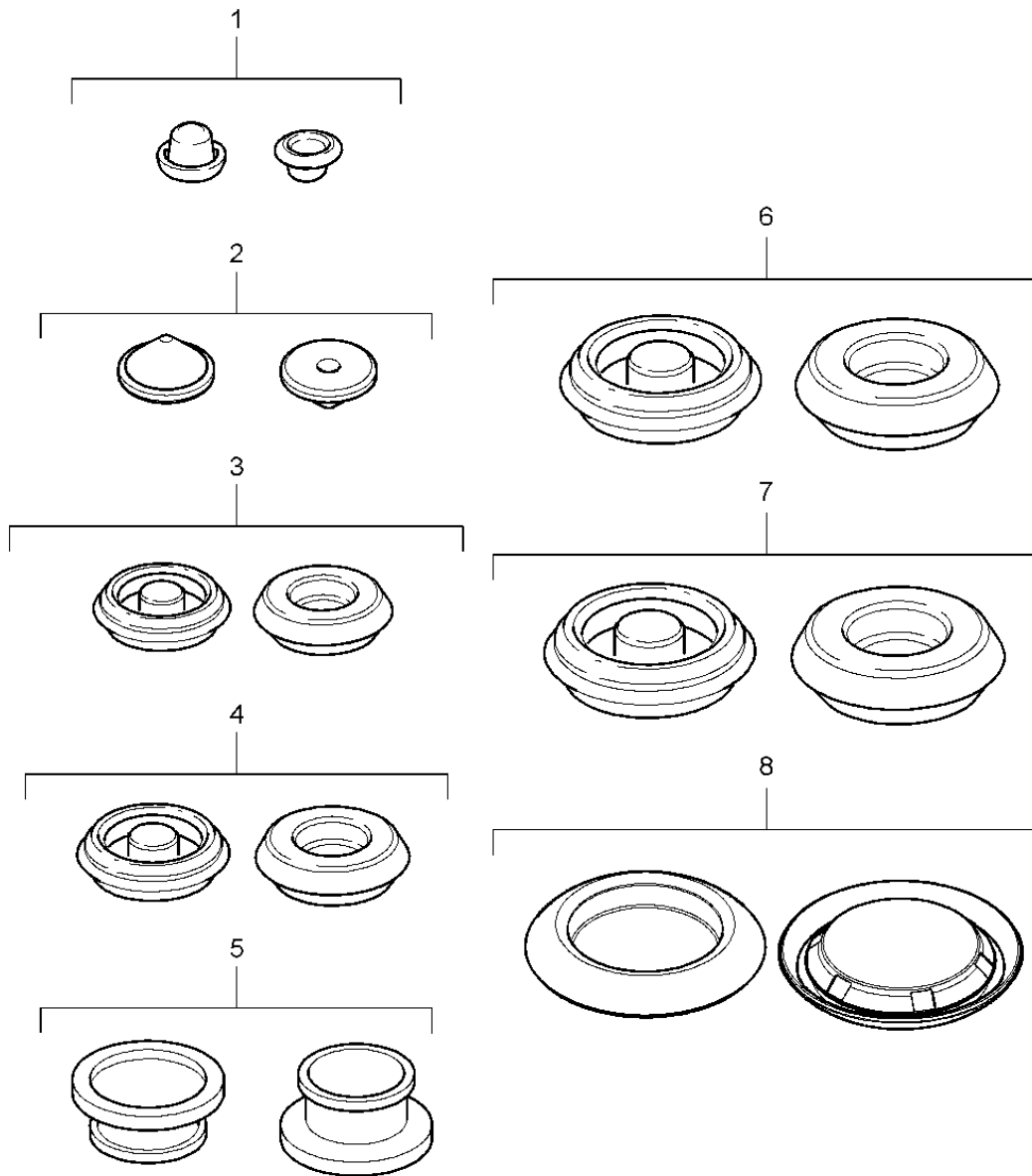
Model: 997 05

Model life 2005>>2008

| Pos | Part Number                          | Description  | Remark | Qty | Model |
|-----|--------------------------------------|--|--------|-----|-------|
| -   |                                      | Car body<br>primed<br>Sealed   |        |     |       |
|     |                                      | with:<br>Underbody protection  |        |     |       |
|     |                                      | with:<br>Doors/lids/wings  |        |     |       |
| -   |                                      | Bodyshells can only<br>only available from current<br>Model year available   |        |     |       |
| -   |                                      | The data required<br>for your order<br>Can be found on the<br>Vehicle data carrier<br>in<br>Vehicle wallet<br>Please indicate this data<br>in your order<br>Vehicle data carrier<br>Vehicle Ident. No.<br>Order type<br>Country equipment<br>Optional extras<br>Additional applications<br>Please state the colour |        |     |       |
| A   |                                      |  |        |     |       |
| B   |                                      |  |        |     |       |
| C   |                                      |  |        |     |       |
| D   |                                      |  |        |     |       |
| E   |                                      |  |        |     |       |
| F   |                                      |  |        |     |       |
| G   |                                      |  |        |     |       |
| 1   | 997 500 900 00<br>997 500 900 00 GRV | Car body<br>primed   |        | 1   |       |

Model: 997 05

Model life 2005>>2008



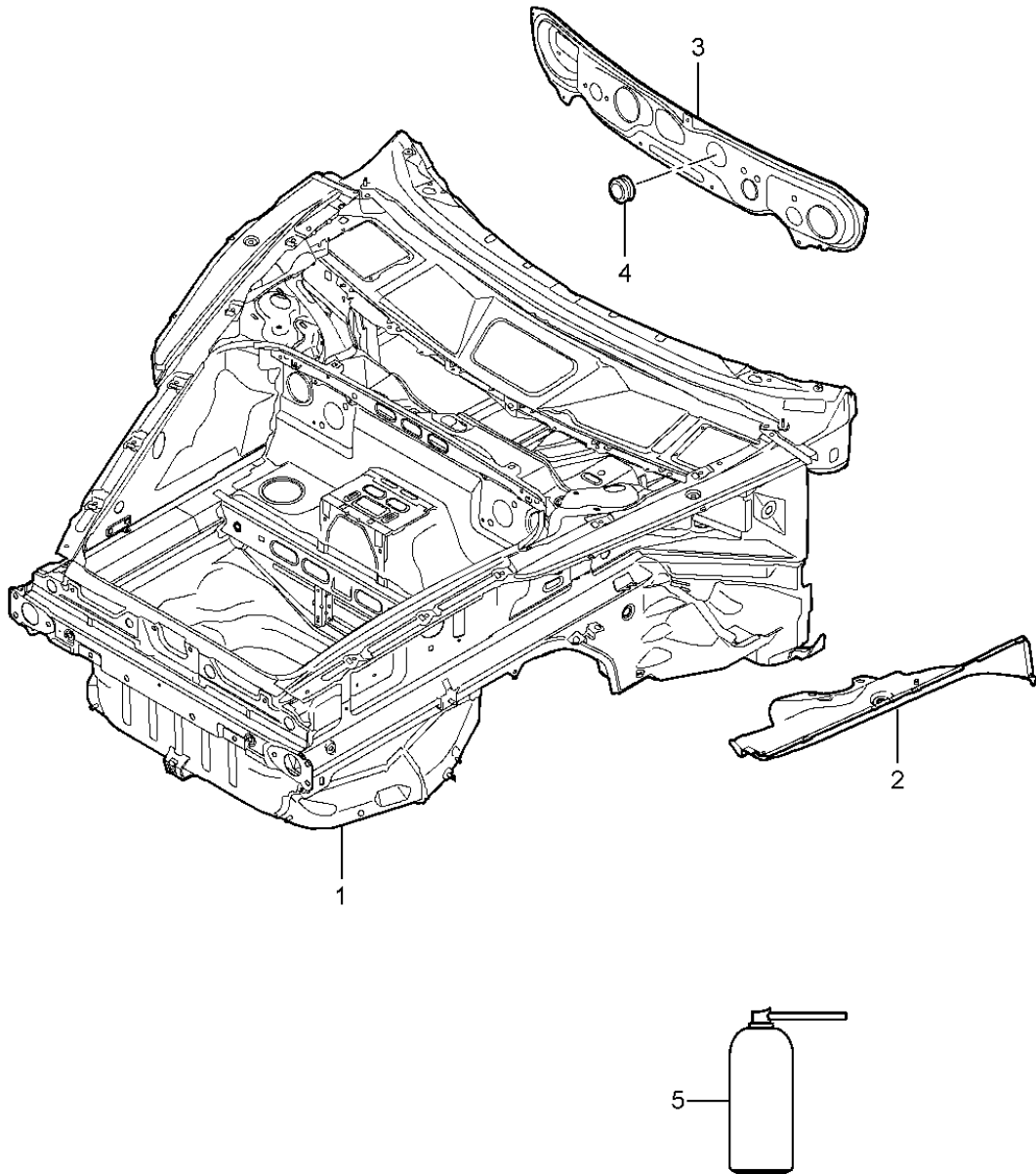
Model: 997 05

Model life 2005>>2008

| Pos | Part Number    | Description  | Remark | Qty | Model |
|-----|----------------|--|--------|-----|-------|
| 1   | 999 703 462 40 | Bungs<br>Plane<br>See workshop manual<br>End cap<br>10 x 6,5 |        | X   |       |
| 2   | 999 703 421 40 | Grommet<br>15 mm   |        | X   |       |
| 4   | 803 803 583 A  | Bungs<br>20 x 30<br>Discontinued part                        |        | X   |       |
| 4   | 999 703 196 40 | End cap<br>20 x 30   |        | X   |       |
| 5   | 999 703 420 40 | Bungs<br>20,3 x 30 x 11                                      |        | X   |       |
| 6   | 803 803 583    | Rubber grommet<br>30 x 40<br>Discontinued part               |        | X   |       |
| 6   | 999 703 195 40 | Rubber grommet<br>30 x 40                                    |        | X   |       |
| 7   | 999 703 433 40 | Bungs<br>30 x 42   |        | X   |       |
| 8   | 999 703 454 40 | Cover<br>55 x 70   |        | X   |       |

Model: 997 05

Model life 2005>>2008



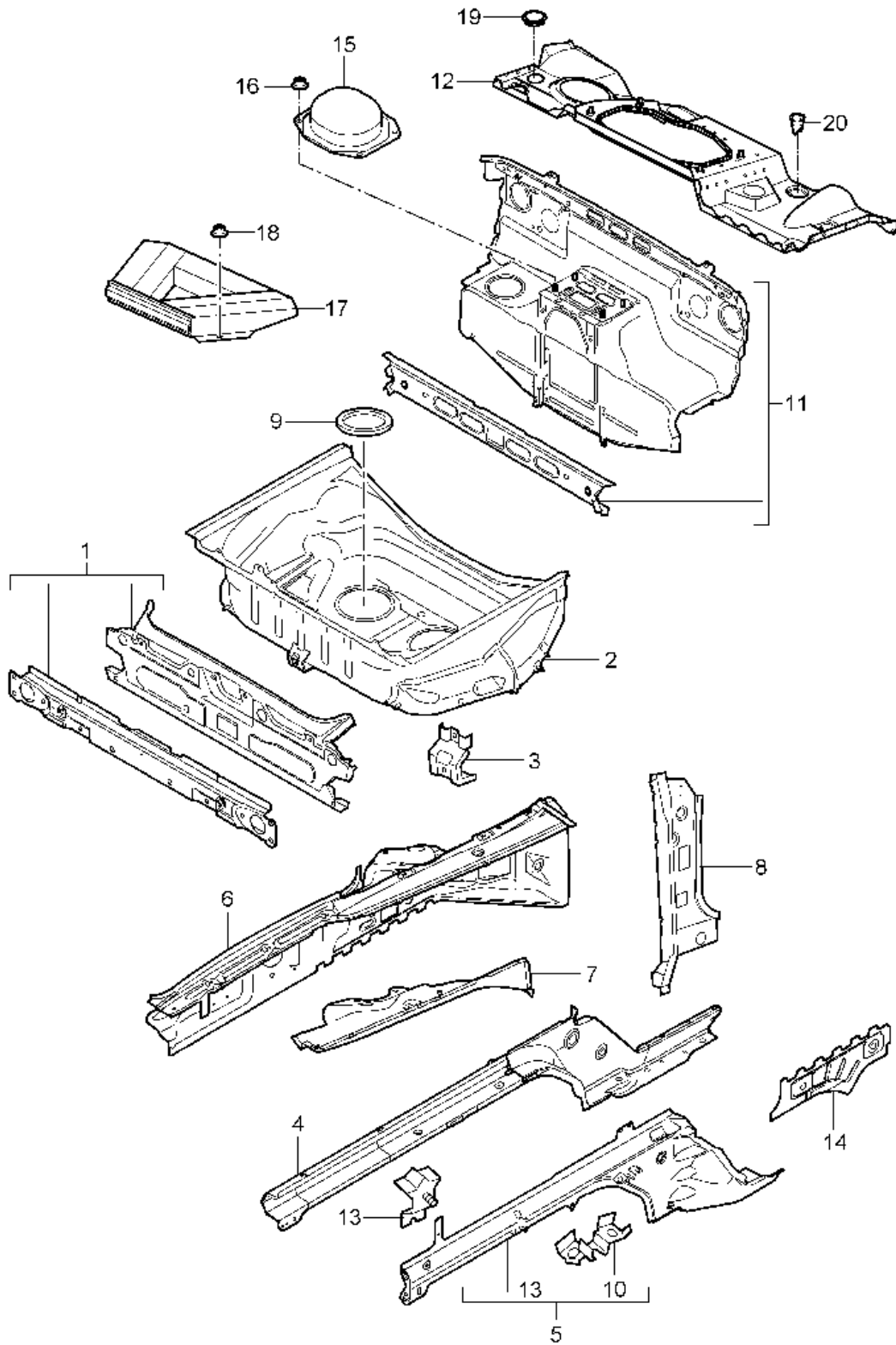


Model: 997 05 Model life 2005>>2008

| Pos | Part Number                          | Description   | Remark | Qty | Model      |
|-----|--------------------------------------|---|--------|-----|------------|
| 1   | 997 501 911 00<br>997 501 911 00 GRV | Front end<br>Front end<br>primed<br><br>also use:<br>sealant<br>Pos. 5<br>Processing instructions<br>See technical manual |        | 1   | PR:338     |
| 1   | 997 501 911 01<br>997 501 911 01 GRV | Front end<br>primed<br><br>also use:<br>sealant<br>Pos. 5<br>Processing instructions<br>See technical manual              | lhd    | 1   | PR:339,098 |
| 1   | 997 501 911 02<br>997 501 911 02 GRV | Front end<br>primed<br><br>also use:<br>sealant<br>Pos. 5<br>Processing instructions<br>See technical manual              | rhd    | 1   | PR:339,099 |
| -   |                                      | also use:   |        |     |            |
| 2   | 997 501 945 00<br>997 501 945 00 GRV | Lower part<br>primed  | left   | 1   |            |
| (2) | 997 501 946 00<br>997 501 946 00 GRV | Bottom half<br>Discontinued part<br>primed  | right  | 1   |            |
| (2) | 997 501 946 01<br>997 501 946 01 GRV | Lower part<br>primed  | right  | 1   |            |
| 3   | 997 504 121 00                       | Cover   | lhd    | 1   | PR:098     |
| (3) | 997 504 121 01                       | Cover   | rhd    | 1   | PR:099     |
| -   |                                      | also use:   |        |     |            |
| -   | 000 043 300 94                       | Adhesive set  |        | 1   |            |
| 4   | 999 702 255 41                       | End cap<br>62,5 X 72,6  |        | 1   |            |
| 5   | 999 915 337 40                       | sealant   |        | 1   |            |

Model: 997 05

Model life 2005>>2008



Model: 997 05 Model life 2005>>2008

| Pos  | Part Number        | Description        | Remark | Qty | Model                  |
|------|--------------------|--------------------|--------|-----|------------------------|
|      |                    | Front end          |        |     |                        |
|      |                    | Individual parts   |        |     |                        |
| 1    | 997 501 931 00     | Cross panel        |        | 1   |                        |
|      | 997 501 931 00 GRV | primed             |        |     |                        |
| 2    | 997 501 979 00     | Spare wheel well   |        | 1   | CARRERA /S             |
|      | 997 501 979 00 GRV | primed             |        |     |                        |
| 2    | 997 501 979 01     | Spare wheel well   |        | 1   | CARRERA 4/4S           |
|      | 997 501 979 01 GRV | primed             |        |     |                        |
| 3    | 996 501 621 00     | Bracket            |        | 3   |                        |
|      | 996 501 621 00 GRV | primed             |        |     |                        |
| 4    | 997 501 305 01     | Side member        | left   | 1   |                        |
|      |                    | Discontinued part  |        |     |                        |
|      | 997 501 305 01 GRV | primed             |        |     |                        |
| 4    | 997 501 905 00     | Side member        | left   | 1   |                        |
|      | 997 501 905 00 GRV | primed             |        |     |                        |
| (4)  | 997 501 306 01     | Side member        | right  | 1   |                        |
|      |                    | Discontinued part  |        |     |                        |
|      | 997 501 306 01 GRV | primed             |        |     |                        |
| (4)  | 997 501 906 00     | Side member        | right  | 1   |                        |
|      | 997 501 906 00 GRV | primed             |        |     |                        |
| 5    | 997 501 915 00     | Side member        | left   | 1   |                        |
|      |                    | Discontinued part  |        |     |                        |
|      | 997 501 915 00 GRV | primed             |        |     |                        |
| 5    | 997 501 915 01     | Side member        | left   | 1   |                        |
|      | 997 501 915 01 GRV | primed             |        |     |                        |
| (5)  | 997 501 916 00     | Side member        | right  | 1   |                        |
|      |                    | Discontinued part  |        |     |                        |
|      | 997 501 916 00 GRV | primed             |        |     |                        |
| (5)  | 997 501 916 01     | Side member        | right  | 1   |                        |
|      | 997 501 916 01 GRV | primed             |        |     |                        |
| 6    | 997 501 935 00     | Wheel housing      | left   | 1   |                        |
|      |                    | Discontinued part  |        |     |                        |
|      | 997 501 935 00 GRV | primed             |        |     |                        |
| 6    | 997 501 935 01     | Wheel housing      | left   | 1   |                        |
|      | 997 501 935 01 GRV | primed             |        |     |                        |
| (6)  | 997 501 936 01     | Wheel housing      | right  | 1   |                        |
|      | 997 501 936 01 GRV | primed             |        |     |                        |
| 7    | 997 501 945 00     | Lower part         | left   | 1   |                        |
|      | 997 501 945 00 GRV | primed             |        |     |                        |
| (7)  | 997 501 946 00     | Bottom half        | right  | 1   |                        |
|      |                    | Discontinued part  |        |     |                        |
|      | 997 501 946 00 GRV | primed             |        |     |                        |
| (7)  | 997 501 946 01     | Lower part         | right  | 1   |                        |
|      | 997 501 946 01 GRV | primed             |        |     |                        |
| 8    | 997 501 937 00     | Hinge pillar       | left   | 1   |                        |
|      | 997 501 937 00 GRV | primed             |        |     |                        |
| (8)  | 997 501 938 00     | Hinge pillar       | right  | 1   |                        |
|      | 997 501 938 00 GRV | primed             |        |     |                        |
| 9    | 996 504 201 01     | Cover              |        | 2   |                        |
|      |                    | \$ 145 MM          |        |     |                        |
| 10   | 996 501 815 02     | Brake line bracket |        | 2   |                        |
|      | 996 501 815 02 GRV | primed             |        |     |                        |
| 11   | 997 502 921 00     | filler plate       |        | 1   | CARRERA /S             |
|      | 997 502 921 00 GRV | primed             |        |     |                        |
| (11) | 997 502 915 00     | filler plate       | lhd    | 1   | CARRERA 4/4S<br>PR:098 |
|      |                    | D - MJ 2006>>      |        |     |                        |
|      | 997 502 915 00 GRV | primed             |        |     |                        |
| (11) | 997 502 915 01     | filler plate       | rhd    | 1   | CARRERA 4/4S<br>PR:099 |
|      |                    | D - MJ 2006>>      |        |     |                        |
|      | 997 502 915 01 GRV | primed             |        |     |                        |
| 12   | 997 502 017 01     | Cross panel        |        | 1   | CARRERA /S             |
|      | 997 502 017 01 GRV | primed             |        |     |                        |
| (12) | 997 502 017 00     | Cross panel        |        | 1   | CARRERA 4/4S           |

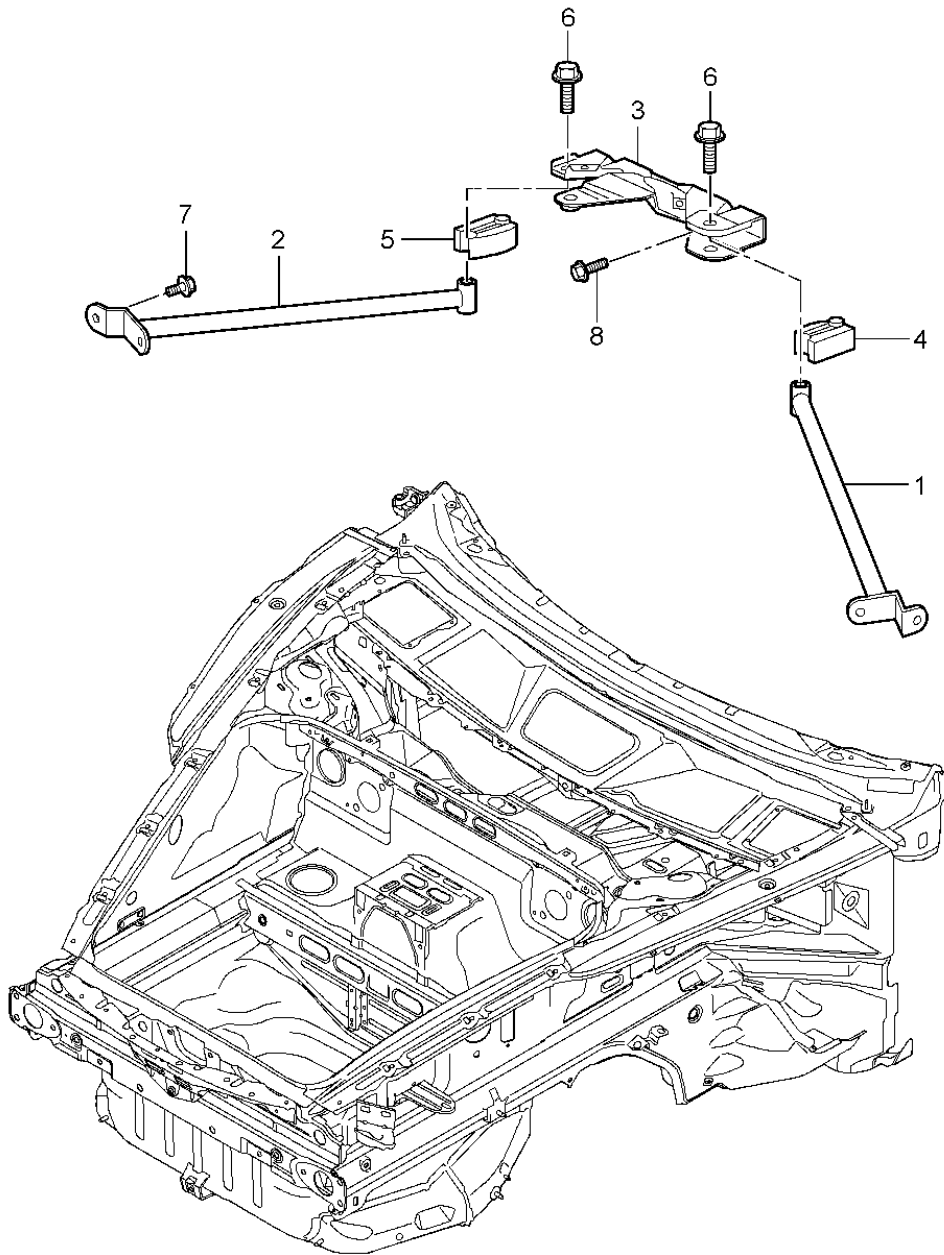
Model: 997 05

Model life 2005>>2008

| Pos  | Part Number        | Description       | Remark | Qty | Model        |
|------|--------------------|-------------------|--------|-----|--------------|
| 13   | 997 502 017 00 GRV | primed            |        |     |              |
|      | 996 501 341 00     | Bracket           |        | 2   |              |
| 14   | 996 501 341 00 GRV | primed            |        |     |              |
|      | 997 501 665 01     | Web plate         | left   | 1   |              |
| (14) | 997 501 665 01 GRV | primed            |        |     |              |
|      | 997 501 666 01     | Web plate         | right  | 1   |              |
|      | 997 501 666 01 GRV | primed            |        |     |              |
| 15   | 997 504 471 00     | Cover             |        | 1   | CARRERA 4/4S |
|      |                    | filler plate      |        |     |              |
| 16   | 900 380 015 09     | Hexagon nut       |        | 7   |              |
|      |                    | M6                |        |     |              |
| 17   | 997 504 403 00     | Insert            |        | 1   | CARRERA 4/4S |
|      |                    | Spare wheel well  |        |     |              |
| 18   | 999 084 638 09     | Hexagon nut       |        | 3   |              |
|      |                    | m 6               |        |     |              |
| 19   | 803 803 583        | Rubber grommet    |        | 1   |              |
|      |                    | 30,0 X 40,0       |        |     |              |
|      |                    | Discontinued part |        |     |              |
| 19   | 999 703 195 40     | Rubber grommet    |        | 1   |              |
|      |                    | 30,0 X 40,0       |        |     |              |
| 20   | 999 703 476 40     | Grommet           |        | 4   |              |
|      |                    | 29,8 X 1,0        |        |     |              |
|      |                    | Discontinued part |        |     |              |
| 20   | 999 703 476 41     | Grommet           |        | 4   |              |
|      |                    | 29,8 X 1,0        |        |     |              |

Model: 997 05

Model life 2005>>2008



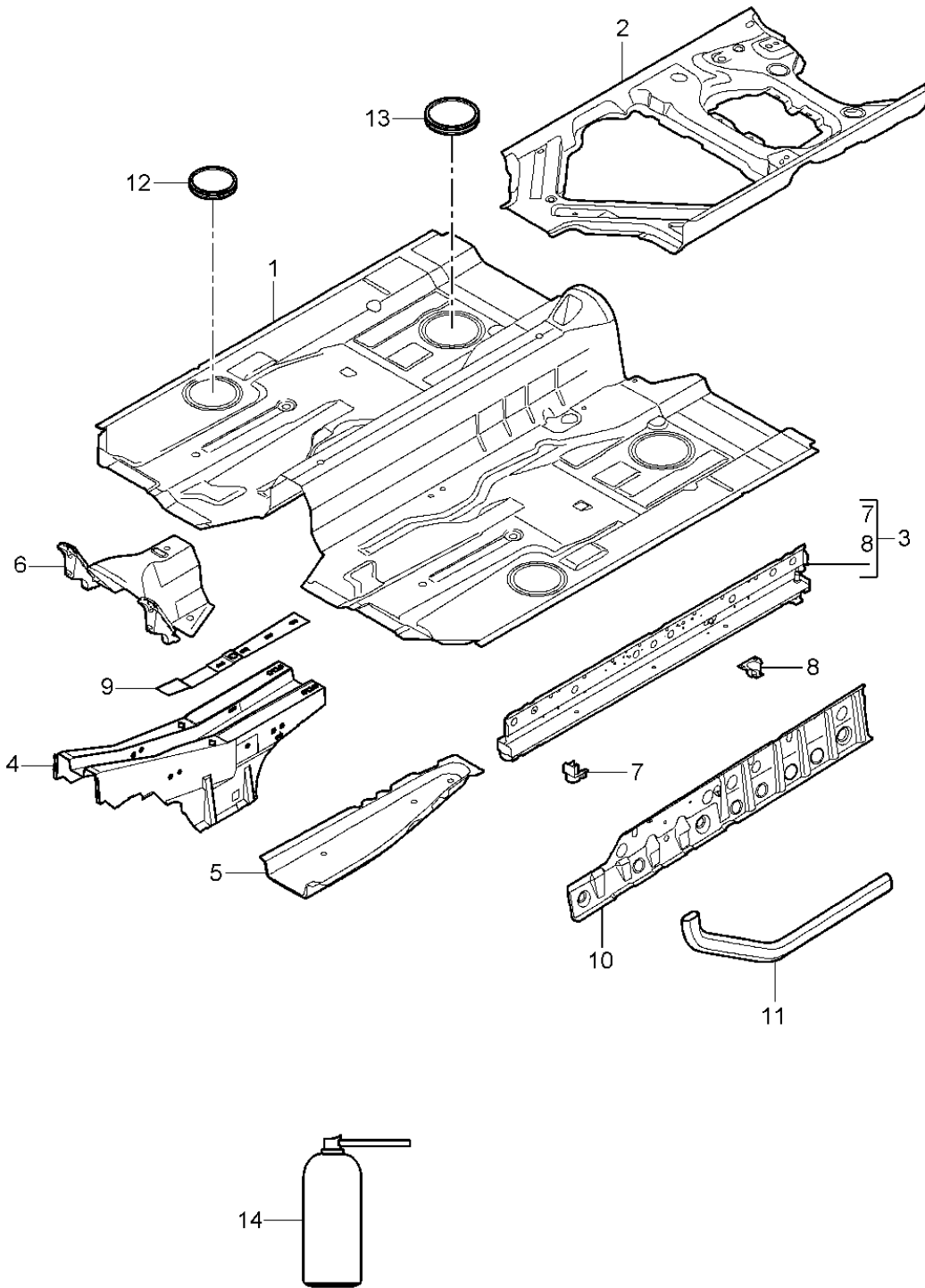
Model: 997 05

Model life 2005&gt;&gt;2008

| Pos | Part Number    | Description                  | Remark | Qty | Model |
|-----|----------------|------------------------------|--------|-----|-------|
| 1   | 996 504 233 01 | Dome strut                   | left   | 1   |       |
| 2   | 996 504 234 01 | Dome strut                   | right  | 1   |       |
| 3   | 997 504 359 00 | Console<br>Discontinued part |        | 1   |       |
| 3   | 997 504 359 01 | Console                      |        | 1   |       |
| 4   | 996 504 633 00 | Filler piece                 | left   | 1   |       |
| 5   | 996 504 634 00 | Filler piece                 | right  | 1   |       |
| 6   | 900 378 100 09 | Hexagon bolt<br>AM 10 X 45   |        | 2   |       |
| 7   | 900 075 010 09 | Hexagon bolt<br>M 6 X 12     |        | 4   |       |
| 8   | 900 378 173 01 | Hexagon bolt<br>M 6 X 20     |        | 4   |       |

Model: 997 05

Model life 2005>>2008



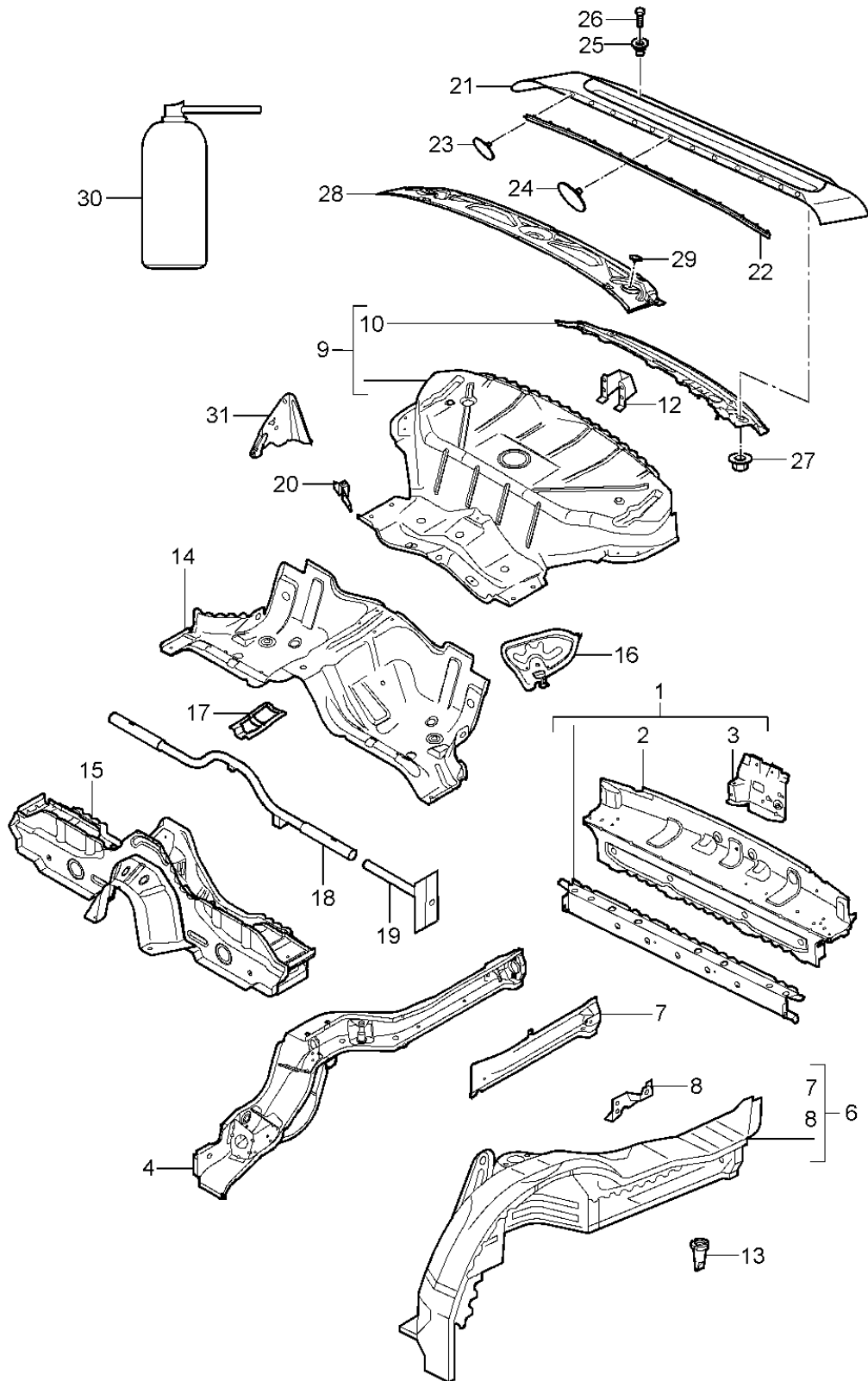
Model: 997 05 Model life 2005>>2008

| Pos  | Part Number        | Description                     | Remark      | Qty | Model |
|------|--------------------|---------------------------------|-------------|-----|-------|
| -    | 000 043 206 29     | Floor<br>Adhesive set           | center      | X   |       |
| -    | 000 043 206 30     | Body<br>comprising:<br>adhesive |             | 1   |       |
| -    | 000 043 206 31     | Double cartridge gun            |             | 1   |       |
| -    | 000 043 206 32     | emulsion tube                   |             | 1   |       |
| -    | 000 043 206 33     | activator                       |             | 1   |       |
| 1    | 997 501 551 00     | Floor                           |             | 1   |       |
|      | 997 501 551 00 GRV | primed                          |             |     |       |
| 2    | 997 501 953 00     | Seat support                    | left        | 1   |       |
|      | 997 501 953 00 GRV | primed                          |             |     |       |
| 3    | 997 501 157 00     | Side member                     | left        | 1   |       |
|      | 997 501 157 00 GRV | primed                          |             |     |       |
| (3)  | 997 501 158 00     | Side member                     | right       | 1   |       |
|      | 997 501 158 00 GRV | primed                          |             |     |       |
| 4    | 997 501 409 00     | Support                         | front       | 1   |       |
| 5    | 997 501 525 00     | Side member                     | left        | 1   |       |
|      | 997 501 525 00 GRV | primed                          |             |     |       |
| (5)  | 997 501 526 00     | Side member                     | right       | 1   |       |
|      | 997 501 526 00 GRV | primed                          |             |     |       |
| 6    | 996 501 751 00     | Extension                       |             | 1   |       |
|      | 996 501 751 00 GRV | primed                          |             |     |       |
| 7    | 996 501 785 00     | socket - jack                   | left front  | 1   |       |
|      | 996 501 785 00 GRV | primed                          |             |     |       |
| (7)  | 996 501 786 00     | socket - jack                   | right front | 1   |       |
|      | 996 501 786 00 GRV | primed                          |             |     |       |
| 8    | 996 501 481 01     | socket - jack                   | left rear   | 1   |       |
|      | 996 501 481 01 GRV | primed                          |             |     |       |
| (8)  | 996 501 482 01     | socket - jack                   | right rear  | 1   |       |
|      | 996 501 482 01 GRV | primed                          |             |     |       |
| 9    | 997 501 619 00     | Closing element                 |             | 1   |       |
| 10   | 997 501 329 00     | Retaining plate                 | left        | 1   |       |
|      | 997 501 329 00 GRV | primed                          |             |     |       |
| (10) | 997 501 330 00     | Retaining plate                 | right       | 1   |       |
|      | 997 501 330 00 GRV | primed                          |             |     |       |
| 11   | 997 501 439 00     | Support tube                    |             | 2   |       |
|      | 997 501 439 00 GRV | primed                          |             |     |       |
|      |                    | also use:                       |             |     |       |
|      |                    | sealant                         |             |     |       |
|      |                    | Pos. 14                         |             |     |       |
|      |                    | Processing instructions         |             |     |       |
|      |                    | See technical manual            |             |     |       |
|      |                    | 51 49 55                        |             |     |       |
| 12   | 996 504 205 01     | Cover                           |             | 2   |       |
|      |                    | \$ 125 MM                       |             |     |       |
| 13   | 996 504 201 01     | Cover                           |             | 2   |       |
|      |                    | \$ 145 MM                       |             |     |       |
| 14   | 999 915 337 40     | sealant                         |             | 1   |       |



Model: 997 05

Model life 2005>>2008



Model: 997 05

Model life 2005>>2008

| Pos  | Part Number        | Description             | Remark | Qty | Model       |
|------|--------------------|-------------------------|--------|-----|-------------|
| 1    | 997 501 973 00     | Rear end<br>Cross panel |        | 1   |             |
|      | 997 501 973 00 GRV | primed                  |        |     |             |
| 1    | 997 501 973 04     | Cross panel             |        | 1   |             |
|      | 997 501 973 04 GRV | primed                  |        |     |             |
| 2    | 997 501 273 00     | Cross panel             |        | 1   |             |
|      | 997 501 273 00 GRV | primed                  |        |     |             |
| 3    | 997 501 247 00     | lock carrier            |        | 1   |             |
|      | 997 501 247 00 GRV | primed                  |        |     |             |
| 4    | 997 501 977 00     | Side member             | left   | 1   |             |
|      | 997 501 977 00 GRV | primed                  |        |     |             |
|      |                    | also use:               |        |     |             |
|      |                    | sealant                 |        |     |             |
|      |                    | POS. 30                 |        |     |             |
|      |                    | Processing instructions |        |     |             |
|      |                    | See technical manual    |        |     |             |
|      |                    | 53 48 55                |        |     |             |
| (4)  | 997 501 978 00     | Side member             | right  | 1   |             |
|      | 997 501 978 00 GRV | primed                  |        |     |             |
|      |                    | also use:               |        |     |             |
|      |                    | sealant                 |        |     |             |
|      |                    | Pos. 30                 |        |     |             |
|      |                    | Processing instructions |        |     |             |
|      |                    | See technical manual    |        |     |             |
|      |                    | 53 48 55                |        |     |             |
| 6    | 997 501 943 00     | Wheel housing           | left   | 1   | COUPE/TARGA |
|      | 997 501 943 00 GRV | primed                  |        |     |             |
|      |                    | modify in workshop      |        |     |             |
|      |                    | See workshop manual     |        |     |             |
| (6)  | 997 501 944 00     | Wheel housing           | right  | 1   | COUPE/TARGA |
|      | 997 501 944 00 GRV | primed                  |        |     |             |
|      |                    | modify in workshop      |        |     |             |
|      |                    | See workshop manual     |        |     |             |
| (6)  | 997 501 943 01     | Wheel housing           | left   | 1   | CABRIO      |
|      | 997 501 943 01 GRV | primed                  |        |     |             |
| (6)  | 997 501 944 05     | Wheel housing           | right  | 1   | CABRIO      |
|      | 997 501 944 05 GRV | primed                  |        |     |             |
|      |                    | modify in workshop      |        |     |             |
|      |                    | See workshop manual     |        |     |             |
| 7    | 996 501 595 01     | Side member             | left   | 1   |             |
|      | 996 501 595 01 GRV | primed                  |        |     |             |
| (7)  | 996 501 596 01     | Side member             | right  | 1   |             |
|      | 996 501 596 01 GRV | primed                  |        |     |             |
| 8    | 996 501 571 00     | Console                 | left   | 1   | CABRIO      |
|      | 996 501 571 00 GRV | primed                  |        |     |             |
| (8)  | 996 501 572 00     | Console                 | right  | 1   | CABRIO      |
|      | 996 501 572 00 GRV | primed                  |        |     |             |
| 9    | 997 502 911 00     | rear panel              |        | 1   |             |
|      | 997 502 911 00 GRV | primed                  |        |     |             |
|      |                    | also use:               |        |     |             |
|      |                    | POS. 12                 |        |     | CABRIO      |
|      |                    | See workshop manual     |        |     |             |
| 10   | 997 502 373 00     | Cross member            |        | 1   | COUPE       |
|      | 997 502 373 00 GRV | primed                  |        |     |             |
| (10) | 997 502 673 01     | Cross member            |        | 1   | CABRIO      |
|      | 997 502 673 01 GRV | primed                  |        |     |             |
| (10) | 997 502 373 01     | Cross member            |        | 1   | TARGA       |
|      | 997 502 373 01 GRV | primed                  |        |     |             |
| (10) | 997 502 561 00     | Cross member            |        | 1   | CABRIO      |
|      | 997 502 561 00 GRV | primed                  |        |     |             |
|      |                    | Upper part              |        |     |             |
| 12   | 997 502 525 00     | Console                 |        | 1   | CABRIO      |
|      | 997 502 525 00 GRV | primed                  |        |     |             |

Model: 997 05 Model life 2005>>2008

| Pos  | Part Number        | Description                         | Remark    | Qty | Model  |
|------|--------------------|-------------------------------------|-----------|-----|--------|
| 13   | 996 561 825 00     | Water drain valve                   | rear      | 2   |        |
|      |                    | Wheel housing                       |           |     |        |
| 14   | 997 501 549 00     | Seat well                           |           | 1   |        |
|      | 997 501 549 00 GRV | primed                              |           |     |        |
| 15   | 997 501 955 00     | Cross member                        |           | 1   |        |
|      | 997 501 955 00 GRV | primed                              |           |     |        |
| 16   | 996 501 461 02     | Reinforcement                       | left      | 1   |        |
|      | 996 501 461 02 GRV | primed                              |           |     |        |
| (16) | 996 501 462 02     | Reinforcement                       | right     | 1   |        |
|      | 996 501 462 02 GRV | primed                              |           |     |        |
| 17   | 996 501 659 01     | Console                             |           | 1   |        |
|      | 996 501 659 01 GRV | primed                              |           |     |        |
| 18   | 996 501 411 00     | Pipe                                |           | 1   |        |
|      | 996 501 411 00 GRV | primed                              |           |     |        |
| (19) | 996 501 415 00     | Sleeve                              |           | 2   |        |
|      | 996 501 415 00 GRV | primed                              |           |     |        |
| 20   | 997 501 611 00     | Support                             | left      | 1   | CABRIO |
|      | 997 501 611 00 GRV | primed<br>roll bar                  |           |     |        |
| (20) | 997 501 612 00     | Support                             | right     | 1   | CABRIO |
|      | 997 501 612 00 GRV | primed<br>roll bar                  |           |     |        |
| 21   | 997 504 345 00     | Rear centre panel                   |           | 1   | COUPE  |
|      |                    | D >> - MJ 2006<br>Discontinued part |           |     |        |
|      | 997 504 345 00 GRV | primed                              |           |     |        |
| (21) | 997 504 345 03     | Rear centre panel                   |           | 1   | COUPE  |
|      | 997 504 345 03 GRV | primed                              |           |     |        |
| (21) | 997 504 545 02     | Rear centre panel                   | outer     | 1   | TARGA  |
|      | 997 504 545 02 GRV | primed                              |           |     |        |
| 22   | 997 504 612 00     | Seal                                |           | 1   | COUPE  |
| 22   | 997 504 612 01     | Seal                                |           | 1   | TARGA  |
|      |                    | Rear centre panel<br>primed         |           |     |        |
| 23   | 999 507 973 40     | Mount                               |           | 2   | COUPE  |
|      |                    | 2,8 X 6 X 30                        |           |     |        |
| 24   | 999 507 974 40     | Mount                               |           | 10  | COUPE  |
|      |                    | 2,8 X 6 X 50                        |           |     |        |
| 25   | 999 500 109 02     | rivetted cap nut                    |           | 3   | COUPE  |
|      |                    | M 6/0,8 - 3                         |           |     |        |
| 26   | 999 073 263 09     | Bolt with washer                    |           | 3   | COUPE  |
|      |                    | M 6 X 12                            |           |     |        |
| 27   | 999 076 029 02     | Hexagon nut                         |           | 2   |        |
|      |                    | M 6                                 |           |     |        |
| 28   | 997 502 409 01     | Closing plate                       |           | 1   | COUPE  |
|      | 997 502 409 01 GRV | primed<br>Rear centre panel         |           |     |        |
| (28) | 997 502 409 02     | Closing plate                       | also use: | 1   | TARGA  |
|      | 997 502 409 02 GRV | primed<br>Rear centre panel         |           |     |        |
| -    | 999 915 650 40     | adhesive                            | also use: | X   |        |
|      |                    | TEROMIX 6700                        |           |     |        |
| -    | 000 043 300 48     | Tool set                            |           | X   |        |
| -    |                    |                                     | also use: |     |        |
| -    | 000 043 206 29     | Adhesive set                        |           | X   |        |
|      |                    | Body                                |           |     |        |
|      |                    | comprising:                         |           |     |        |
| -    | 000 043 206 30     | adhesive                            |           | 1   |        |
| -    | 000 043 206 31     | Double cartridge gun                |           | 1   |        |
| -    | 000 043 206 32     | emulsion tube                       |           | 1   |        |
| -    | 000 043 206 33     | activator                           |           | 1   |        |

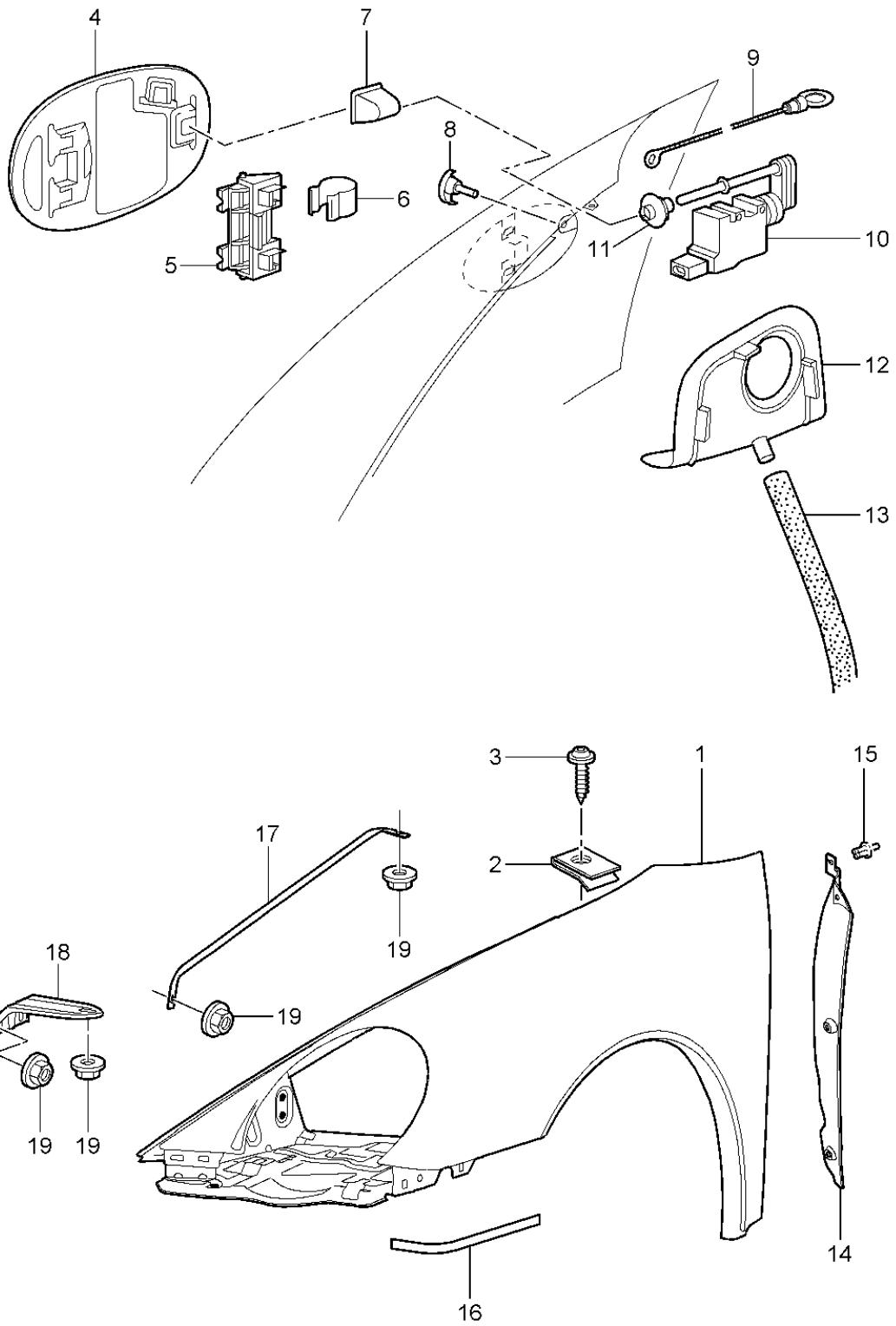
Model: 997 05

Model life 2005>>2008

| Pos  | Part Number        | Description         | Remark | Qty | Model       |
|------|--------------------|---------------------|--------|-----|-------------|
| 29   | 999 507 838 40     | Bungs<br>10,0 X 0,9 |        | 4   | TARGA       |
| 30   | 999 915 337 40     | sealant             |        | 1   |             |
| (31) | 997 504 797 00     | Console             | left   | 1   |             |
|      | 997 504 797 00 GRV | primed<br>Belt      |        |     |             |
| 31   | 997 504 798 00     | Console             | right  | 1   |             |
|      | 997 504 798 00 GRV | primed<br>Belt      |        |     |             |
| 32   | 996 502 653 01     | Connection piece    | left   | 1   | COUPE/TARGA |
|      | 996 502 653 01 GRV | primed              |        |     |             |
| (32) | 996 502 654 01     | Connection piece    | right  | 1   | COUPE/TARGA |
|      | 996 502 654 01 GRV | primed              |        |     |             |
| (32) | 997 502 553 00     | Connection piece    | left   | 1   | CABRIO      |
|      | 997 502 553 00 GRV | primed              |        |     |             |
| (32) | 997 502 554 00     | Connection piece    | right  | 1   | CABRIO      |
|      | 997 502 554 00 GRV | primed              |        |     |             |

Model: 997 05

Model life 2005>>2008

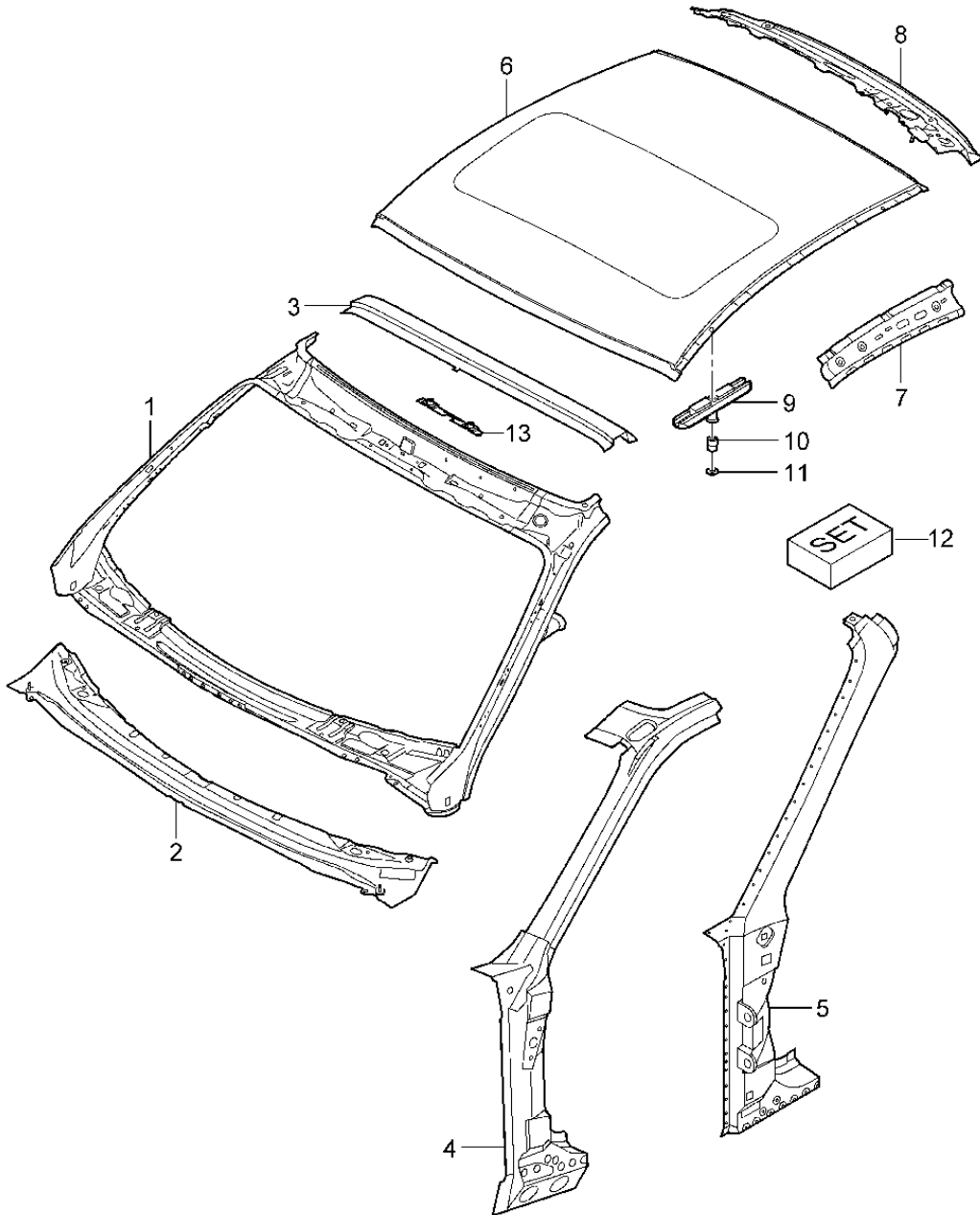


Model: 997 05 Model life 2005>>2008

| Pos  | Part Number        | Description                  | Remark | Qty | Model  |
|------|--------------------|------------------------------|--------|-----|--------|
| 1    | 997 503 031 00     | Wing                         | left   | 1   |        |
| (1)  | 997 503 031 00 GRV | Wing primed                  |        |     |        |
| (1)  | 997 503 032 00     | Wing                         | right  | 1   |        |
| (1)  | 997 503 032 00 GRV | Discontinued part primed     |        |     |        |
| (1)  | 997 503 932 00     | Wing                         | right  | 1   |        |
| (1)  | 997 503 932 00 GRV | D >> - MJ 2005 primed        |        |     |        |
| (1)  | 997 503 932 01     | Wing                         | right  | 1   | PR:461 |
| (1)  | 997 503 932 01 GRV | D >> - MJ 2005 primed        |        |     |        |
| (1)  | 997 503 032 03     | Wing                         | right  | 1   | PR:461 |
| (1)  | 997 503 032 03 GRV | D - MJ 2006>> primed         |        |     |        |
| 2    | 999 507 003 02     | panel nut                    |        | 22  |        |
| 2    | 999 507 003 01     | ST 6,3                       |        |     |        |
| 2    | 999 507 003 01     | Discontinued part panel nut  |        | 22  |        |
| 3    | 999 073 128 02     | ST 6,3                       |        |     |        |
| 3    | 999 073 128 02     | panel screw                  |        | 22  |        |
| 4    | 997 504 134 00     | ST 6,3 X 14                  |        |     |        |
| 4    | 997 504 134 00 GRV | Fuel filler flap primed      |        | 1   |        |
| 5    | 996 201 063 00     | Hinge                        |        | 1   |        |
| 6    | 997 504 711 00     | Spring                       |        | 1   |        |
| 7    | 996 201 423 00     | Cap                          |        | 1   |        |
| 8    | 997 504 888 01     | Rubber stop                  |        | 1   |        |
| 9    | 996 201 493 00     | Emergency operation          |        | 1   |        |
| 10   | 997 624 113 00     | throttle control element     |        | 1   |        |
| 11   | 996 624 505 02     | Guide rose                   |        | 1   |        |
| 11   | 997 624 505 00     | Discontinued part Guide rose |        | 1   |        |
| 12   | 996 201 667 01     | Sleeve                       |        | 1   |        |
| 12   | 997 201 667 00     | D >> - MJ 2005 Sleeve        |        | 1   |        |
| 12   | 997 201 667 00     | D - MJ 2006>>                |        |     |        |
| 13   | 996 201 153 00     | Hose                         |        | 1   |        |
| 14   | 997 504 641 01     | lining for fender            | left   | 1   |        |
| 14   | 997 504 641 01 01C | Discontinued part Black      |        |     |        |
| 14   | 997 504 641 02     | lining for fender            | left   | 1   |        |
| (14) | 997 504 641 02 01C | Black                        |        |     |        |
| (14) | 997 504 642 01     | lining for fender            | right  | 1   |        |
| (14) | 997 504 642 01 01C | Discontinued part Black      |        |     |        |
| (14) | 997 504 642 02     | lining for fender            | right  | 1   |        |
| (14) | 997 504 642 02 01C | Black                        |        |     |        |
| 15   | 999 591 712 40     | Spreader rivet               |        | 6   |        |
| 16   | 997 504 531 00     | A 6,0 X 12,0 Protective film | left   | 1   |        |
| (16) | 997 504 532 00     | Protective film              | right  | 1   |        |
| 17   | 997 504 441 00     | Brace                        |        | 2   |        |
| 18   | 997 504 441 00 GRV | primed                       |        |     |        |
| 18   | 997 504 555 00     | Console                      |        | 2   |        |
| 18   | 997 504 555 00 GRV | primed                       |        |     |        |
| 19   | 900 377 010 09     | Hexagon nut                  |        | X   |        |
|      |                    | M 6                          |        |     |        |

Model: 997 05

Model life 2005>>2008



Model: 997 05 Model life 2005>>2008

| Pos | Part Number        | Description                       | Remark         | Qty | Model  |
|-----|--------------------|-----------------------------------|----------------|-----|--------|
| 1   | 997 502 137 00     | Scuttle                           |                | 1   | COUPE  |
| (1) | 997 502 137 00 GRV | Scuttle primed                    | inner          | 1   | CABRIO |
| (1) | 997 502 137 01     | Scuttle                           |                | 1   | TARGA  |
| (1) | 997 502 137 01 GRV | Scuttle primed                    | inner          | 1   |        |
| 2   | 997 502 137 02     | Scuttle                           |                | 1   |        |
|     | 997 502 137 02 GRV | Scuttle primed                    | inner          | 1   |        |
| 2   | 997 502 437 00     | Scuttle                           |                | 1   |        |
|     | 997 502 437 00 GRV | Scuttle primed                    | outer          | 1   |        |
| 3   | 996 502 529 00     | Scuttle                           |                | 1   | CABRIO |
|     | 996 502 529 00 GRV | Scuttle primed                    | outer          | 1   |        |
| (3) | 997 502 529 01     | Scuttle                           |                | 1   | TARGA  |
|     | 997 502 529 01 GRV | Scuttle primed                    | outer          | 1   |        |
| 4   | 997 502 135 00     | Reinforcement for A-pillar        | left           | 1   | COUPE  |
|     |                    | also use:                         | 000 043 204 38 | 1   |        |
|     |                    | D >> - MJ 2006                    |                |     |        |
| (4) | 997 502 135 00 GRV | Reinforcement for A-pillar primed | inner          | 1   | COUPE  |
| (4) | 997 502 135 03     | Reinforcement for A-pillar        | left           | 1   | COUPE  |
|     |                    | also use:                         | 000 043 204 38 | 1   |        |
|     |                    | D - MJ 2007>>                     |                |     |        |
| (4) | 997 502 135 03 GRV | Reinforcement for A-pillar primed | inner          | 1   | COUPE  |
| (4) | 997 502 136 00     | Reinforcement for A-pillar        | right          | 1   | COUPE  |
|     |                    | also use:                         | 000 043 204 38 | 1   |        |
|     |                    | D >> - MJ 2006                    |                |     |        |
| (4) | 997 502 136 00 GRV | Reinforcement for A-pillar primed | inner          | 1   | COUPE  |
| (4) | 997 502 136 03     | Reinforcement for A-pillar        | right          | 1   | COUPE  |
|     |                    | also use:                         | 000 043 204 38 | 1   |        |
|     |                    | D - MJ 2007>>                     |                |     |        |
| (4) | 997 502 136 03 GRV | Reinforcement for A-pillar primed | inner          | 1   | CABRIO |
| (4) | 997 502 135 01     | Reinforcement for A-pillar        | left           | 1   | CABRIO |
|     |                    | also use:                         | 000 043 204 38 | 1   |        |
|     |                    | D >> - MJ 2006                    |                |     |        |
| (4) | 997 502 135 01 GRV | Reinforcement for A-pillar primed | inner          | 1   | CABRIO |
| (4) | 997 502 135 04     | Reinforcement for A-pillar        | left           | 1   | CABRIO |
|     |                    | also use:                         | 000 043 204 38 | 1   |        |
|     |                    | D - MJ 2007>>                     |                |     |        |
| (4) | 997 502 135 04 GRV | Reinforcement for A-pillar primed | inner          | 1   | CABRIO |
| (4) | 997 502 136 01     | Reinforcement for A-pillar        | right          | 1   | CABRIO |
|     |                    | also use:                         | 000 043 204 38 | 1   |        |
|     |                    | D >> - MJ 2006                    |                |     |        |
| (4) | 997 502 136 01 GRV | Reinforcement for A-pillar primed | inner          | 1   | CABRIO |
| (4) | 997 502 136 04     | Reinforcement for A-pillar        | right          | 1   | CABRIO |
|     |                    | also use:                         | 000 043 204 38 | 1   |        |
|     |                    | D - MJ 2007>>                     |                |     |        |
| (4) | 997 502 136 04 GRV | Reinforcement for A-pillar primed | inner          | 1   | TARGA  |
| (4) | 997 502 135 05     | Reinforcement for A-pillar        | left           | 1   | TARGA  |
|     |                    | also use:                         | 000 043 204 38 | 1   |        |
|     |                    | D - MJ 2007>>                     |                |     |        |
| (4) | 997 502 135 05 GRV | Reinforcement for A-pillar primed | inner          | 1   | TARGA  |
| (4) | 997 502 136 05     | Reinforcement for A-pillar        | right          | 1   | TARGA  |
|     |                    | also use:                         | 000 043 204 38 | 1   |        |
|     |                    | D - MJ 2007>>                     |                |     |        |
| 5   | 997 502 136 05 GRV | Reinforcement for A-pillar primed | inner          | 1   | CABRIO |
| 5   | 997 502 335 00     | Hinge pillar                      | left           | 1   | CABRIO |
|     |                    | also use:                         | 000 043 204 38 | 1   |        |
| (5) | 997 502 335 00 GRV | Hinge pillar primed               | right          | 1   | CABRIO |
| (5) | 997 502 336 00     | Hinge pillar                      | right          | 1   | CABRIO |
|     |                    | also use:                         | 000 043 204 38 | 1   |        |
| 6   | 997 502 336 00 GRV | Hinge pillar primed               |                | 1   |        |
| 6   | 996 503 501 00     | Outer roof panel                  |                | 1   |        |
|     |                    | also use:                         | 000 043 204 38 | 1   |        |
| (6) | 996 503 501 00 GRV | Outer roof panel primed           |                | 1   | PR:461 |
| (6) | 997 503 501 00     | Outer roof panel                  |                | 1   |        |
|     |                    | also use:                         | 000 043 204 38 | 1   |        |
|     | 997 503 501 00 GRV | Outer roof panel primed           |                | 1   |        |

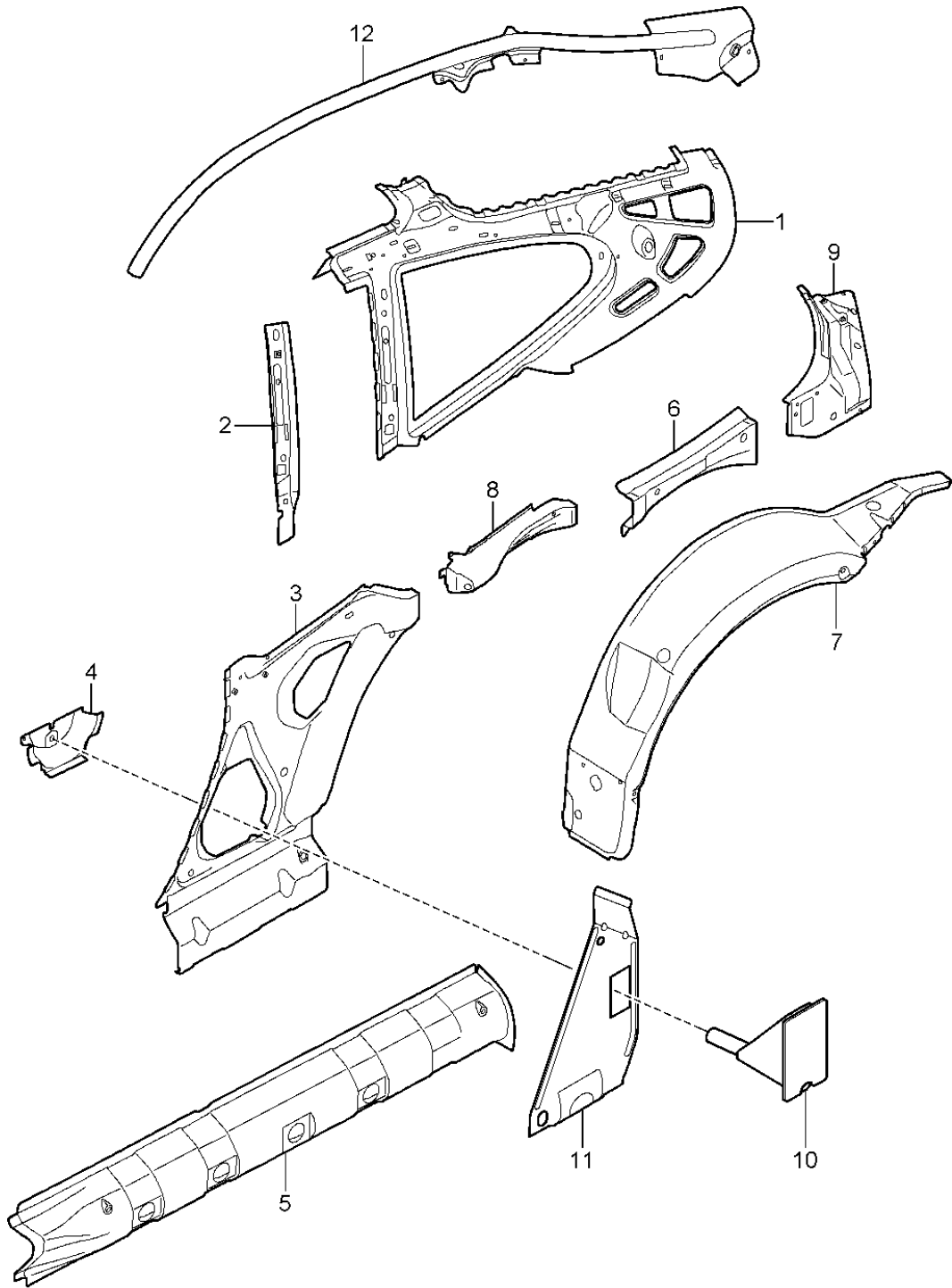


Model: 997 05 Model life 2005>>2008

| Pos | Part Number        | Description                        | Remark         | Qty | Model      |
|-----|--------------------|------------------------------------|----------------|-----|------------|
| (6) | 996 503 087 03     | Outer roof panel                   |                | 1   | PR:650     |
|     |                    | also use:                          | 000 043 204 38 | 1   |            |
|     | 996 503 087 03 GRV | primed                             |                |     |            |
| (6) | 997 503 087 00     | Outer roof panel                   |                | 1   | PR:650,461 |
|     |                    | with:                              |                | 1   |            |
|     |                    | Frame for sliding sunroof aperture | 000 043 204 38 |     |            |
|     |                    | also use:                          |                |     |            |
|     | 997 503 087 00 GRV | primed                             |                |     |            |
| 7   | 996 502 305 03     | roof frame                         | left           | 1   | COUPE      |
|     | 996 502 305 03 GRV | primed                             |                |     |            |
| (7) | 996 502 306 03     | roof frame                         | right          | 1   | COUPE      |
|     | 996 502 306 03 GRV | primed                             |                |     |            |
| (7) | 996 502 205 01     | roof frame                         | left           | 1   | TARGA      |
|     | 996 502 205 01 GRV | primed                             |                |     |            |
| (7) | 996 502 206 01     | roof frame                         | right          | 1   | TARGA      |
|     | 996 502 206 01 GRV | primed                             |                |     |            |
| 8   | 997 502 505 00     | roof frame                         |                | 1   |            |
|     | 997 502 505 00 GRV | primed                             |                |     |            |
| 9   | 996 504 911 00     | basic plate                        |                | X   |            |
|     |                    | with:                              |                |     |            |
|     |                    | threaded pin                       |                |     |            |
| 10  | 996 504 505 00     | Threaded bush                      |                | X   |            |
| 11  | 900 025 008 09     | Washer                             |                | X   |            |
|     |                    | A 10,5                             |                |     |            |
| 12  | 000 043 204 38     | sealant                            |                | X   |            |
|     |                    | 70 ML                              |                |     |            |
|     |                    | Processing instructions            |                |     |            |
|     |                    | See technical manual               |                |     |            |
| 13  | 997 502 739 01     | panel nut                          |                | 1   |            |
|     |                    | M6                                 |                |     |            |
|     |                    | Scuttle                            |                |     |            |

Model: 997 05

Model life 2005>>2008



Model: 997 05 Model life 2005>>2008

| Pos  | Part Number        | Description          | Remark    | Qty | Model       |
|------|--------------------|----------------------|-----------|-----|-------------|
| 1    | 997 502 153 00     | Side part            | inner     |     | COUPE/TARGA |
|      |                    | Side part            | left      | 1   | COUPE       |
|      | 997 502 153 00 GRV | primed               |           |     |             |
| (1)  | 997 502 154 00     | Side part            | right     | 1   | COUPE       |
|      | 997 502 154 00 GRV | primed               |           |     |             |
| (1)  | 996 502 153 04     | Side part            | left      | 1   | TARGA       |
|      | 996 502 153 04 GRV | primed               |           |     |             |
| (1)  | 996 502 154 04     | Side part            | right     | 1   | TARGA       |
|      | 996 502 154 04 GRV | primed               |           |     |             |
| 2    | 997 502 423 00     | Reinforcement        | left      | 1   |             |
|      | 997 502 423 00 GRV | primed               |           |     |             |
| (2)  | 997 502 424 00     | Reinforcement        | right     | 1   |             |
|      | 997 502 424 00 GRV | primed               |           |     |             |
| 3    | 996 502 083 02     | Side part            | left      | 1   |             |
|      | 996 502 083 02 GRV | primed               |           |     |             |
| (3)  | 996 502 084 02     | Side part            | right     | 1   |             |
|      | 996 502 084 02 GRV | primed               |           |     |             |
| 4    | 996 502 383 01     | Console              |           | 2   |             |
|      | 996 502 383 01 GRV | primed               |           |     |             |
| 5    | 996 502 733 01     | Reinforcement        | left      | 1   |             |
|      | 996 502 733 01 GRV | primed               |           |     |             |
| (5)  | 996 502 734 01     | Reinforcement        | right     | 1   |             |
|      | 996 502 734 01 GRV | primed               |           |     |             |
| -    |                    |                      | also use: |     |             |
| -    | 000 043 206 29     | Adhesive set         |           | X   |             |
|      |                    | Body                 |           |     |             |
|      |                    | comprising:          |           |     |             |
| -    | 000 043 206 30     | adhesive             |           | 1   |             |
| -    | 000 043 206 31     | Double cartridge gun |           | 1   |             |
| -    | 000 043 206 32     | emulsion tube        |           | 1   |             |
| -    | 000 043 206 33     | activator            |           | 1   |             |
| -    | 999 703 433 40     | Bungs                |           | 10  |             |
|      |                    | 30 X 42              |           |     |             |
|      |                    | for                  |           |     |             |
|      |                    | POS. 5               |           |     |             |
| 6    | 997 502 115 00     | Side part            | left      | 1   |             |
|      | 997 502 115 00 GRV | primed               |           |     |             |
| (6)  | 997 502 116 00     | Side part            | right     | 1   |             |
|      | 997 502 116 00 GRV | primed               |           |     |             |
| 7    | 997 502 215 00     | Wheel housing        | left      | 1   |             |
|      | 997 502 215 00 GRV | primed               |           |     |             |
| (7)  | 997 502 216 00     | Wheel housing        | right     | 1   |             |
|      | 997 502 216 00 GRV | primed               |           |     |             |
| (7)  | 997 502 215 01     | Wheel housing        | left      | 1   | CARRERA 4   |
|      |                    | D - MJ 2006>>        |           |     |             |
|      | 997 502 215 01 GRV | primed               |           |     | CARRERA 4 S |
| (7)  | 997 502 216 01     | Wheel housing        | right     | 1   | CARRERA 4   |
|      |                    | D - MJ 2006>>        |           |     |             |
|      | 997 502 216 01 GRV | primed               |           |     | CARRERA 4 S |
| 8    | 997 502 707 00     | Reinforcement        | left      | 1   |             |
|      | 997 502 707 00 GRV | primed               |           |     |             |
| (8)  | 997 502 708 00     | Reinforcement        | right     | 1   |             |
|      | 997 502 708 00 GRV | primed               |           |     |             |
| 9    | 997 502 161 00     | Side part            | left      | 1   |             |
|      | 997 502 161 00 GRV | primed               |           |     |             |
| (9)  | 997 502 162 00     | Side part            | right     | 1   |             |
|      | 997 502 162 00 GRV | primed               |           |     |             |
| 10   | 997 502 711 00     | Pipe                 |           | 2   |             |
|      | 997 502 711 00 GRV | primed               |           |     |             |
| 11   | 997 502 745 00     | Reinforcement plate  | left      | 1   |             |
|      | 997 502 745 00 GRV | primed               |           |     |             |
| (11) | 997 502 746 00     | Reinforcement plate  | right     | 1   |             |
|      | 997 502 746 00 GRV | primed               |           |     |             |

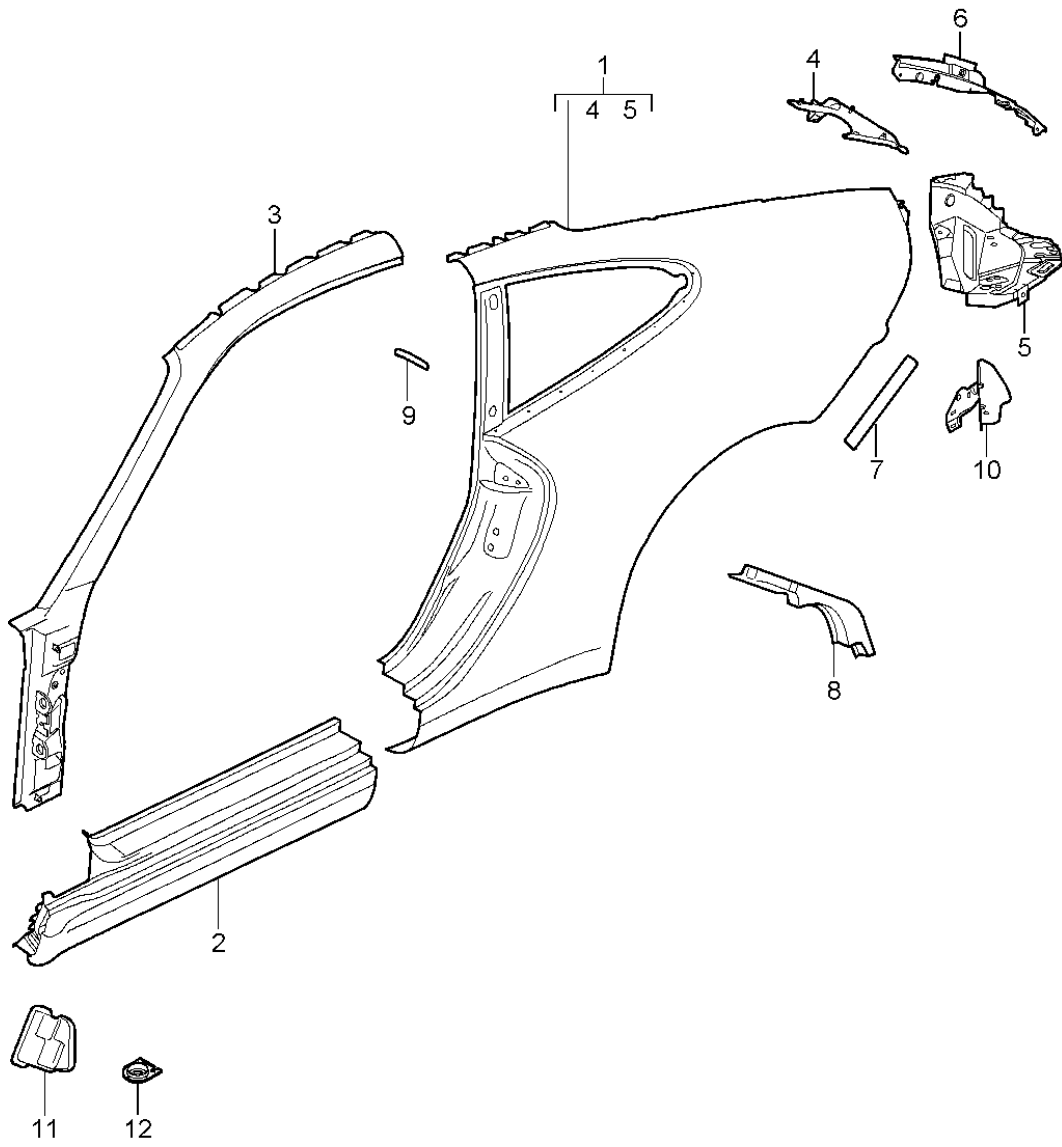
Model: 997 05

Model life 2005>>2008

| Pos  | Part Number        | Description | Remark | Qty | Model |
|------|--------------------|-------------|--------|-----|-------|
| 12   | 997 502 619 00     | Pipe        | left   | 1   | COUPE |
|      | 997 502 619 00 GRV | primed      |        |     |       |
| (12) | 997 502 620 00     | Pipe        | right  | 1   | COUPE |
|      | 997 502 620 00 GRV | primed      |        |     |       |
| (12) | 997 502 935 05     | Pipe        | left   | 1   | TARGA |
|      | 997 502 935 05 GRV | primed      |        |     |       |
| (12) | 997 502 936 05     | Pipe        | right  | 1   | TARGA |
|      | 997 502 936 05 GRV | primed      |        |     |       |

Model: 997 05

Model life 2005>>2008



Model: 997 05 Model life 2005>>2008

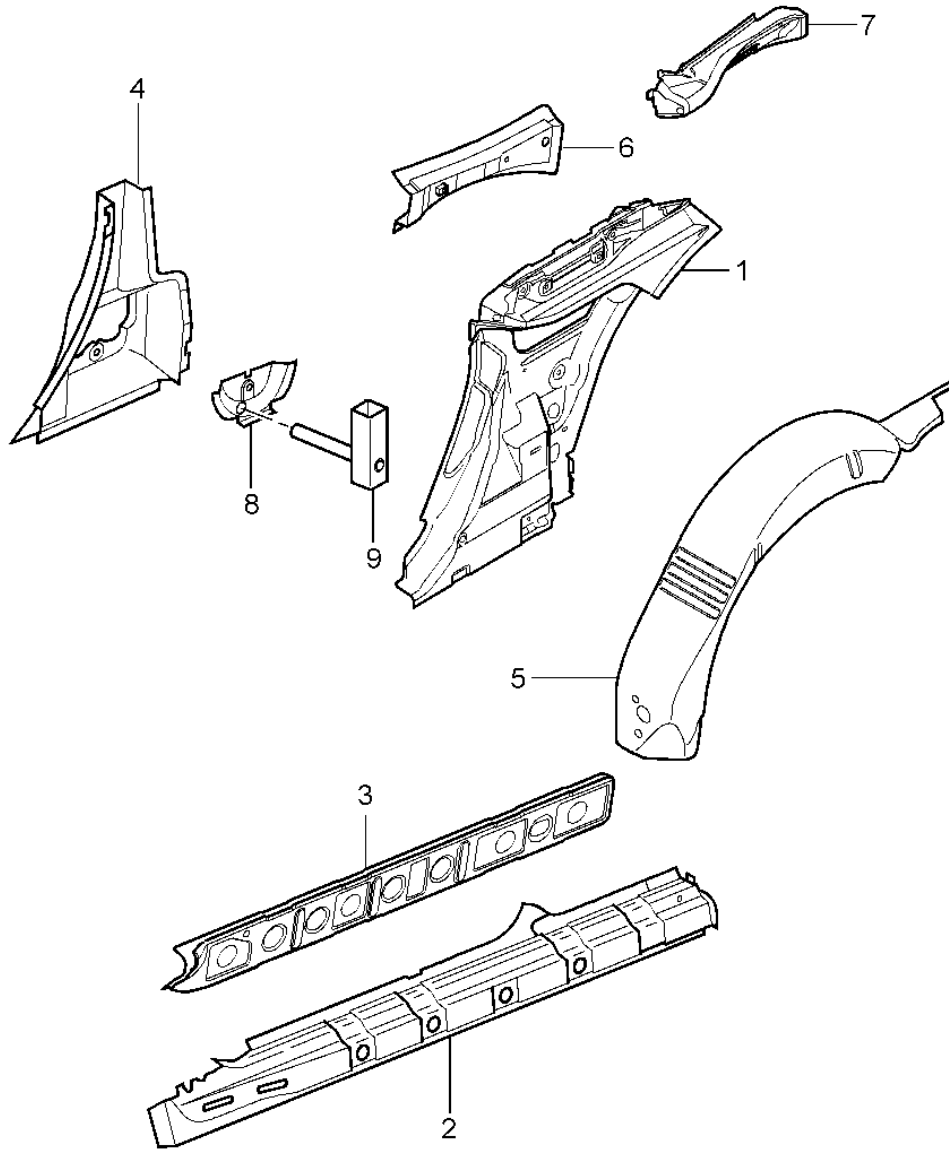
| Pos | Part Number        | Description          | Remark | Qty | Model     |
|-----|--------------------|----------------------|--------|-----|-----------|
| 1   | 997 503 961 07     | Side part            | outer  | 1   | COUPE     |
|     | 997 503 961 07 GRV | Side part            | left   |     |           |
| (1) | 997 503 961 07 GRV | primed               |        |     |           |
|     | 997 503 962 07     | Side part            | right  | 1   |           |
|     | 997 503 962 07 GRV | primed               |        |     |           |
| (1) | 997 503 961 09     | Side part            | left   | 1   | CARRERA 4 |
|     | 997 503 961 09 GRV | D - MJ 2006>>        |        |     |           |
|     | 997 503 961 09 GRV | primed               |        |     |           |
| (1) | 997 503 962 09     | Side part            | right  | 1   | CARRERA 4 |
|     | 997 503 962 09 GRV | D - MJ 2006>>        |        |     |           |
|     | 997 503 962 09 GRV | primed               |        |     |           |
| -   |                    | also use:            |        |     |           |
| -   | 999 915 650 40     | adhesive             |        | X   |           |
|     |                    | TEROMIX 6700         |        |     |           |
| -   | 000 043 300 48     | Tool set             |        | X   |           |
|     |                    | See technical manual |        |     |           |
|     |                    | Group 5              |        |     |           |
|     |                    | 53 55 55             |        |     |           |
| 2   | 997 503 963 00     | Sill                 | left   | 1   |           |
|     | 997 503 963 00 GRV | primed               |        |     |           |
| (2) | 997 503 964 00     | Sill                 | right  | 1   |           |
|     | 997 503 964 00 GRV | primed               |        |     |           |
| (2) | 997 503 963 02     | Sill                 | left   | 1   | CARRERA 4 |
|     | 997 503 963 02 GRV | D - MJ 2006>>        |        |     |           |
|     | 997 503 963 02 GRV | primed               |        |     |           |
| (2) | 997 503 964 02     | Sill                 | right  | 1   | CARRERA 4 |
|     | 997 503 964 02 GRV | D - MJ 2006>>        |        |     |           |
|     | 997 503 964 02 GRV | primed               |        |     |           |
| 3   | 997 503 965 00     | roof frame           | left   | 1   |           |
|     | 997 503 965 00 GRV | primed               |        |     |           |
| (3) | 997 503 966 00     | roof frame           | right  | 1   |           |
|     | 997 503 966 00 GRV | primed               |        |     |           |
| (3) | 997 503 965 02     | roof frame           | left   | 1   | CARRERA 4 |
|     | 997 503 965 02 GRV | D - MJ 2006>>        |        |     |           |
|     | 997 503 965 02 GRV | primed               |        |     |           |
| (3) | 997 503 966 02     | roof frame           | right  | 1   | CARRERA 4 |
|     | 997 503 966 02 GRV | D - MJ 2006>>        |        |     |           |
|     | 997 503 966 02 GRV | primed               |        |     |           |
| 4   | 997 502 365 00     | Sealing channel      | left   | 1   |           |
|     | 997 502 365 00 GRV | primed               |        |     |           |
| (4) | 997 502 366 00     | Sealing channel      | right  | 1   |           |
|     | 997 502 366 00 GRV | primed               |        |     |           |
| 5   | 997 502 461 00     | Frame for light      | left   | 1   |           |
|     | 997 502 461 00 GRV | primed               |        |     |           |
| (5) | 997 502 462 00     | Frame for light      | right  | 1   |           |
|     | 997 502 462 00 GRV | primed               |        |     |           |
| 6   | 997 502 213 00     | Console              | left   | 1   |           |
|     | 997 502 213 00 GRV | D >> - MJ 2006       |        |     |           |
|     | 997 502 213 00 GRV | primed               |        |     |           |
| (6) | 997 502 213 01     | Console              | left   | 1   |           |
|     | 997 502 213 01 GRV | D - MJ 2007>>        |        |     |           |
|     | 997 502 213 01 GRV | primed               |        |     |           |
| (6) | 997 502 214 00     | Console              | right  | 1   |           |
|     | 997 502 214 00 GRV | D >> - MJ 2006       |        |     |           |
|     | 997 502 214 00 GRV | primed               |        |     |           |
| (6) | 997 502 214 01     | Console              | right  | 1   |           |
|     | 997 502 214 01 GRV | D - MJ 2007>>        |        |     |           |
|     | 997 502 214 01 GRV | primed               |        |     |           |
| 7   | 997 504 631 00     | Protective film      |        | 2   |           |
| 8   | 997 504 907 00     | Seal                 |        | 2   |           |
|     |                    | See workshop manual  |        |     |           |
| 9   | 996 537 237 00     | Protective film      |        | 2   |           |
| 10  | 997 501 487 00     | Reinforcement        | left   | 1   |           |

Model: 997 05 Model life 2005>>2008

| Pos  | Part Number        | Description          | Remark          | Qty | Model |
|------|--------------------|----------------------|-----------------|-----|-------|
|      | 997 501 487 00 GRV | primed               |                 |     |       |
| (10) | 997 501 488 00     | Reinforcement        | also use: right | 1   |       |
|      | 997 501 488 00 GRV | primed               |                 |     |       |
| -    | 000 043 206 29     | Adhesive set         | also use:       | X   |       |
|      |                    | Body                 |                 |     |       |
|      |                    | comprising:          |                 |     |       |
| -    | 000 043 206 30     | adhesive             |                 | 1   |       |
| -    | 000 043 206 31     | Double cartridge gun |                 | 1   |       |
| -    | 000 043 206 32     | emulsion tube        |                 | 1   |       |
| -    | 000 043 206 33     | activator            |                 | 1   |       |
| 11   | 997 572 311 00     | Water protection     | left            | 1   |       |
| (11) | 997 572 312 00     | Water protection     | right           | 1   |       |
| 12   | 999 703 475 40     | drain tube           |                 | 2   |       |
|      |                    | Sill                 |                 |     |       |

Model: 997 05

Model life 2005>>2008



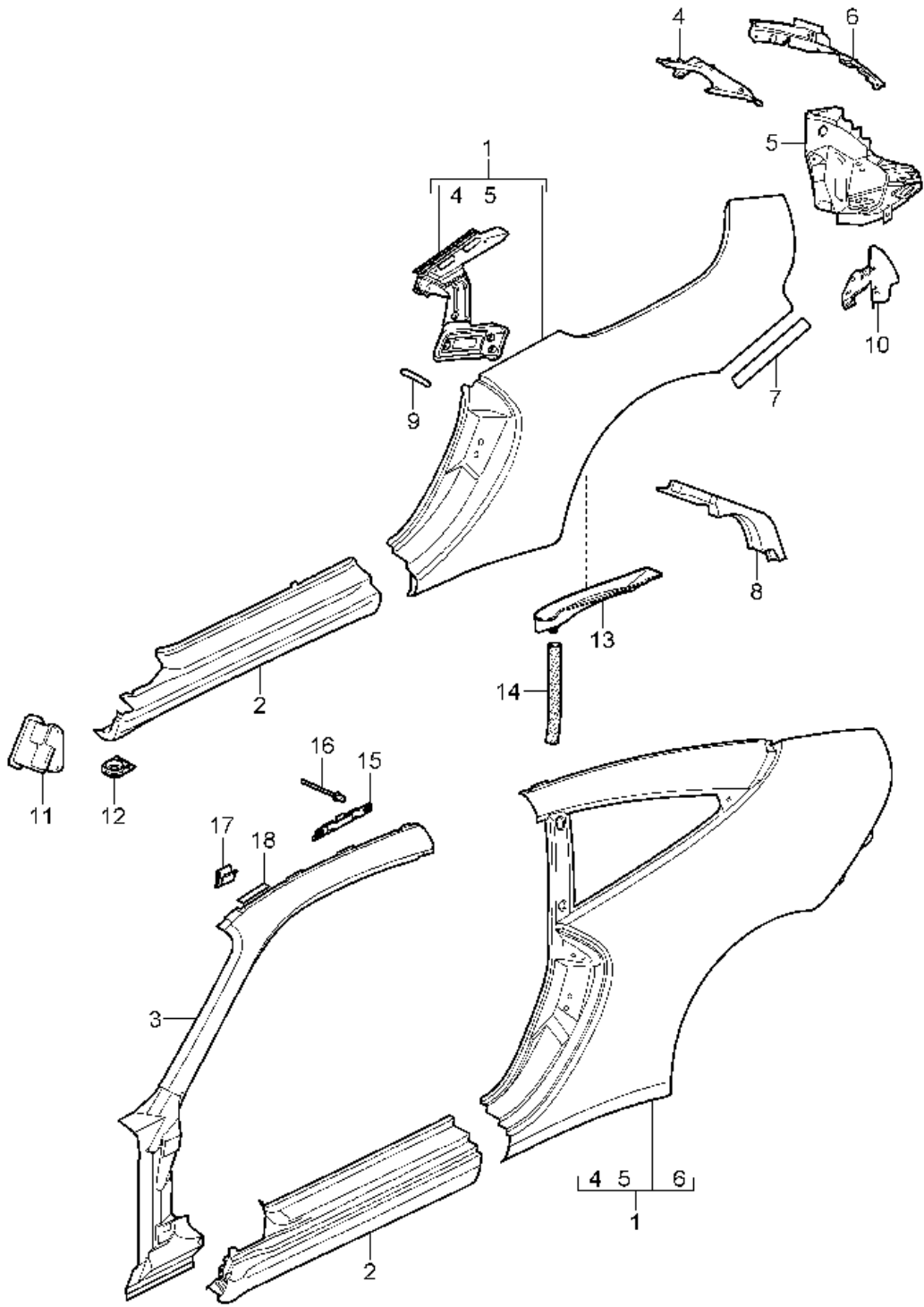


Model: 997 05 Model life 2005>>2008

| Pos | Part Number        | Description          | Remark | Qty | Model     |
|-----|--------------------|----------------------|--------|-----|-----------|
| 1   | 997 502 073 01     | Side part            | inner  |     | CABRIO    |
|     |                    | Side part            | left   | 1   |           |
|     | 997 502 073 01 GRV | primed               |        |     |           |
| (1) | 997 502 074 01     | Side part            | right  | 1   |           |
|     | 997 502 074 01 GRV | primed               |        |     |           |
| 2   | 997 502 663 00     | Reinforcement        | left   | 1   |           |
|     | 997 502 663 00 GRV | primed               |        |     |           |
|     |                    | also use:            |        |     |           |
| (2) | 997 502 664 00     | Reinforcement        | right  | 1   |           |
|     | 997 502 664 00 GRV | primed               |        |     |           |
|     |                    | also use:            |        |     |           |
| -   | 000 043 206 29     | Adhesive set         |        | X   |           |
|     |                    | Body                 |        |     |           |
|     |                    | comprising:          |        |     |           |
| -   | 000 043 206 30     | adhesive             |        | 1   |           |
| -   | 000 043 206 31     | Double cartridge gun |        | 1   |           |
| -   | 000 043 206 32     | emulsion tube        |        | 1   |           |
| -   | 000 043 206 33     | activator            |        | 1   |           |
| 3   | 996 502 683 01     | Web plate            | left   | 1   |           |
|     | 996 502 683 01 GRV | primed               |        |     |           |
| (3) | 996 502 684 01     | Web plate            | right  | 1   |           |
|     | 996 502 684 01 GRV | primed               |        |     |           |
| 4   | 996 502 415 01     | B-pillar             | left   | 1   |           |
|     | 996 502 415 01 GRV | primed               |        |     |           |
| (4) | 996 502 416 01     | B-pillar             | right  | 1   |           |
|     | 996 502 416 01 GRV | primed               |        |     |           |
| 5   | 997 502 215 00     | Wheel housing        | left   | 1   |           |
|     | 997 502 215 00 GRV | primed               |        |     |           |
| (5) | 997 502 216 00     | Wheel housing        | right  | 1   |           |
|     | 997 502 216 00 GRV | primed               |        |     |           |
| (5) | 997 502 215 01     | Wheel housing        | left   | 1   | CARRERA 4 |
|     |                    | D - MJ 2006>>        |        |     |           |
|     | 997 502 215 01 GRV | primed               |        |     |           |
| (5) | 997 502 216 01     | Wheel housing        | right  | 1   | CARRERA 4 |
|     |                    | D - MJ 2006>>        |        |     |           |
|     | 997 502 216 01 GRV | primed               |        |     |           |
| 6   | 997 502 087 00     | Side part            | left   | 1   |           |
|     | 997 502 087 00 GRV | primed               |        |     |           |
| (6) | 997 502 088 00     | Side part            | right  | 1   |           |
|     | 997 502 088 00 GRV | primed               |        |     |           |
| 7   | 997 502 161 01     | Side part            | left   | 1   |           |
|     | 997 502 161 01 GRV | primed               |        |     |           |
| (7) | 997 502 162 01     | Side part            | right  | 1   |           |
|     | 997 502 162 01 GRV | primed               |        |     |           |
| 8   | 996 502 383 01     | Console              |        | 2   |           |
|     | 996 502 383 01 GRV | primed               |        |     |           |
| 9   | 996 502 669 00     | Pipe                 |        | 2   |           |
|     |                    | D >> - MJ 2005       |        |     |           |
|     | 996 502 669 00 GRV | primed               |        |     |           |
| 9   | 997 502 711 01     | Pipe                 |        | 2   |           |
|     |                    | D - MJ 2006>>        |        |     |           |
|     | 997 502 711 01 GRV | primed               |        |     |           |

Model: 997 05

Model life 2005>>2008



Model: 997 05 Model life 2005>>2008

| Pos | Part Number        | Description  | Remark | Qty | Model        |
|-----|--------------------|--|--------|-----|--------------|
| 1   | 997 503 961 01     | Side part  | outer  | 1   | CABRIO/TARGA |
|     | 997 503 961 01 GRV | Side part primed   | left   |     | CABRIO       |
| (1) | 997 503 962 01     | Side part  | right  | 1   | CABRIO       |
|     | 997 503 962 01 GRV | Side part primed   |        |     |              |
| (1) | 997 503 961 03     | Side part  | left   | 1   | C4 CABRIO    |
|     | 997 503 961 03 GRV | D - MJ 2006>><br>Side part primed  |        |     |              |
| (1) | 997 503 962 03     | Side part  | right  | 1   | C4 CABRIO    |
|     | 997 503 962 03 GRV | D - MJ 2006>><br>Side part primed  |        |     |              |
| (1) | 997 503 961 05     | Side part  | left   | 1   | TARGA        |
|     | 997 503 961 05 GRV | Side part primed   |        |     |              |
| (1) | 997 503 962 05     | Side part  | right  | 1   | TARGA        |
|     | 997 503 962 05 GRV | Side part primed   |        |     |              |
| -   |                    | also use:  |        |     |              |
| -   | 999 915 650 40     | adhesive TEROMIX 6700  |        | X   |              |
| -   | 000 043 300 48     | Tool set<br>Processing instructions<br>See technical manual<br>Group 5<br>53 55 55 |        | X   |              |
| 2   | 997 503 963 01     | Sill   | left   | 1   | CABRIO       |
|     | 997 503 963 01 GRV | Sill primed  |        |     |              |
| (2) | 997 503 964 01     | Sill   | right  | 1   | CABRIO       |
|     | 997 503 964 01 GRV | Sill primed  |        |     |              |
| (2) | 997 503 963 03     | Sill   | left   | 1   | C4 CABRIO    |
|     | 997 503 963 03 GRV | D - MJ 2006>><br>Sill primed   |        |     |              |
| (2) | 997 503 964 03     | Sill   | right  | 1   | C4 CABRIO    |
|     | 997 503 964 03 GRV | D - MJ 2006>><br>Sill primed   |        |     |              |
| (2) | 997 503 963 02     | Sill   | left   | 1   | TARGA        |
|     | 997 503 963 02 GRV | Sill primed  |        |     |              |
| (2) | 997 503 964 02     | Sill   | right  | 1   | TARGA        |
|     | 997 503 964 02 GRV | Sill primed  |        |     |              |
| 3   | 997 503 965 05     | roof frame   | left   | 1   | TARGA        |
|     | 997 503 965 05 GRV | roof frame primed  |        |     |              |
| (3) | 997 503 966 05     | roof frame   | right  | 1   | TARGA        |
|     | 997 503 966 05 GRV | roof frame primed  |        |     |              |
| 4   | 997 502 365 01     | Sealing channel  | left   | 1   | CABRIO       |
|     | 997 502 365 01 GRV | Sealing channel primed   |        |     |              |
| (4) | 997 502 366 01     | Sealing channel  | right  | 1   | CABRIO       |
|     | 997 502 366 01 GRV | Sealing channel primed   |        |     |              |
| (4) | 997 502 365 00     | Sealing channel  | left   | 1   | TARGA        |
|     | 997 502 365 00 GRV | Sealing channel primed   |        |     |              |
| (4) | 997 502 366 00     | Sealing channel  | right  | 1   | TARGA        |
|     | 997 502 366 00 GRV | Sealing channel primed   |        |     |              |
| 5   | 997 502 461 00     | Frame for light  | left   | 1   |              |
|     | 997 502 461 00 GRV | Frame for light primed   |        |     |              |
| (5) | 997 502 462 00     | Frame for light  | right  | 1   |              |
|     | 997 502 462 00 GRV | Frame for light primed   |        |     |              |
| 6   | 997 502 213 00     | Console  | left   | 1   |              |
|     | 997 502 213 00 GRV | D >> - MJ 2006<br>Console primed   |        |     |              |
| (6) | 997 502 214 00     | Console  | right  | 1   |              |
|     | 997 502 214 00 GRV | Console primed   |        |     |              |
| 7   | 997 504 631 00     | Protective film  |        | 2   |              |
| 8   | 997 504 907 00     | Seal   |        | 2   |              |
|     |                    | modify in workshop<br>See workshop manual  |        |     |              |
| 9   | 996 537 237 00     | Protective film  |        | 2   |              |

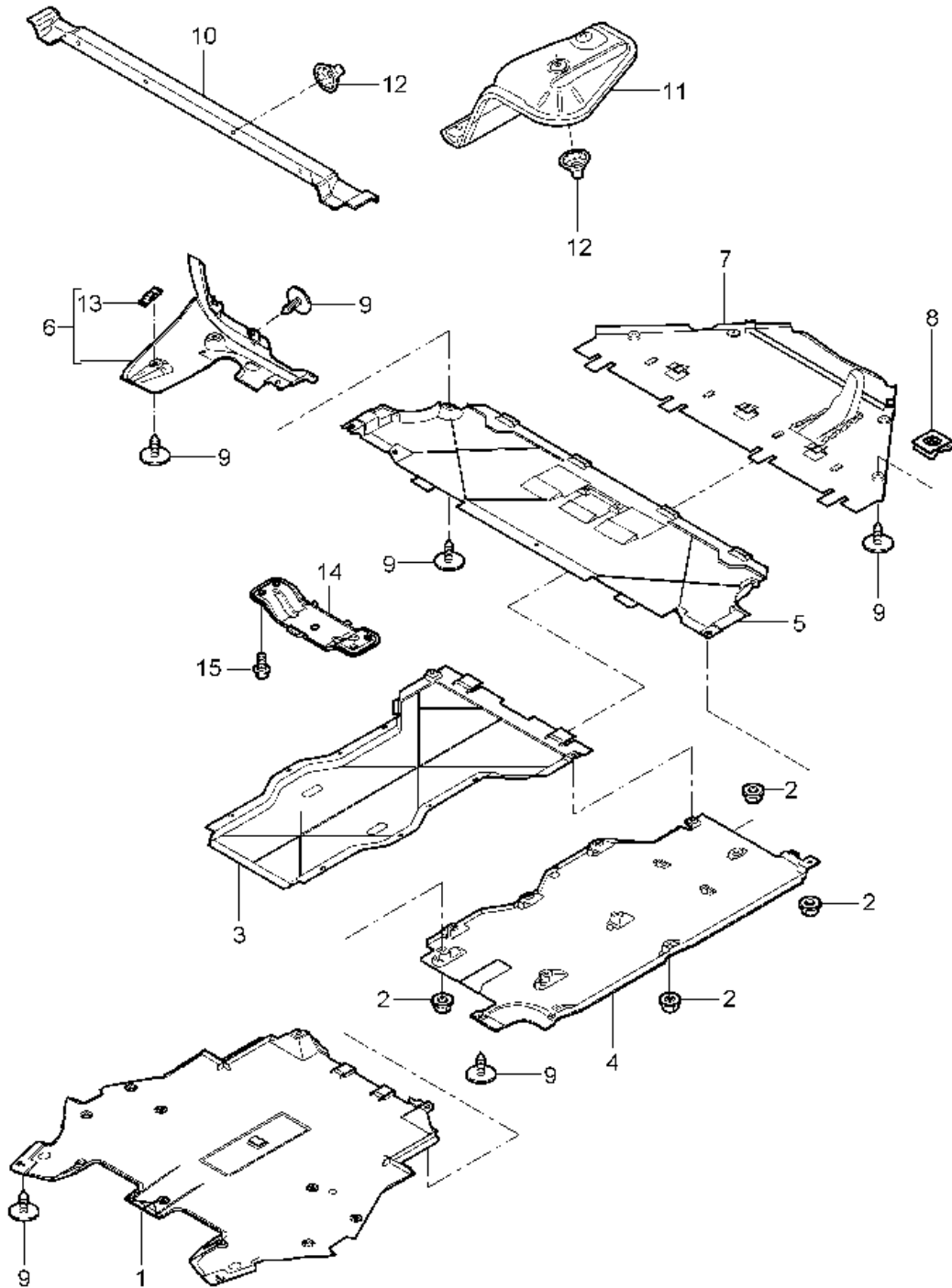
Model: 997 05

Model life 2005>>2008

| Pos  | Part Number        | Description  | Remark | Qty | Model  |
|------|--------------------|--|--------|-----|--------|
| 10   | 997 501 487 00     | Reinforcement  | left   | 1   |        |
|      | 997 501 487 00 GRV | primed   |        |     |        |
| (10) | 997 501 488 00     | Reinforcement  | right  | 1   |        |
|      | 997 501 488 00 GRV | primed   |        |     |        |
| 11   | 997 572 311 00     | Water protection                                     | left   | 1   |        |
| (11) | 997 572 312 00     | Water protection                                     | right  | 1   |        |
| (11) | 997 572 311 01     | Water protection                                     | left   | 1   | TARGA  |
| (11) | 997 572 312 01     | Water protection                                     | right  | 1   | TARGA  |
| 12   | 999 703 475 40     | drain tube   |        | 2   |        |
|      |                    | Sill   |        |     |        |
| 13   | 997 504 967 00     | Water drip pan                                       | left   | 1   | CABRIO |
| (13) | 997 504 968 00     | Water drip pan                                       | right  | 1   | CABRIO |
|      |                    | also use:  |        |     |        |
| 14   | 986 514 241 00     | Water drainage hose<br>See technical manual<br>53 55 |        | 2   | CABRIO |
| 15   | 3D5 853 707 B      | Retaining clip                                       |        | 6   | TARGA  |
|      |                    | Water deflector strip                                |        |     |        |
| 16   | N 907 878 02       | cup rivet  |        | 12  | TARGA  |
|      |                    | AK 3,2 X 6,5   |        |     |        |
| 17   | 999 591 440 01     | U-clip   |        | 2   | TARGA  |
|      |                    | 0,75 X 1,0   |        |     |        |
| 18   | 999 911 725 40     | Adhesive tape  |        | 2   | TARGA  |
|      |                    | 15 X 60 mm   |        |     |        |

Model: 997 05

Model life 2005>>2008

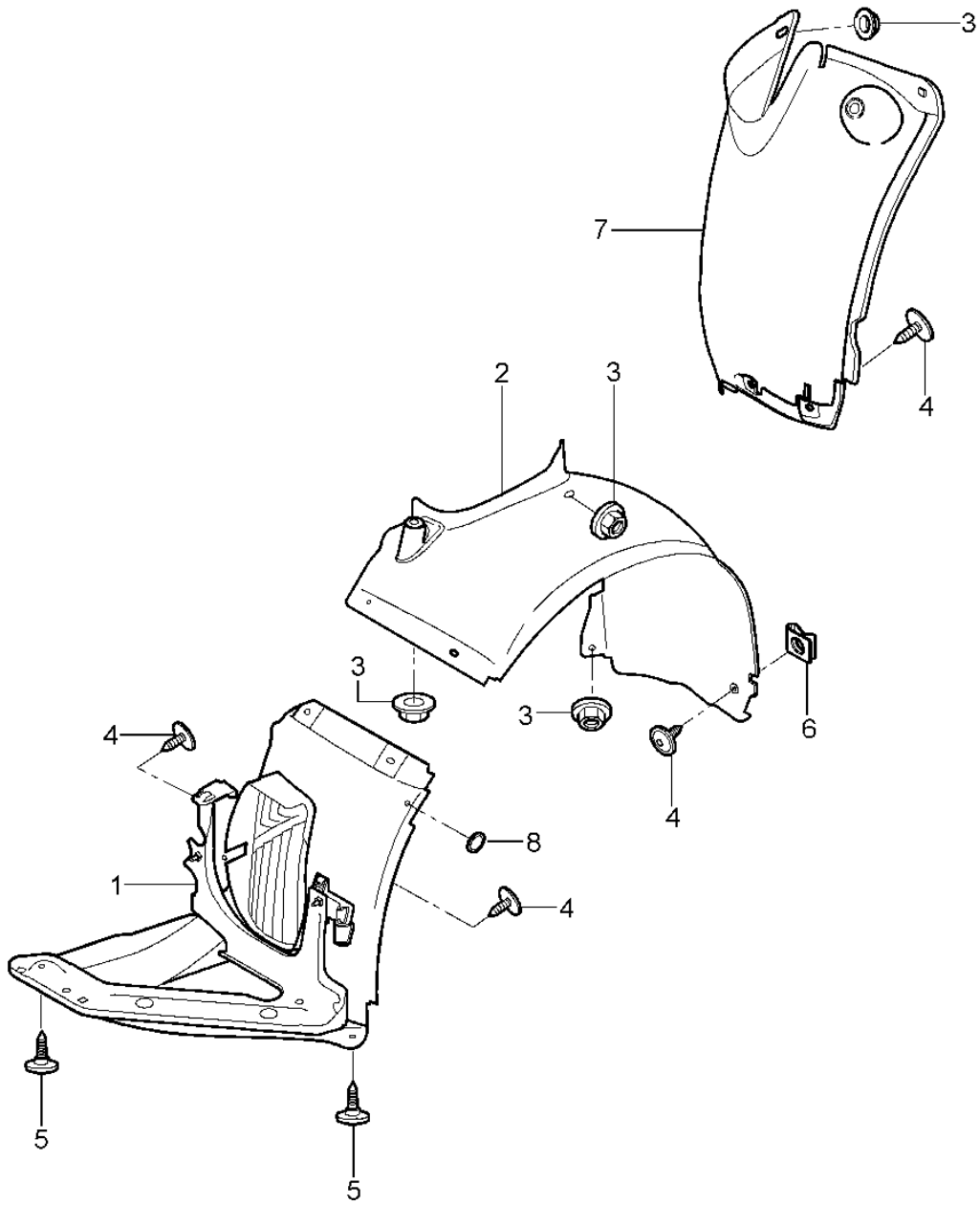


Model: 997 05 Model life 2005>>2008

| Pos  | Part Number        | Description                        | Remark                    | Qty | Model      |
|------|--------------------|------------------------------------|---------------------------|-----|------------|
|      |                    | Linings                            |                           |     |            |
|      |                    | Underbody                          |                           |     |            |
| 1    | 997 504 527 02     | Cover                              |                           | 1   | CARRERA 2  |
| (1)  | 997 504 527 01     | Cover                              | front                     | 1   | CARRERA 4  |
| 2    | 999 049 028 40     | Plastic nut<br>T 5                 |                           | 26  |            |
| 3    | 997 504 043 00     | Cover                              | center                    | 1   |            |
| 4    | 997 504 343 02     | Cover                              | left                      | 1   |            |
| (4)  | 997 504 344 02     | Cover                              | center<br>right<br>center | 1   |            |
| 5    | 997 504 629 00     | Cover                              | rear                      | 1   | PR:480     |
| (5)  | 997 504 629 01     | Cover                              | rear                      | 1   | PR:249     |
| (5)  | 997 504 629 04     | Cover                              | rear                      | 1   | PR:X51,480 |
| 6    | 997 504 393 01     | Trim                               | left                      | 1   |            |
| (6)  | 997 504 393 01 01C | Satin black                        |                           |     |            |
|      | 997 504 394 01     | Trim                               | right                     | 1   |            |
|      | 997 504 394 01 01C | Satin black                        |                           |     |            |
| 7    | 997 504 429 01     | Cover                              |                           | 1   | PR:480     |
| 8    | 999 507 795 09     | Gearbox<br>panel nut<br>ST 4,8     |                           | 4   |            |
| 9    | 999 073 231 09     | panel screw<br>ST 4,8 X 16         |                           | X   |            |
| 10   | 996 505 471 00     | Heat insulation                    | center                    | 1   |            |
| 11   | 997 505 477 00     | Heat insulation                    | left                      | 1   |            |
| 11   | 997 505 477 02     | D >> - MJ 2006<br>Heat insulation  | left                      | 1   |            |
| (11) | 997 505 478 00     | D - MJ 2007>><br>Heat insulation   | right                     | 1   |            |
| (11) | 997 505 478 02     | D >> - MJ 2006<br>Heat insulation  | right                     | 1   |            |
| 12   | 999 049 025 09     | D - MJ 2007>><br>Collar nut<br>T 5 |                           | 12  |            |
| 13   | 997 504 635 00     | Clip                               |                           | 2   |            |
| 14   | 997 504 823 01     | Transverse strut<br>tunnel         |                           | 1   |            |
| 15   | 997 504 823 01 GRV | primed                             |                           |     |            |
|      | 900 075 475 09     | Bolt with washer<br>M 10 x 25      |                           | 4   |            |
| -    | 999 507 849 01     | Cage nut<br>st 4,8                 |                           | X   |            |

Model: 997 05

Model life 2005>>2008



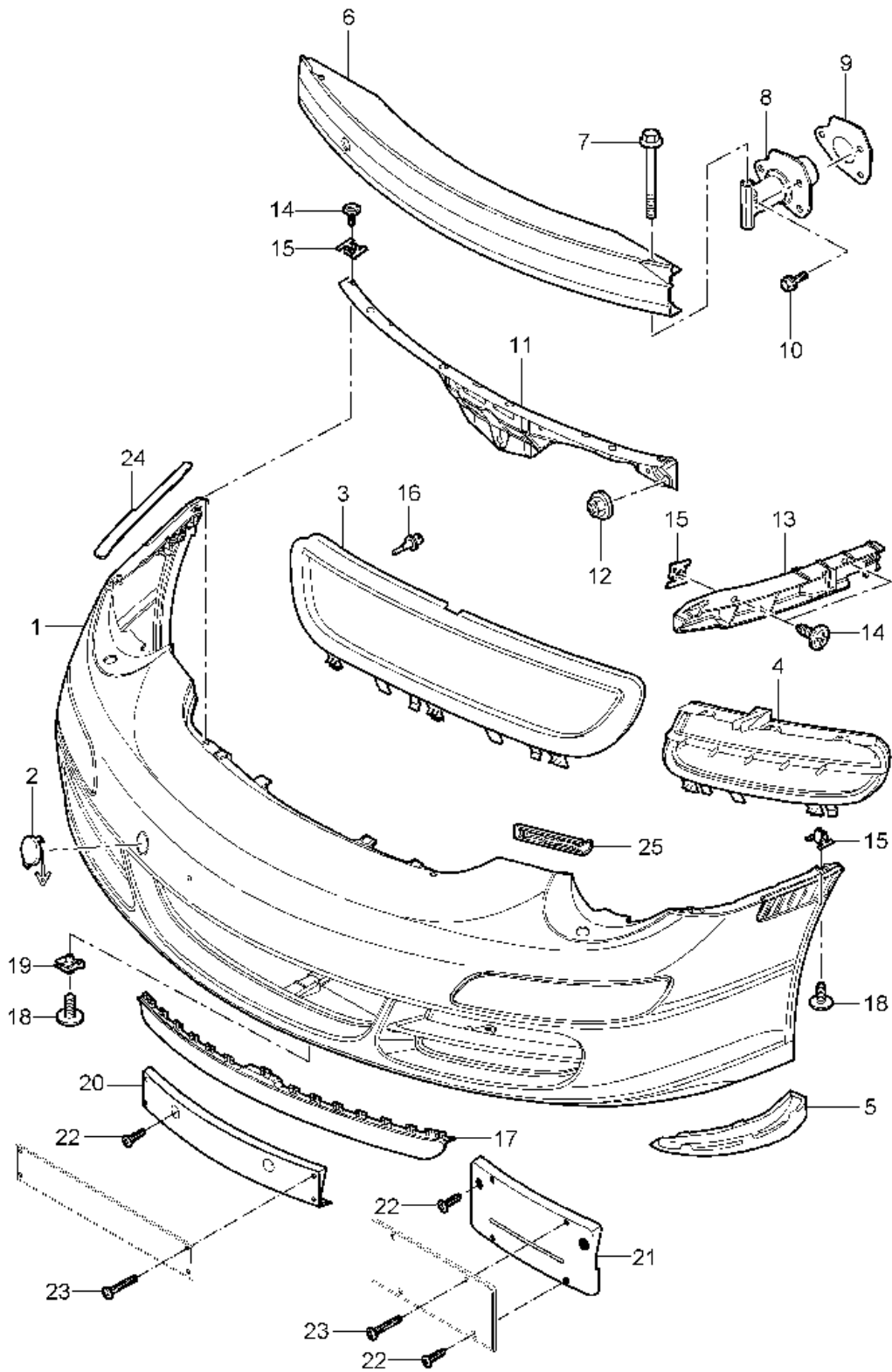
Model: 997 05 Model life 2005>>2008

| Pos | Part Number    | Description                                     | Remark               | Qty | Model     |
|-----|----------------|---|----------------------|-----|-----------|
| 1   | 997 504 123 00 | Linings<br>Wheel housing<br>Wheel housing liner | left front<br>front  | 1   |           |
| (1) | 997 504 124 00 | Wheel housing liner                             | right front<br>front | 1   |           |
| 2   | 997 504 203 00 | Wheel housing liner                             | left rear<br>front   | 1   | CARRERA 2 |
| 2   | 997 504 203 01 | Wheel housing liner                             | left rear<br>front   | 1   | CARRERA 4 |
| (2) | 997 504 204 00 | D - MJ 2006>><br>Wheel housing liner            | right rear<br>front  | 1   | CARRERA 2 |
| (2) | 997 504 204 01 | Wheel housing liner                             | right rear<br>front  | 1   | CARRERA 4 |
| 3   | 999 049 028 40 | D - MJ 2006>><br>Plastic nut<br>T5              |                      | 12  |           |
| 4   | 999 073 231 09 | panel screw<br>ST 4,8 X 16                      |                      | 18  |           |
| 5   | 999 073 227 09 | panel screw<br>ST 4,8 X 19                      |                      | 4   |           |
| 6   | 999 507 795 09 | panel nut<br>ST 4,8                             |                      | 2   |           |
| 7   | 997 504 573 00 | Wheel housing liner                             | left rear            | 1   | CARRERA 2 |
| 7   | 997 504 573 01 | Wheel housing liner                             | left rear            | 1   | CARRERA 4 |
| (7) | 997 504 574 00 | Wheel housing liner                             | right rear           | 1   | CARRERA 2 |
| (7) | 997 504 574 01 | Wheel housing liner                             | right rear           | 1   | CARRERA 4 |
| 8   | 999 703 027 40 | End cap<br>8,0X11                               |                      | 1   |           |



Model: 997 05

Model life 2005>>2008



Model: 997 05 Model life 2005>>2008

| Pos  | Part Number  | Description                                    | Remark | Qty | Model      |
|------|--|--|--------|-----|------------|
| 1    | 997 505 901 00   | bumper<br>Trim<br>Discontinued part            | front  | 1   | PR:480     |
| (1)  | 997 505 901 00 G2X<br>997 505 901 01                       | primed<br>Trim<br>Discontinued part            |        | 1   | PR:288,480 |
| (1)  | 997 505 901 01 G2X<br>997 505 901 02                       | primed<br>Trim<br>Discontinued part            |        | 1   | PR:249     |
| (1)  | 997 505 901 02 G2X<br>997 505 901 03                       | primed<br>Trim<br>Discontinued part            |        | 1   | PR:249,288 |
| 1    | 997 505 901 03 G2X<br>997 505 191 00                       | primed<br>Trim<br>primed<br>Discontinued part  |        | 1   | PR:480     |
| 1    | 997 505 191 13   | Trim<br>primed                                 |        | 1   | PR:480     |
| (1)  | 997 505 191 01   | Trim<br>primed                                 |        | 1   | PR:249     |
| (1)  | 997 505 191 02   | Trim<br>primed<br>Discontinued part            |        | 1   | PR:288,480 |
| (1)  | 997 505 191 15   | Trim<br>primed                                 |        | 1   | PR:288,480 |
| (1)  | 997 505 191 03   | Trim<br>primed                                 |        | 1   | PR:249,288 |
| (1)  | 997 505 961 00   | Trim   |        | 1   | PR:XAA     |
| (1)  | 997 505 961 01   | Trim<br>Discontinued part                      |        | 1   | PR:XAA,288 |
| (1)  | 997 505 961 07   | Trim   |        | 1   | PR:XAA,288 |
| 2    | 997 505 703 00   | cover for towing eye                           |        | 1   |            |
| 3    | 997 505 703 00 G2X   | primed   |        | 1   |            |
| 3    | 997 505 541 00   | Retaining frame                                |        | 1   | PR:480     |
| (3)  | 997 505 541 00 01C<br>997 505 541 01<br>997 505 541 01 01C | Satin black<br>Retaining frame<br>Satin black  | center | 1   | PR:249     |
| 4    | 997 505 563 00   | Retaining frame                                | left   | 1   |            |
| (4)  | 997 505 563 00 01C<br>997 505 564 00                       | Satin black<br>Retaining frame                 | right  | 1   |            |
| (4)  | 997 505 564 00 01C   | Satin black                                    |        | 1   |            |
| (4)  | 997 505 987 00   | Retaining frame                                | left   | 1   | PR:XAA     |
| (4)  | 997 505 988 00   | Retaining frame                                | right  | 1   | PR:XAA     |
| 5    | 997 505 525 00   | Trim   | left   | 1   |            |
| (5)  | 997 505 525 00 01C<br>997 505 526 00<br>997 505 526 00 01C | Satin black<br>Trim<br>Satin black             | right  | 1   |            |
| 6    | 997 505 141 02   | Bumper carrier                                 |        | 1   |            |
| 7    | 900 378 088 09   | Hexagon bolt<br>M 12 X 100                     |        | 2   |            |
| 8    | 997 505 319 00   | Impact pipe                                    |        | 2   |            |
| 9    | 997 505 751 02   | Seal   |        | 2   |            |
| 10   | 900 378 267 09   | Shock absorber<br>Bolt with washer<br>M 8 X 30 |        | 6   |            |
| 11   | 997 505 531 00   | retaining strip                                | center | 1   |            |
| 12   | 999 076 078 09   | Hexagon nut<br>M 6                             |        | 3   |            |
| 13   | 997 505 535 00   | retaining strip<br>D >> - MJ 2005              | left   | 1   |            |
| 13   | 997 505 535 01   | retaining strip<br>D - MJ 2006>>               | left   | 1   |            |
| (13) | 997 505 536 00   | retaining strip                                | right  | 1   |            |

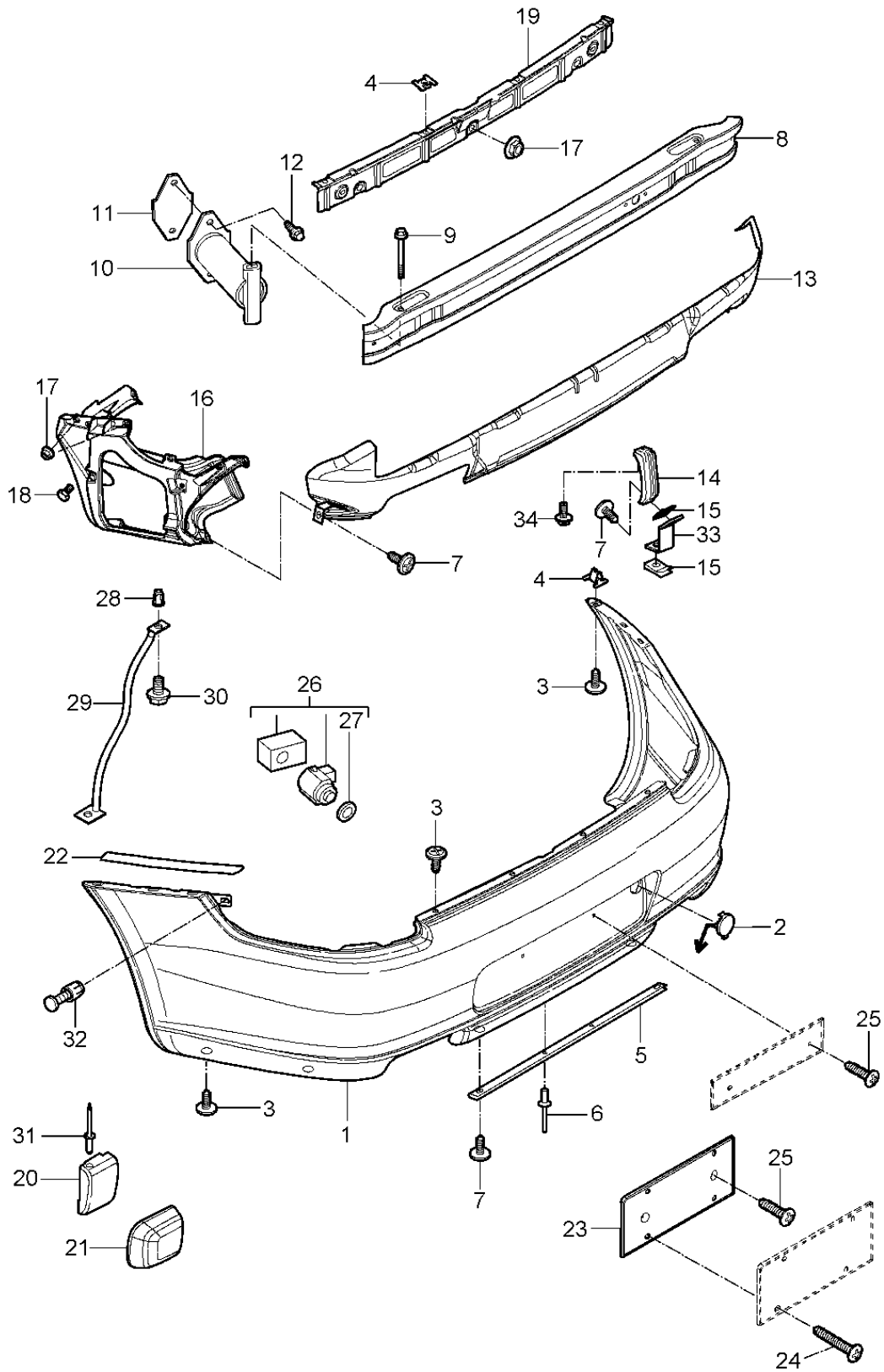
Model: 997 05

Model life 2005>>2008

| Pos  | Part Number        | Description                                | Remark      | Qty | Model      |
|------|--------------------|--|-------------|-----|------------|
| (13) | 997 505 536 01     | D >> - MJ 2005<br>retaining strip          | right       | 1   |            |
| 14   | 999 073 314 09     | D - MJ 2006>><br>panel screw               |             | 4   |            |
| 15   | 999 507 590 02     | ST 4,8 X 16<br>Cage nut                    |             | 9   |            |
| 16   | 996 641 142 00     | ST 4,8<br>Temperature sensor               |             | 1   |            |
| 17   | 997 505 557 00     | Spoiler                                    |             | 1   |            |
|      | 997 505 557 00 01C | Satin black                                |             |     |            |
| (17) | 997 505 983 13     | Spoiler<br>Aerokit                         |             | 1   | PR:XAA     |
| 18   | 999 073 227 09     | panel screw                                |             | 10  |            |
| 19   | 999 591 699 02     | ST 4,8 X 19<br>panel nut                   |             | 1   |            |
| 20   | 997 701 105 00     | ST 4,8<br>Licence plate holder             |             | 1   | PR:211     |
|      | 997 701 105 00 01C | Black                                      |             |     |            |
| (20) | 997 701 109 00     | Licence plate holder                       |             | 1   | PR:210     |
|      | 997 701 109 00 01C | Black                                      |             |     |            |
| 22   | 999 919 227 A2     | panel screw                                |             | 2   | PR:210,211 |
| 23   | 999 919 228 A2     | Screw                                      |             | 2   |            |
|      |                    | 5,0 x 28                                   |             |     |            |
| (24) | 997 504 531 00     | Protective film                            | left front  | 1   |            |
| 24   | 997 504 532 00     | Protective film                            | right front | 1   |            |
| 25   | 997 505 719 00     | Fixing                                     |             | 2   |            |
| -    | 999 591 709 40     | Bracket<br>Hose<br>Headlight washer system |             | 2   |            |

Model: 997 05

Model life 2005>>2008



Model: 997 05 Model life 2005>>2008

| Pos  | Part Number  | Description                                    | Remark | Qty | Model                  |
|------|--|--|--------|-----|------------------------|
| 1    | 997 505 411 00   | bumper<br>Trim<br>Discontinued part            | rear   | 1   |                        |
| (1)  | 997 505 411 00 G2X<br>997 505 411 50<br>997 505 411 50 G2X | primed<br>Trim<br>primed                       |        | 1   |                        |
| 1    | 997 505 911 00   | Trim<br>Discontinued part                      |        | 1   | PR:635                 |
| (1)  | 997 505 911 00 G2X<br>997 505 911 19<br>997 505 911 19 G2X | primed<br>Trim<br>primed                       |        | 1   | PR:635                 |
| 1    | 997 505 411 04   | Trim<br>Discontinued part                      |        | 1   | CARRERA 4/4S           |
| (1)  | 997 505 411 04 G2X<br>997 505 411 52<br>997 505 411 52 G2X | primed<br>Trim<br>primed                       |        | 1   | CARRERA 4/4S           |
| 1    | 997 505 911 02   | Trim<br>Discontinued part                      |        | 1   | CARRERA 4/4S<br>PR:635 |
| (1)  | 997 505 911 02 G2X<br>997 505 911 21                       | primed<br>Trim                                 |        | 1   | CARRERA 4/4S<br>PR:635 |
| 2    | 997 505 911 21 G2X<br>997 505 803 00<br>997 505 803 00 G2X | primed<br>cover for towing eye<br>primed       |        | 1   |                        |
| 3    | 999 073 227 09   | panel screw<br>4,8 X 19                        |        | 10  |                        |
| 4    | 999 507 590 02   | Cage nut<br>ST 4,8                             |        | 6   |                        |
| 5    | 997 505 837 00   | retaining rail                                 |        | 1   |                        |
| 6    | 999 190 104 30   | Pop rivet<br>3,2 X 7,9                         |        | 2   |                        |
| 7    | 999 073 314 09   | panel screw<br>ST 4,8 X 16                     |        | 4   |                        |
| 8    | 997 505 121 00   | Bumper carrier                                 | center | 1   |                        |
|      |  | Heat protection                                | with:  | 1   |                        |
| 9    | 900 378 088 09   | Hexagon bolt<br>M 12 X 100                     |        | 1   |                        |
| 10   | 996 505 019 01   | Impact pipe                                    |        | 2   |                        |
| 11   | 996 505 775 00   | Underlay                                       |        | 2   |                        |
| 12   | 900 378 267 09   | Shock absorber<br>Bolt with washer<br>M 8 X 30 |        | 4   |                        |
| 13   | 997 505 475 00   | Heat insulation                                | center | 1   |                        |
| 14   | 997 505 639 00   | Rear support                                   |        | 2   |                        |
| 15   | 999 507 795 09   | panel nut                                      |        | 4   |                        |
| 16   | 997 505 631 00   | Retaining frame                                | left   | 1   | CARRERA 2              |
| (16) | 997 505 631 01   | Retaining frame                                | left   | 1   | CARRERA 4              |
| (16) | 997 505 632 00   | Retaining frame                                | right  | 1   | CARRERA 2              |
| (16) | 997 505 632 01   | Retaining frame                                | right  | 1   | CARRERA 4              |
| 17   | 999 076 078 09   | Hexagon nut<br>M 6                             |        | X   |                        |
| 18   | 900 075 459 09   | Bolt with washer<br>M 6 X 12                   |        | 2   |                        |
| 19   | 997 505 641 00   | Securing strip<br>Discontinued part            |        | 1   |                        |
| 19   | 997 505 641 01   | Securing strip<br>D >> - MJ 2006               |        | 1   |                        |
| 19   | 997 505 641 02   | Securing strip<br>D - MJ 2007>>                | center | 1   |                        |
| 22   | 997 504 631 00   | Protective film                                |        | 2   |                        |

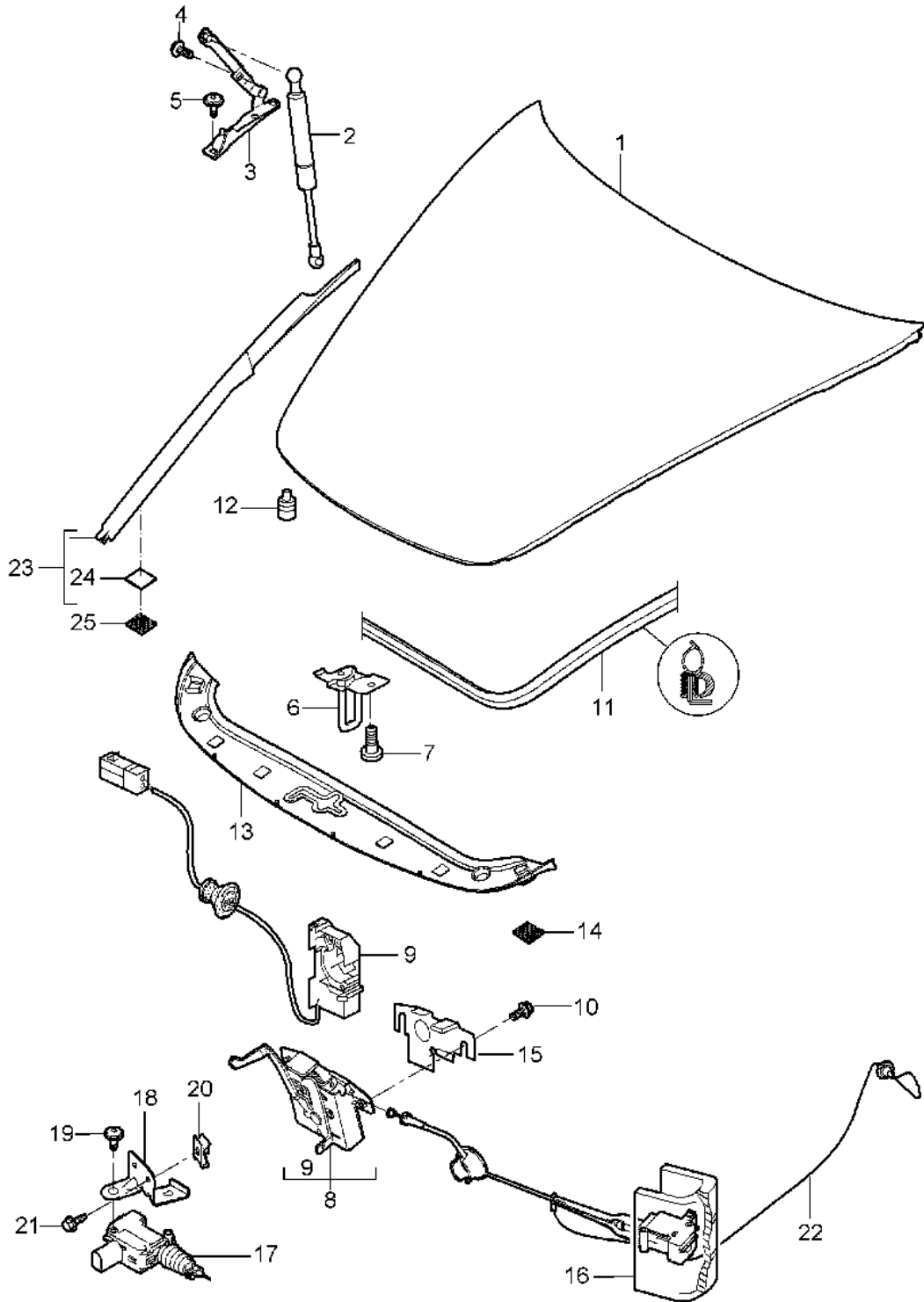
Model: 997 05

Model life 2005>>2008

| Pos  | Part Number                          | Description                                      | Remark | Qty | Model  |
|------|--------------------------------------|--|--------|-----|--------|
| 23   | 997 701 113 00<br>997 701 113 00 01C | Licence plate holder<br>Black                    |        | 1   | PR:218 |
| 24   | 999 919 228 A2                       | Screw<br>Bracket<br>Number plate<br>5 X 28       |        | X   |        |
| 25   | 999 919 227 A2                       | panel screw<br>Bracket<br>Number plate<br>5 X 13 |        | X   |        |
| 26   | 955 606 275 05                       | Sensor<br>Parking aid                            |        | 4   | PR:635 |
| 27   | 7L6 919 659                          | O-ring   |        | 4   | PR:635 |
| 29   | 997 505 681 00                       | Brace<br>Discontinued part                       | left   | 1   |        |
| 29   | 997 505 681 01                       | Brace  | left   | 1   |        |
| (29) | 997 505 682 00                       | Brace<br>Discontinued part                       | right  | 1   |        |
| (29) | 997 505 682 01                       | Brace  | right  | 1   |        |
| 30   | 900 378 035 09                       | Hexagon bolt<br>M6 X 16                          |        | 2   |        |
| 31   | 999 500 084 02                       | insert nut                                       |        | 2   |        |
| 32   | 999 591 941 40                       | Spreader rivet<br>ST 4,2                         |        | 4   |        |
| 33   | 996 505 649 01                       | angle  |        | 2   |        |
| 34   | 999 075 048 02                       | Hexagon bolt<br>M 6 X 22 Z1                      |        | 4   |        |

Model: 997 05

Model life 2005>>2008



Model: 997 05

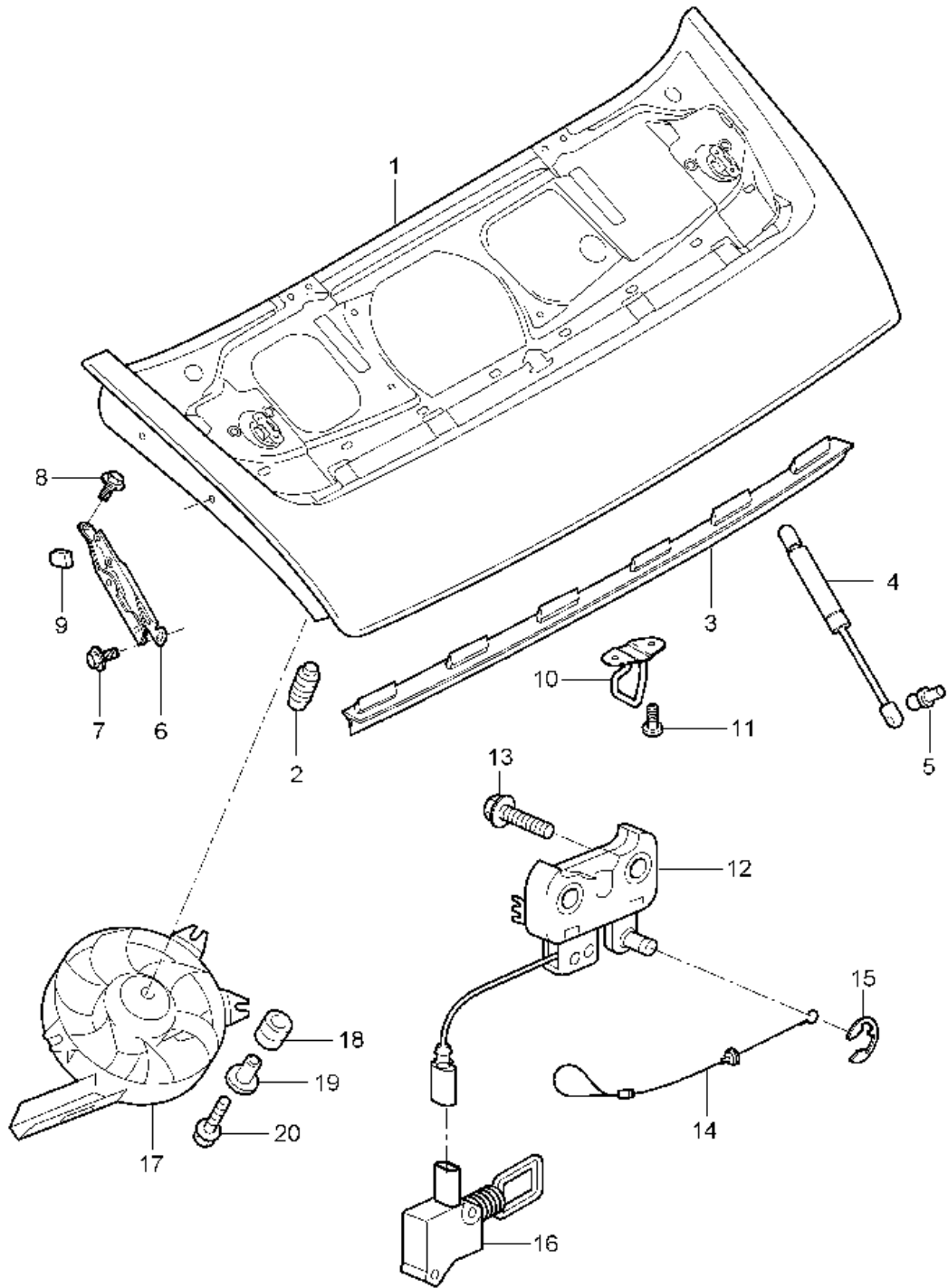
Model life 2005>>2008

| Pos  | Part Number        | Description                      | Remark | Qty | Model |
|------|--------------------|----------------------------------|--------|-----|-------|
| 1    | 997 511 011 00     | Cover                            | front  | 1   |       |
|      | 997 511 011 00 GRV | Cover primed                     |        |     |       |
| 2    | 997 511 551 01     | Gas filled strut                 |        | 2   |       |
| 3    | 997 511 151 00     | Hinge                            | left   | 1   |       |
|      |                    | Discontinued part                |        |     |       |
| 3    | 997 511 151 01     | Hinge                            | left   | 1   |       |
| (3)  | 997 511 152 00     | Hinge                            | right  | 1   |       |
|      |                    | Discontinued part                |        |     |       |
| (3)  | 997 511 152 01     | Hinge                            | right  | 1   |       |
| 4    | 999 073 357 09     | fillister hd. bolt<br>M 6 X 12   |        | 4   |       |
| 5    | 999 073 348 09     | fillister hd. bolt<br>M 6 X 20   |        | 4   |       |
| 6    | 997 511 051 00     | Lock upper part                  |        | 1   |       |
| 7    | 999 073 350 04     | flat round head bolt<br>M 6 X 16 |        | 2   |       |
| 8    | 997 511 053 00     | Lock lower part                  |        | 1   |       |
| 9    | 997 613 206 00     | Micro switch                     |        | 1   |       |
| 10   | 900 075 466 09     | Bolt with washer<br>M 6 X 16     |        | 2   |       |
| 11   | 997 511 611 00     | Seal                             |        | 1   |       |
| 12   | 999 703 140 40     | Rubber buffer                    |        | 2   |       |
| 13   | 997 504 811 02     | Cover panel<br>Discontinued part |        | 1   |       |
|      | 997 504 811 02 FMT | Satin black                      |        |     |       |
| 13   | 997 504 811 03     | Cover panel                      |        | 1   |       |
|      | 997 504 811 03 FMT | Satin black                      |        |     |       |
| 14   | 999 902 049 40     | Velcro fastener                  |        | 4   |       |
| 15   | 996 511 653 00     | Cover                            |        | 1   |       |
| 16   | 997 511 117 00     | throttle control element         |        | 1   |       |
| (23) | 997 572 465 02     | Cover panel                      | left   | 1   |       |
|      | 997 572 465 02 02A | Black                            |        |     |       |
| 23   | 997 572 466 02     | Cover panel                      | right  | 1   |       |
|      |                    | Wing                             |        |     |       |
|      | 997 572 466 02 02A | Black                            |        |     |       |
| 24   | 999 902 052 40     | Velcro fastener                  |        | 4   |       |
|      |                    | Cover<br>20 X 20                 |        |     |       |
| 25   | 999 902 051 40     | Velcro fastener                  |        | 4   |       |
|      |                    | Wing<br>20 X 20                  |        |     |       |



Model: 997 05

Model life 2005>>2008



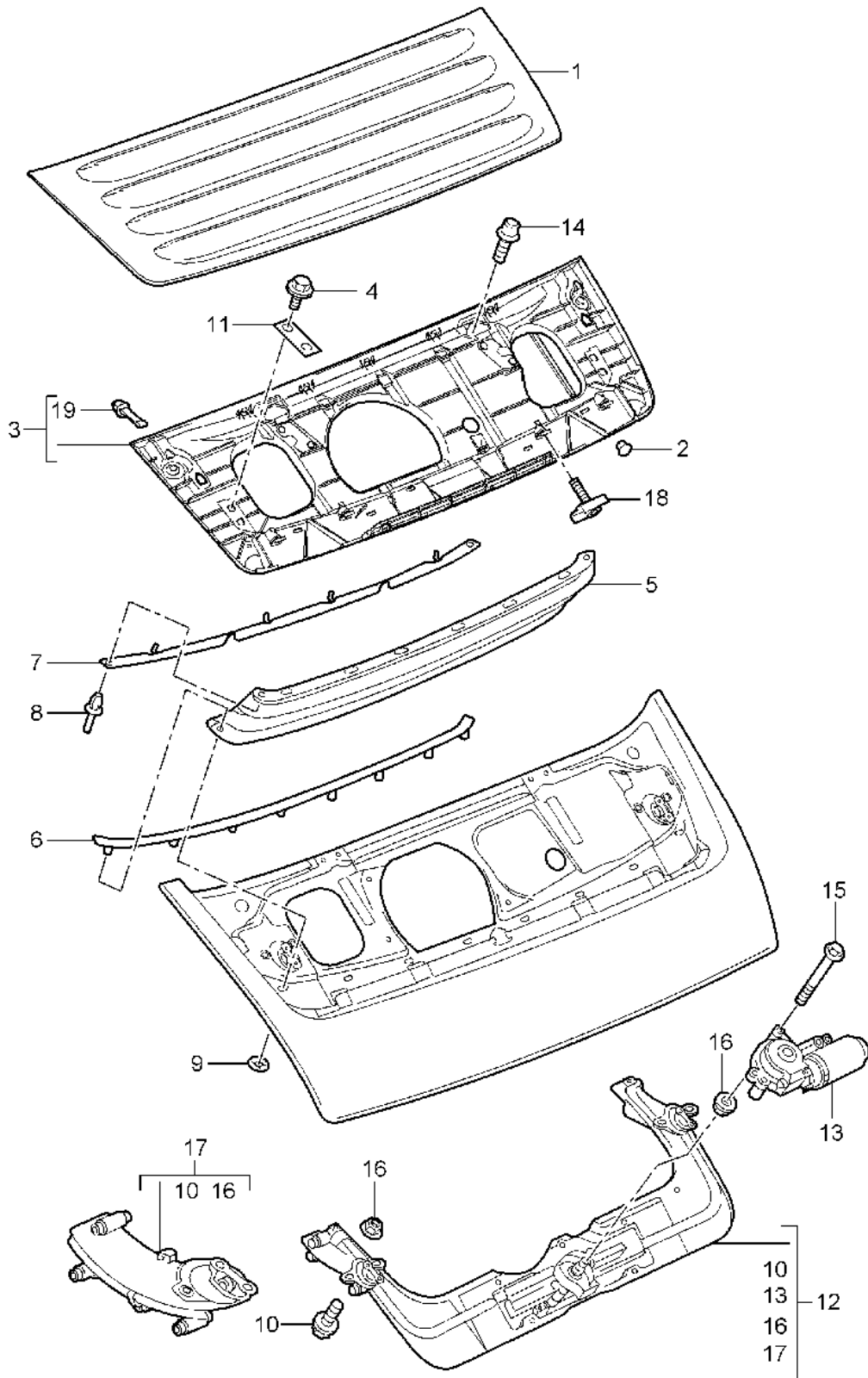
Model: 997 05

Model life 2005>>2008

| Pos | Part Number        | Description                               | Remark         | Qty | Model  |
|-----|--------------------|---|----------------|-----|--------|
| 1   | 997 512 011 00     | Cover                                     | rear           | 1   |        |
|     | 997 512 011 00 GRV | Cover primed                              |                |     |        |
|     |                    | primed                                    |                |     |        |
|     |                    | also use:                                 | 000 043 204 38 |     |        |
| -   | 000 043 204 38     | sealant                                   |                | 1   |        |
| 2   | 999 703 140 40     | Rubber buffer                             |                | 2   |        |
| 3   | 997 512 611 00     | Seal                                      |                | 1   |        |
| 4   | 997 512 551 00     | Gas filled strut                          | right          | 1   |        |
| 5   | 999 167 051 02     | Ball stud                                 |                | 2   |        |
| 6   | 997 512 151 00     | Hinge                                     | left           | 1   |        |
| (6) | 997 512 152 00     | Hinge                                     | right          | 1   |        |
| 7   | 900 378 155 09     | Hexagon bolt                              |                | 4   |        |
|     |                    | M 6 X 16                                  |                |     |        |
| 8   | 900 075 466 09     | Bolt with washer                          |                | 6   |        |
|     |                    | M 6 X 16                                  |                |     |        |
| 9   | 996 512 153 00     | Stop                                      |                | 2   |        |
|     |                    | Hinge                                     |                |     |        |
| 10  | 997 512 213 01     | Lock upper part                           |                | 1   |        |
| 11  | 999 073 248 09     | Bolt with washer                          |                | 2   |        |
|     |                    | M 6 X 16                                  |                |     |        |
| 11  | 999 073 378 02     | Discontinued part<br>flat round head bolt |                | 2   |        |
|     |                    | M 6 X 16                                  |                |     |        |
| 12  | 997 512 053 00     | Lock lower part                           |                | 1   |        |
| 13  | N 910 664 01       | Hexagon socket head<br>bolt (combi)       |                | 2   |        |
|     |                    | M 6 X 40                                  |                |     |        |
| 14  | 997 512 521 00     | Cable                                     |                | 1   |        |
|     |                    | Emergency operation                       |                |     |        |
| 15  | 900 116 002 02     | Retaining washer                          |                | 1   |        |
| 16  | 997 624 118 00     | throttle control element                  |                | 1   |        |
| 17  | 997 624 046 00     | Fan                                       |                | 1   |        |
| 17  | 997 624 056 01     | Fan                                       |                | 1   | PR:XAA |
| 18  | 999 703 451 40     | Rubber grommet                            |                | 3   |        |
|     |                    | 9,0 x 14,0 x 1,5                          |                |     |        |
| 19  | 999 209 093 01     | spacer sleeve                             |                | 3   |        |
| 20  | 999 073 417 01     | fillister hd. bolt                        |                | 3   |        |
|     |                    | M6 X 30                                   |                |     |        |

Model: 997 05

Model life 2005>>2008

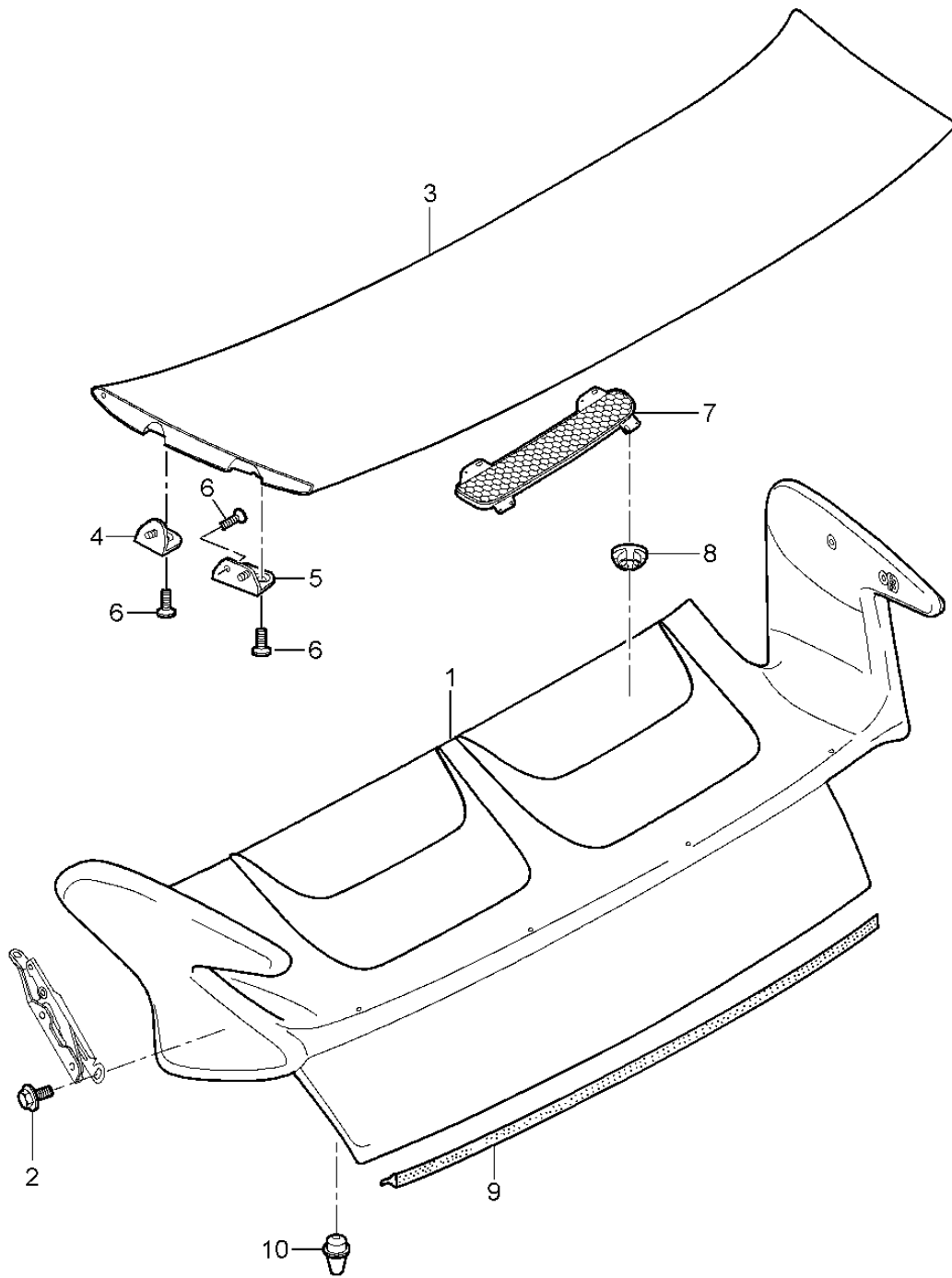


Model: 997 05 Model life 2005>>2008

| Pos  | Part Number        | Description   | Remark | Qty | Model                  |
|------|--------------------|---|--------|-----|------------------------|
| 1    | 997 512 241 00     | Rear spoiler<br>Upper part<br>Spoiler<br>Discontinued part                      |        | 1   |                        |
|      | 997 512 241 00 G2X | primed  |        |     |                        |
| 1    | 997 512 241 01     | Upper part  |        | 1   |                        |
| 2    | 996 512 212 00     | Bungs   |        | 4   |                        |
| 3    | 997 512 205 00     | Spoiler<br>Discontinued part  |        | 1   | COUPE                  |
| (3)  | 997 512 205 04     | Spoiler<br>D >> - MJ 2008   |        | 1   | COUPE                  |
| (3)  | 997 512 205 08     | Spoiler<br>D - MJ 2009>>  |        | 1   | COUPE                  |
| (3)  | 997 512 205 06     | Spoiler<br>D >> - MJ 2008   |        | 1   | COUPE                  |
| (3)  | 997 512 205 05     | Spoiler<br>D >> - MJ 2008   |        | 1   | PR:X51<br>CABRIO/TARGA |
| (3)  | 997 512 205 07     | Spoiler<br><br>Lower part<br>D >> - MJ 2008                                     |        | 1   | PR:X51<br>CABRIO/TARGA |
| -    | 999 703 488 40     | Stop buffer<br>5,9 X 11,5 X 16  |        | 2   |                        |
| 4    | 900 075 490 09     | Hexagon bolt<br>M 6 X 8   |        | 4   |                        |
| 5    | 996 512 250 00     | rear panel  |        | 1   |                        |
| 6    | 996 512 163 00     | Rail  | lower  | 1   |                        |
| 7    | 996 512 164 00     | Rail  | upper  | 1   |                        |
| 8    | 999 591 712 40     | Spreader rivet<br>6,0 X 12,0  |        | 2   |                        |
| 9    | 999 591 974 07     | Clamping washer<br>5,0  |        | 8   |                        |
| 10   | 999 073 382 01     | Bolt with washer<br>M 6 X 20  |        | 10  |                        |
| 11   | 996 512 757 00     | Underlay  |        | 2   |                        |
| 12   | 997 512 109 00     | Driving mechanism   |        | 1   | COUPE                  |
| (12) | 997 512 109 02     | Driving mechanism   |        | 1   | CABRIO/TARGA           |
| -    |                    | Driving mechanism<br><br>with:<br>Wire set<br><br>also use:<br><br>Pos. 19 + 20 |        |     |                        |
| 13   | 996 624 151 00     | Electric motor  |        | 1   |                        |
| 14   | 900 067 273 09     | Bolt with washer<br>M 6 X 16  |        | 4   |                        |
| 15   | 900 074 364 02     | Hexagon bolt<br>M 5 X 55  |        | 3   |                        |
| 16   | 900 377 009 01     | Hexagon nut   |        | 32  |                        |
| 17   | 997 512 911 00     | Toggle catch  |        | 1   |                        |
| 18   | 997 512 255 00     | retainer for spoiler  |        | 4   |                        |
| 19   | 999 911 738 40     | Adhesive film   |        | 2   |                        |
| 20   | 997 512 781 00     | Filler piece  |        | 1   |                        |

Model: 997 05

Model life 2005>>2008



Model: 997 05

Model life 2005>>2008

| Pos | Part Number    | Description       | Remark  | Qty | Model      |
|-----|----------------|-------------------|---------|-----|------------|
|     |                | Cover             | rear    |     |            |
|     |                | Aerokit           |         |     |            |
| 1   | 997 512 225 03 | Cover             |         | 1   | PR:XAA     |
| (1) | 997 512 925 01 | Cover             |         | 1   | PR:XAA,X51 |
|     |                | primed            |         |     |            |
| 2   | 900 378 214 01 | Hexagon bolt      |         | 4   |            |
|     |                | M6 X 18           |         |     |            |
| 3   | 997 512 265 02 | Spoiler           |         | 1   |            |
|     |                | primed            |         |     |            |
| 4   | 997 512 633 01 | Securing bracket  | front   | 2   |            |
| 5   | 997 512 635 01 | Securing bracket  | rear    | 2   |            |
| 6   | 900 249 073 01 | countersunk bolt  |         | 8   |            |
|     |                | M6 X 20           |         |     |            |
| (7) | 997 512 625 90 | intake grille     | left    | 1   |            |
| 7   | 997 512 626 90 | intake grille     | right   | 1   |            |
| 8   | 999 076 082 40 | Cap               |         | 8   |            |
|     |                | T5/16 X 7,00      |         |     |            |
| 9   | 997 512 611 00 | Seal              |         | 1   |            |
| 10  | 996 512 987 00 | adjusting screw   |         | 2   |            |
| -   | 997 612 670 71 | Wire set          |         | 1   |            |
|     |                | see illustration: | 902-020 |     |            |



Model: 997 05 Model life 2005>>2008

| Pos  | Part Number        | Description  | Remark    | Qty | Model  |
|------|--------------------|--|-----------|-----|--------|
|      |                    | Door shell<br>Installation parts<br>Door lock                                    |           |     |        |
| (1)  | 997 531 011 04     | Door shell   | left      | 1   |        |
|      | 997 531 011 04 GRV | primed   |           |     |        |
| 1    | 997 531 012 04     | Door shell   | right     | 1   |        |
|      | 997 531 012 04 GRV | primed   |           |     |        |
| -    |                    | also use:  |           |     |        |
| -    | 000 043 305 32     | sealant  |           | 1   |        |
| (2)  | 997 531 321 00     | Hinge  | left      | 1   |        |
| 2    | 997 531 322 00     | Hinge  | right     | 1   |        |
| (3)  | 997 531 319 00     | Hinge  | left      | 1   |        |
| 3    | 997 531 320 00     | Hinge  | right     | 1   |        |
| 4    | 996 531 831 00     | Sleeve   |           | 4   |        |
| 5    | 900 067 291 01     | Bolt with washer<br>M 8 X 16   |           | 2   |        |
| 6    | 997 537 151 01     | Door catch<br>Discontinued part  |           | 2   |        |
| 6    | 997 537 151 02     | Door catch   |           | 2   |        |
| 7    | 999 084 212 02     | Hexagon nut<br>M 6   |           | 4   |        |
| 8    | 999 073 138 09     | Screw<br>M 8 X 25<br>Discontinued part   |           | 2   |        |
| 9    | 996 537 751 00     | Seal   |           | 2   |        |
| (10) | 997 537 331 00     | Support  | left      | 1   |        |
|      | 997 537 331 00 01C | Satin black  |           |     |        |
| 10   | 997 537 332 00     | Support  | right     | 1   |        |
|      | 997 537 332 00 01C | Satin black  |           |     |        |
| 11   | N 910 174 01       | countersunk multi-point<br>socket head bolt<br>M 8 X 22                          |           | 4   |        |
| 12   | 3C0 837 767 A      | Striker  |           | 2   |        |
| 13   | WHT 000 439        | flat round head bolt<br>M 8 X 20   |           | 2   |        |
| (14) | 3D1 837 015        | Door lock  | left lhd  | 1   | PR:098 |
| 14   | 3D1 837 016        | Door lock  | right lhd | 1   | PR:098 |
| (14) | 3D1 837 015 C      | Door lock  | left      | 1   | PR:072 |
| (14) | 3D1 837 016 C      | Door lock  | right     | 1   | PR:072 |
| (14) | 3D2 837 015        | Door lock  | left rhd  | 1   | PR:099 |
| (14) | 3D2 837 016        | Door lock  | right rhd | 1   | PR:099 |
| 15   | 997 537 319 01     | Bowden cable   |           | 2   |        |
| 16   | 999 072 043 09     | Hexagon bolt<br>M 6 X 12<br>Micro-self-locking<br>fillister hd. bolt<br>M 6 X 16 |           | 2   |        |
| 17   | 999 073 333 09     |  |           | 8   |        |
| (18) | 997 537 201 00     | Inner panel<br>D >> - MJ 2005<br>No longer use the part here                     | left      | 1   |        |
| 18   | 997 537 202 00     | Inner panel<br>D >> - MJ 2005<br>No longer use the part here                     | right     | 1   |        |
| 18   | 997 537 901 00     | Inner panel<br>D >> - MJ 2005  | left      | 1   |        |
| (18) | 997 537 902 00     | Inner panel<br>D >> - MJ 2005  | right     | 1   |        |
| 18   | 987 537 202 00     | Inner panel<br>D - MJ 2006>><br>No longer use the part here                      | right     | 1   |        |
| 18   | 987 537 201 00     | Inner panel<br>D - MJ 2006>><br>No longer use the part here                      | left      | 1   |        |



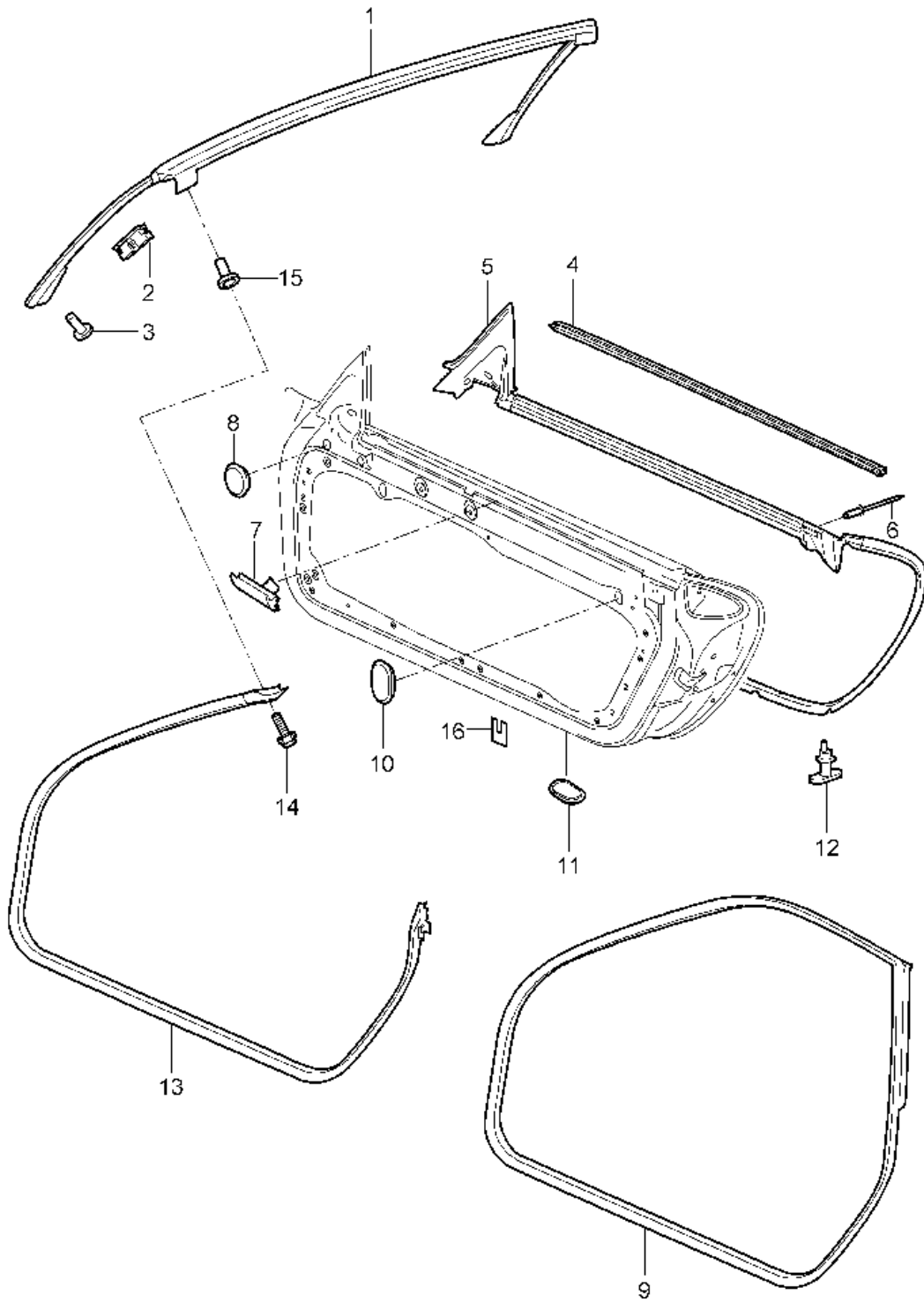
Model: 997 05

Model life 2005&gt;&gt;2008

| Pos  | Part Number        | Description                      | Remark | Qty | Model |
|------|--------------------|----------------------------------|--------|-----|-------|
| (18) | 987 537 201 01     | Inner panel<br>D - MJ 2006>>     | left   | 1   |       |
| 18   | 987 537 202 01     | Inner panel<br>D - MJ 2006>>     | right  | 1   |       |
| 19   | 900 119 072 00     | Socket head bolt<br>M8 X 16      |        | 2   |       |
| (20) | 997 537 333 00     | Support                          | left   | 1   |       |
|      | 997 537 333 00 G2X | primed                           |        |     |       |
| 20   | 997 537 334 00     | Support<br>Side part             | right  | 1   |       |
|      | 997 537 334 00 G2X | primed                           |        |     |       |
| 21   | 999 500 121 02     | rivetted cap nut<br>M8 / 0,8 - 3 |        | 2   |       |

Model: 997 05

Model life 2005>>2008



Model: 997 05 Model life 2005>>2008

| Pos  | Part Number    | Description                                      | Remark                 | Qty | Model       |
|------|----------------|--|------------------------|-----|-------------|
| 1    | 997 537 077 02 | Door seal<br>Seal<br>Windscreen                  |                        | 1   | CABRIO      |
| 2    | 999 507 678 01 | Seal<br>Windscreen<br>U-clip<br>4,0-4,5          |                        | 1   | CABRIO      |
| 3    | 999 190 445 37 | D >> - MJ 2006<br>Pop rivet<br>A 4,0 X 7,9       |                        | 36  | CABRIO      |
| 4    | 997 537 085 00 | Seal   | left                   | 1   |             |
| (4)  | 997 537 086 00 | Seal   | outer<br>right         | 1   |             |
| 5    | 997 537 531 06 | Seal   | outer<br>left<br>inner | 1   |             |
| 5    | 997 537 531 07 | D >> - MJ 2007<br>Discontinued part<br>Seal      | left<br>inner          | 1   |             |
| (5)  | 997 537 532 06 | D - MJ 2008>><br>Seal                            | right<br>inner         | 1   |             |
| (5)  | 997 537 532 07 | D >> - MJ 2007<br>Discontinued part<br>Seal      | right<br>inner         | 1   |             |
| 7    | 997 537 495 00 | D - MJ 2008>><br>Seal                            |                        | 1   |             |
| 8    | 803 803 583 A  | D >> - MJ 2006<br>Bungs<br>20,0 X 30,0           |                        | 2   |             |
| 8    | 999 703 196 40 | Discontinued part<br>End cap<br>20,0 X 30,0      |                        | 2   |             |
| (9)  | 997 537 075 00 | Door seal<br>D >> - MJ 2006<br>Discontinued part | left                   | 1   | COUPE       |
| (9)  | 997 537 075 03 | Door seal<br>D >> - MJ 2006<br>Discontinued part | left                   | 1   | COUPE       |
| (9)  | 997 537 075 05 | Door seal  | left                   | 1   | COUPE/TARGA |
| 9    | 997 537 076 00 | Door seal<br>D >> - MJ 2006<br>Discontinued part | right                  | 1   | COUPE       |
| 9    | 997 537 076 03 | Door seal<br>D >> - MJ 2006<br>Discontinued part | right                  | 1   | COUPE       |
| 9    | 997 537 076 05 | Door seal  | right                  | 1   | COUPE/TARGA |
| 10   | 999 703 541 40 | End cap<br>20 X 28 X 1                           |                        | 4   |             |
| 11   | 999 703 542 40 | End cap<br>23,8 X 38,7                           |                        | 8   |             |
| 12   | 999 507 578 40 | Clip<br>Seal<br>5,0 X 3,7                        |                        | 36  |             |
| 12   | 999 591 513 40 | D >> - MJ 2007<br>Clip<br>Seal<br>5,8 x 0,9      |                        | 36  |             |
| 13   | 997 537 075 02 | D - MJ 2008>><br>Door seal                       | left                   | 1   | CABRIO      |
| (13) | 997 537 076 02 | Door seal  | right                  | 1   | CABRIO      |

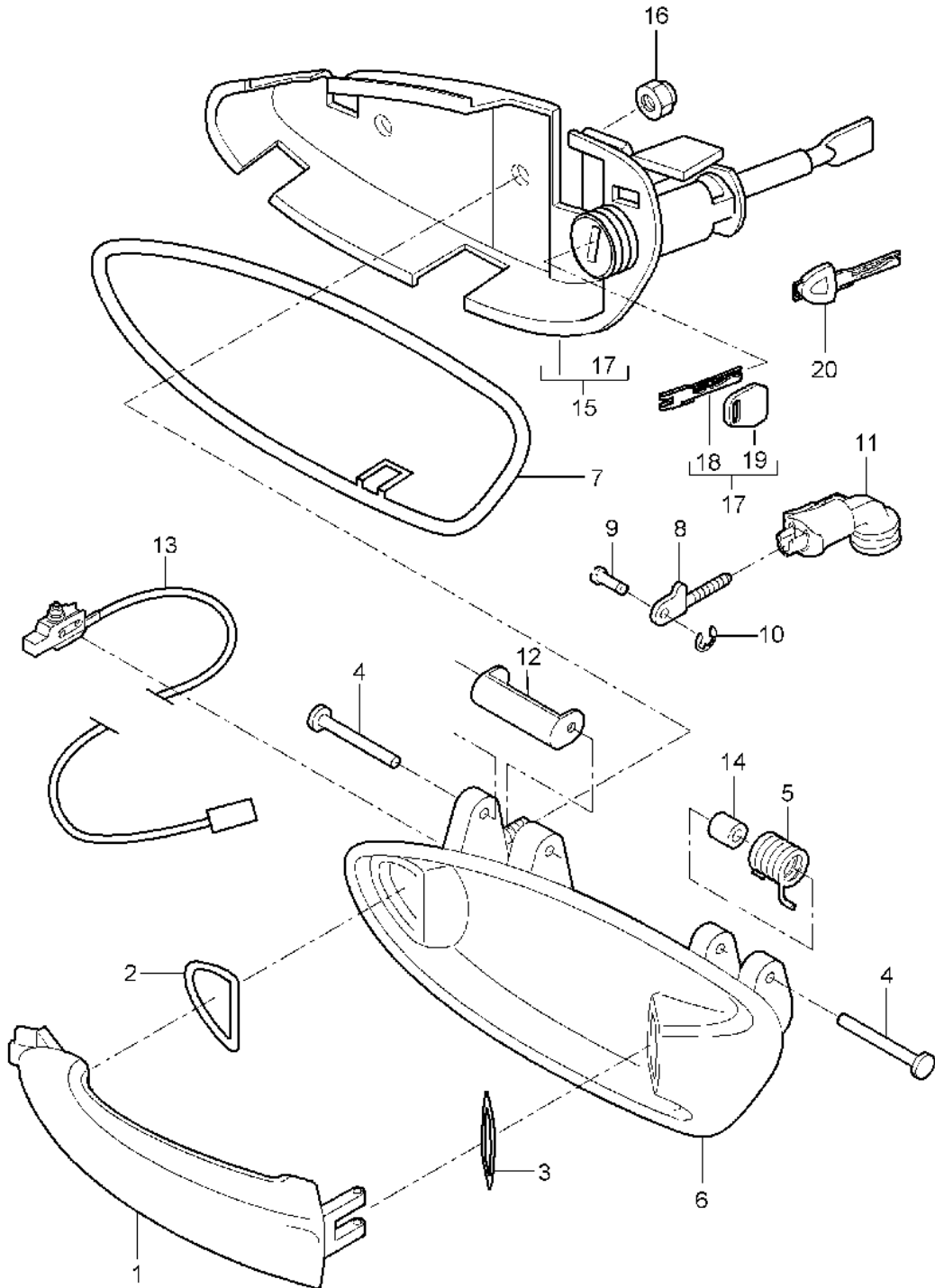
Model: 997 05

Model life 2005&gt;&gt;2008

| Pos | Part Number    | Description                  | Remark | Qty | Model  |
|-----|----------------|------------------------------|--------|-----|--------|
| 14  | 900 075 362 02 | Bolt with washer<br>M 5 X 16 |        | 2   | CABRIO |
| 15  | 999 500 093 02 | Nut<br>M 5/0 - 3             |        | 2   | CABRIO |
| 16  | 996 537 337 00 | protective foil for door     |        | 4   |        |

Model: 997 05

Model life 2005>>2008



Model: 997 05 Model life 2005>>2008

| Pos  | Part Number        | Description                 | Remark    | Qty | Model  |
|------|--------------------|-----------------------------|-----------|-----|--------|
| 1    | 997 537 613 00     | Door handle                 | left      | 1   |        |
|      | 997 537 613 00 G2X | primed                      |           |     |        |
| (1)  | 997 537 614 00     | Door handle                 | right     | 1   |        |
|      | 997 537 614 00 G2X | primed                      |           |     |        |
| 2    | 997 537 623 00     | Stop buffer                 |           | 2   |        |
| 3    | 997 537 625 00     | Stop buffer                 |           | 2   |        |
| 4    | 997 537 621 00     | axle                        |           | 2   |        |
| 5    | 997 537 611 00     | Return spring               | left      | 1   |        |
| (5)  | 997 537 612 00     | Return spring               | right     | 1   |        |
| 6    | 997 537 645 00     | Handle liner                | left lhd  | 1   | PR:098 |
|      | 997 537 645 00 G2X | primed                      |           |     |        |
| (6)  | 997 537 646 00     | Handle liner                | right rhd | 1   | PR:099 |
|      | 997 537 646 00 G2X | primed                      |           |     |        |
| (6)  | 997 537 645 01     | Handle liner                | left rhd  | 1   | PR:099 |
|      | 997 537 645 01 G2X | primed                      |           |     |        |
| (6)  | 997 537 646 01     | Handle liner                | right lhd | 1   | PR:098 |
|      | 997 537 646 01 G2X | primed                      |           |     |        |
| 7    | 997 537 637 00     | Underlay                    | left      | 1   |        |
| (7)  | 997 537 638 00     | Underlay                    | right     | 1   |        |
| 8    | 997 537 627 00     | operating rod               |           | 2   |        |
| 9    | 997 537 629 00     | Pin                         |           | 2   |        |
| 10   | 996 537 641 00     | Retaining washer            |           | 2   |        |
| 11   | 997 537 445 02     | Connecting piece            |           | 2   |        |
|      |                    | D >> - MJ 2005              |           |     |        |
| 11   | 997 537 445 03     | Connecting piece            |           | 2   |        |
|      |                    | D - MJ 2006>>               |           |     |        |
| 12   | 997 537 653 00     | Actuating lever             | left      | 1   |        |
| (12) | 997 537 654 00     | Actuating lever             | right     | 1   |        |
| 13   | 997 613 125 00     | Micro switch                |           | 2   |        |
|      |                    | Window regulator            |           |     |        |
| 13   | 997 613 125 02     | Micro switch                |           | 2   |        |
|      |                    | Window regulator            |           |     |        |
| 14   | 997 537 633 00     | bush                        |           | 2   |        |
| 15   | 997 538 963 00     | Bracket                     | left lhd  | 1   | PR:098 |
|      |                    | with lock cylinder          |           |     |        |
|      |                    | with stipulated lock number |           |     |        |
|      |                    | State lock number           |           |     |        |
| (15) | 997 538 964 00     | Bracket                     | right rhd | 1   | PR:099 |
|      |                    | with lock cylinder          |           |     |        |
|      |                    | with stipulated lock number |           |     |        |
|      |                    | State lock number           |           |     |        |
| (15) | 997 538 963 01     | Bracket                     | left lhd  | 1   | PR:098 |
|      |                    | with lock cylinder          |           |     |        |
|      |                    | W/o stipulated lock number  |           |     |        |
| (15) | 997 538 964 01     | Bracket                     | right rhd | 1   | PR:099 |
|      |                    | with lock cylinder          |           |     |        |
|      |                    | W/o stipulated lock number  |           |     |        |
| (15) | 997 537 463 01     | Bracket                     | left rhd  | 1   | PR:099 |
|      |                    | Without lock cylinder       |           |     |        |
| (15) | 997 537 464 01     | Bracket                     | right lhd | 1   | PR:098 |
|      |                    | Without lock cylinder       |           |     |        |
| 16   | 900 380 015 09     | Hexagon nut                 |           | 2   |        |
|      |                    | M 6                         |           |     |        |
| 17   | 997 538 931 00     | Replacement key             |           | X   |        |
|      |                    | with stipulated lock number |           |     |        |
|      |                    | State lock number           |           |     |        |
| 18   | 997 538 531 00     | Blank key                   |           | X   |        |
| 19   | 944 538 431 00     | Key cover                   |           | X   |        |
| 20   | 955 538 916 00     | emergency key               |           | X   |        |
|      |                    | with stipulated lock number |           |     |        |
|      |                    | State lock number           |           |     |        |
| (20) | 955 538 216 00     | emergency key               |           | X   |        |

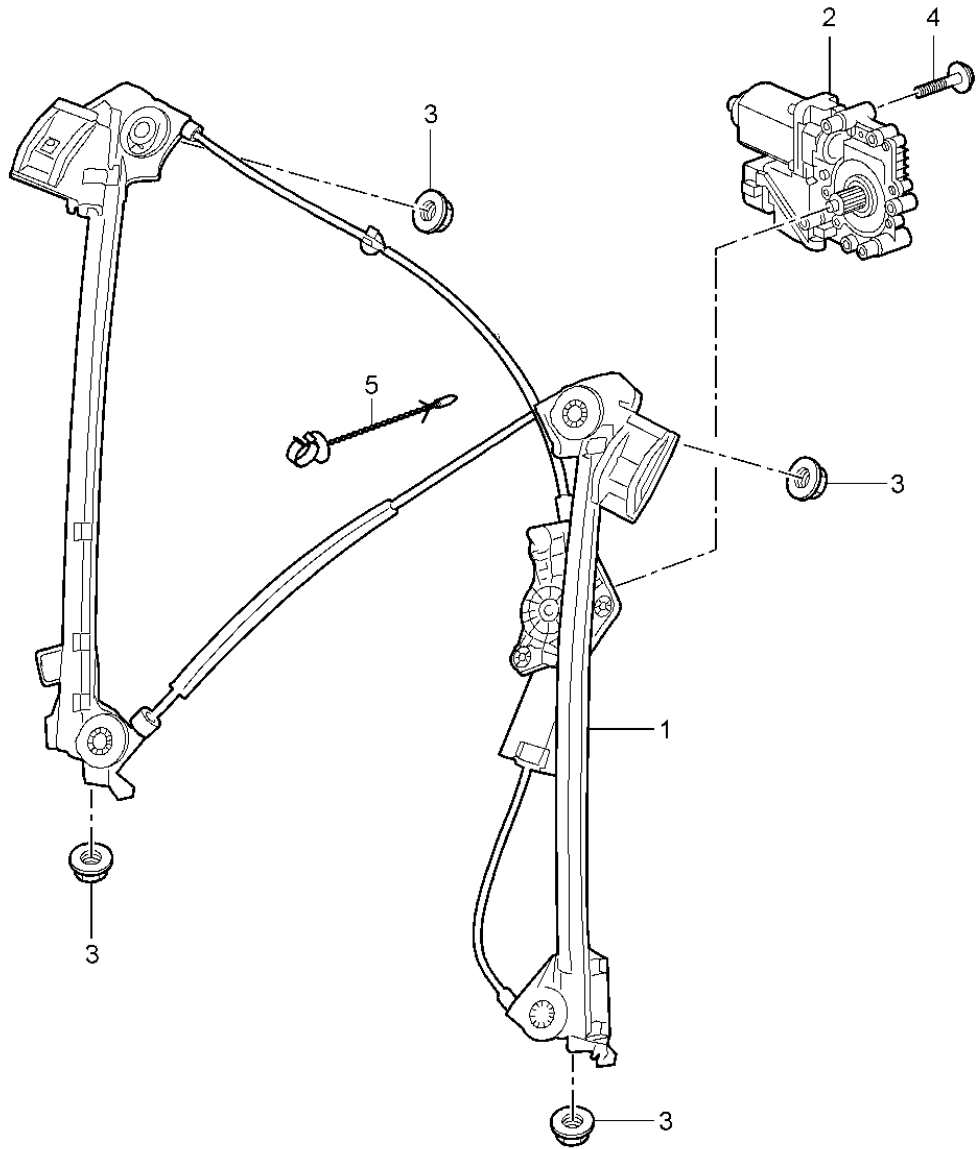
Model: 997 05

Model life 2005>>2008

| Pos | Part Number | Description                | Remark | Qty | Model |
|-----|-------------|----------------------------|--------|-----|-------|
|     |             | W/o stipulated lock number |        |     |       |

Model: 997 05

Model life 2005>>2008





Model: 997 05 Model life 2005>>2008

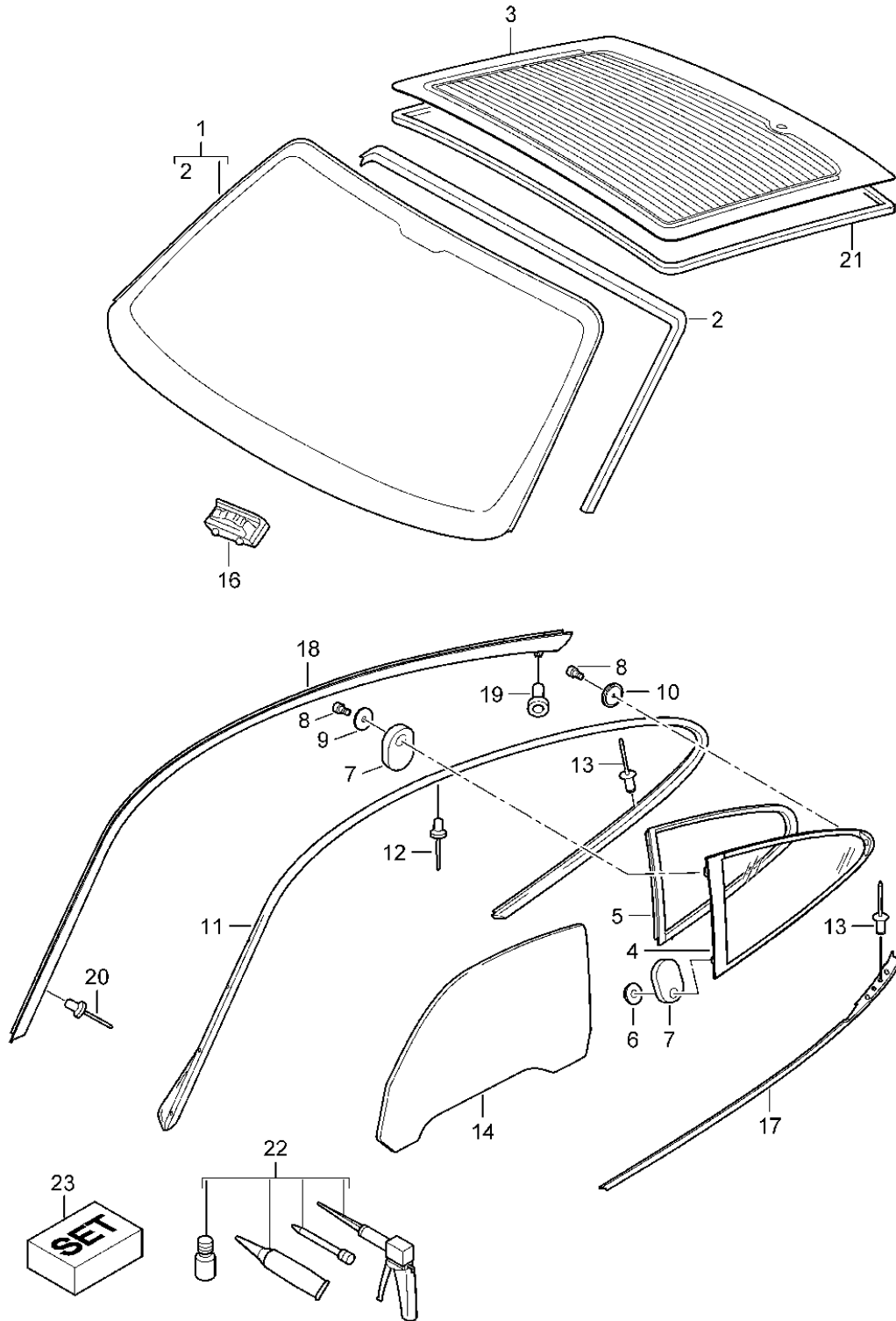
| Pos | Part Number    | Description   | Remark    | Qty | Model            |
|-----|----------------|---|-----------|-----|------------------|
| 1   | 997 542 075 00 | Window regulator<br>Window regulator<br>D >> - MJ 2005<br>Discontinued part | left      | 1   |                  |
| 1   | 987 542 075 00 | Window regulator<br>D >> - MJ 2005<br>Discontinued part                     | left      | 1   |                  |
| 1   | 987 542 075 01 | Window regulator<br>D - MJ 2006>>   | left      | 1   |                  |
| (1) | 997 542 076 00 | Window regulator<br>D >> - MJ 2005<br>Discontinued part                     | right     | 1   |                  |
| (1) | 987 542 076 00 | Window regulator<br>D >> - MJ 2005<br>Discontinued part                     | right     | 1   |                  |
| (1) | 987 542 076 01 | Window regulator<br>D - MJ 2006>>   | right     | 1   |                  |
| (1) | 997 542 075 02 | Window regulator<br>D - MJ 2007>>   | left      | 1   | COUPE/TARGA      |
| (1) | 997 542 076 02 | Window regulator<br>See technical manual<br>D - MJ 2007>>                   | right     | 1   | COUPE/TARGA      |
| -   |                | Supplier<br>FA. BROSE   |           |     |                  |
| 2   | 997 624 101 05 | Electric motor<br>D >> - MJ 2005<br>Discontinued part                       | left lhd  | 1   | COUPE<br>PR:098  |
| 2   | 997 624 101 06 | Electric motor<br>D >> - MJ 2005<br>Discontinued part                       | left lhd  | 1   | COUPE<br>PR:098  |
| 2   | 997 624 101 08 | Electric motor<br>D >> - MJ 2005  | left lhd  | 1   | COUPE<br>PR:098  |
| (2) | 997 624 104 05 | Electric motor<br>D >> - MJ 2005<br>Discontinued part                       | right lhd | 1   | COUPE<br>PR:098  |
| (2) | 997 624 104 06 | Electric motor<br>D >> - MJ 2005<br>Discontinued part                       | right lhd | 1   | COUPE<br>PR:098  |
| (2) | 997 624 104 08 | Electric motor<br>D >> - MJ 2005  | right lhd | 1   | COUPE<br>PR:098  |
| (2) | 997 624 102 05 | Electric motor<br>D >> - MJ 2005<br>Discontinued part                       | right rhd | 1   | COUPE<br>PR:099  |
| (2) | 997 624 102 06 | Electric motor<br>D >> - MJ 2005<br>Discontinued part                       | right rhd | 1   | COUPE<br>PR:099  |
| (2) | 997 624 102 08 | Electric motor<br>D >> - MJ 2005  | right rhd | 1   | COUPE<br>PR:099  |
| (2) | 997 624 103 05 | Electric motor<br>D >> - MJ 2005<br>Discontinued part                       | left rhd  | 1   | COUPE<br>PR:099  |
| (2) | 997 624 103 06 | Electric motor<br>D >> - MJ 2005<br>Discontinued part                       | left rhd  | 1   | COUPE<br>PR:099  |
| (2) | 997 624 103 08 | Electric motor<br>D >> - MJ 2005  | left rhd  | 1   | COUPE<br>PR:099  |
| (2) | 997 624 105 07 | Electric motor<br>D >> - MJ 2005  | left lhd  | 1   | CABRIO<br>PR:098 |
| (2) | 997 624 108 07 | Electric motor<br>D >> - MJ 2005  | right lhd | 1   | CABRIO<br>PR:098 |
| (2) | 997 624 106 07 | Electric motor<br>D >> - MJ 2005  | right rhd | 1   | CABRIO<br>PR:099 |
| (2) | 997 624 107 07 | Electric motor<br>D >> - MJ 2005  | left rhd  | 1   | CABRIO<br>PR:099 |
| -   |                | Supplier  |           |     |                  |

Model: 997 05 Model life 2005>>2008

| Pos | Part Number    | Description  | Remark    | Qty | Model  |
|-----|----------------|--|-----------|-----|--------|
| (2) | 997 624 181 03 | FA.KUESTER<br>Electric motor<br>D - MJ 2006>> - MJ 2006<br>Discontinued part | left lhd  | 1   | PR:098 |
| (2) | 997 624 181 04 | Electric motor<br>D - MJ 2006>> - MJ 2006<br>Discontinued part               | left lhd  | 1   | PR:098 |
| (2) | 997 624 182 03 | Electric motor<br>D - MJ 2006>> - MJ 2006<br>Discontinued part               | right lhd | 1   | PR:098 |
| (2) | 997 624 182 04 | Electric motor<br>D - MJ 2006>> - MJ 2006                                    | right lhd | 1   | PR:098 |
| (2) | 997 624 181 03 | Electric motor<br>D - MJ 2006>> - MJ 2006                                    | right rhd | 1   | PR:099 |
| (2) | 997 624 182 03 | Electric motor<br>D - MJ 2006>> - MJ 2006                                    | left rhd  | 1   | PR:099 |
| -   |                | Supplier<br>FA. BROSE  |           |     |        |
| (2) | 997 624 191 00 | Electric motor<br>D - MJ 2007>>  | left lhd  | 1   | PR:098 |
| (2) | 997 624 192 00 | Electric motor<br>D - MJ 2007>><br>Discontinued part                         | right lhd | 1   | PR:098 |
| (2) | 997 624 162 00 | Electric motor<br>D - MJ 2007>>  | right lhd | 1   | PR:098 |
| (2) | 997 624 192 00 | Electric motor<br>D - MJ 2007>><br>Discontinued part                         | left rhd  | 1   | PR:099 |
| (2) | 997 624 162 00 | Electric motor<br>D - MJ 2007>>  | left rhd  | 1   | PR:099 |
| (2) | 997 624 191 00 | Electric motor<br>D - MJ 2007>>  | right rhd | 1   | PR:099 |
| 3   | 999 084 629 01 | Hexagon nut<br>M6  |           | 4   |        |
| 4   | 999 919 209 09 | fillister hd. bolt<br>M 5 X 22   |           | 3   |        |
| 5   | 987 542 941 00 | Clip<br>Bowden cable<br>Window regulator                                     |           | 1   |        |

Model: 997 05

Model life 2005>>2008



Model: 997 05 Model life 2005>>2008

| Pos  | Part Number    | Description                                  | Remark                               | Qty | Model                     |
|------|----------------|--|--------------------------------------|-----|---------------------------|
| 1    | 997 541 911 00 | window glazing<br>Windscreen<br>Tinted       |                                      | 1   | PR:440,568<br>COUPE/TARGA |
| (1)  | 997 541 911 02 | Windscreen<br>Tinted                         | also use: 000 043 305 35             | 1   | PR:440,568<br>CABRIO      |
| (1)  | 997 541 911 01 | Windscreen<br>Tinted                         |                                      | 1   | PR:440,567<br>COUPE/TARGA |
| (1)  | 997 541 911 03 | Windscreen<br>Tinted                         | also use: 000 043 305 35             | 1   | PR:440,567<br>CABRIO      |
| 2    | 997 541 901 09 | Seal for front<br>window                     | also use: 000 043 305 35             | 1   | COUPE/TARGA               |
| (2)  | 997 541 901 09 | Seal for front<br>window                     |                                      | 1   | CABRIO                    |
| 3    | 997 545 911 00 | Rear window<br><br>Seal                      | without:                             | 1   | /COUPE<br>PR:426          |
| (3)  | 997 545 911 01 | Rear window<br><br>Seal                      | also use: 000 043 305 35<br>without: | 1   | /COUPE<br>PR:425          |
| (3)  | 997 545 911 03 | Discontinued part<br>Rear window<br><br>Seal | also use: 000 043 305 35<br>without: | 1   | /COUPE<br>PR:425          |
| 4    | 997 543 111 00 | Side window                                  | also use: 000 043 305 35             | 1   | COUPE                     |
| (4)  | 997 543 111 02 | Side window                                  | left                                 | 1   | TARGA                     |
| (4)  | 997 543 112 00 | Side window                                  | right                                | 1   | COUPE                     |
| (4)  | 997 543 112 02 | Side window                                  | right                                | 1   | TARGA                     |
| 5    | 996 543 325 00 | Sealing frame                                | left                                 | 1   | COUPE                     |
| (5)  | 996 543 325 01 | Sealing frame                                | left                                 | 1   | TARGA                     |
| (5)  | 996 543 326 00 | Sealing frame                                | right                                | 1   | COUPE                     |
| (5)  | 996 543 326 01 | Sealing frame                                | right                                | 1   | TARGA                     |
| 6    | 999 084 210 02 | Side window<br>Hexagon nut<br>M 8            |                                      | 1   | COUPE                     |
| 7    | 996 543 611 02 | Seal   |                                      | 2   | COUPE                     |
| 8    | 999 218 011 02 | Socket head bolt<br>M 6 X 12                 |                                      | 2   | COUPE                     |
| 9    | 999 025 270 02 | Washer<br>6,4 X 30 X 1,5                     |                                      | 1   | COUPE                     |
| 10   | 996 543 625 00 | Sealing plate                                |                                      | 1   | COUPE                     |
| 11   | 997 537 481 00 | roof frame seal                              | left                                 | 1   | COUPE                     |
| (11) | 997 537 482 00 | roof frame seal                              | right                                | 1   | COUPE                     |
| 12   | 999 190 445 37 | Pop rivet<br>4,0 X 7,9                       |                                      | X   |                           |
| 13   | 999 190 450 37 | Pop rivet<br>4,0 X 6,3                       |                                      | X   |                           |
| 14   | 997 542 511 00 | Door window                                  | left                                 | 1   | COUPE/TARGA               |
| (14) | 997 542 512 00 | Door window                                  | right                                | 1   | COUPE/TARGA               |
| (14) | 997 542 511 01 | Door window                                  | left                                 | 1   | CABRIO                    |
| (14) | 997 542 512 01 | Door window                                  | right                                | 1   | CABRIO                    |
| 16   | 999 507 576 41 | Bracket                                      |                                      | 2   |                           |
| 17   | 997 543 485 00 | Seal   | left                                 | 1   | TARGA                     |
| (17) | 997 543 486 00 | Seal   | right                                | 1   | TARGA                     |
| 18   | 997 543 481 00 | Side window<br>Trim                          | left                                 | 1   | TARGA                     |
| (18) | 997 543 482 00 | Trim<br>roof frame                           | right<br>side                        | 1   | TARGA                     |

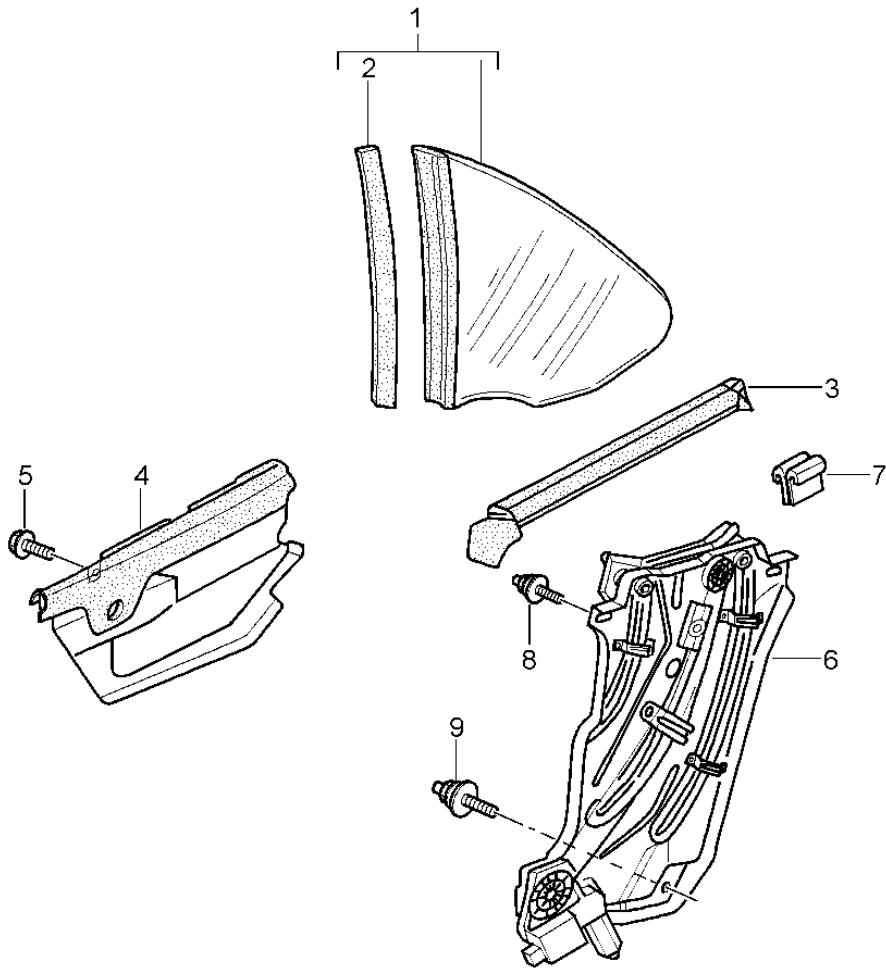
Model: 997 05

Model life 2005&gt;&gt;2008

| Pos | Part Number    | Description                            | Remark | Qty | Model |
|-----|----------------|--|--------|-----|-------|
| 19  | 999 190 464 30 | Pop rivet<br>3 X 3,5                   |        | X   | TARGA |
| 20  | 999 190 185 30 | Pop rivet<br>3,9 X 9,5                 |        | X   | TARGA |
| 21  | 997 545 901 00 | Seal for rear<br>window                |        | 1   |       |
| 22  | 000 043 305 35 | 2K pane adhesive set<br>window glazing |        | 1   |       |

Model: 997 05

Model life 2005>>2008

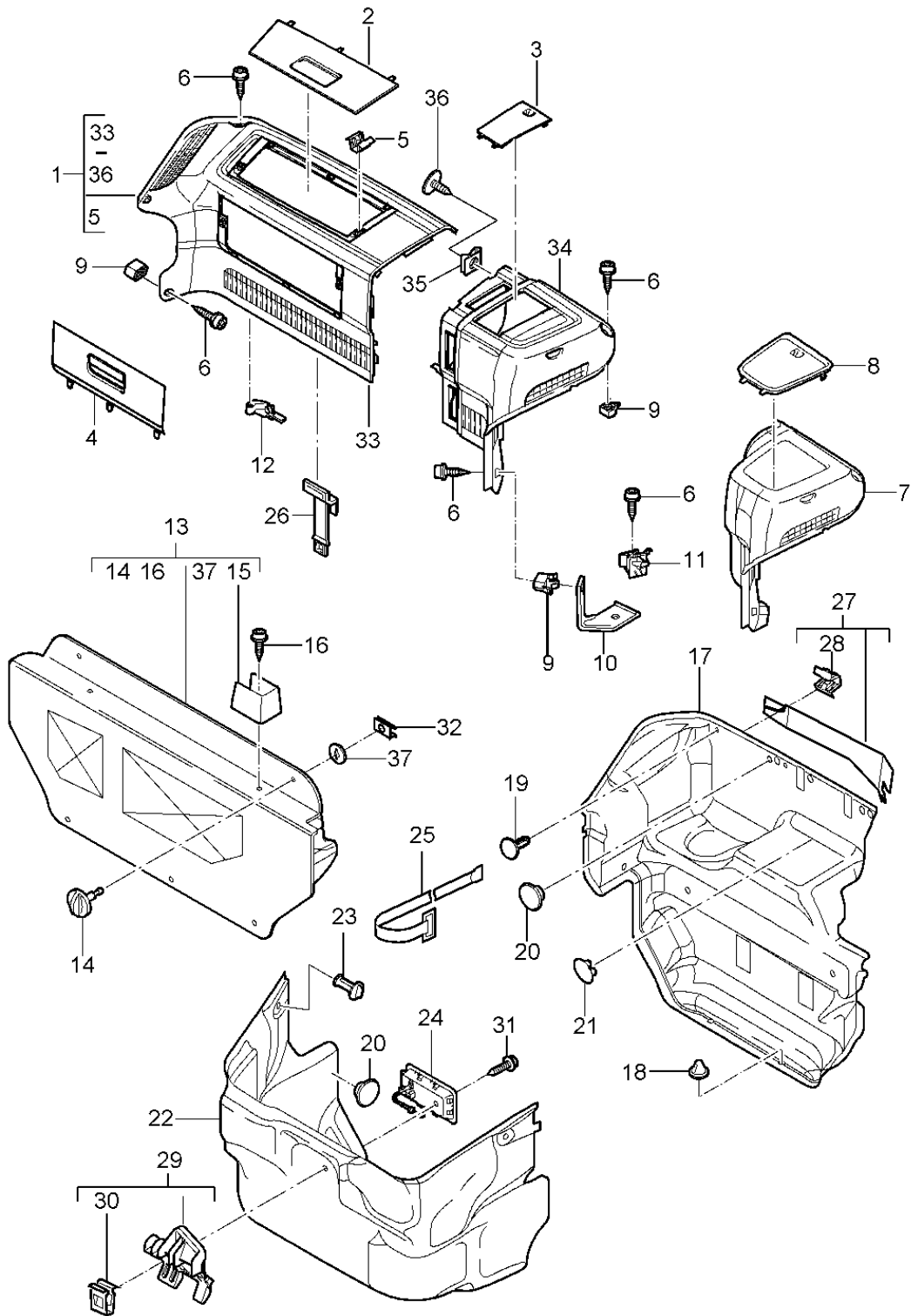


Model: 997 05 Model life 2005>>2008

| Pos | Part Number    | Description   | Remark | Qty | Model  |
|-----|----------------|---|--------|-----|--------|
|     |                | Side window   |        |     | CABRIO |
| 1   | 997 543 111 11 | Side window   | left   | 1   |        |
| (1) | 997 543 112 11 | Side window   | right  | 1   |        |
| (1) | 997 543 112 14 | Side window   | right  | 1   |        |
| 2   | 996 543 615 03 | Seal  | left   | 1   |        |
| (2) | 996 543 616 03 | Seal  | right  | 1   |        |
| 3   | 997 543 475 00 | Seal  | left   | 1   |        |
|     |                |   | outer  |     |        |
| (3) | 997 543 476 00 | Seal  | right  | 1   |        |
|     |                |   | outer  |     |        |
| 4   | 996 543 177 01 | Seal  | left   | 1   |        |
|     |                |   | inner  |     |        |
| (4) | 996 543 178 01 | Seal  | right  | 1   |        |
|     |                |   | inner  |     |        |
| 5   | 900 378 036 09 | Hexagon bolt<br>M 6 X 12                                  |        | 4   |        |
| 6   | 997 543 015 00 | Window regulator with motor<br>Fa.Brose<br>D >> - MJ 2005 | left   | 1   |        |
| 6   | 997 543 015 02 | Window regulator<br>FA.KUESTER<br>D - MJ 2006>>           | left   | 1   |        |
| (6) | 997 543 016 00 | Window regulator with motor<br>Fa.Brose<br>D >> - MJ 2005 | right  | 1   |        |
| (6) | 997 543 016 02 | Window regulator<br>FA.KUESTER<br>D - MJ 2006>>           | right  | 1   |        |
| 7   | 996 543 901 00 | Insert  |        | 4   |        |
| 8   | 996 543 903 00 | Pin   | upper  | 4   |        |
| 9   | 996 543 905 00 | Pin   | lower  | 2   |        |

Model: 997 05

Model life 2005>>2008





Model: 997 05 Model life 2005>>2008

| Pos  | Part Number        | Description   | Remark | Qty | Model                                   |
|------|--------------------|---|--------|-----|---|
| (1)  | 997 551 133 00     | Luggage compartment<br>Lugg. compartment trim, compl.<br>(3-part) | lhd    | 1   | CARRERA 2<br>PR:098,674,<br>676,664,673 |
|      | 997 551 133 00 02A | Black   |        |     |   |
| (1)  | 997 551 133 01     | Lugg. compartment trim, compl.<br>(3-part)                        | rhd    | 1   | PR:099                                  |
|      | 997 551 133 01 02A | Black   |        |     |   |
| 2    | 997 551 306 00     | cover for luggage<br>compartment trim                             | lhd    | 1   | PR:098,674,<br>676,664,673              |
|      | 997 551 306 00 02A | Black   |        |     |   |
| (2)  | 997 551 305 00     | cover for luggage<br>compartment trim                             | rhd    | 1   | PR:099                                  |
|      | 997 551 305 00 02A | Black   |        |     |   |
| 3    | 997 551 301 00     | Cover<br>Brake servo  | lhd    | 1   | PR:098,674,<br>676,664,673              |
|      | 997 551 301 00 02A | Black   |        |     |   |
| (3)  | 997 551 302 00     | Cover<br>Brake servo  | rhd    | 1   | PR:099                                  |
|      | 997 551 302 00 02A | Black   |        |     |   |
| 4    | 997 551 308 00     | cover for luggage<br>compartment trim                             | lhd    | 1   | PR:098,670                              |
|      | 997 551 308 00 02A | Black   |        |     |   |
| 4    | 997 551 308 00     | cover for luggage<br>compartment trim                             | lhd    | 1   | PR:098,672                              |
|      | 997 551 308 00 02A | Black   |        |     |   |
| 4    | 997 551 308 00     | cover for luggage<br>compartment trim                             | lhd    | 1   | PR:098,692                              |
|      | 997 551 308 00 02A | Black   |        |     |   |
| (4)  | 997 551 307 00     | cover for luggage<br>compartment trim                             | rhd    | 1   | PR:099                                  |
|      | 997 551 307 00 02A | Black   |        |     |   |
| 5    | 999 507 735 02     | Clamp<br>9 X 22/2,5   |        | 4   |   |
| 6    | 900 187 501 01     | panel screw<br>ST 3,5 X 16  |        | X   |   |
| 7    | 997 551 231 00     | Trim<br>Brake servo   | lhd    | 1   | PR:098                                  |
|      | 997 551 231 00 02A | Black   |        |     |   |
| 8    | 997 551 311 00     | Cover trim<br>Brake servo   | lhd    | 1   | PR:098                                  |
|      | 997 551 311 00 02A | Black   |        |     |   |
| 9    | 999 507 734 40     | Bracket<br>ST 3,5   |        | X   |   |
| 10   | 997 551 771 02     | Bracket<br>Trim   |        | 1   |   |
|      |                    | Luggage compartment   |        |     |   |
| 11   | 999 507 512 40     | Bracket<br>ST 3,5   |        | X   |   |
| (12) | 997 551 772 02     | Bracket for trim  |        | 1   |   |
| 13   | 997 551 123 02     | Luggage compartment trim<br>Tool<br>Carpet                        |        | 1   |   |
|      | 997 551 123 02 A31 | Black   |        |     |   |
| (13) | 997 551 123 03     | Luggage compartment trim<br>Tool<br>Carpet                        |        | 1   | PR:193                                  |
|      | 997 551 123 03 A31 | Black   |        |     |   |
| 14   | 997 551 803 00     | catch<br>Trim<br>Tool   |        | 2   |   |
| 15   | 997 551 801 00     | retaining strap for warning<br>triangle                           | left   | 1   |   |
|      | 997 551 801 00 02A | Black   |        |     |   |

Model: 997 05 Model life 2005>>2008

| Pos  | Part Number                          | Description   | Remark | Qty | Model              |
|------|--------------------------------------|---|--------|-----|--------------------|
| (15) | 997 551 802 00                       | retaining strap for warning triangle  | right  | 1   |                    |
| 16   | 997 551 802 00 02A<br>999 073 362 09 | Black<br>panel screw<br>4,8 X 22  |        | 2   |                    |
| 17   | 997 551 051 06                       | Luggage compartment trim<br>filler plate<br>Valid up to:<br>F >> 99-5S703 359<br>F >> 99-5S735 240<br>also use:                               | lhd    | 1   | PR:098,476         |
| (17) | 997 551 051 06 A31<br>997 551 051 08 | Black<br>Trim<br>Luggage compartment<br>filler plate<br>Valid up to:<br>F >> 99-5S703 359<br>F >> 99-5S735 240<br>also use:<br>Position<br>22 | lhd    | 1   | PR:098,476,<br>670 |
| (17) | 997 551 051 08 A31<br>997 551 051 08 | Black<br>Trim<br>Luggage compartment<br>filler plate<br>Valid up to:<br>F >> 99-5S703 359<br>F >> 99-5S735 240<br>also use:<br>Position<br>22 | lhd    | 1   | PR:098,476,<br>692 |
| (17) | 997 551 051 08 A31<br>997 551 051 10 | Black<br>Luggage compartment trim<br>filler plate<br>Valid up to:<br>F >> 99-5S703 359<br>F >> 99-5S735 240<br>also use:<br>Position<br>22    |        | 1   | PR:476,664         |
| (17) | 997 551 051 10 A31<br>997 551 051 12 | Black<br>Luggage compartment trim<br>filler plate<br>Valid up to:<br>F >> 99-5S703 359<br>F >> 99-5S735 240<br>also use:<br>Position<br>22    | rhd    | 1   | PR:099             |
| (17) | 997 551 051 12 A31<br>997 551 051 15 | Black<br>Luggage compartment trim<br>filler plate<br>Carpet<br>Valid from:<br>F 99-5S703 360>><br>F 99-5S735 241>>                            | lhd    | 1   | PR:098,476         |
|      | 997 551 051 15 A31                   | Black   |        |     |                    |

Model: 997 05 Model life 2005>>2008

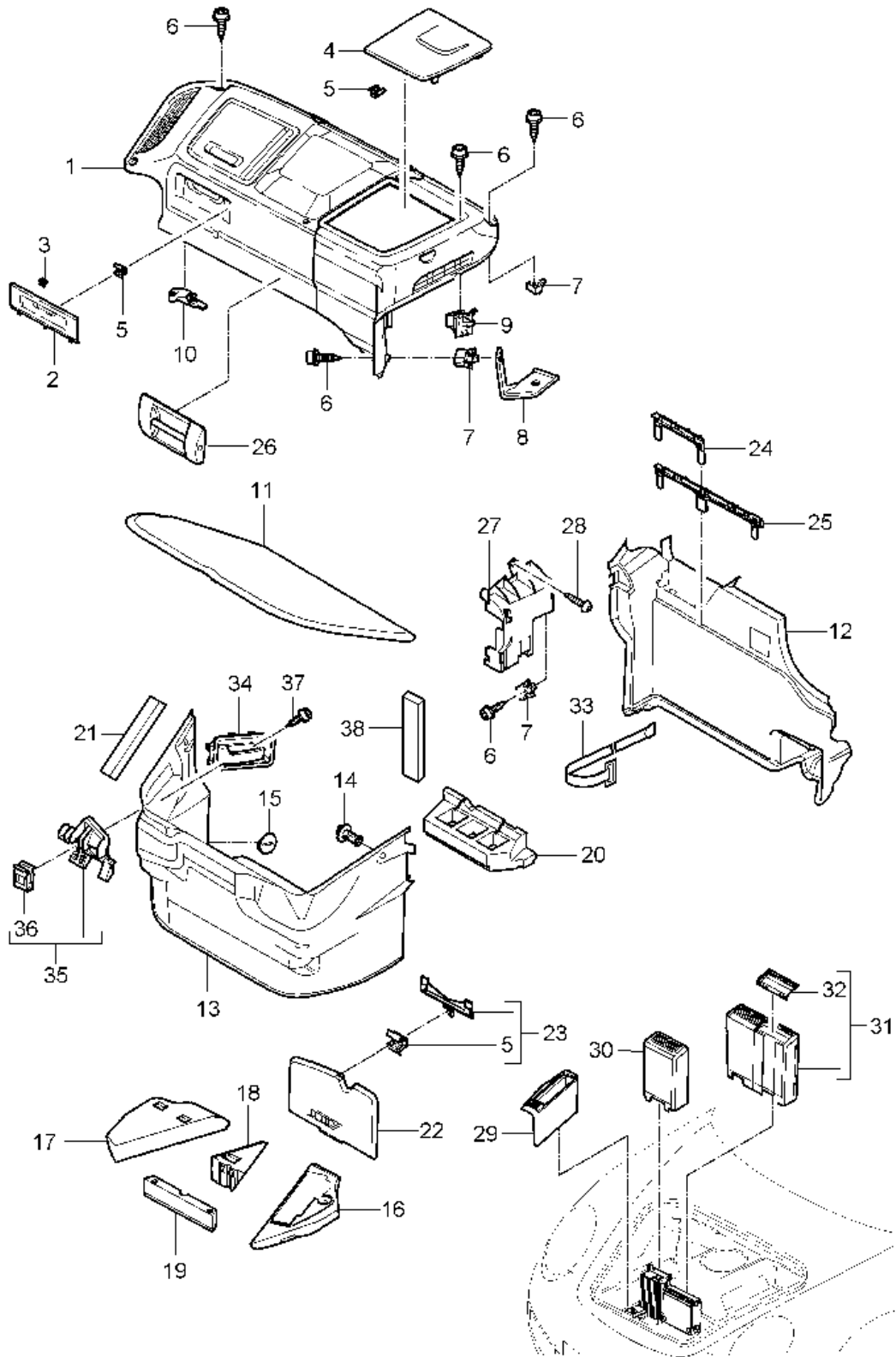
| Pos  | Part Number                          | Description  | Remark | Qty | Model              |
|------|--------------------------------------|--|--------|-----|--------------------|
| (17) | 997 551 051 16                       | Luggage compartment trim<br>filler plate<br>Carpet<br>Valid from:<br>F 99-5S703 360>><br>F 99-5S735 241>>          | lhd    | 1   | PR:098,476,<br>670 |
| (17) | 997 551 051 16 A31<br>997 551 051 16 | Black<br>Luggage compartment trim<br>filler plate<br>Carpet<br>Valid from:<br>F 99-5S703 360>><br>F 99-5S735 241>> | lhd    | 1   | PR:098,476,<br>672 |
| (17) | 997 551 051 16 A31<br>997 551 051 16 | Black<br>Luggage compartment trim<br>filler plate<br>Carpet<br>Valid from:<br>F 99-5S703 360>><br>F 99-5S735 241>> | lhd    | 1   | PR:098,476,<br>692 |
| (17) | 997 551 051 16 A31<br>997 551 051 18 | Black<br>Luggage compartment trim<br>filler plate<br>Carpet<br>Valid from:<br>F 99-5S703 360>><br>F 99-5S735 241>> | rhd    | 1   | PR:099             |
| 18   | 997 551 051 18 A31<br>999 049 004 40 | Black<br>Plastic nut<br>T5 / 32 X 20   |        | 2   |                    |
| 19   | 999 703 432 40                       | Bungs<br>8,2 X 18  |        | 2   |                    |
| 20   | 999 703 455 41                       | End cap<br>12,2 X 25   |        | X   |                    |
| 21   | 999 703 456 40                       | Cover cap<br>49 X 26   |        | 1   |                    |
| 22   | 997 551 045 00                       | Trim<br>Luggage compartment liner<br>Carpet<br>Valid up to:<br>F >> 99-5S703 359<br>F >> 99-5S735 240<br>also use: |        | 1   |                    |
| 22   | 997 551 045 00 A31<br>997 551 045 12 | Black<br>Trim<br>Luggage compartment liner<br>Carpet<br>Valid from:<br>F 99-5S703 360>><br>F 99-5S735 241>>        |        | 1   |                    |
| 23   | 997 551 045 12 A31<br>999 049 006 40 | Black<br>Plastic nut<br>T5 /30 X 7,5   |        | 2   |                    |
| 25   | 997 551 741 00                       | retaining strap for first aid<br>kit   |        | 1   | PR:024             |
| (25) | 997 551 741 00                       | retaining strap for first aid<br>kit   |        | 1   | PR:499             |
| 26   | 997 551 805 00                       | Fastening clip   |        | 1   | CABRIO             |

Model: 997 05 Model life 2005>>2008

| Pos  | Part Number                          | Description   | Remark | Qty | Model      |
|------|--------------------------------------|---|--------|-----|------------|
| 27   | 997 551 805 00 01C<br>997 551 751 00 | Pocket<br>Windbreak<br>Satin black<br>Trim<br>Lines<br>Carpet |        | 1   | PR:099     |
| 28   | 997 551 751 00 A31<br>999 507 116 01 | Black<br>U-clip<br>23,0 - 23,5                                |        | 2   | PR:099     |
| 32   | 999 590 055 01                       | Securing clip<br>10,7 X 11,5                                  |        | 2   |            |
| 33   | 997 551 634 00                       | Luggage compartment trim                                      | lhd    | 1   | PR:098,670 |
| 33   | 997 551 634 00 FMU                   | black/black   |        |     |            |
| 33   | 997 551 634 00                       | Luggage compartment trim                                      | lhd    | 1   | PR:098,672 |
| 33   | 997 551 634 00 FMU                   | black/black   |        |     |            |
| 33   | 997 551 634 00                       | Luggage compartment trim                                      | lhd    | 1   | PR:098,692 |
| 33   | 997 551 634 00 FMU                   | black/black   |        |     |            |
| (33) | 997 551 635 00                       | Luggage compartment trim                                      | rhd    | 1   | PR:099     |
| 34   | 997 551 635 00 FMU                   | black/black   |        |     |            |
| 34   | 997 551 633 00                       | Trim<br>Brake servo   | lhd    | 1   | PR:098,670 |
| 34   | 997 551 633 00 FMU                   | black/black   |        |     |            |
| 34   | 997 551 633 00                       | Trim<br>Brake servo   | lhd    | 1   | PR:098,672 |
| 34   | 997 551 633 00 FMU                   | black/black   |        |     |            |
| 34   | 997 551 633 00                       | Trim<br>Brake servo   | lhd    | 1   | PR:098,692 |
| 34   | 997 551 633 00 FMU                   | black/black   |        |     |            |
| (34) | 997 551 632 00                       | Trim<br>Brake servo   |        | 1   | PR:099     |
| 35   | 997 551 632 00 FMU                   | black/black   |        |     |            |
| 35   | 999 507 795 09                       | panel nut<br>4,8  |        | 3   |            |
| 36   | 999 073 231 09                       | panel screw<br>4,8 X 16                                       |        | 3   |            |
| 37   | 999 025 236 40                       | Washer<br>fuse<br>for<br>catch<br>Position<br>14              |        | 2   |            |

Model: 997 05

Model life 2005>>2008



Model: 997 05 Model life 2005>>2008

| Pos  | Part Number        | Description  | Remark | Qty | Model                 |
|------|--------------------|--|--------|-----|-----------------------|
|      |                    | Luggage compartment<br>D - MJ 2006>>               |        |     | CARRERA 4             |
| 1    | 997 551 630 00     | Luggage compartment trim                           | lhd    | 1   | PR:098                |
|      | 997 551 630 00 FMU | black/black  |        |     |                       |
| 1    | 997 551 630 01     | Luggage compartment trim                           | rhd    | 1   | PR:099                |
|      | 997 551 630 01 FMU | black/black  |        |     |                       |
| 2    | 997 551 304 00     | Cover trim   | lhd    | 1   | PR:098                |
|      |                    |  | lower  |     |                       |
|      | 997 551 304 00 02A | Black  |        |     |                       |
| 3    | 997 551 817 00     | Bracket<br>Hinge                                   | lhd    | 2   | PR:098                |
| 4    | 997 551 309 00     | Cover<br>Brake servo                               | lhd    | 1   | PR:098                |
|      | 997 551 309 00 02A | Black  |        |     |                       |
| (4)  | 997 551 310 00     | Cover<br>Brake servo                               | rhd    | 1   | PR:099                |
|      | 997 551 310 00 02A | Black  |        |     |                       |
| 5    | 999 507 552 01     | Spring clip<br>9 X 13/3,0                          |        | X   |                       |
| 6    | 999 073 048 02     | panel screw<br>ST 3,5 X 13                         |        | X   |                       |
| 7    | 999 507 734 40     | Bracket<br>ST 3,5                                  |        | X   |                       |
| 8    | 997 551 771 02     | Bracket<br>Trim                                    |        | 1   |                       |
| 9    | 999 507 512 40     | Luggage compartment<br>Bracket<br>ST 3,5           |        | X   |                       |
| 10   | 997 551 772 02     | Bracket for trim                                   |        | 1   |                       |
| 11   | 997 551 351 00     | Cover<br>Tool<br>Carpet                            |        | 1   |                       |
| (11) | 997 551 351 00 A31 | Black  |        |     |                       |
|      | 997 551 351 04     | Cover<br>Tool<br>Carpet                            | lhd    | 1   | PR:098, 692           |
| (11) | 997 551 351 04 A31 | Black  |        |     |                       |
|      | 997 551 351 06     | Cover<br>Tool<br>Carpet                            | rhd    | 1   | PR:099, 670, 672      |
| (11) | 997 551 351 06 A31 | Black  |        |     |                       |
|      | 997 551 351 07     | Cover<br>Tool<br>Carpet                            | rhd    | 1   | PR:099, 692           |
| (11) | 997 551 351 07 A31 | Black  |        |     |                       |
|      | 997 551 351 08     | Cover<br>Tool<br>Carpet                            | rhd    | 1   | PR:099, 670, 672, 692 |
| (11) | 997 551 351 08 A31 | Black  |        |     |                       |
| 12   | 997 551 051 19     | Luggage compartment trim<br>filler plate<br>Carpet | lhd    | 1   | PR:098, 476           |
|      | 997 551 051 19 A31 | Black  |        |     |                       |
| (12) | 997 551 051 22     | Luggage compartment trim<br>filler plate<br>Carpet | rhd    | 1   | PR:099, 476           |
|      | 997 551 051 22 A31 | Black  |        |     |                       |
| (12) | 997 551 051 23     | Luggage compartment trim<br>filler plate<br>Carpet | rhd    | 1   | PR:099, 476, 670, 672 |
|      | 997 551 051 23 A31 | Black  |        |     |                       |
| 13   | 997 551 045 14     | Trim<br>Luggage compartment liner                  | lhd    | 1   | PR:098                |

Model: 997 05 Model life 2005>>2008

| Pos  | Part Number                          | Description                            | Remark    | Qty | Model              |
|------|--------------------------------------|--|-----------|-----|--------------------|
| (13) | 997 551 045 14 A31<br>997 551 045 16 | Carpet<br>Black<br>Trim                | rhd       | 1   | PR:099             |
|      |                                      | Luggage compartment liner<br>Carpet    |           |     |                    |
| 14   | 997 551 045 16 A31<br>999 049 006 40 | Black<br>Plastic nut                   |           | 2   |                    |
|      |                                      | T5 / 30 X 7,5                          |           |     |                    |
| 15   | 997 551 807 00                       | cap nut                                |           | 1   |                    |
| (15) | 999 703 455 41                       | End cap                                |           | 1   | PR:490,680         |
| 16   | 997 551 401 00                       | Foam part                              | left lhd  | 1   | PR:098             |
|      |                                      | Tool                                   |           |     |                    |
| (16) | 997 551 402 00                       | Foam part                              | right rhd | 1   | PR:099             |
|      |                                      | Tool                                   |           |     |                    |
| 17   | 997 551 408 00                       | Foam part                              | right lhd | 1   | PR:098             |
|      |                                      | Luggage compartment liner              |           |     |                    |
| (17) | 997 551 407 00                       | Foam part                              | left rhd  | 1   | PR:099             |
|      |                                      | Luggage compartment liner              |           |     |                    |
| 18   | 997 551 405 00                       | Foam part                              | rear      | 1   |                    |
|      |                                      | Compressor                             |           |     |                    |
| 19   | 997 551 403 00                       | Foam part                              | front     | 1   |                    |
|      |                                      | Compressor                             |           |     |                    |
| 20   | 997 551 412 01                       | Foam part                              |           | 1   |                    |
|      |                                      | filler plate                           |           |     |                    |
| 21   | 997 551 414 00                       | Foam part                              | lhd       | 1   | PR:098,692         |
|      |                                      | CD changers                            |           |     |                    |
| (21) | 997 551 413 00                       | Foam part                              | rhd       | 1   | PR:099,692         |
|      |                                      | CD changers                            |           |     |                    |
| 22   | 997 551 501 00                       | Cover                                  | lhd       | 1   | PR:098             |
|      |                                      | Compressed air bottle                  |           |     |                    |
| (22) | 997 551 501 00 A31<br>997 551 502 00 | Black<br>Cover                         | rhd       | 1   | PR:099             |
|      |                                      | Compressed air bottle                  |           |     |                    |
| 23   | 997 551 502 00 A31<br>997 551 415 00 | Black<br>Adapter                       |           | 1   |                    |
|      |                                      | Compressed air bottle                  |           |     |                    |
| 26   | 997 551 805 01                       | Eye                                    | front     | 1   |                    |
|      |                                      | Luggage compartment                    |           |     |                    |
| 27   | 997 551 805 01 02A                   | Black                                  |           | 1   |                    |
| 28   | 997 551 736 01                       | Cover for control unit                 |           | X   |                    |
|      |                                      | panel screw                            |           |     |                    |
| 29   | 997 551 104 00                       | Trim                                   | lhd       | 1   | PR:098,692         |
|      |                                      | CD changers                            |           |     |                    |
| (29) | 997 551 104 00 02A<br>997 551 103 00 | Black<br>Trim                          | rhd       | 1   | PR:099,692         |
|      |                                      | CD changers                            |           |     |                    |
| 30   | 997 551 103 00 02A<br>997 551 108 00 | Black<br>Trim                          |           | 1   | PR:664             |
|      |                                      | Amplifiers                             |           |     |                    |
| (31) | 997 551 108 00 02A<br>997 551 105 00 | Black<br>Trim                          | rhd       | 1   | PR:099,670,<br>672 |
|      |                                      | DVD                                    |           |     |                    |
| -    | 997 551 105 00 02A<br>999 507 735 02 | Black<br>Clamp                         | rhd       | 2   | PR:099,670,<br>672 |
|      |                                      | Mount                                  |           |     |                    |
| (32) | 997 551 811 00                       | Trim                                   | rhd       | 1   | PR:099,670,<br>672 |
|      |                                      | DVD                                    |           |     |                    |
| 33   | 997 551 811 00 02A<br>997 551 741 00 | Black<br>retaining strap for first aid |           | 1   | PR:024             |

Model: 997 05

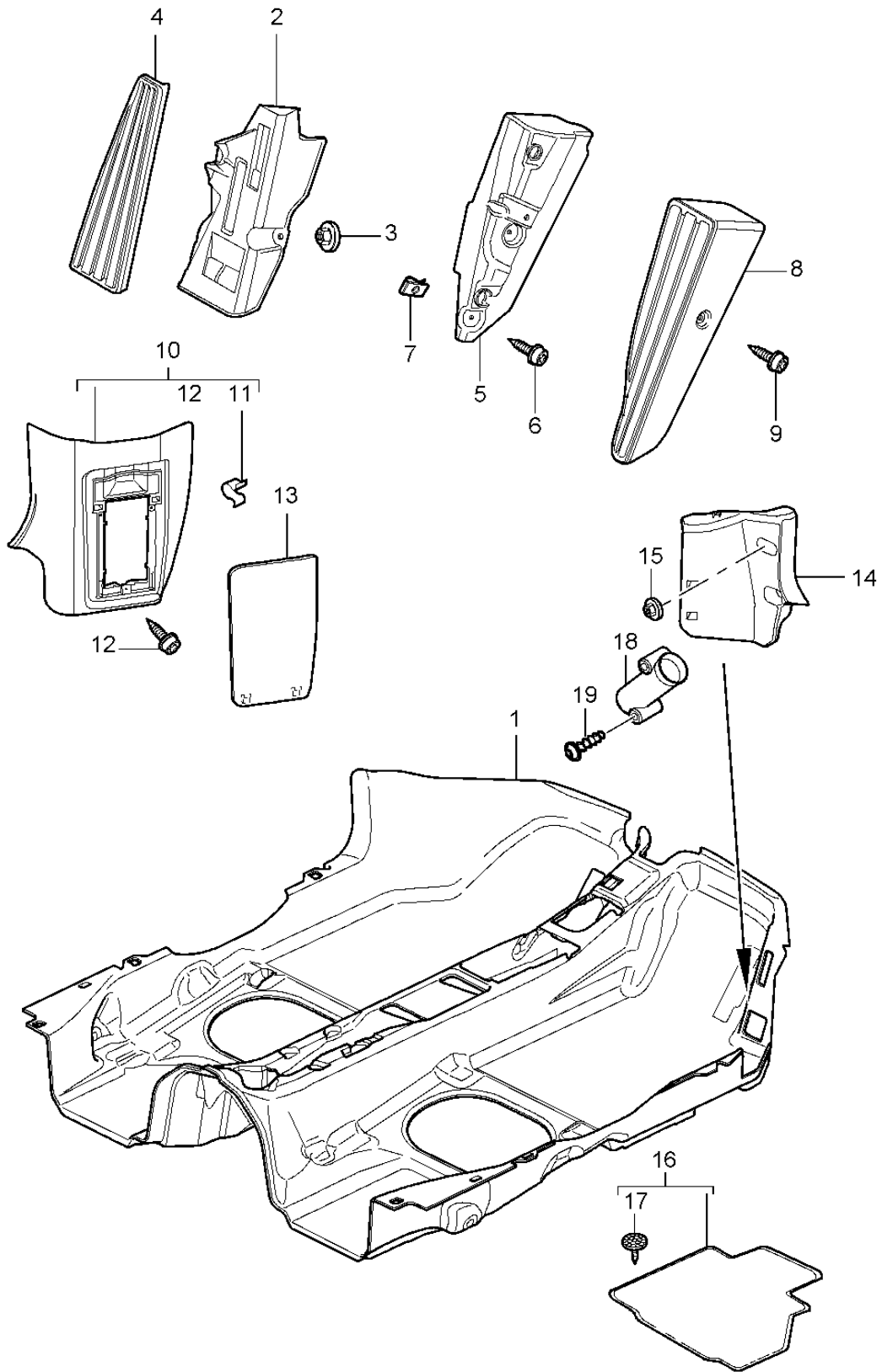
Model life 2005&gt;&gt;2008

| Pos  | Part Number    | Description                          | Remark | Qty | Model      |
|------|----------------|--------------------------------------|--------|-----|------------|
| (33) | 997 551 741 00 | kit<br>retaining strap for first aid |        | 1   | PR:499     |
| 38   | 997 556 623 00 | kit<br>Plastic foam strip            |        | 2   | PR:670,672 |



Model: 997 05

Model life 2005>>2008



Model: 997 05 Model life 2005>>2008

| Pos | Part Number        | Description  | Remark | Qty | Model               |
|-----|--------------------|--|--------|-----|---------------------|
| 1   | 997 551 011 08     | Flooring<br>Linings<br>Flooring (carpet)   | lhd    | 1   | COUPE<br>PR:098     |
|     | 997 551 011 08 FMA | Palm green<br>D >> - MJ 2007   |        |     |                     |
|     | 997 551 011 08 FMB | Terracotta   |        |     |                     |
|     | 997 551 011 08 FMC | Cocoa  |        |     |                     |
|     | 997 551 011 08 FMD | Dark grey/natural  |        |     |                     |
|     | 997 551 011 08 FME | Brown/natural  |        |     |                     |
| 1   | 997 551 011 08     | Flooring (carpet)  | lhd    | 1   | COUPE<br>PR:098     |
|     |                    | Until<br>Chassis number<br>See technical information<br>GR.7 NR. 17/11<br>KD-NR. 70                  |        |     |                     |
|     | 997 551 011 08 FLW | Black  |        |     |                     |
|     | 997 551 011 08 FLX | Stone grey   |        |     |                     |
|     | 997 551 011 08 FLY | Sand beige   |        |     |                     |
|     | 997 551 011 08 FLZ | sea blue   |        |     |                     |
|     | 997 551 011 08 FSV | Carrera Red<br>D - MJ 2008>>   |        |     |                     |
| 1   | 997 551 011 18     | Flooring (carpet)  | lhd    | 1   | COUPE<br>PR:098     |
|     |                    | From<br>Chassis number<br>See technical information<br>GR.7 NR. 17/11<br>KD-NR. 70                   |        |     |                     |
|     | 997 551 011 18 FLW | Black  |        |     |                     |
|     | 997 551 011 18 FLX | Stone grey   |        |     |                     |
|     | 997 551 011 18 FLY | Sand beige   |        |     |                     |
|     | 997 551 011 18 FLZ | sea blue   |        |     |                     |
|     | 997 551 011 18 FSV | Carrera Red<br>D - MJ 2008>>   |        |     |                     |
| 1   | 997 551 011 08     | Flooring (carpet)  | lhd    | 1   | TARGA<br>PR:098,490 |
|     |                    | D - MJ 2007>>  |        |     |                     |
|     | 997 551 011 08 FMA | Palm green<br>D >> - MJ 2007   |        |     |                     |
|     | 997 551 011 08 FMB | Terracotta   |        |     |                     |
|     | 997 551 011 08 FMC | Cocoa  |        |     |                     |
|     | 997 551 011 08 FMD | Dark grey/natural  |        |     |                     |
|     | 997 551 011 08 FME | Brown/natural  |        |     |                     |
| 1   | 997 551 011 08     | Flooring (carpet)  | lhd    | 1   | TARGA<br>PR:098,490 |
|     |                    | Until<br>Chassis number<br>See technical information<br>GR.7 NR. 17/11<br>KD-NR. 70<br>D - MJ 2007>> |        |     |                     |
|     | 997 551 011 08 FLW | Black  |        |     |                     |
|     | 997 551 011 08 FLX | Stone grey   |        |     |                     |
|     | 997 551 011 08 FLY | Sand beige   |        |     |                     |
|     | 997 551 011 08 FLZ | sea blue   |        |     |                     |
|     | 997 551 011 08 FSV | Carrera Red<br>D - MJ 2008>>   |        |     |                     |
| 1   | 997 551 011 18     | Flooring (carpet)  | lhd    | 1   | TARGA<br>PR:098,490 |
|     |                    | From<br>Chassis number   |        |     |                     |

Model: 997 05 Model life 2005>>2008

| Pos | Part Number        | Description  | Remark | Qty | Model               |
|-----|--------------------|--|--------|-----|---------------------|
|     |                    | See technical information<br>GR.7 NR. 17/11<br>KD-NR. 70<br>D - MJ 2007>>                            |        |     |                     |
|     | 997 551 011 18 FLW | Black  |        |     |                     |
|     | 997 551 011 18 FLX | Stone grey   |        |     |                     |
|     | 997 551 011 18 FLY | Sand beige   |        |     |                     |
|     | 997 551 011 18 FLZ | sea blue   |        |     |                     |
|     | 997 551 011 18 FSV | Carrera Red  |        |     |                     |
| (1) | 997 551 011 09     | D - MJ 2008>><br>Flooring (carpet)   | rhd    | 1   | COUPE<br>PR:099     |
|     | 997 551 011 09 FMA | Palm green<br>D >> - MJ 2007   |        |     |                     |
|     | 997 551 011 09 FMB | Terracotta   |        |     |                     |
|     | 997 551 011 09 FMC | Cocoa  |        |     |                     |
|     | 997 551 011 09 FMD | Dark grey/natural  |        |     |                     |
| (1) | 997 551 011 09 FME | Brown/natural<br>Flooring (carpet)   | rhd    | 1   | COUPE<br>PR:099     |
|     |                    | Until<br>Chassis number<br>See technical information<br>GR.7 NR. 17/11<br>KD-NR. 70                  |        |     |                     |
|     | 997 551 011 09 FLW | Black  |        |     |                     |
|     | 997 551 011 09 FLX | Stone grey   |        |     |                     |
|     | 997 551 011 09 FLY | Sand beige   |        |     |                     |
|     | 997 551 011 09 FLZ | sea blue   |        |     |                     |
|     | 997 551 011 09 FSV | Carrera Red  |        |     |                     |
| (1) | 997 551 011 19     | D - MJ 2008>><br>Flooring (carpet)   | rhd    | 1   | COUPE<br>PR:099     |
|     |                    | From<br>Chassis number<br>See technical information<br>GR.7 NR. 17/11<br>KD-NR. 70                   |        |     |                     |
|     | 997 551 011 19 FLW | Black  |        |     |                     |
|     | 997 551 011 19 FLX | Stone grey   |        |     |                     |
|     | 997 551 011 19 FLY | Sand beige   |        |     |                     |
|     | 997 551 011 19 FLZ | sea blue   |        |     |                     |
|     | 997 551 011 19 FSV | Carrera Red  |        |     |                     |
| (1) | 997 551 011 09     | D - MJ 2008>><br>Flooring (carpet)   | rhd    | 1   | TARGA<br>PR:099,490 |
|     | 997 551 011 09 FMA | Palm green<br>D >> - MJ 2007   |        |     |                     |
|     | 997 551 011 09 FMB | Terracotta   |        |     |                     |
|     | 997 551 011 09 FMC | Cocoa  |        |     |                     |
|     | 997 551 011 09 FMD | Dark grey/natural  |        |     |                     |
| (1) | 997 551 011 09 FME | Brown/natural<br>Flooring (carpet)   | rhd    | 1   | TARGA<br>PR:099,490 |
|     |                    | Until<br>Chassis number<br>See technical information<br>GR.7 NR. 17/11<br>KD-NR. 70<br>D - MJ 2007>> |        |     |                     |
|     | 997 551 011 09 FLW | Black  |        |     |                     |
|     | 997 551 011 09 FLX | Stone grey   |        |     |                     |

Model: 997 05 Model life 2005>>2008

| Pos | Part Number        | Description               | Remark     | Qty | Model                |
|-----|--------------------|---------------------------|------------|-----|----------------------|
| (1) | 997 551 011 09 FLY | Sand beige                |            |     |                      |
|     | 997 551 011 09 FLZ | sea blue                  |            |     |                      |
|     | 997 551 011 09 FSV | Carrera Red               |            |     |                      |
|     |                    | D - MJ 2008>>             |            |     |                      |
|     | 997 551 011 19     | Flooring (carpet)         | rhd        | 1   | TARGA<br>PR:099,490  |
|     |                    | From                      |            |     |                      |
|     |                    | Chassis number            |            |     |                      |
|     |                    | See technical information |            |     |                      |
|     |                    | GR.7 NR. 17/11            |            |     |                      |
|     |                    | KD-NR. 70                 |            |     |                      |
| (1) |                    | D - MJ 2007>>             |            |     |                      |
|     | 997 551 011 19 FLW | Black                     |            |     |                      |
|     | 997 551 011 19 FLX | Stone grey                |            |     |                      |
|     | 997 551 011 19 FLY | Sand beige                |            |     |                      |
|     | 997 551 011 19 FLZ | sea blue                  |            |     |                      |
|     | 997 551 011 19 FSV | Carrera Red               |            |     |                      |
|     |                    | D - MJ 2008>>             |            |     |                      |
|     | 997 551 011 10     | Flooring (carpet)         | lhd        | 1   | CABRIO<br>PR:098,490 |
|     |                    | 997 551 011 10 FMA        | Palm green |     |                      |
|     |                    | D >> - MJ 2007            |            |     |                      |
| (1) | 997 551 011 10 FMB | Terracotta                |            |     |                      |
|     | 997 551 011 10 FMC | Cocoa                     |            |     |                      |
|     | 997 551 011 10 FMD | Dark grey/natural         |            |     |                      |
|     | 997 551 011 10 FME | Brown/natural             |            |     |                      |
|     | 997 551 011 10     | Flooring (carpet)         | lhd        | 1   | CABRIO<br>PR:098,490 |
|     |                    | Until                     |            |     |                      |
|     |                    | Chassis number            |            |     |                      |
|     |                    | See technical information |            |     |                      |
|     |                    | GR.7 NR. 17/11            |            |     |                      |
|     |                    | KD-NR. 70                 |            |     |                      |
| (1) | 997 551 011 10 FLW | Black                     |            |     |                      |
|     | 997 551 011 10 FLX | Stone grey                |            |     |                      |
|     | 997 551 011 10 FLY | Sand beige                |            |     |                      |
|     | 997 551 011 10 FLZ | sea blue                  |            |     |                      |
|     | 997 551 011 10 FSV | Carrera Red               |            |     |                      |
|     |                    | D - MJ 2008>>             |            |     |                      |
|     | 997 551 011 20     | Flooring (carpet)         | lhd        | 1   | CABRIO<br>PR:098,490 |
|     |                    | From                      |            |     |                      |
|     |                    | Chassis number            |            |     |                      |
|     |                    | See technical information |            |     |                      |
| (1) |                    | GR.7 NR. 17/11            |            |     |                      |
|     |                    | KD-NR. 70                 |            |     |                      |
|     | 997 551 011 20 FLW | Black                     |            |     |                      |
|     | 997 551 011 20 FLX | Stone grey                |            |     |                      |
|     | 997 551 011 20 FLY | Sand beige                |            |     |                      |
|     | 997 551 011 20 FLZ | sea blue                  |            |     |                      |
|     | 997 551 011 20 FSV | Carrera Red               |            |     |                      |
|     |                    | D - MJ 2008>>             |            |     |                      |
|     | 997 551 011 11     | Flooring (carpet)         | rhd        | 1   | CABRIO<br>PR:099,490 |
|     |                    | 997 551 011 11 FMA        | Palm green |     |                      |
|     | D >> - MJ 2007     |                           |            |     |                      |
| (1) | 997 551 011 11 FMB | Terracotta                |            |     |                      |
|     | 997 551 011 11 FMC | Cocoa                     |            |     |                      |
|     | 997 551 011 11 FMD | Dark grey/natural         |            |     |                      |
|     | 997 551 011 11 FME | Brown/natural             |            |     |                      |
|     | 997 551 011 11     | Flooring (carpet)         | rhd        | 1   | CABRIO<br>PR:099,490 |
|     |                    | Until                     |            |     |                      |

Model: 997 05 Model life 2005>>2008

| Pos | Part Number        | Description   | Remark | Qty | Model                |
|-----|--------------------|---|--------|-----|----------------------|
|     |                    | Chassis number<br>See technical information<br>GR.7 NR. 17/11<br>KD-NR. 70          |        |     |                      |
|     | 997 551 011 11 FLW | Black   |        |     |                      |
|     | 997 551 011 11 FLX | Stone grey  |        |     |                      |
|     | 997 551 011 11 FLY | Sand beige  |        |     |                      |
|     | 997 551 011 11 FLZ | sea blue  |        |     |                      |
|     | 997 551 011 11 FSV | Carrera Red   |        |     |                      |
| (1) | 997 551 011 21     | D - MJ 2008>><br>Flooring (carpet)  | rhd    | 1   | CABRIO<br>PR:099,490 |
|     |                    | From<br>Chassis number<br>See technical information<br>GR.7 NR. 17/11<br>KD-NR. 70  |        |     |                      |
|     | 997 551 011 21 FLW | Black   |        |     |                      |
|     | 997 551 011 21 FLX | Stone grey  |        |     |                      |
|     | 997 551 011 21 FLY | Sand beige  |        |     |                      |
|     | 997 551 011 21 FLZ | sea blue  |        |     |                      |
|     | 997 551 011 21 FSV | Carrera Red   |        |     |                      |
| (1) | 997 551 011 12     | D - MJ 2008>><br>Flooring (carpet)  | lhd    | 1   | CABRIO<br>PR:098,680 |
|     | 997 551 011 12 FMA | Palm green<br>D >> - MJ 2007  |        |     |                      |
|     | 997 551 011 12 FMB | Terracotta  |        |     |                      |
|     | 997 551 011 12 FMC | Cocoa   |        |     |                      |
|     | 997 551 011 12 FMD | Dark grey/natural   |        |     |                      |
|     | 997 551 011 12 FME | Brown/natural   |        |     |                      |
| (1) | 997 551 011 12     | Flooring (carpet)   | lhd    | 1   | CABRIO<br>PR:098,680 |
|     |                    | Until<br>Chassis number<br>See technical information<br>GR.7 NR. 17/11<br>KD-NR. 70 |        |     |                      |
|     | 997 551 011 12 FLW | Black   |        |     |                      |
|     | 997 551 011 12 FLX | Stone grey  |        |     |                      |
|     | 997 551 011 12 FLY | Sand beige  |        |     |                      |
|     | 997 551 011 12 FLZ | sea blue  |        |     |                      |
|     | 997 551 011 12 FSV | Carrera Red   |        |     |                      |
| (1) | 997 551 011 22     | D - MJ 2008>><br>Flooring (carpet)  | lhd    | 1   | CABRIO<br>PR:098,680 |
|     |                    | From<br>Chassis number<br>See technical information<br>GR.7 NR. 17/11<br>KD-NR. 70  |        |     |                      |
|     | 997 551 011 22 FLW | Black   |        |     |                      |
|     | 997 551 011 22 FLX | Stone grey  |        |     |                      |
|     | 997 551 011 22 FLY | Sand beige  |        |     |                      |
|     | 997 551 011 22 FLZ | sea blue  |        |     |                      |
|     | 997 551 011 22 FSV | Carrera Red   |        |     |                      |
| (1) | 997 551 011 13     | D - MJ 2008>><br>Flooring (carpet)  | rhd    | 1   | CABRIO<br>PR:099,680 |
|     | 997 551 011 13 FMA | Palm green<br>D >> - MJ 2007  |        |     |                      |
|     | 997 551 011 13 FMB | Terracotta  |        |     |                      |
|     | 997 551 011 13 FMC | Cocoa   |        |     |                      |

Model: 997 05 Model life 2005>>2008

| Pos                | Part Number               | Description                        | Remark | Qty | Model                |
|--------------------|---------------------------|------------------------------------|--------|-----|----------------------|
| (1)                | 997 551 011 13 FMD        | Dark grey/natural                  | rhd    | 1   | CABRIO<br>PR:099,680 |
|                    | 997 551 011 13 FME        | Brown/natural                      |        |     |                      |
|                    | 997 551 011 13            | Flooring (carpet)                  |        |     |                      |
|                    |                           | Until                              |        |     |                      |
|                    |                           | Chassis number                     |        |     |                      |
|                    |                           | See technical information          |        |     |                      |
|                    |                           | GR.7 NR. 17/11                     |        |     |                      |
|                    |                           | KD-NR. 70                          |        |     |                      |
|                    | 997 551 011 13 FLW        | Black                              |        |     |                      |
|                    | 997 551 011 13 FLX        | Stone grey                         |        |     |                      |
| 997 551 011 13 FLY | Sand beige                |                                    |        |     |                      |
| 997 551 011 13 FLZ | sea blue                  |                                    |        |     |                      |
| 997 551 011 13 FSV | Carrera Red               |                                    |        |     |                      |
| (1)                | 997 551 011 23            | D - MJ 2008>><br>Flooring (carpet) | rhd    | 1   | CABRIO<br>PR:099,680 |
|                    |                           | From                               |        |     |                      |
|                    |                           | Chassis number                     |        |     |                      |
|                    |                           | See technical information          |        |     |                      |
|                    |                           | GR.7 NR. 17/11                     |        |     |                      |
|                    |                           | KD-NR. 70                          |        |     |                      |
|                    | 997 551 011 23 FLW        | Black                              |        |     |                      |
|                    | 997 551 011 23 FLX        | Stone grey                         |        |     |                      |
|                    | 997 551 011 23 FLY        | Sand beige                         |        |     |                      |
|                    | 997 551 011 23 FLZ        | sea blue                           |        |     |                      |
| 997 551 011 23 FSV | Carrera Red               |                                    |        |     |                      |
| (1)                | 997 551 011 14            | D - MJ 2008>><br>Flooring (carpet) | lhd    | 1   | TARGA<br>PR:098,680  |
|                    |                           | D - MJ 2007>>                      |        |     |                      |
|                    | 997 551 011 14 FMA        | Palm green                         |        |     |                      |
|                    |                           | D >> - MJ 2007                     |        |     |                      |
|                    | 997 551 011 14 FMB        | Terracotta                         |        |     |                      |
|                    | 997 551 011 14 FMC        | Cocoa                              |        |     |                      |
|                    | 997 551 011 14 FMD        | Dark grey/natural                  |        |     |                      |
|                    | 997 551 011 14 FME        | Brown/natural                      |        |     |                      |
|                    | 997 551 011 14            | Flooring (carpet)                  |        |     |                      |
|                    |                           | Until                              |        |     |                      |
|                    | Chassis number            |                                    |        |     |                      |
|                    | See technical information |                                    |        |     |                      |
|                    | GR.7 NR. 17/11            |                                    |        |     |                      |
|                    | KD-NR. 70                 |                                    |        |     |                      |
|                    | D - MJ 2007>>             |                                    |        |     |                      |
| 997 551 011 14 FLW | Black                     |                                    |        |     |                      |
| 997 551 011 14 FLX | Stone grey                |                                    |        |     |                      |
| 997 551 011 14 FLY | Sand beige                |                                    |        |     |                      |
| 997 551 011 14 FLZ | sea blue                  |                                    |        |     |                      |
| 997 551 011 14 FSV | Carrera Red               |                                    |        |     |                      |
| (1)                | 997 551 011 24            | D - MJ 2008>><br>Flooring (carpet) | lhd    | 1   | TARGA<br>PR:098,680  |
|                    |                           | From                               |        |     |                      |
|                    |                           | Chassis number                     |        |     |                      |
|                    |                           | See technical information          |        |     |                      |
|                    |                           | GR.7 NR. 17/11                     |        |     |                      |
|                    |                           | KD-NR. 70                          |        |     |                      |
|                    |                           | D - MJ 2007>>                      |        |     |                      |
|                    | 997 551 011 24 FLW        | Black                              |        |     |                      |
|                    | 997 551 011 24 FLX        | Stone grey                         |        |     |                      |
|                    | 997 551 011 24 FLY        | Sand beige                         |        |     |                      |
| 997 551 011 24 FLZ | sea blue                  |                                    |        |     |                      |

Model: 997 05 Model life 2005>>2008

| Pos | Part Number        | Description   | Remark | Qty | Model               |
|-----|--------------------|---|--------|-----|---------------------|
| (1) | 997 551 011 24 FSV | Carrera Red<br>D - MJ 2008>>  |        |     |                     |
|     | 997 551 011 15     | Flooring (carpet)<br>D - MJ 2007>>  | rhd    | 1   | TARGA<br>PR:099,680 |
|     | 997 551 011 15 FMA | Palm green<br>D >> - MJ 2007  |        |     |                     |
|     | 997 551 011 15 FMB | Terracotta  |        |     |                     |
|     | 997 551 011 15 FMC | Cocoa   |        |     |                     |
|     | 997 551 011 15 FMD | Dark grey/natural   |        |     |                     |
|     | 997 551 011 15 FME | Brown/natural   |        |     |                     |
| (1) | 997 551 011 15     | Flooring (carpet)<br>Until<br>Chassis number<br>See technical information<br>GR.7 NR. 17/11<br>KD-NR. 70<br>D - MJ 2007>> | rhd    | 1   | TARGA<br>PR:099,680 |
|     | 997 551 011 15 FLW | Black   |        |     |                     |
|     | 997 551 011 15 FLX | Stone grey  |        |     |                     |
|     | 997 551 011 15 FLY | Sand beige  |        |     |                     |
|     | 997 551 011 15 FLZ | sea blue  |        |     |                     |
|     | 997 551 011 15 FSV | Carrera Red<br>D - MJ 2008>>  |        |     |                     |
| (1) | 997 551 011 25     | Flooring (carpet)<br>From<br>Chassis number<br>See technical information<br>GR.7 NR. 17/11<br>KD-NR. 70<br>D - MJ 2007>>  | rhd    | 1   | TARGA<br>PR:099,680 |
|     | 997 551 011 25 FLW | Black   |        |     |                     |
|     | 997 551 011 25 FLX | Stone grey  |        |     |                     |
|     | 997 551 011 25 FLY | Sand beige  |        |     |                     |
|     | 997 551 011 25 FLZ | sea blue  |        |     |                     |
|     | 997 551 011 25 FSV | Carrera Red<br>D - MJ 2008>>  |        |     |                     |
| -   | 997 551 813 00     | Protective film<br>Carpet<br>D >> - MJ 2007   | lhd    | 1   | PR:098              |
| -   | 997 551 813 01     | Protective film<br>Carpet<br>D - MJ 2008>>  | lhd    | 1   | PR:098              |
| -   | 997 551 815 00     | Protective film<br>Carpet   | rhd    | 1   | PR:099              |
| 2   | 997 551 211 01     | Foot rest   | lhd    | 1   | PR:098              |
| 3   | 999 076 081 40     | Hexagon plastic collar nut<br>T5/16 X 11,2<br>for<br>Mount  | lhd    | 2   | PR:098              |
| 4   | 997 551 611 00     | Foot rest   |        |     |                     |
|     | 997 551 611 00 01C | Cover for footrest<br>Satin black   | lhd    | 1   | PR:098              |
| (4) | 997 551 986 00     | Cover for footrest  | lhd    | 1   | PR:XXZ,098          |
| 5   | 997 551 212 00     | Foot rest   | rhd    | 1   | PR:099              |
| 6   | 999 073 060 02     | panel screw<br>ST 4,8 X 13  | rhd    | 2   | PR:099              |
| 7   | 999 591 485 01     | panel nut<br>ST 4,8<br>for<br>Mount   | rhd    | 2   | PR:099              |

Model: 997 05 Model life 2005>>2008

| Pos  | Part Number        | Description  | Remark | Qty | Model  |
|------|--------------------|--|--------|-----|--------|
| 8    | 997 551 612 00     | Foot rest<br>Cover for footrest  | rhd    | 1   | PR:099 |
|      | 997 551 612 00 01C | Satin black  |        |     |        |
| 9    | 999 919 188 09     | fillister hd. bolt<br>5,0 X 30<br>for<br>Mount<br>Cover                    | rhd    | 1   | PR:099 |
| 10   | 997 551 101 00     | Foot rest<br>Trim<br>Fuse box<br>Carpet                                    | lhd    | 1   | PR:098 |
|      | 997 551 101 00 A10 | Black  |        |     |        |
|      | 997 551 101 00 B10 | Stone grey   |        |     |        |
|      | 997 551 101 00 T10 | Sand beige   |        |     |        |
|      | 997 551 101 00 E10 | sea blue   |        |     |        |
|      | 997 551 101 00 J10 | Palm green   |        |     |        |
|      |                    | D >> - MJ 2007   |        |     |        |
|      | 997 551 101 00 M10 | Terracotta   |        |     |        |
|      | 997 551 101 00 R10 | Cocoa  |        |     |        |
|      | 997 551 101 00 D11 | Dark grey/natural  |        |     |        |
|      | 997 551 101 00 T11 | Brown/natural  |        |     |        |
|      | 997 551 101 00 N10 | Carrera Red  |        |     |        |
| (10) | 997 551 102 00     | D - MJ 2008>><br>Trim<br>Fuse box<br>Carpet                                | rhd    | 1   | PR:099 |
|      | 997 551 102 00 A10 | Black  |        |     |        |
|      | 997 551 102 00 B10 | Stone grey   |        |     |        |
|      | 997 551 102 00 T10 | Sand beige   |        |     |        |
|      | 997 551 102 00 E10 | sea blue   |        |     |        |
|      | 997 551 102 00 J10 | Palm green   |        |     |        |
|      |                    | D >> - MJ 2007   |        |     |        |
|      | 997 551 102 00 M10 | Terracotta   |        |     |        |
|      | 997 551 102 00 R10 | Cocoa  |        |     |        |
|      | 997 551 102 00 D11 | Dark grey/natural  |        |     |        |
|      | 997 551 102 00 T11 | Brown/natural  |        |     |        |
|      | 997 551 102 00 N10 | Carrera Red  |        |     |        |
|      |                    | D - MJ 2008>>  |        |     |        |
| 11   | 999 507 552 01     | Spring clip<br>9,0 X 13/4,0  |        | 2   |        |
| 12   | 999 919 161 09     | fillister hd. bolt<br>5,0 X 18<br>for<br>Mount<br>Trim<br>Fuse box         |        | 3   |        |
| 13   | 997 551 621 00     | Cover trim<br>Fuse box   | lhd    | 1   | PR:098 |
| (13) | 997 551 621 00 01C | Satin black  |        |     |        |
|      | 997 551 622 00     | Cover trim<br>Fuse box   | rhd    | 1   | PR:099 |
| (14) | 997 551 622 00 01C | Satin black  |        |     |        |
| (14) | 997 551 712 02     | Bracket<br>Flooring  | lhd    | 1   | PR:098 |
| (14) | 997 551 711 02     | Bracket<br>Flooring  | rhd    | 1   | PR:099 |
| 15   | 999 076 081 40     | Hexagon plastic collar nut<br>T5/16 X 11,2<br>Mount<br>Bracket<br>Flooring |        | 2   |        |
| 16   |                    | Floor mats   |        | 1   |        |



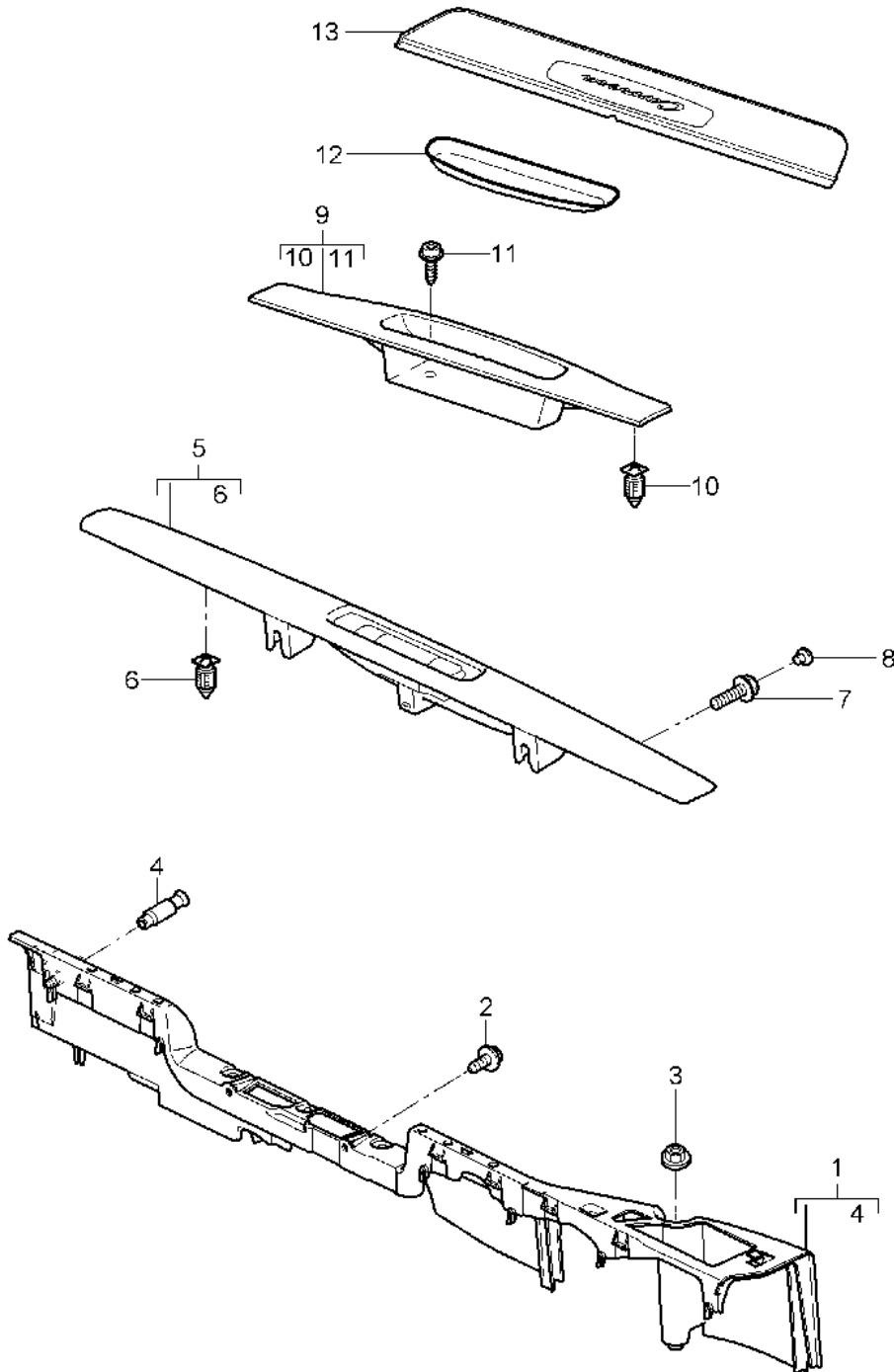
Model: 997 05

Model life 2005>>2008

| Pos  | Part Number    | Description   | Remark  | Qty | Model      |
|------|----------------|---|---------|-----|------------|
|      |                | Set<br>see illustration:                                  | 807-006 |     |            |
| 17   | 999 902 054 40 | Tequipment catalogue<br>Fixing plate<br>for<br>Floor mats |         | 4   |            |
| 18   | 964 551 751 00 | Bracket<br>Warning light                                  | rhd     | 1   | PR:099,193 |
| (18) | 997 551 852 00 | Bracket<br>Warning light                                  | lhd     | 1   | PR:098,193 |
| 19   | 999 919 254 01 | fillister hd. bolt<br>4,0 X 36,5                          |         | 2   | PR:193     |

Model: 997 05

Model life 2005>>2008



Model: 997 05 Model life 2005>>2008

| Pos | Part Number        | Description   | Remark | Qty | Model                      |
|-----|--------------------|---|--------|-----|----------------------------|
| 1   | 997 551 619 02     | Trim<br>Sill<br>Support   | left   | 1   |                            |
| (1) | 997 551 620 01     | Sill<br>Support   | right  | 1   |                            |
| 2   | 900 143 082 01     | Sill<br>panel screw<br>ST 6,3 X 13<br>for<br>Mount<br>Support                 |        | 4   |                            |
| 3   | 999 076 081 40     | Sill<br>Hexagon plastic collar nut<br>T5 16 X 11,2<br>for<br>Mount<br>Support |        | 2   |                            |
| 4   | 996 551 873 00     | Sill<br>Locating peg<br>for<br>Mount<br>Support                               |        | 2   |                            |
| 5   | 997 551 019 04     | Sill<br>Trim<br>(drivers side)  | lhd    | 1   | COUPE/CABRIO<br>PR:098     |
| (5) | 997 551 019 04 A03 | Black   |        |     |                            |
| (5) | 997 551 019 05     | Sill<br>Trim<br>(drivers side)  | rhd    | 1   | COUPE/CABRIO<br>PR:099     |
| (5) | 997 551 019 05 A03 | Black   |        |     |                            |
| (5) | 997 551 019 06     | Sill<br>Trim<br>(drivers side)<br>D - MJ 2007>>                               | lhd    | 1   | TARGA<br>PR:098            |
| (5) | 997 551 019 06 A03 | Black   |        |     |                            |
| (5) | 997 551 019 07     | Sill<br>Trim<br>(drivers side)<br>D - MJ 2007>>                               | rhd    | 1   | TARGA<br>PR:099            |
| 5   | 997 551 019 07 A03 | Black   |        |     |                            |
|     | 997 551 982 00     | Sill<br>Trim<br>(drivers side)<br>Leather                                     | lhd    | 1   | COUPE/CABRIO<br>PR:098,XTG |
|     | 997 551 982 00 A11 | Black   |        |     |                            |
|     | 997 551 982 00 5X6 | Stone grey  |        |     |                            |
|     | 997 551 982 00 8G2 | Sand beige  |        |     |                            |
|     | 997 551 982 00 3S9 | sea blue  |        |     |                            |
|     | 997 551 982 00 4P2 | Palm green<br>D >> - MJ 2007  |        |     |                            |
|     | 997 551 982 00 9S5 | Terracotta  |        |     |                            |
|     | 997 551 982 00 9V6 | Cocoa   |        |     |                            |
|     | 997 551 982 00 D12 | Dark grey/natural   |        |     |                            |
|     | 997 551 982 00 T12 | Brown/natural   |        |     |                            |
|     | 997 551 982 00 N12 | Carrera Red<br>D - MJ 2008>>  |        |     |                            |
|     | 997 551 982 00 6J0 | Espresso  |        |     |                            |
| (5) | 997 551 982 00 TSB | Black-black   |        |     |                            |
| (5) | 997 551 982 01     | Sill<br>Trim<br>(drivers side)<br>Leather                                     | rhd    | 1   | COUPE/CABRIO<br>PR:099,XTG |

Model: 997 05 Model life 2005>>2008

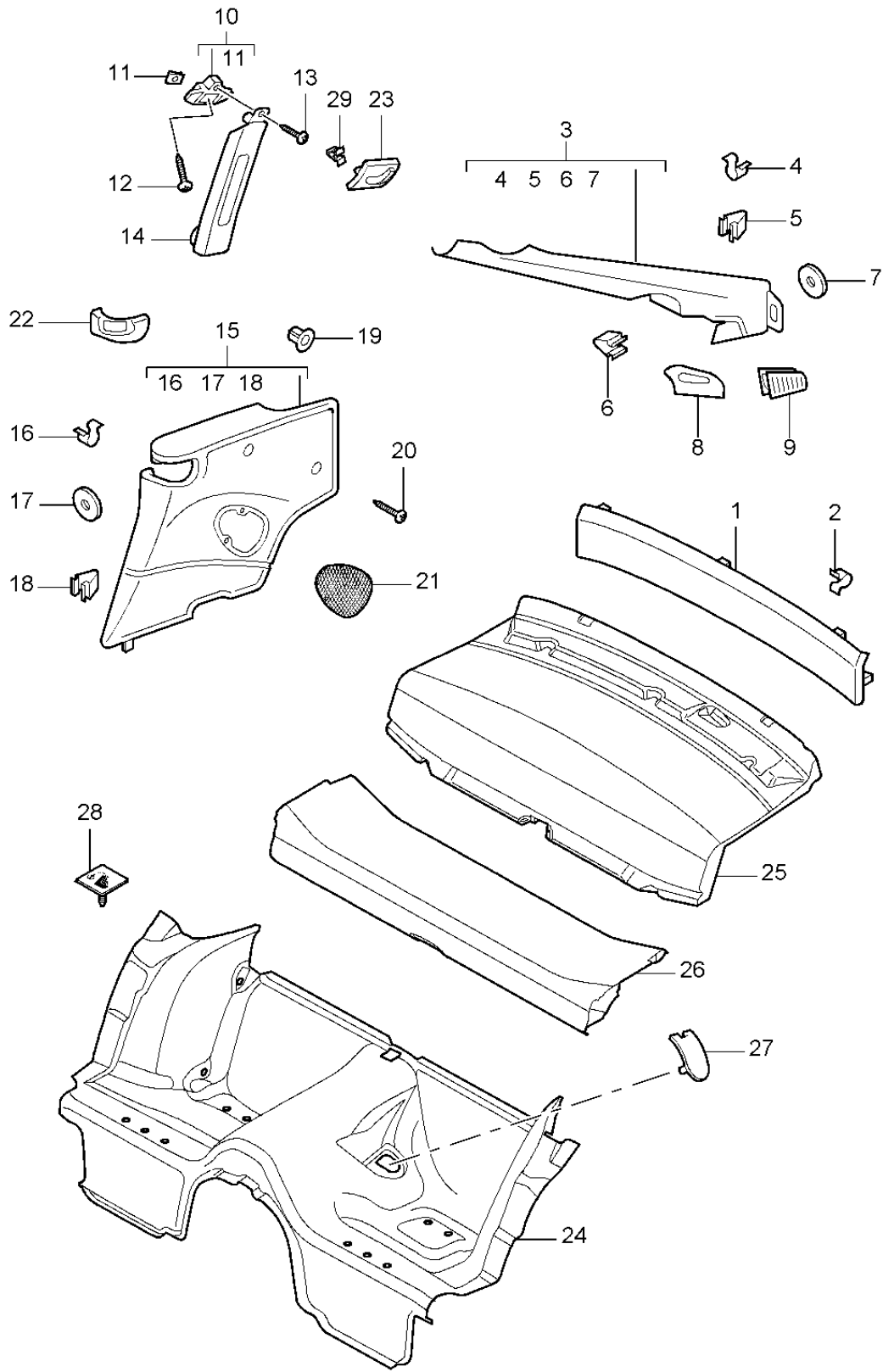
| Pos | Part Number        | Description       | Remark | Qty | Model      |
|-----|--------------------|-------------------|--------|-----|------------|
|     | 997 551 982 01 A11 | Black             |        |     |            |
|     | 997 551 982 01 5X6 | Stone grey        |        |     |            |
|     | 997 551 982 01 8G2 | Sand beige        |        |     |            |
|     | 997 551 982 01 3S9 | sea blue          |        |     |            |
|     | 997 551 982 01 4P2 | Palm green        |        |     |            |
|     |                    | D >> - MJ 2007    |        |     |            |
|     | 997 551 982 01 9S5 | Terracotta        |        |     |            |
|     | 997 551 982 01 9V6 | Cocoa             |        |     |            |
|     | 997 551 982 01 D12 | Dark grey/natural |        |     |            |
|     | 997 551 982 01 T12 | Brown/natural     |        |     |            |
|     | 997 551 982 01 N12 | Carrera Red       |        |     |            |
|     |                    | D - MJ 2008>>     |        |     |            |
| (5) | 997 551 982 02     | Trim              | lhd    | 1   | TARGA      |
|     |                    | Sill              |        |     | PR:098,XTG |
|     |                    | (drivers side)    |        |     |            |
|     |                    | Leather           |        |     |            |
|     |                    | D - MJ 2007>>     |        |     |            |
|     | 997 551 982 02 A11 | Black             |        |     |            |
|     | 997 551 982 02 5X6 | Stone grey        |        |     |            |
|     | 997 551 982 02 8G2 | Sand beige        |        |     |            |
|     | 997 551 982 02 3S9 | sea blue          |        |     |            |
|     | 997 551 982 02 4P2 | Palm green        |        |     |            |
|     |                    | D >> - MJ 2007    |        |     |            |
|     | 997 551 982 02 9S5 | Terracotta        |        |     |            |
|     | 997 551 982 02 9V6 | Cocoa             |        |     |            |
|     | 997 551 982 02 D12 | Dark grey/natural |        |     |            |
|     | 997 551 982 02 T12 | Brown/natural     |        |     |            |
|     | 997 551 982 02 N12 | Carrera Red       |        |     |            |
|     |                    | D - MJ 2008>>     |        |     |            |
| (5) | 997 551 982 03     | Trim              | rhd    | 1   | TARGA      |
|     |                    | Sill              |        |     | PR:099,XTG |
|     |                    | (drivers side)    |        |     |            |
|     |                    | Leather           |        |     |            |
|     |                    | D - MJ 2007>>     |        |     |            |
|     | 997 551 982 03 A11 | Black             |        |     |            |
|     | 997 551 982 03 5X6 | Stone grey        |        |     |            |
|     | 997 551 982 03 8G2 | Sand beige        |        |     |            |
|     | 997 551 982 03 3S9 | sea blue          |        |     |            |
|     | 997 551 982 03 4P2 | Palm green        |        |     |            |
|     |                    | D >> - MJ 2007    |        |     |            |
|     | 997 551 982 03 9S5 | Terracotta        |        |     |            |
|     | 997 551 982 03 9V6 | Cocoa             |        |     |            |
|     | 997 551 982 03 D12 | Dark grey/natural |        |     |            |
|     | 997 551 982 03 T12 | Brown/natural     |        |     |            |
|     | 997 551 982 03 N12 | Carrera Red       |        |     |            |
|     |                    | D - MJ 2008>>     |        |     |            |
| 6   | 999 507 484 40     | expanding nut     |        | 6   |            |
|     |                    | 9 X 22            |        |     |            |
| 7   | 999 067 046 01     | Bolt with washer  |        | 2   |            |
|     |                    | M 6 X 20          |        |     |            |
| 8   | 999 703 443 40     | Bungs             |        | 2   |            |
|     |                    | 8,0 X 11          |        |     |            |
|     | 999 703 443 40 01C | Satin black       |        |     |            |
| 9   | 997 551 120 01     | Trim              |        | 1   |            |
|     |                    | Sill              |        |     |            |
|     |                    | (passenger side)  |        |     |            |
|     | 997 551 120 01 A03 | Black             |        |     |            |
| (9) | 997 551 983 00     | Trim              |        | 1   | PR:XTG     |
|     |                    | Sill              |        |     |            |
|     |                    | (passenger side)  |        |     |            |
|     |                    | Leather           |        |     |            |
|     | 997 551 983 00 A11 | Black             |        |     |            |
|     | 997 551 983 00 5X6 | Stone grey        |        |     |            |

Model: 997 05 Model life 2005>>2008

| Pos  | Part Number        | Description        | Remark | Qty | Model        |
|------|--------------------|--------------------|--------|-----|--------------|
|      | 997 551 983 00 8G2 | Sand beige         |        |     |              |
|      | 997 551 983 00 3S9 | sea blue           |        |     |              |
|      | 997 551 983 00 4P2 | Palm green         |        |     |              |
|      |                    | D >> - MJ 2007     |        |     |              |
|      | 997 551 983 00 9S5 | Terracotta         |        |     |              |
|      | 997 551 983 00 9V6 | Cocoa              |        |     |              |
|      | 997 551 983 00 D12 | Dark grey/natural  |        |     |              |
|      | 997 551 983 00 T12 | Brown/natural      |        |     |              |
|      | 997 551 983 00 N12 | Carrera Red        |        |     |              |
|      |                    | D - MJ 2008>>      |        |     |              |
|      | 997 551 983 00 6J0 | Espresso           |        |     |              |
|      | 997 551 983 00 TSB | Black-black        |        |     |              |
| 10   | 999 507 484 40     | expanding nut      |        | 6   |              |
|      |                    | 9 X 22             |        |     |              |
| 11   | 999 919 164 09     | fillister hd. bolt |        | 1   |              |
|      |                    | 5,0 X 12           |        |     |              |
| 12   | 996 551 513 00     | Mat                |        | 1   |              |
| 13   | 997 551 303 07     | Sill trim strip    |        | 2   | CARRERA      |
|      |                    | Lacquered          |        |     | PR:-X69,-X70 |
|      | 997 551 303 07 A03 | Black              |        |     |              |
| (13) | 997 551 303 08     | Sill trim strip    |        | 2   | CARRERA S    |
|      |                    | Lacquered          |        |     | PR:-X69,-X70 |
|      | 997 551 303 08 A03 | Black              |        |     |              |
| (13) | 997 551 303 09     | Sill trim strip    |        | 2   | CARRERA 4    |
|      |                    | Lacquered          |        |     | PR:-X69,-X70 |
|      |                    | D - MJ 2006>>      |        |     |              |
|      | 997 551 303 09 A03 | Black              |        |     |              |
| (13) | 997 551 303 10     | Sill trim strip    |        | 2   | CARRERA 4S   |
|      |                    | Lacquered          |        |     | PR:-X69,-X70 |
|      |                    | D - MJ 2006>>      |        |     |              |
|      | 997 551 303 10 A03 | Black              |        |     |              |
| (13) | 997 551 303 12     | Sill trim strip    |        | 2   | TARGA        |
|      |                    | Lacquered          |        |     | PR:-X69,-X70 |
|      |                    | D - MJ 2007>>      |        |     |              |
|      | 997 551 303 12 A03 | Black              |        |     |              |
| (13) | 997 551 303 13     | Sill trim strip    |        | 2   | TARGA 4S     |
|      |                    | Lacquered          |        |     | PR:-X69,-X70 |
|      |                    | D - MJ 2007>>      |        |     |              |
| -    | 997 551 303 13 A03 | Black              |        |     |              |
|      |                    | Sill trim strip    |        | 1   |              |
|      |                    | Exclusive          |        | 1   |              |
|      |                    | See catalogue      |        |     |              |
|      |                    | Tequipment         |        |     |              |
|      |                    | 8/07/06            |        |     |              |

Model: 997 05

Model life 2005>>2008



Model: 997 05 Model life 2005>>2008

| Pos | Part Number        | Description                          | Remark | Qty | Model           |
|-----|--------------------|--------------------------------------|--------|-----|-----------------|
| 1   | 997 555 081 00     | Linings<br>Rear panel trim<br>Carpet | rear   | 1   | COUPE<br>PR:426 |
|     | 997 555 081 00 A10 | Black                                |        |     |                 |
|     | 997 555 081 00 B10 | Stone grey                           |        |     |                 |
|     | 997 555 081 00 T10 | Sand beige                           |        |     |                 |
|     | 997 555 081 00 E10 | sea blue                             |        |     |                 |
|     | 997 555 081 00 J10 | Palm green                           |        |     |                 |
|     | 997 555 081 00 M10 | Terracotta                           |        |     |                 |
|     | 997 555 081 00 R10 | Cocoa                                |        |     |                 |
|     | 997 555 081 00 D11 | Dark grey/natural                    |        |     |                 |
|     | 997 555 081 00 T11 | Brown/natural                        |        |     |                 |
|     | 997 555 081 00 N10 | Carrera Red                          |        |     |                 |
|     |                    | D - MJ 2008>>                        |        |     |                 |
| (1) | 997 555 081 01     | Rear panel trim<br>Carpet            |        | 1   | PR:425          |
|     | 997 555 081 01 A10 | Black                                |        |     |                 |
|     | 997 555 081 01 B10 | Stone grey                           |        |     |                 |
|     | 997 555 081 01 T10 | Sand beige                           |        |     |                 |
|     | 997 555 081 01 E10 | sea blue                             |        |     |                 |
|     | 997 555 081 01 J10 | Palm green                           |        |     |                 |
|     | 997 555 081 01 M10 | Terracotta                           |        |     |                 |
|     | 997 555 081 01 R10 | Cocoa                                |        |     |                 |
|     | 997 555 081 01 D11 | Dark grey/natural                    |        |     |                 |
|     | 997 555 081 01 T11 | Brown/natural                        |        |     |                 |
|     | 997 555 081 01 N10 | Carrera Red                          |        |     |                 |
|     |                    | D - MJ 2008>>                        |        |     |                 |
| 2   | 999 507 687 05     | Retaining clip<br>11,3               |        | 5   |                 |
| 3   | 997 555 187 00     | C-pillar trim<br>Leatherette         | left   | 1   |                 |
|     | 997 555 187 00 1MZ | Black                                |        |     |                 |
|     | 997 555 187 00 1YP | Stone grey                           |        |     |                 |
|     | 997 555 187 00 1TK | Sand beige                           |        |     |                 |
|     | 997 555 187 00 1VM | sea blue                             |        |     |                 |
|     | 997 555 187 00 1UL | Palm green                           |        |     |                 |
|     |                    | D >> - MJ 2007                       |        |     |                 |
| (3) | 997 555 188 00     | C-pillar trim<br>Leatherette         | right  | 1   |                 |
|     | 997 555 188 00 1MZ | Black                                |        |     |                 |
|     | 997 555 188 00 1YP | Stone grey                           |        |     |                 |
|     | 997 555 188 00 1TK | Sand beige                           |        |     |                 |
|     | 997 555 188 00 1VM | sea blue                             |        |     |                 |
|     | 997 555 188 00 1UL | Palm green                           |        |     |                 |
|     |                    | D >> - MJ 2007                       |        |     |                 |
| 3   | 997 555 187 01     | C-pillar trim<br>Leather             | left   | 1   | PR:981          |
|     | 997 555 187 01 A11 | Black                                |        |     |                 |
|     | 997 555 187 01 5X6 | Stone grey                           |        |     |                 |
|     | 997 555 187 01 8G2 | Sand beige                           |        |     |                 |
|     | 997 555 187 01 3S9 | sea blue                             |        |     |                 |
|     | 997 555 187 01 4P2 | Palm green                           |        |     |                 |
|     |                    | D >> - MJ 2007                       |        |     |                 |
|     | 997 555 187 01 9S5 | Terracotta                           |        |     |                 |
|     | 997 555 187 01 9V6 | Cocoa                                |        |     |                 |
|     | 997 555 187 01 D12 | Dark grey/natural                    |        |     |                 |
|     | 997 555 187 01 T12 | Brown/natural                        |        |     |                 |
|     | 997 555 187 01 N12 | Carrera Red                          |        |     |                 |
|     |                    | D - MJ 2008>>                        |        |     |                 |
| (3) | 997 555 188 01     | C-pillar trim<br>Leather             | right  | 1   | PR:981          |

Model: 997 05 Model life 2005>>2008

| Pos | Part Number        | Description                       | Remark        | Qty | Model |
|-----|--------------------|-----------------------------------|---------------|-----|-------|
|     | 997 555 188 01 A11 | Black                             |               |     |       |
|     | 997 555 188 01 5X6 | Stone grey                        |               |     |       |
|     | 997 555 188 01 8G2 | Sand beige                        |               |     |       |
|     | 997 555 188 01 3S9 | sea blue                          |               |     |       |
|     | 997 555 188 01 4P2 | Palm green                        |               |     |       |
|     |                    | D >> - MJ 2007                    |               |     |       |
|     | 997 555 188 01 9S5 | Terracotta                        |               |     |       |
|     | 997 555 188 01 9V6 | Cocoa                             |               |     |       |
|     | 997 555 188 01 D12 | Dark grey/natural                 |               |     |       |
|     | 997 555 188 01 T12 | Brown/natural                     |               |     |       |
|     | 997 555 188 01 N12 | Carrera Red                       |               |     |       |
|     |                    | D - MJ 2008>>                     |               |     |       |
| 4   | 999 507 533 02     | Clamp<br>8,0 X10,0/2,5<br>2,5/09  |               | 4   |       |
| 5   | 999 507 479 09     | Clip<br>2,5/09                    |               | 6   |       |
| (5) | 999 507 676 09     | Clip<br>2,5/2,2<br>18,0           |               | 2   |       |
| 6   | 999 651 307 01     | Cable fastener<br>18,0            |               | 2   |       |
| 7   | 999 551 609 40     | Plastic washer<br>8,0 X 23 X 3,0  |               | 7   |       |
| 8   | 996 555 545 01     | Rosette<br>Seat belt<br>Lacquered | left<br>rear  | 1   |       |
|     | 996 555 545 01 A03 | Black                             |               |     |       |
|     | 996 555 545 01 5V7 | Stone grey                        |               |     |       |
|     | 996 555 545 01 5Z1 | Sand beige                        |               |     |       |
|     | 996 555 545 01 8W7 | sea blue                          |               |     |       |
|     | 996 555 545 01 5Y2 | Palm green                        |               |     |       |
|     |                    | D >> - MJ 2007                    |               |     |       |
|     | 996 555 545 01 8X8 | Terracotta                        |               |     |       |
|     | 996 555 545 01 8P9 | Cocoa                             |               |     |       |
|     | 996 555 545 01 T13 | Brown/natural                     |               |     |       |
|     | 996 555 545 01 N23 | Carrera Red                       |               |     |       |
|     |                    | D - MJ 2008>>                     |               |     |       |
| (8) | 996 555 546 01     | Rosette<br>Seat belt<br>Lacquered | right<br>rear | 1   |       |
|     | 996 555 546 01 A03 | Black                             |               |     |       |
|     | 996 555 546 01 5V7 | Stone grey                        |               |     |       |
|     | 996 555 546 01 5Z1 | Sand beige                        |               |     |       |
|     | 996 555 546 01 8W7 | sea blue                          |               |     |       |
|     | 996 555 546 01 5Y2 | Palm green                        |               |     |       |
|     |                    | D >> - MJ 2007                    |               |     |       |
|     | 996 555 546 01 8X8 | Terracotta                        |               |     |       |
|     | 996 555 546 01 8P9 | Cocoa                             |               |     |       |
|     | 996 555 546 01 T13 | Brown/natural                     |               |     |       |
|     | 996 555 546 01 N23 | Carrera Red                       |               |     |       |
|     |                    | D - MJ 2008>>                     |               |     |       |
| 9   | 996 555 645 00     | Grille<br>Bleeding<br>Lacquered   | left          | 1   |       |
|     | 996 555 645 00 A03 | Black                             |               |     |       |
|     | 996 555 645 00 5V7 | Stone grey                        |               |     |       |
|     | 996 555 645 00 5Z1 | Sand beige                        |               |     |       |
|     | 996 555 645 00 8W7 | sea blue                          |               |     |       |
|     | 996 555 645 00 5Y2 | Palm green                        |               |     |       |
|     |                    | D >> - MJ 2007                    |               |     |       |
|     | 996 555 645 00 8X8 | Terracotta                        |               |     |       |
|     | 996 555 645 00 8P9 | Cocoa                             |               |     |       |



Model: 997 05 Model life 2005>>2008

| Pos                | Part Number        | Description       | Remark | Qty | Model  |
|--------------------|--------------------|-------------------|--------|-----|--------|
| (9)                | 996 555 645 00 T13 | Brown/natural     | right  | 1   |        |
|                    | 996 555 645 00 N23 | Carrera Red       |        |     |        |
|                    |                    | D - MJ 2008>>     |        |     |        |
|                    | 996 555 646 00     | Grille            |        |     |        |
|                    |                    | Bleeding          |        |     |        |
|                    |                    | Lacquered         |        |     |        |
|                    | 996 555 646 00 A03 | Black             |        |     |        |
|                    | 996 555 646 00 5V7 | Stone grey        |        |     |        |
|                    | 996 555 646 00 5Z1 | Sand beige        |        |     |        |
|                    | 996 555 646 00 8W7 | sea blue          |        |     |        |
|                    | 996 555 646 00 5Y2 | Palm green        |        |     |        |
|                    |                    | D >> - MJ 2007    |        |     |        |
|                    | 996 555 646 00 8X8 | Terracotta        |        |     |        |
| 996 555 646 00 8P9 | Cocoa              |                   |        |     |        |
| 996 555 646 00 T13 | Brown/natural      |                   |        |     |        |
| 996 555 646 00 N23 | Carrera Red        |                   |        |     |        |
|                    | D - MJ 2008>>      |                   |        |     |        |
| 10                 | 996 555 821 02     | Console           | left   | 1   |        |
|                    |                    | Coat hook         |        |     |        |
| (10)               | 996 555 822 02     | Console           | right  | 1   |        |
|                    |                    | Coat hook         |        |     |        |
| 11                 | 999 507 695 01     | panel nut         |        | 2   |        |
|                    |                    | ST 4,8            |        |     |        |
| 12                 | 999 073 128 01     | panel screw       |        | 2   |        |
|                    |                    | 6,3 X14           |        |     |        |
|                    |                    | Mount             |        |     |        |
|                    |                    | Console           |        |     |        |
|                    |                    | Coat hook         |        |     |        |
| (12)               | 999 025 268 01     | Washer            |        | 2   |        |
|                    |                    | 6,4 X 18          |        |     |        |
|                    |                    | Mount             |        |     |        |
|                    |                    | Console           |        |     |        |
|                    |                    | Coat hook         |        |     |        |
|                    |                    | D - MJ 2007>>     |        |     |        |
| 13                 | 999 073 060 02     | panel screw       |        | 2   |        |
|                    |                    | 4,8 X 13          |        |     |        |
| 14                 | 997 555 183 00     | B-pillar trim     | left   | 1   |        |
|                    |                    | Leatherette       |        |     |        |
|                    | 997 555 183 00 1MZ | Black             |        |     |        |
|                    | 997 555 183 00 1YP | Stone grey        |        |     |        |
|                    | 997 555 183 00 1TK | Sand beige        |        |     |        |
|                    | 997 555 183 00 1VM | sea blue          |        |     |        |
|                    | 997 555 183 00 1UL | Palm green        |        |     |        |
|                    |                    | D >> - MJ 2007    |        |     |        |
| (14)               | 997 555 184 00     | B-pillar trim     | right  | 1   |        |
|                    |                    | Leatherette       |        |     |        |
|                    | 997 555 184 00 1MZ | Black             |        |     |        |
|                    | 997 555 184 00 1YP | Stone grey        |        |     |        |
|                    | 997 555 184 00 1TK | Sand beige        |        |     |        |
|                    | 997 555 184 00 1VM | sea blue          |        |     |        |
|                    | 997 555 184 00 1UL | Palm green        |        |     |        |
|                    |                    | D >> - MJ 2007    |        |     |        |
| 14                 | 997 555 183 01     | B-pillar trim     | left   | 1   | PR:981 |
|                    |                    | Leather           |        |     |        |
|                    | 997 555 183 01 A11 | Black             |        |     |        |
|                    | 997 555 183 01 5X6 | Stone grey        |        |     |        |
|                    | 997 555 183 01 8G2 | Sand beige        |        |     |        |
|                    | 997 555 183 01 3S9 | sea blue          |        |     |        |
|                    | 997 555 183 01 4P2 | Palm green        |        |     |        |
|                    |                    | D >> - MJ 2007    |        |     |        |
|                    | 997 555 183 01 9S5 | Terracotta        |        |     |        |
|                    | 997 555 183 01 9V6 | Cocoa             |        |     |        |
|                    | 997 555 183 01 D12 | Dark grey/natural |        |     |        |

Model: 997 05 Model life 2005>>2008

| Pos                | Part Number           | Description               | Remark | Qty | Model  |
|--------------------|-----------------------|---------------------------|--------|-----|--------|
| (14)               | 997 555 183 01 T12    | Brown/natural             | right  | 1   | PR:981 |
|                    | 997 555 183 01 N12    | Carrera Red               |        |     |        |
|                    |                       | D - MJ 2008>>             |        |     |        |
|                    | 997 555 184 01        | B-pillar trim             |        |     |        |
|                    |                       | Leather                   |        |     |        |
|                    | 997 555 184 01 A11    | Black                     |        |     |        |
|                    | 997 555 184 01 5X6    | Stone grey                |        |     |        |
|                    | 997 555 184 01 8G2    | Sand beige                |        |     |        |
|                    | 997 555 184 01 3S9    | sea blue                  |        |     |        |
|                    | 997 555 184 01 4P2    | Palm green                |        |     |        |
|                    |                       | D >> - MJ 2007            |        |     |        |
|                    | 997 555 184 01 9S5    | Terracotta                |        |     |        |
| 997 555 184 01 9V6 | Cocoa                 |                           |        |     |        |
| 997 555 184 01 D12 | Dark grey/natural     |                           |        |     |        |
| 997 555 184 01 T12 | Brown/natural         |                           |        |     |        |
| 997 555 184 01 N12 | Carrera Red           |                           |        |     |        |
|                    | D - MJ 2008>>         |                           |        |     |        |
| -                  | 996 555 859 00        | Grommet                   |        | 2   |        |
| 15                 | 997 555 071 00        | B-pillar                  | left   | 1   |        |
|                    |                       | Side panel trim           |        |     |        |
|                    |                       | (leatherette)             |        |     |        |
|                    | 997 555 071 00 1MZ    | Black                     |        |     |        |
|                    | 997 555 071 00 1YP    | Stone grey                |        |     |        |
|                    | 997 555 071 00 1TK    | Sand beige                |        |     |        |
|                    | 997 555 071 00 1VM    | sea blue                  |        |     |        |
| 997 555 071 00 1UL | Palm green            |                           |        |     |        |
|                    | D >> - MJ 2007        |                           |        |     |        |
| (15)               | 997 555 072 00        | Side panel trim           | right  | 1   |        |
|                    |                       | (leatherette)             |        |     |        |
|                    | 997 555 072 00 1MZ    | Black                     |        |     |        |
|                    | 997 555 072 00 1YP    | Stone grey                |        |     |        |
|                    | 997 555 072 00 1TK    | Sand beige                |        |     |        |
|                    | 997 555 072 00 1VM    | sea blue                  |        |     |        |
|                    | 997 555 072 00 1UL    | Palm green                |        |     |        |
|                    | D >> - MJ 2007        |                           |        |     |        |
| 15                 | 997 555 071 01        | Side panel trim (leather) | left   | 1   | PR:981 |
|                    | 997 555 071 01 FSA    | black/grey                |        |     |        |
|                    | 997 555 071 01 FSD    | Sea blue/grey             |        |     |        |
|                    | 997 555 071 01 FSE    | Palmgreen/palmgreen       |        |     |        |
|                    |                       | D >> - MJ 2007            |        |     |        |
|                    | 997 555 071 01 FSF    | Terracotta/terracotta     |        |     |        |
|                    | 997 555 071 01 FSG    | Cocoa/Cocoa               |        |     |        |
| 997 555 071 01 FSH | Darkgrey natural/grey |                           |        |     |        |
| 997 555 071 01 FSJ | Brown nat./brown nat. |                           |        |     |        |
| 15                 | 997 555 071 01        | Side panel trim (leather) | left   | 1   | PR:981 |
|                    |                       | Until                     |        |     |        |
|                    |                       | Chassis number            |        |     |        |
|                    |                       | See technical information |        |     |        |
|                    |                       | GR.7 NR. 17/11            |        |     |        |
|                    |                       | KD-NR. 70                 |        |     |        |
|                    | 997 555 071 01 FSB    | Stone grey/stone grey     |        |     |        |
| 997 555 071 01 FSC | Sand beige/sand beige |                           |        |     |        |
| 997 555 071 01 FSP | Carrera Red           |                           |        |     |        |
|                    | D - MJ 2008>>         |                           |        |     |        |
| 15                 | 997 555 911 00        | Side panel trim (leather) | left   | 1   | PR:981 |
|                    |                       | From                      |        |     |        |
|                    |                       | Chassis number            |        |     |        |
|                    |                       | See technical information |        |     |        |
|                    |                       | GR.7 NR. 17/11            |        |     |        |
|                    |                       | KD-NR. 70                 |        |     |        |
|                    | 997 555 911 00 FSB    | Stone grey/stone grey     |        |     |        |
| 997 555 911 00 FSC | Sand beige/sand beige |                           |        |     |        |
| 997 555 911 00 FSP | Carrera Red           |                           |        |     |        |

Model: 997 05 Model life 2005>>2008

| Pos  | Part Number        | Description                                | Remark | Qty | Model  |
|------|--------------------|--|--------|-----|--------|
| (15) | 997 555 072 01     | D - MJ 2008>><br>Side panel trim (leather) | right  | 1   | PR:981 |
|      | 997 555 072 01 FSA | black/grey                                 |        |     |        |
|      | 997 555 072 01 FSD | Sea blue/grey                              |        |     |        |
|      | 997 555 072 01 FSE | Palmgreen/palmgreen                        |        |     |        |
|      |                    | D >> - MJ 2007                             |        |     |        |
|      | 997 555 072 01 FSF | Terracotta/terracotta                      |        |     |        |
|      | 997 555 072 01 FSG | Cocoa/Cocoa                                |        |     |        |
|      | 997 555 072 01 FSH | Darkgrey natural/grey                      |        |     |        |
|      | 997 555 072 01 FSJ | Brown nat./brown nat.                      |        |     |        |
| (15) | 997 555 072 01     | Side panel trim (leather)                  | right  | 1   | PR:981 |
|      |                    | Until                                      |        |     |        |
|      |                    | Chassis number                             |        |     |        |
|      |                    | See technical information                  |        |     |        |
|      |                    | GR.7 NR. 17/11                             |        |     |        |
|      |                    | KD-NR. 70                                  |        |     |        |
|      | 997 555 072 01 FSB | Stone grey/stone grey                      |        |     |        |
|      | 997 555 072 01 FSC | Sand beige/sand beige                      |        |     |        |
|      | 997 555 072 01 FSP | Carrera Red                                |        |     |        |
| (15) | 997 555 912 00     | D - MJ 2008>><br>Side panel trim (leather) | right  | 1   | PR:981 |
|      |                    | From                                       |        |     |        |
|      |                    | Chassis number                             |        |     |        |
|      |                    | See technical information                  |        |     |        |
|      |                    | GR.7 NR. 17/11                             |        |     |        |
|      |                    | KD-NR. 70                                  |        |     |        |
|      | 997 555 912 00 FSB | Stone grey/stone grey                      |        |     |        |
|      | 997 555 912 00 FSC | Sand beige/sand beige                      |        |     |        |
|      | 997 555 912 00 FSP | Carrera Red                                |        |     |        |
| 15   | 997 555 071 06     | D - MJ 2008>><br>Side panel trim           | left   | 1   | PR:970 |
|      |                    | two-colour                                 |        |     |        |
|      |                    | D - MJ 2006>>                              |        |     |        |
|      | 997 555 071 06 BCG | Black/stone grey                           |        |     |        |
|      | 997 555 071 06 BCH | Black/sand beige                           |        |     |        |
|      | 997 555 071 06 BCJ | Black/terracotta                           |        |     |        |
| (15) | 997 555 072 06     | Side panel trim                            | right  | 1   | PR:970 |
|      |                    | two-colour                                 |        |     |        |
|      |                    | D - MJ 2006>>                              |        |     |        |
|      | 997 555 072 06 BCG | Black/stone grey                           |        |     |        |
|      | 997 555 072 06 BCH | Black/sand beige                           |        |     |        |
|      | 997 555 072 06 BCJ | Black/terracotta                           |        |     |        |
| 16   | 999 507 479 01     | Clip                                       |        | 2   |        |
|      |                    | 2,5/0,88                                   |        |     |        |
| 17   | 999 551 609 40     | Plastic washer                             |        | 2   |        |
|      |                    | 8,0 X 23 X 3,0                             |        |     |        |
| 18   | 999 507 533 02     | Clamp                                      |        | 1   |        |
|      |                    | 8.0 X 10 /2,5                              |        |     |        |
| 19   | 999 507 050 40     | expanding nut                              |        | 2   |        |
|      |                    | ST 4,2                                     |        |     |        |
| 20   | 999 073 142 09     | panel screw                                |        | 2   |        |
|      |                    | ST 4,2 X 19                                |        |     |        |
| 21   | 997 555 049 00     | Loudspeaker trim                           | left   | 1   |        |
|      |                    | Side panel trim                            |        |     |        |
|      |                    | Lacquered                                  |        |     |        |
|      | 997 555 049 00 A03 | Black                                      |        |     |        |
|      | 997 555 049 00 5V7 | Stone grey                                 |        |     |        |
|      | 997 555 049 00 5Z1 | Sand beige                                 |        |     |        |
|      | 997 555 049 00 8W7 | sea blue                                   |        |     |        |
|      | 997 555 049 00 5Y2 | Palm green                                 |        |     |        |
|      |                    | D >> - MJ 2007                             |        |     |        |
|      | 997 555 049 00 8X8 | Terracotta                                 |        |     |        |
|      | 997 555 049 00 8P9 | Cocoa                                      |        |     |        |

Model: 997 05 Model life 2005>>2008

| Pos                | Part Number        | Description        | Remark | Qty | Model |
|--------------------|--------------------|--------------------|--------|-----|-------|
| (21)               | 997 555 049 00 T13 | Brown/natural      | right  | 1   |       |
|                    | 997 555 049 00 N23 | Carrera Red        |        |     |       |
|                    |                    | D - MJ 2008>>      |        |     |       |
|                    | 997 555 050 00     | Loudspeaker trim   |        |     |       |
|                    |                    | Side panel trim    |        |     |       |
|                    |                    | Lacquered          |        |     |       |
|                    | 997 555 050 00 A03 | Black              |        |     |       |
|                    | 997 555 050 00 5V7 | Stone grey         |        |     |       |
|                    | 997 555 050 00 5Z1 | Sand beige         |        |     |       |
|                    | 997 555 050 00 8W7 | sea blue           |        |     |       |
|                    | 997 555 050 00 5Y2 | Palm green         |        |     |       |
|                    |                    | D >> - MJ 2007     |        |     |       |
|                    | 22                 | 997 555 050 00 8X8 |        |     |       |
| 997 555 050 00 8P9 |                    | Cocoa              |        |     |       |
| 997 555 050 00 T13 |                    | Brown/natural      |        |     |       |
| 997 555 050 00 N23 |                    | Carrera Red        |        |     |       |
|                    |                    | D - MJ 2008>>      |        |     |       |
| 997 555 061 00     |                    | Rosette            |        |     |       |
|                    |                    | Seat belt          |        |     |       |
|                    |                    | Lacquered          |        |     |       |
| 997 555 061 00 A03 |                    | Black              |        |     |       |
| 997 555 061 00 5V7 |                    | Stone grey         |        |     |       |
| 997 555 061 00 5Z1 |                    | Sand beige         |        |     |       |
| 997 555 061 00 8W7 |                    | sea blue           |        |     |       |
| 997 555 061 00 5Y2 |                    | Palm green         |        |     |       |
|                    | D >> - MJ 2007     |                    |        |     |       |
| (22)               | 997 555 061 00 8X8 | Terracotta         | right  | 1   |       |
|                    | 997 555 061 00 8P9 | Cocoa              |        |     |       |
|                    | 997 555 061 00 T13 | Brown/natural      |        |     |       |
|                    | 997 555 061 00 N23 | Carrera Red        |        |     |       |
|                    |                    | D - MJ 2008>>      |        |     |       |
|                    | 997 555 062 00     | Rosette            |        |     |       |
|                    |                    | Seat belt          |        |     |       |
|                    |                    | Lacquered          |        |     |       |
|                    | 997 555 062 00 A03 | Black              |        |     |       |
|                    | 997 555 062 00 5V7 | Stone grey         |        |     |       |
|                    | 997 555 062 00 5Z1 | Sand beige         |        |     |       |
|                    | 997 555 062 00 8W7 | sea blue           |        |     |       |
|                    | 997 555 062 00 5Y2 | Palm green         |        |     |       |
|                    | D >> - MJ 2007     |                    |        |     |       |
| 23                 | 997 555 062 00 8X8 | Terracotta         | left   | 1   |       |
|                    | 997 555 062 00 8P9 | Cocoa              |        |     |       |
|                    | 997 555 062 00 T13 | Brown/natural      |        |     |       |
|                    | 997 555 062 00 N23 | Carrera Red        |        |     |       |
|                    |                    | D - MJ 2008>>      |        |     |       |
|                    | 997 555 573 00     | Coat hook          |        |     |       |
|                    |                    | Lacquered          |        |     |       |
|                    | 997 555 573 00 A03 | Black              |        |     |       |
|                    | 997 555 573 00 5V7 | Stone grey         |        |     |       |
|                    | 997 555 573 00 5Z1 | Sand beige         |        |     |       |
|                    | 997 555 573 00 8W7 | sea blue           |        |     |       |
|                    | 997 555 573 00 5Y2 | Palm green         |        |     |       |
|                    |                    | D >> - MJ 2007     |        |     |       |
| (23)               | 997 555 573 00 8X8 | Terracotta         | right  | 1   |       |
|                    | 997 555 573 00 8P9 | Cocoa              |        |     |       |
|                    | 997 555 573 00 T13 | Brown/natural      |        |     |       |
|                    | 997 555 573 00 N23 | Carrera Red        |        |     |       |
|                    |                    | D - MJ 2008>>      |        |     |       |
|                    | 997 555 574 00     | Coat hook          |        |     |       |
|                    |                    | Lacquered          |        |     |       |
| 997 555 574 00 A03 | Black              |                    |        |     |       |
| 997 555 574 00 5V7 | Stone grey         |                    |        |     |       |
| 997 555 574 00 5Z1 | Sand beige         |                    |        |     |       |

Model: 997 05 Model life 2005>>2008

| Pos  | Part Number        | Description               | Remark | Qty | Model  |
|------|--------------------|---------------------------|--------|-----|--------|
|      | 997 555 574 00 8W7 | sea blue                  |        |     |        |
|      | 997 555 574 00 5Y2 | Palm green                |        |     |        |
|      |                    | D >> - MJ 2007            |        |     |        |
|      | 997 555 574 00 8X8 | Terracotta                |        |     |        |
|      | 997 555 574 00 8P9 | Cocoa                     |        |     |        |
|      | 997 555 574 00 T13 | Brown/natural             |        |     |        |
|      | 997 555 574 00 N23 | Carrera Red               |        |     |        |
|      |                    | D - MJ 2008>>             |        |     |        |
| 24   | 997 551 017 02     | Adhesive carpet           |        | 1   | PR:685 |
|      |                    | Seat well                 |        |     |        |
|      | 997 551 017 02 J10 | Palm green                |        |     |        |
|      |                    | D >> - MJ 2007            |        |     |        |
|      | 997 551 017 02 M10 | Terracotta                |        |     |        |
|      | 997 551 017 02 R10 | Cocoa                     |        |     |        |
|      | 997 551 017 02 D11 | Dark grey/natural         |        |     |        |
|      | 997 551 017 02 T11 | Brown/natural             |        |     |        |
| 24   | 997 551 017 02     | Adhesive carpet           |        | 1   | PR:685 |
|      |                    | Seat well                 |        |     |        |
|      |                    | Until                     |        |     |        |
|      |                    | Chassis number            |        |     |        |
|      |                    | See technical information |        |     |        |
|      |                    | GR.7 NR. 17/11            |        |     |        |
|      |                    | KD-NR. 70                 |        |     |        |
|      | 997 551 017 02 A10 | Black                     |        |     |        |
|      | 997 551 017 02 B10 | Stone grey                |        |     |        |
|      | 997 551 017 02 T10 | Sand beige                |        |     |        |
|      | 997 551 017 02 E10 | sea blue                  |        |     |        |
|      | 997 551 017 02 N10 | Carrera Red               |        |     |        |
|      |                    | D - MJ 2008>>             |        |     |        |
| 24   | 997 551 017 06     | Adhesive carpet           |        | 1   | PR:685 |
|      |                    | Seat well                 |        |     |        |
|      |                    | From                      |        |     |        |
|      |                    | Chassis number            |        |     |        |
|      |                    | See technical information |        |     |        |
|      |                    | GR.7 NR. 17/11            |        |     |        |
|      |                    | KD-NR. 70                 |        |     |        |
|      | 997 551 017 06 A10 | Black                     |        |     |        |
|      | 997 551 017 06 B10 | Stone grey                |        |     |        |
|      | 997 551 017 06 T10 | Sand beige                |        |     |        |
|      | 997 551 017 06 E10 | sea blue                  |        |     |        |
|      | 997 551 017 06 N10 | Carrera Red               |        |     |        |
|      |                    | D - MJ 2008>>             |        |     |        |
| (25) | 997 551 031 12     | Adhesive carpet           |        | 1   | PR:490 |
|      |                    | rear panel                |        |     |        |
|      |                    | Carpet                    |        |     |        |
|      | 997 551 031 12 J10 | Palm green                |        |     |        |
|      |                    | D >> - MJ 2007            |        |     |        |
|      | 997 551 031 12 M10 | Terracotta                |        |     |        |
|      | 997 551 031 12 R10 | Cocoa                     |        |     |        |
|      | 997 551 031 12 D11 | Dark grey/natural         |        |     |        |
|      | 997 551 031 12 T11 | Brown/natural             |        |     |        |
| (25) | 997 551 031 12     | Adhesive carpet           |        | 1   | PR:490 |
|      |                    | rear panel                |        |     |        |
|      |                    | Carpet                    |        |     |        |
|      |                    | Until                     |        |     |        |
|      |                    | Chassis number            |        |     |        |
|      |                    | See technical information |        |     |        |
|      |                    | GR.7 NR. 17/11            |        |     |        |
|      |                    | KD-NR. 70                 |        |     |        |
|      | 997 551 031 12 A10 | Black                     |        |     |        |
|      | 997 551 031 12 B10 | Stone grey                |        |     |        |
|      | 997 551 031 12 T10 | Sand beige                |        |     |        |
|      | 997 551 031 12 E10 | sea blue                  |        |     |        |

Model: 997 05 Model life 2005>>2008

| Pos  | Part Number        | Description  | Remark | Qty | Model      |
|------|--------------------|--|--------|-----|------------|
|      | 997 551 031 12 N10 | Carrera Red  |        |     |            |
| (25) | 997 551 031 25     | D - MJ 2008>><br>Adhesive carpet<br>rear panel<br>Carpet<br>From<br>Chassis number<br>See technical information<br>GR.7 NR. 17/11<br>KD-NR. 70 |        | 1   | PR:490     |
|      | 997 551 031 25 A10 | Black  |        |     |            |
|      | 997 551 031 25 B10 | Stone grey   |        |     |            |
|      | 997 551 031 25 T10 | Sand beige   |        |     |            |
|      | 997 551 031 25 E10 | sea blue   |        |     |            |
|      | 997 551 031 25 N10 | Carrera Red  |        |     |            |
| (25) | 997 551 031 13     | D - MJ 2008>><br>Adhesive carpet<br>rear panel<br>Carpet   |        | 1   | PR:479,490 |
|      | 997 551 031 13 J10 | Palm green<br>D >> - MJ 2007   |        |     |            |
|      | 997 551 031 13 M10 | Terracotta   |        |     |            |
|      | 997 551 031 13 R10 | Cocoa  |        |     |            |
|      | 997 551 031 13 D11 | Dark grey/natural  |        |     |            |
|      | 997 551 031 13 T11 | Brown/natural  |        |     |            |
| (25) | 997 551 031 13     | Adhesive carpet<br>rear panel<br>Carpet<br>Until<br>Chassis number<br>See technical information<br>GR.7 NR. 17/11<br>KD-NR. 70                 |        | 1   | PR:479,490 |
|      | 997 551 031 13 A10 | Black  |        |     |            |
|      | 997 551 031 13 B10 | Stone grey   |        |     |            |
|      | 997 551 031 13 T10 | Sand beige   |        |     |            |
|      | 997 551 031 13 E10 | sea blue   |        |     |            |
|      | 997 551 031 13 N10 | Carrera Red  |        |     |            |
| (25) | 997 551 031 26     | D - MJ 2008>><br>Adhesive carpet<br>rear panel<br>Carpet<br>From<br>Chassis number<br>See technical information<br>GR.7 NR. 17/11<br>KD-NR. 70 |        | 1   | PR:479,490 |
|      | 997 551 031 26 A10 | Black  |        |     |            |
|      | 997 551 031 26 B10 | Stone grey   |        |     |            |
|      | 997 551 031 26 T10 | Sand beige   |        |     |            |
|      | 997 551 031 26 E10 | sea blue   |        |     |            |
|      | 997 551 031 26 N10 | Carrera Red  |        |     |            |
| (25) | 997 551 031 18     | D - MJ 2008>><br>Adhesive carpet<br>rear panel<br>Carpet   |        | 1   | PR:680     |
|      | 997 551 031 18 J10 | Palm green<br>D >> - MJ 2007   |        |     |            |
|      | 997 551 031 18 M10 | Terracotta   |        |     |            |
|      | 997 551 031 18 R10 | Cocoa  |        |     |            |
|      | 997 551 031 18 D11 | Dark grey/natural  |        |     |            |
|      | 997 551 031 18 T11 | Brown/natural  |        |     |            |
| (25) | 997 551 031 18     | Adhesive carpet  |        | 1   | PR:680     |

Model: 997 05 Model life 2005>>2008

| Pos  | Part Number        | Description  | Remark | Qty | Model      |
|------|--------------------|--|--------|-----|------------|
|      |                    | rear panel<br>Carpet<br>Until<br>Chassis number<br>See technical information<br>GR.7 NR. 17/11<br>KD-NR. 70                                    |        |     |            |
|      | 997 551 031 18 A10 | Black  |        |     |            |
|      | 997 551 031 18 B10 | Stone grey   |        |     |            |
|      | 997 551 031 18 T10 | Sand beige   |        |     |            |
|      | 997 551 031 18 E10 | sea blue   |        |     |            |
|      | 997 551 031 18 N10 | Carrera Red  |        |     |            |
| (25) | 997 551 031 32     | D - MJ 2008>><br>Adhesive carpet<br>rear panel<br>Carpet<br>From<br>Chassis number<br>See technical information<br>GR.7 NR. 17/11<br>KD-NR. 70 |        | 1   | PR:680     |
|      | 997 551 031 32 A10 | Black  |        |     |            |
|      | 997 551 031 32 B10 | Stone grey   |        |     |            |
|      | 997 551 031 32 T10 | Sand beige   |        |     |            |
|      | 997 551 031 32 E10 | sea blue   |        |     |            |
|      | 997 551 031 32 N10 | Carrera Red  |        |     |            |
| (25) | 997 551 031 19     | D - MJ 2008>><br>Adhesive carpet<br>rear panel<br>Carpet   |        | 1   | PR:479,680 |
|      | 997 551 031 19 J10 | Palm green<br>D >> - MJ 2007   |        |     |            |
|      | 997 551 031 19 M10 | Terracotta   |        |     |            |
|      | 997 551 031 19 R10 | Cocoa  |        |     |            |
|      | 997 551 031 19 D11 | Dark grey/natural  |        |     |            |
|      | 997 551 031 19 T11 | Brown/natural  |        |     |            |
| (25) | 997 551 031 19     | Adhesive carpet<br>rear panel<br>Carpet<br>Until<br>Chassis number<br>See technical information<br>GR.7 NR. 17/11<br>KD-NR. 70                 |        | 1   | PR:479,680 |
|      | 997 551 031 19 A10 | Black  |        |     |            |
|      | 997 551 031 19 B10 | Stone grey   |        |     |            |
|      | 997 551 031 19 T10 | Sand beige   |        |     |            |
|      | 997 551 031 19 E10 | sea blue   |        |     |            |
|      | 997 551 031 19 N10 | Carrera Red  |        |     |            |
| (25) | 997 551 031 33     | D - MJ 2008>><br>Adhesive carpet<br>rear panel<br>Carpet<br>From<br>Chassis number<br>See technical information<br>GR.7 NR. 17/11<br>KD-NR. 70 |        | 1   | PR:479,680 |
|      | 997 551 031 33 A10 | Black  |        |     |            |
|      | 997 551 031 33 B10 | Stone grey   |        |     |            |
|      | 997 551 031 33 T10 | Sand beige   |        |     |            |
|      | 997 551 031 33 E10 | sea blue   |        |     |            |
|      | 997 551 031 33 N10 | Carrera Red  |        |     |            |

Model: 997 05 Model life 2005>>2008

| Pos  | Part Number        | Description               | Remark | Qty | Model  |
|------|--------------------|---------------------------|--------|-----|--------|
| -    | 996 551 561 00     | D - MJ 2008>><br>Underlay |        | 1   | PR:680 |
| 26   | 997 551 033 00     | Trim                      |        | 1   |        |
|      |                    | Control units             |        |     |        |
|      |                    | Carpet                    |        |     |        |
|      | 997 551 033 00 J10 | Palm green                |        |     |        |
|      |                    | D >> - MJ 2007            |        |     |        |
|      | 997 551 033 00 M10 | Terracotta                |        |     |        |
|      | 997 551 033 00 R10 | Cocoa                     |        |     |        |
|      | 997 551 033 00 D11 | Dark grey/natural         |        |     |        |
|      | 997 551 033 00 T11 | Brown/natural             |        |     |        |
| 26   | 997 551 033 00     | Trim                      |        | 1   |        |
|      |                    | Control units             |        |     |        |
|      |                    | Carpet                    |        |     |        |
|      |                    | Until                     |        |     |        |
|      |                    | Chassis number            |        |     |        |
|      |                    | See technical information |        |     |        |
|      |                    | GR.7 NR. 17/11            |        |     |        |
|      |                    | KD-NR. 70                 |        |     |        |
|      | 997 551 033 00 A10 | Black                     |        |     |        |
|      | 997 551 033 00 B10 | Stone grey                |        |     |        |
|      | 997 551 033 00 T10 | Sand beige                |        |     |        |
|      | 997 551 033 00 E10 | sea blue                  |        |     |        |
|      | 997 551 033 00 N10 | Carrera Red               |        |     |        |
|      |                    | D - MJ 2008>>             |        |     |        |
| 26   | 997 551 033 03     | Trim                      |        | 1   |        |
|      |                    | Control units             |        |     |        |
|      |                    | Carpet                    |        |     |        |
|      |                    | From                      |        |     |        |
|      |                    | Chassis number            |        |     |        |
|      |                    | See technical information |        |     |        |
|      |                    | GR.7 NR. 17/11            |        |     |        |
|      |                    | KD-NR. 70                 |        |     |        |
|      | 997 551 033 03 A10 | Black                     |        |     |        |
|      | 997 551 033 03 B10 | Stone grey                |        |     |        |
|      | 997 551 033 03 T10 | Sand beige                |        |     |        |
|      | 997 551 033 03 E10 | sea blue                  |        |     |        |
|      | 997 551 033 03 N10 | Carrera Red               |        |     |        |
|      |                    | D - MJ 2008>>             |        |     |        |
| (26) | 997 551 033 01     | Trim                      |        | 1   | PR:680 |
|      |                    | Control units             |        |     |        |
|      | 997 551 033 01 J10 | Palm green                |        |     |        |
|      |                    | D >> - MJ 2007            |        |     |        |
|      | 997 551 033 01 M10 | Terracotta                |        |     |        |
|      | 997 551 033 01 R10 | Cocoa                     |        |     |        |
|      | 997 551 033 01 D11 | Dark grey/natural         |        |     |        |
|      | 997 551 033 01 T11 | Brown/natural             |        |     |        |
| (26) | 997 551 033 01     | Trim                      |        | 1   | PR:680 |
|      |                    | Control units             |        |     |        |
|      |                    | Carpet                    |        |     |        |
|      |                    | Until                     |        |     |        |
|      |                    | Chassis number            |        |     |        |
|      |                    | See technical information |        |     |        |
|      |                    | GR.7 NR. 17/11            |        |     |        |
|      |                    | KD-NR. 70                 |        |     |        |
|      | 997 551 033 01 A10 | Black                     |        |     |        |
|      | 997 551 033 01 B10 | Stone grey                |        |     |        |
|      | 997 551 033 01 T10 | Sand beige                |        |     |        |
|      | 997 551 033 01 E10 | sea blue                  |        |     |        |
|      | 997 551 033 01 N10 | Carrera Red               |        |     |        |
|      |                    | D - MJ 2008>>             |        |     |        |
| (26) | 997 551 033 04     | Trim                      |        | 1   | PR:680 |
|      |                    | Control units             |        |     |        |



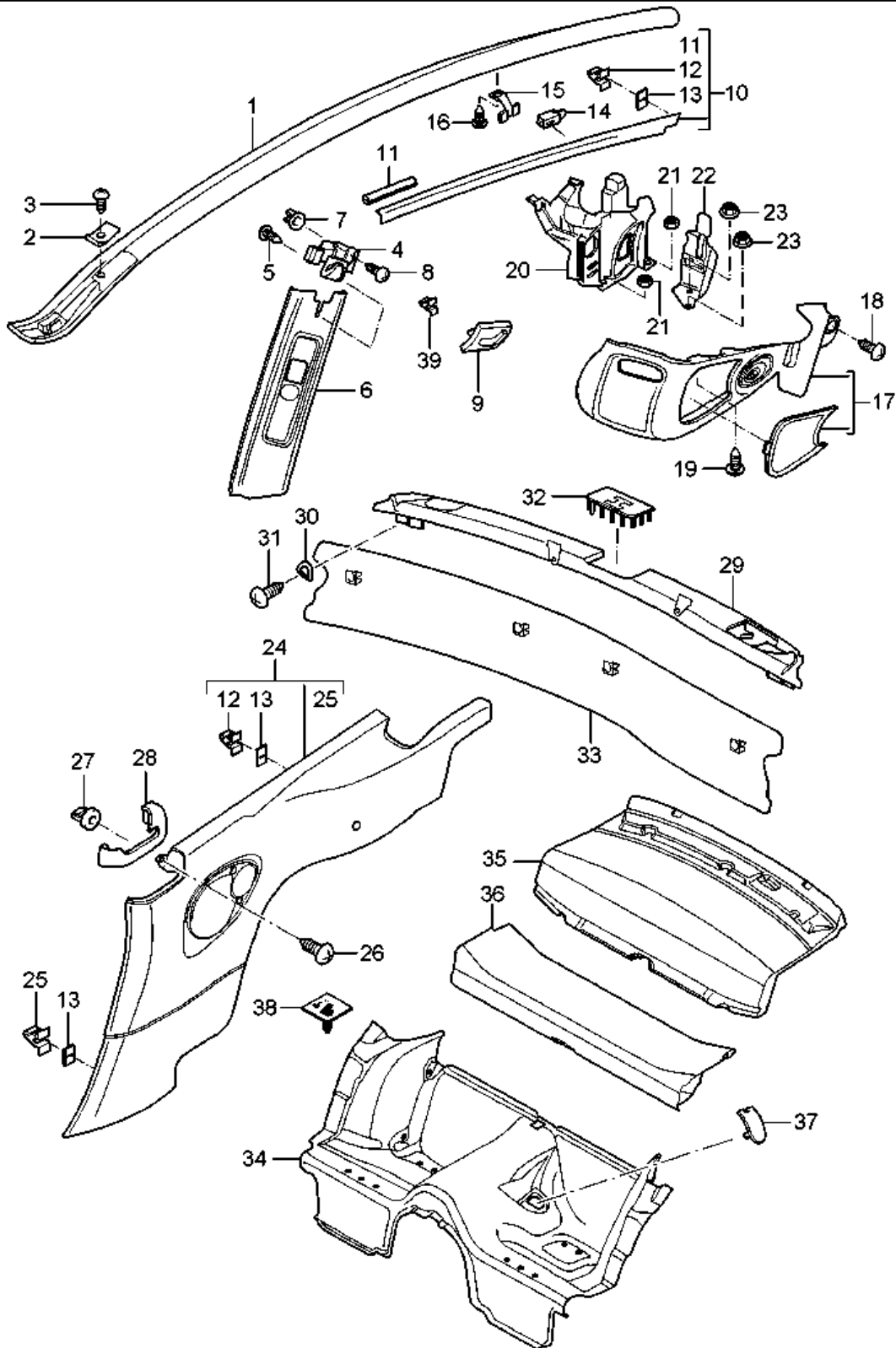
Model: 997 05

Model life 2005>>2008

| Pos  | Part Number        | Description  | Remark | Qty | Model |
|------|--------------------|--|--------|-----|-------|
|      |                    | Carpet<br>From<br>Chassis number<br>See technical information<br>GR.7 NR. 17/11<br>KD-NR. 70 |        |     |       |
|      | 997 551 033 04 A10 | Black  |        |     |       |
|      | 997 551 033 04 B10 | Stone grey   |        |     |       |
|      | 997 551 033 04 T10 | Sand beige   |        |     |       |
|      | 997 551 033 04 E10 | sea blue   |        |     |       |
|      | 997 551 033 04 N10 | Carrera Red  |        |     |       |
|      |                    | D - MJ 2008>>  |        |     |       |
| 27   | 997 551 525 00     | Cover<br>Belt latch  | left   | 1   |       |
|      | 997 551 525 00 01C | Satin black  |        |     |       |
| (27) | 997 551 526 00     | Cover<br>Belt latch  | right  | 1   |       |
|      | 997 551 526 00 01C | Satin black  |        |     |       |
| 29   | 999 507 476 01     | Clamp<br>8,0 x 10 / 2,5<br>Mount<br>Coat hook  |        | 2   |       |

Model: 997 05

Model life 2005>>2008



Model: 997 05 Model life 2005>>2008

| Pos | Part Number        | Description                                   | Remark       | Qty | Model  |
|-----|--------------------|---|--------------|-----|--------|
| (1) | 997 555 195 00     | Linings<br>Trim<br>roof member<br>Leatherette | rear<br>left | 1   | TARGA  |
|     | 997 555 195 00 5Q2 | Black   |              |     |        |
|     | 997 555 195 00 8X4 | Stone grey                                    |              |     |        |
|     | 997 555 195 00 5S4 | Sand beige                                    |              |     |        |
|     | 997 555 195 00 8W3 | sea blue                                      |              |     |        |
|     | 997 555 195 00 5Y5 | Palm green                                    |              |     |        |
|     |                    | D >> - MJ 2007                                |              |     |        |
| 1   | 997 555 196 00     | Trim<br>roof member<br>Leatherette            | right        | 1   |        |
|     | 997 555 196 00 5Q2 | Black   |              |     |        |
|     | 997 555 196 00 8X4 | Stone grey                                    |              |     |        |
|     | 997 555 196 00 5S4 | Sand beige                                    |              |     |        |
|     | 997 555 196 00 8W3 | sea blue                                      |              |     |        |
|     | 997 555 196 00 5Y5 | Palm green                                    |              |     |        |
|     |                    | D >> - MJ 2007                                |              |     |        |
| (1) | 997 555 195 01     | Trim<br>roof member<br>Leather                | left         | 1   | PR:981 |
|     | 997 555 195 01 A11 | Black   |              |     |        |
|     | 997 555 195 01 5X6 | Stone grey                                    |              |     |        |
|     | 997 555 195 01 8G2 | Sand beige                                    |              |     |        |
|     | 997 555 195 01 3S9 | sea blue                                      |              |     |        |
|     | 997 555 195 01 4P2 | Palm green                                    |              |     |        |
|     |                    | D >> - MJ 2007                                |              |     |        |
|     | 997 555 195 01 9S5 | Terracotta                                    |              |     |        |
|     | 997 555 195 01 9V6 | Cocoa   |              |     |        |
|     | 997 555 195 01 D12 | Dark grey/natural                             |              |     |        |
|     | 997 555 195 01 T12 | Brown/natural                                 |              |     |        |
|     | 997 555 195 01 N12 | Carrera Red                                   |              |     |        |
|     |                    | D - MJ 2008>>                                 |              |     |        |
| 1   | 997 555 196 01     | Trim<br>roof member<br>Leather                | right        | 1   | PR:981 |
|     | 997 555 196 01 A11 | Black   |              |     |        |
|     | 997 555 196 01 5X6 | Stone grey                                    |              |     |        |
|     | 997 555 196 01 8G2 | Sand beige                                    |              |     |        |
|     | 997 555 196 01 3S9 | sea blue                                      |              |     |        |
|     | 997 555 196 01 4P2 | Palm green                                    |              |     |        |
|     |                    | D >> - MJ 2007                                |              |     |        |
|     | 997 555 196 01 9S5 | Terracotta                                    |              |     |        |
|     | 997 555 196 01 9V6 | Cocoa   |              |     |        |
|     | 997 555 196 01 D12 | Dark grey/natural                             |              |     |        |
|     | 997 555 196 01 T12 | Brown/natural                                 |              |     |        |
|     | 997 555 196 01 N12 | Carrera Red                                   |              |     |        |
|     |                    | D - MJ 2008>>                                 |              |     |        |
| -   | 996 555 887 00     | beading                                       |              | 2   |        |
| (2) | 997 555 779 00     | Cover   | left         | 1   |        |
|     | 997 555 779 00 01C | Satin black                                   |              |     |        |
| 2   | 997 555 780 00     | Cover   | right        | 1   |        |
|     | 997 555 780 00 01C | Satin black                                   |              |     |        |
| 3   | 999 073 218 01     | panel screw<br>4,2 X 16                       |              | 2   |        |
| (4) | 997 555 573 01     | Coat hook<br>Lacquered                        | left         | 1   |        |
|     | 997 555 573 01 A03 | Black   |              |     |        |
|     | 997 555 573 01 5V7 | Stone grey                                    |              |     |        |
|     | 997 555 573 01 5Z1 | Sand beige                                    |              |     |        |
|     | 997 555 573 01 8W7 | sea blue                                      |              |     |        |
|     | 997 555 573 01 5Y2 | Palm green                                    |              |     |        |

Model: 997 05 Model life 2005>>2008

| Pos | Part Number        | Description                    | Remark | Qty | Model  |
|-----|--------------------|--------------------------------|--------|-----|--------|
|     |                    | D >> - MJ 2007                 |        |     |        |
|     | 997 555 573 01 T13 | Brown/natural                  |        |     |        |
|     | 997 555 573 01 8P9 | Cocoa                          |        |     |        |
|     | 997 555 573 01 8X8 | Terracotta                     |        |     |        |
|     | 997 555 573 01 N23 | Carrera Red                    |        |     |        |
|     |                    | D - MJ 2008>>                  |        |     |        |
| 4   | 997 555 574 01     | Coat hook                      | right  | 1   |        |
|     |                    | Lacquered                      |        |     |        |
|     | 997 555 574 01 A03 | Black                          |        |     |        |
|     | 997 555 574 01 5V7 | Stone grey                     |        |     |        |
|     | 997 555 574 01 5Z1 | Sand beige                     |        |     |        |
|     | 997 555 574 01 8W7 | sea blue                       |        |     |        |
|     | 997 555 574 01 5Y2 | Palm green                     |        |     |        |
|     |                    | D >> - MJ 2007                 |        |     |        |
|     | 997 555 574 01 T13 | Brown/natural                  |        |     |        |
|     | 997 555 574 01 8P9 | Cocoa                          |        |     |        |
|     | 997 555 574 01 8X8 | Terracotta                     |        |     |        |
|     | 997 555 574 01 N23 | Carrera Red                    |        |     |        |
|     |                    | D - MJ 2008>>                  |        |     |        |
| 5   | 999 919 164 09     | fillister hd. bolt<br>5,0 X 12 |        | 2   |        |
| (6) | 997 555 183 02     | B-pillar trim                  | left   | 1   |        |
|     |                    | Leatherette                    |        |     |        |
|     | 997 555 183 02 1MZ | Black                          |        |     |        |
|     | 997 555 183 02 1YP | Stone grey                     |        |     |        |
|     | 997 555 183 02 1TK | Sand beige                     |        |     |        |
|     | 997 555 183 02 1VM | sea blue                       |        |     |        |
|     | 997 555 183 02 1UL | Palm green                     |        |     |        |
|     |                    | D >> - MJ 2007                 |        |     |        |
| 6   | 997 555 184 02     | B-pillar trim                  | right  | 1   |        |
|     |                    | Leatherette                    |        |     |        |
|     | 997 555 184 02 1MZ | Black                          |        |     |        |
|     | 997 555 184 02 1YP | Stone grey                     |        |     |        |
|     | 997 555 184 02 1TK | Sand beige                     |        |     |        |
|     | 997 555 184 02 1VM | sea blue                       |        |     |        |
|     | 997 555 184 02 1UL | Palm green                     |        |     |        |
|     |                    | D >> - MJ 2007                 |        |     |        |
| (6) | 997 555 183 03     | B-pillar trim                  | left   | 1   | PR:981 |
|     |                    | Leather                        |        |     |        |
|     | 997 555 183 03 A11 | Black                          |        |     |        |
|     | 997 555 183 03 5X6 | Stone grey                     |        |     |        |
|     | 997 555 183 03 8G2 | Sand beige                     |        |     |        |
|     | 997 555 183 03 3S9 | sea blue                       |        |     |        |
|     | 997 555 183 03 4P2 | Palm green                     |        |     |        |
|     |                    | D >> - MJ 2007                 |        |     |        |
|     | 997 555 183 03 9S5 | Terracotta                     |        |     |        |
|     | 997 555 183 03 9V6 | Cocoa                          |        |     |        |
|     | 997 555 183 03 D12 | Dark grey/natural              |        |     |        |
|     | 997 555 183 03 T12 | Brown/natural                  |        |     |        |
|     | 997 555 183 03 N12 | Carrera Red                    |        |     |        |
|     |                    | D - MJ 2008>>                  |        |     |        |
| 6   | 997 555 184 03     | B-pillar trim                  | right  | 1   | PR:981 |
|     |                    | Leather                        |        |     |        |
|     | 997 555 184 03 A11 | Black                          |        |     |        |
|     | 997 555 184 03 5X6 | Stone grey                     |        |     |        |
|     | 997 555 184 03 8G2 | Sand beige                     |        |     |        |
|     | 997 555 184 03 3S9 | sea blue                       |        |     |        |
|     | 997 555 184 03 4P2 | Palm green                     |        |     |        |
|     |                    | D >> - MJ 2007                 |        |     |        |
|     | 997 555 184 03 9S5 | Terracotta                     |        |     |        |
|     | 997 555 184 03 9V6 | Cocoa                          |        |     |        |
|     | 997 555 184 03 D12 | Dark grey/natural              |        |     |        |
|     | 997 555 184 03 T12 | Brown/natural                  |        |     |        |

Model: 997 05 Model life 2005>>2008

| Pos  | Part Number        | Description                    | Remark | Qty | Model  |
|------|--------------------|--------------------------------|--------|-----|--------|
|      | 997 555 184 03 N12 | Carrera Red<br>D - MJ 2008>>   |        |     |        |
| -    | 996 555 859 00     | Grommet                        |        | 2   |        |
| 7    | 999 507 755 40     | B-pillar<br>expanding nut      |        | 2   |        |
| 8    | 999 073 064 02     | panel screw<br>4,8 X 25        |        | 2   |        |
| 9    | 997 555 773 00     | Cover                          | left   | 1   |        |
|      |                    | Coat hook                      |        |     |        |
|      | 997 555 773 00 A03 | Black                          |        |     |        |
|      | 997 555 773 00 5V7 | Stone grey                     |        |     |        |
|      | 997 555 773 00 5Z1 | Sand beige                     |        |     |        |
|      | 997 555 773 00 8W7 | sea blue                       |        |     |        |
|      | 997 555 773 00 5Y2 | Palm green                     |        |     |        |
|      |                    | D >> - MJ 2007                 |        |     |        |
|      | 997 555 773 00 8X8 | Terracotta                     |        |     |        |
|      | 997 555 773 00 8P9 | Cocoa                          |        |     |        |
|      | 997 555 773 00 T13 | Brown/natural                  |        |     |        |
|      | 997 555 773 00 N23 | Carrera Red                    |        |     |        |
| (9)  | 997 555 774 00     | D - MJ 2008>><br>Cover         | right  | 1   |        |
|      |                    | Coat hook                      |        |     |        |
|      | 997 555 774 00 A03 | Black                          |        |     |        |
|      | 997 555 774 00 5V7 | Stone grey                     |        |     |        |
|      | 997 555 774 00 5Z1 | Sand beige                     |        |     |        |
|      | 997 555 774 00 8W7 | sea blue                       |        |     |        |
|      | 997 555 774 00 5Y2 | Palm green                     |        |     |        |
|      |                    | D >> - MJ 2007                 |        |     |        |
|      | 997 555 774 00 8X8 | Terracotta                     |        |     |        |
|      | 997 555 774 00 8P9 | Cocoa                          |        |     |        |
|      | 997 555 774 00 T13 | Brown/natural                  |        |     |        |
|      | 997 555 774 00 N23 | Carrera Red                    |        |     |        |
| (10) | 997 555 187 04     | D - MJ 2008>><br>C-pillar trim | left   | 1   |        |
|      |                    | Leatherette                    |        |     |        |
|      | 997 555 187 04 1MZ | Black                          |        |     |        |
|      | 997 555 187 04 1YP | Stone grey                     |        |     |        |
|      | 997 555 187 04 1TK | Sand beige                     |        |     |        |
|      | 997 555 187 04 1VM | sea blue                       |        |     |        |
|      | 997 555 187 04 1UL | Palm green                     |        |     |        |
|      |                    | D >> - MJ 2007                 |        |     |        |
| 10   | 997 555 188 04     | C-pillar trim                  | right  | 1   |        |
|      |                    | Leatherette                    |        |     |        |
|      | 997 555 188 04 1MZ | Black                          |        |     |        |
|      | 997 555 188 04 1YP | Stone grey                     |        |     |        |
|      | 997 555 188 04 1TK | Sand beige                     |        |     |        |
|      | 997 555 188 04 1VM | sea blue                       |        |     |        |
|      | 997 555 188 04 1UL | Palm green                     |        |     |        |
|      |                    | D >> - MJ 2007                 |        |     |        |
| (10) | 997 555 187 05     | C-pillar trim                  | left   | 1   | PR:981 |
|      |                    | Leather                        |        |     |        |
|      | 997 555 187 05 A11 | Black                          |        |     |        |
|      | 997 555 187 05 5X6 | Stone grey                     |        |     |        |
|      | 997 555 187 05 8G2 | Sand beige                     |        |     |        |
|      | 997 555 187 05 3S9 | sea blue                       |        |     |        |
|      | 997 555 187 05 4P2 | Palm green                     |        |     |        |
|      |                    | D >> - MJ 2007                 |        |     |        |
|      | 997 555 187 05 9S5 | Terracotta                     |        |     |        |
|      | 997 555 187 05 9V6 | Cocoa                          |        |     |        |
|      | 997 555 187 05 D12 | Dark grey/natural              |        |     |        |
|      | 997 555 187 05 T12 | Brown/natural                  |        |     |        |
|      | 997 555 187 05 N12 | Carrera Red                    |        |     |        |
|      |                    | D - MJ 2008>>                  |        |     |        |

Model: 997 05 Model life 2005>>2008

| Pos  | Part Number        | Description              | Remark | Qty | Model  |
|------|--------------------|--------------------------|--------|-----|--------|
| 10   | 997 555 188 05     | C-pillar trim<br>Leather | right  | 1   | PR:981 |
|      | 997 555 188 05 A11 | Black                    |        |     |        |
|      | 997 555 188 05 5X6 | Stone grey               |        |     |        |
|      | 997 555 188 05 8G2 | Sand beige               |        |     |        |
|      | 997 555 188 05 3S9 | sea blue                 |        |     |        |
|      | 997 555 188 05 4P2 | Palm green               |        |     |        |
|      |                    | D >> - MJ 2007           |        |     |        |
|      | 997 555 188 05 9S5 | Terracotta               |        |     |        |
|      | 997 555 188 05 9V6 | Cocoa                    |        |     |        |
|      | 997 555 188 05 D12 | Dark grey/natural        |        |     |        |
|      | 997 555 188 05 T12 | Brown/natural            |        |     |        |
|      | 997 555 188 05 N12 | Carrera Red              |        |     |        |
|      |                    | D - MJ 2008>>            |        |     |        |
| 11   | 999 911 441 40     | Tread                    |        | *   |        |
|      |                    | 1,0 X 12                 |        |     |        |
| 12   | 999 507 681 01     | Clip                     |        | 3   |        |
|      |                    | 2,5/3,0                  |        |     |        |
| 13   | 999 209 084 40     | Distance piece           |        | X   |        |
|      |                    | 20 X 25 X 0,5            |        |     |        |
| 14   | 996 555 581 00     | Support                  |        | 10  |        |
|      |                    | Clip                     |        |     |        |
| 15   | 996 555 875 00     | Clip                     |        | 4   |        |
| 16   | 999 073 218 01     | panel screw              |        | 4   |        |
|      |                    | 4,2 X 16                 |        |     |        |
| (17) | 997 555 245 00     | Cover                    | left   | 1   |        |
|      |                    | Seat belt<br>Lacquered   |        |     |        |
|      | 997 555 245 00 A03 | Black                    |        |     |        |
|      | 997 555 245 00 5V7 | Stone grey               |        |     |        |
|      | 997 555 245 00 5Z1 | Sand beige               |        |     |        |
|      | 997 555 245 00 8W7 | sea blue                 |        |     |        |
|      | 997 555 245 00 5Y2 | Palm green               |        |     |        |
|      |                    | D >> - MJ 2007           |        |     |        |
|      | 997 555 245 00 8X8 | Terracotta               |        |     |        |
|      | 997 555 245 00 8P9 | Cocoa                    |        |     |        |
|      | 997 555 245 00 T13 | Brown/natural            |        |     |        |
|      | 997 555 245 00 N23 | Carrera Red              |        |     |        |
|      |                    | D - MJ 2008>>            |        |     |        |
|      | 997 555 245 00 P13 | Cinnamon brown           |        |     |        |
| 17   | 997 555 246 00     | Cover                    | right  | 1   |        |
|      |                    | Seat belt<br>Lacquered   |        |     |        |
|      | 997 555 246 00 A03 | Black                    |        |     |        |
|      | 997 555 246 00 5V7 | Stone grey               |        |     |        |
|      | 997 555 246 00 5Z1 | Sand beige               |        |     |        |
|      | 997 555 246 00 8W7 | sea blue                 |        |     |        |
|      | 997 555 246 00 5Y2 | Palm green               |        |     |        |
|      |                    | D >> - MJ 2007           |        |     |        |
|      | 997 555 246 00 8X8 | Terracotta               |        |     |        |
|      | 997 555 246 00 8P9 | Cocoa                    |        |     |        |
|      | 997 555 246 00 T13 | Brown/natural            |        |     |        |
|      | 997 555 246 00 N23 | Carrera Red              |        |     |        |
|      |                    | D - MJ 2008>>            |        |     |        |
|      | 997 555 246 00 P13 | Cinnamon brown           |        |     |        |
| -    | 996 555 877 00     | Clip                     |        | 2   |        |
| 18   | 999 073 251 09     | panel screw              |        | 2   |        |
|      |                    | 4,2 X 25                 |        |     |        |
| 19   | 999 073 226 09     | panel screw              |        | 2   |        |
|      |                    | 4,2 X 16                 |        |     |        |
| (20) | 996 555 175 01     | Bracket                  | left   | 1   |        |
| 20   | 996 555 176 01     | Bracket                  | right  | 1   |        |
| 21   | 999 084 629 01     | Hexagon nut              |        | 4   |        |

Model: 997 05 Model life 2005>>2008

| Pos  | Part Number        | Description   | Remark | Qty | Model  |
|------|--------------------|---|--------|-----|--------|
|      |                    | M 6   |        |     |        |
| (22) | 996 555 503 00     | Bracket   | left   | 1   |        |
| 22   | 996 555 504 00     | Bracket   | right  | 1   |        |
| 23   | 999 049 007 40     | Plastic nut   |        | 4   |        |
| (24) | 997 555 071 04     | Side panel trim<br>(leatherette)  | left   | 1   |        |
|      | 997 555 071 04 1MZ | Black   |        |     |        |
|      | 997 555 071 04 1YP | Stone grey  |        |     |        |
|      | 997 555 071 04 1TK | Sand beige  |        |     |        |
|      | 997 555 071 04 1VM | sea blue  |        |     |        |
|      | 997 555 071 04 1UL | Palm green  |        |     |        |
|      |                    | D >> - MJ 2007  |        |     |        |
| 24   | 997 555 072 04     | Side panel trim<br>(leatherette)  | right  | 1   |        |
|      | 997 555 072 04 1MZ | Black   |        |     |        |
|      | 997 555 072 04 1YP | Stone grey  |        |     |        |
|      | 997 555 072 04 1TK | Sand beige  |        |     |        |
|      | 997 555 072 04 1VM | sea blue  |        |     |        |
|      | 997 555 072 04 1UL | Palm green  |        |     |        |
|      |                    | D >> - MJ 2007  |        |     |        |
| (24) | 997 555 071 05     | Side panel trim (leather)   | left   | 1   | PR:981 |
|      | 997 555 071 05 FSA | Black   |        |     |        |
|      | 997 555 071 05 FSD | sea blue  |        |     |        |
|      | 997 555 071 05 FSE | Palm green  |        |     |        |
|      |                    | D >> - MJ 2007  |        |     |        |
|      | 997 555 071 05 FSF | Terracotta  |        |     |        |
|      | 997 555 071 05 FSG | Cocoa   |        |     |        |
|      | 997 555 071 05 FSH | Dark grey/natural   |        |     |        |
|      | 997 555 071 05 FSJ | Brown/natural   |        |     |        |
| (24) | 997 555 071 05     | Side panel trim (leather)   | left   | 1   | PR:981 |
|      |                    | Until<br>Chassis number<br>See technical information<br>GR.7 NR. 17/11<br>KD-NR. 70 |        |     |        |
|      | 997 555 071 05 FSB | Stone grey  |        |     |        |
|      | 997 555 071 05 FSC | Sand beige  |        |     |        |
|      | 997 555 071 05 FSP | Carrera Red   |        |     |        |
|      |                    | D - MJ 2008>>   |        |     |        |
| (24) | 997 555 911 01     | Side panel trim (leather)   | left   | 1   | PR:981 |
|      |                    | From<br>Chassis number<br>See technical information<br>GR.7 NR. 17/11<br>KD-NR. 70  |        |     |        |
|      | 997 555 911 01 FSB | Stone grey  |        |     |        |
|      | 997 555 911 01 FSC | Sand beige/sand beige   |        |     |        |
|      | 997 555 911 01 FSP | Carrera Red   |        |     |        |
|      |                    | D - MJ 2008>>   |        |     |        |
| 24   | 997 555 072 05     | Side panel trim (leather)   | right  | 1   | PR:981 |
|      | 997 555 072 05 FSA | Black   |        |     |        |
|      | 997 555 072 05 FSD | sea blue  |        |     |        |
|      | 997 555 072 05 FSE | Palm green  |        |     |        |
|      |                    | D >> - MJ 2007  |        |     |        |
|      | 997 555 072 05 FSF | Terracotta  |        |     |        |
|      | 997 555 072 05 FSG | Cocoa   |        |     |        |
|      | 997 555 072 05 FSH | Dark grey/natural   |        |     |        |
|      | 997 555 072 05 FSJ | Brown/natural   |        |     |        |
| 24   | 997 555 072 05     | Side panel trim (leather)   | right  | 1   | PR:981 |
|      |                    | Until<br>Chassis number<br>See technical information<br>GR.7 NR. 17/11              |        |     |        |

Model: 997 05 Model life 2005>>2008

| Pos  | Part Number        | Description               | Remark | Qty | Model  |
|------|--------------------|---------------------------|--------|-----|--------|
|      |                    | KD-NR. 70                 |        |     |        |
|      | 997 555 072 05 FSB | Stone grey                |        |     |        |
|      | 997 555 072 05 FSC | Sand beige                |        |     |        |
|      | 997 555 072 05 FSP | Carrera Red               |        |     |        |
|      |                    | D - MJ 2008>>             |        |     |        |
| 24   | 997 555 912 01     | Side panel trim (leather) | right  | 1   | PR:981 |
|      |                    | From                      |        |     |        |
|      |                    | Chassis number            |        |     |        |
|      |                    | See technical information |        |     |        |
|      |                    | GR.7 NR. 17/11            |        |     |        |
|      |                    | KD-NR. 70                 |        |     |        |
|      | 997 555 912 01 FSB | Stone grey                |        |     |        |
|      | 997 555 912 01 FSC | Sand beige/sand beige     |        |     |        |
|      | 997 555 912 01 FSP | Carrera Red               |        |     |        |
|      |                    | D - MJ 2008>>             |        |     |        |
| (24) | 997 555 071 08     | Side panel trim           | left   | 1   | PR:970 |
|      |                    | two-colour                |        |     |        |
|      | 997 555 071 08 BCG | Black/stone grey          |        |     |        |
|      | 997 555 071 08 BCH | Black/sand beige          |        |     |        |
|      | 997 555 071 08 BCJ | Black/terracotta          |        |     |        |
| 24   | 997 555 072 08     | Side panel trim           | right  | 1   | PR:970 |
|      |                    | two-colour                |        |     |        |
|      | 997 555 072 08 BCG | Black/stone grey          |        |     |        |
|      | 997 555 072 08 BCH | Black/sand beige          |        |     |        |
|      | 997 555 072 08 BCJ | Black/terracotta          |        |     |        |
| -    | 999 551 127 40     | Adhesive tape             |        | *   |        |
| 25   | 999 507 479 09     | Clip                      |        | 1   |        |
|      |                    | 2,5 X 0,9                 |        |     |        |
| (25) | 999 507 479 01     | Clip                      |        | 1   |        |
|      |                    | 2,5 X 0,9                 |        |     |        |
| 26   | 999 073 142 09     | panel screw               |        | 2   |        |
|      |                    | 4,2 X 19                  |        |     |        |
| 27   | 999 507 050 40     | expanding nut             |        | 2   |        |
| (28) | 997 555 061 00     | Rosette                   | left   | 1   |        |
|      |                    | Seat belt                 |        |     |        |
|      |                    | Lacquered                 |        |     |        |
|      | 997 555 061 00 A03 | Black                     |        |     |        |
|      | 997 555 061 00 5V7 | Stone grey                |        |     |        |
|      | 997 555 061 00 5Z1 | Sand beige                |        |     |        |
|      | 997 555 061 00 8W7 | sea blue                  |        |     |        |
|      | 997 555 061 00 5Y2 | Palm green                |        |     |        |
|      |                    | D >> - MJ 2007            |        |     |        |
|      | 997 555 061 00 8X8 | Terracotta                |        |     |        |
|      | 997 555 061 00 8P9 | Cocoa                     |        |     |        |
|      | 997 555 061 00 T13 | Brown/natural             |        |     |        |
|      | 997 555 061 00 N23 | Carrera Red               |        |     |        |
|      |                    | D - MJ 2008>>             |        |     |        |
| 28   | 997 555 062 00     | Rosette                   | right  | 1   |        |
|      |                    | Seat belt                 |        |     |        |
|      |                    | Lacquered                 |        |     |        |
|      | 997 555 062 00 A03 | Black                     |        |     |        |
|      | 997 555 062 00 5V7 | Stone grey                |        |     |        |
|      | 997 555 062 00 5Z1 | Sand beige                |        |     |        |
|      | 997 555 062 00 8W7 | sea blue                  |        |     |        |
|      | 997 555 062 00 5Y2 | Palm green                |        |     |        |
|      |                    | D >> - MJ 2007            |        |     |        |
|      | 997 555 062 00 8X8 | Terracotta                |        |     |        |
|      | 997 555 062 00 8P9 | Cocoa                     |        |     |        |
|      | 997 555 062 00 T13 | Brown/natural             |        |     |        |
|      | 997 555 062 00 N23 | Carrera Red               |        |     |        |
|      |                    | D - MJ 2008>>             |        |     |        |
| 29   | 997 555 151 00     | Rear panel trim           |        | 1   | PR:426 |
|      | 997 555 151 00 A03 | Black                     |        |     |        |



Model: 997 05 Model life 2005>>2008

| Pos  | Part Number        | Description   | Remark | Qty | Model  |
|------|--------------------|---|--------|-----|--------|
| (29) | 997 555 151 01     | Rear panel trim   |        | 1   | PR:425 |
|      | 997 555 151 01 A03 | Black   |        |     |        |
| 30   | 999 507 782 01     | Spring washer<br>5,3 X 18   |        | 2   |        |
| 31   | 999 073 061 02     | panel screw   |        | 4   |        |
| 32   | 996 555 885 00     | Rosette<br>rear panel<br>Upper part   |        | 1   |        |
| 33   | 996 555 081 08     | Rear panel trim<br>Carpet   |        | 1   |        |
|      | 996 555 081 08 A10 | Black   |        |     |        |
|      | 996 555 081 08 B10 | Stone grey  |        |     |        |
|      | 996 555 081 08 T10 | Sand beige  |        |     |        |
|      | 996 555 081 08 E10 | sea blue  |        |     |        |
|      | 996 555 081 08 J10 | Palm green  |        |     |        |
|      |                    | D >> - MJ 2007  |        |     |        |
|      | 996 555 081 08 M10 | Terracotta  |        |     |        |
|      | 996 555 081 08 R10 | Cocoa   |        |     |        |
|      | 996 555 081 08 D11 | Dark grey/natural   |        |     |        |
|      | 996 555 081 08 T11 | Brown/natural   |        |     |        |
|      | 996 555 081 08 N10 | Carrera Red   |        |     |        |
|      |                    | D - MJ 2008>>   |        |     |        |
| -    | 999 571 080 02     | Tool  |        | 2   |        |
|      |                    | Emergency operation   |        |     |        |
| 34   | 997 551 017 02     | Adhesive carpet<br>Seat well  |        | 1   | PR:685 |
|      | 997 551 017 02 J10 | Palm green  |        |     |        |
|      |                    | D >> - MJ 2007  |        |     |        |
|      | 997 551 017 02 M10 | Terracotta  |        |     |        |
|      | 997 551 017 02 R10 | Cocoa   |        |     |        |
|      | 997 551 017 02 D11 | Dark grey/natural   |        |     |        |
|      | 997 551 017 02 T11 | Brown/natural   |        |     |        |
| 34   | 997 551 017 02     | Adhesive carpet<br>Seat well<br>Until<br>Chassis number<br>See technical information<br>GR.7 NR. 17/11<br>KD-NR. 70 |        | 1   | PR:685 |
|      | 997 551 017 02 A10 | Black   |        |     |        |
|      | 997 551 017 02 B10 | Stone grey  |        |     |        |
|      | 997 551 017 02 T10 | Sand beige  |        |     |        |
|      | 997 551 017 02 E10 | sea blue  |        |     |        |
|      | 997 551 017 02 N10 | Carrera Red   |        |     |        |
|      |                    | D - MJ 2008>>   |        |     |        |
| 34   | 997 551 017 06     | Adhesive carpet<br>Seat well<br>From<br>Chassis number<br>See technical information<br>GR.7 NR. 17/11<br>KD-NR. 70  |        | 1   | PR:685 |
|      | 997 551 017 06 A10 | Black   |        |     |        |
|      | 997 551 017 06 B10 | Stone grey  |        |     |        |
|      | 997 551 017 06 T10 | Sand beige  |        |     |        |
|      | 997 551 017 06 E10 | sea blue  |        |     |        |
|      | 997 551 017 06 N10 | Carrera Red   |        |     |        |
|      |                    | D - MJ 2008>>   |        |     |        |
| 35   | 997 551 031 15     | Adhesive carpet<br>rear panel<br>Carpet   |        | 1   |        |
|      | 997 551 031 15 J10 | Palm green  |        |     |        |
|      |                    | D >> - MJ 2007  |        |     |        |

Model: 997 05 Model life 2005>>2008

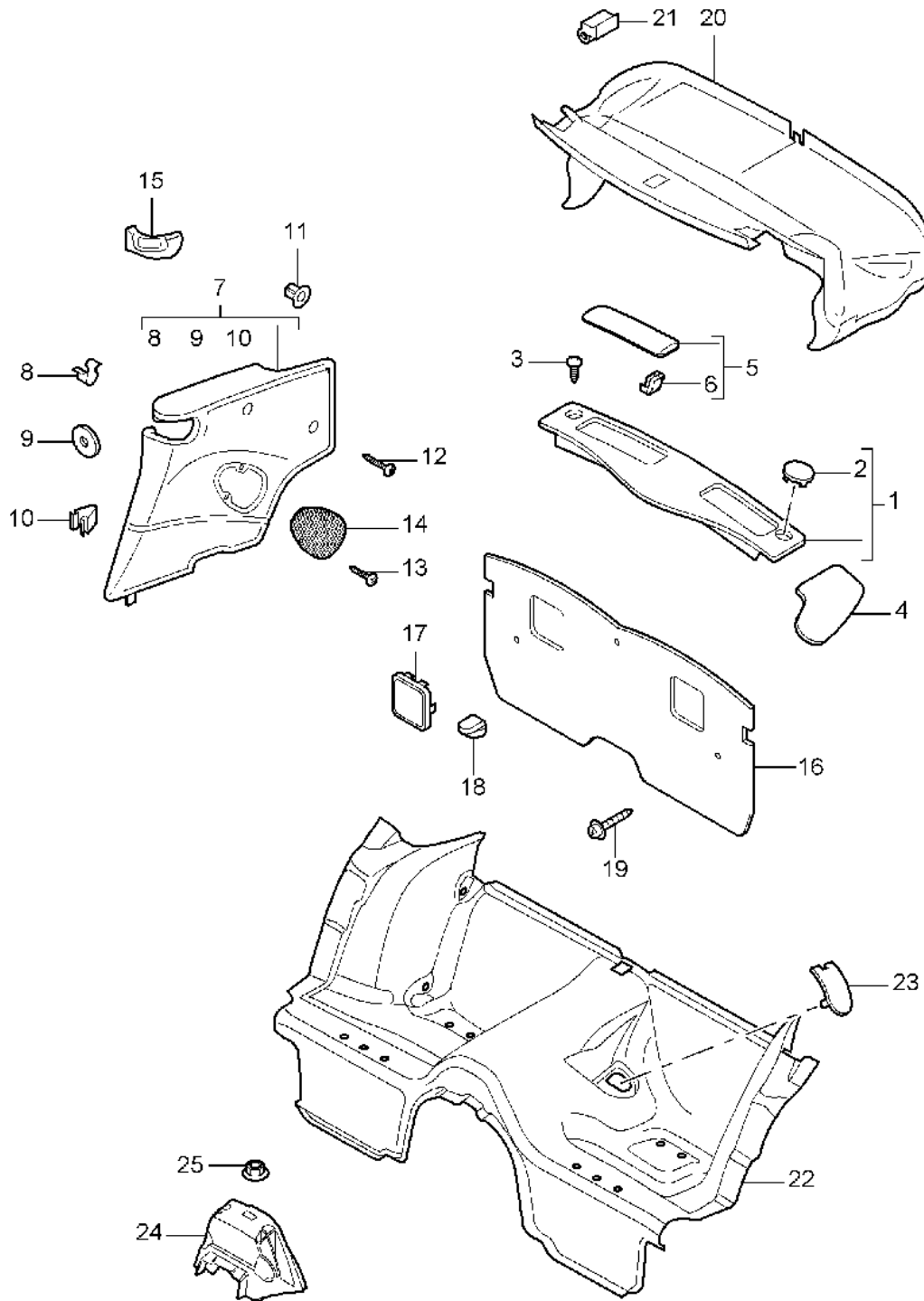
| Pos                | Part Number        | Description  | Remark   | Qty | Model |        |   |        |
|--------------------|--------------------|--|--|-----|-------|--------|---|--------|
| 35                 | 997 551 031 15 M10 | Terracotta   |  | 1   |       |        |   |        |
|                    | 997 551 031 15 R10 | Cocoa  |  |     |       |        |   |        |
|                    | 997 551 031 15 D11 | Dark grey/natural  |  |     |       |        |   |        |
|                    | 997 551 031 15 T11 | Brown/natural  |  |     |       |        |   |        |
|                    | 997 551 031 15     | Adhesive carpet<br>rear panel<br>Carpet<br>Until<br>Chassis number<br>See technical information<br>GR.7 NR. 17/11<br>KD-NR. 70                 |  |     |       |        |   |        |
|                    | 997 551 031 15 A10 | Black  |  |     |       |        |   |        |
|                    | 997 551 031 15 B10 | Stone grey   |  |     |       |        |   |        |
|                    | 997 551 031 15 T10 | Sand beige   |  |     |       |        |   |        |
|                    | 997 551 031 15 E10 | sea blue   |  |     |       |        |   |        |
|                    | 997 551 031 15 N10 | Carrera Red  |  |     |       |        |   |        |
| 35                 | 997 551 031 27     | D - MJ 2008>><br>Adhesive carpet<br>rear panel<br>Carpet<br>From<br>Chassis number<br>See technical information<br>GR.7 NR. 17/11<br>KD-NR. 70 |  | 1   |       |        |   |        |
|                    | 997 551 031 27 A10 | Black  |  |     |       |        |   |        |
|                    | 997 551 031 27 B10 | Stone grey   |  |     |       |        |   |        |
|                    | 997 551 031 27 T10 | Sand beige   |  |     |       |        |   |        |
|                    | 997 551 031 27 E10 | sea blue   |  |     |       |        |   |        |
|                    | 997 551 031 27 N10 | Carrera Red  |  |     |       |        |   |        |
|                    | (35)               | 997 551 031 16   | D - MJ 2008>><br>Adhesive carpet<br>rear panel<br>Carpet   |     |       |        | 1 | PR:479 |
|                    |                    | 997 551 031 16 J10   | Palm green<br>D >> - MJ 2007   |     |       |        |   |        |
|                    |                    | 997 551 031 16 M10   | Terracotta   |     |       |        |   |        |
|                    |                    | 997 551 031 16 R10   | Cocoa  |     |       |        |   |        |
| 997 551 031 16 D11 |                    | Dark grey/natural  |  |     |       |        |   |        |
| 997 551 031 16 T11 |                    | Brown/natural  |  |     |       |        |   |        |
| (35)               |                    | 997 551 031 16   | Adhesive carpet<br>rear panel<br>Carpet<br>Until<br>Chassis number<br>See technical information<br>GR.7 NR. 17/11<br>KD-NR. 70                 |     | 1     | PR:479 |   |        |
|                    |                    | 997 551 031 16 A10   | Black  |     |       |        |   |        |
|                    |                    | 997 551 031 16 B10   | Stone grey   |     |       |        |   |        |
|                    |                    | 997 551 031 16 T10   | Sand beige   |     |       |        |   |        |
|                    | 997 551 031 16 E10 | sea blue   |  |     |       |        |   |        |
|                    | 997 551 031 16 N10 | Carrera Red  |  |     |       |        |   |        |
|                    | (35)               | 997 551 031 28   | D - MJ 2008>><br>Adhesive carpet<br>rear panel<br>Carpet<br>From<br>Chassis number<br>See technical information<br>GR.7 NR. 17/11<br>KD-NR. 70 |     |       |        | 1 | PR:479 |
|                    |                    | 997 551 031 28 A10   | Black  |     |       |        |   |        |
|                    |                    | 997 551 031 28 B10   | Stone grey   |     |       |        |   |        |
|                    |                    | 997 551 031 28 T10   | Sand beige   |     |       |        |   |        |
| 997 551 031 28 E10 |                    | sea blue   |  |     |       |        |   |        |
| 997 551 031 28 N10 |                    | Carrera Red  |  |     |       |        |   |        |

Model: 997 05 Model life 2005>>2008

| Pos  | Part Number        | Description               | Remark | Qty | Model |
|------|--------------------|---------------------------|--------|-----|-------|
|      | 997 551 031 28 A10 | Black                     |        |     |       |
|      | 997 551 031 28 B10 | Stone grey                |        |     |       |
|      | 997 551 031 28 T10 | Sand beige                |        |     |       |
|      | 997 551 031 28 E10 | sea blue                  |        |     |       |
|      | 997 551 031 28 N10 | Carrera Red               |        |     |       |
|      |                    | D - MJ 2008>>             |        |     |       |
| 36   | 997 551 033 00     | Trim                      |        | 1   |       |
|      |                    | Control units             |        |     |       |
|      |                    | Carpet                    |        |     |       |
|      | 997 551 033 00 A10 | Black                     |        |     |       |
|      | 997 551 033 00 B10 | Stone grey                |        |     |       |
|      | 997 551 033 00 T10 | Sand beige                |        |     |       |
|      | 997 551 033 00 E10 | sea blue                  |        |     |       |
|      | 997 551 033 00 N10 | Carrera Red               |        |     |       |
|      |                    | D - MJ 2008>>             |        |     |       |
| 36   | 997 551 033 03     | Trim                      |        | 1   |       |
|      |                    | Control units             |        |     |       |
|      |                    | Carpet                    |        |     |       |
|      |                    | From                      |        |     |       |
|      |                    | Chassis number            |        |     |       |
|      |                    | See technical information |        |     |       |
|      |                    | GR.7 NR. 17/11            |        |     |       |
|      |                    | KD-NR. 70                 |        |     |       |
|      | 997 551 033 03 A10 | Black                     |        |     |       |
|      | 997 551 033 03 B10 | Stone grey                |        |     |       |
|      | 997 551 033 03 T10 | Sand beige                |        |     |       |
|      | 997 551 033 03 E10 | sea blue                  |        |     |       |
|      | 997 551 033 03 N10 | Carrera Red               |        |     |       |
|      |                    | D - MJ 2008>>             |        |     |       |
| 37   | 997 551 525 00     | Cover                     | left   | 1   |       |
|      |                    | Belt latch                |        |     |       |
|      | 997 551 525 00 01C | Satin black               |        |     |       |
| (37) | 997 551 526 00     | Cover                     | right  | 1   |       |
|      |                    | Belt latch                |        |     |       |
|      | 997 551 526 00 01C | Satin black               |        |     |       |
| 39   | 999 507 476 01     | Clamp                     |        | 2   |       |
|      |                    | 8,0 X 10 / 2,5            |        |     |       |
|      |                    | Mount                     |        |     |       |
|      |                    | Coat hook                 |        |     |       |

Model: 997 05

Model life 2005>>2008



Model: 997 05 Model life 2005>>2008

| Pos | Part Number        | Description   | Remark         | Qty | Model  |
|-----|--------------------|---|----------------|-----|--------|
| 1   | 996 555 083 04     | Linings<br>Cover<br>Convertible top<br>Cloth                                | rear           | 1   | CABRIO |
|     | 996 555 083 04 EDK | Black   |                |     |        |
|     | 996 555 083 04 FNX | Stone grey  |                |     |        |
|     | 996 555 083 04 ERN | Metropole blue  |                |     |        |
|     | 996 555 083 04 FNZ | brown   |                |     |        |
| 2   | 996 555 457 00     | End cap<br>hardtop<br>Support<br>Lacquered                                  |                | 2   |        |
|     | 996 555 457 00 A10 | Black   |                |     |        |
|     | 996 555 457 00 5V7 | Stone grey  |                |     |        |
|     | 996 555 457 00 G10 | Metropole blue  |                |     |        |
|     | 996 555 457 00 8P9 | Cocoa   |                |     |        |
| 3   | 999 073 060 02     | panel screw<br>4,8 X 13<br>for<br>Mount<br>Cover<br>Convertible top<br>Flap |                | 3   |        |
| 4   | 996 555 263 03     | Convertible top<br>Flap<br>Convertible top<br>Cloth                         | left           | 1   |        |
|     | 996 555 263 03 A07 | Black   |                |     |        |
|     | 996 555 263 03 C19 | Stone grey  |                |     |        |
|     | 996 555 263 03 G03 | Metropole blue  |                |     |        |
|     | 996 555 263 03 R18 | brown   |                |     |        |
| (4) | 996 555 264 03     | Flap<br>Convertible top<br>Cloth  | right          | 1   |        |
|     | 996 555 264 03 A07 | Black   |                |     |        |
|     | 996 555 264 03 C19 | Stone grey  |                |     |        |
|     | 996 555 264 03 G03 | Metropole blue  |                |     |        |
|     | 996 555 264 03 R18 | brown   |                |     |        |
| 5   | 996 555 341 01     | Flap<br>Cover   | left           | 1   |        |
|     | 996 555 341 01 A07 | Black   |                |     |        |
|     | 996 555 341 01 C19 | Stone grey  |                |     |        |
|     | 996 555 341 01 G03 | Metropole blue  |                |     |        |
|     | 996 555 341 01 R18 | brown   |                |     |        |
| (5) | 996 555 342 01     | Flap<br>Cover   | right          | 1   |        |
|     | 996 555 342 01 A07 | Black   |                |     |        |
|     | 996 555 342 01 C19 | Stone grey  |                |     |        |
|     | 996 555 342 01 G03 | Metropole blue  |                |     |        |
|     | 996 555 342 01 R18 | brown   |                |     |        |
| 6   | 996 555 355 00     | Hinge   | outer          | 2   |        |
| (6) | 996 555 356 00     | Hinge   | inner          | 2   |        |
| -   | 996 580 667 00     | Bracket   |                | 2   |        |
| -   | 999 591 489 02     | panel nut<br>4,8<br>Discontinued part                                       |                | 2   |        |
| -   | 999 591 489 01     | panel nut<br>4,8  |                | 2   |        |
| -   | 999 073 060 02     | panel screw<br>4,8 X 13   |                | 3   |        |
| 7   | 997 555 071 11     | Side panel trim<br>(leatherette)  | left           | 1   |        |
|     |                    | use if required:<br>See TPI   | 999 551 173 40 |     |        |

Model: 997 05 Model life 2005>>2008

| Pos | Part Number        | Description                   | Remark         | Qty | Model  |
|-----|--------------------|-------------------------------|----------------|-----|--------|
|     |                    | Group 8                       |                |     |        |
|     | 997 555 071 11 1MZ | Black                         |                |     |        |
|     | 997 555 071 11 1YP | Stone grey                    |                |     |        |
|     | 997 555 071 11 1TK | Sand beige                    |                |     |        |
|     | 997 555 071 11 1VM | sea blue                      |                |     |        |
|     | 997 555 071 11 1UL | Palm green                    |                |     |        |
|     |                    | D >> - MJ 2007                |                |     |        |
| (7) | 997 555 072 11     | Side panel trim (leatherette) | right          | 1   |        |
|     |                    | use if required:              | 999 551 173 40 |     |        |
|     |                    | See TPI                       |                |     |        |
|     |                    | Group 8                       |                |     |        |
|     | 997 555 072 11 1MZ | Black                         |                |     |        |
|     | 997 555 072 11 1YP | Stone grey                    |                |     |        |
|     | 997 555 072 11 1TK | Sand beige                    |                |     |        |
|     | 997 555 072 11 1VM | sea blue                      |                |     |        |
|     | 997 555 072 11 1UL | Palm green                    |                |     |        |
|     |                    | D >> - MJ 2007                |                |     |        |
| 7   | 997 555 071 12     | Side panel trim (leather)     | left           | 1   | PR:981 |
|     |                    | use if required:              | 999 551 173 40 |     |        |
|     |                    | See TPI                       |                |     |        |
|     |                    | Group 8                       |                |     |        |
|     |                    | NR. 52                        |                |     |        |
|     | 997 555 071 12 FSA | black/grey                    | -AT            |     |        |
|     | 997 555 071 12 FSD | Sea blue/grey                 | -FE            |     |        |
|     | 997 555 071 12 FSF | Terracotta/terracotta         | -MB            |     |        |
|     | 997 555 071 12 FSE | Palmgreen/palmgreen           | -JX            |     |        |
|     |                    | D >> - MJ 2007                |                |     |        |
|     | 997 555 071 12 FSG | Cocoa/Cocoa                   | -RA            |     |        |
|     | 997 555 071 12 FSH | Darkgrey natural/grey         | -05            |     |        |
|     | 997 555 071 12 FSJ | Brown nat./brown nat.         | -06            |     |        |
| 7   | 997 555 071 12     | Side panel trim (leather)     | left           | 1   | PR:981 |
|     |                    | use if required:              | 999 551 173 40 |     |        |
|     |                    | See TPI                       |                |     |        |
|     |                    | Group 8                       |                |     |        |
|     |                    | NR. 52                        |                |     |        |
|     |                    | Until                         |                |     |        |
|     |                    | Chassis number                |                |     |        |
|     |                    | See technical information     |                |     |        |
|     |                    | GR.7 NR. 17/11                |                |     |        |
|     |                    | KD-NR. 70                     |                |     |        |
|     | 997 555 071 12 FSB | Stone grey/stone grey         | -DF            |     |        |
|     | 997 555 071 12 FSC | Sand beige/sand beige         | -TG            |     |        |
|     | 997 555 071 12 FSP | Carrera Red/Carrera Red       |                |     |        |
|     |                    | D - MJ 2008>>                 |                |     |        |
| 7   | 997 555 911 03     | Side panel trim (leather)     | left           | 1   | PR:981 |
|     |                    | use if required:              | 999 551 173 40 |     |        |
|     |                    | See TPI                       |                |     |        |
|     |                    | Group 8                       |                |     |        |
|     |                    | Nr. 52                        |                |     |        |
|     |                    | From                          |                |     |        |
|     |                    | Chassis number                |                |     |        |
|     |                    | See technical information     |                |     |        |
|     |                    | GR.7 NR. 17/11                |                |     |        |
|     |                    | KD-NR. 70                     |                |     |        |
|     | 997 555 911 03 FSB | Stone grey/stone grey         |                |     |        |
|     | 997 555 911 03 FSC | Sand beige/sand beige         |                |     |        |
|     | 997 555 911 03 FSP | Carrera Red                   |                |     |        |
|     |                    | D - MJ 2008>>                 |                |     |        |
| (7) | 997 555 072 12     | Side panel trim (leather)     | right          | 1   | PR:981 |
|     |                    | use if required:              | 999 551 173 40 |     |        |
|     |                    | See TPI                       |                |     |        |

Model: 997 05 Model life 2005>>2008

| Pos | Part Number        | Description   | Remark                  | Qty | Model  |
|-----|--------------------|---|-------------------------|-----|--------|
|     |                    | Group 8<br>NR. 52   |                         |     |        |
|     | 997 555 072 12 FSA | black/grey  | -AT                     |     |        |
|     | 997 555 072 12 FSD | Sea blue/grey   | -FE                     |     |        |
|     | 997 555 072 12 FSF | Terracotta/terracotta   | -MB                     |     |        |
|     | 997 555 072 12 FSE | Palmgreen/palmgreen   | -JX                     |     |        |
|     |                    | D >> - MJ 2007  |                         |     |        |
|     | 997 555 072 12 FSG | Cocoa/Cocoa   | -RA                     |     |        |
|     | 997 555 072 12 FSH | Darkgrey natural/grey   | -05                     |     |        |
|     | 997 555 072 12 FSJ | Brown nat./brown nat.   | -06                     |     |        |
| (7) | 997 555 072 12     | Side panel trim (leather)<br>use if required:   | right<br>999 551 173 40 | 1   | PR:981 |
|     |                    | See TPI<br>Group 8<br>NR. 52<br>Until<br>Chassis number<br>See technical information<br>GR.7 NR. 17/11<br>KD-NR. 70 |                         |     |        |
|     | 997 555 072 12 FSB | Stone grey/stone grey   | -DF                     |     |        |
|     | 997 555 072 12 FSC | Sand beige/sand beige   | -TG                     |     |        |
|     | 997 555 072 12 FSP | Carrera Red   | -07                     |     |        |
|     |                    | D - MJ 2008>>   |                         |     |        |
| (7) | 997 555 912 03     | Side panel trim (leather)<br>use if required:   | right<br>999 551 173 40 | 1   | PR:981 |
|     |                    | See TPI<br>Group 8<br>Nr. 52<br>From<br>Chassis number<br>See technical information<br>GR.7 NR. 17/11<br>KD-NR. 70  |                         |     |        |
|     | 997 555 912 03 FSB | Stone grey/stone grey   |                         |     |        |
|     | 997 555 912 03 FSC | Sand beige/sand beige   |                         |     |        |
|     | 997 555 912 03 FSP | Carrera Red   |                         |     |        |
|     |                    | D - MJ 2008>>   |                         |     |        |
| 7   | 997 555 071 13     | Side panel trim<br>two-colour<br>use if required:   | left<br>999 551 173 40  | 1   | PR:970 |
|     |                    | See TPI<br>Group 8<br>Nr. 52<br>D - MJ 2006>>   |                         |     |        |
|     | 997 555 071 13 BCK | Black/stone grey  |                         |     |        |
|     | 997 555 071 13 BCL | Black/sand beige  |                         |     |        |
|     | 997 555 071 13 BCM | Black/terracotta  |                         |     |        |
| (7) | 997 555 072 13     | Side panel trim<br>two-colour<br>use if required:   | right<br>999 551 173 40 | 1   | PR:970 |
|     |                    | See TPI<br>Group 8<br>Nr. 52<br>D - MJ 2006>>   |                         |     |        |
|     | 997 555 072 13 BCK | Black/stone grey  |                         |     |        |
|     | 997 555 072 13 BCL | Black/sand beige  |                         |     |        |
|     | 997 555 072 13 BCM | Black/terracotta  |                         |     |        |
| -   | 999 551 173 40     | felt strip<br>35 x 22 x 5   |                         | 2   |        |
| 8   | 999 507 676 09     | Clip<br>2,5/2,2   |                         | 1   |        |
| 9   | 999 551 609 40     | Plastic washer  |                         | 1   |        |

Model: 997 05 Model life 2005>>2008

| Pos  | Part Number        | Description                       | Remark | Qty | Model |
|------|--------------------|-----------------------------------|--------|-----|-------|
| 10   | 999 507 533 02     | 8,0 X 23 X3,0<br>Clamp            |        | 2   |       |
| 11   | 999 507 050 40     | 8,0 X 10 /2,5<br>expanding nut    |        | 2   |       |
| 12   | 999 073 142 09     | ST 4,2<br>panel screw             |        | 2   |       |
| 13   | 999 073 048 02     | ST 4,2 X 19<br>panel screw        |        | 2   |       |
| -    | 999 507 438 40     | ST 3,5 X 13<br>Bracket            |        | 2   |       |
| 14   | 997 555 049 00     | panel screw<br>Loudspeaker trim   | right  | 1   |       |
|      |                    | Side panel trim<br>Lacquered      |        |     |       |
|      | 997 555 049 00 A03 | Black                             |        |     |       |
|      | 997 555 049 00 5V7 | Stone grey                        |        |     |       |
|      | 997 555 049 00 5Z1 | Sand beige                        |        |     |       |
|      | 997 555 049 00 8W7 | sea blue                          |        |     |       |
|      | 997 555 049 00 5Y2 | Palm green                        |        |     |       |
|      |                    | D >> - MJ 2007                    |        |     |       |
|      | 997 555 049 00 8X8 | Terracotta                        |        |     |       |
|      | 997 555 049 00 8P9 | Cocoa                             |        |     |       |
|      | 997 555 049 00 T13 | Brown/natural                     |        |     |       |
|      | 997 555 049 00 N23 | Carrera Red                       |        |     |       |
| (14) | 997 555 050 00     | D - MJ 2008>><br>Loudspeaker trim | left   | 1   |       |
|      |                    | Side panel trim<br>Lacquered      |        |     |       |
|      | 997 555 050 00 A03 | Black                             |        |     |       |
|      | 997 555 050 00 5V7 | Stone grey                        |        |     |       |
|      | 997 555 050 00 5Z1 | Sand beige                        |        |     |       |
|      | 997 555 050 00 8W7 | sea blue                          |        |     |       |
|      | 997 555 050 00 5Y2 | Palm green                        |        |     |       |
|      |                    | D >> - MJ 2007                    |        |     |       |
|      | 997 555 050 00 8X8 | Terracotta                        |        |     |       |
|      | 997 555 050 00 8P9 | Cocoa                             |        |     |       |
|      | 997 555 050 00 T13 | Brown/natural                     |        |     |       |
|      | 997 555 050 00 N23 | Carrera Red                       |        |     |       |
| (15) | 997 555 671 01     | D - MJ 2008>><br>Rosette          | left   | 1   |       |
|      |                    | Seat belt                         |        |     |       |
|      | 997 555 671 01 A03 | Black                             |        |     |       |
|      | 997 555 671 01 5V7 | Stone grey                        |        |     |       |
|      | 997 555 671 01 5Z1 | Sand beige                        |        |     |       |
|      | 997 555 671 01 8W7 | sea blue                          |        |     |       |
|      | 997 555 671 01 5Y2 | Palm green                        |        |     |       |
|      |                    | D >> - MJ 2007                    |        |     |       |
|      | 997 555 671 01 8X8 | Terracotta                        |        |     |       |
|      | 997 555 671 01 8P9 | Cocoa                             |        |     |       |
|      | 997 555 671 01 T13 | Brown/natural                     |        |     |       |
|      | 997 555 671 01 N23 | Carrera Red                       |        |     |       |
| (15) | 997 555 672 01     | D - MJ 2008>><br>Rosette          | right  | 1   |       |
|      |                    | Seat belt                         |        |     |       |
|      | 997 555 672 01 A03 | Black                             |        |     |       |
|      | 997 555 672 01 5V7 | Stone grey                        |        |     |       |
|      | 997 555 672 01 5Z1 | Sand beige                        |        |     |       |
|      | 997 555 672 01 8W7 | sea blue                          |        |     |       |
|      | 997 555 672 01 5Y2 | Palm green                        |        |     |       |
|      |                    | D >> - MJ 2007                    |        |     |       |
|      | 997 555 672 01 8X8 | Terracotta                        |        |     |       |
|      | 997 555 672 01 8P9 | Cocoa                             |        |     |       |
|      | 997 555 672 01 T13 | Brown/natural                     |        |     |       |



Model: 997 05 Model life 2005>>2008

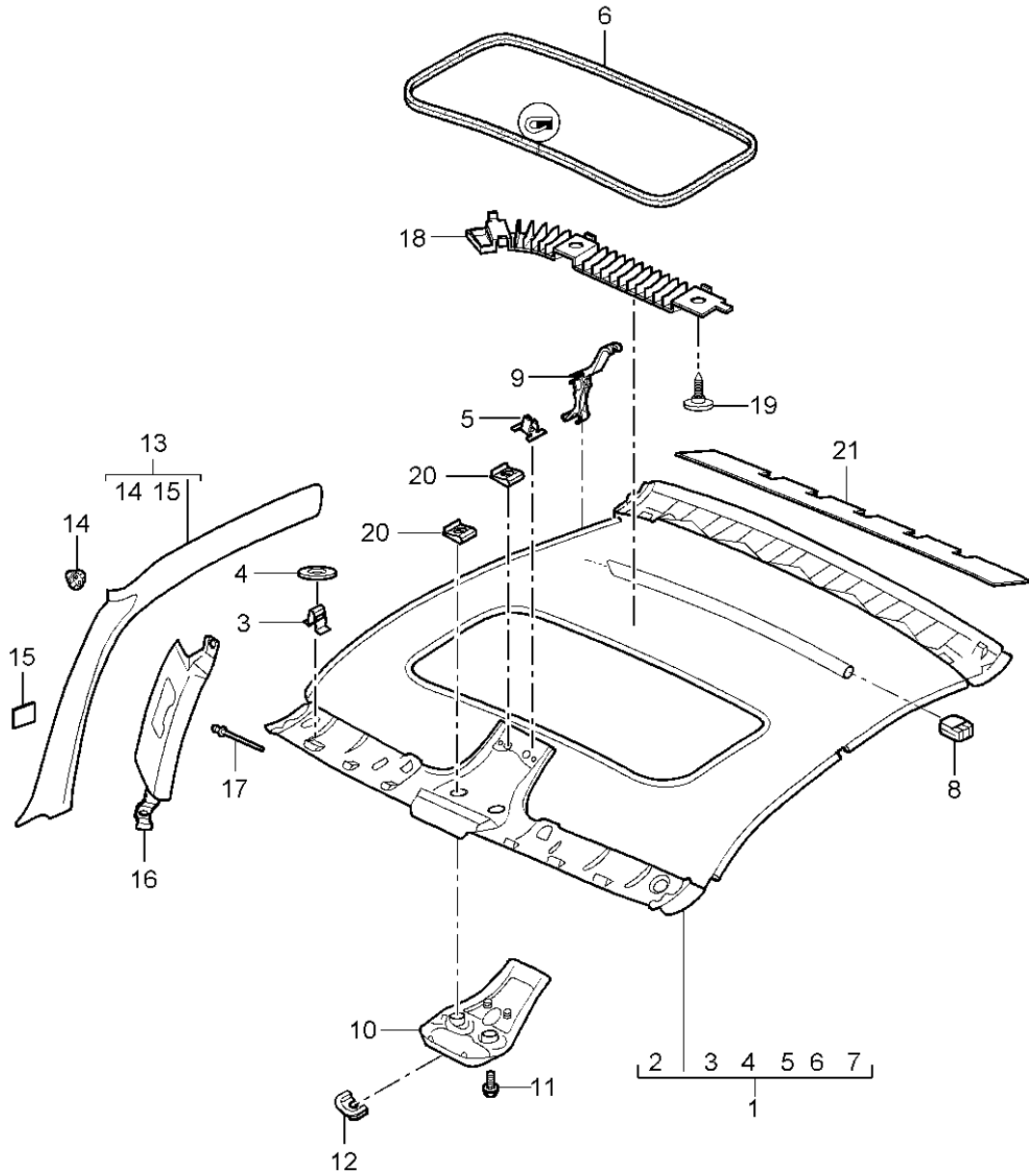
| Pos                | Part Number        | Description                                | Remark                     | Qty | Model  |
|--------------------|--------------------|--|----------------------------|-----|--------|
| (16)               | 997 555 672 01 N23 | Carrera Red<br>D - MJ 2008>>               |                            |     |        |
|                    | 996 555 281 06     | Rear panel trim<br>Carpet                  |                            | 1   |        |
|                    | 996 555 281 06 A10 | Black                                      |                            |     |        |
|                    | 996 555 281 06 B10 | Stone grey                                 |                            |     |        |
|                    | 996 555 281 06 E10 | sea blue                                   |                            |     |        |
|                    | 996 555 281 06 J10 | Palm green<br>D >> - MJ 2007               |                            |     |        |
|                    | 996 555 281 06 M10 | Terracotta                                 |                            |     |        |
|                    | 996 555 281 06 R10 | Cocoa                                      |                            |     |        |
|                    | 996 555 281 06 D11 | Dark grey/natural                          |                            |     |        |
|                    | 996 555 281 06 T11 | Brown/natural                              |                            |     |        |
|                    | 996 555 281 06 N10 | Carrera Red<br>D - MJ 2008>>               |                            |     |        |
| 16                 | 996 555 281 07     | Rear panel trim<br>Carpet                  |                            | 1   | PR:479 |
|                    | 996 555 281 07 A10 | Black                                      |                            |     |        |
|                    | 996 555 281 07 B10 | Stone grey                                 |                            |     |        |
|                    | 996 555 281 07 E10 | sea blue                                   |                            |     |        |
|                    | 996 555 281 07 J10 | Palm green<br>D >> - MJ 2007               |                            |     |        |
|                    | 996 555 281 07 M10 | Terracotta                                 |                            |     |        |
|                    | 996 555 281 07 R10 | Cocoa                                      |                            |     |        |
|                    | 996 555 281 07 D11 | Dark grey/natural                          |                            |     |        |
|                    | 996 555 281 07 T11 | Brown/natural                              |                            |     |        |
|                    | 996 555 281 07 N10 | Carrera Red<br>D - MJ 2008>>               |                            |     |        |
|                    | 17                 | 996 555 785 00                             | Cover<br>Release<br>Carpet |     | 2      |
| 996 555 785 00 EDA |                    | Black                                      |                            |     |        |
| 996 555 785 00 FNQ |                    | Stone grey                                 |                            |     |        |
| 996 555 785 00 FNR |                    | Sand beige                                 |                            |     |        |
| 996 555 785 00 FNS |                    | sea blue                                   |                            |     |        |
| 996 555 785 00 FNT |                    | Palm green<br>D >> - MJ 2007               |                            |     |        |
| 996 555 785 00 FNU |                    | Terracotta                                 |                            |     |        |
| 996 555 785 00 FNV |                    | Cocoa                                      |                            |     |        |
| 996 555 785 00 VSM |                    | Dark grey/natural                          |                            |     |        |
| 996 555 785 00 VSN |                    | Brown/natural                              |                            |     |        |
| 996 555 785 00 FSW |                    | Carrera Red<br>D >> - MJ 2008              |                            |     |        |
| 18                 | 996 555 789 00     | shelf<br>Windbreak                         |                            | 1   |        |
|                    | 996 555 789 00 01C | Satin black                                |                            |     |        |
| 19                 | 999 073 062 02     | panel screw<br>4,8 X 12                    |                            | 2   |        |
|                    | 997 551 035 01     | Trim<br>top frame<br>Carpet                |                            | 1   |        |
| 21                 | 997 551 035 01 B04 | dark grey                                  |                            |     |        |
|                    | 999 703 432 40     | Bungs<br>for<br>Mount<br>Trim<br>top frame |                            | X   |        |
|                    | 997 551 017 03     | Adhesive carpet<br>Seat well<br>Carpet     |                            | 1   |        |
|                    | 997 551 017 03 J10 | Palm green<br>D >> - MJ 2007               |                            |     |        |
| 22                 | 997 551 017 03 M10 | Terracotta                                 |                            |     |        |

Model: 997 05 Model life 2005>>2008

| Pos  | Part Number               | Description                | Remark | Qty | Model |
|------|---------------------------|----------------------------|--------|-----|-------|
| 22   | 997 551 017 03 R10        | Cocoa                      |        | 1   |       |
|      | 997 551 017 03 D11        | Dark grey/natural          |        |     |       |
|      | 997 551 017 03 T11        | Brown/natural              |        |     |       |
|      | 997 551 017 03            | Adhesive carpet            |        |     |       |
|      |                           | Seat well                  |        |     |       |
|      |                           | Carpet                     |        |     |       |
|      |                           | Until                      |        |     |       |
|      |                           | Chassis number             |        |     |       |
|      |                           | See technical information  |        |     |       |
|      |                           | GR.7 NR. 17/11             |        |     |       |
|      |                           | KD-NR. 70                  |        |     |       |
| 22   | 997 551 017 03 A10        | Black                      |        | 1   |       |
|      | 997 551 017 03 B10        | Stone grey                 |        |     |       |
|      | 997 551 017 03 T10        | Sand beige                 |        |     |       |
|      | 997 551 017 03 E10        | sea blue                   |        |     |       |
|      | 997 551 017 03 N10        | Carrera Red                |        |     |       |
|      |                           | D - MJ 2008>>              |        |     |       |
|      | 997 551 017 07            | Adhesive carpet            |        |     |       |
|      |                           | Seat well                  |        |     |       |
|      |                           | Carpet                     |        |     |       |
|      |                           | From                       |        |     |       |
|      |                           | Chassis number             |        |     |       |
|      | See technical information |                            |        |     |       |
|      | GR.7 NR. 17/11            |                            |        |     |       |
|      | KD-NR. 70                 |                            |        |     |       |
| (23) | 997 551 017 07 A10        | Black                      |        | 1   |       |
|      | 997 551 017 07 B10        | Stone grey                 |        |     |       |
|      | 997 551 017 07 T10        | Sand beige                 |        |     |       |
|      | 997 551 017 07 E10        | sea blue                   |        |     |       |
|      | 997 551 017 07 N10        | Carrera Red                |        |     |       |
|      | D - MJ 2008>>             |                            |        |     |       |
| 23   | 997 551 525 00            | Cover                      | left   | 1   |       |
|      |                           | Belt latch                 |        |     |       |
| 23   | 997 551 525 00 01C        | Satin black                | right  | 1   |       |
|      | 997 551 526 00            | Cover                      |        |     |       |
| 24   |                           | Belt latch                 |        | 1   |       |
|      | 997 551 526 00 01C        | Satin black                |        |     |       |
| 24   | 997 551 221 00            | Support                    |        | 1   |       |
|      |                           | Seat well                  |        |     |       |
| 25   | 999 076 081 40            | Hexagon plastic collar nut |        | 2   |       |
|      |                           | T5 16 X 11,2               |        |     |       |

Model: 997 05

Model life 2005>>2008



Model: 997 05 Model life 2005>>2008

| Pos | Part Number        | Description  | Remark | Qty | Model                                       |
|-----|--------------------|--|--------|-----|---|
| 1   | 996 555 091 06     | roof trim<br>A-pillar<br>roof trim<br>Alcantara<br>F >> 99-5S701 250<br>F >> 99-5S731 577  |        | 1   | COUPE<br>COUPE/TARGA<br>COUPE<br><br>PR:652 |
|     | 996 555 091 06 A14 | Black  |        |     |   |
|     | 996 555 091 06 B14 | Stone grey   |        |     |   |
|     | 996 555 091 06 T44 | Sand beige   |        |     |   |
|     | 996 555 091 06 G14 | Metropole blue   |        |     |   |
|     | 996 555 091 06 J44 | Palm green   |        |     |   |
| 1   | 996 555 091 07     | roof trim<br>Alcantara<br>F >> 99-5S701 250<br>F >> 99-5S731 577   |        | 1   | COUPE<br><br>PR:650                         |
|     | 996 555 091 07 A14 | Black  |        |     |   |
|     | 996 555 091 07 B14 | Stone grey   |        |     |   |
|     | 996 555 091 07 T44 | Sand beige   |        |     |   |
|     | 996 555 091 07 G14 | Metropole blue   |        |     |   |
|     | 996 555 091 07 J44 | Palm green   |        |     |   |
| 1   | 997 555 091 02     | roof trim<br>Alcantara<br><br>use if required:<br>Position<br>21<br>See technical manual<br>70 84 19<br>F 99-5S701 251>><br>F 99-5S731 578>> |        | 1   | COUPE<br><br>PR:652                         |
|     | 997 555 091 02 A14 | Black  |        |     |   |
|     | 997 555 091 02 B14 | Stone grey   |        |     |   |
|     | 997 555 091 02 T44 | Sand beige   |        |     |   |
|     | 997 555 091 02 G14 | Metropole blue   |        |     |   |
|     | 997 555 091 02 J44 | Palm green   |        |     |   |
|     | D                  | >> - MJ 2007   |        |     |   |
| (1) | 997 555 091 03     | roof trim<br>Alcantara<br><br>use if required:<br>Position<br>21<br>See technical manual<br>70 84 19<br>F 99-5S701 251>><br>F 99-5S731 578>> |        | 1   | COUPE<br><br>PR:650                         |
|     | 997 555 091 03 A14 | Black  |        |     |   |
|     | 997 555 091 03 B14 | Stone grey   |        |     |   |
|     | 997 555 091 03 T44 | Sand beige   |        |     |   |
|     | 997 555 091 03 G14 | Metropole blue   |        |     |   |
|     | 997 555 091 03 J44 | Palm green   |        |     |   |
|     | D                  | >> - MJ 2007   |        |     |   |
| (1) | 996 555 982 02     | roof trim<br>Valid up to:<br>F >> 99-5S701 250<br>F >> 99-5S731 577  |        | 1   | PR:XMA, 652                                 |
|     | 996 555 982 02 A11 | Black  |        |     |   |
|     | 996 555 982 02 5X6 | Stone grey   |        |     |   |
|     | 996 555 982 02 8G2 | Sand beige   |        |     |   |
|     | 996 555 982 02 3S9 | sea blue   |        |     |   |
|     | 996 555 982 02 4P2 | Palm green   |        |     |   |

Model: 997 05 Model life 2005>>2008

| Pos                | Part Number        | Description          | Remark | Qty | Model       |
|--------------------|--------------------|----------------------|--------|-----|-------------|
| (1)                | 996 555 982 02 9S5 | Terracotta           |        | 1   | PR:XMA, 650 |
|                    | 996 555 982 02 9V6 | Cocoa                |        |     |             |
|                    | 996 555 982 02 D12 | Dark grey/natural    |        |     |             |
|                    | 996 555 982 02 T12 | Brown/natural        |        |     |             |
|                    | 996 555 982 03     | roof trim            |        |     |             |
|                    |                    | Valid up to:         |        |     |             |
|                    |                    | F >> 99-5S701 250    |        |     |             |
|                    |                    | F >> 99-5S731 577    |        |     |             |
|                    | 996 555 982 03 A11 | Black                |        |     |             |
|                    | 996 555 982 03 5X6 | Stone grey           |        |     |             |
|                    | 996 555 982 03 8G2 | Sand beige           |        |     |             |
|                    | 996 555 982 03 3S9 | sea blue             |        |     |             |
|                    | 996 555 982 03 4P2 | Palm green           |        |     |             |
|                    | 996 555 982 03 9S5 | Terracotta           |        |     |             |
|                    | 996 555 982 03 9V6 | Cocoa                |        |     |             |
| 996 555 982 03 D12 | Dark grey/natural  |                      |        |     |             |
| 996 555 982 03 T12 | Brown/natural      |                      |        |     |             |
| (1)                | 997 555 980 02     | roof trim            |        | 1   | PR:XMA, 652 |
|                    |                    | use if required:     |        |     |             |
|                    |                    | Position             |        |     |             |
|                    |                    | 21                   |        |     |             |
|                    |                    | See technical manual |        |     |             |
|                    |                    | 70 84 19             |        |     |             |
|                    |                    | Valid from:          |        |     |             |
|                    |                    | F 99-5S701 251>>     |        |     |             |
|                    |                    | F 99-5S731 578>>     |        |     |             |
|                    | 997 555 980 02 A11 | Black                |        |     |             |
|                    | 997 555 980 02 5X6 | Stone grey           |        |     |             |
|                    | 997 555 980 02 8G2 | Sand beige           |        |     |             |
|                    | 997 555 980 02 3S9 | sea blue             |        |     |             |
|                    | 997 555 980 02 4P2 | Palm green           |        |     |             |
|                    |                    | D >> - MJ 2007       |        |     |             |
| 997 555 980 02 9S5 | Terracotta         |                      |        |     |             |
| 997 555 980 02 9V6 | Cocoa              |                      |        |     |             |
| 997 555 980 02 D12 | Dark grey/natural  |                      |        |     |             |
| 997 555 980 02 T12 | Brown/natural      |                      |        |     |             |
| 997 555 980 02 N12 | Carrera Red        |                      |        |     |             |
|                    | D - MJ 2008>>      |                      |        |     |             |
| (1)                | 997 555 980 03     | roof trim            |        | 1   | PR:XMA, 650 |
|                    |                    | use if required:     |        |     |             |
|                    |                    | Position             |        |     |             |
|                    |                    | 21                   |        |     |             |
|                    |                    | See technical manual |        |     |             |
|                    |                    | 70 84 19             |        |     |             |
|                    |                    | Valid from:          |        |     |             |
|                    |                    | F 99-5S701 251>>     |        |     |             |
|                    |                    | F 99-5S731 578>>     |        |     |             |
|                    | 997 555 980 03 A11 | Black                |        |     |             |
|                    | 997 555 980 03 5X6 | Stone grey           |        |     |             |
|                    | 997 555 980 03 8G2 | Sand beige           |        |     |             |
|                    | 997 555 980 03 3S9 | sea blue             |        |     |             |
|                    | 997 555 980 03 4P2 | Palm green           |        |     |             |
|                    |                    | D >> - MJ 2007       |        |     |             |
| 997 555 980 03 9S5 | Terracotta         |                      |        |     |             |
| 997 555 980 03 9V6 | Cocoa              |                      |        |     |             |
| 997 555 980 03 D12 | Dark grey/natural  |                      |        |     |             |
| 997 555 980 03 T12 | Brown/natural      |                      |        |     |             |
| 997 555 980 03 N12 | Carrera Red        |                      |        |     |             |
|                    | D - MJ 2008>>      |                      |        |     |             |
| (2)                | 996 555 553 08     | Cover                | front  | 1   | COUPE       |
|                    |                    | roof trim            |        |     |             |
|                    |                    | Valid up to:         |        |     |             |
|                    |                    | F >> 99-5S701 250    |        |     |             |
|                    |                    |                      |        |     |             |

Model: 997 05 Model life 2005>>2008

| Pos  | Part Number        | Description   | Remark | Qty | Model                     |
|------|--------------------|---|--------|-----|---------------------------|
|      |                    | F >> 99-5S731 577<br>No longer use the part here  |        |     |                           |
| 2    | 996 555 553 09     | Cover<br>roof trim<br>Valid up to:<br>F >> 99-5S701 250<br>F >> 99-5S731 577<br>No longer use the part here | front  | 1   | PR:652<br>COUPE           |
| (2)  | 997 555 591 00     | Cover<br>Valid from:<br>F 99-5S701 251>><br>F 99-5S731 578>><br>No longer use the part here                 | front  | 1   | PR:650<br>COUPE           |
| 2    | 997 555 591 01     | Cover<br>Valid from:<br>F 99-5S701 251>><br>F 99-5S731 578>><br>No longer use the part here                 | front  | 1   | PR:652<br>COUPE           |
| 3    | 999 507 479 09     | Clip<br>2,5/0,9   |        | 6   | PR:650<br>COUPE           |
| 4    | 999 551 609 40     | Plastic washer<br>8,0 X 23 X 3,0  |        | 6   | COUPE                     |
| 5    | 999 507 533 02     | Clamp<br>8 X 10/2,5   |        | 2   | COUPE                     |
| 6    | 996 564 231 02     | beading   |        | 1   | PR:650<br>COUPE           |
| (7)  | 996 555 155 06     | Cover<br>roof trim<br>No longer use the part here   | rear   | 1   | PR:650<br>COUPE<br>PR:652 |
| 7    | 996 555 155 07     | Cover<br>roof trim<br>No longer use the part here   | rear   | 1   | COUPE<br>PR:650           |
| 8    | 997 555 823 00     | Bracket<br>Transverse strut   |        | 2   | COUPE<br>PR:650           |
| 9    | 996 555 691 02     | Clip<br>Mount<br>roof trim  |        | 8   | COUPE                     |
| (10) | 996 555 557 09     | Cover<br>interior light   |        | 1   | COUPE<br>PR:650           |
|      | 996 555 557 09 A03 | Black   |        |     |                           |
|      | 996 555 557 09 5V7 | Stone grey  |        |     |                           |
|      | 996 555 557 09 5Z1 | Sand beige  |        |     |                           |
|      | 996 555 557 09 8W7 | sea blue  |        |     |                           |
|      | 996 555 557 09 5Y2 | Palm green  |        |     |                           |
|      |                    | D >> - MJ 2007  |        |     |                           |
| 10   | 996 555 557 11     | Cover<br>interior light   |        | 1   | COUPE<br>PR:652           |
|      | 996 555 557 11 A03 | Black   |        |     |                           |
|      | 996 555 557 11 5V7 | Stone grey  |        |     |                           |
|      | 996 555 557 11 5Z1 | Sand beige  |        |     |                           |
|      | 996 555 557 11 8W7 | sea blue  |        |     |                           |
|      | 996 555 557 11 5Y2 | Sea blue/palm green   |        |     |                           |
|      |                    | D >> - MJ 2007  |        |     |                           |
| (10) | 996 555 993 02     | Cover (leather)<br>interior light   |        | 1   | PR:XZD, 650               |
|      |                    | D - MJ 2006>>   |        |     |                           |
|      | 996 555 993 02 A11 | Black   |        |     |                           |
|      | 996 555 993 02 5X6 | Stone grey  |        |     |                           |
|      | 996 555 993 02 8G2 | Sand beige  |        |     |                           |

Model: 997 05 Model life 2005>>2008

| Pos  | Part Number        | Description             | Remark | Qty | Model       |
|------|--------------------|-------------------------|--------|-----|-------------|
|      | 996 555 993 02 3S9 | sea blue                |        |     |             |
|      | 996 555 993 02 4P2 | Palm green              |        |     |             |
|      |                    | D >> - MJ 2007          |        |     |             |
|      | 996 555 993 02 9S5 | Terracotta              |        |     |             |
|      | 996 555 993 02 9V6 | Cocoa                   |        |     |             |
|      | 996 555 993 02 D12 | Dark grey/natural       |        |     |             |
|      | 996 555 993 02 T12 | Brown/natural           |        |     |             |
|      | 996 555 993 02 N12 | Carrera Red             |        |     |             |
|      |                    | D - MJ 2008>>           |        |     |             |
| (10) | 996 555 993 03     | Cover (leather)         |        | 1   | PR:XZD, 652 |
|      |                    | interior light          |        |     |             |
|      |                    | D - MJ 2006>>           |        |     |             |
|      | 996 555 993 03 A11 | Black                   |        |     |             |
|      | 996 555 993 03 5X6 | Stone grey              |        |     |             |
|      | 996 555 993 03 8G2 | Sand beige              |        |     |             |
|      | 996 555 993 03 3S9 | sea blue                |        |     |             |
|      | 996 555 993 03 4P2 | Palm green              |        |     |             |
|      |                    | D >> - MJ 2007          |        |     |             |
|      | 996 555 993 03 9S5 | Terracotta              |        |     |             |
|      | 996 555 993 03 9V6 | Cocoa                   |        |     |             |
|      | 996 555 993 03 D12 | Dark grey/natural       |        |     |             |
|      | 996 555 993 03 T12 | Brown/natural           |        |     |             |
|      | 996 555 993 03 N12 | Carrera Red             |        |     |             |
|      |                    | D - MJ 2008>>           |        |     |             |
| 11   | 999 073 061 02     | panel screw             |        | X   |             |
|      |                    | 4,8 X 16                |        |     |             |
| 12   | 996 555 619 00     | Grommet                 |        | 1   |             |
|      |                    | Wire set                |        |     |             |
|      |                    | Rain sensor             |        |     |             |
| (13) | 997 555 181 00     | A-pillar trim           | left   | 1   | COUPE       |
|      |                    | (leatherette)           |        |     |             |
|      |                    | D - MJ 2005>> - MJ 2005 |        |     |             |
|      | 997 555 181 00 1MZ | Black                   |        |     |             |
|      | 997 555 181 00 1YP | Stone grey              |        |     |             |
|      | 997 555 181 00 1TK | Sand beige              |        |     |             |
|      | 997 555 181 00 1VM | sea blue                |        |     |             |
|      | 997 555 181 00 1UL | Palm green              |        |     |             |
| 13   | 997 555 182 00     | A-pillar trim           | right  | 1   | COUPE       |
|      |                    | (leatherette)           |        |     |             |
|      |                    | D - MJ 2005>> - MJ 2005 |        |     |             |
|      | 997 555 182 00 1MZ | Black                   |        |     |             |
|      | 997 555 182 00 1YP | Stone grey              |        |     |             |
|      | 997 555 182 00 1TK | Sand beige              |        |     |             |
|      | 997 555 182 00 1VM | sea blue                |        |     |             |
|      | 997 555 182 00 1UL | Palm green              |        |     |             |
| (13) | 997 555 181 04     | A-pillar trim           | left   | 1   | COUPE       |
|      |                    | (leatherette)           |        |     |             |
|      |                    | D - MJ 2006>>           |        |     |             |
|      | 997 555 181 04 1MZ | Black                   |        |     |             |
|      | 997 555 181 04 1YP | Stone grey              |        |     |             |
|      | 997 555 181 04 1TK | Sand beige              |        |     |             |
|      | 997 555 181 04 1VM | sea blue                |        |     |             |
|      | 997 555 181 04 1UL | Palm green              |        |     |             |
|      |                    | D >> - MJ 2007          |        |     |             |
| (13) | 997 555 182 04     | A-pillar trim           | right  | 1   | COUPE       |
|      |                    | (leatherette)           |        |     |             |
|      |                    | D - MJ 2006>>           |        |     |             |
|      | 997 555 182 04 1MZ | Black                   |        |     |             |
|      | 997 555 182 04 1YP | Stone grey              |        |     |             |
|      | 997 555 182 04 1TK | Sand beige              |        |     |             |
|      | 997 555 182 04 1VM | sea blue                |        |     |             |
|      | 997 555 182 04 1UL | Palm green              |        |     |             |
|      |                    | D >> - MJ 2007          |        |     |             |

Model: 997 05 Model life 2005>>2008

| Pos  | Part Number        | Description   | Remark | Qty | Model           |
|------|--------------------|---|--------|-----|-----------------|
| (13) | 997 555 181 16     | A-pillar trim<br>(leatherette)<br>D - MJ 2007>>                                     | left   | 1   | TARGA           |
|      | 997 555 181 16 1MZ | Black   |        |     |                 |
|      | 997 555 181 16 1YP | Stone grey  |        |     |                 |
|      | 997 555 181 16 1TK | Sand beige  |        |     |                 |
|      | 997 555 181 16 1VM | sea blue  |        |     |                 |
|      | 997 555 181 16 1UL | Palm green  |        |     |                 |
| (13) | 997 555 182 16     | D >> - MJ 2007<br>A-pillar trim<br>(leatherette)<br>D - MJ 2007>>                   | right  | 1   | TARGA           |
|      | 997 555 182 16 1MZ | Black   |        |     |                 |
|      | 997 555 182 16 1YP | Stone grey  |        |     |                 |
|      | 997 555 182 16 1TK | Sand beige  |        |     |                 |
|      | 997 555 182 16 1VM | sea blue  |        |     |                 |
|      | 997 555 182 16 1UL | Palm green  |        |     |                 |
| (13) | 997 555 181 01     | D >> - MJ 2007<br>A-pillar trim<br>(leather)<br>D - MJ 2005>> - MJ 2005             | left   | 1   | COUPE<br>PR:981 |
|      | 997 555 181 01 A11 | Black   |        |     |                 |
|      | 997 555 181 01 5X6 | Stone grey  |        |     |                 |
|      | 997 555 181 01 8G2 | Sand beige  |        |     |                 |
|      | 997 555 181 01 3S9 | sea blue  |        |     |                 |
|      | 997 555 181 01 4P2 | Palm green  |        |     |                 |
|      | 997 555 181 01 9S5 | Terracotta  |        |     |                 |
|      | 997 555 181 01 9V6 | Cocoa   |        |     |                 |
|      | 997 555 181 01 D12 | Dark grey/natural   |        |     |                 |
|      | 997 555 181 01 T12 | Brown/natural   |        |     |                 |
| (13) | 997 555 182 01     | D >> - MJ 2005>> - MJ 2005<br>A-pillar trim<br>(leather)<br>D - MJ 2005>> - MJ 2005 | right  | 1   | COUPE<br>PR:981 |
|      | 997 555 182 01 A11 | Black   |        |     |                 |
|      | 997 555 182 01 5X6 | Stone grey  |        |     |                 |
|      | 997 555 182 01 8G2 | Sand beige  |        |     |                 |
|      | 997 555 182 01 3S9 | sea blue  |        |     |                 |
|      | 997 555 182 01 4P2 | Palm green  |        |     |                 |
|      | 997 555 182 01 9S5 | Terracotta  |        |     |                 |
|      | 997 555 182 01 9V6 | Cocoa   |        |     |                 |
|      | 997 555 182 01 D12 | Dark grey/natural   |        |     |                 |
|      | 997 555 182 01 T12 | Brown/natural   |        |     |                 |
| (13) | 997 555 181 05     | D >> - MJ 2006>><br>A-pillar trim<br>(leather)<br>D - MJ 2006>>                     | left   | 1   | COUPE<br>PR:981 |
|      | 997 555 181 05 A11 | Black   |        |     |                 |
|      | 997 555 181 05 5X6 | Stone grey  |        |     |                 |
|      | 997 555 181 05 8G2 | Sand beige  |        |     |                 |
|      | 997 555 181 05 3S9 | sea blue  |        |     |                 |
|      | 997 555 181 05 4P2 | Palm green  |        |     |                 |
|      | 997 555 181 05 9S5 | Terracotta  |        |     |                 |
|      | 997 555 181 05 9V6 | Cocoa   |        |     |                 |
|      | 997 555 181 05 D12 | Dark grey/natural   |        |     |                 |
|      | 997 555 181 05 T12 | Brown/natural   |        |     |                 |
|      | 997 555 181 05 N12 | Carrera Red   |        |     |                 |
| (13) | 997 555 182 05     | D >> - MJ 2008>><br>A-pillar trim<br>(leather)<br>D - MJ 2006>>                     | right  | 1   | COUPE<br>PR:981 |
|      | 997 555 182 05 A11 | Black   |        |     |                 |
|      | 997 555 182 05 5X6 | Stone grey  |        |     |                 |
|      | 997 555 182 05 8G2 | Sand beige  |        |     |                 |



Model: 997 05 Model life 2005>>2008

| Pos  | Part Number        | Description                  | Remark | Qty | Model        |
|------|--------------------|------------------------------|--------|-----|--------------|
|      | 997 555 182 05 3S9 | sea blue                     |        |     |              |
|      | 997 555 182 05 4P2 | Palm green                   |        |     |              |
|      |                    | D >> - MJ 2007               |        |     |              |
|      | 997 555 182 05 9S5 | Terracotta                   |        |     |              |
|      | 997 555 182 05 9V6 | Cocoa                        |        |     |              |
|      | 997 555 182 05 D12 | Dark grey/natural            |        |     |              |
|      | 997 555 182 05 T12 | Brown/natural                |        |     |              |
|      | 997 555 182 05 N12 | Leather                      |        |     |              |
|      |                    | D - MJ 2008>>                |        |     |              |
| (13) | 997 555 181 17     | A-pillar trim (leather)      | left   | 1   | TARGA PR:981 |
|      |                    | D - MJ 2007>>                |        |     |              |
|      | 997 555 181 17 A11 | Black                        |        |     |              |
|      | 997 555 181 17 5X6 | Stone grey                   |        |     |              |
|      | 997 555 181 17 8G2 | Sand beige                   |        |     |              |
|      | 997 555 181 17 3S9 | sea blue                     |        |     |              |
|      | 997 555 181 17 4P2 | Palm green                   |        |     |              |
|      |                    | D >> - MJ 2007               |        |     |              |
|      | 997 555 181 17 9S5 | Terracotta                   |        |     |              |
|      | 997 555 181 17 9V6 | Cocoa                        |        |     |              |
|      | 997 555 181 17 D12 | Dark grey/natural            |        |     |              |
|      | 997 555 181 17 T12 | Brown/natural                |        |     |              |
|      | 997 555 181 17 N12 | Carrera Red                  |        |     |              |
|      |                    | D - MJ 2008>>                |        |     |              |
| (13) | 997 555 182 17     | A-pillar trim (leather)      | right  | 1   | TARGA PR:981 |
|      |                    | D - MJ 2007>>                |        |     |              |
|      | 997 555 182 17 A11 | Black                        |        |     |              |
|      | 997 555 182 17 5X6 | Stone grey                   |        |     |              |
|      | 997 555 182 17 8G2 | Sand beige                   |        |     |              |
|      | 997 555 182 17 3S9 | sea blue                     |        |     |              |
|      | 997 555 182 17 4P2 | Palm green                   |        |     |              |
|      |                    | D >> - MJ 2007               |        |     |              |
|      | 997 555 182 17 9S5 | Terracotta                   |        |     |              |
|      | 997 555 182 17 9V6 | Cocoa                        |        |     |              |
|      | 997 555 182 17 D12 | Dark grey/natural            |        |     |              |
|      | 997 555 182 17 T12 | Brown/natural                |        |     |              |
|      | 997 555 182 17 N12 | Carrera Red                  |        |     |              |
|      |                    | D - MJ 2008>>                |        |     |              |
| 14   | 999 507 681 01     | Clip 2,5/3,0                 |        | 5   | COUPE        |
|      |                    | D - MJ 2005>> - MJ 2005      |        |     |              |
| (14) | 999 507 839 01     | Clip 3,5                     |        | 2   | COUPE        |
|      |                    | D - MJ 2006>>                |        |     |              |
| (14) | 999 507 047 09     | Clip 3,6                     |        | 3   | COUPE        |
|      |                    | D - MJ 2006>>                |        |     |              |
| 14   | 999 507 681 01     | Clip 2,5/3,0                 |        | 4   | TARGA        |
|      |                    | D - MJ 2007>>                |        |     |              |
| (14) | 999 507 047 09     | Clip 3,6                     |        | 2   | TARGA        |
|      |                    | D - MJ 2007>>                |        |     |              |
| (14) | 999 209 084 40     | Distance piece 20 X 25 X 0,5 |        | 6   | TARGA        |
|      |                    | D - MJ 2007>>                |        |     |              |
| 15   | 999 551 134 40     | Adhesive tape 20 X 65        |        | 5   | COUPE        |
| (16) | 996 555 291 00     | deformation element A-pillar | left   | 1   |              |
|      |                    | D - MJ 2005>> - MJ 2005      |        |     |              |
| 16   | 996 555 292 00     | deformation element          | right  | 1   |              |

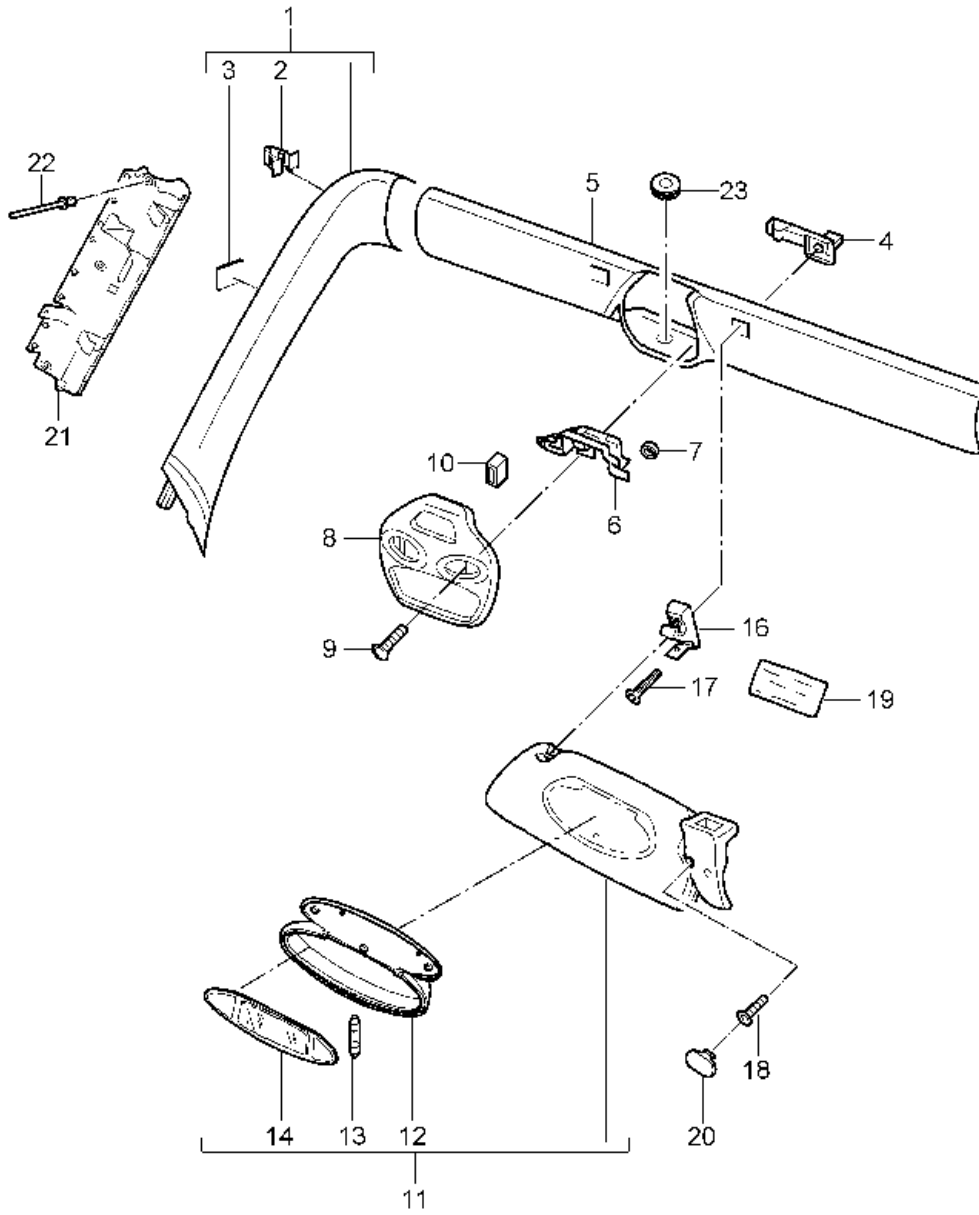
Model: 997 05

Model life 2005>>2008

| Pos | Part Number    | Description   | Remark | Qty | Model |
|-----|----------------|---|--------|-----|-------|
| 17  | 999 190 184 01 | A-pillar<br>D - MJ 2005>> - MJ 2005<br>Pop rivet<br>4,0 X 8,5 |        | 8   |       |
| 20  | 999 591 348 01 | panel nut<br>St 4,8   |        | X   |       |
| 21  | 997 556 603 00 | Sound absorber<br>tensioner                                   | rear   | 1   |       |
| 22  | 997 555 857 00 | Grommet<br>A-pillar   |        | X   |       |

Model: 997 05

Model life 2005>>2008



Model: 997 05 Model life 2005>>2008

| Pos                                  | Part Number    | Description  | Remark                   | Qty | Model  |                |                            |       |   |                  |
|--------------------------------------|----------------|--|--------------------------|-----|--|----------------|----------------------------|-------|---|------------------|
| 1                                    | 997 555 181 06 | A-pillar<br>windshield frame<br>windshield frame<br>sun vizors<br>sun vizors | left                     | 1   | CABRIO<br>CABRIO<br>TARGA<br>COUPE/CABRIO<br>TARGA<br>CABRIO |                |                            |       |   |                  |
|                                      |                | A-pillar trim<br>(leatherette)   |                          |     |  |                |                            |       |   |                  |
|                                      |                | 997 555 181 06 1MZ Black   |                          |     |  |                |                            |       |   |                  |
|                                      |                | 997 555 181 06 1YP Stone grey  |                          |     |  |                |                            |       |   |                  |
|                                      |                | 997 555 181 06 1TK Sand beige  |                          |     |  |                |                            |       |   |                  |
|                                      |                | 997 555 181 06 1VM sea blue  |                          |     |  |                |                            |       |   |                  |
|                                      |                | 997 555 181 06 1UL Palm green  |                          |     |  |                |                            |       |   |                  |
| (1)                                  | 997 555 182 06 | D >> - MJ 2007<br>A-pillar trim<br>(leatherette)                             | right                    | 1   | CABRIO   |                |                            |       |   |                  |
|                                      |                | 997 555 182 06 1MZ Black   |                          |     |  |                |                            |       |   |                  |
|                                      |                | 997 555 182 06 1YP Stone grey  |                          |     |  |                |                            |       |   |                  |
|                                      |                | 997 555 182 06 1TK Sand beige  |                          |     |  |                |                            |       |   |                  |
|                                      |                | 997 555 182 06 1VM sea blue  |                          |     |  |                |                            |       |   |                  |
|                                      |                | 997 555 182 06 1UL Palm green  |                          |     |  |                |                            |       |   |                  |
|                                      |                | D >> - MJ 2007   |                          |     |  |                |                            |       |   |                  |
| 1                                    | 997 555 181 07 | A-pillar trim<br>(leather)   | left                     | 1   | CABRIO<br>PR:981   |                |                            |       |   |                  |
|                                      |                | 997 555 181 07 A11 Black   |                          |     |  |                |                            |       |   |                  |
|                                      |                | 997 555 181 07 5X6 Stone grey  |                          |     |  |                |                            |       |   |                  |
|                                      |                | 997 555 181 07 8G2 Sand beige  |                          |     |  |                |                            |       |   |                  |
|                                      |                | 997 555 181 07 3S9 sea blue  |                          |     |  |                |                            |       |   |                  |
|                                      |                | 997 555 181 07 4P2 Palm green  |                          |     |  |                |                            |       |   |                  |
|                                      |                | D >> - MJ 2007   |                          |     |  |                |                            |       |   |                  |
|                                      |                | 997 555 181 07 9S5 Terracotta  |                          |     |  |                |                            |       |   |                  |
|                                      |                | 997 555 181 07 9V6 Cocoa   |                          |     |  |                |                            |       |   |                  |
|                                      |                | 997 555 181 07 D12 Dark grey/natural   |                          |     |  |                |                            |       |   |                  |
|                                      |                | 997 555 181 07 T12 Brown/natural   |                          |     |  |                |                            |       |   |                  |
|                                      |                | 997 555 181 07 N12 Carrera Red   |                          |     |  |                |                            |       |   |                  |
|                                      |                | (1)  |                          |     |  | 997 555 182 07 | A-pillar trim<br>(leather) | right | 1 | CABRIO<br>PR:981 |
|                                      |                |  |                          |     |  |                | 997 555 182 07 A11 Black   |       |   |                  |
| 997 555 182 07 5X6 Stone grey        |                |  |                          |     |  |                |                            |       |   |                  |
| 997 555 182 07 8G2 Sand beige        |                |  |                          |     |  |                |                            |       |   |                  |
| 997 555 182 07 3S9 sea blue          |                |  |                          |     |  |                |                            |       |   |                  |
| 997 555 182 07 4P2 Palm green        |                |  |                          |     |  |                |                            |       |   |                  |
| D >> - MJ 2007                       |                |  |                          |     |  |                |                            |       |   |                  |
| 997 555 182 07 9S5 Terracotta        |                |  |                          |     |  |                |                            |       |   |                  |
| 997 555 182 07 9V6 Cocoa             |                |  |                          |     |  |                |                            |       |   |                  |
| 997 555 182 07 D12 Dark grey/natural |                |  |                          |     |  |                |                            |       |   |                  |
| 997 555 182 07 T12 Brown/natural     |                |  |                          |     |  |                |                            |       |   |                  |
| 997 555 182 07 N12 Carrera Red       |                |  |                          |     |  |                |                            |       |   |                  |
| 2                                    | 999 507 047 09 |  | Clip<br>3,6              |     | 2  |                |                            |       |   |                  |
| 3                                    | 999 551 134 40 |  | Adhesive tape<br>20 X 65 |     | 2  |                |                            |       |   |                  |
| 4                                    | 986 731 541 01 | basic plate<br>for<br>sun vizors   |                          | 2   | COUPE/CABRIO   |                |                            |       |   |                  |
| (4)                                  | 997 731 543 00 | contact plate<br>for<br>sun vizors   |                          | 2   | TARGA  |                |                            |       |   |                  |
| 5                                    | 997 555 059 00 | D - MJ 2007>><br>Trim<br>Windscreen frame part<br>Leatherette                |                          | 1   | CABRIO   |                |                            |       |   |                  |
|                                      |                | 997 555 059 00 1MZ Black   |                          |     |  |                |                            |       |   |                  |
|                                      |                | 997 555 059 00 1YP Stone grey  |                          |     |  |                |                            |       |   |                  |
|                                      |                |  |                          |     |  |                |                            |       |   |                  |

Model: 997 05 Model life 2005>>2008

| Pos | Part Number        | Description           | Remark | Qty | Model            |
|-----|--------------------|-----------------------|--------|-----|------------------|
| (5) | 997 555 059 00 1TK | Sand beige            |        | 1   | TARGA            |
|     | 997 555 059 00 1VM | sea blue              |        |     |                  |
|     | 997 555 059 00 1UL | Palm green            |        |     |                  |
|     | 997 555 059 04     | Trim                  |        |     |                  |
|     |                    | Windscreen frame part |        |     |                  |
|     |                    | Leatherette           |        |     |                  |
|     |                    | D - MJ 2007>>         |        |     |                  |
|     | 997 555 059 04 1MZ | Black                 |        |     |                  |
|     | 997 555 059 04 1YP | Stone grey            |        |     |                  |
|     | 997 555 059 04 1TK | Sand beige            |        |     |                  |
| 5   | 997 555 059 04 1VM | sea blue              |        | 1   | CABRIO<br>PR:981 |
|     | 997 555 059 04 1UL | Palm green            |        |     |                  |
|     | 997 555 059 01     | Trim                  |        |     |                  |
|     |                    | Windscreen frame part |        |     |                  |
|     |                    | Leather               |        |     |                  |
|     | 997 555 059 01 A11 | Black                 |        |     |                  |
|     | 997 555 059 01 5X6 | Stone grey            |        |     |                  |
|     | 997 555 059 01 8G2 | Sand beige            |        |     |                  |
|     | 997 555 059 01 3S9 | sea blue              |        |     |                  |
|     | 997 555 059 01 4P2 | Palm green            |        |     |                  |
| (5) | 997 555 059 01 9S5 | Terracotta            |        | 1   | TARGA<br>PR:981  |
|     | 997 555 059 01 9V6 | Cocoa                 |        |     |                  |
|     | 997 555 059 01 D12 | Dark grey/natural     |        |     |                  |
|     | 997 555 059 01 T12 | Brown/natural         |        |     |                  |
|     | 997 555 059 01 N12 | Carrera Red           |        |     |                  |
|     | 997 555 059 03     | Trim                  |        |     |                  |
|     |                    | Windscreen frame part |        |     |                  |
|     |                    | Leather               |        |     |                  |
|     |                    | D >> - MJ 2007        |        |     |                  |
|     |                    | Discontinued part     |        |     |                  |
| (5) | 997 555 059 03 A11 | Black                 |        | 1   | TARGA<br>PR:981  |
|     | 997 555 059 03 5X6 | Stone grey            |        |     |                  |
|     | 997 555 059 03 8G2 | Sand beige            |        |     |                  |
|     | 997 555 059 03 3S9 | sea blue              |        |     |                  |
|     | 997 555 059 03 4P2 | Palm green            |        |     |                  |
|     | 997 555 059 03 9S5 | Terracotta            |        |     |                  |
|     | 997 555 059 03 9V6 | Cocoa                 |        |     |                  |
|     | 997 555 059 03 D12 | Dark grey/natural     |        |     |                  |
|     | 997 555 059 03 T12 | Brown/natural         |        |     |                  |
|     | 997 555 059 05     | Trim                  |        |     |                  |
| 6   | 997 555 059 05 A11 | Black                 |        | 1   | CABRIO           |
|     | 997 555 059 05 5X6 | Stone grey            |        |     |                  |
|     | 997 555 059 05 8G2 | Sand beige            |        |     |                  |
|     | 997 555 059 05 3S9 | sea blue              |        |     |                  |
|     | 997 555 059 05 4P2 | Palm green            |        |     |                  |
|     | 997 555 059 05 9S5 | Terracotta            |        |     |                  |
|     | 997 555 059 05 9V6 | Cocoa                 |        |     |                  |
|     | 997 555 059 05 D12 | Dark grey/natural     |        |     |                  |
|     | 997 555 059 05 T12 | Brown/natural         |        |     |                  |
|     | 997 555 059 05 N12 | Carrera Red           |        |     |                  |
| 7   | 996 613 795 01     | Micro switch          |        | 1   | CABRIO           |
| 7   | 999 507 534 02     | Clamping washer       |        | 2   | CABRIO           |
|     |                    | 2,5                   |        |     |                  |
| 7   | 999 507 534 01     | Discontinued part     |        | 2   | CABRIO           |
|     |                    | Clamping washer       |        |     |                  |
| 8   | 996 561 635 00     | Cover                 |        | 1   | CABRIO           |
|     |                    | interior light        |        |     |                  |
| (8) | 996 561 635 00 A09 | Lacquered             |        | 1   | TARGA            |
|     | 996 555 557 07     | Rally black           |        |     |                  |
|     | 996 555 557 07     | Cover                 |        | 1   | TARGA            |

Model: 997 05 Model life 2005>>2008

| Pos  | Part Number        | Description   | Remark | Qty | Model  |
|------|--------------------|---|--------|-----|--------|
|      |                    | interior light<br>Lacquered<br>D - MJ 2007>>  |        |     |        |
|      | 996 555 557 07 A03 | Black   |        |     |        |
|      | 996 555 557 07 5V7 | Stone grey  |        |     |        |
|      | 996 555 557 07 5Z1 | Sand beige  |        |     |        |
|      | 996 555 557 07 8W7 | sea blue  |        |     |        |
|      | 996 555 557 07 5Y2 | Palm green  |        |     |        |
|      |                    | D - MJ 2007>> - MJ 2007   |        |     |        |
|      | 996 555 557 07 8X8 | Terracotta  |        |     |        |
|      | 996 555 557 07 8P9 | Cocoa   |        |     |        |
|      | 996 555 557 07 T13 | Brown/natural   |        |     |        |
|      | 996 555 557 07 N23 | Carrera Red   |        |     |        |
|      |                    | D - MJ 2008>>   |        |     |        |
| -    | 996 561 613 00     | Cover   |        | 1   | CABRIO |
|      | 996 561 613 00 01C | Satin black   |        |     |        |
| 9    | 999 073 166 09     | countersunk bolt<br>M 6 X 25  |        | 2   | CABRIO |
| (9)  | 999 073 061 02     | panel screw<br>4,8 X 16   |        | 2   | TARGA  |
|      |                    | D - MJ 2007>>   |        |     |        |
| 10   | 996 561 609 00     | Cap   |        | 1   | CABRIO |
| (11) | 996 731 031 15     | Sun visor with mirror<br>Valid up to:<br>F >> 99-5S701 250<br>F >> 99-5S731 577             | left   | 1   | COUPE  |
|      |                    | Leatherette   |        |     |        |
|      | 996 731 031 15 A12 | Black   |        |     |        |
|      | 996 731 031 15 8W4 | Stone grey  |        |     |        |
|      | 996 731 031 15 7E3 | Sand beige  |        |     |        |
|      | 996 731 031 15 8Z5 | sea blue  |        |     |        |
|      | 996 731 031 15 7W3 | Palm green  |        |     |        |
| (11) | 996 731 032 15     | Sun visor with mirror<br>Valid up to:<br>F >> 99-5S701 250<br>F >> 99-5S731 577             | right  | 1   | COUPE  |
|      |                    | Leatherette   |        |     |        |
|      | 996 731 032 15 A12 | Black   |        |     |        |
|      | 996 731 032 15 8W4 | Stone grey  |        |     |        |
|      | 996 731 032 15 7E3 | Sand beige  |        |     |        |
|      | 996 731 032 15 8Z5 | sea blue  |        |     |        |
|      | 996 731 032 15 7W3 | Palm green  |        |     |        |
| (11) | 997 731 031 15     | Sun visor with mirror<br>Leatherette<br>Valid from:<br>F 99-5S701 251>><br>F 99-5S931 578>> | left   | 1   | COUPE  |
|      |                    | Leatherette   |        |     |        |
|      | 997 731 031 15 A12 | Black   |        |     |        |
|      | 997 731 031 15 8W4 | Stone grey  |        |     |        |
|      | 997 731 031 15 7E3 | Sand beige  |        |     |        |
|      | 997 731 031 15 8Z5 | sea blue  |        |     |        |
|      | 997 731 031 15 7W3 | Palm green  |        |     |        |
| (11) | 997 731 032 15     | Sun visor with mirror<br>Leatherette<br>Valid from:<br>F 99-5S701 251>><br>F 99-5S931 578>> | right  | 1   | COUPE  |
|      |                    | Leatherette   |        |     |        |
|      | 997 731 032 15 A12 | Black   |        |     |        |
|      | 997 731 032 15 8W4 | Stone grey  |        |     |        |
|      | 997 731 032 15 7E3 | Sand beige  |        |     |        |
|      | 997 731 032 15 8Z5 | sea blue  |        |     |        |
|      | 997 731 032 15 7W3 | Palm green  |        |     |        |
| (11) | 997 731 981 03     | Sun visor   | left   | 1   | COUPE  |

Model: 997 05

Model life 2005>>2008

| Pos  | Part Number        | Description  | Remark | Qty | Model           |
|------|--------------------|--|--------|-----|-----------------|
|      |                    | Leather<br>Valid up to:<br>F >> 99-5S701 250<br>F >> 99-5S731 577              |        |     | PR:XMP          |
|      | 997 731 981 03 A11 | Black  |        |     |                 |
|      | 997 731 981 03 5X6 | Stone grey   |        |     |                 |
|      | 997 731 981 03 8G2 | Sand beige   |        |     |                 |
|      | 997 731 981 03 3S9 | sea blue   |        |     |                 |
|      | 997 731 981 03 4P2 | Palm green   |        |     |                 |
|      | 997 731 981 03 9S5 | Terracotta   |        |     |                 |
|      | 997 731 981 03 9V6 | Cocoa  |        |     |                 |
|      | 997 731 981 03 D12 | Dark grey/natural  |        |     |                 |
|      | 997 731 981 03 T12 | Brown/natural  |        |     |                 |
| (11) | 997 731 982 03     | Sun visor<br>Leather<br>Valid up to:<br>F >> 99-5S701 250<br>F >> 99-5S731 577 | right  | 1   | COUPE<br>PR:XMP |
|      | 997 731 982 03 A11 | Black  |        |     |                 |
|      | 997 731 982 03 5X6 | Stone grey   |        |     |                 |
|      | 997 731 982 03 8G2 | Sand beige   |        |     |                 |
|      | 997 731 982 03 3S9 | sea blue   |        |     |                 |
|      | 997 731 982 03 4P2 | Palm green   |        |     |                 |
|      | 997 731 982 03 9S5 | Terracotta   |        |     |                 |
|      | 997 731 982 03 9V6 | Cocoa  |        |     |                 |
|      | 997 731 982 03 D12 | Dark grey/natural  |        |     |                 |
|      | 997 731 982 03 T12 | Brown/natural  |        |     |                 |
| (11) | 997 731 981 00     | Sun visor<br>Leather<br>Valid from:<br>F 99-5S701 251>><br>F 99-5S731 578>>    | left   | 1   | COUPE<br>PR:XMP |
|      | 997 731 981 00 A11 | Black  |        |     |                 |
|      | 997 731 981 00 5X6 | Stone grey   |        |     |                 |
|      | 997 731 981 00 8G2 | Sand beige   |        |     |                 |
|      | 997 731 981 00 3S9 | sea blue   |        |     |                 |
|      | 997 731 981 00 4P2 | Palm green   |        |     |                 |
|      | 997 731 981 00 9S5 | Terracotta   |        |     |                 |
|      | 997 731 981 00 9V6 | Cocoa  |        |     |                 |
|      | 997 731 981 00 D12 | Dark grey/natural  |        |     |                 |
|      | 997 731 981 00 T12 | Brown/natural  |        |     |                 |
|      | 997 731 981 00 N12 | Carrera Red  |        |     |                 |
| (11) | 997 731 982 00     | Sun visor<br>Leather<br>Valid from:<br>F 99-5S701 251>><br>F 99-5S731 578>>    | right  | 1   | COUPE<br>PR:XMP |
|      | 997 731 982 00 A11 | Black  |        |     |                 |
|      | 997 731 982 00 5X6 | Stone grey   |        |     |                 |
|      | 997 731 982 00 8G2 | Sand beige   |        |     |                 |
|      | 997 731 982 00 3S9 | sea blue   |        |     |                 |
|      | 997 731 982 00 4P2 | Palm green   |        |     |                 |
|      | 997 731 982 00 9S5 | Terracotta   |        |     |                 |
|      | 997 731 982 00 9V6 | Cocoa  |        |     |                 |
|      | 997 731 982 00 D12 | Dark grey/natural  |        |     |                 |
|      | 997 731 982 00 T12 | Brown/natural  |        |     |                 |
|      | 997 731 982 00 N12 | Carrera Red  |        |     |                 |
| (11) | 997 731 031 18     | Sun visor<br>Leatherette   | left   | 1   | CABRIO          |
|      | 997 731 031 18 A12 | Black  |        |     |                 |
|      | 997 731 031 18 8W4 | Stone grey   |        |     |                 |
|      | 997 731 031 18 7E3 | Sand beige   |        |     |                 |
|      | 997 731 031 18 8Z5 | sea blue   |        |     |                 |

Model: 997 05 Model life 2005>>2008

| Pos  | Part Number  | Description  | Remark | Qty | Model            |
|------|--|--|--------|-----|------------------|
| (11) | 997 731 031 18 7W3<br>997 731 032 18   | Palm green<br>Sun visor<br>Leatherette   | right  | 1   | CABRIO           |
|      | 997 731 032 18 A12<br>997 731 032 18 8W4<br>997 731 032 18 7E3<br>997 731 032 18 8Z5   | Black<br>Stone grey<br>Sand beige<br>sea blue  |        |     |                  |
| (11) | 997 731 032 18 7W3<br>997 731 981 06   | Palm green<br>Sun visor<br>Leather   | left   | 1   | CABRIO<br>PR:XMP |
|      | 997 731 981 06 A11<br>997 731 981 06 5X6<br>997 731 981 06 8G2<br>997 731 981 06 3S9<br>997 731 981 06 4P2<br>997 731 981 06 9S5<br>997 731 981 06 9V6<br>997 731 981 06 D12<br>997 731 981 06 T12 | Black<br>Stone grey<br>Sand beige<br>sea blue<br>Palm green<br>Terracotta<br>Cocoa<br>Dark grey/natural<br>Brown/natural |        |     |                  |
| (11) | 997 731 981 06 N12<br>997 731 982 06   | Carrera Red<br>Sun visor<br>Leather  | right  | 1   | CABRIO<br>PR:XMP |
|      | 997 731 982 06 A11<br>997 731 982 06 5X6<br>997 731 982 06 8G2<br>997 731 982 06 3S9<br>997 731 982 06 4P2<br>997 731 982 06 9S5<br>997 731 982 06 9V6<br>997 731 982 06 D12<br>997 731 982 06 T12 | Black<br>Stone grey<br>Sand beige<br>sea blue<br>Palm green<br>Terracotta<br>Cocoa<br>Dark grey/natural<br>Brown/natural |        |     |                  |
| (11) | 997 731 982 06 N12<br>997 731 031 12   | Carrera Red<br>Sun visor<br>Leatherette<br>Valid up to:<br>F >> 99-8S740 207<br>F >> 99-8S755 253<br>D - MJ 2007>>       | left   | 1   | TARGA            |
|      | 997 731 031 12 A12<br>997 731 031 12 8W4<br>997 731 031 12 7E3<br>997 731 031 12 8Z5   | Black<br>Stone grey<br>Sand beige<br>sea blue  |        |     |                  |
| (11) | 997 731 031 12 7W3<br>997 731 032 12   | Palm green<br>Sun visor<br>Leatherette<br>Valid up to:<br>F >> 99-8S740 207<br>F >> 99-8S755 253<br>D - MJ 2007>>        | right  | 1   | TARGA            |
|      | 997 731 032 12 A12<br>997 731 032 12 8W4<br>997 731 032 12 7E3<br>997 731 032 12 8Z5   | Black<br>Stone grey<br>Sand beige<br>sea blue  |        |     |                  |
| 11   | 997 731 032 12 7W3<br>997 731 031 24   | Palm green<br>Sun visor<br>Leatherette<br>Valid from:<br>F 998s7 40208<br>F 998s7 55254                                  | left   | 1   | TARGA            |
|      | 997 731 031 24 A12<br>997 731 031 24 8W4<br>997 731 031 24 7E3<br>997 731 031 24 8Z5   | Black<br>Stone grey<br>Sand beige<br>sea blue  |        |     |                  |



Model: 997 05 Model life 2005>>2008

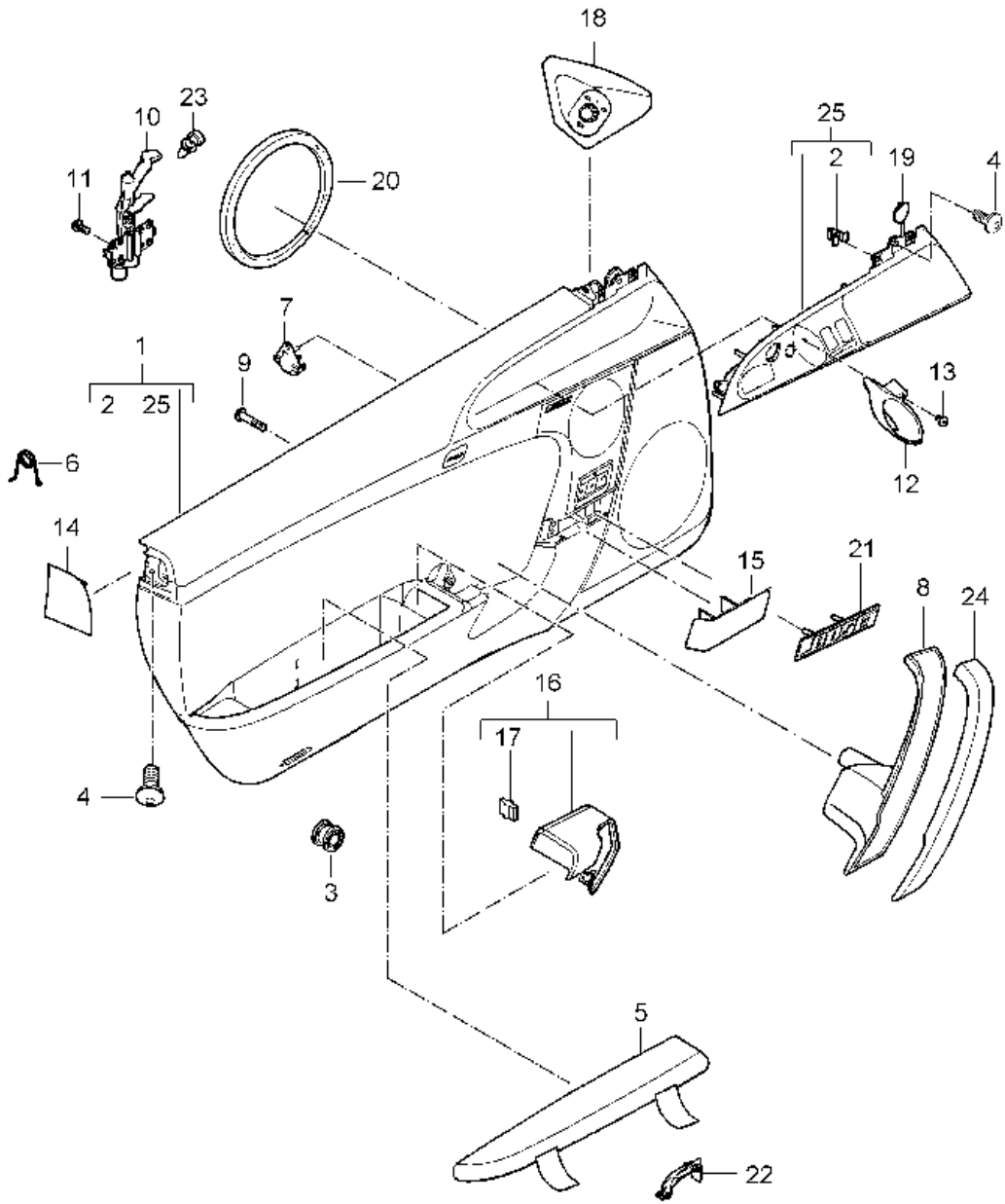
| Pos  | Part Number        | Description   | Remark | Qty | Model           |
|------|--------------------|---|--------|-----|-----------------|
| 11   | 997 731 032 24     | Sun visor<br>Leatherette<br>Valid from:<br>F 998s7 40208<br>F 998s7 55254 | right  | 1   | TARGA           |
|      | 997 731 032 24 A12 | Black   |        |     |                 |
|      | 997 731 032 24 8W4 | Stone grey  |        |     |                 |
|      | 997 731 032 24 7E3 | Sand beige  |        |     |                 |
|      | 997 731 032 24 8Z5 | sea blue  |        |     |                 |
| (11) | 997 731 981 13     | Sun visor<br>Leather<br>D - MJ 2007>> - MJ 2007                           | left   | 1   | TARGA<br>PR:XMP |
|      | 997 731 981 13 A11 | Black   |        |     |                 |
|      | 997 731 981 13 5X6 | Stone grey  |        |     |                 |
|      | 997 731 981 13 8G2 | Sand beige  |        |     |                 |
|      | 997 731 981 13 3S9 | sea blue  |        |     |                 |
|      | 997 731 981 13 4P2 | Palm green  |        |     |                 |
|      | 997 731 981 13 9S5 | Terracotta  |        |     |                 |
|      | 997 731 981 13 9V6 | Cocoa   |        |     |                 |
|      | 997 731 981 13 D12 | Dark grey/natural   |        |     |                 |
|      | 997 731 981 13 T12 | Brown/natural   |        |     |                 |
| (11) | 997 731 981 16     | Sun visor<br>Leather<br>D - MJ 2007>> - MJ 2007                           | left   | 1   | TARGA           |
|      | 997 731 981 16 A11 | Black   |        |     |                 |
|      | 997 731 981 16 5X6 | Stone grey  |        |     |                 |
|      | 997 731 981 16 8G2 | Sand beige  |        |     |                 |
|      | 997 731 981 16 3S9 | sea blue  |        |     |                 |
|      | 997 731 981 16 4P2 | Palm green  |        |     |                 |
|      | 997 731 981 16 9S5 | Terracotta  |        |     |                 |
|      | 997 731 981 16 9V6 | Cocoa   |        |     |                 |
|      | 997 731 981 16 D12 | Dark grey/natural   |        |     |                 |
|      | 997 731 981 16 T12 | Brown/natural   |        |     |                 |
|      | 997 731 981 16 N12 | Carrera Red   |        |     |                 |
| (11) | 997 731 982 13     | Sun visor<br>Leather<br>D - MJ 2007>> - MJ 2007                           | right  | 1   | TARGA<br>PR:XMP |
|      | 997 731 982 13 A11 | Black   |        |     |                 |
|      | 997 731 982 13 5X6 | Stone grey  |        |     |                 |
|      | 997 731 982 13 8G2 | Sand beige  |        |     |                 |
|      | 997 731 982 13 3S9 | sea blue  |        |     |                 |
|      | 997 731 982 13 4P2 | Palm green  |        |     |                 |
|      | 997 731 982 13 9S5 | Terracotta  |        |     |                 |
|      | 997 731 982 13 9V6 | Cocoa   |        |     |                 |
|      | 997 731 982 13 D12 | Dark grey/natural   |        |     |                 |
|      | 997 731 982 13 T12 | Brown/natural   |        |     |                 |
| (11) | 997 731 982 16     | Sun visor<br>Leather<br>D - MJ 2007>> - MJ 2007                           | right  | 1   | TARGA           |
|      | 997 731 982 16 A11 | Black   |        |     |                 |
|      | 997 731 982 16 5X6 | Stone grey  |        |     |                 |
|      | 997 731 982 16 8G2 | Sand beige  |        |     |                 |
|      | 997 731 982 16 3S9 | sea blue  |        |     |                 |
|      | 997 731 982 16 4P2 | Palm green  |        |     |                 |
|      | 997 731 982 16 9S5 | Terracotta  |        |     |                 |
|      | 997 731 982 16 9V6 | Cocoa   |        |     |                 |
|      | 997 731 982 16 D12 | Dark grey/natural   |        |     |                 |
|      | 997 731 982 16 T12 | Brown/natural   |        |     |                 |
|      | 997 731 982 16 N12 | Carrera Red   |        |     |                 |
| 12   | 996 731 903 00     | Mirror housing<br><br>Lighting  | with:  | 1   | COUPE/CABRIO    |
|      | 996 731 903 00 01C | Satin black   |        |     |                 |
| 13   | 999 631 147 90     | bulb<br>3 W   |        | 4   |                 |

Model: 997 05 Model life 2005>>2008

| Pos  | Part Number        | Description             | Remark | Qty | Model        |
|------|--------------------|-------------------------|--------|-----|--------------|
| 14   | 996 731 531 01     | Mirror glass            |        | 2   |              |
|      |                    | with:                   |        |     |              |
|      |                    | Frame                   |        |     |              |
|      | 996 731 531 01 01C | Satin black             |        |     |              |
| 16   | 996 731 341 00     | Support                 | left   | 1   | COUPE/CABRIO |
|      |                    | Sun visor               |        |     |              |
|      | 996 731 341 00 01C | Satin black             |        |     |              |
| (16) | 996 731 342 00     | Support                 | right  | 1   | COUPE/CABRIO |
|      |                    | Sun visor               |        |     |              |
|      | 996 731 342 00 01C | Satin black             |        |     |              |
| 17   | 999 919 120 09     | fillister hd. bolt      |        | 1   | COUPE/CABRIO |
|      |                    | 4,0 X 18                |        |     |              |
| (17) | 999 073 255 09     | Bolt with washer        |        | 4   | TARGA        |
|      |                    | M 5 X 14                |        |     |              |
|      |                    | for                     |        |     |              |
|      |                    | Mount                   |        |     |              |
|      |                    | sun vizors              |        |     |              |
| 18   | 999 073 166 09     | countersunk bolt        |        | 4   | CABRIO       |
|      |                    | M 6 X 25                |        |     |              |
| 18   | 999 073 139 01     | fillister hd. bolt      |        | 2   | COUPE        |
|      |                    | M 5 X 25                |        |     |              |
|      |                    | Valid up to:            |        |     |              |
|      |                    | F >> 99-5S701 250       |        |     |              |
|      |                    | F >> 99-5S731 577       |        |     |              |
| 18   | 999 073 326 09     | fillister hd. bolt      |        | 2   | COUPE        |
|      |                    | M 5 X 10                |        |     |              |
|      |                    | Valid from:             |        |     |              |
|      |                    | F 99-5S701 251>>        |        |     |              |
|      |                    | F 99-5S731 578>>        |        |     |              |
| (18) | 999 500 093 02     | Nut                     |        | 2   | COUPE        |
|      |                    | M 5                     |        |     |              |
| 19   | 997 701 401 06     | Notice                  |        | 1   | CABRIO       |
|      |                    | Convertible top control |        |     |              |
|      |                    | German                  |        |     |              |
| 19   | 997 701 401 07     | Notice                  |        | 1   | CABRIO       |
|      |                    | Convertible top control |        |     |              |
|      |                    | English                 |        |     |              |
| 19   | 997 701 401 08     | Notice                  |        | 1   | CABRIO       |
|      |                    | Convertible top control |        |     |              |
|      |                    | French                  |        |     |              |
| 19   | 997 701 401 09     | Notice                  |        | 1   | CABRIO       |
|      |                    | Convertible top control |        |     |              |
|      |                    | Italian                 |        |     |              |
| 19   | 997 701 401 10     | Notice                  |        | 1   | CABRIO       |
|      |                    | Convertible top control |        |     |              |
|      |                    | Spanish                 |        |     |              |
| 19   | 997 701 401 11     | Notice                  |        | 1   | CABRIO       |
|      |                    | Convertible top control |        |     |              |
|      |                    | Japanese                |        |     |              |
| 20   | 996 561 613 00     | Cover                   |        | 2   | CABRIO       |
|      |                    | Support                 |        |     |              |
|      | 996 561 613 00 01C | Satin black             |        |     |              |
| 23   | 996 555 619 00     | Grommet                 |        | 1   |              |
|      |                    | Wire set                |        |     |              |
|      |                    | Rain sensor             |        |     |              |

Model: 997 05

Model life 2005>>2008



Model: 997 05 Model life 2005>>2008

| Pos | Part Number        | Description   | Remark   | Qty | Model                             |
|-----|--------------------|---|----------|-----|-----------------------------------|
| 1   | 997 555 201 04     | door panel<br>Accessories   | left lhd | 1   | COUPE/TARGA<br>PR:098,490         |
|     | 997 555 201 04 9E8 | slush technology<br>Palm green  |          |     |                                   |
| 1   | 997 555 201 04     | door panel<br>slush technology  | left lhd | 1   | COUPE/TARGA<br>PR:098,490         |
|     |                    | Until<br>Chassis number<br>See technical information<br>GR.7 NR. 17/11<br>KD-NR. 70 |          |     |                                   |
|     | 997 555 201 04 9L4 | Black   |          |     |                                   |
|     | 997 555 201 04 9M5 | Stone grey  |          |     |                                   |
|     | 997 555 201 04 9C6 | Sand beige  |          |     |                                   |
|     | 997 555 201 04 9D7 | sea blue  |          |     |                                   |
| 1   | 997 555 901 01     | door panel<br>slush technology  | left lhd | 1   | COUPE/TARGA<br>PR:098,490         |
|     |                    | From<br>Chassis number<br>See technical information<br>GR.7 NR. 17/11<br>KD-NR. 70  |          |     |                                   |
|     | 997 555 901 01 9L4 | Black   |          |     |                                   |
|     | 997 555 901 01 9M5 | Stone grey  |          |     |                                   |
|     | 997 555 901 01 9C6 | Sand beige  |          |     |                                   |
|     | 997 555 901 01 9D7 | sea blue  |          |     |                                   |
| (1) | 997 555 201 06     | door panel<br>slush technology  | left lhd | 1   | COUPE/TARGA<br>PR:490,537,<br>098 |
|     | 997 555 201 06 9E8 | Palm green  |          |     |                                   |
| (1) | 997 555 201 06     | door panel<br>slush technology  | left lhd | 1   | COUPE/TARGA<br>PR:490,537,<br>098 |
|     |                    | Until<br>Chassis number<br>See technical information<br>GR.7 NR. 17/11<br>KD-NR. 70 |          |     |                                   |
|     | 997 555 201 06 9L4 | Black   |          |     |                                   |
|     | 997 555 201 06 9M5 | Stone grey  |          |     |                                   |
|     | 997 555 201 06 9C6 | Sand beige  |          |     |                                   |
|     | 997 555 201 06 9D7 | sea blue  |          |     |                                   |
| (1) | 997 555 901 03     | door panel<br>slush technology  | left lhd | 1   | COUPE/TARGA<br>PR:490,537,<br>098 |
|     |                    | From<br>Chassis number<br>See technical information<br>GR.7 NR. 17/11<br>KD-NR. 70  |          |     |                                   |
|     | 997 555 901 03 9L4 | Black   |          |     |                                   |
|     | 997 555 901 03 9M5 | Stone grey  |          |     |                                   |
|     | 997 555 901 03 9C6 | Sand beige  |          |     |                                   |
|     | 997 555 901 03 9D7 | sea blue  |          |     |                                   |
| (1) | 997 555 201 08     | door panel<br>slush technology  | left lhd | 1   | COUPE/TARGA<br>PR:098,680         |
|     | 997 555 201 08 9E8 | Palm green  |          |     |                                   |
| (1) | 997 555 201 08     | door panel<br>slush technology  | left lhd | 1   | COUPE/TARGA<br>PR:098,680         |
|     |                    | Until<br>Chassis number<br>See technical information<br>GR.7 NR. 17/11<br>KD-NR. 70 |          |     |                                   |

Model: 997 05 Model life 2005>>2008

| Pos | Part Number        | Description   | Remark   | Qty | Model                             |
|-----|--------------------|---|----------|-----|-----------------------------------|
| (1) | 997 555 201 08 9L4 | Black   |          |     |                                   |
|     | 997 555 201 08 9M5 | Stone grey  |          |     |                                   |
|     | 997 555 201 08 9C6 | Sand beige  |          |     |                                   |
|     | 997 555 201 08 9D7 | sea blue  |          |     |                                   |
|     | 997 555 901 05     | door panel<br>slush technology<br>From<br>Chassis number<br>See technical information<br>GR.7 NR. 17/11<br>KD-NR. 70  | left lhd | 1   | COUPE/TARGA<br>PR:098,680         |
| (1) | 997 555 901 05 9L4 | Black   |          |     |                                   |
|     | 997 555 901 05 9M5 | Stone grey  |          |     |                                   |
|     | 997 555 901 05 9C6 | Sand beige  |          |     |                                   |
|     | 997 555 901 05 9D7 | sea blue  |          |     |                                   |
|     | 997 555 201 10     | door panel<br>slush technology  | left lhd | 1   | COUPE/TARGA<br>PR:537,680,<br>098 |
| (1) | 997 555 201 10 9E8 | Palm green  |          |     |                                   |
|     | 997 555 201 10     | door panel<br>slush technology<br>Until<br>Chassis number<br>See technical information<br>GR.7 NR. 17/11<br>KD-NR. 70 | left lhd | 1   | COUPE/TARGA<br>PR:537,680,<br>098 |
|     | 997 555 201 10 9L4 | Black   |          |     |                                   |
| (1) | 997 555 201 10 9M5 | Stone grey  |          |     |                                   |
|     | 997 555 201 10 9C6 | Sand beige  |          |     |                                   |
|     | 997 555 201 10 9D7 | sea blue  |          |     |                                   |
|     | 997 555 901 07     | door panel<br>slush technology<br>From<br>Chassis number<br>See technical information<br>GR.7 NR. 17/11<br>KD-NR. 70  | left lhd | 1   | COUPE/TARGA<br>PR:537,680,<br>098 |
|     | 997 555 901 07 9L4 | Black   |          |     |                                   |
| (1) | 997 555 901 07 9M5 | Stone grey  |          |     |                                   |
|     | 997 555 901 07 9C6 | Sand beige  |          |     |                                   |
|     | 997 555 901 07 9D7 | sea blue  |          |     |                                   |
|     | 997 555 201 16     | door panel<br>slush technology  | left lhd | 1   | CABRIO<br>PR:098,490              |
|     | 997 555 201 16 9E8 | Palm green  |          |     |                                   |
| (1) | 997 555 201 16     | door panel<br>slush technology<br>Until<br>Chassis number<br>See technical information<br>GR.7 NR. 17/11<br>KD-NR. 70 | left lhd | 1   | CABRIO<br>PR:098,490              |
|     | 997 555 201 16 9L4 | Black   |          |     |                                   |
| (1) | 997 555 201 16 9M5 | Stone grey  |          |     |                                   |
|     | 997 555 201 16 9C6 | Sand beige  |          |     |                                   |
|     | 997 555 201 16 9D7 | sea blue  |          |     |                                   |
|     | 997 555 901 09     | door panel<br>slush technology<br>From<br>Chassis number<br>See technical information<br>GR.7 NR. 17/11<br>KD-NR. 70  | left lhd | 1   | CABRIO<br>PR:098,490              |
|     | 997 555 901 09 9L4 | Black   |          |     |                                   |

Model: 997 05 Model life 2005>>2008

| Pos | Part Number        | Description   | Remark   | Qty | Model                        |
|-----|--------------------|---|----------|-----|------------------------------|
| (1) | 997 555 901 09 9M5 | Stone grey  | left lhd | 1   | CABRIO<br>PR:490,537,<br>098 |
|     | 997 555 901 09 9C6 | Sand beige  |          |     |                              |
|     | 997 555 901 09 9D7 | sea blue  |          |     |                              |
|     | 997 555 201 18     | door panel<br>slush technology  |          |     |                              |
| (1) | 997 555 201 18 9E8 | Palm green  | left lhd | 1   | CABRIO<br>PR:490,537,<br>098 |
|     | 997 555 201 18     | door panel<br>slush technology<br>Until<br>Chassis number<br>See technical information<br>GR.7 NR. 17/11<br>KD-NR. 70 |          |     |                              |
|     | 997 555 201 18 9L4 | Black   |          |     |                              |
|     | 997 555 201 18 9M5 | Stone grey  |          |     |                              |
| (1) | 997 555 201 18 9C6 | Sand beige  | left lhd | 1   | CABRIO<br>PR:490,537,<br>098 |
|     | 997 555 201 18 9D7 | sea blue  |          |     |                              |
|     | 997 555 901 11     | door panel<br>slush technology<br>From<br>Chassis number<br>See technical information<br>GR.7 NR. 17/11<br>KD-NR. 70  |          |     |                              |
|     | 997 555 901 11 9L4 | Black   |          |     |                              |
| (1) | 997 555 901 11 9M5 | Stone grey  | left lhd | 1   | CABRIO<br>PR:098,680         |
|     | 997 555 901 11 9C6 | Sand beige  |          |     |                              |
|     | 997 555 901 11 9D7 | sea blue  |          |     |                              |
|     | 997 555 201 20     | door panel<br>slush technology  |          |     |                              |
| (1) | 997 555 201 20 9E8 | Palm green  | left lhd | 1   | CABRIO<br>PR:098,680         |
|     | 997 555 201 20     | door panel<br>slush technology<br>Until<br>Chassis number<br>See technical information<br>GR.7 NR. 17/11<br>KD-NR. 70 |          |     |                              |
|     | 997 555 201 20 9L4 | Black   |          |     |                              |
|     | 997 555 201 20 9M5 | Stone grey  |          |     |                              |
| (1) | 997 555 201 20 9C6 | Sand beige  | left lhd | 1   | CABRIO<br>PR:098,680         |
|     | 997 555 201 20 9D7 | sea blue  |          |     |                              |
|     | 997 555 901 13     | door panel<br>slush technology<br>From<br>Chassis number<br>See technical information<br>GR.7 NR. 17/11<br>KD-NR. 70  |          |     |                              |
|     | 997 555 901 13 9L4 | Black   |          |     |                              |
| (1) | 997 555 901 13 9M5 | Stone grey  | left lhd | 1   | CABRIO<br>PR:537,680,<br>098 |
|     | 997 555 901 13 9C6 | Sand beige  |          |     |                              |
|     | 997 555 901 13 9D7 | sea blue  |          |     |                              |
|     | 997 555 201 22     | door panel<br>slush technology  |          |     |                              |
| (1) | 997 555 201 22 9E8 | Palm green  | left lhd | 1   | CABRIO<br>PR:537,680,<br>098 |
|     | 997 555 201 22     | door panel<br>slush technology<br>Until<br>Chassis number<br>See technical information                                |          |     |                              |

Model: 997 05 Model life 2005>>2008

| Pos | Part Number        | Description   | Remark    | Qty | Model                        |
|-----|--------------------|---|-----------|-----|------------------------------|
|     |                    | GR.7 NR. 17/11<br>KD-NR. 70   |           |     |                              |
|     | 997 555 201 22 9L4 | Black   |           |     |                              |
|     | 997 555 201 22 9M5 | Stone grey  |           |     |                              |
|     | 997 555 201 22 9C6 | Sand beige  |           |     |                              |
|     | 997 555 201 22 9D7 | sea blue  |           |     |                              |
| (1) | 997 555 901 15     | door panel<br>slush technology<br>From<br>Chassis number<br>See technical information<br>GR.7 NR. 17/11<br>KD-NR. 70  | left lhd  | 1   | CABRIO<br>PR:537,680,<br>098 |
|     | 997 555 901 15 9L4 | Black   |           |     |                              |
|     | 997 555 901 15 9M5 | Stone grey  |           |     |                              |
|     | 997 555 901 15 9C6 | Sand beige  |           |     |                              |
|     | 997 555 901 15 9D7 | sea blue  |           |     |                              |
| (1) | 997 555 202 26     | door panel<br>slush technology  | right lhd | 1   | PR:098,490                   |
|     | 997 555 202 26 9E8 | Palm green  |           |     |                              |
| (1) | 997 555 202 26     | door panel<br>slush technology<br>Until<br>Chassis number<br>See technical information<br>GR.7 NR. 17/11<br>KD-NR. 70 | right lhd | 1   | PR:098,490                   |
|     | 997 555 202 26 9L4 | Black   |           |     |                              |
|     | 997 555 202 26 9M5 | Stone grey  |           |     |                              |
|     | 997 555 202 26 9C6 | Sand beige  |           |     |                              |
|     | 997 555 202 26 9D7 | sea blue  |           |     |                              |
| (1) | 997 555 902 18     | door panel<br>slush technology<br>From<br>Chassis number<br>See technical information<br>GR.7 NR. 17/11<br>KD-NR. 70  | right lhd | 1   | PR:098,490                   |
|     | 997 555 902 18 9L4 | Black   |           |     |                              |
|     | 997 555 902 18 9M5 | Stone grey  |           |     |                              |
|     | 997 555 902 18 9C6 | Sand beige  |           |     |                              |
|     | 997 555 902 18 9D7 | sea blue  |           |     |                              |
| (1) | 997 555 202 28     | door panel<br>slush technology  | right lhd | 1   | PR:098,680                   |
|     | 997 555 202 28 9E8 | Palm green  |           |     |                              |
| (1) | 997 555 202 28     | door panel<br>slush technology<br>Until<br>Chassis number<br>See technical information<br>GR.7 NR. 17/11<br>KD-NR. 70 | right lhd | 1   | PR:098,680                   |
|     | 997 555 202 28 9L4 | Black   |           |     |                              |
|     | 997 555 202 28 9M5 | Stone grey  |           |     |                              |
|     | 997 555 202 28 9C6 | Sand beige  |           |     |                              |
|     | 997 555 202 28 9D7 | sea blue  |           |     |                              |
| (1) | 997 555 902 20     | door panel<br>slush technology<br>From<br>Chassis number<br>See technical information<br>GR.7 NR. 17/11<br>KD-NR. 70  | right lhd | 1   | PR:098,680                   |

Model: 997 05 Model life 2005>>2008

| Pos | Part Number        | Description   | Remark    | Qty | Model                             |
|-----|--------------------|---|-----------|-----|-----------------------------------|
| (1) | 997 555 902 20 9L4 | Black   |           |     |                                   |
|     | 997 555 902 20 9M5 | Stone grey  |           |     |                                   |
|     | 997 555 902 20 9C6 | Sand beige  |           |     |                                   |
|     | 997 555 902 20 9D7 | sea blue  |           |     |                                   |
|     | 997 555 202 04     | door panel<br>slush technology<br>D >> - MJ 2007  | right rhd | 1   | COUPE/TARGA<br>PR:099,490         |
| (1) | 997 555 202 04 9E8 | Palm green  |           |     |                                   |
|     | 997 555 202 04     | D >> - MJ 2007<br>door panel<br>slush technology<br>Until<br>Chassis number<br>See technical information<br>GR.7 NR. 17/11<br>KD-NR. 70 | right rhd | 1   | COUPE/TARGA<br>PR:099,490         |
|     | 997 555 202 04 9L4 | Black   |           |     |                                   |
|     | 997 555 202 04 9M5 | Stone grey  |           |     |                                   |
|     | 997 555 202 04 9C6 | Sand beige  |           |     |                                   |
| (1) | 997 555 202 04 9D7 | sea blue  |           |     |                                   |
|     | 997 555 902 01     | door panel<br>slush technology<br>From<br>Chassis number<br>See technical information<br>GR.7 NR. 17/11<br>KD-NR. 70                    | right rhd | 1   | COUPE/TARGA<br>PR:099,490         |
|     | 997 555 902 01 9L4 | Black   |           |     |                                   |
|     | 997 555 902 01 9M5 | Stone grey  |           |     |                                   |
|     | 997 555 902 01 9C6 | Sand beige  |           |     |                                   |
| (1) | 997 555 902 01 9D7 | sea blue  |           |     |                                   |
|     | 997 555 202 06     | door panel<br>slush technology<br>D >> - MJ 2007  | right rhd | 1   | COUPE/TARGA<br>PR:490,538,<br>099 |
|     | 997 555 202 06 9E8 | Palm green  |           |     |                                   |
|     | 997 555 202 06     | D >> - MJ 2007<br>door panel<br>slush technology<br>Until<br>Chassis number<br>See technical information<br>GR.7 NR. 17/11<br>KD-NR. 70 | right rhd | 1   | COUPE/TARGA<br>PR:490,538,<br>099 |
|     | 997 555 202 06 9L4 | Black   |           |     |                                   |
| (1) | 997 555 202 06 9M5 | Stone grey  |           |     |                                   |
|     | 997 555 202 06 9C6 | Sand beige  |           |     |                                   |
|     | 997 555 202 06 9D7 | sea blue  |           |     |                                   |
|     | 997 555 902 03     | door panel<br>slush technology<br>From<br>Chassis number<br>See technical information<br>GR.7 NR. 17/11<br>KD-NR. 70                    | right rhd | 1   | COUPE/TARGA<br>PR:490,538,<br>099 |
|     | 997 555 902 03 9L4 | Black   |           |     |                                   |
| (1) | 997 555 902 03 9M5 | Stone grey  |           |     |                                   |
|     | 997 555 902 03 9C6 | Sand beige  |           |     |                                   |
|     | 997 555 902 03 9D7 | sea blue  |           |     |                                   |
|     | 997 555 202 08     | door panel<br>slush technology<br>D >> - MJ 2007  | right rhd | 1   | COUPE/TARGA<br>PR:099,680         |
|     | 997 555 202 08 9E8 | Palm green  |           |     |                                   |
|     |                    | D >> - MJ 2007  |           |     |                                   |



Model: 997 05 Model life 2005>>2008

| Pos | Part Number        | Description   | Remark    | Qty | Model                             |
|-----|--------------------|---|-----------|-----|-----------------------------------|
| (1) | 997 555 202 08     | door panel<br>slush technology<br>Until<br>Chassis number<br>See technical information<br>GR.7 NR. 17/11<br>KD-NR. 70 | right rhd | 1   | COUPE/TARGA<br>PR:099,680         |
|     | 997 555 202 08 9L4 | Black   |           |     |                                   |
|     | 997 555 202 08 9M5 | Stone grey  |           |     |                                   |
|     | 997 555 202 08 9C6 | Sand beige  |           |     |                                   |
|     | 997 555 202 08 9D7 | sea blue  |           |     |                                   |
| (1) | 997 555 902 05     | door panel<br>slush technology<br>From<br>Chassis number<br>See technical information<br>GR.7 NR. 17/11<br>KD-NR. 70  | right rhd | 1   | COUPE/TARGA<br>PR:099,680         |
|     | 997 555 902 05 9L4 | Black   |           |     |                                   |
|     | 997 555 902 05 9M5 | Stone grey  |           |     |                                   |
|     | 997 555 902 05 9C6 | Sand beige  |           |     |                                   |
|     | 997 555 902 05 9D7 | sea blue  |           |     |                                   |
| (1) | 997 555 202 10     | door panel<br>slush technology<br>D >> - MJ 2007  | right rhd | 1   | COUPE/TARGA<br>PR:538,680,<br>099 |
|     | 997 555 202 10 9E8 | Palm green<br>D >> - MJ 2007  |           |     |                                   |
| (1) | 997 555 202 10     | door panel<br>slush technology<br>Until<br>Chassis number<br>See technical information<br>GR.7 NR. 17/11<br>KD-NR. 70 | right rhd | 1   | COUPE/TARGA<br>PR:538,680,<br>099 |
|     | 997 555 202 10 9L4 | Black   |           |     |                                   |
|     | 997 555 202 10 9M5 | Stone grey  |           |     |                                   |
|     | 997 555 202 10 9C6 | Sand beige  |           |     |                                   |
|     | 997 555 202 10 9D7 | sea blue  |           |     |                                   |
| (1) | 997 555 902 07     | door panel<br>slush technology<br>From<br>Chassis number<br>See technical information<br>GR.7 NR. 17/11<br>KD-NR. 70  | right rhd | 1   | COUPE/TARGA<br>PR:538,680,<br>099 |
|     | 997 555 902 07 9L4 | Black   |           |     |                                   |
|     | 997 555 902 07 9M5 | Stone grey  |           |     |                                   |
|     | 997 555 902 07 9C6 | Sand beige  |           |     |                                   |
|     | 997 555 902 07 9D7 | sea blue  |           |     |                                   |
| (1) | 997 555 202 16     | door panel<br>slush technology<br>D >> - MJ 2007  | right rhd | 1   | CABRIO<br>PR:099,490              |
|     | 997 555 202 16 9E8 | Palm green<br>D >> - MJ 2007  |           |     |                                   |
| (1) | 997 555 202 16     | door panel<br>slush technology<br>Until<br>Chassis number<br>See technical information<br>GR.7 NR. 17/11<br>KD-NR. 70 | right rhd | 1   | CABRIO<br>PR:099,490              |
|     | 997 555 202 16 9L4 | Black   |           |     |                                   |
|     | 997 555 202 16 9M5 | Stone grey  |           |     |                                   |

Model: 997 05 Model life 2005>>2008

| Pos | Part Number  | Description   | Remark    | Qty | Model                        |
|-----|--|---|-----------|-----|------------------------------|
| (1) | 997 555 202 16 9C6<br>997 555 202 16 9D7<br>997 555 902 09   | Sand beige<br>sea blue<br>door panel<br>slush technology<br>From<br>Chassis number<br>See technical information<br>GR.7 NR. 17/11<br>KD-NR. 70                        | right rhd | 1   | CABRIO<br>PR:099,490         |
| (1) | 997 555 902 09 9L4<br>997 555 902 09 9M5<br>997 555 902 09 9C6<br>997 555 902 09 9D7<br>997 555 202 18 | Black<br>Stone grey<br>Sand beige<br>sea blue<br>door panel<br>slush technology<br>D >> - MJ 2007   | right rhd | 1   | CABRIO<br>PR:490,538,<br>099 |
| (1) | 997 555 202 18 9E8<br>997 555 202 18   | Palm green<br>D >> - MJ 2007<br>door panel<br>slush technology<br>Until<br>Chassis number<br>See technical information<br>GR.7 NR. 17/11<br>KD-NR. 70                 | right rhd | 1   | CABRIO<br>PR:490,538,<br>099 |
| (1) | 997 555 202 18 9L4<br>997 555 202 18 9M5<br>997 555 202 18 9C6<br>997 555 202 18 9D7<br>997 555 902 11 | Black<br>Stone grey<br>Sand beige<br>sea blue<br>door panel<br>slush technology<br>From<br>Chassis number<br>See technical information<br>GR.7 NR. 17/11<br>KD-NR. 70 | right rhd | 1   | CABRIO<br>PR:490,538,<br>099 |
| (1) | 997 555 902 11 9L4<br>997 555 902 11 9M5<br>997 555 902 11 9C6<br>997 555 902 11 9D7<br>997 555 202 20 | Black<br>Stone grey<br>Sand beige<br>sea blue<br>door panel<br>slush technology<br>D >> - MJ 2007   | right rhd | 1   | CABRIO<br>PR:099,680         |
| (1) | 997 555 202 20 9E8<br>997 555 202 20   | Palm green<br>D >> - MJ 2007<br>door panel<br>slush technology<br>Until<br>Chassis number<br>See technical information<br>GR.7 NR. 17/11<br>KD-NR. 70                 | right rhd | 1   | CABRIO<br>PR:099,680         |
| (1) | 997 555 202 20 9L4<br>997 555 202 20 9M5<br>997 555 202 20 9C6<br>997 555 202 20 9D7<br>997 555 902 13 | Black<br>Stone grey<br>Sand beige<br>sea blue<br>door panel<br>slush technology<br>From<br>Chassis number<br>See technical information<br>GR.7 NR. 17/11<br>KD-NR. 70 | right rhd | 1   | CABRIO<br>PR:099,680         |

Model: 997 05 Model life 2005>>2008

| Pos | Part Number        | Description   | Remark    | Qty | Model                        |
|-----|--------------------|---|-----------|-----|------------------------------|
|     | 997 555 902 13 9L4 | Black   |           |     |                              |
|     | 997 555 902 13 9M5 | Stone grey  |           |     |                              |
|     | 997 555 902 13 9C6 | Sand beige  |           |     |                              |
|     | 997 555 902 13 9D7 | sea blue  |           |     |                              |
| (1) | 997 555 202 22     | door panel<br>slush technology<br>D >> - MJ 2007  | right rhd | 1   | CABRIO<br>PR:538,680,<br>099 |
|     | 997 555 202 22 9E8 | Palm green<br>D >> - MJ 2007  |           |     |                              |
| (1) | 997 555 202 22     | door panel<br>slush technology<br>Until<br>Chassis number<br>See technical information<br>GR.7 NR. 17/11<br>KD-NR. 70 | right rhd | 1   | CABRIO<br>PR:538,680,<br>099 |
|     | 997 555 202 22 9L4 | Black   |           |     |                              |
|     | 997 555 202 22 9M5 | Stone grey  |           |     |                              |
|     | 997 555 202 22 9C6 | Sand beige  |           |     |                              |
|     | 997 555 202 22 9D7 | sea blue  |           |     |                              |
| (1) | 997 555 902 15     | door panel<br>slush technology<br>From<br>Chassis number<br>See technical information<br>GR.7 NR. 17/11<br>KD-NR. 70  | right rhd | 1   | CABRIO<br>PR:538,680,<br>099 |
|     | 997 555 902 15 9L4 | Black   |           |     |                              |
|     | 997 555 902 15 9M5 | Stone grey  |           |     |                              |
|     | 997 555 902 15 9C6 | Sand beige  |           |     |                              |
|     | 997 555 902 15 9D7 | sea blue  |           |     |                              |
| (1) | 997 555 201 26     | door panel<br>slush technology<br>D >> - MJ 2007  | left rhd  | 1   | PR:099,490                   |
|     | 997 555 201 26 9E8 | Palm green<br>D >> - MJ 2007  |           |     |                              |
| (1) | 997 555 201 26     | door panel<br>slush technology<br>Until<br>Chassis number<br>See technical information<br>GR.7 NR. 17/11<br>KD-NR. 70 | left rhd  | 1   | PR:099,490                   |
|     | 997 555 201 26 9L4 | Black   |           |     |                              |
|     | 997 555 201 26 9M5 | Stone grey  |           |     |                              |
|     | 997 555 201 26 9C6 | Sand beige  |           |     |                              |
|     | 997 555 201 26 9D7 | sea blue  |           |     |                              |
| (1) | 997 555 901 18     | door panel<br>slush technology<br>From<br>Chassis number<br>See technical information<br>GR.7 NR. 17/11<br>KD-NR. 70  | left rhd  | 1   | PR:099,490                   |
|     | 997 555 901 18 9L4 | Black   |           |     |                              |
|     | 997 555 901 18 9M5 | Stone grey  |           |     |                              |
|     | 997 555 901 18 9C6 | Sand beige  |           |     |                              |
|     | 997 555 901 18 9D7 | sea blue  |           |     |                              |
| (1) | 997 555 201 28     | door panel<br>slush technology<br>D >> - MJ 2007  | left rhd  | 1   | PR:099,680                   |
|     | 997 555 201 28 9E8 | Palm green<br>D >> - MJ 2007  |           |     |                              |

Model: 997 05 Model life 2005>>2008

| Pos | Part Number        | Description   | Remark   | Qty | Model                             |
|-----|--------------------|---|----------|-----|-----------------------------------|
| (1) | 997 555 201 28     | door panel<br>slush technology<br>Until<br>Chassis number<br>See technical information<br>GR.7 NR. 17/11<br>KD-NR. 70 | left rhd | 1   | PR:099,680                        |
|     | 997 555 201 28 9L4 | Black   |          |     |                                   |
|     | 997 555 201 28 9M5 | Stone grey  |          |     |                                   |
|     | 997 555 201 28 9C6 | Sand beige  |          |     |                                   |
|     | 997 555 201 28 9D7 | sea blue  |          |     |                                   |
| (1) | 997 555 901 20     | door panel<br>slush technology<br>From<br>Chassis number<br>See technical information<br>GR.7 NR. 17/11<br>KD-NR. 70  | left rhd | 1   | PR:099,680                        |
|     | 997 555 901 20 9L4 | Black   |          |     |                                   |
|     | 997 555 901 20 9M5 | Stone grey  |          |     |                                   |
|     | 997 555 901 20 9C6 | Sand beige  |          |     |                                   |
|     | 997 555 901 20 9D7 | sea blue  |          |     |                                   |
| (1) | 997 555 201 05     | Door panel trim (leather)   | left lhd | 1   | COUPE/TARGA<br>PR:098,490,<br>981 |
|     | 997 555 201 05 FSE | Palmgreen/palmgreen<br>D >> - MJ 2007   |          |     |                                   |
|     | 997 555 201 05 FSF | Terracotta/terracotta   |          |     |                                   |
|     | 997 555 201 05 FSG | Cocoa/Cocoa   |          |     |                                   |
|     | 997 555 201 05 FSH | Darkgrey natural/grey   |          |     |                                   |
|     | 997 555 201 05 FSJ | Brown nat./brown nat.   |          |     |                                   |
|     | 997 555 201 05 BCE | Black/sand beige<br>D - MJ 2006>>   |          |     |                                   |
|     | 997 555 201 05 BCF | Black/terracotta<br>D - MJ 2006>>   |          |     |                                   |
| (1) | 997 555 201 05     | Door panel trim (leather)   | left lhd | 1   | COUPE/TARGA<br>PR:098,490,<br>981 |
|     |                    | Until<br>Chassis number<br>See technical information<br>GR.7 NR. 17/11<br>KD-NR. 70                                   |          |     |                                   |
|     | 997 555 201 05 FSA | black/grey  |          |     |                                   |
|     | 997 555 201 05 FSB | Stone grey/stone grey   |          |     |                                   |
|     | 997 555 201 05 FSC | Sand beige/sand beige   |          |     |                                   |
|     | 997 555 201 05 FSD | Sea blue/grey   |          |     |                                   |
|     | 997 555 201 05 FSP | Carrera Red<br>D - MJ 2008>>  |          |     |                                   |
| (1) | 997 555 901 02     | Door panel trim (leather)   | left lhd | 1   | COUPE/TARGA<br>PR:098,490,<br>981 |
|     |                    | From<br>Chassis number<br>See technical information<br>GR.7 NR. 17/11<br>KD-NR. 70                                    |          |     |                                   |
|     | 997 555 901 02 FSA | Black   |          |     |                                   |
|     | 997 555 901 02 FSB | Stone grey  |          |     |                                   |
|     | 997 555 901 02 FSC | Sand beige/sand beige   |          |     |                                   |
|     | 997 555 901 02 FSD | sea blue  |          |     |                                   |
|     | 997 555 901 02 FSP | Carrera Red<br>D - MJ 2008>>  |          |     |                                   |
| (1) | 997 555 201 07     | Door panel trim (leather)   | left lhd | 1   | COUPE/TARGA<br>PR:490,537,        |

Model: 997 05 Model life 2005>>2008

| Pos | Part Number        | Description   | Remark   | Qty | Model                                 |
|-----|--------------------|---|----------|-----|---------------------------------------|
|     | 997 555 201 07 FSE | Palmgreen/palmgreen   |          |     | 981,098                               |
|     | 997 555 201 07 FSF | Terracotta/terracotta   |          |     |                                       |
|     | 997 555 201 07 FSG | Cocoa/Cocoa   |          |     |                                       |
|     | 997 555 201 07 FSH | Darkgrey natural/grey   |          |     |                                       |
|     | 997 555 201 07 FSJ | Brown nat./brown nat.   |          |     |                                       |
|     | 997 555 201 07 BCE | Black/sand beige<br>D - MJ 2006>>   |          |     |                                       |
|     | 997 555 201 07 BCF | Black/terracotta<br>D - MJ 2006>>   |          |     |                                       |
| (1) | 997 555 201 07     | Door panel trim (leather)   | left lhd | 1   | COUPE/TARGA<br>PR:490,537,<br>981,098 |
|     |                    | Until<br>Chassis number<br>See technical information<br>GR.7 NR. 17/11<br>KD-NR. 70                 |          |     |                                       |
|     | 997 555 201 07 FSA | black/grey  |          |     |                                       |
|     | 997 555 201 07 FSB | Stone grey/stone grey   |          |     |                                       |
|     | 997 555 201 07 FSC | Sand beige/sand beige   |          |     |                                       |
|     | 997 555 201 07 FSD | Sea blue/grey   |          |     |                                       |
|     | 997 555 201 07 FSP | Carrera Red<br>D - MJ 2008>>  |          |     |                                       |
| (1) | 997 555 901 04     | Door panel trim (leather)   | left lhd | 1   | COUPE/TARGA<br>PR:490,537,<br>981,098 |
|     |                    | From<br>Chassis number<br>See technical information<br>GR.7 NR. 17/11<br>KD-NR. 70<br>D - MJ 2008>> |          |     |                                       |
|     | 997 555 901 04 FSA | Black   |          |     |                                       |
|     | 997 555 901 04 FSB | Stone grey/stone grey   |          |     |                                       |
|     | 997 555 901 04 FSC | Sand beige/sand beige   |          |     |                                       |
|     | 997 555 901 04 FSD | sea blue  |          |     |                                       |
|     | 997 555 901 04 FSP | Carrera Red   |          |     |                                       |
| (1) | 997 555 201 09     | Door panel trim (leather)   | left lhd | 1   | COUPE/TARGA<br>PR:098,680,<br>981     |
|     | 997 555 201 09 FSE | Palmgreen/palmgreen<br>D >> - MJ 2007   |          |     |                                       |
|     | 997 555 201 09 FSF | Terracotta/terracotta   |          |     |                                       |
|     | 997 555 201 09 FSG | Cocoa/Cocoa   |          |     |                                       |
|     | 997 555 201 09 FSH | Darkgrey natural/grey   |          |     |                                       |
|     | 997 555 201 09 FSJ | Brown nat./brown nat.   |          |     |                                       |
|     | 997 555 201 09 BCE | Black/sand beige<br>D - MJ 2006>>   |          |     |                                       |
|     | 997 555 201 09 BCF | Black/terracotta<br>D - MJ 2006>>   |          |     |                                       |
| (1) | 997 555 201 09     | Door panel trim (leather)   | left lhd | 1   | COUPE/TARGA<br>PR:098,680,<br>981     |
|     |                    | Until<br>Chassis number<br>See technical information<br>GR.7 NR. 17/11<br>KD-NR. 70                 |          |     |                                       |
|     | 997 555 201 09 FSA | black/grey  |          |     |                                       |
|     | 997 555 201 09 FSB | Stone grey/stone grey   |          |     |                                       |
|     | 997 555 201 09 FSC | Sand beige/sand beige   |          |     |                                       |
|     | 997 555 201 09 FSD | Sea blue/grey   |          |     |                                       |
|     | 997 555 201 09 FSP | Carrera Red<br>D - MJ 2008>>  |          |     |                                       |
| (1) | 997 555 901 06     | Door panel trim (leather)   | left lhd | 1   | COUPE/TARGA                           |

Model: 997 05 Model life 2005>>2008

| Pos | Part Number        | Description   | Remark   | Qty | Model                                 |
|-----|--------------------|---|----------|-----|---------------------------------------|
|     |                    | From<br>Chassis number<br>See technical information<br>GR.7 NR. 17/11<br>KD-NR. 70  |          |     | PR:098,680,<br>981                    |
|     | 997 555 901 06 FSA | Black   |          |     |                                       |
|     | 997 555 901 06 FSB | Stone grey  |          |     |                                       |
|     | 997 555 901 06 FSC | Sand beige/sand beige   |          |     |                                       |
|     | 997 555 901 06 FSD | sea blue  |          |     |                                       |
|     | 997 555 901 06 FSP | Carrera Red   |          |     |                                       |
| (1) | 997 555 201 11     | D - MJ 2008>><br>Door panel trim (leather)  | left lhd | 1   | COUPE/TARGA<br>PR:537,680,<br>981,098 |
|     | 997 555 201 11 FSE | Palmgreen/palmgreen   |          |     |                                       |
|     | 997 555 201 11 FSF | Terracotta/terracotta   |          |     |                                       |
|     | 997 555 201 11 FSG | Cocoa/Cocoa   |          |     |                                       |
|     | 997 555 201 11 FSH | Darkgrey natural/grey   |          |     |                                       |
|     | 997 555 201 11 FSJ | Brown nat./brown nat.   |          |     |                                       |
|     | 997 555 201 11 BCE | Black/sand beige  |          |     |                                       |
|     | 997 555 201 11 BCF | D - MJ 2006>><br>Black/terracotta   |          |     |                                       |
| (1) | 997 555 201 11     | D - MJ 2006>><br>Door panel trim (leather)  | left lhd | 1   | COUPE/TARGA<br>PR:537,680,<br>981,098 |
|     |                    | Until<br>Chassis number<br>See technical information<br>GR.7 NR. 17/11<br>KD-NR. 70 |          |     |                                       |
|     | 997 555 201 11 FSA | black/grey  |          |     |                                       |
|     | 997 555 201 11 FSB | Stone grey/stone grey   |          |     |                                       |
|     | 997 555 201 11 FSC | Sand beige/sand beige   |          |     |                                       |
|     | 997 555 201 11 FSD | Sea blue/grey   |          |     |                                       |
|     | 997 555 201 11 FSP | Carrera Red   |          |     |                                       |
| (1) | 997 555 901 08     | D - MJ 2008>><br>Door panel trim (leather)  | left lhd | 1   | COUPE/TARGA<br>PR:537,680,<br>981,098 |
|     |                    | From<br>Chassis number<br>See technical information<br>GR.7 NR. 17/11<br>KD-NR. 70  |          |     |                                       |
|     | 997 555 901 08 FSA | Black   |          |     |                                       |
|     | 997 555 901 08 FSB | Stone grey/stone grey   |          |     |                                       |
|     | 997 555 901 08 FSC | Sand beige/sand beige   |          |     |                                       |
|     | 997 555 901 08 FSD | sea blue  |          |     |                                       |
|     | 997 555 901 08 FSP | Carrera Red   |          |     |                                       |
| (1) | 997 555 201 17     | D - MJ 2008>><br>Door panel trim (leather)  | left lhd | 1   | CABRIO<br>PR:098,490,<br>981          |
|     | 997 555 201 17 FSE | Palmgreen/palmgreen<br>D >> - MJ 2007   |          |     |                                       |
|     | 997 555 201 17 FSF | Terracotta/terracotta   |          |     |                                       |
|     | 997 555 201 17 FSG | Cocoa/Cocoa   |          |     |                                       |
|     | 997 555 201 17 FSH | Darkgrey natural/grey   |          |     |                                       |
|     | 997 555 201 17 FSJ | Brown nat./brown nat.   |          |     |                                       |
|     | 997 555 201 17 BCE | Black/sand beige  |          |     |                                       |
|     | 997 555 201 17 BCF | D - MJ 2006>><br>Black/terracotta   |          |     |                                       |
|     |                    | D - MJ 2006>>   |          |     |                                       |

Model: 997 05 Model life 2005>>2008

| Pos | Part Number        | Description  | Remark   | Qty | Model                            |
|-----|--------------------|--|----------|-----|----------------------------------|
| (1) | 997 555 201 17     | Door panel trim (leather)<br><br>Until<br>Chassis number<br>See technical information<br>GR.7 NR. 17/11<br>KD-NR. 70 | left lhd | 1   | CABRIO<br>PR:098,490,<br>981     |
|     | 997 555 201 17 FSA | black/grey   |          |     |                                  |
|     | 997 555 201 17 FSB | Stone grey/stone grey  |          |     |                                  |
|     | 997 555 201 17 FSC | Sand beige/sand beige  |          |     |                                  |
|     | 997 555 201 17 FSD | Sea blue/grey  |          |     |                                  |
|     | 997 555 201 17 FSP | Carrera Red  |          |     |                                  |
|     |                    | D - MJ 2008>>  |          |     |                                  |
| (1) | 997 555 901 10     | Door panel trim (leather)<br><br>From<br>Chassis number<br>See technical information<br>GR.7 NR. 17/11<br>KD-NR. 70  | left lhd | 1   | CABRIO<br>PR:098,490,<br>981     |
|     | 997 555 901 10 FSA | Black  |          |     |                                  |
|     | 997 555 901 10 FSB | Stone grey/stone grey  |          |     |                                  |
|     | 997 555 901 10 FSC | Sand beige/sand beige  |          |     |                                  |
|     | 997 555 901 10 FSD | sea blue   |          |     |                                  |
|     | 997 555 901 10 FSP | Carrera Red  |          |     |                                  |
|     |                    | D - MJ 2008>>  |          |     |                                  |
| (1) | 997 555 201 19     | Door panel trim (leather)<br><br>Palmgreen/palmgreen<br>D >> - MJ 2007   | left lhd | 1   | CABRIO<br>PR:490,537,<br>981,098 |
|     | 997 555 201 19 FSE | Palmgreen/palmgreen  |          |     |                                  |
|     | 997 555 201 19 FSF | Terracotta/terracotta  |          |     |                                  |
|     | 997 555 201 19 FSG | Cocoa/Cocoa  |          |     |                                  |
|     | 997 555 201 19 FSH | Darkgrey natural/grey  |          |     |                                  |
|     | 997 555 201 19 FSJ | Brown nat./brown nat.  |          |     |                                  |
|     | 997 555 201 19 BCE | Black/sand beige<br>D - MJ 2006>>  |          |     |                                  |
|     | 997 555 201 19 BCF | Black/terracotta<br>D - MJ 2006>>  |          |     |                                  |
| (1) | 997 555 201 19     | Door panel trim (leather)<br><br>Until<br>Chassis number<br>See technical information<br>GR.7 NR. 17/11<br>KD-NR. 70 | left lhd | 1   | CABRIO<br>PR:490,537,<br>981,098 |
|     | 997 555 201 19 FSA | black/grey   |          |     |                                  |
|     | 997 555 201 19 FSB | Stone grey/stone grey  |          |     |                                  |
|     | 997 555 201 19 FSC | Sand beige/sand beige  |          |     |                                  |
|     | 997 555 201 19 FSD | Sea blue/grey  |          |     |                                  |
|     | 997 555 201 19 FSP | Carrera Red  |          |     |                                  |
|     |                    | D - MJ 2008>>  |          |     |                                  |
| (1) | 997 555 901 12     | Door panel trim (leather)<br><br>From<br>Chassis number<br>See technical information<br>GR.7 NR. 17/11<br>KD-NR. 70  | left lhd | 1   | CABRIO<br>PR:490,537,<br>981,098 |
|     | 997 555 901 12 FSA | Black  |          |     |                                  |
|     | 997 555 901 12 FSB | Stone grey/stone grey  |          |     |                                  |
|     | 997 555 901 12 FSC | Sand beige/sand beige  |          |     |                                  |
|     | 997 555 901 12 FSD | sea blue   |          |     |                                  |

Model: 997 05 Model life 2005>>2008

| Pos | Part Number        | Description   | Remark   | Qty | Model                            |
|-----|--------------------|---|----------|-----|----------------------------------|
|     | 997 555 901 12 FSP | Carrera Red<br>D - MJ 2008>>  |          |     |                                  |
| (1) | 997 555 201 21     | Door panel trim (leather)   | left lhd | 1   | CABRIO<br>PR:098,680,<br>981     |
|     | 997 555 201 21 FSE | Palmgreen/palmgreen<br>D >> - MJ 2007   |          |     |                                  |
|     | 997 555 201 21 FSF | Terracotta/terracotta   |          |     |                                  |
|     | 997 555 201 21 FSG | Cocoa/Cocoa   |          |     |                                  |
|     | 997 555 201 21 FSH | Darkgrey natural/grey   |          |     |                                  |
|     | 997 555 201 21 FSJ | Brown nat./brown nat.   |          |     |                                  |
|     | 997 555 201 21 BCD | Black/stone grey<br>D - MJ 2006>>   |          |     |                                  |
|     | 997 555 201 21 BCE | Black/sand beige<br>D - MJ 2006>>   |          |     |                                  |
|     | 997 555 201 21 BCF | Black/terracotta<br>D - MJ 2006>>   |          |     |                                  |
| (1) | 997 555 201 21     | Door panel trim (leather)   | left lhd | 1   | CABRIO<br>PR:098,680,<br>981     |
|     |                    | Until<br>Chassis number<br>See technical information<br>GR.7 NR. 17/11<br>KD-NR. 70 |          |     |                                  |
|     | 997 555 201 21 FSA | black/grey  |          |     |                                  |
|     | 997 555 201 21 FSB | Stone grey/stone grey   |          |     |                                  |
|     | 997 555 201 21 FSC | Sand beige/sand beige   |          |     |                                  |
|     | 997 555 201 21 FSD | Sea blue/grey   |          |     |                                  |
|     | 997 555 201 21 FSP | Carrera Red<br>D - MJ 2008>>  |          |     |                                  |
| (1) | 997 555 901 14     | Door panel trim (leather)   | left lhd | 1   | CABRIO<br>PR:098,680,<br>981     |
|     |                    | From<br>Chassis number<br>See technical information<br>GR.7 NR. 17/11<br>KD-NR. 70  |          |     |                                  |
|     | 997 555 901 14 FSA | Black   |          |     |                                  |
|     | 997 555 901 14 FSB | Stone grey/stone grey   |          |     |                                  |
|     | 997 555 901 14 FSC | Sand beige/sand beige   |          |     |                                  |
|     | 997 555 901 14 FSD | sea blue  |          |     |                                  |
|     | 997 555 901 14 FSP | Carrera Red<br>D - MJ 2008>>  |          |     |                                  |
| (1) | 997 555 201 23     | Door panel trim (leather)   | left lhd | 1   | CABRIO<br>PR:537,680,<br>981,098 |
|     | 997 555 201 23 FSF | Terracotta/terracotta   |          |     |                                  |
|     | 997 555 201 23 FSG | Cocoa/Cocoa   |          |     |                                  |
|     | 997 555 201 23 FSH | Darkgrey natural/grey   |          |     |                                  |
|     | 997 555 201 23 FSJ | Brown nat./brown nat.   |          |     |                                  |
|     | 997 555 201 23 BCD | Black/stone grey<br>D - MJ 2006>>   |          |     |                                  |
|     | 997 555 201 23 BCE | Black/sand beige<br>D - MJ 2006>>   |          |     |                                  |
|     | 997 555 201 23 BCF | Black/terracotta<br>D - MJ 2006>>   |          |     |                                  |
| (1) | 997 555 201 23     | Door panel trim (leather)   | left lhd | 1   | CABRIO<br>PR:537,680,<br>981,098 |
|     |                    | Until<br>Chassis number<br>See technical information<br>GR.7 NR. 17/11<br>KD-NR. 70 |          |     |                                  |



Model: 997 05 Model life 2005>>2008

| Pos | Part Number        | Description   | Remark    | Qty | Model                            |
|-----|--------------------|---|-----------|-----|----------------------------------|
|     | 997 555 201 23 FSA | black/grey  |           |     |                                  |
|     | 997 555 201 23 FSB | Stone grey/stone grey   |           |     |                                  |
|     | 997 555 201 23 FSC | Sand beige/sand beige   |           |     |                                  |
|     | 997 555 201 23 FSD | Sea blue/grey   |           |     |                                  |
|     | 997 555 201 23 FSP | Carrera Red   |           |     |                                  |
| (1) | 997 555 901 16     | D - MJ 2008>><br>Door panel trim (leather)  | left lhd  | 1   | CABRIO<br>PR:537,680,<br>981,098 |
|     |                    | From<br>Chassis number<br>See technical information<br>GR.7 NR. 17/11<br>KD-NR. 70  |           |     |                                  |
|     | 997 555 901 16 FSA | Black   |           |     |                                  |
|     | 997 555 901 16 FSB | Stone grey/stone grey   |           |     |                                  |
|     | 997 555 901 16 FSC | Sand beige/sand beige   |           |     |                                  |
|     | 997 555 901 16 FSD | sea blue  |           |     |                                  |
|     | 997 555 901 16 FSP | Carrera Red   |           |     |                                  |
| (1) | 997 555 202 27     | D - MJ 2008>><br>Door panel trim (leather)  | right lhd | 1   | PR:098,490,<br>981               |
|     | 997 555 202 27 FSE | Palmgreen/palmgreen<br>D >> - MJ 2007   |           |     |                                  |
|     | 997 555 202 27 FSF | Terracotta/terracotta   |           |     |                                  |
|     | 997 555 202 27 FSG | Cocoa/Cocoa   |           |     |                                  |
|     | 997 555 202 27 FSH | Darkgrey natural/grey   |           |     |                                  |
|     | 997 555 202 27 FSJ | Brown nat./brown nat.   |           |     |                                  |
|     | 997 555 202 27 BCD | Black/stone grey<br>D - MJ 2006>>   |           |     |                                  |
|     | 997 555 202 27 BCE | Black/sand beige<br>D - MJ 2006>>   |           |     |                                  |
| (1) | 997 555 202 27 BCF | Black/terracotta<br>D - MJ 2006>><br>Door panel trim (leather)                      | right lhd | 1   | PR:098,490,<br>981               |
|     |                    | Until<br>Chassis number<br>See technical information<br>GR.7 NR. 17/11<br>KD-NR. 70 |           |     |                                  |
|     | 997 555 202 27 FSA | black/grey  |           |     |                                  |
|     | 997 555 202 27 FSB | Stone grey/stone grey   |           |     |                                  |
|     | 997 555 202 27 FSC | Sand beige/sand beige   |           |     |                                  |
|     | 997 555 202 27 FSD | Sea blue/grey   |           |     |                                  |
|     | 997 555 202 27 FSP | Carrera Red   |           |     |                                  |
| (1) | 997 555 902 19     | D - MJ 2008>><br>Door panel trim (leather)  | right lhd | 1   | PR:098,490,<br>981               |
|     |                    | From<br>Chassis number<br>See technical information<br>GR.7 NR. 17/11<br>KD-NR. 70  |           |     |                                  |
|     | 997 555 902 19 FSA | Black   |           |     |                                  |
|     | 997 555 902 19 FSB | Stone grey/stone grey   |           |     |                                  |
|     | 997 555 902 19 FSC | Sand beige/sand beige   |           |     |                                  |
|     | 997 555 902 19 FSD | sea blue  |           |     |                                  |
|     | 997 555 902 19 FSP | Carrera Red   |           |     |                                  |
| (1) | 997 555 202 29     | D - MJ 2008>><br>Door panel trim (leather)  | right lhd | 1   | PR:098,680,<br>981               |
|     | 997 555 202 29 FSE | Palmgreen/palmgreen<br>D >> - MJ 2007   |           |     |                                  |

Model: 997 05 Model life 2005>>2008

| Pos | Part Number        | Description  | Remark    | Qty | Model                             |
|-----|--------------------|--|-----------|-----|-----------------------------------|
|     | 997 555 202 29 FSF | Terracotta/terracotta  |           |     |                                   |
|     | 997 555 202 29 FSG | Cocoa/Cocoa  |           |     |                                   |
|     | 997 555 202 29 FSH | Darkgrey natural/grey  |           |     |                                   |
|     | 997 555 202 29 FSJ | Brown nat./brown nat.  |           |     |                                   |
|     | 997 555 202 29 BCD | Black/stone grey<br>D - MJ 2006>>  |           |     |                                   |
|     | 997 555 202 29 BCE | Black/sand beige<br>D - MJ 2006>>  |           |     |                                   |
|     | 997 555 202 29 BCF | Black/terracotta<br>D - MJ 2006>>  |           |     |                                   |
| (1) | 997 555 202 29     | Door panel trim (leather)<br><br>Until<br>Chassis number<br>See technical information<br>GR.7 NR. 17/11<br>KD-NR. 70 | right lhd | 1   | PR:098,680,<br>981                |
|     | 997 555 202 29 FSA | black/grey   |           |     |                                   |
|     | 997 555 202 29 FSB | Stone grey/stone grey  |           |     |                                   |
|     | 997 555 202 29 FSC | Sand beige/sand beige  |           |     |                                   |
|     | 997 555 202 29 FSD | Sea blue/grey  |           |     |                                   |
|     | 997 555 202 29 FSP | Carrera Red<br>D - MJ 2008>>   |           |     |                                   |
| (1) | 997 555 902 21     | Door panel trim (leather)<br><br>From<br>Chassis number<br>See technical information<br>GR.7 NR. 17/11<br>KD-NR. 70  | right lhd | 1   | PR:098,680,<br>981                |
|     | 997 555 902 21 FSA | Black  |           |     |                                   |
|     | 997 555 902 21 FSB | Stone grey/stone grey  |           |     |                                   |
|     | 997 555 902 21 FSC | Sand beige/sand beige  |           |     |                                   |
|     | 997 555 902 21 FSD | sea blue   |           |     |                                   |
|     | 997 555 902 21 FSP | Carrera Red<br>D - MJ 2008>>   |           |     |                                   |
| (1) | 997 555 202 05     | Door panel trim (leather)  | right rhd | 1   | COUPE/TARGA<br>PR:099,490,<br>981 |
|     | 997 555 202 05 FSE | Palmgreen/palmgreen<br>D >> - MJ 2007  |           |     |                                   |
|     | 997 555 202 05 FSF | Terracotta/terracotta  |           |     |                                   |
|     | 997 555 202 05 FSG | Cocoa/Cocoa  |           |     |                                   |
|     | 997 555 202 05 FSH | Darkgrey natural/grey  |           |     |                                   |
|     | 997 555 202 05 FSJ | Brown nat./brown nat.  |           |     |                                   |
|     | 997 555 202 05 BCD | Black/stone grey<br>D - MJ 2006>>  |           |     |                                   |
|     | 997 555 202 05 BCE | Black/sand beige<br>D - MJ 2006>>  |           |     |                                   |
|     | 997 555 202 05 BCF | Black/terracotta<br>D - MJ 2006>>  |           |     |                                   |
| (1) | 997 555 202 05     | Door panel trim (leather)<br><br>Until<br>Chassis number<br>See technical information<br>GR.7 NR. 17/11<br>KD-NR. 70 | right rhd | 1   | COUPE/TARGA<br>PR:099,490,<br>981 |
|     | 997 555 202 05 FSA | black/grey   |           |     |                                   |
|     | 997 555 202 05 FSB | Stone grey/stone grey  |           |     |                                   |
|     | 997 555 202 05 FSC | Sand beige/sand beige  |           |     |                                   |
|     | 997 555 202 05 FSD | Sea blue/grey  |           |     |                                   |
|     | 997 555 202 05 FSP | Carrera Red  |           |     |                                   |

Model: 997 05 Model life 2005>>2008

| Pos | Part Number        | Description  | Remark    | Qty | Model                                 |
|-----|--------------------|--|-----------|-----|---------------------------------------|
| (1) | 997 555 902 02     | D - MJ 2008>><br>Door panel trim (leather)<br><br>From<br>Chassis number<br>See technical information<br>GR.7 NR. 17/11<br>KD-NR. 70 | right rhd | 1   | COUPE/TARGA<br>PR:099,490,<br>981     |
|     | 997 555 902 02 FSA | Black  |           |     |                                       |
|     | 997 555 902 02 FSB | Stone grey   |           |     |                                       |
|     | 997 555 902 02 FSC | Sand beige/sand beige  |           |     |                                       |
|     | 997 555 902 02 FSD | sea blue   |           |     |                                       |
|     | 997 555 902 02 FSP | Carrera Red  |           |     |                                       |
| (1) | 997 555 202 07     | D - MJ 2008>><br>Door panel trim (leather)   | right rhd | 1   | COUPE/TARGA<br>PR:490,538,<br>981,099 |
|     | 997 555 202 07 FSE | Palmgreen/palmgreen<br>D >> - MJ 2007  |           |     |                                       |
|     | 997 555 202 07 FSF | Terracotta/terracotta  |           |     |                                       |
|     | 997 555 202 07 FSG | Cocoa/Cocoa  |           |     |                                       |
|     | 997 555 202 07 FSH | Darkgrey natural/grey  |           |     |                                       |
|     | 997 555 202 07 FSJ | Brown nat./brown nat.  |           |     |                                       |
|     | 997 555 202 07 BCD | Black/stone grey<br>D - MJ 2006>>  |           |     |                                       |
|     | 997 555 202 07 BCE | Black/sand beige<br>D - MJ 2006>>  |           |     |                                       |
|     | 997 555 202 07 BCF | Black/terracotta<br>D - MJ 2006>>  |           |     |                                       |
| (1) | 997 555 202 07     | Door panel trim (leather)  | right rhd | 1   | COUPE/TARGA<br>PR:490,538,<br>981,099 |
|     |                    | Until<br>Chassis number<br>See technical information<br>GR.7 NR. 17/11<br>KD-NR. 70  |           |     |                                       |
|     | 997 555 202 07 FSA | black/grey   |           |     |                                       |
|     | 997 555 202 07 FSB | Stone grey/stone grey  |           |     |                                       |
|     | 997 555 202 07 FSC | Sand beige/sand beige  |           |     |                                       |
|     | 997 555 202 07 FSD | Sea blue/grey  |           |     |                                       |
|     | 997 555 202 07 FSP | Carrera Red  |           |     |                                       |
| (1) | 997 555 902 04     | D - MJ 2008>><br>Door panel trim (leather)<br><br>From<br>Chassis number<br>See technical information<br>GR.7 NR. 17/11<br>KD-NR. 70 | right rhd | 1   | COUPE/TARGA<br>PR:490,538,<br>981,099 |
|     | 997 555 902 04 FSA | Black  |           |     |                                       |
|     | 997 555 902 04 FSB | Stone grey   |           |     |                                       |
|     | 997 555 902 04 FSC | Sand beige/sand beige  |           |     |                                       |
|     | 997 555 902 04 FSD | sea blue   |           |     |                                       |
|     | 997 555 902 04 FSP | Carrera Red  |           |     |                                       |
| (1) | 997 555 202 09     | D - MJ 2008>><br>Door panel trim (leather)   | right rhd | 1   | COUPE/TARGA<br>PR:099,680,<br>981     |
|     | 997 555 202 09 FSE | Palmgreen/palmgreen<br>D >> - MJ 2007  |           |     |                                       |
|     | 997 555 202 09 FSF | Terracotta/terracotta  |           |     |                                       |
|     | 997 555 202 09 FSG | Cocoa/Cocoa  |           |     |                                       |
|     | 997 555 202 09 FSH | Darkgrey natural/grey  |           |     |                                       |

Model: 997 05 Model life 2005>>2008

| Pos | Part Number        | Description  | Remark    | Qty | Model                                 |
|-----|--------------------|--|-----------|-----|---------------------------------------|
|     | 997 555 202 09 FSJ | Brown nat./brown nat.  |           |     |                                       |
|     | 997 555 202 09 BCD | Black/stone grey<br>D - MJ 2006>>  |           |     |                                       |
|     | 997 555 202 09 BCE | Black/sand beige<br>D - MJ 2006>>  |           |     |                                       |
|     | 997 555 202 09 BCF | Black/terracotta<br>D - MJ 2006>>  |           |     |                                       |
| (1) | 997 555 202 09     | Door panel trim (leather)<br><br>Until<br>Chassis number<br>See technical information<br>GR.7 NR. 17/11<br>KD-NR. 70 | right rhd | 1   | COUPE/TARGA<br>PR:099,680,<br>981     |
|     | 997 555 202 09 FSA | black/grey   |           |     |                                       |
|     | 997 555 202 09 FSB | Stone grey/stone grey  |           |     |                                       |
|     | 997 555 202 09 FSC | Sand beige/sand beige  |           |     |                                       |
|     | 997 555 202 09 FSD | Sea blue/grey  |           |     |                                       |
|     | 997 555 202 09 FSP | Carrera Red<br>D - MJ 2008>>   |           |     |                                       |
| (1) | 997 555 902 06     | Door panel trim (leather)<br><br>From<br>Chassis number<br>See technical information<br>GR.7 NR. 17/11<br>KD-NR. 70  | right rhd | 1   | COUPE/TARGA<br>PR:099,680,<br>981     |
|     | 997 555 902 06 FSA | Black  |           |     |                                       |
|     | 997 555 902 06 FSB | Stone grey/stone grey  |           |     |                                       |
|     | 997 555 902 06 FSC | Sand beige/sand beige  |           |     |                                       |
|     | 997 555 902 06 FSD | sea blue   |           |     |                                       |
|     | 997 555 902 06 FSP | Carrera Red<br>D - MJ 2008>>   |           |     |                                       |
| (1) | 997 555 202 11     | Door panel trim (leather)<br><br>Palmgreen/palmgreen<br>D >> - MJ 2007   | right rhd | 1   | COUPE/TARGA<br>PR:538,680,<br>981,099 |
|     | 997 555 202 11 FSF | Terracotta/terracotta  |           |     |                                       |
|     | 997 555 202 11 FSG | Cocoa/Cocoa  |           |     |                                       |
|     | 997 555 202 11 FSH | Darkgrey natural/grey  |           |     |                                       |
|     | 997 555 202 11 FSJ | Brown nat./brown nat.  |           |     |                                       |
|     | 997 555 202 11 BCD | Black/stone grey<br>D - MJ 2006>>  |           |     |                                       |
|     | 997 555 202 11 BCE | Black/sand beige<br>D - MJ 2006>>  |           |     |                                       |
|     | 997 555 202 11 BCF | Black/terracotta<br>D - MJ 2006>>  |           |     |                                       |
| (1) | 997 555 202 11     | Door panel trim (leather)<br><br>Until<br>Chassis number<br>See technical information<br>GR.7 NR. 17/11<br>KD-NR. 70 | right rhd | 1   | COUPE/TARGA<br>PR:538,680,<br>981,099 |
|     | 997 555 202 11 FSA | black/grey   |           |     |                                       |
|     | 997 555 202 11 FSB | Stone grey/stone grey  |           |     |                                       |
|     | 997 555 202 11 FSC | Sand beige/sand beige  |           |     |                                       |
|     | 997 555 202 11 FSD | Sea blue/grey  |           |     |                                       |
|     | 997 555 202 11 FSP | Carrera Red<br>D - MJ 2008>>   |           |     |                                       |
| (1) | 997 555 902 08     | Door panel trim (leather)  | right rhd | 1   | COUPE/TARGA<br>PR:538,680,            |

Model: 997 05 Model life 2005>>2008

| Pos | Part Number        | Description   | Remark    | Qty | Model                            |
|-----|--------------------|---|-----------|-----|----------------------------------|
|     |                    | From<br>Chassis number<br>See technical information<br>GR.7 NR. 17/11<br>KD-NR. 70  |           |     | 981,099                          |
|     | 997 555 902 08 FSA | Black   |           |     |                                  |
|     | 997 555 902 08 FSB | Stone grey  |           |     |                                  |
|     | 997 555 902 08 FSC | Sand beige/sand beige   |           |     |                                  |
|     | 997 555 902 08 FSD | sea blue  |           |     |                                  |
|     | 997 555 902 08 FSP | Carrera Red   |           |     |                                  |
| (1) | 997 555 202 17     | D - MJ 2008>><br>Door panel trim (leather)  | right rhd | 1   | CABRIO<br>PR:099,490,<br>981     |
|     | 997 555 202 17 FSE | Palmgreen/palmgreen<br>D >> - MJ 2007   |           |     |                                  |
|     | 997 555 202 17 FSF | Terracotta/terracotta   |           |     |                                  |
|     | 997 555 202 17 FSG | Cocoa/Cocoa   |           |     |                                  |
|     | 997 555 202 17 FSH | Darkgrey natural/grey   |           |     |                                  |
|     | 997 555 202 17 FSJ | Brown nat./brown nat.   |           |     |                                  |
|     | 997 555 202 17 BCD | Black/stone grey<br>D - MJ 2006>>   |           |     |                                  |
|     | 997 555 202 17 BCE | Black/sand beige<br>D - MJ 2006>>   |           |     |                                  |
|     | 997 555 202 17 BCF | Black/terracotta<br>D - MJ 2006>>   |           |     |                                  |
| (1) | 997 555 202 17     | Door panel trim (leather)   | right rhd | 1   | CABRIO<br>PR:099,490,<br>981     |
|     |                    | Until<br>Chassis number<br>See technical information<br>GR.7 NR. 17/11<br>KD-NR. 70 |           |     |                                  |
|     | 997 555 202 17 FSA | black/grey  |           |     |                                  |
|     | 997 555 202 17 FSB | Stone grey/stone grey   |           |     |                                  |
|     | 997 555 202 17 FSC | Sand beige/sand beige   |           |     |                                  |
|     | 997 555 202 17 FSD | Sea blue/grey   |           |     |                                  |
|     | 997 555 202 17 FSP | Carrera Red   |           |     |                                  |
| (1) | 997 555 902 10     | D - MJ 2008>><br>Door panel trim (leather)  | right rhd | 1   | CABRIO<br>PR:099,490,<br>981     |
|     |                    | From<br>Chassis number<br>See technical information<br>GR.7 NR. 17/11<br>KD-NR. 70  |           |     |                                  |
|     | 997 555 902 10 FSA | Black   |           |     |                                  |
|     | 997 555 902 10 FSB | Stone grey/stone grey   |           |     |                                  |
|     | 997 555 902 10 FSC | Sand beige/sand beige   |           |     |                                  |
|     | 997 555 902 10 FSD | sea blue  |           |     |                                  |
|     | 997 555 902 10 FSP | Carrera Red   |           |     |                                  |
| (1) | 997 555 202 19     | D - MJ 2008>><br>Door panel trim (leather)  | right rhd | 1   | CABRIO<br>PR:490,538,<br>981,099 |
|     | 997 555 202 19 FSE | Palmgreen/palmgreen<br>D >> - MJ 2007   |           |     |                                  |
|     | 997 555 202 19 FSF | Terracotta/terracotta   |           |     |                                  |
|     | 997 555 202 19 FSG | Cocoa/Cocoa   |           |     |                                  |
|     | 997 555 202 19 FSH | Darkgrey natural/grey   |           |     |                                  |
|     | 997 555 202 19 FSJ | Brown nat./brown nat.   |           |     |                                  |
|     | 997 555 202 19 BCD | Black/stone grey<br>D - MJ 2006>>   |           |     |                                  |

Model: 997 05 Model life 2005>>2008

| Pos | Part Number        | Description  | Remark    | Qty | Model                            |
|-----|--------------------|--|-----------|-----|----------------------------------|
|     | 997 555 202 19 BCE | Black/sand beige<br>D - MJ 2006>>  |           |     |                                  |
|     | 997 555 202 19 BCF | Black/terracotta<br>D - MJ 2006>>  |           |     |                                  |
| (1) | 997 555 202 19     | Door panel trim (leather)<br><br>Until<br>Chassis number<br>See technical information<br>GR.7 NR. 17/11<br>KD-NR. 70 | right rhd | 1   | CABRIO<br>PR:490,538,<br>981,099 |
|     | 997 555 202 19 FSA | black/grey   |           |     |                                  |
|     | 997 555 202 19 FSB | Stone grey/stone grey  |           |     |                                  |
|     | 997 555 202 19 FSC | Sand beige/sand beige  |           |     |                                  |
|     | 997 555 202 19 FSD | Sea blue/grey  |           |     |                                  |
|     | 997 555 202 19 FSP | Carrera Red<br>D - MJ 2008>>   |           |     |                                  |
| (1) | 997 555 902 12     | Door panel trim (leather)<br><br>From<br>Chassis number<br>See technical information<br>GR.7 NR. 17/11<br>KD-NR. 70  | right rhd | 1   | CABRIO<br>PR:490,538,<br>981,099 |
|     | 997 555 902 12 FSA | Black  |           |     |                                  |
|     | 997 555 902 12 FSB | Stone grey/stone grey  |           |     |                                  |
|     | 997 555 902 12 FSC | Sand beige/sand beige  |           |     |                                  |
|     | 997 555 902 12 FSD | sea blue   |           |     |                                  |
|     | 997 555 902 12 FSP | Carrera Red<br>D - MJ 2008>>   |           |     |                                  |
| (1) | 997 555 202 21     | Door panel trim (leather)  | right rhd | 1   | CABRIO<br>PR:099,680,<br>981     |
|     | 997 555 202 21 FSE | Palmgreen/palmgreen<br>D >> - MJ 2007  |           |     |                                  |
|     | 997 555 202 21 FSF | Terracotta/terracotta  |           |     |                                  |
|     | 997 555 202 21 FSG | Cocoa/Cocoa  |           |     |                                  |
|     | 997 555 202 21 FSH | Darkgrey natural/grey  |           |     |                                  |
|     | 997 555 202 21 FSJ | Brown nat./brown nat.  |           |     |                                  |
|     | 997 555 202 21 BCD | Black/stone grey<br>D - MJ 2006>>  |           |     |                                  |
|     | 997 555 202 21 BCE | Black/sand beige<br>D - MJ 2006>>  |           |     |                                  |
|     | 997 555 202 21 BCF | Black/terracotta<br>D - MJ 2006>>  |           |     |                                  |
| (1) | 997 555 202 21     | Door panel trim (leather)<br><br>Until<br>Chassis number<br>See technical information<br>GR.7 NR. 17/11<br>KD-NR. 70 | right rhd | 1   | CABRIO<br>PR:099,680,<br>981     |
|     | 997 555 202 21 FSA | black/grey   |           |     |                                  |
|     | 997 555 202 21 FSB | Stone grey/stone grey  |           |     |                                  |
|     | 997 555 202 21 FSC | Sand beige/sand beige  |           |     |                                  |
|     | 997 555 202 21 FSD | Sea blue/grey  |           |     |                                  |
|     | 997 555 202 21 FSP | Carrera Red<br>D - MJ 2008>>   |           |     |                                  |
| (1) | 997 555 902 14     | Door panel trim (leather)<br><br>From<br>Chassis number<br>See technical information                                 | right rhd | 1   | CABRIO<br>PR:099,680,<br>981     |

Model: 997 05 Model life 2005>>2008

| Pos | Part Number        | Description  | Remark    | Qty | Model                            |
|-----|--------------------|--|-----------|-----|----------------------------------|
|     |                    | GR.7 NR. 17/11<br>KD-NR. 70                          |           |     |                                  |
|     | 997 555 902 14 FSA | Black  |           |     |                                  |
|     | 997 555 902 14 FSB | Stone grey/stone grey                                |           |     |                                  |
|     | 997 555 902 14 FSC | Sand beige/sand beige                                |           |     |                                  |
|     | 997 555 902 14 FSD | sea blue   |           |     |                                  |
|     | 997 555 902 14 FSP | Carrera Red  |           |     |                                  |
|     |                    | D - MJ 2008>>  |           |     |                                  |
| (1) | 997 555 202 23     | Door panel trim (leather)                            | right rhd | 1   | CABRIO<br>PR:538,680,<br>981,099 |
|     | 997 555 202 23 FSE | Palmgreen/palmgreen<br>D >> - MJ 2007                |           |     |                                  |
|     | 997 555 202 23 FSF | Terracotta/terracotta                                |           |     |                                  |
|     | 997 555 202 23 FSG | Cocoa/Cocoa  |           |     |                                  |
|     | 997 555 202 23 FSH | Darkgrey natural/grey                                |           |     |                                  |
|     | 997 555 202 23 FSJ | Brown nat./brown nat.                                |           |     |                                  |
|     | 997 555 202 23 BCD | Black/stone grey<br>D - MJ 2006>>                    |           |     |                                  |
|     | 997 555 202 23 BCE | Black/sand beige<br>D - MJ 2006>>                    |           |     |                                  |
|     | 997 555 202 23 BCF | Black/terracotta<br>D - MJ 2006>>                    |           |     |                                  |
| (1) | 997 555 202 23     | Door panel trim (leather)                            | right rhd | 1   | CABRIO<br>PR:538,680,<br>981,099 |
|     |                    | Until<br>Chassis number<br>See technical information |           |     |                                  |
|     |                    | GR.7 NR. 17/11<br>KD-NR. 70                          |           |     |                                  |
|     | 997 555 202 23 FSA | black/grey   |           |     |                                  |
|     | 997 555 202 23 FSB | Stone grey/stone grey                                |           |     |                                  |
|     | 997 555 202 23 FSC | Sand beige/sand beige                                |           |     |                                  |
|     | 997 555 202 23 FSD | Sea blue/grey  |           |     |                                  |
|     | 997 555 202 23 FSP | Carrera Red  |           |     |                                  |
|     |                    | D - MJ 2008>>  |           |     |                                  |
| (1) | 997 555 902 16     | Door panel trim (leather)                            | right rhd | 1   | CABRIO<br>PR:538,680,<br>981,099 |
|     |                    | From<br>Chassis number<br>See technical information  |           |     |                                  |
|     |                    | GR.7 NR. 17/11<br>KD-NR. 70                          |           |     |                                  |
|     | 997 555 902 16 FSA | Black  |           |     |                                  |
|     | 997 555 902 16 FSB | Stone grey/stone grey                                |           |     |                                  |
|     | 997 555 902 16 FSC | Sand beige/sand beige                                |           |     |                                  |
|     | 997 555 902 16 FSD | sea blue   |           |     |                                  |
|     | 997 555 902 16 FSP | Carrera Red  |           |     |                                  |
|     |                    | D - MJ 2008>>  |           |     |                                  |
| (1) | 997 555 201 27     | Door panel trim (leather)                            | left rhd  | 1   | PR:099,490,<br>981               |
|     | 997 555 201 27 FSE | Palmgreen/palmgreen<br>D >> - MJ 2007                |           |     |                                  |
|     | 997 555 201 27 FSF | Terracotta/terracotta                                |           |     |                                  |
|     | 997 555 201 27 FSG | Cocoa/Cocoa  |           |     |                                  |
|     | 997 555 201 27 FSH | Darkgrey natural/grey                                |           |     |                                  |
|     | 997 555 201 27 FSJ | Brown nat./brown nat.                                |           |     |                                  |
|     | 997 555 201 27 BCD | Black/stone grey<br>D - MJ 2006>>                    |           |     |                                  |
|     | 997 555 201 27 BCE | Black/sand beige<br>D - MJ 2006>>                    |           |     |                                  |
|     | 997 555 201 27 BCF | Black/terracotta<br>D - MJ 2006>>                    |           |     |                                  |

Model: 997 05 Model life 2005>>2008

| Pos | Part Number        | Description  | Remark   | Qty | Model              |
|-----|--------------------|--|----------|-----|--------------------|
| (1) | 997 555 201 27     | Door panel trim (leather)<br>From<br>Chassis number<br>See technical information<br>GR.7 NR. 17/11<br>KD-NR. 70  | left rhd | 1   | PR:099,490,<br>981 |
|     | 997 555 201 27 FSA | black/grey   |          |     |                    |
|     | 997 555 201 27 FSB | Stone grey/stone grey  |          |     |                    |
|     | 997 555 201 27 FSC | Sand beige/sand beige  |          |     |                    |
|     | 997 555 201 27 FSD | Sea blue/grey  |          |     |                    |
|     | 997 555 201 27 FSP | Carrera Red  |          |     |                    |
|     |                    | D - MJ 2008>>  |          |     |                    |
| (1) | 997 555 901 19     | Door panel trim (leather)<br>Until<br>Chassis number<br>See technical information<br>GR.7 NR. 17/11<br>KD-NR. 70 | left rhd | 1   | PR:099,490,<br>981 |
|     | 997 555 901 19 FSA | Black  |          |     |                    |
|     | 997 555 901 19 FSB | Stone grey/stone grey  |          |     |                    |
|     | 997 555 901 19 FSC | Sand beige/sand beige  |          |     |                    |
|     | 997 555 901 19 FSD | sea blue   |          |     |                    |
|     | 997 555 901 19 FSP | Carrera Red  |          |     |                    |
|     |                    | D - MJ 2008>>  |          |     |                    |
| (1) | 997 555 201 29     | Door panel trim (leather)<br>997 555 201 29 FSE Palmgreen/palmgreen<br>D >> - MJ 2007                            | left rhd | 1   | PR:099,680,<br>981 |
|     | 997 555 201 29 FSF | Terracotta/terracotta  |          |     |                    |
|     | 997 555 201 29 FSG | Cocoa/Cocoa  |          |     |                    |
|     | 997 555 201 29 FSH | Darkgrey natural/grey  |          |     |                    |
|     | 997 555 201 29 FSJ | Brown nat./brown nat.  |          |     |                    |
|     | 997 555 201 29 BCD | Black/stone grey<br>D - MJ 2006>>  |          |     |                    |
|     | 997 555 201 29 BCE | Black/sand beige<br>D - MJ 2006>>  |          |     |                    |
|     | 997 555 201 29 BCF | Black/terracotta<br>D - MJ 2006>>  |          |     |                    |
| (1) | 997 555 201 29     | Door panel trim (leather)<br>From<br>Chassis number<br>See technical information<br>GR.7 NR. 17/11<br>KD-NR. 70  | left rhd | 1   | PR:099,680,<br>981 |
|     | 997 555 201 29 FSA | black/grey   |          |     |                    |
|     | 997 555 201 29 FSB | Stone grey/stone grey  |          |     |                    |
|     | 997 555 201 29 FSC | Sand beige/sand beige  |          |     |                    |
|     | 997 555 201 29 FSD | Sea blue/grey  |          |     |                    |
|     | 997 555 201 29 FSP | Carrera Red  |          |     |                    |
|     |                    | D - MJ 2008>>  |          |     |                    |
| (1) | 997 555 901 21     | Door panel trim (leather)<br>Until<br>Chassis number<br>See technical information<br>GR.7 NR. 17/11<br>KD-NR. 70 | left rhd | 1   | PR:099,680,<br>981 |
|     | 997 555 901 21 FSA | Black  |          |     |                    |
|     | 997 555 901 21 FSB | Stone grey/stone grey  |          |     |                    |
|     | 997 555 901 21 FSC | Sand beige/sand beige  |          |     |                    |



Model: 997 05 Model life 2005>>2008

| Pos | Part Number        | Description                   | Remark | Qty | Model  |
|-----|--------------------|-------------------------------|--------|-----|--------|
|     | 997 555 901 21 FSD | sea blue                      |        |     |        |
|     | 997 555 901 21 FSP | Carrera Red                   |        |     |        |
|     |                    | D - MJ 2008>>                 |        |     |        |
| 2   | 999 507 533 02     | Clamp                         |        | 2   |        |
|     |                    | 8,0X 10/2,5                   |        |     |        |
| 3   | 955 555 243 00     | Retaining clip                |        | 9   |        |
|     |                    | for                           |        |     |        |
|     |                    | door panel                    |        |     |        |
| 4   | 999 073 322 02     | fillister hd. bolt            |        | 5   |        |
|     |                    | M 6 X 20                      |        |     |        |
|     |                    | for                           |        |     |        |
|     |                    | Mount                         |        |     |        |
|     |                    | door panel                    |        |     |        |
| 5   | 997 555 221 01     | Cover                         | left   | 1   |        |
|     |                    | Stowage compartment           |        |     |        |
|     | 997 555 221 01 FSA | black/grey                    |        |     |        |
|     | 997 555 221 01 FSB | Stone grey/stone grey         |        |     |        |
|     | 997 555 221 01 FSC | Sand beige/sand beige         |        |     |        |
|     | 997 555 221 01 FSD | Sea blue/grey                 |        |     |        |
|     | 997 555 221 01 FSE | Palmgreen/palmgreen           |        |     |        |
|     |                    | D >> - MJ 2007                |        |     |        |
|     | 997 555 221 01 FSF | Terracotta/terracotta         |        |     |        |
|     | 997 555 221 01 FSG | Cocoa/Cocoa                   |        |     |        |
|     | 997 555 221 01 FSH | Darkgrey natural/grey         |        |     |        |
|     | 997 555 221 01 FSJ | Brown nat./brown nat.         |        |     |        |
|     | 997 555 221 01 FSP | Carrera Red                   |        |     |        |
|     |                    | D - MJ 2008>>                 |        |     |        |
| (5) | 997 555 222 01     | Cover                         | right  | 1   |        |
|     |                    | Stowage compartment           |        |     |        |
|     | 997 555 222 01 FSA | black/grey                    |        |     |        |
|     | 997 555 222 01 FSB | Stone grey/stone grey         |        |     |        |
|     | 997 555 222 01 FSC | Sand beige/sand beige         |        |     |        |
|     | 997 555 222 01 FSD | Sea blue/grey                 |        |     |        |
|     | 997 555 222 01 FSE | Palmgreen/palmgreen           |        |     |        |
|     |                    | D >> - MJ 2007                |        |     |        |
|     | 997 555 222 01 FSF | Terracotta/terracotta         |        |     |        |
|     | 997 555 222 01 FSG | Cocoa/Cocoa                   |        |     |        |
|     | 997 555 222 01 FSH | Darkgrey natural/grey         |        |     |        |
|     | 997 555 222 01 FSJ | Brown nat./brown nat.         |        |     |        |
|     | 997 555 222 01 FSP | Carrera Red                   |        |     |        |
|     |                    | D - MJ 2008>>                 |        |     |        |
| (5) | 997 555 989 00     | Cover for stowage compartment | left   | 1   | PR:XTL |
|     |                    | Carbon                        |        |     |        |
|     | 997 555 989 00 A35 | Black                         |        |     |        |
| (5) | 997 555 990 00     | Cover for stowage compartment | right  | 1   | PR:XTL |
|     |                    | Carbon                        |        |     |        |
|     | 997 555 990 00 A35 | Black                         |        |     |        |
| (5) | 997 555 989 01     | Cover for stowage compartment | left   | 1   | PR:XTU |
|     |                    | D >> - MJ 2008                |        |     |        |
|     | 997 555 989 01 S62 | Sycamore wood                 |        |     |        |
| (5) | 997 555 990 01     | Cover for stowage compartment | right  | 1   | PR:XTU |
|     |                    | D >> - MJ 2008                |        |     |        |
|     | 997 555 990 01 S62 | Sycamore wood                 |        |     |        |
| (5) | 997 555 989 02     | Cover for stowage compartment | left   | 1   | PR:XTT |
|     | 997 555 989 02 S61 | macassar                      |        |     |        |
| (5) | 997 555 990 02     | Cover for stowage compartment | right  | 1   | PR:XTT |
|     | 997 555 990 02 S61 | macassar                      |        |     |        |
| (5) | 997 555 989 03     | Cover for stowage compartment | left   | 1   | PR:XTW |
|     | 997 555 989 03 V04 | Galvano silver                |        |     |        |
| (5) | 997 555 990 03     | Cover for stowage compartment | right  | 1   | PR:XTW |
|     | 997 555 990 03 V04 | Galvano silver                |        |     |        |
| 6   | 997 555 833 00     | Leg spring                    | left   | 1   |        |
|     |                    | for                           |        |     |        |

Model: 997 05 Model life 2005>>2008

| Pos  | Part Number        | Description   | Remark | Qty | Model |
|------|--------------------|---|--------|-----|-------|
| (6)  | 997 555 834 00     | Cover<br>Stowage compartment<br>Leg spring<br>for<br>Cover<br>Stowage compartment | right  | 1   |       |
| 7    | 997 555 841 00     | Damper<br>Stowage compartment   |        | 1   |       |
| (8)  | 997 555 261 01     | Pull handle (leather)<br>Lower part   | left   | 1   |       |
|      | 997 555 261 01 A11 | Black   |        |     |       |
|      | 997 555 261 01 5X6 | Stone grey  |        |     |       |
|      | 997 555 261 01 8G2 | Sand beige  |        |     |       |
|      | 997 555 261 01 3S9 | sea blue  |        |     |       |
|      | 997 555 261 01 4P2 | Palm green  |        |     |       |
|      |                    | D >> - MJ 2007  |        |     |       |
|      | 997 555 261 01 9S5 | Terracotta  |        |     |       |
|      | 997 555 261 01 9V6 | Cocoa   |        |     |       |
|      | 997 555 261 01 D12 | Dark grey/natural   |        |     |       |
|      | 997 555 261 01 T12 | Brown/natural   |        |     |       |
|      | 997 555 261 01 N12 | Carrera Red   |        |     |       |
|      |                    | D - MJ 2008>>   |        |     |       |
| (8)  | 997 555 262 01     | Pull handle (leather)<br>Lower part   | right  | 1   |       |
|      | 997 555 262 01 A11 | Black   |        |     |       |
|      | 997 555 262 01 5X6 | Stone grey  |        |     |       |
|      | 997 555 262 01 8G2 | Sand beige  |        |     |       |
|      | 997 555 262 01 3S9 | sea blue  |        |     |       |
|      | 997 555 262 01 4P2 | Palm green  |        |     |       |
|      |                    | D >> - MJ 2007  |        |     |       |
|      | 997 555 262 01 9S5 | Terracotta  |        |     |       |
|      | 997 555 262 01 9V6 | Cocoa   |        |     |       |
|      | 997 555 262 01 D12 | Dark grey/natural   |        |     |       |
|      | 997 555 262 01 T12 | Brown/natural   |        |     |       |
|      | 997 555 262 01 N12 | Carrera Red   |        |     |       |
|      |                    | D - MJ 2008>>   |        |     |       |
| 9    | 999 919 229 02     | fillister hd. bolt<br>6,0 X 40,0<br>for<br>Mount<br>Pull handle                   |        | 2   |       |
| 10   | 997 555 381 02     | Axle bearing  | left   | 1   |       |
| (10) | 997 555 382 02     | Axle bearing  | right  | 1   |       |
| 11   | 999 919 164 09     | fillister hd. bolt<br>5 X 12<br>for<br>Mount<br>Axle bearing                      |        | 3   |       |
| 12   | 997 555 461 01     | lever<br>Inner actuator   | left   | 1   |       |
|      | 997 555 461 01 V05 | Galvano silver  |        |     |       |
| (12) | 997 555 462 01     | lever<br>Inner actuator   | right  | 1   |       |
|      | 997 555 462 01 V05 | Galvano silver  |        |     |       |
| 13   | 999 919 164 09     | fillister hd. bolt<br>5 X 12<br>for<br>Mount<br>lever<br>Inner actuator           |        | 1   |       |
| 14   | 997 555 683 00     | Cover cap<br>Airbag   | left   | 1   |       |
|      | 997 555 683 00 A03 | Black   |        |     |       |

Model: 997 05 Model life 2005>>2008

| Pos                | Part Number        | Description           | Remark      | Qty | Model |
|--------------------|--------------------|-----------------------|-------------|-----|-------|
| (14)               | 997 555 683 00 5V7 | Stone grey            |             | 1   |       |
|                    | 997 555 683 00 5Z1 | Sand beige            |             |     |       |
|                    | 997 555 683 00 8W7 | sea blue              |             |     |       |
|                    | 997 555 683 00 5Y2 | Palm green            |             |     |       |
|                    |                    | D >> - MJ 2007        |             |     |       |
|                    | 997 555 683 00 8X8 | Terracotta            |             |     |       |
|                    | 997 555 683 00 8P9 | Cocoa                 |             |     |       |
|                    | 997 555 683 00 T13 | Brown/natural         |             |     |       |
|                    | 997 555 683 00 N23 | Carrera Red           |             |     |       |
|                    |                    | D - MJ 2008>>         |             |     |       |
|                    | 997 555 684 00     | Cover cap             |             |     |       |
|                    |                    | Airbag                |             |     |       |
|                    | 997 555 684 00 A03 | Black                 |             |     |       |
|                    | 997 555 684 00 5V7 | Stone grey            |             |     |       |
| 997 555 684 00 5Z1 | Sand beige         |                       |             |     |       |
| 997 555 684 00 8W7 | sea blue           |                       |             |     |       |
| 997 555 684 00 5Y2 | Palm green         |                       |             |     |       |
|                    | D >> - MJ 2007     |                       |             |     |       |
| 997 555 684 00 8X8 | Terracotta         |                       |             |     |       |
| 997 555 684 00 8P9 | Cocoa              |                       |             |     |       |
| 997 555 684 00 T13 | Brown/natural      |                       |             |     |       |
| 997 555 684 00 N23 | Carrera Red        |                       |             |     |       |
|                    | D - MJ 2008>>      |                       |             |     |       |
| 15                 | 997 555 643 01     | Trim                  | left front  | 1   |       |
|                    |                    | Lacquered             |             |     |       |
|                    | 997 555 643 01 A03 | Black                 |             |     |       |
|                    | 997 555 643 01 5V7 | Stone grey            |             |     |       |
|                    | 997 555 643 01 5Z1 | Sand beige            |             |     |       |
|                    | 997 555 643 01 8W7 | sea blue              |             |     |       |
|                    | 997 555 643 01 5Y2 | Palm green            |             |     |       |
|                    |                    | D >> - MJ 2007        |             |     |       |
|                    | 997 555 643 01 8X8 | Terracotta            |             |     |       |
|                    | 997 555 643 01 8P9 | Cocoa                 |             |     |       |
|                    | 997 555 643 01 T13 | Brown/natural         |             |     |       |
|                    | 997 555 643 01 N23 | Carrera Red           |             |     |       |
|                    |                    | D - MJ 2008>>         |             |     |       |
| (15)               | 997 555 644 01     | Trim                  | right front | 1   |       |
|                    |                    | Lacquered             |             |     |       |
|                    | 997 555 644 01 A03 | Black                 |             |     |       |
|                    | 997 555 644 01 5V7 | Stone grey            |             |     |       |
|                    | 997 555 644 01 5Z1 | Sand beige            |             |     |       |
|                    | 997 555 644 01 8W7 | sea blue              |             |     |       |
|                    | 997 555 644 01 5Y2 | Palm green            |             |     |       |
|                    |                    | D >> - MJ 2007        |             |     |       |
|                    | 997 555 644 01 8X8 | Terracotta            |             |     |       |
|                    | 997 555 644 01 8P9 | Cocoa                 |             |     |       |
|                    | 997 555 644 01 T13 | Brown/natural         |             |     |       |
|                    | 997 555 644 01 N23 | Carrera Red           |             |     |       |
|                    |                    | D - MJ 2008>>         |             |     |       |
| 16                 | 997 555 431 01     | Leather panel         | left        | 1   |       |
|                    |                    | Door handle           |             |     |       |
|                    | 997 555 431 01 FSA | black/grey            |             |     |       |
|                    | 997 555 431 01 FSB | Stone grey/stone grey |             |     |       |
|                    | 997 555 431 01 FSC | Sand beige/sand beige |             |     |       |
|                    | 997 555 431 01 FSD | Sea blue/grey         |             |     |       |
|                    | 997 555 431 01 FSE | Palmgreen/palmgreen   |             |     |       |
|                    |                    | D >> - MJ 2007        |             |     |       |
|                    | 997 555 431 01 FSF | Terracotta/terracotta |             |     |       |
|                    | 997 555 431 01 FSG | Cocoa/Cocoa           |             |     |       |
|                    | 997 555 431 01 FSH | Darkgrey natural/grey |             |     |       |
|                    | 997 555 431 01 FSJ | Brown nat./brown nat. |             |     |       |

Model: 997 05 Model life 2005>>2008

| Pos  | Part Number        | Description                           | Remark | Qty | Model  |
|------|--------------------|---------------------------------------|--------|-----|--------|
| (16) | 997 555 431 01 FSP | Carrera Red<br>D - MJ 2008>>          |        |     |        |
|      | 997 555 432 01     | Leather panel<br>Door handle          | right  | 1   |        |
|      | 997 555 432 01 FSA | black/grey                            |        |     |        |
|      | 997 555 432 01 FSB | Stone grey/stone grey                 |        |     |        |
|      | 997 555 432 01 FSC | Sand beige/sand beige                 |        |     |        |
|      | 997 555 432 01 FSD | Sea blue/grey                         |        |     |        |
|      | 997 555 432 01 FSE | Palmgreen/palmgreen<br>D >> - MJ 2007 |        |     |        |
|      | 997 555 432 01 FSF | Terracotta/terracotta                 |        |     |        |
|      | 997 555 432 01 FSG | Cocoa/Cocoa                           |        |     |        |
|      | 997 555 432 01 FSH | Darkgrey natural/grey                 |        |     |        |
|      | 997 555 432 01 FSJ | Brown nat./brown nat.                 |        |     |        |
| (16) | 997 555 991 00     | Carrera Red<br>D - MJ 2008>>          |        |     |        |
|      | 997 555 991 00     | Trim<br>Door handle<br>Carbon         | left   | 1   | PR:XTL |
|      | 997 555 991 00 A11 | Black                                 |        |     |        |
|      | 997 555 991 00 5X6 | Stone grey                            |        |     |        |
|      | 997 555 991 00 8G2 | Sand beige                            |        |     |        |
|      | 997 555 991 00 3S9 | sea blue                              |        |     |        |
|      | 997 555 991 00 4P2 | Palm green<br>D >> - MJ 2007          |        |     |        |
|      | 997 555 991 00 9S5 | Terracotta                            |        |     |        |
|      | 997 555 991 00 9V6 | Cocoa                                 |        |     |        |
|      | 997 555 991 00 D12 | Dark grey/natural                     |        |     |        |
|      | 997 555 991 00 T12 | Brown/natural                         |        |     |        |
| (16) | 997 555 991 00 N12 | Carrera Red<br>D - MJ 2008>>          |        |     |        |
|      | 997 555 992 00     | Trim<br>Door handle<br>Carbon         | right  | 1   | PR:XTL |
|      | 997 555 992 00 A11 | Black                                 |        |     |        |
|      | 997 555 992 00 5X6 | Stone grey                            |        |     |        |
|      | 997 555 992 00 8G2 | Sand beige                            |        |     |        |
|      | 997 555 992 00 3S9 | sea blue                              |        |     |        |
|      | 997 555 992 00 4P2 | Palm green<br>D >> - MJ 2007          |        |     |        |
|      | 997 555 992 00 9S5 | Terracotta                            |        |     |        |
|      | 997 555 992 00 9V6 | Cocoa                                 |        |     |        |
|      | 997 555 992 00 D12 | Dark grey/natural                     |        |     |        |
|      | 997 555 992 00 T12 | Brown/natural                         |        |     |        |
| (16) | 997 555 991 01     | Carrera Red<br>D - MJ 2008>>          |        |     |        |
|      | 997 555 991 01     | Trim<br>Door handle<br>Sycamore wood  | left   | 1   | PR:XTU |
|      | 997 555 991 01     | D >> - MJ 2008                        |        |     |        |
|      | 997 555 991 01 A11 | Black                                 |        |     |        |
|      | 997 555 991 01 5X6 | Stone grey                            |        |     |        |
|      | 997 555 991 01 8G2 | Sand beige                            |        |     |        |
|      | 997 555 991 01 3S9 | sea blue                              |        |     |        |
|      | 997 555 991 01 4P2 | Palm green<br>D >> - MJ 2007          |        |     |        |
|      | 997 555 991 01 9S5 | Terracotta                            |        |     |        |
|      | 997 555 991 01 9V6 | Cocoa                                 |        |     |        |
|      | 997 555 991 01 D12 | Dark grey/natural                     |        |     |        |
| (16) | 997 555 991 01 T12 | Brown/natural                         |        |     |        |
|      | 997 555 991 01 N12 | Carrera Red<br>D - MJ 2008>>          |        |     |        |
|      | 997 555 992 01     | Trim                                  | right  | 1   | PR:XTU |

Model: 997 05 Model life 2005>>2008

| Pos  | Part Number        | Description                                    | Remark | Qty | Model  |
|------|--------------------|--|--------|-----|--------|
|      |                    | Door handle<br>Sycamore wood<br>D >> - MJ 2008 |        |     |        |
|      | 997 555 992 01 A11 | Black  |        |     |        |
|      | 997 555 992 01 5X6 | Stone grey                                     |        |     |        |
|      | 997 555 992 01 8G2 | Sand beige                                     |        |     |        |
|      | 997 555 992 01 3S9 | sea blue                                       |        |     |        |
|      | 997 555 992 01 4P2 | Palm green                                     |        |     |        |
|      |                    | D >> - MJ 2007                                 |        |     |        |
|      | 997 555 992 01 9S5 | Terracotta                                     |        |     |        |
|      | 997 555 992 01 9V6 | Cocoa  |        |     |        |
|      | 997 555 992 01 D12 | Dark grey/natural                              |        |     |        |
|      | 997 555 992 01 T12 | Brown/natural                                  |        |     |        |
|      | 997 555 992 01 N12 | Carrera Red                                    |        |     |        |
|      |                    | D - MJ 2008>>                                  |        |     |        |
| (16) | 997 555 991 02     | Trim   | left   | 1   | PR:XTT |
|      |                    | Door handle<br>macassar                        |        |     |        |
|      | 997 555 991 02 A11 | Black  |        |     |        |
|      | 997 555 991 02 5X6 | Stone grey                                     |        |     |        |
|      | 997 555 991 02 8G2 | Sand beige                                     |        |     |        |
|      | 997 555 991 02 3S9 | sea blue                                       |        |     |        |
|      | 997 555 991 02 4P2 | Palm green                                     |        |     |        |
|      |                    | D >> - MJ 2007                                 |        |     |        |
|      | 997 555 991 02 9S5 | Terracotta                                     |        |     |        |
|      | 997 555 991 02 9V6 | Cocoa  |        |     |        |
|      | 997 555 991 02 D12 | Dark grey/natural                              |        |     |        |
|      | 997 555 991 02 T12 | Brown/natural                                  |        |     |        |
|      | 997 555 991 02 N12 | Carrera Red                                    |        |     |        |
|      |                    | D - MJ 2008>>                                  |        |     |        |
| (16) | 997 555 992 02     | Trim   | right  | 1   | PR:XTT |
|      |                    | Door handle<br>macassar                        |        |     |        |
|      | 997 555 992 02 A11 | Black  |        |     |        |
|      | 997 555 992 02 5X6 | Stone grey                                     |        |     |        |
|      | 997 555 992 02 8G2 | Sand beige                                     |        |     |        |
|      | 997 555 992 02 3S9 | sea blue                                       |        |     |        |
|      | 997 555 992 02 4P2 | Palm green                                     |        |     |        |
|      |                    | D >> - MJ 2007                                 |        |     |        |
|      | 997 555 992 02 9S5 | Terracotta                                     |        |     |        |
|      | 997 555 992 02 9V6 | Cocoa  |        |     |        |
|      | 997 555 992 02 D12 | Dark grey/natural                              |        |     |        |
|      | 997 555 992 02 T12 | Brown/natural                                  |        |     |        |
|      | 997 555 992 02 N12 | Carrera Red                                    |        |     |        |
|      |                    | D - MJ 2008>>                                  |        |     |        |
| (16) | 997 555 991 03     | Trim   | left   | 1   | PR:XTW |
|      |                    | Door handle<br>Aluminium look                  |        |     |        |
|      | 997 555 991 03 A11 | Black  |        |     |        |
|      | 997 555 991 03 5X6 | Stone grey                                     |        |     |        |
|      | 997 555 991 03 8G2 | Sand beige                                     |        |     |        |
|      | 997 555 991 03 3S9 | sea blue                                       |        |     |        |
|      | 997 555 991 03 4P2 | Palm green                                     |        |     |        |
|      |                    | D >> - MJ 2007                                 |        |     |        |
|      | 997 555 991 03 9S5 | Terracotta                                     |        |     |        |
|      | 997 555 991 03 9V6 | Cocoa  |        |     |        |
|      | 997 555 991 03 D12 | Dark grey/natural                              |        |     |        |
|      | 997 555 991 03 T12 | Brown/natural                                  |        |     |        |
|      | 997 555 991 03 N12 | Carrera Red                                    |        |     |        |
|      |                    | D - MJ 2008>>                                  |        |     |        |
| (16) | 997 555 992 03     | Trim   | right  | 1   | PR:XTW |
|      |                    | Door handle<br>Aluminium look                  |        |     |        |

Model: 997 05 Model life 2005>>2008

| Pos  | Part Number        | Description                         | Remark | Qty | Model  |
|------|--------------------|-------------------------------------|--------|-----|--------|
|      | 997 555 992 03 A11 | Black                               |        |     |        |
|      | 997 555 992 03 5X6 | Stone grey                          |        |     |        |
|      | 997 555 992 03 8G2 | Sand beige                          |        |     |        |
|      | 997 555 992 03 3S9 | sea blue                            |        |     |        |
|      | 997 555 992 03 4P2 | Palm green                          |        |     |        |
|      |                    | D >> - MJ 2007                      |        |     |        |
|      | 997 555 992 03 9S5 | Terracotta                          |        |     |        |
|      | 997 555 992 03 9V6 | Cocoa                               |        |     |        |
|      | 997 555 992 03 D12 | Dark grey/natural                   |        |     |        |
|      | 997 555 992 03 T12 | Brown/natural                       |        |     |        |
|      | 997 555 992 03 N12 | Carrera Red                         |        |     |        |
|      |                    | D - MJ 2008>>                       |        |     |        |
| 17   | 999 591 380 01     | Cable fastener                      |        | 4   |        |
| 18   | 997 555 685 02     | Cover                               | lhd    | 1   | PR:098 |
|      |                    | Exterior mirror<br>(drivers side)   |        |     |        |
|      |                    | Lacquered                           |        |     |        |
|      | 997 555 685 02 A03 | Black                               |        |     |        |
|      | 997 555 685 02 5V7 | Stone grey                          |        |     |        |
|      | 997 555 685 02 5Z1 | Sand beige                          |        |     |        |
|      | 997 555 685 02 8W7 | sea blue                            |        |     |        |
|      | 997 555 685 02 5Y2 | Palm green                          |        |     |        |
|      |                    | D >> - MJ 2007                      |        |     |        |
|      | 997 555 685 02 8X8 | Terracotta                          |        |     |        |
|      | 997 555 685 02 8P9 | Cocoa                               |        |     |        |
|      | 997 555 685 02 T13 | Brown/natural                       |        |     |        |
|      | 997 555 685 02 N23 | Carrera Red                         |        |     |        |
|      |                    | D - MJ 2008>>                       |        |     |        |
| (18) | 997 555 686 03     | Cover                               | rhd    | 1   | PR:099 |
|      |                    | Exterior mirror<br>(drivers side)   |        |     |        |
|      |                    | Lacquered                           |        |     |        |
|      | 997 555 686 03 A03 | Black                               |        |     |        |
|      | 997 555 686 03 5V7 | Stone grey                          |        |     |        |
|      | 997 555 686 03 5Z1 | Sand beige                          |        |     |        |
|      | 997 555 686 03 8W7 | sea blue                            |        |     |        |
|      | 997 555 686 03 5Y2 | Palm green                          |        |     |        |
|      |                    | D >> - MJ 2007                      |        |     |        |
|      | 997 555 686 03 8X8 | Terracotta                          |        |     |        |
|      | 997 555 686 03 8P9 | Cocoa                               |        |     |        |
|      | 997 555 686 03 T13 | Brown/natural                       |        |     |        |
|      | 997 555 686 03 N23 | Carrera Red                         |        |     |        |
|      |                    | D - MJ 2008>>                       |        |     |        |
| (18) | 997 555 686 02     | Cover                               | lhd    | 1   | PR:098 |
|      |                    | Exterior mirror<br>(passenger side) |        |     |        |
|      |                    | Lacquered                           |        |     |        |
|      | 997 555 686 02 A03 | Black                               |        |     |        |
|      | 997 555 686 02 5V7 | Stone grey                          |        |     |        |
|      | 997 555 686 02 5Z1 | Sand beige                          |        |     |        |
|      | 997 555 686 02 8W7 | sea blue                            |        |     |        |
|      | 997 555 686 02 5Y2 | Palm green                          |        |     |        |
|      |                    | D >> - MJ 2007                      |        |     |        |
|      | 997 555 686 02 8X8 | Terracotta                          |        |     |        |
|      | 997 555 686 02 8P9 | Cocoa                               |        |     |        |
|      | 997 555 686 02 T13 | Brown/natural                       |        |     |        |
|      | 997 555 686 02 N23 | Carrera Red                         |        |     |        |
|      |                    | D - MJ 2008>>                       |        |     |        |
| (18) | 997 555 685 03     | Cover                               | rhd    | 1   | PR:099 |
|      |                    | Exterior mirror<br>(passenger side) |        |     |        |
|      |                    | Lacquered                           |        |     |        |
|      | 997 555 685 03 A03 | Black                               |        |     |        |

Model: 997 05 Model life 2005>>2008

| Pos  | Part Number        | Description           | Remark | Qty | Model  |
|------|--------------------|-----------------------|--------|-----|--------|
|      | 997 555 685 03 5V7 | Stone grey            |        |     |        |
|      | 997 555 685 03 5Z1 | Sand beige            |        |     |        |
|      | 997 555 685 03 8W7 | sea blue              |        |     |        |
|      | 997 555 685 03 5Y2 | Palm green            |        |     |        |
|      |                    | D >> - MJ 2007        |        |     |        |
|      | 997 555 685 03 8X8 | Terracotta            |        |     |        |
|      | 997 555 685 03 8P9 | Cocoa                 |        |     |        |
|      | 997 555 685 03 T13 | Brown/natural         |        |     |        |
|      | 997 555 685 03 N23 | Carrera Red           |        |     |        |
|      |                    | D - MJ 2008>>         |        |     |        |
| 19   | 997 555 577 00     | Cover cap             |        | 1   |        |
|      |                    | Handle liner          |        |     |        |
|      | 997 555 577 00 A03 | Black                 |        |     |        |
|      | 997 555 577 00 5V7 | Stone grey            |        |     |        |
|      | 997 555 577 00 8W7 | sea blue              |        |     |        |
|      | 997 555 577 00 5Y2 | Palm green            |        |     |        |
|      |                    | D >> - MJ 2007        |        |     |        |
|      | 997 555 577 00 8X8 | Terracotta            |        |     |        |
|      | 997 555 577 00 8P9 | Cocoa                 |        |     |        |
|      | 997 555 577 00 T13 | Brown/natural         |        |     |        |
|      | 997 555 577 00 N23 | Carrera Red           |        |     |        |
|      |                    | D - MJ 2008>>         |        |     |        |
| 20   | 997 555 895 00     | Plastic foam strip    |        | 1   |        |
|      |                    | for                   |        |     |        |
|      |                    | Bass loudspeaker      |        |     |        |
| 21   | 997 645 511 00     | inscription           |        | 2   | PR:680 |
| 22   | 997 555 597 00     | Distance piece        |        | 2   |        |
|      |                    | Bonnet hinge          |        |     |        |
| 23   | 999 702 281 41     | Grommet               |        | 1   |        |
|      |                    | Axle bearing          |        |     |        |
| 24   | 997 555 271 01     | Pull handle (leather) | left   | 1   |        |
|      |                    | Upper part            |        |     |        |
|      | 997 555 271 01 FSA | black/grey            |        |     |        |
|      | 997 555 271 01 FSB | Stone grey/stone grey |        |     |        |
|      | 997 555 271 01 FSC | Sand beige/sand beige |        |     |        |
|      | 997 555 271 01 FSD | Sea blue/grey         |        |     |        |
|      | 997 555 271 01 FSE | Palmgreen/palmgreen   |        |     |        |
|      |                    | D >> - MJ 2007        |        |     |        |
|      | 997 555 271 01 FSF | Terracotta/terracotta |        |     |        |
|      | 997 555 271 01 FSG | Cocoa/Cocoa           |        |     |        |
|      | 997 555 271 01 FSH | Darkgrey natural/grey |        |     |        |
|      | 997 555 271 01 FSJ | Brown nat./brown nat. |        |     |        |
|      | 997 555 271 01 FSP | Carrera Red           |        |     |        |
|      |                    | D - MJ 2008>>         |        |     |        |
| (24) | 997 555 272 01     | Pull handle (leather) | right  | 1   |        |
|      |                    | Upper part            |        |     |        |
|      | 997 555 272 01 FSA | black/grey            |        |     |        |
|      | 997 555 272 01 FSB | Stone grey/stone grey |        |     |        |
|      | 997 555 272 01 FSC | Sand beige/sand beige |        |     |        |
|      | 997 555 272 01 FSD | Sea blue/grey         |        |     |        |
|      | 997 555 272 01 FSE | Palmgreen/palmgreen   |        |     |        |
|      |                    | D >> - MJ 2007        |        |     |        |
|      | 997 555 272 01 FSF | Terracotta/terracotta |        |     |        |
|      | 997 555 272 01 FSG | Cocoa/Cocoa           |        |     |        |
|      | 997 555 272 01 FSH | Darkgrey natural/grey |        |     |        |
|      | 997 555 272 01 FSJ | Brown nat./brown nat. |        |     |        |
|      | 997 555 272 01 FSP | Carrera Red           |        |     |        |
|      |                    | D - MJ 2008>>         |        |     |        |
| (24) | 997 555 987 00     | Pull handle           | left   | 1   | PR:XTL |
|      |                    | Upper part            |        |     |        |
|      |                    | Carbon                |        |     |        |
|      | 997 555 987 00 A35 | Black                 |        |     |        |
| (24) | 997 555 988 00     | Pull handle           | right  | 1   | PR:XTL |

Model: 997 05 Model life 2005>>2008

| Pos  | Part Number  | Description   | Remark    | Qty | Model                 |
|------|--|---|-----------|-----|-----------------------|
| (24) | 997 555 988 00 A35<br>997 555 987 01   | Upper part<br>Carbon<br>Black<br>Pull handle                          | left      | 1   | PR:XTU                |
| (24) | 997 555 987 01 S62<br>997 555 988 01   | Upper part<br>D >> - MJ 2008<br>Sycamore wood<br>Pull handle          | right     | 1   | PR:XTU                |
| (24) | 997 555 988 01 S62<br>997 555 987 02   | Upper part<br>D >> - MJ 2008<br>Sycamore wood<br>Pull handle          | left      | 1   | PR:XTT                |
| (24) | 997 555 987 02 S61<br>997 555 988 02   | Upper part<br>macassar<br>Pull handle                                 | right     | 1   | PR:XTT                |
| (24) | 997 555 988 02 S61<br>997 555 987 03   | Upper part<br>macassar<br>Pull handle                                 | left      | 1   | PR:XTW                |
| (24) | 997 555 987 03 V04<br>997 555 988 03   | Upper part<br>Galvano silver<br>Pull handle                           | right     | 1   | PR:XTW                |
| 25   | 997 555 988 03 V04<br>997 555 351 03   | Upper part<br>aluminium<br>Insert<br>Handle liner<br>Lacquered        | left lhd  | 1   | COUPE/TARGA<br>PR:098 |
|      | 997 555 351 03 A03<br>997 555 351 03 5V7<br>997 555 351 03 5Z1<br>997 555 351 03 8W7<br>997 555 351 03 5Y2 | Black<br>Stone grey<br>Sand beige<br>sea blue<br>Palm green           |           |     |                       |
|      | 997 555 351 03 8X8<br>997 555 351 03 8P9<br>997 555 351 03 T13<br>997 555 351 03 N23                       | D >> - MJ 2007<br>Terracotta<br>Cocoa<br>Brown/natural<br>Carrera Red |           |     |                       |
| (25) | 997 555 352 03   | D - MJ 2008>><br>Insert<br>Handle liner<br>Lacquered                  | right rhd | 1   | COUPE/TARGA<br>PR:099 |
|      | 997 555 352 03 A03<br>997 555 352 03 5V7<br>997 555 352 03 5Z1<br>997 555 352 03 8W7<br>997 555 352 03 5Y2 | Black<br>Stone grey<br>Sand beige<br>sea blue<br>Palm green           |           |     |                       |
|      | 997 555 352 03 8X8<br>997 555 352 03 8P9<br>997 555 352 03 T13<br>997 555 352 03 N23                       | D >> - MJ 2007<br>Terracotta<br>Cocoa<br>Brown/natural<br>Carrera Red |           |     |                       |
| (25) | 997 555 351 05   | D - MJ 2008>><br>Insert<br>Handle liner<br>Lacquered                  | left lhd  | 1   | CABRIO<br>PR:098      |
|      | 997 555 351 05 A03<br>997 555 351 05 5V7<br>997 555 351 05 5Z1<br>997 555 351 05 8W7<br>997 555 351 05 5Y2 | Black<br>Stone grey<br>Sand beige<br>sea blue<br>Palm green           |           |     |                       |
|      | 997 555 351 05 8X8<br>997 555 351 05 8P9<br>997 555 351 05 T13   | D >> - MJ 2007<br>Terracotta<br>Cocoa<br>Brown/natural                |           |     |                       |



Model: 997 05 Model life 2005>>2008

| Pos  | Part Number        | Description                         | Remark    | Qty | Model                     |
|------|--------------------|-------------------------------------|-----------|-----|---------------------------|
|      | 997 555 351 05 N23 | Carrera Red<br>D - MJ 2008>>        |           |     |                           |
| (25) | 997 555 352 05     | Insert<br>Handle liner<br>Lacquered | right rhd | 1   | CABRIO<br>PR:099          |
|      | 997 555 352 05 A03 | Black                               |           |     |                           |
|      | 997 555 352 05 5V7 | Stone grey                          |           |     |                           |
|      | 997 555 352 05 5Z1 | Sand beige                          |           |     |                           |
|      | 997 555 352 05 8W7 | sea blue                            |           |     |                           |
|      | 997 555 352 05 5Y2 | Palm green<br>D >> - MJ 2007        |           |     |                           |
|      | 997 555 352 05 8X8 | Terracotta                          |           |     |                           |
|      | 997 555 352 05 8P9 | Cocoa                               |           |     |                           |
|      | 997 555 352 05 T13 | Brown/natural                       |           |     |                           |
|      | 997 555 352 05 N23 | Carrera Red<br>D - MJ 2008>>        |           |     |                           |
| (25) | 997 555 352 04     | Insert<br>Handle liner<br>Lacquered | right lhd | 1   | PR:098                    |
|      | 997 555 352 04 A03 | Black                               |           |     |                           |
|      | 997 555 352 04 5V7 | Stone grey                          |           |     |                           |
|      | 997 555 352 04 5Z1 | Sand beige                          |           |     |                           |
|      | 997 555 352 04 8W7 | sea blue                            |           |     |                           |
|      | 997 555 352 04 5Y2 | Palm green<br>D >> - MJ 2007        |           |     |                           |
|      | 997 555 352 04 8X8 | Terracotta                          |           |     |                           |
|      | 997 555 352 04 8P9 | Cocoa                               |           |     |                           |
|      | 997 555 352 04 T13 | Brown/natural                       |           |     |                           |
|      | 997 555 352 04 N23 | Carrera Red<br>D - MJ 2008>>        |           |     |                           |
| (25) | 997 555 351 04     | Insert<br>Handle liner<br>Lacquered | left rhd  | 1   | PR:099                    |
|      | 997 555 351 04 A03 | Black                               |           |     |                           |
|      | 997 555 351 04 5V7 | Stone grey                          |           |     |                           |
|      | 997 555 351 04 5Z1 | Sand beige                          |           |     |                           |
|      | 997 555 351 04 8W7 | sea blue                            |           |     |                           |
|      | 997 555 351 04 5Y2 | Palm green<br>D >> - MJ 2007        |           |     |                           |
|      | 997 555 351 04 8X8 | Terracotta                          |           |     |                           |
|      | 997 555 351 04 8P9 | Cocoa                               |           |     |                           |
|      | 997 555 351 04 T13 | Brown/natural                       |           |     |                           |
|      | 997 555 351 04 N23 | Carrera Red<br>D - MJ 2008>>        |           |     |                           |
| 25   | 997 555 985 00     | Insert<br>Handle liner<br>Leather   | left lhd  | 1   | COUPE/TARGA<br>PR:XIV,098 |
|      | 997 555 985 00 A11 | Black                               |           |     |                           |
|      | 997 555 985 00 5X6 | Stone grey                          |           |     |                           |
|      | 997 555 985 00 8G2 | Sand beige                          |           |     |                           |
|      | 997 555 985 00 3S9 | sea blue                            |           |     |                           |
|      | 997 555 985 00 4P2 | Palm green<br>D >> - MJ 2007        |           |     |                           |
|      | 997 555 985 00 9S5 | Terracotta                          |           |     |                           |
|      | 997 555 985 00 9V6 | Cocoa                               |           |     |                           |
|      | 997 555 985 00 D12 | Dark grey/natural                   |           |     |                           |
|      | 997 555 985 00 T12 | Brown/natural                       |           |     |                           |
|      | 997 555 985 00 N12 | Carrera Red<br>D - MJ 2008>>        |           |     |                           |
| (25) | 997 555 986 01     | Insert<br>Handle liner<br>Leather   | right rhd | 1   | COUPE/TARGA<br>PR:XIV,099 |
|      | 997 555 986 01 A11 | Black                               |           |     |                           |

Model: 997 05 Model life 2005>>2008

| Pos  | Part Number        | Description       | Remark    | Qty | Model      |
|------|--------------------|-------------------|-----------|-----|------------|
|      | 997 555 986 01 5X6 | Stone grey        |           |     |            |
|      | 997 555 986 01 8G2 | Sand beige        |           |     |            |
|      | 997 555 986 01 3S9 | sea blue          |           |     |            |
|      | 997 555 986 01 4P2 | Palm green        |           |     |            |
|      |                    | D >> - MJ 2007    |           |     |            |
|      | 997 555 986 01 9S5 | Terracotta        |           |     |            |
|      | 997 555 986 01 9V6 | Cocoa             |           |     |            |
|      | 997 555 986 01 D12 | Dark grey/natural |           |     |            |
|      | 997 555 986 01 T12 | Brown/natural     |           |     |            |
|      | 997 555 986 01 N12 | Carrera Red       |           |     |            |
|      |                    | D - MJ 2008>>     |           |     |            |
| (25) | 997 555 985 01     | Insert            | left lhd  | 1   | CABRIO     |
|      |                    | Handle liner      |           |     | PR:XTV,098 |
|      |                    | Leather           |           |     |            |
|      | 997 555 985 01 A11 | Black             |           |     |            |
|      | 997 555 985 01 5X6 | Stone grey        |           |     |            |
|      | 997 555 985 01 8G2 | Sand beige        |           |     |            |
|      | 997 555 985 01 3S9 | sea blue          |           |     |            |
|      | 997 555 985 01 4P2 | Palm green        |           |     |            |
|      |                    | D >> - MJ 2007    |           |     |            |
|      | 997 555 985 01 9S5 | Terracotta        |           |     |            |
|      | 997 555 985 01 9V6 | Cocoa             |           |     |            |
|      | 997 555 985 01 D12 | Dark grey/natural |           |     |            |
|      | 997 555 985 01 T12 | Brown/natural     |           |     |            |
|      | 997 555 985 01 N12 | Carrera Red       |           |     |            |
|      |                    | D - MJ 2008>>     |           |     |            |
| (25) | 997 555 986 02     | Insert            | right rhd | 1   | CABRIO     |
|      |                    | Handle liner      |           |     | PR:XTV,099 |
|      |                    | Leather           |           |     |            |
|      | 997 555 986 02 A11 | Black             |           |     |            |
|      | 997 555 986 02 5X6 | Stone grey        |           |     |            |
|      | 997 555 986 02 8G2 | Sand beige        |           |     |            |
|      | 997 555 986 02 3S9 | sea blue          |           |     |            |
|      | 997 555 986 02 4P2 | Palm green        |           |     |            |
|      |                    | D >> - MJ 2007    |           |     |            |
|      | 997 555 986 02 9S5 | Terracotta        |           |     |            |
|      | 997 555 986 02 9V6 | Cocoa             |           |     |            |
|      | 997 555 986 02 D12 | Dark grey/natural |           |     |            |
|      | 997 555 986 02 T12 | Brown/natural     |           |     |            |
|      | 997 555 986 02 N12 | Carrera Red       |           |     |            |
|      |                    | D - MJ 2008>>     |           |     |            |
| (25) | 997 555 986 00     | Insert            | right lhd | 1   | PR:XTV,098 |
|      |                    | Handle liner      |           |     |            |
|      |                    | Leather           |           |     |            |
|      | 997 555 986 00 A11 | Black             |           |     |            |
|      | 997 555 986 00 5X6 | Stone grey        |           |     |            |
|      | 997 555 986 00 8G2 | Sand beige        |           |     |            |
|      | 997 555 986 00 3S9 | sea blue          |           |     |            |
|      | 997 555 986 00 4P2 | Palm green        |           |     |            |
|      |                    | D >> - MJ 2007    |           |     |            |
|      | 997 555 986 00 9S5 | Terracotta        |           |     |            |
|      | 997 555 986 00 9V6 | Cocoa             |           |     |            |
|      | 997 555 986 00 D12 | Dark grey/natural |           |     |            |
|      | 997 555 986 00 T12 | Brown/natural     |           |     |            |
|      | 997 555 986 00 N12 | Carrera Red       |           |     |            |
|      |                    | D - MJ 2008>>     |           |     |            |
| (25) | 997 555 985 02     | Insert            | left rhd  | 1   | PR:XTV,099 |
|      |                    | Handle liner      |           |     |            |
|      |                    | Leather           |           |     |            |
|      | 997 555 985 02 A11 | Black             |           |     |            |
|      | 997 555 985 02 5X6 | Stone grey        |           |     |            |
|      | 997 555 985 02 8G2 | Sand beige        |           |     |            |
|      | 997 555 985 02 3S9 | sea blue          |           |     |            |

Model: 997 05 Model life 2005>>2008

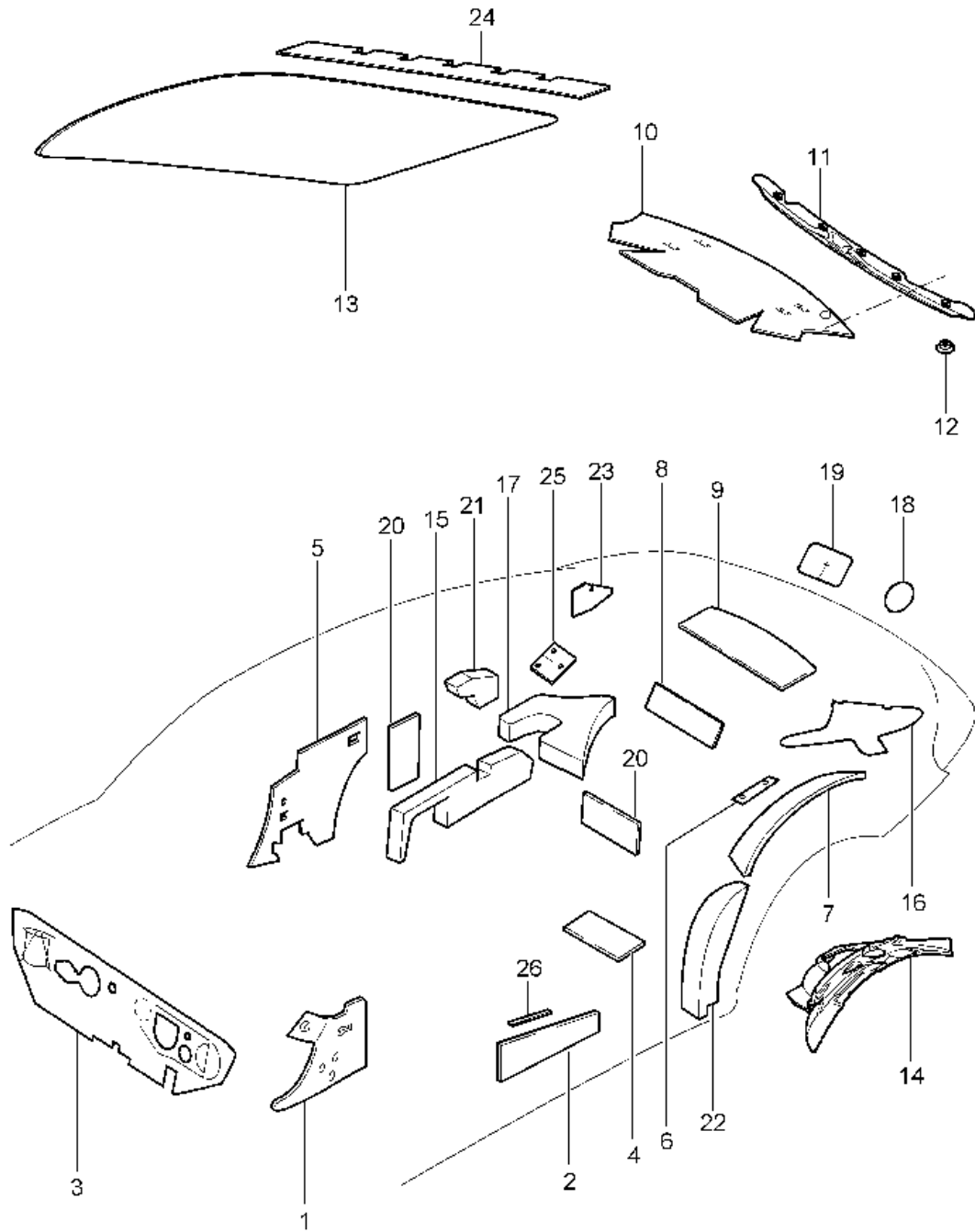
| Pos  | Part Number        | Description                              | Remark    | Qty | Model                     |
|------|--------------------|--|-----------|-----|---------------------------|
|      | 997 555 985 02 4P2 | Palm green<br>D >> - MJ 2007             |           |     |                           |
|      | 997 555 985 02 9S5 | Terracotta                               |           |     |                           |
|      | 997 555 985 02 9V6 | Cocoa                                    |           |     |                           |
|      | 997 555 985 02 D12 | Dark grey/natural                        |           |     |                           |
|      | 997 555 985 02 T12 | Brown/natural                            |           |     |                           |
|      | 997 555 985 02 N12 | Carrera Red<br>D - MJ 2008>>             |           |     |                           |
| 25   | 997 555 985 03     | Insert<br>Handle liner<br>Carbon         | left lhd  | 1   | COUPE/TARGA<br>PR:XTL,098 |
| (25) | 997 555 985 03 A35 | Black                                    |           |     |                           |
|      | 997 555 986 04     | Insert<br>Handle liner<br>Carbon         | right rhd | 1   | COUPE/TARGA<br>PR:XTL,099 |
| (25) | 997 555 986 04 A35 | Black                                    |           |     |                           |
|      | 997 555 985 04     | Insert<br>Handle liner<br>Carbon         | left lhd  | 1   | CABRIO<br>PR:XTL,098      |
| (25) | 997 555 985 04 A35 | Black                                    |           |     |                           |
|      | 997 555 986 05     | Insert<br>Handle liner<br>Carbon         | right rhd | 1   | CABRIO<br>PR:XTL,099      |
| (25) | 997 555 986 05 A35 | Black                                    |           |     |                           |
|      | 997 555 986 03     | Insert<br>Handle liner<br>Carbon         | right lhd | 1   | PR:XTL,098                |
| (25) | 997 555 986 03 A35 | Black                                    |           |     |                           |
|      | 997 555 985 05     | Insert<br>Handle liner<br>Carbon         | left rhd  | 1   | PR:XTL,099                |
| (25) | 997 555 985 05 A35 | Black                                    |           |     |                           |
|      | 997 555 985 06     | Insert<br>Handle liner<br>D >> - MJ 2008 | left lhd  | 1   | COUPE/TARGA<br>PR:XTU,098 |
| (25) | 997 555 985 06 S62 | Sycamore wood                            |           |     |                           |
|      | 997 555 986 07     | Insert<br>Handle liner<br>D >> - MJ 2008 | right rhd | 1   | COUPE/TARGA<br>PR:XTU,099 |
| (25) | 997 555 986 07 S62 | Sycamore wood                            |           |     |                           |
|      | 997 555 985 07     | Insert<br>Handle liner<br>D >> - MJ 2008 | left lhd  | 1   | CABRIO<br>PR:XTU,098      |
| (25) | 997 555 985 07 S62 | Sycamore wood                            |           |     |                           |
|      | 997 555 986 08     | Insert<br>Handle liner<br>D >> - MJ 2008 | right rhd | 1   | CABRIO<br>PR:XTU,099      |
| (25) | 997 555 986 08 S62 | Sycamore wood                            |           |     |                           |
|      | 997 555 986 06     | Insert<br>Handle liner<br>D >> - MJ 2008 | right lhd | 1   | PR:XTU,098                |
| (25) | 997 555 986 06 S62 | Sycamore wood                            |           |     |                           |
|      | 997 555 985 08     | Insert<br>Handle liner<br>D >> - MJ 2008 | left rhd  | 1   | PR:XTU,099                |
| 25   | 997 555 985 08 S62 | Sycamore wood                            |           |     |                           |
|      | 997 555 985 09     | Insert<br>Handle liner                   | left lhd  | 1   | COUPE/TARGA<br>PR:XTT,098 |
| (25) | 997 555 985 09 S61 | macassar                                 |           |     |                           |
|      | 997 555 986 10     | Insert<br>Handle liner                   | right rhd | 1   | COUPE/TARGA<br>PR:XTT,099 |
| (25) | 997 555 986 10 S61 | macassar                                 |           |     |                           |
|      | 997 555 985 10     | Insert                                   | left lhd  | 1   | CABRIO                    |

Model: 997 05 Model life 2005>>2008

| Pos  | Part Number        | Description                 | Remark    | Qty | Model       |
|------|--------------------|-----------------------------|-----------|-----|-------------|
|      | 997 555 985 10 S61 | Handle liner macassar       |           |     | PR:XTT,098  |
| (25) | 997 555 986 11     | Insert                      | right rhd | 1   | CABRIO      |
|      | 997 555 986 11 S61 | Handle liner macassar       |           |     | PR:XTT,099  |
| (25) | 997 555 986 09     | Insert                      | right lhd | 1   | PR:XTT,098  |
|      | 997 555 986 09 S61 | Handle liner macassar       |           |     |             |
| (25) | 997 555 985 11     | Insert                      | left rhd  | 1   | PR:XTT,099  |
|      | 997 555 985 11 S61 | Handle liner macassar       |           |     |             |
| 25   | 997 555 985 12     | Insert                      | left lhd  | 1   | COUPE/TARGA |
|      | 997 555 985 12 V04 | Handle liner Galvano silver |           |     | PR:XTW,098  |
| (25) | 997 555 986 13     | Insert                      | right rhd | 1   | COUPE/TARGA |
|      | 997 555 986 13 V04 | Handle liner Galvano silver |           |     | PR:XTW,099  |
| (25) | 997 555 985 13     | Insert                      | left lhd  | 1   | CABRIO      |
|      | 997 555 985 13 V04 | Handle liner Galvano silver |           |     | PR:XTW,098  |
| (25) | 997 555 986 14     | Insert                      | right rhd | 1   | CABRIO      |
|      | 997 555 986 14 V04 | Handle liner Galvano silver |           |     | PR:XTW,099  |
| (25) | 997 555 986 12     | Insert                      | right lhd | 1   | PR:XTW,098  |
|      | 997 555 986 12 V04 | Handle liner Galvano silver |           |     |             |
| (25) | 997 555 985 14     | Insert                      | left rhd  | 1   | PR:XTW,099  |
|      | 997 555 985 14 V04 | Handle liner Galvano silver |           |     |             |

Model: 997 05

Model life 2005>>2008



Model: 997 05 Model life 2005>>2008

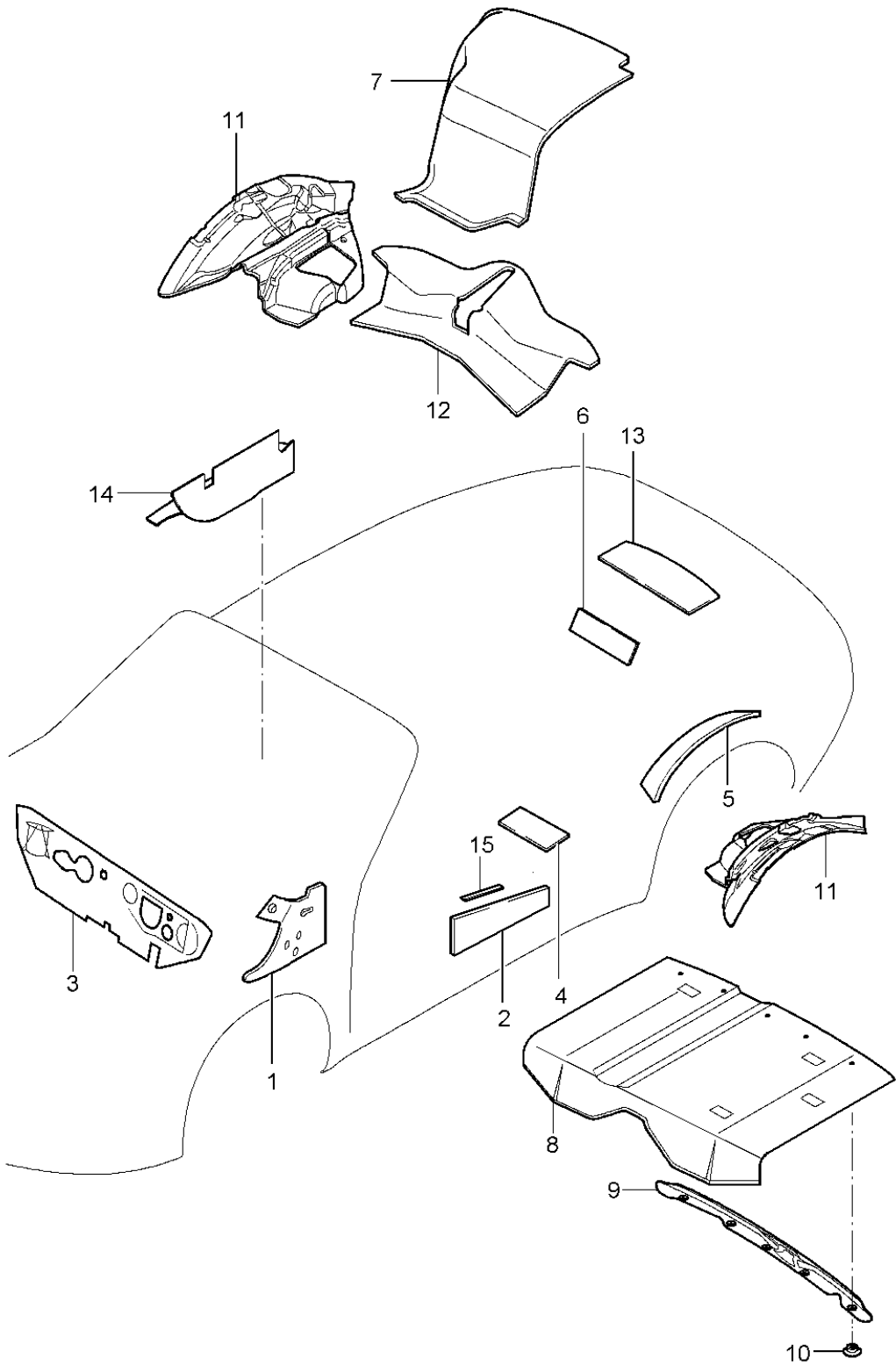
| Pos  | Part Number    | Description  | Remark         | Qty | Model       |
|------|----------------|--|----------------|-----|-------------|
|      |                | Body   |                |     |             |
| 1    | 997 556 605 00 | Sound proofing 1<br>Sound absorber   | left           | 1   | COUPE/TARGA |
| (1)  | 997 556 606 00 | Wheel housing<br>Sound absorber  | front<br>right | 1   |             |
| 2    | 997 556 531 00 | Wheel housing<br>sound absorber for door   | front          | 2   |             |
| 2    | 997 537 551 00 | Discontinued part<br>sound absorber for door   |                | 2   |             |
| 3    | 997 556 723 00 | Sound absorber   | lhd            | 1   | PR:098      |
| (3)  | 997 556 724 00 | Firewall<br>Sound absorber   | rhd            | 1   | PR:099      |
| 4    | 997 556 503 00 | Firewall<br>Insulation for floor   |                | 2   |             |
| 5    | 997 556 655 00 | Sound absorber   | left           | 1   |             |
| (5)  | 997 556 656 00 | Side panel trim<br>Sound absorber  | right          | 1   |             |
| 6    | 997 556 523 00 | Side panel trim<br>Damping   |                | 2   |             |
| 7    | 997 556 507 00 | tray<br>sound absorb.for wheel housing   | left           | 1   |             |
| (7)  | 997 556 508 00 | sound absorb.for wheel housing   | rear<br>right  | 1   |             |
| 8    | 997 556 511 00 | sound absorber for rear panel  | rear           | 1   |             |
| 9    | 997 556 521 00 | sound absorber for rear panel  | lower          | 1   |             |
| 10   | 997 556 711 01 | Sound absorber   | upper          | 1   |             |
| 10   | 997 556 711 02 | D >> - MJ 2005<br>Sound absorber   |                | 1   |             |
| 10   | 997 556 711 03 | D >> - MJ 2007<br>Sound absorber   |                | 1   |             |
| 11   | 996 556 761 01 | Engine bay<br>D - MJ 2008>><br>retaining strip                                       |                | 1   |             |
| 12   | 999 049 020 40 | Engine bay<br>Plastic nut  |                | 5   |             |
| 13   | 997 556 647 00 | T5/30 X 5,1<br>Sound absorber  |                | 1   | PR:652      |
| 14   | 997 556 657 00 | Roof<br>Sound absorber   | left           | 1   |             |
| (14) | 997 556 658 00 | Wheel housing liner<br>Sound absorber  | rear<br>right  | 1   |             |
| 15   | 997 556 571 01 | Wheel housing liner<br>Sound absorber  | rear           | 2   |             |
| 16   | 996 556 753 01 | Side panel trim<br>Seal  | left           | 1   |             |
| (16) | 996 556 754 01 | Side part<br>Seal  | upper<br>right | 1   |             |
| 17   | 997 556 811 01 | Side part<br>Filler piece  | upper<br>left  | 1   |             |
| (17) | 997 556 812 01 | Wheel housing<br>Filler piece  | right          | 1   |             |
| 18   | 997 556 807 00 | Wheel housing<br>Sound absorber  |                | 2   |             |
| 19   | 997 556 805 00 | 40,0<br>Cross panel<br>Rear end  |                | 1   |             |
| 20   | 997 556 801 00 | Sound absorber<br>120 X 90<br>Cross panel<br>Rear end<br>Sound absorber<br>Seat well |                | 4   |             |

Model: 997 05 Model life 2005>>2008

| Pos  | Part Number    | Description                              | Remark | Qty | Model |
|------|----------------|--|--------|-----|-------|
| 21   | 997 556 803 00 | Filler piece<br>Seat well                |        | 2   |       |
| 22   | 997 556 513 00 | Sound absorber<br>B-pillar               |        | 2   |       |
|      |                | D >> - MJ 2005                           |        |     |       |
| 22   | 997 556 513 02 | Sound absorber<br>B-pillar               |        | 2   |       |
|      |                | D - MJ 2006>>                            |        |     |       |
| 23   | 997 556 619 00 | Sound absorber<br>Air guide              | left   | 1   |       |
| (23) | 997 556 620 00 | Sound absorber<br>Air guide              | right  | 1   |       |
| 24   | 997 556 603 00 | Sound absorber<br>tensioner              | rear   | 1   |       |
| 25   | 997 556 613 00 | Sound absorber<br>Support                | left   | 1   |       |
|      |                | Spring strut                             |        |     |       |
| (25) | 997 556 614 00 | Sound absorber<br>Support                | right  | 1   |       |
|      |                | Spring strut                             |        |     |       |
| 26   | 997 537 553 00 | sound absorber for door<br>Reinforcement |        | 4   |       |
|      |                | D - MJ 2006>>                            |        |     |       |
| 27   | 999 049 027 40 | Plastic nut<br>30 X 1,8                  |        | 2   |       |

Model: 997 05

Model life 2005>>2008



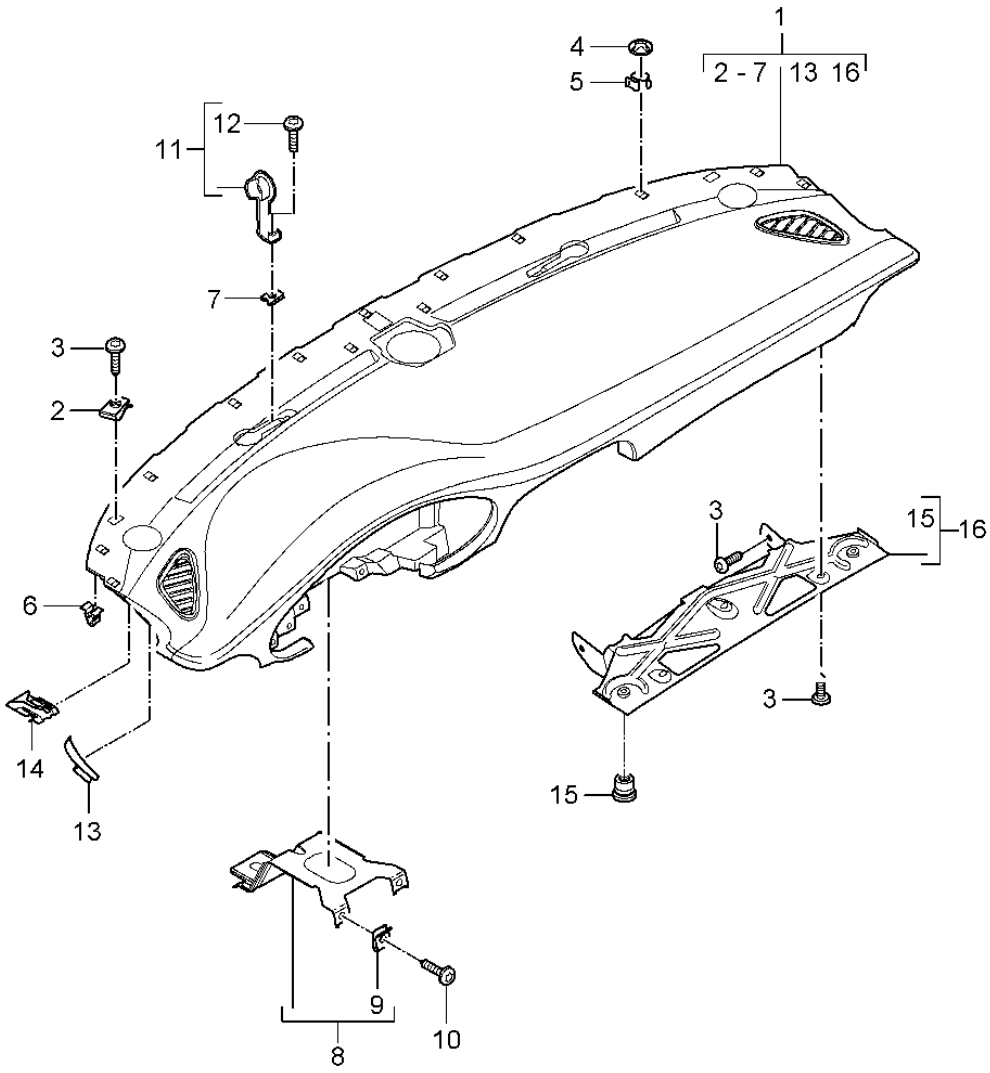


Model: 997 05 Model life 2005>>2008

| Pos  | Part Number    | Description  | Remark                | Qty | Model  |
|------|----------------|--|-----------------------|-----|--------|
|      |                | Body   |                       |     |        |
| 1    | 997 556 605 00 | Sound proofing 1<br>Sound absorber                 | left                  | 1   | CABRIO |
| (1)  | 997 556 606 00 | Wheel housing<br>Sound absorber                    | front<br>right        | 1   |        |
| 2    | 997 556 531 00 | Wheel housing<br>sound absorber for door           | front                 | 2   |        |
| 2    | 997 537 551 00 | D - MJ 2005>> - MJ 2005<br>sound absorber for door |                       | 2   |        |
| 3    | 997 556 723 00 | D - MJ 2006>><br>Sound absorber                    | lhd                   | 1   | PR:098 |
| (3)  | 997 556 724 00 | Firewall<br>Sound absorber                         | rhd                   | 1   | PR:099 |
| 4    | 997 556 503 00 | Firewall<br>Insulation for floor                   |                       | 2   |        |
| 5    | 997 556 507 01 | sound absorb.for wheel housing                     | left                  | 1   |        |
| (5)  | 997 556 508 01 | sound absorb.for wheel housing                     | rear<br>right<br>rear | 1   |        |
| 6    | 997 556 511 00 | sound absorber for rear panel                      | lower                 | 1   |        |
| (7)  | 997 556 611 00 | Sound absorber                                     | left                  | 1   |        |
| 7    | 997 556 612 00 | Convertible top<br>tray<br>Sound absorber          | right                 | 1   |        |
| 8    | 997 556 711 01 | Convertible top<br>tray<br>Sound absorber          |                       | 1   |        |
| 8    | 997 556 711 02 | Engine bay<br>D >> - MJ 2005<br>Sound absorber     |                       | 1   |        |
| 8    | 997 556 711 03 | Engine bay<br>D >> - MJ 2007<br>Sound absorber     |                       | 1   |        |
| 9    | 996 556 761 01 | Engine bay<br>D - MJ 2008>><br>retaining strip     |                       | 1   |        |
| 10   | 999 049 020 40 | Engine bay<br>Plastic nut                          |                       | 5   |        |
| (11) | 997 556 657 01 | T5/30 X 5,1<br>Sound absorber                      | left                  | 1   |        |
| 11   | 997 556 658 01 | Wheel housing liner<br>Sound absorber              | rear<br>right         | 1   |        |
| 12   | 997 556 653 00 | Wheel housing liner<br>Sound absorber              | rear                  | 1   |        |
| 13   | 997 556 521 00 | Control units<br>sound absorber for rear panel     | upper                 | 1   |        |
| 14   | 997 556 634 00 | Sound absorber                                     |                       | 1   | PR:680 |
| 15   | 997 537 553 00 | Subwoofer<br>sound absorber for door               |                       | 4   |        |
|      |                | Reinforcement<br>D - MJ 2006>>                     |                       |     |        |

Model: 997 05

Model life 2005>>2008



Model: 997 05 Model life 2005>>2008

| Pos | Part Number        | Description   | Remark             | Qty | Model  |
|-----|--------------------|---|--------------------|-----|--|
| -   |                    | Instrument panel trim<br>Upper part<br><br>with:<br>Fasteners<br>Accessories  |                    |     |  |
| 1   | 997 552 101 06     | see illustration:<br>dashboard<br>Upper part<br>Leatherette<br>Valid up to:<br>F >> 99-8S700 391<br>F >> 99-8S720 790<br>F >> 99-8S760 203<br>F >> 99-8S770 471<br>F >> 99-8S740 119<br>F >> 99-8S750 193 | 809-001<br><br>lhd | 1   | PR:098<br><br><br>COUPE<br>COUPE S<br>CABRIO<br>CABRIO S<br>TARGA<br>TARGA S |
|     | 997 552 101 06 9L4 | Black   |                    |     |  |
|     | 997 552 101 06 9M5 | Stone grey  |                    |     |  |
|     | 997 552 101 06 9C6 | Sand beige  |                    |     |  |
|     | 997 552 101 06 9D7 | sea blue  |                    |     |  |
|     | 997 552 101 06 9E8 | Palm green  |                    |     |  |
| (1) | 997 552 102 06     | D >> - MJ 2007<br>dashboard<br>Upper part<br>Leatherette<br>Valid up to:<br>F >> 99-8S700 391<br>F >> 99-8S720 790<br>F >> 99-8S760 203<br>F >> 99-8S770 471<br>F >> 99-8S740 119<br>F >> 99-8S750 193    | rhd                | 1   | PR:099<br><br><br>COUPE<br>COUPE S<br>CABRIO<br>CABRIO S<br>TARGA<br>TARGA S |
|     | 997 552 102 06 9L4 | Black   |                    |     |  |
|     | 997 552 102 06 9M5 | Stone grey  |                    |     |  |
|     | 997 552 102 06 9C6 | Sand beige  |                    |     |  |
|     | 997 552 102 06 9D7 | sea blue  |                    |     |  |
|     | 997 552 102 06 9E8 | Palm green  |                    |     |  |
| 1   | 997 552 101 10     | D >> - MJ 2007<br>dashboard<br>Upper part<br>Leatherette<br>Valid from:<br>F 99-8S700 392>><br>F 99-8S720 791>><br>F 99-8S760 204>><br>F 99-8S770 472>><br>F 99-8S740 120>><br>F 99-8S750 194>>           | lhd                | 1   | PR:098<br><br><br>COUPE<br>COUPE S<br>CABRIO<br>CABRIO S<br>TARGA<br>TARGA S |
|     | 997 552 101 10 9L4 | Black   |                    |     |  |
|     | 997 552 101 10 9M5 | Stone grey  |                    |     |  |
|     | 997 552 101 10 9C6 | Sand beige  |                    |     |  |
|     | 997 552 101 10 9D7 | sea blue  |                    |     |  |
|     | 997 552 101 10 9E8 | Palm green  |                    |     |  |
| (1) | 997 552 102 10     | D >> - MJ 2007<br>dashboard<br>Upper part<br>Leatherette<br>Valid from:<br>F 99-8S700 392>><br>F 99-8S720 791>><br>F 99-8S760 204>><br>F 99-8S770 472>><br>F 99-8S740 120>><br>F 99-8S750 194>>           | rhd                | 1   | PR:099<br><br><br>COUPE<br>COUPE S<br>CABRIO<br>CABRIO S<br>TARGA<br>TARGA S |

Model: 997 05 Model life 2005>>2008

| Pos                | Part Number        | Description  | Remark | Qty | Model  |
|--------------------|--------------------|--|--------|-----|--|
| 1                  | 997 552 102 10 9L4 | Black  | lhd    | 1   | COUPE<br>COUPE S<br>CABRIO<br>CABRIO S<br>TARGA<br>TARGA S<br>PR:098,639,<br>640 |
|                    | 997 552 102 10 9M5 | Stone grey   |        |     |  |
|                    | 997 552 102 10 9C6 | Sand beige   |        |     |  |
|                    | 997 552 102 10 9D7 | sea blue   |        |     |  |
|                    | 997 552 101 08     | dashboard<br>Upper part<br>Leatherette<br>Valid up to:<br>F >> 99-8S700 391<br>F >> 99-8S720 790<br>F >> 99-8S760 203<br>F >> 99-8S770 471<br>F >> 99-8S740 119<br>F >> 99-8S750 193                   |        |     |  |
|                    | 997 552 101 08 9L4 | Black  |        |     |  |
|                    | 997 552 101 08 9M5 | Stone grey   |        |     |  |
|                    | 997 552 101 08 9C6 | Sand beige   |        |     |  |
|                    | 997 552 101 08 9D7 | sea blue   |        |     |  |
|                    | 997 552 101 08 9E8 | Palm green   |        |     |  |
| 1                  | 997 552 102 08     | D >> - MJ 2007<br>dashboard<br>Upper part<br>Leatherette<br>Valid up to:<br>F >> 99-8S700 391<br>F >> 99-8S720 790<br>F >> 99-8S760 203<br>F >> 99-8S770 471<br>F >> 99-8S740 119<br>F >> 99-8S750 193 | rhd    | 1   | COUPE<br>COUPE S<br>CABRIO<br>CABRIO S<br>TARGA<br>TARGA S<br>PR:099,639,<br>640 |
|                    | 997 552 102 08 9L4 | Black  |        |     |  |
|                    | 997 552 102 08 9M5 | Stone grey   |        |     |  |
|                    | 997 552 102 08 9C6 | Sand beige   |        |     |  |
|                    | 997 552 102 08 9D7 | sea blue   |        |     |  |
|                    | 997 552 102 08 9E8 | Palm green   |        |     |  |
|                    | 997 552 101 12     | D >> - MJ 2007<br>dashboard<br>Upper part<br>Leatherette<br>Valid from:<br>F 99-8S700 392>><br>F 99-8S720 791>><br>F 99-8S760 204>><br>F 99-8S770 472>><br>F 99-8S740 120>><br>F 99-8S750 194>>        | lhd    | 1   | COUPE<br>COUPE S<br>CABRIO<br>CABRIO S<br>TARGA<br>TARGA S<br>PR:098,639,<br>640 |
|                    | 997 552 101 12 9L4 | Black  |        |     |  |
|                    | 997 552 101 12 9M5 | Stone grey   |        |     |  |
|                    | 997 552 101 12 9C6 | Sand beige   |        |     |  |
| 997 552 101 12 9D7 | sea blue           |  |        |     |  |
| 997 552 101 12 9E8 | Palm green         |  |        |     |  |
| 1                  | 997 552 102 12     | dashboard<br>Upper part<br>Leatherette<br>Valid from:<br>F 99-8S700 392>><br>F 99-8S720 791>>  | rhd    | 1   | COUPE<br>COUPE S   |

Model: 997 05 Model life 2005>>2008

| Pos | Part Number   | Description   | Remark | Qty | Model  |
|-----|---|---|--------|-----|--|
|     |   | F 99-8S760 204>><br>F 99-8S770 472>><br>F 99-8S740 120>><br>F 99-8S750 194>>  |        |     | CABRIO<br>CABRIO S<br>TARGA<br>TARGA S<br>PR:099,639,<br>640 |
| 1   | 997 552 102 12 9L4<br>997 552 102 12 9M5<br>997 552 102 12 9C6<br>997 552 102 12 9D7<br>997 552 101 07  | Black<br>Stone grey<br>Sand beige<br>sea blue<br>dashboard<br>Upper part<br>Leather<br>Valid up to:<br>F >> 99-8S700 391<br>F >> 99-8S720 790<br>F >> 99-8S760 203<br>F >> 99-8S770 471<br>F >> 99-8S740 119<br>F >> 99-8S750 193 | lhd    | 1   | PR:098,981   |
|     | 997 552 101 07 FSA<br>997 552 101 07 FSB<br>997 552 101 07 FSC<br>997 552 101 07 FSD<br>997 552 101 07 FSE<br>D >> - MJ 2007<br>997 552 101 07 FSF<br>997 552 101 07 FSG<br>997 552 101 07 FSH<br>997 552 101 07 FSJ<br>997 552 101 07 FSP<br>D - MJ 2008>> | Black<br>Stone grey<br>Sand beige<br>sea blue<br>Palm green<br>Terracotta<br>Cocoa<br>Dark grey/natural<br>Brown/natural<br>Carrera Red   |        |     | COUPE<br>COUPE S<br>CABRIO<br>CABRIO S<br>TARGA<br>TARGA S   |
| (1) | 997 552 102 07  | dashboard<br>Upper part<br>Leather<br>Valid up to:<br>F >> 99-8S700 391<br>F >> 99-8S720 790<br>F >> 99-8S760 203<br>F >> 99-8S770 471<br>F >> 99-8S740 119<br>F >> 99-8S750 193  | rhd    | 1   | PR:099,981   |
|     | 997 552 102 07 FSA<br>997 552 102 07 FSB<br>997 552 102 07 FSC<br>997 552 102 07 FSD<br>997 552 102 07 FSE<br>D >> - MJ 2007<br>997 552 102 07 FSF<br>997 552 102 07 FSG<br>997 552 102 07 FSH<br>997 552 102 07 FSJ<br>997 552 102 07 FSP<br>D - MJ 2008>> | Black<br>Stone grey<br>Sand beige<br>sea blue<br>Palm green<br>Terracotta<br>Cocoa<br>Dark grey/natural<br>Brown/natural<br>Carrera Red   |        |     | COUPE<br>COUPE S<br>CABRIO<br>CABRIO S<br>TARGA<br>TARGA S   |
| 1   | 997 552 101 11  | dashboard<br>Upper part<br>Leather<br>Valid from:<br>F 99-8S700 392>><br>F 99-8S720 791>><br>F 99-8S760 204>><br>F 99-8S770 472>><br>F 99-8S740 120>>   | lhd    | 1   | PR:098,981   |
|     |   |   |        |     | COUPE<br>COUPE S<br>CABRIO<br>CABRIO S<br>TARGA              |

Model: 997 05 Model life 2005>>2008

| Pos | Part Number        | Description   | Remark | Qty | Model  |
|-----|--------------------|---|--------|-----|--|
|     |                    | F 99-8S750 194>>  |        |     | TARGA S  |
|     | 997 552 101 11 FSA | Black   |        |     |  |
|     | 997 552 101 11 FSB | Stone grey  |        |     |  |
|     | 997 552 101 11 FSC | Sand beige  |        |     |  |
|     | 997 552 101 11 FSD | sea blue  |        |     |  |
|     | 997 552 101 11 FSF | Terracotta  |        |     |  |
|     | 997 552 101 11 FSG | Cocoa   |        |     |  |
|     | 997 552 101 11 FSH | Dark grey/natural   |        |     |  |
|     | 997 552 101 11 FSJ | Brown/natural   |        |     |  |
|     | 997 552 101 11 FSP | Carrera Red   |        |     |  |
| 1   | 997 552 102 11     | D - MJ 2008>><br>dashboard<br>Upper part<br>Leather<br>Valid from:<br>F 99-8S700 392>><br>F 99-8S720 791>><br>F 99-8S760 204>><br>F 99-8S770 472>><br>F 99-8S740 120>><br>F 99-8S750 194>>        | rhd    | 1   | PR:099,981<br><br>COUPE<br>COUPE S<br>CABRIO<br>CABRIO S<br>TARGA<br>TARGA S         |
|     | 997 552 102 11 FSA | Black   |        |     |  |
|     | 997 552 102 11 FSB | Stone grey  |        |     |  |
|     | 997 552 102 11 FSC | Sand beige  |        |     |  |
|     | 997 552 102 11 FSD | sea blue  |        |     |  |
|     | 997 552 102 11 FSF | Terracotta  |        |     |  |
|     | 997 552 102 11 FSG | Cocoa   |        |     |  |
|     | 997 552 102 11 FSH | Dark grey/natural   |        |     |  |
|     | 997 552 102 11 FSJ | Brown/natural   |        |     |  |
|     | 997 552 102 11 FSP | Carrera Red   |        |     |  |
| 1   | 997 552 101 09     | D - MJ 2008>><br>dashboard<br>Upper part<br>Leather<br>Valid up to:<br>F >> 99-8S700 391<br>F >> 99-8S720 790<br>F >> 99-8S760 203<br>F >> 99-8S770 471<br>F >> 99-8S740 119<br>F >> 99-8S750 193 | lhd    | 1   | COUPE<br>COUPE S<br>CABRIO<br>CABRIO S<br>TARGA<br>TARGA S<br>PR:098,639,<br>640,981 |
|     | 997 552 101 09 FSA | Black   |        |     |  |
|     | 997 552 101 09 FSB | Stone grey  |        |     |  |
|     | 997 552 101 09 FSC | Sand beige  |        |     |  |
|     | 997 552 101 09 FSD | sea blue  |        |     |  |
|     | 997 552 101 09 FSE | Palm green  |        |     |  |
|     |                    | D >> - MJ 2007  |        |     |  |
|     | 997 552 101 09 FSF | Terracotta  |        |     |  |
|     | 997 552 101 09 FSG | Cocoa/Cocoa   |        |     |  |
|     | 997 552 101 09 FSH | Dark grey/natural   |        |     |  |
|     | 997 552 101 09 FSJ | Brown/natural   |        |     |  |
|     | 997 552 101 09 FSP | Carrera Red   |        |     |  |
| (1) | 997 552 102 09     | D - MJ 2008>><br>dashboard<br>Upper part<br>Leather<br>Valid up to:<br>F >> 99-8S700 391<br>F >> 99-8S720 790<br>F >> 99-8S760 203<br>F >> 99-8S770 471   | rhd    | 1   | COUPE<br>COUPE S<br>CABRIO<br>CABRIO S   |

Model: 997 05 Model life 2005>>2008

| Pos | Part Number        | Description   | Remark | Qty | Model  |
|-----|--------------------|---|--------|-----|--|
|     |                    | F >> 99-8S740 119<br>F >> 99-8S750 193  |        |     | TARGA<br>TARGA S<br>PR:099,639,<br>640,981   |
|     | 997 552 102 09 FSA | Black   |        |     |  |
|     | 997 552 102 09 FSB | Stone grey  |        |     |  |
|     | 997 552 102 09 FSC | Sand beige  |        |     |  |
|     | 997 552 102 09 FSD | sea blue  |        |     |  |
|     | 997 552 102 09 FSE | Palm green  |        |     |  |
|     |                    | D >> - MJ 2007  |        |     |  |
|     | 997 552 102 09 FSF | Terracotta  |        |     |  |
|     | 997 552 102 09 FSG | Cocoa/Cocoa   |        |     |  |
|     | 997 552 102 09 FSH | Dark grey/natural   |        |     |  |
|     | 997 552 102 09 FSJ | Brown/natural   |        |     |  |
|     | 997 552 102 09 FSP | Carrera Red   |        |     |  |
|     |                    | D - MJ 2008>>   |        |     |  |
| 1   | 997 552 101 13     | dashboard<br>Upper part<br>Leather<br>Valid from:<br>F 99-8S700 392>><br>F 99-8S720 791>><br>F 99-8S760 204>><br>F 99-8S770 472>><br>F 99-8S740 120>><br>F 99-8S750 194>> | lhd    | 1   | COUPE<br>COUPE S<br>CABRIO<br>CABRIO S<br>TARGA<br>TARGA S<br>PR:098,639,<br>640,981 |
|     | 997 552 101 13 FSA | Black   |        |     |  |
|     | 997 552 101 13 FSB | Stone grey  |        |     |  |
|     | 997 552 101 13 FSC | Sand beige  |        |     |  |
|     | 997 552 101 13 FSD | sea blue  |        |     |  |
|     | 997 552 101 13 FSF | Terracotta  |        |     |  |
|     | 997 552 101 13 FSG | Cocoa   |        |     |  |
|     | 997 552 101 13 FSH | Dark grey/natural   |        |     |  |
|     | 997 552 101 13 FSJ | Brown/natural   |        |     |  |
|     | 997 552 101 13 FSP | Carrera Red   |        |     |  |
|     |                    | D - MJ 2008>>   |        |     |  |
| (1) | 997 552 102 13     | dashboard<br>Upper part<br>Leather<br>Valid from:<br>F 99-8S700 392>><br>F 99-8S720 791>><br>F 99-8S760 204>><br>F 99-8S770 472>><br>F 99-8S740 120>><br>F 99-8S750 194>> | rhd    | 1   | COUPE<br>COUPE S<br>CABRIO<br>CABRIO S<br>TARGA<br>TARGA S<br>PR:099,639,<br>640,981 |
|     | 997 552 102 13 FSA | Black   |        |     |  |
|     | 997 552 102 13 FSB | Stone grey  |        |     |  |
|     | 997 552 102 13 FSC | Sand beige  |        |     |  |
|     | 997 552 102 13 FSD | sea blue  |        |     |  |
|     | 997 552 102 13 FSF | Terracotta  |        |     |  |
|     | 997 552 102 13 FSG | Cocoa   |        |     |  |
|     | 997 552 102 13 FSH | Dark grey/natural   |        |     |  |
|     | 997 552 102 13 FSJ | Brown/natural   |        |     |  |
|     | 997 552 102 13 FSP | Carrera Red   |        |     |  |
|     |                    | D - MJ 2008>>   |        |     |  |
| 2   | 999 507 971 01     | panel nut<br>ST 4,2<br>for  |        | X   |  |

Model: 997 05 Model life 2005>>2008

| Pos  | Part Number    | Description  | Remark | Qty | Model  |
|------|----------------|--|--------|-----|--|
| 3    | 999 073 155 09 | Mount<br>dashboard<br>panel screw<br>ST 4,2 X 13<br>for  |        | X   |  |
| 4    | 999 507 106 02 | Mount<br>dashboard<br>Clamping washer<br>8,0<br>for  |        | X   |  |
| 5    | 999 507 573 02 | Mount<br>dashboard<br>Clip<br>6,7 - 8,1<br>for   |        | X   |  |
| 6    | 999 507 732 01 | Mount<br>dashboard<br>Clamp<br>8,0 X 12,0 /4,0<br>for  |        | X   |  |
| 7    | 999 507 020 01 | Mount<br>dashboard<br>panel nut<br>ST 4,2<br>for   |        | X   |  |
| 8    | 997 552 617 01 | Mount<br>dashboard<br>bracket for dash panel<br>(drivers side)   |        | 1   |  |
| 9    | 999 507 020 01 | panel nut<br>ST 4,2  |        | 2   |  |
| 10   | 999 073 155 09 | panel screw<br>ST 4,2 X 13   |        | 2   |  |
| 11   | 997 552 673 00 | Cover<br>Defroster trim  |        | 2   |  |
| 12   | 999 073 226 09 | panel screw<br>ST 4,2 X 16   |        | 2   |  |
| 13   | 997 552 481 00 | Insert<br>A-pillar   | left   | 1   |  |
| (13) | 997 552 482 00 | Insert<br>A-pillar   | right  | 1   |  |
| 14   | 999 507 921 01 | Clip<br>Mount<br>dashboard   |        | 2   |  |
| 15   | 999 500 132 00 | Cowl panel<br>castellated nut<br>M 5<br>Valid up to:<br>F >> 99-8S700 391<br>F >> 99-8S720 790<br>F >> 99-8S760 203<br>F >> 99-8S770 471<br>F >> 99-8S740 119<br>F >> 99-8S750 193 |        | 2   | COUPE<br>COUPE S<br>CABRIO<br>CABRIO S<br>TARGA<br>TARGA S |
| (15) | 999 507 319 01 | Cage nut<br>M 5<br>Valid from:<br>F 99-8S700 392>><br>F 99-8S720 791>><br>F 99-8S760 204>><br>F 99-8S770 472>><br>F 99-8S740 120>><br>F 99-8S750 194>>                             |        | 2   | COUPE<br>COUPE S<br>CABRIO<br>CABRIO S<br>TARGA<br>TARGA S |

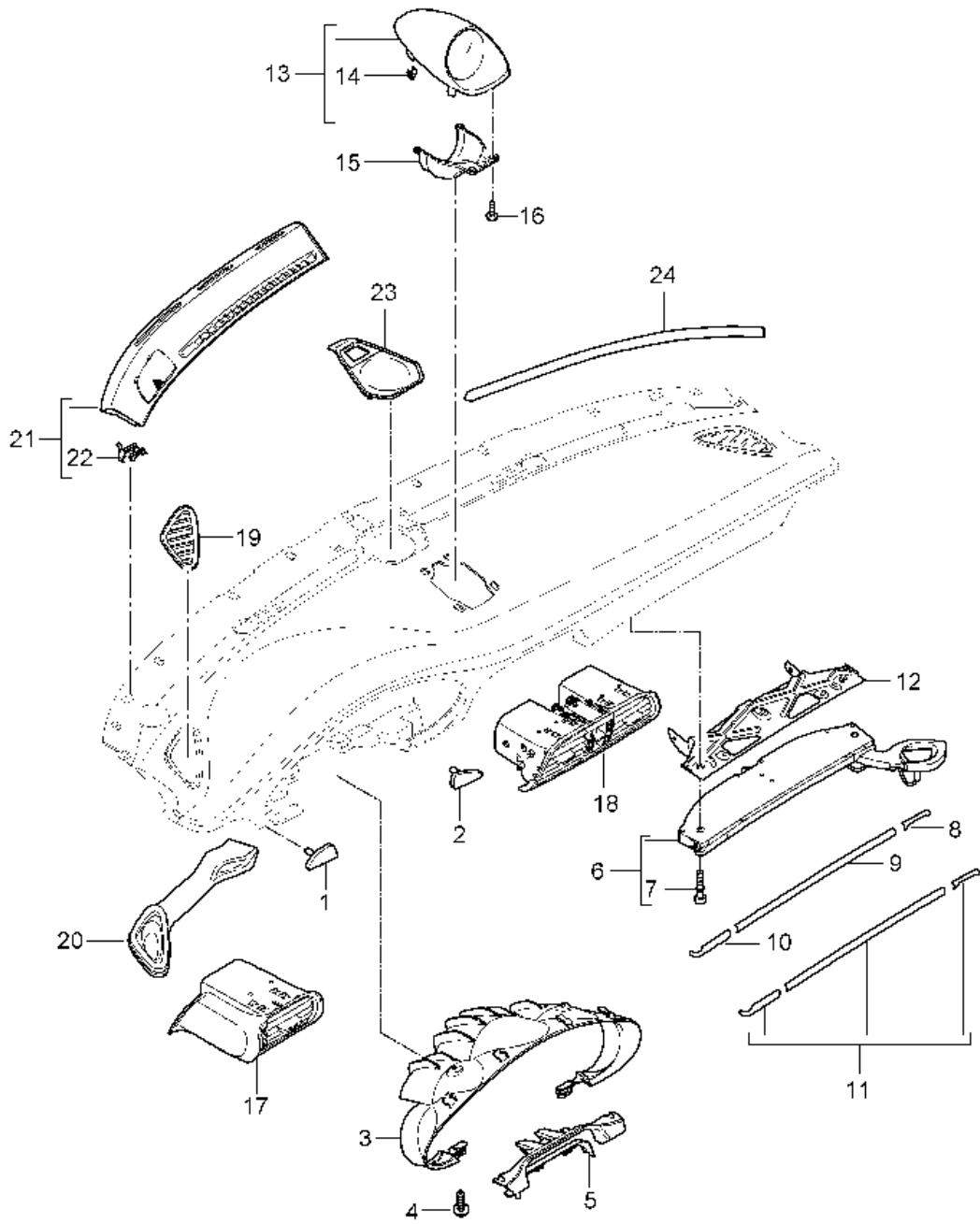


Model: 997 05 Model life 2005>>2008

| Pos  | Part Number    | Description  | Remark | Qty | Model  |
|------|----------------|--|--------|-----|--|
| 16   | 997 552 360 02 | Retaining plate<br>for<br>Beverages<br>Bracket<br>Valid up to:<br>F >> 99-8S700 391<br>F >> 99-8S720 790<br>F >> 99-8S760 203<br>F >> 99-8S770 471<br>F >> 99-8S740 119<br>F >> 99-8S750 193 | lhd    | 1   | PR:098<br><br>COUPE<br>COUPE S<br>CABRIO<br>CABRIO S<br>TARGA<br>TARGA S |
| (16) | 997 552 359 02 | Retaining plate<br>for<br>Beverages<br>Bracket<br>Valid up to:<br>F >> 99-8S700 391<br>F >> 99-8S720 790<br>F >> 99-8S760 203<br>F >> 99-8S770 471<br>F >> 99-8S740 119<br>F >> 99-8S750 193 | rhd    | 1   | PR:099<br><br>COUPE<br>COUPE S<br>CABRIO<br>CABRIO S<br>TARGA<br>TARGA S |
| (16) | 997 552 360 03 | Retaining plate<br>for<br>Beverages<br>Bracket<br>Valid from:<br>F 99-8S700 392>><br>F 99-8S720 791>><br>F 99-8S760 204>><br>F 99-8S770 472>><br>F 99-8S740 120>><br>F 99-8S750 194>>        | lhd    | 1   | PR:098<br><br>COUPE<br>COUPE S<br>CABRIO<br>CABRIO S<br>TARGA<br>TARGA S |
| (16) | 997 552 359 03 | Retaining plate<br>for<br>Beverages<br>Bracket<br>Valid from:<br>F 99-8S700 392>><br>F 99-8S720 791>><br>F 99-8S760 204>><br>F 99-8S770 472>><br>F 99-8S740 120>><br>F 99-8S750 194>>        | rhd    | 1   | PR:099<br><br>COUPE<br>COUPE S<br>CABRIO<br>CABRIO S<br>TARGA<br>TARGA S |

Model: 997 05

Model life 2005>>2008



Model: 997 05 Model life 2005>>2008

| Pos | Part Number  | Description  | Remark     | Qty | Model               |
|-----|--|--|------------|-----|---------------------|
| 1   | 997 552 381 01   | Accessories<br>Instrument panel trim<br>Upper part<br>Trim<br>(drivers side) | outer lhd  | 1   | CARRERA<br>PR:098   |
| (1) | 997 552 381 01 D07<br>997 552 382 01   | Volcano grey<br>Trim<br>(drivers side)                                       | outer rhd  | 1   | CARRERA<br>PR:099   |
| 1   | 997 552 382 01 D07<br>997 552 381 02   | Volcano grey<br>Trim<br>(drivers side)                                       | outer lhd  | 1   | CARRERA S<br>PR:098 |
| (1) | 997 552 381 02 V04<br>997 552 382 02   | Galvano silver<br>Trim<br>(drivers side)                                     | outer rhd  | 1   | CARRERA S<br>PR:099 |
| 1   | 997 552 382 02 V04<br>997 552 381 03   | Galvano silver<br>Trim<br>(drivers side)                                     | outer lhd  | 1   | PR:098,801          |
| (1) | 997 552 381 03 S61<br>997 552 382 03   | macassar<br>Trim<br>(drivers side)   | outer rhd  | 1   | PR:801,099          |
| 1   | 997 552 382 03 S61<br>997 552 381 04   | macassar<br>Trim<br>(drivers side)   | outer lhd  | 1   | PR:098,802          |
| (1) | 997 552 381 04 S62<br>997 552 382 04   | Sycamore wood<br>Trim<br>(drivers side)                                      | outer rhd  | 1   | PR:099,802          |
| 1   | 997 552 382 04 S62<br>997 552 381 05   | Sycamore wood<br>Trim<br>(drivers side)                                      | outer lhd  | 1   | PR:098,803          |
| (1) | 997 552 381 05 A35<br>997 552 382 05   | Black<br>Trim<br>(drivers side)  | outer rhd  | 1   | PR:803,099          |
| 1   | 997 552 382 05 A35<br>997 552 986 00   | Black<br>Trim<br>(drivers side)  | outer lhd  | 1   | PR:098,XVP          |
|     | 997 552 986 00 A11<br>997 552 986 00 5X6<br>997 552 986 00 8G2<br>997 552 986 00 3S9<br>997 552 986 00 4P2 | Black<br>Stone grey<br>Sand beige<br>sea blue<br>Palm green                  |            |     |                     |
|     | 997 552 986 00 9S5<br>997 552 986 00 9V6<br>997 552 986 00 D12<br>997 552 986 00 T12<br>997 552 986 00 N12 | Terracotta<br>Cocoa<br>Dark grey/natural<br>Brown/natural<br>Carrera Red     |            |     |                     |
| (1) | 997 552 986 01   | D - MJ 2008>><br>Trim<br>(drivers side)                                      | outer rhd  | 1   | PR:099,XVP          |
|     | 997 552 986 01 A11<br>997 552 986 01 5X6<br>997 552 986 01 8G2<br>997 552 986 01 3S9<br>997 552 986 01 4P2 | Black<br>Stone grey<br>Sand beige<br>sea blue<br>Palm green                  |            |     |                     |
|     | 997 552 986 01 9S5<br>997 552 986 01 9V6<br>997 552 986 01 D12<br>997 552 986 01 T12<br>997 552 986 01 N12 | Terracotta<br>Cocoa<br>Dark grey/natural<br>Brown/natural<br>Carrera Red     |            |     |                     |
| 2   | 997 552 383 01   | D - MJ 2008>><br>Trim<br>(drivers side)                                      | center lhd | 1   | CARRERA<br>PR:098   |

Model: 997 05 Model life 2005>>2008

| Pos | Part Number        | Description  | Remark     | Qty | Model               |
|-----|--------------------|--|------------|-----|---------------------|
| (2) | 997 552 383 01 D07 | Volcano grey   |            |     |                     |
|     | 997 552 384 01     | Trim<br>(drivers side)   | center rhd | 1   | CARRERA<br>PR:099   |
| 2   | 997 552 383 02     | Volcano grey   |            |     |                     |
|     | 997 552 384 02     | Trim<br>(drivers side)   | center lhd | 1   | CARRERA S<br>PR:098 |
| (2) | 997 552 383 02 V04 | Galvano silver   |            |     |                     |
|     | 997 552 384 02     | Trim<br>(drivers side)   | center rhd | 1   | CARRERA S<br>PR:099 |
| 2   | 997 552 383 03     | Galvano silver   |            |     |                     |
|     | 997 552 384 03     | Trim<br>(drivers side)   | center lhd | 1   | PR:801,098          |
| (2) | 997 552 383 03 S61 | macassar   |            |     |                     |
|     | 997 552 384 03     | Trim<br>(drivers side)   | center rhd | 1   | PR:801,099          |
| 2   | 997 552 383 04     | macassar   |            |     |                     |
|     | 997 552 384 04     | Trim<br>(drivers side)   | center lhd | 1   | PR:098,802          |
| (2) | 997 552 383 04 S62 | Sycamore wood  |            |     |                     |
|     | 997 552 384 04     | Trim<br>(drivers side)   | center rhd | 1   | PR:099,802          |
| 2   | 997 552 383 05     | Sycamore wood  |            |     |                     |
|     | 997 552 384 05     | Trim<br>(drivers side)   | center lhd | 1   | PR:098,803          |
| (2) | 997 552 383 05 A35 | Black  |            |     |                     |
|     | 997 552 384 05     | Trim<br>(drivers side)   | center rhd | 1   | PR:099,803          |
| 2   | 997 552 384 05 A35 | Black  |            |     |                     |
|     | 997 552 987 00     | Trim<br>(drivers side)   | center lhd | 1   | PR:XVP,098          |
|     | 997 552 987 00 A11 | Black  |            |     |                     |
|     | 997 552 987 00 5X6 | Stone grey   |            |     |                     |
|     | 997 552 987 00 8G2 | Sand beige   |            |     |                     |
|     | 997 552 987 00 3S9 | sea blue   |            |     |                     |
|     | 997 552 987 00 4P2 | Palm green   |            |     |                     |
|     |                    | D >> - MJ 2007   |            |     |                     |
|     | 997 552 987 00 9S5 | Terracotta   |            |     |                     |
|     | 997 552 987 00 9V6 | Cocoa  |            |     |                     |
|     | 997 552 987 00 D12 | Dark grey/natural  |            |     |                     |
|     | 997 552 987 00 T12 | Brown/natural  |            |     |                     |
|     | 997 552 987 00 N12 | Carrera Red  |            |     |                     |
| (2) | 997 552 987 01     | D - MJ 2008>><br>Trim<br>(drivers side)  | center rhd | 1   | PR:XVP,099          |
|     | 997 552 987 01 A11 | Black  |            |     |                     |
|     | 997 552 987 01 5X6 | Stone grey   |            |     |                     |
|     | 997 552 987 01 8G2 | Sand beige   |            |     |                     |
|     | 997 552 987 01 3S9 | sea blue   |            |     |                     |
|     | 997 552 987 01 4P2 | Palm green   |            |     |                     |
|     |                    | D >> - MJ 2007   |            |     |                     |
|     | 997 552 987 01 9S5 | Terracotta   |            |     |                     |
|     | 997 552 987 01 9V6 | Cocoa  |            |     |                     |
|     | 997 552 987 01 D12 | Dark grey/natural  |            |     |                     |
|     | 997 552 987 01 T12 | Brown/natural  |            |     |                     |
|     | 997 552 987 01 N12 | Carrera Red  |            |     |                     |
| 3   | 997 552 325 01     | D - MJ 2008>><br>Trim<br>Combi-instrument<br>see<br>Technical information<br>Group 9<br>Nummer 53/10 | center lhd | 1   | PR:098              |
|     | 997 552 325 01 A03 | Black  |            |     |                     |

Model: 997 05 Model life 2005>>2008

| Pos | Part Number        | Description           | Remark | Qty | Model      |
|-----|--------------------|-----------------------|--------|-----|------------|
|     | 997 552 325 01 5V7 | Stone grey            |        |     |            |
|     | 997 552 325 01 5Z1 | Sand beige            |        |     |            |
|     | 997 552 325 01 8W7 | sea blue              |        |     |            |
|     | 997 552 325 01 5Y2 | Palm green            |        |     |            |
|     |                    | D >> - MJ 2007        |        |     |            |
|     | 997 552 325 01 8X8 | Terracotta            |        |     |            |
|     | 997 552 325 01 8P9 | Cocoa                 |        |     |            |
|     | 997 552 325 01 T13 | Brown/natural         |        |     |            |
|     | 997 552 325 01 N23 | Carrera Red           |        |     |            |
|     |                    | D - MJ 2008>>         |        |     |            |
| (3) | 997 552 326 01     | Trim                  | rhd    | 1   | PR:099     |
|     |                    | Combi-instrument      |        |     |            |
|     |                    | see                   |        |     |            |
|     |                    | Technical information |        |     |            |
|     |                    | Group 9               |        |     |            |
|     |                    | Nummer 53/10          |        |     |            |
|     | 997 552 326 01 A03 | Black                 |        |     |            |
|     | 997 552 326 01 5V7 | Stone grey            |        |     |            |
|     | 997 552 326 01 5Z1 | Sand beige            |        |     |            |
|     | 997 552 326 01 8W7 | sea blue              |        |     |            |
|     | 997 552 326 01 5Y2 | Palm green            |        |     |            |
|     |                    | D >> - MJ 2007        |        |     |            |
|     | 997 552 326 01 8X8 | Terracotta            |        |     |            |
|     | 997 552 326 01 8P9 | Cocoa                 |        |     |            |
|     | 997 552 326 01 T13 | Brown/natural         |        |     |            |
|     | 997 552 326 01 N23 | Carrera Red           |        |     |            |
|     |                    | D - MJ 2008>>         |        |     |            |
| 3   | 997 552 989 00     | Leather panel         | lhd    | 1   | PR:XNG,098 |
|     |                    | Combi-instrument      |        |     |            |
|     |                    | see                   |        |     |            |
|     |                    | Technical information |        |     |            |
|     |                    | Group 9               |        |     |            |
|     |                    | Nummer 53/10          |        |     |            |
|     | 997 552 989 00 A11 | Black                 |        |     |            |
|     | 997 552 989 00 5X6 | Stone grey            |        |     |            |
|     | 997 552 989 00 8G2 | Sand beige            |        |     |            |
|     | 997 552 989 00 3S9 | sea blue              |        |     |            |
|     | 997 552 989 00 4P2 | Palm green            |        |     |            |
|     |                    | D >> - MJ 2007        |        |     |            |
|     | 997 552 989 00 9S5 | Terracotta            |        |     |            |
|     | 997 552 989 00 9V6 | Cocoa                 |        |     |            |
|     | 997 552 989 00 D12 | Dark grey/natural     |        |     |            |
|     | 997 552 989 00 T12 | Brown/natural         |        |     |            |
|     | 997 552 989 00 N12 | Carrera Red           |        |     |            |
|     |                    | D - MJ 2008>>         |        |     |            |
| (3) | 997 552 989 01     | Leather panel         | rhd    | 1   | PR:XNG,099 |
|     |                    | Combi-instrument      |        |     |            |
|     |                    | see                   |        |     |            |
|     |                    | Technical information |        |     |            |
|     |                    | Group 9               |        |     |            |
|     |                    | Nummer 53/10          |        |     |            |
|     | 997 552 989 01 A11 | Black                 |        |     |            |
|     | 997 552 989 01 5X6 | Stone grey            |        |     |            |
|     | 997 552 989 01 8G2 | Sand beige            |        |     |            |
|     | 997 552 989 01 3S9 | sea blue              |        |     |            |
|     | 997 552 989 01 4P2 | Palm green            |        |     |            |
|     |                    | D >> - MJ 2007        |        |     |            |
|     | 997 552 989 01 9S5 | Terracotta            |        |     |            |
|     | 997 552 989 01 9V6 | Cocoa                 |        |     |            |
|     | 997 552 989 01 D12 | Dark grey/natural     |        |     |            |
|     | 997 552 989 01 T12 | Brown/natural         |        |     |            |
|     | 997 552 989 01 N12 | Carrera Red           |        |     |            |
|     |                    | D - MJ 2008>>         |        |     |            |

Model: 997 05 Model life 2005>>2008

| Pos | Part Number  | Description  | Remark | Qty | Model      |
|-----|--|--|--------|-----|------------|
| 3   | 997 552 989 02   | Trim<br>Combi-instrument<br>see<br>Technical information<br>Group 9<br>Nummer 53/10                                      | lhd    | 1   | PR:XCL,098 |
| (3) | 997 552 989 02 V04<br>997 552 989 03   | Galvano silver<br>Trim<br>Combi-instrument<br>see<br>Technical information<br>Group 9<br>Nummer 53/10                    | rhd    | 1   | PR:XCL,099 |
| 4   | 997 552 989 03 V04<br>999 073 155 09   | Galvano silver<br>panel screw<br>ST 4,2 X 13   |        | 2   |            |
| 5   | 997 552 271 01<br>997 552 271 01 A03<br>997 552 271 01 5V7<br>997 552 271 01 5Z1<br>997 552 271 01 8W7<br>997 552 271 01 5Y2   | Bridge<br>Black<br>Stone grey<br>Sand beige<br>sea blue<br>Palm green<br>D >> - MJ 2007                                  |        | 1   |            |
| 5   | 997 552 271 01 8X8<br>997 552 271 01 8P9<br>997 552 271 01 T13<br>997 552 271 01 N23<br>997 552 978 00   | Terracotta<br>Cocoa<br>Brown/natural<br>Carrera Red<br>D - MJ 2008>><br>Bridge<br>Leather<br>D - MJ 2006>>               |        | 1   | PR:XNS     |
|     | 997 552 978 00 A11<br>997 552 978 00 5X6<br>997 552 978 00 8G2<br>997 552 978 00 3S9<br>997 552 978 00 4P2   | Black<br>Stone grey<br>Sand beige<br>sea blue<br>Palm green<br>D >> - MJ 2007  |        |     |            |
|     | 997 552 978 00 9S5<br>997 552 978 00 9V6<br>997 552 978 00 D12<br>997 552 978 00 T12<br>997 552 978 00 N12   | Terracotta<br>Cocoa<br>Dark grey/natural<br>Brown/natural<br>Carrera Red<br>D - MJ 2008>>                                |        |     |            |
| 6   | 997 552 294 03   | Drinks holder  | lhd    | 1   | PR:098     |
| 6   | 997 552 293 04   | Drinks holder  | rhd    | 1   | PR:099     |
| (6) | 997 552 988 00   | Drinks holder<br><br>with:<br>Position<br>18/19/20   | lhd    | 1   | PR:XVP,098 |
|     | 997 552 988 00 A11<br>997 552 988 00 5X6<br>997 552 988 00 8G2<br>997 552 988 00 3S9<br>997 552 988 00 4P2<br>997 552 988 00 9S5<br>997 552 988 00 9V6<br>997 552 988 00 D12<br>997 552 988 00 T12 | Black<br>Stone grey<br>Sand beige<br>sea blue<br>Palm green<br>Terracotta<br>Cocoa<br>Dark grey/natural<br>Brown/natural |        |     |            |
| (6) | 997 552 988 01   | Drinks holder<br><br>with:<br>Position<br>18/19/20   | rhd    | 1   | PR:XVP,099 |
|     | 997 552 988 01 A11   | Black  |        |     |            |

Model: 997 05 Model life 2005>>2008

| Pos | Part Number                          | Description   | Remark     | Qty | Model               |
|-----|--------------------------------------|---|------------|-----|---------------------|
|     | 997 552 988 01 5X6                   | Stone grey  |            |     |                     |
|     | 997 552 988 01 8G2                   | Sand beige  |            |     |                     |
|     | 997 552 988 01 3S9                   | sea blue  |            |     |                     |
|     | 997 552 988 01 4P2                   | Palm green  |            |     |                     |
|     | 997 552 988 01 9S5                   | Terracotta  |            |     |                     |
|     | 997 552 988 01 9V6                   | Cocoa   |            |     |                     |
|     | 997 552 988 01 D12                   | Dark grey/natural   |            |     |                     |
|     | 997 552 988 01 T12                   | Brown/natural   |            |     |                     |
| -   | 997 552 905 00                       | repair set<br>Flap<br>torsion spring<br>for<br>Beverages<br>Bracket |            | 1   |                     |
| 7   | 900 067 416 01                       | Socket head bolt<br>M5 X 27   |            | 1   |                     |
| 8   | 997 552 394 01                       | Retainer for trim   | right lhd  | 1   | CARRERA<br>PR:098   |
| (8) | 997 552 394 01 D07<br>997 552 393 01 | Volcano grey<br>Retainer for trim                                   | right rhd  | 1   | CARRERA<br>PR:099   |
| 8   | 997 552 393 01 D07<br>997 552 394 02 | Volcano grey<br>Retainer for trim                                   | right lhd  | 1   | CARRERA S<br>PR:098 |
| (8) | 997 552 394 02 V04<br>997 552 393 02 | Galvano silver<br>Retainer for trim                                 | right rhd  | 1   | CARRERA S<br>PR:099 |
| 8   | 997 552 393 02 V04<br>997 552 396 05 | Galvano silver<br>Retainer for trim                                 | right lhd  | 1   | PR:098,803          |
| (8) | 997 552 396 05 A35<br>997 552 395 05 | Black<br>Retainer for trim  | right rhd  | 1   | PR:099,803          |
| 8   | 997 552 395 05 A35<br>997 552 993 00 | Black<br>Leather panel  | right lhd  | 1   | PR:XVP,098          |
|     | 997 552 993 00 A11                   | Black   |            |     |                     |
|     | 997 552 993 00 5X6                   | Stone grey  |            |     |                     |
|     | 997 552 993 00 8G2                   | Sand beige  |            |     |                     |
|     | 997 552 993 00 3S9                   | sea blue  |            |     |                     |
|     | 997 552 993 00 4P2                   | Palm green  |            |     |                     |
|     | D                                    | >> - MJ 2007  |            |     |                     |
|     | 997 552 993 00 9S5                   | Terracotta  |            |     |                     |
|     | 997 552 993 00 9V6                   | Cocoa   |            |     |                     |
|     | 997 552 993 00 D12                   | Dark grey/natural   |            |     |                     |
|     | 997 552 993 00 T12                   | Brown/natural   |            |     |                     |
|     | 997 552 993 00 N12                   | Carrera Red   |            |     |                     |
| (8) | D - MJ 2008>><br>997 552 993 01      | Leather panel   | right rhd  | 1   | PR:XVP,099          |
|     | 997 552 993 01 A11                   | Black   |            |     |                     |
|     | 997 552 993 01 5X6                   | Stone grey  |            |     |                     |
|     | 997 552 993 01 8G2                   | Sand beige  |            |     |                     |
|     | 997 552 993 01 3S9                   | sea blue  |            |     |                     |
|     | 997 552 993 01 4P2                   | Palm green  |            |     |                     |
|     | D                                    | >> - MJ 2007  |            |     |                     |
|     | 997 552 993 01 9S5                   | Terracotta  |            |     |                     |
|     | 997 552 993 01 9V6                   | Cocoa   |            |     |                     |
|     | 997 552 993 01 D12                   | Dark grey/natural   |            |     |                     |
|     | 997 552 993 01 T12                   | Brown/natural   |            |     |                     |
|     | 997 552 993 01 N12                   | Carrera Red   |            |     |                     |
| 9   | D - MJ 2008>><br>997 552 398 00      | Retainer for trim   | center lhd | 1   | CARRERA<br>PR:098   |
| (9) | 997 552 398 00 D07<br>997 552 397 00 | Volcano grey<br>Retainer for trim                                   | center rhd | 1   | CARRERA<br>PR:099   |

Model: 997 05 Model life 2005>>2008

| Pos  | Part Number                          | Description                         | Remark     | Qty | Model               |
|------|--------------------------------------|-------------------------------------|------------|-----|---------------------|
| 9    | 997 552 397 00 D07<br>997 552 398 01 | Volcano grey<br>Retainer for trim   | center lhd | 1   | CARRERA S<br>PR:098 |
| (9)  | 997 552 398 01 V04<br>997 552 397 01 | Galvano silver<br>Retainer for trim | center rhd | 1   | CARRERA S<br>PR:099 |
| 9    | 997 552 397 01 V04<br>997 552 398 04 | Galvano silver<br>Retainer for trim | center lhd | 1   | PR:098,803          |
| (9)  | 997 552 398 04 A35<br>997 552 397 04 | Black<br>Retainer for trim          | center rhd | 1   | PR:099,803          |
| 9    | 997 552 397 04 A35<br>997 552 994 00 | Black<br>Leather panel              | center lhd | 1   | PR:XVP,098          |
|      | 997 552 994 00 A11                   | Black                               |            |     |                     |
|      | 997 552 994 00 5X6                   | Stone grey                          |            |     |                     |
|      | 997 552 994 00 8G2                   | Sand beige                          |            |     |                     |
|      | 997 552 994 00 3S9                   | sea blue                            |            |     |                     |
|      | 997 552 994 00 4P2                   | Palm green                          |            |     |                     |
|      | D >> - MJ 2007                       |                                     |            |     |                     |
|      | 997 552 994 00 9S5                   | Terracotta                          |            |     |                     |
|      | 997 552 994 00 9V6                   | Cocoa                               |            |     |                     |
|      | 997 552 994 00 D12                   | Dark grey/natural                   |            |     |                     |
|      | 997 552 994 00 T12                   | Brown/natural                       |            |     |                     |
|      | 997 552 994 00 N12                   | Carrera Red                         |            |     |                     |
| (9)  | 997 552 994 01                       | D - MJ 2008>><br>Leather panel      | center rhd | 1   | PR:XVP,099          |
|      | 997 552 994 01 A11                   | Black                               |            |     |                     |
|      | 997 552 994 01 5X6                   | Stone grey                          |            |     |                     |
|      | 997 552 994 01 8G2                   | Sand beige                          |            |     |                     |
|      | 997 552 994 01 3S9                   | sea blue                            |            |     |                     |
|      | 997 552 994 01 4P2                   | Palm green                          |            |     |                     |
|      | D >> - MJ 2007                       |                                     |            |     |                     |
|      | 997 552 994 01 9S5                   | Terracotta                          |            |     |                     |
|      | 997 552 994 01 9V6                   | Cocoa                               |            |     |                     |
|      | 997 552 994 01 D12                   | Dark grey/natural                   |            |     |                     |
|      | 997 552 994 01 T12                   | Brown/natural                       |            |     |                     |
|      | 997 552 994 01 N12                   | Carrera Red                         |            |     |                     |
| 10   | 997 552 396 01                       | D - MJ 2008>><br>Retainer for trim  | left lhd   | 1   | CARRERA<br>PR:098   |
| (10) | 997 552 396 01 D07<br>997 552 395 01 | Volcano grey<br>Retainer for trim   | left rhd   | 1   | CARRERA<br>PR:099   |
| 10   | 997 552 395 01 D07<br>997 552 396 02 | Volcano grey<br>Retainer for trim   | left lhd   | 1   | CARRERA S<br>PR:098 |
| (10) | 997 552 396 02 V04<br>997 552 395 02 | Galvano silver<br>Retainer for trim | left rhd   | 1   | CARRERA S<br>PR:099 |
| 10   | 997 552 395 02 V04<br>997 552 394 05 | Galvano silver<br>Retainer for trim | left lhd   | 1   | PR:098,803          |
| (10) | 997 552 393 05 A35                   | Black                               | left rhd   | 1   | PR:099,803          |
| 10   | 997 552 393 05 A35<br>997 552 992 00 | Black<br>Leather panel              | left lhd   | 1   | PR:XVP,098          |
|      | 997 552 992 00 A11                   | Black                               |            |     |                     |
|      | 997 552 992 00 5X6                   | Stone grey                          |            |     |                     |
|      | 997 552 992 00 8G2                   | Sand beige                          |            |     |                     |
|      | 997 552 992 00 3S9                   | sea blue                            |            |     |                     |
|      | 997 552 992 00 4P2                   | Palm green                          |            |     |                     |



Model: 997 05 Model life 2005>>2008

| Pos  | Part Number        | Description       | Remark   | Qty | Model          |
|------|--------------------|-------------------|----------|-----|----------------|
|      |                    | D >> - MJ 2007    |          |     |                |
|      | 997 552 992 00 9S5 | Terracotta        |          |     |                |
|      | 997 552 992 00 9V6 | Cocoa             |          |     |                |
|      | 997 552 992 00 D12 | Dark grey/natural |          |     |                |
|      | 997 552 992 00 T12 | Brown/natural     |          |     |                |
|      | 997 552 992 00 N12 | Carrera Red       |          |     |                |
|      |                    | D - MJ 2008>>     |          |     |                |
| (10) | 997 552 992 01     | Leather panel     | left rhd | 1   | PR:XVP,099     |
|      | 997 552 992 01 A11 | Black             |          |     |                |
|      | 997 552 992 01 5X6 | Stone grey        |          |     |                |
|      | 997 552 992 01 8G2 | Sand beige        |          |     |                |
|      | 997 552 992 01 3S9 | sea blue          |          |     |                |
|      | 997 552 992 01 4P2 | Palm green        |          |     |                |
|      |                    | D >> - MJ 2007    |          |     |                |
|      | 997 552 992 01 9S5 | Terracotta        |          |     |                |
|      | 997 552 992 01 9V6 | Cocoa             |          |     |                |
|      | 997 552 992 01 D12 | Dark grey/natural |          |     |                |
|      | 997 552 992 01 T12 | Brown/natural     |          |     |                |
|      | 997 552 992 01 N12 | Carrera Red       |          |     |                |
|      |                    | D - MJ 2008>>     |          |     |                |
| 11   | 997 552 904 00     | Set               | lhd      | 1   | PR:098,801     |
|      |                    | Trim              |          |     |                |
|      |                    | Wood              |          |     |                |
|      | 997 552 904 00 S61 | macassar          |          |     |                |
| (11) | 997 552 903 00     | Set               | rhd      | 1   | PR:099,801     |
|      |                    | Trim              |          |     |                |
|      |                    | Wood              |          |     |                |
|      | 997 552 903 00 S61 | macassar          |          |     |                |
| 11   | 997 552 904 01     | Set               | lhd      | 1   | PR:098,802     |
|      |                    | Trim              |          |     |                |
|      |                    | Wood              |          |     |                |
|      | 997 552 904 01 S62 | Sycamore wood     |          |     |                |
| 11   | 997 552 903 01     | Set               | rhd      | 1   | PR:099,802     |
|      |                    | Trim              |          |     |                |
|      |                    | Wood              |          |     |                |
|      | 997 552 903 01 S62 | Sycamore wood     |          |     |                |
| 12   |                    | Retaining plate   |          | 1   |                |
|      |                    | for               |          |     |                |
|      |                    | Beverages         |          |     |                |
|      |                    | Bracket           |          |     |                |
|      |                    | see illustration: | 809-000  |     |                |
| 13   | 997 552 371 00     | Air guide         |          | 1   | PR:639,640     |
|      |                    | Upper part        |          |     |                |
|      | 997 552 371 00 A03 | Black             |          |     |                |
|      | 997 552 371 00 5V7 | Stone grey        |          |     |                |
|      | 997 552 371 00 5Z1 | Sand beige        |          |     |                |
|      | 997 552 371 00 8W7 | sea blue          |          |     |                |
|      | 997 552 371 00 5Y2 | Palm green        |          |     |                |
|      |                    | D >> - MJ 2007    |          |     |                |
| (13) | 997 552 371 01     | Air guide         |          | 1   | PR:639,640,981 |
|      |                    | Upper part        |          |     |                |
|      | 997 552 371 01 A11 | Black             |          |     |                |
|      | 997 552 371 01 5X6 | Stone grey        |          |     |                |
|      | 997 552 371 01 8G2 | Sand beige        |          |     |                |
|      | 997 552 371 01 3S9 | sea blue          |          |     |                |
|      | 997 552 371 01 4P2 | Palm green        |          |     |                |
|      |                    | D >> - MJ 2007    |          |     |                |
|      | 997 552 371 01 9S5 | Terracotta        |          |     |                |
|      | 997 552 371 01 9V6 | Cocoa             |          |     |                |
|      | 997 552 371 01 D12 | Dark grey/natural |          |     |                |
|      | 997 552 371 01 T12 | Brown/natural     |          |     |                |
|      | 997 552 371 01 N12 | Carrera Red       |          |     |                |
|      |                    | D - MJ 2008>>     |          |     |                |

Model: 997 05 Model life 2005>>2008

| Pos  | Part Number        | Description  | Remark | Qty | Model      |
|------|--------------------|--|--------|-----|------------|
| 14   | 999 507 920 01     | U-clip<br>1,7-2,1  |        | 4   | PR:639,640 |
| 15   | 997 552 373 01     | Retainer, upper part<br>for<br>Air guide                               |        | 1   | PR:639,640 |
| 16   | 999 919 167 09     | fillister hd. bolt<br>3,0 X 10<br>for<br>Mount<br>Bracket<br>Air guide |        | 4   |            |
| 17   | 997 552 131 05     | Vent   | left   | 1   | CARRERA    |
|      | 997 552 131 05 D07 | Volcano grey   |        |     |            |
| (17) | 997 552 132 05     | Vent   | right  | 1   | CARRERA    |
|      | 997 552 132 05 D07 | Volcano grey   |        |     |            |
| 17   | 997 552 131 06     | Vent   | left   | 1   | CARRERA S  |
|      | 997 552 131 06 V04 | Galvano silver   |        |     |            |
| (17) | 997 552 132 06     | Vent   | right  | 1   | CARRERA S  |
|      | 997 552 132 06 V04 | Galvano silver   |        |     |            |
| 17   | 997 552 981 00     | Vent   | left   | 1   | PR:YN3     |
|      | 997 552 981 00 A11 | Black  |        |     |            |
|      | 997 552 981 00 5X6 | Stone grey   |        |     |            |
|      | 997 552 981 00 8G2 | Sand beige   |        |     |            |
|      | 997 552 981 00 3S9 | sea blue   |        |     |            |
|      | 997 552 981 00 4P2 | Palm green   |        |     |            |
|      | D                  | >> - MJ 2007   |        |     |            |
|      | 997 552 981 00 9S5 | Terracotta   |        |     |            |
|      | 997 552 981 00 9V6 | Cocoa  |        |     |            |
|      | 997 552 981 00 D12 | Dark grey/natural  |        |     |            |
|      | 997 552 981 00 T12 | Brown/natural  |        |     |            |
|      | 997 552 981 00 N12 | Carrera Red  |        |     |            |
|      | D                  | MJ 2008>>  |        |     |            |
| (17) | 997 552 982 00     | Vent   | right  | 1   | PR:YN3     |
|      | 997 552 982 00 A11 | Black  |        |     |            |
|      | 997 552 982 00 5X6 | Stone grey   |        |     |            |
|      | 997 552 982 00 8G2 | Sand beige   |        |     |            |
|      | 997 552 982 00 3S9 | sea blue   |        |     |            |
|      | 997 552 982 00 4P2 | Palm green   |        |     |            |
|      | D                  | >> - MJ 2007   |        |     |            |
|      | 997 552 982 00 9S5 | Terracotta   |        |     |            |
|      | 997 552 982 00 9V6 | Cocoa  |        |     |            |
|      | 997 552 982 00 D12 | Dark grey/natural  |        |     |            |
|      | 997 552 982 00 T12 | Brown/natural  |        |     |            |
|      | 997 552 982 00 N12 | Carrera Red  |        |     |            |
|      | D                  | MJ 2008>>  |        |     |            |
| 17   | 997 552 981 01     | Vent   | left   | 1   | PR:XKD     |
|      | 997 552 981 01 A11 | Black  |        |     |            |
|      | 997 552 981 01 5X6 | Stone grey   |        |     |            |
|      | 997 552 981 01 8G2 | Sand beige   |        |     |            |
|      | 997 552 981 01 3S9 | sea blue   |        |     |            |
|      | 997 552 981 01 4P2 | Palm green   |        |     |            |
|      | D                  | >> - MJ 2007   |        |     |            |
|      | 997 552 981 01 9S5 | Terracotta   |        |     |            |
|      | 997 552 981 01 9V6 | Cocoa  |        |     |            |
|      | 997 552 981 01 D12 | Dark grey/natural  |        |     |            |
|      | 997 552 981 01 T12 | Brown/natural  |        |     |            |
|      | 997 552 981 01 N12 | Carrera Red  |        |     |            |
|      | D                  | MJ 2008>>  |        |     |            |
| (17) | 997 552 982 01     | Vent   | right  | 1   | PR:XKD     |
|      | 997 552 982 01 A11 | Black  |        |     |            |
|      | 997 552 982 01 5X6 | Stone grey   |        |     |            |
|      | 997 552 982 01 8G2 | Sand beige   |        |     |            |
|      | 997 552 982 01 3S9 | sea blue   |        |     |            |

Model: 997 05 Model life 2005>>2008

| Pos  | Part Number        | Description       | Remark | Qty | Model  |
|------|--------------------|-------------------|--------|-----|--------|
|      | 997 552 982 01 4P2 | Palm green        |        |     |        |
|      |                    | D >> - MJ 2007    |        |     |        |
|      | 997 552 982 01 9S5 | Terracotta        |        |     |        |
|      | 997 552 982 01 9V6 | Cocoa             |        |     |        |
|      | 997 552 982 01 D12 | Dark grey/natural |        |     |        |
|      | 997 552 982 01 T12 | Brown/natural     |        |     |        |
|      | 997 552 982 01 N12 | Carrera Red       |        |     |        |
|      |                    | D - MJ 2008>>     |        |     |        |
| 17   | 997 552 981 02     | Vent              | left   | 1   | PR:XJM |
|      | 997 552 981 02 A11 | Black             |        |     |        |
|      | 997 552 981 02 5X6 | Stone grey        |        |     |        |
|      | 997 552 981 02 8G2 | Sand beige        |        |     |        |
|      | 997 552 981 02 3S9 | sea blue          |        |     |        |
|      | 997 552 981 02 4P2 | Palm green        |        |     |        |
|      |                    | D >> - MJ 2007    |        |     |        |
|      | 997 552 981 02 9S5 | Terracotta        |        |     |        |
|      | 997 552 981 02 9V6 | Cocoa             |        |     |        |
|      | 997 552 981 02 D12 | Dark grey/natural |        |     |        |
|      | 997 552 981 02 T12 | Brown/natural     |        |     |        |
|      | 997 552 981 02 N12 | Carrera Red       |        |     |        |
|      |                    | D - MJ 2008>>     |        |     |        |
| (17) | 997 552 982 02     | Vent              | right  | 1   | PR:XJM |
|      | 997 552 982 02 A11 | Black             |        |     |        |
|      | 997 552 982 02 5X6 | Stone grey        |        |     |        |
|      | 997 552 982 02 8G2 | Sand beige        |        |     |        |
|      | 997 552 982 02 3S9 | sea blue          |        |     |        |
|      | 997 552 982 02 4P2 | Palm green        |        |     |        |
|      |                    | D >> - MJ 2007    |        |     |        |
|      | 997 552 982 02 9S5 | Terracotta        |        |     |        |
|      | 997 552 982 02 9V6 | Cocoa             |        |     |        |
|      | 997 552 982 02 D12 | Dark grey/natural |        |     |        |
|      | 997 552 982 02 T12 | Brown/natural     |        |     |        |
|      | 997 552 982 02 N12 | Carrera Red       |        |     |        |
|      |                    | D - MJ 2008>>     |        |     |        |
| 17   | 997 552 981 03     | Vent              | left   | 1   | PR:XJL |
|      | 997 552 981 03 A11 | Black             |        |     |        |
|      | 997 552 981 03 5X6 | Stone grey        |        |     |        |
|      | 997 552 981 03 8G2 | Sand beige        |        |     |        |
|      | 997 552 981 03 3S9 | sea blue          |        |     |        |
|      | 997 552 981 03 4P2 | Palm green        |        |     |        |
|      |                    | D >> - MJ 2007    |        |     |        |
|      | 997 552 981 03 9S5 | Terracotta        |        |     |        |
|      | 997 552 981 03 9V6 | Cocoa             |        |     |        |
|      | 997 552 981 03 D12 | Dark grey/natural |        |     |        |
|      | 997 552 981 03 T12 | Brown/natural     |        |     |        |
|      | 997 552 981 03 N12 | Carrera Red       |        |     |        |
|      |                    | D - MJ 2008>>     |        |     |        |
| (17) | 997 552 982 03     | Vent              | right  | 1   | PR:XJL |
|      | 997 552 982 03 A11 | Black             |        |     |        |
|      | 997 552 982 03 5X6 | Stone grey        |        |     |        |
|      | 997 552 982 03 8G2 | Sand beige        |        |     |        |
|      | 997 552 982 03 3S9 | sea blue          |        |     |        |
|      | 997 552 982 03 4P2 | Palm green        |        |     |        |
|      |                    | D >> - MJ 2007    |        |     |        |
|      | 997 552 982 03 9S5 | Terracotta        |        |     |        |
|      | 997 552 982 03 9V6 | Cocoa             |        |     |        |
|      | 997 552 982 03 D12 | Dark grey/natural |        |     |        |
|      | 997 552 982 03 T12 | Brown/natural     |        |     |        |
|      | 997 552 982 03 N12 | Carrera Red       |        |     |        |
|      |                    | D - MJ 2008>>     |        |     |        |
| 17   | 997 552 981 04     | Vent              | left   | 1   | PR:XCN |
|      | 997 552 981 04 A11 | Black             |        |     |        |
|      | 997 552 981 04 5X6 | Stone grey        |        |     |        |

Model: 997 05 Model life 2005>>2008

| Pos  | Part Number        | Description       | Remark | Qty | Model     |
|------|--------------------|-------------------|--------|-----|-----------|
|      | 997 552 981 04 8G2 | Sand beige        |        |     |           |
|      | 997 552 981 04 3S9 | sea blue          |        |     |           |
|      | 997 552 981 04 4P2 | Palm green        |        |     |           |
|      |                    | D >> - MJ 2007    |        |     |           |
|      | 997 552 981 04 9S5 | Terracotta        |        |     |           |
|      | 997 552 981 04 9V6 | Cocoa             |        |     |           |
|      | 997 552 981 04 D12 | Dark grey/natural |        |     |           |
|      | 997 552 981 04 T12 | Brown/natural     |        |     |           |
|      | 997 552 981 04 N12 | Carrera Red       |        |     |           |
|      |                    | D - MJ 2008>>     |        |     |           |
| (17) | 997 552 982 04     | Vent              | right  | 1   | PR:XCN    |
|      | 997 552 982 04 A11 | Black             |        |     |           |
|      | 997 552 982 04 5X6 | Stone grey        |        |     |           |
|      | 997 552 982 04 8G2 | Sand beige        |        |     |           |
|      | 997 552 982 04 3S9 | sea blue          |        |     |           |
|      | 997 552 982 04 4P2 | Palm green        |        |     |           |
|      |                    | D >> - MJ 2007    |        |     |           |
|      | 997 552 982 04 9S5 | Terracotta        |        |     |           |
|      | 997 552 982 04 9V6 | Cocoa             |        |     |           |
|      | 997 552 982 04 D12 | Dark grey/natural |        |     |           |
|      | 997 552 982 04 T12 | Brown/natural     |        |     |           |
|      | 997 552 982 04 N12 | Carrera Red       |        |     |           |
|      |                    | D - MJ 2008>>     |        |     |           |
| 18   | 997 552 141 05     | Centre nozzle     |        | 1   | CARRERA   |
|      |                    | D >> - MJ 2007    |        |     |           |
|      | 997 552 141 05 D07 | Volcano grey      |        |     |           |
| 18   | 997 552 141 07     | Centre nozzle     |        | 1   | CARRERA   |
|      |                    | D - MJ 2008>>     |        |     |           |
|      | 997 552 141 07 D07 | Volcano grey      |        |     |           |
| (18) | 997 552 141 06     | Centre nozzle     |        | 1   | CARRERA S |
|      |                    | D >> - MJ 2007    |        |     |           |
|      | 997 552 141 06 V04 | Galvano silver    |        |     |           |
| 18   | 997 552 141 08     | Centre nozzle     |        | 1   | CARRERA S |
|      |                    | D - MJ 2008>>     |        |     |           |
|      | 997 552 141 08 V04 | Galvano silver    |        |     |           |
| (18) | 997 552 980 00     | Centre nozzle     |        | 1   | PR:XVM    |
|      |                    | D >> - MJ 2007    |        |     |           |
|      | 997 552 980 00 A11 | Black             |        |     |           |
|      | 997 552 980 00 5X6 | Stone grey        |        |     |           |
|      | 997 552 980 00 8G2 | Sand beige        |        |     |           |
|      | 997 552 980 00 3S9 | sea blue          |        |     |           |
|      | 997 552 980 00 4P2 | Palm green        |        |     |           |
|      | 997 552 980 00 9S5 | Terracotta        |        |     |           |
|      | 997 552 980 00 9V6 | Cocoa             |        |     |           |
|      | 997 552 980 00 D12 | Dark grey/natural |        |     |           |
|      | 997 552 980 00 T12 | Brown/natural     |        |     |           |
| (18) | 997 552 980 05     | Centre nozzle     |        | 1   | PR:XVM    |
|      |                    | D - MJ 2008>>     |        |     |           |
|      | 997 552 980 05 A11 | Black             |        |     |           |
|      | 997 552 980 05 5X6 | Stone grey        |        |     |           |
|      | 997 552 980 05 8G2 | Sand beige        |        |     |           |
|      | 997 552 980 05 3S9 | sea blue          |        |     |           |
|      | 997 552 980 05 9S5 | Terracotta        |        |     |           |
|      | 997 552 980 05 9V6 | Cocoa             |        |     |           |
|      | 997 552 980 05 D12 | Dark grey/natural |        |     |           |
|      | 997 552 980 05 T12 | Brown/natural     |        |     |           |
|      | 997 552 980 05 N12 | Carrera Red       |        |     |           |
| (18) | 997 552 980 01     | Centre nozzle     |        | 1   | PR:XZB    |
|      |                    | D >> - MJ 2007    |        |     |           |
|      | 997 552 980 01 A11 | Black             |        |     |           |
|      | 997 552 980 01 5X6 | Stone grey        |        |     |           |
|      | 997 552 980 01 8G2 | Sand beige        |        |     |           |
|      | 997 552 980 01 3S9 | sea blue          |        |     |           |

Model: 997 05 Model life 2005>>2008

| Pos  | Part Number        | Description       | Remark | Qty | Model |        |
|------|--------------------|-------------------|--------|-----|-------|--------|
| (18) | 997 552 980 01 4P2 | Palm green        |        |     |       |        |
|      | 997 552 980 01 9S5 | Terracotta        |        |     |       |        |
|      | 997 552 980 01 9V6 | Cocoa             |        |     |       |        |
|      | 997 552 980 01 D12 | Dark grey/natural |        |     |       |        |
|      | 997 552 980 01 T12 | Brown/natural     |        |     |       |        |
|      | 997 552 980 06     | Centre nozzle     |        |     | 1     | PR:XZB |
|      |                    | D - MJ 2008>>     |        |     |       |        |
|      | 997 552 980 06 A11 | Black             |        |     |       |        |
|      | 997 552 980 06 5X6 | Stone grey        |        |     |       |        |
|      | 997 552 980 06 8G2 | Sand beige        |        |     |       |        |
|      | 997 552 980 06 3S9 | sea blue          |        |     |       |        |
|      | 997 552 980 06 9S5 | Terracotta        |        |     |       |        |
| (18) | 997 552 980 06 9V6 | Cocoa             |        |     |       |        |
|      | 997 552 980 06 D12 | Dark grey/natural |        |     |       |        |
|      | 997 552 980 06 T12 | Brown/natural     |        |     |       |        |
|      | 997 552 980 06 N12 | Carrera Red       |        |     |       |        |
|      | 997 552 980 02     | Centre nozzle     |        |     | 1     | PR:XJP |
|      |                    | D >> - MJ 2007    |        |     |       |        |
|      | 997 552 980 02 A11 | Black             |        |     |       |        |
|      | 997 552 980 02 5X6 | Stone grey        |        |     |       |        |
|      | 997 552 980 02 8G2 | Sand beige        |        |     |       |        |
|      | 997 552 980 02 3S9 | sea blue          |        |     |       |        |
|      | 997 552 980 02 4P2 | Palm green        |        |     |       |        |
|      | 997 552 980 02 9S5 | Terracotta        |        |     |       |        |
| (18) | 997 552 980 02 9V6 | Cocoa             |        |     |       |        |
|      | 997 552 980 02 D12 | Dark grey/natural |        |     |       |        |
|      | 997 552 980 02 T12 | Brown/natural     |        |     |       |        |
|      | 997 552 980 07     | Centre nozzle     |        |     | 1     | PR:XJP |
|      |                    | D - MJ 2008>>     |        |     |       |        |
|      | 997 552 980 07 A11 | Black             |        |     |       |        |
|      | 997 552 980 07 5X6 | Stone grey        |        |     |       |        |
|      | 997 552 980 07 8G2 | Sand beige        |        |     |       |        |
|      | 997 552 980 07 3S9 | sea blue          |        |     |       |        |
|      | 997 552 980 07 9S5 | Terracotta        |        |     |       |        |
|      | 997 552 980 07 9V6 | Cocoa             |        |     |       |        |
|      | 997 552 980 07 D12 | Dark grey/natural |        |     |       |        |
| (18) | 997 552 980 07 T12 | Brown/natural     |        |     |       |        |
|      | 997 552 980 07 N12 | Carrera Red       |        |     |       |        |
|      | 997 552 980 03     | Centre nozzle     |        |     | 1     | PR:XJN |
|      |                    | D >> - MJ 2007    |        |     |       |        |
|      | 997 552 980 03 A11 | Black             |        |     |       |        |
|      | 997 552 980 03 5X6 | Stone grey        |        |     |       |        |
|      | 997 552 980 03 8G2 | Sand beige        |        |     |       |        |
|      | 997 552 980 03 3S9 | sea blue          |        |     |       |        |
|      | 997 552 980 03 4P2 | Palm green        |        |     |       |        |
|      | 997 552 980 03 9S5 | Terracotta        |        |     |       |        |
|      | 997 552 980 03 9V6 | Cocoa             |        |     |       |        |
|      | 997 552 980 03 D12 | Dark grey/natural |        |     |       |        |
| (18) | 997 552 980 03 T12 | Brown/natural     |        |     |       |        |
|      | 997 552 980 08     | Centre nozzle     |        |     | 1     | PR:XJN |
|      |                    | D - MJ 2008>>     |        |     |       |        |
|      | 997 552 980 08 A11 | Black             |        |     |       |        |
|      | 997 552 980 08 5X6 | Stone grey        |        |     |       |        |
|      | 997 552 980 08 8G2 | Sand beige        |        |     |       |        |
|      | 997 552 980 08 3S9 | sea blue          |        |     |       |        |
|      | 997 552 980 08 9S5 | Terracotta        |        |     |       |        |
|      | 997 552 980 08 9V6 | Cocoa             |        |     |       |        |
|      | 997 552 980 08 D12 | Dark grey/natural |        |     |       |        |
|      | 997 552 980 08 T12 | Brown/natural     |        |     |       |        |
|      | 997 552 980 08 N12 | Carrera Red       |        |     |       |        |
| (18) | 997 552 980 04     | Centre nozzle     |        |     | 1     | PR:XCY |
|      |                    | D >> - MJ 2007    |        |     |       |        |
|      | 997 552 980 04 A11 | Black             |        |     |       |        |

Model: 997 05 Model life 2005>>2008

| Pos  | Part Number        | Description       | Remark | Qty | Model  |
|------|--------------------|-------------------|--------|-----|--------|
|      | 997 552 980 04 5X6 | Stone grey        |        |     |        |
|      | 997 552 980 04 8G2 | Sand beige        |        |     |        |
|      | 997 552 980 04 3S9 | sea blue          |        |     |        |
|      | 997 552 980 04 4P2 | Palm green        |        |     |        |
|      | 997 552 980 04 9S5 | Terracotta        |        |     |        |
|      | 997 552 980 04 9V6 | Cocoa             |        |     |        |
|      | 997 552 980 04 D12 | Dark grey/natural |        |     |        |
|      | 997 552 980 04 T12 | Brown/natural     |        |     |        |
| (18) | 997 552 980 09     | Centre nozzle     |        | 1   | PR:XYC |
|      |                    | D - MJ 2008>>     |        |     |        |
|      | 997 552 980 09 A11 | Black             |        |     |        |
|      | 997 552 980 09 5X6 | Stone grey        |        |     |        |
|      | 997 552 980 09 8G2 | Sand beige        |        |     |        |
|      | 997 552 980 09 3S9 | sea blue          |        |     |        |
|      | 997 552 980 09 9S5 | Terracotta        |        |     |        |
|      | 997 552 980 09 9V6 | Cocoa             |        |     |        |
|      | 997 552 980 09 D12 | Dark grey/natural |        |     |        |
|      | 997 552 980 09 T12 | Brown/natural     |        |     |        |
|      | 997 552 980 09 N12 | Carrera Red       |        |     |        |
| 19   | 997 552 455 01     | Cover             | left   | 1   |        |
|      |                    | Defroster vent    |        |     |        |
|      | 997 552 455 01 A03 | Black             |        |     |        |
|      | 997 552 455 01 5V7 | Stone grey        |        |     |        |
|      | 997 552 455 01 5Z1 | Sand beige        |        |     |        |
|      | 997 552 455 01 8W7 | sea blue          |        |     |        |
|      | 997 552 455 01 5Y2 | Palm green        |        |     |        |
|      | 997 552 455 01 8X8 | Terracotta        |        |     |        |
|      | 997 552 455 01 8P9 | Cocoa             |        |     |        |
|      | 997 552 455 01 T13 | Brown/natural     |        |     |        |
|      | 997 552 455 01 N23 | Carrera Red       |        |     |        |
| (19) | 997 552 456 01     | Cover             | right  | 1   |        |
|      |                    | Defroster vent    |        |     |        |
|      | 997 552 456 01 A03 | Black             |        |     |        |
|      | 997 552 456 01 5V7 | Stone grey        |        |     |        |
|      | 997 552 456 01 5Z1 | Sand beige        |        |     |        |
|      | 997 552 456 01 8W7 | sea blue          |        |     |        |
|      | 997 552 456 01 5Y2 | Palm green        |        |     |        |
|      | 997 552 456 01 8X8 | Terracotta        |        |     |        |
|      | 997 552 456 01 8P9 | Cocoa             |        |     |        |
|      | 997 552 456 01 T13 | Brown/natural     |        |     |        |
|      | 997 552 456 01 N23 | Carrera Red       |        |     |        |
| 20   | 997 552 315 02     | Air guide         | left   | 1   |        |
|      |                    |                   | side   |     |        |
| (20) | 997 552 316 02     | Air guide         | right  | 1   |        |
|      |                    |                   | side   |     |        |
| 21   | 997 552 175 01     | Defroster trim    | left   | 1   |        |
|      | 997 552 175 01 A03 | Black             |        |     |        |
|      | 997 552 175 01 5V7 | Stone grey        |        |     |        |
|      | 997 552 175 01 5Z1 | Sand beige        |        |     |        |
|      | 997 552 175 01 8W7 | sea blue          |        |     |        |
|      | 997 552 175 01 5Y2 | Palm green        |        |     |        |
|      |                    | D >> - MJ 2007    |        |     |        |
|      | 997 552 175 01 8X8 | Terracotta        |        |     |        |
|      | 997 552 175 01 8P9 | Cocoa             |        |     |        |
|      | 997 552 175 01 T13 | Brown/natural     |        |     |        |
|      | 997 552 175 01 N23 | Carrera Red       |        |     |        |
|      |                    | D - MJ 2008>>     |        |     |        |
| (21) | 997 552 176 01     | Defroster trim    | right  | 1   |        |
|      | 997 552 176 01 A03 | Black             |        |     |        |
|      | 997 552 176 01 5V7 | Stone grey        |        |     |        |
|      | 997 552 176 01 5Z1 | Sand beige        |        |     |        |
|      | 997 552 176 01 8W7 | sea blue          |        |     |        |
|      | 997 552 176 01 5Y2 | Palm green        |        |     |        |

Model: 997 05 Model life 2005>>2008

| Pos  | Part Number        | Description       | Remark | Qty | Model   |
|------|--------------------|-------------------|--------|-----|---------|
|      |                    | D >> - MJ 2007    |        |     |         |
|      | 997 552 176 01 8X8 | Terracotta        |        |     |         |
|      | 997 552 176 01 8P9 | Cocoa             |        |     |         |
|      | 997 552 176 01 T13 | Brown/natural     |        |     |         |
|      | 997 552 176 01 N23 | Carrera Red       |        |     |         |
|      |                    | D - MJ 2008>>     |        |     |         |
| 21   | 997 552 983 00     | Defroster trim    | left   | 1   | PR: XV1 |
|      | 997 552 983 00 A11 | Black             |        |     |         |
|      | 997 552 983 00 5X6 | Stone grey        |        |     |         |
|      | 997 552 983 00 8G2 | Sand beige        |        |     |         |
|      | 997 552 983 00 3S9 | sea blue          |        |     |         |
|      | 997 552 983 00 4P2 | Palm green        |        |     |         |
|      |                    | D >> - MJ 2007    |        |     |         |
|      | 997 552 983 00 9S5 | Terracotta        |        |     |         |
|      | 997 552 983 00 9V6 | Cocoa             |        |     |         |
|      | 997 552 983 00 D12 | Dark grey/natural |        |     |         |
|      | 997 552 983 00 T12 | Brown/natural     |        |     |         |
|      | 997 552 983 00 N12 | Carrera Red       |        |     |         |
|      |                    | D - MJ 2008>>     |        |     |         |
| (21) | 997 552 984 00     | Defroster trim    | right  | 1   | PR: XV1 |
|      | 997 552 984 00 A11 | Black             |        |     |         |
|      | 997 552 984 00 5X6 | Stone grey        |        |     |         |
|      | 997 552 984 00 8G2 | Sand beige        |        |     |         |
|      | 997 552 984 00 3S9 | sea blue          |        |     |         |
|      | 997 552 984 00 4P2 | Palm green        |        |     |         |
|      |                    | D >> - MJ 2007    |        |     |         |
|      | 997 552 984 00 9S5 | Terracotta        |        |     |         |
|      | 997 552 984 00 9V6 | Cocoa             |        |     |         |
|      | 997 552 984 00 D12 | Dark grey/natural |        |     |         |
|      | 997 552 984 00 T12 | Brown/natural     |        |     |         |
|      | 997 552 984 00 N12 | Carrera Red       |        |     |         |
|      |                    | D - MJ 2008>>     |        |     |         |
| 21   | 997 552 983 01     | Defroster trim    | left   | 1   | PR: XKJ |
|      | 997 552 983 01 A11 | Black             |        |     |         |
|      | 997 552 983 01 5X6 | Stone grey        |        |     |         |
|      | 997 552 983 01 8G2 | Sand beige        |        |     |         |
|      | 997 552 983 01 3S9 | sea blue          |        |     |         |
|      | 997 552 983 01 4P2 | Palm green        |        |     |         |
|      |                    | D >> - MJ 2007    |        |     |         |
|      | 997 552 983 01 9S5 | Terracotta        |        |     |         |
|      | 997 552 983 01 9V6 | Cocoa             |        |     |         |
|      | 997 552 983 01 D12 | Dark grey/natural |        |     |         |
|      | 997 552 983 01 T12 | Brown/natural     |        |     |         |
|      | 997 552 983 01 N12 | Carrera Red       |        |     |         |
|      |                    | D - MJ 2008>>     |        |     |         |
| (21) | 997 552 984 01     | Defroster trim    | right  | 1   | PR: XKJ |
|      | 997 552 984 01 A11 | Black             |        |     |         |
|      | 997 552 984 01 5X6 | Stone grey        |        |     |         |
|      | 997 552 984 01 8G2 | Sand beige        |        |     |         |
|      | 997 552 984 01 3S9 | sea blue          |        |     |         |
|      | 997 552 984 01 4P2 | Palm green        |        |     |         |
|      |                    | D >> - MJ 2007    |        |     |         |
|      | 997 552 984 01 9S5 | Terracotta        |        |     |         |
|      | 997 552 984 01 9V6 | Cocoa             |        |     |         |
|      | 997 552 984 01 D12 | Dark grey/natural |        |     |         |
|      | 997 552 984 01 T12 | Brown/natural     |        |     |         |
|      | 997 552 984 01 N12 | Carrera Red       |        |     |         |
|      |                    | D - MJ 2008>>     |        |     |         |
| 21   | 997 552 983 02     | Defroster trim    | left   | 1   | PR: XJS |
|      | 997 552 983 02 A11 | Black             |        |     |         |
|      | 997 552 983 02 5X6 | Stone grey        |        |     |         |
|      | 997 552 983 02 8G2 | Sand beige        |        |     |         |
|      | 997 552 983 02 3S9 | sea blue          |        |     |         |

Model: 997 05 Model life 2005>>2008

| Pos  | Part Number        | Description                  | Remark | Qty | Model  |
|------|--------------------|------------------------------|--------|-----|--------|
|      | 997 552 983 02 4P2 | Palm green<br>D >> - MJ 2007 |        |     |        |
|      | 997 552 983 02 9S5 | Terracotta                   |        |     |        |
|      | 997 552 983 02 9V6 | Cocoa                        |        |     |        |
|      | 997 552 983 02 D12 | Dark grey/natural            |        |     |        |
|      | 997 552 983 02 T12 | Brown/natural                |        |     |        |
|      | 997 552 983 02 N12 | Carrera Red<br>D - MJ 2008>> |        |     |        |
| (21) | 997 552 984 02     | Defroster trim               | right  | 1   | PR:XJS |
|      | 997 552 984 02 A11 | Black                        |        |     |        |
|      | 997 552 984 02 5X6 | Stone grey                   |        |     |        |
|      | 997 552 984 02 8G2 | Sand beige                   |        |     |        |
|      | 997 552 984 02 3S9 | sea blue                     |        |     |        |
|      | 997 552 984 02 4P2 | Palm green<br>D >> - MJ 2007 |        |     |        |
|      | 997 552 984 02 9S5 | Terracotta                   |        |     |        |
|      | 997 552 984 02 9V6 | Cocoa                        |        |     |        |
|      | 997 552 984 02 D12 | Dark grey/natural            |        |     |        |
|      | 997 552 984 02 T12 | Brown/natural                |        |     |        |
|      | 997 552 984 02 N12 | Carrera Red<br>D - MJ 2008>> |        |     |        |
| 21   | 997 552 983 03     | Defroster trim               | left   | 1   | PR:XJR |
|      | 997 552 983 03 A11 | Black                        |        |     |        |
|      | 997 552 983 03 5X6 | Stone grey                   |        |     |        |
|      | 997 552 983 03 8G2 | Sand beige                   |        |     |        |
|      | 997 552 983 03 3S9 | sea blue                     |        |     |        |
|      | 997 552 983 03 4P2 | Palm green<br>D >> - MJ 2007 |        |     |        |
|      | 997 552 983 03 9S5 | Terracotta                   |        |     |        |
|      | 997 552 983 03 9V6 | Cocoa                        |        |     |        |
|      | 997 552 983 03 D12 | Dark grey/natural            |        |     |        |
|      | 997 552 983 03 T12 | Brown/natural                |        |     |        |
|      | 997 552 983 03 N12 | Carrera Red<br>D - MJ 2008>> |        |     |        |
| (21) | 997 552 984 03     | Defroster trim               | right  | 1   | PR:XJR |
|      | 997 552 984 03 A11 | Black                        |        |     |        |
|      | 997 552 984 03 5X6 | Stone grey                   |        |     |        |
|      | 997 552 984 03 8G2 | Sand beige                   |        |     |        |
|      | 997 552 984 03 3S9 | sea blue                     |        |     |        |
|      | 997 552 984 03 4P2 | Palm green<br>D >> - MJ 2007 |        |     |        |
|      | 997 552 984 03 9S5 | Terracotta                   |        |     |        |
|      | 997 552 984 03 9V6 | Cocoa                        |        |     |        |
|      | 997 552 984 03 D12 | Dark grey/natural            |        |     |        |
|      | 997 552 984 03 T12 | Brown/natural                |        |     |        |
|      | 997 552 984 03 N12 | Carrera Red<br>D - MJ 2008>> |        |     |        |
| 22   | 999 591 307 01     | U-clip<br>Mount              |        | 2   |        |
| 23   | 997 552 351 01     | Defroster trim<br>Trim       | center | 1   |        |
|      | 997 552 351 01 A03 | Black                        |        |     |        |
|      | 997 552 351 01 5V7 | Stone grey                   |        |     |        |
|      | 997 552 351 01 5Z1 | Sand beige                   |        |     |        |
|      | 997 552 351 01 8W7 | sea blue                     |        |     |        |
|      | 997 552 351 01 5Y2 | Palm green<br>D >> - MJ 2007 |        |     |        |
|      | 997 552 351 01 8X8 | Terracotta                   |        |     |        |
|      | 997 552 351 01 8P9 | Cocoa                        |        |     |        |
|      | 997 552 351 01 T13 | Brown/natural                |        |     |        |
|      | 997 552 351 01 N23 | Carrera Red<br>D - MJ 2008>> |        |     |        |
| (23) | 997 552 985 00     | Leather panel                | center | 1   | PR:XV1 |

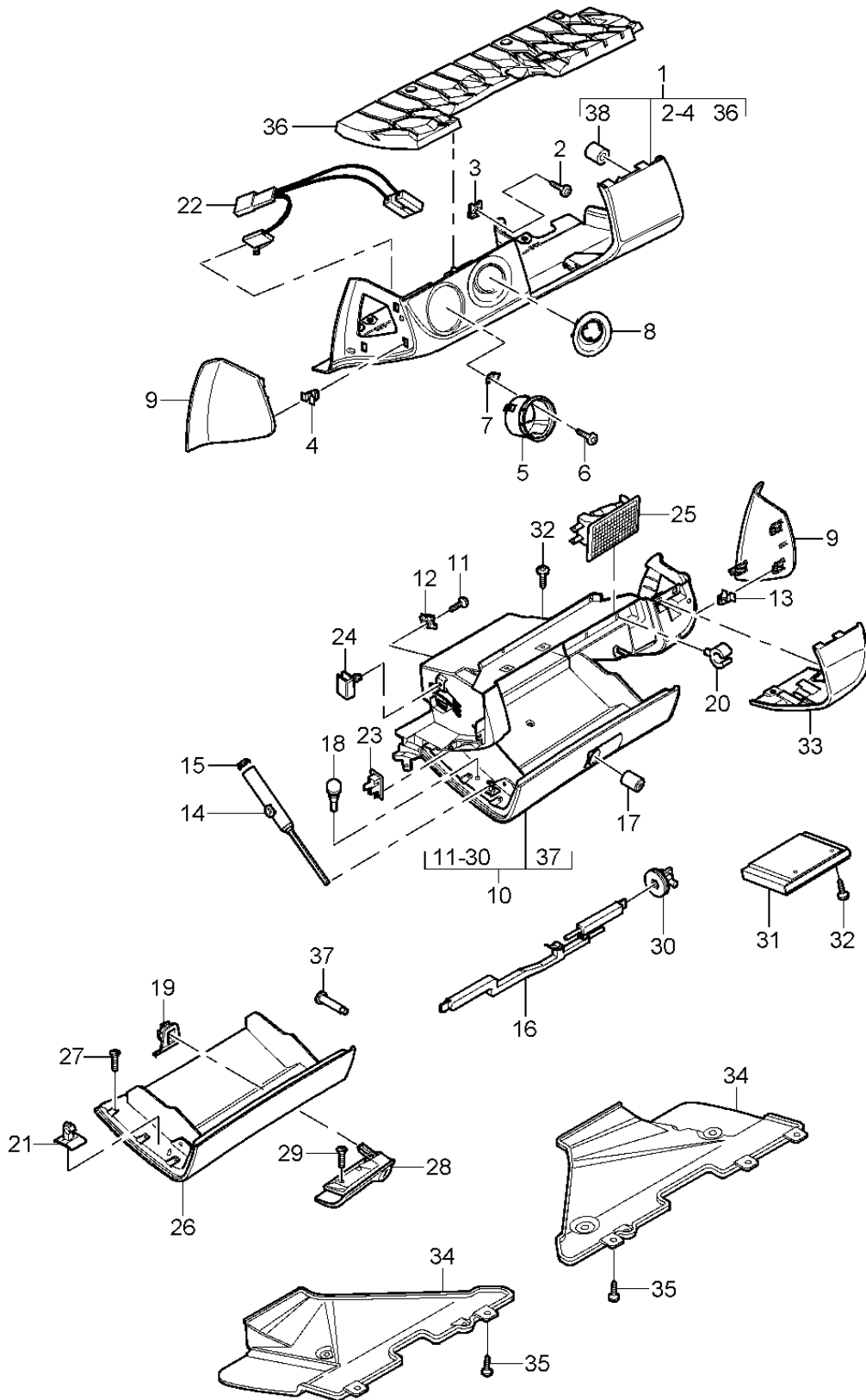


Model: 997 05 Model life 2005>>2008

| Pos  | Part Number        | Description       | Remark | Qty | Model   |
|------|--------------------|-------------------|--------|-----|---------|
|      | 997 552 985 00 A11 | Black             |        |     |         |
|      | 997 552 985 00 5X6 | Stone grey        |        |     |         |
|      | 997 552 985 00 8G2 | Sand beige        |        |     |         |
|      | 997 552 985 00 3S9 | sea blue          |        |     |         |
|      | 997 552 985 00 4P2 | Palm green        |        |     |         |
|      |                    | D >> - MJ 2007    |        |     |         |
|      | 997 552 985 00 9S5 | Terracotta        |        |     |         |
|      | 997 552 985 00 9V6 | Cocoa             |        |     |         |
|      | 997 552 985 00 D12 | Dark grey/natural |        |     |         |
|      | 997 552 985 00 T12 | Brown/natural     |        |     |         |
|      | 997 552 985 00 N12 | Carrera Red       |        |     |         |
|      |                    | D - MJ 2008>>     |        |     |         |
| (23) | 997 552 985 00     | Leather panel     | center | 1   | PR: XKJ |
|      | 997 552 985 00 A11 | Black             |        |     |         |
|      | 997 552 985 00 5X6 | Stone grey        |        |     |         |
|      | 997 552 985 00 8G2 | Sand beige        |        |     |         |
|      | 997 552 985 00 3S9 | sea blue          |        |     |         |
|      | 997 552 985 00 4P2 | Palm green        |        |     |         |
|      |                    | D >> - MJ 2007    |        |     |         |
|      | 997 552 985 00 9S5 | Terracotta        |        |     |         |
|      | 997 552 985 00 9V6 | Cocoa             |        |     |         |
|      | 997 552 985 00 D12 | Dark grey/natural |        |     |         |
|      | 997 552 985 00 T12 | Brown/natural     |        |     |         |
|      | 997 552 985 00 N12 | Carrera Red       |        |     |         |
|      |                    | D - MJ 2008>>     |        |     |         |
| (23) | 997 552 985 00     | Leather panel     | center | 1   | PR: XJS |
|      | 997 552 985 00 A11 | Black             |        |     |         |
|      | 997 552 985 00 5X6 | Stone grey        |        |     |         |
|      | 997 552 985 00 8G2 | Sand beige        |        |     |         |
|      | 997 552 985 00 3S9 | sea blue          |        |     |         |
|      | 997 552 985 00 4P2 | Palm green        |        |     |         |
|      |                    | D >> - MJ 2007    |        |     |         |
|      | 997 552 985 00 9S5 | Terracotta        |        |     |         |
|      | 997 552 985 00 9V6 | Cocoa             |        |     |         |
|      | 997 552 985 00 D12 | Dark grey/natural |        |     |         |
|      | 997 552 985 00 T12 | Brown/natural     |        |     |         |
|      | 997 552 985 00 N12 | Carrera Red       |        |     |         |
|      |                    | D - MJ 2008>>     |        |     |         |
| (23) | 997 552 985 00     | Leather panel     | center | 1   | PR: XJR |
|      | 997 552 985 00 A11 | Black             |        |     |         |
|      | 997 552 985 00 5X6 | Stone grey        |        |     |         |
|      | 997 552 985 00 8G2 | Sand beige        |        |     |         |
|      | 997 552 985 00 3S9 | sea blue          |        |     |         |
|      | 997 552 985 00 4P2 | Palm green        |        |     |         |
|      |                    | D >> - MJ 2007    |        |     |         |
|      | 997 552 985 00 9S5 | Terracotta        |        |     |         |
|      | 997 552 985 00 9V6 | Cocoa             |        |     |         |
|      | 997 552 985 00 D12 | Dark grey/natural |        |     |         |
|      | 997 552 985 00 T12 | Brown/natural     |        |     |         |
|      | 997 552 985 00 N12 | Carrera Red       |        |     |         |
|      |                    | D - MJ 2008>>     |        |     |         |
| 24   | 997 552 645 00     | Seal<br>Scuttle   |        | 1   |         |

Model: 997 05

Model life 2005>>2008



Model: 997 05 Model life 2005>>2008

| Pos | Part Number        | Description  | Remark | Qty | Model      |
|-----|--------------------|--|--------|-----|------------|
| 1   | 997 552 201 02     | Glove box<br>Cover<br>and<br>Trim<br>(drivers side)<br>Trim lower section<br>Leatherette | lhd    | 1   | PR:098     |
|     | 997 552 201 02 1MZ | Black  |        |     |            |
|     | 997 552 201 02 1YP | Stone grey   |        |     |            |
|     | 997 552 201 02 1TK | Sand beige   |        |     |            |
|     | 997 552 201 02 1VM | sea blue   |        |     |            |
|     | 997 552 201 02 1UL | Palm green   |        |     |            |
| (1) | 997 552 202 02     | D >> - MJ 2007<br>Trim lower section<br>Leatherette                                      | rhd    | 1   | PR:099     |
|     | 997 552 202 02 1MZ | Black  |        |     |            |
|     | 997 552 202 02 1YP | Stone grey   |        |     |            |
|     | 997 552 202 02 1TK | Sand beige   |        |     |            |
|     | 997 552 202 02 1VM | sea blue   |        |     |            |
|     | 997 552 202 02 1UL | Palm green   |        |     |            |
| 1   | 997 552 201 03     | D >> - MJ 2007<br>Trim lower section<br>Leather  | lhd    | 1   | PR:098,981 |
|     | 997 552 201 03 A11 | Black  |        |     |            |
|     | 997 552 201 03 5X6 | Stone grey   |        |     |            |
|     | 997 552 201 03 8G2 | Sand beige   |        |     |            |
|     | 997 552 201 03 3S9 | sea blue   |        |     |            |
|     | 997 552 201 03 4P2 | Palm green   |        |     |            |
|     | 997 552 201 03 9S5 | Terracotta   |        |     |            |
|     | 997 552 201 03 9V6 | Cocoa  |        |     |            |
|     | 997 552 201 03 D12 | Dark grey/natural  |        |     |            |
|     | 997 552 201 03 T12 | Brown/natural  |        |     |            |
|     | 997 552 201 03 N12 | Carrera Red  |        |     |            |
| (1) | 997 552 202 03     | D - MJ 2008>><br>Trim lower section<br>Leather   | rhd    | 1   | PR:099,981 |
|     | 997 552 202 03 A11 | Black  |        |     |            |
|     | 997 552 202 03 5X6 | Stone grey   |        |     |            |
|     | 997 552 202 03 8G2 | Sand beige   |        |     |            |
|     | 997 552 202 03 3S9 | sea blue   |        |     |            |
|     | 997 552 202 03 4P2 | Palm green   |        |     |            |
|     | 997 552 202 03 9S5 | Terracotta   |        |     |            |
|     | 997 552 202 03 9V6 | Cocoa  |        |     |            |
|     | 997 552 202 03 D12 | Dark grey/natural  |        |     |            |
|     | 997 552 202 03 T12 | Brown/natural  |        |     |            |
|     | 997 552 202 03 N12 | Carrera Red  |        |     |            |
| 2   | 999 073 155 09     | D - MJ 2008>><br>panel screw<br>4,2 X 13<br>for<br>Mount                                 |        | 8   |            |
| 3   | 999 507 971 01     | Trim<br>panel nut<br>4,2<br>for<br>Mount   |        | 8   |            |
| 4   | 999 507 732 01     | Trim<br>Clamp<br>8 X 12/ 4<br>for<br>Mount   |        | 7   |            |

Model: 997 05 Model life 2005>>2008

| Pos | Part Number        | Description           | Remark | Qty | Model  |
|-----|--------------------|-----------------------|--------|-----|--------|
| 5   | 997 552 427 01     | Trim                  |        | 1   |        |
|     |                    | Trim                  |        |     |        |
|     |                    | Light switch          |        |     |        |
|     | 997 552 427 01 A03 | Black                 |        |     |        |
|     | 997 552 427 01 5V7 | Stone grey            |        |     |        |
|     | 997 552 427 01 5Z1 | Sand beige            |        |     |        |
|     | 997 552 427 01 8W7 | sea blue              |        |     |        |
|     | 997 552 427 01 5Y2 | Palm green            |        |     |        |
|     |                    | D >> - MJ 2007        |        |     |        |
|     | 997 552 427 01 8X8 | Terracotta            |        |     |        |
|     | 997 552 427 01 8P9 | Cocoa                 |        |     |        |
|     | 997 552 427 01 T13 | Brown/natural         |        |     |        |
|     | 997 552 427 01 N23 | Carrera Red           |        |     |        |
|     |                    | D - MJ 2008>>         |        |     |        |
| 6   | 999 073 155 09     | panel screw           |        | 3   |        |
|     |                    | 4,2 X 13              |        |     |        |
|     |                    | for                   |        |     |        |
|     |                    | Mount                 |        |     |        |
|     |                    | Trim                  |        |     |        |
|     |                    | Light switch          |        |     |        |
| 7   | 999 507 971 01     | panel nut             |        | 3   |        |
|     |                    | 4,2                   |        |     |        |
|     |                    | for                   |        |     |        |
|     |                    | Mount                 |        |     |        |
|     |                    | Trim                  |        |     |        |
|     |                    | Light switch          |        |     |        |
| 8   | 997 552 425 01     | Trim                  | lhd    | 1   | PR:098 |
|     |                    | Ignition starter lock |        |     |        |
|     | 997 552 425 01 A03 | Black                 |        |     |        |
|     | 997 552 425 01 5V7 | Stone grey            |        |     |        |
|     | 997 552 425 01 5Z1 | Sand beige            |        |     |        |
|     | 997 552 425 01 8W7 | sea blue              |        |     |        |
|     | 997 552 425 01 5Y2 | Palm green            |        |     |        |
|     |                    | D >> - MJ 2007        |        |     |        |
|     | 997 552 425 01 8X8 | Terracotta            |        |     |        |
|     | 997 552 425 01 8P9 | Cocoa                 |        |     |        |
|     | 997 552 425 01 T13 | Brown/natural         |        |     |        |
|     | 997 552 425 01 N23 | Carrera Red           |        |     |        |
|     |                    | D - MJ 2008>>         |        |     |        |
| (8) | 997 552 426 01     | Trim                  | rhd    | 1   | PR:099 |
|     |                    | Ignition starter lock |        |     |        |
|     | 997 552 426 01 A03 | Black                 |        |     |        |
|     | 997 552 426 01 5V7 | Stone grey            |        |     |        |
|     | 997 552 426 01 5Z1 | Sand beige            |        |     |        |
|     | 997 552 426 01 8W7 | sea blue              |        |     |        |
|     | 997 552 426 01 5Y2 | Palm green            |        |     |        |
|     |                    | D >> - MJ 2007        |        |     |        |
|     | 997 552 426 01 8X8 | Terracotta            |        |     |        |
|     | 997 552 426 01 8P9 | Cocoa                 |        |     |        |
|     | 997 552 426 01 T13 | Brown/natural         |        |     |        |
|     | 997 552 426 01 N23 | Carrera Red           |        |     |        |
|     |                    | D - MJ 2008>>         |        |     |        |
| 9   | 997 552 405 02     | Trim                  | left   | 1   |        |
|     | 997 552 405 02 A03 | Black                 |        |     |        |
|     | 997 552 405 02 5V7 | Stone grey            |        |     |        |
|     | 997 552 405 02 5Z1 | Sand beige            |        |     |        |
|     | 997 552 405 02 8W7 | sea blue              |        |     |        |
|     | 997 552 405 02 5Y2 | Palm green            |        |     |        |
|     |                    | D >> - MJ 2007        |        |     |        |
|     | 997 552 405 02 8X8 | Terracotta            |        |     |        |
|     | 997 552 405 02 8P9 | Cocoa                 |        |     |        |
|     | 997 552 405 02 T13 | Brown/natural         |        |     |        |
|     | 997 552 405 02 N23 | Carrera Red           |        |     |        |

Model: 997 05 Model life 2005>>2008

| Pos  | Part Number        | Description   | Remark     | Qty | Model    |
|------|--------------------|---|------------|-----|----------|
| (9)  | 997 552 406 02     | D - MJ 2008>><br>Trim<br><br>(drivers side)                             | right side | 1   |          |
|      | 997 552 406 02 A03 | Black   |            |     |          |
|      | 997 552 406 02 5V7 | Stone grey  |            |     |          |
|      | 997 552 406 02 5Z1 | Sand beige  |            |     |          |
|      | 997 552 406 02 8W7 | sea blue  |            |     |          |
|      | 997 552 406 02 5Y2 | Palm green  |            |     |          |
|      |                    | D >> - MJ 2007  |            |     |          |
|      | 997 552 406 02 8X8 | Terracotta  |            |     |          |
|      | 997 552 406 02 8P9 | Cocoa   |            |     |          |
|      | 997 552 406 02 T13 | Brown/natural   |            |     |          |
|      | 997 552 406 02 N23 | Carrera Red   |            |     |          |
| 10   | 997 552 204 04     | D - MJ 2008>><br>Glove box<br>Leatherette<br>(complete)<br>Valid up to: | lhd        | 1   | PR:098   |
|      |                    | F >> 99-8S700 391   |            |     | COUPE    |
|      |                    | F >> 99-8S720 790   |            |     | COUPE S  |
|      |                    | F >> 99-8S760 203   |            |     | CABRIO   |
|      |                    | F >> 99-8S770 471   |            |     | CABRIO S |
|      |                    | F >> 99-8S740 119   |            |     | TARGA    |
|      |                    | F >> 99-8S750 193   |            |     | TARGA S  |
|      | 997 552 204 04 1MZ | Black   |            |     |          |
|      | 997 552 204 04 1YP | Stone grey  |            |     |          |
|      | 997 552 204 04 1TK | Sand beige  |            |     |          |
|      | 997 552 204 04 1VM | sea blue  |            |     |          |
|      | 997 552 204 04 1UL | Palm green  |            |     |          |
|      |                    | D >> - MJ 2007  |            |     |          |
| (10) | 997 552 203 04     | Glove box<br>Leatherette<br>(complete)<br>Valid up to:                  | rhd        | 1   | PR:099   |
|      |                    | F >> 99-8S700 391   |            |     | COUPE    |
|      |                    | F >> 99-8S720 790   |            |     | COUPE S  |
|      |                    | F >> 99-8S760 203   |            |     | CABRIO   |
|      |                    | F >> 99-8S770 471   |            |     | CABRIO S |
|      |                    | F >> 99-8S740 119   |            |     | TARGA    |
|      |                    | F >> 99-8S750 193   |            |     | TARGA S  |
|      | 997 552 203 04 1MZ | Black   |            |     |          |
|      | 997 552 203 04 1YP | Stone grey  |            |     |          |
|      | 997 552 203 04 1TK | Sand beige  |            |     |          |
|      | 997 552 203 04 1VM | sea blue  |            |     |          |
|      | 997 552 203 04 1UL | Palm green  |            |     |          |
|      |                    | D >> - MJ 2007  |            |     |          |
| 10   | 997 552 204 06     | Glove box<br>Leatherette<br>(complete)<br>Valid from:                   | lhd        | 1   | PR:098   |
|      |                    | F 99-8S700 392>>  |            |     | COUPE    |
|      |                    | F 99-8S720 791>>  |            |     | COUPE S  |
|      |                    | F 99-8S760 204>>  |            |     | CABRIO   |
|      |                    | F 99-8S770 472>>  |            |     | CABRIO S |
|      |                    | F 99-8S740 120>>  |            |     | TARGA    |
|      |                    | F 99-8S750 194>>  |            |     | TARGA S  |
|      | 997 552 204 06 1MZ | Black   |            |     |          |
|      | 997 552 204 06 1YP | Stone grey  |            |     |          |
|      | 997 552 204 06 1TK | Sand beige  |            |     |          |
|      | 997 552 204 06 1VM | sea blue  |            |     |          |
| (10) | 997 552 203 06     | Glove box<br>Leatherette  | rhd        | 1   | PR:099   |

Model: 997 05 Model life 2005>>2008

| Pos  | Part Number  | Description   | Remark | Qty | Model  |
|------|--|---|--------|-----|--|
|      |  | (complete)<br>Valid from:<br>F 99-8S700 392>><br>F 99-8S720 791>><br>F 99-8S760 204>><br>F 99-8S770 472>><br>F 99-8S740 120>><br>F 99-8S750 194>>   |        |     | COUPE<br>COUPE S<br>CABRIO<br>CABRIO S<br>TARGA<br>TARGA S |
| 10   | 997 552 203 06 1MZ<br>997 552 203 06 1YP<br>997 552 203 06 1TK<br>997 552 203 06 1VM<br>997 552 204 05   | Black<br>Stone grey<br>Sand beige<br>sea blue<br>Glove box<br>Leather<br>(complete)<br>Valid up to:<br>F >> 99-8S700 391<br>F >> 99-8S720 790<br>F >> 99-8S760 203<br>F >> 99-8S770 471<br>F >> 99-8S740 119<br>F >> 99-8S750 193 | lhd    | 1   | PR:098,981   |
|      | 997 552 204 05 A11<br>997 552 204 05 5X6<br>997 552 204 05 8G2<br>997 552 204 05 3S9<br>997 552 204 05 4P2<br>997 552 204 05 9S5<br>997 552 204 05 9V6<br>997 552 204 05 D12<br>997 552 204 05 T12<br>997 552 204 05 N12 | Black<br>Stone grey<br>Sand beige<br>sea blue<br>Palm green<br>D >> - MJ 2007<br>Terracotta<br>Cocoa<br>Dark grey/natural<br>Brown/natural<br>Carrera Red<br>D - MJ 2008>>  |        |     | COUPE<br>COUPE S<br>CABRIO<br>CABRIO S<br>TARGA<br>TARGA S |
| (10) | 997 552 203 05   | Glove box<br>Leather<br>(complete)<br>Valid up to:<br>F >> 99-8S700 391<br>F >> 99-8S720 790<br>F >> 99-8S760 203<br>F >> 99-8S770 471<br>F >> 99-8S740 119<br>F >> 99-8S750 193  | rhd    | 1   | PR:099,981   |
|      | 997 552 203 05 A11<br>997 552 203 05 5X6<br>997 552 203 05 8G2<br>997 552 203 05 3S9<br>997 552 203 05 4P2<br>997 552 203 05 9S5<br>997 552 203 05 9V6<br>997 552 203 05 D12<br>997 552 203 05 T12<br>997 552 203 05 N12 | Black<br>Stone grey<br>Sand beige<br>sea blue<br>Palm green<br>D >> - MJ 2007<br>Terracotta<br>Cocoa<br>Dark grey/natural<br>Brown/natural<br>Carrera Red<br>D - MJ 2008>>  |        |     | COUPE<br>COUPE S<br>CABRIO<br>CABRIO S<br>TARGA<br>TARGA S |
| 10   | 997 552 204 07   | Glove box<br>Leather<br>(complete)<br>Valid from:<br>F 99-8S700 392>><br>F 99-8S720 791>><br>F 99-8S760 204>>   | lhd    | 1   | PR:098,981<br><br>COUPE<br>COUPE S<br>CABRIO               |

Model: 997 05 Model life 2005>>2008

| Pos  | Part Number        | Description   | Remark | Qty | Model  |
|------|--------------------|---|--------|-----|--|
|      |                    | F 99-8S770 472>><br>F 99-8S740 120>><br>F 99-8S750 194>>  |        |     | CABRIO S<br>TARGA<br>TARGA S   |
|      | 997 552 204 07 A11 | Black   |        |     |  |
|      | 997 552 204 07 5X6 | Stone grey  |        |     |  |
|      | 997 552 204 07 8G2 | Sand beige  |        |     |  |
|      | 997 552 204 07 3S9 | sea blue  |        |     |  |
|      | 997 552 204 07 9S5 | Terracotta  |        |     |  |
|      | 997 552 204 07 9V6 | Cocoa   |        |     |  |
|      | 997 552 204 07 D12 | Dark grey/natural   |        |     |  |
|      | 997 552 204 07 T12 | Brown/natural   |        |     |  |
|      | 997 552 204 07 N12 | Carrera Red   |        |     |  |
| (10) | 997 552 203 07     | Glove box<br>Leather<br>(complete)<br>Valid from:<br>F 99-8S700 392>><br>F 99-8S720 791>><br>F 99-8S760 204>><br>F 99-8S770 472>><br>F 99-8S740 120>><br>F 99-8S750 194>> | rhd    | 1   | PR:099,981<br><br>COUPE<br>COUPE S<br>CABRIO<br>CABRIO S<br>TARGA<br>TARGA S |
|      | 997 552 203 07 A11 | Black   |        |     |  |
|      | 997 552 203 07 5X6 | Stone grey  |        |     |  |
|      | 997 552 203 07 8G2 | Sand beige  |        |     |  |
|      | 997 552 203 07 3S9 | sea blue  |        |     |  |
|      | 997 552 203 07 9S5 | Terracotta  |        |     |  |
|      | 997 552 203 07 9V6 | Cocoa   |        |     |  |
|      | 997 552 203 07 D12 | Dark grey/natural   |        |     |  |
|      | 997 552 203 07 T12 | Brown/natural   |        |     |  |
|      | 997 552 203 07 N12 | Carrera Red   |        |     |  |
| 11   | 999 073 155 09     | panel screw<br>4,2 X 13<br>for<br>Mount   |        | X   |  |
| 12   | 999 507 971 01     | Glove box<br>panel nut<br>4,2<br>for<br>Mount   |        | X   |  |
| 13   | 999 507 732 01     | Glove box<br>Clamp<br>8 X 12 /4<br>for<br>Mount   |        | X   |  |
| 14   | 997 552 484 01     | Glove box<br>Damper   |        | 1   |  |
| 15   | 997 552 612 00     | Glove box<br>Cover<br>Damper  |        | 1   |  |
| 16   | 997 552 410 01     | Release<br>Glove box  | lhd    | 1   | PR:098   |
| (16) | 997 552 409 01     | Release<br>Glove box  | rhd    | 1   | PR:099   |
| 17   | 996 552 915 01     | Lock cylinders<br>Glove box   |        | 1   |  |
| 18   | 997 555 533 01     | Vehicle Ident. No.<br>Indicate<br>Stop<br>Glove box<br>F >> 99-6S700 479<br>F >> 99-6S700 483<br>F >> 99-6S730 971  |        | 2   |  |

Model: 997 05 Model life 2005>>2008

| Pos  | Part Number        | Description   | Remark    | Qty | Model      |
|------|--------------------|---|-----------|-----|------------|
| 18   | 999 703 068 40     | F >> 99-6S730 981<br>F >> 99-6S760 450<br>F >> 99-6S760 448<br>Stop buffer<br>3,7 x 10,3<br>Glove box<br>F 99-6S700 480>><br>F 99-6S700 484>><br>F 99-6S730 972>><br>F 99-6S730 982>><br>F 99-6S760 451>><br>F 99-6S760 449>> |           | 2   |            |
| 19   | 997 552 509 02     | Support   | left lhd  | 1   | PR:098     |
| (19) | 997 552 510 02     | Closing element<br>Support  | right lhd | 1   | PR:098     |
| (19) | 997 552 509 03     | Closing element<br>Support  | left rhd  | 1   | PR:099     |
| (19) | 997 552 510 03     | Closing element<br>Support  | right rhd | 1   | PR:099     |
| 20   | 996 552 813 00     | Pen holder  |           | 2   |            |
| 21   | 996 552 879 00     | Adapter<br>for<br>Damper  |           | 2   |            |
| 22   | 997 612 651 00     | Wire set<br>Glove box light   |           | 1   |            |
| 23   | 999 650 564 40     | Clip<br>for<br>Wire set<br>Micro switch   |           | 1   |            |
| 24   | 999 650 565 40     | Clip<br>for<br>Wire set   |           | 1   |            |
| 25   | 997 632 071 00     | Glove box light   |           | 1   |            |
| 26   | 997 552 252 02     | Glove compartment cover<br>Leatherette  | lhd       | 1   | PR:098     |
|      | 997 552 252 02 1MZ | Black   |           |     |            |
|      | 997 552 252 02 1YP | Stone grey  |           |     |            |
|      | 997 552 252 02 1TK | Sand beige  |           |     |            |
|      | 997 552 252 02 1VM | sea blue  |           |     |            |
|      | 997 552 252 02 1UL | Palm green  |           |     |            |
| (26) | 997 552 251 02     | D >> - MJ 2007<br>Glove compartment cover<br>Leatherette  | rhd       | 1   | PR:099     |
|      | 997 552 251 02 1MZ | Black   |           |     |            |
|      | 997 552 251 02 1YP | Stone grey  |           |     |            |
|      | 997 552 251 02 1TK | Sand beige  |           |     |            |
|      | 997 552 251 02 1VM | sea blue  |           |     |            |
|      | 997 552 251 02 1UL | Palm green  |           |     |            |
| 26   | 997 552 252 03     | D >> - MJ 2007<br>Glove compartment cover<br>Leather  | lhd       | 1   | PR:098,981 |
|      | 997 552 252 03 A11 | Black   |           |     |            |
|      | 997 552 252 03 5X6 | Stone grey  |           |     |            |
|      | 997 552 252 03 8G2 | Sand beige  |           |     |            |
|      | 997 552 252 03 3S9 | sea blue  |           |     |            |
|      | 997 552 252 03 4P2 | Palm green  |           |     |            |
|      | 997 552 252 03 9S5 | D >> - MJ 2007<br>Terracotta  |           |     |            |
|      | 997 552 252 03 9V6 | Cocoa   |           |     |            |
|      | 997 552 252 03 D12 | Dark grey/natural   |           |     |            |
|      | 997 552 252 03 T12 | Brown/natural   |           |     |            |
|      | 997 552 252 03 N12 | Carrera Red   |           |     |            |



Model: 997 05 Model life 2005>>2008

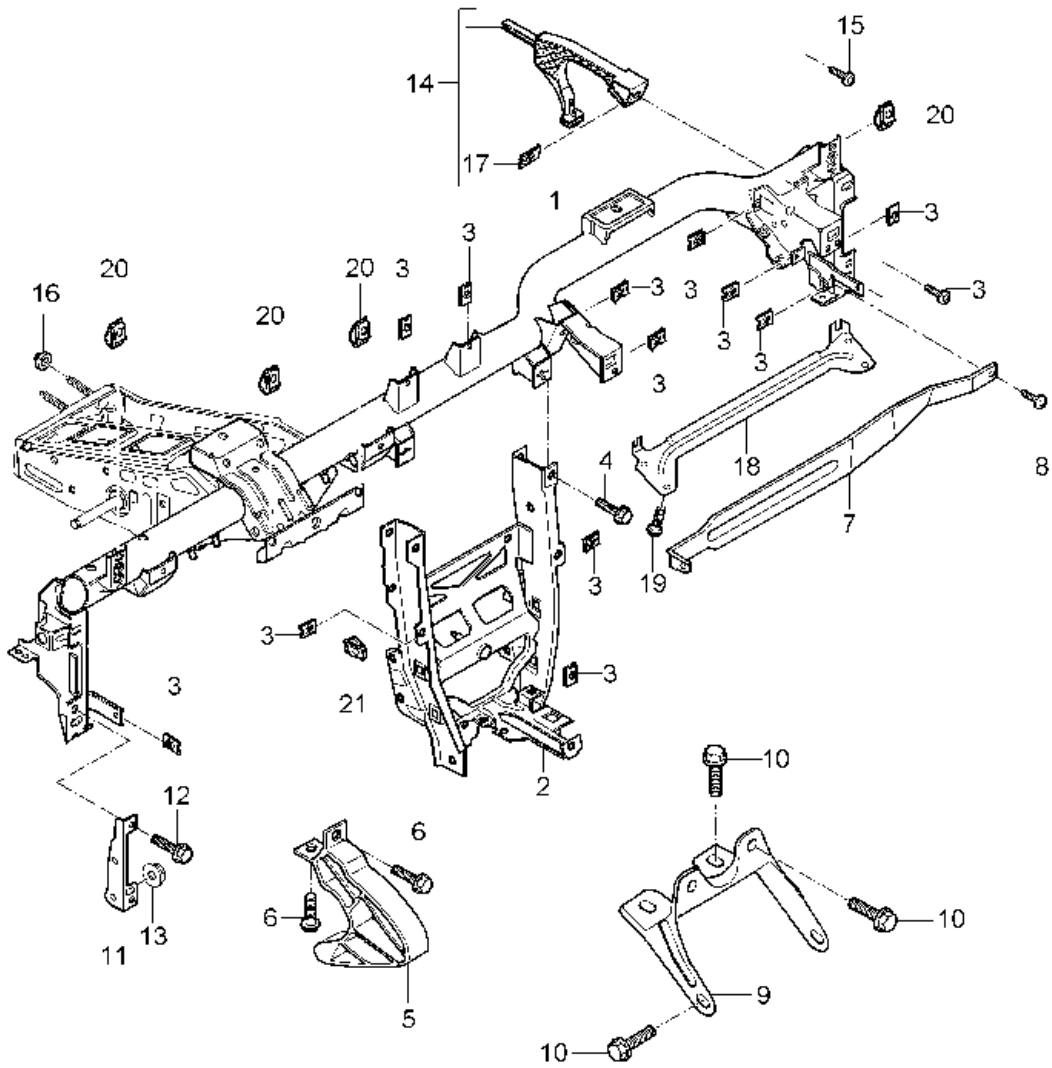
| Pos  | Part Number        | Description  | Remark | Qty | Model      |
|------|--------------------|--|--------|-----|------------|
| (26) | 997 552 251 03     | D - MJ 2008>><br>Glove compartment cover<br>Leather      | rhd    | 1   | PR:099,981 |
|      | 997 552 251 03 A11 | Black  |        |     |            |
|      | 997 552 251 03 5X6 | Stone grey   |        |     |            |
|      | 997 552 251 03 8G2 | Sand beige   |        |     |            |
|      | 997 552 251 03 3S9 | sea blue   |        |     |            |
|      | 997 552 251 03 4P2 | Palm green   |        |     |            |
|      | 997 552 251 03 9S5 | D >> - MJ 2007<br>Terracotta                             |        |     |            |
|      | 997 552 251 03 9V6 | Cocoa  |        |     |            |
|      | 997 552 251 03 D12 | Dark grey/natural  |        |     |            |
|      | 997 552 251 03 T12 | Brown/natural  |        |     |            |
|      | 997 552 251 03 N12 | Carrera Red  |        |     |            |
| 27   | 999 073 249 07     | D - MJ 2008>><br>panel screw<br>3.5 X 12<br>for<br>Mount |        | 11  |            |
| 28   | 997 552 362 01     | Glove compartment cover<br>handle<br>(complete)          | lhd    | 1   | PR:098     |
|      | 997 552 362 01 A03 | Black  |        |     |            |
|      | 997 552 362 01 5V7 | Stone grey   |        |     |            |
|      | 997 552 362 01 5Z1 | Sand beige   |        |     |            |
|      | 997 552 362 01 8W7 | sea blue   |        |     |            |
|      | 997 552 362 01 5Y2 | Palm green   |        |     |            |
|      | 997 552 362 01 8X8 | D >> - MJ 2007<br>Terracotta                             |        |     |            |
|      | 997 552 362 01 8P9 | Cocoa  |        |     |            |
|      | 997 552 362 01 T13 | Brown/natural  |        |     |            |
|      | 997 552 362 01 N23 | Carrera Red  |        |     |            |
| (28) | 997 552 361 01     | D - MJ 2008>><br>handle<br>(complete)                    | rhd    | 1   | PR:099     |
|      | 997 552 361 01 A03 | Black  |        |     |            |
|      | 997 552 361 01 5V7 | Stone grey   |        |     |            |
|      | 997 552 361 01 5Z1 | Sand beige   |        |     |            |
|      | 997 552 361 01 8W7 | sea blue   |        |     |            |
|      | 997 552 361 01 5Y2 | Palm green   |        |     |            |
|      | 997 552 361 01 8X8 | D >> - MJ 2007<br>Terracotta                             |        |     |            |
|      | 997 552 361 01 8P9 | Cocoa  |        |     |            |
|      | 997 552 361 01 T13 | Brown/natural  |        |     |            |
|      | 997 552 361 01 N23 | Carrera Red  |        |     |            |
| 29   | 999 073 240 01     | D - MJ 2008>><br>Screw<br>M 4 X 10<br>for<br>Mount       |        | 2   |            |
| 30   | 997 552 448 00     | handle<br>Stop   |        | 1   |            |
| 31   | 997 552 663 00     | Box for cds  |        | 1   | PR:424     |
| 32   | 999 073 240 01     | Screw<br>M 4 X 10<br>for<br>Mount                        |        | 2   |            |
| 33   | 997 552 256 02     | Box for cds<br>Trim<br>(passenger side)<br>Leatherette   | lhd    | 1   | PR:098     |
|      | 997 552 256 02 1MZ | Black  |        |     |            |
|      | 997 552 256 02 1YP | Stone grey   |        |     |            |

Model: 997 05 Model life 2005>>2008

| Pos  | Part Number        | Description                                      | Remark                            | Qty | Model      |        |
|------|--------------------|--|-----------------------------------|-----|------------|--------|
| (33) | 997 552 256 02 1TK | Sand beige                                       |                                   |     |            |        |
|      | 997 552 256 02 1VM | sea blue   |                                   |     |            |        |
|      | 997 552 256 02 1UL | Palm green                                       |                                   |     |            |        |
|      |                    | D >> - MJ 2007                                   |                                   |     |            |        |
|      | 997 552 255 02     | Trim (passenger side)<br>Leatherette             | rhd                               | 1   | PR:099     |        |
|      | 997 552 255 02 1MZ | Black  |                                   |     |            |        |
|      | 997 552 255 02 1YP | Stone grey                                       |                                   |     |            |        |
|      | 997 552 255 02 1TK | Sand beige                                       |                                   |     |            |        |
|      | 997 552 255 02 1VM | sea blue   |                                   |     |            |        |
|      | 997 552 255 02 1UL | Palm green                                       |                                   |     |            |        |
| 33   |                    | D >> - MJ 2007                                   |                                   |     |            |        |
|      | 997 552 256 03     | Leather panel (passenger side)                   | lhd                               | 1   | PR:098,981 |        |
|      | 997 552 256 03 A11 | Black  |                                   |     |            |        |
|      | 997 552 256 03 5X6 | Stone grey                                       |                                   |     |            |        |
|      | 997 552 256 03 8G2 | Sand beige                                       |                                   |     |            |        |
|      | 997 552 256 03 3S9 | sea blue   |                                   |     |            |        |
|      | 997 552 256 03 4P2 | Palm green                                       |                                   |     |            |        |
|      |                    | D >> - MJ 2007                                   |                                   |     |            |        |
|      | 997 552 256 03 9S5 | Terracotta                                       |                                   |     |            |        |
|      | 997 552 256 03 9V6 | Cocoa  |                                   |     |            |        |
| (33) | 997 552 256 03 D12 | Dark grey/natural                                |                                   |     |            |        |
|      | 997 552 256 03 T12 | Brown/natural                                    |                                   |     |            |        |
|      | 997 552 256 03 N12 | Carrera Red                                      |                                   |     |            |        |
|      |                    | D - MJ 2008>>                                    |                                   |     |            |        |
|      | 997 552 255 03     | Leather panel (passenger side)                   | rhd                               | 1   | PR:099,981 |        |
|      | 997 552 255 03 A11 | Black  |                                   |     |            |        |
|      | 997 552 255 03 5X6 | Stone grey                                       |                                   |     |            |        |
|      | 997 552 255 03 8G2 | Sand beige                                       |                                   |     |            |        |
|      | 997 552 255 03 3S9 | sea blue   |                                   |     |            |        |
|      | 997 552 255 03 4P2 | Palm green                                       |                                   |     |            |        |
| 34   |                    | D >> - MJ 2007                                   |                                   |     |            |        |
|      | 997 552 255 03 9S5 | Terracotta                                       |                                   |     |            |        |
|      | 997 552 255 03 9V6 | Cocoa  |                                   |     |            |        |
|      | 997 552 255 03 D12 | Dark grey/natural                                |                                   |     |            |        |
|      | 997 552 255 03 T12 | Brown/natural                                    |                                   |     |            |        |
|      | 997 552 255 03 N12 | Carrera Red                                      |                                   |     |            |        |
|      |                    | D - MJ 2008>>                                    |                                   |     |            |        |
|      | 997 552 414 01     | Trim (passenger side)<br>Footwell                | lhd                               | 1   | PR:098     |        |
|      | (34)               | 997 552 413 01                                   | Trim (passenger side)<br>Footwell | rhd | 1          | PR:099 |
|      |                    |  |                                   |     |            |        |
| 35   | 1H0 819 943        | round hd. screw for<br>Mount<br>Trim<br>Footwell |                                   | X   |            |        |
| 36   | 997 552 451 01     | Insert   | lhd                               | 1   | PR:098     |        |
| 36   | 997 552 452 01     | Insert   | rhd                               | 1   | PR:099     |        |
| 37   | 997 552 649 01     | Hinge bolt<br>Glove box                          |                                   | 2   |            |        |
| 38   | 997 552 821 00     | Grommet  |                                   | 3   |            |        |

Model: 997 05

Model life 2005>>2008



Model: 997 05 Model life 2005>>2008

| Pos  | Part Number    | Description                  | Remark | Qty | Model  |
|------|----------------|------------------------------|--------|-----|--------|
| 1    | 997 552 063 03 | retaining frame<br>dashboard |        |     |        |
| (1)  | 997 552 063 04 | retaining frame              | lhd    | 1   | PR:098 |
|      |                | retaining frame              | rhd    | 1   | PR:099 |
|      |                | D >> - MJ 2007               |        |     |        |
| (1)  | 997 552 063 06 | retaining frame              | rhd    | 1   | PR:099 |
|      |                | D - MJ 2008>>                |        |     |        |
| 2    | 997 552 163 05 | Support                      | lhd    | 1   | PR:098 |
|      |                | tunnel                       |        |     |        |
| (2)  | 997 552 163 06 | Support                      | rhd    | 1   | PR:099 |
|      |                | tunnel                       |        |     |        |
| 3    | 999 507 020 01 | panel nut                    |        | X   |        |
|      |                | ST 4,2                       |        |     |        |
| 4    | 900 378 305 01 | Hexagon bolt                 |        | 2   |        |
|      |                | M 8 X 65                     |        |     |        |
|      |                | for                          |        |     |        |
|      |                | Mount                        |        |     |        |
|      |                | Support                      |        |     |        |
| 9    | 997 552 515 01 | Bracket                      |        | 1   |        |
|      |                | tunnel                       |        |     |        |
| 10   | 999 073 442 01 | Screw                        |        | X   |        |
|      |                | M 6 X 25                     |        |     |        |
|      |                | for                          |        |     |        |
|      |                | Mount                        |        |     |        |
|      |                | Bracket                      |        |     |        |
|      |                | tunnel                       |        |     |        |
| 11   | 997 552 407 01 | bracket for dash panel       | left   | 1   |        |
|      |                | A-pillar                     |        |     |        |
| (11) | 997 552 408 01 | bracket for dash panel       | right  | 1   |        |
|      |                | A-pillar                     |        |     |        |
| 12   | 900 378 176 01 | Hexagon bolt                 |        | 4   |        |
|      |                | M 8 X 20                     |        |     |        |
|      |                | for                          |        |     |        |
|      |                | Mount                        |        |     |        |
|      |                | Bracket                      |        |     |        |
|      |                | A-pillar                     |        |     |        |
| 13   | 999 084 630 09 | Hexagon nut                  |        | 4   |        |
|      |                | M 8                          |        |     |        |
|      |                | for                          |        |     |        |
|      |                | Mount                        |        |     |        |
|      |                | Bracket                      |        |     |        |
|      |                | A-pillar                     |        |     |        |
| 14   | 997 552 401 00 | Retainer for support frame   |        | 1   |        |
|      |                | heater                       |        |     |        |
| 15   | 999 073 155 09 | panel screw                  |        | 1   |        |
|      |                | ST 4,2 X 13                  |        |     |        |
|      |                | for                          |        |     |        |
|      |                | Mount                        |        |     |        |
|      |                | Bracket                      |        |     |        |
|      |                | heater                       |        |     |        |
| 16   | 997 423 299 01 | Nut                          |        | 2   |        |
|      |                | for                          |        |     |        |
|      |                | Adjustment                   |        |     |        |
|      |                | retaining frame              |        |     |        |
|      |                | Firewall                     |        |     |        |
| 17   | 999 507 971 01 | panel nut                    |        | 1   |        |
|      |                | ST 4,2                       |        |     |        |
|      |                | for                          |        |     |        |
|      |                | Mount                        |        |     |        |
|      |                | Bracket                      |        |     |        |
|      |                | heater                       |        |     |        |
| 18   | 997 552 603 01 | Reinforcement plate          |        | 1   |        |
|      |                | Bracket                      |        |     |        |

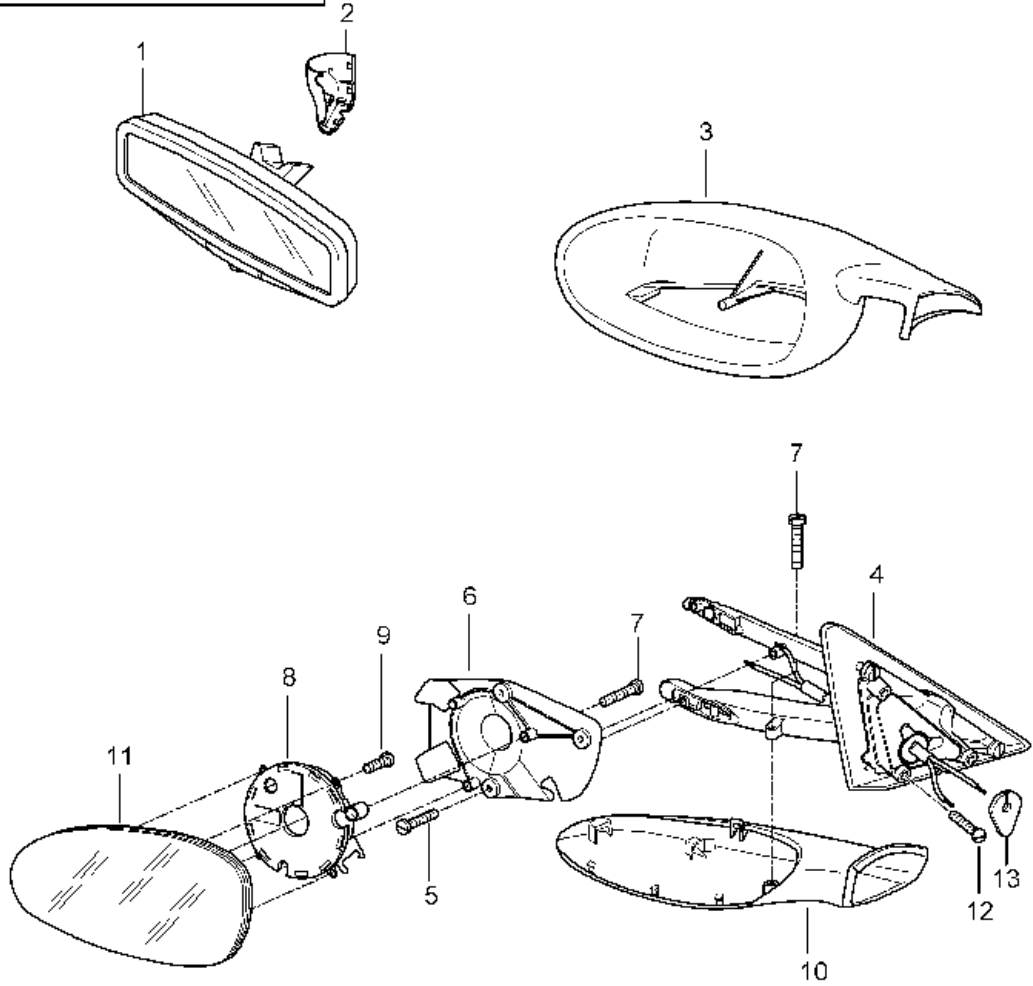
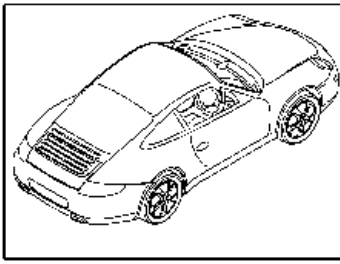
Model: 997 05

Model life 2005>>2008

| Pos | Part Number    | Description                        | Remark | Qty | Model |
|-----|----------------|------------------------------------|--------|-----|-------|
| 19  | 900 378 222 09 | Airbag<br>Hexagon bolt<br>M 6 X 16 |        | 4   |       |
| 20  | 999 591 850 01 | panel nut<br>ST 4,2                |        | X   |       |

Model: 997 05

Model life 2005>>2008



Model: 997 05 Model life 2005>>2008

| Pos | Part Number        | Description                               | Remark    | Qty | Model              |
|-----|--------------------|---|-----------|-----|--------------------|
| 1   | 997 731 511 03     | Interior mirror<br>Exterior mirror        |           | 1   | PR:267             |
| (1) | 997 731 511 02     | Interior mirror, automatic<br>anti-dazzle |           | 1   |                    |
|     | 997 731 511 02 01C | Satin black                               |           |     |                    |
| 2   | 997 731 811 00     | Cover                                     | left      | 1   |                    |
|     | 997 731 811 00 01C | Interior mirror<br>Satin black            |           |     |                    |
| (2) | 997 731 812 00     | Cover                                     | right     | 1   |                    |
|     | 997 731 812 00 01C | Interior mirror<br>Satin black            |           |     |                    |
| 3   | 997 731 619 00     | Exterior mirror housing                   | left      | 1   |                    |
|     | 997 731 619 00 G2L | primed                                    |           |     |                    |
| (3) | 997 731 620 00     | Exterior mirror housing                   | right     | 1   |                    |
|     | 997 731 620 00 G2L | primed                                    |           |     |                    |
| 4   | 997 731 219 00     | Mirror base                               | left lhd  | 1   | PR:098             |
|     | 997 731 219 00 G2L | primed                                    |           |     |                    |
|     |                    | with:                                     |           |     |                    |
| (4) | 997 731 220 00     | Wire set<br>Mirror base                   | right lhd | 1   | PR:098             |
|     | 997 731 220 00 G2L | Exterior mirror<br>primed                 |           |     |                    |
|     |                    | with:                                     |           |     |                    |
| (4) | 997 731 219 01     | Wire set<br>Mirror base                   | left lhd  | 1   | PR:537,098         |
|     | 997 731 219 01 G2L | Exterior mirror<br>primed                 |           |     |                    |
|     |                    | with:                                     |           |     |                    |
| (4) | 997 731 220 01     | Wire set<br>Mirror base                   | right lhd | 1   | PR:537,098         |
|     | 997 731 220 01 G2L | Exterior mirror<br>primed                 |           |     |                    |
|     |                    | with:                                     |           |     |                    |
| (4) | 997 731 219 02     | Wire set<br>Mirror base                   | left lhd  | 1   | PR:098,267         |
|     | 997 731 219 02 G2L | Exterior mirror<br>primed                 |           |     |                    |
|     |                    | with:                                     |           |     |                    |
| (4) | 997 731 220 02     | Wire set<br>Mirror base                   | right lhd | 1   | PR:098,267         |
|     | 997 731 220 02 G2L | Exterior mirror<br>primed                 |           |     |                    |
|     |                    | with:                                     |           |     |                    |
| (4) | 997 731 219 03     | Wire set<br>Mirror base                   | left lhd  | 1   | PR:267,537,<br>098 |
|     | 997 731 219 03 G2L | Exterior mirror<br>primed                 |           |     |                    |
|     |                    | with:                                     |           |     |                    |
| (4) | 997 731 220 03     | Wire set<br>Mirror base                   | right lhd | 1   | PR:267,537,<br>098 |
|     | 997 731 220 03 G2L | Exterior mirror<br>primed                 |           |     |                    |
|     |                    | with:                                     |           |     |                    |
| (4) | 997 731 219 04     | Wire set<br>Mirror base                   | left rhd  | 1   | PR:099             |
|     | 997 731 219 04 G2L | Exterior mirror<br>primed                 |           |     |                    |
|     |                    | with:                                     |           |     |                    |
| (4) | 997 731 220 04     | Wire set<br>Mirror base                   | right rhd | 1   | PR:099             |
|     | 997 731 220 04 G2L | Exterior mirror<br>primed                 |           |     |                    |

Model: 997 05 Model life 2005>>2008

| Pos  | Part Number        | Description  | Remark             | Qty | Model              |
|------|--------------------|--|--------------------|-----|--------------------|
| (4)  | 997 731 219 05     | Wire set<br>Mirror base<br>Exterior mirror<br>primed | with:<br>left rhd  | 1   | PR:099,538         |
|      | 997 731 219 05 G2L |  |                    |     |                    |
| (4)  | 997 731 220 05     | Wire set<br>Mirror base<br>Exterior mirror<br>primed | with:<br>right rhd | 1   | PR:099,538         |
|      | 997 731 220 05 G2L |  |                    |     |                    |
| (4)  | 997 731 219 06     | Wire set<br>Mirror base<br>Exterior mirror<br>primed | with:<br>left rhd  | 1   | PR:099,267         |
|      | 997 731 219 06 G2L |  |                    |     |                    |
| (4)  | 997 731 220 06     | Wire set<br>Mirror base<br>Exterior mirror<br>primed | with:<br>right rhd | 1   | PR:099,267         |
|      | 997 731 220 06 G2L |  |                    |     |                    |
| (4)  | 997 731 219 07     | Wire set<br>Mirror base<br>Exterior mirror<br>primed | with:<br>left      | 1   | PR:267,538         |
|      | 997 731 219 07 G2L |  |                    |     |                    |
| (4)  | 997 731 220 07     | Wire set<br>Mirror base<br>Exterior mirror<br>primed | with:<br>right     | 1   | PR:267,538         |
|      | 997 731 220 07 G2L |  |                    |     |                    |
| 5    | 999 919 024 09     | Wire set<br>fillister hd. bolt<br>3,0 X 12           |                    | 3   |                    |
| 6    | 997 731 519 00     | plate<br>Exterior mirror                             | left               | 1   |                    |
| (6)  | 997 731 520 00     | plate<br>Exterior mirror                             | right              | 1   |                    |
| 7    | 999 141 043 02     | fillister hd. bolt<br>M 3 X 14                       |                    | 4   |                    |
| 8    | 997 624 047 00     | Adjusting motor<br>Discontinued part                 |                    | 2   |                    |
| 8    | 997 624 047 01     | Adjusting motor                                      |                    | 2   |                    |
| 8    | 7PP 959 578 D      | Adjusting motor<br>Exterior mirror                   |                    | 2   | PR:-537,-538       |
| (8)  | 997 624 048 00     | Adjusting motor<br>Discontinued part                 |                    | 2   | PR:537,538         |
| (8)  | 997 624 048 01     | Adjusting motor                                      |                    | 2   | PR:537,538         |
| 9    | 999 141 043 02     | fillister hd. bolt<br>M 3,0 X 14                     |                    | 3   |                    |
| 10   | 997 731 719 00     | Trim for exterior<br>mirror housing                  | left<br>lower      | 1   |                    |
|      | 997 731 719 00 G2L | primed   |                    |     |                    |
| (10) | 997 731 720 00     | Trim for exterior<br>mirror housing                  | right<br>lower     | 1   |                    |
|      | 997 731 720 00 G2L | primed   |                    |     |                    |
| 11   | 997 731 035 00     | Mirror glass (flat)                                  | left lhd           | 1   | PR:098,270         |
| (11) | 997 731 035 01     | Mirror (aspherical)<br>Aspherical                    | left lhd           | 1   | PR:098,271         |
| (11) | 997 731 035 02     | Mirror glass (flat)                                  | left lhd           | 1   | PR:098,267,<br>270 |
|      |                    | Dimmable<br>D >> - MJ 2006                           |                    |     |                    |



Model: 997 05 Model life 2005>>2008

| Pos  | Part Number    | Description   | Remark    | Qty | Model               |
|------|----------------|---|-----------|-----|---------------------|
| (11) | 997 731 035 04 | Mirror glass (flat)<br>Dimmable<br>D - MJ 2007>>                | left lhd  | 1   | PR:098,267,270      |
| (11) | 997 731 035 03 | Mirror (aspherical)<br>Aspherical<br>Dimmable<br>D >> - MJ 2006 | left lhd  | 1   | PR:098,267,271      |
| (11) | 997 731 035 05 | Mirror (aspherical)<br>Aspherical<br>Dimmable<br>D - MJ 2007>>  | left lhd  | 1   | PR:098,267,271      |
| (11) | 997 731 037 00 | Mirror glass (convex)   | left rhd  | 1   | PR:099              |
| (11) | 997 731 037 01 | Mirror glass (convex)<br>Dimmable<br>D >> - MJ 2006             | left rhd  | 1   | PR:099,267          |
| (11) | 997 731 037 02 | Mirror glass (convex)<br>Dimmable<br>D - MJ 2007>>              | left rhd  | 1   | PR:099,267          |
| (11) | 997 731 038 00 | Mirror glass (convex)   | right lhd | 1   | PR:098              |
| (11) | 997 731 038 01 | Mirror glass (convex)   | right lhd | 1   | PR:098<br>"ROK"     |
| (11) | 997 731 038 02 | Mirror glass (convex)   | right lhd | 1   | PR:215,098          |
| (11) | 997 731 038 03 | Mirror glass (convex)<br>Dimmable<br>D >> - MJ 2006             | right lhd | 1   | PR:098,267          |
| (11) | 997 731 038 06 | Mirror glass (convex)<br>Dimmable<br>D - MJ 2007>>              | right lhd | 1   | PR:098,267          |
| (11) | 997 731 038 04 | Mirror glass (convex)<br>Dimmable<br>D >> - MJ 2006             | right lhd | 1   | PR:267,098<br>"ROK" |
| (11) | 997 731 038 07 | Mirror glass (convex)<br>Dimmable<br>D - MJ 2007>>              | right lhd | 1   | PR:267,098<br>"ROK" |
| (11) | 997 731 038 05 | Mirror glass (convex)<br>Dimmable<br>D >> - MJ 2006             | right lhd | 1   | PR:215,267,098      |
| (11) | 997 731 038 08 | Mirror glass (convex)<br>Dimmable<br>D - MJ 2007>>              | right lhd | 1   | PR:215,267,098      |
| (11) | 997 731 036 00 | Mirror glass (flat)   | right rhd | 1   | PR:099,270          |
| (11) | 997 731 036 01 | Mirror (aspherical)<br>Aspherical                               | right rhd | 1   | PR:099,271          |
| (11) | 997 731 036 02 | Mirror glass (flat)<br>Dimmable<br>D >> - MJ 2006               | right rhd | 1   | PR:099,267,270      |
| (11) | 997 731 036 04 | Mirror glass (flat)<br>Dimmable<br>D - MJ 2007>>                | right rhd | 1   | PR:099,267,270      |
| (11) | 997 731 036 03 | Mirror (aspherical)<br>Aspherical<br>Dimmable<br>D >> - MJ 2006 | right rhd | 1   | PR:099,267,271      |
| (11) | 997 731 036 05 | Mirror (aspherical)<br>Aspherical<br>Dimmable<br>D - MJ 2007>>  | right rhd | 1   | PR:099,267,271      |
| 12   | 999 073 345 09 | Oval-head screw   |           | 3   |                     |

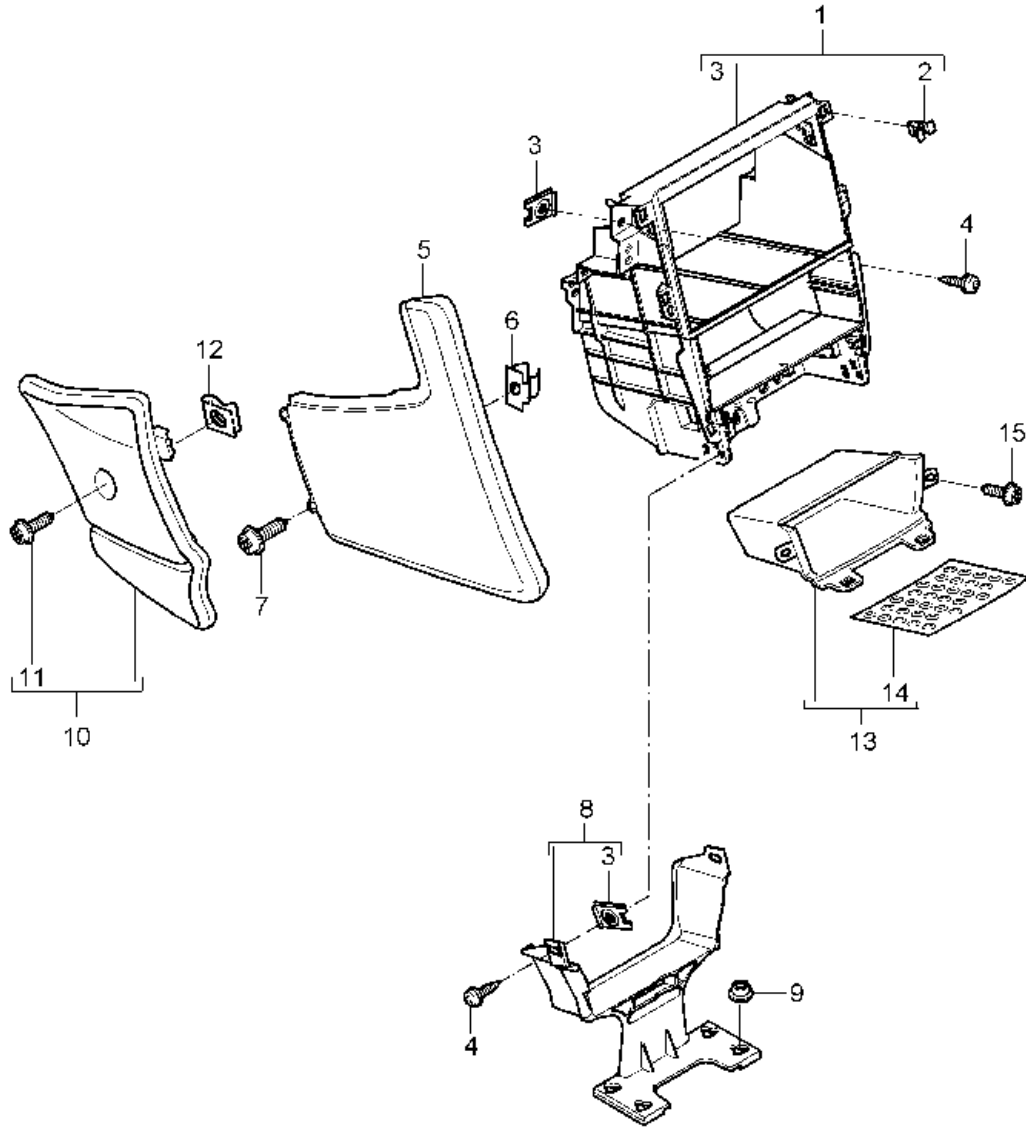
Model: 997 05

Model life 2005>>2008

| Pos | Part Number    | Description  | Remark | Qty | Model |
|-----|----------------|--|--------|-----|-------|
| 13  | 997 537 731 00 | M 5 X 18<br>Seal<br>Cable plug<br>Mirror base                        |        | 1   |       |
| 13  | 997 537 733 00 | D >> - MJ 2006<br>Seal<br>Cable plug<br>Mirror base<br>D - MJ 2007>> |        | 1   |       |

Model: 997 05

Model life 2005>>2008



Model: 997 05 Model life 2005>>2008

| Pos | Part Number        | Description   | Remark          | Qty | Model                          |
|-----|--------------------|---|-----------------|-----|--------------------------------|
| 1   | 997 553 111 03     | Centre console<br>Carrier                               | front<br>front  | 1   |                                |
| 2   | 999 507 476 01     | Centre console<br>Clamp<br>8,0 X 10,0/2,5               |                 | 6   |                                |
| 3   | 999 507 971 01     | panel nut<br>st 4,2                                     |                 | X   |                                |
| 4   | 999 073 155 09     | panel screw<br>st 4,2 x 13                              |                 | X   |                                |
| 5   | 997 553 117 05     | Trim  | left<br>side    | 1   | PR:-618,<br>-619,-668,<br>-669 |
|     |                    | Leatherette   |                 |     |                                |
|     | 997 553 117 05 9L4 | Black   |                 |     |                                |
|     | 997 553 117 05 9M5 | Stone grey  |                 |     |                                |
|     | 997 553 117 05 9C6 | Sand beige  |                 |     |                                |
|     | 997 553 117 05 9D7 | sea blue  |                 |     |                                |
|     | 997 553 117 05 9E8 | Palm green  |                 |     |                                |
|     |                    | D >> - MJ 2007  |                 |     |                                |
| (5) | 997 553 118 05     | Trim  | right<br>side   | 1   | PR:-618,<br>-619,-668,<br>-669 |
|     |                    | Leatherette   |                 |     |                                |
|     | 997 553 118 05 9L4 | Black   |                 |     |                                |
|     | 997 553 118 05 9M5 | Stone grey  |                 |     |                                |
|     | 997 553 118 05 9C6 | Sand beige  |                 |     |                                |
|     | 997 553 118 05 9D7 | sea blue  |                 |     |                                |
|     | 997 553 118 05 9E8 | Palm green  |                 |     |                                |
|     |                    | D >> - MJ 2007  |                 |     |                                |
| 5   | 997 553 117 06     | Leather panel   | left<br>side    | 1   | PR:981,618,<br>619,668,669     |
|     | 997 553 117 06 FSA | black/grey  |                 |     |                                |
|     | 997 553 117 06 FSB | Stone grey/stone grey                                   |                 |     |                                |
|     | 997 553 117 06 FSC | Sand beige/sand beige                                   |                 |     |                                |
|     | 997 553 117 06 FSD | Sea blue/grey   |                 |     |                                |
|     | 997 553 117 06 FSE | Palmgreen/palmgreen                                     |                 |     |                                |
|     |                    | D >> - MJ 2007  |                 |     |                                |
|     | 997 553 117 06 FSF | Terracotta/terracotta                                   |                 |     |                                |
|     | 997 553 117 06 FSG | Cocoa/Cocoa   |                 |     |                                |
|     | 997 553 117 06 FSH | Darkgrey natural/grey                                   |                 |     |                                |
|     | 997 553 117 06 FSJ | Brown nat./brown nat.                                   |                 |     |                                |
|     | 997 553 117 06 FSP | Carrera Red   |                 |     |                                |
|     |                    | D - MJ 2008>>   |                 |     |                                |
| (5) | 997 553 118 06     | Leather panel   | right<br>side   | 1   | PR:981,618,<br>619,668,669     |
|     | 997 553 118 06 FSA | black/grey  |                 |     |                                |
|     | 997 553 118 06 FSB | Stone grey/stone grey                                   |                 |     |                                |
|     | 997 553 118 06 FSC | Sand beige/sand beige                                   |                 |     |                                |
|     | 997 553 118 06 FSD | Sea blue/grey   |                 |     |                                |
|     | 997 553 118 06 FSE | Palmgreen/palmgreen                                     |                 |     |                                |
|     |                    | D >> - MJ 2007  |                 |     |                                |
|     | 997 553 118 06 FSF | Terracotta/terracotta                                   |                 |     |                                |
|     | 997 553 118 06 FSG | Cocoa/Cocoa   |                 |     |                                |
|     | 997 553 118 06 FSH | Darkgrey natural/grey                                   |                 |     |                                |
|     | 997 553 118 06 FSJ | Brown nat./brown nat.                                   |                 |     |                                |
|     | 997 553 118 06 FSP | Carrera Red   |                 |     |                                |
|     |                    | D - MJ 2008>>   |                 |     |                                |
| -   |                    | Trim  | side            | 1   |                                |
|     |                    | with:<br>preparation for telephone<br>see illustration: |                 |     |                                |
| 6   | 999 591 508 02     | Cage nut<br>ST 4,2<br>for<br>Mount                      | 911-010<br>side | 4   |                                |

Model: 997 05 Model life 2005>>2008

| Pos  | Part Number        | Description  | Remark    | Qty | Model  |
|------|--------------------|--|-----------|-----|--------|
| 6    | 999 591 508 01     | Trim<br>D >> - MJ 2006<br>Cage nut<br>st 4,2<br>for<br>Mount<br>Trim | side      | 4   |        |
| 7    | 999 073 226 09     | D - MJ 2007>><br>panel screw<br>ST 4,2 X 16<br>for<br>Mount<br>Trim  | side      | 4   |        |
| 8    | 997 553 361 01     | Support  | center    | 1   |        |
| 9    | 999 084 629 01     | Hexagon nut<br>m 6   |           | 4   |        |
| 10   | 997 553 131 01     | Cover<br>Footwell outlet vent<br>Carpet                              | left lhd  | 1   | PR:098 |
|      | 997 553 131 01 A10 | Black  |           |     |        |
|      | 997 553 131 01 B10 | Stone grey   |           |     |        |
|      | 997 553 131 01 T10 | Sand beige   |           |     |        |
|      | 997 553 131 01 E10 | sea blue   |           |     |        |
|      | 997 553 131 01 J10 | Palm green   |           |     |        |
|      | 997 553 131 01 M10 | Terracotta   |           |     |        |
|      | 997 553 131 01 R10 | Cocoa  |           |     |        |
|      | 997 553 131 01 D11 | Dark grey/natural  |           |     |        |
|      | 997 553 131 01 T11 | Brown/natural  |           |     |        |
|      | 997 553 131 01 N10 | Carrera Red  |           |     |        |
| (10) | 997 553 132 01     | D - MJ 2008>><br>Cover<br>Footwell outlet vent<br>Carpet             | right lhd | 1   | PR:098 |
|      | 997 553 132 01 A10 | Black  |           |     |        |
|      | 997 553 132 01 B10 | Stone grey   |           |     |        |
|      | 997 553 132 01 T10 | Sand beige   |           |     |        |
|      | 997 553 132 01 E10 | sea blue   |           |     |        |
|      | 997 553 132 01 J10 | Palm green   |           |     |        |
|      | 997 553 132 01 M10 | Terracotta   |           |     |        |
|      | 997 553 132 01 R10 | Cocoa  |           |     |        |
|      | 997 553 132 01 D11 | Dark grey/natural  |           |     |        |
|      | 997 553 132 01 T11 | Brown/natural  |           |     |        |
|      | 997 553 132 01 N10 | Carrera Red  |           |     |        |
| (10) | 997 553 132 02     | D - MJ 2008>><br>Cover<br>Footwell outlet vent<br>Carpet             | right rhd | 1   | PR:099 |
|      | 997 553 132 02 A10 | Black  |           |     |        |
|      | 997 553 132 02 B10 | Stone grey   |           |     |        |
|      | 997 553 132 02 T10 | Sand beige   |           |     |        |
|      | 997 553 132 02 E10 | sea blue   |           |     |        |
|      | 997 553 132 02 J10 | Palm green   |           |     |        |
|      | 997 553 132 02 M10 | Terracotta   |           |     |        |
|      | 997 553 132 02 R10 | Cocoa  |           |     |        |
|      | 997 553 132 02 D11 | Dark grey/natural  |           |     |        |
|      | 997 553 132 02 T11 | Brown/natural  |           |     |        |
|      | 997 553 132 02 N10 | Carrera Red  |           |     |        |
| (10) | 997 553 131 02     | D - MJ 2008>><br>Cover<br>Footwell outlet vent<br>Carpet             | left rhd  | 1   | PR:099 |
|      | 997 553 131 02 A10 | Black  |           |     |        |
|      | 997 553 131 02 B10 | Stone grey   |           |     |        |

Model: 997 05 Model life 2005>>2008

| Pos  | Part Number        | Description          | Remark    | Qty | Model      |
|------|--------------------|----------------------|-----------|-----|------------|
|      | 997 553 131 02 T10 | Sand beige           |           |     |            |
|      | 997 553 131 02 E10 | sea blue             |           |     |            |
|      | 997 553 131 02 J10 | Palm green           |           |     |            |
|      | 997 553 131 02 M10 | Terracotta           |           |     |            |
|      | 997 553 131 02 R10 | Cocoa                |           |     |            |
|      | 997 553 131 02 D11 | Dark grey/natural    |           |     |            |
|      | 997 553 131 02 T11 | Brown/natural        |           |     |            |
|      | 997 553 131 02 N10 | Carrera Red          |           |     |            |
|      |                    | D - MJ 2008>>        |           |     |            |
| 10   | 997 553 131 01     | Cover                | left      | 1   |            |
|      |                    | Footwell outlet vent |           |     |            |
|      |                    | Carpet               |           |     |            |
|      |                    | D - MJ 2006>>        |           |     |            |
|      | 997 553 131 01 A10 | Black                |           |     |            |
|      | 997 553 131 01 B10 | Stone grey           |           |     |            |
|      | 997 553 131 01 T10 | Sand beige           |           |     |            |
|      | 997 553 131 01 E10 | sea blue             |           |     |            |
|      | 997 553 131 01 J10 | Palm green           |           |     |            |
|      |                    | D >> - MJ 2007       |           |     |            |
|      | 997 553 131 01 M10 | Terracotta           |           |     |            |
|      | 997 553 131 01 R10 | Cocoa                |           |     |            |
|      | 997 553 131 01 D11 | Dark grey/natural    |           |     |            |
|      | 997 553 131 01 T11 | Brown/natural        |           |     |            |
|      | 997 553 131 01 N10 | Carrera Red          |           |     |            |
|      |                    | D - MJ 2008>>        |           |     |            |
| (10) | 997 553 132 01     | Cover                | right lhd | 1   | PR:098,621 |
|      |                    | Footwell outlet vent |           |     |            |
|      |                    | Carpet               |           |     |            |
|      |                    | D - MJ 2006>>        |           |     |            |
|      | 997 553 132 01 A10 | Black                |           |     |            |
|      | 997 553 132 01 B10 | Stone grey           |           |     |            |
|      | 997 553 132 01 T10 | Sand beige           |           |     |            |
|      | 997 553 132 01 E10 | sea blue             |           |     |            |
|      | 997 553 132 01 J10 | Palm green           |           |     |            |
|      |                    | D >> - MJ 2007       |           |     |            |
|      | 997 553 132 01 M10 | Terracotta           |           |     |            |
|      | 997 553 132 01 R10 | Cocoa                |           |     |            |
|      | 997 553 132 01 D11 | Dark grey/natural    |           |     |            |
|      | 997 553 132 01 T11 | Brown/natural        |           |     |            |
|      | 997 553 132 01 N10 | Carrera Red          |           |     |            |
|      |                    | D - MJ 2008>>        |           |     |            |
| (10) | 997 553 132 02     | Cover                | right     | 1   |            |
|      |                    | Footwell outlet vent |           |     |            |
|      |                    | Carpet               |           |     |            |
|      |                    | D - MJ 2006>>        |           |     |            |
|      | 997 553 132 02 A10 | Black                |           |     |            |
|      | 997 553 132 02 B10 | Stone grey           |           |     |            |
|      | 997 553 132 02 T10 | Sand beige           |           |     |            |
|      | 997 553 132 02 E10 | sea blue             |           |     |            |
|      | 997 553 132 02 J10 | Palm green           |           |     |            |
|      |                    | D >> - MJ 2007       |           |     |            |
|      | 997 553 132 02 M10 | Terracotta           |           |     |            |
|      | 997 553 132 02 R10 | Cocoa                |           |     |            |
|      | 997 553 132 02 D11 | Dark grey/natural    |           |     |            |
|      | 997 553 132 02 T11 | Brown/natural        |           |     |            |
|      | 997 553 132 02 N10 | Carrera Red          |           |     |            |
|      |                    | D - MJ 2008>>        |           |     |            |
| 11   | 999 073 223 07     | fillister hd. bolt   |           | 2   |            |
|      |                    | M 6 X 25             |           |     |            |
|      |                    | D >> - MJ 2007       |           |     |            |
| 11   | 999 073 223 01     | Bolt with washer     |           | 2   |            |
|      |                    | M 6 X 25             |           |     |            |
|      |                    | D - MJ 2008>>        |           |     |            |

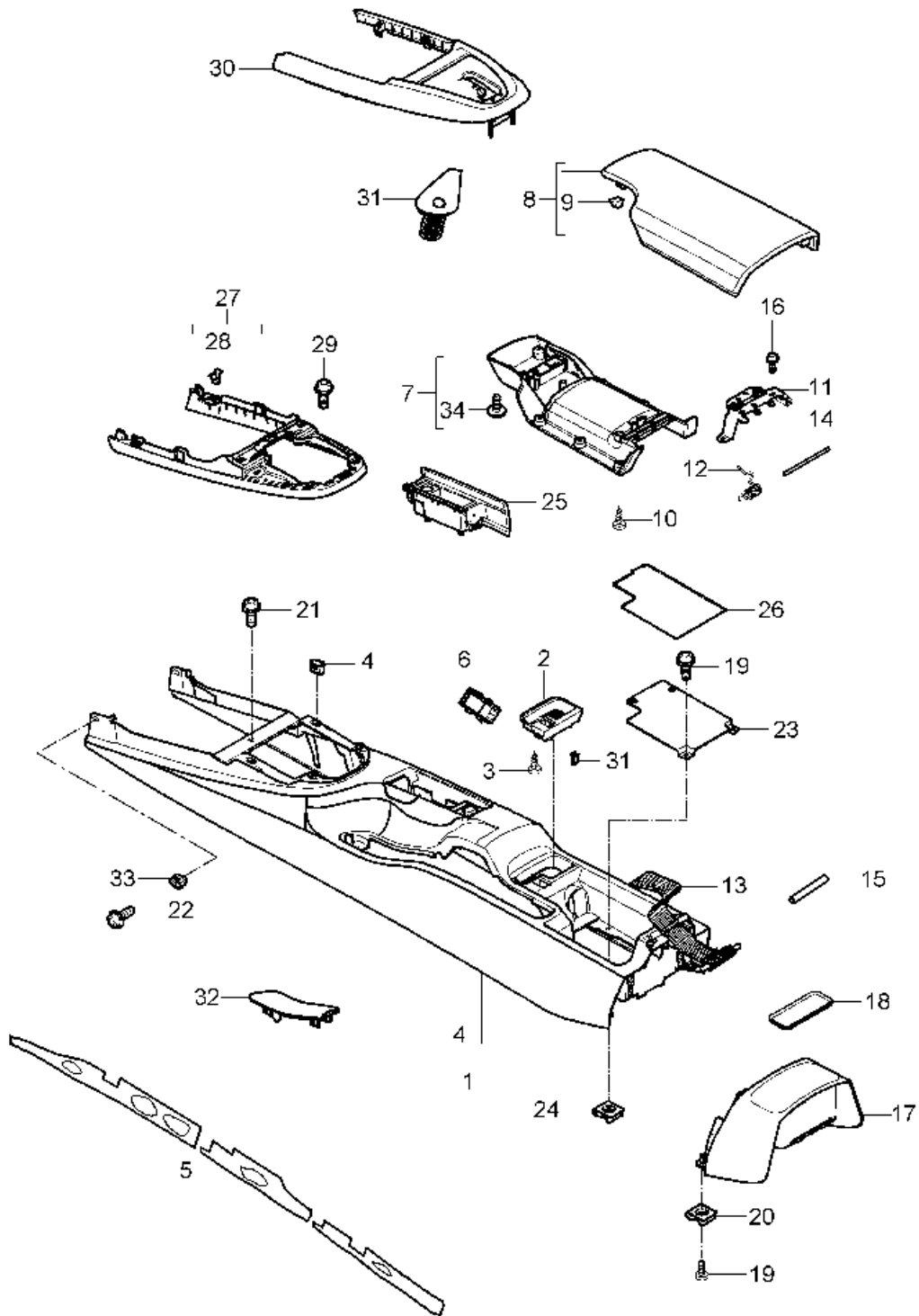
Model: 997 05

Model life 2005>>2008

| Pos | Part Number        | Description   | Remark | Qty | Model |
|-----|--------------------|---|--------|-----|-------|
| 12  | 999 507 766 02     | panel nut<br>M 6<br>for<br>Mount<br>Cover<br>Footwell outlet vent       |        | 2   |       |
| 13  | 997 553 143 01     | Stowage compartment<br>Centre console                                   | front  | 1   |       |
|     | 997 553 143 01 D07 | Volcano grey  |        |     |       |
| 14  | 997 553 543 01     | Insert for centre console<br>Stowage compartment                        |        | 1   |       |
| 15  | 999 919 164 09     | fillister hd. bolt<br>5,0 X 12,0<br>for<br>Mount<br>Stowage compartment |        | 3   |       |

Model: 997 05

Model life 2005>>2008





Model: 997 05 Model life 2005>>2008

| Pos | Part Number        | Description       | Remark         | Qty | Model           |
|-----|--------------------|-------------------|----------------|-----|-----------------|
| 1   | 997 553 901 00     | Centre console    | rear           | 1   | COUPE           |
|     | 997 553 901 00 A03 | Black             |                |     |                 |
|     | 997 553 901 00 5V7 | Stone grey        |                |     |                 |
|     | 997 553 901 00 5Z1 | Sand beige        |                |     |                 |
|     | 997 553 901 00 8W7 | sea blue          |                |     |                 |
|     | 997 553 901 00 5Y2 | Palm green        |                |     |                 |
|     | D                  | >> - MJ 2007      |                |     |                 |
|     | 997 553 901 00 8X8 | Terracotta        |                |     |                 |
|     | 997 553 901 00 8P9 | Cocoa             |                |     |                 |
|     | 997 553 901 00 T13 | Brown/natural     |                |     |                 |
|     | 997 553 901 00 N23 | Carrera Red       |                |     |                 |
| (1) | 997 553 901 02     | Centre console    |                | 1   | CABRIO          |
|     |                    | use if required:  | 997 613 141 10 |     |                 |
|     | 997 553 901 02 A03 | Black             |                |     |                 |
|     | 997 553 901 02 5V7 | Stone grey        |                |     |                 |
|     | 997 553 901 02 5Z1 | Sand beige        |                |     |                 |
|     | 997 553 901 02 8W7 | sea blue          |                |     |                 |
|     | 997 553 901 02 5Y2 | Palm green        |                |     |                 |
|     | D                  | >> - MJ 2007      |                |     |                 |
|     | 997 553 901 02 8X8 | Terracotta        |                |     |                 |
|     | 997 553 901 02 8P9 | Cocoa             |                |     |                 |
|     | 997 553 901 02 T13 | Brown/natural     |                |     |                 |
|     | 997 553 901 02 N23 | Carrera Red       |                |     |                 |
| (1) | 997 553 901 02     | Centre console    |                | 1   | TARGA           |
|     |                    | use if required:  | 997 613 119 10 |     |                 |
|     | 997 553 901 02 A03 | Black             |                |     |                 |
|     | 997 553 901 02 5V7 | Stone grey        |                |     |                 |
|     | 997 553 901 02 5Z1 | Sand beige        |                |     |                 |
|     | 997 553 901 02 8W7 | sea blue          |                |     |                 |
|     | 997 553 901 02 5Y2 | Palm green        |                |     |                 |
|     | D                  | >> - MJ 2007      |                |     |                 |
|     | 997 553 901 02 8X8 | Terracotta        |                |     |                 |
|     | 997 553 901 02 8P9 | Cocoa             |                |     |                 |
|     | 997 553 901 02 T13 | Brown/natural     |                |     |                 |
|     | 997 553 901 02 N23 | Carrera Red       |                |     |                 |
| (1) | 997 553 980 48     | Centre console    |                | 1   | COUPE<br>PR:XMZ |
|     |                    | Leather           |                |     |                 |
|     | 997 553 980 48 A11 | Black             |                |     |                 |
|     | 997 553 980 48 5X6 | Stone grey        |                |     |                 |
|     | 997 553 980 48 8G2 | Sand beige        |                |     |                 |
|     | 997 553 980 48 3S9 | sea blue          |                |     |                 |
|     | 997 553 980 48 4P2 | Palm green        |                |     |                 |
|     | D                  | >> - MJ 2007      |                |     |                 |
|     | 997 553 980 48 9S5 | Terracotta        |                |     |                 |
|     | 997 553 980 48 9V6 | Cocoa             |                |     |                 |
|     | 997 553 980 48 D12 | Dark grey/natural |                |     |                 |
|     | 997 553 980 48 T12 | Brown/natural     |                |     |                 |
|     | 997 553 980 48 N12 | Carrera Red       |                |     |                 |
| (1) | 997 553 980 50     | Centre console    |                | 1   | CABRIO          |
|     |                    | Leather           |                |     |                 |
|     |                    | use if required:  | 997 613 141 10 |     |                 |
|     | 997 553 980 50 A11 | Black             |                |     |                 |
|     | 997 553 980 50 5X6 | Stone grey        |                |     |                 |
|     | 997 553 980 50 8G2 | Sand beige        |                |     |                 |
|     | 997 553 980 50 3S9 | sea blue          |                |     |                 |
|     | 997 553 980 50 4P2 | Palm green        |                |     |                 |
|     | D                  | >> - MJ 2007      |                |     |                 |
|     | 997 553 980 50 9S5 | Terracotta        |                |     |                 |
|     | 997 553 980 50 9V6 | Cocoa             |                |     |                 |
|     | 997 553 980 50 D12 | Dark grey/natural |                |     |                 |
|     | 997 553 980 50 T12 | Brown/natural     |                |     |                 |
|     | 997 553 980 50 N12 | Carrera Red       |                |     |                 |

Model: 997 05 Model life 2005>>2008

| Pos | Part Number        | Description  | Remark         | Qty | Model                       |
|-----|--------------------|--|----------------|-----|-----------------------------|
| (1) | 997 553 980 50     | D - MJ 2008>><br>Centre console<br>Leather<br>use if required: | 997 613 119 10 | 1   | TARGA                       |
|     | 997 553 980 50 A11 | Black  |                |     |                             |
|     | 997 553 980 50 5X6 | Stone grey   |                |     |                             |
|     | 997 553 980 50 8G2 | Sand beige   |                |     |                             |
|     | 997 553 980 50 3S9 | sea blue   |                |     |                             |
|     | 997 553 980 50 4P2 | Palm green   |                |     |                             |
|     |                    | D >> - MJ 2007   |                |     |                             |
|     | 997 553 980 50 9S5 | Terracotta   |                |     |                             |
|     | 997 553 980 50 9V6 | Cocoa  |                |     |                             |
|     | 997 553 980 50 D12 | Dark grey/natural  |                |     |                             |
|     | 997 553 980 50 T12 | Brown/natural  |                |     |                             |
|     | 997 553 980 50 N12 | Carrera Red  |                |     |                             |
| (1) | 997 553 980 52     | D - MJ 2008>><br>Centre console<br>Carbon                      |                | 1   | COUPE<br>PR:XMJ             |
|     | 997 553 980 52 A35 | Black  |                |     |                             |
| (1) | 997 553 980 13     | Centre console<br>Carbon<br>use if required:                   | 997 613 141 10 | 1   | CABRIO<br>PR:XMJ            |
|     |                    | D - MJ 2005>> - MJ 2005  |                |     |                             |
|     | 997 553 980 13 A35 | Black  |                |     |                             |
| (1) | 997 553 980 54     | Centre console<br>Carbon<br>use if required:                   | 997 613 141 10 | 1   | CABRIO<br>PR:XMJ            |
|     |                    | D - MJ 2006>>  |                |     |                             |
|     | 997 553 980 54 A35 | Black  |                |     |                             |
| (1) | 997 553 980 54     | Centre console<br>Carbon<br>use if required:                   | 997 613 119 10 | 1   | TARGA<br>PR:XMJ             |
|     |                    | D - MJ 2006>>  |                |     |                             |
|     | 997 553 980 54 A35 | Black  |                |     |                             |
| (1) | 997 553 980 02     | Centre console<br>D >> - MJ 2008                               | rear           | 1   | COUPE<br>PR:XJU, 370        |
|     |                    | Sycamore wood  |                |     |                             |
| (1) | 997 553 980 02     | Centre console<br>D >> - MJ 2008                               | rear           | 1   | COUPE<br>PR:XJU, 438        |
|     |                    | Sycamore wood  |                |     |                             |
| (1) | 997 553 980 02     | Centre console<br>D >> - MJ 2008                               | rear           | 1   | COUPE<br>PR:XJU, 376        |
|     |                    | Sycamore wood  |                |     |                             |
| (1) | 997 553 980 32     | Centre console<br>D >> - MJ 2008                               | rear           | 1   | COUPE<br>PR:XJU, 378        |
|     |                    | Sycamore wood  |                |     |                             |
| (1) | 997 553 980 32     | Centre console<br>D >> - MJ 2008                               | rear           | 1   | COUPE<br>PR:XJU, 389        |
|     |                    | Sycamore wood  |                |     |                             |
| (1) | 997 553 980 32     | Centre console<br>D >> - MJ 2008                               | rear           | 1   | CABRIO/TARGA<br>PR:XJU, 370 |
|     |                    | Sycamore wood  |                |     |                             |
| (1) | 997 553 980 14     | Centre console<br>D >> - MJ 2008                               | rear           | 1   | CABRIO/TARGA<br>PR:XJU, 438 |
|     |                    | Sycamore wood  |                |     |                             |
| (1) | 997 553 980 14     | Centre console<br>D >> - MJ 2008                               | rear           | 1   | CABRIO/TARGA<br>PR:XJU, 438 |
|     |                    | Sycamore wood  |                |     |                             |
| (1) | 997 553 980 14     | Centre console<br>D >> - MJ 2008                               | rear           | 1   | CABRIO/TARGA                |
|     |                    | Sycamore wood  |                |     |                             |
| (1) | 997 553 980 34     | Centre console   | rear           | 1   | CABRIO/TARGA                |

Model: 997 05 Model life 2005>>2008

| Pos | Part Number        | Description              | Remark         | Qty | Model                       |
|-----|--------------------|--------------------------|----------------|-----|-----------------------------|
|     |                    | D >> - MJ 2008           |                |     | PR:XJU, 376                 |
| (1) | 997 553 980 34 S62 | Sycamore wood            |                |     |                             |
|     | 997 553 980 34     | Centre console           | rear           | 1   | CABRIO/TARGA<br>PR:XJU, 378 |
|     |                    | D >> - MJ 2008           |                |     |                             |
| (1) | 997 553 980 34 S62 | Sycamore wood            |                |     |                             |
|     | 997 553 980 34     | Centre console           | rear           | 1   | CABRIO/TARGA<br>PR:XJU, 389 |
|     |                    | D >> - MJ 2008           |                |     |                             |
| (1) | 997 553 980 34 S62 | Sycamore wood            |                |     |                             |
|     | 997 553 980 56     | Centre console           |                | 1   | COUPE<br>PR:XJT             |
|     |                    | macassar                 |                |     |                             |
| (1) | 997 553 980 56 S61 | Centre console           | rear           | 1   | CABRIO<br>PR:XJT            |
|     |                    | use if required:         | 997 613 141 10 |     |                             |
| (1) | 997 553 980 58 S61 | macassar                 |                |     |                             |
|     | 997 553 980 58     | Centre console           | rear           | 1   | TARGA<br>PR:XJT             |
|     |                    | use if required:         | 997 613 119 10 |     |                             |
| (1) | 997 553 980 58 S61 | macassar                 |                |     |                             |
|     | 997 553 980 60     | Centre console           | rear           | 1   | COUPE<br>PR:XCK             |
|     |                    | Galvano silver           |                |     |                             |
| (1) | 997 553 980 60 V04 | Centre console           | rear           | 1   | CABRIO<br>PR:XCK            |
|     |                    | use if required:         | 997 613 141 10 |     |                             |
| (1) | 997 553 980 62 V04 | Galvano silver           |                |     |                             |
|     | 997 553 980 62     | Centre console           | rear           | 1   | TARGA<br>PR:XCK             |
|     |                    | use if required:         | 997 613 119 10 |     |                             |
| (1) | 997 553 980 62 V04 | Galvano silver           |                |     |                             |
|     | 997 553 980 05     | Centre console           |                | 1   | COUPE                       |
|     | 997 553 980 05 041 | Black                    |                |     |                             |
|     | 997 553 980 05 84A | guards red (Porsche)     |                |     |                             |
|     | 997 553 980 05 B9A | Carrara white            |                |     |                             |
|     | 997 553 980 05 12H | Speed yellow             |                |     |                             |
|     | 997 553 980 05 92U | Arctic silver metallic   |                |     |                             |
|     | 997 553 980 05 M3W | Carmon red metallic      |                |     |                             |
|     | 997 553 980 05 M5W | Lapis blue metallic      |                |     |                             |
|     | 997 553 980 05 M6W | Lagoon green metallic    |                |     |                             |
|     | 997 553 980 05 C9Z | Basalt black metallic    |                |     |                             |
|     | 997 553 980 05 M7X | Atlas grey metallic      |                |     |                             |
|     | 997 553 980 05 39C | Midnight Blue Metallic   |                |     |                             |
|     | 997 553 980 05 6B4 | Seal grey metallic       |                |     |                             |
|     | 997 553 980 05 M7W | Meteor Grey Metallic     |                |     |                             |
|     |                    | D - MJ 2007>>            |                |     |                             |
|     | 997 553 980 05 2B4 | Forest green metallic    |                |     |                             |
|     | 997 553 980 05 3C8 | Cobalt blue metallic     |                |     |                             |
|     | 997 553 980 05 23F | Slate grey metallic      |                |     |                             |
|     | 997 553 980 05 M7Z | GT Silver Metallic       |                |     |                             |
|     | 997 553 980 05 M6X | Dark olive-metallic      |                |     |                             |
|     | 997 553 980 05 M8W | Macadamia Metallic       |                |     |                             |
|     |                    | D - MJ 2008>>            |                |     |                             |
|     | 997 553 980 05 8A7 | Ruby red metallic        |                |     |                             |
|     |                    | D - MJ 2008>>            |                |     |                             |
|     | 997 553 980 05 2B5 | Malachite Green Metallic |                |     |                             |
|     |                    | D - MJ 2008>>            |                |     |                             |
| (1) | 997 553 980 64     | Centre console           |                | 1   | COUPE<br>PR:XME             |
|     |                    | D - MJ 2006>>            |                |     |                             |
|     | 997 553 980 64 041 | Black                    |                |     |                             |
|     | 997 553 980 64 84A | guards red (Porsche)     |                |     |                             |

Model: 997 05 Model life 2005>>2008

| Pos | Part Number        | Description              | Remark         | Qty | Model  |
|-----|--------------------|--------------------------|----------------|-----|--------|
|     | 997 553 980 64 B9A | Carrara white            |                |     |        |
|     | 997 553 980 64 12H | Speed yellow             |                |     |        |
|     | 997 553 980 64 92U | Arctic silver metallic   |                |     |        |
|     | 997 553 980 64 M3W | Carmon red metallic      |                |     |        |
|     |                    | D >> - MJ 2007           |                |     |        |
|     | 997 553 980 64 M5W | Lapis blue metallic      |                |     |        |
|     |                    | D >> - MJ 2007           |                |     |        |
|     | 997 553 980 64 M6W | Lagoon green metallic    |                |     |        |
|     |                    | D >> - MJ 2007           |                |     |        |
|     | 997 553 980 64 C9Z | Basalt black metallic    |                |     |        |
|     | 997 553 980 64 M7X | Atlas grey metallic      |                |     |        |
|     | 997 553 980 64 39C | Midnight Blue Metallic   |                |     |        |
|     | 997 553 980 64 6B4 | Seal grey metallic       |                |     |        |
|     | 997 553 980 64 M7W | Meteor Grey Metallic     |                |     |        |
|     |                    | D - MJ 2007>>            |                |     |        |
|     | 997 553 980 64 2B4 | Forest green metallic    |                |     |        |
|     | 997 553 980 64 3C8 | Cobalt blue metallic     |                |     |        |
|     | 997 553 980 64 23F | Slate grey metallic      |                |     |        |
|     | 997 553 980 64 M7Z | GT Silver Metallic       |                |     |        |
|     | 997 553 980 64 M6X | Dark olive-metallic      |                |     |        |
|     | 997 553 980 64 M8W | Macadamia Metallic       |                |     |        |
|     |                    | D - MJ 2008>>            |                |     |        |
|     | 997 553 980 64 8A7 | Ruby red metallic        |                |     |        |
|     |                    | D - MJ 2008>>            |                |     |        |
|     | 997 553 980 64 2B5 | Malachite Green Metallic |                |     |        |
|     |                    | D - MJ 2008>>            |                |     |        |
| (1) | 997 553 980 66     | Centre console           |                | 1   | CABRIO |
|     |                    | use if required:         | 997 613 141 10 |     |        |
|     | 997 553 980 66 041 | Black                    |                |     |        |
|     | 997 553 980 66 84A | guards red (Porsche)     |                |     |        |
|     | 997 553 980 66 B9A | Carrara white            |                |     |        |
|     | 997 553 980 66 12H | Speed yellow             |                |     |        |
|     | 997 553 980 66 92U | Arctic silver metallic   |                |     |        |
|     | 997 553 980 66 M3W | Carmon red metallic      |                |     |        |
|     |                    | D >> - MJ 2007           |                |     |        |
|     | 997 553 980 66 M5W | Lapis blue metallic      |                |     |        |
|     |                    | D >> - MJ 2007           |                |     |        |
|     | 997 553 980 66 M6W | Lagoon green metallic    |                |     |        |
|     |                    | D >> - MJ 2007           |                |     |        |
|     | 997 553 980 66 C9Z | Basalt black metallic    |                |     |        |
|     | 997 553 980 66 M7X | Atlas grey metallic      |                |     |        |
|     | 997 553 980 66 39C | Midnight Blue Metallic   |                |     |        |
|     | 997 553 980 66 6B4 | Seal grey metallic       |                |     |        |
|     |                    | D >> - MJ 2006           |                |     |        |
|     | 997 553 980 66 M7W | Meteor Grey Metallic     |                |     |        |
|     |                    | D - MJ 2007>>            |                |     |        |
|     | 997 553 980 66 2B4 | Forest green metallic    |                |     |        |
|     | 997 553 980 66 3C8 | Cobalt blue metallic     |                |     |        |
|     | 997 553 980 66 23F | Slate grey metallic      |                |     |        |
|     | 997 553 980 66 M7Z | GT Silver Metallic       |                |     |        |
|     | 997 553 980 66 M6X | Dark olive-metallic      |                |     |        |
|     | 997 553 980 66 M8W | Macadamia Metallic       |                |     |        |
|     |                    | D - MJ 2008>>            |                |     |        |
|     | 997 553 980 66 8A7 | Ruby red metallic        |                |     |        |
|     |                    | D - MJ 2008>>            |                |     |        |
|     | 997 553 980 66 2B5 | Malachite Green Metallic |                |     |        |
|     |                    | D - MJ 2008>>            |                |     |        |
| (1) | 997 553 980 66     | Centre console           |                | 1   | TARGA  |
|     |                    | use if required:         | 997 613 119 10 |     |        |
|     | 997 553 980 66 041 | Black                    |                |     |        |
|     | 997 553 980 66 84A | guards red (Porsche)     |                |     |        |
|     | 997 553 980 66 B9A | Carrara white            |                |     |        |
|     | 997 553 980 66 12H | Speed yellow             |                |     |        |

Model: 997 05 Model life 2005>>2008

| Pos | Part Number                          | Description  | Remark | Qty | Model |
|-----|--------------------------------------|--|--------|-----|-------|
|     | 997 553 980 66 92U                   | Arctic silver metallic   |        |     |       |
|     | 997 553 980 66 M3W                   | Carmon red metallic  |        |     |       |
|     |                                      | D >> - MJ 2007   |        |     |       |
|     | 997 553 980 66 M5W                   | Lapis blue metallic  |        |     |       |
|     |                                      | D >> - MJ 2007   |        |     |       |
|     | 997 553 980 66 M6W                   | Lagoon green metallic  |        |     |       |
|     |                                      | D >> - MJ 2007   |        |     |       |
|     | 997 553 980 66 C9Z                   | Basalt black metallic  |        |     |       |
|     | 997 553 980 66 M7X                   | Atlas grey metallic  |        |     |       |
|     | 997 553 980 66 39C                   | Midnight Blue Metallic   |        |     |       |
|     | 997 553 980 66 6B4                   | Seal grey metallic   |        |     |       |
|     |                                      | D >> - MJ 2006   |        |     |       |
|     | 997 553 980 66 M7W                   | Meteor Grey Metallic   |        |     |       |
|     |                                      | D - MJ 2007>>  |        |     |       |
|     | 997 553 980 66 2B4                   | Forest green metallic  |        |     |       |
|     | 997 553 980 66 3C8                   | Cobalt blue metallic   |        |     |       |
|     | 997 553 980 66 23F                   | Slate grey metallic  |        |     |       |
|     | 997 553 980 66 M7Z                   | GT Silver Metallic   |        |     |       |
|     | 997 553 980 66 M6X                   | Dark olive-metallic  |        |     |       |
|     | 997 553 980 66 M8W                   | Macadamia Metallic   |        |     |       |
|     |                                      | D - MJ 2008>>  |        |     |       |
|     | 997 553 980 66 8A7                   | Ruby red metallic  |        |     |       |
|     |                                      | D - MJ 2008>>  |        |     |       |
|     | 997 553 980 66 2B5                   | Malachite Green Metallic   |        |     |       |
|     |                                      | D - MJ 2008>>  |        |     |       |
| (1) | 997 553 997 01                       | Protective film<br>Centre console<br>See technical manual<br>681749                        |        | 2   |       |
| 2   | 997 553 575 02                       | Insert<br>Locking mechanism<br>Centre console  |        | 1   |       |
| 3   | 997 553 575 02 01C<br>999 919 159 09 | Satin black<br>fillister hd. bolt<br>4 X 12<br>for<br>Mount<br>Insert<br>Locking mechanism |        | 1   |       |
| 4   | 999 591 210 40                       | expanding nut<br>4,2   |        | 4   |       |
| 5   | 997 553 843 00                       | Sound absorber   | left   | 1   |       |
| (5) | 997 553 844 00                       | Sound absorber   | right  | 1   |       |
| 6   | 997 553 579 00                       | Dummy cover<br>Lacquered   |        | 1   | COUPE |
|     | 997 553 579 00 A03                   | Black  |        |     |       |
|     | 997 553 579 00 5V7                   | Stone grey   |        |     |       |
|     | 997 553 579 00 5Z1                   | Sand beige   |        |     |       |
|     | 997 553 579 00 8W7                   | sea blue   |        |     |       |
|     | 997 553 579 00 5Y2                   | Palm green   |        |     |       |
|     |                                      | D >> - MJ 2007   |        |     |       |
|     | 997 553 579 00 8X8                   | Terracotta   |        |     |       |
|     | 997 553 579 00 8P9                   | Cocoa  |        |     |       |
|     | 997 553 579 00 T13                   | Brown/natural  |        |     |       |
|     | 997 553 579 00 N23                   | Carrera Red  |        |     |       |
|     |                                      | D - MJ 2008>>  |        |     |       |
| 7   | 997 553 433 01                       | cover for center console   | inner  | 1   |       |
|     | 997 553 433 01 01C                   | Satin black  |        |     |       |
| 8   | 997 553 231 01                       | Cover (leather)  | outer  | 1   |       |
|     | 997 553 231 01 A11                   | Black  |        |     |       |
|     | 997 553 231 01 5X6                   | Stone grey   |        |     |       |
|     | 997 553 231 01 8G2                   | Sand beige   |        |     |       |
|     | 997 553 231 01 3S9                   | sea blue   |        |     |       |

Model: 997 05 Model life 2005>>2008

| Pos  | Part Number        | Description   | Remark | Qty | Model                      |
|------|--------------------|---|--------|-----|----------------------------|
|      | 997 553 231 01 4P2 | Palm green<br>D >> - MJ 2007                          |        |     |                            |
|      | 997 553 231 01 9S5 | Terracotta  |        |     |                            |
|      | 997 553 231 01 9V6 | Cocoa   |        |     |                            |
|      | 997 553 231 01 D12 | Dark grey/natural                                     |        |     |                            |
|      | 997 553 231 01 T12 | Brown/natural   |        |     |                            |
|      | 997 553 231 01 N12 | Carrera Red<br>D - MJ 2008>>                          |        |     |                            |
| 9    | 999 507 972 01     | panel nut<br>3,5<br>3,5 X 14<br>for<br>Mount<br>Cover | outer  | 8   |                            |
| 10   | 999 073 153 01     | panel screw<br>3,5 X 14<br>for<br>Mount<br>Cover      | outer  | 8   |                            |
| 11   | 997 553 437 01     | Hinge   |        | 1   |                            |
| 12   | 997 553 439 00     | Leg spring  |        | 1   |                            |
| 13   | 997 553 441 00     | Belt  |        | 1   |                            |
| 14   | 997 553 447 00     | axle  |        | 1   |                            |
| 15   | 997 553 733 00     | Locking pin   |        | 1   |                            |
| 16   | 999 919 159 09     | fillister hd. bolt<br>M4X12                           |        | X   |                            |
| 17   | 997 553 221 01     | Extension for<br>centre console<br>Lacquered          |        | 1   | COUPE/TARGA                |
|      | 997 553 221 01 A03 | Black   |        |     |                            |
|      | 997 553 221 01 5V7 | Stone grey  |        |     |                            |
|      | 997 553 221 01 5Z1 | Sand beige  |        |     |                            |
|      | 997 553 221 01 8W7 | sea blue  |        |     |                            |
|      | 997 553 221 01 5Y2 | Palm green<br>D >> - MJ 2007                          |        |     |                            |
|      | 997 553 221 01 8X8 | Terracotta  |        |     |                            |
|      | 997 553 221 01 8P9 | Cocoa   |        |     |                            |
|      | 997 553 221 01 T13 | Brown/natural   |        |     |                            |
|      | 997 553 221 01 N23 | Carrera Red<br>D - MJ 2008>>                          |        |     |                            |
| (17) | 997 553 983 00     | Extension for<br>centre console<br>Leather            |        | 1   | COUPE/TARGA<br>PR:XMZ      |
|      | 997 553 983 00 A11 | Black   |        |     |                            |
|      | 997 553 983 00 5X6 | Stone grey  |        |     |                            |
|      | 997 553 983 00 8G2 | Sand beige  |        |     |                            |
|      | 997 553 983 00 3S9 | sea blue  |        |     |                            |
|      | 997 553 983 00 4P2 | Palm green<br>D >> - MJ 2007                          |        |     |                            |
|      | 997 553 983 00 9S5 | Terracotta  |        |     |                            |
|      | 997 553 983 00 9V6 | Cocoa   |        |     |                            |
|      | 997 553 983 00 D12 | Dark grey/natural                                     |        |     |                            |
|      | 997 553 983 00 T12 | Brown/natural   |        |     |                            |
|      | 997 553 983 00 N12 | Carrera Red<br>D - MJ 2008>>                          |        |     |                            |
| (17) | 997 553 983 01     | Extension for<br>centre console<br>Leather            |        | 1   | COUPE/TARGA<br>-<br>PR:XMJ |
|      | 997 553 983 01 A11 | Black   |        |     |                            |
|      | 997 553 983 01 5X6 | Stone grey  |        |     |                            |
|      | 997 553 983 01 8G2 | Sand beige  |        |     |                            |
|      | 997 553 983 01 3S9 | sea blue  |        |     |                            |

Model: 997 05 Model life 2005>>2008

| Pos  | Part Number        | Description                                  | Remark | Qty | Model                 |
|------|--------------------|--|--------|-----|-----------------------|
|      | 997 553 983 01 4P2 | Palm green<br>D >> - MJ 2007                 |        |     |                       |
|      | 997 553 983 01 9S5 | Terracotta                                   |        |     |                       |
|      | 997 553 983 01 9V6 | Cocoa  |        |     |                       |
|      | 997 553 983 01 D12 | Dark grey/natural                            |        |     |                       |
|      | 997 553 983 01 T12 | Brown/natural                                |        |     |                       |
|      | 997 553 983 01 N12 | Carrera Red<br>D - MJ 2008>>                 |        |     |                       |
| (17) | 997 553 983 02     | Extension for<br>centre console<br>Leather   |        | 1   | COUPE/TARGA<br>PR:XJU |
|      | 997 553 983 02 A11 | Black  |        |     |                       |
|      | 997 553 983 02 5X6 | Stone grey                                   |        |     |                       |
|      | 997 553 983 02 8G2 | Sand beige                                   |        |     |                       |
|      | 997 553 983 02 3S9 | sea blue                                     |        |     |                       |
|      | 997 553 983 02 4P2 | Palm green<br>D >> - MJ 2007                 |        |     |                       |
|      | 997 553 983 02 9S5 | Terracotta                                   |        |     |                       |
|      | 997 553 983 02 9V6 | Cocoa  |        |     |                       |
|      | 997 553 983 02 D12 | Dark grey/natural                            |        |     |                       |
|      | 997 553 983 02 T12 | Brown/natural                                |        |     |                       |
|      | 997 553 983 02 N12 | Carrera Red<br>D - MJ 2008>>                 |        |     |                       |
| (17) | 997 553 983 03     | Extension for<br>centre console<br>Leather   |        | 1   | COUPE/TARGA<br>PR:XJT |
|      | 997 553 983 03 A11 | Black  |        |     |                       |
|      | 997 553 983 03 5X6 | Stone grey                                   |        |     |                       |
|      | 997 553 983 03 8G2 | Sand beige                                   |        |     |                       |
|      | 997 553 983 03 3S9 | sea blue                                     |        |     |                       |
|      | 997 553 983 03 4P2 | Palm green<br>D >> - MJ 2007                 |        |     |                       |
|      | 997 553 983 03 9S5 | Terracotta                                   |        |     |                       |
|      | 997 553 983 03 9V6 | Cocoa  |        |     |                       |
|      | 997 553 983 03 D12 | Dark grey/natural                            |        |     |                       |
|      | 997 553 983 03 T12 | Brown/natural                                |        |     |                       |
|      | 997 553 983 03 N12 | Carrera Red<br>D - MJ 2008>>                 |        |     |                       |
| (17) | 997 553 983 04     | Extension for<br>centre console<br>Leather   |        | 1   | COUPE/TARGA<br>PR:XCK |
|      | 997 553 983 04 A11 | Black  |        |     |                       |
|      | 997 553 983 04 5X6 | Stone grey                                   |        |     |                       |
|      | 997 553 983 04 8G2 | Sand beige                                   |        |     |                       |
|      | 997 553 983 04 3S9 | sea blue                                     |        |     |                       |
|      | 997 553 983 04 4P2 | Palm green<br>D >> - MJ 2007                 |        |     |                       |
|      | 997 553 983 04 9S5 | Terracotta                                   |        |     |                       |
|      | 997 553 983 04 9V6 | Cocoa  |        |     |                       |
|      | 997 553 983 04 D12 | Dark grey/natural                            |        |     |                       |
|      | 997 553 983 04 T12 | Brown/natural                                |        |     |                       |
|      | 997 553 983 04 N12 | Carrera Red<br>D - MJ 2008>>                 |        |     |                       |
| (17) | 997 553 983 05     | Extension for<br>centre console<br>Lacquered |        | 1   | COUPE/TARGA<br>PR:XME |
|      | 997 553 983 05 041 | Black  |        |     |                       |
|      | 997 553 983 05 84A | guards red (Porsche)                         |        |     |                       |
|      | 997 553 983 05 B9A | Carrara white                                |        |     |                       |
|      | 997 553 983 05 12H | Speed yellow                                 |        |     |                       |
|      | 997 553 983 05 92U | Arctic silver metallic                       |        |     |                       |
|      | 997 553 983 05 M3W | Carmon red metallic<br>D >> - MJ 2007        |        |     |                       |

Model: 997 05 Model life 2005>>2008

| Pos  | Part Number        | Description                               | Remark | Qty | Model       |
|------|--------------------|---|--------|-----|-------------|
|      | 997 553 983 05 M5W | Lapis blue metallic<br>D >> - MJ 2007     |        |     |             |
|      | 997 553 983 05 M6W | Lagoon green metallic<br>D >> - MJ 2007   |        |     |             |
|      | 997 553 983 05 C9Z | Basalt black metallic                     |        |     |             |
|      | 997 553 983 05 M7X | Atlas grey metallic                       |        |     |             |
|      | 997 553 983 05 39C | Midnight Blue Metallic                    |        |     |             |
|      | 997 553 983 05 6B4 | Seal grey metallic<br>D >> - MJ 2006      |        |     |             |
|      | 997 553 983 05 M7W | Meteor Grey Metallic<br>D - MJ 2007>>     |        |     |             |
|      | 997 553 983 05 2B4 | Forest green metallic                     |        |     |             |
|      | 997 553 983 05 3C8 | Cobalt blue metallic                      |        |     |             |
|      | 997 553 983 05 23F | Slate grey metallic                       |        |     |             |
|      | 997 553 983 05 M7Z | GT Silver Metallic                        |        |     |             |
|      | 997 553 983 05 M6X | Dark olive-metallic                       |        |     |             |
|      | 997 553 983 05 M8W | Macadamia Metallic<br>D - MJ 2008>>       |        |     |             |
|      | 997 553 983 05 8A7 | Ruby red metallic<br>D - MJ 2008>>        |        |     |             |
|      | 997 553 983 05 2B5 | Malachite Green Metallic<br>D - MJ 2008>> |        |     |             |
| 18   | 997 553 625 01     | Insert for centre console<br>Extension    |        | 1   | COUPE/TARGA |
| 19   | 999 073 226 09     | panel screw<br>4,2 X 16                   |        | X   |             |
| 20   | 999 507 020 01     | panel nut<br>4,2                          |        | X   |             |
| 21   | 999 919 121 09     | fillister hd. bolt<br>5 X 16              |        | 2   |             |
| 22   | 999 073 155 09     | panel screw<br>4,2 X 13                   |        | 2   |             |
| 23   | 997 553 615 01     | Floor<br>Centre console                   |        | 1   |             |
| 24   | 999 507 028 01     | panel nut<br>4,2                          |        | X   |             |
| 25   | 997 553 141 02     | ashtray<br>Lacquered<br>D >> - MJ 2007    |        | 1   |             |
|      | 997 553 141 02 A03 | Black                                     |        |     |             |
|      | 997 553 141 02 5V7 | Stone grey                                |        |     |             |
|      | 997 553 141 02 5Z1 | Sand beige                                |        |     |             |
|      | 997 553 141 02 8W7 | sea blue                                  |        |     |             |
|      | 997 553 141 02 5Y2 | Palm green                                |        |     |             |
|      | 997 553 141 02 8X8 | Terracotta                                |        |     |             |
|      | 997 553 141 02 8P9 | Cocoa                                     |        |     |             |
|      | 997 553 141 02 T13 | Brown/natural                             |        |     |             |
| 25   | 997 553 902 00     | ashtray<br>Lacquered<br>D - MJ 2008>>     |        | 1   |             |
|      | 997 553 902 00 A03 | Black                                     |        |     |             |
|      | 997 553 902 00 5V7 | Stone grey                                |        |     |             |
|      | 997 553 902 00 5Z1 | Sand beige                                |        |     |             |
|      | 997 553 902 00 8W7 | sea blue                                  |        |     |             |
|      | 997 553 902 00 8X8 | Terracotta                                |        |     |             |
|      | 997 553 902 00 8P9 | Cocoa                                     |        |     |             |
|      | 997 553 902 00 T13 | Brown/natural                             |        |     |             |
| (25) | 997 553 902 00 N23 | Carrera Red                               |        |     |             |
|      | 997 553 982 00     | ashtray<br>Leather                        |        | 1   | PR:XMZ      |
|      | 997 553 982 00 A11 | Black                                     |        |     |             |
|      | 997 553 982 00 5X6 | Stone grey                                |        |     |             |
|      | 997 553 982 00 8G2 | Sand beige                                |        |     |             |



Model: 997 05 Model life 2005>>2008

| Pos  | Part Number        | Description                               | Remark | Qty | Model     |
|------|--------------------|---|--------|-----|-----------|
|      | 997 553 982 00 3S9 | sea blue                                  |        |     |           |
|      | 997 553 982 00 4P2 | Palm green                                |        |     |           |
|      | 997 553 982 00 9S5 | Terracotta                                |        |     |           |
|      | 997 553 982 00 9V6 | Cocoa                                     |        |     |           |
|      | 997 553 982 00 D12 | Dark grey/natural                         |        |     |           |
|      | 997 553 982 00 T12 | Brown/natural                             |        |     |           |
|      | 997 553 982 00 N12 | Carrera Red                               |        |     |           |
| (25) | 997 553 982 01     | ashtray<br>Carbon                         |        | 1   | PR:XMJ    |
|      | 997 553 982 01 A35 | Black                                     |        |     |           |
| (25) | 997 553 982 02     | ashtray                                   |        | 1   | PR:XJU    |
|      | 997 553 982 02 S62 | Sycamore wood                             |        |     |           |
| (25) | 997 553 982 03     | ashtray                                   |        | 1   | PR:XJT    |
|      | 997 553 982 03 S61 | macassar                                  |        |     |           |
| (25) | 997 553 982 04     | ashtray<br>Aluminium look                 |        | 1   | PR:XCK    |
|      | 997 553 982 04 V04 | Galvano silver                            |        |     |           |
| (25) | 997 553 982 05     | ashtray<br>Lacquered                      |        | 1   | PR:XME    |
|      | 997 553 982 05 041 | Black                                     |        |     |           |
|      | 997 553 982 05 84A | guards red (Porsche)                      |        |     |           |
|      | 997 553 982 05 B9A | Carrara white                             |        |     |           |
|      | 997 553 982 05 12H | Speed yellow                              |        |     |           |
|      | 997 553 982 05 92U | Arctic silver metallic                    |        |     |           |
|      | 997 553 982 05 M3W | Carmon red metallic<br>D >> - MJ 2007     |        |     |           |
|      | 997 553 982 05 M5W | Coral metallic<br>D >> - MJ 2007          |        |     |           |
|      | 997 553 982 05 M6W | Lagoon green metallic<br>D >> - MJ 2007   |        |     |           |
|      | 997 553 982 05 C9Z | Basalt black metallic                     |        |     |           |
|      | 997 553 982 05 M7X | Atlas grey metallic                       |        |     |           |
|      | 997 553 982 05 39C | Midnight Blue Metallic                    |        |     |           |
|      | 997 553 982 05 6B4 | Seal grey metallic<br>D >> - MJ 2006      |        |     |           |
|      | 997 553 982 05 M7W | Meteor Grey Metallic<br>D - MJ 2007>>     |        |     |           |
|      | 997 553 982 05 2B4 | Forest green metallic                     |        |     |           |
|      | 997 553 982 05 3C8 | Cobalt blue metallic                      |        |     |           |
|      | 997 553 982 05 23F | Slate grey metallic                       |        |     |           |
|      | 997 553 982 05 M7Z | GT Silver Metallic                        |        |     |           |
|      | 997 553 982 05 M6X | Dark olive-metallic                       |        |     |           |
|      | 997 553 982 05 M8W | Macadamia Metallic<br>D - MJ 2008>>       |        |     |           |
|      | 997 553 982 05 8A7 | Ruby red metallic<br>D - MJ 2008>>        |        |     |           |
|      | 997 553 982 05 2B5 | Malachite Green Metallic<br>D - MJ 2008>> |        |     |           |
| 26   | 997 553 611 01     | Insert for centre console                 |        | 1   |           |
| 27   | 997 553 261 05     | Frame<br>Lacquered                        |        | 1   | CARRERA   |
|      | 997 553 261 05 D07 | Volcano grey                              |        |     |           |
| (27) | 997 553 261 02     | Frame<br>Lacquered<br>D >> - MJ 2007      |        | 1   | CARRERA S |
|      | 997 553 261 02 V04 | Galvano silver                            |        |     |           |
| (27) | 997 553 261 06     | Frame<br>Lacquered<br>D - MJ 2008>>       |        | 1   | CARRERA S |
|      | 997 553 261 06 V04 | Galvano silver                            |        |     |           |
| 28   | 999 507 533 02     | Clamp<br>8,0 X 10,0/2,5                   |        | 7   |           |
| 29   | 999 073 155 09     | panel screw                               |        | 4   |           |

Model: 997 05 Model life 2005>>2008

| Pos  | Part Number        | Description   | Remark | Qty | Model  |
|------|--------------------|---|--------|-----|--------|
| 30   | 997 553 241 02     | 4,2 X 13<br>for<br>Mount<br>Frame<br>Cover<br>Shift gate<br>Lacquered |        | 1   | PR:249 |
|      | 997 553 241 02 A03 | Black   |        |     |        |
|      | 997 553 241 02 5V7 | Stone grey  |        |     |        |
|      | 997 553 241 02 5Z1 | Sand beige  |        |     |        |
|      | 997 553 241 02 8W7 | sea blue  |        |     |        |
|      | 997 553 241 02 5Y2 | Palm green  |        |     |        |
|      |                    | D >> - MJ 2007  |        |     |        |
|      | 997 553 241 02 8X8 | Terracotta  |        |     |        |
|      | 997 553 241 02 8P9 | Cocoa   |        |     |        |
|      | 997 553 241 02 T13 | Brown/natural   |        |     |        |
|      | 997 553 241 02 N23 | Carrera Red   |        |     |        |
|      |                    | D - MJ 2008>>   |        |     |        |
| (30) | 997 553 243 01     | Cover<br>Shift gate<br>Lacquered                                      |        | 1   | PR:480 |
|      | 997 553 243 01 A03 | Black   |        |     |        |
|      | 997 553 243 01 5V7 | Stone grey  |        |     |        |
|      | 997 553 243 01 5Z1 | Sand beige  |        |     |        |
|      | 997 553 243 01 8W7 | sea blue  |        |     |        |
|      | 997 553 243 01 5Y2 | Palm green  |        |     |        |
|      |                    | D >> - MJ 2007  |        |     |        |
|      | 997 553 243 01 8X8 | Terracotta  |        |     |        |
|      | 997 553 243 01 8P9 | Cocoa   |        |     |        |
|      | 997 553 243 01 T13 | Brown/natural   |        |     |        |
|      | 997 553 243 01 N23 | Carrera Red   |        |     |        |
|      |                    | D - MJ 2008>>   |        |     |        |
| 31   | 996 552 687 00     | slide valve   |        | 1   | PR:249 |
|      | 996 552 687 00 01C | Black   |        |     |        |
| 32   | 997 553 455 01     | Cover<br>Brake lever<br>Lacquered                                     |        | 1   |        |
|      |                    | D >> - MJ 2007  |        |     |        |
|      | 997 553 455 01 A03 | Black   |        |     |        |
|      | 997 553 455 01 5V7 | Stone grey  |        |     |        |
|      | 997 553 455 01 5Z1 | Sand beige  |        |     |        |
|      | 997 553 455 01 8W7 | sea blue  |        |     |        |
|      | 997 553 455 01 5Y2 | Palm green  |        |     |        |
|      | 997 553 455 01 8X8 | Terracotta  |        |     |        |
|      | 997 553 455 01 8P9 | Cocoa   |        |     |        |
|      | 997 553 455 01 T13 | Brown/natural   |        |     |        |
| 32   | 997 553 903 00     | Cover<br>Brake lever<br>Lacquered                                     |        | 1   |        |
|      |                    | D - MJ 2008>>   |        |     |        |
|      | 997 553 903 00 A03 | Black   |        |     |        |
|      | 997 553 903 00 5V7 | Stone grey  |        |     |        |
|      | 997 553 903 00 5Z1 | Sand beige  |        |     |        |
|      | 997 553 903 00 8W7 | sea blue  |        |     |        |
|      | 997 553 903 00 8X8 | Terracotta  |        |     |        |
|      | 997 553 903 00 8P9 | Cocoa   |        |     |        |
|      | 997 553 903 00 T13 | Brown/natural   |        |     |        |
|      | 997 553 903 00 N23 | Carrera Red   |        |     |        |
| (32) | 997 553 981 00     | Cover<br>Brake lever  |        | 1   | PR:XCK |
|      | 997 553 981 00 A11 | Black   |        |     |        |
|      | 997 553 981 00 5X6 | Stone grey  |        |     |        |
|      | 997 553 981 00 8G2 | Sand beige  |        |     |        |

Model: 997 05 Model life 2005>>2008

| Pos                | Part Number        | Description        | Remark     | Qty | Model  |
|--------------------|--------------------|--------------------|------------|-----|--------|
| (32)               | 997 553 981 00 3S9 | sea blue           |            | 1   | PR:XJT |
|                    | 997 553 981 00 4P2 | Palm green         |            |     |        |
|                    | 997 553 981 00 9S5 | Terracotta         |            |     |        |
|                    | 997 553 981 00 9V6 | Cocoa              |            |     |        |
|                    | 997 553 981 00 D12 | Dark grey/natural  |            |     |        |
|                    | 997 553 981 00 T12 | Brown/natural      |            |     |        |
|                    | 997 553 981 00 N12 | Carrera Red        |            |     |        |
|                    | 997 553 981 00     | Cover              |            |     |        |
|                    |                    | Brake lever        |            |     |        |
|                    | 997 553 981 00 A11 | Black              |            |     |        |
|                    | 997 553 981 00 5X6 | Stone grey         |            |     |        |
|                    | (32)               | 997 553 981 00 8G2 | Sand beige |     |        |
| 997 553 981 00 3S9 |                    | sea blue           |            |     |        |
| 997 553 981 00 4P2 |                    | Palm green         |            |     |        |
| 997 553 981 00 9S5 |                    | Terracotta         |            |     |        |
| 997 553 981 00 9V6 |                    | Cocoa              |            |     |        |
| 997 553 981 00 D12 |                    | Dark grey/natural  |            |     |        |
| 997 553 981 00 T12 |                    | Brown/natural      |            |     |        |
| 997 553 981 00 N12 |                    | Carrera Red        |            |     |        |
| 997 553 981 00     |                    | Cover              |            |     |        |
|                    |                    | Brake lever        |            |     |        |
| 997 553 981 00 A11 |                    | Black              |            |     |        |
| (32)               |                    | 997 553 981 00 5X6 | Stone grey |     | 1      |
|                    | 997 553 981 00 8G2 | Sand beige         |            |     |        |
|                    | 997 553 981 00 3S9 | sea blue           |            |     |        |
|                    | 997 553 981 00 4P2 | Palm green         |            |     |        |
|                    | 997 553 981 00 9S5 | Terracotta         |            |     |        |
|                    | 997 553 981 00 9V6 | Cocoa              |            |     |        |
|                    | 997 553 981 00 D12 | Dark grey/natural  |            |     |        |
|                    | 997 553 981 00 T12 | Brown/natural      |            |     |        |
|                    | 997 553 981 00 N12 | Carrera Red        |            |     |        |
|                    | 997 553 981 00     | Cover              |            |     |        |
|                    |                    | Brake lever        |            |     |        |
|                    | 997 553 981 00 A11 | Black              |            |     |        |
| (32)               | 997 553 981 00 5X6 | Stone grey         |            | 1   | PR:XMJ |
|                    | 997 553 981 00 8G2 | Sand beige         |            |     |        |
|                    | 997 553 981 00 3S9 | sea blue           |            |     |        |
|                    | 997 553 981 00 4P2 | Palm green         |            |     |        |
|                    | 997 553 981 00 9S5 | Terracotta         |            |     |        |
|                    | 997 553 981 00 9V6 | Cocoa              |            |     |        |
|                    | 997 553 981 00 D12 | Dark grey/natural  |            |     |        |
|                    | 997 553 981 00 T12 | Brown/natural      |            |     |        |
|                    | 997 553 981 00 N12 | Carrera Red        |            |     |        |
|                    | 997 553 981 00     | Cover              |            |     |        |
|                    |                    | Brake lever        |            |     |        |
|                    | 997 553 981 00 A11 | Black              |            |     |        |
| (32)               | 997 553 981 06 5X6 | Stone grey         |            | 1   | PR:XMZ |
|                    | 997 553 981 06 8G2 | Sand beige         |            |     |        |
|                    | 997 553 981 06 3S9 | sea blue           |            |     |        |
|                    | 997 553 981 06 4P2 | Palm green         |            |     |        |
|                    | 997 553 981 06 9S5 | Terracotta         |            |     |        |
|                    | 997 553 981 06     | Cover              |            |     |        |
|                    |                    | Brake lever        |            |     |        |
|                    | 997 553 981 06 A11 | Black              |            |     |        |
|                    | 997 553 981 06 5X6 | Stone grey         |            |     |        |
|                    | 997 553 981 06 8G2 | Sand beige         |            |     |        |
|                    | 997 553 981 06 3S9 | sea blue           |            |     |        |
|                    | 997 553 981 06 4P2 | Palm green         |            |     |        |
| 997 553 981 06 9S5 | Terracotta         |                    |            |     |        |

Model: 997 05

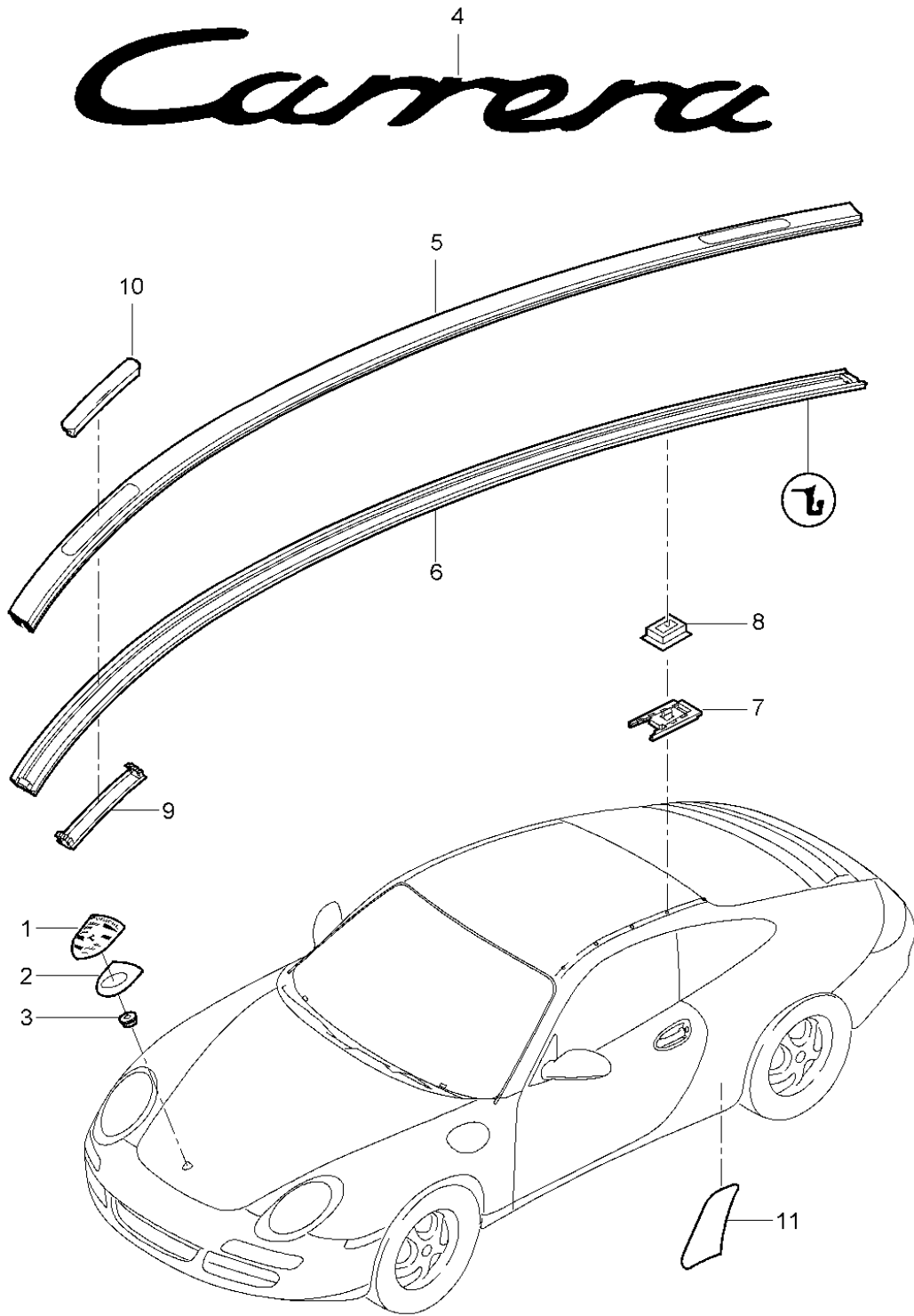
Model life 2005>>2008

| Pos | Part Number        | Description            | Remark | Qty | Model |
|-----|--------------------|------------------------|--------|-----|-------|
|     | 997 553 981 06 9V6 | Cocoa                  |        |     |       |
|     | 997 553 981 06 D12 | Dark grey/natural      |        |     |       |
|     | 997 553 981 06 T12 | Brown/natural          |        |     |       |
|     | 997 553 981 06 N12 | Carrera Red            |        |     |       |
| 33  | 999 591 215 40     | expanding nut<br>4,2   |        | 2   |       |
| 34  | 997 553 732 00     | Rubber buffer<br>Cover | inner  | 2   |       |

Model: 997 05

Model life 2005>>2008

# Carrera



Model: 997 05 Model life 2005>>2008

| Pos  | Part Number        | Description                                 | Remark | Qty | Model                    |
|------|--------------------|---|--------|-----|--------------------------|
|      |                    | inscriptions/lettering                      |        |     |                          |
|      |                    | Decorative fittings                         |        |     |                          |
|      |                    | Stone guard film                            |        |     |                          |
| 1    | 997 559 211 00     | Porsche crest                               |        | 1   |                          |
| (1)  | 996 559 211 01     | Porsche crest                               |        | 1   |                          |
| 2    | 7L5 853 611 B      | Underlay                                    |        | 1   |                          |
| 3    | 999 591 423 03     | Tapping nut                                 |        | 2   |                          |
| 4    | 997 559 237 00     | inscription<br>*CARRERA*                    |        | 1   | CARRERA                  |
|      |                    | Lacquered                                   |        |     |                          |
|      |                    | Titanium                                    |        |     |                          |
| (4)  | 997 559 237 01     | inscription<br>*CARRERA*                    |        | 1   | CARRERA S<br>Carrera 4 S |
| (4)  | 997 559 237 04     | inscription<br>*TARGA*                      |        | 1   | CARRERA 4                |
|      |                    | Lacquered                                   |        |     |                          |
|      |                    | Titanium                                    |        |     |                          |
|      |                    | D - MJ 2007>>                               |        |     |                          |
| (4)  | 997 559 237 05     | inscription<br>*TARGA*                      |        | 1   | CARRERA 4S               |
|      |                    | Lacquered                                   |        |     |                          |
|      |                    | Satin aluminium                             |        |     |                          |
|      |                    | D - MJ 2007>> - MJ 2007                     |        |     |                          |
| (4)  | 997 559 243 00     | inscription<br>*S*                          |        | 1   | CARRERA S<br>Carrera 4 s |
|      |                    | Lacquered                                   |        |     |                          |
| (4)  | 997 559 241 00     | inscription<br>Lacquered<br>Titanium<br>*4* |        | 1   | CARRERA 4                |
| (4)  | 997 559 241 01     | inscription<br>Lacquered<br>*4*             |        | 1   | CARRERA 4S               |
| (4)  | 997 559 980 02     | inscription<br>*Sport Classic*              |        | 1   |                          |
| 5    | 997 559 401 00     | Roof edge strip                             | left   | 1   |                          |
|      | 997 559 401 00 G2X | primed                                      |        |     |                          |
| (5)  | 997 559 402 00     | Roof edge strip                             | right  | 1   |                          |
|      | 997 559 402 00 G2X | primed                                      |        |     |                          |
| 6    | 997 559 721 00     | Seal  | left   | 1   |                          |
|      |                    | Roof edge strip                             |        |     |                          |
| (6)  | 997 559 722 00     | Seal  | right  | 1   |                          |
|      |                    | Roof edge strip                             |        |     |                          |
| 7    | 996 559 403 01     | Clip  |        | 10  |                          |
| 8    | 996 559 405 01     | Adapter                                     |        | 10  |                          |
| 9    | 996 559 729 00     | Bracket                                     |        | 4   |                          |
|      |                    | for   |        |     |                          |
|      |                    | Flap  |        |     |                          |
| 10   | 996 559 501 00     | Flap  | front  | 2   |                          |
|      | 996 559 501 00 G2X | primed                                      |        |     |                          |
| (10) | 996 559 503 00     | Flap  | rear   | 2   |                          |
|      | 996 559 503 00 G2X | primed                                      |        |     |                          |
| 11   | 997 504 825 01     | Stone guard film                            | left   | 1   |                          |
|      |                    | Side part                                   |        |     |                          |
|      |                    | Discontinued part                           |        |     |                          |
| (11) | 997 504 825 02     | Stone guard film                            | left   | 1   |                          |
|      |                    | Side part                                   |        |     |                          |
|      |                    | Discontinued part                           |        |     |                          |
| (11) | 997 504 825 04     | Stone guard film                            | left   | 1   |                          |
|      |                    | Side part                                   |        |     |                          |
| (11) | 997 504 826 01     | Stone guard film                            | right  | 1   |                          |
|      |                    | Side part                                   |        |     |                          |
|      |                    | Discontinued part                           |        |     |                          |

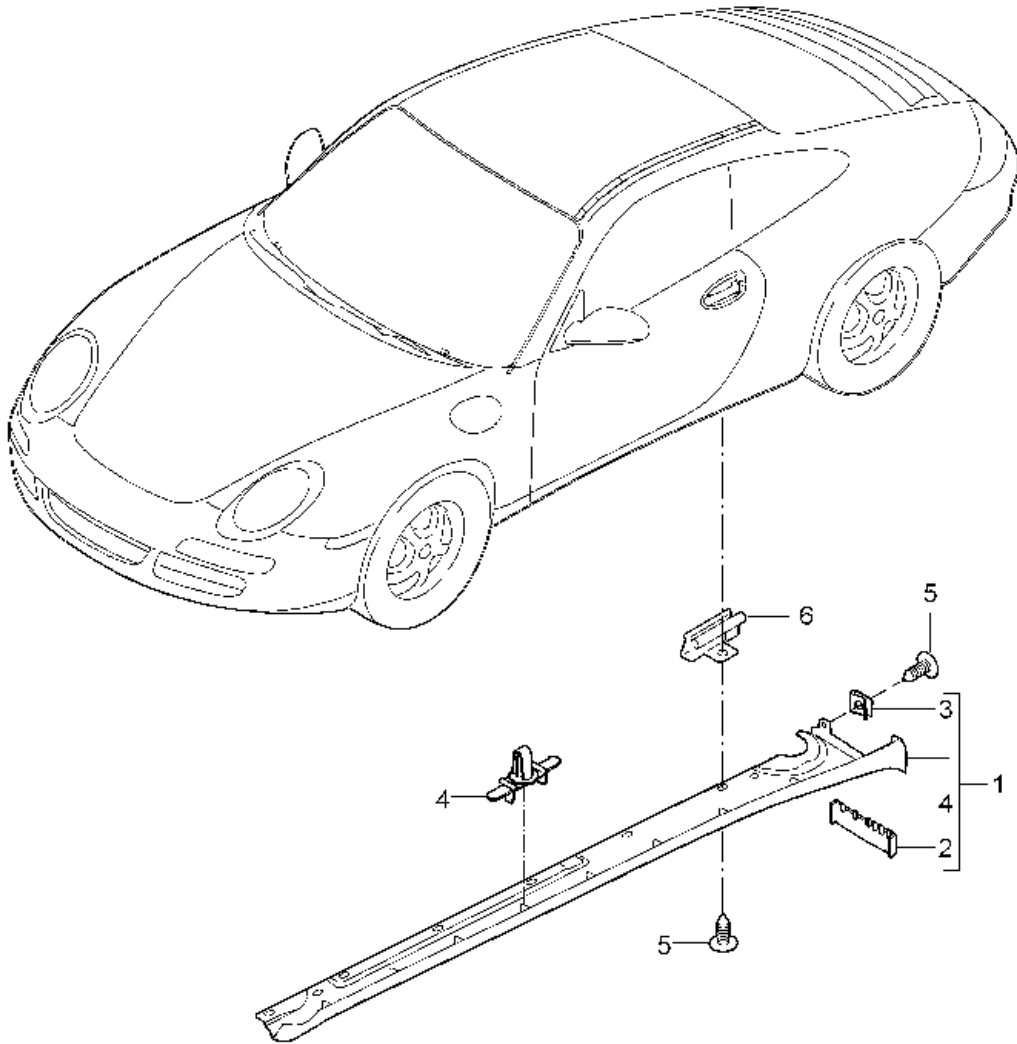
Model: 997 05

Model life 2005&gt;&gt;2008

| Pos  | Part Number    | Description  | Remark | Qty | Model |
|------|----------------|--|--------|-----|-------|
| (11) | 997 504 826 02 | Stone guard film<br>Side part<br>Discontinued part | right  | 1   |       |
| (11) | 997 504 826 04 | Stone guard film<br>Side part                      | right  | 1   |       |
| 12   | 997 558 101 01 | Decorative film<br>Cover                           | front  | 1   |       |
| 13   | 997 558 101 02 | Decorative film<br>Roof                            |        | 1   |       |
| 14   | 997 558 101 03 | Decorative film<br>Rear centre panel               |        | 1   |       |
| 15   | 997 558 101 04 | Decorative film<br>Rear lid                        | upper  | 1   |       |
| 16   | 997 558 101 05 | Decorative film<br>Rear lid                        | rear   | 1   |       |
| 17   | 997 558 101 06 | Decorative film<br>Wheel housing panel             | rear   | 1   |       |

Model: 997 05

Model life 2005>>2008





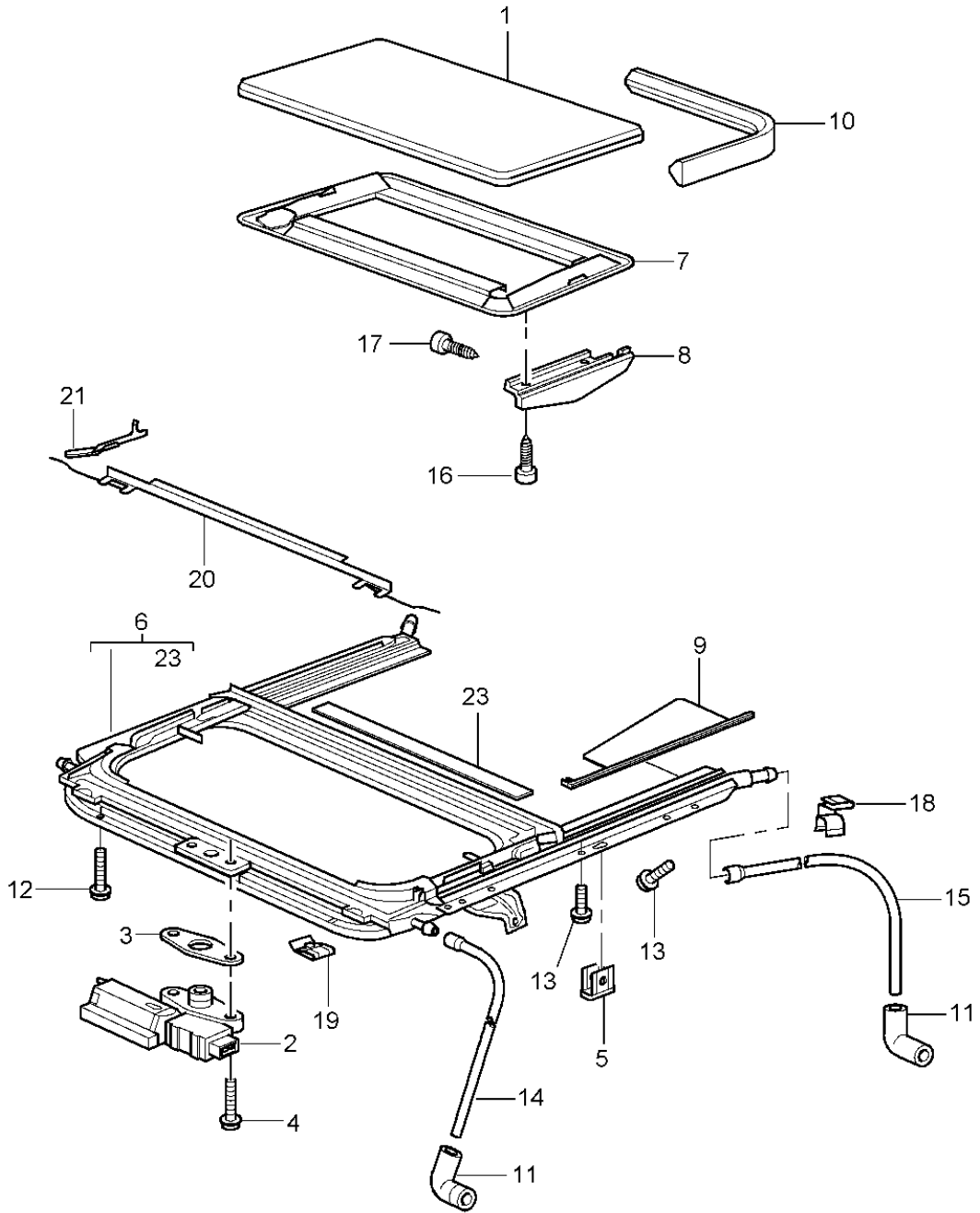
Model: 997 05

Model life 2005>>2008

| Pos | Part Number        | Description      | Remark | Qty | Model              |
|-----|--------------------|------------------|--------|-----|--------------------|
|     |                    | Side member trim |        |     | CARRERA 4<br>TARGA |
| 1   | 997 504 363 00     | Side member trim | left   | 1   |                    |
|     | 997 504 363 00 01C | Satin black      |        |     |                    |
| (1) | 997 504 364 00     | Side member trim | right  | 1   |                    |
|     | 997 504 364 00 01C | Satin black      |        |     |                    |
| 1   | 997 504 981 00     | Side member trim | left   | 1   | PR:XAJ             |
|     | 997 504 981 00 G2X | primed           |        |     |                    |
| (1) | 997 504 982 00     | Side member trim | right  | 1   | PR:XAJ             |
|     | 997 504 982 00 G2X | primed           |        |     |                    |
| 2   | 997 504 863 00     | Rubber lip       | left   | 1   |                    |
|     |                    | Side member trim |        |     |                    |
|     | 997 504 863 00 01C | Satin black      |        |     |                    |
| (2) | 997 504 864 00     | Rubber lip       | right  | 1   |                    |
|     |                    | Side member trim |        |     |                    |
|     | 997 504 864 00 01C | Satin black      |        |     |                    |
| 3   | 999 507 795 09     | panel nut        |        | 4   |                    |
|     |                    | ST 4,8           |        |     |                    |
| 4   | 999 507 986 40     | Retaining clip   |        | 18  |                    |
|     |                    | Side member trim |        |     |                    |
|     |                    | 9,0 x 1,5        |        |     |                    |
| 5   | 999 073 231 09     | panel screw      |        | 24  |                    |
|     |                    | st 4,8 x 16      |        |     |                    |
| 6   | 999 507 640 09     | U-clip           |        | 18  |                    |

Model: 997 05

Model life 2005>>2008



Model: 997 05 Model life 2005>>2008

| Pos  | Part Number        | Description                                 | Remark         | Qty | Model  |
|------|--------------------|---|----------------|-----|--------|
|      |                    | Sunroof                                     |                |     | PR:650 |
| 1    | 996 564 941 01     | Cover                                       |                | 1   |        |
|      | 996 564 941 01 GRV | primed                                      |                |     |        |
| 2    | 997 624 211 00     | Driving mechanism                           |                | 1   |        |
| 3    | 996 564 213 00     | Distance piece                              |                | 1   |        |
| 4    | 999 073 135 07     | countersunk bolt                            |                | 2   |        |
| 5    | 999 703 258 42     | Clip  |                | 2   |        |
| 6    | 997 564 911 00     | Frame for sliding sunroof aperture          |                | 1   |        |
|      |                    | without:                                    |                |     |        |
| 7    | 996 564 021 04     | Driving mechanism<br>Roofliner<br>Alcantara |                | 1   |        |
|      | 996 564 021 04 A14 | Black                                       |                |     |        |
|      | 996 564 021 04 B14 | Stone grey                                  |                |     |        |
|      | 996 564 021 04 G14 | Metropole blue                              |                |     |        |
|      | 996 564 021 04 T44 | Sand beige                                  |                |     |        |
|      | 996 564 021 04 J44 | Palm green                                  |                |     |        |
| (7)  | 996 564 983 00     | Roofliner<br>Leather                        |                | 1   |        |
|      | 996 564 983 00 A11 | Black                                       |                |     |        |
|      | 996 564 983 00 5X6 | Stone grey                                  |                |     |        |
|      | 996 564 983 00 8G2 | Sand beige                                  |                |     |        |
|      | 996 564 983 00 3S9 | sea blue                                    |                |     |        |
|      | 996 564 983 00 4P2 | Palm green                                  |                |     |        |
|      | 996 564 983 00 9S5 | Terracotta                                  |                |     |        |
|      | 996 564 983 00 D12 | Dark grey/natural                           |                |     |        |
|      | 996 564 983 00 T12 | Natural brown                               |                |     |        |
|      | 996 564 983 00 9V6 | Cocoa                                       |                |     |        |
| 8    | 996 564 181 00     | Trim  | left<br>outer  | 1   |        |
|      | 996 564 181 00 01C | Black                                       |                |     |        |
|      | 996 564 181 00 M6X | Dark olive-metallic                         |                |     |        |
| (8)  | 996 564 182 00     | Trim  | right<br>outer | 1   |        |
|      | 996 564 182 00 01C | Black                                       |                |     |        |
|      | 996 564 182 00 M6X | Dark olive-metallic                         |                |     |        |
| 9    | 996 564 241 00     | Interior lining                             | left<br>inner  | 1   |        |
| (9)  | 996 564 242 00     | Interior lining                             | right<br>inner | 1   |        |
| 10   | 997 564 211 00     | Seal  |                | 1   |        |
| 11   | 996 561 825 00     | Water drain valve                           |                | 4   |        |
| 12   | 999 073 366 02     | fillister hd. bolt<br>M6X30                 |                | 4   |        |
| 13   | 999 073 130 02     | fillister hd. bolt<br>M6X16                 |                | 6   |        |
| 14   | 996 564 207 00     | Water drainage hose                         | front          | 2   |        |
| 15   | 996 564 205 01     | Water drainage hose                         |                | 2   |        |
| 16   | 900 143 133 07     | panel screw                                 |                | 4   |        |
| 17   | 996 564 245 00     | Bolt with washer                            |                | 4   |        |
| 18   | 999 507 631 02     | Cable holder                                |                | 6   |        |
| 19   | 999 591 348 02     | panel nut                                   |                | 2   |        |
|      |                    | Discontinued part                           |                |     |        |
| 19   | 999 591 348 01     | panel nut                                   |                | 2   |        |
| 20   | 997 564 161 00     | wind deflector                              |                | 1   |        |
| 21   | 996 564 521 01     | Toggle catch                                |                | 1   |        |
| (21) | 996 564 522 01     | Toggle catch                                |                | 1   |        |
| -    | 996 564 950 00     | Sound absorber                              |                | 1   |        |
| -    | 997 564 950 00     | Assembly kit<br>for<br>Roofliner            |                | 1   |        |
| 22   | 996 564 953 00     | Assembly kit                                |                | 1   |        |

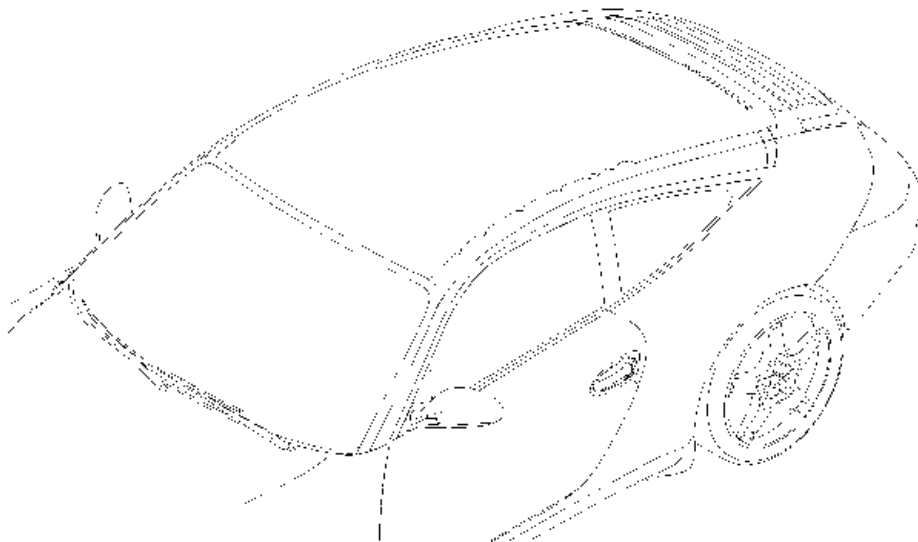
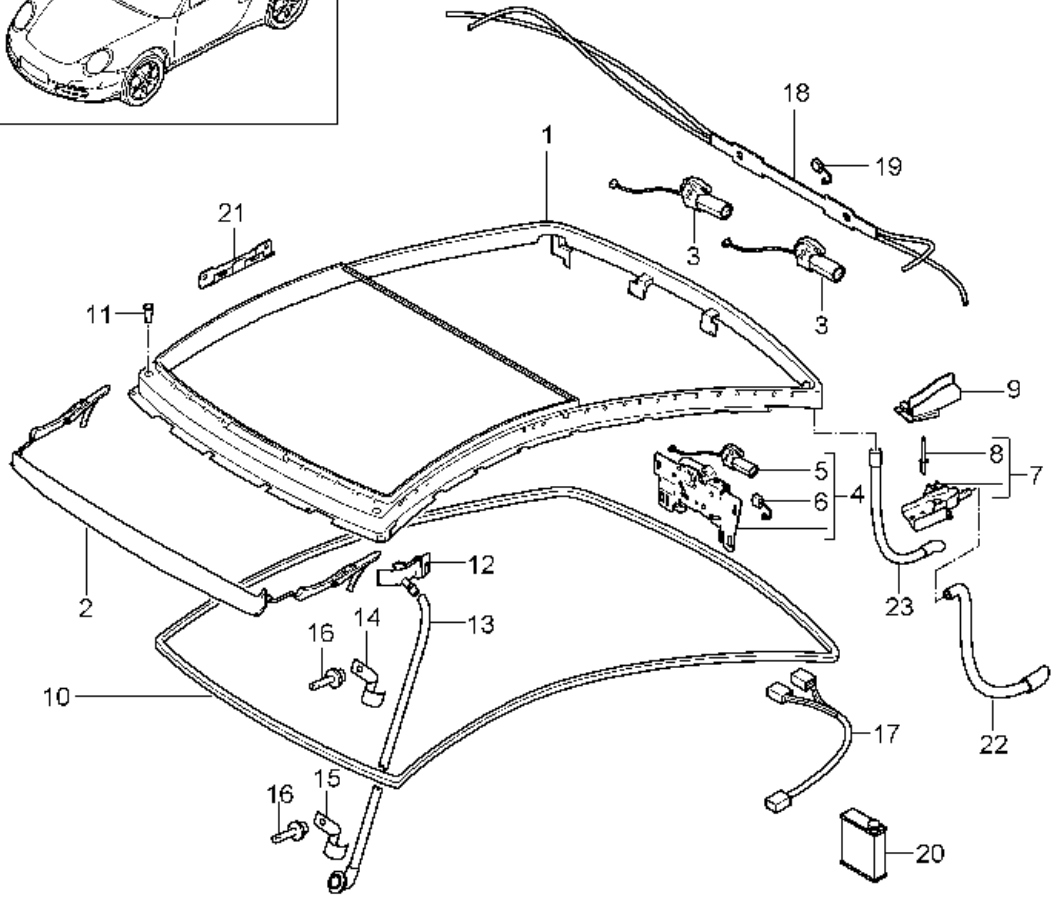
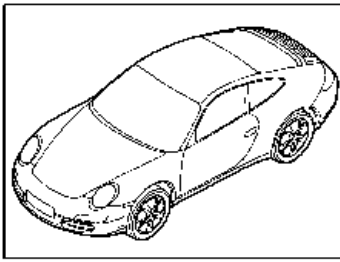
Model: 997 05

Model life 2005>>2008

| Pos | Part Number    | Description                         | Remark | Qty | Model |
|-----|----------------|-------------------------------------|--------|-----|-------|
| 23  | 996 564 907 01 | Unterlegscheiben<br>Edge protection |        | 1   |       |
| -   | 997 564 903 00 | sound absorber piece                | front  | 2   |       |
| -   | 997 564 905 00 | sound absorber piece                | rear   | 2   |       |

Model: 997 05

Model life 2005>>2008

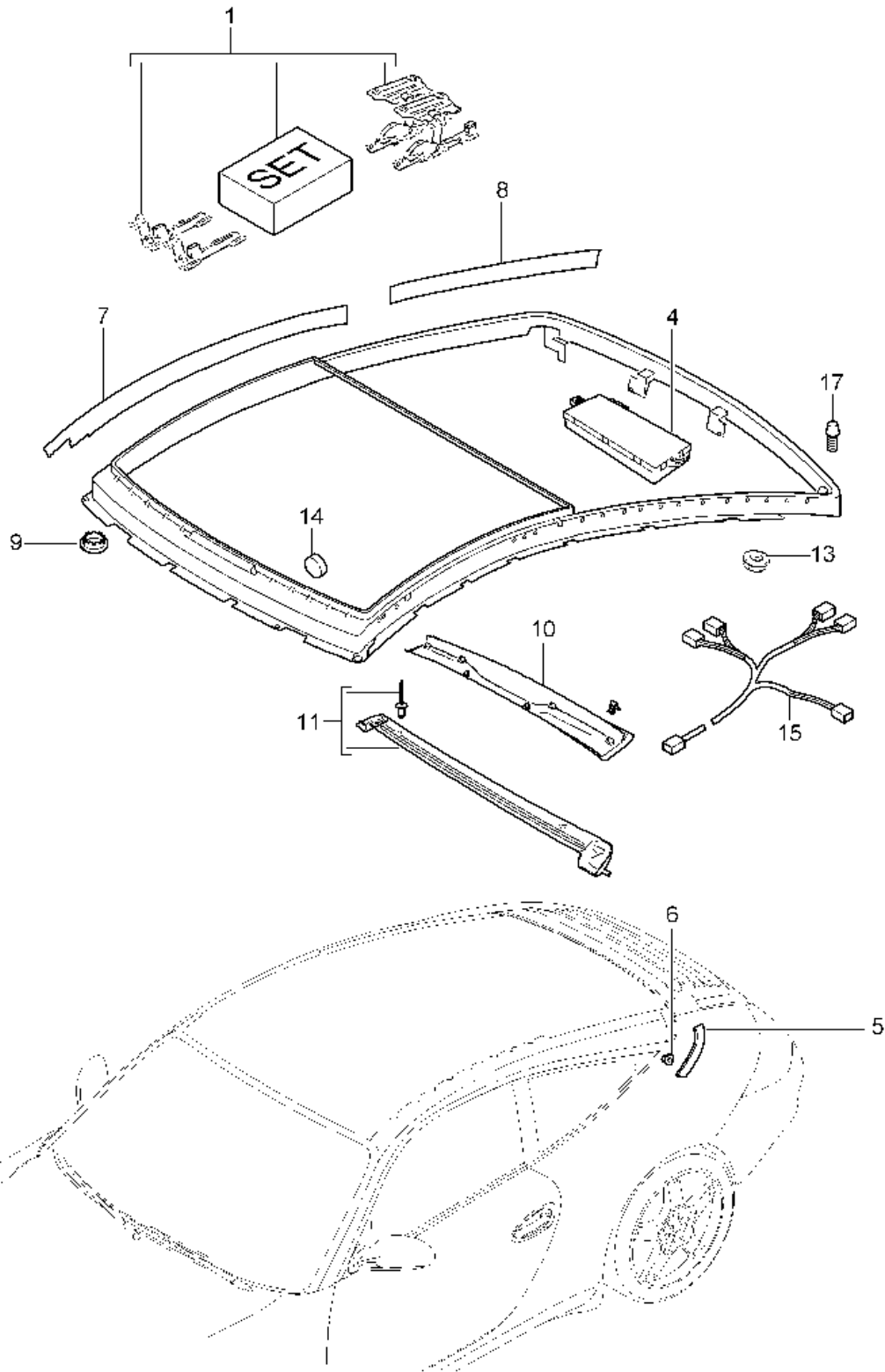


Model: 997 05 Model life 2005>>2008

| Pos  | Part Number    | Description                  | Remark        | Qty | Model |
|------|----------------|------------------------------|---------------|-----|-------|
|      |                | Glass roof                   |               |     | TARGA |
| 1    | 997 562 905 00 | Frame                        |               | 1   |       |
| 2    | 997 562 953 00 | wind deflector<br>repair set |               | 1   |       |
| 3    | 996 624 221 00 | Electric drive               |               | 2   |       |
| 4    | 997 562 335 00 | catch                        |               | 1   |       |
| 5    | 996 624 231 00 | Driving mechanism            |               | 1   |       |
| 6    | 996 613 231 00 | Micro switch                 |               | 1   |       |
| 7    | 996 562 439 00 | end piece                    | left          | 1   |       |
|      |                | Guide rail                   |               |     |       |
| (7)  | 996 562 440 00 | end piece                    | right         | 1   |       |
|      |                | Guide rail                   |               |     |       |
| 8    | 999 190 172 30 | Pop rivet                    |               | 4   |       |
| 9    | 996 562 437 00 | Cover                        | left          | 1   |       |
| (9)  | 996 562 438 00 | Cover                        | right         | 1   |       |
| 10   | 996 562 425 00 | sealing tape                 |               | 1   |       |
| 11   | 997 562 421 00 | drain tube                   |               | 1   |       |
| 12   | 996 562 401 00 | water drain pipe             | left          | 1   |       |
| (12) | 996 562 402 00 | water drain pipe             | right         | 1   |       |
| 13   | 996 562 203 01 | Water drainage hose          |               | 2   |       |
| 14   | 997 564 301 00 | Retainer for coolant<br>hose | upper         | 2   |       |
| 15   | 997 564 303 00 | Retainer for coolant<br>hose | lower         | 2   |       |
| 16   | 999 190 450 37 | Pop rivet                    |               | 4   |       |
| 17   | 996 612 344 00 | Wire set<br>roller blind     |               | 1   |       |
| 18   | 996 562 913 00 | guide tube                   |               | 1   |       |
|      |                | with:                        |               |     |       |
|      |                | Input shaft                  |               |     |       |
| 19   | 996 613 221 00 | Micro switch                 |               | 1   |       |
| 20   | 000 043 157 00 | Cleaning solution<br>30 ML   |               | 1   |       |
| 21   |                | see illustration:            | 801-065       | 1   |       |
| 22   | 996 562 205 01 | Water drainage hose          | rear<br>outer | 2   |       |
| 23   | 996 562 207 01 | Water drainage hose          | rear<br>inner | 2   |       |

Model: 997 05

Model life 2005>>2008



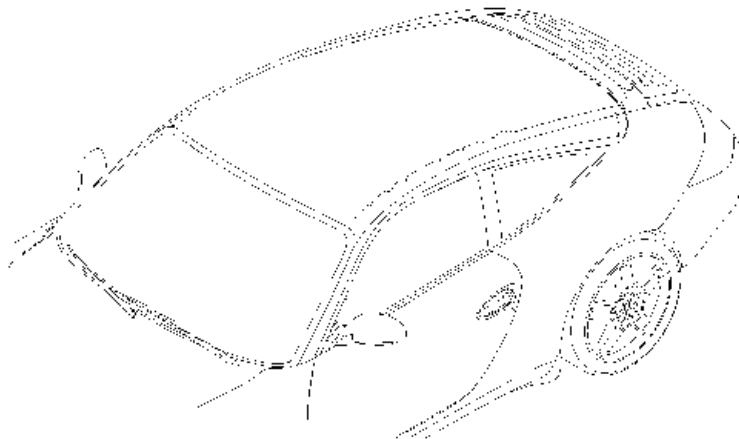
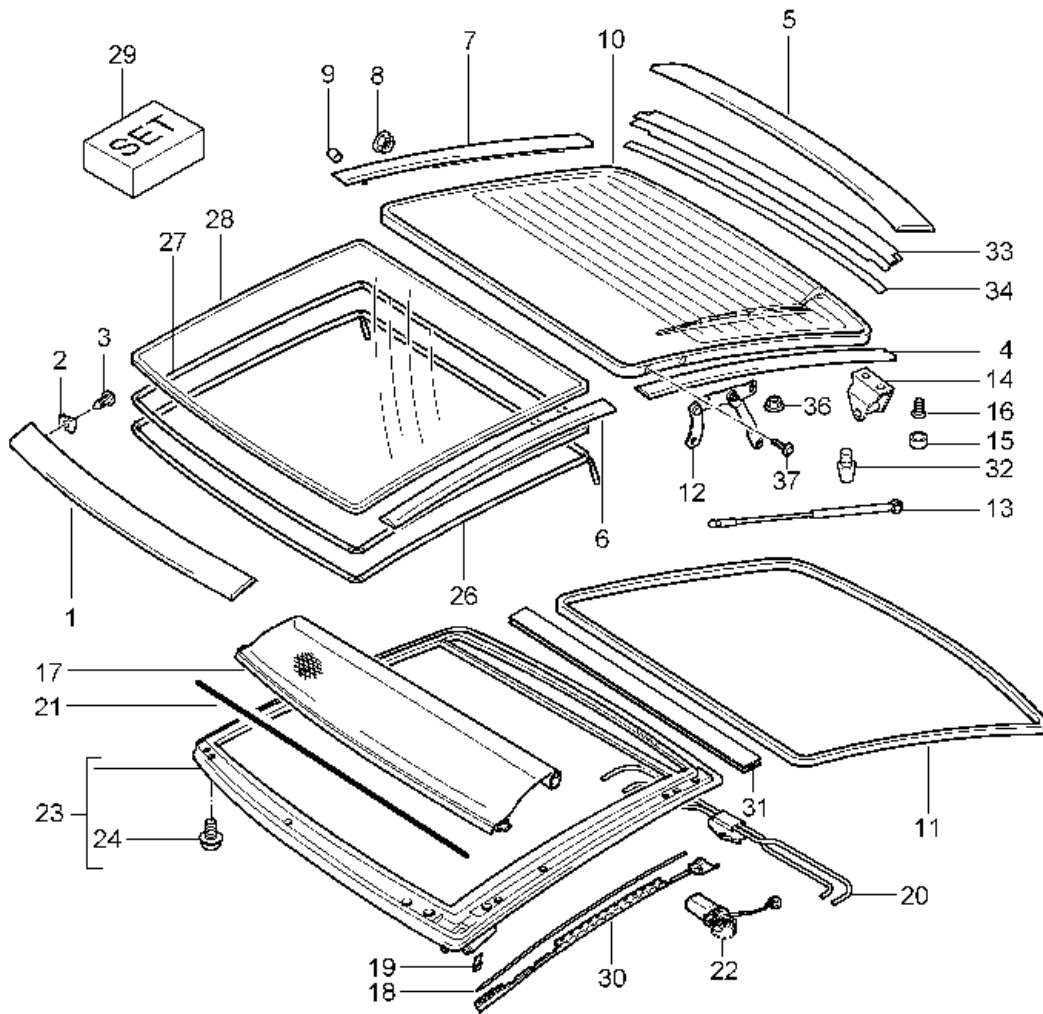
Model: 997 05 Model life 2005>>2008

| Pos | Part Number        | Description   | Remark | Qty | Model |
|-----|--------------------|---|--------|-----|-------|
|     |                    | Glass roof  |        |     | TARGA |
| 1   | 996 562 906 00     | Driving mechanism<br>repair set<br>Lifting mechanism                |        | 1   |       |
|     |                    | with:   |        |     |       |
|     |                    | Knock-out lever<br>and<br>Fasteners                                 |        |     |       |
| 4   | 997 618 241 01     | Control unit  |        | 1   |       |
| 5   | 997 562 541 00     | trim for pillar c   | left   | 1   |       |
|     | 997 562 541 00 GRV | primed  |        |     |       |
| (5) | 997 562 542 00     | trim for pillar c   | right  | 1   |       |
|     | 997 562 542 00 GRV | primed  |        |     |       |
| 6   | 893 853 231 A      | expanding nut   |        | 4   |       |
| 7   | 996 562 407 00     | Trim  | left   | 1   |       |
| (7) | 996 562 408 00     | Trim  | right  | 1   |       |
| 8   | 996 562 911 00     | Trim  | left   | 1   |       |
| (8) | 996 562 404 00     | Trim  | right  | 1   |       |
| 9   | 999 703 866 40     | Cover   |        | 3   |       |
| 10  | 996 562 943 00     | Trim  |        | 1   |       |
| 11  | 996 562 459 00     | Profile strip   |        | 1   |       |
| 12  | 996 562 427 00     | Bracket   |        | 1   |       |
| 13  | 999 084 456 09     | Hexagon nut   |        | X   |       |
| 14  | 999 703 134 40     | Stop buffer<br>40,0 x 11,0  |        | 2   |       |
| 15  | 997 612 699 00     | Wire set  |        | 1   |       |
| 16  | 999 507 778 02     | Securing clip   |        | 6   |       |
| -   | 997 562 661 00     | Rubber buffer<br>for<br>gate guide<br>See workshop manual<br>600649 |        | 4   |       |
| 17  | 999 703 488 40     | Stop buffer<br>for<br>Rear lid<br>5,9x11,5x16                       |        | 2   |       |



Model: 997 05

Model life 2005>>2008



Model: 997 05 Model life 2005>>2008

| Pos  | Part Number    | Description   | Remark        | Qty | Model  |
|------|----------------|---|---------------|-----|--------|
|      |                | Glass roof<br>Linings<br>Trim<br>Scuttle<br>Discontinued part |               | 1   | TARGA  |
| 1    | 997 562 021 00 |   |               | 1   |        |
| 1    | 997 562 021 02 | Trim<br>Scuttle   |               | 1   |        |
| 2    | 999 591 591 01 | panel nut<br>St 3,5   |               | 3   |        |
| 3    | 999 919 162 09 | fillister hd. bolt<br>M 4 x 8                                 |               | 3   |        |
| -    | 999 702 284 40 | Cover<br>for<br>fillister hd. bolt                            |               | 3   |        |
| 4    | 996 562 651 00 | Cover   | left          | 1   |        |
| (4)  | 996 562 652 00 | Cover   | right         | 1   |        |
| 5    | 997 562 653 00 | Cover   | rear          | 1   |        |
| 6    | 997 562 303 00 | Cover trim<br>Glass roof                                      | left          | 1   |        |
| (6)  | 997 562 304 00 | Cover trim<br>Glass roof                                      | right         | 1   |        |
| 7    | 997 562 341 00 | Tailgate panel  | left<br>side  | 1   |        |
|      |                | with:   |               |     |        |
|      |                | Seal  |               | 1   |        |
|      |                | Screw   |               | 6   |        |
|      |                | nut, square   |               | 6   |        |
| (7)  | 997 562 342 00 | Tailgate panel  | right<br>side | 1   |        |
|      |                | with:   |               |     |        |
|      |                | Seal  |               | 1   |        |
|      |                | Screw   |               | 6   |        |
|      |                | nut, square   |               | 6   |        |
| 8    | 999 076 073 07 | Hexagon nut   |               | 2   |        |
| 9    | 900 228 017 09 | threaded pin  |               | 2   |        |
| 10   | 997 562 323 00 | Rear lid  |               | 1   |        |
| 10   | 997 562 323 01 | Rear lid  |               | 1   | PR:425 |
| 11   | 996 562 337 00 | Seal  |               | 1   |        |
| 12   | 996 562 319 00 | Rear lid hinge  | left          | 1   |        |
| (12) | 996 562 320 00 | Rear lid hinge  | right         | 1   |        |
| 13   | 997 562 429 00 | Gas filled strut  | left          | 1   |        |
| (13) | 997 562 430 00 | Gas filled strut  | right         | 1   |        |
| 14   | 996 562 325 00 | arm   |               | 1   |        |
| -    | 999 073 189 09 | Torx screw<br>arm<br>M6x12                                    |               | 2   |        |
| 15   | 996 562 461 00 | Cover cap   |               | 1   |        |
| 16   | 900 228 017 09 | threaded pin  |               | 2   |        |
| 17   | 996 562 405 00 | roller blind  |               | 1   |        |
| 18   | 997 562 917 00 | Cable   | left          | 1   |        |
| (18) | 997 562 918 00 | Cable<br>roller blind   | right         | 1   |        |
| 19   | 997 562 915 00 | Sliding piece   | left          | 1   |        |
| (19) | 997 562 916 00 | Sliding piece<br>roller blind                                 | right         | 1   |        |
| 20   | 996 562 910 00 | Guide<br>Cable  |               | 1   |        |
| 21   | 996 562 901 00 | Roof arch   |               | 1   |        |
| 22   | 996 624 241 00 | Electric motor  |               | 1   |        |
| 23   | 996 562 933 01 | repair set<br>retaining frame                                 |               | 1   |        |
| 24   | 996 562 904 00 | repair set<br>Fastening screw                                 |               | 1   |        |

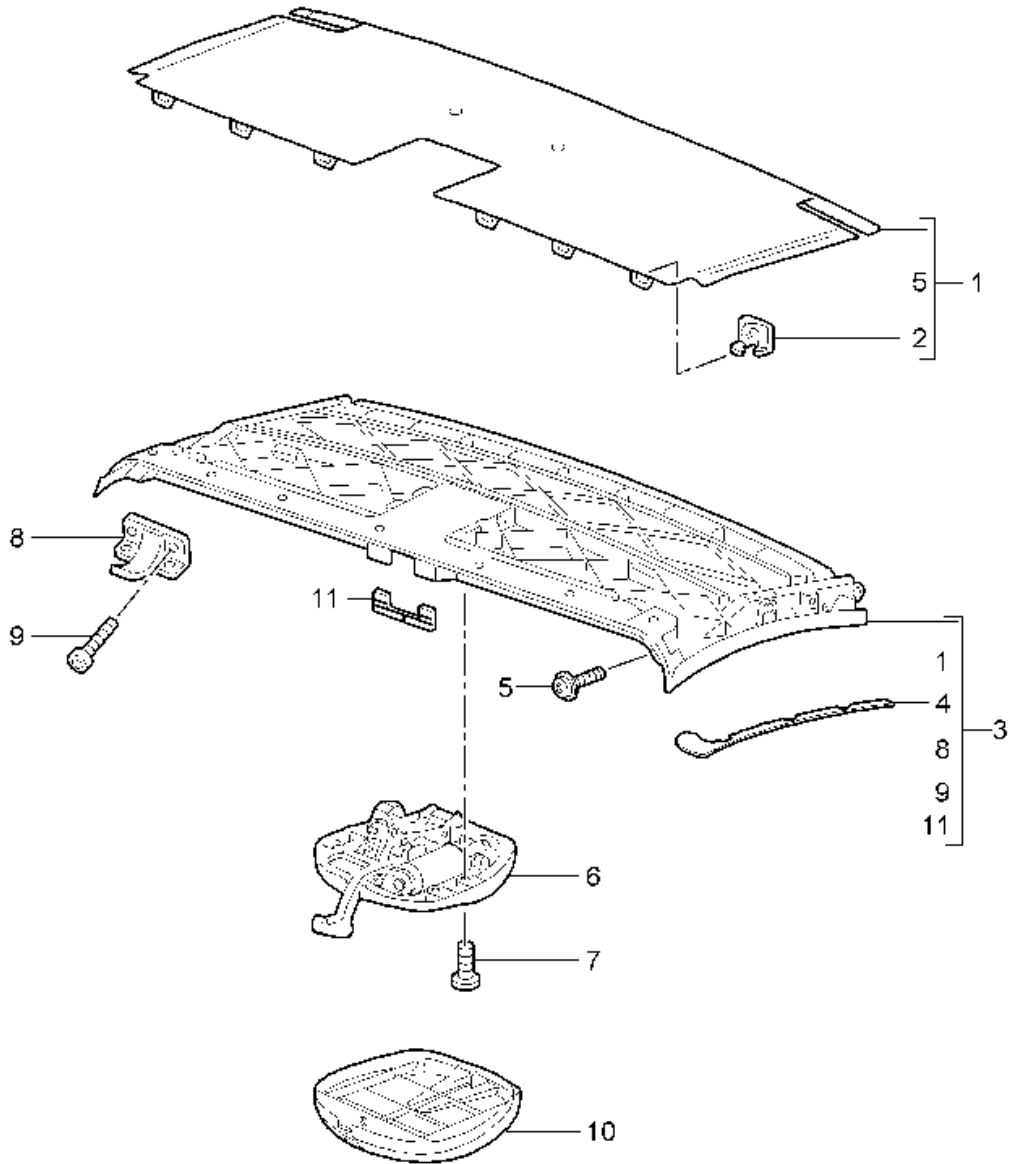
Model: 997 05

Model life 2005>>2008

| Pos  | Part Number    | Description   | Remark    | Qty | Model |
|------|----------------|---|-----------|-----|-------|
| 25   | 999 073 262 09 | retaining frame<br>Torx screw<br>M 5X14               |           | 10  |       |
| 26   | 996 562 455 01 | Seal  |           | 1   |       |
| 27   | 996 562 331 00 | Seal  |           | 1   |       |
| -    | 000 043 207 25 | activator<br>1 Liter<br>See workshop manual<br>600649 | also use: | 1   |       |
| 28   | 997 562 329 00 | Glass roof  |           | 1   |       |
| 29   | 996 562 903 00 | 1 set of spacers                                      |           | 1   |       |
| 30   | 996 562 907 00 | Trim  | left      | 1   |       |
| (30) | 996 562 908 00 | Trim  | right     | 1   |       |
| 31   | 997 562 443 00 | Seal<br>Centre piece                                  |           | 1   |       |
| 32   | 999 703 100 40 | Stop buffer<br>Rear lid                               |           | 2   |       |
| 33   | 997 562 441 00 | Trim<br>Rear window                                   | lower     | 1   |       |
| 34   | 996 562 415 00 | strip<br>Clamping strip<br>for<br>Trim                |           | 1   |       |
| 36   | 999 084 456 09 | Hexagon nut<br>M6                                     |           | 3   |       |
| 37   | 999 073 264 09 | fillister hd. bolt<br>M6x10                           |           | 2   |       |

Model: 997 05

Model life 2005>>2008

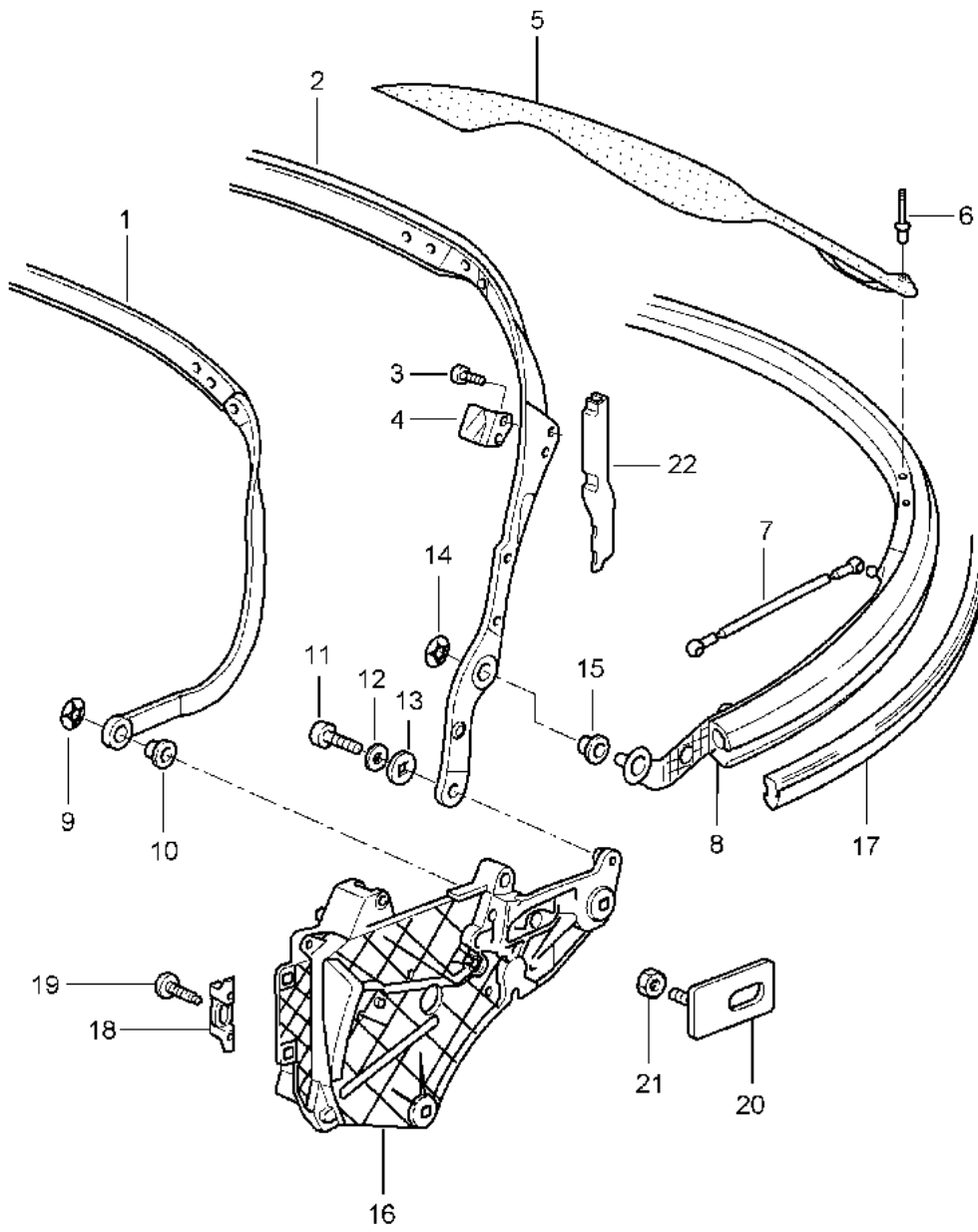


Model: 997 05 Model life 2005>>2008

| Pos | Part Number        | Description        | Remark | Qty | Model |
|-----|--------------------|--------------------|--------|-----|-------|
|     |                    | top frame          | front  |     |       |
|     |                    | roof frame         |        |     |       |
|     |                    | catch              |        |     |       |
| 1   | 996 561 963 00     | shelf              |        | 1   |       |
| -   | 000 043 207 44     | felt strip         |        | 1   |       |
|     |                    | 30 mm x 5 Meter    |        |     |       |
| 2   | 996 561 731 00     | Clip               |        | 6   |       |
| 3   | 997 561 905 00     | roof frame         |        | 1   |       |
|     | 997 561 905 00 A09 | Black              |        |     |       |
| -   |                    | also use:          |        |     |       |
| -   | 997 561 509 00     | felt strip         |        | 1   |       |
|     |                    | 60 x 25            |        |     |       |
|     |                    | See TPI            |        |     |       |
|     |                    | Group 8            |        |     |       |
|     |                    | Nr. 53             |        |     |       |
| 4   | 996 561 807 00     | roof frame seal    | left   | 1   |       |
|     |                    | roof frame         |        |     |       |
|     |                    | Plastic foam strip |        |     |       |
| 4   | 996 561 808 00     | roof frame seal    | right  | 1   |       |
|     |                    | roof frame         |        |     |       |
|     |                    | Plastic foam strip |        |     |       |
| 5   | 999 507 497 40     | Spreader rivet     |        | 6   |       |
| 6   | 997 561 117 00     | Soft top catch     |        | 1   |       |
|     |                    | Discontinued part  |        |     |       |
| 6   | 997 561 117 01     | Soft top catch     |        | 1   |       |
| 7   | 999 073 195 09     | fillister hd. bolt |        | 4   |       |
| 8   | 997 561 605 00     | Centring journal   | left   | 1   |       |
| (8) | 997 561 606 00     | Centring journal   | right  | 1   |       |
| 9   | 999 919 144 09     | fillister hd. bolt |        | 4   |       |
| 10  | 997 561 515 00     | Cover panel        |        | 1   |       |
|     | 997 561 515 00 01C | Black              |        |     |       |
| -   | 000 043 206 65     | Grease             |        | X   |       |
|     |                    | Krytox             |        |     |       |
|     |                    | 1 tube             |        |     |       |
|     |                    | 56 Gramm           |        |     |       |
| -   | 000 043 206 83     | Grease             |        | X   |       |
|     |                    | Optitemp LG2       |        |     |       |
|     |                    | 1 tube             |        |     |       |
|     |                    | 80 Gramm           |        |     |       |
| -   | 999 917 557 00     | Grease             |        | X   |       |
|     |                    | Osixo              |        |     |       |
|     |                    | 30 ml              |        |     |       |

Model: 997 05

Model life 2005>>2008



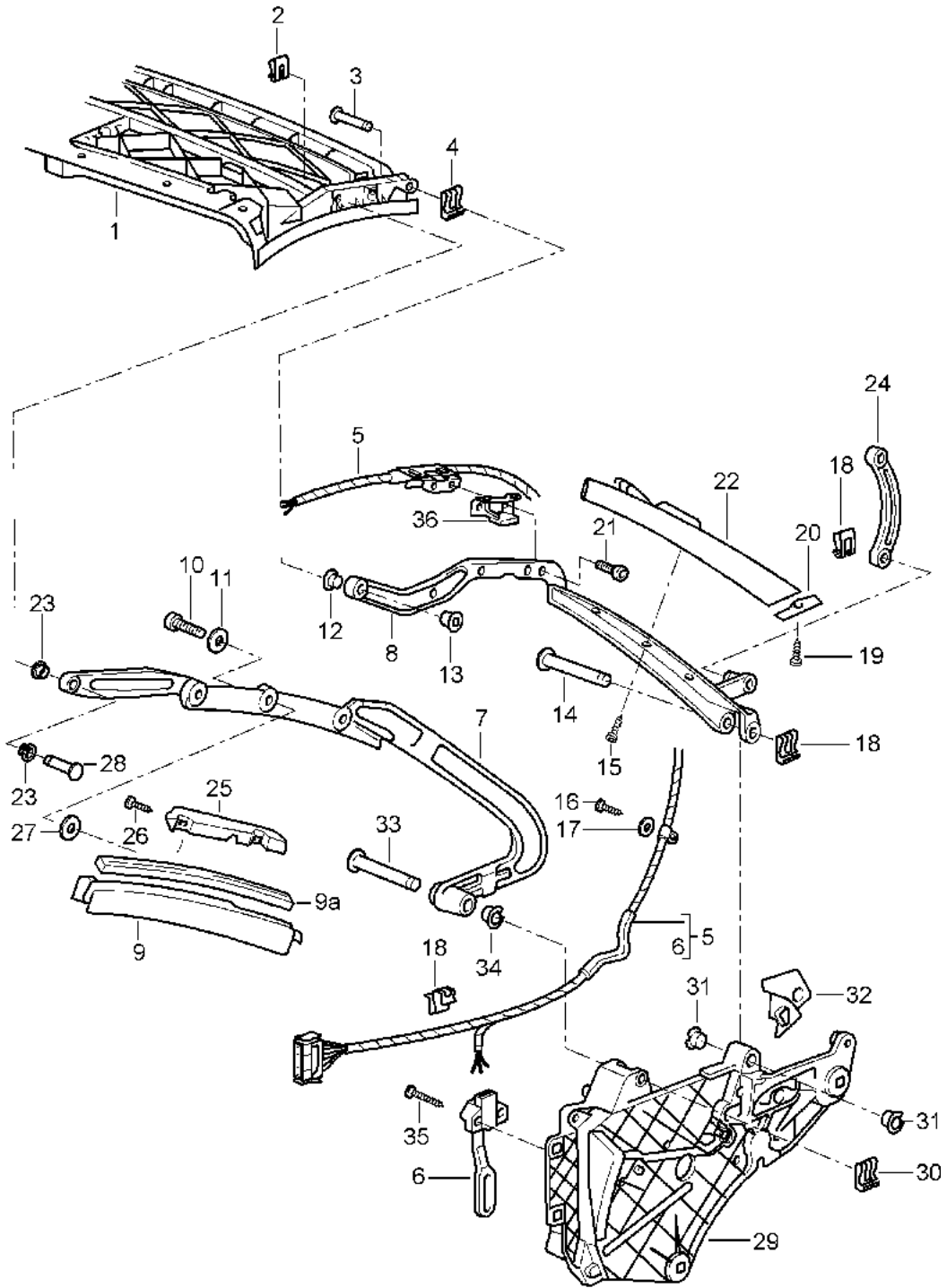
Model: 997 05

Model life 2005>>2008

| Pos  | Part Number    | Description                          | Remark | Qty | Model |
|------|----------------|--------------------------------------|--------|-----|-------|
|      |                | top frame                            |        |     |       |
|      |                | Individual parts                     |        |     |       |
| 1    | 996 561 042 01 | Roof arch                            |        | 1   |       |
| 2    | 996 561 037 00 | Main bracing                         |        | 1   |       |
| 3    | 900 146 003 02 | fillister hd. bolt                   |        | 6   |       |
| 4    | 996 561 959 00 | Thrust wedge                         |        | 2   |       |
| 5    | 997 561 089 02 | tensioning strap                     | left   | 1   |       |
| (5)  | 997 561 090 01 | tensioning strap                     | right  | 1   |       |
| 6    | 999 190 446 30 | Pop rivet                            |        | X   |       |
| 7    | 996 561 191 00 | tension wire                         | lower  | 2   |       |
| 8    | 996 561 041 01 | Roof arch                            |        | 1   |       |
| 9    | 996 561 645 00 | fuse                                 |        | 4   |       |
| 10   | 999 924 122 40 | bush                                 |        | 4   |       |
| 11   | 999 073 195 09 | fillister hd. bolt                   |        | 2   |       |
| 12   | 900 151 006 09 | Washer                               |        | 2   |       |
| 13   | 999 924 131 30 | Washer                               |        | 2   |       |
| 14   | 996 561 645 00 | fuse                                 |        | 4   |       |
| 15   | 999 924 122 40 | bush                                 |        | X   |       |
| 16   | 996 561 443 00 | Convertible top support              | left   | 1   |       |
| (16) | 996 561 444 00 | Convertible top support              | right  | 1   |       |
| -    | 999 075 065 09 | Hexagon bolt<br>m 8 x 35             |        | 6   |       |
| 17   | 996 561 693 00 | Gaskets<br>for<br>Roof arch<br>POS.8 |        | 1   |       |
| 18   | 996 561 735 02 | adjusting washer                     |        | 2   |       |
| 19   | 999 073 138 09 | Screw<br>Discontinued part           |        | 2   |       |
| 20   | 996 561 715 00 | Bracket                              |        | 2   |       |
| 21   | 999 084 630 09 | Hexagon nut                          |        | 2   |       |
| 22   | 996 561 259 00 | Seal                                 | left   | 1   |       |
| (22) | 996 561 260 00 | Seal                                 | right  | 1   |       |

Model: 997 05

Model life 2005>>2008





Model: 997 05 Model life 2005>>2008

| Pos  | Part Number        | Description             | Remark    | Qty | Model |
|------|--------------------|-------------------------|-----------|-----|-------|
| 1    | 997 561 905 00     | top frame               |           | 1   |       |
|      |                    | Individual parts        |           |     |       |
|      | 997 561 905 00 A09 | roof frame              |           |     |       |
|      |                    | Black                   |           |     |       |
| -    |                    |                         | also use: |     |       |
| -    | 997 561 509 00     | felt strip              |           | 1   |       |
|      |                    | 60 x 25                 |           |     |       |
|      |                    | See TPI                 |           |     |       |
|      |                    | Group 8                 |           |     |       |
|      |                    | Nr. 53                  |           |     |       |
| 2    | 999 166 075 02     | securing clip           |           | X   |       |
| 3    | 999 088 050 30     | Pin                     |           | 2   |       |
|      |                    | 8X27,8                  |           |     |       |
| -    | 997 561 909 00     | repair set              |           | 1   |       |
|      |                    | bush                    |           |     |       |
|      |                    | Pin                     |           |     |       |
|      |                    | fuse                    |           |     |       |
| 4    | 999 166 075 02     | securing clip           |           | X   |       |
| 5    | 997 612 698 00     | Wire set                |           | 1   |       |
| -    | 997 561 965 00     | Protective sleeve       |           | 1   |       |
| 6    | 996 613 313 02     | Potentiometer           |           | 1   |       |
| 7    | 996 561 335 00     | roof frame              | left      | 1   |       |
| (7)  | 996 561 336 00     | roof frame              | right     | 1   |       |
| 8    | 996 561 339 00     | roof frame              | left      | 1   |       |
| (8)  | 996 561 340 00     | roof frame              | right     | 1   |       |
| 9    | 996 561 355 00     | Sealing frame           | left      | 1   |       |
| (9)  | 996 561 356 00     | Sealing frame           | right     | 1   |       |
| 9A   | 996 561 219 00     | Seal                    |           | 2   |       |
|      |                    | for                     |           |     |       |
|      |                    | Sealing frame           |           |     |       |
| 10   | 999 073 195 09     | fillister hd. bolt      |           | X   |       |
|      |                    | M 6X20                  |           |     |       |
| 11   | 900 151 006 09     | Washer                  |           | X   |       |
| 12   | 999 924 086 40     | Bearing bush            |           | 4   |       |
| 13   | 999 924 086 40     | Bearing bush            |           | 4   |       |
| 14   | 999 088 037 30     | Pin                     |           | 1   |       |
| 15   | 999 919 153 09     | fillister hd. bolt      |           | X   |       |
| 16   | 900 144 101 02     | panel screw             |           | X   |       |
| 17   | 900 151 027 02     | Washer                  |           | 8   |       |
| 18   | 999 166 076 02     | securing clip           |           | X   |       |
|      |                    | Discontinued part       |           |     |       |
| 18   | 999 166 076 01     | securing clip           |           | x   |       |
| 19   | 999 919 141 09     | fillister hd. bolt      |           | 4   |       |
| 20   | 996 561 239 00     | roof frame seal         | left      | 1   |       |
| (20) | 996 561 240 00     | roof frame seal         | right     | 1   |       |
| 21   | N 014 128 13       | fillister hd. bolt      |           | 4   |       |
|      |                    | M5X8                    |           |     |       |
| 22   | 996 561 319 00     | roof frame seal         | left      | 1   |       |
|      | 996 561 319 00 A09 | Black                   |           |     |       |
| (22) | 996 561 320 00     | roof frame seal         | right     | 1   |       |
|      | 996 561 320 00 A09 | Black                   |           |     |       |
| 23   | 999 924 086 40     | Bearing bush            |           | 8   |       |
| 24   | 996 561 051 01     | Lever                   | left      | 1   |       |
| (24) | 996 561 052 01     | Lever                   | right     | 1   |       |
| 25   | 996 561 535 00     | Guide                   | left      | 1   |       |
| (25) | 996 561 536 00     | Guide                   | right     | 1   |       |
| 26   | 999 919 141 09     | fillister hd. bolt      |           | 4   |       |
| 27   | 999 025 267 09     | Washer                  |           | 8   |       |
| 28   | 999 088 049 30     | Pin                     |           | 2   |       |
|      |                    | 8x32,8                  |           |     |       |
| 29   | 996 561 443 00     | Convertible top support | left      | 1   |       |
| (29) | 996 561 444 00     | Convertible top support | right     | 1   |       |
| 30   | 999 166 076 02     | securing clip           |           | 6   |       |

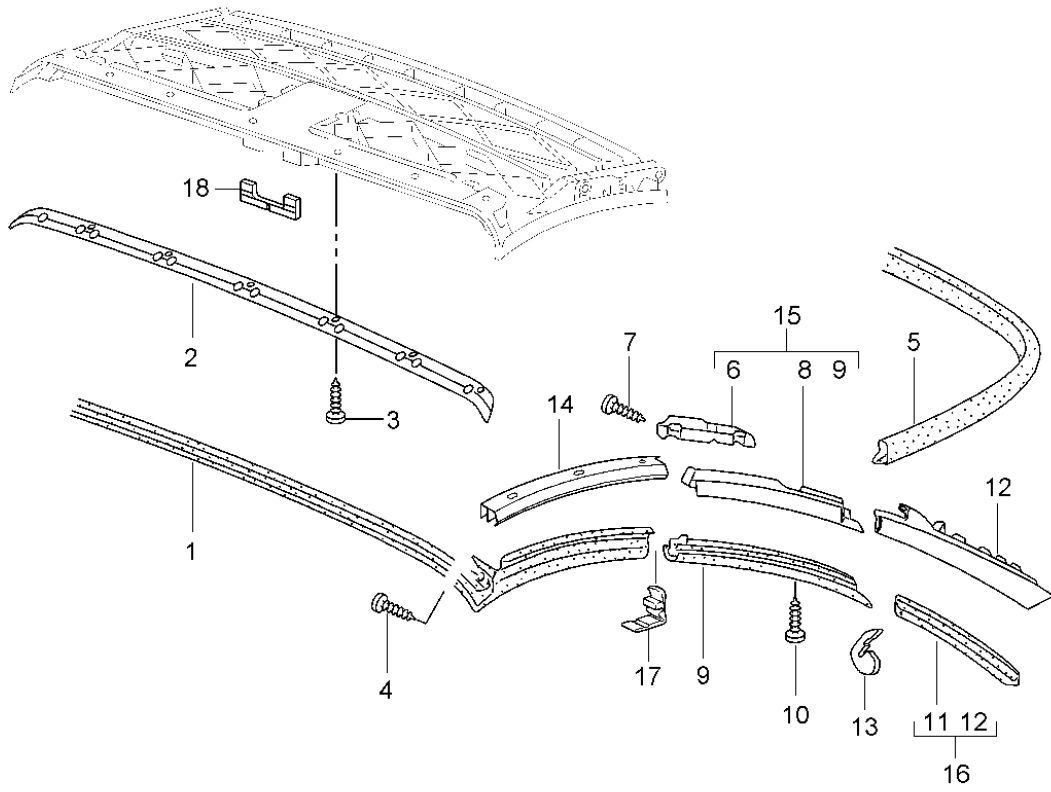
Model: 997 05

Model life 2005>>2008

| Pos  | Part Number    | Description                        | Remark | Qty | Model |
|------|----------------|------------------------------------|--------|-----|-------|
| 30   | 999 166 076 01 | Discontinued part<br>securing clip |        | 6   |       |
| 31   | 999 924 125 40 | bush                               |        | 4   |       |
| 32   | 996 561 249 01 | Sealing strip                      | left   | 1   |       |
| (32) | 996 561 250 01 | Sealing strip                      | right  | 1   |       |
| 33   | 999 088 031 30 | Pin                                |        | 4   |       |
| 34   | 999 924 125 40 | bush                               |        | 4   |       |
| 35   | 999 919 152 09 | fillister hd. bolt<br>3,5X8        |        | 2   |       |

Model: 997 05

Model life 2005>>2008



Model: 997 05 Model life 2005>>2008

| Pos | Part Number    | Description                               | Remark | Qty | Model |
|-----|----------------|---|--------|-----|-------|
| 1   | 997 561 327 00 | Convertible top Seal                      |        | 1   |       |
| 2   | 997 561 501 00 | roof frame seal retaining strip           |        | 1   |       |
| 3   | 999 919 139 09 | fillister hd. bolt                        |        | 7   |       |
| 4   | 999 919 139 09 | fillister hd. bolt                        |        | 2   |       |
| 5   | 996 561 449 00 | Seal                                      |        | 1   |       |
| 6   | 996 561 535 00 | Guide                                     | left   | 1   |       |
|     |                | F >> 99-6S756 018                         |        |     |       |
|     |                | F >> 99-6S766 265                         |        |     |       |
|     |                | F >> 99-6S750 545                         |        |     |       |
|     |                | F >> 99-6S760 997                         |        |     |       |
|     |                | Order                                     |        |     |       |
|     |                | Pos. 15 + 16                              |        |     |       |
|     |                | F 99-6S756 019>>                          |        |     |       |
|     |                | F 99-6S766 266>>                          |        |     |       |
|     |                | F 99-6S750 546>>                          |        |     |       |
|     |                | F 99-6S760 998>>                          |        |     |       |
|     |                | Order                                     |        |     |       |
|     |                | Pos. 15                                   |        |     |       |
| (6) | 996 561 536 00 | No longer use the part here Guide         | right  | 1   |       |
|     |                | F >> 99-6S756 018                         |        |     |       |
|     |                | F >> 99-6S766 265                         |        |     |       |
|     |                | F >> 99-6S750 545                         |        |     |       |
|     |                | F >> 99-6S760 997                         |        |     |       |
|     |                | Order                                     |        |     |       |
|     |                | Pos. 15 + 16                              |        |     |       |
|     |                | F 99-6S756 019>>                          |        |     |       |
|     |                | F 99-6S766 266>>                          |        |     |       |
|     |                | F 99-6S750 546>>                          |        |     |       |
|     |                | F 99-6S760 998>>                          |        |     |       |
|     |                | Order                                     |        |     |       |
|     |                | Pos. 15                                   |        |     |       |
|     |                | No longer use the part here               |        |     |       |
| 7   | 999 919 152 09 | fillister hd. bolt                        |        | 4   |       |
| 8   | 996 561 355 00 | Sealing frame                             | left   | 1   |       |
|     |                | F >> 99-6S756 018                         |        |     |       |
|     |                | F >> 99-6S766 265                         |        |     |       |
|     |                | F >> 99-6S750 545                         |        |     |       |
|     |                | F >> 99-6S760 997                         |        |     |       |
|     |                | Order                                     |        |     |       |
|     |                | Pos. 15+16                                |        |     |       |
|     |                | F 99-6S756 019>>                          |        |     |       |
|     |                | F 99-6S766 266>>                          |        |     |       |
|     |                | F 99-6S750 546>>                          |        |     |       |
|     |                | F 99-6S760 998>>                          |        |     |       |
|     |                | Order                                     |        |     |       |
|     |                | Pos. 15                                   |        |     |       |
| (8) | 996 561 356 00 | No longer use the part here Sealing frame | right  | 1   |       |
|     |                | F >> 99-6S756 018                         |        |     |       |
|     |                | F >> 99-6S766 265                         |        |     |       |
|     |                | F >> 99-6S750 545                         |        |     |       |
|     |                | F >> 99-6S760 997                         |        |     |       |
|     |                | Order                                     |        |     |       |
|     |                | Pos. 15+16                                |        |     |       |
|     |                | F 99-6S756 019>>                          |        |     |       |
|     |                | F 99-6S766 266>>                          |        |     |       |
|     |                | F 99-6S750 546>>                          |        |     |       |
|     |                | F 99-6S760 998>>                          |        |     |       |
|     |                | Order                                     |        |     |       |
|     |                | Pos. 15                                   |        |     |       |

Model: 997 05 Model life 2005>>2008

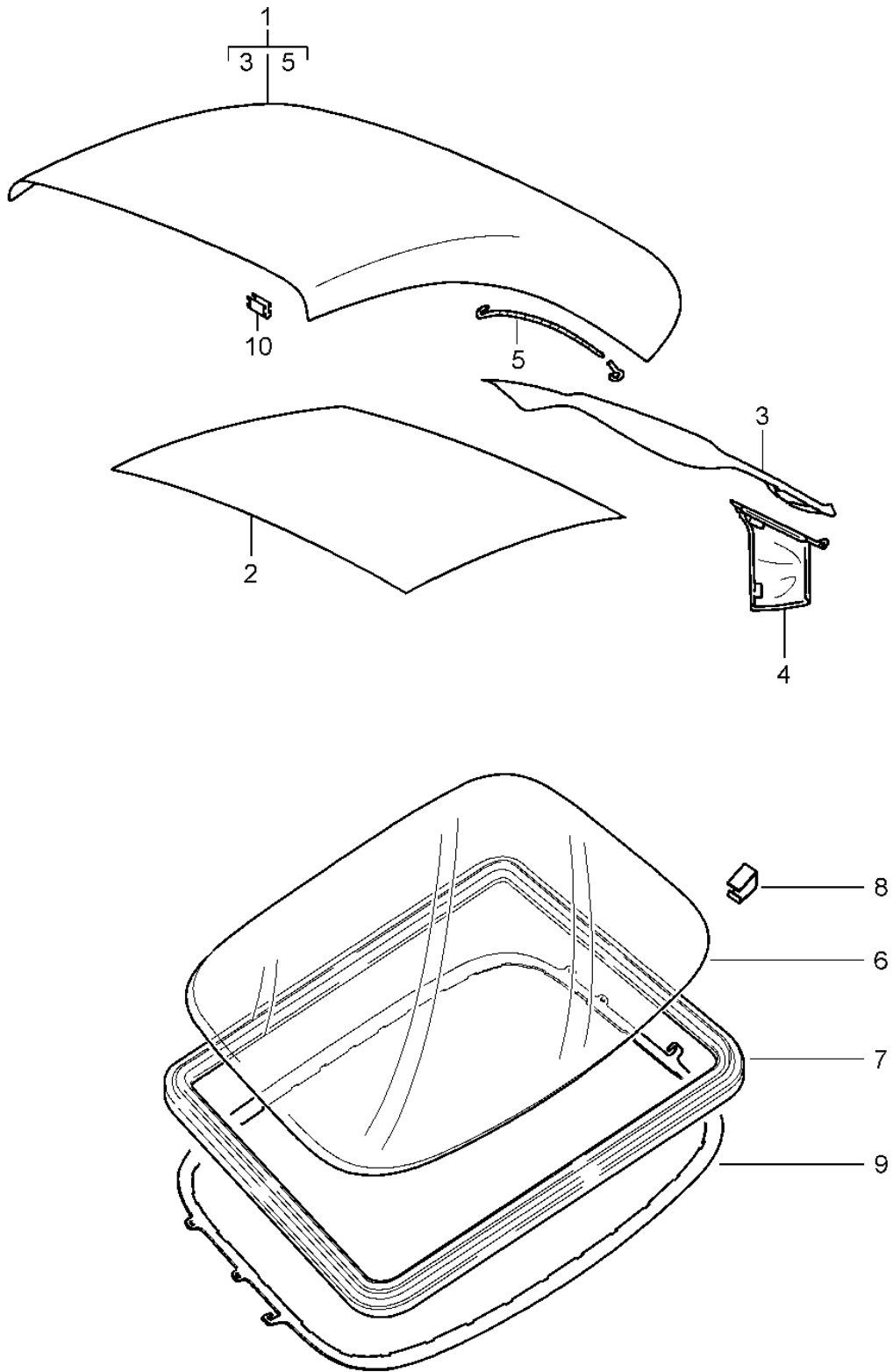
| Pos  | Part Number    | Description   | Remark | Qty | Model |
|------|----------------|---|--------|-----|-------|
| 9    | 996 561 413 00 | No longer use the part here<br>roof frame seal<br>F >> 99-6S756 018<br>F >> 99-6S766 265<br>F >> 99-6S750 545<br>F >> 99-6S760 997<br>Order<br>Pos. 15 + 16<br>F 99-6S756 019>><br>F 99-6S766 266>><br>F 99-6S750 546>><br>F 99-6S760 998>><br>Order<br>Pos. 15 | left   | 1   |       |
| 9    | 996 561 414 00 | No longer use the part here<br>roof frame seal<br>F >> 99-6S756 018<br>F >> 99-6S766 265<br>F >> 99-6S750 545<br>F >> 99-6S760 997<br>Order<br>Pos. 15 + 16<br>F 99-6S756 019>><br>F 99-6S766 266>><br>F 99-6S750 546>><br>F 99-6S760 998>><br>Order<br>Pos. 15 | right  | 1   |       |
| 10   | 999 919 152 09 | No longer use the part here<br>fillister hd. bolt   |        | 8   |       |
| 11   | 996 561 411 00 | roof frame seal<br>F >> 99-6S756 018<br>F >> 99-6S766 265<br>F >> 99-6S750 545<br>F >> 99-6S760 997<br>Order<br>Pos. 15 + 16<br>F 99-6S756 019>><br>F 99-6S766 266>><br>F 99-6S750 546>><br>F 99-6S760 998>><br>Order<br>Pos. 16                                | left   | 1   |       |
| (11) | 996 561 412 00 | No longer use the part here<br>roof frame seal<br>F >> 99-6S756 018<br>F >> 99-6S766 265<br>F >> 99-6S750 545<br>F >> 99-6S760 997<br>Order<br>Pos. 15 + 16<br>F 99-6S756 019>><br>F 99-6S766 266>><br>F 99-6S750 546>><br>F 99-6S760 998>><br>Order<br>Pos. 16 | right  | 1   |       |
| 12   | 996 561 319 00 | No longer use the part here<br>roof frame seal<br>Black<br>F >> 99-6S756 018<br>F >> 99-6S766 265<br>F >> 99-6S750 545  | left   | 1   |       |

Model: 997 05 Model life 2005>>2008

| Pos  | Part Number    | Description   | Remark         | Qty | Model |
|------|----------------|---|----------------|-----|-------|
| (12) | 996 561 320 00 | F >> 99-6S760 997<br>Order<br>Pos. 15 + 16<br>F 99-6S756 019>><br>F 99-6S766 266>><br>F 99-6S750 546>><br>F 99-6S760 998>><br>Order<br>Pos. 16<br>No longer use the part here<br>roof frame seal<br>Black<br>F >> 99-6S756 018<br>F >> 99-6S766 265<br>F >> 99-6S750 545<br>F >> 99-6S760 997<br>Order<br>Pos. 15 + 16<br>F 99-6S756 019>><br>F 99-6S766 266>><br>F 99-6S750 546>><br>F 99-6S760 998>><br>Order<br>Pos. 16<br>No longer use the part here | right          | 1   |       |
| 13   | 996 561 935 00 | Filler piece<br>Set   |                | 2   |       |
| 15   | 997 561 913 02 | Gasket set  | left           | 1   |       |
| (15) | 997 561 914 02 | Gasket set<br>Assembly kit<br>pos. 6,8,9<br>roof frame  | right<br>front | 1   |       |
| 16   | 997 561 923 00 | Gaskets   | left           | 1   |       |
| (16) | 997 561 924 00 | Gaskets<br>Assembly kit<br>Pos. 11,12<br>roof frame   | right<br>rear  | 1   |       |
| 17   | 997 561 813 00 | Filler piece  | left           | 1   |       |
| 17   | 997 561 814 00 | Filler piece  | right          | 1   |       |
| 18   | 996 561 745 00 | Stop buffer   | right          | 1   |       |

Model: 997 05

Model life 2005>>2008



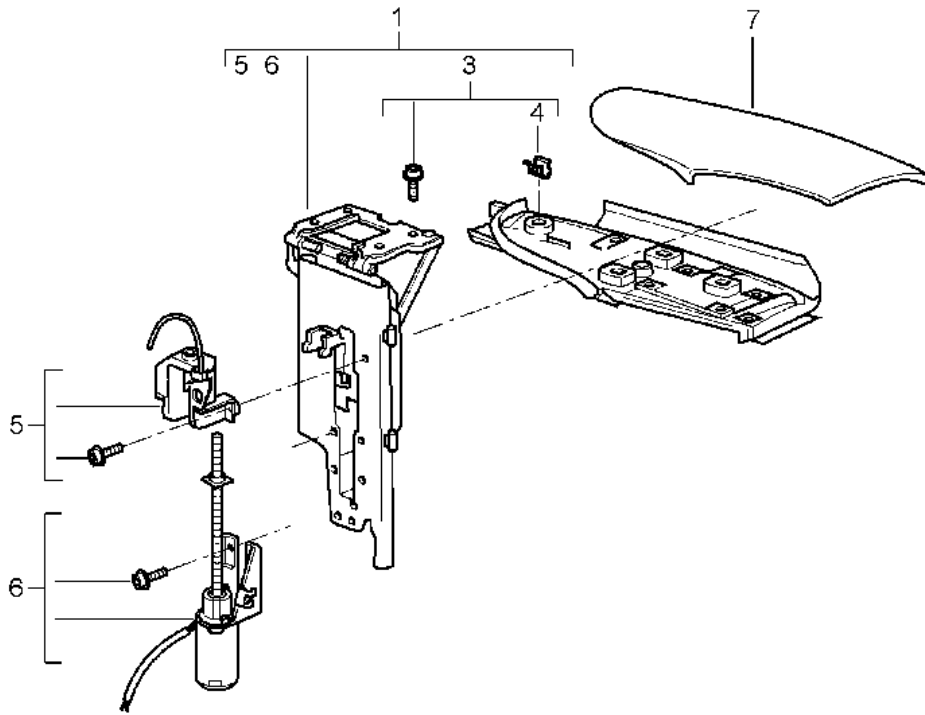
Model: 997 05 Model life 2005>>2008

| Pos | Part Number        | Description   | Remark         | Qty | Model |
|-----|--------------------|---|----------------|-----|-------|
| 1   | 997 561 901 00     | Convertible top covering<br>Roofliner<br>Convertible top covering<br>without:<br>Rear window<br>Discontinued part |                | 1   |       |
|     | 997 561 901 00 A10 | Black   |                |     |       |
|     | 997 561 901 00 C17 | Stone grey  |                |     |       |
|     | 997 561 901 00 G02 | Metropole blue  |                |     |       |
|     | 997 561 901 00 R17 | brown   |                |     |       |
| 1   | 997 561 901 01     | Convertible top covering<br>without:<br>Rear window   |                | 1   |       |
|     | 997 561 901 01 A10 | Black   |                |     |       |
|     | 997 561 901 01 C17 | Stone grey  |                |     |       |
|     | 997 561 901 01 G02 | Metropole blue  |                |     |       |
|     | 997 561 901 01 R17 | brown   |                |     |       |
| 2   | 997 561 085 01     | Roofliner<br>Discontinued part  |                | 1   |       |
|     | 997 561 085 01 A21 | Black   |                |     |       |
| 3   | 997 561 089 02     | tensioning strap  | left           | 1   |       |
| (3) | 997 561 090 01     | tensioning strap  | right          | 1   |       |
| 4   | 997 561 095 01     | Pocket  | left           | 1   |       |
|     | 997 561 095 01 A20 | Black   |                |     |       |
| (4) | 997 561 096 01     | Pocket  | right          | 1   |       |
|     | 997 561 096 01 A20 | Black   |                |     |       |
| 5   | 996 561 931 01     | tension wire  |                | 2   |       |
| 6   | 996 561 101 00     | Rear window   |                | 1   |       |
| 7   | 996 561 331 00     | Seal for rear<br>window   |                | 1   |       |
| 8   | 996 561 205 00     | Clip  |                | 32  |       |
| 9   | 996 561 203 00     | Rear window frame   |                | 1   |       |
|     |                    | also use:   | 997 561 929 00 |     |       |
| -   | 997 561 929 00     | 1 set attachment parts  |                | 1   |       |
| 10  | 997 561 915 00     | 1 set of retaining clips<br>Assembly kit  |                | 1   |       |



Model: 997 05

Model life 2005>>2008



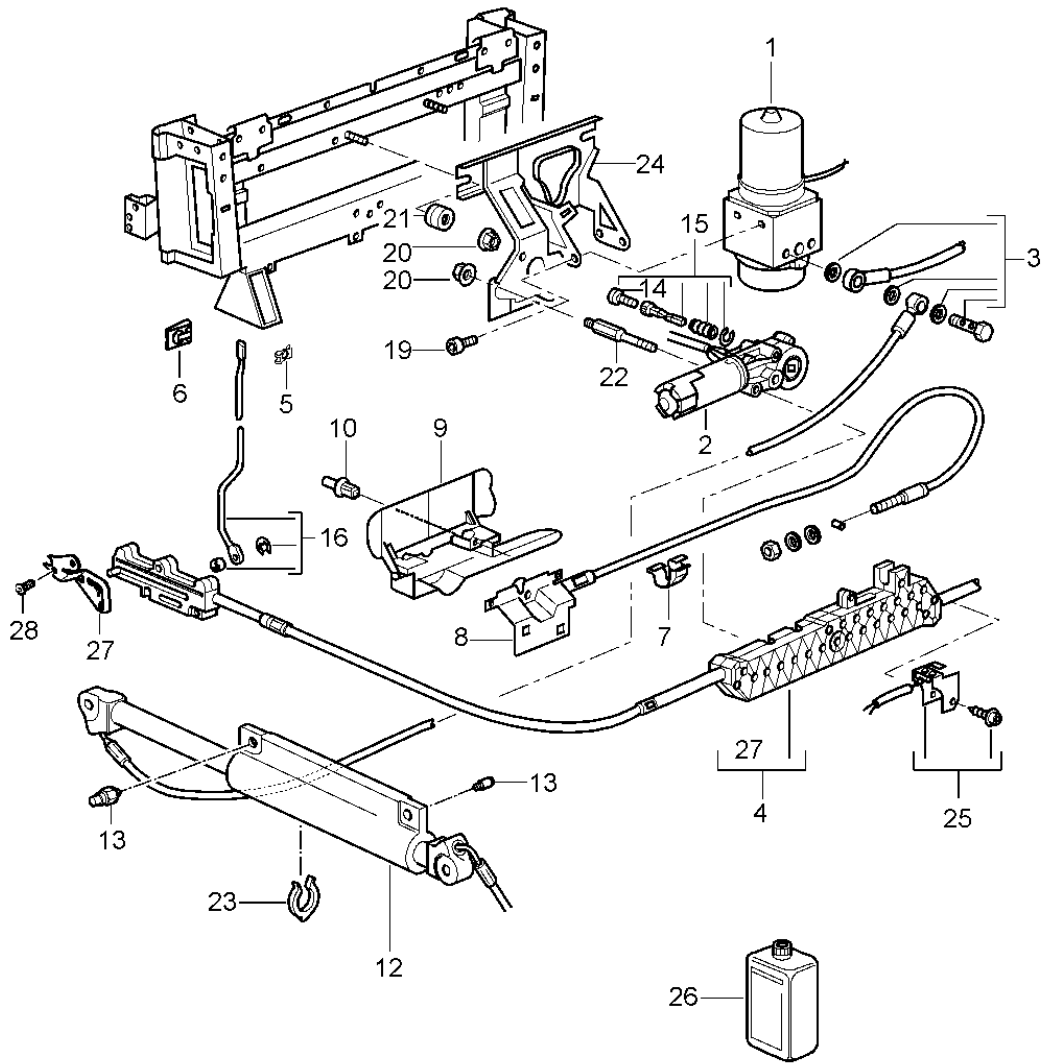
Model: 997 05

Model life 2005>>2008

| Pos | Part Number    | Description                  | Remark | Qty | Model |
|-----|----------------|------------------------------|--------|-----|-------|
|     |                | Flap                         | side   |     |       |
|     |                | Folding top                  |        |     |       |
| 1   | 996 561 175 01 | Flap for soft top box        | left   | 1   |       |
| (1) | 996 561 176 01 | Flap for soft top box        | right  | 1   |       |
| 3   | 996 561 625 00 | Lower part                   | left   | 1   |       |
| (3) | 996 561 626 00 | Lower part                   | right  | 1   |       |
| 4   | 999 507 533 02 | Clamp                        |        | X   |       |
| 5   | 996 561 685 00 | Micro switch                 | left   | 1   |       |
| (5) | 996 561 686 00 | Micro switch                 | right  | 1   |       |
| 6   | 996 561 675 00 | Driving mechanism            | left   | 1   |       |
| (6) | 996 561 676 00 | Driving mechanism            | right  | 1   |       |
| 7   |                | see illustration:<br>8/07/07 | right  | 1   |       |

Model: 997 05

Model life 2005>>2008



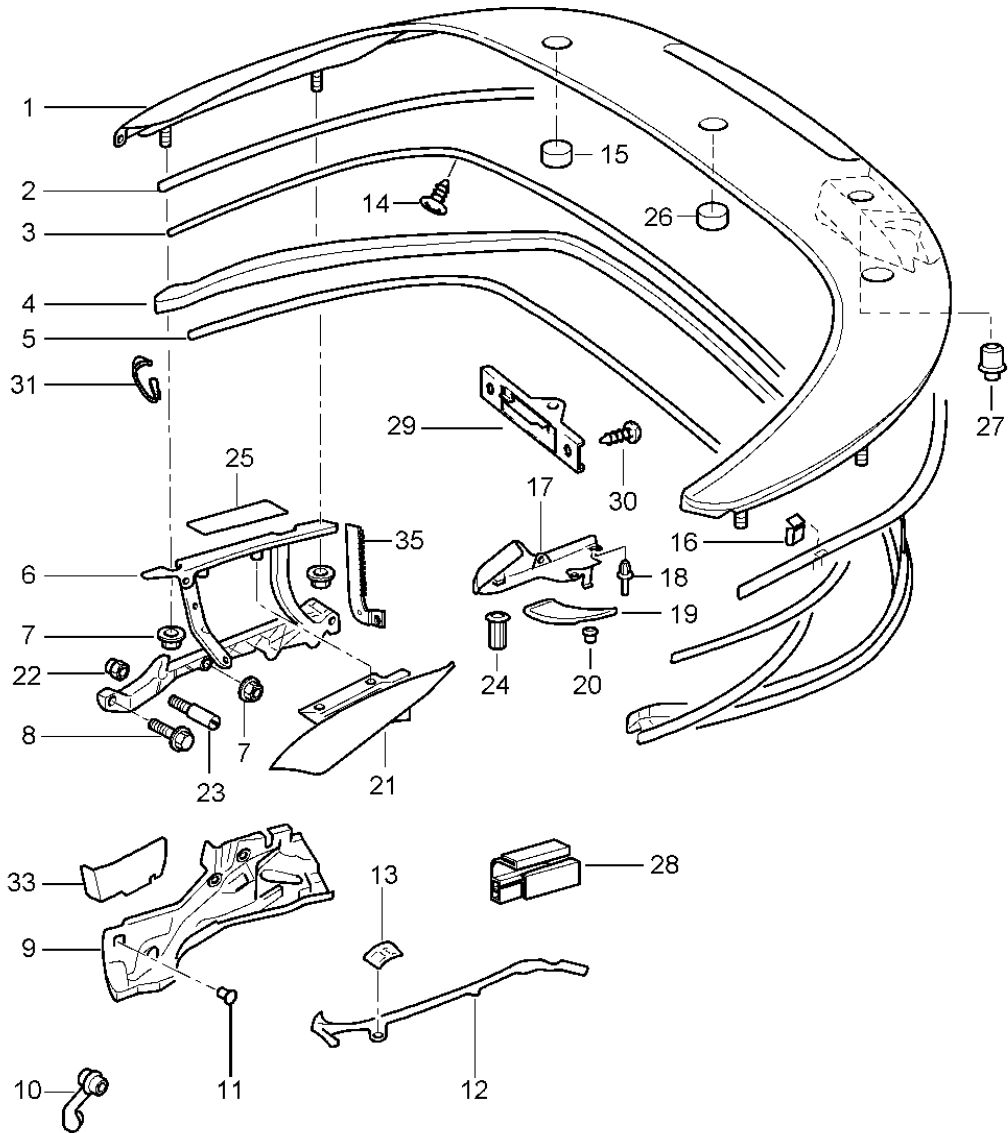
Model: 997 05

Model life 2005>>2008

| Pos  | Part Number    | Description                 | Remark | Qty | Model |
|------|----------------|-----------------------------|--------|-----|-------|
|      |                | Convertible top             |        |     |       |
|      |                | Driving mechanism           |        |     |       |
|      |                | Hydraulic                   |        |     |       |
| 1    | 996 561 307 02 | Pump                        |        | 1   |       |
| 2    | 996 561 933 01 | Engine                      |        | 1   |       |
| 3    | 996 561 573 00 | Banjo bolt                  |        | 2   |       |
| 4    | 996 561 021 04 | Driving mechanism           |        | 1   |       |
| 5    | 999 166 054 02 | Sl-lock                     |        | 2   |       |
|      |                | Discontinued part           |        |     |       |
| 5    | 999 166 054 01 | Sl-lock                     |        | 2   |       |
| 6    | 999 703 235 01 | Bonded rubber buffer        |        | 2   |       |
| 7    | 999 507 683 40 | Cable holder                |        | X   |       |
| 8    | 996 561 065 01 | Locking mechanism           |        | 1   |       |
| 9    | 996 561 265 03 | Trim                        |        | 1   |       |
| 10   | 999 591 941 40 | Spreader rivet              |        | X   |       |
| 12   | 996 561 945 02 | cylinder                    |        | 2   |       |
| 13   | 996 561 245 00 | Pin                         |        | 1   |       |
| 14   | 996 561 671 00 | Screw                       |        | 1   |       |
| 15   | 996 561 673 01 | repair set                  |        | 1   |       |
| 16   | 996 561 229 00 | slide rod                   | left   | 1   |       |
| 16   | 996 561 230 00 | slide rod                   | right  | 1   |       |
| 22   | 996 561 863 01 | Threaded pin                |        | 3   |       |
| 23   | 996 561 281 00 | Clamping ring               |        | 2   |       |
| 24   | 996 561 207 01 | Retainer for pump           |        | 1   |       |
|      |                | convertible top stowage box |        |     |       |
|      |                | Driving mechanism           |        |     |       |
| 25   | 996 561 165 00 | Micro switch                |        | 1   |       |
| 25   | 996 561 165 01 | Micro switch                |        | 1   |       |
| 26   | 000 043 204 89 | Oil                         |        | X   |       |
|      |                | 250 ML                      |        |     |       |
| 27   | 996 561 221 00 | Knock-out lever             | left   | 1   |       |
| (27) | 996 561 222 00 | Knock-out lever             | right  | 1   |       |
|      |                | gate guide                  |        |     |       |
| 28   | 999 919 205 09 | Torx screw                  |        | 2   |       |
|      |                | M6x12                       |        |     |       |

Model: 997 05

Model life 2005>>2008



Model: 997 05 Model life 2005>>2008

| Pos  | Part Number        | Description                                     | Remark | Qty | Model |
|------|--------------------|---|--------|-----|-------|
|      |                    | convertible top stowage box<br>Cover<br>Gaskets |        |     |       |
| 1    | 997 514 011 00     | cabrio top stowage box cover                    |        | 1   |       |
|      | 997 514 011 00 GRV | primed  |        |     |       |
| 2    | 996 514 631 00     | Sealing strip                                   |        | 1   |       |
|      |                    | D >> - MJ 2005                                  |        |     |       |
| 2    | 997 514 633 01     | Sealing strip                                   |        | 1   |       |
|      |                    | also use:                                       |        |     |       |
|      |                    | D - MJ 2006>>                                   |        |     |       |
| -    | 000 043 207 26     | Adhesive tape                                   |        | 1   |       |
| 3    | 996 514 731 00     | Seal  |        | 1   |       |
| 4    | 997 514 211 00     | seal for conv. top stowage box                  |        | 1   |       |
| 5    | 997 514 714 01     | Edge protection                                 |        | 1   |       |
| 6    | 996 561 907 02     | Hinge   | left   | 1   |       |
| 6    | 996 561 908 02     | Hinge   | right  | 1   |       |
| 7    | 900 377 003 02     | Hexagon nut                                     |        | 4   |       |
| 8    | 900 378 180 09     | Hexagon bolt                                    |        | 2   |       |
| 9    | 996 561 805 03     | Water drip pan                                  | left   | 1   |       |
| 9    | 996 561 806 03     | Water drip pan                                  | right  | 1   |       |
| 10   | 996 561 815 01     | Water drainage hose                             | left   | 1   |       |
| 10   | 996 561 816 01     | Water drainage hose                             | right  | 1   |       |
| -    | 996 561 809 00     | Clip<br>for<br>Pos. 10                          |        | 2   |       |
| 11   | 999 703 432 40     | Bungs   |        | 2   |       |
| 12   | 996 561 755 01     | Water deflector strip                           | left   | 1   |       |
| (12) | 996 561 756 01     | Water deflector strip                           | right  | 1   |       |
| 13   | 999 507 647 02     | Retaining plate                                 |        | 4   |       |
| 14   | 999 073 047 02     | panel screw                                     |        | 2   |       |
| 15   | 996 561 633 01     | Stop buffer                                     |        | 2   |       |
| 16   | 999 507 600 09     | U-clip  |        | 2   |       |
| 17   | 997 514 651 00     | Support   | left   | 1   |       |
| (17) | 997 514 652 00     | Support   | right  | 1   |       |
| 18   | 999 591 712 40     | Spreader rivet                                  |        | 6   |       |
| 19   | 996 504 861 00     | Cover   | left   | 1   |       |
|      | 996 504 861 00 GRV | primed  |        |     |       |
| (19) | 996 504 862 00     | Cover   | right  | 1   |       |
|      | 996 504 862 00 GRV | primed  |        |     |       |
| 21   | 996 561 061 02     | Flap for soft top box                           | left   | 1   |       |
| (21) | 996 561 062 02     | Flap for soft top box                           | right  | 1   |       |
| 22   | 999 500 086 02     | rivetted cap nut                                |        | 4   |       |
| (24) | 996 504 855 01     | Support   |        | 4   |       |
| 25   | 996 561 904 00     | Seal  |        | X   |       |
| 26   | 986 561 633 01     | Stop buffer                                     |        | 1   |       |
| 27   | 999 703 140 40     | Rubber buffer                                   |        | 1   |       |
| 28   | 996 561 401 00     | Stop  | left   | 1   |       |
| (28) | 996 561 402 00     | Stop  | right  | 1   |       |
| 29   | 996 561 465 00     | arm   |        | 1   |       |
| 30   | 999 073 130 02     | fillister hd. bolt                              |        | 2   |       |
| 31   | 996 514 511 00     | Clip  |        | 2   |       |
| 32   | 997 561 801 00     | Stop  |        | 2   |       |
|      |                    | -2MM  |        |     |       |
| 32   | 997 561 801 01     | Stop  |        | 2   |       |
|      |                    | -1MM  |        |     |       |
| 32   | 997 561 801 02     | Stop  |        | 2   |       |
|      |                    | +0  |        |     |       |
| 32   | 997 561 801 03     | Stop  |        | 2   |       |
|      |                    | +1MM  |        |     |       |
| 32   | 997 561 801 04     | Stop  |        | 2   |       |
|      |                    | +2MM  |        |     |       |
| 32   | 997 561 801 05     | Stop  |        | 2   |       |
|      |                    | +3MM  |        |     |       |

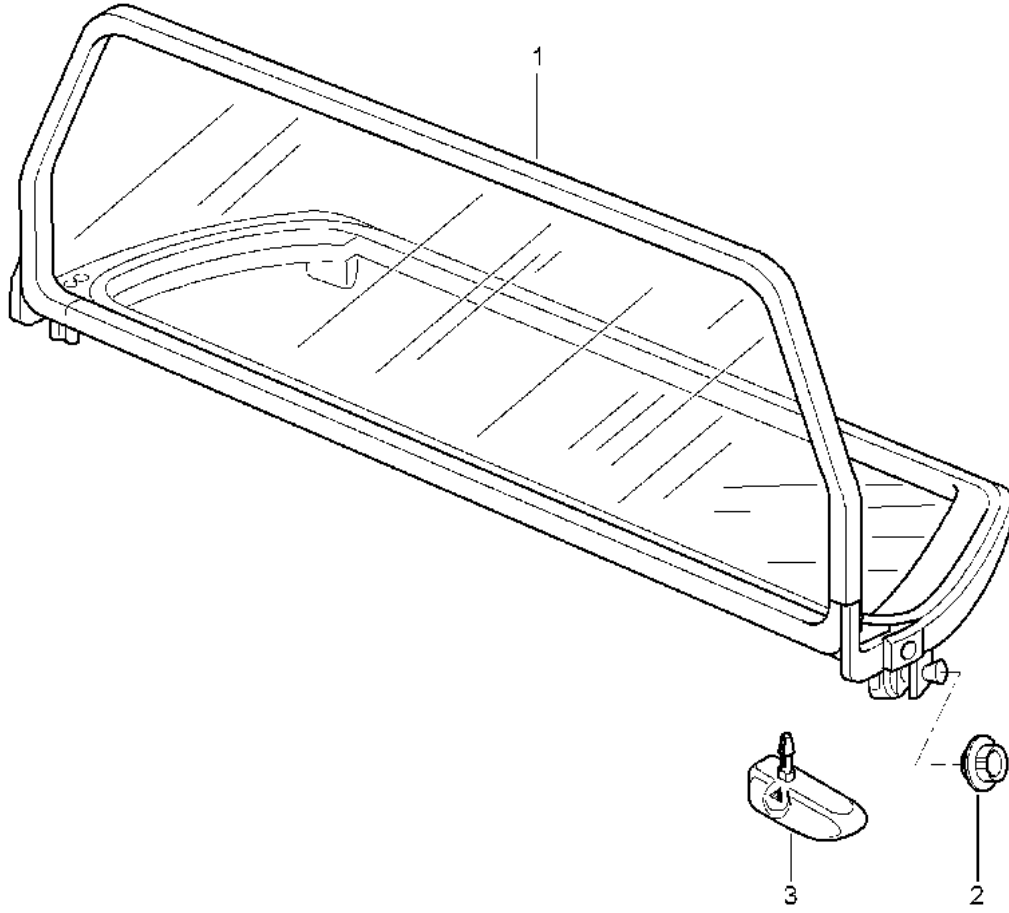
Model: 997 05

Model life 2005>>2008

| Pos  | Part Number    | Description | Remark | Qty | Model  |
|------|----------------|-------------|--------|-----|--------|
| 33   | 997 561 521 00 | Cover       | left   | 1   |        |
| (33) | 997 561 522 00 | Cover       | right  | 1   |        |
| 34   | 999 703 117 40 | Bungs       |        | 1   | CABRIO |
| 35   | 996 612 504 00 | Cable guide |        | 1   | CABRIO |
|      |                | Wire set    |        |     |        |
|      |                | Brake light |        |     |        |
| -    | 999 507 438 40 | Bracket     |        | 1   |        |

Model: 997 05

Model life 2005>>2008





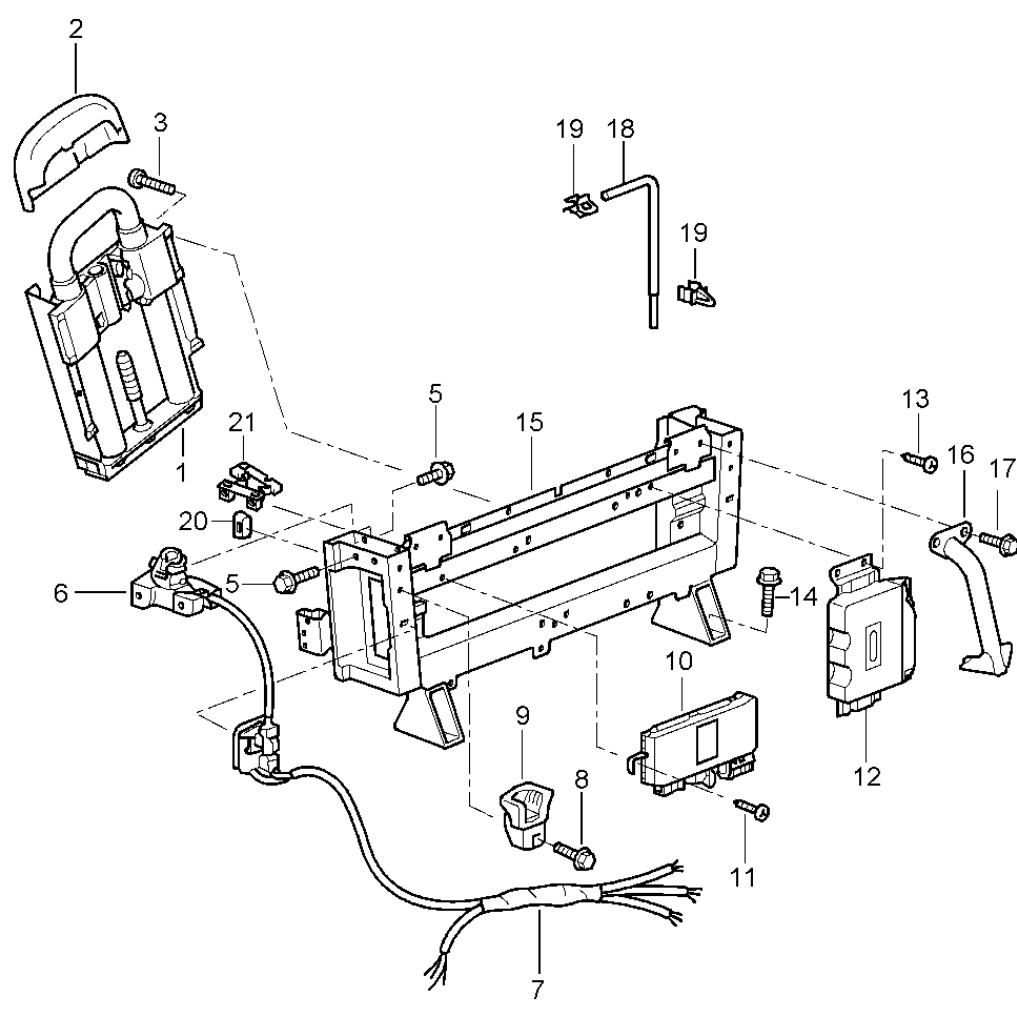
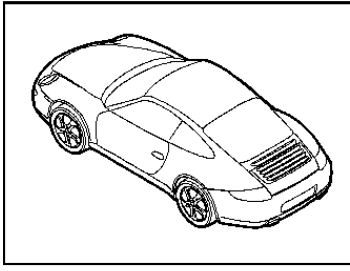
Model: 997 05

Model life 2005>>2008

| Pos | Part Number        | Description         | Remark | Qty | Model |
|-----|--------------------|---------------------|--------|-----|-------|
| 1   | 996 561 125 03     | Windbreak           |        | 1   |       |
|     | 996 561 125 03 01C | Windbreak<br>Black  |        |     |       |
| 2   | 996 561 127 00     | Rosette             | left   | 1   |       |
|     | 996 561 127 00 01C | Black               |        |     |       |
| 2   | 996 561 128 00     | Rosette             | right  | 1   |       |
|     | 996 561 128 00 01C | Black               |        |     |       |
| 3   | 996 561 955 00     | repair set          | left   | 1   |       |
| (3) | 996 561 956 00     | repair set          | right  | 1   |       |
| -   | 997 561 161 01     | Pocket<br>Windbreak |        | 1   |       |

Model: 997 05

Model life 2005>>2008

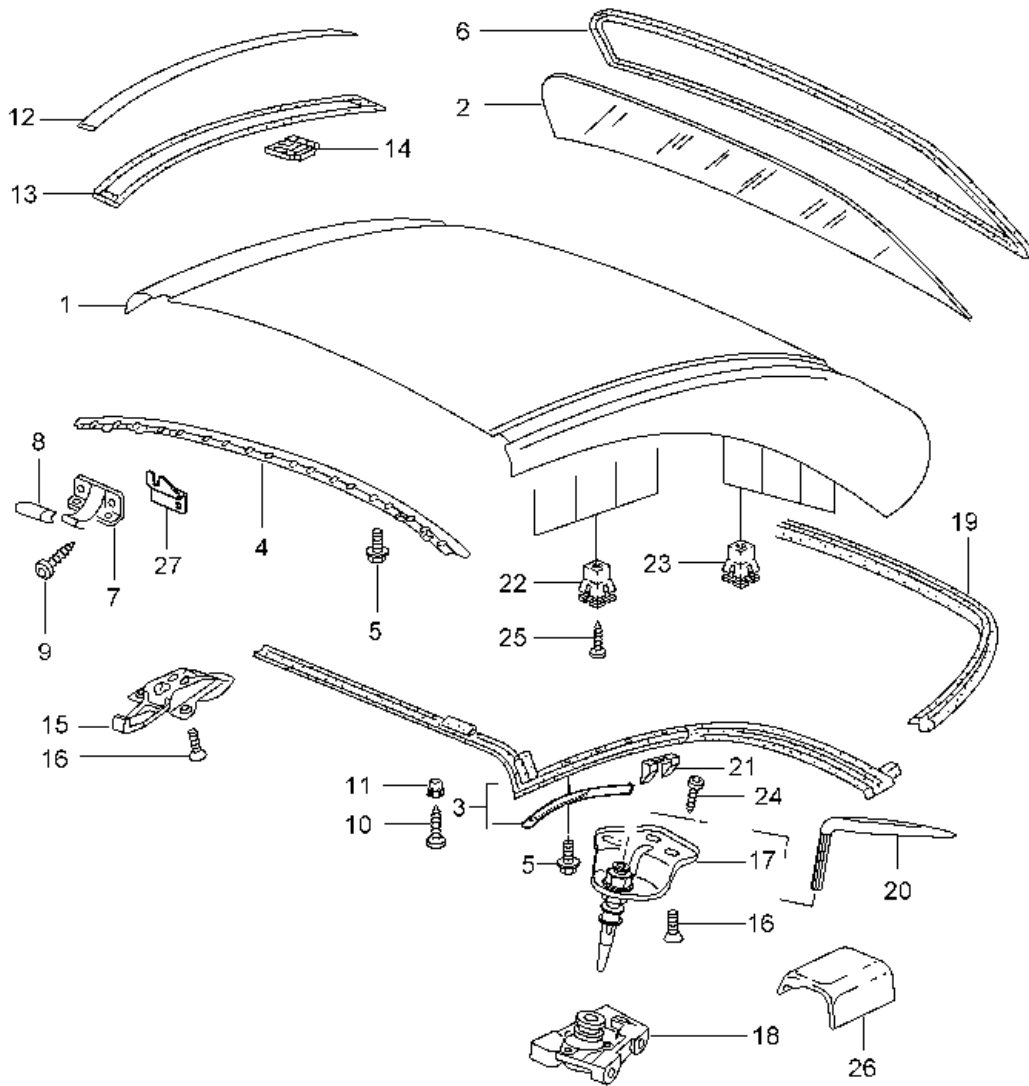


Model: 997 05 Model life 2005>>2008

| Pos  | Part Number    | Description  | Remark  | Qty | Model  |
|------|----------------|--|---------|-----|--------|
| 1    | 997 580 021 01 | roll bar<br>Cassette<br>F >> 99-6S775 280<br>F >> 99-6S775 282<br>F >> 99-6S769 549<br>F >> 99-66S75 792<br>F >> 99-6S752 046<br>F >> 99-6S752 047 |         | 2   | CABRIO |
| (1)  | 997 580 021 02 | Cassette<br>F 99-6S775 281>><br>F 99-6S775 283>><br>F 99-6S769 550>><br>F 99-66S75 793>><br>F 99-6S752 046>><br>F99X6S 752048>>                    |         | 2   |        |
| 2    | 996 580 191 01 | Cover  |         | 2   |        |
| 3    | 900 067 394 01 | Socket head bolt   |         | 12  |        |
| 5    | 900 378 173 09 | Hexagon bolt   |         | 4   |        |
| -    | 999 084 635 02 | Pull-off nut   |         | 3   |        |
| 6    |                | Support<br>see illustration:   | 811-016 | 2   | PR:550 |
| 7    | 997 612 696 00 | Wire set   |         | 1   |        |
| 8    | 900 378 173 09 | Hexagon bolt   |         | 2   |        |
| 9    | 996 561 463 02 | Guide  | left    | 1   |        |
| (9)  | 996 561 464 02 | Guide  | right   | 1   |        |
| 10   | 997 618 111 02 | Control unit for convertible roof controls<br>D - MJ 2005>> - MJ 2005  |         | 1   |        |
| 10   | 997 618 111 03 | Control unit for convertible roof controls<br>D - MJ 2006>>  |         | 1   |        |
| 11   | 999 073 060 02 | panel screw  |         | X   |        |
| 12   |                | Control unit<br>- dme -<br>see illustration:   | 901-003 | X   |        |
| 13   | 999 073 060 02 | panel screw  |         | X   |        |
| 14   | 999 072 033 09 | Hexagon bolt   |         | 4   |        |
| 15   | 997 580 311 02 | Support frame<br>F >> 99-6S775 280<br>F >> 99-6S775 281<br>F >> 99-76769 550<br>F >> 99-66757 925<br>F >> 99-86752 046<br>F >> 99-X6752 047        |         | 1   |        |
| (15) | 997 580 311 03 | Support frame<br>F 99-6S775 281>><br>F 99-6S775 282>><br>F 99-76769 551>><br>F 99-66757 926>><br>F 99-86752 047>><br>F 99-X6752 047>>              |         | 1   |        |
| -    | 999 590 050 40 | catch  |         | 4   |        |
| -    | 999 650 176 40 | Clip   |         | 3   |        |
| 16   | 997 580 331 02 | Support  | left    | 1   |        |
| (16) | 997 580 332 02 | Support  | right   | 1   |        |
| 17   | 900 378 101 09 | Hexagon bolt   |         | X   |        |
| 18   | 999 571 079 03 | screwdriver  |         | 1   |        |
| 19   | 999 507 633 40 | Clip   |         | 2   |        |
| 20   | 996 561 457 00 | Sleeve   |         | 2   |        |
| 21   | 996 561 297 00 | Insert   | left    | 1   |        |
| (21) | 996 561 298 00 | Insert   | right   | 1   |        |
| 22   | 999 217 166 01 | Hexagon bolt<br>M 10X55  |         | 2   |        |

Model: 997 05

Model life 2005>>2008



Model: 997 05 Model life 2005>>2008

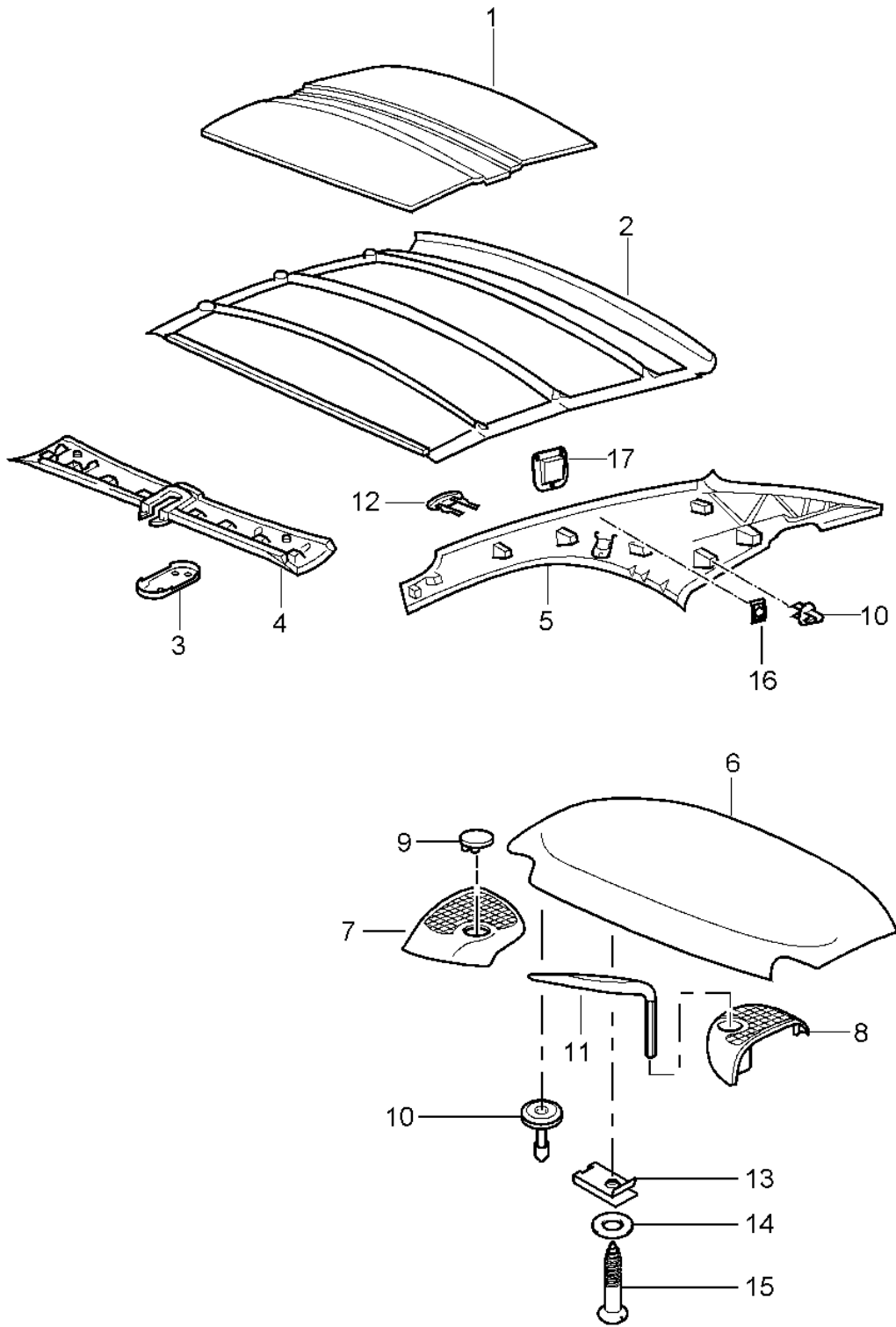
| Pos  | Part Number                          | Description  | Remark                          | Qty | Model  |
|------|--------------------------------------|--|---------------------------------|-----|--------|
|      |                                      | hardtop<br>Accessories<br>Gaskets                    |                                 |     | PR:550 |
| 1    | 996 563 911 00<br>996 563 911 00 GRV | hardtop<br>primed<br><br>without:                    |                                 | 1   |        |
| 2    | 996 563 091 00                       | Accessories<br>Rear window<br>Ready for installation |                                 | 1   |        |
| 3    | 997 563 225 00                       | roof frame seal<br><br>with:                         | rear                            | 1   |        |
| -    | 996 563 309 00                       | retaining strip<br>use if required:                  |                                 |     |        |
| -    | 996 563 310 00                       | retaining strip                                      | left<br>front<br>right<br>front | 1   |        |
| 4    | 996 563 319 00                       | retaining strip                                      |                                 | 1   |        |
| 5    | 999 073 049 02                       | panel screw<br>for<br>retaining strip                | front                           | 8   |        |
| 6    | 996 563 029 00                       | Transverse<br>Seal for rear<br>window                |                                 | 1   |        |
| 7    | 996 563 405 00                       | Centring journal                                     | left                            | 1   |        |
| (7)  | 996 563 406 00                       | Centring journal                                     | right                           | 1   |        |
| 8    | 996 563 705 01                       | Cap  | left                            | 1   |        |
| 8    | 996 563 706 01                       | Cap  | right                           | 1   |        |
| 9    | 999 919 144 09                       | fillister hd. bolt                                   |                                 | 4   |        |
| 10   | 999 073 049 02                       | panel screw  |                                 | 14  |        |
| 11   | 999 507 547 40                       | expanding nut  |                                 | 8   |        |
| 12   | 996 563 707 00                       | Cover trim   | left                            | 1   |        |
|      | 996 563 707 00 GRV                   | primed   |                                 |     |        |
| (12) | 996 563 708 00                       | Cover trim   | right                           | 1   |        |
|      | 996 563 708 00 GRV                   | primed   |                                 |     |        |
| 13   | 996 563 361 00                       | Seal   | left                            | 1   |        |
| (13) | 996 563 362 00                       | Seal   | right                           | 1   |        |
| 14   | 986 563 721 00                       | Clip   |                                 | 8   |        |
| 15   | 996 563 401 00                       | catch  |                                 | 1   |        |
| 16   | 900 249 055 09                       | countersunk bolt<br>M 6X20                           |                                 | 3   |        |
| 17   | 996 563 403 04                       | catch  | left                            | 1   |        |
| (17) | 996 563 404 04                       | catch  | right                           | 1   |        |
| 18   | 996 561 653 04                       | Support  | left                            | 1   |        |
| -    | 996 561 657 02                       | Insert   |                                 | 1   |        |
| -    | 900 249 031 09                       | countersunk bolt                                     |                                 | 6   |        |
| (18) | 996 561 654 04                       | Support  | right                           | 1   |        |
| -    | 996 561 658 02                       | Insert   |                                 | 1   |        |
| 19   | 996 563 027 01                       | Seal   |                                 | 1   |        |
| 20   | 996 563 413 01                       | Tool   |                                 | 1   |        |
| 21   | 996 563 125 00                       | Thrust wedge   |                                 | 2   |        |
| 22   | 999 507 923 40                       | expanding nut<br>green                               |                                 | 8   |        |
| 23   | 999 507 924 40                       | expanding nut<br>yellow                              |                                 | 8   |        |
| 24   | 999 450 008 09                       | panel screw  |                                 | 2   |        |
| 25   | 999 073 049 02                       | panel screw  |                                 | 16  |        |
| 26   | 996 563 421 01                       | Protective tab                                       |                                 | 2   |        |
| -    | 999 507 659 40                       | expanding nut<br>hardtop                             | left                            | 1   |        |
| -    | 999 507 662 40                       | contact carrier<br>expanding nut<br>hardtop          | right                           | 1   |        |

Model: 997 05                      Model life 2005>>2008

| Pos  | Part Number    | Description  | Remark           | Qty | Model |
|------|----------------|--|------------------|-----|-------|
| 27   | 996 563 509 00 | contact carrier<br>Bracket for trim<br>see illustration: | left<br>811-017  | 1   |       |
| (27) | 996 563 510 00 | Bracket for trim<br>see illustration:                    | right<br>811-017 | 1   |       |

Model: 997 05

Model life 2005>>2008



Model: 997 05 Model life 2005>>2008

| Pos | Part Number        | Description           | Remark | Qty | Model  |
|-----|--------------------|-----------------------|--------|-----|--------|
|     |                    | hardtop               |        |     | PR:550 |
| 1   | 996 563 523 00     | Sound absorber        |        | 1   |        |
| 2   | 996 563 111 01     | Moulded headliner     |        | 1   |        |
|     | 996 563 111 01 A21 | Black                 |        |     |        |
| 3   | 997 563 551 00     | Cover panel           |        | 1   |        |
|     | 997 563 551 00 01C | Black                 |        |     |        |
| 4   | 997 563 501 00     | Trim                  |        | 1   |        |
|     |                    | Leatherette           |        |     |        |
|     | 997 563 501 00 1MZ | Black                 |        |     |        |
|     | 997 563 501 00 1TK | Sand beige            |        |     |        |
|     | 997 563 501 00 1UL | Palm green            |        |     |        |
|     | 997 563 501 00 1VM | sea blue              |        |     |        |
|     | 997 563 501 00 1YP | Stone grey            |        |     |        |
| 5   | 997 563 503 00     | Trim                  | left   | 1   |        |
|     |                    | Leatherette           |        |     |        |
|     | 997 563 503 00 1MZ | Black                 |        |     |        |
|     | 997 563 503 00 1TK | Sand beige            |        |     |        |
|     | 997 563 503 00 1UL | Palm green            |        |     |        |
|     | 997 563 503 00 1VM | sea blue              |        |     |        |
|     | 997 563 503 00 1YP | Stone grey            |        |     |        |
| (5) | 997 563 504 00     | Trim                  | right  | 1   |        |
|     |                    | Leatherette           |        |     |        |
|     | 997 563 504 00 1MZ | Black                 |        |     |        |
|     | 997 563 504 00 1TK | Sand beige            |        |     |        |
|     | 997 563 504 00 1UL | Palm green            |        |     |        |
|     | 997 563 504 00 1VM | sea blue              |        |     |        |
|     | 997 563 504 00 1YP | Stone grey            |        |     |        |
| 6   | 996 563 505 00     | Trim                  |        | 1   |        |
|     | 996 563 505 00 A07 | Black                 |        |     |        |
|     | 996 563 505 00 B07 | Space grey            |        |     |        |
|     | 996 563 505 00 C07 | Graphite grey         |        |     |        |
|     | 996 563 505 00 G07 | Metropole blue        |        |     |        |
| 7   | 996 563 554 00     | Trim                  | right  | 1   |        |
|     | 996 563 554 00 A10 | Black                 |        |     |        |
|     | 996 563 554 00 B50 | Space grey            |        |     |        |
|     | 996 563 554 00 C50 | Graphite grey         |        |     |        |
|     | 996 563 554 00 G10 | Metropole blue        |        |     |        |
| 8   | 996 563 553 00     | Trim                  | left   | 1   |        |
|     | 996 563 553 00 A10 | Black                 |        |     |        |
|     | 996 563 553 00 B50 | Space grey            |        |     |        |
|     | 996 563 553 00 C50 | Graphite grey         |        |     |        |
|     | 996 563 553 00 G10 | Metropole blue        |        |     |        |
| 9   | 996 555 457 00     | End cap               |        | 2   |        |
|     | 996 555 457 00 A10 | Black                 |        |     |        |
|     | 996 555 457 00 C50 | Graphite grey         |        |     |        |
|     | 996 555 457 00 G10 | Metropole blue        |        |     |        |
|     | 996 555 457 00 B50 | Space grey            |        |     |        |
| 10  | 999 507 764 40     | Clip                  |        | X   |        |
| 11  | 996 563 413 01     | Tool                  |        | 1   |        |
| 12  | 996 563 561 00     | Stop buffer           |        | 2   |        |
|     | 996 563 561 00 01C | Black                 |        |     |        |
|     |                    | for                   |        |     |        |
|     |                    | sun vizors            |        |     |        |
| 13  | 999 507 139 01     | panel nut             |        | X   |        |
| 14  | 900 151 027 02     | Washer                |        | 2   |        |
| 15  | 900 143 046 02     | oval head panel screw |        | 2   |        |
|     |                    | Discontinued part     |        |     |        |
| 15  | 900 143 046 01     | oval head panel screw |        | 2   |        |
| 16  | 999 507 665 01     | Clamping washer       |        | 2   |        |
|     |                    | 6,0                   |        |     |        |
| 17  | 996 563 577 00     | Coat hook             | left   | 1   |        |
|     | 996 563 577 00 A03 | Satin black           |        |     |        |



**Model: 997 05**                      **Model life 2005>>2008**

| Pos  | Part Number                          | Description              | Remark | Qty | Model |
|------|--------------------------------------|--------------------------|--------|-----|-------|
| (17) | 996 563 578 00<br>996 563 578 00 A03 | Coat hook<br>Satin black | right  | 1   |       |



Model: 997 05 Model life 2005>>2008

| Pos  | Part Number        | Description             | Remark  | Qty | Model          |
|------|--------------------|-------------------------|---------|-----|----------------|
|      |                    | Seat belt               | front   |     | COUPE<br>TARGA |
| 1    | 997 803 033 02     | Three-point safety belt | left    | 1   |                |
|      | 997 803 033 02 A23 | Black                   |         |     | PR:555         |
|      | 997 803 033 02 N13 | guards red (Porsche)    |         |     | PR:XSX         |
|      | 997 803 033 02 U01 | silver                  |         |     | PR:XSH         |
|      | 997 803 033 02 V02 | Speed yellow            |         |     | PR:XSX         |
| (1)  | 997 803 034 04     | Three-point safety belt | right   | 1   |                |
|      | 997 803 034 04 A23 | Black                   |         |     | PR:555         |
|      | 997 803 034 04 N13 | guards red (Porsche)    |         |     | PR:XSX         |
|      | 997 803 034 04 U01 | silver                  |         |     | PR:XSH         |
|      | 997 803 034 04 V02 | Speed yellow            |         |     | PR:XSX         |
| 2    | 999 075 070 09     | Hexagon bolt            |         | 2   |                |
| 3    | 997 803 231 01     | Bracket                 |         | 2   |                |
|      |                    | Height adjustment       |         |     |                |
|      |                    | with:                   |         |     |                |
| -    | 999 075 078 01     | Fastening screw         |         | 2   |                |
| 4    | 900 067 131 02     | Hexagon bolt            |         | 2   |                |
| 5    | 996 803 825 01     | Socket head bolt        |         | 2   |                |
| 6    | 996 803 825 01     | Deflection angle        |         | 2   |                |
| 6    | 900 378 036 09     | Hexagon bolt            |         | 4   |                |
| 7    | 997 803 521 00     | Cover                   |         | 2   |                |
|      | 997 803 521 00 A03 | Black                   |         |     |                |
| 8    | 999 924 064 02     | spacer sleeve           |         | 2   |                |
|      |                    | Discontinued part       |         |     |                |
| 8    | 999 924 064 01     | spacer sleeve           |         | 2   |                |
| (8)  | 997 803 663 00     | spacer sleeve           |         | 1   | PR:388,389     |
|      |                    | D - MJ 2008>>           |         |     |                |
| 9    | 211 857 771        | Washer                  |         | 2   |                |
| (9)  | 999 028 022 01     | Spring washer           |         | 1   | PR:388,389     |
|      |                    | D - MJ 2008>>           |         |     |                |
| -    | 999 025 275 A2     | Washer                  |         | 1   | PR:388,389     |
|      |                    | D - MJ 2008>>           |         |     |                |
| 10   | 999 075 073 09     | Hexagon bolt            |         | 2   |                |
| (10) | 999 075 072 A2     | Hexagon bolt            |         | 2   | PR:388,389     |
|      |                    | D - MJ 2008>>           |         |     |                |
| 11   | 811 857 845        | Cover cap               |         | 2   |                |
|      | 811 857 845 01C    | Satin black             |         |     |                |
| 12   | 996 803 183 08     | Belt latch              |         | 1   |                |
|      |                    | (passenger side)        |         |     |                |
| (12) | 997 803 183 01     | Belt latch              |         | 1   |                |
|      |                    | (drivers side)          |         |     |                |
| 12   | 997 803 183 04     | Belt latch              |         | 1   | PR:388         |
|      |                    | (drivers side)          |         |     |                |
|      |                    | D - MJ 2008>>           |         |     |                |
| (12) | 997 803 183 04     | Belt latch              |         | 1   | PR:389         |
|      |                    | (drivers side)          |         |     |                |
|      |                    | D - MJ 2008>>           |         |     |                |
| (12) | 997 803 183 05     | Belt latch              |         | 1   | PR:389         |
|      |                    | (passenger side)        |         |     |                |
|      |                    | D - MJ 2008>>           |         |     |                |
| 12   | 997 803 183 05     | Belt latch              |         | 1   | PR:388         |
|      |                    | (passenger side)        |         |     |                |
|      |                    | D - MJ 2008>>           |         |     |                |
| 13   | 999 218 101 02     | Hexagon bolt            |         | 2   |                |
| 15   |                    | Cable                   |         | X   |                |
|      |                    | for                     |         |     |                |
|      |                    | Seat belt tensioner     |         |     |                |
|      |                    | see illustration:       | 902-010 |     |                |
| 16   | 955 803 056 00     | knob                    |         | 2   |                |
|      | 955 803 056 00 HCP | Black                   |         |     |                |
| 17   | 997 803 334 00     | clamping piece          |         | 2   |                |
|      | 997 803 334 00 01C | Black                   |         |     |                |

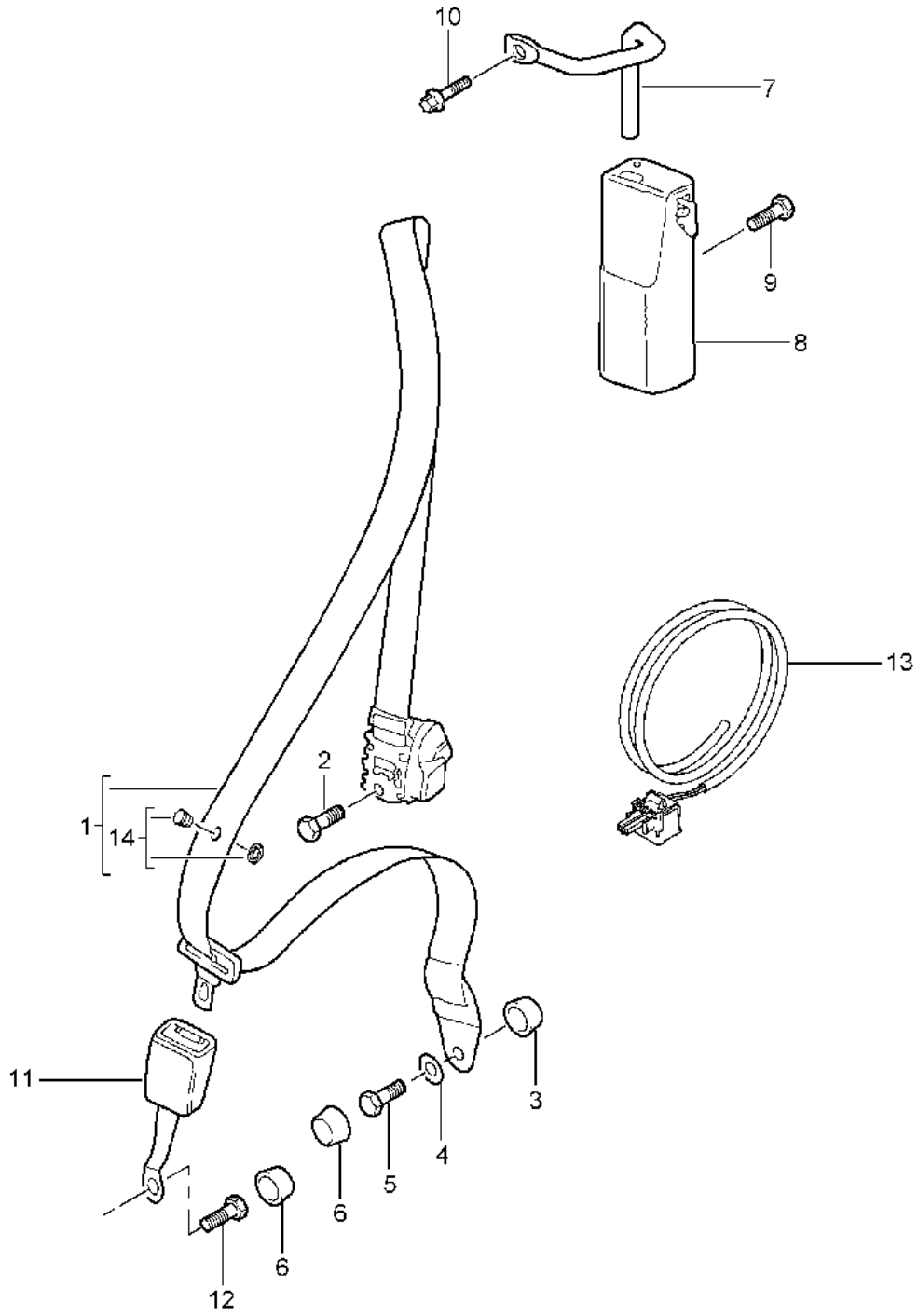
Model: 997 05

Model life 2005>>2008

| Pos | Part Number    | Description                            | Remark | Qty | Model |
|-----|----------------|--|--------|-----|-------|
| 18  | 000 043 206 96 | Clip<br>See technical manual<br>693649 |        | 2   |       |
| 19  | 999 075 078 01 | Hexagon bolt<br>7/16-20UNF             |        | 2   |       |
| 20  | 999 031 052 40 | adjusting washer<br>14,2X22,0          |        | 2   |       |

Model: 997 05

Model life 2005>>2008



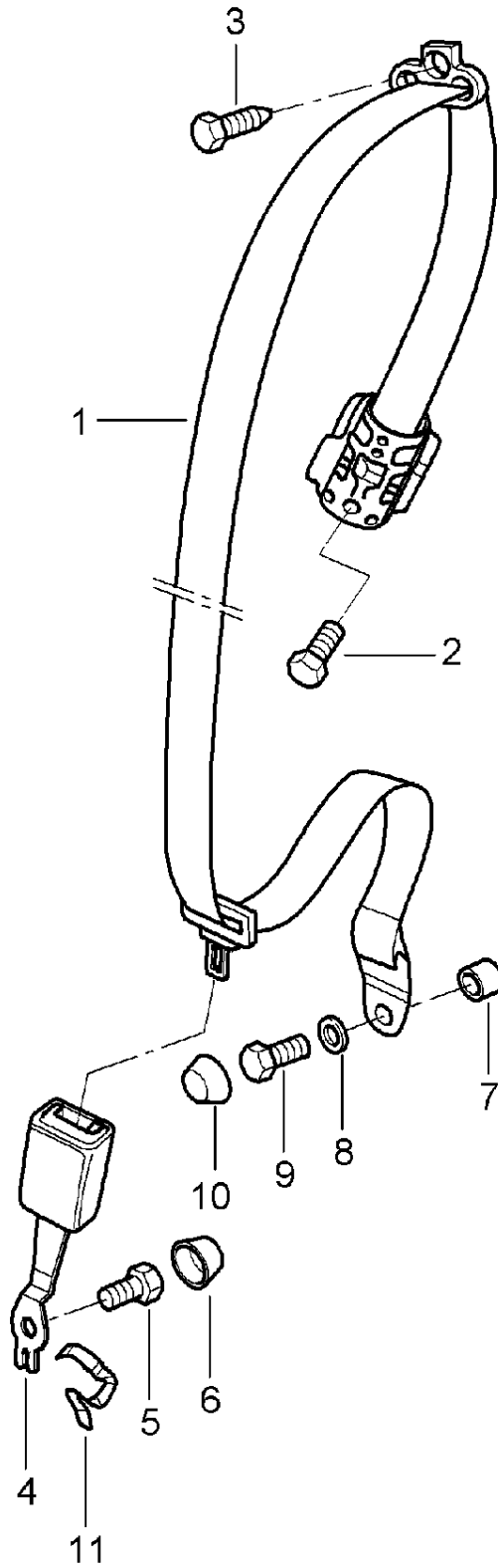
Model: 997 05

Model life 2005>>2008

| Pos  | Part Number        | Description                          | Remark        | Qty | Model      |
|------|--------------------|--------------------------------------|---------------|-----|------------|
| 1    | 997 803 033 03     | Seat belt<br>Three-point safety belt | front<br>left | 1   | CABRIO     |
|      | 997 803 033 03 A23 | Black                                |               |     | PR:555     |
|      | 997 803 033 03 N13 | guards red (Porsche)                 |               |     | PR:XSX     |
|      | 997 803 033 03 V02 | Speed yellow                         |               |     | PR:XSX     |
|      | 997 803 033 03 U01 | silver                               |               |     | PR:XSH     |
| (1)  | 997 803 034 05     | Three-point safety belt              | right         | 1   |            |
|      | 997 803 034 05 A23 | Black                                |               |     | PR:555     |
|      | 997 803 034 05 N13 | guards red (Porsche)                 |               |     | PR:XSX     |
|      | 997 803 034 05 V02 | Speed yellow                         |               |     | PR:XSX     |
|      | 997 803 034 05 U01 | silver                               |               |     | PR:XSH     |
| 2    | 999 075 070 09     | Hexagon bolt                         |               | 2   |            |
| 3    | 999 924 064 02     | spacer sleeve                        |               | 2   |            |
|      |                    | Discontinued part                    |               |     |            |
| 3    | 999 924 064 01     | spacer sleeve                        |               | 2   |            |
| (3)  | 997 803 663 00     | spacer sleeve                        |               | 1   | PR:388,389 |
|      |                    | D - MJ 2008>>                        |               |     |            |
| 4    | 211 857 771        | Washer                               |               | 2   |            |
| (4)  | 999 028 022 01     | Spring washer                        |               | 1   | PR:388,389 |
|      |                    | D - MJ 2008>>                        |               |     |            |
| -    | 999 025 275 A2     | Washer                               |               | 1   | PR:388,389 |
|      |                    | D - MJ 2008>>                        |               |     |            |
| 5    | 999 075 073 09     | Hexagon bolt                         |               | 2   |            |
| (5)  | 999 075 072 A2     | Hexagon bolt                         |               | 2   | PR:388,389 |
|      |                    | D - MJ 2008>>                        |               |     |            |
| 6    | 811 857 845        | Cover cap                            |               | 2   |            |
| 7    | 996 803 815 00     | relay lever                          | left          | 1   |            |
| 7    | 996 803 816 00     | relay lever                          | right         | 1   |            |
| 8    | 996 803 581 00     | Support                              | left          | 1   |            |
| 8    | 996 803 582 00     | Support                              | right         | 1   |            |
| 9    | 999 075 065 09     | Hexagon bolt                         |               | 4   |            |
|      |                    | M8x35                                |               |     |            |
| 10   | 900 378 017 09     | Hexagon bolt                         |               | 2   |            |
|      |                    | Belt latch<br>(drivers side)         |               |     |            |
| 11   | 996 803 183 08     | Belt latch<br>(passenger side)       |               | 1   |            |
| (11) | 997 803 183 01     | Belt latch<br>(drivers side)         |               | 1   |            |
| 11   | 997 803 183 04     | Belt latch<br>(drivers side)         |               | 1   | PR:388     |
|      |                    | D - MJ 2008>>                        |               |     |            |
| (11) | 997 803 183 04     | Belt latch<br>(drivers side)         |               | 1   | PR:389     |
|      |                    | D - MJ 2008>>                        |               |     |            |
| (11) | 997 803 183 05     | Belt latch<br>(passenger side)       |               | 1   | PR:389     |
|      |                    | D - MJ 2008>>                        |               |     |            |
| 11   | 997 803 183 05     | Belt latch<br>(passenger side)       |               | 1   | PR:388     |
|      |                    | D - MJ 2008>>                        |               |     |            |
| 12   | 999 218 101 02     | Hexagon bolt                         |               | 2   |            |
| 13   |                    | Cable<br>for<br>Seat belt tensioner  |               | X   |            |
|      |                    | see illustration:                    | 902-010       |     |            |
| 14   | 955 803 056 00     | knob                                 |               | 2   |            |
|      | 955 803 056 00 HCP | Black                                |               |     |            |
| 15   | 997 803 334 00     | clamping piece                       |               | 2   |            |
|      | 997 803 334 00 01C | Black                                |               |     |            |

Model: 997 05

Model life 2005>>2008



Model: 997 05

Model life 2005>>2008

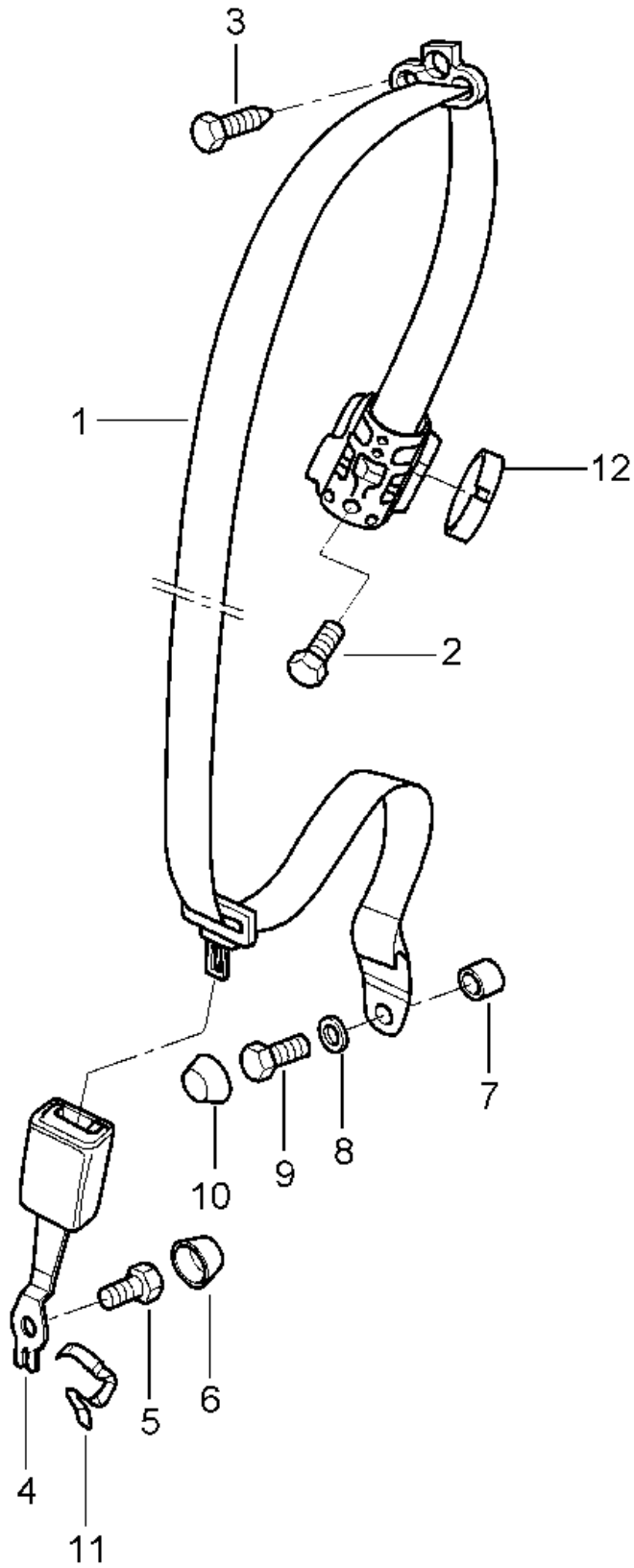
| Pos  | Part Number        | Description             | Remark | Qty | Model |
|------|--------------------|-------------------------|--------|-----|-------|
| 1    | 997 803 035 02     | Seat belt               | rear   | 1   | COUPE |
|      | 997 803 035 02 V02 | Three-point safety belt | left   |     |       |
|      | 997 803 035 02 N13 | Speed yellow            |        |     |       |
|      | 997 803 035 02 U01 | guards red (Porsche)    |        |     |       |
|      | 997 803 035 02 A23 | silver                  |        |     |       |
| (1)  | 997 803 036 02     | Black                   | right  | 1   |       |
|      | 997 803 036 02 V02 | Three-point safety belt |        |     |       |
|      | 997 803 036 02 N13 | Speed yellow            |        |     |       |
|      | 997 803 036 02 U01 | guards red (Porsche)    |        |     |       |
|      | 997 803 036 02 A23 | silver                  |        |     |       |
| 2    | 999 075 070 09     | Hexagon bolt            |        | 2   |       |
| 3    | 999 075 057 09     | Hexagon bolt            |        | 2   |       |
| 4    | 996 803 165 01     | Belt latch              | left   | 1   |       |
| (4)  | 996 803 166 01     | Belt latch              | right  | 1   |       |
| 5    | 999 075 070 09     | Hexagon bolt            |        | 2   |       |
| 6    | 811 857 845        | Cover cap               |        | 2   |       |
| 7    | 999 924 064 02     | spacer sleeve           |        | 2   |       |
|      |                    | Discontinued part       |        |     |       |
| 7    | 999 924 064 01     | spacer sleeve           |        | 2   |       |
| 8    | 211 857 771        | Washer                  |        | 2   |       |
| 9    | 999 075 073 09     | Hexagon bolt            |        | 2   |       |
| 10   | 811 857 845        | Cover cap               |        | 2   |       |
| 11   | 996 551 745 00     | Securing clip           | left   | 2   |       |
| (11) | 996 551 746 00     | Securing clip           | right  | 2   |       |

PR:193



Model: 997 05

Model life 2005>>2008



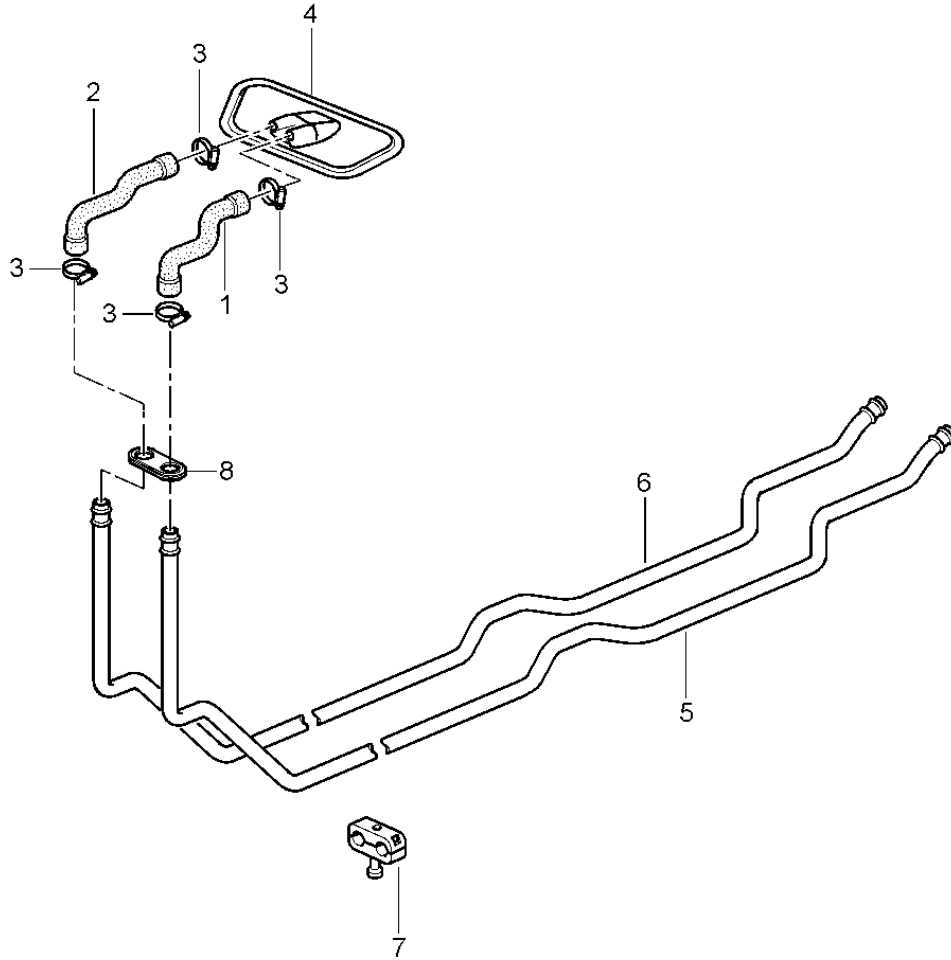
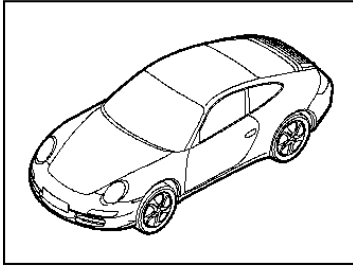
Model: 997 05

Model life 2005>>2008

| Pos | Part Number        | Description             | Remark | Qty | Model  |
|-----|--------------------|-------------------------|--------|-----|--------|
|     |                    | Seat belt               | rear   |     | CABRIO |
| 1   | 997 803 035 00     | Three-point safety belt | left   | 1   | TARGA  |
|     | 997 803 035 00 V02 | Speed yellow            |        |     | CABRIO |
|     | 997 803 035 00 N13 | guards red (Porsche)    |        |     |        |
|     | 997 803 035 00 U01 | silver                  |        |     |        |
|     | 997 803 035 00 A23 | Black                   |        |     |        |
| 1   | 997 803 035 04     | Three-point safety belt | left   | 1   | TARGA  |
|     | 997 803 035 04 V02 | Speed yellow            |        |     |        |
|     | 997 803 035 04 N13 | guards red (Porsche)    |        |     |        |
|     | 997 803 035 04 U01 | silver                  |        |     |        |
|     | 997 803 035 04 A23 | Black                   |        |     |        |
| (1) | 997 803 036 00     | Three-point safety belt | right  | 1   | CABRIO |
|     | 997 803 036 00 V02 | Speed yellow            |        |     |        |
|     | 997 803 036 00 N13 | guards red (Porsche)    |        |     |        |
|     | 997 803 036 00 U01 | silver                  |        |     |        |
|     | 997 803 036 00 A23 | Black                   |        |     |        |
| (1) | 997 803 036 04     | Three-point safety belt | right  | 1   | TARGA  |
|     | 997 803 036 04 V02 | Speed yellow            |        |     |        |
|     | 997 803 036 04 N13 | guards red (Porsche)    |        |     |        |
|     | 997 803 036 04 U01 | silver                  |        |     |        |
|     | 997 803 036 04 A23 | Black                   |        |     |        |
| 2   | 999 075 070 09     | Hexagon bolt            |        | 2   |        |
| 3   | 999 075 057 09     | Hexagon bolt            |        | 2   |        |
| 4   | 996 803 165 01     | Belt latch              | left   | 1   |        |
| (4) | 996 803 166 01     | Belt latch              | right  | 1   |        |
| 5   | 999 075 070 09     | Hexagon bolt            |        | 2   |        |
| 6   | 811 857 845        | Cover cap               |        | 2   |        |
| 7   | 999 924 064 02     | spacer sleeve           |        | 2   |        |
|     |                    | Discontinued part       |        |     |        |
| 7   | 999 924 064 01     | spacer sleeve           |        | 2   |        |
| 8   | 211 857 771        | Washer                  |        | 2   |        |
| 9   | 999 075 073 09     | Hexagon bolt            |        | 2   |        |
| 10  | 811 857 845        | Cover cap               |        | 2   |        |
|     | 811 857 845 01C    | Satin black             |        |     |        |
| 11  | 996 551 745 00     | Securing clip           |        | 2   |        |

Model: 997 05

Model life 2005>>2008



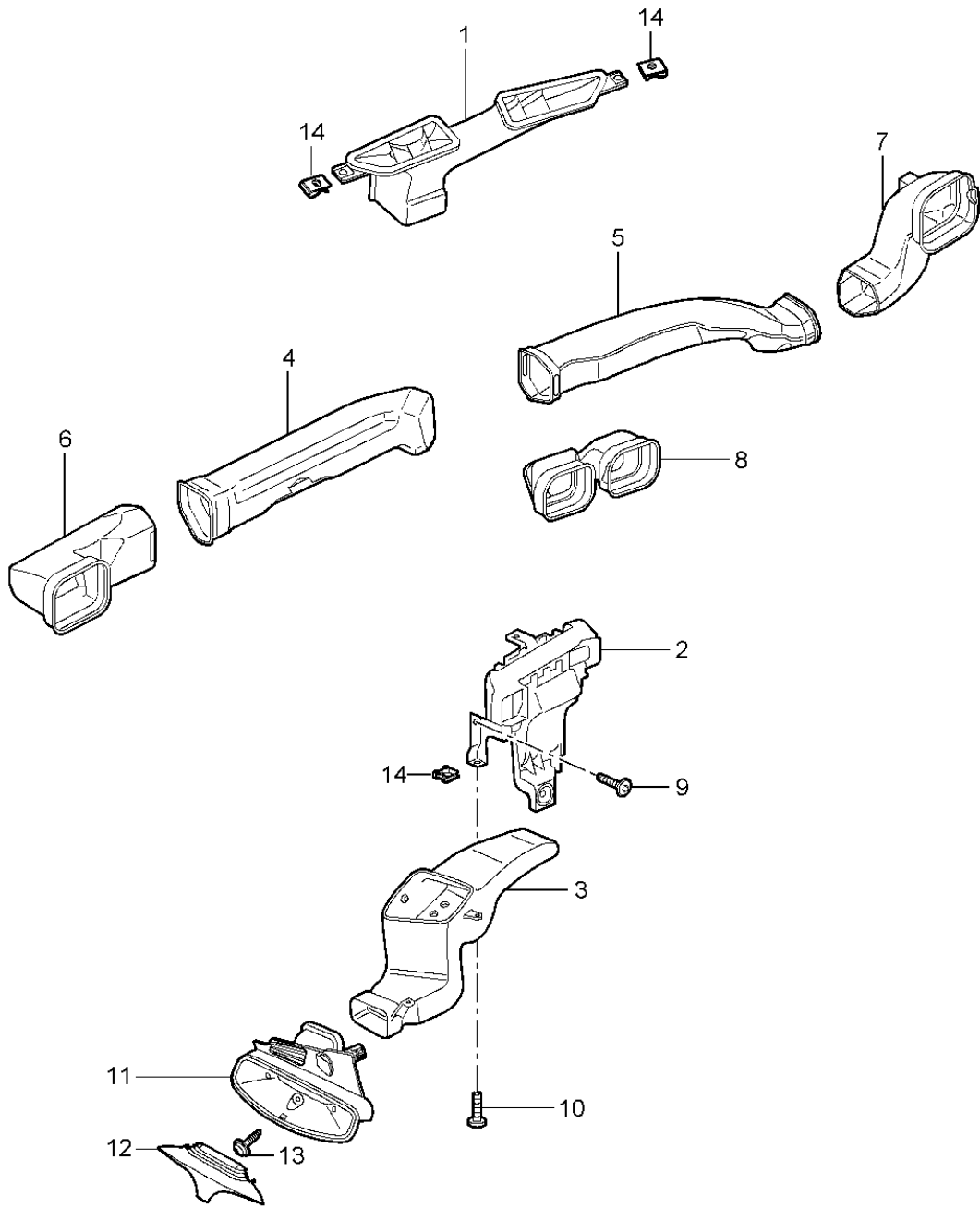
Model: 997 05

Model life 2005>>2008

| Pos | Part Number    | Description       | Remark | Qty | Model  |
|-----|----------------|-------------------|--------|-----|--------|
|     |                | Heating system 1  |        |     |        |
|     |                | Feed line         |        |     |        |
|     |                | return line       |        |     |        |
| 1   | 996 572 583 04 | Heating hose      | lhd    | 1   | PR:098 |
| (1) | 996 572 583 05 | Heating hose      | rhd    | 1   | PR:099 |
| 2   | 996 572 585 04 | Heating hose      | lhd    | 1   | PR:098 |
| (2) | 996 572 585 05 | Heating hose      | rhd    | 1   | PR:099 |
| 3   | 999 512 603 09 | Hose clamp        |        | 4   |        |
| 4   | 996 572 263 02 | Seal              | lhd    | 1   | PR:098 |
| (4) | 996 572 263 03 | Seal              | rhd    | 1   | PR:099 |
| 5   | 997 572 681 00 | Heater pipeline   |        | 1   |        |
|     |                | Supply            |        |     |        |
|     |                | Discontinued part |        |     |        |
| 6   | 997 572 683 00 | Heater pipeline   |        | 1   |        |
|     |                | Return line       |        |     |        |
|     |                | Discontinued part |        |     |        |
| -   | 996 572 785 00 | Distance piece    |        | X   |        |
| 7   | 999 511 230 40 | Cable holder      |        | 4   |        |
| -   | 999 511 232 41 | Rubber bush       |        | 4   |        |
| 8   | 996 572 765 02 | Grommet           |        | 1   |        |

Model: 997 05

Model life 2005>>2008



Model: 997 05 Model life 2005>>2008

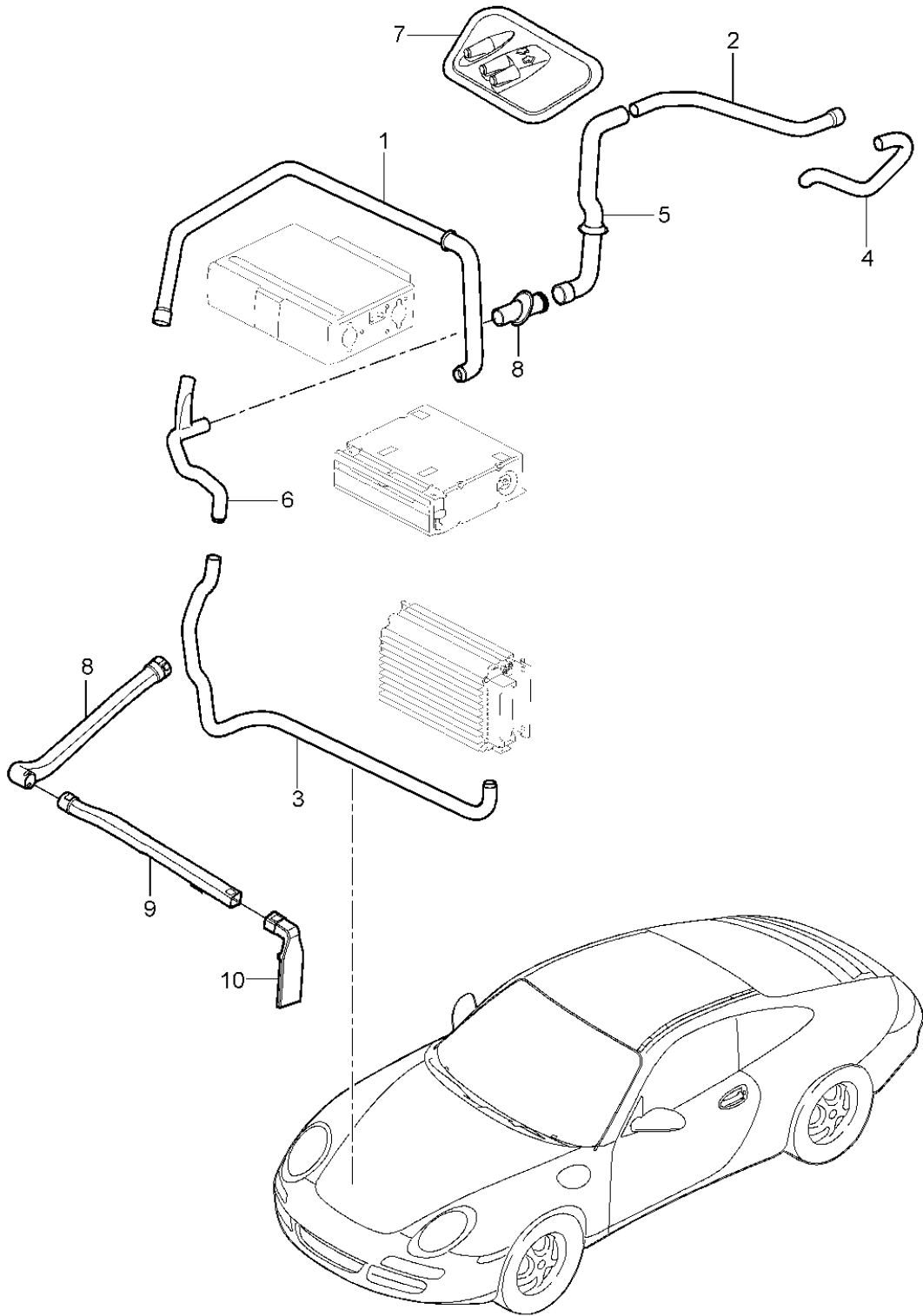
| Pos | Part Number        | Description  | Remark    | Qty | Model                |
|-----|--------------------|--|-----------|-----|----------------------|
| 1   | 997 572 631 00     | Air distributor<br>Passenger compartment<br>Defroster nozzle for wind-<br>screen | lhd       | 1   | PR:098               |
| (1) | 997 572 631 01     | Defroster nozzle for wind-<br>screen   | rhd       | 1   | PR:099               |
| 2   | 997 572 171 00     | Air distributor  | lhd       | 1   | PR:098               |
| (2) | 997 572 171 01     | Air distributor  | rhd       | 1   | PR:099               |
| 3   | 997 572 793 00     | Footwell outlet vent   | lhd       | 1   | PR:098               |
| (3) | 997 572 793 02     | Footwell outlet vent   | lhd       | 1   | PR:098,680           |
| (3) | 997 572 793 01     | Footwell outlet vent   | rhd       | 1   | PR:099               |
| (3) | 997 572 793 03     | Footwell outlet vent   | rhd       | 1   | PR:099,680           |
| 4   | 997 572 463 00     | Air guide  | left lhd  | 1   | PR:098               |
| (4) | 997 572 463 01     | Air guide  | left rhd  | 1   | PR:099               |
| 5   | 997 572 464 00     | Air guide  | right lhd | 1   | PR:098               |
| (5) | 997 572 464 01     | Air guide  | right rhd | 1   | PR:099               |
| 6   | 997 572 767 00     | Air guide  | left lhd  | 1   | PR:098               |
| (6) | 997 572 767 01     | Air guide  | left rhd  | 1   | PR:099               |
| 7   | 997 572 768 00     | Air guide  | right rhd | 1   | PR:099               |
| (7) | 997 572 768 01     | Air guide  | right lhd | 1   | PR:098               |
| 8   | 997 572 769 00     | Air guide  |           | 1   |                      |
| (8) | 997 572 769 01     | Air guide  |           | 1   |                      |
| 9   | 999 919 118 09     | fillister hd. bolt   |           | 2   |                      |
| 10  | 999 073 339 09     | panel screw  |           | 2   |                      |
| 11  | 997 572 396 00     | Trim   | lhd       | 1   | CABRIO<br>PR:098,680 |
|     |                    | D - MJ 2005>> - MJ 2005  |           |     |                      |
|     | 997 572 396 00 01C | Satin black  |           |     |                      |
| 11  | 997 572 396 02     | Trim   | lhd       | 1   | CABRIO<br>PR:098,680 |
|     |                    | D - MJ 2006>>  |           |     |                      |
|     | 997 572 396 02 01C | Satin black  |           |     |                      |
| 11  | 997 572 395 00     | Trim   | rhd       | 1   | CABRIO<br>PR:099,680 |
|     |                    | D - MJ 2005>> - MJ 2005  |           |     |                      |
|     | 997 572 395 00 01C | Satin black  |           |     |                      |
| 11  | 997 572 395 02     | Trim   | rhd       | 1   | CABRIO<br>PR:099,680 |
|     |                    | D - MJ 2006>>  |           |     |                      |
|     | 997 572 395 02 01C | Satin black  |           |     |                      |
| 11  | 997 572 396 01     | Trim   | lhd       | 1   | CABRIO<br>PR:098,680 |
|     |                    | Lacquered  |           |     |                      |
|     |                    | D - MJ 2005>> - MJ 2005  |           |     |                      |
|     | 997 572 396 01 5V7 | Stone grey   |           |     |                      |
|     | 997 572 396 01 5Y2 | Palm green   |           |     |                      |
|     | 997 572 396 01 5Z1 | Sand beige   |           |     |                      |
|     | 997 572 396 01 8P9 | Cocoa  |           |     |                      |
|     | 997 572 396 01 8W7 | sea blue   |           |     |                      |
|     | 997 572 396 01 8X8 | Terracotta   |           |     |                      |
|     | 997 572 396 01 T13 | Brown/natural  |           |     |                      |
| 11  | 997 572 396 03     | Trim   | lhd       | 1   | CABRIO<br>PR:098,680 |
|     |                    | Lacquered  |           |     |                      |
|     |                    | D - MJ 2006>>  |           |     |                      |
|     | 997 572 396 03 5V7 | Stone grey   |           |     |                      |
|     | 997 572 396 03 5Y2 | Palm green   |           |     |                      |
|     | 997 572 396 03 5Z1 | Sand beige   |           |     |                      |
|     | 997 572 396 03 8P9 | Cocoa  |           |     |                      |
|     | 997 572 396 03 8W7 | sea blue   |           |     |                      |
|     | 997 572 396 03 8X8 | Terracotta   |           |     |                      |
|     | 997 572 396 03 T13 | Brown/natural  |           |     |                      |
| 11  | 997 572 395 01     | Trim   | rhd       | 1   | CABRIO               |

Model: 997 05 Model life 2005>>2008

| Pos | Part Number        | Description                          | Remark | Qty | Model                |
|-----|--------------------|--------------------------------------|--------|-----|----------------------|
|     |                    | Lacquered<br>D - MJ 2005>> - MJ 2005 |        |     | PR:099,680           |
|     | 997 572 395 01 5V7 | Stone grey                           |        |     |                      |
|     | 997 572 395 01 5Y2 | Palm green                           |        |     |                      |
|     | 997 572 395 01 5Z1 | Sand beige                           |        |     |                      |
|     | 997 572 395 01 8P9 | Cocoa                                |        |     |                      |
|     | 997 572 395 01 8W7 | sea blue                             |        |     |                      |
|     | 997 572 395 01 8X8 | Terracotta                           |        |     |                      |
|     | 997 572 395 01 T13 | Brown/natural                        |        |     |                      |
| 11  | 997 572 395 03     | Trim                                 | rhd    | 1   | CABRIO<br>PR:099,680 |
|     |                    | Lacquered<br>D - MJ 2006>>           |        |     |                      |
|     | 997 572 395 03 5V7 | Stone grey                           |        |     |                      |
|     | 997 572 395 03 5Y2 | Palm green                           |        |     |                      |
|     | 997 572 395 03 5Z1 | Sand beige                           |        |     |                      |
|     | 997 572 395 03 8P9 | Cocoa                                |        |     |                      |
|     | 997 572 395 03 8W7 | sea blue                             |        |     |                      |
|     | 997 572 395 03 8X8 | Terracotta                           |        |     |                      |
|     | 997 572 395 03 T13 | Brown/natural                        |        |     |                      |
| 12  | 997 572 798 02     | Trim                                 | lhd    | 1   | CABRIO<br>PR:098,680 |
|     | 997 572 798 02 01C | Satin black                          |        |     |                      |
| 12  | 997 572 797 02     | Trim                                 | rhd    | 1   | CABRIO<br>PR:099,680 |
|     | 997 572 797 02 01C | Satin black                          |        |     |                      |
| 12  | 997 572 798 03     | Trim                                 | lhd    | 1   | CABRIO<br>PR:098,680 |
|     |                    | Lacquered                            |        |     |                      |
|     | 997 572 798 03 5V7 | Stone grey                           |        |     |                      |
|     | 997 572 798 03 5Y2 | Palm green                           |        |     |                      |
|     | 997 572 798 03 5Z1 | Sand beige                           |        |     |                      |
|     | 997 572 798 03 8P9 | Cocoa                                |        |     |                      |
|     | 997 572 798 03 8W7 | sea blue                             |        |     |                      |
|     | 997 572 798 03 8X8 | Terracotta                           |        |     |                      |
|     | 997 572 798 03 T13 | Brown/natural                        |        |     |                      |
| 12  | 997 572 797 03     | Trim                                 | rhd    | 1   | CABRIO<br>PR:099,680 |
|     |                    | Lacquered                            |        |     |                      |
|     | 997 572 797 03 5V7 | Stone grey                           |        |     |                      |
|     | 997 572 797 03 5Y2 | Palm green                           |        |     |                      |
|     | 997 572 797 03 5Z1 | Sand beige                           |        |     |                      |
|     | 997 572 797 03 8P9 | Cocoa                                |        |     |                      |
|     | 997 572 797 03 8W7 | sea blue                             |        |     |                      |
|     | 997 572 797 03 8X8 | Terracotta                           |        |     |                      |
|     | 997 572 797 03 T13 | Brown/natural                        |        |     |                      |
| 13  | 999 073 345 09     | Oval-head screw<br>M 5 x 18          |        | 1   | CABRIO<br>PR:680     |
| 14  | 999 507 785 02     | panel nut<br>ST 4,2                  |        | 3   |                      |
| 14  | 999 507 785 01     | panel nut<br>st 4,2                  |        | 3   |                      |

Model: 997 05

Model life 2005>>2008



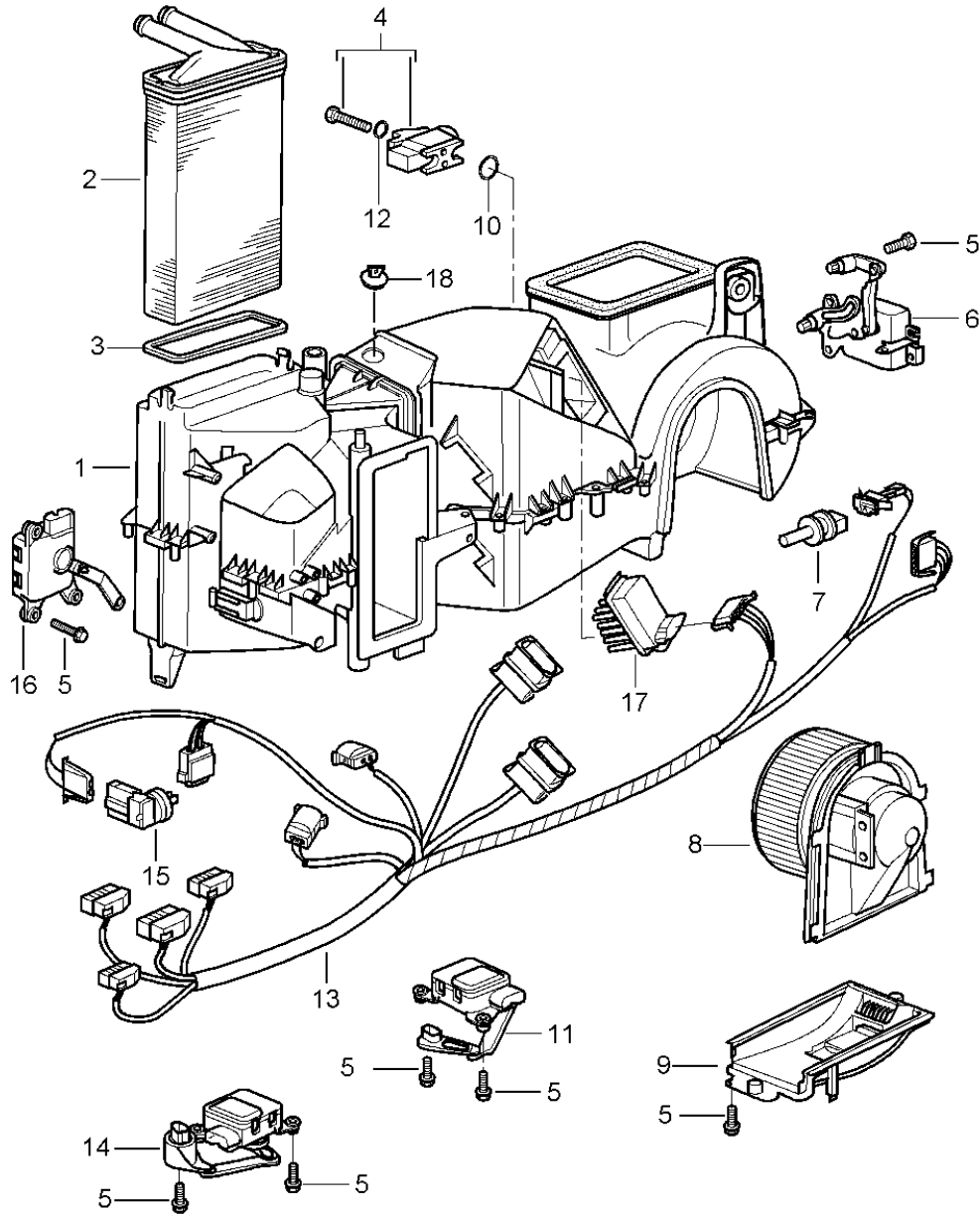
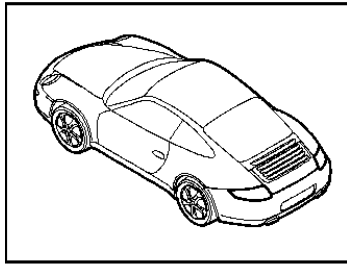


Model: 997 05 Model life 2005>>2008

| Pos | Part Number    | Description                    | Remark | Qty | Model                   |
|-----|----------------|--------------------------------|--------|-----|-------------------------|
|     |                | Luggage compartment<br>Cooling |        |     | PR:575                  |
| 1   | 997 572 588 00 | Air guide<br>DVD               |        | 1   | PR:072,215,<br>670      |
| (1) | 997 572 588 01 | Air guide<br>DVD               |        | 1   | PR:664,670              |
| 2   | 997 572 582 00 | Air guide<br>water box         |        | 1   | PR:072,215,<br>553,670  |
| 3   | 997 572 590 00 | Air guide<br>Amplifiers        |        | 1   | PR:072,215,<br>553,670  |
| 4   | 997 572 580 00 | Air guide<br>Air conditioner   |        | 1   | PR:072,215,<br>553,670  |
| 5   | 997 572 584 03 | Air guide<br>filler plate      |        | 1   | PR:072,215,<br>553,670  |
| 6   | 997 572 586 06 | Air guide<br>Amplifiers        |        | 1   | PR:072,215,<br>670      |
| (6) | 997 572 586 02 | Air guide<br>Amplifiers        |        | 1   | CARRERA 4               |
| 7   | 997 572 263 00 | Seal                           |        | 1   |                         |
| 8   | 997 572 586 03 | Air guide<br>Amplifiers        |        | 1   | CARRERA 4<br>PR:575,664 |
| 9   | 997 572 586 04 | Air guide<br>Amplifiers        |        | 1   | CARRERA 4<br>PR:575,664 |
| 10  | 997 572 586 05 | Air guide<br>Amplifiers        |        | 1   | CARRERA 4<br>PR:575,664 |
| -   | 997 572 593 01 | connection piece               |        | 1   |                         |
| -   | 999 703 009 40 | Bungs                          |        | 1   |                         |

Model: 997 05

Model life 2005>>2008



Model: 997 05 Model life 2005>>2008

| Pos  | Part Number    | Description   | Remark | Qty         | Model      |
|------|----------------|---|--------|-------------|------------|
| 1    | 997 573 901 04 | Air conditioner<br>Individual parts<br>Air conditioner<br>without:<br>heat exchanger<br>with:<br>evaporator | lhd    | 1           | PR:098,573 |
| (1)  | 996 573 901 01 | Air conditioner<br>without:<br>heat exchanger<br>with:<br>evaporator  | rhd    | 1           | PR:099,573 |
| 2    | 997 572 129 00 | heat exchanger  |        | 1           |            |
| 3    | 996 572 913 00 | Seal  |        | 1           |            |
| 4    | 996 573 929 01 | Expansion valve   |        | 1           |            |
| 5    | 900 143 102 02 | Bolt with washer  |        | X           |            |
| 6    | 996 573 915 00 | actuator motor for<br>fresh air flap  | lhd    | 1           | PR:098,573 |
|      |                | fresh air flap<br>Identification: >> >>   |        | 1<br>1<br>1 |            |
| (6)  | 996 573 915 01 | actuator motor for<br>fresh air flap<br>Identification: >> >><br>Black                                      | rhd    | 1           | PR:099,573 |
| 7    | 955 572 304 10 | Temperature sensor  |        | 1           |            |
| 8    | 996 624 107 01 | Fan   | lhd    | 1           | PR:098     |
| (8)  | 996 624 108 01 | Fan   | rhd    | 1           | PR:099     |
| 9    | 996 573 905 00 | Cover   |        | 1           |            |
| 10   | 999 707 596 40 | O-ring<br>14x1,82   |        | 1           |            |
| 11   | 996 573 919 02 | Servomotor<br>Temperature valve<br>Identification: >> >><br>pink  | lhd    | 1           | PR:098     |
| (11) | 996 573 919 03 | Servomotor<br>Temperature valve<br>Identification: >> >><br>pink  | rhd    | 1           | PR:099     |
| 12   | 999 707 534 41 | O-ring<br>17x2,00   |        | 1           |            |
| 13   | 997 612 655 02 | Wire set  | lhd    | 1           | PR:098,573 |
| (13) | 997 612 656 02 | Wire set<br>D >> - MJ 2007  | rhd    | 1           | PR:099,573 |
| (13) | 997 612 656 04 | Wire set<br>D - MJ 2008>>   | rhd    | 1           | PR:099,573 |
| (13) | 987 612 655 00 | Wire set<br>D >> - MJ 2007  | lhd    | 1           | PR:098,572 |
| (13) | 987 612 655 02 | Wire set<br>D - MJ 2008>>   | lhd    | 1           | PR:098,572 |
| (13) | 987 612 656 01 | Wire set<br>D >> - MJ 2007  | rhd    | 1           | PR:099,572 |
| (13) | 987 612 656 03 | Wire set<br>D - MJ 2008>>   | rhd    | 1           | PR:099,572 |
| 14   | 996 573 921 02 | Servomotor for defroster<br>flap<br>Identification: >> >><br>yellow   | lhd    | 1           | PR:098     |
| (14) | 996 573 921 03 | Servomotor for defroster<br>flap<br>Identification: >> >><br>yellow   | rhd    | 1           | PR:099     |

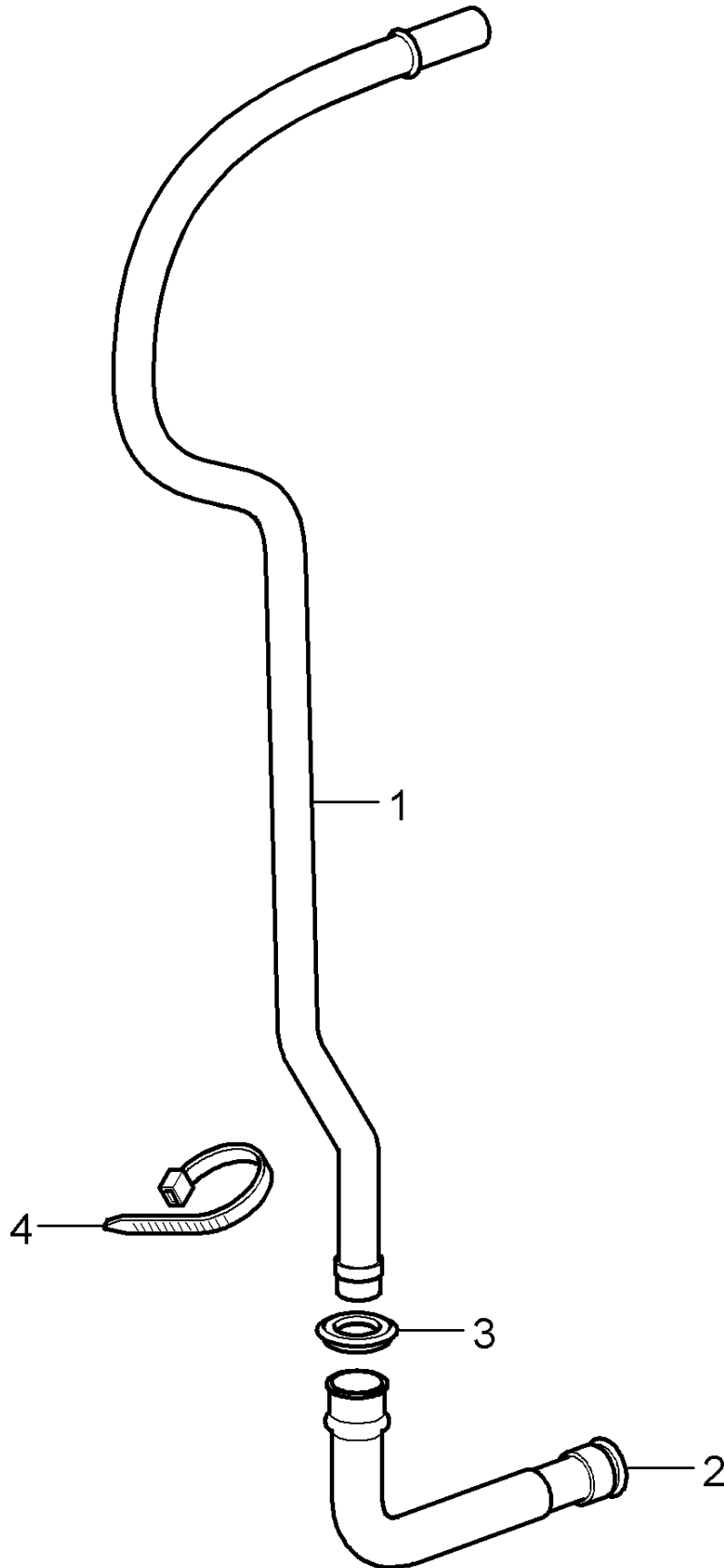
Model: 997 05

Model life 2005>>2008

| Pos  | Part Number    | Description  | Remark | Qty | Model  |
|------|----------------|--|--------|-----|--------|
| 15   | 1H0 907 543 A  | Temperature sensor   |        | 1   |        |
| 16   | 996 573 917 02 | central flap positioning motor<br>Identification: >> >><br>green | lhd    | 1   | PR:098 |
| (16) | 996 573 917 03 | central flap positioning motor<br>Identification: >> >><br>green | rhd    | 1   | PR:099 |
| 17   | 996 573 923 00 | Resistor   |        | 1   |        |
| -    | 996 573 927 00 | Blower outlet sensor   |        | 1   | PR:573 |
| -    | 1H0 819 943    | round hd. screw  |        | 2   |        |
| 18   | 997 573 935 00 | Bungs  |        | 1   |        |

Model: 997 05

Model life 2005>>2008



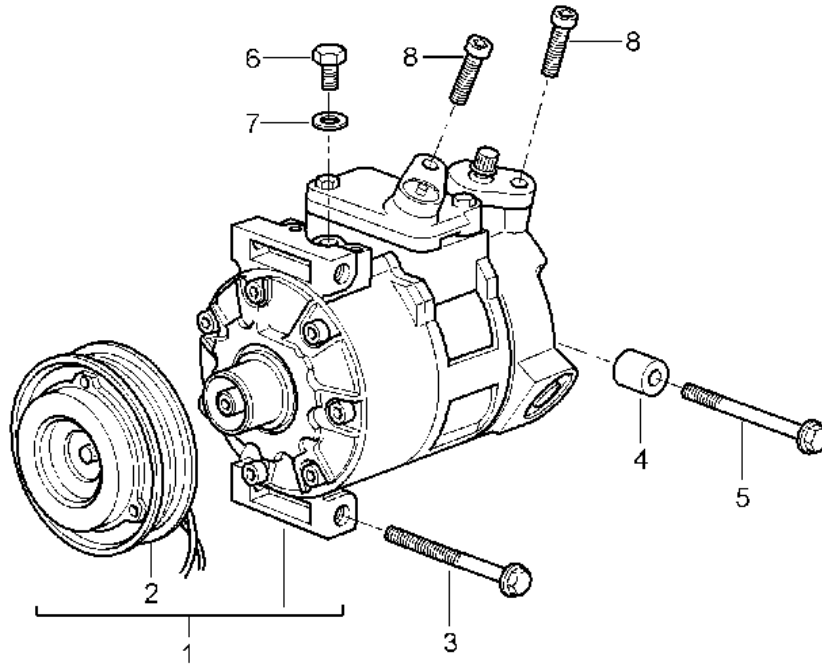
Model: 997 05

Model life 2005>>2008

| Pos | Part Number    | Description      | Remark | Qty | Model  |
|-----|----------------|------------------|--------|-----|--------|
|     |                | water drain pipe |        |     |        |
|     |                | Mount            |        |     |        |
|     |                | Air conditioner  |        |     |        |
| 1   | 996 573 793 01 | water drain pipe | lhd    | 1   | PR:098 |
| 1   | 996 573 794 01 | water drain pipe | rhd    | 1   | PR:099 |
| 2   | 996 573 797 02 | Connecting piece |        | 1   |        |
| 3   | 996 573 795 01 | Grommet          |        | 1   |        |
| 4   | 999 513 049 40 | Cable ties       |        | 1   |        |

Model: 997 05

Model life 2005>>2008



Model: 997 05

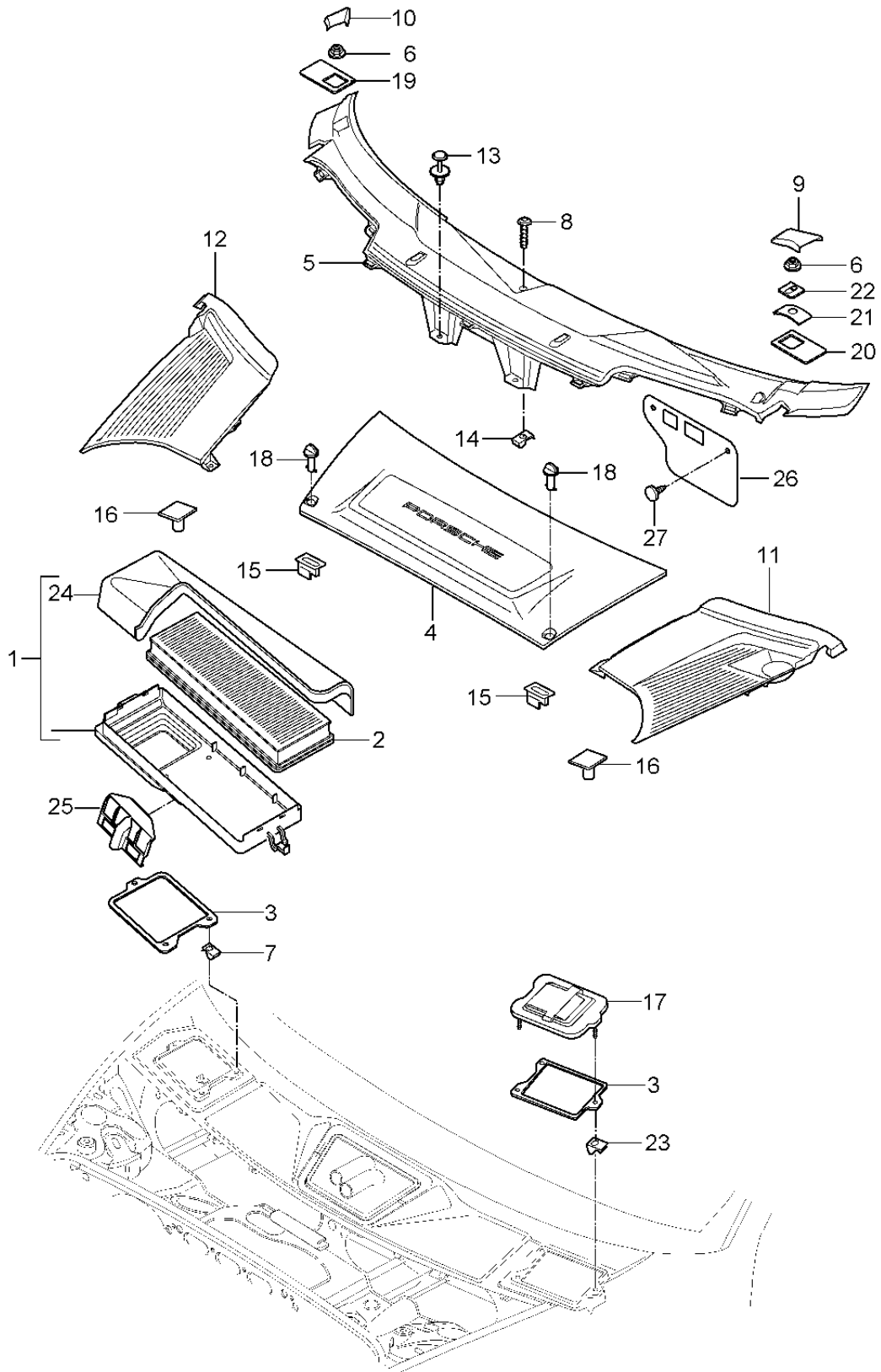
Model life 2005&gt;&gt;2008

| Pos | Part Number    | Description       | Remark | Qty | Model |
|-----|----------------|-------------------|--------|-----|-------|
| 1   | 996 126 011 52 | Compressor        |        | 1   |       |
| 2   | 996 573 926 00 | Compressor        |        | 1   |       |
| 3   | 900 378 075 09 | Magnetic coupling |        | 1   |       |
| 4   | 996 126 102 53 | Hexagon bolt      |        | 1   |       |
| 5   | 900 378 136 09 | M 8X90            |        | 1   |       |
| 6   | 996 573 926 01 | Distance piece    |        | 1   |       |
| 7   | 996 573 926 02 | Hexagon bolt      |        | 1   |       |
| 8   | 900 067 252 02 | M 8X120           |        | 1   |       |
|     |                | Oil filler screw  |        | 1   |       |
|     |                | seal ring         |        | 1   |       |
|     |                | Socket head bolt  |        | 2   |       |



Model: 997 05

Model life 2005>>2008



Model: 997 05 Model life 2005>>2008

| Pos | Part Number        | Description                   | Remark | Qty | Model  |
|-----|--------------------|-------------------------------|--------|-----|--------|
| 1   | 997 572 019 04     | Particulate filter housing    | lhd    | 1   | PR:098 |
| 1   | 997 572 019 05     | Cowl panel covering housing   | rhhd   | 1   | PR:099 |
| 2   | 997 571 219 01     | Dust and pollen filter        |        | 1   |        |
| 3   | 997 572 221 00     | Seal                          |        | 2   |        |
| 4   | 997 572 567 04     | Battery cover                 |        | 1   |        |
|     | 997 572 567 04 FMT | Black Battery                 |        |     |        |
| (4) | 997 572 729 02     | Dust and pollen filter insert | lhd    | 1   | PR:098 |
| (4) | 997 572 729 03     | Particulate filter            | rhhd   | 1   | PR:099 |
| 5   | 997 572 563 08     | Dust and pollen filter insert |        |     |        |
|     |                    | Particulate filter            |        |     |        |
|     |                    | Cover                         | lhd    | 1   | PR:098 |
|     |                    | Scuttle                       |        |     |        |
|     | 997 572 563 08 FMT | Black                         |        |     |        |
| 5   | 997 572 563 05     | Cover                         | rhhd   | 1   | PR:099 |
|     |                    | D >> - MJ 2005                |        |     |        |
|     |                    | Discontinued part             |        |     |        |
|     | 997 572 563 05 FMT | Black                         |        |     |        |
| (5) | 997 572 563 09     | Cover                         | rhhd   | 1   | PR:099 |
|     |                    | Scuttle                       |        |     |        |
|     |                    | D - MJ 2006>>                 |        |     |        |
|     | 997 572 563 09 FMT | Black                         |        |     |        |
| 6   | 999 076 071 02     | Hexagon nut                   |        | 2   |        |
|     |                    | M6                            |        |     |        |
| 7   | 999 507 348 01     | panel nut                     |        | 3   |        |
| 8   | N 906 487 02       | Oval hexagon socket head bolt |        | 1   |        |
| 9   | 997 572 569 04     | Cover cap                     | left   | 2   | PR:098 |
|     | 997 572 569 04 FMT | Black                         |        |     |        |
| 9   | 997 572 569 05     | Cover cap                     | left   | 2   | PR:099 |
|     | 997 572 569 05 FMT | Black                         |        |     |        |
| 10  | 997 572 570 04     | Cover cap                     | right  | 1   | PR:098 |
|     | 997 572 570 04 FMT | Black                         |        |     |        |
| 10  | 997 572 570 05     | Cover cap                     | right  | 1   | PR:099 |
|     | 997 572 570 05 FMT | Black                         |        |     |        |
| 11  | 997 572 361 06     | Plenum chamber cover          | left   | 1   |        |
|     |                    | Discontinued part             |        |     |        |
|     | 997 572 361 06 02A | Black                         |        |     |        |
| 11  | 997 572 361 07     | Plenum chamber cover          | left   | 1   |        |
|     | 997 572 361 07 02A | Black                         |        |     |        |
| 12  | 997 572 362 07     | Plenum chamber cover          | right  | 1   |        |
|     |                    | Discontinued part             |        |     |        |
|     | 997 572 362 07 02A | Black                         |        |     |        |
| 12  | 997 572 362 08     | Plenum chamber cover          | right  | 1   |        |
|     | 997 572 362 08 02A | Black                         |        |     |        |
| 13  | 999 507 497 40     | Spreader rivet                |        | 2   |        |
|     |                    | 8 X 14                        |        |     |        |
| 14  | 999 507 834 41     | expanding nut                 |        | 1   |        |
|     |                    | ST 4,8                        |        |     |        |
| 15  | 999 590 046 40     | Cam disc                      |        | 2   |        |
| 16  | 999 902 046 40     | catch                         |        | 1   |        |
| 17  | 997 572 419 02     | Cover                         |        | 2   |        |
|     |                    | D >> - MJ 2007                |        |     |        |
| 17  | 997 572 419 03     | Cover                         |        | 2   |        |
|     |                    | D - MJ 2008>> - MJ 2008       |        |     |        |
| 18  | 997 572 867 00     | Locking bolt                  |        | 2   |        |
|     | 997 572 867 00 02A | Black                         |        |     |        |
| 18  | 997 572 867 01     | Locking bolt                  |        | 2   |        |
|     | 997 572 867 01 02A | Black                         |        |     |        |
| 19  | 997 572 842 00     | Pressure plate                |        | 1   |        |
|     |                    | (passenger side)              |        |     |        |
|     |                    | D >> - MJ 2006                |        |     |        |

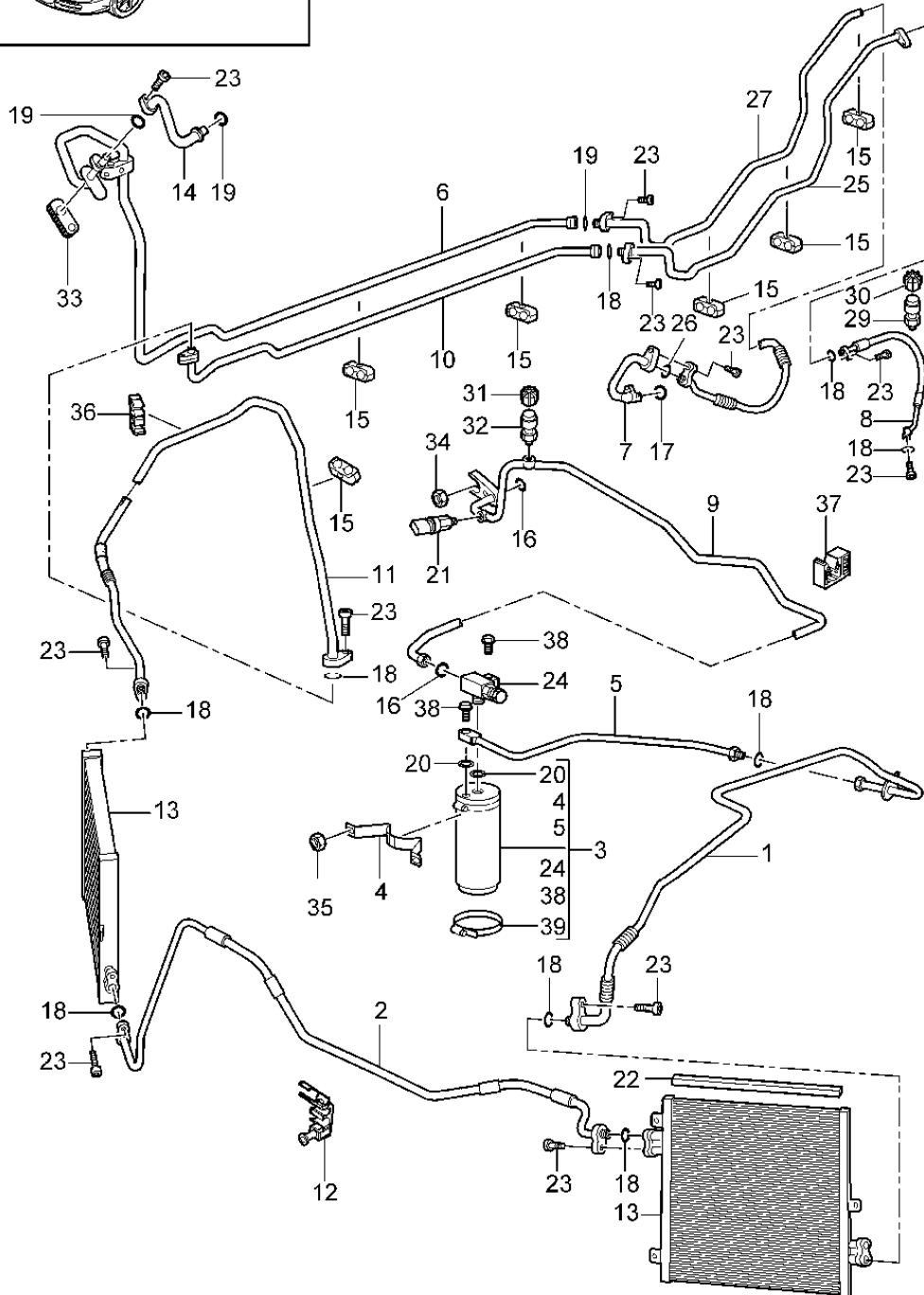
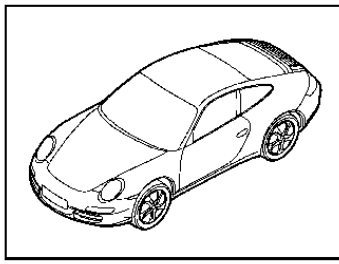
Model: 997 05

Model life 2005>>2008

| Pos  | Part Number    | Description  | Remark    | Qty | Model  |
|------|----------------|--|-----------|-----|--------|
| 19   | 997 572 842 01 | Discontinued part<br>Pressure plate<br>(passenger side)<br>D - MJ 2007>> | right lhd | 1   | PR:098 |
| 19   | 997 572 842 02 | Pressure plate<br>(passenger side)<br>D - MJ 2007>>                      | left rhd  | 1   | PR:099 |
| 20   | 997 572 841 00 | Pressure plate<br>(drivers side)   |           | 1   |        |
| 21   | 997 572 837 00 | spring plate<br>(drivers side)   |           | 1   |        |
| 22   | 997 572 533 00 | Retaining plate<br>(drivers side)  |           | 1   |        |
| 23   | 999 591 855 02 | panel nut  |           | 3   |        |
| 24   | 997 572 729 02 | Dust and pollen filter insert<br>Particulate filter                      | lhd       | 1   | PR:098 |
| (24) | 997 572 729 03 | Dust and pollen filter insert<br>Particulate filter                      | rhd       | 1   | PR:099 |
| 25   | 997 572 862 01 | Support  |           | 1   |        |
| 26   | 997 572 763 00 | Cover  |           | 1   |        |
| 27   | 999 703 432 40 | Bungs<br>8,0<br>12,2 X 25  |           | 2   |        |

Model: 997 05

Model life 2005>>2008



Model: 997 05 Model life 2005>>2008

| Pos | Part Number    | Description   | Remark | Qty | Model  |
|-----|----------------|---|--------|-----|--------|
| 1   | 997 573 105 00 | refrigerant circuit<br>Pressure line<br>Discontinued part |        | 1   |        |
| 1   | 997 573 105 02 | Pressure line   |        | 1   |        |
| 2   | 997 573 103 00 | Pressure line   |        | 1   |        |
| 3   | 996 573 043 00 | Drier   |        | 1   |        |
| 4   | 996 573 451 00 | bracket for drier   |        | 1   |        |
| 5   | 996 573 106 00 | Refrigerant line  |        | 1   |        |
| 6   | 996 573 091 01 | suction line  |        | 1   |        |
| 7   | 997 573 099 01 | Refrigerant line  |        | 1   |        |
| 8   | 997 573 097 00 | Pressure line<br>Discontinued part                        |        | 1   |        |
| 8   | 997 573 097 02 | Pressure line   |        | 1   |        |
| 9   | 997 573 108 02 | Pressure line   | lhd    | 1   | PR:098 |
| (9) | 997 573 108 01 | Pressure line<br>Discontinued part                        | rhd    | 1   | PR:099 |
| (9) | 997 573 108 03 | Pressure line   | rhd    | 1   | PR:099 |
| 10  | 996 573 092 02 | Pressure line   |        | 1   |        |
| 11  | 997 573 094 00 | Pressure line   |        | 1   |        |
| 12  | 996 347 543 00 | Cable holder  |        | 2   |        |
| 13  | 996 573 111 03 | Condenser   |        | 2   |        |
| 14  | 996 573 093 06 | suction line  | lhd    | 1   | PR:098 |
| 14  | 996 573 093 07 | suction line  | rhd    | 1   | PR:099 |
| 15  | 999 511 230 40 | Cable holder  |        | X   |        |
|     |                | also use:   |        |     |        |
| -   | 999 511 231 41 | Rubber bush   |        | X   |        |
| 16  | 999 707 247 40 | O-ring<br>7,5X2   |        | 2   |        |
| 17  | 999 707 439 41 | O-ring<br>23,8X2,4  |        | 8   |        |
| 18  | 999 707 434 41 | O-ring<br>10,6X2  |        | 8   |        |
| 19  | 999 707 534 41 | O-ring<br>17X2  |        | 3   |        |
| 20  | 999 707 262 40 | O-ring<br>6,7X1,8   |        | X   |        |
| 21  | 1K0 959 126 B  | Pressure sensor<br>use if required:<br>Discontinued part  |        | 1   |        |
| 21  | 955 613 137 01 | Pressure sensor<br>use if required:<br>Discontinued part  |        | 1   |        |
| 21  | 955 613 137 02 | Pressure sensor<br>use if required:                       |        | 1   |        |
| -   | 999 707 555 41 | O-ring<br>10,8 X 1,8                                      |        | 1   |        |
| 22  | 996 573 711 00 | Cover trim  |        | 2   |        |
| 23  | 900 067 019 03 | Socket head bolt  |        | X   |        |
| 24  | 993 573 243 00 | Distributor   |        | 1   |        |
| 25  | 997 573 096 01 | Pressure line   |        | 1   |        |
| 26  | 999 707 558 41 | O-ring<br>13,7x2,5  |        | X   |        |
| 27  | 997 573 095 02 | suction line  |        | 1   |        |
| 29  | 996 573 465 00 | Valve   |        | 1   |        |
| 30  | 944 573 663 01 | Cap   |        | 1   |        |
| 31  | 944 573 663 02 | Cap   |        | 1   |        |
| 32  | 996 573 465 00 | Valve   |        | 1   |        |
| 33  | 996 573 769 01 | Grommet   |        | 1   |        |
| 34  | 900 377 010 09 | Hexagon nut<br>M 6  |        | 1   |        |
| 35  | 900 380 015 09 | Hexagon nut<br>M6   |        | 2   |        |
| 36  | 996 355 547 01 | Bracket   |        | 1   |        |

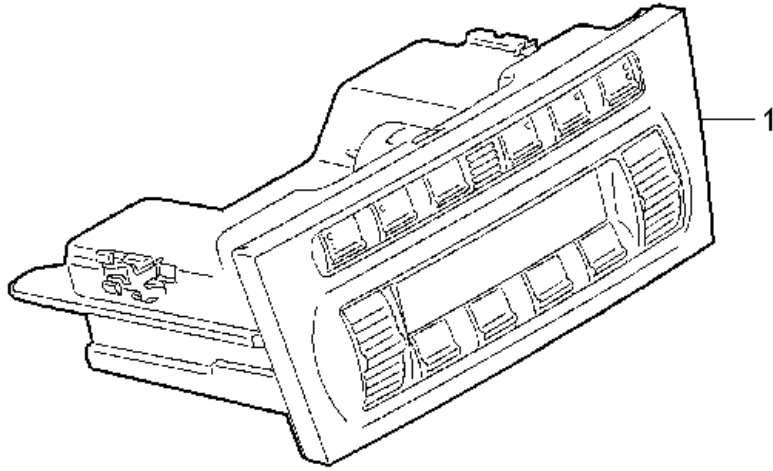
Model: 997 05

Model life 2005&gt;&gt;2008

| Pos | Part Number    | Description            | Remark | Qty | Model |
|-----|----------------|------------------------|--------|-----|-------|
| 37  | 999 591 922 40 | Bracket                |        | 1   |       |
| 38  | 900 075 340 01 | Bolt with washer       |        | 2   |       |
| 39  | 999 512 349 01 | Hose clamp<br>A50-70/9 |        | 1   |       |

Model: 997 05

Model life 2005>>2008



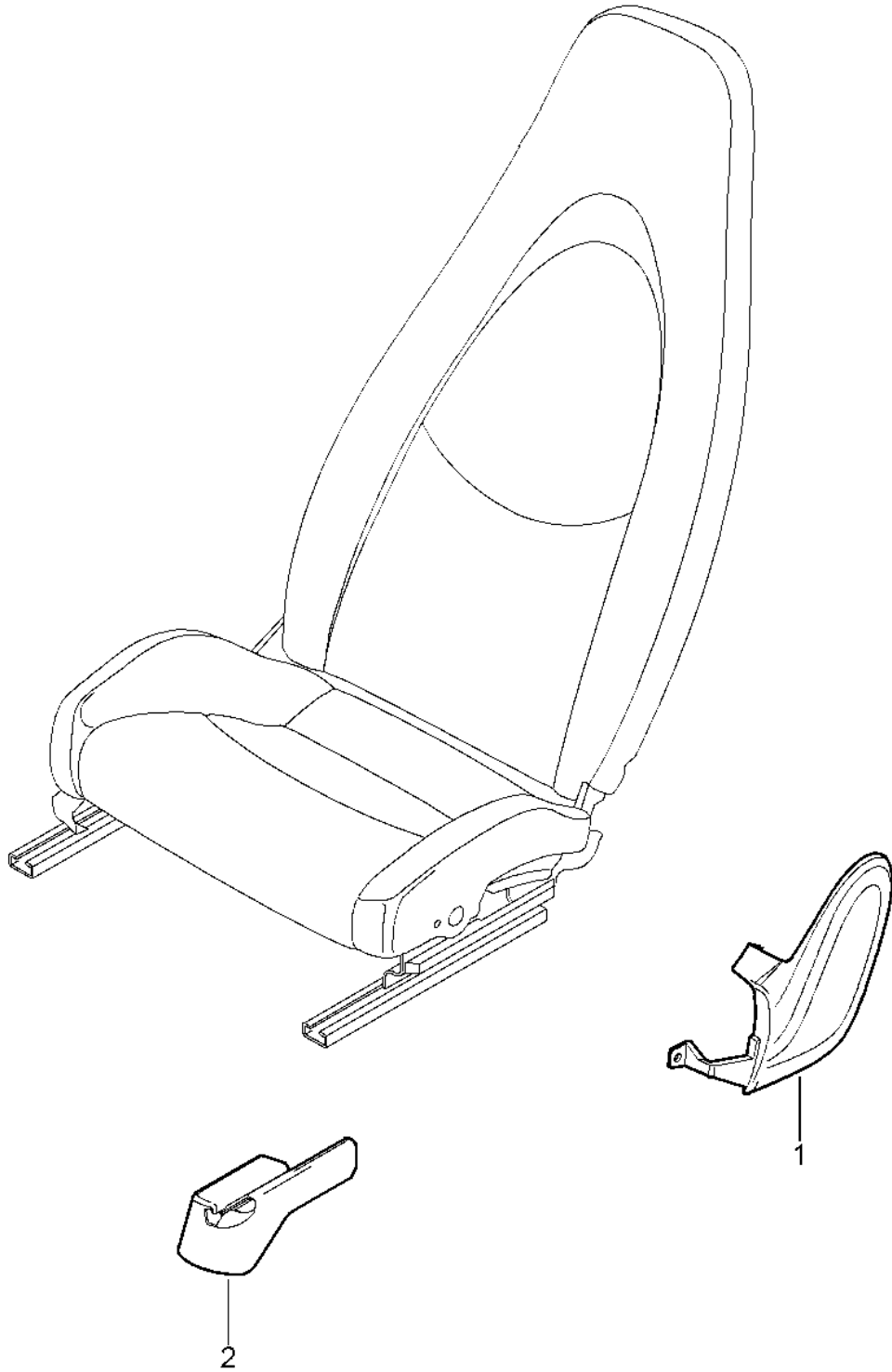
Model: 997 05 Model life 2005>>2008

| Pos | Part Number  | Description  | Remark | Qty | Model      |
|-----|--|--|--------|-----|------------|
| 1   | 997 653 101 09   | Control switch<br>Control panel<br>D >> - MJ 2007                                  |        | 1   | PR:573     |
| 1   | 997 653 101 09 FMH<br>997 653 101 13                       | Volcano Grey/Black Mat<br>Control panel<br>D - MJ 2008>>                           |        | 1   | PR:573     |
| 1   | 997 653 101 13 FMH<br>997 653 111 09                       | Volcano Grey/Black Mat<br>Control panel<br>D >> - MJ 2007                          |        | 1   | PR:573,342 |
| 1   | 997 653 111 09 FMH<br>997 653 111 13<br>997 653 111 13 FMH | Volcano Grey/Black Mat<br>Control panel<br>D - MJ 2008>><br>Volcano Grey/Black Mat |        | 1   | PR:573,342 |



Model: 997 05

Model life 2005>>2008

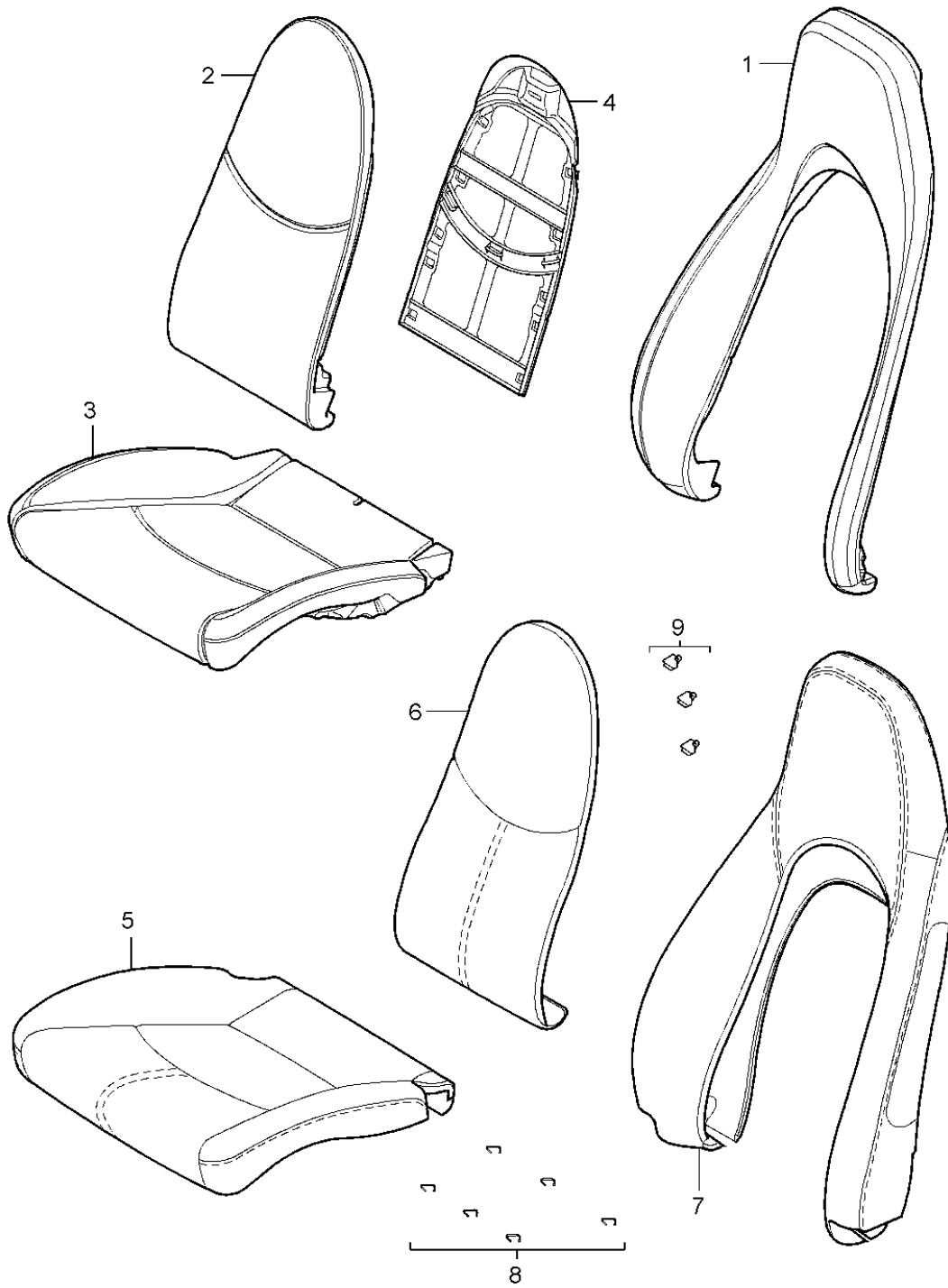


Model: 997 05 Model life 2005>>2008

| Pos | Part Number        | Description   | Remark | Qty | Model                               |
|-----|--------------------|---|--------|-----|-------------------------------------|
|     |                    | Front seat<br>(complete)<br>Not available<br>Comfort seat<br>D - MJ 2005>>    |        |     | CARRERA<br>COUPE<br>CABRIO<br>TARGA |
| 1   | 997 521 315 02     | Cover panel   | left   | 1   |                                     |
|     |                    | Mounting component  |        |     |                                     |
|     | 997 521 315 02 D07 | Volcano grey  |        |     |                                     |
| (1) | 997 521 316 02     | Cover panel   | right  | 1   |                                     |
|     |                    | Mounting component  |        |     |                                     |
|     | 997 521 316 02 D07 | Volcano grey  |        |     |                                     |
| (1) | 997 521 316 03     | Cover panel   | right  | 1   | PR:370,376,<br>378,438,560          |
|     |                    | Mounting component<br>For vehicles with 'Advanced'<br>airbag<br>D - MJ 2006>> |        |     |                                     |
|     | 997 521 316 03 D07 | Volcano grey  |        |     |                                     |
| 2   | 997 521 359 01     | Rail  | left   | 1   | PR:369,375                          |
|     |                    | Seat rail<br>Manually   |        |     |                                     |
|     | 997 521 359 01 01C | Satin black   |        |     |                                     |
| (2) | 997 521 360 01     | Rail  | right  | 1   | PR:370,376                          |
|     |                    | Seat rail<br>Manually   |        |     |                                     |
|     | 997 521 360 01 01C | Satin black   |        |     |                                     |
| (2) | 997 521 361 00     | Rail  | left   | 1   | PR:370,376,<br>377,378,437,<br>438  |
|     |                    | Seat rail   |        |     |                                     |
|     | 997 521 361 00 01C | Satin black   |        |     |                                     |
| (2) | 997 521 362 00     | Rail  | right  | 1   | PR:369,375,<br>377,378,437,<br>438  |
|     |                    | Seat rail   |        |     |                                     |
|     | 997 521 362 00 01C | Satin black   |        |     |                                     |

Model: 997 05

Model life 2005>>2008



Model: 997 05 Model life 2005>>2008

| Pos | Part Number        | Description   | Remark | Qty | Model   |
|-----|--------------------|---|--------|-----|---|
| 1   | 997 521 535 00     | Foam part<br>Cover<br>Standard seat<br>Comfort seat                 | outer  | 2   | CARRERA<br>COUPE<br>CABRIO<br>TARGA<br>PR:369,370,<br>437,438 |
| 2   | 997 521 581 00     | Foam part<br>backrest   | center | 2   | PR:369,370,<br>437,438  |
| 3   | 997 521 571 00     | Foam part<br>Seat cushion<br>with heating                           |        | 1   | PR:369,370,<br>437,438  |
| (3) | 997 521 571 03     | Foam part<br>Seat cushion<br>For vehicles with 'Advanced'<br>airbag |        | 1   | PR:370,438,<br>560  |
| 4   | 997 521 551 00     | Backrest-padding support part<br>D >> - MJ 2007                     |        | 2   | PR:369,370  |
| 4   | 997 521 551 00     | Backrest-padding support part<br>D >> - MJ 2007                     |        | 2   | PR:437,438  |
| 4   | 997 521 551 01     | Backrest-padding support part<br>D - MJ 2008>>                      |        | 2   | PR:369,370  |
| 4   | 997 521 551 01     | Backrest-padding support part<br>D - MJ 2008>>                      |        | 2   | PR:437,438  |
| 5   | 997 521 161 00     | Seat cover  |        | 2   | PR:369,370,<br>946  |
|     | 997 521 161 00 FLB | Black   |        |     |   |
|     | 997 521 161 00 FLE | Stone grey  |        |     |   |
|     | 997 521 161 00 FLH | Sand beige  |        |     |   |
|     | 997 521 161 00 FLL | sea blue  |        |     |   |
|     | 997 521 161 00 FLO | Palm green  |        |     |   |
| (5) | 997 521 161 01     | Seat cover  |        | 2   | PR:369,370,<br>983,437,438                                    |
|     | 997 521 161 01 FLC | Black   |        |     |   |
|     | 997 521 161 01 FLF | Stone grey  |        |     |   |
|     | 997 521 161 01 FLJ | Sand beige  |        |     |   |
|     | 997 521 161 01 FLM | sea blue  |        |     |   |
|     | 997 521 161 01 FLP | Palm green  |        |     |   |
|     | 997 521 161 01 FLQ | Terracotta  |        |     |   |
|     | 997 521 161 01 FLR | Cocoa   |        |     |   |
|     | 997 521 161 01 VAA | Dark grey/natural   |        |     |   |
|     | 997 521 161 01 VAB | Brown/natural   |        |     |   |
|     | 997 521 161 01 VAC | Carrera Red   |        |     |   |
| (5) | 997 521 161 02     | Seat cover  |        | 2   | PR:369,370,<br>982,437,438                                    |
|     | 997 521 161 02 FLC | Black   |        |     |   |
|     | 997 521 161 02 FLF | Stone grey  |        |     |   |
|     | 997 521 161 02 FLJ | Sand beige  |        |     |   |
|     | 997 521 161 02 FLM | sea blue  |        |     |   |
|     | 997 521 161 02 FLP | Palm green  |        |     |   |
|     | 997 521 161 02 FLQ | Terracotta  |        |     |   |
|     | 997 521 161 02 FLR | Cocoa   |        |     |   |
|     | 997 521 161 02 VAA | Dark grey/natural   |        |     |   |
|     | 997 521 161 02 VAB | Brown/natural   |        |     |   |
|     | 997 521 161 02 VAC | Carrera Red   |        |     |   |
| 6   | 997 521 151 00     | Backrest cushion cover<br>Centre part                               |        | 2   | PR:946  |
|     | 997 521 151 00 A08 | Black   |        |     |   |
|     | 997 521 151 00 5D6 | Stone grey  |        |     |   |
|     | 997 521 151 00 T25 | Sand beige  |        |     |   |
|     | 997 521 151 00 3W7 | sea blue  |        |     |   |
|     | 997 521 151 00 4Q2 | Palm green  |        |     |   |
| (6) | 997 521 151 00     | Backrest cushion cover<br>Centre part                               |        | 1   | PR:983  |

Model: 997 05 Model life 2005>>2008

| Pos | Part Number        | Description                                    | Remark | Qty | Model                      |
|-----|--------------------|--|--------|-----|----------------------------|
|     | 997 521 151 00 8YR | Black  |        |     |                            |
|     | 997 521 151 00 5X5 | Stone grey                                     |        |     |                            |
|     | 997 521 151 00 8G1 | Sand beige                                     |        |     |                            |
|     | 997 521 151 00 3S8 | sea blue                                       |        |     |                            |
|     | 997 521 151 00 4P1 | Palm green                                     |        |     |                            |
|     | 997 521 151 00 9N2 | Terracotta                                     |        |     |                            |
|     | 997 521 151 00 9Q3 | Cocoa  |        |     |                            |
|     | 997 521 151 00 D11 | Dark grey/natural                              |        |     |                            |
|     | 997 521 151 00 T11 | Brown/natural                                  |        |     |                            |
|     | 997 521 151 00 N11 | Carrera Red                                    |        |     |                            |
| (6) | 997 521 151 01     | Backrest cushion cover<br>Centre part          |        | 1   | PR:437,438,<br>982,369,370 |
|     | 997 521 151 01 8YR | Black  |        |     |                            |
|     | 997 521 151 01 5X5 | Stone grey                                     |        |     |                            |
|     | 997 521 151 01 8G1 | Sand beige                                     |        |     |                            |
|     | 997 521 151 01 3S8 | sea blue                                       |        |     |                            |
|     | 997 521 151 01 4P1 | Palm green                                     |        |     |                            |
|     | 997 521 151 01 9N2 | Terracotta                                     |        |     |                            |
|     | 997 521 151 01 9Q3 | Cocoa  |        |     |                            |
|     | 997 521 151 01 D11 | Dark grey/natural                              |        |     |                            |
|     | 997 521 151 01 T11 | Brown/natural                                  |        |     |                            |
|     | 997 521 151 01 N11 | Carrera Red                                    |        |     |                            |
| 7   | 997 521 141 00     | Backrest cover<br>Outer part<br>D >> - MJ 2006 | left   | 1   | PR:369,437,<br>946         |
|     | 997 521 141 00 FLB | Black  |        |     |                            |
|     | 997 521 141 00 FLE | Stone grey                                     |        |     |                            |
|     | 997 521 141 00 FLH | Sand beige                                     |        |     |                            |
|     | 997 521 141 00 FLL | sea blue                                       |        |     |                            |
|     | 997 521 141 00 FLO | Palm green                                     |        |     |                            |
| (7) | 997 521 142 00     | Backrest cover<br>Outer part<br>D >> - MJ 2006 | right  | 1   | PR:370,438,<br>946         |
|     | 997 521 142 00 FLB | Black  |        |     |                            |
|     | 997 521 142 00 FLE | Stone grey                                     |        |     |                            |
|     | 997 521 142 00 FLH | Sand beige                                     |        |     |                            |
|     | 997 521 142 00 FLL | sea blue                                       |        |     |                            |
|     | 997 521 142 00 FLO | Palm green                                     |        |     |                            |
| (7) | 997 521 141 01     | Backrest cover<br>Outer part                   | left   | 1   | PR:369,437,<br>982,983     |
|     | 997 521 141 01 FLC | Black  |        |     |                            |
|     | 997 521 141 01 FLF | Stone grey                                     |        |     |                            |
|     | 997 521 141 01 FLJ | Sand beige                                     |        |     |                            |
|     | 997 521 141 01 FLM | sea blue                                       |        |     |                            |
|     | 997 521 141 01 FLP | Palm green                                     |        |     |                            |
|     | 997 521 141 01 FLQ | Terracotta                                     |        |     |                            |
|     | 997 521 141 01 FLR | Cocoa  |        |     |                            |
|     | 997 521 141 01 VAA | Dark grey/natural                              |        |     |                            |
|     | 997 521 141 01 VAB | Brown/natural                                  |        |     |                            |
|     | 997 521 141 01 VAC | Carrera Red                                    |        |     |                            |
| (7) | 997 521 142 01     | Backrest cover<br>Outer part                   | right  | 1   | PR:370,438,<br>982,983     |
|     | 997 521 142 01 FLC | Black  |        |     |                            |
|     | 997 521 142 01 FLF | Stone grey                                     |        |     |                            |
|     | 997 521 142 01 FLJ | Sand beige                                     |        |     |                            |
|     | 997 521 142 01 FLM | sea blue                                       |        |     |                            |
|     | 997 521 142 01 FLP | Palm green                                     |        |     |                            |
|     | 997 521 142 01 FLQ | Terracotta                                     |        |     |                            |
|     | 997 521 142 01 FLR | Cocoa  |        |     |                            |
|     | 997 521 142 01 VAA | Dark grey/natural                              |        |     |                            |
|     | 997 521 142 01 VAB | Brown/natural                                  |        |     |                            |
|     | 997 521 142 01 VAC | Carrera Red                                    |        |     |                            |
| (7) | 997 521 141 03     | Backrest cover                                 | left   | 1   | PR:369,437,                |

Model: 997 05 Model life 2005>>2008

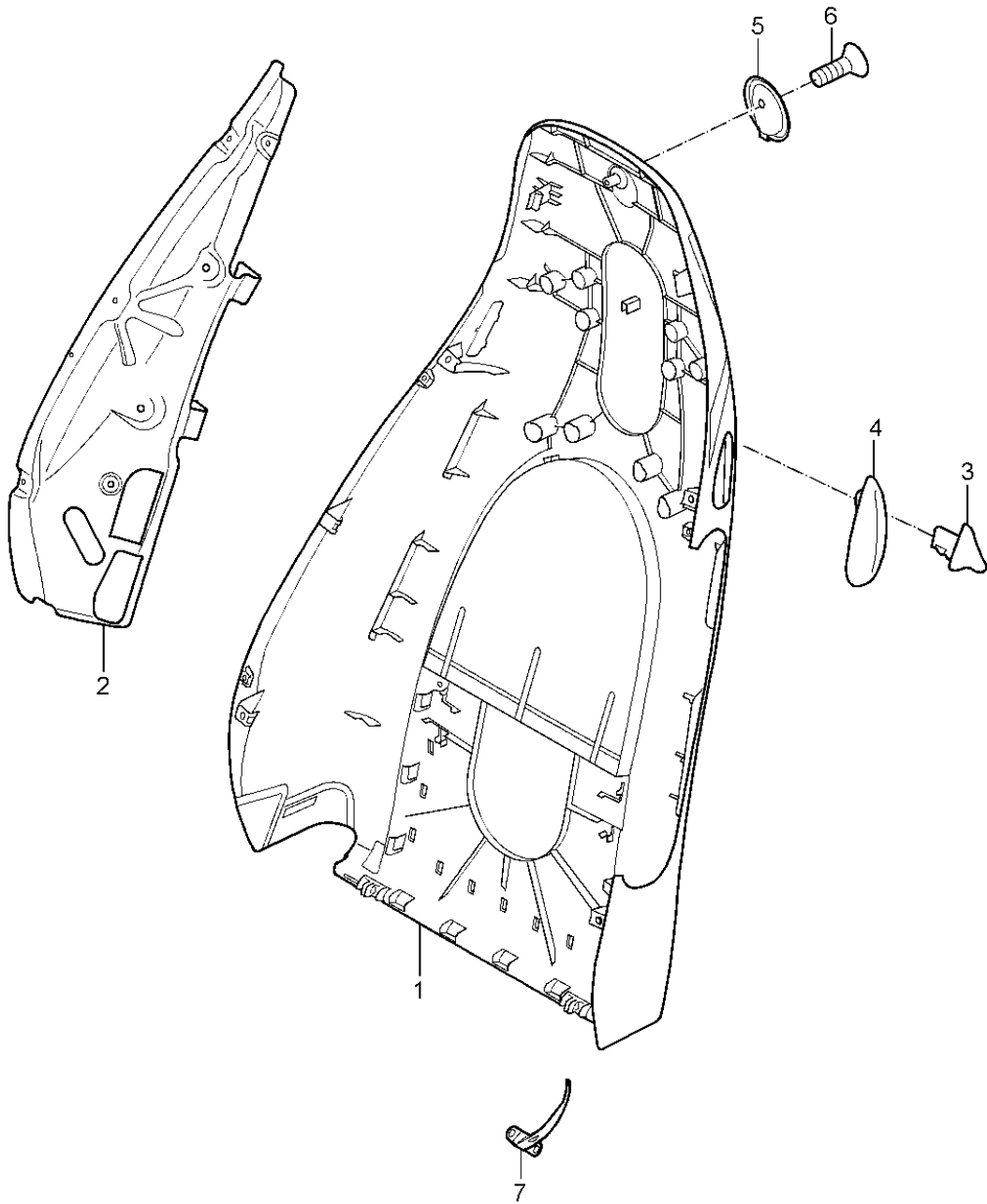
| Pos | Part Number        | Description       | Remark | Qty | Model          |
|-----|--------------------|-------------------|--------|-----|----------------|
|     |                    | Outer part        |        |     | 946            |
|     |                    | D - MJ 2007>>     |        |     |                |
|     | 997 521 141 03 FLB | Black             |        |     |                |
|     | 997 521 141 03 FLE | Stone grey        |        |     |                |
|     | 997 521 141 03 FLH | Sand beige        |        |     |                |
|     | 997 521 141 03 FLL | sea blue          |        |     |                |
|     | 997 521 141 03 FLO | Palm green        |        |     |                |
| (7) | 997 521 142 03     | Backrest cover    | right  | 1   | PR:370,438,946 |
|     |                    | Outer part        |        |     |                |
|     |                    | D - MJ 2007>>     |        |     |                |
|     | 997 521 142 03 FLB | Black             |        |     |                |
|     | 997 521 142 03 FLE | Stone grey        |        |     |                |
|     | 997 521 142 03 FLH | Sand beige        |        |     |                |
|     | 997 521 142 03 FLL | sea blue          |        |     |                |
|     | 997 521 142 03 FLO | Palm green        |        |     |                |
| (7) | 997 521 941 00     | Backrest cover    | left   | 1   | PR:XSC,946     |
|     |                    | Outer part        |        |     |                |
|     |                    | D >> - MJ 2007    |        |     |                |
|     | 997 521 941 00 A08 | Black             |        |     |                |
|     | 997 521 941 00 5D6 | Stone grey        |        |     |                |
|     | 997 521 941 00 3W7 | sea blue          |        |     |                |
|     | 997 521 941 00 4Q2 | Palm green        |        |     |                |
|     | 997 521 941 00 T25 | Sand beige        |        |     |                |
| (7) | 997 521 941 03     | Backrest cover    | left   | 1   | PR:XSC,946     |
|     |                    | Outer part        |        |     |                |
|     |                    | D - MJ 2008>>     |        |     |                |
|     | 997 521 941 03 A08 | Black             |        |     |                |
|     | 997 521 941 03 5D6 | Stone grey        |        |     |                |
|     | 997 521 941 03 3W7 | sea blue          |        |     |                |
|     | 997 521 941 03 T25 | Sand beige        |        |     |                |
| (7) | 997 521 942 00     | Backrest cover    | right  | 1   | PR:XSC,946     |
|     |                    | Outer part        |        |     |                |
|     |                    | D >> - MJ 2007    |        |     |                |
|     | 997 521 942 00 A08 | Black             |        |     |                |
|     | 997 521 942 00 5D6 | Stone grey        |        |     |                |
|     | 997 521 942 00 3W7 | sea blue          |        |     |                |
|     | 997 521 942 00 4Q2 | Palm green        |        |     |                |
|     | 997 521 942 00 T25 | Sand beige        |        |     |                |
| (7) | 997 521 942 03     | Backrest cover    | right  | 1   | PR:XSC,946     |
|     |                    | Outer part        |        |     |                |
|     |                    | D - MJ 2008>>     |        |     |                |
|     | 997 521 942 03 A08 | Black             |        |     |                |
|     | 997 521 942 03 5D6 | Stone grey        |        |     |                |
|     | 997 521 942 03 3W7 | sea blue          |        |     |                |
|     | 997 521 942 03 T25 | Sand beige        |        |     |                |
| (7) | 997 521 941 01     | Backrest cover    | left   | 1   | PR:XSC,982,983 |
|     |                    | Outer part        |        |     |                |
|     |                    | D - MJ 2008>>     |        |     |                |
|     | 997 521 941 01 8YR | Black             |        |     |                |
|     | 997 521 941 01 5X5 | Stone grey        |        |     |                |
|     | 997 521 941 01 8G1 | Sand beige        |        |     |                |
|     | 997 521 941 01 3S8 | sea blue          |        |     |                |
|     | 997 521 941 01 4P1 | Palm green        |        |     |                |
|     | 997 521 941 01 9N2 | Terracotta        |        |     |                |
|     | 997 521 941 01 9Q3 | Cocoa             |        |     |                |
|     | 997 521 941 01 D11 | Dark grey/natural |        |     |                |
|     | 997 521 941 01 T11 | Brown/natural     |        |     |                |
|     | 997 521 941 01 N11 | Carrera Red       |        |     |                |
| (7) | 997 521 942 01     | Backrest cover    | right  | 1   | PR:XSC,982,983 |
|     |                    | Outer part        |        |     |                |
|     |                    | D - MJ 2008>>     |        |     |                |
|     | 997 521 942 01 8YR | Black             |        |     |                |
|     | 997 521 942 01 5X5 | Stone grey        |        |     |                |
|     | 997 521 942 01 8G1 | Sand beige        |        |     |                |
|     | 997 521 942 01 3S8 | sea blue          |        |     |                |

Model: 997 05 Model life 2005>>2008

| Pos | Part Number        | Description       | Remark | Qty | Model |
|-----|--------------------|-------------------|--------|-----|-------|
|     | 997 521 942 01 4P1 | Palm green        |        |     |       |
|     | 997 521 942 01 9N2 | Terracotta        |        |     |       |
|     | 997 521 942 01 9Q3 | Cocoa             |        |     |       |
|     | 997 521 942 01 D11 | Dark grey/natural |        |     |       |
|     | 997 521 942 01 T11 | Brown/natural     |        |     |       |
|     | 997 521 942 01 N11 | Carrera Red       |        |     |       |
| 8   | 997 521 837 00     | Clip              |        | 6   |       |
|     |                    | Padding           |        |     |       |
|     |                    | Seat              |        |     |       |
| 9   | 997 521 897 00     | Clip              |        | 5   |       |
|     |                    | Backrest cover    |        |     |       |

Model: 997 05

Model life 2005>>2008





Model: 997 05 Model life 2005>>2008

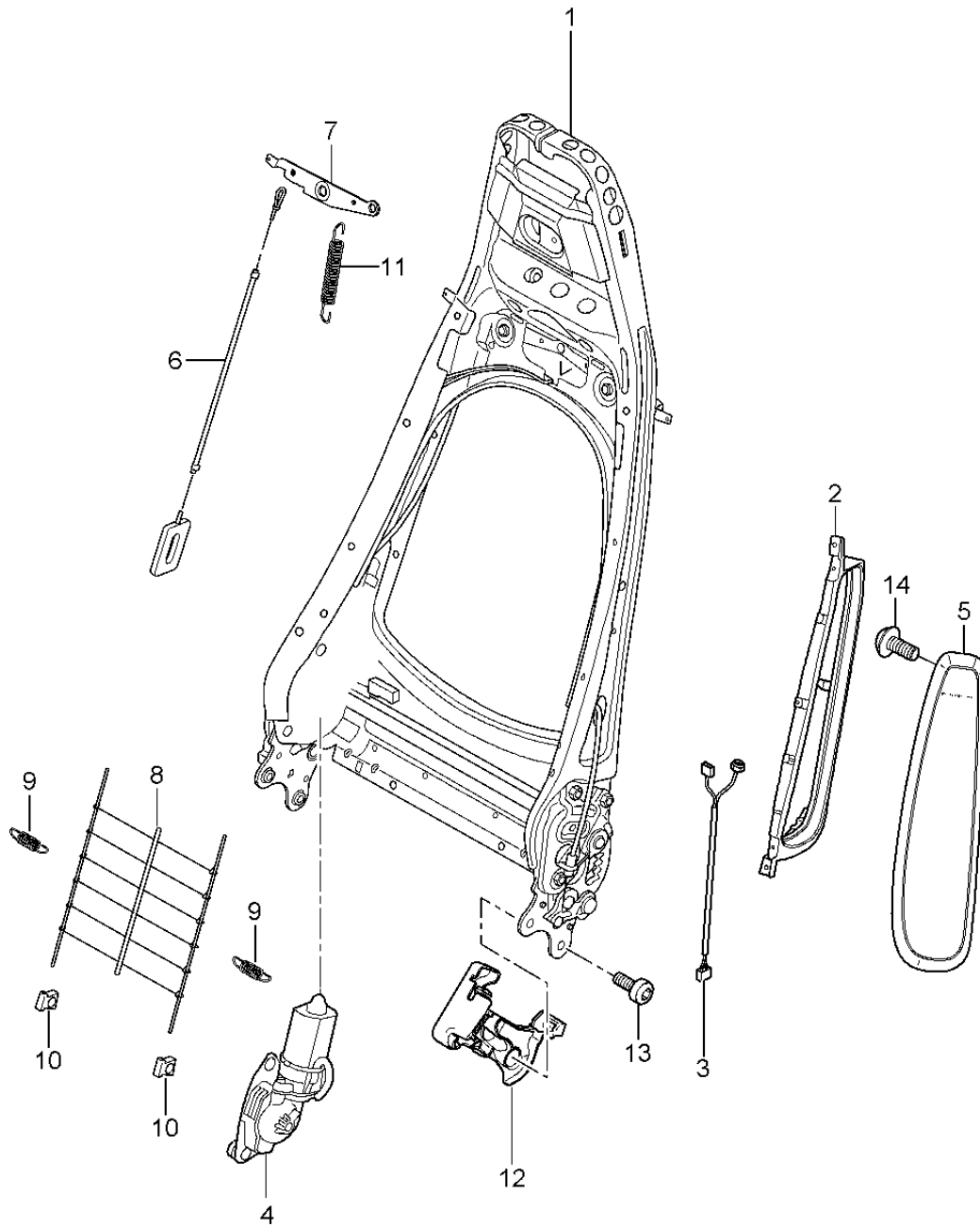
| Pos | Part Number        | Description                                     | Remark | Qty | Model                               |
|-----|--------------------|---|--------|-----|-------------------------------------|
|     |                    | Backrest shell<br>Standard seat<br>Comfort seat |        |     | CARRERA<br>COUPE<br>CABRIO<br>TARGA |
| 1   | 997 521 303 09     | D - MJ 2005>><br>Backrest shell                 | left   | 1   | PR:369,437,<br>946                  |
|     | 997 521 303 09 5Q2 | Black   |        |     |                                     |
|     | 997 521 303 09 8X4 | Stone grey                                      |        |     |                                     |
|     | 997 521 303 09 5S4 | Sand beige                                      |        |     |                                     |
|     | 997 521 303 09 8W3 | sea blue  |        |     |                                     |
|     | 997 521 303 09 5Y5 | Palm green                                      |        |     |                                     |
| (1) | 997 521 304 09     | Backrest shell                                  | right  | 1   | PR:370,438,<br>946                  |
|     | 997 521 304 09 5Q2 | Black   |        |     |                                     |
|     | 997 521 304 09 8X4 | Stone grey                                      |        |     |                                     |
|     | 997 521 304 09 5S4 | Sand beige                                      |        |     |                                     |
|     | 997 521 304 09 8W3 | sea blue  |        |     |                                     |
|     | 997 521 304 09 5Y5 | Palm green                                      |        |     |                                     |
| (1) | 997 521 303 10     | Backrest shell<br>Leather                       | left   | 1   | PR:369,437,<br>982,983              |
|     | 997 521 303 10 A80 | Black   |        |     |                                     |
|     | 997 521 303 10 B80 | Stone grey                                      |        |     |                                     |
|     | 997 521 303 10 T80 | Sand beige                                      |        |     |                                     |
|     | 997 521 303 10 E80 | sea blue  |        |     |                                     |
|     | 997 521 303 10 J80 | Palm green                                      |        |     |                                     |
|     | 997 521 303 10 M80 | Terracotta                                      |        |     |                                     |
|     | 997 521 303 10 R80 | Cocoa   |        |     |                                     |
| (1) | 997 521 304 10     | Backrest shell<br>Leather                       | right  | 1   | PR:370,438,<br>982,983              |
|     | 997 521 304 10 A80 | Black   |        |     |                                     |
|     | 997 521 304 10 B80 | Stone grey                                      |        |     |                                     |
|     | 997 521 304 10 T80 | Sand beige                                      |        |     |                                     |
|     | 997 521 304 10 E80 | sea blue  |        |     |                                     |
|     | 997 521 304 10 J80 | Palm green                                      |        |     |                                     |
|     | 997 521 304 10 M80 | Terracotta                                      |        |     |                                     |
|     | 997 521 304 10 R80 | Cocoa   |        |     |                                     |
| (1) | 997 521 303 11     | Backrest shell                                  | left   | 1   | PR:369,437,<br>982                  |
|     | 997 521 303 11 D11 | Dark grey/natural                               |        |     |                                     |
|     | 997 521 303 11 T11 | Brown/natural                                   |        |     |                                     |
|     | 997 521 303 11 N11 | Carrera Red                                     |        |     |                                     |
| (1) | 997 521 304 11     | Backrest shell                                  | right  | 1   | PR:370,438,<br>982                  |
|     | 997 521 304 11 D11 | Dark grey/natural                               |        |     |                                     |
|     | 997 521 304 11 T11 | Brown/natural                                   |        |     |                                     |
| (2) | 997 521 319 00     | Support   | left   | 1   |                                     |
| 2   | 997 521 320 00     | Support   | right  | 1   |                                     |
|     |                    | Backrest side bolster                           |        |     |                                     |
| 3   | 997 521 623 02     | Actuator button<br>lever for folding backrest   | left   | 1   |                                     |
|     | 997 521 623 02 V05 | Galvano silver                                  |        |     |                                     |
| (3) | 997 521 624 02     | Actuator button<br>lever for folding backrest   | right  | 1   |                                     |
|     | 997 521 624 02 V05 | Galvano silver                                  |        |     |                                     |
| 4   | 997 521 621 02     | Rosette<br>lever for folding backrest           | left   | 1   | PR:369,370,<br>437,438              |
|     | 997 521 621 02 D07 | Volcano grey                                    |        |     |                                     |
| (4) | 997 521 622 02     | Rosette<br>lever for folding backrest           | right  | 1   | PR:369,370,<br>437,438              |
|     | 997 521 622 02 D07 | Volcano grey                                    |        |     |                                     |
| 5   | 997 521 373 01     | Coat hook                                       |        | 2   |                                     |
|     | 997 521 373 01 D07 | Volcano grey                                    |        |     |                                     |

Model: 997 05 Model life 2005>>2008

| Pos | Part Number    | Description                     | Remark | Qty | Model |
|-----|----------------|---------------------------------|--------|-----|-------|
| 6   | 999 919 199 09 | countersunk bolt<br>Coat hook   |        | 1   |       |
| 7   | 997 521 783 00 | Support panel                   | left   | 1   |       |
| (7) | 997 521 784 00 | Support panel<br>Backrest shell | right  | 1   |       |

Model: 997 05

Model life 2005>>2008



Model: 997 05 Model life 2005>>2008

| Pos | Part Number        | Description  | Remark        | Qty | Model                               |
|-----|--------------------|--|---------------|-----|-------------------------------------|
|     |                    | Backrest frame<br>Standard seat<br>Comfort seat              |               |     | CARRERA<br>COUPE<br>CABRIO<br>TARGA |
| 1   | 997 521 329 00     | D - MJ 2005>><br>backrest frame                              | left a. right | 2   | PR:369,370,<br>437,438              |
|     |                    | without:<br>Memory   |               |     |                                     |
| (1) | 997 521 329 02     | D >> - MJ 2007<br>backrest frame                             | left a. right | 2   | PR:369,370,<br>437,438              |
|     |                    | without:<br>Memory   |               |     |                                     |
| (1) | 997 521 329 01     | D - MJ 2008>><br>backrest frame                              | left a. right | 2   | PR:537,538                          |
| (1) | 997 521 329 03     | D >> - MJ 2007<br>backrest frame                             | left a. right | 2   | PR:537,538                          |
|     |                    | with:<br>Memory  |               |     |                                     |
| 2   | 997 521 533 00     | D - MJ 2008>><br>Cushion carrier                             | left          | 1   | PR:369,437                          |
| (2) | 997 521 534 00     | Cushion carrier  | right         | 1   | PR:370,438                          |
| 3   | 997 612 785 01     | Side airbag unit<br>Wire set                                 | left          | 1   | PR:537                              |
| (3) | 997 612 786 01     | Side airbag unit<br>Wire set                                 | right         | 1   | PR:538                              |
| 4   | 997 624 331 00     | Side airbag unit<br>Electric motor                           |               | 1   | PR:537,538                          |
| (4) | 997 624 321 00     | Backrest frame<br>Memory<br>Electric motor<br>Backrest frame |               | 1   |                                     |
|     |                    | without:<br>Memory   |               |     |                                     |
| 5   | 997 803 081 01     | Side airbag unit   | left          | 1   | PR:369,437                          |
|     | 997 803 081 01 A03 | Black  |               |     |                                     |
|     | 997 803 081 01 5V7 | Stone grey   |               |     |                                     |
|     | 997 803 081 01 5Z1 | Sand beige   |               |     |                                     |
|     | 997 803 081 01 8W7 | sea blue   |               |     |                                     |
|     | 997 803 081 01 5Y2 | Palm green   |               |     |                                     |
|     | 997 803 081 01 8X8 | Terracotta   |               |     |                                     |
|     | 997 803 081 01 8P9 | Cocoa  |               |     |                                     |
|     | 997 803 081 01 T13 | Brown/natural  |               |     |                                     |
|     | 997 803 081 01 N23 | Carrera Red  |               |     |                                     |
| (5) | 997 803 082 01     | D - MJ 2008>><br>Side airbag unit                            | right         | 1   | PR:370,438                          |
|     | 997 803 082 01 A03 | Black  |               |     |                                     |
|     | 997 803 082 01 5V7 | Stone grey   |               |     |                                     |
|     | 997 803 082 01 5Z1 | Sand beige   |               |     |                                     |
|     | 997 803 082 01 8W7 | sea blue   |               |     |                                     |
|     | 997 803 082 01 5Y2 | Palm green   |               |     |                                     |
|     | 997 803 082 01 8X8 | Terracotta   |               |     |                                     |
|     | 997 803 082 01 8P9 | Cocoa  |               |     |                                     |
|     | 997 803 082 01 T13 | Brown/natural  |               |     |                                     |
|     | 997 803 082 01 N23 | Carrera Red  |               |     |                                     |
| 6   | 997 521 485 00     | D - MJ 2008>><br>Bowden cable                                |               | 2   |                                     |
| 7   | 997 521 375 00     | Backrest frame<br>Release                                    |               | 1   |                                     |
| 8   | 997 521 855 00     | Backrest frame<br>Grille                                     |               | 1   |                                     |
| 9   | 997 521 893 00     | Backrest frame<br>tension spring<br>Inner spring             |               | 2   |                                     |

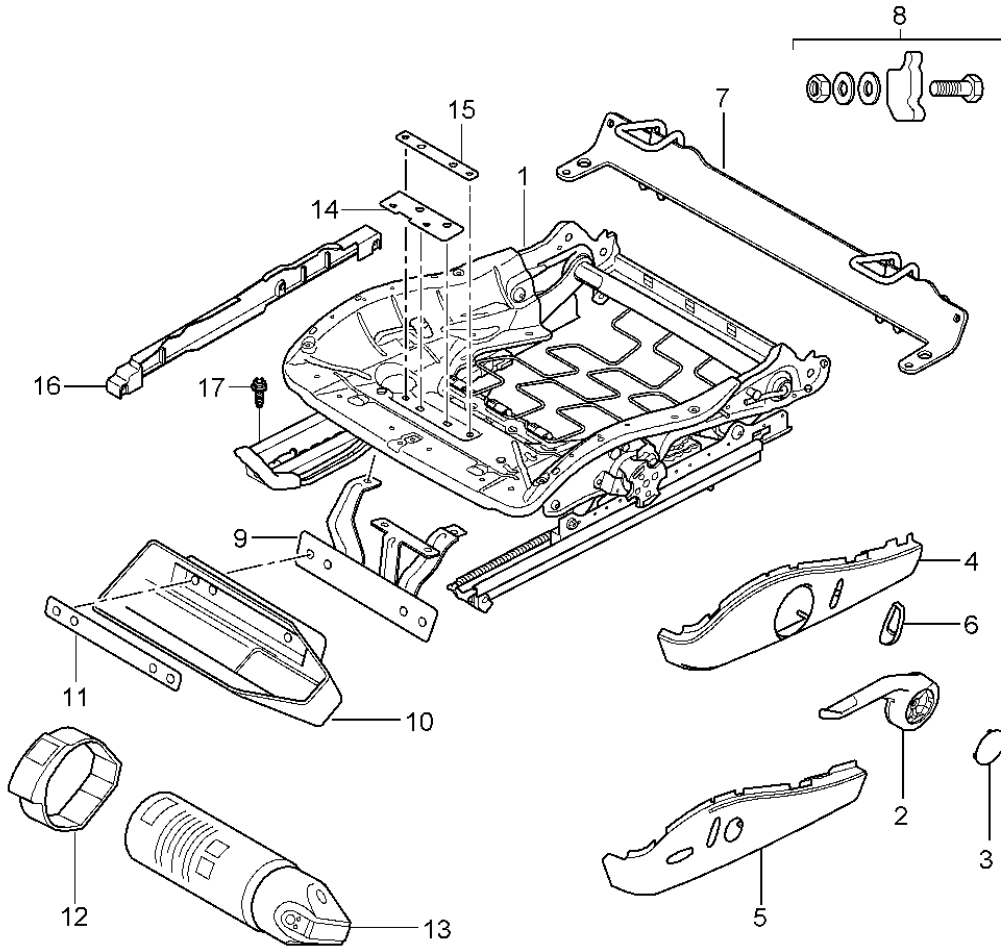
Model: 997 05

Model life 2005>>2008

| Pos  | Part Number        | Description                              | Remark         | Qty | Model |
|------|--------------------|--|----------------|-----|-------|
| 10   | 997 521 895 00     | Clip<br>Inner spring                     |                | 2   |       |
| 11   | 997 521 797 00     | tension spring<br>Release<br>backrest    |                | 1   |       |
| 12   | 997 521 335 01     | Trim<br>Mounting component               | left<br>inner  | 1   |       |
| (12) | 997 521 335 01 D07 | Volcano grey                             |                | 1   |       |
|      | 997 521 336 01     | Trim<br>Mounting component               | right<br>inner |     |       |
| 13   | 997 521 336 01 D07 | Volcano grey                             |                | 4   |       |
|      | 999 073 375 09     | Screw<br>Mount<br>backrest<br>Seat frame |                |     |       |
| 14   | 999 073 306 09     | Screw<br>Mount<br>Side airbag unit       |                | 2   |       |

Model: 997 05

Model life 2005>>2008



Model: 997 05 Model life 2005>>2008

| Pos | Part Number    | Description  | Remark           | Qty | Model                               |
|-----|----------------|--|------------------|-----|-------------------------------------|
|     |                | Seat frame<br>Standard seat<br>Comfort seat<br><br>D - MJ 2005>>     |                  |     | CARRERA<br>COUPE<br>CABRIO<br>TARGA |
| 1   | 997 521 201 00 | Seat frame<br>D >> - MJ 2006   | left lhd         | 1   | PR:098,369,<br>375                  |
| (1) | 997 521 201 10 | Seat frame<br>Manually<br>(drivers side)<br>D - MJ 2007>>            | left lhd<br>lhd  | 1   | PR:098,369,<br>375                  |
| (1) | 997 521 202 00 | Seat frame<br>Manually<br>(drivers side)<br>D >> - MJ 2007           | right rhd        | 1   | PR:099,370,<br>376                  |
| (1) | 997 521 202 19 | Seat frame<br>Manually<br>(drivers side)<br>D - MJ 2008>>            | right rhd        | 1   | PR:099,370,<br>376                  |
| (1) | 997 521 201 04 | Seat frame<br>D >> - MJ 2006   | left             | 1   | PR:377,437                          |
| (1) | 997 521 201 12 | Seat frame<br>D - MJ 2007>>  | left             | 1   | PR:377,437                          |
| (1) | 997 521 202 10 | Seat frame<br>D >> - MJ 2006   | right            | 1   | PR:378,438                          |
| (1) | 997 521 202 21 | Seat frame<br>Electric<br><br>without:<br>Memory<br>D - MJ 2007>>    | right            | 1   | PR:378,438                          |
| (1) | 997 521 201 05 | Seat frame<br>D >> - MJ 2006   | left             | 1   | PR:377,437,<br>537                  |
| (1) | 997 521 201 13 | Seat frame<br>D - MJ 2007>>  | left             | 1   | PR:377,437,<br>537                  |
| (1) | 997 521 202 11 | Seat frame<br>D >> - MJ 2006   | right            | 1   | PR:378,438,<br>538                  |
| (1) | 997 521 202 22 | Seat frame<br>Electric<br><br>with:<br>Memory<br>D - MJ 2007>>       | right            | 1   | PR:378,438,<br>538                  |
| (1) | 997 521 201 03 | Seat frame<br>D >> - MJ 2006   | left rhd         | 1   | PR:099,369,<br>375                  |
| (1) | 997 521 201 11 | Seat frame<br>Manually<br>(passenger side)<br>D - MJ 2007>>          | left rhd<br>rhd  | 1   | PR:099,369,<br>375                  |
| (1) | 997 521 202 05 | Seat frame<br>D >> - MJ 2006   | right lhd        | 1   | PR:098,370,<br>376                  |
| (1) | 997 521 202 20 | Seat frame<br>Manually<br>(passenger side)<br>D - MJ 2007>>          | right lhd<br>lhd | 1   | PR:098,370,<br>376                  |
| (1) | 997 521 202 06 | Seat frame<br>D - MJ 2006>> - MJ 2006                                | right            | 1   | PR:370,376,<br>560                  |
| (1) | 997 521 202 23 | Seat frame<br>Manually<br>seat occupied recognition<br>D - MJ 2007>> | right            | 1   | PR:370,376,<br>560                  |
| (1) | 997 521 202 12 | Seat frame<br>D - MJ 2006>> - MJ 2006                                | right            | 1   | PR:378,438,<br>560                  |
| (1) | 997 521 202 24 | Seat frame<br>Electric   | right            | 1   | PR:378,438,<br>560                  |

Model: 997 05 Model life 2005>>2008

| Pos | Part Number        | Description  | Remark        | Qty | Model                  |
|-----|--------------------|--|---------------|-----|------------------------|
| 2   | 997 521 627 01     | seat occupied recognition<br>D - MJ 2007>><br>Actuating lever                          | left          | 1   | PR:369,375             |
| (2) | 997 521 627 01 V05 | Height adjustment<br>Galvano silver  |               |     |                        |
|     | 997 521 628 01     | Actuating lever  | right         | 1   | PR:370,376             |
|     | 997 521 628 01 V05 | Height adjustment<br>Galvano silver  |               |     |                        |
| 3   | 997 521 629 01     | Cover cap  | left a. right | 2   | PR:369,370,<br>375,376 |
|     | 997 521 629 01 D07 | Actuating lever<br>Volcano grey  |               |     |                        |
| 4   | 997 521 325 06     | Trim for switch  | left          | 1   | PR:369,375             |
|     | 997 521 325 06 D07 | Volcano grey   |               |     |                        |
| (4) | 997 521 326 06     | without:<br>For vehicles with 'Advanced'<br>airbag<br>Trim for switch                  | right         | 1   | PR:370,376             |
|     | 997 521 326 06 D07 | Volcano grey   |               |     |                        |
| 5   | 997 521 325 07     | without:<br>For vehicles with 'Advanced'<br>airbag<br>Trim for switch                  | left          | 1   | PR:437                 |
| (5) | 997 521 325 07 D07 | Volcano grey   |               |     |                        |
|     | 997 521 326 07     | without:<br>For vehicles with 'Advanced'<br>airbag<br>Trim for switch                  | right         | 1   | PR:438                 |
| (5) | 997 521 326 07 D07 | Volcano grey   |               |     |                        |
|     | 997 521 326 09     | without:<br>For vehicles with 'Advanced'<br>airbag<br>Trim for switch                  | right         | 1   | PR:370,376,<br>560     |
| (5) | 997 521 326 09 D07 | Volcano grey   |               |     |                        |
|     | 997 521 326 10     | without:<br>For vehicles with 'Advanced'<br>airbag<br>D - MJ 2006>><br>Trim for switch | right         | 1   | PR:438,560             |
| (5) | 997 521 326 10 D07 | Volcano grey   |               |     |                        |
| 6   | 997 521 631 01     | Actuator button  |               | 1   |                        |
|     | 997 521 631 01 V05 | backrest<br>Galvano silver   |               |     |                        |
| 7   | 997 521 061 01     | Retainer plate<br>child seat<br>ISOFIX   |               | 1   |                        |
| 8   | 997 521 961 01     | Not for:<br>AUSTRALIEN<br>1 set attachment parts<br>Retainer plate                     |               | 1   |                        |
| 9   | 997 521 251 00     | Holder for fire extinguisher   |               | 1   | PR:098,509             |
| (9) | 997 521 252 00     | Holder for fire extinguisher   |               | 1   | PR:099,509             |
| 10  | 997 521 607 00     | Cup  |               | 1   | PR:509                 |
| 11  | 997 521 881 00     | Fire extinguishers<br>Holder for fire extinguisher<br>Cup                              |               | 1   | PR:509                 |
| 12  | 997 521 851 00     | tensioning strap<br>Fire extinguishers   |               | 1   | PR:509                 |
| 13  | 996 722 115 00     | Fire extinguishers<br>Information available  |               | 1   | PR:509                 |
| 14  | 997 521 841 00     | Reinforcement  | front         | 1   | PR:509                 |
| 15  | 997 521 843 00     | Reinforcement  | rear          | 1   | PR:509                 |



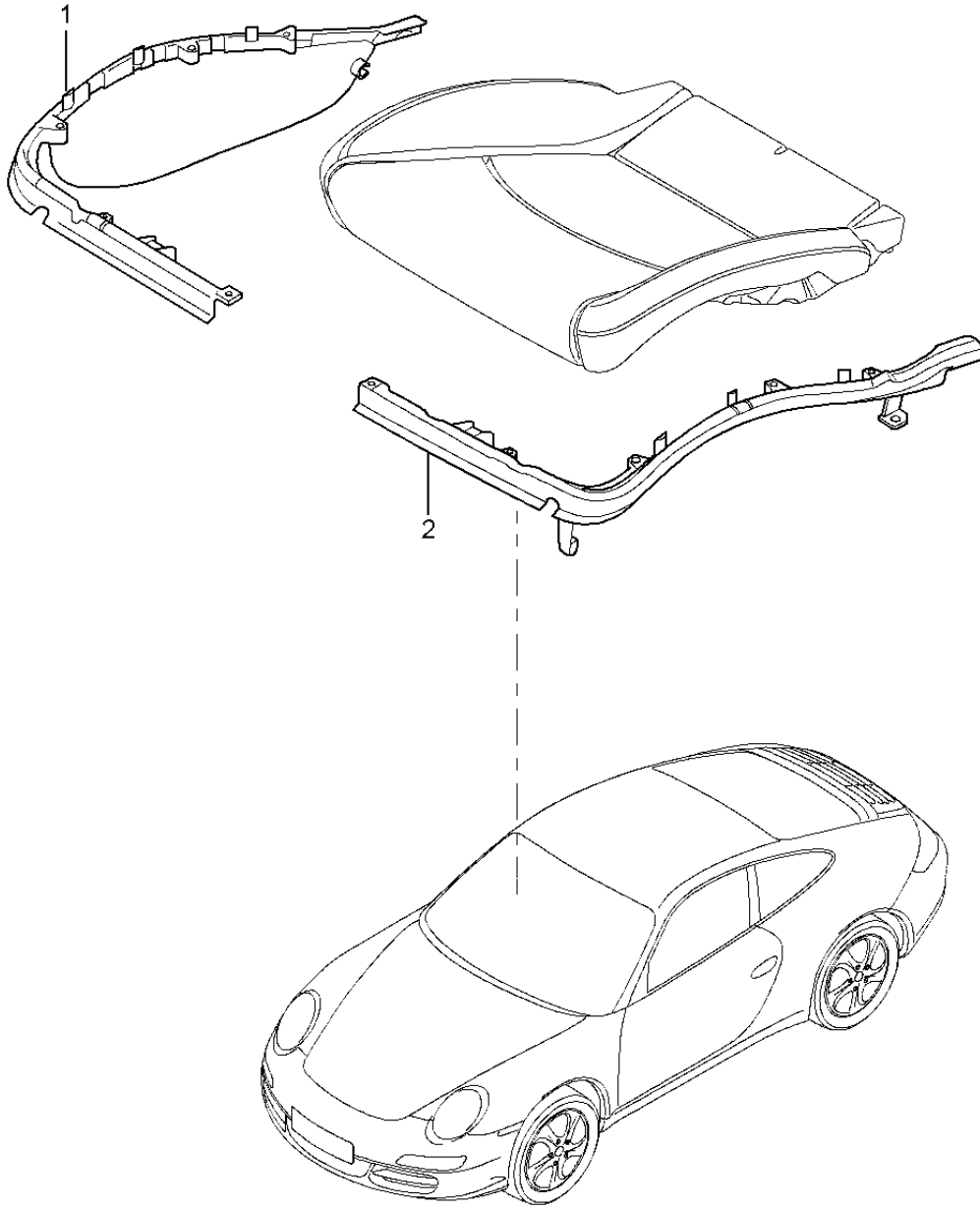
Model: 997 05

Model life 2005>>2008

| Pos  | Part Number                          | Description   | Remark | Qty | Model                      |
|------|--------------------------------------|---|--------|-----|----------------------------|
| 16   | 997 521 427 01                       | Cover<br>Sensor<br>Weight<br>D - MJ 2006>>                | left   | 1   | PR:370,376,<br>378,438,560 |
| (16) | 997 521 427 01 01C<br>997 521 426 01 | Satin black<br>Cover<br>Sensor<br>Weight<br>D - MJ 2006>> | right  | 1   | PR:370,376,<br>378,438,560 |
| 17   | 997 521 426 01 01C<br>999 141 047 01 | Satin black<br>Torx screw<br>Seat rail<br>Mount           |        | 4   |                            |

Model: 997 05

Model life 2005>>2008



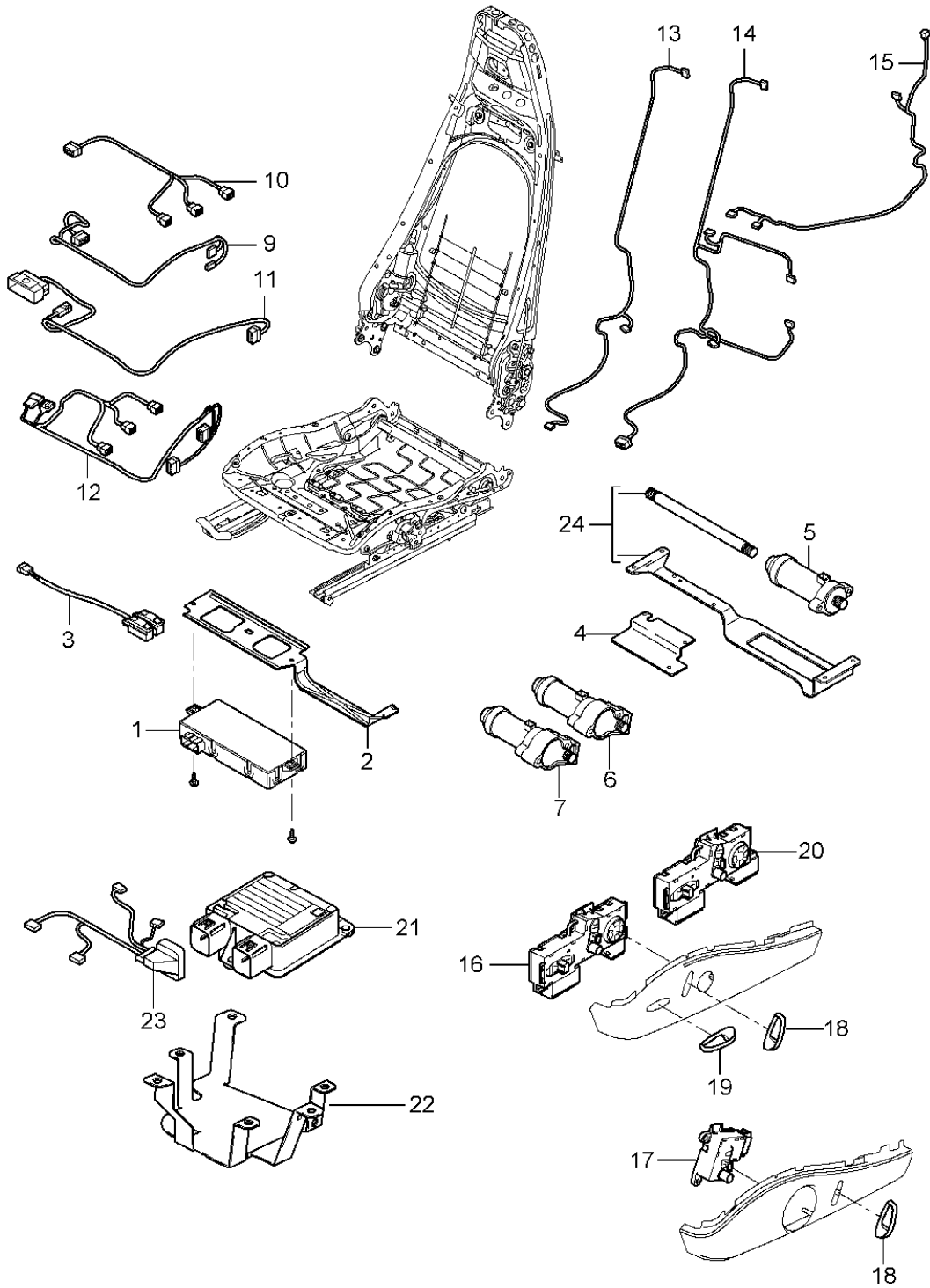
Model: 997 05

Model life 2005>>2008

| Pos | Part Number    | Description  | Remark         | Qty | Model                               |
|-----|----------------|--|----------------|-----|-------------------------------------|
|     |                | Cushion carrier<br>Frame<br>Seat surface                         |                |     | CARRERA<br>COUPE<br>CABRIO<br>TARGA |
| (1) | 997 521 547 00 | D - MJ 2005>><br>Frame   | left<br>inner  | 1   | PR:370,376,<br>378,438              |
| 1   | 997 521 548 00 | Frame  | right<br>inner | 1   | PR:369,375,<br>377,437              |
| 2   | 997 521 545 00 | Frame  | left<br>outer  | 1   | PR:369,375,<br>377,437              |
|     |                | without:<br>For vehicles with 'Advanced'<br>airbag               |                |     |                                     |
| (2) | 997 521 546 00 | Frame  | right<br>outer | 1   | PR:370,376,<br>378,438              |
|     |                | without:<br>For vehicles with 'Advanced'<br>airbag               |                |     |                                     |
| -   | 997 521 546 01 | Frame  | right<br>outer | 1   | PR:370,376,<br>378,438,560          |
|     |                | with:<br>For vehicles with 'Advanced'<br>airbag<br>D - MJ 2006>> |                |     |                                     |

Model: 997 05

Model life 2005>>2008



Model: 997 05 Model life 2005>>2008

| Pos | Part Number        | Description  | Remark | Qty | Model                               |
|-----|--------------------|--|--------|-----|-------------------------------------|
|     |                    | Wiring looms<br>Switch<br>Control unit<br>Electric motor<br>Standard seat<br>Comfort seat<br>D - MJ 2005>> |        |     | CARRERA<br>COUPE<br>CABRIO<br>TARGA |
| 1   | 997 618 537 07     | Control unit   |        | 1   | PR:537,538                          |
| 2   | 997 521 643 00     | Seating position control<br>Retainer for control units   |        | 1   | PR:537,538                          |
| 3   | 997 613 725 00     | Seating position control<br>Switch   | left   | 1   | PR:377                              |
|     | 997 613 725 00 V05 | Seat adjuster<br>Galvano silver  |        |     |                                     |
| (3) | 997 613 726 00     | Switch   | right  | 1   | PR:378                              |
|     | 997 613 726 00 V05 | Seat adjuster<br>Galvano silver  |        |     |                                     |
| 4   | 997 521 343 00     | Bracket for compressor   |        | 1   | PR:377,378                          |
| 5   | 997 624 322 00     | Electric motor<br>Seat adjuster<br>Lengthways  |        | 1   | PR:437,438                          |
|     |                    | without:   |        |     |                                     |
| (5) | 997 624 332 00     | Memory<br>Electric motor<br>Seat adjuster<br>Lengthways  |        | 1   | PR:537,538,<br>437,438              |
|     |                    | with:  |        |     |                                     |
| 6   | 997 624 322 00     | Memory<br>Electric motor<br>Seat adjuster<br>Height adjustment   |        | 1   | PR:437,438                          |
|     |                    | without:   |        |     |                                     |
| (6) | 997 624 332 00     | Memory<br>Electric motor<br>Seat adjuster<br>Height adjustment   |        | 1   | PR:537,538,<br>437,438              |
|     |                    | with:  |        |     |                                     |
| 7   | 997 624 323 00     | Memory<br>Electric motor<br>Seat adjuster<br>Tilt angle  |        | 1   | PR:437,438                          |
|     |                    | without:   |        |     |                                     |
| (7) | 997 624 333 00     | Memory<br>Electric motor<br>Seat adjuster<br>Tilt angle  |        | 1   | PR:537,538,<br>437,438              |
|     |                    | with:  |        |     |                                     |
| 9   | 997 612 684 00     | Memory<br>Wire set<br>Seat adjuster  |        | 1   | PR:537,538                          |
| 10  | 997 612 690 00     | Memory<br>Wire set<br>Lengthways<br>Height adjustment  |        | 1   | PR:537,538                          |
| 11  | 997 612 682 01     | Memory<br>Wire set<br>Switch   |        | 1   | PR:369,370,<br>375,376              |
| 12  | 997 612 683 01     | Seat adjuster<br>Wire set<br>Switch<br>Seat adjuster   |        | 1   | PR:437,438                          |
|     |                    | without:   |        |     |                                     |
|     |                    | Memory   |        |     |                                     |

Model: 997 05 Model life 2005>>2008

| Pos  | Part Number        | Description  | Remark | Qty | Model                      |
|------|--------------------|--|--------|-----|----------------------------|
| 13   | 997 612 689 00     | Wire set<br>Lumbar support<br><br>without:<br>Memory                         |        | 1   | PR:377,378,<br>437,438     |
| 14   | 997 612 687 00     | Wire set<br>Lumbar<br>backrest<br>Memory                                     |        | 1   | PR:437,438,<br>537,538     |
| 15   | 997 612 685 01     | Wire set<br>backrest   | left   | 1   | PR:369,375,<br>377,437     |
| (15) | 997 612 686 01     | Wire set<br>backrest   | right  | 1   | PR:370,376,<br>378,438     |
| 16   | 997 613 721 01     | switch for seat adjustment<br><br>Memory switch                              | left   | 1   | PR:377,437,<br>537         |
| (16) | 997 613 721 01 V05 | Galvano silver   |        |     |                            |
|      | 997 613 722 01     | switch for seat adjustment<br><br>Memory switch                              | right  | 1   | PR:378,438,<br>538         |
|      | 997 613 722 01 V05 | Galvano silver   |        |     |                            |
| 17   | 997 613 713 00     | switch for seat adjustment   | left   | 1   | PR:369,375                 |
| (17) | 997 613 714 00     | switch for seat adjustment<br>Manually adjustable                            | right  | 1   | PR:370,376                 |
| 18   | 997 521 631 01     | Actuator button  |        | 1   | PR:369,370                 |
|      | 997 521 631 01 V05 | Galvano silver   |        |     |                            |
| 18   | 997 521 631 02     | Actuator button<br>D - MJ 2008>>   |        | 1   | PR:369,370                 |
|      | 997 521 631 02 V05 | Galvano silver   |        |     |                            |
| 19   | 997 521 633 02     | Actuator button  |        | 1   | PR:377,378                 |
|      | 997 521 633 02 V05 | Galvano silver   |        |     |                            |
| 19   | 997 521 633 03     | Actuator button<br>D - MJ 2008>>   |        | 1   | PR:377,378                 |
|      | 997 521 633 03 V05 | Galvano silver   |        |     |                            |
| 20   | 997 613 717 01     | switch for seat adjustment<br><br>without:<br>Memory                         | left   | 1   | PR:377,437                 |
|      | 997 613 717 01 V05 | Galvano silver   |        |     |                            |
| 20   | 997 613 717 02     | switch for seat adjustment<br><br>without:<br>Memory                         | left   | 1   | PR:377,437                 |
|      | 997 613 717 02 V05 | Galvano silver   |        |     |                            |
| (20) | 997 613 718 01     | switch for seat adjustment<br><br>without:<br>Memory                         | right  | 1   | PR:378,438                 |
|      | 997 613 718 01 V05 | Galvano silver   |        |     |                            |
| (20) | 997 613 718 02     | switch for seat adjustment<br><br>without:<br>Memory                         | right  | 1   | PR:378,438                 |
|      | 997 613 718 02 V05 | Galvano silver   |        |     |                            |
| (21) | 997 618 233 05     | Control unit for seat<br>occupied sensor<br>D - MJ 2006>>                    |        | 1   | PR:370,376,<br>378,438,560 |
| (22) | 997 521 646 00     | Retainer for control units<br><br>seat occupied recognition<br>D - MJ 2006>> |        | 1   | PR:370,376,<br>378,438,560 |
| 23   | 997 612 688 00     | Wire set<br>seat occupied recognition<br>D - MJ 2006>>                       |        | 1   | PR:370,376,<br>378,438,560 |
| 24   | 000 043 207 06     | Pliable shaft<br>Adjusting motor   |        | 1   |                            |

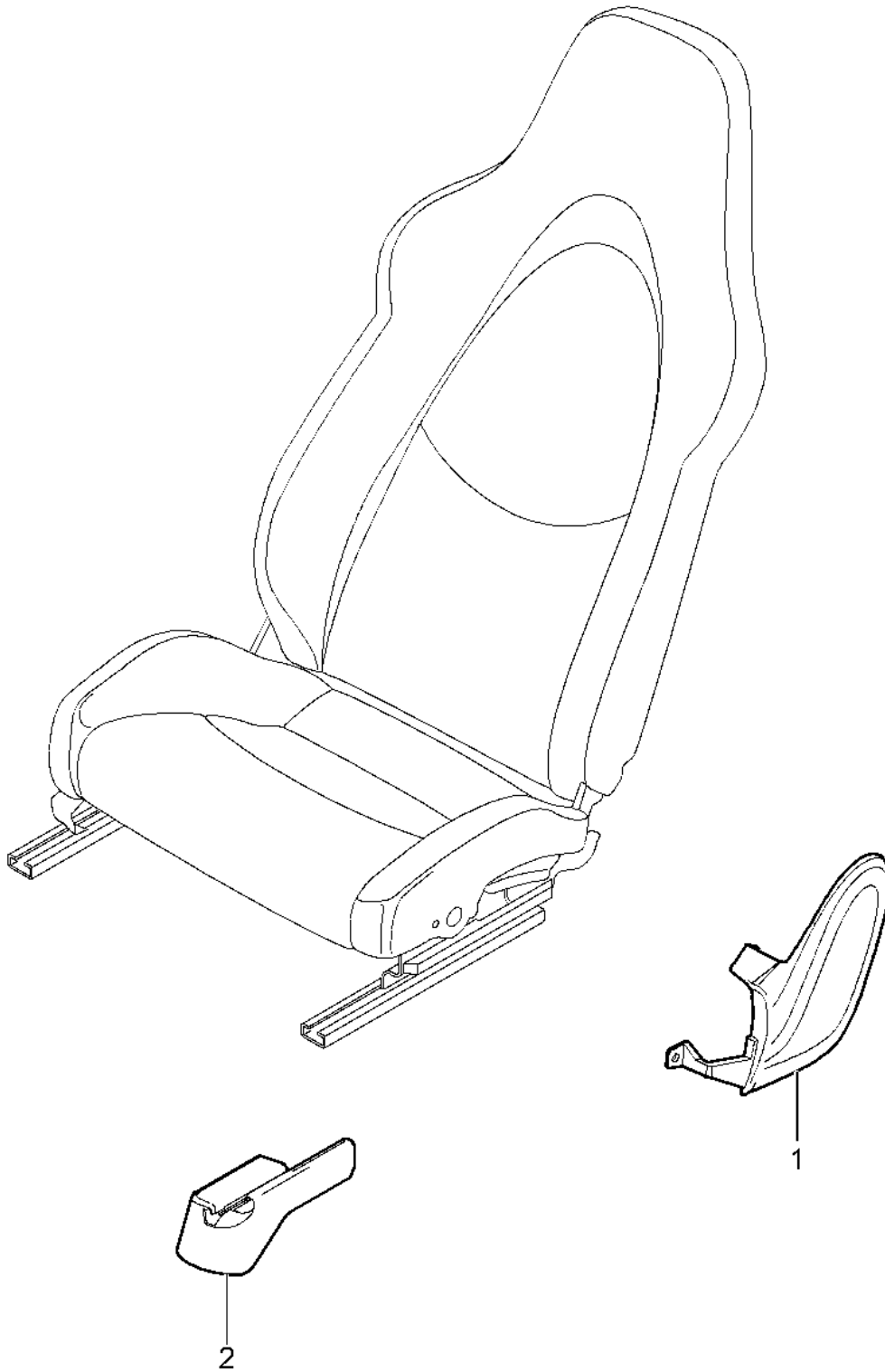
Model: 997 05

Model life 2005>>2008

| Pos  | Part Number    | Description  | Remark | Qty | Model |
|------|----------------|--|--------|-----|-------|
| (24) | 997 521 901 00 | Lengthways<br>repair set<br>Pliable shaft<br>Console for engine mounting |        | 1   |       |
| -    | 999 650 973 40 | Clip<br>Mount<br>Wire set<br>seat occupied recognition                   |        | 1   |       |

Model: 997 05

Model life 2005>>2008



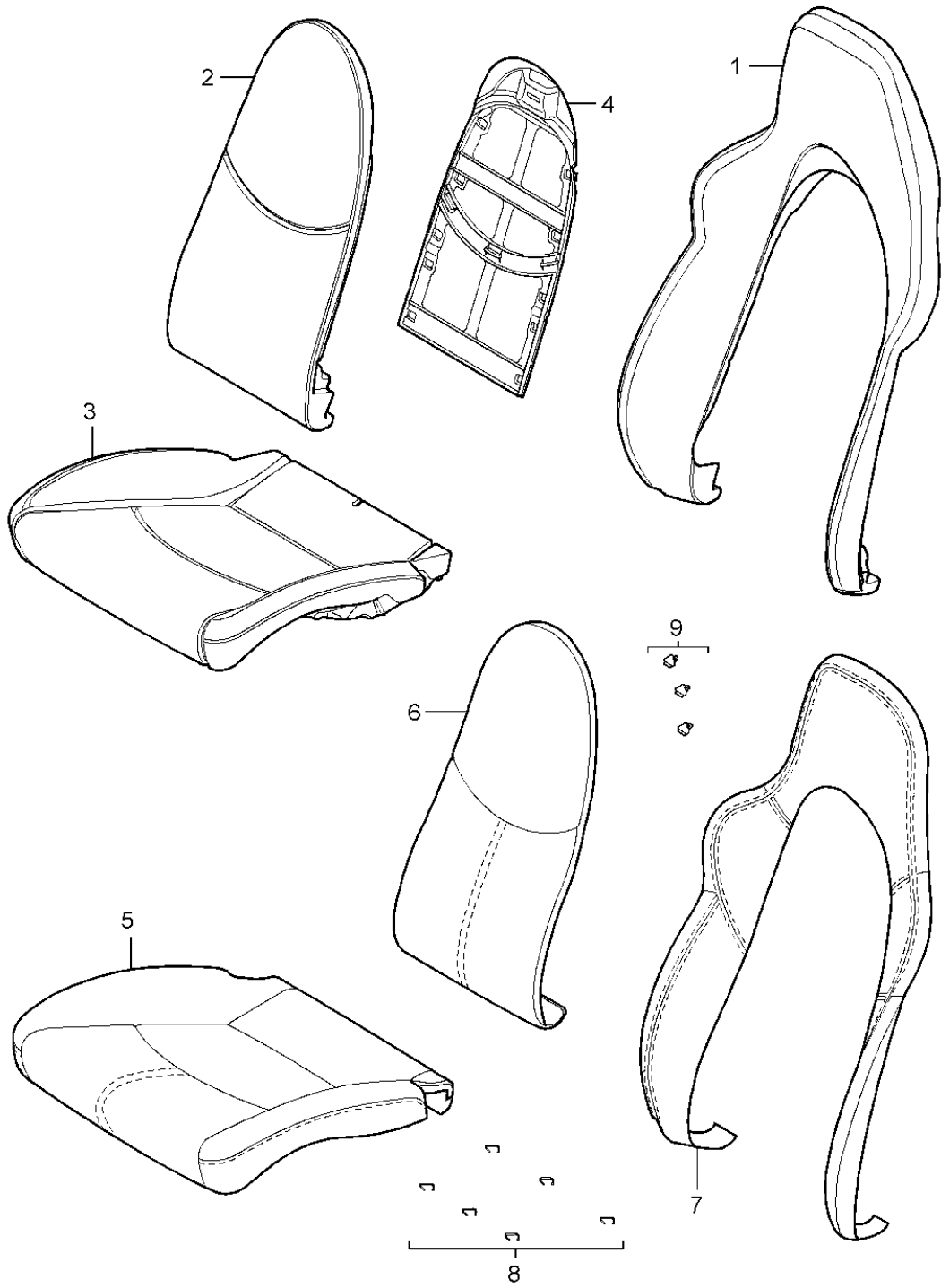


Model: 997 05 Model life 2005>>2008

| Pos | Part Number        | Description   | Remark | Qty | Model                               |
|-----|--------------------|---|--------|-----|-------------------------------------|
|     |                    | Front seat<br>(complete)<br>Not available<br>sports seat<br>D - MJ 2005>>     |        |     | CARRERA<br>COUPE<br>CABRIO<br>TARGA |
| 1   | 997 521 315 02     | Cover panel   | left   | 1   | PR:375,377                          |
|     | 997 521 315 02 D07 | Volcano grey  |        |     |                                     |
| (1) | 997 521 316 02     | Cover panel   | right  | 1   | PR:376,378                          |
|     | 997 521 316 02 D07 | Volcano grey  |        |     |                                     |
| (1) | 997 521 316 03     | Cover panel   | right  | 1   | PR:376,378,<br>560                  |
|     |                    | Mounting component<br>For vehicles with 'Advanced'<br>airbag<br>D - MJ 2006>> |        |     |                                     |
|     | 997 521 316 03 D07 | Volcano grey  |        |     |                                     |
| 2   | 997 521 359 01     | Rail  | left   | 1   | PR:369,375                          |
|     |                    | Seat rail<br>Manually   |        |     |                                     |
|     | 997 521 359 01 01C | Satin black   |        |     |                                     |
| (2) | 997 521 360 01     | Rail  | right  | 1   | PR:370,376                          |
|     |                    | Seat rail<br>Manually   |        |     |                                     |
|     | 997 521 360 01 01C | Satin black   |        |     |                                     |
| (2) | 997 521 361 00     | Rail  | left   | 1   |                                     |
|     |                    | Seat rail   |        |     |                                     |
|     | 997 521 361 00 01C | Satin black   |        |     |                                     |
| (2) | 997 521 362 00     | Rail  | right  | 1   |                                     |
|     |                    | Seat rail   |        |     |                                     |
|     | 997 521 362 00 01C | Satin black   |        |     |                                     |

Model: 997 05

Model life 2005>>2008



Model: 997 05 Model life 2005>>2008

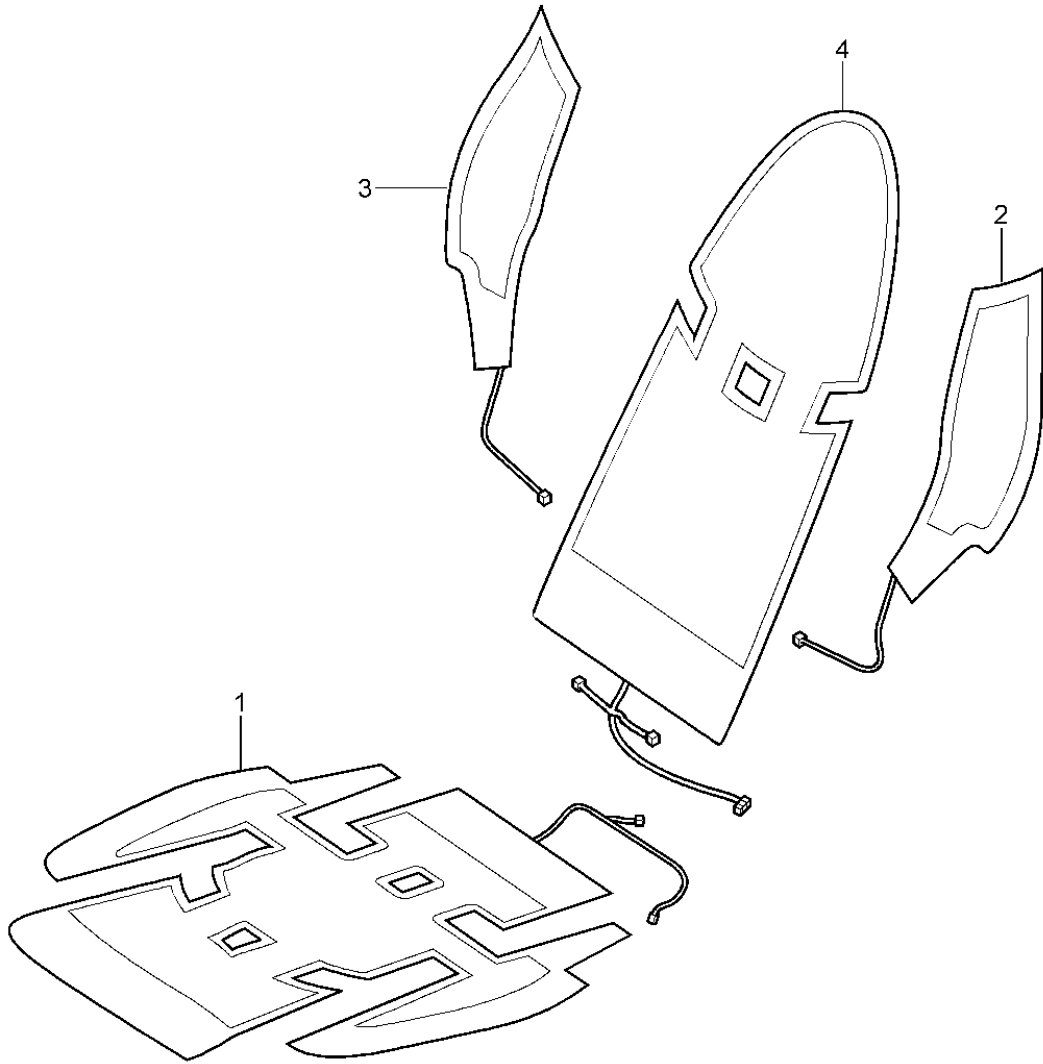
| Pos | Part Number        | Description  | Remark | Qty | Model                               |
|-----|--------------------|--|--------|-----|-------------------------------------|
|     |                    | Foam part<br>Cover<br>sports seat  |        |     | CARRERA<br>CABRIO<br>COUPE<br>TARGA |
| 1   | 997 521 535 01     | D - MJ 2005>><br>Foam part<br>backrest   | outer  | 2   | PR:375,376                          |
| (1) | 997 521 535 02     | Foam part<br>backrest  | outer  | 2   | PR:377,378                          |
| 2   | 997 521 581 00     | Foam part<br>backrest  | center | 2   |                                     |
| 3   | 997 521 571 01     | Foam part<br>Seat cushion<br>with heating  |        | 2   | PR:375,376                          |
| (3) | 997 521 571 02     | Foam part<br>Seat cushion<br>with heating  |        | 2   | PR:377,378                          |
| (3) | 997 521 571 04     | Foam part<br>Seat cushion<br>For vehicles with 'Advanced'<br>airbag                  |        | 1   | PR:376,560                          |
| (3) | 997 521 571 05     | D - MJ 2006>><br>Foam part<br>Seat cushion<br>For vehicles with 'Advanced'<br>airbag |        | 1   | PR:378,560                          |
| 4   | 997 521 551 00     | D - MJ 2006>><br>Backrest-padding support part                                       |        | 2   |                                     |
| 4   | 997 521 551 01     | >> - MJ 2007<br>Backrest-padding support part  |        | 2   |                                     |
| 5   | 997 521 161 03     | D - MJ 2008>><br>Seat cover  |        | 2   | PR:375,376,<br>983                  |
|     | 997 521 161 03 FLC | Black  |        |     |                                     |
|     | 997 521 161 03 FLF | Stone grey   |        |     |                                     |
|     | 997 521 161 03 FLJ | Sand beige   |        |     |                                     |
|     | 997 521 161 03 FLM | sea blue   |        |     |                                     |
|     | 997 521 161 03 FLP | Palm green   |        |     |                                     |
|     | 997 521 161 03 FLQ | Terracotta   |        |     |                                     |
|     | 997 521 161 03 FLR | Cocoa  |        |     |                                     |
|     | 997 521 161 03 VAA | Dark grey/natural  |        |     |                                     |
|     | 997 521 161 03 VAB | Brown/natural  |        |     |                                     |
|     | 997 521 161 03 VAC | Carrera Red  |        |     |                                     |
| (5) | 997 521 161 06     | Seat cover   |        | 2   | PR:377,378,<br>983                  |
|     | 997 521 161 06 FLC | Black  |        |     |                                     |
|     | 997 521 161 06 FLF | Stone grey   |        |     |                                     |
|     | 997 521 161 06 FLJ | Sand beige   |        |     |                                     |
|     | 997 521 161 06 FLM | sea blue   |        |     |                                     |
|     | 997 521 161 06 FLP | Palm green   |        |     |                                     |
|     | 997 521 161 06 FLQ | Terracotta   |        |     |                                     |
|     | 997 521 161 06 FLR | Cocoa  |        |     |                                     |
|     | 997 521 161 06 VAA | Dark grey/natural  |        |     |                                     |
|     | 997 521 161 06 VAB | Brown/natural  |        |     |                                     |
|     | 997 521 161 06 VAC | Carrera Red  |        |     |                                     |
| 6   | 997 521 151 00     | Backrest cushion cover<br>Centre part  |        | 2   | PR:946                              |
|     | 997 521 151 00 A08 | Black  |        |     |                                     |
|     | 997 521 151 00 5D6 | Stone grey   |        |     |                                     |
|     | 997 521 151 00 T25 | Sand beige   |        |     |                                     |
|     | 997 521 151 00 3W7 | sea blue   |        |     |                                     |
|     | 997 521 151 00 4Q2 | Palm green   |        |     |                                     |
| (6) | 997 521 151 00     | Backrest cushion cover   |        | 1   | PR:983                              |

Model: 997 05 Model life 2005>>2008

| Pos | Part Number        | Description       | Remark | Qty | Model                      |
|-----|--------------------|-------------------|--------|-----|----------------------------|
|     |                    | Centre part       |        |     |                            |
|     | 997 521 151 00 8YR | Black             |        |     |                            |
|     | 997 521 151 00 5X5 | Stone grey        |        |     |                            |
|     | 997 521 151 00 8G1 | Sand beige        |        |     |                            |
|     | 997 521 151 00 3S8 | sea blue          |        |     |                            |
|     | 997 521 151 00 4P1 | Palm green        |        |     |                            |
|     | 997 521 151 00 9N2 | Terracotta        |        |     |                            |
|     | 997 521 151 00 9Q3 | Cocoa             |        |     |                            |
|     | 997 521 151 00 D11 | Dark grey/natural |        |     |                            |
|     | 997 521 151 00 T11 | Brown/natural     |        |     |                            |
|     | 997 521 151 00 N11 | Carrera Red       |        |     |                            |
| (7) | 997 521 155 01     | Backrest cover    |        | 2   | PR:375,376,<br>377,378,983 |
|     |                    | Outer part        |        |     |                            |
|     | 997 521 155 01 FLC | Black             |        |     |                            |
|     | 997 521 155 01 FLF | Stone grey        |        |     |                            |
|     | 997 521 155 01 FLJ | Sand beige        |        |     |                            |
|     | 997 521 155 01 FLM | sea blue          |        |     |                            |
|     | 997 521 155 01 FLP | Palm green        |        |     |                            |
|     | 997 521 155 01 FLQ | Terracotta        |        |     |                            |
|     | 997 521 155 01 FLR | Cocoa             |        |     |                            |
|     | 997 521 155 01 VAA | Dark grey/natural |        |     |                            |
|     | 997 521 155 01 VAB | Brown/natural     |        |     |                            |
|     | 997 521 155 01 VAC | Carrera Red       |        |     |                            |
| (7) | 997 521 941 02     | Backrest cover    |        | 1   | PR:XSC,983                 |
|     |                    | Outer part        |        |     |                            |
|     | 997 521 941 02 8YR | Black             |        |     |                            |
|     | 997 521 941 02 5X5 | Stone grey        |        |     |                            |
|     | 997 521 941 02 8G1 | Sand beige        |        |     |                            |
|     | 997 521 941 02 3S8 | sea blue          |        |     |                            |
|     | 997 521 941 02 4P1 | Palm green        |        |     |                            |
|     | 997 521 941 02 9N2 | Terracotta        |        |     |                            |
|     | 997 521 941 02 9Q3 | Cocoa             |        |     |                            |
|     | 997 521 941 02 D11 | Dark grey/natural |        |     |                            |
|     | 997 521 941 02 T11 | Brown/natural     |        |     |                            |
|     | 997 521 941 02 N11 | Carrera Red       |        |     |                            |
| 8   | 997 521 837 00     | Clip              |        | 6   |                            |
|     |                    | Padding           |        |     |                            |
|     |                    | Seat              |        |     |                            |
| 9   | 997 521 897 00     | Clip              |        | 5   |                            |
|     |                    | Backrest cover    |        |     |                            |

Model: 997 05

Model life 2005>>2008



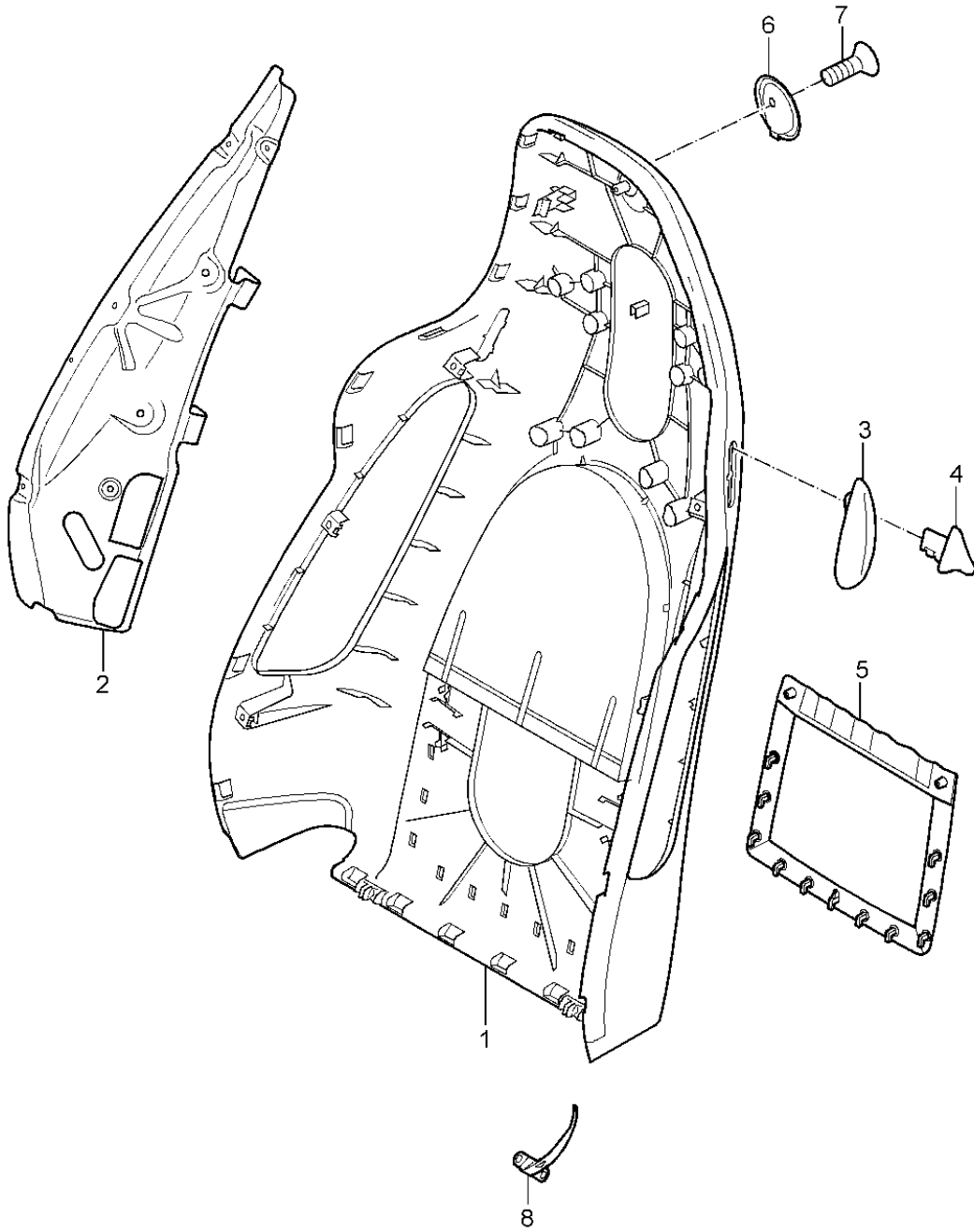
Model: 997 05

Model life 2005&gt;&gt;2008

| Pos | Part Number    | Description   | Remark        | Qty | Model                               |
|-----|----------------|---|---------------|-----|-------------------------------------|
|     |                | heater<br>Front seat  |               |     | CARRERA<br>CABRIO<br>COUPE<br>TARGA |
| 1   | 997 653 105 02 | D - MJ 2005>><br>Heating element<br>Seat cushion<br>Standard seat<br>Comfort seat | left a. right | 2   | PR:342,369,<br>370,437,438          |
| (1) | 997 653 105 03 | Heating element<br>Seat cushion<br>sports seat                                    | left a. right | 2   | PR:342,375,<br>376,377,378          |
| 2   | 997 653 109 00 | Heating element<br>Backrest side bolster<br>Standard seat<br>Comfort seat         | left          | 1   | PR:342,369,<br>370,437,438          |
| (2) | 997 653 109 01 | Heating element<br>Backrest side bolster<br>sports seat                           | left          | 1   | PR:342,375,<br>376,377,378          |
| 3   | 997 653 110 00 | Heating element<br>Backrest side bolster<br>Standard seat<br>Comfort seat         | right         | 1   | PR:342,369,<br>370,437,438          |
| (3) | 997 653 110 01 | Heating element<br>Backrest side bolster<br>sports seat                           | right         | 1   | PR:342,375,<br>376,377,378          |
| 4   | 997 653 107 00 | Heating element<br>Backrest cushion   | left a. right | 2   | PR:342                              |

Model: 997 05

Model life 2005>>2008



Model: 997 05 Model life 2005>>2008

| Pos | Part Number        | Description                     | Remark | Qty | Model                               |
|-----|--------------------|---------------------------------|--------|-----|-------------------------------------|
|     |                    | Backrest shell<br>sports seat   |        |     | CARRERA<br>COUPE<br>CABRIO<br>TARGA |
| 1   | 997 521 303 12     | D - MJ 2005>><br>Backrest shell | left   | 1   | PR:375,377                          |
| (1) | 997 521 303 12 D07 | Volcano grey                    |        |     |                                     |
| (1) | 997 521 304 12     | Backrest shell                  | right  | 1   | PR:376,378                          |
| (1) | 997 521 304 12 D07 | Volcano grey                    |        |     |                                     |
| (1) | 997 521 303 13     | Backrest shell                  | left   | 1   | PR:375,377                          |
|     |                    | D - MJ 2006>>                   |        |     |                                     |
| (1) | 997 521 303 13 D07 | Volcano grey                    |        |     |                                     |
| (1) | 997 521 304 13     | Backrest shell                  | right  | 1   | PR:376,378                          |
|     |                    | D - MJ 2006>>                   |        |     |                                     |
| (1) | 997 521 304 13 D07 | Volcano grey                    |        |     |                                     |
| (1) | 997 521 981 00     | Backrest shell                  | left   | 1   | PR:XSA,375,<br>377                  |
|     |                    | D - MJ 2006>>                   |        |     |                                     |
|     | 997 521 981 00 041 | Black                           |        |     |                                     |
|     | 997 521 981 00 84A | guards red (Porsche)            |        |     |                                     |
|     | 997 521 981 00 12H | Speed yellow                    |        |     |                                     |
|     | 997 521 981 00 B9A | Carrara white                   |        |     |                                     |
|     | 997 521 981 00 92U | Arctic silver metallic          |        |     |                                     |
|     | 997 521 981 00 M3W | Carmon red metallic             |        |     |                                     |
|     | 997 521 981 00 M5W | Lapis blue metallic             |        |     |                                     |
|     | 997 521 981 00 M6W | Lagoon green metallic           |        |     |                                     |
|     | 997 521 981 00 C9Z | Basalt black metallic           |        |     |                                     |
|     | 997 521 981 00 M7X | Atlas grey metallic             |        |     |                                     |
|     | 997 521 981 00 39C | Midnight Blue Metallic          |        |     |                                     |
|     | 997 521 981 00 6B4 | Seal grey metallic              |        |     |                                     |
|     | 997 521 981 00 2B4 | Forest green metallic           |        |     |                                     |
|     | 997 521 981 00 3C8 | Cobalt blue metallic            |        |     |                                     |
|     | 997 521 981 00 23F | Slate grey metallic             |        |     |                                     |
|     | 997 521 981 00 M6X | Dark olive-metallic             |        |     |                                     |
|     | 997 521 981 00 M7Z | GT Silver Metallic              |        |     |                                     |
| (1) | 997 521 982 00     | Backrest shell                  | right  | 1   | PR:XSA,376,<br>378                  |
|     |                    | D - MJ 2006>>                   |        |     |                                     |
|     | 997 521 982 00 041 | Black                           |        |     |                                     |
|     | 997 521 982 00 84A | guards red (Porsche)            |        |     |                                     |
|     | 997 521 982 00 12H | Speed yellow                    |        |     |                                     |
|     | 997 521 982 00 B9A | Carrara white                   |        |     |                                     |
|     | 997 521 982 00 92U | Arctic silver metallic          |        |     |                                     |
|     | 997 521 982 00 M3W | Carmon red metallic             |        |     |                                     |
|     | 997 521 982 00 M5W | Lapis blue metallic             |        |     |                                     |
|     | 997 521 982 00 M6W | Lagoon green metallic           |        |     |                                     |
|     | 997 521 982 00 C9Z | Basalt black metallic           |        |     |                                     |
|     | 997 521 982 00 M7X | Atlas grey metallic             |        |     |                                     |
|     | 997 521 982 00 39C | Midnight Blue Metallic          |        |     |                                     |
|     | 997 521 982 00 6B4 | Seal grey metallic              |        |     |                                     |
|     | 997 521 982 00 2B4 | Forest green metallic           |        |     |                                     |
|     | 997 521 982 00 3C8 | Cobalt blue metallic            |        |     |                                     |
|     | 997 521 982 00 23F | Slate grey metallic             |        |     |                                     |
|     | 997 521 982 00 M6X | Dark olive-metallic             |        |     |                                     |
|     | 997 521 982 00 M7Z | GT Silver Metallic              |        |     |                                     |
| (1) | 997 521 981 01     | Backrest shell                  | left   | 1   | PR:XCG,375,<br>377                  |
|     |                    | Aluminium look                  |        |     |                                     |
|     |                    | D - MJ 2006>>                   |        |     |                                     |
| (1) | 997 521 981 01 V04 | Galvano silver                  |        |     |                                     |
| (1) | 997 521 982 01     | Backrest shell                  | right  | 1   | PR:XCG,376,<br>378                  |
|     |                    | Aluminium look                  |        |     |                                     |
|     |                    | D - MJ 2006>>                   |        |     |                                     |
| (1) | 997 521 982 01 V04 | Galvano silver                  |        |     |                                     |
| (1) | 997 521 981 02     | Backrest shell                  | left   | 1   | PR:XSB,375,<br>377                  |
|     |                    | Leather                         |        |     |                                     |

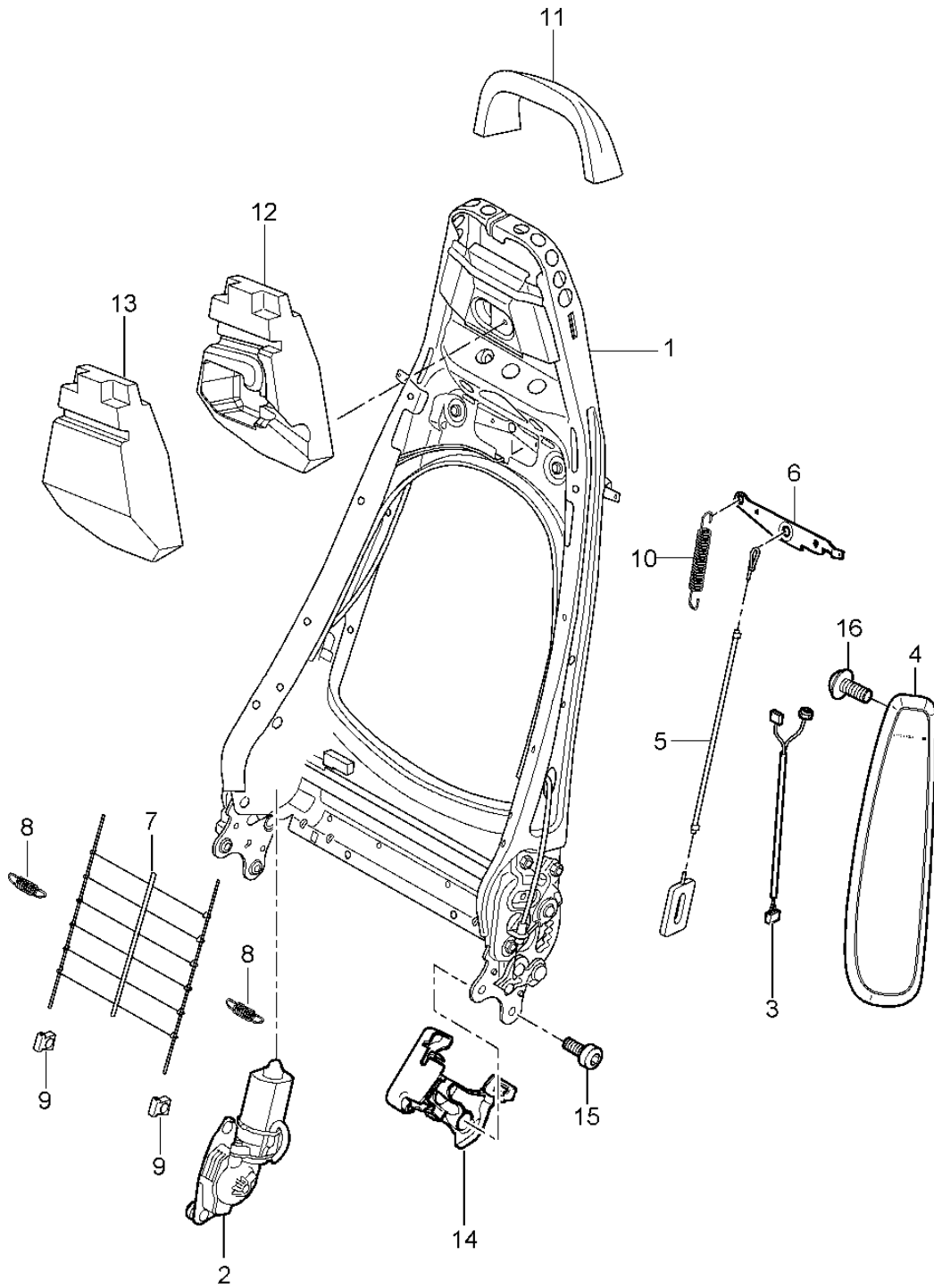


Model: 997 05 Model life 2005>>2008

| Pos | Part Number        | Description                                | Remark | Qty | Model                     |
|-----|--------------------|--|--------|-----|---------------------------|
|     |                    | D - MJ 2006>>                              |        |     |                           |
|     | 997 521 981 02 A11 | Black                                      |        |     |                           |
|     | 997 521 981 02 5X6 | Stone grey                                 |        |     |                           |
|     | 997 521 981 02 8G2 | Sand beige                                 |        |     |                           |
|     | 997 521 981 02 3S9 | sea blue                                   |        |     |                           |
|     | 997 521 981 02 4P2 | Palm green                                 |        |     |                           |
|     | 997 521 981 02 9S5 | Terracotta                                 |        |     |                           |
|     | 997 521 981 02 9V6 | Cocoa                                      |        |     |                           |
|     | 997 521 981 02 D12 | Dark grey/natural                          |        |     |                           |
|     | 997 521 981 02 T12 | Brown/natural                              |        |     |                           |
|     | 997 521 981 02 N12 | Carrera Red                                |        |     |                           |
| (1) | 997 521 982 02     | D - MJ 2008>><br>Backrest shell<br>Leather | right  | 1   | PR: XSB, 376,<br>378      |
|     |                    | D - MJ 2006>>                              |        |     |                           |
|     | 997 521 982 02 A11 | Black                                      |        |     |                           |
|     | 997 521 982 02 5X6 | Stone grey                                 |        |     |                           |
|     | 997 521 982 02 8G2 | Sand beige                                 |        |     |                           |
|     | 997 521 982 02 3S9 | sea blue                                   |        |     |                           |
|     | 997 521 982 02 4P2 | Palm green                                 |        |     |                           |
|     | 997 521 982 02 9S5 | Terracotta                                 |        |     |                           |
|     | 997 521 982 02 9V6 | Cocoa                                      |        |     |                           |
|     | 997 521 982 02 D12 | Dark grey/natural                          |        |     |                           |
|     | 997 521 982 02 T12 | Brown/natural                              |        |     |                           |
|     | 997 521 982 02 N12 | Carrera Red                                |        |     |                           |
| (2) | 997 521 319 00     | D - MJ 2008>><br>Support                   | left   | 1   |                           |
| 2   | 997 521 320 00     | Support                                    | right  | 1   |                           |
| 3   | 997 521 621 03     | Backrest side bolster<br>Rosette           | left   | 1   | PR: 375, 376,<br>377, 378 |
|     |                    | lever for folding backrest                 |        |     |                           |
| (3) | 997 521 621 03 D07 | Volcano grey                               |        |     |                           |
|     | 997 521 622 03     | Rosette                                    | right  | 1   | PR: 375, 376,<br>377, 378 |
|     |                    | lever for folding backrest                 |        |     |                           |
|     | 997 521 622 03 D07 | Volcano grey                               |        |     |                           |
| 4   | 997 521 623 02     | Actuator button                            | left   | 1   |                           |
|     |                    | lever for folding backrest                 |        |     |                           |
| (4) | 997 521 623 02 V05 | Galvano silver                             |        |     |                           |
|     | 997 521 624 02     | Actuator button                            | right  | 1   |                           |
|     |                    | lever for folding backrest                 |        |     |                           |
| 5   | 997 521 624 02 V05 | Galvano silver                             |        |     |                           |
|     | 997 521 313 01     | Pocket                                     |        | 2   | PR: 375, 376,<br>377, 378 |
|     |                    | Backrest shell                             |        |     |                           |
|     |                    | D - MJ 2005>> - MJ 2005                    |        |     |                           |
|     | 997 521 313 01 8YR | Black                                      |        |     |                           |
|     | 997 521 313 01 5X5 | Stone grey                                 |        |     |                           |
|     | 997 521 313 01 8G1 | Sand beige                                 |        |     |                           |
|     | 997 521 313 01 3S8 | sea blue                                   |        |     |                           |
|     | 997 521 313 01 4P1 | Palm green                                 |        |     |                           |
|     | 997 521 313 01 9N2 | Terracotta                                 |        |     |                           |
|     | 997 521 313 01 9Q3 | Cocoa                                      |        |     |                           |
|     | 997 521 313 01 D11 | Dark grey/natural                          |        |     |                           |
|     | 997 521 313 01 T11 | Brown/natural                              |        |     |                           |
| 6   | 997 521 373 01     | Coat hook                                  |        | 2   |                           |
|     |                    | D - MJ 2005>>                              |        |     |                           |
|     | 997 521 373 01 D07 | Volcano grey                               |        |     |                           |
| 7   | 999 919 199 09     | countersunk bolt                           |        | 1   |                           |
|     |                    | Coat hook                                  |        |     |                           |
| 8   | 997 521 783 00     | Support panel                              | left   | 1   |                           |
| (8) | 997 521 784 00     | Support panel                              | right  | 1   |                           |
|     |                    | Backrest shell                             |        |     |                           |

Model: 997 05

Model life 2005>>2008



Model: 997 05 Model life 2005>>2008

| Pos | Part Number        | Description                                 | Remark        | Qty | Model                               |
|-----|--------------------|---|---------------|-----|-------------------------------------|
|     |                    | Backrest frame<br>sports seat               |               |     | CARRERA<br>COUPE<br>CABRIO<br>TARGA |
| 1   | 997 521 329 00     | D - MJ 2005>><br>backrest frame             | left a. right | 2   | PR:375,376,<br>377,378              |
|     |                    | without:<br>Memory                          |               |     |                                     |
| (1) | 997 521 329 02     | D >> - MJ 2007<br>backrest frame            | left a. right | 1   | PR:375,376,<br>377,378              |
|     |                    | without:<br>Memory                          |               |     |                                     |
| (1) | 997 521 329 01     | D - MJ 2008>><br>backrest frame             | left a. right | 2   | PR:537,538                          |
|     |                    | D >> - MJ 2007                              |               |     |                                     |
| (1) | 997 521 329 03     | backrest frame                              | left a. right | 2   | PR:537,538                          |
|     |                    | with:<br>Memory                             |               |     |                                     |
| 2   | 997 624 331 00     | D - MJ 2008>><br>Electric motor<br>backrest | left a. right | 1   | PR:537,538                          |
|     |                    | with:<br>Memory                             |               |     |                                     |
| (2) | 997 624 321 00     | Electric motor<br>backrest                  | left a. right | 1   | 378<br>PR:375,376,<br>377           |
|     |                    | without:<br>Memory                          |               |     |                                     |
| 3   | 997 612 785 01     | Wire set                                    | left          | 1   | PR:537                              |
| (3) | 997 612 786 01     | Wire set                                    | right         | 1   | PR:538                              |
|     |                    | Side airbag unit                            |               |     |                                     |
| (3) | 997 612 685 01     | Wire set                                    | left          | 1   |                                     |
| 3   | 997 612 686 01     | Wire set                                    | right         | 1   |                                     |
|     |                    | Side airbag unit                            |               |     |                                     |
|     |                    | without:<br>Memory                          |               |     |                                     |
| 4   | 997 803 081 01     | Side airbag unit                            | left          | 1   | PR:375,377                          |
|     | 997 803 081 01 D07 | Volcano grey                                |               |     |                                     |
| (4) | 997 803 082 01     | Side airbag unit                            | right         | 1   | PR:376,378                          |
|     | 997 803 082 01 D07 | Volcano grey                                |               |     |                                     |
| (4) | 997 803 981 00     | Side airbag unit                            | left          | 1   | PR:XSG,375,<br>377                  |
|     |                    | D - MJ 2007>>                               |               |     |                                     |
|     | 997 803 981 00 A03 | Black                                       |               |     |                                     |
|     | 997 803 981 00 5V7 | Stone grey                                  |               |     |                                     |
|     | 997 803 981 00 5Z1 | Sand beige                                  |               |     |                                     |
|     | 997 803 981 00 8W7 | sea blue                                    |               |     |                                     |
|     | 997 803 981 00 5Y2 | Palm green                                  |               |     |                                     |
|     |                    | D - MJ 2007>> - MJ 2007                     |               |     |                                     |
|     | 997 803 981 00 8X8 | Terracotta                                  |               |     |                                     |
|     | 997 803 981 00 8P9 | Cocoa                                       |               |     |                                     |
|     | 997 803 981 00 T13 | Brown/natural                               |               |     |                                     |
|     | 997 803 981 00 N23 | Carrera Red                                 |               |     |                                     |
|     |                    | D - MJ 2008>>                               |               |     |                                     |
| (4) | 997 803 981 00     | Side airbag unit                            | left          | 1   | PR:XSA,375,<br>377                  |
|     |                    | D - MJ 2007>>                               |               |     |                                     |
|     | 997 803 981 00 A03 | Black                                       |               |     |                                     |
|     | 997 803 981 00 5V7 | Stone grey                                  |               |     |                                     |
|     | 997 803 981 00 5Z1 | Sand beige                                  |               |     |                                     |
|     | 997 803 981 00 8W7 | sea blue                                    |               |     |                                     |
|     | 997 803 981 00 5Y2 | Palm green                                  |               |     |                                     |
|     |                    | D - MJ 2007>> - MJ 2007                     |               |     |                                     |
|     | 997 803 981 00 8X8 | Terracotta                                  |               |     |                                     |
|     | 997 803 981 00 8P9 | Cocoa                                       |               |     |                                     |
|     | 997 803 981 00 T13 | Brown/natural                               |               |     |                                     |

Model: 997 05 Model life 2005>>2008

| Pos | Part Number                      | Description                       | Remark | Qty | Model             |
|-----|----------------------------------|-----------------------------------|--------|-----|-------------------|
| (4) | 997 803 981 00 N23               | Carrera Red                       | left   | 1   | PR: XSB, 375, 377 |
|     | 997 803 981 00                   | D - MJ 2008>><br>Side airbag unit |        |     |                   |
|     |                                  | D - MJ 2007>>                     |        |     |                   |
|     | 997 803 981 00 A03               | Black                             |        |     |                   |
|     | 997 803 981 00 5V7               | Stone grey                        |        |     |                   |
|     | 997 803 981 00 5Z1               | Sand beige                        |        |     |                   |
|     | 997 803 981 00 8W7               | sea blue                          |        |     |                   |
|     | 997 803 981 00 5Y2               | Palm green                        |        |     |                   |
|     |                                  | D - MJ 2007>> - MJ 2007           |        |     |                   |
|     |                                  | 997 803 981 00 8X8 Terracotta     |        |     |                   |
|     | 997 803 981 00 8P9 Cocoa         |                                   |        |     |                   |
|     | 997 803 981 00 T13 Brown/natural |                                   |        |     |                   |
|     | 997 803 981 00 N23 Carrera Red   |                                   |        |     |                   |
| (4) | 997 803 982 00                   | D - MJ 2008>><br>Side airbag unit | right  | 1   | PR: XSG, 376, 378 |
|     |                                  | D - MJ 2007>>                     |        |     |                   |
|     | 997 803 982 00 A03               | Black                             |        |     |                   |
|     | 997 803 982 00 5V7               | Stone grey                        |        |     |                   |
|     | 997 803 982 00 5Z1               | Sand beige                        |        |     |                   |
|     | 997 803 982 00 8W7               | sea blue                          |        |     |                   |
|     | 997 803 982 00 5Y2               | Palm green                        |        |     |                   |
|     |                                  | D - MJ 2007>> - MJ 2007           |        |     |                   |
|     |                                  | 997 803 982 00 8X8 Terracotta     |        |     |                   |
|     |                                  | 997 803 982 00 8P9 Cocoa          |        |     |                   |
|     | 997 803 982 00 T13 Brown/natural |                                   |        |     |                   |
|     | 997 803 982 00 N23 Carrera Red   |                                   |        |     |                   |
| (4) | 997 803 982 00                   | D - MJ 2008>><br>Side airbag unit | right  | 1   | PR: XSA, 376, 378 |
|     |                                  | D - MJ 2007>>                     |        |     |                   |
|     | 997 803 982 00 A03               | Black                             |        |     |                   |
|     | 997 803 982 00 5V7               | Stone grey                        |        |     |                   |
|     | 997 803 982 00 5Z1               | Sand beige                        |        |     |                   |
|     | 997 803 982 00 8W7               | sea blue                          |        |     |                   |
|     | 997 803 982 00 5Y2               | Palm green                        |        |     |                   |
|     |                                  | D - MJ 2007>> - MJ 2007           |        |     |                   |
|     |                                  | 997 803 982 00 8X8 Terracotta     |        |     |                   |
|     |                                  | 997 803 982 00 8P9 Cocoa          |        |     |                   |
|     | 997 803 982 00 T13 Brown/natural |                                   |        |     |                   |
|     | 997 803 982 00 N23 Carrera Red   |                                   |        |     |                   |
| (4) | 997 803 982 00                   | D - MJ 2008>><br>Side airbag unit | right  | 1   | PR: XSB, 376, 378 |
|     |                                  | D - MJ 2007>>                     |        |     |                   |
|     | 997 803 982 00 A03               | Black                             |        |     |                   |
|     | 997 803 982 00 5V7               | Stone grey                        |        |     |                   |
|     | 997 803 982 00 5Z1               | Sand beige                        |        |     |                   |
|     | 997 803 982 00 8W7               | sea blue                          |        |     |                   |
|     | 997 803 982 00 5Y2               | Palm green                        |        |     |                   |
|     |                                  | D - MJ 2007>> - MJ 2007           |        |     |                   |
|     |                                  | 997 803 982 00 8X8 Terracotta     |        |     |                   |
|     |                                  | 997 803 982 00 8P9 Cocoa          |        |     |                   |
|     | 997 803 982 00 T13 Brown/natural |                                   |        |     |                   |
|     | 997 803 982 00 N23 Carrera Red   |                                   |        |     |                   |
| 5   | 997 521 485 00                   | D - MJ 2008>><br>Bowden cable     |        | 2   |                   |
| 6   | 997 521 375 00                   | Backrest frame                    |        | 1   |                   |
|     |                                  | Release                           |        | 1   |                   |
| 7   | 997 521 855 00                   | Backrest frame                    |        | 1   |                   |
|     |                                  | Grille                            |        | 1   |                   |
| 8   | 997 521 893 00                   | Backrest frame                    |        | 2   |                   |
|     |                                  | tension spring                    |        | 2   |                   |
| 9   | 997 521 895 00                   | Inner spring                      |        | 2   |                   |
|     |                                  | Clip                              |        | 2   |                   |

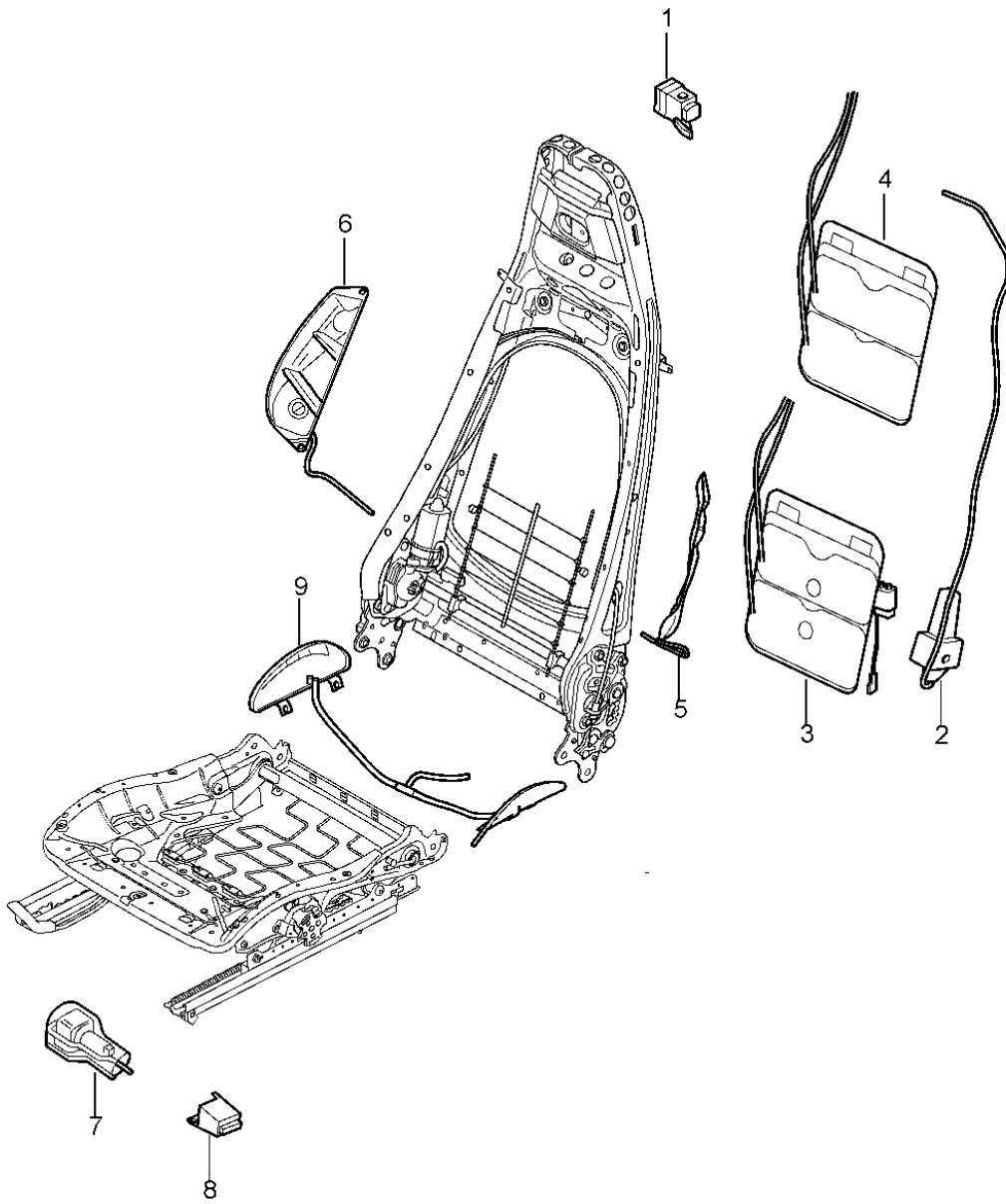
Model: 997 05

Model life 2005>>2008

| Pos  | Part Number        | Description                                      | Remark         | Qty | Model                  |
|------|--------------------|--|----------------|-----|------------------------|
| 10   | 997 521 797 00     | Inner spring<br>tension spring                   |                | 1   |                        |
| 11   | 997 521 885 00     | Release<br>backrest<br>Foam part                 | upper          | 1   | PR:375,376,<br>377,378 |
| 12   | 997 521 887 01     | Head restraint<br>Foam part                      | center         | 1   | PR:377,378             |
| 13   | 997 521 887 00     | Head restraint<br>Electric<br>Foam part          | center         | 1   | PR:375,376             |
| 14   | 997 521 335 01     | Head restraint<br>Trim                           | left<br>inner  | 1   |                        |
| (14) | 997 521 335 01 D07 | Mounting component<br>Volcano grey               |                |     |                        |
|      | 997 521 336 01     | Trim<br>Mounting component                       | right<br>inner | 1   |                        |
|      | 997 521 336 01 D07 | Volcano grey                                     |                |     |                        |
| 15   | 999 073 375 09     | Screw<br>Mount<br>backrest                       |                | 4   |                        |
| 16   | 999 073 306 09     | Seat frame<br>Screw<br>Mount<br>Side airbag unit |                | 2   |                        |

Model: 997 05

Model life 2005>>2008

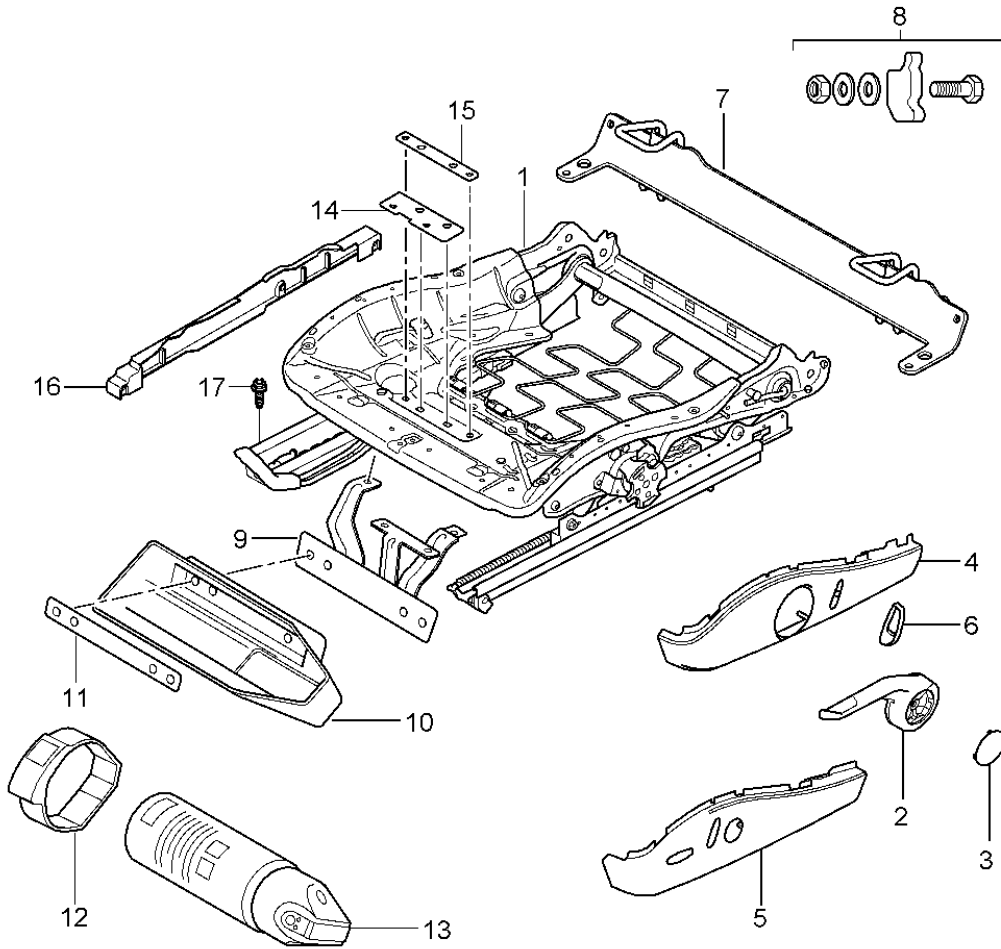


Model: 997 05 Model life 2005>>2008

| Pos | Part Number    | Description   | Remark | Qty | Model                               |
|-----|----------------|---|--------|-----|-------------------------------------|
|     |                | Lumbar support  |        |     | CARRERA<br>COUPE<br>CABRIO<br>TARGA |
| 1   | 997 617 725 00 | D - MJ 2005>><br>Valve<br>Lumbar support                          |        | 1   | PR:377,378,<br>437,438              |
| (1) | 997 617 726 00 | without:<br>Memory<br>Valve<br>Lumbar support                     |        | 1   | PR:537,538                          |
| 2   | 997 620 725 00 | Memory<br>Compressor<br>Lumbar                                    |        | 1   | PR:377,378,<br>437,438              |
| 3   | 997 521 709 01 | Lumbar support<br>Memory  |        | 1   | PR:377,378,<br>437,438,537,<br>538  |
| 4   | 997 521 709 00 | Lumbar support<br>without:  |        | 1   | PR:377,378,<br>437,438              |
| 5   | 997 521 711 00 | Memory<br>container<br>Air distributor                            |        | 1   | PR:377,378                          |
| 6   | 997 521 712 00 | Backrest side bolster<br>container<br>Air distributor             |        | 1   | PR:377,378                          |
| 7   | 997 620 727 00 | Backrest side bolster<br>Compressor<br>Adjustment                 |        | 1   | PR:377,378                          |
| 8   | 997 617 727 00 | Seat side bolster<br>Valve<br>Adjustment                          |        | 1   | PR:377,378                          |
| 9   | 997 521 713 01 | Seat<br>Wide<br>container<br>Air distributor<br>Seat side bolster |        | 1   | PR:377,378                          |

Model: 997 05

Model life 2005>>2008





Model: 997 05 Model life 2005>>2008

| Pos | Part Number    | Description  | Remark           | Qty | Model                               |
|-----|----------------|--|------------------|-----|-------------------------------------|
|     |                | Seat frame<br>sports seat                                      |                  |     | CARRERA<br>COUPE<br>CABRIO<br>TARGA |
| 1   | 997 521 201 00 | D - MJ 2005>><br>Seat frame                                    | left lhd         | 1   | PR:098,369,<br>375                  |
| (1) | 997 521 201 10 | D >> - MJ 2006<br>Seat frame<br>Manually<br>(drivers side)     | left lhd<br>lhd  | 1   | PR:098,369,<br>375                  |
| 1   | 997 521 202 00 | D - MJ 2007>><br>Seat frame<br>Manually<br>(drivers side)      | right rhd        | 1   | PR:099,370,<br>376                  |
| 1   | 997 521 202 19 | D >> - MJ 2007<br>Seat frame<br>Manually<br>(drivers side)     | right rhd        | 1   | PR:099,370,<br>376                  |
| 1   | 997 521 201 04 | D - MJ 2008>><br>Seat frame                                    | left             | 1   | PR:377,437                          |
| (1) | 997 521 201 12 | D >> - MJ 2006<br>Seat frame<br>Electric<br>without:<br>Memory | left             | 1   | PR:377,437                          |
| (1) | 997 521 201 05 | D - MJ 2007>><br>Seat frame                                    | left             | 1   | PR:377,437,<br>537                  |
| (1) | 997 521 201 13 | D >> - MJ 2006<br>Seat frame<br>Electric<br>Memory             | left             | 1   | PR:377,437,<br>537                  |
| (1) | 997 521 202 10 | D - MJ 2007>><br>Seat frame                                    | right            | 1   | PR:378,438                          |
| (1) | 997 521 202 21 | D >> - MJ 2006<br>Seat frame<br>Electric<br>without:<br>Memory | right            | 1   | PR:378,438                          |
| (1) | 997 521 202 11 | D - MJ 2007>><br>Seat frame                                    | right            | 1   | PR:378,438,<br>538                  |
| (1) | 997 521 202 22 | D >> - MJ 2006<br>Seat frame<br>Electric<br>Memory             | right            | 1   | PR:378,438,<br>538                  |
| (1) | 997 521 201 03 | D - MJ 2007>><br>Seat frame                                    | left rhd         | 1   | PR:099,369,<br>375                  |
| (1) | 997 521 201 11 | D >> - MJ 2006<br>Seat frame<br>Manually<br>(passenger side)   | rhd              | 1   | PR:099,369,<br>375                  |
| (1) | 997 521 202 05 | D - MJ 2007>><br>Seat frame                                    | right lhd        | 1   | PR:098,370,<br>376                  |
| (1) | 997 521 202 20 | D >> - MJ 2006<br>Seat frame<br>Manually<br>(passenger side)   | right lhd<br>lhd | 1   | PR:098,370,<br>376                  |
| (1) | 997 521 202 06 | D - MJ 2007>><br>Seat frame                                    | right            | 1   | PR:370,376,<br>560                  |
| (1) | 997 521 202 23 | D - MJ 2006>> - MJ 2006<br>Seat frame                          | right            | 1   | PR:370,376,                         |

Model: 997 05 Model life 2005>>2008

| Pos | Part Number        | Description   | Remark        | Qty | Model                  |
|-----|--------------------|---|---------------|-----|------------------------|
|     |                    | Manually<br>seat occupied recognition<br>D - MJ 2007>>  |               |     | 560                    |
| (1) | 997 521 202 12     | Seat frame  | right         | 1   | PR:378,438,<br>560     |
| (1) | 997 521 202 24     | D - MJ 2006>> - MJ 2006<br>Seat frame<br>Electric<br>seat occupied recognition<br>D - MJ 2007>> | right         | 1   | PR:378,438,<br>560     |
| 2   | 997 521 627 01     | Actuating lever<br>Height adjustment  | left          | 1   | PR:369,375             |
| (2) | 997 521 627 01 V05 | Galvano silver  |               |     |                        |
|     | 997 521 628 01     | Actuating lever<br>Height adjustment  | right         | 1   | PR:370,376             |
|     | 997 521 628 01 V05 | Galvano silver  |               |     |                        |
| 3   | 997 521 629 01     | Cover cap<br>Height adjustment  | left a. right | 2   | PR:369,370,<br>375,376 |
|     | 997 521 629 01 D07 | Volcano grey  |               |     |                        |
| 4   | 997 521 325 06     | Trim for switch   | left          | 1   | PR:369,375             |
|     | 997 521 325 06 D07 | Volcano grey  |               |     |                        |
|     |                    | without:<br>For vehicles with 'Advanced'<br>airbag  |               |     |                        |
| (4) | 997 521 326 06     | Trim for switch   | right         | 1   | PR:370,376             |
|     | 997 521 326 06 D07 | Volcano grey  |               |     |                        |
|     |                    | without:<br>For vehicles with 'Advanced'<br>airbag  |               |     |                        |
| 5   | 997 521 325 08     | Trim for switch<br>Elect. backrest adjustment   | left          | 1   | PR:377                 |
|     | 997 521 325 08 D07 | Volcano grey  |               |     |                        |
|     | 997 521 325 08 V04 | Galvano silver  |               |     |                        |
| (5) | 997 521 326 08     | Trim for switch<br>Elect. backrest adjustment   | right         | 1   | PR:378                 |
|     | 997 521 326 08 D07 | Volcano grey  |               |     |                        |
|     | 997 521 326 08 V04 | Galvano silver  |               |     |                        |
| (5) | 997 521 326 09     | Trim for switch<br>For vehicles with 'Advanced'<br>airbag                                       | right         | 1   | PR:370,376,<br>560     |
|     |                    | D - MJ 2006>>   |               |     |                        |
|     | 997 521 326 09 D07 | Volcano grey  |               |     |                        |
| (5) | 997 521 326 11     | Trim for switch<br>For vehicles with 'Advanced'<br>airbag                                       | right         | 1   | PR:378,560             |
|     |                    | D - MJ 2006>>   |               |     |                        |
|     | 997 521 326 11 D07 | Volcano grey  |               |     |                        |
| 6   | 997 521 631 01     | Actuator button<br>backrest   |               | 1   | PR:375,376,<br>377,378 |
|     | 997 521 631 01 V05 | Galvano silver  |               |     |                        |
| 7   | 997 521 061 01     | Retainer plate<br>child seat<br>Retainer plate<br>Not for:<br>AUSTRALIEN                        |               | 1   |                        |
| 8   | 997 521 961 01     | 1 set attachment parts<br>Retainer plate  |               | 1   |                        |
| 9   | 997 521 251 00     | Holder for fire extinguisher  |               | 1   | PR:098,509             |
| (9) | 997 521 252 00     | Holder for fire extinguisher  |               | 1   | PR:099,509             |
| 10  | 997 521 607 00     | Cup<br>Fire extinguishers   |               | 1   | PR:509                 |
| 11  | 997 521 881 00     | Holder for fire extinguisher<br>Cup   |               | 1   | PR:509                 |
| 12  | 997 521 851 00     | tensioning strap  |               | 1   | PR:509                 |

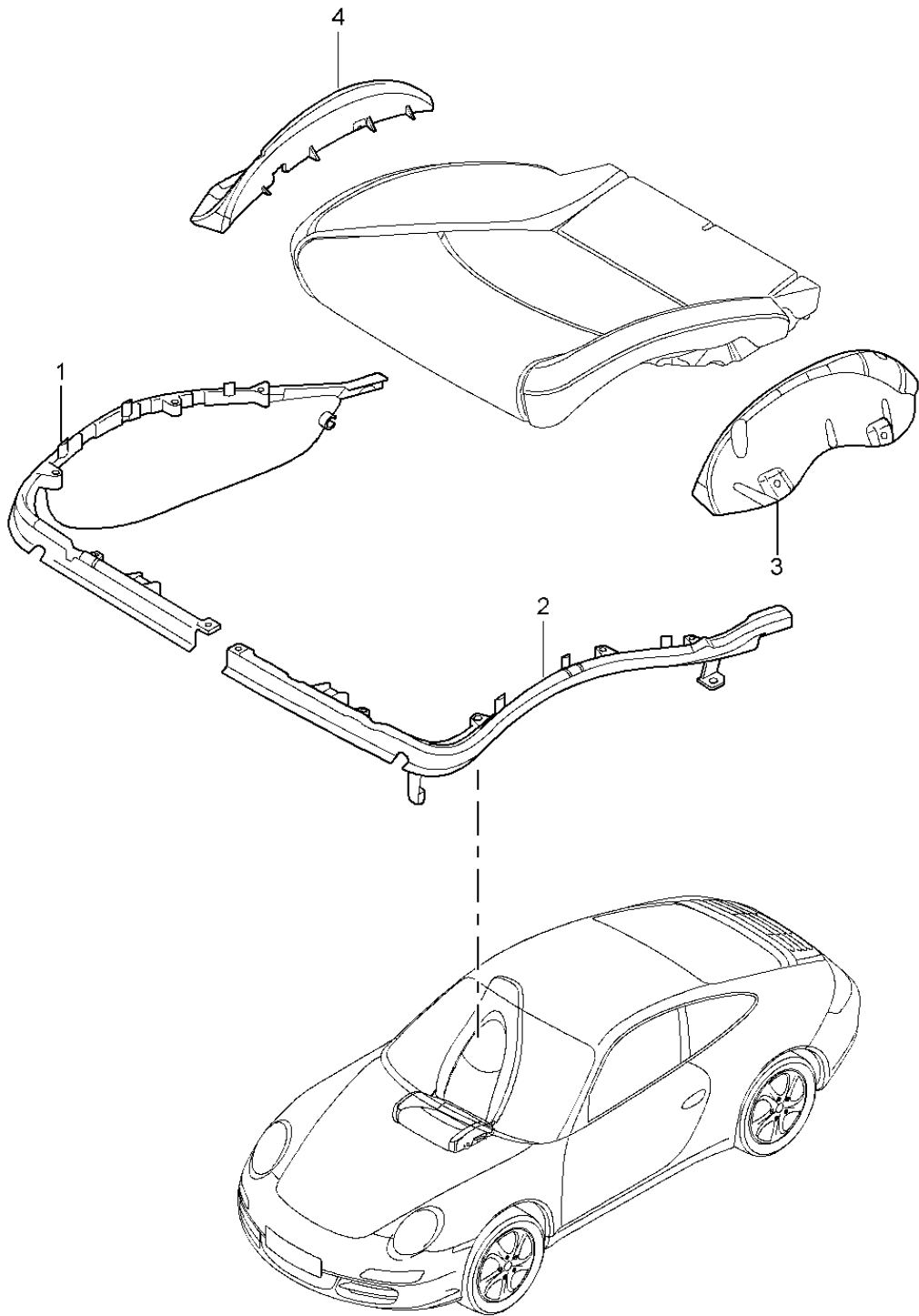
Model: 997 05

Model life 2005>>2008

| Pos  | Part Number                          | Description   | Remark | Qty | Model              |
|------|--------------------------------------|---|--------|-----|--------------------|
| 13   | 996 722 115 00                       | Fire extinguishers<br>Fire extinguishers<br>Information available |        | 1   | PR:509             |
| 14   | 997 521 841 00                       | Reinforcement   | front  | 1   | PR:509             |
| 15   | 997 521 843 00                       | Reinforcement   | rear   | 1   | PR:509             |
| 16   | 997 521 427 01                       | Cover<br>Sensor<br>Weight<br>D - MJ 2006>>                        | left   | 1   | PR:376,378,<br>560 |
| (16) | 997 521 427 01 01C<br>997 521 426 01 | Satin black<br>Cover<br>Sensor<br>Weight<br>D - MJ 2006>>         | right  | 1   | PR:376,378,<br>560 |
| 17   | 997 521 426 01 01C<br>999 141 047 01 | Satin black<br>Torx screw<br>Seat rail<br>Mount                   |        | 4   |                    |

Model: 997 05

Model life 2005>>2008

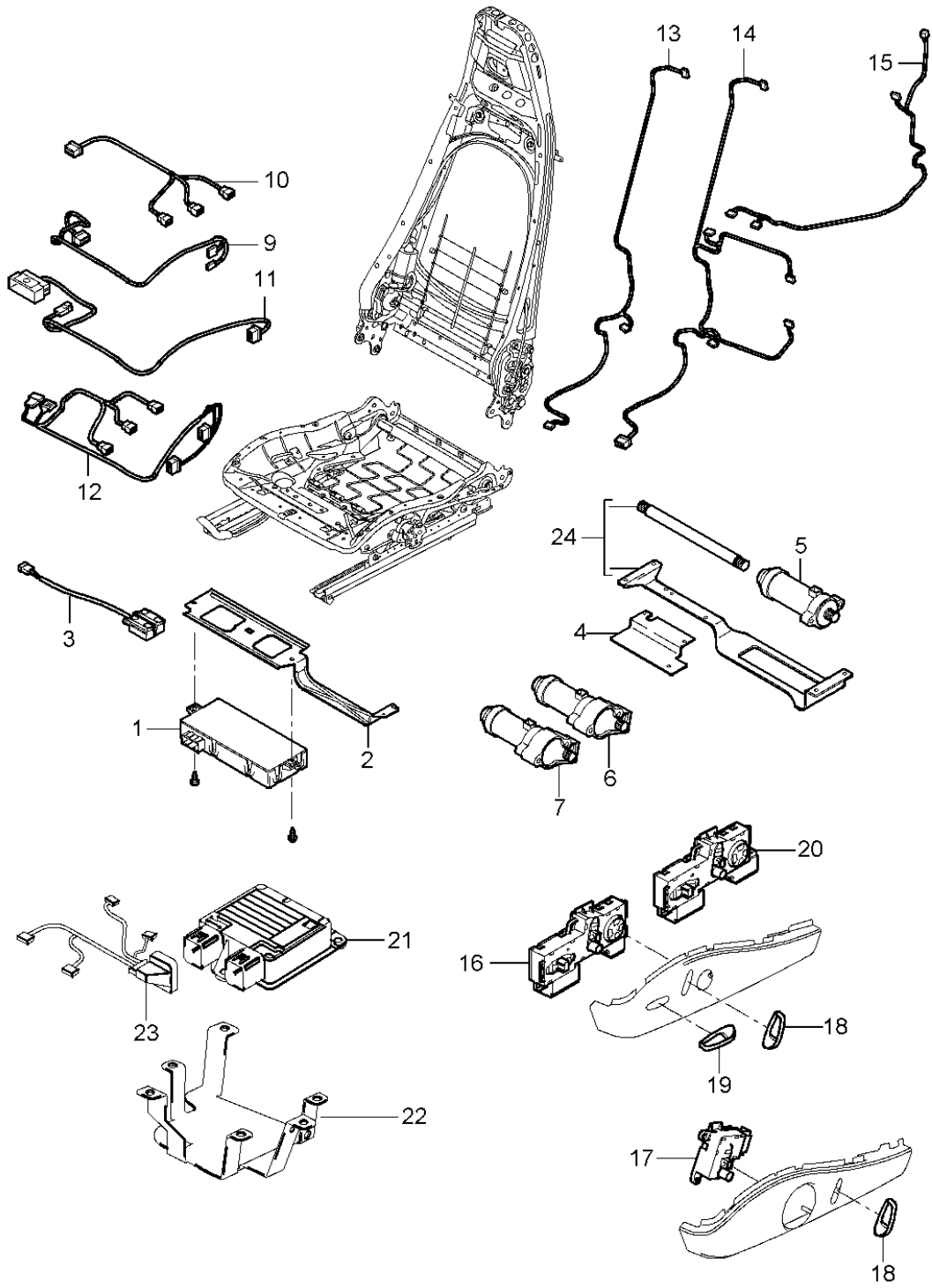


Model: 997 05 Model life 2005>>2008

| Pos | Part Number    | Description  | Remark         | Qty | Model                               |
|-----|----------------|--|----------------|-----|-------------------------------------|
|     |                | Cushion carrier<br>Frame<br>Seat surface<br>sports seat<br>D - MJ 2005>> |                |     | CARRERA<br>COUPE<br>CABRIO<br>TARGA |
| 1   | 997 521 547 00 | Frame  | left           | 1   | PR:376,378                          |
| (1) | 997 521 548 00 | Frame  | inner<br>right | 1   | PR:375,377                          |
| 2   | 997 521 545 00 | Frame  | inner<br>left  | 1   | PR:375,377                          |
| (2) | 997 521 546 00 | Frame  | outer<br>right | 1   | PR:376,378                          |
| 3   | 997 521 519 00 | Support plate  | outer<br>left  | 1   | PR:377,378                          |
| 4   | 997 521 520 00 | Seat cushion<br>Support plate  | right          | 1   | PR:377,378                          |
| -   | 997 521 546 01 | Seat cushion<br>Frame  | right<br>outer | 1   | PR:376,378,<br>560                  |
|     |                | with:<br>For vehicles with 'Advanced'<br>airbag<br>D - MJ 2006>>         |                |     |                                     |

Model: 997 05

Model life 2005>>2008



Model: 997 05 Model life 2005>>2008

| Pos | Part Number        | Description  | Remark | Qty | Model                               |
|-----|--------------------|--|--------|-----|-------------------------------------|
|     |                    | Wiring looms<br>Switch<br>Control unit<br>Electric motor<br>sports seat<br>D - MJ 2005>> |        |     | CARRERA<br>COUPE<br>CABRIO<br>TARGA |
| 1   | 997 618 537 07     | Control unit   |        | 1   | PR:537,538                          |
| 2   | 997 521 643 00     | Seating position control<br>Retainer for control units                                   |        | 1   | PR:537,538                          |
| 3   | 997 613 725 00     | Seating position control<br>Switch   |        | 1   | PR:377                              |
|     |                    | Seat adjuster  |        |     |                                     |
|     | 997 613 725 00 V05 | Galvano silver   |        |     |                                     |
| (3) | 997 613 726 00     | Switch   |        | 1   | PR:378                              |
|     |                    | Seat adjuster  |        |     |                                     |
|     | 997 613 726 00 V05 | Galvano silver   |        |     |                                     |
| 4   | 997 521 343 00     | Bracket for compressor   |        | 1   | PR:377,378                          |
| 5   | 997 624 322 00     | Electric motor<br>Electric motor<br>Seat adjuster<br>Lengthways                          |        | 1   | PR:377,378                          |
|     |                    | without:   |        |     |                                     |
| (5) | 997 624 332 00     | Memory<br>Electric motor<br>Seat adjuster<br>Lengthways                                  |        | 1   | PR:537,538                          |
|     |                    | with:  |        |     |                                     |
| 6   | 997 624 322 00     | Memory<br>Electric motor<br>Seat adjuster<br>Height adjustment                           |        | 1   | PR:377,378                          |
|     |                    | without:   |        |     |                                     |
| (6) | 997 624 332 00     | Memory<br>Electric motor<br>Seat adjuster<br>Height adjustment                           |        | 1   | PR:537,538                          |
|     |                    | with:  |        |     |                                     |
| 7   | 997 624 323 00     | Memory<br>Electric motor<br>Seat adjuster<br>Tilt angle                                  |        | 1   | PR:377,378                          |
|     |                    | without:   |        |     |                                     |
| (7) | 997 624 333 00     | Memory<br>Electric motor<br>Seat adjuster<br>Tilt angle                                  |        | 1   | PR:537,538                          |
|     |                    | with:  |        |     |                                     |
| 9   | 997 612 684 00     | Memory<br>Wire set<br>Switch<br>Seat adjuster  |        | 1   | PR:537,538                          |
| 10  | 997 612 690 00     | Memory<br>Wire set<br>Lengthways<br>Height adjustment                                    |        | 1   | PR:537,538                          |
| 11  | 997 612 682 01     | Memory<br>Wire set<br>Switch   |        | 1   | PR:369,370,<br>375,376              |
| 12  | 997 612 691 01     | Wire set<br>Switch   |        | 1   | PR:377,378                          |
|     |                    | without:   |        |     |                                     |
|     |                    | Memory   |        |     |                                     |
|     |                    | D >> - MJ 2007   |        |     |                                     |

Model: 997 05 Model life 2005>>2008

| Pos  | Part Number                          | Description   | Remark | Qty | Model                  |
|------|--------------------------------------|---|--------|-----|------------------------|
| 12   | 997 612 691 02                       | Wire set<br>Switch<br><br>without:<br>Memory<br>D - MJ 2008>>           |        | 1   | PR:377,378             |
| 13   | 997 612 689 00                       | Wire set<br>Lumbar support<br><br>without:<br>Memory                    |        | 1   | PR:377,378,<br>437,438 |
| 14   | 997 612 692 00                       | Wire set<br>backrest<br>Lumbar<br><br>with:<br>Memory<br>D >> - MJ 2007 |        | 1   | PR:377,537             |
| 14   | 997 612 692 00                       | Wire set<br>backrest<br>Lumbar<br><br>with:<br>Memory<br>D >> - MJ 2007 |        | 1   | PR:378,538             |
| 14   | 997 612 692 01                       | Wire set<br>backrest<br>Lumbar<br><br>with:<br>Memory<br>D - MJ 2008>>  |        | 1   | PR:377,537             |
| 14   | 997 612 692 01                       | Wire set<br>backrest<br>Lumbar<br><br>with:<br>Memory<br>D - MJ 2008>>  |        | 1   | PR:378,538             |
| 15   | 997 612 685 01                       | Wire set<br>backrest<br><br>without:<br>Memory                          |        | 1   | PR:369,375,<br>377,437 |
| (15) | 997 612 686 01                       | Wire set<br>backrest<br><br>without:<br>Memory                          |        | 1   | PR:370,376,<br>378,438 |
| 16   | 997 613 721 01                       | switch for seat adjustment<br><br>Memory switch                         | left   | 1   | PR:377,437,<br>537     |
| (16) | 997 613 721 01 V05<br>997 613 722 01 | Galvano silver<br>switch for seat adjustment<br><br>Memory switch       | right  | 1   | PR:378,438,<br>538     |
| 17   | 997 613 713 00                       | switch for seat adjustment  | left   | 1   | PR:369,375             |
| (17) | 997 613 714 00                       | switch for seat adjustment<br>Manually adjustable                       | right  | 1   | PR:370,376             |
| 18   | 997 521 631 01                       | Actuator button<br>backrest   |        | 1   | PR:375,376,<br>377,378 |
| 18   | 997 521 631 01 V05<br>997 521 631 02 | Galvano silver<br>Actuator button<br>backrest<br>D - MJ 2008>>          |        | 1   | PR:375,376,<br>377,378 |
| 19   | 997 521 631 02 V05<br>997 521 633 02 | Galvano silver<br>Actuator button<br>Seat cushion                       |        | 1   | PR:377,378,<br>437,438 |
| 19   | 997 521 633 02 V05<br>997 521 633 03 | Galvano silver<br>Actuator button                                       |        | 1   | PR:377,378,            |

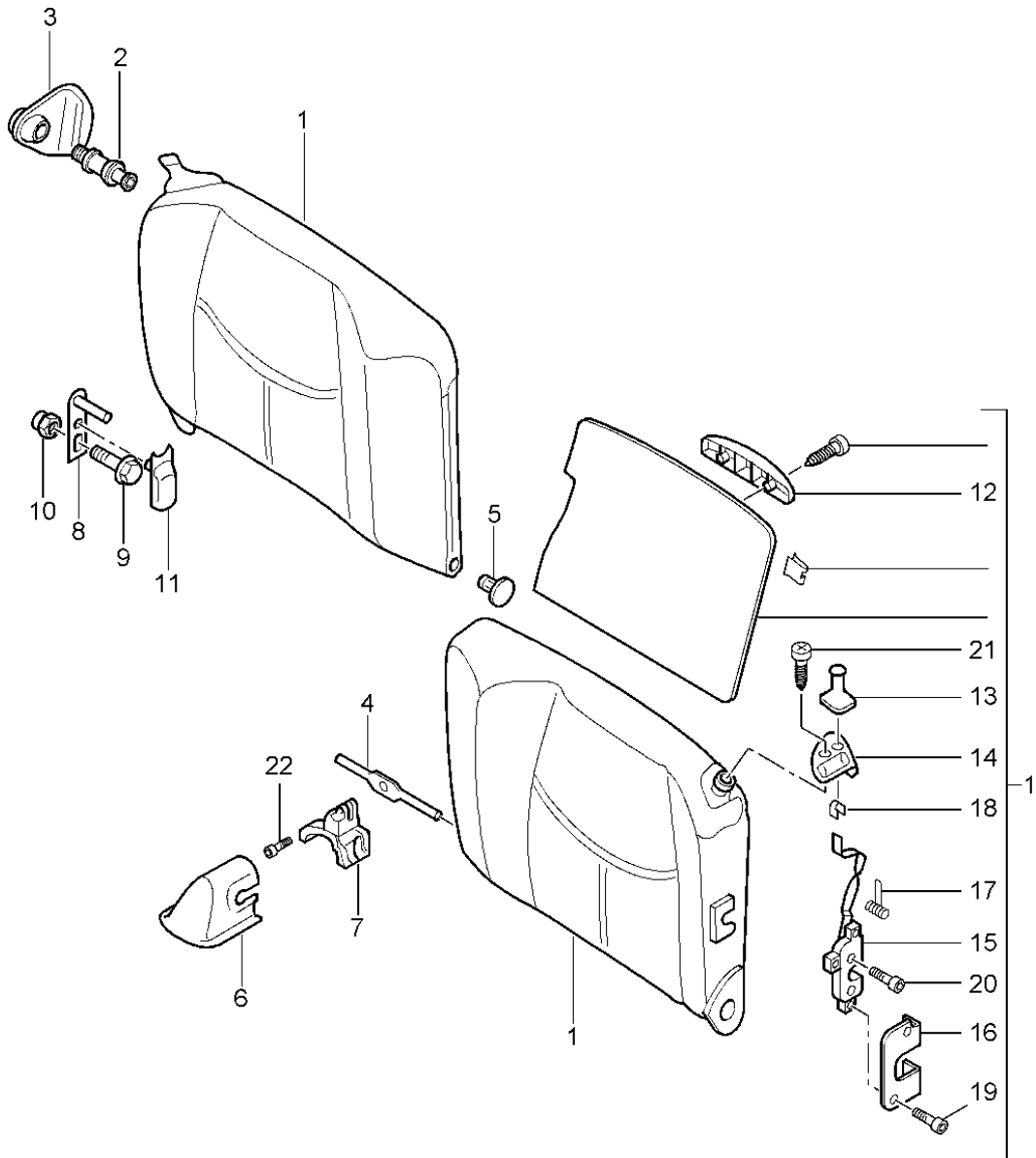


Model: 997 05 Model life 2005>>2008

| Pos  | Part Number                          | Description  | Remark | Qty | Model                      |
|------|--------------------------------------|--|--------|-----|----------------------------|
|      |                                      | Seat cushion<br>D - MJ 2008>>                              |        |     | 437,438                    |
| 20   | 997 521 633 03 V05<br>997 613 717 01 | Galvano silver<br>switch for seat adjustment<br>without:   | left   | 1   | PR:377,437                 |
|      |                                      | Memory   |        |     |                            |
| 20   | 997 613 717 01 V05<br>997 613 717 02 | Galvano silver<br>switch for seat adjustment<br>without:   | left   | 1   | PR:377,437                 |
|      |                                      | Memory   |        |     |                            |
|      |                                      | D - MJ 2008>>  |        |     |                            |
| (20) | 997 613 717 02 V05<br>997 613 718 01 | Galvano silver<br>switch for seat adjustment<br>without:   | right  | 1   | PR:378,438                 |
|      |                                      | Memory   |        |     |                            |
| (20) | 997 613 718 01 V05<br>997 613 718 01 | Galvano silver<br>switch for seat adjustment<br>without:   | right  | 1   | PR:378,438                 |
|      |                                      | Memory   |        |     |                            |
|      |                                      | D - MJ 2008>>  |        |     |                            |
| (21) | 997 613 718 01 V05<br>997 618 233 05 | Galvano silver<br>Control unit for seat<br>occupied sensor |        | 1   | PR:370,376,<br>378,438,560 |
| (22) | 997 521 646 00                       | D - MJ 2006>><br>Retainer for control units                |        | 1   | PR:370,376,<br>378,438,560 |
|      |                                      | seat occupied recognition<br>D - MJ 2006>>                 |        |     |                            |
| 23   | 997 612 688 00                       | Wire set<br>seat occupied recognition                      |        | 1   | PR:370,376,<br>378,438,560 |
|      |                                      | D - MJ 2006>>  |        |     |                            |
| 24   | 000 043 207 06                       | Pliable shaft<br>Adjusting motor                           |        | 1   |                            |
|      |                                      | Lengthways   |        |     |                            |
| (24) | 997 521 901 00                       | repair set<br>Pliable shaft                                |        | 1   |                            |
|      |                                      | Console for engine mounting                                |        |     |                            |
| -    | 999 650 973 40                       | Clip<br>Mount<br>Wire set<br>seat occupied recognition     |        | 1   |                            |

Model: 997 05

Model life 2005>>2008



Model: 997 05 Model life 2005>>2008

| Pos | Part Number        | Description   | Remark | Qty | Model                     |
|-----|--------------------|---|--------|-----|---------------------------|
|     |                    | Emergency seat backrest   |        |     | CARRERA<br>COUPE<br>TARGA |
| 1   | 997 522 011 06     | D - MJ 2005>><br>Emergency seat backrest  | left   | 1   | PR:685,937                |
|     | 997 522 011 06 5Y5 | Palm green  |        |     |                           |
| 1   | 997 522 011 06     | Emergency seat backrest   | left   | 1   | PR:685,937                |
|     |                    | Until<br>Chassis number<br>See technical information<br>GR.7 NR. 17/11<br>KD-NR. 70 |        |     |                           |
|     | 997 522 011 06 5Q2 | Black   |        |     |                           |
|     | 997 522 011 06 8X4 | Stone grey  |        |     |                           |
|     | 997 522 011 06 5S4 | Sand beige  |        |     |                           |
|     | 997 522 011 06 8W3 | sea blue  |        |     |                           |
| 1   | 997 522 911 00     | Emergency seat backrest   | left   | 1   | PR:685,937                |
|     |                    | From<br>Chassis number<br>See technical information<br>GR.7 NR. 17/11<br>KD-NR. 70  |        |     |                           |
|     | 997 522 911 00 5Q2 | Black   |        |     |                           |
|     | 997 522 911 00 8X4 | Stone grey  |        |     |                           |
|     | 997 522 911 00 5S4 | Sand beige  |        |     |                           |
|     | 997 522 911 00 8W3 | sea blue  |        |     |                           |
| (1) | 997 522 012 06     | Emergency seat backrest   | right  | 1   | PR:685,937                |
|     | 997 522 012 06 5Y5 | Palm green  |        |     |                           |
| (1) | 997 522 012 06     | Emergency seat backrest   | right  | 1   | PR:685,937                |
|     |                    | Until<br>Chassis number<br>See technical information<br>GR.7 NR. 17/11<br>KD-NR. 70 |        |     |                           |
|     | 997 522 012 06 5Q2 | Black   |        |     |                           |
|     | 997 522 012 06 8X4 | Stone grey  |        |     |                           |
|     | 997 522 012 06 5S4 | Sand beige  |        |     |                           |
|     | 997 522 012 06 8W3 | sea blue  |        |     |                           |
| (1) | 997 522 912 00     | Emergency seat backrest   | right  | 1   | PR:685,937                |
|     |                    | From<br>Chassis number<br>See technical information<br>GR.7 NR. 17/11<br>KD-NR. 70  |        |     |                           |
|     | 997 522 912 00 5Q2 | Black   |        |     |                           |
|     | 997 522 912 00 8X4 | Stone grey  |        |     |                           |
|     | 997 522 912 00 5S4 | Sand beige  |        |     |                           |
|     | 997 522 912 00 8W3 | sea blue  |        |     |                           |
| (1) | 997 522 011 07     | Emergency seat backrest   | left   | 1   | PR:685,936                |
|     | 997 522 011 07 4P1 | Palm green  |        |     |                           |
|     | 997 522 011 07 9N2 | Terracotta  |        |     |                           |
|     | 997 522 011 07 9Q3 | Cocoa   |        |     |                           |
|     | 997 522 011 07 D11 | Dark grey/natural   |        |     |                           |
|     | 997 522 011 07 T11 | Brown/natural   |        |     |                           |
| (1) | 997 522 011 07     | Emergency seat backrest   | left   | 1   | PR:685,936                |
|     |                    | Until<br>Chassis number<br>See technical information<br>GR.7 NR. 17/11<br>KD-NR. 70 |        |     |                           |
|     | 997 522 011 07 8YR | Black   |        |     |                           |
|     | 997 522 011 07 5X5 | Stone grey  |        |     |                           |
|     | 997 522 011 07 8G1 | Sand beige  |        |     |                           |

Model: 997 05 Model life 2005>>2008

| Pos | Part Number        | Description  | Remark | Qty | Model      |
|-----|--------------------|--|--------|-----|------------|
|     | 997 522 011 07 3S8 | sea blue   |        |     |            |
|     | 997 522 011 07 N11 | Carrera Red  |        |     |            |
| (1) | 997 522 911 01     | D - MJ 2008>><br>Emergency seat backrest<br>From<br>Chassis number<br>See technical information<br>GR.7 NR. 17/11<br>KD-NR. 70 | left   | 1   | PR:685,936 |
|     | 997 522 911 01 8YR | Black  |        |     |            |
|     | 997 522 911 01 5X5 | Stone grey   |        |     |            |
|     | 997 522 911 01 8G1 | Sand beige   |        |     |            |
|     | 997 522 911 01 3S8 | sea blue   |        |     |            |
|     | 997 522 911 01 N11 | Carrera Red  |        |     |            |
| (1) | 997 522 012 07     | D - MJ 2008>><br>Emergency seat backrest   | right  | 1   | PR:685,936 |
|     | 997 522 012 07 4P1 | Palm green   |        |     |            |
|     | 997 522 012 07 9N2 | Terracotta   |        |     |            |
|     | 997 522 012 07 9Q3 | Cocoa  |        |     |            |
|     | 997 522 012 07 D11 | Dark grey/natural  |        |     |            |
|     | 997 522 012 07 T11 | Brown/natural  |        |     |            |
| (1) | 997 522 012 07     | Emergency seat backrest<br>Until<br>Chassis number<br>See technical information<br>GR.7 NR. 17/11<br>KD-NR. 70                 | right  | 1   | PR:685,936 |
|     | 997 522 012 07 8YR | Black  |        |     |            |
|     | 997 522 012 07 5X5 | Stone grey   |        |     |            |
|     | 997 522 012 07 8G1 | Sand beige   |        |     |            |
|     | 997 522 012 07 3S8 | sea blue   |        |     |            |
|     | 997 522 012 07 N11 | Carrera Red  |        |     |            |
| (1) | 997 522 912 01     | D - MJ 2008>><br>Emergency seat backrest<br>From<br>Chassis number<br>See technical information<br>GR.7 NR. 17/11<br>KD-NR. 70 | right  | 1   | PR:685,936 |
|     | 997 522 912 01 8YR | Black  |        |     |            |
|     | 997 522 912 01 5X5 | Stone grey   |        |     |            |
|     | 997 522 912 01 8G1 | Sand beige   |        |     |            |
|     | 997 522 912 01 3S8 | sea blue   |        |     |            |
|     | 997 522 912 01 N11 | Carrera Red  |        |     |            |
| (1) | 997 522 011 08     | D - MJ 2008>><br>Emergency seat backrest   | left   | 1   | PR:685,939 |
|     | 997 522 011 08 4P1 | Palm green   |        |     |            |
|     | 997 522 011 08 9N2 | Terracotta   |        |     |            |
|     | 997 522 011 08 9Q3 | Cocoa  |        |     |            |
|     | 997 522 011 08 D11 | Dark grey/natural  |        |     |            |
|     | 997 522 011 08 T11 | Brown/natural  |        |     |            |
| (1) | 997 522 011 08     | Emergency seat backrest<br>Until<br>Chassis number<br>See technical information<br>GR.7 NR. 17/11<br>KD-NR. 70                 | left   | 1   | PR:685,939 |
|     | 997 522 011 08 8YR | Black  |        |     |            |
|     | 997 522 011 08 5X5 | Stone grey   |        |     |            |
|     | 997 522 011 08 8G1 | Sand beige   |        |     |            |
|     | 997 522 011 08 3S8 | sea blue   |        |     |            |
|     | 997 522 011 08 N11 | Carrera Red  |        |     |            |
|     |                    | D - MJ 2008>>  |        |     |            |

Model: 997 05 Model life 2005>>2008

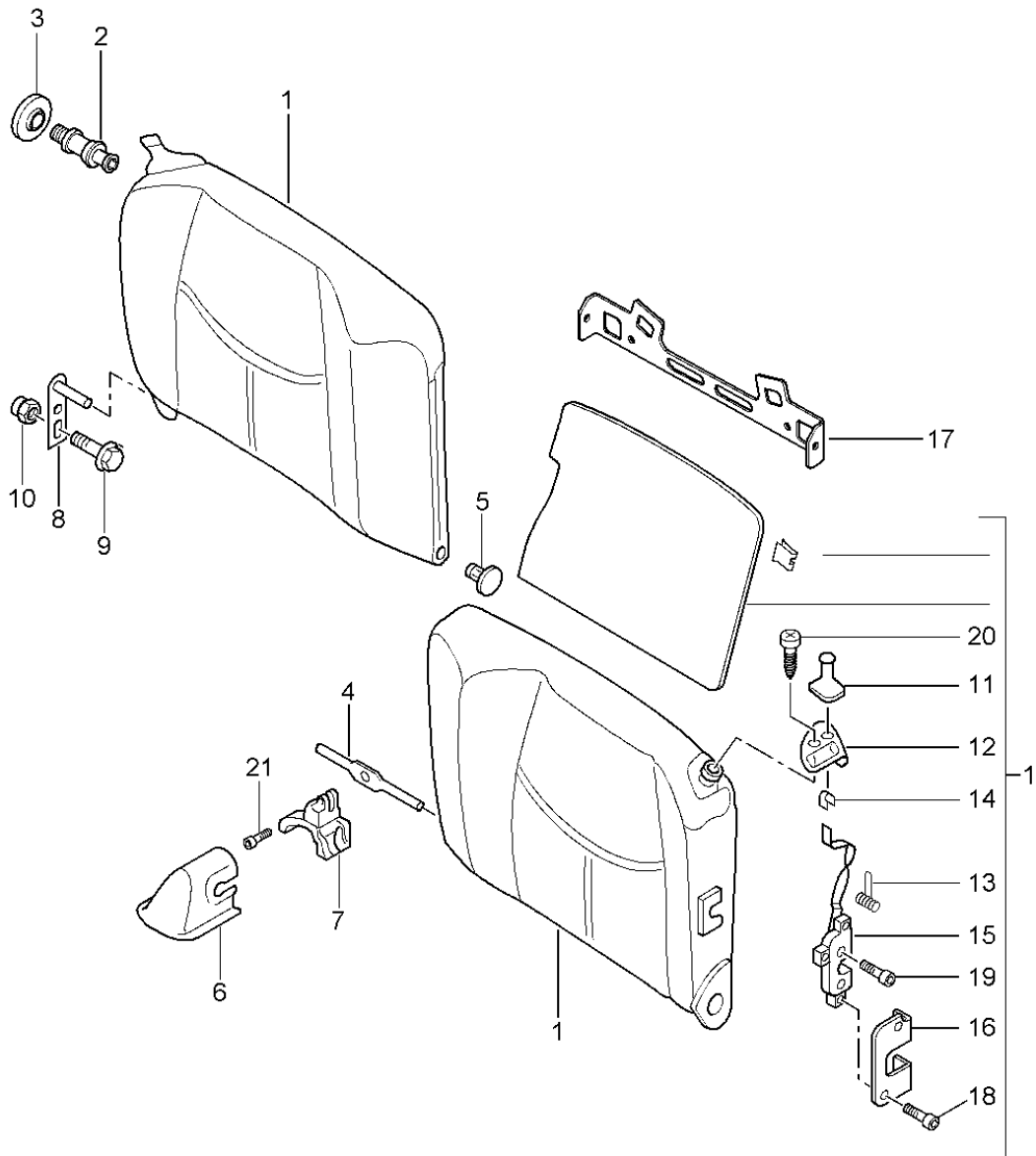
| Pos | Part Number        | Description  | Remark | Qty | Model      |
|-----|--------------------|--|--------|-----|------------|
| (1) | 997 522 911 02     | Emergency seat backrest<br>From<br>Chassis number<br>See technical information<br>GR.7 NR. 17/11<br>KD-NR. 70  | left   | 1   | PR:685,939 |
|     | 997 522 911 02 8YR | Black  |        |     |            |
|     | 997 522 911 02 5X5 | Stone grey   |        |     |            |
|     | 997 522 911 02 8G1 | Sand beige   |        |     |            |
|     | 997 522 911 02 3S8 | sea blue   |        |     |            |
|     | 997 522 911 02 N11 | Carrera Red  |        |     |            |
|     |                    | D - MJ 2008>>  |        |     |            |
| (1) | 997 522 012 08     | Emergency seat backrest  | right  | 1   | PR:685,939 |
|     | 997 522 012 08 4P1 | Palm green   |        |     |            |
|     | 997 522 012 08 9N2 | Terracotta   |        |     |            |
|     | 997 522 012 08 9Q3 | Cocoa  |        |     |            |
|     | 997 522 012 08 D11 | Dark grey/natural  |        |     |            |
|     | 997 522 012 08 T11 | Brown/natural  |        |     |            |
| (1) | 997 522 012 08     | Emergency seat backrest<br>Until<br>Chassis number<br>See technical information<br>GR.7 NR. 17/11<br>KD-NR. 70 | right  | 1   | PR:685,939 |
|     | 997 522 012 08 8YR | Black  |        |     |            |
|     | 997 522 012 08 5X5 | Stone grey   |        |     |            |
|     | 997 522 012 08 8G1 | Sand beige   |        |     |            |
|     | 997 522 012 08 3S8 | sea blue   |        |     |            |
|     | 997 522 012 08 N11 | Carrera Red  |        |     |            |
|     |                    | D - MJ 2008>>  |        |     |            |
| (1) | 997 522 912 02     | Emergency seat backrest<br>From<br>Chassis number<br>See technical information<br>GR.7 NR. 17/11<br>KD-NR. 70  | right  | 1   | PR:685,939 |
|     | 997 522 912 02 8YR | Black  |        |     |            |
|     | 997 522 912 02 5X5 | Stone grey   |        |     |            |
|     | 997 522 912 02 8G1 | Sand beige   |        |     |            |
|     | 997 522 912 02 3S8 | sea blue   |        |     |            |
|     | 997 522 912 02 N11 | Carrera Red  |        |     |            |
|     |                    | D - MJ 2008>>  |        |     |            |
| 2   | 996 522 267 06     | Pin<br>Locking mechanism   |        | 2   | PR:685     |
| 3   | 997 522 095 00     | Stop   | left   | 1   | PR:685     |
|     | 997 522 095 00 01C | Satin black  |        |     |            |
| (3) | 997 522 096 00     | Stop   | right  | 1   | PR:685     |
|     | 997 522 096 00 01C | Satin black  |        |     |            |
| (4) | 997 522 615 00     | Bearing shaft<br>D >> - MJ 2007  |        | 1   | PR:685     |
| (4) | 997 522 615 01     | Bearing shaft<br>D - MJ 2008>>   |        | 1   | PR:685     |
| -   | 999 073 436 01     | Bolt with washer<br>Bearing shaft<br>Back seat backrest<br>D - MJ 2008>>                                       |        | 1   | PR:685     |
| 5   | 996 522 571 00     | Protection washer  |        | 1   | PR:685     |
|     | 996 522 571 00 01C | Protection washer  |        |     |            |
| 6   | 996 522 431 02     | Cover  |        | 1   | PR:685     |
|     | 996 522 431 02 01C | Black  |        |     |            |
| 7   | 996 522 333 00     | Console  |        | 1   | PR:685     |
| 8   | 996 522 211 01     | Mounting<br>D >> - MJ 2007   | outer  | 2   | PR:685     |

Model: 997 05 Model life 2005>>2008

| Pos  | Part Number        | Description                      | Remark | Qty | Model  |
|------|--------------------|----------------------------------|--------|-----|--------|
| (8)  | 997 522 211 00     | Mounting<br>D - MJ 2008>>        | outer  | 2   | PR:685 |
| 9    | 999 073 138 01     | flat round head bolt<br>M 8 X 25 |        | 2   |        |
| 10   | 996 522 271 00     | bush                             |        | 2   | PR:685 |
| 11   | 996 522 425 01     | Cover                            |        | 1   | PR:685 |
|      | 996 522 425 01 01C | Black                            |        |     |        |
| 12   | 996 522 421 00     | Stop<br>Backrest                 |        | 2   | PR:685 |
|      | 996 522 421 00 01C | Satin black                      |        |     |        |
| 13   | 997 522 321 00     | Actuating lever<br>Backrest      | left   | 1   | PR:685 |
|      | 997 522 321 00 01C | Satin black                      |        |     |        |
| (13) | 997 522 322 00     | Actuating lever<br>Backrest      | right  | 1   | PR:685 |
|      | 997 522 322 00 01C | Satin black                      |        |     |        |
| 14   | 996 522 315 00     | Rosette<br>Actuator button       | left   | 1   | PR:685 |
|      | 996 522 315 00 01C | Satin black                      |        |     |        |
| (14) | 996 522 316 00     | Rosette<br>Actuator button       | right  | 1   | PR:685 |
|      | 996 522 316 00 01C | Satin black                      |        |     |        |
| 15   | 996 522 281 02     | lock<br>Backrest                 | left   | 1   | PR:685 |
| (15) | 996 522 282 02     | lock<br>Backrest                 | right  | 1   | PR:685 |
| 16   | 997 522 771 00     | Cover panel<br>lock              | left   | 1   | PR:685 |
|      | 997 522 771 00 01C | Satin black                      |        |     |        |
| (16) | 997 522 772 00     | Cover panel<br>lock              | right  | 1   | PR:685 |
|      | 997 522 772 00 01C | Satin black                      |        |     |        |
| 17   | 996 522 653 00     | Spring<br>lock                   |        | 2   | PR:685 |
| 18   | 999 507 630 01     | Clip<br>Actuator button          |        | 2   | PR:685 |
| 19   | 999 073 049 02     | panel screw<br>ST 3,5 X 16       |        | 4   | PR:685 |
| 20   | 900 269 028 03     | countersunk bolt<br>M 8 X 30     |        | 4   | PR:685 |
| 21   | 900 145 041 07     | panel screw<br>B 3,5 X 16        |        | 4   | PR:685 |
| 22   | 900 067 358 09     | Bolt with washer<br>M 5 X 16     |        | 1   | PR:685 |

Model: 997 05

Model life 2005>>2008



Model: 997 05 Model life 2005>>2008

| Pos | Part Number        | Description   | Remark | Qty | Model             |
|-----|--------------------|---|--------|-----|-------------------|
|     |                    | Emergency seat backrest   |        |     | CARRERA<br>CABRIO |
| 1   | 997 522 011 09     | D - MJ 2005>><br>Emergency seat backrest  | left   | 1   | PR:685,937        |
|     | 997 522 011 09 5Y5 | Palm green  |        |     |                   |
| 1   | 997 522 011 09     | Emergency seat backrest   | left   | 1   | PR:685,937        |
|     |                    | Until<br>Chassis number<br>See technical information<br>GR.7 NR. 17/11<br>KD-NR. 70 |        |     |                   |
|     | 997 522 011 09 5Q2 | Black   |        |     |                   |
|     | 997 522 011 09 8X4 | Stone grey  |        |     |                   |
|     | 997 522 011 09 5S4 | Sand beige  |        |     |                   |
|     | 997 522 011 09 8W3 | sea blue  |        |     |                   |
| 1   | 997 522 911 03     | Emergency seat backrest   | left   | 1   | PR:685,937        |
|     |                    | From<br>Chassis number<br>See technical information<br>GR.7 NR. 17/11<br>KD-NR. 70  |        |     |                   |
|     | 997 522 911 03 5Q2 | Black   |        |     |                   |
|     | 997 522 911 03 8X4 | Stone grey  |        |     |                   |
|     | 997 522 911 03 5S4 | Sand beige  |        |     |                   |
|     | 997 522 911 03 8W3 | sea blue  |        |     |                   |
| (1) | 997 522 012 09     | Emergency seat backrest   | right  | 1   | PR:685,937        |
|     | 997 522 012 09 5Y5 | Palm green  |        |     |                   |
| (1) | 997 522 012 09     | Emergency seat backrest   | right  | 1   | PR:685,937        |
|     |                    | Until<br>Chassis number<br>See technical information<br>GR.7 NR. 17/11<br>KD-NR. 70 |        |     |                   |
|     | 997 522 012 09 5Q2 | Black   |        |     |                   |
|     | 997 522 012 09 8X4 | Stone grey  |        |     |                   |
|     | 997 522 012 09 5S4 | Sand beige  |        |     |                   |
|     | 997 522 012 09 8W3 | sea blue  |        |     |                   |
| (1) | 997 522 912 03     | Emergency seat backrest   | right  | 1   | PR:685,937        |
|     |                    | From<br>Chassis number<br>See technical information<br>GR.7 NR. 17/11<br>KD-NR. 70  |        |     |                   |
|     | 997 522 912 03 5Q2 | Black   |        |     |                   |
|     | 997 522 912 03 8X4 | Stone grey  |        |     |                   |
|     | 997 522 912 03 5S4 | Sand beige  |        |     |                   |
|     | 997 522 912 03 8W3 | sea blue  |        |     |                   |
| (1) | 997 522 011 10     | Emergency seat backrest   | left   | 1   | PR:685,936        |
|     | 997 522 011 10 4P1 | Palm green  |        |     |                   |
|     | 997 522 011 10 9N2 | Terracotta  |        |     |                   |
|     | 997 522 011 10 9Q3 | Cocoa   |        |     |                   |
|     | 997 522 011 10 D11 | Dark grey/natural   |        |     |                   |
|     | 997 522 011 10 T11 | Brown/natural   |        |     |                   |
| (1) | 997 522 011 10     | Emergency seat backrest   | left   | 1   | PR:685,936        |
|     |                    | Until<br>Chassis number<br>See technical information<br>GR.7 NR. 17/11<br>KD-NR. 70 |        |     |                   |
|     | 997 522 011 10 8YR | Black   |        |     |                   |
|     | 997 522 011 10 5X5 | Stone grey  |        |     |                   |
|     | 997 522 011 10 8G1 | Sand beige  |        |     |                   |
|     | 997 522 011 10 3S8 | sea blue  |        |     |                   |



Model: 997 05 Model life 2005>>2008

| Pos | Part Number        | Description  | Remark | Qty | Model      |
|-----|--------------------|--|--------|-----|------------|
| (1) | 997 522 011 10 N11 | Carrera Red<br>D - MJ 2008>>   |        |     |            |
|     | 997 522 911 04     | Emergency seat backrest<br>From<br>Chassis number<br>See technical information<br>GR.7 NR. 17/11<br>KD-NR. 70  | left   | 1   | PR:685,936 |
|     | 997 522 911 04 8YR | Black  |        |     |            |
|     | 997 522 911 04 5X5 | Stone grey   |        |     |            |
|     | 997 522 911 04 8G1 | Sand beige   |        |     |            |
|     | 997 522 911 04 3S8 | sea blue   |        |     |            |
|     | 997 522 911 04 N11 | Carrera Red<br>D - MJ 2008>>   |        |     |            |
| (1) | 997 522 012 10     | Emergency seat backrest  | right  | 1   | PR:685,936 |
|     | 997 522 012 10 4P1 | Palm green   |        |     |            |
|     | 997 522 012 10 9N2 | Terracotta   |        |     |            |
|     | 997 522 012 10 9Q3 | Cocoa  |        |     |            |
|     | 997 522 012 10 D11 | Dark grey/natural  |        |     |            |
|     | 997 522 012 10 T11 | Brown/natural  |        |     |            |
| (1) | 997 522 012 10     | Emergency seat backrest<br>Until<br>Chassis number<br>See technical information<br>GR.7 NR. 17/11<br>KD-NR. 70 | right  | 1   | PR:685,936 |
|     | 997 522 012 10 8YR | Black  |        |     |            |
|     | 997 522 012 10 5X5 | Stone grey   |        |     |            |
|     | 997 522 012 10 8G1 | Sand beige   |        |     |            |
|     | 997 522 012 10 3S8 | sea blue   |        |     |            |
|     | 997 522 012 10 N11 | Carrera Red<br>D - MJ 2008>>   |        |     |            |
| (1) | 997 522 912 04     | Emergency seat backrest<br>From<br>Chassis number<br>See technical information<br>GR.7 NR. 17/11<br>KD-NR. 70  | right  | 1   | PR:685,936 |
|     | 997 522 912 04 8YR | Black  |        |     |            |
|     | 997 522 912 04 5X5 | Stone grey   |        |     |            |
|     | 997 522 912 04 8G1 | Sand beige   |        |     |            |
|     | 997 522 912 04 3S8 | sea blue   |        |     |            |
|     | 997 522 912 04 N11 | Carrera Red<br>D - MJ 2008>>   |        |     |            |
| (1) | 997 522 011 11     | Emergency seat backrest  | left   | 1   | PR:685,939 |
|     | 997 522 011 11 4P1 | Palm green   |        |     |            |
|     | 997 522 011 11 9N2 | Terracotta   |        |     |            |
|     | 997 522 011 11 9Q3 | Cocoa  |        |     |            |
|     | 997 522 011 11 D11 | Dark grey/natural  |        |     |            |
|     | 997 522 011 11 T11 | Brown/natural  |        |     |            |
| (1) | 997 522 011 11     | Emergency seat backrest<br>Until<br>Chassis number<br>See technical information<br>GR.7 NR. 17/11<br>KD-NR. 70 | left   | 1   | PR:685,939 |
|     | 997 522 011 11 8YR | Black  |        |     |            |
|     | 997 522 011 11 5X5 | Stone grey   |        |     |            |
|     | 997 522 011 11 8G1 | Sand beige   |        |     |            |
|     | 997 522 011 11 3S8 | sea blue   |        |     |            |
|     | 997 522 011 11 N11 | Carrera Red<br>D - MJ 2008>>   |        |     |            |
| (1) | 997 522 911 05     | Emergency seat backrest  | left   | 1   | PR:685,939 |

Model: 997 05 Model life 2005>>2008

| Pos  | Part Number        | Description   | Remark | Qty | Model      |
|------|--------------------|---|--------|-----|------------|
|      |                    | From<br>Chassis number<br>See technical information<br>GR.7 NR. 17/11<br>KD-NR. 70  |        |     |            |
|      | 997 522 911 05 8YR | Black   |        |     |            |
|      | 997 522 911 05 5X5 | Stone grey  |        |     |            |
|      | 997 522 911 05 8G1 | Sand beige  |        |     |            |
|      | 997 522 911 05 3S8 | sea blue  |        |     |            |
|      | 997 522 911 05 N11 | Carrera Red   |        |     |            |
|      |                    | D - MJ 2008>>   |        |     |            |
| (1)  | 997 522 012 11     | Emergency seat backrest   | right  | 1   | PR:685,939 |
|      | 997 522 012 11 4P1 | Palm green  |        |     |            |
|      | 997 522 012 11 9N2 | Terracotta  |        |     |            |
|      | 997 522 012 11 9Q3 | Cocoa   |        |     |            |
|      | 997 522 012 11 D11 | Dark grey/natural   |        |     |            |
|      | 997 522 012 11 T11 | Brown/natural   |        |     |            |
| (1)  | 997 522 012 11     | Emergency seat backrest   | right  | 1   | PR:685,939 |
|      |                    | Until<br>Chassis number<br>See technical information<br>GR.7 NR. 17/11<br>KD-NR. 70 |        |     |            |
|      | 997 522 012 11 8YR | Black   |        |     |            |
|      | 997 522 012 11 5X5 | Stone grey  |        |     |            |
|      | 997 522 012 11 8G1 | Sand beige  |        |     |            |
|      | 997 522 012 11 3S8 | sea blue  |        |     |            |
|      | 997 522 012 11 N11 | Carrera Red   |        |     |            |
|      |                    | D - MJ 2008>>   |        |     |            |
| (1)  | 997 522 912 05     | Emergency seat backrest   | right  | 1   | PR:685,939 |
|      |                    | From<br>Chassis number<br>See technical information<br>GR.7 NR. 17/11<br>KD-NR. 70  |        |     |            |
|      | 997 522 912 05 8YR | Black   |        |     |            |
|      | 997 522 912 05 5X5 | Stone grey  |        |     |            |
|      | 997 522 912 05 8G1 | Sand beige  |        |     |            |
|      | 997 522 912 05 3S8 | sea blue  |        |     |            |
|      | 997 522 912 05 N11 | Carrera Red   |        |     |            |
|      |                    | D - MJ 2008>>   |        |     |            |
| 2    | 996 522 267 07     | Pin   |        | 2   | PR:685     |
|      |                    | Locking mechanism   |        |     |            |
| 3    | 996 522 097 08     | Rosette   |        | 2   | PR:685     |
|      | 996 522 097 08 01C | Satin black   |        |     |            |
| 4    | 997 522 615 01     | Bearing shaft   |        | 1   | PR:685     |
| -    | 999 073 436 01     | Bolt with washer  |        | 1   | PR:685     |
|      |                    | Bearing shaft   |        |     |            |
| 5    | 996 522 571 00     | Protection washer   |        | 1   | PR:685     |
|      | 996 522 571 00 01C | Protection washer   |        |     |            |
| 6    | 996 522 431 02     | Cover   |        | 1   | PR:685     |
|      | 996 522 431 02 01C | Black   |        |     |            |
| 7    | 996 522 041 00     | Mounting  |        | 1   | PR:685     |
| 8    | 996 522 211 01     | Mounting  | outer  | 2   | PR:685     |
|      |                    | D >> - MJ 2007  |        |     |            |
| (8)  | 997 522 211 00     | Mounting  | outer  | 2   | PR:685     |
|      |                    | D - MJ 2008>>   |        |     |            |
| 9    | 999 073 138 01     | flat round head bolt<br>M 8 X 25  |        | 2   |            |
| 10   | 996 522 271 00     | bush  |        | 2   | PR:685     |
| 11   | 997 522 321 00     | Actuating lever   | left   | 1   | PR:685     |
|      | 997 522 321 00 01C | Satin black   |        |     |            |
| (11) | 997 522 322 00     | Actuating lever   | right  | 1   | PR:685     |

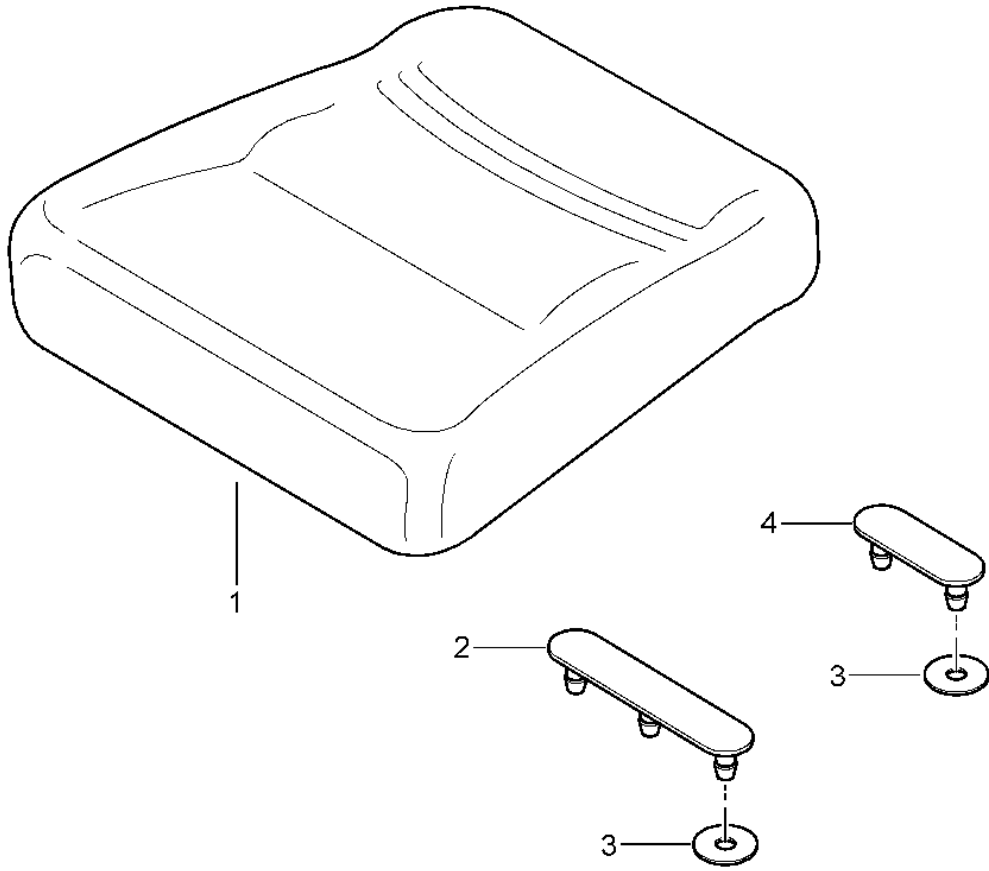
Model: 997 05

Model life 2005&gt;&gt;2008

| Pos  | Part Number        | Description  | Remark | Qty | Model      |
|------|--------------------|--|--------|-----|------------|
| 12   | 997 522 322 00 01C | Satin black  |        |     |            |
|      | 996 522 315 00     | Rosette  | left   | 1   | PR:685     |
|      | 996 522 315 00 01C | Satin black  |        |     |            |
| (12) | 996 522 316 00     | Rosette  | right  | 1   | PR:685     |
|      | 996 522 316 00 01C | Satin black  |        |     |            |
| 13   | 996 522 653 00     | Spring<br>lock   |        | 2   | PR:685     |
| 14   | 999 507 630 01     | Clip<br>Actuator button  |        | 2   | PR:685     |
| 15   | 996 522 281 02     | lock<br>Backrest   | left   | 1   | PR:685     |
| (15) | 996 522 282 02     | lock<br>Backrest   | right  | 1   | PR:685     |
| 16   | 997 522 771 00     | Cover panel  | left   | 1   | PR:685     |
|      | 997 522 771 00 01C | Satin black  |        |     |            |
| (16) | 997 522 772 00     | Cover panel  | right  | 1   | PR:685     |
|      | 997 522 772 00 01C | Satin black  |        |     |            |
| 17   | 997 803 721 00     | bracket for child seat<br>Connecting plate<br>Back seat backrest |        | 1   | PR:335,479 |
| 18   | 999 073 049 02     | panel screw<br>ST 4,3 X 16                                       |        | 4   | PR:685     |
| 19   | 900 269 028 03     | countersunk bolt<br>M 8 X 30                                     |        | 4   | PR:685     |
| 20   | 900 145 041 07     | panel screw<br>B 3,5 X 16  |        | 4   | PR:685     |
| 21   | 900 067 358 09     | Bolt with washer<br>M 5 X 16                                     |        | 1   | PR:685     |

Model: 997 05

Model life 2005>>2008



Model: 997 05 Model life 2005>>2008

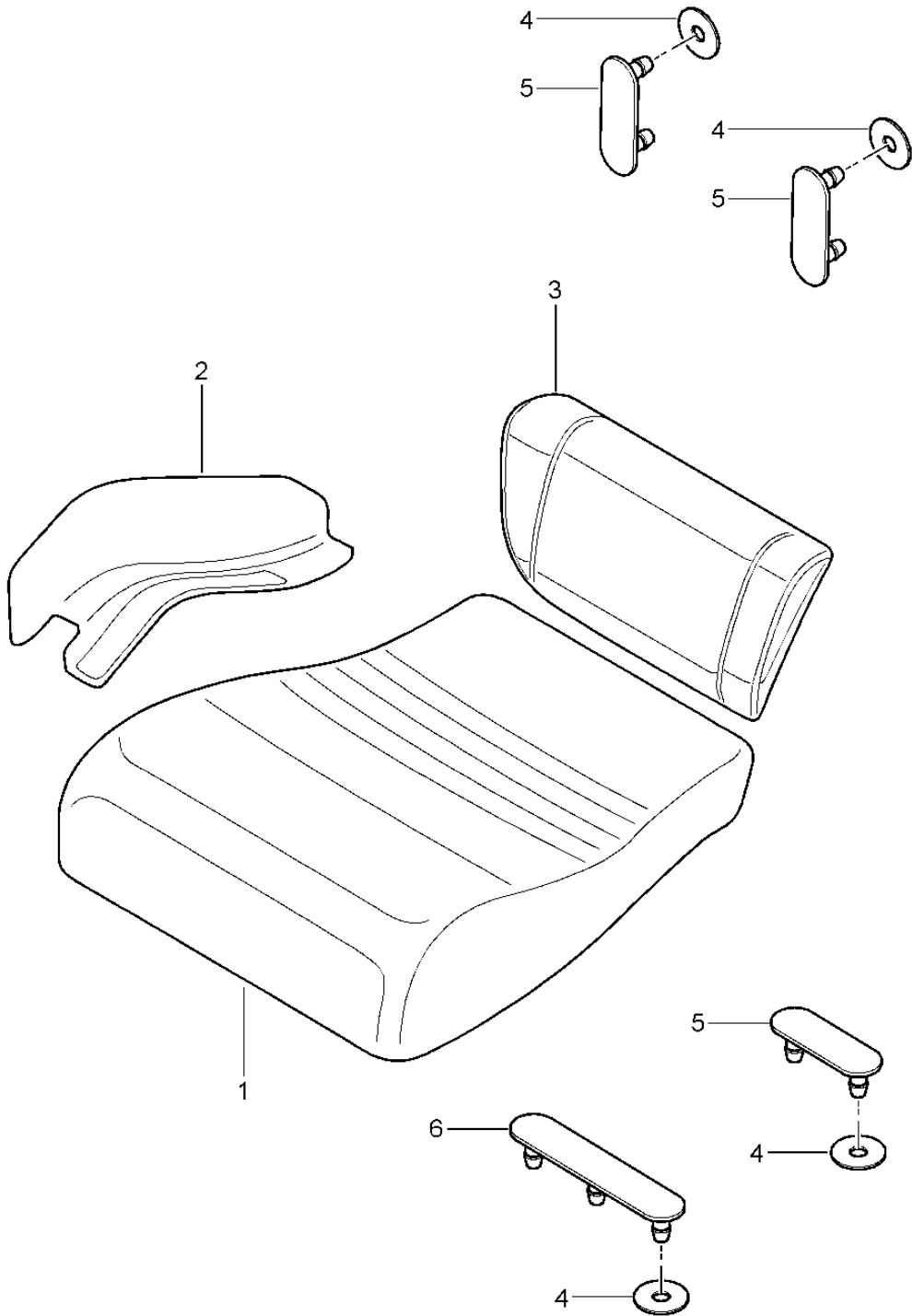
| Pos | Part Number        | Description       | Remark | Qty | Model                     |
|-----|--------------------|-------------------|--------|-----|---------------------------|
|     |                    | Back seat cushion |        |     | CARRERA<br>COUPE<br>TARGA |
|     |                    | D - MJ 2005>>     |        |     |                           |
| 1   | 997 522 051 00     | Back seat cushion | left   | 1   | PR:685,937                |
|     | 997 522 051 00 5Q2 | Black             |        |     |                           |
|     | 997 522 051 00 8X4 | Stone grey        |        |     |                           |
|     | 997 522 051 00 5S4 | Sand beige        |        |     |                           |
|     | 997 522 051 00 8W3 | sea blue          |        |     |                           |
|     | 997 522 051 00 5Y5 | Palm green        |        |     |                           |
| (1) | 997 522 052 00     | Back seat cushion | right  | 1   | PR:685,937                |
|     | 997 522 052 00 5Q2 | Black             |        |     |                           |
|     | 997 522 052 00 8X4 | Stone grey        |        |     |                           |
|     | 997 522 052 00 5S4 | Sand beige        |        |     |                           |
|     | 997 522 052 00 8W3 | sea blue          |        |     |                           |
|     | 997 522 052 00 5Y5 | Palm green        |        |     |                           |
| (1) | 997 522 051 01     | Back seat cushion | left   | 1   | PR:685,936                |
|     | 997 522 051 01 8YR | Black             |        |     |                           |
|     | 997 522 051 01 5X5 | Stone grey        |        |     |                           |
|     | 997 522 051 01 8G1 | Sand beige        |        |     |                           |
|     | 997 522 051 01 3S8 | sea blue          |        |     |                           |
|     | 997 522 051 01 4P1 | Palm green        |        |     |                           |
|     | 997 522 051 01 9N2 | Terracotta        |        |     |                           |
|     | 997 522 051 01 9Q3 | Cocoa             |        |     |                           |
|     | 997 522 051 01 D11 | Dark grey/natural |        |     |                           |
|     | 997 522 051 01 T11 | Brown/natural     |        |     |                           |
|     | 997 522 051 01 N11 | Carrera Red       |        |     |                           |
|     |                    | D - MJ 2008>>     |        |     |                           |
| (1) | 997 522 052 01     | Back seat cushion | right  | 1   | PR:685,936                |
|     | 997 522 052 01 8YR | Black             |        |     |                           |
|     | 997 522 052 01 5X5 | Stone grey        |        |     |                           |
|     | 997 522 052 01 8G1 | Sand beige        |        |     |                           |
|     | 997 522 052 01 3S8 | sea blue          |        |     |                           |
|     | 997 522 052 01 4P1 | Palm green        |        |     |                           |
|     | 997 522 052 01 9N2 | Terracotta        |        |     |                           |
|     | 997 522 052 01 9Q3 | Cocoa             |        |     |                           |
|     | 997 522 052 01 D11 | Dark grey/natural |        |     |                           |
|     | 997 522 052 01 T11 | Brown/natural     |        |     |                           |
|     | 997 522 052 01 N11 | Carrera Red       |        |     |                           |
|     |                    | D - MJ 2008>>     |        |     |                           |
| (1) | 997 522 051 02     | Back seat cushion | left   | 1   | PR:685,939                |
|     | 997 522 051 02 8YR | Black             |        |     |                           |
|     | 997 522 051 02 5X5 | Stone grey        |        |     |                           |
|     | 997 522 051 02 8G1 | Sand beige        |        |     |                           |
|     | 997 522 051 02 3S8 | sea blue          |        |     |                           |
|     | 997 522 051 02 4P1 | Palm green        |        |     |                           |
|     | 997 522 051 02 9N2 | Terracotta        |        |     |                           |
|     | 997 522 051 02 9Q3 | Cocoa             |        |     |                           |
|     | 997 522 051 02 D11 | Dark grey/natural |        |     |                           |
|     | 997 522 051 02 T11 | Brown/natural     |        |     |                           |
|     | 997 522 051 02 N11 | Carrera Red       |        |     |                           |
|     |                    | D - MJ 2008>>     |        |     |                           |
| (1) | 997 522 052 02     | Back seat cushion | right  | 1   | PR:685,939                |
|     | 997 522 052 02 8YR | Black             |        |     |                           |
|     | 997 522 052 02 5X5 | Stone grey        |        |     |                           |
|     | 997 522 052 02 8G1 | Sand beige        |        |     |                           |
|     | 997 522 052 02 3S8 | sea blue          |        |     |                           |
|     | 997 522 052 02 4P1 | Palm green        |        |     |                           |
|     | 997 522 052 02 9N2 | Terracotta        |        |     |                           |
|     | 997 522 052 02 9Q3 | Cocoa             |        |     |                           |
|     | 997 522 052 02 D11 | Dark grey/natural |        |     |                           |
|     | 997 522 052 02 T11 | Brown/natural     |        |     |                           |
|     | 997 522 052 02 N11 | Carrera Red       |        |     |                           |

Model: 997 05 Model life 2005>>2008

| Pos | Part Number    | Description                                       | Remark | Qty | Model  |
|-----|----------------|---|--------|-----|--------|
| 2   | 997 551 893 00 | D - MJ 2008>><br>Clip<br>Triple                   |        | X   | PR:685 |
| 2   | 997 551 893 01 | D >> - MJ 2007<br>Clip<br>Triple                  |        | X   | PR:685 |
| (3) | 997 551 897 01 | D - MJ 2008>><br>Retaining washer                 |        | X   | PR:685 |
| 4   | 997 551 895 00 | Clip<br>Double                                    |        | X   | PR:685 |
| 4   | 997 551 895 01 | D >> - MJ 2007<br>Clip<br>Double<br>D - MJ 2008>> |        | X   | PR:685 |

Model: 997 05

Model life 2005>>2008



Model: 997 05 Model life 2005>>2008

| Pos | Part Number        | Description   | Remark | Qty | Model             |
|-----|--------------------|---|--------|-----|-------------------|
|     |                    | Back seat cushion   |        |     | CARRERA<br>CABRIO |
| 1   | 997 522 051 03     | D - MJ 2005>><br>Back seat cushion<br>Not for:<br>Version for japan | left   | 1   | PR:685,937        |
|     |                    | D >> - MJ 2007  |        |     |                   |
|     | 997 522 051 03 5Q2 | Black   |        |     |                   |
|     | 997 522 051 03 8X4 | Stone grey  |        |     |                   |
|     | 997 522 051 03 5S4 | Sand beige  |        |     |                   |
|     | 997 522 051 03 8W3 | sea blue  |        |     |                   |
|     | 997 522 051 03 5Y5 | Palm green  |        |     |                   |
| (1) | 997 522 052 03     | Back seat cushion<br>Not for:<br>Version for japan                  | right  | 1   | PR:685,937        |
|     |                    | D >> - MJ 2007  |        |     |                   |
|     | 997 522 052 03 5Q2 | Black   |        |     |                   |
|     | 997 522 052 03 8X4 | Stone grey  |        |     |                   |
|     | 997 522 052 03 5S4 | Sand beige  |        |     |                   |
|     | 997 522 052 03 8W3 | sea blue  |        |     |                   |
|     | 997 522 052 03 5Y5 | Palm green  |        |     |                   |
| (1) | 997 522 051 04     | Back seat cushion<br>Not for:<br>Version for japan                  | left   | 1   | PR:685,936        |
|     |                    | D >> - MJ 2007  |        |     |                   |
|     | 997 522 051 04 8YR | Black   |        |     |                   |
|     | 997 522 051 04 5X5 | Stone grey  |        |     |                   |
|     | 997 522 051 04 8G1 | Sand beige  |        |     |                   |
|     | 997 522 051 04 3S8 | sea blue  |        |     |                   |
|     | 997 522 051 04 4P1 | Palm green  |        |     |                   |
|     | 997 522 051 04 9N2 | Terracotta  |        |     |                   |
|     | 997 522 051 04 9Q3 | Cocoa   |        |     |                   |
|     | 997 522 051 04 D11 | Dark grey/natural   |        |     |                   |
|     | 997 522 051 04 T11 | Brown/natural   |        |     |                   |
| (1) | 997 522 052 04     | Back seat cushion<br>Not for:<br>Version for japan                  | right  | 1   | PR:685,936        |
|     |                    | D >> - MJ 2007  |        |     |                   |
|     | 997 522 052 04 8YR | Black   |        |     |                   |
|     | 997 522 052 04 5X5 | Stone grey  |        |     |                   |
|     | 997 522 052 04 8G1 | Sand beige  |        |     |                   |
|     | 997 522 052 04 3S8 | sea blue  |        |     |                   |
|     | 997 522 052 04 4P1 | Palm green  |        |     |                   |
|     | 997 522 052 04 9N2 | Terracotta  |        |     |                   |
|     | 997 522 052 04 9Q3 | Cocoa   |        |     |                   |
|     | 997 522 052 04 D11 | Dark grey/natural   |        |     |                   |
|     | 997 522 052 04 T11 | Brown/natural   |        |     |                   |
| (1) | 997 522 051 05     | Back seat cushion<br>Not for:<br>Version for japan                  | left   | 1   | PR:685,939        |
|     |                    | D >> - MJ 2007  |        |     |                   |
|     | 997 522 051 05 8YR | Black   |        |     |                   |
|     | 997 522 051 05 5X5 | Stone grey  |        |     |                   |
|     | 997 522 051 05 8G1 | Sand beige  |        |     |                   |
|     | 997 522 051 05 3S8 | sea blue  |        |     |                   |
|     | 997 522 051 05 4P1 | Palm green  |        |     |                   |
|     | 997 522 051 05 9N2 | Terracotta  |        |     |                   |
|     | 997 522 051 05 9Q3 | Cocoa   |        |     |                   |
|     | 997 522 051 05 D11 | Dark grey/natural   |        |     |                   |
|     | 997 522 051 05 T11 | Brown/natural   |        |     |                   |
| (1) | 997 522 052 05     | Back seat cushion<br>Not for:<br>Version for japan                  | right  | 1   | PR:685,939        |



Model: 997 05 Model life 2005>>2008

| Pos | Part Number        | Description                            | Remark | Qty | Model              |
|-----|--------------------|--|--------|-----|--------------------|
|     |                    | D >> - MJ 2007                         |        |     |                    |
|     | 997 522 052 05 8YR | Black                                  |        |     |                    |
|     | 997 522 052 05 5X5 | Stone grey                             |        |     |                    |
|     | 997 522 052 05 8G1 | Sand beige                             |        |     |                    |
|     | 997 522 052 05 3S8 | sea blue                               |        |     |                    |
|     | 997 522 052 05 4P1 | Palm green                             |        |     |                    |
|     | 997 522 052 05 9N2 | Terracotta                             |        |     |                    |
|     | 997 522 052 05 9Q3 | Cocoa                                  |        |     |                    |
|     | 997 522 052 05 D11 | Dark grey/natural                      |        |     |                    |
|     | 997 522 052 05 T11 | Brown/natural                          |        |     |                    |
| (1) | 997 522 051 06     | Back seat cushion<br>Version for japan | left   | 1   | PR:193,685,<br>937 |
|     |                    | D >> - MJ 2007                         |        |     |                    |
|     | 997 522 051 06 5Q2 | Black                                  |        |     |                    |
|     | 997 522 051 06 8X4 | Stone grey                             |        |     |                    |
|     | 997 522 051 06 5S4 | Sand beige                             |        |     |                    |
|     | 997 522 051 06 8W3 | sea blue                               |        |     |                    |
|     | 997 522 051 06 5Y5 | Palm green                             |        |     |                    |
| (1) | 997 522 052 06     | Back seat cushion<br>Version for japan | right  | 1   | PR:193,685,<br>937 |
|     |                    | D >> - MJ 2007                         |        |     |                    |
|     | 997 522 052 06 5Q2 | Black                                  |        |     |                    |
|     | 997 522 052 06 8X4 | Stone grey                             |        |     |                    |
|     | 997 522 052 06 5S4 | Sand beige                             |        |     |                    |
|     | 997 522 052 06 8W3 | sea blue                               |        |     |                    |
|     | 997 522 052 06 5Y5 | Palm green                             |        |     |                    |
| (1) | 997 522 051 07     | Back seat cushion<br>Version for japan | left   | 1   | PR:193,685,<br>936 |
|     |                    | D >> - MJ 2007                         |        |     |                    |
|     | 997 522 051 07 8YR | Black                                  |        |     |                    |
|     | 997 522 051 07 5X5 | Stone grey                             |        |     |                    |
|     | 997 522 051 07 8G1 | Sand beige                             |        |     |                    |
|     | 997 522 051 07 3S8 | sea blue                               |        |     |                    |
|     | 997 522 051 07 4P1 | Palm green                             |        |     |                    |
|     | 997 522 051 07 9N2 | Terracotta                             |        |     |                    |
|     | 997 522 051 07 9Q3 | Cocoa                                  |        |     |                    |
|     | 997 522 051 07 D11 | Dark grey/natural                      |        |     |                    |
|     | 997 522 051 07 T11 | Brown/natural                          |        |     |                    |
| (1) | 997 522 052 07     | Back seat cushion<br>Version for japan | right  | 1   | PR:193,685,<br>936 |
|     |                    | D >> - MJ 2007                         |        |     |                    |
|     | 997 522 052 07 8YR | Black                                  |        |     |                    |
|     | 997 522 052 07 5X5 | Stone grey                             |        |     |                    |
|     | 997 522 052 07 8G1 | Sand beige                             |        |     |                    |
|     | 997 522 052 07 3S8 | sea blue                               |        |     |                    |
|     | 997 522 052 07 4P1 | Palm green                             |        |     |                    |
|     | 997 522 052 07 9N2 | Terracotta                             |        |     |                    |
|     | 997 522 052 07 9Q3 | Cocoa                                  |        |     |                    |
|     | 997 522 052 07 D11 | Dark grey/natural                      |        |     |                    |
|     | 997 522 052 07 T11 | Brown/natural                          |        |     |                    |
| (1) | 997 522 051 08     | Back seat cushion<br>Version for japan | left   | 1   | PR:193,685,<br>939 |
|     |                    | D >> - MJ 2007                         |        |     |                    |
|     | 997 522 051 08 8YR | Black                                  |        |     |                    |
|     | 997 522 051 08 5X5 | Stone grey                             |        |     |                    |
|     | 997 522 051 08 8G1 | Sand beige                             |        |     |                    |
|     | 997 522 051 08 3S8 | sea blue                               |        |     |                    |
|     | 997 522 051 08 4P1 | Palm green                             |        |     |                    |
|     | 997 522 051 08 9N2 | Terracotta                             |        |     |                    |
|     | 997 522 051 08 9Q3 | Cocoa                                  |        |     |                    |
|     | 997 522 051 08 D11 | Dark grey/natural                      |        |     |                    |
|     | 997 522 051 08 T11 | Brown/natural                          |        |     |                    |
| (1) | 997 522 052 08     | Back seat cushion                      | right  | 1   | PR:193,685,        |

Model: 997 05 Model life 2005>>2008

| Pos | Part Number        | Description                         | Remark | Qty | Model      |
|-----|--------------------|-------------------------------------|--------|-----|------------|
|     |                    | Version for japan<br>D >> - MJ 2007 |        |     | 939        |
|     | 997 522 052 08 8YR | Black                               |        |     |            |
|     | 997 522 052 08 5X5 | Stone grey                          |        |     |            |
|     | 997 522 052 08 8G1 | Sand beige                          |        |     |            |
|     | 997 522 052 08 3S8 | sea blue                            |        |     |            |
|     | 997 522 052 08 4P1 | Palm green                          |        |     |            |
|     | 997 522 052 08 9N2 | Terracotta                          |        |     |            |
|     | 997 522 052 08 9Q3 | Cocoa                               |        |     |            |
|     | 997 522 052 08 D11 | Dark grey/natural                   |        |     |            |
|     | 997 522 052 08 T11 | Brown/natural                       |        |     |            |
| (1) | 997 522 051 09     | Back seat cushion<br>D - MJ 2008>>  | left   | 1   | PR:685,937 |
|     | 997 522 051 09 5Q2 | Black                               |        |     |            |
|     | 997 522 051 09 8X4 | Stone grey                          |        |     |            |
|     | 997 522 051 09 5S4 | Sand beige                          |        |     |            |
|     | 997 522 051 09 8W3 | sea blue                            |        |     |            |
|     | 997 522 051 09 5Y5 | Palm green                          |        |     |            |
| (1) | 997 522 052 09     | Back seat cushion<br>D - MJ 2008>>  | right  | 1   | PR:685,937 |
|     | 997 522 052 09 5Q2 | Black                               |        |     |            |
|     | 997 522 052 09 8X4 | Stone grey                          |        |     |            |
|     | 997 522 052 09 5S4 | Sand beige                          |        |     |            |
|     | 997 522 052 09 8W3 | sea blue                            |        |     |            |
|     | 997 522 052 09 5Y5 | Palm green                          |        |     |            |
| (1) | 997 522 051 10     | Back seat cushion<br>D - MJ 2008>>  | left   | 1   | PR:685,936 |
|     | 997 522 051 10 8YR | Black                               |        |     |            |
|     | 997 522 051 10 5X5 | Stone grey                          |        |     |            |
|     | 997 522 051 10 8G1 | Sand beige                          |        |     |            |
|     | 997 522 051 10 3S8 | sea blue                            |        |     |            |
|     | 997 522 051 10 4P1 | Palm green                          |        |     |            |
|     | 997 522 051 10 9N2 | Terracotta                          |        |     |            |
|     | 997 522 051 10 9Q3 | Cocoa                               |        |     |            |
|     | 997 522 051 10 D11 | Dark grey/natural                   |        |     |            |
|     | 997 522 051 10 T11 | Brown/natural                       |        |     |            |
|     | 997 522 051 10 N11 | Carrera Red                         |        |     |            |
| (1) | 997 522 052 10     | Back seat cushion<br>D - MJ 2008>>  | right  | 1   | PR:685,936 |
|     | 997 522 052 10 8YR | Black                               |        |     |            |
|     | 997 522 052 10 5X5 | Stone grey                          |        |     |            |
|     | 997 522 052 10 8G1 | Sand beige                          |        |     |            |
|     | 997 522 052 10 3S8 | sea blue                            |        |     |            |
|     | 997 522 052 10 4P1 | Palm green                          |        |     |            |
|     | 997 522 052 10 9N2 | Terracotta                          |        |     |            |
|     | 997 522 052 10 9Q3 | Cocoa                               |        |     |            |
|     | 997 522 052 10 D11 | Dark grey/natural                   |        |     |            |
|     | 997 522 052 10 T11 | Brown/natural                       |        |     |            |
|     | 997 522 052 10 N11 | Carrera Red                         |        |     |            |
| (1) | 997 522 051 11     | Back seat cushion<br>D - MJ 2008>>  | left   | 1   | PR:685,939 |
|     | 997 522 051 11 8YR | Black                               |        |     |            |
|     | 997 522 051 11 5X5 | Stone grey                          |        |     |            |
|     | 997 522 051 11 8G1 | Sand beige                          |        |     |            |
|     | 997 522 051 11 3S8 | sea blue                            |        |     |            |
|     | 997 522 051 11 4P1 | Palm green                          |        |     |            |
|     | 997 522 051 11 9N2 | Terracotta                          |        |     |            |
|     | 997 522 051 11 9Q3 | Cocoa                               |        |     |            |
|     | 997 522 051 11 D11 | Dark grey/natural                   |        |     |            |
|     | 997 522 051 11 T11 | Brown/natural                       |        |     |            |
|     | 997 522 051 11 N11 | Carrera Red                         |        |     |            |

Model: 997 05 Model life 2005>>2008

| Pos | Part Number        | Description   | Remark | Qty | Model          |
|-----|--------------------|---|--------|-----|----------------|
| (1) | 997 522 052 11     | D - MJ 2008>><br>Back seat cushion                              | right  | 1   | PR:685,939     |
|     | 997 522 052 11 8YR | D - MJ 2008>><br>Black  |        |     |                |
|     | 997 522 052 11 5X5 | Stone grey  |        |     |                |
|     | 997 522 052 11 8G1 | Sand beige  |        |     |                |
|     | 997 522 052 11 3S8 | sea blue  |        |     |                |
|     | 997 522 052 11 4P1 | Palm green  |        |     |                |
|     | 997 522 052 11 9N2 | Terracotta  |        |     |                |
|     | 997 522 052 11 9Q3 | Cocoa   |        |     |                |
|     | 997 522 052 11 D11 | Dark grey/natural   |        |     |                |
|     | 997 522 052 11 T11 | Brown/natural   |        |     |                |
|     | 997 522 052 11 N11 | Carrera Red   |        |     |                |
| 2   | 997 522 065 00     | D - MJ 2008>><br>Extension<br>Seat cushion<br>Version for japan | left   | 1   | PR:193,685,937 |
|     | 997 522 065 00 5Q2 | D >> - MJ 2007<br>Black   |        |     |                |
|     | 997 522 065 00 8X4 | Stone grey  |        |     |                |
|     | 997 522 065 00 5S4 | Sand beige  |        |     |                |
|     | 997 522 065 00 8W3 | sea blue  |        |     |                |
|     | 997 522 065 00 5Y5 | Palm green  |        |     |                |
| (2) | 997 522 066 00     | D - MJ 2008>><br>Extension<br>Seat cushion<br>Version for japan | right  | 1   | PR:193,685,937 |
|     | 997 522 066 00 5Q2 | D >> - MJ 2007<br>Black   |        |     |                |
|     | 997 522 066 00 8X4 | Stone grey  |        |     |                |
|     | 997 522 066 00 5S4 | Sand beige  |        |     |                |
|     | 997 522 066 00 8W3 | sea blue  |        |     |                |
|     | 997 522 066 00 5Y5 | Palm green  |        |     |                |
| (2) | 997 522 065 01     | D - MJ 2008>><br>Extension<br>Seat cushion<br>Version for japan | left   | 1   | PR:193,936,939 |
|     | 997 522 065 01 8YR | D >> - MJ 2007<br>Black   |        |     |                |
|     | 997 522 065 01 5X5 | Stone grey  |        |     |                |
|     | 997 522 065 01 8G1 | Sand beige  |        |     |                |
|     | 997 522 065 01 3S8 | sea blue  |        |     |                |
|     | 997 522 065 01 4P1 | Palm green  |        |     |                |
|     | 997 522 065 01 9N2 | Terracotta  |        |     |                |
|     | 997 522 065 01 9Q3 | Cocoa   |        |     |                |
|     | 997 522 065 01 D11 | Dark grey/natural   |        |     |                |
|     | 997 522 065 01 T11 | Brown/natural   |        |     |                |
| (2) | 997 522 066 01     | D - MJ 2008>><br>Extension<br>Seat cushion<br>Version for japan | right  | 1   | PR:193,936,939 |
|     | 997 522 066 01 8YR | D >> - MJ 2007<br>Black   |        |     |                |
|     | 997 522 066 01 5X5 | Stone grey  |        |     |                |
|     | 997 522 066 01 8G1 | Sand beige  |        |     |                |
|     | 997 522 066 01 3S8 | sea blue  |        |     |                |
|     | 997 522 066 01 4P1 | Palm green  |        |     |                |
|     | 997 522 066 01 9N2 | Terracotta  |        |     |                |
|     | 997 522 066 01 9Q3 | Cocoa   |        |     |                |
|     | 997 522 066 01 D11 | Dark grey/natural   |        |     |                |
|     | 997 522 066 01 T11 | Brown/natural   |        |     |                |
| 3   | 997 522 235 00     | D - MJ 2008>><br>Centre part<br>Back seat backrest              | left   | 1   | PR:685,937     |
|     | 997 522 235 00 5Q2 | Black   |        |     |                |
|     | 997 522 235 00 8X4 | Stone grey  |        |     |                |
|     | 997 522 235 00 5S4 | Sand beige  |        |     |                |

Model: 997 05 Model life 2005>>2008

| Pos                | Part Number        | Description        | Remark           | Qty   | Model      |
|--------------------|--------------------|--------------------|------------------|-------|------------|
| (3)                | 997 522 235 00 8W3 | sea blue           | right            | 1     | PR:685,937 |
|                    | 997 522 235 00 5Y5 | Palm green         |                  |       |            |
|                    | 997 522 236 00     | Centre part        |                  |       |            |
|                    |                    | Back seat backrest |                  |       |            |
|                    | 997 522 236 00 5Q2 | Black              |                  |       |            |
|                    | 997 522 236 00 8X4 | Stone grey         |                  |       |            |
|                    | 997 522 236 00 5S4 | Sand beige         |                  |       |            |
| (3)                | 997 522 236 00 8W3 | sea blue           | left             | 1     | PR:685,936 |
|                    | 997 522 236 00 5Y5 | Palm green         |                  |       |            |
|                    | 997 522 235 01     | Centre part        |                  |       |            |
|                    |                    | Back seat backrest |                  |       |            |
|                    | 997 522 235 01 8YR | Black              |                  |       |            |
|                    | 997 522 235 01 5X5 | Stone grey         |                  |       |            |
|                    | 997 522 235 01 8G1 | Sand beige         |                  |       |            |
|                    | 997 522 235 01 3S8 | sea blue           |                  |       |            |
|                    | 997 522 235 01 4P1 | Palm green         |                  |       |            |
|                    | 997 522 235 01 9N2 | Terracotta         |                  |       |            |
|                    | 997 522 235 01 9Q3 | Cocoa              |                  |       |            |
|                    | 997 522 235 01 D11 | Dark grey/natural  |                  |       |            |
|                    | 997 522 235 01 T11 | Brown/natural      |                  |       |            |
|                    | 997 522 235 01 N11 | Carrera Red        |                  |       |            |
| (3)                | 997 522 236 01     | Centre part        | right            | 1     | PR:685,936 |
|                    |                    | Back seat backrest |                  |       |            |
|                    | 997 522 236 01 8YR | Black              |                  |       |            |
|                    | 997 522 236 01 5X5 | Stone grey         |                  |       |            |
|                    | 997 522 236 01 8G1 | Sand beige         |                  |       |            |
|                    | 997 522 236 01 3S8 | sea blue           |                  |       |            |
|                    | 997 522 236 01 4P1 | Palm green         |                  |       |            |
|                    | 997 522 236 01 9N2 | Terracotta         |                  |       |            |
|                    | 997 522 236 01 9Q3 | Cocoa              |                  |       |            |
|                    | 997 522 236 01 D11 | Dark grey/natural  |                  |       |            |
|                    | 997 522 236 01 T11 | Brown/natural      |                  |       |            |
|                    | 997 522 236 01 N11 | Carrera Red        |                  |       |            |
|                    |                    | D - MJ 2008>>      |                  |       |            |
|                    | (3)                | 997 522 235 02     |                  |       |            |
|                    |                    | Back seat backrest |                  |       |            |
| 997 522 235 02 8YR |                    | Black              |                  |       |            |
| 997 522 235 02 5X5 |                    | Stone grey         |                  |       |            |
| 997 522 235 02 8G1 |                    | Sand beige         |                  |       |            |
| 997 522 235 02 3S8 |                    | sea blue           |                  |       |            |
| 997 522 235 02 4P1 |                    | Palm green         |                  |       |            |
| 997 522 235 02 9N2 |                    | Terracotta         |                  |       |            |
| 997 522 235 02 9Q3 |                    | Cocoa              |                  |       |            |
| 997 522 235 02 D11 |                    | Dark grey/natural  |                  |       |            |
| 997 522 235 02 T11 |                    | Brown/natural      |                  |       |            |
| 997 522 235 02 N11 |                    | Carrera Red        |                  |       |            |
|                    |                    | D - MJ 2008>>      |                  |       |            |
| (3)                |                    | 997 522 236 02     | Centre part      | right | 1          |
|                    |                    | Back seat backrest |                  |       |            |
|                    | 997 522 236 02 8YR | Black              |                  |       |            |
|                    | 997 522 236 02 5X5 | Stone grey         |                  |       |            |
|                    | 997 522 236 02 8G1 | Sand beige         |                  |       |            |
|                    | 997 522 236 02 3S8 | sea blue           |                  |       |            |
|                    | 997 522 236 02 4P1 | Palm green         |                  |       |            |
|                    | 997 522 236 02 9N2 | Terracotta         |                  |       |            |
|                    | 997 522 236 02 9Q3 | Cocoa              |                  |       |            |
|                    | 997 522 236 02 D11 | Dark grey/natural  |                  |       |            |
|                    | 997 522 236 02 T11 | Brown/natural      |                  |       |            |
|                    | 997 522 236 02 N11 | Carrera Red        |                  |       |            |
|                    |                    | D - MJ 2008>>      |                  |       |            |
|                    | (4)                | 997 551 897 01     | Retaining washer |       |            |
| 5                  | 997 551 895 00     | Clip               |                  | X     | PR:685     |

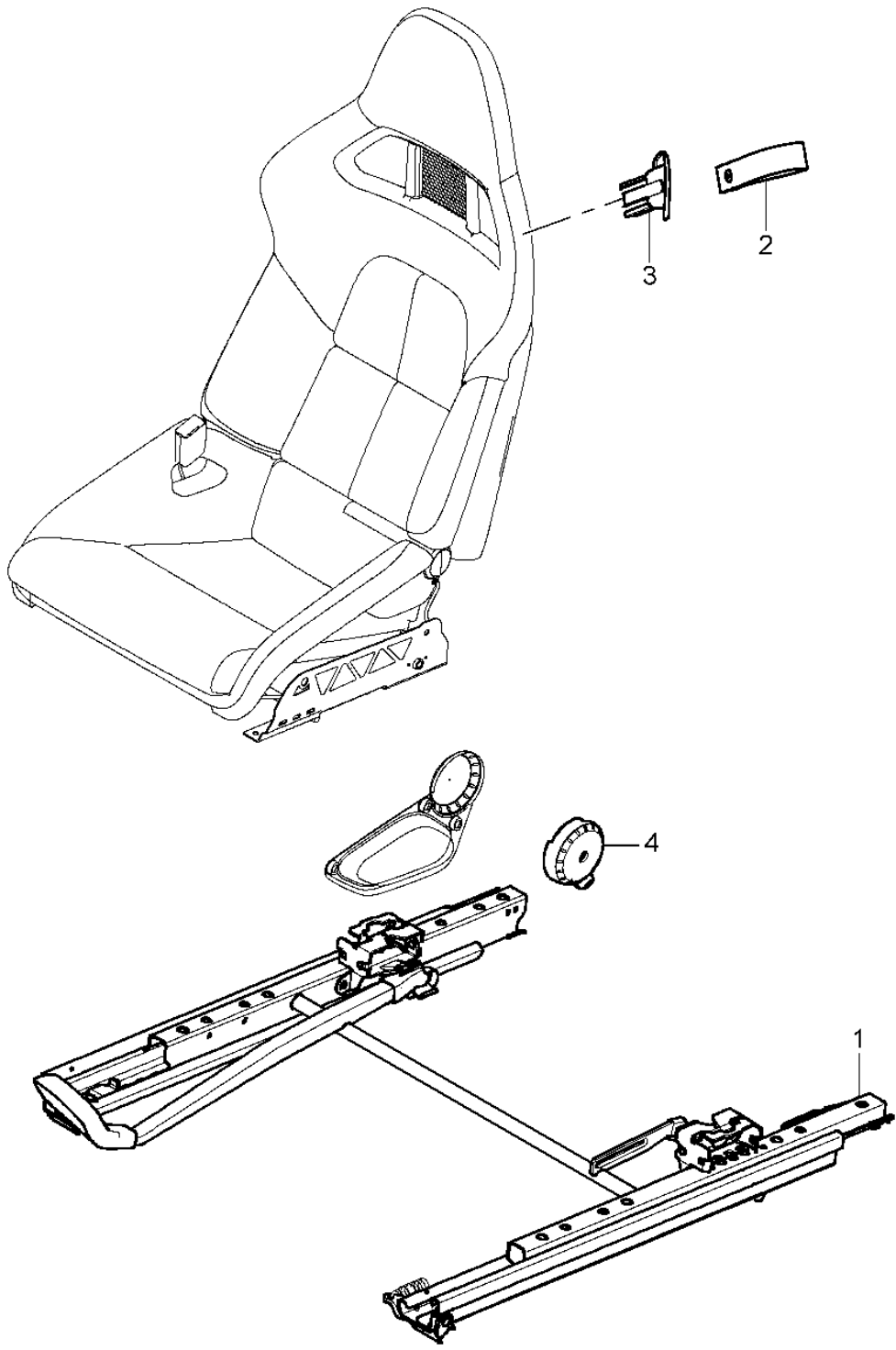
Model: 997 05

Model life 2005>>2008

| Pos | Part Number    | Description                      | Remark | Qty | Model  |
|-----|----------------|----------------------------------|--------|-----|--------|
| 5   | 997 551 895 01 | Double<br>D >> - MJ 2007<br>Clip |        | X   |        |
| 6   | 997 551 893 00 | Double<br>D - MJ 2008>><br>Clip  |        | X   | PR:685 |
| 6   | 997 551 893 01 | Triple<br>D >> - MJ 2007<br>Clip |        | X   | PR:685 |
|     |                | Triple<br>D - MJ 2008>>          |        |     |        |

Model: 997 05

Model life 2005>>2008

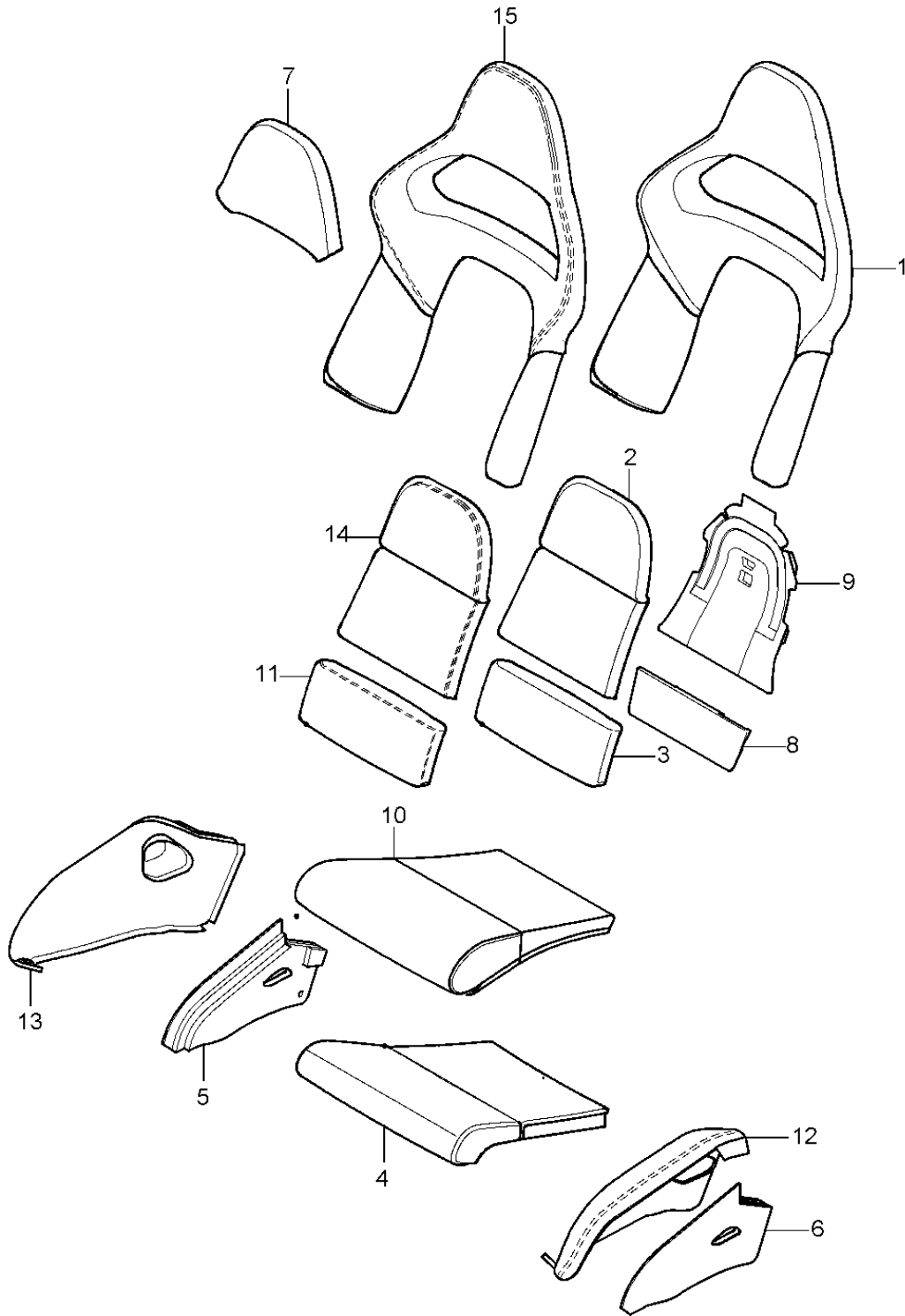


Model: 997 05 Model life 2005>>2008

| Pos | Part Number        | Description  | Remark         | Qty | Model                               |
|-----|--------------------|--|----------------|-----|-------------------------------------|
|     |                    | bucket seat<br>Collapsible<br>(complete)<br>Not available<br>D - MJ 2008>> |                |     | COUPE<br>CABRIO<br>TARGA<br>CARRERA |
| 1   | 997 521 429 01     | 1 set of seat rails<br>(drivers side)                                      | left lhd       | 1   | PR:098,388                          |
| (1) | 997 521 430 01     | 1 set of seat rails<br>(passenger side)                                    | right lhd      | 1   | PR:098,389                          |
| (1) | 997 521 429 02     | 1 set of seat rails<br>(passenger side)                                    | left rhd       | 1   | PR:099,388                          |
| (1) | 997 521 430 02     | 1 set of seat rails<br>(drivers side)                                      | right rhd      | 1   | PR:099,389                          |
| 2   | 997 521 539 00     | Pull loop<br>Backrest frame  | left           | 1   | PR:388                              |
|     | 997 521 539 00 A80 | Black  |                |     |                                     |
| (2) | 997 521 540 00     | Pull loop<br>Backrest frame  | right          | 1   | PR:389                              |
|     | 997 521 540 00 A80 | Black  |                |     |                                     |
| 3   | 997 521 538 00     | Rosette<br>Pull loop<br>Backrest frame                                     | right          | 1   | PR:389                              |
|     | 997 521 538 00 01C | Satin black  |                |     |                                     |
| (3) | 997 521 537 00     | Rosette<br>Pull loop<br>Backrest frame                                     | left           | 1   | PR:388                              |
|     | 997 521 537 00 01C | Satin black  |                |     |                                     |
| 4   | 997 521 563 00     | Trim<br>Hinge  | left<br>inner  | 1   | PR:388,389                          |
|     | 997 521 563 00 01C | Satin black  |                |     |                                     |
| (4) | 997 521 564 00     | Trim<br>Hinge  | right<br>inner | 1   | PR:388,389                          |
|     | 997 521 564 00 01C | Satin black  |                |     |                                     |

Model: 997 05

Model life 2005>>2008





Model: 997 05 Model life 2005>>2008

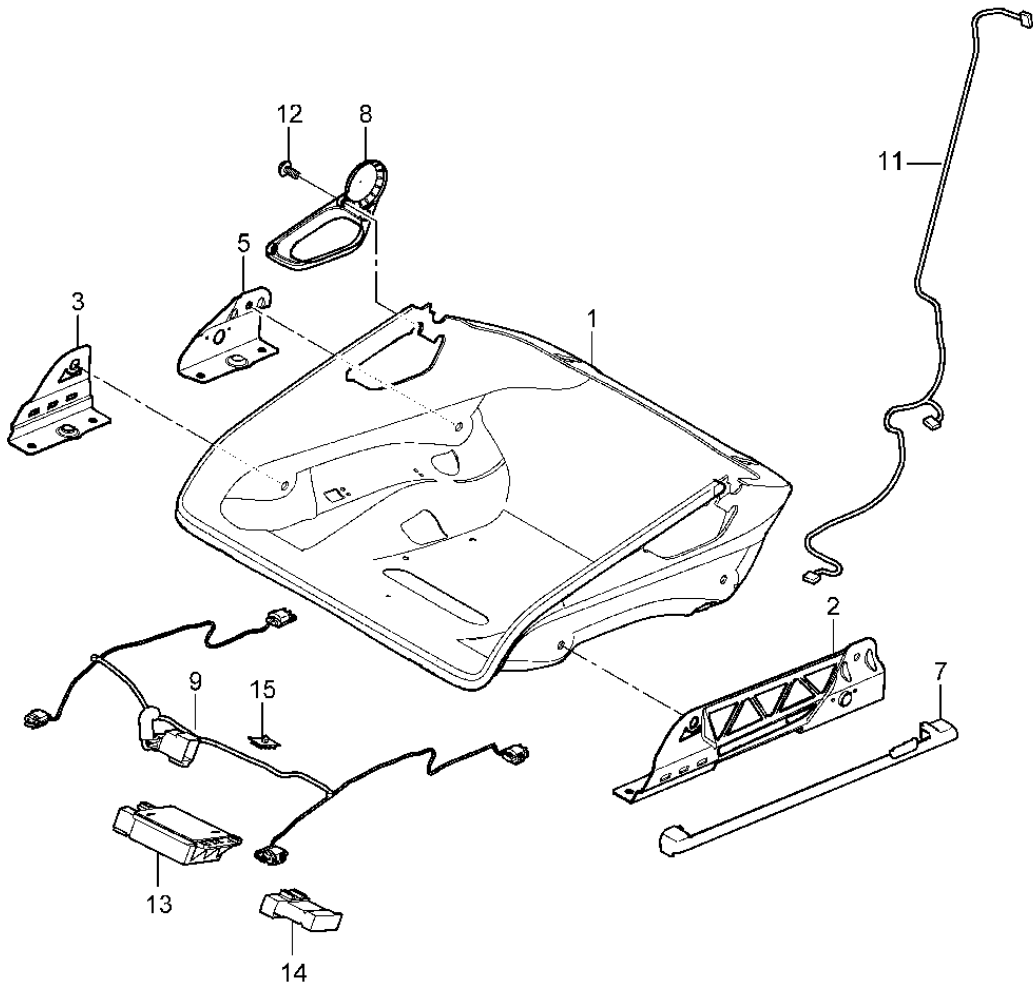
| Pos | Part Number        | Description  | Remark                 | Qty | Model                               |
|-----|--------------------|--|------------------------|-----|-------------------------------------|
|     |                    | Foam part<br>Cover<br>Seat and backrest surface<br>bucket seat<br>Collapsible<br>D - MJ 2008>> |                        |     | CARRERA<br>TARGA<br>CABRIO<br>COUPE |
| 1   | 997 521 447 00     | Foam part<br>backrest  |                        | 2   | PR:388,389                          |
| 2   | 997 521 448 00     | Outer part<br>Foam part<br>backrest  |                        | 2   | PR:388,389                          |
| 3   | 997 521 441 00     | Centre part<br>Foam part   | rear                   | 2   | PR:388,389                          |
| 4   | 997 521 440 00     | Seat cushion<br>Foam part  | front                  | 2   | PR:388,389                          |
| 5   | 997 521 443 00     | Seat cushion<br>Foam part  | left<br>side           | 1   | PR:388                              |
| (5) | 997 521 444 00     | Seat cushion<br>Foam part  | outer<br>side          | 1   | PR:388                              |
| 6   | 997 521 446 00     | Seat cushion<br>Foam part  | inner<br>left<br>side  | 1   | PR:389                              |
| (6) | 997 521 445 00     | Seat cushion<br>Foam part  | outer<br>right<br>side | 1   | PR:389                              |
| 7   | 997 521 458 00     | Head restraint<br>Foam part  | rear                   | 2   | PR:388,389                          |
| 8   | 997 521 456 00     | Seat cushion<br>Foam part  |                        | 1   | PR:388,389                          |
| 9   | 997 521 457 00     | backrest<br>Foam part  |                        | 1   | PR:388,389                          |
| 10  | 997 521 380 00     | Seat cover   | left a. right<br>front | 1   | PR:388,389,<br>983                  |
|     | 997 521 380 00 8YR | Black  |                        |     |                                     |
|     | 997 521 380 00 5X5 | Stone grey   |                        |     |                                     |
|     | 997 521 380 00 8G1 | Sand beige   |                        |     |                                     |
|     | 997 521 380 00 3S8 | sea blue   |                        |     |                                     |
|     | 997 521 380 00 9N2 | Terracotta   |                        |     |                                     |
|     | 997 521 380 00 9Q3 | Cocoa  |                        |     |                                     |
|     | 997 521 380 00 D11 | Dark grey/natural  |                        |     |                                     |
|     | 997 521 380 00 T11 | Brown/natural  |                        |     |                                     |
|     | 997 521 380 00 N11 | Carrera Red  |                        |     |                                     |
| 11  | 997 521 381 00     | Seat cover   | rear                   | 1   | PR:388,389,<br>983                  |
|     | 997 521 381 00 8YR | Black  |                        |     |                                     |
|     | 997 521 381 00 5X5 | Stone grey   |                        |     |                                     |
|     | 997 521 381 00 8G1 | Sand beige   |                        |     |                                     |
|     | 997 521 381 00 3S8 | sea blue   |                        |     |                                     |
|     | 997 521 381 00 9N2 | Terracotta   |                        |     |                                     |
|     | 997 521 381 00 9Q3 | Cocoa  |                        |     |                                     |
|     | 997 521 381 00 D11 | Dark grey/natural  |                        |     |                                     |
|     | 997 521 381 00 T11 | Brown/natural  |                        |     |                                     |
|     | 997 521 381 00 N11 | Carrera Red  |                        |     |                                     |
| 12  | 997 521 383 00     | Cover  | left<br>side<br>outer  | 1   | PR:388,983                          |
|     | 997 521 383 00 8YR | Black  |                        |     |                                     |
|     | 997 521 383 00 5X5 | Stone grey   |                        |     |                                     |
|     | 997 521 383 00 8G1 | Sand beige   |                        |     |                                     |
|     | 997 521 383 00 3S8 | sea blue   |                        |     |                                     |

Model: 997 05 Model life 2005>>2008

| Pos                | Part Number        | Description          | Remark                        | Qty                    | Model      |                    |                        |   |                    |
|--------------------|--------------------|----------------------|-------------------------------|------------------------|------------|--------------------|------------------------|---|--------------------|
| 13                 | 997 521 383 00 9N2 | Terracotta           | left<br>side<br>inner         | 1                      | PR:388,983 |                    |                        |   |                    |
|                    | 997 521 383 00 9Q3 | Cocoa                |                               |                        |            |                    |                        |   |                    |
|                    | 997 521 383 00 D11 | Dark grey/natural    |                               |                        |            |                    |                        |   |                    |
|                    | 997 521 383 00 T11 | Brown/natural        |                               |                        |            |                    |                        |   |                    |
|                    | 997 521 383 00 N11 | Carrera Red          |                               |                        |            |                    |                        |   |                    |
|                    | 997 521 384 00     | Seat cover (leather) |                               |                        |            |                    |                        |   |                    |
|                    | 997 521 384 00 8YR | Black                |                               |                        |            |                    |                        |   |                    |
|                    | 997 521 384 00 5X5 | Stone grey           |                               |                        |            |                    |                        |   |                    |
|                    | 997 521 384 00 8G1 | Sand beige           |                               |                        |            |                    |                        |   |                    |
|                    | 997 521 384 00 3S8 | sea blue             |                               |                        |            |                    |                        |   |                    |
|                    | 997 521 384 00 9N2 | Terracotta           |                               |                        |            |                    |                        |   |                    |
|                    | 997 521 384 00 9Q3 | Cocoa                |                               |                        |            |                    |                        |   |                    |
|                    | (13)               | 997 521 384 00 D11   |                               |                        |            | Dark grey/natural  | right<br>side<br>outer | 1 | PR:389,983         |
| 997 521 384 00 T11 |                    | Brown/natural        |                               |                        |            |                    |                        |   |                    |
| 997 521 384 00 N11 |                    | Carrera Red          |                               |                        |            |                    |                        |   |                    |
| 997 521 386 00     |                    | Cover                |                               |                        |            |                    |                        |   |                    |
| 997 521 386 00 8YR |                    | Black                |                               |                        |            |                    |                        |   |                    |
| 997 521 386 00 5X5 |                    | Stone grey           |                               |                        |            |                    |                        |   |                    |
| 997 521 386 00 8G1 |                    | Sand beige           |                               |                        |            |                    |                        |   |                    |
| 997 521 386 00 3S8 |                    | sea blue             |                               |                        |            |                    |                        |   |                    |
| 997 521 386 00 9N2 |                    | Terracotta           |                               |                        |            |                    |                        |   |                    |
| 997 521 386 00 9Q3 |                    | Cocoa                |                               |                        |            |                    |                        |   |                    |
| 997 521 386 00 D11 |                    | Dark grey/natural    |                               |                        |            |                    |                        |   |                    |
| 997 521 386 00 T11 |                    | Brown/natural        |                               |                        |            |                    |                        |   |                    |
| (13)               |                    | 997 521 386 00 N11   | Carrera Red                   | right<br>side<br>inner | 1          | PR:389,983         |                        |   |                    |
|                    | 997 521 385 00     | Seat cover (leather) |                               |                        |            |                    |                        |   |                    |
|                    | 997 521 385 00 8YR | Black                |                               |                        |            |                    |                        |   |                    |
|                    | 997 521 385 00 5X5 | Stone grey           |                               |                        |            |                    |                        |   |                    |
|                    | 997 521 385 00 8G1 | Sand beige           |                               |                        |            |                    |                        |   |                    |
|                    | 997 521 385 00 3S8 | sea blue             |                               |                        |            |                    |                        |   |                    |
|                    | 997 521 385 00 9N2 | Terracotta           |                               |                        |            |                    |                        |   |                    |
|                    | 997 521 385 00 9Q3 | Cocoa                |                               |                        |            |                    |                        |   |                    |
|                    | 997 521 385 00 D11 | Dark grey/natural    |                               |                        |            |                    |                        |   |                    |
|                    | 997 521 385 00 T11 | Brown/natural        |                               |                        |            |                    |                        |   |                    |
|                    | 997 521 385 00 N11 | Carrera Red          |                               |                        |            |                    |                        |   |                    |
|                    | 14                 | 997 521 387 00       | Backrest centre part w. cover |                        |            |                    |                        | 1 | PR:388,389,<br>983 |
|                    |                    | 997 521 387 00 8YR   | Black                         |                        |            |                    |                        |   |                    |
| 997 521 387 00 5X5 |                    | Stone grey           |                               |                        |            |                    |                        |   |                    |
| 997 521 387 00 8G1 |                    | Sand beige           |                               |                        |            |                    |                        |   |                    |
| 997 521 387 00 3S8 |                    | sea blue             |                               |                        |            |                    |                        |   |                    |
| 997 521 387 00 9N2 |                    | Terracotta           |                               |                        |            |                    |                        |   |                    |
| 997 521 387 00 9Q3 |                    | Cocoa                |                               |                        |            |                    |                        |   |                    |
| 997 521 387 00 D11 |                    | Dark grey/natural    |                               |                        |            |                    |                        |   |                    |
| 997 521 387 00 T11 |                    | Brown/natural        |                               |                        |            |                    |                        |   |                    |
| 997 521 387 00 N11 |                    | Carrera Red          |                               |                        |            |                    |                        |   |                    |
| 15                 |                    | 997 521 388 00       | backrest cover (leather)      | outer                  | 1          | PR:388,389,<br>983 |                        |   |                    |
|                    |                    | 997 521 388 00 8YR   | Black                         |                        |            |                    |                        |   |                    |
|                    |                    | 997 521 388 00 5X5   | Stone grey                    |                        |            |                    |                        |   |                    |
|                    | 997 521 388 00 8G1 | Sand beige           |                               |                        |            |                    |                        |   |                    |
|                    | 997 521 388 00 3S8 | sea blue             |                               |                        |            |                    |                        |   |                    |
|                    | 997 521 388 00 9N2 | Terracotta           |                               |                        |            |                    |                        |   |                    |
|                    | 997 521 388 00 9Q3 | Cocoa                |                               |                        |            |                    |                        |   |                    |
|                    | 997 521 388 00 D11 | Dark grey/natural    |                               |                        |            |                    |                        |   |                    |
|                    | 997 521 388 00 T11 | Brown/natural        |                               |                        |            |                    |                        |   |                    |
|                    | 997 521 388 00 N11 | Carrera Red          |                               |                        |            |                    |                        |   |                    |

Model: 997 05

Model life 2005>>2008



Model: 997 05 Model life 2005>>2008

| Pos | Part Number                          | Description  | Remark                | Qty | Model   |
|-----|--------------------------------------|--|-----------------------|-----|---|
| 1   | 997 521 281 00                       | bucket seat<br>Collapsible<br>Seat frame<br>Accessories<br>D - MJ 2008>><br>Cup<br>Seat frame                        | left a. right         | 2   | CARRERA<br>TARGA<br>COUPE<br>CABRIO<br>PR:388,389 |
| (1) | 997 521 182 00                       | without:<br>seat occupied recognition<br>Cup<br>Seat frame<br>with:<br>seat occupied recognition<br>and<br>Seat rail | right                 | 1   | PR:389,560  |
| 2   | 997 521 433 00                       | Adapter<br>Seat frame<br>Discontinued part   | outer<br>left         | 1   | PR:388  |
| (2) | 997 521 434 00                       | Adapter<br>Seat frame<br>Discontinued part   | outer<br>right        | 1   | PR:389  |
| 3   | 997 521 436 00                       | Adapter<br>Seat frame<br>Discontinued part   | front, inner<br>right | 1   | PR:388  |
| 4   | 997 521 435 00                       | Adapter<br>Seat frame<br>without:<br>seat occupied recognition<br>Discontinued part                                  | front, inner<br>left  | 1   | PR:389  |
| 5   | 997 521 438 00                       | Adapter<br>Seat frame<br>Discontinued part   | rear, inner<br>right  | 1   | PR:388  |
| 6   | 997 521 437 00                       | Adapter<br>Seat frame<br>without:<br>seat occupied recognition<br>Discontinued part                                  | rear, inner<br>left   | 1   | PR:389  |
| 7   | 997 521 427 03                       | Cover<br>Sensor<br>seat occupied recognition   | left                  | 1   | PR:389,560  |
| (7) | 997 521 427 03 01C<br>997 521 426 03 | Satin black<br>Cover<br>Sensor<br>seat occupied recognition  | right                 | 1   | PR:389,560  |
| 8   | 997 521 426 03 01C<br>997 521 561 00 | Satin black<br>Trim<br>Seat belt   | left<br>lower         | 1   | PR:388,389  |
| (8) | 997 521 561 00 01C<br>997 521 562 00 | Satin black<br>Trim<br>Seat belt   | right<br>lower        | 1   | PR:388,389  |
| 9   | 997 521 562 00 01C<br>997 612 688 10 | Satin black<br>Wire set<br>seat occupied recognition   |                       | 1   | PR:389,560  |
| 11  | 997 612 785 10                       | Wire set   | left a. right         | 1   | PR:388,389  |
| 12  | 999 141 049 01                       | Side airbag unit<br>Oval-head screw<br>Mount<br>Trim<br>Belt<br>Seat cushion   |                       | 3   |   |
| 13  | 997 618 233 05                       | Control unit for seat<br>occupied sensor   |                       | 1   | PR:560  |
| 14  | 999 653 070 40                       | Pin connector socket   |                       | 1   |   |

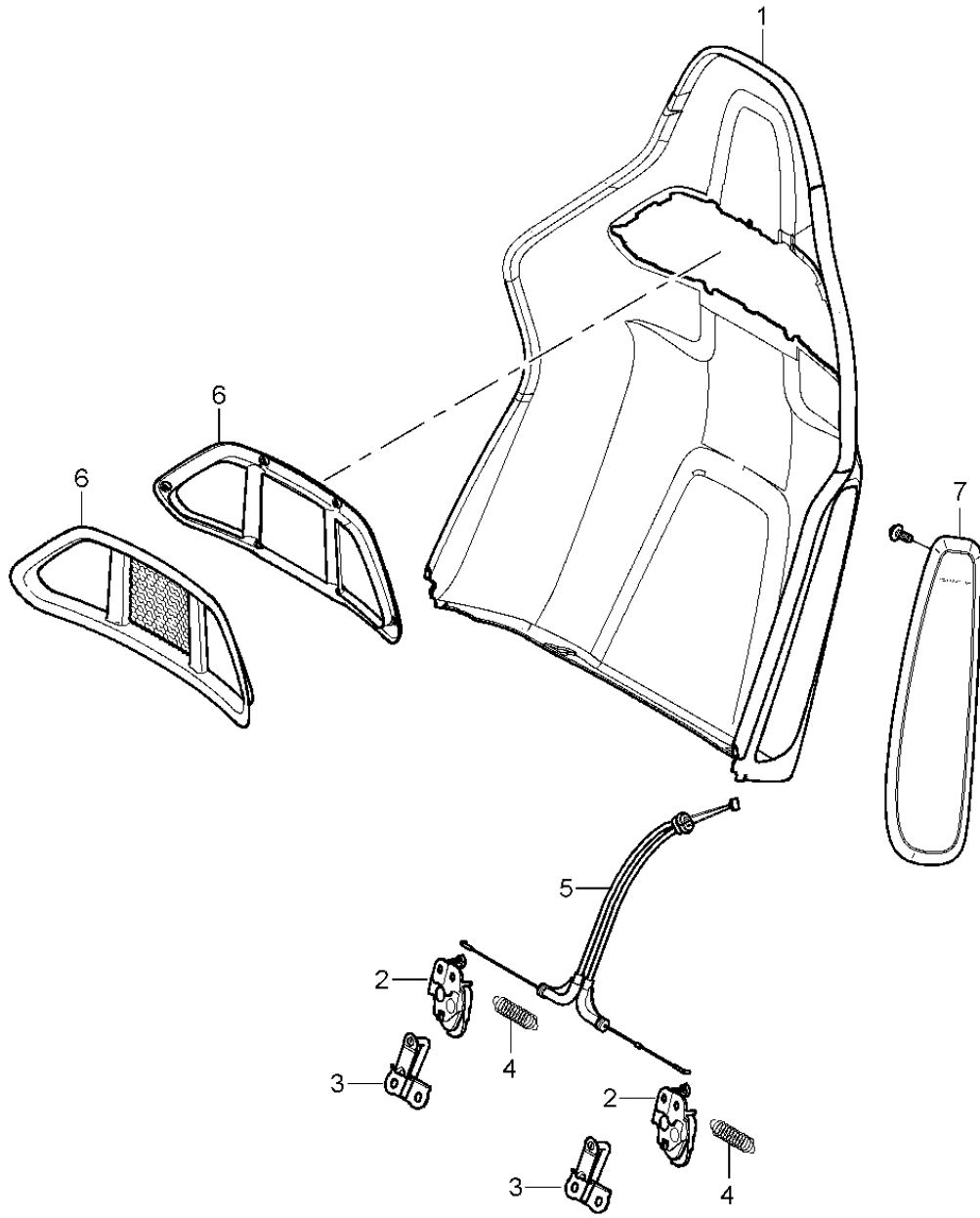
Model: 997 05

Model life 2005>>2008

| Pos | Part Number    | Description   | Remark | Qty | Model |
|-----|----------------|---|--------|-----|-------|
| 15  | 999 507 408 40 | 19-pole<br>Wire set<br>bucket seat<br>Collapsible<br>Retaining clip<br>for<br>Connector housing<br>Connection point |        | 1   |       |

Model: 997 05

Model life 2005>>2008

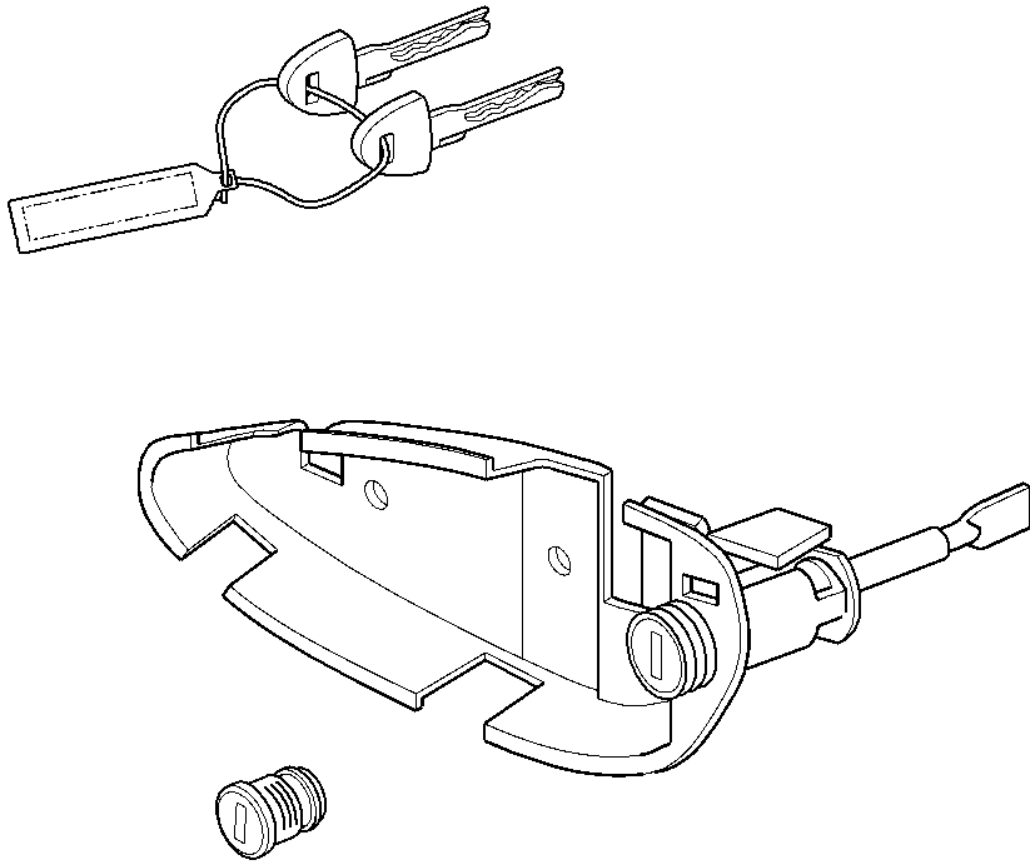


Model: 997 05 Model life 2005>>2008

| Pos | Part Number        | Description  | Remark        | Qty | Model                               |
|-----|--------------------|--|---------------|-----|-------------------------------------|
|     |                    | Backrest shell<br>bucket seat<br>Collapsible<br>Accessories<br>D - MJ 2008>> |               |     | CARRERA<br>TARGA<br>COUPE<br>CABRIO |
| 1   | 997 521 271 00     | Backrest shell<br>bucket seat<br>Collapsible                                 | left          | 1   | PR:388                              |
| (1) | 997 521 272 00     | Backrest shell<br>bucket seat<br>Collapsible                                 | right         | 1   | PR:389                              |
| 2   | 997 521 651 00     | backrest lock  | left          | 1   | PR:388,389                          |
| (2) | 997 521 652 00     | backrest lock  | right         | 1   | PR:388,389                          |
| 3   | 997 521 660 00     | Closing element<br>lock  | left a. right | 1   | PR:388,389                          |
| 4   | 997 521 650 00     | Backrest shell<br>tension spring<br>lock                                     | left a. right | 1   | PR:388,389                          |
| 5   | 997 521 640 00     | backrest<br>Bowden cable<br>Release  | left a. right | 1   | PR:388,389                          |
| 6   | 997 521 330 00     | backrest<br>Trim   | front         | 1   | PR:388,389                          |
|     |                    | Seat belt  |               |     |                                     |
|     | 997 521 330 00 01C | Satin black  |               |     |                                     |
| (6) | 997 521 531 00     | Trim<br>Seat belt  | rear          | 1   | PR:388,389                          |
|     |                    | Satin black  |               |     |                                     |
| 7   | 997 803 081 01     | Side airbag unit   | left          | 1   | PR:388                              |
|     | 997 803 081 01 A03 | Black  |               |     |                                     |
| (7) | 997 803 082 01     | Side airbag unit   | right         | 1   | PR:389                              |
|     |                    | Front seat   |               |     |                                     |
|     | 997 803 082 01 A03 | Black  |               |     |                                     |

Model: 997 05

Model life 2005>>2008





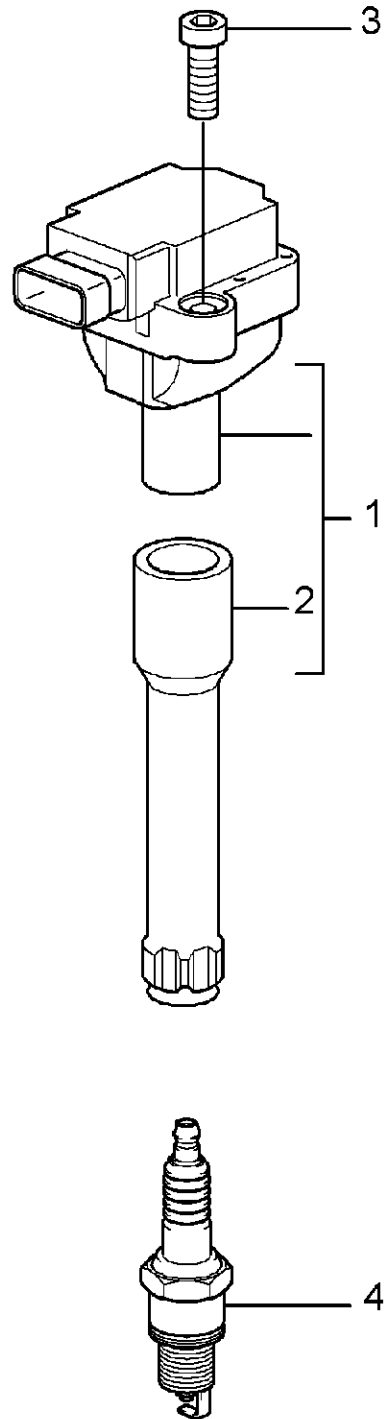
Model: 997 05

Model life 2005>>2008

| Pos | Part Number    | Description  | Remark | Qty | Model  |
|-----|----------------|--|--------|-----|--------|
|     |                | repair kits<br>Set of locks<br>comprising:<br>Bracket<br>Door handle, exterior<br>Glove compartment lock<br>key<br>Key fob |        |     |        |
| -   | 997 538 011 00 | 1 set of lock cylinders with handheld trans. & emerg. key  |        | 1   | PR:098 |
| -   | 997 538 011 01 | 1 set of lock cylinders with handheld trans. & emerg. key  |        | 1   | PR:099 |

Model: 997 05

Model life 2005>>2008



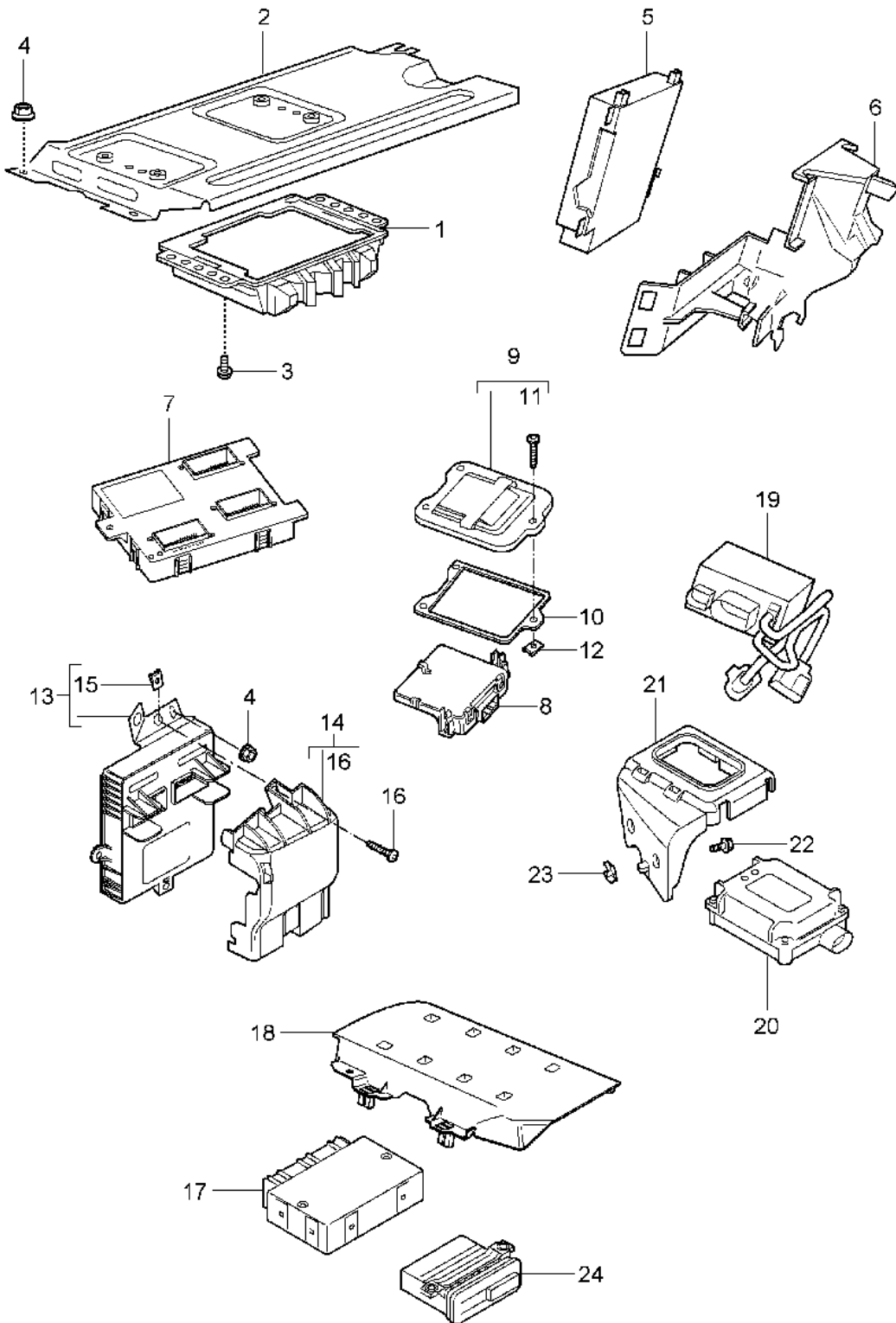
Model: 997 05

Model life 2005>>2008

| Pos | Part Number    | Description   | Remark         | Qty | Model     |
|-----|----------------|---|----------------|-----|-----------|
| 1   | 997 602 104 02 | Ignition system<br>ignition coil with<br>spark plug connector |                | 6   |           |
|     |                |   | 900 385 025 01 | 12  |           |
|     |                | also use:   |                |     |           |
| 2   | 996 602 105 00 | spark plug connector  |                | 6   |           |
| 3   | 900 387 008 01 | Socket head bolt<br>M 6 X 25                                  |                | 12  |           |
| (3) | 900 385 025 01 | Torx screw<br>M 6 X 40  |                | 10  |           |
| 4   | 999 170 223 90 | Spark plug<br>FGR 5KQE0                                       |                | 6   | 9605,9701 |

Model: 997 05

Model life 2005>>2008



Model: 997 05 Model life 2005>>2008

| Pos  | Part Number    | Description   | Remark  | Qty | Model                  |
|------|----------------|---|---------|-----|------------------------|
| 1    | 997 618 601 05 | Control units<br>Control unit<br>- dme -<br>D - MJ 2005>> - MJ 2005 |         | 1   |                        |
| 1    | 997 618 601 05 | Control unit<br>- dme -<br>D - MJ 2006>>                            |         | 1   | PR:-660                |
| 1    | 997 618 603 05 | Control unit<br>- dme -<br>D - MJ 2005>>                            |         | 1   | PR:660                 |
| (1)  | 996 618 150 01 | Control unit for fuel<br>pump                                       |         | 1   | CARRERA 4/4S<br>PR:664 |
| -    | 999 919 125 09 | Hexagon bolt<br>6,0 X 16,0<br>for<br>Control unit<br>Fuel pump      |         | 2   | CARRERA 4/4S<br>PR:664 |
| 2    | 996 618 129 01 | Retainer for control units<br>- dme -                               |         | 1   | COUPE/TARGA            |
| (2)  | 996 618 131 00 | Retainer for control units<br>- dme -                               |         | 1   | CABRIO                 |
| 3    | 900 378 036 01 | Hexagon bolt<br>M 6 X 12  |         | 4   | COUPE/TARGA            |
| (3)  | 999 073 228 09 | panel screw<br>4,8 X 13   |         | X   | CABRIO                 |
| 4    | 999 084 629 01 | Hexagon nut<br>M 6  |         | 3   | COUPE/TARGA            |
| 5    | 997 618 180 14 | Control unit<br>Tiptronic   |         | 1   | PR:249                 |
| 6    | 996 618 257 01 | Retainer for control units<br>Tiptronic                             |         | 1   | PR:249                 |
| -    |                | Control unit<br>Targa roof  |         | 1   | TARGA                  |
| -    |                | see illustration:<br>Control unit                                   | 811-002 | 1   | CABRIO                 |
| -    |                | Convertible top control<br>see illustration:                        | 811-015 | 1   |                        |
| 7    | 997 610 102 06 | Onboard supply control unit<br>No longer use the part here          |         | 1   |                        |
| 7    | 997 618 516 01 | Onboard supply control unit   |         | 1   |                        |
| 8    | 997 610 107 04 | Control unit for gateway<br>Gateway                                 |         | 1   |                        |
| 9    | 997 572 419 03 | Cover   |         | 1   |                        |
| 10   | 997 572 221 00 | Seal  |         | 1   |                        |
| 11   | 900 143 094 09 | panel screw<br>ST 4,8 X 19  |         | 3   |                        |
| 12   | 999 591 855 01 | panel nut<br>ST 4,8   |         | 3   |                        |
| 13   | 997 618 511 01 | Control unit<br>FRONT luggage compartment                           |         | 1   | PR:-601                |
| (13) | 997 610 105 11 | Control unit<br>FRONT luggage compartment                           |         | 1   | PR:601                 |
| 14   | 997 551 736 00 | Cover for control unit  |         | 1   | CARRERA/S              |
| (14) | 997 551 736 01 | Cover for control unit  |         | 1   | CARRERA 4/4S           |
| 15   | 999 507 462 09 | panel nut<br>4,8  |         | 1   |                        |
| 16   | 999 073 061 02 | panel screw<br>4,8 X 16   |         | 1   |                        |
| 17   | 997 618 260 08 | Control unit<br>Rear end  |         | 1   |                        |
| 18   | 997 618 371 01 | Retainer for control units  |         | 1   |                        |
| 19   | 997 618 436 01 | Control unit<br>Cooling air control                                 |         | 1   |                        |

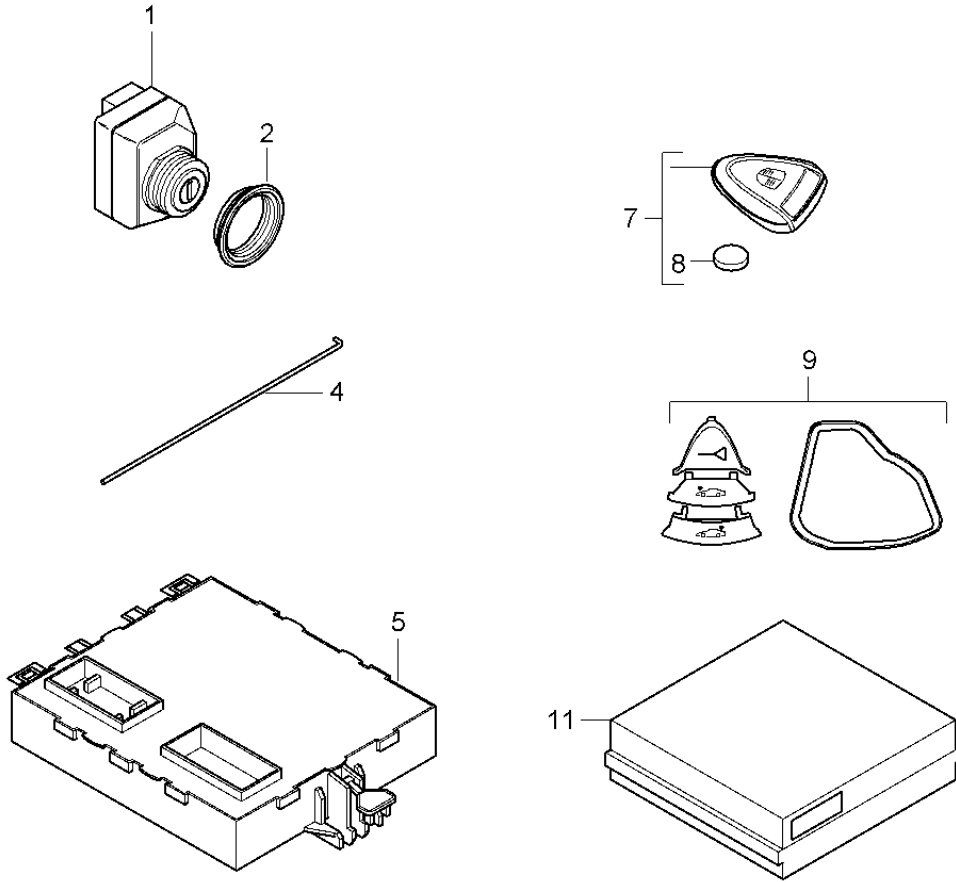
Model: 997 05

Model life 2005>>2008

| Pos | Part Number    | Description  | Remark  | Qty | Model  |
|-----|----------------|--|---------|-----|--------|
| 19  | 997 618 436 02 | Discontinued part<br>Control unit                              |         | 1   |        |
| 20  | 997 618 225 03 | Cooling air control<br>Control unit for<br>opening garage door |         | 1   | PR:608 |
| 20  | 997 618 227 02 | Control unit for<br>opening garage door                        |         | 1   | PR:607 |
| 20  | 997 618 227 03 | Discontinued part<br>Control unit for<br>opening garage door   |         | 1   | PR:607 |
| 21  | 997 618 257 00 | Bracket<br>Control unit  |         | 1   |        |
| 22  | 900 075 505 01 | Garage door opener<br>Bolt with washer<br>M 6 X 20             |         | 2   |        |
| 23  | 999 591 882 01 | panel nut<br>M 6   |         | 2   |        |
| 24  | 996 618 171 03 | Control unit for parking aid                                   |         | 1   | PR:635 |
| -   |                | Sensor<br><br>see illustration:                                | 802-005 |     | PR:635 |

Model: 997 05

Model life 2005>>2008



Model: 997 05

Model life 2005>>2008

| Pos | Part Number    | Description   | Remark | Qty | Model           |
|-----|----------------|---|--------|-----|-----------------|
| 1   | 997 618 159 04 | Control units<br>Ignition/starter switch<br>PORSCHE ACCES SYSTEM<br>Control unit  |        | 1   |                 |
| 2   | 997 618 759 00 | Ignition/starter switch<br>Nut  |        | 1   |                 |
| -   | 997 618 361 00 | Cover<br>Release  |        | 1   |                 |
| 4   | 970 618 761 00 | Handheld transmitter<br>Emergency operation<br>Release  |        | 1   |                 |
| 5   | 997 618 171 14 | Ignition/starter switch<br>Control unit for central<br>locking<br>PORSCHE ACCESS SYSTEM<br>D >> - MJ 2007                                   |        | 1   | PR:534          |
| 5   | 997 618 171 15 | Discontinued part<br>Control unit for central<br>locking<br>PORSCHE ACCESS SYSTEM   |        | 1   | PR:534          |
| 5   | 997 618 172 09 | Control unit for central<br>locking<br>PORSCHE ACCESS SYSTEM<br>F >> 99-5S736 876<br>F >> 99-5S755 488<br>See technical information         |        | 1   | PR:535          |
| 5   | 997 618 172 14 | Discontinued part<br>Control unit for central<br>locking<br>PORSCHE ACCESS SYSTEM<br>F 99-5S736 877>><br>F 99-5S755 489>><br>D >> - MJ 2007 |        | 1   | PR:535          |
| 5   | 997 618 172 15 | Discontinued part<br>Control unit for central<br>locking<br>PORSCHE ACCESS SYSTEM<br>F 99-5S736 877>><br>F 99-5S755 489>>                   |        | 1   | PR:535          |
| 5   | 997 618 172 16 | Discontinued part<br>Control unit for central<br>locking<br>PORSCHE ACCESS SYSTEM<br>F 99-5S736 877>><br>F 99-5S755 489>>                   |        | 1   | PR:535          |
| 5   | 997 618 173 09 | Control unit for central<br>locking<br>PORSCHE ACCESS SYSTEM<br>F >> 99-5S736 876<br>F >> 99-5S755 488<br>See technical information         |        | 1   | PR:535<br>"J.." |
| 5   | 997 618 172 14 | Control unit for central<br>locking<br>PORSCHE ACCESS SYSTEM<br>F 99-5S736 877>><br>F 99-5S755 489>><br>D >> - MJ 2007                      |        | 1   | PR:535<br>"J.." |
| 5   | 997 618 172 15 | Discontinued part<br>Control unit for central<br>locking<br>PORSCHE ACCESS SYSTEM<br>F 99-5S736 877>><br>F 99-5S755 489>>                   |        | 1   | PR:535<br>"J.." |



Model: 997 05 Model life 2005>>2008

| Pos | Part Number    | Description   | Remark | Qty | Model                |
|-----|----------------|---|--------|-----|----------------------|
| 5   | 997 618 172 16 | Discontinued part<br>Control unit for central locking<br>PORSCHE ACCESS SYSTEM<br>F 99-5S736 877>><br>F 99-5S755 489>>                            |        | 1   | PR:535<br>"J.."      |
| -   | 997 612 053 00 | Connecting line<br>Aerial amplifier<br>Control unit<br>POS. 5<br>F >> 99-5S704 028<br>F >> 99-5S750 660<br>F >> 99-5S736 876<br>F >> 99-5S755 488 | lhd    | 1   | PR:098               |
| -   | 997 612 054 00 | Connecting line<br>Aerial amplifier<br>Control unit<br>POS. 5<br>F >> 99-5S704 028<br>F >> 99-5S750 660<br>F >> 99-5S736 876<br>F >> 99-5S755 488 | rhd    | 1   | PR:099               |
| -   | 997 612 053 00 | Connecting line<br>Aerial amplifier<br>Control unit<br>POS. 5<br>F 99-5S704 029>><br>F 99-5S750 661>>   | lhd    | 1   | PR:098,534           |
| -   | 997 612 054 00 | Connecting line<br>Aerial amplifier<br>Control unit<br>POS. 5<br>F 99-5S704 029>><br>F 99-5S750 661>>   | rhd    | 1   | PR:099,534           |
| -   | 997 612 053 01 | Connecting line<br>Aerial amplifier<br>Control unit<br>POS. 5<br>F 99-5S736 877>><br>F 99-5S755 489>>   | lhd    | 1   | PR:098,535           |
| -   | 997 612 054 01 | Connecting line<br>Aerial amplifier<br>Control unit<br>POS. 5<br>F 99-5S736 877>><br>F 99-5S755 489>>   | rhd    | 1   | PR:099,535           |
| -   | 997 612 064 51 | Aerial cable<br>VEHICLE TRACKING SYSTEM   |        | 1   | PR:674               |
| 7   | 997 637 244 46 | Handheld transmitter<br>No longer use the part here   |        | 1   | COUPE<br>PR:534      |
| 7   | 997 637 244 46 | Handheld transmitter  |        | 1   | CABRIO<br>PR:533,534 |
| 7   | 997 637 107 01 | No longer use the part here<br>Handheld transmitter   |        | 1   | COUPE<br>PR:534      |
| 7   | 997 637 107 01 | Handheld transmitter  |        | 1   | CABRIO<br>PR:533,534 |
| 7   | 997 637 244 44 | Handheld transmitter<br>D >> - MJ 2006  |        | 1   | COUPE<br>PR:535      |
| 7   | 997 637 244 44 | Handheld transmitter<br>D >> - MJ 2006  |        | 1   | CABRIO<br>PR:533,535 |
| 7   | 997 637 244 47 | Handheld transmitter  |        | 1   | COUPE                |

Model: 997 05 Model life 2005>>2008

| Pos | Part Number    | Description  | Remark | Qty | Model                          |
|-----|----------------|--|--------|-----|--------------------------------|
| 7   | 997 637 244 47 | D - MJ 2007>><br>No longer use the part here<br>Handheld transmitter |        | 1   | PR:535<br>CABRIO<br>PR:533,535 |
| 7   | 997 637 109 01 | D - MJ 2007>><br>No longer use the part here<br>Handheld transmitter |        | 1   | COUPE<br>PR:535                |
| 7   | 997 637 109 01 | D - MJ 2007>><br>Handheld transmitter                                |        | 1   | CABRIO<br>PR:533,535           |
| 7   | 997 637 244 25 | D - MJ 2007>><br>Handheld transmitter                                |        | 1   | COUPE<br>PR:535                |
| 7   | 997 637 244 48 | No longer use the part here<br>Handheld transmitter                  |        | 1   | "J.."<br>COUPE<br>PR:535       |
| 7   | 997 637 111 01 | D - MJ 2006>><br>No longer use the part here<br>Handheld transmitter |        | 1   | COUPE<br>PR:535<br>"J.."       |
| (7) | 997 637 244 36 | Handheld transmitter<br>No longer use the part here                  |        | 1   | CABRIO<br>PR:534               |
| (7) | 997 637 244 36 | Handheld transmitter<br>D - MJ 2007>><br>No longer use the part here |        | 1   | TARGA<br>PR:534                |
| (7) | 997 637 101 01 | Handheld transmitter   |        | 1   | CABRIO<br>PR:534               |
| (7) | 997 637 101 01 | Handheld transmitter<br>D - MJ 2007>>                                |        | 1   | TARGA<br>PR:534                |
| (7) | 997 637 244 37 | Handheld transmitter<br>D - MJ 2007>><br>No longer use the part here |        | 1   | CABRIO<br>PR:535               |
| (7) | 997 637 244 37 | Handheld transmitter<br>D - MJ 2007>><br>No longer use the part here |        | 1   | TARGA<br>PR:535                |
| (7) | 997 637 103 01 | Handheld transmitter   |        | 1   | CABRIO<br>PR:535               |
| (7) | 997 637 103 01 | Handheld transmitter   |        | 1   | TARGA<br>PR:535                |
| (7) | 997 637 244 98 | Handheld transmitter   |        | 1   | CABRIO<br>PR:535               |
| (7) | 997 637 244 38 | D - MJ 2005>> - MJ 2005<br>Discontinued part<br>Handheld transmitter |        | 1   | "J.."<br>CABRIO<br>PR:535      |
| (7) | 997 637 244 38 | D - MJ 2007>><br>No longer use the part here<br>Handheld transmitter |        | 1   | "J.."<br>TARGA<br>PR:535       |
| (7) | 997 637 105 01 | D - MJ 2007>><br>No longer use the part here<br>Handheld transmitter |        | 1   | "J.."<br>CABRIO<br>PR:535      |
| (7) | 997 637 105 01 | Handheld transmitter   |        | 1   | TARGA<br>PR:535                |
| 8   | 999 611 108 00 | D - MJ 2007>><br>Battery for hand sender                             |        | 1   | "J.."                          |
| 9   | 000 043 400 14 | repair set<br>Key<br>Handheld transmitter<br>Version                 |        | 1   |                                |

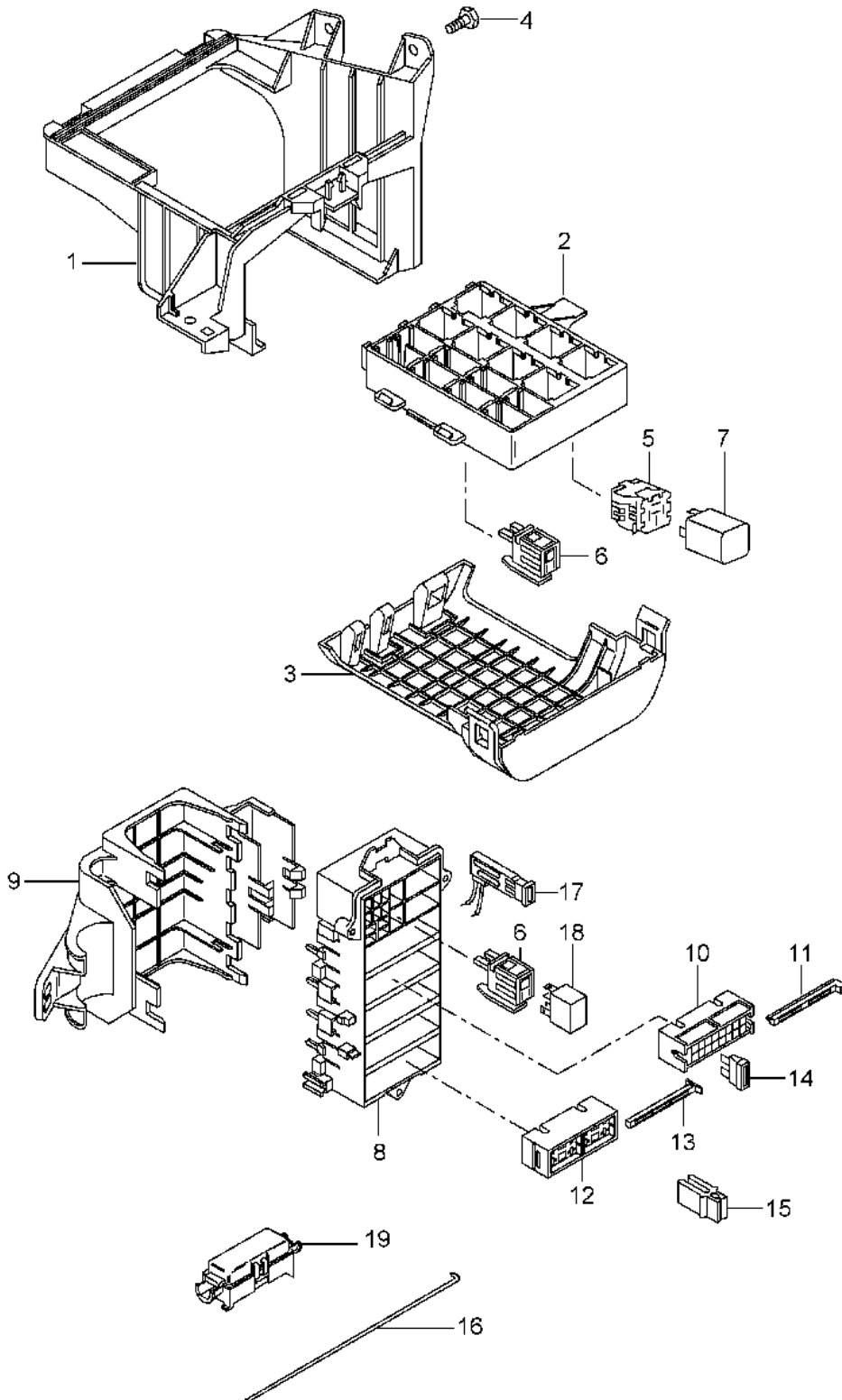
Model: 997 05

Model life 2005>>2008

| Pos | Part Number    | Description  | Remark  | Qty | Model      |
|-----|----------------|--|---------|-----|------------|
| 11  | 997 618 210 01 | Grey<br>See workshop manual<br>KD-NR.: 966237<br>Sensor for<br>interior monitoring<br>Alarm horn<br>Tilt angle sensor<br>see illustration: | 903-000 | 1   | PR:536,521 |

Model: 997 05

Model life 2005>>2008



Model: 997 05 Model life 2005>>2008

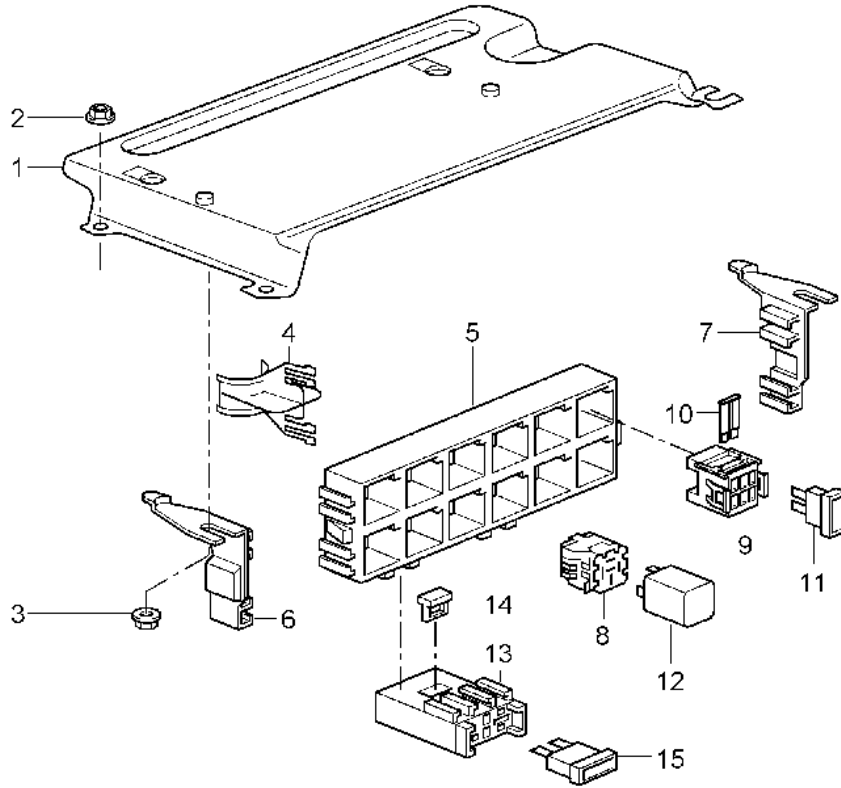
| Pos  | Part Number    | Description                      | Remark | Qty | Model  |
|------|----------------|----------------------------------|--------|-----|--------|
|      |                | central electrics<br>dashboard   |        |     |        |
| 1    | 997 610 117 01 | bracket for relay bracket        | lhd    | 1   | PR:098 |
| (1)  | 997 610 118 00 | bracket for relay bracket        | rhd    | 1   | PR:099 |
| 2    | 997 610 110 01 | relay plate<br>Mounting frame    |        | 1   |        |
| 3    | 997 610 112 00 | Cover<br>Mounting frame          |        | 1   |        |
| 4    | 900 378 155 01 | Hexagon bolt<br>M 6 X 16 ASP     |        | 2   |        |
| (4)  | 900 377 010 01 | Hexagon nut<br>M 6               |        | 1   |        |
| 5    | 928 610 511 00 | relay plate                      |        | X   |        |
| 6    | 999 650 538 40 | relay plate                      |        | X   |        |
| 7    |                | Relay                            |        |     |        |
| (7)  | 999 657 014 90 | Relay<br>KL. X                   |        | 1   |        |
|      |                | relay location/code no.:         | S4     |     |        |
| (7)  | 999 657 015 90 | Relay<br>KL. 86S                 |        | 1   |        |
|      |                | relay location/code no.:         | S6     |     |        |
| (7)  | 999 657 015 90 | Relay<br>Fuel pump               |        | 1   |        |
|      |                | relay location/code no.:         | S8     |     |        |
| (7)  | 999 657 013 90 | Relay<br>- dme -                 |        | 1   |        |
|      |                | relay location/code no.:         | S11    |     |        |
| (7)  | 999 657 013 90 | Relay<br>heater                  |        | 1   |        |
|      |                | relay location/code no.:         | S12    |     |        |
| (7)  | 999 657 013 90 | Relay<br>Headlight washer system |        | 1   | PR:288 |
|      |                | relay location/code no.:         | S14    |     |        |
| (7)  | 999 657 013 90 | Relay<br>Starter                 |        | 1   |        |
|      |                | relay location/code no.:         | S15    |     |        |
| (7)  | 999 657 013 90 | Relay<br>KL. 15                  |        | 1   |        |
|      |                | relay location/code no.:         | S16    |     |        |
| 8    | 997 610 340 00 | Carrier                          |        | 1   |        |
| 9    | 997 610 341 00 | Cover                            |        | 1   |        |
| 10   | 999 650 209 40 | fuse holder                      |        | 4   |        |
| 11   | 999 650 210 40 | slide valve                      |        | 4   |        |
| 12   | 999 650 750 40 | fuse holder                      |        | 1   |        |
| 13   | 999 650 749 40 | slide valve                      |        | 1   |        |
| 14   | 999 607 082 00 | fuse<br>5 A                      |        | X   |        |
| (14) | 999 607 083 00 | fuse<br>7 , 5 A                  |        | X   |        |
| (14) | 999 607 084 00 | fuse<br>10 A                     |        | X   |        |
| (14) | 999 607 085 00 | fuse<br>15 A                     |        | X   |        |
| (14) | 999 607 087 00 | fuse<br>25 A                     |        | X   |        |
| (14) | 999 607 088 00 | fuse<br>30 A                     |        | X   |        |
| (14) | 999 607 072 00 | fuse<br>30 A                     |        | X   |        |
| (14) | 999 607 073 00 | Large<br>fuse<br>40 A<br>Large   |        | X   |        |

Model: 997 05 Model life 2005>>2008

| Pos  | Part Number    | Description  | Remark  | Qty | Model |
|------|----------------|--|---------|-----|-------|
| (14) | 997 610 917 00 | fuse<br>Display specimen<br>See workshop campaign:<br>W 731<br>D - MJ 2005>> - MJ 2005             |         | 1   |       |
| 15   | 999 107 300 40 | Tool   |         | X   |       |
| -    | 997 610 995 00 | Assignment sticker<br>fuse<br>See workshop campaign:<br>W 731<br>D - MJ 2005>> - MJ 2005           |         | X   |       |
| -    | 997 610 195 02 | Assignment sticker<br>fuse<br>No longer use the part here  |         | X   |       |
| -    | 997 610 195 07 | Assignment sticker<br>fuse   |         | X   |       |
| 16   | 997 618 761 00 | Emergency operation<br>Release<br>Ignition/starter switch<br>Discontinued part                     |         | 1   |       |
| 16   | 970 618 761 00 | Emergency operation<br>Release<br>Ignition/starter switch  |         | 1   |       |
| -    |                | Emergency operation<br>Cover   |         |     |       |
| 17   | 996 610 240 00 | Terminal clamp   |         | 1   |       |
| 18   | 999 657 014 90 | Relay  |         | 1   |       |
| 19   | 999 650 026 99 | fuse holder<br>No longer use the part here   |         | 1   |       |
| 19   | 997 610 915 00 | fuse holder<br>with:   |         | 1   |       |
| -    |                | fuse<br>80 A<br>for<br>Cooling air control<br>Cover<br>for<br>housing<br>fuse<br>see illustration: | 807-002 | X   |       |

Model: 997 05

Model life 2005>>2008



Model: 997 05 Model life 2005>>2008

| Pos  | Part Number    | Description  | Remark | Qty | Model                               |
|------|----------------|--|--------|-----|-------------------------------------|
| 1    | 996 610 129 02 | central electrics<br>Rear end<br>mounting plate<br>F >> 99-5S703 675<br>F >> 99-5S735 994<br>Discontinued part |        | 1   | COUPE<br>CARRERA<br>CARRERA S       |
| (1)  | 996 610 229 03 | mounting plate<br>F 99-5S703 676>><br>F 99-5S735 995>>   |        | 1   | COUPE/TARGA<br>CARRERA<br>CARRERA S |
| 2    | 999 084 629 01 | Hexagon nut<br>M 6   |        | 2   | COUPE/TARGA                         |
| 3    | 900 380 015 01 | Hexagon nut<br>M 6<br>F >> 99-5S703 675<br>F >> 99-5S735 994   |        | 2   | COUPE<br>CARRERA<br>CARRERA S       |
| 4    | 996 610 112 00 | Cable holder   |        | 1   | COUPE/TARGA                         |
| (4)  | 996 610 115 00 | Cable holder   |        | 1   | CABRIO                              |
| 5    | 996 610 111 00 | relay plate<br>Mounting frame  |        | X   |                                     |
| 6    | 996 610 126 00 | bracket for relay bracket<br>F >> 99-5S703 675<br>F >> 99-5S735 994  | right  | 1   | COUPE<br>CARRERA<br>CARRERA S       |
| (6)  | 987 610 118 00 | bracket for relay bracket<br>F 99-5S703 676>><br>F 99-5S735 995>>  | right  | 1   | COUPE<br>CARRERA<br>CARRERA S       |
| 6    | 996 610 126 00 | bracket for relay bracket  | right  | 1   | CABRIO                              |
| 7    | 996 610 127 00 | bracket for relay bracket<br>F >> 99-5S703 675<br>F >> 99-5S735 994  | left   | 1   | COUPE<br>CARRERA<br>CARRERA S       |
| (7)  | 987 610 117 00 | bracket for relay bracket<br>F 99-5S703 676>><br>F 99-5S735 995>>  | left   | 1   | COUPE<br>CARRERA<br>CARRERA S       |
| 7    | 996 610 127 00 | bracket for relay bracket  | left   | 1   | CABRIO                              |
| -    | 996 610 128 00 | Retaining clip   |        | 2   | CABRIO                              |
| -    | 999 074 059 01 | flat round head bolt<br>M 5  |        | 2   | CABRIO                              |
| 8    | 928 610 511 00 | relay plate  |        | X   |                                     |
| 9    | 999 650 747 40 | fuse holder  |        | 1   |                                     |
| 10   | 999 650 748 40 | Locking mechanism  |        | 1   |                                     |
| 11   | 999 607 083 00 | fuse<br>7,5 A  |        | X   |                                     |
| 11   | 999 607 085 00 | fuse<br>15 A   |        | X   |                                     |
| 12   | 999 657 013 90 | Relay<br>Relay   |        | 1   | COUPE                               |
| (12) | 996 615 112 00 | Rear window heating<br>relay location/code no.:  | S1     | 1   | CABRIO                              |
| (12) | 999 657 018 90 | Relay<br>Rear window heating<br>relay location/code no.:   | S2     | 1   | PR:573                              |
| (12) | 999 657 016 90 | relay for air conditioner<br>relay location/code no.:  | S3     | 1   |                                     |
| (12) | 999 657 017 90 | Relay<br>Fan<br>Engine bay<br>relay location/code no.:   | S8     | 1   |                                     |
| (12) | 999 657 017 90 | Relay<br>Secondary pump<br>relay location/code no.:  | S9     | 1   |                                     |
| 13   | 999 650 193 40 | fuse holder  |        | 3   |                                     |
| 14   | 999 650 371 40 | Locking mechanism  |        | 3   |                                     |
| 15   | 999 607 073 00 | fuse<br>40 A   |        | X   | PR:661                              |



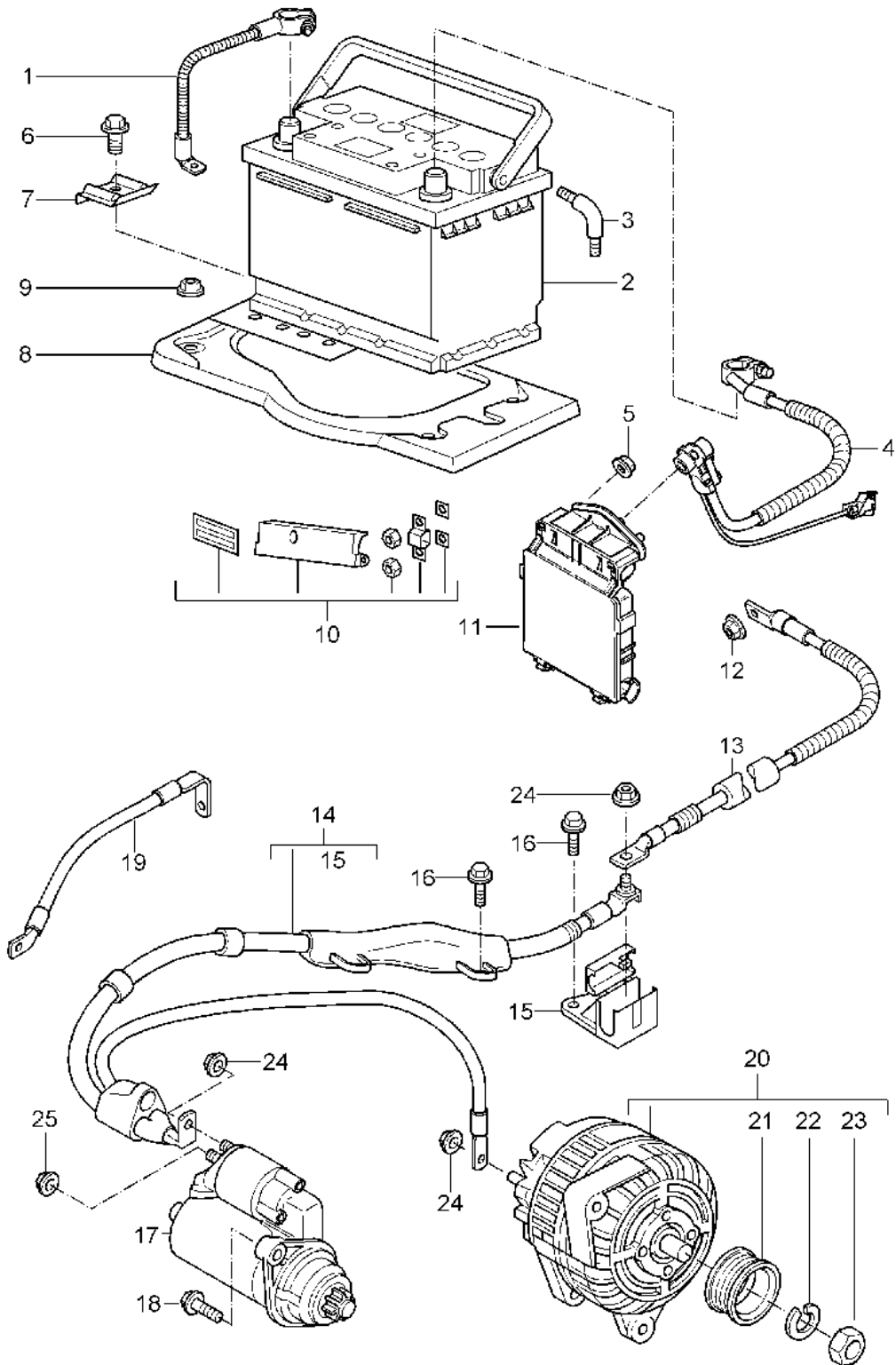
Model: 997 05

Model life 2005>>2008

| Pos | Part Number | Description | Remark | Qty | Model |
|-----|-------------|-------------|--------|-----|-------|
|     |             | Large       |        |     |       |

Model: 997 05

Model life 2005>>2008



Model: 997 05 Model life 2005>>2008

| Pos | Part Number    | Description               | Remark | Qty | Model        |
|-----|----------------|---------------------------|--------|-----|--------------|
|     |                | Battery                   |        |     |              |
|     |                | Power distributor         |        |     |              |
|     |                | Starter                   |        |     |              |
|     |                | Alternator                |        |     |              |
| 1   | 997 611 090 00 | Earth line                | lhd    | 1   | PR:098       |
| (1) | 997 611 091 00 | Earth line                | rhd    | 1   | PR:099       |
|     |                | use if required:          |        |     |              |
| -   | 900 377 010 01 | Hexagon nut               |        | 1   |              |
|     |                | M 6                       |        |     |              |
| (2) | 999 611 070 20 | Battery                   |        | 1   |              |
|     |                | 70 AH                     |        |     |              |
| 2   | 999 611 080 20 | Battery                   |        | 1   |              |
|     |                | 80 AH                     |        |     |              |
| (2) | 999 611 095 20 | Battery                   |        | 1   | PR:200       |
|     |                | 95 AH                     |        |     |              |
| 3   | 893 915 507    | Elbow fitting             |        | 1   |              |
| 4   | 997 612 993 00 | repair set                | lhd    | 1   | PR:098       |
|     |                | Wire set                  |        |     |              |
|     |                | Battery                   |        |     |              |
|     |                | Power distributor         |        |     |              |
|     |                | Discontinued part         |        |     |              |
| (4) | 997 612 995 00 | repair set                | rhd    | 1   | PR:099       |
|     |                | Wire set                  |        |     |              |
|     |                | Battery                   |        |     |              |
|     |                | Power distributor         |        |     |              |
|     |                | Discontinued part         |        |     |              |
| (4) | 997 612 908 00 | repair set                | lhd    | 1   | PR:098       |
|     |                | Wire set                  |        |     |              |
|     |                | Battery                   |        |     |              |
|     |                | Power distributor         |        |     |              |
|     |                | see                       |        |     |              |
|     |                | Technical information     |        |     |              |
|     |                | 9789                      |        |     |              |
|     |                | Discontinued part         |        |     |              |
| (4) | 997 612 908 01 | repair set                | lhd    | 1   | PR:098       |
|     |                | Wire set                  |        |     |              |
|     |                | Battery                   |        |     |              |
|     |                | Power distributor         |        |     |              |
| (4) | 997 612 909 00 | repair set                | rhd    | 1   | PR:099       |
|     |                | Wire set                  |        |     |              |
|     |                | Battery                   |        |     |              |
|     |                | Power distributor         |        |     |              |
|     |                | see                       |        |     |              |
|     |                | Technical information     |        |     |              |
|     |                | 9789                      |        |     |              |
|     |                | Discontinued part         |        |     |              |
| (4) | 997 612 909 01 | repair set                | rhd    | 1   | PR:099       |
|     |                | Wire set                  |        |     |              |
|     |                | Battery                   |        |     |              |
|     |                | Power distributor         |        |     |              |
| 5   | 900 380 005 01 | Nut                       |        | 2   |              |
|     |                | VM 8                      |        |     |              |
| 6   | 900 378 017 01 | Hexagon bolt              |        | 1   |              |
|     |                | M 8 X 20                  |        |     |              |
| 7   | 996 611 209 00 | Rail                      |        | 1   |              |
|     |                | Battery                   |        |     |              |
| (8) | 997 504 151 00 | Carrier plate for battery |        | 1   | CARRERA S    |
| (8) | 997 504 151 01 | Carrier plate for battery |        | 1   | CARRERA 4/4S |
| -   | 996 504 622 00 | Seal for battery tray     |        | 1   | CARRERA S    |
| -   | 996 504 622 01 | Seal                      |        | 1   | CARRERA 4/4S |
|     |                | Carrier plate for battery |        |     |              |
| 9   | 999 084 630 01 | Hexagon nut               |        | 4   |              |
|     |                | VM 8 SB                   |        |     |              |

Model: 997 05 Model life 2005>>2008

| Pos  | Part Number    | Description   | Remark | Qty | Model      |
|------|----------------|---|--------|-----|------------|
| 10   | 997 610 912 00 | repair set<br>Replacement<br>Fuse element<br>comprising:                  |        | 1   |            |
| -    |                | Fuse element<br>50 AMPERE   |        | 1   |            |
| -    |                | Fuse element<br>70 AMPERE   |        | 1   |            |
| -    |                | Fuse element<br>80 AMPERE   |        | 1   |            |
| -    |                | Hexagon nut<br>M 5  |        | 4   |            |
| -    |                | square washer   |        | 4   |            |
| -    |                | Cover<br>blue   |        | 1   |            |
| -    |                | Seal label<br>red   |        | 1   |            |
| (10) | 997 610 913 00 | repair set<br>Replacement<br>Fuse element<br>comprising:                  |        | 1   |            |
| -    |                | Fuse element<br>150 AMPERE  |        | 1   |            |
| -    |                | Hexagon nut<br>M 8  |        | 2   |            |
| -    |                | square washer   |        | 2   |            |
| -    |                | Cover<br>blue   |        | 1   |            |
| -    |                | Seal label<br>red   |        | 1   |            |
| 11   | 997 610 911 00 | repair set<br>Replacement<br>Power distributor<br>comprising:             |        | 1   |            |
| -    |                | Power distributor<br>without:   |        | 1   |            |
| -    |                | Fuse element<br>Hexagon nut<br>M 5  |        | 8   |            |
| -    |                | Hexagon nut<br>M 8  |        | 3   |            |
| -    |                | Seal label<br>red   |        | 1   |            |
| 12   | 900 084 123 02 | Hexagon nut<br>M 8  |        | 1   |            |
| 13   | 997 612 090 00 | Cable<br>Power distributor<br>Connection point<br>D - MJ 2005>> - MJ 2005 | lhd    | 1   | PR:098,480 |
| 13   | 997 612 090 02 | Cable<br>Power distributor<br>Connection point<br>D - MJ 2006>>           | lhd    | 1   | PR:098,480 |
| (13) | 997 612 096 00 | Cable<br>Power distributor<br>Connection point                            | rhd    | 1   | PR:099,480 |
| (13) | 997 612 091 03 | Cable<br>Power distributor<br>Connection point                            | lhd    | 1   | PR:098,249 |
| (13) | 997 612 097 00 | Cable<br>Power distributor<br>Connection point                            | rhd    | 1   | PR:099,249 |
| -    | 999 084 629 01 | Hexagon nut   |        | 1   | PR:249     |

Model: 997 05 Model life 2005>>2008

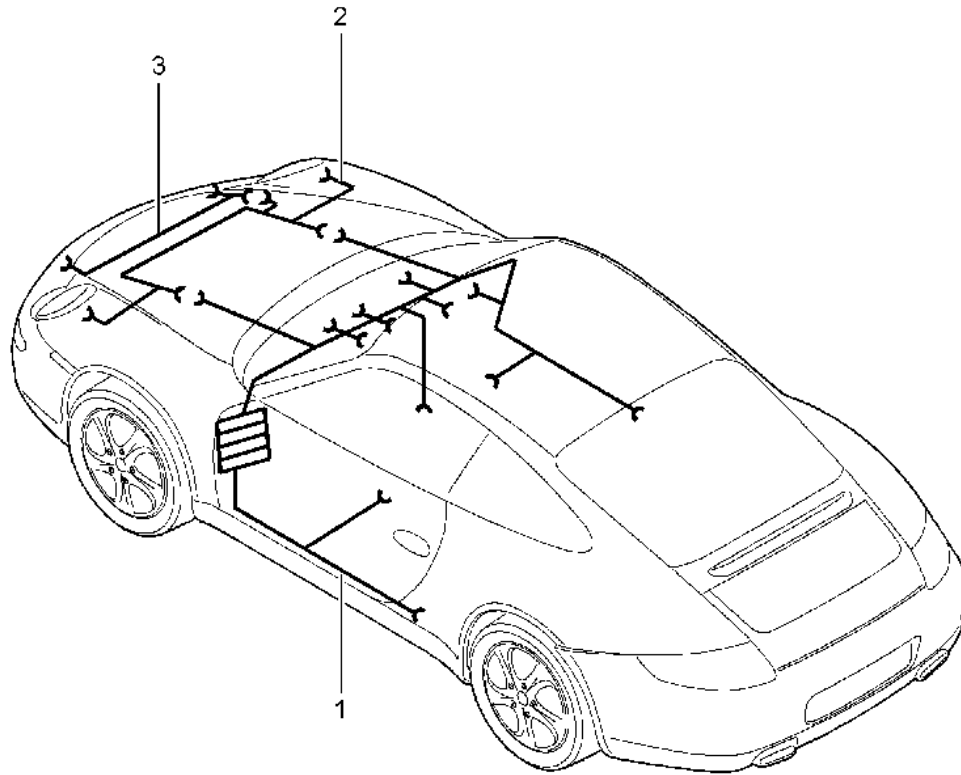
| Pos  | Part Number    | Description  | Remark | Qty | Model      |
|------|----------------|--|--------|-----|------------|
| -    | 999 507 702 01 | M 6<br>panel nut   |        | 1   | PR:249     |
| -    | 900 075 497 01 | M 5<br>Bolt with washer  |        | 1   | PR:249     |
| 14   | 997 607 019 03 | M 5 X 10<br>Wire set   |        | 1   | PR:480     |
| (14) | 997 607 018 04 | Wire set<br>with:<br>Connection point<br>Alternator<br>Starter<br>Wire set           |        | 1   | PR:249     |
| 15   | 997 607 201 00 | with:<br>Connection point<br>Alternator<br>Starter<br>Connection point<br>(complete) |        | 1   | PR:480     |
| (15) | 997 607 301 00 | Connection point<br>(complete)   |        | 1   | PR:249     |
| 16   | 900 385 009 01 | Torx screw<br>BM 6 X 16  |        | 4   | PR:480,249 |
| (16) | 999 919 046 01 | Hexagon bolt<br>5 X 16   |        | 1   | PR:249     |
| 17   | 996 604 103 00 | Starter  |        | 1   |            |
| 18   | 900 385 097 01 | Torx screw<br>BM 10 X 35   |        | 2   |            |
| 19   | 996 607 030 00 | Earth line   |        | 1   |            |
| -    | 900 084 123 02 | Hexagon nut<br>M 8   |        | 1   |            |
| 20   | 997 603 012 06 | Alternator<br>with:<br>pulley  |        | 1   | PR:249     |
| 20   | 997 603 022 04 | without:<br>Freewheel<br>D >> - MJ 2006<br>Alternator                                |        | 1   | PR:249     |
| 20   | 997 603 022 DX | with:<br>pulley<br>without:<br>Freewheel<br>D - MJ 2007>><br>Alternator              |        | 1   | PR:249     |
| 20   | 997 603 012 01 | with:<br>pulley<br>Freewheel<br>D >> - MJ 2006<br>Alternator                         |        | 1   | PR:480     |
| 20   | 997 603 012 07 | with:<br>pulley<br>Freewheel<br>D >> - MJ 2006<br>Discontinued part<br>Alternator    |        | 1   | PR:480     |
| 20   | 997 603 012 09 | with:<br>pulley<br>Freewheel<br>D >> - MJ 2006                                       |        | 1   | PR:480     |

Model: 997 05 Model life 2005>>2008

| Pos  | Part Number    | Description   | Remark | Qty                             | Model            |
|------|----------------|---|--------|---------------------------------|------------------|
| 20   | 997 603 012 JX | Alternator<br>with:<br>pulley<br>Freewheel<br>D >> - MJ 2006                                    |        | 1                               | PR:480<br>-"CN." |
| 20   | 997 603 022 05 | Alternator<br>with:<br>pulley<br>Freewheel<br>D - MJ 2007>>                                     |        | 1                               | PR:480           |
| 20   | 997 603 022 EX | Alternator<br>with:<br>pulley<br>Freewheel<br>D - MJ 2007>>                                     |        | 1                               | PR:480<br>-"CN." |
| 21   | 996 603 151 55 | pulley<br>without:<br>Freewheel   |        | 1                               | PR:249           |
| (21) | 997 603 154 00 | pulley<br>with:<br>Freewheel  |        | 1                               | PR:480           |
| 22   | N 012 016 1    | spring ring<br>B 16   |        | 1                               |                  |
| 23   | 900 034 013 01 | Hexagon nut<br>M 16 X 1,5   |        | 1                               |                  |
| -    | 996 603 113 00 | Protective cap for<br>3-phase alternator  |        | 1                               | PR:249           |
| -    | 996 603 153 50 | Protective cap  |        | 1                               | PR:480           |
| -    |                | Fasteners<br>Alternator   |        |                                 |                  |
| -    | 900 385 097 01 | Torx screw<br>BM 10 X 35  |        | 1                               |                  |
| -    | 900 385 092 04 | Torx screw<br>BM 10 X 145   |        | 1                               |                  |
| 24   | 900 377 003 03 | Hexagon nut<br>M 8  |        | 3                               |                  |
| 25   | 900 377 010 01 | Hexagon nut<br>M 6  |        | 1                               |                  |
| 26   | 997 610 916 00 | repair set<br>Screw bolt<br>Power distributor<br>comprising:<br>Screw bolt<br>Nut<br>Seal label |        | 1<br>1<br>1<br>1<br>1<br>2<br>1 |                  |

Model: 997 05

Model life 2005>>2008



Model: 997 05 Model life 2005>>2008

| Pos | Part Number    | Description   | Remark | Qty | Model  |
|-----|----------------|---|--------|-----|--------|
| 1   | 997 612 903 00 | Wiring looms<br>Passenger compartment<br>FRONT luggage compartment<br>Trim<br>Airbag<br>Seat belt tensioner<br>repair kits<br>Shock absorbers<br>anti-locking brake syst. -abs-<br>brake pad wear display<br>Front axle | front  | 1   |        |
| -   | 996 610 120 01 | Wire set<br>Passenger compartment<br>Vehicle Ident. No.<br>Indicate   |        | 1   |        |
| -   | 999 651 302 40 | Bracket<br>Socket<br>Diagnostic connector   |        | X   |        |
| -   | 999 651 284 40 | Retaining clip<br>Wire set<br>Passenger compartment<br>Sill   |        | X   |        |
| 2   | 997 612 520 10 | Retaining clip<br>Wire set<br>Passenger compartment<br>Sill   |        | 1   |        |
| 2   | 997 612 520 11 | Wire set<br>FRONT luggage compartment<br>See workshop manual<br>KD-NR.: 971619<br>D - MJ 2006>> - MJ 2006<br>No longer use the part here  |        | 1   |        |
| (2) | 997 612 521 10 | Wire set<br>FRONT luggage compartment<br>See workshop manual<br>KD-NR.: 971619<br>D - MJ 2006>> - MJ 2006<br>No longer use the part here  |        | 1   | PR:601 |
| (2) | 997 612 521 11 | Wire set<br>FRONT luggage compartment<br>See workshop manual<br>KD-NR.: 971619<br>D - MJ 2006>> - MJ 2006<br>No longer use the part here  |        | 1   | PR:601 |
| -   | 997 610 215 01 | Cable guide<br>for<br>Sensor<br>Airbag  |        | 2   |        |
| 3   | 997 612 501 01 | Wire set<br>Trim  | front  | 1   |        |
| -   | 997 612 781 00 | Wire set<br>Airbag<br>(passenger side)<br>Setting 1<br>Connector<br>green<br>D >> - MJ 2007<br>Discontinued part  |        | 1   |        |
| -   | 997 612 781 25 | Wire set<br>Airbag<br>(passenger side)  |        | 1   |        |

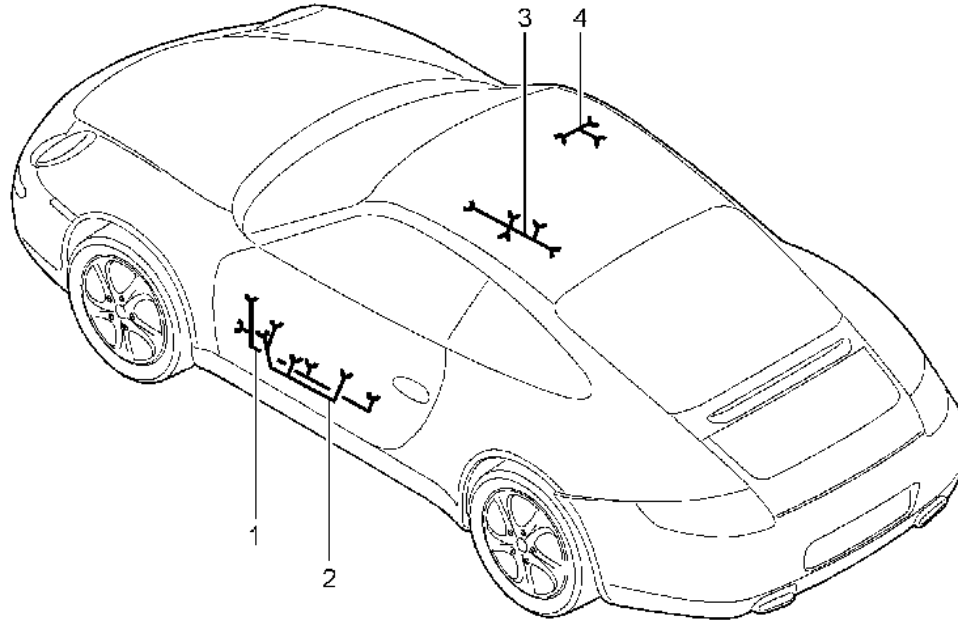


Model: 997 05 Model life 2005>>2008

| Pos | Part Number    | Description  | Remark      | Qty | Model        |
|-----|----------------|--|-------------|-----|--------------|
| -   | 997 612 783 00 | Setting 1<br>Connector<br>green<br>Wire set<br>Airbag<br>(passenger side)<br>Setting2<br>Connector<br>yellow<br>D >> - MJ 2007 |             | 1   |              |
| -   | 997 612 783 25 | Discontinued part<br>Wire set<br>Airbag<br>(passenger side)<br>Setting2<br>Connector<br>yellow                                 |             | 1   |              |
| -   | 997 612 992 00 | Wire set<br>Control unit<br>Airbag<br>Connection point<br>Door   |             | 2   |              |
| -   |                | Wire set<br>Airbag<br>Seat<br>see illustration:  | 817-006     |     |              |
| -   | 997 612 793 01 | Wire set<br>Seat belt tensioner  |             | 2   |              |
| -   | 997 612 950 00 | repair set<br>Wire set<br>Shock absorbers  | front       | 2   | PR:475       |
| -   |                | repair set<br>Wire set<br>anti-locking brake syst. -abs-<br>brake pad wear display<br>Front axle                               |             |     |              |
| -   | 997 612 961 00 | Repair set for front axle<br>Wire set  | left front  | 1   | CARRERA S    |
| -   | 997 612 965 00 | Repair set for front axle<br>Wire set  | left front  | 1   | CARRERA 4/4S |
| -   | 997 612 960 00 | Repair set for front axle<br>Wire set  | right front | 1   | CARRERA S    |
| -   | 997 612 964 00 | Repair set for front axle<br>Wire set  | right front | 1   | CARRERA 4/4S |
| -   | 999 513 049 40 | use if required:<br>Cable ties<br>repair set<br>Wire set<br>Rear axle<br>see illustration:                                     | 902-020     | 4   |              |

Model: 997 05

Model life 2005>>2008



Model: 997 05 Model life 2005>>2008

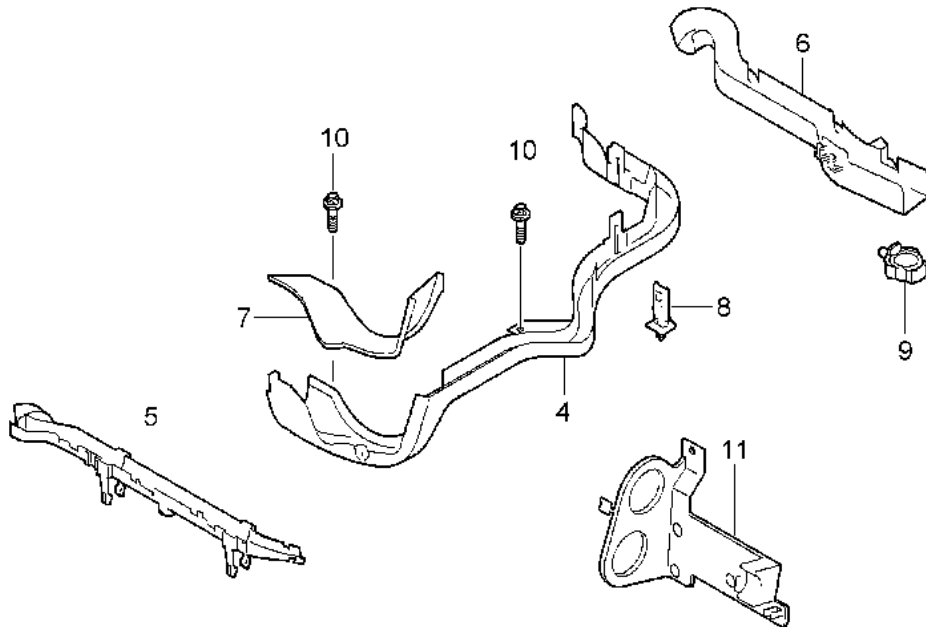
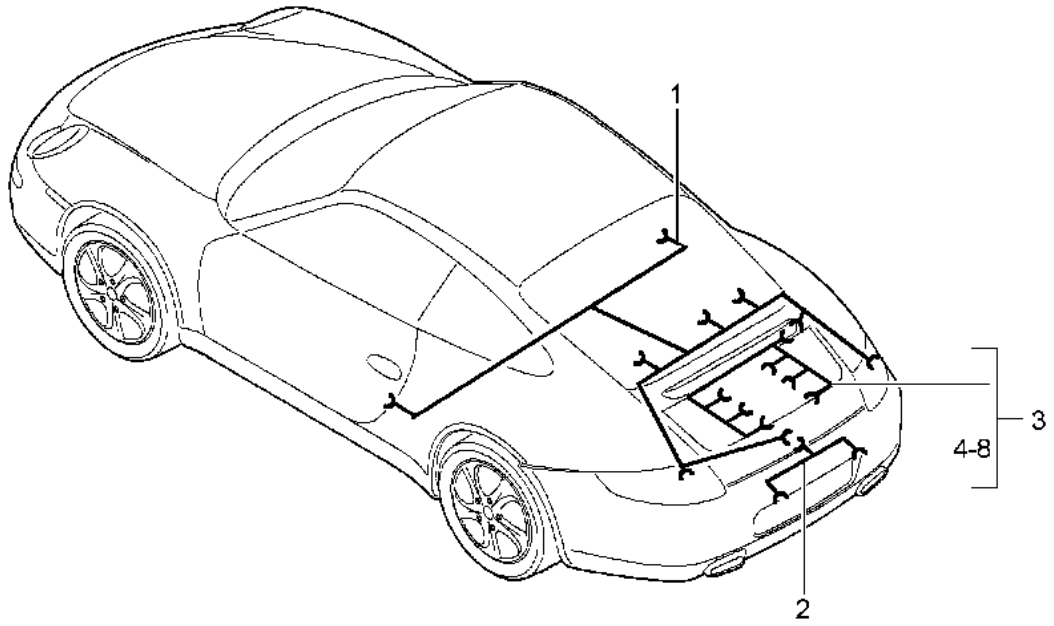
| Pos | Part Number    | Description  | Remark | Qty | Model  |
|-----|----------------|--|--------|-----|--------|
|     |                | Wiring looms<br>doors<br>Airbag<br>Centre console<br>Glove box<br>Targa roof<br>Convertible top control<br>Support frame |        |     |        |
| 1   | 997 612 642 00 | Wire set<br>Assembly frame<br>Driver's door<br>D - MJ 2005>> - MJ 2005   | lhd    | 1   | PR:098 |
| 1   | 997 612 642 05 | Wire set<br>Assembly frame<br>Driver's door<br>D - MJ 2006>> - MJ 2006   | lhd    | 1   | PR:098 |
| 1   | 997 612 642 07 | Wire set<br>Assembly frame<br>Driver's door<br>D - MJ 2007>>   | lhd    | 1   | PR:098 |
| (1) | 997 612 644 00 | Wire set<br>Assembly frame<br>Driver's door<br>D - MJ 2005>> - MJ 2005   | rhd    | 1   | PR:099 |
| (1) | 997 612 644 55 | Wire set<br>Assembly frame<br>Driver's door<br>D - MJ 2006>> - MJ 2006   | rhd    | 1   | PR:099 |
| (1) | 997 612 644 57 | Wire set<br>Assembly frame<br>Driver's door<br>D - MJ 2007>>   | rhd    | 1   | PR:099 |
| (1) | 997 612 643 00 | Wire set<br>Assembly frame<br>Passenger's door<br>D - MJ 2005>> - MJ 2005  | lhd    | 1   | PR:098 |
| (1) | 997 612 643 55 | Wire set<br>Assembly frame<br>Passenger's door<br>D - MJ 2006>> - MJ 2006  | lhd    | 1   | PR:098 |
| (1) | 997 612 643 57 | Wire set<br>Assembly frame<br>Passenger's door<br>D - MJ 2007>>  | lhd    | 1   | PR:098 |
| (1) | 997 612 645 00 | Wire set<br>Assembly frame<br>Passenger's door<br>D - MJ 2005>> - MJ 2005  | rhd    | 1   | PR:099 |
| (1) | 997 612 645 05 | Wire set<br>Assembly frame<br>Passenger's door<br>D - MJ 2006>> - MJ 2006  | rhd    | 1   | PR:099 |
| (1) | 997 612 645 07 | Wire set<br>Assembly frame<br>Passenger's door<br>D - MJ 2007>>  | rhd    | 1   | PR:099 |
| -   | 997 612 780 00 | Wire set<br>Airbag<br>D - MJ 2005>> - MJ 2005  |        | 2   |        |
| -   | 997 612 780 16 | Wire set<br>Airbag<br>D - MJ 2006>>  |        | 2   |        |
| 2   | 997 612 647 00 | Wire set   | lhd    | 1   | PR:098 |

Model: 997 05 Model life 2005>>2008

| Pos | Part Number    | Description   | Remark  | Qty | Model           |
|-----|----------------|---|---------|-----|-----------------|
| 2   | 997 612 647 05 | door panel<br>Driver's door<br>D - MJ 2005>> - MJ 2005<br>Wire set    | lhd     | 1   | PR:098          |
| 2   | 997 612 647 07 | door panel<br>Driver's door<br>D - MJ 2006>> - MJ 2006<br>Wire set    | lhd     | 1   | PR:098          |
| (2) | 997 612 650 00 | door panel<br>Driver's door<br>D - MJ 2007>><br>Wire set              | rhd     | 1   | PR:099          |
| (2) | 997 612 650 05 | door panel<br>Driver's door<br>D - MJ 2005>> - MJ 2005<br>Wire set    | rhd     | 1   | PR:099          |
| (2) | 997 612 650 07 | door panel<br>Driver's door<br>D - MJ 2006>> - MJ 2006<br>Wire set    | rhd     | 1   | PR:099          |
| (2) | 997 612 648 00 | door panel<br>Driver's door<br>D - MJ 2007>><br>Wire set              | lhd     | 1   | PR:098          |
| (2) | 997 612 648 05 | door panel<br>Passenger's door<br>D - MJ 2005>> - MJ 2005<br>Wire set | lhd     | 1   | PR:098          |
| (2) | 997 612 648 07 | door panel<br>Passenger's door<br>D - MJ 2006>> - MJ 2006<br>Wire set | lhd     | 1   | PR:098          |
| (2) | 997 612 649 00 | door panel<br>Passenger's door<br>D - MJ 2007>><br>Wire set           | rhd     | 1   | PR:099          |
| (2) | 997 612 649 05 | door panel<br>Passenger's door<br>D - MJ 2005>> - MJ 2005<br>Wire set | rhd     | 1   | PR:099          |
| (2) | 997 612 649 07 | door panel<br>Passenger's door<br>D - MJ 2006>> - MJ 2006<br>Wire set | rhd     | 1   | PR:099          |
| (3) | 997 612 652 50 | door panel<br>Passenger's door<br>D - MJ 2007>><br>Wire set           |         | 1   | CABRIO          |
| (3) | 997 612 652 75 | Centre console<br>D - MJ 2005>> - MJ 2005<br>Wire set                 |         | 1   | COUPE<br>CABRIO |
| 4   | 997 612 651 00 | Wire set  |         | 1   |                 |
| -   |                | Glove box<br>Wire set   |         | 1   | TARGA           |
| -   |                | Targa roof<br>see illustration:                                       | 811-002 | 1   | CABRIO          |
| -   |                | Wire set<br>Convertible top control<br>see illustration:              | 811-007 | 1   | CABRIO          |
| -   |                | Wire set<br>Support frame<br>see illustration:                        | 811-015 | 1   | CABRIO          |

Model: 997 05

Model life 2005>>2008



Model: 997 05 Model life 2005>>2008

| Pos | Part Number    | Description  | Remark | Qty | Model           |
|-----|----------------|--|--------|-----|-----------------|
| 1   | 997 612 904 00 | Wiring looms<br>Rear end<br>Cover<br>Additional brake light<br>Licence plate light<br>Engine<br>Gearbox<br>repair kits<br>Shock absorbers<br>anti-locking brake syst. -abs-<br>brake pad wear display<br>Rear axle<br>Wire set<br>Rear end<br>Vehicle Ident. No.<br>Indicate | rear   | 1   |                 |
| -   | 997 612 670 71 | Wire set<br>Cover  | rear   | 1   | PR:XAA          |
| -   | 997 612 681 00 | Wire set<br>Additional brake light   |        | 1   | CABRIO          |
| -   | 996 423 101 00 | Protective hose<br>for   |        | 1   | CABRIO          |
| 2   | 997 612 660 00 | Wire set<br>Wire set<br>Licence plate light<br>Discontinued part   |        | 1   |                 |
| 2   | 997 612 660 01 | Wire set<br>Licence plate light  |        | 1   |                 |
| (2) | 997 612 661 00 | Wire set<br>Parking aid<br>Licence plate light   |        | 1   | PR:635          |
| (2) | 997 612 661 01 | Wire set<br>Parking aid<br>Licence plate light   |        | 1   | PR:635          |
| -   | 999 507 944 40 | Retaining clip<br>for<br>Connection point<br>POS.2   |        | 1   |                 |
| 3   | 997 607 010 05 | Wire set<br>Engine   |        | 1   | 9605,9701       |
| 3   | 997 607 010 07 | D >> - MJ 2006<br>Wire set<br>Engine<br>D - MJ 2007>><br>use if required:  |        | 1   | 9605,9701       |
| -   | 999 702 324 40 | Grommet<br>Air mass meter  |        | 1   |                 |
| -   | 997 606 136 00 | Protective hose<br>Heat protection<br>for<br>Temperature sensor  |        | 1   |                 |
| -   | 997 607 130 00 | Water cooling<br>Connecting line<br>Adapter<br>for<br>Valve<br>Tank ventilation  |        | 1   | 9701+<br>PR:X51 |
| -   | 997 607 157 00 | D - MJ 2006>> - MJ 2006<br>Bracket<br>Wire set<br>Engine<br>intake air distributor<br>Cylinder 6   |        | 1   | 9701+<br>PR:X51 |

Model: 997 05 Model life 2005>>2008

| Pos  | Part Number    | Description   | Remark     | Qty                    | Model  |
|------|----------------|---|------------|------------------------|--------|
| -    | 997 612 905 01 | repair set<br>electrical components<br>comprising:<br>Wire set<br>Change-over valve<br>Connector housing<br>Cable ties<br>D - MJ 2006>> |            | 1<br>4<br>1<br>1<br>12 | PR:XLF |
| 4    | 997 607 110 00 | Cable guide<br>Crankcase housing  |            | 1                      |        |
| 5    | 997 607 111 00 | Cable guide<br>Cyl. 1 - 3   |            | 1                      |        |
| 6    | 997 607 112 00 | Cable guide<br>Cyl. 4 - 6<br>for<br>Wire set<br>997.607.010.02  |            | 1                      |        |
| (6)  | 997 607 112 01 | Cable guide<br>Cyl. 4 - 6<br>for<br>Wire set<br>997.607.010.03/.04/.05/.06  |            | 1                      |        |
| 7    | 997 607 113 00 | Cover<br>Cable guide  |            | 1                      |        |
| 8    | 997 607 114 00 | Bracket<br>Cable guide  |            | 1                      |        |
| 9    | 999 507 075 40 | Cable holder<br>3,0 - 12,0  |            | 1                      |        |
| 10   | 900 385 009 01 | Torx screw<br>BM 6 X 16   |            | 2                      |        |
| (11) | 997 610 131 00 | Bracket<br>Connection point<br>Wire set<br>Engine   |            | 1                      |        |
| -    | 997 622 663 00 | Wire set<br>Gearbox   |            | 1                      | PR:249 |
| -    | 999 507 752 40 | Cable holder<br>for<br>Wire set<br>Gearbox  |            | 1                      | PR:249 |
| -    | 999 591 746 02 | Cable fastener<br>for<br>Wire set<br>Gearbox  |            | 4                      | PR:249 |
| -    | 999 591 746 01 | Discontinued part<br>Cable fastener<br>for<br>Wire set<br>Gearbox   |            | 4                      | PR:249 |
| 9    | 999 591 746 03 | Cable fastener  |            | 3                      |        |
| -    | 997 612 950 00 | repair set<br>Wire set<br>Shock absorbers   | rear       | 2                      | PR:475 |
| -    |                | repair set<br>Wire set<br>anti-locking brake syst. -abs-<br>brake pad wear display<br>Rear axle   |            |                        |        |
| -    | 997 612 967 00 | Repair set for<br>rear axle<br>Wire set   | left rear  | 1                      |        |
| -    | 997 612 966 00 | Repair set for<br>rear axle   | right rear | 1                      |        |

Model: 997 05

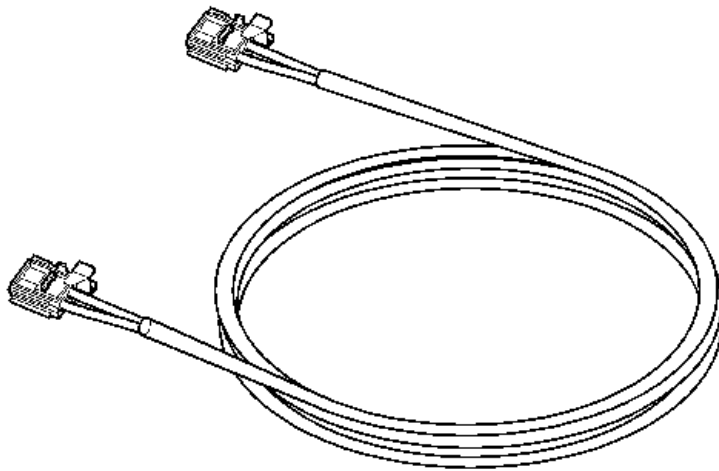
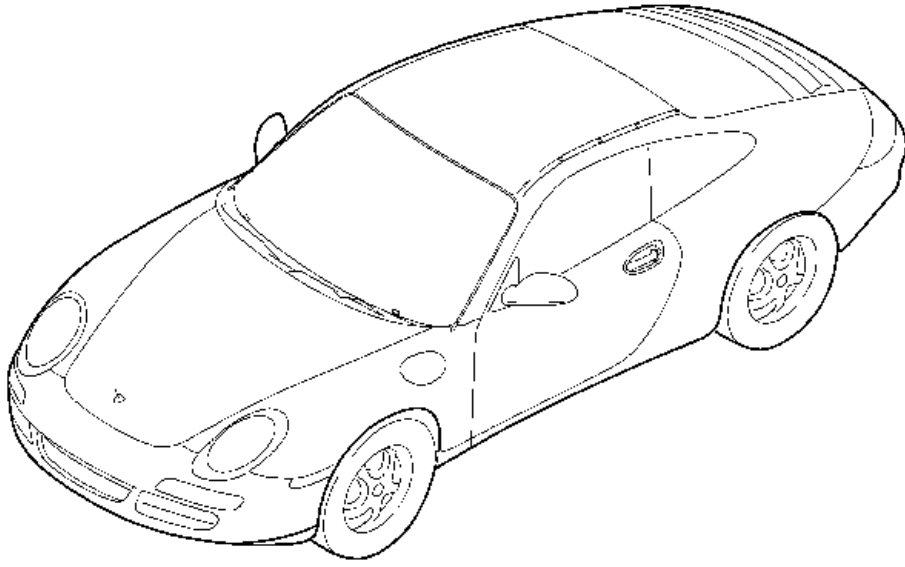
Model life 2005>>2008

| Pos | Part Number    | Description   | Remark  | Qty | Model |
|-----|----------------|---|---------|-----|-------|
| -   | 999 507 960 02 | Wire set<br>use if required:<br>Cable holder<br>repair set<br>Wire set<br>Front axle<br>see illustration: | 902-010 | 4   |       |



Model: 997 05

Model life 2005>>2008



Model: 997 05 Model life 2005>>2008

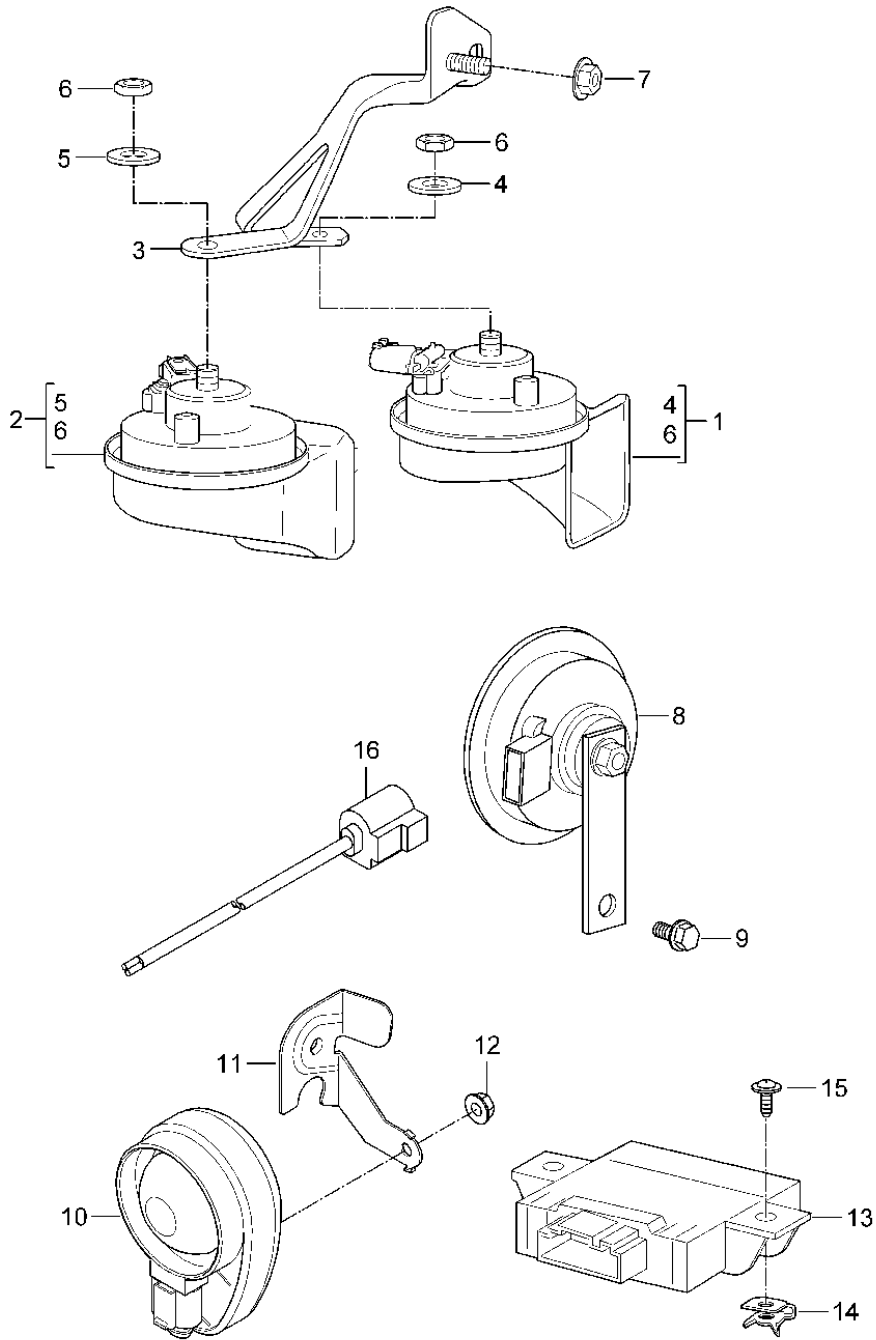
| Pos | Part Number    | Description   | Remark | Qty | Model                              |
|-----|----------------|---|--------|-----|------------------------------------|
| -   |                | fibre optic wave conductor<br>Module                              |        |     |                                    |
| -   | 997 622 701 00 | Passenger compartment<br>fibre optic wave conductor<br>Module     | lhd    | 1   | PR:098,670,<br>672,680,689,<br>692 |
| -   | 997 622 701 50 | fibre optic wave conductor<br>Module                              | rhd    | 1   | PR:099,670,<br>672,680,689,<br>692 |
| -   | 997 622 702 00 | fibre optic wave conductor<br>Module                              | lhd    | 1   | PR:098,666,<br>689                 |
| -   | 997 622 702 50 | fibre optic wave conductor<br>Module                              | rhd    | 1   | PR:099,666,<br>689                 |
| -   | 997 622 703 00 | fibre optic wave conductor<br>Module                              | lhd    | 1   | PR:098,666,<br>670,672,680,<br>692 |
| -   | 997 622 703 50 | fibre optic wave conductor<br>Module                              | rhd    | 1   | PR:099,666,<br>670,672,680,<br>692 |
| -   | 999 650 091 40 | Plug inserts<br>fibre optic wave conductor<br>Module              |        | X   |                                    |
| -   |                | FRONT luggage compartment<br>C A R R E R A / S<br>Bracket         |        | 1   |                                    |
| -   | 997 610 122 00 | Connection point  |        |     |                                    |
| -   | 996 610 132 00 | Cable guide<br>t-piece  |        | X   |                                    |
| -   | 997 622 707 00 | FRONT luggage compartment<br>fibre optic wave conductor<br>Module | lhd    | 1   | PR:098,670,<br>672                 |
| -   | 997 622 707 50 | fibre optic wave conductor<br>Module                              | rhd    | 1   | PR:099,670,<br>672                 |
| -   | 997 622 704 00 | fibre optic wave conductor<br>Module                              | lhd    | 1   | PR:098,680                         |
| -   | 997 622 704 50 | fibre optic wave conductor<br>Module                              | rhd    | 1   | PR:099,680                         |
| -   | 997 622 706 00 | fibre optic wave conductor<br>Module                              | lhd    | 1   | PR:098,692                         |
| -   | 997 622 706 50 | fibre optic wave conductor<br>Module                              | rhd    | 1   | PR:099,692                         |
| -   | 997 622 708 00 | fibre optic wave conductor<br>Module                              | lhd    | 1   | PR:098,664,<br>692                 |
| -   | 997 622 710 00 | fibre optic wave conductor<br>Module                              | lhd    | 1   | PR:098,670,<br>672,680             |
| -   | 997 622 710 50 | fibre optic wave conductor<br>Module                              | rhd    | 1   | PR:099,670,<br>672,680             |
| -   | 997 622 714 00 | fibre optic wave conductor<br>Module                              | lhd    | 1   | PR:098,670,<br>672,692             |
| -   | 997 622 714 50 | fibre optic wave conductor<br>Module                              | rhd    | 1   | PR:099,670,<br>672,692             |
| -   | 997 622 715 00 | fibre optic wave conductor<br>Module                              | lhd    | 1   | PR:098,664,<br>670,672,692         |
| -   | 997 622 709 00 | fibre optic wave conductor<br>Module                              | lhd    | 1   | PR:098,680,<br>692                 |
| -   | 997 622 709 50 | fibre optic wave conductor<br>Module                              | rhd    | 1   | PR:099,680,<br>692                 |
| -   | 997 622 712 00 | fibre optic wave conductor<br>Module                              | lhd    | 1   | PR:098,664,<br>680,692             |
| -   | 997 622 711 00 | fibre optic wave conductor<br>Module                              | lhd    | 1   | PR:098,670,<br>672,680,692         |
| -   | 997 622 711 50 | fibre optic wave conductor<br>Module                              | rhd    | 1   | PR:099,670,<br>672,680,692         |

Model: 997 05 Model life 2005>>2008

| Pos | Part Number    | Description   | Remark | Qty | Model                              |
|-----|----------------|---|--------|-----|------------------------------------|
| -   | 997 622 713 00 | fibre optic wave conductor<br>Module                              | lhd    | 1   | PR:098,664,<br>670,672,680,<br>692 |
| -   |                | Module<br>FRONT luggage compartment<br>C A R R E R A 4 / 4 S      |        |     |                                    |
| -   | 997 610 122 00 | Bracket<br>Connection point                                       |        | 1   |                                    |
| -   | 996 610 132 00 | Cable guide<br>t-piece  |        | X   |                                    |
| -   | 997 622 723 00 | FRONT luggage compartment<br>fibre optic wave conductor<br>Module | lhd    | 1   | PR:098,670,<br>672                 |
| -   | 997 622 723 50 | fibre optic wave conductor<br>Module                              | rhd    | 1   | PR:099,670,<br>672                 |
| -   | 997 622 705 00 | fibre optic wave conductor<br>Module                              | lhd    | 1   | PR:098,680                         |
| -   | 997 622 705 50 | fibre optic wave conductor<br>Module                              | rhd    | 1   | PR:099,680                         |
| -   | 997 622 721 00 | fibre optic wave conductor<br>Module                              | lhd    | 1   | PR:098,692                         |
| -   | 997 622 721 50 | fibre optic wave conductor<br>Module                              | rhd    | 1   | PR:099,692                         |
| -   | 997 622 722 00 | fibre optic wave conductor<br>Module                              | lhd    | 1   | PR:098,664,<br>670,672             |
| -   | 997 622 726 00 | fibre optic wave conductor<br>Module                              | lhd    | 1   | PR:098,664,<br>680                 |
| -   | 997 622 728 00 | fibre optic wave conductor<br>Module                              | lhd    | 1   | PR:098,664,<br>692                 |
| -   | 997 622 718 00 | fibre optic wave conductor<br>Module                              | lhd    | 1   | PR:098,670,<br>672,680             |
| -   | 997 622 718 50 | fibre optic wave conductor<br>Module                              | rhd    | 1   | PR:099,670,<br>672,680             |
| -   | 997 622 717 00 | fibre optic wave conductor<br>Module                              | lhd    | 1   | PR:098,664,<br>670,672,680         |
| -   | 997 622 724 00 | fibre optic wave conductor<br>Module                              | lhd    | 1   | PR:098,670,<br>672,692             |
| -   | 997 622 724 50 | fibre optic wave conductor<br>Module                              | rhd    | 1   | PR:099,670,<br>672,692             |
| -   | 997 622 725 00 | fibre optic wave conductor<br>Module                              | lhd    | 1   | PR:098,664,<br>670,672,692         |
| -   | 997 622 716 00 | fibre optic wave conductor<br>Module                              | lhd    | 1   | PR:098,680,<br>692                 |
| -   | 997 622 716 50 | fibre optic wave conductor<br>Module                              | rhd    | 1   | PR:099,680,<br>692                 |
| -   | 997 622 727 00 | fibre optic wave conductor<br>Module                              | lhd    | 1   | PR:098,664,<br>680,692             |
| -   | 997 622 719 00 | fibre optic wave conductor<br>Module                              | lhd    | 1   | PR:098,670,<br>672,680,692         |
| -   | 997 622 719 50 | fibre optic wave conductor<br>Module                              | rhd    | 1   | PR:099,670,<br>672,680,692         |
| -   | 997 622 720 00 | fibre optic wave conductor<br>Module                              | lhd    | 1   | PR:098,664,<br>670,672,680,<br>692 |

Model: 997 05

Model life 2005>>2008



Model: 997 05 Model life 2005>>2008

| Pos | Part Number    | Description  | Remark        | Qty | Model |
|-----|----------------|--|---------------|-----|-------|
| 1   | 997 635 206 03 | Fanfare<br>Signal horn<br>alarm system   |               | 1   |       |
| 1   | 997 635 206 04 | Fanfare<br>High-pitched<br>Discontinued part   |               | 1   |       |
| 1   | 997 635 216 00 | Fanfare<br>High-pitched<br>No longer use the part here   |               | 1   |       |
| -   | 997 612 947 00 | Adapter cable<br>see<br>Technical information<br>GR.9 NR.100/13<br>KD-NR.9050                  |               | 1   |       |
| 2   | 997 635 205 03 | Fanfare<br>Low-pitched<br>Discontinued part  |               | 1   |       |
| 2   | 997 635 205 04 | Fanfare<br>Low-pitched<br>No longer use the part here  |               | 1   |       |
| (2) | 997 635 215 00 | Fanfare<br>Low-pitched<br>see<br>Technical information<br>GR.9 NR.100/13<br>KD-NR.9050         |               | 1   |       |
| -   | 997 612 947 00 | Adapter cable<br>see<br>Technical information<br>GR.9 NR.100/13<br>KD-NR.9050                  |               | 1   |       |
| 3   | 997 635 150 04 | Bracket for fanfare<br>Discontinued part   |               | 1   |       |
| 3   | 997 635 150 05 | Bracket for fanfare  |               | 1   |       |
| 4   |                | Washer<br>High-pitched   |               | 1   |       |
| 5   |                | Washer<br>Low-pitched  |               | 1   |       |
| 6   | 900 034 001 03 | Nut<br>M 8<br>D >> - MJ 2007<br>Discontinued part  |               | 2   |       |
| 6   | 900 034 001 04 | Nut<br>M 8   |               | 2   |       |
| 7   | 900 377 003 03 | Hexagon nut<br>M 8   |               | 1   |       |
| 8   | 996 637 117 03 | Signal horn<br>for<br>alarm system   |               | 1   |       |
| 8   | 996 637 117 05 | Signal horn<br>for<br>alarm system<br>Replacement<br>for<br>996.637.117.03<br>use if required: | 9P1 998 003 A | 1   |       |
| 9   | 900 075 459 01 | Bolt with washer   |               | 1   |       |

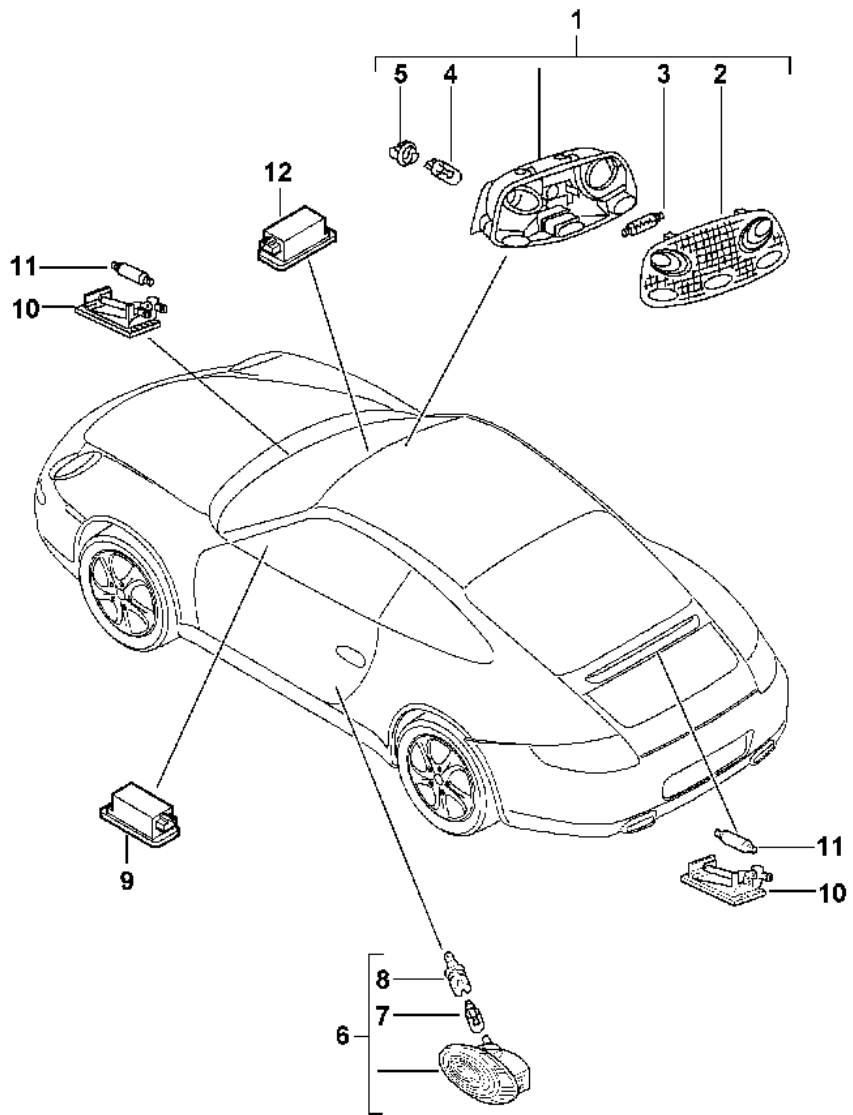
Model: 997 05

Model life 2005>>2008

| Pos | Part Number    | Description                                 | Remark | Qty | Model      |
|-----|----------------|---|--------|-----|------------|
| 10  | 955 618 237 01 | M 6 X 12 Z2<br>Alarm horn                   |        | 1   | PR:536     |
| 11  | 997 637 419 01 | Bracket                                     |        | 1   | PR:536     |
| 12  | 900 380 015 01 | Hexagon nut<br>M 6                          |        | 1   | PR:536     |
| 13  | 997 618 265 00 | Control unit                                |        | 1   | PR:521,536 |
|     |                | with:                                       |        |     |            |
| 14  | 999 591 742 01 | Tilt angle sensor<br>panel nut<br>4,2       |        | 2   | PR:521,536 |
| 15  | 999 073 155 09 | panel screw<br>4,2 X 13                     |        | 2   | PR:521,536 |
| 16  | 9P1 998 003 A  | Wire set<br>Modification kit<br>Signal horn |        | 1   |            |

Model: 997 05

Model life 2005>>2008



Model: 997 05

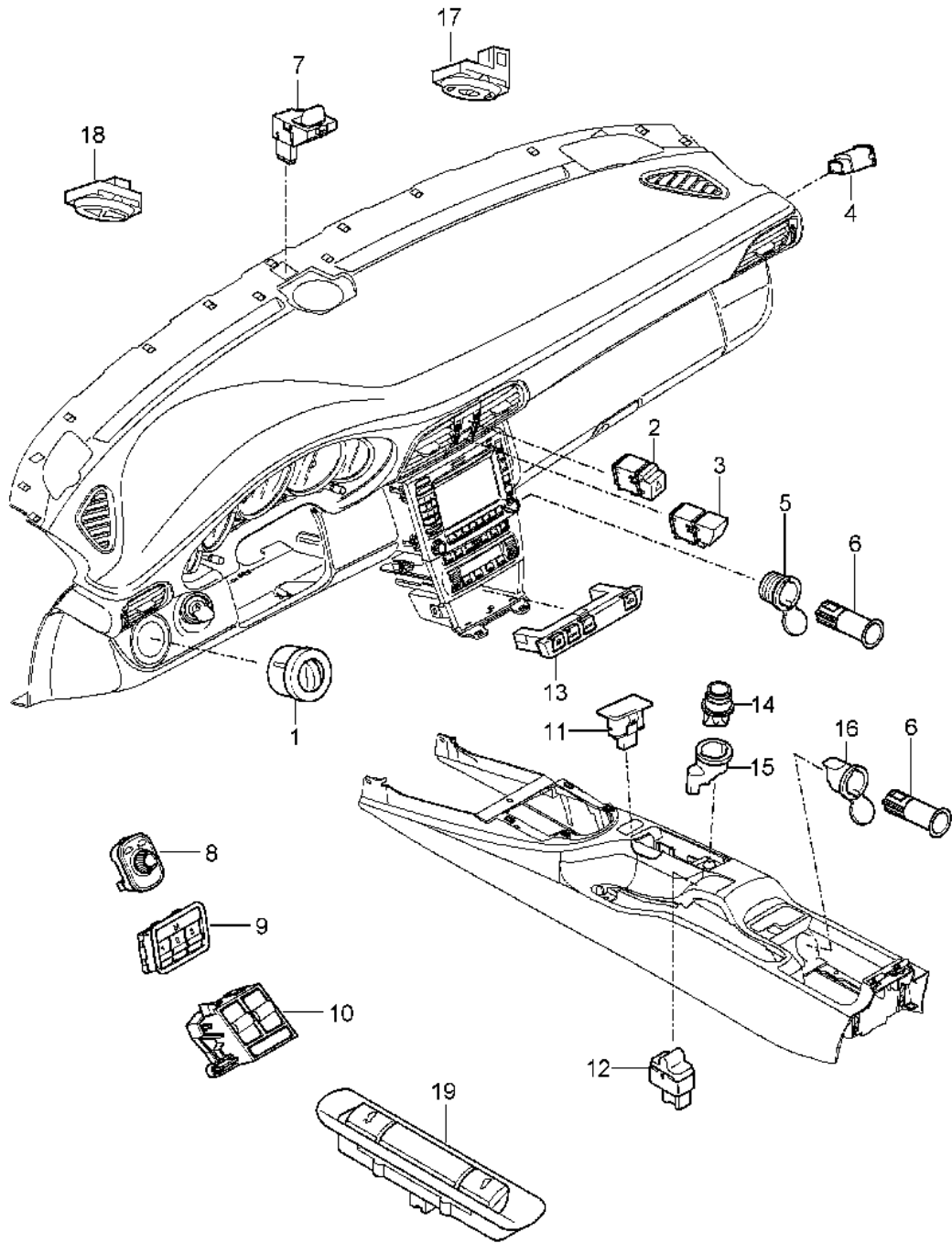
Model life 2005>>2008

| Pos | Part Number    | Description              | Remark | Qty | Model |
|-----|----------------|--------------------------|--------|-----|-------|
|     |                | Interior lights          |        |     |       |
|     |                | Luggage compartment lamp |        |     |       |
|     |                | Engine compartment light |        |     |       |
|     |                | Glove box light          |        |     |       |
|     |                | Footwell light           |        |     |       |
| 1   | 997 632 051 00 | interior light           |        | 1   |       |
| 2   | 996 632 151 00 | Lens                     |        | 1   |       |
| 3   | 900 631 106 90 | Linolite lamp            |        | 1   |       |
|     |                | 10 W                     |        |     |       |
| 4   | 999 631 134 90 | bulb                     |        | 2   |       |
|     |                | 6 W                      |        |     |       |
| 5   | 999 632 018 00 | Bulb holder              |        | 2   |       |
| 6   | 996 632 132 01 | Door warning light       |        | 2   |       |
| (6) | 996 632 135 00 | Light                    |        | 2   | TARGA |
|     |                | tray                     |        |     |       |
|     |                | Luggage                  |        |     |       |
| 7   | 999 631 032 90 | bulb                     |        | 2   |       |
|     |                | 5 W                      |        |     |       |
| 8   | 161 949 111    | Bulb holder              |        | 2   |       |
| 9   | 955 632 202 00 | Light                    |        | 2   |       |
|     |                | Footwell                 |        |     |       |
| 10  | 997 632 201 00 | Light                    |        | 2   |       |
|     |                | Engine bay               |        |     |       |
|     |                | Luggage compartment      |        |     |       |
| 11  | 900 631 106 90 | Linolite lamp            |        | 2   |       |
|     |                | 10 W                     |        |     |       |
| 12  | 997 632 071 00 | Glove box light          |        | 1   |       |
| -   | 999 631 147 90 | bulb                     |        | 4   |       |
|     |                | 3 W                      |        |     |       |
|     |                | Vanity mirror            |        |     |       |



Model: 997 05

Model life 2005>>2008



Model: 997 05 Model life 2005>>2008

| Pos  | Part Number        | Description  | Remark | Qty | Model                 |
|------|--------------------|--|--------|-----|-----------------------|
| 1    | 997 613 535 01     | Switch<br>switch for lighting  |        | 1   |                       |
|      | 997 613 535 01 A05 | Matt black   |        |     |                       |
| 2    | 997 613 120 02     | Hazard warning light sw.<br>Discontinued part                                  |        | 1   |                       |
|      | 997 613 120 02 A05 | Matt black   |        |     |                       |
| 2    | 997 613 120 03     | Hazard warning light sw.   |        | 1   |                       |
|      | 997 613 120 03 A05 | Matt black   |        |     |                       |
| 3    | 997 613 143 00     | Switch<br>Central locking system   |        | 1   |                       |
|      | 997 613 143 00 A05 | Matt black   |        |     |                       |
| 4    | 955 613 165 02     | Switch<br>Airbag   |        | 1   |                       |
|      | 955 613 165 02 9B9 | Satin black  |        |     |                       |
| 5    | 997 652 103 00     | clamping ring  |        | 1   |                       |
|      |                    | with:  |        |     |                       |
| 6    | 955 652 107 00     | Cover<br>Socket  |        | 2   |                       |
| 7    | 997 653 251 00     | Sensor<br>Air conditioning   |        | 1   | PR:573                |
| 8    | 997 613 241 01     | Switch<br>Exterior mirror  |        | 1   |                       |
|      | 997 613 241 01 A05 | Matt black   |        |     |                       |
| 9    | 997 613 103 00     | Memory switch<br>Discontinued part   | left   | 1   | PR:537                |
|      | 997 613 103 00 A05 | Matt black   |        |     |                       |
| 9    | 997 613 103 01     | Memory switch  | left   | 1   | PR:537                |
|      | 997 613 103 01 A05 | Matt black   |        |     |                       |
| (9)  | 997 613 104 00     | Memory switch  | right  | 1   | PR:538                |
|      | 997 613 104 00 A05 | Matt black   |        |     |                       |
| 10   | 997 613 151 02     | Switch for electric<br>window regulator<br>(drivers side)                      | lhd    | 1   | COUPE<br>PR:098       |
|      | 997 613 151 02 A05 | Matt black   |        |     |                       |
| 10   | 997 613 151 05     | Switch for electric<br>window regulator<br>(drivers side)                      | lhd    | 1   | COUPE/TARGA<br>PR:098 |
|      | 997 613 151 05 A05 | Matt black   |        |     |                       |
| (10) | 997 613 152 04     | Switch for electric<br>window regulator<br>(drivers side)<br>Discontinued part | rhd    | 1   | COUPE/TARGA<br>PR:099 |
|      | 997 613 152 04 A05 | Matt black   |        |     |                       |
| (10) | 997 613 152 05     | Switch for electric<br>window regulator<br>(drivers side)                      | rhd    | 1   | COUPE/TARGA<br>PR:099 |
|      | 997 613 152 05 A05 | Matt black   |        |     |                       |
| (10) | 997 613 153 02     | Switch for electric<br>window regulator<br>(drivers side)                      | lhd    | 1   | CABRIO<br>PR:098      |
|      | 997 613 153 02 A05 | Matt black   |        |     |                       |
| (10) | 997 613 153 04     | Switch for electric<br>window regulator<br>(drivers side)<br>Discontinued part | lhd    | 1   | CABRIO<br>PR:098      |
|      | 997 613 153 04 A05 | Matt black   |        |     |                       |
| (10) | 997 613 153 05     | Switch for electric<br>window regulator<br>(drivers side)                      | lhd    | 1   | CABRIO<br>PR:098      |
|      | 997 613 153 05 A05 | Matt black   |        |     |                       |
| (10) | 997 613 154 04     | Switch for electric<br>window regulator<br>(drivers side)                      | rhd    | 1   | CABRIO<br>PR:099      |

Model: 997 05 Model life 2005>>2008

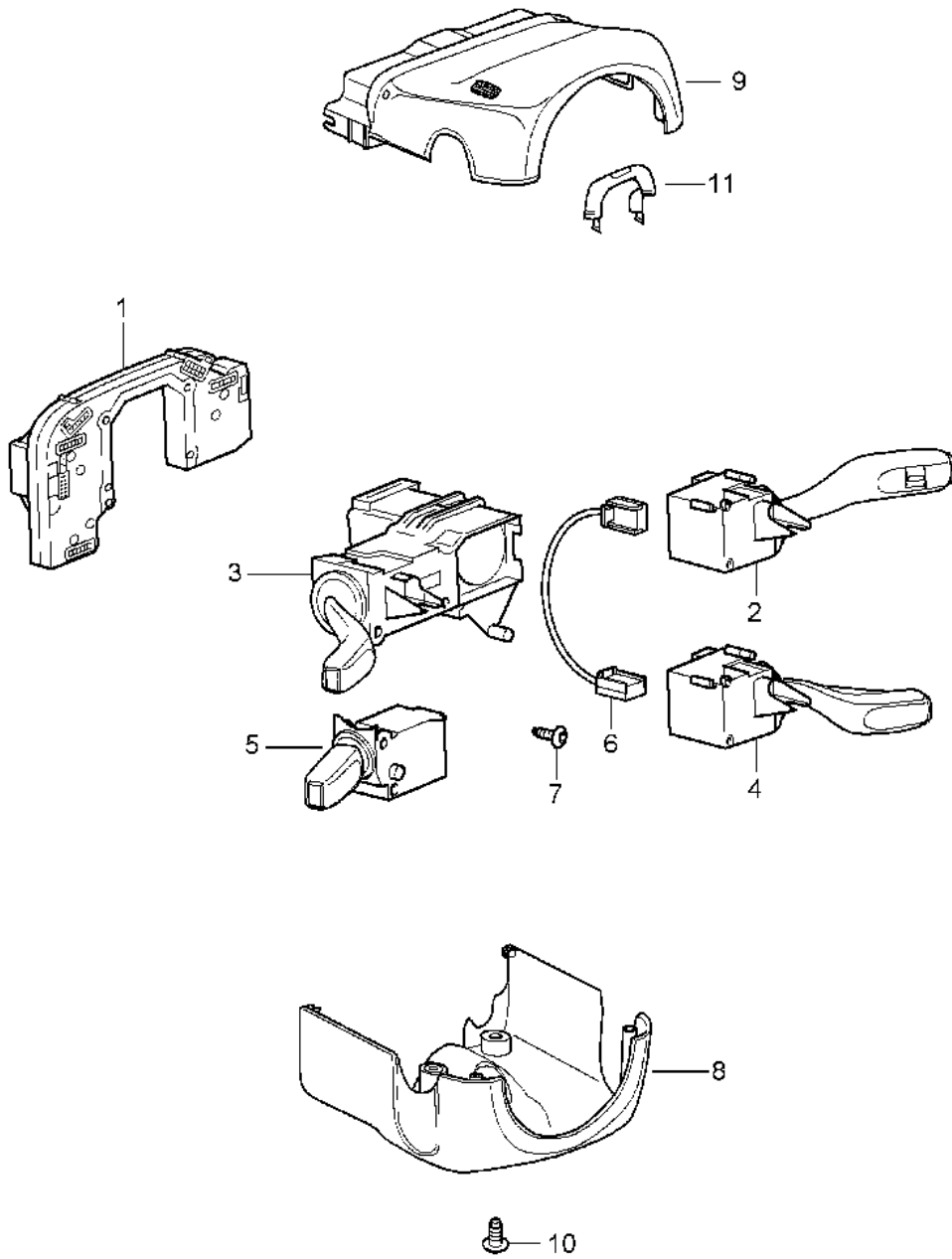
| Pos  | Part Number                          | Description  | Remark    | Qty | Model                      |
|------|--------------------------------------|--|-----------|-----|----------------------------|
| (10) | 997 613 154 04 A05<br>997 613 154 05 | Discontinued part<br>Matt black<br>Switch for electric window regulator (drivers side)   | rhd       | 1   | CABRIO<br>PR:099           |
| (10) | 997 613 154 05 A05<br>997 613 156 04 | Matt black<br>Switch for electric window regulator (passenger side)                      | lhd       | 1   | PR:098                     |
| (10) | 997 613 156 04 A05<br>997 613 156 05 | Discontinued part<br>Matt black<br>Switch for electric window regulator (passenger side) | lhd       | 1   | PR:098                     |
| (10) | 997 613 156 05 A05<br>997 613 155 02 | Matt black<br>Switch for electric window regulator (passenger side)                      | rhd       | 1   | PR:099                     |
| (10) | 997 613 155 02 A05<br>997 613 155 04 | Matt black<br>Switch for electric window regulator (passenger side)                      | rhd       | 1   | PR:099                     |
| (10) | 997 613 155 04 A05<br>997 613 155 05 | Matt black<br>Switch for electric window regulator (passenger side)                      | rhd       | 1   | PR:099                     |
| 11   | 997 613 155 05 A05<br>997 641 165 01 | Matt black<br>warning lamp<br>Airbag   |           | 1   |                            |
| 12   | 997 641 165 01 A05<br>997 613 141 01 | Matt black<br>Switch for convertible roof control  |           | 1   | CABRIO                     |
| (12) | 997 613 141 01 A05<br>997 613 119 00 | Matt black<br>switch for roller blind<br>Glass roof                                      |           | 1   | TARGA                      |
| (12) | 997 613 119 00 A05<br>997 613 119 01 | Matt black<br>switch for roller blind<br>Glass roof                                      |           | 1   | TARGA                      |
| (12) | 997 613 119 01 A05                   | Matt black<br>Dummy cover  |           |     | COUPE                      |
| 13   | 997 613 139 00                       | see illustration, item:<br>Combined switch   | 809-020,6 | 1   | PR:475,476,639,XLF,640     |
| (13) | 997 613 139 00 FMH<br>997 613 137 00 | Volcano Grey/Black Mat<br>Combined switch  |           | 1   | PR:476,639,640,-475,XLF    |
| (13) | 997 613 137 00 FMH<br>997 613 135 00 | Volcano Grey/Black Mat<br>Combined switch  |           | 1   | PR:475,476,-XLF,-640,-639  |
| (13) | 997 613 135 00 FMH<br>997 613 131 00 | Volcano Grey/Black Mat<br>Combined switch  |           | 1   | PR:XLF,475,476,-639,-640   |
| (13) | 997 613 131 00 FMH<br>997 613 133 00 | Volcano Grey/Black Mat<br>Combined switch  |           | 1   | PR:476,-675,-XLF,-640,-639 |
| (13) | 997 613 133 00 FMH<br>997 613 129 00 | Volcano Grey/Black Mat<br>Combined switch  |           | 1   | PR:XLF,476,-475,-639,      |

Model: 997 05 Model life 2005>>2008

| Pos  | Part Number                          | Description  | Remark         | Qty | Model        |
|------|--------------------------------------|--|----------------|-----|--------------|
|      |                                      |  |                |     | -640         |
| 14   | 997 613 129 00 FMH<br>996 652 101 10 | Volcano Grey/Black Mat<br>Cigarette lighter<br>D >> - MJ 2007<br>Discontinued part |                | 1   |              |
| 14   | 996 652 101 10 A05<br>997 652 101 00 | Matt black<br>Cigarette lighter  |                | 1   |              |
| 15   | 997 652 101 00 A05                   | Matt black   |                | 1   |              |
| 16   | 997 652 102 00                       | Headlight unit   |                | 1   |              |
| 16   | 997 652 104 00                       | clamping ring  |                | 1   |              |
|      |                                      | with:  |                |     |              |
| 17   | 997 613 147 00                       | Cover<br>Switch<br>Sunroof<br>Discontinued part                                    |                | 1   | PR:650       |
| 17   | 997 613 147 00 A05<br>997 613 147 01 | Matt black<br>Switch<br>Sunroof  |                | 1   | PR:650       |
| 18   | 997 613 147 01 A05<br>997 613 225 02 | Matt black<br>Switch<br>Garage door opener   | left           | 1   | PR:607,608   |
| (18) | 997 613 225 02 A05<br>997 613 227 01 | Matt black<br>Switch<br>Garage door opener<br>Discontinued part                    | right          | 1   | PR:607,608   |
| (18) | 997 613 227 01 A05<br>997 613 227 02 | Matt black<br>Switch<br>Garage door opener   | right          | 1   | PR:607,608   |
| (18) | 997 613 227 02 A05                   | Matt black   |                | 2   |              |
| 19   | 997 613 235 00<br>997 613 235 00 01C | Dummy cover<br>Satin black   |                | 1   | COUPE/CABRIO |
| 19   | 997 613 105 02                       | Switch<br>Cover  | front and rear | 1   |              |
| (19) | 997 613 105 02 A05<br>997 613 107 01 | Matt black<br>Switch<br>Cover<br>Discontinued part                                 | front and rear | 1   | TARGA        |
| (19) | 997 613 107 01 A05<br>997 613 107 02 | Matt black<br>Switch<br>Cover  | front and rear | 1   | TARGA        |
|      | 997 613 107 02 A05                   | Matt black   |                |     |              |

Model: 997 05

Model life 2005>>2008



Model: 997 05 Model life 2005>>2008

| Pos | Part Number        | Description  | Remark | Qty | Model      |
|-----|--------------------|--|--------|-----|------------|
| 1   | 997 613 297 02     | Steering column switch<br>Electronic unit<br>Discontinued part |        | 1   |            |
| 1   | 997 613 297 03     | Electronic unit  |        | 1   |            |
| 2   | 997 613 251 00     | Wiper switch   |        | 1   |            |
|     | 997 613 251 00 01C | Satin black  |        |     |            |
| (2) | 997 613 253 00     | Wiper switch   |        | 1   | PR:288     |
|     | 997 613 253 00 01C | Satin black  |        |     |            |
| (2) | 997 613 255 00     | Wiper switch   |        | 1   | PR:425     |
|     | 997 613 255 00 01C | Satin black  |        |     |            |
| (2) | 997 613 257 00     | Wiper switch   |        | 1   | PR:288,425 |
|     | 997 613 257 00 01C | Satin black  |        |     |            |
| 3   | 997 613 245 00     | Direction indicator switch                                     |        | 1   |            |
|     | 997 613 245 00 01C | Satin black  |        |     |            |
| 4   | 997 613 261 00     | Switch<br>Cruise control                                       |        | 1   | PR:454     |
|     | 997 613 261 00 01C | Satin black  |        |     |            |
| 5   | 997 613 265 00     | switch for on-board computer                                   |        | 1   | PR:659     |
|     | 997 613 265 00 01C | Satin black  |        |     |            |
| 6   | 997 622 674 00     | Wire set<br>Cruise control                                     |        | 1   | PR:454     |
| 7   | N 909 068 01       | Hex socket head locating bolt<br>M 2,5 X 2,6 X 43,5-D          |        | X   |            |
| 8   | 997 552 475 02     | Switch housing   | lower  | 1   |            |
|     | 997 552 475 02 A03 | Black  |        |     |            |
| (8) | 997 552 475 03     | Switch housing   | lower  | 1   | PR:454     |
|     | 997 552 475 03 A03 | Black  |        |     |            |
| 8   | 997 552 979 00     | Switch housing<br>Leather<br>D - MJ 2006>>                     | lower  | 1   | PR:XNS     |
|     | 997 552 979 00 A11 | Black  |        |     |            |
|     | 997 552 979 00 5X6 | Stone grey   |        |     |            |
|     | 997 552 979 00 8G2 | Sand beige   |        |     |            |
|     | 997 552 979 00 3S9 | sea blue   |        |     |            |
|     | 997 552 979 00 4P2 | Palm green   |        |     |            |
|     | 997 552 979 00 9S5 | Terracotta   |        |     |            |
|     | 997 552 979 00 9V6 | Cocoa  |        |     |            |
|     | 997 552 979 00 D12 | Dark grey/natural  |        |     |            |
|     | 997 552 979 00 T12 | Brown/natural  |        |     |            |
|     | 997 552 979 00 N12 | Carrera Red  |        |     |            |
| (8) | 997 552 979 01     | Switch housing<br>Leather<br>D - MJ 2006>>                     | lower  | 1   | PR:XNS,454 |
|     | 997 552 979 01 A11 | Black  |        |     |            |
|     | 997 552 979 01 5X6 | Stone grey   |        |     |            |
|     | 997 552 979 01 8G2 | Sand beige   |        |     |            |
|     | 997 552 979 01 3S9 | sea blue   |        |     |            |
|     | 997 552 979 01 4P2 | Palm green   |        |     |            |
|     | 997 552 979 01 9S5 | Terracotta   |        |     |            |
|     | 997 552 979 01 9V6 | Cocoa  |        |     |            |
|     | 997 552 979 01 D12 | Dark grey/natural  |        |     |            |
|     | 997 552 979 01 T12 | Brown/natural  |        |     |            |
|     | 997 552 979 01 N12 | Carrera Red  |        |     |            |
| 9   | 997 552 273 02     | Switch housing   | upper  | 1   |            |
|     | 997 552 273 02 A03 | Black  |        |     |            |
| 9   | 997 552 997 00     | Switch housing<br>Leather<br>D - MJ 2006>>                     | upper  | 1   | PR:XNS     |
|     | 997 552 997 00 A11 | Black  |        |     |            |
|     | 997 552 997 00 5X6 | Stone grey   |        |     |            |
|     | 997 552 997 00 8G2 | Sand beige   |        |     |            |
|     | 997 552 997 00 3S9 | sea blue   |        |     |            |
|     | 997 552 997 00 4P2 | Palm green   |        |     |            |

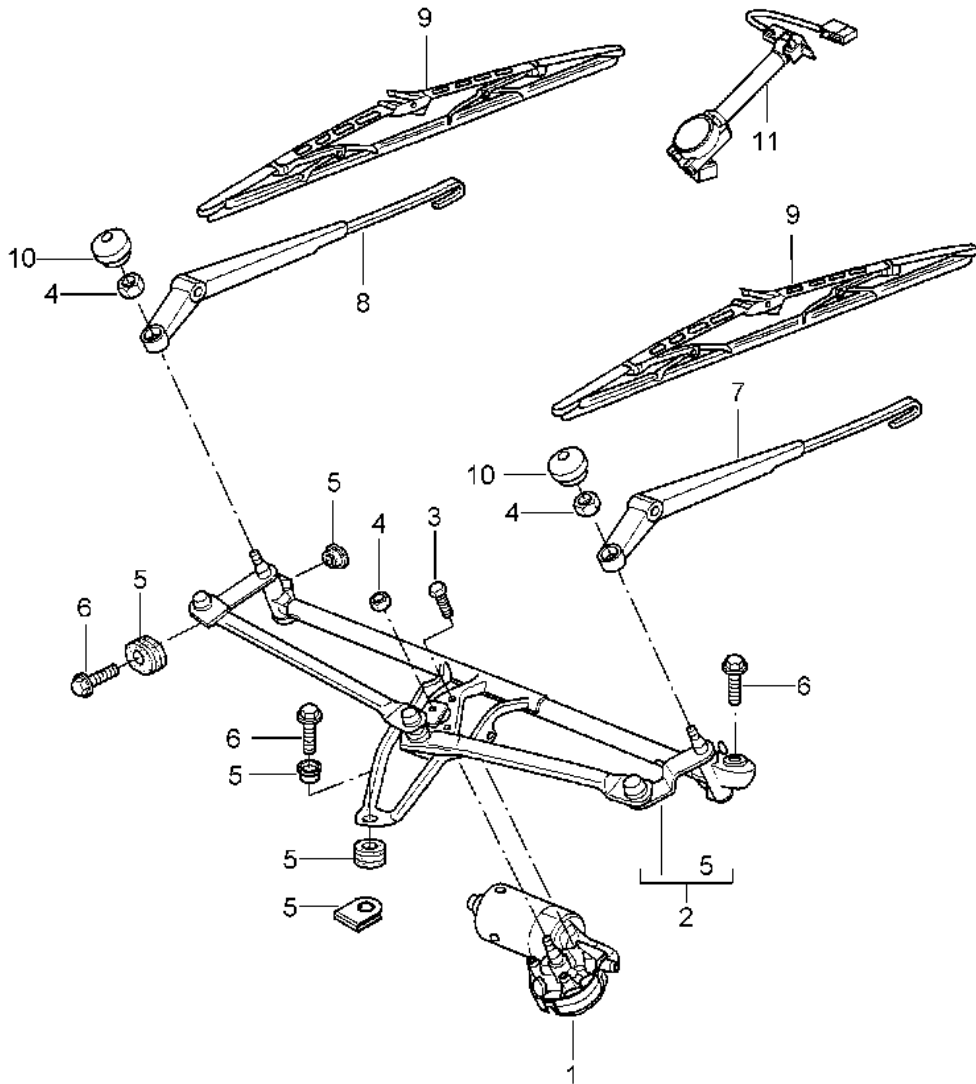
Model: 997 05

Model life 2005>>2008

| Pos | Part Number        | Description                    | Remark | Qty | Model |
|-----|--------------------|--------------------------------|--------|-----|-------|
|     | 997 552 997 00 9S5 | Terracotta                     |        |     |       |
|     | 997 552 997 00 9V6 | Cocoa                          |        |     |       |
|     | 997 552 997 00 D12 | Dark grey/natural              |        |     |       |
|     | 997 552 997 00 T12 | Brown/natural                  |        |     |       |
|     | 997 552 997 00 N12 | Carrera Red                    |        |     |       |
| 10  | 999 919 136 01     | fillister hd. bolt<br>3,5 X 18 |        | 3   |       |
| 11  | 997 610 206 00     | Cable guide                    |        | 1   |       |

Model: 997 05

Model life 2005>>2008





Model: 997 05 Model life 2005>>2008

| Pos  | Part Number    | Description                              | Remark | Qty | Model      |
|------|----------------|--|--------|-----|------------|
|      |                | Windscreen wiper system, compl           |        |     |            |
|      |                | Rain sensor                              |        |     |            |
| 1    | 997 624 105 01 | Wiper motor                              | lhd    | 1   | PR:098     |
| (1)  | 997 624 106 01 | Wiper motor                              | rhd    | 1   | PR:099     |
| 2    | 997 628 235 01 | Crank drive                              | lhd    | 1   | PR:098     |
| (2)  | 997 628 236 00 | Crank drive                              | rhd    | 1   | PR:099     |
|      |                | D >> - MJ 2007                           |        |     |            |
|      |                | Discontinued part                        |        |     |            |
| (2)  | 997 628 236 01 | Crank drive                              | rhd    | 1   | PR:099     |
| 3    | 999 073 152 02 | Torx screw                               |        | 3   |            |
|      |                | M 6 X 18                                 |        |     |            |
| 4    | 900 076 064 02 | Hexagon nut                              |        | 3   |            |
|      |                | M 8                                      |        |     |            |
| 5    | 997 628 928 00 | repair set                               |        | 1   |            |
|      |                | comprising:                              |        |     |            |
| -    |                | Bearing sleeve                           |        | 1   |            |
| -    |                | Rubber bush                              |        | 1   |            |
| -    |                | Bearing sleeve                           |        | 1   |            |
| -    |                | Rubber bush                              |        | 1   |            |
| -    |                | Clip                                     |        | 2   |            |
| 6    | 999 075 075 01 | Bolt with washer                         |        | 3   |            |
|      |                | M 6 X 22 SC                              |        |     |            |
| 7    | 997 628 027 00 | Wiper arm                                | lhd    | 1   | PR:098     |
|      |                | (drivers side)                           |        |     |            |
| (7)  | 997 628 030 00 | Wiper arm                                | rhd    | 1   | PR:099     |
|      |                | (passenger side)                         |        |     |            |
| 8    | 997 628 029 00 | Wiper arm                                | lhd    | 1   | PR:098     |
|      |                | (passenger side)                         |        |     |            |
| (8)  | 997 628 028 00 | Wiper arm                                | rhd    | 1   | PR:099     |
|      |                | (drivers side)                           |        |     |            |
| 9    | 996 628 901 08 | 1 set: wiper blades                      | front  | 1   |            |
|      |                | (drivers side)                           |        |     |            |
|      |                | (passenger side)                         |        |     |            |
| 10   | 944 628 305 01 | Cover cap                                |        | 2   |            |
| 11   | 997 612 693 00 | Rain sensor                              |        | 1   | COUPE      |
|      |                | with:                                    |        |     | PR:268     |
| (11) | 997 612 693 25 | Wire set<br>Rain sensor                  |        | 1   | CABRIO     |
|      |                | with:                                    |        |     | PR:268     |
| (11) | 997 612 693 50 | Wire set<br>Rain sensor                  |        | 1   | TARGA      |
|      |                | with:                                    |        |     | PR:268     |
| (11) | 997 612 694 00 | Wire set<br>Rain sensor                  |        | 1   | COUPE      |
|      |                | with:                                    |        |     | PR:267,268 |
| (11) | 997 612 694 25 | Wire set<br>Rain sensor                  |        | 1   | CABRIO     |
|      |                | with:                                    |        |     | PR:267,268 |
| (11) | 997 612 694 50 | Wire set<br>Rain sensor                  |        | 1   | TARGA      |
|      |                | with:                                    |        |     | PR:267,268 |
| -    | 000 043 204 65 | Wire set<br>Adhesive film<br>for         |        | 1   |            |
| (11) | 997 612 695 00 | Rain sensor<br>Wire set                  |        | 1   | COUPE      |
|      |                | with:                                    |        |     |            |
|      |                | Light<br>for cars without<br>Rain sensor |        |     |            |

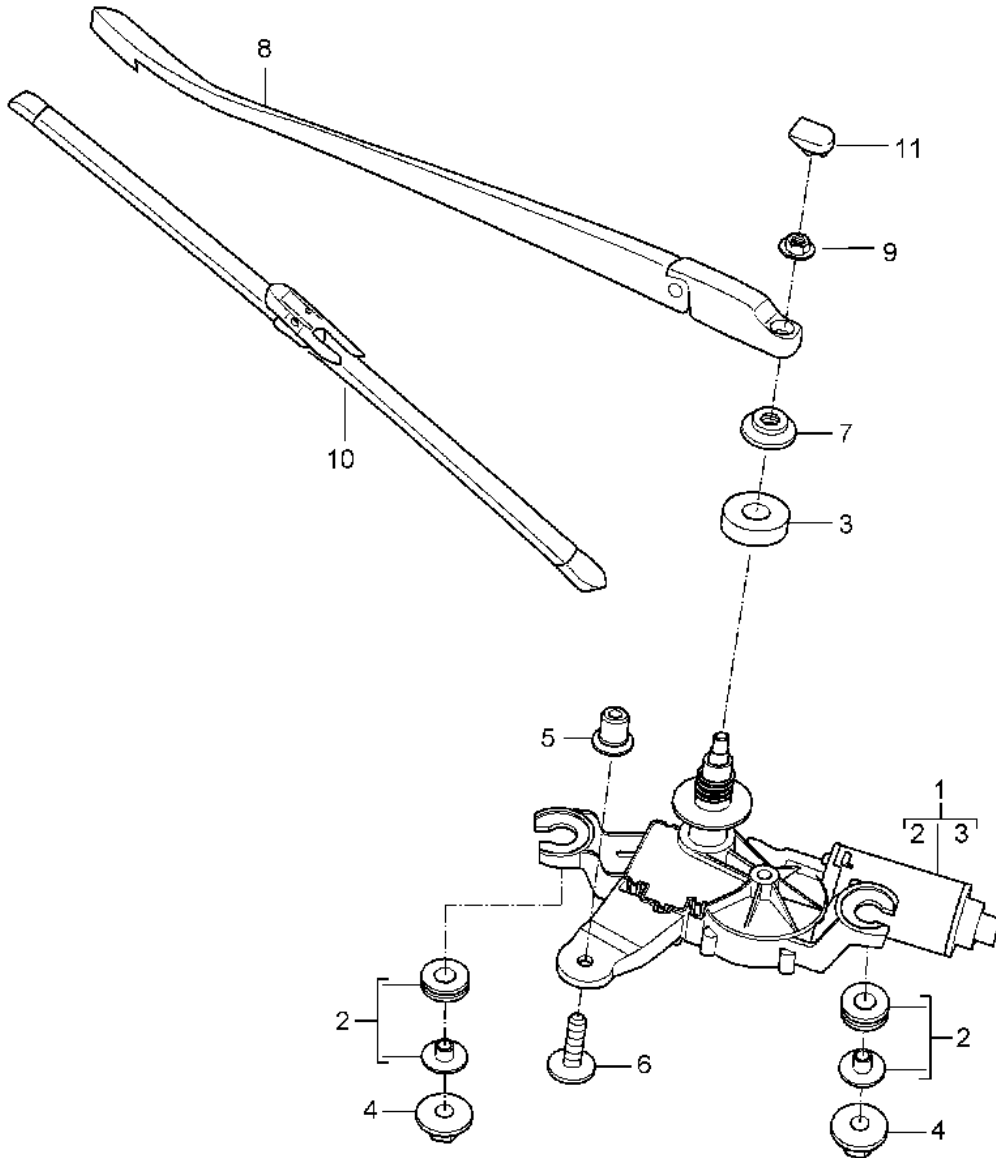
Model: 997 05

Model life 2005>>2008

| Pos  | Part Number    | Description   | Remark | Qty | Model  |
|------|----------------|---|--------|-----|--------|
| (11) | 997 612 695 25 | Wire set<br><br>with:<br>Light<br>for cars without<br>Rain sensor |        | 1   | CABRIO |
| (11) | 997 612 695 50 | Wire set<br><br>with:<br>Light<br>for cars without<br>Rain sensor |        | 1   | TARGA  |

Model: 997 05

Model life 2005>>2008



Model: 997 05

Model life 2005>>2008

| Pos | Part Number    | Description       | Remark | Qty | Model  |
|-----|----------------|-------------------|--------|-----|--------|
|     |                | Rear window wiper |        |     | PR:425 |
| 1   | 997 628 080 00 | Wiper motor       |        | 1   | COUPE  |
| (1) | 996 628 090 01 | Wiper motor       |        | 1   | TARGA  |
| 2   | 997 628 908 00 | repair set        |        | 1   |        |
|     |                | comprising:       |        |     |        |
| -   |                | Grommet           |        | 2   |        |
| -   |                | bush              |        | 2   |        |
| 3   | 997 628 910 00 | seal ring         |        | 1   |        |
| 4   | 999 076 078 01 | Hexagon nut       |        | 2   |        |
|     |                | M 6               |        |     |        |
| 5   | 999 500 078 00 | press insert nut  |        | 1   |        |
| 6   | 999 073 468 01 | Bolt with washer  |        | 1   |        |
|     |                | M 6 X 22 SC       |        |     |        |
| 7   | 997 628 273 00 | Grommet           |        | 1   |        |
| 8   | 997 628 169 00 | Wiper arm         |        | 1   | COUPE  |
| (8) | 997 628 159 00 | Wiper arm         |        | 1   | TARGA  |
| 9   | 900 377 003 03 | Hexagon nut       |        | 1   |        |
| 10  | 997 628 189 00 | wiper blade       | rear   | 1   |        |
| 11  | 997 628 122 00 | Cover cap         |        | 1   |        |

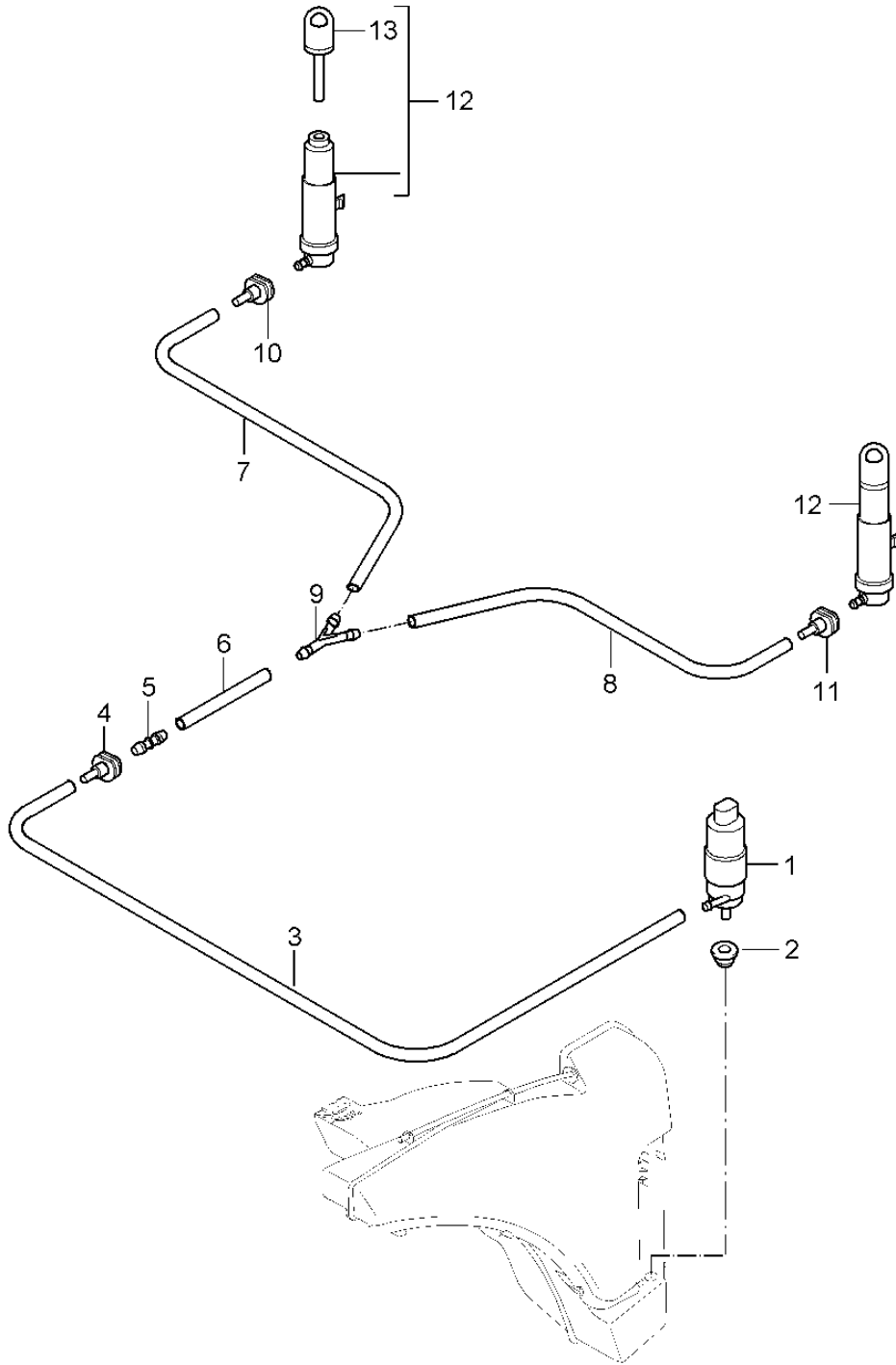


Model: 997 05 Model life 2005>>2008

| Pos  | Part Number    | Description  | Remark | Qty | Model  |
|------|----------------|--|--------|-----|--------|
|      |                | Windscreen washer system                                       |        |     |        |
| 1    | 997 528 701 01 | Water reservoir  |        | 1   | PR:288 |
| (1)  | 997 528 701 00 | Water reservoir  |        | 1   |        |
| 2    | 996 528 711 00 | Seal   |        | 1   |        |
| 3    | 997 528 605 00 | fuel filler neck   |        | 1   |        |
| 4    | 996 528 607 00 | Cover  |        | 1   |        |
| 5    | 997 528 621 00 | strainer   |        | 1   |        |
| 6    | 996 528 615 01 | Console  |        | 1   |        |
| -    | 999 137 091 40 | Connector union  |        | X   |        |
|      |                | Repair material<br>for<br>Console<br>996.528.615.01            |        |     |        |
| 7    | 900 378 154 01 | Hexagon bolt<br>AM 8 X 35 SB                                   |        | 1   |        |
| 8    | 999 702 221 40 | Grommet  |        | 2   |        |
| 9    | 997 628 182 00 | Windscreen washer system pump                                  |        | 1   |        |
| 10   | 431 955 465 B  | seal ring  |        | 2   |        |
| 11   | 955 628 105 00 | Water level switch   |        | 1   |        |
| 12   | 955 528 721 00 | Seal   |        | 1   |        |
| 13   | 999 181 347 40 | Breather line<br>273 MM  |        | *   |        |
| -    | 999 181 815 40 | Hose<br>5,0 X 2,5  |        | *   |        |
| 14   |                | shorten to:  | 375 MM | 1   |        |
| 15   |                | shorten to:  | 650 MM | 1   |        |
| 16   |                | shorten to:  | 97 MM  | 1   |        |
| 17   |                | shorten to:  | 347 MM | 1   |        |
| 18   | 996 628 102 00 | t-piece<br><br>with:<br>strainer                               |        | 1   |        |
| (18) | 999 137 005 40 | D - MJ 2005>> - MJ 2005<br>t-piece<br><br>without:<br>strainer |        | 1   |        |
| 19   | 996 628 077 03 | jet<br><br>use if required:                                    |        | 2   |        |
| 19   | 997 628 077 00 | D >> - MJ 2007<br>jet<br><br>use if required:                  |        | 2   |        |
| -    | 997 612 976 00 | D - MJ 2008>> - MJ 2008<br>repair set                          |        | 2   |        |
| 20   | 999 901 017 42 | Wire set<br>Window cleaning solution<br>250 ML<br>Summer       |        | X   |        |
| 20   | 999 901 033 40 | Window cleaning solution<br>1000 ML<br>Winter                  |        | X   |        |

Model: 997 05

Model life 2005>>2008



Model: 997 05

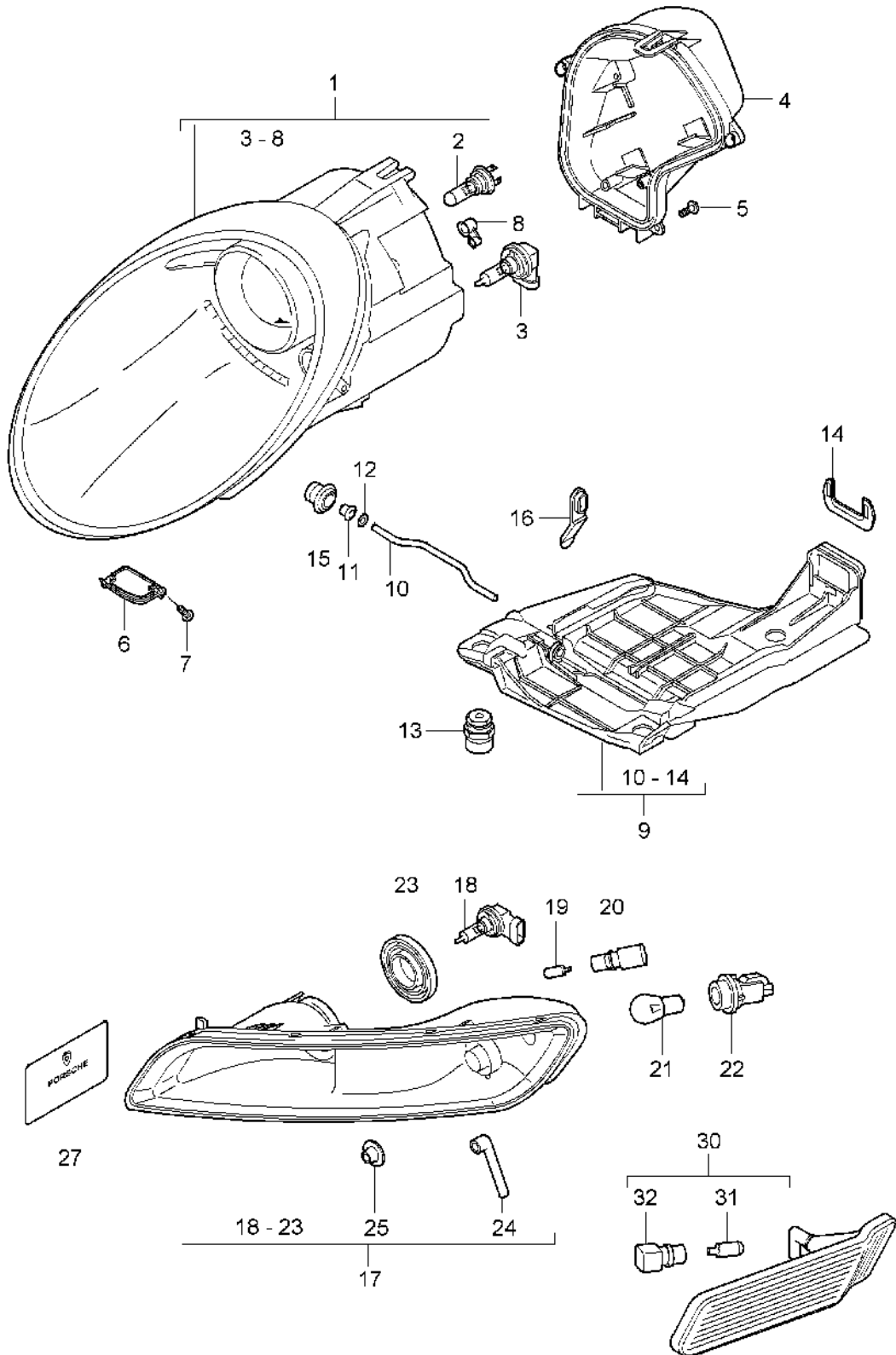
Model life 2005>>2008

| Pos | Part Number    | Description   | Remark  | Qty | Model  |
|-----|----------------|---|---------|-----|--------|
| 1   | 997 624 502 00 | Headlight washer system<br>Pump for headlight-<br>washer system |         | 1   | PR:288 |
| 2   | 928 628 193 00 | Seal  |         | 1   |        |
| -   | 000 043 204 79 | Hose<br>8 X 3   |         | *   |        |
| 3   |                | shorten to:   | 890 MM  | 1   |        |
| 4   | 996 628 204 00 | Coupling  |         | 1   |        |
| 5   | 997 628 208 00 | Hose connector  |         | 1   |        |
| -   | 999 181 760 40 | Hose<br>10 X 3  |         | *   |        |
| 6   |                | shorten to:   | 440 MM  |     |        |
| 7   |                | shorten to:   | 80 MM   |     |        |
| 8   |                | shorten to:   | 1850 MM |     |        |
| 9   | 999 137 093 40 | Y-piece   |         | 1   |        |
| 10  | 997 628 204 00 | Coupling  |         | 1   |        |
| 11  | 997 628 205 00 | Coupling  |         | 1   |        |
| 12  | 997 628 133 01 | jet   |         | 2   |        |
| 13  | 997 628 231 00 | Nozzle head   |         | 2   |        |



Model: 997 05

Model life 2005>>2008



Model: 997 05 Model life 2005>>2008

| Pos  | Part Number    | Description  | Remark | Qty | Model  |
|------|----------------|--|--------|-----|--------|
|      |                | Headlights<br>Additional headlight<br>side marker light<br>Turn signal repeater          |        |     |        |
| 1    | 997 631 163 03 | Headlights   | left   | 1   |        |
| (1)  | 997 631 164 03 | Headlights   | right  | 1   |        |
| (1)  | 997 631 163 13 | Headlights   | left   | 1   | PR:492 |
| (1)  | 997 631 164 13 | Headlights   | right  | 1   | PR:492 |
| 2    | 999 631 133 91 | Halogen bulb<br>H 7  |        | 2   |        |
| 3    | 999 631 143 90 | Halogen bulb<br>H 9  |        | 2   |        |
| 4    | 997 631 101 00 | Protective hood  | left   | 1   |        |
| (4)  | 997 631 102 00 | Protective hood  | right  | 1   |        |
| 5    | 997 631 191 00 | Screw  |        | 8   |        |
| 6    | 997 631 149 00 | Ventilation component<br>Discontinued part   | left   | 1   |        |
| 6    | 997 631 149 10 | Ventilation component  | left   | 1   |        |
| (6)  | 997 631 150 00 | Ventilation component<br>Discontinued part   | right  | 1   |        |
| (6)  | 997 631 150 10 | Ventilation component  | right  | 1   |        |
| 7    | 997 631 153 00 | Screw  |        | 4   |        |
| 8    | 997 631 249 00 | Ventilation component  |        | 2   |        |
| 9    | 997 631 073 02 | Mounting for main beam headl.  | left   | 1   |        |
| (9)  | 997 631 074 02 | Mounting for main beam headl.  | right  | 1   |        |
| 10   | 997 631 273 01 | Retainer bracket   |        | 2   |        |
| 11   | 997 631 272 00 | Bearing bush   |        | 2   |        |
| 12   | 900 116 004 09 | Retaining washer   |        | 2   |        |
| 13   | 997 631 194 00 | Securing element<br>Discontinued part  |        | 6   |        |
| 13   | 997 631 194 02 | Securing element   |        | 6   |        |
| 14   | 997 631 245 00 | Locking mechanism<br>Connector housing   |        | 2   |        |
| 15   | 999 703 413 40 | Bungs  |        | 2   |        |
| 16   | 993 631 170 03 | Bungs  |        | 6   |        |
| -    |                | Additional headlight   |        |     |        |
| 17   | 997 631 081 04 | Additional headlight<br>Discontinued part  | left   | 1   |        |
| 17   | 997 631 081 05 | Additional headlight   | left   | 1   |        |
| (17) | 997 631 082 04 | Additional headlight   | right  | 1   |        |
| 18   | 999 631 142 90 | Halogen bulb<br>H 8  |        | 2   |        |
| 19   | 999 631 033 90 | bulb<br>5 W<br>Position light<br>for<br>Additional headlight<br>997.631.081/082.01/02    |        | 2   |        |
| 19   | 999 631 040 90 | bulb<br>5 W<br>Position light<br>for<br>Additional headlight<br>997.631.081/082.03/04/05 |        | 2   |        |
| 20   | 997 631 137 00 | Bulb holder<br>Position light  |        | 2   |        |
| 21   | 900 631 021 90 | bulb<br>21 W<br>Turn signal indicator  |        | 2   |        |
| 22   | 997 631 139 00 | Bulb holder<br>Turn signal indicator   |        | 2   |        |
| 23   | 997 631 145 00 | Cover cap  |        | 2   |        |
| 24   | 997 631 147 00 | ventilation union  |        | 2   |        |

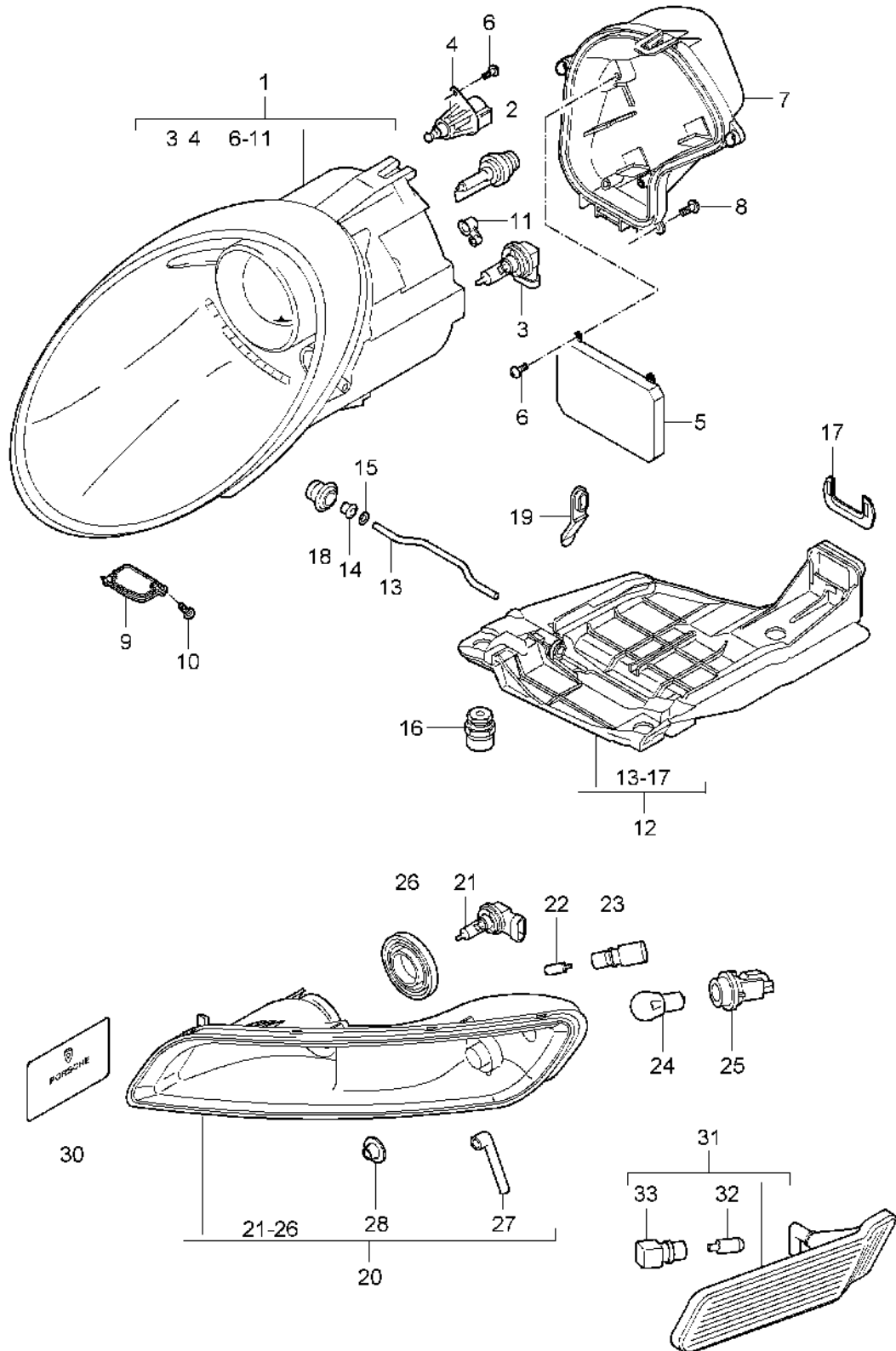
Model: 997 05

Model life 2005&gt;&gt;2008

| Pos  | Part Number    | Description                                    | Remark | Qty | Model |
|------|----------------|--|--------|-----|-------|
| 25   | 997 631 293 00 | Cover  |        | 4   |       |
| 27   | 997 631 231 00 | Card<br>for<br>Release<br>Additional headlight |        | 1   |       |
| 30   | 997 631 033 02 | Turn signal repeater                           | left   | 1   |       |
| (30) | 997 631 034 02 | Turn signal repeater                           | right  | 1   |       |
| 31   | 999 631 138 90 | bulb<br>5 W<br>yellow                          |        | 2   |       |
| 32   | 997 631 133 00 | Bulb holder                                    |        | 2   |       |

Model: 997 05

Model life 2005>>2008



Model: 997 05 Model life 2005>>2008

| Pos | Part Number    | Description  | Remark | Qty | Model  |
|-----|----------------|--|--------|-----|--------|
| -   |                | Headlights<br>Additional headlight<br>side marker light<br>Turn signal repeater<br>Headlights                              |        |     | PR:601 |
|     |                | without:<br>Control unit<br>and<br>bulb<br>XENON   |        |     |        |
| 1   | 997 631 157 03 | Headlights   | left   | 1   |        |
|     |                | F >> 99-8S701 799<br>F >> 99-8S724 121<br>F >> 99-8S740 417<br>F >> 99-8S750 908<br>F >> 99-8S761 098<br>F >> 99-8S772 756 |        |     |        |
| (1) | 997 631 157 07 | Headlights   | left   | 1   |        |
|     |                | F 99-8S701 800>><br>F 99-8S724 122>><br>F 99-8S740 418>><br>F 99-8S750 909>><br>F 99-8S761 099>><br>F 99-8S772 757>>       |        |     |        |
| (1) | 997 631 158 03 | Headlights   | right  | 1   |        |
|     |                | F >> 99-8S701 799<br>F >> 99-8S724 121<br>F >> 99-8S740 417<br>F >> 99-8S750 908<br>F >> 99-8S761 098<br>F >> 99-8S772 756 |        |     |        |
| (1) | 997 631 158 07 | Headlights   | right  | 1   |        |
|     |                | F 99-8S701 800>><br>F 99-8S724 122>><br>F 99-8S740 418>><br>F 99-8S750 909>><br>F 99-8S761 099>><br>F 99-8S772 757>>       |        |     |        |
| (1) | 997 631 157 13 | Headlights   | left   | 1   | PR:492 |
|     |                | F >> 99-8S701 783<br>F >> 99-8S724 053<br>F >> 99-8S740 404<br>F >> 99-8S750 864<br>F >> 99-8S761 064<br>F >> 99-8S772 791 |        |     |        |
| (1) | 997 631 157 17 | Headlights   | left   | 1   | PR:492 |
|     |                | F 99-8S701 784>><br>F 99-8S724 054>><br>F 99-8S740 405>><br>F 99-8S750 865>><br>F 99-8S761 065>><br>F 99-8S772 792>>       |        |     |        |
| (1) | 997 631 158 13 | Headlights   | right  | 1   | PR:492 |
|     |                | F >> 99-8S701 783<br>F >> 99-8S724 053<br>F >> 99-8S740 404<br>F >> 99-8S750 864<br>F >> 99-8S761 064<br>F >> 99-8S772 791 |        |     |        |
| (1) | 997 631 158 17 | Headlights   | right  | 1   | PR:492 |
|     |                | F 99-8S701 784>><br>F 99-8S724 054>><br>F 99-8S740 405>>   |        |     |        |

Model: 997 05 Model life 2005>>2008

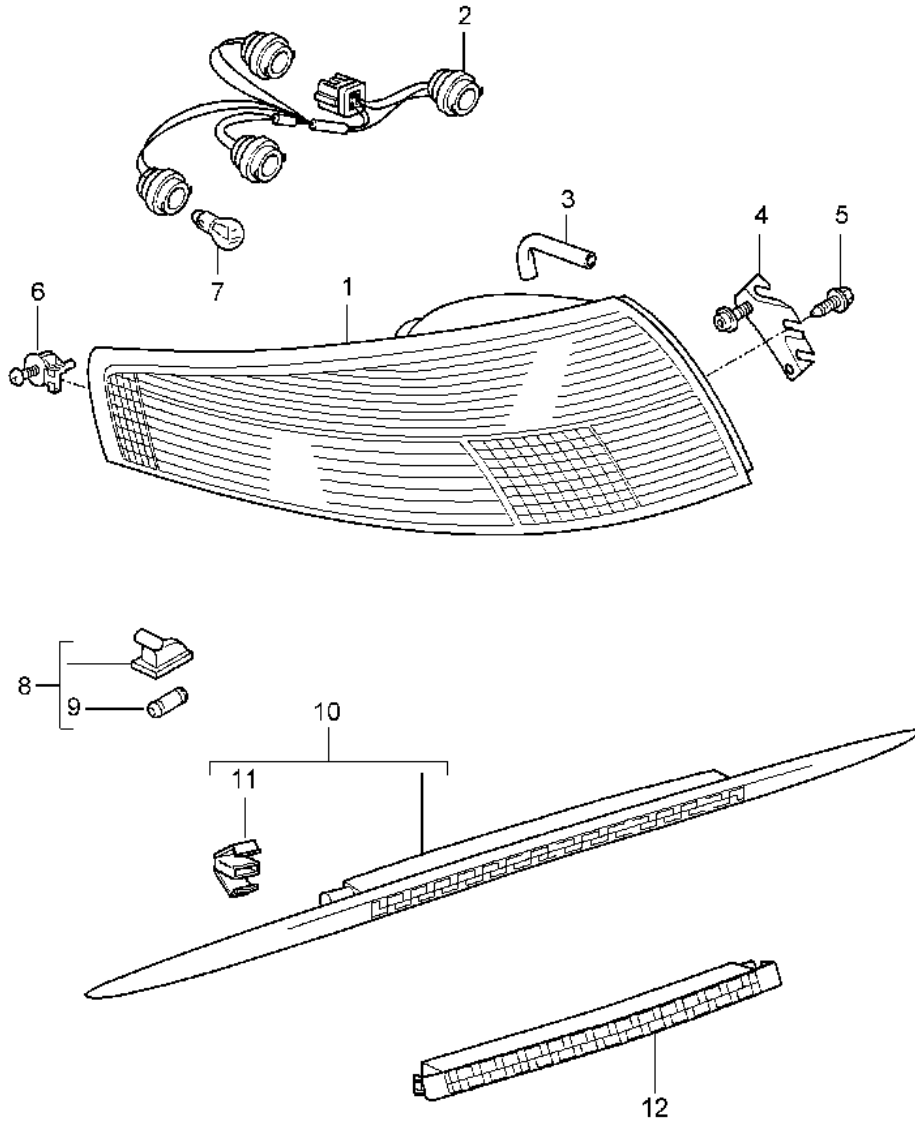
| Pos  | Part Number    | Description  | Remark | Qty | Model  |
|------|----------------|--|--------|-----|--------|
| 2    | 999 631 036 90 | F 99-8S750 865>><br>F 99-8S761 065>><br>F 99-8S772 792>><br>Gas discharge lamp<br>- PHILIPS -  |        | 2   |        |
| 3    | 999 631 144 91 | Halogen bulb<br>H 11   |        | 2   |        |
| 4    | 997 631 125 01 | Servomotor<br>Headlight range control<br>F >> 99-5S760 873<br>F >> 99-5S737 045  | left   | 1   | PR:492 |
| (4)  | 997 631 126 01 | Servomotor<br>Headlight range control<br>F >> 99-5S760 873<br>F >> 99-5S737 045  | right  | 1   | PR:492 |
| 4    | 997 631 141 00 | Servomotor<br>Headlight range control<br>F 99-5S760 874>><br>F 99-5S737 046>>  |        | 2   | PR:492 |
| -    |                | use if required:   |        |     |        |
| -    | 997 631 941 00 | Adapter cable  |        | 2   |        |
| 5    | 997 631 183 00 | Control unit<br>F >> 99-8S701 799<br>F >> 99-8S701 783<br>F >> 99-8S724 121<br>F >> 99-8S724 053<br>F >> 99-8S740 417<br>F >> 99-8S740 404<br>F >> 99-8S750 908<br>F >> 99-8S750 864<br>F >> 99-8S761 098<br>F >> 99-8S761 064<br>F >> 99-8S772 756<br>F >> 99-8S772 791 |        | 2   |        |
| 5    | 997 631 283 01 | Control unit<br>F 99-8S701 800>><br>F 99-8S701 784>><br>F 99-8S724 122>><br>F 99-8S724 054>><br>F 99-8S740 418>><br>F 99-8S740 405>><br>F 99-8S750 909>><br>F 99-8S750 865>><br>F 99-8S761 099>><br>F 99-8S761 065>><br>F 99-8S772 757>><br>F 99-8S772 792>>             |        | 2   |        |
| 6    | 997 631 199 00 | Screw  |        | 6   |        |
| 7    | 997 631 101 00 | Protective hood  | left   | 1   |        |
| (7)  | 997 631 102 00 | Protective hood  | right  | 1   |        |
| 8    | 997 631 191 00 | Screw  |        | 8   |        |
| 9    | 997 631 149 00 | Ventilation component<br>Discontinued part   | left   | 1   |        |
| 9    | 997 631 149 10 | Ventilation component  | left   | 1   |        |
| (9)  | 997 631 150 00 | Ventilation component<br>Discontinued part   | right  | 1   |        |
| (9)  | 997 631 150 10 | Ventilation component  | right  | 1   |        |
| 10   | 997 631 153 00 | Screw  |        | 4   |        |
| 11   | 997 631 249 00 | Ventilation component  |        | 2   |        |
| 12   | 997 631 073 02 | Mounting for main beam headl.  | left   | 1   |        |
| (12) | 997 631 074 02 | Mounting for main beam headl.  | right  | 1   |        |
| 13   | 997 631 273 01 | Retainer bracket   |        | 2   |        |
| 14   | 997 631 272 00 | Bearing bush   |        | 2   |        |

Model: 997 05 Model life 2005>>2008

| Pos  | Part Number    | Description              | Remark | Qty | Model |
|------|----------------|--------------------------|--------|-----|-------|
| 15   | 900 116 004 09 | Retaining washer         |        | 2   |       |
| 16   | 997 631 194 00 | Securing element         |        | 6   |       |
|      |                | Discontinued part        |        |     |       |
| 16   | 997 631 194 02 | Securing element         |        | 6   |       |
| 17   | 997 631 245 00 | Locking mechanism        |        | 2   |       |
|      |                | Connector housing        |        |     |       |
| 18   | 999 703 413 40 | Bungs                    |        | 2   |       |
| 19   | 993 631 170 03 | Bungs                    |        | 6   |       |
| -    |                | Additional headlight     |        |     |       |
| 20   | 997 631 081 04 | Additional headlight     | left   | 1   |       |
|      |                | Discontinued part        |        |     |       |
| 20   | 997 631 081 05 | Additional headlight     | left   | 1   |       |
| (20) | 997 631 082 04 | Additional headlight     | right  | 1   |       |
| 21   | 999 631 142 90 | Halogen bulb             |        | 2   |       |
|      |                | H 8                      |        |     |       |
| 22   | 999 631 033 90 | bulb                     |        | 2   |       |
|      |                | 5 W                      |        |     |       |
|      |                | Position light           |        |     |       |
|      |                | for                      |        |     |       |
|      |                | Additional headlight     |        |     |       |
|      |                | 997.631.081/082.01/02    |        |     |       |
| 22   | 999 631 040 90 | bulb                     |        | 2   |       |
|      |                | 5 W                      |        |     |       |
|      |                | Position light           |        |     |       |
|      |                | for                      |        |     |       |
|      |                | Additional headlight     |        |     |       |
|      |                | 997.631.081/082.03/04/05 |        |     |       |
| 23   | 997 631 137 00 | Bulb holder              |        | 2   |       |
|      |                | Position light           |        |     |       |
| 24   | 900 631 021 90 | bulb                     |        | 2   |       |
|      |                | 21 W                     |        |     |       |
|      |                | Turn signal indicator    |        |     |       |
| 25   | 997 631 139 00 | Bulb holder              |        | 2   |       |
|      |                | Turn signal indicator    |        |     |       |
| 26   | 997 631 145 00 | Cover cap                |        | 2   |       |
| 27   | 997 631 147 00 | ventilation union        |        | 2   |       |
| 28   | 997 631 293 00 | Cover                    |        | 4   |       |
| 30   | 997 631 231 00 | Card                     |        | 1   |       |
|      |                | for                      |        |     |       |
|      |                | Release                  |        |     |       |
|      |                | Additional headlight     |        |     |       |
| 31   | 997 631 033 02 | Turn signal repeater     | left   | 1   |       |
| (31) | 997 631 034 02 | Turn signal repeater     | right  | 1   |       |
| 32   | 999 631 138 90 | bulb                     |        | 2   |       |
|      |                | 5 W                      |        |     |       |
|      |                | yellow                   |        |     |       |
| 33   | 997 631 133 00 | Bulb holder              |        | 2   |       |

Model: 997 05

Model life 2005>>2008





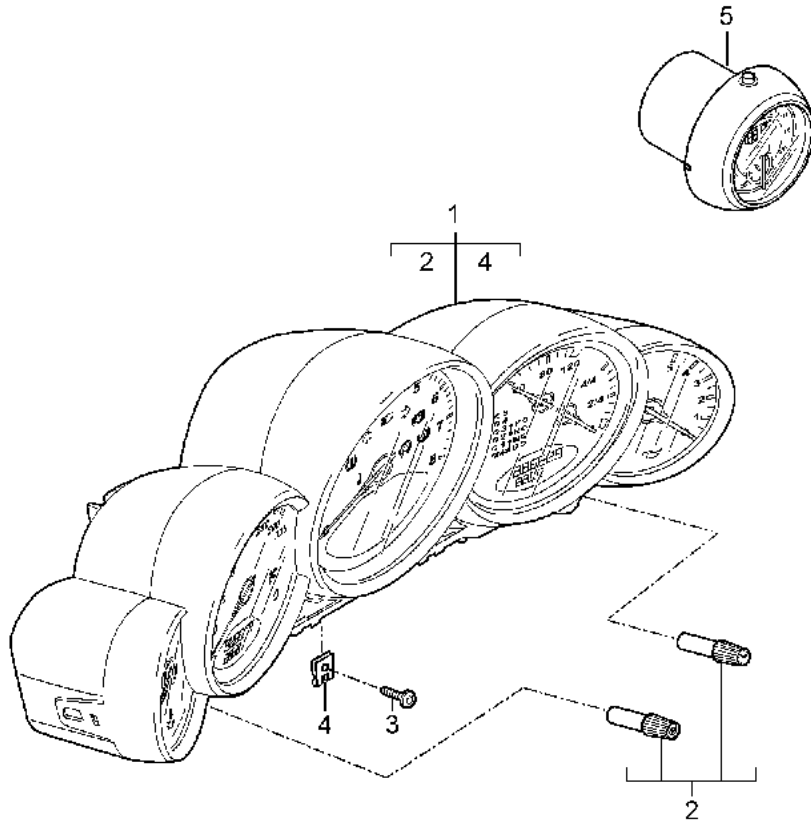
Model: 997 05

Model life 2005>>2008

| Pos  | Part Number    | Description  | Remark | Qty | Model       |
|------|----------------|--|--------|-----|-------------|
|      |                | Rear light   |        |     |             |
|      |                | Licence plate light  |        |     |             |
|      |                | Additional brake light   |        |     |             |
| 1    | 997 631 485 03 | Tail light housing   | left   | 1   |             |
| (1)  | 997 631 486 03 | Tail light housing   | right  | 1   |             |
| (1)  | 997 631 981 00 | Rear light<br>(complete)   | left   | 1   | PR:XXF      |
| (1)  | 997 631 982 00 | D - MJ 2008>> - MJ 2008<br>Rear light<br>(complete)                          | right  | 1   | PR:XXF      |
|      |                | D - MJ 2008>> - MJ 2008  |        |     |             |
| 2    | 997 631 436 00 | Wire set   |        | 2   |             |
| 3    | 997 631 451 00 | ventilation union  |        | 4   |             |
| 4    | 997 631 463 01 | Bracket  | left   | 1   |             |
| (4)  | 997 631 464 01 | Bracket  | right  | 1   |             |
| 5    | 900 146 075 09 | Screw<br>M 6 X 12  |        | 2   |             |
| 6    | 997 631 471 00 | Support  |        | 2   |             |
| 7    | 900 631 018 90 | bulb<br>21 W<br>white  |        | 1   |             |
| 7    | 900 631 021 90 | Back-up light<br>bulb<br>21 W<br>yellow                                      |        | 1   |             |
| 7    | 900 631 022 90 | Turn signal indicator<br>bulb<br>21/5 W                                      |        | 1   |             |
| 7    | 900 631 017 90 | Tail light<br>bulb<br>21/4 W   |        | 1   |             |
| 7    | 900 631 017 91 | Rear fog light<br>Tail light<br>bulb<br>21/4 W                               |        | 1   |             |
| 8    | 997 631 620 01 | Brake light<br>Tail light  |        | 2   |             |
| 8    | 997 631 620 02 | Licence plate light<br>Discontinued part                                     |        | 2   |             |
| 9    | 900 631 025 90 | Licence plate light<br>bulb<br>12V 5W  |        | 2   |             |
| 10   | 997 631 050 04 | Additional brake light   |        | 1   | COUPE/TARGA |
| (10) | 997 631 054 03 | Additional brake light   |        | 1   | CABRIO      |
| 11   | 997 631 203 00 | Clip   |        | 6   | COUPE/TARGA |
| 12   | 997 631 051 01 | Additional brake light<br>in<br>Spoiler                                      |        | 1   |             |
|      |                | See technical information<br>GR. 9 , NR. 8/04<br>No longer use the part here |        |     |             |
| 12   | 997 631 051 02 | Additional brake light<br>in<br>Spoiler                                      |        | 1   |             |
|      |                | No longer use the part here  |        |     |             |
| 12   | 997 631 051 04 | Additional brake light<br>in<br>Spoiler                                      |        | 1   |             |

Model: 997 05

Model life 2005>>2008



Model: 997 05 Model life 2005>>2008

| Pos | Part Number        | Description  | Remark | Qty | Model               |
|-----|--------------------|--|--------|-----|---------------------|
| -   |                    | Instruments<br>Stopwatch<br>See technical information<br>GR. 9 NR. 5/09<br>KD - NR. 9025 |        |     |                     |
| (1) | 997 641 105 33     | Combi-instrument<br>(complete)   |        | 1   | PR:022,480          |
| 1   | 997 641 105 33 D07 | Volcano grey   |        |     |                     |
|     | 997 641 106 33     | Combi-instrument<br>(complete)   |        | 1   | PR:022,249          |
|     | 997 641 106 33 D07 | Volcano grey   |        |     |                     |
| (1) | 997 641 107 31     | Combi-instrument<br>(complete)   |        | 1   | PR:022,480<br>"GB." |
|     |                    | D >> - MJ 2007<br>Discontinued part  |        |     |                     |
|     | 997 641 107 31 D07 | Volcano grey   |        |     |                     |
| (1) | 997 641 107 33     | Combi-instrument<br>(complete)   |        | 1   | PR:022,480<br>"GB." |
|     | 997 641 107 33 D07 | Volcano grey   |        |     |                     |
| 1   | 997 641 108 30     | Combi-instrument<br>(complete)   |        | 1   | PR:022,249<br>"GB." |
|     |                    | D >> - MJ 2006<br>Discontinued part  |        |     |                     |
|     | 997 641 108 30 D07 | Volcano grey   |        |     |                     |
| 1   | 997 641 108 31     | Combi-instrument<br>(complete)   |        | 1   | PR:022,249<br>"GB." |
|     |                    | D >> - MJ 2007<br>Discontinued part  |        |     |                     |
|     | 997 641 108 31 D07 | Volcano grey   |        |     |                     |
| 1   | 997 641 108 33     | Combi-instrument<br>(complete)   |        | 1   | PR:022,249<br>"GB." |
|     | 997 641 108 33 D07 | Volcano grey   |        |     |                     |
| (1) | 997 641 115 33     | Combi-instrument<br>(complete)   |        | 1   | PR:023,480          |
|     | 997 641 115 33 D07 | Volcano grey   |        |     |                     |
| 1   | 997 641 116 33     | Combi-instrument<br>(complete)   |        | 1   | PR:023,249          |
|     | 997 641 116 33 D07 | Volcano grey   |        |     |                     |
| (1) | 997 641 117 31     | Combi-instrument<br>(complete)   |        | 1   | PR:023,480<br>"GB." |
|     |                    | D >> - MJ 2007<br>Discontinued part  |        |     |                     |
|     | 997 641 117 31 D07 | Volcano grey   |        |     |                     |
| (1) | 997 641 117 33     | Combi-instrument<br>(complete)   |        | 1   | PR:023,480<br>"GB." |
|     | 997 641 117 33 D07 | Volcano grey   |        |     |                     |
| 1   | 997 641 118 33     | Combi-instrument<br>(complete)   |        | 1   | PR:023,249<br>"GB." |
|     | 997 641 118 33 D07 | Volcano grey   |        |     |                     |
| (2) | 997 641 911 00     | knob<br>throttle control element   |        | 1   |                     |
|     |                    | Trip meter<br>and<br>Clock   |        |     |                     |
| 3   | 999 073 155 09     | panel screw  |        | 2   |                     |

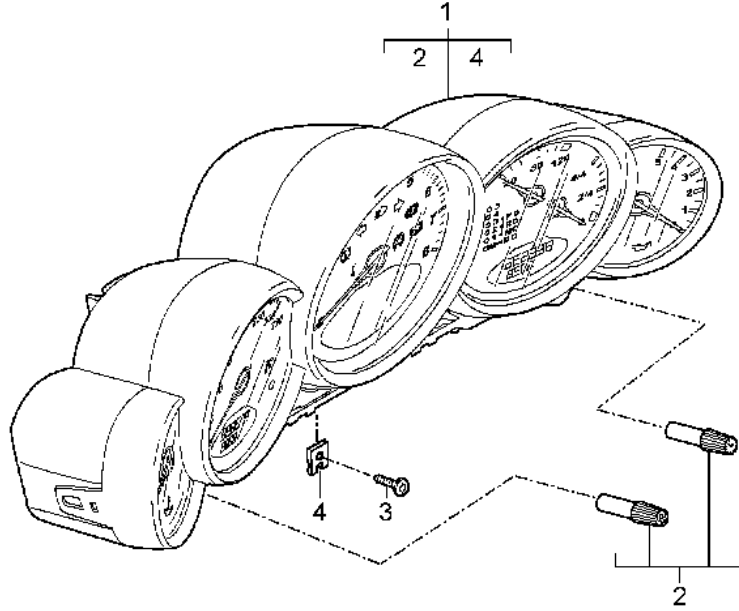
Model: 997 05

Model life 2005>>2008

| Pos | Part Number        | Description  | Remark | Qty | Model              |
|-----|--------------------|--|--------|-----|--------------------|
| 4   | 999 507 403 02     | 4,2 X 19<br>U-clip   |        | 2   |                    |
| -   |                    | Stopwatch  |        |     |                    |
| 5   | 997 641 301 26     | Stopwatch  |        | 1   | PR:025,639,<br>640 |
|     | 997 641 301 26 V05 | Galvano silver<br>for vehicles up to<br>F >> 99-5S732 280<br>also use: |        |     |                    |
| -   | 997 552 373 01     | Retainer, upper part   |        | 1   |                    |
| (5) | 997 641 311 26     | Stopwatch  |        | 1   | PR:026,639,<br>640 |
|     | 997 641 311 26 V05 | Galvano silver<br>for vehicles up to<br>F >> 99-5S732 280<br>also use: |        |     |                    |
| -   | 997 552 373 01     | Retainer, upper part   |        | 1   |                    |

Model: 997 05

Model life 2005>>2008



Model: 997 05 Model life 2005>>2008

| Pos | Part Number        | Description  | Remark | Qty | Model                      |
|-----|--------------------|--|--------|-----|----------------------------|
| -   |                    | Instruments<br>Exclusive programme<br>See technical information<br>GR. 9 NR. 5/09<br>KD - NR. 9025 |        |     |                            |
| (1) | 997 641 980 65     | Combi-instrument<br>(complete)<br>Dial<br>Lacquered  |        | 1   | CARRERA<br>PR:480          |
|     | 997 641 980 65 5Z1 | Sand beige   |        |     | PR:XFD                     |
|     | 997 641 980 65 8X8 | Terracotta   |        |     | PR:XFE                     |
|     | 997 641 980 65 T13 | Brown/natural  |        |     | PR:XFF                     |
|     | 997 641 980 65 84A | guards red (Porsche)   |        |     | PR:XFG                     |
|     | 997 641 980 65 12H | Speed yellow   |        |     | PR:XFH                     |
|     | 997 641 980 65 B9A | Carrara white  |        |     | PR:XFJ                     |
| 1   | 997 641 980 66     | Combi-instrument<br>(complete)<br>Dial<br>Lacquered  |        | 1   | CARRERA<br>PR:249          |
|     | 997 641 980 66 5Z1 | Sand beige   |        |     | PR:XFD                     |
|     | 997 641 980 66 8X8 | Terracotta   |        |     | PR:XFE                     |
|     | 997 641 980 66 T13 | Brown/natural  |        |     | PR:XFF                     |
|     | 997 641 980 66 84A | guards red (Porsche)   |        |     | PR:XFG                     |
|     | 997 641 980 66 12H | Speed yellow   |        |     | PR:XFH                     |
|     | 997 641 980 66 B9A | Carrara white  |        |     | PR:XFJ                     |
| (1) | 997 641 980 67     | Combi-instrument<br>(complete)<br>Dial<br>Lacquered  |        | 1   | CARRERA<br>PR:480<br>"GB." |
|     | 997 641 980 67 5Z1 | Sand beige   |        |     | PR:XFD                     |
|     | 997 641 980 67 8X8 | Terracotta   |        |     | PR:XFE                     |
|     | 997 641 980 67 T13 | Brown/natural  |        |     | PR:XFF                     |
|     | 997 641 980 67 84A | guards red (Porsche)   |        |     | PR:XFG                     |
|     | 997 641 980 67 12H | Speed yellow   |        |     | PR:XFH                     |
|     | 997 641 980 67 B9A | Carrara white  |        |     | PR:XFJ                     |
| 1   | 997 641 980 68     | Combi-instrument<br>(complete)<br>Dial<br>Lacquered  |        | 1   | CARRERA<br>PR:249<br>"GB." |
|     | 997 641 980 68 5Z1 | Sand beige   |        |     | PR:XFD                     |
|     | 997 641 980 68 8X8 | Terracotta   |        |     | PR:XFE                     |
|     | 997 641 980 68 T13 | Brown/natural  |        |     | PR:XFF                     |
|     | 997 641 980 68 84A | guards red (Porsche)   |        |     | PR:XFG                     |
|     | 997 641 980 68 12H | Speed yellow   |        |     | PR:XFH                     |
|     | 997 641 980 68 B9A | Carrara white  |        |     | PR:XFJ                     |
| (1) | 997 641 980 75     | Combi-instrument<br>(complete)<br>Dial<br>Lacquered  |        | 1   | CARRERA S<br>PR:480        |
|     | 997 641 980 75 5Z1 | Sand beige   |        |     | PR:XFD                     |
|     | 997 641 980 75 8X8 | Terracotta   |        |     | PR:XFE                     |
|     | 997 641 980 75 T13 | Brown/natural  |        |     | PR:XFF                     |
|     | 997 641 980 75 84A | guards red (Porsche)   |        |     | PR:XFG                     |
|     | 997 641 980 75 12H | Speed yellow   |        |     | PR:XFH                     |
|     | 997 641 980 75 B9A | Carrara white  |        |     | PR:XFJ                     |
| 1   | 997 641 980 76     | Combi-instrument<br>(complete)<br>Dial<br>Lacquered  |        | 1   | CARRERA S<br>PR:249        |
|     | 997 641 980 76 5Z1 | Sand beige   |        |     | PR:XFD                     |
|     | 997 641 980 76 8X8 | Terracotta   |        |     | PR:XFE                     |
|     | 997 641 980 76 T13 | Brown/natural  |        |     | PR:XFF                     |
|     | 997 641 980 76 84A | guards red (Porsche)   |        |     | PR:XFG                     |

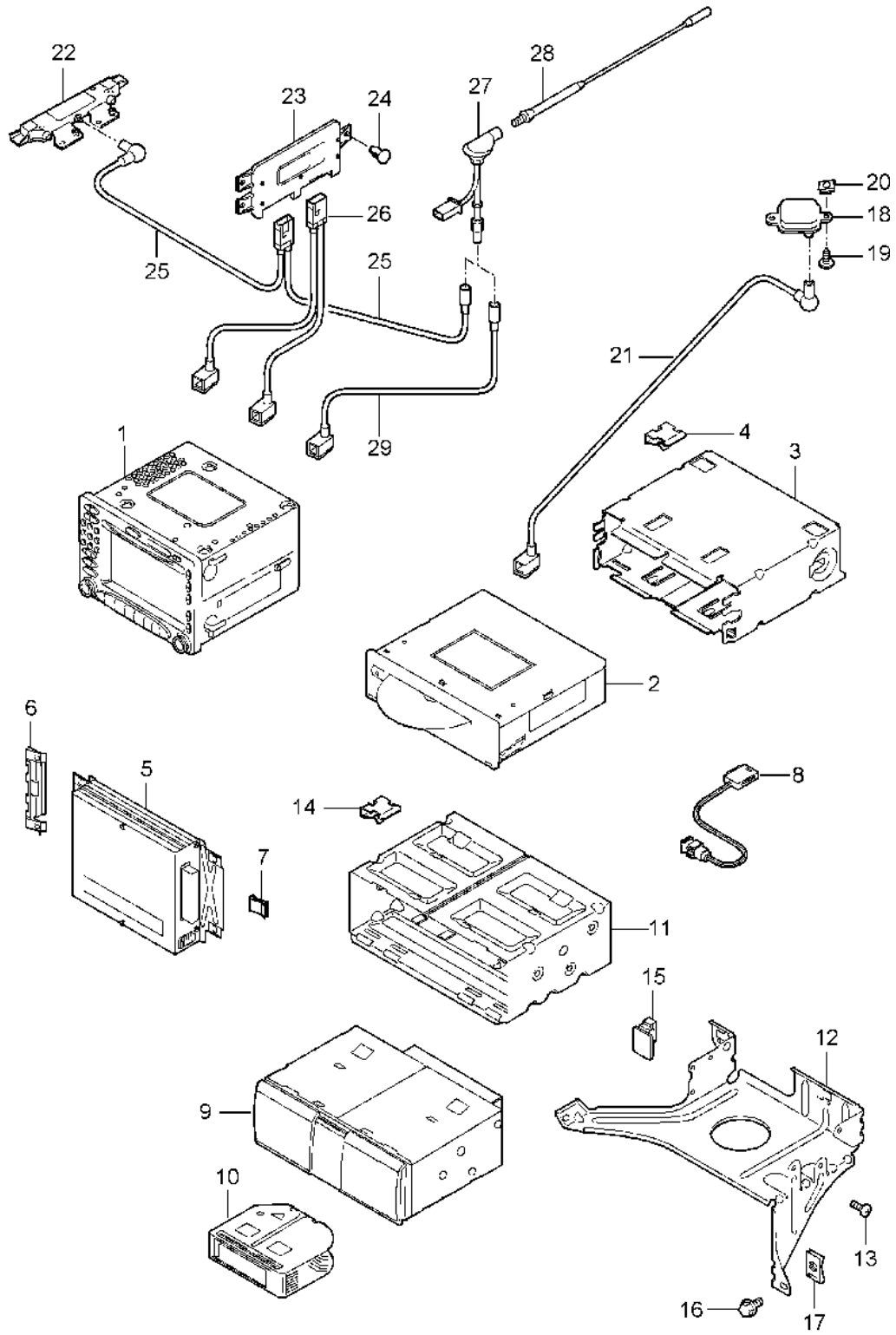
Model: 997 05

Model life 2005>>2008

| Pos | Part Number        | Description  | Remark                  | Qty | Model     |   |
|-----|--------------------|--|-------------------------|-----|-----------|---|
| (1) | 997 641 980 76 12H | Speed yellow   |                         | 1   | PR:XFH    |   |
|     | 997 641 980 76 B9A | Carrara white  |                         |     | PR:XFJ    |   |
|     | 997 641 980 77     | Combi-instrument<br>(complete)                                 |                         |     | CARRERA S |   |
|     |                    | Dial   |                         |     | PR:480    |   |
|     |                    | Lacquered  |                         |     | "GB."     |   |
|     | 997 641 980 77 5Z1 | Sand beige   |                         |     | PR:XFD    |   |
|     | 997 641 980 77 8X8 | Terracotta   |                         |     | PR:XFE    |   |
|     | 997 641 980 77 T13 | Brown/natural  |                         |     | PR:XFF    |   |
|     | 997 641 980 77 84A | guards red (Porsche)   |                         |     | PR:XFG    |   |
|     | 997 641 980 77 12H | Speed yellow   |                         |     | PR:XFH    |   |
| 1   | 997 641 980 77 B9A | Carrara white  |                         | 1   | PR:XFJ    |   |
|     | 997 641 980 78     | Combi-instrument<br>(complete)                                 |                         |     | CARRERA S |   |
|     |                    | Dial   |                         |     | PR:249    |   |
|     |                    | Lacquered  |                         |     | "GB."     |   |
|     | 997 641 980 78 5Z1 | Sand beige   |                         |     | PR:XFD    |   |
|     | 997 641 980 78 8X8 | Terracotta   |                         |     | PR:XFE    |   |
|     | 997 641 980 78 T13 | Brown/natural  |                         |     | PR:XFF    |   |
|     | 997 641 980 78 84A | guards red (Porsche)   |                         |     | PR:XFG    |   |
|     | 997 641 980 78 12H | Speed yellow   |                         |     | PR:XFH    |   |
|     | 997 641 980 78 B9A | Carrara white  |                         |     | PR:XFJ    |   |
| (2) | 997 641 911 00     | knob<br>throttle control element<br>Trip meter<br>and<br>Clock |                         | 1   |           |   |
|     | 3                  | 999 073 155 09   | panel screw<br>4,2 X 19 |     | 2         |   |
|     | 4                  | 999 507 403 02   | U-clip                  |     |           | 2 |

Model: 997 05

Model life 2005>>2008





Model: 997 05 Model life 2005>>2008

| Pos | Part Number        | Description   | Remark | Qty | Model      |
|-----|--------------------|---|--------|-----|------------|
| -   |                    | Radio unit<br>Control panel<br>Navigation system<br>Amplifiers<br>Radio unit<br>See catalogue<br>T E Q U I P M E N T  |        |     | CARRERA /S |
| 1   | 997 642 101 05     | Control panel<br>Discontinued part  |        | 1   | PR:665     |
|     | 997 642 101 05 FMH | Volcano Grey/Black Mat<br>F >> 99-5S701 791<br>F >> 99-5S732 290<br>See technical information<br>GR. 9 , NR. 7/04   |        |     |            |
| 1   | 997 642 101 06     | Control panel<br>Discontinued part  |        | 1   | PR:665     |
|     | 997 642 101 06 FMH | Volcano Grey/Black Mat<br>F >> 99-5S701 791<br>F >> 99-5S732 290<br>See technical information<br>GR. 9 , NR. 7/04   |        |     |            |
| (1) | 997 642 103 05     | Control panel<br>Discontinued part  |        | 1   | PR:665,680 |
|     | 997 642 103 05 FMH | Volcano Grey/Black Mat<br>F >> 99-5S701 788<br>F >> 99-5S732 293<br>See technical information<br>GR. 9 , NR. 7/04   |        |     |            |
| (1) | 997 642 103 06     | Control panel<br>Discontinued part  |        | 1   | PR:665,680 |
|     | 997 642 103 06 FMH | Volcano Grey/Black Mat<br>F >> 99-5S701 788<br>F >> 99-5S732 293<br>See technical information<br>GR. 9 , NR. 7/04   |        |     |            |
| 1   | 997 642 101 11     | Control panel   |        | 1   | PR:665     |
|     | 997 642 101 11 FMH | Volcano Grey/Black Mat<br>F >> 99-5S750 848<br>F >> 99-5S737 431<br>F 99-5S716 151>> 99-5S717 613<br>F 99-5S741 125>> 99-5S761 191  |        |     |            |
| 1   | 997 642 103 11     | Control panel   |        | 1   | PR:665,680 |
|     | 997 642 103 11 FMH | Volcano Grey/Black Mat<br>F 99-5S701 789>> 99-5S750 848<br>F 99-5S732 294>> 99-5S737 431<br>F 99-5S716 131>> 99-5S717 613<br>F 99-5S741 124>> 99-5S761 191  |        |     |            |
| 1   | 997 642 141 02     | Control panel<br>Discontinued part  |        | 1   | PR:665     |
|     | 997 642 141 02 FMH | Volcano Grey/Black Mat<br>F 99-5S750 849>> 99-6S751 980<br>F 99-5S737 432>> 99-6S738 110<br>F 99-5S717 614>> 99-6S717 268<br>F 99-5S761 192>> 99-6S775 014<br>F >> 99-6S703 170<br>F >> 99-6S757 896<br>F >> 99-6S743 973<br>See technical information<br>GR. 9 , NR. 28/05 |        |     |            |
| 1   | 997 642 141 03     | Control panel   |        | 1   | PR:665     |
|     | 997 642 141 03 FMH | Volcano Grey/Black Mat<br>F 99-5S750 849>> 99-6S751 980<br>F 99-5S737 432>> 99-6S738 110  |        |     |            |

Model: 997 05 Model life 2005>>2008

| Pos | Part Number                          | Description  | Remark | Qty | Model      |
|-----|--------------------------------------|--|--------|-----|------------|
| 1   | 997 642 143 02<br>997 642 143 02 FMH | F 99-5S717 614>> 99-6S717 268<br>F 99-5S761 192>> 99-6S775 014<br>F >> 99-6S703 170<br>F >> 99-6S757 896<br>F >> 99-6S743 973<br>See technical information<br>GR. 9 , NR. 28/05<br>Control panel<br>Discontinued part<br>Volcano Grey/Black Mat  |        | 1   | PR:665,680 |
| 1   | 997 642 143 03<br>997 642 143 03 FMH | F 99-5S750 849>> 99-6S751 980<br>F 99-5S737 432>> 99-6S738 110<br>F 99-5S717 614>> 99-6S717 268<br>F 99-5S761 192>> 99-6S775 014<br>F >> 99-6S703 170<br>F >> 99-6S757 896<br>F >> 99-6S743 973<br>See technical information<br>GR. 9 , NR. 28/05<br>Control panel<br>Volcano Grey/Black Mat |        | 1   | PR:665,680 |
| 1   | 997 642 141 10<br>997 642 141 10 FMH | F 99-6S751 981>><br>F 99-6S738 111>><br>F 99-6S717 269>><br>F 99-6S775 015>><br>F 99-6S703 171>><br>F 99-6S757 897>><br>F 99-6S743 974>><br>Control panel<br>Volcano Grey/Black Mat  |        | 1   | PR:665     |
| 1   | 997 642 143 10<br>997 642 143 10 FMH | F 99-6S751 981>><br>F 99-6S738 111>><br>F 99-6S717 269>><br>F 99-6S775 015>><br>F 99-6S703 171>><br>F 99-6S757 897>><br>F 99-6S743 974>><br>Control panel<br>Volcano Grey/Black Mat  |        | 1   | PR:665,680 |
| -   | 997 642 201 00<br>997 642 201 00 A05 | Rot. knob<br>Matt black<br>for<br>Control panel<br>See technical information<br>GR. 9 , NR. 6/04   | left   | 1   |            |
| -   | 997 642 202 00<br>997 642 202 00 A05 | Rot. knob<br>Matt black<br>for<br>Control panel<br>See technical information<br>GR. 9 , NR. 6/04   | right  | 1   |            |
| -   | 997 642 941 00                       | Trim<br>drawer<br>SIM card   |        | 1   |            |

Model: 997 05

Model life 2005&gt;&gt;2008

| Pos | Part Number    | Description  | Remark | Qty | Model      |
|-----|----------------|--|--------|-----|------------|
| -   | 900 187 038 02 | for<br>Control panel<br>panel screw<br>ST4,2 X 19<br>for<br>Mount<br>Radio unit<br>and<br>Control panel<br>Centre console  |        | 1   |            |
| 2   | 997 642 135 03 | DVD-player<br>Navigation system<br>F >> 99-5S701 788<br>F >> 99-5S732 291<br>Discontinued part   |        | 1   | PR:670     |
| 2   | 997 642 135 04 | DVD-player<br>Navigation system<br>F >> 99-5S750 848<br>F >> 99-5S737 431<br>F >> 99-5S717 613<br>F >> 99-5S761 191  |        | 1   | PR:670     |
| 2   | 997 642 137 02 | DVD-player<br>Navigation system<br>F 99-5S750 849>> 99-6S751 980<br>F 99-5S737 432>> 99-6S738 110<br>F 99-5S717 614>> 99-6S717 268<br>F 99-5S761 192>> 99-6S775 014<br>F >> 99-6S703 170<br>F >> 99-6S757 896<br>F >> 99-6S743 973 |        | 1   | PR:670,672 |
| 2   | 997 642 157 00 | DVD-player<br>Navigation system<br>F 99-6S751 981>><br>F 99-6S738 111>><br>F 99-6S717 269>><br>F 99-6S775 015>><br>F 99-6S703 171>><br>F 99-6S757 897>><br>F 99-6S743 974>>  |        | 1   | PR:670,672 |
| -   | 997 642 235 02 | DVD-ROM for navigation<br>system<br>F >> 99-5S701 788<br>F >> 99-5S732 291<br>Discontinued part  |        | 1   | PR:610     |
| -   | 997 642 239 02 | DVD-ROM for navigation<br>system<br>F >> 99-5S701 788<br>F >> 99-5S732 291<br>Discontinued part  |        | 1   | PR:611     |
| -   | 997 642 241 02 | DVD-ROM for navigation<br>system<br>F >> 99-5S701 788<br>F >> 99-5S732 291<br>Discontinued part  |        | 1   | PR:612     |
| -   | 997 642 243 02 | DVD-ROM for navigation<br>system<br>F >> 99-5S701 788<br>F >> 99-5S732 291   |        | 1   | PR:613     |
| -   | 997 642 245 02 | DVD-ROM for navigation<br>system<br>F >> 99-5S701 788<br>F >> 99-5S732 291   |        | 1   | PR:614     |
| -   | 997 642 235 03 | DVD-ROM for navigation   |        | 1   | PR:610     |

Model: 997 05 Model life 2005>>2008

| Pos | Part Number    | Description   | Remark | Qty | Model  |
|-----|----------------|---|--------|-----|--------|
| -   | 997 642 239 03 | system<br>F 99-5S701 789>> 99-5S750 848<br>F 99-5S732 292>> 99-5S737 431<br>F >> 99-5S761 191<br>DVD-ROM for navigation   |        | 1   | PR:611 |
| -   | 997 642 241 03 | system<br>F 99-5S701 789>> 99-5S750 848<br>F 99-5S732 292>> 99-5S737 431<br>F >> 99-5S761 191<br>DVD-ROM for navigation   |        | 1   | PR:612 |
| -   | 997 642 243 03 | system<br>F 99-5S701 789>> 99-5S750 848<br>F 99-5S732 292>> 99-5S737 431<br>F >> 99-5S761 191<br>DVD-ROM for navigation   |        | 1   | PR:613 |
| -   | 997 642 245 03 | system<br>F 99-5S701 789>> 99-5S750 848<br>F 99-5S732 292>> 99-5S737 431<br>F >> 99-5S761 191<br>DVD-ROM for navigation   |        | 1   | PR:614 |
| -   | 997 642 255 03 | system<br>F 99-5S701 789>> 99-5S750 848<br>F 99-5S732 292>> 99-5S737 431<br>F >> 99-5S761 191<br>DVD-ROM for navigation   |        | 1   | PR:610 |
| -   | 997 642 259 02 | system<br>F 99-5S750 849>> 99-6S751 980<br>F 99-5S737 432>> 99-6S738 110<br>F 99-5S761 192>> 99-6S717 268<br>F 99-5S717 614>> 99-6S775 014<br>F >> 99-6S703 170<br>F >> 99-6S757 896<br>F >> 99-6S743 973<br>DVD-ROM for navigation |        | 1   | PR:611 |
| -   | 997 642 261 02 | system<br>F 99-5S750 849>> 99-6S751 980<br>F 99-5S737 432>> 99-6S738 110<br>F 99-5S761 192>> 99-6S717 268<br>F 99-5S717 614>> 99-6S775 014<br>F >> 99-6S703 170<br>F >> 99-6S757 896<br>F >> 99-6S743 973<br>DVD-ROM for navigation |        | 1   | PR:612 |
| -   | 997 642 263 02 | system<br>F 99-5S750 849>> 99-6S751 980<br>F 99-5S737 432>> 99-6S738 110<br>F 99-5S761 192>> 99-6S717 268<br>F 99-5S717 614>> 99-6S775 014<br>F >> 99-6S703 170<br>F >> 99-6S757 896<br>F >> 99-6S743 973<br>DVD-ROM for navigation |        | 1   | PR:613 |
| -   | 997 642 265 02 | system<br>F 99-5S750 849>> 99-6S751 980<br>F 99-5S737 432>> 99-6S738 110<br>F 99-5S761 192>> 99-6S717 268<br>F 99-5S717 614>> 99-6S775 014<br>F >> 99-6S703 170<br>F >> 99-6S757 896<br>F >> 99-6S743 973<br>DVD-ROM for navigation |        | 1   | PR:614 |

Model: 997 05 Model life 2005>>2008

| Pos | Part Number    | Description  | Remark | Qty | Model  |
|-----|----------------|--|--------|-----|--------|
| -   | 997 642 265 03 | F 99-5S737 432>> 99-6S738 110<br>F 99-5S761 192>> 99-6S717 268<br>F 99-5S717 614>> 99-6S775 014<br>F >> 99-6S703 170<br>F >> 99-6S757 896<br>F >> 99-6S743 973<br>Discontinued part<br>DVD-ROM for navigation system             |        | 1   | PR:614 |
| -   | 997 642 255 04 | F 99-5S750 849>> 99-6S751 980<br>F 99-5S737 432>> 99-6S738 110<br>F 99-5S761 192>> 99-6S717 268<br>F 99-5S717 614>> 99-6S775 014<br>F >> 99-6S703 170<br>F >> 99-6S757 896<br>F >> 99-6S743 973<br>DVD-ROM for navigation system |        | 1   | PR:610 |
| -   | 997 642 259 03 | F 99-6S751 981>><br>F 99-6S738 111>><br>F 99-6S717 614>><br>F 99-6S775 015>><br>F 99-6S703 171>><br>F 99-6S757 897>><br>F 99-6S743 974>><br>D >> - MJ 2006<br>DVD-ROM for navigation system                                      |        | 1   | PR:611 |
| -   | 997 642 261 03 | F 99-6S751 981>><br>F 99-6S738 111>><br>F 99-6S717 614>><br>F 99-6S775 015>><br>F 99-6S703 171>><br>F 99-6S757 897>><br>F 99-6S743 974>><br>D >> - MJ 2006<br>DVD-ROM for navigation system                                      |        | 1   | PR:612 |
| -   | 997 642 263 03 | F 99-6S751 981>><br>F 99-6S738 111>><br>F 99-6S717 614>><br>F 99-6S775 015>><br>F 99-6S703 171>><br>F 99-6S757 897>><br>F 99-6S743 974>><br>D >> - MJ 2006<br>DVD-ROM for navigation system                                      |        | 1   | PR:613 |
| -   | 997 642 265 04 | F 99-6S751 981>><br>F 99-6S738 111>><br>F 99-6S717 614>><br>F 99-6S775 015>><br>F 99-6S703 171>><br>D >> - MJ 2006<br>DVD-ROM for navigation system  |        | 1   | PR:614 |

Model: 997 05 Model life 2005>>2008

| Pos | Part Number    | Description   | Remark | Qty | Model                     |
|-----|----------------|---|--------|-----|---------------------------|
| -   | 997 642 267 03 | F 99-6S757 897>><br>F 99-6S743 974>><br>D >> - MJ 2006<br>DVD-ROM for navigation system   |        | 1   | PR:616                    |
| -   | 997 642 255 05 | F 99-6S751 981>><br>F 99-6S738 111>><br>F 99-6S717 614>><br>F 99-6S775 015>><br>F 99-6S703 171>><br>F 99-6S757 897>><br>F 99-6S743 974>><br>D >> - MJ 2006<br>DVD-ROM for navigation system |        | 1   | PR:610                    |
| -   | 997 642 255 06 | D - MJ 2007>> - MJ 2007<br>DVD-ROM for navigation system  |        | 1   | PR:610                    |
| -   | 997 642 259 04 | D - MJ 2008>> - MJ 2008<br>DVD-ROM for navigation system  |        | 1   | PR:611                    |
| -   | 997 642 259 05 | D - MJ 2007>> - MJ 2007<br>DVD-ROM for navigation system  |        | 1   | PR:611                    |
| -   | 997 642 261 04 | D - MJ 2008>> - MJ 2008<br>DVD-ROM for navigation system  |        | 1   | PR:612                    |
| -   | 997 642 261 05 | D - MJ 2007>> - MJ 2007<br>DVD-ROM for navigation system  |        | 1   | PR:612                    |
| -   | 997 642 263 04 | D - MJ 2008>> - MJ 2008<br>DVD-ROM for navigation system  |        | 1   | PR:613                    |
| -   | 997 642 263 05 | D - MJ 2007>> - MJ 2007<br>DVD-ROM for navigation system  |        | 1   | PR:613                    |
| -   | 997 642 265 05 | D - MJ 2008>> - MJ 2008<br>DVD-ROM for navigation system  |        | 1   | PR:614                    |
| -   | 997 642 265 06 | D - MJ 2007>> - MJ 2007<br>DVD-ROM for navigation system  |        | 1   | PR:614                    |
| -   | 997 642 267 04 | D - MJ 2008>> - MJ 2008<br>DVD-ROM for navigation system  |        | 1   | PR:616                    |
| -   | 997 642 267 05 | D - MJ 2007>> - MJ 2007<br>DVD-ROM for navigation system  |        | 1   | PR:616                    |
| -   | 997 642 148 02 | D - MJ 2008>> - MJ 2008<br>CD-ROM for electronic driver's logbook   |        | 1   | PR:641                    |
| 3   | 997 642 231 00 | D - MJ 2006>><br>Bracket<br>DVD device  |        | 1   | PR:670,672                |
| 4   | 997 645 342 01 | U-clip  |        | 4   |                           |
| 5   | 997 645 331 01 | Amplifiers  |        | 1   | COUPE                     |
| 5   | 997 645 332 00 | Amplifiers  |        | 1   | PR:490<br>CABRIO          |
| (5) | 997 645 333 04 | Amplifiers<br>See technical information<br>GR. 9 , NR. 4/04<br>No longer use the part here  |        | 1   | PR:490<br>COUPE<br>PR:680 |

Model: 997 05 Model life 2005>>2008

| Pos  | Part Number    | Description  | Remark | Qty | Model   |
|------|----------------|--|--------|-----|---|
| (5)  | 997 645 333 06 | Amplifiers<br>F >> 99-5S701 788<br>F >> 99-5S732 293<br>See technical information<br>GR. 9 , NR. 7/04<br>GR. 9 , NR. 13/04 |        | 1   | COUPE<br>CARRERA<br>CARRERA S<br><br>PR:680<br>PR:680 |
| (5)  | 997 645 334 22 | Amplifiers<br>Note coding<br>F 99-5S701 789>><br>F 99-5S732 294>><br>D - MJ 2005>> - MJ 2005                               |        | 1   | CARRERA<br>CARRERA S                                  |
| (5)  | 997 645 334 33 | Amplifiers<br>Note coding<br>D - MJ 2006>>   |        | 1   | PR:680  |
| 6    | 997 645 340 00 | Securing clip  |        | 1   | PR:490,680  |
| 7    | 999 507 532 01 | U-clip   |        | 2   | PR:490,680  |
| 8    | 997 646 307 02 | microphone   |        | 1   | PR:680  |
| (8)  | 997 646 307 01 | microphone   |        | 1   | PR:618,666,<br>680                                    |
| -    | 997 610 233 00 | Cable guide<br>microphone<br>D >> - MJ 2007  |        | 1   |   |
| -    | 997 610 233 01 | Cable guide<br>microphone<br>D - MJ 2008>> - MJ 2008   |        | 1   |   |
| 9    | 997 645 140 03 | CD changers<br>CDC 4<br>Adjustment<br>Installation<br>Attention  |        | 1   | PR:692  |
| 10   | 996 645 113 00 | Magazine<br>CD changers  |        | 1   | PR:692  |
| 11   | 997 645 222 00 | bracket for cd-changer   |        | 1   | PR:692  |
| 12   | 997 645 221 00 | bracket for cd-changer   |        | 1   | PR:664,692  |
| 13   | 900 146 024 01 | flat round head bolt<br>M 5 X 8  |        | 6   | PR:692  |
| 14   | 997 645 342 01 | U-clip   |        | 4   | PR:692  |
| 15   | 999 703 501 40 | Securing element   |        | 2   | PR:664,692  |
| 16   | 900 378 179 09 | Hexagon bolt<br>M 6 X 16   |        | 2   | PR:664,692  |
| 17   | 999 507 766 02 | panel nut<br>M 6   |        | 2   | PR:664,692  |
| 18   | 997 642 105 00 | Aerial<br>GPS  |        | 1   | PR:670,672  |
| 19   | 999 073 210 00 | panel screw<br>4,8 X 13  |        | 1   | PR:670,672  |
| 20   | 999 507 441 01 | panel nut<br>4,8   |        | 1   | PR:670,672  |
| 21   | 997 612 060 25 | Aerial connection line<br>DVD device<br>Navigation system  |        | 1   | PR:670,672  |
| 22   | 997 647 117 00 | Aerial amplifier   | left   | 1   | PR:440  |
| (22) | 997 647 118 00 | Aerial amplifier   | right  | 1   | PR:440  |
| 23   | 997 647 124 00 | Control unit   |        | 1   | PR:440  |
| 24   | 999 591 904 40 | Securing element   |        | 2   | PR:440  |
| 25   | 997 612 069 00 | Connecting line<br>Aerial amplifier<br>Control unit  | lhd    | 1   | COUPE<br>PR:098,461,<br>665                           |
| 25   | 997 612 069 50 | Connecting line<br>Aerial amplifier<br>Control unit  | rhd    | 1   | COUPE<br>PR:099,461,<br>665                           |
| 25   | 997 612 066 00 | Connecting line  | lhd    | 1   | CABRIO  |

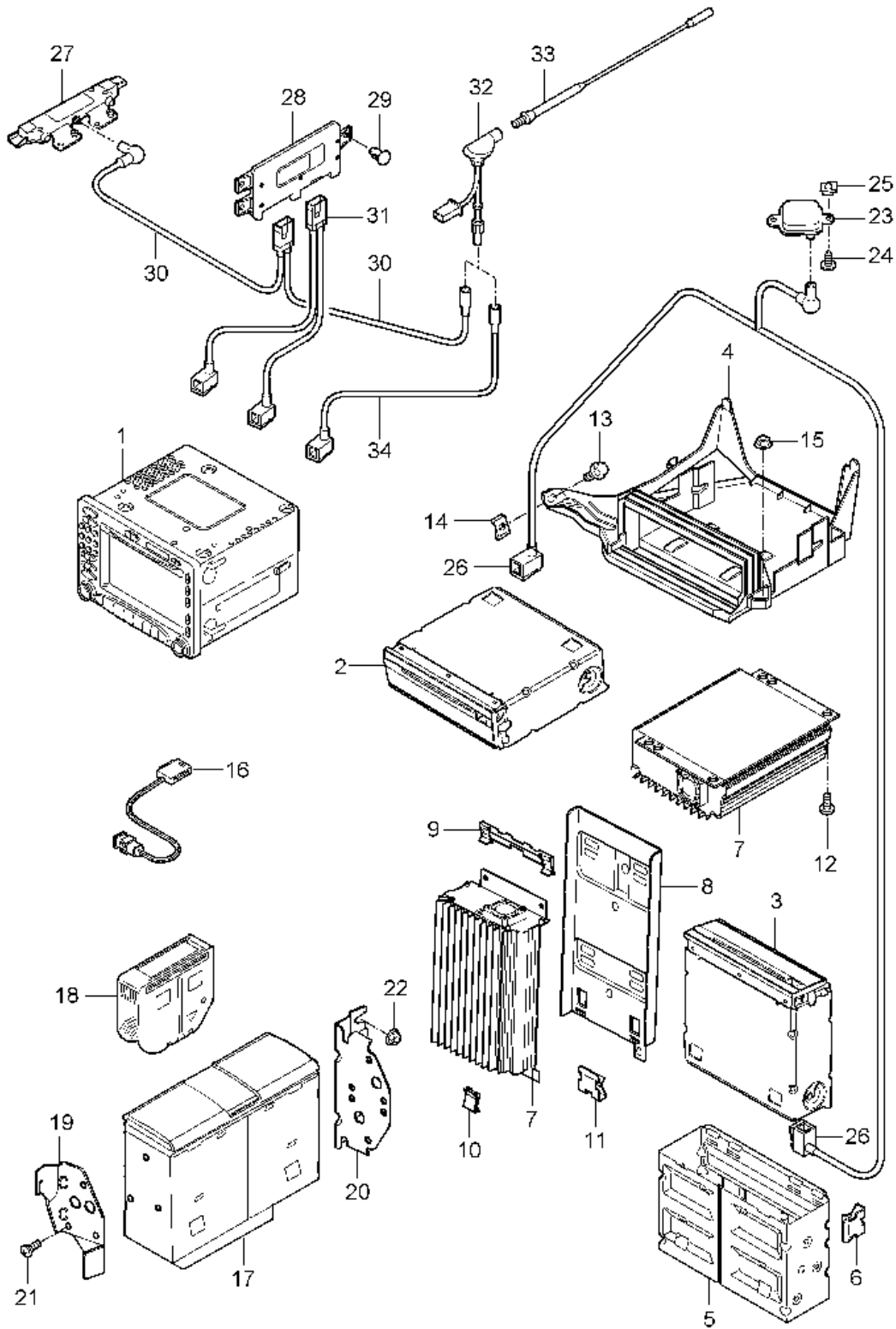
Model: 997 05 Model life 2005>>2008

| Pos  | Part Number    | Description   | Remark | Qty | Model                            |
|------|----------------|---|--------|-----|----------------------------------|
| 25   | 997 612 066 50 | Aerial amplifier<br>Control unit<br>Connecting line | rhd    | 1   | PR:098,461,<br>665<br>CABRIO     |
| (25) | 997 612 055 00 | Aerial amplifier<br>Control unit<br>Connecting line | lhd    | 1   | PR:099,461,<br>665<br>PR:098,665 |
| (25) | 997 612 056 00 | Aerial amplifier<br>Control unit<br>Connecting line | rhd    | 1   | PR:099,665                       |
| (25) | 997 612 062 50 | Aerial amplifier<br>Control unit<br>Connecting line |        | 1   | PR:694                           |
| 26   | 997 612 058 00 | Aerial amplifier<br>Control unit<br>Connecting line |        | 1   | PR:665                           |
| (26) | 997 612 052 00 | Control panel<br>Connecting line<br>Control unit    |        | 1   | PR:694                           |
| 27   | 997 647 231 00 | Radio unit<br>aerial base                           |        | 1   | COUPE<br>PR:461                  |
| (27) | 997 647 221 00 | aerial base   |        | 1   | CABRIO<br>PR:461                 |
| 28   | 997 647 233 00 | rod-type aerial                                     |        | 1   | COUPE<br>PR:461                  |
| (28) | 997 647 223 00 | rod-type aerial                                     |        | 1   | CABRIO<br>PR:461                 |
| (29) | 997 612 070 00 | Connecting line<br>aerial base<br>Radio unit        |        | 1   | COUPE<br>PR:461,694              |
| (29) | 997 612 068 00 | Connecting line<br>aerial base<br>Radio unit        | lhd    | 1   | CABRIO<br>PR:098,461,<br>694     |
| (29) | 997 612 068 50 | Connecting line<br>aerial base<br>Radio unit        | rhd    | 1   | CABRIO<br>PR:099,461,<br>694     |
| (29) | 997 612 067 01 | Connecting line<br>aerial base<br>Power supply      |        | 1   | CABRIO<br>PR:461                 |



Model: 997 05

Model life 2005>>2008



Model: 997 05 Model life 2005>>2008

| Pos | Part Number                          | Description  | Remark | Qty | Model        |
|-----|--------------------------------------|--|--------|-----|--------------|
| -   |                                      | Radio unit<br>Control panel<br>Navigation system<br>Amplifiers<br>Radio unit<br>See catalogue<br>T E Q U I P M E N T   |        |     | CARRERA 4/4S |
| 1   | 997 642 141 02<br>997 642 141 02 FMH | Control panel<br>Discontinued part<br>Volcano Grey/Black Mat<br>F >> 99-6S703 171<br>F >> 99-6S738 109<br>F >> 99-6S751 981<br>F >> 99-6S775 016<br>See technical information<br>GR. 9 , NR. 28/05 |        | 1   | PR:665       |
| 1   | 997 642 141 03<br>997 642 141 03 FMH | Control panel<br>Volcano Grey/Black Mat<br>F >> 99-6S703 171<br>F >> 99-6S738 109<br>F >> 99-6S751 981<br>F >> 99-6S775 016<br>See technical information<br>GR. 9 , NR. 28/05                      |        | 1   | PR:665       |
| 1   | 997 642 143 02<br>997 642 143 02 FMH | Control panel<br>Discontinued part<br>Volcano Grey/Black Mat<br>F >> 99-6S703 171<br>F >> 99-6S738 109<br>F >> 99-6S751 981<br>F >> 99-6S775 016<br>See technical information<br>GR. 9 , NR. 28/05 |        | 1   | PR:665,680   |
| 1   | 997 642 143 03<br>997 642 143 03 FMH | Control panel<br>Volcano Grey/Black Mat<br>F >> 99-6S703 171<br>F >> 99-6S738 109<br>F >> 99-6S751 981<br>F >> 99-6S775 016<br>See technical information<br>GR. 9 , NR. 28/05                      |        | 1   | PR:665,680   |
| 1   | 997 642 141 10<br>997 642 141 10 FMH | Control panel<br>Volcano Grey/Black Mat<br>F 99-6S703 172>><br>F 99-6S738 110>><br>F 99-6S751 982>><br>F 99-6S775 017>>  |        | 1   | PR:665       |
| 1   | 997 642 143 10<br>997 642 143 10 FMH | Control panel<br>Volcano Grey/Black Mat<br>F 99-6S703 172>><br>F 99-6S738 110>><br>F 99-6S751 982>><br>F 99-6S775 017>>  |        | 1   | PR:665,680   |
| -   | 997 642 201 00<br>997 642 201 00 A05 | Rot. knob<br>Matt black<br>for<br>Control panel<br>See technical information<br>GR. 9 , NR. 6/04   | left   | 1   |              |
| -   | 997 642 202 00<br>997 642 202 00 A05 | Rot. knob<br>Matt black<br>for<br>Control panel  | right  | 1   |              |

Model: 997 05 Model life 2005>>2008

| Pos | Part Number    | Description   | Remark | Qty | Model              |
|-----|----------------|---|--------|-----|--------------------|
| -   | 997 642 941 00 | See technical information<br>GR. 9 , NR. 6/04<br>Trim<br>drawer<br>SIM card<br>for<br>Control panel                                   |        | 1   |                    |
| -   | 900 187 038 02 | panel screw<br>ST4,2 X 19<br>for<br>Mount<br>Radio unit<br>and<br>Control panel   |        | 1   |                    |
| 2   | 997 642 137 02 | Centre console<br>DVD-player<br>Navigation system<br>F >> 99-6S703 171<br>F >> 99-6S738 109<br>F >> 99-6S751 981<br>F >> 99-6S775 016 | lhd    | 1   | PR:098,670,<br>672 |
| 2   | 997 642 157 00 | DVD-player<br>Navigation system<br>F 99-6S703 172>><br>F 99-6S738 110>><br>F 99-6S751 982>><br>F 99-6S775 017>>                       | lhd    | 1   | PR:098,670,<br>672 |
| 3   | 997 642 139 02 | DVD-player<br>Navigation system<br>F >> 99-6S703 171<br>F >> 99-6S738 109<br>F >> 99-6S751 981<br>F >> 99-6S775 016                   | rhd    | 1   | PR:099,670,<br>672 |
| 3   | 997 642 139 02 | DVD-player<br>Navigation system<br>F >> 99-6S703 171<br>F >> 99-6S738 109<br>F >> 99-6S751 981<br>F >> 99-6S775 016                   |        | 1   | PR:664,670,<br>672 |
| 3   | 997 642 159 00 | DVD-player<br>Navigation system<br>F 99-6S703 172>><br>F 99-6S738 110>><br>F 99-6S751 982>><br>F 99-6S775 017>>                       | rhd    | 1   | PR:099,670,<br>672 |
| 3   | 997 642 159 01 | Discontinued part<br>DVD-player<br>Navigation system<br>F 99-6S703 172>><br>F 99-6S738 110>><br>F 99-6S751 982>><br>F 99-6S775 017>>  | rhd    | 1   | PR:099,670,<br>672 |
| 3   | 997 642 159 00 | DVD-player<br>Navigation system<br>F 99-6S703 172>><br>F 99-6S738 110>><br>F 99-6S751 982>>   |        | 1   |                    |

Model: 997 05 Model life 2005>>2008

| Pos | Part Number    | Description  | Remark | Qty | Model                        |
|-----|----------------|--|--------|-----|------------------------------|
| 3   | 997 642 159 01 | F 99-6S775 017>><br>Discontinued part<br><br>DVD-player<br>Navigation system<br>F 99-6S703 172>><br>F 99-6S738 110>><br>F 99-6S751 982>><br>F 99-6S775 017>> |        | 1   | PR:664,670,<br>672           |
| -   | 997 642 255 03 | DVD-ROM for navigation<br>system<br>F >> 99-6S703 171<br>F >> 99-6S738 109<br>F >> 99-6S751 981<br>F >> 99-6S775 016   |        | 1   | PR:664,670,<br>672<br>PR:610 |
| -   | 997 642 259 02 | DVD-ROM for navigation<br>system<br>F >> 99-6S703 171<br>F >> 99-6S738 109<br>F >> 99-6S751 981<br>F >> 99-6S775 016   |        | 1   | PR:611                       |
| -   | 997 642 261 02 | DVD-ROM for navigation<br>system<br>F >> 99-6S703 171<br>F >> 99-6S738 109<br>F >> 99-6S751 981<br>F >> 99-6S775 016   |        | 1   | PR:612                       |
| -   | 997 642 263 02 | DVD-ROM for navigation<br>system<br>F >> 99-6S703 171<br>F >> 99-6S738 109<br>F >> 99-6S751 981<br>F >> 99-6S775 016   |        | 1   | PR:613                       |
| -   | 997 642 265 03 | DVD-ROM for navigation<br>system<br>F >> 99-6S703 171<br>F >> 99-6S738 109<br>F >> 99-6S751 981<br>F >> 99-6S775 016   |        | 1   | PR:614                       |
| -   | 997 642 255 04 | DVD-ROM for navigation<br>system<br>F 99-6S703 172>><br>F 99-6S738 110>><br>F 99-6S751 982>><br>F 99-6S775 017>>   |        | 1   | PR:610                       |
| -   | 997 642 259 03 | D >> - MJ 2006<br>DVD-ROM for navigation<br>system<br>F 99-6S703 172>><br>F 99-6S738 110>><br>F 99-6S751 982>><br>F 99-6S775 017>>                           |        | 1   | PR:611                       |
| -   | 997 642 261 03 | D >> - MJ 2006<br>DVD-ROM for navigation<br>system<br>F 99-6S703 172>><br>F 99-6S738 110>><br>F 99-6S751 982>><br>F 99-6S775 017>><br>D >> - MJ 2006         |        | 1   | PR:612                       |

Model: 997 05 Model life 2005>>2008

| Pos | Part Number    | Description   | Remark | Qty | Model                      |
|-----|----------------|---|--------|-----|----------------------------|
| -   | 997 642 263 03 | DVD-ROM for navigation system<br>F 99-6S703 172>><br>F 99-6S738 110>><br>F 99-6S751 982>><br>F 99-6S775 017>><br>D >> - MJ 2006 |        | 1   | PR:613                     |
| -   | 997 642 265 04 | DVD-ROM for navigation system<br>F 99-6S703 172>><br>F 99-6S738 110>><br>F 99-6S751 982>><br>F 99-6S775 017>><br>D >> - MJ 2006 |        | 1   | PR:614                     |
| -   | 997 642 267 03 | DVD-ROM for navigation system<br>F 99-6S703 172>><br>F 99-6S738 110>><br>F 99-6S751 982>><br>F 99-6S775 017>><br>D >> - MJ 2006 |        | 1   | PR:616                     |
| -   | 997 642 255 05 | DVD-ROM for navigation system<br>D - MJ 2007>> - MJ 2007  |        | 1   | PR:610                     |
| -   | 997 642 255 06 | DVD-ROM for navigation system<br>D - MJ 2008>> - MJ 2008  |        | 1   | PR:610                     |
| -   | 997 642 259 04 | DVD-ROM for navigation system<br>D - MJ 2007>> - MJ 2007  |        | 1   | PR:611                     |
| -   | 997 642 259 05 | DVD-ROM for navigation system<br>D - MJ 2008>> - MJ 2008  |        | 1   | PR:611                     |
| -   | 997 642 261 04 | DVD-ROM for navigation system<br>D - MJ 2007>> - MJ 2007  |        | 1   | PR:612                     |
| -   | 997 642 261 05 | DVD-ROM for navigation system<br>D - MJ 2008>> - MJ 2008  |        | 1   | PR:612                     |
| -   | 997 642 263 04 | DVD-ROM for navigation system<br>D - MJ 2007>> - MJ 2007  |        | 1   | PR:613                     |
| -   | 997 642 263 05 | DVD-ROM for navigation system<br>D - MJ 2008>> - MJ 2008  |        | 1   | PR:613                     |
| -   | 997 642 265 05 | DVD-ROM for navigation system<br>D - MJ 2007>> - MJ 2007  |        | 1   | PR:614                     |
| -   | 997 642 265 06 | DVD-ROM for navigation system<br>D - MJ 2008>> - MJ 2008  |        | 1   | PR:614                     |
| -   | 997 642 267 04 | DVD-ROM for navigation system<br>D - MJ 2007>> - MJ 2007  |        | 1   | PR:616                     |
| -   | 997 642 267 05 | DVD-ROM for navigation system<br>D - MJ 2008>> - MJ 2008  |        | 1   | PR:616                     |
| -   | 997 642 148 02 | CD-ROM for electronic driver's logbook  |        | 1   | PR:641                     |
| 4   | 997 645 351 00 | Holder for amplifier<br>DVD device<br>and   | 1hd    | 1   | PR:098,490,<br>670,672,680 |
| 5   | 997 642 231 00 | Bracket   |        | 1   | PR:664,670,                |

Model: 997 05 Model life 2005>>2008

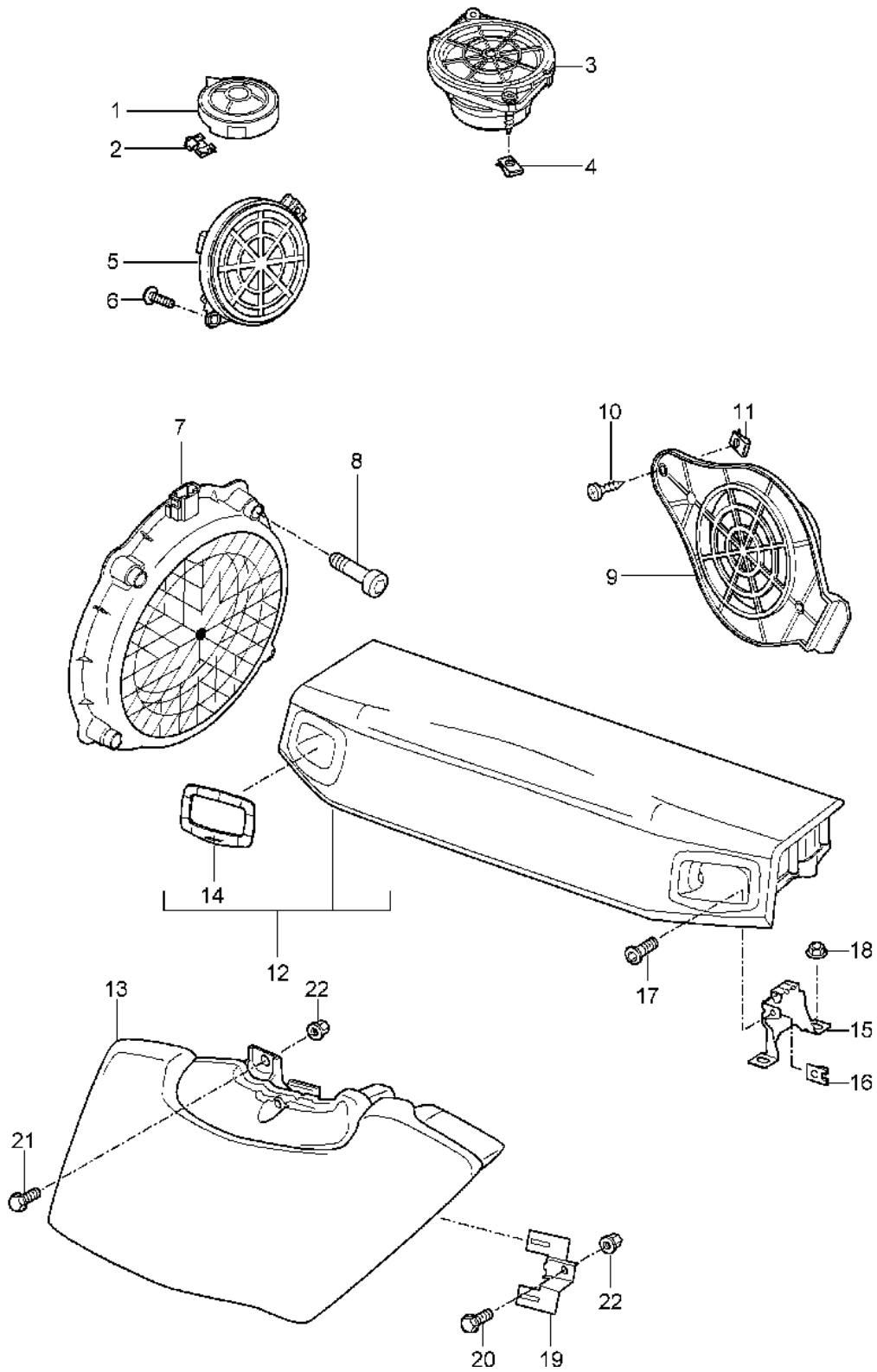
| Pos  | Part Number    | Description             | Remark | Qty | Model                 |
|------|----------------|-------------------------|--------|-----|-----------------------|
| (5)  | 997 642 335 00 | DVD device              |        |     | 672                   |
|      |                | Bracket                 | rhd    | 1   | PR:099,670,672        |
| 6    | 997 645 342 01 | DVD device              |        |     | 672                   |
|      |                | U-clip                  |        | 4   | PR:664,670,672        |
| (7)  | 997 645 331 01 | Amplifiers              |        | 1   | COUPE/TARGA<br>PR:490 |
| (7)  | 997 645 332 00 | Amplifiers              |        | 1   | CABRIO<br>PR:490      |
| 7    | 997 645 334 33 | Amplifiers              |        | 1   | PR:680                |
|      |                | Note coding             |        |     |                       |
| 8    | 997 645 341 01 | Holder for amplifier    |        | 1   | PR:490,664,680        |
| 9    | 997 645 340 00 | Securing clip           |        | 1   | PR:490,664,680        |
| 9    | 997 645 340 00 | Securing clip           | rhd    | 1   | PR:099,490,680        |
| 10   | 999 507 532 01 | U-clip                  |        | 2   | PR:490,664,680        |
| 10   | 999 507 532 01 | U-clip                  | rhd    | 2   | PR:099,490,680        |
| 11   | 997 645 342 01 | U-clip                  |        | 4   | PR:490,664,680        |
| 12   | 999 919 164 09 | fillister hd. bolt      | lhd    | X   | PR:098,490,680        |
|      |                | 5,0 X 12,0              |        |     |                       |
| 13   | 900 378 179 09 | Hexagon bolt            | lhd    | 1   | PR:098,490,670,680    |
|      |                | M 6 X 16                |        |     |                       |
| 14   | 999 507 766 02 | panel nut               | lhd    | 1   | PR:098,490,670,680    |
|      |                | M 6                     |        |     |                       |
| 15   | 999 084 638 01 | Hexagon nut             | lhd    | 1   | PR:098,490,670,680    |
|      |                | M 6                     |        |     |                       |
| 16   | 997 646 307 02 | microphone              |        | 1   | PR:680                |
| (16) | 997 646 307 01 | microphone              |        | 1   | PR:618,666,680        |
| -    | 997 610 233 00 | Cable guide             |        | 1   |                       |
|      |                | microphone              |        |     |                       |
|      |                | D >> - MJ 2007          |        |     |                       |
| -    | 997 610 233 01 | Cable guide             |        | 1   |                       |
|      |                | microphone              |        |     |                       |
|      |                | D - MJ 2008>> - MJ 2008 |        |     |                       |
| 17   | 997 645 140 03 | CD changers             |        | 1   | PR:692                |
|      |                | CDC 4                   |        |     |                       |
|      |                | Adjustment              |        |     |                       |
|      |                | Installation            |        |     |                       |
|      |                | Attention               |        |     |                       |
| 18   | 996 645 113 00 | Magazine                |        | 1   | PR:692                |
|      |                | CD changers             |        |     |                       |
| 19   | 997 645 233 00 | bracket for cd-changer  | lhd    | 1   | PR:098,692            |
| (19) | 997 645 234 00 | bracket for cd-changer  | rhd    | 1   | PR:099,692            |
| 20   | 997 645 235 00 | bracket for cd-changer  |        | 1   | PR:692                |
| 21   | 900 146 024 01 | flat round head bolt    |        | 6   | PR:692                |
|      |                | M 5 X 8                 |        |     |                       |
| 22   | 999 084 638 01 | Hexagon nut             |        | 3   | PR:692                |
|      |                | M 6                     |        |     |                       |
| 23   | 997 642 105 00 | Aerial                  |        | 1   | PR:670,672            |
|      |                | GPS                     |        |     |                       |
| 24   | 999 073 210 00 | panel screw             |        | 1   | PR:670,672            |
|      |                | 4,8 X 13                |        |     |                       |
| 25   | 999 507 441 01 | panel nut               |        | 1   | PR:670,672            |
|      |                | 4,8                     |        |     |                       |
| 26   | 997 612 060 25 | Aerial connection line  |        | 1   | PR:670,672            |
|      |                | DVD device              |        |     |                       |
|      |                | Navigation system       |        |     |                       |

Model: 997 05 Model life 2005>>2008

| Pos  | Part Number    | Description      | Remark | Qty | Model        |
|------|----------------|------------------|--------|-----|--------------|
| 27   | 997 647 117 00 | Aerial amplifier | left   | 1   | PR:440       |
| (27) | 997 647 118 00 | Aerial amplifier | right  | 1   | PR:440       |
| 28   | 997 647 124 00 | Control unit     |        | 1   | PR:440       |
| 29   | 999 591 904 40 | Securing element |        | 2   | PR:440       |
| 30   | 997 612 069 00 | Connecting line  | lhd    | 1   | COUPE        |
|      |                | Aerial amplifier |        |     | PR:098,461,  |
|      |                | Control unit     |        |     | 665          |
| 30   | 997 612 069 50 | Connecting line  | rhd    | 1   | COUPE        |
|      |                | Aerial amplifier |        |     | PR:099,461,  |
|      |                | Control unit     |        |     | 665          |
| 30   | 997 612 066 00 | Connecting line  | lhd    | 1   | CABRIO/TARGA |
|      |                | Aerial amplifier |        |     | PR:098,461,  |
|      |                | Control unit     |        |     | 665          |
| 30   | 997 612 066 50 | Connecting line  | rhd    | 1   | CABRIO/TARGA |
|      |                | Aerial amplifier |        |     | PR:099,461,  |
|      |                | Control unit     |        |     | 665          |
| (30) | 997 612 055 00 | Connecting line  | lhd    | 1   | PR:098,665   |
|      |                | Aerial amplifier |        |     |              |
|      |                | Control unit     |        |     |              |
| (30) | 997 612 056 00 | Connecting line  | rhd    | 1   | PR:099,665   |
|      |                | Aerial amplifier |        |     |              |
|      |                | Control unit     |        |     |              |
| (30) | 997 612 062 50 | Connecting line  |        | 1   | PR:694       |
|      |                | Aerial amplifier |        |     |              |
|      |                | Control unit     |        |     |              |
| 31   | 997 612 058 00 | Connecting line  |        | 1   | PR:665       |
|      |                | Control unit     |        |     |              |
|      |                | Control panel    |        |     |              |
| (31) | 997 612 052 00 | Connecting line  |        | 1   | PR:694       |
|      |                | Control unit     |        |     |              |
|      |                | Radio unit       |        |     |              |
| 32   | 997 647 231 00 | aerial base      |        | 1   | COUPE        |
|      |                |                  |        |     | PR:461       |
| (32) | 997 647 221 00 | aerial base      |        | 1   | CABRIO/TARGA |
|      |                |                  |        |     | PR:461       |
| 33   | 997 647 233 00 | rod-type aerial  |        | 1   | COUPE        |
|      |                |                  |        |     | PR:461       |
| (33) | 997 647 223 00 | rod-type aerial  |        | 1   | CABRIO/TARGA |
|      |                |                  |        |     | PR:461       |
| 34   | 997 612 070 00 | Connecting line  |        | 1   | COUPE        |
|      |                | aerial base      |        |     | PR:461,694   |
|      |                | Radio unit       |        |     |              |
| (34) | 997 612 068 00 | Connecting line  | lhd    | 1   | CABRIO/TARGA |
|      |                | aerial base      |        |     | PR:098,461,  |
|      |                | Radio unit       |        |     | 694          |
| (34) | 997 612 068 50 | Connecting line  | rhd    | 1   | CABRIO/TARGA |
|      |                | aerial base      |        |     | PR:099,461,  |
|      |                | Radio unit       |        |     | 694          |
| (34) | 997 612 067 01 | Connecting line  |        | 1   | CABRIO       |
|      |                | aerial base      |        |     | PR:461       |
|      |                | Power supply     |        |     |              |

Model: 997 05

Model life 2005>>2008





Model: 997 05 Model life 2005>>2008

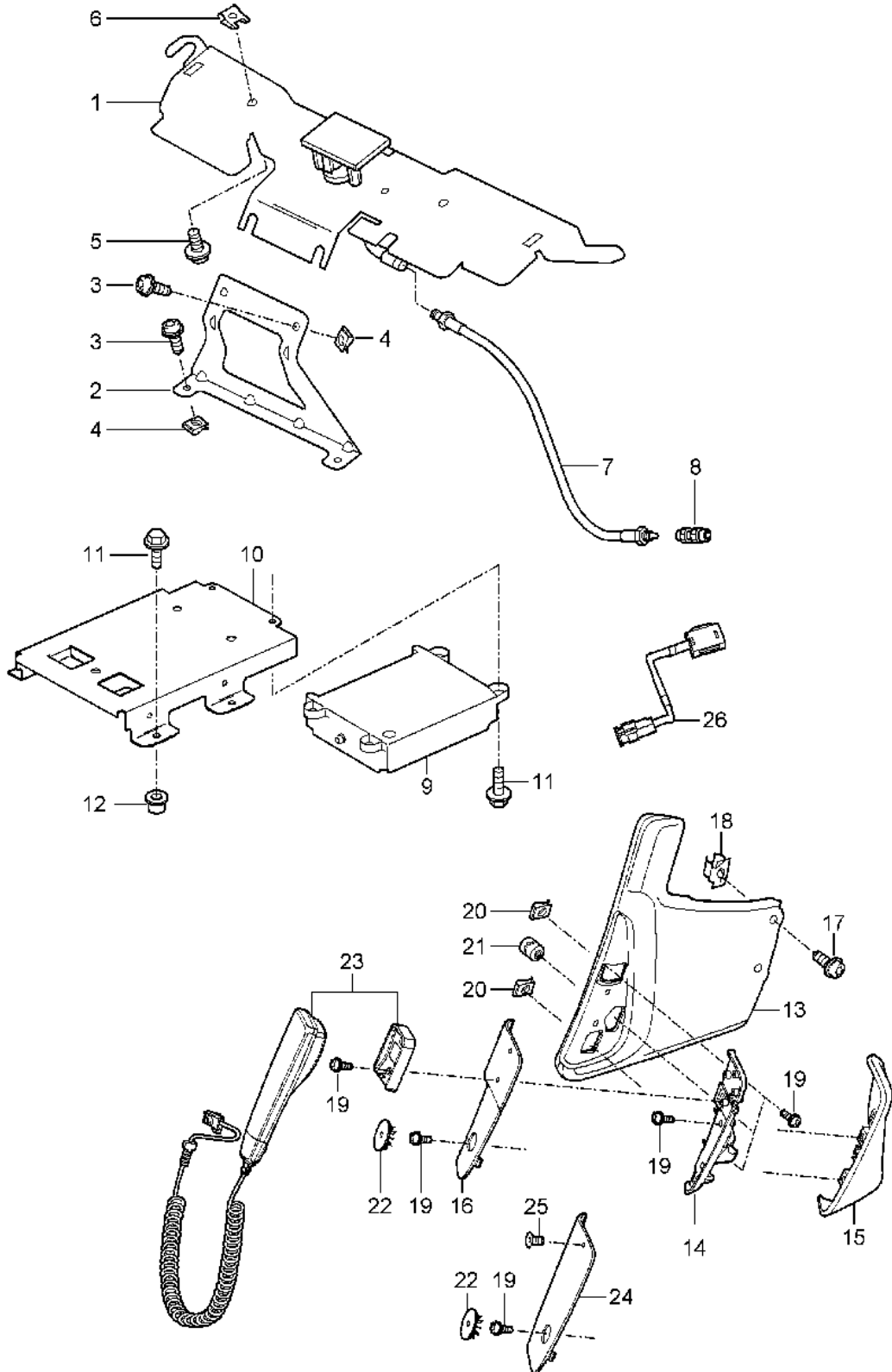
| Pos  | Part Number        | Description                                | Remark | Qty | Model                      |
|------|--------------------|--|--------|-----|----------------------------|
| 1    | 997 645 021 00     | Loudspeaker<br>Treble speaker<br>dashboard |        | 2   | PR:490                     |
| (1)  | 997 645 025 00     | Treble speaker<br>dashboard                |        | 2   | PR:680                     |
| 2    | 999 591 303 01     | U-clip                                     |        | 4   |                            |
| 3    | 997 645 033 00     | Loudspeaker<br>dashboard                   | center | 1   | PR:490                     |
| (3)  | 997 645 035 00     | Loudspeaker<br>dashboard                   | center | 1   | PR:680                     |
| 4    | 999 507 971 01     | panel nut<br>4,2                           |        | 4   |                            |
| 5    | 997 645 543 00     | Mid tone speaker<br>Door                   |        | 2   | PR:490                     |
| (5)  | 997 645 545 00     | Mid tone speaker<br>Door                   |        | 2   | PR:680                     |
| 6    | 999 919 164 09     | fillister hd. bolt<br>5,0 X 12             |        | 4   |                            |
| 7    | 997 645 553 00     | Bass loudspeaker                           |        | 2   | PR:490                     |
| (7)  | 997 645 555 00     | Bass loudspeaker                           |        | 2   | PR:680                     |
| 8    | 900 067 012 03     | Socket head bolt<br>M 6 X 30               |        | 8   |                            |
| 9    | 997 645 041 01     | Loudspeaker                                | rear   | 2   | PR:490                     |
| (9)  | 997 645 045 01     | Loudspeaker                                | rear   | 2   | PR:680                     |
| 10   | 999 073 225 09     | panel screw<br>4,8 X 16                    |        | 2   |                            |
| 11   | 999 507 441 09     | panel nut<br>4,8                           |        | 2   |                            |
| -    |                    | Subwoofer                                  |        |     |                            |
| 12   | 997 645 564 00     | Subwoofer                                  |        | 1   | COUPE<br>PR:680            |
|      | 997 645 564 00 FMF | Black                                      |        |     |                            |
|      | 997 645 564 00 FMG | Stone grey                                 |        |     |                            |
|      | 997 645 564 00 FMM | Sand beige                                 |        |     |                            |
|      | 997 645 564 00 FMN | sea blue                                   |        |     |                            |
|      | 997 645 564 00 FMO | Palm green                                 |        |     |                            |
|      | 997 645 564 00 FMP | Terracotta                                 |        |     |                            |
|      | 997 645 564 00 FMQ | Cocoa                                      |        |     |                            |
|      | 997 645 564 00 FMR | Dark grey/natural                          |        |     |                            |
|      | 997 645 564 00 FMS | Brown/natural                              |        |     |                            |
|      | 997 645 564 00 FTA | Carrera Red                                |        |     |                            |
| 13   | 997 645 566 00     | Subwoofer                                  | lhd    | 1   | CABRIO/TARGA<br>PR:098,680 |
|      | 997 645 566 00 A10 | Black                                      |        |     |                            |
|      | 997 645 566 00 B10 | Stone grey                                 |        |     |                            |
|      | 997 645 566 00 T10 | Sand beige                                 |        |     |                            |
|      | 997 645 566 00 E10 | sea blue                                   |        |     |                            |
|      | 997 645 566 00 J10 | Palm green                                 |        |     |                            |
|      | 997 645 566 00 M10 | Terracotta                                 |        |     |                            |
|      | 997 645 566 00 R10 | Cocoa                                      |        |     |                            |
|      | 997 645 566 00 D11 | Dark grey/natural                          |        |     |                            |
|      | 997 645 566 00 T11 | Brown/natural                              |        |     |                            |
|      | 997 645 566 00 N10 | Carrera Red                                |        |     |                            |
| (13) | 997 645 567 00     | Subwoofer                                  | rhd    | 1   | CABRIO/TARGA<br>PR:099,680 |
|      | 997 645 567 00 A10 | Black                                      |        |     |                            |
|      | 997 645 567 00 B10 | Stone grey                                 |        |     |                            |
|      | 997 645 567 00 T10 | Sand beige                                 |        |     |                            |
|      | 997 645 567 00 E10 | sea blue                                   |        |     |                            |
|      | 997 645 567 00 J10 | Palm green                                 |        |     |                            |
|      | 997 645 567 00 M10 | Terracotta                                 |        |     |                            |
|      | 997 645 567 00 R10 | Cocoa                                      |        |     |                            |
|      | 997 645 567 00 D11 | Dark grey/natural                          |        |     |                            |

Model: 997 05 Model life 2005>>2008

| Pos  | Part Number        | Description                          | Remark | Qty | Model                  |
|------|--------------------|--------------------------------------|--------|-----|------------------------|
| 14   | 997 645 567 00 T11 | Brown/natural                        |        | 2   | COUPE<br>PR:680        |
|      | 997 645 567 00 N10 | Carrera Red                          |        |     |                        |
|      | 996 645 568 00     | Rosette                              |        |     |                        |
|      | 996 645 568 00 A03 | Black                                |        |     |                        |
|      | 996 645 568 00 5V7 | Stone grey                           |        |     |                        |
|      | 996 645 568 00 5Z1 | Sand beige                           |        |     |                        |
|      | 996 645 568 00 8W7 | sea blue                             |        |     |                        |
|      | 996 645 568 00 5Y2 | Palm green                           |        |     |                        |
|      | 996 645 568 00 8X8 | Terracotta                           |        |     |                        |
|      | 996 645 568 00 8P9 | Cocoa                                |        |     |                        |
| (15) | 996 645 568 00 T13 | Brown/natural                        |        | 1   | COUPE<br>PR:680        |
|      | 996 645 568 00 N23 | Carrera Red                          |        |     |                        |
|      | 996 645 245 00     | Bracket for subwoofer                | left   |     |                        |
| 15   | 996 645 246 00     | Bracket for subwoofer                | right  | 1   | COUPE<br>PR:680        |
| 16   | 999 507 766 02     | panel nut<br>M 6                     |        | 2   | COUPE<br>PR:680        |
| 17   | 999 073 113 09     | fillister hd. bolt<br>M 6,0 X 50 ASP |        | 2   | COUPE<br>PR:680        |
| 18   | 900 380 015 01     | Hexagon nut<br>VM 6                  |        | 4   | COUPE<br>PR:680        |
| 19   | 997 645 569 00     | Bracket for subwoofer                |        | 2   | CABRIO/TARGA<br>PR:680 |
| 20   | 900 378 035 01     | Hexagon bolt<br>M 6 X 16             |        | 2   | CABRIO/TARGA<br>PR:680 |
| 21   | 999 073 223 01     | Bolt with washer<br>M 6 X 25         |        | 1   | CABRIO/TARGA<br>PR:680 |
| 22   | 999 500 069 01     | rivetted cap nut<br>M 6              |        | 3   | CABRIO/TARGA<br>PR:680 |

Model: 997 05

Model life 2005>>2008



Model: 997 05 Model life 2005>>2008

| Pos | Part Number    | Description                    | Remark | Qty | Model  |
|-----|----------------|--------------------------------|--------|-----|--------|
| 1   | 997 647 125 01 | Phone/mobile phone preparation |        |     |        |
| (1) | 997 647 126 01 | Telephone aerial               | lhd    | 1   | PR:098 |
| 2   | 997 647 127 00 | Telephone aerial               | rhd    | 1   | PR:099 |
| (2) | 997 647 128 00 | Bracket                        | lhd    | 1   | PR:098 |
| 3   | 999 073 236 0A | Bracket                        | rhd    | 1   | PR:099 |
|     |                | fillister hd. bolt             |        | 4   |        |
|     |                | M 6 X 10                       |        |     |        |
| 4   | 999 507 550 01 | panel nut                      |        | 4   |        |
|     |                | M 6                            |        |     |        |
| 5   | 999 073 210 00 | panel screw                    |        | 2   |        |
|     |                | 4,8 X 13                       |        |     |        |
| 6   | 999 507 441 01 | panel nut                      |        | 2   |        |
|     |                | 4,8                            |        |     |        |
| 7   | 997 612 061 00 | Connecting line                |        | 1   | PR:618 |
| (7) | 997 612 065 00 | Connecting line                |        | 1   | COUPE  |
|     |                | for                            |        |     | PR:666 |
|     |                | Control unit                   |        |     |        |
|     |                | 997.646.207.01/02              |        |     |        |
| (7) | 997 612 989 05 | Connecting line                |        | 1   | PR:666 |
|     |                | for                            |        |     |        |
|     |                | Control unit                   |        |     |        |
|     |                | 997.646.208.04/13              |        |     |        |
|     |                | 997.646.209.00/01              |        |     |        |
| (7) | 997 612 989 00 | Connecting line                |        | 1   |        |
|     |                | Adapter                        |        |     |        |
|     |                | for                            |        |     |        |
|     |                | Connecting line                |        |     |        |
|     |                | 997.612.065.00                 |        |     |        |
|     |                | To                             |        |     |        |
|     |                | Control unit                   |        |     |        |
|     |                | 997.646.208.04/13              |        |     |        |
| 8   | 964 646 318 00 | Adapter plug                   |        | 1   | PR:618 |
| 9   | 997 646 207 01 | Control unit for telephone     |        | 1   | COUPE  |
|     |                |                                |        |     | PR:666 |
|     |                | MOTOROLA                       |        |     |        |
|     |                | Discontinued part              |        |     |        |
| 9   | 997 646 207 02 | Control unit for telephone     |        | 1   | COUPE  |
|     |                |                                |        |     | PR:666 |
|     |                | MOTOROLA                       |        |     |        |
|     |                | F >> 99-5S701 788              |        |     |        |
|     |                | F >> 99-5S732 291              |        |     |        |
|     |                | See technical information      |        |     |        |
|     |                | GR. 9 , NR. 18/05              |        |     |        |
| 9   | 997 646 208 04 | Control unit for telephone     |        | 1   | PR:666 |
|     |                | HARMAN - BECKER                |        |     |        |
|     |                | F 99-5S701 789>> 99-5S750 848  |        |     |        |
|     |                | F 99-5S732 292>> 99-5S737 431  |        |     |        |
|     |                | F >> 99-5S761 191              |        |     |        |
|     |                | See technical information      |        |     |        |
|     |                | GR. 9 , NR. 18/05              |        |     |        |
|     |                | use if required:               |        |     |        |
| -   | 997 612 989 00 | Discontinued part              |        | 1   |        |
|     |                | Connecting line                |        |     |        |
|     |                | Adapter                        |        |     |        |
|     |                | for                            |        |     |        |
|     |                | Control unit                   |        |     |        |
|     |                | 997.646.208.04                 |        |     |        |
| 9   | 997 646 208 13 | Control unit for telephone     |        | 1   | PR:666 |
|     |                | F 99-5S750 849>> 99-6S751 980  |        |     |        |
|     |                | F 99-5S737 432>> 99-6S738 110  |        |     |        |
|     |                | F 99-5S761 192>> 99-6S717 268  |        |     |        |
|     |                | F 99-5S717 614>> 99-6S775 014  |        |     |        |
|     |                | F >> 99-6S703 170              |        |     |        |

Model: 997 05 Model life 2005>>2008

| Pos  | Part Number        | Description  | Remark   | Qty | Model      |
|------|--------------------|--|----------|-----|------------|
|      |                    | F >> 99-6S738 109<br>F >> 99-6S775 016<br>See technical information<br>GR. 9 , NR. 18/05<br>use if required:   |          |     |            |
| -    | 997 612 989 00     | Connecting line<br>Adapter   |          | 1   |            |
| 9    | 997 646 209 00     | Control unit for telephone<br>F 99-6S751 981>><br>F 99-6S738 111>><br>F 99-6S717 269>><br>F 99-6S775 015>><br>F 99-6S703 171>><br>F 99-6S738 110>><br>F 99-6S775 017>> |          | 1   | PR:666     |
| 10   | 997 642 216 00     | Bracket  |          | 1   | PR:618,666 |
| 11   | 900 378 035 01     | Hexagon bolt<br>M 6 X 16   |          | 4   | PR:618,666 |
| 12   | 999 500 078 00     | press insert nut<br>M 6  |          | 2   | PR:618,666 |
| (12) | 999 507 766 02     | D >> - MJ 2006<br>panel nut<br>M 6   |          | 2   | PR:618,666 |
| 13   | 997 553 118 07     | D - MJ 2007>><br>Leather panel   | side lhd | 1   | PR:098     |
|      | 997 553 118 07 FSA | black/grey   |          |     |            |
|      | 997 553 118 07 FSB | Stone grey/stone grey  |          |     |            |
|      | 997 553 118 07 FSC | Sand beige/sand beige  |          |     |            |
|      | 997 553 118 07 FSD | Sea blue/grey  |          |     |            |
|      | 997 553 118 07 FSE | Palmgreen/palmgreen  |          |     |            |
|      | 997 553 118 07 FSF | Terracotta/terracotta  |          |     |            |
|      | 997 553 118 07 FSG | Cocoa/Cocoa  |          |     |            |
|      | 997 553 118 07 FSH | Darkgrey natural/grey  |          |     |            |
|      | 997 553 118 07 FSJ | Brown nat./brown nat.  |          |     |            |
|      | 997 553 118 07 FSP | Carrera Red/Carrera Red  |          |     |            |
| (13) | 997 553 117 07     | Leather panel  | side rhd | 1   | PR:099     |
|      | 997 553 117 07 FSA | black/grey   |          |     |            |
|      | 997 553 117 07 FSB | Stone grey/stone grey  |          |     |            |
|      | 997 553 117 07 FSC | Sand beige/sand beige  |          |     |            |
|      | 997 553 117 07 FSD | Sea blue/grey  |          |     |            |
|      | 997 553 117 07 FSE | Palmgreen/palmgreen  |          |     |            |
|      | 997 553 117 07 FSF | Terracotta/terracotta  |          |     |            |
|      | 997 553 117 07 FSG | Cocoa/Cocoa  |          |     |            |
|      | 997 553 117 07 FSH | Darkgrey natural/grey  |          |     |            |
|      | 997 553 117 07 FSJ | Brown nat./brown nat.  |          |     |            |
|      | 997 553 117 07 FSP | Carrera Red/Carrera Red  |          |     |            |
| 14   | 997 553 520 00     | Adapter  | lhd      | 1   | PR:098     |
| (14) | 997 553 519 00     | Adapter  | rhd      | 1   | PR:099     |
| 15   | 997 553 418 01     | Trim   | lhd      | 1   | PR:098     |
|      | 997 553 418 01 A11 | Black  |          |     |            |
|      | 997 553 418 01 5X6 | Stone grey   |          |     |            |
|      | 997 553 418 01 8G2 | Sand beige   |          |     |            |
|      | 997 553 418 01 3S9 | sea blue   |          |     |            |
|      | 997 553 418 01 4P2 | Palm green   |          |     |            |
|      | 997 553 418 01 9S5 | Terracotta   |          |     |            |
|      | 997 553 418 01 9V6 | Cocoa  |          |     |            |
|      | 997 553 418 01 D12 | Dark grey/natural  |          |     |            |
|      | 997 553 418 01 T12 | Brown/natural  |          |     |            |
|      | 997 553 418 01 N12 | Carrera Red  |          |     |            |
| (15) | 997 553 417 01     | Trim   | rhd      | 1   | PR:099     |
|      | 997 553 417 01 A11 | Black  |          |     |            |

Model: 997 05 Model life 2005>>2008

| Pos  | Part Number        | Description         | Remark | Qty | Model          |
|------|--------------------|---------------------|--------|-----|----------------|
|      | 997 553 417 01 5X6 | Stone grey          |        |     |                |
|      | 997 553 417 01 8G2 | Sand beige          |        |     |                |
|      | 997 553 417 01 3S9 | sea blue            |        |     |                |
|      | 997 553 417 01 4P2 | Palm green          |        |     |                |
|      | 997 553 417 01 9S5 | Terracotta          |        |     |                |
|      | 997 553 417 01 9V6 | Cocoa               |        |     |                |
|      | 997 553 417 01 D12 | Dark grey/natural   |        |     |                |
|      | 997 553 417 01 T12 | Brown/natural       |        |     |                |
|      | 997 553 417 01 N12 | Carrera Red         |        |     |                |
| 16   | 997 553 522 00     | Carrier plate       | lhd    | 1   | PR:098,668     |
|      | 997 553 522 00 01C | Satin black         |        |     |                |
| (16) | 997 553 521 00     | Carrier plate       | rhd    | 1   | PR:099,668     |
|      | 997 553 521 00 01C | Satin black         |        |     |                |
| 16   | 997 553 986 00     | Carrier plate       | lhd    | 1   | PR:XEA,098,668 |
|      |                    | Leather             |        |     |                |
|      |                    | D - MJ 2006>>       |        |     |                |
|      | 997 553 986 00 A11 | Black               |        |     |                |
|      | 997 553 986 00 5X6 | Stone grey          |        |     |                |
|      | 997 553 986 00 8G2 | Sand beige          |        |     |                |
|      | 997 553 986 00 3S9 | sea blue            |        |     |                |
|      | 997 553 986 00 4P2 | Palm green          |        |     |                |
|      | 997 553 986 00 9S5 | Terracotta          |        |     |                |
|      | 997 553 986 00 9V6 | Cocoa               |        |     |                |
|      | 997 553 986 00 D12 | Dark grey/natural   |        |     |                |
|      | 997 553 986 00 T12 | Brown/natural       |        |     |                |
|      | 997 553 986 00 N12 | Carrera Red         |        |     |                |
| (16) | 997 553 985 00     | Carrier plate       | rhd    | 1   | PR:XEA,099,668 |
|      |                    | Leather             |        |     |                |
|      |                    | D - MJ 2006>>       |        |     |                |
|      | 997 553 985 00 A11 | Black               |        |     |                |
|      | 997 553 985 00 5X6 | Stone grey          |        |     |                |
|      | 997 553 985 00 8G2 | Sand beige          |        |     |                |
|      | 997 553 985 00 3S9 | sea blue            |        |     |                |
|      | 997 553 985 00 4P2 | Palm green          |        |     |                |
|      | 997 553 985 00 9S5 | Terracotta          |        |     |                |
|      | 997 553 985 00 9V6 | Cocoa               |        |     |                |
|      | 997 553 985 00 D12 | Dark grey/natural   |        |     |                |
|      | 997 553 985 00 T12 | Brown/natural       |        |     |                |
|      | 997 553 985 00 N12 | Carrera Red         |        |     |                |
| 17   | 999 073 226 09     | panel screw         |        | 2   |                |
|      |                    | 4,2 X 16            |        |     |                |
| 18   | 999 591 508 01     | Cage nut            |        | 2   |                |
|      |                    | 4,2                 |        |     |                |
| 19   | 999 073 155 09     | panel screw         |        | 7   |                |
|      |                    | 4,2 X 13            |        |     |                |
| 20   | 999 507 028 01     | panel nut           |        | 2   |                |
|      |                    | 4,2                 |        |     |                |
| 21   | 999 507 645 02     | Threaded piece      |        | 1   |                |
|      |                    | 4,2                 |        |     |                |
| 22   | 997 553 751 00     | Cover cap           |        | 1   |                |
|      | 997 553 751 00 01C | Satin black         |        |     |                |
| 22   | 997 553 984 00     | Cover cap (leather) |        | 1   | PR:XEA         |
|      |                    | D - MJ 2006>>       |        |     |                |
|      | 997 553 984 00 A11 | Black               |        |     |                |
|      | 997 553 984 00 5X6 | Stone grey          |        |     |                |
|      | 997 553 984 00 8G2 | Sand beige          |        |     |                |
|      | 997 553 984 00 3S9 | sea blue            |        |     |                |
|      | 997 553 984 00 4P2 | Palm green          |        |     |                |
|      | 997 553 984 00 9S5 | Terracotta          |        |     |                |
|      | 997 553 984 00 9V6 | Cocoa               |        |     |                |
|      | 997 553 984 00 D12 | Dark grey/natural   |        |     |                |
|      | 997 553 984 00 T12 | Brown/natural       |        |     |                |
|      | 997 553 984 00 N12 | Carrera Red         |        |     |                |

Model: 997 05 Model life 2005>>2008

| Pos  | Part Number        | Description                 | Remark | Qty | Model            |
|------|--------------------|-----------------------------|--------|-----|------------------|
| 23   | 996 642 212 02     | Telephone controls/receiver |        | 1   | PR:668           |
| 23   | 996 642 980 15     | Telephone controls/receiver |        | 1   | PR:XEA, 668      |
|      |                    | Leather                     |        |     |                  |
|      |                    | D - MJ 2006>>               |        |     |                  |
|      | 996 642 980 15 A11 | Black                       |        |     |                  |
|      | 996 642 980 15 5X6 | Stone grey                  |        |     |                  |
|      | 996 642 980 15 8G2 | Sand beige                  |        |     |                  |
|      | 996 642 980 15 3S9 | sea blue                    |        |     |                  |
|      | 996 642 980 15 4P2 | Palm green                  |        |     |                  |
|      | 996 642 980 15 9S5 | Terracotta                  |        |     |                  |
|      | 996 642 980 15 9V6 | Cocoa                       |        |     |                  |
|      | 996 642 980 15 D12 | Dark grey/natural           |        |     |                  |
|      | 996 642 980 15 T12 | Brown/natural               |        |     |                  |
|      | 996 642 980 15 N12 | Carrera Red                 |        |     |                  |
| 24   | 997 553 522 01     | Carrier plate               | lhd    | 1   | PR:098, 618      |
|      | 997 553 522 01 01C | Satin black                 |        |     |                  |
| (24) | 997 553 521 01     | Carrier plate               | rhd    | 1   | PR:099, 618      |
|      | 997 553 521 01 01C | Satin black                 |        |     |                  |
| 25   | 999 919 230 00     | countersunk bolt            |        | 1   | PR:618           |
|      |                    | 3 X 10                      |        |     |                  |
| 26   | 997 646 307 00     | microphone                  |        | 1   | PR:618, 666      |
| (26) | 997 646 307 01     | microphone                  |        | 1   | PR:618, 666, 680 |
| (26) | 997 646 309 00     | microphone                  |        | 1   | PR:675           |
|      |                    | D - MJ 2008>> - MJ 2008     |        |     |                  |
| -    | 997 610 233 00     | Cable guide                 |        | 1   |                  |
|      |                    | microphone                  |        |     |                  |
|      |                    | D >> - MJ 2007              |        |     |                  |
| -    | 997 610 233 01     | Cable guide                 |        | 1   |                  |
|      |                    | microphone                  |        |     |                  |
|      |                    | D - MJ 2008>> - MJ 2008     |        |     |                  |