

**Model: 996 99****Model life 1999>>2005**

## ORDER-INFO

THIS PARTS CATALOGUE CONTAINS ALL ORDER INFORMATION OF  
TYPE GT3 FROM MODEL YEAR 1999

IT IS AVAILABLE IN THE FOLLOWING LANGUAGES:

- GERMAN
- ENGLISH
- FRENCH
- ITALIAN
- SPANISH

UPDATING IS BEING PERFORMED BY CHANGING OF UPDATE.

THE EDITION CAN BE RECOGNIZED BY THE CURRENT NO.  
IN THE BOTTOM LINE OF SUBJECT UPDATE.

THE PREVIOUS UPDATE SHOULD NO LONGER BE USED.

ALL ILLUSTRATIONS ARE SUBJECT TO CHANGE WITHOUT OBLIGATION.

THE SEATS FOR EACH MODEL ARE AVAILABLE IN THE PARTS CATALOGUE  
"SEATS (STZ 19)".

Model: 996 99

Model life 1999>>2005

EXPLANAT.- VIN

EXPLANATION OF THE ABRIDGED VERSION OF THE VEHICLE IDENT. NUMBERS (VIN)  
 =====  
 USED IN THE CATALOGUE  
 =====

DIGIT:	1	2	3	4	5	6	7	8	9	10	11	12	13	14	15	16	17
--------	---	---	---	---	---	---	---	---	---	----	----	----	----	----	----	----	----

EXAMPLE:	W	P	0	Z	Z	Z	9	9	Z	W	S	6	0	0	1	2	5
----------	---	---	---	---	---	---	---	---	---	---	---	---	---	---	---	---	---

							===			=	=	=					=====
							!		!	!	!						!

VEHICLE TYPE 1ST+2ND DIGIT-----+									!	!	!						!
----------------------------------	--	--	--	--	--	--	--	--	---	---	---	--	--	--	--	--	---

MODEL YEAR-----+									!	!	!						!
------------------	--	--	--	--	--	--	--	--	---	---	---	--	--	--	--	--	---

MANUFACTURING LOCATION-----+										!	!						!
------------------------------	--	--	--	--	--	--	--	--	--	---	---	--	--	--	--	--	---

VEHICLE TYPE 3RD DIGIT-----+											!						!
------------------------------	--	--	--	--	--	--	--	--	--	--	---	--	--	--	--	--	---

SERIAL NUMBER-----+																	!
---------------------	--	--	--	--	--	--	--	--	--	--	--	--	--	--	--	--	---

**Model: 996 99****Model life 1999>>2005**

## SUMMARY TYPES

VEHICLE TYPE	MY	VIN	ENGINE TYPE
996 COUPE GT3	00 Y	99YS6 90061>91900	M96.76 265 KW
996 COUPE GT3	00 1	991S6 90061>91900	M96.76 265 KW
996 COUPE GT3	04 4	994S6 90061>92000	M96.79 280 KW
996 COUPE GT3 (USA.CDN.MEX.BR)	04 4	994S6 92061>93000	M96.79 280 KW
996 COUPE GT3	05 5	995S6 90061>92000	M96.79 280 KW
996 COUPE GT3 (USA.CDN.MEX.BR)	05 5	995S6 92061>93000	M96.79 280 KW

Model: 996 99

Model life 1999>>2005

EXPL. ENGINE-NO.

EXPLANATION OF THE MOTOR-NUMBERS USED IN THE CATALOGUE

=====

DIGIT:	1 2 3	4 5 6 7 8
EXAMPLE:	6 6 W	0 0 1 3 6
	= = =	=====
	! ! !	!
ENGINE TYPE (6 = 6-CYL.-ENGINE)-----+	! !	!
	! !	!
ENGINE VERSION-----+	!	!
	!	!
MODEL YEAR-----+		!
		!
SERIAL NUMBER-----+		!

**Model: 996 99****Model life 1999>>2005**

## SUMMARY ENGINES

VEHICLE TYPE	ENGINE			TECHNICAL DATA
	TYPE	MY	ENGINE NO.	
996 GT3	M96.76	00 Y	63Y 21501>23000	6ZYL/3,6L /265 KW
996 GT3	M96.76	01 1	631 21501>23000	6ZYL/3,6L /265 KW
996 GT3	M96.79	04 4	634 24501>26000	6ZYL/3,6L /280 KW
996 GT3 RS	M96.79	04 4	634 26501>27000	6ZYL/3,6L /280 KW
996 GT3	M96.79	05 5	635 24501>26000	6ZYL/3,6L /280 KW

Model: 996 99

Model life 1999>>2005

EXPL. TRANSM. NO.

EXPLANATION OF THE TRANSMISSION-NUMBERS USED IN THE CATALOGUE

DIGIT:	1	2	3	4	5	6	7	8	9	10	11
EXAMPLE:	G	9	6	0	0	1	0	0	5	4	3
	=	=====				=	=====				
	!		!			!			!		!
	!		!			!			!		!
TRANSMISSION TYPE-----+			!			!			!		!
			!			!			!		!
TRANSMISSION VERSION-----+						!			!		!
						!			!		!
INDEX OF VARIANTS-----+									!		!
									!		!
SERIAL NUMBER-----+											!

**Model: 996 99****Model life 1999>>2005**

## SUMM. TRANSMISS.

VEHICLE TYPE	TYPE	MY	TRANSMISSION NO.	TECHNICAL DATA
996 GT3	G96.90	00 Y	G9690 2 002001>999999	6-GANG
996 GT3	G96.90	01 1	G9690 2 002001>999999	6-GANG
996 GT3	G96.93	01 1	G9693 2 002001>999999	6-GANG
996 GT3	G96.96	04 4	G9696 2 002001>999999	6-GANG
996 GT3	G96.96	05 5	G9696 2 002001>999999	6-GANG

Model: 996 99

Model life 1999>>2005

LEGENDS/NOTICES

LEGENDS AND NOTICES

=====

IN COLUMN -S- STATUS

-----

- N NEW ADDITION
- P PART ALREADY IN PROGRAMME, BUT NEW AT THIS APPLICATION
- W DELETED AT THIS APPLICATION, BUT CONTINUED TO BE CARRIED
- K RACING PART: MARKETED FROM WEISSACH EMW
- A STOCK TO BE USED UP
- U DELETED WITHOUT REPLACEMENT
- \* PART ALSO OR ONLY AVAILABLE IN REPAIR KIT
- > ALSO AVAILABLE IN EXCHANGE

IN COLUMN - ILL. -

-----

- 1 IDENTIFICATION NO. IN ILLUSTRATION
- (1) PART ONLY SIMILAR AS ILLUSTRATED
- PART IS NOT ILLUSTRATED

FIG.-NUMBERS FOR WHICH THERE IS SHOWN NO TEXT ARE NOT VALID FOR THIS EDITION OF CATALOGUE

IN COLUMN -PART NUMBER/CODE-

-----

000 000 000 00 PART NUMBER EQUALS ORDERING NO., IF A CODE IS SHOWN, IT WILL HAVE TO BE PART OF ORDERING NUMBER

01C COLOUR CODE

IN COLUMN -TEXT

-----

INSTALLATION WITH ENGINE OR CHASSIS NUMBER-RANGE

EXAMPLE:

M 66W 00389>> FROM ENGINE NO.



Model: 996 99

Model life 1999>>2005

F

>>99WS6 00889

UP TO CHASSIS NO.

Model: 996 99

Model life 1999>>2005

LEGENDS/NOTICES

IN COLUMN - A -  
-----

IDENTIFICATION LETTER FOR PERIOD OF INSTALLATION  
THAT IS REPEATED SEVERAL TIMES IN THE CATALOG GROUP.

EXPLANATION PLEASE FIND IN TEXT COLUMN OF THE CATALOG GROUP

IN COLUMN - QU - = NO. OF PIECES  
-----

- 1 NUMBER PER APPLICATION
- X NUMBER AS NEEDED
- \* AVAILABLE ONLY IN RUNNING LENGTHS 1 = 1 METRE

IN COLUMN - MODEL/SYMBOL -  
-----

- M650 OPTIONAL EQUIPMENT - SEE M-NO. LIST
- 98 LIMITATION OF MODEL YEAR FOR INSTANCE: VALID UP TO  
END OF MODEL YEAR 1997
- /LL LHD
- /RL RHD
- +
- /V FRONT I  
I
- /H REAR I  
I----> APPLIES TO
- /L LEFT I DIRECTION OF TRAVEL  
I
- /R RIGHT I  
-----+
- WW THE PART CAN BE USED INSTEAD OF THE  
PRECEDING ONE.

Model: 996 99

Model life 1999&gt;&gt;2005

COUNTRY-EQIPM.

## EQUIPMENT BY COUNTRY REGULATIONS

=====

(A)	AUSTRIA
(AG)	ARABIAN GULF STATES
(AUS)	AUSTRALIA
(B)	BELGIUM
(BR)	BRAZIL
(CDN)	CANADA
(CH)	SWITZERLAND
(D)	FEDERAL REPUBLIC OF GERMANY
(DK)	DENMARK
(E)	SPAIN
(F)	FRANCE
(GB)	GREAT BRITAIN
(GR)	GREECE
(HK)	HONGKONG
(I)	ITALY
(J)	JAPAN
(L)	LUXEMBURG
(N)	NORWAY
(NL)	NETHERLANDS
(NZ)	NEW ZEALAND
(P)	PORTUGAL
(RC)	TAIWAN
(S)	SWEDEN
(SA)	SAUDI ARABIA
(SF)	FINLAND
(USA)	UNITED STATES OF AMERICA
(ZA)	SOUTH AFRICA

Model: 996 99

Model life 1999&gt;&gt;2005

NR	Description
IXAA	Aerokit Cup
IXAB	Spyder rear in body colour
IXAF	Turbo aerokit
IXAG	Carrera - rear spoiler
IXCC	Side air vents sports seats
IXCD	Center air vent bracket sports seats
IXCE	Rear center console sports seats
IXCG	Sports seat backrest in Aluminium Look finish
IXD9	Wheel painted in body colour
IXE8	Gear lever knob aluminium/dark burr maple/leather
IXE9	Handbrake lever aluminium/dark burr maple/leather
IXJB	Rear section of centre console in Arctic Silver
IXJ4	Leather cover for ignition lock surround
IXKB	Side air vent in light burr maple
IXKC	Side air vent in dark burr maple
IXKD	Side air vent in Carbon
IXKE	Side air vent in Arctic Silver
IXKG	"Defroster trim in light burr maple; leather"
IXKH	"Defroster trim in dark burr maple; leather"
IXKJ	Defroster trim in Carbon/leather
IXKL	Leather speaker covers
IXKP	Carbon speaker covers
IXKW	Center nozzle bracket arctic silver
IXKX	Instrument surround in Arctic Silver
IXLA	Boxster tailpipe
IXMA	Rooflining in leather
IXME	Rear section of centre console painted
IXMF	Front center console including 2 storage bins, leather
IXMJ	Rear section of centre console in Carbon
IXMK	Roll-over bar in exterior color
IXML	Rear center console in light burr maple
IXMP	Leather sun visor, 2 illuminated vanity mirrors *
IXMR	Sun visor in leather, 2 illuminated vanity mirrors,
IXMY	Roll-over bar in Arctic Silver
IXMZ	Rear section of centre console in leather
IXNB	Rear center console in dark burr maple
IXNG	Instrument surround in leather
IXNH	Side vent, left/right defroster trim in leather
IXNN	Center air vent bracket in leather
IXNR	Carbon center air vent bracket
IXNS	Leather steering column trim, 4-part
IXNU	Leather trim strip (dashboard)
IXNV	Trim strip (dashboard) in light burr maple
IXNW	Trim strip (dashboard) in dark burr maple
IXNX	Carbon trim strip (dashboard)
IXNY	Trim strip in Arctic Silver

Model: 996 99

Model life 1999&gt;&gt;2005

NR	Description
IXN3	Dashboard side air vent in leather
IXPA	3-spoke sports steering wheel in leather interior co
IXPB	3-spoke sports steering wheel, light burr maple, leather
IXPC	3-spoke sports steering wheel, dark burr maple, leather
IXPD	3-spoke sports steering wheel, Carbon/leather
IXPG	3-spoke sports steering wheel, sports seats
IXPP	Loudspeaker finisher on switch panel in interior colour
IXPW	Instrument surround in light burr maple
IXPX	Instrument surround in dark burr maple
	*
IXPY	Carbon instrument surround
IXRA	17-inch SPORTCLASSIC WHEEL
IXRB	18-inch Sport Classic II wheel
IXRC	18-inch SportTechno wheel
IXRL	18-inch SportDesign wheel
IXRN	17-mm spacers, rear
IXRP	5-mm spacers, front/rear
IXSA	Painted sports seat backrest
IXSB	Leather sports seat backrest
IXSC	Porsche Crest embossed in headrest
IXSD	Front seat controls in leather
IXSE	Bucket seat, left
IXSF	Bucket seat, right
IXSG	Racing bucket seat, left
IXSJ	6-point harness
IXSL	6-point safety catch
IXSM	Racing safety cage
IXSN	Omission of rear seats
IXSR	Carbon back for bucket seat, right
IXSS	Carbon back for bucket seat, left
IXSU	Upholstered seat
IXSW	Seat belts in Maritime Blue
IXSX	Seat belts in Guards Red
IXSY	Seat belts in Speed Yellow
IXSZ	Seat belts in Riviera Blue
IXTC	Door panel parts in leather
IXTE	Door panel parts in carbon/leather
IXTF	Door panel parts in arctic silver/leather
IXTG	Inner door sills in leather
IXTJ	Door panel parts in light burr maple
IXTK	Door panel parts in dark burr maple
IXTL	Door panel parts in Carbon
IXTR	Door panel parts in Aluminium Look finish
IXV1	Defroster trim in leather
IXX1	Floor mats, logo, leather border

Model: 996 99

Model life 1999&gt;&gt;2005

NR	Description
IXX2	Illuminated footwell
IXY5	Tiptronic gear selector gate in leather
IXZD	Interior light surround in leather
IX47	Gear lever knob in Carbon/leather
IX58	Handbrake lever in Carbon/leather
IX65	Tiptronic selector lever in light burr maple/aluminium
IX66	Tiptronic selector lever in dark burr maple/aluminium
IX69	Door entry guards in Carbon with logo
IX70	Door entry guards in stainless steel with logo
IX71	Instrument dial painted/Aluminium Look finish
IX72	Gear lever knob aluminium/light burr maple/leather
IX73	Turbo sports suspension
IX74	Sports suspension (exclusive)
IX76	Inner door sill guard, left/right
IX91	Handbrake lever aluminium/light burr maple/leather
IX99	Natural leather
I001	*
I249	Tiptronic transmission
I537	Seat position control for comfort seat, left
I538	Seat position control for comfort seat, right
M000	+-----+ ! Summary of optional extras "M"! +-----+
M002	911 Carrera RS road version
M003	911 Carrera RS Clubsport
M004	GT3 RS (street)
M024	Version for Greece
M034	Version for Italy
M058	Impact absorbers, front and rear
M061	Version for Great Britain
M062	Version for Sweden
M063	Version Luxemburg
M064	Version for Netherlands
M065	Version for Denmark
M066	Version for Norway
M067	Version for Finland
M068	Version for Thailand
M069	Other country version
M071	EU country version
M072	Version for Mexico
M111	Version for Austria
M113	Version for Canada
M114	Version for Taiwan
M119	Version for Spain
M124	Version for France

Model: 996 99

Model life 1999&gt;&gt;2005

NR	Description
M126	Control and indications in French lettering
M127	Control and indications in Swedish
M130	Control and indications in English lettering
M150	Operation with leaded gas
M193	Version for Japan
M197	Stronger battery
M210	Licence plate holder version 2
M211	Licence plate holder version 3
M215	Version for Saudi Arabia
M218	Licence plate holder version 4
M225	Version for Belgium
M265	Automatic anti-dazzle interior mirror with rain sensor
M266	Automatic anti-dazzle door mirror
M270	Door mirror -flat- driver's side, electrically adjustable and heatable
M271	Door mirror -aspherical- driver's side, electrically adjustable and heatable
M272	Door mirrors, manually adjustable
M273	Door mirrors, electrically adjustable and heatable
M274	Vanity mirror illuminated
M277	Version for Switzerland
M288	Headlamp washer
M342	Seat heating system, left/right seat
M375	Sports seat, backrest shell, left
M376	Sports seat, backrest shell, right
M415	18-inch monobloc wheel Top
M416	Wheel, GT3 18-inch
M421	Front cassette compartment
M424	CD compartment
M425	Rear window wiper
M426	Without rear window wiper
M436	3-spoke airbag steering wheel
M440	Manual antenna, 4 loudspeakers --- MY 2002 MY 2003 --- antenna diversity
M441	Radio preparation
M450	Ceramic brake (PCCB)
M454	Automatic speed control
M465	Rear foglamp, left
M466	Rear foglamp, right
M479	Version for Australia
M480	6-speed manual transmission
M484	Symbols and lettering for switches and instruments
M488	Inscriptions in German language

Model: 996 99 Model life 1999>>2005

NR	Description
M492	Headlamps for left-hand traffic
M498	Deletion of model designation on rear end
M499	Version for Germany
M531	Anti-drive-off feature, central locking system
M532	Alarm system remote control omitted
M534	Theft security system
M535	Anti-theft lock 315 MHz
M536	Alarm siren and tilt sensor
M539	Mechanical seat-height adjustment, left
M540	Mechanical seat-height adjustment, right
M553	Version for USA, Canada
M562	Airbag, driver's side and front passenger's side
M563	Side airbag
M566	Front fog lights, white
M567	Windscreen tinted, upper part darker coloured
M571	Activated charcoal filter
M573	Air conditioner
M574	Without air conditioner
M580	Non-smoker's package
M581	Center console, front
M590	Power lid locking
M596	Safety cage, white
M597	Logo and wheel spokes in Red
M598	Logo and wheel spokes in Blue
M601	Xenon lighting system
M602	Raised stop lamp
M605	Headlight levelling system
M606	Daytime driving lights
M618	Preparation for telephone installation
M620	Electronic accelerator
M651	Electric window opener
M652	without electric sunroof
M657	Power assisted steering
M659	On-board computer
M664	Orvr
M665	PCM2 basic module including radio
M666	PCM2 telephone (GSM)
M668	PCM2 telephone handset
M670	PCM2 navigation
M680	-MY 01 digital sound package MY 02- sound system Bose analog
M692	CD autochanger "Porsche "
M981	Leather equipment without seat covers
M983	Seat covers, front, leather
M990	Seat covers, front,



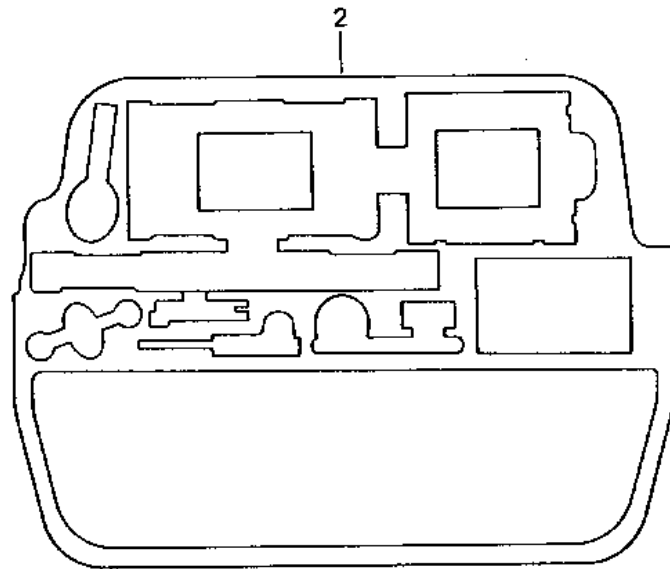
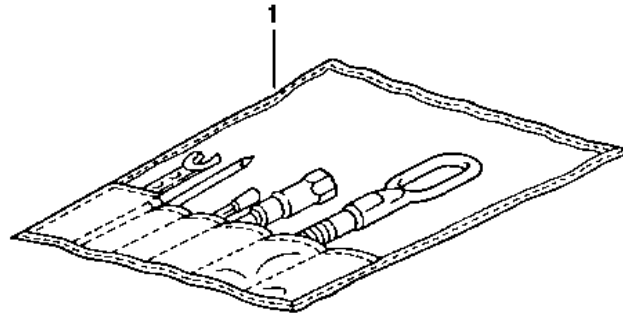
Model: 996 99

Model life 1999&gt;&gt;2005

NR	Description
M999	cloth/cloth/leatherette Passenger compartment monitoring sensor for leather colour of choice

Model: 996 99

Model life 1999>>2005

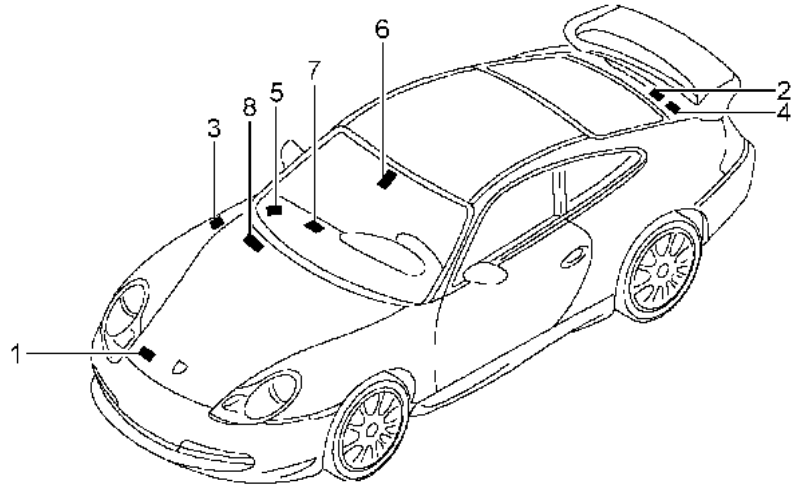


Model: 996 99 Model life 1999>>2005

Pos	Part Number	Description	Remark	Qty	Model
1	996 721 115 00	Tool Fire extinguisher		1	
-	996 721 415 00	Tool bag with contents Comprising:		1	
-	996 361 521 00	Tool bag without Content for Tyre Boot		1	
-	999 914 001 40	for Tyre Plastic gloves		1	
-	996 721 151 00	Towing lug		1	
-	477 012 229	Double-end spanner 10 X 13		1	
-	477 012 231	Screwdriver		1	
-	111 012 287	Handle for Screwdriver		1	
-	999 571 076 02	Socket wrench - 5 - for Headlamp		1	
-	999 571 074 30	Threaded bolt for Assembly Wheels		1	
-	477 012 221 A	Rim wrench		1	
-	999 571 070 30	Operating rod for Rim wrench		1	
2	996 721 163 90	Foam part		1	
-		Compressor			
-		Compressed air bottle			
-		Tyre pressure gauge			
-		Cover for Wheel See group 6/01/00			
-	993 722 115 70	Fire extinguisher		1	M003
-	996 722 211 90	Spacer sleeve		2	M003
-	996 722 213 90	Stopper		2	M003
-	000 722 722 02	Warning triangle		1	
-	993 722 041 00	First-aid kit		1	

Model: 996 99

Model life 1999>>2005



Model: 996 99 Model life 1999>>2005

Pos	Part Number	Description	Remark	Qty	Model
		Stickers			
		Stickers			
		Tyre pressure			
1	996 701 287 46	Sticker	-02	1	
1	996 701 287 54	Sticker	04-	1	
1	996 701 287 47	Sticker	(AUS) -02	1	
1	996 701 287 56	Sticker	(AUS) 04-	1	
1	996 701 170 00	Sticker		1	
		First-aid kit			
		Stickers			
		Engine specifications			
2	996 006 107 90	Sticker	(AUS) -02	1	
2	996 006 107 91	Sticker	(AUS) 04	1	
2	996 006 107 92	Sticker	(AUS) 05	1	
2	993 006 108 02	Sticker	-01	1	M068
2	996 006 108 00	Sticker	02-	1	M068
		Stickers			
		Type of fuel			
3	996 006 117 00	Sticker		1	
		98 ROZ			
3	996 006 117 02	Sticker	(AUS)	1	
		96 ROZ			
3	996 006 117 01	Sticker		1	M150
		98 ROZ			
3	996 006 117 03	Sticker	(J)	1	
		93 RON/MON/2			
3	996 701 190 00	Sticker	01-	1	
		Fuel tank cap			
4	996 006 120 00	Indication sticker	01-	1	
		Expansion tank			
		Coolant			
4	997 006 544 00	Sticker		1	
		Engine oil			
		- MOBIL 1 -			
4	7PP 010 786 T	Sticker		1	
		Engine oil			
		- MOBIL 1 -			
		Stickers			
		Airbag			
5	3B0 010 219 B	Sticker		1	
		Child car seat			
5	8D0 010 141 Q	Sticker	(AUS) 05	1	
		Child car seat			
5	986 701 430 00	Sticker	04-	1	
		Child car seat			
		German			
		English			
5	986 701 430 01	Sticker	04-	1	
		Child car seat			
		Italian			
		French			
5	986 701 430 02	Sticker	04-	1	
		Child car seat			
		English			
		Spanish			
5	986 701 430 03	Sticker	04-	1	
		Child car seat			
		Swedish			
		English			
5	986 701 430 04	Sticker	04-	1	
		Child car seat			
		Arabic			
		English			

**Model: 996 99**                      **Model life 1999>>2005**

Pos	Part Number	Description	Remark	Qty	Model
8	996 701 141 01	Sticker Air conditioner		1	

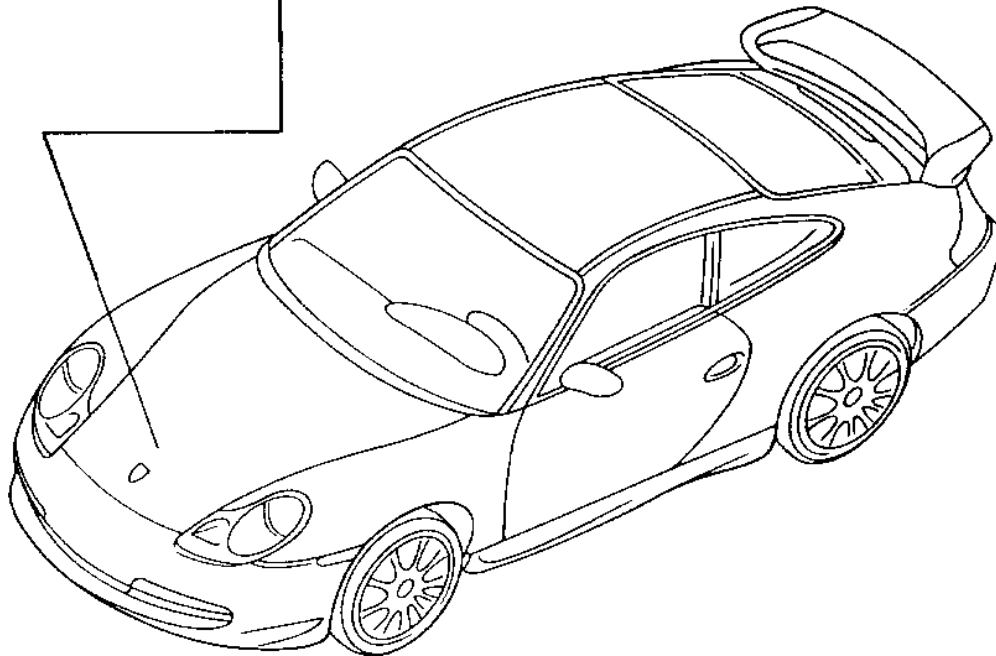
Model: 996 99

Model life 1999>>2005

FARBNUMMER  
COLOUR NUMBER  
NUMERO DE COULEUR  
NUMERO COLORE  
NUMERO DE COLOR

**697 9 1**  
DIAMOND BLUE METALLIC  
DIAMANT BLAU METALLIC  
**F5**

FARB BENENNUNG  
COLOUR  
COULEUR  
COLORE  
COLOR



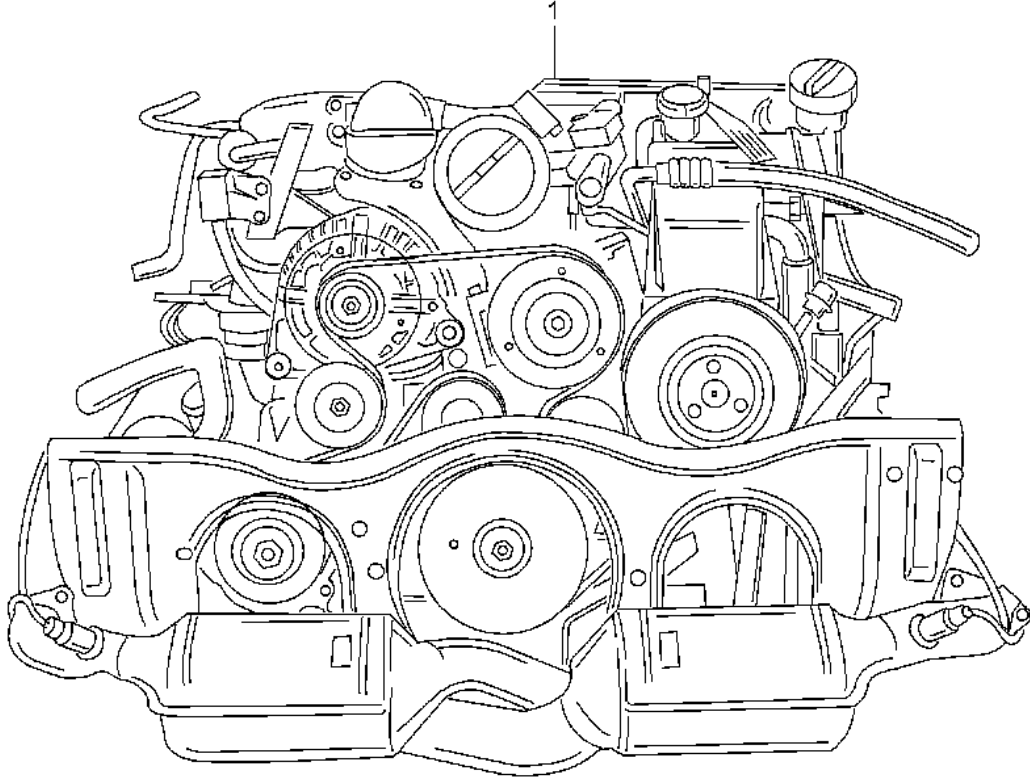
Model: 996 99 Model life 1999>>2005

Pos	Part Number	Description	Remark	Qty	Model
-	911 095 932 20	Paint touch-up applicator		X	
	911 095 932 20 719	Paint touch-up applicator			
	911 095 932 20 80K	Black			A 1
	911 095 932 20 9A3	Guards red			G 1
	911 095 932 20 12G	Biarritz white			Z 2
	911 095 932 20 347	Speed yellow			X 4
	911 095 932 20 B9A	Dark blue			55
	911 095 932 20	Carrara white			B 4
-	911 095 933 20	Paint touch-up applicator		X	
		Set			
		Comprising:			
		Paint touch-up applicator			
		Primer			
		Paint touch-up applicator			
		Clear lacquer			
	911 095 933 20 92T	Arctic silver metallic			X 1
	911 095 933 20 3AY	Ocean blue metallic			E 1
	911 095 933 20 3AW	Zenith blue metallic			F 1
	911 095 933 20 84R	Arena red metallic			H 8
	911 095 933 20 746	Black-metallic			Z 8
	911 095 933 20 40W	Vesuvio grey metallic			K 3
	911 095 933 20 554	Mirage metallic			T 1
	911 095 933 20 23I	Wimbledon green metallic			51
	911 095 933 20 22E	Forest green metallic			53
	911 095 933 20 39G	Violet metallic			54
	911 095 933 20 37U	Cobalt blue metallic			56
	911 095 933 20 92E	Polar silver metallic			58
	911 095 933 20 22D	Slate grey metallic			59
	911 095 933 20 39N	Iris blue metallic			61
	911 095 933 20 37W	Midnight Blue Metallic	-02		62
			04- -02		E 9
	911 095 933 20 2A2	Rainforest green metallic			J 4
	911 095 933 20 1A9	Zanzibar red	-02		N 1
			04- -02		63
	911 095 933 20 8A4	Orient red metallic			L 1
	911 095 933 20 3A9	Lapis blue metallic	-02		E 3
	911 095 933 20 M5W	Lapis blue metallic	04-		J 2
	911 095 933 20 6A7	Meridian metallic	-02		X 2
		Meridian metallic	04-		64
	911 095 933 20 6B5	Seal grey metallic			Y 1
	911 095 933 20 C9Z	Basalt black metallic			Z 4
	911 095 933 20 M6W	Lagoon green metallic	04-		G 4
	911 095 933 20 M3W	Carmon red metallic	04-		E 4
	911 095 933 20 M7X	Atlas grey metallic	04-		E 7



Model: 996 99

Model life 1999>>2005



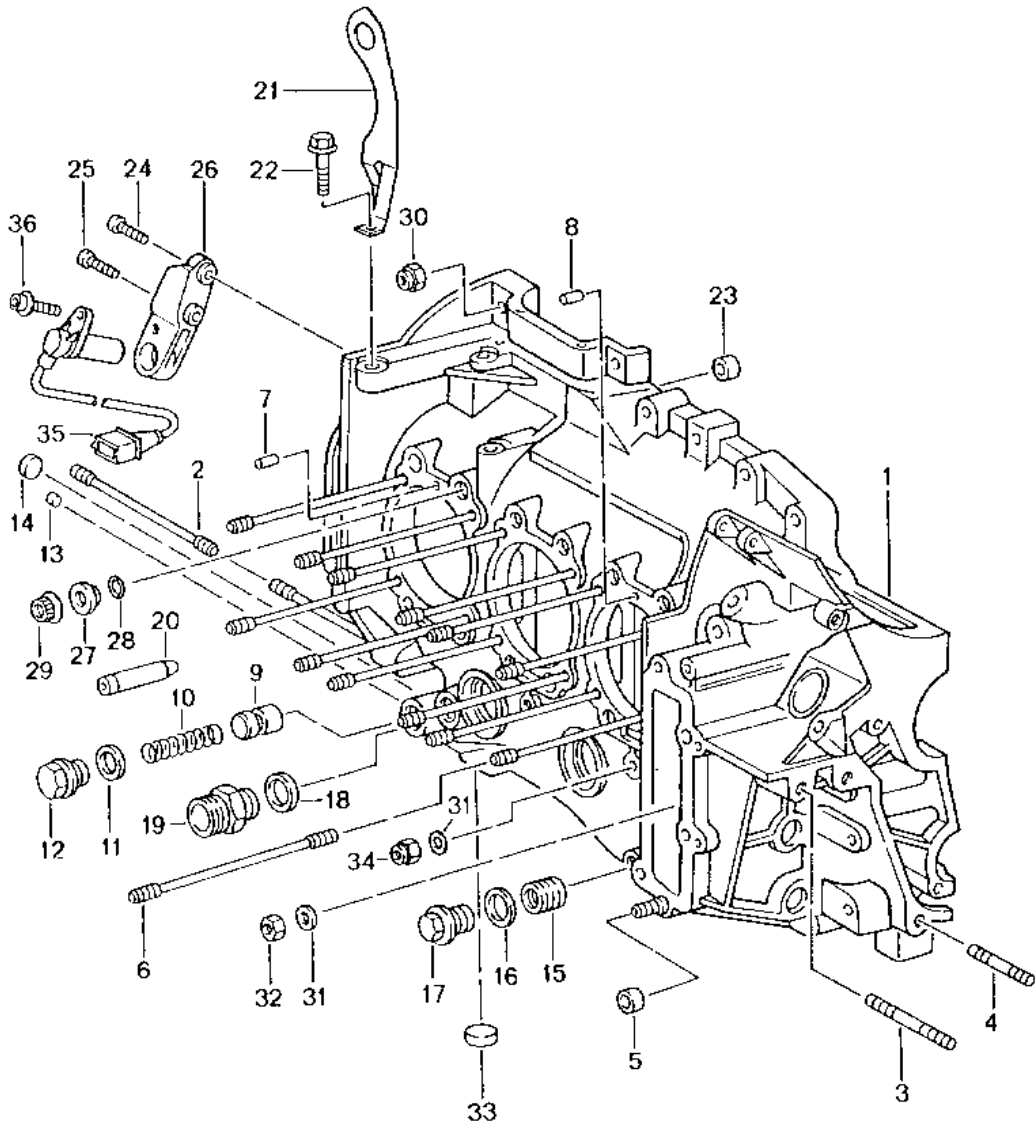
Model: 996 99

Model life 1999>>2005

Pos	Part Number	Description	Remark	Qty	Model
		Replacement engine Ready for installation			M96.76/79
1	996 100 976 00	Replacement engine	-01	1	M96.76
1	996 100 979 00	Replacement engine	03-04	1	M96.79
1	996 100 979 01	Replacement engine	03-05	1	M96.79
(1)	996 100 979 90	Replacement engine	04	1	M96.79 M004

Model: 996 99

Model life 1999>>2005



Model: 996 99 Model life 1999>>2005

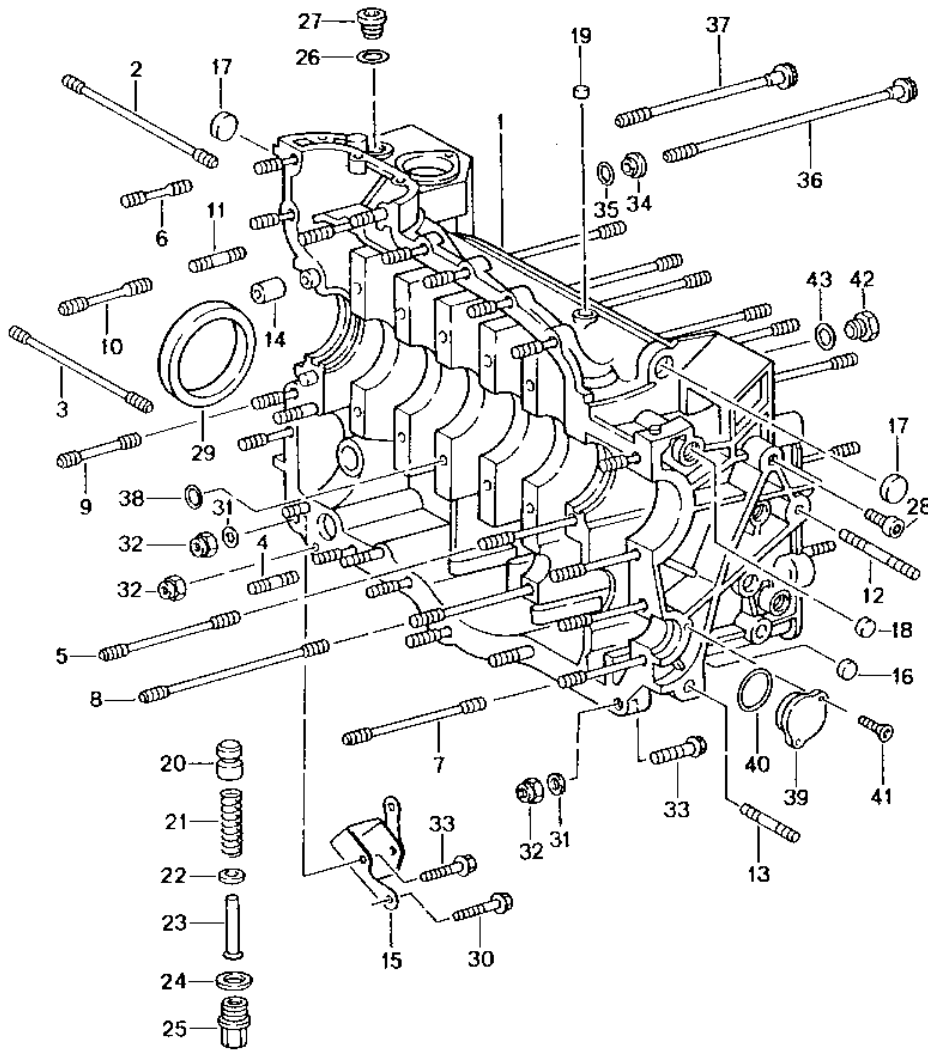
Pos	Part Number	Description	Remark	Qty	Model
		Crankcase			M96.76/79
1	996 101 901 92	Left Crankcase with studs		1	M96.76
		Use also: 000.043.203.73		X	
(1)	996 101 901 94	Sealing compound Drei Bond 1209 Crankcase with studs	03-	1	M96.79
		Use also: 000.043.203.73		X	
1	996 101 901 95	Sealing compound Drei Bond 1209 Crankcase	04-	1	M96.79 M004
		with studs Use also: 000.043.203.73		X	
2	999 062 099 02	Sealing compound Drei Bond 1209 Stud		2	
2	900 060 096 01	M 10 X 105 Stud		2	
3	999 062 170 02	BM 10FO X 105 Stud		1	
4	999 062 056 02	M 10 X 70 Stud		1	
4	900 060 098 01	BM 10 X 60 Stud		1	
5	901 101 145 00	BM 10 X 60		4	
6	996 101 172 70	Dowel sleeve Stud		24	
7	900 012 046 00	Straight pin A 8,0 X 14		2	
8	900 012 057 00	Straight pin A 6,0 X 14		2	
9	911 107 512 00	Piston		1	
10	901 107 531 00	Compression spring		1	
10	901 107 531 01	Compression spring		1	
11	900 123 106 30	Sealing ring A 18 X 24		1	
12	999 064 026 02	Screw plug M 18 X 24		1	
12	999 064 026 01	Screw plug AM 18 X 1,5		1	
13	911 101 186 00	Stopper 7,5 X 8,0		1	
13	911 101 186 01	Stopper Oversize 8,5 X 8,0		1	
14	911 101 182 00	Stopper 13,00 X 8,5		1	
(14)	911 101 182 01	Stopper Oversize 14,00 X 8,5		1	
15	999 504 127 00	Threaded insert 20 X 1,5		1	
16	900 123 118 30	Sealing ring A 22 X 27		1	
17	944 107 197 01	Screw plug		1	
18	900 123 011 30	Sealing ring A 22 X 27		1	

Model: 996 99 Model life 1999>>2005

Pos	Part Number	Description	Remark	Qty	Model
19	999 136 044 09	Union 18		1	
19	999 136 044 01	Union 18		1	
20	996 101 018 91	Spray jet M 20 X 1,5		6	
21	996 101 251 72	Retaining bar		1	
22	900 074 040 02	Hexagon-head bolt M 8 X 50		1	
23	901 101 195 00	Dowel sleeve		2	
24	900 075 341 02	Combination screw M 6 X 25		1	
24	900 075 341 01	Combination screw M 6 X 25		1	
25	900 378 115 09	Hexagon-head bolt M 6 X 35		1	
26	964 101 187 01	Support		1	
27	964 101 313 02	Washer		12	
28	999 701 006 40	O-ring 8 X 2		12	
29	959 101 172 00	Nut		11	
30	999 084 095 02	Lock nut M 8		23	
30	900 910 003 01	Hexagon nut M 8		23	
31	900 025 008 09	Washer A 10,5		2	
31	900 025 008 04	Washer A 10,5		2	
32	900 076 078 01	Hexagon nut M 10 X 1,25		1	
33	911 101 184 00	Stopper 19,00 X 13		1	
(33)	911 101 184 01	Stopper Oversize 20,00 X 13		1	
34	999 084 096 02	Lock nut M 10		1	
34	900 910 130 01	Lock nut M 10		1	
35	996 606 105 01	Pulse sender		1	
36	999 218 005 02	Pan-head screw M 6 X 16		1	
36	999 218 005 01	Pan-head screw M 6 X 16		1	
37	911 101 186 01	Stopper M8 X 20		1	
38	999 501 065 30	Stopper 9,2		1	
39	999 501 082 30	Stopper 10,2		1	
40	999 507 842 40	Support Pulse sender		1	

Model: 996 99

Model life 1999>>2005



Model: 996 99 Model life 1999>>2005

Pos	Part Number	Description	Remark	Qty	Model
		Crankcase Right			M96.76/79
1	996 101 901 92	Crankcase with studs		1	M96.76
		Use also: 000.043.203.73 Sealing compound		X	
(1)	996 101 901 94	Drei Bond 1209 Crankcase with studs	03-	1	M96.79
		Use also: 000.043.203.73 Sealing compound		X	
(1)	996 101 901 95	Drei Bond 1209 Crankcase	04-	1	M96.79 M004
		with studs Use also: 000.043.203.73 Sealing compound		X	
2	999 062 225 02	Drei Bond 1209 Stud		1	
2	900 060 095 01	BM 10 X 140 Stud		1	
3	999 062 099 02	BM 10 X 140 Stud		1	
2	900 060 096 01	BM 10 X 105 Stud		2	
4	999 062 007 02	BM 10FO X 105 Stud		3	
4	900 060 106 01	BM 8 X 22 Stud		3	
5	996 101 175 70	BM8FO x 22 Stud		1	
6	999 062 115 02	BM 8 X 32 Stud		13	
7	999 062 156 02	BM 8 X 78 Stud		3	
7	900 060 101 01	BM 8 X 78 Stud		3	
8	999 062 276 02	BM 8 X 78 Stud		1	
9	999 062 075 02	BM 10 X 110 Stud		2	
10	999 062 138 02	BM 8 X 48 Stud		1	
10	900 060 102 01	BM 8 X 52 Stud		1	
11	999 062 009 02	BM8FO x 52 Stud		1	
11	900 060 105 01	BM 8 X 28 Stud		1	
12	999 062 170 02	BM 8FO X 28 Stud		1	
13	999 062 056 02	BM 10 X 70 Stud		1	
13	900 060 098 01	BM 10 X 60 Stud		1	
14	901 101 195 00	BM 10 X 60 Dowel sleeve		2	
15	996 101 206 70	Hook		1	
16	911 101 184 00	Stopper		1	
(16)	911 101 184 01	19,00 X 13 Stopper		1	

Model: 996 99 Model life 1999>>2005

Pos	Part Number	Description	Remark	Qty	Model
17	911 101 185 00	Oversize 20,00 X 13 Stopper		2	
(17)	911 101 185 01	22,00 X 9 Stopper		2	
18	911 101 182 00	Oversize 23,00 X 9 Stopper		1	
(18)	911 101 182 01	13,00 X 8,5 Stopper		1	
19	911 101 186 00	Oversize 14,00 X 8,5 Stopper		1	
19	911 101 186 01	7,50 X 8 Stopper		1	
20	911 107 512 00	Oversize 8,50 X 8 Piston		1	
21	996 107 127 80	Compression spring		1	
22	996 107 532 81	Spacer ring		1	
23	996 107 533 91	Guide sleeve		1	
24	900 123 106 30	Sealing ring		1	
25	996 107 105 80	A 18 X 24 Screw plug		1	
26	900 123 140 30	Sealing ring		1	
27	900 219 009 30	A 18 X 22 Screw plug		1	
28	999 074 017 02	M 18 X 1,5 Hexagon-head bolt		1	
29	999 113 426 41	M 10 X 18 Radial sealing ring		1	M96.76
29	996 102 264 91	90 X 110 X 12 Shaft sealing ring		1	M96.79
29	996 102 264 92	90 X 110 X 12 Shaft sealing ring		1	M96.79
29	997 102 264 91	90 X 110 X 12 Shaft sealing ring		1	M96.79
-	997 101 264 90	90 x 110 x 12 Use also: Spacer ring See technical information Service Group 1 1359 3/08		1	
30	900 378 150 09	Hexagon-head bolt AM 8 X 55		1	
31	900 031 001 02	Washer		26	
31	900 031 105 01	8,4 Washer		26	
32	999 084 095 02	8,4 Lock nut		23	
32	900 910 003 01	M 8 Hexagon nut		23	
33	900 074 134 02	M 8 Hexagon-head bolt		2	
34	964 101 313 02	M 8 X 45 Washer		12	
35	999 701 006 40	O-ring		12	
36	959 101 173 01	8 X 2 Screw		11	
36	959 101 173 02	Screw		11	
37	964 101 174 00	Screw		2	
38	999 701 596 40	O-ring		4	



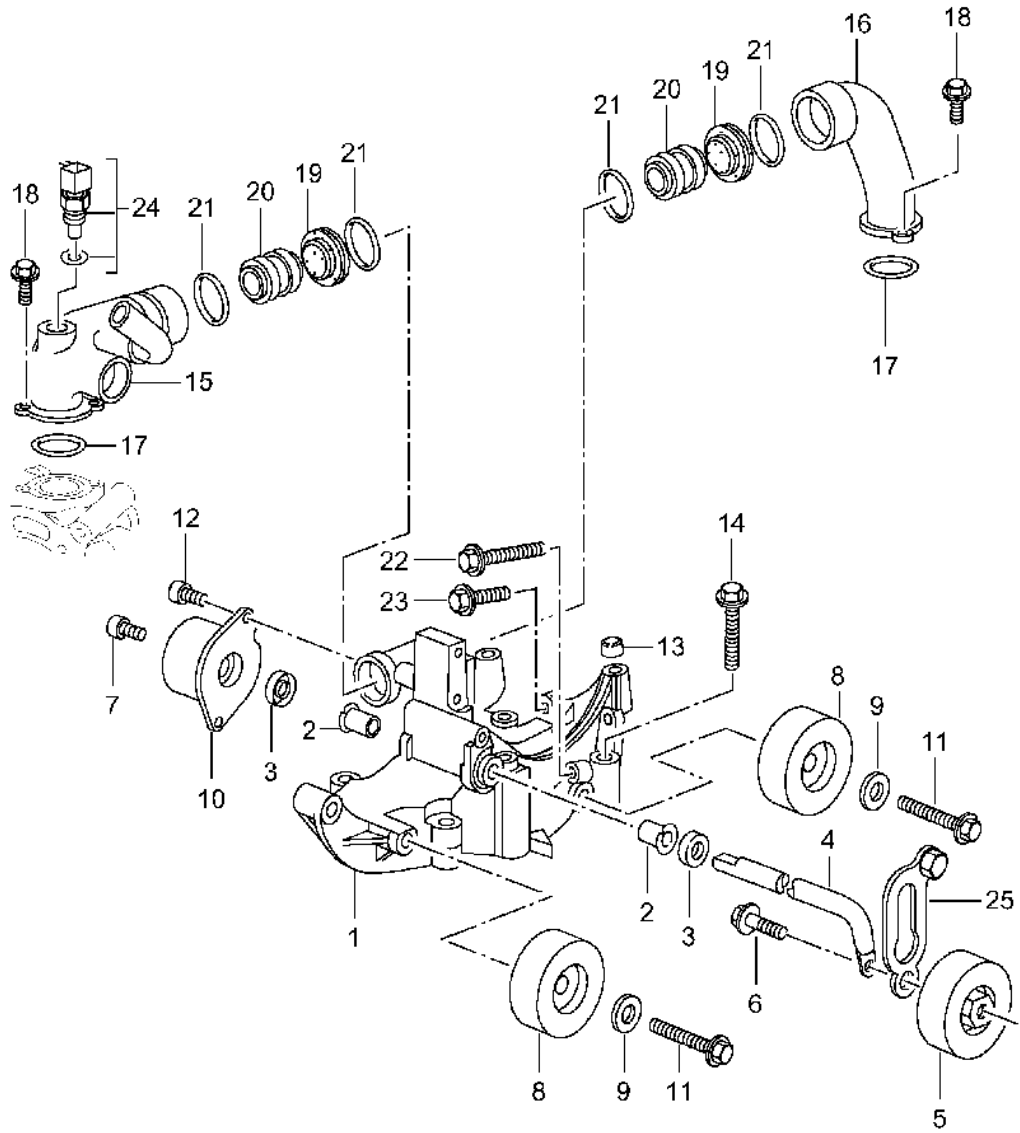
Model: 996 99

Model life 1999&gt;&gt;2005

Pos	Part Number	Description	Remark	Qty	Model
39	930 105 165 00	8,3 X 2,4 Cover		1	
40	999 707 315 40	O-ring		1	
41	900 075 010 09	33,3 X 2,4 Hexagon-head bolt		2	
42	900 219 004 30	M 6 X 12 Screw plug		1	
43	900 123 018 30	M 16 X 1,5 Sealing ring		1	
44	900 036 008 02	A 16 X 20 Lid		1	
46	999 707 285 40	B15 O-ring		1	
47	900 012 061 00	51 X 4,5 Straight pin		1	
48	999 217 111 02	5H8 X 10 Combination screw		1	
49	999 704 172 50	M8 X 45 Sealing ring		1	
		16,3 X 22 X 9,5			

Model: 996 99

Model life 1999>>2005



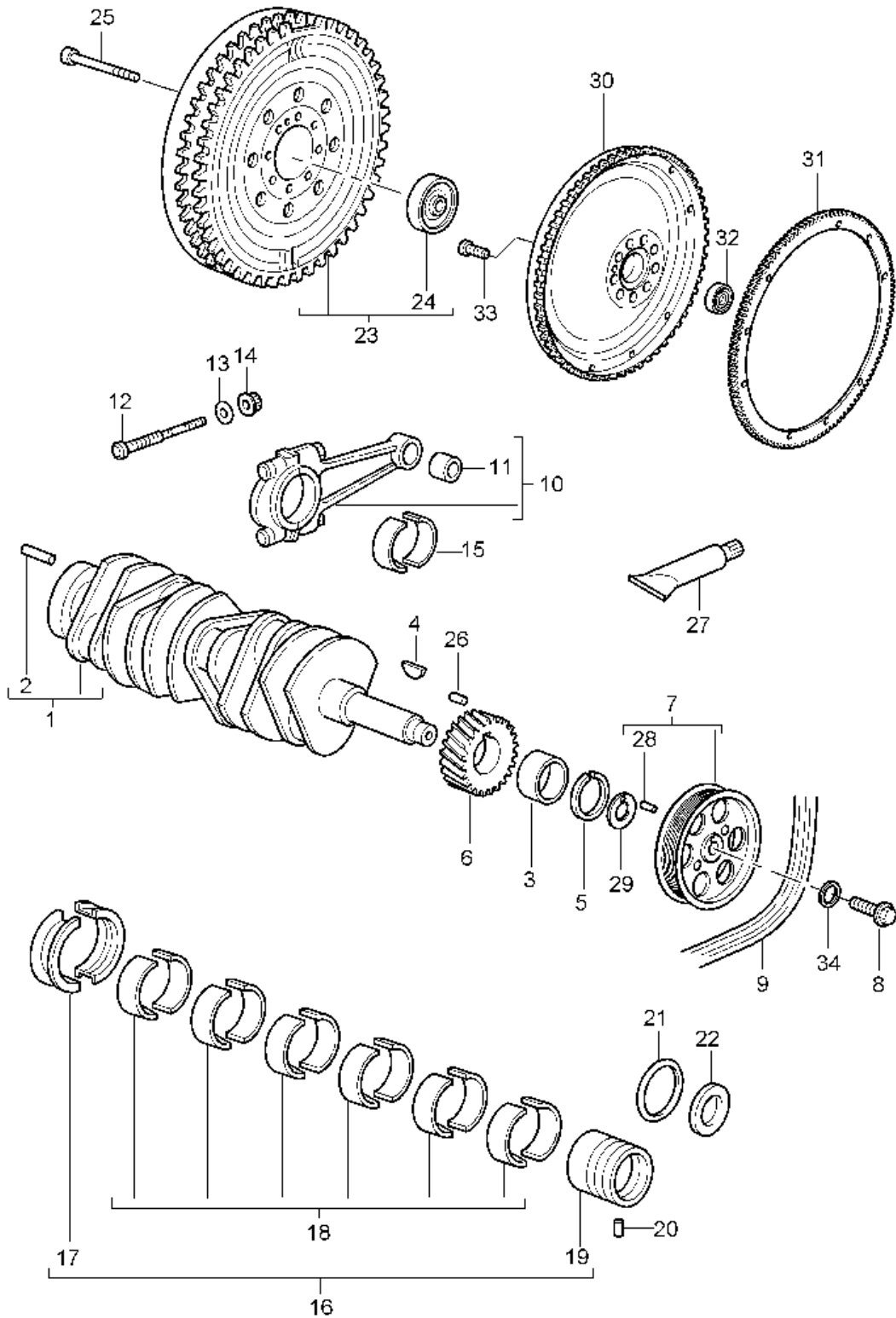
Model: 996 99

Model life 1999>>2005

Pos	Part Number	Description	Remark	Qty	Model
		Belt tensioner			M96.76/79
		Belt drive			
1	996 115 112 70	Bracket		1	
2	996 102 167 50	Bearing sleeve		2	
2	997 102 167 00	Bush		2	
3	996 102 365 50	Dust boot		2	
4	996 115 913 70	Lever		1	
4	996 115 913 71	Lever		1	
5	996 115 016 70	Tensioning roller		1	
6	999 072 041 09	Hexagon-head bolt M 10 X 30		1	
7	900 067 117 03	Pan-head screw M 6 X 16		1	
8	996 115 015 71	Deflection roller		2	
(8)	996 115 015 76	Deflection roller		2	
9	996 102 125 53	Cover disc		2	
10	996 115 221 71	Tensioner		1	
10	996 115 221 72	Tensioner		1	
11	900 074 063 02	Hexagon-head bolt M 10 X 55		2	
12	900 067 131 02	Pan-head screw M 8 X 16		2	
13	999 095 063 02	Dowel sleeve 11 M 6 X 10		2	
13	999 095 063 01	Dowel sleeve 11 M 6 X 10		2	
14	900 378 098 09	Hexagon-head bolt AM 10 X 60		4	
15	996 106 039 73	Connection piece		1	
16	996 106 440 72	Connection piece		1	
17	999 707 410 40	O-ring 39,20 X 3,00		2	
18	900 378 030 09	Hexagon-head bolt M 6 X 20		4	
19	996 106 214 70	Protective ring		2	
20	996 106 238 71	Joining socket		2	
21	999 707 411 40	O-ring 28,00 X 4,50		4	
22	900 378 150 09	Hexagon-head bolt M 8 X 55		1	
23	900 378 022 09	Hexagon-head bolt M 8 X 25		2	
24	996 606 405 01	Temperature sensor		1	M96.76
24	996 606 410 00	Temperature sensor		1	M96.79
25	996 115 213 71	Driver		1	

Model: 996 99

Model life 1999>>2005



Model: 996 99 Model life 1999>>2005

Pos	Part Number	Description	Remark	Qty	Model
		Crankshaft See technical information Group 3 NR.3 /03			M96.76/79 M96.79
1	996 102 021 91	Crankshaft	-01	1	M96.76
1	996 102 021 92	Crankshaft	03-	1	M96.79
2	900 095 031 00	Tensioning sleeve 6 X 16		1	
3	959 102 321 00	Intermediate ring		1	
4	901 102 147 00	Woodruff key		1	
5	901 102 148 00	Circlip Number 0		1	
5	901 102 148 01	Circlip Number 1		1	
5	901 102 148 02	Circlip Number 2		1	
5	901 102 148 03	Circlip Number 3		1	
6		See group 1/03/15		1	
7	996 102 115 93	Vibration damper		1	
7	996 102 115 95	Vibration damper		1	
(7)	996 102 017 93	Pulley	03-	1	M96.79
(7)	996 102 017 95	Pulley	04-	1	M96.79 M004
8	996 102 301 90	Hexagon-head bolt M 14 X 1,5 X 48		1	M96.76
(8)	999 217 128 01	Hexagon-head bolt	04-	1	M96.79 M004
(8)	993 102 550 80	M 14 X 1,5 X 33 Hexagon-head bolt	03-	1	M96.79
(8)	993 102 550 81	M 14 X 1,5 X 40 Hexagon-head bolt	03-	1	M96.79
9	996 102 151 92	Poly-rib belt		1	M574
9	996 102 151 93	Poly-rib belt		1	M573
10	996 103 012 93	Connecting rod		6	M96.76
(10)	996 103 012 95	Connecting rod	04-	6	M96.79
(10)	996 103 012 96	Connecting rod	04-	6	M96.79
(10)	996 103 012 98	Connecting rod	03-	6	M96.79
11	996 103 111 90	Connecting rod bush		6	
12	996 103 176 91	Connecting rod bolt		12	M96.76
(12)	996 103 176 93	Connecting rod bolt		12	M96.79
13	996 103 174 90	Washer		12	M96.76
14	996 103 173 90	Connecting rod nut		12	M96.76
15	996 103 121 81	Connecting-rod bearing		12	M96.76
(15)	996 103 121 94	Connecting-rod bearing		12	M96.79
(15)	996 103 121 95	Connecting-rod bearing		12	M96.79
16	964 101 901 00	Set of crankshaft bearings		1	M96.76
16	964 101 901 51	Set of crankshaft bearings Oversize Inner		1	M96.76
16	964 101 901 56	Set of crankshaft bearings Oversize Inner		1	M96.76
16	964 101 901 61	Set of crankshaft bearings Oversize Outer		1	M96.76
16	964 101 901 71	Set of crankshaft bearings Oversize Outer		1	M96.76

Model: 996 99 Model life 1999>>2005

Pos	Part Number	Description	Remark	Qty	Model
16	964 101 901 76	Oversize Inner 0,25 MM Oversize Outer 0,25 MM Set of crankshaft bearings		1	M96.76
17	930 101 131 15	Oversize Inner 0,50 MM Oversize Outer 0,25 MM Bearing shell Set I		1	M96.76
17	996 101 231 92	Thrust bearing I		2	M96.79
17	930 101 131 51	Bearing shell I Oversize Inner 0,25 MM		2	M96.76
17	930 101 131 56	Bearing shell I Oversize Inner 0,50 MM		2	M96.76
17	930 101 131 61	Bearing shell I Oversize Outer 0,25 MM		2	M96.76
17	930 101 131 71	Bearing shell I Oversize Inner 0,25 MM Outer 0,25 MM		2	M96.76
17	930 101 131 76	Bearing shell I Oversize Inner 0,50 MM Outer 0,25 MM		2	M96.76
18	930 101 132 15	Bearing shell II-VII		12	M96.76
18	996 101 232 92	Main bearing II-VII		12	M96.79
18	930 101 132 51	Bearing shell II-VII Oversize Inner 0,25 MM		12	M96.76
18	930 101 132 92	Bearing shell II-VII Oversize Inner 0,25 MM		12	M96.76
18		Bearing shell Bearing shell		12	M96.76

Model: 996 99 Model life 1999>>2005

Pos	Part Number	Description	Remark	Qty	Model
18	930 101 132 56	II-VII Oversize Inner 0,25 MM Bearing shell		12	M96.76
18	930 101 132 61	II-VII Oversize Inner 0,50 MM Bearing shell		12	M96.76
18	930 101 132 71	II-VII Oversize Outer 0,25 MM Bearing shell		12	M96.76
18	930 101 132 72	II-VII Oversize Inner 0,25 MM Outer 0,25 MM Bearing shell		12	M96.76
18	930 101 132 76	II-VII Oversize Inner 0,25 MM Outer 0,25 MM Bearing shell		12	M96.76
19	964 101 138 01	VIII Oversize Inner 0,50 MM Outer 0,25 MM Bearing sleeve		1	
19	964 101 138 54	VIII Oversize Inner 0,25 MM Bearing sleeve		1	
19	964 101 138 55	VIII Oversize Inner 0,50 MM Bearing sleeve		1	
19	964 101 138 65	VIII Oversize Outer 0,25 MM Bearing sleeve		1	
19	964 101 138 66	VIII Oversize Bearing sleeve		1	

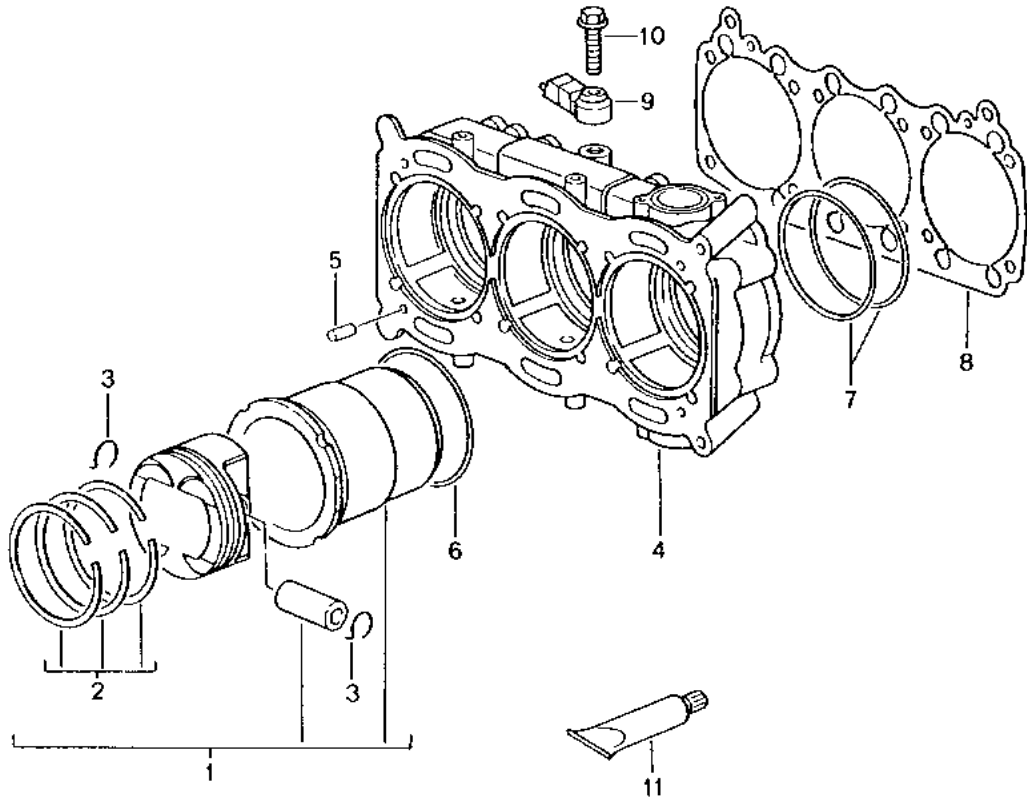
Model: 996 99 Model life 1999>>2005

Pos	Part Number	Description	Remark	Qty	Model
19	964 101 138 67	Inner 0,25 MM Outer 0,25 MM Bearing sleeve VIII Oversize Inner 0,50 MM Outer 0,25 MM		1	
20	900 012 061 00	Straight pin 5 H 8 X 10		1	
21	999 707 285 40	O-ring 51 X 4,5		1	
22	999 113 290 41	Radial sealing ring 30 X 50 X 10		1	M96.76
(22)	997 102 265 91	Shaft sealing ring 30 X 50 X 10 See workshop manual Group 1 13-74		1	M96.79
23	996 114 012 50	Double-mass flywheel	-01	1	-M003/M002
23		Double-mass flywheel	03-	1	M002/003
24	999 052 169 00	Deep-groove ball bearing 15 x 50 x 11		1	
25	999 119 017 01	Pan-head screw M 10 X 1,25 X 62		9	
26	900 302 023 00	Straight pin M 4 X 16		1	
27	000 043 300 12	Grease 100 GR.		1	
(27)	000 043 300 21	Grease 100 Gr. for Titanium		1	
(27)	000 043 024 00	Connecting rod bolt Extreme-pressure grease 1 tube 80 Gr. for Connecting-rod bearing		1	
28	900 012 071 00	Straight pin A 4 X 8		1	
29	996 102 203 90	Washer	03-	1	M96.79
30	964 102 239 31	Flywheel	-01	1	M002/003
30		Flywheel	03-	1	M004
31	964 114 143 31	Ring gear	-01	1	M002/003
31		Ring gear	03-	1	M004
32	931 102 111 00	Deep-groove ball bearing	-01	1	M002/003
32	931 102 111 02	Deep-groove ball bearing		1	M002/003
32	931 102 111 00	Deep-groove ball bearing	03-	1	M004
32	931 102 111 02	Deep-groove ball bearing	03-	1	M004
33	928 102 151 01	Pan-head screw	-01	9	M002/003
33		Pan-head screw	03-	9	M004
34	999 025 174 02	Washer 14 x 1,5 x 40		1	M004
34	999 025 174 01	Washer 14 x 1,5 x 40		1	M004



Model: 996 99

Model life 1999>>2005



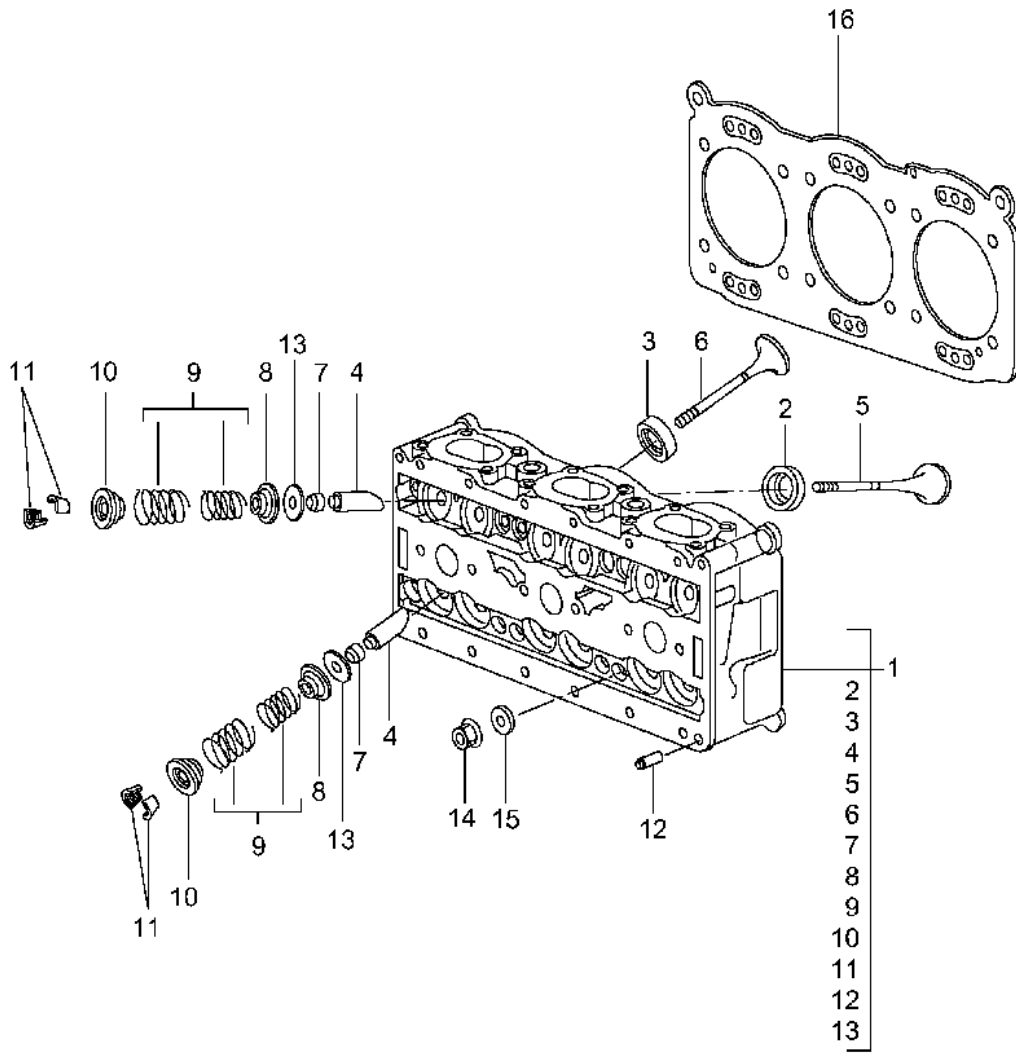
Model: 996 99

Model life 1999&gt;&gt;2005

Pos	Part Number	Description	Remark	Qty	Model
1	996 103 915 95	Cylinder with piston Cylinder with piston Identification -- / -		6	M96.76/79
1	996 103 915 97	Cylinder with piston Identification -- / -		6	M96.76
1	996 103 942 00	Cylinder with piston Identification -- / -		6	M96.79
2	996 103 925 90	Set of piston rings		6	M96.76
-	996 103 371 91	Piston ring 1.		6	M96.76
-	996 103 371 92	Piston ring 1.		6	M96.79
-	996 103 374 90	Piston ring 2.		6	M96.76
-	996 103 374 91	Piston ring 2.		6	M96.79
-	993 103 372 00	Oil scraper ring		6	M96.76
-	996 103 372 71	Oil scraper ring		6	M96.79
3	999 178 020 00	Circlip		12	
-	993 103 379 81	Piston pin		6	M96.76
-	996 103 379 90	Piston pin		6	M96.79
4	996 101 311 75	Housing		2	
4	996 101 911 75	Housing		2	
5	900 012 046 00	Straight pin A 8,0 X 14		8	
6	999 707 393 40	O-ring 104,00 X 2,00		6	
7	999 707 394 40	O-ring 110,00 X 2,50		12	
8	996 101 193 72	Cylinder base gasket		2	
9	996 606 125 00	Knock sensor		2	
10	900 378 033 09	Hexagon-head bolt AM 8 X 30		2	
10	900 378 033 01	Hexagon-head bolt AM 8 X 30		2	
11	000 043 205 10	Grease 80 GR.		1	

Model: 996 99

Model life 1999>>2005

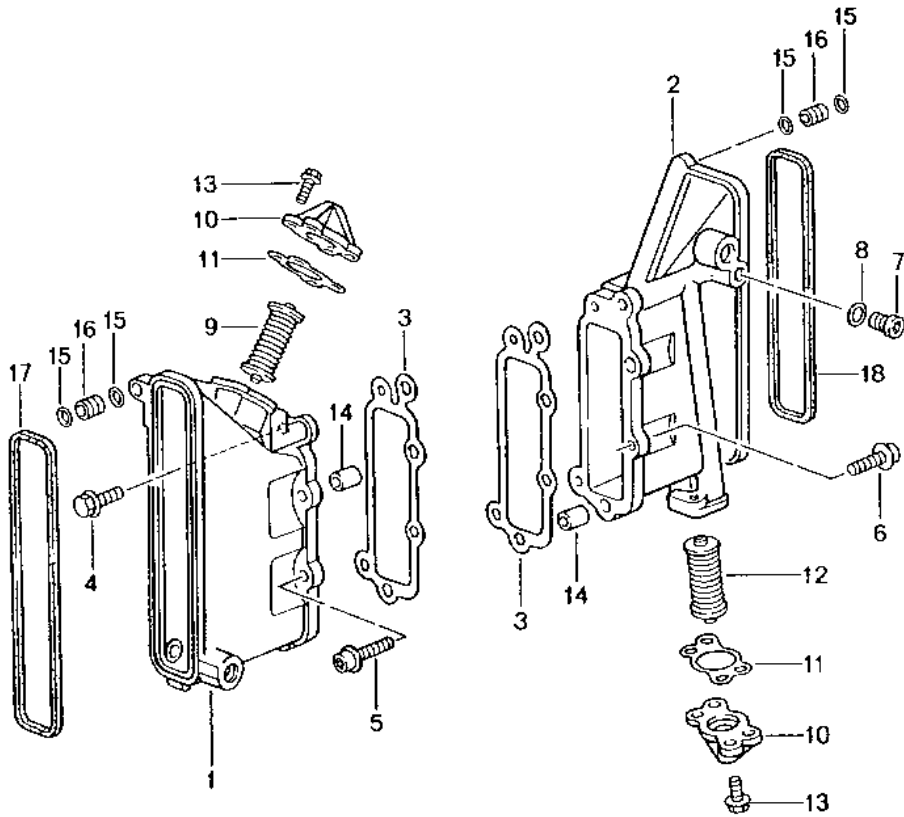


Model: 996 99 Model life 1999>>2005

Pos	Part Number	Description	Remark	Qty	Model
1	996 104 001 98	Cylinder head Cylinder head Ready for installation		2	M96.76/79 M96.76
1	996 104 012 94	Cylinder head Ready for installation	04-	2	M96.79
1	996 104 002 94	Cylinder head  Ready for installation		2	M96.79 -M004
1	996 104 002 96	Cylinder head  Ready for installation		2	M96.79 M004
5	996 105 111 93	Intake valve		12	M96.76
5	996 105 111 97	Intake valve		12	M96.79
6	996 105 113 93	Exhaust valve		12	M96.76
6	996 105 113 97	Exhaust valve		12	M96.79
7	996 105 115 52	Valve stem seal		24	
8	996 105 117 90	Concave washer		24	M96.76
8	996 105 117 91	Valve spring		24	M96.79
8	996 105 117 9E	Concave washer		24	M96.79
9	996 105 093 90	Set of valve springs		24	M96.76
9	996 105 093 94	Set of valve springs		24	M96.79
10	996 105 121 90	Concave washer		24	M96.76
10	996 105 121 94	Concave washer		24	M96.79
11	996 105 123 52	Valve collet		48	
12	900 012 046 00	Straight pin A 8,0 X 14		4	
13	996 105 461 90	Washer		24	M96.76
13	996 105 461 93	Washer		24	M96.79
14	996 104 382 80	Cylinder head nut		24	
15	996 104 351 90	Washer		24	
16	996 104 170 72	Cylinder head gasket		2	
(16)	997 104 170 71	Cylinder head gasket		2	

Model: 996 99

Model life 1999>>2005

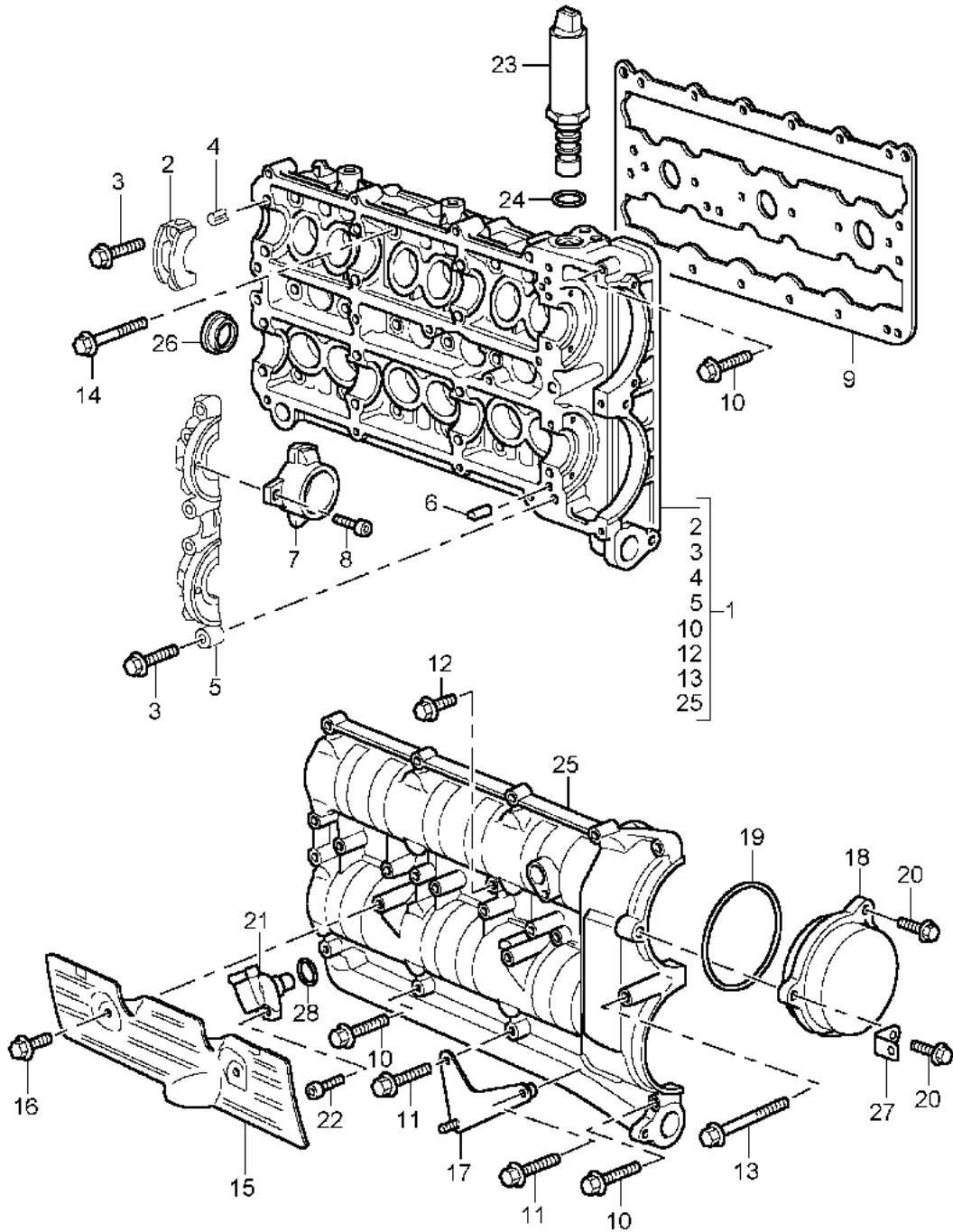


Model: 996 99 Model life 1999>>2005

Pos	Part Number	Description	Remark	Qty	Model
		Chain case			M96.76/79
		Chain adjuster			
1	996 105 143 74	Chain case	/L 00	1	M96.76
(1)	996 105 143 77	Chain case	/L 01-	1	
(1)	996 105 143 79	Chain case	/L 01-	1	
(1)	997 105 143 70	Chain case	/L 01-	1	
2	996 105 144 74	Chain case	/R 00	1	
(2)	996 105 144 77	Chain case	/R 01-	1	
(2)	996 105 144 79	Chain case	/R 01-	1	
3	996 105 192 71	Gasket		2	
4	900 378 022 09	Hexagon-head bolt AM 8 X 25		1	
5	900 067 276 02	Pan-head screw M 8 X 35		4	
5	900 067 276 01	Combination screw M 8 X 35		4	
6	900 067 247 02	Combination screw M 8 X 30		5	
6	900 067 247 01	Combination screw M 8 X 30		5	
7	900 219 006 02	Screw plug M 12 X 1,5		1	
7	900 219 006 01	Screw plug M 12 X 1,5		1	
8	900 123 116 30	Sealing ring A 12 X 15,5		1	
9	959 105 051 01	Chain adjuster	/L	1	
10	993 105 022 01	Lid		2	
11	996 105 172 70	Gasket		2	
12	959 105 052 01	Chain adjuster	/R	1	
13	900 378 030 09	Hexagon-head bolt		4	
14	901 101 145 00	Dowel sleeve		4	
15	999 707 229 40	O-ring 9,25 X 1,78		4	
16	996 105 229 90	Intermediate piece		2	
17	996 105 513 72	Gasket	/L	1	
18	996 105 514 72	Gasket	/R	1	

Model: 996 99

Model life 1999>>2005



Model: 996 99 Model life 1999>>2005

Pos	Part Number	Description	Remark	Qty	Model
1	996 105 929 95	Camshaft housing		1	M96.76/79
(1)	996 105 929 91	Camshaft housing	/L	1	M96.76
(1)	996 105 930 95	Camshaft housing	/L	1	M96.79
(1)	996 105 930 91	Camshaft housing	/R	1	M96.76
(1)	996 105 930 91	Camshaft housing	/R	1	M96.79
2	996 105 511 71	Housing Matching with: Camshaft housing		12	
3	900 378 177 09	Hexagon-head bolt AM 6 X 30		32	
4	944 104 361 00	Dowel sleeve		24	
5	996 105 512 75	Housing Matching with: Camshaft housing		2	
6	900 012 071 00	Straight pin A 4,0 X 8		4	
7	996 105 233 72	Oil-conducting housing	/L	1	
7	996 105 233 73	Oil-conducting housing	/L	1	
(7)	996 105 234 72	Oil-conducting housing	/R	1	
(7)	996 105 234 73	Oil-conducting housing	/R	1	
8	900 067 051 02	Pan-head screw M 5 X 10		6	
9	996 105 613 71	Gasket		2	
10	900 378 174 09	Hexagon-head bolt AM 6 X 35		22	
11	900 378 029 09	Hexagon-head bolt M 6 X 40		6	
11	900 378 029 01	Hexagon-head bolt M 6 X 40		6	
12	900 378 013 09	Hexagon-head bolt AM 6 X 25		16	
13	900 378 151 09	Hexagon-head bolt M 6 X 70		2	
13	900 385 027 01	Torx screw M 6 X 70		2	
(13)	900 378 234 09	Hexagon-head bolt M 6 X 75		2	
14	900 378 007 09	Hexagon-head bolt AM 8 X 50		36	
(14)	900 378 224 09	Hexagon-head bolt AM 8 X 50		36	
15	996 104 426 73	Heat shield		2	
16	900 378 036 09	Hexagon-head bolt M 6 X 12		4	
17	996 107 319 90	Support	/R	1	
18	996 105 315 74	Lid		2	
19	999 707 482 40	O-ring 90,00 X 2,50		2	
19	999 707 482 41	O-ring 90,00 X 2,5		2	
20	900 378 030 09	Hexagon-head bolt M 6 X 20		6	
21	996 606 106 02	Hall sender		2	M96.76
(21)	996 606 106 03	Hall sender		2	M96.79
-	PCG 606 106 02	Stopper for Bore Hall sender Use also:		1	
-	999 707 404 40	O-ring		1	
22	900 067 117 09	Pan-head screw M 6 X 16		2	
23	996 105 303 71	Actuator		2	



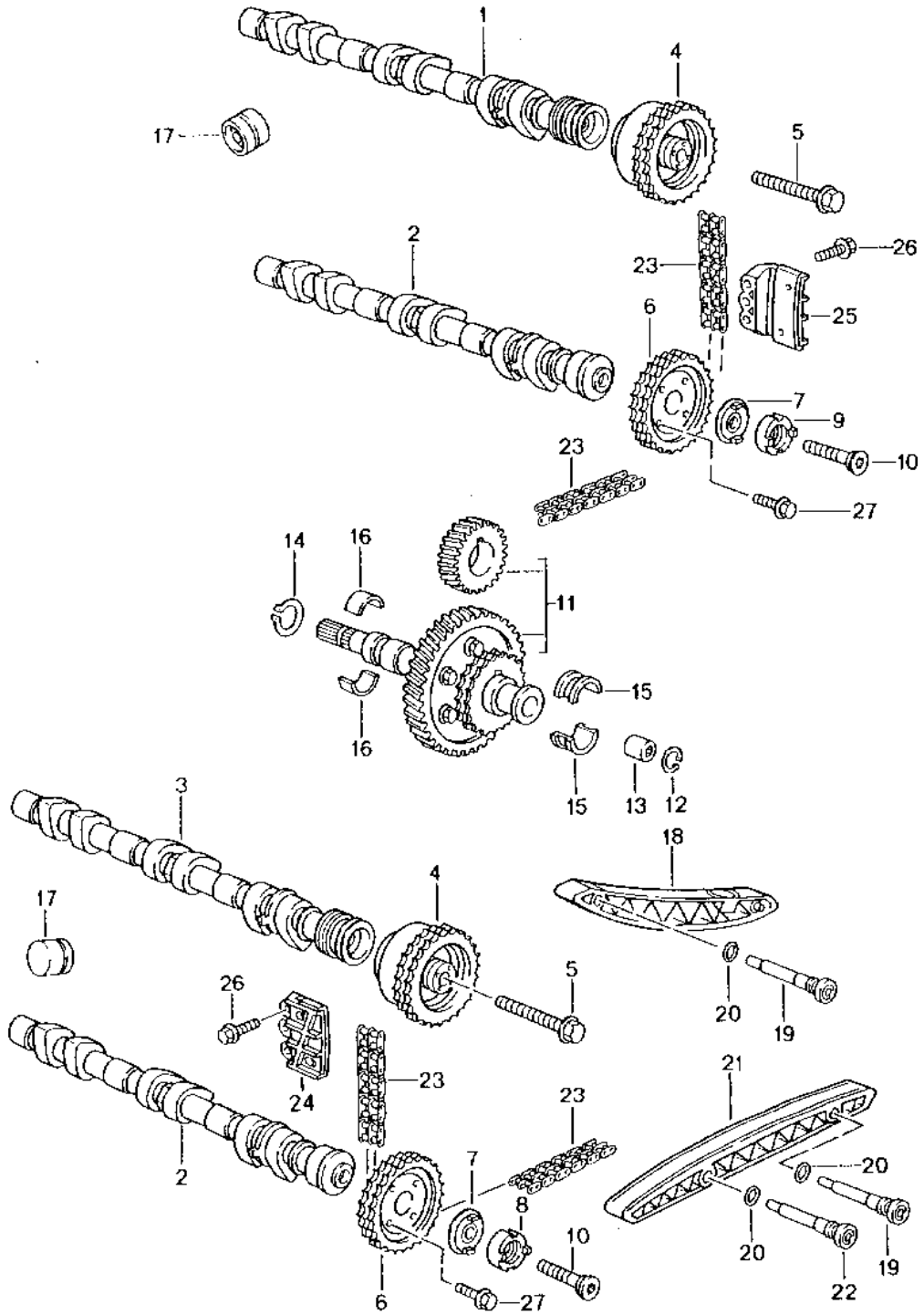
Model: 996 99

Model life 1999>>2005

Pos	Part Number	Description	Remark	Qty	Model
24	999 707 504 40	O-ring 24 X 2,50		2	
25		Lid Matching with: Camshaft housing		2	
26	996 105 329 70	Lid		4	
27	477 971 881 A	Retaining bracket		1	
-	999 511 239 40	Cable holder		1	
28	999 707 404 40	O-ring 17,05 X 1,78		2	
-	996 607 117 00	Support		1	
-	996 107 130 70	Check valve for Camshaft housing		2	
-	000 043 024 00	Extreme-pressure grease 1 tube 80 Gr. for Camshaft		1	

Model: 996 99

Model life 1999>>2005



Model: 996 99 Model life 1999>>2005

Pos	Part Number	Description	Remark	Qty	Model
1	996 105 214 98	Valve control Camshaft		1	M96.76/79
1	996 105 009 98	Camshaft Intake Cylinder 4-6		1	M96.76
1	996 105 236 95	Camshaft Intake Cylinder 4-6		1	M96.79
2	996 105 212 95	Camshaft Exhaust		2	M96.76
2	996 105 245 90	Camshaft Exhaust		2	M96.79
3	996 105 214 99	Camshaft Intake Cylinder 1-3		1	
3	996 105 009 99	Camshaft Intake Cylinder 1-3		1	M96.76
3	996 105 235 95	Camshaft Cylinder Intake 1-3		1	M96.79
4	996 105 051 95	Actuator		2	M96.76
4	996 105 051 96	Actuator		2	M96.79
5	996 105 551 90	Hexagon socket head bolt M 12 X 1,5 X 85	-01	2	
5	996 105 551 91	Hexagon socket head bolt M 12 X 1,5 X 85	03-	2	
(6)	996 105 178 91	Sprocket Camshaft		1	
6	996 105 177 72	Sprocket Camshaft Exhaust 1-3		1	
6	996 105 178 72	Sprocket Camshaft Exhaust 4-6		1	
7	996 105 647 80	Washer		2	
8	959 105 161 00	Drive plate		1	
9	959 105 161 01	Drive plate		1	
9	959 105 161 04	Drive plate		1	
10	996 105 313 90	Hexagon socket head bolt		2	
11	959 105 911 90	Intermediate shaft with Timing gear Size 0		1	
11	959 105 911 12	Intermediate shaft with Timing gear Size 1		1	
12	900 041 026 01	Circlip 13 X 1		1	
13	901 105 275 00	Stopper		1	
14	N 012 296 1	Circlip 16 X 1		1	
15	996 101 137 80	Bearing		2	
16	996 101 435 70	Bearing shell		2	
17	996 105 041 91	Hydraulic valve tappet		24	M96.76

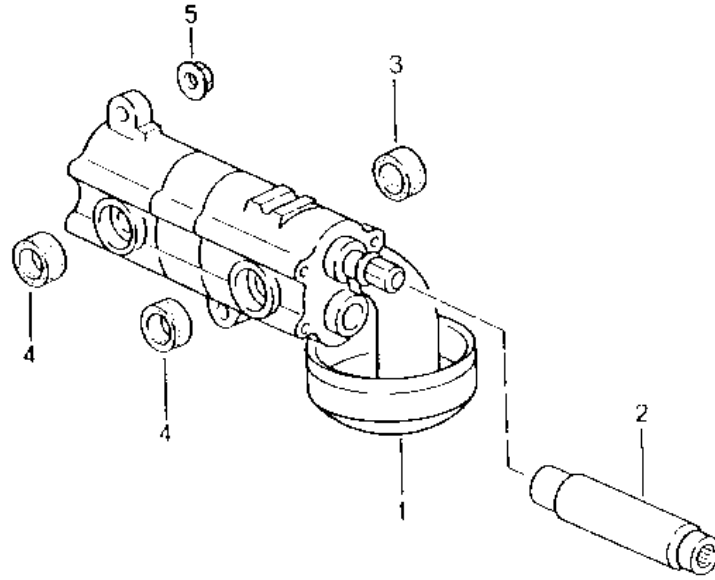
Model: 996 99

Model life 1999>>2005

Pos	Part Number	Description	Remark	Qty	Model
17	996 105 041 92	Hydraulic valve tappet		24	M96.79
18	996 105 165 71	Tensioner blade		2	
19	964 105 171 02	Bolt		4	
20	900 123 131 30	Sealing ring		6	
(20)	900 123 152 30	Sealing ring		6	
21	996 105 167 70	Guide rail	/L	1	
(21)	996 105 166 70	Guide rail	/R	1	
22	959 105 175 01	Bearing pin		2	
23	959 105 552 01	Timing chain		2	
24	996 105 037 74	Guide rail	/L	1	
25	996 105 038 74	Guide rail	/R	1	
26	900 378 013 09	Hexagon-head bolt AM 6 X 25		6	
(26)	900 378 157 09	Hexagon-head bolt AM 6 X 25		6	
(26)	900 378 157 01	Hexagon-head bolt AM 6 x 25		6	
27	900 378 030 09	Hexagon-head bolt M 6 X 20		8	
28	996 105 280 90	Ring		3	
-	000 043 024 00	Extreme-pressure grease 1 tube 80 Gr. for Camshaft		1	

Model: 996 99

Model life 1999>>2005



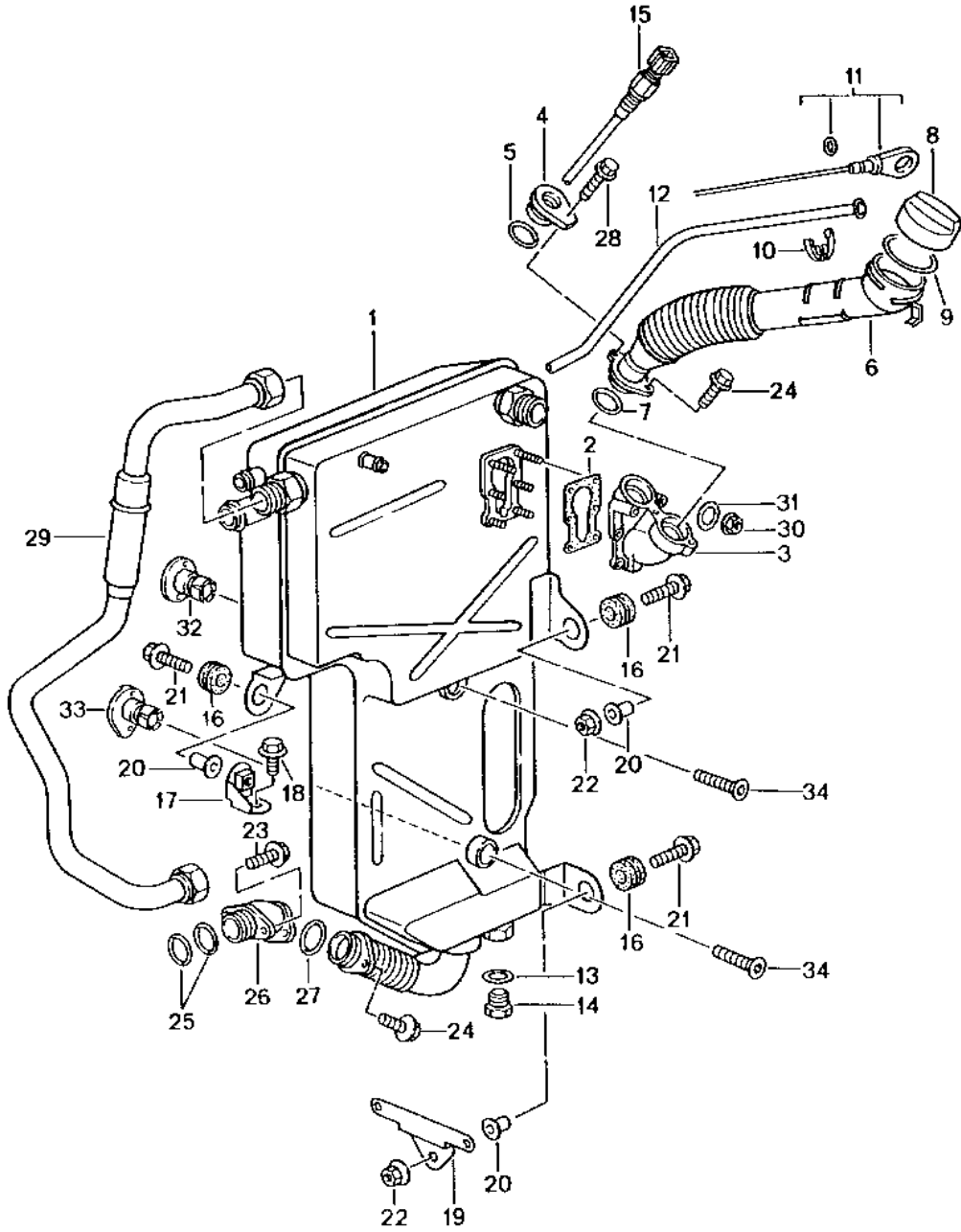
Model: 996 99

Model life 1999&gt;&gt;2005

Pos	Part Number	Description	Remark	Qty	Model
1	996 107 007 92	Oil pump		1	M96.76/79
(1)	996 107 007 93	Oil pump		1	
2	930 107 143 03	Connecting shaft		1	
3	999 704 173 50	Sealing ring 19,5 X 26		1	
4	999 704 172 50	Sealing ring 16,3 X 22		2	
5	900 380 005 09	Hexagon nut M 8		3	

Model: 996 99

Model life 1999>>2005



Model: 996 99

Model life 1999&gt;&gt;2005

Pos	Part Number	Description	Remark	Qty	Model
		Engine lubrication			M96.76/79
		Oil tank			
1	996 207 070 92	Oil tank		1	
2	993 207 226 00	Gasket		1	
3	996 207 150 72	Intermediate piece		1	
4	996 207 212 70	Flange		1	
5	999 707 343 40	O-ring		1	
		25,07 X 2,62			
(6)	996 207 016 70	Filler tube with Oil level dipstick Mounting		1	
6	996 107 150 59	Filler tube without Oil level dipstick Mounting		1	
7	900 174 058 40	Round seal 25 X 3,15		1	
7	999 707 481 40	O-ring 24 X 3,0		1	
8	996 107 035 50	Lid		1	
9	999 707 285 40	O-ring 51 X 4,5		1	
(9)	996 107 336 00	Gasket		1	
10	996 207 233 71	Retaining clip		1	
11	996 207 231 94	Oil level dipstick		1	
12	996 207 031 90	Guide tube		1	
13	996 207 195 90	Sealing ring		1	
(13)	900 123 010 20	Sealing ring 20 X 24		1	
14	944 107 197 01	Screw plug		1	
(14)	900 065 018 00	Screw plug M 20 X 1,5		1	
15	996 606 140 00	Oil-level sender		1	
16	999 702 193 40	Rubber sleeve 17,0 X 24,0 X 1,8		3	
17	996 207 407 72	Support		1	
18	900 378 074 09	Hexagon-head bolt M 8 X 16		1	
19	996 207 417 73	Support		1	
20	999 209 037 02	Spacer sleeve 8,4 X 1,8		3	
21	900 378 108 09	Hexagon-head bolt AM 8 X 35		3	
22	999 084 210 02	Hexagon nut M 8		2	
23	900 378 017 09	Hexagon-head bolt M 8 X 20		2	
24	900 378 035 01	Hexagon-head bolt M 6 X 16		2	
25	999 707 316 40	O-ring 21,89 X 2,62		2	
26	996 207 112 72	Intake connection		1	
27	999 707 364 40	Sealing ring 30 X 2,5		1	
28	900 378 030 09	Hexagon-head bolt M 6 X 20		1	
29	996 107 027 94	Return line		1	
30	N 011 005 14	Hexagon nut M 5		6	
31	N 011 556 2	Washer 5,3 X 9,5 X 1		6	
32	996 207 207 71	Spacer		1	



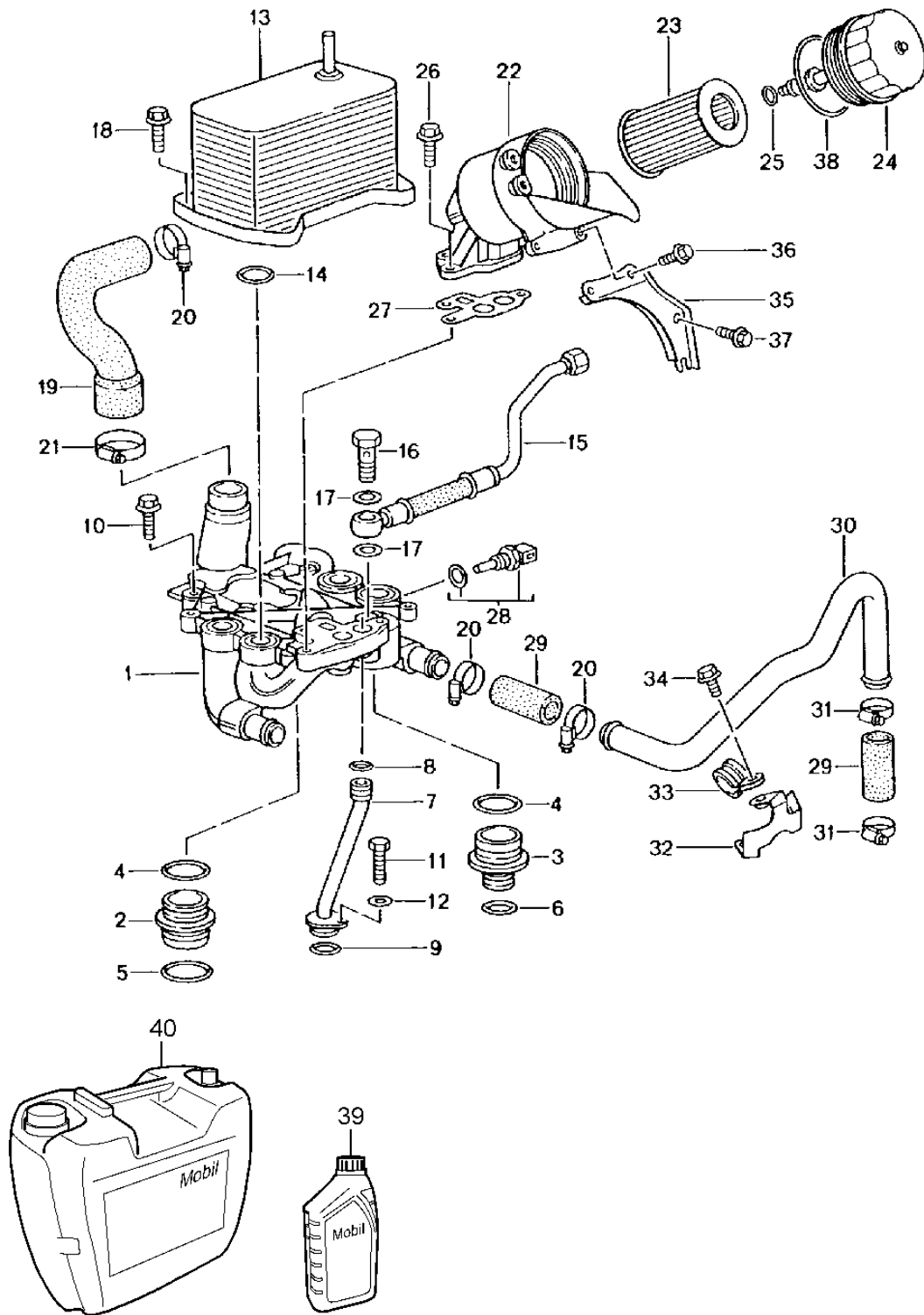
Model: 996 99

Model life 1999&gt;&gt;2005

Pos	Part Number	Description	Remark	Qty	Model
33	996 207 206 71	Upper Spacer		1	
33	996 207 206 73	Lower Spacer		1	
34	900 249 061 09	Lower Countersunk-head screw M 12 X 40		2	
35	996 207 291 91	Support Filler tube		1	
36	900 378 036 09	Hexagon-head bolt M 6 X 12		1	
37	996 207 293 90	Clamp Mount		1	
38	900 377 010 09	Filler tube Hexagon nut M 6		1	

Model: 996 99

Model life 1999>>2005



Model: 996 99 Model life 1999>>2005

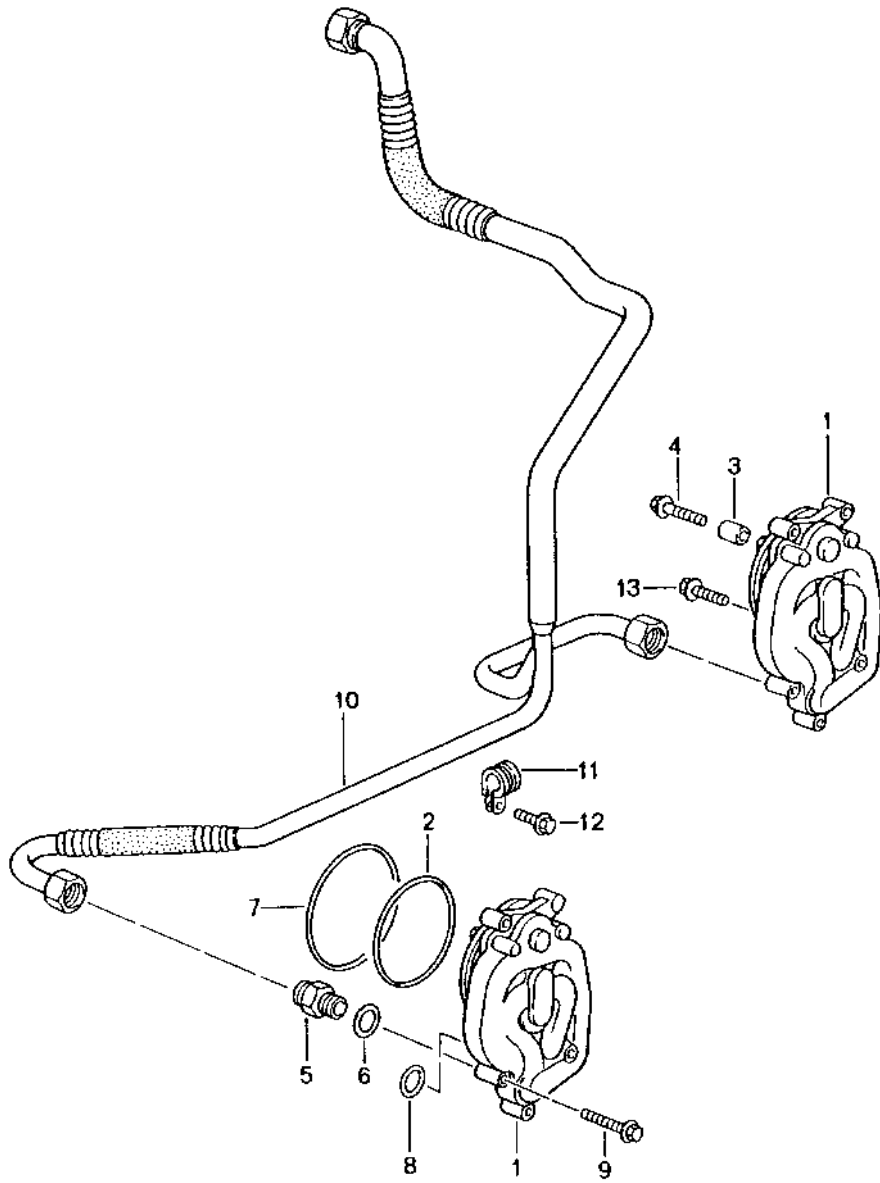
Pos	Part Number	Description	Remark	Qty	Model
		Oil filter			M96.76/79
		Bracket			
1	996 107 033 91	Bracket	00	1	
(1)	996 107 033 93	Bracket	01-03	1	
(1)	996 107 033 95	Bracket	04-	1	M96.79
(1)	996 107 033 96	Bracket	04-	1	M96.79
2	996 107 441 71	Joining socket		1	
3	996 107 451 72	Joining socket		1	
4	999 707 422 40	O-ring		2	
		32,92 X 3,53			
5	999 707 426 40	O-ring		1	
		37,69 X 3,53			
6	999 707 113 40	Round seal		1	
		20,22 X 3,53			
6	999 707 113 41	O-ring		1	
		20,22 X 3,53			
7	996 107 311 72	Return pipe		1	
8	999 701 789 40	O-ring		1	
		12,00 X 2,00			
9	999 707 424 40	O-ring	00	1	
		17,04 X 3,53			
(9)	999 707 446 40	O-ring	01-	1	
		18 X 2,5			
10	900 075 341 02	Combination screw		4	
		M 6 X 25			
10	900 075 341 01	Combination screw		4	
		M 6 X 25			
11	900 378 177 09	Hexagon-head bolt		1	
		M 6 X 30			
12	N 011 524 7	Washer		1	
		A 6,4			
12	N 011 524 27	Washer		1	
		A 6,4			
13	996 107 025 71	Heat exchanger		1	
14	999 707 409 40	O-ring		4	
		26,00 X 3,00			
15	996 107 477 90	Oil pipe		1	
(15)	996 107 477 92	Oil pipe	04-	1	M96.79
16	N 021 074 1	Banjo bolt		1	
16	N 021 074 7	Banjo bolt		1	
17	900 123 007 30	Sealing ring		2	
		A 14 X 18			
18	900 378 035 01	Hexagon-head bolt		4	
		M 6 X 16			
19	996 207 143 70	Breather hose		1	
20	999 512 252 02	Hose clamp		3	
		23 - 35/9			
21	999 512 348 02	Hose clamp		1	
		40 - 60/9			
22	996 107 201 74	Housing		1	
22	996 107 201 76	Housing		1	
23	996 107 225 52	Filter element		1	
23	996 107 225 53	Filter element		1	
24	996 107 285 70	Lid		1	
25	999 707 465 40	O-ring		1	
		10 X 2			
26	900 378 022 09	Hexagon-head bolt		3	
		AM 8 X 25			
27	996 107 217 70	Gasket		1	
28	996 606 150 90	Temperature sensor		1	
29	900 181 064 51	Hose		2	
30	996 106 145 90	Return pipe		1	
31	999 512 551 00	Hose clamp		2	

Model: 996 99 Model life 1999>>2005

Pos	Part Number	Description	Remark	Qty	Model
31	999 512 551 01	29 X 12 Hose clamp		2	
32	996 106 273 91	29 X 12 Support		1	
33	999 511 080 02	Clamp		1	
34	900 378 036 09	Hexagon-head bolt M 6 X 12		1	
35	996 107 301 72	Support		1	
36	900 378 108 09	Hexagon-head bolt AM 8 X 35		2	
37	900 378 013 09	Hexagon-head bolt AM 6 X 25		2	
38	996 107 313 51	Sealing ring		1	
39	000 043 301 19	Engine oil EXXON MOBIL 1 0W-40 1 LITER Container Information available		X	
40	000 043 301 21	Engine oil EXXON MOBIL 1 0W-40 20 LITER Container Information available		X	

Model: 996 99

Model life 1999>>2005

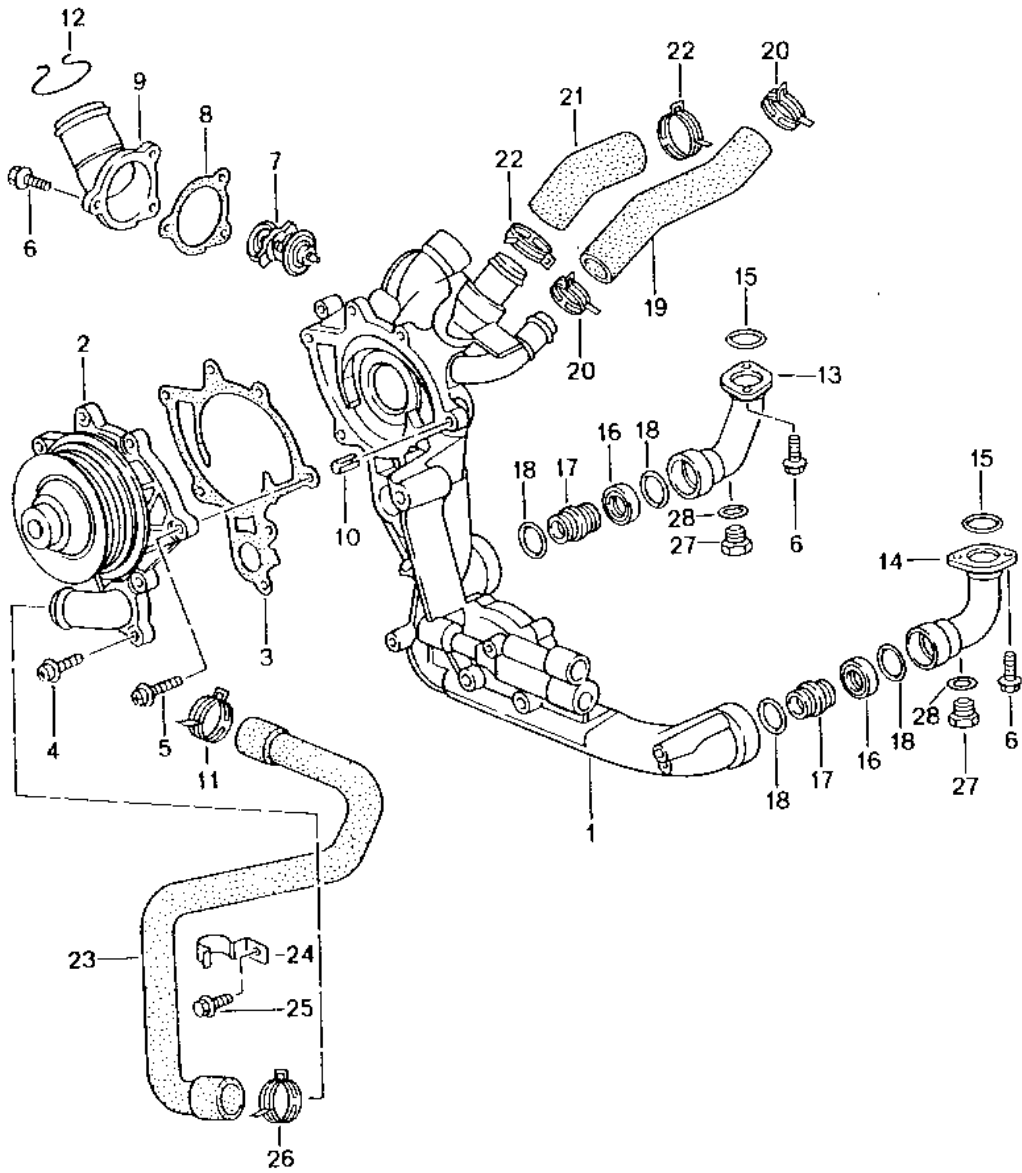


Model: 996 99 Model life 1999>>2005

Pos	Part Number	Description	Remark	Qty	Model
		Oil supply Return line			M96.76/79
1	996 107 021 90	Oil pump		2	
1	996 107 021 91	Oil pump		2	
2	999 707 425 40	O-ring 85,32 X 3,53		2	
3	996 104 117 50	Dowel sleeve		4	
4	900 378 177 09	Hexagon-head bolt M 6 X 30		4	
5	900 915 006 02	Union A 15		2	
6	900 123 106 30	Sealing ring A 18 X 24		2	
7	999 707 482 40	O-ring 90,00 X 2,5		2	
7	999 707 482 41	O-ring 90,00 X 2,5		2	
8	999 707 427 40	O-ring 20,29 X 2,62		4	
9	900 378 174 09	Hexagon-head bolt M 6 X 35		6	
10	996 107 019 92	Return line		1	
11	999 511 155 02	Pipe clamp		1	
11	999 511 155 01	Pipe clamp		1	
11	999 511 155 03	Pipe clamp		1	
12	900 378 036 09	Hexagon-head bolt M 6 X 12		1	
13	900 378 013 09	Hexagon-head bolt M 6 X 25		4	

Model: 996 99

Model life 1999>>2005



Model: 996 99

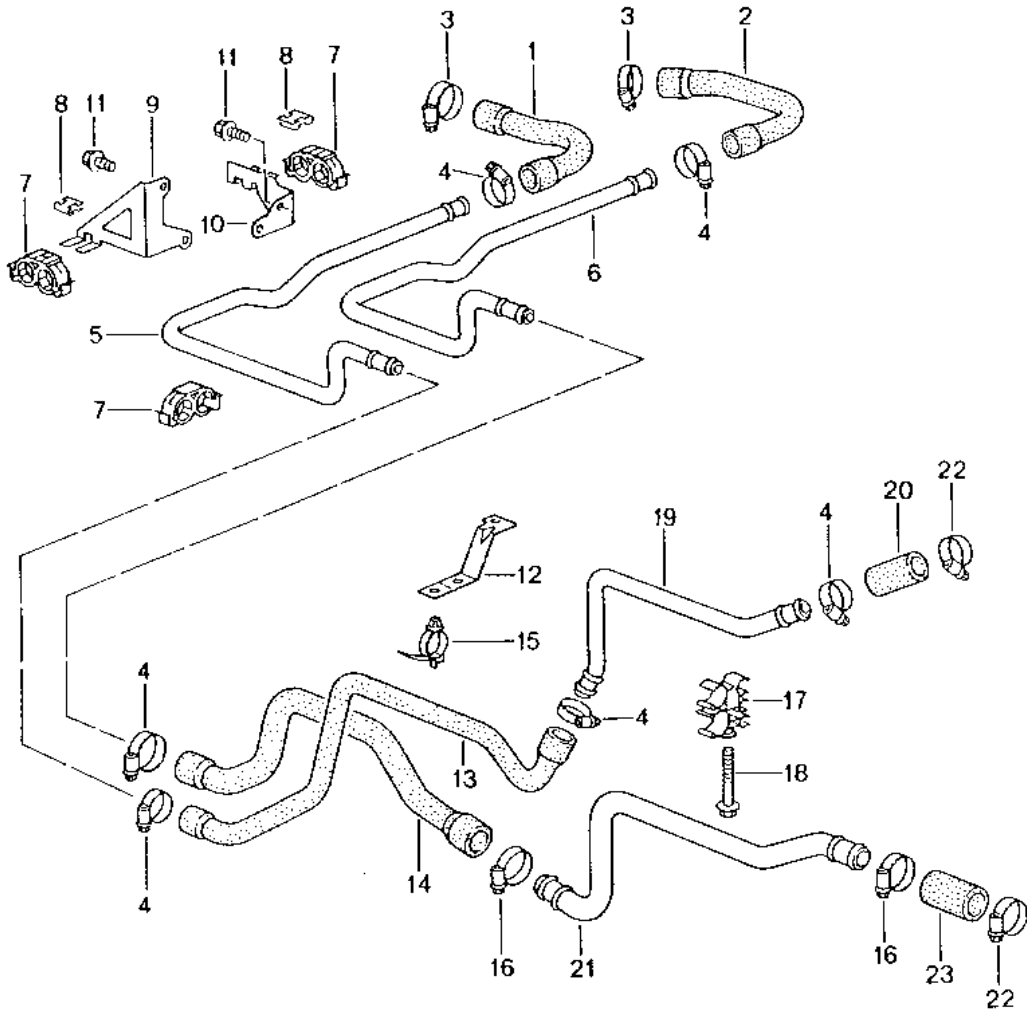
Model life 1999>>2005

Pos	Part Number	Description	Remark	Qty	Model
		Water pump			M96.76/79
		Water pump housing			
1	996 106 061 70	Water pump housing	00	1	
(1)	996 106 061 74	Water pump housing	01-	1	
2	996 106 011 72	Water pump	-04	1	
(2)	996 106 011 75	Water pump		1	
(2)	996 106 011 76	Water pump		1	M96.79
(2)	996 106 011 77	Water pump		1	M96.79
3	996 106 340 71	Gasket		1	
4	999 073 188 09	Oval-head screw M 6 X 25		5	
5	999 073 110 09	Oval-head screw M 6 X 30		2	
5	999 073 110 01	Round head screw M 6 X 30		2	
6	900 378 030 09	Hexagon-head bolt M 6 X 20		7	
7	996 106 125 52	Thermostat insert	00	1	
(7)	996 106 125 70	Thermostat insert	01-	1	
8	996 106 326 70	Gasket		1	
8	996 106 326 71	Gasket		1	
9	996 106 121 71	Lid		1	
10	996 106 103 50	Dowel sleeve 8,2 X 7		2	
11	999 512 356 02	Hose clamp		1	
12	996 106 802 10	Retainer spring		1	
13	996 106 139 71	Connection piece		1	
14	996 106 140 71	Connection piece		1	
15	999 707 410 40	O-ring 39,20 X 3,00		2	
16	996 106 214 70	Protective ring		2	
17	996 106 238 71	Joining socket		2	
18	999 707 411 40	O-ring 28,00 X 4,50		4	
19	996 106 477 73	Hose		1	
19	996 106 477 75	Hose		1	
20	999 512 551 00	Hose clamp 29 X 12		2	
20	999 512 551 01	Hose clamp 29 X 12		2	
21	996 106 529 71	Hose		1	
22	999 512 590 09	Hose clamp 35 X 12		2	
23	996 106 250 72	Hose		1	
23	996 106 250 74	Hose		1	
24	996 106 550 70	Support		1	
25	900 378 036 09	Hexagon-head bolt M 6 X 12		1	
26	999 512 551 00	Hose clamp 36 X 12		1	
26	999 512 551 01	Hose clamp 36 X 12		1	
27	900 219 007 02	Screw plug M 10 X 1		2	
27	900 219 007 01	Screw plug M 10 X 1		2	
28	900 123 144 30	Sealing ring A 10 X 13,5		2	



Model: 996 99

Model life 1999>>2005



Model: 996 99 Model life 1999>>2005

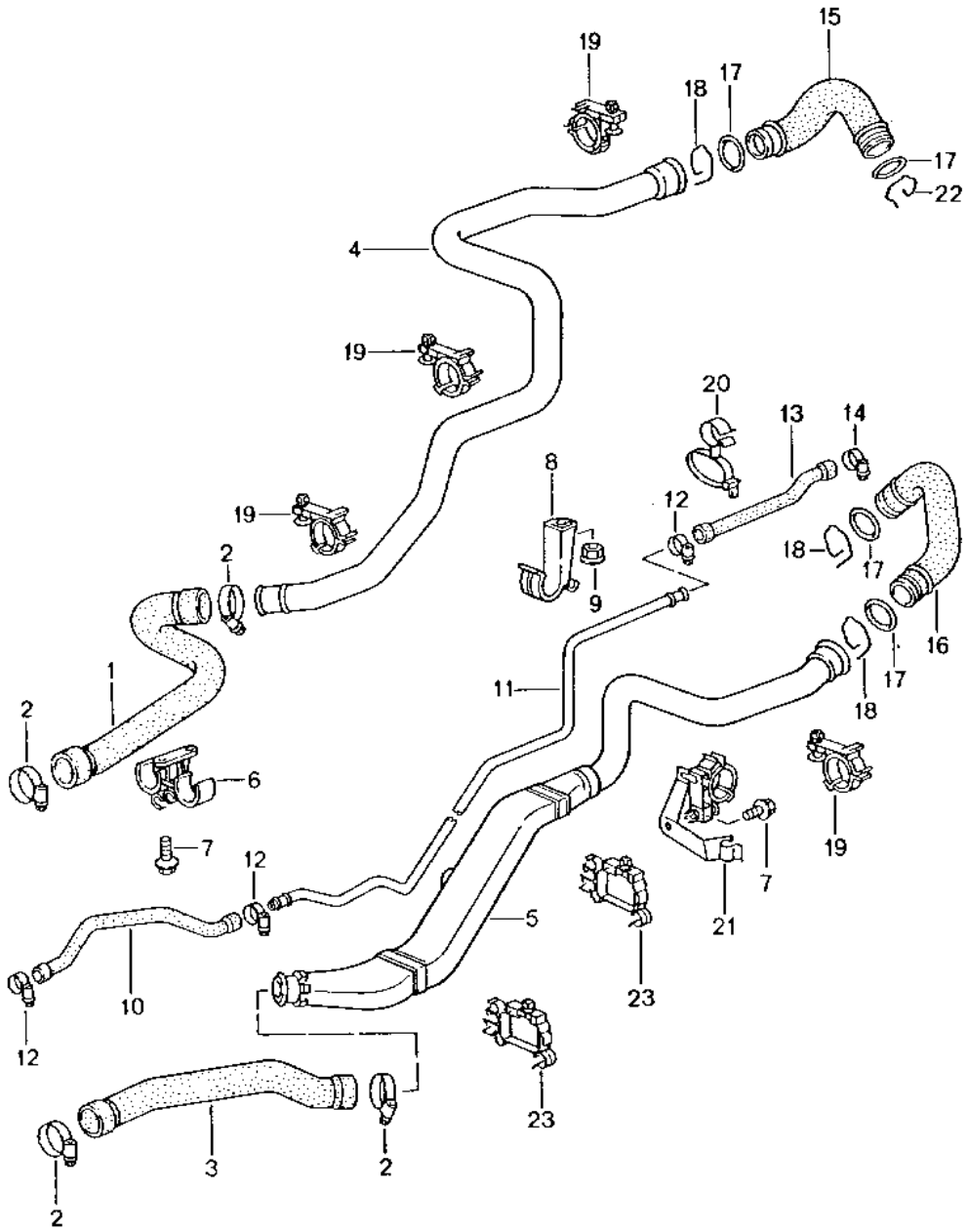
Pos	Part Number	Description	Remark	Qty	Model
		Lines			M96.76/79
		Heating			
1	996 106 212 72	Hose		1	
		Supply			
2	996 106 222 72	Hose		1	
		Return line			
3	999 512 552 00	Hose clamp		2	M96.76
		25 X 12			
3	999 512 552 01	Hose clamp		2	M96.76
		25 X 12			
(3)	999 512 356 02	Hose clamp		2	M96.79
		25- 40/9			
4	999 512 552 00	Hose clamp		6	
		27 X 12			
4	999 512 552 01	Hose clamp		6	
		27 X 12			
5	996 106 312 72	Water tube		1	
		Supply			
6	996 106 322 72	Water tube		1	
		Return line			
7	999 507 700 41	Hose holder		3	
		19			
8	999 507 701 02	U-clamp		4	
		2,75 - 3,00			
8	999 507 701 01	U-clamp		4	
		2,75 - 3,00			
9	996 106 535 72	Support	/L	1	
10	996 106 536 71	Support	/R	1	
11	900 378 036 09	Hexagon-head bolt		4	
		M 6 X 12			
12	996 106 526 90	Support		1	
13	996 106 434 72	Hose		1	
		Supply			
13	996 106 434 74	Hose		1	
		Supply			
14	996 106 424 72	Hose		1	M96.76
		Return line			
14	996 106 424 74	Hose		1	M96.76
		Return line			
(14)	996 106 422 75	Hose		1	M96.79
		Return line			
(14)	996 106 422 78	Hose		1	M96.79
		Return line			
15	999 513 023 40	Tie-wrap		2	
		15,0 - 40			
16	999 512 551 00	Hose clamp		2	M96.76
		32 X 12			
16	999 512 551 01	Hose clamp		2	M96.76
		32 X 12			
(16)	999 512 356 02	Hose clamp		2	M96.79
		25- 40/9			
17	996 106 455 71	Support		2	
18	900 378 113 09	Hexagon-head bolt		2	
		M 6 X 45			
19	996 106 052 70	Water tube		1	
		Supply			
-	999 511 744 40	Spacer		1	
20	996 106 233 72	Hose		1	
		Supply			
20	996 106 233 74	Hose		1	
		Supply			
21	996 106 254 71	Water tube		1	
		Return line			

**Model: 996 99**                      **Model life 1999>>2005**

Pos	Part Number	Description	Remark	Qty	Model
22	999 512 356 02	Hose clamp 25 - 40/9		2	
23	996 106 512 72	Hose Return line		1	

Model: 996 99

Model life 1999>>2005

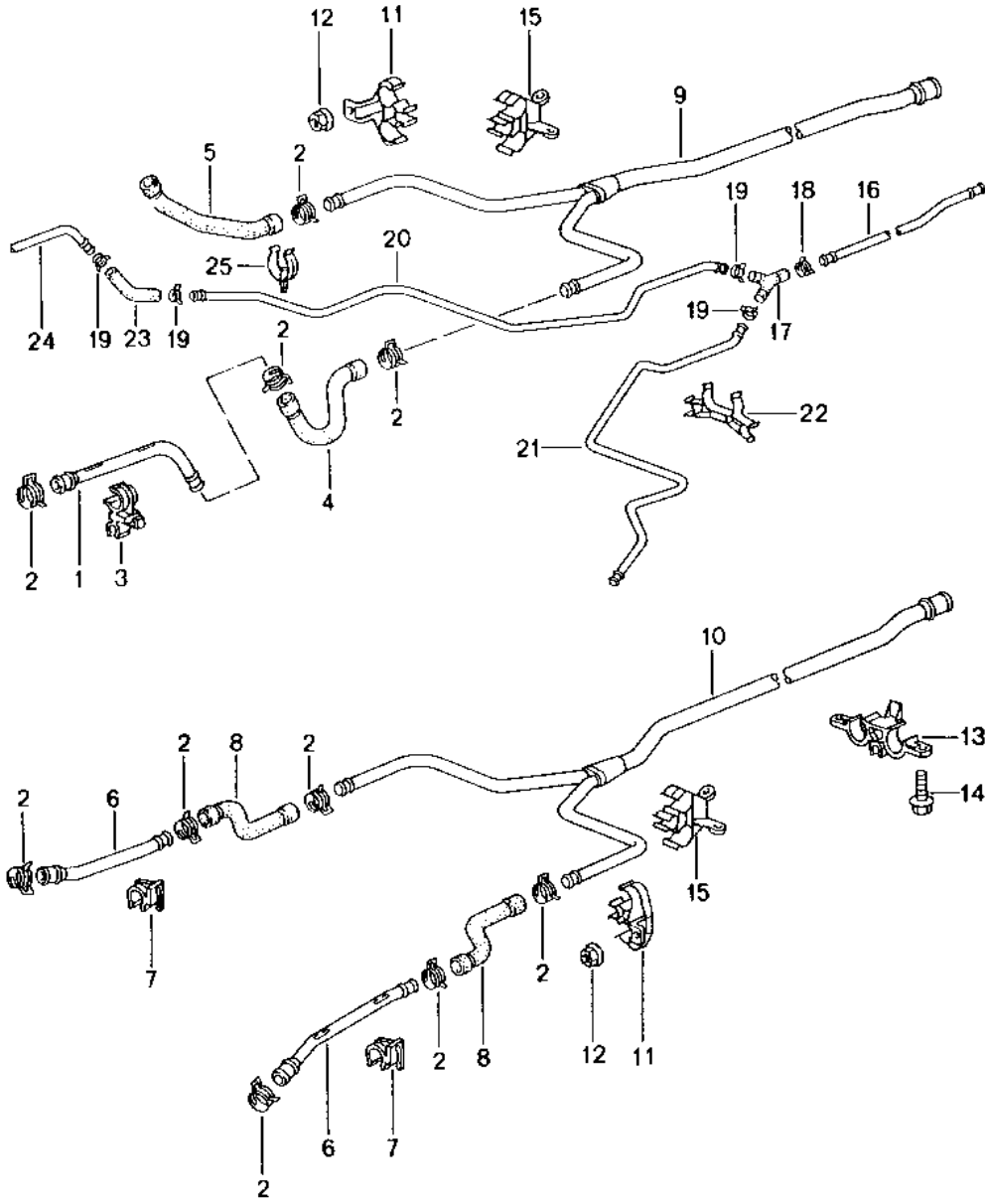


Model: 996 99 Model life 1999>>2005

Pos	Part Number	Description	Remark	Qty	Model
1	996 106 740 91	Water cooling 1 Hose for Water tube 996.106.610.71/73		1	M96.76/79 M96.76
(1)	996 106 740 93	Hose for Water tube 996.106.610.74		1	M96.79
(1)	996 106 740 94	Hose for Water tube 996.106.610.74		1	M96.79
2	999 512 348 02	Hose clamp 49 X12		4	
3	996 106 641 91	Hose Return line		1	M96.76
(3)	996 106 641 75	Hose Return line		1	M96.79
(3)	996 106 641 77	Hose Return line		1	M96.79
4	996 106 610 73	Water tube Use also: 996.106.740.93		1	M96.76
(4)	996 106 610 74	Water tube		1	M96.79
5	996 106 069 70	Water tube		1	
6	996 106 475 51	Support		1	
7	900 378 158 09	Hexagon-head bolt M 6 X 16		2	
8	996 106 417 51	Support		2	
9	900 377 010 09	Hexagon nut M 6		2	
10	996 106 136 90	Breather hose	00	1	
(10)	996 106 136 91	Breather hose	00-	1	
11	996 106 681 74	Vent line		1	
12	999 512 554 00	Hose clamp 20 X 12		3	
13	996 106 251 71	Breather hose		1	
14	999 512 552 00	Hose clamp 25 X 12		1	
14	999 512 552 01	Hose clamp 25 X 12		1	
15	996 106 501 74	Hose		1	
(15)	996 106 501 76	Hose		1	
(15)	996 106 501 77	Hose		1	
16	996 106 502 74	Water hose		1	
17	996 106 801 03	O-ring		4	
18	996 106 802 11	Retainer spring		3	
19	996 106 421 51	Support		2	
19	996 106 417 73	Support		5	
20	999 511 237 40	Hose holder 10-52/-18		2	
21	996 106 509 71	Support		1	
22	996 106 802 10	Retainer spring		1	
23	996 106 429 71	Support		2	

Model: 996 99

Model life 1999>>2005



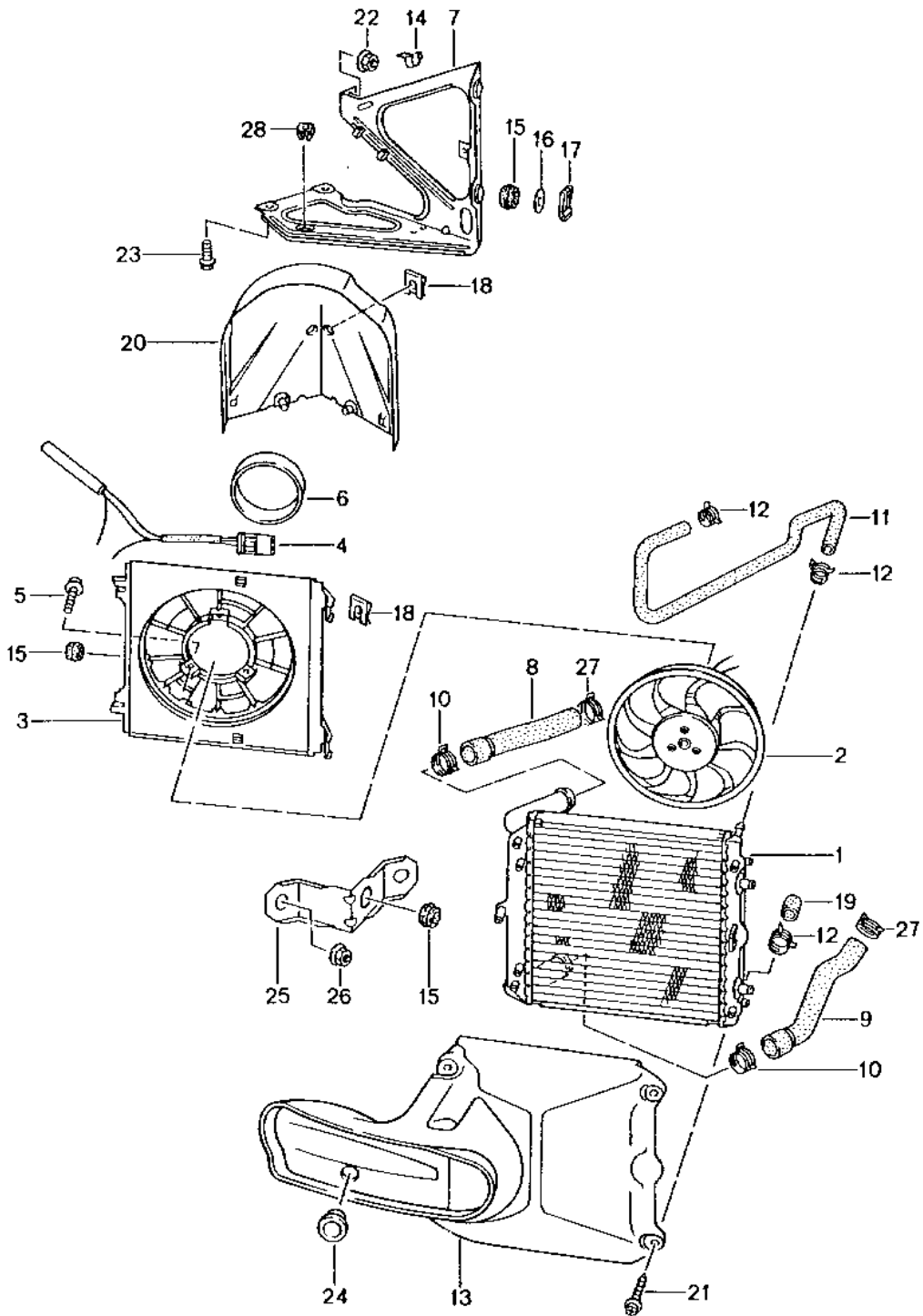
Model: 996 99

Model life 1999>>2005

Pos	Part Number	Description	Remark	Qty	Model
		Water cooling 2			M96.76/79
1	996 106 611 53	Water tube Supply		2	
2	999 512 499 00	Hose clamp 32 - 50		12	
3	996 106 414 55	Support		4	
4	996 106 623 53	Water hose Supply	/L	1	
5	996 106 624 53	Water hose	/R	1	
6	996 106 615 54	Water tube Return line		2	
7	996 106 419 52	Support		4	
8	996 106 627 52	Water hose		2	
(8)	996 106 627 56	Water hose		2	
9	996 106 651 54	Distributing piece Supply		1	
10	996 106 652 54	Distributing piece Return line		1	
11	996 106 413 52	Support		2	
12	999 084 629 09	Hexagon nut M 6		2	
12	999 084 629 01	Hexagon nut M 6		2	
13	996 106 415 52	Support		2	
14	900 378 035 01	Hexagon-head bolt M 6 X 16		6	
15	996 106 420 52	Support		2	
16	996 106 127 53	Vent line		1	
17	996 106 546 54	Y-piece		1	
17	996 106 546 55	Y-piece		1	
17	996 106 546 56	Y-piece		1	
18	999 512 554 00	Hose clamp 12 - 22		1	
19		Hose clamp 12 - 22		4	
20	996 106 126 54	Vent line	/R	1	
21	996 106 225 54	Vent line	/L	1	
22	996 106 412 51	Support		1	
23	996 106 135 52	Breather hose		2	
24	996 106 685 53	Vent line		2	

Model: 996 99

Model life 1999>>2005



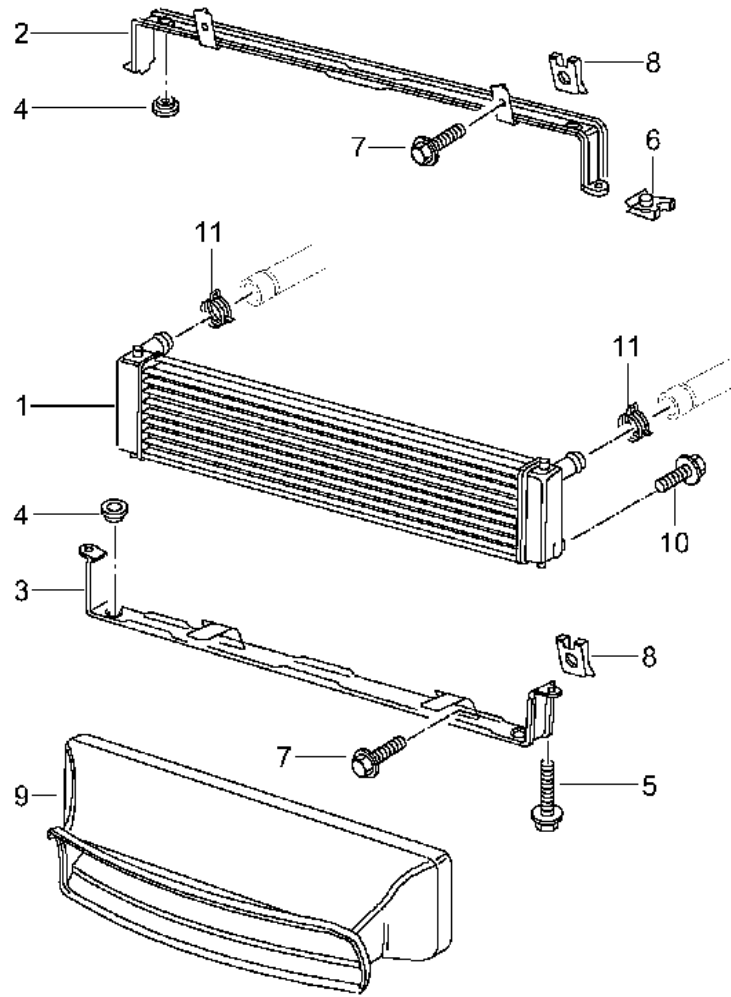


Model: 996 99 Model life 1999>>2005

Pos	Part Number	Description	Remark	Qty	Model
		Water cooling 3			M96.76/79
1	996 106 131 50	Radiator		2	
(1)	996 106 131 51	Radiator	/L	1	
(1)	996 106 132 51	Radiator	/R	1	
2	996 624 135 00	Fan		2	
3	996 624 131 00	Air guide		2	
4	996 616 101 00	Series resistor		2	
5	900 146 116 09	Screw M 5 X 16		6	
6	996 624 136 00	Protection cap		2	
7	996 504 175 09	Bracket	/L	1	
(7)	996 504 176 09	Bracket	/R	1	
8	996 106 665 55	Hose	/L	1	
(8)	996 106 622 52	Hose	/R	1	
9	996 106 625 54	Hose	/L	1	
		Return line			
(9)	996 106 666 52	Hose	/R	1	
		Return line			
10	999 512 499 00	Hose clamp 32 - 50		4	
11	996 106 137 53	Breather hose	/L	1	
(11)	996 106 138 53	Breather hose	/R	1	
12	999 512 585 09	Hose clamp 15 X 12		6	
(13)	996 575 321 00	Air guide	/L -01	1	
(13)	996 575 322 00	Air guide	/R -01	1	
13	996 575 321 03	Air guide	/L 02-	1	
13	996 575 322 03	Air guide	/R 02-	1	
14	999 651 305 02	Cable holder		2	
(14)	999 651 305 01	Cable holder		2	
15	999 702 214 40	Grommet 14 X 20,5 X 7,5		6	
16	999 025 255 02	Washer		4	
17	999 166 083 09	Tab washer B 25		4	
18	999 166 077 02	Safety clip B 22		6	
19	996 106 334 00	Rubber cap		2	
20	996 575 341 04	Air guide	/L	1	
(20)	996 575 342 00	Air guide	/R	1	
21	999 919 134 09	Oval-head screw 6,0 X 16		14	
22	999 084 630 09	Hexagon nut M 8		2	
23	900 378 074 09	Hexagon-head bolt M 8 X 16		4	
24	999 702 214 40	Grommet 14 X 20,5 X 7,5		2	
24	803 803 583	Rubber sleeve 30,0 X 40,0	/R	1	
24	999 703 195 40	Rubber sleeve 30,0 X 40,0	/R	1	
25	996 504 721 00	Support		1	
	996 504 721 00 GRV	Prime coated			
26	900 377 003 02	Hexagon nut M 8		4	
27	999 512 552 00	Hose clamp 28 X 12		2	
27	999 512 552 01	Hose clamp 28 X 12		2	
28	999 507 590 02	Captive nut		1	

Model: 996 99

Model life 1999>>2005



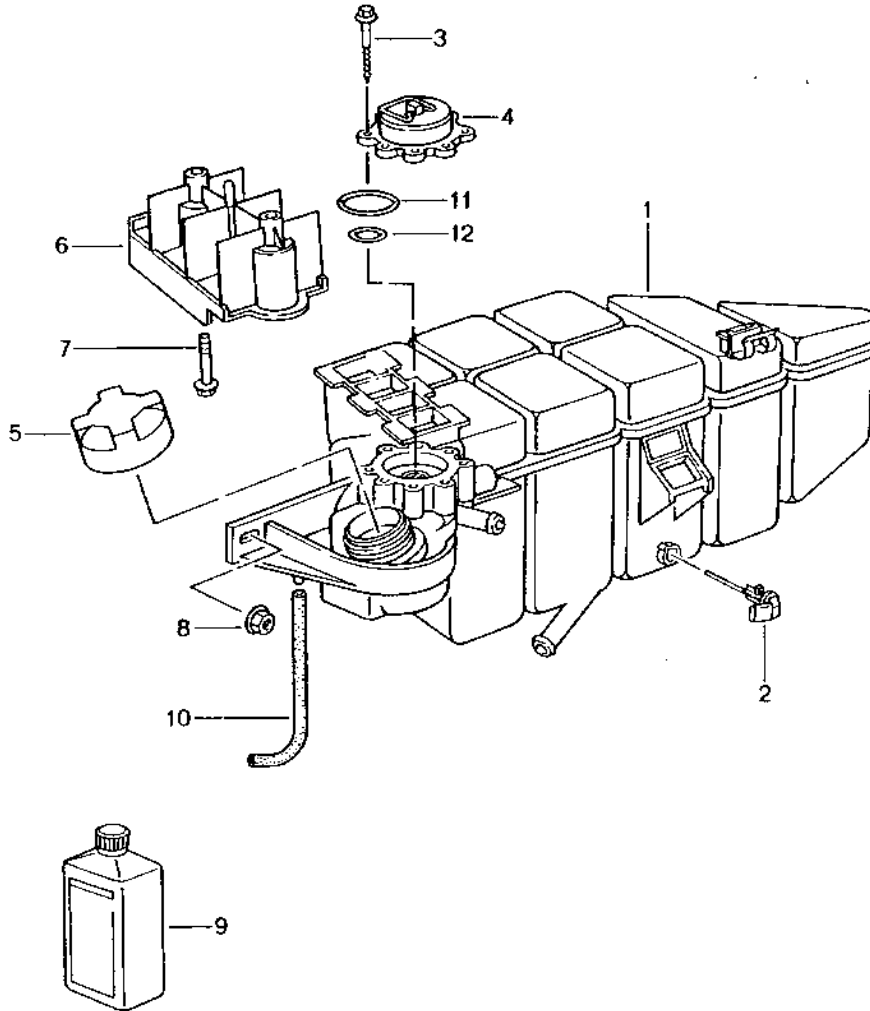
Model: 996 99

Model life 1999>>2005

Pos	Part Number	Description	Remark	Qty	Model
		Radiator Centre			M96.76/79
1	996 106 037 51	Radiator		1	
2	996 504 487 02	Retaining frame		1	
3	996 504 485 02	Retaining frame		1	
4	930 113 430 00	Rubber mounting		4	
5	900 378 036 09	Hexagon-head bolt M 6 X 12		2	
6	999 507 550 02	Speed nut M 6		2	
7	900 378 074 09	Hexagon-head bolt M 8 X 16		4	
8	999 591 869 02	Speed nut M 8		4	
9	996 575 141 02	Air guide		1	
10	996 106 901 00	Screw plug		1	
11	999 512 551 00	Hose clamp		2	
11	999 512 551 01	Hose clamp		2	

Model: 996 99

Model life 1999>>2005

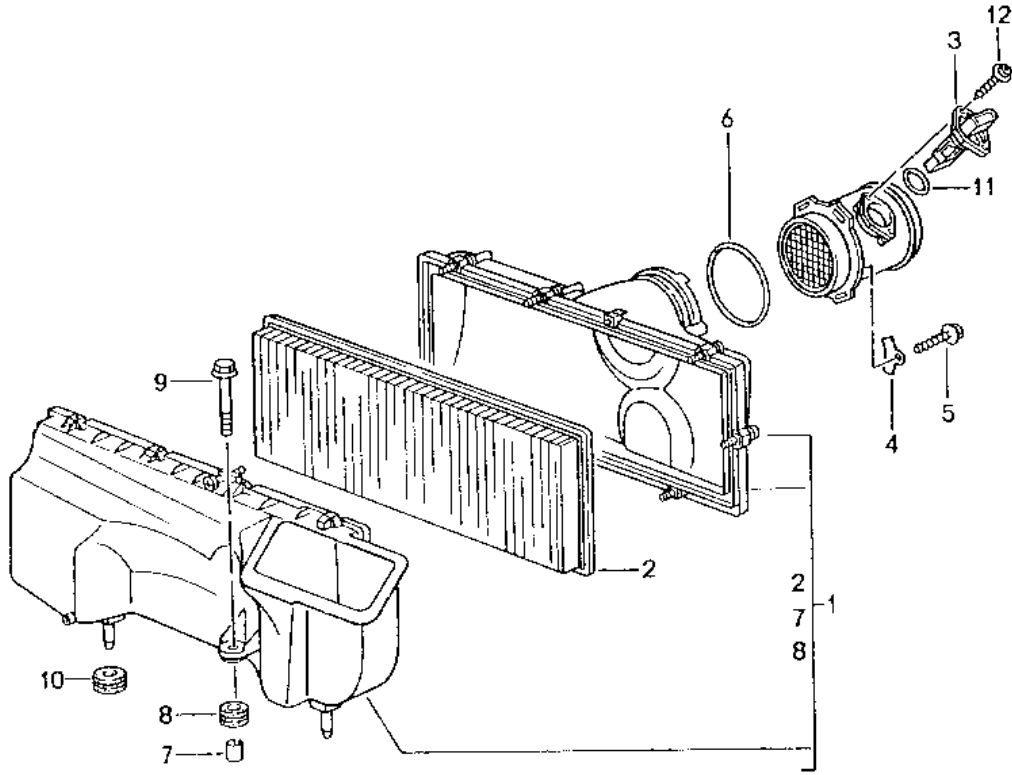


Model: 996 99 Model life 1999>>2005

Pos	Part Number	Description	Remark	Qty	Model
		Water cooling 4			M96.76/79
1	996 106 147 56	Water reservoir	00	1	
1	996 106 157 03	Water reservoir		1	
		When required order also: Support Fuel filter See group 2/01/10			
2	996 641 503 00	Switch		1	
3	999 919 058 02	Hexagon-head bolt 5,0 X 40		8	
4	996 106 347 01	Bleeder valve		1	
5	996 106 447 01	Lid See technical manual Group 1 Nr.190101		1	
6	996 106 405 70	Support		1	
7	900 378 168 09	Hexagon-head bolt M 6 X 30		2	
8	999 084 629 09	Hexagon nut M 6		1	
8	999 084 629 01	Hexagon nut M 6		1	
9	000 043 203 78	Antifreeze 1 LTR. Container		X	
(9)	000 043 203 79	Antifreeze 25 LTR. Container		X	
(9)	000 043 300 31	Antifreeze 20 LTR. Container		X	
(9)	000 043 301 03	Antifreeze 1 LTR. Container		X	
(9)	000 043 301 04	Antifreeze 20 LTR. Container		X	
10	996 106 297 00	Overflow hose		1	
11	999 707 370 40	O-ring 47 X 4		1	
12	999 707 371 40	O-ring 17 X 4		1	

Model: 996 99

Model life 1999>>2005



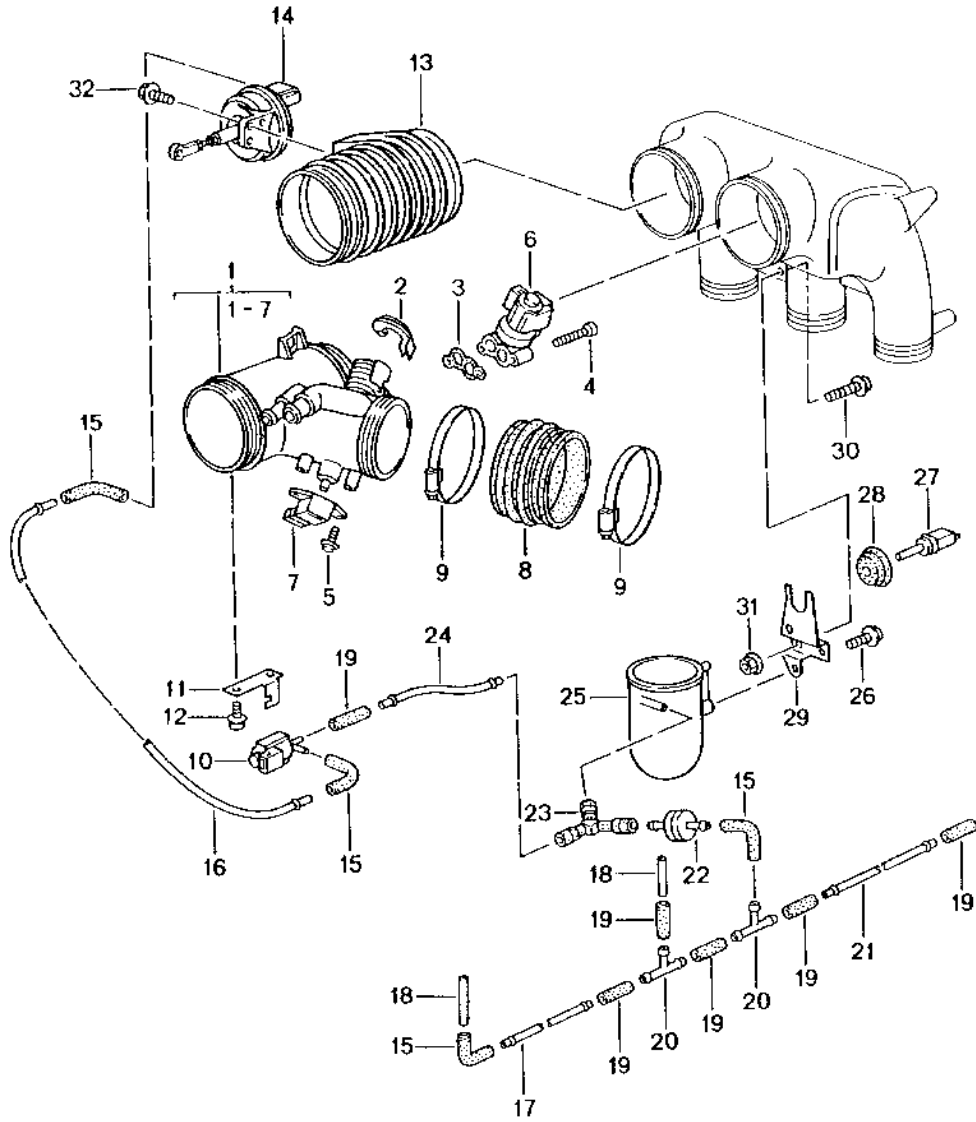
Model: 996 99

Model life 1999&gt;&gt;2005

Pos	Part Number	Description	Remark	Qty	Model
1	996 110 021 90	Air cleaner		1	M96.76/79
(1)	996 110 021 93	Air cleaner		1	M96.76
2	996 110 131 71	Air cleaner cartridge		1	M96.79
(3)	996 606 124 95	Mass air flow meter with housing		1	M96.76
3	986 606 125 01	Mass air flow meter		1	M96.79
4	996 110 821 90	Clamp		2	
5	999 919 085 02	Combination screw 6,0 X 22		2	
6	999 707 052 40	O-ring 91 X 6		1	
7	900 095 099 02	Roll pin 12,0 X 14		1	
8	999 702 246 40	Grommet 12,0 X 17,0 X 3		1	
9	999 075 063 02	Hexagon-head bolt M 6 X 34		1	
10	999 702 221 40	Grommet 11,8 X 18,0 X 18		2	
11	986 606 925 00	O-ring		1	
12	999 919 160 07	Oval-head screw		1	
-	996 110 321 90	Pipe for Mass air flow meter		1	M96.79

Model: 996 99

Model life 1999>>2005





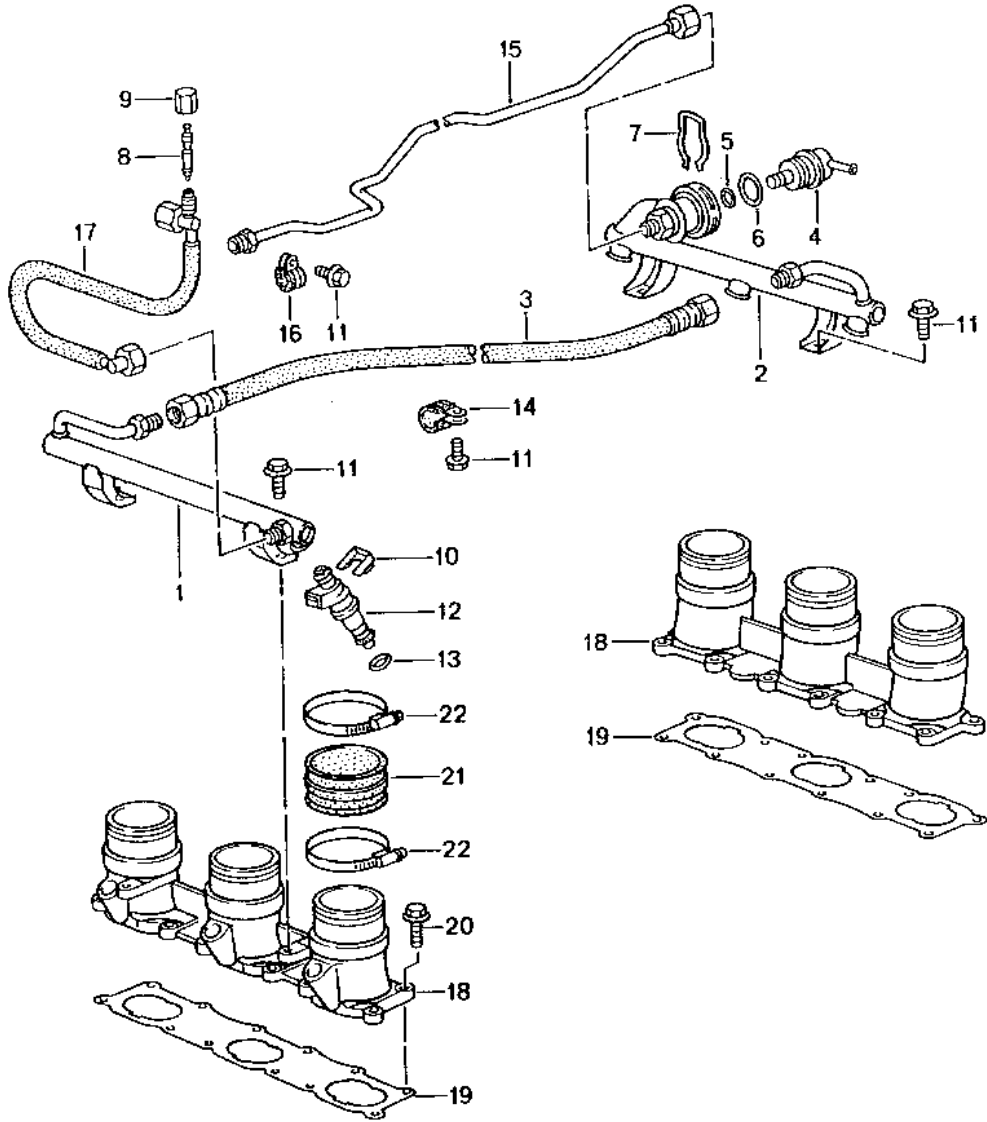
Model: 996 99

Model life 1999&gt;&gt;2005

Pos	Part Number	Description	Remark	Qty	Model
1	996 110 065 93	Throttle body		1	M96.76/79
(1)	948 605 115 03	Throttle body		1	M96.76
(1)	996 110 116 90	Throttle body		1	M96.79
-	996 110 116 90	Distributing piece		1	M96.79
-	996 110 319 90	Gasket		1	M96.79
2	996 110 265 50	Securing clip		1	
3	996 110 310 50	Gasket		1	
4	996 110 965 00	Pan-head screw		2	
		M 6 X 32			
5	900 146 150 02	Oval-head screw		2	
		M 4 X 16			
6	996 606 160 01	Idle-speed adjuster	-01	1	
7	996 606 116 00	Throttle-valve switch		1	
8	996 110 621 90	Air guide		1	M96.76
8	996 110 621 92	Air guide		1	M96.79
9	999 512 539 00	Hose clamp		2	
		90 - 110/9			
9	999 512 539 01	Hose clamp		2	
		90 - 110/9			
10	996 605 123 01	Change-over valve		1	
10	7PP 906 270	Change-over valve		1	
11	996 110 515 92	Support		1	
12	900 067 240 02	Combination screw		2	
		M 6 X 12			
13	996 110 120 53	Resonance tube		1	
14	993 110 462 02	Vacuum unit		1	
15	928 574 717 03	Moulded hose		4	
16	999 181 380 40	Pipe		1	
		4,0 X 1,0			
		280 MM			
17	999 181 392 40	Pipe		1	
		4,0 X 1,0			
		140 MM			
18	900 918 063 40	Pipe		2	
		4,0 X 1,0			
		40 MM			
19	999 239 040 40	Connecting piece		6	
20	999 137 004 40	T-piece		2	
21	900 918 052 40	Pipe		1	
		4,0 X 1,0			
		270 MM			
22	964 110 950 01	Check valve		1	
22	964 110 950 02	Check valve		1	
23	928 573 727 03	Distributing piece		1	
23	928 573 727 05	Distributing piece		1	
24	900 918 057 40	Pipe		1	
		4,0 X 1,0			
		90 MM			
25	993 110 140 03	Vacuum tank		1	
26	999 919 115 02	Oval-head screw		1	
		5 X 12			
27	996 606 113 00	Temperature sensor		1	M96.76
27	996 606 113 01	Temperature sensor		1	M96.79
27	997 606 213 00	Temperature sensor		1	M96.79
28	996 110 530 90	Grommet		1	
29	996 110 628 92	Retaining bracket		1	
30	900 067 207 02	Combination screw		2	
		M 6 X 20			
31	900 377 010 09	Hexagon nut		2	
		M 6			
32	900 146 123 02	Screw		1	
		M 5 X 16			

Model: 996 99

Model life 1999>>2005

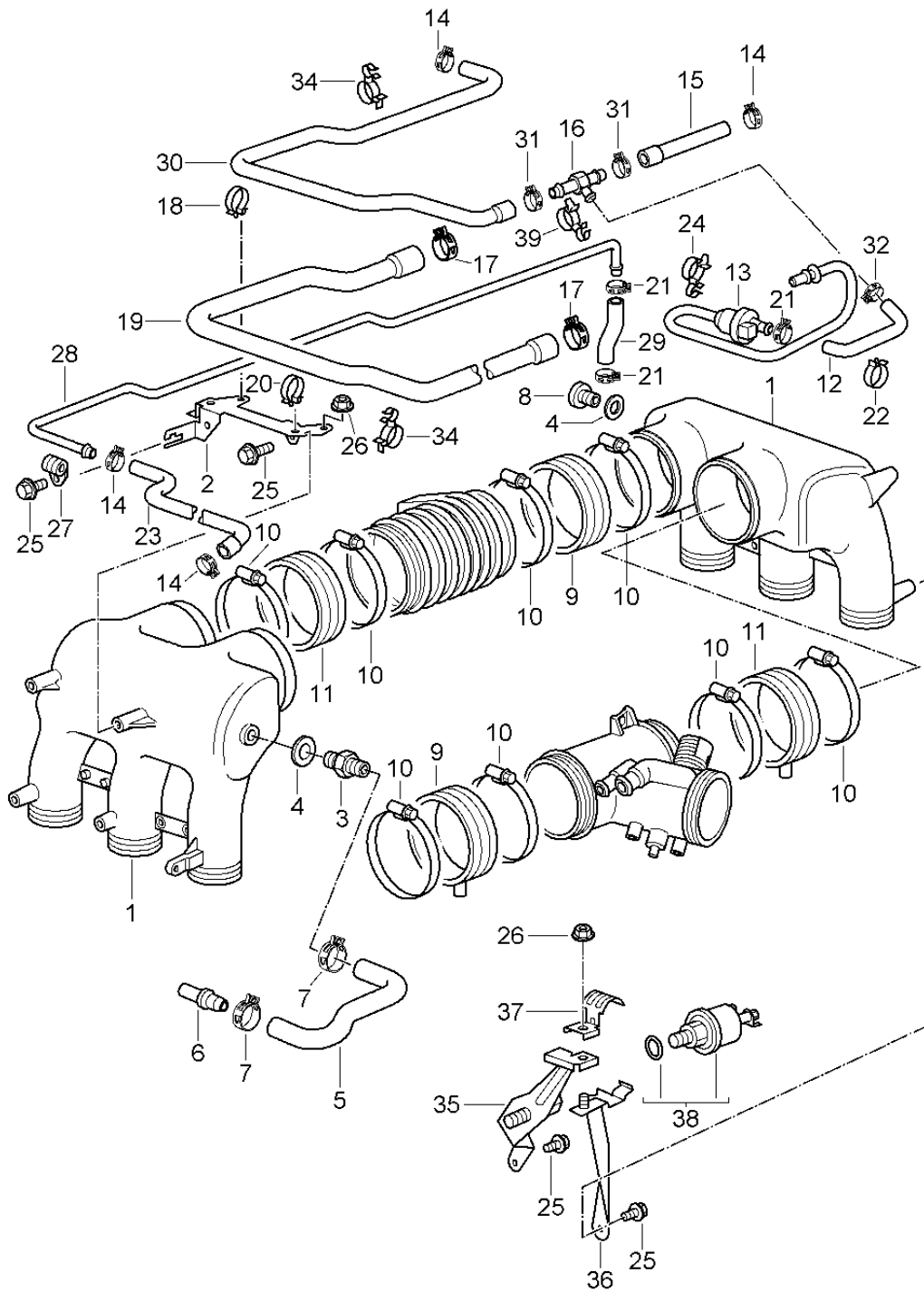


Model: 996 99 Model life 1999>>2005

Pos	Part Number	Description	Remark	Qty	Model
		Fuel collection pipe			M96.76/79
1	996 110 307 71	Fuel collection pipe		1	
2	996 110 308 71	Fuel collection pipe		1	M96.76
2	996 110 308 72	Fuel collection pipe		1	M96.76
(2)	996 110 308 91	Fuel collection pipe		1	M96.79
3	996 110 309 71	Fuel hose		1	
3	996 110 309 72	Fuel hose		1	
4	993 110 199 00	Pressure regulator		1	
5	999 707 276 40	O-ring 5 X 2,5		1	
6	999 707 277 40	O-ring 20 X 2,5		1	
7	993 110 196 00	Retaining clip		1	
8	993 110 217 00	Valve		1	
9	993 110 218 01	Cap		1	
10	996 110 113 52	Retaining clip		6	
11	900 378 036 09	Hexagon-head bolt M 6 X 12		6	M96.76
11	900 378 036 01	Hexagon-head bolt M 6 X 12		6	M96.76
11	900 378 035 01	Hexagon-head bolt M 6 X 16		6	M96.79
12	996 606 132 00	Injector valve		6	
13	944 110 901 01	O-ring 7,52 X 3,53		12	
14	999 511 234 02	Clamp 16 X 15		1	
15	996 110 323 91	Return line		1	M96.76
(15)	996 110 323 93	Return line		1	M96.79
16	999 511 116 02	Clamp 10 X 15		1	
16	999 511 116 03	Clamp 10 X 15		1	
17	996 110 315 72	Feed line		1	
17	996 110 315 73	Feed line		1	
18	996 110 101 92	Intake manifold Cylinder 1 - 3 / 4 - 6		2	M96.76
(18)	996 110 101 93	Intake manifold Cylinder 1 - 3		1	M96.79
(18)	996 110 102 93	Intake manifold Cylinder 4 - 6		1	M96.79
19	996 110 103 90	Gasket		2	M96.76
(19)	996 110 103 91	Gasket		2	M96.79
20	900 378 030 09	Hexagon-head bolt M 6 X 20		24	
21	996 110 687 90	Rubber sleeve		6	
22	999 512 349 02	Hose clamp 50 - 70/9		12	
22	999 512 349 01	Hose clamp 50 - 70/9		12	

Model: 996 99

Model life 1999>>2005



Model: 996 99 Model life 1999>>2005

Pos	Part Number	Description	Remark	Qty	Model
		Intake distributor			M96.76/79
1	996 110 619 95	Intake distributor		2	M96.76
(1)	996 110 619 96	Intake distributor		2	M96.79
2	996 110 677 90	Support		1	
3	996 110 729 92	Connection piece		1	
4	900 123 131 30	Sealing ring A 16 X 20		2	
5	996 110 654 90	Vacuum hose		1	
5	996 110 654 91	Vacuum hose		1	
6	996 110 657 70	Joining socket		1	
7	999 512 655 09	Hose clamp 22 X 12		2	M96.76
(7)	999 512 602 09	Hose clamp 24 X 12		2	M96.79
8	900 219 004 02	Screw plug M 16 X 1,5		1	
9	996 110 686 50	Rubber sleeve Information available		2	
10	999 512 539 00	Hose clamp 90 - 110/9		8	
10	999 512 539 01	Hose clamp 90 - 110/9		8	
11	996 110 685 52	Rubber sleeve Information available		2	
12	996 110 127 90	Vent line		1	
13	996 110 129 90	Bleeder valve		1	
14	999 512 554 00	Hose clamp 12 - 22/9		4	
15	996 207 141 90	Breather hose		1	
16	996 207 325 90	T-socket		1	
17	999 512 346 00	Hose clamp 16 - 27/9		2	M96.76
(17)	999 512 552 00	Hose clamp B25 X 12		2	M96.79
(17)	999 512 552 01	Hose clamp B25 X 12		2	M96.79
18	999 651 267 40	Hose holder 22 X 18,5		2	
19	996 207 137 91	Breather hose		1	M96.76
(19)	996 207 137 93	Breather hose		1	M96.79
20	321 971 847 B	Clip B 23,50		2	
21	999 512 427 02	Hose clamp 8 - 16/9		3	
22	113 142 261 A	Clip B 13,5		1	
23	996 106 531 91	Breather hose		1	M96.76
23	996 106 531 93	Breather hose		1	M96.79
24	999 507 644 40	Hose holder 8-33/13		1	
25	900 378 036 09	Hexagon-head bolt M 6 X 12		3	
26	900 377 010 09	Hexagon nut M 6		1	
27	999 511 153 02	Clip 8 X 15		1	
28	996 106 229 92	Vent line		1	M96.76
28	996 106 229 93	Vent line		1	M96.79
29	996 106 537 92	Breather hose		1	
30	996 207 139 91	Breather hose		1	
(30)	996 207 139 92	Breather hose	04-05	1	M96.79
31	999 512 504 02	Clamp 19,2 - 21,8		2	

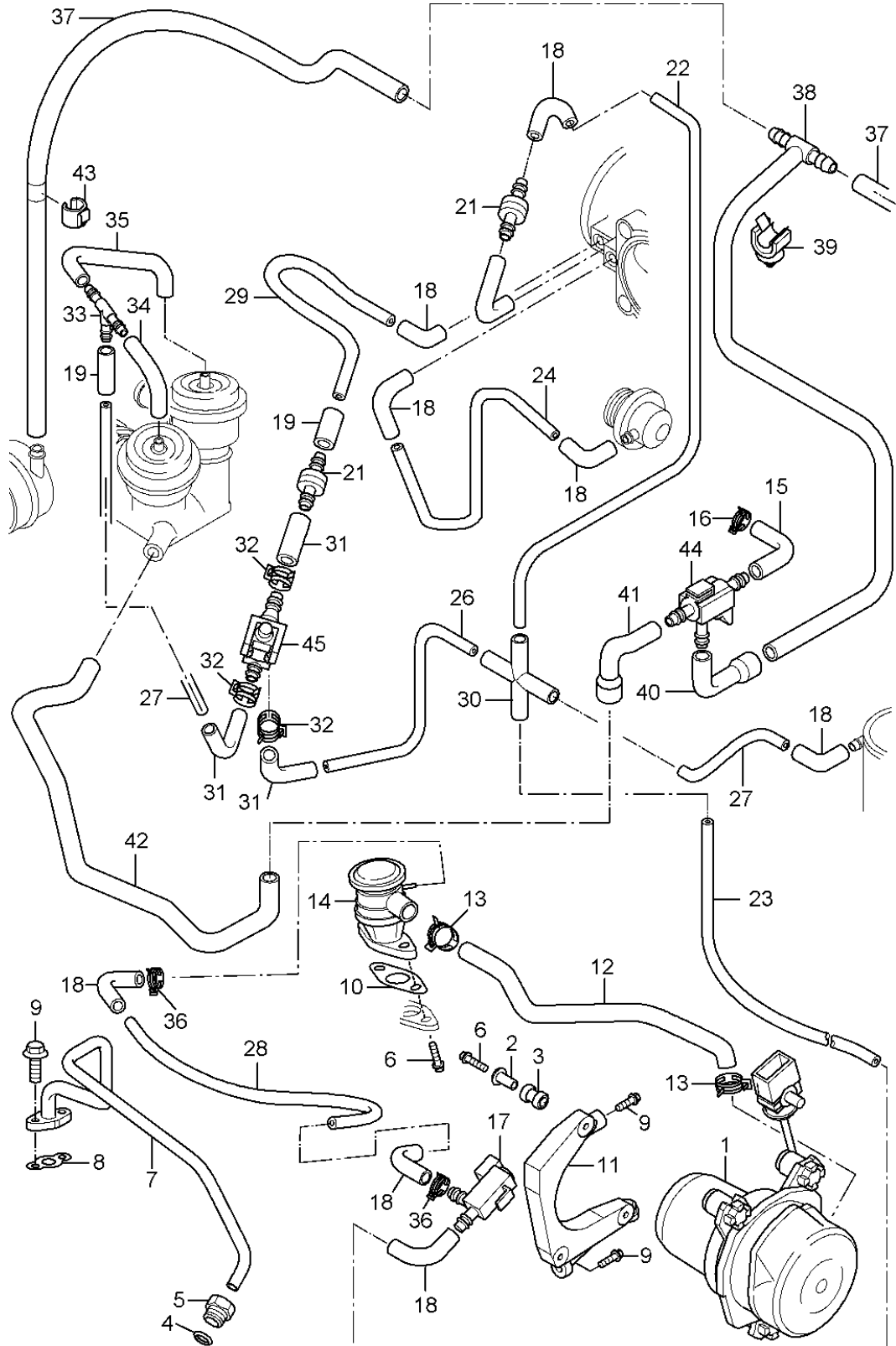
Model: 996 99

Model life 1999&gt;&gt;2005

Pos	Part Number	Description	Remark	Qty	Model
32	999 512 279 02	Clamp 12 - 14		1	
33	999 507 636 40	Clip 10 - 52/8-9		2	
34	999 507 689 40	Hose holder 20,0/24,5		1	
35	996 107 195 90	Support		1	M96.76
35	996 107 195 93	Support		1	M96.79
36	996 207 291 90	Support		1	
37	996 207 293 90	Clamp		1	
38	996 606 203 02	Oil pressure switch		1	
39	999 651 267 40	Hose holder		1	

Model: 996 99

Model life 1999>>2005



Model: 996 99

Model life 1999&gt;&gt;2005

Pos	Part Number	Description	Remark	Qty	Model
		Air injection			M96.79
1	997 605 104 00	Secondary pump		1	
(1)	997 605 104 02	Secondary pump		1	
2	999 209 054 02	Spacer sleeve 6,9 X 1,0 X 22		3	
3	999 703 481 40	Rubber mounting 10 X 13,2		3	
4	900 102 011 02	Cutting ring		1	
(4)	900 102 011 03	Cutting ring		1	
5	999 261 079 02	Cap screw		1	
6	900 378 177 09	Hexagon-head bolt M 6 X 30		5	
7	996 113 275 90	Pipeline		1	
8	996 113 213 71	Gasket		1	
9	900 378 030 09	Hexagon-head bolt M 6 X 20		4	
10	993 113 258 51	Gasket		1	
11	996 113 240 90	Support		1	
12	996 113 255 90	Air hose		1	
13	999 512 346 00	Hose clamp 16 - 27/9		2	
14	996 113 249 01	Shut-off valve		1	
14	996 113 249 02	Shut-off valve		1	
15	996 110 649 71	Moulded hose		1	
16	999 512 522 02	Clamp 9.5 - 11.5		1	
17	996 605 123 01	Change-over valve		1	
17	7PP 906 270	Change-over valve		1	
-	999 652 838 40	Plug socket		1	
-	999 652 771 12	Connector		2	
-	999 704 161 40	Gasket		2	
18	928 574 717 03	Moulded hose		9	
19	999 239 040 40	Connecting piece		2	
21	964 110 950 01	Check valve		2	
21	964 110 950 02	Check valve		2	
-	000 043 205 01	Pipe 4 X 1,0		*	
22		230 MM		1	
23		140 MM		1	
24		460 MM		1	
-	900 918 005 40	Pipe 5 X 1,0		*	
26		245 MM		1	
27		140 MM		2	
28		300 MM		1	
29		190 MM		1	
30	928 573 729 03	Distributing piece		1	
30	928 573 729 05	Distributing piece		1	
31	996 110 695 70	Moulded hose		3	
31	996 110 695 71	Moulded hose		3	
32	999 512 622 02	Clamp 11.8 - 13.8		3	
32	999 512 114 00	Clamp 11.8 - 13.8		3	
33	999 137 005 40	T-piece		1	
34	996 110 697 71	Moulded hose		1	
35	996 110 697 72	Moulded hose		1	
36	999 512 527 00	Clamp 8.5 - 10.0		2	
-	900 926 019 40	Hose		*	
37		780 MM		2	
38	996 110 656 70	Control line		1	
39	999 507 544 40	Cable holder		1	



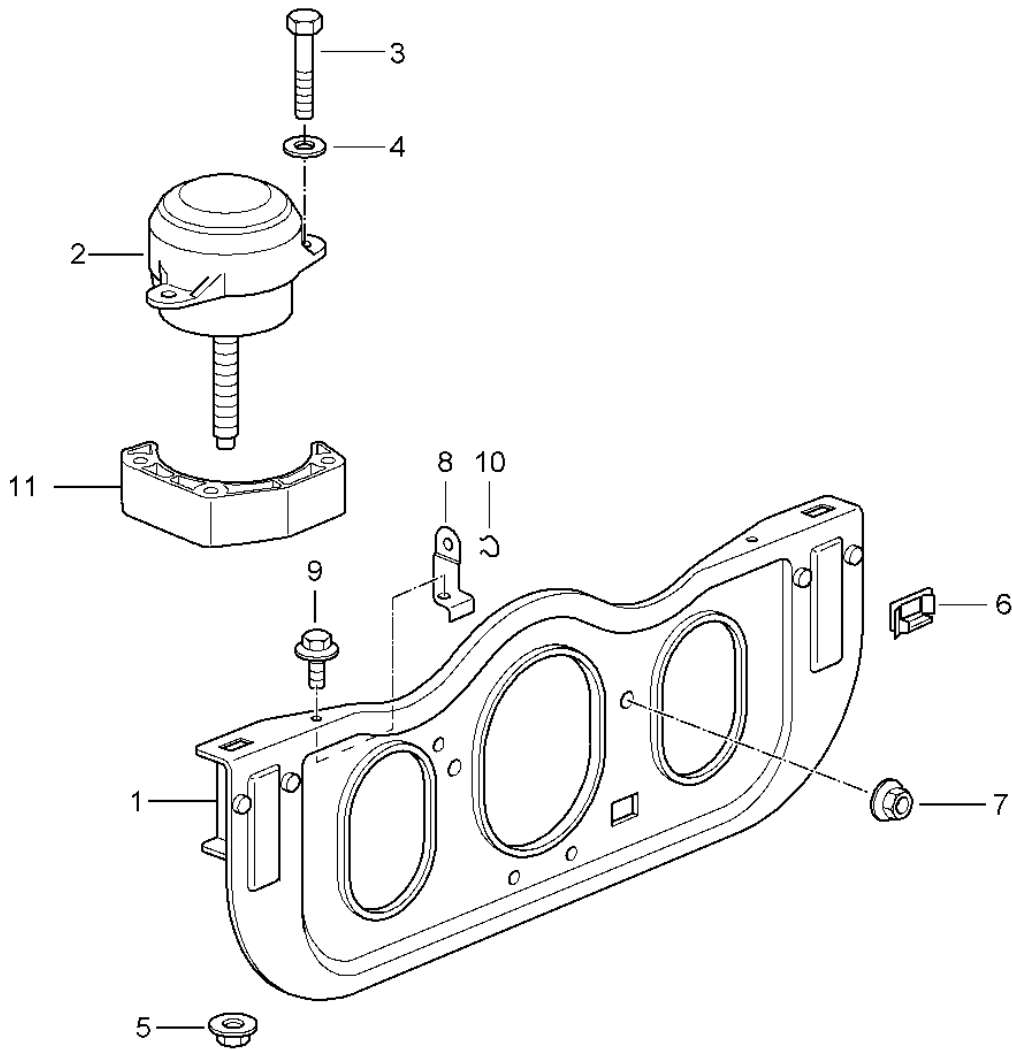
Model: 996 99

Model life 1999>>2005

Pos	Part Number	Description	Remark	Qty	Model
40	996 110 666 70	Moulded hose		1	
41	996 110 658 70	Moulded hose		1	
42	996 110 650 71	Vent line		1	
43	999 507 658 09	Cable holder		2	
44	996 605 155 00	Cycle valve		1	
45	996 605 165 00	Change-over valve		1	
45	9A1 605 165 00	Change-over valve		1	

Model: 996 99

Model life 1999>>2005



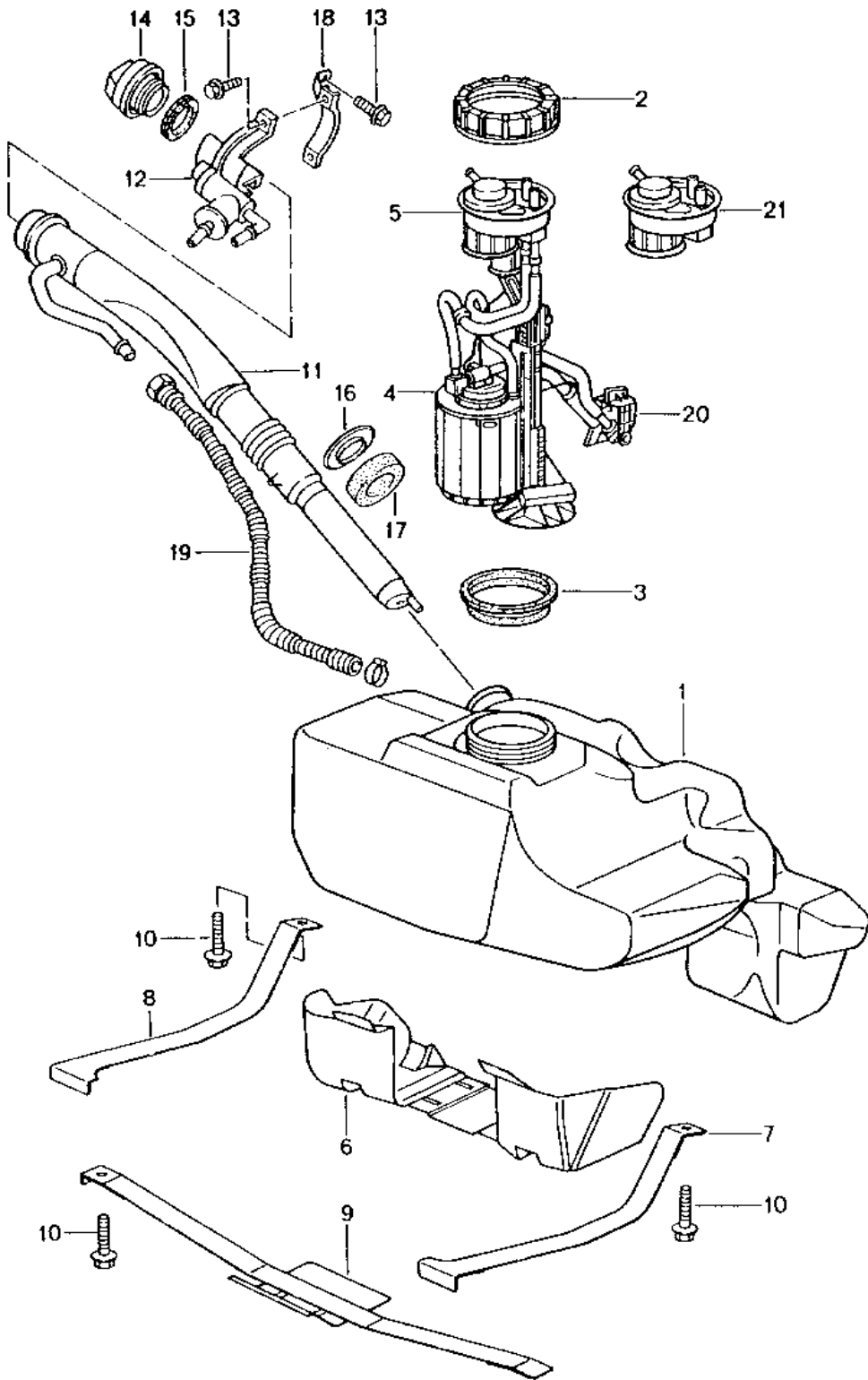
Model: 996 99

Model life 1999&gt;&gt;2005

Pos	Part Number	Description	Remark	Qty	Model
		Engine suspension			M96.76/79
1	996 375 013 00	Engine carrier		1	
2	996 375 049 90	Engine mounting		2	
(2)	996 375 049 91	Engine mounting		2	
3	900 378 056 02	Hexagon-head bolt AM 8 X 60		12	
4	999 025 134 02	Washer 8,4 X 21 3,0		4	
5	999 084 215 09	Lock nut V M 12 X 1,5		2	
6	999 591 746 02	Cable clamp 7,0 9,065		2	
6	999 591 746 01	Cable clamp 7,0 9,065		2	
7	900 377 011 09	Hexagon nut M 10		4	
7	900 377 011 01	Hexagon nut M 10		4	
8	996 106 293 91	Support		2	
9	900 378 036 09	Hexagon-head bolt M 6 X 12		1	
10	999 511 080 02	Clamp 22 X 15		1	
11	996 375 221 01	Adapter		2	

Model: 996 99

Model life 1999>>2005



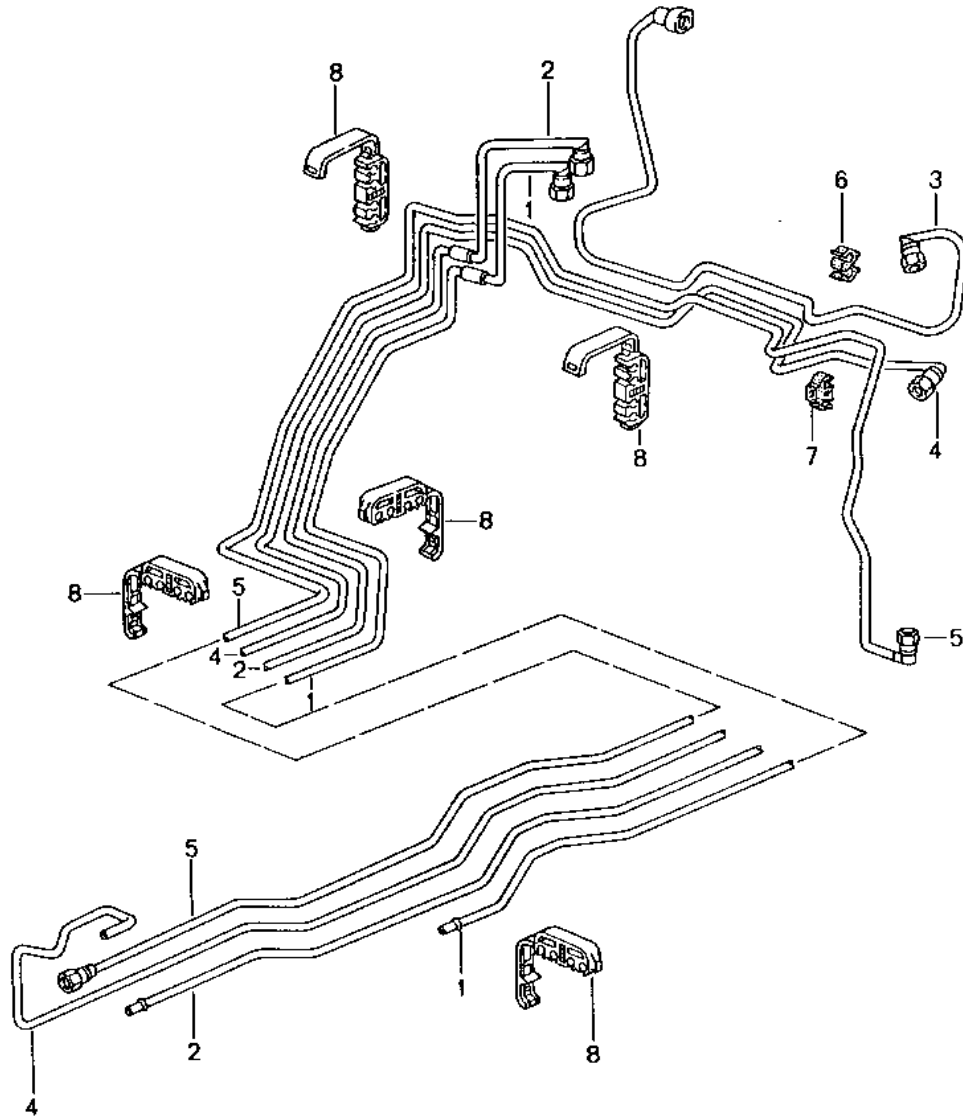
Model: 996 99

Model life 1999>>2005

Pos	Part Number	Description	Remark	Qty	Model
1	996 201 021 90	Fuel tank	/LL	1	
(1)	996 201 022 90	Fuel tank	/RL	1	
2	996 201 623 00	Union nut		1	
3	321 919 133	Sealing ring		1	
4	996 620 103 90	Fuel pump		1	
(4)	996 620 057 90	Fuel pump	04-	1	
(4)	996 620 057 91	Fuel pump	04-	1	
(4)	996 620 057 92	Fuel pump	04-	1	
5	996 620 808 00	Tank gauge	/RL	1	
(5)	996 620 801 90	Tank gauge	/LL	1	
6	996 201 331 01	Protective plate	/LL	1	
(6)	996 201 331 03	Protective plate	/RL	1	
7	996 201 105 02	Restraining strap	/LL	1	
7	996 201 105 03	Restraining strap	/RL	1	
8	996 201 106 02	Restraining strap	/LL	1	
8	996 201 106 03	Restraining strap	/RL	1	
9	996 201 107 90	Restraining strap	/LL	1	
9	996 201 108 00	Restraining strap	/RL	1	
10	900 075 479 09	Combination screw M 8 X 40		4	
11	996 201 043 03	Filler neck	/LL	1	
11	996 201 043 04	Filler neck	/LL	1	M150/193
11	996 201 043 10	Filler neck	/RL	1	M150/193
12	996 201 143 01	Bleeder valve		1	
13	900 378 036 09	Hexagon-head bolt M 6 X 12		3	
14	996 201 241 03	Fuel tank cap Information available		1	
15	191 201 557	Sealing ring Information available		1	
16	996 201 755 00	Support washer		1	
17	996 201 753 00	Gasket		1	
18	996 201 751 00	Support		1	
19	996 201 613 00	Vent line		1	
20	996 620 113 90	Venturi tube		1	
21	996 620 841 90	Display specimen	/LL	1	

Model: 996 99

Model life 1999>>2005



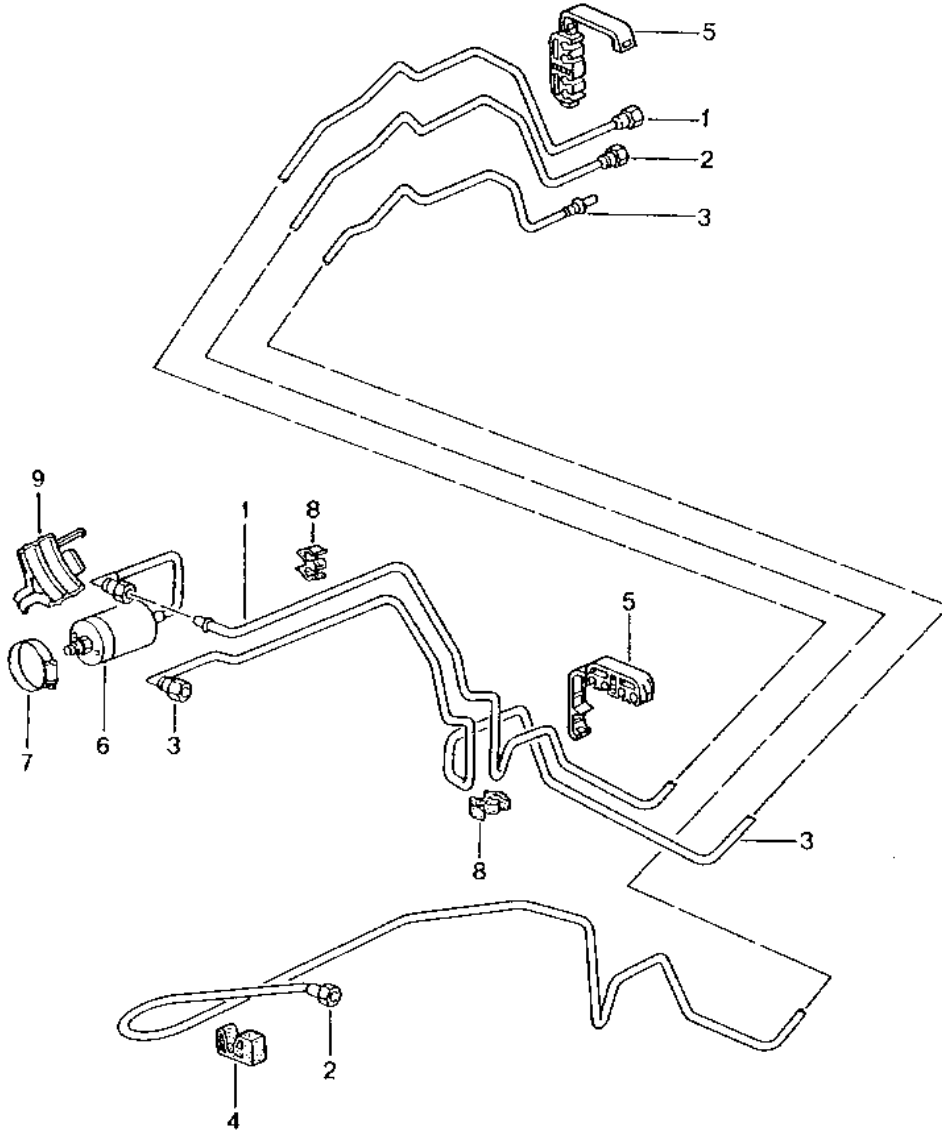
Model: 996 99

Model life 1999>>2005

Pos	Part Number	Description	Remark	Qty	Model
		Fuel system			
		Front			
1	996 201 261 90	Pressure line		1	
2	996 201 271 00	Return line		1	
3	996 201 251 90	Vent line		1	
4	996 201 361 02	Air tube		1	
5	996 201 351 00	Air tube		1	
6	999 507 488 40	Cable holder		1	
7	999 507 487 40	Cable holder		1	
8	999 507 554 40	Cable holder		8	

Model: 996 99

Model life 1999>>2005



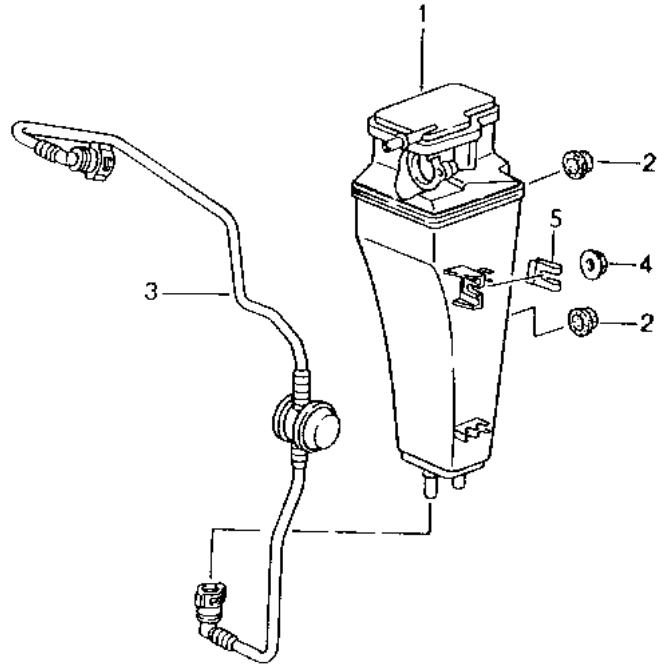


Model: 996 99 Model life 1999>>2005

Pos	Part Number	Description	Remark	Qty	Model
		Fuel system			
		Rear			
1	996 201 265 02	Pressure line		1	
1	996 201 265 07	Pressure line		1	
2	996 201 275 01	Return line	-00	1	
(2)	996 201 275 03	Return line	01-	1	
(2)	996 201 275 05	Fuel line	01-	1	
3	996 201 355 01	Air tube		1	
4	999 591 922 40	Support		2	
5	999 507 521 40	Cable holder		2	
6	996 110 253 52	Fuel filter		1	
7	999 512 390 00	Hose clamp		1	
		60 - 80/13			
8	999 507 488 40	Cable holder		3	
9	996 110 257 03	Support		1	

Model: 996 99

Model life 1999>>2005



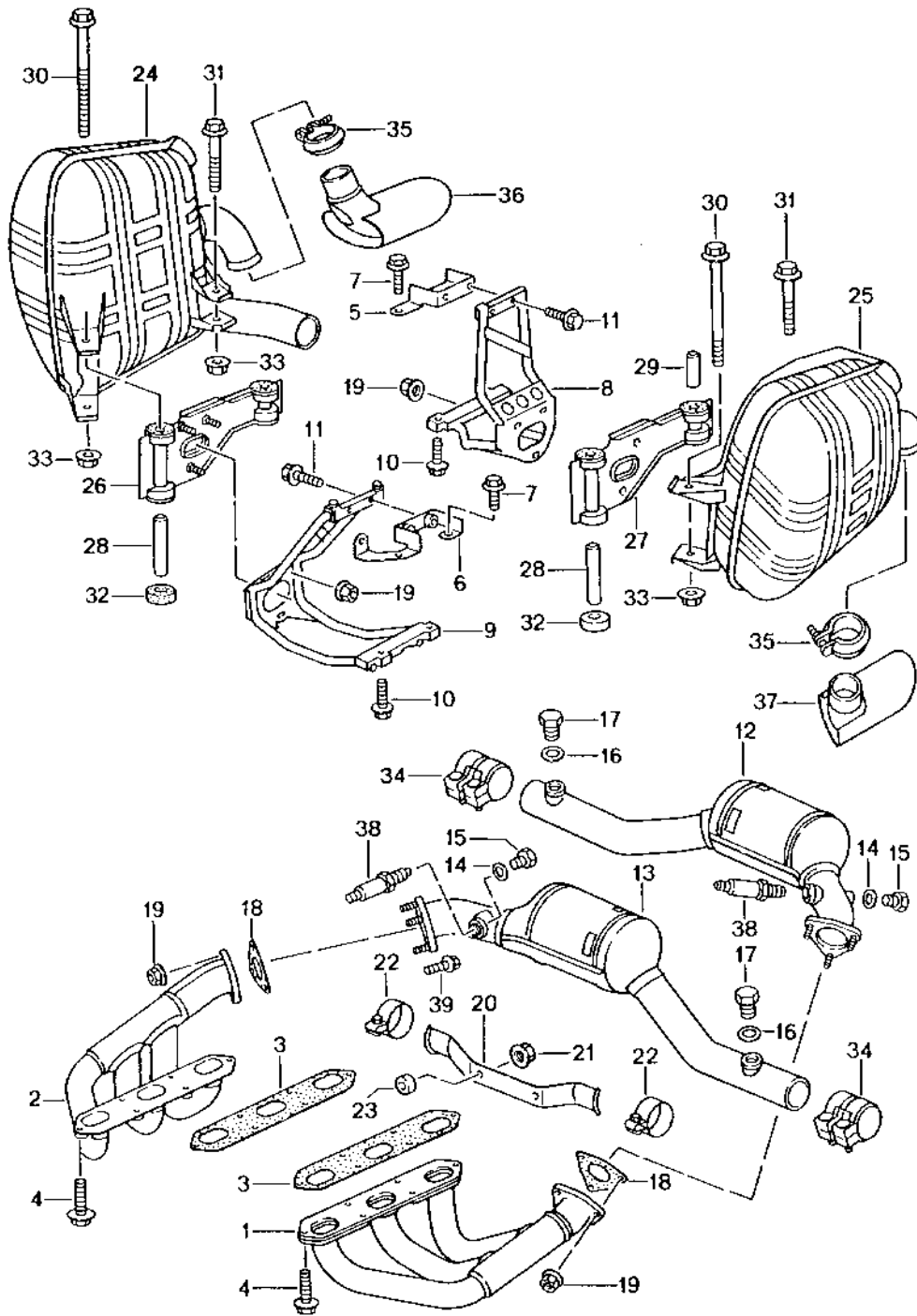
Model: 996 99

Model life 1999>>2005

Pos	Part Number	Description	Remark	Qty	Model
1	996 201 221 09	Carbon canister		1	
1	996 201 221 08	Carbon canister		1	
2	999 702 221 40	Grommet		2	
3	996 201 251 05	Vent line		1	
4	999 084 629 09	Hexagon nut M 6		1	
4	999 084 629 01	Hexagon nut M 6		1	
5	999 507 543 02	Clamp 2,00 - 3,00		1	

Model: 996 99

Model life 1999>>2005



Model: 996 99 Model life 1999>>2005

Pos	Part Number	Description	Remark	Qty	Model
1	996 111 101 93	Exhaust system Exhaust manifold Cyl. 1 - 3	/L	1	M96.76/79
2	996 111 102 93	Exhaust manifold Cyl. 4 - 6	/R	1	
3	996 111 107 71	Gasket		2	
4	900 378 131 00	Hexagon-head bolt M 8 X 28		18	
5	996 111 117 90	Retaining bar	/L	1	
6	996 111 118 90	Retaining bar	/R	1	
7	900 378 022 09	Hexagon-head bolt M 8 X 25		8	
8	996 111 127 91	Support Cyl. 1 - 3	/L	1	M96.76
8	996 111 127 93	Support Cyl. 1 - 3	/L	1	M96.79
9	996 111 128 90	Support Cyl. 4 - 6	/R	1	M96.76
9	996 111 128 93	Support Cyl. 4 - 6	/R	1	M96.79
10	900 378 033 09	Hexagon-head bolt AM 8 X 30		4	
10	900 378 033 01	Hexagon-head bolt AM 8 X 30		4	
12	996 113 021 93	Catalytic converter Cyl. 1 - 3	/L	1	M96.76
12	996 113 021 EX	Catalytic converter Cyl. 1 - 3	/L	1	M96.76
(12)	996 113 021 97	Catalytic converter Cyl. 1 - 3	/L	1	M96.79
(12)	996 113 021 FX	Catalytic converter Cyl. 1 - 3	/L	1	M96.79
13	996 113 022 93	Catalytic converter Cyl. 4 - 6	/R	1	M96.76
13	996 113 022 EX	Catalytic converter Cyl. 4 - 6	/R	1	M96.76
(13)	996 113 022 97	Catalytic converter Cyl. 4 - 6	/R	1	M96.79
(13)	996 113 022 FX	Catalytic converter Cyl. 4 - 6	/R	1	M96.79
14	900 123 005 20	Sealing ring A 8 X 11,5		2	
15	900 083 080 00	Hexagon-head bolt 8 X 1 X 10		2	M96.76
(15)	900 124 021 05	Screw plug CM 8 X 1		2	M96.79
16	900 123 009 20	Sealing ring A 18 X 24		2	
17	900 219 015 00	Screw plug M 18 X 24		2	
18	996 111 113 50	Gasket		2	
19	999 084 052 02	Lock nut M 8		12	
20	996 113 123 91	Support		1	
21	900 380 008 09	Lock nut M 10		2	
22	999 511 087 00	Pipe clamp 58,5		2	
23	996 113 313 90	Spacer		2	
24	996 111 121 90	Muffler Cyl. 4 - 6	/R	1	M96.76
(24)	996 111 121 91	Muffler Cyl. 4 - 6	/R	1	M96.79

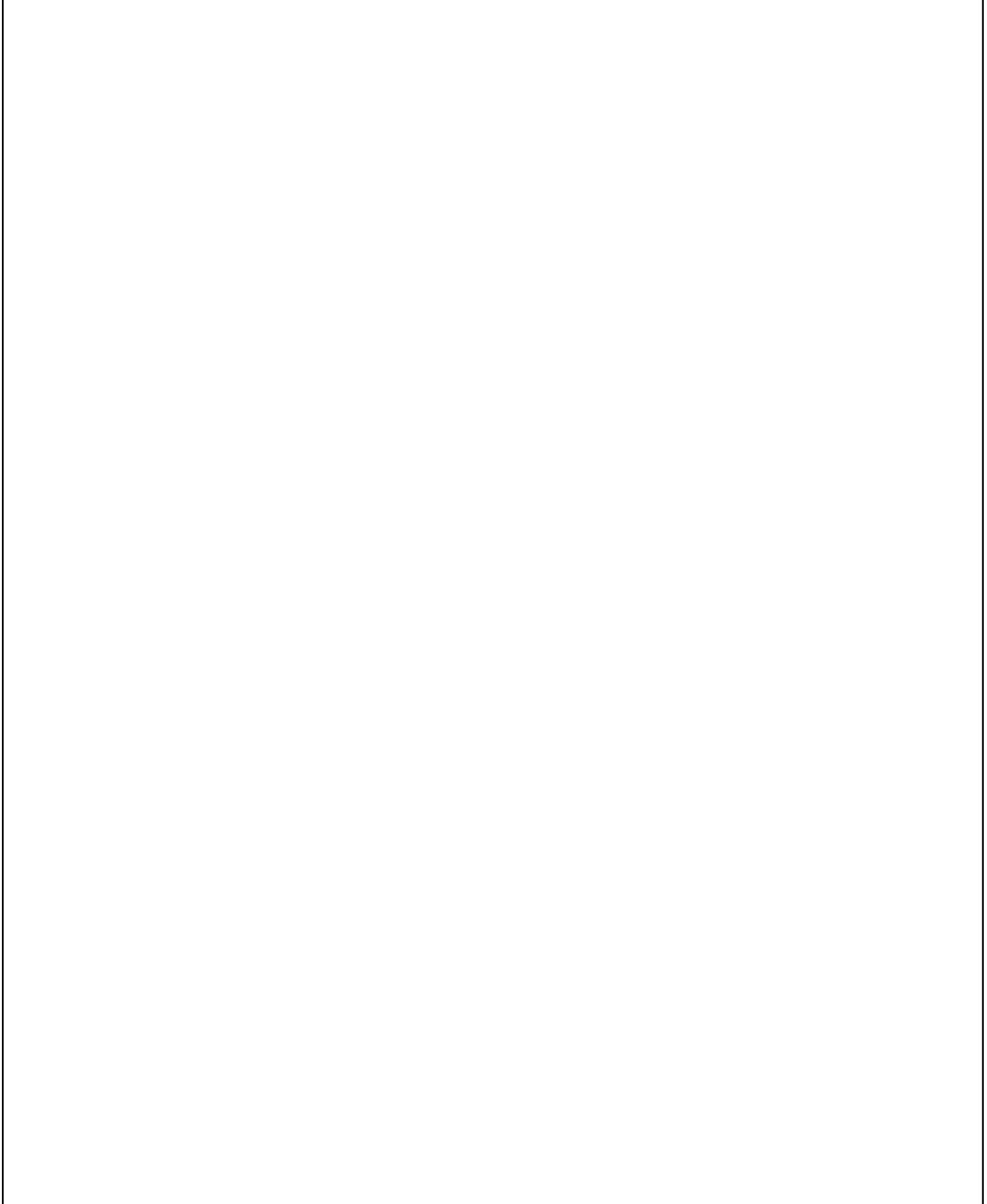
Model: 996 99

Model life 1999&gt;&gt;2005

Pos	Part Number	Description	Remark	Qty	Model
(24)	996 111 121 93	Muffler Cyl. 4 - 6	/R (J)	1	M96.79
25	996 111 122 90	Muffler Cyl. 1 - 3	/L	1	M96.76
(25)	996 111 122 91	Muffler Cyl. 1 - 3	/L	1	M96.79
(25)	996 111 122 93	Muffler Cyl. 1 - 3	/L (J)	1	M96.79
26	996 111 228 02	Support Cyl. 4 - 6	/R	1	
27	996 111 227 02	Support Cyl. 1 - 3	/L	1	
28	996 111 230 00	Spacer sleeve Long		2	
29	996 111 231 00	Spacer sleeve Short		2	
30	900 378 183 09	Hexagon-head bolt M 8 X 140		2	
31	900 378 105 09	Hexagon-head bolt M 8 X 70		2	
32	996 111 229 00	Damping piece		8	
33	900 380 005 09	Hexagon nut M 8		4	
34	996 111 220 01	Clamping sleeve		2	
35	996 111 108 00	Clip		2	
36	996 111 251 55	Tail pipe Cyl. 4 - 6	/R	1	M96.76
(36)	996 111 054 04	Tail pipe Cyl. 4 - 6	/R	1	M96.79
37	996 111 252 55	Tail pipe Cyl. 1 - 3	/L	1	M96.76
(37)	996 111 053 04	Tail pipe Cyl. 1 - 3	/L	1	M96.79
38	993 606 128 01	Oxygen sensor		2	
(38)	993 606 116 01	Oxygen sensor		2	M96.76
(38)	996 606 168 01	Oxygen sensor in front of Catalytic converter		2	M96.79
(38)	996 606 178 01	Oxygen sensor After Catalytic converter		2	M96.79
39	900 074 287 02	Hexagon-head bolt M 8 X 35		6	
-	000 043 207 07	Grease for oxygen sensor		1	
-	986 606 136 00	Protective tube for Oxygen sensor		2	

Model: 996 99

Model life 1999>>2005



Model: 996 99

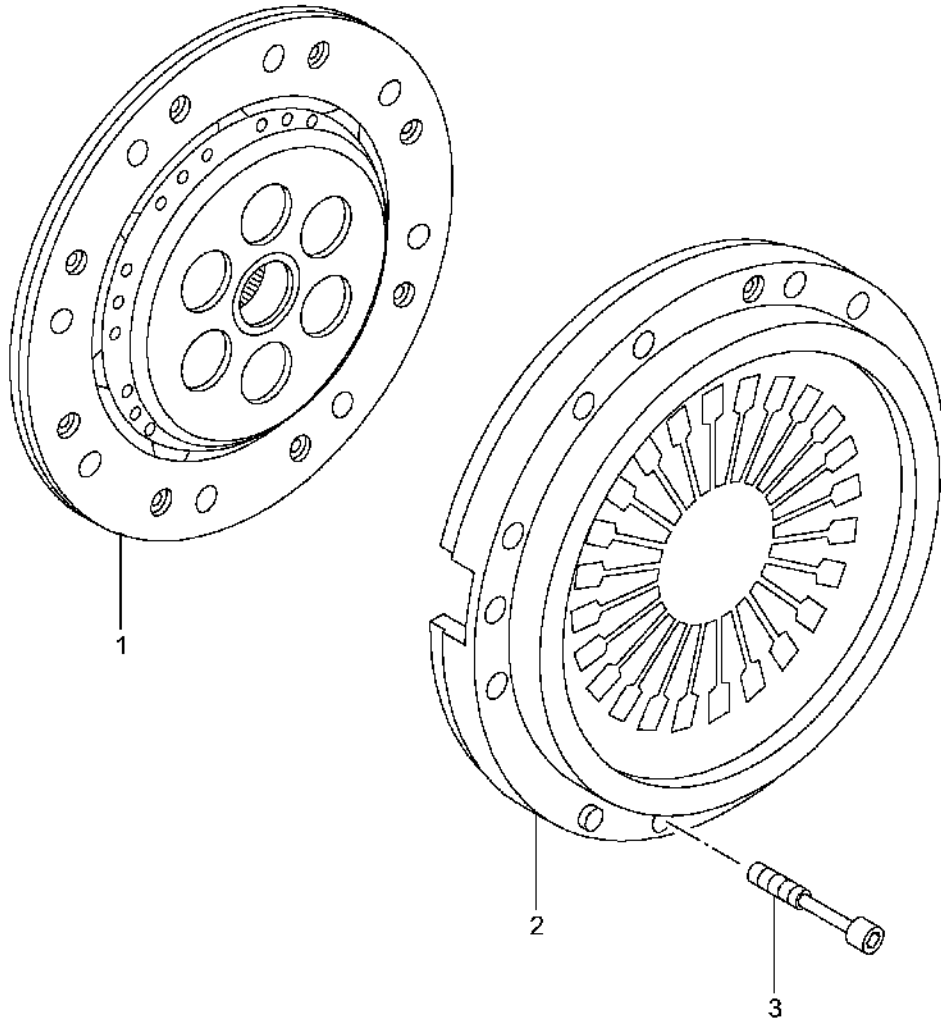
Model life 1999>>2005

Pos	Part Number	Description	Remark	Qty	Model
1	PCG 996 111 00	Assembly kit Repair kit Maintenance set Assembly kit Muffler Comprising:		1	
-	996 111 108 00	Clip		2	
-	996 111 220 02	Clamping sleeve		2	
-	900 378 105 01	Screw		2	
-	900 378 183 01	Screw		2	
-	900 380 005 01	Nut		4	



Model: 996 99

Model life 1999>>2005

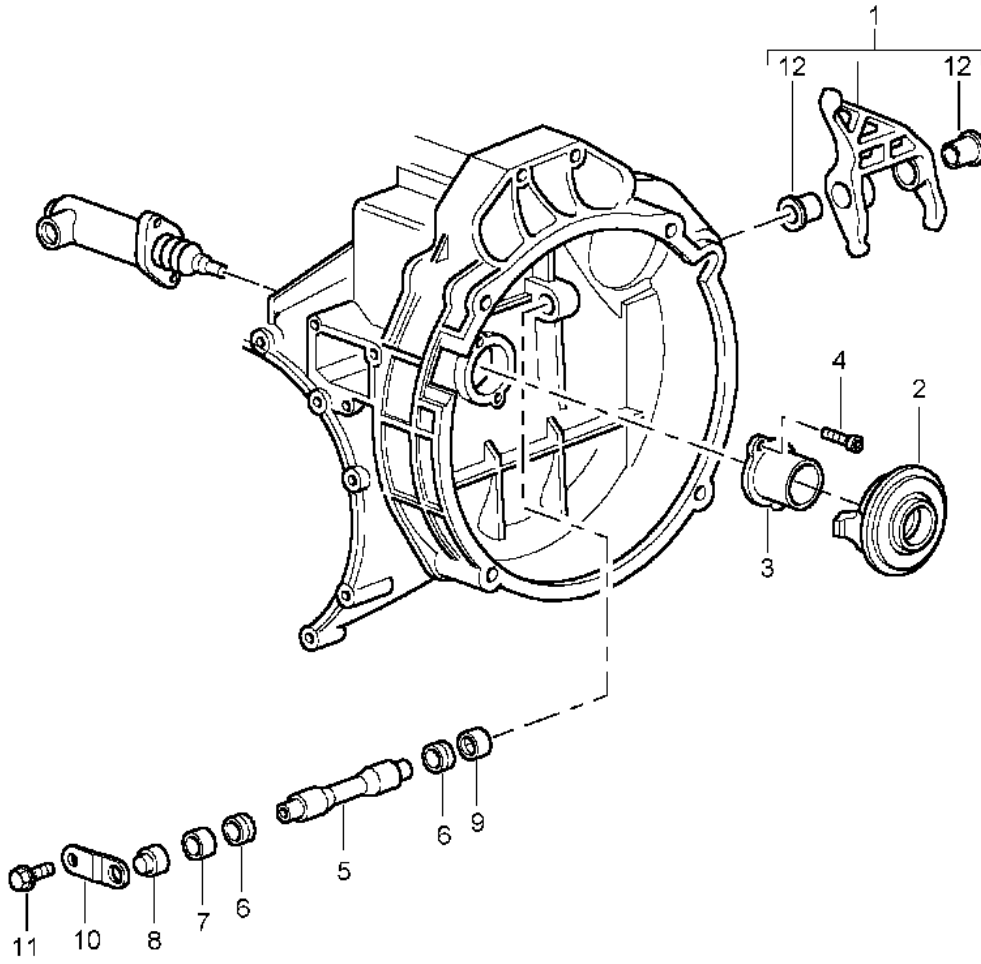


Model: 996 99 Model life 1999>>2005

Pos	Part Number	Description	Remark	Qty	Model
		Clutch			M96.76/79
1	996 116 015 00	Clutch plate		1	M002
1	996 116 015 01	Clutch plate		1	M002
1	996 116 015 02	Clutch plate		1	M002
1	996 116 015 30	Clutch plate		1	M003
1	996 116 015 32	Clutch plate		1	M003
1	996 116 015 33	Clutch plate		1	M003
2	996 116 027 51	Pressure plate		1	
(2)	996 116 027 52	Pressure plate		1	
3	999 510 015 02	Pan-head screw M 8 X 40		9	-M003/M002
3	999 510 015 01	Pan-head screw M 8 X 40		9	-M003/M002
(3)	N 014 715 3	Pan-head screw M 8 X 45		9	M002/003
(3)	900 067 103 01	Pan-head screw M 8 X 45		9	M002/003

Model: 996 99

Model life 1999>>2005



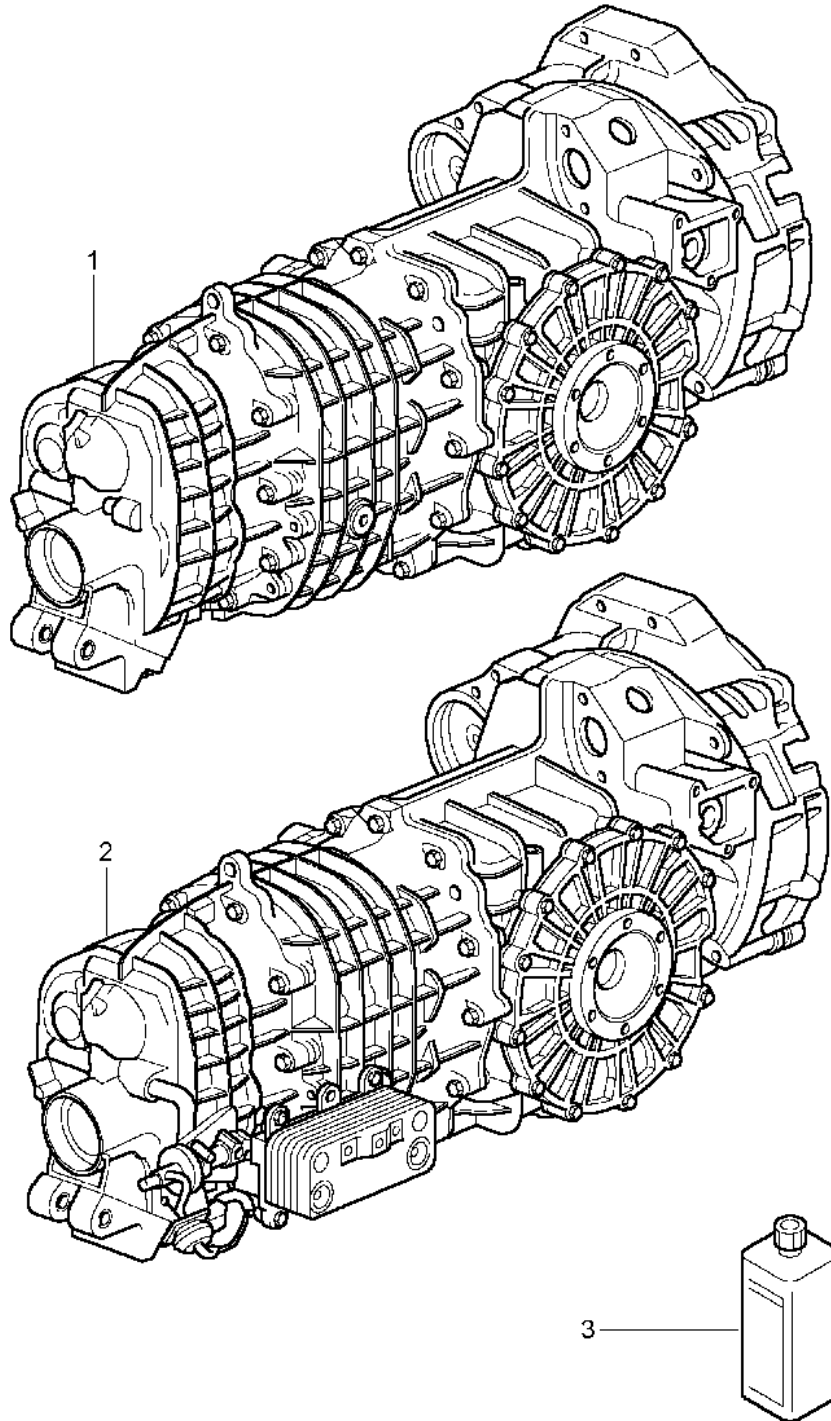
Model: 996 99

Model life 1999>>2005

Pos	Part Number	Description	Remark	Qty	Model
		Clutch release Clutch operating cylinder See group 7/02/08			G96.90/93/96
1	950 116 086 06	Release fork		1	
1	997 116 086 90	Release fork		1	
2	950 116 080 03	Clutch release bearing		1	-M003/M002
(2)	944 116 080 01	Clutch release bearing		1	M002/003
3	950 116 813 06	Guide tube		1	-M003/M002
(3)	950 116 813 30	Guide tube		1	M002/003
4	900 270 055 02	Rais. counters. h. tap. s. M 6 X 14		2	
4	999 270 070 01	Oval-head screw M 6 X 14		2	
5	950 116 710 04	Clutch control shaft		1	
6	999 113 418 40	Gasket 13,02 X 16,4		2	
7	999 201 339 00	Bush		1	
7	999 201 339 01	Bush		1	
8	950 116 725 00	Cover		1	
9	999 201 365 00	Articulated bush		1	
9	999 201 365 01	Articulated bush		1	
10	950 116 713 02	Retaining bracket		1	
11	900 075 057 02	Hexagon-head bolt M 6 X 16		1	
11	900 075 057 03	Hexagon-head bolt M 6 X 16		1	
12	950 116 715 01	Bush		2	

Model: 996 99

Model life 1999>>2005

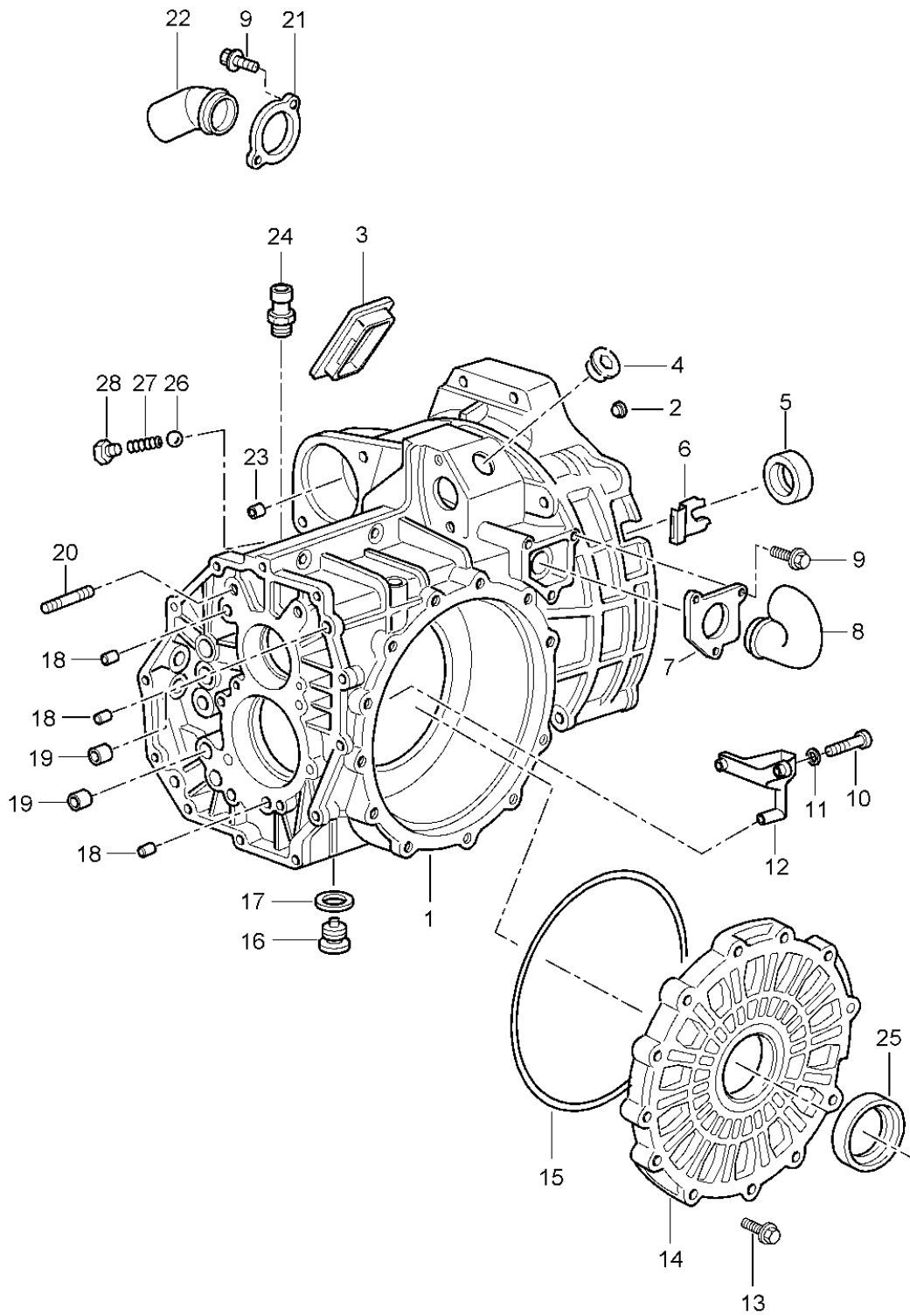


Model: 996 99 Model life 1999>>2005

Pos	Part Number	Description	Remark	Qty	Model
1	996 300 020 90	Replacement transmission Ready for installation Transmission		1	G96.90/93/96 G96.90 -M003
1	996 300 020 JX	with Limited-slip differential Transmission		1	G96.90 -M003
1	996 300 020 94	with Limited-slip differential Transmission		1	G96.90 M003
1	996 300 020 MX	with Limited-slip differential Transmission		1	G96.90 M003
1	996 300 020 93	with Limited-slip differential Transmission	(J) 01	1	G96.93
1	996 300 020 KX	with Limited-slip differential Transmission	(J) 01	1	G96.93
2	996 300 020 96	with Limited-slip differential Transmission	04-	1	G96.96
2	996 300 020 FX	with Limited-slip differential Transmission	04-	1	G96.96
3	000 043 204 20	Limited-slip differential Transmission oil MOBILUBE PTX 75 W 90 Container 20 LTR.		X	

Model: 996 99

Model life 1999>>2005



Model: 996 99 Model life 1999>>2005

Pos	Part Number	Description	Remark	Qty	Model
		Transmission case Front			G96.90/93/96
1	996 301 101 91	Transmission case		1	G96.90/93
(1)	996 301 101 88	Transmission case	04-	1	G96.96
2	999 036 002 40	Lid A 14		1	
3	950 301 151 01	Cap		1	
4	999 703 490 40	Lid 30 X 42		1	
5	999 113 326 41	Shaft sealing ring 26,5 X 40		1	
6	993 116 630 00	Cap		1	
7	996 116 612 00	Flange		1	
8	993 116 610 00	Intake manifold		1	
9	900 378 035 01	Hexagon-head bolt M 6 X 16		5	
10	900 067 005 02	Pan-head screw M 5 X 30		2	
10	900 067 005 03	Pan-head screw M 5 X 30		2	
11	900 025 003 02	Washer A 5,3		2	
11	900 025 080 01	Washer A 5,3		2	
12	964 307 107 00	Funnel		1	
13	996 301 317 00	Hexagon-head bolt M 8 X 35		12	
14	996 301 312 50	Transmission cover		1	
14	996 301 312 51	Transmission cover		1	
15	999 707 328 40	O-ring 205 X 3,5		1	
16	999 063 008 02	Screw plug with magnet M 22 X 1,5		1	
17	900 123 118 30	Sealing ring A 22 X 27		1	
18	900 012 144 00	Straight pin 12 M 6 X 14		4	
19	996 303 513 00	Round socket 15 X 21 X 22		4	
20	900 081 042 02	Stud BM 8 X 42		1	
21	996 116 710 00	Flange socket		1	
22	993 116 610 00	Intake manifold		1	
23	999 531 017 10	Bush 12,1 X 14		1	
24	996 301 071 00	Bleeder 17 X 12 X 28,1		1	
25	999 113 347 40	Shaft sealing ring 48 X 68 X 10		2	
26	900 108 064 00	Ball 8		4	
27	996 303 245 00	Compression spring		4	
28	900 124 023 02	Screw plug M 10 X 1		4	
-	996 449 101 50	Hook		2	
-	997 449 101 50	Hook		2	
-	999 073 190 09	Oval-head screw M 8 X 60		2	
-	000 043 209 23	Grease LIQUI MOLY PU 53 / WDR 50 GR.		X	



Model: 996 99

Model life 1999>>2005



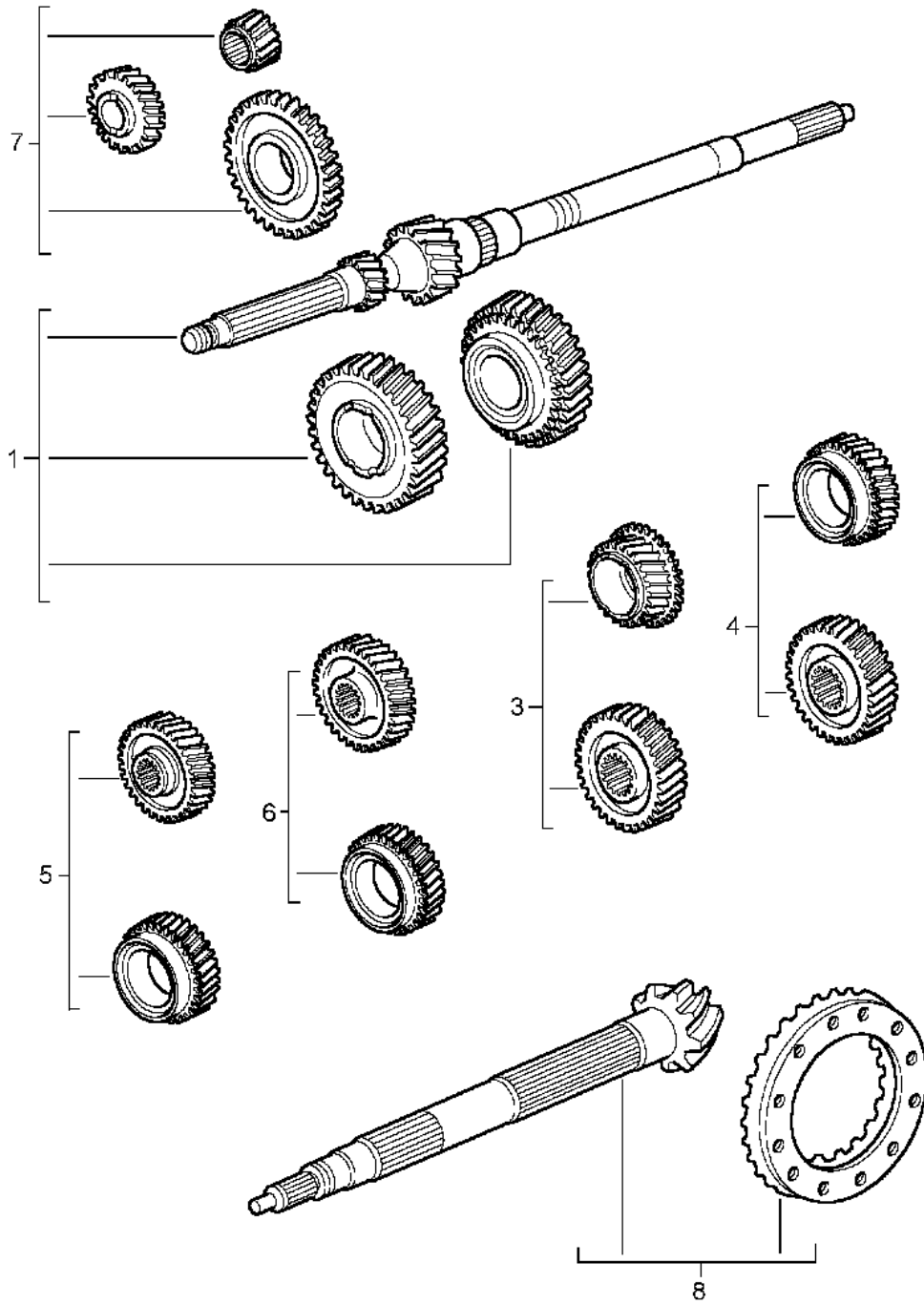
Model: 996 99

Model life 1999>>2005

Pos	Part Number	Description	Remark	Qty	Model
		Gear housing Transmission cover			G96.90/93/96
1	996 301 102 51	Gear housing		1	G96.90/93
(1)	996 301 102 9A	Gear housing	04-	1	G96.96
2	900 060 105 01	Stud BM 8FO X 28		1	
14	900 025 007 03	Washer A 8,4		37	
15	900 076 064 02	Hexagon nut M 8		40	
19	996 606 103 01	Switch Back-up light		1	
29	964 303 230 02	Eccentric		1	
34	N 011 524 27	Washer A 6,4		2	
35	900 075 057 02	Hexagon-head bolt M6 X 16		2	
35	900 075 057 03	Hexagon-head bolt M6 X 16		2	
35	900 075 057 01	Hexagon-head bolt M 6 X 16		1	

Model: 996 99

Model life 1999>>2005



Model: 996 99 Model life 1999>>2005

Pos	Part Number	Description	Remark	Qty	Model
1	996 302 901 10	Gear wheel sets Gear set 1st / 2nd gear 1st gear Z = 42 : 11 2nd gear Z = 43 : 20		1	G96.90/93/96
3	996 302 953 50	Gear set 3rd gear Z = 39 : 25		1	
3	996 302 953 30	Gear set  3rd gear Z = 39 : 25	01	1	/M003 G96.90 G96.96
(3)	996 302 953 03	Gear set 3rd gear Z = 38 : 27	(J)	1	G96.93
4	996 302 954 55	Gear set 4th speed Z = 40 : 33		1	
4	996 302 954 30	Gear set  4th speed Z = 40 : 33	01	1	/M003 G96.90 G96.96
(4)	996 302 954 03	Gear set 4th speed Z = 38 : 34	(J)	1	G96.93
5	950 302 955 87	Gear set 5th gear Z = 36 : 37		1	
5	996 302 955 30	Gear set  5th gear Z = 36 : 37	01 (J)	1	/M003 G96.90 G96.93
(5)	996 302 955 31	Gear set 5th gear Z = 36 : 36	04-	1	G96.96
6	996 302 956 00	Gear set 6th gear Z = 32 : 39		1	
(6)	996 302 956 75	Gear set 6th gear Z = 35 : 41	04-	1	G96.96
7	996 302 907 50	Gear set Reverse gear		1	
8	996 302 911 71	Ring gear and pinion shaft 31 : 9		1	

Model: 996 99

Model life 1999>>2005

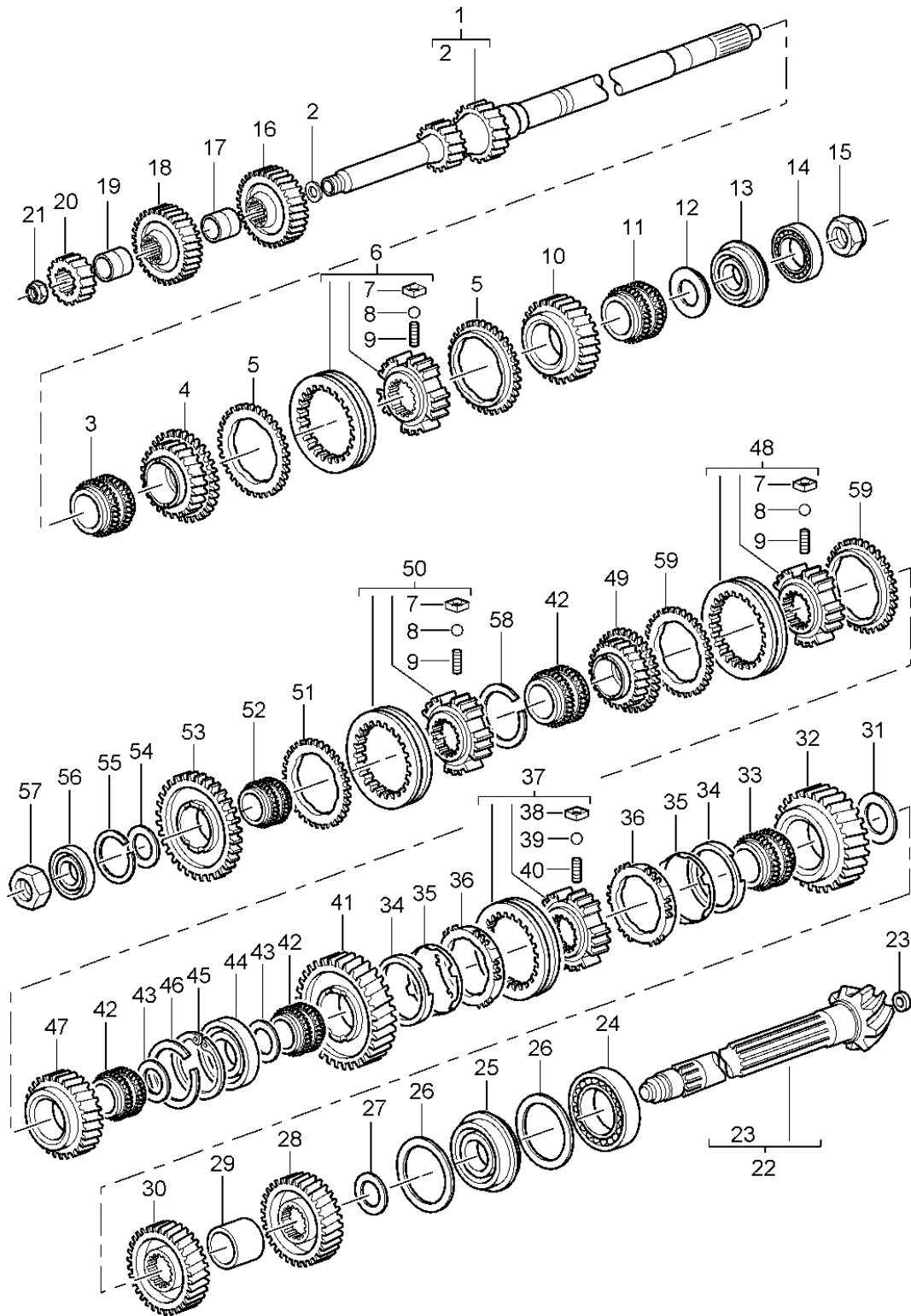


Model: 996 99 Model life 1999>>2005

Pos	Part Number	Description	Remark	Qty	Model
1	996 302 121 9A	Gears and shafts Retainer plate		1	G96.96

Model: 996 99

Model life 1999>>2005



Model: 996 99 Model life 1999>>2005

Pos	Part Number	Description	Remark	Qty	Model
		Gears and shafts Gear wheel sets See group 3/03/00			G96.90/93/96
1		Drive shaft		1	
2	964 302 335 02	Washer 7 MM		1	
3	999 201 442 00	Needle-roller bearing 42 X 47 X 32		1	
4		Loose gear wheel 3rd gear		1	
5	928 304 211 23	Synchroniser ring		4	
6	996 304 021 51	Guide sleeve 3rd/4th gear		1	
7	928 304 251 00	Stone		9	
8	N 025 653 2	Ball 6,5 MM		9	
9	928 304 261 01	Compression spring		9	
10		Loose gear wheel 4th speed		1	
11	999 201 437 06	Needle cage 35 X 47 X 32,2		1	
12	996 302 294 50	Thrust washer 4th speed		1	
13	999 052 094 00	Four-point bearing 30 X 62 X 16		1	
13	999 052 098 00	Four-point bearing 30 X 32 X 16		1	
14	999 110 117 01	Cylindrical-roller bearing 30 X 62 X 20		1	
15	999 034 033 00	Hexagon nut M 30 X 1,5		1	
16		Fixed gear wheel 6th gear		1	
17	950 302 268 12	Spacer sleeve 5th gear		1	
18		And 6th gear Fixed gear wheel 5th gear			
19	950 302 270 02	Spacer sleeve		1	
20		Fixed gear wheel Reverse gear		1	
21	999 034 035 00	Lock nut M 22 X 1,5		1	
22		Pinion shaft		1	
23	964 302 335 01	Washer 14,5		1	
24	999 110 119 01	Cylindrical-roller bearing 40 X 90 X 23		1	
25	999 052 164 00	Four-point bearing 40 X 82 X 18		1	
25	997 302 293 00	Angular-contact bearing 40 X 82 X 18		1	
26	996 302 163 50	Shim 90 X 97 X 0,50		X	
26	996 302 163 51	Shim 90 X 97 X 0,55		X	
26	996 302 163 52	Shim 90 X 97 X 0,60		X	
26	996 302 163 53	Shim 90 X 97 X 0,65		X	
26	996 302 163 54	Shim		X	



Model: 996 99

Model life 1999&gt;&gt;2005

Pos	Part Number	Description	Remark	Qty	Model
26	996 302 163 55	90 X 97 X 0,70 Shim		X	
26	996 302 163 56	90 X 97 X 0,75 Shim		X	
26	996 302 163 57	90 X 97 X 0,80 Shim		X	
26	996 302 163 58	90 X 97 X 0,85 Shim		X	
26	996 302 163 59	90 X 97 X 0,90 Shim		X	
26	996 302 163 60	90 X 97 X 0,95 Shim		X	
26	996 302 163 61	90 X 97 X 1,00 Shim		X	
26	996 302 163 62	90 X 97 X 1,05 Shim		X	
26	996 302 163 63	90 X 97 X 1,10 Shim		X	
26	996 302 163 64	90 X 97 X 1,15 Shim		X	
26	996 302 163 65	90 X 97 X 1,20 Shim		X	
26	996 302 163 66	90 X 97 X 1,25 Shim		X	
26	996 302 163 67	90 X 97 X 1,30 Shim		X	
26	996 302 163 68	90 X 97 X 1,35 Shim		X	
26	996 302 163 69	90 X 97 X 1,40 Shim		X	
26	996 302 163 70	90 X 97 X 1,45 Shim		X	
26	996 302 163 71	90 X 97 X 1,50 Shim		X	
26	996 302 163 72	90 X 97 X 1,55 Shim		X	
27	996 302 151 50	90 X 97 X 1,60 Shim		X	
27	996 302 151 51	40 X 50 X 0,40 Shim		X	
27	996 302 151 52	40 X 50 X 0,45 Shim		X	
27	996 302 151 53	40 X 50 X 0,50 Shim		X	
27	996 302 151 54	40 X 50 X 0,55 Shim		X	
27	996 302 151 55	40 X 50 X 0,60 Shim		X	
27	996 302 151 56	40 X 50 X 0,65 Shim		X	
27	996 302 151 57	40 X 50 X 0,70 Shim		X	
27	996 302 151 58	40 X 50 X 0,80 Shim		X	
27	996 302 151 59	40 X 50 X 0,90 Shim		X	
27	996 302 151 60	40 X 50 X 1,00 Shim		X	
27	996 302 151 61	40 X 50 X 1,10 Shim		X	
27	996 302 151 62	40 X 50 X 1,20 Shim		X	
27	996 302 151 62	40 X 50 X 1,30 Shim		X	

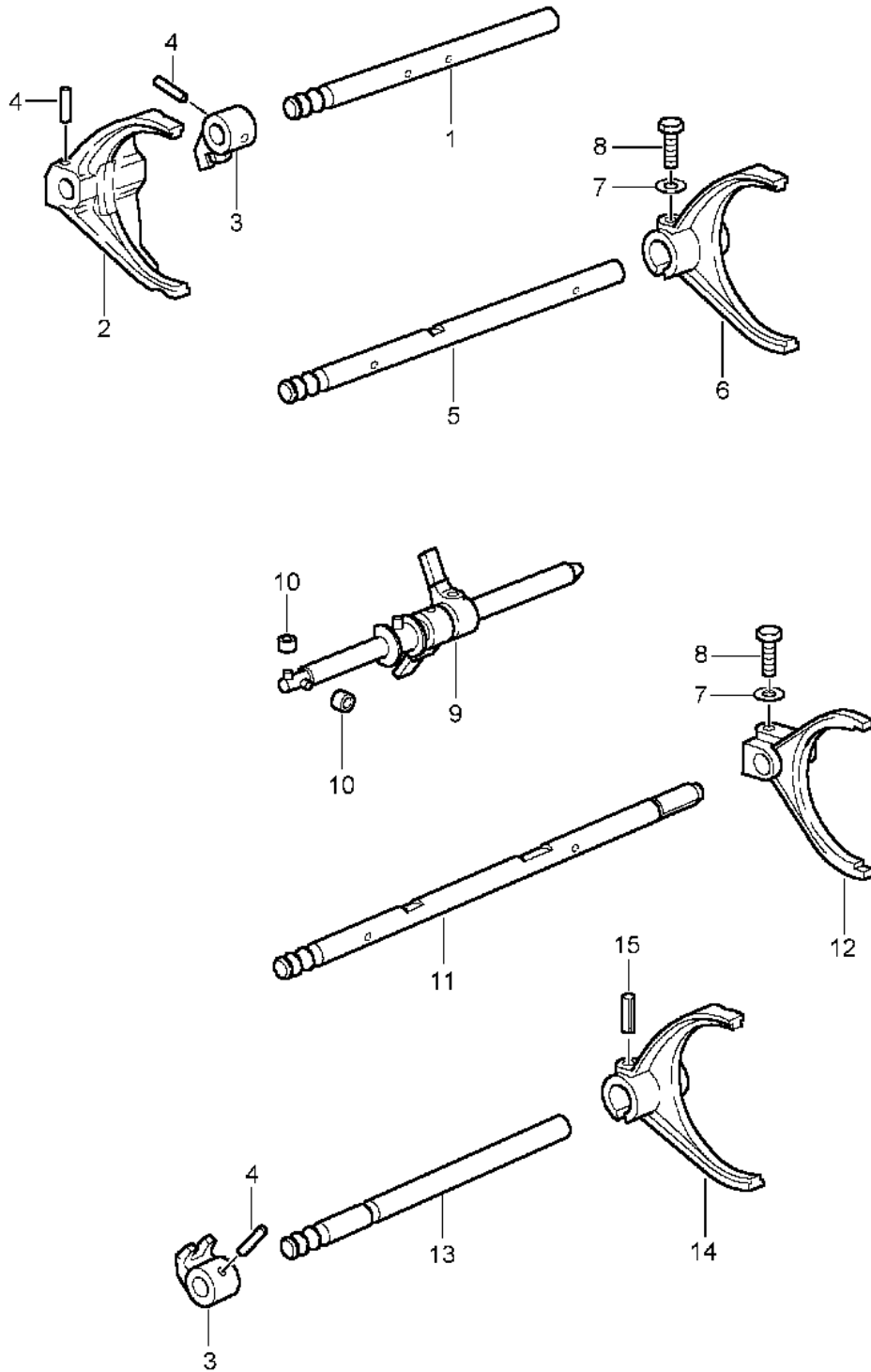
Model: 996 99

Model life 1999&gt;&gt;2005

Pos	Part Number	Description	Remark	Qty	Model
27	996 302 151 63	Shim 40 X 50 X 0,75		X	
28		Fixed gear wheel 4th speed		1	
29	950 302 267 02	Spacer sleeve		1	
30		Fixed gear wheel 3rd gear		1	
31	950 302 292 00	Thrust washer 2nd gear		1	
32		Loose gear wheel 2nd gear		1	
33	999 201 225 04	Needle-roller bearing 39,68 X 50		1	
34	950 304 617 20	Ring		2	
35	996 304 613 20	Cone ring		2	
36	950 304 611 20	Synchroniser ring		2	
37	996 304 061 50	Guide sleeve 1st / 2nd gear		1	
38	950 304 651 00	Stone		3	
39	900 108 058 00	Ball 5 MM		3	
40	950 304 661 03	Compression spring		3	
41		Loose gear wheel 1st gear		1	
42	999 201 239 06	Needle-roller bearing 35 X 50 X 32,2		3	
43	950 302 295 07	Thrust washer 1st gear And 6th gear		2	
44	999 110 109 01	Cylindrical-roller bearing 35 X 80 X 18		1	
45	999 152 106 00	Circlip		1	
46	N 100 709 01	Circlip SP 80		1	
47		Loose gear wheel 6th gear		1	
48	950 304 021 23	Guide sleeve 5th gear And 6th gear		1	
49		Loose gear wheel 5th gear		1	
50	996 304 021 50	Guide sleeve		1	
51	928 304 211 24	Reverse gear Synchroniser ring Reverse gear		1	
52	999 201 253 00	Needle cage 32 X 45 X 27,2		1	
53		Loose gear wheel Reverse gear		1	
54	950 302 296 07	Thrust washer Reverse gear		1	
55	999 152 024 01	Circlip 62 X 1,50		1	
56	999 110 192 00	Cylindrical-roller bearing 30 X 62 X 16		1	
57	999 034 034 00	Hexagon nut M 30 X 1,25		1	
58	999 152 111 00	Circlip 78 X 1,50		1	
59	928 304 211 30	Synchroniser ring		3	

Model: 996 99

Model life 1999>>2005

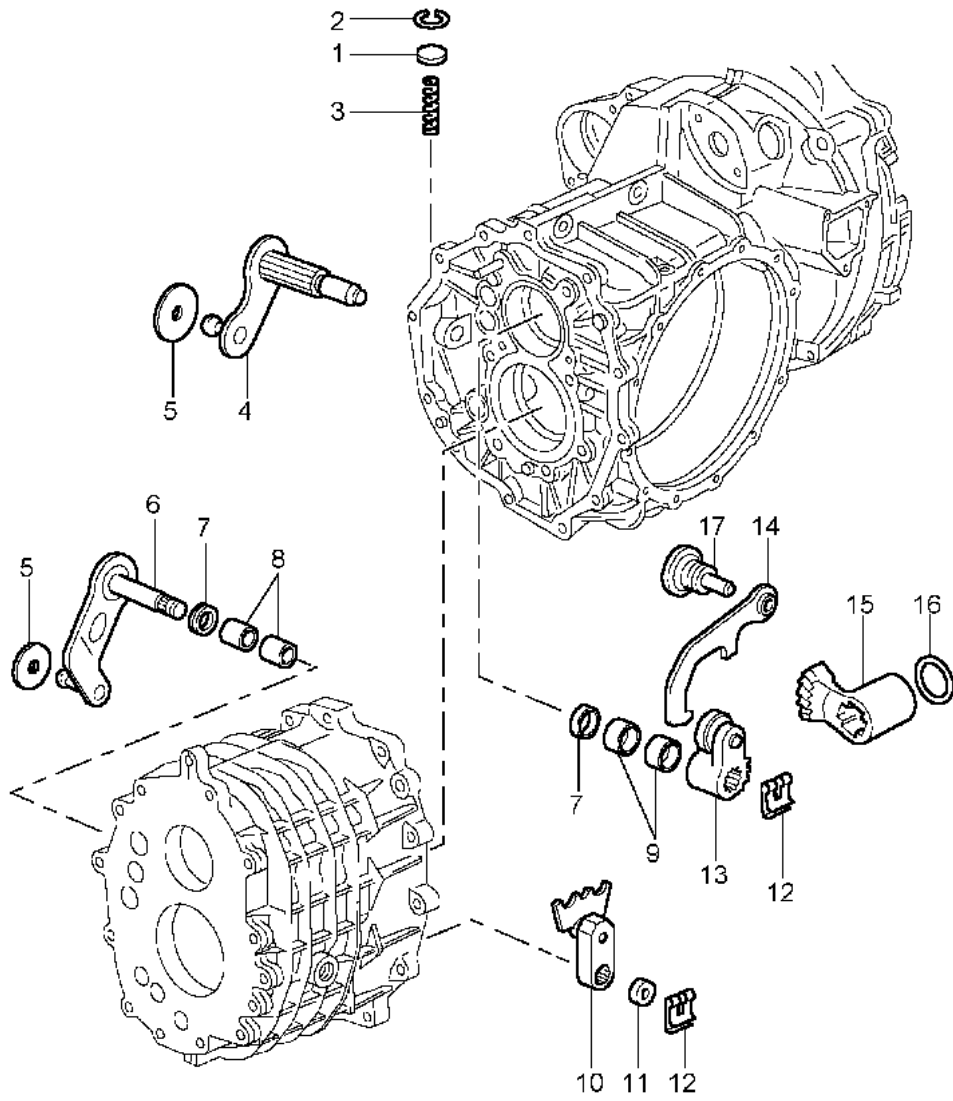


Model: 996 99 Model life 1999>>2005

Pos	Part Number	Description	Remark	Qty	Model
		Gear shift rod Shift fork Shift rod			G96.90/93/96
1	996 303 103 52	Gear shift rod		1	
		3rd/4th gear			
2	996 303 113 51	Shift fork		1	
		3rd/4th gear			
(2)	996 303 113 88	Shift fork	04-	1	G96.96
		3rd/4th gear			
3	996 303 121 50	Driver		2	
4	996 303 301 00	Spiral clamping pin		3	
5	996 303 106 51	Gear shift rod		1	
		5th gear			
		And			
		6th gear			
6	996 303 116 50	Shift fork		1	
		5th gear			
		And			
		6th gear			
7	900 025 007 02	Washer		2	
		A 8,4			
7	900 025 007 03	Washer		2	
		A 8,4			
8	900 075 099 02	Hexagon-head bolt		2	
		M 8 X 30			
8	900 075 099 03	Hexagon-head bolt		2	
		M 8 X 30			
9	996 303 021 52	Shift rod		1	
10	996 303 403 00	Roller		4	
		10 X 5 X 3			
11	996 303 105 52	Gear shift rod		1	
		Reverse gear			
12	996 303 115 50	Shift fork		1	
		Reverse gear			
13	996 303 101 51	Gear shift rod		1	
		1st / 2nd gear			
14	996 303 111 51	Shift fork		1	
		1st / 2nd gear			
15	900 095 017 01	Roll pin		2	
		5,0 X 24			

Model: 996 99

Model life 1999>>2005

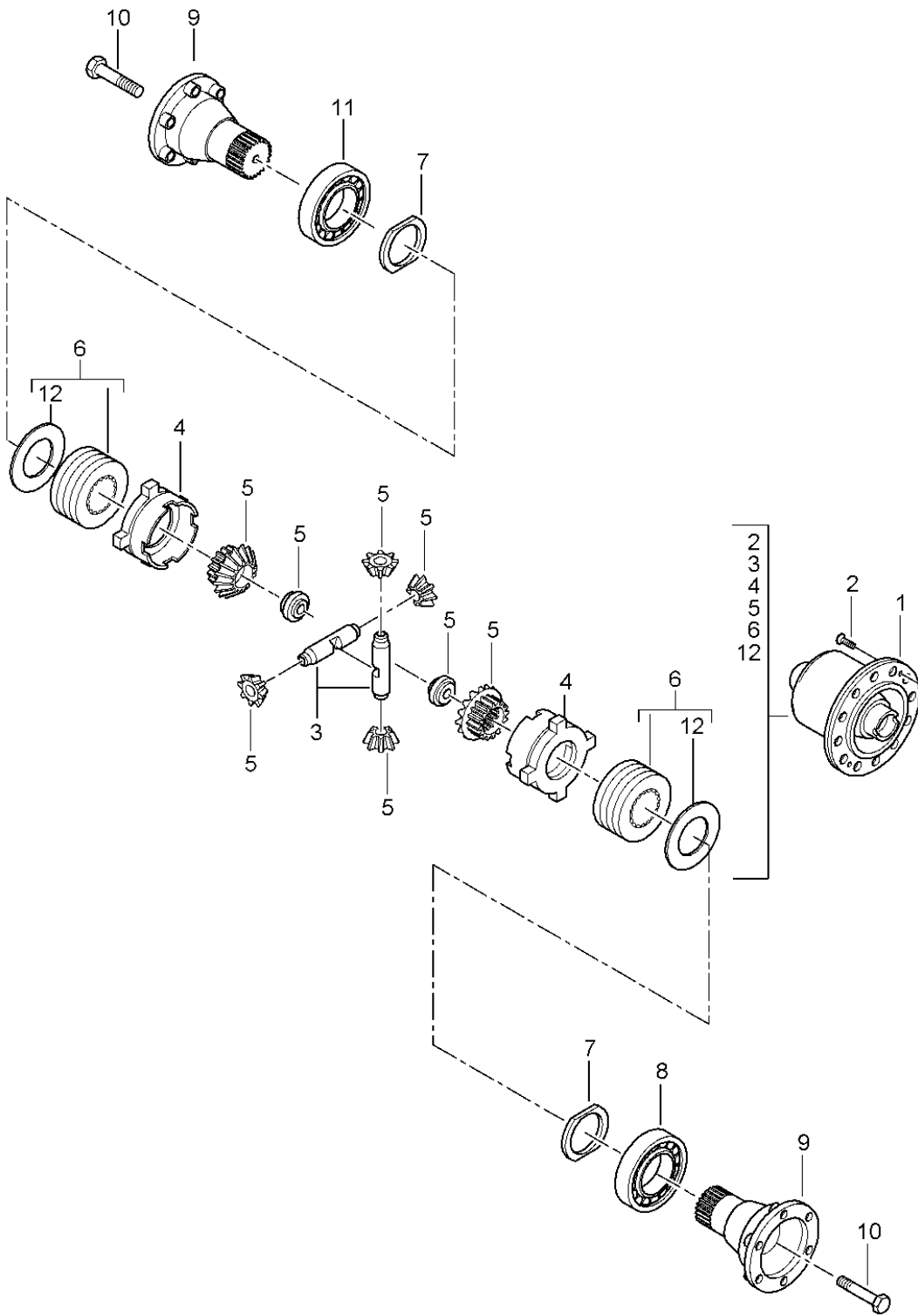


Model: 996 99 Model life 1999>>2005

Pos	Part Number	Description	Remark	Qty	Model
1	996 303 257 00	Shift control lock device Lid 20 X 4		1	G96.90/93/96
2	900 042 003 01	Circlip 20 X 1		1	
3	996 303 255 00	Compression spring		1	
4	996 303 055 01	Selector lever		1	
5	986 424 133 00	Washer		1	
6	996 303 031 90	Gearshift lever		1	G96.90/93
6	996 303 031 9A	Gearshift lever		1	G96.96
7	996 303 517 00	Shaft sealing ring 15 X 21 X 5		X	
8	996 303 515 00	Bearing sleeve 15 X 17 X 12		2	
9		Bearing sleeve 15 X 17 X 12		2	
10	996 303 033 00	Shift segment		1	
11	996 303 303 00	Roller 20 X 8 X 8		1	
12	996 303 383 00	Lock		1	
13	996 303 057 00	Pinion		1	
14	996 303 053 00	Selector lever		1	
15	996 303 501 00	Selector lever		1	
16	996 303 511 00	Shim 18 X 25 X 1,00		1	
16	996 303 511 01	Shim 18 X 25 X 1,10		1	
16	996 303 511 02	Shim 18 X 25 X 1,20		1	
16	996 303 511 03	Shim 18 X 25 X 1,30		1	
16	996 303 511 04	Shim 18 X 25 X 1,40		1	
16	996 303 511 05	Shim 18 X 25 X 1,50		1	
16	996 303 511 06	Shim 18 X 25 X 1,60		1	
16	996 303 511 07	Shim 18 X 25 X 1,70		1	
16	996 303 511 08	Shim 18 X 25 X 1,80		1	
16	996 303 511 09	Shim 18 X 25 X 1,90		1	
16	996 303 511 10	Shim 18 X 25 X 2,00		1	
17	996 303 519 00	Bearing screw		1	
-	900 076 064 02	Hexagon nut M 8		12	

Model: 996 99

Model life 1999>>2005



Model: 996 99 Model life 1999>>2005

Pos	Part Number	Description	Remark	Qty	Model
		Limited-slip differential Complete			G96.90/93/96
		And Repair kits			
1	950 332 083 36	Limited-slip differential 40/65 % FA.GKN	00	1	G96.90
1	996 332 983 9B	Limited-slip differential  40/65 % FA. GKN	01-	1	G96.93 G96.96
1	997 332 083 90	Limited-slip differential 40/65 %		1	
2	950 332 983 03	Countersunk-head screw Set FA.GKN		1	
(2)	999 217 152 01	Hexagon-head bolt M 12 X 1,25 X 22,5		12	
3	950 332 983 06	Axle Set FA.GKN		1	
4	950 332 983 05	Ring Set FA.GKN		1	
5	950 332 983 02	Gear set FA.GKN		1	
6	950 332 983 36	Vanes FA.GKN		1	
7	996 332 266 50	Adjusting ring 50,4 X 65 X 1,50		X	
7	996 332 266 51	Adjusting ring 50,4 X 65 X 1,55		X	
7	996 332 266 52	Adjusting ring 50,4 X 65 X 1,60		X	
7	996 332 266 53	Adjusting ring 50,4 X 65 X 1,65		X	
7	996 332 266 54	Adjusting ring 50,4 X 65 X 1,70		X	
7	996 332 266 55	Adjusting ring 50,4 X 65 X 1,75		X	
7	996 332 266 56	Adjusting ring 50,4 X 65 X 1,80		X	
7	996 332 266 57	Adjusting ring 50,4 X 65 X 1,85		X	
7	996 332 266 58	Adjusting ring 50,4 X 65 X 1,90		X	
7	996 332 266 59	Adjusting ring 50,4 X 65 X 1,95		X	
7	996 332 266 60	Adjusting ring 50,4 X 65 X 2,00		X	
7	996 332 266 61	Adjusting ring 50,4 X 65 X 2,05		X	
7	996 332 266 62	Adjusting ring 50,4 X 65 X 2,10		X	
7	996 332 266 63	Adjusting ring 50,4 X 65 X 2,15		X	
7	996 332 266 64	Adjusting ring 50,4 X 65 X 2,20		X	
7	996 332 266 65	Adjusting ring 50,4 X 65 X 2,25		X	
7	996 332 266 66	Adjusting ring 50,4 X 65 X 2,30		X	
7	996 332 266 67	Adjusting ring		X	



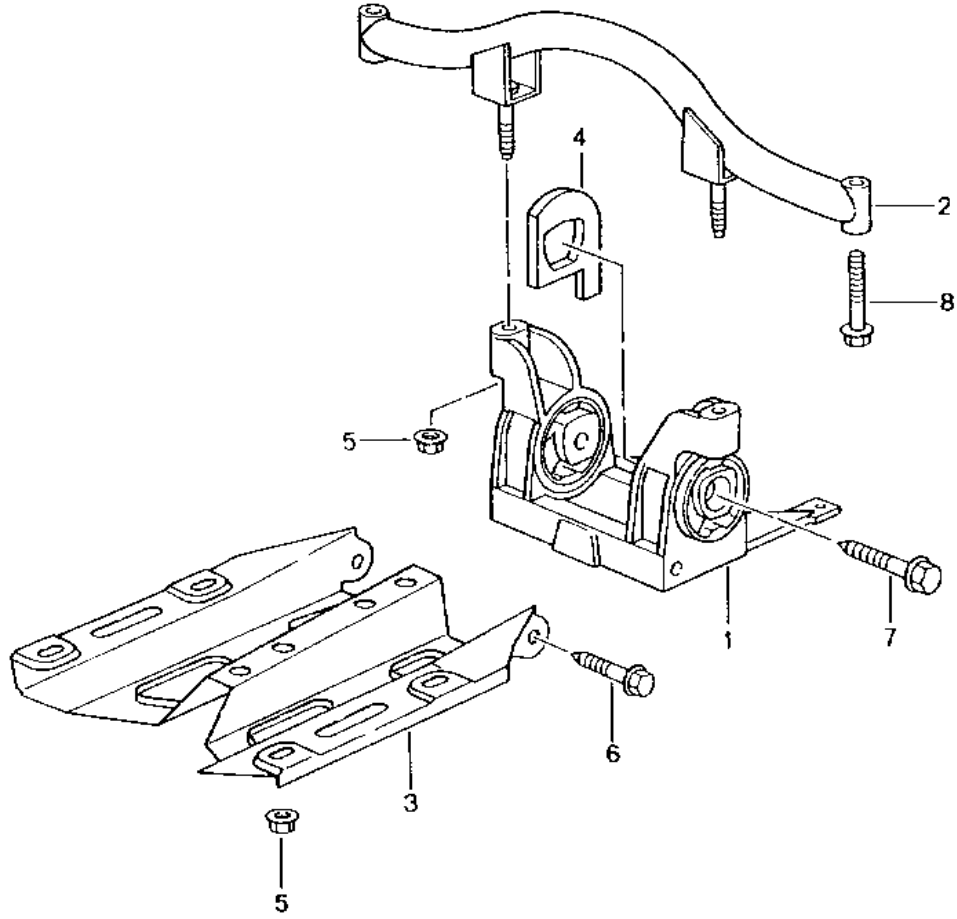
Model: 996 99

Model life 1999&gt;&gt;2005

Pos	Part Number	Description	Remark	Qty	Model
7	996 332 266 68	50,4 X 65 X 2,35 Adjusting ring		X	
7	996 332 266 69	50,4 X 65 X 2,40 Adjusting ring		X	
7	996 332 266 70	50,4 X 65 X 2,45 Adjusting ring		X	
7	996 332 266 71	50,4 X 65 X 2,50 Adjusting ring		X	
7	996 332 266 72	50,4 X 65 X 2,55 Adjusting ring		X	
7	996 332 266 73	50,4 X 65 X 2,60 Adjusting ring		X	
7	996 332 266 74	50,4 X 65 X 2,65 Adjusting ring		X	
7	996 332 266 75	50,4 X 65 X 2,70 Adjusting ring		X	
7	996 332 266 76	50,4 X 65 X 2,75 Adjusting ring		X	
8	999 059 064 00	50,4 X 65 X 2,80 Taper roller bearing		1	
(8)	999 059 066 01	50 X 90 Taper roller bearing		1	
(8)	999 059 066 02	50 X 80 X 20 Taper roller bearing		1	
9	950 332 209 01	Joint flange		2	
10	N 010 472 4	Hexagon-head bolt M 10 X 85		2	
10	900 074 375 01	Hexagon-head bolt M 10 X 85		2	
11	999 059 066 01	Taper roller bearing 50 X 80 X 20		1	
11	999 059 066 02	Taper roller bearing 50 X 80 X 20		1	
12		Thrust washer To Use 950.332.983.36		2	

Model: 996 99

Model life 1999>>2005



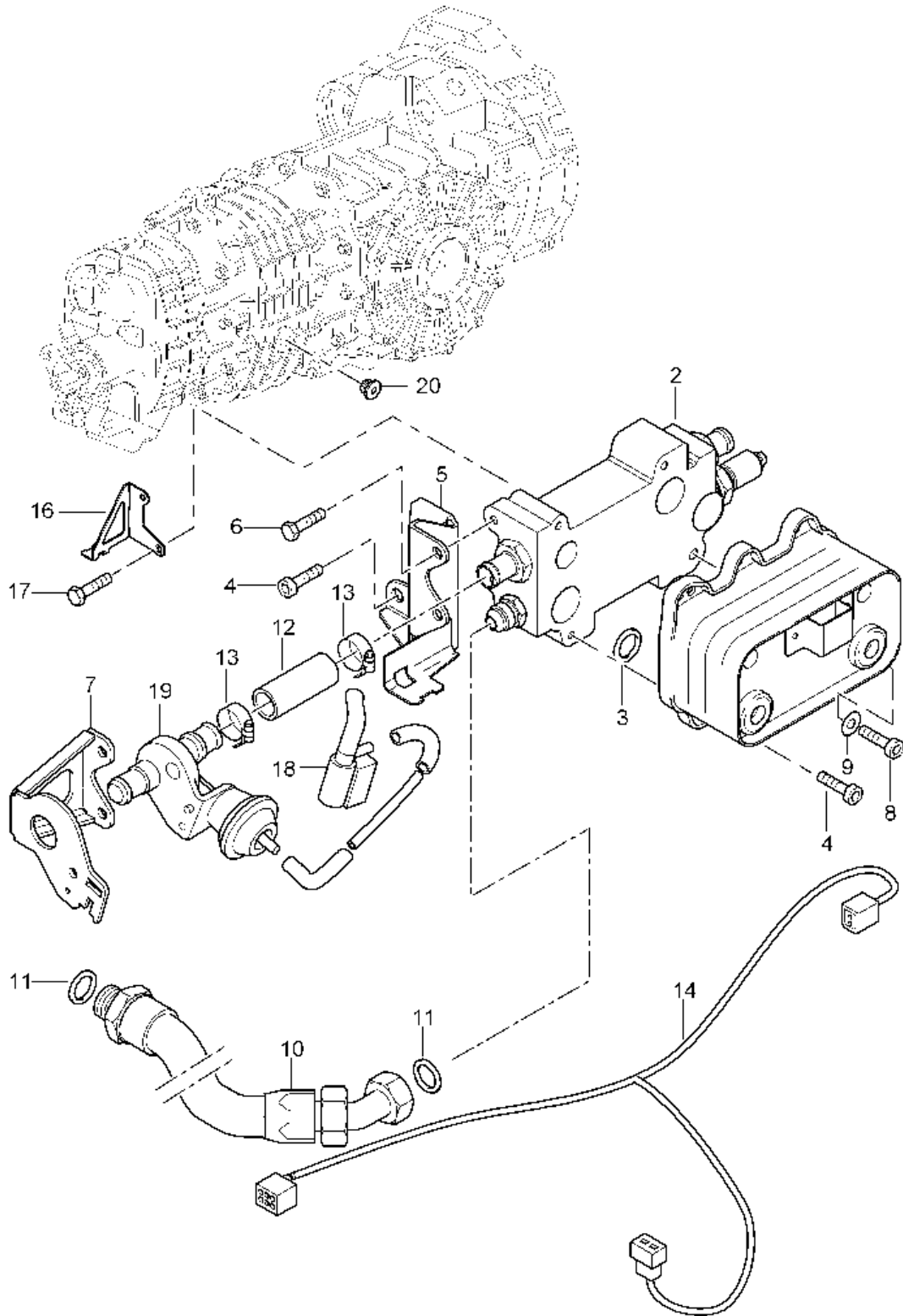
Model: 996 99

Model life 1999&gt;&gt;2005

Pos	Part Number	Description	Remark	Qty	Model
		Transmission suspension			G96.90/93/96
1	996 375 033 03	Transmission carrier		1	
2	996 375 317 06	Bracket Upper		1	
3	996 375 015 00	Side member		1	
4	996 375 259 08	Stop		2	
5	900 380 008 01	Hexagon nut M 10		2	
6	900 378 167 09	Hexagon-head bolt M 10 X 110		2	
6	900 378 294 01	Hexagon-head bolt M 10 X 110		2	
7	999 072 010 09	Hexagon-head bolt M 12 X 1,5 X 100		2	
7	999 072 010 01	Hexagon-head bolt M 12 X 1,5 X 100		2	
8	999 072 008 09	Hexagon-head bolt M 12 X 1,5 X 70		3	
8	999 072 008 01	Hexagon-head bolt M 12 X 1,5 X 70		3	
9	900 378 061 09	Hexagon-head bolt M 12 X 1,5 X 50		1	
9	900 378 061 01	Hexagon-head bolt M 12 X 1,5 X 50		1	
10	900 378 076 09	Hexagon-head bolt M 10 X 50		1	
10	900 378 076 01	Hexagon-head bolt M 10 X 50		1	
11	900 377 011 09	Hexagon nut M 10		1	
11	900 377 011 01	Hexagon nut M 10		1	

Model: 996 99

Model life 1999>>2005



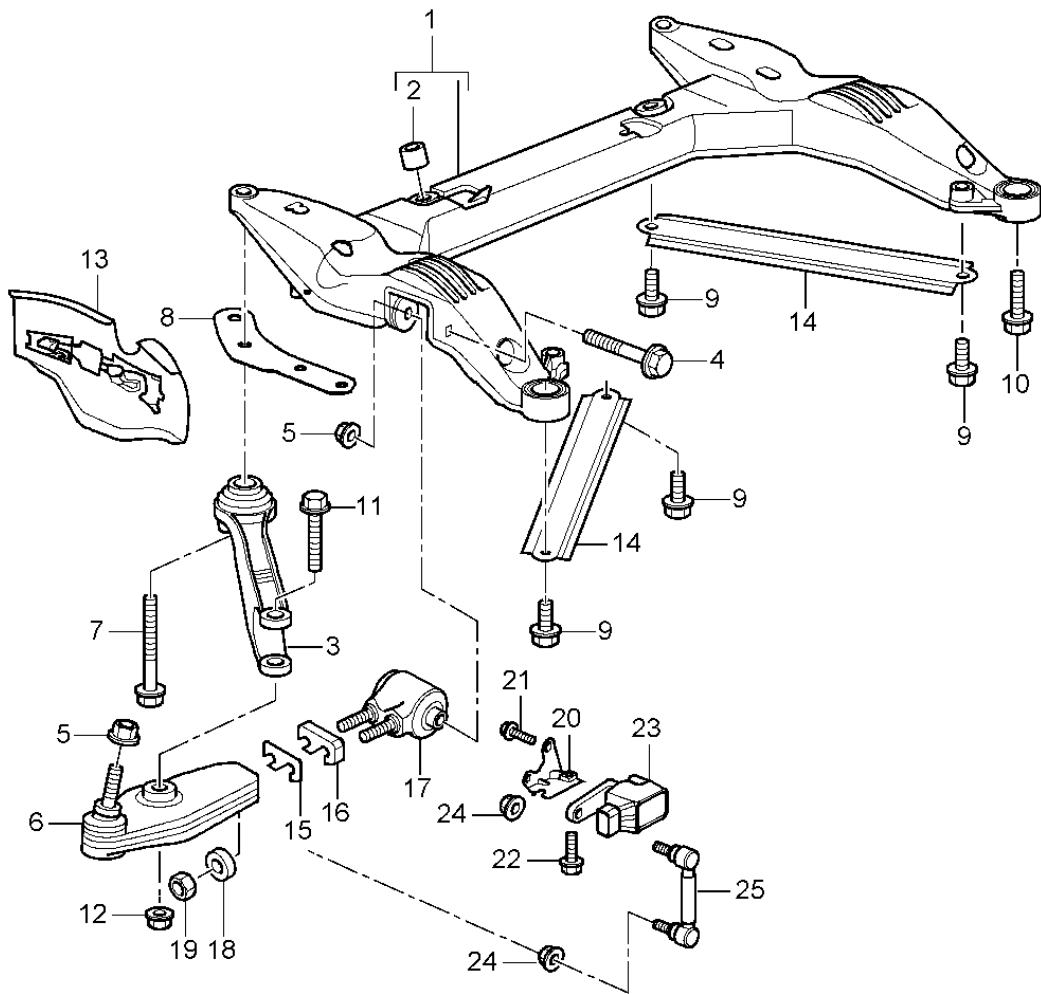
Model: 996 99

Model life 1999&gt;&gt;2005

Pos	Part Number	Description	Remark	Qty	Model
		Transmission oil cooler Lines	04-		G96.96
1	996 307 015 8A	Transmission oil cooler		1	
2	996 307 020 8A	Port plate		1	
3	900 331 021 40	O-ring		4	
4	999 073 103 09	Oval-head screw M 6 X 16		5	
5	996 307 141 88	Support		1	
5	996 307 141 89	Support		1	
6	900 378 017 09	Hexagon-head bolt M 8 X 20		2	
7	996 307 145 88	Support		1	
8	900 186 030 02	Pan-head screw M 6 X 55		1	
8	900 378 191 01	Hexagon-head bolt M 6 X 55		1	
9	N 011 524 7	Washer A 6,4		1	
9	N 011 524 27	Washer A 6,4		1	
10	996 307 333 88	Oil hose		1	
11	900 123 152 30	Sealing ring A 16 X 22		2	
12	900 181 067 50	Water hose B18 X 3,5 X47		1	
13	999 512 552 00	Hose clamp A 20-32 / 9		2	
13	999 512 552 01	Hose clamp A 20-32 / 9		2	
14	996 612 401 70	Wiring harness		1	
15	811 971 848 B	Retaining clip		3	
16	996 106 536 72	Support		1	
16	996 106 536 73	Support		1	
17	900 378 074 09	Hexagon-head bolt M 8 X 16		2	
18	996 605 123 01	Change-over valve		1	
18	7PP 906 270	Change-over valve		1	
19	928 574 573 03	Disc valve		1	
19	928 574 573 04	Disc valve		1	
-	986 307 507 00	Use also: Cap		1	
-	996 307 023 88	Oil pump		1	
-	996 307 023 90	Oil pump		1	
-	997 307 023 90	Oil pump		1	
20	N 016 163 2	Screw plug CM 22 X 1,5		1	
20	900 124 020 01	Screw plug CM 22 X 1,5		1	

Model: 996 99

Model life 1999>>2005



Model: 996 99 Model life 1999>>2005

Pos	Part Number	Description	Remark	Qty	Model
		Cross member Wishbone			
1	996 341 081 30	Cross member	-01	1	
(1)	996 341 081 12	Cross member	02-	1	
(1)	996 341 081 14	Cross member	02-	1	
2	900 197 004 00	Guide sleeve 13 X 14		1	
3	996 341 043 06	Control arm		2	
4	900 378 165 09	Hexagon-head bolt M 12 X 1,5 X 95		2	
5	999 084 445 09	Lock nut M 12 X 1,5		2	
6	996 341 122 90	Wishbone	/L	1	
(6)	996 341 121 90	Wishbone	/R	1	
7	900 378 210 09	Hexagon-head bolt M 14 X 1,5 X 110		2	
8	996 341 145 06	Plate		2	
9	900 378 094 09	Hexagon-head bolt M 12 X 1,5 X 25		2	
10	900 378 192 09	Hexagon-head bolt M 14 X 1,5 X 50	-01	2	
10	900 378 192 01	Hexagon-head bolt M 14 X 1,5 X 50		2	
10	900 378 192 09	Hexagon-head bolt M 14 X 1,5 X 50	02-	4	
10	900 378 192 01	Hexagon-head bolt M 14 X 1,5 X 50	02-	4	
11	900 378 135 09	Hexagon-head bolt M 14 X 1,5 X 73		2	
11	900 378 135 01	Hexagon-head bolt M 14 X 1,5 X 73		2	
12	900 380 012 09	Hexagon nut M 14 X 1,5		2	
12	900 380 012 01	Hexagon nut M 14 X 1,5		2	
13	996 341 483 01	Spoiler	/L 00	1	
(13)	996 341 483 02	Spoiler	/L 01	1	
(13)	996 341 117 90	Spoiler	/L 02	1	
(13)	996 341 117 91	Spoiler	/L 04-	1	
(13)	996 341 117 92	Spoiler	/L 04-	1	M004
(13)	996 341 484 01	Spoiler	/R 00	1	
(13)	996 341 484 02	Spoiler	/R 01	1	
(13)	996 341 118 90	Spoiler	/R 02	1	
(13)	996 341 118 91	Spoiler	/R 04-	1	
(13)	996 341 118 92	Spoiler	/R 04-	1	M004
14	996 504 433 00	Strut		2	
15	996 341 543 90	Adjusting shim 1 MM		X	
(15)	996 341 543 91	Adjusting shim 2 MM		X	
(15)	996 341 543 92	Adjusting shim 3 MM		X	
(15)	996 341 543 93	Adjusting shim 7 MM		X	
(15)	996 341 543 30	Adjusting shim	/L	1	M601
17	996 341 441 90	Bearing flange Wishbone		2	
18	999 025 269 02	Washer 8,5		4	
19	900 076 025 02	Hexagon nut M 8		4	
19	900 076 064 02	Hexagon nut M 8		4	

Model: 996 99

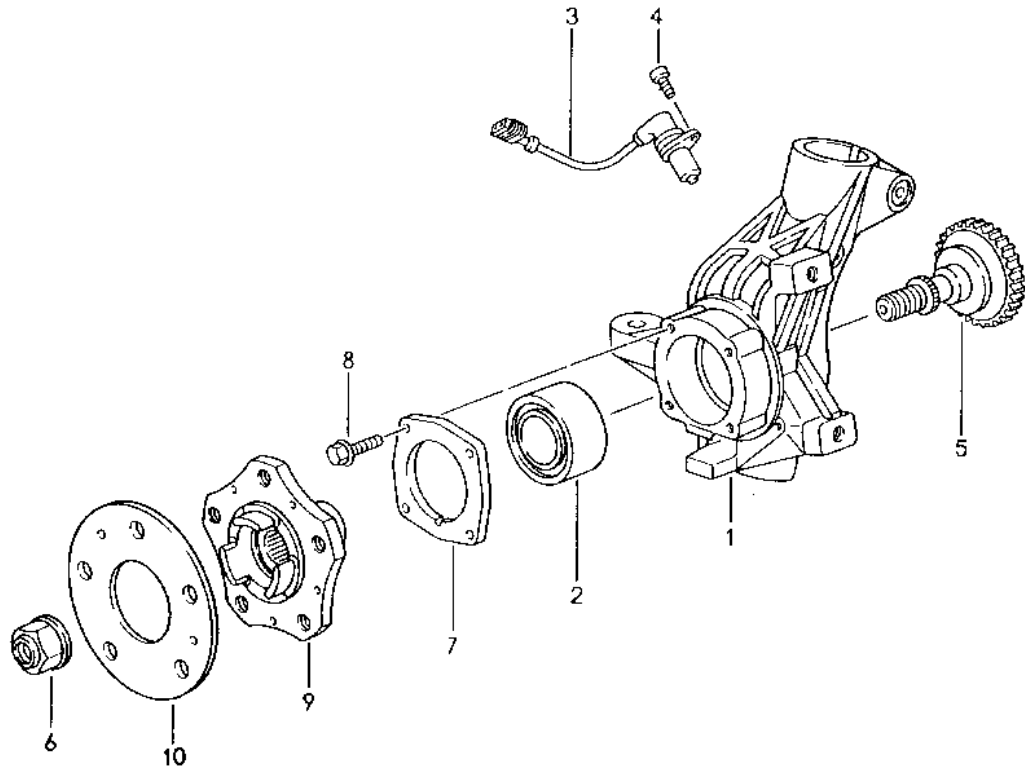
Model life 1999&gt;&gt;2005

Pos	Part Number	Description	Remark	Qty	Model
20	996 341 511 02	Support		1	M601
21	900 146 003 02	Oval-head screw M 5 X 10		2	M601
22	900 378 177 09	Hexagon-head bolt M 6 X 30		1	M601
23	996 631 121 00	Sensor		1	M601
24	900 380 015 09	Hexagon nut VM 6		2	M601
24	900 380 015 01	Hexagon nut VM 6		2	M601
25	996 341 375 01	Strut		1	M601



Model: 996 99

Model life 1999>>2005

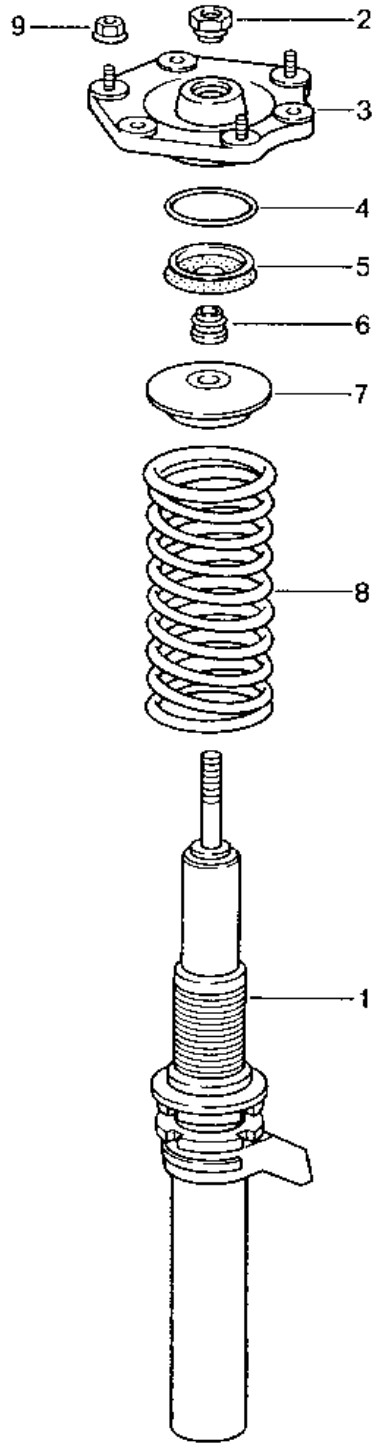


Model: 996 99 Model life 1999>>2005

Pos	Part Number	Description	Remark	Qty	Model
		Wheel carrier			
		Wheel hub			
(1)	996 341 157 91	Wheel carrier	/L	1	
(1)	996 341 157 92	Wheel carrier	/L 04-	1	M004
(1)	996 341 158 91	Wheel carrier	/R	1	
(1)	996 341 158 92	Wheel carrier	/R 04-	1	M004
2	999 053 042 10	Bearing		2	
(2)	999 053 054 05	Angular-contact bearing		2	
3	996 606 406 00	Speed sensor		2	
-	986 606 136 00	Protective tube for Speed sensor	00	2	
-	996 341 321 70	Support for Cable	01-	2	
-	996 341 321 71	Speed sensor Support for Cable	/L 04-	1	M004
-	996 341 322 71	Speed sensor Support for Cable	/R 04-	1	M004
3	996 606 407 02	Speed sensor	04-	2	
-	996 606 235 90	Heat protection for Speed sensor	/L 04-	1	
(3)	996 606 235 91	Heat protection for Speed sensor	/L 04-	1	M004
-	996 606 236 90	Heat protection for Speed sensor	/R 04-	1	
(3)	996 606 236 91	Heat protection for Speed sensor	/R 04-	1	M004
4	900 067 117 09	Pan-head screw M 6 X 16		2	
5	996 341 131 90	Tension bolt		2	
6	999 084 634 02	Lock nut M 22 X 1,5		2	
7	986 331 661 20	Lid		2	
(7)	996 341 661 90	Lid	04-	2	M004
(7)	997 341 661 90	Lid	04-	2	M004
8	999 217 042 09	Hexagon-head bolt M 8 X 35		8	
(8)		Hexagon-head bolt M 8 X 35	04-	12	M004
9	996 341 605 91	Wheel hub		2	
(9)	997 341 605 01	Wheel hub		2	
10	997 361 605 90	Spacer ring 5 MM	-02	2	

Model: 996 99

Model life 1999>>2005

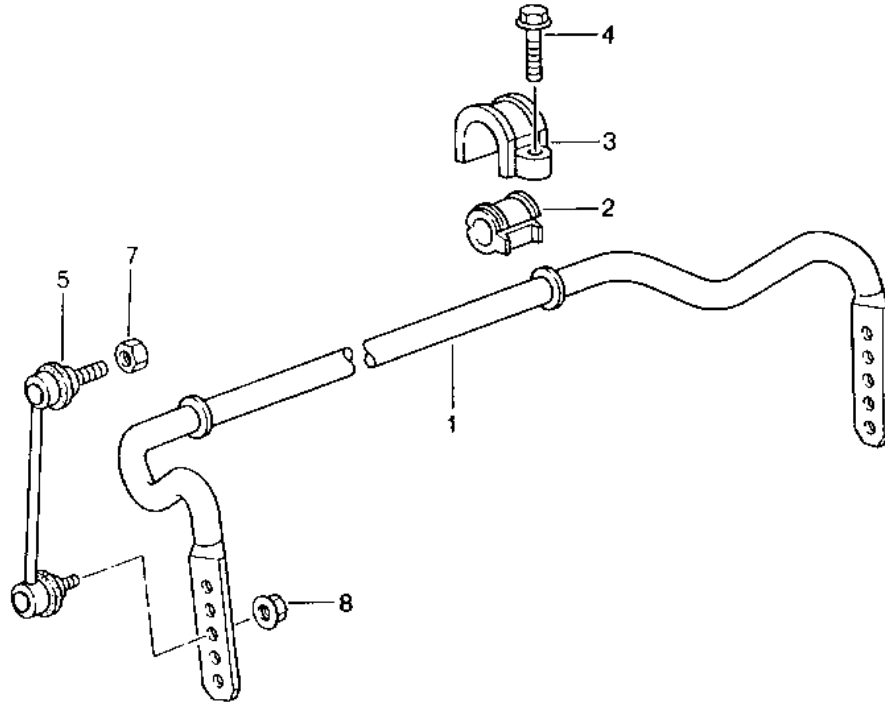


Model: 996 99 Model life 1999>>2005

Pos	Part Number	Description	Remark	Qty	Model
		suspension			
		Shock absorber strut			
1	996 343 041 91	Shock absorber	-02	2	
		- bilstein -			
(1)	996 343 041 95	Shock absorber	04-	2	
		- bilstein -			
(1)	996 343 041 97	Shock absorber	04-	2	M004
		- bilstein -			
		Mount			
		Shock absorber			
-	900 378 138 09	Hexagon-head bolt		4	
		M 12 X 1,5 X 70			
-	900 378 138 01	Hexagon-head bolt		4	
		M 12 X 1,5 X 70			
-	999 084 445 09	Lock nut		4	
		M 12 X 1,5			
2	996 343 561 91	Nut		2	
3	996 343 011 91	Supporting mount		2	
-	000 043 205 34	Grease		X	
		1 tube			
		100 ML.			
		AUTOL			
		TOP 2000			
-		Grease		X	
		1 tube			
		100 ML.			
		AUTOL			
		TOP 2000			
4	964 343 188 80	Retainer spring		6	
5	964 343 186 80	Sealing cap		2	
6	996 343 563 91	Spacer sleeve		2	
7	996 343 511 91	Spring hanger		2	
(7)	996 343 511 90	Spring hanger		2	
-	996 343 567 90	Bellows		2	
		for			
		Spring hanger			
-	996 343 551 90	Rubber ply		2	
		for			
		Coil spring			
-	996 343 551 91	Rubber ply	-02	2	
		for			
		Coil spring			
8	996 343 531 91	Coil spring	-02	1	
	996 343 531 91 504	1 set			
(8)	996 343 531 95	Coil spring	04-	1	
	996 343 531 95 504	1 set			
(8)	996 343 531 97	Coil spring	04-	1	M004
	996 343 531 97 504	1 set			
9	999 084 447 09	Hexagon nut		6	
		M 8			
9	999 084 447 01	Hexagon nut		6	
		M 8			

Model: 996 99

Model life 1999>>2005

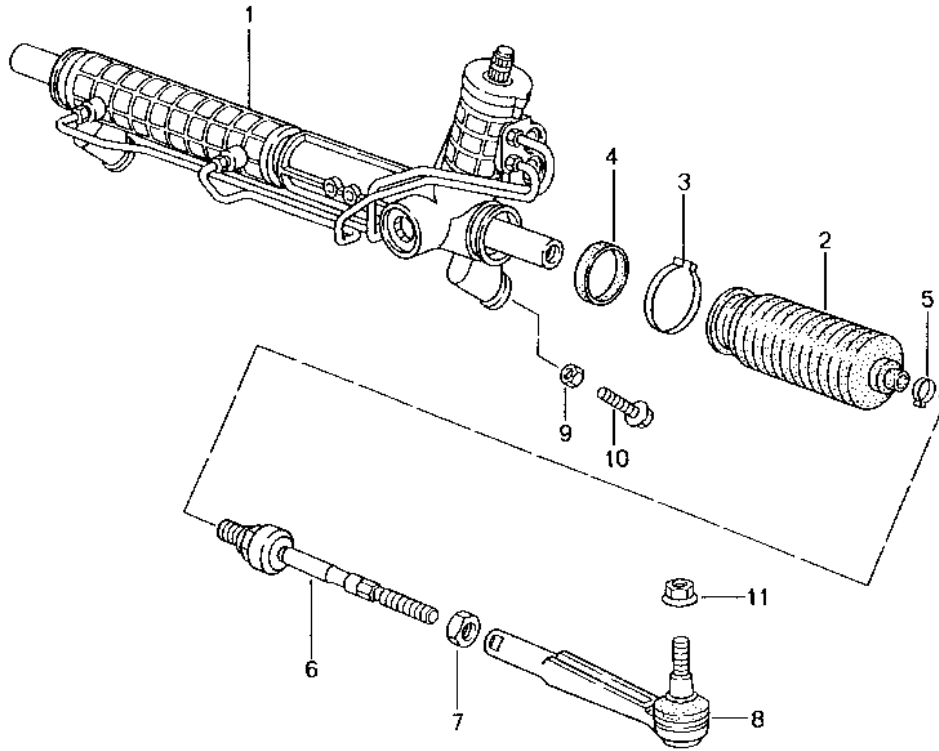


Model: 996 99 Model life 1999>>2005

Pos	Part Number	Description	Remark	Qty	Model
1	996 343 701 90	Stabiliser		1	
2	996 343 792 16	Stabiliser mounting		2	
3	996 343 777 01	Clip		2	
4	900 378 070 09	Hexagon-head bolt M 10 X 30		4	
5	996 343 069 91	Stabiliser mounting		2	
(5)	996 343 069 92	Stabiliser mounting		2	
(5)	996 343 070 93	Stabiliser mounting	04-	2	M004
(5)	996 343 070 94	Stabiliser mounting	04-	2	M004
7	999 084 624 09	Lock nut M 10		2	
7	999 084 624 0J	Lock nut M 10		2	
8	999 084 624 09	Lock nut M 10		2	
8	999 084 624 0J	Lock nut M 10		2	

Model: 996 99

Model life 1999>>2005



Model: 996 99 Model life 1999>>2005

Pos	Part Number	Description	Remark	Qty	Model
1	996 347 011 05	Power steering Steering gear	/LL	1	
(1)	996 347 011 06	Steering parts Steering gear	/LL	1	
(1)	996 347 011 07	Power steering Steering gear	/LL	1	
(1)	996 347 011 10	Power steering Steering gear	/LL	1	
(1)	996 347 012 05	Power steering Steering gear	/RL	1	
(1)	996 347 012 07	Power steering Steering gear	/RL	1	
(1)	996 347 012 08	Power steering Steering gear	/RL	1	
(1)	996 347 012 10	Power steering Steering gear	/RL	1	
-	996 347 110 01	Clip Pinion	-02	1	
-	996 347 110 02	Steering gear Clip Pinion	04-	1	
2	996 347 191 02	Steering gear Bellows for		2	
(2)	996 347 191 04	Steering gear 996.347.011.05 996.347.012.05 Bellows for		2	
3	996 347 293 03	Steering gear 996.347.011.06/07 996.347.012.07/08 Clamping ring for		2	
(3)	996 347 293 04	Steering gear 996.347.011.05 996.347.012.05 Clamping ring for		2	
4	997 347 373 00	Steering gear 996.347.011.06/07 996.347.012.07/08 Sealing ring for		2	
(4)		Steering gear 996.347.011.05 996.347.012.05 Sealing ring for		2	
5	999 512 645 09	Steering gear 996.347.011.06/07 996.347.012.07/08 Hose clamp		2	
6	996 347 322 03	Joint		2	
7	999 034 037 09	Hexagon nut M 14 X 1,5		2	
8	996 347 131 03	Track rod		2	
9		See illustrations 4/01/00 POS.2			

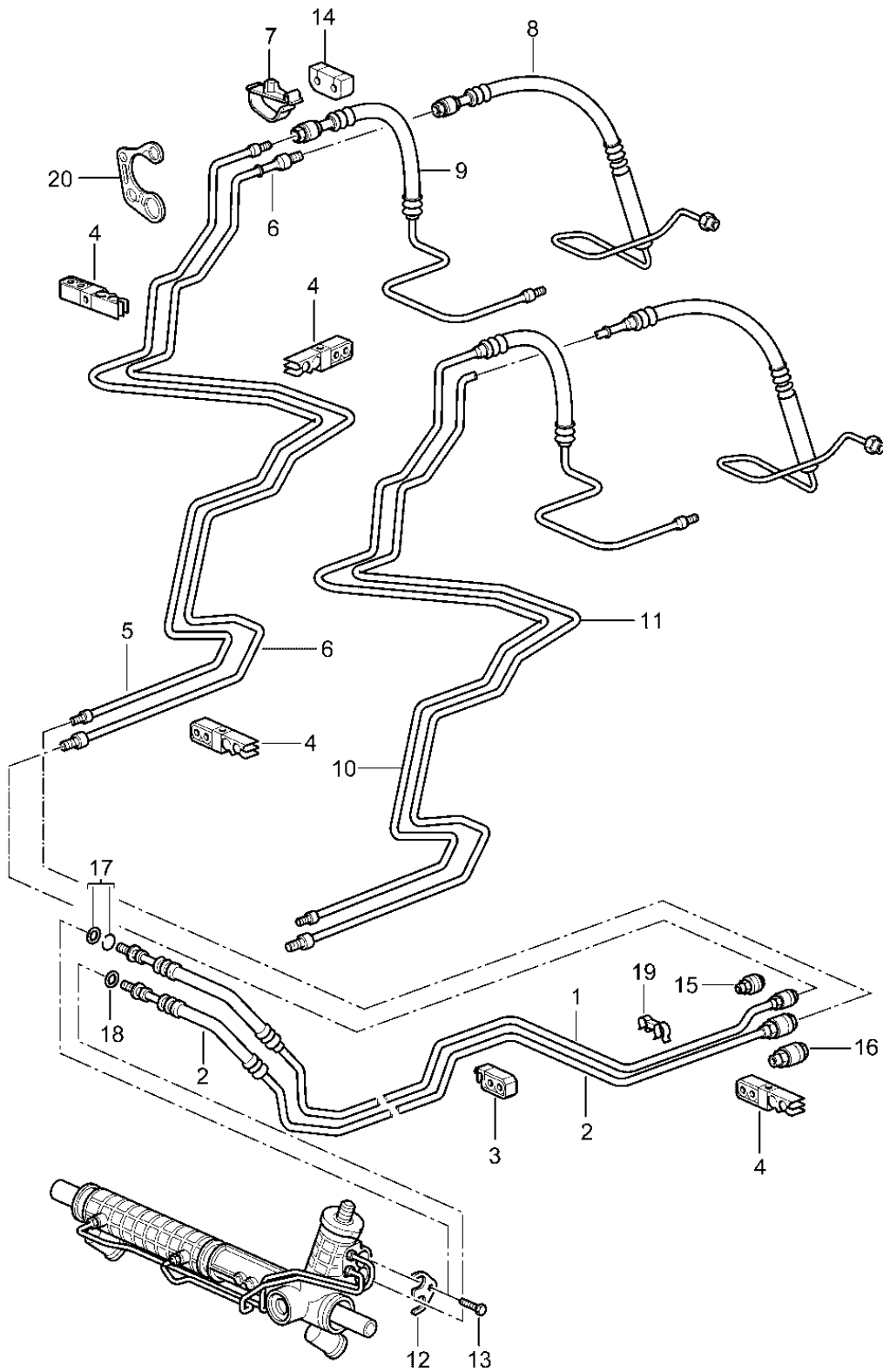


**Model: 996 99**                      **Model life 1999>>2005**

Pos	Part Number	Description	Remark	Qty	Model
10	900 378 100 01	Hexagon-head bolt AM 10 X 45		2	
11	999 084 449 09	Lock nut M 12 X 1,5		2	

Model: 996 99

Model life 1999>>2005



Model: 996 99 Model life 1999>>2005

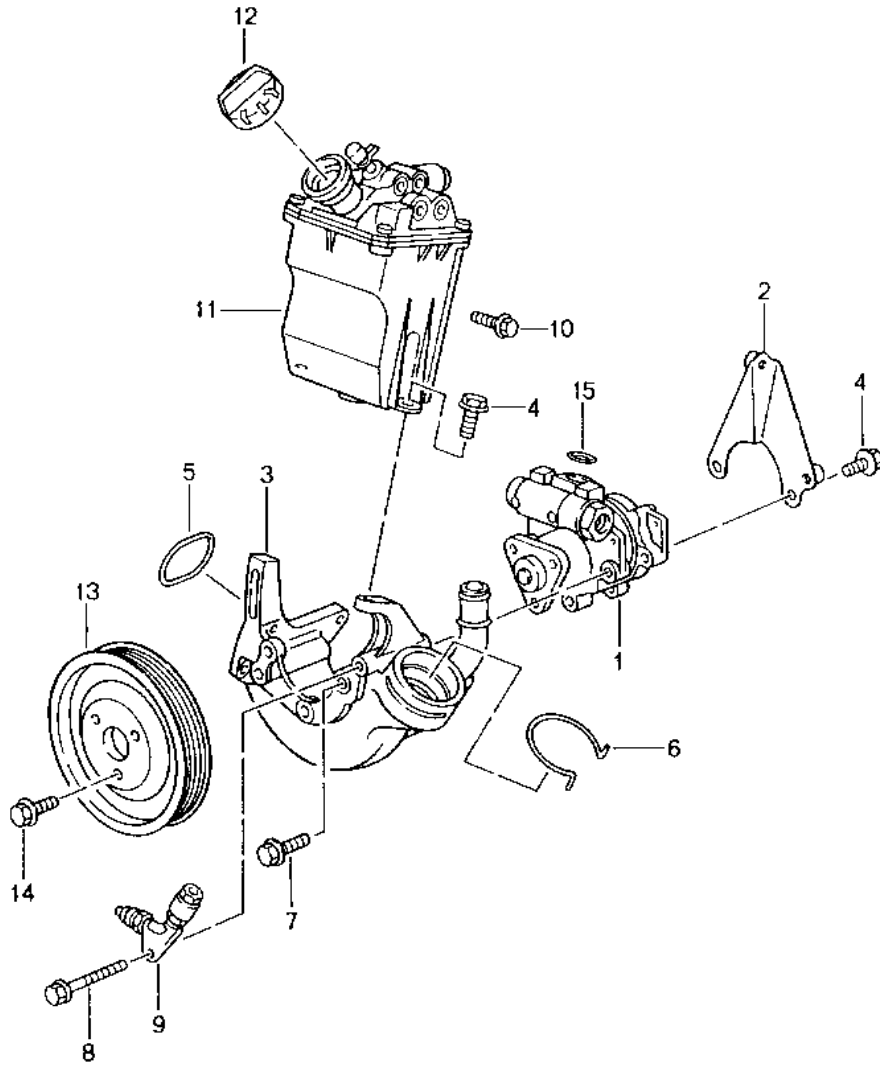
Pos	Part Number	Description	Remark	Qty	Model
		Power steering Lines			
1	996 347 451 27	Pressure line	/LL -00	1	
(1)	996 347 451 08	Pressure line	/LL 01	1	
(1)	996 347 451 11	Pressure line	/LL 01	1	
(1)	996 347 451 09	Pressure line	/LL 02	1	
(1)	996 347 451 10	Pressure line	/LL	1	
(1)	996 347 452 04	Pressure line	/RL	1	
(2)	996 347 449 27	Return line	/LL -00	1	
(2)	996 347 449 06	Return line	/LL 01	1	
(2)	996 347 449 09	Return line	/LL 02-	1	
(2)	996 347 450 03	Return line	/RL -01	1	
(2)	996 347 450 08	Return line	/RL	1	
(2)	996 347 450 12	Return line	/RL	1	
(2)	996 347 450 06	Return line	/RL 02-	1	
3	996 347 543 00	Cable holder		X	
4	996 355 543 00	Support		1	
-	996 347 674 00	Support	/RL	1	
		Pressure line			
		Return line			
5	996 347 539 51	Return line		1	
(5)	996 347 539 52	Return line		1	
		Centre			
		F >>994S6 91629			
(5)	996 347 439 50	Return line		1	
		Centre			
		F 994S6 91630>>			
		Information available			
(5)	996 347 439 53	Return line		1	
		Centre			
		F 994S6 91630>>			
(5)	996 347 439 54	Return line		1	
		Centre			
		F 994S6 91630>>			
6	996 347 545 51	Pressure line	-01	1	
		Centre			
(6)	996 347 545 52	Pressure line	02-	1	
		Centre			
		F >>994S6 91629			
(6)	996 347 445 50	Pressure line		1	
		Centre			
		F 994S6 91630>>			
7	996 347 549 01	Support		2	
(8)	996 347 443 52	Pressure hose	99	1	
		Rear			
(8)	996 347 443 53	Pressure hose	00-	1	
		Rear			
		F >>994S6 91629			
(9)	996 347 441 52	Return line		1	
		Rear			
		F >>994S6 91629			
(9)	996 347 441 53	Return line		1	
		Rear			
		F >>994S6 91629			
-	999 230 551 10	Threaded joint		1	
		NW 10			
		F >>994S6 91629			
-	999 230 552 10	Threaded joint		1	
		NW 6			
		F >>994S6 91629			
10	996 347 439 50	Return line		1	
		F 994S6 91630>>			
		Information available			

Model: 996 99 Model life 1999>>2005

Pos	Part Number	Description	Remark	Qty	Model
10	996 347 439 53	Return line F 994S6 91630>>		1	
10	996 347 439 54	Return line F 994S6 91630>>		1	
11	996 347 445 50	Pressure line F 994S6 91630>>		1	
12	996 347 769 01	Tension shackle		1	
13	900 067 063 02	Pan-head screw M 10 X 20		1	
14	996 347 551 01	Retainer plate Mount Pressure line Return line Power steering		1	
-	996 347 671 01	Support Left	/RL	1	
-	996 347 672 01	Support Right	/RL	1	
-	996 347 547 00	Support Lines Mount Body		1	
-	997 347 544 00	Support Lines Mount Bracket		1	
15	999 230 539 10	Threaded joint		1	
16	999 230 540 10	Threaded joint		1	
17	999 230 543 40	Repair kit Gaskets		1	
18	999 230 542 40	O-ring		1	
19	999 507 575 40	Support 9,0/13,0		1	
20	997 347 544 00	Support		1	

Model: 996 99

Model life 1999>>2005

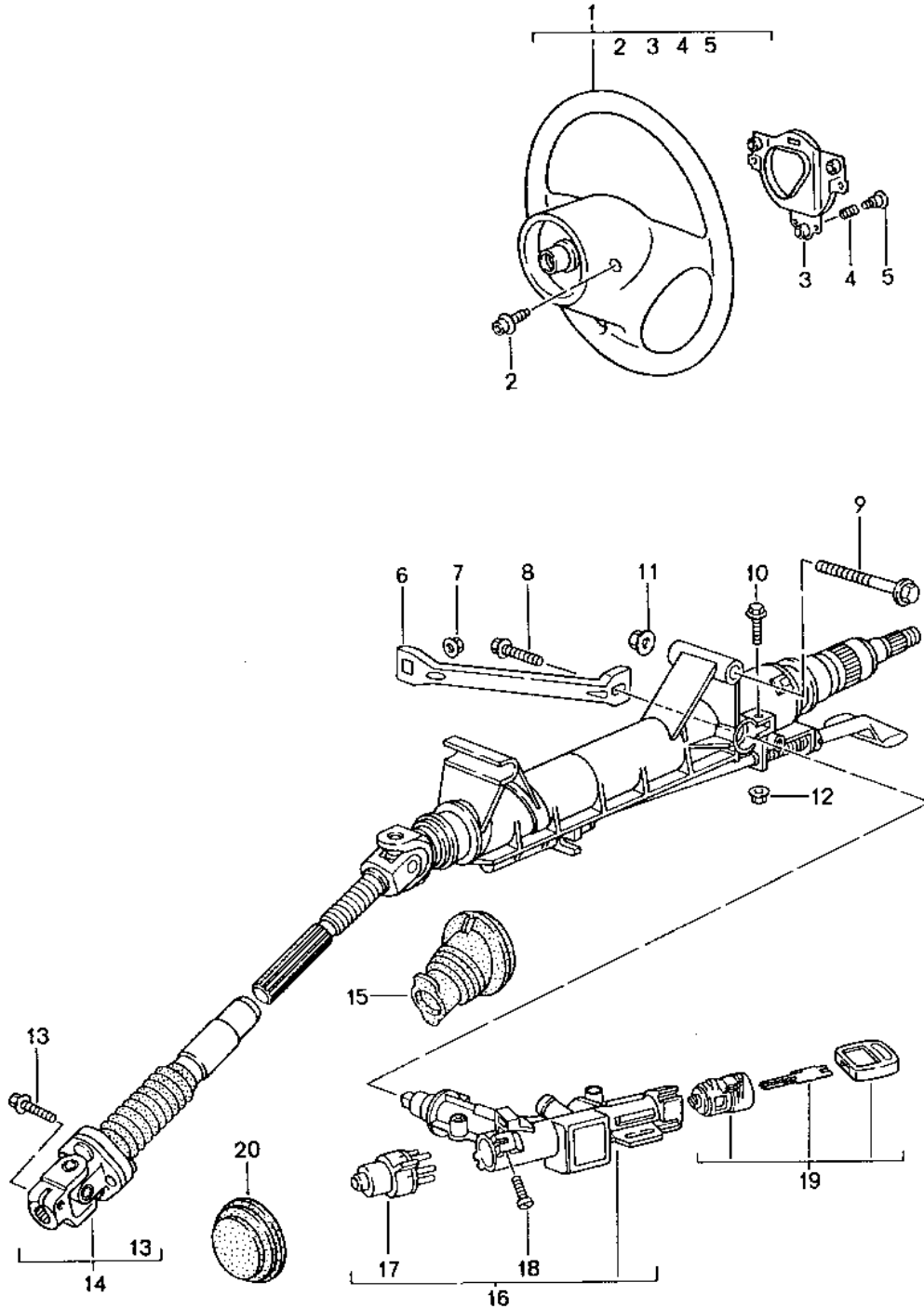


Model: 996 99 Model life 1999>>2005

Pos	Part Number	Description	Remark	Qty	Model
		Power steering Power-steering pump Container			
1	996 314 050 51	Power-steering pump		1	
2	996 314 431 52	Bracket	-02	1	
(2)	996 314 431 53	Bracket	04-	1	
3	996 314 091 02	Bracket	-02	1	
(3)	996 314 091 04	Bracket	04-	1	
4	900 378 074 09	Hexagon-head bolt M 8 X 16		4	
5	999 707 298 40	O-ring		1	
6	996 106 802 10	Retainer spring		1	
7	900 378 022 09	Hexagon-head bolt M 8 X 25		3	
8	900 378 078 09	Hexagon-head bolt M 6 X 80		1	
9	996 347 643 52	Pressure line	-01	1	
-	999 707 355 40	Sealing ring 7,65 x 1,65		1	
9	996 347 643 53	Pressure line	02-	1	
-	999 707 503 40	Sealing ring 7,8 x 1,7		1	
10	900 378 035 01	Hexagon-head bolt M 6 X 16		1	
11	996 314 220 51	Container	-01	1	
(11)	997 314 920 50	Container	02-	1	
-	996 314 331 00	Drip pan for Pentosin Support		1	
-	811 611 797	for Line		1	
-	993 314 803 00	Indication sticker Green for Container		1	
12	996 314 223 51	Lid		1	
-	999 701 154 40	Sealing ring 33 X 2,4		1	
13	996 147 223 71	Pulley		1	
14	900 378 123 09	Hexagon-head bolt M 8 X 12		3	
15	999 707 204 40	Sealing ring 12.5 X 2N		1	
-	000 043 203 33	Pentosin 1000 ML		X	
-	000 043 206 56	Pentosin 1000 ML		X	

Model: 996 99

Model life 1999>>2005



Model: 996 99

Model life 1999&gt;&gt;2005

Pos	Part Number	Description	Remark	Qty	Model
1	996 347 804 54	Steering outer tube		1	
		Steering shaft			
		Steering wheels			
	996 347 804 54 A28	Steering wheel			
	996 347 804 54 D11	Black	04-		
	996 347 804 54 T11	Dark grey/natural	04-		
(1)	996 347 804 90	Brown/natural	04-	1	M004
		Steering wheel			
		Decorative stitching			
		Red			
(1)	996 347 804 91	Steering wheel	04-	1	M004
		Decorative stitching			
		Blue			
(1)	996 347 983 00	3-spoke steering wheel		1	IXPA
	996 347 983 00 A28	Black	01-		
	996 347 983 00 D11	Dark grey/natural	04-		
	996 347 983 00 T11	Brown/natural	04-		
(1)	996 347 983 12	3-spoke steering wheel		1	IXPD
	996 347 983 12 A28	Black	01-		
	996 347 983 12 D11	Dark grey/natural	04-		
	996 347 983 12 T11	Brown/natural	04-		
(1)	996 347 983 28	3-spoke steering wheel	04-	1	IXPG
	996 347 983 28 A28	Black			
	996 347 983 28 D11	Dark grey/natural			
	996 347 983 28 T11	Brown/natural			
		Mount			
		Steering wheel			
		Steering shaft			
-	N 012 238 1	Spring washer		1	
		B 16			
-	900 078 006 01	Hexagon nut		1	
		M 16 X 1,5			
2	999 073 183 02	Pan-head screw		2	
		M 6 X 10,5			
3	996 347 880 02	Retaining frame		1	
4	999 521 079 02	Compression spring		3	
5	999 073 184 02	Round head screw		3	
		M 5 X 18,7			
6	996 347 243 01	Strut		1	
7	999 076 055 09	Hexagon nut		1	
		M 8			
8	900 378 055 09	Hexagon-head bolt		1	
		AM 8 X 40			
9	900 378 095 09	Hexagon-head bolt		1	
		M 10 X 100			
10	900 378 157 09	Hexagon-head bolt		1	
		AM 6 X 25			
11	900 380 008 09	Lock nut		1	
		M 10			
11	900 380 008 01	Hexagon nut		1	
		M 10			
12	900 377 002 02	Hexagon nut		1	
		M 6			
13	999 217 042 09	Hexagon-head bolt		1	
		M 8 X 35			
14	996 347 007 05	Steering column		1	
		Complete			
		with			
		Steering shaft			
14	996 347 007 09	Steering column		1	
		Complete			
		with			
		Steering shaft			

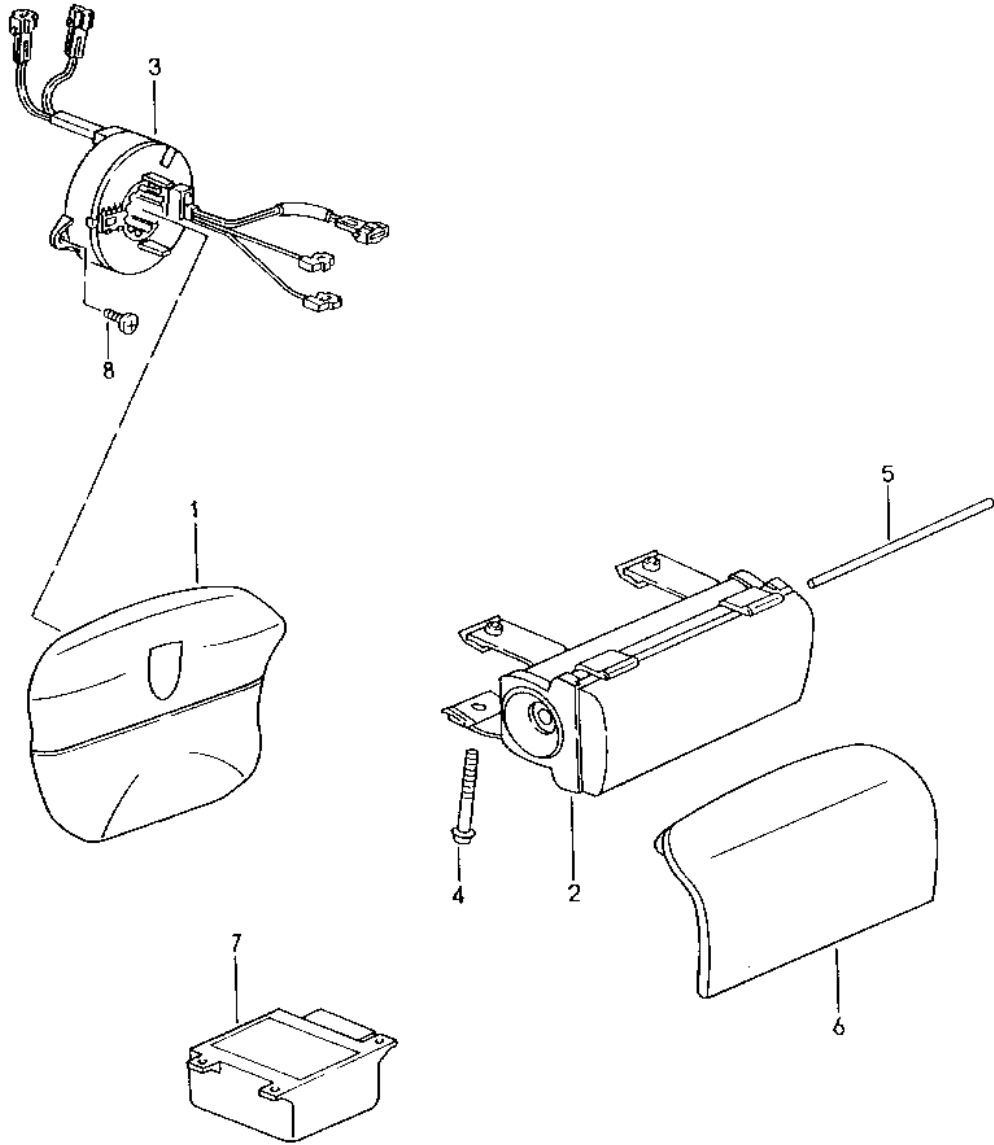


Model: 996 99 Model life 1999>>2005

Pos	Part Number	Description	Remark	Qty	Model
15	986 347 037 01	Bellows Information available		1	
16	996 347 017 06	Steering lock	-02	1	
(16)	996 347 017 07	Steering lock See technical information Group 2 NR.4/03	04-	1	
17	4A0 905 849 B	Ignition starter switch	-02	1	
(17)	4B0 905 849	Ignition starter switch See technical information Group 2 NR.4/03	04-	1	
18	996 347 901 00	Slotted screw		2	
19	996 347 917 02	Lock cylinder with stipulated lock number		1	
(19)	996 347 915 02	Lock cylinder W/o stipulated lock number		1	
20	996 347 339 02	Rubber seal		1	

Model: 996 99

Model life 1999>>2005



Model: 996 99 Model life 1999>>2005

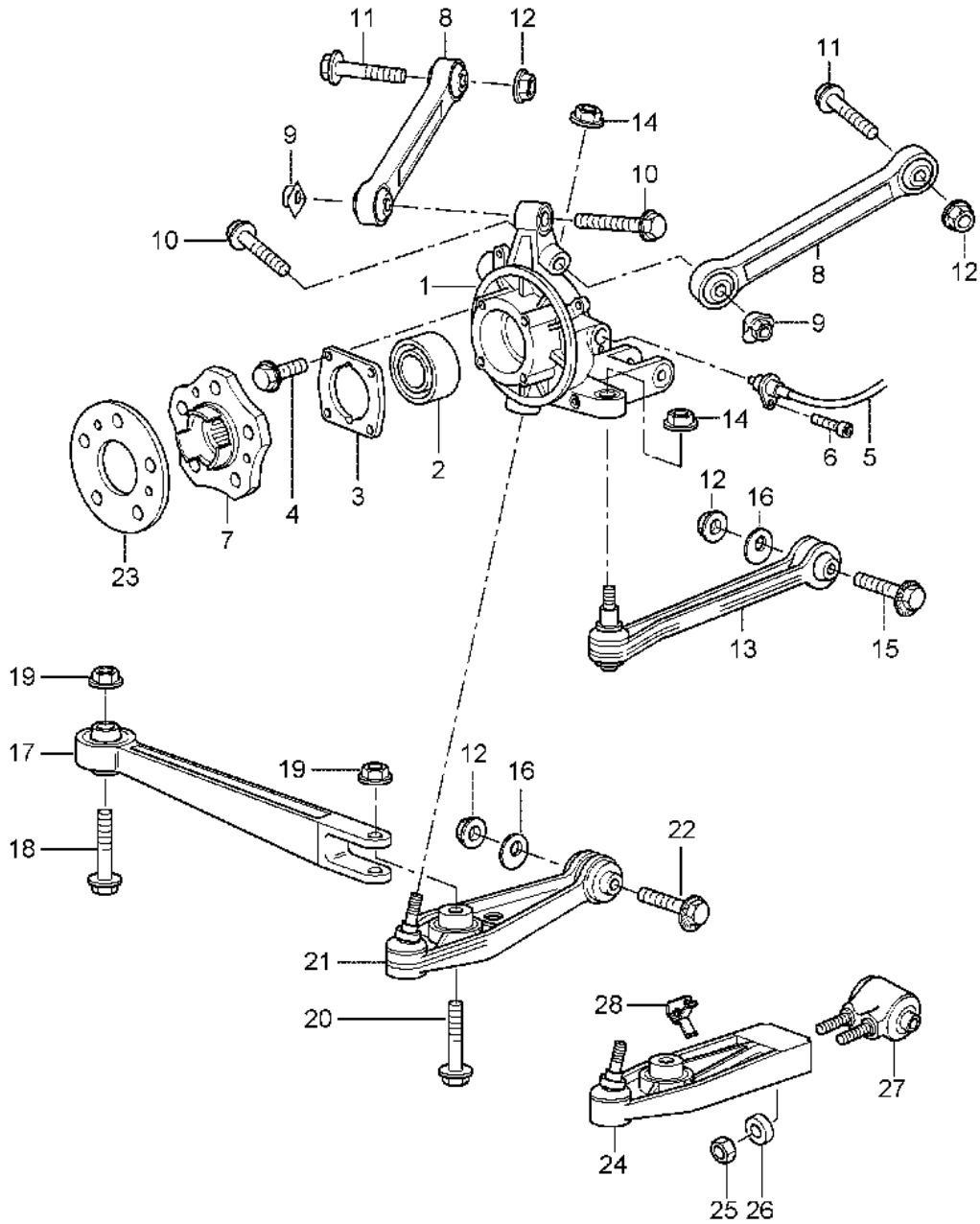
Pos	Part Number	Description	Remark	Qty	Model
1	996 803 089 02	Airbag Airbag unit 3-spoke steering wheel Plastic material	-99	1	
(1)	996 803 089 02 8YR	Black			
(1)	996 803 089 02	Airbag unit 3-spoke steering wheel Plastic material	01-	1	
	996 803 089 02 A28	Black			
	996 803 089 02 D11	Dark grey/natural	04-		
	996 803 089 02 T11	Brown/natural	04-		
(1)	996 803 089 07	Airbag unit 3-spoke steering wheel Plastic material	01-	1	
	996 803 089 07 A28	Black			
	996 803 089 07 D11	Dark grey/natural	04-		
	996 803 089 07 T11	Brown/natural	04-		
(1)	996 803 980 03	Airbag unit 3-spoke steering wheel Leather Crest Silver	00	1	IXPA/XPD
	996 803 980 03 8YR	Black			
(1)	996 803 980 01	Airbag unit 3-spoke steering wheel Leather Crest Coloured	01-02	1	IXPA/XPD
	996 803 980 01 A28	Black			
(1)	996 803 980 01	Airbag unit 3-spoke steering wheel Leather Crest Coloured	04-	1	IXPA/XPD IXPG
	996 803 980 01 A28	Black			
	996 803 980 01 D11	Dark grey/natural			
	996 803 980 01 T11	Brown/natural			
2	996 803 071 06	Airbag unit	-01	1	
(2)	996 803 071 07	Airbag unit See technical information GR.6 NR.2/03	-02	1	
(2)	996 803 071 08	Airbag unit See technical information GR.6 NR.2/03	04-	1	
-	996 803 091 00	Airbag unit	/L	1	M563
-	996 803 092 00	Airbag unit	/R	1	M563
-	900 378 222 09	Hexagon-head bolt M 6 X 16		8	M563
3	996 652 211 00	Support for contact		1	
4	900 378 137 09	Hexagon-head bolt AM 8 X 95		2	
5	996 803 611 00	Hinge pin		1	
6	996 803 173 04	Lid Leatherette		1	
	996 803 173 04 A18	Black	00		
	996 803 173 04 A12	Black	01-		
(6)	996 803 173 05	Lid Leather		1	
	996 803 173 05 A11	Black			
	996 803 173 05 D12	Dark grey/natural	04-		
	996 803 173 05 T12	Brown/natural	04-		
7	996 618 217 01	Switch unit		1	M562
-	900 377 010 09	Hexagon nut		1	M562

Model: 996 99 Model life 1999>>2005

Pos	Part Number	Description	Remark	Qty	Model
-	999 084 635 02	M 6 Shear-off nut		2	M562
(7)	996 618 219 01	M 6 Switch unit		1	M562/563
(7)	996 618 219 02	Switch unit		1	M562/563
-	900 377 010 09	Hexagon nut M 6		1	M562/563
-	944 618 401 00	Nut M 6		2	M562/563
-	996 618 221 00	Sensor Airbag	-01	2	M563
-	996 618 221 01	Sensor Airbag	02-	2	M563
-	999 073 152 09	Oval-head screw M 6 X 18		4	M563
8	900 146 024 07	Oval-head screw M 5 X 8		2	

Model: 996 99

Model life 1999>>2005



Model: 996 99 Model life 1999>>2005

Pos	Part Number	Description	Remark	Qty	Model
		Rear axle Wheel carrier Control arm Wheel hub			
1	996 331 111 06	Wheel carrier	/L	1	
(1)	996 331 111 90	Wheel carrier	/L 04-	1	M004
(1)	996 331 112 06	Wheel carrier	/R	1	
(1)	996 331 112 90	Wheel carrier	/R 04-	1	M004
2	999 053 055 02	Angular-contact bearing		2	
3	996 331 661 01	Lid		2	
(3)	996 341 661 90	Lid	04-	2	M004
(3)	997 341 661 90	Lid	04-	2	M004
4	999 217 042 09	Hexagon-head bolt M 8 X 35		8	
(4)		Hexagon-head bolt M 8 X 35	04-	12	M004
5	996 606 406 00	Speed sensor	-02	2	
(5)	996 606 407 02	Speed sensor	04-	2	
6	900 067 117 09	Pan-head screw M 6 X 16		2	
7	997 331 605 00	Wheel hub		2	
8	996 331 047 02	Wishbone	-01	2	
8	996 331 047 03	Wishbone	02	2	
(8)	996 331 047 05	Wishbone	04-	2	
9	999 084 452 09	Hexagon nut M 12 X 1,5		4	
10	900 378 139 09	Hexagon-head bolt M 12 X 80		4	
10	900 378 139 01	Hexagon-head bolt M 12 X 80		4	
11	900 378 088 09	Hexagon-head bolt M 12 X 100		4	
11	900 378 088 01	Hexagon-head bolt M 12 X 100		4	
12	999 084 445 09	Lock nut M 12 X 1,5		10	
13	996 331 045 10	Track rod		1	
(13)	997 331 045 04	Track rod		1	
14	999 084 449 09	Lock nut M 12 X 1,5		4	
15	993 331 217 80	Eccentric screw M 12 X 83		2	
16	993 331 219 80	Eccentric washer		2	
17	996 341 043 06	Control arm		2	
18	900 378 051 09	Hexagon-head bolt M 14 X 100		2	
19	900 380 012 09	Hexagon nut M 14 X 1,5		4	
19	900 380 012 01	Hexagon nut M 14 X 1,5		4	
20	900 378 135 09	Hexagon-head bolt M 14 X 75		2	
20	900 378 135 01	Hexagon-head bolt M 14 X 75		2	
21	996 341 053 07	Wishbone	-02	2	
(21)	996 341 053 16	Wishbone	04-	2	
-	996 331 127 90	Spoiler	/L 04-	1	
-	996 331 128 90	Wishbone Spoiler	/R 04-	1	
22	996 331 217 03	Wishbone Eccentric screw		2	

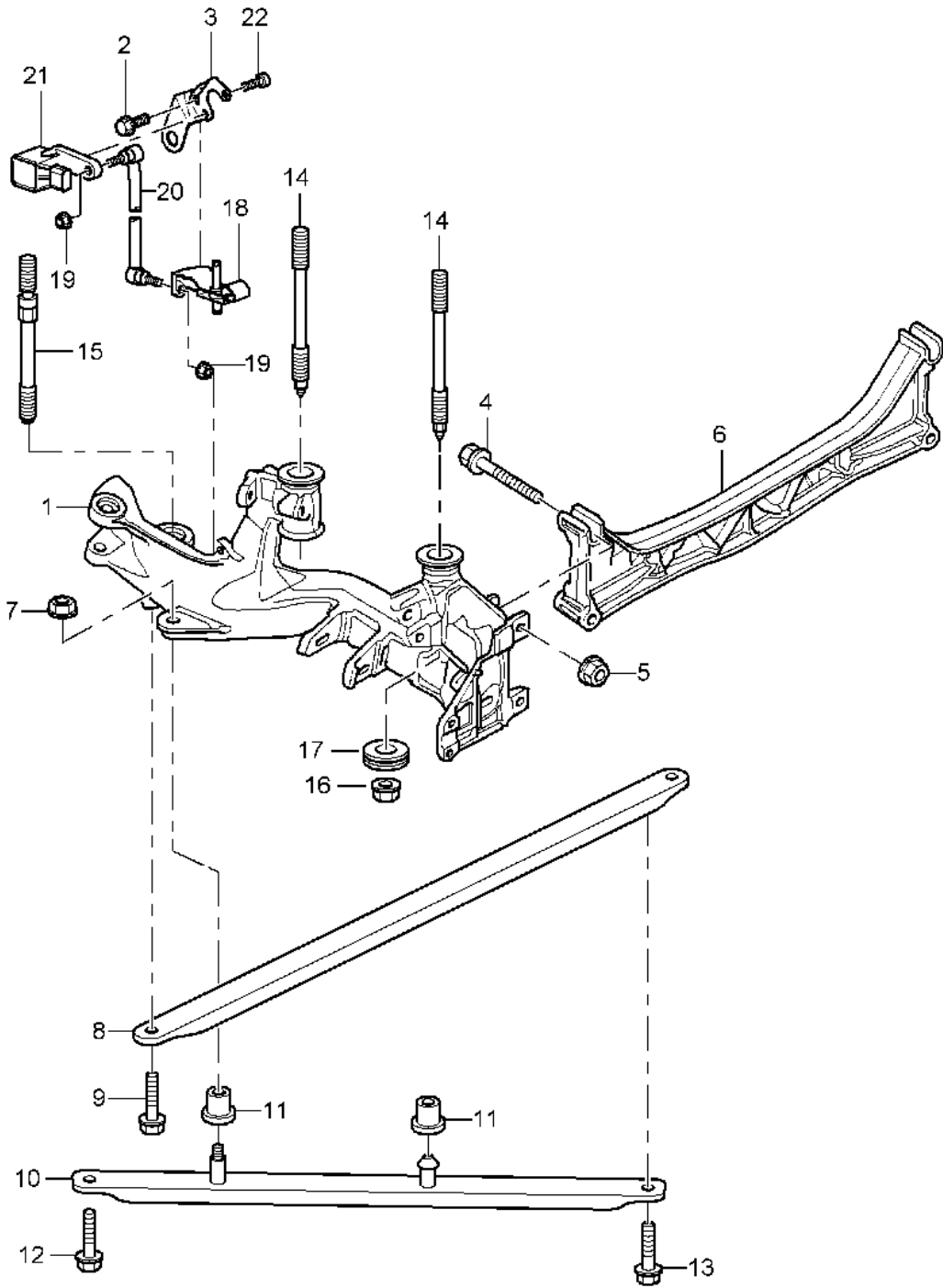
Model: 996 99

Model life 1999&gt;&gt;2005

Pos	Part Number	Description	Remark	Qty	Model
23	997 361 605 90	Spacer ring 5 MM	-02	2	
24	996 341 121 90	Wishbone	/L 04-	1	M004
(24)	996 341 122 90	Wishbone	/R 04-	1	M004
25	900 076 025 02	Hexagon nut M 8	04-	2	M004
25	900 076 064 02	Hexagon nut M 8	04-	2	M004
26	999 025 269 02	Washer 8,5 X 17 X 6	04-	2	M004
27	996 341 441 90	Bearing flange Wishbone	04- 04-	2	M004 M004
28	996 331 551 90	Support	04-	1	/601 M004

Model: 996 99

Model life 1999>>2005





Model: 996 99 Model life 1999>>2005

Pos	Part Number	Description	Remark	Qty	Model
		Rear axle Side section Bracket			
1	996 331 051 91	Side section	/L -02	1	
(1)	996 331 055 90	Side section	/L 04-	1	
(1)	996 331 051 92	Side section	/L 04-	1	M004
(1)	996 331 052 91	Side section	/R -02	1	
(1)	996 331 056 90	Side section	/R 04-	1	
(1)	996 331 052 92	Side section	/R 04-	1	M004
2	900 067 117 09	Pan-head screw M 6 X 16		2	
3	996 355 505 04	Support for Brake hose	/L	1	
(3)	996 355 506 02	Support for Brake hose	/R	1	
(3)	997 355 506 02	F >>994S6 91629 Support for Brake hose	/R	1	
4	900 378 139 09	F 994S6 91630>> Hexagon-head bolt M 12 X 80		4	
4	900 378 139 01	Hexagon-head bolt M 12 X 80		4	
5	999 084 445 09	Lock nut M 12 X 1,5		4	
6	996 331 261 07	Cross member	-01	1	
(6)	997 331 261 02	Cross member	02-	1	
7	999 076 053 09	Hexagon nut M 10		2	
8	996 331 171 03	Transverse strut Front		1	
9	999 072 031 09	Hexagon-head bolt M 10 X 45		2	
-	900 223 011 02	Use also: Washer 10,5 X 25 X 4		2	
-	900 223 011 01	Washer 10,5 X 25 X 4		2	
9	999 072 031 01	Hexagon-head bolt M 10 X 45		2	
-	900 223 011 01	Use also: Washer 10,5 X 25 X 4		2	
-	900 223 011 02	Washer 10,5 X 25 X 4		2	
10	996 331 081 02	Strut	-04	2	
(10)	997 331 081 02	Strut		2	
11	996 331 385 00	Rubber mounting		6	
12	999 072 020 09	Hexagon-head bolt M 10 X 40		2	
13	900 378 072 09	Hexagon-head bolt M 12 X 30		2	
13	900 378 072 01	Hexagon-head bolt M 12 X 30		2	
14	999 061 102 09	Stud M 12 X 1,5		4	
15	999 061 103 09	Stud M 12 X 1,5		2	
15	999 061 103 01	Stud M 12 X 1,5		2	

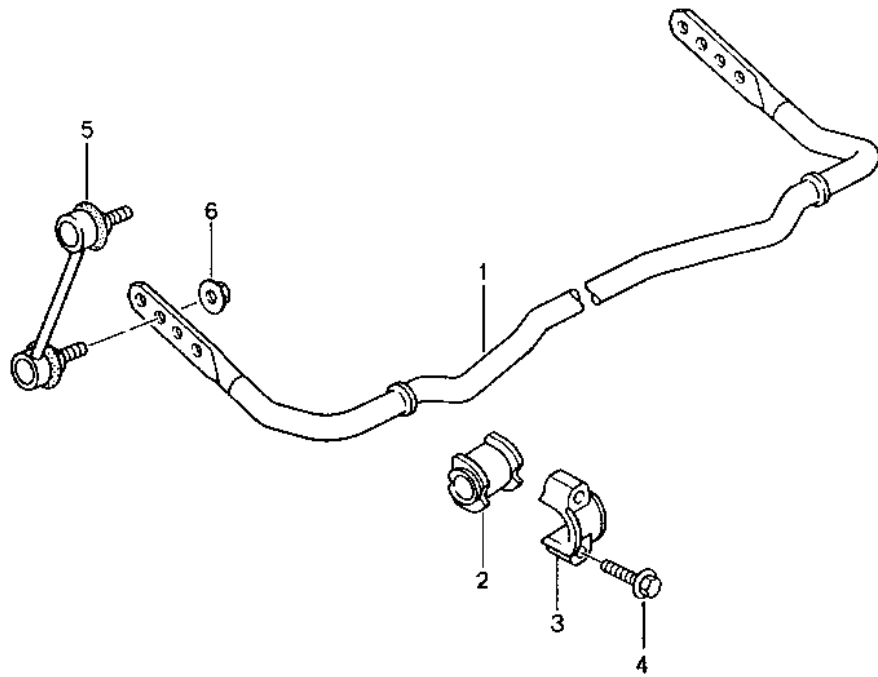
Model: 996 99

Model life 1999&gt;&gt;2005

Pos	Part Number	Description	Remark	Qty	Model
16	999 084 445 09	Lock nut M 12 X 1,5		6	
(17)	996 331 235 90	Bush Lower		6	
17	996 331 233 91	Bush Upper		6	
18	996 341 371 03	Support	04-	1	M601
19	900 380 015 09	Hexagon nut	04-	1	M601
19	900 380 015 01	Hexagon nut	04-	1	M601
20	996 331 375 01	Strut	04-	1	M601
21	996 631 121 00	Sensor	04-	1	M601
22	N 014 129 12	Oval-head screw M 5 X 10	04-	2	M601

Model: 996 99

Model life 1999>>2005



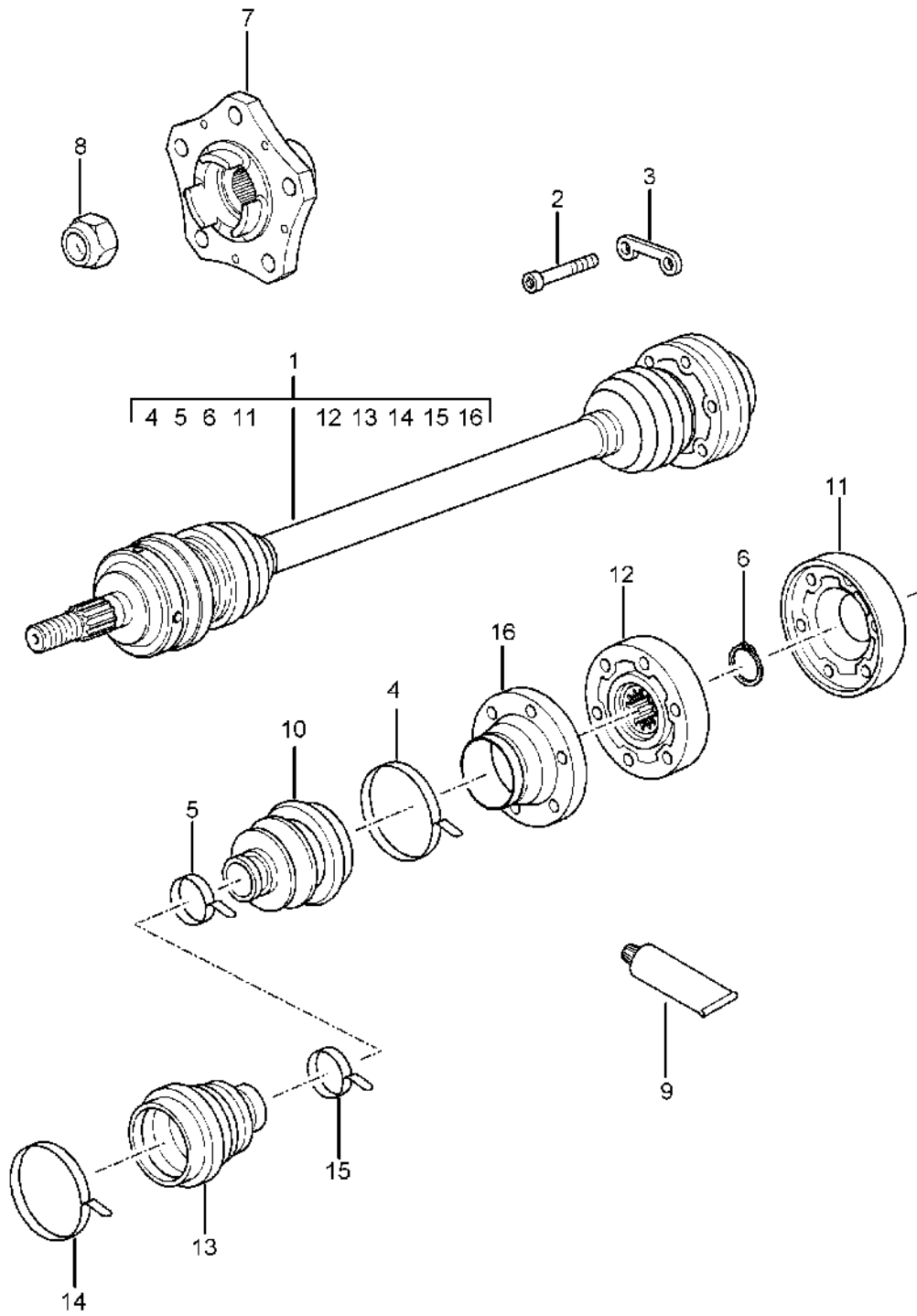
Model: 996 99

Model life 1999>>2005

Pos	Part Number	Description	Remark	Qty	Model
1	996 333 701 90	Stabiliser		1	
2	996 333 792 21	Stabiliser mounting	99	2	
(2)	996 333 792 26	Stabiliser mounting	01-	2	
		Information available	01-		
3	996 333 777 01	Bearing clamp		2	
4	900 378 055 09	Hexagon-head bolt		4	
		AM 8 X 40			
5	996 333 069 90	Stabiliser mounting		2	
(5)	996 333 069 91	Stabiliser mounting		2	
6	999 084 624 09	Lock nut		2	
		M 10			
6	999 084 624 0J	Lock nut		2	
		M 10			

Model: 996 99

Model life 1999>>2005

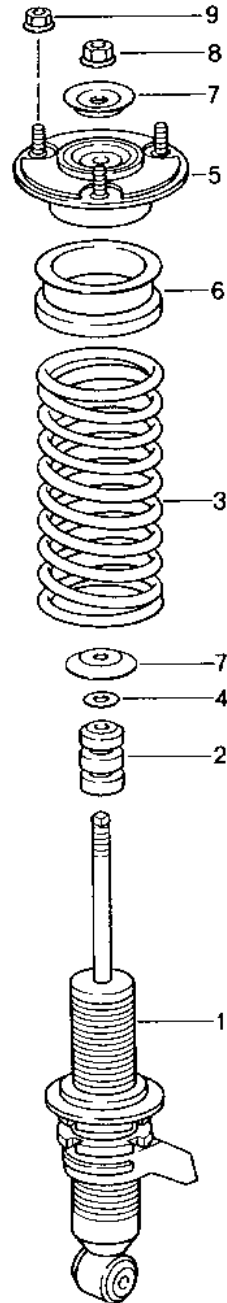


Model: 996 99 Model life 1999>>2005

Pos	Part Number	Description	Remark	Qty	Model
		Drive shaft			
		Wheel hub			
1	996 332 024 10	Drive shaft		2	
1	996 332 024 16	Drive shaft		2	
1	996 332 024 23	Drive shaft		2	
2	900 067 123 09	Pan-head screw M 10 X 50		12	
2	900 067 123 02	Pan-head screw M 10 X 50		12	
3	993 332 191 00	Plate	-02	6	
(3)	996 332 191 00	Plate	04-	6	
4	911 332 257 00	Clip \$ 73 MM		2	
5	928 332 257 01	Clip \$ 34 MM		2	
6	900 041 014 00	Circlip		2	
7	997 331 605 00	Wheel hub		2	
8	999 084 641 02	Lock nut M 22 X 1,5	-02	2	
(8)		Lock nut M 22 X 1,5	04-	2	
9	000 043 110 00	Grease for drive shaft 1 100-gramme tube		X	
(9)	000 043 205 36	Sealing compound Drive shaft 1 100-gramme tube		X	
10	928 332 293 02	Dust bellows		2	
11	928 332 267 01	Lid		2	
11	997 332 267 00	Lid		2	
12	928 332 030 08	Joint		2	
13	928 332 293 02	Dust bellows		2	
14	911 332 257 00	Clip		2	
15	928 332 257 01	Clip		2	
16	911 332 259 01	Bellow support		2	
16	911 332 259 02	Bellow support		2	

Model: 996 99

Model life 1999>>2005



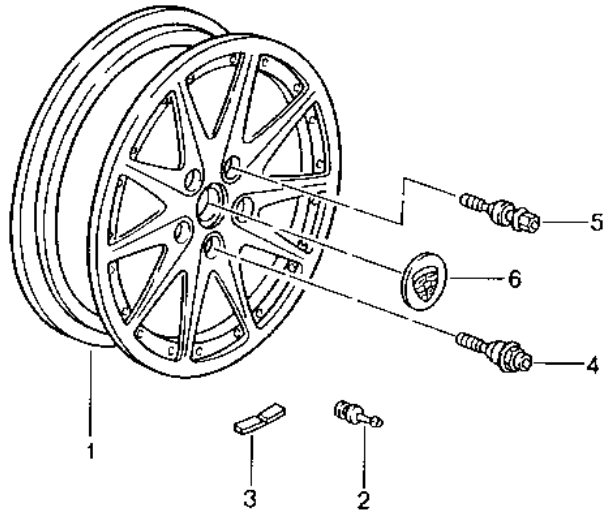
Model: 996 99 Model life 1999>>2005

Pos	Part Number	Description	Remark	Qty	Model
1	996 333 051 91	Shock absorber Coil spring			
(1)	996 333 051 95	Shock absorber - bilstein -	-02	2	
(1)	996 333 051 97	Shock absorber - bilstein - Mount	04-	2	M004
-	900 378 138 09	Shock absorber Hexagon-head bolt M 12 X 1,5 X 70		2	
-	900 378 138 01	Hexagon-head bolt M 12 X 1,5 X 70		2	
-	999 084 445 09	Lock nut M 12 X 1,5		2	
2	996 333 105 90	Additional spring	-02	2	
(2)	996 333 105 93	Additional spring	04-	2	
3	996 333 531 91	Coil spring	-02	1	
(3)	996 333 531 91 504	1 set			
(3)	996 333 531 95	Coil spring	04-	1	
	996 333 531 95 504	1 set			
4	999 025 240 02	Washer 12,1 X 25 X 3		2	
5	996 333 059 03	Supporting mount		2	
-	996 333 551 90	Rubber support See technical information Group 4 NR.6-1		2	
6	996 333 529 90	Spring hanger	-02	4	
(6)	996 333 529 92	Spring hanger	04-	4	
7	996 333 107 00	Stop plate		4	
8	999 084 445 09	Lock nut M 12X 1,5		2	
9	900 380 008 09	Lock nut M 10		6	
9	900 380 008 01	Hexagon nut M 10		6	



Model: 996 99

Model life 1999>>2005



Model: 996 99 Model life 1999>>2005

Pos	Part Number	Description	Remark	Qty	Model
1	996 362 136 50	Wheels Disc wheel 8 J X 18 ET 52	/V -02	2	
(1)	996 362 136 05	Disc wheel 8,5 J X 18 ET 40	/V 04-	2	M416
(1)	996 362 136 08	Disc wheel 8,5 J X 18 ET 40 Wheel spoke Red	/V 04-	2	M004/597
(1)	996 362 136 09	Lacquered Disc wheel 8,5 J X 18 ET 40 Wheel spoke Blue	/V 04-	2	M004/598
(1)	996 362 140 50	Lacquered Disc wheel 10 J X 18 ET 65	/H -02	2	
(1)	996 362 142 04	Disc wheel 11 J X 18 ET 63	/H 04-	2	M416
(1)	996 362 142 08	Disc wheel 11 J X 18 ET 63 Wheel spoke Red	/H 04-	2	M004/597
(1)	996 362 142 09	Lacquered Disc wheel 11 J X 18 ET 63 Wheel spoke Blue	/H 04-	2	M004/598
(1)	996 362 140 02	Lacquered Disc wheel 10 J X 18 ET 47 for winter use See technical information 5/03 NR.4440	/H 04-	2	
(2)	900 265 001 50	Rubber valve Use also: 993.361.163.90		4	
(2)	900 265 001 51	Rubber valve Use also: 993.361.163.90		4	
-	993 361 163 90	Cap for Valve		4	
(3)	901 361 410 50	Balance stick-on weight 5 G.	-02	X	
(3)	1K0 601 178 C	Balance stick-on weight 5 G.	04-	X	
(3)	901 361 410 00	Balance stick-on weight 10 G.	-02	X	
(3)	1K0 601 179 C	Balance stick-on weight 10 G.	04-	X	
(3)	901 361 411 50	Balance stick-on weight 15 G.	-02	X	

Model: 996 99

Model life 1999&gt;&gt;2005

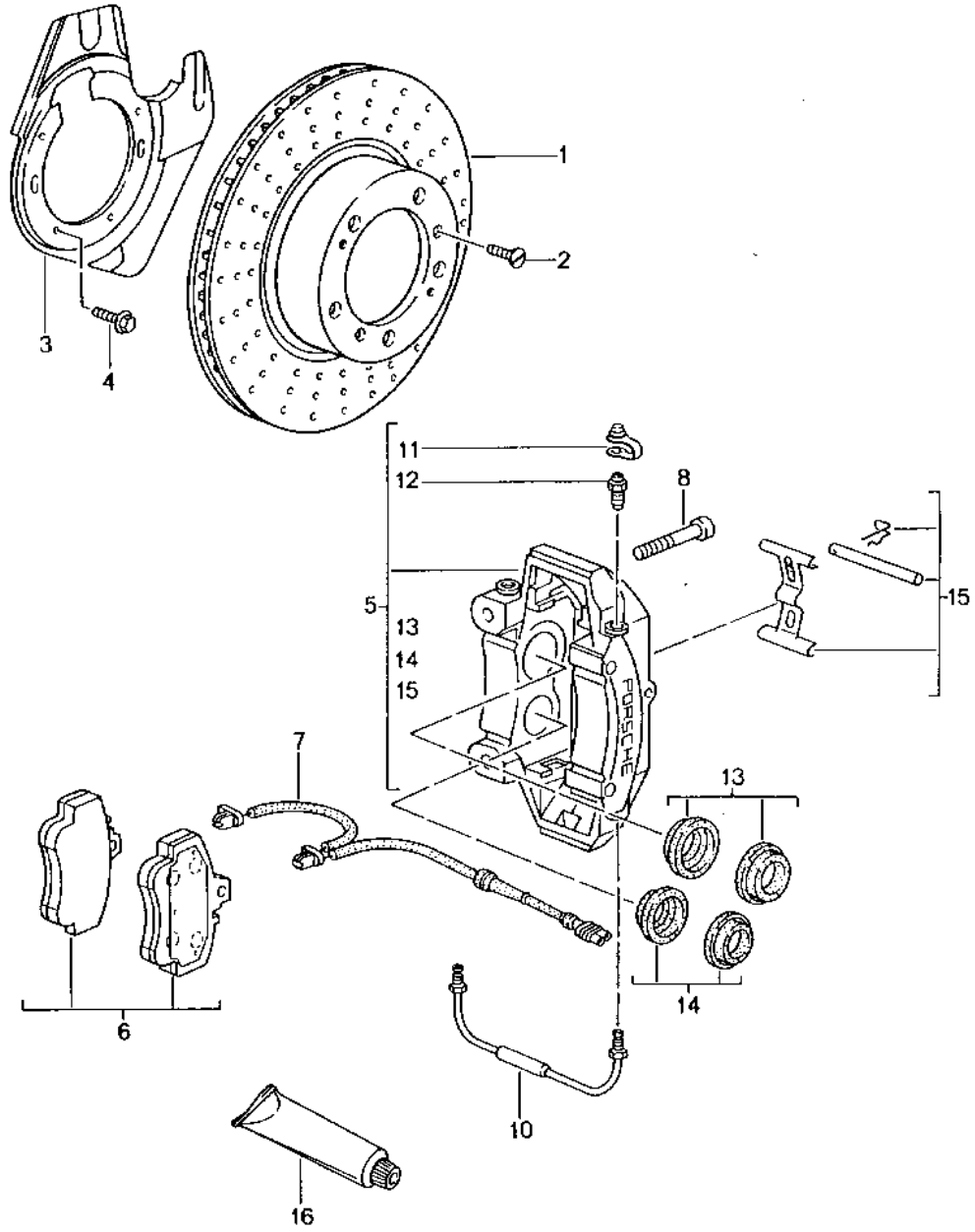
Pos	Part Number	Description	Remark	Qty	Model
(3)	1K0 601 181 C	Balance stick-on weight 15 G.	04-	X	
(3)	901 361 411 00	Balance stick-on weight 20 G.	-02	X	
(3)	1K0 601 182 C	Balance stick-on weight 20 G.	04-	X	
(3)	901 361 412 50	Balance stick-on weight 25 G.	-02	X	
(3)	1K0 601 183 C	Balance stick-on weight 25 G.	04-	X	
(3)	901 361 412 00	Balance stick-on weight 30 G.	-02	X	
(3)	1K0 601 184 C	Balance stick-on weight 30 G.	04-	X	
(3)	901 361 413 50	Balance stick-on weight 35 G.	-02	X	
(3)	1K0 601 185 C	Balance stick-on weight 35 G.	04-	X	
(3)	901 361 413 00	Balance stick-on weight 40 G.	-02	X	
(3)	1K0 601 186 C	Balance stick-on weight 40 G.	04-	X	
(3)	901 361 414 50	Balance stick-on weight 45 G.	-02	X	
(3)	1K0 601 187 C	Balance stick-on weight 45 G.	04-	X	
(3)	901 361 414 00	Balance stick-on weight 50 G.	-02	X	
(3)	1K0 601 188 C	Balance stick-on weight 50 G.	04-	X	
(3)	901 361 415 50	Balance stick-on weight 55 G.	-02	X	
(3)	1K0 601 189 C	Balance stick-on weight 55 G.	04-	X	
(3)	901 361 415 00	Balance stick-on weight 60 G.	-02	X	
(3)	1K0 601 190 C	Balance stick-on weight 60 G.	04-	X	
(3)	997 361 465 00	Balance stick-on weight 65 G.		X	
(3)	997 361 470 00	Balance stick-on weight 70 G.		X	
(3)	997 361 475 00	Balance stick-on weight 75 G.		X	
(3)	997 361 480 00	Balance stick-on weight 80 G.		X	
(3)	997 361 485 00	Balance stick-on weight 85 G.		X	
(3)	997 361 490 00	Balance stick-on weight 90 G.		X	
(4)	996 361 057 90	Wheel bolt Anti-theft protection 1 set	-02	1	
(4)	996 361 980 02	Wheel bolt Anti-theft protection 1 set	-02	1	
(4)	996 361 057 02	Set Anti-theft protection 1 set	04-	1	
(4)	997 361 057 02	Set Wheel bolt Anti-theft protection	04-	1	
5	996 361 203 90	Wheel bolt	-02	16	

Model: 996 99 Model life 1999>>2005

Pos	Part Number	Description	Remark	Qty	Model
(5)	996 361 980 00	See technical information Group 4 NR.10/03 Wheel bolt	-02	16	
(5)	996 361 203 01	See technical information Group 4 NR.10/03 Wheel bolt	04-	16	
(5)	996 361 203 02	See technical information Group 4 NR.10/03 Wheel bolt	04-	16	
6	993 361 303 05	Hub cap	-99	4	
(6)	993 361 303 11	Silver	-02	4	
(6)	993 361 303 11 61M	Hub cap	02	4	
(6)	993 361 303 11 9A1	Silver	04-	4	
(6)	996 361 303 91	Hub cap	04-	4	
(6)	996 361 303 91 9A1	Silver		4	
(6)	993 361 303 09	Hub cap		4	
(6)	993 361 303 09 92T	Arctic silver metallic Crest Coloured		4	
(6)	993 361 303 10	Hub cap		4	
(6)	993 361 303 10 9A1	Silver Crest Coloured		4	
(6)	996 361 303 92	Hub cap	04-	4	M004/597
(6)	996 361 303 94	Red Hub cap	04-	4	M004/598
-	911 722 201 02	Blue Tyre pressure gauge		1	
-	999 915 631 40	Compressed air bottle with Sealing compound		1	
-	997 652 051 00	Compressor		1	
-	997 652 055 00	Compressor		1	
-	996 362 020 02	Emergency wheel		X	
-	996 362 020 04	Emergency wheel		X	

Model: 996 99

Model life 1999>>2005



Model: 996 99 Model life 1999>>2005

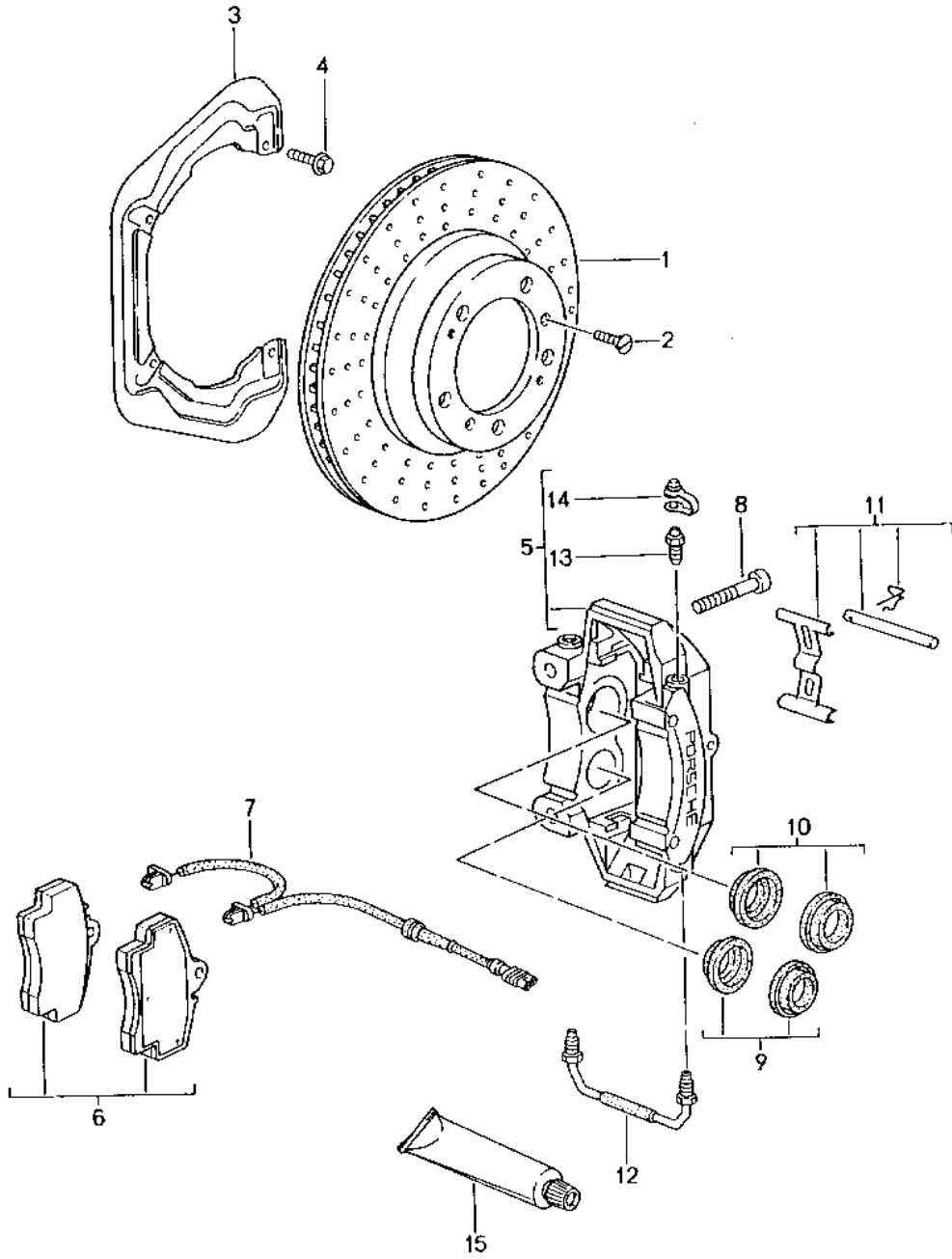
Pos	Part Number	Description	Remark	Qty	Model
		Disc brake Front axle See technical information Group 4 NR.3/03 Brake disc Only in pairs Replace Technical manual Attention			M450
1	996 351 409 91	Brake disc	/L -02	1	
(1)	996 351 409 9H	Brake disc	/L 03-	1	
(1)	996 351 031 92	Brake disc	/L 04	1	M450
(1)	996 351 031 93	Brake disc	/L 05-	1	M450
(1)	996 351 410 91	Brake disc	/R -02	1	
(1)	996 351 410 9H	Brake disc	/R 03-	1	
(1)	996 351 032 92	Brake disc	/R 04	1	M450
(1)	996 351 032 93	Brake disc	/R 05-	1	M450
2	900 269 106 09	Countersunk-head screw M 6 X 16	-02	2	
2	900 269 106 01	Countersunk-head screw M 6 X 16		2	
(2)	900 269 047 09	Countersunk-head screw M 6 X 12	04-	2	
(2)	900 269 047 01	Countersunk-head screw M 6 X 12	04-	2	
3	996 351 801 04	Cover plate	/L -02	1	
(3)	996 351 801 30	Cover plate	/L 04-	1	
(3)	996 351 802 04	Cover plate	/R -02	1	
(3)	996 351 802 30	Cover plate	/R 04-	1	
(3)	996 351 801 90	Cover plate Upper	/L 04-	1	M004
-	996 351 813 90	Cover plate Lower	/L 04-	1	M004
-	996 351 815 90	Air baffle plate	/L 04-	1	M004
(3)	996 351 802 90	Cover plate Upper	/R 04-	1	M004
-	996 351 814 90	Cover plate Lower	/R 04-	1	M004
-	996 351 816 90	Air baffle plate	/R 04-	1	M004
4	999 217 116 09	Hexagon-head bolt M 6 X 16		X	
5	996 351 429 10	Fixed calliper without pad	/L -02	1	
(5)	996 351 431 90	Fixed calliper without pad	/L 04-	1	
(5)	996 351 431 30	Fixed calliper without pad	/L 04-	1	M450
(5)	996 351 430 10	Fixed calliper without pad	/R -02	1	
(5)	996 351 432 90	Fixed calliper without pad	/R 04-	1	
(5)	996 351 432 30	Fixed calliper without pad	/R 04-	1	M450
6	996 351 949 10	Brake pad repair set Use also:	-02	1	
6	997 351 949 02	Mounting parts Brake pad repair set Use also:	-02	1	
(6)	996 351 940 91	Mounting parts Brake pad Sport version	-02	4	

Model: 996 99 Model life 1999>>2005

Pos	Part Number	Description	Remark	Qty	Model
(6)	996 351 948 00	Use also: Mounting parts Brake pad repair set	04-	1	
(6)	980 351 939 00	Use also: Mounting parts Brake pad repair set	04-	1	M450
-	996 351 089 00	Use also: Mounting parts Damping plate		4	
-	996 352 086 01	Damping plate	04-	6	
-	996 352 086 02	Damping plate	04-	6	
7	996 612 365 00	Warning contact	-02	2	
(7)	997 612 677 00	Warning contact	04-	2	
(7)	996 612 347 00	Warning contact		2	M450
-	999 507 464 40	Support		2	
-	944 612 627 00	Line bracket for Warning contact		2	
8	999 067 042 09	Pan-head screw M 12 X 1,5 X 77	-02	4	
(8)	999 067 047 09	Pan-head screw M 12 X 1,5 X 85	04-	4	
10	996 351 961 11	Connecting line	/L	1	
(10)	996 351 961 30	Connecting line	/L 04-	1	M450
(10)	996 351 962 11	Connecting line	/R	1	
(10)	996 351 961 30	Connecting line	/R 04-	1	M450
11	930 351 919 00	Ventilation valve		2	
12	930 351 927 00	Dust boot		2	
12	930 351 927 01	Dust boot		2	
13	928 351 917 00	Repair kit Protection caps 44 MM \$	-02	2	
14	951 351 917 00	Repair kit Protection caps 36 MM \$	-02	2	
-	996 351 915 01	Repair kit Protection caps 38 MM \$	04-	2	
-	996 351 915 00	Repair kit Protection caps 32 MM \$	04-	2	
-	951 352 917 00	Repair kit Protection caps 28 MM \$	04-	2	
15	996 351 959 11	Repair kit Mounting parts Bolt Expanding spring	-02	1	
		Securing clip		2	
(15)	996 351 959 30	Repair kit Mounting parts Bolt Screw Expanding spring	04-	1	
				2	
				2	
16	000 043 117 00	Brake cylinder paste 50 G		X	
16	000 043 305 11	Brake cylinder paste 50 G		X	
(16)	000 043 020 00	Optimoly 100 G		X	

Model: 996 99

Model life 1999>>2005





Model: 996 99 Model life 1999>>2005

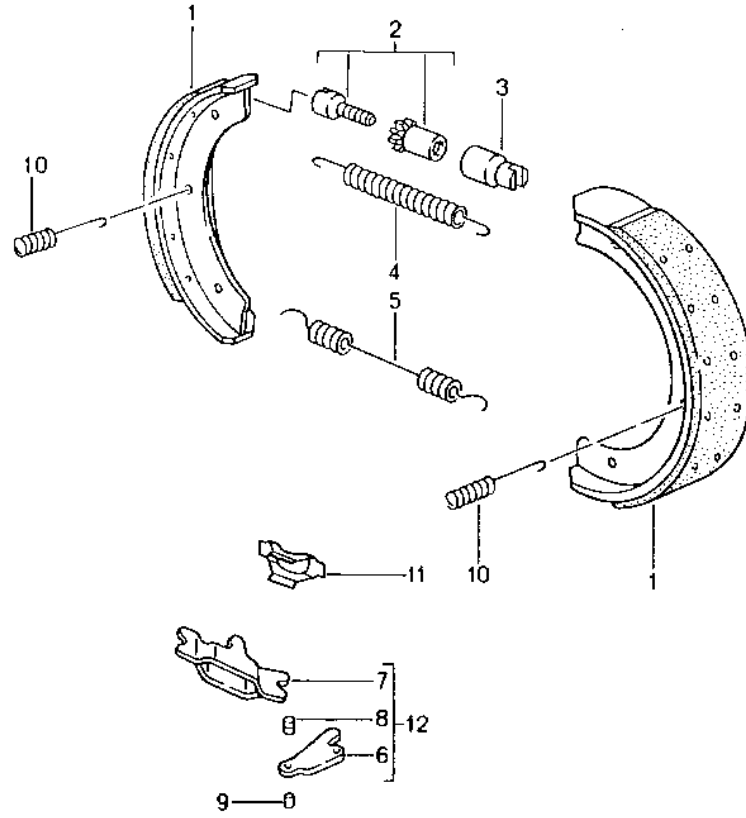
Pos	Part Number	Description	Remark	Qty	Model
		Disc brake Rear axle See technical information Group 4 NR.3/03 Brake disc Only in pairs Replace Technical manual Attention			M450
1	996 352 405 00	Brake disc	/L	1	
(1)	996 352 031 02	Brake disc	/L 04	1	M450
(1)	996 352 031 03	Brake disc	/L 05-	1	M450
(1)	996 352 406 00	Brake disc	/R	1	
(1)	996 352 032 02	Brake disc	/R 04	1	M450
(1)	996 352 032 03	Brake disc	/R 05-	1	M450
2	900 269 106 09	Countersunk-head screw M 6 X 16		2	
2	900 269 106 01	Countersunk-head screw M 6 X 16		2	
(2)	900 269 047 09	Countersunk-head screw M 6 X 12	04-	2	
(2)	900 269 047 01	Countersunk-head screw M 6 X 12		2	
3	996 352 801 03	Cover plate	-02	2	
(3)	996 352 801 30	Cover plate	/L 04-	1	
(3)	996 352 802 30	Cover plate	/R 04-	1	
(3)	996 352 801 90	Cover plate Upper	/L 04-	1	M004
-	996 352 813 90	Cover plate Lower	/L 04-	1	M004
(3)	996 352 802 90	Cover plate Upper	/R 04-	1	M004
-	996 352 814 90	Cover plate Lower	/R 04-	1	M004
4	999 217 116 09	Hexagon-head bolt M 6 X 16		4	
5	996 352 425 60	Fixed calliper without pad	/L -02	1	
(5)	996 352 425 91	Fixed calliper without pad	/L 04-	1	
(5)	996 352 423 30	Fixed calliper without pad	/L 04-	1	M450
(5)	996 352 426 60	Fixed calliper without pad	/R -02	1	
(5)	996 352 426 91	Fixed calliper without pad	/R 04-	1	
(5)	996 352 424 30	Fixed calliper without pad	/R 04-	1	M450
6	996 351 939 16	Brake pad repair set		1	
(6)	996 352 949 03	Brake pad repair set	-03	1	
(6)	996 352 948 90	Brake pad repair set	04-	1	
-	996 352 930 91	Brake pad Sport version	-02	4	
(6)	996 352 947 03	Brake pad repair set	04-	1	M450
-	964 352 096 01	Use also: Mounting parts Damping plate 28 MM \$		4	
-	964 352 096 00	Damping plate 30 MM \$		4	
-	996 352 086 00	Damping plate		4	

Model: 996 99 Model life 1999>>2005

Pos	Part Number	Description	Remark	Qty	Model
-	996 352 086 01	30 mm Damping plate 28 MM \$	04-	12	M450
-	996 352 086 02	Damping plate 28 mm \$	04-	12	M450
7	996 612 365 00	Warning contact	-02	2	
(7)	997 612 677 00	Warning contact	04-	2	
(7)	996 612 347 00	Warning contact		2	M450
8	999 067 042 09	Pan-head screw M 12 X 1,5 X 77		4	
(8)	999 067 047 09	Pan-head screw M 12 X 1,5 X 85	04-	4	
-	999 507 464 40	Support for Warning contact		2	
9	951 352 917 01	Repair kit Protection caps 30 MM \$		2	
10	951 352 917 00	Repair kit Protection caps 28 MM \$		2	
11	996 351 959 01	Repair kit Mounting parts Bolt		1 2	
		Expanding spring		2	
		Securing clip		2	
(11)	996 352 959 30	Repair kit Mounting parts Bolt	04-	1 2	M450
		Expanding spring		2	
		Securing clip		2	
12	996 351 962 00	Connecting line	/L	1	
(12)	996 351 961 00	Connecting line	/R	1	
(12)	996 352 961 30	Connecting line	04-	2	M450
13	930 351 919 00	Ventilation valve		4	
14	930 351 927 00	Dust boot		4	
14	930 351 927 01	Dust boot		4	
15	000 043 117 00	Brake cylinder paste 50 G		X	
15	000 043 305 11	Brake cylinder paste 50 G		X	
(15)	000 043 020 00	Optimoly 100 G		X	

Model: 996 99

Model life 1999>>2005

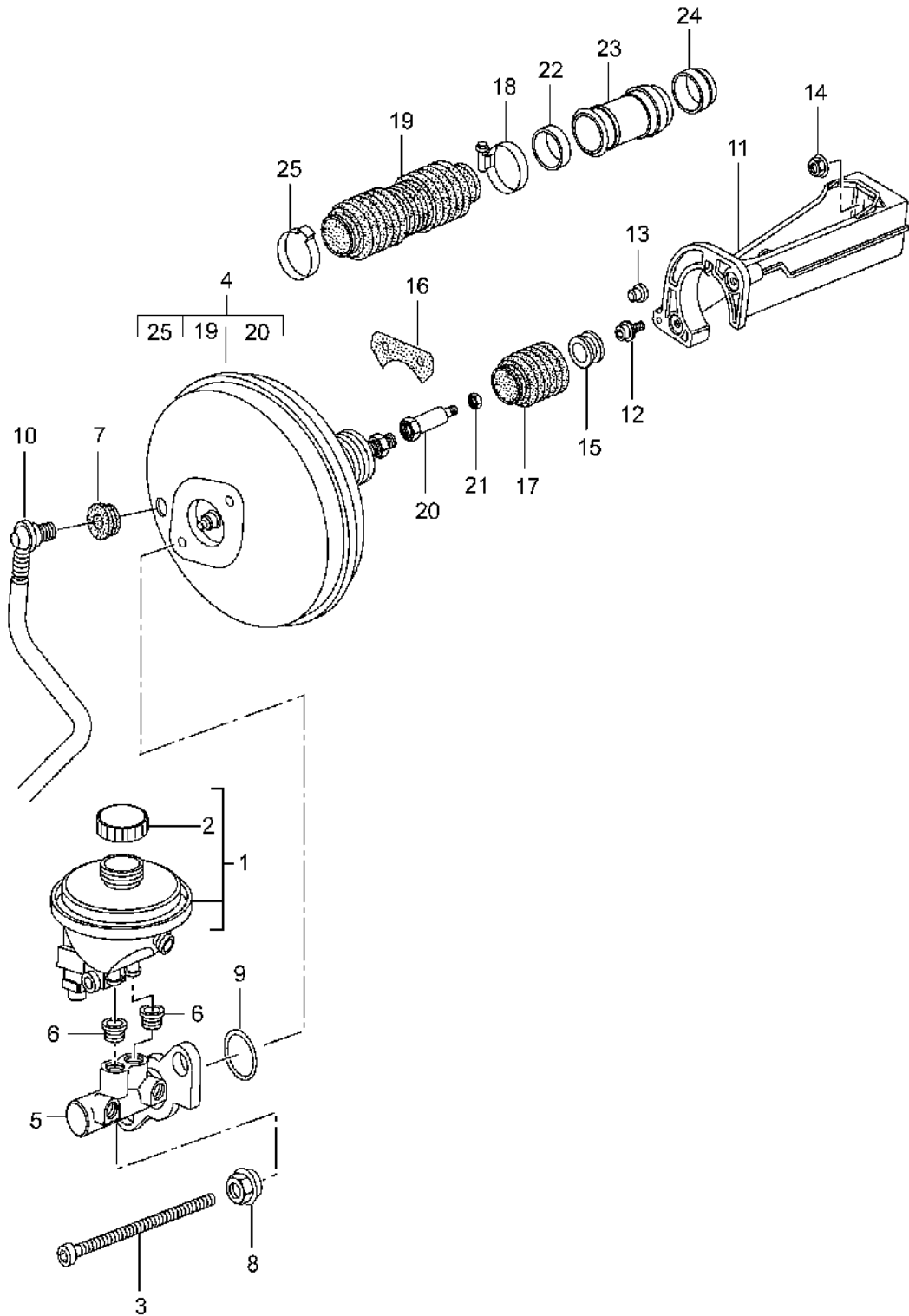


Model: 996 99 Model life 1999>>2005

Pos	Part Number	Description	Remark	Qty	Model
1	928 352 097 10	Handbrake			
(1)	996 352 993 01	Brake shoe	-02	4	
(1)	996 352 993 02	Brake shoe 1 set	04-	1	
2	993 352 071 00	Brake shoe 1 set	04-	1	
2	993 352 071 00	Adjusting screw		2	
2	298 609 723	Adjusting screw		2	
3	911 352 944 00	Support bush		2	
4	997 352 721 00	Tension spring		2	
5	996 352 723 00	Tension spring Short		2	
6	996 352 723 00	Tension spring Long		2	
6	928 352 441 01	Actuating lever		2	
7	928 352 443 01	Clip		2	
8	993 352 735 00	Articulated bolt		2	
9	928 352 447 00	Articulated bolt		2	
10	996 352 741 00	Compression spring		4	
11	996 352 807 00	Supporting plate		2	
12	993 352 073 00	Push-button lock		2	
		Complete			

Model: 996 99

Model life 1999>>2005



Model: 996 99 Model life 1999>>2005

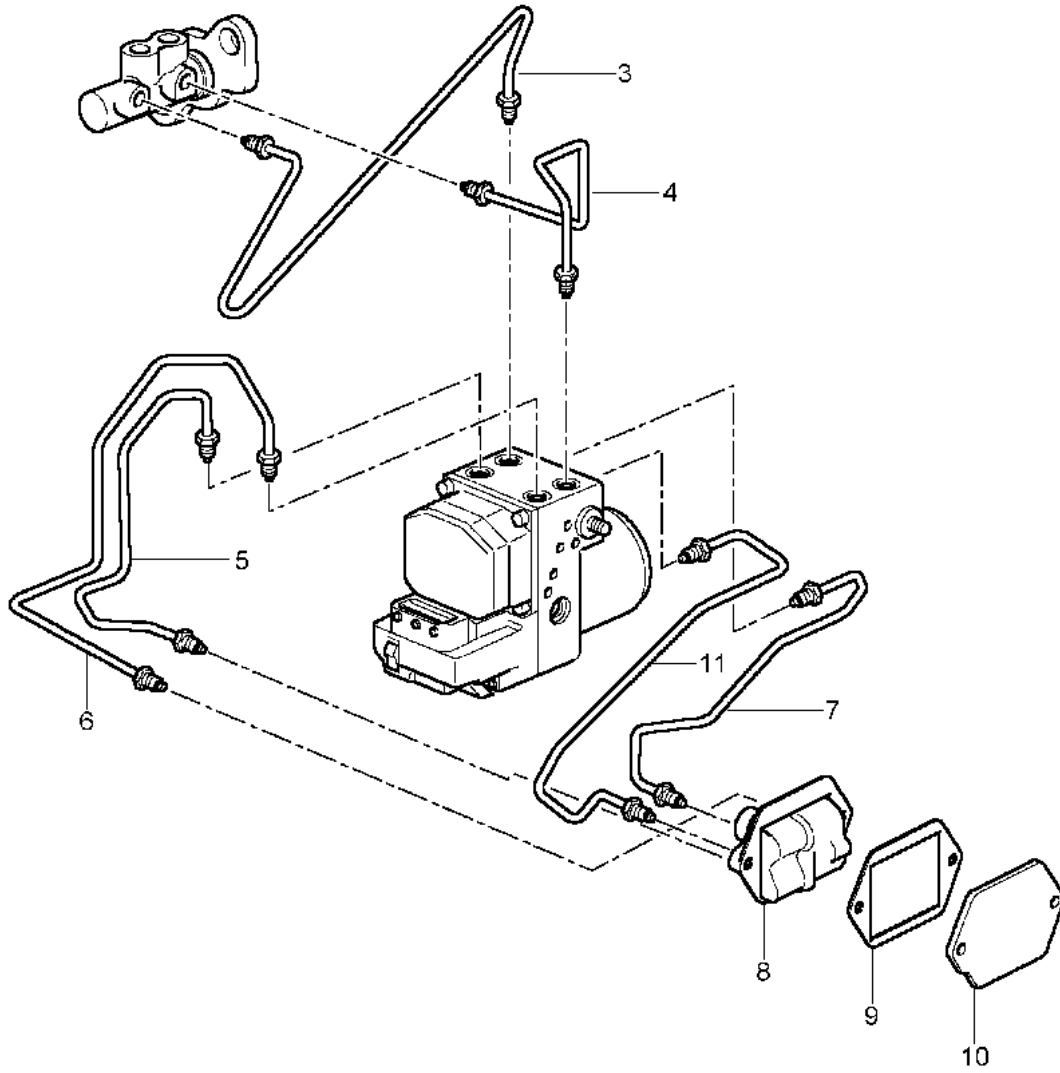
Pos	Part Number	Description	Remark	Qty	Model
-	000 043 204 66	Brake master cylinder Brake booster Pre-charge pump Modification kit Brake booster Comprising: 999.512.672.00 996.423.269.05 999.512.478.00 996.355.911.00 996.355.909.00 996.355.907.00 996.355.927.01 900.380.015.09 F >>99YS6 90531 See technical information Group 4 NR.11/01		1	
1	996 355 013 00	Brake fluid reservoir	-02	1	
(1)	996 355 013 01	Brake fluid reservoir	04-	1	
2	996 355 119 01	Catch		1	
-	996 355 125 00	Contacts for Container 996.355.013.00	-02	1	
-	996 355 125 02	Contacts for Container 996.355.013.00/01	04-	1	
3	999 073 124 09	Pan-head screw M 8 X 154 X 80		2	
4	996 355 923 90	Brake booster		1	
-	996 355 137 01	Catch Threaded joint Brake booster		1	
5	996 355 910 50	Brake master cylinder		1	
6	993 355 922 00	Grommet		2	
7	999 702 182 40	Rubber bush		1	
8	996 355 925 00	Hexagon nut		2	
(8)	997 355 925 00	Hexagon nut		2	
9	996 355 912 00	Sealing ring		1	
10	996 355 577 02	Vacuum line	/LL 00	1	
(10)	996 355 577 42	Vacuum line	/LL -02	1	
(10)	996 355 577 43	Vacuum line	/LL 04-	1	
(10)	996 355 577 02	Vacuum line	/LL 04-	1	
(10)	996 355 578 42	Vacuum line	/RL -02	1	
(10)	996 355 578 43	Vacuum line	/RL 04-	1	
11	996 423 251 01	Intermediate piece		1	
12	900 067 240 02	Combination screw M 6 X 12 Z1		2	
13	999 703 448 50	Stopper	/R	1	
14	900 380 005 09	Hexagon nut M 8		2	
15	996 355 221 00	Grommet F >>99YS6 90531 See technical information Group 4 NR.11/01		1	
16	996 423 301 00	Gasket		1	
-	996 355 901 01	Gasket Brake booster Bulkhead		1	
17	996 355 930 00	Bellows		1	

Model: 996 99 Model life 1999>>2005

Pos	Part Number	Description	Remark	Qty	Model
18	999 512 478 00	F >>99YS6 90531 See technical information Group 4 NR.11/01 Hose clamp		1	
18		F >>99YS6 90531 See technical information Group 4 NR.11/01 Hose clamp		1	
(19)	996 423 269 04	F 99YS6 90532>> Bellows		1	
19	996 423 269 05	F >>99YS6 90531 See technical information Group 4 NR.11/01 Bellows		1	
20	996 355 927 01	F99YS60532>> Connecting piece		1	
21	900 380 015 09	Hexagon nut M 6		1	
21	900 380 015 01	Hexagon nut M 6		1	
22	996 355 911 00	Sealing ring F >>99YS6 90531 See technical information Group 4 NR.11/01		1	
23	996 355 909 00	Connecting piece F >>99YS6 90531 See technical information Group 4 NR.11/01		1	
24	996 355 907 00	Sealing rubber F >>99YS6 90531 Firewall See technical information Group 4 NR,11/01		1	
25	999 512 672 00	Clamp F >>99YS6 90531 See technical information Group 4 NR.11/01		1	
25		Clamp F 99YS6 90532>>		1	

Model: 996 99

Model life 1999>>2005





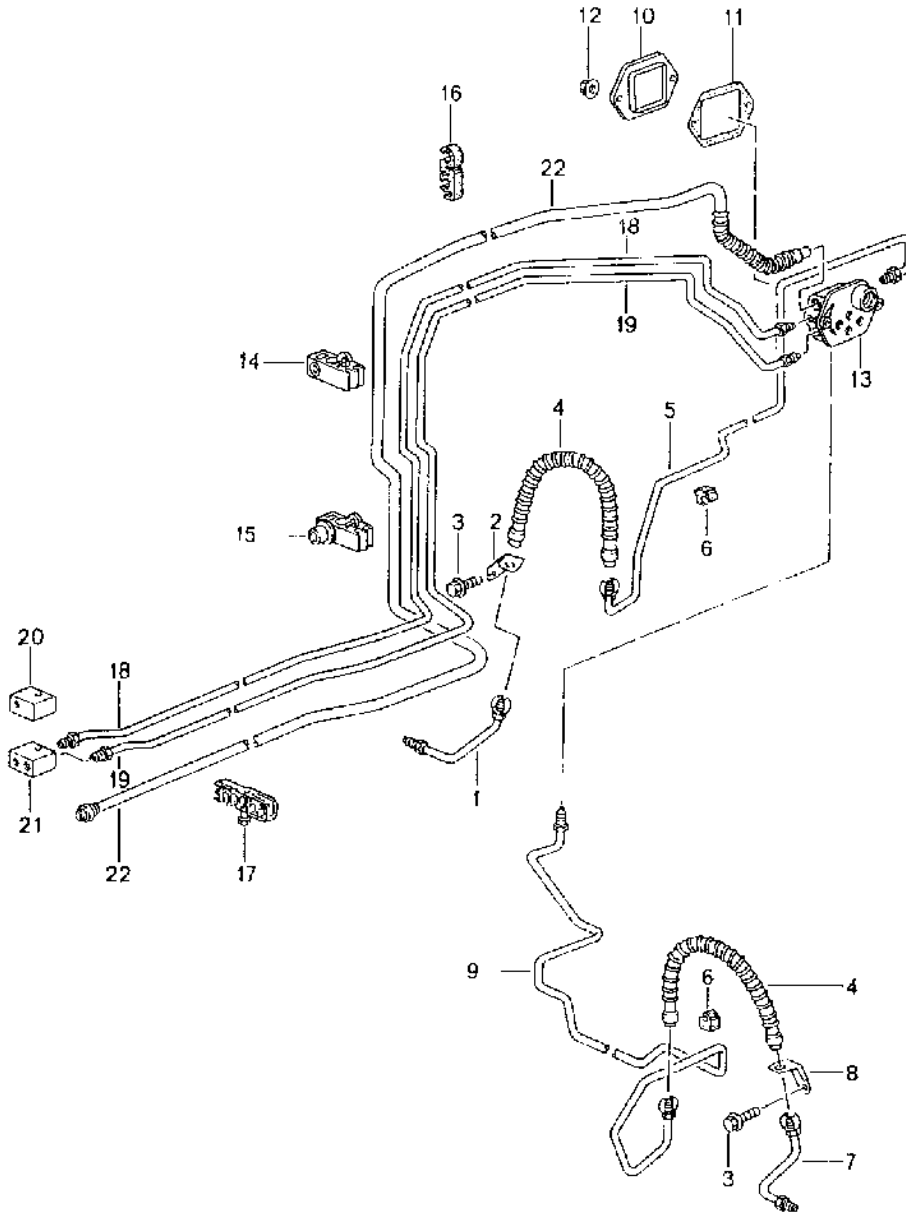
Model: 996 99

Model life 1999>>2005

Pos	Part Number	Description	Remark	Qty	Model
		Brake lines			
		Body front section			
3	996 355 311 41	Pressure line	/LL -02	1	
(3)	996 355 311 42	Pressure line	/LL 04-	1	
(3)	996 355 310 42	Pressure line	/RL	1	
4	996 355 313 90	Brake line	/LL -02	1	
(4)	996 355 313 91	Brake line	/LL 04-	1	
(4)	996 355 328 92	Brake line	/RL -02	1	
(4)	996 355 328 93	Brake line	/RL 04-	1	
5	996 355 315 02	Brake line	-02	1	
(5)	996 355 315 43	Brake line	04-	1	
6	996 355 327 03	Brake line	01	1	
(6)	996 355 327 43	Brake line	02-	1	
7	996 355 316 41	Brake line		1	
8	996 355 650 27	Intermediate piece		1	
9	996 355 752 00	Gasket	-01	1	
(9)	996 355 752 01	Gasket	02	1	
10	996 355 753 00	Reinforcement		1	
10	996 355 753 01	Reinforcement		1	
-	999 651 292 40	Support	04-	1	
11	996 355 326 40	Brake line		1	

Model: 996 99

Model life 1999>>2005

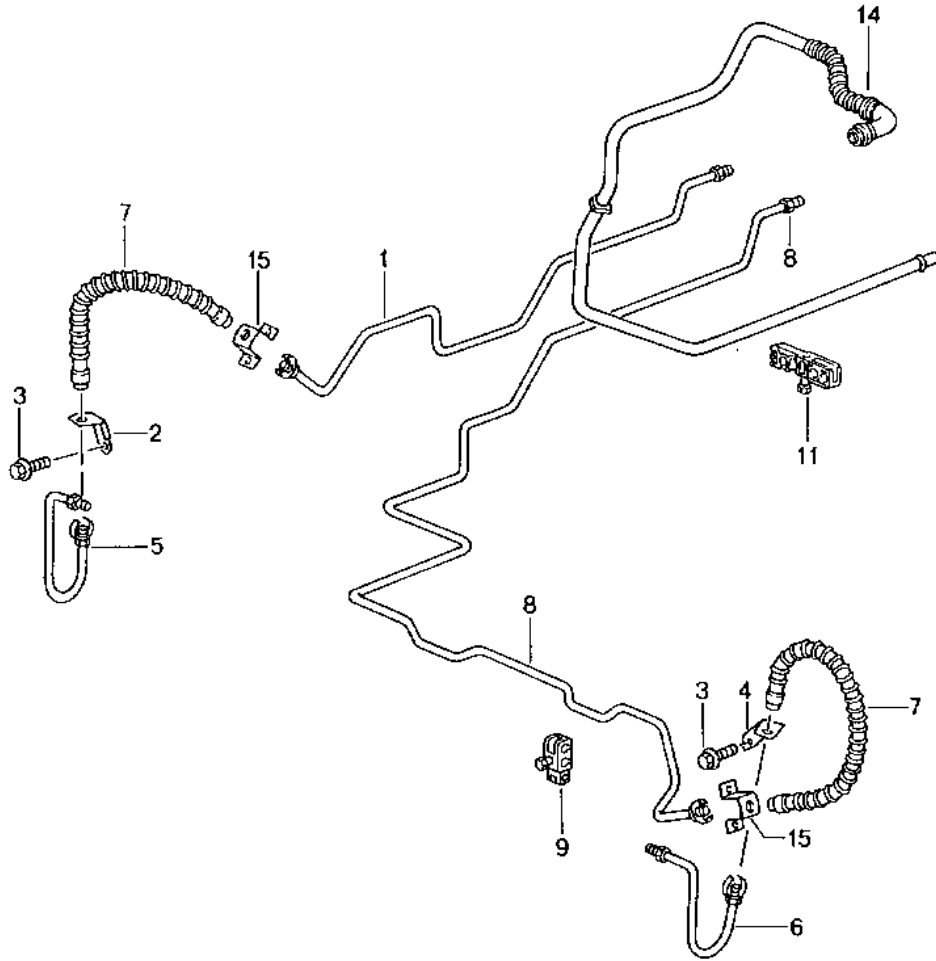


Model: 996 99 Model life 1999>>2005

Pos	Part Number	Description	Remark	Qty	Model
		Brake lines			
		Front axle			
		Underbody			
		Vacuum line			
1	996 355 581 06	Brake line	/L	1	
(1)	996 355 581 9B	Brake line	/L 04-	1	M450
2	996 355 501 06	Brake hose bracket	/L	1	
3	900 075 355 01	Hexagon-head bolt M 6 X 16		2	
4	996 355 139 01	Brake hose		2	
5	996 355 175 08	Brake line		1	
6	999 591 930 40	Support		X	
7	996 355 584 06	Brake line	/R	1	
(7)	996 355 584 9B	Brake line	/R 04-	1	M450
8	996 355 502 06	Brake hose bracket	/R	1	
9	996 355 176 90	Brake line		1	
10	996 355 753 00	Reinforcement		1	
10	996 355 753 01	Reinforcement		1	
11	996 355 752 00	Gasket	-01	1	
(11)	996 355 752 01	Gasket	02-	1	
12	900 380 015 09	Hexagon nut M 6		3	
12	900 380 015 01	Hexagon nut M 6		3	
(13)	996 355 650 02	Intermediate piece		1	
14	996 355 545 00	Support		3	
15	996 355 549 00	Support		1	
16	996 355 547 01	Support		2	
17	996 355 543 00	Support		1	
18	996 355 177 07	Brake line	-02	1	
(18)	996 355 177 08	Brake line	04-	1	
19	996 355 179 08	Brake line	04-	1	
19	996 355 179 11	Brake line	04-	1	
20	996 355 660 04	Connecting piece Triple	-02	1	
20	996 355 760 31	Connecting piece Fourfold	04-	1	
22	996 355 571 07	Vacuum line		1	
-	999 230 535 40	Lock		1	
		Connecting piece			
		Vacuum line			

Model: 996 99

Model life 1999>>2005

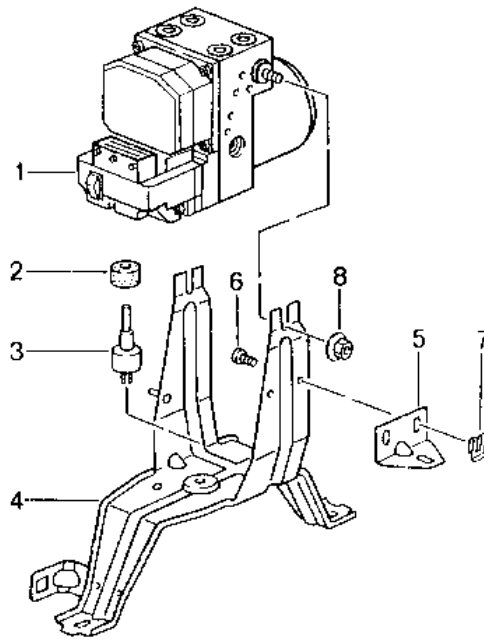


Model: 996 99 Model life 1999>>2005

Pos	Part Number	Description	Remark	Qty	Model
		Brake line			
		Underbody			
		Rear axle			
		Vacuum line			
1	996 355 189 06	Brake line	/L -02	1	
1	996 355 189 07	Brake line	/L 04-	1	
		F >>994S6 91629			
(1)	997 355 189 00	Brake line	/L	1	
		F 994S6 91630>>			
2	996 355 503 00	Brake hose bracket	/L	1	
(2)	996 355 503 10	Support	/L 04-	1	M450
(2)	996 355 503 91	Support	/L -03	1	M004
(2)	996 355 503 93	Support	/L 04-	1	M004
(2)	996 355 503 90	Support	/L -03	1	M004/450
3	900 067 117 09	Pan-head screw		2	
		M 6 X 16			
4	996 355 504 00	Brake hose bracket	/R	1	
(4)	996 355 504 10	Support	/R 04-	1	M450
(4)	996 355 504 91	Support	/R -03	1	M004
(4)	996 355 504 93	Support	/R 04-	1	M004
(4)	996 355 504 90	Support	/R -03	1	M004/450
5	996 355 585 00	Brake line	/L	1	
(5)	996 355 585 10	Brake line	/L 04-	1	M450
6	996 355 586 00	Brake line	/R	1	
(6)	996 355 586 10	Brake line	/R 04-	1	M450
7	996 355 139 01	Brake hose		2	
8	996 355 190 51	Brake line	/R -01	1	
(8)	996 355 190 52	Brake line	/R 02	1	
(8)	996 355 190 53	Brake line	/R 04-	1	
		F >>994S6 91629			
(8)	997 355 190 02	Brake line	/R	1	
		F 994S6 91630>>			
9	996 347 543 00	Cable holder		3	
11	996 355 549 00	Support		1	
14	996 355 575 51	Vacuum line		1	
		F >>994S6 91629			
(14)	997 355 575 01	Vacuum line		1	
		F 994S6 91630>>			
-	999 507 495 40	Support		1	
15	996 501 815 02	Support		2	
	996 501 815 02 GRV	Prime coated			

Model: 996 99

Model life 1999>>2005

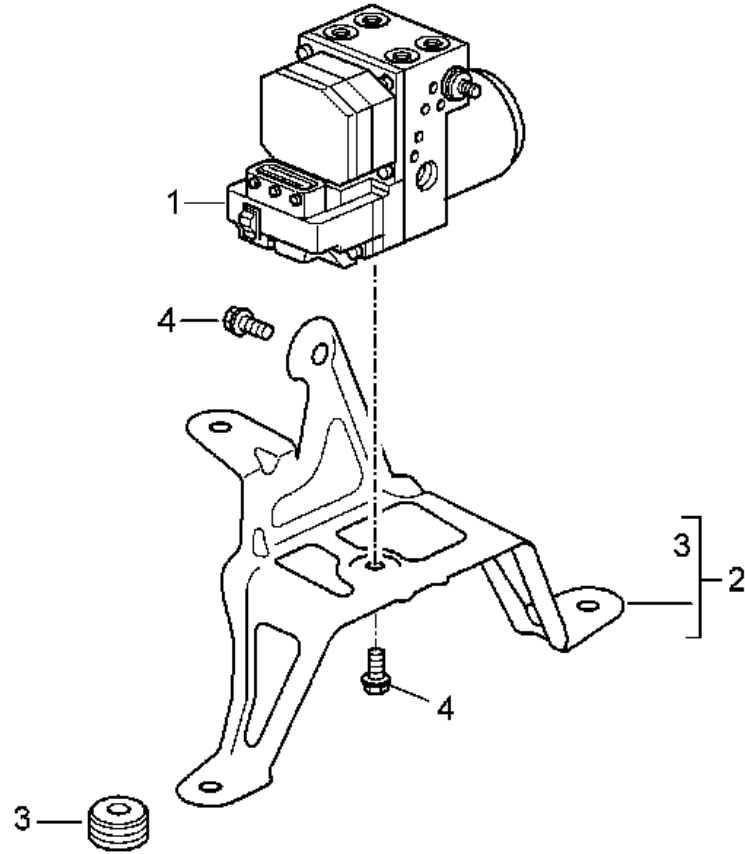


Model: 996 99 Model life 1999>>2005

Pos	Part Number	Description	Remark	Qty	Model
		Hydraulic unit Anti-lock brake system	-02		
1	996 355 955 04	Hydraulic unit		1	
1	996 355 955 DX	Hydraulic unit		1	
2	996 355 945 00	Damping piece		3	
3	996 355 541 00	Spacer		1	
4	996 355 133 03	Support	00	1	
(4)	996 355 133 04	Support	01-	1	
-	999 084 629 09	Hexagon nut M 6		3	
-	999 084 629 01	Hexagon nut M 6		3	
5	996 355 535 02	Support		1	
6	996 355 559 00	Bolt		2	
7	999 166 080 02	Lock		2	
8	900 377 003 02	Hexagon nut VM 8		2	

Model: 996 99

Model life 1999>>2005





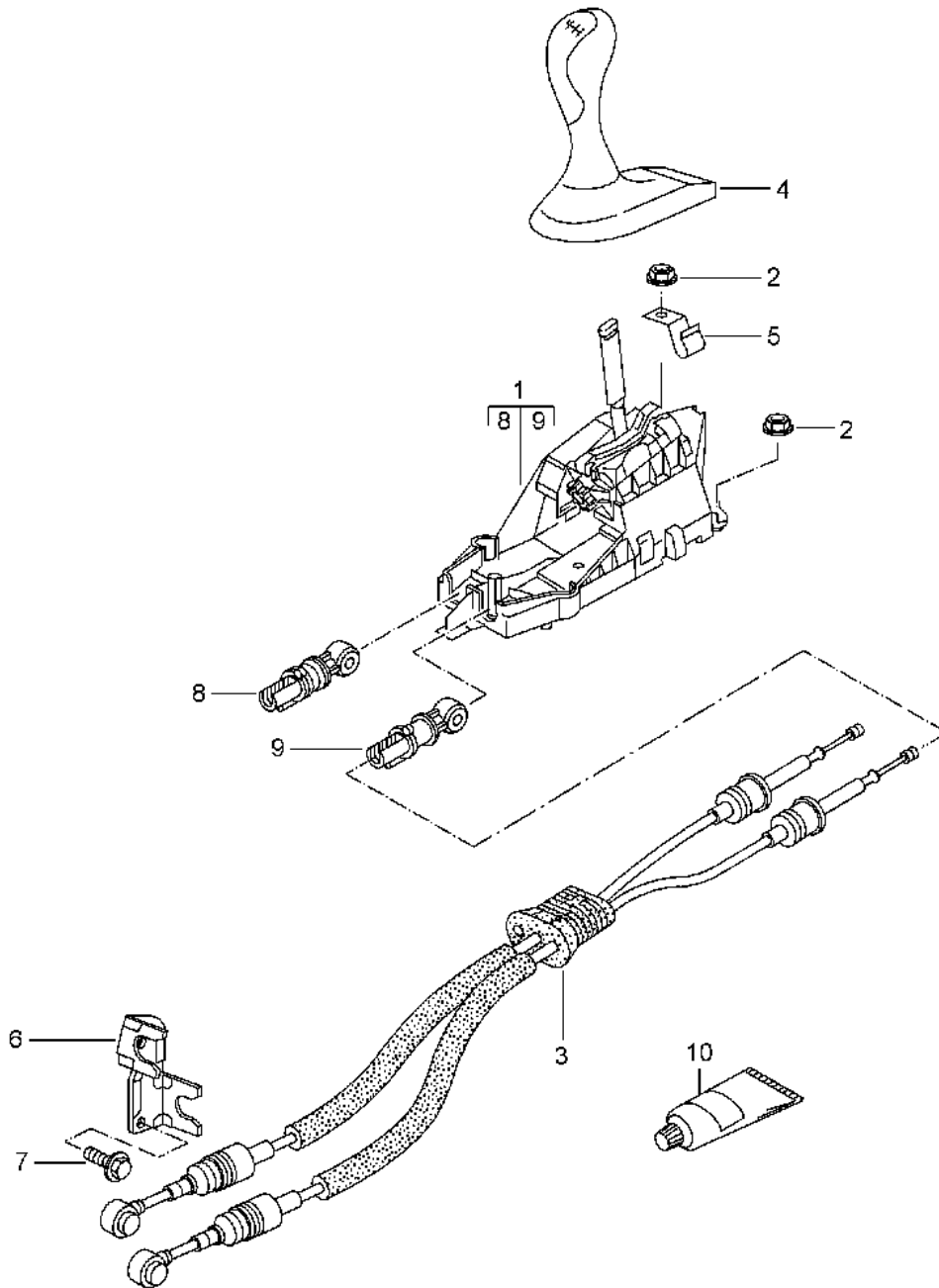
Model: 996 99

Model life 1999>>2005

Pos	Part Number	Description	Remark	Qty	Model
		Hydraulic unit Anti-lock brake system Control	04-		
1	996 355 955 93	Hydraulic unit		1	
1	996 355 955 HX	Hydraulic unit		1	
2	996 355 033 41	Support with Rubber mounting		1	
3	964 356 635 00	Rubber mounting		2	
4	900 378 036 09	Hexagon-head bolt M 6 X 12		2	

Model: 996 99

Model life 1999>>2005

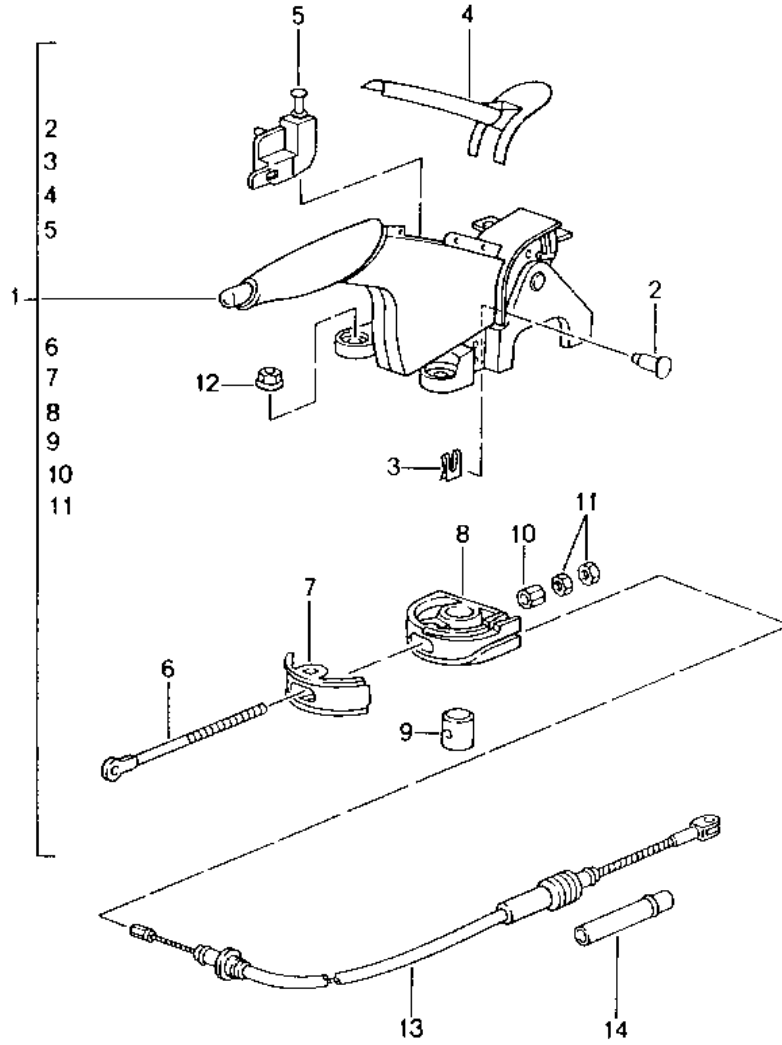


Model: 996 99 Model life 1999>>2005

Pos	Part Number	Description	Remark	Qty	Model
		Transmission control Manual transmission			
1	996 424 010 04	Gearshift bracket	-02	1	
(1)	986 424 010 03	Gearshift bracket	04-	1	
2	999 084 629 09	Hexagon nut M 6		4	
2	999 084 629 01	Hexagon nut M 6		4	
3	996 424 041 10	Cable	99	1	
(3)	996 424 041 12	Cable	-02	1	
(3)	996 424 041 90	Cable	04-	1	
-	986 424 411 00	Retainer spring Mount Cable for Support		2	
4	996 424 075 90	Gearshift knob	-00	1	
	996 424 075 90 8YR	Black			
(4)	996 424 075 90	Gearshift knob	01-02	1	
	996 424 075 90 EVZ	Black			
(4)	996 424 075 90	Gearshift knob	04-	1	
	996 424 075 90 FGT	Black			
	996 424 075 90 VSW	Sport silver			
	996 424 075 90 VSW	Dark grey/natural			
	996 424 075 90 VSW	Sport silver			
	996 424 075 90 VSX	Brown/natural			
	996 424 075 90 VSX	Sport silver			
(4)	996 424 075 91	Gearshift knob	04-	1	M004
	996 424 075 91	Decorative stitching Red			
(4)	996 424 075 92	Gearshift knob	04-	1	M004
	996 424 075 92	Decorative stitching Blue			
(4)	996 424 981 18	Gearshift knob	01-02	1	IX47
	996 424 981 18 VRJ	Black			
(4)	996 424 981 31	Gearshift knob	04-	1	IX47
	996 424 981 31 VRJ	Black			
	996 424 981 31 D11	Dark grey/natural			
	996 424 981 31 T11	Brown/natural			
6	996 424 165 02	Bearing bracket		1	
7	999 073 209 09	Pan-head screw M 10 X 20		2	
8	996 424 145 00	Fastening part for Cable Adjustable		1	
9	996 424 147 00	Fastening part for Cable Adjustable		1	
10	000 043 205 93	Grease 1 100-gramme tube		X	

Model: 996 99

Model life 1999>>2005



Model: 996 99 Model life 1999>>2005

Pos	Part Number	Description	Remark	Qty	Model
1	996 424 031 90	Handbrake Actuator Parking-brake lever Complete	/LL -00	1	
(1)	996 424 031 90 ERP	Black			
(1)	996 424 031 90	Parking-brake lever Complete	/LL 01-02	1	
(1)	996 424 031 90 EUK	Black			
(1)	996 424 031 91	Parking-brake lever Complete	/LL 04-	1	
	996 424 031 91 FFR	Black			
	996 424 031 91 VSR	Sport silver			
	996 424 031 91 VSR	Dark grey/natural			
	996 424 031 91 VST	Sport silver			
(1)	996 424 031 91 VST	Brown/natural			
(1)	996 424 031 92	Parking-brake lever Complete	/LL 04-	1	M004
(1)	996 424 031 93	Decorative stitching Red			
(1)	996 424 031 93	Parking-brake lever Complete	/LL 04-	1	M004
(1)	996 424 031 93	Decorative stitching Blue			
(1)	996 424 980 24	Parking-brake lever Complete	/LL 01-02	1	IX58
(1)	996 424 980 24 VRJ	Black			
(1)	996 424 980 50	Parking-brake lever Complete	/LL 04-	1	IX58
	996 424 980 50 VRJ	Black			
	996 424 980 50 D11	Dark grey/natural			
	996 424 980 50 T11	Brown/natural			
(1)	996 424 032 90	Parking-brake lever Complete	/RL -00	1	
(1)	996 424 032 90 ERP	Black			
(1)	996 424 032 90	Parking-brake lever Complete	/RL 01-02	1	
(1)	996 424 032 90 EUK	Black			
(1)	996 424 032 91	Parking-brake lever Complete	/RL 04-	1	
	996 424 032 91 FFR	Black			
	996 424 032 91 FFR	Sport silver			
	996 424 032 91 VSR	Dark grey/natural			
	996 424 032 91 VSR	Sport silver			
	996 424 032 91 VST	Brown/natural			
	996 424 032 91 VST	Sport silver			
(1)	996 424 032 92	Parking-brake lever Complete	/RL 04-	1	M004
(1)	996 424 032 92	Decorative stitching Red			
(1)	996 424 032 93	Parking-brake lever Complete	/RL 04-	1	M004
(1)	996 424 032 93	Decorative stitching Blue			
(1)	996 424 980 25	Parking-brake lever Complete	/RL 01-02	1	IX58
(1)	996 424 980 25 VRJ	Black			
(1)	996 424 980 51	Parking-brake lever Complete	/RL 04-	1	IX58
	996 424 980 51 VRJ	Black			
	996 424 980 51 D11	Dark grey/natural			
	996 424 980 51 T11	Brown/natural			
2	996 424 569 01	Bolt		1	

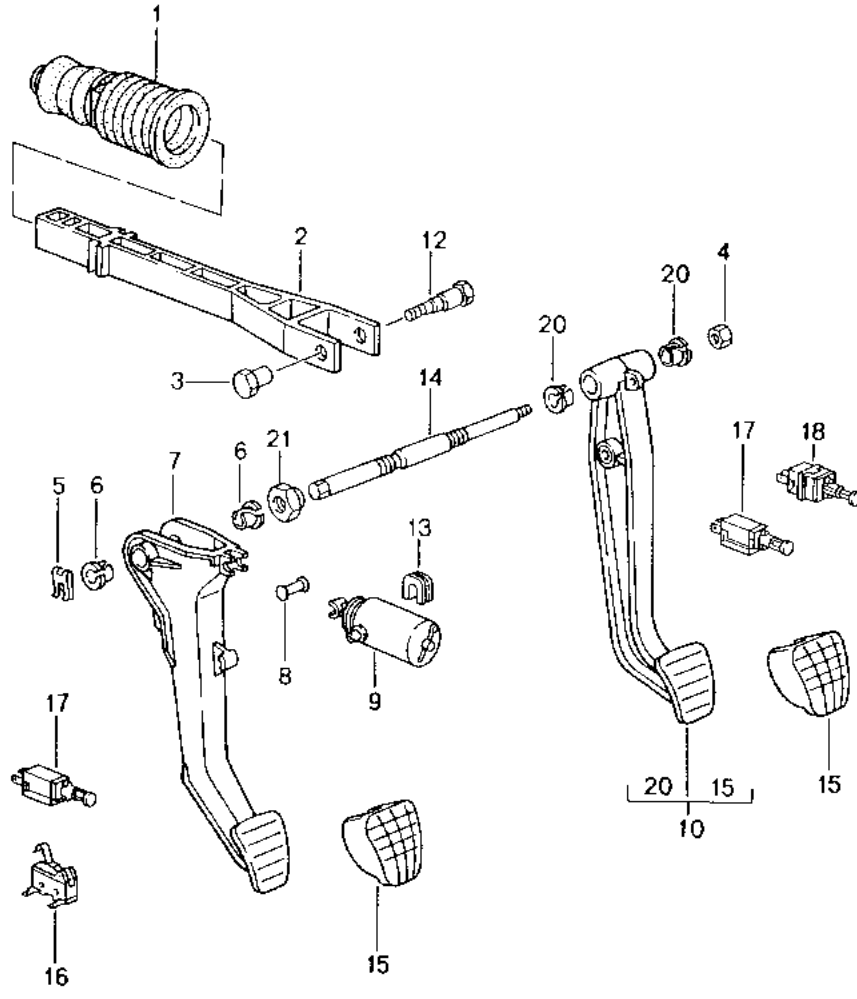
Model: 996 99

Model life 1999>>2005

Pos	Part Number	Description	Remark	Qty	Model
3	999 166 079 02	Lock washer SLB 6		1	
4	996 424 155 90	Cover		1	
	996 424 155 90 A03	Black			
5	996 613 112 01	Switch		1	
6	996 424 567 01	Pull rod		1	
7	964 424 570 00	Securing clip		1	
8	964 424 568 00	Turnbuckle		1	
9	996 424 574 00	Nipple		1	
10	996 424 572 00	Bush		1	
11	900 076 025 02	Hexagon nut M 8		2	
11	900 076 064 02	Hexagon nut M 8		2	
12	999 084 630 09	Hexagon nut M 8		4	
13	996 424 141 10	Parking-brake cable		2	
14	996 424 721 02	Guide tube		2	

Model: 996 99

Model life 1999>>2005



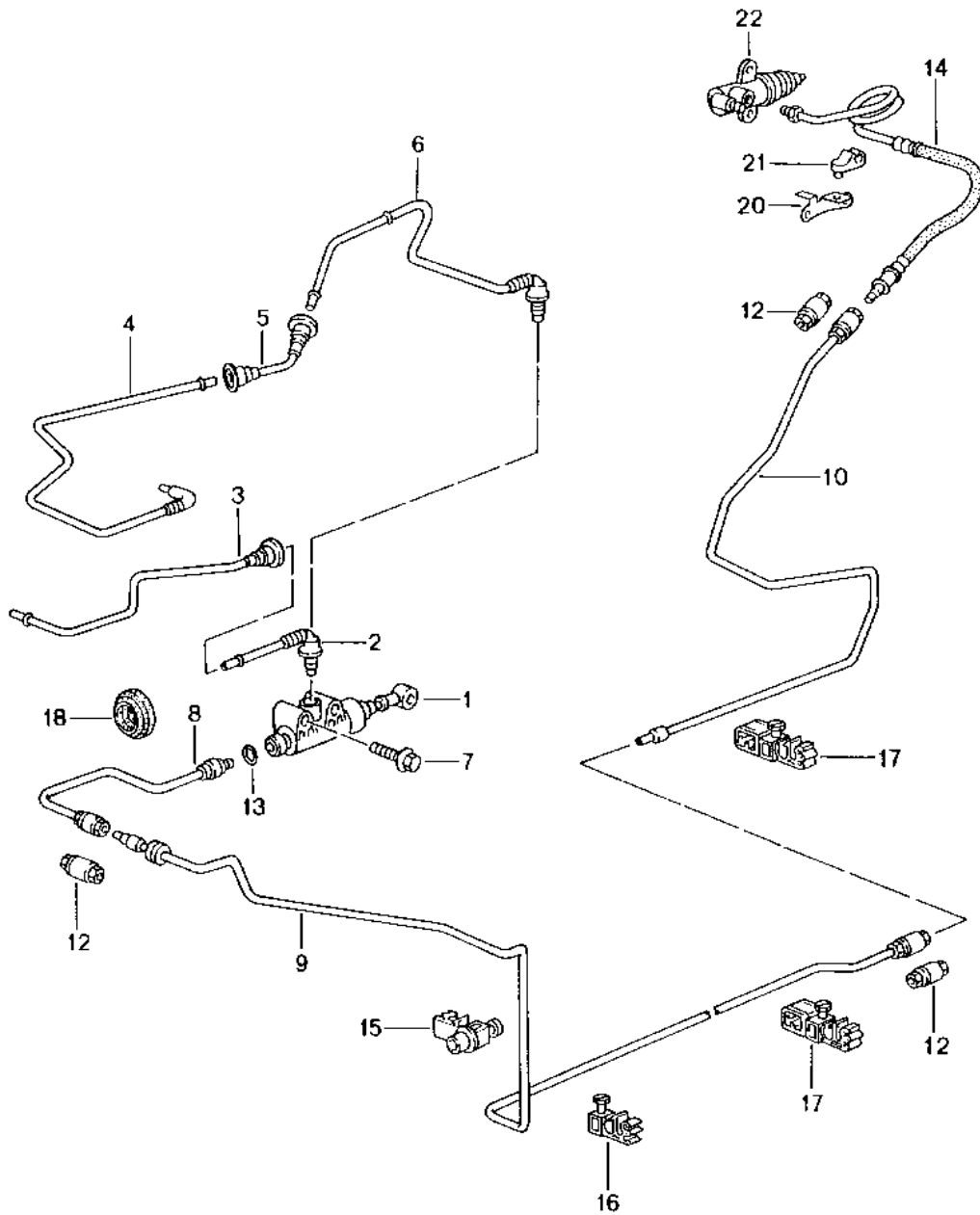
Model: 996 99 Model life 1999>>2005

Pos	Part Number	Description	Remark	Qty	Model
-	000 043 203 37	Pedals Grease OPTITEMP LG2		X	
-	000 043 209 03	Grease OPTITEMP LG2		X	
1		Bellows See illustrations 6/04/00		1	
2	996 423 165 04	Push rod F >>99YS6 90531 See technical information Group 4 NR.11/01		1	
(2)	996 423 165 05	Push rod F 99YS6 90532>>		1	
-	999 166 075 02	Safety clip Push rod Brake booster		1	
3	996 423 307 00	Sleeve		1	
4	900 380 005 09	Hexagon nut M 8		3 2	
5	999 507 601 01	Lock		1	
6	996 423 399 01	Bush		2	
7	996 423 139 10	Clutch pedal		1	
8	996 423 315 06	Bolt		1	
-	999 166 022 02	K1-lock		1	
9	996 423 081 12	Clutch power spring	-02	1	
(9)	996 423 081 16	Clutch power spring	04	1	
(9)	996 423 081 19	Clutch power spring	05	1	
-	996 423 571 02	Bracket for Clutch power spring		1	
10	996 423 091 03	Brake pedal	/LL	1	
(10)	996 423 092 03	Brake pedal	/RL	1	
-	999 522 033 00	Return spring Brake pedal		2	
-	996 423 101 00	Protective tube Return spring Brake pedal		1	
-	996 423 243 00	Bush Return spring		1	
12	996 423 308 00	Bolt		1	
13	996 423 581 00	Bush		2	
14	996 423 281 05	Axle	/LL	1	
(14)	996 423 284 05	Axle	/RL	1	
-	996 423 277 00	Bearing sleeve Brake pedal	/RL	1	
15	996 423 210 03	Pedal cap		2	
(16)	997 613 109 00	Switch	05-	1	
17	996 613 114 01	Switch Clutch pedal		1	
(17)		Switch Clutch pedal		1	M454
18	996 613 113 01	Switch		1	
20	996 423 399 01	Bush	/LL	2	
20	999 924 133 40	Bush	/RL	2	
21	996 423 275 04	Cap nut	-02	1	
(21)	996 423 275 05	Cap nut	04-	1	



Model: 996 99

Model life 1999>>2005



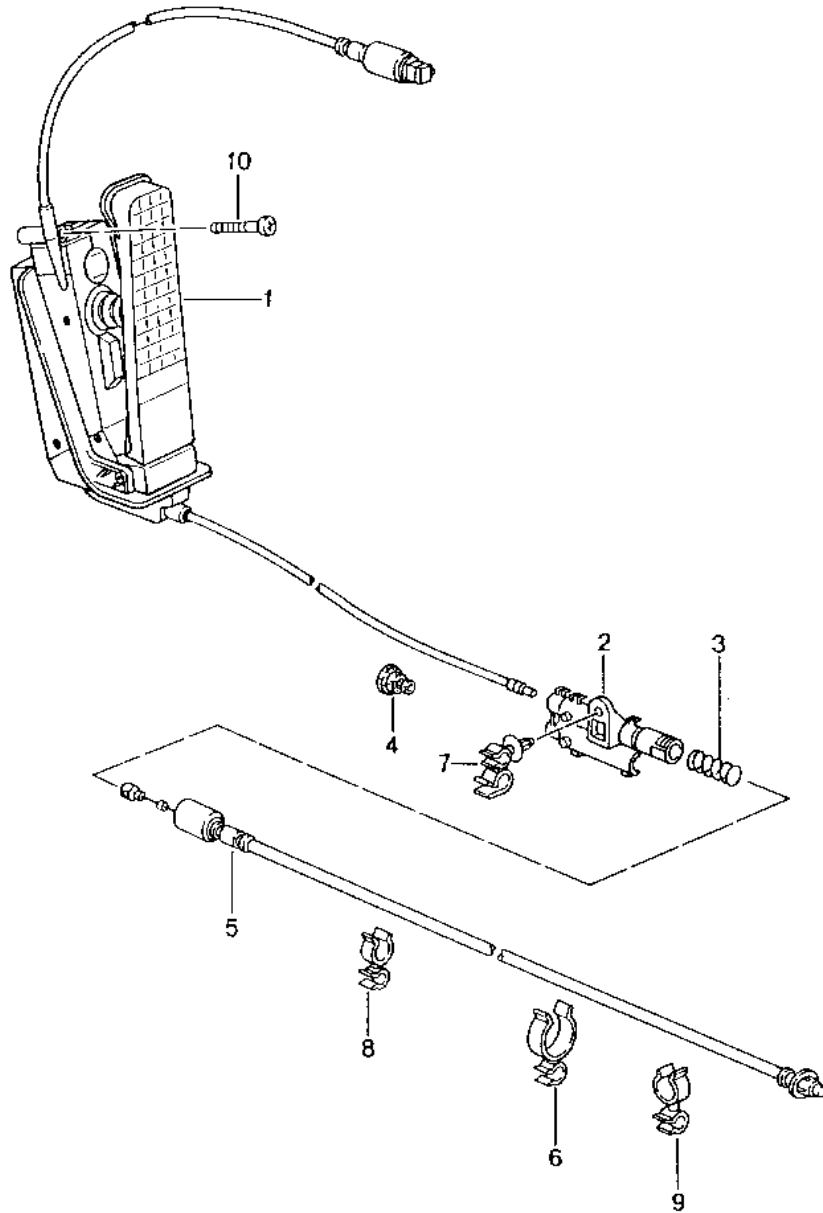
Model: 996 99

Model life 1999>>2005

Pos	Part Number	Description	Remark	Qty	Model
		clutch actuation			
		Clutch master cylinder			
		Clutch pipeline			
1	996 423 171 05	Clutch master cylinder	-02	1	
(1)	996 423 171 06	Clutch master cylinder	04-	1	
-	996 423 614 00	Circlip		1	
		Pressure line			
-	996 423 315 06	Bolt		1	
-	999 166 022 02	Kl-lock		1	
		for			
		Bolt			
2	996 423 147 00	Feed line	/LL -02	1	
(2)	996 423 147 01	Feed line	/LL 04-	1	
3	997 423 137 00	Feed line	/LL	1	
4	996 423 138 03	Line	/RL -02	1	
(4)	996 423 138 04	Feed line	/RL 04-	1	
5	996 423 140 02	Feed line	/RL	1	
6	996 423 142 01	Feed line	/RL -02	1	
(6)	996 423 142 02	Feed line	/RL 04-	1	
7	900 378 029 09	Hexagon-head bolt		2	
		M 6 X 40			
7	900 378 029 01	Hexagon-head bolt		2	
		M 6 X 40			
8	996 423 107 10	Clutch pipeline	/LL	1	
(8)	996 423 108 10	Clutch pipeline	/RL	1	
9	996 423 109 10	Clutch pipeline		1	
10	996 423 113 06	Clutch pipeline	-02	1	
(10)	997 423 113 00	Clutch pipeline		1	
		F 994S5 91630>>			
12	999 230 541 10	Threaded joint		X	
-	999 230 685 40	Circlip		X	
		for			
		Threaded joint			
13	999 707 333 40	Sealing ring		1	
14	996 423 377 90	Clutch hose		1	
15	996 355 549 00	Support		1	
16	996 355 545 00	Support		2	
17	996 355 543 00	Support		4	
18	999 702 216 42	Grommet		1	
20	996 423 677 00	Support		1	
-	999 507 586 40	Cable holder		1	
21		Cable holder		1	
22	996 116 237 90	Clutch operating cylinder		1	
-	900 075 222 09	Combination screw		2	
		M 8 X 30			

Model: 996 99

Model life 1999>>2005



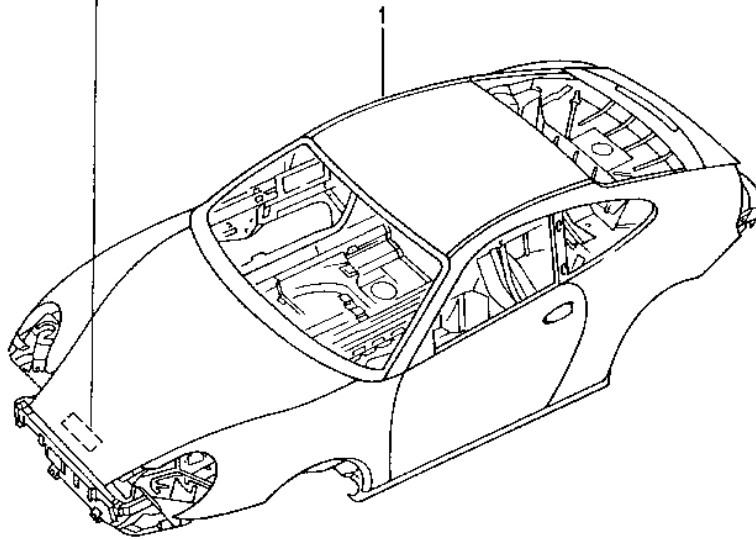
Model: 996 99 Model life 1999>>2005

Pos	Part Number	Description	Remark	Qty	Model
		Pedals			
		Accelerator control			
1	996 423 021 91	Accelerator control	/LL -02	1	
(1)	996 423 019 04	Accelerator control	/LL 04-	1	M620
(1)	996 423 022 91	Accelerator control	/RL -02	1	
(1)	996 423 020 02	Accelerator control	/RL 04-	1	M620
2	996 423 131 04	Housing		1	
3	996 423 133 00	Spring		1	
4	996 423 331 00	Grommet		1	
(4)	803 803 583 A	Stopper		1	
(4)	999 703 196 40	Lid		1	
5	996 423 229 91	Accelerator cable	/LL	1	
(5)	996 423 230 91	Accelerator cable	/RL	1	
6	999 507 617 40	Hose holder	/RL	1	
7	999 507 605 40	Hose holder	/LL	1	
8	999 507 604 40	Hose holder	/LL	1	
9	999 591 928 40	Hose holder	/LL	1	
		Fuel line			
10	900 146 157 09	Round head screw M 5 X 55		1	

Model: 996 99

Model life 1999>>2005

**B** — WP0ZZZ 99 z WS 602477  
**C** — 996 330  
M96.01 65W G9600  
**Z8V9 BL** — **A**  
**D** — C00 (139 155 176 243  
573 650 340 348 383  
**E** — 425 430 474 498 567  
650  
**F** — 00311 00321 00341  
04861 05981 08301



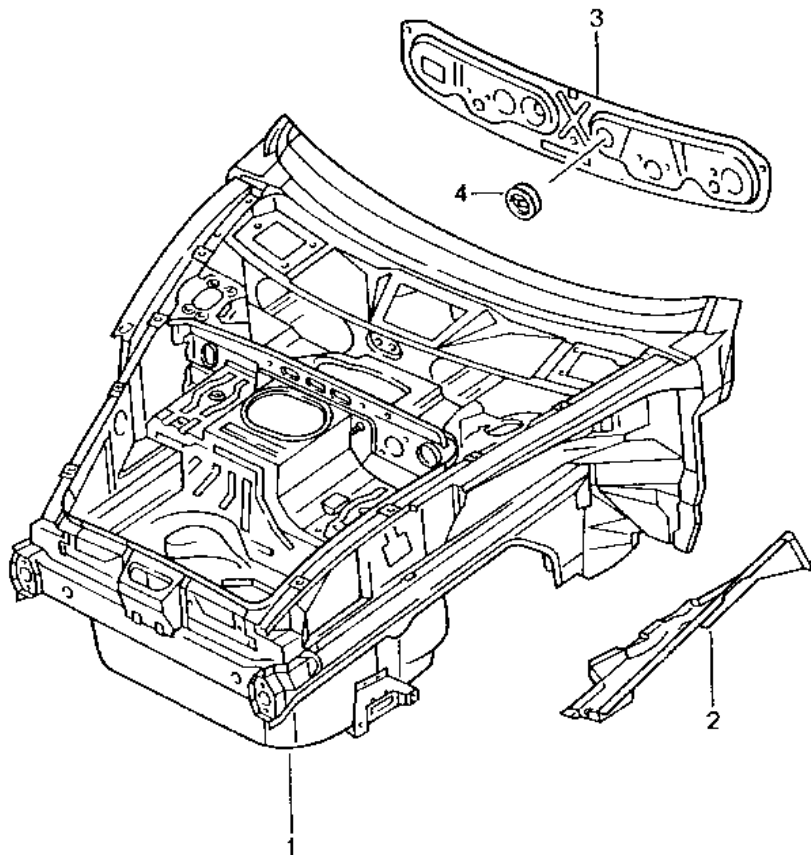
Model: 996 99

Model life 1999>>2005

Pos	Part Number	Description	Remark	Qty	Model
		Body in white Prime coated Sealed with Underbody protection with Doors/lids/wings BodysHELLS can only only available from current Model year available The data required for your order Can be found on the Vehicle data carrier Please indicate this data in your order Vehicle data carrier Vehicle Ident. No. Order type Country equipment Optional extras Additional applications			
A		Vehicle data carrier			
B		Vehicle Ident. No.			
C		Order type			
D		Country equipment			
E		Optional extras			
F		Additional applications			
1	996 500 900 00	Body in white		1	
	996 500 900 00 GRV	Prime coated			

Model: 996 99

Model life 1999>>2005



Model: 996 99

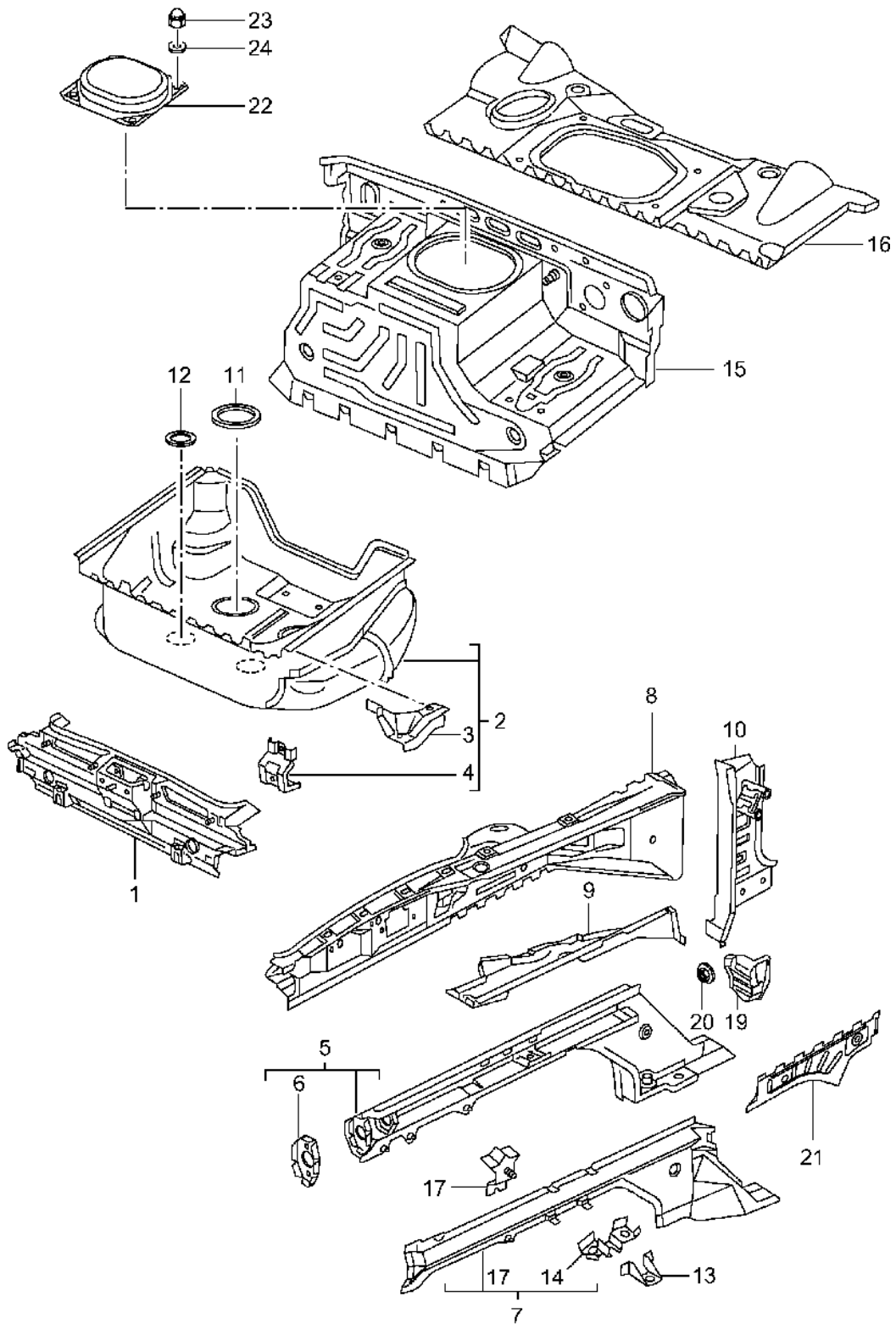
Model life 1999&gt;&gt;2005

Pos	Part Number	Description	Remark	Qty	Model
(1)	996 501 911 01	Body front section			
	996 501 911 01 GRV	Body front section Prime coated	/LL	1	
(1)	996 501 911 03	Body front section			
	996 501 911 03 GRV	Body front section Prime coated	/RL	1	
		Use also:			
2	996 501 443 00	Bottom half	/L	1	
	996 501 443 00 GRV	Bottom half Prime coated			
(2)	996 501 444 01	Side member	/R	1	
	996 501 444 01 GRV	Side member Prime coated			
3	996 504 121 00	Lid	/LL	1	
		F >>99YS6 90531			
(3)	996 504 121 02	Lid	/LL	1	
(3)	996 504 121 01	Lid	/RL	1	
		F >>99YS6 90531			
(3)	996 504 121 03	Lid	/RL	1	
4	999 702 255 40	Lid		1	
		61,5 X 72,6			



Model: 996 99

Model life 1999>>2005



Model: 996 99 Model life 1999>>2005

Pos	Part Number	Description	Remark	Qty	Model
		Body front section			
		Single parts			
1	996 501 231 00	Terminal piece		1	
	996 501 231 00 GRV	Prime coated			
(2)	996 501 979 01	Spare-wheel well		1	
	996 501 979 01 GRV	Prime coated			
-	996 501 473 00	Support	99	2	
	996 501 473 00 GRV	Prime coated for Control unit PSM			
3	996 501 649 00	Corner panel	/L	1	
	996 501 649 00 GRV	Prime coated			
(3)	996 501 650 00	Corner panel	/R	1	
	996 501 650 00 GRV	Prime coated			
4	996 501 621 00	Support		3	
	996 501 621 00 GRV	Prime coated			
5	996 501 305 04	Side member	/L -01	1	
	996 501 305 04 GRV	Prime coated			
5	996 501 305 05	Side member	/L 02-	1	
	996 501 305 05 GRV	Prime coated			
(5)	996 501 306 04	Side member	/R -01	1	
	996 501 306 04 GRV	Prime coated			
(5)	996 501 306 05	Side member	/R 02-	1	
	996 501 306 05 GRV	Prime coated			
6	996 501 377 01	Mounting		2	
	996 501 377 01 GRV	Prime coated			
7	996 501 915 00	Side member	/L	1	
	996 501 915 00 GRV	Prime coated			
(7)	996 501 916 00	Side member	/R	1	
	996 501 916 00 GRV	Prime coated			
8	996 501 935 00	Wheel housing	/L	1	
	996 501 935 00 GRV	Prime coated			
(8)	996 501 935 01	Wheel housing	/L 01-	1	
	996 501 935 01 GRV	Prime coated			
(8)	996 501 936 01	Wheel housing	/R -01	1	
	996 501 936 01 GRV	Prime coated			
(8)	996 501 936 02	Wheel housing	/R 02-	1	
	996 501 936 02 GRV	Prime coated			
(9)	996 501 443 01	Lower part	/L	1	
	996 501 443 01 GRV	Prime coated			
(9)	996 501 444 01	Side member	/R -00	1	
	996 501 444 01 GRV	Prime coated			
(9)	996 501 444 02	Lower part	/R 01-	1	
	996 501 444 02 GRV	Prime coated			
10	996 501 937 01	Hinge pillar	/L	1	
	996 501 937 01 GRV	Prime coated			
(10)	996 501 938 01	Hinge pillar	/R	1	
	996 501 938 01 GRV	Prime coated			
11	996 504 201 01	Lid		2	
		\$ 145 MM			
12	996 504 213 01	Lid		2	
		\$ 85 MM			
14	996 501 815 02	Support		2	
	996 501 815 02 GRV	Prime coated			
15	996 502 021 04	Bulkhead	/LL	1	
	996 502 021 04 GRV	Prime coated			
15	996 502 015 02	Bulkhead	/LL	1	
	996 502 015 02 GRV	Prime coated			
(15)	996 502 021 05	Bulkhead	/RL	1	
	996 502 021 05 GRV	Prime coated			
(15)	996 502 015 03	Bulkhead	/RL	1	
	996 502 015 03 GRV	Prime coated			

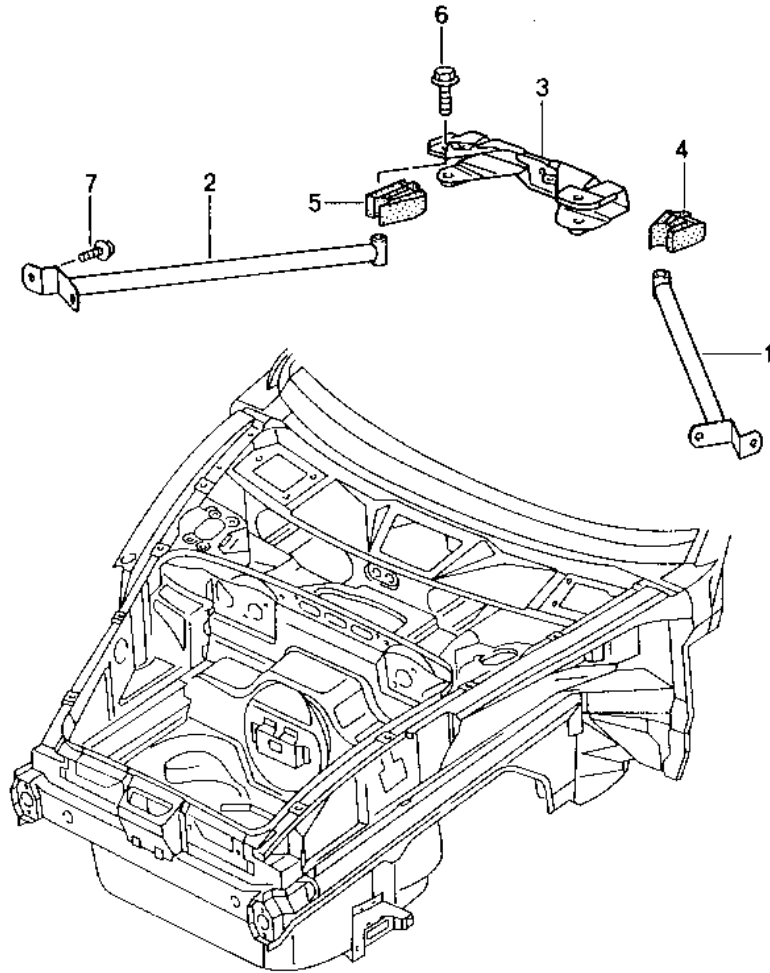
Model: 996 99

Model life 1999>>2005

Pos	Part Number	Description	Remark	Qty	Model
16	996 502 017 03	Cross panel		1	
	996 502 017 03 GRV	Prime coated			
17	996 501 341 00	Support		2	
	996 501 341 00 GRV	Prime coated			
19	996 504 461 00	Cover	/L	1	
(19)	996 504 462 00	Cover	/R	1	
20	999 084 629 09	Hexagon nut M 6		6	
20	999 084 629 01	Hexagon nut M 6		6	
21	996 501 665 00	Separator	/L	1	
	996 501 665 00 GRV	Prime coated			
(21)	996 501 665 01	Separator	/L 03-	1	
	996 501 665 01 GRV	Prime coated			
(21)	996 501 666 00	Separator	/R	1	
	996 501 666 00 GRV	Prime coated			
(21)	996 501 666 01	Separator	/R 03-	1	
	996 501 666 01 GRV	Prime coated			
22	996 504 471 00	Lid Bulkhead		1	
23	900 096 006 01	Cap nut M 6		4	
24	N 011 524 7	Washer A 6,4		4	
24	N 011 524 27	Washer A 6,4		4	

Model: 996 99

Model life 1999>>2005



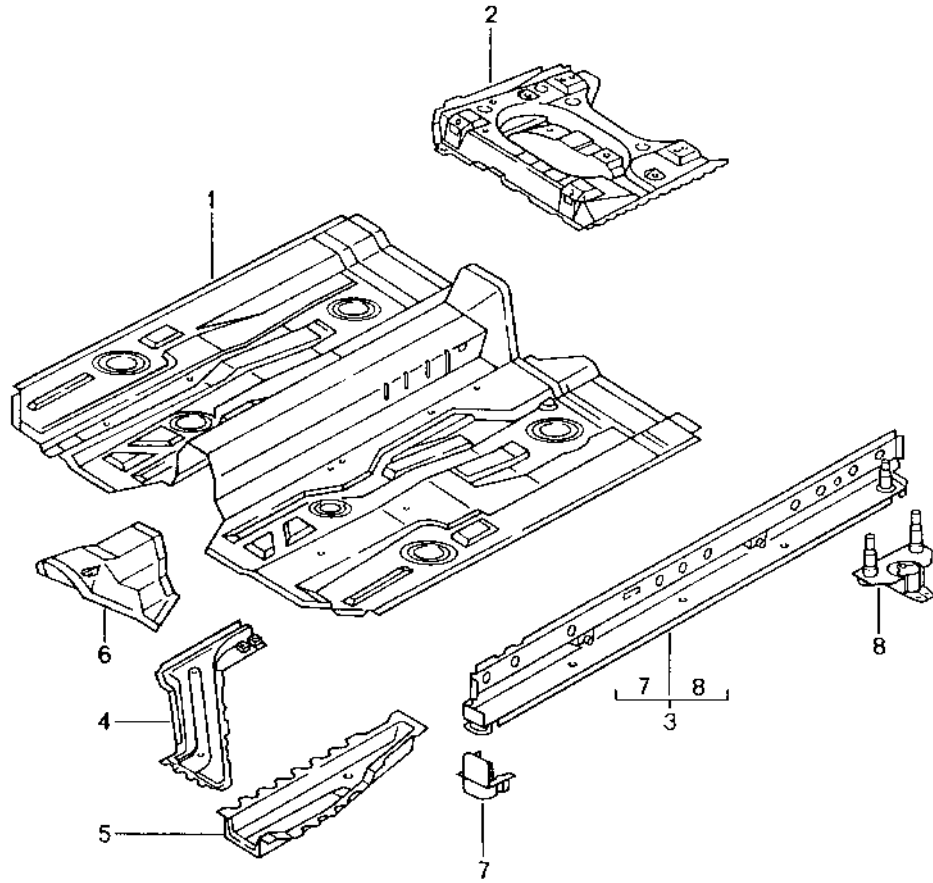
Model: 996 99

Model life 1999&gt;&gt;2005

Pos	Part Number	Description	Remark	Qty	Model
1	996 504 233 00	Dome strut			
1	996 504 233 01	Dome strut	/L -02	1	
2	996 504 234 00	Dome strut	/L 03-	1	
2	996 504 234 01	Dome strut	/R -02	1	
3	996 504 234 01	Dome strut	/R 03-	1	
3	996 504 359 00	Bracket		1	
4	996 504 633 00	Filler piece	/L	1	
5	996 504 634 00	Filler piece	/R	1	
6	900 378 100 09	Hexagon-head bolt AM 10 X 45		2	
7	900 075 010 09	Hexagon-head bolt M 6 X 12		4	

Model: 996 99

Model life 1999>>2005

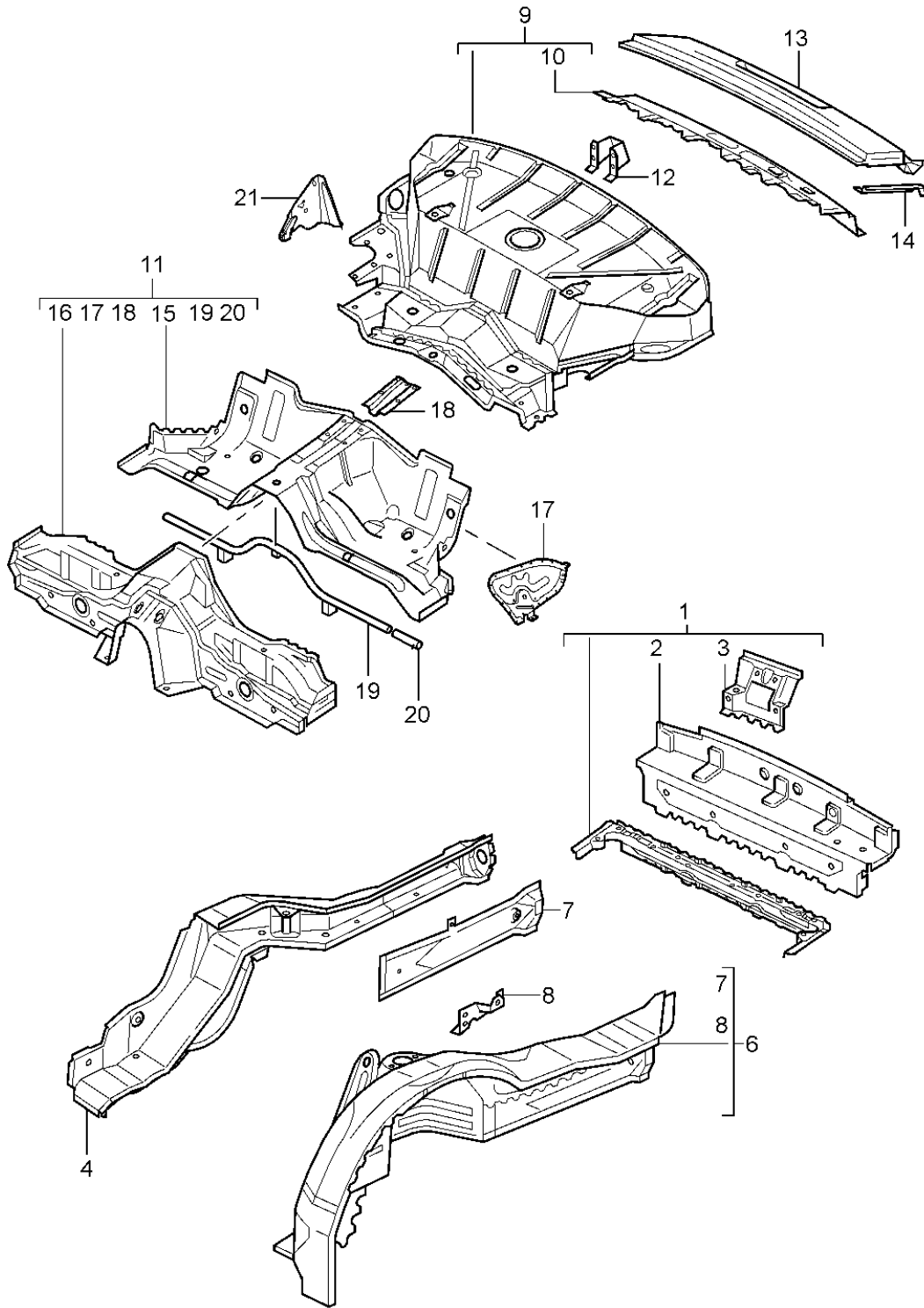


Model: 996 99 Model life 1999>>2005

Pos	Part Number	Description	Remark	Qty	Model
		Floor Centre			
1	996 501 551 00	Floor		1	
	996 501 551 00 GRV	Prime coated			
2	996 501 153 00	Seat support	/L	1	M002
	996 501 153 00 GRV	Prime coated			
(2)	996 501 154 00	Seat support	/R	1	M002
	996 501 154 00 GRV	Prime coated			
3	996 501 957 00	Side member	/L -01	1	
	996 501 957 00 GRV	Prime coated			
(3)	996 501 958 00	Side member	/R	1	
	996 501 958 00 GRV	Prime coated			
(3)	996 501 958 01	Side member	/R	1	
	996 501 958 01 GRV	Prime coated			
4	996 501 507 01	Reinforcement	/L	1	
	996 501 507 01 GRV	Prime coated			
4	996 501 507 02	Reinforcement	/L	1	
	996 501 507 02 GRV	Prime coated			
(4)	996 501 508 01	Reinforcement	/R	1	
	996 501 508 01 GRV	Prime coated			
(4)	996 501 508 02	Reinforcement	/R	1	
	996 501 508 02 GRV	Prime coated			
5	996 501 525 00	Side member	/L	1	
	996 501 525 00 GRV	Prime coated			
(5)	996 501 526 00	Side member	/R	1	
	996 501 526 00 GRV	Prime coated			
6	996 501 751 00	Extension		1	
	996 501 751 00 GRV	Prime coated			
7	996 501 785 00	Jacking point	/L /V	1	
	996 501 785 00 GRV	Prime coated			
(7)	996 501 786 00	Jacking point	/R /V	1	
	996 501 786 00 GRV	Prime coated			
8	996 501 481 01	Jacking point	/L /H	1	
	996 501 481 01 GRV	Prime coated			
(8)	996 501 482 01	Jacking point	/R /H	1	
	996 501 482 01 GRV	Prime coated			
9	996 501 409 01	Reinforcement		1	
	996 501 409 01 GRV	Prime coated			
		Tunnel			
10	996 501 719 00	Filler plate		1	
	996 501 719 00 GRV	Prime coated			
		Reinforcement			
-	996 504 201 01	Lid \$ 145 MM		X	
-	996 504 205 01	Lid \$ 130 MM		X	
-	996 504 207 01	Lid \$ 100 MM		X	

Model: 996 99

Model life 1999>>2005





Model: 996 99 Model life 1999>>2005

Pos	Part Number	Description	Remark	Qty	Model
1	996 501 173 90	Rear end Terminal piece		1	
	996 501 173 90 GRV	Prime coated			
(2)	996 501 273 01	End plate		1	
	996 501 273 01 GRV	Prime coated			
		See TPI			
		Group 8			
		Nr.51			
(2)	996 501 273 02	End plate		1	
	996 501 273 02 GRV	Prime coated			
		See TPI			
		Group 8			
		Nr.51			
3	996 501 247 01	Lock carrier		1	
	996 501 247 01 GRV	Prime coated			
4	996 501 977 00	Side member	/L	1	
	996 501 977 00 GRV	Prime coated			
(4)	996 501 978 00	Side member	/R	1	
	996 501 978 00 GRV	Prime coated			
6	996 501 943 00	Wheel housing	/L	1	
	996 501 943 00 GRV	Prime coated			
(6)	996 501 944 00	Wheel housing	/R	1	
	996 501 944 00 GRV	Prime coated			
7	996 501 595 00	Side member	/L	1	
	996 501 595 00 GRV	Prime coated			
(7)	996 501 595 01	Side member		1	
	996 501 595 01 GRV	Prime coated			
(7)	996 501 596 00	Side member	/R	1	
	996 501 596 00 GRV	Prime coated			
(7)	996 501 596 01	Side member		1	
	996 501 596 01 GRV	Prime coated			
9	996 502 191 91	Rear wall		1	
	996 502 191 91 GRV	Prime coated			
10	996 502 673 00	Cross member		1	
	996 502 673 00 GRV	Prime coated			
11	996 501 949 00	Seat well	-01	1	
	996 501 949 00 GRV	Prime coated			
11	996 501 049 03	Seat well	02-	1	
	996 501 049 03 GRV	Prime coated			
13	996 503 211 00	Rear centre panel		1	M426
	996 503 211 00 GRV	Prime coated			
(13)	996 503 211 01	Rear centre panel		1	M425
	996 503 211 01 GRV	Prime coated			
14	996 545 549 00	Piping	/L	1	
(14)	996 545 550 00	Piping	/R	1	
15	996 501 549 03	Seat well		1	
	996 501 549 03 GRV	Prime coated			
16	996 501 155 02	Cross member		1	
	996 501 155 02 GRV	Prime coated			
17	996 501 461 02	Reinforcement	/L	1	
	996 501 461 02 GRV	Prime coated			
(17)	996 501 462 02	Reinforcement		1	
	996 501 462 02 GRV	Prime coated			
18	996 501 659 01	Bracket		1	
	996 501 659 01 GRV	Prime coated			
19	996 501 411 00	Pipe		1	
	996 501 411 00 GRV	Prime coated			
20	996 501 415 00	Sleeve		2	
	996 501 415 00 GRV	Prime coated			
(21)	996 504 797 00	Bracket	/L	1	
	996 504 797 00 GRV	Prime coated			
		Belt			
21	996 504 798 00	Bracket	/R	1	

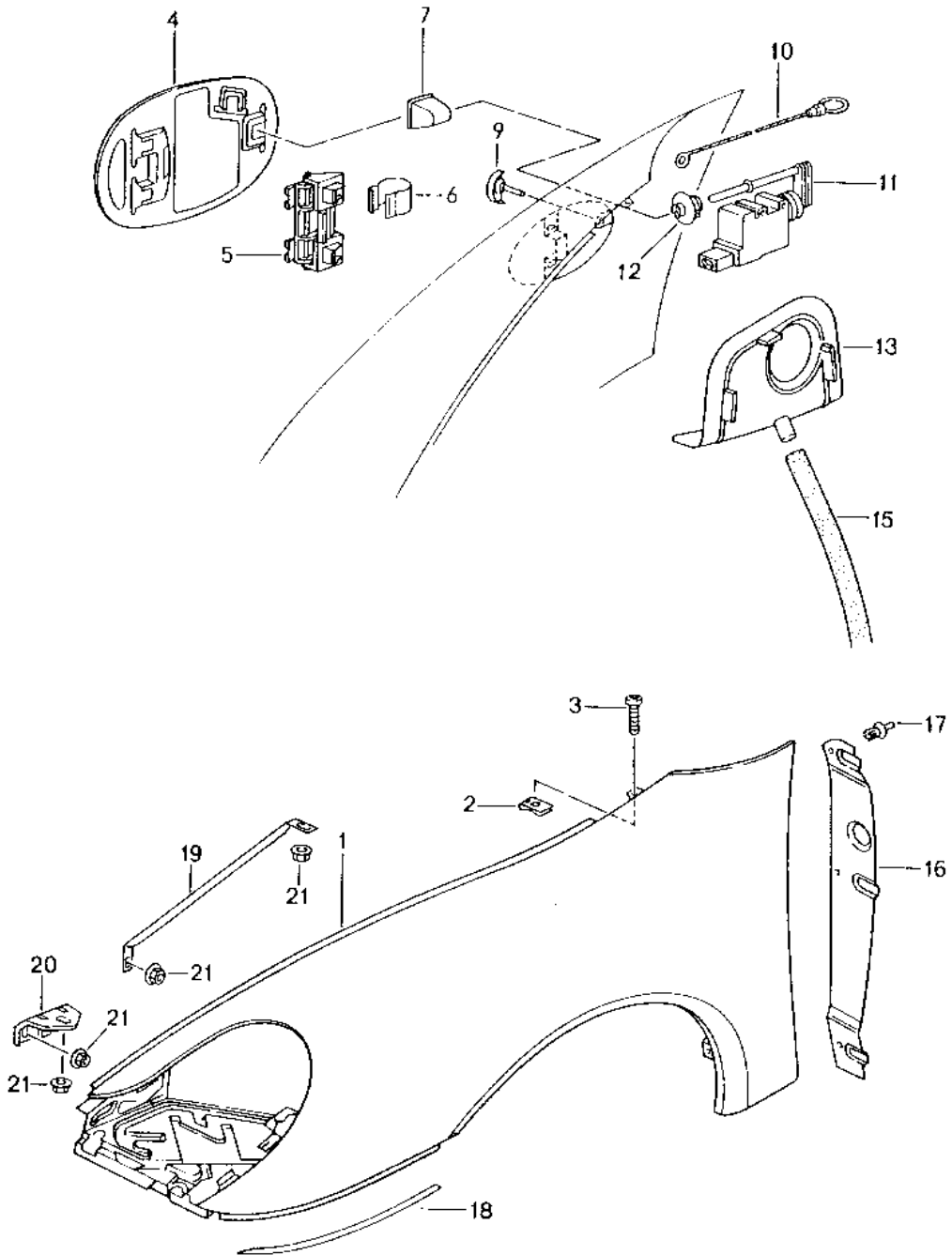
Model: 996 99

Model life 1999>>2005

Pos	Part Number	Description	Remark	Qty	Model
	996 504 798 00 GRV	Prime coated Belt			
22	996 502 653 01	Connecting piece	/L	1	
	996 502 653 01 GRV	Prime coated			
(22)	996 502 654 01	Connecting piece	/R	1	
	996 502 654 01 GRV	Prime coated			

Model: 996 99

Model life 1999>>2005

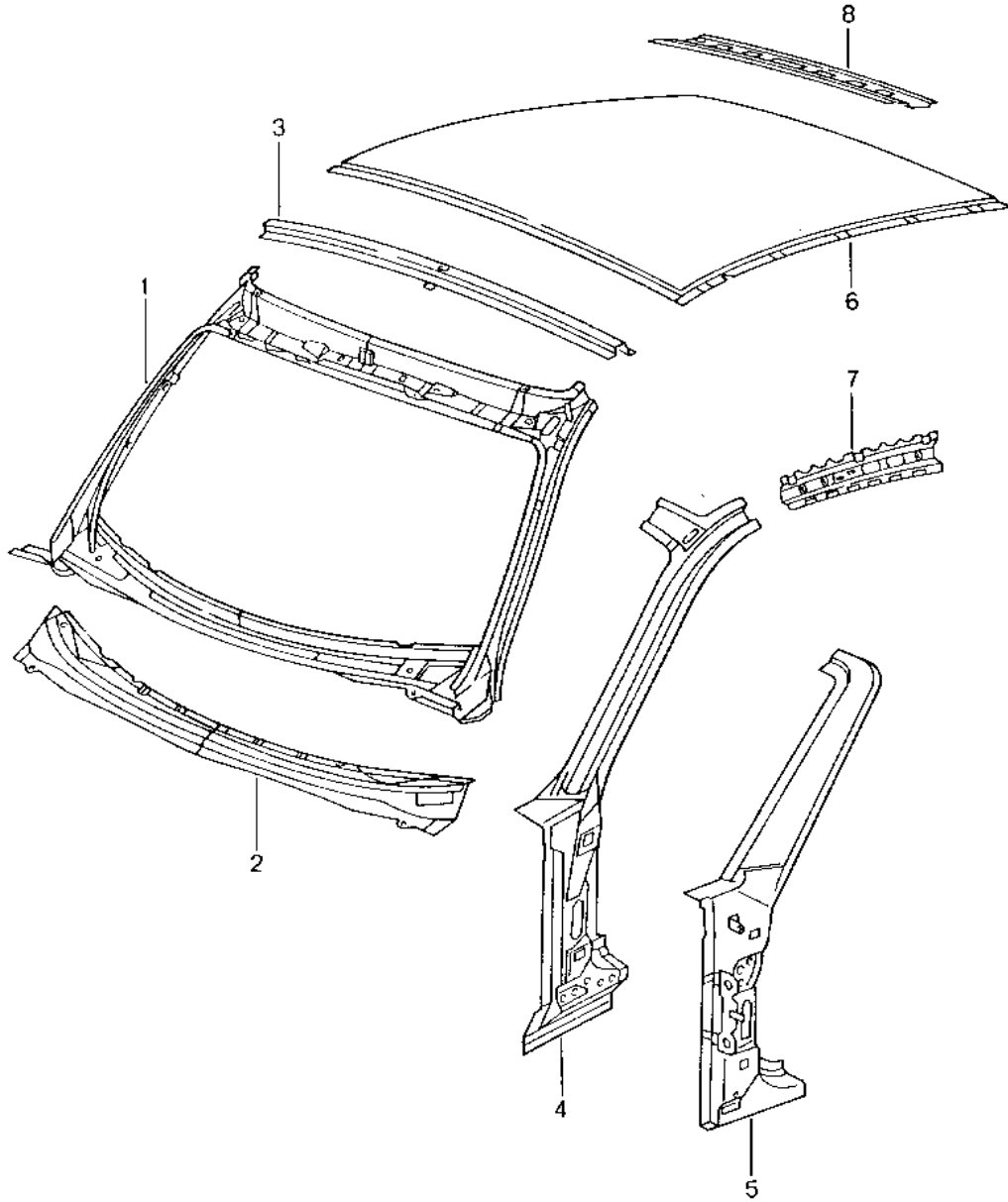


Model: 996 99 Model life 1999>>2005

Pos	Part Number	Description	Remark	Qty	Model
1	996 503 031 01	Wing		1	
	996 503 031 01 GRV	Wing	/L -02	1	
(1)	996 503 032 03	Prime coated		1	
	996 503 032 03 GRV	Wing	/R -02	1	
(1)	996 503 031 03	Prime coated		1	
	996 503 031 03 GRV	Wing	/L 03-	1	
(1)	996 503 032 05	Prime coated		1	
	996 503 032 05 GRV	Wing	/R 03-	1	
2	999 507 003 02	Speed nut		22	
		ST 6,3			
2	999 507 003 01	Speed nut		22	
		ST 6,3			
3	999 073 128 02	Tapping screw		22	
		ST 6,3 X 14			
4	996 504 133 00	Fuel filler flap		1	
	996 504 133 00 GRV	Prime coated			
4	996 504 133 02	Fuel filler flap		1	
	996 504 133 02 GRV	Prime coated			
5	996 201 063 00	Hinge		1	
6	996 201 413 01	Spring		1	
7	996 201 423 00	Cap		1	
9	996 201 513 00	Rubber stop		1	
10	996 201 493 00	Emergency operation		1	
11	996 624 113 00	Actuator		1	
12	996 624 505 02	Guide rose		1	
13	996 201 667 01	Sleeve		1	
15	996 201 153 00	Hose		1	
16	996 504 641 01	Cover	/L	1	
	996 504 641 01 01C	Black			
(16)	996 504 642 01	Cover	/R	1	
	996 504 642 01 01C	Black			
17	999 591 712 40	Expansion rivet		6	
		A 6,0 X 12,0			
18	996 504 531 00	Protective film	/L	1	
(18)	996 504 532 00	Protective film	/R	1	
19	996 504 441 00	Strut		2	
	996 504 441 00 GRV	Prime coated			
20	996 504 555 00	Bracket		2	
	996 504 555 00 GRV	Prime coated			
21	900 377 010 09	Hexagon nut		X	
		M 6			

Model: 996 99

Model life 1999>>2005

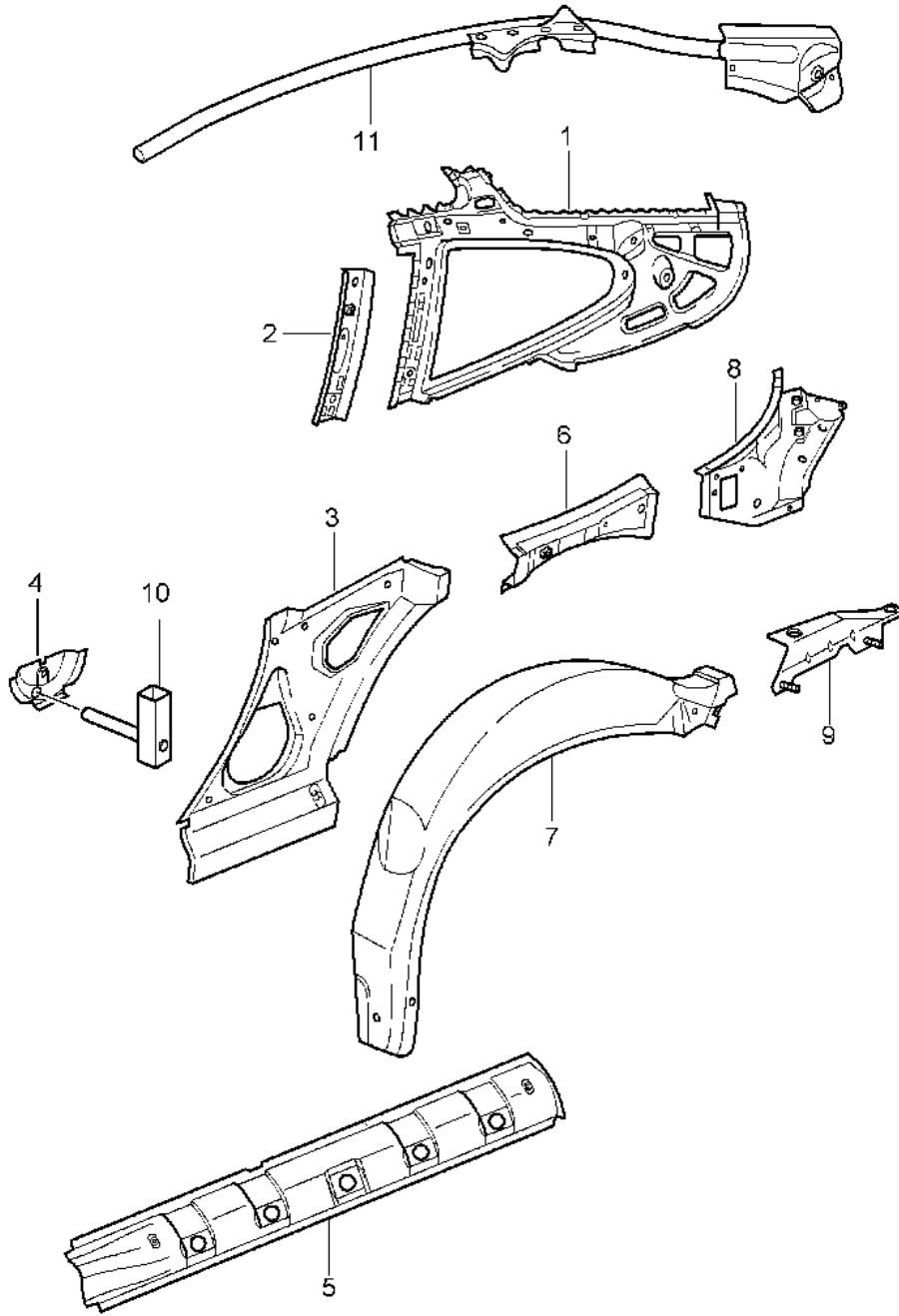


Model: 996 99 Model life 1999>>2005

Pos	Part Number	Description	Remark	Qty	Model
1	996 502 137 05 996 502 137 05 GRV	Cowl Cowl Prime coated Inner See group 8/07/09 Sun visor		1	
1	996 502 137 08 996 502 137 08 GRV	Cowl Prime coated Inner See group 8/07/09 Sun visor		1	
2	996 502 527 01 996 502 527 01 GRV	Cowl Prime coated Outer		1	
4	996 502 135 02 996 502 135 02 GRV	Reinforcement Prime coated Inner	/L	1	aufb
(4)	996 502 136 02 996 502 136 02 GRV	Reinforcement Prime coated Inner	/R	1	aufb
(6)	996 503 501 00 996 503 501 00 GRV	Outer roof panel Prime coated		1	
7	996 502 305 00 996 502 305 00 GRV	Roof frame Prime coated	/L	1	
(7)	996 502 306 00 996 502 306 00 GRV	Roof frame Prime coated	/R	1	
(7)	996 502 306 03 996 502 306 03 GRV	Roof frame Prime coated	/R	1	
8	996 502 505 00 996 502 505 00 GRV	Roof frame Prime coated		1	
8	996 502 505 01 996 502 505 01 GRV	Roof frame Prime coated		1	

Model: 996 99

Model life 1999>>2005



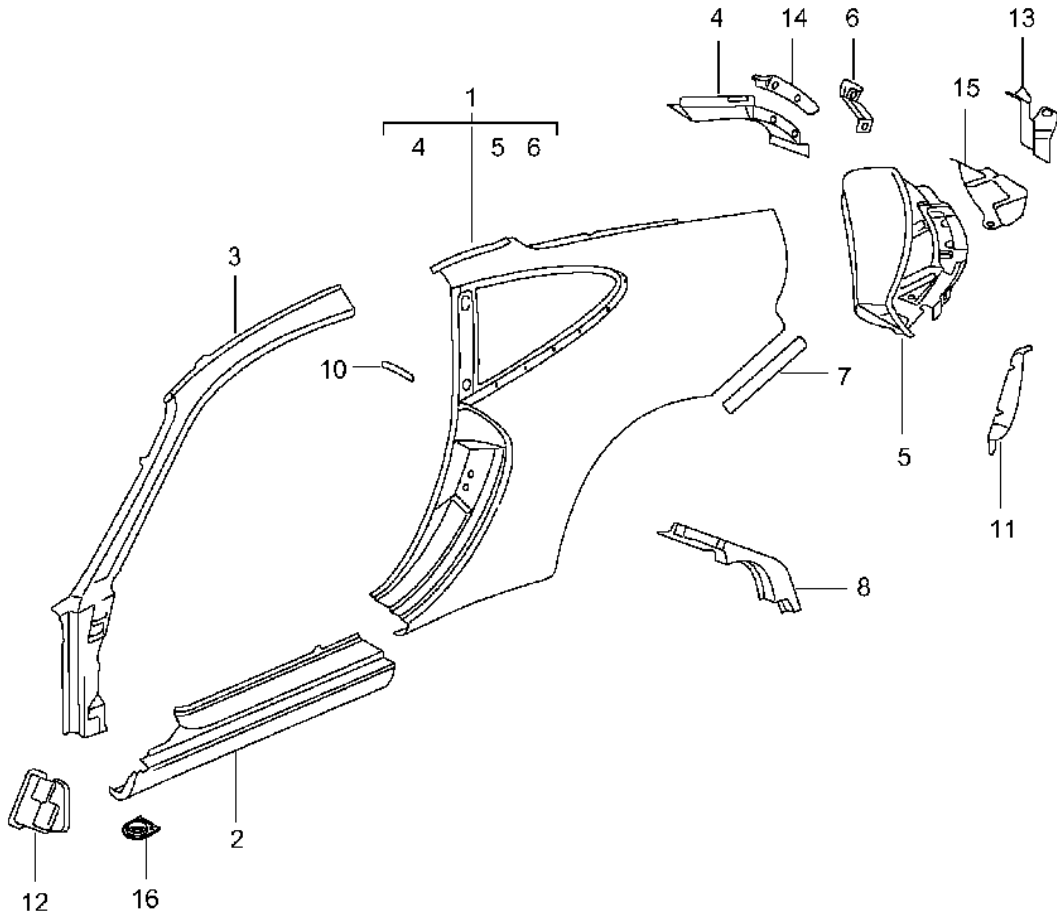
Model: 996 99 Model life 1999>>2005

Pos	Part Number	Description	Remark	Qty	Model
		Side section Inner			
1	996 502 043 02	Side section	/L	1	
	996 502 043 02 GRV	Prime coated			
(1)	996 502 044 02	Side section	/R	1	
	996 502 044 02 GRV	Prime coated			
2	996 502 423 01	Reinforcement	/L	1	
	996 502 423 01 GRV	Prime coated			
2	996 502 423 02	Reinforcement	/L	1	
	996 502 423 02 GRV	Prime coated			
(2)	996 502 424 01	Reinforcement	/R	1	
	996 502 424 01 GRV	Prime coated			
(2)	996 502 424 02	Reinforcement	/R	1	
	996 502 424 02 GRV	Prime coated			
3	996 502 083 00	Side section	/L	1	
	996 502 083 00 GRV	Prime coated			
3	996 502 083 02	Side section	/L	1	
	996 502 083 02 GRV	Prime coated			
(3)	996 502 084 00	Side section	/R	1	
	996 502 084 00 GRV	Prime coated			
(3)	996 502 084 02	Side section	/R	1	
	996 502 084 02 GRV	Prime coated			
4	996 502 383 00	Bracket		2	
	996 502 383 00 GRV	Prime coated			
5	996 502 733 00	Reinforcement	/L	1	
	996 502 733 00 GRV	Prime coated			
5	996 502 733 01	Reinforcement	/L	1	
	996 502 733 01 GRV	Prime coated			
(5)	996 502 734 00	Reinforcement	/R	1	
	996 502 734 00 GRV	Prime coated			
(5)	996 502 734 01	Reinforcement	/R	1	
	996 502 734 01 GRV	Prime coated			
-	999 703 433 40	Stopper 30 X 42 for POS. 5		10	
6	996 502 115 00	Side section	/L	1	
	996 502 115 00 GRV	Prime coated			
(6)	996 502 116 00	Side section	/R	1	
	996 502 116 00 GRV	Prime coated			
7	996 502 515 00	Wheel housing	/L	1	
	996 502 515 00 GRV	Prime coated			
(7)	996 502 516 00	Wheel housing		1	
	996 502 516 00 GRV	Prime coated			
8	996 502 161 01	Side section	/L	1	
	996 502 161 01 GRV	Prime coated			
(8)	996 502 162 01	Side section	/R	1	
	996 502 162 01 GRV	Prime coated			
9	996 502 219 01	Closing element	/L	1	
	996 502 219 01 GRV	Prime coated			
(9)	996 502 220 01	Closing element	/R	1	
	996 502 220 01 GRV	Prime coated			
10	996 502 617 00	Pipe	02-	2	
	996 502 617 00 GRV	Prime coated See technical manual			
11	996 502 619 00	Pipe	/L 02-	1	
	996 502 619 00 GRV	Prime coated			
11	997 502 619 00	Pipe	/L 02-	1	
	997 502 619 00 GRV	Prime coated			
(11)	996 502 620 00	Pipe	/R 02-	1	
	996 502 620 00 GRV	Prime coated			
(11)	997 502 620 00	Pipe	/R 02-	1	
	997 502 620 00 GRV	Prime coated			



Model: 996 99

Model life 1999>>2005



Model: 996 99 Model life 1999>>2005

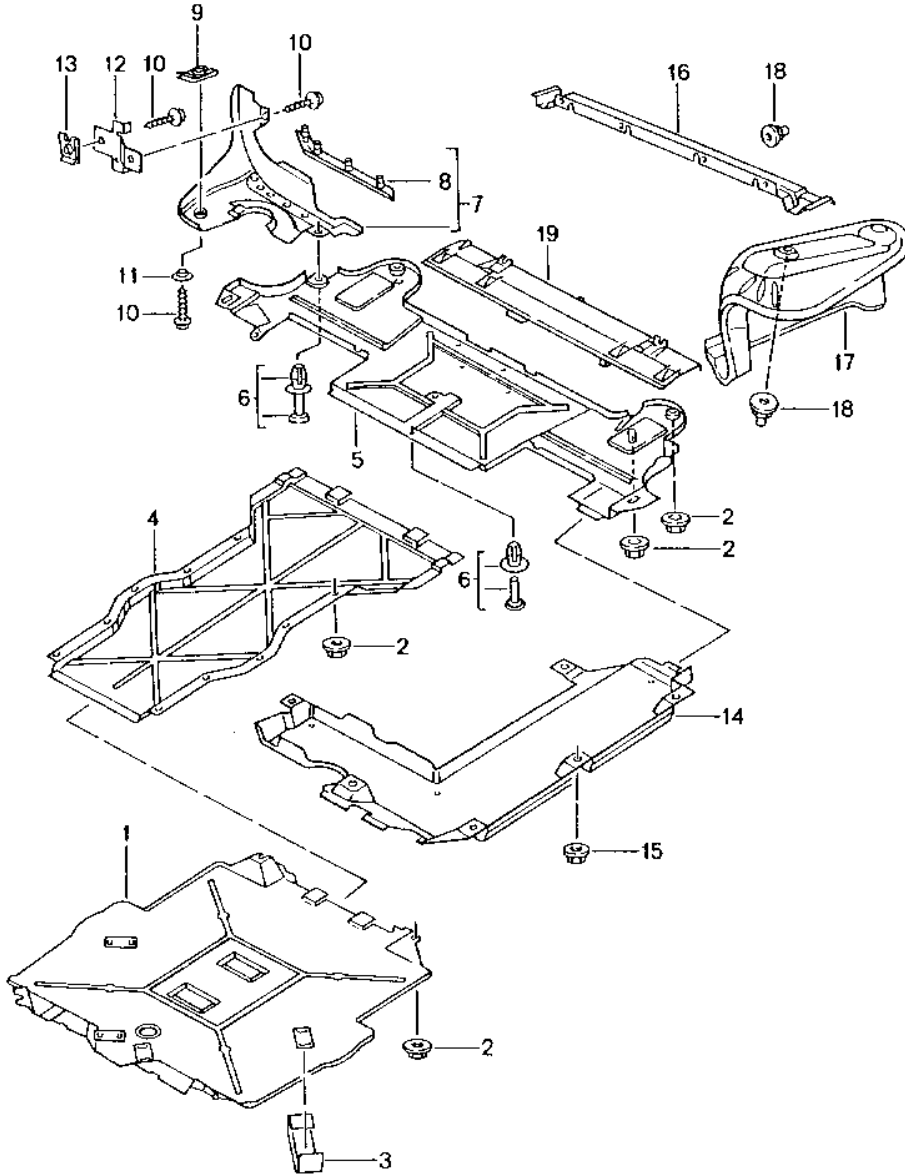
Pos	Part Number	Description	Remark	Qty	Model
		Side section Outer			
1	996 503 961 00	Side section	/L	1	
	996 503 961 00 GRV	Prime coated			
(1)	996 503 962 00	Side section	/R	1	
	996 503 962 00 GRV	Prime coated			
(1)	996 503 961 05	Side section	/L	1	
	996 503 961 05 GRV	Prime coated			
(1)	996 503 962 05	Side section	/R	1	
	996 503 962 05 GRV	Prime coated			
-	999 915 650 40	Use also: Adhesive		X	
		TEROMIX 6700			
-	000 043 300 48	Tool		X	
		See technical manual			
		Group 5			
		53 55 55			
2	996 503 963 00	Door sill	/L	1	
	996 503 963 00 GRV	Prime coated			
(2)	996 503 964 00	Door sill	/R	1	
	996 503 964 00 GRV	Prime coated			
3	996 503 965 00	Roof frame	/L	1	
	996 503 965 00 GRV	Prime coated			
(3)	996 503 966 00	Roof frame	/R	1	
	996 503 966 00 GRV	Prime coated			
(3)	996 503 965 02	Roof frame	/L	1	
	996 503 965 02 GRV	Prime coated			
(3)	996 503 966 02	Roof frame	/R	1	
	996 503 966 02 GRV	Prime coated			
4	996 502 665 00	Sealing channel	/L	1	
	996 502 665 00 GRV	Prime coated			
(4)	996 502 666 00	Sealing channel	/R	1	
	996 502 666 00 GRV	Prime coated			
5	996 502 461 02	Frame for light	/L	1	
	996 502 461 02 GRV	Prime coated			
(5)	996 502 461 04	Frame for light	/L	1	
	996 502 461 04 GRV	Prime coated			
(5)	996 502 462 00	Frame for light	/R	1	
	996 502 462 00 GRV	Prime coated			
(5)	996 502 462 03	Frame for light	/R	1	
	996 502 462 03 GRV	Prime coated			
6	996 502 213 00	Bracket	/L	1	
	996 502 213 00 GRV	Prime coated			
(6)	996 502 213 03	Bracket	/L	1	
	996 502 213 03 GRV	Prime coated			
(6)	996 502 214 00	Bracket	/R	1	
	996 502 214 00 GRV	Prime coated			
(6)	996 502 214 03	Bracket	/R	1	
	996 502 214 03 GRV	Prime coated			
7	996 504 631 00	Protective film	/L	1	
(7)	996 504 632 00	Protective film	/R	1	
(8)	996 504 907 00	Gasket	/L	1	
(8)	996 504 908 00	Gasket	/R	1	
		See workshop manual			
10	996 537 237 00	Protective film		2	
11	996 501 855 00	Angular plate	/L -00	1	
	996 501 855 00 GRV	Prime coated			
(11)	996 501 855 02	Angular plate	/L -00	1	
	996 501 855 02 GRV	Prime coated			
(11)	996 501 855 03	Angular plate	/L 01-	1	
	996 501 855 03 GRV	Prime coated			
(11)	996 501 856 00	Angular plate	/R -00	1	
	996 501 856 00 GRV	Prime coated			

Model: 996 99 Model life 1999>>2005

Pos	Part Number	Description	Remark	Qty	Model
(11)	996 501 856 02	Angular plate	/R -00	1	
	996 501 856 02 GRV	Prime coated			
(11)	996 501 856 03	Angular plate	/R 01-	1	
	996 501 856 03 GRV	Prime coated			
12	996 572 311 00	Water protection	/L	1	
(12)	996 572 312 00	Water protection	/R	1	
13	996 501 503 90	Reinforcement	/L	1	
	996 501 503 90 GRV	Prime coated			
(13)	996 501 504 90	Reinforcement	/R	1	
	996 501 504 90 GRV	Prime coated			
14	996 502 813 90	Reinforcement	/L	1	
	996 502 813 90 GRV	Prime coated			
(14)	996 502 814 90	Reinforcement	/R	1	
	996 502 814 90 GRV	Prime coated			
15	996 502 815 90	Reinforcement	/L	1	
	996 502 815 90 GRV	Prime coated			
(15)	996 502 816 90	Reinforcement	/R	1	
	996 502 816 90 GRV	Prime coated			
16	999 703 475 40	Water drain sleeve		2	
		Door sill			
-	996 501 365 90	Reinforcement	/L	1	
	996 501 365 90 GRV	Prime coated			
-	996 501 366 90	Reinforcement	/R	1	
	996 501 366 90 GRV	Prime coated			
-	996 501 367 90	Reinforcement	/L	1	
	996 501 367 90 GRV	Prime coated			
-	996 501 368 90	Reinforcement	/R	1	
	996 501 368 90 GRV	Prime coated			

Model: 996 99

Model life 1999>>2005

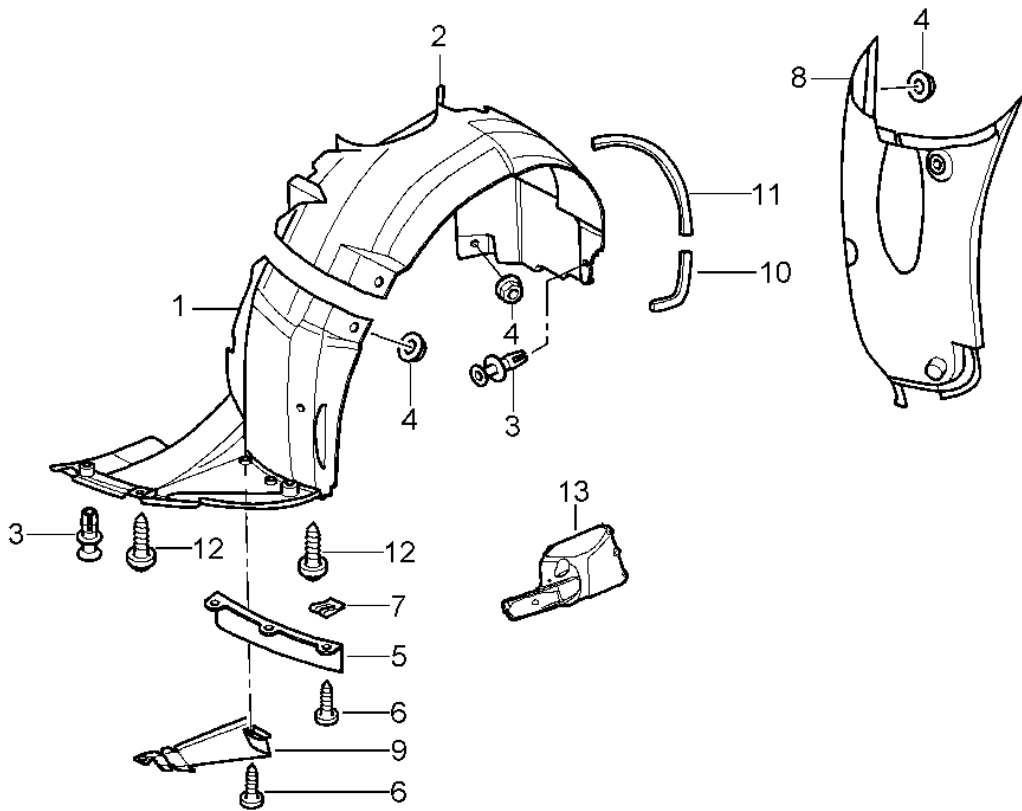


Model: 996 99 Model life 1999>>2005

Pos	Part Number	Description	Remark	Qty	Model
		Linings for Underbody			
1	996 504 527 02	Cover		1	
2	999 049 022 40	Plastic nut T 5		21	
3	999 507 657 09	Clamp		6	
4	996 504 043 02	Cover Centre		1	
5	996 504 129 01	Cover Rear		1	
6	999 507 497 40	Expansion rivet 8,0 X 14,0		4	
7	996 504 393 01	Cover	/L	1	
	996 504 393 01 01C	Satin black			
(7)	996 504 394 01	Cover	/R	1	
	996 504 394 01 01C	Satin black			
8	996 504 893 00	Rubber lip	/L	1	
(8)	996 504 894 00	Rubber lip	/R	1	
9	999 507 348 01	Speed nut ST 4,8		4	
10	999 073 061 02	Tapping screw ST 4,8 X 16		8	
11	944 503 255 00	Spacer		4	
12	996 504 593 00	Support		2	
13	999 507 462 02	Speed nut ST 4,8		4	
13	999 507 462 09	Speed nut ST 4,8		4	
14	996 504 561 00	Cover		1	
15	999 049 022 40	Plastic nut T5		6	
16	996 505 471 00	Heat protection Centre		1	
17	996 505 477 00	Heat protection	/L	1	
(17)	996 505 478 00	Heat protection	/R	1	
18	999 049 017 09	Hexagon nut		12	
18	999 049 025 09	Collar nut T 5		12	
19	996 504 529 01	Air guide for Transmission		1	

Model: 996 99

Model life 1999>>2005

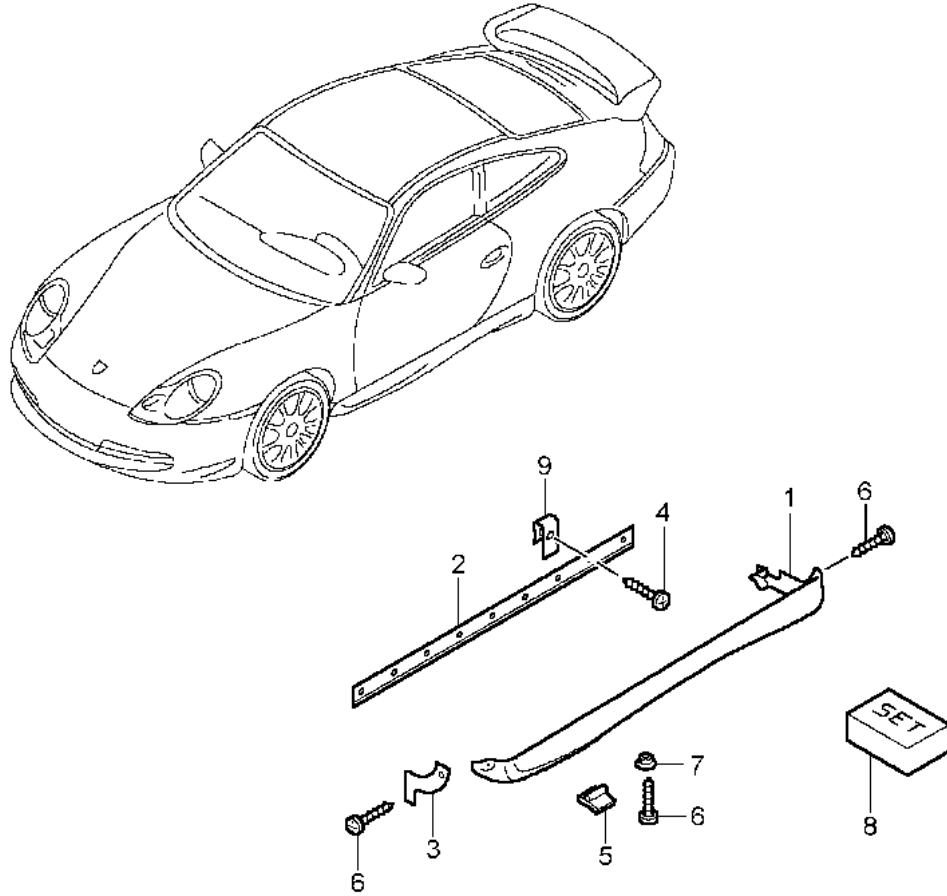


Model: 996 99 Model life 1999>>2005

Pos	Part Number	Description	Remark	Qty	Model
(1)	996 504 123 01	Linings for Wheel housing Wheel-housing liner Front Left	/L /V -02	1	
(1)	996 504 124 01	Front part Wheel-housing liner Front Right	/R /V -02	1	
(1)	996 504 123 91	Front part Wheel-housing liner Front Left	/L /V 03-	1	
(1)	996 504 124 91	Front part Wheel-housing liner Front Right	/R /V 03-	1	
2	996 504 103 00	Front part Wheel-housing liner Front Left	/L /H	1	
2	996 504 104 00	Rear Wheel-housing liner Front Right	/R /H	1	
3	999 507 497 40	Rear Expansion rivet 8,0 X 14,0		13	
4	999 049 022 40	Plastic nut T5		10	
5	996 504 503 00	Rubber lip	/L	1	
(5)	996 504 504 00	Rubber lip	/R	1	
6	999 073 061 02	Tapping screw ST 4,8 X 16		6	
7	999 591 699 02	Speed nut ST 4,8		12	
7	999 591 699 01	Speed nut ST 4,8		12	
8	996 504 573 00	Wheel-housing liner	/L	1	
(8)	996 504 573 02	Wheel-housing liner	/L	1	
(8)	996 504 574 00	Wheel-housing liner	/R	1	
(8)	996 504 574 02	Wheel-housing liner	/R	1	
9	996 504 603 00	Air guide	/L	1	
(9)	996 504 604 00	Air guide	/R	1	
10	999 911 663 40	Sealing strap 10 X 10 X 180		2	
11	999 911 664 40	Sealing strap 15 X 20 X 680		2	
11	999 911 695 40	Sealing strap 10 X 30 X 680		2	
12	999 073 227 09	Tapping screw ST 4,8 X 19		4	
13	996 575 231 30	Air guide	/L /V	1	
(13)	996 575 232 30	Air guide	/R /V	1	
-	999 507 785 40	Cable holder		4	

Model: 996 99

Model life 1999>>2005



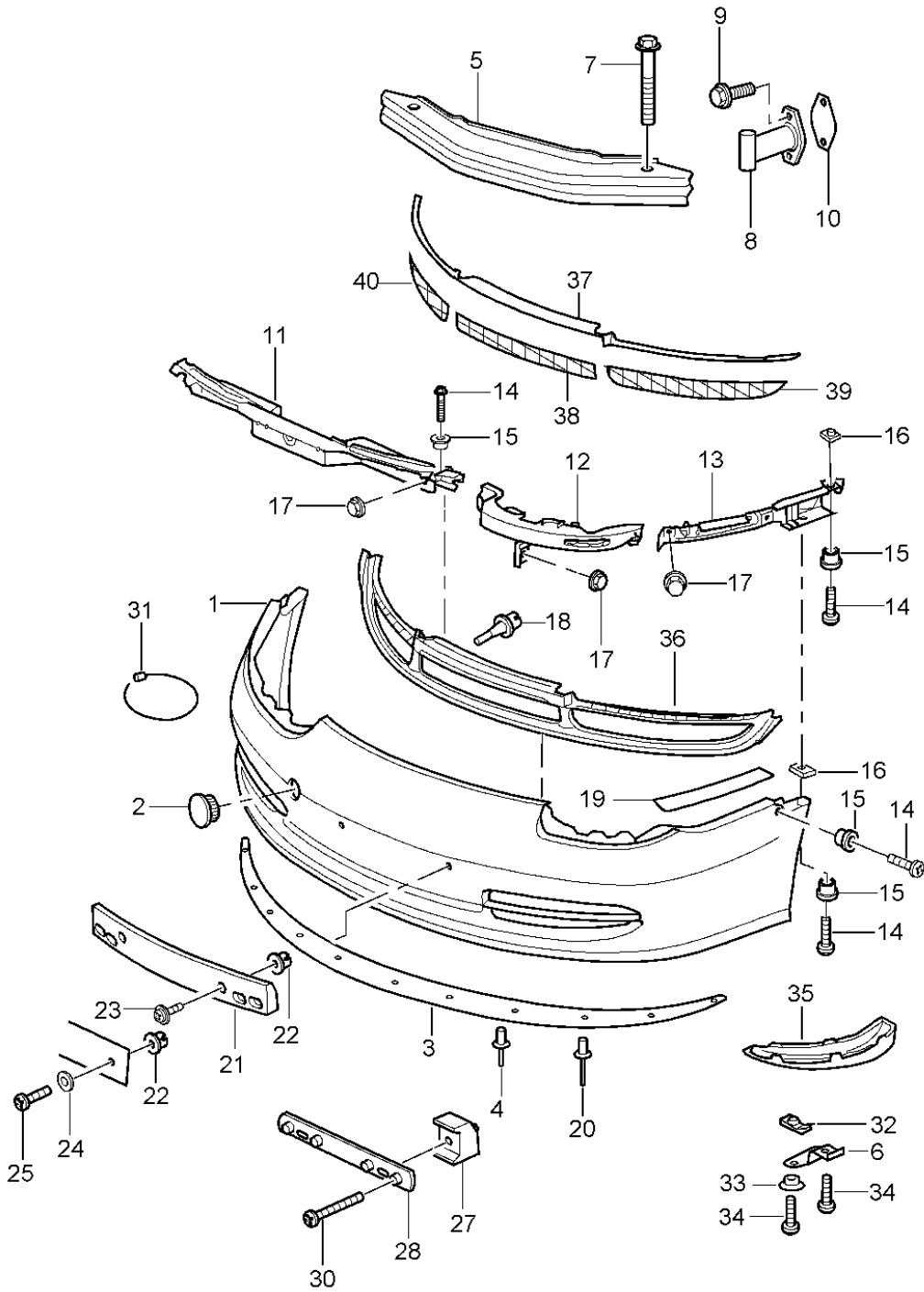


Model: 996 99 Model life 1999>>2005

Pos	Part Number	Description	Remark	Qty	Model
(1)	996 559 980 01	Sill cover			
	996 559 980 01 G2X	Sill cover	/L	1	
	996 559 980 01 G2X	Prime coated			
1	996 559 981 01	Sill cover	/R	1	
	996 559 981 01 G2X	Prime coated			
(1)	996 559 983 03	Sill cover	/L 03-	1	M002
	996 559 983 03 G2X	Prime coated			
(1)	996 559 984 03	Sill cover	/R 03-	1	M002
	996 559 984 03 G2X	Prime coated			
2	996 559 982 00	Retaining strip		2	
3	996 559 985 00	Adhesive film	/L	1	
(3)	996 559 985 01	Adhesive film	/L	1	
(3)	996 559 986 00	Adhesive film	/R	1	
(3)	996 559 986 01	Adhesive film	/R	1	
4	900 145 041 07	Tapping screw		22	
		ST 3,5 X 16			
5	999 507 640 09	U-clamp		X	
6	999 073 060 02	Tapping screw		16	
		ST 4,8 X 13			
(6)	999 073 231 09	Tapping screw		X	
		ST 4,8 X 16			
7	944 503 255 00	Spacer		16	
8	000 044 000 37	Adhesive set		1	
9	999 591 699 02	Speed nut		X	
		ST 4,8			
9	999 591 699 01	Speed nut		X	
		ST 4,8			

Model: 996 99

Model life 1999>>2005



Model: 996 99 Model life 1999>>2005

Pos	Part Number	Description	Remark	Qty	Model
1	996 505 980 03	Bumper Front Lining	-02	1	
(1)	996 505 980 03 G2X	Prime coated			
	996 505 983 02	Lining	03-	1	
	996 505 983 02 G2X	Prime coated			
(1)	996 505 980 92	with Grille 9965055610201C Lining	04-	1	M004
	996 505 980 92 900	White			
2	964 505 103 00	Cap		1	
	964 505 103 00 G2X	Prime coated			
3	996 505 986 00	Spoiler	-02	1	
(3)	996 505 986 92	Spoiler	03-	1	
	996 505 986 92 01C	Black			
(3)	996 505 986 93	Spoiler	03-	1	
	996 505 986 93 01C	Black			
-	000 043 206 04	When required order also: Adhesive tape Roller 4 METER	03-	X	
4	999 507 427 40	Expander nut ST 6,3		11	
5	996 505 011 00	Bumper reinforcement		1	-M215
(5)	996 505 011 01	Bumper reinforcement		1	M215
(5)	996 505 011 05	Bumper reinforcement	03-	1	-M553
6	996 505 989 00	Retaining bracket	-02	2	
7	900 378 088 09	Hexagon-head bolt M 12 X 100		2	
7	900 378 088 01	Hexagon-head bolt M 12 x 100		2	
8	996 505 019 01	Impact pipe		2	-M058
(8)	996 505 015 00	Impact absorber	03-	2	M058
9	900 075 457 02	Combination screw M 8 X 30		4	
10	996 505 775 00	Desk pad		2	-M058
(10)	996 505 775 01	Desk pad		2	M058
11	996 505 531 01	Retaining strip Centre		1	
12	996 505 539 00	Bracket	/L -02	1	
(12)	996 505 540 00	Bracket	/R -02	1	
(12)	996 505 539 02	Bracket	/L 03-	1	
(12)	996 505 540 02	Bracket	/R 03-	1	
13	996 505 535 03	Retaining strip	/L	1	
(13)	996 505 536 03	Retaining strip	/R	1	
14	900 144 101 02	Tapping screw B 4,8 X 19		X	
15	999 209 045 09	Spacer		X	
16	999 507 072 02	Speed nut B 4,8		X	
17	999 084 633 09	Hexagon nut		X	
18	996 641 142 00	Temperature sensor		1	
18	958 505 535 00	Sensor		1	
19	000 043 204 83	Adhesive tape Roller 16,5 METER	-02	X	
20	999 507 497 40	Expansion rivet	-02	2	
21	996 701 105 00	Support Number plate		1	M211
22	999 507 040 40	Expander nut 4,2		X	
23	900 143 151 02	Combination tapping screw		2	M210/M211

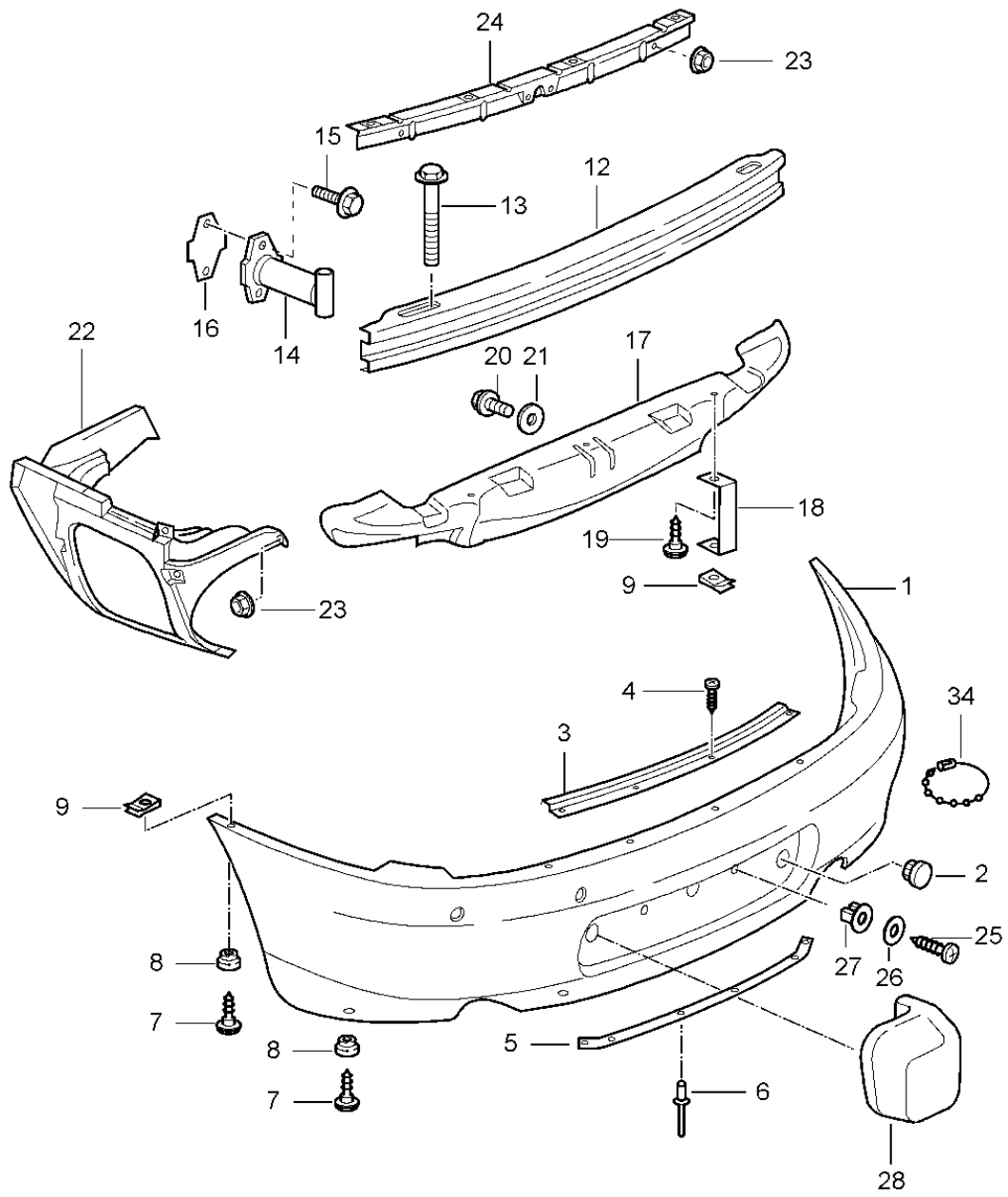
Model: 996 99

Model life 1999>>2005

Pos	Part Number	Description	Remark	Qty	Model
24	900 025 024 40	4,2 X 16 Washer		X	M210/M211 M218
25	900 143 134 00	Tapping screw B 4,2 X 9,5		X	M210/M211 M218
27	996 701 801 00	Spacer	/L	1	
(27)	996 701 802 00	Spacer	/R	1	
28	911 701 121 03	Support		1	M210
30	900 145 012 07	Counters. head tapp. screw B 4,2 X 32		2	M210/M218
31	999 651 225 40	Safety rope		1	
32	999 591 699 02	Speed nut ST 4,8	-02	4	
32	999 591 699 01	Speed nut ST 4,8	-02	4	
33	944 503 255 00	Spacer	-02	4	
34	999 073 198 09	Tapping screw	-02	4	
34	999 073 227 09	Tapping screw ST 4,8 X 19		4	
35	996 505 741 01	Cover	/L 03-	1	
	996 505 741 01 01C	Satin black			
(35)	996 505 742 01	Cover	/R 03-	1	
	996 505 742 01 01C	Satin black			
36	996 505 561 02	Air inlet	03-	1	
	996 505 561 02 01C	Satin black			

Model: 996 99

Model life 1999>>2005

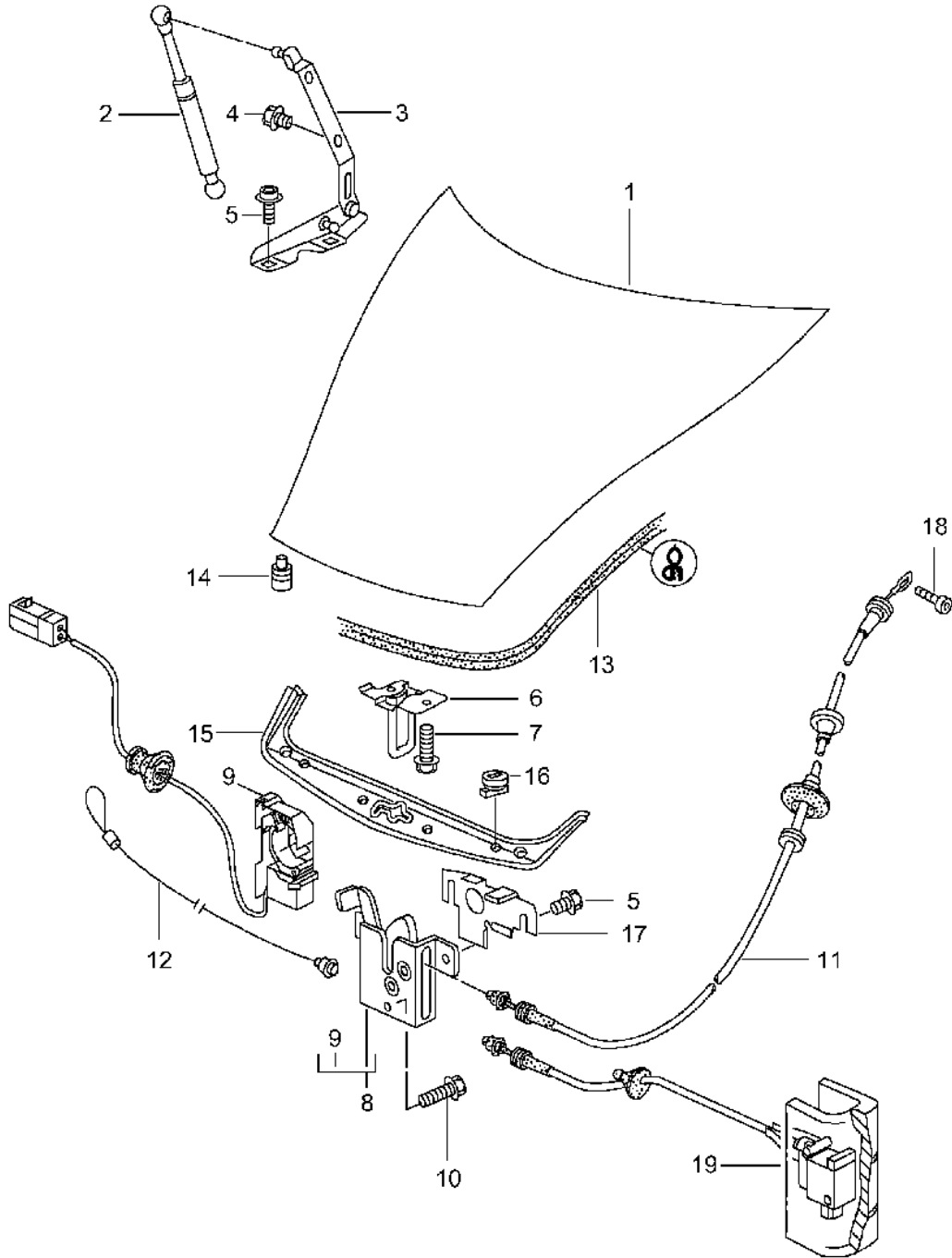


Model: 996 99 Model life 1999>>2005

Pos	Part Number	Description	Remark	Qty	Model
		Bumper Rear			
1	996 505 411 08	Lining	-01	1	
	996 505 411 08 G2X	Prime coated			
(1)	996 505 411 12	Lining	02-	1	-M215/-M553
	996 505 411 12 G2X	Prime coated			
(1)	996 505 411 13	Lining	02-	1	M215
	996 505 411 13 G2X	Prime coated			
2	964 505 103 00	Cap		1	
	964 505 103 00 G2X	Prime coated			
(2)	996 505 803 00	Cap	03-	1	
	996 505 803 00 G2X	Prime coated			
3	996 505 833 00	Retaining strip		1	
4	900 144 101 02	Tapping screw B 4,8 X 19		4	
5	996 505 837 00	Retaining strip	-02	1	
(5)	996 505 837 02	Retaining strip	03-	1	
6	999 190 104 30	Blind rivet 3,2 X 7,9		4	
7	999 073 198 09	Tapping screw		8	
(7)	999 073 227 09	Tapping screw ST 4,8 X 19		8	
8	944 503 255 00	Spacer		6	
9	999 507 072 02	Speed nut 4,8		4	
12	996 505 021 00	Bumper reinforcement	-01	1	
(12)	996 505 021 04	Bumper reinforcement	02-	1	-M215
13	900 378 088 09	Hexagon-head bolt M 12 X 100		2	
13	900 378 088 01	Hexagon-head bolt M 12 X 100		2	
14	996 505 019 01	Impact pipe		2	
15	900 075 457 02	Combination screw M 8 X 30		4	
16	993 505 775 00	Desk pad		2	
17	996 505 475 00	Heat protection	-01	1	
(17)	996 505 475 02	Heat protection	02-	1	
18	996 505 639 00	Rear support	-01	2	
(18)	996 505 639 02	Rear support	02-	2	
19	999 075 048 02	Hexagon-head bolt M 6 X 22		2	
20	900 278 025 02	Hexagon-head bolt M 5 X 12		1	
21	999 025 243 02	Washer		1	
22	996 505 631 00	Retaining frame	/L -01	1	
(22)	996 505 631 01	Retaining frame	/L 02-	1	
(22)	996 505 632 00	Retaining frame	/R -01	1	
(22)	996 505 632 01	Retaining frame	/R 02-	1	
23	999 084 633 09	Hexagon nut M 6		13	
24	996 505 831 00	Retaining strip Centre		1	
25	900 143 151 02	Combination tapping screw B 4,2 X 16		2	
26	999 025 235 40	Rubber washer		X	
27	999 507 040 40	Expander nut 4,2		2	
34	999 651 225 40	Safety rope		1	

Model: 996 99

Model life 1999>>2005



Model: 996 99

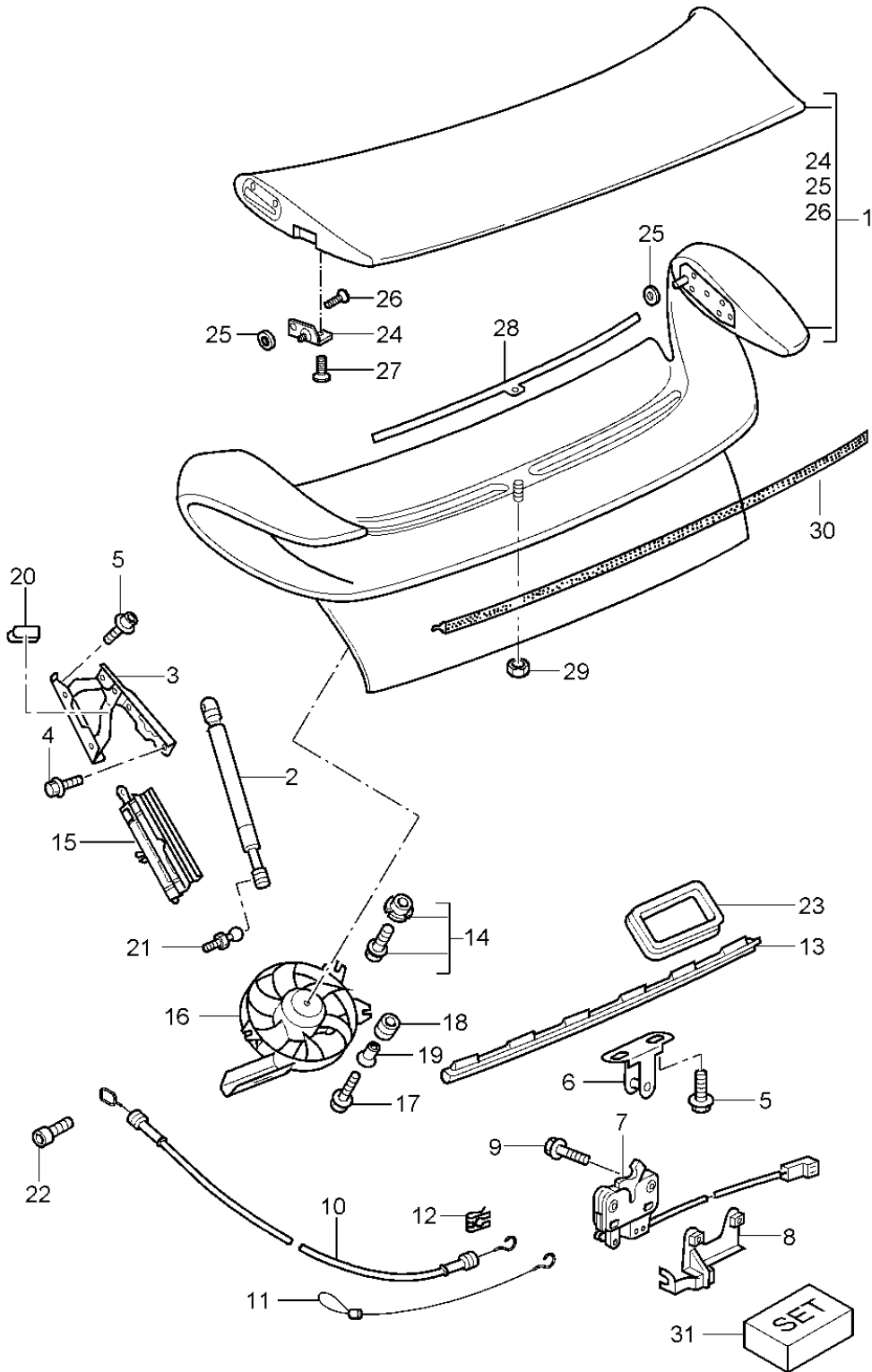
Model life 1999>>2005

Pos	Part Number	Description	Remark	Qty	Model
		Lid Front			
1	996 511 011 02	Lid		1	
	996 511 011 02 GRV	Prime coated			
		Use also:			
-	000 043 204 38	Sealing compound		1	
(1)	996 511 011 91	Lid	04-	1	M004
	996 511 011 91 G2X	Prime coated			
2	996 511 551 01	Gas-pressure spring		2	
(2)	996 511 551 91	Gas-pressure spring	04-	2	M004
3	996 511 151 01	Hinge	/L	1	
(3)	996 511 152 01	Hinge	/R	1	
4	900 378 036 09	Hexagon-head bolt M 6 X 12		4	
5	900 075 466 09	Combination screw M 6 X 16		6	
6	996 511 051 02	Lock upper part		1	
7	900 378 173 09	Hexagon-head bolt M 6 X 20		2	
(8)	996 511 053 02	Lock lower part		1	
9	996 613 206 00	Microswitch		1	
10	900 075 347 02	Combination screw M 6 X 28		1	
11	996 511 017 01	Lid-release cable	/LL -00	1	
(11)	996 511 018 00	Lid-release cable	/RL -00	1	
12	996 511 521 00	Emergency operation		1	
13	996 511 611 00	Gasket		1	
14	999 703 140 40	Rubber buffer		2	
15	996 504 811 00	Trim cover	-01	1	
	996 504 811 00 01C	Satin black			
15	996 504 811 02	Trim cover	02-	1	
	996 504 811 02 01C	Satin black			
16	999 590 036 40	Cap nut		4	
	999 590 036 40 01C	Satin black			
17	996 511 653 00	Cover		1	
18	900 119 121 09	Pan-head screw M 4 X 14		1	
19	996 511 127 00	Actuator	01-	1	



Model: 996 99

Model life 1999>>2005

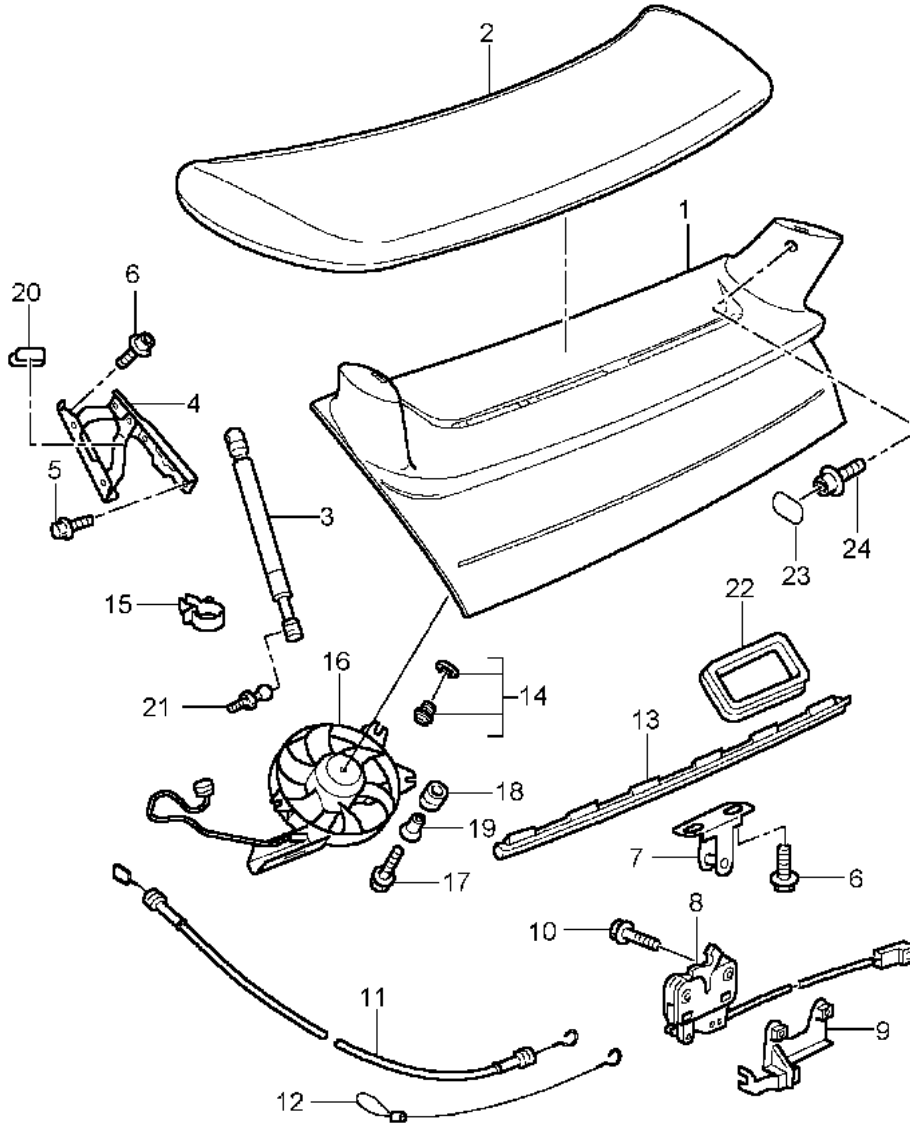


Model: 996 99 Model life 1999>>2005

Pos	Part Number	Description	Remark	Qty	Model
		Lid Rear	-02		
1	996 512 901 91	Lid		1	
	996 512 901 91 G2X	Prime coated			
2	996 512 551 03	Gas-pressure spring		2	
3	996 512 151 01	Hinge	/L	1	
(3)	996 512 152 01	Hinge	/R	1	
4	900 378 155 09	Hexagon-head bolt M 6 X 16		4	
5	900 075 466 09	Combination screw M 6 X 16		6	
6	996 512 213 00	Lock upper part		1	
7	996 512 053 03	Lock lower part		1	
8	996 512 753 03	Mounting plate		1	
9	900 378 168 09	Hexagon-head bolt M 6 X 30		2	
10	996 512 017 00	Traction	/LL	1	
(10)	996 512 018 00	Traction	/RL	1	
11	996 512 521 00	Emergency operation		1	
12	999 166 054 02	Sl-lock		1	
12	999 166 054 01	Sl-lock		1	
13	996 512 611 01	Gasket		1	
14	996 512 987 00	Adjusting screw		2	
15	996 610 230 00	Cable holder		1	
16	996 624 036 04	Blower		1	
17	900 378 030 09	Hexagon-head bolt M 6 X 20		3	
18	999 703 451 40	Rubber sleeve		3	
19	999 209 049 02	Spacer sleeve		3	
20	996 512 153 00	Stop		2	
21	999 167 049 02	Ball pin M 6		1	
21	999 167 042 02	Ball pin M 8		1	
21	999 167 051 03	Ball pin M 8		1	
22	900 119 121 09	Pan-head screw M 4 X 14		1	
23	996 512 143 90	Gasket		1	
24	996 512 993 00	Bracket	/L	1	
(24)	996 512 994 00	Bracket	/R	1	
25	996 512 902 00	Washer		4	
26	900 249 034 02	Countersunk-head screw M 5 X 12		4	
26	900 249 072 01	Countersunk-head screw M 5 X 12		4	
27	900 249 041 01	Countersunk-head screw M 6 X 16		4	
28	996 512 985 00	Strip		1	
29	900 360 001 02	Hexagon nut M 4		1	
30	996 512 988 00	Spoiler		1	
31	000 044 000 37	Adhesive set		1	

Model: 996 99

Model life 1999>>2005

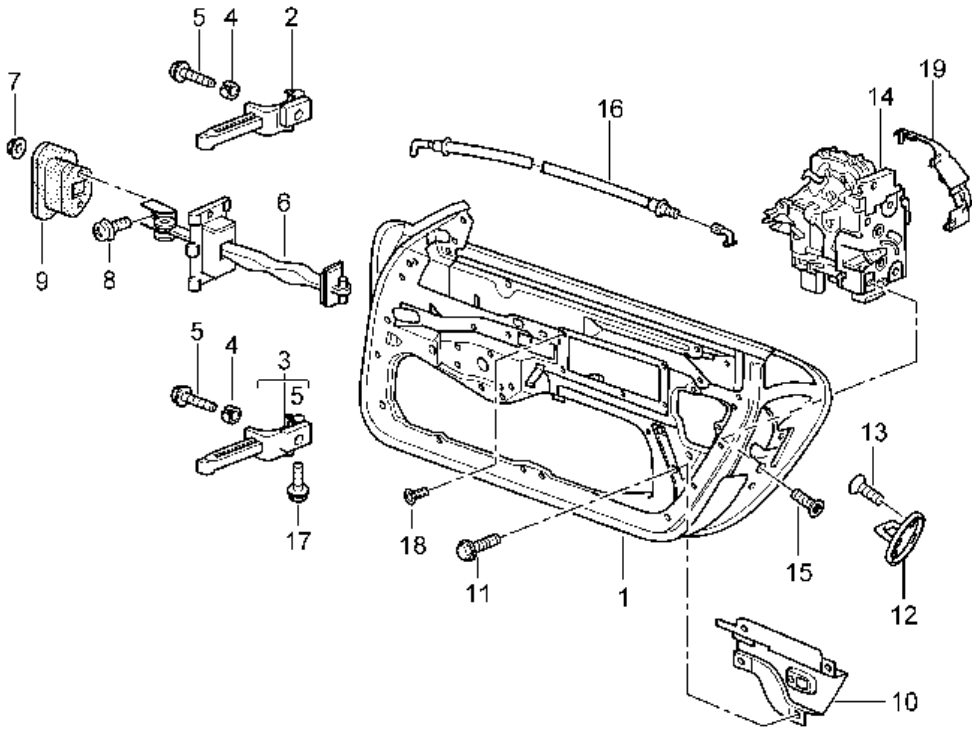


Model: 996 99 Model life 1999>>2005

Pos	Part Number	Description	Remark	Qty	Model
1	996 512 901 93	Lid Rear	03-	1	
(1)	996 512 901 93 G2X	Prime coated			
	996 512 991 94	Lid	04-	1	M004
	996 512 991 94 900	Carrara white with Air guide			
(1)	996 512 991 94	Lid	04-	1	M004
	996 512 991 94 G2X	Prime coated with Air guide			
2	996 512 959 00	Spoiler		1	
	996 512 959 00 G2X	Prime coated			
(2)	996 512 959 94	Spoiler	04-	1	M004
-	996 512 983 94	Plate	/L 04-	1	M004
-	996 512 984 94	Plate	/R 04-	1	M004
-	999 073 334 00	Round head screw M 6 X 16	04-	X	M004
3	996 512 551 03	Gas-pressure spring		2	
4	996 512 151 01	Hinge	/L	1	
(4)	996 512 152 01	Hinge	/R	1	
5	900 378 155 09	Hexagon-head bolt M 6 X 16		4	
6	900 075 466 09	Combination screw M 6 X 16		6	
7	996 512 213 00	Lock upper part		1	
8	996 512 053 03	Lock lower part		1	
9	996 512 753 03	Mounting plate		1	
10	900 378 168 09	Hexagon-head bolt M 6 X 30		2	
11	996 512 017 00	Traction		1	
12	996 512 521 00	Emergency operation		1	
13	996 512 611 01	Gasket Lid		1	
14	996 512 987 00	Adjusting screw		2	
15	999 651 269 40	Cable holder		3	
16	996 624 036 04	Blower		1	
17	900 378 223 09	Hexagon-head bolt M 6 X 25		3	
18	999 703 451 40	Rubber sleeve		3	
19	999 209 049 02	Spacer sleeve		3	
20	996 512 153 00	Stop		2	
21	999 167 042 02	Ball pin		1	
21	999 167 051 03	Ball pin		1	
22	996 110 143 91	Gasket Air cleaner system		1	
23	996 512 965 00	Cap	/L	1	
	996 512 965 00 G2X	Prime coated			
(23)	996 512 966 00	Cap	/R	1	
	996 512 966 00 G2X	Prime coated			
24	999 073 168 09	Lens-head screw M 8 X 16		2	
-	996 512 821 90	Adjusting mechanism 4GRAD Set Left Right		X	
-	996 512 823 90	Adjusting mechanism 8GRAD Set Left Right		X	

Model: 996 99

Model life 1999>>2005



Model: 996 99 Model life 1999>>2005

Pos	Part Number	Description	Remark	Qty	Model
1	996 531 011 02 996 531 011 02 GRV	Door in white Installation parts Door lock Door in white Prime coated Use also: POS.17 See technical information Group 5 5/00	/L	1	
(1)	996 531 012 02 996 531 012 02 GRV	Door in white Prime coated Use also: POS.17 See technical information Group 5 5/00	/R	1	
(1)	996 531 011 05 996 531 011 05 GRV	Door in white Prime coated Use also: POS.17 See technical information Group 5 5/00	/L	1	M002
(1)	996 531 012 05 996 531 012 05 GRV	Door in white Prime coated Use also: POS.17 See technical information Group 5 5/00	/R	1	M002
-	000 043 204 38	Sealing compound		1	
2	996 531 321 04	Hinge	/L	1	M002
(2)	996 531 322 04	Hinge	/R	1	M002
3	996 531 319 03	Hinge	/L	1	M002
(3)	996 531 320 03	Hinge	/R	1	M002
4	996 531 831 00	Sleeve		4	
5	999 073 192 02	Pan-head screw M 8 X 33		2	
6	996 537 151 02	Door arrester		2	M002
7	999 084 212 02	Hexagon nut M 6		4	
8	999 073 138 09	Screw M 8 X 25		2	
9	996 537 751 00	Seal		2	
10	996 537 523 00 996 537 523 00 GRV	Bracket Prime coated	/L	1	M002
(10)	996 537 524 00 996 537 524 00 GRV	Bracket Prime coated	/R	1	M002
11	900 075 487 09	Combination screw M 6 X 16		10	
12	3B0 837 033 P	Door lock striker		2	
13	N 907 985 02	Countersunk-head screw M 8 X 16,5		4	
14	8N1 837 015 B	Door lock	/LL /L	1	
(14)	8N1 837 016 B	Door lock	/LL /R	1	
(14)	8N1 837 015 B	Door lock	/LL /L 03-	1	M002
(14)	8N1 837 016 B	Door lock	/LL /R 03-	1	M002
(14)	3B1 837 016 M	Door lock	/LL /R	1	M534/535
(14)	8N2 837 015 B	Door lock	/RL /L	1	
(14)	3B2 837 015 F	Door lock	/RL /L	1	M534/535
(14)	8N2 837 016 B	Door lock	/RL /R	1	
15	N 908 005 01	Oval-head screw		4	

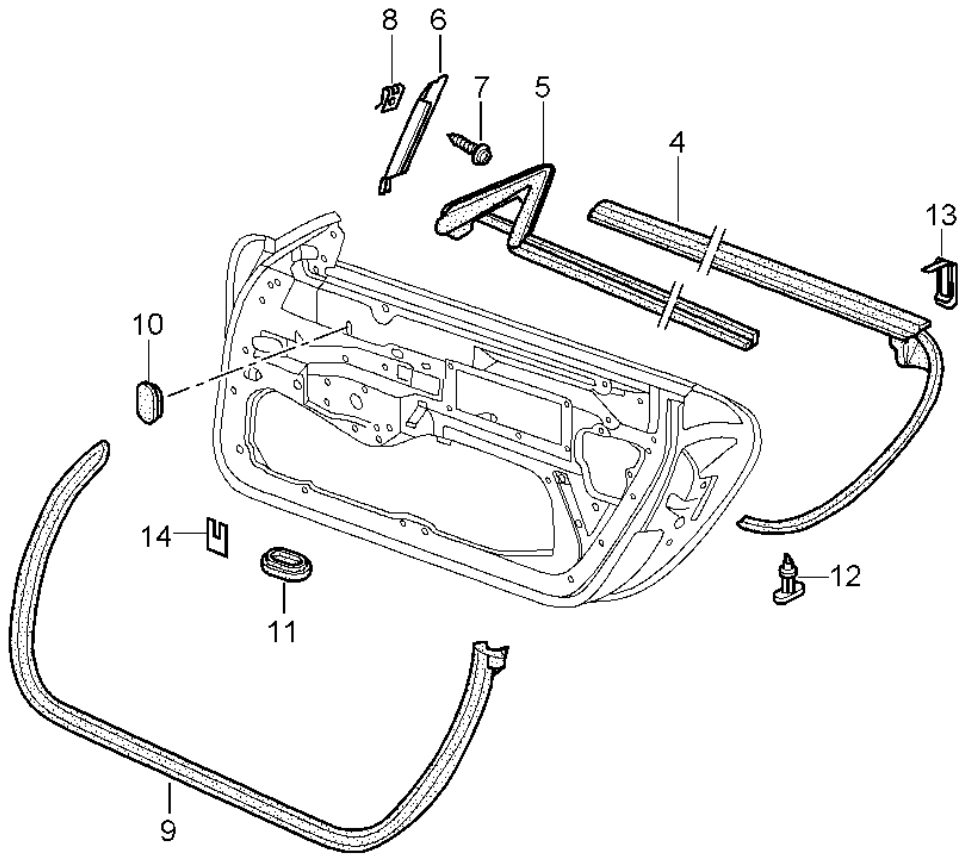
Model: 996 99

Model life 1999&gt;&gt;2005

Pos	Part Number	Description	Remark	Qty	Model
16	996 537 320 03	M 8 X 14 Bowden cable See workshop manual Group 70 59 19		2	
17	999 072 043 09	Hexagon-head bolt M 6 X 12 Micro-self-locking		4	
18	999 500 066 02	Blind rivet nut M 6/0,5 - 3		6	M563
-	996 537 545 00	Cover Lock	/L	1	
-	996 537 546 00	Cover Lock	/R	1	

Model: 996 99

Model life 1999>>2005



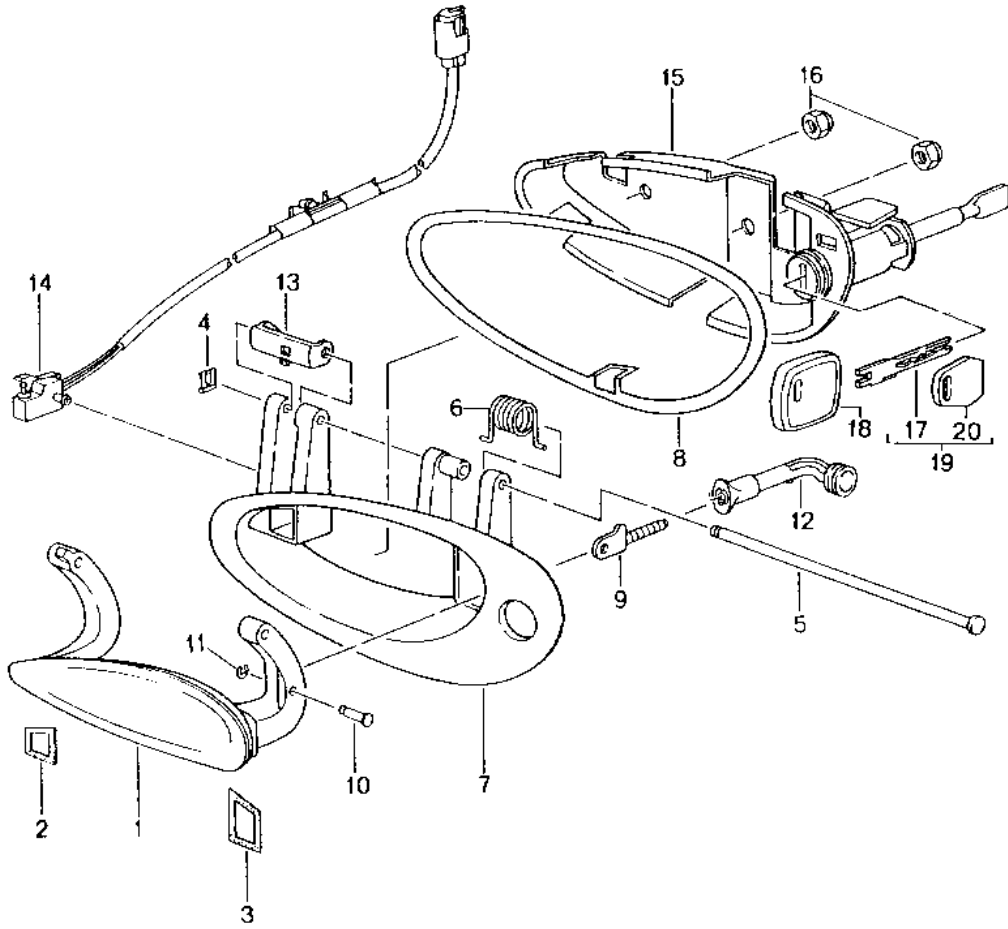


Model: 996 99 Model life 1999>>2005

Pos	Part Number	Description	Remark	Qty	Model
4	996 537 085 07	Door seal Sealing for door slot Outer	/L	1	
4	996 537 086 07	Sealing for door slot Outer	/R	1	
5	996 537 531 05	Sealing for door slot	/L -01	1	
(5)	996 537 531 06	Sealing for door slot Inner	/L 02-	1	
5	996 537 532 05	Sealing for door slot	/R -01	1	
(5)	996 537 532 06	Sealing for door slot Inner	/R 02-	1	
6	996 537 725 01	Window guide	/L -02	1	
(6)	996 537 725 02	Window guide	/L	1	
(6)	996 537 726 01	Window guide	/R -02	1	
(6)	996 537 726 02	Window guide	/R	1	
7	999 073 047 02	Tapping screw ST 3,5 X 9,5		2	
8	999 591 725 02	Speed nut ST 3,5		2	
9	996 537 075 03	Gasket	/L	1	
(9)	996 537 076 03	Gasket	/R	1	
10	999 703 441 40	Lid 20 X 28 X 1		4	
11	999 703 417 40	Lid 24 X 39		8	
12	999 507 578 40	Clip Gasket Outer		36	
13	999 507 571 02	Clamp		2	
14	996 537 337 00	Protective film		4	

Model: 996 99

Model life 1999>>2005

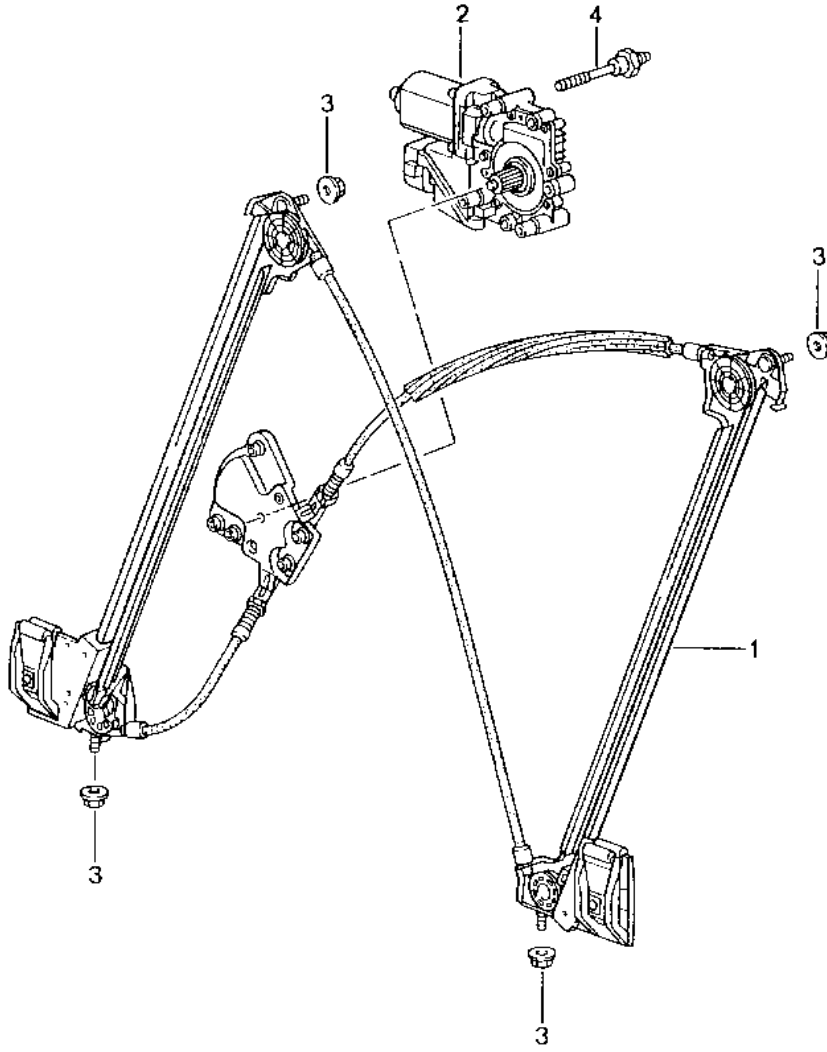


Model: 996 99 Model life 1999>>2005

Pos	Part Number	Description	Remark	Qty	Model
1	996 537 613 01	Door handle			
		Handle	/L	1	
	996 537 613 01 G2X	Prime coated			
(1)	996 537 614 01	Handle	/R	1	
	996 537 614 01 G2X	Prime coated			
2	996 537 623 01	Buffer		2	
3	996 537 625 00	Buffer		2	
4	996 537 631 00	Sl-lock		2	
5	996 537 621 00	Axle		2	
6	996 537 611 00	Return spring	/L	1	
(6)	996 537 612 00	Return spring	/R	1	
7	996 537 645 01	Handle liner	/LL /L	1	
	996 537 645 01 G2X	Prime coated			
(7)	996 537 645 01	Handle liner	/RL /L	1	M532
	996 537 645 01 G2X	Prime coated			
(7)	996 537 647 01	Handle liner	/RL /L	1	M534/535
	996 537 647 01 G2X	Prime coated			
(7)	996 537 646 01	Handle liner	/LL /R	1	M532
	996 537 646 01 G2X	Prime coated			
(7)	996 537 646 01	Handle liner	/RL /R	1	
	996 537 646 01 G2X	Prime coated			
(7)	996 537 648 01	Handle liner	/LL /R	1	M534/535
	996 537 648 01 G2X	Prime coated			
8	996 537 637 00	Desk pad	/L	1	
(8)	996 537 638 00	Desk pad	/R	1	
9	996 537 627 00	Operating rod		2	
10	996 537 629 01	Bolt		2	
11	996 537 641 00	Lock washer		2	
12	996 537 445 02	Connecting piece		2	
13	996 537 653 00	Eccentric	/L	1	
(13)	996 537 654 00	Eccentric	/R	1	
14	996 613 125 00	Microswitch	/L	1	
		Power windows			
(14)	996 613 126 00	Microswitch	/R	1	
		Power windows			
15	996 537 963 02	Support	/L	1	
		with lock cylinder			
		W/o stipulated lock number			
(15)	996 537 964 02	Support	/R	1	
		with lock cylinder			
		W/o stipulated lock number			
(15)	996 537 963 03	Support	/L	1	
		with lock cylinder			
		with stipulated lock number			
		State lock number			
(15)	996 537 964 03	Support	/R	1	
		with lock cylinder			
		with stipulated lock number			
		State lock number			
(15)	996 537 063 03	Support	/RL /L	1	
		without lock cylinder			
(15)	996 537 064 03	Support	/LL /R	1	
		without lock cylinder			
16	900 380 015 09	Hexagon nut		4	
		M 6			
17	996 538 531 00	Blank key		X	
18	996 538 423 01	Key cap		X	
19	996 538 932 00	Replacement key		X	
		with stipulated lock number			
		State lock number			
		Information available			
20	944 538 431 00	Key cap		X	

Model: 996 99

Model life 1999>>2005

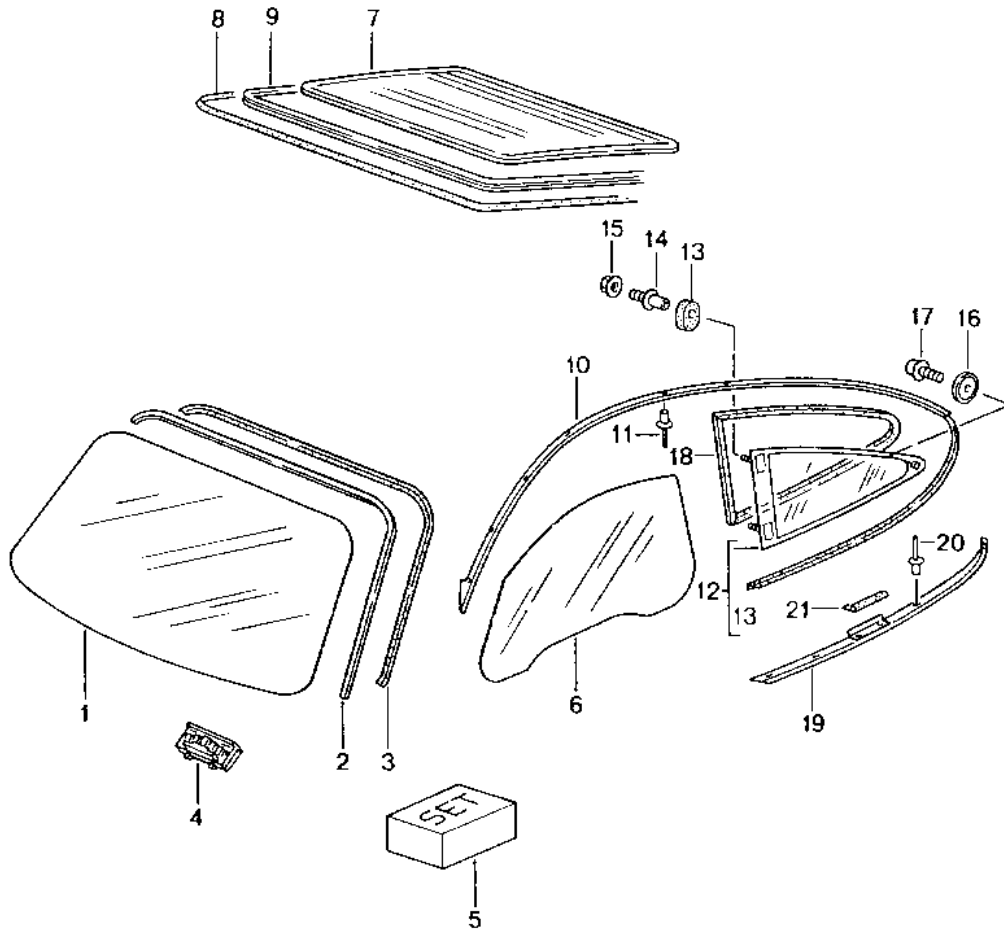


Model: 996 99 Model life 1999>>2005

Pos	Part Number	Description	Remark	Qty	Model
1	996 542 075 04	Power windows	/L	1	
(1)	996 542 076 04	Power windows	/R	1	
2	996 624 101 03	Electric motor	/L -02	1	
(2)	996 624 101 05	Electric motor	/L	1	
(2)	996 624 102 03	Electric motor	/R -02	1	
(2)	996 624 102 05	Electric motor	/R	1	
3	900 380 015 09	Hexagon nut M 6		14	
4	996 542 711 00	Threaded bolt		6	

Model: 996 99

Model life 1999>>2005

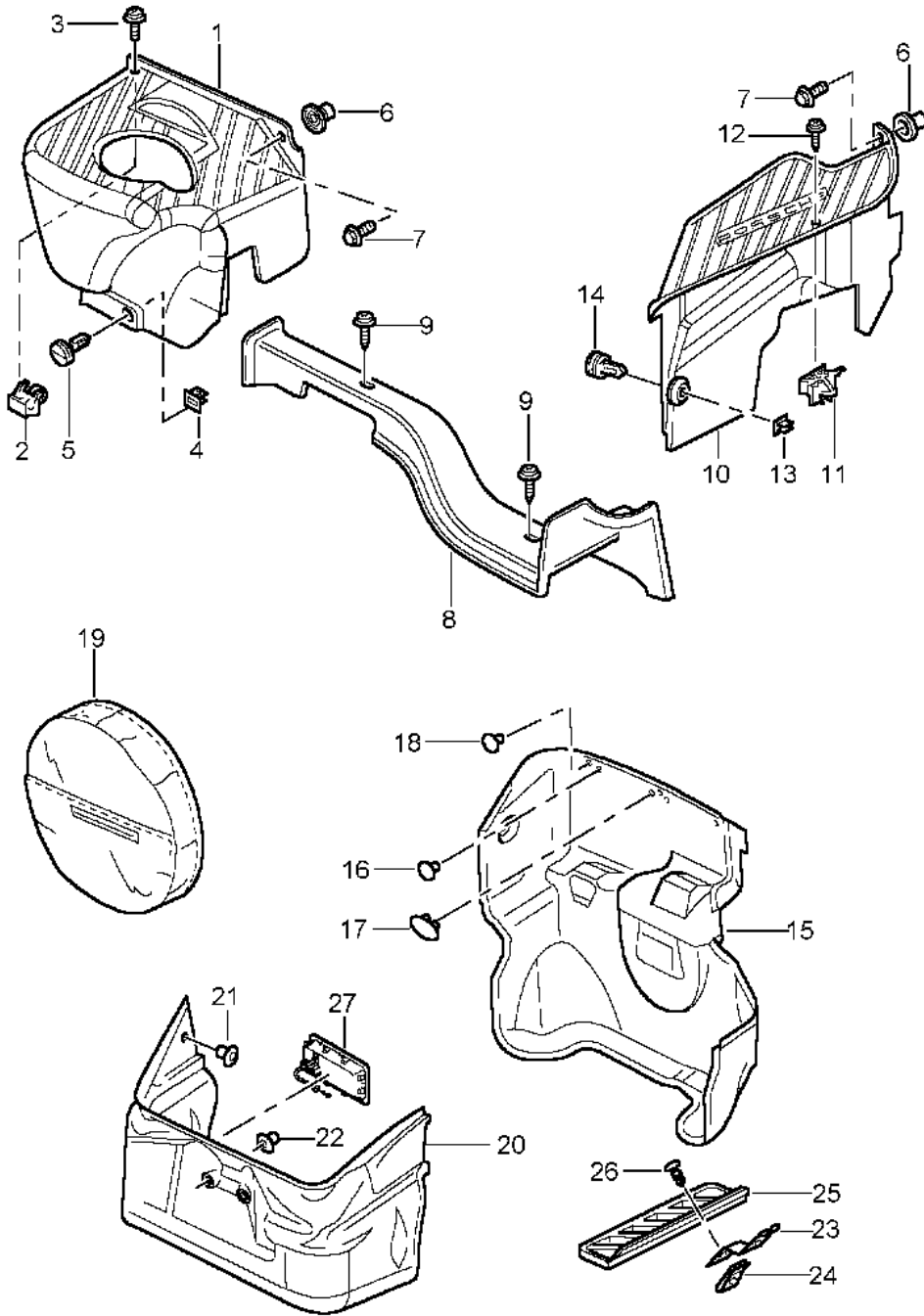


Model: 996 99 Model life 1999>>2005

Pos	Part Number	Description	Remark	Qty	Model
1	996 541 901 00	window glazing Windscreen Tinted	-01	1	
(1)	996 541 901 04	Windscreen Tinted	02-	1	
(1)	996 541 901 01	Windscreen Tinted Green top tint	-01	1	
(1)	996 541 901 05	Windscreen Tinted Green top tint	02-	1	
2	996 541 531 01	Sealing frame		1	
3	996 541 541 01	Trim frame	-01	1	
(3)	996 541 541 02	Trim frame	02-	1	
4	999 507 576 41	Support		2	
5	000 043 300 94	Adhesive set		1	
-	000 731 513 00	Adhesive plate for Interior mirror		1	
6	996 542 511 02	Door window glass	/L	1	
(6)	996 542 512 02	Door window glass	/R	1	
7	996 545 901 00	Rear window		1	
(7)	996 545 901 02	Rear window	-01	1	
(7)	996 545 901 03	Rear window	02-	1	
(7)	996 545 111 92	Rear window	04-	1	M004
8	996 545 521 04	Sealing frame		1	
(8)	996 545 521 03	Sealing frame	04-	1	M004
9	996 545 545 01	Trim frame	-01	1	
(9)	996 545 545 02	Trim frame	02-	1	
(9)	996 545 545 01	Trim frame	04-	1	M004
10	996 537 481 08	Roof frame seal	/L	1	
(10)	996 537 482 08	Roof frame seal	/R	1	
11	999 190 445 37	Blind rivet A 4,0 X 7,9		26	
12	996 543 111 03	Rear window	/L	1	
(12)	996 543 112 03	Rear window	/R	1	
13	996 543 611 02	Gasket		4	
14	996 543 435 00	Threaded bush		4	
15	999 076 055 09	Hexagon nut M 8		4	
16	996 543 625 00	Sealing washer		2	
17	999 218 011 02	Pan-head screw M 6 X 12		2	
(18)	996 543 325 00	Sealing frame	/L	1	
18	996 543 326 00	Sealing frame	/R	1	
(19)	996 543 771 07	Retaining strip	/L -01	1	
(19)	996 543 771 08	Retaining strip	/L 02-	1	
(19)	996 543 772 07	Retaining strip	/R -01	1	
(19)	996 543 772 08	Retaining strip	/R 02-	1	
20	999 190 445 37	Blind rivet A 4,0 X 7,9		12	
21	996 543 543 01	Spacer		2	

Model: 996 99

Model life 1999>>2005





Model: 996 99 Model life 1999>>2005

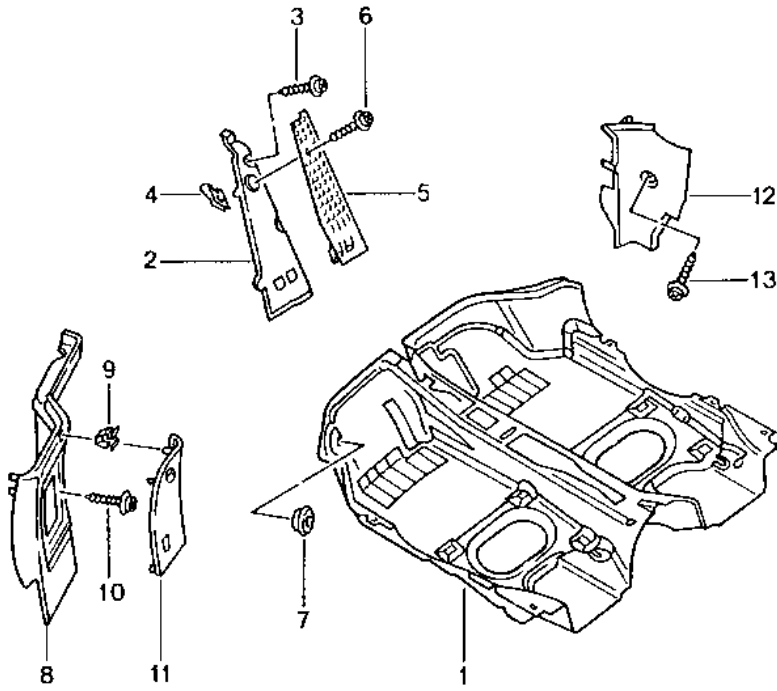
Pos	Part Number	Description	Remark	Qty	Model
(1)	996 551 131 02	Luggage compartment Lining	/LL /L	1	
	996 551 131 02 01C	Satin black			
(1)	996 551 134 00	Lining	/RL /R	1	
	996 551 134 00 01C	Satin black			
(1)	996 551 134 02	Lining	/RL /R 04-	1	M692
		Brake booster			
	996 551 134 02 01C	Satin black			
2	999 507 512 40	Support		1	
		3,5			
3	999 073 050 02	Tapping screw		1	
		3,5 X 19			
4	999 590 046 40	Disc cam		1	
		10,0 X 11,5			
5	999 507 529 40	Catch		1	
		18,0			
6	999 500 078 00	Speed nut		2	
		M 6			
7	900 378 035 09	Hexagon-head bolt		1	
		M 6 X 16			
(10)	996 551 133 03	Lining	/RL	1	
		Hydraulic unit			
	996 551 133 03 01C	Satin black			
11	999 507 512 40	Support	/RL	1	
11		Support	/LL	2	
		3,5			
(11)	996 551 773 00	Support		1	
12	999 073 050 02	Tapping screw	/RL	2	
12		Tapping screw	/LL	3	
		3,5 X 18			
13	999 590 046 40	Disc cam	/RL	1	
13		Disc cam	/LL	2	
		10,0 X 11,5			
14	999 507 529 40	Catch		2	
		18,0			
(15)	996 551 051 09	Lining	/LL /H -00	1	
	996 551 051 09 C10	Grey			
(15)	996 551 051 10	Lining	/RL /H -00	1	
		Luggage compartment			
	996 551 051 10 C10	Grey			
(15)	996 551 051 22	Lining	/LL /H 01-	1	M002
	996 551 051 22 A31	Black			
(15)	996 551 051 21	Lining	/RL /H 01-	1	M002
		Luggage compartment			
	996 551 051 21 A31	Black			
16	999 703 432 40	Stopper		8	
		8,0			
17	999 703 456 40	Cap	-01	1	
		49 X 26			
18	999 703 455 40	Cap	01	2	
		12,2 X 25			
-	996 551 351 02	Lining	-00	1	
		Floor			
	996 551 351 02 C10	Grey			
-	996 551 351 03	Lining	01	1	
		Floor			
	996 551 351 03 A31	Black			
-	996 551 351 04	Lining	02-	1	
		Floor			
	996 551 351 04 A31	Black			
20	996 551 045 04	Lining	/V -00	1	M002
	996 551 045 04 C10	Grey			
20	996 551 045 07	Lining	/V 01	1	M002

Model: 996 99 Model life 1999>>2005

Pos	Part Number	Description	Remark	Qty	Model
20	996 551 045 07 A31	Black			
	996 551 045 05	Lining	/V 02	1	M002
	996 551 045 05 A31	Black			
20	996 551 045 10	Lining	/V 02-	1	M002
	996 551 045 10 A31	Black			
-	996 551 845 00	Adhesive carpet		1	
21	999 703 432 40	Stopper 8,0		2	
22	999 507 565 40	Plastic nut T5/ 24,15		2	
(22)	999 507 566 40	Plastic nut T5/ 39,70		1	
23	996 551 761 00	Support	/LL -02	1	
23	996 551 761 01	Support	/LL 03-	1	
		Cover Booster			
24	999 591 725 02	Speed nut 3,5	-02	1	
24		Speed nut 6,3	03-	1	
25	996 551 451 00	Cover Booster		1	
	996 551 451 00 01C	Satin black			
26	900 144 103 09	Tapping screw 3,5 X 13		1	

Model: 996 99

Model life 1999>>2005



Model: 996 99 Model life 1999>>2005

Pos	Part Number	Description	Remark	Qty	Model
		Carpet			
		Linings			
1	996 551 011 02	Carpet	/LL	1	
	996 551 011 02 EEW	Black			
(1)	996 551 011 03	Carpet	/RL	1	
	996 551 011 03 EEW	Black			
1	996 551 011 90	Carpet	/LL -00	1	M003
	996 551 011 90 EEW	Black			
(1)	996 551 011 91	Carpet	/RL -00	1	M003
	996 551 011 91 EEW	Black			
1	996 551 011 92	Carpet	/LL 01-	1	M003
	996 551 011 92 EEW	Black			
(1)	996 551 011 93	Carpet	/RL 01-	1	M003
	996 551 011 93 EEW	Black			
-	996 551 813 00	Protective film	/LL	1	
		Carpet			
-	996 551 815 00	Protective film	/RL	1	
		Carpet			
2	996 551 211 00	Foot support	/LL	1	
(2)	996 551 212 00	Foot support	/RL	1	
3	999 073 062 02	Tapping screw	/LL	1	
		4,8 X 19			
(3)	900 143 155 09	Combination screw	/RL	1	
		4,8 X 32			
4	999 591 485 02	Speed nut	/RL	2	
		4,8			
5	996 551 611 00	Cover	/LL	1	
(5)	996 551 612 00	Cover	/RL	1	
		Foot support			
6	999 919 161 09	Oval-head screw		1	
		5,0 X 18			
(6)	900 143 155 02	Oval-head screw	/RL	1	
		4,8 X 32			
7	803 803 583 A	Stopper		2	
		20,0 X 30,0			
7	999 703 196 40	Lid		2	
		20,0 X 30,0			
(7)	996 722 213 90	Stopper		2	M003
-	996 722 233 90	Spacer		2	M003
		Mount			
		Fire extinguisher			
(7)	996 580 213 90	Stopper		2	M003
		Mount			
		Roll cage			
8	996 551 101 00	Lining	/LL	1	
		Carpet			
	996 551 101 00 EAQ	Black			
(8)	996 551 102 00	Lining	/RL	1	
		Carpet			
	996 551 102 00 EAQ	Black			
9	999 507 552 01	Spring clamp		2	
		9,0 X 13			
10	999 919 161 09	Oval-head screw		4	
		5,0 X 18			
11	996 551 621 00	Lid	/LL	1	
	996 551 621 00 01C	Satin black			
(11)	996 551 622 00	Lid	/RL	1	
	996 551 622 00 01C	Satin black			
12	996 551 712 01	Support	/LL /R	1	
		Carpet			
(12)	996 551 711 00	Support	/RL /L	1	
		Carpet			
13	999 073 226 09	Tapping screw		1	

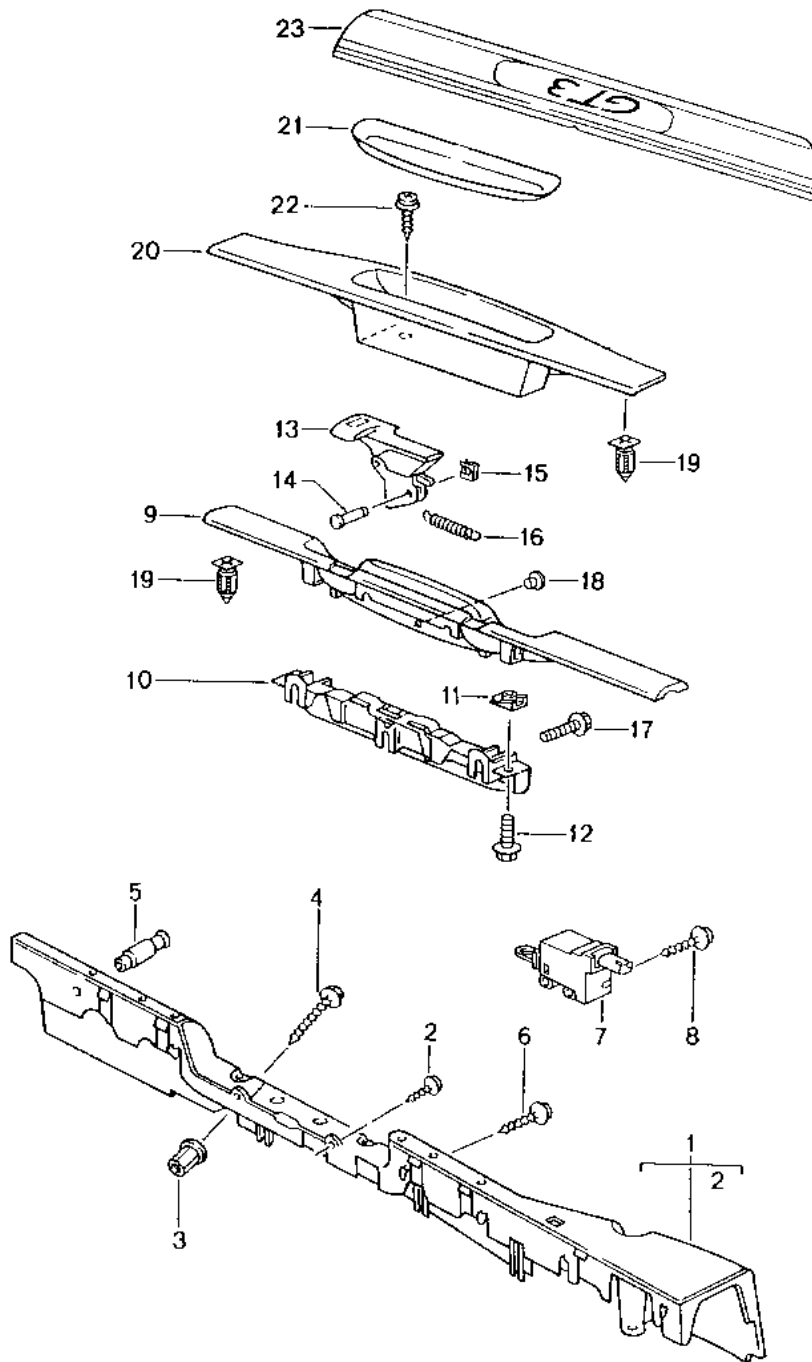
Model: 996 99

Model life 1999&gt;&gt;2005

Pos	Part Number	Description	Remark	Qty	Model
-		4,2 X 16 Floor mats Set See group 8/07/05 Tequipment catalogue		1	

Model: 996 99

Model life 1999>>2005



Model: 996 99 Model life 1999>>2005

Pos	Part Number	Description	Remark	Qty	Model
		Lining			
		Door sill			
1	996 551 619 01	Support	/L	1	
(1)	996 551 620 01	Support	/R	1	
-	999 551 140 40	Felt strip		2	
2	900 143 082 02	Tapping screw 6,3 X 13		5	
3	999 500 078 00	Speed nut M 6		2	
(3)	999 049 022 40	Plastic nut		2	
4	900 378 029 09	Hexagon-head bolt M 6 X 40		2	
4	900 378 029 01	Hexagon-head bolt M 6 X 40		2	
5	996 551 873 00	Locating peg		2	
6	999 919 121 09	Oval-head screw 5,0 X 16		2	
7	996 624 115 01	Actuator Lid	-00	1	
8	999 919 121 09	Oval-head screw 5,0 X 16	-00	2	
(9)	996 551 019 16	Lining Lacquered	/LL -00	1	M590
	996 551 019 16 ERF	Black with Handle Silver			
(9)	996 551 019 18	Lining Lacquered	/RL -00	1	M590
	996 551 019 18 ERF	Black with Handle Silver			
9	996 551 119 01	Lining Not for Lacquered	-00	1	M590
	996 551 119 01 A03	Black			
(9)	996 551 119 04	Lining	01-	1	
	996 551 119 04 A03	Black			
(9)	996 551 019 20	Lining Complete	/LL 01	1	
	996 551 019 20 A03	Black			
(9)	996 551 019 28	Lining Complete	/LL 02-	1	
	996 551 019 28 A03	Black			
(9)	996 551 019 21	Lining Complete	/RL 01	1	
	996 551 019 21 A03	Black			
(9)	996 551 019 29	Lining Complete	/RL 02-	1	
	996 551 019 29 A03	Black			
(9)	996 551 980 20	Lining	/LL 01	1	IXTG
	996 551 980 20 A11	Black			
(9)	996 551 980 21	Lining Complete Leather	/RL 01	1	IXTG
	996 551 980 21 A11	Black			
(9)	996 551 980 28	Lining Leather Complete	/LL 02-	1	IXTG
	996 551 980 28 VRK	Black			
	996 551 980 28 D12	Dark grey/natural			
	996 551 980 28 T12	Brown/natural			

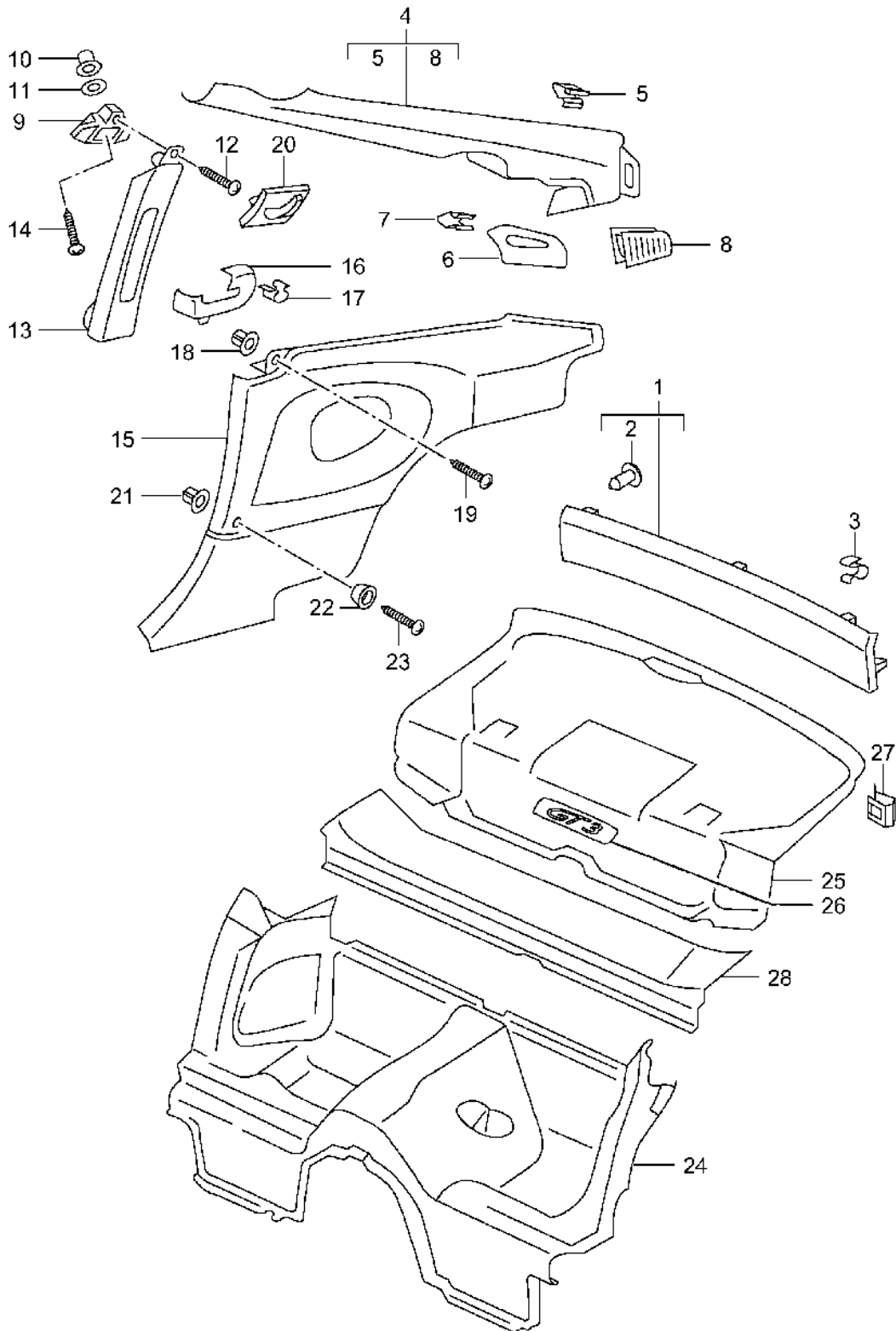
Model: 996 99 Model life 1999>>2005

Pos	Part Number	Description	Remark	Qty	Model
(9)	996 551 980 29	Lining Leather Complete	/RL 02-	1	IXTG
	996 551 980 29 VRK	Black			
	996 551 980 29 D12	Dark grey/natural			
	996 551 980 29 T12	Brown/natural			
10	996 551 719 00	Bracket Not for	-00	1	M590
11	999 507 556 02	Speed nut Not for M 5	-00	2	M590
12	900 075 145 02	Hexagon-head bolt Not for M 5 X 16	-00	2	M590
13	996 551 511 03	Handle Lacquered	/LL /V -00	1	
	996 551 511 03 V01	Silver			
(13)	996 551 512 03	Handle Lacquered	/LL /H -00	1	
	996 551 512 03 V01	Silver			
(13)	996 551 511 04	Handle Lacquered	/RL /V -00	1	
	996 551 511 04 V01	Silver			
(13)	996 551 512 04	Handle Lacquered	/RL /H -00	1	
	996 551 512 04 V01	Silver			
14	999 088 033 02	Bolt 6 X 22 X 19	-00	2	
15	999 166 079 02	Lock washer	-00	2	
16	999 522 030 00	Tension spring	-00	2	
17	999 218 106 02	Combination screw M 6 X 25	-00	3	
(17)	999 067 046 09	Pan-head screw M 6 X 20	01-	3	
18	999 703 443 40	Stopper 8,0 X 11 X 7,2		3	
	999 703 443 40 01C	Satin black			
19	999 507 484 40	Expander nut		12	
20	996 551 120 00	Lining Tray		1	
	996 551 120 00 A03	Black			
20	996 551 981 01	Lining Tray Leather	01-	1	IXTG
	996 551 981 01 VRK	Black			
21	996 551 513 00	Mat		1	
22	999 919 164 09	Oval-head screw 5,0 X 12		2	
23	996 551 303 90	Scuff plate Lacquered		2	
	996 551 303 90 A03	Black			



Model: 996 99

Model life 1999>>2005



Model: 996 99 Model life 1999>>2005

Pos	Part Number	Description	Remark	Qty	Model
1	996 555 081 02	Linings Rear Lining Leatherette		1	
	996 555 081 02 A18	Black	00		
	996 555 081 02 A12	Black	01-		
1	996 555 081 03	Lining Leather		1	M981
	996 555 081 03 A11	Black			
2	999 507 687 05	Fixing clip		5	
3	999 651 307 02	Cable clamp 18,0		4	
(4)	996 555 187 02	Lining Upper Leatherette	/L	1	
	996 555 187 02 A18	Black	-00		
	996 555 187 02 A12	Black	01-		
4	996 555 188 02	Lining Upper Leatherette	/R	1	
	996 555 188 02 A18	Black	-00		
	996 555 188 02 A12	Black	01-		
(4)	996 555 187 03	Lining Upper Leather	/L	1	M981
	996 555 187 03 A11	Black			
4	996 555 188 03	Lining Upper Leather	/R	1	M981
	996 555 188 03 A11	Black			
-	999 551 609 40	Plastic washer 8,0 X 23 X 3,00		16	
5	999 507 676 09	Clamp 2,5/2,20		2	
5	999 507 479 09	Clamp 2,5/0,9		4	
(6)	996 555 365 90	Cover foil for Rosette		1	M002
(6)	996 555 545 30	Rosette	/L 03-	1	M981
	996 555 545 30 A11	Black			
6	996 555 546 30	Rosette	/R 03-	1	M981
	996 555 546 30 A11	Black			
7	999 507 533 02	Clamp		2	
(8)	996 555 645 00	Grille Lacquered	/L	1	
	996 555 645 00 A03	Black			
8	996 555 646 00	Grille Lacquered	/R	1	
	996 555 646 00 A03	Black			
(9)	996 555 821 01	Bracket	/L -00	1	
9	996 555 822 01	Bracket	/R -00	1	
(9)	996 555 821 02	Bracket	/L 01-	1	
(9)	996 555 822 02	Bracket	/R 01-	1	
	996 555 623 00	Coat hook Cap	00	2	M563
	996 555 623 00 01C	Satin black			
-	996 555 623 01	Cap	01-	2	M563
	996 555 623 01 V01	Silver			
-	996 555 623 02	Cap	03-	2	M563
	996 555 623 02 V03	Sport silver			
10	999 500 069 02	Blind rivet nut		2	
(10)	999 507 695 02	Speed nut		2	

Model: 996 99 Model life 1999>>2005

Pos	Part Number	Description	Remark	Qty	Model
11	900 151 006 09	4,8 Washer	-00	2	
11	999 025 268 09	6,4 Washer	01-	2	
12	999 919 164 09	6,4 X 18 X 1,2 Oval-head screw	-00	2	
12	999 073 060 02	5,0 X 12 Tapping screw	01-	2	
(13)	996 555 183 02	Lining B-pillar Valid up to: F >>99YS6 90343 Leatherette	/L	1	
13	996 555 183 02 A18	Black			
13	996 555 184 02	Lining B-pillar Valid up to: F >>99YS6 90343 Leatherette	/R	1	
(13)	996 555 184 02 A18	Black			
(13)	996 555 183 90	Lining B-pillar Valid from: F 99YS6 90344>> Leatherette	/L -00	1	
(13)	996 555 183 90 A18	Black			
(13)	996 555 184 90	Lining B-pillar Valid from: F 99YS6 90344>> Leatherette	/R -00	1	
(13)	996 555 184 90 A18	Black			
(13)	996 555 183 04	Lining B-pillar Leatherette	/L 01-	1	
(13)	996 555 183 04 A12	Black			
(13)	996 555 184 04	Lining B-pillar Leatherette	/R 01-	1	
(13)	996 555 184 04 A12	Black			
(13)	996 555 183 05	Lining B-pillar Leather	/L 03-	1	
	996 555 183 05 A11	Black			
	996 555 183 05 D12	Dark grey/natural			
	996 555 183 05 T12	Brown/natural			
(13)	996 555 184 05	Lining B-pillar Leather	/R 03-	1	
	996 555 184 05 A11	Black			
	996 555 184 05 D12	Dark grey/natural			
	996 555 184 05 T12	Brown/natural			
14	999 073 128 02	Tapping screw		1	
(15)	996 555 071 90	6,3 X 14 Side trim panel Leatherette	/L	1	
	996 555 071 90 DEO	Black	-00		
	996 555 071 90 EVN	Black	01-		
15	996 555 072 90	Side trim panel Leatherette	/R	1	
	996 555 072 90 DEO	Black	-00		
	996 555 072 90 EVN	Black	01-		

Model: 996 99 Model life 1999>>2005

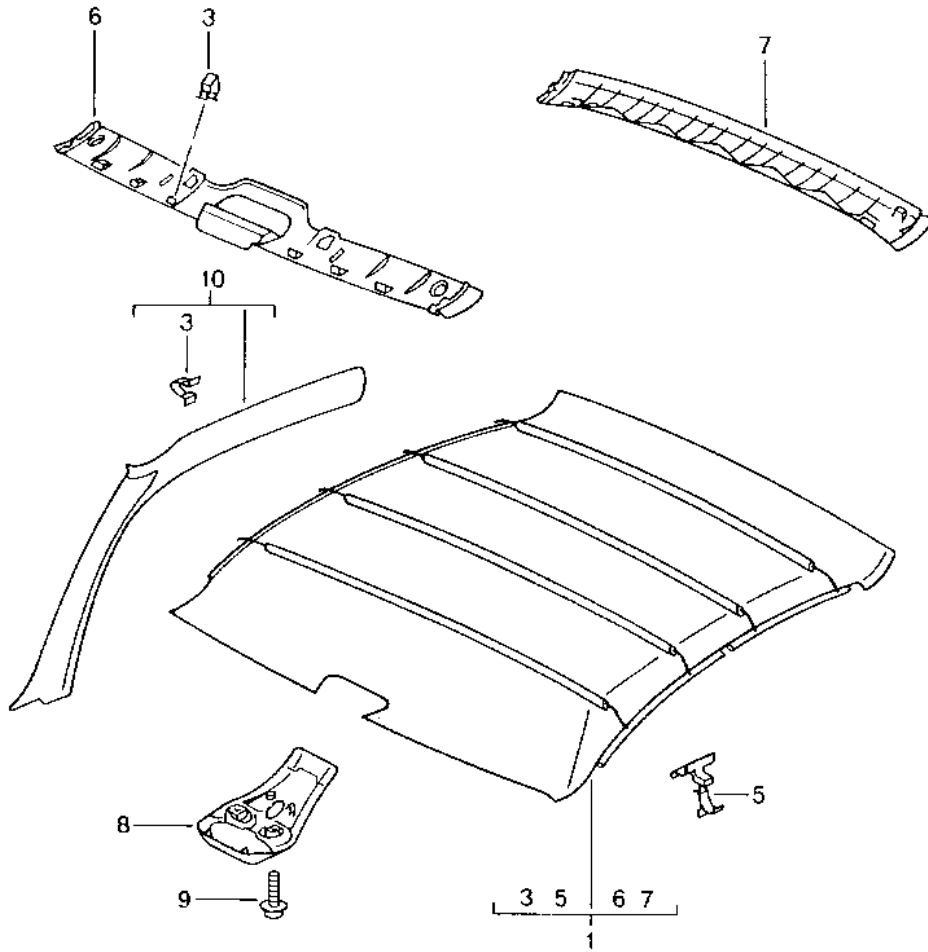
Pos	Part Number	Description	Remark	Qty	Model
(15)	996 555 071 91	Side trim panel Leather	/L	1	M981
	996 555 071 91 DFO	Black	-00		
	996 555 071 91 EVS	Black	01-		
	996 555 071 91 VRT	Dark grey/natural	03-		
	996 555 071 91 VRU	Brown/natural	03-		
15	996 555 072 91	Side trim panel Leather	/R	1	M981
	996 555 072 91 DFO	Black	-00		
	996 555 072 91 EVS	Black	01-		
	996 555 072 91 VRT	Dark grey/natural	03-		
	996 555 072 91 VRU	Brown/natural	03-		
(16)	996 555 061 00	Rosette Seat belt Lacquered	/L	1	
	996 555 061 00 A03	Black			
16	996 555 062 00	Rosette Seat belt Lacquered	/R	1	
	996 555 062 00 A03	Black			
17	999 507 533 02	Clamp 4,2 X 19		2	
18	999 507 050 40	Expander nut 4,2 4,2 X 19		2	
19	999 073 079 02	Tapping screw 4,2 X 19		2	
(20)	996 555 571 01	Coat hook Lacquered	/L -00	1	
	996 555 571 01 A03	Black			
20	996 555 572 01	Coat hook Lacquered	/R -00	1	
	996 555 572 01 A03	Black			
(20)	996 555 571 02	Coat hook Lacquered	/L 01-	1	
	996 555 571 02 A03	Black			
(20)	996 555 572 02	Coat hook Lacquered	/R 01-	1	
	996 555 572 02 A03	Black			
(20)	996 555 571 90	Coat hook Lacquered	/L	1	M003
	996 555 571 90 A03	Black			
(20)	996 555 572 90	Coat hook Lacquered	/R	1	M003
	996 555 572 90 A03	Black			
21	999 507 050 40	Expander nut 4,2		2	
23	900 145 012 07	Counters. head tapp. screw 4,2 X 32		2	
24	996 551 021 90	Adhesive carpet Seat well Carpet	-00	1	
	996 551 021 90 A10	Black			
24	996 551 021 91	Adhesive carpet Seat well Carpet	01-	1	
	996 551 021 91 A10	Black			
	996 551 021 91 D11	Dark grey/natural	02-		
	996 551 021 91 T11	Brown/natural	02-		
25	996 551 031 90	Adhesive carpet Rear wall Carpet		1	
	996 551 031 90 A10	Black			

Model: 996 99 Model life 1999>>2005

Pos	Part Number	Description	Remark	Qty	Model
26	996 551 305 90	Logo GT3		1	
	996 551 305 90 A03	Black			
27	996 522 897 00	Clips nut		3	
28	996 551 033 90	Lining		1	M002
		Control units			
		Carpet			
	996 551 033 90 A10	Black			
	996 551 033 90 D11	Dark grey/natural	03-		
	996 551 033 90 T11	Brown/natural	03-		
(28)	996 551 033 91	Lining		1	M003
		Control units			
		Carpet			
	996 551 033 91 A10	Black			
-	996 551 525 00	Cover	/L	1	
		Seat-belt buckle			
	996 551 525 00 01C	Satin black			
-	996 551 526 00	Cover	/R	1	
		Seat-belt buckle			
	996 551 526 00 01C	Satin black			

Model: 996 99

Model life 1999>>2005



Model: 996 99 Model life 1999>>2005

Pos	Part Number	Description	Remark	Qty	Model
1	996 555 091 00	Rooflining Rooflining Leatherette	-00	1	
1	996 555 091 00 A10 996 555 091 04	Black Rooflining Alcantara	01	1	
1	996 555 091 04 A14 996 555 091 06	Black Rooflining Alcantara	02-04	1	
1	996 555 091 06 A14 996 555 091 06	Black Rooflining Alcantara Valid up to: F >>995S6 90078	05	1	M652
1	996 555 091 06 A14 997 555 091 00	Black Rooflining Alcantara Valid from: F 995S6 90079>>	05	1	M652
1	997 555 091 00 A14 996 555 982 02	Black Rooflining	01-04	1	/652 IXMA
	996 555 982 02 A11	Leather Black			
(1)	996 555 982 02 D12 996 555 982 02 T12 996 555 982 02	Dark grey/natural Brown/natural Rooflining	03- 03- 05	1	/652 IXMA
	996 555 982 02 A11	Leather Valid up to: F >>995S6 90078			
(1)	996 555 982 02 D12 996 555 982 02 T12 997 555 980 00	Black Dark grey/natural Brown/natural Rooflining	05	1	/652 IXMA
	997 555 980 00 A11	Leather Valid from: F 995S6 90079>>			
-	997 555 980 00 D12 997 555 980 00 T12 999 551 609 40	Black Dark grey/natural Brown/natural Plastic washer 8,0 X 23 X 3,0		6	M981
3	999 507 479 09	Clamp F >>99YS6 90344		6	
3	999 507 709 07	Clamp F 99YS6 90344>> 1,4/2,00	-00	6	
3	999 507 681 09	Clamp 2,5/3,00	01-	2	
5	996 555 691 02	Clip Mount		8	
6	996 555 553 08	Rooflining Cover Rooflining Front Valid up to: F >>995S6 90078	-05	1	M652
6	997 555 591 00	Cover Rooflining Front Valid from:	05	1	M652

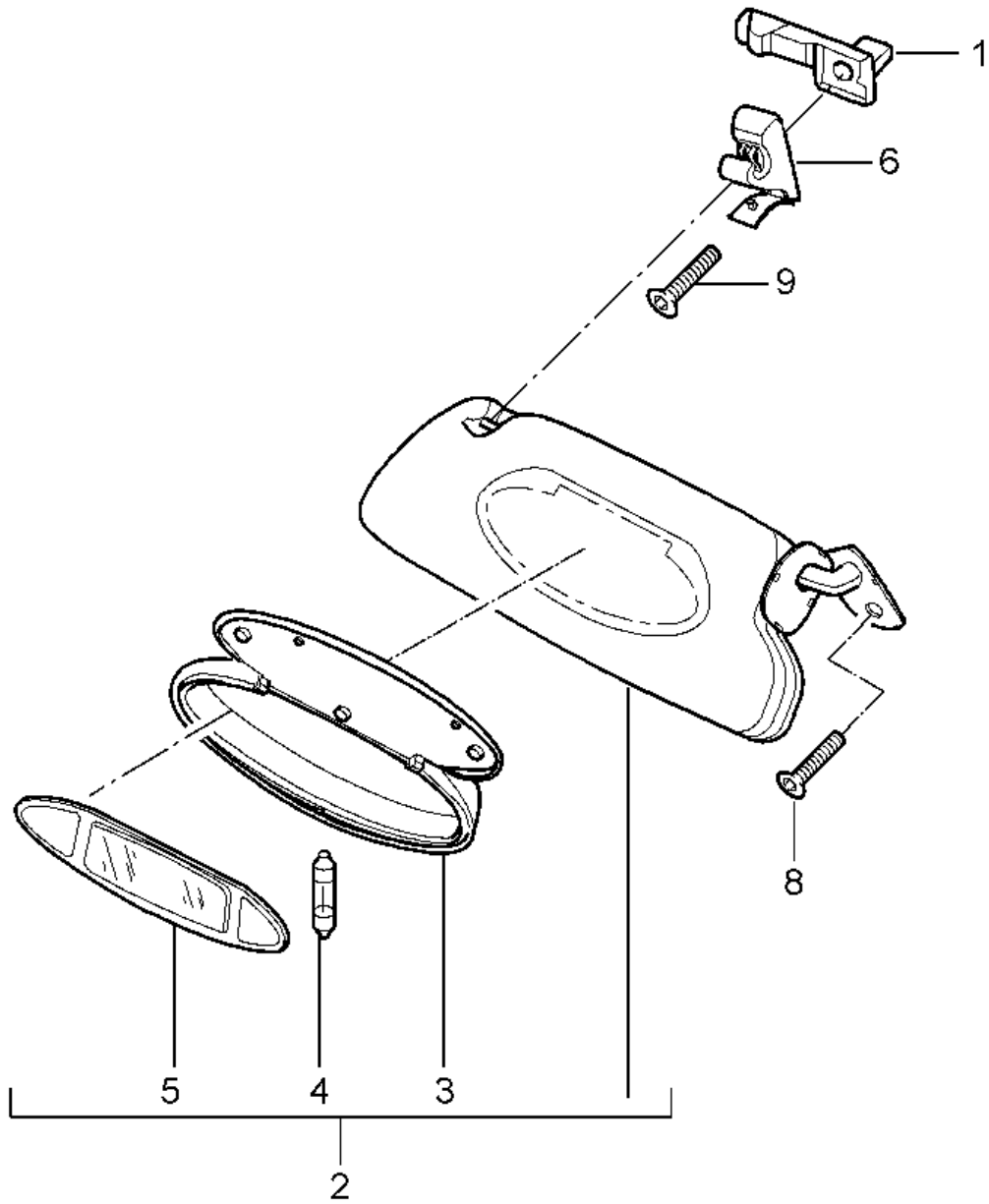
Model: 996 99 Model life 1999>>2005

Pos	Part Number	Description	Remark	Qty	Model
(7)	996 555 155 06	F 995S6 90079>> Cover Rooflining Rear		1	
(8)	996 555 557 05	Cover	-03	1	M652
	996 555 557 05 A03	Black			
(8)	996 555 557 10	Cover Interior light Lacquered	04-	1	
	996 555 557 10 A03	Black			
8	996 555 993 01	Cover Interior light Leather	01-	1	IXZD
	996 555 993 01 A11	Black			
	996 555 993 01 D12	Dark grey/natural	03-		
	996 555 993 01 T12	Brown/natural	03-		
(9)	999 073 061 02	Tapping screw 4,8 X 16		2	
(10)	996 555 181 04	Lining Valid up to: F >>99YS6 90343 Leatherette	/L	1	
	996 555 181 04 A18	Black			
10	996 555 182 04	Lining Valid up to: F >>99YS6 90343 Leatherette	/R	1	
	996 555 182 04 A18	Black			
(10)	996 555 181 90	Lining Valid from: F 99YS6 90344>> A-pillar Leatherette	/L -00	1	
	996 555 181 90 A18	Black			
(10)	996 555 182 90	Lining Valid from: F 99YS6 90344>> A-pillar Leatherette	/R -00	1	
	996 555 182 90 A18	Black			
(10)	996 555 181 08	Lining Leatherette	/L 01-	1	
	996 555 181 08 A12	Black			
(10)	996 555 182 08	Lining Leatherette	/R 01-	1	
	996 555 182 08 A12	Black			
(10)	996 555 181 09	Lining Leather	/L 03-	1	M981
	996 555 181 09 A11	Black			
	996 555 181 09 D12	Dark grey/natural			
	996 555 181 09 T12	Brown/natural			
(10)	996 555 182 09	Lining Leather	/R 03-	1	M981
	996 555 182 09 A11	Black			
	996 555 182 09 D12	Dark grey/natural			
	996 555 182 09 T12	Brown/natural			
(11)	996 555 291 00	Deformation element	/L 01-	1	
11	996 555 292 00	Deformation element	/R 01-	1	
-	999 190 167 30	Blind rivet 4,0 X 6,3		10	
-	999 551 138 40	Felt strip 25 X 25 X 1		2	



Model: 996 99

Model life 1999>>2005



Model: 996 99 Model life 1999>>2005

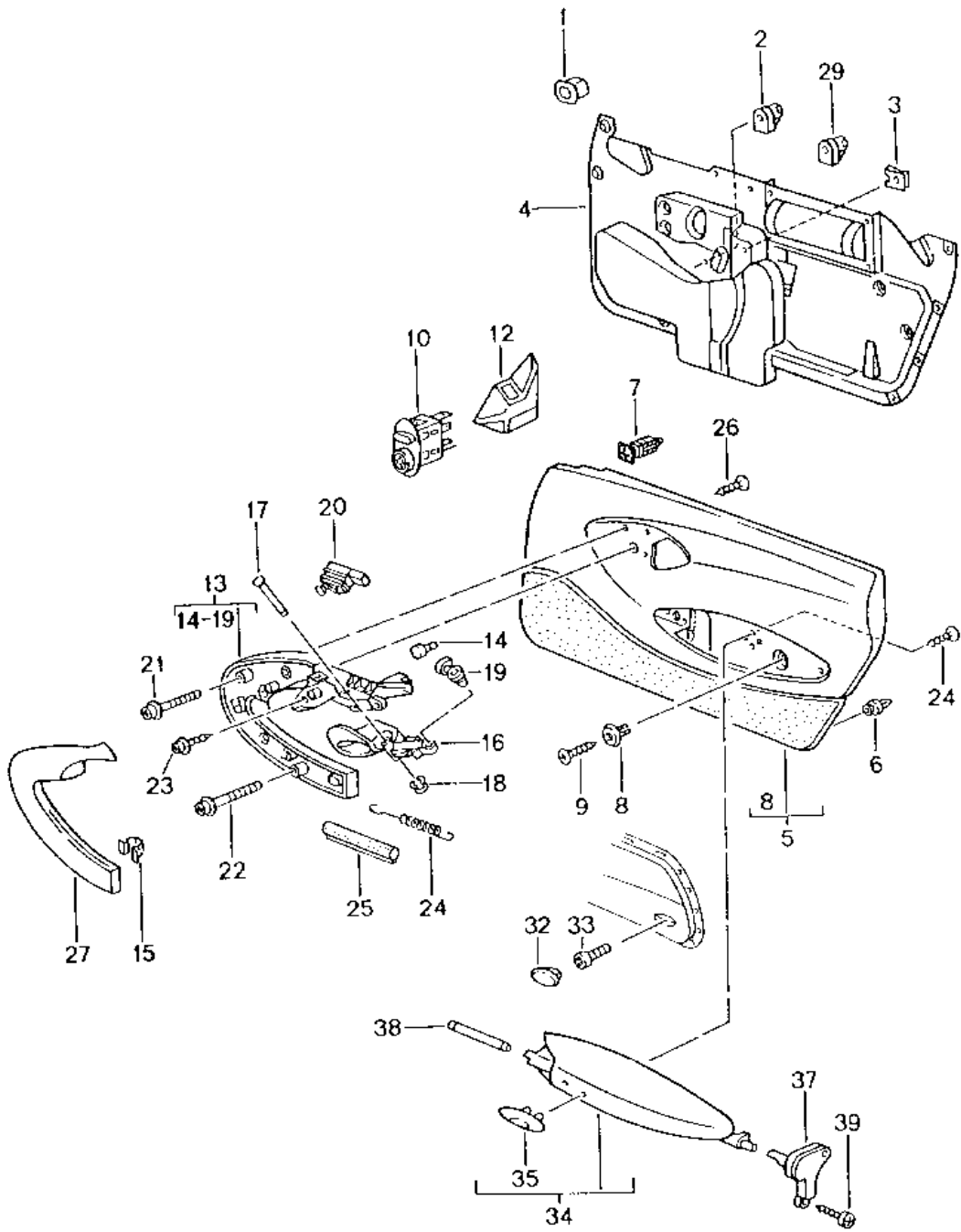
Pos	Part Number	Description	Remark	Qty	Model
1	986 731 541 01	Sun visors Plate		2	
(2)	996 731 031 06	Sun visor Leatherette	/L -00	1	M274
	996 731 031 06 ELC	Black			
2	996 731 032 06	Sun visor Leatherette	/R -00	1	M274
	996 731 032 06 ELC	Black			
(2)	996 731 031 15	Sun visor Leatherette	/L 01-	1	M274
		Valid up to:			
	996 731 031 15 A12	Black			
		Information available			
(2)	996 731 032 15	Sun visor Leatherette	/R 01-	1	M274
		Valid up to:			
	996 731 032 15 A12	Black			
		Information available			
(2)	997 731 031 00	Sun visor Leatherette	/L	1	M274
		Valid from:			
		F 995S6 90079>>			
	997 731 031 00 A12	Black			
(2)	997 731 032 00	Sun visor Leatherette	/R	1	M274
		Valid from:			
		F 995S6 90079>>			
	997 731 032 00 A12	Black			
(2)	996 731 031 90	Sun visor	/L 01-	1	M003/274
	996 731 031 90 A12	Black			
(2)	996 731 032 90	Sun visor Leatherette	/R 01-	1	M003/274
	996 731 032 90 A12	Black			
(2)	996 731 980 09	Sun visor Leather	/L 01-	1	IXMP
		Valid up to:			
		F >>995S6 90078			
	996 731 980 09 VRK	Black			
	996 731 980 09 D12	Dark grey/natural	03-		
	996 731 980 09 T12	Brown/natural	03-		
2	996 731 981 09	Sun visor Leather	/R 01-	1	IXMP
		Valid up to:			
		F >>995S6 90078			
	996 731 981 09 VRK	Black			
	996 731 981 09 D12	Dark grey/natural	03-		
	996 731 981 09 T12	Brown/natural	03-		
(2)	996 731 980 19	Sun visor Leather	/L	1	IXMP
		Valid from:			
		F 995S6 90079>>			
	996 731 980 19 VRK	Black			
	996 731 980 19 D12	Dark grey/natural			
	996 731 980 19 T12	Brown/natural			
(2)	996 731 981 19	Sun visor Leather	/R	1	IXMP
		Valid from:			
		F 995S6 90079>>			
	996 731 981 19 VRK	Black			
	996 731 981 19 D12	Dark grey/natural			
	996 731 981 19 T12	Brown/natural			
3	996 731 903 00	Mirror housing with		1	

Model: 996 99 Model life 1999>>2005

Pos	Part Number	Description	Remark	Qty	Model
		Illumination			
4	996 731 903 00 01C	Satin black			
	999 631 137 90	Bulb	-01	4	M274
		3 W			
4	999 631 147 90	Bulb	02-	4	M274
		3 W			
5	996 731 531 01	Mirror glass		2	M274
		with			
		Frame			
	996 731 531 01 01C	Satin black			
(6)	996 731 341 00	Support	/L	1	
		Sun visor			
	996 731 341 00 01C	Satin black			
6	996 731 342 00	Support	/R	1	
		Sun visor			
	996 731 342 00 01C	Satin black			
7	997 731 461 00	Mounting	/L 05-	1	
	997 731 461 00 01C	Satin black			
7	997 731 462 00	Mounting	/R 05-	1	
	997 731 462 00 01C	Satin black			
8	999 073 139 02	Oval-head screw		2	
		M 5 X 25			
		Valid up to:			
		F >>995S6 90078			
8	999 073 326 09	Oval-head screw		2	
		M 5 X 10			
		Valid from:			
		F 995S6 90079>>			
(8)	999 500 093 02	Nut		2	
		M 5			
9	999 919 120 09	Oval-head screw		1	
		4,0 x 18			

Model: 996 99

Model life 1999>>2005



Model: 996 99 Model life 1999>>2005

Pos	Part Number	Description	Remark	Qty	Model
		Door trim panel			
		Accessories			
1	191 853 615 A	Grommet		3	
3	999 591 882 02	Speed nut		2	
		M 6			
3	999 591 882 01	Speed nut		2	
		M 6			
(4)	996 555 831 04	Seal	/L	1	
4	996 555 832 04	Seal	/R	1	
		Repair material			
		Use also:			
-	000 043 101 00	Sealing cord		1	
(5)	996 555 121 00	Door trim panel	/L -02	1	M002
		Leatherette			
	996 555 121 00 ERW	Black	-00		
	996 555 121 00 FEZ	Black	01-		
5	996 555 122 00	Door trim panel	/R -02	1	M002
		Leatherette			
	996 555 122 00 ERW	Black	-00		
	996 555 122 00 FEZ	Black	01-		
(5)	996 555 121 00	Door trim panel	/L 04-	1	M004
		Black			
(5)	996 555 122 00	Door trim panel	/R 04-	1	M004
		Leatherette			
	996 555 122 00 ESY	Black			
(5)	996 555 121 04	Door trim panel	/L	1	M563
		Leatherette			
	996 555 121 04 ERU	Black	-00		
	996 555 121 04 ESY	Black	01-		
5	996 555 122 04	Door trim panel	/R	1	M563
		Leatherette			
	996 555 122 04 ERU	Black	-00		
	996 555 122 04 ESY	Black	01-		
(5)	996 555 121 01	Door trim panel	/L -02	1	
		Leather			
	996 555 121 01 ERV	Black	-00		
	996 555 121 01 ETC	Black	01-		
5	996 555 122 01	Door trim panel	/R -02	1	
		Leather			
	996 555 122 01 ERV	Black	-00		
	996 555 122 01 ETC	Black	01-		
(5)	996 555 121 05	Door trim panel	/L -03	1	M563/981
		Leather			
	996 555 121 05 ERV	Black	-00		
	996 555 121 05 ETC	Black	01-		
	996 555 121 05 VRV	Dark grey/natural			
	996 555 121 05 VRW	Brown/natural			
(5)	996 555 122 05	Door trim panel	/R -03	1	M563/981
		Leather			
	996 555 122 05 ERV	Black	-00		
	996 555 122 05 ETC	Black	01-		
	996 555 122 05 VRV	Dark grey/natural			
	996 555 122 05 VRW	Brown/natural			
(5)	996 555 121 08	Door trim panel	/L 04-	1	M563/981
		Leather			
	996 555 121 08 ETC	Black			
	996 555 121 08 VRV	Dark grey/natural			
	996 555 121 08 VRW	Brown/natural			
(5)	996 555 122 08	Door trim panel	/R 04-	1	M563/981
		Leather			
	996 555 122 08 ETC	Black			
	996 555 122 08 VRV	Dark grey/natural			
	996 555 122 08 VRW	Brown/natural			

Model: 996 99 Model life 1999>>2005

Pos	Part Number	Description	Remark	Qty	Model
-	999 911 688 40	Adhesive tape 10 X 0,1 X 370		4	
6	999 507 505 40	Clip Grey		8	
6	999 507 582 40	Clip White 8,0 X 0,9		8	
7	999 507 651 40	Expander nut 9,0 X 0,9		2	
8	999 507 427 40	Expander nut 6,3	-04	2	
10	996 613 241 00	Switch Door mirror		1	M273
(10)	996 613 241 00 01C	Satin black			
(10)	986 555 751 00	Knob	/L -00	1	M272
(10)	986 555 751 00 01C	Satin black			
(10)	986 555 752 00	Knob	/R -00	1	M272
(12)	986 555 752 00 01C	Door mirror Satin black			
(12)	986 555 651 01	Lining Door mirror Manually adjustable	/L -00	1	
12	986 555 651 01 A03	Black			
12	986 555 652 01	Lining Door mirror Manually adjustable	/R -00	1	
(12)	986 555 652 01 A03	Black			
(12)	996 555 651 03	Lining Door mirror Electrically adjustable	/LL /L	1	
(12)	996 555 651 03 A03	Black			
(12)	996 555 652 03	Lining Door mirror Electrically adjustable	/RL /R	1	
(12)	996 555 652 03 A03	Black			
(12)	996 555 652 02	Lining Door mirror Electrically adjustable	/LL /R	1	
(12)	996 555 652 02 A03	Black			
(12)	996 555 651 02	Lining Door mirror Electrically adjustable	/RL /L	1	
(12)	996 555 651 02 A03	Black			
(12)	996 555 983 00	Lining Door mirror Leather	/LL /L 01-	1	IXTF/XTR
(12)	996 555 983 00 A11	Black			
(12)	996 555 983 00 D12	Dark grey/natural	03-		
(12)	996 555 983 00 T12	Brown/natural	03-		
(12)	996 555 984 00	Lining Door mirror Leather	/RL /R 01-	1	IXTF/XTR
(12)	996 555 984 00 A11	Black			
(12)	996 555 984 00 D12	Dark grey/natural	03-		
(12)	996 555 984 00 T12	Brown/natural	03-		
(12)	996 555 984 01	Lining Door mirror Leather	/LL /R 01-	1	IXTF/XTR
(12)	996 555 984 01 A11	Black			
(12)	996 555 984 01 D12	Dark grey/natural	03-		
(12)	996 555 984 01 T12	Brown/natural	03-		
(12)	996 555 983 01	Lining Door mirror	/RL /L 01-	1	IXTF/XTR

Model: 996 99 Model life 1999>>2005

Pos	Part Number	Description	Remark	Qty	Model
		Leather			
	996 555 983 01 A11	Black			
	996 555 983 01 D12	Dark grey/natural	03-		
	996 555 983 01 T12	Brown/natural	03-		
13	996 555 371 02	Inner door release	/L -00	1	
		Complete			
		Leather			
	996 555 371 02 ENH	Black			
(13)	996 555 372 02	Inner door release	/R -00	1	
		Complete			
		Leather			
	996 555 372 02 ENH	Black			
(13)	996 555 251 01	Inner door release	/LL /L 01	1	
		Complete			
		Leather			
	996 555 251 01 A11	Black			
13	996 555 252 01	Inner door release	/LL /R 01	1	
		Complete			
		Leather			
	996 555 252 01 A11	Black			
(13)	996 555 251 02	Inner door release	/RL /L 01	1	
		Complete			
		Leather			
	996 555 251 02 A11	Black			
13	996 555 252 02	Inner door release	/RL /R 01	1	
		Complete			
		Leather			
	996 555 252 02 A11	Black			
(13)	996 555 251 03	Inner door release	/LL /L 02	1	
		Complete			
		Leather			
	996 555 251 03 A11	Black			
(13)	996 555 251 07	Inner door release	/LL /L 02	1	
		Complete			
		Leather			
	996 555 251 07 A11	Black			
13	996 555 252 03	Inner door release	/LL /R 02	1	
		Complete			
		Leather			
	996 555 252 03 A11	Black			
13	996 555 252 07	Inner door release	/LL /R 02	1	
		Complete			
		Leather			
	996 555 252 07 A11	Black			
(13)	996 555 251 04	Inner door release	/RL /L 02	1	
		Complete			
		Leather			
	996 555 251 04 A11	Black			
(13)	996 555 251 08	Inner door release	/RL /L 02	1	
		Complete			
		Leather			
	996 555 251 08 A11	Black			
13	996 555 252 04	Inner door release	/RL /R 02	1	
		Complete			
		Leather			
	996 555 252 04 A11	Black			
13	996 555 252 08	Inner door release	/RL /R 02	1	
		Complete			
		Leather			
	996 555 252 08 A11	Black			
(13)	996 555 251 05	Inner door release	/LL /L 03-	1	
		Complete			
		Leather			

Model: 996 99 Model life 1999>>2005

Pos	Part Number	Description	Remark	Qty	Model
	996 555 251 05 A11	Black			
	996 555 251 05 D12	Dark grey/natural			
	996 555 251 05 T12	Brown/natural			
(13)	996 555 252 09	Inner door release Complete Leather	/LL /R 03-	1	
	996 555 252 09 A11	Black			
	996 555 252 09 D12	Dark grey/natural			
	996 555 252 09 T12	Brown/natural			
(13)	996 555 251 06	Inner door release Complete Leather	/RL /L 03-	1	
	996 555 251 06 A11	Black			
	996 555 251 06 D12	Dark grey/natural			
	996 555 251 06 T12	Brown/natural			
(13)	996 555 251 10	Inner door release Complete Leather	/RL /L 03-	1	
	996 555 251 10 A11	Black			
	996 555 251 10 D12	Dark grey/natural			
	996 555 251 10 T12	Brown/natural			
(13)	996 555 252 06	Inner door release Complete Leather	/RL /R 03-	1	
	996 555 252 06 A11	Black			
	996 555 252 06 D12	Dark grey/natural			
	996 555 252 06 T12	Brown/natural			
(13)	996 555 252 10	Inner door release Complete Leather	/RL /R 03-	1	
	996 555 252 10 A11	Black			
	996 555 252 10 D12	Dark grey/natural			
	996 555 252 10 T12	Brown/natural			
14	999 703 440 40	Buffer 7 X 10 X 16		2	
15	999 507 476 01	Clamp 8 X 10 X16		12	
(16)	996 555 425 03	Handle	/L -02	1	
16	996 555 425 03 V01	Silver			
	996 555 426 03	Handle	/R -02	1	
(16)	996 555 426 03 V01	Silver			
	996 555 425 04	Handle	/L 03-	1	
16	996 555 425 04 V03	Silver			
	996 555 426 04	Handle	/R 03-	1	
17	996 555 426 04 V03	Silver			
	999 166 084 02	Bolt 4 X 39 X 37		2	
18	999 166 026 02	Lock 4		2	
(19)	999 702 281 40	Grommet		2	
20	996 613 123 00	Microswitch		2	
21	999 073 113 09	Oval-head screw M 6 X 50		2	
22	999 073 112 09	Oval-head screw M 6 X 80		2	
23	999 073 061 02	Tapping screw 4,8 X 16		2	
24	999 522 015 00	Tension spring		2	
25	996 555 635 00	Hose		2	
26	999 073 080 02	Combination screw 4,2 X 16		8	
(27)	996 555 591 00	Cover Handle	/L	1	

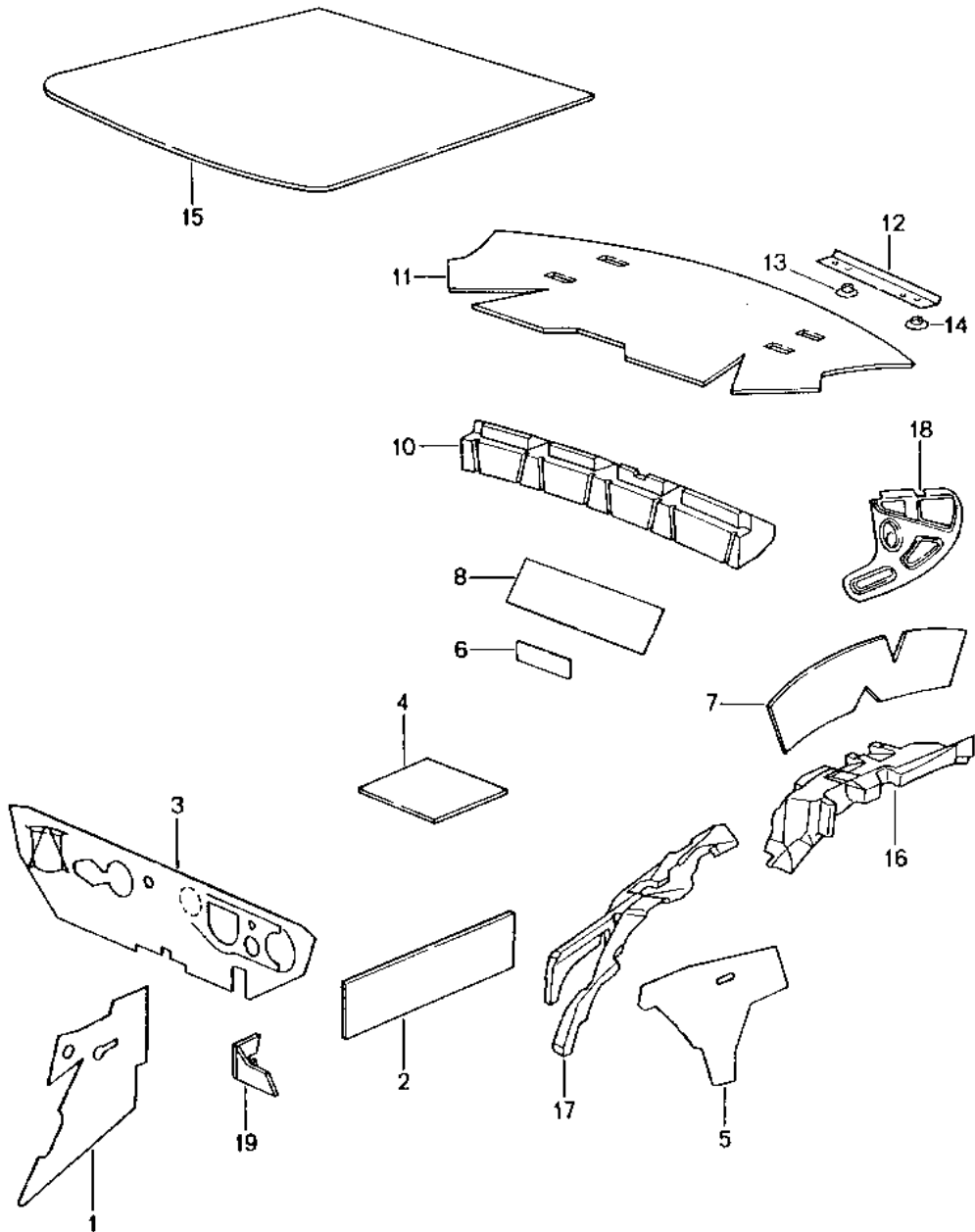


Model: 996 99 Model life 1999>>2005

Pos	Part Number	Description	Remark	Qty	Model
		Leather			
	996 555 591 00 A11	Black			
	996 555 591 00 D12	Dark grey/natural			
	996 555 591 00 T12	Brown/natural			
27	996 555 592 00	Cover	/R	1	
		Handle			
		Leather			
	996 555 592 00 A11	Black			
	996 555 592 00 D12	Dark grey/natural			
	996 555 592 00 T12	Brown/natural			
(27)	996 555 988 02	Cover	/L 01-	1	IXTL
		Carbon			
27	996 555 989 02	Cover	/R 01-	1	IXTL
		Carbon			
28	999 507 476 01	Clamp		12	
		8 X 10/2,5			
32	996 555 623 00	Cap	-00	2	M563
	996 555 623 00 01C	Satin black			
32	996 555 623 01	Cap	01-	2	M563
	996 555 623 01 V01	Silver			
32	996 555 623 02	Cap	03-	2	M563
	996 555 623 02 V03	Sport silver			
33	999 067 043 02	Pan-head screw		1	
		M 5 X 10			
(34)	996 555 221 00	Lid	/L -02	1	
		Leather			
	996 555 221 00 EHS	Black	-00		
	996 555 221 00 A11	Black	01-		
34	996 555 222 00	Lid	/R -02	1	
		Leather			
	996 555 222 00 EHS	Black	-00		
	996 555 222 00 A11	Black	01-		
(34)	996 555 221 01	Lid	/L 03-	1	
		Leather			
	996 555 221 01 A11	Black			
	996 555 221 01 D12	Dark grey/natural			
	996 555 221 01 T12	Brown/natural			
34	996 555 222 01	Lid	/R 03-	1	
		Leather			
	996 555 222 01 A11	Black			
	996 555 222 01 D12	Dark grey/natural			
	996 555 222 01 T12	Brown/natural			
(34)	996 555 980 02	Lid	/L 01-02	1	IXTL
		Carbon			
(34)	996 555 981 02	Lid	/R 01-02	1	IXTL
		Carbon			
(34)	996 555 980 06	Lid	/L 03-	1	IXTL
		Carbon			
(34)	996 555 981 06	Lid	/R 03-	1	IXTL
		Carbon			
-	996 555 483 00	Buffer		4	
35	996 555 611 01	Handle	-02	2	
		Lacquered			
	996 555 611 01 V01	Silver			
35	996 555 611 02	Handle	03-	2	
		Lacquered			
	996 555 611 02 V03	Sport silver			
(37)	996 555 441 00	Closing element	/L	1	
37	996 555 442 00	Closing element	/R	1	
38	999 094 018 00	Bolt		2	
39	999 073 080 02	Combination screw		4	
		4,2 X 16			

Model: 996 99

Model life 1999>>2005



Model: 996 99 Model life 1999>>2005

Pos	Part Number	Description	Remark	Qty	Model
1	996 556 605 01	Body Sound proofing 1 Sound absorber	/L -02	1	
(1)	996 556 606 01	Wheel housing Front Sound absorber	/R -02	1	
2	996 556 531 01	Wheel housing Front Insulation	-02	2	
3	996 556 723 01	Door in white Sound absorber	/LL	1	
(3)	996 556 724 01	Firewall Sound absorber	/RL	1	
4	996 556 503 01	Firewall Insulation	-02	1	
5	996 556 655 02	Floor 228 X 230 Sound absorber	/L -02	1	
(5)	996 556 656 02	Sound absorber Side trim panel	/R -02	1	
6	996 556 503 01	Insulation Seat well It is necessary to rework	/L /R -02	1	
7	996 556 507 01	160 X 40 Insulation	/H /L	1	
(7)	996 556 508 01	Wheel housing Insulation	/H /R	1	
8	996 556 511 01	Wheel housing Insulation	-02	1	
10	996 556 581 00	Rear wall 430 X 120 Sound absorber	-01	1	
11	996 556 711 03	Rear wall Sound absorber		1	
(11)	996 556 711 04	F >>994S6 91629 Engine compartment Sound absorber		1	
12	996 556 761 00	F 994S6 91630>> F 994S6 92548>> Engine compartment	-99	2	
12	996 556 761 01	Retaining strip Engine compartment	00-	2	
13	999 049 020 40	Retaining strip Engine compartment		5	
14	999 049 011 40	Plastic nut T5/30 X 5,1	-00	3	
15	996 556 647 01	Push button T5/30 X 6,0 Sound absorber	-02	1	
(16)	996 556 812 01	Roof Filler piece		1	
16	996 556 657 00	Back wall lining Sound absorber	/H /L -02	1	
(16)	996 556 658 00	Wheel-housing liner Sound absorber	/H /R -02	1	
(18)	996 556 753 90	Wheel-housing liner Seal	/L /O -02	1	
(18)	996 556 754 90	Seal Side section	/R /O -02	1	
19	996 556 811 01	Filler piece	/L	1	
(19)	996 556 812 01	Filler piece	/R	1	
-	1H0 819 943	Tray Screw		2	

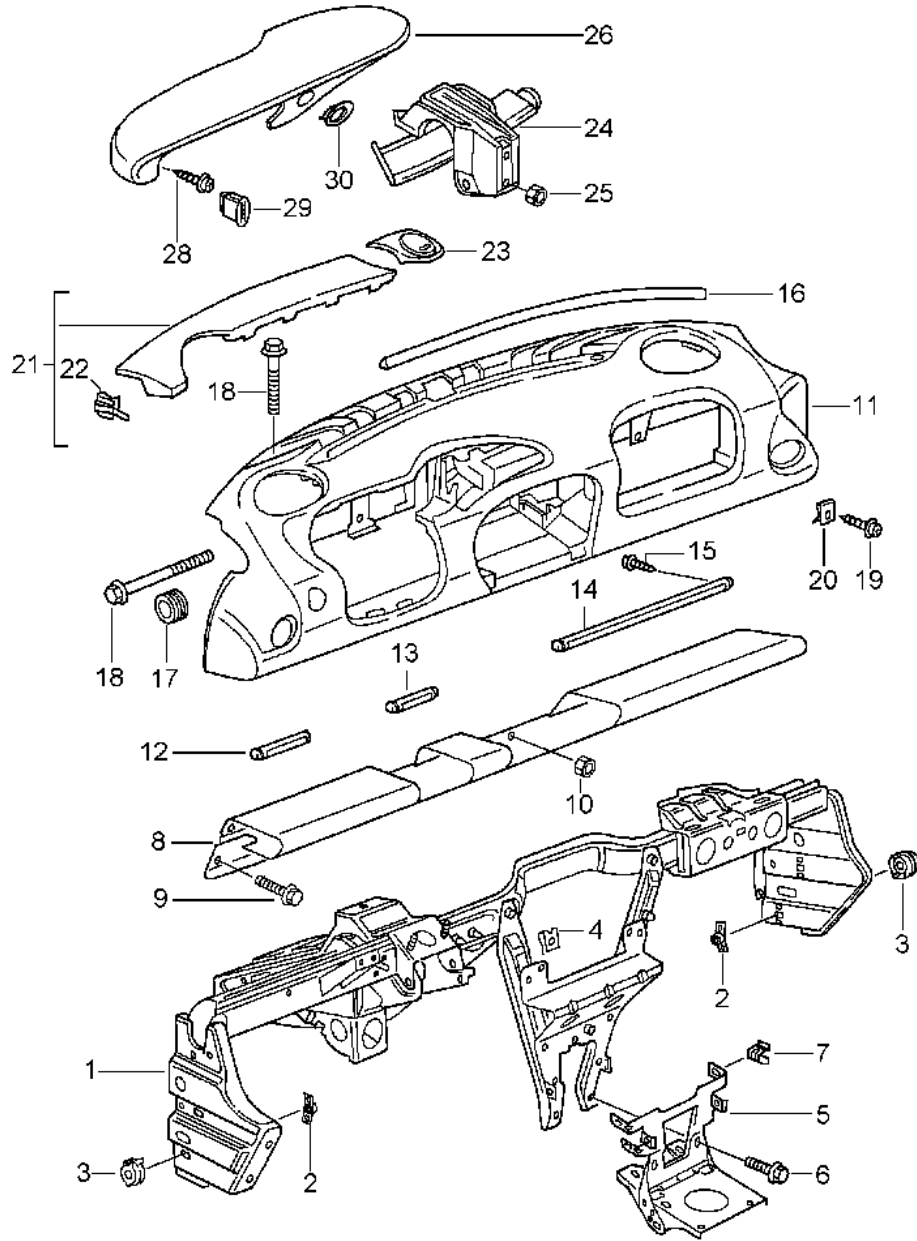
Model: 996 99

Model life 1999&gt;&gt;2005

Pos	Part Number	Description	Remark	Qty	Model
-	996 572 511 02	Sound absorber Air conditioner	/LL -02	1	
-	996 572 511 04	Sound absorber Air conditioner	/LL 03-	1	
-	996 572 511 06	Sound absorber Air conditioner	/LL 03-	1	
-	996 572 511 03	Sound absorber Air conditioner	/RL -02	1	
-	996 572 511 05	Sound absorber Air conditioner	/RL 03-	1	
-	996 572 511 07	Sound absorber Air conditioner	/RL 03-	1	

Model: 996 99

Model life 1999>>2005



Model: 996 99 Model life 1999>>2005

Pos	Part Number	Description	Remark	Qty	Model
		Dashbord trim with			
1	996 552 061 12	Retaining frame	/LL	1	
(1)	996 552 061 13	Retaining frame	/RL	1	
2	996 552 805 00	Threaded plate		4	
3	996 552 545 00	Shim		4	
4	999 507 462 02	Speed nut		9	
4	999 507 462 09	Speed nut		9	
4	999 591 855 02	Speed nut 4,8		1	
4	999 591 855 01	Speed nut 4,8		1	
(5)	996 552 309 07	Support		1	
6	900 378 155 09	Hexagon-head bolt M 6 X 16		6	
7	999 507 574 02	Clamp 8 X 10/1,2		4	
11	996 552 109 00	Dashbord trim Leatherette	/LL -01	1	
	996 552 109 00 A18	Black	-00		
	996 552 109 00 A12	Black	-01		
(11)	996 552 110 00	Dashbord trim Leatherette	/RL -01	1	
	996 552 110 00 A18	Black	-00		
	996 552 110 00 A12	Black	-01		
(11)	996 552 109 02	Dashbord trim Leatherette	/LL 02-	1	M002
	996 552 109 02 A12	Black			
(11)	996 552 110 02	Dashbord trim Leatherette	/RL 02-	1	
	996 552 110 02 A12	Black			
(11)	996 552 109 00	Dashbord trim Leatherette	/LL 04-	1	M004
	996 552 109 00 A12	Black			
(11)	996 552 101 00	Dashbord trim Leather	/LL	1	M981
	996 552 101 00 A11	Black	00		
	996 552 101 00 EVL	Black	01-		
(11)	996 552 102 00	Dashbord trim Leather	/RL	1	M981
	996 552 102 00 A11	Black	00		
	996 552 102 00 EVL	Black	01-		
(11)	996 552 101 01	Dashbord trim Leather with Cut-outs Glove compartment	/LL 02-	1	M981
	996 552 101 01 A11	Black			
	996 552 101 01 D12	Dark grey/natural			
	996 552 101 01 T12	Brown/natural			
(11)	996 552 102 01	Dashbord trim Leather with Cut-outs Glove compartment	/RL 02-	1	M981
	996 552 102 01 A11	Black			
	996 552 102 01 D12	Dark grey/natural			
	996 552 102 01 T12	Brown/natural			
-	999 551 145 40	Lining strap 15 X 1,3 X 50		2	
-	999 507 768 02	Speed nut 4,2		18	

Model: 996 99 Model life 1999>>2005

Pos	Part Number	Description	Remark	Qty	Model
-	999 507 533 02	Clamp 8 X 10/2,5		23	
-	996 552 749 00	Reinforcement strip	/LL 02-	1	
-	996 552 750 00	Reinforcement strip Driver's side	/RL 02-	1	
-	996 552 753 00	Reinforcement strip	/LL 02-	1	M573
-	996 552 754 00	Reinforcement strip	/RL 02-	1	M573
-	996 552 753 01	Reinforcement strip	/LL 02-	1	M574
-	996 552 754 01	Reinforcement strip Glove compartment	/RL 02-	1	M574
-	999 073 169 07	Tapping screw 4,8 X 16	02-	2	
-	999 507 462 02	Speed nut 4,8	02-	5	
-	999 507 462 09	Speed nut 4,8	02-	5	
-	999 507 796 02	U-clamp	02-	3	
12	996 552 381 02	Moulding Driver's side Lacquered	/LL /L	1	
	996 552 381 02 A03	Black			
(12)	996 552 382 01	Moulding Driver's side Lacquered	/RL /R	1	
	996 552 382 01 A03	Black			
12	996 552 996 00	Moulding Driver's side Leather	/LL /L 01-	1	IXNU
	996 552 996 00 A11	Black			
	996 552 996 00 D12	Dark grey/natural	03-		
	996 552 996 00 T12	Brown/natural	03-		
(12)	996 552 997 00	Moulding Driver's side Leather	/RL /R 01-	1	IXNU
	996 552 997 00 A11	Black			
	996 552 997 00 D12	Dark grey	03-		
	996 552 997 00 T12	Brown/natural	03-		
12	996 552 996 01	Cover strip Driver's side Carbon	/LL /L 01-	1	IXNX
(12)	996 552 997 01	Cover strip Driver's side Carbon	/RL /R 01-	1	IXNX
12	996 552 996 03	Cover strip Driver's side Aluminium Arctic silver	/LL /L -02	1	IXNY
(12)	996 552 997 03	Cover strip Driver's side Aluminium Arctic silver	/RL /R -02	1	IXNY
13	996 552 383 02	Moulding Centre Lacquered	/LL	1	
	996 552 383 02 A03	Black			
(13)	996 552 384 01	Moulding Centre Lacquered	/RL	1	
	996 552 384 01 A03	Black			
13	996 552 998 00	Moulding Centre	/LL 01-	1	IXNU
	996 552 998 00 A11	Black			
	996 552 998 00 D12	Dark grey/natural	03-		

Model: 996 99 Model life 1999>>2005

Pos	Part Number	Description	Remark	Qty	Model
(13)	996 552 998 00 T12 996 552 998 01	Brown/natural Moulding Centre Leather	03- /RL 01-	1	IXNU
	996 552 998 01 A11	Black			
	996 552 998 01 D12	Dark grey/natural	03-		
13	996 552 998 01 T12 996 552 998 02	Brown/natural Cover strip Centre Carbon	03- /LL 01-	1	IXNX
(13)	996 552 998 03	Cover strip Centre Carbon	/RL 01-	1	IXNX
13	996 552 998 06	Cover strip Centre Aluminium Arctic silver	/LL -02	1	IXNY
(13)	996 552 998 07	Cover strip Centre Aluminium Arctic silver	/RL -02	1	IXNY
14	996 552 385 02	Moulding Passenger's side Lacquered	/LL /R -99	1	
(14)	996 552 385 02 D05 996 552 386 02	Granite grey Moulding Passenger's side Lacquered	/RL /L -99	1	
14	996 552 386 02 D05 996 552 385 03	Granite grey Moulding Passenger's side	/LL /R 00-	1	
(14)	996 552 385 03 A03 996 552 386 03	Black Moulding Passenger's side Lacquered	/RL /L 00-	1	
14	996 552 386 03 A03 996 552 959 00	Black Moulding Passenger's side Leather	/LL /R 00-	1	IXNU
	996 552 959 00 A11	Black			
	996 552 959 00 D12	Dark grey/natural	03-		
	996 552 959 00 T12	Brown/natural	03-		
(14)	996 552 959 01	Moulding Passenger's side Leather	/RL /L 00-	1	IXNU
	996 552 959 01 A11	Black			
	996 552 959 01 D12	Dark grey/natural	03-		
	996 552 959 01 T12	Brown/natural	03-		
14	996 552 959 06	Moulding Passenger's side Carbon	/LL /R 00-	1	IXNX
(14)	996 552 959 07	Moulding Passenger's side Carbon	/RL /L 00-	1	IXNX
14	996 552 959 08	Moulding Passenger's side Aluminium Arctic silver	/LL /R -02	1	IXNY
(14)	996 552 959 09	Moulding Passenger's side Aluminium Arctic silver	/RL /L -02	1	IXNY
15	999 919 203 07	Oval-head screw		11	



Model: 996 99 Model life 1999>>2005

Pos	Part Number	Description	Remark	Qty	Model
16	996 552 645 00	3 X 10 Gasket Cowl Information available		1	
(17)	999 703 466 40	Stopper 15,0 X 5,0		2	
18	999 074 057 09	Hexagon-head bolt M 8 X 125		4	
19	999 073 169 07	Tapping screw 4,8 X 16		11	
20	999 507 462 02	Speed nut 4,8		19	
20	999 507 462 09	Speed nut 4,8		19	
21	996 552 185 04	Defroster trim Lacquered	/L	1	
	996 552 185 04 A03	Black			
(21)	996 552 186 04	Defroster trim Lacquered	/R	1	
	996 552 186 04 A03	Black			
21	996 552 988 05	Defroster trim Leather	/L 01-	1	IXV1
	996 552 988 05 VRK	Black			
	996 552 988 05 D12	Dark grey/natural	03-		
	996 552 988 05 T12	Brown/natural	03-		
(21)	996 552 989 05	Defroster trim Leather	/R 01-	1	IXV1
	996 552 989 05 VRK	Black			
	996 552 989 05 D12	Dark grey/natural	03-		
	996 552 989 05 T12	Brown/natural	03-		
21	996 552 988 04	Defroster trim Carbon Leather	/L 01-	1	IXKJ
	996 552 988 04 VRK	Black			
	996 552 988 04 D12	Dark grey/natural	03-		
	996 552 988 04 T12	Brown/natural	03-		
(21)	996 552 989 04	Defroster trim Carbon Leather	/R 01-	1	IXKJ
	996 552 989 04 VRK	Black			
	996 552 989 04 D12	Dark grey/natural	03-		
	996 552 989 04 T12	Brown/natural	03-		
22	999 507 685 02	Clamp 1,5-2,0	99-	2	
23	996 552 181 04	Cover		1	
	996 552 181 04 A03	Black			
23	996 552 990 02	Cover Light Leather	01-	1	IXV1
	996 552 990 02 A11	Black			
	996 552 990 02 D12	Dark grey/natural	03-		
	996 552 990 02 T12	Brown/natural	03-		
24	996 552 617 03	Support Instrument Wiring harness	/LL	1	
(24)	996 552 618 02	Support Instrument Wiring harness	/RL	1	
-	999 591 883 02	Speed nut 4,8		2	
-	999 591 883 01	Speed nut 4,8		2	
25	900 380 015 09	Hexagon nut		2	

Model: 996 99 Model life 1999>>2005

Pos	Part Number	Description	Remark	Qty	Model
26	996 552 059 02	M 6 Cover Instruments Leatherette	/LL	1	
	996 552 059 02 EQR	Black	-00		
	996 552 059 02 EUD	Black	01-		
(26)	996 552 060 02	Cover Instruments Leatherette	/RL	1	
	996 552 060 02 EQR	Black	-00		
	996 552 060 02 EUD	Black	01-		
26	996 552 025 01	Cover Instruments Leather	/LL -02	1	
	996 552 025 01 EQV	Black	-00		
	996 552 025 01 ETQ	Black	01-		
	996 552 025 01 VRP	Dark grey/natural			
	996 552 025 01 VRQ	Brown/natural			
(26)	996 552 026 01	Cover Instruments Leather	/RL -02	1	
	996 552 026 01 EQV	Black	-00		
	996 552 026 01 ETQ	Black	01-		
	996 552 026 01 VRP	Dark grey/natural			
	996 552 026 01 VRQ	Brown/natural			
26	996 552 025 02	Cover Instruments Leather	/LL 03-	1	M981
	996 552 025 02 ETQ	Black			
	996 552 025 02 VRP	Dark grey/natural			
	996 552 025 02 VRQ	Brown/natural			
(26)	996 552 026 02	Cover Instruments Leather	/RL 03-	1	M981
	996 552 026 02 ETQ	Black			
	996 552 026 02 VRP	Dark grey/natural			
	996 552 026 02 VRQ	Brown/natural			
28	999 919 188 09	Oval-head screw 5,0 X 30	-00	2	
(28)	999 073 220 09	Tapping screw 4,8 X 25	01-	2	
29	996 552 625 02	Cover Microphone Lacquered	/LL	1	
	996 552 625 02 A03	Black			
(29)	996 552 626 02	Cover Microphone Lacquered	/RL	1	
	996 552 626 02 A03	Black			
30	996 552 469 01	Rosette Hazard warning light sw. Lacquered	/LL	1	
	996 552 469 01 A03	Black			
(30)	996 552 470 01	Rosette Hazard warning light sw. Lacquered	/RL	1	
	996 552 470 01 A03	Black			
30	996 552 966 00	Rosette Hazard warning light sw. Leather	/LL	1	
	996 552 966 00 A11	Black			
(30)	996 552 966 01	Rosette Hazard warning light sw.	/RL	1	

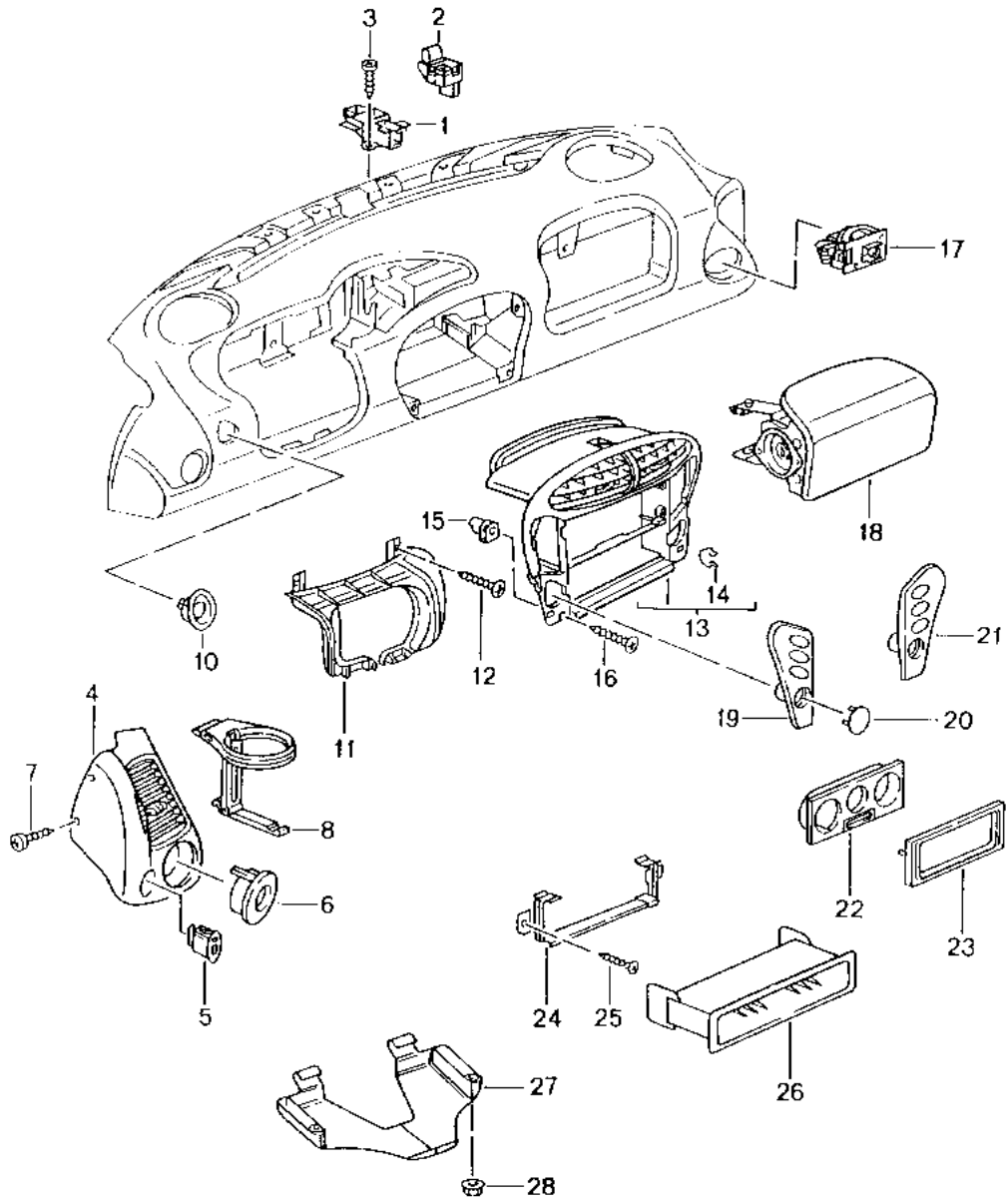
Model: 996 99

Model life 1999>>2005

Pos	Part Number	Description	Remark	Qty	Model
	996 552 966 01 A11	Leather Black			

Model: 996 99

Model life 1999>>2005



Model: 996 99 Model life 1999>>2005

Pos	Part Number	Description	Remark	Qty	Model
		Accessories			
1	996 552 541 02	Dashboard trim	-01	1	
		Mounting			
2	996 653 251 00	Light		1	M534/535
3	999 919 120 09	Sensor		2	
		Oval-head screw			
		4,0 X 18			
4	996 552 225 05	Side vent	/L -00	1	
		Lacquered			
	996 552 225 05 A03	Black			
(4)	996 552 228 05	Side vent	/R -00	1	
		Lacquered			
	996 552 228 05 A03	Black			
4	996 552 225 06	Side vent	/L 01	1	
		Lacquered			
	996 552 225 06 A03	Black			
4	996 552 228 06	Side vent	/R 01	1	
		Lacquered			
	996 552 228 06 A03	Black			
4	996 552 984 00	Side vent	/L 01-	1	IXN3
		Leather			
	996 552 984 00 VRK	Black			
(4)	996 552 985 00	Side vent	/R 01-	1	IXN3
		Leather			
	996 552 985 00 VRK	Black			
4	996 552 984 03	Side vent	/L 01-	1	IXKD
		Carbon			
		Leather			
	996 552 984 03 VRK	Black			
(4)	996 552 985 03	Side vent	/R 01-	1	IXKD
		Carbon			
		Leather			
	996 552 985 03 VRK	Black			
4	996 552 984 05	Side vent	/L 01-	1	IXKE
		Arctic silver			
		Leather			
	996 552 984 05 VRK	Black			
(4)	996 552 985 05	Side vent	/R 01-	1	IXKE
		Arctic silver			
		Leather			
	996 552 985 05 VRK	Black			
5	996 552 621 01	Cover		1	
		Headlight levelling system			
		Lacquered			
	996 552 621 01 A03	Black			
5	996 552 986 00	Cover	01-	1	IXNH
		Headlight levelling system			
		Leather			
	996 552 986 00 A11	Black			
6	996 552 417 02	Rosette		1	
		Interior sensor			
		Lacquered			
	996 552 417 02 A03	Black			
6	996 552 987 00	Rosette	01-	1	IXNH
		Interior sensor			
		Leather			
	996 552 987 00 A11	Black			
7	999 919 120 09	Oval-head screw	-00	4	
		4,0 X 18			
7	999 073 218 09	Tapping screw	01-	4	
		4,2 X 16			
8	986 552 183 00	Support	/L	1	
	986 552 183 00 01C	Satin black			

Model: 996 99 Model life 1999>>2005

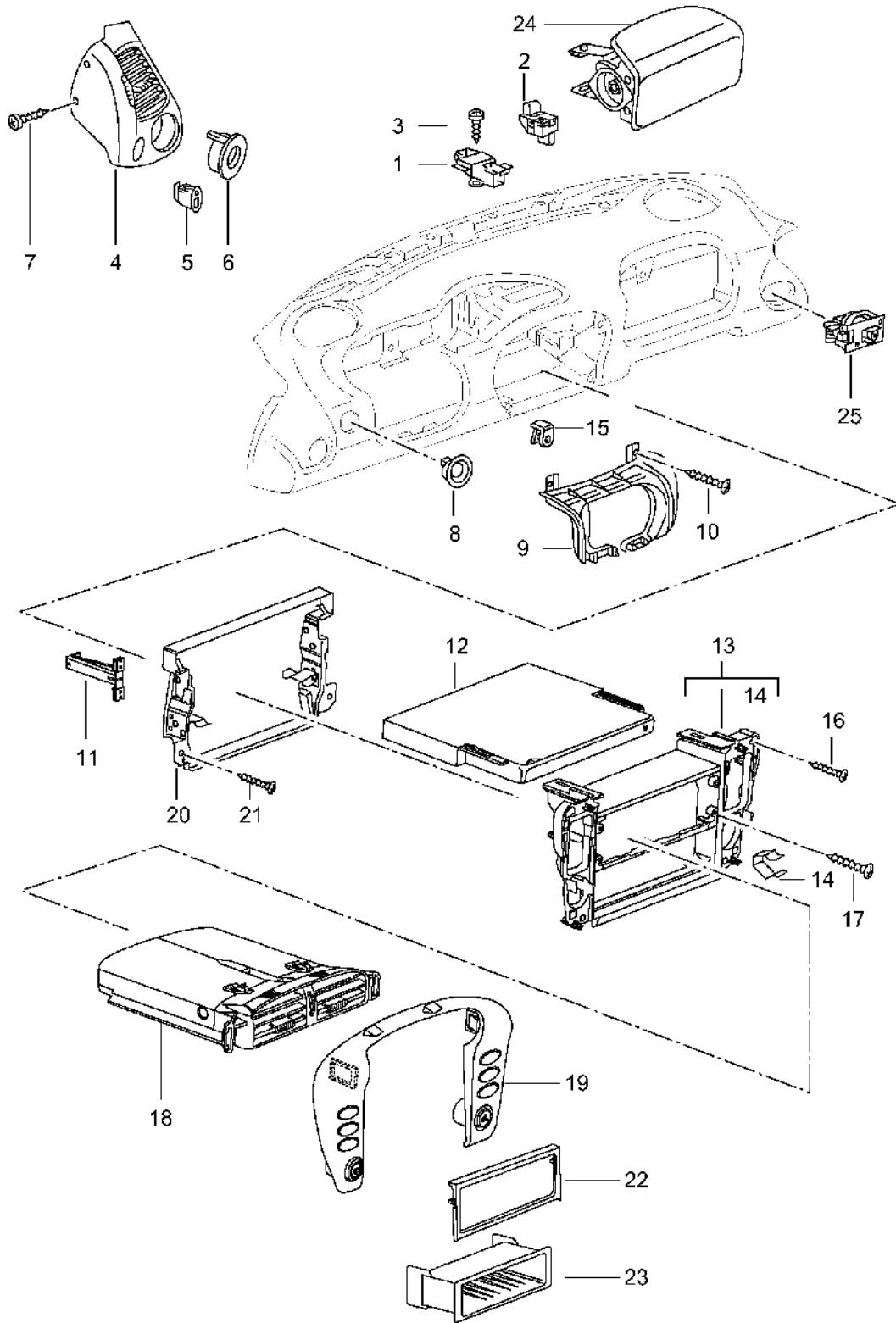
Pos	Part Number	Description	Remark	Qty	Model
(8)	986 552 184 00	Support Beverages	/R	1	
10	986 552 184 00 01C 996 552 235 03	Satin black Rosette	/LL	1	
(10)	996 552 235 03 A03 996 552 236 03	Ignition starter lock Black Rosette	/RL	1	
10	996 552 236 03 A03 996 552 980 00	Ignition starter lock Black Rosette	/LL 01-	1	IXJ4
(10)	996 552 980 00 A11 996 552 980 01	Ignition starter lock Leather Black Rosette	/RL 01-	1	IXJ4
11	996 552 980 01 A11 996 552 271 03	Black Cover Steering		1	
11	996 552 271 03 A03 986 552 988 03	Black Cover Steering	01	1	IXNS
12	986 552 988 03 A11 999 919 123 09	Leather Black Oval-head screw		8	
13	996 552 131 04 996 552 131 04 A03	5,0 X 20 Support frame Black	-01	1	
(13)	996 552 969 08 996 552 969 08 A11	Support frame Leather Black	-01	1	IXNN
(13)	996 552 969 16 996 552 969 16 92T	Support frame Arctic silver	-01	1	IXKW
14	999 507 533 02	Clamp 8/2,5		4	
(15)	999 920 015 40	Plug-in nut 4,0 X 4,0 X 9		11	
15	999 920 012 40	Plug-in nut 5,0 X 3,5 X 8		4	
16	999 919 123 09	Oval-head screw 5,0 X 20	-00	4	
16	999 073 218 09	Tapping screw 4,2 X 16	01-	4	
17	996 653 241 00	Interior sensor Side vent		1	M573
18		See group 4/03/06		1	
19	996 552 233 04 996 552 233 04 A03	Trim for switch Upper part/lower part Black	/L -01	1	
19	996 552 967 04 996 552 967 04 A11	Trim for switch Leather Black	/L 01	1	IXNN
19	996 552 967 07	Trim for switch Carbon	/L 01	1	IXNR
21	996 552 234 04 996 552 234 04 A03	Trim for switch Upper part/lower part Black	/R -01	1	
21	996 552 968 04 996 552 968 04 A11	Trim for switch Leather Black	/R 01	1	IXNN
21	996 552 968 07	Trim for switch Carbon	/R 01	1	IXNR

Model: 996 99 Model life 1999>>2005

Pos	Part Number	Description	Remark	Qty	Model
22	996 552 153 01	Support frame Heating		1	M574
	996 552 153 01 01C	Satin black			
22	996 552 991 00	Support frame Heating Leather		1	IXKW/XNN M574
	996 552 991 00 A11	Black			
23	996 552 677 00	Frame Air-conditioning switch		1	
	996 552 677 00 01C	Satin black			
24	996 552 673 02	Retaining bar		1	
25	999 919 123 09	Oval-head screw 5,0 X 20	-00	2	
25	999 073 218 09	Tapping screw 4,2 X 16	01-	2	
26	996 552 253 01	Shelf Instead of Radio		1	
	996 552 253 01 01C	Satin black			
26	996 552 994 01	Shelf Leather	01-	1	IXMF
	996 552 994 01 A11	Black			
27	996 552 173 01	Shelf		1	
	996 552 173 01 A03	Black			
(28)	999 591 712 40	Expansion rivet 6,0 X 12,0		2	

Model: 996 99

Model life 1999>>2005





Model: 996 99 Model life 1999>>2005

Pos	Part Number	Description	Remark	Qty	Model
1	996 552 541 02	Accessories Dashboard trim Mounting Light	02-	1	
2	996 653 251 00	Sensor		1	M534/535
3	999 919 120 09	Oval-head screw 4,0 X 18		2	
4	996 552 225 06	Side vent Lacquered	/L	1	
	996 552 225 06 A03	Black			
(4)	996 552 228 06	Side vent Lacquered	/R	1	
	996 552 228 06 A03	Black			
4	996 552 984 00	Side vent Leather	/L	1	IXN3
	996 552 984 00 VRK	Black			
	996 552 984 00 D12	Dark grey/natural	03-		
	996 552 984 00 T12	Brown/natural	03-		
(4)	996 552 985 00	Side vent Leather	/R	1	IXN3
	996 552 985 00 VRK	Black			
	996 552 985 00 D12	Dark grey/natural	03-		
	996 552 985 00 T12	Brown/natural	03-		
4	996 552 984 03	Side vent Carbon Leather	/L	1	IXKD
	996 552 984 03 VRK	Black			
	996 552 984 03 D12	Dark grey/natural	03-		
	996 552 984 03 T12	Brown/natural	03-		
(4)	996 552 985 03	Side vent Carbon Leather	/R	1	IXKD
	996 552 985 03 VRK	Black			
	996 552 985 03 D12	Dark grey/natural	03-		
	996 552 985 03 T12	Brown/natural	03-		
4	996 552 984 05	Side vent Arctic silver Leather	/L -02	1	IXKE
	996 552 984 05 VRK	Black			
(4)	996 552 985 05	Side vent Arctic silver Leather	/R -02	1	IXKE
	996 552 985 05 VRK	Black			
4	996 552 984 07	Side vent Aluminium look Leather	/L 03-	1	IXCC
	996 552 984 07 VRK	Black			
	996 552 984 07 D12	Dark grey/natural			
	996 552 984 07 T12	Brown/natural			
(4)	996 552 985 07	Side vent Aluminium look Leather	/R 03-	1	IXCC
	996 552 985 07 VRK	Black			
	996 552 985 07 D12	Dark grey/natural			
	996 552 985 07 T12	Brown/natural			
5	996 552 621 01	Cover Headlight levelling system Lacquered		1	
	996 552 621 01 A03	Black			
5	996 552 986 00	Cover Headlight levelling system Leather		1	IXNH
	996 552 986 00 A11	Black			

Model: 996 99 Model life 1999>>2005

Pos	Part Number	Description	Remark	Qty	Model
6	996 552 986 00 D12	Dark grey/natural	03-	1	
	996 552 986 00 T12	Brown/natural	03-		
	996 552 417 02	Rosette Interior sensor Lacquered			
6	996 552 417 02 A03	Black		1	IXNH
	996 552 987 00	Rosette Interior sensor Leather			
7	996 552 987 00 A11	Black		4	
	996 552 987 00 D12	Dark grey/natural	03-		
	996 552 987 00 T12	Brown/natural	03-		
8	999 073 218 09	Tapping screw 4,2 X 16		1	
	996 552 235 03	Rosette Ignition starter lock	/LL		
(8)	996 552 235 03 A03	Black		1	
	996 552 236 03	Rosette Ignition starter lock	/RL		
8	996 552 236 03 A03	Black		1	IXJ4
	996 552 980 00	Rosette Ignition starter lock Leather	/LL		
(8)	996 552 980 00 A11	Black		1	IXJ4
	996 552 980 00 D12	Dark grey/natural	03-		
	996 552 980 00 T12	Brown/natural	03-		
9	996 552 980 01	Rosette Ignition starter lock Leather	/RL	1	
	996 552 980 01 A11	Black			
	996 552 980 01 D12	Dark grey/natural	03-		
9	996 552 980 01 T12	Brown/natural	03-	1	
	996 552 271 03	Cover Steering			
9	996 552 271 03 A03	Black		1	IXNS
	986 552 988 03	Cover Steering Leather	03-		
10	986 552 988 03 VRK	Black		8	
	986 552 988 03 D12	Dark grey/natural			
	986 552 988 03 T12	Brown/natural			
12	999 919 123 09	Oval-head screw 5,0 X 20		1	
	996 552 183 00	Support Beverages	/LL		
12	996 552 183 00 01C	Satin black		1	
	996 552 183 02	Support Beverages	/LL		
(12)	996 552 183 02 01C	Satin black		1	
	996 552 184 00	Support Beverages	/RL		
12	996 552 184 00 01C	Satin black		1	IXNN/XNR
	996 552 958 00	Support Beverages Leather	/LL		
(12)	996 552 958 00 A11	Black		1	IXNN/XNR
	996 552 958 00 D12	Dark grey/natural	03-		
	996 552 958 00 T12	Brown/natural	03-		
12	996 552 958 01	Support Beverages Leather	/RL	1	
	996 552 958 01 A11	Black			
	996 552 958 01 D12	Dark grey/natural	03-		

Model: 996 99 Model life 1999>>2005

Pos	Part Number	Description	Remark	Qty	Model
13	996 552 958 01 T12	Brown/natural	03-		
	996 552 231 11	Support frame		1	
	996 552 231 11 01C	Satin black			
(13)	996 552 969 25	Support frame		1	IXNN
		Leather			
	996 552 969 25 A11	Black			
	996 552 969 25 D12	Dark grey/natural	03-		
	996 552 969 25 T12	Brown/natural	03-		
13	996 552 969 34	Support frame	02-	1	IXNR
		Carbon			
14	999 507 533 02	Clamp		4	
		8/2,5			
(15)	999 507 768 02	Speed nut		18	
		4,2			
16	999 073 218 09	Tapping screw		4	
		4,2 X 16			
17	900 143 076 09	Tapping screw		2	
		4,2 X 25			
18	996 552 263 01	Centre nozzle		1	
	996 552 263 01 01C	Satin black			
18	996 552 950 00	Centre nozzle		1	IXNN/XNR
		Leather			
	996 552 950 00 A11	Black			
	996 552 950 00 D12	Dark grey/natural	03-		
	996 552 950 00 T12	Brown/natural	03-		
18	996 552 951 00	Centre nozzle	03-	1	IXCD
		Aluminium look			
	996 552 951 00 A11	Black			
	996 552 951 00 D12	Dark grey/natural			
	996 552 951 00 T12	Brown/natural			
19	996 552 233 06	Trim for switch		1	
		Upper part/lower part			
	996 552 233 06 A03	Black			
19	996 552 967 08	Trim for switch		1	IXCD/XNN
		Leather			
	996 552 967 08 A11	Black			
	996 552 967 08 D12	Dark grey/natural	03-		
	996 552 967 08 T12	Brown/natural	03-		
19	996 552 967 11	Trim for switch		1	IXNR
		Carbon			
19	996 552 967 13	Trim for switch		1	IXKW
		Arctic silver			
20	996 552 673 03	Retaining bar		1	
		Radio			
21	999 073 218 09	Tapping screw		2	
		4,2 X 16			
22	986 552 153 00	Frame		1	M574
	986 552 153 00 01C	Satin black			
22	996 552 677 01	Cover		1	M573
		Air-conditioning switch			
	996 552 677 01 01C	Satin black			
(22)	996 552 992 00	Frame		1	IXKW/XNN M573
		Air-conditioning switch			
	996 552 992 00 A11	Black			
23	996 552 253 01	Shelf		1	
		Instead of			
		Radio			
	996 552 253 01 01C	Satin black			
23	996 552 994 01	Shelf		1	IXMF
		Leather			
	996 552 994 01 A11	Black			
24		See group		1	

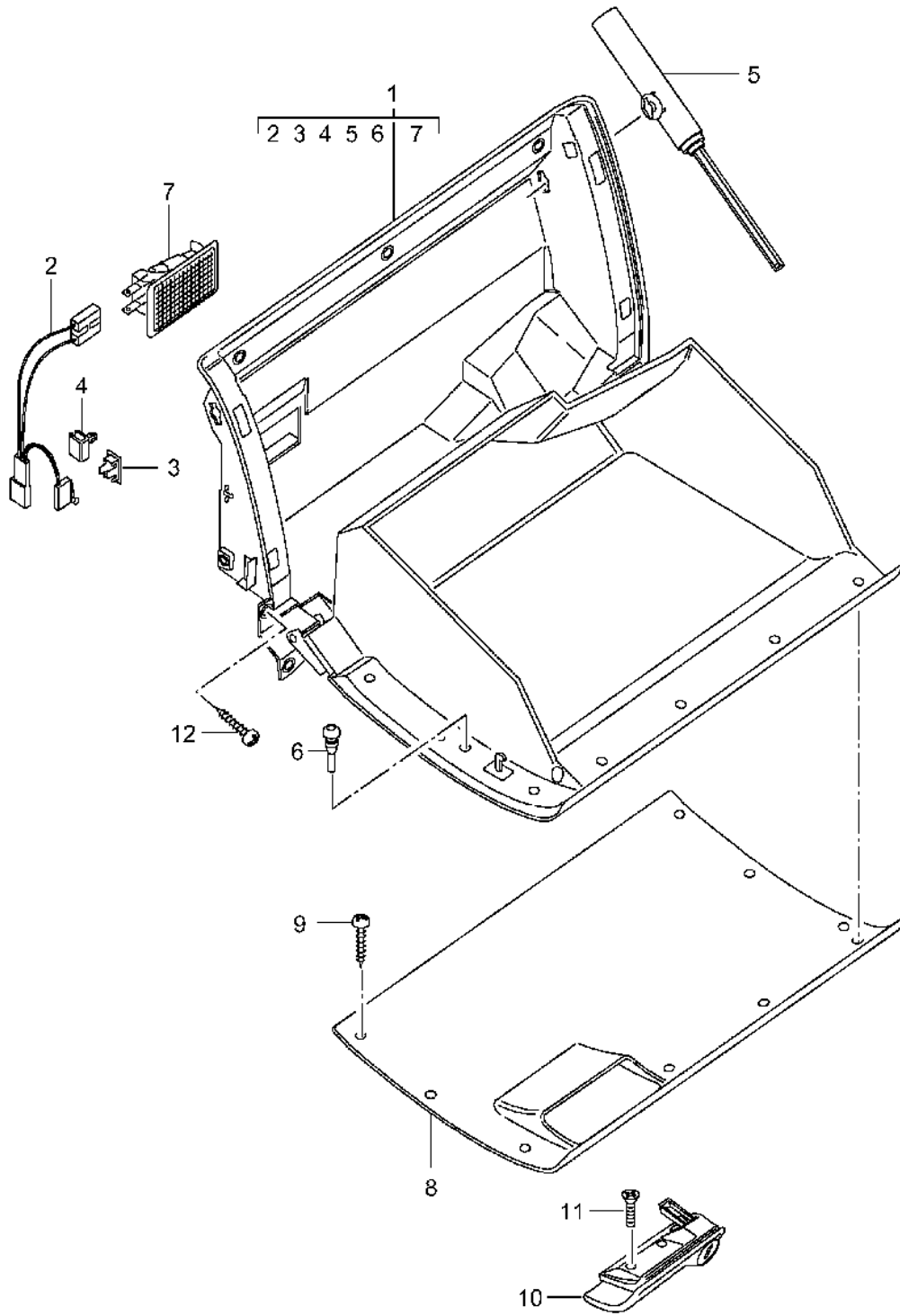
Model: 996 99

Model life 1999>>2005

Pos	Part Number	Description	Remark	Qty	Model
25	996 653 241 00	4/03/06 Interior sensor		1	

Model: 996 99

Model life 1999>>2005

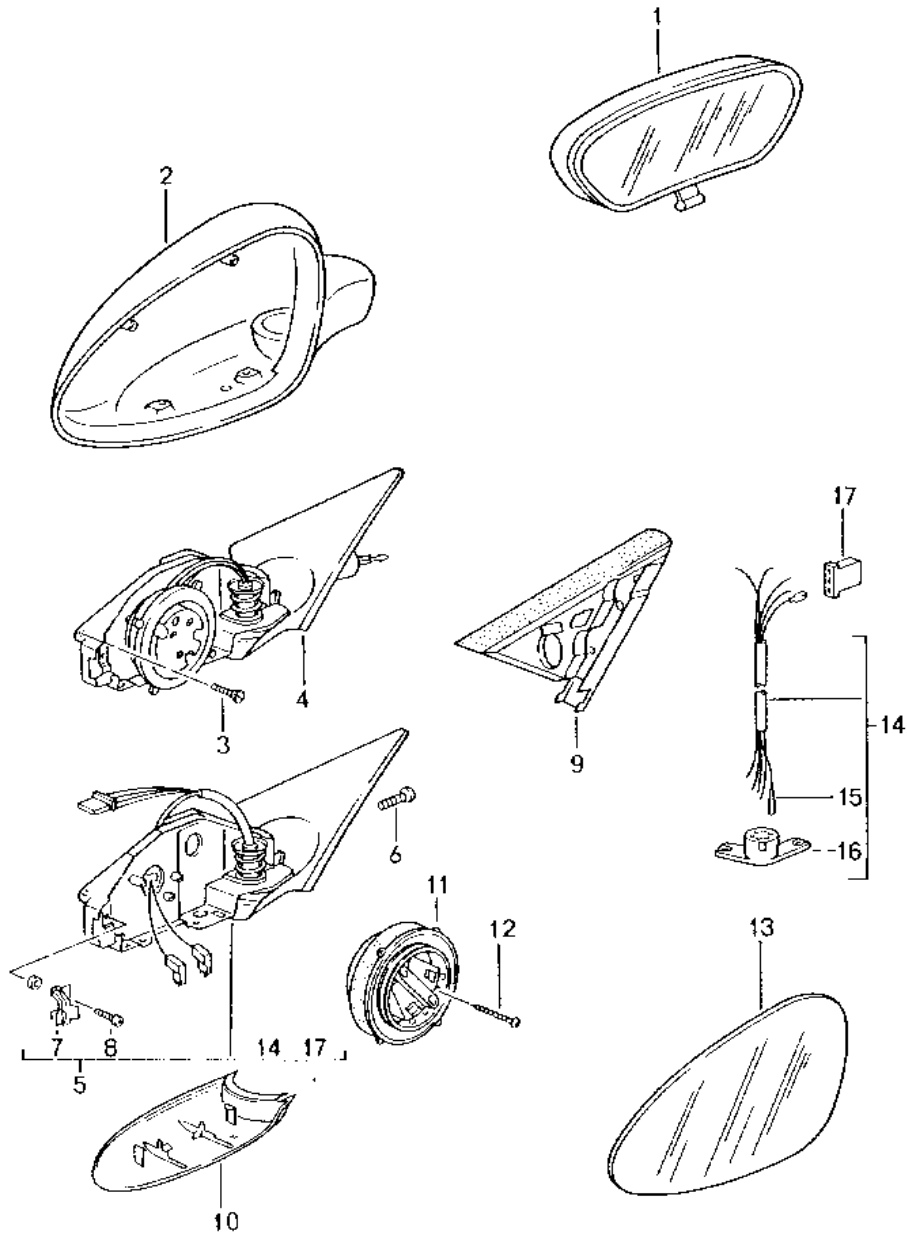


Model: 996 99 Model life 1999>>2005

Pos	Part Number	Description	Remark	Qty	Model
1	996 552 119 00	Glove compartment	02-		
	996 552 119 00 01C	Glove compartment Satin black	/LL	1	
(1)	996 552 120 00	Glove compartment	/RL	1	
	996 552 120 00 01C	Satin black			
2	996 622 501 00	Wiring harness		1	
3	999 650 564 40	Clip for Wiring harness Microswitch		1	
4	999 650 565 40	Clip for Wiring harness		1	
5	996 552 779 00	Damper		2	
6	999 703 491 50	Buffer 7 X 9,5 X 19,5		2	
7	928 632 101 00	Glove compartment light		1	
8	996 552 133 00	Glove compartment cover Leatherette	/LL	1	
	996 552 133 00 A12	Black			
(8)	996 552 134 00	Glove compartment cover Leatherette	/RL	1	
	996 552 134 00 A12	Black			
8	996 552 133 01	Glove compartment cover Leather	/LL	1	
	996 552 133 01 A11	Black			
	996 552 133 01 D12	Dark grey/natural			
	996 552 133 01 T12	Brown/natural			
(8)	996 552 134 01	Glove compartment cover Leather	/RL	1	
	996 552 134 01 A11	Black			
	996 552 134 01 D12	Dark grey/natural			
	996 552 134 01 T12	Brown/natural			
9	999 073 249 07	Tapping screw 3,5 X 11	02	11	
9	999 073 308 07	Tapping screw 3,5 X 12	03-	11	
10	996 552 349 00	Handle Complete	/LL 02	1	
	996 552 349 00 V01	Silver			
(10)	996 552 350 00	Handle Complete	/RL 02	1	
	996 552 350 00 V01	Silver			
10	996 552 349 01	Handle	/LL 03-	1	
	996 552 349 01 V03	Sport silver			
(10)	996 552 350 01	Handle	/RL 03-	1	
	996 552 350 01 V03	Sport silver			
-	996 552 915 00	Lock cylinder Glove compartment Vehicle Ident. No. Indicate		1	
11	999 073 240 02	Screw M 4 X 10		2	
12	999 073 169 07	Tapping screw 4,8 X 16		7	

Model: 996 99

Model life 1999>>2005



Model: 996 99 Model life 1999>>2005

Pos	Part Number	Description	Remark	Qty	Model
1	996 731 511 01	Interior mirror		1	
	996 731 511 01 01C	Door mirror Interior mirror Satin black			
2	996 731 619 00	Housing	/L	1	
	996 731 619 00 G2L	Door mirror Prime coated			
(2)	996 731 620 00	Housing	/R	1	
	996 731 620 00 G2L	Door mirror Prime coated			
2	996 731 619 30	Housing	/L 04-	1	M004
		Door mirror Carbon			
(2)	996 731 620 30	Housing	/R 04-	1	M004
		Door mirror Carbon			
3	999 919 170 02	Countersunk-head screw 3,0 X 10		6	
4	986 731 219 00	Mirror base	/LL /L -00	1	
		Door mirror Manually adjustable			
	986 731 219 00 G2L	Prime coated			
(4)	986 731 219 01	Mirror base	/RL /L -00	1	
		Door mirror Manually adjustable			
	986 731 219 01 G2L	Prime coated			
(4)	986 731 220 00	Mirror base	/LL /R -00	1	
		Door mirror Manually adjustable			
	986 731 220 00 G2L	Prime coated			
(4)	986 731 220 01	Mirror base	/RL /R -00	1	
		Door mirror Manually adjustable			
	986 731 220 01 G2L	Prime coated			
5	996 731 219 00	Mirror base	/LL /L	1	
		Door mirror Electrically adjustable			
	996 731 219 00 G2L	Prime coated			
(5)	996 731 220 00	Mirror base	/LL /R	1	
		Door mirror Electrically adjustable			
	996 731 220 00 G2L	Prime coated			
(5)	996 731 219 01	Mirror base	/RL /L	1	
		Door mirror Electrically adjustable			
	996 731 219 01 G2L	Prime coated			
(5)	996 731 220 01	Mirror base	/RL /R	1	
		Door mirror Electrically adjustable			
	996 731 220 01 G2L	Prime coated			
6	999 073 125 02	Oval-head screw M 5 X 14		6	
7	999 507 549 02	Spring clamp		2	
8	900 278 010 02	Oval-head screw		2	
9	996 537 731 00	Filler piece	/L	1	
		Outer			
(9)	996 537 732 00	Filler piece	/R	1	
		Outer			
(9)	996 537 733 00	Filler piece	/L	1	
		Inner			
(9)	996 537 734 00	Filler piece	/R	1	
		Inner			
10	996 731 719 00	Cover	/L	1	

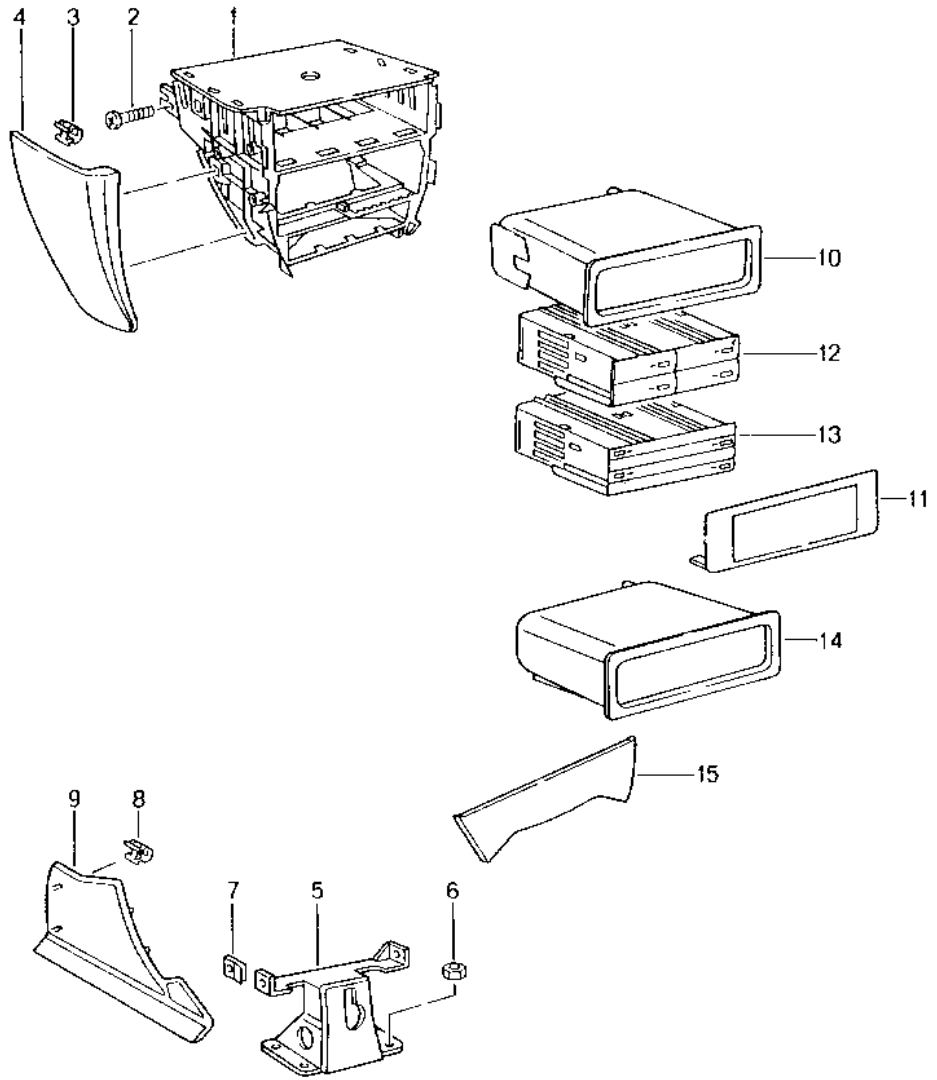


Model: 996 99 Model life 1999>>2005

Pos	Part Number	Description	Remark	Qty	Model
(10)	996 731 719 00 G2L 996 731 720 00	Lower Prime coated Cover	/R	1	
11	996 731 720 00 G2L 996 624 047 00	Lower Prime coated Adjusting motor		2	
12	900 278 013 02	Oval-head screw M 3 X 30		6	
(13)	996 731 035 01	Mirror glass Plane	/LL /L	1	M270/273
(13)	996 731 036 01	Mirror glass Plane	/RL /R	1	M270/273
(13)	996 731 035 02	Mirror glass Aspherical	/LL /L	1	M271/273
(13)	996 731 036 02	Mirror glass Aspherical	/RL /R	1	M271/273
(13)	996 731 037 01	Mirror glass Convex	/RL /L	1	M273
(13)	996 731 038 02	Mirror glass Convex	/LL /R	1	M273
14	996 612 674 00	Wiring harness		1	
15	999 652 710 10	Cylindrical socket		30	
17	311 906 231 B	Connector housing 3-pole		2	M273

Model: 996 99

Model life 1999>>2005



Model: 996 99 Model life 1999>>2005

Pos	Part Number	Description	Remark	Qty	Model
		Centre console			
		Front			
1	996 552 115 02	Bracket		1	
	996 552 115 02 01C	Satin black			
1	996 552 973 01	Bracket	01-	1	IXMF
		Leather			
	996 552 973 01 A11	Black			
	996 552 973 01 D12	Dark grey/natural	03-		
	996 552 973 01 T12	Brown/natural	03-		
2	999 919 121 09	Oval-head screw		4	
		5,0 X 16			
3	999 507 476 01	Clamp		6	
		8,0 X 10,2			
(4)	996 552 091 06	Cover	/L	1	
		Leatherette			
	996 552 091 06 A18	Black	-00		
	996 552 091 06 A12	Black	01-		
(4)	996 552 092 06	Cover	/R	1	
		Leatherette			
	996 552 092 06 A18	Black	-00		
	996 552 092 06 A12	Black	01-		
4	996 552 091 07	Cover	/L	1	
		Leather			
	996 552 091 07 A11	Black			
	996 552 091 07 D12	Dark grey/natural	03-		
	996 552 091 07 T12	Brown/natural	03-		
(4)	996 552 092 07	Cover	/R	1	
		Leather			
	996 552 092 07 A11	Black			
	996 552 092 07 D12	Dark grey/natural	03-		
	996 552 092 07 T12	Brown/natural	03-		
(5)	996 552 267 05	Support		1	
		Lower			
6	999 084 629 09	Hexagon nut		4	
		M 6			
6	999 084 629 01	Hexagon nut		4	
		M 6			
7	999 920 011 40	Plug-in nut		4	
		5,0 X 1,0 X 8			
8	999 507 476 01	Clamp		2	
		8,0 X 10,2			
9	996 552 113 02	Cover	/L	1	
		Carpet			
	996 552 113 02 A10	Black			
	996 552 113 02 D11	Dark grey/natural	03-		
	996 552 113 02 T11	Brown/natural	03-		
(9)	996 552 114 02	Cover	/R	1	
		Carpet			
	996 552 114 02 A10	Black			
	996 552 114 02 D11	Dark grey/natural	03-		
	996 552 114 02 T11	Brown/natural	03-		
10	996 552 253 01	Shelf		1	
	996 552 253 01 01C	Satin black			
10	996 552 994 01	Shelf	-02	1	IXMF
		Leather			
	996 552 994 01 A11	Black			
11	996 552 443 00	Frame	01-	1	M424
	996 552 443 00 01C	Satin black			
(11)	996 552 992 00	Frame	01	1	/573 IXNN
		Air-conditioning switch			
		Leather			
	996 552 992 00 A11	Black			

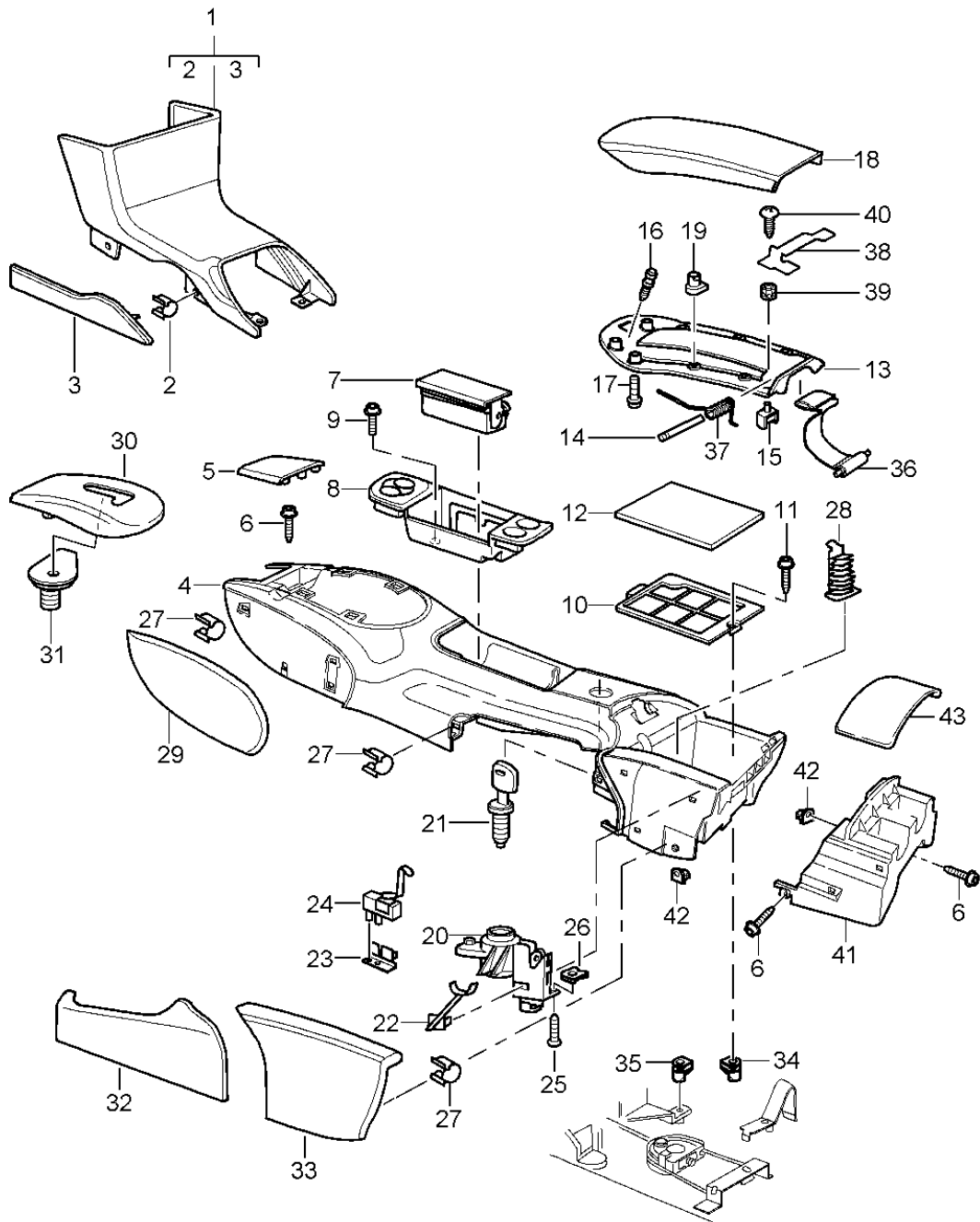
Model: 996 99

Model life 1999&gt;&gt;2005

Pos	Part Number	Description	Remark	Qty	Model
12	996 552 763 00	Cassette box	-02	4	M421
(12)	996 552 981 01	Tray	01-02	1	IXMF/M421
		Cassette box			
		Leather			
	996 552 981 01 A11	Black			
13	996 552 773 00	Box for cds		1	M424
(13)	996 552 981 00	Tray	01-	1	IXMF/M424
		Box for cds			
		Leather			
	996 552 981 00 A11	Black			
	996 552 981 00 D12	Dark grey/natural	03-		
	996 552 981 00 T12	Brown/natural	03-		
14	996 552 243 01	Shelf		1	
	996 552 243 01 01C	Satin black			
14	996 552 982 01	Shelf	01-	1	IXMF
		Leather			
	996 552 982 01 A11	Black			
	996 552 982 01 D12	Dark grey/natural	03-		
	996 552 982 01 T12	Brown/natural	03-		
15	996 552 335 00	Trim for switch		1	M003
	996 552 335 00 01C	Satin black			
15	996 552 983 00	Trim for switch	01-	1	IXKW/XMF/XNN
		Leather			
	996 552 983 00 A11	Black			
	996 552 983 00 D12	Dark grey/natural	03-		
	996 552 983 00 T12	Brown/natural	03-		

Model: 996 99

Model life 1999>>2005



Model: 996 99 Model life 1999>>2005

Pos	Part Number	Description	Remark	Qty	Model
1	986 552 113 02	Centre console Centre Lining Carpet		1	M002
	986 552 113 02 A10	Black			
	986 552 113 02 D11	Dark grey/natural	03-		
	986 552 113 02 T11	Brown/natural	03-		
2	999 507 533 02	Clamp 8,0 X 10,2		26	
3	986 552 513 02	Lid Carpet	/L	1	
	986 552 513 02 A10	Black			
	986 552 513 02 D11	Dark grey/natural	03-		
	986 552 513 02 T11	Brown/natural	03-		
(3)	986 552 514 02	Lid Carpet	/R	1	
	986 552 514 02 A10	Black			
	986 552 514 02 D11	Dark grey/natural	03-		
	986 552 514 02 T11	Brown/natural	03-		
4	996 552 125 02	Centre console	-02	1	
	996 552 125 02 A03	Black			
4	996 552 125 03	Centre console	03-	1	
	996 552 125 03 A03	Black			
4	986 552 995 09	Centre console	-02	1	IXJB
	986 552 995 09 92U	Arctic silver metallic			
4	986 552 995 09	Centre console	01-	1	IXME
	986 552 995 09 39G	Violet metallic	-01		
	986 552 995 09 746	Black-metallic	-01		
	986 552 995 09 3W7	Dark blue	-01		
	986 552 995 09 23I	Wimbledon green metallic	-01		
	986 552 995 09 9A3	Biarritz white	-01		
	986 552 995 09 2A2	Rainforest green metallic	-02		
	986 552 995 09 041	Black			
	986 552 995 09 84A	Guards red			
	986 552 995 09 12H	Speed yellow			
	986 552 995 09 8A3	Orient red metallic			
	986 552 995 09 M5W	Lapis blue metallic			
	986 552 995 09 6A6	Meridian metallic			
	986 552 995 09 39C	Midnight Blue Metallic			
	986 552 995 09 6B4	Seal grey metallic			
	986 552 995 09 2B4	Forest green metallic			
	986 552 995 09 3C8	Cobalt blue metallic			
	986 552 995 09 92M	Polar silver metallic			
	986 552 995 09 23F	Slate grey metallic			
	986 552 995 09 1A8	Zanzibar red			
	986 552 995 09 B9A	Carrara white	02-		
	986 552 995 09 C9Z	Basalt black metallic	02-		
	986 552 995 09 M6W	Lagoon green metallic	03-		
4	986 552 995 09	Centre console	03-	1	IXCE
	986 552 995 09 V03	Sport silver			
4	986 552 995 01	Centre console Leather	01	1	IXMZ
	986 552 995 01 VRK	Black			
4	986 552 995 05	Centre console Leather	02-	1	IXMZ
	986 552 995 05 VRK	Black			
	986 552 995 05 D12	Dark grey/natural	03-		
	986 552 995 05 T12	Brown/natural	03-		
4	986 552 995 08	Centre console Carbon	01-	1	IXMJ
-	996 552 841 01	Sound absorber Front		1	
-	996 552 841 02	Sound absorber		1	

Model: 996 99 Model life 1999>>2005

Pos	Part Number	Description	Remark	Qty	Model
-	996 552 843 01	Front Sound absorber Centre		1	
-	996 552 845 01	Sound absorber Rear		1	
5	986 552 241 02	Cover Front Lacquered	/V	1	
	986 552 241 02 A03	Black			
6	999 919 121 09	Oval-head screw 5,0 X 16		X	
7	996 552 595 01	Insert Ashtray		1	
	996 552 595 01 A03	Black			
7	986 552 997 01	Insert Ashtray Leather	01-	1	IXMZ
	986 552 997 01 A11	Black			
	986 552 997 01 D12	Dark grey/natural	03-		
	986 552 997 01 T12	Brown/natural	03-		
7	986 552 997 02	Insert Ashtray Carbon	01-	1	IXMJ
7	986 552 997 00	Insert Ashtray Lacquered	01-	1	
	986 552 997 00 92T	Arctic silver	-02		IXJB
	986 552 997 00 V03	Silver	03-		IXCE
	986 552 997 00 G2X	Prime coated			IXME
8	996 552 095 01	Ashtray	-00	1	
	996 552 095 01 A03	Black			
8	996 552 095 02	Ashtray	01-	1	
	996 552 095 02 A03	Black			
-	996 632 113 00	Ashtray light		1	
8	986 552 996 05	Ashtray Leather	01-	1	IXMZ
	986 552 996 05 A11	Black			
	986 552 996 05 D12	Dark grey/natural	03-		
	986 552 996 05 T12	Brown/natural	03-		
8	986 552 996 08	Ashtray Carbon	01-	1	IXMJ
8	986 552 996 09	Ashtray	01-	1	IXJB
	986 552 996 09 92T	Arctic silver	-02		
	986 552 996 09 V03	Silver	03-		IXCE
(9)	999 591 941 40	Expansion rivet with Expander nut		2	
10	996 552 365 00	Floor Shelf		1	
11	999 919 121 09	Oval-head screw M 5 X 16		1	
12	996 552 665 00	Insert Shelf		1	
13	996 552 205 00	Lid		1	
	996 552 205 00 01C	Satin black			
14	996 552 605 00	Hinge pin		1	
16	996 552 833 00	Rubber stop		2	
17	999 919 175 09	Oval-head screw 3,5 X 12		8	
18	996 552 155 03	Lid Leather		1	
	996 552 155 03 A11	Black			
	996 552 155 03 D12	Dark grey/natural	03-		

Model: 996 99 Model life 1999>>2005

Pos	Part Number	Description	Remark	Qty	Model
18	996 552 155 03 T12	Brown/natural	03-	1	IXMZ
	996 552 965 00	Lid	01-		
	996 552 965 00 VRK	Leather Black			
	996 552 965 00 D12	Dark grey	03-		
19	996 552 965 00 T12	Brown/natural	03-	8	
	999 920 017 40	Plug-in nut 3,5 X 2,5 X 5			
20	996 552 097 01	Lock		1	
21	996 552 097 01 01C	Satin black		1	
	996 552 907 00	Lock cylinder W/o stipulated lock number			
21	996 552 907 01	Lock cylinder State lock number		1	
23	996 637 211 00	Support		1	
24	996 613 205 00	Microswitch		1	
25	999 919 121 09	Oval-head screw 5 X 16		3	
	999 920 017 40	Plug-in nut 3,5 X 2,5 X 5			
26	999 920 017 40	Plug-in nut 3,5 X 2,5 X 5		3	
27	999 507 476 01	Clamp 8,0 X 10,2		25	
	996 552 695 00	Coin box			
28	996 552 695 00 01C	Satin black		1	
	996 552 087 05	Cover	/L		
(29)	996 552 087 05 A18	Leatherette Black	-00	1	
	996 552 087 05 A12	Black	01-		
	996 552 088 05	Cover	/R		
	996 552 088 05 A18	Leatherette Black	-00		
29	996 552 088 05 A12	Black	01-	1	
	996 552 087 03	Cover	/L		
(29)	996 552 087 03 A11	Leather Black		1	
	996 552 087 03 D12	Dark grey/natural	03-		
	996 552 087 03 T12	Brown/natural	03-		
	996 552 088 03	Cover	/R		
(30)	996 552 088 03 A11	Leather Black		1	M480
	996 552 088 03 D12	Dark grey/natural	03-		
	996 552 088 03 T12	Brown/natural	03-		
32	996 552 655 01	Retaining frame		1	
	996 552 283 02	Cover		1	
32	996 552 283 02 A03	Handbrake Black		1	IXMJ
	996 552 993 02	Cover	01-		
32	996 552 993 01	Handbrake Carbon		1	IXCE/XME
	996 552 993 01 92T	Cover Lacquered			
33	996 552 993 01 V03	Arctic silver metallic	-02	1	
	996 552 089 02	Sport silver	03-		
(33)	996 552 089 02	Cover	/L	1	
	996 552 089 02 A18	Leatherette Black	-00		
	996 552 089 02 A12	Black	01-		
	996 552 090 02	Cover	/R		
33	996 552 090 02 A18	Leatherette Black	-00	1	
	996 552 090 02 A12	Black	01-		
	996 552 089 03	Cover	/L		



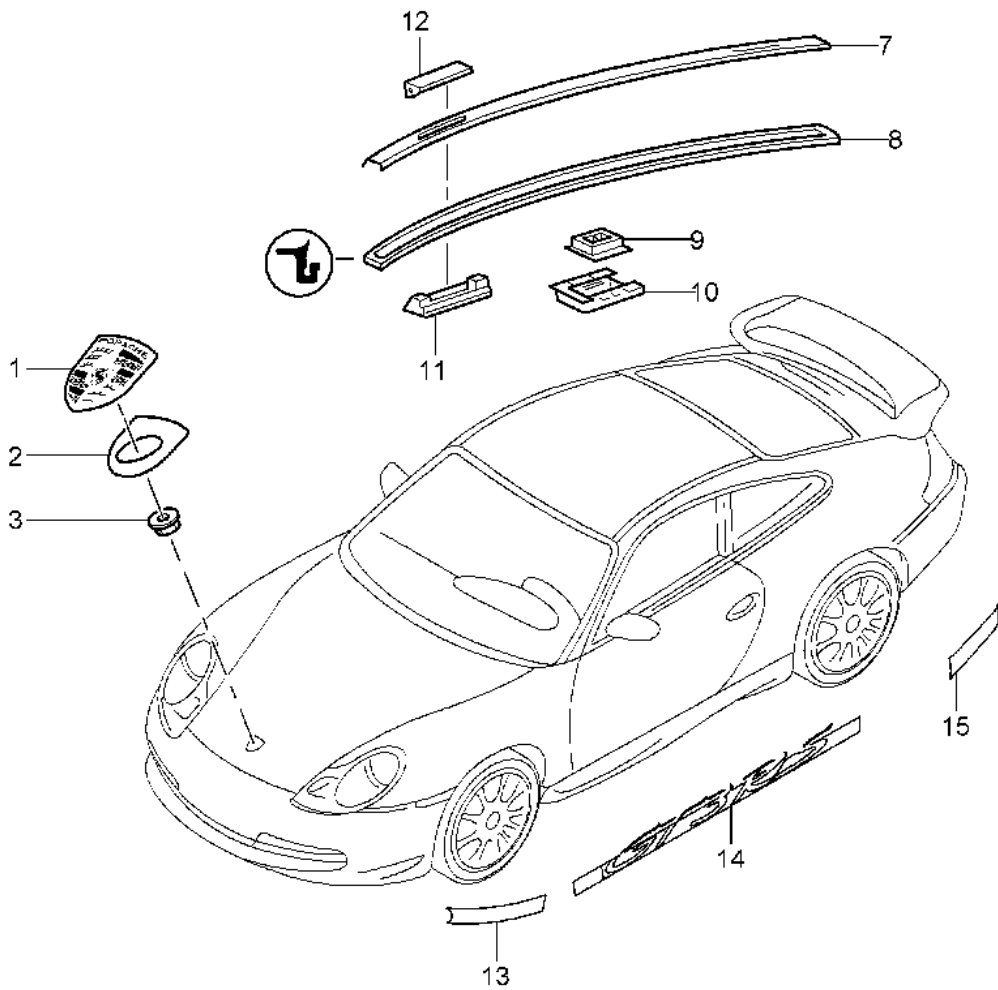
Model: 996 99 Model life 1999>>2005

Pos	Part Number	Description	Remark	Qty	Model
		Leather			
	996 552 089 03 A11	Black			
	996 552 089 03 D12	Dark grey/natural	03-		
	996 552 089 03 T12	Brown/natural	03-		
(33)	996 552 090 03	Cover	/R	1	
		Leather			
	996 552 090 03 A11	Black			
	996 552 090 03 D12	Dark grey/natural	03-		
	996 552 090 03 T12	Brown/natural	03-		
35	999 920 012 40	Plug-in nut		2	
		5,0 X 3,5 X 8			
36	996 552 691 00	Retaining belt		1	
		with			
		Retaining pin			
37	996 552 795 01	Spring		1	
38	996 552 793 01	Retaining bracket		1	
		Package box			
		Lid			
39	999 507 645 02	Threaded piece		2	
40	999 073 081 02	Tapping screw		2	
		4,2 X 13			
41	996 552 227 00	Extension		1	
		Lower part			
42	999 920 011 40	Plug-in nut		X	
		5,0 X 2 X 8			
43	996 552 127 00	Extension		1	
		Upper part			
		Leather			
	996 552 127 00 A11	Black			
	996 552 127 00 D12	Dark grey/natural	03-		
	996 552 127 00 T12	Brown/natural	03-		
(43)	996 552 962 00	Extension		1	IXMZ
		Upper part			
		Leather			
	996 552 962 00 VRK	Black			
	996 552 962 00 D12	Dark grey/natural	03-		
	996 552 962 00 T12	Brown/natural	03-		

Model: 996 99

Model life 1999>>2005

# 5 — GT3



Model: 996 99 Model life 1999>>2005

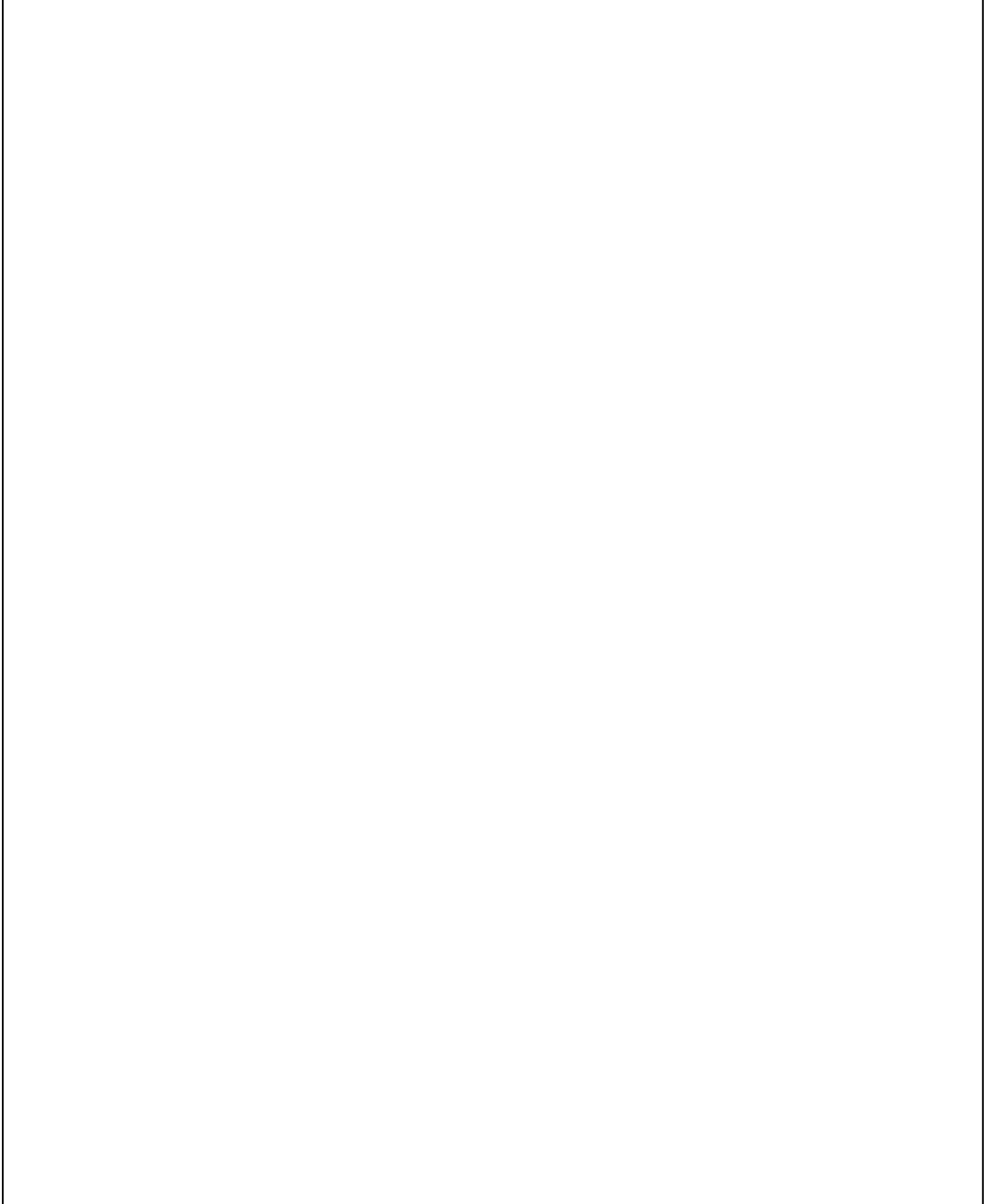
Pos	Part Number	Description	Remark	Qty	Model
1	997 559 211 00	Insignias Decorative fittings Lid emblem		1	
(1)	996 559 211 01	Information available Lid emblem		1	
2	901 559 215 20	Information available Desk pad		1	
(2)	7L5 853 611 B	Desk pad		1	
3	999 591 423 03	Tapping nut		2	
5	996 559 237 90	Logo GT3		1	
(5)	996 559 237 90 70C	Rally black			
	996 559 237 92	Logo * GT3 RS * Riviera blue	04	1	M004/598
(5)	996 559 237 93	Logo * GT3 RS * Guards red	04	1	M004/597
7	996 559 401 00	Roof edge strip	/L	1	
	996 559 401 00 G2X	Prime coated			
(7)	996 559 402 00	Roof edge strip	/R	1	
	996 559 402 00 G2X	Prime coated			
(8)	996 559 721 00	Gasket	/L	1	
8	996 559 722 00	Gasket	/R	1	
9	996 559 405 01	Adapter		10	
10	996 559 403 01	Clip		10	
11	996 559 729 00	Bracket for Flap		4	
12	996 559 501 00	Flap	/V	2	
	996 559 501 00 G2X	Prime coated			
(12)	996 559 503 00	Flap	/H	2	
	996 559 503 00 G2X	Prime coated			
13	996 559 331 90	Decorative film Front Guards red	/L 04-	1	M004/597
13	996 559 331 92	Decorative film Front Guards red	/L 04-	1	M004/597
(13)	996 559 332 90	Decorative film Front Guards red	/R 04-	1	M004/597
(13)	996 559 332 92	Decorative film Front Guards red	/R 04-	1	M004/597
13	996 559 331 91	Decorative film Front Riviera blue	/L 04-	1	M004/598
(13)	996 559 332 91	Decorative film Front Riviera blue	/R 04-	1	M004/598
14	996 559 333 90	Decorative film Lateral Guards red	/L 04-	1	M004/597
(14)	996 559 334 90	Decorative film Lateral Guards red	/R 04-	1	M004/597
14	996 559 333 91	Decorative film Lateral Riviera blue	/L 04-	1	M004/598
(14)	996 559 334 91	Decorative film Lateral Riviera blue	/R 04-	1	M004/598

Model: 996 99 Model life 1999>>2005

Pos	Part Number	Description	Remark	Qty	Model
15	996 559 335 90	Decorative film Rear Guards red	/L 04-	1	M004/597
15	996 559 335 92	Decorative film Rear Guards red	/L 04-	1	M004/597
(15)	996 559 336 90	Decorative film Rear Guards red	/R 04-	1	M004/597
(15)	996 559 336 92	Decorative film Rear Guards red	/R 04-	1	M004/597
15	996 559 335 91	Decorative film Rear Riviera blue	/L 04-	1	M004/598
(15)	996 559 336 91	Decorative film Rear Riviera blue	/R 04-	1	M004/598

Model: 996 99

Model life 1999>>2005

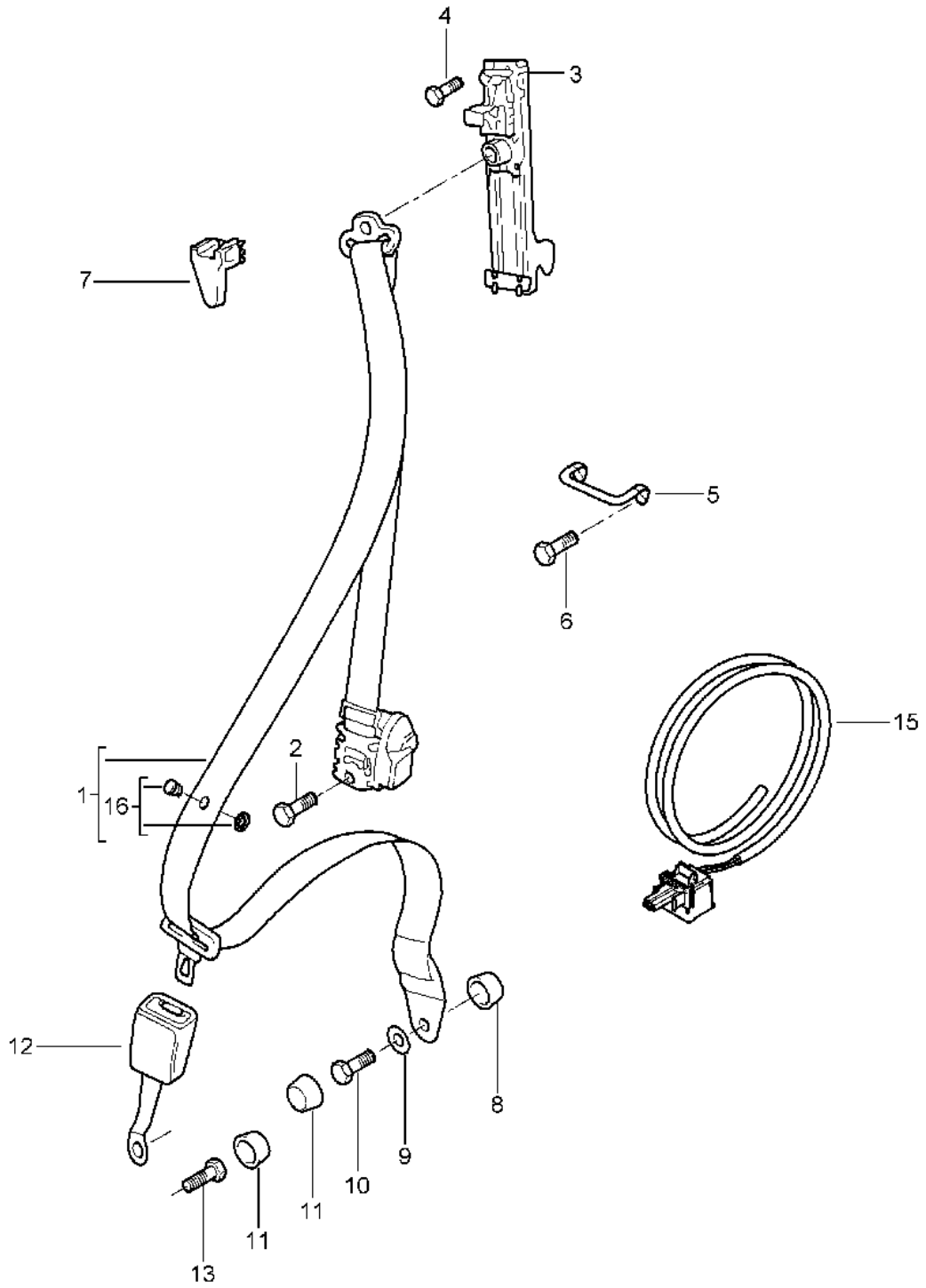


Model: 996 99 Model life 1999>>2005

Pos	Part Number	Description	Remark	Qty	Model
1	996 559 983 02	Sill cover	01-		IXAA
	996 559 983 02 G2X	Sill cover	/L -02	1	
(1)	996 559 983 02	Prime coated			
	996 559 984 02	Sill cover	/R -02	1	
	996 559 984 02 G2X	Prime coated			
-	000 044 802 05	Sill cover	/L /R -02	1	
		Sill cover			
		Prime coated			
		Comprising:			
		99655998402G2X			
		99655998302G2X			
		POS 5 + 6			
1	996 559 983 03	Sill cover	/L 03-	1	IX76/M002
	996 559 983 03 G2X	Prime coated			
(1)	996 559 984 03	Sill cover	/R 03-	1	IX76/M002
	996 559 984 03 G2X	Prime coated			
(1)	996 559 983 04	Sill cover	/L 03-	1	M002
		Prime coated			
(1)	996 559 984 04	Sill cover	/R 03-	1	M002
		Prime coated			
2	996 559 982 00	Retaining strip		2	
3	996 559 985 01	Adhesive film	/L -02	1	
(3)	996 559 986 01	Adhesive film	/R -02	1	
(3)	986 559 990 02	Adhesive film	03-	2	
(3)	986 559 990 03	Adhesive film	03-	2	
5	999 507 640 09	U-clamp		18	
6	999 073 231 09	Tapping screw		20	
		ST 4,8 X 16			
6	999 073 061 02	Tapping screw		2	
		4,8 X 16			
		Use also:			
7	000 044 000 97	Adhesive set		1	

Model: 996 99

Model life 1999>>2005



Model: 996 99 Model life 1999>>2005

Pos	Part Number	Description	Remark	Qty	Model
1	996 803 033 90	Seat belt	/L -01	1	
	996 803 033 90 H03	Roll cage			
	996 803 033 90 N13	Seat belt			
	996 803 033 90 V02	Maritime blue			
(1)	996 803 034 90	Guards red	/R -01	1	
	996 803 034 90 H03	Speed yellow			
	996 803 034 90 N13	Seat belt			
	996 803 034 90 V02	Maritime blue			
(1)	996 803 981 04	Guards red	/L 02-	1	
	996 803 981 04 V02	Speed yellow			
	996 803 981 04 H03	Seat belt			
	996 803 981 04 N13	Maritime blue			
(1)	996 803 982 06	Guards red	/R 02-	1	
	996 803 982 06 V02	Speed yellow			
	996 803 982 06 H03	Seat belt			
	996 803 982 06 N13	Maritime blue			
(1)	996 803 033 04	Guards red	/L -01	1	
	996 803 033 02	Seat belt			
(1)	996 803 034 08	Black	/L 02-	1	
	996 803 034 04	Seat belt			
(1)	996 803 034 04	Black	/R -01	1	
	996 803 034 04	Seat belt			
(1)	996 803 033 91	Black	/R 02-	1	
	996 803 033 91	Seat belt			
(1)	996 803 034 91	Riviera blue	/L 04-	1	IXSZ/M004
	996 803 034 91	Seat belt			
	996 803 034 91	Riviera blue	/R 04-	1	IXSZ/M004
	996 803 034 91	Seat belt			
2	911 803 150 00	Screw		2	
3	996 803 231 02	Support for seatbelt		2	
		Height adjustment			
4	900 067 131 02	Pan-head screw		2	
5	996 803 825 01	Relay lever		2	
6	900 378 036 09	Hexagon-head bolt		4	
7	996 803 541 00	Cover		2	
	996 803 541 00 01C	Black			
8	999 924 064 02	Spacer sleeve		2	
8	999 924 064 01	Spacer sleeve		2	
9	211 857 771	Washer		2	
10	999 075 073 09	Hexagon-head bolt		2	
11	811 857 845	Cap		2	
	811 857 845 01C	Satin black			
12	996 803 183 04	Seat-belt buckle	-01	1	
		Driver's side			
		Information available			
12	996 803 183 07	Seat-belt buckle	02-	1	
12	996 803 183 01	Seat-belt buckle	-01	1	
12	996 803 183 08	Seat-belt buckle	02-	1	
13	999 218 101 02	Hexagon-head bolt		2	
15	996 612 991 10	Cable		X	
		Driver's side			
		for			
		Seat-belt tensioner			
15	996 612 991 00	Cable		X	
		Passenger's side			
		for			
		Seat-belt tensioner			
16	955 803 056 00	Knob		2	
	955 803 056 00 HCP	Black			
-	996 803 037 90	Seat belt	/L	1	M003
		Red			

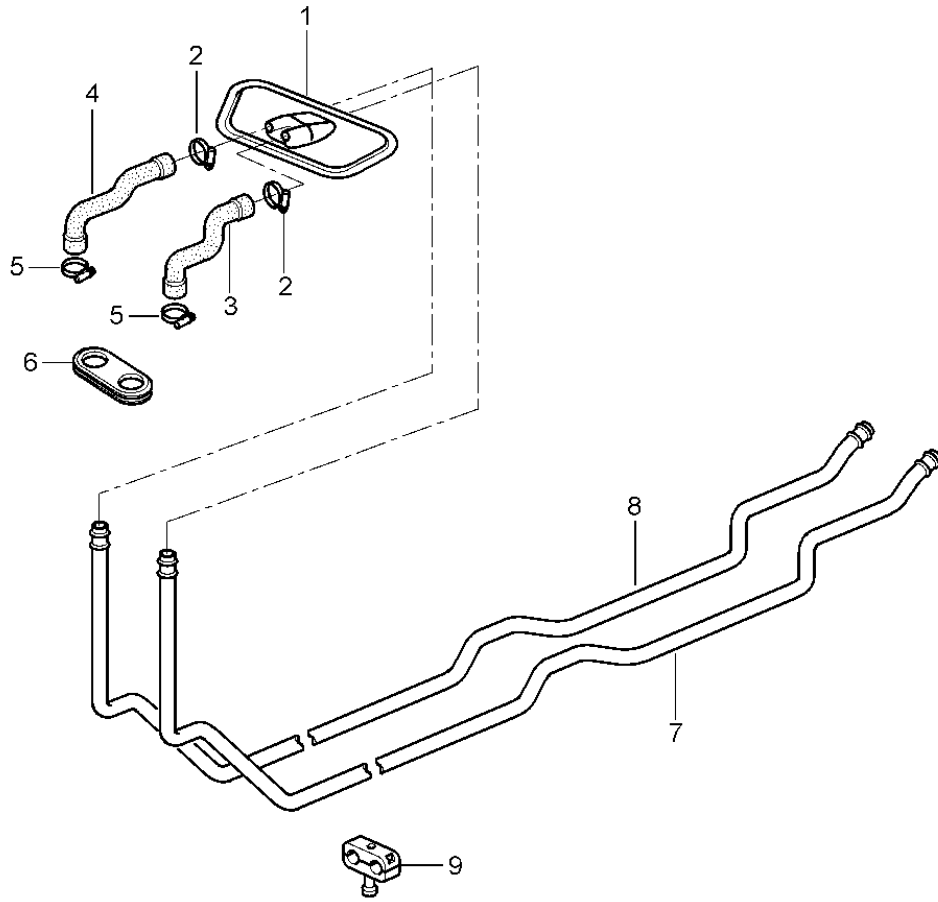


Model: 996 99 Model life 1999>>2005

Pos	Part Number	Description	Remark	Qty	Model
-	996 803 037 95	6-point Seat belt Red	/L	1	M003
-	996 803 038 90	6-point Seat belt 6-point Red	/R	1	M003
-	996 803 691 9A	Screw		2	
-	996 580 982 00	Roll cage with installation parts	-00	1	
-	996 580 982 01	Roll cage	01-	1	
-	996 580 982 02	Roll cage	04-	1	M004

Model: 996 99

Model life 1999>>2005



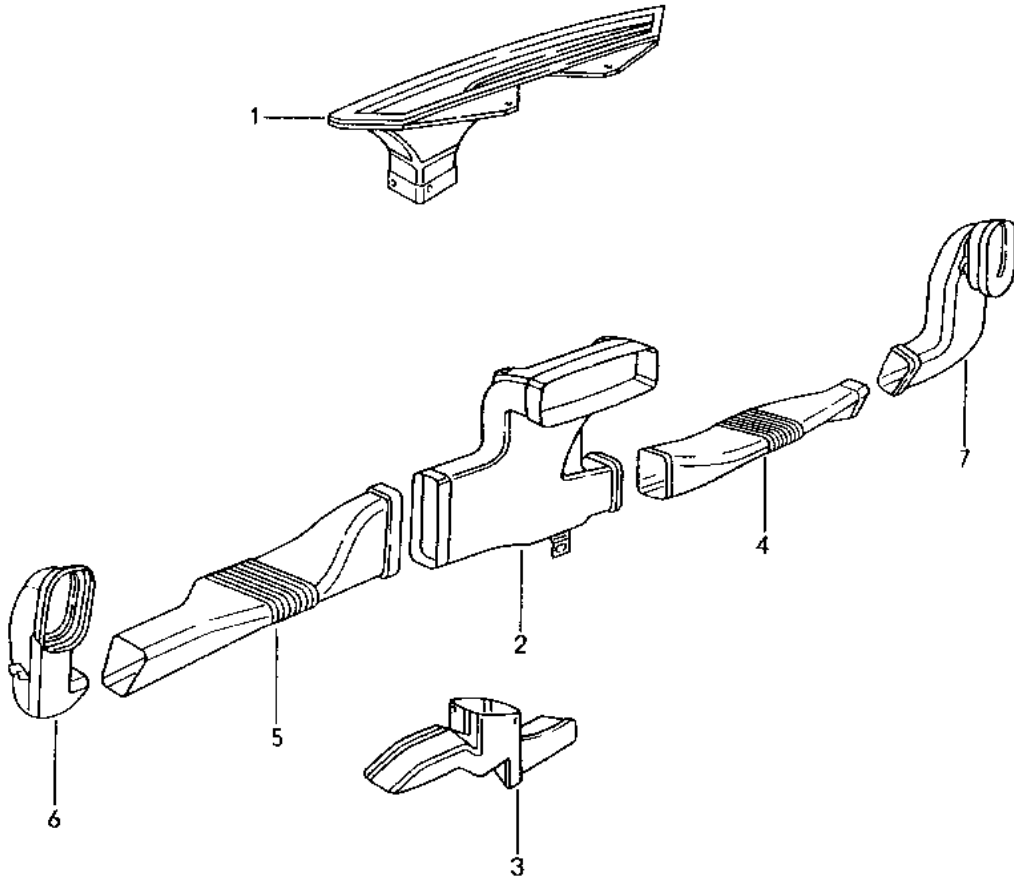
Model: 996 99

Model life 1999>>2005

Pos	Part Number	Description	Remark	Qty	Model
		Heating system 1			
		Feed line			
		Return line			
1	996 572 263 02	Gasket	/LL	1	
1	996 572 263 03	Gasket	/RL	1	
2	999 512 441 02	Hose clamp		1	
3	996 572 585 00	Heater hose	/LL	1	
3	996 572 585 04	Heater hose	/LL	1	
3	997 572 555 00	Heater hose	/LL	1	
(3)	996 572 585 01	Heater hose	/RL	1	
(3)	996 572 585 05	Heater hose	/RL	1	
(3)	997 572 555 01	Heater hose	/RL	1	
4	996 572 583 00	Heater hose	/LL	1	
4	996 572 583 04	Heater hose	/LL	1	
4	997 572 553 00	Heater hose	/LL	1	
(4)	996 572 583 01	Heater hose	/RL	1	
(4)	996 572 583 05	Heater hose	/RL	1	
(4)	997 572 553 01	Heater hose	/RL	1	
5	999 512 441 02	Hose clamp		1	
6	996 572 765 01	Grommet		1	
7	996 572 683 04	Hot air duct		1	
8	996 572 681 04	Hot air duct		1	
9	999 511 230 40	Cable holder		4	
-	999 511 232 41	Rubber mounting		4	

Model: 996 99

Model life 1999>>2005



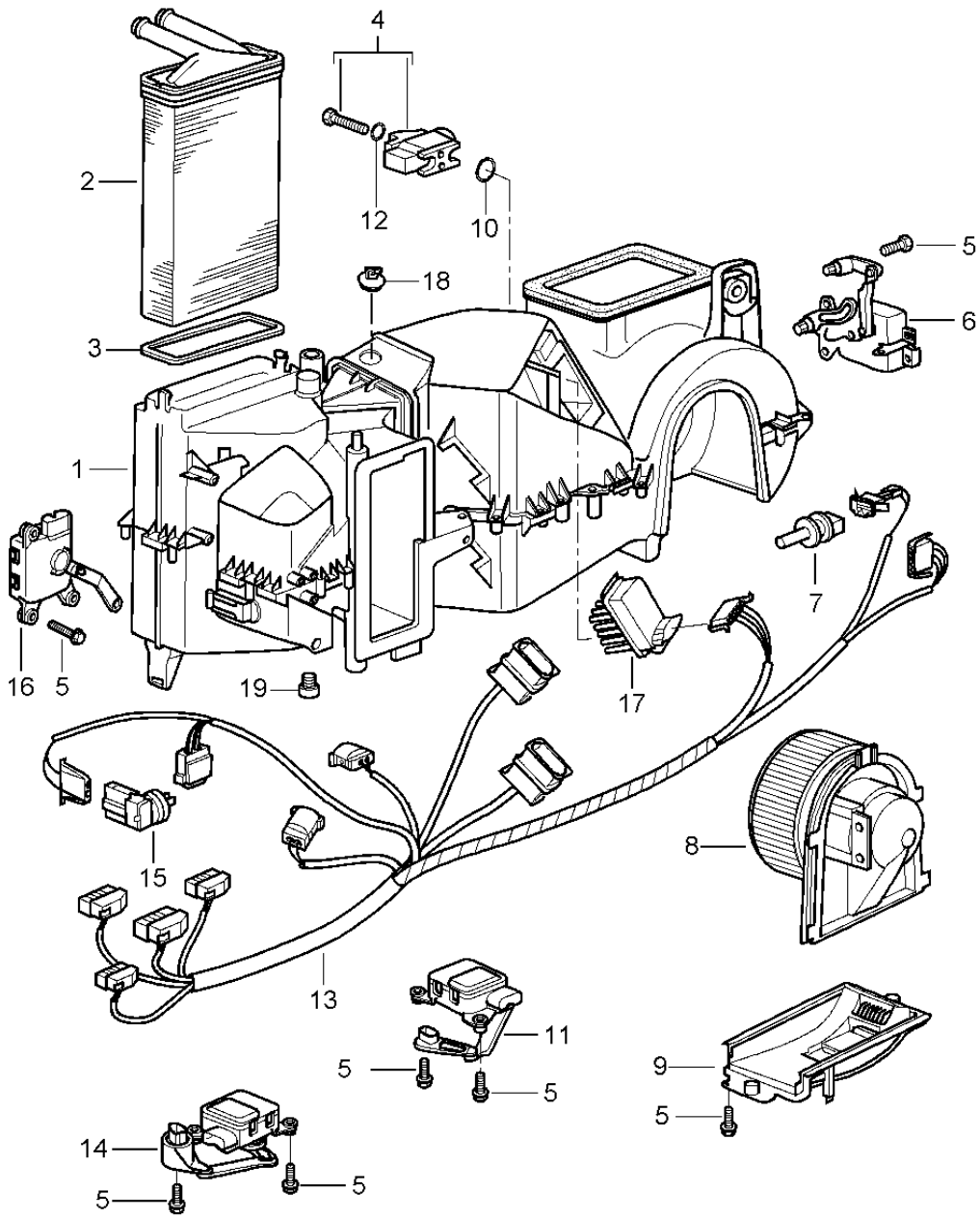
Model: 996 99

Model life 1999>>2005

Pos	Part Number	Description	Remark	Qty	Model
		Heating			
		Air distributor			
1	996 572 631 00	Defroster vent	/LL	1	
(1)	996 572 631 01	Defroster vent	/RL	1	
2	996 572 171 00	Air distributor	/LL -01	1	
2	996 572 171 04	Air distributor	/LL 02-	1	
2	996 572 171 05	Air distributor	/LL 03-	1	
(2)	996 572 171 01	Air distributor	/RL -01	1	
(2)	996 572 171 05	Air distributor	/RL 02-	1	
3	996 572 793 02	Footwell outlet vent	/LL	1	
3	996 572 793 04	Footwell outlet vent	/LL	1	M680
(3)	996 572 793 01	Footwell outlet vent	/RL -02	1	
(3)	996 572 793 05	Footwell outlet vent	/RL 03-	1	
(3)	996 572 793 06	Footwell outlet vent	/RL 03-	1	M680
4	996 572 464 02	Air guide	/LL /R	1	
4	996 572 464 00	Air guide	/RL /R	1	
5	996 572 463 00	Air guide	/LL /L	1	
5	996 572 463 02	Air guide	/RL /L	1	
6	996 572 767 00	Air guide	/LL /L	1	
6	996 572 767 01	Air guide	/RL /L	1	
7	996 572 768 00	Air guide	/RL /R	1	
(7)	996 572 768 01	Air guide	/LL /R	1	

Model: 996 99

Model life 1999>>2005

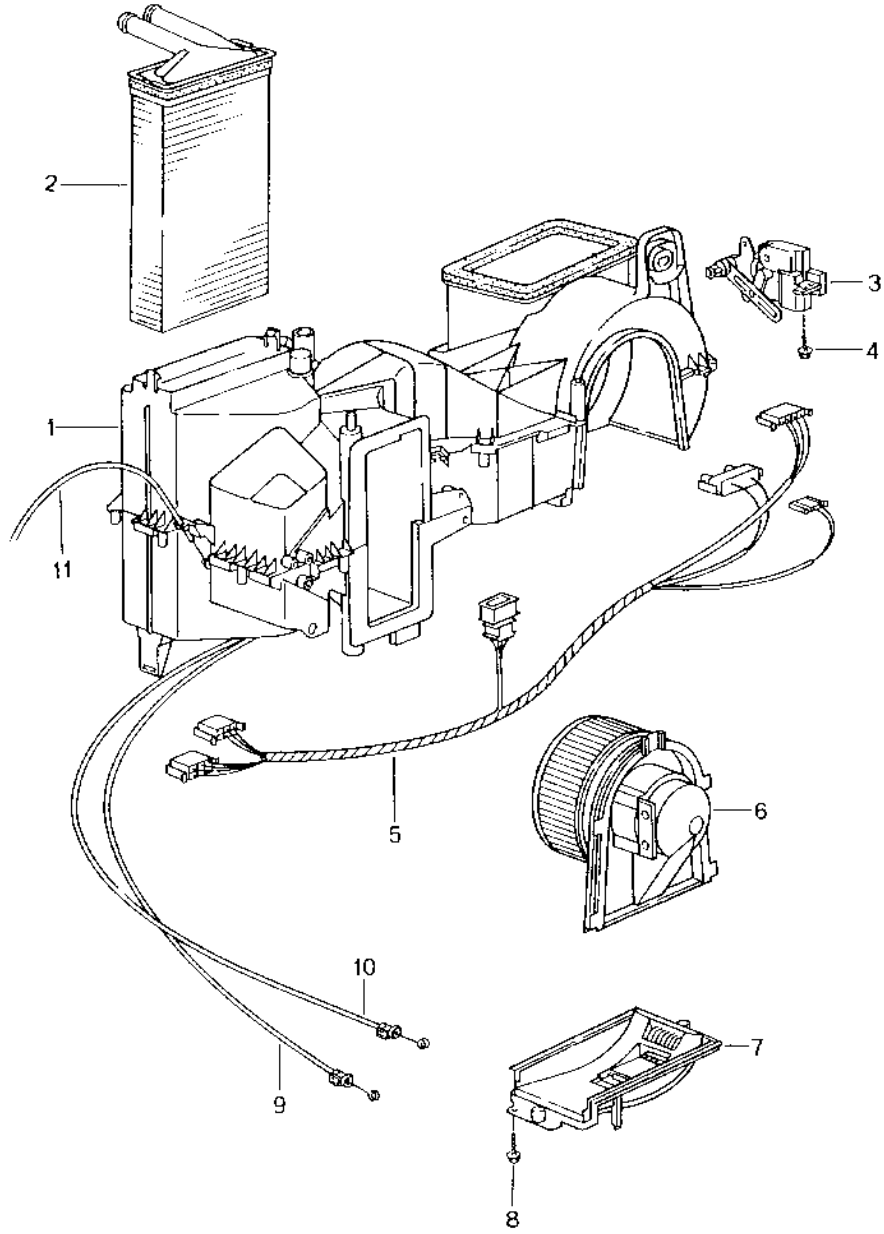


Model: 996 99 Model life 1999>>2005

Pos	Part Number	Description	Remark	Qty	Model
		Air conditioner Single parts			M573
1	996 573 901 02	Air conditioner without Heat exchanger with Evaporator	/LL	1	
1	996 573 901 01	Air conditioner without Heat exchanger with Evaporator	/RL	1	
2	996 572 129 00	Heat exchanger		1	
2	997 572 129 00	Heat exchanger		1	
3	996 572 913 00	Gasket		1	
4	996 573 929 01	Expansion valve		1	
5	900 143 093 01	Combination screw ST4,8X19-C		2	
6	996 573 915 00	Electric motor Central valve	/LL	1	
6	996 573 915 01	Electric motor Central valve	/RL	1	
7	1J0 907 543 B	Temperature sensor		1	
8	996 624 107 01	Blower	/LL	1	
8	996 624 108 01	Blower	/RL	1	
9	996 573 905 00	Lid		1	
10	999 707 596 40	O-ring 14X1,82		1	
11	996 573 919 00	Electric motor Temperature valve	/LL	1	
(11)	996 573 919 01	Electric motor Temperature valve	/RL	1	
12	999 707 534 41	O-ring 17X2,00		1	
13	996 622 047 00	Wiring harness	/LL	1	
(13)	996 622 048 00	Wiring harness	/RL	1	
14	996 573 917 00	Electric motor Defroster flap	/LL	1	
(14)	996 573 917 01	Electric motor Defroster flap	/RL	1	
15	1H0 907 543 A	Temperature sensor		1	
16	996 573 921 00	Electric motor Air flow sensor plate	/LL	1	
(16)	996 573 921 01	Electric motor Air flow sensor plate	/RL	1	
17	996 573 923 00	Resistor		1	
18	997 573 935 00	Stopper		1	
19	996 573 927 00	Blower outlet sensor		1	

Model: 996 99

Model life 1999>>2005





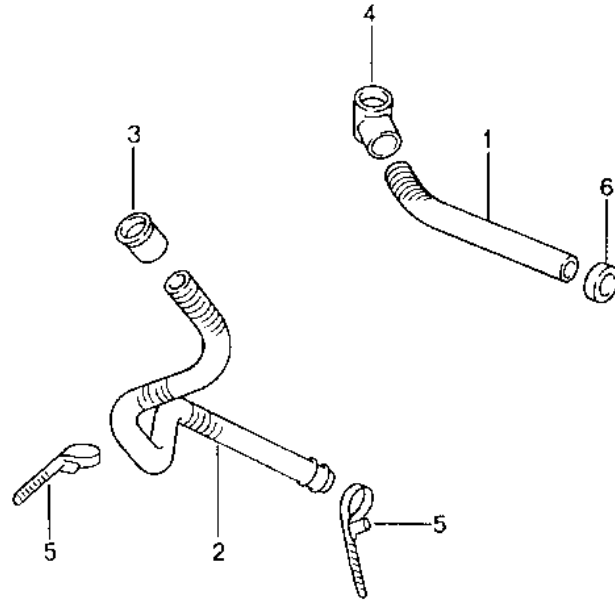
Model: 996 99

Model life 1999&gt;&gt;2005

Pos	Part Number	Description	Remark	Qty	Model
		Heater			
		Single parts			
1	996 572 901 00	Housing	/LL	1	
(1)	996 572 901 01	Housing	/RL	1	
2	996 572 129 00	Heat exchanger		1	
3	996 572 915 00	Electric motor		1	
4	999 919 049 02	Oval-head screw		1	
5	996 612 045 01	Wiring harness	/LL	1	
(5)	996 612 046 01	Wiring harness	/RL	1	
6	996 624 107 01	Blower	/LL	1	
(6)	996 624 108 01	Blower	/RL	1	
7	996 572 905 00	Lid		1	
		with			
		Resistor			
8	999 919 049 02	Oval-head screw		2	
9	996 572 605 00	Bowden cable	/LL	1	
		Defroster			
9	996 572 605 01	Bowden cable	/RL	1	
		Defroster			
10	996 572 607 00	Bowden cable	/LL	1	
		Temperature valve			
10	996 572 607 01	Bowden cable	/RL	1	
		Temperature valve			
11	996 572 601 00	Bowden cable	/LL	1	
		Central valve			
11	996 572 601 01	Bowden cable	/RL	1	
		Central valve			
-	477 819 343	Spring clamp		3	

Model: 996 99

Model life 1999>>2005



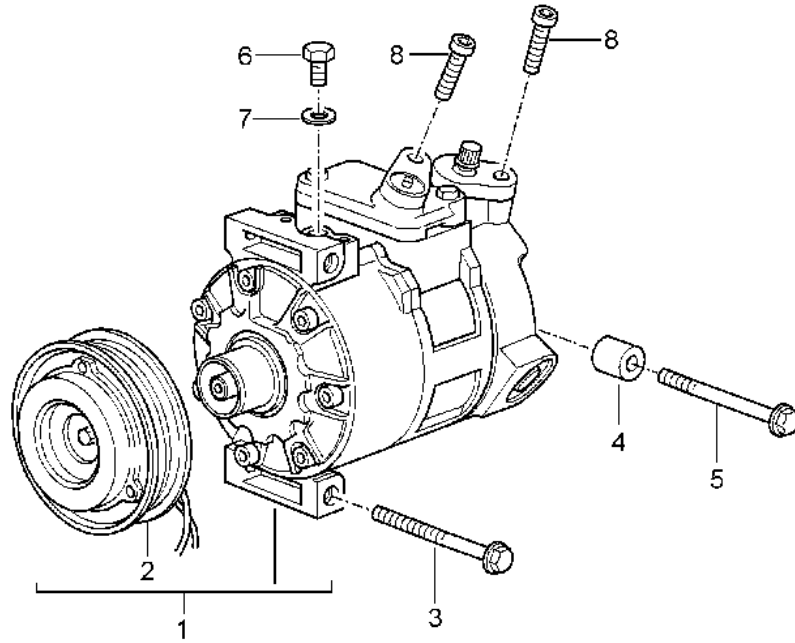
Model: 996 99

Model life 1999>>2005

Pos	Part Number	Description	Remark	Qty	Model
		Water drain tube			
		Mount			
		Sound absorber			
		Heater			
		Air conditioner			
1	996 504 643 00	Water drain tube		1	
2	996 504 644 00	Water drain tube		1	
3	996 504 645 00	Grommet		1	
4	996 504 646 00	Grommet		1	
5	999 513 049 40	Tie-wrap		1	
6	999 702 156 40	Grommet		1	
-	996 573 797 02	Connecting piece		1	
-	996 573 795 01	Grommet		1	
-	996 573 793 01	Water drain tube		1	
-	996 573 794 01	Water drain tube		1	

Model: 996 99

Model life 1999>>2005



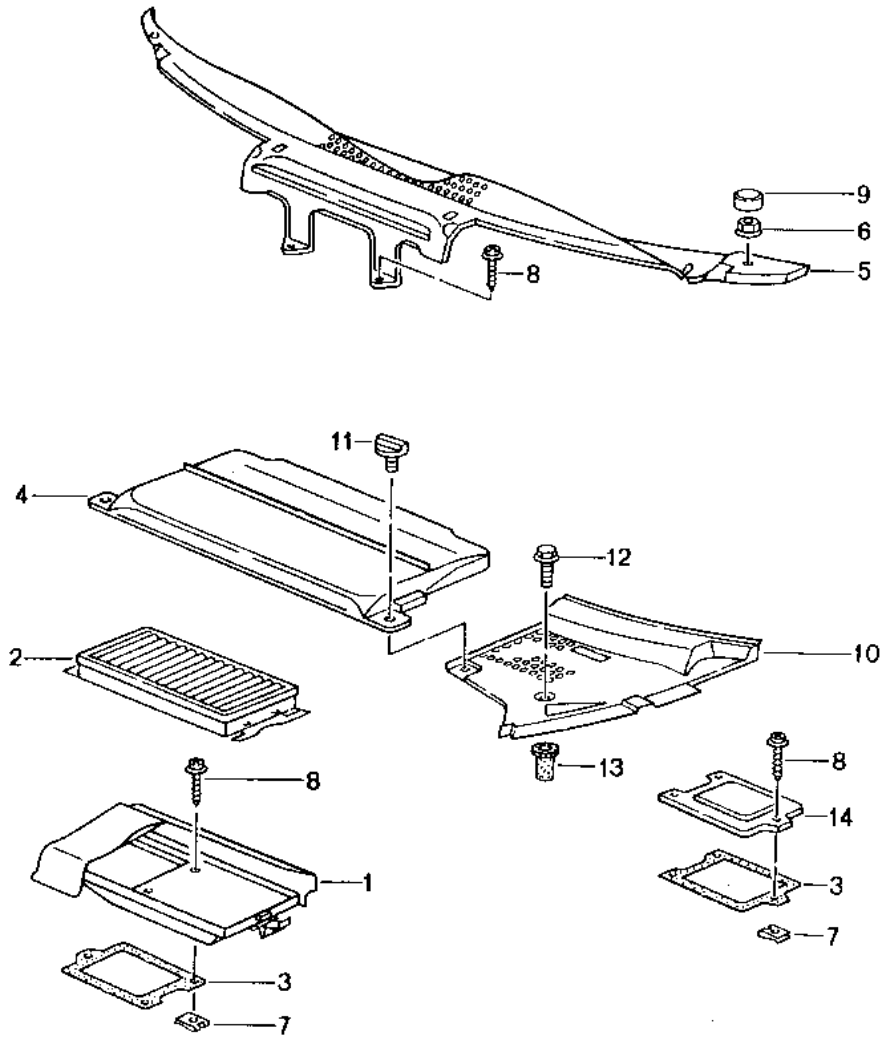
Model: 996 99

Model life 1999&gt;&gt;2005

Pos	Part Number	Description	Remark	Qty	Model
1	996 126 011 52	Compressor		1	
2	996 573 926 00	Compressor		1	
3	900 378 075 09	Magnetic clutch		1	
4	996 126 102 71	Hexagon-head bolt M 8X90		1	
5	900 378 136 09	Spacer		1	
6	996 573 926 01	Hexagon-head bolt M 8X120		1	
7	996 573 926 02	Oil filler screw		1	
8	900 067 252 02	Sealing ring		1	
		Pan-head screw		2	

Model: 996 99

Model life 1999>>2005

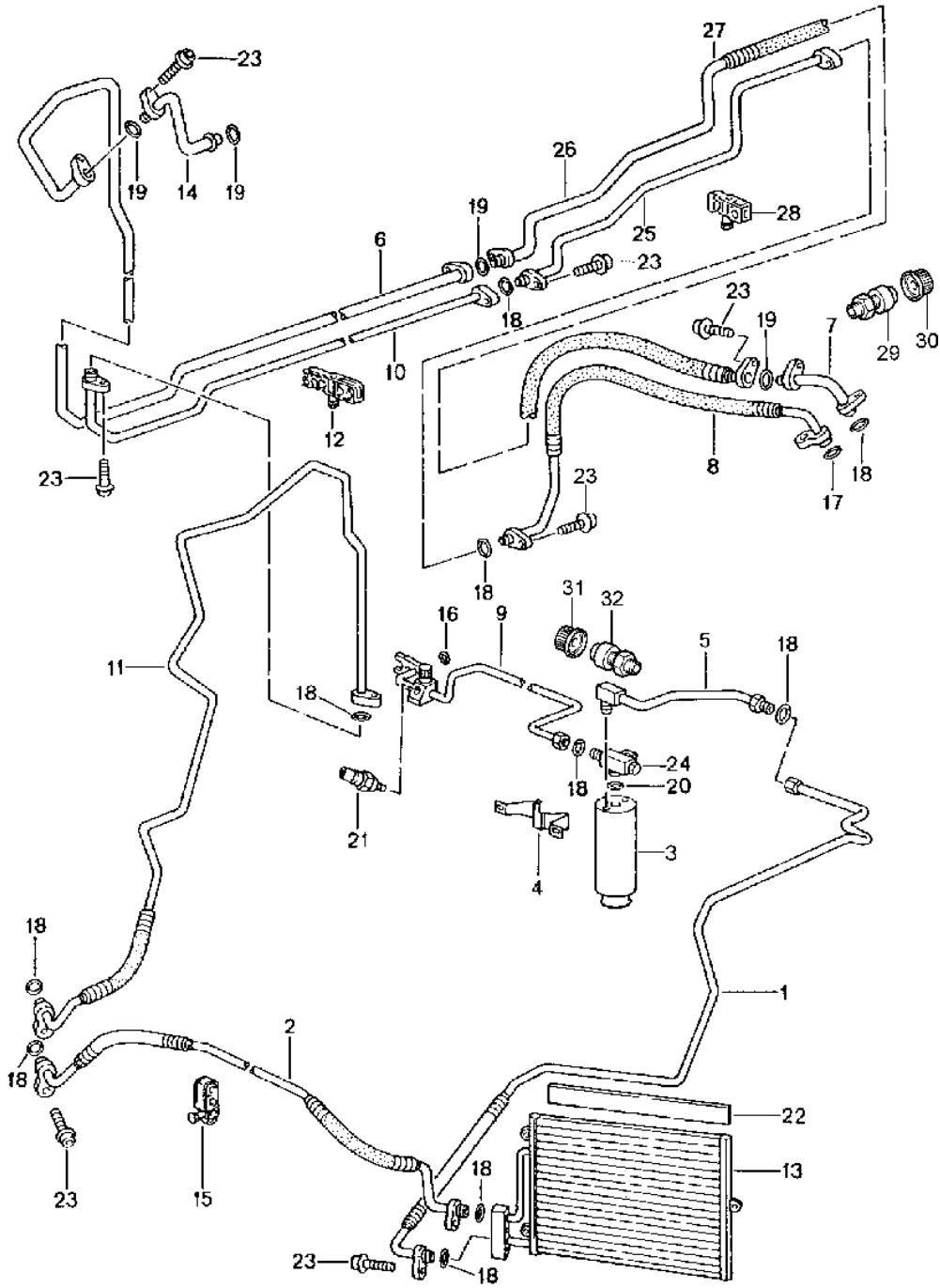


Model: 996 99 Model life 1999>>2005

Pos	Part Number	Description	Remark	Qty	Model
		Particle filter			
		Cowl panel covering			
1	996 572 019 02	Housing	/LL	1	
1	996 572 019 03	Housing	/RL	1	
2	996 572 219 02	Particle filter		1	-M571
2	996 571 219 03	Particle filter		1	M571
3	996 572 221 01	Gasket		1	
4	996 572 729 00	Cover	/LL	1	
(4)	996 572 729 02	Cover	/RL	1	
5	996 572 563 06	Cowl panel covering	/LL	1	
	996 572 563 06 01C	Black			
		Use also:			
-	996 572 931 00	Gasket		1	
5	996 572 563 03	Cowl panel covering	/RL -00	1	
	996 572 563 03 01C	Black			
5	996 572 563 07	Cowl panel covering	/RL 01-	1	
	996 572 563 07 01C	Black			
		Use also:			
-	996 572 931 00	Gasket		1	
6	999 049 008 40	Plastic nut		2	
7	999 591 722 02	Speed nut		3	
8	999 073 142 09	Tapping screw		3	
(9)	996 572 569 01	Cap	/L	1	
	996 572 569 01 01C	Black			
(9)	996 572 570 01	Cap	/R	1	
	996 572 570 01 01C	Black			
10	996 572 561 01	Cover	/L	1	
	996 572 561 01 01C	Black			
(10)	996 572 562 01	Cover	/R	1	
	996 572 562 01 01C	Black			
11	999 590 045 40	Screw plug		X	
12	999 073 143 09	Oval-head screw		2	
12	999 073 143 01	Oval-head screw		2	
13	999 500 092 00	Nut		2	
14	996 572 719 01	Lid	-02	2	
14	996 572 719 02	Lid	04	2	
15	999 591 742 02	Speed nut		2	
		ST 4,2			
15	999 591 742 01	Speed nut		2	
		ST 4,2			

Model: 996 99

Model life 1999>>2005





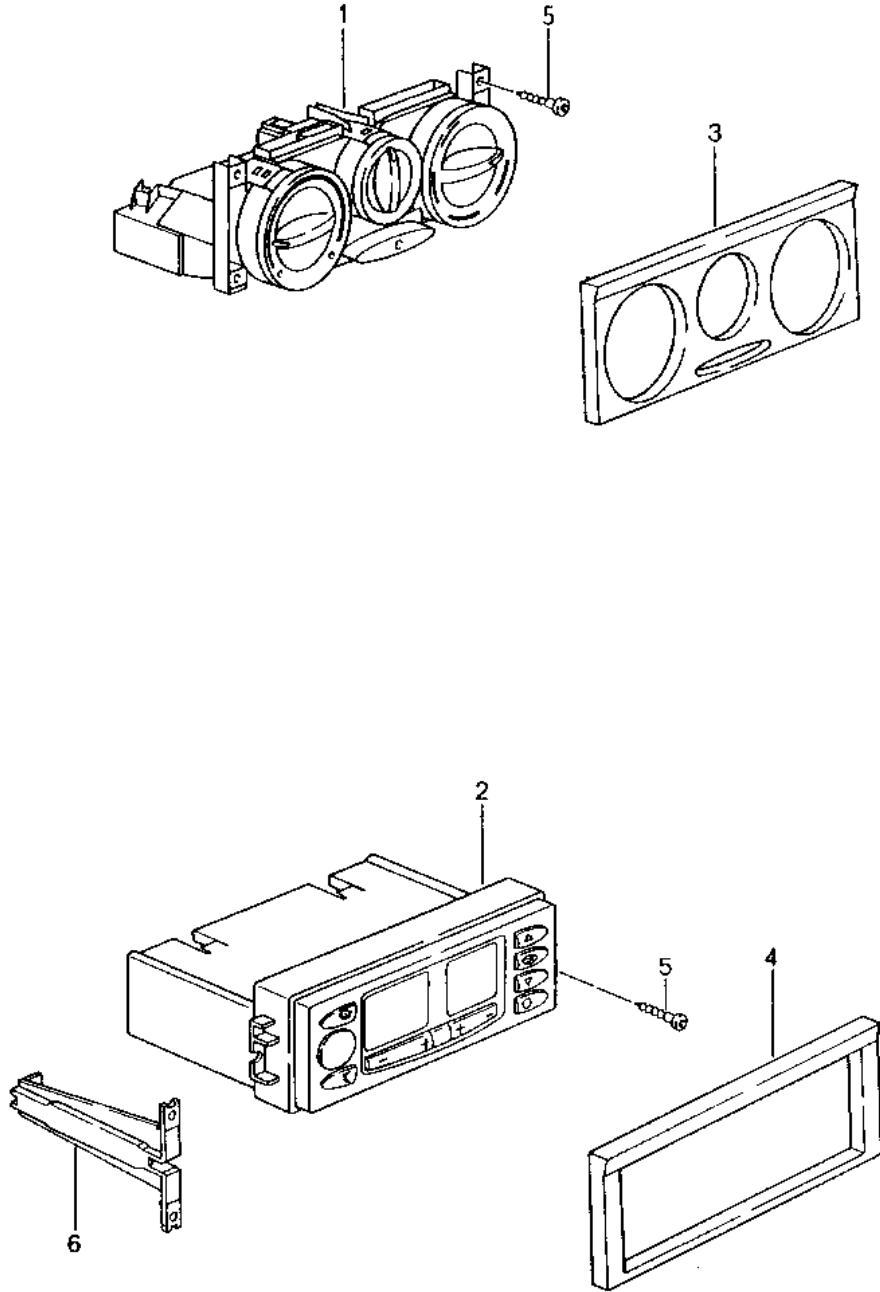
Model: 996 99

Model life 1999>>2005

Pos	Part Number	Description	Remark	Qty	Model
		Refrigerant circuit			
1	996 573 105 03	Refrigerant line		1	
2	996 573 104 02	Refrigerant line		1	
3	944 573 143 01	Desiccator		1	
4	996 573 451 00	Support		1	
5	996 573 106 00	Refrigerant line		1	
6	996 573 091 01	Intake pipe		1	
7	996 573 099 90	Refrigerant line		1	
8	996 573 097 03	Refrigerant line		1	
9	996 573 108 01	Pressure line	/RL	1	
(9)	996 573 108 03	Pressure line	/LL	1	
10	996 573 092 01	Pressure line		1	
11	996 573 094 02	Refrigerant line		1	
12	996 347 543 00	Cable holder		2	
13	996 573 111 00	Condenser		2	
14	996 573 093 02	Intake pipe	/LL	1	
14	996 573 093 03	Intake pipe	/RL	1	
15	996 347 543 00	Cable holder		1	
16	999 707 247 40	O-ring 7,5X2		2	
17	999 707 382 40	O-ring 23,8X2,4		8	
18	999 707 250 40	O-ring 10,6X2		8	
18	999 707 434 41	O-ring 10,6X2		8	
19	999 707 252 40	O-ring 17X2		3	
20	999 707 262 40	O-ring 6,7X1,8		X	
21	964 613 137 01	Pressure switch		1	
22	996 573 711 00	Cover strip		2	
23	900 067 247 02	Combination screw		X	
23	900 067 247 01	Combination screw		X	
24	993 573 243 00	Distributing piece		1	
25	996 573 096 03	Refrigerant line		1	
25	996 573 096 05	Refrigerant line		1	
26	996 573 095 90	Intake pipe		1	
28	999 511 230 40	Cable holder		X	
-	999 511 231 41	Use also: Rubber mounting		X	
29	996 573 465 00	Valve		1	
30	944 573 663 01	Cap		1	
31	944 573 663 02	Cap		1	
32	996 573 466 00	Valve		1	

Model: 996 99

Model life 1999>>2005

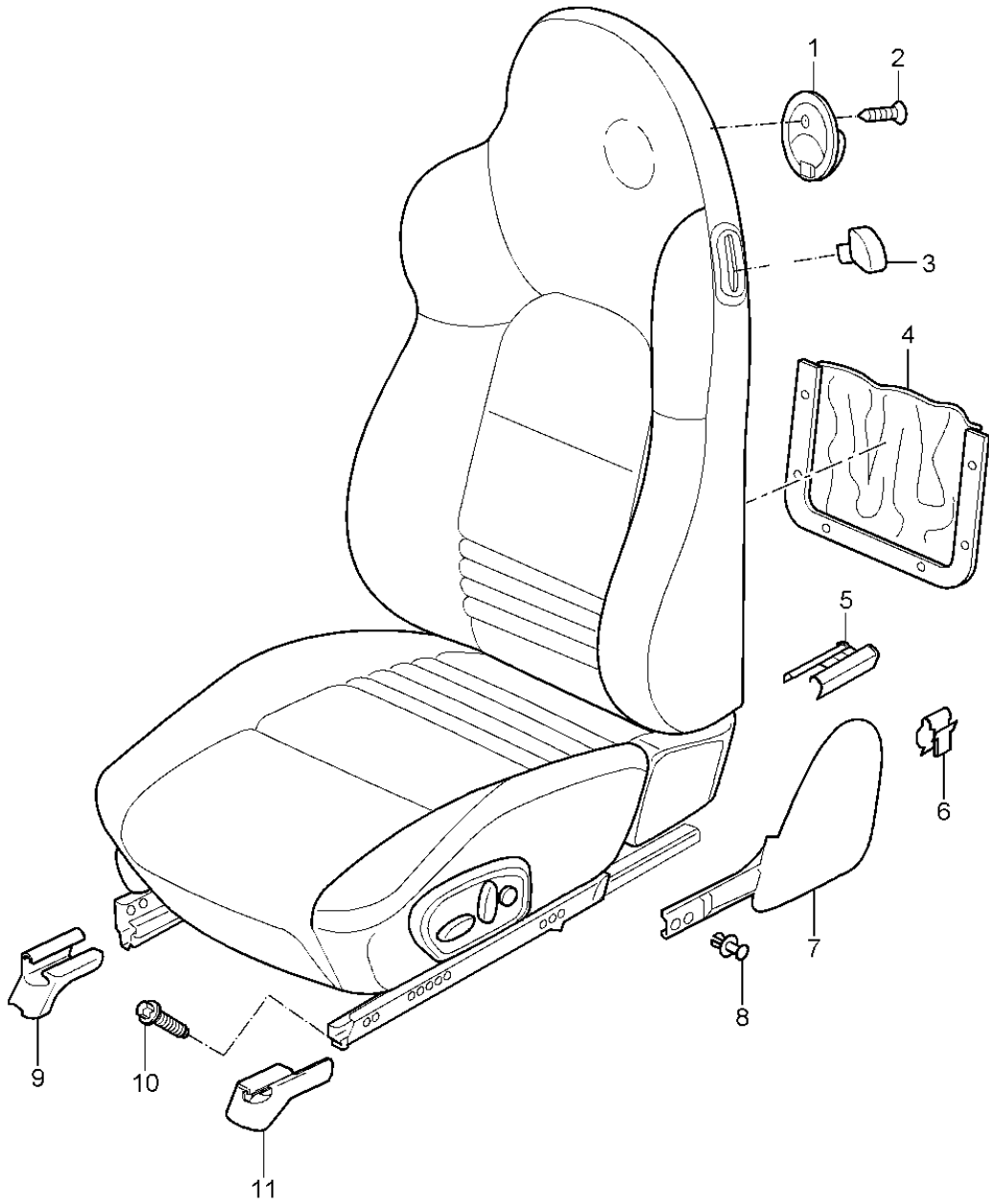


Model: 996 99 Model life 1999>>2005

Pos	Part Number	Description	Remark	Qty	Model
1	996 572 101 00	Control switch			
		Control part	-01	1	
	996 572 101 00 01C	Black			
1	996 572 101 01	Control part	02-	1	
	996 572 101 01 01C	Black			
-	900 631 132 90	Bulb		1	
2	996 653 101 03	Control part	-00	1	M573
	996 653 101 03 EFR	Black			
2	996 653 101 CX	Control part	-00	1	M573
	996 653 101 CX EFR	Black			
2	996 653 101 07	Control part	01-	1	
	996 653 101 07 EFR	Black			
3	996 552 153 01	Support frame		1	
	996 552 153 01 01C	Satin black			
4	996 552 677 00	Frame		1	M573
	996 552 677 00 01C	Black			
(4)	996 552 339 00	Frame		1	/662 M573
	996 552 339 00 01C	Black			
-	191 853 615 A	Grommet for POS.4		X	
5	900 143 076 09	Tapping screw		X	
6	996 573 501 00	Adapter		2	M573

Model: 996 99

Model life 1999>>2005



Model: 996 99 Model life 1999>>2005

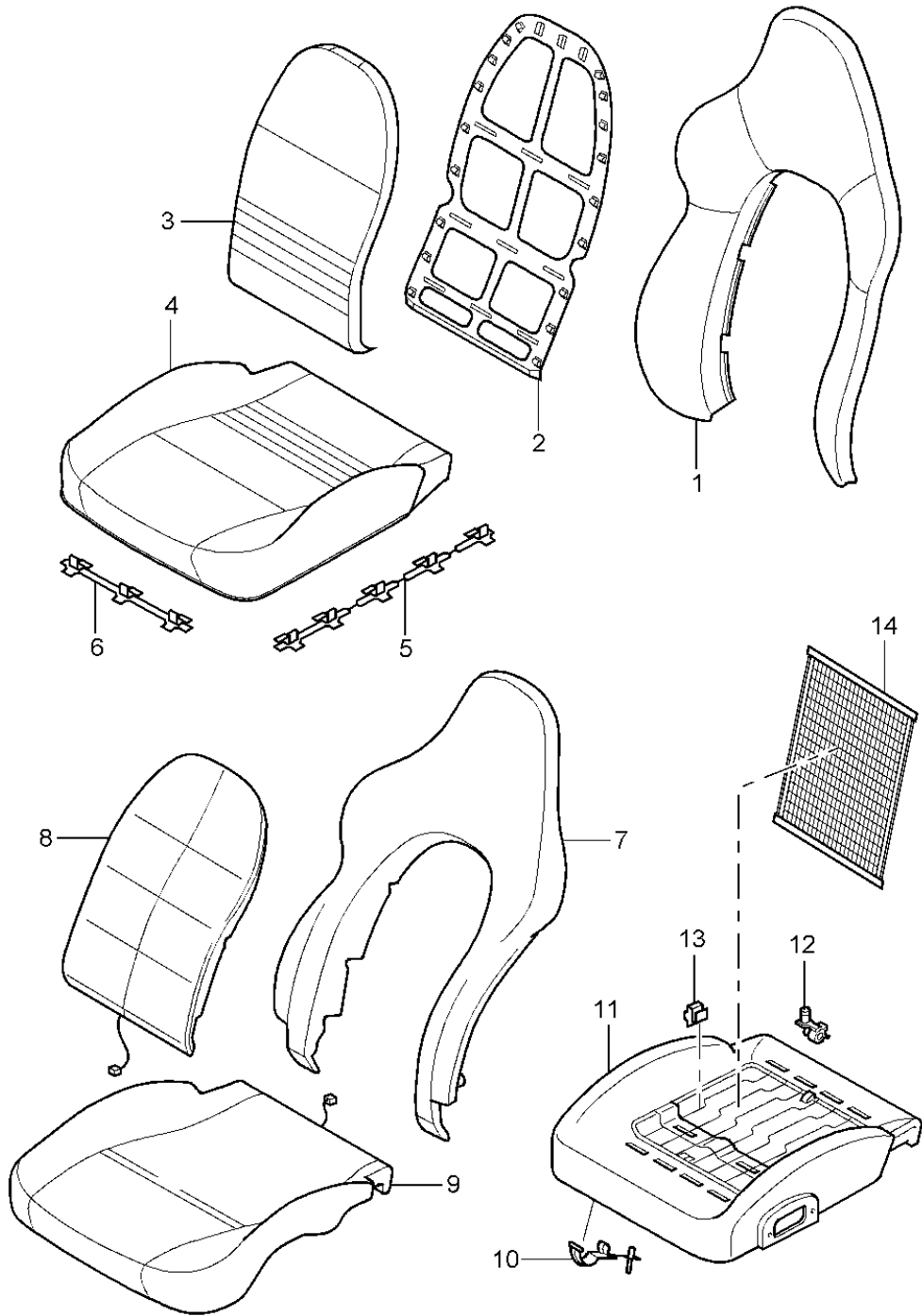
Pos	Part Number	Description	Remark	Qty	Model
		Sports seat			GT3
		Sports seat			
		Complete			
		Not available			
(1)	996 521 781 00	Crest	-00	2	
1	996 521 373 00	Coat hook	01-	2	
	996 521 373 00 A03	Black			
(2)	999 919 183 09	Oval-head screw	-00	2	
		Crest			
		M 3,5 X 25			
2	999 919 199 09	Countersunk-head screw	00-	2	
		Coat hook			
		M 5,0 X 25			
3	996 521 321 01	Control button	/L	2	
(3)	996 521 421 00	Control button	/L 99-	2	
(3)	996 521 322 01	Control button	/R	2	
(3)	996 521 422 00	Control button	/R 99-	2	
4	996 521 313 01	Bag		2	M983
		Leather			
	996 521 313 01 8YR	Black			
5	996 521 357 00	Cover	/L -99	2	
		Rear			
	996 521 357 00 01C	Satin black			
(5)	996 521 358 00	Cover	/R -99	2	
		Rear			
	996 521 358 00 01C	Satin black			
6	999 507 592 01	Cable clamp		2	
		Cover			
		1,0 - 6,0			
7	996 521 315 01	Cap	/L	1	
	996 521 315 01 A03	Black			
(7)	996 521 316 01	Cap	/R	1	
	996 521 316 01 A03	Black			
8	999 507 599 40	Expansion rivet		2	
		10			
9	996 521 362 00	Cover	/L -00	1	
		Seat rail			
		Inner			
	996 521 362 00 01C	Satin black			
(9)	996 521 362 01	Cover	/L 01-	1	
		Seat rail			
		Inner			
	996 521 362 01 01C	Satin black			
(9)	996 521 361 00	Cover	/R -00	1	
		Seat rail			
		Inner			
	996 521 361 00 01C	Satin black			
(9)	996 521 361 01	Cover	/R 01-	1	
		Seat rail			
		Inner			
	996 521 361 01 01C	Satin black			
10	999 141 039 07	Screw	03-	8	IXSE/XSF
		Seat rail			
		M 10 X 28			
11	996 521 360 00	Cover	/R -00	1	
		Outer			
	996 521 360 00 01C	Satin black			
11	996 521 360 01	Cover	/R 01-	1	
		Outer			
	996 521 360 01 01C	Satin black			
(11)	996 521 359 00	Cover	/L -00	1	
		Outer			
	996 521 359 00 01C	Satin black			

Model: 996 99 Model life 1999>>2005

Pos	Part Number	Description	Remark	Qty	Model
(11)	996 521 359 01	Cover Outer	/L 01-	1	
	996 521 359 01 01C	Satin black			

Model: 996 99

Model life 1999>>2005



Model: 996 99 Model life 1999>>2005

Pos	Part Number	Description	Remark	Qty	Model
		Cover			GT3
		Foam part			
		Sports seat			
1	996 521 993 02	Backrest cover	99-	2	IXSC/M983
		with			
		Porsche			
		Crest			
		Outer part			
		Leather			
	996 521 993 02 ETO	Black			
	996 521 993 02 T11	Brown/natural			
	996 521 993 02 D11	Dark grey/natural			
1	996 521 155 04	Backrest cover	-01	2	M983
		Outer part			
		Leather			
	996 521 155 04 ERZ	Black			
(1)	996 521 155 05	Cover	02-	2	IXSU/M983
		Backrest			
		Outer part			
		Leather			
	996 521 155 05 ERZ	Black			
	996 521 155 05 VRA	Dark grey/natural			
	996 521 155 05 VRB	Brown/natural			
(1)	996 521 155 06	Cover	01-	2	M983
		Backrest			
		Outer part			
		Leather			
	996 521 155 06 ERZ	Black			
	996 521 155 06 VRA	Dark grey/natural			
	996 521 155 06 VRB	Brown/natural			
2	996 521 551 00	Frame	-00	2	
2	996 521 551 01	Frame	01-	2	
		Backrest cushion cover			
		Centre			
3	996 521 151 01	Backrest cushion cover	-00	2	M983
		Leather			
	996 521 151 01 8YR	Black			
(3)	996 521 151 05	Backrest cushion cover	01-	2	M983
		Leather			
	996 521 151 05 ETO	Black			
(3)	996 521 151 07	Backrest cushion cover	03-	2	IXSU/M983
	996 521 151 07 ETO	Black			
	996 521 151 07 D11	Dark grey/natural			
	996 521 151 07 T11	Brown/natural			
4	996 521 165 02	Seat cover		2	M983
		Leather			
	996 521 165 02 EAF	Black			
(4)	996 521 165 04	Cover	01-	2	
		Seat cushion			
		Leather			
		without heating			
	996 521 165 04 ERZ	Black			
(4)	996 521 165 05	Cover	02-	2	IXSU/M983
		Seat cushion			
	996 521 165 05 ERZ	Black			
	996 521 165 05 VRA	Dark grey/natural			
	996 521 165 05 VRB	Brown/natural			
5	996 521 543 00	Clamp	-00	4	
		Cover			
		Seat cushion			
		Lengthways			
6	996 521 541 00	Clamp	-00	6	
		Cover			

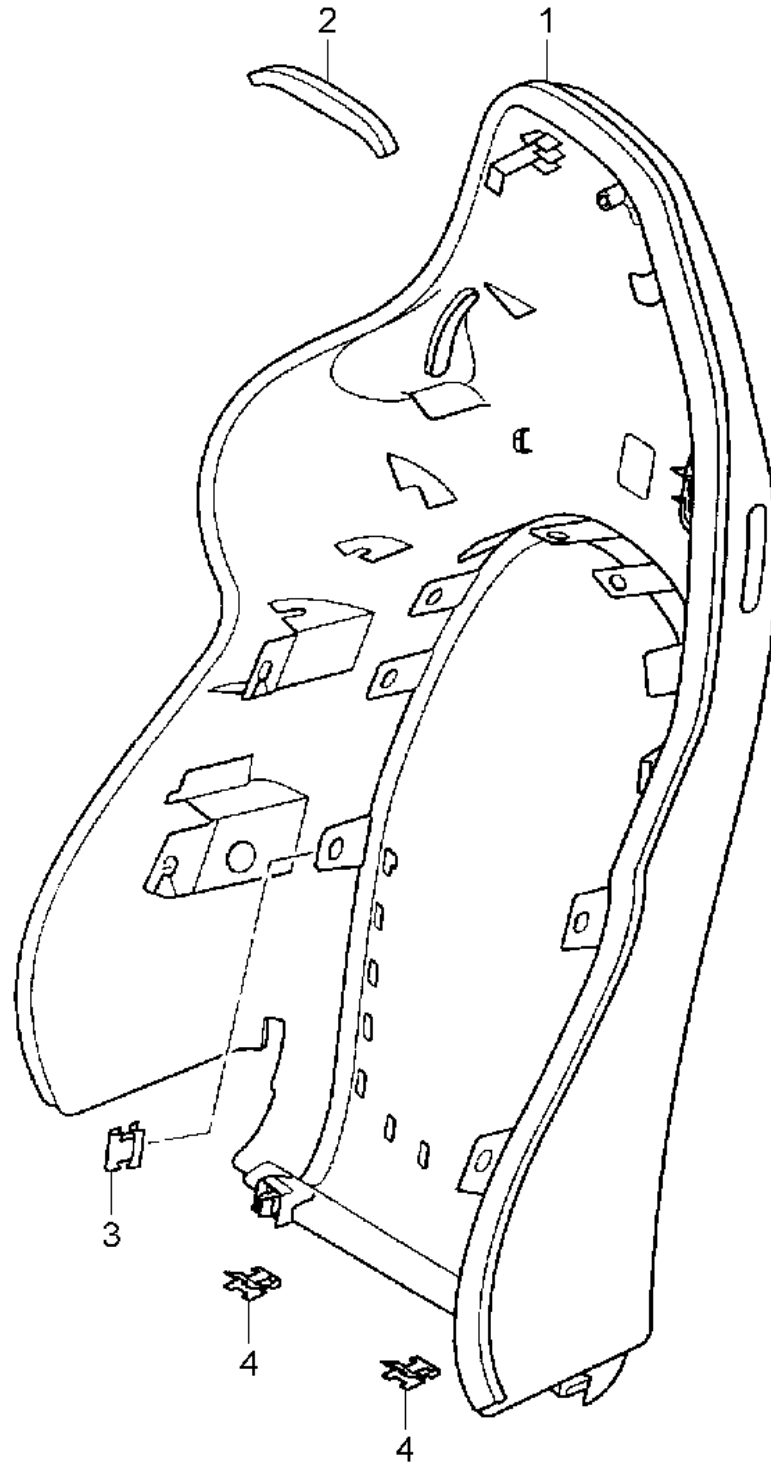


Model: 996 99 Model life 1999>>2005

Pos	Part Number	Description	Remark	Qty	Model
		Seat cushion Transverse			
7	996 521 535 01	Foam part		2	
(7)	996 521 535 02	Foam part	99	2	
(7)	996 521 535 03	Foam part	00-	2	
		Backrest frame			
(7)	996 521 535 05	Foam part	02-	2	IXSU
		Backrest Outer part			
8	996 521 531 00	Foam part		2	
		Backrest cushion without heating			
(8)	996 521 537 00	Foam part	02-	2	IXSU
		Backrest cushion without heating			
(9)	996 521 521 04	Foam part	-00	2	
		Seat cushion without heating			
(9)	996 521 571 01	Foam part	01-	2	
		Seat cushion without heating			
(9)	996 521 523 01	Foam part	02-	2	IXSU
		Seat cushion without heating			
10	996 521 597 00	Clip		8	
		Cushion carrier			
(10)	996 521 937 00	Clip	01-	10	
		Cushion carrier			
11	996 521 509 00	Cushion carrier	-00	2	
		Seat cushion			
(11)	996 521 505 00	Cushion carrier	01-	2	
		Seat cushion			
12	999 507 506 40	Cable holder		1	
		5,0			
13	999 651 314 01	Cable clamp		8	M002
		3,0 - 4,0			
14	996 521 507 01	Mat		1	
		Seat cushion Cushion carrier			

Model: 996 99

Model life 1999>>2005

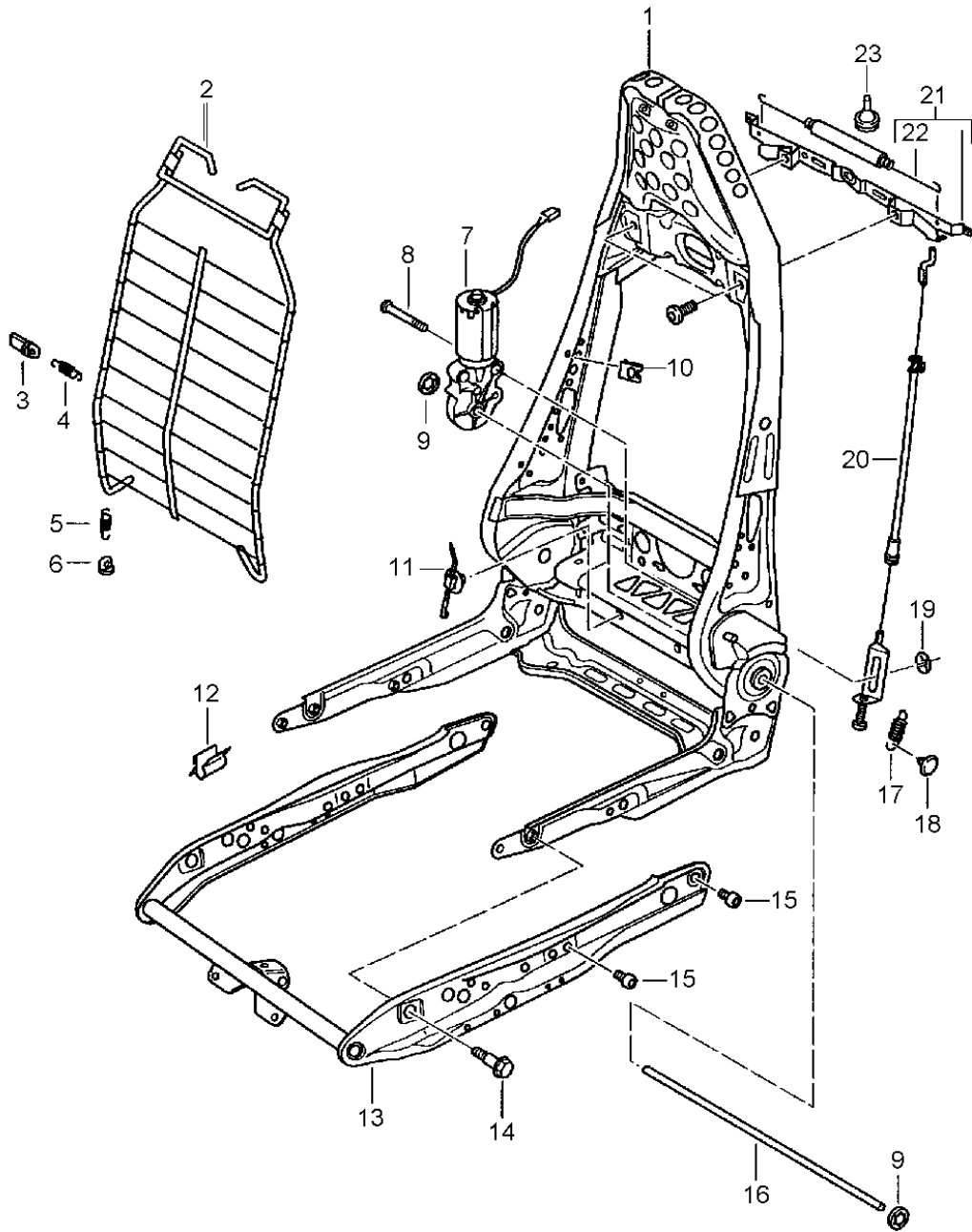


Model: 996 99 Model life 1999>>2005

Pos	Part Number	Description	Remark	Qty	Model
		Backrest shell Sports seat			GT3
(1)	996 521 083 06	Backrest shell Lacquered	-01	2	
	996 521 083 06 A03	Black			
(1)	986 521 303 11	Backrest shell Sports seat	01-	1	M375/376
	986 521 303 11 A03	Black			
(1)	996 521 992 02	Backrest shell Sports seat Lacquered	00-	2	IXSA
	996 521 992 02 80K	Guards red			
	996 521 992 02 747	Black			
	996 521 992 02 9A3	Biarritz white			
	996 521 992 02 12G	Speed yellow			
	996 521 992 02 92T	Arctic silver metallic			
	996 521 992 02 746	Black-metallic			
	996 521 992 02 2A2	Rainforest green metallic			
	996 521 992 02 1A9	Zanzibar red			
	996 521 992 02 8A4	Orient red metallic			
	996 521 992 02 6A7	Meridian metallic			
	996 521 992 02 6B5	Seal grey metallic			
	996 521 992 02 3A9	Lapis blue metallic			
	996 521 992 02 92E	Polar silver metallic			
	996 521 992 02 37U	Cobalt blue metallic			
	996 521 992 02 22E	Forest green metallic			
	996 521 992 02 22D	Slate grey metallic			
	996 521 992 02 37W	Midnight Blue Metallic			
	996 521 992 02 347	Dark blue			
	996 521 992 02 23I	Wimbledon green metallic			
	996 521 992 02 39G	Violet metallic			
(1)	986 521 987 03	Backrest shell Sports seat	01-	2	IXSB
	986 521 987 03 A11	Black			
(1)	996 521 987 03	Backrest shell Sports seat	-01	2	IXSB
	996 521 987 03 A11	Black			
(1)	996 521 992 06	Backrest shell Sports seat Lacquered	04	2	IXCG
	996 521 992 06 V03	Aluminium coloured Sport silver			
2	996 521 885 00	Foam part		2	
3	999 507 594 01	U-clamp Mount Backrest cover		14	
		1,0 - 2,0			
4	311 881 247	Clip Mount Cover Centre part		2	

Model: 996 99

Model life 1999>>2005



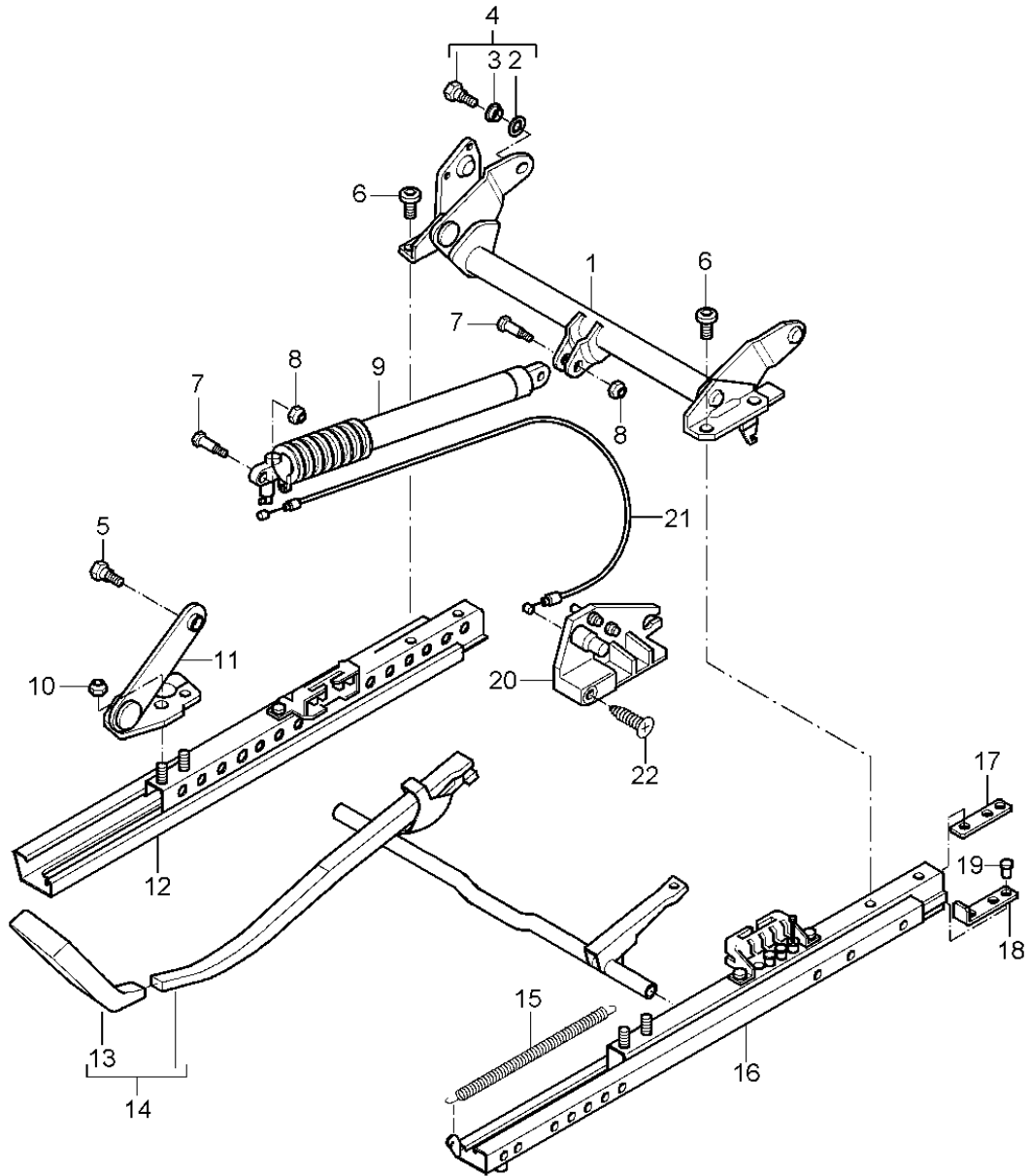
Model: 996 99

Model life 1999&gt;&gt;2005

Pos	Part Number	Description	Remark	Qty	Model
		Backrest frame			GT3
		Seat frame			
		Sports seat			
1	996 521 329 01	Backrest frame		2	
2	996 521 355 01	Mat		2	
3	996 521 367 00	Support		8	
		Spring			
		Centre			
4	996 521 333 00	Spring		8	
		Centre			
5	996 521 331 01	Spring		4	
		Lower			
6	996 521 365 00	Support		4	
		Spring			
		Lower			
7	996 624 321 00	Engine		2	M002
		for backrest adjustment			
8	999 073 141 02	Oval-head screw		2	M002
		M 6 X 42,5			
9	999 507 597 01	Clamping washer		4	
		10,0			
10	999 507 598 02	Speed nut		8	
		M 5			
11	999 513 063 40	Cable holder		4	
		12,0 - 35			
12	999 651 313 07	Cable clamp		2	M002
		6,0			
13	996 521 227 00	Seat frame		1	
14	996 521 681 01	Bearing pin		1	
		Complete			
15	999 141 027 02	Oval-head screw		8	
		M 8 X 10			
16	996 521 343 01	Drive shaft		2	
		for backrest adjustment			
17	999 522 032 00	Tension spring		4	
		0,7 X 7,5 X 15			
18	999 703 474 40	Stopper		4	
19	N 900 114 02	Clamping washer		4	
		4			
20	996 521 185 00	Cable		4	
21	996 521 175 00	Backrest locking lever		2	
22	996 521 195 00	Clutch power spring		2	
23	996 521 403 00	Rubber buffer		2	

Model: 996 99

Model life 1999>>2005



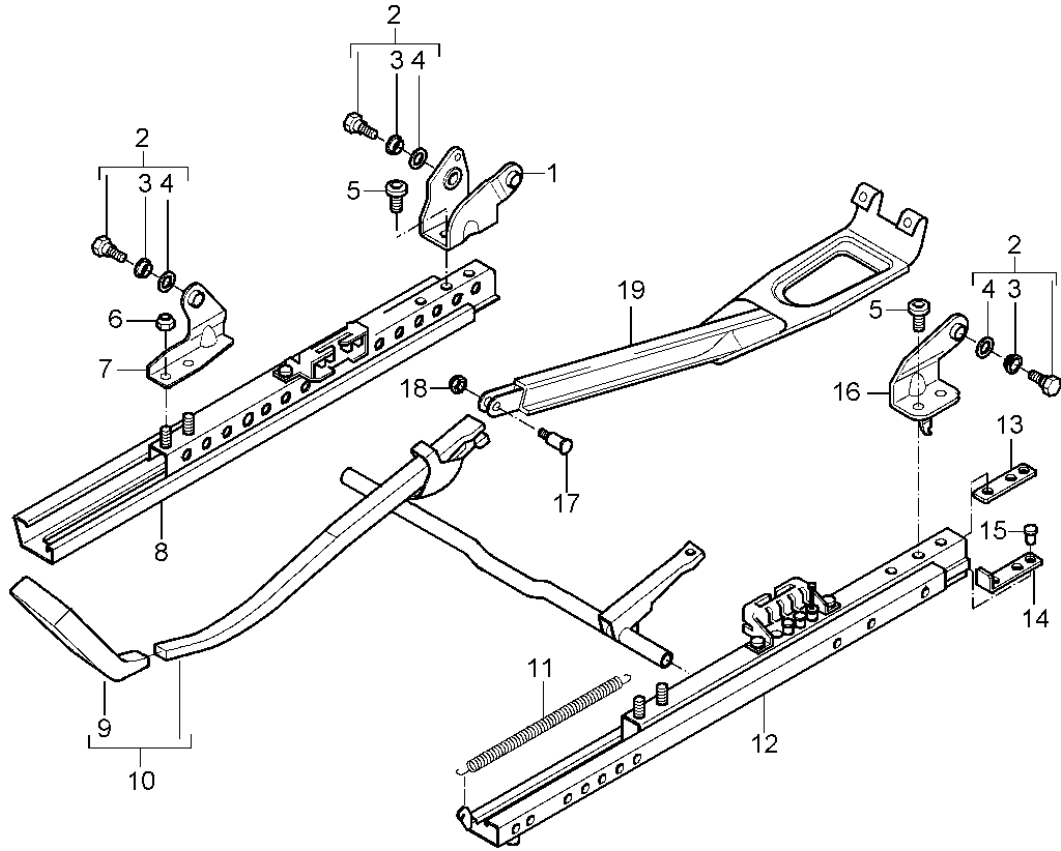
Model: 996 99

Model life 1999&gt;&gt;2005

Pos	Part Number	Description	Remark	Qty	Model
		Seat adjuster Sports seat with Height adjustment			GT3
1	996 521 641 00	Pipe	/L	1	M375
		Rear			
(1)	996 521 642 00	Pipe	/R	1	M376
		Rear			
3	999 209 051 00	Spacer sleeve 12,4 x 2,8		2	
4	996 521 259 02	Screw Complete	/H	4	M539/540
5	996 521 681 00	Bearing pin Seat frame	/V	4	
6	986 521 659 00	Screw Adapter		8	
6	986 521 659 02	Screw Adapter		8	
7	999 311 008 01	Square screw Mount		2	
		Gas-pressure spring M 5 X 23,6			
8	986 521 687 00	Nut Mount		2	
		Gas-pressure spring			
9	996 521 615 01	Gas-pressure spring		1	M539/540
10	900 910 003 07	Hexagon nut Adapter M 8		8	
(11)	986 521 679 00	Adapter Seat frame Front	/L	2	M375/376
11	986 521 680 00	Adapter Seat frame Front	/R	2	M375/376
12	996 521 692 01	Seat rail Inner	/R	1	M375
(12)	996 521 691 01	Seat rail Inner	/L	1	M376
13	996 521 617 01	Handle	/L	1	M375
(13)	996 521 618 01	Handle	/R	1	M376
14	996 521 621 01	Lever Complete	/L	1	M375
(14)	996 521 622 01	Lever Complete	/R	1	M376
15	996 521 645 00	Clutch power spring		2	
16	996 521 689 01	Seat rail Outer	/L	1	M375
(16)	996 521 690 01	Seat rail Outer	/R	1	M376
17	986 521 643 00	Threaded plate		4	
(18)	996 521 603 01	Stop Short		4	
19	996 521 601 00	Fixing clip Stop		4	
20	996 521 675 00	Adjusting mechanism	/L	1	M539
(20)	996 521 676 00	Adjusting mechanism	/R	1	M540
21	986 521 683 00	Bowden cable		2	M539/540
22	999 919 180 07	Countersunk-head screw M 5 X 18		2	

Model: 996 99

Model life 1999>>2005





Model: 996 99 Model life 1999>>2005

Pos	Part Number	Description	Remark	Qty	Model
		Seat adjuster Sports seat without Height adjustment			GT3
1	986 521 640 00	Adapter Mounting Seat-belt buckle Inner rear		1	M376
2	996 521 259 02	Screw Adapter Seat-belt buckle Inner rear		8	
3	999 924 156 00	Bush F12 X 14 X 6,5		4	
4	999 209 051 00	Spacer sleeve 12,4 X 2,8		2	
5	986 521 659 00	Screw Adapter Seat-belt buckle		8	
5	986 521 659 02	Screw Adapter Seat-belt buckle		8	
6	900 910 003 07	Hexagon nut M 8 Adapter Seat-belt buckle		8	
(7)	986 521 679 00	Adapter Seat frame Front	/L	1	
7	986 521 680 00	Adapter Seat frame Front	/R	1	
8	996 521 692 01	Seat rail Inner	/R	1	M375
(8)	996 521 691 01	Seat rail Inner	/L	1	M376
9	996 521 617 01	Handle Seat adjuster	/L	1	M375
(9)	996 521 618 01	Handle Seat adjuster	/R	1	M376
10	996 521 621 01	Lever Seat adjuster Complete	/L	1	M375
(10)	996 521 622 01	Lever Seat adjuster Complete	/R	1	M376
11	996 521 645 00	Clutch power spring		2	M375/376
12	996 521 689 01	Seat rail Outer	/L	1	M375
(12)	996 521 690 01	Seat rail Outer	/R	1	M376
13	986 521 643 00	Threaded plate		4	M375/376
14	996 521 603 01	Stop		4	M375/376
15	996 521 601 00	Fixing clip Stop		4	M375/376
16	986 521 690 00	Adapter Seat frame Rear Outer	/R	1	M376
17	999 311 008 01	Square screw M 5 X 23,6		1	
18	986 521 687 00	Nut		1	
19	986 521 667 00	Seat adjuster guard		1	
21	996 521 665 00	Stop		1	

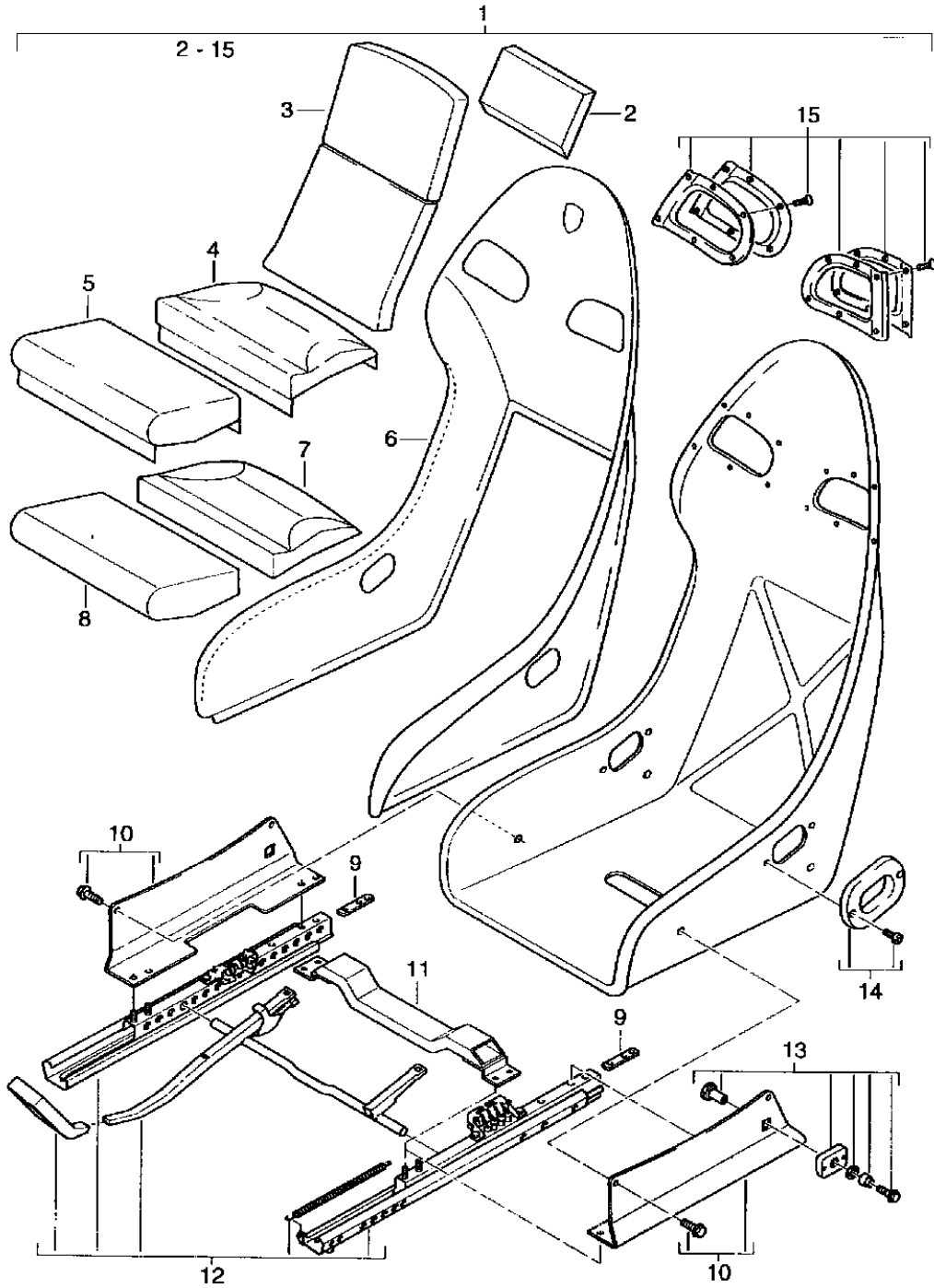
Model: 996 99

Model life 1999>>2005

Pos	Part Number	Description	Remark	Qty	Model
		Seat			

Model: 996 99

Model life 1999>>2005



Model: 996 99 Model life 1999>>2005

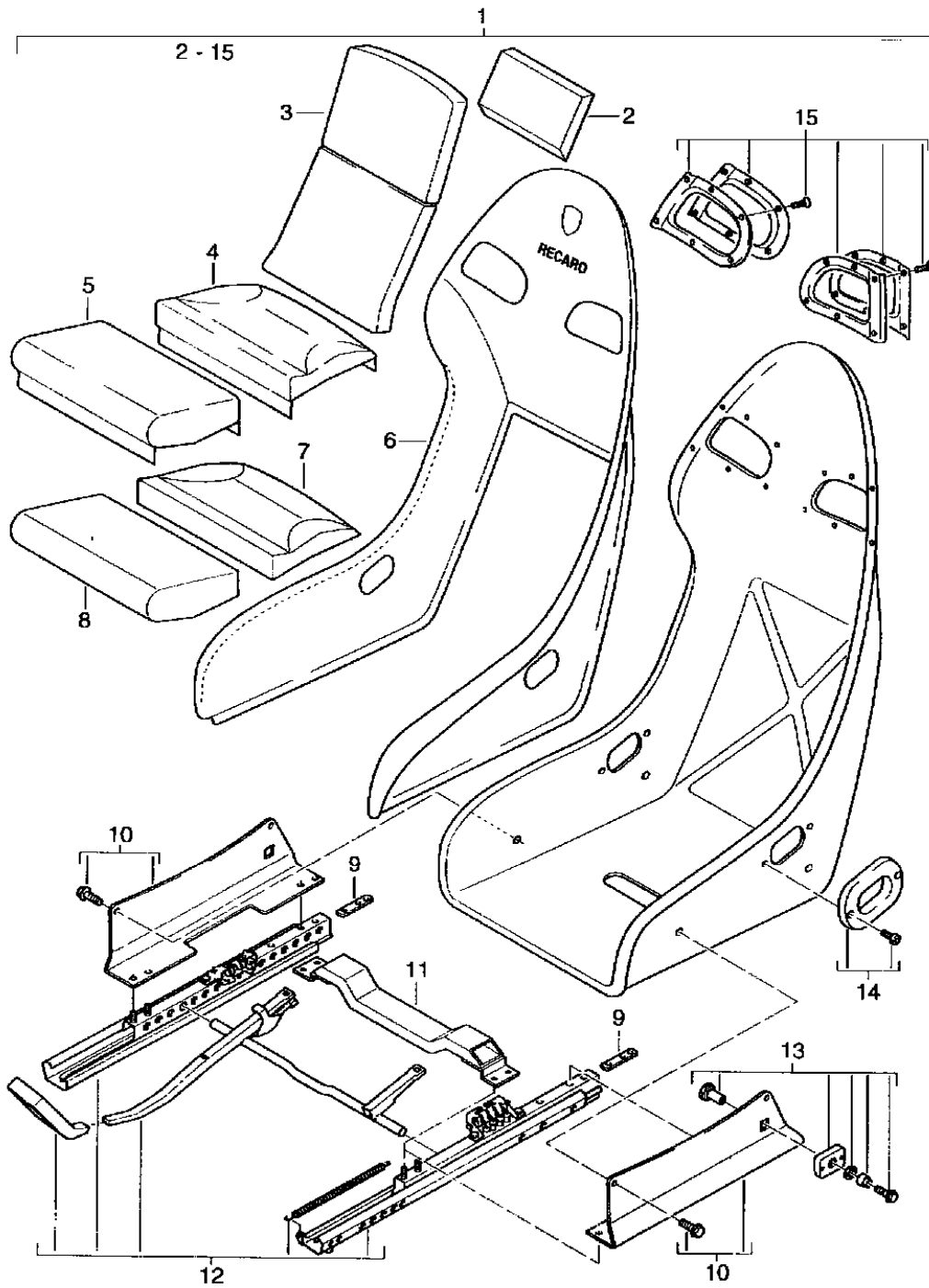
Pos	Part Number	Description	Remark	Qty	Model
		Bucket seat Cover Perlon velour			GT3
1	996 521 985 00	Bucket seat Cloth	/LL /L	1	IXSE/M990
(1)	996 521 986 00	Bucket seat Cloth	/LL /R	1	IXSF/M990
(1)	996 521 985 02	Bucket seat Perlon velour	/RL /L	1	IXSE/M990
(1)	996 521 986 02	Bucket seat Perlon velour	/RL /R	1	IXSF/M990
(1)	996 521 985 04	Bucket seat Cloth	/LL /L	1	IXSE/M003 M990
(1)	996 521 986 04	Bucket seat Cloth	/LL /R	1	IXSF/M003 M990
(1)	996 521 985 05	Bucket seat Cloth	/RL /L	1	IXSE/M003 M990
(1)	996 521 986 05	Bucket seat Cloth	/RL /R	1	IXSF/M003 M990
(1)	996 521 985 06	Bucket seat	/LL	1	IXSS/M990
(1)	996 521 985 08	Bucket seat	/RL	1	IXSS/M990
(1)	996 521 985 07	Bucket seat	/LL	1	IXSS/M983
(1)	996 521 985 07 ERZ	Black			
(1)	996 521 985 09	Bucket seat	/RL	1	IXSS/M983
(1)	996 521 985 09 ERZ	Black			
(1)	996 521 985 10	Bucket seat	/LL	1	IXSS/M003 M990
(1)	996 521 985 11	Bucket seat	/RL	1	IXSS/M003 M990
(1)	996 521 986 06	Bucket seat Cloth	/LL	1	IXSR/M990
(1)	996 521 986 08	Bucket seat Cloth	/RL	1	IXSR/M990
(1)	996 521 986 07	Bucket seat	/LL	1	IXSR/M983
(1)	996 521 986 07 ERZ	Black			
(1)	996 521 986 09	Bucket seat	/RL	1	IXSR/M983
(1)	996 521 986 09 ERZ	Black			
(1)	996 521 986 10	Bucket seat	/LL	1	IXSR/M003 M990
(1)	996 521 986 11	Bucket seat	/RL	1	IXSR/M003 M990
2	996 521 911 90	Lumbar support	/L /R	2	IXSE/XSF
3	996 521 913 90	Backrest cushion	/L /R	2	IXSE/XSF M990
4	996 521 915 90	Perlon velour Black Cover for cushion	/L /R	2	IXSE/XSF M990
5	996 521 919 90	Seat cushion Rear Cover for cushion	/L /R	2	IXSE/XSF M990
6	996 521 988 00	Seat cushion Front Perlon velour Black Outer lining Perlon velour Black	/L /R	2	M990

Model: 996 99 Model life 1999>>2005

Pos	Part Number	Description	Remark	Qty	Model
7	996 521 917 90	Foam part Seat cushion Rear	/L /R	2	IXSE/XSF/XSG IXSR/XSS
8	996 521 921 90	Foam part Seat cushion Front	/L /R	2	IXSE/XSF/XSG IXSR/XSS
9	996 521 931 90	Stop	/L /R	2	IXSE/XSF/XSG IXSR/XSS
(9)	996 521 603 01	Short Stop		2	M375/376
10	996 521 923 90	Short Parts kit Adapter	/L	2	IXSE/XSS
(10)	996 521 924 90	Parts kit Adapter Seat rail	/R	2	IXSF/XSR
(10)	996 521 923 91	Adapter Seat rail with Bores Seat	/LL -03	2	IXSG
(10)	996 521 923 92	Adapter Seat rail without Bores Seat	/LL -03	2	IXSG
(10)	996 521 923 93	Adapter	/LL -03	2	IXSG
(10)	996 521 923 95	Adapter Seat rail	/LL 04-	2	IXSG
11	996 521 933 90	Cross member 6-point seat belt		X	M003
12	996 521 929 90	Parts kit Seat rail Use also:	/L	1	
-	996 521 645 00	Clutch power spring	/L	2	
(12)	996 521 930 90	Parts kit Seat rail Use also:	/R	1	
-	996 521 645 00	Clutch power spring	/L	2	
(13)	996 521 925 90	Set of fastening parts Seat-belt buckle Inner		2	
13	996 521 927 90	Set of fastening parts Seat-belt buckle Outer		2	
14	996 521 907 90	Parts kit Rosette Belt Lower		2	
15	996 521 905 90	Parts kit Rosette Belt Upper		2	

Model: 996 99

Model life 1999>>2005



Model: 996 99 Model life 1999>>2005

Pos	Part Number	Description	Remark	Qty	Model
		Bucket seat with Whole-leather Cover			GT3
1	996 521 985 01	Bucket seat Leather	/LL /L	1	IXSE/M983
	996 521 985 01 ERZ	Black			
(1)	996 521 986 01	Bucket seat Leather	/LL /R	1	IXSF/M983
	996 521 986 01 ERZ	Black			
(1)	996 521 985 03	Bucket seat Leather	/RL /L	1	IXSE/M983
	996 521 985 03 ERZ	Black			
(1)	996 521 986 03	Bucket seat Leather	/RL /R	1	IXSF/M983
	996 521 986 03 ERZ	Black			
2	996 521 911 90	Lumbar support	/L /R	2	IXSE/XSF IXSG/XSR/XSS
3	996 521 989 00	Backrest cushion	/L /R	2	IXSE/XSF/XSR
	996 521 989 00 B50	Space grey			
	996 521 989 00 C50	Graphite grey			
	996 521 989 00 D11	Dark grey/natural			
	996 521 989 00 ERZ	Black			
	996 521 989 00 G10	Metropole blue			
	996 521 989 00 J30	Nephrite green			
	996 521 989 00 M30	Boxster red			
	996 521 989 00 P11	Cinnamon brown			
	996 521 989 00 S30	Savanna			
	996 521 989 00 T11	Brown/natural			
	996 521 989 00 8YR	Black			
4	996 521 990 00	Cover for cushion Seat cushion Rear	/L /R	2	IXSE/XSF/XSR IXSS/M983
	996 521 990 00 B50	Space grey			
	996 521 990 00 C50	Graphite grey			
	996 521 990 00 D11	Dark grey/natural			
	996 521 990 00 ERZ	Black			
	996 521 990 00 G10	Metropole blue			
	996 521 990 00 J30	Nephrite green			
	996 521 990 00 M30	Boxster red			
	996 521 990 00 P11	Cinnamon brown			
	996 521 990 00 S30	Savanna			
	996 521 990 00 T11	Brown/natural			
	996 521 990 00 8YR	Black			
5	996 521 991 00	Cover for cushion Seat cushion Front	/L /R	2	IXSE/XSF IXSR/XSS M983
	996 521 991 00 B50	Space grey			
	996 521 991 00 C50	Graphite grey			
	996 521 991 00 D11	Dark grey/natural			
	996 521 991 00 ERZ	Black			
	996 521 991 00 G10	Metropole blue			
	996 521 991 00 J30	Nephrite green			
	996 521 991 00 M30	Boxster red			
	996 521 991 00 P11	Cinnamon brown			
	996 521 991 00 S30	Savanna			
	996 521 991 00 T11	Brown/natural			
	996 521 991 00 8YR	Black			
6	996 521 988 01	Outer lining Leather	/L /R	2	IXSE/XSF/XSR IXSS/M983
	996 521 988 01 ERZ	Black			
7	996 521 917 90	Foam part Seat cushion	/L /R	2	IXSE/XSF IXSG/XSR/XSS

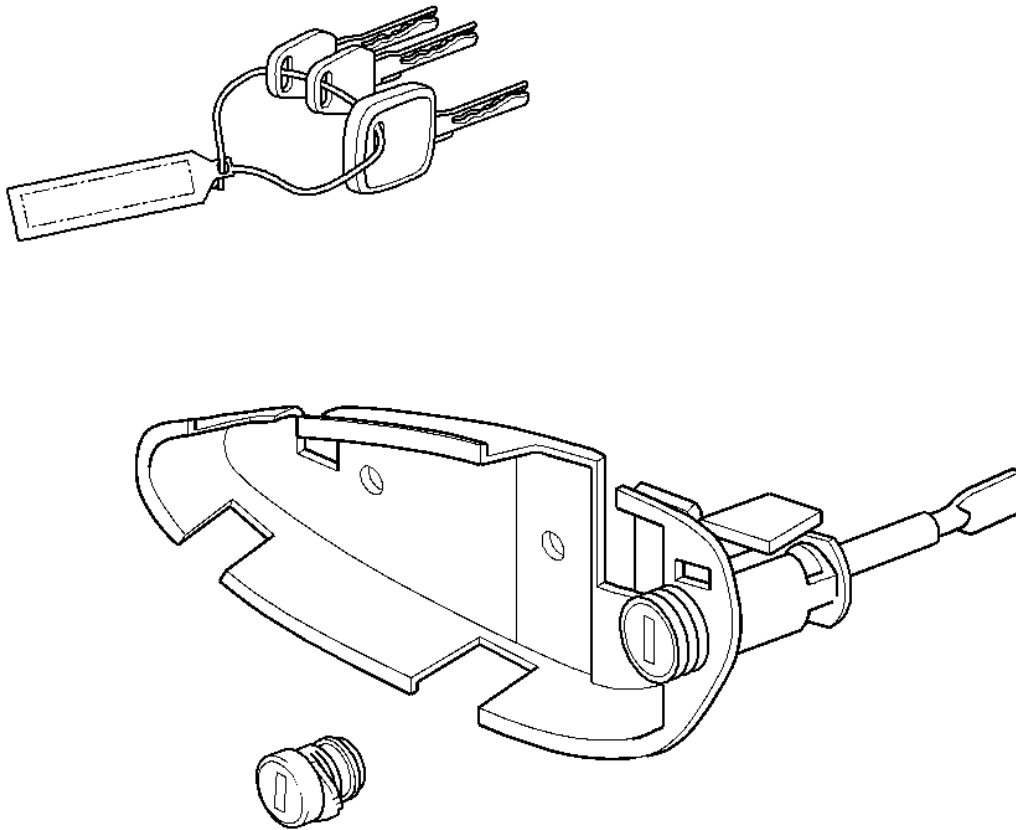
Model: 996 99 Model life 1999>>2005

Pos	Part Number	Description	Remark	Qty	Model
8	996 521 921 90	Rear Foam part Seat cushion	/L /R	2	IXSE/XSF IXSG/XSR/XSS
9	996 521 931 90	Front Stop	/L /R	2	IXSE/XSF IXSG/XSR/XSS
(9)	996 521 603 01	Stop Short	/L /R	2	M375/376
10	996 521 923 90	Parts kit Adapter	/L	2	IXSE/XSS
(10)	996 521 924 90	Parts kit Adapter	/R	2	IXSF/XSR
(10)	996 521 923 93	Adapter Parts kit Seat rail Left seat	/LL	2	
11	996 521 933 90	Cross member	/LL	1	/M001 IXSG IXSR/XSS
(11)		6-point seat belt Seat rail Cross member 6-point seat belt	/L /R	1	IXSE/XSF IXSR/XSS M003
12	996 521 929 90	Seat rail 6-point seat belt Parts kit Left seat Seat rail		1 1	IXSR/XSS IXSE/XSS
-	996 521 645 00	Use also: Clutch power spring	/L	2	
(12)	996 521 930 90	6-point seat belt Parts kit Right seat Seat rail Use also:		1 1	IXSR/XSS
-	996 521 645 00	Clutch power spring	/L	2	
(13)	996 521 925 90	Set of fastening parts Seat-belt buckle Inner		2	
13	996 521 927 90	Set of fastening parts Seat-belt buckle Outer		2	
14	996 521 907 90	Parts kit Rosette Belt Lower		2	
15	996 521 905 90	Parts kit Rosette Belt Upper	/L /R	2	
10	996 521 923 91	Adapter	99-	1	
10	996 521 923 92	Adapter	99-	1	



Model: 996 99

Model life 1999>>2005



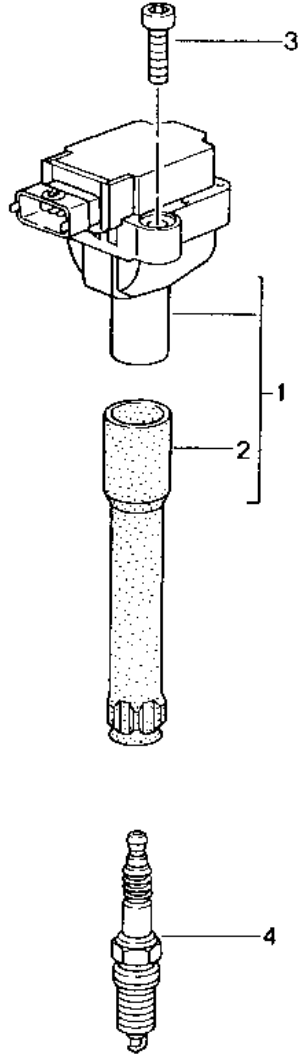
Model: 996 99

Model life 1999>>2005

Pos	Part Number	Description	Remark	Qty	Model
		Repair kits			
		Set of locks			
		Comprising:			
		Support			
		Outer door handle			
		Glove compartment lock			
		Key			
		Key tag			
>>	996 538 001 03	Set of locks	-01	1	M531/532
>>	996 538 001 06	Set of locks	02-	1	M531/532
>>	996 538 001 04	Set of locks	/LL -01	1	M534/535
>>	996 538 001 07	Set of locks	/LL 02-	1	M534/535
>>	996 538 001 05	Set of locks	/RL -01	1	M534/535
>>	996 538 001 08	Set of locks	/RL 02-	1	M534/535

Model: 996 99

Model life 1999>>2005



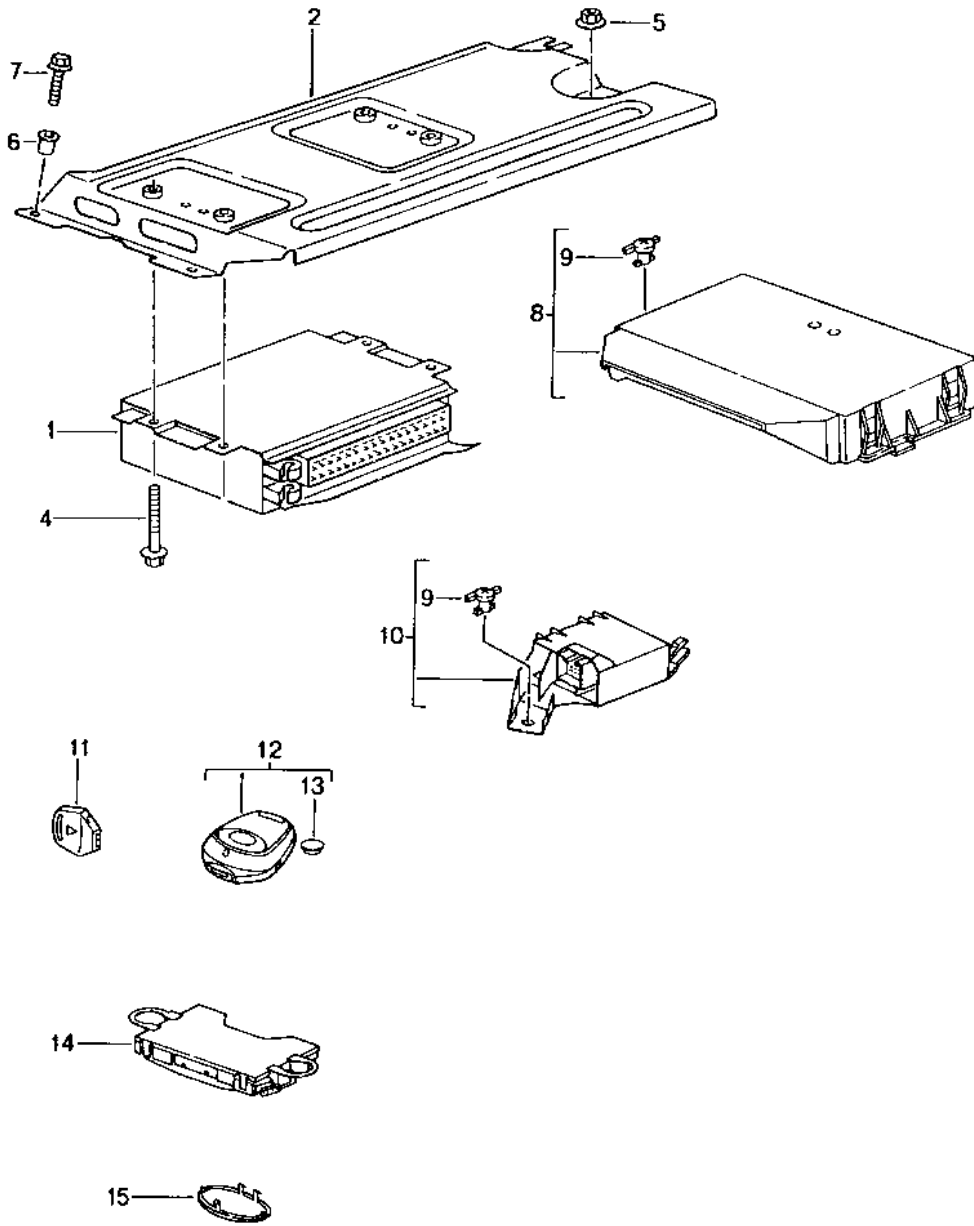
Model: 996 99

Model life 1999>>2005

Pos	Part Number	Description	Remark	Qty	Model
1	997 602 104 02	Ignition system Ignition coil		6	
		Use also: 900.385.025.01		12	
-	999 652 916 40	Plug socket		6	
-	999 650 052 12	Connector		18	
-	999 704 161 40	Gasket		18	
2	996 602 103 01	Spark plug connector		6	
2	996 602 105 00	Spark plug connector		6	
3	900 067 089 09	Pan-head screw M 6 X 25		12	
3	900 067 089 01	Pan-head screw M 6 X 25		12	
4	999 170 195 90	Spark plug 14FR 6LDU		6	M96.76/79
4	999 170 129 90	Spark plug Y 5DDC	04	6	M96.79 M004

Model: 996 99

Model life 1999>>2005



Model: 996 99 Model life 1999>>2005

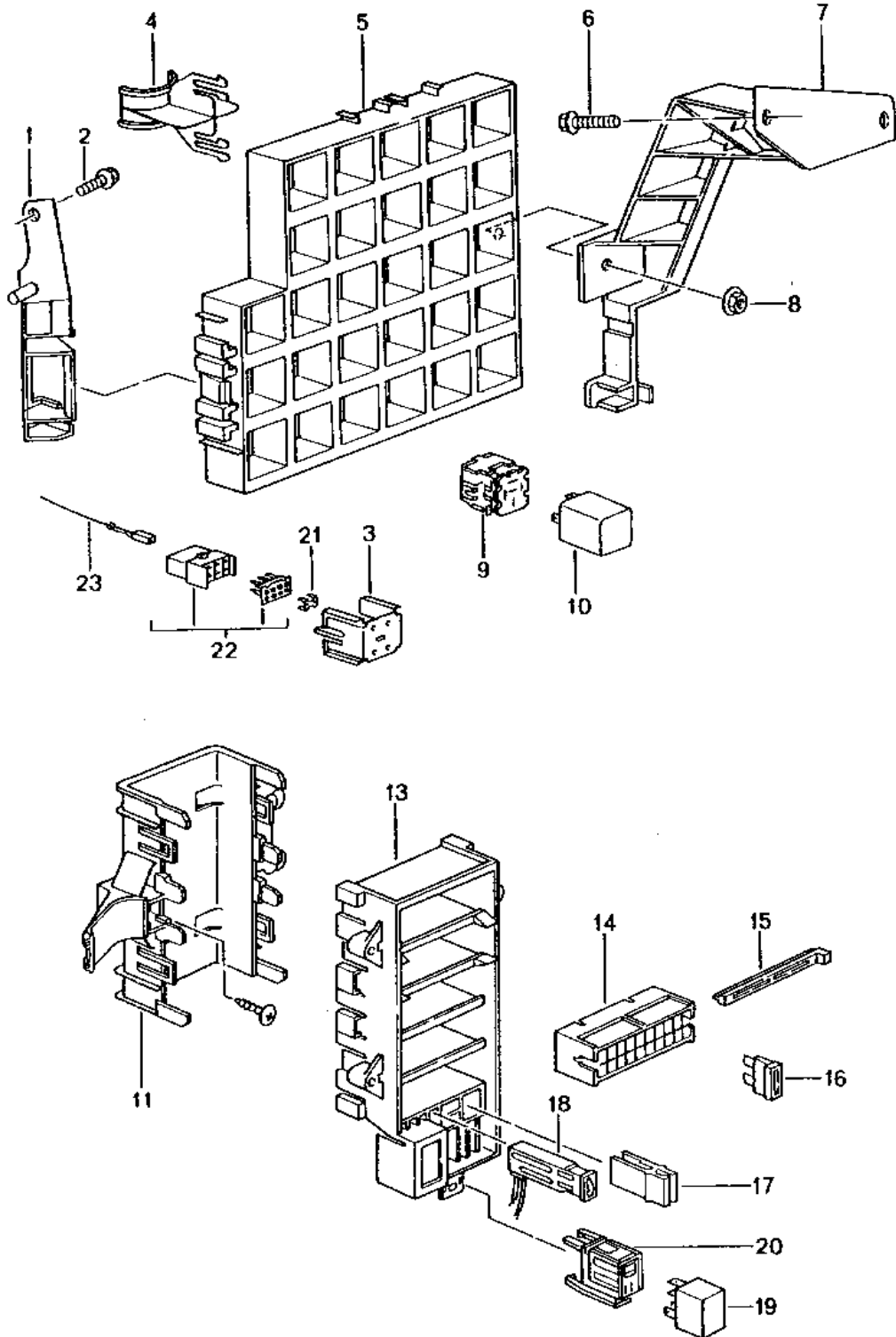
Pos	Part Number	Description	Remark	Qty	Model
1	996 618 601 04	Control units Control unit	-99	1	
1	996 618 601 DX	- dme - Control unit	-99	1	
(1)	996 618 604 00	- dme - Control unit	04-	1	
(1)	996 618 604 X	- dme - Control unit	04-	1	
2	996 618 129 00	- dme - Support	-00	1	
(2)	996 618 129 01	Control unit - dme - Support	01-	1	
4	900 378 036 01	Control unit - dme - Hexagon-head bolt		4	
5	999 084 629 01	M 6 X 12 Hexagon nut		1	
6	999 500 078 00	M 6 Speed nut	-00	2	
7	900 075 413 09	M 6 Combination screw	-00	2	
(7)	999 084 629 01	M 6 X 16 Z2 Hexagon nut	01-	2	
8	996 618 260 06	M 6 Control unit	-00	1	M534
8	996 618 262 02	Immobiliser Central locking system Alarm system	01-	1	M534
-	996 612 034 00	Control unit Immobiliser Central locking system Alarm system	01-	1	M534
8	996 618 260 07	Cable Antenna for POS. 8	-00	1	M535
8	996 618 262 03	Control unit Immobiliser Central locking system Alarm system	01-	1	M535
-	996 612 035 00	Control unit Immobiliser Central locking system Alarm system	01-	1	M535
-	999 607 064 00	Cable Antenna for POS. 8		X	
-	999 507 925 40	Lock 15 A for POS. 8		1	
-	999 650 161 40	Fixing clip for Wiring harness		1	
-	999 650 099 12	Seat Plug socket		X	
-	999 650 097 40	for POS. 8 Plug socket		1	
-		Connector		X	
-		Cap		1	

Model: 996 99 Model life 1999>>2005

Pos	Part Number	Description	Remark	Qty	Model
-	999 650 101 40	White Cap		1	M534
-	999 650 102 40	White Cap		1	M535
-	999 650 113 40	Blue Plug socket 12-pole		1	
-	N 903 353 04	Black Flat plug 2,5		X	
-	N 903 352 04	Connector 1,0		X	
9	996 618 261 00	Locking device		1	
10	996 618 159 01	Signal transducer		1	
11	996 637 041 00	Key lamp		1	M532
-	928 537 630 02	Bulb for Key lamp		X	
12	996 637 243 00	Handheld transmitter	-00	1	M534
-	996 637 247 00	Handheld transmitter Upper part for 996.637.243.00	-00	1	M534
12	996 637 244 30	Handheld transmitter	01-03	1	M534
12	996 637 244 40	Handheld transmitter	01-	1	M534
-	996 637 353 00	Handheld transmitter Upper part for 996.637.244.30/40	01-	1	M534
12	996 637 243 01	Handheld transmitter	-00	1	M535
-	996 637 247 00	Handheld transmitter Upper part for 996.637.243.01	-00	1	M535
12	996 637 244 36	Handheld transmitter	01-03	1	M535
12	996 637 244 42	Handheld transmitter	01-	1	M535
-	996 637 353 00	Handheld transmitter Upper part for 996.637.244.31/36/42	01-	1	M535
12	996 637 243 02	Handheld transmitter	(J) -00	1	
-	996 637 247 00	Handheld transmitter Upper part for 996.637.243.02	(J) -00	1	
12	996 637 244 32	Handheld transmitter	(J) 01-03	1	
12	996 637 244 44	Handheld transmitter	(J) 01-	1	
-	996 637 353 00	Handheld transmitter Upper part for 996637.244.32/44	(J) 01-	1	
-	996 637 443 00	Crest Coloured for Key lamp And Handheld transmitter	02-	1	
13	999 611 108 00	Battery		1	
14	996 618 210 02	Sensor Interior monitoring		1	
-	999 650 236 40	Plug socket		1	
-	999 650 256 22	Connector		4	
(15)	996 618 212 02	Trim cover		2	

Model: 996 99

Model life 1999>>2005





Model: 996 99 Model life 1999>>2005

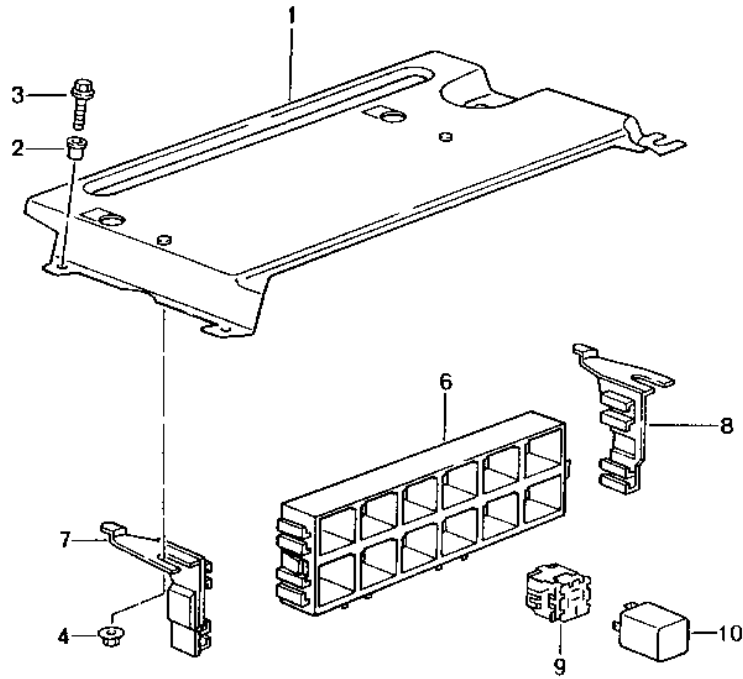
Pos	Part Number	Description	Remark	Qty	Model
		Central electrical system			
		Dashboard			
1	996 610 117 00	Support	/LL /L	1	
(1)	996 610 119 00	Support	/RL /L	1	
2	900 378 155 09	Hexagon-head bolt M 6 X 16 ASP		1	
3	996 610 104 00	Retaining frame		X	
(4)	996 610 115 00	Cable holder		X	
5	996 610 109 00	Relay carrier Support frame		1	
6	900 378 155 09	Hexagon-head bolt M 6 X 16 ASP		2	
7	996 610 116 00	Support	/LL /R	1	
(7)	996 610 118 00	Support	/RL /R	1	
8	900 377 010 01	Hexagon nut M 6		1	
9	928 610 511 00	Relay carrier		X	
10		Relay			
(10)	1H0 953 227	Flasher relay Relay socket/code:	S3	1	
(10)	996 615 117 00	Relay Rear window heating Relay socket/code:	S4	1	M618
(10)	999 657 005 90	Relay Relay socket/code:	-00 S5	1	
(10)	996 615 111 00	Relay Relay socket/code:	S5	1	M606
(10)	996 618 113 00	Relay Relay socket/code:	S6/7 04-	1	M288
		Headlight washer system Relay socket/code:	S8		
(10)	141 951 253 B	Relay KL. XE Relay socket/code:	S9	1	
(10)		Relay Fanfare Relay socket/code:	S10	1	
(10)		Relay Relay socket/code:	(J) S12	1	
(10)	996 615 101 00	Relay Fuel pump Relay socket/code:	S13	1	
(10)	996 615 103 00	Interval relay Relay socket/code:	S16	1	
(10)	141 951 253 B	Relay Heating Relay socket/code:	S18	1	
(10)		Relay Radiator fan 1 Setting 1 Relay socket/code:	S19	1	
(10)		Relay Radiator fan 1 Setting2 Relay socket/code:	S20	1	
(10)		Relay Radiator fan 2 Setting 1 Relay socket/code:	S21	1	
(10)		Relay Radiator fan 2 Setting2 Relay socket/code:	S22	1	
11	996 610 210 00	Lid		1	

Model: 996 99 Model life 1999>>2005

Pos	Part Number	Description	Remark	Qty	Model
13	996 610 211 01	Bracket		1	
14	999 650 209 40	Fuse holder		X	
15	999 650 210 40	Slide		X	
16	999 607 082 00	Lock 5 A		X	
16	999 607 083 00	Lock 7 , 5 A		X	
(16)	999 607 085 00	Lock 15 A		X	
(16)	999 607 087 00	Lock 25 A		X	
(16)	999 607 010 00	Lock 30 A		X	
(16)	999 607 089 00	Lock 40 A		X	
17	996 610 214 00	Tool		X	
-	996 610 217 01	Assignment sticker Lock F >>99YS6 90343		X	M002
-	996 610 217 02	Assignment sticker Lock F 99YS6 90344>>	-00	X	M002
-	996 610 217 04	Assignment sticker Lock	-02	X	M002
-	996 610 217 05	Assignment sticker Lock	04-	X	M002
-	996 610 217 95	Assignment sticker Lock	-00	X	M003
-	996 610 217 96	Assignment sticker Lock Emergency operation Lid	-02 04-	X	M003
18	996 610 240 00	Terminal clamp	04-	1	
19	999 657 006 90	Relay	04-	1	
20	999 650 538 40	Relay carrier 5-pole Cover for Housing Lock See group 8/07/02	04-	1	
-				X	
21	999 650 319 22	Contact bridge 4-pole		X	
(21)	999 650 318 22	Contact bridge 8-pole		X	
22	999 650 317 40	Plug socket 8-pole		X	
23	999 650 320 22	Contact bush 2,8 / 0,75		X	
(23)	999 650 321 22	Contact bush 2,8 / 2,5		X	

Model: 996 99

Model life 1999>>2005

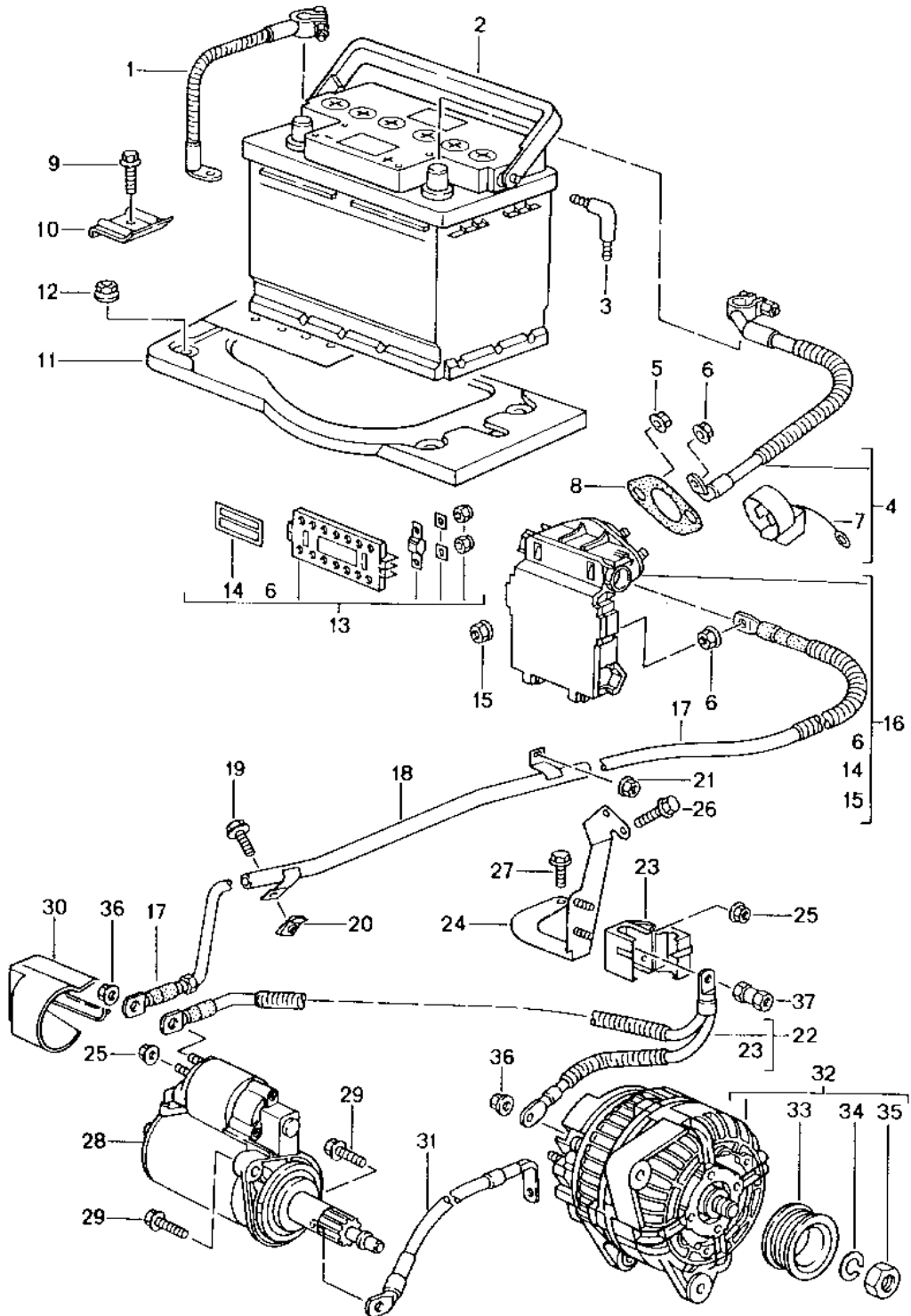


Model: 996 99 Model life 1999>>2005

Pos	Part Number	Description	Remark	Qty	Model
		Central electrical system			
		Rear end			
1	996 610 129 00	Mounting plate	-00	1	
(1)	996 610 129 02	Mounting plate	01-05	1	
2	999 500 078 00	Speed nut	-00	2	
3	900 075 413 09	Combination screw	-00	2	
		M 6 X 16 Z2			
(3)	999 084 629 01	Hexagon nut	01-	2	
		M 6			
4	900 380 015 01	Hexagon nut		2	
		M 6			
6	996 610 111 00	Relay carrier		1	
		Support frame			
7	996 610 126 00	Support	/R	1	
8	996 610 127 00	Support	/L	1	
9	928 610 511 00	Relay carrier		X	
10		Relay			
(10)	141 951 253 B	Relay		1	
		- dme -			
(10)		Relay socket/code:	S1		
		Relay		1	
		Ignition			
(10)	964 615 215 00	Relay socket/code:	S2		M573
		Relay		1	
		Air conditioner			
(10)	999 657 018 90	Relay socket/code:	S4		M573
		Relay		1	
		Air conditioner			
(10)	996 615 110 00	Relay socket/code:	S4		
		Relay		1	
		Starter			
(10)	141 951 253 B	Relay socket/code:	S7		
		Relay		1	
		Blower			
		Engine compartment			
		Relay socket/code:	S8		

Model: 996 99

Model life 1999>>2005



Model: 996 99 Model life 1999>>2005

Pos	Part Number	Description	Remark	Qty	Model
		Battery			
		Power distributor			
		Starter			
		Generator			
		Battery main switch			M003
1	997 611 090 00	Ground strap	/LL	1	
(1)	997 611 091 00	Ground strap	/RL	1	
2	999 611 053 20	Battery	-02	1	
		50 AH			
2	999 611 060 20	Battery	04-	1	
		60 AH			
3	893 915 507	Angled pipe		1	
4	996 612 090 09	Cable	/LL -02	1	M002
		Battery			
		Power distributor			
(4)	996 612 090 10	Cable	/RL -02	1	M002
		Battery			
		Power distributor			
(4)		Cable	04-	1	M002
		Battery			
		Power distributor			
5	900 380 005 09	Hexagon nut		2	
		VM 8			
6	900 084 030 02	Hexagon nut		2	
		M 8			
		for			
		Power distributor			
7	996 610 309 00	Protection cap		1	
		Terminal clamp			
		Power distributor			
8	996 610 302 00	Flange gasket		1	
		for			
		Power distributor			
9	900 378 123 09	Hexagon-head bolt	-02	1	
		M 8 X 12			
9	900 378 017 01	Hexagon-head bolt	-02	1	M197
		M 8 X 20			
9		Hexagon-head bolt	04-	1	
		M 8 X 20			
10	996 611 209 00	Rail	-02	1	M197
10		Rail	04-	1	
(10)	996 611 209 90	Rail	-02	1	
(11)	997 504 151 01	Carrier plate for battery		1	
-	996 504 622 01	Gasket		1	
		Carrier plate for battery			
12	999 084 630 01	Hexagon nut		4	
		VM 8 SB			
13	996 610 306 00	Repair kit		1	
		Replacement			
		Fuse element			
		Comprising:			
-		Fuse element		1	
		50 AMPERE			
-		Fuse element		1	
		80 AMPERE			
-		Hexagon nut		4	
		M 5			
6	900 084 030 02	Hexagon nut		1	
		M 8			
-		Intermediate layer		4	
-		Cover		1	
		Blue			
14	996 610 311 00	Seal label		2	

Model: 996 99 Model life 1999>>2005

Pos	Part Number	Description	Remark	Qty	Model
14		Red Seal label		2	
15	900 084 031 02	Red Hexagon nut M 6 for Power distributor		7	
16	996 610 308 00	Repair kit Replacement Power distributor		1	
-		Comprising: Power distributor Complete		1	
15	900 084 031 02	Hexagon nut M 6		7	
6	900 084 030 02	Hexagon nut M 8		2	
14	996 610 311 00	Seal label Red		2	
17	996 612 041 01	Use also: POS. 8 Cable Power distributor Starter		1	
-	996 610 187 00	When required order also: Cable holder	01-	1	
-	999 919 172 09	Hexagon-head bolt 7,0 X 14	01-	1	
18	996 610 340 00	Guide tube		1	
19	900 075 497 01	Combination screw M 5 X 10 Z2		1	
20	999 507 702 01	Speed nut M 5		1	
21	900 377 010 01	Hexagon nut M 6		1	
22	996 607 031 91	Wiring harness with Connection point Generator Starter	-02	1	
22	996 607 031 92	Wiring harness with Connection point Generator Starter	04-	1	
23	996 611 201 01	Connection point Complete		1	
24	996 607 125 92	Support Connection point		1	
25	900 377 010 01	Hexagon nut M 6		3	
26	900 378 036 01	Hexagon-head bolt M 6 X 12		2	
27	900 378 022 09	Hexagon-head bolt M 8 X 25		1	
28	996 604 107 01	Starter		1	
28	996 604 107 02	Starter		1	
28	996 604 107 BX	Starter		1	
29	900 378 101 09	Hexagon-head bolt AM 10 X 35		2	
30	996 604 118 00	Protection cap Starter		1	
31	996 607 034 00	Ground strap	-02	1	

Model: 996 99 Model life 1999>>2005

Pos	Part Number	Description	Remark	Qty	Model
31	996 607 034 01	Engine Body Ground strap	04-	1	
32	996 603 012 03	Generator	-02	1	
32	996 603 012 05	Generator	-02	1	
32	997 603 012 06	Generator	04-	1	
-	999 650 166 40	Plug socket		1	
-	999 652 694 12	Contact bush		1	
-	999 704 161 40	Gasket		1	
-	999 652 965 40	Gasket		1	
33	996 603 151 55	Pulley		1	
34	N 012 016 1	Lock ring B 16		1	
35	900 034 013 01	Hexagon nut M 16 X 1,5		1	
-	996 603 113 00	Protection cap for POS. 35 Mounting parts Regulator Generator		1	
-	000 043 204 22	Oval-head screw M 4 X 19 Micro-self-locking		2	
-	000 043 204 23	Spring washer B4 Mounting parts Generator		2	
-	900 378 167 09	Hexagon-head bolt M 10 X 110	-01	1	
-	900 378 294 01	Hexagon-head bolt M 10 X 110		1	
-	900 378 129 09	Hexagon-head bolt M 10 X 130	02-	1	
-	900 377 011 09	Hexagon nut M 10	02-	1	
-	900 377 011 01	Hexagon nut M 10	02-	1	
-	900 378 098 09	Hexagon-head bolt AM 10 X 60		1	
36	900 377 003 03	Hexagon nut M 8		2	
37	999 076 069 02	Hexagon nut M 8		1	
-	996 612 927 80	Battery main switch		1	M003
-	996 612 333 95	Wiring harness	-02	1	M003
-	996 612 090 95	Cable Battery Battery main switch	/LL -02	1	M003
-	996 612 090 96	Cable Battery Battery main switch	/RL -02	1	M003
-	996 612 393 90	Cable Battery main switch Power distributor	/LL -02	1	M003
-	996 612 393 95	Cable Battery main switch Power distributor	/RL -02	1	M003
-	911 606 225 00	Retaining bracket	-02	1	M003
-	900 151 027 02	Washer 5,3	-02	1	M003



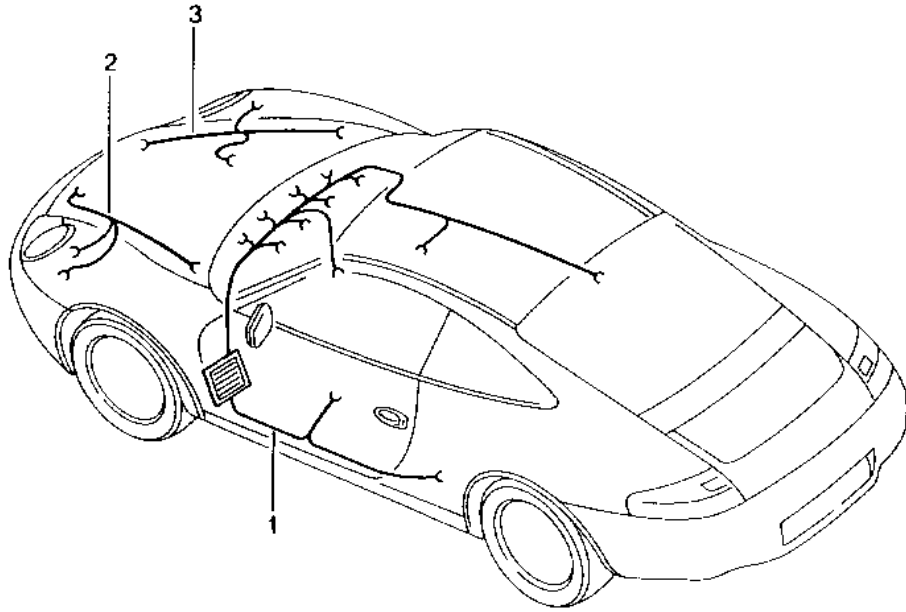
Model: 996 99

Model life 1999&gt;&gt;2005

Pos	Part Number	Description	Remark	Qty	Model
-	900 075 361 02	Hexagon-head bolt M 5 X 12		2	M003
-	900 075 361 01	Hexagon-head bolt M 5 X 12		2	M003
-	999 511 208 02	Cable holder	/RL -02	1	M003
-	900 378 030 09	Hexagon-head bolt M 6 X 20	/RL -02	1	M003
-	996 613 183 95	Rocker switch Outer Complete with Cover	-02	1	M003
-	996 613 185 95	Pressure switch Inner Complete with Cover	-02	1	M003
-	996 612 921 70	Assembly kit Battery main switch Comprising:	04-	1	M003/581
-	996 612 227 70	Battery main switch	04-	1	M003/581
-	996 613 185 70	Switch Inner Complete with Trim for switch	04-	1	M003/581
-	900 378 074 01	Hexagon-head bolt M 8 X 16	04-	1	M003/581
-	900 075 459 09	Combination screw M 6 X 12	04-	1	M003/581
-	900 075 459 01	Combination screw M 6 X 12	04-	1	M003/581
-	996 612 921 75	Assembly kit Battery main switch Comprising:	04-	1	-M581/M003
-	996 612 227 70	Battery main switch	04-	1	-M581/M003
-	996 613 185 75	Switch Inner Complete with Trim for switch	04-	1	-M581/M003
-	900 378 074 01	Hexagon-head bolt M 8 X 16	04-	1	-M581/M003
-	900 075 459 09	Combination screw M 6 X 12	04-	1	-M581/M003
-	900 075 459 01	Combination screw M 6 X 12	04-	1	-M581/M003
-	996 613 183 70	Rocker switch Outer Complete with Cover	04-	1	M003
-	996 613 261 80	Rocker switch Outer	04-	1	M003
-	996 612 393 90	Cable Battery main switch Power distributor	04-	1	M003

Model: 996 99

Model life 1999>>2005



Model: 996 99 Model life 1999>>2005

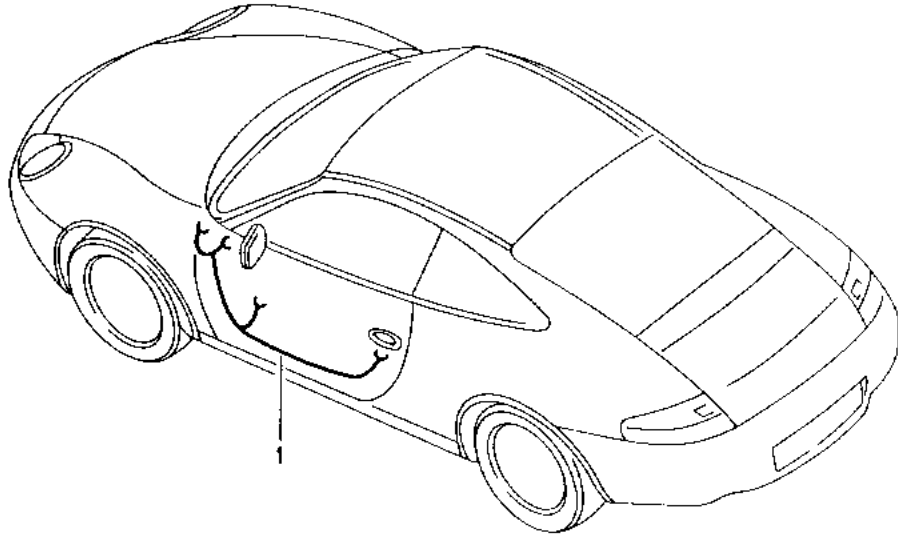
Pos	Part Number	Description	Remark	Qty	Model
		Wiring harnesses Passenger compartment Glove compartment FRONT luggage compartment Repair kit Anti-lock brake system Brake pad wear indicator Front axle			
1	996 612 903 00	Wiring harness Passenger compartment Vehicle Ident. No. Indicate		1	
-	996 610 120 00	Support Plug socket Diagnostic connector		1	
-	999 651 302 40	Fixing clip Wiring harness Passenger compartment Door sill		X	
-	999 651 284 40	Fixing clip Wiring harness Passenger compartment Door sill Connection point X 11 / 12		X	
-	999 652 931 40	Pin connector socket		2	
-	999 652 570 22	Connector Contact pin 2,5 - 1		X	
-	999 652 571 22	Connector 2,5 - 2,5		X	
-	999 652 932 40	Pin connector socket 10-pole Black		2	
-	999 652 923 40	Cap Black		2	
-	999 652 933 40	Pin connector socket 10-pole White		2	
-	999 652 922 40	Cap White		2	
-	999 652 921 40	Locking device Blue		4	
-	999 652 983 22	Contact pin 0,63 - 0,5		X	
-	996 622 501 00	Wiring harness Glove compartment	02-	1	
-	999 650 564 40	Clip Microswitch	02-	1	
-	999 650 565 40	Clip Connector housing	02-	1	
2	996 612 303 01	Wiring harness FRONT luggage compartment F >>99YS6 90343	/L	1	
2	996 612 303 05	Wiring harness FRONT luggage compartment F 99YS6 90344>>	/L -00	1	
2	996 612 303 10	Wiring harness FRONT luggage compartment	/L 01	1	
2	996 612 303 15	Wiring harness FRONT luggage compartment	/L 02-	1	
2	996 612 313 15	Wiring harness FRONT luggage compartment	/L 04-	1	M601

Model: 996 99 Model life 1999>>2005

Pos	Part Number	Description	Remark	Qty	Model
3	996 612 302 01	Wiring harness FRONT luggage compartment	/R -01	1	
3		Wiring harness FRONT luggage compartment Is a component of Wiring harness Passenger compartment Repair kit Wiring harness Anti-lock brake system Brake pad wear indicator Front axle	/R 02-	1	
-	996 612 957 90	Repair kit Wiring harness	/V /L 00	1	
-	996 612 957 70	Repair kit Wiring harness	/V /L -02	1	
-	996 612 957 91	Repair kit Wiring harness	/V /L 04-	1	
-	996 612 958 90	Repair kit Wiring harness	/V /R 00	1	
-	996 612 958 70	Repair kit Wiring harness	/V /R -02	1	
-	996 612 958 91	Wiring harness	/V /R 04-	1	
-	986 606 136 00	Wiring harness Protective tube Repair kit Wiring harness Rear axle See group 9/02/20		2	

Model: 996 99

Model life 1999>>2005

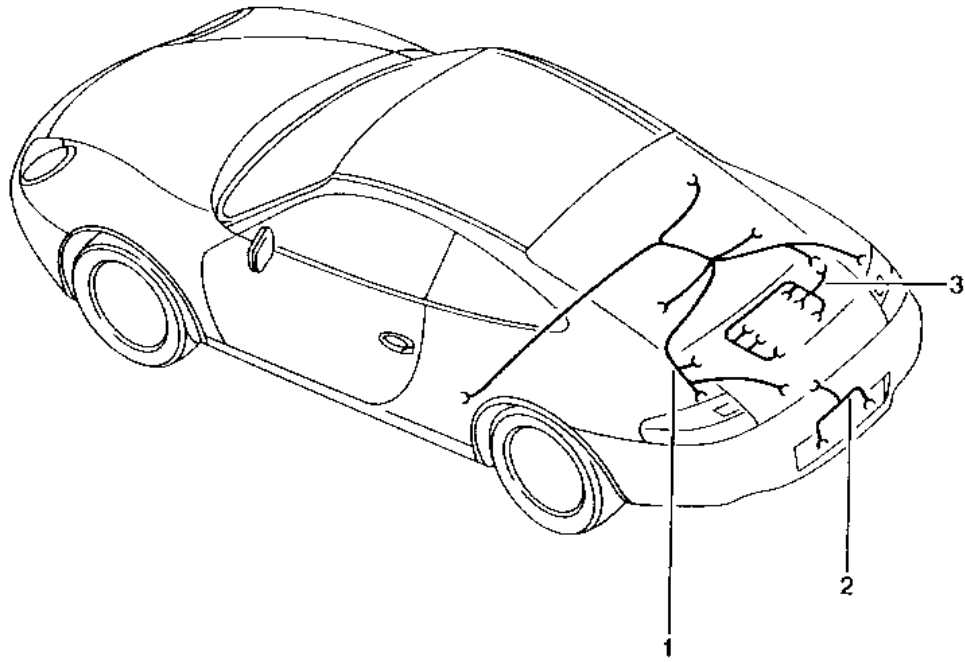


Model: 996 99 Model life 1999>>2005

Pos	Part Number	Description	Remark	Qty	Model
1	986 612 602 05	Wiring harnesses Driver's door Passenger's door Wiring harness Driver's door Passenger's door	-00	2	
1	986 612 642 05	Wiring harness Driver's door Passenger's door	-00	2	M563
1	996 612 630 05	Wiring harness Driver's door	-00	1	M273
1	996 612 634 03	Wiring harness Driver's door	-00	1	M273/563
1	996 612 634 11	Wiring harness Driver's door	01-	1	
(1)	996 612 632 05	Wiring harness Passenger's door	-00	1	M273
(1)	996 612 635 03	Wiring harness Passenger's door	-00	1	M273/563
(1)	996 612 635 11	Wiring harness Passenger's door Connection point X 11 / 12	01-	1	
-	999 652 930 40	Plug socket		2	
-	999 652 567 22	Cylindrical socket 2,5 - 1		X	
-	999 652 568 22	Cylindrical socket 2,5 - 2,5		X	
-	999 652 927 40	Plug socket 10-pole White		2	
-	999 652 924 40	Cap White		2	
-	999 652 928 40	Plug socket 10-pole Black		2	
-	999 652 925 40	Cap Black		2	
-	999 652 921 40	Locking device Blue		4	
-	999 652 901 22	Connector 0,63 - 0,5 Mount Wiring harness		X	
-	996 610 320 01	Doors Cable guide		2	M273
-	999 703 470 40	Cable clamp		2	M273
-	999 507 627 02	Cable clamp		2	
-	996 610 141 01	Rubber boot A-pillar		2	
-	996 610 144 00	Frame Reinforcement Rubber boot A-pillar Mount Connection point A-pillar		2	
-	999 919 237 00	Oval-head screw 5 X 20		2	
-	999 507 649 40	Expansion rivet 4,8		2	
-	996 610 321 00	Cable holder Door arrester		2	

Model: 996 99

Model life 1999>>2005



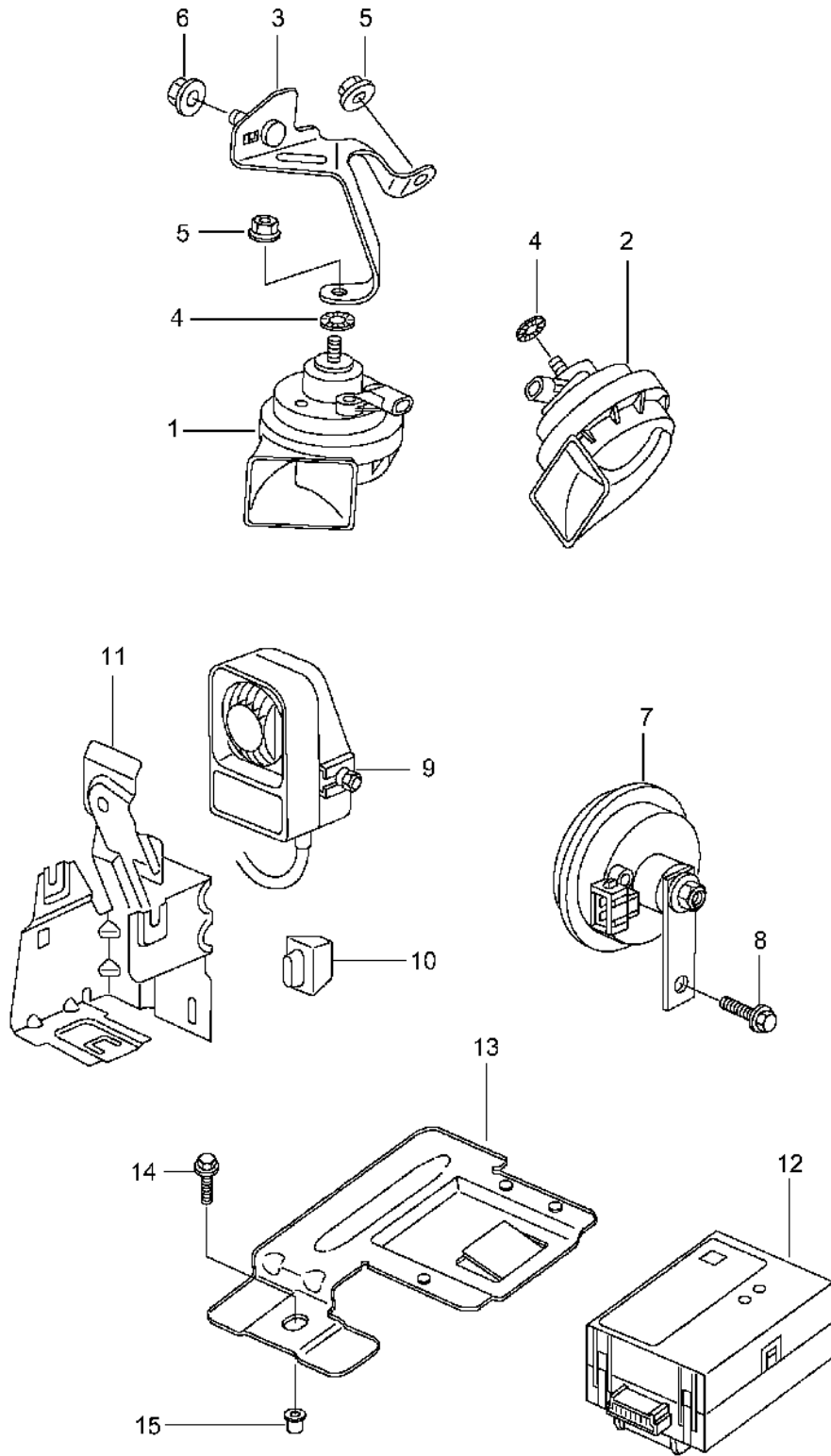
Model: 996 99 Model life 1999>>2005

Pos	Part Number	Description	Remark	Qty	Model
		Wiring harnesses Rear end License plate light Engine Repair kit Anti-lock brake system Brake pad wear indicator Rear axle			
1	996 612 905 00	Wiring harness Rear end Vehicle Ident. No. Indicate	00	1	
1	996 612 801 92	Wiring harness Rear end	01-02	1	
1	996 612 905 00	Wiring harness Rear end Vehicle Ident. No. Indicate	04-	1	
2	996 612 060 00	Wiring harness License plate light	-01	1	
2	996 612 062 00	Wiring harness License plate light	02-	1	
-	999 650 013 40	Fixing clip Connection point Wiring harness License plate light		1	
3	996 607 012 98	Wiring harness Engine	-02	1	
(3)	996 607 014 92	Wiring harness Engine	04-	1	
-	996 607 121 00	Cable guide	/L -02	1	
-	996 607 122 00	Cable guide	/R -02	1	
-	996 607 101 02	Support Connection point Wiring harness Engine		1	
-	997 610 131 00	Support Connection point Wiring harness Engine		1	
(3)	996 612 401 70	Wiring harness Transmission Cooling Repair kit Wiring harness Anti-lock brake system Brake pad wear indicator Rear axle	04-	1	
-	996 612 953 01	Repair kit Wiring harness	/H /L -02	1	
-	996 612 964 00	Repair kit Wiring harness	/H /L 04-	1	
-	996 612 954 01	Repair kit Wiring harness	/H /R -02	1	
-	996 612 965 00	Repair kit Wiring harness Repair kit Wiring harness Front axle See group 9/02/10	/H /R 04-	1	



Model: 996 99

Model life 1999>>2005

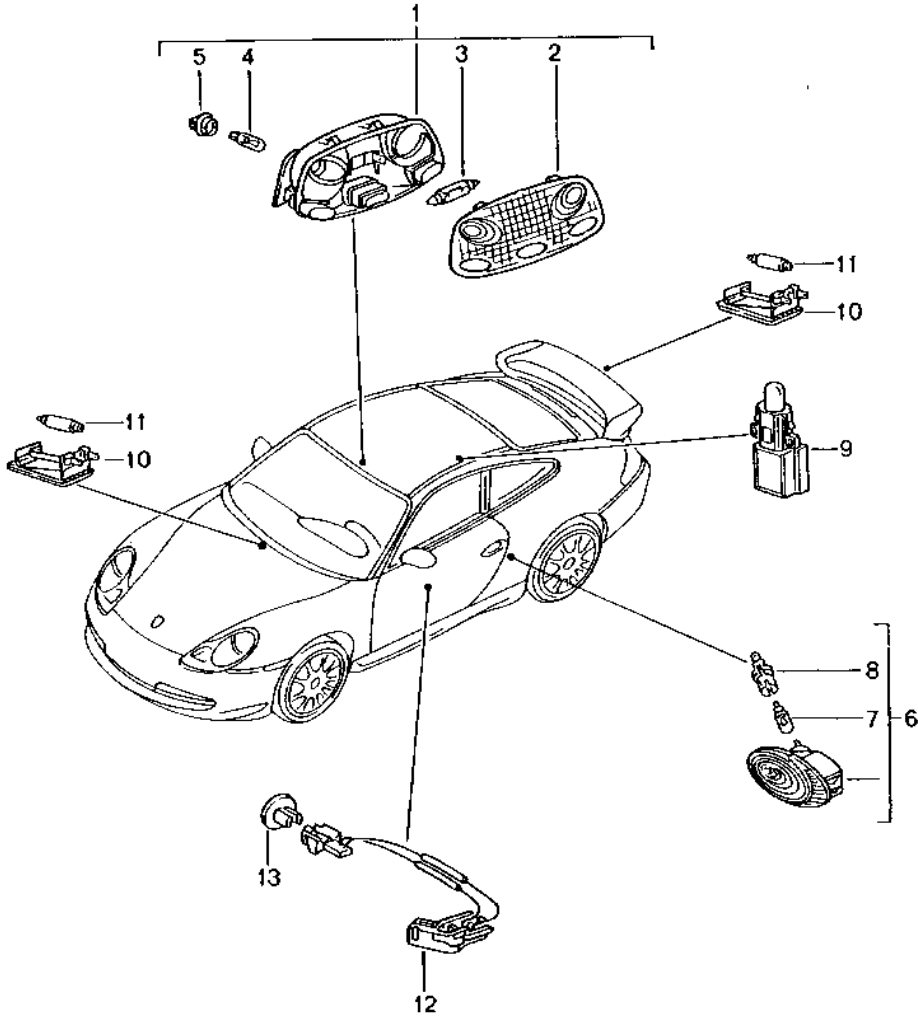


Model: 996 99 Model life 1999>>2005

Pos	Part Number	Description	Remark	Qty	Model
1	996 635 206 04	Fanfare Horn Alarm system		1	M536
1	996 635 206 07	Fanfare High-pitched		1	
2	996 635 205 04	Fanfare Low-pitched		1	
2	996 635 205 07	Fanfare Low-pitched		1	
-	999 650 490 40	Plug socket		2	
-	999 650 135 22	Connector		4	
-	999 650 126 40	Gasket		4	
3	996 635 150 00	Support		1	
4	N 042 121 3	Shake-proof washer A 6,4		2	
5	900 380 015 01	Hexagon nut M 6		2	
6	900 377 003 03	Hexagon nut M 8		1	
7	996 637 117 02	Horn for Alarm system		1	
7	996 637 117 03	Horn for Alarm system		1	
8	900 075 459 09	Combination screw		1	
8	900 075 459 01	Combination screw M 6 X 12 Z2		1	
9	996 618 237 04	Alarm siren		1	M536
9	996 618 237 05	Alarm siren		1	M536
10	999 703 459 40	Rubber mounting	02-	1	M536
11	996 637 420 01	Support	/LL 02-	1	M536
(11)	996 637 419 01	Support for Alarm siren 99661823704	/RL 02-	1	M536
(11)	996 637 419 03	Support for Alarm siren 99661823705	/RL 02-	1	M536
12	996 618 265 01	Tilt sensor	02-	1	M536
13	996 637 421 00	Support	02-	1	M536
14	900 378 179 09	Hexagon-head bolt M 6 X 16	02-	1	M536
15	999 500 078 00	Speed nut M 6	02-	1	M536

Model: 996 99

Model life 1999>>2005

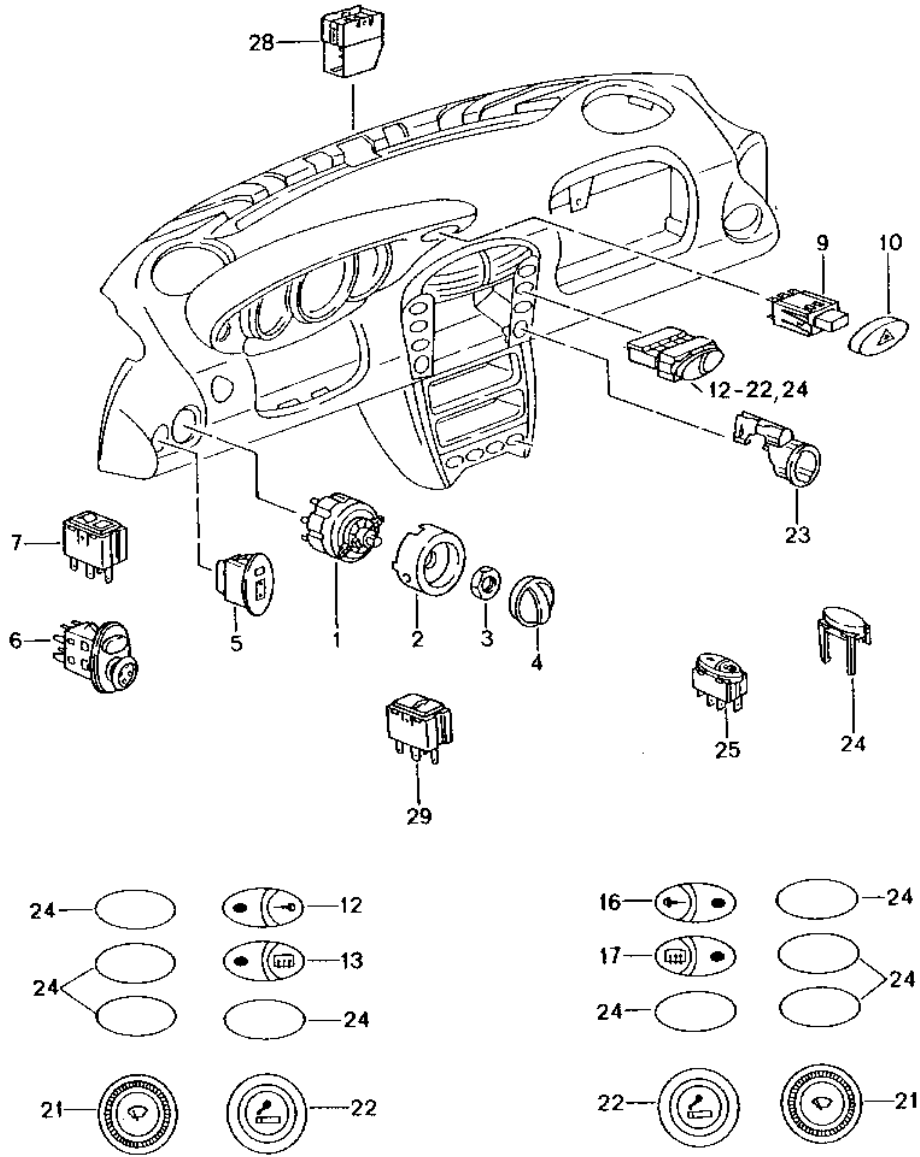


Model: 996 99 Model life 1999>>2005

Pos	Part Number	Description	Remark	Qty	Model
		Interior lights			
		Luggage compartment lamp			
		Engine compartment lamp			
		Glove compartment light			
		Combined lights			
		Door opener			
1	996 632 051 01	Interior light	-01	1	
1	996 632 051 10	Interior light	02	1	
1	996 632 053 10	Interior light	04-	1	
2	996 632 151 00	Lens	-02	1	
2	996 632 153 10	Lens	04-	1	
3	900 631 106 90	Linolite lamp		1	
		10 W			
4	999 631 134 90	Bulb		2	
		6 W			
5	999 632 018 00	Bulb socket		2	
6	996 632 132 01	Door guard light		2	
7	999 631 032 90	Bulb		2	
		5 W			
8	161 949 111	Bulb socket		2	
9	996 632 113 00	Ashtray light		1	
		Luggage compartment lamp			
		Engine compartment lamp			
10	997 632 201 00	Light		2	
-	815 971 989 B	Flat receptacle		2	
-	N 017 490 6	Flat connector		4	
(10)	928 632 101 00	Glove compartment light	04-	1	
11	900 631 106 90	Linolite lamp		2	
		10 W			
		Luggage compartment lamp			
		Engine compartment lamp			
(11)	999 631 018 90	Bulb	04-	1	
		3 W			
		Glove compartment light			
-	999 631 137 90	Bulb	-01	4	M274
-	999 631 147 90	Bulb	02-	4	M274
		3 W			
		Vanity mirror			
12	996 632 121 02	Combined lights	/LL 01-	1	
		Driver's door			
		Door opener			
		Ignition starter lock			
(12)	996 632 124 02	Combined lights	/RL 01-	1	
		Driver's door			
		Door opener			
		Ignition starter lock			
(12)	996 632 122 02	Combined lights	/LL 01-	1	
		Passenger's door			
		Door opener			
(12)	996 632 123 02	Combined lights	/RL 01-	1	
		Passenger's door			
		Door opener			
13	996 632 125 00	Rosette	/LL 01-	1	
		Driver's door			
		Combined lights			
		Ignition starter lock			
(13)	996 632 126 00	Rosette	/RL 01-	1	
		Driver's door			
		Combined lights			
		Ignition starter lock			

Model: 996 99

Model life 1999>>2005



Model: 996 99 Model life 1999>>2005

Pos	Part Number	Description	Remark	Qty	Model
1	996 613 535 00	Switch		1	
-	999 650 346 40	Light switch		1	
-	999 650 343 40	Terminal sleeve housing		1	
-	999 652 437 12	Lid		1	
-	999 652 437 12	Connector		X	
-	999 652 351 22	\$ 4,0			
-	999 652 351 22	Contact bush		X	
2	996 613 631 01	\$ 2,5			
2	996 613 631 01	Headlight unit	/LL	1	
2	996 613 631 02	Headlight unit	/LL	1	
(2)	996 613 632 01	Headlight unit	/RL	1	
-	999 652 972 40	Plug socket		1	
-	999 650 512 40	Plug socket		1	
-	999 652 973 40	Cap		1	
-	999 650 512 40	Plug socket		1	
-	999 652 901 22	Connector		5	
3	999 034 030 09	Hexagon nut		1	
		M 16 X 1			
4	996 613 533 01	Rotary knob	-01	1	
	996 613 533 01 A01	Gloss black			
4	996 613 533 10	Rotary knob	02-	1	
	996 613 533 10 A05	Black mat			
5	996 613 230 01	Potentiometer	-00	1	M605
	996 613 230 01 A01	Gloss black			
		Headlight levelling system			
6	996 613 241 00	Switch		1	M273
	996 613 241 00 01C	Satin black			
		Door mirror			
-	993 612 501 00	Plug socket		1	
-	N 903 352 04	Connector		5	
-	999 652 790 12	Cylindrical socket		2	
7	996 613 423 00	Cover		1	
		Rear spoiler			
-	999 650 035 40	Plug socket		1	
-	999 650 330 00	Connector		5	
9	996 613 120 01	Hazard warning light sw.		1	
10	996 613 121 00	Key	-01	1	
	996 613 121 00 A02	Gloss black			
10	996 613 121 10	Key	02-	1	
	996 613 121 10 A05	Black mat			
-	999 650 191 40	Plug socket		1	
-	999 650 192 40	Locking device		1	
-	999 652 475 22	Flat plug		9	
-		Rosette		X	
		Hazard warning light sw.			
		See group			
		8/09/00			
12	996 613 144 00	Tip switch	/LL -01	1	
	996 613 144 00 A02	Gloss black			
		Central locking system			
12	996 613 144 10	Tip switch	/LL 02-	1	
	996 613 144 10 A05	Black mat			
		Central locking system			
-	999 650 107 40	Plug socket		1	
		Yellow			
-	999 650 330 00	Connector		5	
13	996 613 134 00	Tip switch	/LL -01	1	
	996 613 134 00 A02	Gloss black			
		Heating			
		Rear window			
		Door mirror			
13	996 613 134 10	Tip switch	/LL 02-	1	
	996 613 134 10 A05	Black mat			

Model: 996 99 Model life 1999>>2005

Pos	Part Number	Description	Remark	Qty	Model
		Heating			
		Rear window			
-	999 650 110 40	Door mirror		1	
-	999 650 103 12	Plug socket		5	
16	996 613 143 00	Connector		1	
	996 613 143 00 A02	Tip switch	/RL -01	1	
		Gloss black			
		Central locking system			
16	996 613 143 10	Tip switch	/RL 02-	1	
	996 613 143 10 A05	Black mat			
		Central locking system			
-	999 650 107 40	Plug socket		1	
		Yellow			
-	999 650 330 00	Connector		5	
17	996 613 133 00	Tip switch	/RL -01	1	
	996 613 133 00 A02	Gloss black			
		Heating			
		Rear window			
		Door mirror			
17	996 613 133 10	Tip switch	/RL 02-	1	
	996 613 133 10 A05	Black mat			
		Heating			
		Rear window			
		Door mirror			
-	999 650 110 40	Plug socket		1	
-	999 650 103 12	Connector		5	
21	996 613 115 00	Potentiometer	-01	1	
	996 613 115 00 A02	Gloss black			
		Wipe interval			
21	996 613 115 10	Potentiometer	02-	1	
	996 613 115 10 A05	Black mat			
		Wipe interval			
22	996 652 101 00	Cigarette lighter	-01	1	
22	997 652 101 00	Cigarette lighter	02-	1	
	997 652 101 00 A05	Black mat			
-	999 650 284 40	Plug socket		1	
-	999 652 735 12	Connector		3	
23	996 652 102 01	Headlight unit	-01	1	
23	996 652 102 10	Headlight unit	02-	1	
24	996 552 425 00	Cover	-00	X	
	996 552 425 00 A01	Gloss black			
(24)	986 613 425 00	Cover	-01	X	
	986 613 425 00 A01	Gloss black			
		Switch			
		Display specimen			
(24)	996 613 425 10	Cover	02-	X	
	996 613 425 10 A05	Black mat			
		Switch			
		Display specimen			
25	996 613 151 00	Tip switch	-01	2	
	996 613 151 00 A02	Gloss black			
		Power windows			
25	996 613 151 10	Tip switch	02-	2	
	996 613 151 10 A05	Black mat			
		Power windows			
-	999 650 109 40	Plug socket	/L	1	
-	999 650 330 00	Connector	/L	5	
-	999 650 035 40	Plug socket	/R	1	
-	999 650 330 00	Connector	/R	5	
28	996 653 251 00	Sensor		1	M534/535
		Alarm system			
		with			
		Light			M573

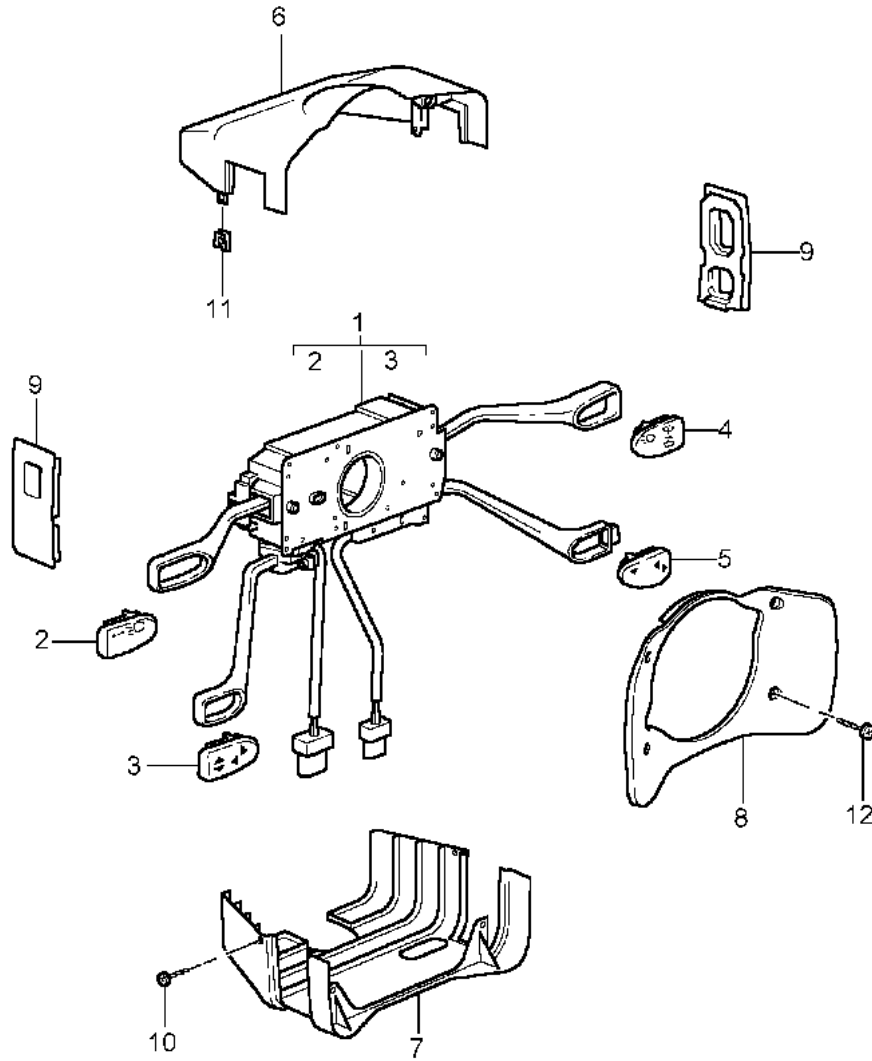
Model: 996 99 Model life 1999>>2005

Pos	Part Number	Description	Remark	Qty	Model
-	999 650 221 40	Plug socket		1	
29	996 613 105 10	Tip switch	04-	1	
	996 613 105 10 A05	Black mat Lid Front			
(29)	996 613 106 10	Tip switch	04-	1	
	996 613 106 10 A05	Black mat Lid Rear			



Model: 996 99

Model life 1999>>2005



Model: 996 99 Model life 1999>>2005

Pos	Part Number	Description	Remark	Qty	Model
1	996 613 219 10	Steering column switch	04-	1	M454/659
	996 613 219 10 EWC	Black mat/satin black			
1	996 613 215 10	Steering column switch	02-	1	M659
	996 613 215 10 EWC	Black mat/satin black			
1	996 613 213 10	Steering column switch	-02	1	
	996 613 213 10 EWC	Black mat/satin black			
-	999 652 640 40	Plug socket	/L	1	
-	999 652 639 22	Contact bush	/L	X	
-	999 652 641 40	Plug socket	/R	1	
-	999 652 639 22	Contact bush	/R	X	
-	999 650 056 40	Plug socket		1	M659
-	999 650 057 40	Cap		1	M659
-	999 652 901 22	Connector		X	M659
-	999 652 972 40	Plug socket	04-	1	M454
-	999 650 512 40	Plug socket	04-	1	M454
-	999 652 973 40	Cap	04-	1	M454
-	999 650 512 40	Plug socket	04-	1	M454
-	999 652 901 22	Connector	04-	X	M454
		When required order also:			
2	996 613 509 00	Cap with symbol	-01	1	
	996 613 509 00 A01	Gloss black			
		Direction indicator light			
		High beam			
2	996 613 509 10	Cap with symbol	02-	1	
	996 613 509 10 A05	Black mat			
		Direction indicator light			
		High beam			
3	996 613 503 01	Cap with symbol	-01	1	M659
	996 613 503 01 A01	Gloss black			
3	996 613 503 10	Cap with symbol	02-	1	M659
	996 613 503 10 A05	Black mat			
4	996 613 507 10	Cap with symbol	04-	1	M288
	996 613 507 10 A05	Black mat			
(4)	996 613 508 00	Cap with symbol	-01	1	
	996 613 508 00 A01	Gloss black			
(4)	996 613 508 10	Cap with symbol	02-	1	
	996 613 508 10 A05	Black mat			
5	996 613 504 10	Cap with symbol	04-	1	M454
	996 613 504 10 A05	Black mat			
		German			
(5)	996 613 505 10	Cap with symbol	04-	1	M454
	996 613 505 10 A05	Black mat			
		English			
(5)	996 613 506 10	Cap with symbol	04-	1	M454
	996 613 506 10 A05	Black mat			
		French			
6	996 552 273 01	Switch housing		1	
		Lacquered			
	996 552 273 01 A03	Black			
7	996 552 275 03	Switch housing		1	
		Lacquered			
	996 552 275 03 A03	Black			
-	996 610 206 00	Support		1	
		for			
		Connector housing			
8	996 552 277 00	Cover		1	
		Lacquered			
	996 552 277 00 A03	Black			
9	993 552 573 00	Cover		X	
	993 552 573 00 01C	Satin black			
(9)	993 552 573 01	Cover		X	
	993 552 573 01 01C	Satin black			

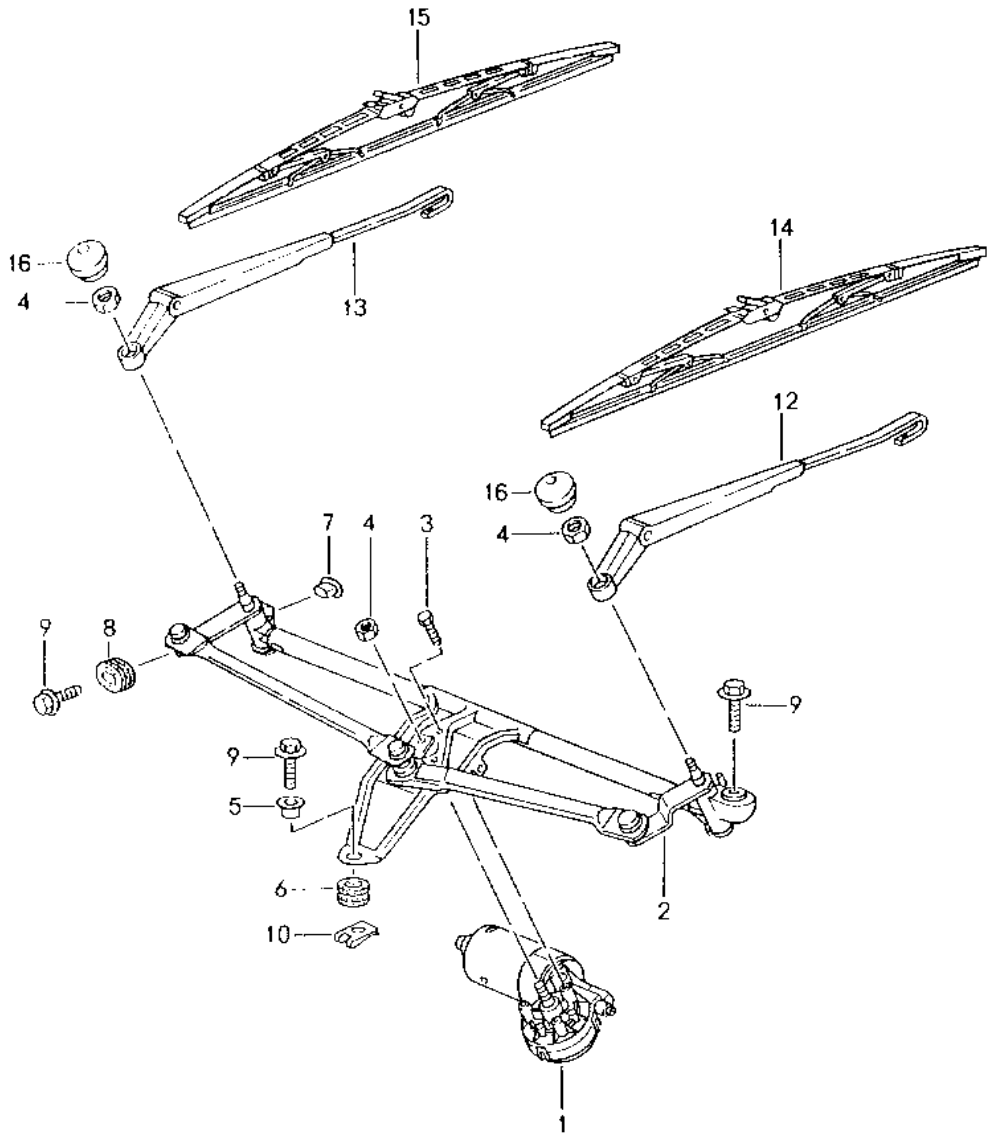
Model: 996 99

Model life 1999&gt;&gt;2005

Pos	Part Number	Description	Remark	Qty	Model
			04-		M454/659
			04-		M454
					M659
10	900 143 002 07	Tapping screw B 2,9 X 9,5		2	
11	999 591 888 02	Speed nut B 2,9		2	
12	900 143 072 02	Oval-head sheetmetal screw B 3,5 X 19		4	

Model: 996 99

Model life 1999>>2005

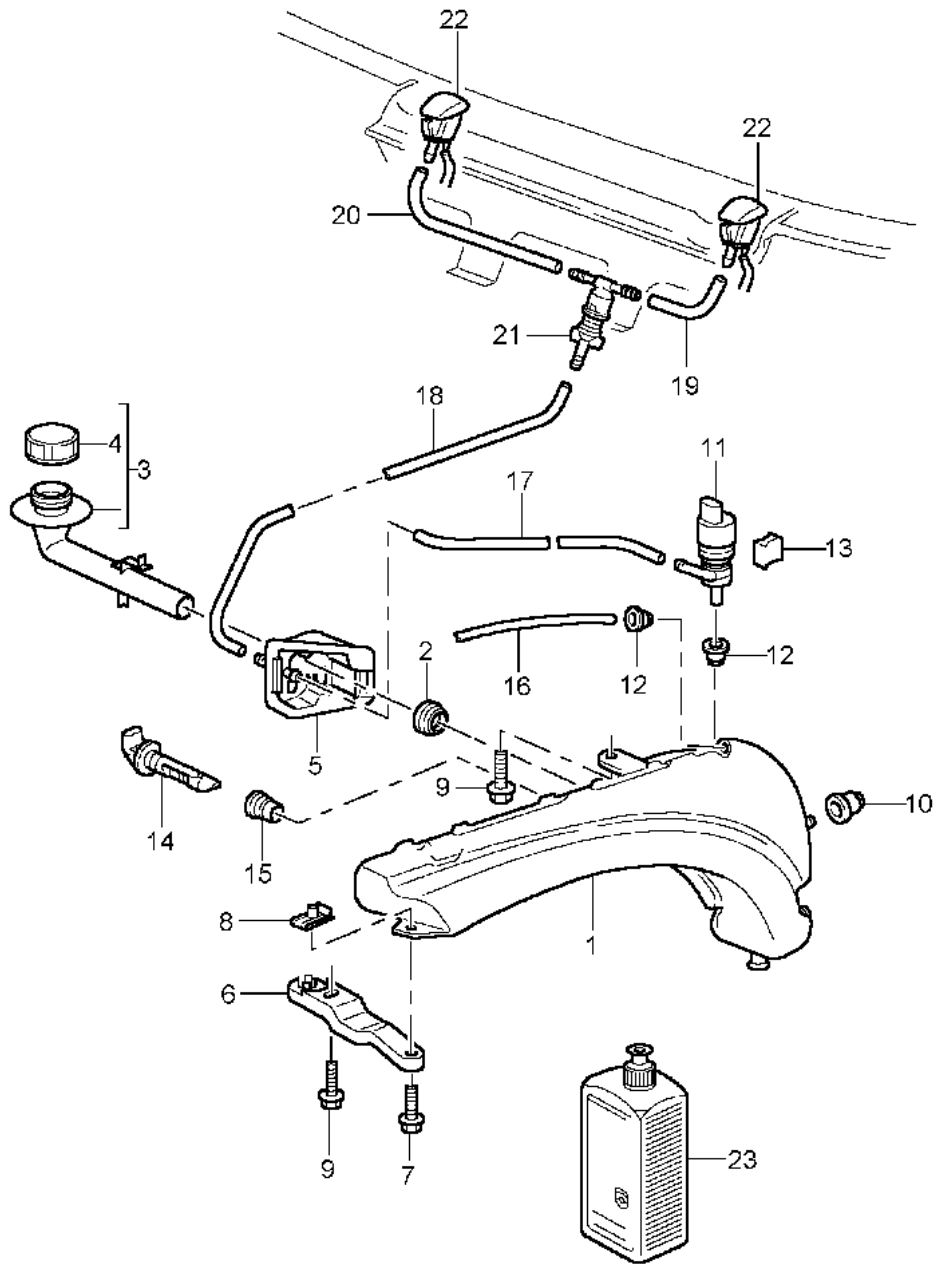


Model: 996 99 Model life 1999>>2005

Pos	Part Number	Description	Remark	Qty	Model
		Windscreen wiper system			
1	997 624 105 01	Wiper motor	/LL	1	
(1)	997 624 106 01	Wiper motor	/RL	1	
2	997 628 235 01	Crank drive	/LL	1	
(2)	997 628 236 00	Crank drive	/RL	1	
(2)	997 628 236 01	Crank drive	/RL	1	
3	900 075 014 02	Hexagon-head bolt M 6 X 18	-04	3	
3	900 075 014 03	Hexagon-head bolt M 6 X 18		3	
(3)	999 073 152 02	Torx screw M 6 X 18	05	3	
4	900 076 064 02	Hexagon nut M 8		3	
5	999 924 102 02	Bearing sleeve		1	
6	999 702 204 50	Rubber bush		1	
7	996 628 713 00	Bearing sleeve		1	
8	996 628 703 00	Rubber bush		1	
9	999 075 075 01	Combination screw M 6 X 22 SC		3	
10	999 507 246 01	Speed nut M 6		1	
12	997 628 027 00	Wiper arm	/LL	1	
(12)	997 628 030 00	Driver's side Wiper arm	/RL	1	
		Passenger's side			
13	997 628 029 00	Wiper arm	/LL	1	
(13)	997 628 028 00	Passenger's side Wiper arm	/RL	1	
(14)	996 628 901 08	Driver's side Wiper blade	/LL	1	
		Set			
(15)		Driver's side Passenger's side Wiper blade	/RL	1	
		Set			
16	944 628 305 01	Driver's side Passenger's side Cap		2	

Model: 996 99

Model life 1999>>2005

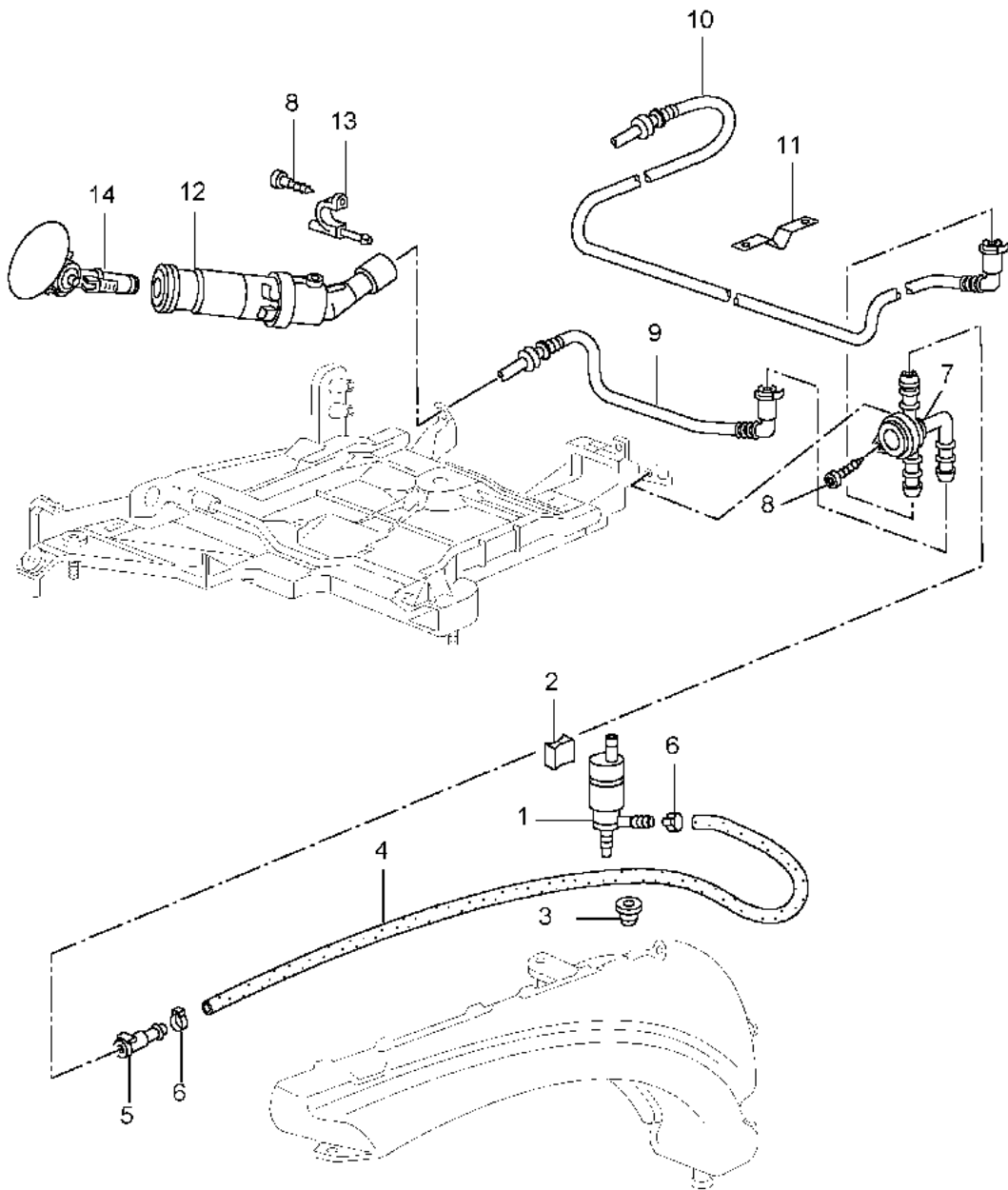


Model: 996 99 Model life 1999>>2005

Pos	Part Number	Description	Remark	Qty	Model
		Windscreen washer system			
1	996 528 701 00	Water reservoir	04-	1	M288
(1)	996 528 701 01	Water reservoir		1	
2	996 528 711 00	Gasket		1	
3	996 528 605 00	Filler neck		1	
4	996 528 607 00	Lid		1	
5	996 528 615 01	Bracket		1	
-	999 137 091 40	Joining socket		X	
		Repair material for Bracket 996.528.615.00/01			
(6)	996 528 611 02	Support	04-	1	M288
7	900 378 030 09	Hexagon-head bolt M 6 X 20	04-	1	M288
8	999 591 882 02	Speed nut M 6	04-	1	M288
8	999 591 882 01	Speed nut M 6	04-	1	M288
9	900 378 154 01	Hexagon-head bolt AM 8 X 35 SB	04-	1 2	M288
10	999 702 221 40	Grommet		2	
11	996 628 172 00	Pump		1	
12	431 955 465 B	Sealing ring		2	
13	993 628 213 00	Spacer	04-	1	M288
14	996 628 105 00	Tank gauge switch		1	
15	996 528 721 00	Grommet		1	
16	999 181 347 40	Breather pipe 245 MM 640 MM	04-	*	M288
-	999 181 815 40	Hose 5,0 X 2,5		*	
17		400 MM		1	
18		560 MM		1	
19		80 MM		1	
20		380 MM		1	
21	996 628 102 00	T-piece		1	
(22)	996 628 077 03	Nozzle		2	
		Not Adjustable When required order also:			
-	997 612 976 00	Repair kit		2	
23	999 901 017 41	Wiring harness		X	
		Window cleaner 250 ML Summer			
23	999 901 017 42	Window cleaner 250 ML Summer		X	
23	000 044 000 87	Window cleaner 250 ML Summer		X	
23	999 901 033 40	Window cleaner 1000 ML Winter		X	

Model: 996 99

Model life 1999>>2005



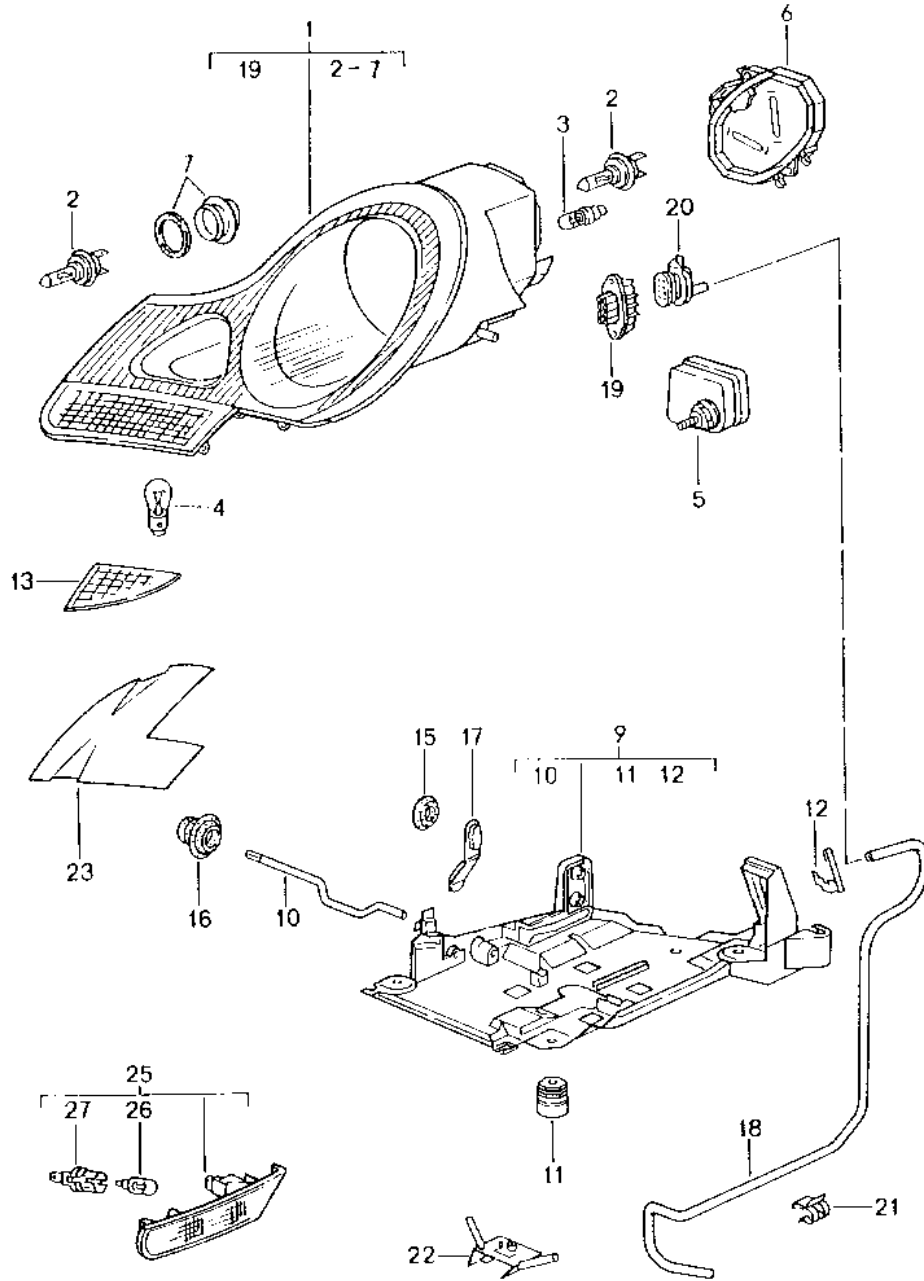


Model: 996 99 Model life 1999>>2005

Pos	Part Number	Description	Remark	Qty	Model
		Headlight washer system	04-		M288
1	996 624 502 00	Pump		1	
2	993 628 213 00	Spacer		1	
(3)	996 628 393 00	Gasket with Strainer		1	
-	999 181 750 40	Hose 10 X 3 1020 MM		*	
4		Clutch		1	
5	996 628 204 00	Hose clamp		1	
6	999 512 673 00	Distributing piece		2	
7	996 628 160 00	Oval-head screw		1	
8	999 919 017 02	4,0 X 16		3	
9	996 628 135 00	Pipeline	/L	1	
10	996 628 136 01	Pipeline	/R	1	
11	996 628 110 00	Support		2	
12	996 628 161 00	Jet carrier	/L	1	
(12)	996 628 162 00	Jet carrier	/R	1	
13	996 631 116 00	Guide pin		2	
14	996 628 143 00	Trim cover with Nozzle	/L	1	
(14)	996 628 144 00	Trim cover with Nozzle	/R	1	

Model: 996 99

Model life 1999>>2005



Model: 996 99 Model life 1999>>2005

Pos	Part Number	Description	Remark	Qty	Model
		Headlamp	-01		
		Direction indicator light			
1	996 631 163 01	Headlamp	/L	1	
1	996 631 164 01	Headlamp	/R	1	
1	996 631 163 11	Headlamp	/L	1	M492
1	996 631 164 11	Headlamp	/R	1	M492
2	999 631 133 90	Halogen bulb		6	
		H 7			
3	999 631 032 90	Bulb		2	
		5 W			
4	900 631 131 90	Bulb		2	
		21 W			
		Yellow			
5	993 624 209 00	Electric motor		2	
		Headlight levelling system			
6	996 631 231 00	Protective cap		2	
		Headlamp			
7	996 631 233 00	Protective cap		2	
		Fog headlamp			
9	996 631 041 00	Mounting	/L	1	
(9)	996 631 042 00	Mounting	/R	1	
10	996 631 243 00	Clamping bow		2	
11	996 631 077 00	Fastening part		6	
12	996 631 245 00	Locking device	/L	1	
		Connector housing			
(12)	996 631 246 00	Locking device	/R	1	
		Connector housing			
13	996 631 045 00	Trim cover	/L	1	
(13)	996 631 046 00	Trim cover	/R	1	
15	803 803 583 A	Stopper		2	
15	999 703 196 40	Lid		2	
16	999 703 413 40	Stopper		2	
17	993 631 170 03	Stopper		6	
18	996 631 641 03	Breather pipe	/L	1	
(18)	996 631 642 03	Breather pipe	/R	1	
19	999 652 832 40	Connector housing		2	
		Headlamp			
20	999 650 150 40	Connector housing		2	
		Wiring harness			
-	999 652 744 20	Connector		16	
-	999 704 161 40	Gasket		16	
21	999 651 317 09	Fastening clamp		X	
		Breather pipe			
(21)	999 651 276 40	Cable holder		X	
		Breather pipe			
		Wing strut			
(21)	999 651 282 40	Cable holder		X	
		Breather pipe			
		Front apron			
22	996 631 693 00	Support		1	
		Mount			
		Front apron			
23	996 631 137 00	Set		1	
		Cover foil			
		Headlamp			
		for			
		Right-hand drive vehicles			
		in rh traffic countries			
(23)	996 631 138 00	Set		1	
		Cover foil			
		Headlamp			
		for			
		Left-hand drive vehicles			

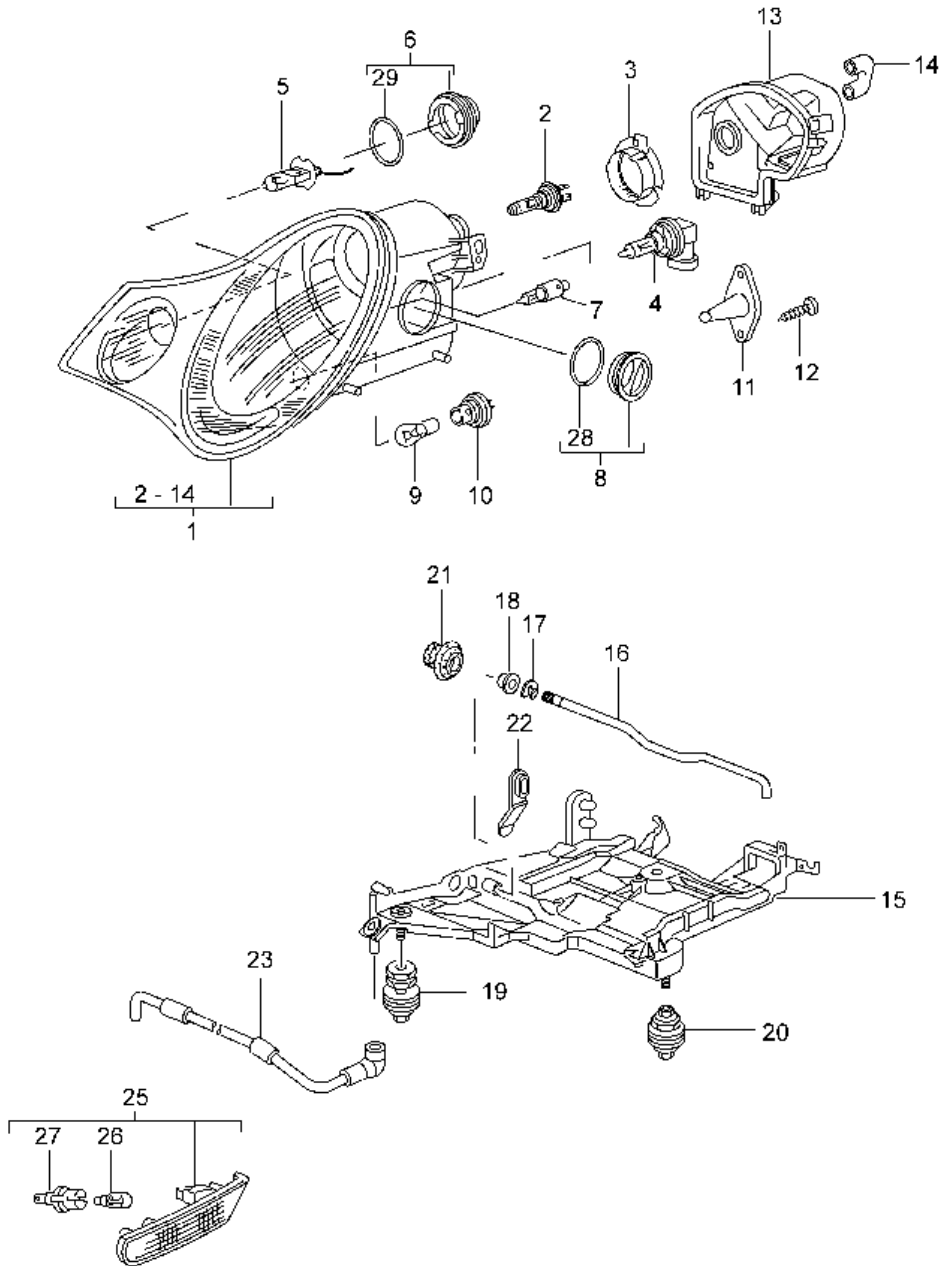
Model: 996 99

Model life 1999>>2005

Pos	Part Number	Description	Remark	Qty	Model
		in lh traffic countries			
		Direction indicator light			
25	996 631 043 01	Direction indicator light	/L	1	
25	996 631 043 02	Direction indicator light	/L	1	
(25)	996 631 043 03	Direction indicator light	/L	1	
(25)	996 631 044 01	Direction indicator light	/R	1	
(25)	996 631 044 02	Direction indicator light	/R	1	
(25)	996 631 044 03	Direction indicator light	/R	1	
-	999 652 838 40	Plug socket		2	
-	999 652 771 12	Connector		4	
-	999 704 161 40	Gasket		4	
26	999 631 138 90	Bulb		2	
		5 W			
		Yellow			
(27)	996 631 133 01	Bulb socket		2	

Model: 996 99

Model life 1999>>2005



Model: 996 99 Model life 1999>>2005

Pos	Part Number	Description	Remark	Qty	Model
		Headlamp	03-		
		Direction indicator light			
1	996 631 055 50	Headlamp	/L	1	
1	996 631 056 50	Headlamp	/R	1	
1	996 631 065 50	Headlamp	/L	1	M492
1	996 631 066 50	Headlamp	/R	1	M492
2	999 631 133 90	Halogen bulb		2	
		H 7			
3	996 631 128 00	Bulb socket		2	
4	999 631 143 90	Halogen bulb		2	
		H 9			
5	900 631 126 90	Halogen bulb		2	
		H 3			
6	996 631 123 00	Lid		2	
		Fog headlamp			
7	999 631 140 90	Bulb		2	
		H 6 W			
		Position light			
8	996 631 134 00	Lid		2	
		Position light			
9	900 631 131 90	Bulb		2	
		21 W			
		Yellow			
		Direction indicator light			
10	996 631 118 00	Bulb socket		2	
		Direction indicator light			
11	996 631 114 00	Bearing bracket		2	
12	999 919 093 02	Oval-head screw		4	
		4,0 X 10			
13	996 631 101 50	Protective cap	/L	1	
		Headlamp			
(13)	996 631 102 50	Protective cap	/R	1	
		Headlamp			
14	996 631 120 00	Breather adapter		2	
15	996 631 173 00	Mounting	/L	1	
(15)	996 631 174 00	Mounting	/R	1	
16	996 631 273 00	Clamping bow		2	
17	900 116 004 09	Lock washer		2	
18	996 631 272 00	Bearing sleeve		2	
19	996 631 079 00	Fastening part		4	
20	996 631 078 00	Fastening part		2	
21	999 703 413 40	Stopper		2	
22	993 631 170 03	Stopper		6	
-	996 631 140 00	Sealing washer		2	
		Ventilation pipe			
(23)	996 631 149 00	Ventilation component		2	
		Side marker light			
		Direction indicator light			
25	996 631 043 01	Direction indicator light	/L	1	
25	996 631 043 02	Direction indicator light	/L	1	
(25)	996 631 043 03	Direction indicator light	/L	1	
(25)	996 631 044 01	Direction indicator light	/R	1	
(25)	996 631 044 02	Direction indicator light	/R	1	
(25)	996 631 044 03	Direction indicator light	/R	1	
26	999 631 138 90	Bulb		2	
		5 W			
		Yellow			
(27)	996 631 133 01	Bulb socket		2	
28	PCG 631 134 00	Gasket		2	
		for			
		Lid			
		Position light			
29	PCG 631 123 00	Gasket		2	

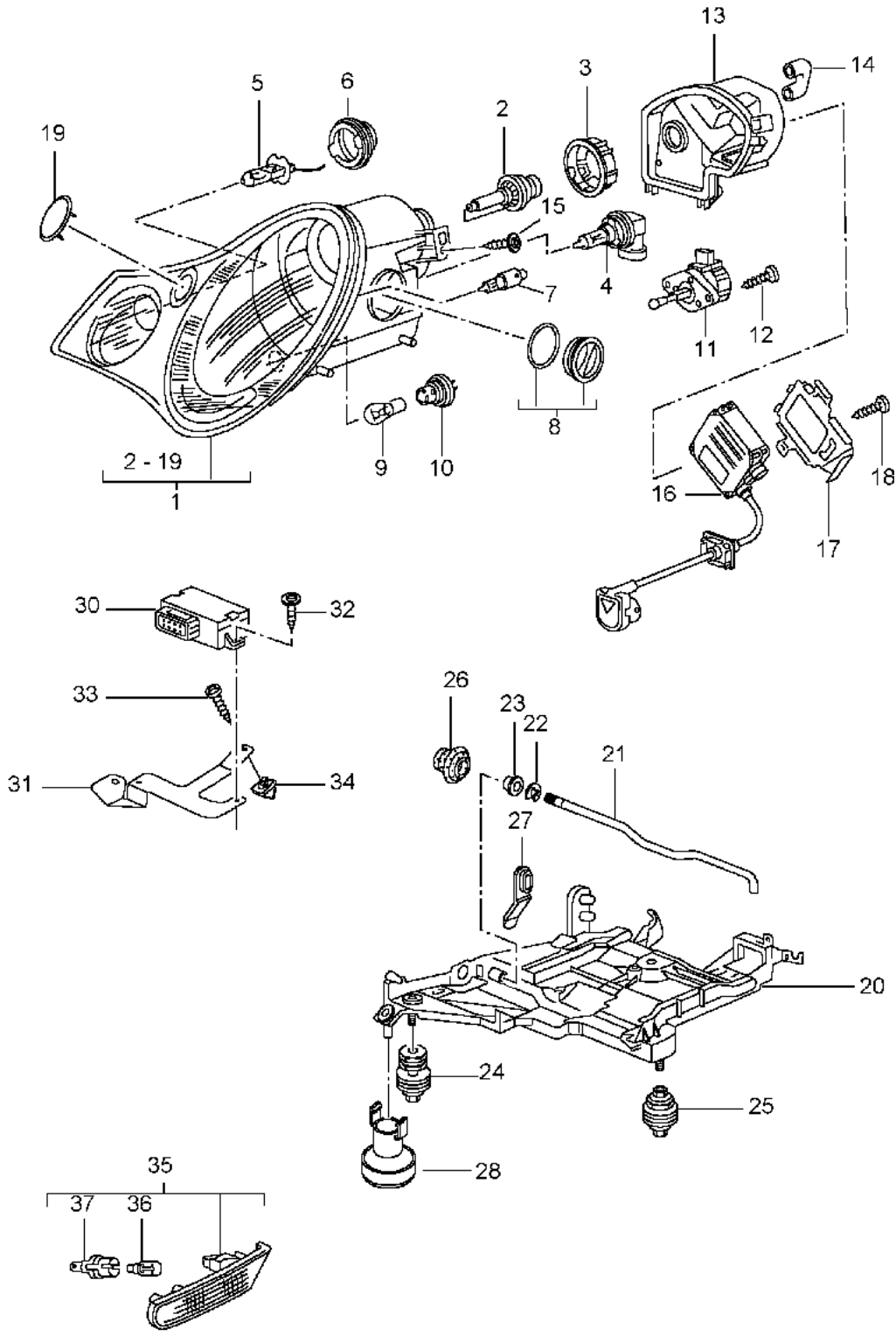
Model: 996 99

Model life 1999>>2005

Pos	Part Number	Description	Remark	Qty	Model
		for Lid Fog headlamp			

Model: 996 99

Model life 1999>>2005





Model: 996 99 Model life 1999>>2005

Pos	Part Number	Description	Remark	Qty	Model
		Headlamp	03-		M601
		Direction indicator light			
1	996 631 055 20	Headlamp	/L	1	
1	996 631 055 21	Headlamp	/L	1	
1	996 631 056 20	Headlamp	/R	1	
1	996 631 056 21	Headlamp	/R	1	
1	996 631 065 20	Headlamp	/L	1	M492
1	996 631 066 20	Headlamp	/R	1	M492
2	999 631 036 90	Bulb		2	
		- PHILIPS -			
3	996 631 179 00	Retainer		2	
4	999 631 144 91	Halogen bulb		2	
		H 11			
5	900 631 126 90	Halogen bulb		2	
		H 3			
6	996 631 123 00	Lid		2	
		Fog headlamp			
7	999 631 140 90	Bulb		2	
		H 6 W			
		Position light			
8	996 631 134 00	Lid		2	
		Position light			
9	900 631 131 90	Bulb		2	
		21 W			
		Yellow			
		Direction indicator light			
10	996 631 118 00	Bulb socket		2	
		Direction indicator light			
11	996 631 135 00	Bearing bracket		2	
		Headlight levelling system			
12	999 919 093 02	Oval-head screw		4	
		4,0 X 10			
13	996 631 101 10	Protective cap	/L	1	
		Headlamp			
(13)	996 631 102 10	Protective cap	/R	1	
		Headlamp			
14	996 631 120 00	Breather adapter		2	
15	999 919 050 02	Oval-head screw		4	
		4,0 X 12			
16	996 631 183 00	Control unit		2	
17	996 631 161 00	Support	/L	1	
(17)	996 631 162 00	Support	/R	1	
18	999 919 017 02	Oval-head screw		2	
		4,0 X 16			
19		Trim cover			
		And			
		Nozzle			
		Headlight washer system			
		See group			
		9/04/21			
20	996 631 173 00	Mounting	/L	1	
(20)	996 631 174 00	Mounting	/R	1	
21	996 631 273 00	Clamping bow		2	
22	900 116 004 09	Lock washer		2	
23	996 631 272 00	Bearing sleeve		2	
24	996 631 079 00	Fastening part		4	
25	996 631 078 00	Fastening part		2	
26	999 703 413 40	Stopper		2	
27	993 631 170 03	Stopper		6	
-	996 631 140 00	Sealing washer		2	
		Ventilation component			
28	996 631 149 00	Ventilation component		2	
30	996 618 151 15	Control unit		1	

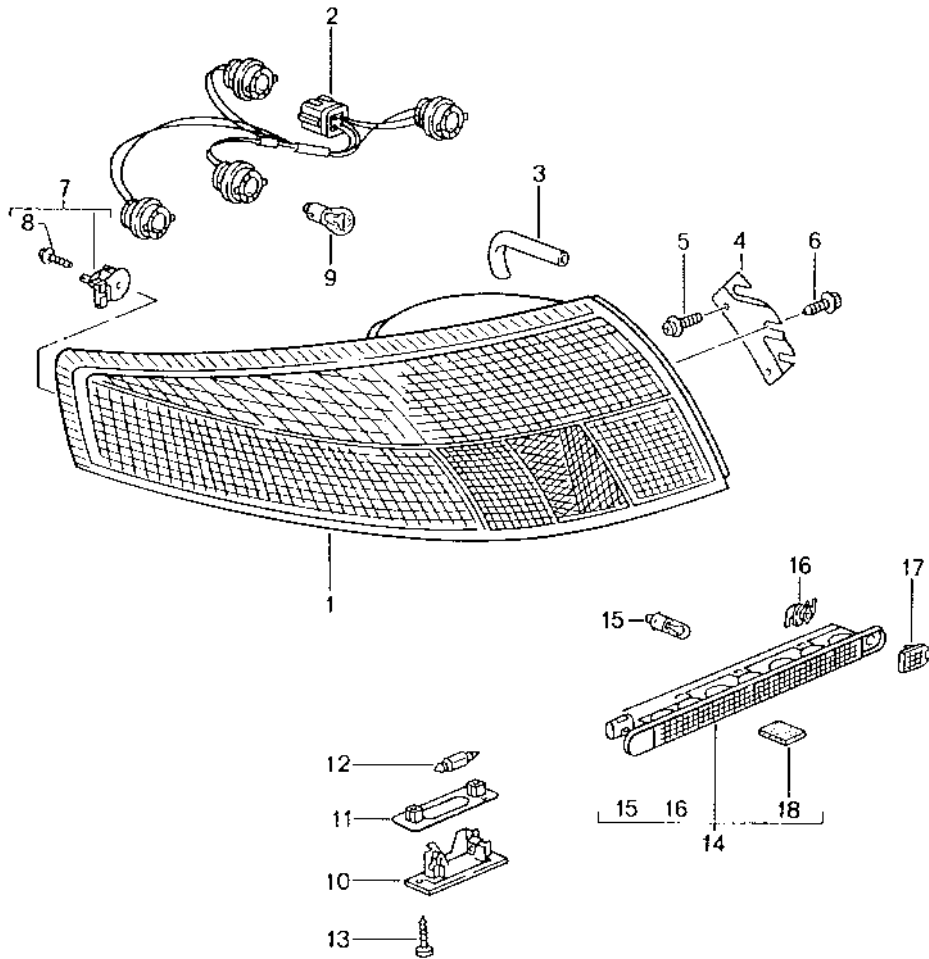
Model: 996 99

Model life 1999&gt;&gt;2005

Pos	Part Number	Description	Remark	Qty	Model
31	996 618 155 10	Headlight levelling system Support		1	
32	900 143 157 07	Combination screw BZ 4,2 X 13 Z2		2	
33	999 073 196 09	Tapping screw ST 4,8 X 9,5		1	
34	999 591 855 02	Speed nut 4,8		1	
34	999 591 855 01	Speed nut 4,8 Sensor Headlight levelling system See group 4/01/00 5/01/01	/V /H	1	
		Side marker light Direction indicator light			
35	996 631 043 01	Direction indicator light	/L	1	
35	996 631 043 02	Direction indicator light	/L	1	
(35)	996 631 043 03	Direction indicator light	/L	1	
(35)	996 631 044 01	Direction indicator light	/R	1	
(35)	996 631 044 02	Direction indicator light	/R	1	
(35)	996 631 044 03	Direction indicator light	/R	1	
36	999 631 138 90	Bulb 5 W Yellow		2	
(37)	996 631 133 01	Bulb socket		2	
38	PCG 631 134 00	Gasket for Lid		2	
39	PCG 631 123 00	Position light Gasket for Lid Fog headlamp		2	

Model: 996 99

Model life 1999>>2005

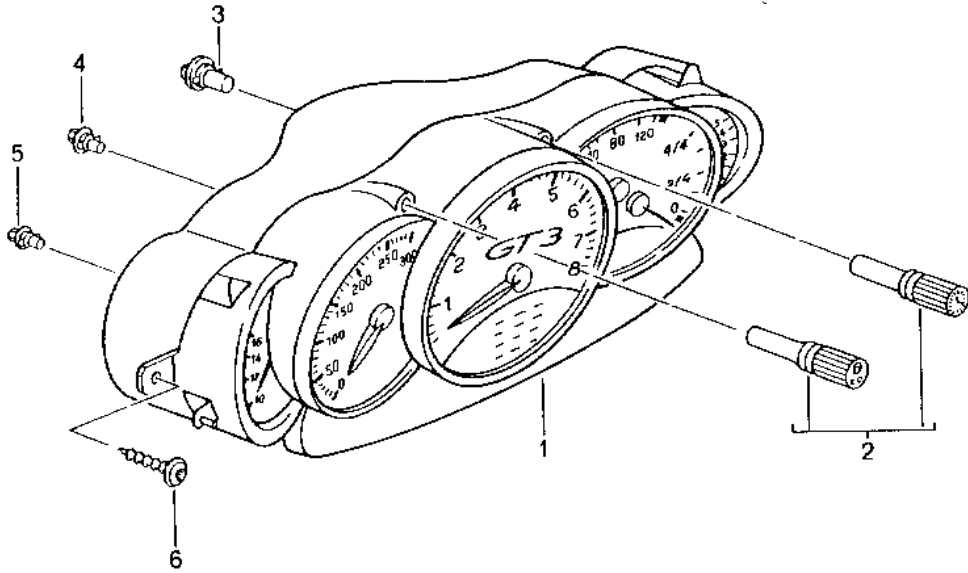


Model: 996 99 Model life 1999>>2005

Pos	Part Number	Description	Remark	Qty	Model
		Rear light			
		License plate light			
		Additional brake light			M602
1	996 631 485 00	Tail light housing	/L	1	
(1)	996 631 486 00	Tail light housing	/R	1	
2	996 631 436 01	Wiring harness		2	
3	996 631 451 01	Connection piece		4	
4	996 631 463 02	Support	/L	1	
(4)	996 631 464 02	Support	/R	1	
5	999 074 113 02	Combination screw		4	
		M 5 X 18			
6	999 074 115 09	Hexagon-head bolt		2	
		M 6 X 16			
7	996 631 471 00	Mounting		2	
8	999 919 121 09	Oval-head screw		2	
9	900 631 127 90	Bulb		X	
		21 W			
		White			
9	900 631 131 90	Bulb		X	
		21 W			
		Yellow			
(9)	900 631 128 90	Bulb		X	
		21/5 W			
10	964 631 620 00	License plate light	-02	2	
	964 631 620 00 01C	Black			
(10)	997 631 620 01	License plate light	04-	2	
(10)	997 631 620 02	License plate light	04-	2	
11	993 631 166 00	Desk pad	-02	2	
12	900 631 105 90	Bulb		2	
		12V 5W			
13	900 143 085 07	Tapping screw	-02	4	
		4,2 X 16			
14	996 631 050 00	Additional brake light		1	M602
14	996 631 050 02	Additional brake light		1	M602
14	996 631 050 04	Additional brake light		1	M602
14	996 631 050 06	Additional brake light		1	M602
15	900 631 019 90	Glass-base bulb		X	M602
		3 W			
16	996 631 168 00	Fastening part		1	M602
17	996 631 165 00	Cap		1	M602
18	996 631 105 00	Desk pad		2	M602

Model: 996 99

Model life 1999>>2005

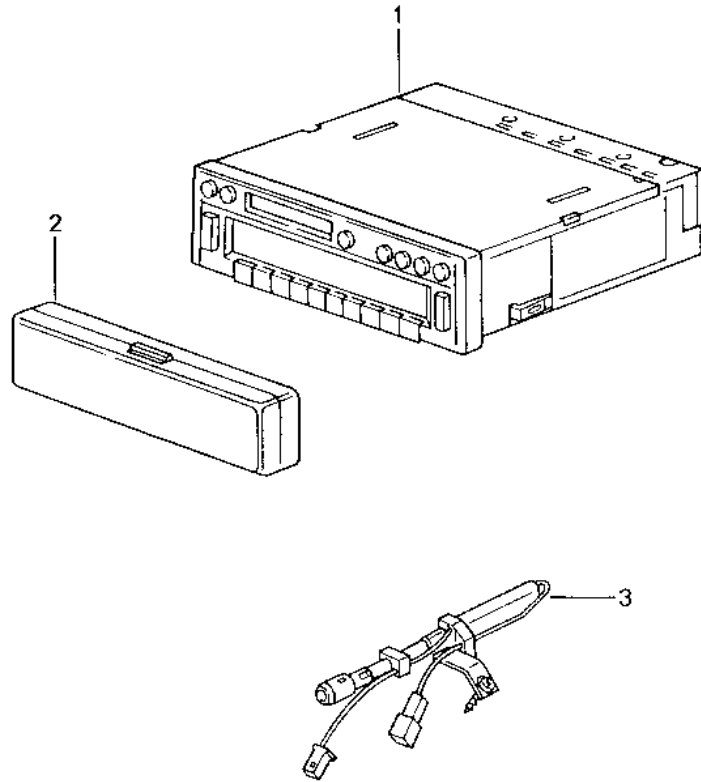


Model: 996 99 Model life 1999>>2005

Pos	Part Number	Description	Remark	Qty	Model
		Instruments Complete Tech. information memo GR.9 , NR. 17/98 See TPI GR.9 , NR. 20	01		
1	996 641 105 95	Instrument cluster	-02	1	
	996 641 105 95 70C	Rally black			
(1)	996 641 215 92	Instrument cluster	04-	1	
	996 641 215 92 70C	Rally black			
(1)	996 641 981 94	Instrument cluster	04-	1	IX71
	996 641 981 94 70C	Rally black			
(1)	996 641 107 95	Instrument cluster	(GB) -02	1	
	996 641 107 95 70C	Rally black			
(1)	996 641 217 92	Instrument cluster	(GB) 04-	1	
	996 641 217 92 70C	Rally black			
(1)	996 641 981 95	Instrument cluster	(GB) 04-	1	IX71
	996 641 981 95 70C	Rally black			
(2)	996 641 911 00	Knob Actuator Trip meter And Clock		1	
(3)	999 631 304 90	Glass-base bulb 12 V 3 W	-02	X	
(4)	999 631 303 90	Glass-base bulb 12 V 1,5 W	-02	X	
(5)	999 631 302 90	Glass-base bulb 12 V 1,2 W	-02	X	
(6)	999 919 188 09	Oval-head screw 5,0 X 30		2	

Model: 996 99

Model life 1999>>2005



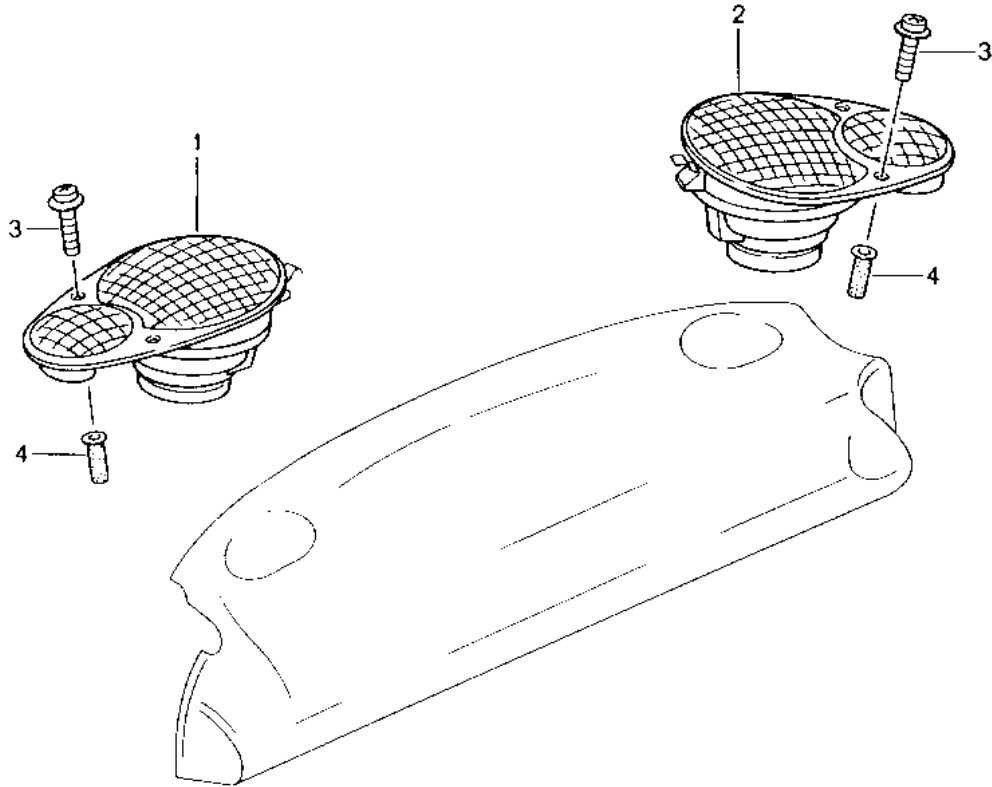
Model: 996 99 Model life 1999>>2005

Pos	Part Number	Description	Remark	Qty	Model
1		Radio Radio See catalogue			
(2)	996 645 190 00	- EQUIPMENT - Case for Control part Radio	-02	1	
-	996 645 106 00	Contact plate Alarm contact for Radio	-01	1	
-	996 645 107 00	Contact plate Alarm contact for Radio	02	1	
3	996 647 105 00	Antenna booster Antenna booster Radio		1	
-	996 612 072 00	Connecting cable Antenna booster Radio	-02	1	
-	996 612 072 01	Connecting line Antenna booster Radio	04-	1	



Model: 996 99

Model life 1999>>2005

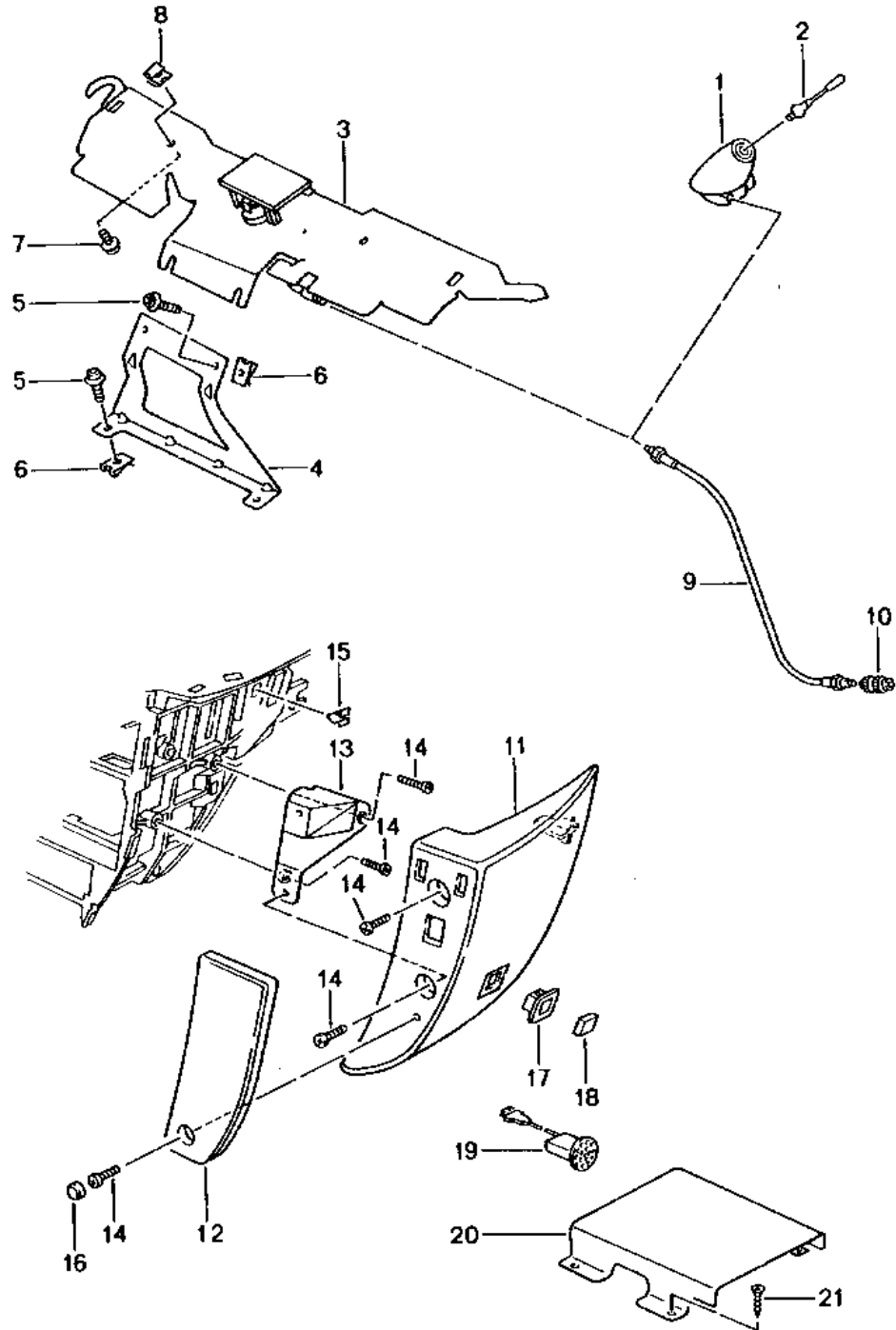


Model: 996 99 Model life 1999>>2005

Pos	Part Number	Description	Remark	Qty	Model
1	996 645 035 02	Loudspeaker	/V /L	1	M441
	996 645 035 02 01C	Satin black			
(1)	996 645 046 02	Loudspeaker	/H /L 04-	1	M441
	996 645 046 02 01C	Satin black			
2	996 645 036 02	Loudspeaker	/V /R	1	M441
	996 645 036 02 01C	Satin black			
(2)	996 645 045 02	Loudspeaker	/H /R 04-	1	M441
	996 645 045 02 01C	Satin black			
(2)	996 645 049 02	Loudspeaker grille		X	
	996 645 049 02 01C	Satin black			
(1)	996 645 981 01	Loudspeaker	/V /L 01-	1	IXKL/XKP M441
		Leather			
	996 645 981 01 VRK	Black			
(1)	996 645 987 05	Loudspeaker	/H /L 04-	1	IXKL/M441
		Leather			
	996 645 987 05 VRK	Black			
(2)	996 645 982 01	Loudspeaker	/V /R 01-	1	IXKL/XKP M441
		Leather			
	996 645 982 01 VRK	Black			
(2)	996 645 986 05	Loudspeaker	/H /R 04-	1	IXKL/M441
		Leather			
	996 645 986 05 VRK	Black			
(2)	996 645 985 00	Loudspeaker grille	01-	X	IXKL/XKP
		Leather			
	996 645 985 00 VRK	Black			
(1)	996 645 987 03	Loudspeaker	/H /L 04-	1	IXKP/M441
		Carbon			
	996 645 987 03 A03	Black			
(2)	996 645 986 03	Loudspeaker	/H /R 04-	1	IXKP/M441
		Carbon			
	996 645 986 03 A03	Black			
(2)	996 645 985 03	Loudspeaker grille	/H 01-	2	IXKP
		Carbon			
	996 645 985 03 A03	Black			
3	999 919 166 07	Oval-head screw	-01	4	
		4,0 X 30			
3		Oval-head screw	/H 04-	4	
		4,0 X 30			
(3)	999 073 224 09	Tapping screw	/V 02-	4	
		4,2 X 25			
4	999 920 015 40	Plug-in nut	-01	4	
		4,0			
4		Plug-in nut	/H 04-	4	
		4,0			
(4)	999 507 767 02	Speed nut	/V 02-	2	
		4,2			
(4)	999 507 768 02	Speed nut	/V 02-	2	
		4,2			

Model: 996 99

Model life 1999>>2005



Model: 996 99 Model life 1999>>2005

Pos	Part Number	Description	Remark	Qty	Model
1	996 647 103 00	Preparation for telephone Antenna base	-00	1	M618
-	996 647 106 00	Use also: Cap for Antenna base See technical information GR.9 , NR. 2/00	-00	1	
-	996 647 201 00	Reinforcement for Antenna base See technical information GR.9 , NR. 10/99	-00	1	
2	996 647 104 00	Antenna rod	-00	1	
3	996 647 125 00	Antenna	/LL 01-	1	
(3)	996 647 126 00	Antenna	/RL 01-	1	
4	996 647 127 00	Support POS. 5 + 6 Attention	/LL -04	1	
(4)	997 647 127 00	Support POS. 5 + 6 Attention	/LL 04-	1	
(4)	996 647 128 00	Support POS. 5 + 6 Attention	/RL -04	1	
(4)	997 647 128 00	Support POS. 5 + 6 Attention	04-	1	
5	999 073 203 00	Round head screw M 5 X 12 - Z2 for Support 996.647.127/128.00	-04	4	
5	999 073 236 0A	Oval-head screw M 6 X 10 for Support 997.647.127/128.00	04-	4	
6	999 507 067 09	Speed nut M 5 for Support 996.647.127/128.00	-04	4	
6	999 507 550 01	Speed nut M 6 for Support 997.647.127/128.00	04-	4	
7	999 073 210 00	Tapping screw 4,8 X 13	01-	2	
8	999 507 441 01	Speed nut 4,8	01-	2	
9	996 612 086 00	Extension cable	-00	1	
9	996 612 037 00	Extension cable	01-	1	
10	964 646 318 00	Adapter plug	/LL	1	
(10)	996 646 318 00	Adapter plug	/RL	1	
11	996 552 094 04	Bracket Leatherette	/LL	1	
	996 552 094 04 A18	Black	-00		
	996 552 094 04 A12	Black	01-		
(11)	996 552 093 04	Bracket Leatherette	/RL	1	
	996 552 093 04 A18	Black	-00		

Model: 996 99 Model life 1999>>2005

Pos	Part Number	Description	Remark	Qty	Model
11	996 552 093 04 A12 996 552 094 03	Black Bracket Leather	01- /LL	1	
(11)	996 552 094 03 A11 996 552 093 03	Black Bracket Leather	/RL	1	
12	996 552 093 03 A11 996 552 298 00	Black Attachment	/LL	1	
(12)	996 552 298 00 01C 996 552 297 00	Satin black Attachment	/RL	1	
(13)	996 552 297 00 01C 996 552 624 02	Satin black Adapter		1	
-	996 552 581 00	Filler piece Bracket Telephone	/RL	1	
-	996 552 581 00 01C 996 552 582 00	Satin black Filler piece Bracket Telephone	/LL	1	
14	996 552 582 00 01C 999 919 121 09	Satin black Oval-head screw 5,0 X 16		6	
15	999 507 476 01	Clamp 8,0 X 10,2		3	
16	996 552 824 00 996 552 824 00 01C	Cap Satin black		1	
17	996 646 125 01	Frame		1	
18	996 646 126 00	Cover		1	
19	996 646 307 01 996 646 307 01 A03	Microphone Black	/LL -01	1	
(19)	996 646 308 01 996 646 308 01 A03	Microphone Black	/RL -01	1	
(19)	996 646 307 02 996 646 307 02 A03	Microphone Black	/LL 02-	1	
(19)	996 646 308 02 996 646 308 02 A03	Microphone Black	/RL 02-	1	
20	996 646 235 01	Support		1	
21	999 073 060 02	Tapping screw 4,8 X 13		4	
-	996 521 665 00	Stop Seat rail Inner		1	M375/376 M539/540