

Model: 911 75**Model life 1975>>1977**

ORDER-INFO

THIS PARTS CATALOGUE CONTAINS ALL ORDER INFORMATION OF
TYPES 911 TURBO FROM MODEL YEAR 1975 - 1977
911 TURBO CARRERA FROM MODEL YEAR 1976 - 1977 (USA-CDN)

IT IS AVAILABLE IN TWO EDITIONS IN THE FOLLOWING LANGUAGES:

EDITION

USA, CANADA - *

EDITION

ALL OTHER COUNTRIES - GERMAN

* - ENGLISH

- FRENCH

- ITALIAN

- SPANISH

UPDATING IS BEING PERFORMED BY CHANGING OF UPDATE.

THE EDITION CAN BE RECOGNIZED BY THE CURRENT NO.
IN THE BOTTOM LINE OF SUBJECT UPDATE.

THE PREVIOUS UPDATE SHOULD NO LONGER BE USED.

ALL ILLUSTRATIONS ARE SUBJECT TO CHANGE WITHOUT OBLIGATION.

WE RESERVE THE RIGHT TO SUPPLY A SUBSEQUENTLY
PRODUCED COMPONENT, ON WHICH ADDITIONAL WORK
IS NECESSARY, INSTEAD OF THE COMPONENT LISTED IN
THE CATALOGUE

Model: 911 75

Model life 1975>>1977

EXPLANAT.-VIN

EXPLANATION OF THE ABRIDGED VERSION OF THE VEHICLE IDENT. NUMBERS (VIN)
 =====
 USED IN THE CATALOGUE
 =====

DIGIT: 1 2 3 4 5 6 7 8 9 10

EXAMPLE: 9 3 0 5 7 0 0 3 9 1
 ===== = = =====

		!	!	!		!
VEHICLE TYPE-----+		!	!			!
			!	!		!
MODEL YEAR-----+			!			!
				!		!
CODE FOR BODY AND ENGINE-----+						!
						!
SERIAL NUMBER-----+						!

Model: 911 75**Model life 1975>>1977**

SUMMARY TYPES

VEHICLE TYPE	MY	VIN	ENGINE TYPE
911 TURBO	75 5	93057 0001>>	930.50
911 TURBO	76 6	93067 0001>>	930.52
911 TURBO (J)	76 6	93067 0001>>	930.52
911 TURBO CARRERA (USA) (CDN)	76 6	93068 0001>>	930.51
911 TURBO	77 7	93077 0001>>	930.52
911 TURBO	77 7	93077 0001>>	930.54
911 TURBO CARRERA (USA) (CDN)	77 7	93078 0001>>	930.53

Model: 911 75

Model life 1975>>1977

EXPL. ENGINE-NO.

EXPLANATION OF THE MOTOR-NUMBERS USED IN THE CATALOGUE

=====

DIGIT: 1 2 3 4 5 6 7

EXAMPLE: 6 7 5 0 3 9 1

= = = =====

! ! ! !

ENGINE TYPE (6 = 6-CYL.-ENGINE)-----+ ! ! !

! ! !

ENGINE VERSION-----+ ! !

! !

MODEL YEAR-----+ !

!

SERIAL NUMBER-----+ !

Model: 911 75**Model life 1975>>1977**

SUMMARY ENGINES

VEHICLE TYPE	ENGINE		ENGINE NO.	TECHNICAL DATA
	TYPE	MY		
911 TURBO	930.50	75 5	675 0001>>	6ZYL/3,0L/191KW
911 TURBO	930.50	76 6	676 0001>>	6ZYL/3,0L/191KW
911 TURBO	930.52	76 6	676 0301>>	6ZYL/3,0L/191KW
911 TURBO CARRERA (USA) (CDN)	930.51	76 6	686 0001>>	6ZYL/3,0L/180KW
911 TURBO	930.52	77 7	677 0001>>	6ZYL/3,0L/191KW
911 TURBO CARRERA (USA) (CDN)	930.53	77 7	687 0001>>	6ZYL/3,0L/180KW
911 TURBO (J)	930.54	77 7	677 2001>>	6ZYL/3,0L/180KW

Model: 911 75

Model life 1975>>1977

EXPL. TRANSM. NO.

EXPLANATION OF THE TRANSMISSION-NUMBERS USED IN THE CATALOGUE

```

=====
DIGIT::                                1 2 3   4 5 6 7
EXAMPLE:                               7 7 5   0 3 9 1
                                         = = =   =====
                                         ! ! !   !
TRANSMISSION TYPE-----+ ! !   !
                                         ! !   !
TRANSMISSION VERSION-----+ !   !
                                         !   !
MODEL YEAR-----+           !
                                         !
SERIAL NUMBER-----+
    
```

Model: 911 75

Model life 1975>>1977

SUMM. TRANSMISS.

VEHICLE TYPE	TRANSM. TYPE	MY	TRANSMISSION NO.	TECHNICAL DATA
911 TURBO	930.30	75 5	775 0001>>	4-SPEED
911 TURBO	930.30	76 6	776 0001>>	4-SPEED
911 TURBO	930.32	76 6	776 1001>>	4-SPEED
911 TURBO CARRERA (USA) (CDN)	930.30	76 6	776 0001>>	4-SPEED
911 TURBO	930.33	77 7	777 0001>>	4-SPEED
911 TURBO CARRERA (USA) (CDN)	930.33	77 7	777 0001>>	4-SPEED

Model: 911 75

Model life 1975>>1977

LEGENDS/NOTICES

LEGENDS AND NOTICES

=====

IN COLUMN -S- STATUS

- N NEW ADDITION
- P PART ALREADY IN PROGRAMME, BUT NEW AT THIS APPLICATION
- W DELETED AT THIS APPLICATION, BUT CONTINUED TO BE CARRIED
- A STOCK TO BE USED UP
- U DELETED WITHOUT REPLACEMENT
- * PART ALSO OR ONLY AVAILABLE IN REPAIR KIT
- > ALSO AVAILABLE IN EXCHANGE

IN COLUMN - ILL. -

- 1 IDENTIFICATION NO. IN ILLUSTRATION
- (1) PART ONLY SIMILAR AS ILLUSTRATED
- PART IS NOT ILLUSTRATED

FIG.-NUMBERS FOR WHICH THERE IS SHOWN NO TEXT ARE NOT VALID FOR THIS EDITION OF CATALOGUE

IN COLUMN -PART NUMBER/CODE-

000 000 000 00 PART NUMBER EQUALS ORDERING NO., IF A CODE IS SHOWN, IT WILL HAVE TO BE PART OF ORDERING NUMBER

01C COLOUR CODE

IN COLUMN -TEXT

INSTALLATION WITH ENGINE OR CHASSIS NUMBER-RANGE

EXAMPLE:

M 675 0391 >> FROM ENGINE NO.

Model: 911 75

Model life 1975>>1977

F >> 93057 00391 UP TO CHASSIS NO.

Model: 911 75

Model life 1975>>1977

LEGENDS/NOTICES

IN COLUMN - A -

IDENTIFICATION LETTER FOR PERIOD OF INSTALLATION
THAT IS REPEATED SEVERAL TIMES IN THE CATALOG GROUP.

EXPLANATION PLEASE FIND IN TEXT COLUMN OF THE CATALOG GROUP

IN COLUMN - QU - = NO. OF PIECES

- 1 NUMBER PER APPLICATION
- X NUMBER AS NEEDED
- * AVAILABLE ONLY IN RUNNING LENGTHS 1 = 1 METRE

IN COLUMN - MODEL/SYMBOL -

-76 LIMITATION OF MODEL YEAR FOR INSTANCE: VALID UP TO
END OF MODEL YEAR 1976

/LL LHD

/RL RHD

/V FRONT I

I

/H REAR I

I---> APPLIES TO

/L LEFT I DIRECTION OF TRAVEL

I

/R RIGHT I

-----+

WW THE PART CAN BE USED INSTEAD OF THE
PRECEDING ONE.

M ADDITIONAL EQUIPMENT, REDUCED EQUIPMENT,
OPTIONAL EQUIPMENT

Model: 911 75

Model life 1975>>1977

COUNTRY-EQIPM.

EQUIPMENT BY COUNTRY REGULATIONS

=====

(A)	AUSTRIA
(AUS)	AUSTRALIA
(B)	BELGIUM
(CDN)	CANADA
(CH)	SWITZERLAND
(D)	FEDERAL REPUBLIC OF GERMANY
(DK)	DENMARK
(E)	SPAIN
(F)	FRANCE
(GB)	GREAT BRITAIN
(GR)	GREECE
(HK)	HONGKONG
(I)	ITALY
(J)	JAPAN
(L)	LUXEMBURG
(N)	NORWAY
(NL)	NETHERLANDS
(NS)	NEW ZEALAND
(P)	PORTUGAL
(RC)	TAIWAN
(S)	SWEDEN
(SA)	SAUDI ARABIA
(SF)	FINLAND
(USA)	UNITED STATES OF AMERICA

Model: 911 75

Model life 1975>>1977



Model: 911 75 Model life 1975>>1977

Pos	Part Number	Description	Remark	Qty	Model
>>	911 721 002 01	Tool Jack Tool bag with contents Comprising:	-75	1	
-		Tool bag		1	
-	901 721 221 00	Rim wrench		1	
-	999 195 011 02	Double-end spanner 8 X 9		1	
-	999 195 012 02	Double-end spanner 10 X 11		1	
-	999 195 007 02	Double-end spanner 12 X 13		1	
-	999 195 014 02	Double-end spanner 14 X 15		1	
-	999 195 015 02	Double-end spanner 17 X 19		1	
-	999 571 017 02	Ring wrench		1	
-	911 721 107 02	Screwdriver Set		1	
-	999 107 003 02	Universal pliers		1	
-	999 192 176 50	Narrow v-belt 9,5 X 710		1	
-	999 192 176 5A	Narrow v-belt 9,5 X 710		1	
-	911 721 013 00	Bag with Lock		1	
-	911 721 702 00	Retaining bracket for V-belt pulley		5	
-	477 012 203 A	Spark plug wrench		1	
-	477 012 227	Angular screw driver		1	
-	911 721 051 00	Towing lug		1	
>>	911 721 002 03	Tool bag with contents Comprising:	76-	1	
-		Tool bag		1	
-	901 721 221 00	Rim wrench		1	
-	999 195 011 02	Double-end spanner 8 X 9		1	
-	999 195 012 02	Double-end spanner 10 X 11		1	
-	999 195 007 02	Double-end spanner 12 X 13		1	
-	999 195 014 02	Double-end spanner 14 X 15		1	
-	999 195 015 02	Double-end spanner 17 X 19		1	
-	999 205 003 02	Tool		1	
-	999 107 003 02	Universal pliers		1	
-	999 192 176 50	Narrow v-belt		1	
-	999 192 176 5A	Narrow v-belt		1	
-	911 721 013 00	Bag with Lock		1	
-	999 571 047 02	Tool V-belt pulley		5	
-	477 012 203 A	Spark plug wrench		1	
-	477 012 227	Angular screw driver		1	
-	911 721 051 00	Towing lug		1	
-	911 721 107 02	Screwdriver Set		1	

Model: 911 75

Model life 1975>>1977

Pos	Part Number	Description	Remark	Qty	Model
-	911 721 011 04	Jack		1	
-	914 722 021 10	Jack		1	
		Bracket	-75	1	
		for			
		Jack			
-	911 722 021 01	Bracket	76	1	
		for			
		Jack			
-		Bracket	77-	1	
		for			
		Jack			
-	900 143 031 02	Oval-head sheetmetal screw		1	
		B 4,2 X 9.5			
-	911 721 131 00	Clamping piece		1	
-	911 721 131 01	Clamping piece		1	
		without			
		Adhesive film			
-	911 556 208 02	Felt strip		1	

Model: 911 75

Model life 1975>>1977



Model: 911 75

Model life 1975>>1977

Pos	Part Number	Description	Remark	Qty	Model
-	901 701 111 05	Stickers Sticker Paint		1	
-	900 093 001 02	T-headed screw Rivet		4	
-	911 701 127 00	Sticker Indication sticker		1	
-	911 701 171 00	Starter Sticker Actuator Heating Ventilation	77-	1	
-	901 006 502 00	Sticker Firing order		1	
-	901 006 503 00	Sticker Valve clearance		1	
-	911 006 504 01	Sticker Engine-oil level		1	
-	930 006 501 00	Sticker Ignition point		1	
-	930 006 503 02	Sticker Adjustment Exhaust system	(J) 77-	1	
-	930 006 535 02	Sticker Exhaust system	(S)	1	
-	901 006 505 01	Sticker Tyre pressure		1	
-	930 006 522 01	Sticker Tyre pressure	(AUS) -76	1	
-	911 006 522 10	Sticker Tyre pressure	(AUS) 77-	1	
-	411 000 263 A	Sticker Premium gasoline		1	
-	911 006 541 00	Sticker Brake fluid		1	

Model: 911 75

Model life 1975>>1977



Model: 911 75

Model life 1975>>1977

Pos	Part Number	Description	Remark	Qty	Model
-	911 361 909 00	Snow chains Snow chains 1 set ERLAU "EUROPA" 165 X 15		1	
-	911 361 903 00	Cross chain 1 set ERLAU "EUROMONT" 165 X 15		1	
-	911 361 902 00	Snow chains 1 set ERLAU "EUROPA" 185/70 X 15		1	
-	901 361 901 00	Edge chain 1 set RUD 185/70 X 15		1	
-	911 361 904 00	Edge chain 1 set RUD 215/60 VR 15		1	
-	911 361 909 00	Snow chains 1 set RUD 225/50 VR 15		1	
-	930 361 901 00	Edge chain 1 set RUD 225/50 VR 16		1	

Model: 911 75

Model life 1975>>1977



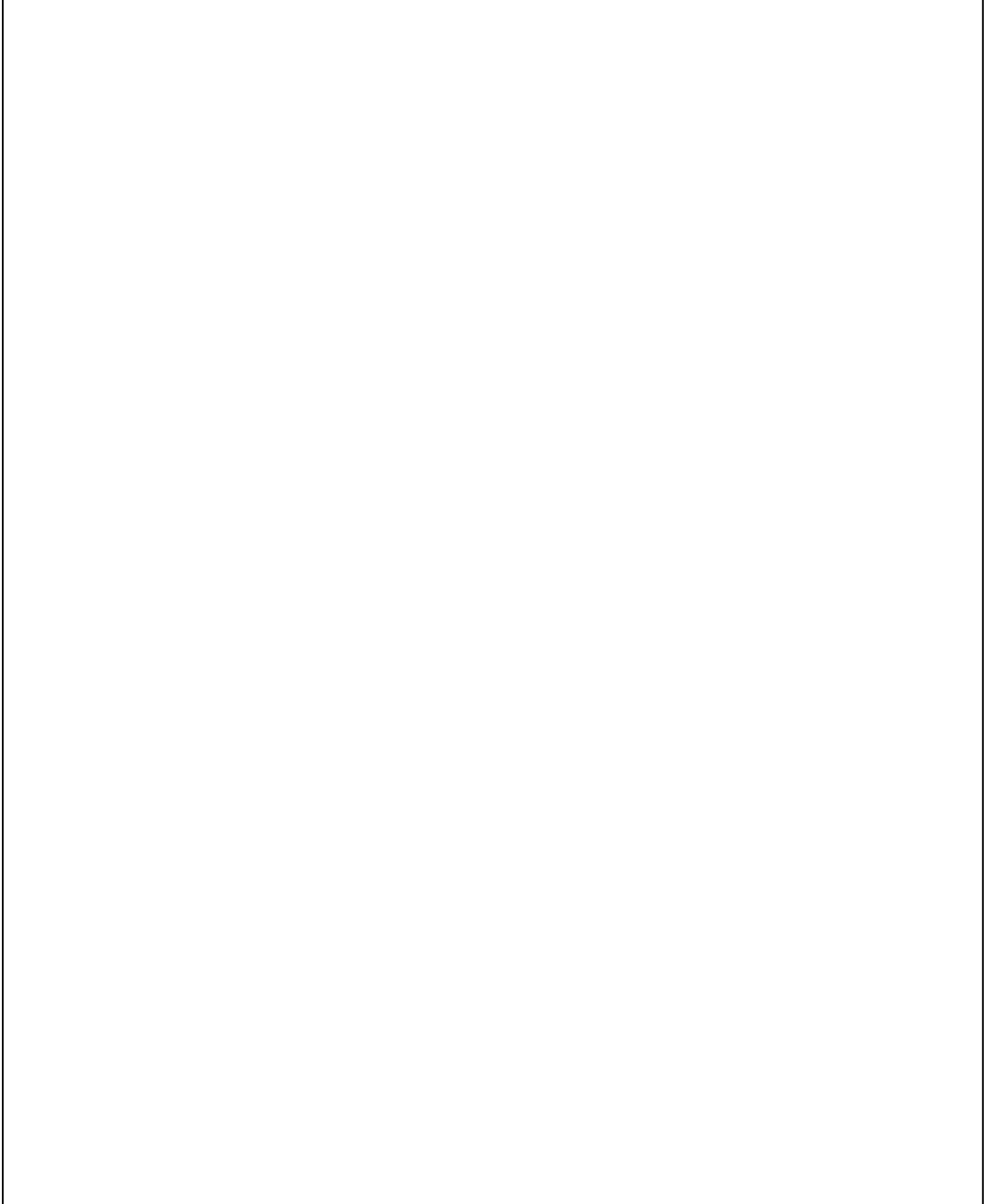
Model: 911 75

Model life 1975>>1977

Pos	Part Number	Description	Remark	Qty	Model
-	901 801 010 01	Roof rack Ski rack Roof rack with Ski rack Chrome		1	
-	901 801 953 00	Leather strap 1 set		1	
-	901 801 015 20	Ski rack		1	
-	901 801 951 00	Strap for ski fastening 1 set		1	
-	901 801 950 00	Strap for ski fastening		1	

Model: 911 75

Model life 1975>>1977



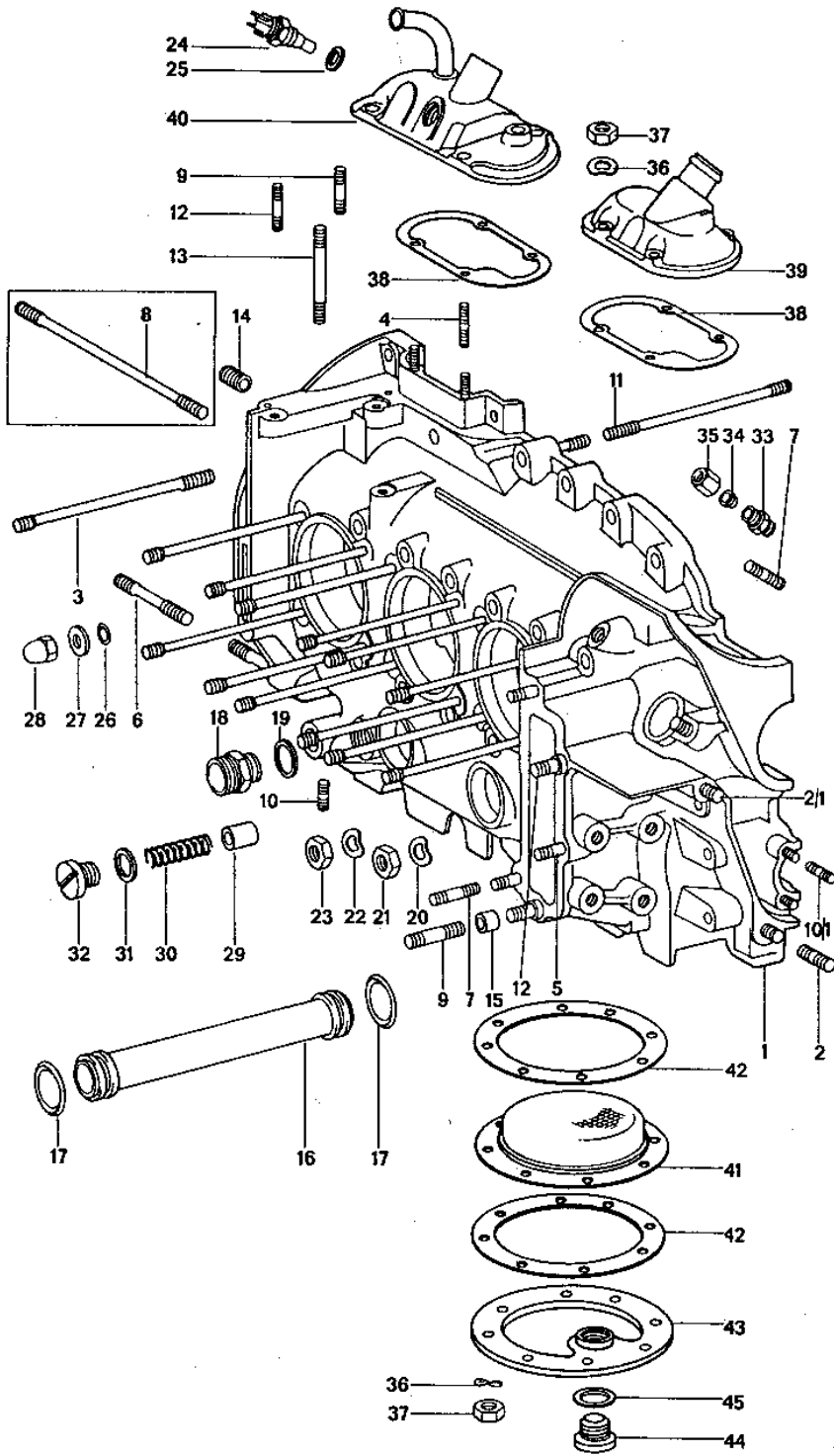
Model: 911 75

Model life 1975>>1977

Pos	Part Number	Description	Remark	Qty	Model
-	930 100 150 00	Replacement engine Replacement engine Complete Ready for installation Engine K-jetronic		1	930/50
-	930 100 152 00	Engine K-jetronic		1	930/52
-	930 100 154 00	Engine K-jetronic		1	930/54

Model: 911 75

Model life 1975>>1977



Model: 911 75 Model life 1975>>1977

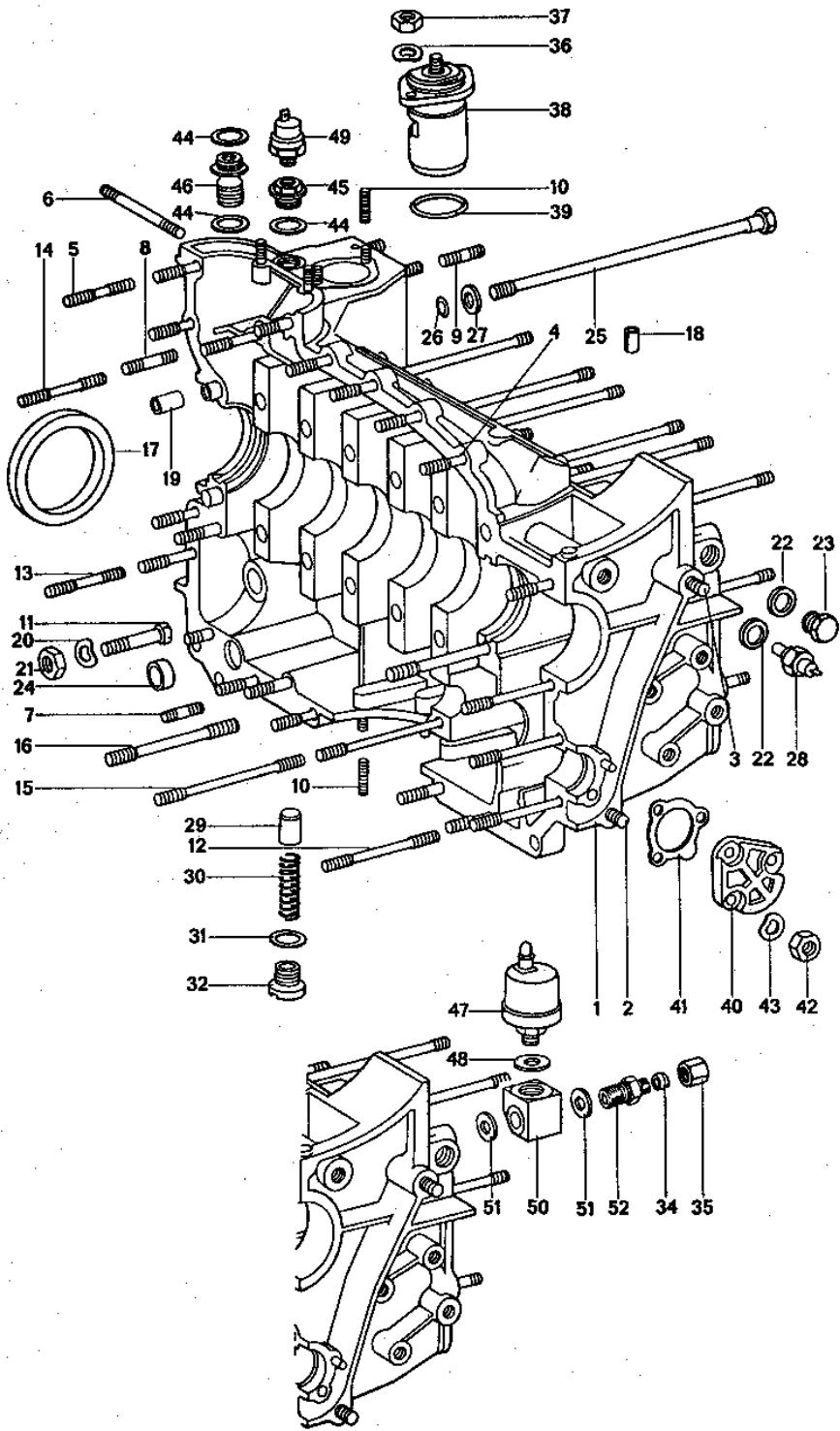
Pos	Part Number	Description	Remark	Qty	Model
1	930 101 914 00	Crankcase Left		1	
2	999 062 207 02	Crankcase with studs		1	
2/1	999 062 208 02	Stud M 10 X 45		1	
3	930 101 170 00	Screw M 10 X 65		24	
4	999 062 085 02	Stud (DILAVAR)		4	
5	999 062 006 02	Stud M 6 X 20		2	
6	999 061 034 02	Stud M 8 X 20		2	
6	999 062 165 02	Stud M 10 X 69		1	
7	999 062 007 02	Screw M 10 X 75		5	
7	900 060 106 01	Stud M 8 X 22		5	
9	999 062 009 02	Stud M 8 X 28		3	
9	900 060 105 01	Stud M 8 X 28		3	
10	999 062 055 02	Stud M 6 X 12		5	
10/1	999 062 002 02	Stud M 6 X 15		3	
(11)	930 101 174 01	Stud		2	
12	999 062 008 02	Stud M 8 X 25		3	
13	999 062 147 02	Stud M 8 X 62		1	
14	999 504 062 02	Threaded bush	-76	1	
15	901 101 145 00	Dowel sleeve		4	
16	901 107 351 01	Oil tube		4	
(16)	930 107 040 00	Oil tube 1 set		X	
(16)	930 107 040 01	Comprising: Set 1 set		X	
(16)		Comprising: Set Set Divided Comprising: Oil tube I Oil tube II		X	
-	900 041 013 01	Circlip		1	
-	999 707 113 40	Round seal		2	
-	999 707 113 41	O-ring		2	
-	999 707 112 40	Round seal		2	
-	999 707 112 4A	Round seal		2	
17	999 707 112 40	Round seal		8	
17	999 707 112 4A	Round seal		8	
18	999 136 008 09	Connection piece		1	
18	999 136 008 01	Connection piece		1	
19	900 123 011 30	Sealing ring A 22X 27		1	

Model: 911 75 Model life 1975>>1977

Pos	Part Number	Description	Remark	Qty	Model
20	900 031 014 30	Washer A 8,4		22	
21	900 084 004 03	Hexagon nut M 8		22	
21	900 084 004 02	Hexagon nut M 8		22	
22	N 012 242 3	Spring washer B 10 X 18		1	
23	900 076 052 02	Hexagon nut M 10 X 1		1	
26	999 701 006 40	O-ring		12	
27	901 101 161 01	Washer		12	
(27)	901 101 161 02	Washer		12	
28	930 101 172 01	Cap nut M10 X 1		13	
29	901 107 512 01	Piston See technical information GR.1/NR.5		1	
29	911 107 512 00	Piston		1	
30	901 107 531 00	Compression spring		1	
31	900 123 071 30	Sealing ring A 18 X 24		1	
32	999 064 026 02	Screw plug		1	
32	999 064 026 01	Screw plug		1	
33	901 107 375 00	Screw socket		1	
-	900 123 005 30	Sealing ring A 12 X 16 for Screw socket		1	
34	N 020 825 1	Cutting ring LL 8		1	
35	900 104 003 02	Union nut ALL 8		1	
35	900 104 003 03	Union nut ALL 8		1	
36	N 012 226 5	Spring washer B 6		12	
37	900 076 010 02	Nut M 6		12	
37	900 076 010 0B	Nut M 6		12	
38	930 107 791 00	Gasket		1	
39	901 107 073 02	Lid for Bleeder		1	
41	901 101 380 01	Oil strainer		1	
42	930 101 391 01	Gasket for Oil strainer		2	
43	930 101 902 00	Lid Technical information gr.1 nrl/85		1	
44	911 107 176 01	Magnetic screw		1	
44	911 107 176 03	Screw plug		1	
45	900 123 011 20	Sealing ring A 22 X 27		1	

Model: 911 75

Model life 1975>>1977



Model: 911 75

Model life 1975>>1977

Pos	Part Number	Description	Remark	Qty	Model
1	930 101 914 00	Crankcase Right		1	
2	999 062 207 02	Crankcase with studs		1	
3	999 062 010 02	Stud M 10 X 45		1	
4	999 061 056 02	Stud M 8 X 35		1	
5	999 062 115 02	Stud M 8 X 32		12	
(6)	999 062 110 02	Stud BM 10 X115		1	
7	999 062 006 02	Stud M 8 X 20		3	
8	999 062 009 02	Stud M 8 X 28		1	
8	900 060 105 01	Stud M 8 X 28		1	
9	900 061 057 02	Stud M 8 X 15		4	
9	999 062 057 02	Stud M 8 X 15		4	
9	999 062 073 02	Stud M 8 X 15		4	
10	999 062 055 02	Stud M 6 X 12		7	
11	900 074 134 02	Hexagon-head bolt M 8 X 45		1	
-	900 025 007 02	Washer A 8,4 for Ground strap		1	
-	900 025 007 03	Washer A 8,4 for Ground strap		1	
12	900 060 101 01	Stud M 8 X 78		3	
13	999 062 075 02	Stud M 8 X 48		2	
14	999 062 138 02	Stud M 8 X 52		1	
14	900 060 102 01	Stud M 8 X 52		1	
15	999 062 051 02	Stud M 8 X 108		1	
(16)	930 101 175 00	Stud		1	
17	999 113 057 52	Radial sealing ring 65 X 85 X 10		1	
(17)	901 102 911 00	Radial sealing ring Undersize 64,5 X 85 X 10		1	
18	900 095 025 01	Roll pin 8 X 16		1	
19	901 101 195 00	Dowel sleeve		2	
20	900 031 014 30	Washer A 8,4		1	
21	900 084 004 03	Hexagon nut M 8		1	
21	900 084 004 02	Hexagon nut M 8		1	
22	900 123 007 30	Sealing ring		1	

Model: 911 75 Model life 1975>>1977

Pos	Part Number	Description	Remark	Qty	Model
24	999 704 172 50	14 X 18 Sealing ring		1	
25	930 101 173 02	Screw for Crankcase		11	
26	999 701 006 40	O-ring		12	
27	901 101 161 01	Washer		12	
(27)	901 101 161 02	Washer		12	
28	901 641 632 00	Remote temperature sensor		1	
29	901 107 512 01	Piston See technical information GR.1/NR.5		1	
29	911 107 512 00	Piston		1	
30	901 107 531 00	Compression spring		1	
31	900 123 071 30	Sealing ring A 18 X 24		1	
32	999 064 026 02	Screw plug		1	
32	999 064 026 01	Screw plug		1	
32	999 064 010 02	Screw plug See technical information GR.1/NR.5		1	
34	N 020 825 1	Cutting ring LL 8		1	
35	900 104 003 02	Union nut ALL 8		1	
35	900 104 003 03	Union nut ALL 8		1	
36	N 012 226 5	Spring washer B 6		2	
37	900 076 010 02	Nut M 6		2	
37	900 076 010 0B	Nut M 6		2	
38	930 107 765 00	Oil thermostat		1	
39	999 701 053 50	Sealing ring 39,2 X 3		1	
40	911 105 162 00	Cover	76-	1	
41	930 105 198 01	Gasket for Cover		1	
42	900 084 010 02	Lock nut M 6		3	
43	900 031 011 30	Washer A 6,4		3	
44	900 123 044 30	Sealing ring A 18 X 22		1	
45	930 107 705 00	Reducing socket for 930/51/52/53/54		1	
47	911 606 111 00	Pressure transmitter		1	
47	911 606 111 02	Pressure transmitter		1	
48	900 123 009 20	Sealing ring		1	
49	911 606 230 00	Oil pressure switch		1	
(50)	930 107 704 00	Connection piece		1	930/50
50	911 107 704 00	Connection piece for 930/51/52/53/54		1	
51	900 123 005 30	Sealing ring A 12 X 16		2	
52	911 107 709 01	Screw socket		1	930/50
52	911 107 709 02	Screw socket		1	
-	900 108 022 00	Ball \$ 9		1	

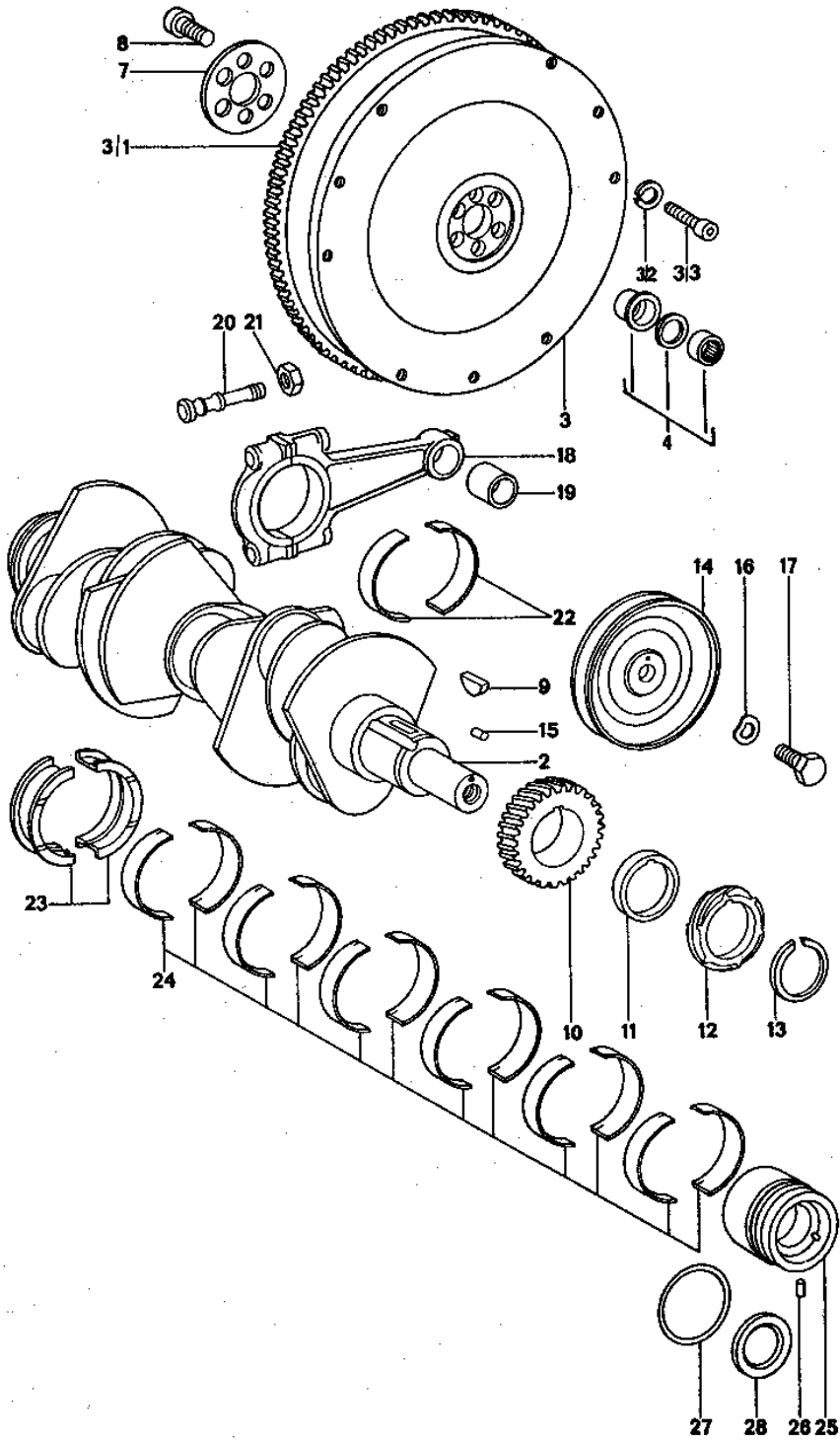
Model: 911 75

Model life 1975>>1977

Pos	Part Number	Description	Remark	Qty	Model
		for 930/51/52/53/54			

Model: 911 75

Model life 1975>>1977



Model: 911 75 Model life 1975>>1977

Pos	Part Number	Description	Remark	Qty	Model
2	916 102 016 00	Crankshaft		1	
(3)	930 102 201 01	Flywheel		1	
(3/1)	930 116 230 00	Starter ring		1	
3/2	900 027 015 02	Lock ring B 8 See group 3/01/00		9	
3/2	900 027 015 03	Lock ring B 8 See group 3/01/00		9	
3/3	900 067 090 02	Pan-head screw M 8 X 42 See group 3/01/00		9	
(4)	930 102 025 00	Bush		1	
7	901 102 162 04	Washer		1	
8	911 102 171 00	Pan-head screw		6	
9	901 102 147 00	Woodruff key		1	
10	901 102 111 00	Timing gear for Number 0		1	
(10)	901 102 111 10	Timing gear for Number 1		1	
(10)	901 102 111 20	Timing gear for Number 1		1	
11	901 102 145 00	Intermediate ring		1	
12	901 102 115 00	Drive wheel		1	
12	901 102 115 01	Drive wheel		1	
13	901 102 148 00	Circlip		1	
(14)	930 102 016 00	V-belt pulley	-75	1	
(14)	930 102 126 01	Pulley		1	
15	900 012 060 00	Straight pin 5M 6 X 10		1	
16	900 028 014 01	Lock ring B 12		1	
17	999 093 005 02	Hexagon-head bolt M 12 X 1,5 X 22		1	
18	911 103 015 32	Connecting rod Weight group: 4 = 654 -663 GR		6	
18	911 103 015 33	Connecting rod Weight group: 4 = 663 -672 GR		6	
18	911 103 015 34	Connecting rod Weight group: 4 = 672 - 681 GR.		6	
18	911 103 015 35	Connecting rod Weight group: 5 = 681 - 690 GR.		6	
18	911 103 015 36	Connecting rod Weight group: 6 = 690 - 699 GR.		6	
18	911 103 015 37	Connecting rod Weight group: 7 = 699 - 708 GR.		6	
18	911 103 015 38	Connecting rod Weight group: 8 = 708 - 717 GR.		6	
18	911 103 015 39	Connecting rod		6	

Model: 911 75 Model life 1975>>1977

Pos	Part Number	Description	Remark	Qty	Model
>>	911 103 959 00	Weight group: 9 = 718 - 727 GR. Connecting rod 1 set Comprising: Connecting rod		1	
19	901 103 131 01	Connecting rod bush		6	
20	914 103 171 00	Connecting rod bolt		6	
20	914 103 171 01	Connecting rod bolt		12	
21	901 103 173 00	Connecting rod nut		12	
21	901 103 173 02	Connecting rod nut		12	
22	914 103 141 00	Connecting-rod bearing		12	
(22)	914 103 141 50	Connecting-rod bearing Oversize 0,25 MM		12	
(22)	914 103 141 60	Connecting-rod bearing Oversize 0,50 MM		12	
(22)	914 103 141 70	Connecting-rod bearing Oversize 0,75 MM		12	
>>	911 101 902 00	Set of crankshaft bearings Comprising: 75		1	
		M 615 0306 >>			
		M 615 9067 >>			
		M 635 0095 >>			
		M 635 9041 >>			
		M 645 0389 >>			
		M 645 9031 >>			
		M 655 0023 >>			
		M 655 9022 >>			
		M 665 0114 >>			
23	901 101 131 00	Bearing shell I		2	
24	911 101 133 00	Bearing shell II - VII		12	
25	901 101 138 03	Bearing sleeve VIII		1	
>>	911 101 902 50	Set of crankshaft bearings Oversize Inner 0,25 MM Comprising: 75		1	
		M 615 0306 >>			
		M 615 9067 >>			
		M 635 0095 >>			
		M 635 9041 >>			
		M 645 0389 >>			
		M 645 9031 >>			
		M 655 0023 >>			
		M 655 9022 >>			
		M 665 0114 >>			
(23)	901 101 131 50	Bearing shell I		2	
(23)	901 101 131 93	Bearing shell I		2	
(24)	911 101 133 50	Bearing shell II - VII		12	
(25)	901 101 138 53	Bearing sleeve VIII		1	
>>	911 101 902 55	Set of crankshaft bearings		1	

Model: 911 75 Model life 1975>>1977

Pos	Part Number	Description	Remark	Qty	Model
		Crankshaft bearing Oversize Inner 0,50 MM Comprising: 75 M 615 0306 >> M 615 9067 >> M 635 0095 >> M 635 9041 >> M 645 0389 >> M 645 9031 >> M 655 0023 >> M 655 9022 >> M 665 0114 >>			
(23)	901 101 131 55	Bearing shell I		2	
(24)	911 101 133 55	Bearing shell II - VII		12	
(25)	901 101 138 58	Bearing sleeve VIII		1	
>>	911 101 902 65	Set of crankshaft bearings Oversize Inner 0,75 MM Comprising: 75 M 615 0306 >> M 615 9067 >> M 635 0095 >> M 635 9041 >> M 645 0389 >> M 645 9031 >> M 655 0023 >> M 655 9022 >> M 665 0114 >>		1	
(23)	901 101 131 65	Bearing shell I		2	
(24)	911 101 133 65	Bearing shell II - VII		12	
(25)	901 101 138 68	Bearing sleeve VIII		1	
>>	911 101 902 60	Set of crankshaft bearings Oversize Outer 0,25 MM Comprising: 75 M 615 0306 >> M 615 9067 >> M 635 0095 >> M 635 9041 >> M 645 0389 >> M 645 9031 >> M 655 0023 >> M 655 9022 >> M 665 0114 >>		1	
(23)	901 101 131 60	Bearing shell I		2	
(24)	911 101 133 60	Bearing shell II - VII		12	
(24)	911 101 133 61	Bearing shell II - VII		12	

Model: 911 75 Model life 1975>>1977

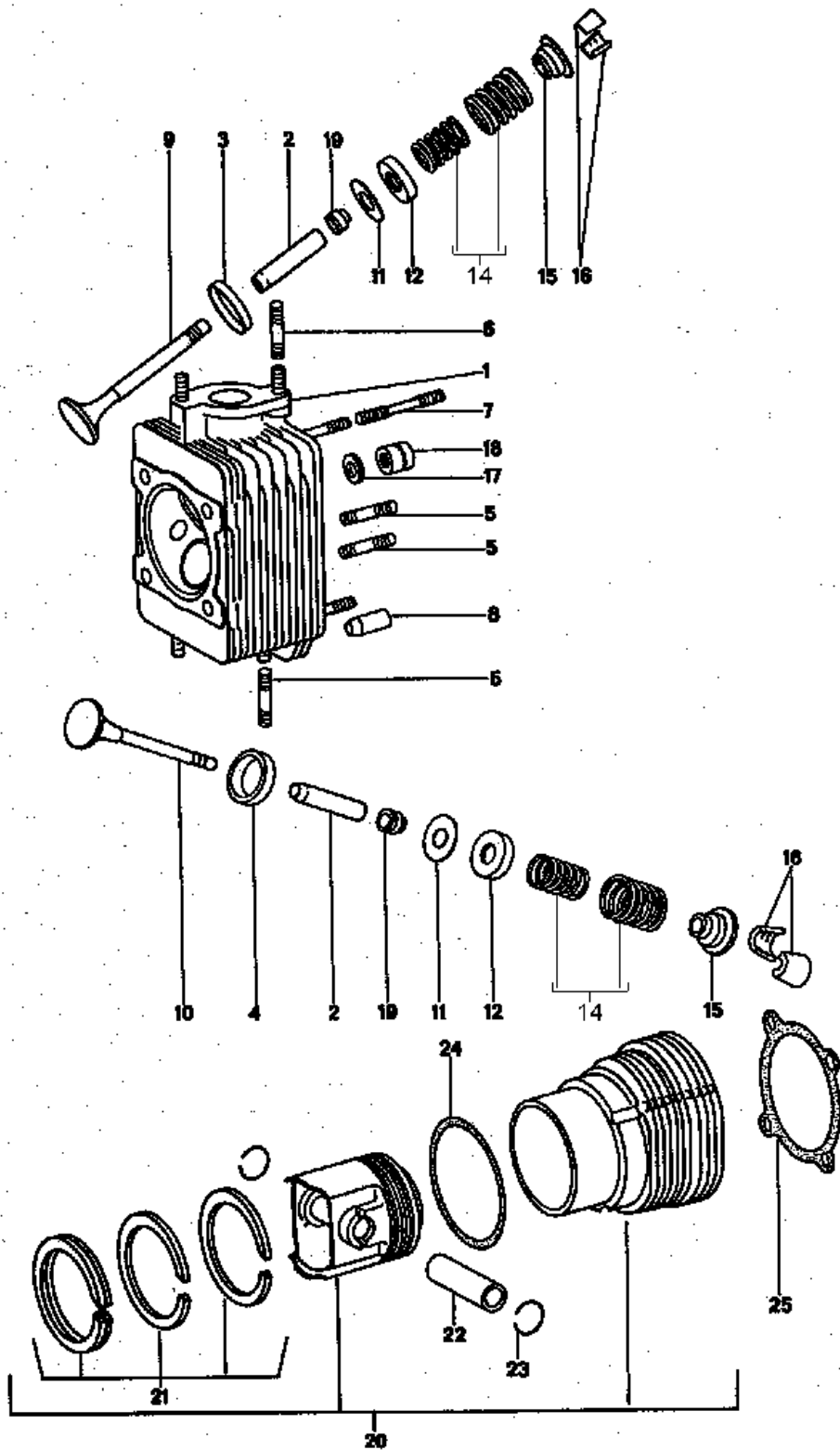
Pos	Part Number	Description	Remark	Qty	Model
(25)	901 101 138 63	Bearing sleeve VIII		1	
>>	911 101 902 70	Set of crankshaft bearings Oversize Outer 0,25 MM Inner 0,25 MM Comprising: 75 M 615 0306 >> M 615 9067 >> M 635 0095 >> M 635 9041 >> M 645 0389 >> M 645 9031 >> M 655 0023 >> M 655 9022 >> M 665 0114 >>		1	
(23)	901 101 131 70	Bearing shell I		2	
(24)	911 101 133 70	Bearing shell II - VII		12	
(25)	901 101 138 73	Bearing sleeve VIII		1	
>>	911 101 902 75	Set of crankshaft bearings Oversize Outer 0,25 MM Inner 0,50 MM Comprising: 75 M 615 0306 >> M 615 9067 >> M 635 0095 >> M 635 9041 >> M 645 0389 >> M 645 9031 >> M 655 0023 >> M 655 9022 >> M 665 0114 >>		1	
(23)	901 101 131 75	Bearing shell I		2	
(24)	911 101 133 75	Bearing shell II - VII		12	
(25)	901 101 138 78	Bearing sleeve VIII		1	
>>	911 101 902 85	Set of crankshaft bearings Oversize Outer 0,25 MM Inner 0,75 MM Comprising: 75 M 615 0306 >> M 615 9067 >> M 635 0095 >> M 635 9041 >> M 645 0389 >> M 645 9031 >> M 655 0023 >>		1	

Model: 911 75 Model life 1975>>1977

Pos	Part Number	Description	Remark	Qty	Model
(23)	901 101 131 85	M 655 9022 >> M 665 0114 >> Bearing shell I		2	
(24)	911 101 133 85	Bearing shell II - VII		12	
(25)	901 101 138 88	Bearing sleeve VIII		1	
26	900 012 061 00	Straight pin 5H 8 X 10		1	
27	900 174 041 40	Sealing ring		1	
27	900 174 068 40	Sealing ring		1	
28	999 113 049 52	Radial sealing ring 30 X 50 X 10		1	
(28)	999 113 291 40	Sealing ring 29,5 X 50 X 10 Oversize		1	

Model: 911 75

Model life 1975>>1977



Model: 911 75 Model life 1975>>1977

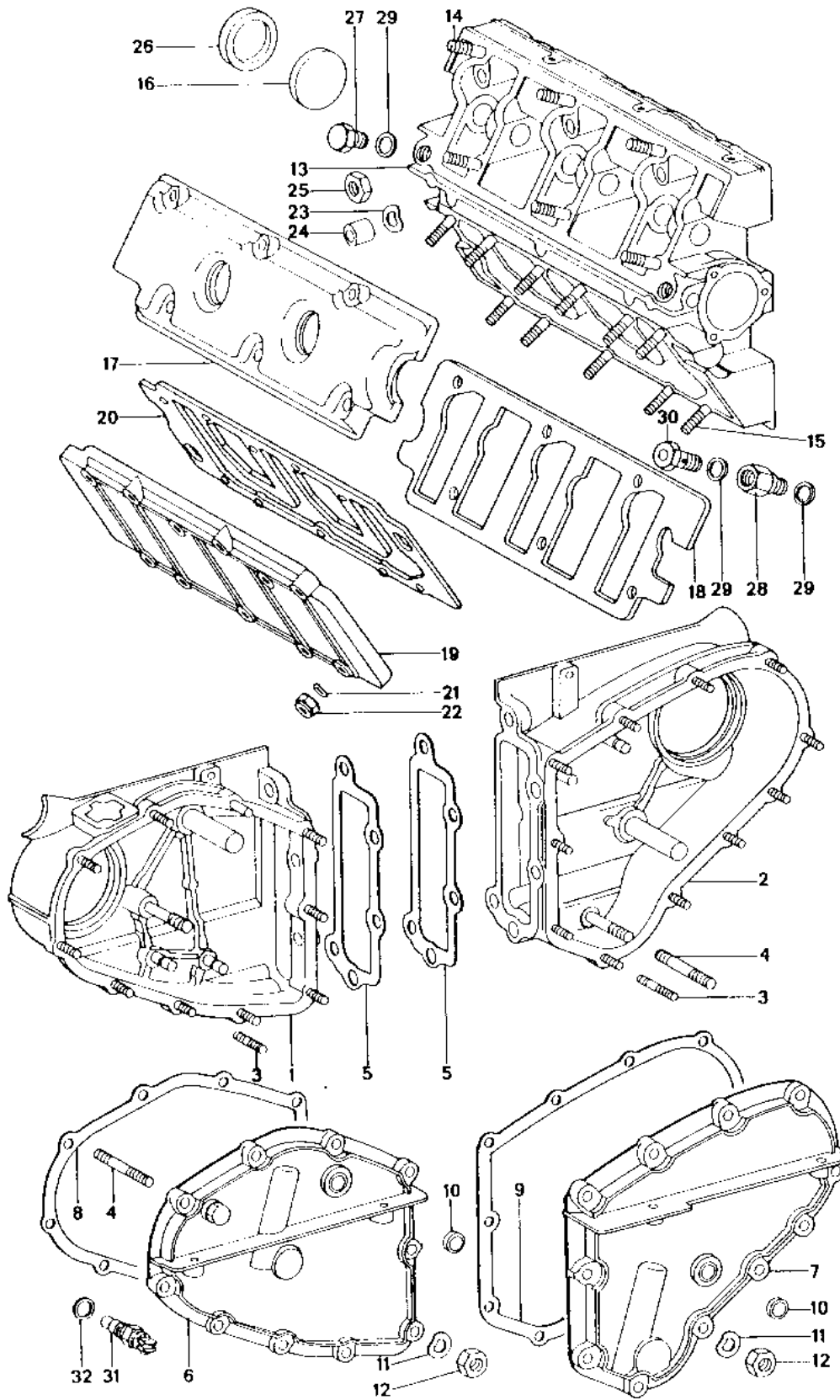
Pos	Part Number	Description	Remark	Qty	Model
1	930 104 042 02	Cylinder head Cylinder with piston		6	930/50
1	930 104 043 06	Cylinder head with studs without valves		6	
(1)	930 104 022 02	Cylinder head with studs with valves for 930/51/52/53/54		6	930/50
(1)	930 104 023 06	Cylinder head with studs with valves Ready for installation		6	
2	930 104 321 50	Valve guide 1st oversize		12	
(2)	901 104 321 61	Valve guide 2nd oversize		12	
3	930 104 331 50	Valve seat ring Intake Oversize		6	
4	930 104 335 50	Valve seat ring Exhaust Oversize		6	
5	999 062 006 02	Stud BM 8 X 20		12	
5	999 062 044 02	Stud BM 8 X 30		12	
(6)	999 062 178 02	Stud BM 8 X 120		12	
7	900 061 012 02	Stud BM 8 X 50		24	
8	999 012 006 00	Straight pin		12	
9	964 105 409 06	Intake valve		6	
9	964 105 409 08	Intake valve		6	
10	930 105 419 50	Exhaust valve		6	
11	930 105 461 00	Washer		X	
12	901 105 463 00	Ring		12	
14	901 105 901 50	Set of valve springs		12	
14	901 105 901 51	Set of valve springs		12	
15	901 105 421 03	Concave washer		12	
16	901 105 417 00	Collet		24	
17	999 031 083 01	Washer		24	
17	999 031 083 02	Washer		24	
18	901 104 382 02	Nut		24	
18	901 104 382 03	Nut		24	
19	911 104 193 00	Valve stem seal		12	
(20)	930 103 958 01	Cylinder with piston And Piston Group 5 - mahle -		6	
(20)	930 103 958 02	Cylinder with piston And Piston Group 6 - mahle -		6	

Model: 911 75 Model life 1975>>1977

Pos	Part Number	Description	Remark	Qty	Model
(21)	930 103 959 00	Set of piston rings		6	
(22)	930 103 373 00	Piston pin		6	
23	N 012 278 1	Circlip F. ST C 22		12	
(24)	930 104 194 02	Cylinder base gasket		6	
(24)	930 104 194 01	Cylinder base gasket 0,50 MM		6	
(25)	930 104 317 00	Ce-seal ring		6	

Model: 911 75

Model life 1975>>1977



Model: 911 75 Model life 1975>>1977

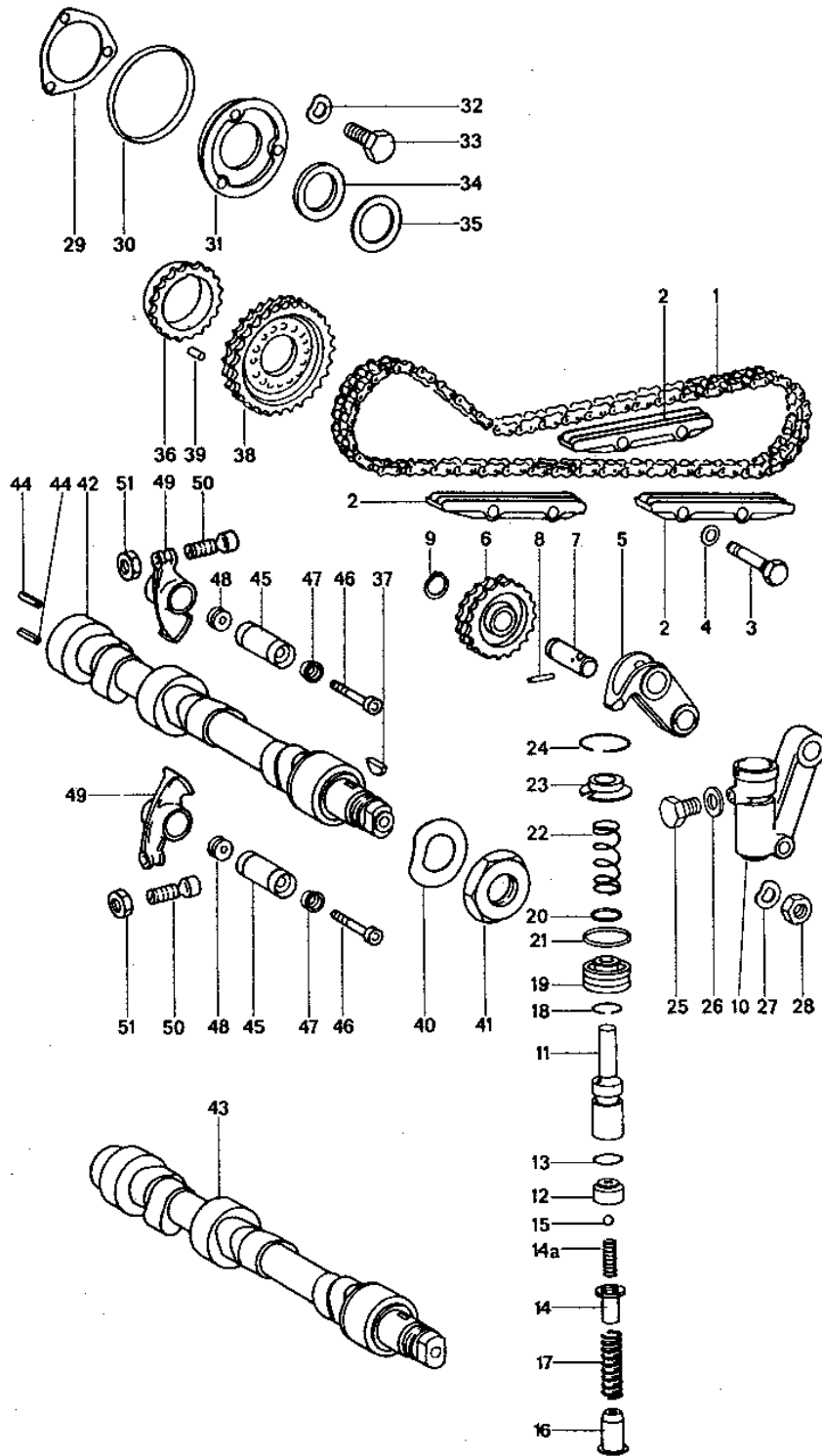
Pos	Part Number	Description	Remark	Qty	Model
		Chain case			
		Camshaft housing			
1	930 105 061 02	Chain case	/L	1	
2	930 105 062 01	Chain case	/R	1	
-	999 062 046 02	Stud	75-	2	
		BM 8 X 65			
-	999 062 052 02	Stud	75-	2	
		BM 8 X 42			
3	999 062 102 02	Stud		21	
		BM 6 X 22			
4	900 061 012 02	Stud	/R	1	
		BM 8 X 50			
4	900 061 209 02	Stud	/L	1	
		BM 8 X 60			
5	930 105 193 00	Gasket		2	
5	930 105 193 05	Gasket		2	
(6)	930 105 063 01	Lid	/L	1	
7	930 105 064 00	Lid	/R	1	
8	930 105 191 03	Gasket	/L	1	
9	930 105 192 01	Gasket	/R	1	
9	930 105 192 03	Gasket	/R	1	
9	930 105 192 04	Gasket	/R	1	
10	900 036 008 02	Lid		2	
		15			
11	900 031 011 30	Washer		21	
		6,4 X 11 AL			
11	900 151 035 30	Washer		2	
		B 6,4 X 18 AL			
-	900 031 014 30	Washer		2	
		8,4			
12	900 084 010 02	Lock nut		21	
		M 6			
-	900 076 025 02	Hexagon nut		2	
		M 8			
-	900 076 064 02	Hexagon nut		2	
		M 8			
(13)	930 105 021 00	Camshaft housing		2	
-	930 105 362 00	Oil splash tube		2	
-	901 105 379 00	Stopper		4	
14	999 062 009 02	Stud		12	
		BM 8 X 28			
14	900 060 105 01	Stud		12	
		BM 8 X 28			
15	999 062 010 02	Stud		22	
		BM 8 X 35			
(16)	930 105 161 00	Lid		2	
17	901 105 115 03	Lid		2	
		for			
		Camshaft housing			
18	930 105 194 00	Gasket		2	
		for			
		Camshaft housing			
18	930 105 194 02	Gasket		2	
		for			
		Camshaft housing			
18	930 105 194 04	Gasket		2	
		for			
		Camshaft housing			
19	930 105 116 00	Lid		2	
		for			
		Camshaft housing			
19	930 105 116 05	Lid		2	
		for			

Model: 911 75 Model life 1975>>1977

Pos	Part Number	Description	Remark	Qty	Model
20	930 105 195 00	Camshaft housing Gasket for Camshaft housing		2	
20	930 105 195 02	Gasket for Camshaft housing		2	
20	930 105 195 05	Gasket for Camshaft housing		2	
20	930 105 195 06	Gasket for Camshaft housing		2	
20	930 105 195 07	Gasket for Camshaft housing		2	
21	900 031 014 30	Washer 8,4		40	
22	900 084 004 03	Hexagon nut M 8		40	
22	900 084 004 02	Hexagon nut M 8		40	
23	N 012 241 8	Spring washer B 8 X 15		40	
24	901 111 271 00	Nut		6	
25	900 076 025 02	Hexagon nut M 8		34	
25	900 076 064 02	Hexagon nut M 8		34	
27	901 105 374 00	Screw plug		2	
28	901 105 361 01	Intermediate piece		2	
28	901 105 361 02	Intermediate piece		2	
29	900 123 005 00	Sealing ring A 12 X 16		8	
30	900 134 006 02	Banjo bolt A 6		2	
30	N 021 056 3	Banjo bolt A 6		2	
30	999 134 018 02	Banjo bolt A 6		2	
31	911 617 117 00	Temperature switch		1	
32	900 123 007 70	Sealing ring A 14 X 18		1	

Model: 911 75

Model life 1975>>1977



Model: 911 75

Model life 1975>>1977

Pos	Part Number	Description	Remark	Qty	Model
1	901 105 529 00	Valve control Left Timing chain Closed		1	
1	911 105 529 00	Timing chain Closed		1	
1	993 105 529 00	Timing chain Closed		1	
(1)	911 105 529 50	Timing chain Divided with Connecting link		1	
(1)	911 105 529 51	Timing chain Divided with Connecting link		1	
-	901 105 530 00	Connecting link Only together with 911.105.529.50		1	
2	911 105 222 06	Guide rail		3	
3	901 105 226 03	Bolt		4	
4	900 123 066 30	Sealing ring A 10 X 16		4	
5	901 105 505 02	Chain wheel support		1	
6	901 105 055 00	Sprocket		1	
7	901 105 056 01	Bolt Complete		1	
7	901 105 056 02	Bolt Complete		1	
8	900 197 010 00	Tensioning sleeve 3 X 22		1	
9	N 012 415 1	Circlip 15 X 1		1	
10-26	930 105 049 00	Chain adjuster Complete		1	
10	901 105 050 01	Housing		1	
11	930 105 559 00	Piston		1	
12		Intermediate piece		1	
13		O-ring CR 10 - 1		1	
14		Sleeve for Valve		1	
14A		Compression spring		1	
15		Ball		1	
16		Spring guide		1	
17	916 105 534 00	Compression spring		1	
17	916 105 534 01	Compression spring		1	
18		Circlip 16		1	
19	930 105 557 00	Piston		1	
20		O-ring CR 8,3 - 2,4		1	
21		O-ring CR 20,3 - 2,4		1	
22	930 105 535 01	Compression spring		1	
23	930 105 568 00	Concave washer		1	
24		Circlip 28		1	
25	930 105 573 00	Bleeder screw		1	
26		Sealing ring 6 X 10		1	
27	N 012 241 8	Spring washer		1	

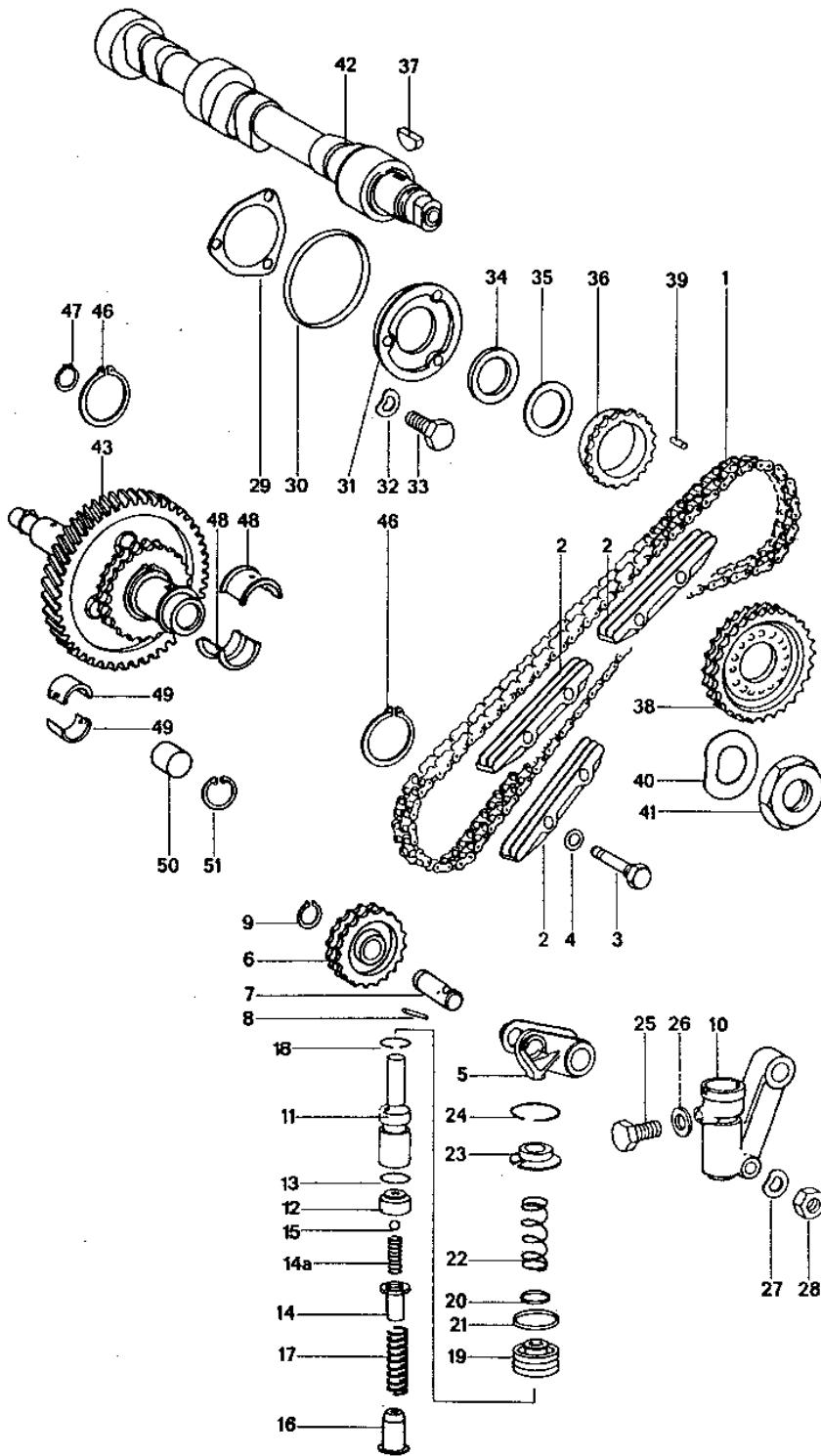
Model: 911 75

Model life 1975>>1977

Pos	Part Number	Description	Remark	Qty	Model
28	900 076 025 02	B 8 X 15 Hexagon nut		1	
28	900 076 064 02	M 8 Hexagon nut		1	
29	930 105 197 05	M 8 Gasket		1	
30	999 701 468 40	Round seal		1	
31	930 105 196 00	67,5 X 75,4 X4 Cover		1	
32	N 012 226 5	Spring washer		3	
33	900 075 017 02	B 6 Hexagon-head bolt		3	
33	900 075 017 03	M 6 X 25 Hexagon-head bolt		3	
34	901 105 562 00	M 6 X 25 Thrust washer		1	
34	901 105 562 02	Thrust washer		1	
35	901 105 561 00	Shim		X	
36	901 105 583 01	Flange		1	
37	900 118 005 00	Woodruff key		1	
38	901 105 546 02	4 X 5 Sprocket		1	
38	901 105 546 04	II Sprocket		1	
39	900 243 001 00	II Straight pin		1	
40	900 028 021 01	6 H 8 X 14 Spring washer		1	
41	901 105 172 00	B 30 Nut		1	
(43)	930 105 141 00	Camshaft		1	
(43)	930 105 143 00	without Air injection Camshaft		1	
45	901 105 342 04	with Air injection Rocker shaft		12	
46	999 067 008 00	Rocker shaft		12	
47	901 105 344 02	Pan-head screw		12	
47	901 105 344 03	Bush		12	
48	901 105 376 02	Bush		12	
49	930 105 043 00	Nut		12	
49	930 105 043 02	Rocker arm		12	
50	901 105 370 02	Rocker arm		12	
51	999 034 005 00	Adjusting screw		12	
		Nut		12	

Model: 911 75

Model life 1975>>1977



Model: 911 75 Model life 1975>>1977

Pos	Part Number	Description	Remark	Qty	Model
1	901 105 529 00	Valve control Right		1	
(1)	911 105 529 50	Timing chain		1	
(1)	911 105 529 51	Timing chain with Connecting link		1	
-	901 105 530 00	Connecting link for 901.105.529.50		1	
2	911 105 222 05	Guide rail		1	
2	911 105 222 06	Guide rail		2	
3	901 105 226 03	Bolt		4	
4	900 123 066 30	Sealing ring A 10 X 16		4	
5	901 105 506 02	Chain wheel support		1	
6	901 105 055 00	Sprocket		1	
7	901 105 056 01	Bolt		1	
7	901 105 056 02	Complete Bolt		1	
8	900 197 010 00	Complete Tensioning sleeve 3 X 22		1	
9	N 012 415 1	Circlip 15 X 1		1	
10-26	930 105 049 00	Chain adjuster Complete		1	
10	901 105 050 01	Housing		1	
11	930 105 559 00	Piston		1	
12		Intermediate piece		1	
13		O-ring CR 10 - 1		1	
14		Sleeve for Valve		1	
14A		Compression spring		1	
15		Ball		1	
16		Spring guide		1	
17	916 105 534 00	Compression spring		1	
17	916 105 534 01	Compression spring		1	
18		Circlip 16		1	
19	930 105 557 00	Piston		1	
20		O-ring CR 8,3 - 2,4		1	
21		O-ring CR 20,3 - 2,4		1	
22	930 105 535 01	Compression spring		1	
23	930 105 568 00	Concave washer		1	
24		Circlip 28		1	
25	930 105 573 00	Bleeder screw		1	
26		Sealing ring A 6,5 X 9,5		1	
27	N 012 241 8	Spring washer B 8 X 15		1	
28	900 076 025 02	Hexagon nut M 8		1	
28	900 076 064 02	Hexagon nut M 8		1	
29	930 105 197 05	Gasket		1	

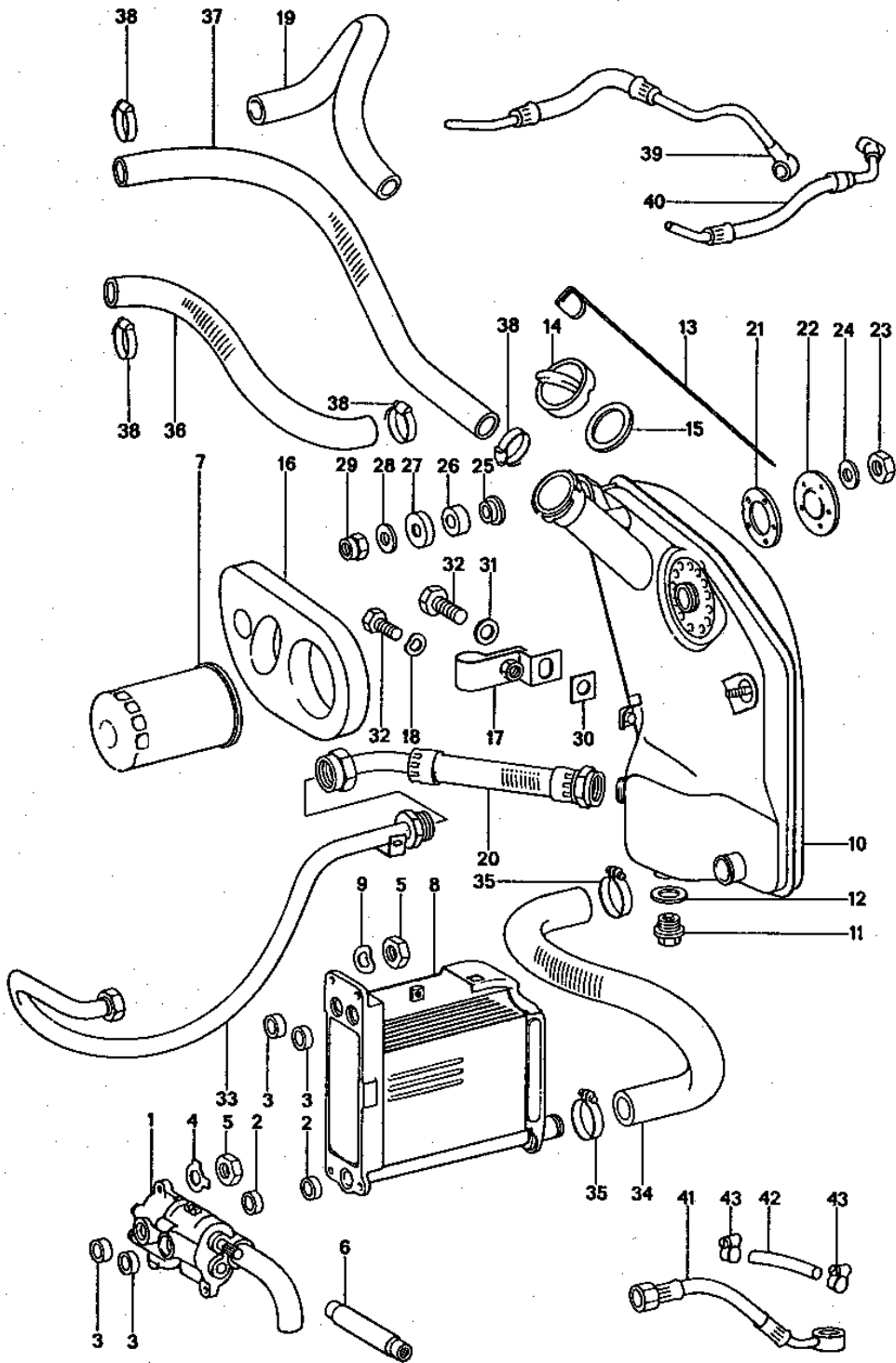
Model: 911 75

Model life 1975>>1977

Pos	Part Number	Description	Remark	Qty	Model
30	999 701 468 40	Round seal 67,5 X 75,4 X 4		1	
31	930 105 196 00	Cover		1	
32	N 012 226 5	Spring washer B 6		3	
33	900 075 017 02	Hexagon-head bolt M 6 X 25		3	
33	900 075 017 03	Hexagon-head bolt M 6 X 25		3	
34	901 105 562 00	Thrust washer		1	
34	901 105 562 02	Thrust washer		1	
35	901 105 561 00	Shim		X	
36	901 105 583 01	Flange		1	
37	900 118 005 00	Woodruff key 4 X 5		1	
38	901 105 546 02	Sprocket II		1	
38	901 105 546 04	Sprocket II		1	
39	900 243 001 00	Straight pin 6 H 8 X 14		1	
40	900 028 021 01	Spring washer B 30		1	
41	901 105 172 00	Nut		1	
(42)	930 105 142 00	Camshaft		1	
43	930 105 013 01	Intermediate shaft Size 0		1	
43	930 105 013 04	Intermediate shaft Size 0		1	
(43)	930 105 013 11	Intermediate shaft Size 1		1	
46	900 041 025 01	Circlip 36 X 1,75		2	
47	900 041 026 01	Circlip 13 X 1		1	
48	916 101 137 00	Thrust bearing		2	
48	993 101 137 00	Thrust bearing		2	
48	993 101 137 01	Thrust bearing		2	
49	901 101 135 00	Bearing		2	
50	901 105 275 00	Stopper		1	
51	N 012 296 1	Circlip 16 X 1		1	

Model: 911 75

Model life 1975>>1977



Model: 911 75 Model life 1975>>1977

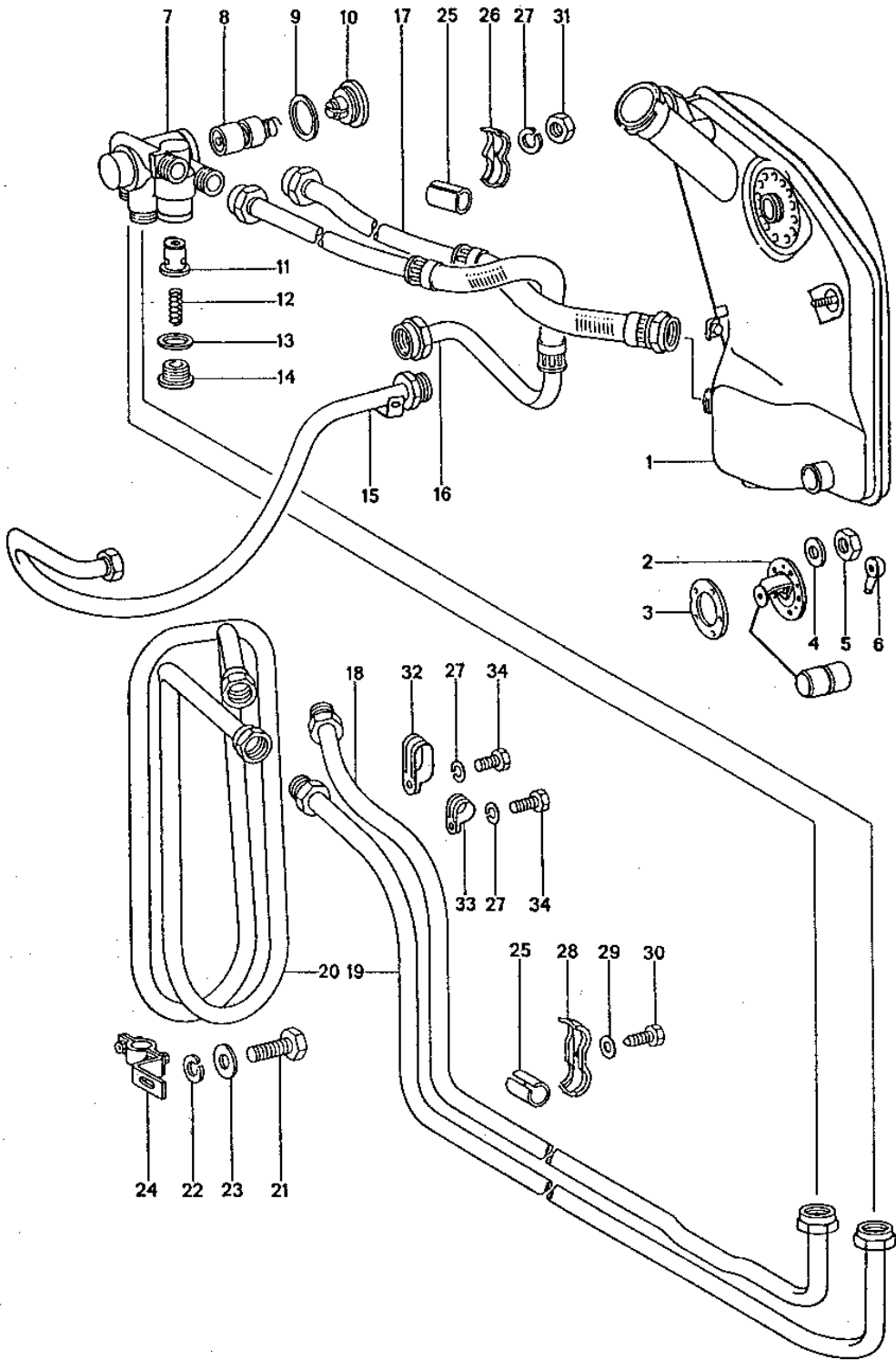
Pos	Part Number	Description	Remark	Qty	Model
		Engine lubrication			
(1)	911 107 008 01	Oil pump	76-	1	
2	999 704 173 50	Sealing ring		2	
3	999 704 172 50	Sealing ring		4	
4	999 039 001 00	Tab washer		3	
5	900 076 025 02	Hexagon nut M 8		7	
5	900 076 064 02	Hexagon nut M 8		7	
6	901 107 121 00	Connecting shaft		1	
7	911 107 764 00	Oil filter		1	
7	911 107 754 00	Oil filter		1	
7	930 107 764 00	Oil filter		1	
7	930 107 764 01	Oil filter		1	
7	930 107 764 03	Oil filter		1	
		Red			
8	911 107 041 00	Oil cooler		1	
8	911 107 041 02	Oil cooler		1	
9	N 012 241 8	Spring washer B 8 X 15		4	
10	930 107 006 00	Oil tank		1	
-	900 104 015 02	Union nut		1	
-	930 107 601 00	Round socket		1	
11	911 107 176 03	Screw plug		1	
12	900 123 011 20	Sealing ring A 22 X 27		1	
13	930 107 731 00	Oil level dipstick		1	
14	911 107 072 00	Fuel tank cap		1	
14	911 107 072 01	Fuel tank cap		1	
14	911 107 072 02	Fuel tank cap		1	
15	901 201 272 00	Sealing ring		1	
15	930 107 272 01	Sealing ring		1	
16	911 107 192 03	Gasket		1	
17	901 501 930 22	Support		1	
18	900 028 003 01	Lock ring A 6		1	
19	930 107 395 00	Connecting hose Oil tank Air cleaner		1	
21	914 201 891 00	Gasket		1	
23	900 076 027 02	Nut M 5		5	
24	900 025 003 30	Washer 5,3		5	
25	901 107 692 00	Washer		2	
26	901 107 693 01	Washer		2	
27	901 107 661 00	Washer		2	
28	900 151 008 02	Washer B 8,4		2	
29	999 090 004 02	Hexagon nut M 8		2	
29	900 084 004 02	Hexagon nut M 8		2	
30	901 501 909 20	Intermediate layer		1	
31	N 011 524 7	Washer 6,4		1	
31	N 011 524 27	Washer 6,4		1	
32	900 075 057 02	Hexagon-head bolt M 6 X 16		2	
32	900 075 057 03	Hexagon-head bolt M 6 X 16		2	
32	900 075 010 02	Hexagon nut	75-	2	

Model: 911 75 Model life 1975>>1977

Pos	Part Number	Description	Remark	Qty	Model
32	N 010 212 14	M 6 X 12 Hexagon-head bolt	75-	2	
32	999 072 005 09	M 6 X 12 Hexagon nut	75-	2	
32	999 072 005 01	M 6 X 12 Hexagon nut	75-	2	
(33)	930 107 741 11	Oil pipe		1	
(34)	911 107 233 00	Suction hose		1	
35	999 512 091 00	Hose clamp S 40/15 SKZ-1 4571		2	
36	901 107 394 00	Breather hose Engine Oil tank 645 MM		1	
(36)	901 107 394 01	Connecting hose Engine Oil tank 800 MM		1	930/53/54
36	930 107 394 05	Connecting hose Engine Oil tank 925 MM Together with 930.110.020.00		1	
38	999 512 356 02	Hose clamp (22 X 36) X 9		4	
39	901 107 347 01	Oil hose	/L	1	
39	901 107 347 02	Oil hose	/L	1	
40	901 107 348 00	Oil hose	/R	1	
40	901 107 348 02	Oil hose	/R	1	

Model: 911 75

Model life 1975>>1977



Model: 911 75 Model life 1975>>1977

Pos	Part Number	Description	Remark	Qty	Model
1		Engine lubrication Radiator coil Oil tank See group 1/04/00		1	
(2)	911 641 541 01	Tank gauge		1	
3	914 201 891 00	Gasket		1	
4	900 025 003 30	Washer 5,3		5	
5	900 076 027 02	Nut M 5		5	
(6)	999 659 011 50	Water protection cap		1	
7	930 107 017 00	Regulator housing		1	
8	930 107 155 00	Regulator insert		1	
9	900 123 136 30	Sealing ring A 42 X 49		1	
10	911 107 155 00	Screw plug		1	
11	930 107 076 00	Piston		1	
12	900 280 008 00	Compression spring 2 X 10 X 55		1	
13	900 123 075 30	Sealing ring A 32 X 38		1	
14	916 107 276 00	Screw plug		1	
(15)	930 107 741 11	Oil pipe		1	
(16)	911 107 743 10	Oil pipe	75-	1	
(16)	911 107 743 12	Oil pipe	75-	1	
(16)	911 107 729 10	Oil pipe	75	1	
17	911 107 730 11	Oil pipe		1	
18	911 207 046 00	Return pipe		1	
18	930 207 046 00	Return pipe		1	
18	930 207 046 01	Return pipe		1	
18	930 207 046 02	Return pipe		1	
19	930 207 045 01	Intake tube		1	
19	930 207 045 03	Intake tube		1	
20	911 207 050 01	Radiator coil		1	
21	900 075 085 02	Hexagon-head bolt M 8 X 20		1	
22	900 025 007 02	Washer 8,4		1	
22	900 025 007 03	Washer 8,4		1	
23	900 027 015 02	Lock ring B 8		1	
23	900 027 015 03	Lock ring B 8		1	
24	911 207 051 00	Clip		1	
25	911 207 302 00	Hose		8	
26	911 207 237 00	Support		1	
27	900 027 014 01	Lock ring B 6		4	
27	900 027 014 02	Lock ring B 6		4	
27	N 012 006 4	Lock ring B 6		4	
28	911 207 303 00	Support		3	
-	911 559 145 01	Spacer sleeve		3	
29	900 151 007 02	Washer B 7,4		3	
29	900 151 007 03	Washer B 7,4		3	
30	900 187 032 02	Tapping screw BZ 6,3 X 32		3	
31	900 076 010 02	Nut		1	

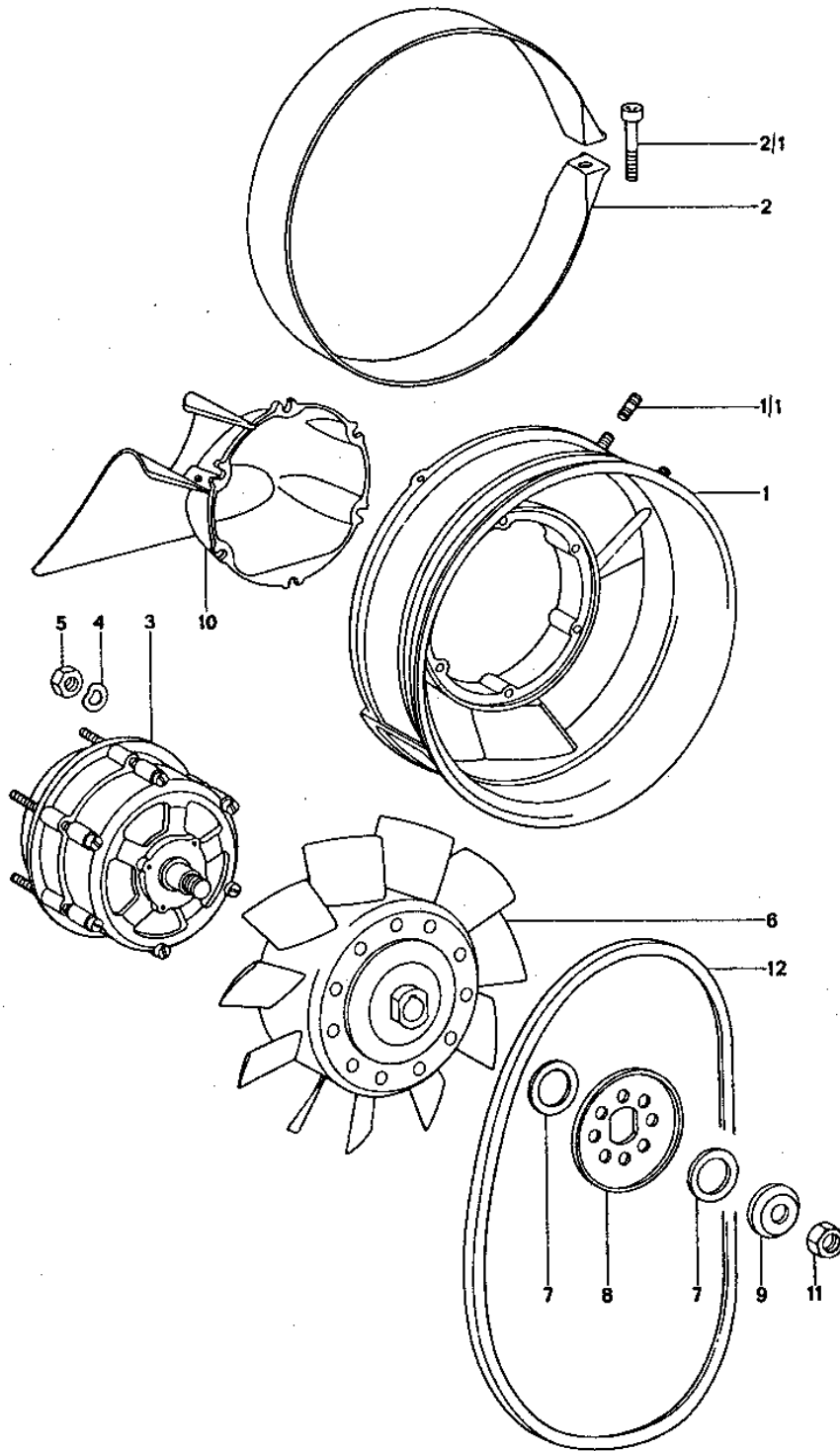
Model: 911 75

Model life 1975>>1977

Pos	Part Number	Description	Remark	Qty	Model
31	900 076 010 0B	M 6 Nut		1	
32	999 511 084 02	M 6 Pipe clamp		1	
33	999 511 080 02	1100 2 X 22/15 Clamp		2	
34	900 378 030 09	1100 22/15 Hexagon-head bolt M 6 X 20		3	

Model: 911 75

Model life 1975>>1977

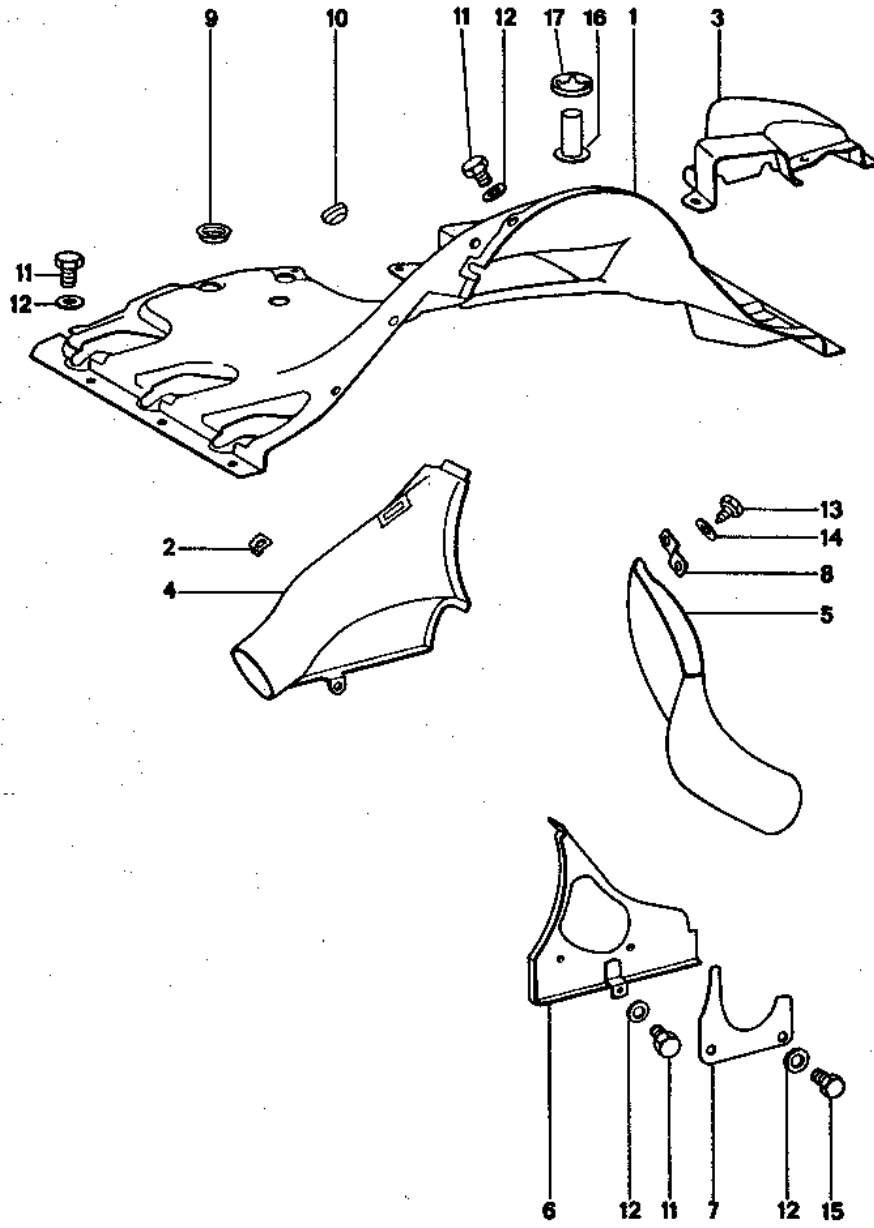


Model: 911 75 Model life 1975>>1977

Pos	Part Number	Description	Remark	Qty	Model
(1)	911 106 008 00	Air cooling Fan housing Complete	75-	1	
1/1	999 062 006 02	Stud BM 8 X 20		2	
2	964 106 251 20	Clip		1	
2/1	N 014 715 3	Pan-head screw M 8 X 45		1	
2/1	900 067 103 01	Pan-head screw M 8 X 45		1	
3		Generator See group 9/02/10			
4	N 012 226 5	Spring washer B 6		6	
5	900 076 010 02	Nut M 6		6	
5	900 076 010 0B	Nut M 6		6	
-	900 118 006 00	Woodruff key 4 X 6,5		1	
6	930 106 012 00	Impeller		1	
6	930 106 012 01	Impeller		1	
7	930 106 564 00	Shim		X	
(8)	930 106 209 02	Pulley half		1	
9	901 603 428 00	Tensioning cap for Generator (MOTOROLA,MARCHAL SEV,ALTERNATEURS)		1	
9	901 603 428 01	Not for Tensioning cap for Generator (MOTOROLA,MARCHAL SEV,ALTERNATEURS)	(CAL)	1	
10	911 106 033 03	Not for Hub extension for Generator 980 W	(CAL) 75-	1	
(10)	911 106 033 00	Hub extension		1	
11	901 603 905 00	Hexagon nut M 16 X 1		1	
11	901 603 905 01	Hexagon nut M 16 X 1		1	
12	999 192 097 50	Narrow v-belt 9,5 X 725	76-	1	

Model: 911 75

Model life 1975>>1977

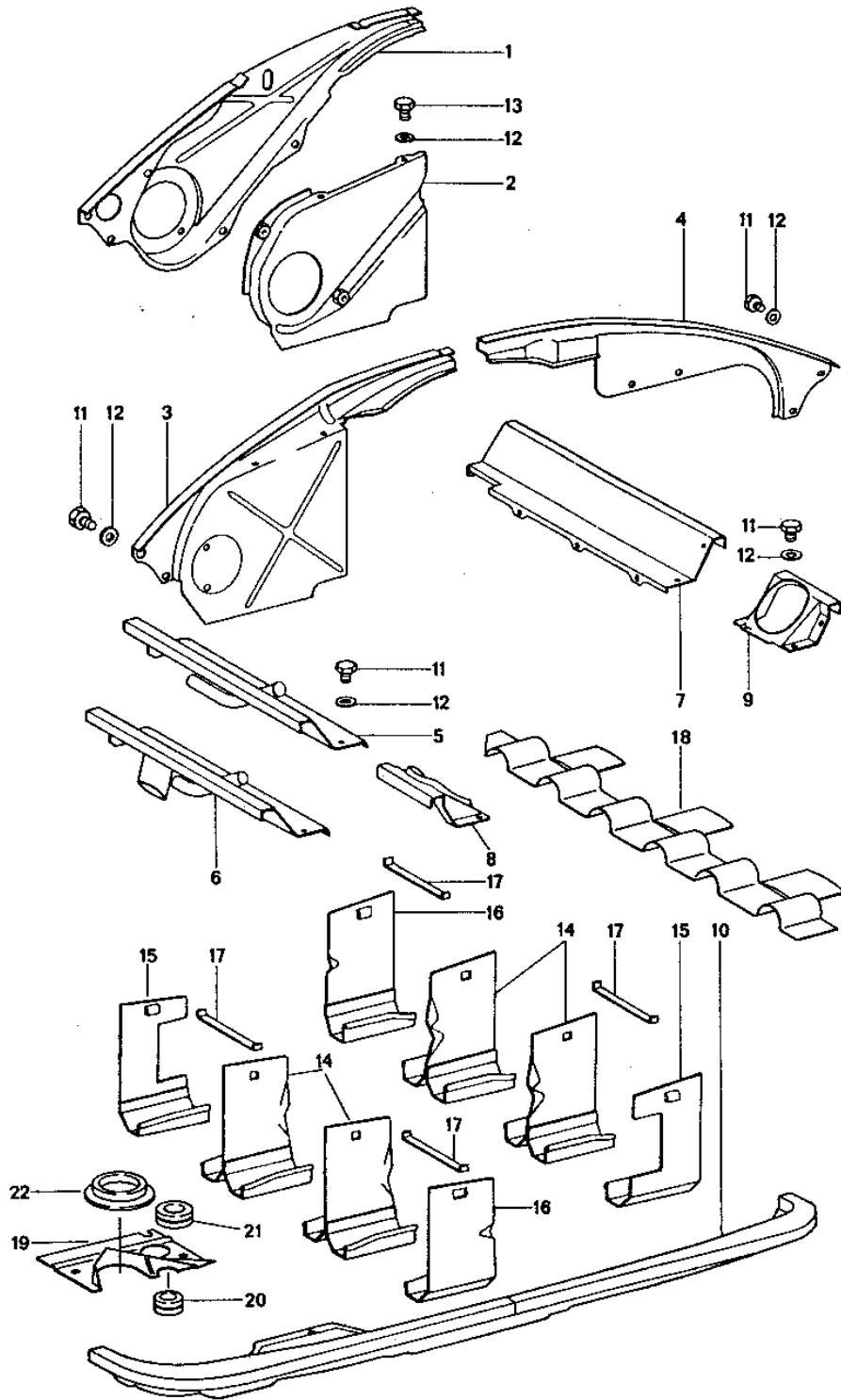


Model: 911 75 Model life 1975>>1977

Pos	Part Number	Description	Remark	Qty	Model
(1)	930 106 041 12	Air guide		1	
(1)	930 106 041 05	Air guide		1	
(1)	PCG 106 041 05	Air guide		1	
		entspricht 93010604105			
		Colour			
		Black			
-	911 106 310 00	Sleeve		1	
-	999 591 315 02	Clip		1	
2	999 507 003 02	Speed nut		5	
		B 6,3			
2	999 507 003 01	Speed nut		5	
		B 6,3			
3	911 106 406 00	Air guide		1	
(4)	930 106 321 01	Hot air socket	/H /L	1	
(4)	930 106 021 50	Hot air socket	/H /L	1	
-	N 020 902 1	Tie-wrap		1	
		6,4 X 120			
-	N 020 902 A	Tie-wrap		1	
		6,4 X 120			
5	911 106 327 00	Hot air socket	/H /R	1	
6	911 106 036 00	Cover plate		1	
7	911 106 827 00	Closing plate	/H /R	1	
8	911 106 331 00	Support		1	
10	999 703 092 40	Stopper		1	
		9 X 18.4/14			
11	900 075 010 02	Hexagon nut		18	
		M 6 X 12			
11	N 010 212 14	Hexagon-head bolt		18	
		M 6 X 12			
11	999 072 005 09	Hexagon nut		18	
		M 6 X 12			
11	999 072 005 01	Hexagon nut		18	
		M 6 X 12			
(11)	900 075 057 02	Hexagon-head bolt		2	
		M 6 X 16			
(11)	900 075 057 03	Hexagon-head bolt		2	
		M 6 X 16			
-	N 012 226 5	Spring washer		8	
		B 6			
12	N 011 524 7	Washer		8	
		6,4			
12	N 011 524 27	Washer		8	
		6,4			
12	999 025 108 02	Washer		13	
		6,4 X 14			
-	999 511 081 02	Pipe clamp		1	
13	900 187 015 02	Hexagon-head tapping screw		4	
		B 6,3 X 16			
14	999 025 108 02	Washer		2	
		6,4 X 14 X 1,5 - ST.			
15	900 187 027 02	Hexagon-head tapping screw		1	
		BZ 6,3 X 22			

Model: 911 75

Model life 1975>>1977

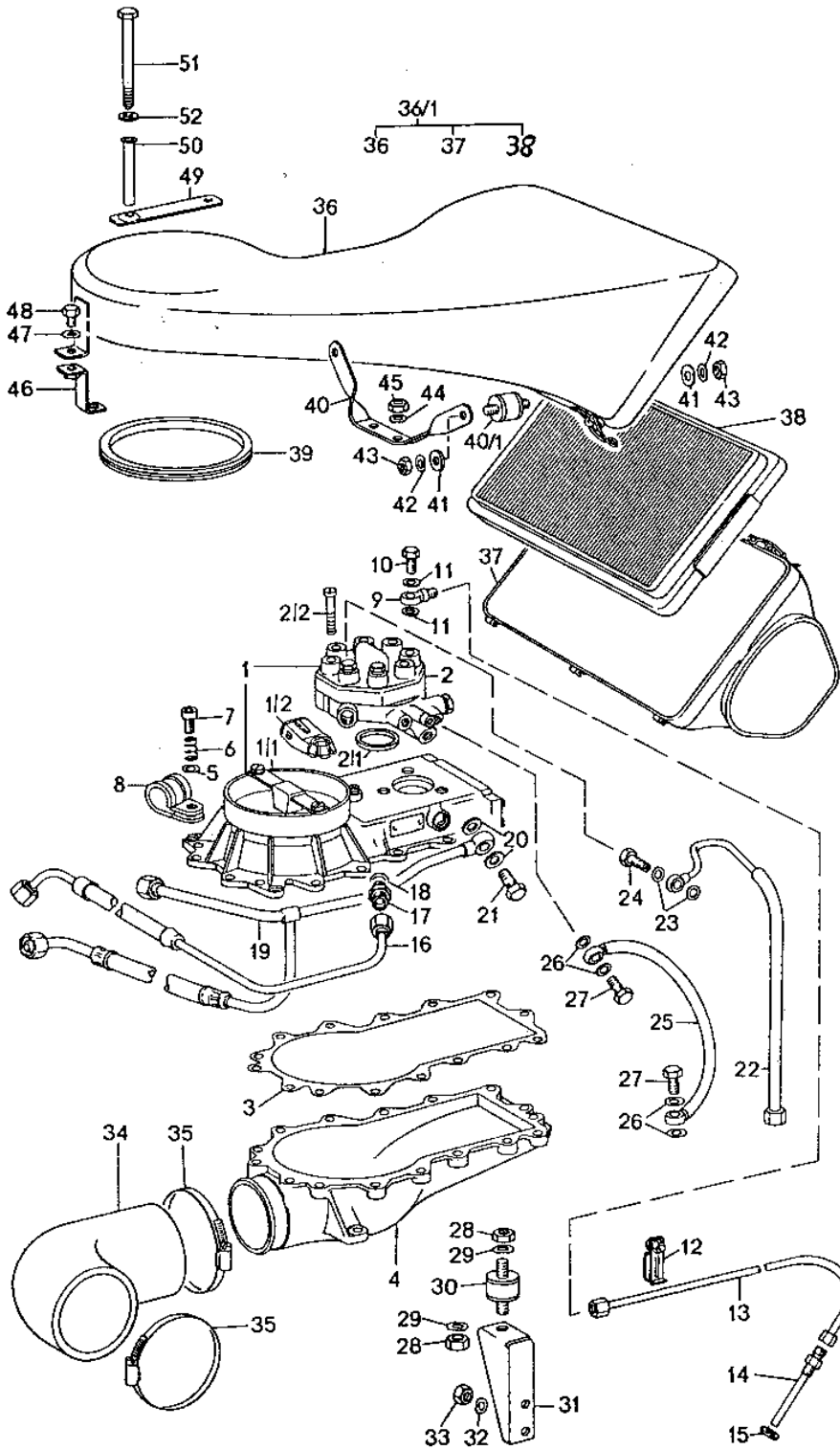


Model: 911 75 Model life 1975>>1977

Pos	Part Number	Description	Remark	Qty	Model
		Air guide			
		Engine cover			
(1)	930 106 804 01	Engine cover i	/L	1	930/51/52
(1)		Engine cover i	/L	1	
(2)	901 106 071 00	Engine cover ii	/L	1	
(3)	930 106 083 00	Engine cover	/L	1	
4	911 106 802 00	Engine cover	/R	1	
4	911 106 802 04	Engine cover	/R	1	
(6)	930 106 701 00	Engine cover	/L	1	930/50/52
(6)	930 106 703 00	Engine cover	/L	1	
		for 930/51/52/53/54			
7	901 106 084 00	Engine cover	/R 75-	1	
8	901 106 825 00	Cover	/L 75-	1	
9	901 106 826 00	Cover	/R	1	
10	930 106 851 00	Engine cover		1	
10	930 106 851 01	Engine cover	(J)	1	930/54
10	930 106 851 03	Engine cover		1	
		Air conditioner			
10	930 106 851 11	Engine cover		1	
		Air conditioner			
10	930 106 851 04	Engine cover	(J)	1	930/54
		Air conditioner			
10	930 106 851 11	Engine cover	(J)	1	930/54
		Air conditioner			
11	900 075 010 02	Hexagon nut		39	
		M 6 X 12			
11	N 010 212 14	Hexagon-head bolt		39	
		M 6 X 12			
11	999 072 005 09	Hexagon nut		39	
		M 6 X 12			
11	999 072 005 01	Hexagon nut		39	
		M 6 X 12			
-	N 012 226 5	Spring washer		39	
		B 6			
12	N 011 524 7	Washer		41	
		6,4			
12	N 011 524 27	Washer		41	
		6,4			
13	N 010 208 5	Hexagon-head bolt		2	
		M 6 X 8			
(14)	930 106 023 00	Baffle plate		4	
(15)	930 106 221 00	Baffle plate	/V/L/H/R	2	
(16)	930 106 222 00	Baffle plate	/V/R/H/L	2	
17	930 106 228 00	Leaf spring		6	
18	930 106 301 00	Cover plate		2	
19	930 106 852 01	Cover		1	
20	930 106 175 00	Rubber sleeve		2	
		21,5 \$			
21	930 106 176 00	Rubber sleeve		1	
		34 \$			
22	930 106 191 00	Rubber sleeve		1	
-	N 010 210 13	Hexagon-head bolt		2	
		M 6 X 10			
-	N 012 226 5	Spring washer		2	
		B 6			

Model: 911 75

Model life 1975>>1977



Model: 911 75

Model life 1975>>1977

Pos	Part Number	Description	Remark	Qty	Model
		Mixture control unit Air cleaner			
1	930 110 115 01	Mixture control unit		1	930/50
-	930 100 942 00	Start valve		1	930/50
(1)	930 110 115 02	Mixture control unit		1	
1/1	930 110 805 00	Mass air flow meter		1	930/50
1/1	930 110 803 00	Mass air flow meter		1	
1/2	911 110 929 00	Safety contact		1	
2	930 110 806 00	Fuel distributor		1	930/50
2	930 110 804 00	Fuel distributor		1	
2/1	911 110 936 01	Gasket		1	
2/2	900 146 045 02	Oval-head screw AM 5 X 45		3	
3	930 110 394 00	Gasket		1	
4	930 110 035 04	Lower part		1	
		Mixture control unit			
5	N 012 226 5	Spring washer B 6		15	
6	911 110 364 00	Compression spring		11	
7	900 067 011 02	Pan-head screw M 6 X 20		4	
7	900 067 011 03	Pan-head screw M 6 X 20		4	
7	900 067 089 02	Pan-head screw M 6 X 25		10	
7	900 067 089 01	Pan-head screw M 6 X 25		10	
7	900 075 017 02	Hexagon-head bolt M 6 X V25		1	
7	900 075 017 03	Hexagon-head bolt M 6 X V25		1	
8	999 511 102 02	Clamp 30 / 15		1	
9	999 215 002 02	Ring piece		6	
10	930 110 547 00	Banjo bolt		6	
10	930 110 547 01	Banjo bolt		6	
11	900 123 033 20	Sealing ring A 10 X 13,5		12	
12	930 110 606 01	Pipe clamp for 2 Lines		1	
(12)	PCG 110 606 01	Rubber ply for Pipe clamp Lines It is necessary to rework		1	
12	930 110 607 01	Pipe clamp for 3 Lines		2	
(12)	PCG 110 606 01	Rubber ply for Pipe clamp Lines It is necessary to rework		2	
(13)	930 110 041 01	Injection line Cylinder 1		1	
(13)	930 110 042 01	Injection line Cylinder 2		1	
(13)	930 110 043 01	Injection line Cylinder 3		1	
(13)	930 110 044 01	Injection line		1	

Model: 911 75 Model life 1975>>1977

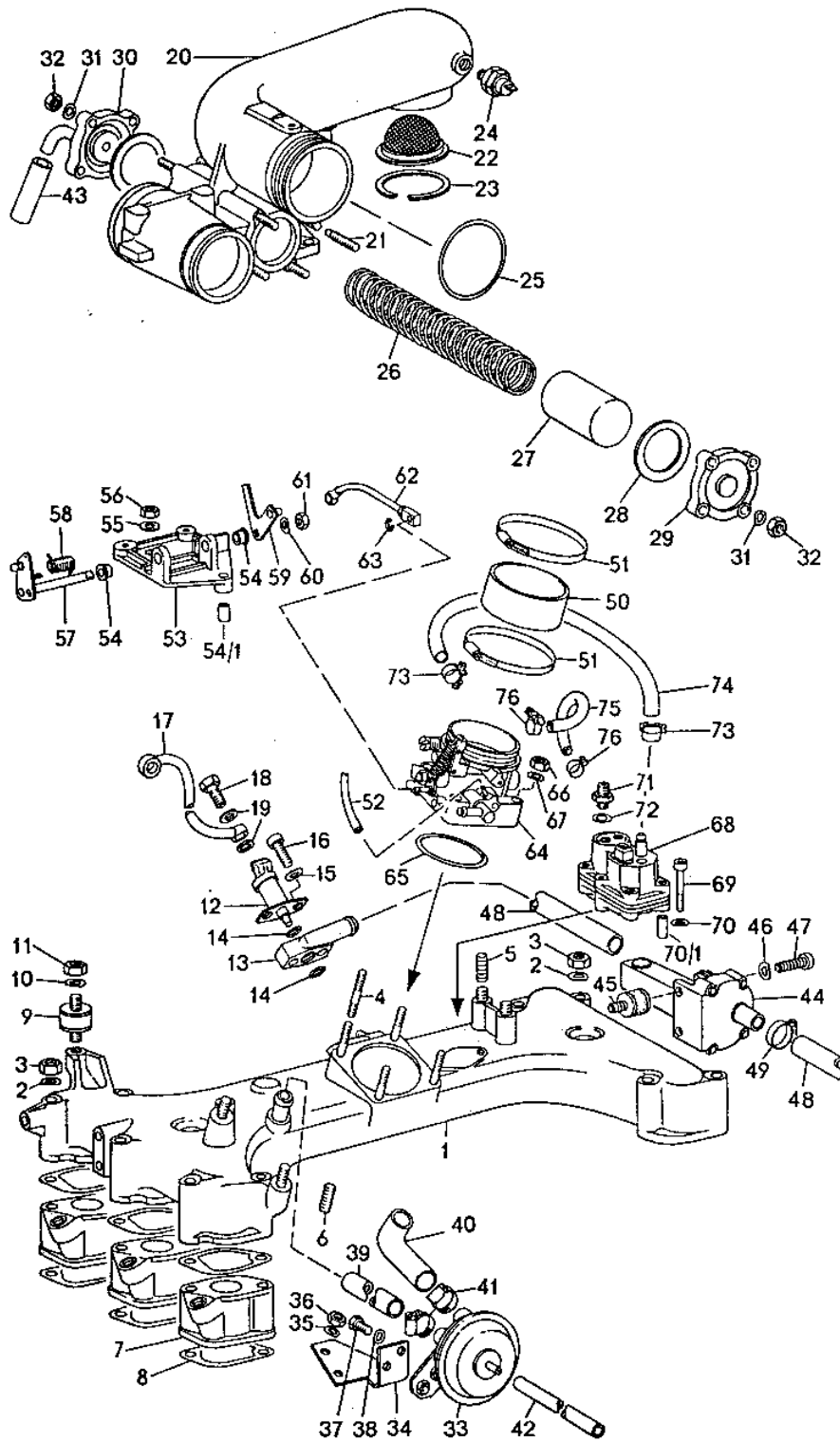
Pos	Part Number	Description	Remark	Qty	Model
(13)	930 110 045 02	Cylinder 4 Injection line		1	
(13)	930 110 046 02	Cylinder 5 Injection line		1	
14	930 110 225 02	Cylinder 6 Injector valve		6	
15	900 123 033 20	Sealing ring A 10 X 13,5		6	
16	930 110 301 04	Fuel line		1	930/50
16		Fuel line		1	
17	N 020 704 2	Connection piece		1	
18	N 013 812 2	Sealing ring A 12 X 15,5		1	
19	930 110 304 00	Fuel line		1	930/50
19	930 110 304 01	Fuel line		1	
-	999 511 085 02	Clamp		1	
-	900 075 057 02	Hexagon-head bolt M8 X 16		1	
-	900 075 057 03	Hexagon-head bolt M8 X 16		1	
-	N 012 226 5	Spring washer		1	
20	900 123 006 25	Sealing ring A 12 X 18		2	
21	900 175 020 02	Banjo bolt		1	
21	900 175 020 01	Banjo bolt		1	
22	930 110 302 00	Fuel line		1	
23	900 123 050 20	Sealing ring A 8 X 11,5		2	
24	911 110 899 00	Banjo bolt		1	
25	930 110 305 00	Fuel line		1	
26	900 123 050 20	Sealing ring		4	
27	911 110 899 00	Banjo bolt		2	
28	900 076 025 02	Hexagon nut M 8		3	
28	900 076 064 02	Hexagon nut M 8		3	
29	N 012 241 8	Spring washer B 8		3	
30	911 110 154 00	Bonded rubber buffer		3	
31	930 110 133 00	Retaining bracket		1	
32	N 012 241 8	Spring washer B 8		2	
33	900 076 025 02	Hexagon nut M 8		2	
33	900 076 064 02	Hexagon nut M 8		2	
34	930 110 137 02	Hose elbow		1	
35	999 512 350 02	Hose clamp		2	
36	930 110 022 01	Upper part		1	930/50
36/1	930 110 020 00	Air cleaner Housing Metal		1	
37	930 110 021 01	Lower part Air cleaner		1	930/50
-	930 110 426 00	Hexagon nut		3	
38	930 110 185 02	Air cleaner cartridge		1	
39	930 110 122 01	Sealing ring		1	930/50
39	930 110 122 00	Sealing ring		1	
40	930 110 143 02	Support		1	
40/1	911 110 154 00	Bonded rubber buffer		2	
41	900 025 007 02	Washer 8,4		4	

Model: 911 75 Model life 1975>>1977

Pos	Part Number	Description	Remark	Qty	Model
41	900 025 007 03	Washer 8,4		4	
42	N 012 241 8	Spring washer B 8		4	
43	900 076 025 02	Hexagon nut M 8		4	
43	900 076 064 02	Hexagon nut M 8		4	
44	N 012 241 8	Spring washer B 8		2	
45	900 076 025 02	Hexagon nut M 8		2	
45	900 076 064 02	Hexagon nut M 8		2	
46	930 110 434 00	Clip		1	930/50
-	930 110 434 01	Clip Fuel supply line Fuel return line		1	
47	900 151 003 02	Washer 6,4		1	
47	900 151 006 03	Washer 6,4		1	
48	900 075 010 02	Hexagon nut M 6 X 12		1	
48	N 010 212 14	Hexagon-head bolt M 6 X 12		1	
48	999 072 005 09	Hexagon nut M 6 X 12		1	
48	999 072 005 01	Hexagon nut M 6 X 12 Mounting parts for Air cleaner Housing Plastic material		1	
-	930 110 121 02	Support ring		1	
49	930 110 405 00	Tab		1	
50	930 110 436 00	Spacer sleeve		2	
51	900 074 239 02	Hexagon-head bolt M 6 X 83		2	
52	N 011 524 7	Washer		2	
52	N 011 524 27	Washer Mounting parts for Air cleaner Housing Metal		2	
-	930 110 121 02	Support ring		1	
50	930 110 436 01	Spacer sleeve		2	
51	900 074 023 02	Hexagon-head bolt M 6 X 75		2	
52	N 011 524 7	Washer		2	
52	N 011 524 27	Washer		2	

Model: 911 75

Model life 1975>>1977



Model: 911 75 Model life 1975>>1977

Pos	Part Number	Description	Remark	Qty	Model
		for K - JETRONIC			
1	930 110 031 02	Intake manifold		1	930/50
1	930 110 031 03	Intake manifold		1	
1	930 110 031 04	Intake manifold		1	930/54
2	N 012 241 8	Spring washer B 8		12	
3	900 076 025 02	Hexagon nut M 8		12	
3	900 076 064 02	Hexagon nut M 8		12	
4	999 062 093 02	Stud		4	
5	999 062 006 02	Stud BM 6 X 35		2	
6	900 061 004 02	Stud BM 8 X 20		3	
7	930 110 141 03	Flange		6	
8	930 110 197 10	Gasket		12	
9	911 110 154 00	Bonded rubber buffer		3	
10	N 012 241 8	Spring washer B 8		2	
11	900 076 025 02	Hexagon nut M 8		2	
11	900 076 064 02	Hexagon nut M 8		2	
12	930 606 107 00	Electric starting valve		1	
13	930 110 264 11	Flange		1	930/50
13		Flange		1	930/50
13	930 110 264 00	Flange		1	930/51/52
13	930 110 264 10	Intermediate piece Start valve		1	
14	999 701 395 50	O-ring		2	
14	900 174 032 40	O-ring		1	
14	999 701 210 40	O-ring		1	
14	999 701 210 4A	O-ring		1	
15	N 012 226 5	Spring washer B 6		2	
16	900 067 089 02	Pan-head screw M 6 X 25		2	
16	900 067 089 01	Pan-head screw M 6 X 25		2	
16	900 067 013 02	Pan-head screw M 6 X 35		2	
17	930 110 303 01	Fuel line		1	
17	930 110 303 02	Fuel line		1	
18	911 110 899 00	Banjo bolt		2	
19	900 123 050 20	Sealing ring		4	
20	930 110 015 04	Valve housing		1	930/50
20	930 110 015 05	Valve housing	-76	1	930/51/52
(20)	930 110 015 06	Valve housing	77-	1	
21	999 062 127 02	Stud M 6 X 25		8	
-	999 062 001 02	Stud M 6 X 10		2	
22	930 110 127 00	Strainer		1	
23	N 012 295 1	Circlip		1	
24	930 606 101 00	Switch		1	
-	993 606 103 00	Pressure transmitter Boost pressure		1	
-	993 606 103 01	Pressure transmitter Boost pressure		1	
-	900 123 009 30	Sealing ring		1	

Model: 911 75

Model life 1975>>1977

Pos	Part Number	Description	Remark	Qty	Model
25	999 701 445 40	A 18 X 24 Round seal 70 X 5		2	
26	930 110 157 00	Compression spring		1	
-	930 110 160 00	Spring guide		1	
27	930 110 151 00	Piston		1	
28	930 110 149 00	Gasket		2	
29	930 110 156 06	Lid		1	930/50
29	930 110 156 09	Lid		1	930/50
29	930 110 156 06	Lid for 930/51/52/53/54		1	
29	930 110 156 09	Lid for 930/51/52/53/54		1	
30	930 110 056 02	Lid		1	
31	N 012 226 5	Spring washer B 6		8	
32	900 076 010 02	Nut M 6		8	
32	900 076 010 0B	Nut M 6		8	
33	930 110 173 00	Vacuum limiter		1	
34	930 110 167 00	Retaining bracket		1	
35	N 012 226 5	Spring washer B 6		2	
36	900 076 010 02	Nut M 6		2	
36	900 076 010 0B	Nut M 6		2	
37	900 075 010 02	Hexagon nut M 6 X 12		2	
37	N 010 212 14	Hexagon-head bolt M 6 X 12		2	
37	999 072 005 09	Hexagon nut M 6 X 12		2	
37	999 072 005 01	Hexagon nut M 6 X 12		2	
38	N 012 226 5	Spring washer B 6		2	
-	999 239 007 40	Hose 15 X 3,5		*	
39		86 MM		1	
40	930 110 171 01	Hose		1	
41	PCG 512 237 02	Hose clamp S 27/9		2	
41	999 512 090 02	Clip S 20/9		2	
-	999 181 706 50	Hose 5 X 11		*	
42		405 MM		1	
-	999 181 284 50	Hose 15 X 3,5		*	
43		300 MM		1	
44	930 606 102 00	Auxiliary air regulator		1	930/51/52/54
44	930 606 102 X	Auxiliary air regulator		1	930/51/52/54
45	999 703 127 50	Bonded rubber buffer		2	
46	N 012 226 5	Spring washer A 6		2	
47	900 067 008 02	Pan-head screw M 6 X 12		2	
47	900 067 008 03	Pan-head screw M 6 X 12		2	

Model: 911 75

Model life 1975>>1977

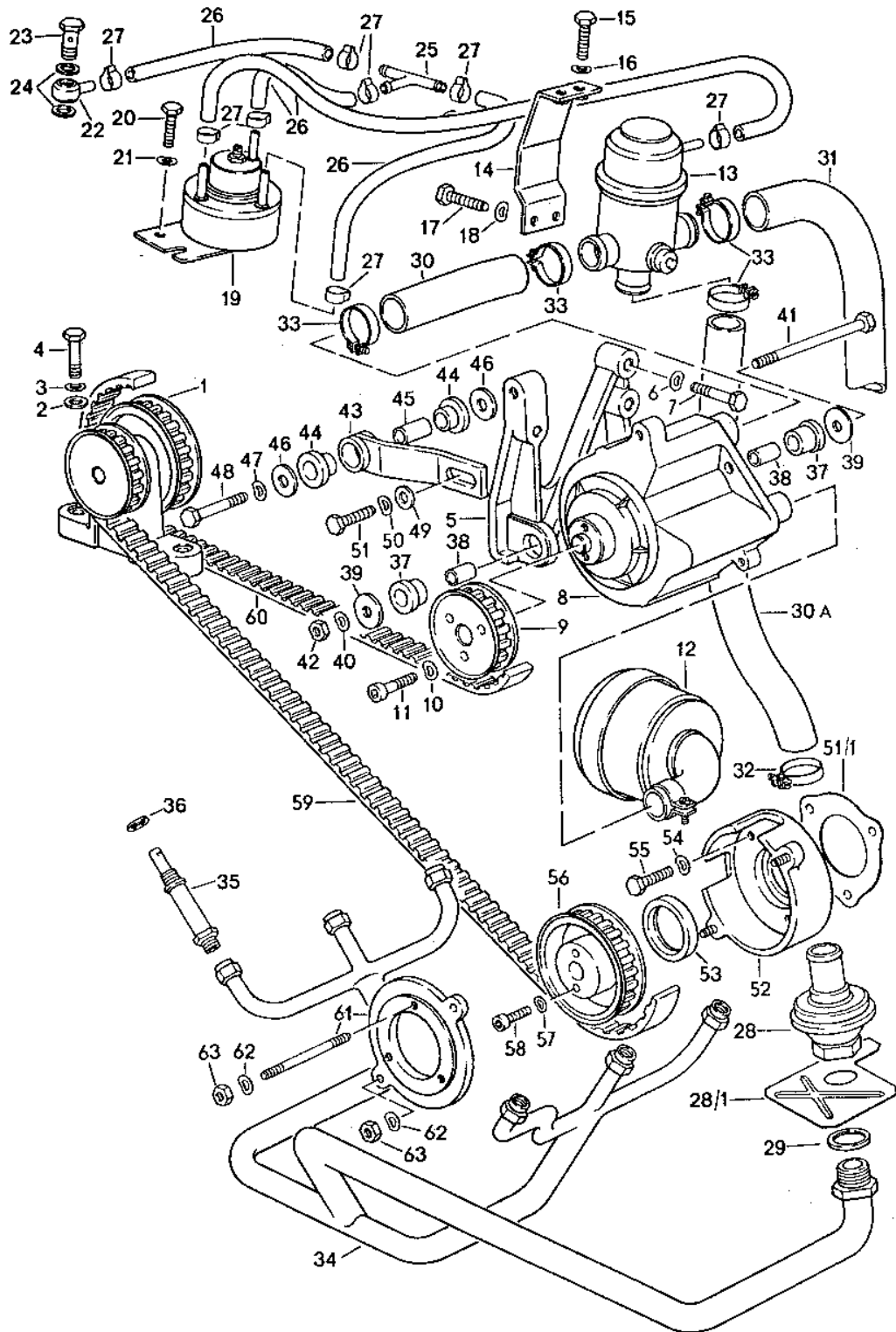
Pos	Part Number	Description	Remark	Qty	Model
48	930 110 109 00	Hose 18 X 26 X 550		2	
49	999 512 552 00	Hose clamp		4	
49	999 512 552 01	Hose clamp		4	
50	930 110 152 00	Rubber sleeve 79,5x6x37		1	
51	999 512 350 02	Hose clamp		2	
-	999 181 706 50	Hose 5 X 11 500 MM		*	
52				1	
53	930 110 359 00	Bracket	-75	1	
53	930 110 359 02	Bracket		1	
-	999 504 008 00	Threaded insert		2	
54	901 423 253 00	Bearing sleeve		2	
54/1	901 110 236 00	Spacer tube		1	
55	N 012 241 8	Spring washer B 8		3	
56	900 076 025 02	Hexagon nut M 8		3	
56	900 076 064 02	Hexagon nut M 8		3	
57	930 110 060 02	Lever		1	
58	930 110 148 00	Steering knuckle spring		1	
59	930 110 110 00	Lever		1	
60	N 012 241 8	Spring washer B 8		3	
61	900 076 025 02	Hexagon nut M 8		1	
61	900 076 064 02	Hexagon nut M 8		1	
62	930 110 079 01	Pull rod		1	
63	900 116 003 01	Lock washer		1	
64	930 110 247 02	Flap-Nozzle \$ 63		1	930/50
64	930 110 247 10	Flap-Nozzle \$ 63	-76	1	930/52
64		Flap-Nozzle \$ 63	77-	1	930/52
64	930 110 247 09	Flap-Nozzle \$ 63		1	930/54
-	930 110 497 00	Tension spring		1	
-	930 110 256 00	Stopper	/RL	1	
-	999 512 056 02	Hose clamp		1	
65	999 701 124 40	O-ring 67,5 X 4		1	
66	900 076 010 02	Nut M 6		4	
66	900 076 010 0B	Nut M 6		4	
67	N 012 226 5	Spring washer B 6		4	
68	930 606 105 00	Warm-up valve for 930/50/51/52/54		1	
69	N 044 703 3	Pan-head screw M 6 X 45 M >> 687 0560		2	
69	900 119 055 02	Pan-head screw M 6 X 60 M 687 0561 >>		2	
70	N 012 226 5	Spring washer A 6		2	
70/1	911 110 591 00	Spacer sleeve		2	

Model: 911 75 Model life 1975>>1977

Pos	Part Number	Description	Remark	Qty	Model
71	900 915 004 02	M 687 0561 >> Connection piece		1	
72	900 123 003 30	Sealing ring A 10 X 14		1	
73	999 512 160 02	Hose clamp S 13/9		2	
73	PCG 512 160 02	Hose clamp S 13/9		2	
-	999 181 709 50	Hose 8 X 14		*	
74		230 MM M >> 687 0560		1	
-	999 181 709 50	Hose 8 X 14		*	
74		270 MM M 687 0561 >>		1	
-	999 181 706 50	Hose 5 X 11		*	
75		150 MM			
76	999 512 082 02	Hose clamp S 10/9		2	
76	999 512 082 01	Hose clamp S 10/9		2	
-	999 181 717 50	Vacuum hose 12 X 19		*	
-		650 MM	/LL	1	
-	999 512 056 02	Hose clamp	/LL	2	
-	930 110 267 00	Hose connection	/LL	1	

Model: 911 75

Model life 1975>>1977



Model: 911 75

Model life 1975>>1977

Pos	Part Number	Description	Remark	Qty	Model
1	930 113 013 03	Air injection		1	
2	N 011 524 7	Bearing bracket		2	
2	N 011 524 27	Washer A 6,4		2	
3	N 012 226 5	Washer A 6,4		2	
4	900 074 015 02	Spring washer B 6		2	
4	900 074 015 03	Hexagon-head bolt M 6 X 30		2	
5	930 113 111 00	Hexagon-head bolt M 6 X 30		1	
6	N 012 241 8	Bracket		3	
7	N 010 335 5	Spring washer B 8		3	
7	900 075 032 03	Hexagon-head bolt M 8 X 35		3	
8	930 113 110 00	Hexagon-head bolt M 8 X 35		1	
9	930 113 017 03	Air pump		1	
10	N 012 226 5	Gear wheel 4		3	
11	900 067 089 02	Spring washer A 6		3	
11	900 067 089 01	Pan-head screw M 6 X 25		3	
12	930 113 120 01	Pan-head screw M 6 X 25		1	
-	930 113 401 00	Air cleaner		1	
13	930 113 127 00	Filter cartridge		1	
14	930 113 112 00	Diverter valve		1	
15	900 378 030 09	Retaining bracket		2	
16	N 012 226 5	Hexagon-head bolt M 6 X 20		2	
17	900 075 010 02	Spring washer B 6		2	
17	N 010 212 14	Hexagon nut M 6 X 12		2	
17	999 072 005 09	Hexagon-head bolt M 6 X 12		2	
17	999 072 005 01	Hexagon nut M 6 X 12		2	
18	N 012 226 5	Hexagon nut M 6 X 12		2	
19	930 113 126 01	Spring washer B 6		1	
20	900 075 010 02	Control valve		2	
20	N 010 212 14	Hexagon nut M 6 X 12		2	
20	999 072 005 09	Hexagon-head bolt M 6 X 12		2	
20	999 072 005 01	Hexagon nut M 6 X 12		2	
21	N 012 226 5	Hexagon nut M 6 X 12		2	
22	911 110 382 00	Spring washer B 6		1	
23	930 110 547 00	Ring piece		1	
23	930 110 547 01	Banjo bolt A 4		1	
24	900 123 033 20	Banjo bolt A 4		2	
		Sealing ring			

Model: 911 75

Model life 1975>>1977

Pos	Part Number	Description	Remark	Qty	Model
25	999 137 004 40	A 10 X 13,5 T-piece		1	
26	999 181 710 40	Control line		*	
27	311 133 343 A	Hose clamp		8	
28	911 113 115 01	Check valve		1	
28/1	930 113 135 01	Heat shield		1	
29	900 123 060 30	Sealing ring A 24 X 29		2	
30	930 113 118 00	Hose Air pump Diverter valve		1	
30A	930 113 181 00	Hose Diverter valve Check valve		1	
31	930 113 182 00	Air hose Of Diverter valve		1	
32	999 512 038 02	Hose clamp		1	
32	PCG 512 038 02	Hose clamp		1	
33	999 512 552 00	Hose clamp		4	
33	999 512 552 01	Hose clamp		4	
34	930 113 043 01	Air tube		1	
35	911 113 145 02	Union		6	
35	911 113 145 04	Union		6	
36	900 123 033 20	Sealing ring A 10 X 13,5		6	
37	911 113 121 01	Rubber mounting		2	
38	911 113 122 00	Spacer sleeve		2	
39	900 151 008 02	Washer B 8,4		2	
40	N 012 241 8	Spring washer B 8		1	
41	900 074 050 02	Hexagon-head bolt M 8 X 120		1	
42	900 076 025 02	Hexagon nut M 8		1	
42	900 076 064 02	Hexagon nut M 8		1	
43	930 113 141 00	Support		1	
44	930 113 430 00	Rubber mounting		2	
45	930 113 142 00	Spacer sleeve		1	
46	900 151 008 02	Washer B 8,4		2	
47	N 012 241 8	Spring washer B 8		1	
48	900 074 134 02	Hexagon-head bolt M 8 X 45		1	
49	900 025 007 02	Washer B 8,4		1	
49	900 025 007 03	Washer B 8,4		1	
50	N 012 241 8	Spring washer B 8		1	
51	900 075 085 02	Hexagon-head bolt M 8 X 20		1	
51/1	930 105 197 05	Gasket		1	
52	930 113 031 00	Intermediate flange		1	
53	999 113 464 40	Sealing ring		1	
54	N 012 226 5	Spring washer B 6		3	
55	900 075 057 02	Hexagon-head bolt M 6 X 16		2	
55	900 075 057 03	Hexagon-head bolt		2	

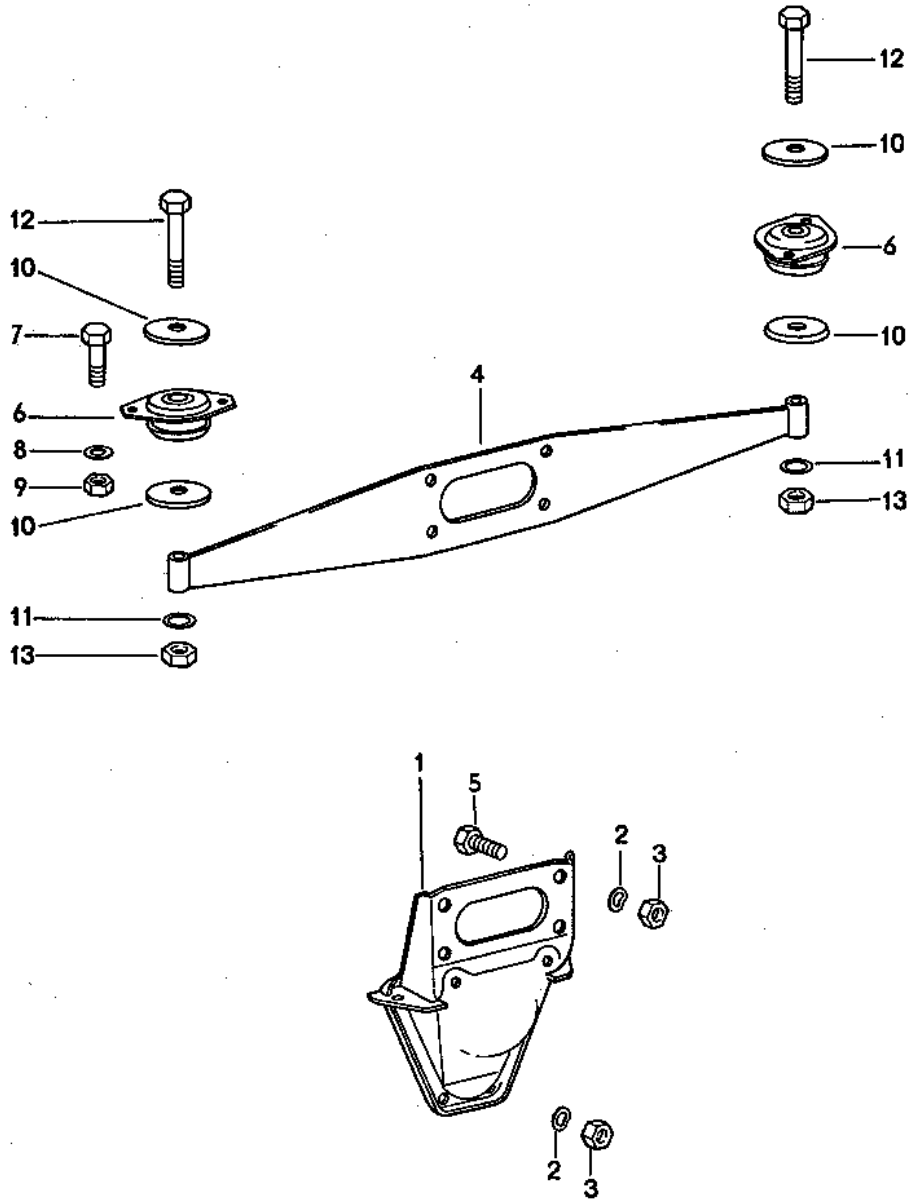
Model: 911 75

Model life 1975>>1977

Pos	Part Number	Description	Remark	Qty	Model
56	930 113 014 01	M 6 X 16 Gear wheel		1	
57	N 012 226 5	1 Spring washer		2	
58	900 067 013 02	A 6 Pan-head screw		2	
59	999 192 095 50	M 6 X 35 Toothed belt		1	
60	999 192 102 50	80 ZAEHNE Toothed belt		1	
61	930 113 033 00	72 ZAEHNE Lid		1	
62	N 012 226 5	for Intermediate flange		5	
63	900 076 010 02	Spring washer B 6		5	
63	900 076 010 0B	Nut M 6		5	
		Nut M 6			

Model: 911 75

Model life 1975>>1977



Model: 911 75 Model life 1975>>1977

Pos	Part Number	Description	Remark	Qty	Model
		Engine suspension			
1	911 115 014 03	Bracket		1	
2	N 012 242 3	Spring washer B 10 X 18		8	
3	900 157 002 02	Hexagon nut M 10		8	
3	900 157 002 03	Hexagon nut M 10		8	
(4)	930 375 011 01	Bracket		1	
5	900 156 006 02	Hexagon-head bolt M 10 X 18		4	
6	911 375 043 00	Bearing		2	
7	N 010 335 5	Hexagon-head bolt M 8 X 35		4	
7	900 075 032 03	Hexagon-head bolt M 8 X 35		4	
8	900 027 015 02	Lock ring B 8		4	
8	900 027 015 03	Lock ring B 8		4	
9	900 076 025 02	Hexagon nut M 8		4	
9	900 076 064 02	Hexagon nut M 8		4	
10	901 305 311 00	Seat		4	
(12)	N 010 191 2	Hexagon-head bolt M 12 X 1,5 X 95	75-	2	
(12)	900 082 142 01	Hexagon-head bolt M 12 X 1,5 X 95	75-	2	

Model: 911 75

Model life 1975>>1977



Model: 911 75

Model life 1975>>1977

Pos	Part Number	Description	Remark	Qty	Model
>>	911 100 907 05	Gasket set Repair kits Maintenance set		1	
-	900 123 007 30	Gasket set Engine K-jetronic Comprising: Sealing ring 14 X 18		2	
-	999 704 172 50	Sealing ring		3	
-	999 701 006 40	O-ring		26	
-	999 113 057 52	Radial sealing ring 65 X 85 X 10		1	
-	930 101 391 01	Gasket		2	
-	900 123 011 20	Sealing ring A 22 X 27		1	
-	999 113 049 50	Oil scraper ring 30 X 50 X 10		1	
-	900 174 041 40	Sealing ring R 50 X 4		1	
-	900 174 068 40	Sealing ring R 50 X 4		1	
-	900 123 044 30	Sealing ring A 18 X 22		2	
-	900 031 014 30	Washer 8,4		24	
-	900 123 066 30	Sealing ring A 10 X 16		8	
-	900 031 011 30	Washer 6,4		3	
-	900 123 005 00	Sealing ring A 12 X 16		4	
-	930 105 198 01	Gasket		1	
-	999 704 173 50	Sealing ring		1	
-	900 123 011 30	Sealing ring A 22 X 27		1	
-	999 701 053 50	Sealing ring 39,2 X 3		1	
-	900 123 071 30	Sealing ring A 18 X 24		2	
-	930 107 791 00	Gasket		1	
-	911 602 102 01	Sealing ring		1	
-	900 123 009 20	Sealing ring A 18 X 24		1	
>>-	930 100 901 03	Gasket set SATZ I (ZYLINDER - ZYLINDERKOPF) Comprising:		1	
-	999 704 172 50	Sealing ring		2	
-	930 104 194 02	Cylinder base gasket		6	
-	930 104 317 00	Ce-seal ring		6	
-	911 104 193 00	Valve stem seal		12	
-	930 105 193 00	Gasket		2	
-	930 105 193 05	Gasket		2	
-	999 701 449 40	O-ring 8,3 - 2,4		2	
-	999 701 598 40	O-ring 20,3 - 2,4		2	
-	999 701 298 40	O-ring 10 - 1,3		2	
-	N 013 804 2	Sealing ring A 6 X 10		2	
-	930 105 197 05	Gasket		3	

Model: 911 75

Model life 1975>>1977

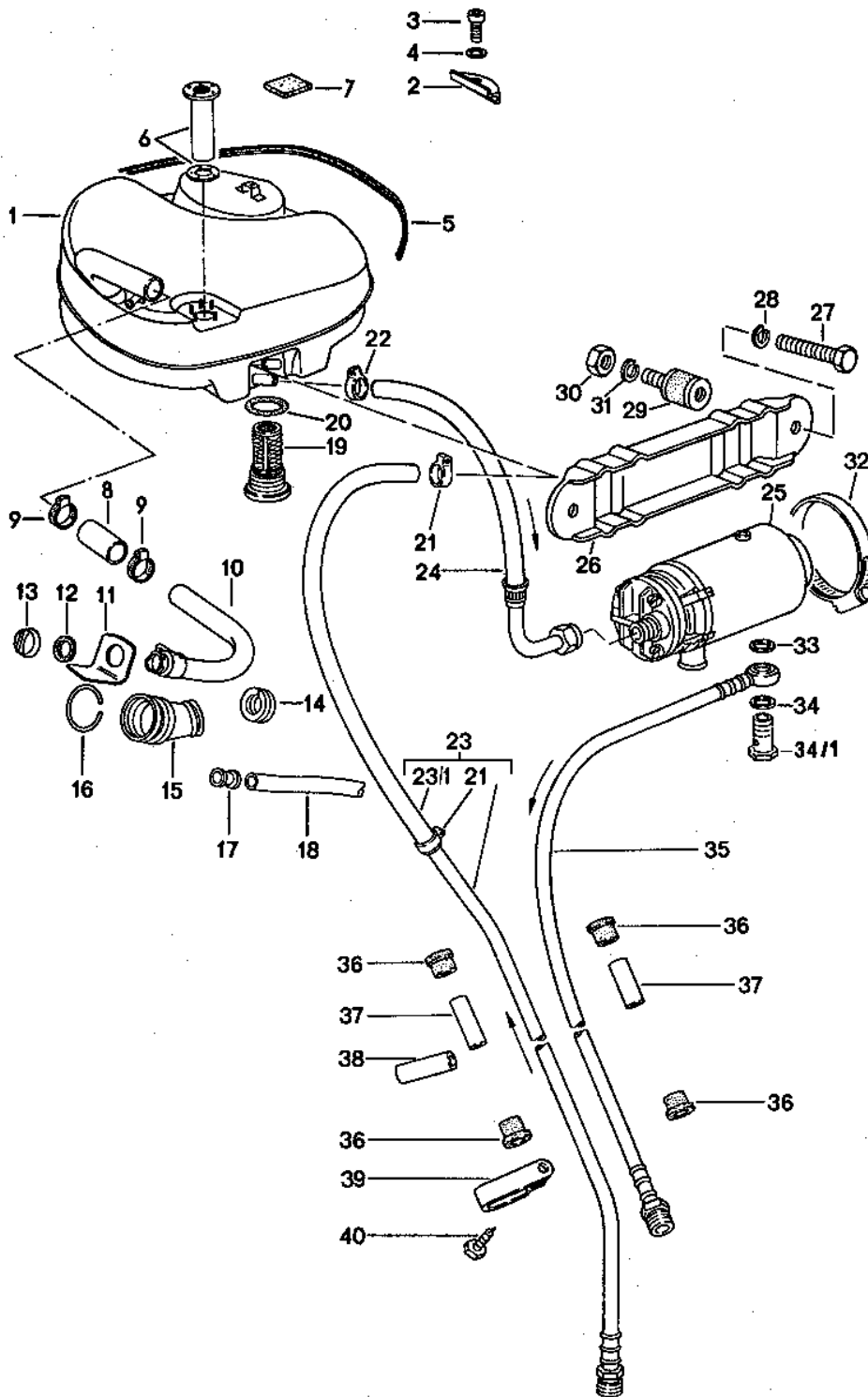
Pos	Part Number	Description	Remark	Qty	Model
-	999 701 124 40	O-ring 67,5 X 4		1	
-	930 105 191 03	Gasket		1	
-	930 105 192 01	Gasket		1	
-	930 105 192 03	Gasket		1	
-	930 105 192 04	Gasket		1	
-	900 031 011 30	Washer 6,4		19	
-	900 031 014 30	Washer 8,4		2	
-	930 105 194 00	Gasket		2	
-	930 105 194 02	Gasket		2	
-	930 105 194 04	Gasket		2	
-	930 105 195 00	Gasket		2	
-	930 105 195 02	Gasket		2	
-	930 105 195 05	Gasket		2	
-	930 105 195 06	Gasket		2	
-	930 105 195 07	Gasket		2	
-	900 031 014 30	Washer 8,4		40	
-	999 704 173 50	Sealing ring		1	
-	900 123 005 30	Sealing ring A 12 X 16		7	
-	999 707 112 40	Round seal		8	
-	999 707 112 4A	Round seal		8	
-	999 701 435 40	Round seal 47 X 2		1	
-	900 123 007 30	Sealing ring A 14 X 18		3	
-	999 113 241 40	Radial sealing ring		1	
-	999 113 246 40	Radial sealing ring		1	
-	900 123 055 30	Sealing ring A 12 X17		1	
-	900 123 087 60	Sealing ring A 36 X 42		1	
-	930 107 116 01	Gasket		1	
-	900 123 018 30	Sealing ring A 16 X 20		2	
-	930 107 123 01	Gasket		1	
-	900 123 033 20	Sealing ring A 10 X 13,5		26	
-	930 110 197 10	Gasket		12	
-	930 110 149 00	Gasket		2	
-	999 701 445 40	Round seal 70 X 5		1	
-	930 110 122 00	Sealing ring		1	
-	930 110 122 01	Sealing ring		1	
-	900 123 006 25	Sealing ring A 12 X 18		2	
-	900 123 003 30	Sealing ring A 10 X 14		1	
-	930 110 394 00	Gasket		1	
-	900 123 050 20	Sealing ring A 8 X 11,5		12	
-	999 701 395 50	O-ring 7 - 2		1	
-	900 174 032 40	O-ring 18 X 2,5		1	
-	930 111 192 01	Gasket		2	
-	999 701 468 40	Round seal		2	
-	930 111 156 01	Support washer		1	
-	911 111 189 03	Gasket		2	
-	930 111 193 01	Gasket		2	

Model: 911 75 Model life 1975>>1977

Pos	Part Number	Description	Remark	Qty	Model
-	930 111 193 04	Gasket		2	
-	930 111 193 05	Gasket		2	
-	930 111 193 07	Gasket		2	
-	930 123 193 03	Gasket		2	
-	930 123 194 01	Gasket		2	
-	900 123 060 30	Sealing ring A 24 X 29		2	
-	999 113 464 40	Sealing ring 35 X 45 X 7		1	
-	911 113 190 01	Gasket		6	
-	930 123 134 04	Gasket		1	
-	930 123 132 02	Support washer		2	
-	900 123 043 30	Sealing ring A 12 X 15,5		4	
-	930 123 192 01	Gasket		1	
-	930 111 191 01	Gasket		6	
-	930 111 162 01	Gasket		2	
-	930 111 160 01	Gasket		2	
-	900 123 007 70	Sealing ring A 14 X 18		1	
>>-	930 103 959 00	Piston ring Set of piston rings \$ 95 MM		6	
>>-	911 105 901 01	Repair kit for Chain adjuster 930.105.049.00 See group 1/03/10 + 1/03/15 Comprising:		1	
12		Intermediate piece		1	
13		O-ring OR 10 - 1		1	
14	-	Supplier KAEFIG for Ball valve		1	
14A		Compression spring		1	
15		Ball 5 MM V		1	
16		Spring guide		1	
18		Circlip B 16		1	
20		O-ring CR 8,3 - 2,4		1	
21		O-ring CR 20,3 - 2,4		1	
24		Circlip B 28		1	
26		Gasket A 6 X 10		1	

Model: 911 75

Model life 1975>>1977



Model: 911 75 Model life 1975>>1977

Pos	Part Number	Description	Remark	Qty	Model
		Fuel system	75		
		Front			
1	930 201 010 01	Fuel tank		1	
-	911 356 902 00	Installation set		X	
		Fuel line			
2	911 201 311 00	Bracket		3	
3	900 067 151 02	Pan-head screw		3	
		M 8 X 25			
3	900 067 151 0C	Pan-head screw		3	
		M 8 X 25			
4	900 031 001 02	Washer		3	
		8,4			
4	900 031 105 01	Washer		3	
		8,4			
5	901 504 932 20	Sealing strap		1	
6		See group		1	
		9/03/00			
7	911 201 259 00	Desk pad		2	
		Emergency wheel			
(7)	911 201 259 01	Desk pad		1	
		Emergency wheel			
8	911 201 515 00	Hose		1	
9	999 512 348 02	Hose clamp		2	
10	911 201 049 02	Filler neck		1	
11	911 201 279 01	Protective flap		1	
12	901 201 272 00	Sealing ring		1	
12	930 107 272 01	Sealing ring		1	
13	901 201 271 00	Fuel tank cap		1	
13	901 201 271 01	Fuel tank cap		1	
14	911 201 095 00	Gasket		1	
15	901 201 591 20	Sleeve		1	
15	901 201 591 21	Sleeve		1	
16	999 152 004 00	Circlip		1	
17	911 201 593 00	Overflow socket		1	
18	901 201 931 00	Overflow hose		1	
19	911 201 141 00	Fuel filter		1	
20	911 201 143 00	Sealing ring		1	
21	N 023 570 2	Hose clamp		2	
22	999 512 056 02	Hose clamp		1	
23	930 356 063 00	Fuel line		1	
-	999 181 185 40	Fuel hose		*	
		9,5 X 15,5			
23/1		275 MM		1	
24	930 356 067 00	Fuel hose		1	
25	930 608 111 00	Fuel pump		1	
25	930 608 111 01	Fuel pump		1	
25	930 608 111 04	Fuel pump		1	
26	911 608 105 00	Support		1	
27	N 010 208 5	Hexagon-head bolt		2	
		M 6 X 8			
28	N 012 007 2	Lock ring		2	
		A 6			
28	900 027 004 03	Lock ring		2	
		A 6			
29	999 703 384 00	Megulastik pivot bearing		2	
29	999 703 384 01	Megulastik pivot bearing		2	
30	900 076 010 02	Nut		2	
		M 6			
30	900 076 010 0B	Nut		2	
		M 6			
31	N 012 007 2	Lock ring		2	
		A6			
31	900 027 004 03	Lock ring		2	

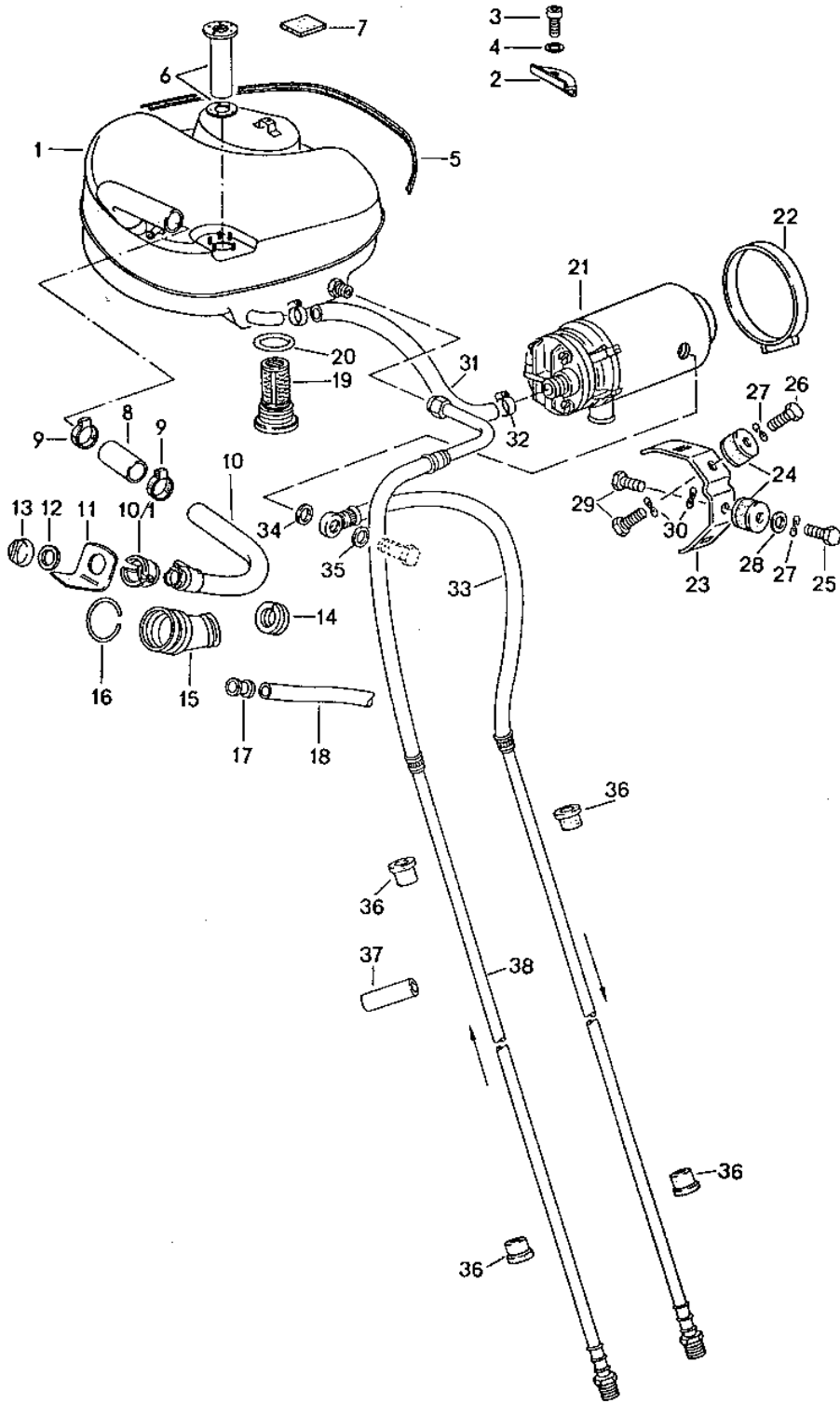
Model: 911 75

Model life 1975>>1977

Pos	Part Number	Description	Remark	Qty	Model
		A6			
32	999 512 164 02	Hose clamp		1	
33	911 608 902 00	Gasket		1	
34	911 608 902 01	Gasket		1	
34/1	911 608 903 00	Banjo bolt		1	
35	911 356 066 03	Pressure line		1	
36	911 356 202 00	Rubber sleeve		4	
37	911 356 203 00	Protective grommet		2	
38	999 613 017 40	Covering		*	
39	999 511 100 02	Pipe clamp		1	
40	900 187 104 02	Tapping screw B 4,8 X 13		1	

Model: 911 75

Model life 1975>>1977



Model: 911 75 Model life 1975>>1977

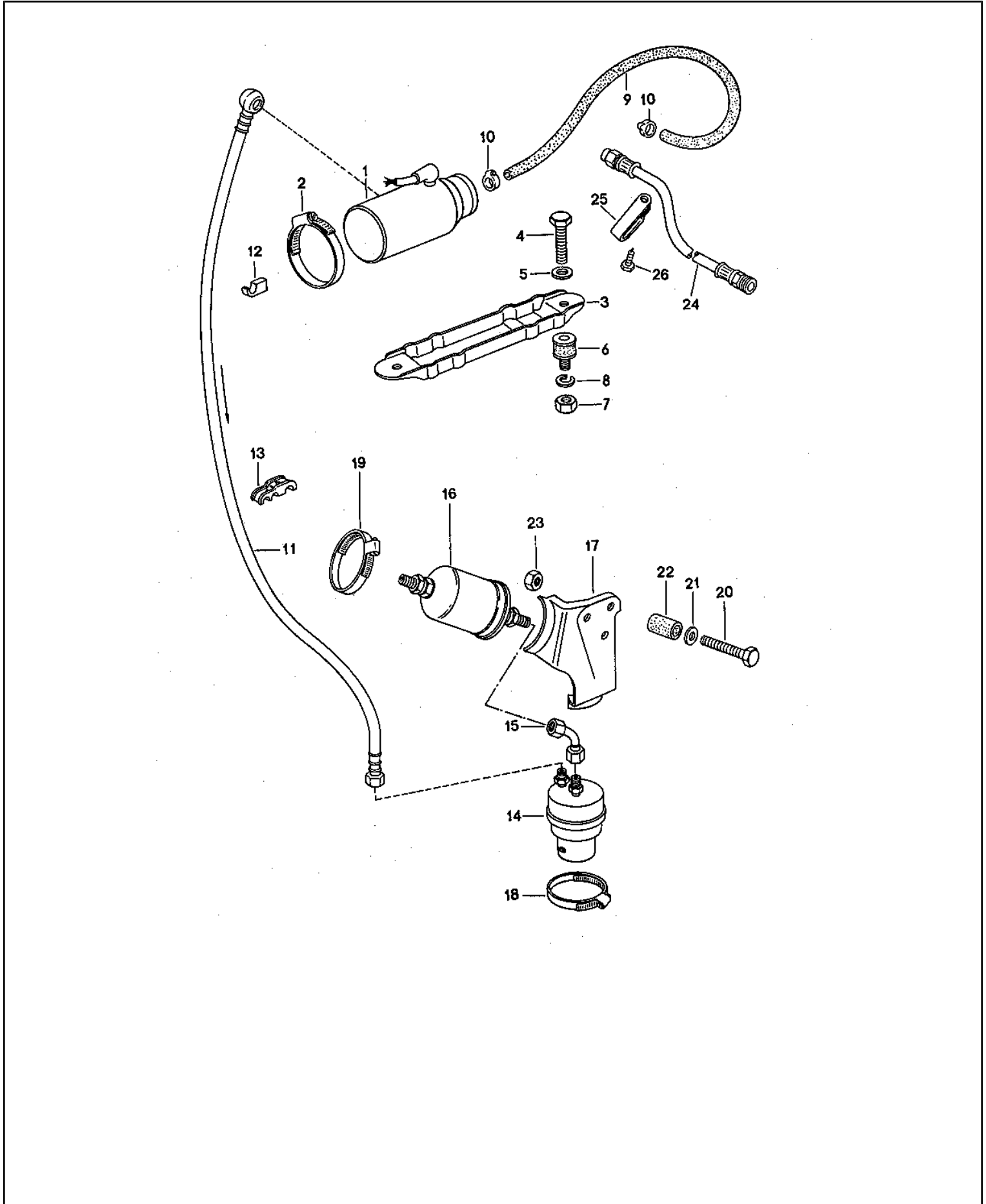
Pos	Part Number	Description	Remark	Qty	Model
-	911 356 902 00	Fuel system Front for cars with Aluminium auxil. support Installation set	-75	1	
1	930 201 010 01	Fuel line		1	
2	911 201 311 00	Fuel tank		1	
3	900 067 151 02	Bracket		3	
3	900 067 151 02	Pan-head screw M 8 X 20		3	
3	900 067 151 0C	Pan-head screw M 8 X 20		3	
4	900 031 001 02	Washer 8,4		3	
4	900 031 105 01	Washer 8,4		3	
5	901 504 932 20	Sealing strap See illustrations 9/03/00		1	
7	911 201 259 00	Desk pad Emergency wheel		2	
(7)	911 201 259 01	Desk pad Emergency wheel		1	
8	911 201 515 00	Hose		1	
9	999 512 348 02	Hose clamp		2	
10	911 201 049 02	Filler neck		1	
-	N 011 524 7	Washer 6,4		2	
-	N 011 524 27	Washer 6,4		2	
-	900 910 012 02	Lock nut M 6		2	
-	900 910 047 09	Lock nut M 6		2	
10/1	911 201 269 00	Guide		1	
11	911 201 279 01	Protective flap		1	
12	901 201 272 00	Sealing ring	-75	1	
12	930 107 272 01	Sealing ring		1	
12	477 201 557	Gasket	76-	1	
12	944 201 553 00	Gasket	76-	1	
13	901 201 271 00	Fuel tank cap Bayonet lock	-75	1	
13	901 201 271 01	Fuel tank cap Bayonet lock		1	
(13)	911 201 272 00	Fuel tank cap Screw cap	76-	1	
14	911 201 095 00	Gasket		1	
15	901 201 591 20	Sleeve		1	
15	901 201 591 21	Sleeve		1	
16	999 152 004 00	Circlip		1	
17	911 201 593 00	Overflow socket		1	
18	901 201 931 00	Overflow hose		1	
19	911 201 141 00	Fuel filter		1	
20	911 201 143 00	Sealing ring		1	
(21)	930 608 111 00	Fuel pump	-76	1	
(21)	930 608 111 01	Fuel pump	-76	1	
(21)	930 608 111 04	Fuel pump		1	
(21)	911 608 102 00	Fuel pump	77-	1	
-	930 608 201 00	Screw socket	-76	1	
-	N 013 849 2	Sealing ring 14 X 18	-76	1	
-	911 608 211 00	Intermediate piece	77-	1	
-	N 013 812 2	Sealing ring	77-	1	

Model: 911 75 Model life 1975>>1977

Pos	Part Number	Description	Remark	Qty	Model
-	900 123 033 20	A 12 X 15,5 Sealing ring	77-	2	
-	900 070 010 02	A 10 X 13,5 Cap nut	77-	1	
22	999 512 394 00	M 10 X 1,25 Hose clamp		1	
23	911 608 105 01	Support		1	
24	911 608 206 00	Bonded rubber buffer		2	
25	900 075 010 02	Hexagon nut		1	
		M 6 X 12			
25	N 010 212 14	Hexagon-head bolt		1	
		M 6 X 12			
25	999 072 005 09	Hexagon nut		1	
		M 6 X 12			
25	999 072 005 01	Hexagon nut		1	
		M 6 X 12			
26	N 010 208 5	Hexagon-head bolt		1	
		M 6 X 8			
27	N 012 226 5	Spring washer		2	
		B 6			
28	N 011 524 7	Washer		1	
		A 6,4			
28	N 011 524 27	Washer		1	
		A 6,4			
29	N 010 208 5	Hexagon-head bolt		2	
		M 6 X 8			
30	N 012 226 5	Spring washer		2	
		B 6			
-	999 181 168 50	Hose		*	
		11,8 X 17,8			
		85 MM		1	
32	999 512 056 02	Hose clamp		2	
33	911 356 066 03	Pressure line	-76	1	
33	911 356 066 07	Pressure line	77-	1	
34	911 608 902 00	Gasket		1	
35	911 608 902 01	Gasket		1	
36	911 356 202 03	Rubber sleeve		4	
37	999 613 017 40	Covering		*	
38	911 356 062 07	Return line		1	

Model: 911 75

Model life 1975>>1977



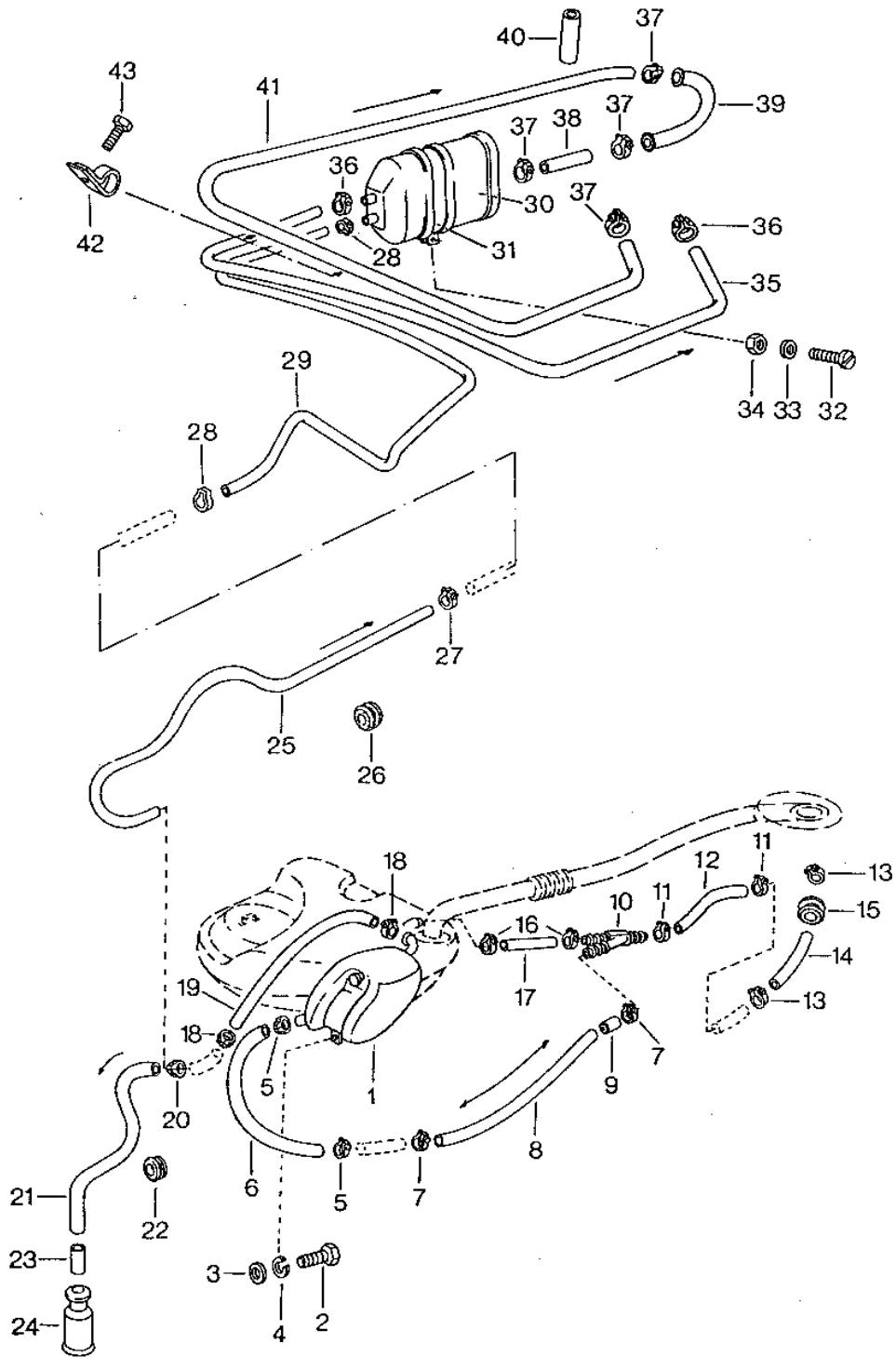
Model: 911 75

Model life 1975>>1977

Pos	Part Number	Description	Remark	Qty	Model
		Fuel system Rear	75-		K-JETRONIC
(1)	930 608 111 00	Fuel pump	-76	1	
(1)	930 608 111 01	Fuel pump	-76	1	
(1)	930 608 111 04	Fuel pump		1	
(1)	930 608 113 00	Fuel pump	77-	1	
-	N 013 849 2	Sealing ring A 14 X 18		1	
-	911 608 211 00	Intermediate piece	77-	1	
-	N 013 812 2	Sealing ring A 12 X 15,5	77-	1	
-	900 123 033 20	Sealing ring A 10 X 13,5	77-	2	
-	900 070 010 02	Cap nut M 10 X1,25	77-	1	
-	N 020 702 1	Screw socket	-76	1	
2	999 512 164 02	Hose clamp		1	
3	911 608 105 00	Support		1	
4	N 010 208 5	Hexagon-head bolt M 6 X 8		2	
5	N 012 007 2	Lock ring A 6		2	
5	900 027 004 03	Lock ring A 6		2	
6	999 703 384 00	Megulastik pivot bearing		2	
6	999 703 384 01	Megulastik pivot bearing		2	
7	900 076 010 02	Nut M 6		2	
7	900 076 010 0B	Nut M 6		2	
8	N 012 007 2	Lock ring A 6		2	
8	900 027 004 03	Lock ring A 6		2	
(9)	930 356 068 02	Fuel line		1	
(11)	930 356 081 01	Pressure line	-76	1	
(11)	930 356 081 02	Pressure line	77-	1	
12	911 356 543 01	Support		1	
13		Support		1	
(14)	911 110 197 02	Fuel accumulator	-76	1	
(14)	911 110 197 01	Fuel accumulator	77-	1	
(15)	930 356 083 00	Fuel line		1	
(16)	930 110 139 00	Fuel filter		1	
(17)	930 356 541 00	Support	75	1	
(17)	930 356 041 01	Bracket	76-	1	
(18)	999 512 199 02	Clamp		1	
(19)	999 512 235 02	Hose clamp		1	
20	900 074 015 02	Hexagon-head bolt M 6 X 30		3	
20	900 074 015 03	Hexagon-head bolt M 6 X 30		3	
21	999 025 108 02	Washer 6,4		3	
22	901 504 859 20	Hose piece		3	
23	900 084 010 02	Lock nut M 6		3	
24	911 356 062 05	Return line		1	
25	999 511 100 02	Pipe clamp		1	
26	900 187 104 02	Tapping screw B 4,8 X 13		1	

Model: 911 75

Model life 1975>>1977



Model: 911 75

Model life 1975>>1977

Pos	Part Number	Description	Remark	Qty	Model
		Tank ventilation	75-		
1	911 201 077 02	Expansion tank		1	
2	900 075 057 02	Hexagon-head bolt		1	
		M6 X 16			
2	900 075 057 03	Hexagon-head bolt		1	
		M6 X 16			
3	N 011 524 7	Washer		1	
		6,4			
3	N 011 524 27	Washer		1	
		6,4			
4	N 012 007 2	Lock ring		1	
		A 6			
4	900 027 004 03	Lock ring		1	
		A 6			
5	N 023 570 2	Hose clamp		2	
-	N 020 359 1	Hose	-76	*	
		9 X 3			
6		265 MM	-76	1	
-	N 020 359 1	Hose		*	
		9 X 2,5			
6		390 MM	77-	1	
7	999 512 160 02	Hose clamp	75	2	
7	PCG 512 160 02	Hose clamp	75-	2	
7	N 023 570 2	Hose clamp		2	
8	911 201 194 00	Breather hose	75	1	
		9 X 12 X 350			
-	N 020 359 1	Hose		*	
		9 X 2,5			
8		400 MM	-76	1	
-	N 020 359 1	Hose		*	
		9 X 2,5			
8		150 MM	77-	1	
9	911 201 263 01	Restrictor		1	
9	911 201 263 02	Restrictor		1	
10	911 201 171 02	Connecting piece		1	
11	999 512 160 02	Hose clamp	75	2	
11	PCG 512 160 02	Hose clamp	75-	2	
11	N 023 570 2	Hose clamp		2	
-	N 020 359 1	Hose		*	
		9 X 2,5			
12		350 MM	-76	1	
-	N 020 359 1	Hose		*	
		9 X 2,5			
12		270 MM	77-	1	
13	N 023 570 2	Hose clamp		2	
-	N 020 359 1	Hose		*	
		9 X 2,5			
14		250 MM	-76	1	
15	999 702 085 50	Rubber sleeve		1	
16	999 512 198 02	Hose clamp		2	
16	PCG 512 198 02	Hose clamp		2	
16	N 023 570 2	Hose clamp		2	
17	911 201 189 01	Hose piece	-76	1	
		10 X 3 X 190			
-	N 020 359 1	Hose		*	
		9 X 2,5			
17		220 MM	77-	1	
18	999 512 069 02	Hose clamp		2	
18	PCG 512 069 02	Hose clamp		2	
-	N 020 361 2	Hose		*	
		4 X 1,5			
19		370 MM		1	
20	999 512 069 02	Hose clamp		1	

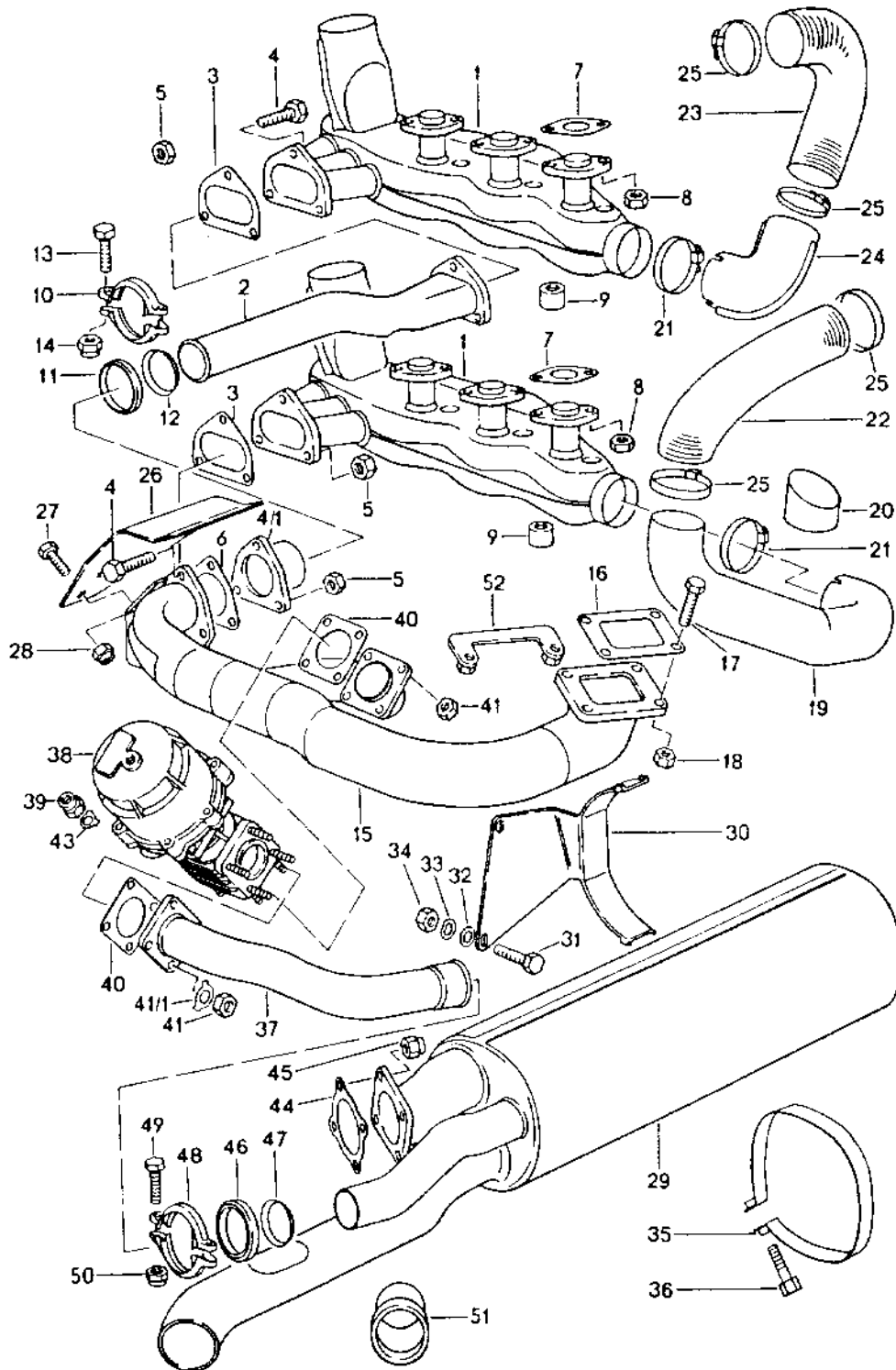
Model: 911 75

Model life 1975>>1977

Pos	Part Number	Description	Remark	Qty	Model
20	PCG 512 069 02	Hose clamp		1	
-	N 020 361 2	Hose		*	
		4 X 1,5			
21		650 MM	-76	1	
-	N 020 361 2	Hose		*	
		4 X 1,5			
21		1020 MM	77-	1	
22	911 612 865 00	Rubber sleeve		1	
23	911 201 157 01	Sleeve		1	
24	999 659 015 40	Protection cap		1	

Model: 911 75

Model life 1975>>1977



Model: 911 75 Model life 1975>>1977

Pos	Part Number	Description	Remark	Qty	Model
1	930 211 021 03	Exhaust system		2	930/50
1		Heat exchanger		2	
1		Heat exchanger	-76	2	
1		Heat exchanger	77-	2	
2	930 111 163 01	Exhaust line		1	
3	930 111 192 01	Gasket		2	
4	N 010 335 5	Hexagon-head bolt		3	
		M 8 X 35			
4	900 075 032 03	Hexagon-head bolt		3	
		M 8 X 35			
4	900 074 130 02	Hexagon-head bolt		6	
		M 8 X 40			
4	900 075 033 02	Stud		6	
		M 8 X 40			
4	900 075 033 03	Stud		6	
		M 8 X 40			
4/1	930 111 157 00	Compensating socket		1	
5	999 084 052 02	Lock nut		9	
		M 8			
6	930 111 193 01	Gasket		1	
6	930 111 193 04	Gasket		1	
6	930 111 193 05	Gasket		1	
6	930 111 193 07	Gasket		1	
7	930 111 191 01	Gasket		6	
8	900 076 025 02	Hexagon nut		6	
		M 8			
8	900 076 064 02	Hexagon nut		6	
		M 8			
9	999 085 001 02	Socket head nut		6	
		M 8			
10	930 111 187 00	Clamp		2	
11	911 111 189 03	Gasket		1	
12	930 111 156 01	Support washer		1	
13	N 014 715 3	Pan-head screw		2	
		M 8 X 45			
13	900 067 103 01	Pan-head screw		2	
		M 8 X 45			
14	999 084 601 02	Lock nut		2	
		M 8			
14	999 084 601 0C	Lock nut		2	
		M 8			
15	930 111 003 04	Exhaust line		1	
16	930 123 192 01	Gasket		1	
17	900 074 059 02	Hexagon-head bolt		4	
		M 10 X 40			
17	900 074 379 01	Hexagon-head bolt		4	
		M 10 X 40			
18	999 084 002 02	Hexagon nut		4	
		M 10			
19	930 211 123 00	Hot air line		1	
20	930 211 197 00	Hose		1	
21	999 512 246 02	Clamp		2	
21	999 512 246 0C	Clamp		2	
-	999 075 057 0B	Hexagon-head bolt		X	
		M 8 X 35			
-	999 075 057 02	Hexagon-head bolt		X	
		M 6 X 16			
22	930 211 196 00	Heater hose	/L	1	
22	930 211 196 01	Heater hose	/L	1	
23	901 211 194 00	Heater hose	/R	1	
23	901 211 194 01	Heater hose	/R	1	
24	911 211 131 00	Adapter		1	
25	999 512 349 02	Hose clamp		4	

Model: 911 75

Model life 1975>>1977

Pos	Part Number	Description	Remark	Qty	Model
25	999 512 349 01	Hose clamp		4	
25	999 512 349 0B	Hose clamp		4	
26	930 111 127 00	Heat shield		1	930/50
26	930 111 128 00	Heat shield		1	930/52
27	900 075 135 02	Hexagon-head bolt M 6 X 28		2	930/50
27	900 075 057 02	Hexagon-head bolt M 6 X 16		2	930/52
27	900 075 057 03	Hexagon-head bolt M 6 X 16		2	930/52
28	900 910 096 02	Lock nut M 6		2	930/50
29	930 111 025 02	Exhaust silencer		1	930/50
29	930 111 025 04	Exhaust silencer		1	
30	930 111 154 01	Bracket		1	
(30)	930 111 154 02	Bracket for Air conditioner		1	
31	900 075 040 02	Hexagon-head bolt M 10 X 20		2	
31	900 075 517 01	Hexagon-head bolt M 10 X 20		2	
32	900 025 008 02	Washer 10,5		2	
32	N 011 527 4	Washer 10,5		2	
32	900 025 008 09	Washer 10,5		2	
32	900 025 008 04	Washer 10,5		2	
33	900 028 005 01	Lock ring A 10		2	
34	N 011 010 6	Hexagon nut M 10		2	
34	N 101 552 10	Hexagon nut M 10		2	
35	930 111 155 00	Clamp		1	
36	900 067 161 02	Pan-head screw M 10 X 50		1	
37	930 123 031 00	Wastegate line		1	930/50/52
-	930 123 025 03	Wastegate Housing Only together with GARRETT - VENTIL		1	
38	930 123 060 12	Wastegate		1	
-	900 081 019 02	Stud M 8 X 25		12	930/50
39	999 084 052 02	Lock nut M 8		4	
(40)	930 123 193 03	Gasket		2	930/50
40	930 123 194 01	Gasket		2	
41	999 084 052 02	Lock nut M 8		12	
41/1	999 039 001 00	Tab washer		12	930/50
-	930 123 171 01	Heat shield		1	930/50
43	999 039 001 00	Tab washer		4	
44	930 123 191 01	Gasket		2	
45	999 084 005 02	Thermag nut M 10		4	
46	930 123 134 04	Gasket		1	
47	930 123 132 02	Support washer		1	
48	930 123 133 00	Clamp		2	
49	900 074 233 02	Screw		2	

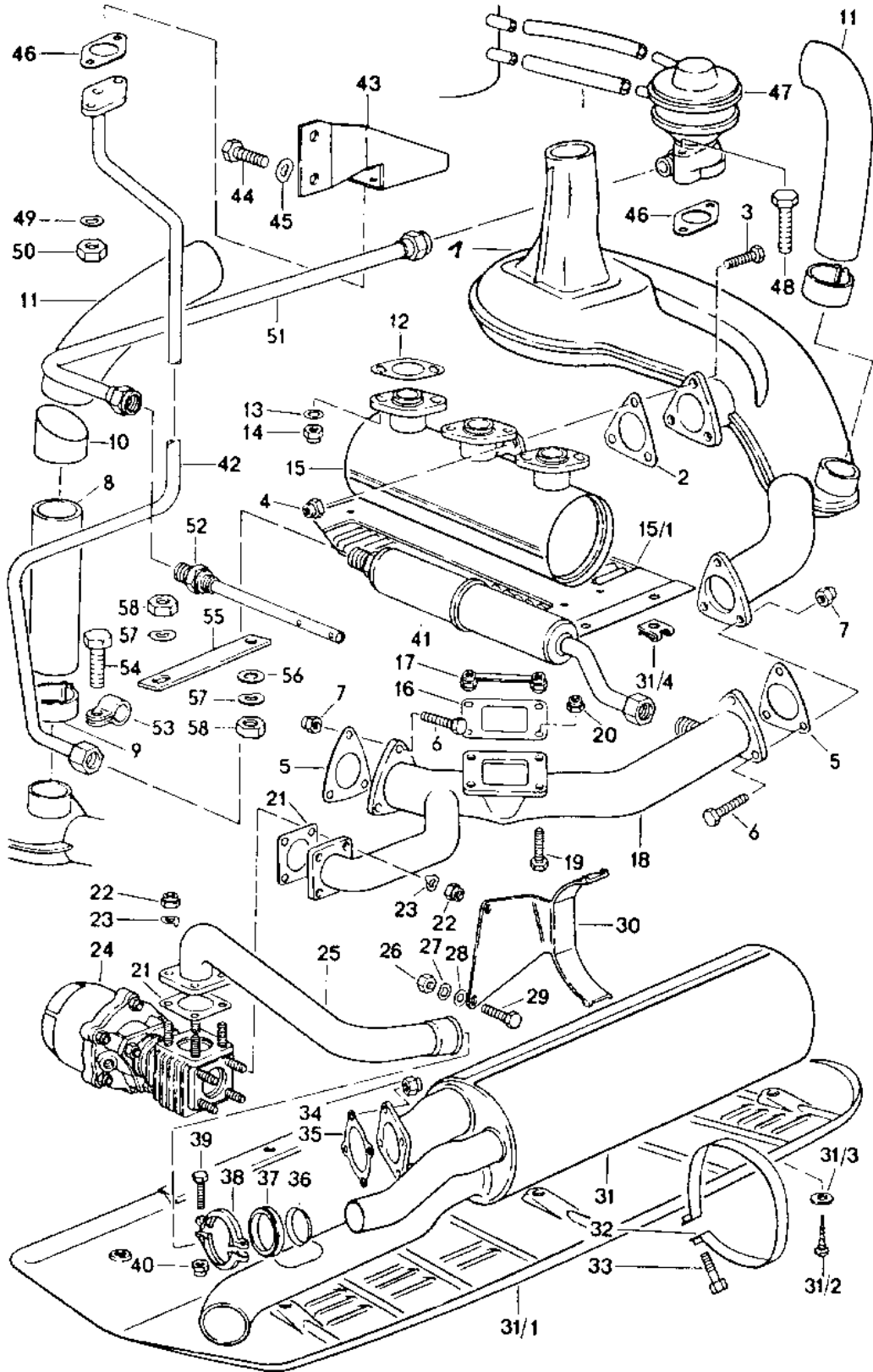
Model: 911 75

Model life 1975>>1977

Pos	Part Number	Description	Remark	Qty	Model
50	900 910 096 02	BM 6 X 40 Lock nut M 6		2	
51	930 111 245 00	Ornamental exhaust pipe		1	930/50
52	930 123 114 02	Supporting plate		1	

Model: 911 75

Model life 1975>>1977



Model: 911 75 Model life 1975>>1977

Pos	Part Number	Description	Remark	Qty	Model
(1)	930 211 027 02	Exhaust system	(J) (USA)		
1	930 211 028 02	Heat exchanger	/L	1	
2	930 111 162 01	Heat exchanger	/R	1	
2	930 111 162 01	Gasket		3	
3	N 010 275 4	Hexagon-head bolt		8	
		M 10 X 35			
4	999 084 002 02	Hexagon nut		8	
		M 10			
5	930 111 160 01	Gasket		2	
6	900 074 059 02	Hexagon-head bolt		6	
		M 10 X 40			
6	900 074 379 01	Hexagon-head bolt		6	
		M 10 X 40			
7	999 084 002 02	Hexagon nut		6	
		M 10			
8	930 211 126 00	Hot air line		1	
9	999 512 266 02	Clip		1	
10	930 211 197 00	Hose		1	
11	930 211 196 00	Heater hose	/L	1	
11	930 211 196 01	Heater hose	/L	1	
11	930 211 195 00	Heater hose	/R	1	
12	911 113 190 01	Gasket		6	
13	900 031 001 02	Washer		12	
		8,4			
13	900 031 105 01	Washer		12	
		8,4			
14	999 084 052 02	Lock nut		12	
		M 8			
15	930 113 150 02	Reactor		2	
-	930 113 151 00	Entrance tube		6	
		for			
		Reactor			
15/1	911 113 208 01	Protection for reactor		2	
-	999 591 327 02	Speed nut		8	
-	999 501 327 01	Speed nut		8	
-	999 591 327 01	Speed nut		8	
-	N 013 890 5	Hexagon-head tapping screw		8	
-	900 151 006 09	Washer		8	
16	930 123 192 01	Gasket		1	
17	930 123 114 02	Supporting plate		1	
18	930 111 035 03	Exhaust manifold		1	930/53/54
19	900 074 059 02	Hexagon-head bolt		4	
		M 10 X 40			
20	999 084 002 02	Hexagon nut		4	
		M 10			
21	930 123 194 01	Gasket		2	
22	999 084 052 02	Lock nut		12	
		M 8			
23	999 039 001 00	Tab washer		12	
24	930 123 060 12	Wastegate		1	
25	930 123 033 01	Wastegate line		1	930/53/54
26	N 011 010 6	Hexagon nut		2	
		M 10			
26	N 101 552 10	Hexagon nut		2	
		M 10			
27	900 028 005 01	Lock ring		2	
		A 10			
28	900 025 008 02	Washer		2	
		10,5			
28	N 011 527 4	Washer		2	
		10,5			
28	900 025 008 09	Washer		2	
		10,5			

Model: 911 75

Model life 1975>>1977

Pos	Part Number	Description	Remark	Qty	Model
28	900 025 008 04	Washer 10,5		2	
29	900 075 040 02	Hexagon-head bolt M 10 X 20		2	
29	900 075 517 01	Hexagon-head bolt M 10 X 20		2	
30	930 111 154 01	Bracket		1	
31	930 111 025 05	Exhaust silencer		1	930/54
31/1	930 111 184 01	Cover plate Cover		1	
-	930 111 185 03	Retaining bracket		1	
31/2	N 013 890 5	Hexagon-head tapping screw		8	
31/3	900 151 006 09	Washer		8	
31/4	999 591 327 02	Speed nut		8	
31/4	999 501 327 01	Speed nut		8	
31/4	999 591 327 01	Speed nut		8	
32	930 111 155 00	Clamp		1	
33	900 067 161 02	Pan-head screw M 10 X 50		1	
34	999 084 005 02	Thermag nut M 10		4	
35	930 123 191 01	Gasket		2	
36	930 123 132 02	Support washer		1	
37	930 123 134 04	Gasket		1	
38	930 123 133 00	Clamp		2	
39	900 074 233 02	Screw BM 6 X 40		2	
40	900 910 096 02	Lock nut M 6		2	
41	930 113 173 00	Exhaust gas filter		1	
42	930 113 176 00	Pipeline		1	
43	930 113 175 01	Retaining bracket		1	
44	N 010 239 11	Hexagon-head bolt M 8 X 18		2	
44	N 010 239 30	Hexagon-head bolt M 8 X 18		2	
45	N 012 241 8	Spring washer		2	
46	911 113 179 02	Gasket		1	
47	911 113 183 04	Egr valve		1	
-	999 181 281 50	Hose C 3,2 X 7		*	
47/1		400 MM		2	
48	N 010 347 5	Hexagon-head bolt M 6 X 35		1	
48	900 074 019 02	Hexagon-head bolt M 6 X 45		1	
49	N 012 226 5	Spring washer		4	
50	900 076 010 02	Nut M 6		4	
50	900 076 010 0B	Nut M 6		4	
51	930 113 116 02	Pipe	-76	1	
51		Pipe		1	
52	930 113 117 00	Nozzle		1	
-	900 123 055 30	Sealing ring A 12 X 17		1	
53	999 512 243 02	Pipe clamp		1	
54	900 075 010 02	Hexagon nut M 6 X 14		1	
54	N 010 212 14	Hexagon-head bolt M 6 X 14		1	
54	999 072 005 09	Hexagon nut M 6 X 14		1	

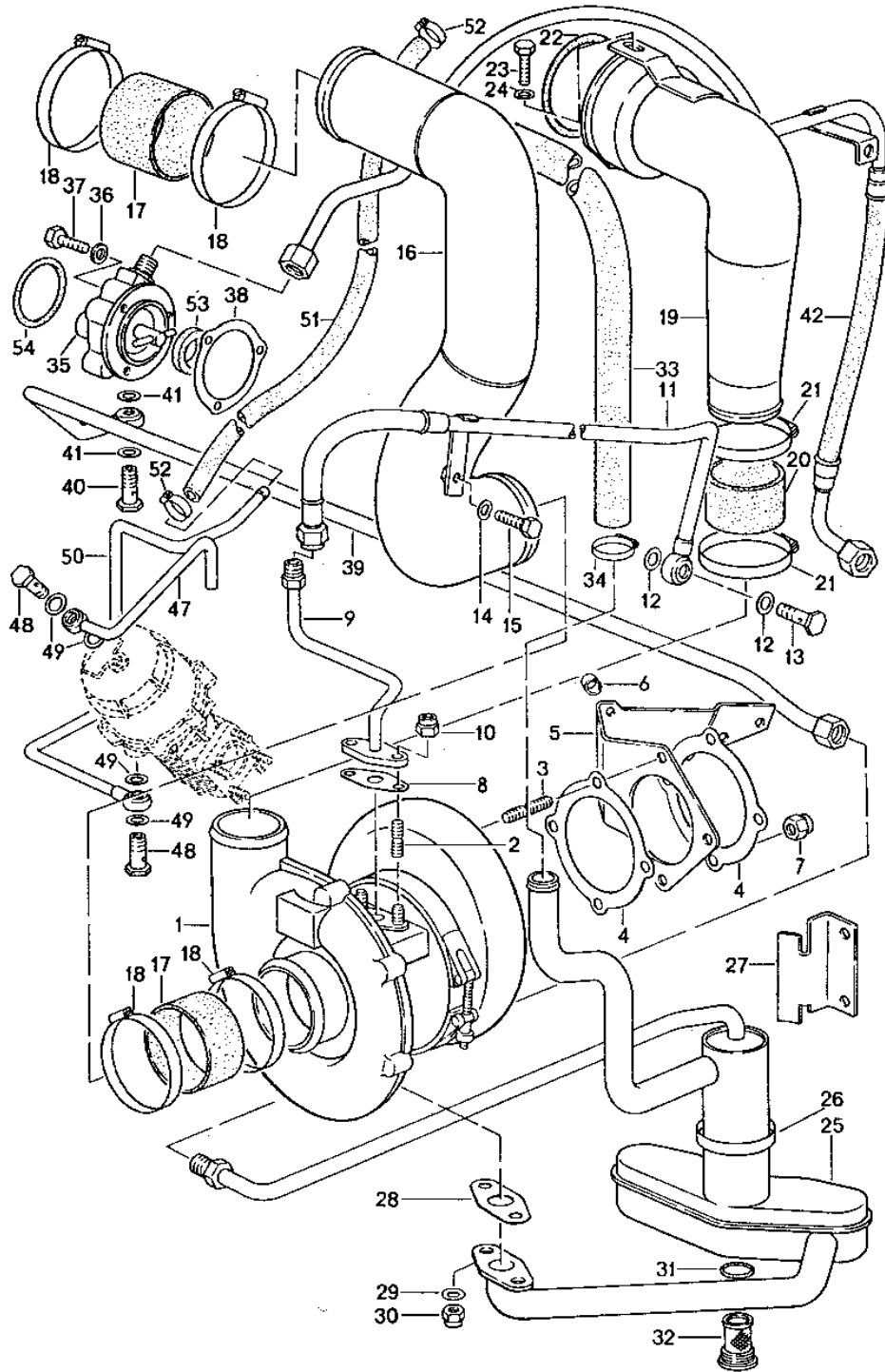
Model: 911 75

Model life 1975>>1977

Pos	Part Number	Description	Remark	Qty	Model
54	999 072 005 01	Hexagon nut M 6 X 14		1	
55	911 113 123 00	Support		1	
56	N 011 524 7	Washer		1	
56	N 011 524 27	Washer		1	
57	N 012 226 5	Spring washer		2	
58	900 076 010 02	Nut		2	
58	900 076 010 0B	Nut		2	

Model: 911 75

Model life 1975>>1977



Model: 911 75 Model life 1975>>1977

Pos	Part Number	Description	Remark	Qty	Model
		Turbocharger			
		And			
		Wastegate			
1	930 123 002 00	Turbocharger		1	
2	900 081 004 02	Stud		4	
		M 8 X 20			
3	900 081 031 02	Stud		4	
		M 10 X 35			
4	930 123 191 01	Gasket		2	
5	930 123 121 01	Bracket		1	
6	930 123 123 00	Spacer tube		1	
7	999 084 005 02	Thermag nut		4	
		M 10			
8	930 107 123 01	Gasket		1	
9	930 107 124 01	Oil pipe	/L	1	
9	930 107 124 03	Oil pipe	/L	1	
10	999 084 052 02	Lock nut		2	
		M 8			
11	930 107 125 01	Oil pipe	/R	1	930/50
11	930 107 125 03	Oil pipe		1	
		for			
		930/51/52/53/54			
11	930 107 125 07	Oil pipe		1	
		for			
		930/51/52/53/54			
		It is necessary to rework			
12	900 123 007 30	Sealing ring		2	
		A 14 X 18			
13	N 021 074 1	Banjo bolt		1	930/50
		LL 10			
13	N 021 074 7	Banjo bolt		1	930/50
		LL 10			
13	930 107 706 00	Banjo bolt		1	
		for			
		930/51/52/53/54			
14	N 012 226 5	Spring washer		1	
		B 6			
15	900 075 010 02	Hexagon nut		1	
		M 6 X 12			
15	N 010 212 14	Hexagon-head bolt		1	
		M 6 X 12			
15	999 072 005 09	Hexagon nut		1	
		M 6 X 12			
15	999 072 005 01	Hexagon nut		1	
		M 6 X 12			
16	930 110 165 02	Intake pipe		1	
17	930 110 158 01	Rubber sleeve		2	
		70x5x54			
18	999 512 250 02	Threaded clamp		4	
19	930 110 163 02	Pressure line		1	
20	930 110 158 04	Rubber sleeve		1	
		50x4,5x44			
21	999 512 249 02	Clip		2	
22	999 701 445 40	Round seal		2	
		10 X 5			
23	900 075 010 02	Hexagon nut		1	
		M 6 X 12			
23	N 010 212 14	Hexagon-head bolt		1	
		M 6 X 12			
23	999 072 005 09	Hexagon nut		1	
		M 6 X 12			
23	999 072 005 01	Hexagon nut		1	
		M 6 X 12			

Model: 911 75

Model life 1975>>1977

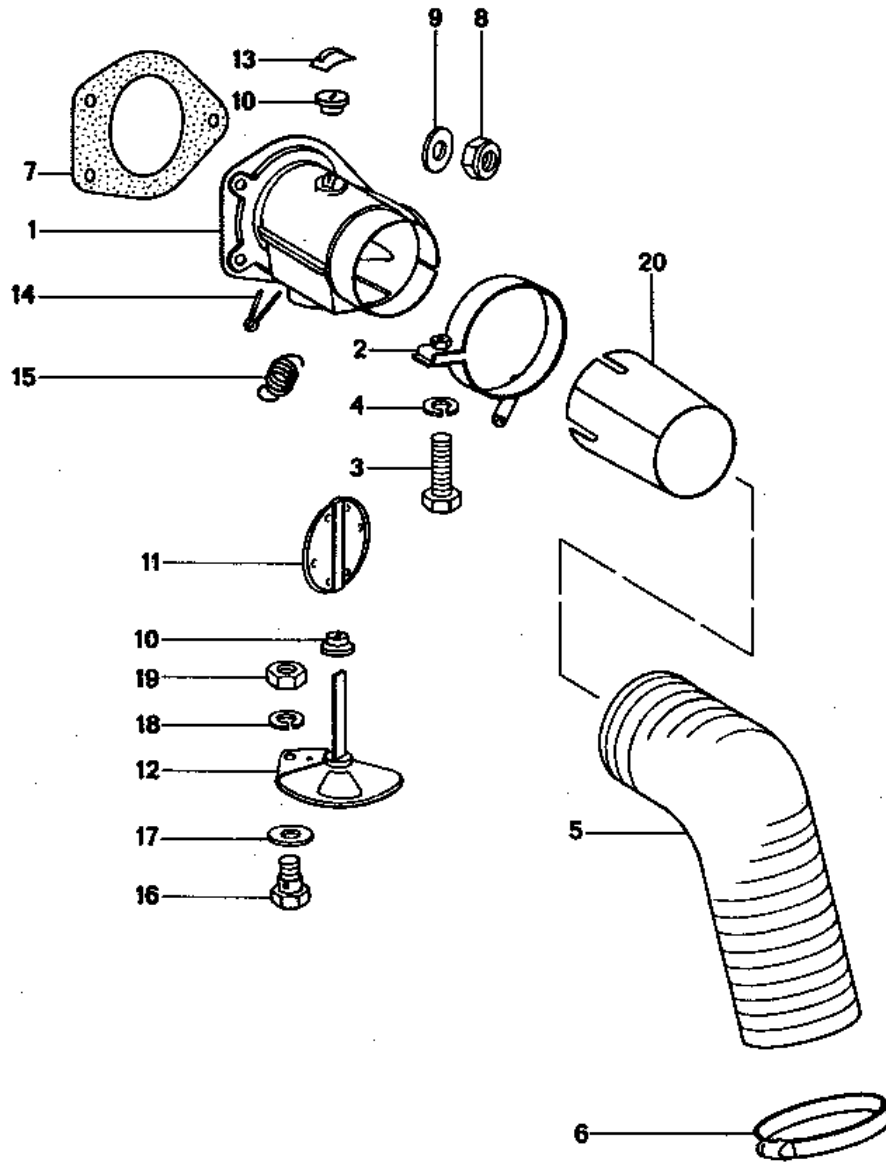
Pos	Part Number	Description	Remark	Qty	Model
24	N 012 226 5	Spring washer A 6		1	
25	930 107 001 04	Oil collection container		1	930/50/52
(25)	930 107 004 01	Oil collection container		1	930/51/53/54
26	999 512 341 02	Clamp		2	
27	930 107 113 01	Retaining bracket		1	
28	930 107 116 01	Gasket		1	
29	N 012 241 8	Spring washer B 8		2	
30	999 084 052 02	Lock nut M 8		2	
31	900 123 087 60	Sealing ring A 36 X 42		1	930/50
31	900 123 055 30	Sealing ring A 12 X 17		1	
32	930 107 151 00	Strainer		1	930/50
(32)	900 219 006 02	Screw plug M 12 X 1,5		1	
(32)	900 219 006 01	Screw plug M 12 X 1,5		1	
33	930 107 394 02	Connecting hose Air cleaner		1	
34	999 512 252 02	Hose clamp		2	
35	930 107 003 00	Oil pump		1	930/50
(35)	964 107 005 21	Oil pump 930/51/52/53/54		1	
36	N 012 226 5	Spring washer B 6		3	
-	900 076 010 02	Nut M 6		3	
-	900 076 010 0B	Nut M 6		3	
37	900 074 111 02	Hexagon-head bolt M 6 X 50		3	
38	930 105 197 05	Gasket		1	
39	930 107 337 00	Oil pipe		1	930/50
(39)	930 107 338 00	Oil pipe for 930/51/52/53/54		1	
40	900 175 005 02	Banjo bolt LL 12		1	
41	900 123 018 30	Sealing ring A 16 X 20		2	
42	930 107 335 01	Oil pipe		1	930/50
(42)	930 107 336 00	Oil pipe for 930/51/52/53/54		1	
47	930 123 043 01	Vent line		1	930/50/52
(47)	930 123 117 01	Vent line		1	930/51/53/54
48	900 175 020 02	Banjo bolt LL 8		2	
48	900 175 020 01	Banjo bolt LL 8		2	
49	900 123 043 30	Sealing ring A 12 X 15,5		4	
50	930 123 053 01	Control line for 930/50/52/53/54		1	
(50)	930 123 115 01	Control line		1	
-	999 181 709 50	Hose 8 X 14 520 MM		*	
51		520 MM		1	
52	999 512 160 02	Hose clamp		1	

Model: 911 75 **Model life 1975>>1977**

Pos	Part Number	Description	Remark	Qty	Model
52	PCG 512 160 02	Hose clamp		1	
53	999 113 241 40	Radial sealing ring		1	
53	999 113 246 40	Radial sealing ring		1	
54	999 701 435 40	Round seal 47 X 2		1	

Model: 911 75

Model life 1975>>1977

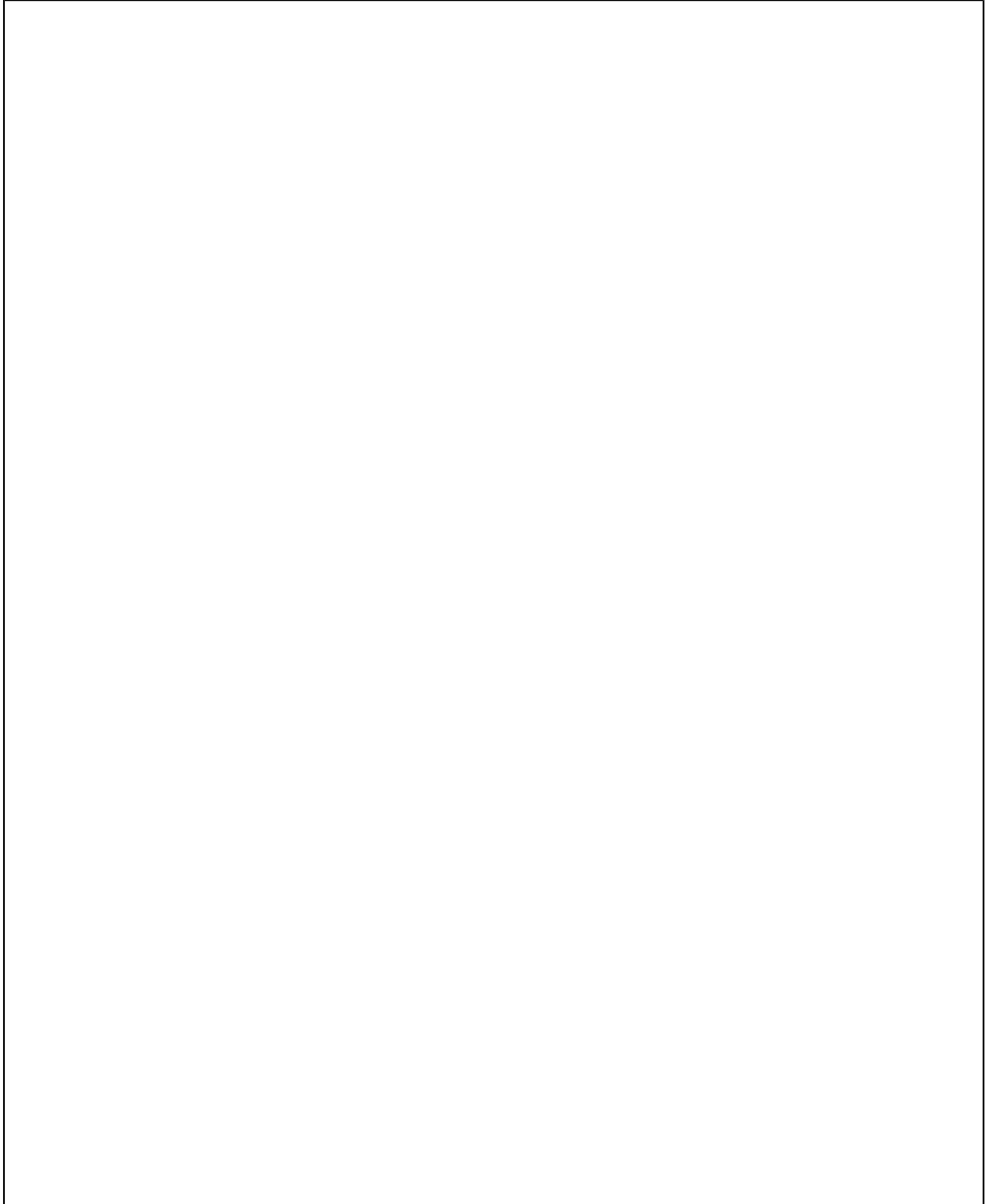


Model: 911 75 Model life 1975>>1977

Pos	Part Number	Description	Remark	Qty	Model
1	901 211 007 22	Heating air supply Heat control box Black	/L	1	
1	901 211 007 23	Heat control box Red	/L	1	
(1)	901 211 008 22	Heat control box Black	/R	1	
(1)	901 211 008 23	Heat control box Red	/R	1	
2	901 211 051 21	Pipe clamp	/L	1	
2	901 211 051 22	Pipe clamp	/L	1	
(2)	901 211 052 21	Pipe clamp	/R	1	
(2)	901 211 052 22	Pipe clamp	/R	1	
3	900 378 030 09	Hexagon-head bolt M 6 X 20		2	
4	900 027 014 01	Lock ring B 6		2	
4	900 027 014 02	Lock ring B 6		2	
4	N 012 006 4	Lock ring B 6		2	
(5)	911 211 622 00	Connecting hose 280 MM	75-	2	
6	999 512 349 02	Hose clamp		2	
6	999 512 349 01	Hose clamp		2	
6	999 512 349 0B	Hose clamp		2	
7	911 211 297 00	Gasket		2	
8	900 084 010 02	Lock nut M 6		6	
9	N 011 524 7	Washer 6,4		6	
9	N 011 524 27	Washer 6,4		6	
10	901 211 255 21	Bearing		4	
11	901 211 028 22	Air flap		2	
12	901 211 035 21	Rotary slide	/L	1	
(12)	901 211 036 21	Rotary slide	/R	1	
13	999 507 222 02	Mecano-speed-fix		2	
14	900 021 014 02	Cotter pin 3 X 15		2	
15	999 522 013 01	Spring		2	
16	901 211 683 00	Clamping screw		2	
17	999 025 042 02	Washer		2	
18	900 027 011 01	Lock ring B 4		2	
19	N 011 004 6	Hexagon nut M 4		2	
19	N 011 004 G	Nut M 4		2	
20	911 659 119 00	Connecting piece for Caloric feeler		1	

Model: 911 75

Model life 1975>>1977



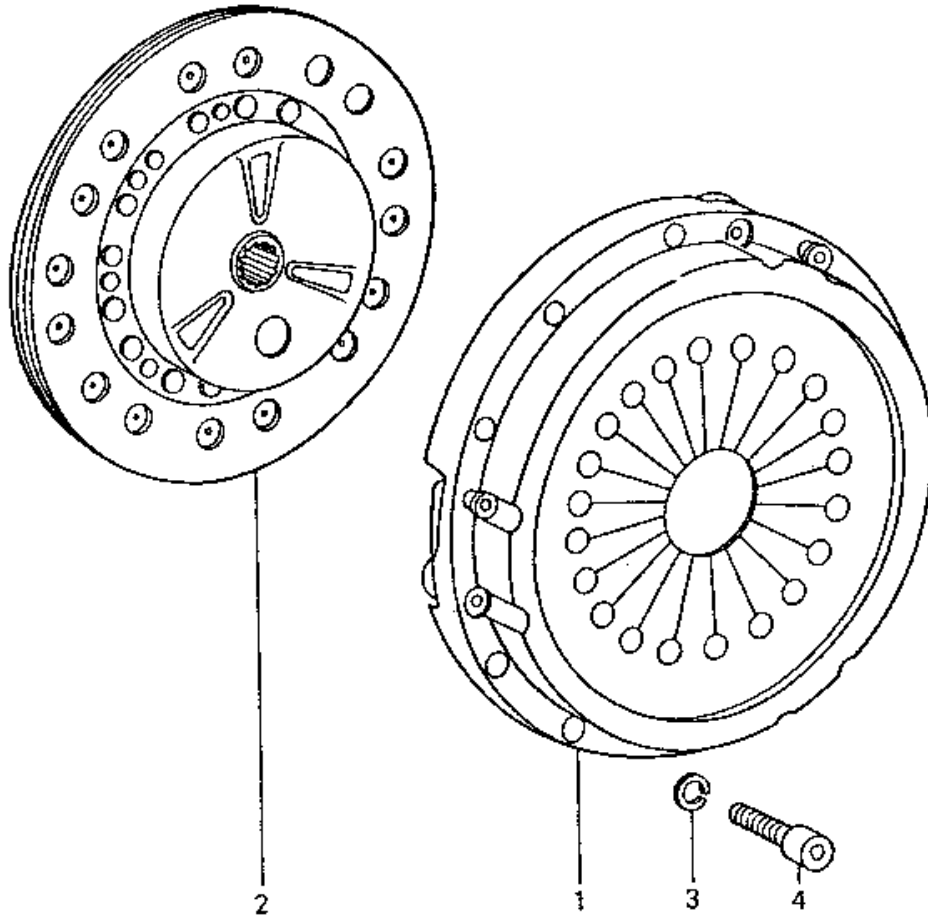
Model: 911 75

Model life 1975>>1977

Pos	Part Number	Description	Remark	Qty	Model
>>-	930 110 901 00	Repair kits Maintenance set for DEN PERIODISCHEN PFLEGEDIENST Comprising:		1	
-	930 110 139 00	Fuel filter		1	
-	930 110 185 02	Air cleaner cartridge		1	
-	900 123 087 60	Sealing ring A 36 X 42		1	
-	900 123 055 30	Sealing ring A 12 X 17		1	
-	930 110 158 01	Rubber sleeve 70x5x54		2	
-	930 110 158 04	Rubber sleeve 50x4,5x44		1	
-	999 701 445 40	Round seal 10 X 15		2	
-	930 110 152 00	Rubber sleeve 79,5x6x37		1	

Model: 911 75

Model life 1975>>1977



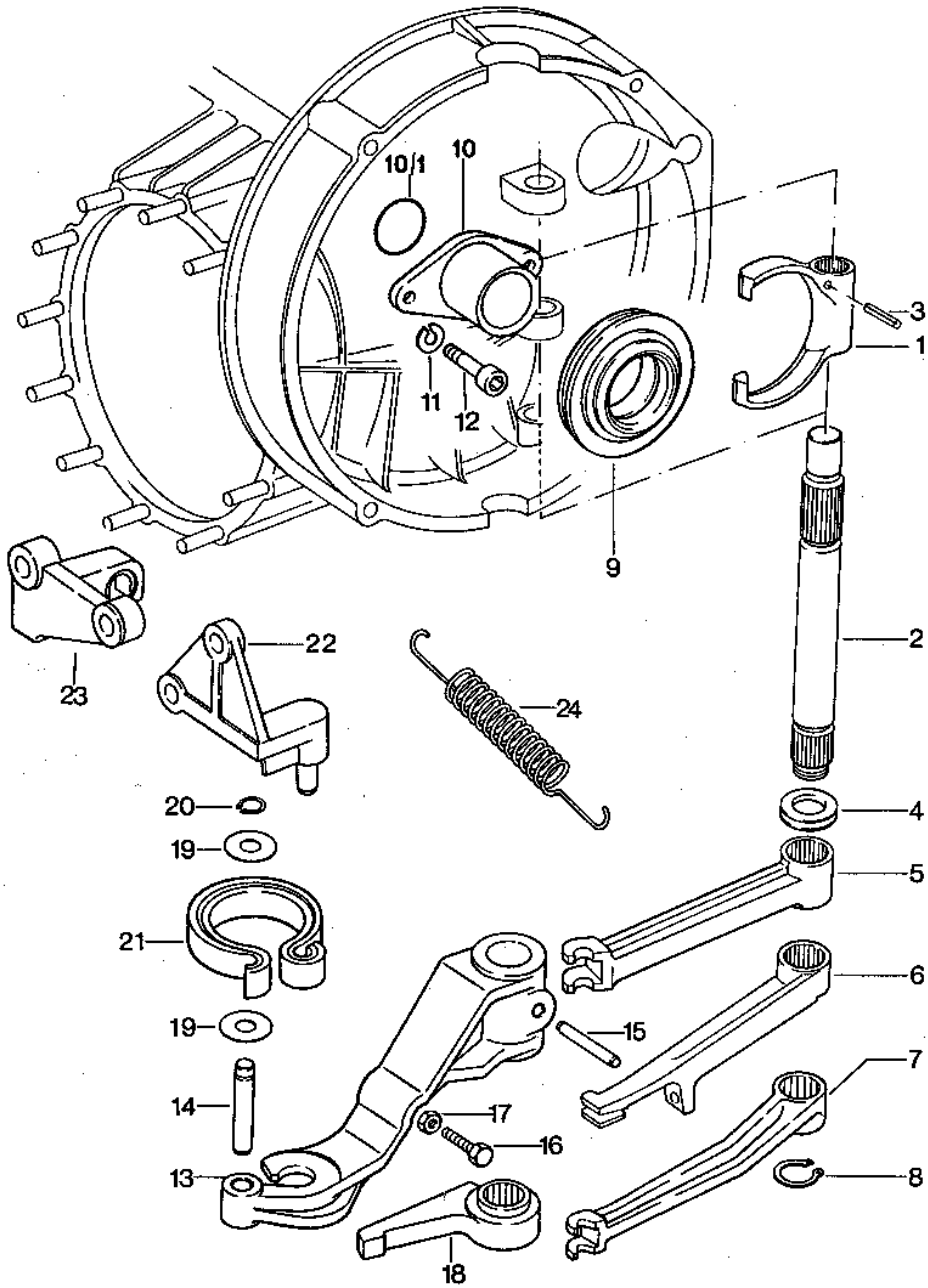
Model: 911 75

Model life 1975>>1977

Pos	Part Number	Description	Remark	Qty	Model
1	930 116 021 00	Clutch Pressure plate		1	
(2)	930 116 014 02	Clutch plate		1	
(3)	N 012 241 8	Spring washer B 8		9	
(4)	900 074 040 02	Hexagon-head bolt M 8 X 50		9	

Model: 911 75

Model life 1975>>1977

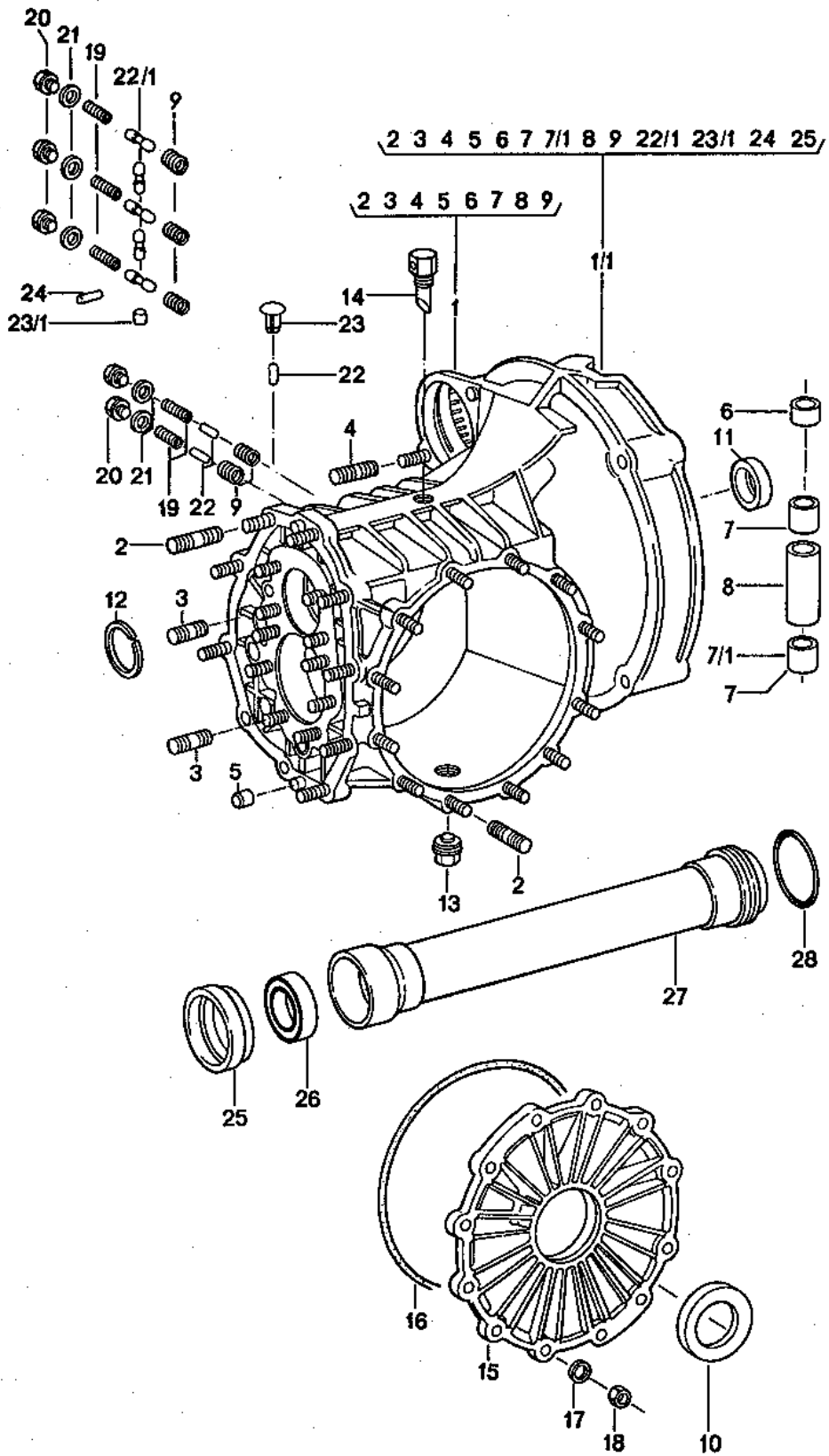


Model: 911 75 Model life 1975>>1977

Pos	Part Number	Description	Remark	Qty	Model
(1)	930 116 712 02	Clutch release Release fork		1	
(2)	930 116 133 00	Bellcrank		1	930/30/32
(2)	930 116 133 02	Bellcrank		1	930/33
3	900 095 050 00	Roll pin		1	
4	915 301 139 00	Sealing ring		1	
7	930 116 713 00	Clutch release lever		1	930/30/32
8	N 012 418 1	Circlip 18 X 1,2		1	
(9)	930 116 081 00	Clutch release bearing		1	
10	930 116 813 00	Guide tube		1	
11	N 012 006 4	Lock ring B 6		2	
12	900 186 032 02	Pan-head screw M 6 X 16 Picture 13 - 21 for 915/61/66 : 930/33		2	
13	930 116 713 03	Clutch release lever		1	
14	915 116 624 00	Bolt		1	
15	900 012 132 00	Straight pin 5 X 32		1	
16	930 116 701 00	Adjusting screw		1	
17	N 011 118 11	Hexagon nut M 8		1	
17	900 034 001 05	Hexagon nut M 8		1	
18	915 116 717 00	Change lever		1	
19	930 116 617 00	Washer		2	
20	900 041 003 01	Circlip 8 X 0,8		1	
21	930 116 064 06	Spring		1	
(22)	930 116 070 00	Bearing bracket		1	930/33

Model: 911 75

Model life 1975>>1977



Model: 911 75 Model life 1975>>1977

Pos	Part Number	Description	Remark	Qty	Model
-	930 300 010 00	Replacement transmission Transmission case Replacement transmission 4-speed Ready for installation		1	930/30
-	930 300 901 00	Replacement transmission 4-speed Ready for installation Limited-slip differential		1	930/30.12
-	930 300 010 32	Replacement transmission 4-speed Ready for installation		1	930/32
-	930 300 901 32	Replacement transmission 4-speed Ready for installation Limited-slip differential		1	930/32.12
-	930 300 010 33	Replacement transmission 4-speed Ready for installation		1	930/33
1/1	930 301 901 00	Transmission case	-76	1	
1/1	930 301 901 01	Transmission case	77-	1	930/33
2	999 062 139 02	Stud M 8 X 26		20	
(2)	999 062 098 02	Stud M 8 X 38	77-	2	
(2)	999 062 009 02	Stud M 8 X 28	77-	8	
(2)	900 060 105 01	Stud M 8 X 28	77-	8	
(3)	999 062 006 02	Stud M 8 X 20		6	
(3)	999 062 008 02	Stud M 8 X 25		4	
4	999 062 182 02	Stud M 10 X 25		1	
5	900 012 110 00	Straight pin 10 M 6 X 14		2	
6	915 301 125 01	Bearing sleeve	-76	1	
(6)	915 301 119 00	Bearing sleeve	77-	1	
7	915 301 129 00	Bush		X	
7	915 301 129 01	Bush		X	
7/1	930 301 130 00	Bush		1	
8	915 301 133 00	Pipe		1	
9	999 504 047 00	Threaded insert Heli-coil		3	
10	999 113 183 40	Radial shaft seal		2	
13	999 064 020 02	Screw plug M 24 X 1,5 with magnet		1	
14	904 301 071 00	Bleeder		1	
(15)	930 301 311 02	Transmission cover		1	
16	999 701 437 40	O-ring		1	
17	900 031 014 30	Washer 8,4		12	
(17)	N 012 241 8	Spring washer B 8		12	
18	900 076 025 02	Hexagon nut M 8		12	
18	900 076 064 02	Hexagon nut M 8		12	
19	915 303 232 00	Spring		3	
20	900 075 352 02	Hexagon-head bolt		3	
22/1	930 303 131 00	Detent		5	

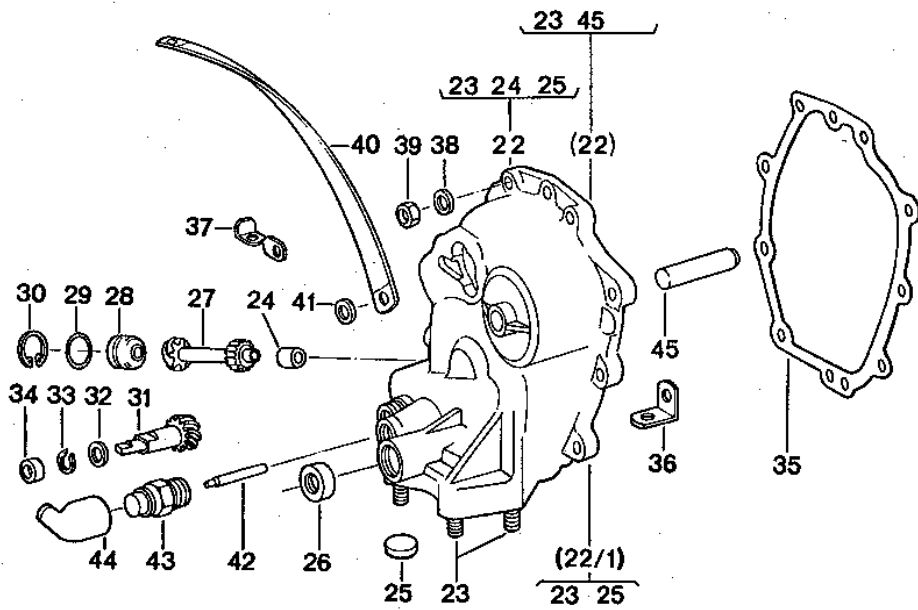
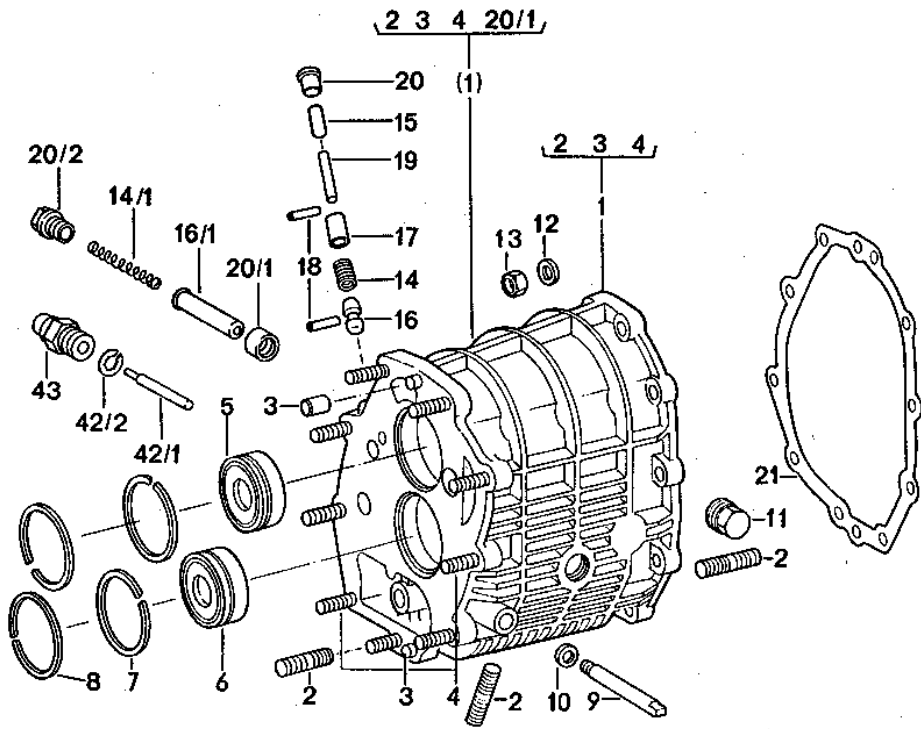
Model: 911 75

Model life 1975>>1977

Pos	Part Number	Description	Remark	Qty	Model
23/1	999 501 028 30	Stopper		1	
24	900 308 026 00	Roll pin 3,5 X 22		5	
25	930 301 133 00	Guide ring		1	
26	930 302 332 00	Shaft sealing ring		1	
27	930 302 053 00	Pipe		1	
28	999 701 440 40	O-ring		1	

Model: 911 75

Model life 1975>>1977



Model: 911 75

Model life 1975>>1977

Pos	Part Number	Description	Remark	Qty	Model
		Gear housing			
		Transmission cover			
(1)	930 301 911 00	Gear housing		1	
2	999 062 139 02	Stud		9	
		M 8 X 26			
(2)	999 062 007 02	Stud		1	
		M 8 X 22			
(2)	900 060 106 01	Stud		1	
		M 8 X 22			
(2)	999 062 052 02	Stud		1	
		M 8 X 42			
(2)	999 062 010 02	Stud		2	
		M 8 X 35			
3	900 012 110 00	Straight pin		2	
		10 M 6 X 14			
(4)	999 062 009 02	Stud		1	
		M 8 X 28			
(4)	900 060 105 01	Stud		1	
		M 8 X 28			
5	999 110 025 00	Cylindrical-roller bearing		1	
6	999 110 076 00	Cylindrical-roller bearing		1	
6	999 110 181 02	Cylindrical-roller bearing		1	
7	900 111 001 00	Circlip		2	
		SP 62			
8	999 152 031 01	Circlip		2	
		SB 68			
9	914 301 307 00	Bolt		1	
10	900 031 001 02	Washer		1	
		B 8,4			
10	900 031 105 01	Washer		1	
		B 8,4			
11	900 064 009 02	Screw plug		1	
12	900 031 014 30	Washer		10	
		8,4			
(12)	N 012 241 8	Spring washer		10	
		B 8			
13	900 076 025 02	Hexagon nut		10	
		M 8			
13	900 076 064 02	Hexagon nut		10	
		M 8			
14/1	930 303 230 08	Spring		1	
16/1	930 303 135 01	Detent		1	
20/1	999 504 107 00	Threaded insert		1	
		Heli-coil			
20/2	930 303 253 01	Screw plug		1	
21	930 301 191 00	Gasket		1	
(22)	930 301 903 00	Transmission cover		1	
(23)	999 062 007 02	Stud		4	
		M 8 X 22			
(23)	900 060 106 01	Stud		4	
		M 8 X 22			
26	999 113 185 40	Shaft sealing ring		1	
(35)	930 301 351 00	Gasket		1	
36	901 423 369 00	Retaining bracket		1	
37	915 301 369 00	Clip		1	
38	900 031 014 30	Washer		9	
		8,4			
(38)	N 012 241 8	Spring washer		9	
		B 8			
39	900 076 025 02	Hexagon nut		9	
		M 8			
39	900 076 064 02	Hexagon nut		9	
		M 8			

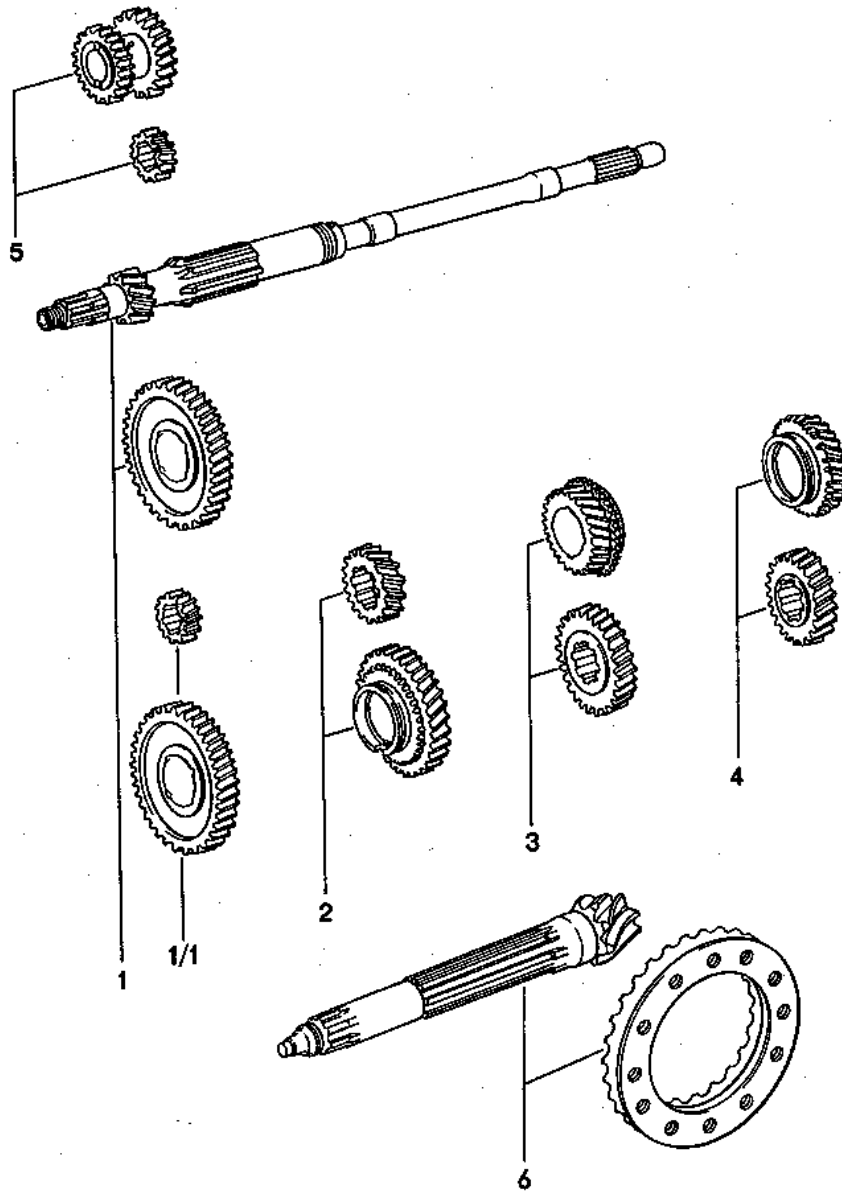
Model: 911 75

Model life 1975>>1977

Pos	Part Number	Description	Remark	Qty	Model
40	999 611 920 20	Ground strap		1	
41	999 151 022 02	Washer 20 X 8,4 X 2		1	
42/1	930 303 175 01	Pin		1	
42/2	999 041 503 01	Locking ring		1	
43	914 613 541 02	Back-up light switch		1	
44	914 613 491 00	Protection cap		1	
45	930 302 228 00	Bolt		1	

Model: 911 75

Model life 1975>>1977

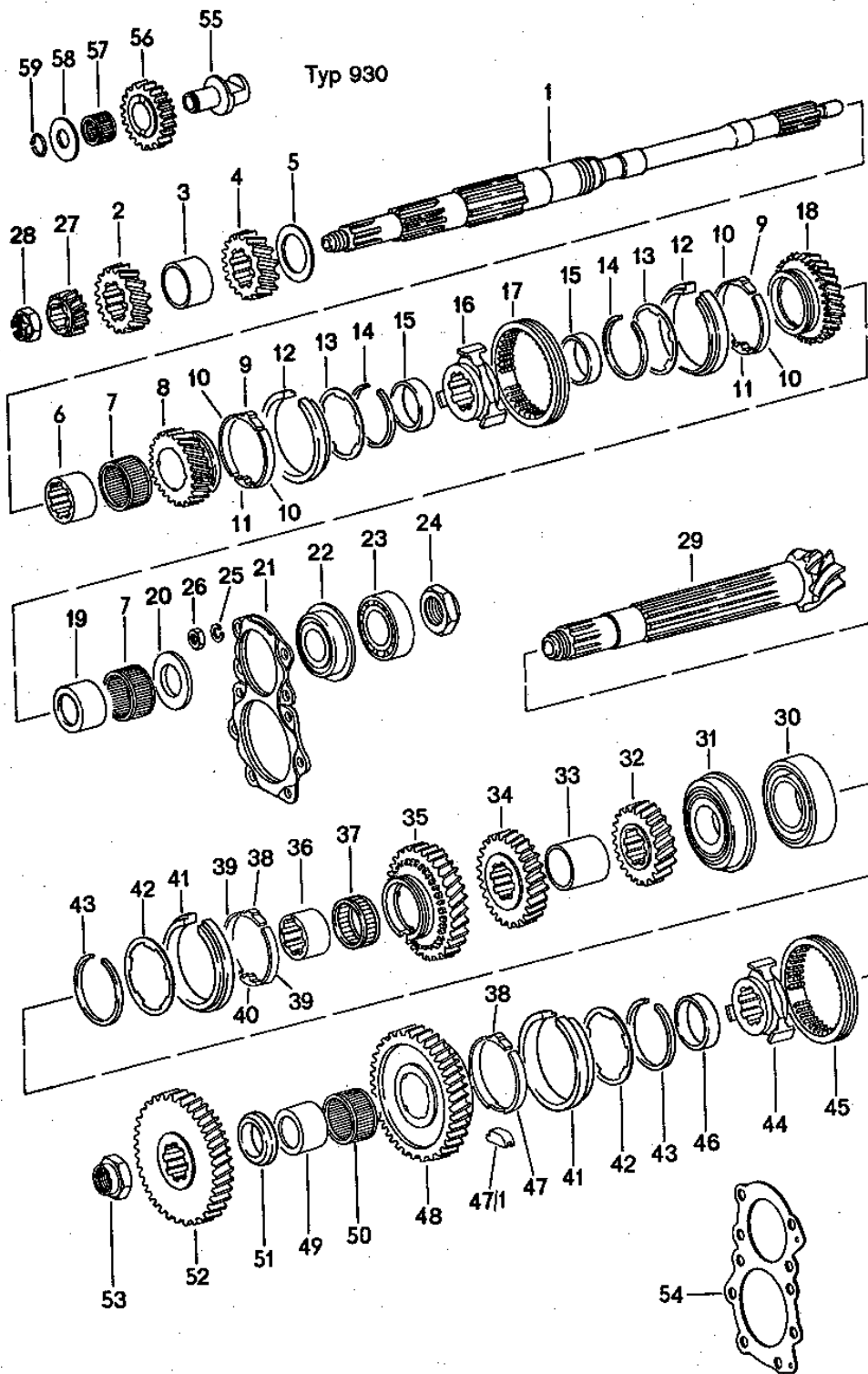


Model: 911 75 Model life 1975>>1977

Pos	Part Number	Description	Remark	Qty	Model
1/1	930 302 901 05	Gear wheel sets 4-speed Transmission Gear wheel pair 1st gear Z = 16:36 (FA)		1	930/30/32
2	930 302 902 02	Gear wheel pair 2nd gear Z = 23:30 (NU)		1	
3	930 302 903 02	Gear set 3rd gear Z = 28:25 (SP)		1	
3	930 302 903 04	Gear set 3rd gear Z = 28:25 (SP)		1	
4	930 302 904 01	Gear wheel pair 4th speed Z = 32:21 (WL)		1	
(6)	930 302 911 01	Ring gear and pinion shaft 9:38		1	930/30
(6)	930 302 911 03	Ring gear and pinion shaft 9:38		1	930/30
(6)	930 302 911 02	Ring gear and pinion shaft 9:36		1	930/32
1/1	930 302 901 06	Transmission Gear set 1st gear Z = 16:36 (FA)		1	930/33
2	930 302 902 04	Gear set 2nd gear Z = 23:30 (NU)		1	
2	930 302 902 06	Gear set 2nd gear Z = 23:30 (NU)		1	
3	930 302 903 02	Gear set 3rd gear Z = 28:25 (SP)		1	
3	930 302 903 04	Gear set 3rd gear Z = 28:25 (SP)		1	
4	930 302 904 01	Gear wheel pair 4th speed Z = 32:21 (WL)		1	
6	930 302 911 01	Ring gear and pinion shaft 9:38		1	
6	930 302 911 03	Ring gear and pinion shaft 9:38		1	

Model: 911 75

Model life 1975>>1977



Model: 911 75

Model life 1975>>1977

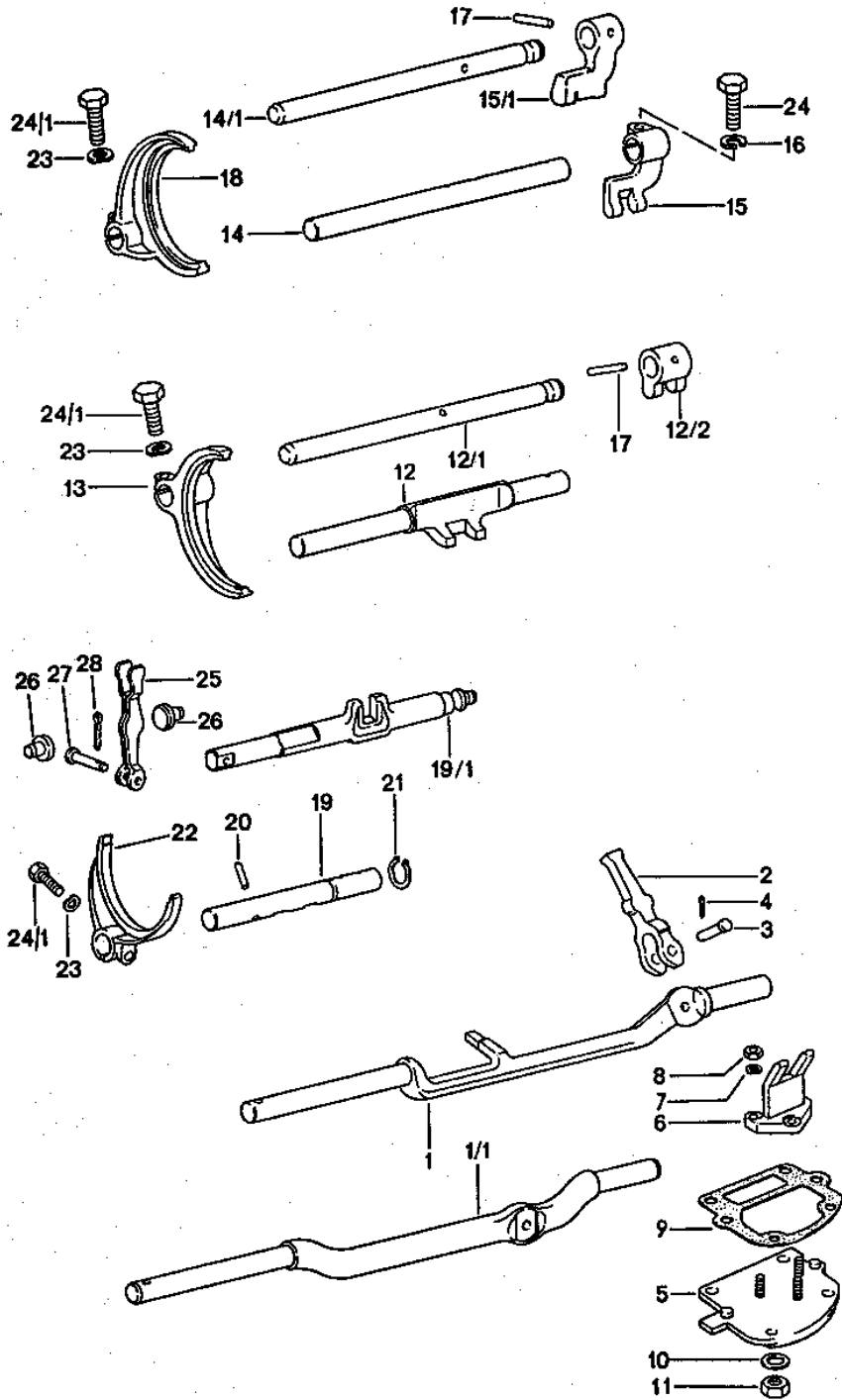
Pos	Part Number	Description	Remark	Qty	Model
		Gear wheel sets			
		See group			
		3/03/00			
1	930 302 101 00	Drive shaft		1	
2		Fixed gear wheel		1	
		1st gear			
3	930 302 265 00	Spacer sleeve		1	
4		Fixed gear wheel		1	
		2nd gear			
5	930 302 293 00	Thrust washer		1	
6	930 302 263 00	Bush		1	
		3rd gear			
7	999 201 470 00	Needle cage		2	
8		Loose gear wheel		1	
		3rd gear			
9	930 302 325 00	Stone		2	
		3rd/4th gear			
9	930 302 325 11	Stone		2	
		3rd/4th gear			
10	911 302 316 00	Spring		4	
		3rd/4th gear			
11	911 302 317 01	Stop		2	
		3rd/4th gear			
12	930 302 303 00	Synchroniser ring		3	
		3rd/4th gear			
13	930 302 311 00	Lock washer		2	
14	930 302 313 01	Circlip		2	
15	930 302 274 00	Spacer ring		2	
16	930 302 402 00	Guide sleeve		1	
16	930 302 402 61	Guide sleeve		1	
17	911 302 411 20	Shift sleeve		1	
17	911 302 411 26	Shift sleeve		1	
17	911 302 411 27	Shift sleeve		1	
18		Loose gear wheel			
		4th speed			
19	930 302 264 00	Bush		1	
		4th speed			
20	930 302 291 00	Thrust washer		1	
21	930 302 121 00	Tensioning plate		1	
22	999 052 030 00	Four-point bearing		1	
23	930 302 391 00	Cylindrical-roller bearing		1	
23	930 302 391 01	Cylindrical-roller bearing		1	
24	930 302 281 00	Collar nut		1	
25	900 027 015 02	Lock ring		10	
25	900 027 015 03	Lock ring		10	
26	900 076 025 02	Hexagon nut		10	
		M 8			
26	900 076 064 02	Hexagon nut		10	
		M 8			
27	930 302 221 00	Reverse gear wheel		1	
		1			
27	930 302 221 01	Reverse gear wheel		1	
		1			
28	930 302 451 00	Collar nut		1	
29		Pinion shaft		1	
30	999 110 146 00	Cylindrical-roller bearing		1	
30	999 110 146 01	Cylindrical-roller bearing		1	
31	917 301 391 00	Four-point bearing		1	
32		Fixed gear wheel		1	
		4th speed			
33	930 302 266 02	Spacer ring		1	
34		Fixed gear wheel		1	
		3rd gear			

Model: 911 75 Model life 1975>>1977

Pos	Part Number	Description	Remark	Qty	Model
35		Loose gear wheel 2nd gear		1	
36	930 302 262 00	Bush 2nd gear		1	
37	999 201 047 00	Needle cage		2	
38	930 302 315 00	Stone 1st / 2nd gear		2	
(38)	930 302 316 00	Stone 1st gear		1	930/33
39	915 302 316 01	Brake band 2nd gear		2	
(39)	928 302 318 02	Double barricade tape 2nd gear		2	930/33
40	930 302 321 00	Stop 2nd gear		1	
(40)	928 302 322 00	Stop 2nd gear		1	930/33
41	930 302 301 00	Synchroniser ring 1st / 2nd gear		2	
42	930 302 331 00	Lock washer		2	
43	930 302 333 01	Circlip		2	
44	930 302 401 00	Guide sleeve		1	
45	930 302 411 00	Shift sleeve		1	
(45)	930 302 411 01	Shift sleeve		1	930/33
(45)	930 302 411 02	Shift sleeve		1	930/33
(45)	930 302 411 03	Shift sleeve		1	930/33
46	930 302 271 00	Spacer ring		1	
47	928 302 319 08	Double barricade tape 1st gear		1	
47/1	928 302 320 01	Stop 1st gear		1	
48		Loose gear wheel 1st gear		1	
49	930 302 261 00	Inner ring		1	
50	999 201 156 00	Needle cage		1	
51	930 302 292 00	Thrust washer		1	
52	930 302 223 00	Reverse gear wheel 3		1	
53	930 302 453 00	Collar nut		1	
54	915 302 268 03	Adjusting shim 0,10 MM		X	
(54)	915 302 268 04	Adjusting shim 0,15 MM		X	
(54)	915 302 268 05	Adjusting shim 0,20 MM		X	
55	930 302 269 01	Sleeve		1	
56	930 302 222 00	Reverse gear wheel 2		1	
56	930 302 222 02	Reverse gear wheel 2		1	
57	999 201 115 00	Needle cage		1	
58	930 302 229 00	Washer		1	
59	999 152 053 01	Circlip		1	

Model: 911 75

Model life 1975>>1977



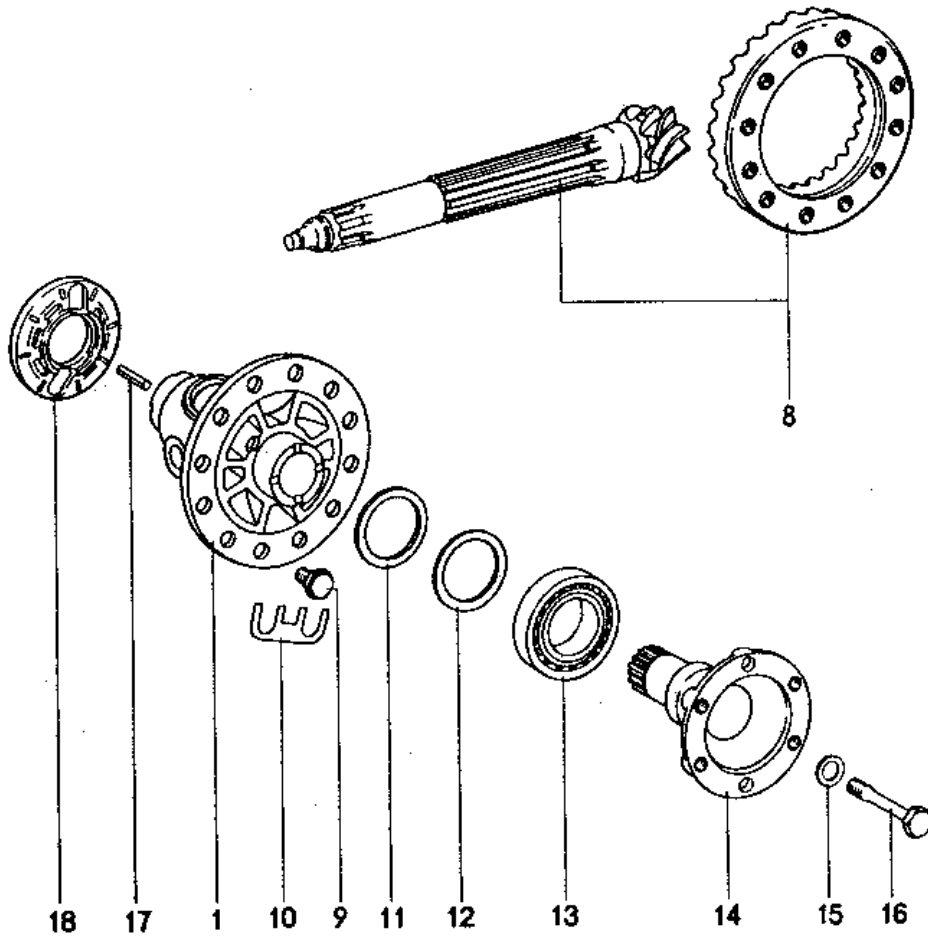
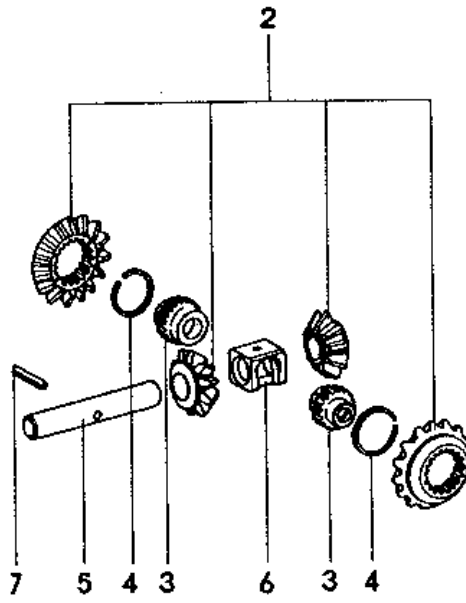
Model: 911 75

Model life 1975>>1977

Pos	Part Number	Description	Remark	Qty	Model
		Shift rods			
		shift forks			
1/1	930 303 132 00	Gear shift rod		1	
(2)	930 303 133 00	Shift lever		1	
3	901 303 171 01	Bolt		1	
4	N 012 512 1	Cotter pin		1	
		2 X 12			
5	915 303 023 02	Shift cover		1	
(6)	930 303 129 02	Fork		1	
7	N 012 006 4	Lock ring		3	
		B 6			
8	900 076 010 02	Nut		3	
		M 6			
8	900 076 010 0B	Nut		3	
		M 6			
9	915 303 225 00	Gasket		1	
10	900 031 014 30	Washer		4	
		8,4			
(10)	N 012 241 8	Spring washer		4	
11	900 076 025 02	Hexagon nut		4	
		M 8			
11	900 076 064 02	Hexagon nut		4	
		M 8			
12/1	930 303 101 01	Gear shift rod		1	
		for			
		1st / 2nd gear			
12/2	930 303 111 03	Shift fork		1	
13	915 303 111 00	Shift fork		1	
		for			
		1st / 2nd gear			
14/1	930 303 103 01	Gear shift rod		1	
		for			
		3rd/4th gear			
15/1	930 303 115 03	Shift fork		1	
17	900 309 003 00	Roll pin		2	
		5 X 24			
(18)	930 303 112 02	Shift fork		1	
		for			
		3rd/4th gear			
(18)	930 303 112 03	Shift fork		1	
		for			
		3rd/4th gear			
19/1	930 303 105 03	Gear shift rod		1	
		for			
		Reverse gear			
23	N 012 241 1	Spring washer		2	
		B 8 X 15			
24	900 075 136 02	Hexagon-head bolt		2	
		M 8 X 28			
25	930 303 019 00	Reverse lever		1	
26	930 303 121 00	Spacer bolt		2	
27	930 303 123 00	Bolt		1	
28	900 021 003 02	Cotter pin		1	
		1,5 X 12			

Model: 911 75

Model life 1975>>1977



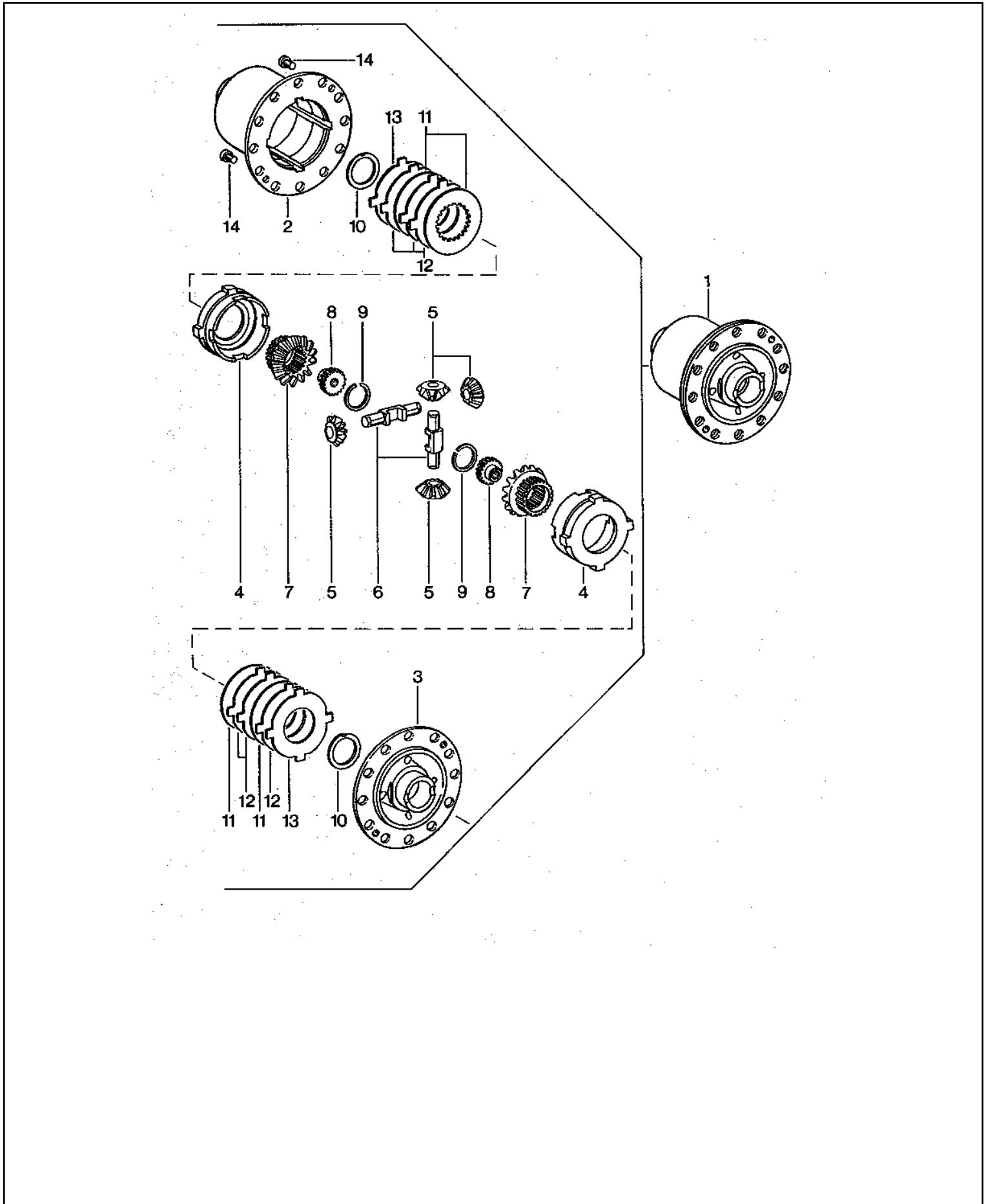
Model: 911 75

Model life 1975>>1977

Pos	Part Number	Description	Remark	Qty	Model
1	925 332 212 01	Differential Housing		1	930/30/32/33
2	930 332 902 00	Ring gear and pinion shaft		1	
(3)	930 332 206 01	Differential pinions		2	
5	911 332 207 00	Threaded disc		1	
6	911 332 208 00	Differential bolt		1	
7	900 308 005 00	Armature		1	
		Roll pin		1	
		6 X 28			
(8)	930 302 911 01	Ring gear and pinion shaft		1	930/30/33
		9 : 38			
(8)	930 302 911 03	Ring gear and pinion shaft		1	930/30/33
		9 : 38			
(8)	930 302 911 02	Ring gear and pinion shaft		1	930/32
		9 : 36			
9	915 332 276 00	Hexagon-head bolt		12	
(9)	928 332 276 03	Hexagon-head bolt		12	
		Only together with			
		Limited-slip differential			
10	901 332 285 01	Tab washer		6	
11	915 332 265 00	Adjusting ring		X	
		2,4 MM			
(11)	915 332 265 01	Adjusting ring		X	
		2,5 MM			
(11)	915 332 265 02	Adjusting ring		X	
		2,6 MM			
(11)	915 332 265 03	Adjusting ring		X	
		2,7 MM			
(11)	915 332 265 04	Adjusting ring		X	
		2,8 MM			
(11)	915 332 265 05	Adjusting ring		X	
		2,9 MM			
(11)	915 332 265 06	Adjusting ring		X	
		3,0 MM			
(11)	915 332 265 07	Adjusting ring		X	
		3,1 MM			
(11)	915 332 265 08	Adjusting ring		X	
		3,2 MM			
(11)	915 332 265 09	Adjusting ring		X	
		3,3 MM			
(11)	915 332 265 10	Adjusting ring		X	
		3,4 MM			
(11)	915 332 265 11	Adjusting ring		X	
		3,5 MM			
(11)	915 332 265 12	Adjusting ring		X	
		3,6 MM			
(11)	915 332 265 13	Adjusting ring		X	
		3,7 MM			
12	915 332 263 00	Adjusting ring		2	
13	999 059 027 00	Taper roller bearing		1	
13	999 059 027 02	Taper roller bearing		1	
13	999 059 064 00	Taper roller bearing		1	
(14)	930 332 209 01	Joint flange		2	
(14)	930 332 209 00	Joint flange		2	
		Only together with			
		Limited-slip differential			
15	901 332 261 11	Washer		2	
16	901 332 275 12	Elastic bolt		2	
17	900 095 078 00	Tensioning sleeve		1	
		4 X 14			
18	915 318 045 03	Magnet carrier disc		1	930/30/32

Model: 911 75

Model life 1975>>1977



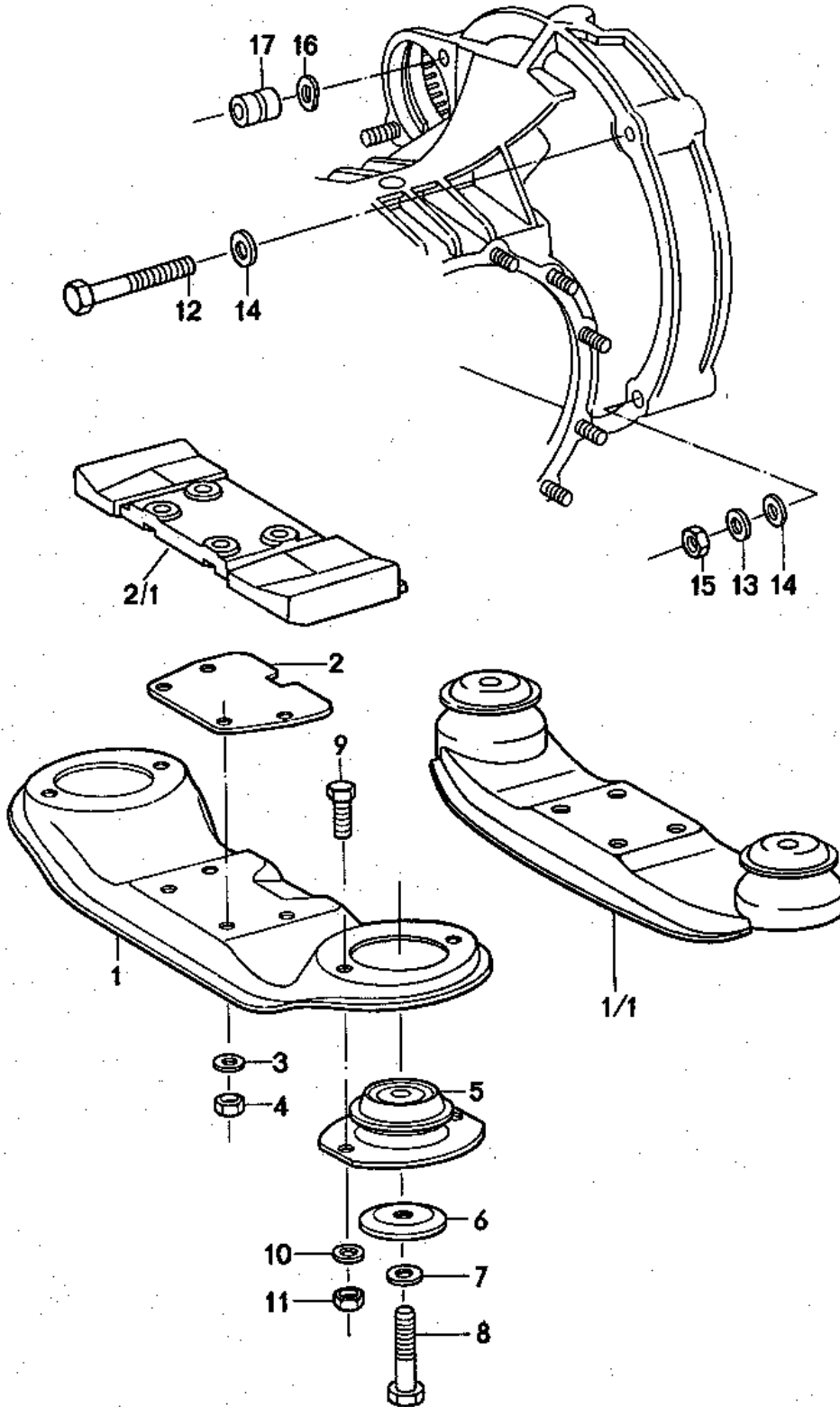
Model: 911 75

Model life 1975>>1977

Pos	Part Number	Description	Remark	Qty	Model
(1)	930 332 053 01	Limited-slip differential Limit.-slip different. 40% for 930/30/32/33		1	
4	901 332 511 11	Thrust ring		2	
5	915 332 531 02	Bevel pinion		4	
6	915 332 541 02	Differential shaft		2	
(7)	930 332 535 00	Shaft bevel gear		2	
(8)	930 332 206 00	Threaded piece		2	
10	901 332 561 11	Thrust washer		2	
11	928 332 551 00	Inner disc 2,0 MM		4	
12	917 332 552 10	Disc with external splines 1,9 MM		6	
12	917 332 552 11	Disc with external splines 2,0 MM		6	
12	917 332 552 12	Disc with external splines 2,1 MM		6	
13	928 332 555 00	Cup spring		2	
14	900 119 002 00	Pan-head screw M 6 X 10		2	
-	900 095 078 00	Tensioning sleeve 4 X 14		1	

Model: 911 75

Model life 1975>>1977



Model: 911 75

Model life 1975>>1977

Pos	Part Number	Description	Remark	Qty	Model
1/1	930 375 031 00	Transmission suspension Transmission carrier		1	
(2)	930 375 311 00	Plate		1	
3	900 031 001 02	Washer 8,4		4	
3	900 031 105 01	Washer 8,4		4	
4	999 090 101 02	Mid-grip nut		4	
6	901 305 311 00	Seat		4	
7	900 027 017 02	Lock ring B 12		2	
(8)	930 375 317 00	Hexagon-head bolt		2	
(8)	930 375 317 01	Hexagon-head bolt		2	
(12)	900 155 021 02	Hexagon-head bolt M 10 X 80		1	
15	900 157 002 02	Hexagon nut M 10		2	
15	900 157 002 03	Hexagon nut M 10		2	
(16)	900 028 032 02	Spring washer B 10		5	
17	901 104 382 02	Nut		2	
17	901 104 382 03	Nut		2	

Model: 911 75

Model life 1975>>1977



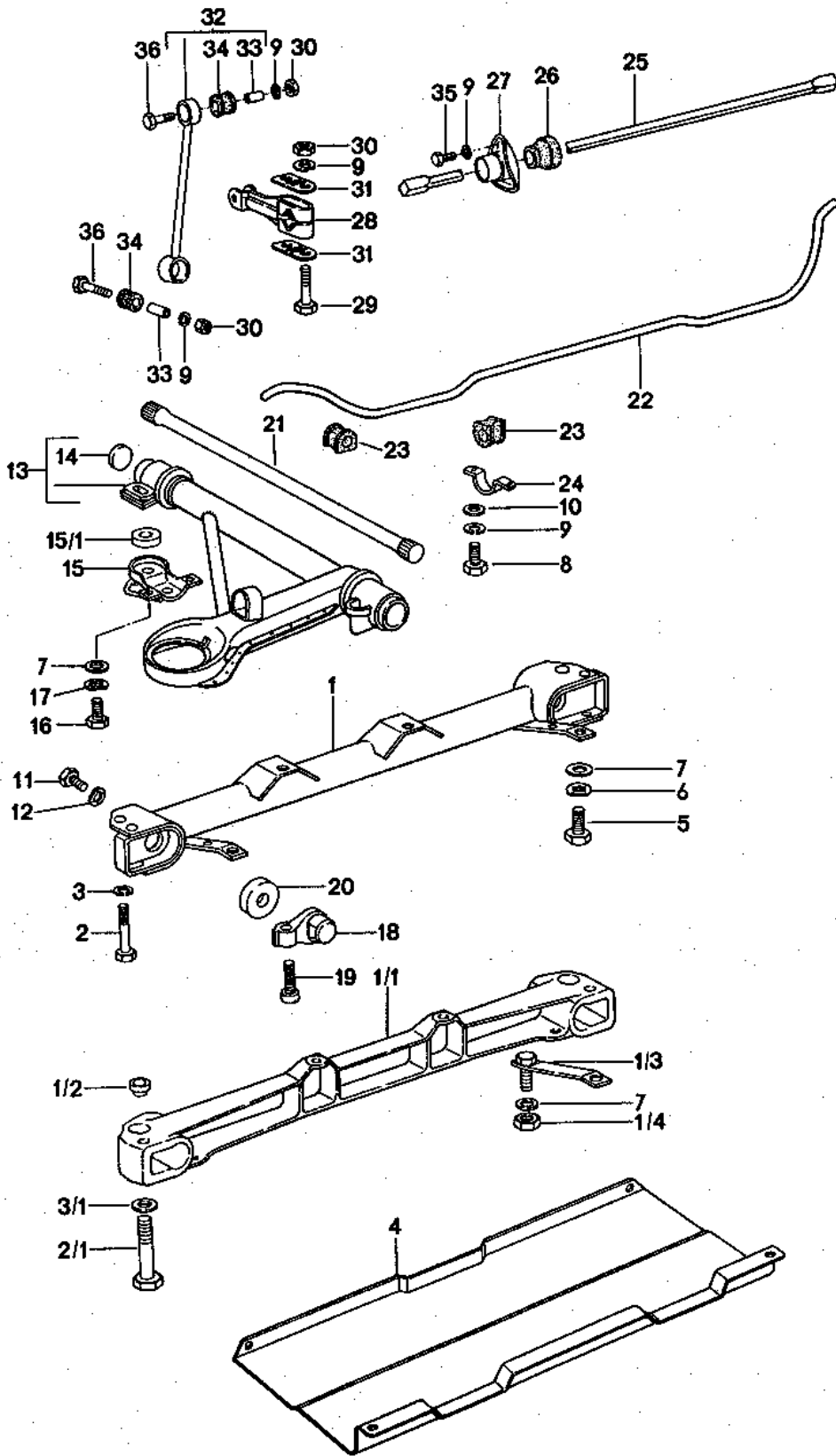
Model: 911 75

Model life 1975>>1977

Pos	Part Number	Description	Remark	Qty	Model
>>	930 300 911 00	Repair kits Gasket set Transmission - TYP 930 - Comprising:		1	
-	915 301 139 00	Sealing ring		1	
-	999 113 183 40	Radial shaft seal 45 X 68 X 10		2	
-	999 701 437 40	O-ring		1	
-	930 302 332 00	Shaft sealing ring		1	
-	999 701 440 40	O-ring		1	
-	930 301 191 00	Gasket		1	
-	999 113 185 40	Shaft sealing ring		1	
-	930 301 351 00	Gasket		1	
-	915 303 225 00	Gasket		1	

Model: 911 75

Model life 1975>>1977



Model: 911 75 Model life 1975>>1977

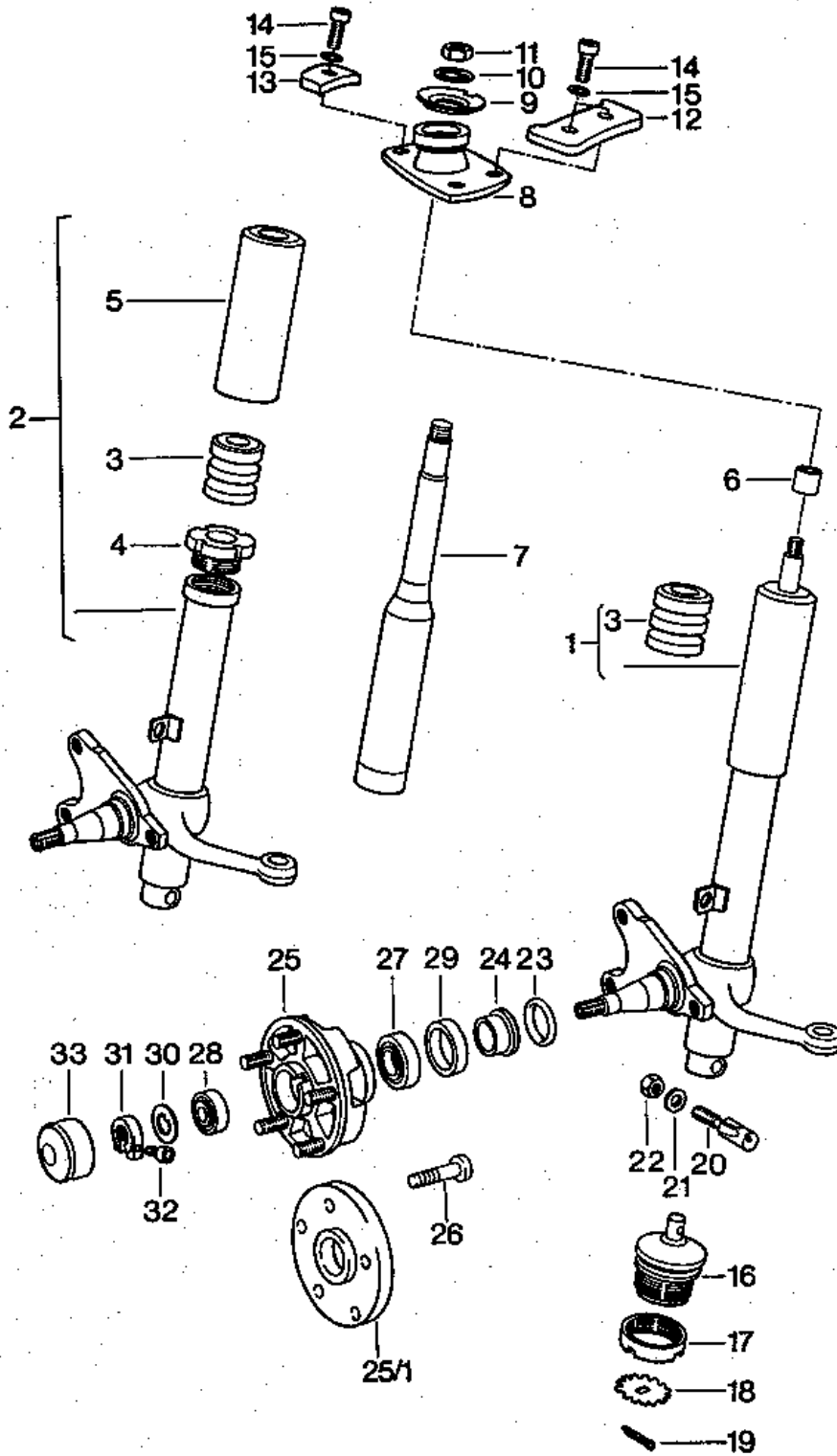
Pos	Part Number	Description	Remark	Qty	Model
		Front axle			
		Stabiliser			
		Auxiliary support			
		Light alloy			
1/1	911 341 013 10	Auxiliary support		1	
1/2	930 341 135 00	Adapter		2	
1/3	930 341 031 02	Strut		2	
1/4	900 910 031 09	Lock nut		2	
1/4	900 910 031 01	Lock nut		2	
2/1	900 082 110 02	Hexagon-head bolt M 12 X 1,5 X 85		2	
3/1	900 028 014 02	Washer B 12		2	
3/1	900 028 014 03	Washer B 12		2	
(4)	930 341 021 02	Protective plate		1	
5	N 014 721 2	Pan-head screw M 10 X 25		2	
6	N 012 028 1	Lock ring 10		2	
7	900 025 008 02	Washer 10,5		10	
7	N 011 527 4	Washer 10,5		10	
7	900 025 008 09	Washer 10,5		10	
7	900 025 008 04	Washer 10,5		10	
8	900 075 087 02	Hexagon-head bolt M 8 X 16		2	
8	900 075 087 03	Hexagon-head bolt M 8 X 16		2	
9	900 027 015 02	Lock ring B 8		X	
9	900 027 015 03	Lock ring B 8		X	
10	900 025 007 02	Washer 8,4		2	
10	900 025 007 03	Washer 8,4		2	
(13)	930 341 901 00	Wishbone Left	-76	1	
(13)	930 341 901 01	Wishbone Left	77-	1	
(13)	930 341 902 00	Wishbone Right	-76	1	
(13)	930 341 902 01	Wishbone Right	77-	1	
(14)	900 040 008 01	Lid		2	
15	911 341 037 02	Protective bracket Left		1	
(15)	901 341 159 00	Protective bracket Right		1	
(15)	911 341 038 02	Protective bracket Right		1	
15/1	930 341 160 00	Overseas Spacer		2	
(16)	N 040 281 1	Hexagon-head bolt M 10 X 45		6	
(16)	900 075 516 01	Hexagon-head bolt M 10 X 45		6	
17	900 027 016 02	Lock ring B 10		6	

Model: 911 75 Model life 1975>>1977

Pos	Part Number	Description	Remark	Qty	Model
17	900 027 016 03	Lock ring B 10		6	
18	901 341 033 00	Reverse lever		2	
19	911 341 115 00	Adjusting screw		2	
20	901 341 475 00	Gasket		2	
21	901 343 101 12	Torsion bar Left		1	
21	901 343 101 14	Torsion bar Left		1	
(21)	901 343 102 12	Torsion bar Right		1	
(21)	901 343 102 14	Torsion bar Right		1	
(22)	911 343 703 10	Stabiliser 20 MM		1	
(23)	911 343 792 03	Stabiliser mounting 20 MM		4	
24	911 343 775 00	Clip		2	
25	911 343 705 00	Stabiliser 18 MM		1	
26	901 343 792 04	Stabiliser mounting		2	
27	901 343 754 01	Stabiliser mounting		2	
28	911 343 083 00	Lever		2	
29	900 074 135 02	Hexagon-head bolt M 8 X 62		4	
30	900 076 025 02	Hexagon nut M 3		8	
30	900 076 064 02	Hexagon nut M 3		8	
31	911 343 767 00	Guide		4	
32	901 343 076 03	Stabiliser mounting		2	
33	901 343 737 00	Spacer tube		4	
34	901 343 783 00	Rubber mounting		4	
35	900 075 083 02	Hexagon-head bolt M 8 X 25		6	
36	900 074 130 02	Hexagon-head bolt M 8 X 40		4	
36	900 075 033 02	Stud M 8 X 40		4	
36	900 075 033 03	Stud M 8 X 40		4	

Model: 911 75

Model life 1975>>1977



Model: 911 75

Model life 1975>>1977

Pos	Part Number	Description	Remark	Qty	Model
-	PCG 043 110 00	Shock absorber strut Lubricants Grease Bearing 200 GR.		1	
1	911 341 041 30	Shock absorber strut - bilstein - for S-calliper	/L	X	
(1)	911 341 042 30	Shock absorber strut - bilstein - for S-calliper	/R	X	
8	911 341 018 00	Supporting mount with Rubber mounting		2	
9	901 341 629 00	Support washer		2	
10	900 038 002 01	Tab washer 14		2	
11	N 011 021 3	Hexagon nut M 14 X 1,5		2	
12	911 501 933 00	Double-bore pressure plate		2	
13	911 501 934 00	One-bore pressure plate		2	
14	900 067 063 02	Pan-head screw M 10 X 20		6	
15	999 523 103 01	Schnorr retainng washer		6	
16	911 341 049 01	Ball joint		2	
16	911 341 049 05	Ball joint		2	
17	901 341 425 00	Grooved nut		2	
17	901 341 425 01	Grooved nut		2	
18	901 341 426 00	Tab washer		2	
19	N 012 521 1	Cotter pin		2	
20	911 341 119 06	Threaded pin		2	
20	911 341 119 07	Threaded pin		2	
21	900 089 006 02	Washer 8		2	
21	900 089 006 01	Washer 8		2	
22	999 084 019 02	Lock nut		2	
23	999 701 084 50	O-ring OR 25,3 - 2,4		2	
24	901 341 623 00	Spacer ring		2	
(25)	930 341 065 00	Front wheel hub with Bolt		2	
25/1	477 501 701	Spacer ring		2	
26	911 331 671 00	Wheel bolt		10	
-	PCG 059 065 00	Bearing set Wheel hub Front axle Comprising:		1	
-	999 059 065 00	Taper roller bearing		2	
-	999 059 098 00	Taper roller bearing		2	
-	900 075 079 02	Hexagon-head bolt		10	
-	900 076 064 02	Hexagon nut		10	
-	901 341 623 00	Spacer ring		2	
-	477 405 641	Radial sealing ring		2	
-	999 701 084 50	O-ring		2	
-	N 012 241 8	Spring washer		10	
-	PCG 043 110 00	Grease Bearing 200 GR.		1	
27	999 059 098 00	Taper roller bearing		2	

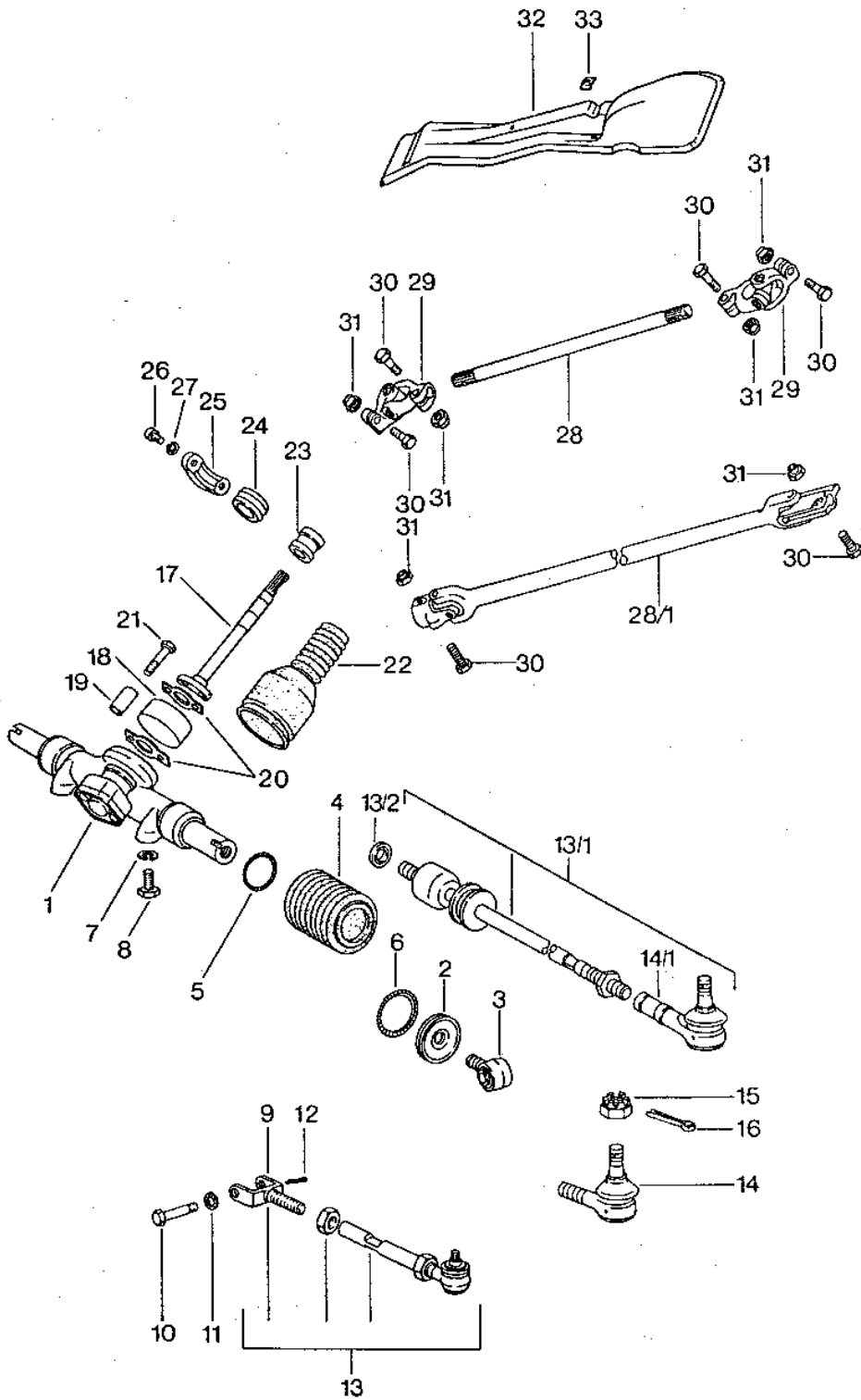
Model: 911 75

Model life 1975>>1977

Pos	Part Number	Description	Remark	Qty	Model
28	999 059 065 00	Inner Taper roller bearing		2	
29	477 405 641	Outer Radial sealing ring		2	
30	911 341 663 00	Thrust washer		2	
31	911 341 673 00	Clamping nut		2	
32	999 119 001 01	Pan-head screw		2	
32	999 119 001 0B	Pan-head screw		2	
33	911 341 684 00	Cap		2	

Model: 911 75

Model life 1975>>1977



Model: 911 75 Model life 1975>>1977

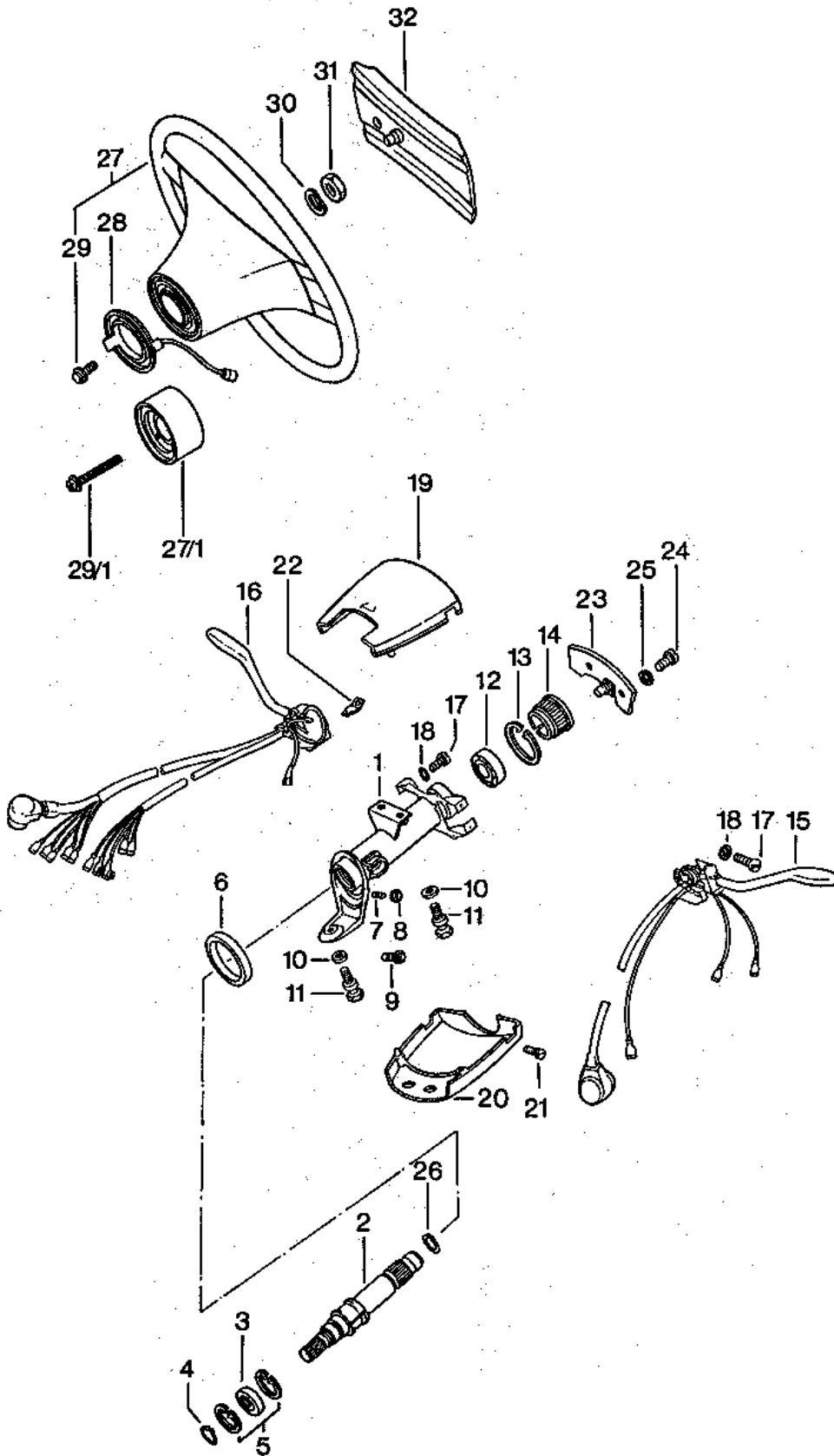
Pos	Part Number	Description	Remark	Qty	Model
		Steering gear			
		Steering linkage			
		Tie rod			
(1)	930 347 010 00	Steering gear		1	
(1)	930 347 010 X	Steering gear		1	
(4)	930 347 191 02	Bellows		2	
5	901 347 308 00	Retainer spring		2	
(7)	900 028 032 02	Spring washer		2	
		B 10			
8	N 010 275 3	Hexagon-head bolt		2	
		M 10 X 35			
8	900 075 460 01	Hexagon-head bolt		2	
		M 10 X 35			
13/1	930 347 031 01	Tie rod		2	
13/2	930 347 313 01	Washer		2	
13/2	930 347 313 02	Washer		2	
13/2	930 347 313 00	Washer		2	
			-76		
14/1	930 347 322 00	Ball joint		2	
15	N 011 210 1	Castle nut		2	
		M 10 X 1			
16	900 021 013 00	Cotter pin		2	
		2 X 25			
17	901 347 210 03	Steering shaft		1	
17	901 347 210 04	Steering shaft		1	
18	901 347 201 02	Steering coupling		1	
19	901 347 215 00	Stop bush		4	
20	901 347 248 00	Tab washer		2	
21	900 074 129 02	Hexagon-head bolt		4	
		M 8 X 42			
22	901 347 393 01	Sealing bellows		1	
22	901 347 393 02	Sealing bellows		1	
23	901 347 241 01	Steering shaft bearing	-76	1	
(23)	911 347 041 00	Steering shaft bearing	77-	1	
(23)	911 347 029 01	Steering shaft bearing	77-	1	
		Complete			
-	911 347 029 00	Needle-roller bearing		1	
-	911 347 029 01	Steering shaft bearing		1	
24	901 347 223 03	Rubber mounting		1	
25	901 347 221 00	Housing		1	
25	901 347 221 01	Housing		1	
26	900 186 002 02	Pan-head screw		2	
		M 8 X 15			
27	900 142 002 01	Lock ring		2	
		8			
28	911 347 211 01	Intermed. steering shaft	/LL	1	
28/1	911 347 024 02	Intermed. steering shaft	/LL	1	
		for cars with			
		Brake booster			
(28)	911 347 212 01	Intermed. steering shaft	/RL	1	
28/1	911 347 026 01	Intermed. steering shaft	/RL	1	
		for cars with			
		Brake booster			
29	930 347 025 00	Universal joint		2	
29	930 347 025 01	Universal joint		2	
29	930 347 025 02	Universal joint		2	
30	N 010 335 5	Hexagon-head bolt		4	
		M 8 X 35			
30	900 075 032 03	Hexagon-head bolt		4	
		M 8 X 35			
31	N 021 194 1	Lock nut		4	
		M 8			
32	901 347 067 00	Cover	/LL	1	

Model: 911 75 **Model life 1975>>1977**

Pos	Part Number	Description	Remark	Qty	Model
(32)	901 347 068 00	Cover	/RL	1	
33	999 507 209 01	Speed nut		2	

Model: 911 75

Model life 1975>>1977



Model: 911 75 Model life 1975>>1977

Pos	Part Number	Description	Remark	Qty	Model
1	911 347 073 03	Steering wheel Steering shaft bearing Steering column switch Steering outer tube F 91141 01770>> F 91141 11379>> F 91143 00709>> F 91143 10567>> F 91144 00288>> F 91144 10147>> F 91146 00583>> F 91146 10214>>	/LL	1	
(1)	911 347 072 04	Steering outer tube F 911 410 1770>> F 911 411 1379>> F 911 430 0709>> F 911 431 0567>> F 911 440 0288>> F 911 441 0147>> F 911 460 0583>> F 911 461 0214>>	/RL	1	
2	911 347 061 02	Steering shaft		1	
(2)	911 347 061 03	Steering shaft Only together with Hub extension		1	
3	900 052 031 00	Deep-groove ball bearing		1	
4	900 041 008 00	Circlip 17 X 1		1	
5	900 042 008 00	Circlip 35 X 1,5		2	
6	911 347 713 00	Gasket		1	
7	900 228 002 02	Threaded pin M 8 X 16	/LL	1	
8	900 076 044 02	Hexagon nut M 8	/LL	1	
9	900 146 044 02	Oval-head screw AM 6 X 10	/RL	1	
10	N 012 241 8	Spring washer B 8		3	
11	901 347 753 00	Shear bolt		3	
12	911 347 771 02	Ball bearing		1	
13	999 041 102 01	Circlip		1	
15		Direction indicator switch Complete See group 9/03/10		1	
16		Wiper switch See group 9/03/10		X	
17	900 014 069 02	Pan-head screw AM 3 X 8		8	
18	900 115 007 01	Serrated lock washer A 3,2		8	
19	911 613 099 00	Switch housing Upper part		1	
20	911 613 312 00	Switch housing Lower part		1	
20	911 613 312 03	Switch housing Lower part		1	
-	911 613 328 00	Switch housing Set Comprising: Upper part/lower part		1	

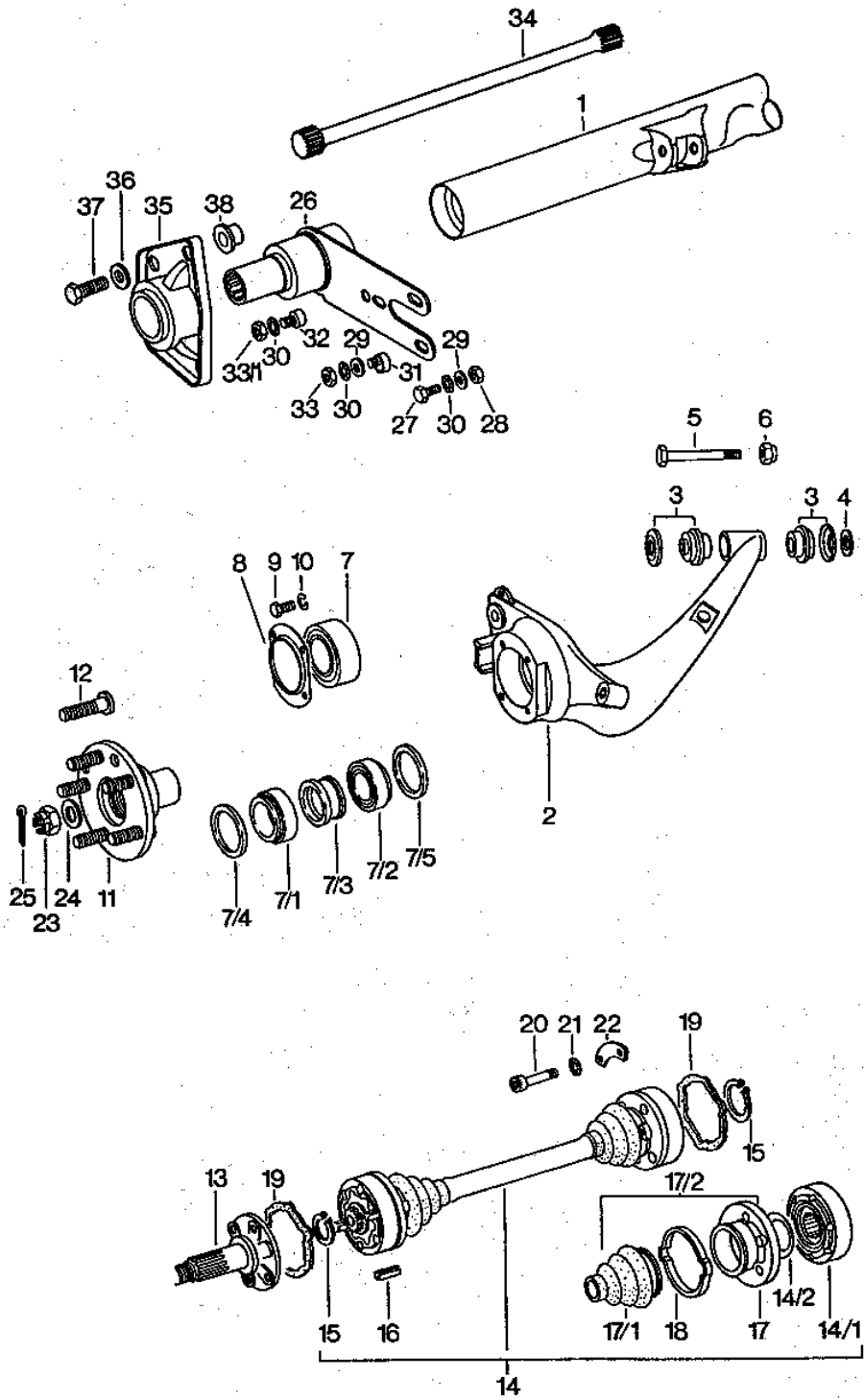
Model: 911 75

Model life 1975>>1977

Pos	Part Number	Description	Remark	Qty	Model
21	900 014 079 02	POSITION 19 + 20 Pan-head screw AM 3 X 10		2	
22	999 652 315 02	Flat plug		1	
23	911 613 521 00	Wiper contact		1	
24	900 014 046 02	Pan-head screw M 4 X 10		2	
25	N 012 116 1	Serrated lock washer A 4,3		2	
26	113 415 531	Circlip		1	
(27)	911 347 084 01	Steering wheel \$ 380		1	
27/1	911 347 855 00	Spacer ring Only together with Hub extension		1	
28	911 347 099 05	Slip ring		1	
28		Slip ring		1	
29	900 146 029 02	Oval-head screw AM 3,5 X 10		3	
29/1	900 146 036 02	Oval-head screw BM 3,5 X 40		3	
30	N 012 239 1	Spring washer B 18		1	
31	900 078 007 02	Hexagon nut M 18 X 1,5		1	
(32)	911 347 859 00	Padded cap for Sports steering wheel		1	

Model: 911 75

Model life 1975>>1977



Model: 911 75 Model life 1975>>1977

Pos	Part Number	Description	Remark	Qty	Model
(1)	930 331 010 01	Rear axle Rear-axle cross-tube	76-	1	
(2)	930 331 511 00	Rear-axle trailing arm	/L	1	
(2)	930 331 512 00	Rear-axle trailing arm	/R	1	
3	901 331 059 00	Flange mounting And Washer		4	
4	N 011 534 4	Washer 15		2	
5	900 082 064 02	Hexagon-head bolt M 14 X 1,5 X 75		2	
6	999 084 014 02	Hexagon nut M 14 X 1,5		2	
6	900 910 094 02	Lock nut M 14 X 1,5		2	
-	PCG 930 059 00	Set of bearings Rear axle Comprising: POS. 7/1-4; 23; 25		1	
7/1	999 059 056 00	Taper roller bearing		2	
7/2	999 059 047 00	Taper roller bearing		2	
7/3	930 331 609 00	Spacer sleeve		2	
7/4	999 113 235 40	Shaft sealing ring 65 X 85 X 8		2	
7/5	999 113 218 40	Shaft sealing ring 58 X 81,2 X 5		2	
(11)	930 331 065 03	Rear-wheel hub with Wheel bolt		2	
(12)	901 331 671 01	Wheel bolt		10	
(13)	930 332 232 00	Drive shaft		2	
(14)	930 332 037 00	Drive shaft		2	
(14/1)	930 332 034 00	Joint		4	
(14/2)	901 332 312 00	Cup spring		4	
(15)	999 152 084 01	Circlip		4	
(17)	928 332 097 00	Joint flange		4	
(17)	928 332 097 03	Joint flange		4	
17/1	901 332 293 12	Dust bellows		4	
18	999 512 315 02	Clamp 77 \$ X 6		4	
18	999 512 486 00	Clamp 77 \$ X 6		4	
(19)	930 332 297 00	Gasket		8	
(20)	900 067 118 01	Pan-head screw M 10 X 60		24	
23	901 332 806 00	Castle nut		2	
23	901 332 806 01	Castle nut		2	
24	999 025 046 01	Washer		2	
25	N 012 538 1	Cotter pin 4 X 40		2	
26	901 333 003 01	Rear axle strut F >>91162 01872 F >>91162 11898 F >>91163 01741 F >>91163 11425 F >>91166 01021 F >>91166 10439 F >>91260 01838 F >>93067 00641 F >>93068 00493		2	
26	901 333 003 09	Rear axle strut F >>91162 01872 F >>91162 11898		2	

Model: 911 75 Model life 1975>>1977

Pos	Part Number	Description	Remark	Qty	Model
(26)	911 333 009 00	F >>91163 01741 F >>91163 11425 F >>91166 01021 F >>91166 10439 F >>91260 01838 F >>93067 00641 F >>93068 00493 Rear axle strut		2	
(26)	911 333 009 05	F 91162 01873>> F 91162 11899>> F 91163 01742>> F 91163 11426>> F 91166 01022>> F 91166 10440>> F 91260 01839>> F 93067 00642>> F 93068 00494>> Rear axle strut		2	
-	900 910 092 02	F 91162 01873>> F 91162 11899>> F 91163 01742>> F 91163 11426>> F 91166 01022>> F 91166 10440>> F 91260 01839>> F 93067 00642>> F 93068 00494>> Lock nut		4	
-	900 360 007 01	F 91162 01873>> F 91162 11899>> F 91163 01742>> F 91163 11426>> F 91166 01022>> F 91166 10440>> F 91260 01839>> F 93067 00642>> F 93068 00494>> Lock nut		4	
-	911 331 107 01	F 91162 01873>> F 91162 11899>> F 91163 01742>> F 91163 11426>> F 91166 01022>> F 91166 10440>> F 91260 01839>> F 93067 00642>> F 93068 00494>> Spacer ring		2	
-	911 333 303 00	F 91162 01873>> F 91162 11899>> F 91163 01742>> F 91163 11426>> F 91166 01022>> Eccentric screw		2	

Model: 911 75 Model life 1975>>1977

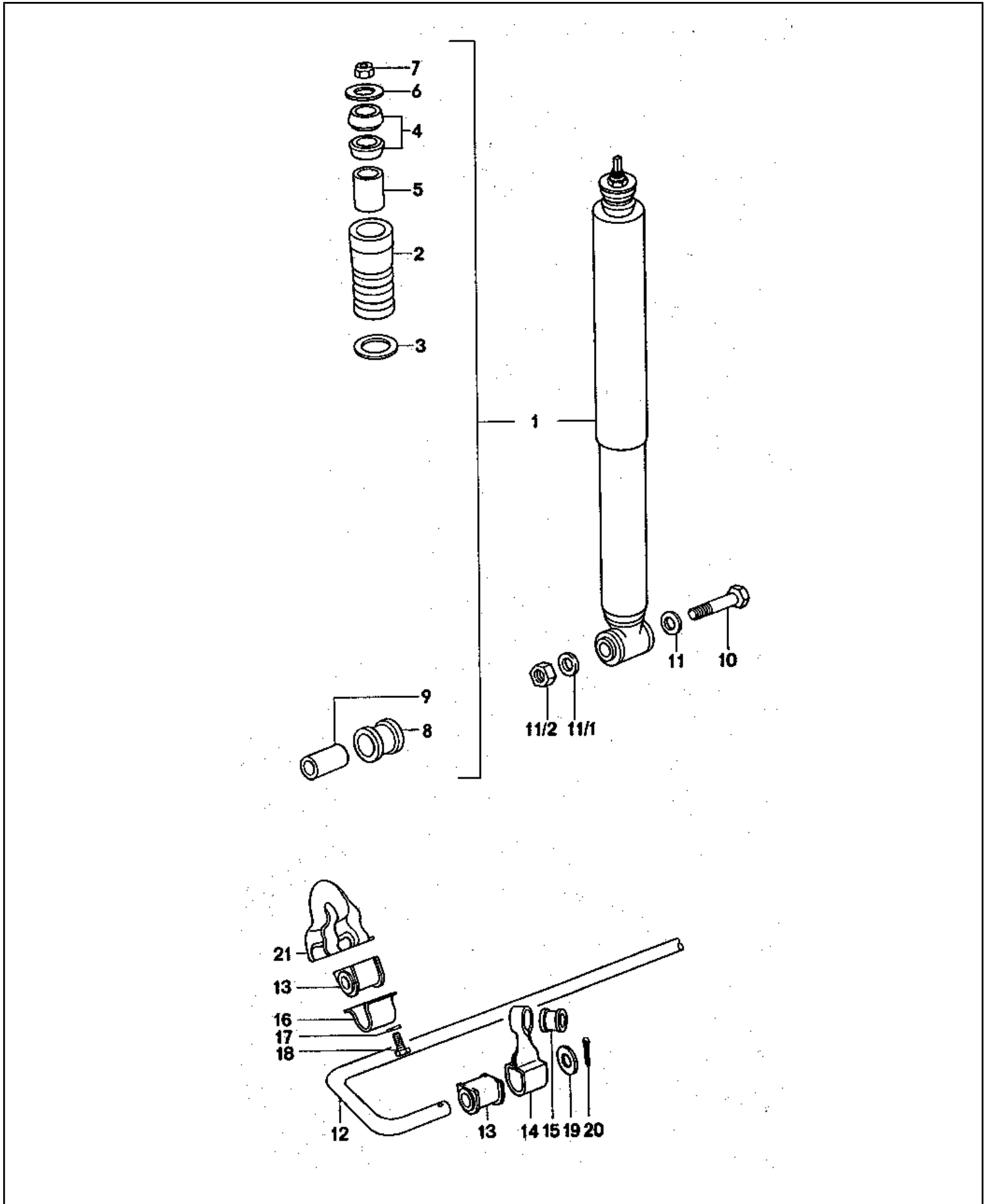
Pos	Part Number	Description	Remark	Qty	Model
-	911 333 303 01	F 91166 10440>> F 91260 01839>> F 93067 00642>> F 93068 00494>> Eccentric screw F 91162 01873>> F 91162 11899>> F 91163 01742>> F 91163 11426>> F 91166 01022>> F 91166 10440>> F 91260 01839>> F 93067 00642>> F 93068 00494>>		2	
-	911 333 305 00	Hexagon-head bolt F 91162 01873>> F 91162 11899>> F 91163 11742>> F 91163 11426>> F 91166 01022>> F 91166 10440>> F 91260 01839>> F 93067 00642>> F 93068 00494>>		2	
-	911 333 305 01	Hexagon-head bolt F 91162 01873>> F 91162 11899>> F 91163 11742>> F 91163 11426>> F 91166 01022>> F 91166 10440>> F 91260 01839>> F 93067 00642>> F 93068 00494>>		2	
-	911 333 307 00	Washer F 91162 01873>> F 91162 11899>> F 91163 11742>> F 91163 11426>> F 91166 01022>> F 91166 10440>> F 91260 01839>> F 93067 00642>> F 93068 00494>>		4	
-	911 333 307 02	Washer F 91162 01873>> F 91162 11899>> F 91163 11742>> F 91163 11426>> F 91166 01022>> F 91166 10440>> F 91260 01839>> F 93067 00642>> F 93068 00494>>		4	
-	900 075 043 02	Hexagon-head bolt M 10 X 35 F 91162 01873>> F 91162 11899>> F 91163 01742>> F 91163 11426>> F 91166 01022>> F 91166 10440>> F 91260 01839>>		8	

Model: 911 75 Model life 1975>>1977

Pos	Part Number	Description	Remark	Qty	Model
27	900 083 019 08	F 93067 00642>> F 93068 00494>> Hexagon-head bolt M 12 X 1,5 X 35		4	
28	N 011 020 8	Hexagon nut M 12 X 1,5		4	
28	900 034 036 01	Hexagon nut M 12 X 1,5		4	
29	901 333 143 01	Washer		10	
30	999 523 109 02	Lock washer M 12		8	
31	901 333 133 04	Eccentric		2	
31	901 333 133 06	Eccentric		2	
32	901 333 133 05	Eccentric		2	
33	900 078 017 02	Hexagon nut M 12 X 1,5		2	
33/1	900 076 016 02	Hexagon-head bolt M 12 X 1,5		2	
(34)	911 333 101 03	Torsion bar 26 MM	/L	1	
(34)	911 333 101 13	Torsion bar 26 MM New design Only together with 91133310213	/L /R	1	
(34)	911 333 102 03	Torsion bar 26 MM	/R	1	
(34)	911 333 102 13	Torsion bar 26 MM New design Only together with 91133310113	/R /L	1	
35	901 333 153 00	Housing		2	
36	900 025 008 02	Washer 10,5		8	
36	N 011 527 4	Washer 10,5		8	
36	900 025 008 09	Washer 10,5		8	
36	900 025 008 04	Washer 10,5		8	
37	900 075 042 02	Hexagon-head bolt M 10 X 28		8	
38	901 331 107 00	Spacer ring		2	

Model: 911 75

Model life 1975>>1977

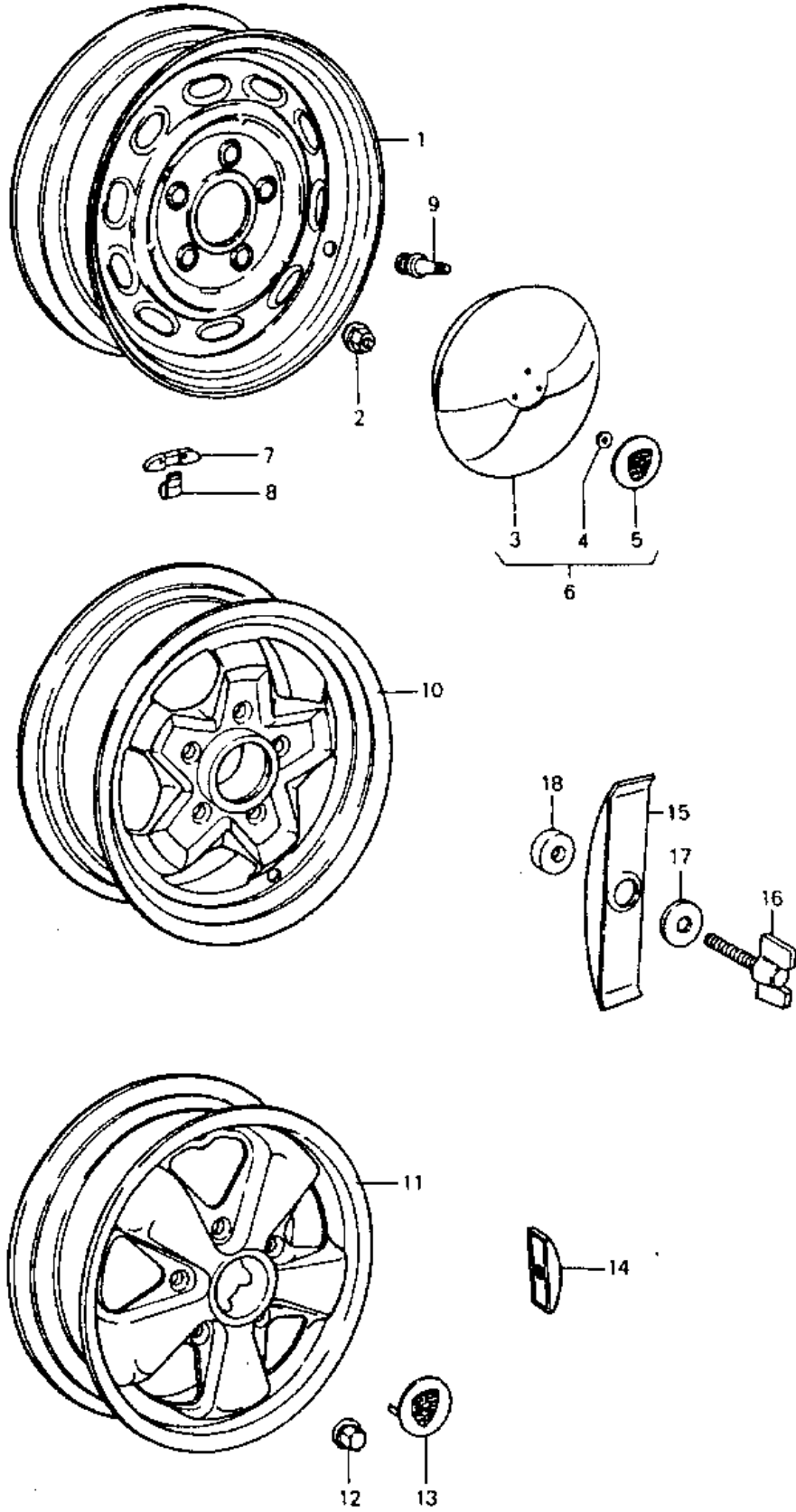


Model: 911 75 Model life 1975>>1977

Pos	Part Number	Description	Remark	Qty	Model
		Vibration damper Stabiliser			
1	911 333 051 41	Vibration damper		2	
		- bilstein -			
1	911 333 051 47	Vibration damper		2	
		- bilstein -			
1	911 333 051 49	Vibration damper		2	
		- bilstein -			
1	911 333 051 60	Vibration damper		2	
		- bilstein -			
2	911 333 301 04	Additional spring		2	
3	911 333 511 00	Washer		2	
		- boge -			
		- koni -			
		- bilstein -			
4	911 333 521 00	Rubber mounting		4	
5	911 333 522 00	Articulated bush		2	
6	911 333 523 00	Washer		2	
		- boge -			
		- koni -			
		- bilstein -			
7	900 084 013 02	Lock nut		2	
		M 10 X 1			
9	911 333 513 00	Bush		2	
(10)	900 082 062 02	Hexagon-head bolt		2	
		M 14 X 1,5 X 130			
11	999 025 062 02	Washer		4	
11/1	N 011 534 4	Washer		2	
11/2	999 084 014 02	Hexagon nut		2	
		M 14 X 1,5			
11/2	900 910 094 02	Lock nut		2	
		M 14 X 1,5			
		Stabiliser			
(12)	930 333 701 00	Stabiliser		1	
		\$ 18			
13	911 333 793 02	Stabiliser mounting		4	
13	911 333 793 05	Stabiliser mounting		4	
14	901 333 731 01	Tab	/L	1	
(14)	901 333 732 01	Tab	/R	1	
15	901 343 782 00	Articulated bush		2	
16	901 333 753 01	Supporting bow		2	
17	900 027 015 02	Lock ring		4	
		B 8			
17	900 027 015 03	Lock ring		4	
		B 8			
18	N 010 239 11	Hexagon-head bolt		4	
		M 8 X 18			
18	N 010 239 30	Hexagon-head bolt		4	
		M 8 X 18			
19	N 011 530 1	Washer		2	
		19			
20	N 012 536 1	Cotter pin		2	
		4 X 30			
21	911 501 180 00	Bracket		2	
21	911 501 180 00 GRV	Bracket		2	
		Prime coated			

Model: 911 75

Model life 1975>>1977



Model: 911 75 Model life 1975>>1977

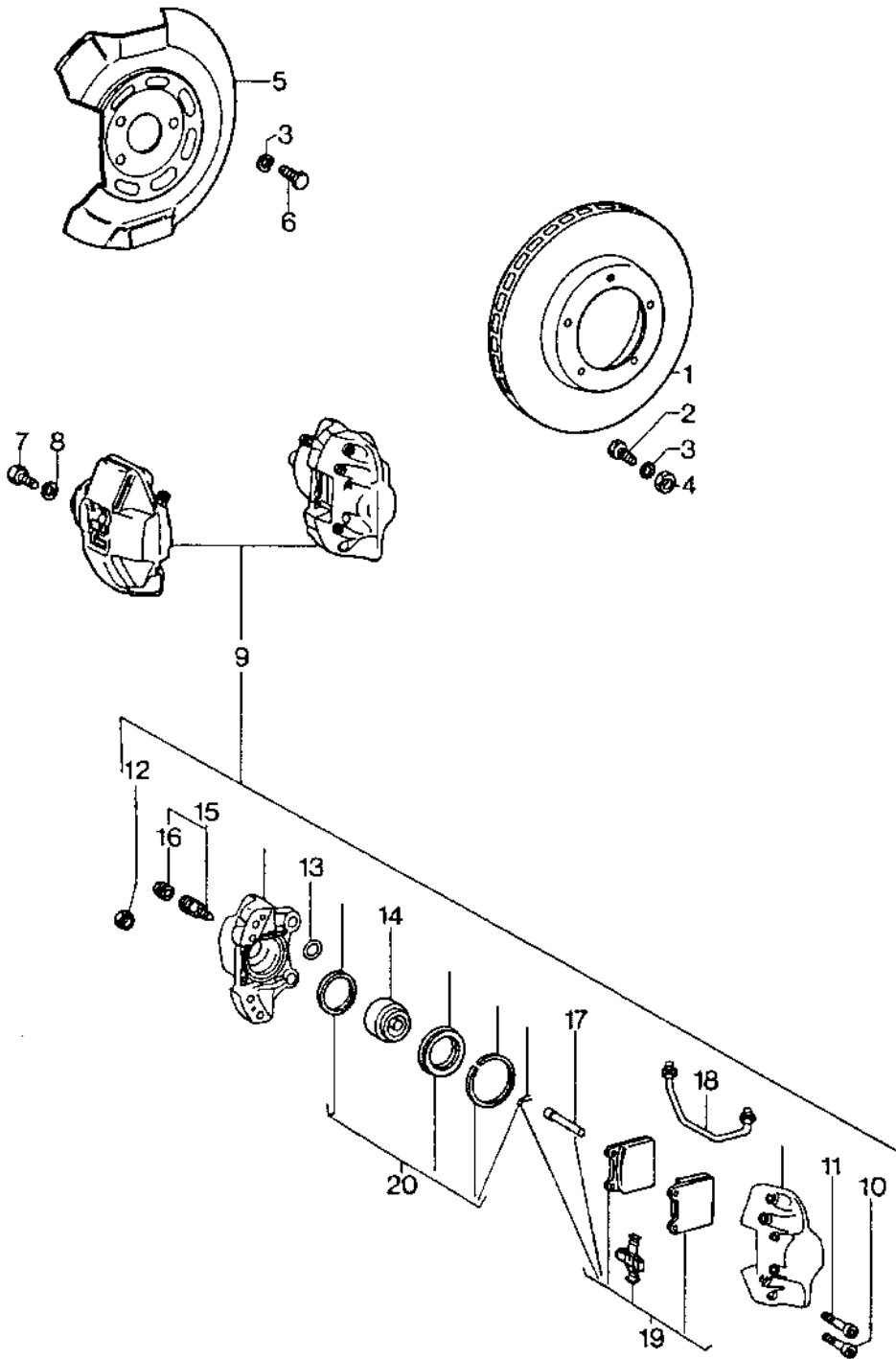
Pos	Part Number	Description	Remark	Qty	Model
		Wheels			
9	900 265 001 50	Rubber valve		X	
9	900 265 001 51	Rubber valve		X	
-	965 361 561 00	Valve support		4	
(11)	911 361 020 93	Alloy wheel 7 J X 15 Light alloy Forged Bead of rim Polished		X	
(11)	911 361 020 94	Alloy wheel 8 J X 15 Light alloy Forged Bead of rim Polished		2	
(11)	911 362 115 00	Alloy wheel 7 J X 16 Light alloy Forged Black star Bead of rim Polished	77-	2	
(11)	911 362 115 07	Alloy wheel 7 J X 16 Light alloy Forged Black star Bead of rim Polished	77-	2	
(11)	911 362 117 00	Alloy wheel 8 J X 16 Light alloy Forged Black star Bead of rim Polished	77-	2	
(11)	911 362 117 03	Alloy wheel 8 J X 16 Light alloy Forged Black star Bead of rim Polished	77-	2	
12	999 182 003 36	Wheel nut for Light alloy		20	
(13)	911 361 032 28	Wheels Hub cap Black		4	
(13)	SOW 911 038 11	Hub cap Black Crest Coloured		4	
14		Balance weight for ANKLEBEN for Light alloy Disc wheel		X	
-	901 361 410 00	Balance stick-on weight 10 G		X	
-	901 361 411 00	Balance stick-on weight		X	

Model: 911 75 Model life 1975>>1977

Pos	Part Number	Description	Remark	Qty	Model
-	901 361 412 00	20 G Balance stick-on weight		X	
-	901 361 413 00	30 G Balance stick-on weight		X	
-	901 361 414 00	40 G Balance stick-on weight		X	
-	901 361 415 00	50 G Balance stick-on weight		X	
-	901 361 417 00	60 G Balance stick-on weight		X	
-	911 361 028 11	80 G Emergency wheel GOODRICH 165 - 15 / 4.75 / 10.00 - 15 SST		1	
-	911 361 510 01	Small compressor Electric		1	
-	996 361 521 00	Boot for Impeller		1	
-	911 722 202 00	Tyre pressure gauge Porsche Classic mit Lederhülle		1	
15	911 361 633 01	Clamping bow		1	
(15)		Clamping bow		1	
16	999 074 106 02	Wing screw M 8 X 25		1	
17	900 151 008 02	Washer B 8,4		1	
18	803 813 583	Washer		1	

Model: 911 75

Model life 1975>>1977

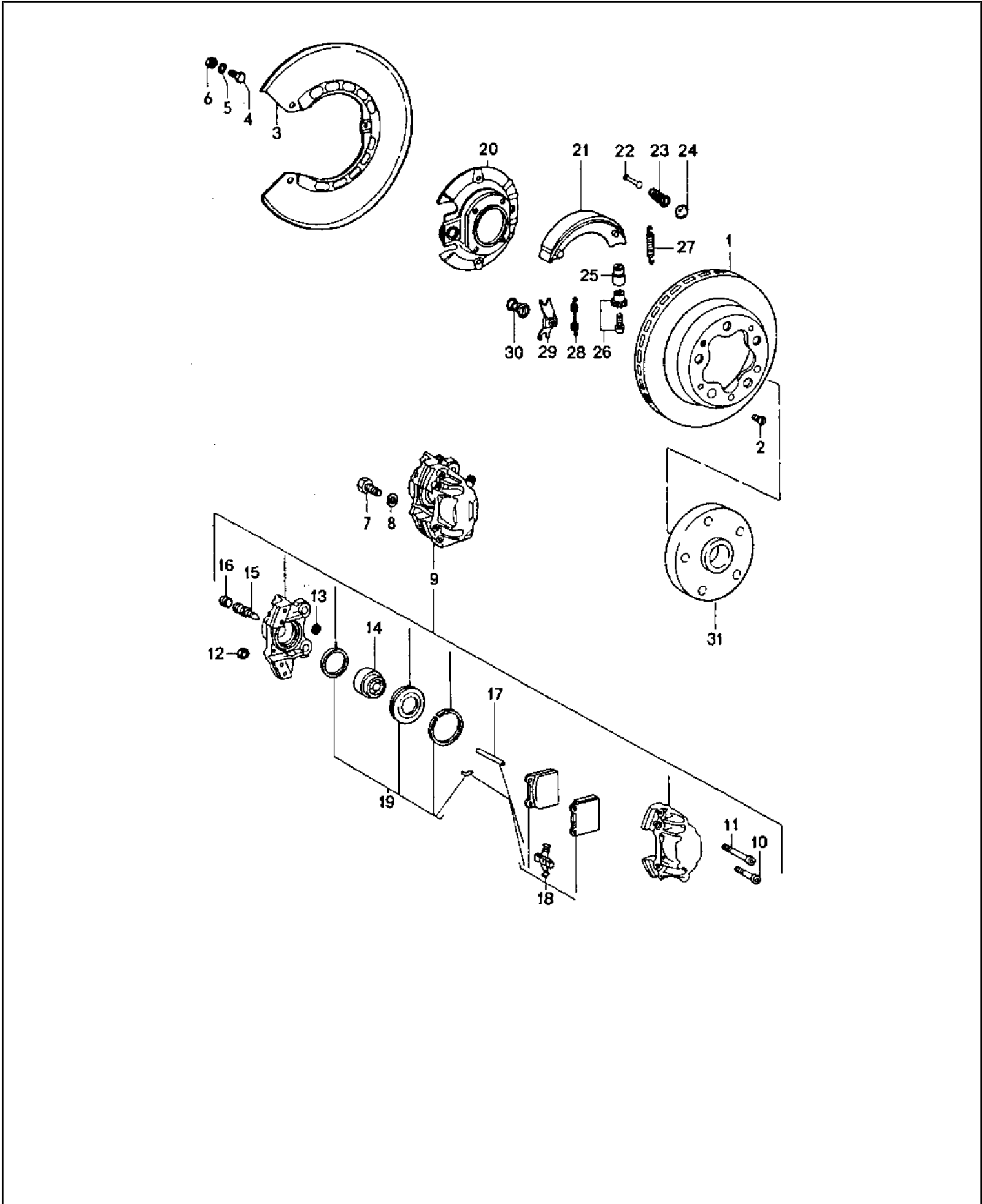


Model: 911 75 Model life 1975>>1977

Pos	Part Number	Description	Remark	Qty	Model
		Disc brake Front			
1	477 405 083 A	Brake disc		2	
1	477 405 083 D	Brake disc		2	
2	900 075 079 02	Hexagon-head bolt M 8 X 22		10	
3	N 012 241 1	Spring washer B 8 X 15		16	
4	900 076 025 02	Hexagon nut M 8		10	
4	900 076 064 02	Hexagon nut M 8		10	
(5)	901 351 801 17	Protective plate		2	
6	N 010 235 3	Hexagon-head bolt M 8 X 10		6	
7	900 083 023 02	Hexagon-head bolt M 12 X 1,5 X 30		4	
7	900 083 023 03	Hexagon-head bolt M 12 X 1,5 X 30		4	
8	900 028 014 01	Lock ring B 12		4	
9	911 351 935 00	Fixed calliper		1	
(9)	911 351 936 00	Fixed calliper		1	
(14)	911 351 918 00	Piston		4	
(15)	911 351 919 00	Ventilation valve		4	
16	901 351 927 10	Dust boot		X	
(17)	901 351 986 00	Retaining pin		4	
18	901 351 991 00	Compensating line	/L	1	
(18)	901 351 992 00	Compensating line	/R	1	
(19)	911 351 944 05	Brake pad repair set - energit - - textar -		1	
(19)	911 351 950 07	Brake pad repair set - textar -		1	
(19)	911 351 950 09	Brake pad repair set - textar -		1	
-	911 351 951 03	Mounting parts 1 set		1	
(20)	901 351 998 00	Gasket set		2	

Model: 911 75

Model life 1975>>1977



Model: 911 75

Model life 1975>>1977

Pos	Part Number	Description	Remark	Qty	Model
		Disc brake Rear			
1	901 352 041 14	Handbrake Brake disc		2	
2	900 013 037 02	Countersunk-head screw AM 6 X 12		4	
(3)	930 352 801 02	Protective plate		2	
(4)	900 075 085 02	Hexagon-head bolt M 8 X 20		6	
5	N 012 241 8	Spring washer B 8 X 15		6	
6	900 076 025 02	Hexagon nut M 8		2	
6	900 076 064 02	Hexagon nut M 8		2	
7	N 010 137 2	Hexagon-head bolt M 12 X 1,5 X 35		4	
7	900 083 073 01	Hexagon-head bolt M 12 X 1,5 X 35		4	
8	900 027 017 02	Lock ring B 12		4	
9	901 351 964 11	Gasket set without	/L	1	
(9)	911 352 908 00	Brake pad repair set Fixed calliper without	/R	1	
10	901 352 978 13	Brake pad repair set Pan-head screw		4	
11	901 352 978 12	Pan-head screw		4	
12	901 352 979 10	Hexagon nut		8	
13	901 351 928 10	Sealing ring		8	
15	901 352 977 10	Bleeder valve Complete		2	
16	901 351 927 10	Dust boot		2	
17	901 352 991 01	Retaining pin		4	
18	911 352 903 00	Brake pad repair set - textar -		1	
18	911 352 950 05	Brake pad repair set - textar -		1	
-	911 352 951 00	Parts kit 1 set		1	
19	911 352 998 00	Gasket set for Fixed calliper without		2	
(20)	930 352 081 02	Disk balancing Brake mounting plate		2	
21	901 352 097 12	Brake shoe		4	
21	911 352 097 00	Brake shoe		4	
21	911 352 097 01	Brake shoe		4	
21	911 352 097 10	Brake shoe		4	
-	PCG 352 097 12	Set of fastening parts Handbrake Comprising:		1	
-	900 079 012 02	Castle nut		2	
-	911 352 090 01	Expanding bow		4	
-	911 352 098 01	Adjusting screw		2	
-	901 352 932 10	Return spring		2	
-	911 352 944 00	Support bush		2	
-	901 352 953 12	Compression spring		2	
-	901 352 954 10	Return spring		2	
-	901 352 955 10	Concave washer		4	
-	901 352 957 10	Compression spring		4	

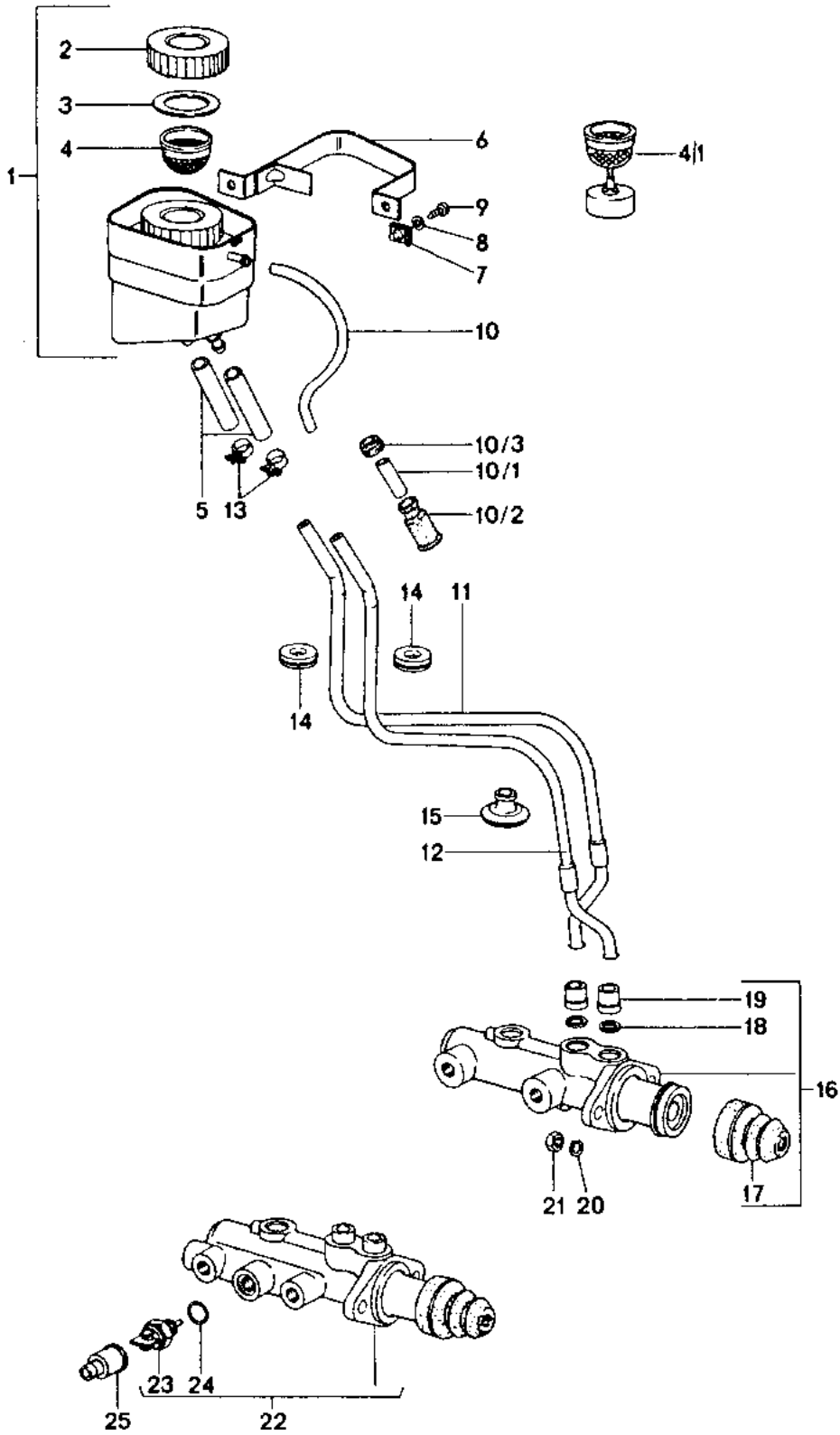
Model: 911 75

Model life 1975>>1977

Pos	Part Number	Description	Remark	Qty	Model
-	901 352 959 11	Roll pin		4	
-	N 012 507 1	Cotter pin		2	
22	901 352 959 10	Roll pin		4	
22	901 352 959 11	Roll pin		4	
23	901 352 957 10	Compression spring		4	
24	901 352 955 10	Concave washer		4	
25	911 352 944 00	Support bush		2	
26	911 352 098 00	Adjusting screw Complete		2	
26	911 352 098 01	Adjusting screw Complete		2	
27	901 352 932 10	Return spring		2	
28	901 352 954 10	Return spring		2	
29	911 352 090 00	Expanding bow		4	
29	911 352 090 01	Expanding bow		4	
30	901 352 953 10	Compression spring		2	
30	901 352 953 11	Compression spring		2	
30	901 352 953 12	Compression spring		2	
31	930 331 611 04	Spacer ring		2	
31	930 331 611 06	Spacer ring		2	

Model: 911 75

Model life 1975>>1977



Model: 911 75 Model life 1975>>1977

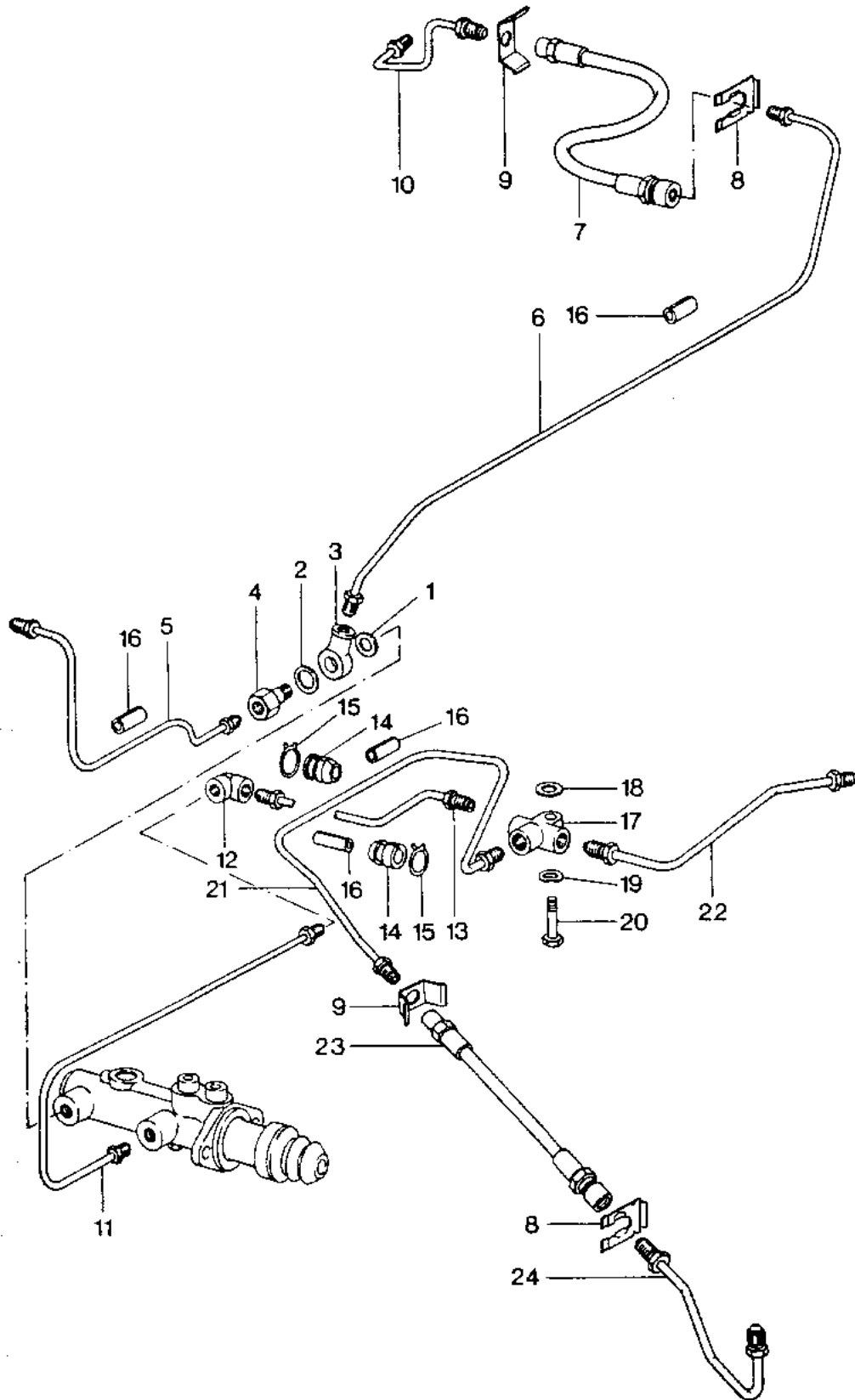
Pos	Part Number	Description	Remark	Qty	Model
		Brake master cylinder for cars without Brake booster			
1	911 355 013 13	Brake fluid reservoir		1	
2	911 355 905 02	Lid		1	
3	901 355 908 00	Gasket		1	
4	211 611 381 B	Strainer		1	
4/1	911 355 420 01	Float with Strainer	(J) 77-	1	
5	901 355 927 02	Hose piece 50 MM	/LL	2	
(5)	901 355 927 01	Hose piece 150 MM	/RL	2	
6	901 355 015 00	Retaining strap		1	
7	N 015 429 2	Speed nut B 4,2		2	
7	N 015 429 6	Speed nut B 4,2		2	
8	900 151 028 02	Washer B 4,3		2	
8	900 151 028 01	Washer B 4,3		2	
9	900 143 007 02	Oval-head sheetmetal screw B 4,2 X 13		2	
9	900 073 507 01	Oval-head sheetmetal screw B 4,2 X 13		2	
-	N 020 361 2	Hose 4 X 1,5		*	
10		1330 MM	-76	1	
-	N 020 361 2	Hose 4 X 1,5		*	
10		670 MM	77-	1	
10/1	911 201 157 01	Sleeve 4 X 5 X 20		1	
10/1	911 355 155 00	Pipe 5 X 3 X 1280	-76	1	
10/2	999 659 015 40	Protection cap	-76	1	
10/3	111 971 911 A	Grommet		1	
11	PCG 355 061 00	Connecting line Brake circuit Front	/LL	1	
(11)	901 355 644 00	Line Brake circuit Front	/RL	1	
-	901 355 927 02	Hose piece 50 MM	/LL	1	
-	901 355 618 00	Connecting piece	/RL	1	
12	PCG 355 063 00	Connecting line Brake circuit Rear	/LL	1	
(12)	901 355 650 00	Line Brake circuit Rear	/RL	1	
-	901 355 927 02	Hose piece 50 MM	/RL	1	
-	901 355 618 00	Connecting piece	/RL	1	
13	999 512 055 02	Hose clamp		2	
13	PCG 512 055 02	Hose clamp		2	
14	999 702 076 50	Rubber sleeve		2	
15	999 702 065 50	Rubber sleeve	/LL	2	
(15)		Rubber sleeve	/RL	4	
17	901 355 924 00	Protection cap		1	

Model: 911 75 Model life 1975>>1977

Pos	Part Number	Description	Remark	Qty	Model
18	901 355 936 00	Washer		2	
19	901 355 929 00	Stopper		2	
-	999 703 075 40	Stopper		1	
20	900 027 015 02	Lock ring		2	
20	900 027 015 03	Lock ring		2	
21	900 076 025 02	Hexagon nut M 8		2	
21	900 076 064 02	Hexagon nut M 8		2	
(22)	911 355 012 02	Brake master cylinder with Warning contact for Brake circuit		1	
(23)	914 613 116 00	Warning contact	-75	1	
(23)	911 606 401 00	Tank gauge switch	76-	1	
24	999 701 343 40	O-ring		1	
25	914 613 491 00	Protection cap		1	
-	911 355 419 02	Threaded joint	77-	1	

Model: 911 75

Model life 1975>>1977



Model: 911 75 Model life 1975>>1977

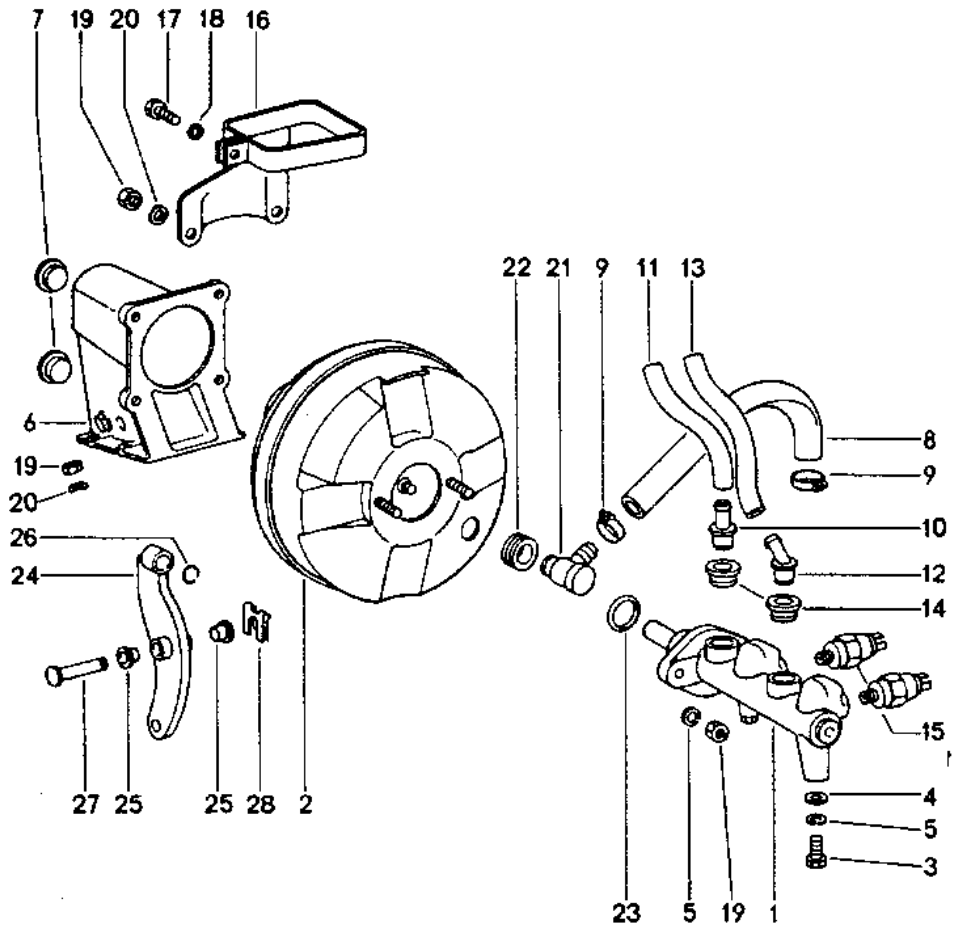
Pos	Part Number	Description	Remark	Qty	Model
1	904 355 904 00	Brake lines for cars without Brake booster		1	
2	904 355 902 00	Gasket 10 MM \$		1	
3	914 355 531 00	Gasket 12 MM \$		1	
4	914 355 534 00	Ring fitting		1	
5	901 355 619 00	Banjo bolt		1	
5	901 355 619 01	Brake line Front Left	/LL -76	1	
(5)	901 355 626 00	Brake line Front Left	/LL	1	
6	911 355 620 00	Brake line Front Right	/RL	1	
(6)	901 355 628 00	Brake line Front Right	/LL -76	1	
7	901 355 632 01	Brake hose	/RL	1	
7	901 355 632 02	Brake hose	/V	2	
8	113 611 715 A	Brake hose bracket	/V	2	
9	803 611 715	Retainer spring		4	
(10)	911 355 683 01	Brake line Left Hose S-calliper	/V	4	
10	911 355 684 01	Brake line Right Hose S-calliper	/V	1	
(11)	930 355 612 00	Brake line Front	/LL 76	1	
(11)	911 355 643 01	Brake line Front	/RL -75	1	
(11)		Brake line Front	/RL	1	
12	901 355 615 00	Angled pipe		1	
12	901 355 615 01	Angled pipe		1	
13	911 355 611 00	Brake line		1	
14	914 355 651 00	Rubber sleeve		2	
15	914 355 652 00	Clamp		2	
16	914 355 691 00	Protective tube		6	
17	914 355 667 00	Distributor		1	
18	900 151 006 09	Washer B 6,4		1	
19	900 028 008 01	Lock ring B 6		1	
20	900 075 017 02	Hexagon-head bolt 6 X 25		1	
20	900 075 017 03	Hexagon-head bolt 6 X 25		1	
(21)	930 355 627 00	Connecting line Rear	/L	1	
-	914 355 691 00	Protective tube Rear	/L	1	
(22)	930 355 653 05	Connecting line Rear	/R	1	

Model: 911 75 Model life 1975>>1977

Pos	Part Number	Description	Remark	Qty	Model
23	901 355 631 01	Brake hose Rear		2	
23	901 355 631 02	Brake hose Rear		2	
(24)	930 355 621 00	Brake line Rear	/L	2	
(24)	930 355 622 00	Brake line	/R	2	

Model: 911 75

Model life 1975>>1977



Model: 911 75 Model life 1975>>1977

Pos	Part Number	Description	Remark	Qty	Model
		Brake master cylinder for cars with Brake booster	77-		
1	911 355 011 10	Brake master cylinder		1	
2	911 355 027 00	Vacuum booster		1	
3	N 010 237 6	Hexagon-head bolt M 8 X 12		1	
3	N 010 237 14	Hexagon-head bolt M 8 X 12		1	
4	900 025 007 02	Washer A 8,4		1	
4	900 025 007 03	Washer A 8,4		1	
5	900 027 015 02	Lock ring B 8		3	
5	900 027 015 03	Lock ring B 8		3	
6	911 355 381 01	Bearing bracket for Brake booster		1	
7	999 703 056 40	Stopper		2	
8	911 355 609 00	Moulded hose for Vacuum line		1	
-	999 181 022 51	Hose 11,8 X 4 320 MM Tunnel		*	
.		Boot floor plate		1	
9	999 512 063 02	Clip		6	
9	999 512 063 01	Clip		6	
10	911 355 322 00	Intake socket		1	
11	999 181 021 50	Hose 7,5 X 12,5 65 MM		*	
12	911 355 323 00	Intake socket		1	
13	999 181 021 50	Hose 7,5 X12,5 120 MM		*	
-		Sealing plug		2	
14	911 355 922 00	Sealing plug		2	
15	113 945 515 G	Brake light switch		2	
16	911 355 038 01	Retaining strap		1	
17	900 075 260 02	Hexagon-head bolt M 6 X 16		1	
18	N 012 007 2	Lock ring A 6		1	
18	900 027 004 03	Lock ring A 6		1	
19	900 076 025 02	Hexagon nut M 8		10	
19	900 076 064 02	Hexagon nut M 8		10	
20	N 012 241 8	Spring washer B 8		8	
21	928 355 660 00	Check valve		1	
22	911 355 921 00	Rubber seal		1	
22	955 355 921 00	Rubber seal		1	
23	251 611 243	Sealing ring		1	
24	911 355 083 02	Reverse lever		1	
25	928 423 542 00	Bearing sleeve		2	
26	900 169 022 02	Circlip R 10		1	
27	911 355 511 01	Bearing pin		1	

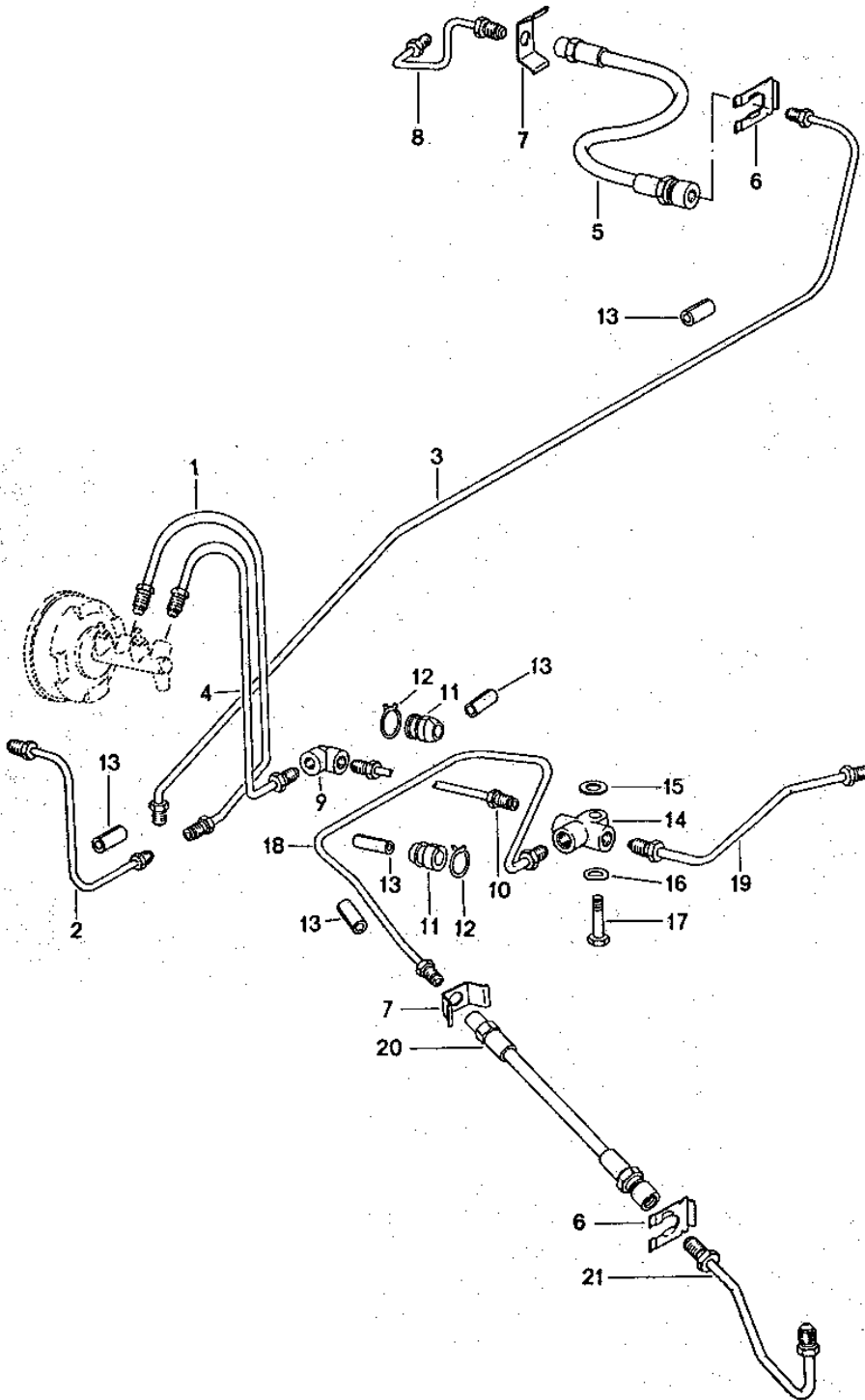
Model: 911 75

Model life 1975>>1977

Pos	Part Number	Description	Remark	Qty	Model
28	N 012 654 1	Lock washer		1	

Model: 911 75

Model life 1975>>1977



Model: 911 75 Model life 1975>>1977

Pos	Part Number	Description	Remark	Qty	Model
1	911 355 608 00	Brake lines for cars with Brake booster Connecting line F >>91173 01518 F >>91173 11104 F >>91172 01802 F >>91172 11425 F >>91176 00868 F >>91176 10386 F >>93077 00400 F >>93078 00391	/V	1	
(1)	911 355 608 01	Connecting line F 91173 01519>> F 91173 11105>> F 91172 01803>> F 91172 11426>> F 91176 00869>> F 91176 10387>> F 93077 00401>> F 93078 00392>>	/V	1	
2	911 355 618 01	Brake line Front	/L	1	
3	911 355 617 00	Brake line Front	/R	1	
4	911 355 607 00	Connecting line F >>91173 01518 F >>91173 11104 F >>91172 01802 F >>91172 11425 F >>91176 00868 F >>91176 10386 F >>93077 00400 F >>93078 00391	/H	1	
(4)	911 355 607 01	Connecting line F 91173 01519>> F 91173 11105>> F 91172 01803>> F 91172 11426>> F 91176 00869>> F 91176 10387>> F 93077 00401>> F 93078 00392>>	/H	1	
5	901 355 632 01	Brake hose		2	
5	901 355 632 02	Brake hose		2	
6	113 611 715 A	Brake hose bracket		4	
7	803 611 715	Retainer spring		4	
(8)	911 355 683 01	Brake line Front Hose	/L	1	
8	911 355 684 01	S-calliper Brake line Front Hose S-calliper	/R	1	
9	901 355 615 00	Angled pipe		1	
9	901 355 615 01	Angled pipe		1	
10	911 355 611 00	Brake line		1	
11	914 355 651 00	Rubber sleeve		2	
12	914 355 652 00	Clamp		2	
13	914 355 691 00	Protective tube		6	
14	914 355 667 00	Distributor		1	
15	900 151 006 09	Washer		1	

Model: 911 75

Model life 1975>>1977

Pos	Part Number	Description	Remark	Qty	Model
16	900 028 008 01	B 6,4 Lock ring		1	
17	900 075 017 02	B 6 Hexagon-head bolt 6 X 25		1	
17	900 075 017 03	Hexagon-head bolt 6 X 25		1	
18	930 355 627 00	Connecting line Rear	/L	1	
19	930 355 653 05	Connecting line Rear	/R	1	
20	901 355 631 01	Brake hose Rear		2	
20	901 355 631 02	Brake hose Rear		2	
21	911 355 621 02	Brake line Rear		2	
(21)	930 355 621 00	Brake line Rear	/L	1	
(21)	930 355 622 00	Brake line	/R	1	

Model: 911 75

Model life 1975>>1977



Model: 911 75 Model life 1975>>1977

Pos	Part Number	Description	Remark	Qty	Model
>>-	911 351 950 07	Repair kits Front axle Brake pad repair set for S-calliper 911.351.935.00/936.00	/V	1	
>>-	911 351 950 09	Brake pad repair set for S-calliper 911.351.935.00/936.00	/V	1	
>>-	901 351 998 00	Gasket set for S-calliper 911.351.935.00/936.00 Comprising: Gasket for Piston Protection cap Safety seal	/V	2 2 2 2	
>>-	911 352 950 05	Rear axle Brake pad repair set - textar - for M calliper Comprising: Brake pad	/H	1 4	
-	911 352 951 00	Parts kit 1 set	/H	1	
>>-	911 352 998 00	Gasket set for M calliper without Disk balancing Comprising: Gasket for Piston Protection cap Clamping ring Safety seal	/H	2 2 2 2 2 2 2	
>>-	901 355 930 00	Safety seal Repair kit for Brake master cylinder 19,05 MM Part number 911.355.012.01 And 911.355.012.02 Comprising: Support ring Piston Washer Boot Boot Piston Washer Boot Sealing ring Circlip		1 1 1 1 1 1 1 1 1 1 1 1 1 1 1	
-	901 355 924 00	Protection cap		1	
>>-	911 355 925 00	Repair kit		1	

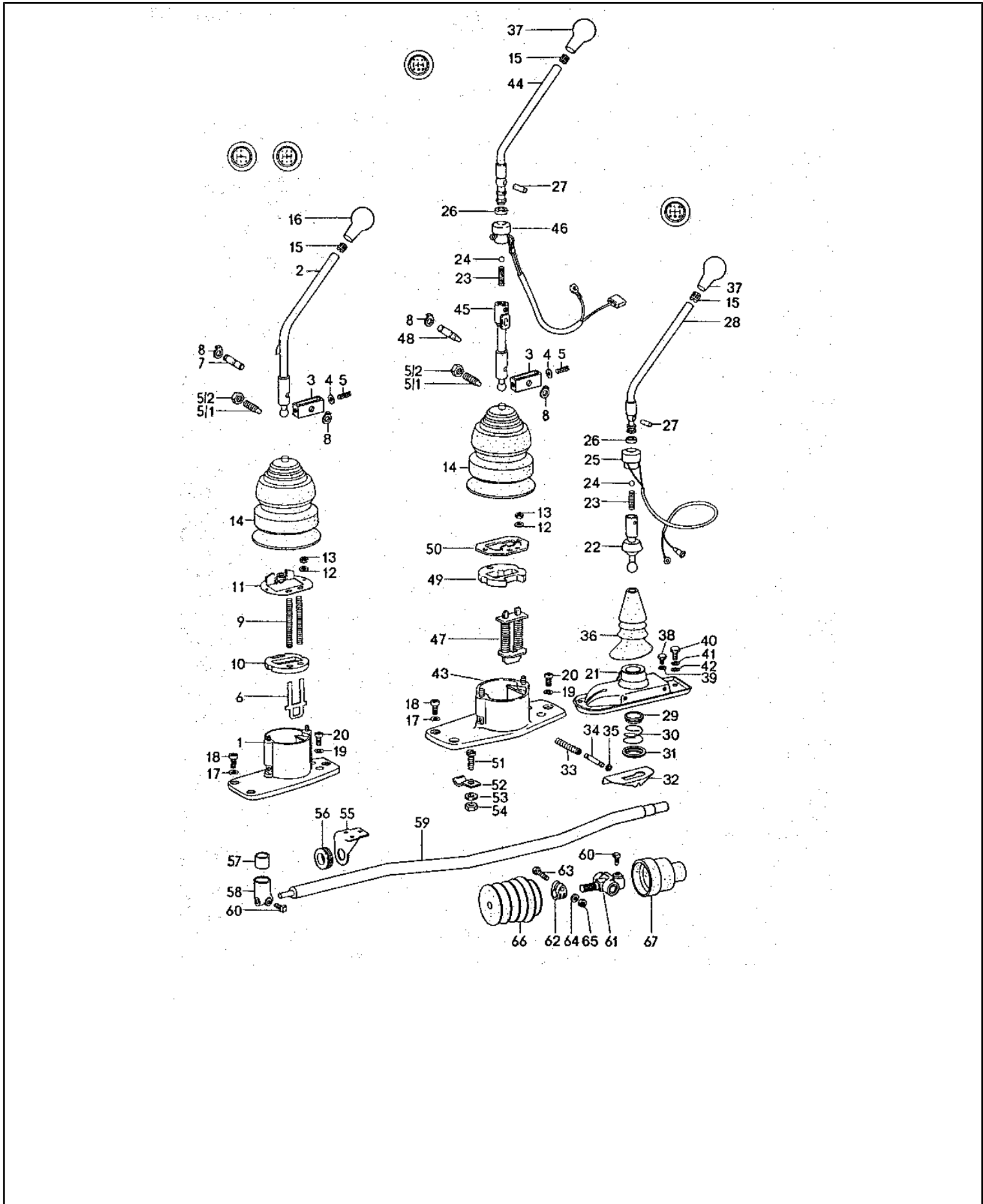
Model: 911 75

Model life 1975>>1977

Pos	Part Number	Description	Remark	Qty	Model
		Brake master cylinder	20,64 MM		
		Part number			
		911.355.011.10			
		Comprising:			
		Support ring		1	
		Boot		1	
		Washer		1	
		Piston		1	
		Boot		2	
		Sealing ring		1	
		Support ring		1	
		Boot		1	
		Washer		1	
		Piston		1	
		Washer		2	
		Boot		2	
		Intermediate ring		1	
		Circlip	25 X 1,2	1	
		O-ring		1	

Model: 911 75

Model life 1975>>1977



Model: 911 75 Model life 1975>>1977

Pos	Part Number	Description	Remark	Qty	Model
(2)	930 424 017 00	Transmission control Gearshift lever		1	
(3)	930 424 071 00	Fork		1	
-		Fork		1	
-	900 234 041 01	Shim 10 X 16 X 1,3		1	
		Lock washer 8		1	
4	911 424 187 00	Shim 0,1 MM	-75	X	
4	911 424 187 01	Shim 0,2 MM		1	
5	900 197 035 01	Tensioning sleeve 8 X 28		1	
5	900 197 035 0B	Tensioning sleeve 8 X 28		1	
5/1	911 424 335 00	Threaded pin		1	
5/2	N 011 113 3	Hexagon nut M 14		1	
(10)	930 424 147 00	Buffer plate		1	
-	930 424 165 01	Retainer plate		1	
12	900 027 014 01	Lock ring B 6		2	
12	900 027 014 02	Lock ring B 6		2	
12	N 012 006 4	Lock ring B 6		2	
13	900 076 010 02	Nut M 6		2	
13	900 076 010 0B	Nut M 6		2	
14	911 424 181 01	Sleeve		1	
15	999 532 001 00	Spacer	-75	1	
15	999 532 003 00	Retainer		1	
16	930 424 069 01	Gearshift knob 4-speed		1	
17	N 012 241 1	Spring washer B 8		3	
18	900 067 057 02	Pan-head screw M 8 X 20		3	
18	900 067 057 03	Pan-head screw M 8 X 20		3	
19	900 028 008 01	Lock ring B 6		2	
20	900 067 011 02	Pan-head screw M 6 X 20		2	
20	900 067 011 03	Pan-head screw M 6 X 20		2	
(55)	930 424 031 00	Bearing bracket		1	
(55)	930 424 031 01	Bearing bracket		1	
56	914 424 224 00	Friction ring		1	
57	911 424 139 00	Ball socket		1	
57	911 424 139 01	Ball socket		1	
58	930 424 241 00	Head shift rod		1	
59	911 424 020 00	Gear shift rod		1	
-	PCG 424 020 00	Repair kit Gear shift rod Comprising:		1	
-	911 424 024 04	Shift rod coupling		1	
-	911 424 139 01	Ball socket		1	
-	914 424 224 00	Friction ring		1	
-	901 424 229 00	Conical screw		2	
60		Conical screw		2	

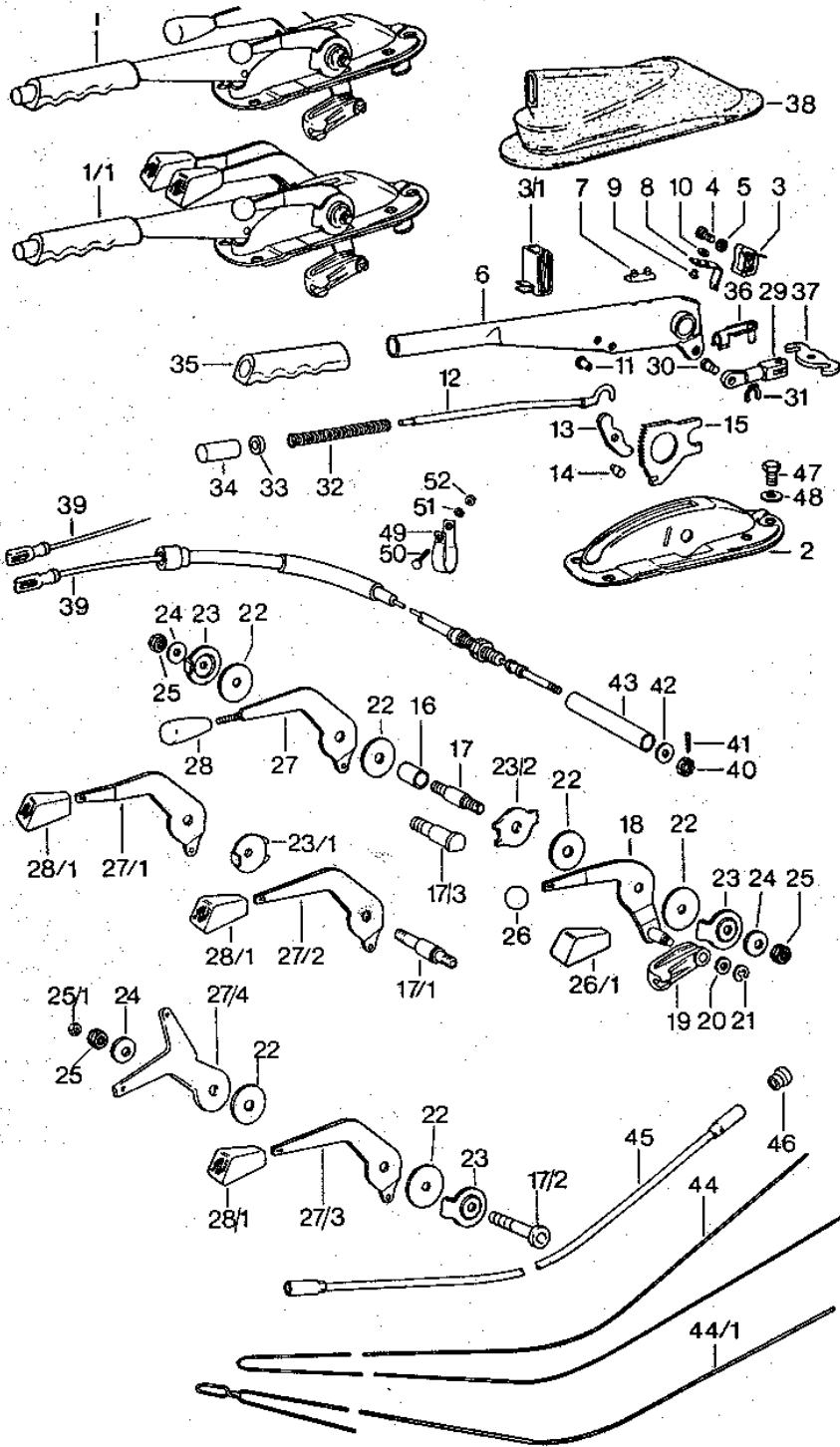
Model: 911 75

Model life 1975>>1977

Pos	Part Number	Description	Remark	Qty	Model
61	911 424 024 04	Shift rod coupling		1	
-	964 424 223 00	Bush		2	
62	914 424 214 00	Clamp		1	
63	N 010 335 5	Hexagon-head bolt M 8 X 35		1	
63	900 075 032 03	Hexagon-head bolt M 8 X 35		1	
64	999 523 102 02	Washer		1	
64	999 523 102 0B	Washer		1	
65	900 076 025 02	Hexagon nut M 8		1	
65	900 076 064 02	Hexagon nut M 8		1	
66	911 424 292 00	Sealing sleeve Inner		1	
67	911 424 294 00	Sealing sleeve Outer		1	

Model: 911 75

Model life 1975>>1977



Model: 911 75 Model life 1975>>1977

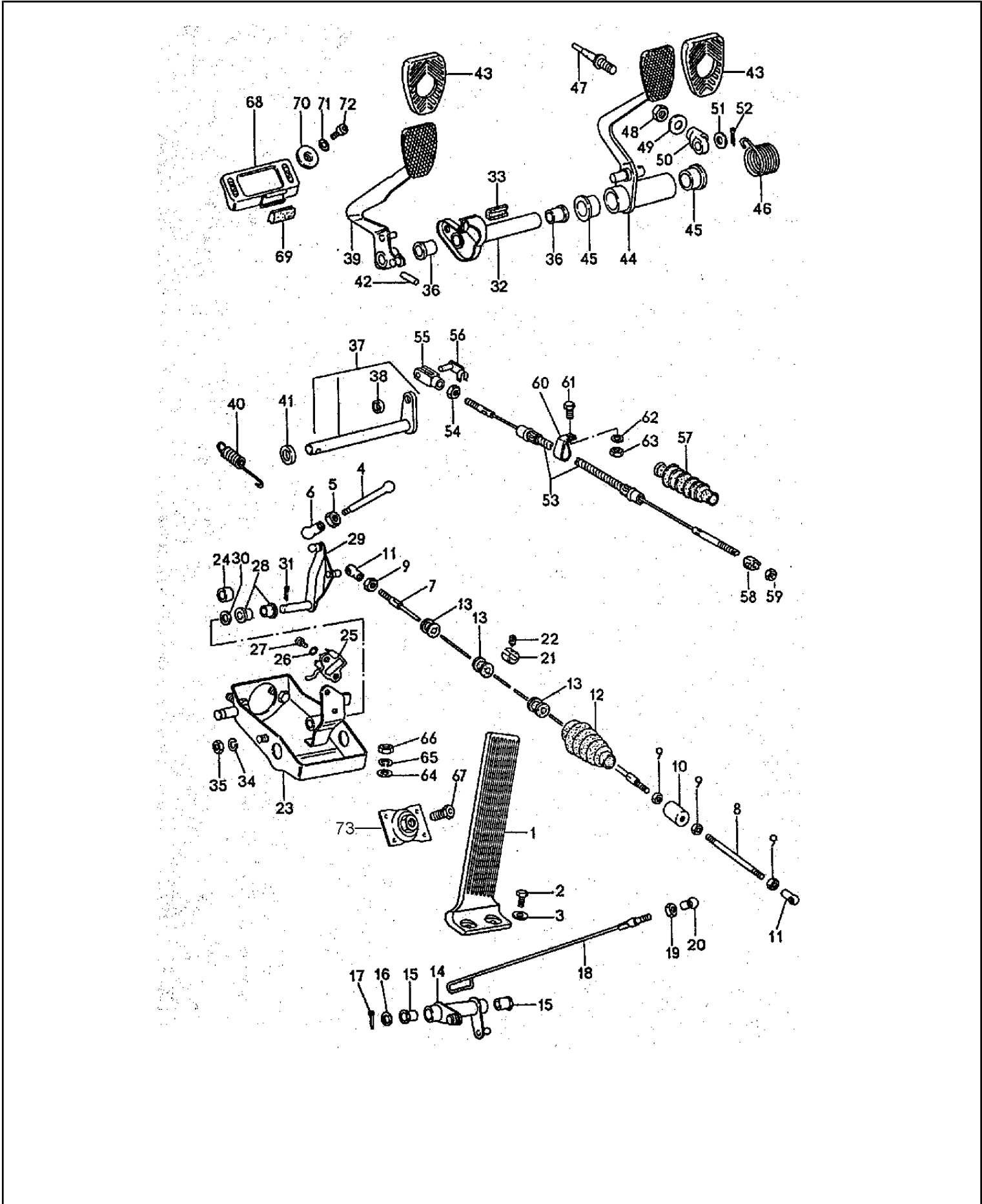
Pos	Part Number	Description	Remark	Qty	Model
(1/1)	911 424 051 06	Actuating lever Handbrake Manual throttle Parking-brake lever with bearing bracket Heating Automatic		1	
2	901 424 058 02	Bearing bracket		1	
3	901 613 521 20	Contact switch		1	
4	900 015 025 02	Oval-head screw AM 4 X 15		1	
5	N 012 116 1	Serrated lock washer A 4,3		1	
6	911 424 059 00	Parking-brake lever		1	
7	901 424 509 01	Stop		1	
8	901 613 523 20	Contact bow		1	
9	900 055 001 20	Buttonhead rivet		2	
10	900 031 012 10	Washer 2,8		2	
11	900 206 003 00	Tubular rivet 5 X 0,5 X 10		1	
12	901 424 567 03	Push rod		1	
13	901 424 508 00	Pawl		1	
14	901 424 511 00	Bolt		1	
15	914 424 541 00	Locking segment		1	
17/1	911 424 519 01	Bearing pin Heating Automatic		1	
17/2	911 424 717 00	Tensioning sleeve Heating Automatic		1	
18	901 424 037 00	Lever for Manual throttle		1	
19	901 424 317 00	Valve lever		1	
20	N 011 524 7	Washer 6,4		1	
20	N 011 524 27	Washer 6,4		1	
21	N 012 435 1	Lock washer 5		1	
22	911 424 737 00	Washer	75-	X	
23	911 424 735 04	Disc		X	
23/2	911 424 735 02	Disc Manual throttle Heating Automatic		1	
23/2	911 424 735 05	Disc Manual throttle Heating Automatic		1	
24	999 523 006 00	Cup spring		X	
25	999 084 019 02	Lock nut M 8		X	
25/1	999 084 043 02	Hexagon nut M 5		1	
26	901 424 323 00	Knob for Manual throttle		1	
26	901 424 323 01	Knob for Manual throttle		1	
27/3	911 424 711 04	Lever		1	

Model: 911 75 Model life 1975>>1977

Pos	Part Number	Description	Remark	Qty	Model
27/4	911 424 075 00	Heating Automatic Connecting lever		1	
-	900 075 276 02	Heating Automatic Pan-head screw M 5 X 6		1	
-	N 012 225 2	Spring washer B 5		1	
28/1	911 424 792 01	Handle	75-	X	
29	901 424 569 01	Fork		1	
30	999 166 010 02	Bolt A 6 X 16 X 3		1	
31	999 166 008 02	Safety clip		1	
32	901 424 543 00	Compression spring		1	
33	901 424 593 01	Ring		1	
34	901 424 523 01	Push button		1	
35	901 424 521 01	Handle		1	
36	999 166 001 02	Bolt 6 X 24		1	
37	901 424 568 00	Turnbuckle		1	
(38)	911 424 591 02	Sleeve Heating Automatic		1	
39	930 424 553 00	Parking-brake cable		2	
39	930 424 553 01	Parking-brake cable		2	
40	900 079 012 02	Castle nut M 6		2	
41	N 012 507 1	Cotter pin 1,5 X 15		2	
42	900 151 006 09	Washer B 6,4		4	
43	930 424 559 00	Spacer tube		2	
(44/1	911 424 701 02	Wire pull Heating Automatic		1	
45	901 424 704 01	Guide		2	
46	914 504 319 00	Grommet		2	
47	900 075 087 02	Hexagon-head bolt M 8 X 16		3	
47	900 075 087 03	Hexagon-head bolt M 8 X 16		3	
48	900 027 015 02	Lock ring B 8		3	
48	900 027 015 03	Lock ring B 8		3	
49	999 706 009 80	Suspension strap		1	
49	911 424 341 01	Suspension strap		1	
49	911 424 341 03	Suspension strap		1	
50	900 075 057 02	Hexagon-head bolt M 6 X 16		1	
50	900 075 057 03	Hexagon-head bolt M 6 X 16		1	
51	900 028 008 01	Lock ring B 6		1	
52	900 076 010 02	Nut M 6		1	
52	900 076 010 0B	Nut M 6		1	

Model: 911 75

Model life 1975>>1977



Model: 911 75 Model life 1975>>1977

Pos	Part Number	Description	Remark	Qty	Model
		Pedals			
		Left-hand drive			
1	901 423 010 00	Accelerator pedal	-75	1	
1	901 423 010 01	Accelerator pedal		1	
2	N 010 215 13	Hexagon-head bolt M 6 X 15		2	
3	900 151 006 09	Washer B 6,4		2	
4	914 423 227 00	Push rod		1	
4	914 423 227 01	Push rod		1	
5	900 076 027 02	Nut M 5		1	
6	911 423 147 00	Ball socket		1	
7	PCG 423 024 00	Throttle linkage		1	
8	901 423 223 01	Extension rod		1	
9	900 076 027 02	Nut M 5		4	
10	911 423 081 02	Housing		1	
11	N 015 521 3	Ball socket A 8		2	
12	911 423 593 01	Sealing sleeve		1	
13	901 423 227 00	Bush		3	
(14)	930 423 017 01	Reverse lever		1	
15	914 423 211 00	Bearing sleeve		2	
16	900 025 008 02	Washer 10,5		1	
16	N 011 527 4	Washer 10,5		1	
16	900 025 008 09	Washer 10,5		1	
16	900 025 008 04	Washer 10,5		1	
17	N 012 530 1	Cotter pin 3 X 15		1	
(18)	930 423 015 01	Throttle linkage with Ball socket		1	
(18)	930 423 019 01	Throttle linkage with Ball socket		1	
21	901 424 319 00	Screw nipple		1	
22	N 013 114 1	Threaded pin		1	
23	911 423 065 02	Bearing bracket		1	
-	PCG 911 423 00	Kit Bush Pedals Comprising:		1	
-	900 021 008 00	Cotter pin		1	
-	900 021 008 0A	Cotter pin		1	
-	999 166 001 02	Bolt		1	
-	900 309 002 00	Roll pin		1	
-	901 423 193 00	Rubber stop		1	
-	914 423 210 00	Rubber pad		2	
-	901 423 253 00	Bearing sleeve		2	
-	911 423 341 01	Bush		2	
-	901 423 343 00	Bush		2	
-	901 423 391 00	Rubber stop		1	
-	911 423 542 00	Bush		2	
24	901 423 193 00	Rubber stop		1	
25	911 613 411 00	Brake light switch		1	
25	911 613 411 01	Brake light switch		1	
26	900 114 014 01	Shake-proof washer A 4,3		2	

Model: 911 75

Model life 1975>>1977

Pos	Part Number	Description	Remark	Qty	Model
27	900 146 011 02	Oval-head screw AM 4 X 10		2	
28	901 423 253 00	Bearing sleeve		2	
29	901 423 250 02	Reverse lever	/V	1	
30	900 031 001 02	Washer 8,4		1	
30	900 031 105 01	Washer 8,4		1	
31	900 021 008 00	Cotter pin 2 X 15		1	
31	900 021 008 0A	Cotter pin 2 X 15		1	
32	901 423 035 00	Bearing tube		1	
33	901 423 391 00	Rubber stop		1	
34	900 027 015 02	Lock ring B 8		1	
34	900 027 015 03	Lock ring B 8		1	
35	N 011 151 3	Hexagon nut M 8		1	
36	911 423 341 01	Bush		2	
37	911 423 027 01	Clutch pedal shaft	-75	1	
37	911 423 027 04	Clutch pedal shaft	76-	1	
38	901 423 343 00	Bush		1	
39	911 423 077 00	Clutch pedal		1	
40	911 423 305 05	Tension spring	-76	1	
41	911 423 219 03	Spacer sleeve	77-	1	
42	900 309 002 00	Roll pin 6 X 28		1	
43	914 423 210 00	Rubber pad		2	
44	911 423 053 02	Brake pedal		1	
44	911 423 053 00	Brake pedal		1	
45	911 423 542 00	Bush		2	
46	901 423 531 00	Return spring		1	
47	901 423 057 04	Piston rod		1	
48	900 158 003 02	Hexagon nut M 10		1	
49	901 423 157 00	Stop washer		1	
50	901 423 507 02	Intermediate piece		1	
51	N 011 564 2	Washer 13		1	
51	N 011 564 4	Washer 13		1	
52	900 021 015 00	Cotter pin 3 X 20		1	
(53)	930 423 401 01	Clutch cable		1	
(53)	930 423 401 07	Clutch cable		1	
54	900 076 010 02	Nut M 6		1	
54	900 076 010 0B	Nut M 6		1	
55	900 166 002 02	Clevis C 6 X 24		1	
55	900 166 002 01	Clevis C 6 X 24		1	
56	999 166 001 02	Bolt		1	
(57)	311 713 269 A	Bellows		1	
58	911 423 205 03	Lever		1	
59	N 011 007 3	Hexagon nut M 7		2	
59	900 076 092 01	Hexagon nut M 7		2	
60	999 706 009 80	Suspension strap		1	

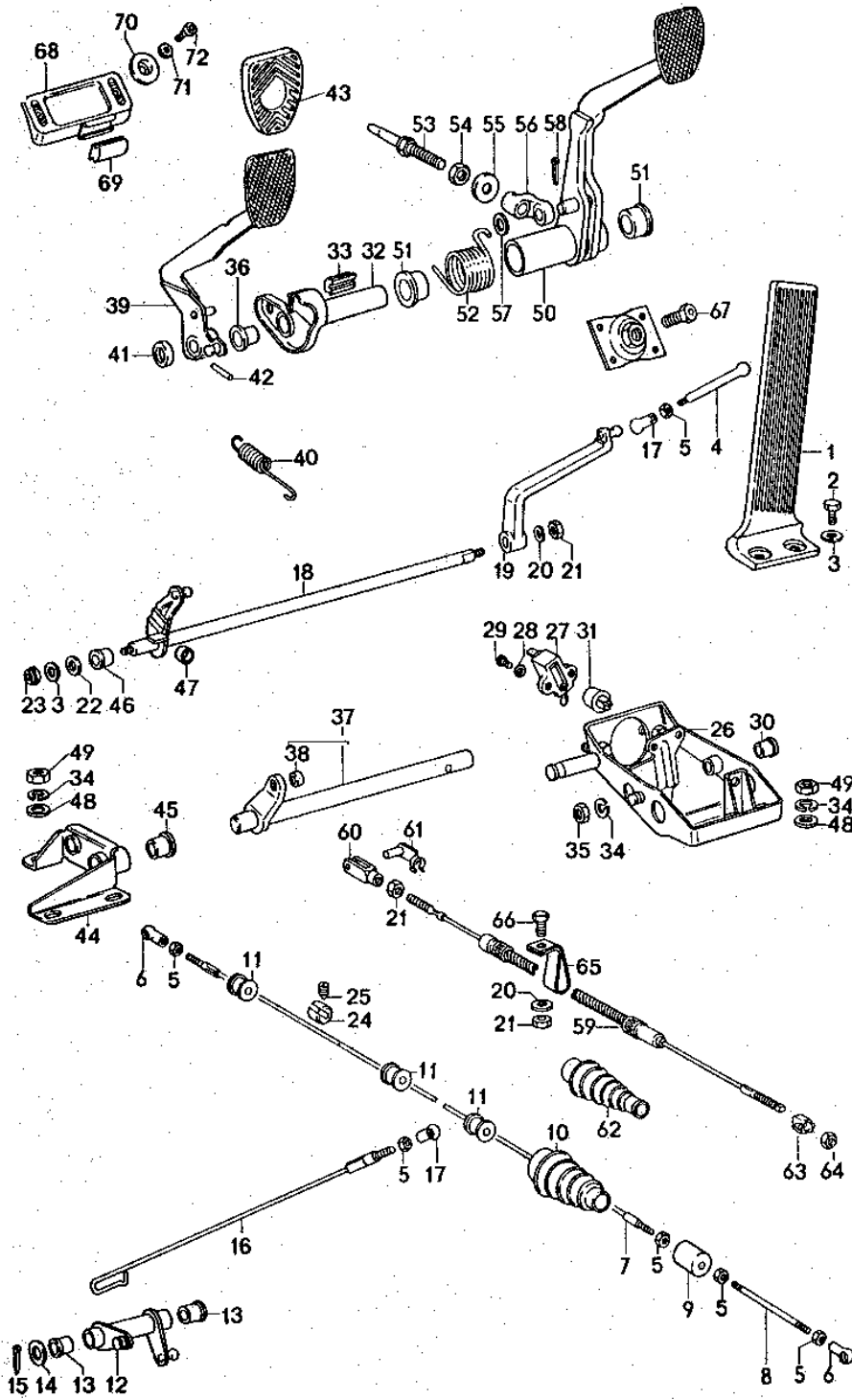
Model: 911 75

Model life 1975>>1977

Pos	Part Number	Description	Remark	Qty	Model
60	911 424 341 01	Suspension strap		1	
60	911 424 341 03	Suspension strap		1	
61	900 075 057 02	Hexagon-head bolt M 6 X 16		1	
61	900 075 057 03	Hexagon-head bolt M 6 X 16		1	
62	900 028 008 01	Lock ring B 6		1	
63	900 076 010 02	Nut M 6		1	
63	900 076 010 0B	Nut M 6		1	
64	900 025 007 02	Washer 8,4		2	
64	900 025 007 03	Washer 8,4		2	
65	900 027 015 02	Lock ring B 8		2	
65	900 027 015 03	Lock ring B 8		2	
66	900 076 025 02	Hexagon nut M 8		2	
66	900 076 064 02	Hexagon nut M 8		2	
67	901 551 671 20	Hexagon-head bolt		1	
68	901 423 360 00	Stop		1	
69	901 423 391 00	Rubber stop 30 MM		1	
70	901 423 368 00	Desk pad		2	
71	N 012 130 2	Shake-proof washer A 5,3		2	
72	900 119 025 02	Pan-head screw M 5 X 15		2	
73	901 551 065 20	Stop for Accelerator pedal		1	

Model: 911 75

Model life 1975>>1977



Model: 911 75

Model life 1975>>1977

Pos	Part Number	Description	Remark	Qty	Model
		Pedals			
		Right-hand drive			
1	901 423 010 00	Accelerator pedal	-75	1	
1	901 423 010 01	Accelerator pedal		1	
(1)	911 423 111 02	Accelerator pedal	76-	1	
(1)	911 423 111 03	Accelerator pedal	76-	1	
2	N 010 215 13	Hexagon-head bolt M 6 X 15		2	
3	900 151 006 09	Washer B 6,4		3	
4	914 423 227 00	Push rod		1	
4	914 423 227 01	Push rod		1	
5	900 076 027 02	Nut M 5		6	
6	N 015 521 3	Ball socket A 8		2	
7	PCG 423 024 00	Throttle linkage		1	
8	901 423 223 01	Extension rod		1	
9	911 423 081 02	Housing		1	
10	911 423 593 01	Sealing sleeve		1	
11	901 423 227 00	Bush		3	
(12)	930 423 017 01	Reverse lever		1	
13	914 423 211 00	Bearing sleeve for Reverse lever		2	
14	900 025 008 02	Washer 10,5		1	
14	N 011 527 4	Washer 10,5		1	
14	900 025 008 09	Washer 10,5		1	
14	900 025 008 04	Washer 10,5		1	
15	N 012 530 1	Cotter pin 3 X 15		1	
(16)	930 423 015 01	Throttle linkage with Ball socket		1	
16	930 423 019 01	Throttle linkage		1	
17	911 423 147 00	Ball socket		1	
18	901 423 556 00	Shaft for Accelerator control		1	
19	901 423 022 00	Lever for Accelerator control		1	
20	900 028 008 01	Lock ring B 6		2	
21	900 076 010 02	Nut M 6		3	
21	900 076 010 0B	Nut M 6		3	
22	911 423 225 00	Washer		3	
23	900 084 010 02	Lock nut M 6		1	
24	901 424 319 00	Screw nipple		1	
25	N 013 114 1	Threaded pin M 5 X 8		1	
26	911 423 066 00	Bearing bracket		1	
27	911 613 411 00	Brake light switch		1	
27	911 613 411 01	Brake light switch		1	
28	900 114 014 01	Shake-proof washer A 4,3		2	

Model: 911 75 Model life 1975>>1977

Pos	Part Number	Description	Remark	Qty	Model
29	900 146 011 02	Oval-head screw AM 4 X 10		2	
30	914 423 211 00	Bearing sleeve		1	
31	901 423 528 00	Rubber stop		1	
32	901 423 034 00	Bearing tube for Clutch pedal		1	
33	901 423 391 00	Rubber stop		1	
34	900 027 015 02	Lock ring B 8		6	
34	900 027 015 03	Lock ring B 8		6	
35	N 011 151 3	Hexagon nut M 8		1	
36	911 423 341 01	Bush		1	
37	911 423 028 04	Clutch pedal shaft	75	1	930/30/32
(37)		Clutch pedal shaft	76	1	930/30/32
(37)	911 423 028 06	Clutch pedal shaft	77-	1	930/52/54
38	901 423 343 00	Bush		1	
39	911 423 078 00	Clutch pedal	-76	1	
(39)	911 423 078 03	Clutch pedal	77-	1	
40	911 423 306 01	Tension spring	-76	1	
40		Tension spring	77-	1	
41	911 423 219 03	Spacer sleeve	-76	1	
(41)		Spacer sleeve	77-	1	
42	900 309 002 00	Roll pin 6 X 28		1	
43	914 423 210 00	Rubber pad		2	
44	901 423 013 00	Bearing bracket		1	
-	PCG 911 423 00	Kit Bush Pedals Comprising:		1	
-	900 021 008 00	Cotter pin		1	
-	900 021 008 0A	Cotter pin		1	
-	999 166 001 02	Bolt		1	
-	900 309 002 00	Roll pin		1	
-	901 423 193 00	Rubber stop		1	
-	914 423 210 00	Rubber pad		2	
-	901 423 253 00	Bearing sleeve		2	
-	911 423 341 01	Bush		2	
-	901 423 343 00	Bush		2	
-	901 423 391 00	Rubber stop		1	
-	911 423 542 00	Bush		2	
45	911 423 341 01	Bush		1	
46	914 423 211 00	Bearing sleeve		1	
47	901 423 193 00	Rubber stop		1	
48	900 025 007 02	Washer 8,4		5	
48	900 025 007 03	Washer 8,4		5	
49	900 076 025 02	Hexagon nut M 8		5	
49	900 076 064 02	Hexagon nut M 8		5	
50	901 423 054 01	Brake pedal		1	
51	911 423 542 00	Bush		2	
52	901 423 532 00	Return spring for Brake pedal		1	
53	901 423 057 04	Piston rod		1	
54	900 158 003 02	Hexagon nut M 10		1	

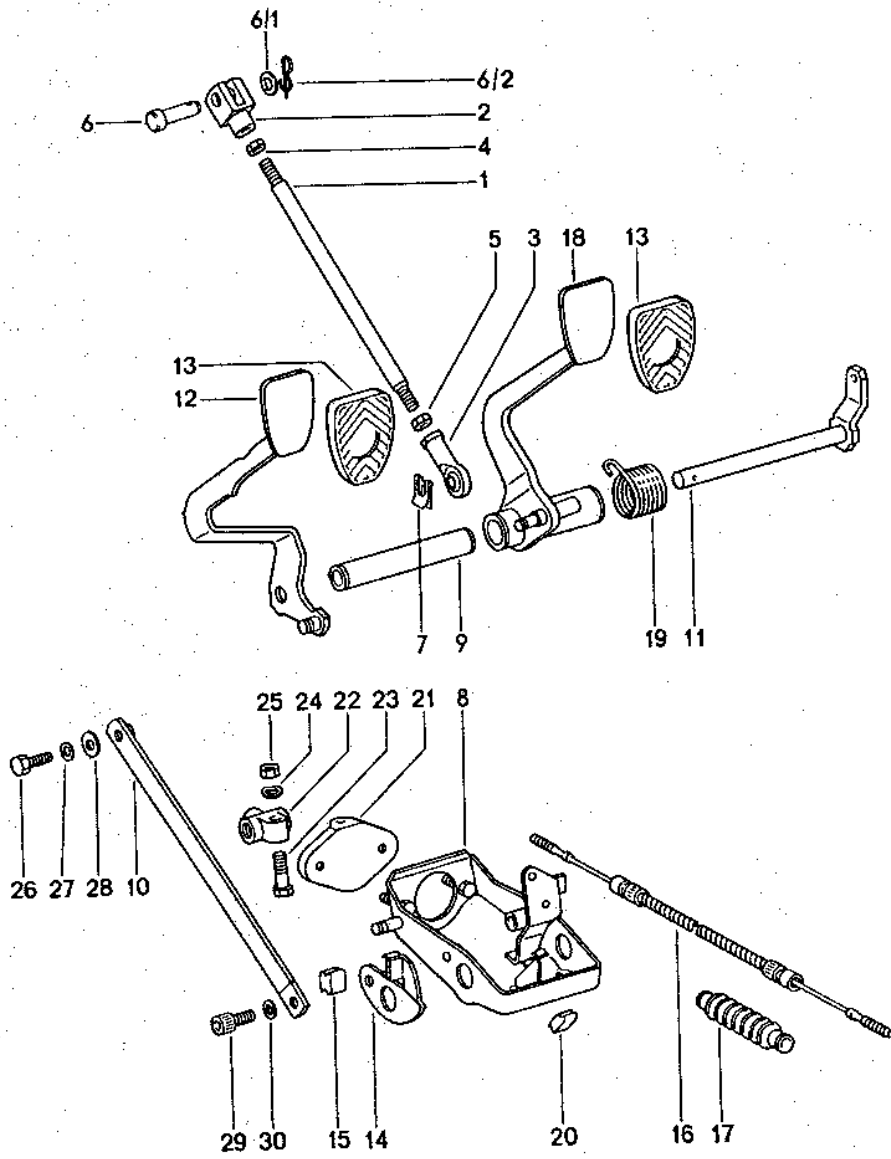
Model: 911 75

Model life 1975>>1977

Pos	Part Number	Description	Remark	Qty	Model
55	901 423 157 00	Stop washer		1	
56	901 423 507 02	Intermediate piece		1	
57	N 011 564 2	Washer 13		1	
57	N 011 564 4	Washer 13		1	
58	900 021 015 00	Cotter pin 3 X 20		1	
(59)	930 423 401 01	Clutch cable		1	
(59)	930 423 401 07	Clutch cable		1	
60	900 166 002 02	Clevis G 6 X 24		1	
60	900 166 002 01	Clevis G 6 X 24		1	
61	999 166 001 02	Bolt		1	
(62)	311 713 269 A	Bellows		1	
63	911 423 205 03	Lever		1	
64	N 011 007 3	Hexagon nut M 7		2	
64	900 076 092 01	Hexagon nut M 7		2	
65	999 706 009 80	Suspension strap		1	
65	911 424 341 01	Suspension strap		1	
65	911 424 341 03	Suspension strap		1	
66	900 075 057 02	Hexagon-head bolt M 6 X 16		1	
66	900 075 057 03	Hexagon-head bolt M 6 X 16		1	
67	901 551 671 20	Hexagon-head bolt		1	
68	901 423 360 00	Stop		1	
69	901 423 391 00	Rubber stop 30		1	
70	901 423 368 00	Desk pad		2	
71	N 012 130 2	Shake-proof washer A 5,3		2	
72	900 119 025 02	Pan-head screw M 5 X 15		2	

Model: 911 75

Model life 1975>>1977



Model: 911 75 Model life 1975>>1977

Pos	Part Number	Description	Remark	Qty	Model
		Pedals for cars with Brake booster			
1	911 423 523 01	Push rod		1	
2	999 166 039 02	Clevis		1	
3	999 593 116 02	Swivel head		1	
4	900 157 002 02	Hexagon nut M 10		1	
4	900 157 002 03	Hexagon nut M 10		1	
5	900 157 003 02	Hexagon nut M 10		1	
6	900 087 037 02	Left thread Bolt 10 H 11 X 28 X 23,5		1	
6/1	900 031 005 02	Washer 10,5		1	
6/1	900 031 005 03	Washer 10,5		1	
6/2	999 021 001 07	Connector		1	
7	999 166 034 02	Sl-lock		1	
8	911 423 065 03	Bearing bracket		1	
9	911 423 062 00	Bearing tube		1	
-	925 423 035 00	Bearing tube		1	
10	911 423 082 00	Tension strut		1	
11	930 423 027 01	Clutch pedal shaft		1	
12	911 423 077 05	Clutch pedal		1	
13	914 423 210 00	Rubber pad		2	
14	911 423 391 02	Protective strip		1	
15	999 703 133 40	Rubber stop		1	
16	930 423 401 05	Clutch cable		1	
16	930 423 401 09	Clutch cable		1	
-	999 512 291 02	Hose clamp		1	
17	311 713 269 A	Bellows for Clutch cable		1	
18	911 423 053 04	Brake pedal		1	
(18)	925 423 053 01	Brake pedal		1	
19	911 423 531 03	Return spring		1	
20	901 423 193 00	Rubber stop		1	
21	911 423 153 00	Cover plate		1	
22	914 355 667 00	Distributor		1	
23	900 075 017 02	Hexagon-head bolt M 6 X 25		1	
23	900 075 017 03	Hexagon-head bolt M 6 X 25		1	
24	900 028 008 01	Lock ring B 6		1	
25	900 076 010 02	Nut M 6		1	
25	900 076 010 0B	Nut M 6		1	
26	N 010 253 7	Hexagon-head bolt M 10 X 22		1	
27	900 027 016 02	Lock ring B 10		1	
27	900 027 016 03	Lock ring B 10		1	
28	900 025 008 02	Washer 10,5		1	
28	N 011 527 4	Washer 10,5		1	
28	900 025 008 09	Washer		1	

Model: 911 75

Model life 1975>>1977

Pos	Part Number	Description	Remark	Qty	Model
28	900 025 008 04	10,5 Washer		1	
29	900 067 063 02	10,5 Pan-head screw		1	
30	999 523 103 02	M 10 X 20 Lock washer 10		1	

Model: 911 75

Model life 1975>>1977

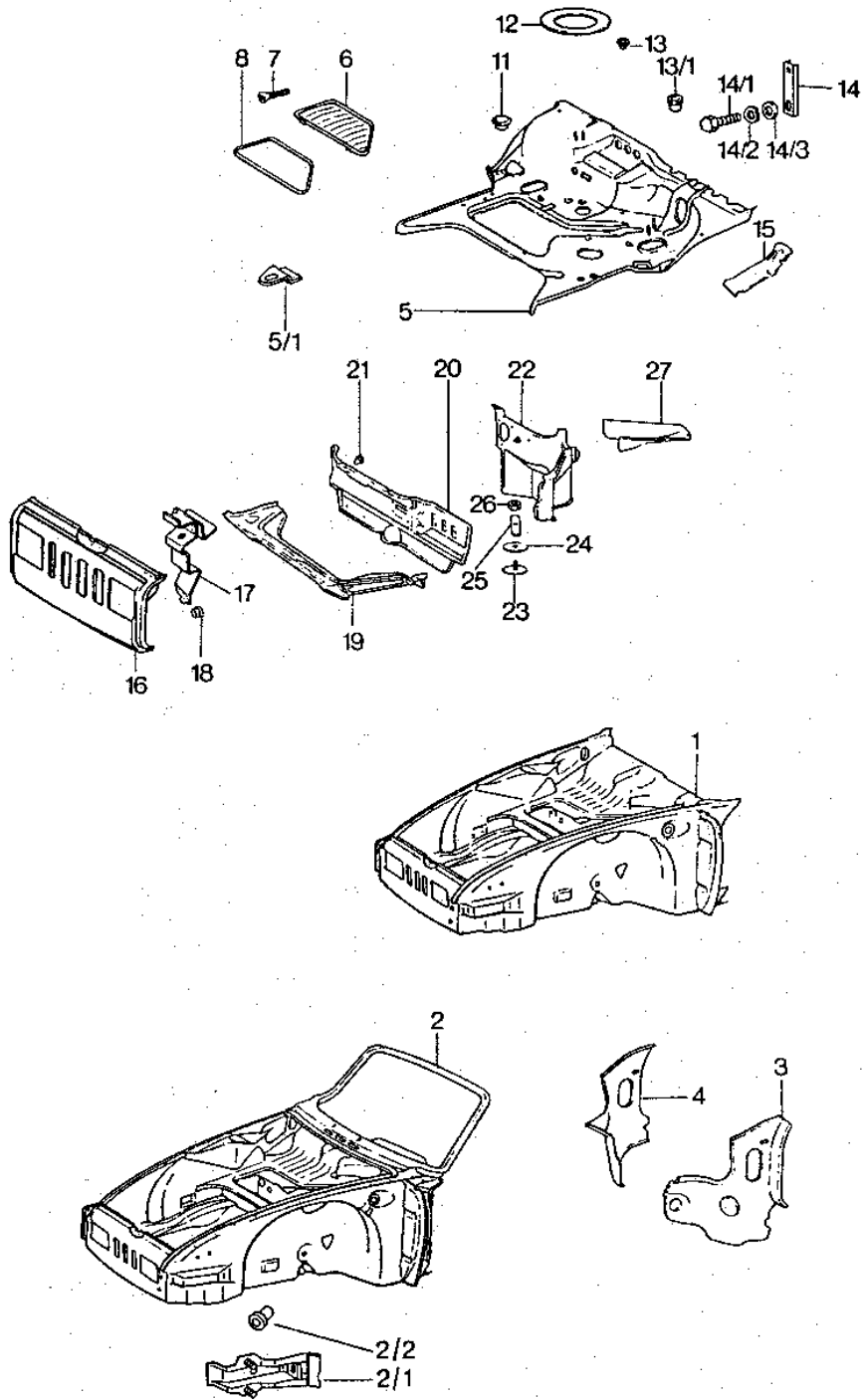


Model: 911 75 Model life 1975>>1977

Pos	Part Number	Description	Remark	Qty	Model
		Body in white Prime coated Sealed with Underbody protection Bodyshells can only only available from current Model year available			
-	930 500 921 00	Body in white	/LL 75	1	
-	930 500 921 02	Body in white	/LL 76	1	
-	930 500 921 04	Body in white	/LL 77-	1	
-	930 500 921 01	Body in white	/RL 75	1	
-	930 500 921 03	Body in white	/RL 76	1	
-	930 500 921 05	Body in white	/RL 77-	1	

Model: 911 75

Model life 1975>>1977



Model: 911 75 Model life 1975>>1977

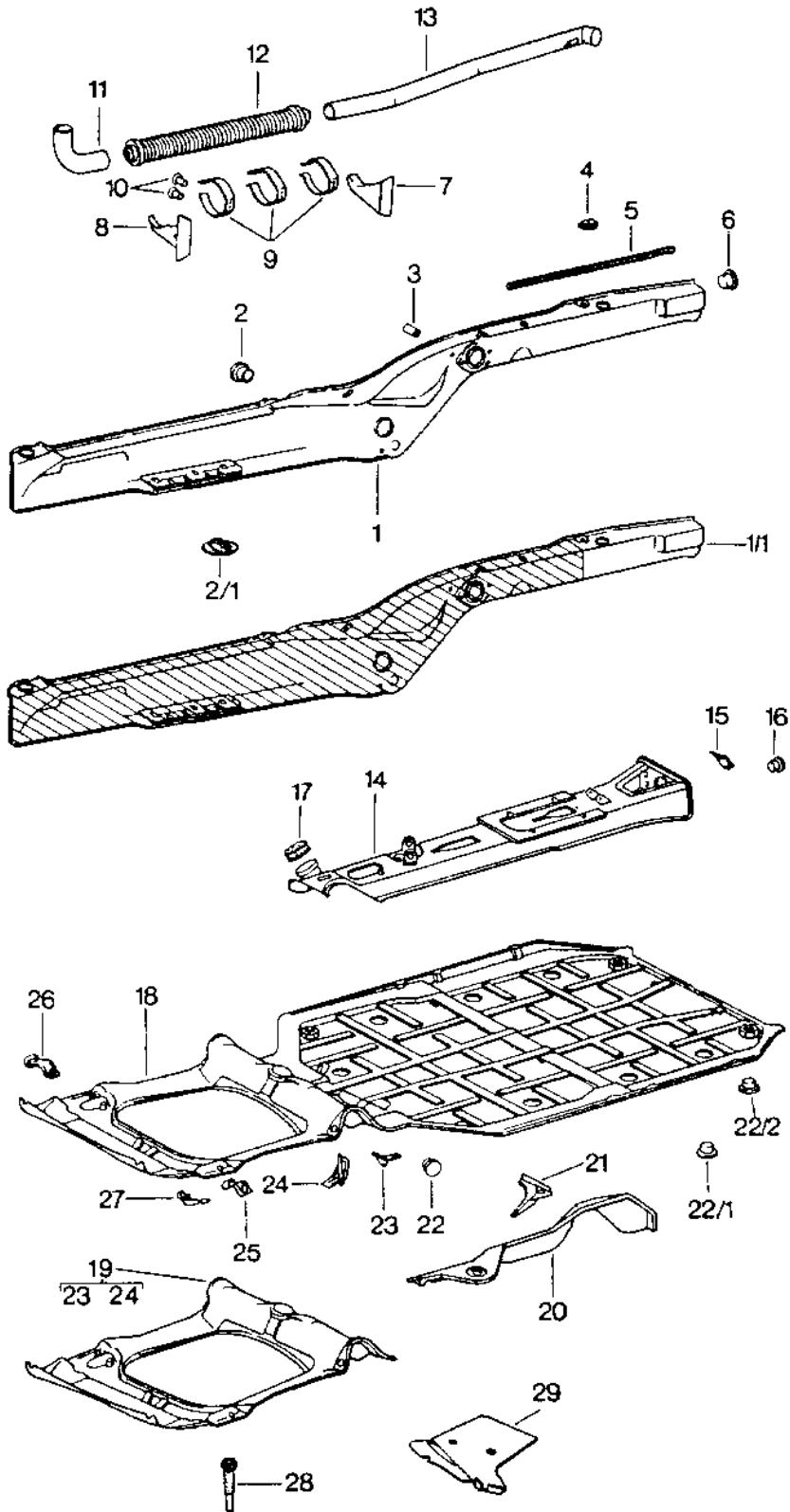
Pos	Part Number	Description	Remark	Qty	Model
(1)	930 501 005 02	Frame Front Frame front part with cross panel	/LL -76	1	
(1)	930 501 005 02 GRV	Front Picture 15 + (15) Order also: Frame front part Prime coated	/LL	1	
(1)	930 501 005 04	Frame front part with cross panel Front Picture 15 + (15) Order also:	/LL 77-	1	
(1)	930 501 005 03	Frame front part with cross panel Front Picture 15 + (15) Order also:	/RL -76	1	
(1)	930 501 005 05	Frame front part with cross panel Front Picture 15 + (15) Order also:	/RL 77-	1	
2/1	911 501 149 00	Support	/L	1	
2/1	911 501 150 00	Support	/R	1	
2/2	999 703 058 40	Stopper		1	
5	911 501 035 08	Boot floor plate	/LL -75	1	
5	911 501 035 11	Boot floor plate	/LL 76	1	
5	911 501 035 13	Boot floor plate	/LL 77-	1	
5	911 501 035 13 GRV	Boot floor plate Prime coated	/LL 77-	1	
(5)	911 501 036 06	Boot floor plate	/RL -76	1	
(5)	911 501 036 06	Boot floor plate	/RL 77-	1	
5/1	901 501 369 00	Support for Pump		1	
6	901 504 043 02	Cover	/LL	1	
(6)	902 504 044 01	Cover	/RL	1	
7	900 144 034 07	Tapping screw B 4,2 X 16		4	
7	900 144 034 0G	Tapping screw B 4,2 X 16		4	
8	911 504 491 02	Gasket	/LL -76	1	
(8)	911 504 491 02	Gasket	/LL 77-	1	
(8)	901 504 491 30	Gasket	/RL	1	
11	999 703 103 40	Stopper \$ 23,5		1	
12	901 504 747 00	Lid		1	
(12)	911 504 405 00	Covering		1	
13/1	914 552 233 10	Filler piece \$ 10		1	
13/1	914 552 233 10 01C	Filler piece Black \$ 10		1	
14	911 501 347 00	Cowl panel support	/LL	1	
(14)	911 501 409 00	Cowl panel support	77-	1	
14/1	900 075 260 02	Hexagon-head bolt M 6 X 16		2	

Model: 911 75 Model life 1975>>1977

Pos	Part Number	Description	Remark	Qty	Model
14/2	N 012 006 4	Lock ring B 6		2	
14/3	N 011 524 7	Washer 6,4		2	
14/3	N 011 524 27	Washer 6,4		2	
15	911 501 411 00	Connecting piece	/L	1	
(15)	901 501 412 21	Connecting piece	/R	1	
16	911 501 099 04	Cross panel	/V	1	
17	911 501 383 40	Support		2	
17		Support		2	
	911 501 383 40 GRV	Prime coated			
-	911 501 273 00	Mounting for Water pump		1	
-		Mounting		1	
	911 501 273 00 GRV	Prime coated for Water pump			
18	999 703 033 40	Stopper \$ 25		4	
19	911 501 117 02	Fuel tank support holder	/V	1	
19		Fuel tank support holder	/V	1	
	911 501 117 02 GRV	Prime coated			
20	911 501 213 01	Cross panel	/LL /V	1	
20+22	901 501 030 39	Box wall And Cross panel	/RL /V	1	
21	999 703 033 40	Stopper \$ 25,5		2	
22	901 501 043 33	Box wall	/LL /V	1	
23	902 504 079 20	Lid		1	
24	999 704 203 40	Sealing washer		1	
25	901 504 755 20	Tensioning spring		1	
26	999 084 102 02	Lock nut		1	
27	901 501 354 32	Cup for Steering shaft	/LL -75	1	
27		Cup for Steering shaft	/LL 76-	1	
(27)	901 501 356 20	Cup for Steering shaft	/RL	1	

Model: 911 75

Model life 1975>>1977



Model: 911 75 Model life 1975>>1977

Pos	Part Number	Description	Remark	Qty	Model
1	911 501 962 26	Frame Centre Side member		1	
(1)	911 501 962 46	Inner Side member	/R 76-	1	
(1)	911 501 961 24	Inner Side member	/L -75	1	
(1)	911 501 961 26	Inner Side member	/L 76-	1	
(1)	911 501 961 46	Inner Side member	/L 76-	1	
1/1	911 501 962 02	Side member Inner	/R -75	1	
1/1	911 501 962 03	Side member Inner	/R 76-	1	
(1/1)	911 501 961 02	Side member Inner	/L -75	1	
(1/1)	911 501 961 03	Side member Inner	/L 76-	1	
2	999 703 048 40	Stopper		4	
2/1	111 801 177	Rubber valve		4	
3	644 501 163 00	Threaded piece for Bearing Back seat		2	
4	901 501 117 20	Mounting plate		2	
5	901 501 796 20	Profile rail	/R	1	
5	901 501 796 20 GRV	Profile rail Prime coated	/R	1	
(5)	901 501 795 20	Profile rail	/L	1	
(5)	901 501 795 20 GRV	Profile rail Prime coated	/L	1	
6	999 703 098 40	Stopper \$ 19		1	
7	901 501 263 20	Pipe bracket	/L	2	
8	901 501 264 20	Pipe bracket	/R	2	
9	901 501 128 20	Retainer spring		6	
9	901 501 128 20 GRV	Retainer spring Prime coated		6	
10	N 013 411 1	Rivet 3 X 6		12	
11	911 572 211 01	Hot air duct	/V	2	
12	911 572 025 02	Muffler Not Closed		2	
13	911 572 024 00	Hot air duct	/H /R	1	
(13)	911 572 221 02	Hot air duct	/H /L	1	
(14)	911 501 061 47	Tunnel with Pipeline for Carbon canister	/LL 75-	1	
(14)	911 501 061 44	Tunnel with Pipeline for Carbon canister	/RL 77-	1	

Model: 911 75 Model life 1975>>1977

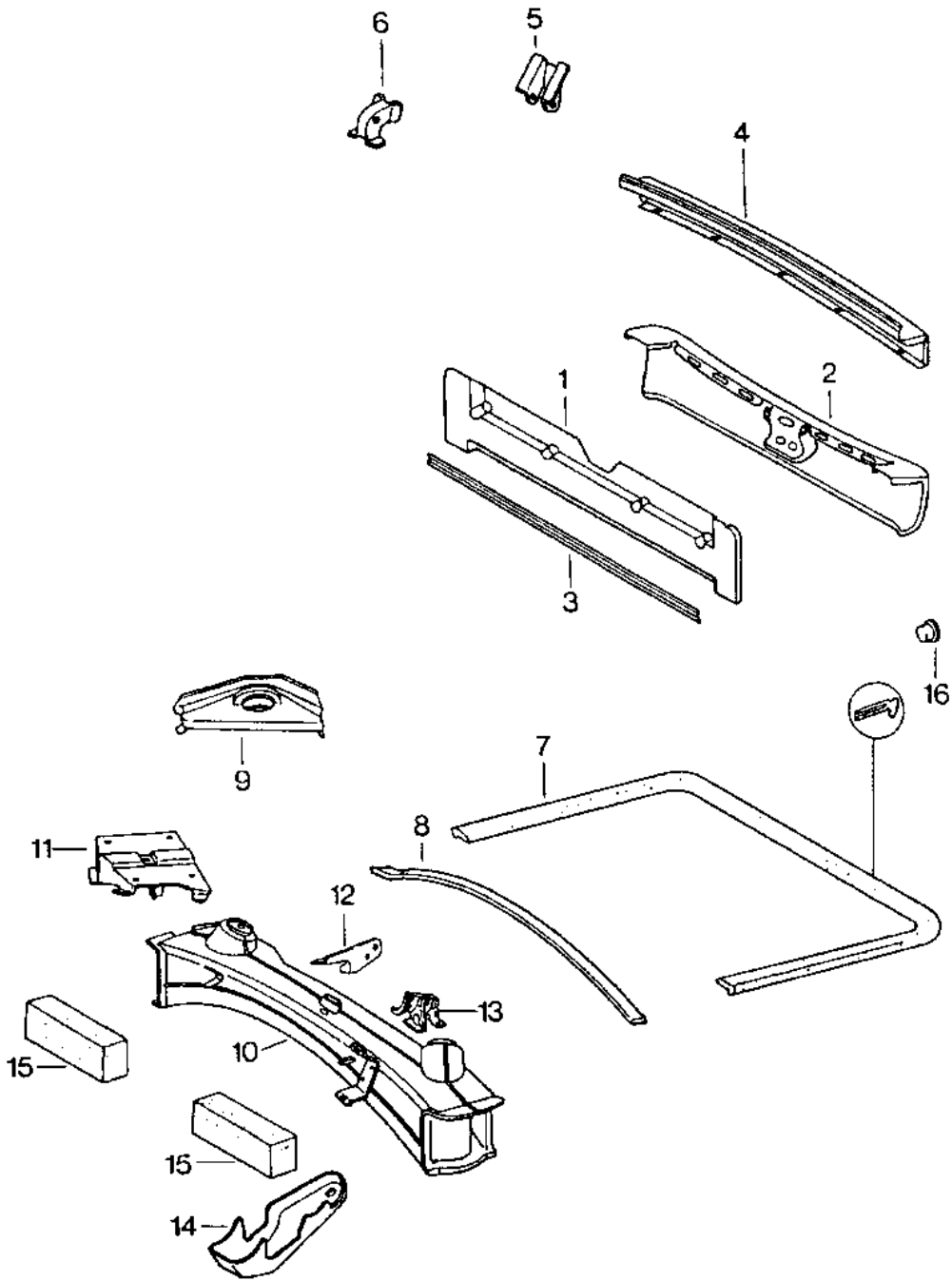
Pos	Part Number	Description	Remark	Qty	Model
(14)	911 501 061 40	Tunnel with Pipeline for Carbon canister	/RL 75-	1	
(14)	911 501 061 45	Tunnel with Pipeline for Carbon canister	/RL 75-76	1	
15	911 501 661 00	Cross tube reinforcement	/L	1	
(15)	911 501 662 00	Cross tube reinforcement	/R	1	
16	914 552 233 10	Filler piece \$ 10		2	
16	914 552 233 10 01C	Filler piece Black \$ 10		2	
17	911 504 107 00	Cap		1	
(18)	930 501 051 04	Floorpan	/LL	1	
(18)	930 501 052 04	Floorpan	/RL	1	
(19)	930 501 580 00	Floorpan	/LL -75	1	
(19)	930 501 580 02	Front part Floorpan	/LL 76-	1	
(19)	930 501 580 04	Front part Floorpan	/RL	1	
20	911 501 111 00	Fuel tank support holder	/L -75	1	
20	911 501 111 02	Fuel tank support holder	/L	1	
20	911 501 111 02 GRV	Fuel tank support holder Prime coated	/L	1	
(20)	911 501 114 00	Fuel tank support holder	/LL /R -75	1	
(20)	911 501 114 04	Fuel tank support holder	/R 76-	1	
(20)	911 501 114 04 GRV	Fuel tank support holder Prime coated	/R 76-	1	
(20)	911 501 114 01	Fuel tank support holder	/RL /R -75	1	
21	901 501 457 20	Bracket	/L	1	
21	901 501 457 20 GRV	Corner panel Bracket Prime coated	/L	1	
(21)	901 501 458 20	Bracket	/R	1	
(21)	901 501 458 20 GRV	Corner panel Bracket Prime coated	/R	1	
22	999 703 033 40	Stopper \$ 25		4	
22/1	999 703 121 40	Stopper \$ 8		16	
22/2	999 703 125 40	Stopper \$ 8.9		4	
23	901 501 063 23	Bracket		2	
(24)	930 501 359 01	Axle mounting	/V /L	1	
(24)	930 501 360 01	Axle mounting	/V /R	1	
25	901 501 409 23	Reinforcement plate	/L	1	
25	901 501 409 23 GRV	Reinforcement plate Prime coated	/L	1	
(25)	901 501 410 23	Reinforcement plate	/R	1	
(25)	901 501 410 23 GRV	Reinforcement plate Prime coated	/R	1	
26	901 501 427 21	Reinforcement		2	
26	901 501 427 21 GRV	Reinforcement Prime coated for Axle mounting		2	
26	901 501 427 21	Reinforcement	76-	2	

Model: 911 75 Model life 1975>>1977

Pos	Part Number	Description	Remark	Qty	Model
	901 501 427 21 GRV	Prime coated for Axle mounting			
27	901 501 407 22	Corner reinforcement	/L	1	
27		Corner reinforcement	/L	1	
	901 501 407 22 GRV	Prime coated			
(27)	901 501 408 22	Corner reinforcement	/R	1	
(27)		Corner reinforcement	/R	1	
	901 501 408 22 GRV	Prime coated			
28	911 025 612 00	Grommet		2	
29	911 501 285 00	Carrier plate for battery		1	
29		Carrier plate for battery		1	
	911 501 285 00 GRV	Prime coated			

Model: 911 75

Model life 1975>>1977

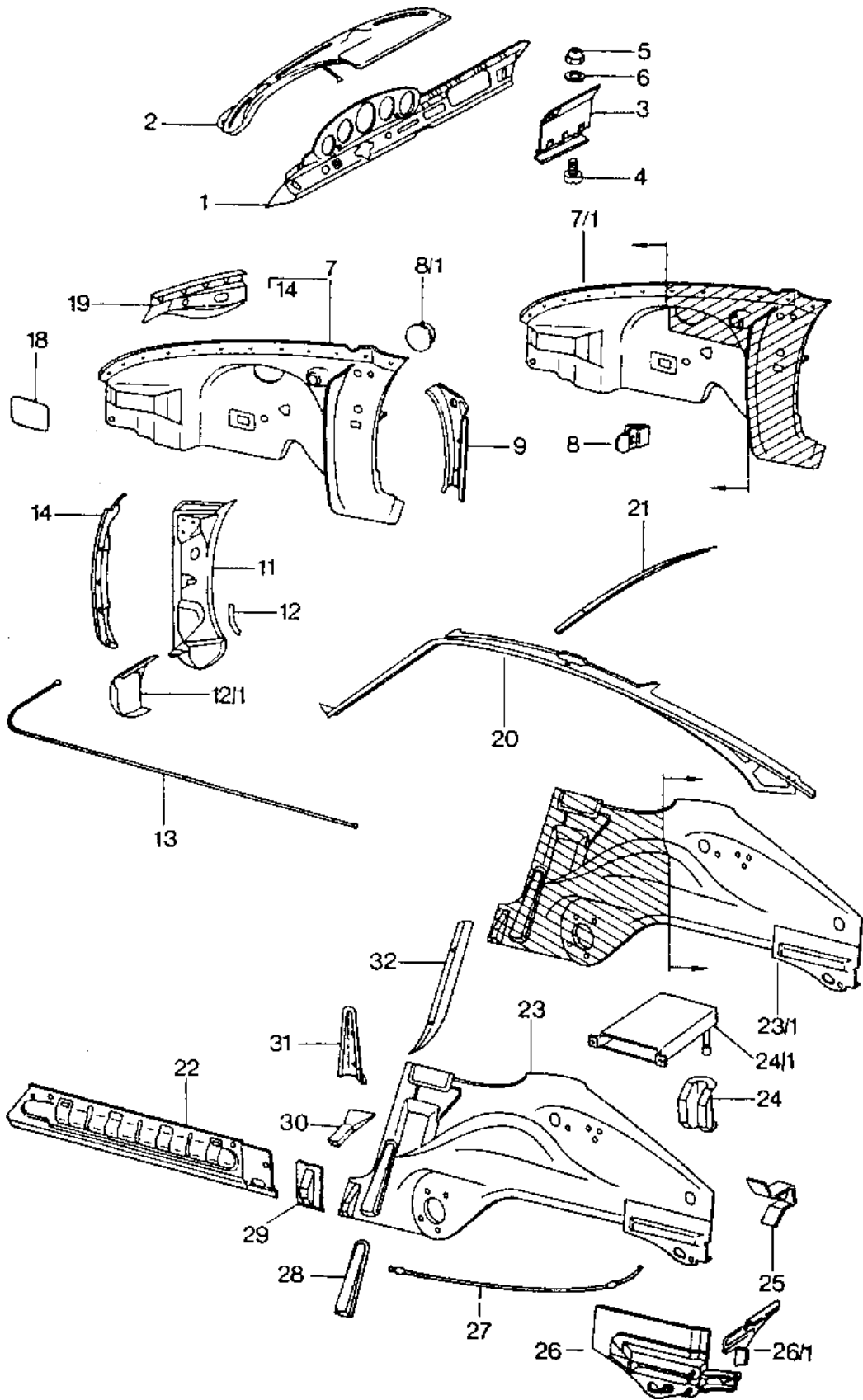


Model: 911 75 Model life 1975>>1977

Pos	Part Number	Description	Remark	Qty	Model
1	911 501 830 01	Frame Rear Cross member Inner	/H	1	
2	901 501 087 22	Cross member Outer		1	
2	911 507 080 00	Cross member Outer		1	
2	911 507 080 01	Cross member Outer		1	
2	911 507 080 01 GRV	Cross member Prime coated Outer		1	
3	901 501 797 20	Profile rail	/H	1	
4	911 503 151 00	End plate	/H	1	
4	911 503 151 00 GRV	End plate Prime coated	/H	1	
5	911 501 729 00	Bracket for Gas prop		1	
6	911 501 041 00	Bearing Back seat		1	
7	911 504 111 02	Engine compartment seal	/H	1	
(8)	911 504 115 02	Engine compartment seal	/V	1	
9	901 501 083 21	Engine mounting		2	
9	901 501 083 21 GRV	Engine mounting Prime coated		2	
10	911 501 075 06	Cross member Exhaust gas recirculation Support See illustrations 2/01/25 POS.32 Order also: POS. 14, 15, 16	/H 74	1	
(14)	911 501 023 02 911 501 023 02 GRV	Bracket Prime coated	75-	1	
15	911 504 930 00	Fuel pump Strap		2	
16	999 703 098 40	Stopper \$ 19		2	

Model: 911 75

Model life 1975>>1977



Model: 911 75 Model life 1975>>1977

Pos	Part Number	Description	Remark	Qty	Model
1	911 502 021 45	Interior panelling Dashboard	/LL -76	1	
1	911 502 021 02	Lower part Dashboard	/LL 77-	1	
(1)	911 502 022 44	Lower part Dashboard	/RL -75	1	
(1)		Lower part Dashboard	/RL 76	1	
(1)	911 502 022 34	Lower part Dashboard	/RL 77-	1	
(1)	911 502 022 34 GRV	Dashboard Prime coated	/RL 77-	1	
2	901 502 023 44	Lower part Dashboard	/LL -76	1	
2	911 502 025 40	Upper part Dashboard	/LL 77-	1	
(2)	911 502 024 44	Upper part Dashboard	/RL -76	1	
(2)	911 502 026 40	Upper part Dashboard	/RL 77-	1	
3	911 552 010 02	Glove compartment cover		1	
4	900 146 003 02	Oval-head screw AM 5 X 10		2	
6	900 025 003 02	Washer 5,3		4	
7	911 501 033 77	Wheel housing	/V /L	1	
(7)	930 501 033 00	Wheel housing	-75	1	
(7)	930 501 033 01	Wheel housing	/V /L 76	1	
(7)		Wheel housing with Stabiliser Support	/V /L 76-	1	
(7)	930 501 033 01 GRV	Prime coated			
(7)	911 501 034 91	Wheel housing	/V /R 77-	1	
(7)	930 501 034 01	Wheel housing	/V /R -76	1	
7/1	911 501 995 02	Wheel housing	/V /L	1	
(7/1)	911 501 996 02	Wheel housing	/V /R	1	
8	901 501 419 00	Tab	/V /R	2	
9	901 501 217 21	Post bracket	/V /L	1	
(9)	901 501 218 21	Post bracket	/V /R	1	
11	911 501 039 02	Hinge pillar	/L	1	
(11)	911 501 040 02	Hinge pillar	/R	1	
12	901 501 305 20	Angular bracket	/L	1	
12	901 501 305 20 GRV	Angular bracket Prime coated	/L	1	
(12)	901 501 306 20	Angular bracket	/R	1	
(12)	901 501 306 20 GRV	Angular bracket Prime coated	/R	1	
12/1	911 501 439 00	Filler plate	/L	1	
12/1	911 501 439 00 GRV	Filler plate Prime coated	/L	1	
12/1	911 501 440 00	Filler plate	/R	1	
12/1	911 501 440 00 GRV	Filler plate Prime coated	/R	1	
13	911 502 181 00	Guide tube	/V	1	
14	911 501 053 00	Wing joining plate	/L	1	
14	911 501 053 00 GRV	Wing joining plate Prime coated	/L	1	
14	911 501 053 01	Wing joining plate	/L	1	
(14)	911 501 053 01 GRV	Wing joining plate Prime coated			
(14)	911 501 054 00	Wing joining plate	/R	1	

Model: 911 75 Model life 1975>>1977

Pos	Part Number	Description	Remark	Qty	Model
(14)	911 501 054 00 GRV	Wing joining plate Prime coated	/R	1	
18	911 504 101 00	Cover plate		2	
19	911 501 223 01	Reinforcing support	/L	1	
(19)	911 501 226 01	Reinforcing support	/R	1	
(19)	911 501 226 00	Reinforcing support	/R	1	
(19)	911 501 226 00 GRV	Reinforcing support Prime coated	/R	1	
20	901 502 025 10	Roof frame	/L	1	
(20)	901 502 026 10	Roof frame	/R	1	
21	901 502 220 02	Cross piece for windscreen		1	
22	911 501 123 03	Side member Outer	/L	1	
22	911 501 124 03	Side member Outer	/R	1	
22	911 501 124 04	Side member Outer	/R	1	
22	964 501 136 00	Side member Outer	/R	1	
22		Side member Floor Right Outer	/R	1	
23	964 501 136 00 GRV	Prime coated			
23	911 501 017 19	Side member Wheel housing	/H /L 75	1	
23	911 501 017 30	Side member Wheel housing F >>91162 01872 F >>91162 11898 F >>91163 01741 F >>91163 11425 F >>91166 01021 F >>91166 10439 F >>91260 01838 F >>93067 00641 F >>93068 00493	/H /L	1	
23	911 501 017 20	Side member Wheel housing F 91162 01873>> F 91162 11899>> F 91163 01742>> F 91163 11426>> F 91166 01022>> F 91166 10440>> F 91260 01839>> F 93067 00642>> F 93068 00494>>	/H /L	1	
23/1	911 501 997 00	Side member Wheel housing	/H /L -75	1	
23/1	911 501 997 01	Side member Wheel housing F >>91162 01872 F >>91162 11898 F >>91163 01741 F >>91163 11425 F >>91166 01021 F >>91166 10439 F >>91260 01838 F >>93067 00641 F >>93068 00493	/H /L	1	
23/1	911 501 997 02	Side member Wheel housing	/H /L	1	

Model: 911 75 Model life 1975>>1977

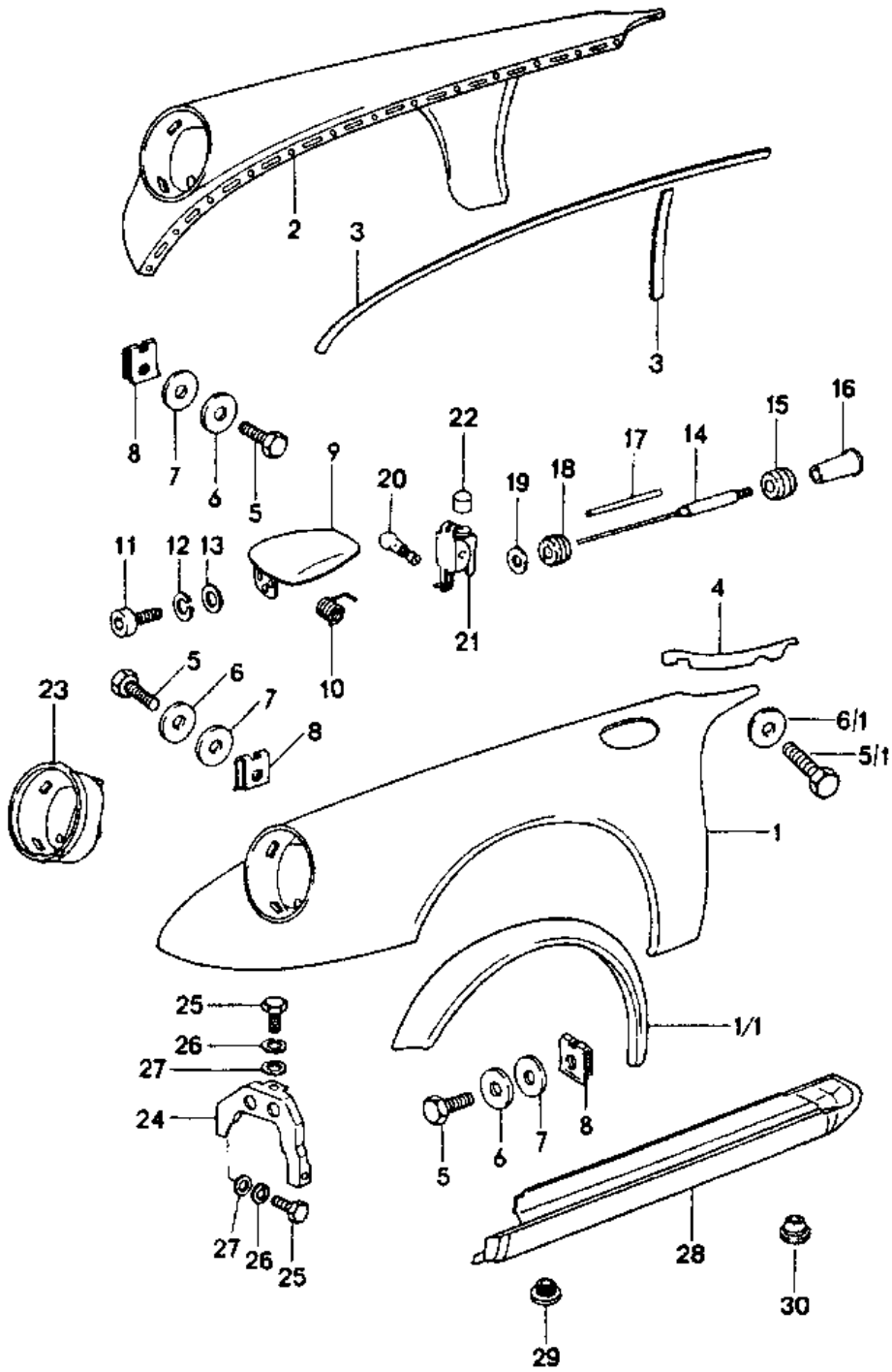
Pos	Part Number	Description	Remark	Qty	Model
(23)	911 501 018 10	F 91162 01873>> F 91162 11899>> F 91163 01742>> F 91163 11426>> F 91166 01022>> F 91166 10440>> F 91260 01839>> F 93067 00642>> F 93068 00494>> Side member Wheel housing	/H /R -75	1	
(23)	911 501 018 28	Side member Wheel housing F >>91162 01872 F >>91162 11898 F >>91163 01741 F >>91163 11425 F >>91166 01021 F >>91166 10439 F >>91260 01838 F >>93067 00641 F >>93068 00493	/H /R	1	
(23)	911 501 018 30	Side member Wheel housing F 91162 01873>> F 91162 11899>> F 91163 01742>> F 91163 11426>> F 91166 01022>> F 91166 10440>> F 91260 01839>> F 93067 00642>> F 93068 00494>>	/H /R	1	
23/1	911 501 998 00	Side member Wheel housing	/H /R -75	1	
23/1	911 501 998 01	Side member Wheel housing F >>91162 01872 F >>91162 11898 F >>91163 01741 F >>91163 11425 F >>91166 01021 F >>91166 10439 F >>91260 01838 F >>93067 00641 F >>93068 00493	/H /R	1	
23/1	911 501 998 02	Side member Wheel housing F 91162 01873>> F 91162 11899>> F 91163 01742>> F 91163 11426>> F 91166 01022>> F 91166 10440>> F 91260 01839>> F 93067 00642>> F 93068 00494>>	/H /R	1	
24	911 501 115 00	Reinforcement Side section Bracket		2	
24	911 501 115 00 GRV	Reinforcement Prime coated Side section		2	

Model: 911 75 Model life 1975>>1977

Pos	Part Number	Description	Remark	Qty	Model
25	911 501 125 00	Bracket		6	
25		Threaded support		6	
	911 501 125 00 GRV	Threaded support			
		Prime coated			
26	911 501 921 00	Mounting	/H /L	1	
(26)	911 501 922 00	Mounting	/H /R	1	
26/1	911 501 313 00	Corner reinforcement	/L	1	
26/1	911 501 314 00	Corner reinforcement	/R	1	
26/1		Corner reinforcement	/R	1	
	911 501 314 00 GRV	Prime coated			
27	911 502 483 00	Guide tube	/H	1	
28	901 501 145 23	Bracket		1	
28		Bracket		1	
	901 501 145 23 GRV	Prime coated			
(28)	901 501 146 23	Bracket	/R	1	
(28)		Bracket	/R	1	
	901 501 146 23 GRV	Prime coated			
29	901 501 151 22	Mounting		2	
29		Mounting		2	
	901 501 151 22 GRV	Prime coated			
30	911 501 195 00	Jacking point		2	
31	901 501 141 21	Bracket	/L	1	
(31)	901 501 142 21	Bracket	/R	1	
32	901 502 245 00	Profile	/L	1	
(32)	901 502 246 00	Profile	/R	1	

Model: 911 75

Model life 1975>>1977



Model: 911 75 Model life 1975>>1977

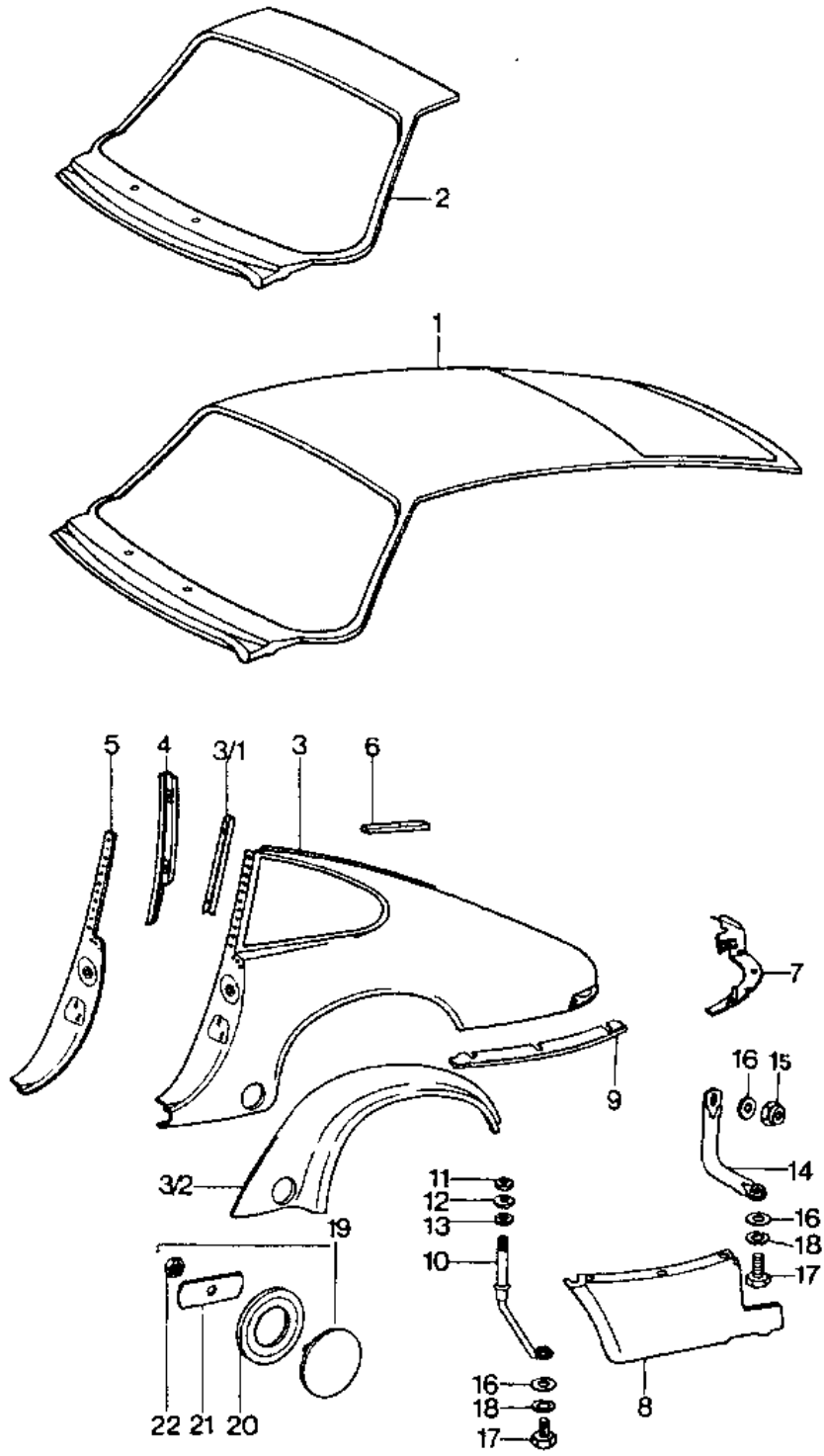
Pos	Part Number	Description	Remark	Qty	Model
		Exterior panelling			
		Front			
(1)	930 503 031 00	Front wing	/L -76	1	
(1)	930 503 031 02	Front wing	/L 77-	1	
1/1	930 503 307 00	Wing joining plate	/L	1	
(2)	930 503 032 00	Front wing	/R	1	
1/1	930 503 308 00	Wing joining plate	/R	1	
3	000 043 129 00	Sealing strap 25 X 2 MM		*	
4	901 503 394 22	Piping		2	
-	PCG 503 394 00	Set		1	TURBO
		Piping			
		Body			
		Front and rear			
		Comprising:			
-	930 503 197 00	Piping		2	
-	911 503 325 00	Intermediate layer		2	
-	911 503 326 00	Intermediate layer		2	
-	901 503 394 22	Piping		2	
-	PCG 503 394 00	Set		1	TURBO
		Piping			
		Body			
		Front and rear			
		Comprising:			
-	930 503 197 00	Piping		2	
-	911 503 325 00	Intermediate layer		2	
-	911 503 326 00	Intermediate layer		2	
-	901 503 394 22	Piping		2	
5	900 187 010 02	Hexagon-head tapping screw BZ 6,3 X 19		32	
5	900 187 010 03	Hexagon-head tapping screw BZ 6,3 X 19		32	
5/1	900 378 030 09	Hexagon-head bolt M 6 X 20		4	
6	900 151 006 09	Washer B 6,4		32	
6/1	N 011 550 1	Washer B 6,5		4	
7	999 704 157 40	Washer		32	
8	999 591 327 02	Speed nut B 6,3		32	
8	999 501 327 01	Speed nut B 6,3		32	
8	999 591 327 01	Speed nut B 6,3		32	
9	911 504 031 00	Lid		1	
9		Lid		1	
		Tank filler neck			
	911 504 031 00 GRV	Prime coated			
10	911 504 331 00	Spring for Hinge		1	
11	900 067 051 02	Pan-head screw M 5 X 10		3	
12	N 012 005 3	Lock ring B 5		3	
13	900 025 003 02	Washer 5,3		3	
14	901 504 317 21	Lid-release cable with Threaded piece		1	
15	911 504 385 00	Rubber washer		1	
16	901 552 822 00	Knob		1	

Model: 911 75 Model life 1975>>1977

Pos	Part Number	Description	Remark	Qty	Model
17	901 504 385 20	Connecting tube		1	
-	999 181 184 40	Plastic tube 7,5 X 1,25		*	
18	999 702 020 50	Rubber sleeve		1	
19	914 504 319 00	Grommet		1	
20	999 230 002 02	Screw nipple		1	
21	901 504 034 20	Bearing for Lid		1	
21	901 504 034 20 GRV	Bearing Prime coated for Lid		1	
22	911 025 679 00	Buffer		1	
23	911 503 015 00	Headlamp casing	/L	1	
(23)	911 503 016 00	Headlamp casing	/R	1	
24	911 503 079 00	Wing strut	/L	1	
(24)	911 503 080 00	Bracket	/R	1	
(24)	911 504 080 00	Bracket	/R	1	
	911 504 080 00 GRV	Prime coated When required order also:			
-	911 635 107 00	Support		1	
-	N 042 121 3	Shake-proof washer		2	
-	900 076 010 0B	Nut		2	
-	N 011 525 13	Washer		1	
-	900 076 064 02	Hexagon nut		1	
25	900 075 087 02	Hexagon-head bolt M 8 X 16		4	
25	900 075 087 03	Hexagon-head bolt M 8 X 16		4	
26	900 027 015 02	Lock ring B 8		4	
26	900 027 015 03	Lock ring B 8		4	
27	900 025 007 02	Washer 8,4		4	
27	900 025 007 03	Washer 8,4		4	
28	911 503 401 04	Door sill	/L	1	
28	911 503 401 05	Door sill	/L	1	
	911 503 401 05 GRV	Prime coated			
28	911 503 401 05	Door sill	/L	1	
	911 503 401 05 GRV	Prime coated			
(28)	911 503 402 04	Door sill	/R	1	
29	999 703 033 40	Stopper		2	
30	411 837 111	Cap		4	

Model: 911 75

Model life 1975>>1977



Model: 911 75 Model life 1975>>1977

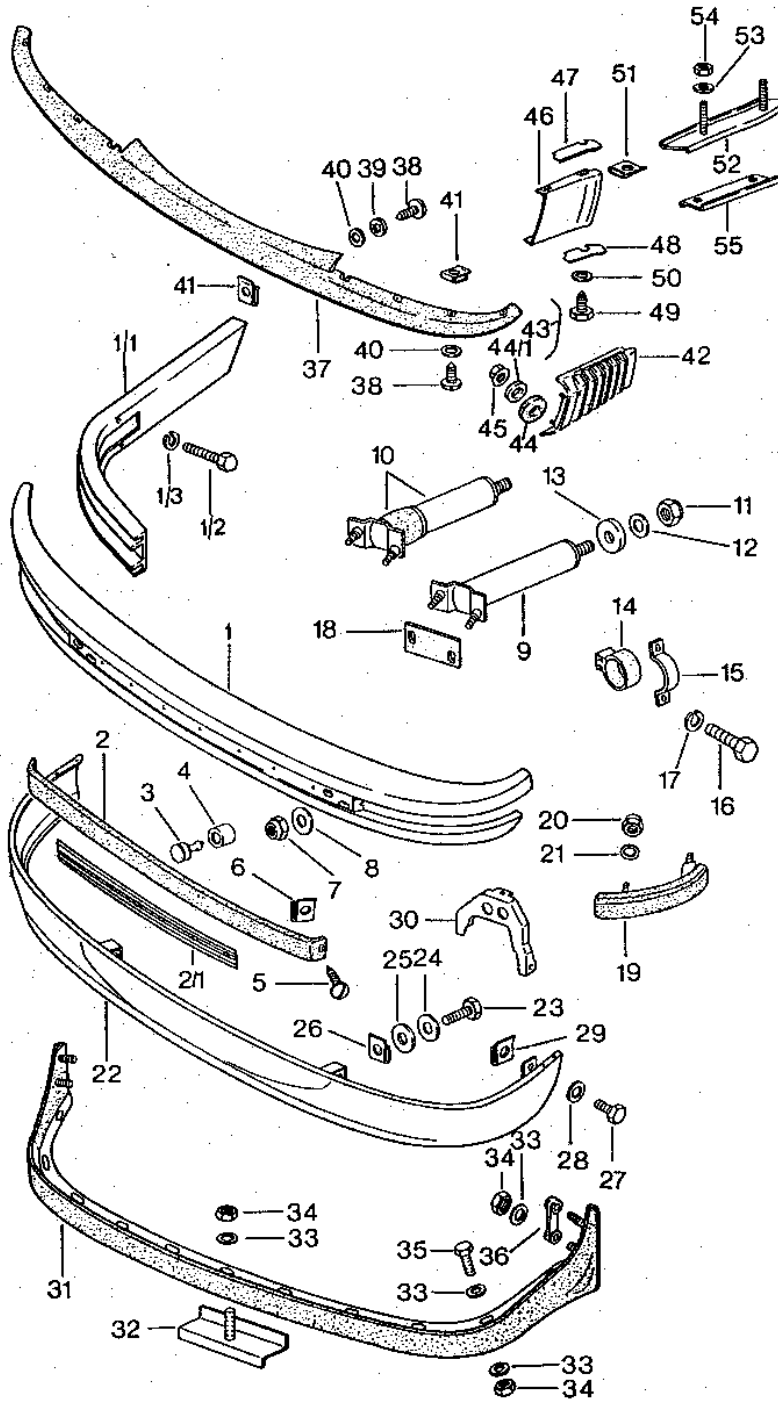
Pos	Part Number	Description	Remark	Qty	Model
		Exterior panelling			
		Rear			
1	911 503 087 02	Outer roof panel		1	
(1)	911 503 087 03	Outer roof panel		1	
		with			
		Frame			
		Sunroof			
2	901 503 090 21	Windscreen frame part		1	
(3)	930 503 061 00	Wing	/H /L	1	
		with			
		Lock pillar			
(3)	930 503 062 00	Wing	/H /R	1	
		with			
		Lock pillar			
3/2	930 503 607 00	Wing joining plate	/H /L	1	
3/2		Wing joining plate	/H /L	1	
	930 503 607 00 GRV	Prime coated			
(3/2)	930 503 608 00	Wing joining plate	/H /R	1	
(3/2)		Wing joining plate	/H /R	1	
	930 503 608 00 GRV	Prime coated			
4	911 502 043 01	Lock pillar	/L	1	
		Inner panel			
(4)	911 502 044 01	Lock pillar	/R	1	
		Inner panel			
5	911 502 041 02	Lock pillar	/L	1	
(5)	911 502 042 02	Lock pillar	/R	1	
6	911 504 933 00	Seal	/H /L	1	
(6)	911 504 934 00	Seal	/H /R	1	
7	911 503 073 00	Bar	/H /L	1	
7		Bar	/H /L	1	
	911 503 073 00 GRV	Prime coated			
(7)	911 503 074 00	Bar	/H /R	1	
(7)		Bar	/H /R	1	
	911 503 074 00 GRV	Prime coated			
(8)	930 503 067 00	Side section	/L	1	
		Lower part			
(8)		Side section	/L	1	
		Lower part			
	930 503 067 00 GRV	Prime coated			
(8)	930 503 068 00	Side section	/R	1	
		Lower part			
(8)		Side section	/R	1	
		Lower part			
	930 503 068 00 GRV	Prime coated			
(9)	930 503 197 00	Piping		2	
-	PCG 503 394 00	Set		1	TURBO
		Piping			
		Body			
		Front and rear			
		Comprising:			
-	930 503 197 00	Piping		2	
-	911 503 325 00	Intermediate layer		2	
-	911 503 326 00	Intermediate layer		2	
-	901 503 394 22	Piping		2	
10	911 501 623 02	Support tube	/V	2	
11	900 078 009 02	Hexagon nut		2	
		M 20 X 1,5			
12	900 025 021 02	Washer		2	
13	901 501 913 21	Sealing ring		2	
14	911 501 628 01	Support tube	/H	2	
15	900 084 003 02	Lock nut		2	
		M 6			
16	900 151 006 09	Washer		6	

Model: 911 75 Model life 1975>>1977

Pos	Part Number	Description	Remark	Qty	Model
17	900 075 010 02	6,4 Hexagon nut M 6 X 12		4	
17	N 010 212 14	Hexagon-head bolt M 6 X 12		4	
17	999 072 005 09	Hexagon nut M 6 X 12		4	
17	999 072 005 01	Hexagon nut M 6 X 12		4	
18	N 012 007 2	Lock ring A 6		4	
18	900 027 004 03	Lock ring A 6		4	
19	901 504 079 00	Spring cover		2	
20	901 504 759 01	Desk pad		2	
21	901 504 755 20	Tensioning spring		2	
22	900 076 027 02	Nut M 5		2	

Model: 911 75

Model life 1975>>1977



Model: 911 75 Model life 1975>>1977

Pos	Part Number	Description	Remark	Qty	Model
		Bumper Front			
1	911 505 011 10	Bumper	/V -76	1	
1		Bumper	/V 77-	1	
2	911 505 147 03	Protective moulding	/V	1	
2	911 505 147 04	Protective moulding	/V	1	
-	PCG 505 147 03	Set of fastening parts Protective moulding Comprising:		1	
-	900 143 085 07	Tapping screw		2	
-	911 505 417 00	Moulding plug		7	
-	911 505 418 00	Grommet		7	
-	999 507 018 01	Speed nut		2	
2/1	911 505 149 02	Insert		1	
3	911 505 417 00	Moulding plug		7	
4	911 505 418 00	Grommet		7	
5	900 143 113 07	Oval-head screw B 4,2 X 13		2	
5	900 143 113 0G	Oval-head screw B 4,2 X 13		2	
6	999 507 018 02	Speed nut		2	
6	999 507 018 01	Speed nut		2	
7	900 084 004 03	Hexagon nut M 8	-76	4	
7	900 084 004 02	Hexagon nut M 8		4	
7	N 011 185 6	Hexagon nut M 10	77-	4	
8	900 151 008 02	Washer B 8,4	-76	4	
8	900 025 008 02	Washer 10,5	77-	4	
8	N 011 527 4	Washer 10,5	77-	4	
8	900 025 008 09	Washer 10,5	77-	4	
8	900 025 008 04	Washer 10,5	77-	4	
9	911 505 045 03	Impact pipe	/V -76	2	
9		Impact pipe	/V 77-	2	
10	911 505 279 03	Impact absorber	/V -76	2	
10		Impact absorber	/V 77-	2	
11	900 084 004 03	Hexagon nut M 8	-76	2	
11	900 084 004 02	Hexagon nut M 8		2	
11	999 084 608 02	Hexagon nut M 12	77-	2	
12	900 151 008 02	Washer B 8,4	-76	2	
12	900 025 009 02	Washer 13	77-	2	
13	911 505 220 01	Desk pad	-76	2	
(13)		Desk pad	77-	2	
(13)	911 505 219 01	Desk pad	77-	2	
14	911 505 221 00	Stop		2	
15	911 505 223 00	Supporting bow		2	
16	999 093 010 02	Hexagon-head bolt M 8 X 20		4	
17	900 027 005 02	Lock ring A 8		4	

Model: 911 75

Model life 1975>>1977

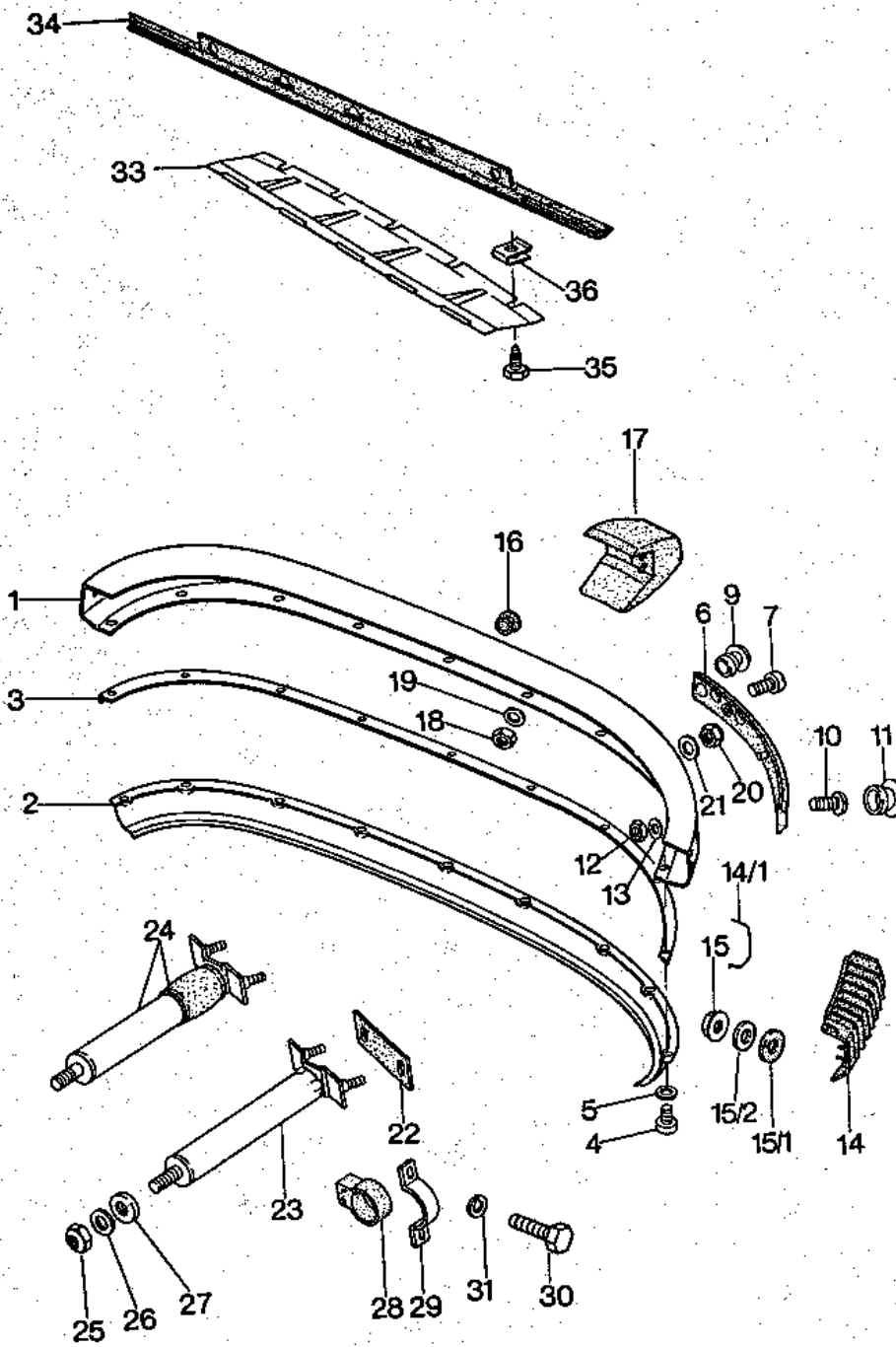
Pos	Part Number	Description	Remark	Qty	Model
18	911 505 311 00	Desk pad		2	
19	911 505 307 00	Cover	/V /L	1	
(19)	911 505 308 00	Cover	/V /R	1	
20	N 021 196 1	Lock nut M 5		4	
20	N 021 196 3	Hexagon nut M 5		4	
21	900 025 003 30	Washer A 5,3		4	
22	911 503 049 02	Front apron	/V -76	1	
(22)	930 503 049 00	Front apron	/V 77-	1	
(22)	930 503 049 00	Front apron	/V 77-	1	
23	900 187 010 02	GRV Prime coated Hexagon-head tapping screw BZ 6,3 X 19		2	
23	900 187 010 03	Hexagon-head tapping screw BZ 6,3 X 19		2	
24	900 151 006 09	Washer B 6,4		2	
25	999 704 157 40	Washer		2	
26	999 591 327 02	Speed nut B 6,3		2	
26	999 591 327 01	Speed nut B 6,3		2	
27	900 187 010 02	Hexagon-head tapping screw BZ 6,3 X 19		2	
27	900 187 010 03	Hexagon-head tapping screw BZ 6,3 X 19		2	
28	900 151 006 09	Washer B 6,4		2	
29	999 591 327 02	Speed nut B 6,3		2	
29	999 501 327 01	Speed nut B 6,3		2	
29	999 591 327 01	Speed nut B 6,3		2	
30	911 503 079 00	Wing strut	/L	1	
(30)	911 503 080 00	Bracket	/R	1	
(30)	911 504 080 00	Bracket	/R	1	
	911 504 080 00	GRV Prime coated When required order also:			
-	911 635 107 00	Support		1	
-	N 042 121 3	Shake-proof washer		2	
-	900 076 010 0B	Nut		2	
-	N 011 525 13	Washer		1	
-	900 076 064 02	Hexagon nut		1	
(31)	930 503 055 00	Front spoiler	-76	1	
(31)	930 503 055 01	Front spoiler	77-	1	
32	911 503 023 00	Shim		7	
33	900 151 006 09	Washer B 6,4	75-	4	
34	900 084 010 02	Lock nut M 6	75-	4	
35	900 378 030 09	Hexagon-head bolt M 6 X 20	75-	4	
36	911 503 141 00	Desk pad	/L 75-76	1	
(36)	911 503 142 00	Desk pad	/R 75-76	1	
(36)	901 565 448 40	Spacer	77-	4	
37	911 505 187 01	Sealing strip	/V	1	

Model: 911 75 Model life 1975>>1977

Pos	Part Number	Description	Remark	Qty	Model
38	N 013 968 7	Tapping screw B 4,8 X 13		12	
38	900 143 097 01	Tapping screw B 4,8 X 13		12	
39	999 704 104 50	Rubber washer		4	
40	900 151 027 02	Washer B 5,3		12	
40	900 151 027 03	Washer B 5,3		12	
41	999 507 019 02	Speed nut B 4,8		12	
42	911 799 505 63	Bellows	/L	1	
42	911 799 505 13	Bellows	/L	1	
(42)	911 799 505 64	Bellows	/R	1	
(42)	911 799 505 14	Bellows	/R	1	
43	911 505 375 00	Clamp		2	
44	901 511 791 21	Rubber washer		2	
44/1	900 025 003 02	Washer A 5,3		8	
45	900 910 009 02	Lock nut NM 5		8	
45	900 084 026 01	Lock nut NM 5		8	
49	900 187 004 02	Hexagon-head tapping screw B 4,8 X 19		8	
50	900 151 027 02	Washer B 5,3		8	
50	900 151 027 03	Washer B 5,3		8	
51	999 507 019 02	Speed nut B 4,8		8	
52	930 503 131 00	Plate with screw bolt	/L	1	
(52)	930 503 132 00	Plate with screw bolt	/R	1	
53	900 151 027 02	Washer B 5,3		4	
53	900 151 027 03	Washer B 5,3		4	
54	900 076 027 02	Nut M 5		4	
-	930 503 197 00	Piping		2	
-	PCG 503 394 00	Set Piping Body Front and rear Comprising:		1	TURBO
-	930 503 197 00	Piping		2	
-	911 503 325 00	Intermediate layer		2	
-	911 503 326 00	Intermediate layer		2	
-	901 503 394 22	Piping		2	
55	930 503 327 00	Plate with pressed-in hole	-76	2	
55	930 503 327 01	Plate with pressed-in hole	77-	2	

Model: 911 75

Model life 1975>>1977



Model: 911 75

Model life 1975>>1977

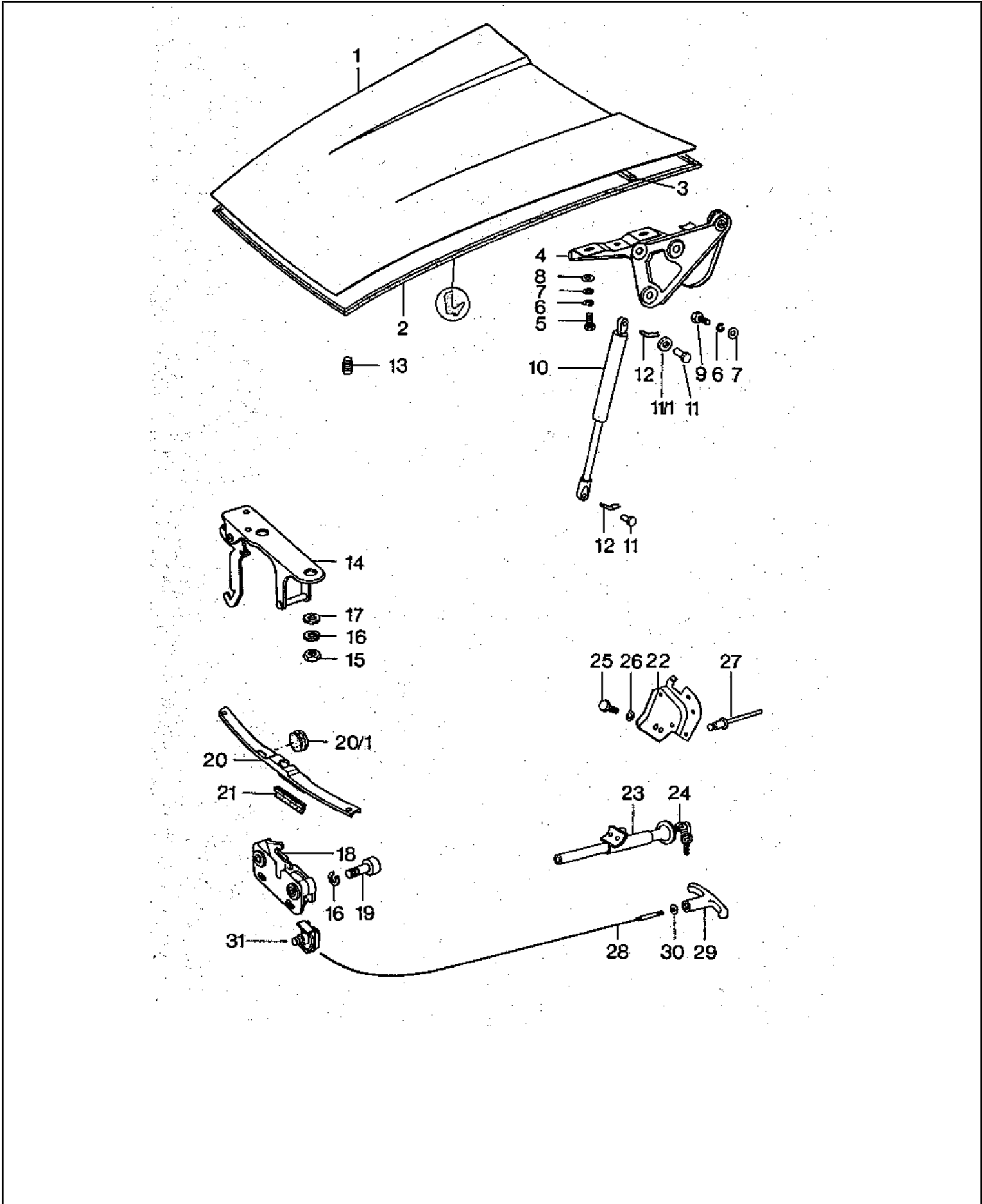
Pos	Part Number	Description	Remark	Qty	Model
		Bumper Rear			
1	911 505 167 10	Bumper	/H	1	
(2)	930 505 173 00	Rear apron	/H	1	
3	911 505 345 00	Piping		1	
4	999 141 002 02	Half-round screw M 6 X 12		8	
5	N 011 524 7	Washer A 6,4		8	
5	N 011 524 27	Washer A 6,4		8	
(6)	930 505 089 00	Protective moulding	/L	1	
(6)	930 505 100 00	Protective moulding	/R	1	
7	999 141 001 02	Half-round screw M 5 X 12		2	
7	999 141 001 0B	Half-round screw M 5 X 12		2	
9	911 505 327 00	Stopper		1	
10	900 014 066 02	Pan-head screw M 5 X 18		2	
10	900 976 010 01	Pan-head screw M 5 X 18		2	
11	914 552 233 10	Filler piece		4	
11	914 552 233 10 01C	Filler piece Black		4	
12	900 910 009 02	Lock nut M 5		2	
12	900 084 026 01	Lock nut M 5		2	
13	900 151 027 02	Washer B 5,3		2	
13	900 151 027 03	Washer B 5,3		2	
14	911 799 505 65	Bellows	/L	1	
14	911 799 505 15	Bellows	/L	1	
(14)	911 799 505 66	Bellows	/R	1	
(14)	911 799 505 16	Bellows	/R	1	
14/1	911 505 376 00	Clamp		2	
15	900 910 009 02	Lock nut NM 5		8	
15	900 084 026 01	Lock nut NM 5		8	
15/1	901 511 791 21	Rubber washer		8	
15/2	900 025 003 02	Washer A 5,3		8	
16	911 505 347 00	Rubber sleeve		2	
17	911 505 341 00	Buffer	/H /L	1	
(17)	911 505 342 00	Buffer	/H /R	1	
18	900 084 004 03	Hexagon nut M 8		X	
18	900 084 004 02	Hexagon nut M 8		X	
19	900 025 007 02	Washer 8,4		X	
19	900 025 007 03	Washer 8,4		X	
20	900 084 004 03	Hexagon nut M 8		4	
20	900 084 004 02	Hexagon nut M 8		4	
20	N 011 185 6	Hexagon nut M 10	77-	4	
21	900 151 008 02	Washer	-76	4	

Model: 911 75 Model life 1975>>1977

Pos	Part Number	Description	Remark	Qty	Model
21	900 025 008 02	B 8,4 Washer	77-	4	
21	N 011 527 4	10,5 Washer	77-	4	
21	900 025 008 09	10,5 Washer	77-	4	
21	900 025 008 04	10,5 Washer	77-	4	
22	911 505 311 00	Desk pad		2	
23	911 505 046 03	Impact pipe	/H -76	2	
23		Impact pipe	/H 77-	2	
24	911 505 280 03	Impact absorber	/H -76	2	
24		Impact absorber	/H 77-	2	
25	900 084 004 03	Hexagon nut M 8		2	
25	900 084 004 02	Hexagon nut M 8		2	
25	999 084 608 02	Hexagon nut M 12	77-	2	
26	900 151 008 02	Washer B 8,4	-76	2	
26	900 025 009 02	Washer 13	77-	2	
27	911 505 220 01	Desk pad	-76	2	
(27)	911 505 219 01	Desk pad	77-	2	
28	911 505 221 00	Stop		2	
29	911 505 223 00	Supporting bow		2	
30	999 093 010 02	Hexagon-head bolt M 8 X 20		4	
31	900 027 005 02	Lock ring A 8		4	
33	911 503 157 01	Heat protection		1	
34	911 503 085 05	Seal		1	
35	N 013 970 5	Oval-head sheetmetal screw B 4,8 X 9,5		5	
35	N 106 568 02	Oval-head sheetmetal screw B 4,8 X 9,5		5	
36	999 507 019 02	Speed nut BM 4,8		5	

Model: 911 75

Model life 1975>>1977



Model: 911 75 Model life 1975>>1977

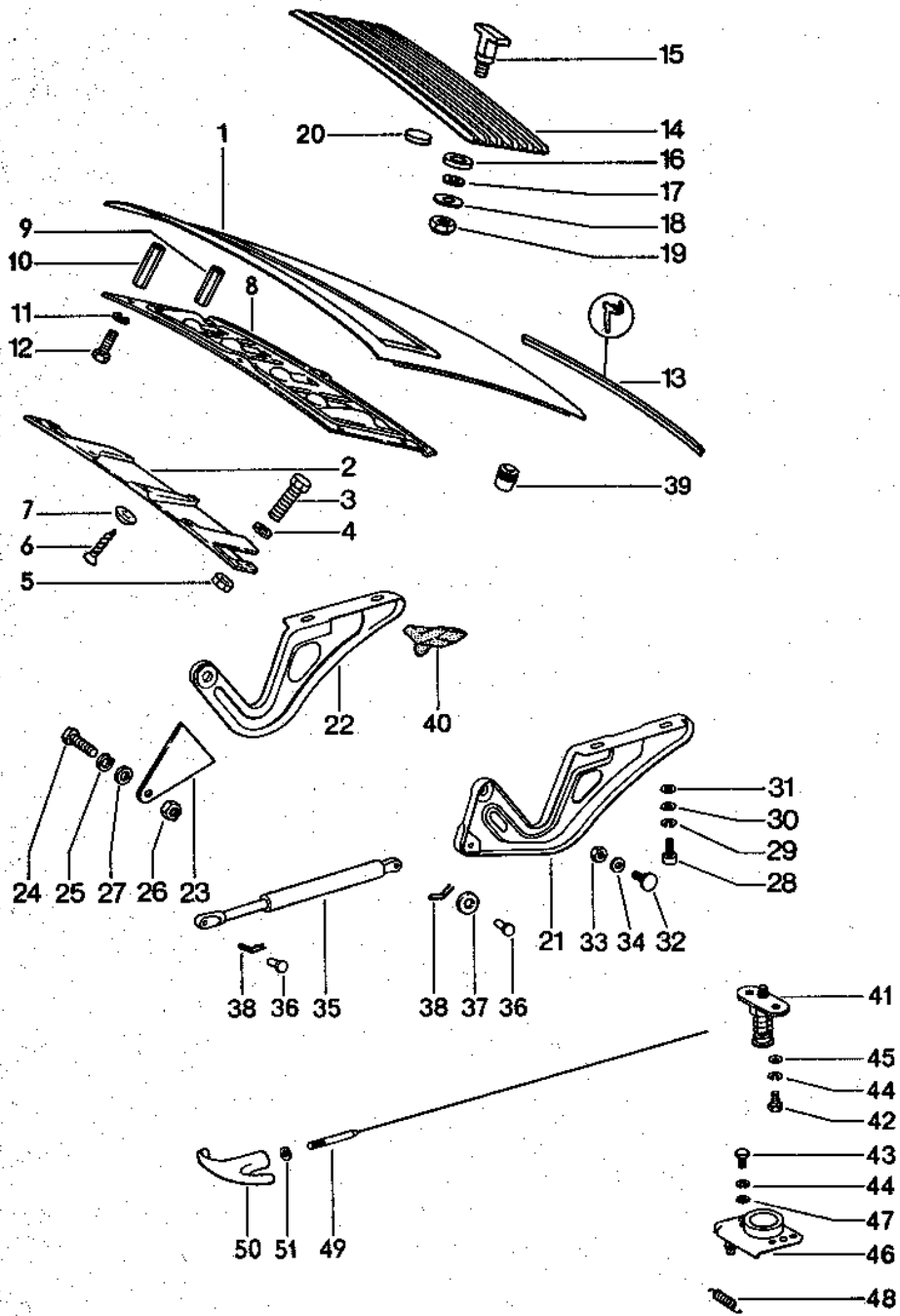
Pos	Part Number	Description	Remark	Qty	Model
		Lid			
		Front			
1	911 511 010 01	Lid	/V	1	
1	911 511 010 03	Lid		1	
	911 511 010 03 GRV	Prime coated			
		Use also:			
-	997 632 201 00	Light		1	
2	911 511 923 02	Sealing frame		1	
3	911 511 127 00	Sealing frame	-75	1	
		Targa			
4	901 511 031 20	Hinge	/L	1	
(4)	901 511 032 20	Hinge	/R	1	
5	900 067 057 02	Pan-head screw		4	
		M 8 X 20			
5	900 067 057 03	Pan-head screw		4	
		M 8 X 20			
6	900 027 015 02	Lock ring		10	
		B 8			
6	900 027 015 03	Lock ring		10	
		B 8			
7	900 025 007 02	Washer		10	
		8,4			
7	900 025 007 03	Washer		10	
		8,4			
8	900 151 008 02	Washer		*	
		8,4			
9	900 075 209 02	Hexagon-head bolt		6	
		M 8 X 20			
10	911 511 331 01	Gas-pressure spring		2	
10	911 511 331 00	Gas-pressure spring		2	
(11)	900 087 011 02	Bolt	75-76	4	
(11)	999 166 043 02	Bolt	77-	4	
11/1	911 511 332 00	Spacer	75-	2	
12	N 012 645 2	Lock washer		4	
13	999 703 036 50	Rubber stop		2	
14	911 511 051 02	Lock upper part		1	
15	900 076 010 02	Nut		2	
		M 6			
15	900 076 010 0B	Nut		2	
		M 6			
16	N 012 007 2	Lock ring		4	
		A 6			
16	900 027 004 03	Lock ring		4	
		A 6			
17	900 151 006 09	Washer		2	
		B 6,4			
18	911 511 052 01	Lock lower part	/V	1	
19	N 014 743 2	Pan-head screw		2	
		M 6 X 30			
19	900 067 012 03	Pan-head screw		2	
		M 6 X 30			
20	911 555 085 00	Cover		1	
		for			
		Cross panel			
20/1	999 703 119 40	Stopper		2	
21	911 555 375 40	Edge protection		1	
22	911 511 725 43	Support		1	
		for			
		Lock			
23+24	911 511 903 00	Lock		1	
		with 2 secondary keys			
		W/o stipulated lock number			
23+24	911 511 904 00	Lock		1	

Model: 911 75 Model life 1975>>1977

Pos	Part Number	Description	Remark	Qty	Model
24	914 531 903 11	with 2 secondary keys State lock number Blank key		2	
(24)	911 531 945 00	Secondary key Blank key	76-	2	
(24)	911 531 946 00	with Light without Battery Main key	76-	2	
24	914 531 637 10	with Light without Battery State lock number Main key		2	
(24)	914 531 903 10	State lock number Blank key		2	
25	N 010 225 4	Hexagon-head bolt M 5 X 8		2	
25	900 075 001 03	Hexagon-head bolt M 5 X 8		2	
26	900 027 003 01	Lock ring A 5		2	
27	999 190 113 02	Blind rivet		4	
28	901 511 073 20	Lid-release cable		1	
28	901 511 073 21	Lid-release cable		1	
29	901 552 813 20	Handle		1	
30	901 511 791 21	Rubber washer		1	
31	911 511 067 00	Clamp		1	

Model: 911 75

Model life 1975>>1977



Model: 911 75 Model life 1975>>1977

Pos	Part Number	Description	Remark	Qty	Model
		Lid			
		Rear			
1	911 512 903 01	Lid	/H	1	
(1)	911 512 010 56	Lid	/H	1	
2	911 512 109 01	Air guide	(D) 77-	1	
3	N 010 207 6	Hexagon-head bolt M 5 X 12	(D) 77-	2	
3	N 010 207 17	Hexagon-head bolt M 5 X 12	(D) 77-	2	
4	900 025 003 02	Washer 5,3	(D) 77-	5	
5	900 910 009 02	Lock nut NM 5	(D) 77-	2	
5	900 084 026 01	Lock nut NM 5	(D) 77-	2	
6	900 145 071 07	Tapping screw 3,5 X 13	(D) 77-	4	
7	999 591 102 17	Washer	(D) 77-	4	
7	999 591 102 1H	Washer	(D) 77-	4	
(2)	911 512 109 01	Air guide	(D)	1	
-	911 512 255 00	Air conditioner	77-		
-	911 512 255 00	Intermediate layer	(D)	3	
-	911 512 181 00	Mount for Air guide	(D) 77-	2	
-	999 190 126 30	Rivet \$ 3,2	(D) 77-	4	
-	900 075 092 02	Hexagon-head bolt 4 X 10	(D) 77-	2	
-	900 027 011 01	Lock ring B 4	(D) 77-	2	
-	N 011 004 6	Hexagon nut M 4	(D) 77-	2	
-	N 011 004 G	Nut M 4	(D)	2	
13	911 512 129 00	Gasket		1	
14	911 559 411 00	Ventilation grille		1	
14	911 559 411 01	Ventilation grille		1	
15	911 559 433 00	T-headed screw		X	
(15)	911 559 433 00	T-headed screw	(D)	3	
		Air conditioner	77-		
16	911 559 435 00	Spacer		6	
17	113 951 539	Washer		6	
18	900 151 027 02	Washer B 5,3		6	
18	900 151 027 03	Washer B 5,3		6	
20	911 559 151 01	Base		6	
21	911 512 035 00	Hinge	/L	1	
22	901 512 036 20	Hinge	/R	1	
22	901 512 036 20 GRV	Hinge	/R	1	
23	930 512 039 00	Prime coated Fastening plate		1	
24	900 075 016 02	Air conditioner Hexagon-head bolt M 6 X 22		1	
24	900 075 016 03	Hexagon-head bolt M 6 X 22		1	
24	900 378 030 09	Hexagon-head bolt M 6 X 20		1	
25	N 012 226 5	Spring washer B 6		1	

Model: 911 75 Model life 1975>>1977

Pos	Part Number	Description	Remark	Qty	Model
26	900 076 010 02	Nut M 6		1	
26	900 076 010 0B	Nut M 6		1	
27	N 011 524 7	Washer 6,4		1	
27	N 011 524 27	Washer 6,4		1	
28	900 067 011 02	Pan-head screw M 6 X 20		4	
28	900 067 011 03	Pan-head screw M 6 X 20		4	
29	900 027 014 01	Lock ring B 6		4	
29	900 027 014 02	Lock ring B 6		4	
29	N 012 006 4	Lock ring B 6		4	
30	900 025 028 02	Washer B 6,4		4	
31	900 151 006 09	Washer B 6,4		X	
32	901 512 471 20	Collar bolt		2	
33	900 910 023 02	Lock nut M 8		2	
(33)	999 084 052 02	Lock nut M 8		2	
34	900 025 007 02	Washer 8,4		2	
34	900 025 007 03	Washer 8,4		2	
(35)	911 512 331 02	Gas-pressure spring	75-76	1	
(35)		Gas-pressure spring Air conditioner		2	
36	999 087 003 02	Bolt	-76	2	
36	900 087 011 02	Bolt		2	
36	999 166 043 02	Bolt		2	
36	999 087 003 02	Bolt Air conditioner		3	
36	900 087 011 02	Bolt Air conditioner		3	
36	999 166 043 02	Bolt Air conditioner		3	
37	911 511 332 00	Spacer		1	
38	N 012 645 2	Lock washer		2	
38		Lock washer Air conditioner		3	
39	999 703 140 40	Rubber buffer		2	
40	930 512 203 00	Guide piece		1	
(41)	930 512 052 00	Lock upper part		1	
(42)	900 378 030 09	Hexagon-head bolt M 6 X 20		2	
43	900 075 162 02	Hexagon-head bolt M 6 X 16		2	
43	N 010 287 1	Hexagon-head bolt M 6 X 16		2	
43	900 075 057 02	Hexagon-head bolt M 6 X 16		2	
44	900 027 014 01	Lock ring B 6		4	
44	900 027 014 02	Lock ring B 6		4	
44	N 012 006 4	Lock ring		4	

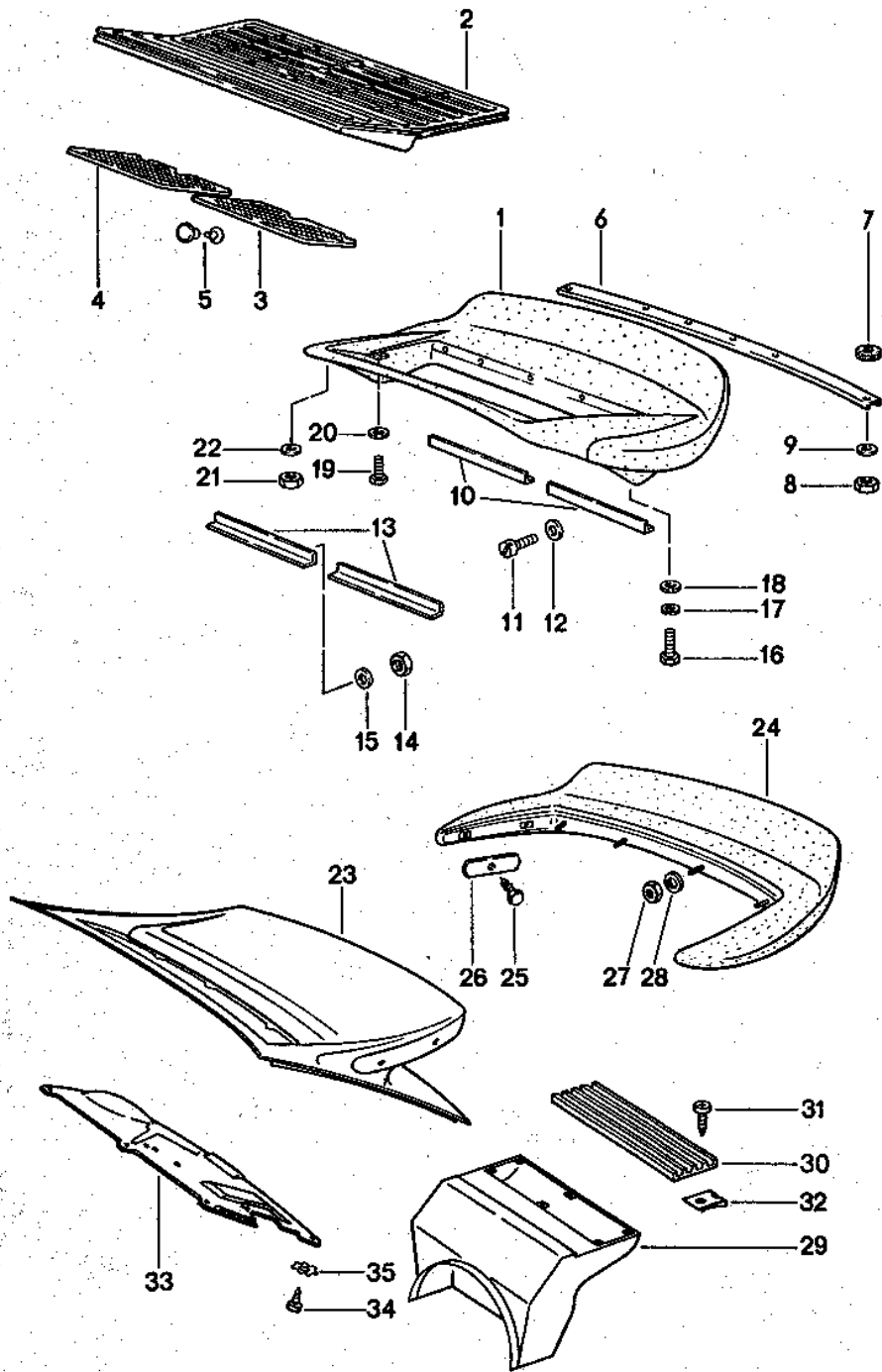
Model: 911 75

Model life 1975>>1977

Pos	Part Number	Description	Remark	Qty	Model
45	900 151 006 09	B 6 Washer		2	
47	900 025 028 02	B 6,4 Washer		2	
48	644 511 511 01	B 6,4 Return spring		1	
49	901 511 073 20	Lid-release cable		1	
49	901 511 073 21	Lid-release cable		1	
50	901 552 813 20	Handle		1	
51	901 511 791 21	Rubber washer	-75	1	
(51)	911 512 531 00	Grommet	76-	1	

Model: 911 75

Model life 1975>>1977



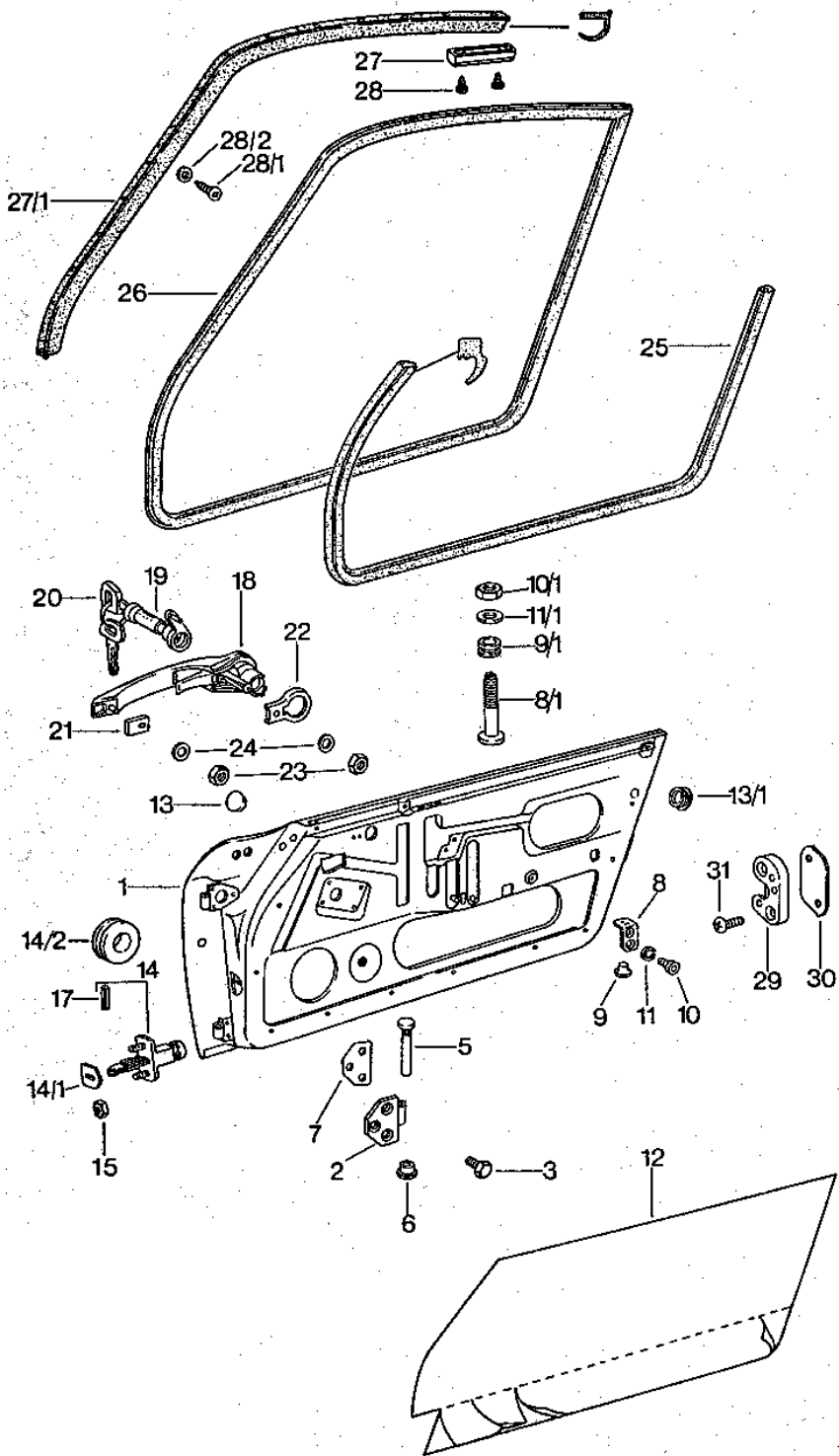
Model: 911 75

Model life 1975>>1977

Pos	Part Number	Description	Remark	Qty	Model
(23)	930 512 010 01	Rear spoiler		1	
(23)		Spoiler lid		1	
		Spoiler lid		1	
24	911 512 019 00	Air conditioner		1	
25	900 187 023 02	Rear spoiler		1	
		Hexagon-head tapping screw		2	
		B 5,5 X 16			
26	901 504 755 20	Tensioning spring		2	
27	900 910 009 02	Lock nut		4	
		NM 5			
27	900 084 026 01	Lock nut		4	
		NM 5			
28	900 151 027 02	Washer		4	
		5,3			
28	900 151 027 03	Washer		4	
		5,3			
29	930 512 009 00	Air guide		1	
(29)	930 512 009 01	Air guide		1	
		Air conditioner			
30	930 559 041 00	Ventilation grille		1	
(30)	930 559 041 01	Ventilation grille		1	
		Air conditioner			
31	900 143 047 07	Tapping screw		6	
		B 4,2 X 19			
31	900 073 007 01	Tapping screw		6	
		B 4,2 X 19			
(31)	N 014 117 9	Oval-head screw		6	
		M 4 X 15			
		Air conditioner			
32	999 507 240 00	Speed nut		6	
		B 4,2			
(32)	999 507 311 12	Speed nut		1	
		M 4			
(33)	930 512 165 00	Heat shield		1	
34	900 143 001 02	Tapping screw		9	
		B 2,9 X 6,5			
35	900 114 013 02	Shake-proof washer		9	
		A 3,2			

Model: 911 75

Model life 1975>>1977



Model: 911 75 Model life 1975>>1977

Pos	Part Number	Description	Remark	Qty	Model
		Door with installation parts			
(1)	911 531 005 06	Bare door shell	/L -75	1	
-	964 531 201 00	Exterior panelling	/L -75	1	
	964 531 201 00 GRV	Prime coated It is necessary to rework			
(1)	911 531 005 09	Bare door shell	/L 76-	1	
-	964 531 201 00	Exterior panelling	/L 76-	1	
	964 531 201 00 GRV	Prime coated It is necessary to rework			
1	911 531 006 06	Bare door shell	/R -75	1	
-	964 531 202 00	Exterior panelling	/R -75	1	
	964 531 202 00 GRV	Prime coated It is necessary to rework			
1	911 531 006 09	Bare door shell	/R 76-	1	
1	911 531 006 23	Bare door shell	/R 76-	1	
	911 531 006 23 GRV	Prime coated It is necessary to rework			
-	964 531 202 00	Exterior panelling	/R 76-	1	
	964 531 202 00 GRV	Prime coated It is necessary to rework			
2	901 531 303 21	Hinge arm		4	
3	999 093 010 02	Hexagon-head bolt M 8 X 20		12	
5	901 531 305 20	Hinge bolt		4	
6	901 531 311 20	Bush		8	
7	901 531 391 20	Desk pad		4	
(12)	911 531 889 00	Seal	/L	1	
12	911 531 890 00	Seal	/R	1	
13	999 703 119 40	Stopper		16	
14	911 531 057 01	Door support		2	
14/1	911 531 291 00	Seal		2	
15	900 084 010 02	Lock nut M 6		4	
17	911 531 615 01	Tensioning sleeve	-75	2	
(17)	900 309 032 02	Spiral clamping pin	76-	2	
18	911 531 941 00	Outer door handle Chrome without Lock cylinder		2	
(18)	911 531 941 28	Outer door handle Black without Lock cylinder		2	
19+20	911 531 943 00	Lock cylinder with 2 secondary keys W/o stipulated lock number	/L	1	
19+20	911 531 947 00	Lock cylinder with 2 secondary keys State lock number	/L	1	
19+20	911 531 944 00	Lock cylinder with 2 secondary keys W/o stipulated lock number	/R	1	
19+20	911 531 944 29	Lock cylinder with 2 secondary keys W/o stipulated lock number	/R	1	
19+20	911 531 948 00	Lock cylinder with 2 secondary keys State lock number	/R	1	
(20)	911 531 945 00	Blank key with Light without	76-	2	

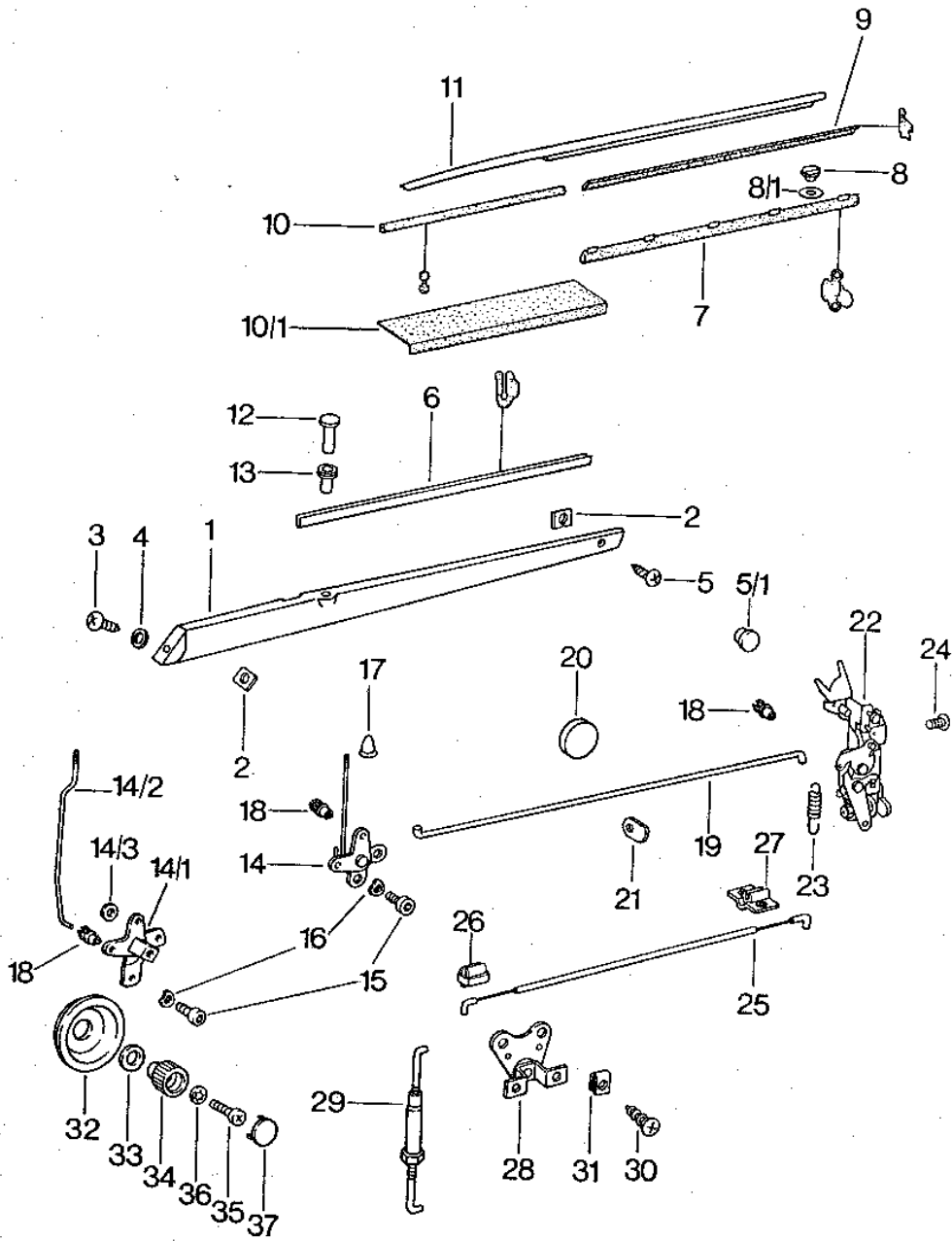
Model: 911 75

Model life 1975>>1977

Pos	Part Number	Description	Remark	Qty	Model
(20)	911 531 946 00	Battery Main key with Light without Battery State lock number	76-	2	
(20)	914 531 637 10	Main key State lock number		2	
20	914 531 903 11	Blank key for Nebeschlüssel		2	
(20)	914 531 903 10	Blank key for Main key		2	
(20)	914 531 903 11	Blank key for Secondary key		2	
21	911 531 631 00	Desk pad	/V	2	
22	911 531 632 00	Desk pad	/H	2	
23	999 084 102 02	Lock nut		4	
24	900 025 003 02	Washer 5,3		4	
(26)	911 531 095 00	Door seal	/L -75	1	
(26)	911 531 095 01	Door sealing	/L	1	
(26)	911 531 095 02	Door sealing	/L	1	
(26)	911 531 095 03	Door sealing	/L	1	
26	911 531 096 00	Door seal	/R -75	1	
(26)	911 531 095 02	Door sealing	/L /R 76-	1	
(26)	911 531 095 03	Door sealing	/L /R 76-	1	
27	901 531 753 00	Stop	-75	2	
(27)	911 531 753 02	Stop	76	2	
-	911 531 757 00	Desk pad for Stop	76	X	
27/1	911 542 403 01	Sealing rail	/L 77-	1	
27/1	911 542 404 01	Sealing rail	/R 77-	1	
28	N 013 954 2	Hexagon-head bolt B 2,9 X 13	-76	4	
28/1	900 145 081 00	Tapping screw B 2,9 X 6,5	77-	30	
28/2	999 591 009 12	Protection washer 3,5 MS Chrome	77-	30	
29	911 531 701 02	Door lock striker Yellow Chrome	/L	1	
(29)	911 531 702 02	Door lock striker Yellow Chrome	/R	1	
30	901 531 703 23	Desk pad 1 MM		X	
(30)	901 531 703 24	Desk pad 2 MM		X	
31	999 219 008 00	Oval-head screw M 8 X 40		4	

Model: 911 75

Model life 1975>>1977



Model: 911 75 Model life 1975>>1977

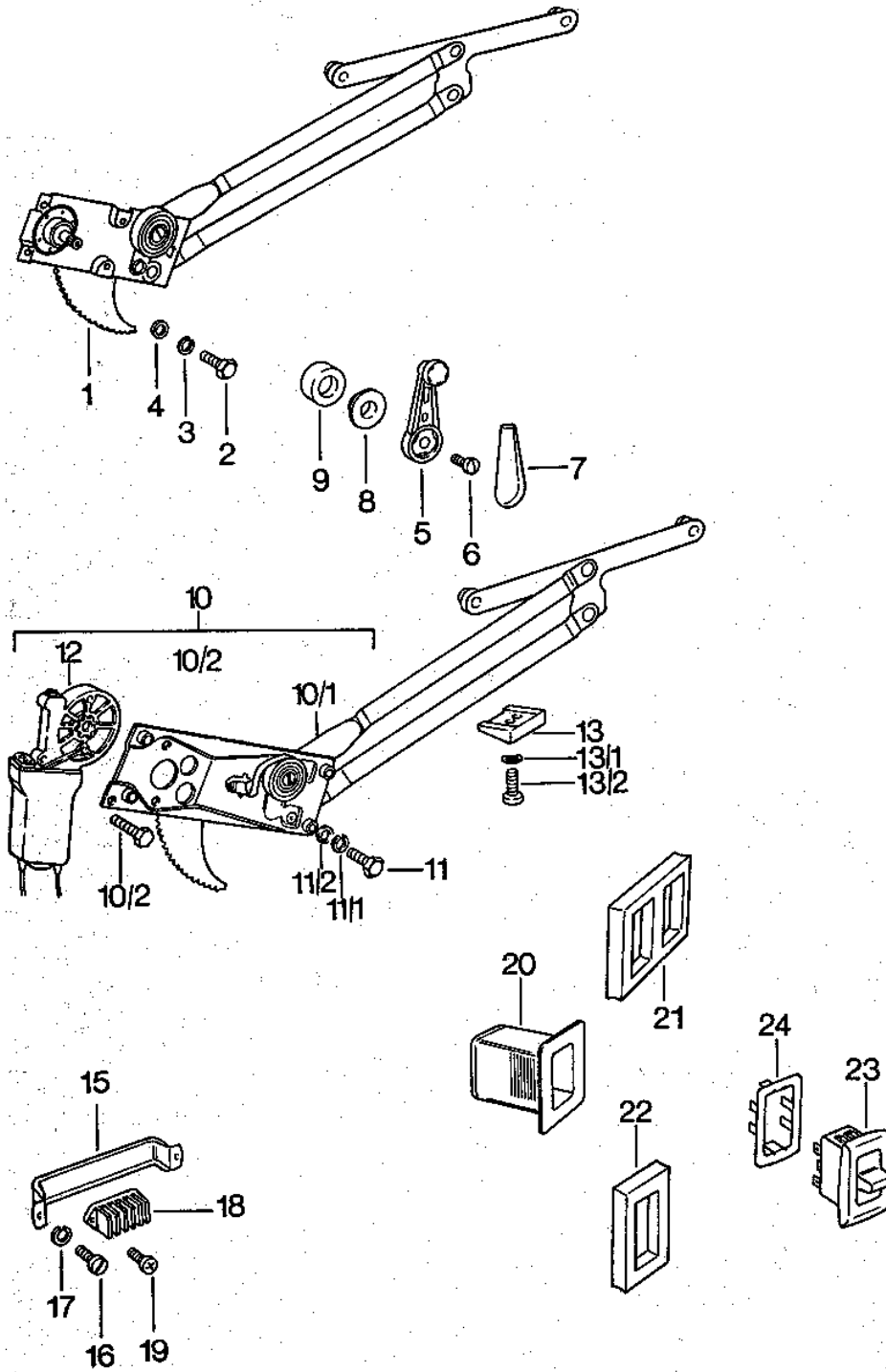
Pos	Part Number	Description	Remark	Qty	Model
		Installation parts for Door			
1		See group 8/07/10		X	
2	999 591 338 02	Speed nut		4	
2	999 591 460 01	Speed nut		4	
3	900 145 071 07	Tapping screw B 3,5 X 16		2	
4	999 591 116 07	Cone washer		2	
5	N 013 958 7	Oval-head sheetmetal screw B 3,5 X 13		2	
5/1	914 552 233 10	Filler piece		2	
5/1	914 552 233 10 01C	Filler piece Black		2	
(6)	911 531 951 01	Sealing for door slot	/L	1	
6	911 531 952 00	Sealing for door slot	/R	1	
(7)	901 531 935 20	Sealing for door slot	/L	1	
7	901 531 936 20	Sealing for door slot	/R	1	
8	999 591 326 02	Moulding clip		14	
3	999 591 326 01	Moulding clip		14	
8/1	911 531 309 00	Ring		14	
(9)	911 531 931 02	Sealing strip	/L	1	
9	911 531 932 02	Sealing strip	/R	1	
10	901 531 933 20	Sealing strip		2	
10/1	999 915 706 00	Adhesive tape 19 X300		2	
(11)	901 531 431 27	Moulding Aluminium Anodised	/L M	1	
(11)	901 531 431 30	Moulding Black	/L	1	
11	901 531 432 27	Moulding Aluminium Anodised	/R	1	
11	901 531 432 28	Moulding Black	/R -76	1	
11	901 531 432 30	Moulding Black	/R 77-	1	
12	901 531 671 21	Push button	-76	2	
(12)	928 555 359 02	Locking knob	77-	2	
(12)	928 555 359 02 70B	Locking knob Doors Black	77-	2	
13	901 531 481 22	Guide sleeve	-76	2	
(13)	928 555 565 02	Guide sleeve	77-	2	
(14)	911 531 075 00	Mounting for push-button	/L -76	1	
(14/1)	911 531 075 01	Mounting for push-button	/L 77-	1	
14	911 531 076 00	Mounting for push-button	/R -76	1	
14/1	911 531 076 01	Mounting for push-button	/R 77-	1	
(14/2)	911 531 707 00	Rod for push-button	/L 77-	1	
14/2	911 531 708 00	Rod for push-button	/R 77-	1	
14/3	N 011 524 7	Washer 6,4	77-	4	
14/3	N 011 524 27	Washer 6,4	77-	4	
15	900 067 134 02	Pan-head screw M 5 X 8	-75	4	
(15)	900 186 147 02	Pan-head screw M 6 X 10	76-	4	
(15)	900 976 008 01	Pan-head screw M 6 X 10	76-	4	
16	N 012 225 2	Spring washer	-75	4	

Model: 911 75 Model life 1975>>1977

Pos	Part Number	Description	Remark	Qty	Model
(16)	900 028 008 01	B 5 Lock ring	76-	4	
17	999 591 311 40	B 6 Bush		2	
18	993 531 563 00	Linkage clip		10	
19	911 531 562 00	Connecting rod		2	
20	911 531 599 00	Rubber mounting		4	
21	911 531 565 00	Rubber mounting		4	
(22)	911 531 053 06	Door lock with Release	/L	1	
22	911 531 054 05	Door lock without Release	/LL /R	1	
22	911 531 054 04	Door lock with Release	/RL /R	1	
23	993 531 165 00	Tension spring		2	
24	900 148 018 04	Rais. counters. h. tap. s. AM 6 X 12		6	
25	911 531 509 00	Bowden cable	/L	1	
(25)	911 531 510 00	Bowden cable	/R	1	
26	911 531 097 00	Support	/V	2	
27	911 531 099 00	Support	/H	2	
28	911 531 083 00	Relay lever		2	
29	911 531 091 00	Pull rod		2	
30	900 145 028 02	Rais. counters. h. tap. s. B 3,9 X 13		4	
31	999 507 009 02	Speed nut \$ 3,5		4	
32	911 531 692 00	Covering	77-	2	
33	911 531 705 00	Spacer ring	77-	X	
34	911 531 696 00	Rotary knob	77-	2	
35	N 014 133 8	Oval-head screw AM 5 X 12	77-	2	
36	900 115 002 01	Serrated lock washer J 5,3	77-	2	
37	911 531 703 00	Cap	77-	2	

Model: 911 75

Model life 1975>>1977

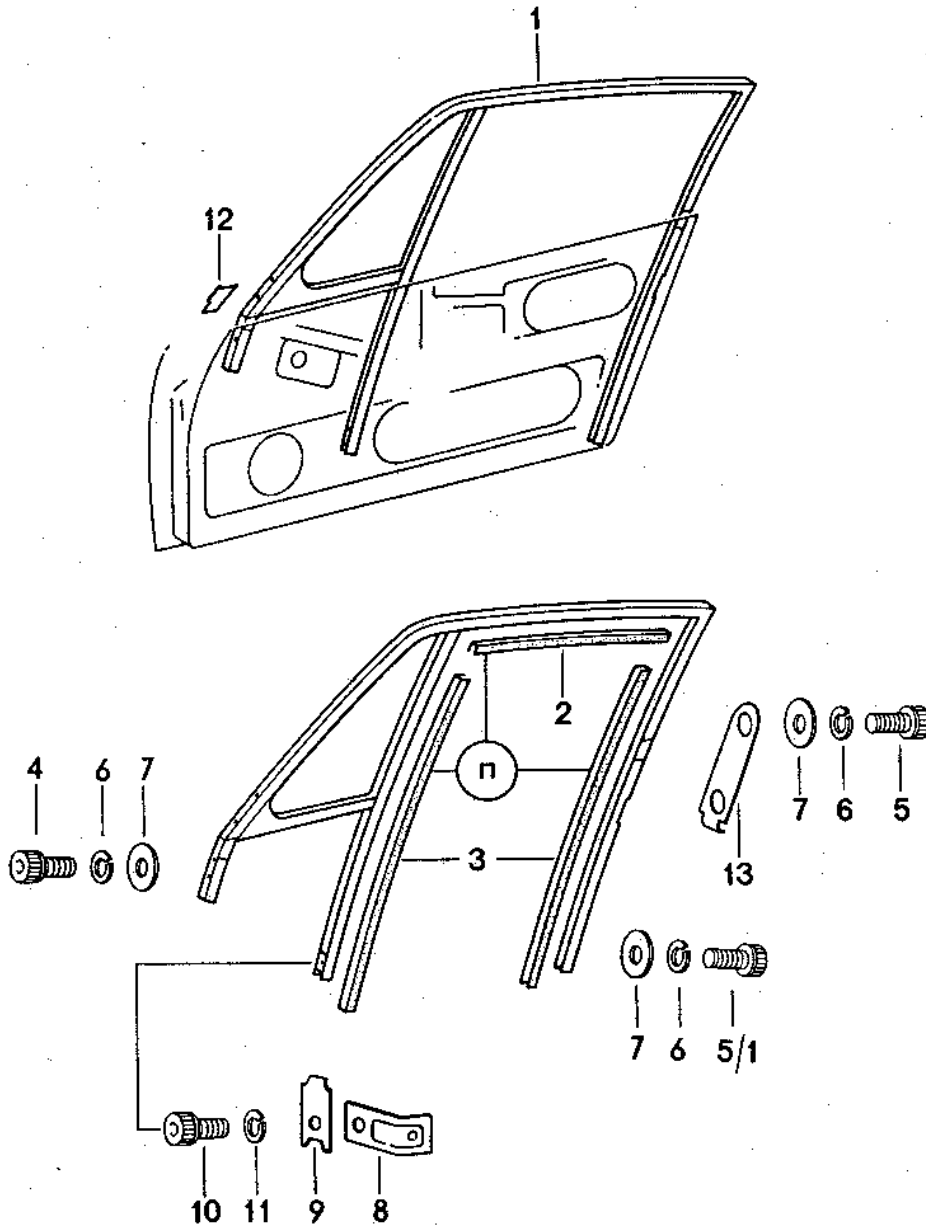


Model: 911 75 Model life 1975>>1977

Pos	Part Number	Description	Remark	Qty	Model
(10)	911 542 003 26	Power windows			
10	911 542 004 26	Power window	/L	1	
10/1	911 542 929 00	Power window	/R	1	
10/1	911 542 929 00	Power windows	/L	1	
10/1	911 542 930 00	Power windows	/R	1	
10/2	999 093 004 02	Hexagon-head bolt		6	
		M 6 X 16			
11	N 010 210 13	Hexagon-head bolt		8	
		M 6 X 10			
11/1	N 012 006 4	Lock ring		8	
		B 6			
11/2	N 011 524 7	Washer		8	
		6,4			
11/2	N 011 524 27	Washer		8	
		6,4			
(12)	911 624 015 01	Motor	/L	1	
12	911 624 014 01	Motor	/R	1	
13	901 542 063 00	Stop wedge		2	
13/1	N 012 222 4	Spring washer		4	
		A 5			
13/2	900 119 011 02	Pan-head screw		4	
		M 5 X 10			
15	901 531 083 00	Bracket		2	
16	900 014 013 02	Pan-head screw		4	
		M 4 X 10			
17	900 027 011 01	Lock ring		4	
		B 4			
18	901 612 898 00	Cable connection		2	
		5-pole			
19	900 143 007 02	Oval-head sheetmetal screw		4	
		B 4,2 X 13			
19	900 073 507 01	Oval-head sheetmetal screw		4	
		B 4,2 X 13			
20	911 613 623 01	Grommet		3	
21	911 613 637 00	Seal	/L	3	
22	911 613 638 00	Seal	/R	1	
23	911 613 621 03	Switch		3	
24	911 613 635 20	Assembly frame		3	

Model: 911 75

Model life 1975>>1977

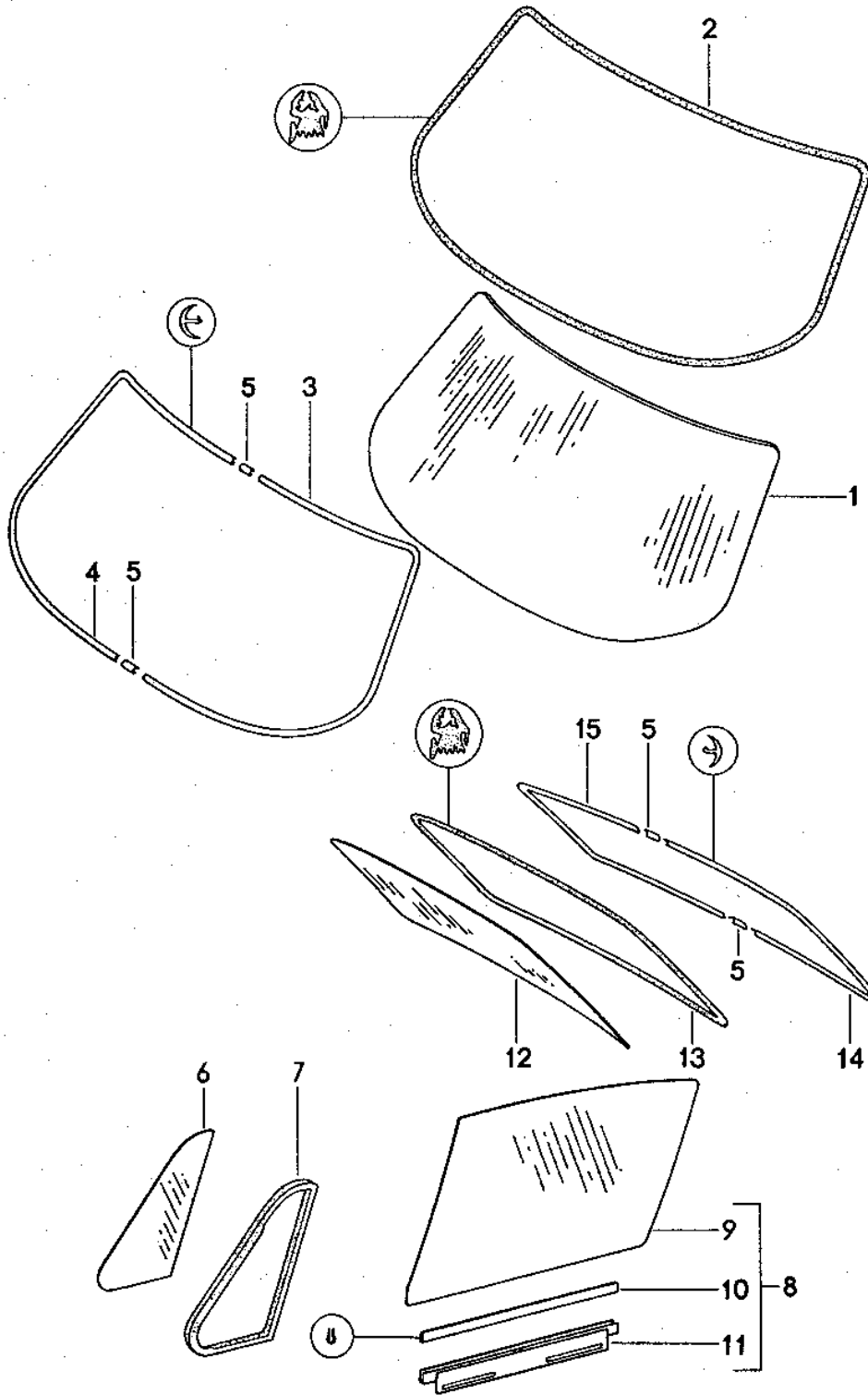


Model: 911 75 Model life 1975>>1977

Pos	Part Number	Description	Remark	Qty	Model
(1)	901 542 021 27	Door glass frame Door glass frame Chrome	/L	1	
(1)	901 542 021 28	Door glass frame Door glass frame Black	/L	1	
1	901 542 022 27	Door glass frame Door glass frame Chrome	/R	1	
1	901 542 022 28	Door glass frame Door glass frame Black	/R	1	
2	911 542 905 00	Window guide Window guide Comprising: Position 2+3	/L /R	2	
4	900 119 052 02	Pan-head screw Pan-head screw M 8 X 16		4	
5	999 218 008 02	Pan-head screw Pan-head screw M 8 X 12		2	
5	900 119 018 03	Pan-head screw Pan-head screw M 8 X 12		2	
5/1	900 119 052 02	Pan-head screw Pan-head screw M 8 X 16		2	
6	900 027 015 02	Lock ring Lock ring B 8		8	
6	900 027 015 03	Lock ring Lock ring B 8		8	
7	900 025 007 02	Washer Washer 8,4		8	
7	900 025 007 03	Washer Washer 8,4		8	
8	911 542 061 00	Retaining bracket		2	
9	901 542 252 25	Desk pad		2	
10	900 119 052 02	Pan-head screw Pan-head screw M 8 X 16		2	
11	900 027 015 02	Lock ring Lock ring B 8		2	
11	900 027 015 03	Lock ring Lock ring B 8		2	
(12)	911 531 711 01	Joint rubber	/V /L	1	
12	911 531 712 01	Joint rubber	/V /R	1	
-	999 591 429 40	Expansion rivet		2	
(12)	911 531 713 01	Joint rubber	/H /L	1	
(12)	911 531 714 01	Joint rubber	/H /R	1	
13	901 542 299 25	Cover plate		2	

Model: 911 75

Model life 1975>>1977



Model: 911 75 Model life 1975>>1977

Pos	Part Number	Description	Remark	Qty	Model
(1)	901 541 101 34	window glazing Front		1	
(1)	911 541 101 04	Rear Windscreen Tinted		1	
2	901 541 901 20	Windscreen sealing		1	
3	901 541 911 20	Trim frame-half Chrome	/L	1	
3	901 541 911 28	Trim frame-half Black	/L	1	
3	911 541 911 01	Trim frame Black	/L	1	
3		Trim frame Left for Windscreen	/L	1	
4	911 541 911 01 70K	Black			
4	901 541 912 20	Trim frame-half Chrome	/R	1	
4	901 541 912 28	Trim frame-half Black	/R	1	
4	911 541 912 01	Trim frame-half Black	/R	1	
4		Trim frame-half Right for Windscreen	/R	1	
5	911 541 912 01 70K	Black			
5	644 541 921 06	Covering plate Chrome		1	
5	911 541 921 28	Covering plate Black		1	
5	911 541 921 01	Covering plate Black		1	
5		Covering plate Windscreen		1	
6	911 541 921 01 70K	Rear window Black			
(6)	901 542 501 27	Side window	/V /L	1	
(6)	911 542 511 00	Side window Tinted	/V /L	1	
(6)	901 542 502 27	Side window	/V /R	1	
(6)	911 542 512 00	Side window Tinted	/V /R	1	
7	901 542 921 21	Sealing frame	/L /R -75	2	
7		Sealing frame	/L	1	
(7)	901 542 922 21	Sealing frame	/R	1	
8	901 542 011 27	Door window glass	/L	1	
(8)	901 542 011 37	Door window glass Tinted	/L	1	
(8)	901 542 012 27	Door window glass	/R	1	
(8)	901 542 012 37	Door window glass Tinted	/R	1	
(9)	901 542 101 35	Side window Tinted	/L	1	
(9)	901 542 102 35	Side window Tinted	/R	1	
10	911 542 491 40	Rubber ply		1	
11	901 542 045 23	Window lifter rail	/L	1	
(11)	901 542 046 23	Window lifter rail	/R	1	

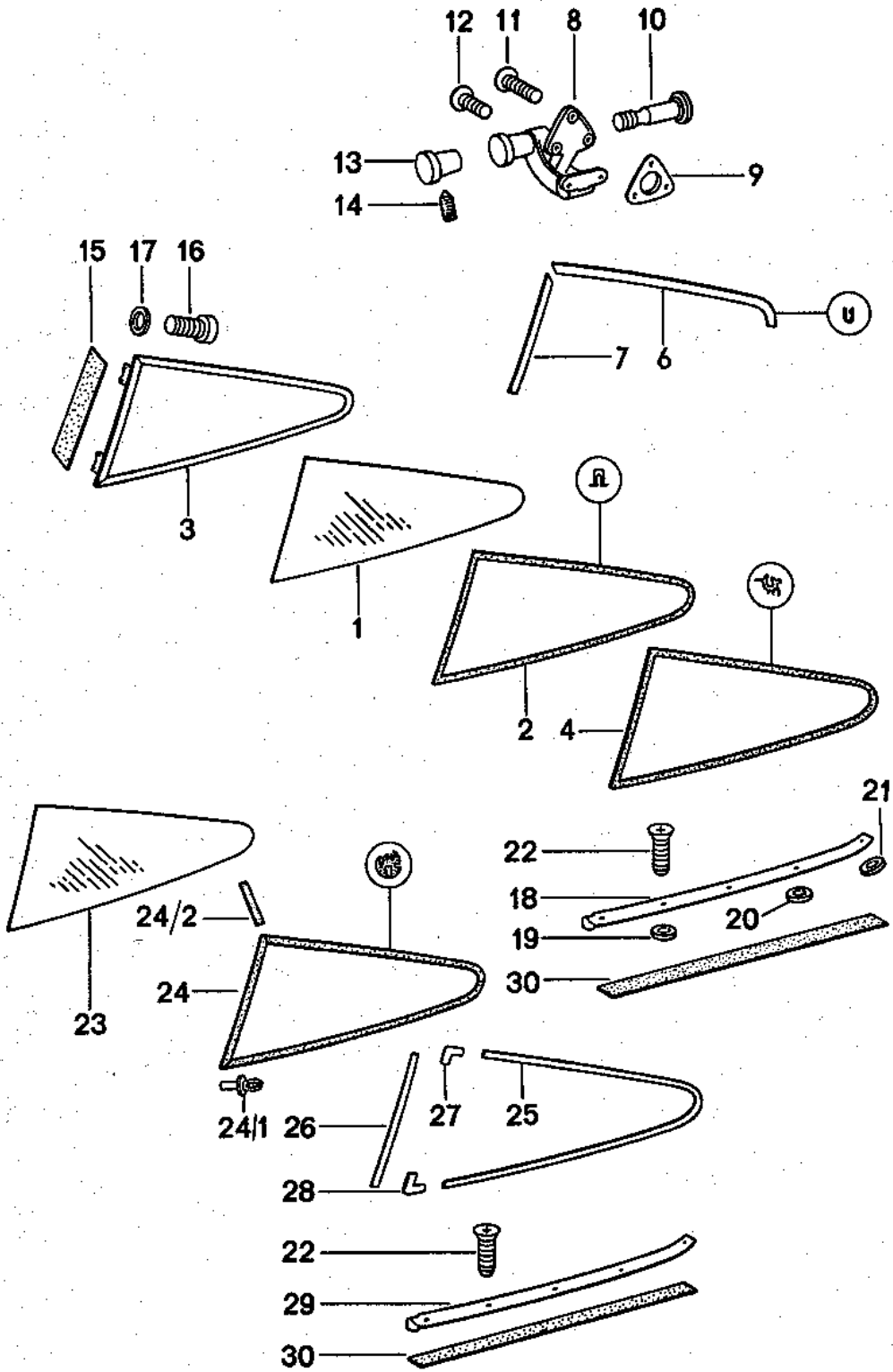
Model: 911 75

Model life 1975>>1977

Pos	Part Number	Description	Remark	Qty	Model
(12)	911 545 107 00	Rear window Tinted 150/300 W Two-stage heatable		1	
(12)	911 545 107 07	Rear window Tinted 150/300 W Two-stage heatable		1	
13	901 545 901 21	Sealing frame		1	
13	911 545 901 00	Sealing frame		1	
13	911 545 225 00	Sealing frame		1	
14	901 545 911 20	Trim frame-half Chrome	/L	1	
(14)	901 545 911 28	Trim frame-half Black	/L	1	
(14)	911 545 911 00	Trim frame Black	/L	1	
(14)	911 545 911 00 70K	Trim frame-half Left Black	/L	1	
15	901 545 912 20	Trim frame-half Chrome	/R	1	
(15)	901 545 912 28	Trim frame-half Black	/R	1	
(15)	911 545 912 00	Trim frame-half Black	/R	1	
(15)	911 545 912 00 70K	Trim frame-half Rear Right Black	/R	1	

Model: 911 75

Model life 1975>>1977



Model: 911 75 Model life 1975>>1977

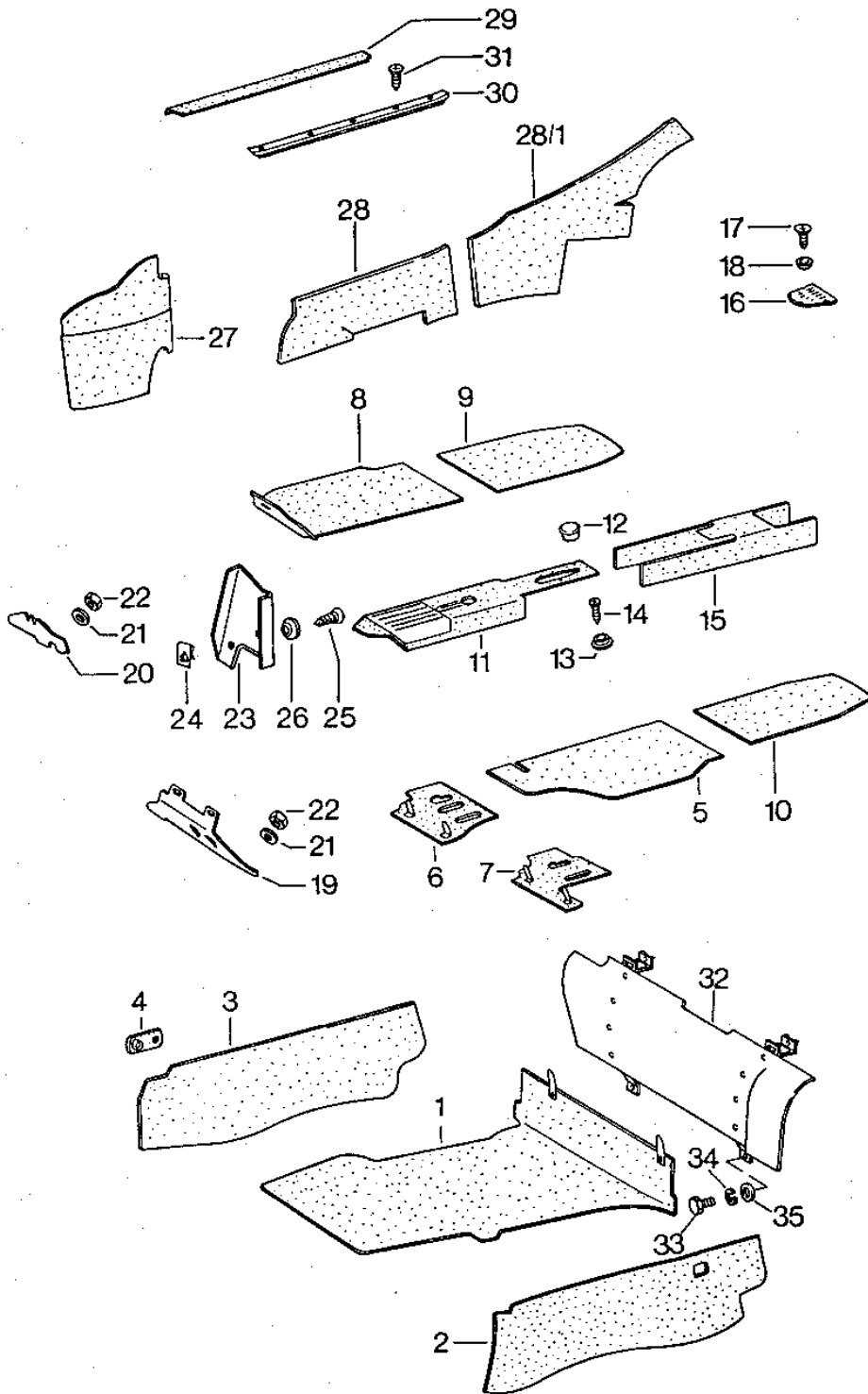
Pos	Part Number	Description	Remark	Qty	Model
(1)	901 543 101 30	window glazing Lateral Side window glass Tinted	/L	1	
(1)	901 543 102 30	Side window glass Tinted	/R	1	
2	901 543 191 20	Sealing frame		2	
3	901 543 015 25	Support frame Chrome	/L	1	
(3)	901 543 015 28	Support frame Black	/L	1	
(3)	901 543 016 25	Support frame Chrome	/R	1	
(3)	901 543 016 28	Support frame Black	/R	1	
4	901 543 901 20	Sealing frame	/L	1	
(4)	901 543 902 20	Sealing frame	/R	1	
6	999 911 041 00	Edge protection	/L /R	*	
6	PCG 911 041 00	Edge protection White 560 MM	/L /R	1	
7	901 543 423 00	Edge protection		2	
7	PCG 543 423 00	Edge protection White 320 MM		2	
8	901 543 041 21	Hinge Chrome	/L	1	
(8)	901 543 041 28	Hinge Black	/L	1	
(8)	901 543 042 21	Hinge Chrome	/R	1	
(8)	901 543 042 28	Hinge Black	/R	1	
9	901 543 491 21	Desk pad		2	
10	644 543 416 00	Threaded bolt Chrome		2	
(10)	901 543 416 28	Threaded bolt Black		2	
11	900 148 023 02	Rais. counters. h. tap. s. AM 4 X 15 Chrome		6	
(11)	900 148 023 07	Lens-head screw AM 4 X 15 Black		6	
12	900 148 002 02	Rais. counters. h. tap. s. AM 4 X 6 Chrome		2	
(12)	900 148 002 07	Rais. counters. h. tap. s. AM 4 X 6 Black		2	
(12)	900 148 003 02	Rais. counters. h. tap. s. AM 4 X 8 Chrome		2	
(12)	900 148 003 07	Rais. counters. h. tap. s. AM 4 X 8 Black		2	
13	644 552 820 03	Knob		2	
	644 552 820 03 700	Black			
14	900 043 002 00	Threaded pin M 3 X 4		2	
15	901 543 493 20	Sealing strip		2	
16	900 186 143 07	Pan-head screw M 5 X 8		8	

Model: 911 75 Model life 1975>>1977

Pos	Part Number	Description	Remark	Qty	Model
17	900 025 026 07	Black Washer	76-	8	
18	901 543 921 25	Moulding Chrome	/L	1	
18	901 543 921 28	Moulding Black	/L	1	
(18)	901 543 922 25	Moulding Chrome	/R	1	
(18)	901 543 922 28	Moulding Black	/R	1	
19	901 543 419 20	Spacer 4,0 MM		6	
20	901 543 422 20	Spacer 3,0 MM		2	
21	901 543 421 20	Spacer 1,5 MM		2	
22	900 144 009 00	Counters. head tapp. screw B 2,9 X 13		12	
(22)	900 144 017 07	Tapping screw B 2,9 X 13 Black		12	

Model: 911 75

Model life 1975>>1977



Model: 911 75 Model life 1975>>1977

Pos	Part Number	Description	Remark	Qty	Model
		Lining			
		Inner front			
1	911 551 045 02	Front-compartment carpet	-76	1	
(1)	911 551 045 03	Front-compartment carpet	77-	1	
		Brake booster			
2	911 551 049 00	Front boot side wall	/L -76	1	
2	911 551 049 02	Front boot side wall	/L 77-	1	
3	911 551 050 00	Front boot side wall	/R	1	
(3)	911 551 050 01	Front boot side wall	/R 77-	1	
4	911 503 075 00	Desk pad		6	
(5)	911 551 021 00	Carpet	/LL /L	1	
		Velour pile			
		State colour of carpet			
(5)	911 551 011 06	Carpet	/RL /L	1	
		Velour pile			
		State colour of carpet			
(5)	911 551 011 04	Carpet	/RL /L -76	1	
		Air conditioner			
		Velour pile			
		State colour of carpet			
(5)	911 551 011 08	Carpet	/RL /L 77-	1	
		Air conditioner			
		Velour pile			
		State colour of carpet			
(6)	911 551 015 02	Floorboard carpet	/LL /L	1	
		Velour pile			
		State colour of carpet			
(6)	911 551 016 08	Floorboard carpet	/RL /R	1	
		Velour pile			
		State colour of carpet			
(6)	911 551 016 07	Floorboard carpet	/RL /R	1	
		Air conditioner			
		Velour pile			
		State colour of carpet			
(6)	911 551 017 03	Floorboard carpet	/RL -76	1	
		Pedal floor board			
		Air conditioner			
		Velour pile			
		State colour of carpet			
(6)	911 551 017 04	Floorboard carpet	/RL 77-	1	
		Pedal floor board			
		Air conditioner			
		Velour pile			
		State colour of carpet			
-	911 573 067 37	Bracket	/RL	1	
		Pedal floor board			
		Air conditioner			
(8)	911 551 012 10	Carpet	/LL /R	1	
		Velour pile			
		State colour of carpet			
(8)	911 551 012 11	Carpet	/LL /R	1	
		Air conditioner			
		Velour pile			
		State colour of carpet			
(8)	911 551 022 00	Carpet	/RL /R	1	
		Velour pile			
		State colour of carpet			
(8)	911 551 022 01	Carpet	/RL /R	1	
		Air conditioner			
		Velour pile			
		State colour of carpet			
(9)	911 551 014 04	Carpet	/H /R	1	
		Velour pile			

Model: 911 75

Model life 1975>>1977

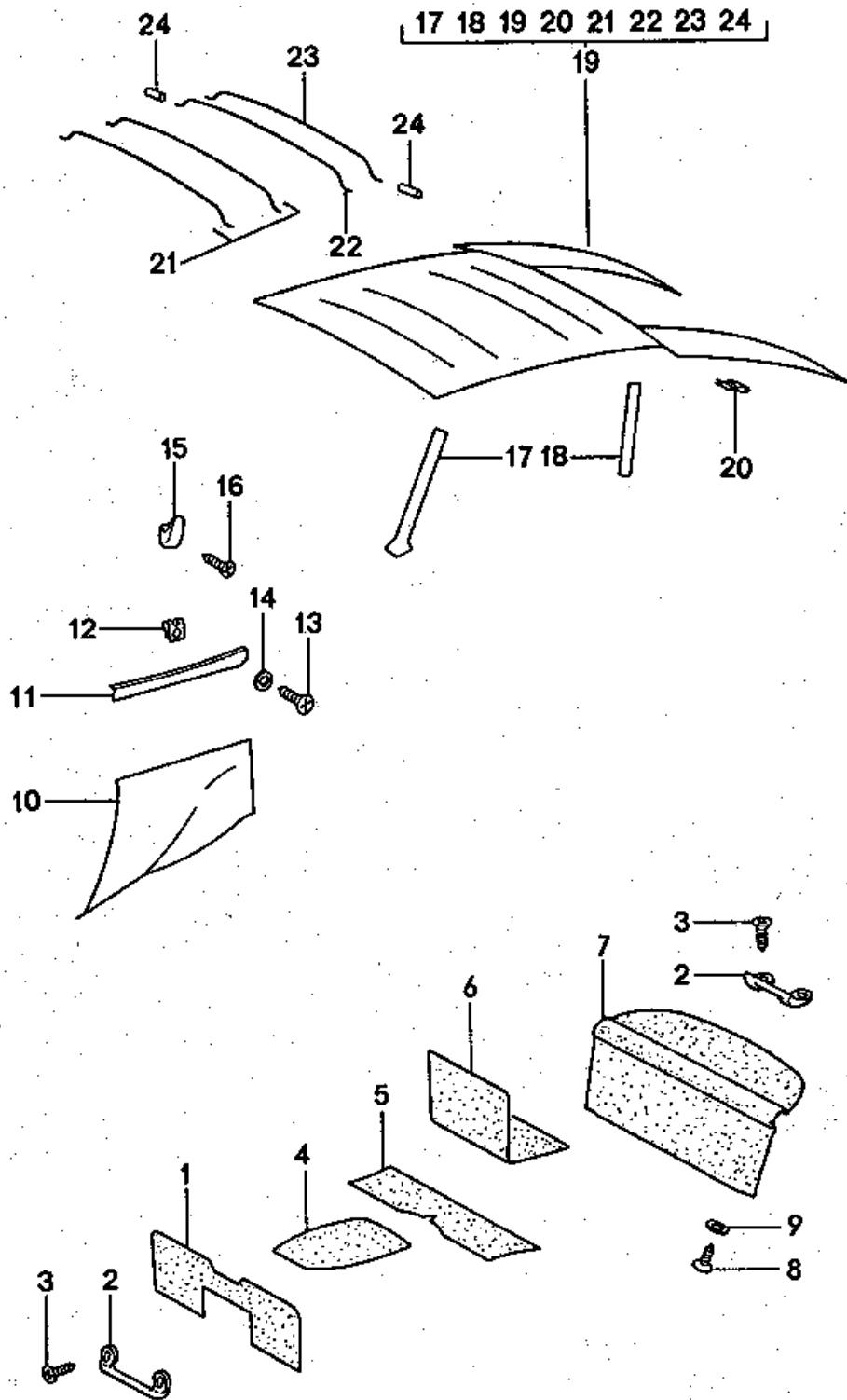
Pos	Part Number	Description	Remark	Qty	Model
(10)	911 551 013 03	State colour of carpet Carpet Velour pile	/H /L	1	
(11)	911 551 411 38	Indicate colour Carpet for tunnel Velour pile	-76	1	
(11)	911 551 411 39	State colour of carpet Carpet for tunnel with POS.15 Velour pile	77-	1	
12	999 591 801 17	State colour of carpet Push button for carpet	-76	2	
13	999 591 805 12	Push button	-76	2	
14	900 145 043 00	Rais. counters. h. tap. s. B 3,5 X 9,5	-76	2	
(15)	911 551 413 04	Carpet for tunnel Velour pile	/H -76	1	
(16)	911 504 008 02	State colour of carpet Lid Tunnel Velour pile	/H	1	
17	900 143 019 07	State colour of carpet Oval-head sheetmetal screw B 4,8 X 22		4	
18	900 031 006 07	Washer 5,3		4	
19	911 551 063 00	Pedal floor board	/LL /L -75	1	
19	911 551 063 02	Pedal floor board	/LL /L 76	1	
19	911 551 063 04	Pedal floor board	/LL /L 77-	1	
(19)	901 551 061 23	Pedal floor board	/LL /L	1	
20	901 551 064 22	Pedal floor board	/LL /R	1	
(20)	901 551 062 24	Pedal floor board	/RL /R -75	1	
(20)	911 551 062 20	Pedal floor board	/RL /R 76	1	
(20)	911 551 062 21	Pedal floor board	/RL /R 77-	1	
(20)	911 551 061 44	Pedal floor board	/RL -76	1	
(20)	911 551 075 01	Air conditioner Floorboard Air conditioner	/RL 77-	1	
-	900 119 025 02	Pan-head screw M 5 X 15	/RL	1	
-	901 423 368 00	Desk pad	/RL	1	
21	N 042 121 3	Shake-proof washer A 6,4		1	
22	900 076 010 02	Nut M 6		1	
22	900 076 010 0B	Nut M 6		1	
23	901 501 950 22	Foot support	/RL	1	
(23)	911 501 950 02	Foot support Air conditioner	/RL	1	
24	N 015 429 2	Speed nut B 4,2	/RL	2	
24	N 015 429 6	Speed nut B 4,2	/RL	2	
25	900 145 044 00	Oval-head sheetmetal screw B 4,2 X 22	/RL	2	
26	901 501 958 22	Desk pad	/RL	2	
(27)	911 551 041 03	Carpet Wheel housing panel Velour pile	/V /L	1	
(27)	911 551 042 05	State colour of carpet Carpet	/LL /R	1	

Model: 911 75 Model life 1975>>1977

Pos	Part Number	Description	Remark	Qty	Model
(27)	911 551 042 06	Wheel housing panel Velour pile State colour of carpet Carpet	/RL /R	1	
(28)	911 551 031 02	Wheel housing panel Velour pile State colour of carpet Carpet	/L	1	
(28)	911 551 032 02	Door sill Velour pile State colour of carpet Carpet	/R	1	
28/1	911 551 033 02	Door sill Velour pile State colour of carpet Carpet	/L	1	
28/1	911 551 034 02	Door sill Velour pile State colour of carpet Carpet	/R	1	
(29)	901 551 115 20	Scuff plate	/L	1	
29	901 551 116 20	Scuff plate	/R	1	
30	901 551 419 50	Cover strip		2	
31	900 145 041 00	Rais. counters. h. tap. s. B 3,5 X 16		10	
32	911 551 067 00	Luggage compartment trim	-76	1	
32	911 551 067 04	Luggage compartment trim		1	
(32)	911 551 067 03	Luggage compartment trim Brake booster	77-	1	
(32)	911 551 067 05	Luggage compartment trim Brake booster	77-	1	
33	900 075 260 02	Hexagon-head bolt M 6 X 16		4	
34	N 012 007 2	Lock ring A 6		4	
34	900 027 004 03	Lock ring A 6		4	
35	900 151 003 02	Washer 6,4		4	
35	900 151 006 03	Washer 6,4		4	

Model: 911 75

Model life 1975>>1977



Model: 911 75 Model life 1975>>1977

Pos	Part Number	Description	Remark	Qty	Model
1	911 551 051 03	Lining Inner rear Carpet Heel plate Velour pile State colour of carpet	-76	1	
1	911 551 051 04	Carpet Heel plate Velour pile State colour of carpet	77-	1	
2	477 885 761	Retaining bar		4	
3	900 270 049 07	Countersunk-head screw AM 5 X 20	-75	8	
3		Countersunk-head screw AM 5 X 20	76-	8	
4	911 551 423 04	Carpet Seat well Velour pile State colour of carpet		1	
5	911 551 054 03	Carpet Seat well Velour pile State colour of carpet	/H	1	
(6)	911 522 061 02	Carpet Back seat backrest Velour pile State colour of carpet	/L	1	
(6)	930 522 061 00	Carpet with Logo Back seat backrest Velour pile State colour of carpet	/L	1	TURBO
6	911 522 062 02	Carpet Back seat backrest Velour pile State colour of carpet	/R	1	
(7)	911 645 007 10	Back wall lining Cloth Leather Indicate colour		1	
(7)	911 645 007 71	Back wall lining Stereo rear loudspeaker Leather Indicate colour	-75	1	
(7)	911 645 007 80	Back wall lining Stereo rear loudspeaker Leather Quilted Indicate colour Picture	76-	1	
(7)	930 645 007 80	Back wall lining Stereo rear loudspeaker Leather Quilted Indicate colour	(AUS) 77-	1	
(7)	930 645 007 81	Back wall lining Stereo rear loudspeaker Cloth Indicate colour	77-	1	
8	900 145 072 07	Tapping screw B 3,5 X 22		2	

Model: 911 75 Model life 1975>>1977

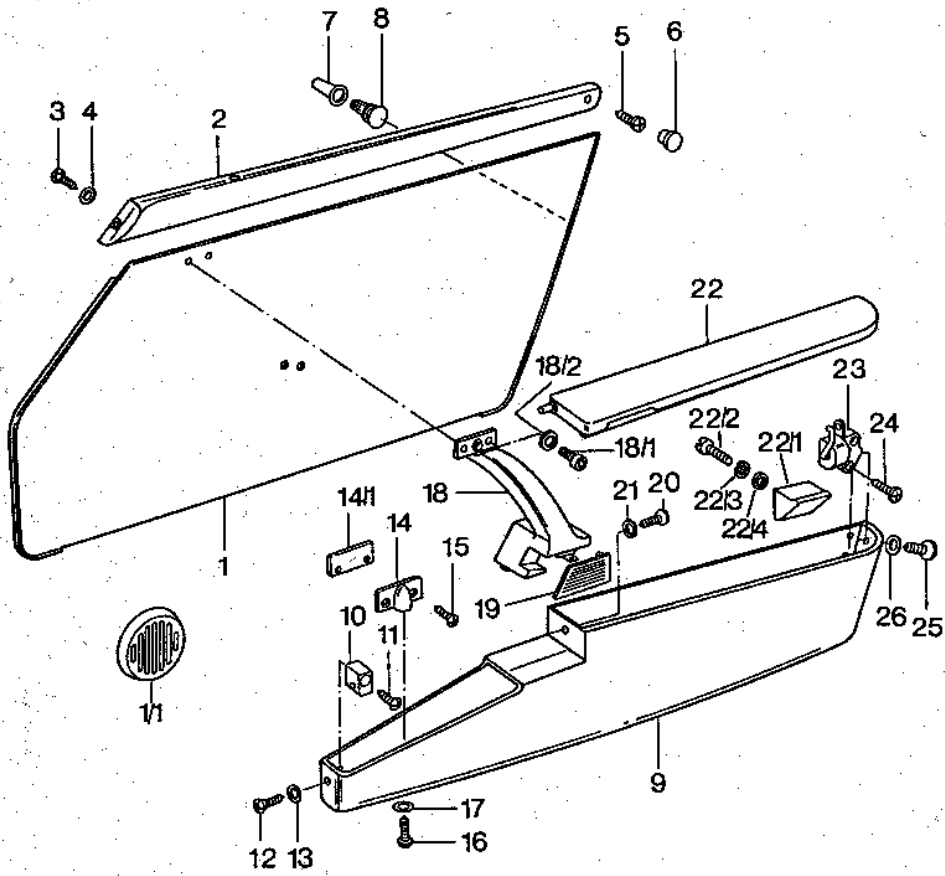
Pos	Part Number	Description	Remark	Qty	Model
(8)	900 145 082 07	Tapping screw B 3,5 X 38 for Stereo rear loudspeaker		2	
9	999 591 102 07	Protection washer	-75	2	
9	999 591 102 17	Washer	76-	2	
9	999 591 102 1H	Washer	76-	2	
(10)	911 555 071 07	Side trim panel Leatherette Indicate colour	/L	1	
10	911 555 072 07	Side trim panel Leatherette Indicate colour	/R	1	
(10)	911 555 071 74	Side trim panel Leather Indicate colour	/L	1	
10	911 555 072 74	Side trim panel Leather Indicate colour	/R	1	
(10)	911 555 071 79	Side trim panel Cloth Indicate colour	(AUS) /L 77-	1	
(10)	911 555 072 79	Side trim panel Cloth Indicate colour	/R 77-	1	
(10)	911 555 071 80	Side trim panel Leather Indicate colour	/L 77-	1	
(10)	911 555 072 80	Side trim panel Leather Indicate colour	/R 77-	1	
-	911 555 757 70	Cover Lock pillar Leather Indicate colour	/L	1	
-	911 555 758 70	Cover Lock pillar Leather Indicate colour	/R	1	
(11)	911 555 091 70	Rear cover moulding Leather Indicate colour	/L	1	
11	911 555 092 70	Rear cover moulding Leather Indicate colour	/R	1	
12	999 591 338 02	Speed nut		4	
12	999 591 460 01	Speed nut		4	
13	900 145 071 07	Tapping screw B 3,5 X 13		6	
14	999 591 116 07	Cone washer		6	
15	901 552 870 40	Coat hook		2	
(15)	477 857 375 A 477 857 375 A 01C	Support for seatbelt Black	(AUS)	2	
16	900 250 007 02	Tapping screw AM 5 X 12		2	
17	901 555 507 20	Lining Windscreen frame part		2	
18	901 555 505 20	Lining Door pillar		2	
19	911 555 055 01	Roof lining Beige		1	

Model: 911 75 Model life 1975>>1977

Pos	Part Number	Description	Remark	Qty	Model
(19)	911 555 055 02	Not for Sunroof Roof lining Black		1	
(19)	911 555 055 11	Not for Sunroof Roof lining Beige with Picture 17 - 20 for Sunroof		1	
(19)	911 555 055 12	Roof lining Black with Picture 17 - 20 for Sunroof		1	
20	999 591 336 01	Fastening clamp	/H	5	
(20)	999 591 342 02	Clamp	/V	5	
(20)	999 591 342 03	Clamp	/V	5	
21	901 555 511 20	Transverse strut 1 + 2		2	
22	901 555 512 20	Transverse strut 3		1	
23	901 555 513 20	Transverse strut 4		1	
24	644 555 515 00	Rubber profile		8	

Model: 911 75

Model life 1975>>1977



Model: 911 75

Model life 1975>>1977

Pos	Part Number	Description	Remark	Qty	Model
(1)	911 555 031 76	Door trim panel Door trim panel Power window Loudspeaker Leather Indicate colour	/LL /L -75	1	
(1)	911 555 032 76	Door panel Power window Loudspeaker Leather Indicate colour	/LL /R -75	1	
(1)	911 555 031 77	Door panel Power window Loudspeaker Leather Indicate colour	/RL /L -75	1	
(1)	911 555 032 77	Door panel Power window Loudspeaker Leather Indicate colour	/RL /R -75	1	
(1)	911 555 031 18	Door panel Power window Cloth Indicate colour	/LL /L -76	1	
(1)	911 555 032 18	Door panel Power window Cloth Indicate colour	/LL /R -76	1	
(1)	911 555 031 19	Door panel Power window Cloth Indicate colour	/RL /L 76	1	
(1)	911 555 032 19	Door panel Power window Cloth Indicate colour	/RL /R 76	1	
(1)	911 555 031 32	Door trim panel Power window Cloth Indicate colour	/LL /L 77-	1	
(1)	911 555 032 32	Door trim panel Power window Cloth Indicate colour	/LL /R 77-	1	
(1)	911 555 031 33	Door panel Power window Cloth Indicate colour	/RL /L 77-	1	
(1)	911 555 032 33	Door trim panel Power window Cloth Indicate colour	/RL /R 77-	1	
(1)	930 555 031 70	Door panel Power window Leather Quilted Indicate colour	/LL /L 76	X	
(1)	930 555 032 70	Door trim panel Power window Leather Quilted Indicate colour	/LL /R 76	X	

Model: 911 75 Model life 1975>>1977

Pos	Part Number	Description	Remark	Qty	Model
(1)	930 555 031 71	Door panel Power window Leather Quilted Indicate colour	/RL /L 76	X	
(1)	930 555 032 71	Door panel Power window Leather Quilted Indicate colour	/RL /R 76	X	
(1)	930 555 031 72	Door trim panel Power window Leather Quilted Indicate colour	/LL /L 77-	X	
(1)	930 555 032 72	Door trim panel Power window Leather Quilted Indicate colour	/LL /R 77-	X	
(1)	930 555 031 73	Door trim panel Power window Leather Quilted Indicate colour	/RL /L 77-	X	
(1)	930 555 032 73	Door trim panel Power window Leather Quilted Indicate colour	/RL /R 77-	X	
1/1	911 555 013 00	Cover Door speaker		2	
-	999 507 226 01	Clamping washer		6	
(2)	911 555 083 00	Cover strip Leatherette Indicate colour	/L -75	1	
2	911 555 084 00	Cover strip Leatherette Indicate colour	/R -75	1	
(2)	911 555 083 70	Cover strip Leather Indicate colour	/L -75	1	
(2)	911 555 084 70	Cover strip Leather Indicate colour	/R -75	1	
(2)	911 555 083 72	Cover strip Leather Indicate colour	/LL /L	X	
(2)	911 555 084 73	Cover strip Leather Indicate colour	/LL /R	X	
(2)	911 555 083 73	Cover strip Leather Indicate colour	/RL /L	X	
(2)	911 555 084 72	Cover strip Leather Indicate colour	/RL /R	X	
3	900 145 071 07	Tapping screw B 3,5 X 13		2	
4	999 591 116 07	Cone washer		2	
5	N 013 958 7	Oval-head sheetmetal screw B 3,5 X 13		2	
6	914 552 233 10	Filler piece		2	

Model: 911 75 Model life 1975>>1977

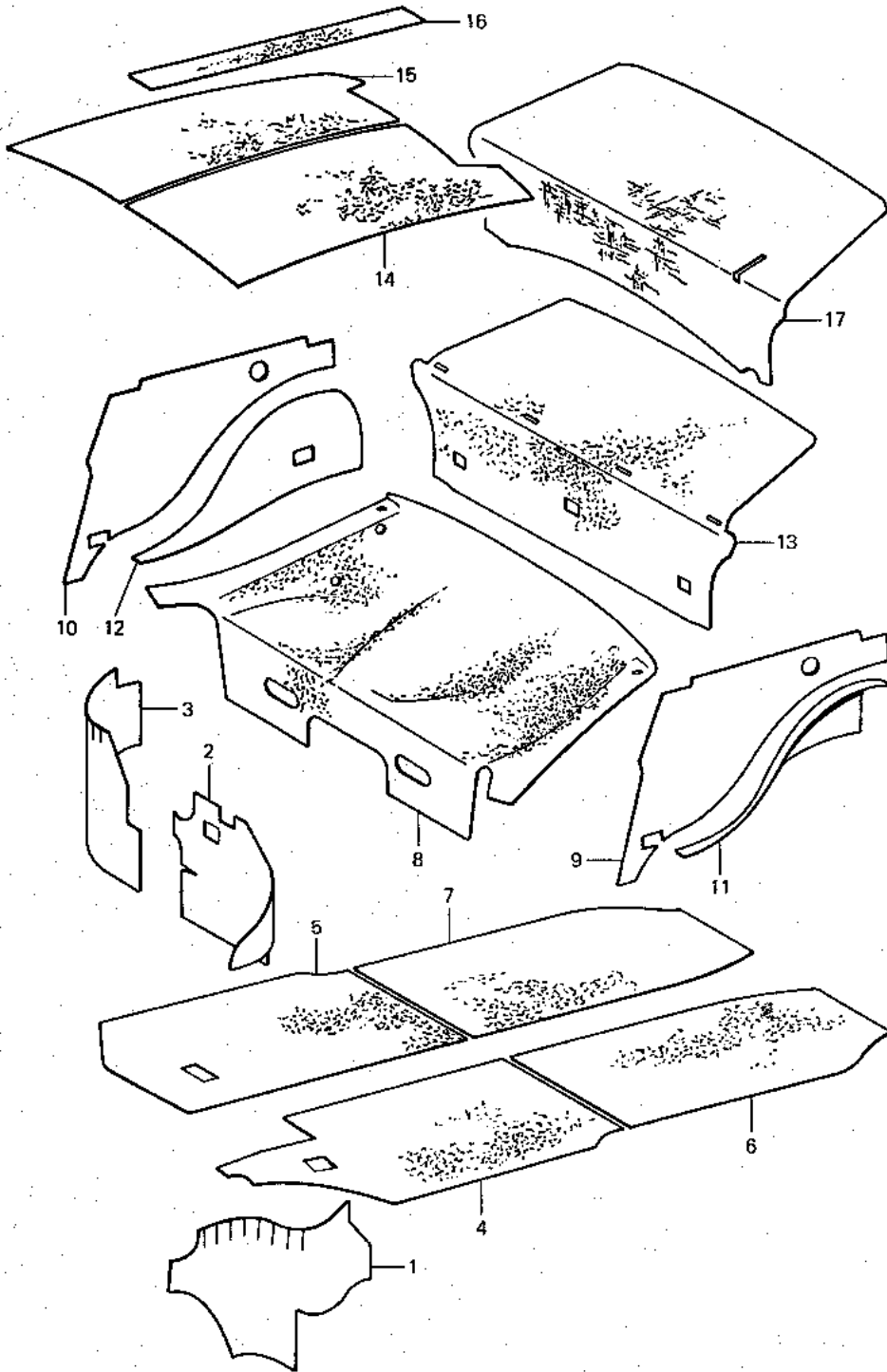
Pos	Part Number	Description	Remark	Qty	Model
6	914 552 233 10 01C	Filler piece Black		2	
7	999 591 311 40	Bush		6	
8	823 867 299	Clip		6	
(9)	930 555 037 01	Package box Wrapping strap Leather Velour pile State colour of carpet	/L	1	
(9)	930 555 038 01	Package box Wrapping strap Leather Velour pile State colour of carpet	/R	1	
-	930 555 039 00	Cover Package box Velour pile State colour of carpet	/L	1	
-	930 555 040 00	Cover Package box Velour pile State colour of carpet	/R	1	
10	911 555 391 00	Mounting		2	
11	900 143 046 07	Tapping screw B 4,8 X 16		2	
12	N 014 098 6	Rais. counters. h. tap. s. B 4,8 X 16		2	
13	999 704 605 07	Cone washer	-75	2	
13		Cone washer	76-	2	
14	911 555 323 00	Mounting	-76	6	
14	911 555 323 01	Mounting		6	
14/1	911 555 333 00	Desk pad	-76	6	
15	900 269 037 07	Countersunk-head screw M 4 X 20	-76	12	
(15)	900 269 058 07	Countersunk-head screw M 4 X 25	77-	6	
-	999 591 103 17	Protection washer	77-	6	
-	PCG 591 103 17	Protection washer	77-	6	
16	900 145 041 00	Rais. counters. h. tap. s. B 3,5 X 16		6	
17	999 591 102 12	Washer		6	
(18)	911 555 097 00	Grab handle	/L	1	
18	911 555 098 00	Grab handle	/R	1	
18/1	N 014 761 2	Pan-head screw M 6 X 12		4	
18/1	900 119 129 01	Pan-head screw M 6 X 12		4	
18/2	900 028 008 01	Lock ring B 6		4	
(19)	911 531 205 00	Door opener	/L	1	
19	911 531 206 00	Door opener	/R	1	
20	900 145 075 07	Tapping screw B 4,2 X 16		2	
21	999 591 102 07	Protection washer		2	
(22)	911 555 039 00	Lid	/L	1	
22	911 555 040 00	Lid	/R	1	
22/1	914 555 059 10	Support		2	
22/2	900 146 011 02	Oval-head screw AM 4 X 10		2	
22/3	N 012 224 3	Spring washer B 4		2	
22/4	900 151 028 02	Washer B 4,3		2	

Model: 911 75 Model life 1975>>1977

Pos	Part Number	Description	Remark	Qty	Model
22/4	900 151 028 01	Washer B 4,3		2	
(23)	911 555 045 03	Bearing	/L	1	
23	911 555 046 03	Bearing	/R	1	
24	900 143 046 07	Tapping screw B 4,8 X 16		4	
25	N 014 098 6	Rais. counters. h. tap. s. B 4,8 X 16		2	
26	999 704 605 07	Cone washer		2	

Model: 911 75

Model life 1975>>1977

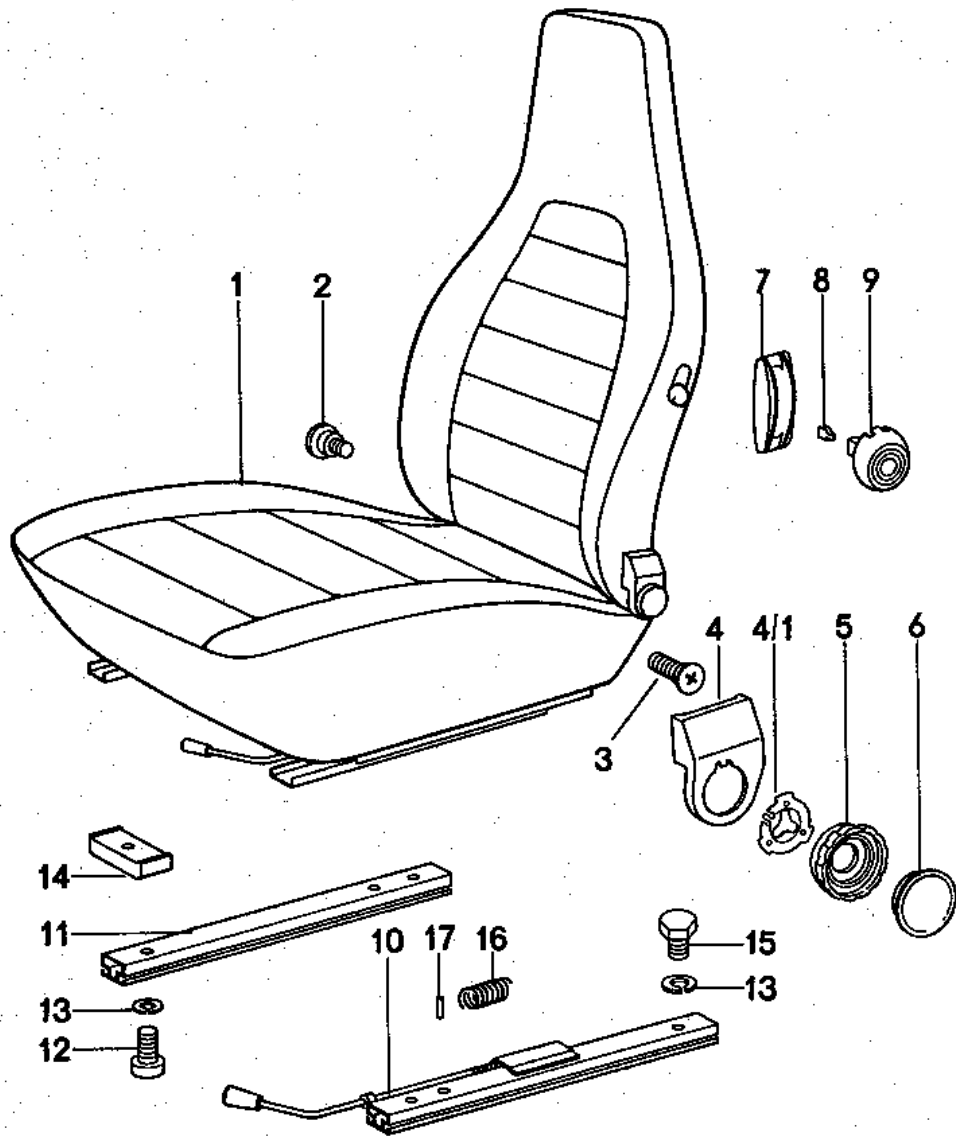


Model: 911 75 Model life 1975>>1977

Pos	Part Number	Description	Remark	Qty	Model
		Body			
1	911 556 902 00	Sound proofing 1			
(1)		Damping mat	/V /L	1	
		Damping mat	/V /R	1	
2		Wheel housing			
		Damping mat	/LL /R	1	
-		Pedal floor board			
		Damping mat	/RL /R	1	
		Pedal floor board			
		And			
4		Wheel housing			
		Damping mat	/LL /L	1	
4		Damping mat	/RL /L	1	
		Floor			
5		Damping mat	/LL /R	1	
5		Damping mat	/RL /R	1	
		Floor			
6		Damping mat	/H /L	1	
		Floor			
7		Damping mat	/H /R	1	
		Floor			
(8)	930 556 233 02	Damping mat		1	
		Seat well			
9	999 913 006 00	Sound absorber	/L	*	
		Wheel housing panel			
		Upper			
10		Sound absorber	/R	*	
		Wheel housing panel			
		Upper			
11		Sound absorber	/L	*	
		Wheel housing panel			
		Lower			
12		Sound absorber	/R	*	
		Wheel housing panel			
		Lower			
(13)	930 556 239 00	Sound absorbing plate		1	
		for rear panel			
14	911 556 023 01	Damping mat	/L	1	
		Roof			
14	911 556 023 02	Damping mat	/L	1	
		Roof			
		100 X 90			
		It is necessary to rework			
15	911 556 023 01	Damping mat	/R	1	
		Roof			
15	911 556 023 02	Damping mat	/R	1	
		Roof			
		100 X 90			
		It is necessary to rework			
16	911 556 248 00	Damping strip		4	
17	930 556 891 02	Damping mat		1	
		for engine compartment			
-	999 913 006 00	Sound absorber		*	

Model: 911 75

Model life 1975>>1977



Model: 911 75 Model life 1975>>1977

Pos	Part Number	Description	Remark	Qty	Model
(1)	911 521 001 60	Front seat Complete			
		Front seat Leather	/L -76	1	
		Please state the colour			
(1)	911 521 002 60	Front seat Leather	/R -76	1	
		Please state the colour			
(1)	911 521 001 84	Front seat Leather	/L 77-	1	
		Please state the colour			
(1)	911 521 002 84	Front seat Leather	/R 77-	1	
		Please state the colour			
(1)	930 521 001 61	Front seat Cloth Leather	/L -76	1	
		Please state the colour			
(1)	930 521 002 61	Front seat Cloth Leather	/R -76	1	
		Please state the colour			
(1)	930 521 001 20	Front seat Cloth Cloth Leather	/L 77-	1	
		Please state the colour			
(1)	930 521 002 20	Front seat Cloth Cloth Leather	/R 77-	1	
		Please state the colour			
(1)	911 521 001 85	Front seat Cloth Leather	/L 77-	1	
		Please state the colour			
(1)	911 521 002 85	Front seat Cloth Leather	/R 77-	1	
		Please state the colour			
2	911 521 371 00	Screw		2	
3	911 521 543 00	Lens-head screw M 8 X 18		4	
(3)	911 521 547 00	Screw M 10 X 20		4	
(4)	911 521 359 02	Cover	/L	1	
(4)	911 521 360 02	Cover	/R	1	
4/1	911 521 571 00	Tensioning spring		2	
(5)	911 521 381 02	Cover for backrest adjustment Comprising: POS. 5 Shifting wheel POS. 6 Cover		2	
5	911 521 381 00	Shifting wheel		2	
6	911 521 383 00	Cover		2	
6	911 521 381 02	Cover		2	
7	311 881 607 A	Cover		2	
8	311 881 247	Clip		2	
9	113 881 633 E	Control button		2	
	113 881 633 E 01C	Satin black			
10	911 521 501 00	Seat rail	/L	1	

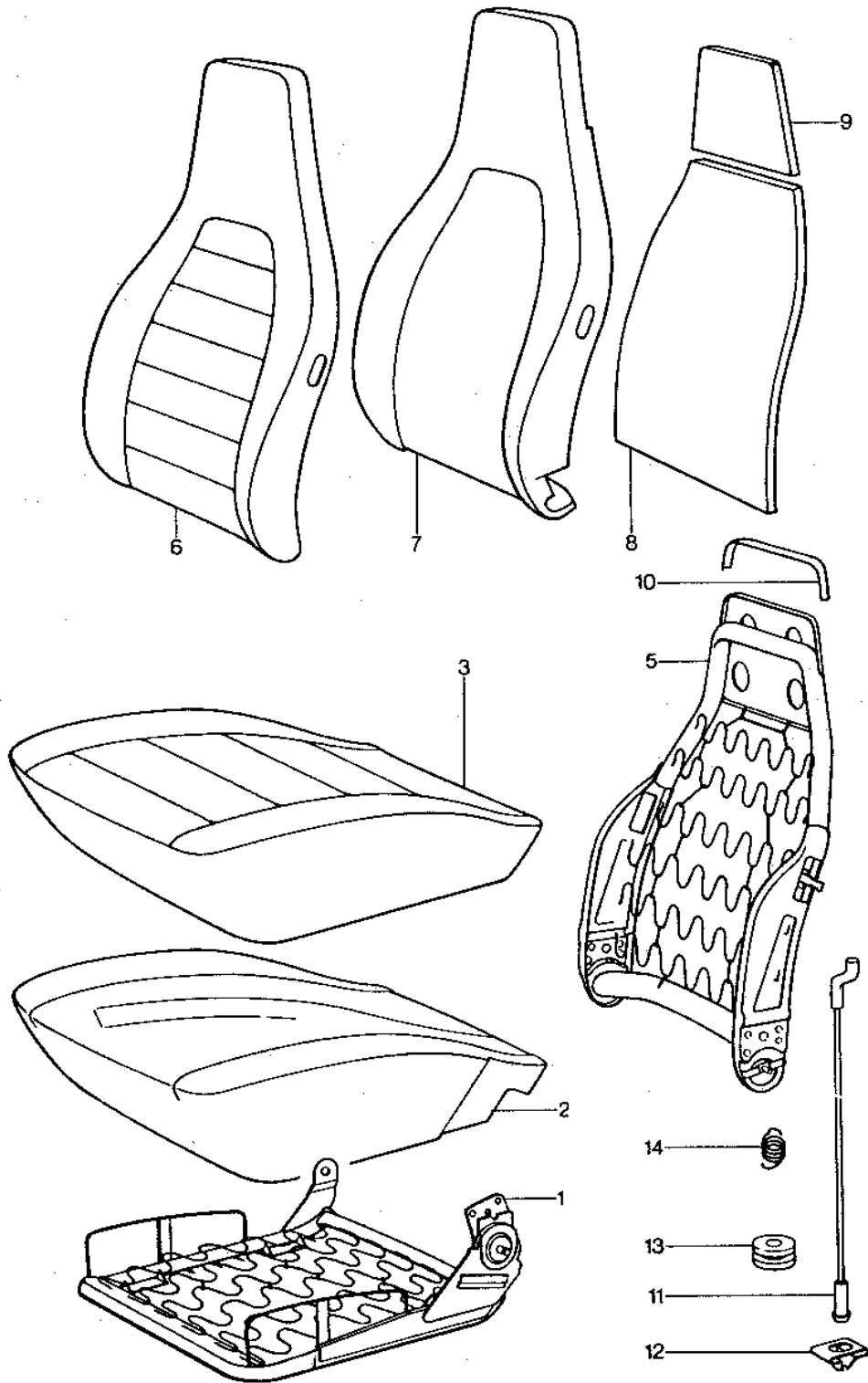
Model: 911 75

Model life 1975>>1977

Pos	Part Number	Description	Remark	Qty	Model
10	928 521 489 02	Seat rail	/L	1	
(10)	911 521 502 00	Seat rail	/R	1	
(10)	928 521 490 02	Seat rail	/R	1	
-	911 521 533 01	Handle for longitudinal adjustment		2	
	911 521 533 01 01C	Satin black			
11	944 521 491 00	Seat rail		2	
11		Seat rail		2	
		See TPI			
		GR. 8 NR. 34			
12	N 014 761 2	Pan-head screw		8	
		M 6 X 12			
12	900 119 129 01	Pan-head screw		8	
		M 6 X 12			
(12)	900 186 038 02	Pan-head screw		8	
		M 6 X 40			
13	N 012 006 4	Lock ring		16	
		B 6			
14	911 521 493 00	Spacer		8	
15	900 075 057 02	Hexagon-head bolt		8	
		M 6 X 16			
15	900 075 057 03	Hexagon-head bolt		8	
		M 6 X 16			
16	911 521 535 00	Return spring	/L	1	
(16)	911 521 536 00	Return spring	/R	1	
17	900 012 123 00	Pin		2	
		A 2,5 X 12			

Model: 911 75

Model life 1975>>1977



Model: 911 75 Model life 1975>>1977

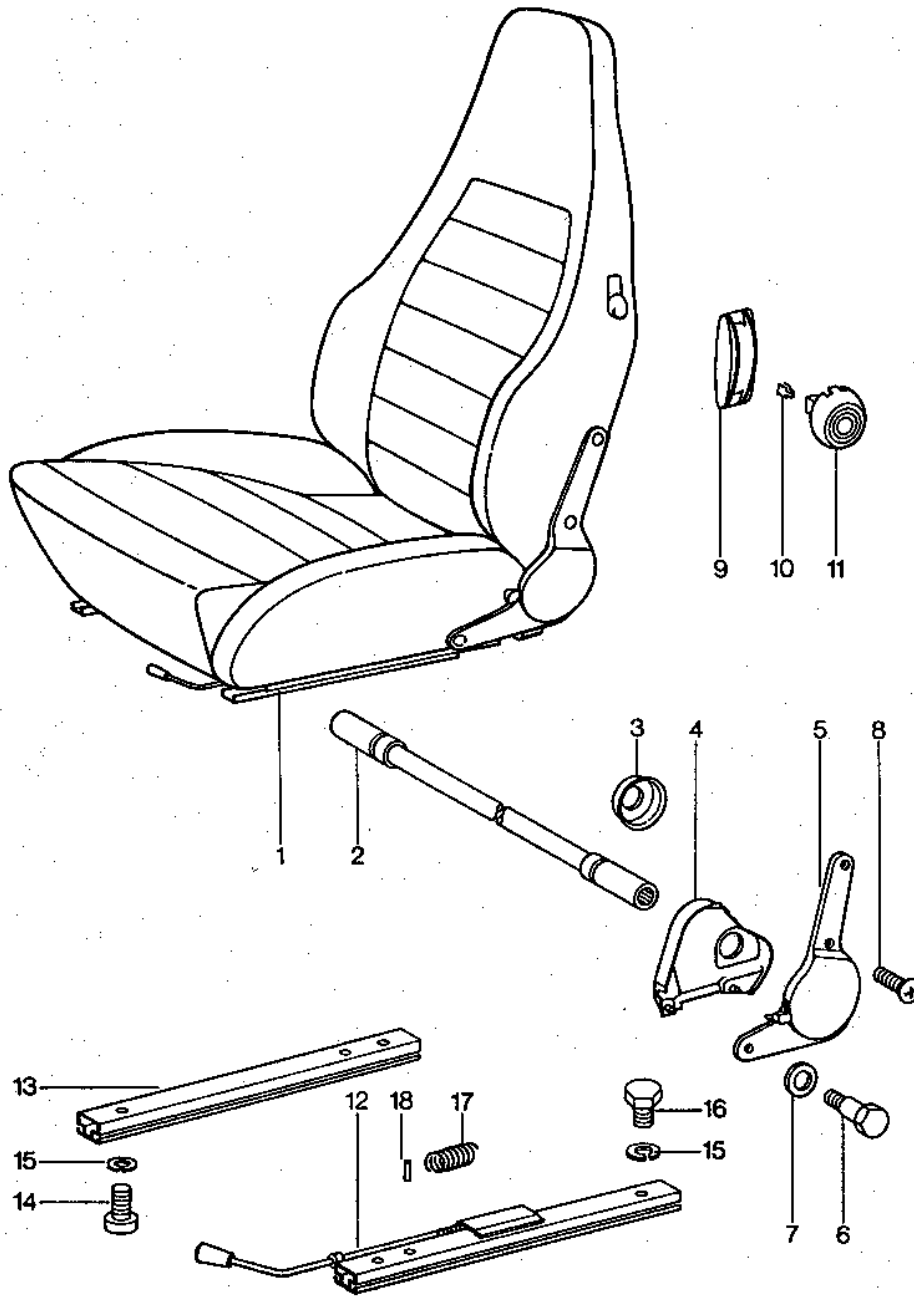
Pos	Part Number	Description	Remark	Qty	Model
		Front seat Single parts			
1	911 521 069 56	Seat frame	/L	1	
(1)	911 521 070 56	Seat frame	/R	1	
(2)	911 521 385 01	Foam part	/L -76	1	
		Seat cushion without			
(2)	911 521 386 01	Contact switch Foam part	/R -76	1	
		Seat cushion without			
(2)	911 521 385 02	Contact switch Foam part	/L 77-	1	
(2)	911 521 386 02	Seat cushion Foam part	/R 77-	1	
(3)	911 521 037 60	Seat cushion Seat cover	/L -76	1	
		Leather			
(3)	911 521 038 60	Please state the colour Seat cover	/R -76	1	
		Leather			
(3)	911 521 037 13	Please state the colour Cover for cushion	/L 77-	1	
		Leather			
(3)	911 521 038 13	Please state the colour Cover for cushion	/R 77-	1	
		Leather			
(3)	930 521 037 61	Please state the colour Seat cover	/L -76	1	
		Leather			
		Cloth			
(3)	930 521 038 61	Please state the colour Seat cover	/R -76	1	
		Leather			
		Cloth			
(3)	930 521 037 10	Please state the colour Cover for cushion	/L 77-	1	
		Cloth			
		Cloth			
		Leather			
(3)	930 521 038 10	Please state the colour Cover for cushion	/R 77-	1	
		Cloth			
		Cloth			
		Leather			
(3)	911 521 037 14	Please state the colour Cover for cushion	/L 77-	1	
		Leather			
		Cloth			
(3)	911 521 038 14	Please state the colour Cover for cushion	/R 77-	1	
		Leather			
		Cloth			
		Please state the colour			
5	911 521 027 57	Backrest frame	/L -75	1	
5	911 521 028 57	Backrest frame	/R -75	1	
5	911 521 027 58	Backrest frame	/L 76-	1	
(5)	911 521 028 58	Backrest frame	/R 76-	1	
(6)	911 521 072 60	Backrest cover	-76	2	
		Leather			
		Please state the colour			
(6)	911 521 072 23	Backrest cover	77-	2	
		Leather			

Model: 911 75 Model life 1975>>1977

Pos	Part Number	Description	Remark	Qty	Model
(6)	930 521 072 61	Please state the colour Backrest cover Leather Cloth	-76	2	
(6)	911 521 072 24	Please state the colour Backrest cover Leather Cloth	77-	1	
(6)	930 521 072 20	Please state the colour Backrest cover Cloth Cloth Leather	77-	2	
7	911 521 393 00	Please state the colour Foam part Backrest	/L -76	1	
(7)		Foam part Backrest	/R -76	1	
7	911 521 393 02	Foam part Backrest	/L /R 77-	2	
8	911 521 575 00	Filler piece Backrest frame		2	
9	911 521 435 00	Filler piece Head rest		2	
-	911 521 437 00	Slide 350 X 300		2	
10	999 911 200 40	Edge protection profile 210 MM		2	
11	911 521 361 00	Wire pull		2	
11	911 521 361 02	Wire pull		2	
12	911 521 369 00	Terminal		2	
13	911 521 343 00	Guide bush		2	
14	311 881 287 A	Tension spring		2	

Model: 911 75

Model life 1975>>1977



Model: 911 75 Model life 1975>>1977

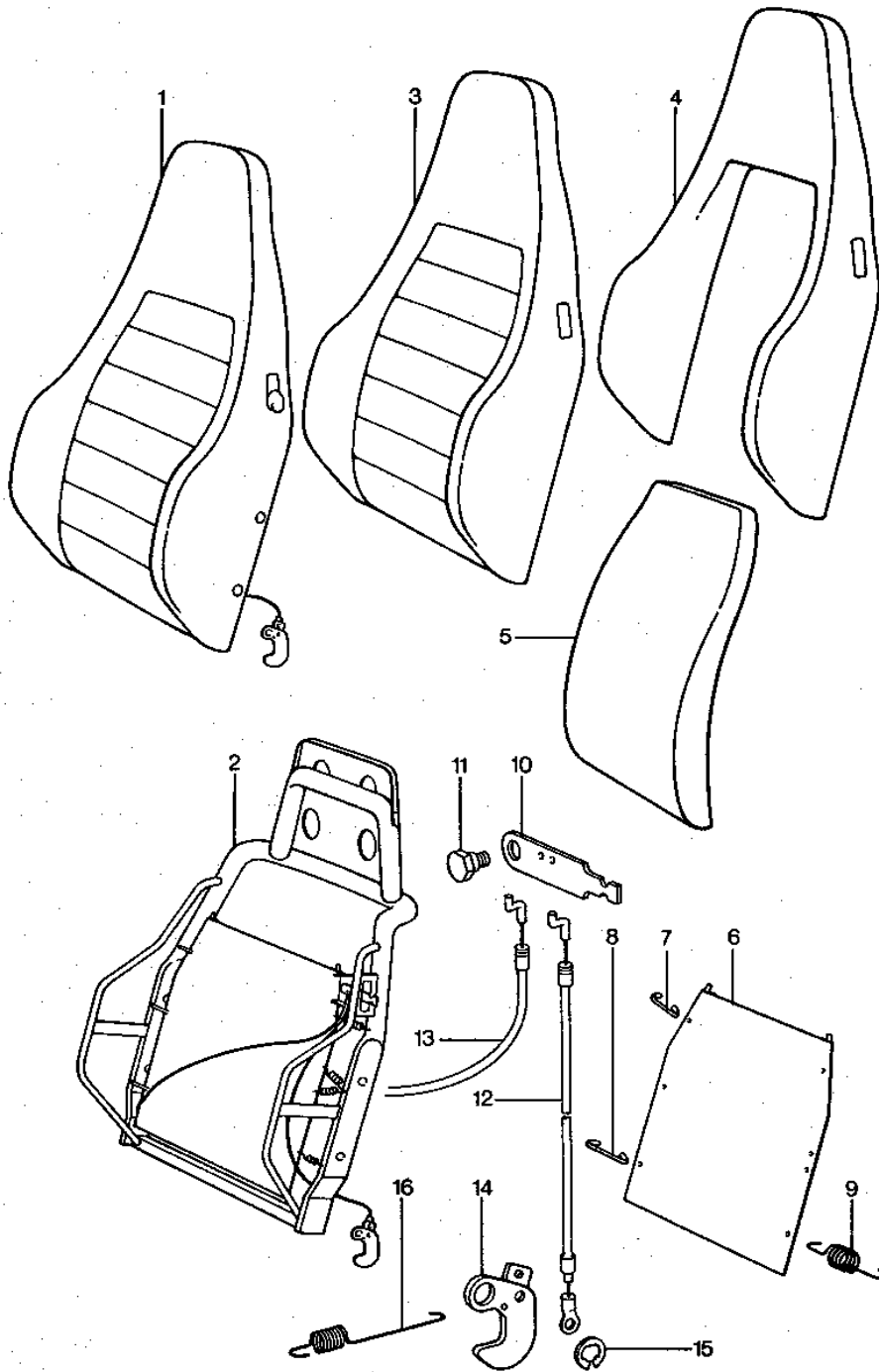
Pos	Part Number	Description	Remark	Qty	Model
1	911 521 007 55	Sports seat Complete Sports seat Cloth Leatherette without Contact switch Please state the colour	/L	1	
1	911 521 008 55	Sports seat Cloth Leatherette without Contact switch Please state the colour	/R	1	
(1)	911 521 007 56	Sports seat Leatherette without Contact switch Please state the colour	/L	1	
(1)	911 521 008 56	Sports seat Leatherette without Contact switch Please state the colour	/R	1	
(1)	911 521 007 57	Sports seat Leather without Contact switch Please state the colour	/L	1	
(1)	911 521 008 57	Sports seat Leather without Contact switch Please state the colour	/R	1	
2	911 521 045 03	Connecting rod		2	
3	911 521 147 01	Cap		2	
4	911 521 731 00	Inner part	/L	1	
(4)	911 521 732 00	Inner part	/R	1	
5	911 521 041 03	Reclining seat fitting with Lever Left seat	/L	1	
(5)	911 521 042 03	Reclining seat fitting with Lever Right seat	/R	1	
(5)	911 521 044 03	Reclining seat fitting without Lever Left seat	/R	1	
(5)	911 521 043 03	Reclining seat fitting without Lever Right seat	/L	1	
6	911 521 695 00	Hexagon-head bolt		4	
7	911 521 130 01	Washer		4	
8	911 521 715 00	Rais. counters. h. tap. s.		8	
8	900 270 033 02	Lens-head screw M 8 X 30		8	
9	311 881 607 A	Cover Actuating lever		2	
10	311 881 247	Clip		2	
11	113 881 633 D	Knob		2	

Model: 911 75 Model life 1975>>1977

Pos	Part Number	Description	Remark	Qty	Model
11	113 881 633 E	Control button		2	
	113 881 633 E 01C	Satin black			
12	911 521 501 00	Seat rail	/L	1	
		with locking device			
12	928 521 489 02	Seat rail	/L	1	
		with locking device			
(12)	911 521 502 00	Seat rail	/R	1	
		with locking device			
(12)	928 521 490 02	Seat rail	/R	1	
		with locking device			
13	944 521 491 00	Seat rail		2	
		without locking device			
		See TPI			
		GR. 8 NR. 34			
13		Seat rail		2	
		without locking device			
		See TPI			
		GR. 8 NR. 34			
14	900 186 018 02	Pan-head screw		8	
		M 6 X 20			
15	N 012 006 4	Lock ring		16	
		B 6			
16	900 075 057 02	Hexagon-head bolt		8	
		M 6 X 16			
16	900 075 057 03	Hexagon-head bolt		8	
		M 6 X 16			
17	911 521 535 00	Return spring	/L	1	
(17)	911 521 536 00	Return spring	/R	1	
18	900 012 123 00	Pin		2	
		A 2,5 X 12			

Model: 911 75

Model life 1975>>1977



Model: 911 75 Model life 1975>>1977

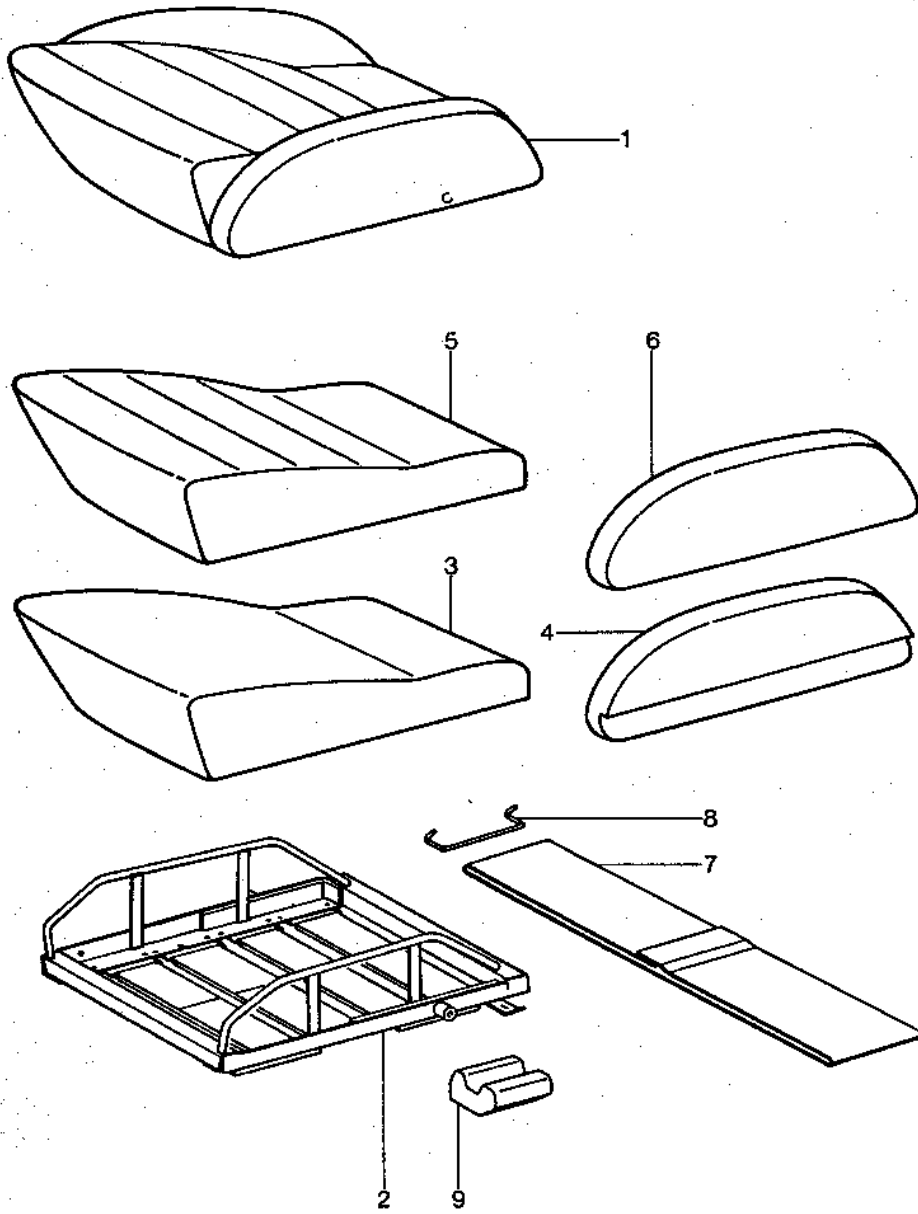
Pos	Part Number	Description	Remark	Qty	Model
(1)	911 521 603 00	Sports seat Backrest Single parts Backrest Complete Cloth Leatherette Please state the colour	/L	1	
(1)	911 521 604 00	Backrest Complete Cloth Leatherette Please state the colour	/R	1	
1	911 521 603 01	Backrest Complete Leatherette Please state the colour	/L	1	
1	911 521 604 01	Backrest Complete Leatherette Please state the colour	/R	1	
(1)	911 521 603 02	Backrest Complete Leather Please state the colour	/L	1	
(1)		Backrest Complete Leather Please state the colour	/R	1	
2	911 521 613 00	Backrest frame	/L	1	
(2)	911 521 614 00	Backrest frame	/R	1	
(3)	911 521 072 01	Backrest cover Cloth Leatherette Please state the colour		2	
3	911 521 072 02	Backrest cover Leatherette Please state the colour		2	
(3)	911 521 072 03	Backrest cover Leather Please state the colour		2	
4	911 521 751 00	Foam part		2	
5	911 521 104 01	Backrest cushion		2	
5	911 521 104 02	Foam part Backrest cushion		2	
6	911 521 651 00	Seat belt		2	
7	911 521 693 00	Belt hook Upper		2	
8	911 521 713 00	Belt hook Lower		4	
9	911 521 689 00	Shift spring		8	
10	911 521 721 00	Backrest locking lever		2	
11	911 521 723 00	Shouldered bolt		2	
12	911 521 615 00	Bowden cable Short		2	
13	911 521 616 00	Bowden cable Long		2	
14	911 521 563 00	Locking hook	/L	2	
(14)	911 521 564 00	Locking hook	/R	2	
15	N 012 439 2	Lock washer 8		4	

Model: 911 75 **Model life** 1975>>1977

Pos	Part Number	Description	Remark	Qty	Model
16	911 521 733 00	Tension spring	/L	1	
(16)	911 521 734 00	Tension spring	/R	1	

Model: 911 75

Model life 1975>>1977

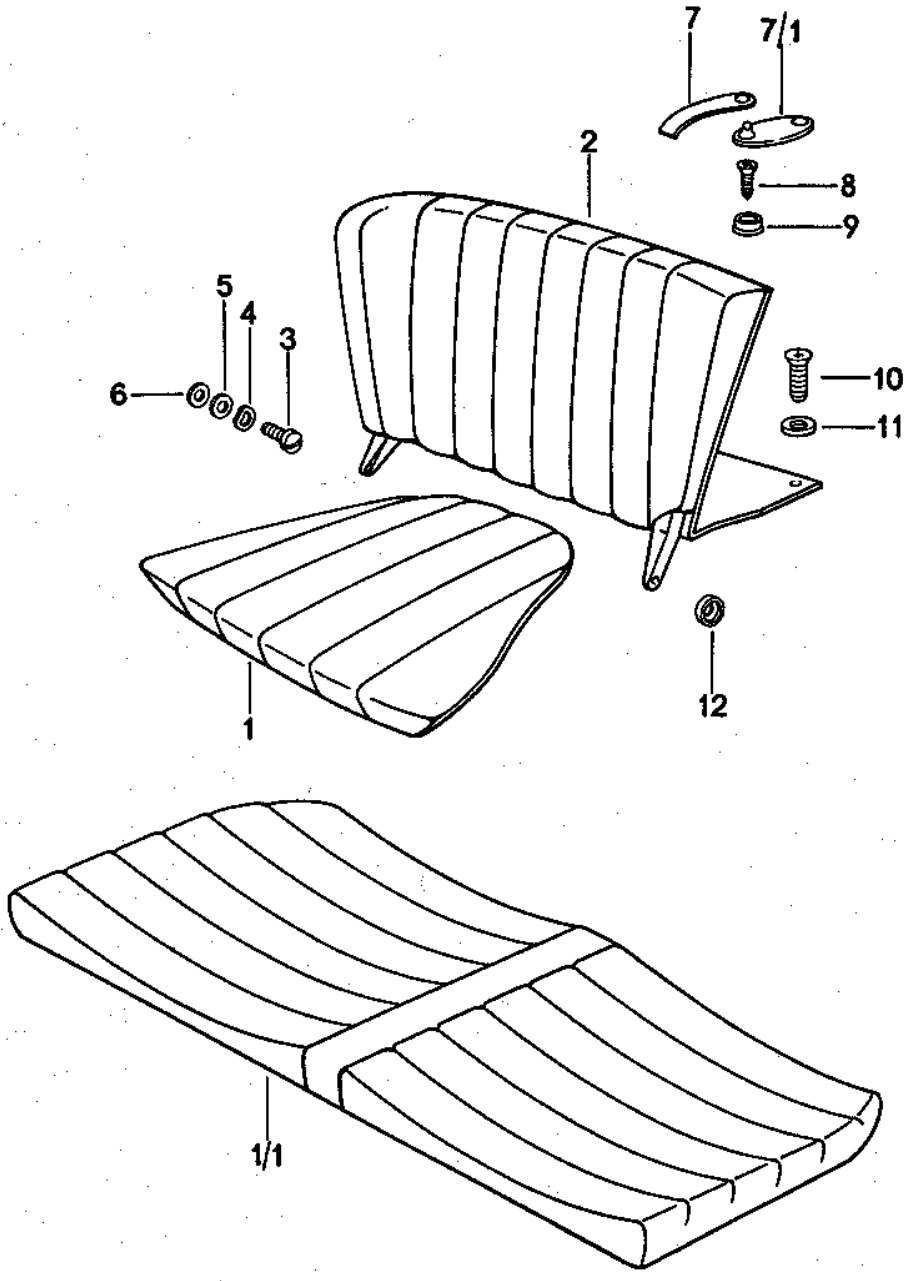


Model: 911 75 Model life 1975>>1977

Pos	Part Number	Description	Remark	Qty	Model
(1)	911 521 605 00	Sports seat Seat cushion Single parts Seat cushion Complete without Contact switch Cloth Leatherette Please state the colour		2	
1	911 521 605 01	Seat cushion Complete without Contact switch Leatherette Please state the colour		2	
(1)	911 521 605 02	Seat cushion Complete without Contact switch Leather Please state the colour		2	
2	911 521 621 00	Seat frame with suspension		2	
3	911 521 679 00	Foam part Seat cushion		2	
4	911 521 683 00	Foam part Seat side bolster	/L	2	
(4)	911 521 684 00	Foam part Seat side bolster	/R	2	
(5)	911 521 197 02	Cover for cushion Cloth Please state the colour		2	
5	911 521 197 03	Cover for cushion Leatherette Please state the colour		2	
(5)	911 521 197 04	Cover for cushion Leather Please state the colour		2	
(6)	911 521 073 01	Seat side bolster cover Cloth Please state the colour	/L	2	
(6)	911 521 074 01	Seat side bolster cover Cloth Please state the colour	/R	2	
6	911 521 073 02	Seat side bolster cover Leatherette Please state the colour	/L	2	
(6)	911 521 074 02	Seat side bolster cover Leatherette Please state the colour	/R	2	
(6)	911 521 073 03	Seat side bolster cover Leather Please state the colour	/L	2	
(6)	911 521 074 03	Seat side bolster cover Leather Please state the colour	/R	2	
7	911 521 685 00	Belt		8	
8	911 521 691 00	Belt hook		16	
9	901 521 191 00	Rubber support	/L	2	
(9)	901 521 192 00	Rubber support	/R	2	

Model: 911 75

Model life 1975>>1977



Model: 911 75

Model life 1975>>1977

Pos	Part Number	Description	Remark	Qty	Model
(1)	930 522 051 70	Back seat Back seat cushion Leather Please state the colour	/L -76	1	
(1)	930 522 052 70	Back seat cushion Leather Please state the colour	/R -76	1	
(1)	911 522 051 74	Back seat cushion Leather Please state the colour	/L 77-	1	
(1)	930 522 051 74	Back seat cushion Leather Please state the colour	/L	1	
(1)	911 522 052 74	Back seat cushion Leather Please state the colour	/R 77-	1	
(1)	930 522 052 74	Back seat cushion Leather Please state the colour	/R	1	
(1)	930 522 051 00	Back seat cushion Cloth Leather Please state the colour	/L -76	1	
(1)	930 522 052 00	Back seat cushion Cloth Leather Please state the colour	/R -76	1	
(1)	930 522 051 01	Back seat cushion Cloth Please state the colour	/L 77-	1	
(1)	930 522 052 01	Back seat cushion Cloth Please state the colour	/R 77-	1	
1/1	911 522 050 70	Back seat cushion Leather Please state the colour	(J)	1	
(2)	930 522 005 04	Back seat backrest Carpet Velour pile Tartan cloth Leather Stereo rear loudspeaker Please state the colour	/L 77-	1	
(2)	930 522 006 04	Back seat backrest Carpet Velour pile Tartan cloth Leather Stereo rear loudspeaker Please state the colour	/R 77-	1	
(2)	911 522 005 77	Back seat backrest Carpet Velour pile Leather Please state the colour	/L -76	1	
(2)	911 522 006 77	Back seat backrest Carpet Velour pile Leather Please state the colour	/R -76	1	
(2)	930 522 005 00	Back seat backrest Carpet Velour pile	/L -75	1	

Model: 911 75 Model life 1975>>1977

Pos	Part Number	Description	Remark	Qty	Model
(2)	930 522 006 00	Cloth Leather Please state the colour Back seat backrest Carpet Velour pile	/R -75	1	
(2)	930 522 005 70	Cloth Leather Please state the colour Back seat backrest with Turbo Logo Carpet Velour pile	/L 76	1	
(2)	930 522 005 72	Leather Please state the colour Back seat backrest with Turbo Logo Carpet Velour pile	/L 77-	1	
(2)	930 522 005 02	Leather Please state the colour Back seat backrest with Turbo Logo Carpet Velour pile	/L 76	1	
(2)	930 522 005 06	Cloth Leather Please state the colour Back seat backrest with Turbo Logo Carpet Velour pile	/L 77-	1	
(2)	911 522 006 79	Cloth Leather Please state the colour Back seat backrest Carpet Velour pile	/R 77-	1	
(2)	911 522 005 73	Stereo rear loudspeaker Please state the colour Back seat backrest Carpet Velour pile	/L (AUS) -76	1	
(2)	911 522 006 73	Leather Please state the colour Back seat backrest Carpet Velour pile	/R (AUS) -76	1	
(2)	930 522 005 07	Leather Please state the colour Back seat backrest with Turbo Logo	/L (AUS)	1	

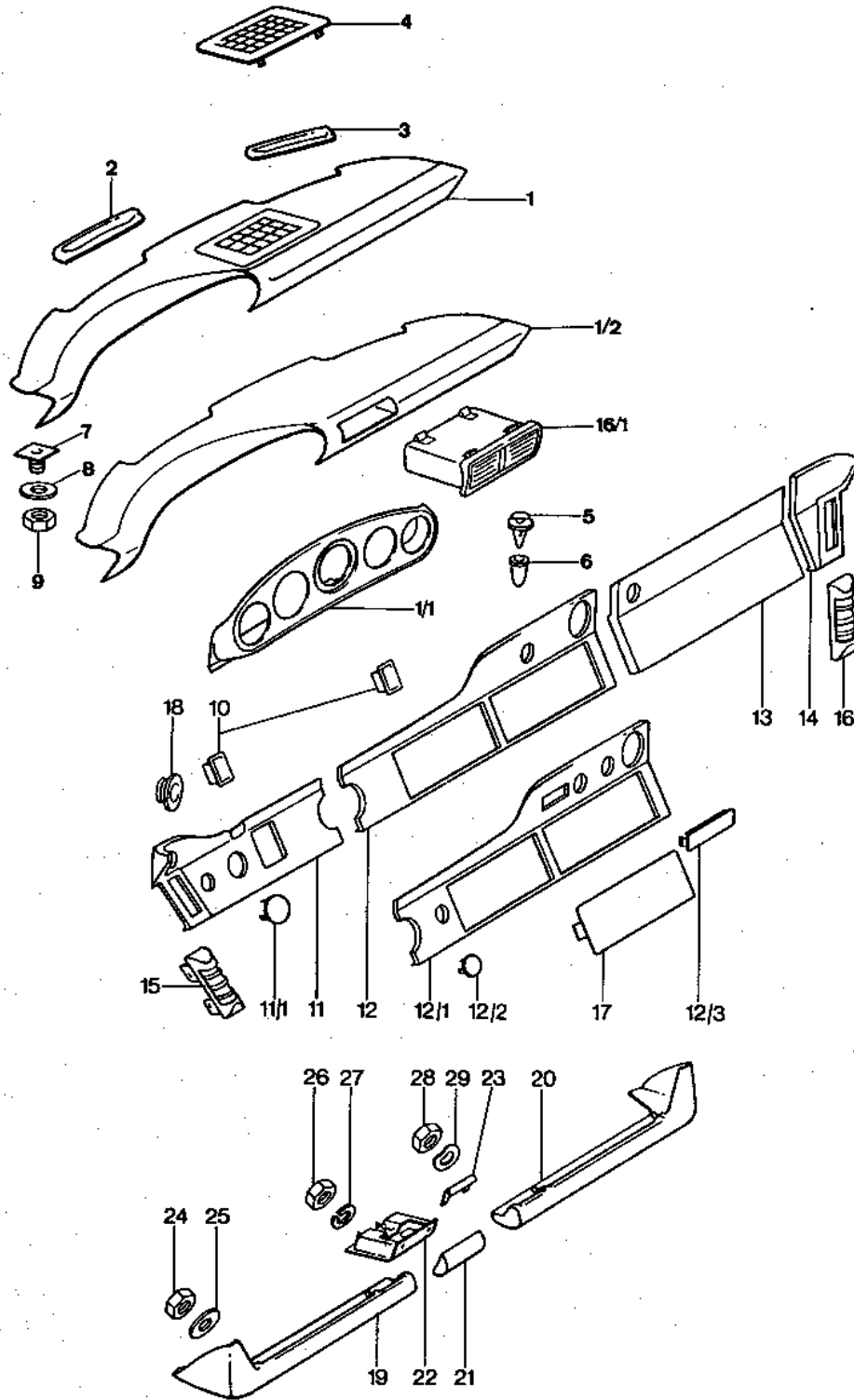
Model: 911 75

Model life 1975>>1977

Pos	Part Number	Description	Remark	Qty	Model
(2)	930 522 005 73	Carpet Velour pile Cloth Please state the colour Back seat backrest with Turbo Logo Carpet Velour pile Leather Please state the colour	/L (AUS)	1	
(2)	930 522 005 01	Back seat backrest Carpet Velour pile Cloth Leather Please state the colour	/L (AUS) 77-	1	
(2)	930 522 006 01	Back seat backrest Carpet Velour pile Cloth Leather Please state the colour	/R (AUS) 77-	1	
3	900 236 001 07	Oval-head screw M 8 X 10		2	
3	900 236 001 03	Oval-head screw M 8 X 10		2	
4	N 012 230 1	Spring washer B 10		2	
5	901 522 509 20	Bearing sleeve		2	
6	999 591 111 50	Rubber washer		X	
(7)	911 645 039 00	Retaining belt Stereo rear loudspeaker		2	
7/1	911 645 037 00	Retaining belt Extension Stereo rear loudspeaker		1	
-	999 591 802 17	Cap for Push button		2	
8	900 143 004 00	Cross-recess screw B 3,5 X 19		2	
8	900 143 004 02	Oval-head sheetmetal screw		2	
9	999 591 805 12	Push button		2	
10	900 145 041 00	Rais. counters. h. tap. s. B 3,5 X 16		2	
11	999 591 009 17	Cone washer		4	
11	999 591 102 17	Washer A 3,5		4	
11	999 591 102 1H	Washer A 3,5		4	
12	901 522 365 20	Cap		2	

Model: 911 75

Model life 1975>>1977



Model: 911 75 Model life 1975>>1977

Pos	Part Number	Description	Remark	Qty	Model
(1)	911 552 905 70	Dash-board Dash-board trim without Grille without Centre nozzle Leather Indicate colour	/LL -76	1	
(1)	911 552 906 70	Dash-board trim without Grille without Centre nozzle Leather Indicate colour	/RL -76	1	
1/2	911 552 055 70	Dash-board trim with Centre nozzle Leather Indicate colour	/LL 77-	1	
1/2	911 552 056 70	Dash-board trim with Centre nozzle Leather Indicate colour	/RL 77-	1	
1/1	911 552 549 00	Cover	76-	1	
2	911 552 409 00	Cover	/L	1	
		Heating nozzle			
3	911 552 410 00	Cover	/R	1	
		Heating nozzle			
5	999 591 310 40	Fixing clip		7	
6	999 591 311 40	Bush		7	
7	999 591 344 02	Latch		2	
8	N 011 524 7	Washer 6,5		7	
8	N 011 524 27	Washer 6,5		7	
9	999 090 003 02	Lock nut M 6		7	
10	911 552 469 00	Trim cover		2	
(11)	911 552 041 04	Cover Comprising: (11,12,13,14)	/LL -75	1	
(11)	911 552 041 10	Cover Comprising: (11,12,13,14)	/LL 76	1	
(11)		Cover Comprising: (11,12,13,14)	/LL 77-	1	
(11)	911 552 942 01	Cover Comprising: (11,12,13,14)	/RL 77-	1	
11/1	911 552 471 01	Trim cover Hazard warning light sw.		1	
15	911 552 071 00	Side vent	/L	1	
16	911 552 072 00	Side vent	/R	1	
16/1	911 571 067 02	Centre nozzle	77-	1	
(16/1)	911 571 067 03	Centre nozzle	77-	1	
		Air conditioner			
17	911 552 463 00	Trim cover Radio		1	
18	911 552 217 00	Rosette Lid-release cable		1	

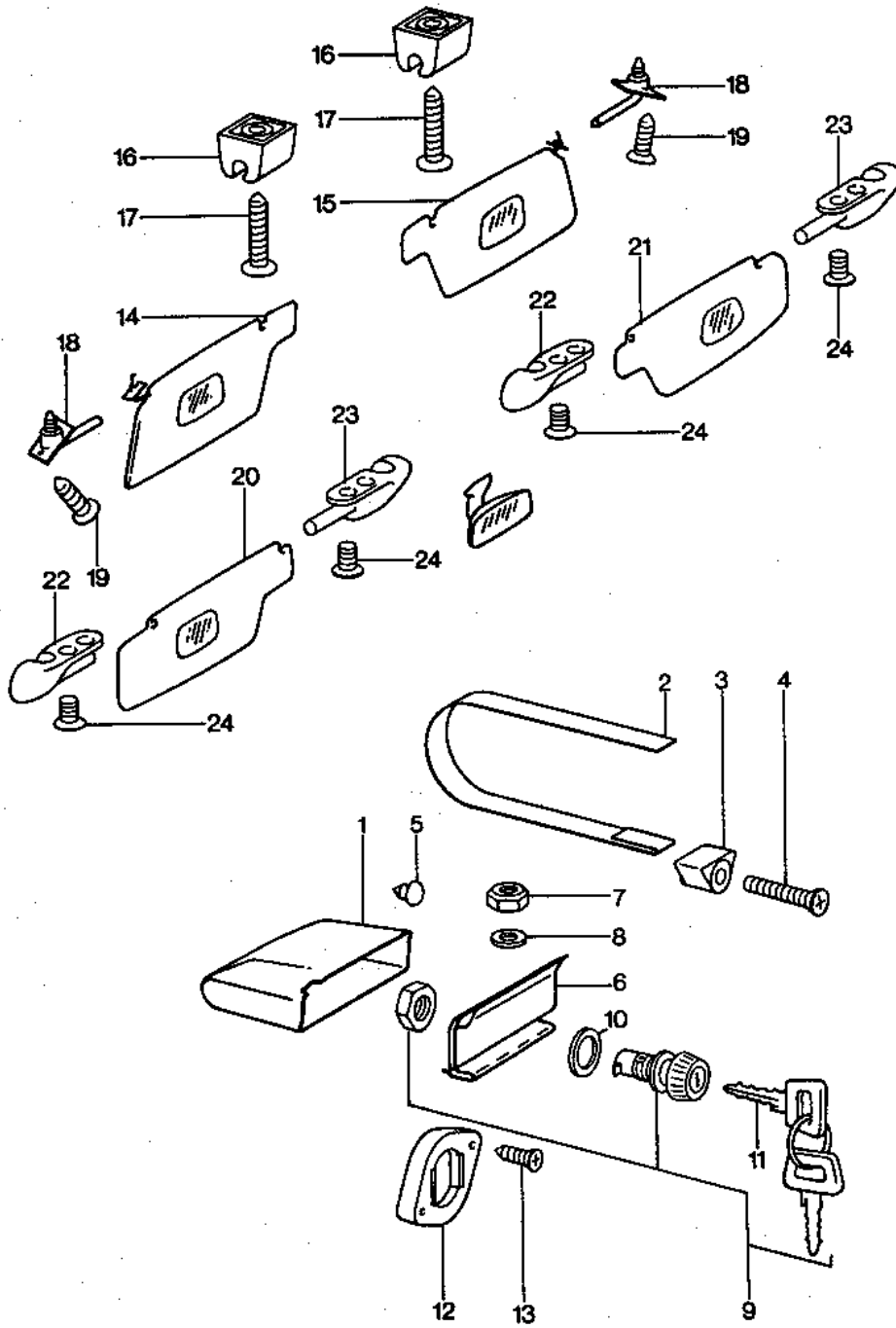
Model: 911 75

Model life 1975>>1977

Pos	Part Number	Description	Remark	Qty	Model
(19)	901 552 035 70	Fuel tank cap Knee protection strip Leather	/L	1	
(20)	901 552 036 70	Indicate colour Knee protection strip Leather	/R	1	
(21)	911 552 050 70	Indicate colour Ashtray handle Leather		1	
22	901 552 061 25	Indicate colour Ashtray		1	
23	901 552 607 00	Fireproof plate		1	
24	900 076 027 02	Nut M 5		4	
25	900 151 027 02	Washer 5,3		4	
25	900 151 027 03	Washer 5,3		4	
26	900 076 027 02	Nut M 5		2	
27	900 025 003 02	Washer 5,3		2	
28	900 070 001 02	Cap nut M 4		2	
29	900 028 018 01	Spring washer B 4		2	

Model: 911 75

Model life 1975>>1977



Model: 911 75 Model life 1975>>1977

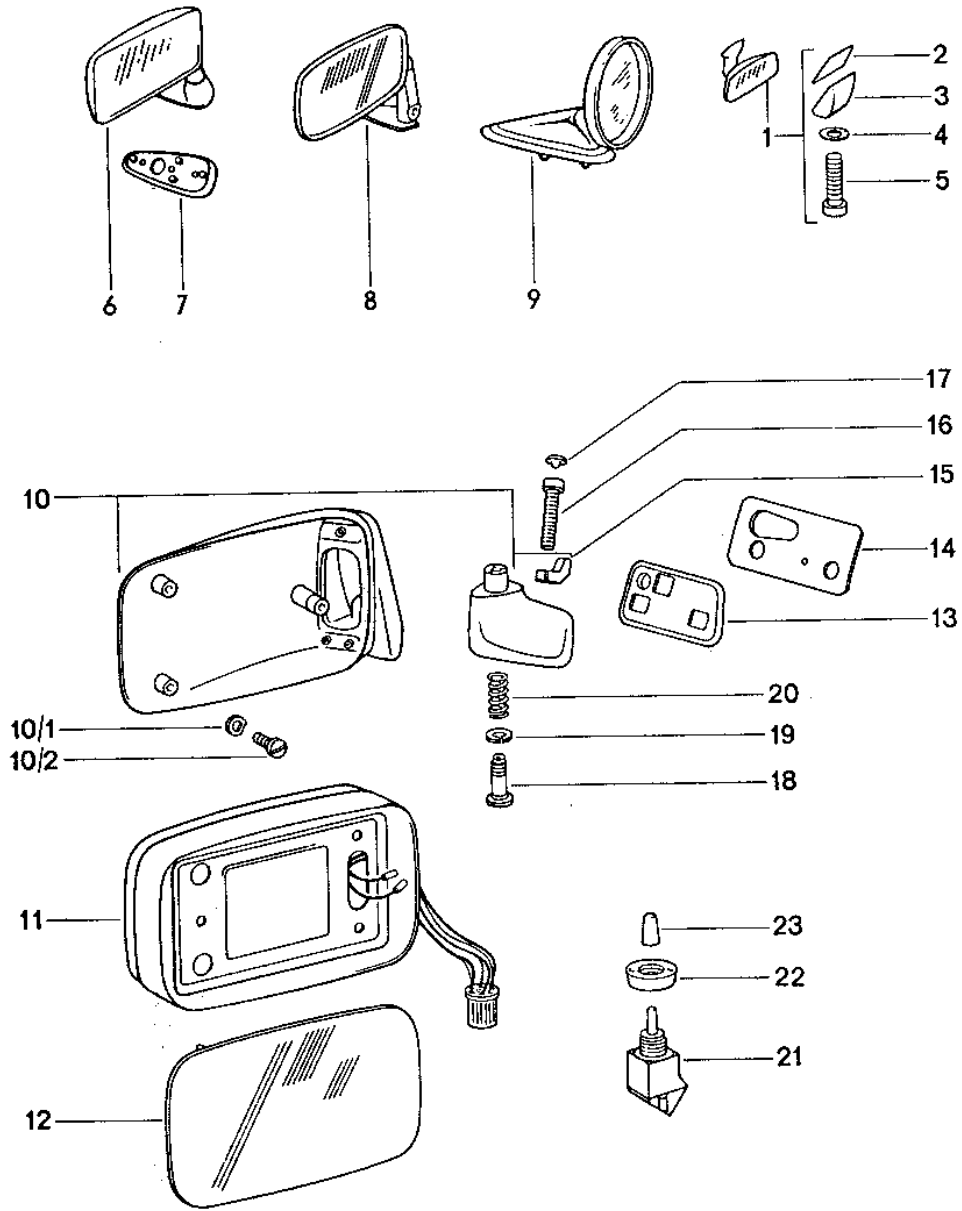
Pos	Part Number	Description	Remark	Qty	Model
		Glove compartment			
		Sun visor			
1	911 552 501 00	Glove compartment		1	
2	901 552 531 20	Restraining strap		1	
3	914 552 061 00	Clamp		1	
4	900 146 010 02	Oval-head screw AM 5 X 30		1	
5	999 703 064 50	Buffer		1	
6	911 552 010 02	Glove compartment cover		1	
8	900 025 003 02	Washer 5,3		4	
9	911 552 902 07	Glove compartment lock Black with Main key W/o stipulated lock number		1	
				2	
9	911 552 902 08	Glove compartment lock Black with Main key State lock number		1	
				2	
10	911 552 103 01	Washer		1	
11	914 531 903 10	Blank key Main key		2	
(11)	911 531 945 00	Blank key with Light without Battery	76-	2	
(11)	911 531 946 00	Main key with Light without Battery State lock number	76-	2	
11	914 531 637 10	Main key State lock number		2	
12	911 552 513 02	Door lock striker		1	
13	900 143 065 07	Tapping screw 2,9 X 9,5		2	
13	900 073 003 01	Tapping screw 2,9 X 9,5		2	
(14)	911 731 031 04	Sun visor without mirror Black	/L (AUS)	1	
(14)	911 731 031 29	Sun visor without mirror Black	/L (AUS)	1	
14	911 731 031 07	Sun visor with mirror Black	/RL /L -76	1	
14	911 731 031 18	Sun visor with mirror Black	/RL /L 77-	1	
(14)	911 731 031 09	Sun visor with mirror Black	/LL /L -76	1	
(14)	911 731 031 14	Sun visor with mirror Black	/LL /L -76	1	
(14)	911 731 031 20	Sun visor with mirror Black	/RL /L 77-	1	

Model: 911 75 Model life 1975>>1977

Pos	Part Number	Description	Remark	Qty	Model
(14)	911 731 031 17	Sun visor without mirror Beige	/LL /L	1	
(14)	911 731 031 19	Sun visor without mirror Black	/LL /L	1	
(15)	911 731 032 04	Sun visor without mirror Black	/R (AUS)	1	
(15)	911 731 032 29	Sun visor without mirror Black	/R (AUS)	1	
15	911 731 032 17	Sun visor with mirror Beige	/LL /R	1	
(15)	911 731 032 08	Sun visor with mirror Black	/LL/R M	1	
(15)	911 731 032 19	Sun visor with mirror Black	/LL /R	1	
(15)	911 731 032 12	Sun visor without mirror	/R 77-	1	
(15)	911 731 032 18	Sun visor without mirror Beige	/RL /R	1	
(15)	911 731 032 09	Sun visor without mirror Black	/R -76	1	
(15)	911 731 032 14	Sun visor without mirror Black	/R -76	1	
(15)	911 731 032 20	Sun visor without mirror Black	/RL /R 77-	1	
16	911 731 331 00	Support	-76	2	
16		Support	77- (AUS)	2	
(16)		Support	77-	2	
17	900 143 111 07	Oval-head sheetmetal screw B 3,9 X 13		2	
18	911 731 320 00	Bearing	-76	2	
(18)	964 731 319 00	Bearing	77-	2	
19	900 145 013 07	Rais. counters. h. tap. s. B 4,2 X 13	-76	4	
19	N 014 093 3	Oval-head sheetmetal screw B 4,2 X 13	77-	4	

Model: 911 75

Model life 1975>>1977



Model: 911 75 Model life 1975>>1977

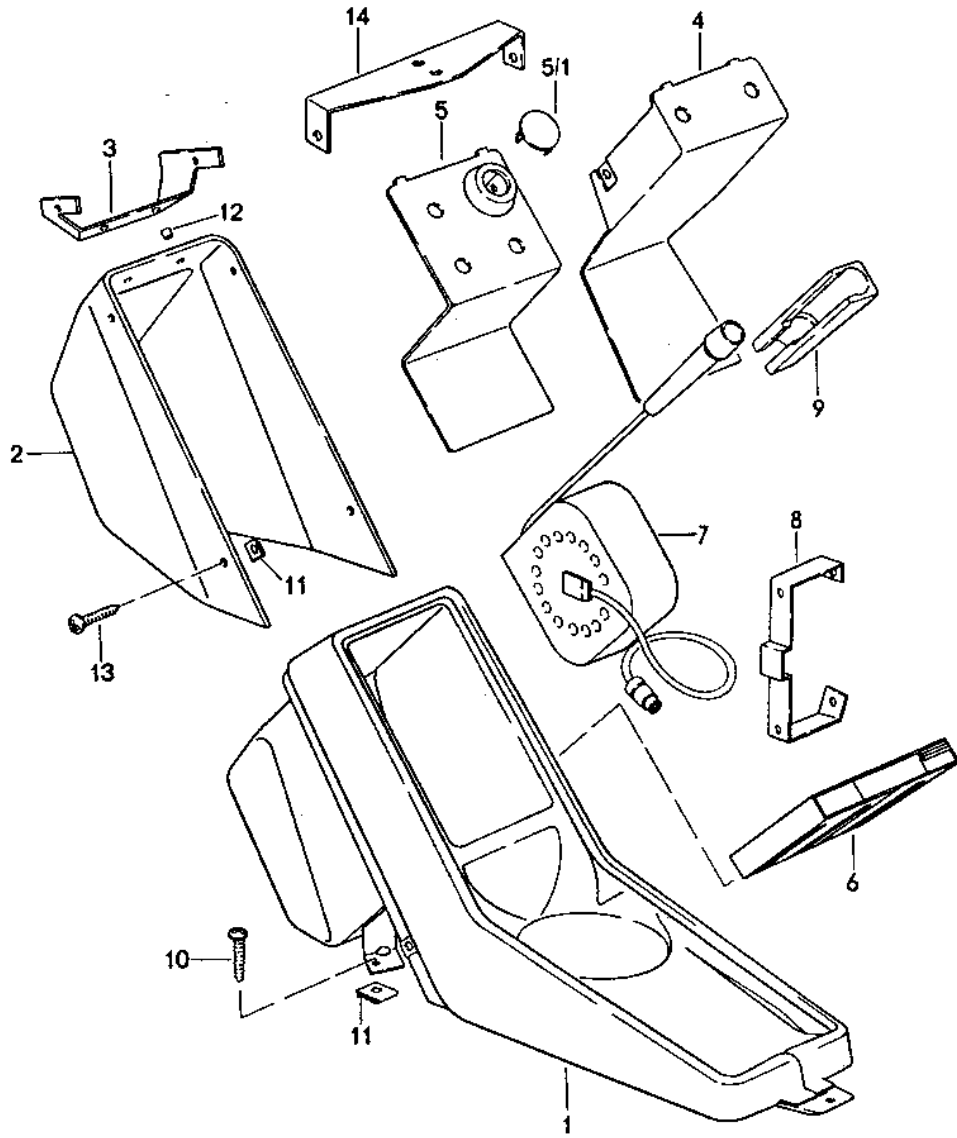
Pos	Part Number	Description	Remark	Qty	Model
		Interior mirror			
		Door mirror			
1	914 731 014 11	Interior mirror		1	
1	914 731 014 12	Interior mirror		1	
2	901 731 133 20	Adhesive plate		1	
3	901 731 113 00	Plate		1	
4	900 114 020 01	Shake-proof washer A 2,8		1	
5	900 014 094 10	Pan-head screw AM 2,6 X 15		1	
(6)	911 731 013 28	Door mirror Black	/L -75	1	
7	911 731 129 00	Desk pad	-75	1	
(8)	911 731 017 20	Door mirror Plane Black	/LL /L -75	1	
-	911 731 181 01	Desk pad	-75	1	
-	900 067 008 03	Pan-head screw M6 X 12	-75	2	
(8)	911 731 017 21	Door mirror Convex Black	/LL /R -75	1	
-	911 731 181 01	Desk pad	-75	1	
-	900 067 008 03	Pan-head screw M6 X 12	-75	2	
(8)	911 731 018 20	Door mirror Plane Black	/RL /R -75	1	
-	911 731 181 01	Desk pad	-75	1	
-	900 067 008 03	Pan-head screw M6 X 12	-75	2	
(8)	911 731 018 21	Door mirror Convex Black with installation parts	/RL /L -75	1	
-	911 731 181 01	Desk pad	-75	1	
-	900 067 008 03	Pan-head screw M6 X 12	-75	2	
9	901 731 111 01	Door mirror Plane	/RL /R -75	1	
9	901 731 111 02	Door mirror Round Plane	/L /R -75	1	
10	911 731 023 00	Installation set Door mirror	/LL /L 76-	1	
(10)	911 731 025 00	Installation set Door mirror	/RL /L 76-	1	
(10)	911 731 026 00	Installation set Door mirror	/LL /R 76-	1	
(10)	911 731 024 00	Installation set Door mirror	/RL /R 76-	1	
10/1	N 012 225 2	Spring washer A 5	76-	3	
10/2	N 014 133 8	Oval-head screw AM 5 X 12	76-	3	
11	911 799 731 09	Covering frame with Transmission	76-	1	
12	911 731 035 00	Mirror glass Plane	76-	1	
(12)	911 731 035 01	Mirror glass Convex	(J) (N) (S) 76-	1	

Model: 911 75 Model life 1975>>1977

Pos	Part Number	Description	Remark	Qty	Model
-	999 703 128 40	Grommet Mirror glass	76-	3	
13	911 731 247 00	Desk pad	/L 76-	1	
(13)	911 731 248 00	Desk pad	/R 76-	1	
14	911 531 197 00	Reinforcement	/L 76-	1	
(14)	911 531 198 00	Reinforcement	/R 76-	1	
15		Mounting piece	76-	1	
16	999 218 021 02	Pan-head screw M 5 X 35	76-	1	
16	999 218 021 0C	Pan-head screw M 5 X 35	76-	1	
17	999 703 137 40	Cap	76-	1	
18	911 731 257 00	Guide tube	76-	1	
19	911 731 345 00	Centring washer	76-	1	
20	911 731 029 00	Spring	76-	1	
21	911 613 115 00	Switch	76-	1	
-	911 731 343 03	Gasket	76-	1	
22	911 731 251 00	Round nut	76-	1	
23	911 613 633 01	Protection cap	76-	1	
-	477 957 861	Rubber sleeve	76-	1	
-	111 971 911 A	Grommet	76-	1	
-	914 612 325 00	Plug socket 4-pole	76-	1	
-	911 612 881 00	Plug socket 6-pole	76-	1	
-	911 612 879 00	Pin connector socket 9-pole electrical components for Door mirror	76-	2	
-	911 612 163 00	Wiring harness Door	76-	1	
-	911 731 317 00	Seal Connector	76-	1	
-	911 612 162 01	Wiring harness	/LL 76-	1	
-	911 612 162 00	Wiring harness Luggage compartment electrical components for Door mirror	/RL 76-	1	
-	911 612 165 00	Wiring harness Door Driver's side	76-	2	
-	911 612 166 00	Wiring harness Door Passenger's side	76-	1	
-	911 612 164 01	Wiring harness	/LL 76-	1	
-	911 612 164 00	Wiring harness Luggage compartment	/RL 76-	1	
-	911 613 113 00	Changeover switch Passenger's side	76-	1	

Model: 911 75

Model life 1975>>1977

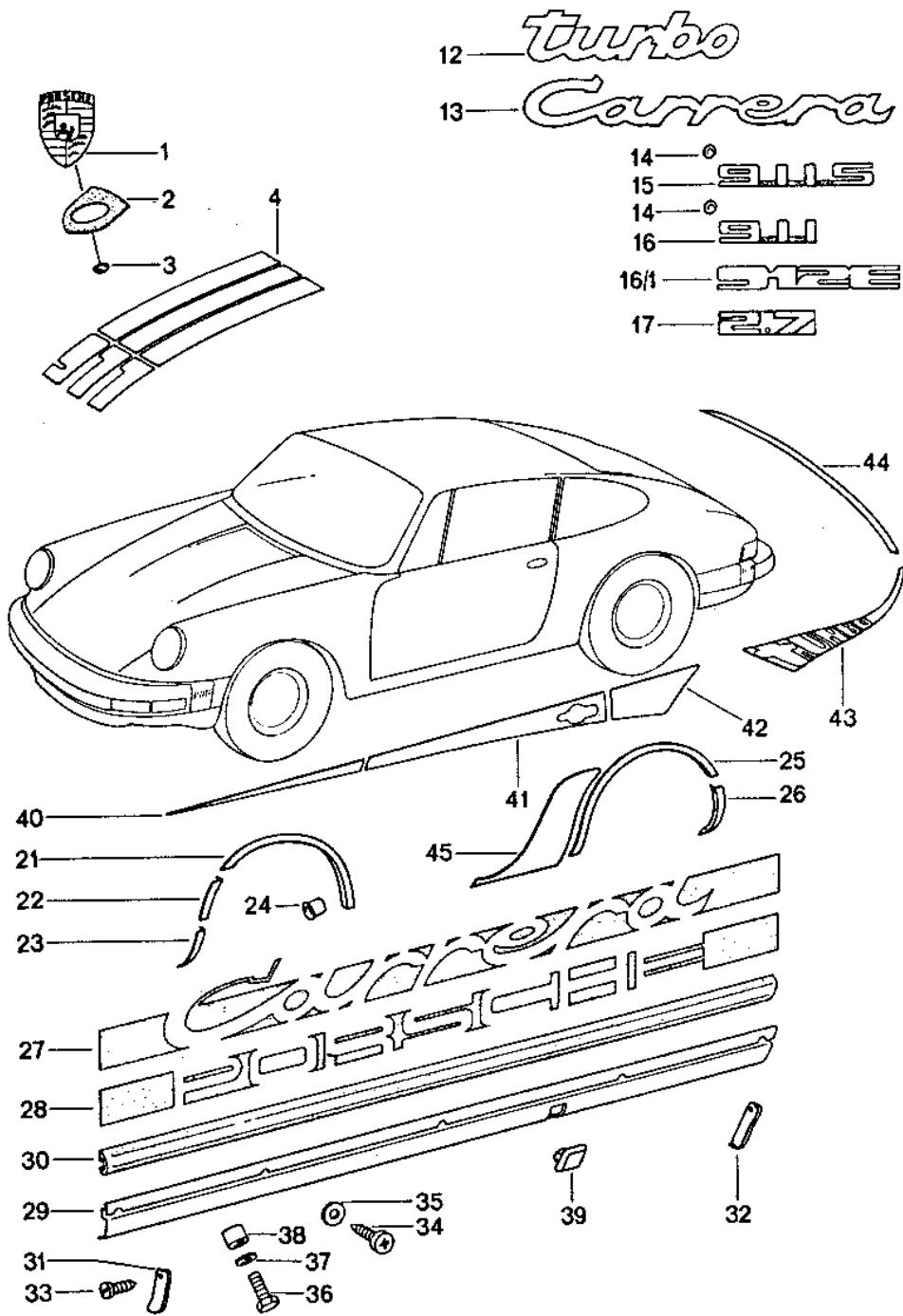


Model: 911 75 Model life 1975>>1977

Pos	Part Number	Description	Remark	Qty	Model
1	911 552 036 00	Centre console Centre console Leatherette Indicate colour		1	
(1)	930 552 036 00	Centre console Leather Indicate colour		1	
2	911 552 231 00	Cap		1	
3	911 552 255 00	Support		1	
4	911 552 253 00	Support for Switch		1	
5	911 552 053 00	Air conditioner Cassette carrier Microphone		1	
(5)	911 552 053 01	Cassette carrier Microphone And Air conditioner		1	
5/1	911 552 471 01	Trim cover Microphone		1	
6	911 645 226 00	Cassette box		X	
7	911 645 221 00	Microphone		1	
8	911 552 261 00	Bracket		1	
9	911 645 167 00	Support		1	
10	900 143 047 07	Tapping screw 4,2 X 19		3	
10	900 073 007 01	Tapping screw 4,2 X 19		3	
11	999 507 240 00	Speed nut 4,2		7	
12	999 190 006 03	Tubular rivet 3,5 X 9		2	
13	900 143 121 07	Tapping screw 4,2 X 16		4	
13	900 143 121 0H	Tapping screw 4,2 X 16		4	
14	911 645 137 00	Support		1	
-	911 645 198 00	Rubber plate 200 X 180 X 4		1	
-	999 513 003 40	Tie-wrap 360 MM		2	

Model: 911 75

Model life 1975>>1977



Model: 911 75 Model life 1975>>1977

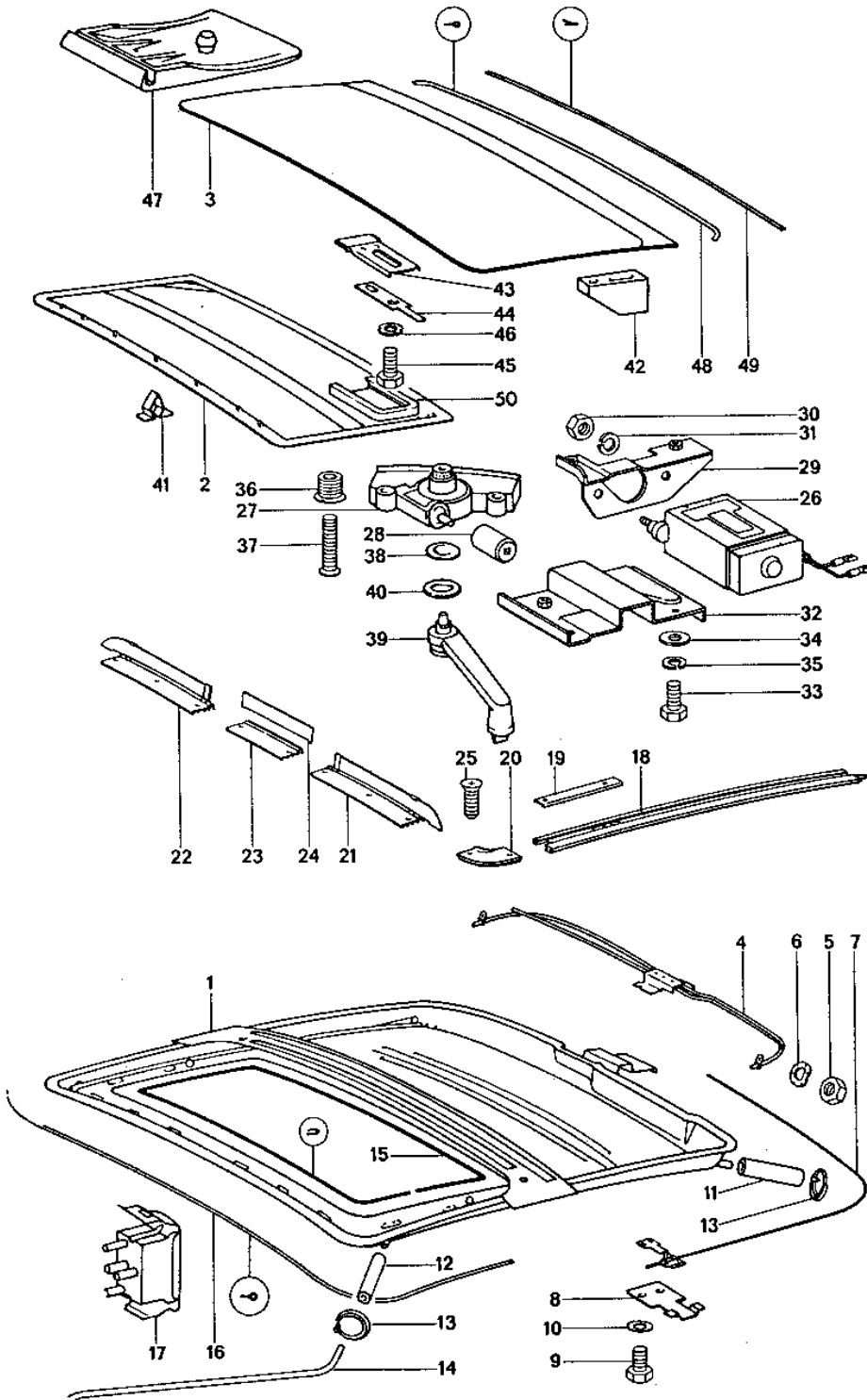
Pos	Part Number	Description	Remark	Qty	Model
		Decorative fittings			
1	901 559 210 20	Lid emblem		1	
1	901 559 210 26	Lid emblem		1	
2	901 559 215 20	Desk pad		1	
2	7L5 853 611 B	Desk pad		1	
3	999 591 423 03	Tapping nut		2	
4	911 559 171 00	Adhesive film	-76	1	
		Black			
(4)	911 559 171 01	Adhesive film	-76	1	
		Orange			
(4)	911 559 171 02	Adhesive film	-76	1	
		Gold-coloured			
(4)	911 559 171 03	Adhesive film	-76	1	
		Green			
12	930 559 317 00	Logo		1	TURBO
		Black			
		Spoiler lid			
12	930 559 317 03	Logo		1	TURBO
		Black			
		Spoiler lid			
14	999 591 423 03	Tapping nut		X	
(29)	930 559 047 00	Trim cover	/L	1	
(29)	930 559 048 00	Trim cover	/R	1	
30	930 559 103 01	Rubber moulding		2	
31	PCG 559 941 00	End piece	/L /R	1	
		End piece			
		Comprising:			
		POS 31 + 32			
		Black mat			
(31)	911 559 141 02	End piece	/H /L	1	
32	PCG 559 941 00	End piece	/L /R	1	
		End piece			
		Comprising:			
		POS 31 + 32			
		Black mat			
(32)	911 559 142 02	End piece	/H /R	1	
33	900 143 049 07	Tapping screw		8	
		BZ 3,5 X 9,5			
		Black			
33	N 013 957 5	Oval-head sheetmetal screw		8	
		BZ 3,5 X 9,5			
		Chrome			
34	N 013 961 2	Oval-head sheetmetal screw		10	
		B 3,9 X 13			
34	N 013 961 11	Oval-head sheetmetal screw		10	
		B 3,9 X 13			
35	900 025 002 02	Washer		10	
		4,3			
35	900 025 002 03	Washer		10	
		4,3			
36	900 187 032 02	Tapping screw		6	
		B 6,3 X 25			
37	900 151 007 02	Washer		6	
		7,4			
37	900 151 007 03	Washer		6	
		7,4			
38	911 559 145 00	Spacer sleeve		3	
39	911 559 149 01	Stopper		2	
40	930 559 301 00	Adhesive film	/V /L	1	
		Black			
		Hatched			
(40)	930 559 302 00	Adhesive film	/V /R	1	
		Black			

Model: 911 75 Model life 1975>>1977

Pos	Part Number	Description	Remark	Qty	Model
41	930 559 303 00	Hatched Adhesive film Black	/L	1	
(41)	930 559 304 00	Hatched Adhesive film Black	/R	1	
42	930 559 305 00	Hatched Adhesive film Black	/L	1	
(42)	930 559 306 00	Hatched Adhesive film Black	/R	1	
43	930 559 307 00	Hatched Adhesive film Black	/L	1	
(43)	930 559 308 00	Hatched Adhesive film Black	/R	1	
44	930 559 309 00	Hatched Adhesive film Black	/H	1	
(40)	930 559 301 01	Hatched Adhesive film White	/V /L	1	
(40)	930 559 302 01	Hatched Adhesive film White	/V /R	1	
(41)	930 559 303 01	Hatched Adhesive film White	/L	1	
(41)	930 559 304 01	Hatched Adhesive film White	/R	1	
(42)	930 559 305 01	Hatched Adhesive film White	/L	1	
(42)	930 559 306 01	Hatched Adhesive film White	/R	1	
(43)	930 559 307 01	Hatched Adhesive film White	/L	1	
(43)	930 559 308 01	Hatched Adhesive film White	/R	1	
(44)	930 559 309 01	Hatched Adhesive film White	/H	1	
45	930 559 321 00	Stone guard film	/L	1	
(45)	930 559 322 00	Stone guard film	/R	1	

Model: 911 75

Model life 1975>>1977



Model: 911 75 Model life 1975>>1977

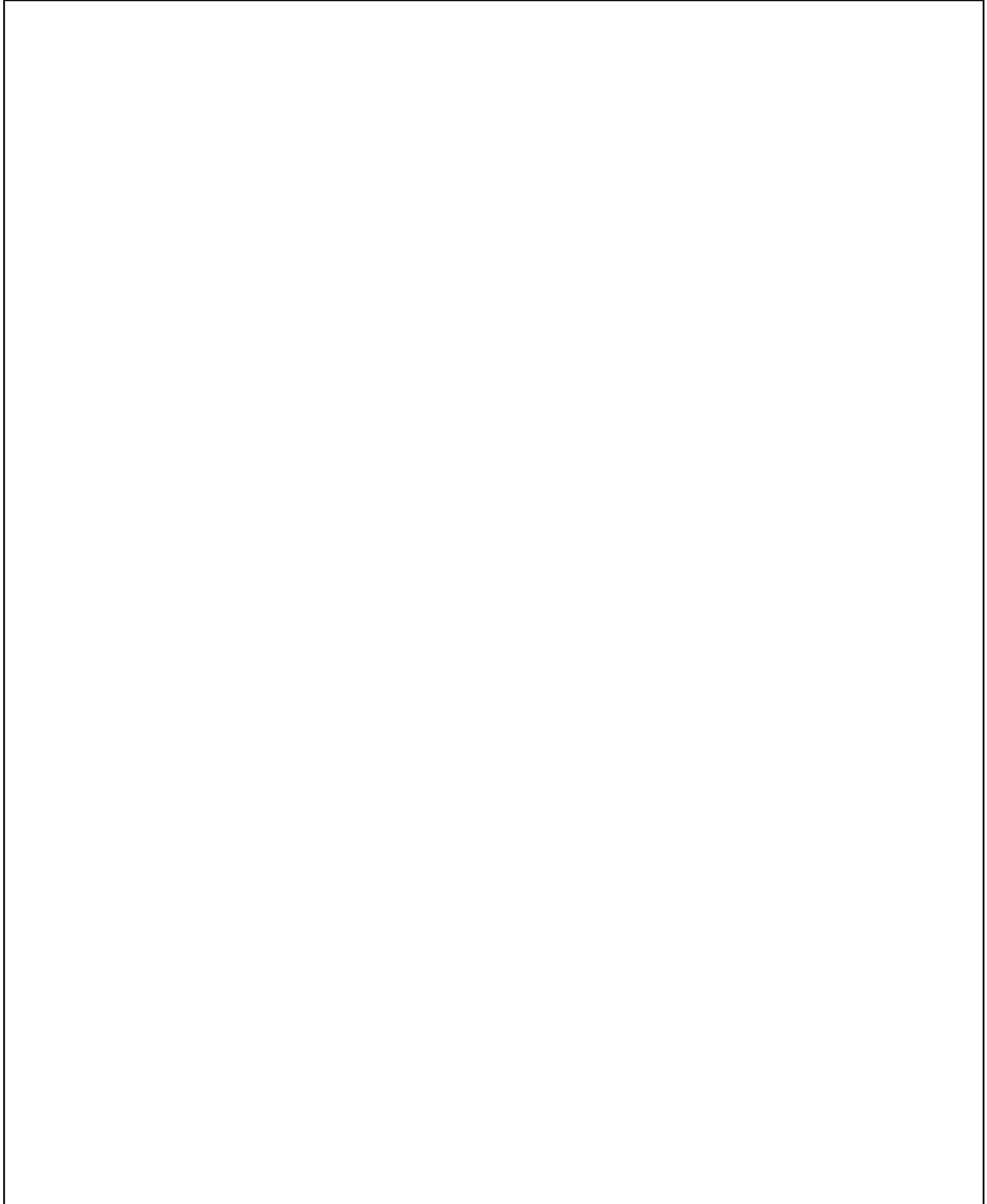
Pos	Part Number	Description	Remark	Qty	Model
-	911 564 003 01	Sunroof Electric Sunroof Complete	-75	1	
-	911 564 003 02	Sunroof Complete	76-	1	
1	911 564 911 00	Roofliner frame		1	
2	901 564 020 07	Roofliner frame		1	
-	901 564 291 07	Roofliner frame Please state the colour		1	
3	930 564 051 00	Lid		1	
4	911 564 031 02	Pipeline		1	
4	911 564 031 03	Pipeline		1	
4	964 564 231 00	Pipeline		1	
5	900 076 027 02	Nut M 5		2	
6	900 115 001 01	Serrated lock washer M 5,3		2	
7	901 564 043 05	Guide	/H /L	1	
(7)	901 564 044 05	Guide	/H /R	1	
8	901 564 451 05	Reinforcement		2	
9	900 075 106 02	Hexagon-head bolt M 4 X 6		4	
10	N 012 116 1	Serrated lock washer A 4,3		4	
11	911 564 825 00	Water drain hose	/H	2	
12	911 564 821 01	Water drain hose	/V -76	2	
(12)		Water drain hose	/V 77-	2	
13	999 512 105 02	Hose clamp		8	
14	911 503 581 00	Water drain tube	/V /L	1	
(14)	911 503 582 00	Water drain tube	/V /R	1	
15	911 564 465 00	Beading		1	
16	901 564 901 05	Velvet strip Please state the colour		1	
(16)	911 564 191 00	Velvet strip		1	
17		Tip switch See group 9/03/05		X	
18	901 564 041 05	Guide rail	/L	1	
(18)	901 564 042 05	Guide rail	/R	1	
19	901 564 407 05	Intermediate piece		2	
20	901 564 405 05	Corner piece	/L	1	
(20)	901 564 406 05	Corner piece	/R	1	
21	901 564 073 05	Air deflector	/L	1	
22	901 564 074 05	Air deflector	/R	1	
23	901 564 409 05	Centre piece		1	
24	901 564 703 05	Air deflector Centre		1	
25	900 145 009 02	Tapping screw B 3,9 X 9,5		16	
(25)	N 014 090 2	Oval-head sheetmetal screw B 3,9 X 13	-75	4	
26	911 624 016 01	Motor		1	
27	911 564 601 00	Transmission	-75	1	
(27)	911 564 601 01	Transmission	76-	1	
28	911 624 103 00	Clutch		1	
28	911 624 103 01	Clutch		1	
29	911 624 007 01	Engine support		1	
30	900 076 027 02	Nut M 5		2	
31	N 012 005 3	Lock ring B 5		2	
32	911 564 035 00	Gear support	-75	1	

Model: 911 75 Model life 1975>>1977

Pos	Part Number	Description	Remark	Qty	Model
(32)	964 564 035 00	Gear support	76-	1	
33	N 010 225 4	Hexagon-head bolt M 5 X 8		2	
33	900 075 001 03	Hexagon-head bolt M 5 X 8		2	
34	900 025 003 02	Washer 5,3		2	
35	N 012 005 3	Lock ring B 5		2	
36	901 564 661 05	Screw		2	
37	900 269 012 02	Countersunk-head screw M 4 X 25		2	
38	901 564 663 05	Cap		1	
39	901 564 085 05	Crank		1	
40	911 564 643 00	Washer		1	
41	901 564 299 05	Duct clamp		1	
41	901 564 299 0F	Duct clamp		1	
42	901 564 431 05	Guide shoe		2	
43	911 564 045 00	Guide	/V	2	
44	911 564 451 00	Tab washer		2	
45	911 564 459 00	Wedge screw AM 5 X 12		4	
46	900 115 001 01	Serrated lock washer A 5,3		4	
47	901 564 433 05	Edge protection		4	
48	901 564 903 05	Velvet strip		1	
(48)	911 564 193 00	Velvet strip		1	
49	901 564 905 05	Sealing rubber		1	
-	911 503 507 01	Plastic foam strip		1	
50	911 564 401 00	Cap/protective strip		1	
-	911 564 409 00	Sealing strip	/H	1	
-	911 564 409 01	Sealing strip		2	
-	911 564 899 02	Lateral Parts kit for Sunroof		1	

Model: 911 75

Model life 1975>>1977



Model: 911 75

Model life 1975>>1977

Pos	Part Number	Description	Remark	Qty	Model
-	911 803 061 02	Seat belt Three-point seat belt Three-point seat belt with Automatic And Seat belt buckle	/L -75 (F) (GB) (AUS)	1	
-	911 803 062 02	Three-point seat belt Three-point seat belt with Automatic And Seat belt buckle	/R -75 (F) (GB) (AUS)	1	
-	911 803 917 00	Three-point seat belt Three-point seat belt with Automatic And Seat belt buckle	/L /R 76-	2	
-	911 803 917 02	Not for (GB) Three-point seat belt Three-point seat belt with Automatic And Seat belt buckle	/L /R 76- (AUS)	2	
-	911 803 917 03	Insulating piece Three-point seat belt with Automatic And Seat belt buckle	/L /R 76- (GB)	2	
-	928 803 126 09	Seat belt buckle Seat belt Three-point seat belt with Automatic without Seat belt buckle Not for (AUS)	/R /L /R	2	
-		Seat belt Three-point seat belt with Automatic without Seat belt buckle	/L /R 76- (AUS)	2	
-	911 803 183 00	Seat-belt buckle Not for (GB)	/L /R	2	
-	928 803 183 05	Seat-belt buckle	/L /R (GB)	2	
-	911 803 907 00	Set of fastening parts		2	
-	911 555 102 00	Bellows for Seat belt buckle		2	
-	911 555 615 01	Rosette Side section		2	
-	N 014 093 3	Oval-head sheetmetal screw BZ 4,2 X 13		4	
-	999 507 020 02	Speed nut 4,2		4	
-	999 507 020 01	Speed nut		4	

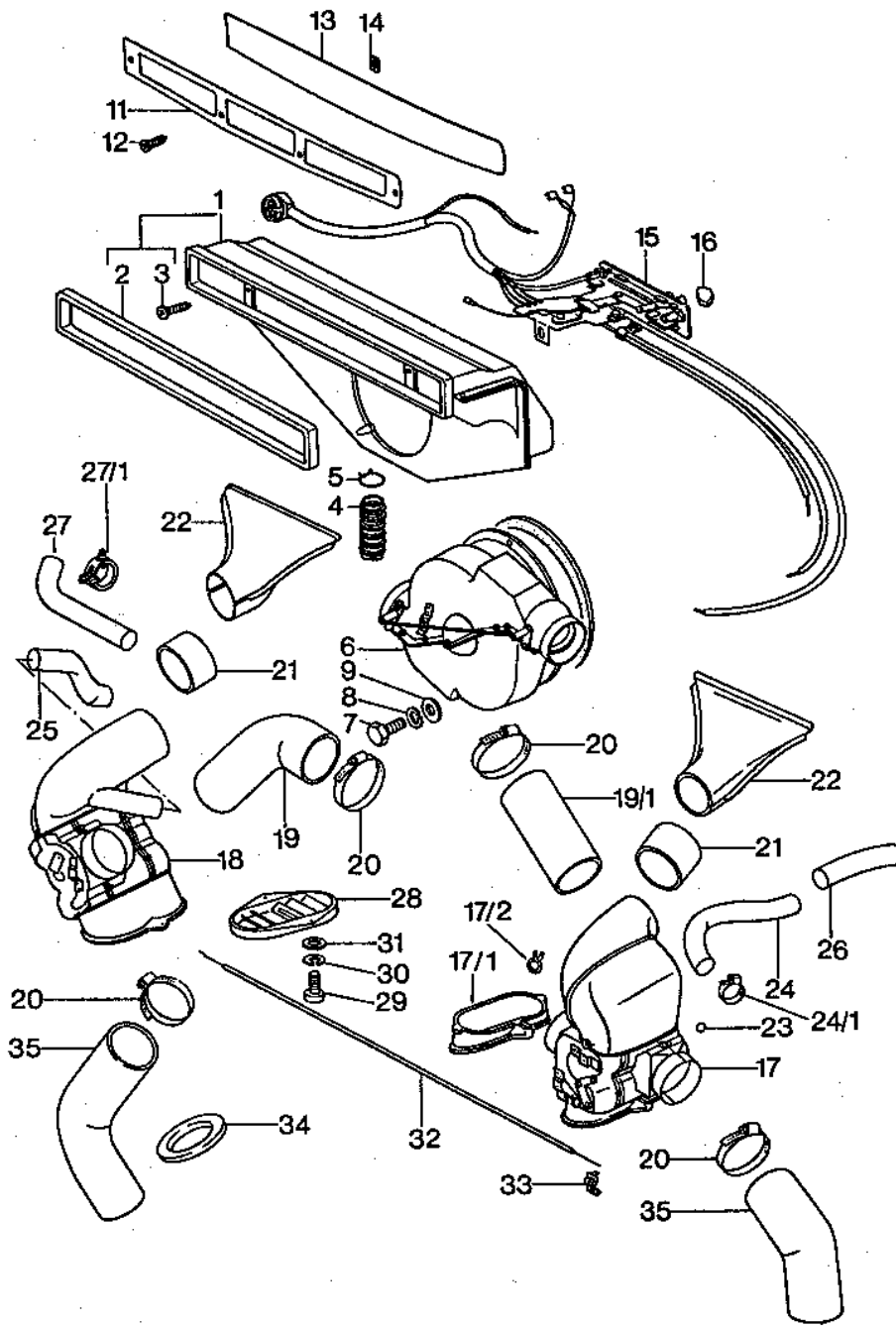
Model: 911 75

Model life 1975>>1977

Pos	Part Number	Description	Remark	Qty	Model
-	911 555 625 00	4,2 Support for seatbelt for Belt		2	
-	911 803 049 04	Seat belt Three-point seat belt	(AUS)	2	
-	911 803 285 04	Seat-belt buckle	(AUS)	2	
-	911 803 451 00	Fastening screw	(AUS)	2	
-	111 857 799	Hexagon-head bolt	(AUS)	4	
-	911 803 259 00	Cap	(AUS)	4	
-	N 012 112 2	Serrated lock washer	(AUS)	4	
-	211 857 771	Washer	(AUS)	4	
-	911 803 059 04	Relay lever	(AUS)	2	

Model: 911 75

Model life 1975>>1977



Model: 911 75 Model life 1975>>1977

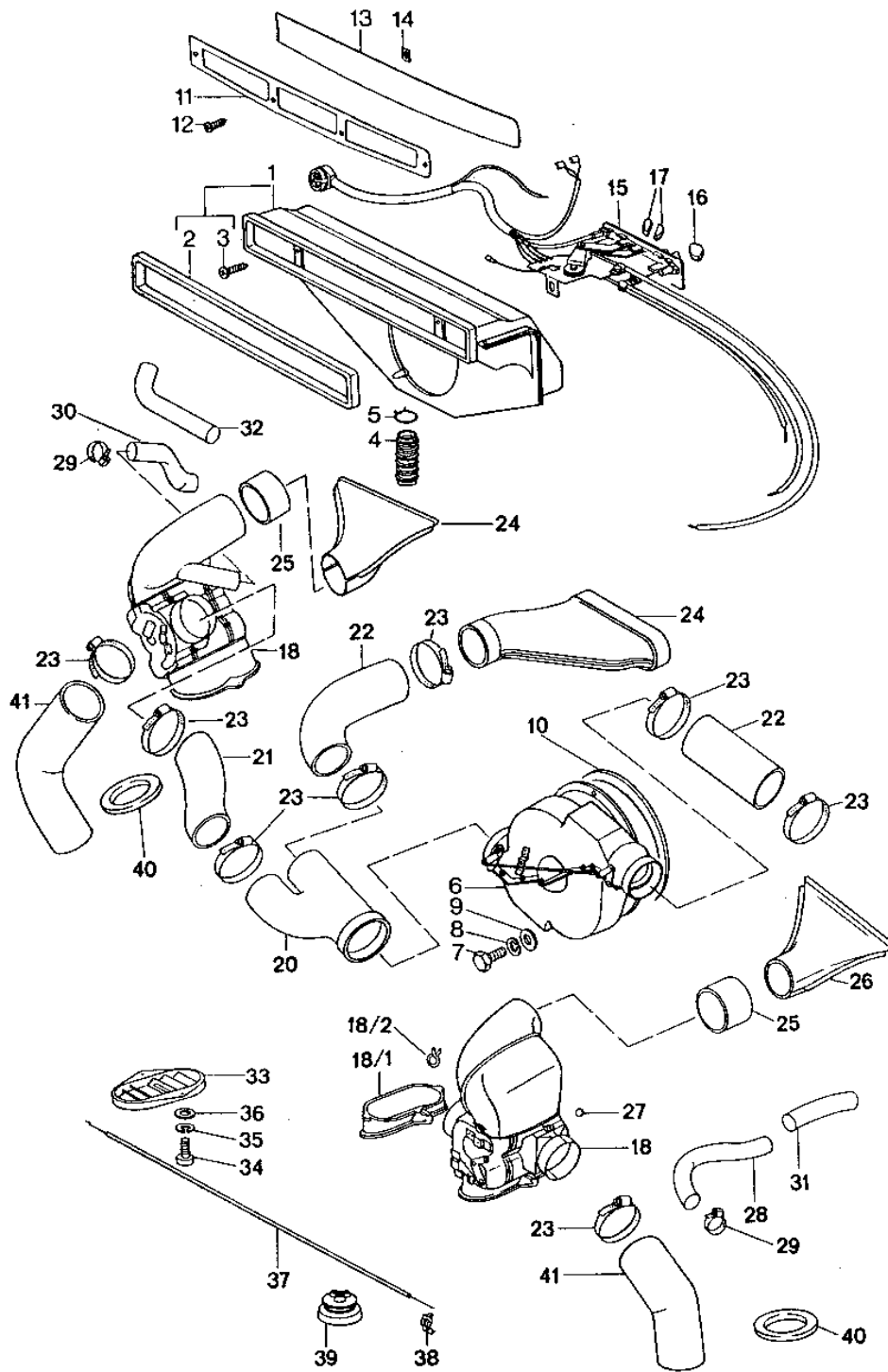
Pos	Part Number	Description	Remark	Qty	Model
		Ventilation	-76		
		Heating system 1			
1	911 571 031 00	Fresh air inlet box	/LL	1	
1	911 571 032 00	Fresh air inlet box	/RL	1	
2	901 571 325 32	Sealing frame		1	
3	N 014 153 1	Oval-head screw		2	
		M 5 X 40			
4	911 571 224 00	Water drain hose	/LL/RL 76-	1	
		Air conditioner			
		600 MM			
5	999 512 145 02	Hose clamp	/RL	1	
6	911 571 018 00	Blower		1	
		with			
		Engine			
-	911 571 905 00	Housing		1	
		Front			
-	911 571 907 00	Housing		1	
		Rear			
-	911 571 320 32	Blower motor		1	
		with			
		Fan			
7	N 010 205 6	Hexagon-head bolt		2	
		M 5 X 10			
7	900 075 105 02	Screw		2	
		M 5 X 10			
8	900 027 003 01	Lock ring		2	
		B 5			
9	900 025 003 02	Washer		2	
		5,3			
10	901 571 922 00	Sealing ring		1	
10	901 571 922 01	Sealing ring		1	
11	901 559 401 20	Grille frame		1	
12	900 145 036 00	Rais. counters. h. tap. s.		4	
		B 3,5 X 13			
13	901 559 410 20	Grille	/V	1	
14	901 559 491 20	Spacer		2	
(15)	911 613 112 04	Control switch	/RL -76	1	
15	911 613 111 02	Control switch	/LL -76	1	
-	900 631 129 90	Bulb		1	
		12 V, 2 W			
-	999 632 006 00	Bulb socket		1	
-	914 571 903 10	Sealing ring		1	
-	900 378 030 09	Hexagon-head bolt		1	
		M 6 X 20			
-	N 011 524 7	Washer		1	
		6,4			
-	N 011 524 27	Washer		1	
		6,4			
-	914 571 151 10	Rubber sleeve		1	
		Bowden control			
16	901 571 917 00	Knob		2	
		Black			
16	901 571 918 00	Knob		1	
		Red			
17	911 571 049 01	Control box	/L -76	1	
17/1	911 571 051 00	Connecting flange		2	
17/2	999 512 162 02	Clamping spring		4	
18	911 571 050 01	Control box	/R -76	1	
19/1	914 572 123 10	Air hose	/L -76	1	
19		Air hose	/R -76	1	
20	999 512 349 02	Hose clamp		8	
20	999 512 349 01	Hose clamp		8	
20	999 512 349 0B	Hose clamp		8	

Model: 911 75 Model life 1975>>1977

Pos	Part Number	Description	Remark	Qty	Model
21	901 571 345 32	Hose piece		2	
22	901 572 045 31	Heating nozzle		2	
23	901 571 921 00	Retainer		24	
24	911 571 228 00	Air hose	/L	1	
24/1	999 512 551 00	Hose clamp		1	
25	911 571 226 00	Air hose	/R -76	1	
26	911 571 227 00	Air hose	/L	1	
(26)	911 572 223 00	Air hose	/R	1	
27	911 571 228 00	Air hose	/R -76	1	
27/1	999 513 023 40	Tie-wrap	-76	1	
28	911 571 347 01	Air distributor	/L	1	
(28)	911 571 348 01	Air distributor	/R	1	
29	900 067 208 02	Pan-head screw M 5 X 15		4	
30	N 012 005 3	Lock ring B 5		4	
31	900 025 003 02	Washer 5,3		4	
32	911 572 114 00	Bowden control		2	
33	901 571 919 00	Terminal		7	
34	901 572 913 01	Sealing ring		2	
35	901 571 347 32	Heater hose		2	
36	911 551 067 00	Luggage compartment trim	-76	1	
36	911 551 067 04	Luggage compartment trim		1	
37	900 075 260 02	Hexagon-head bolt M 6 X 16		4	
38	N 012 007 2	Lock ring A 6		4	
38	900 027 004 03	Lock ring A 6		4	
39	900 151 003 02	Washer 6,4		4	
39	900 151 006 03	Washer 6,4		4	

Model: 911 75

Model life 1975>>1977



Model: 911 75

Model life 1975>>1977

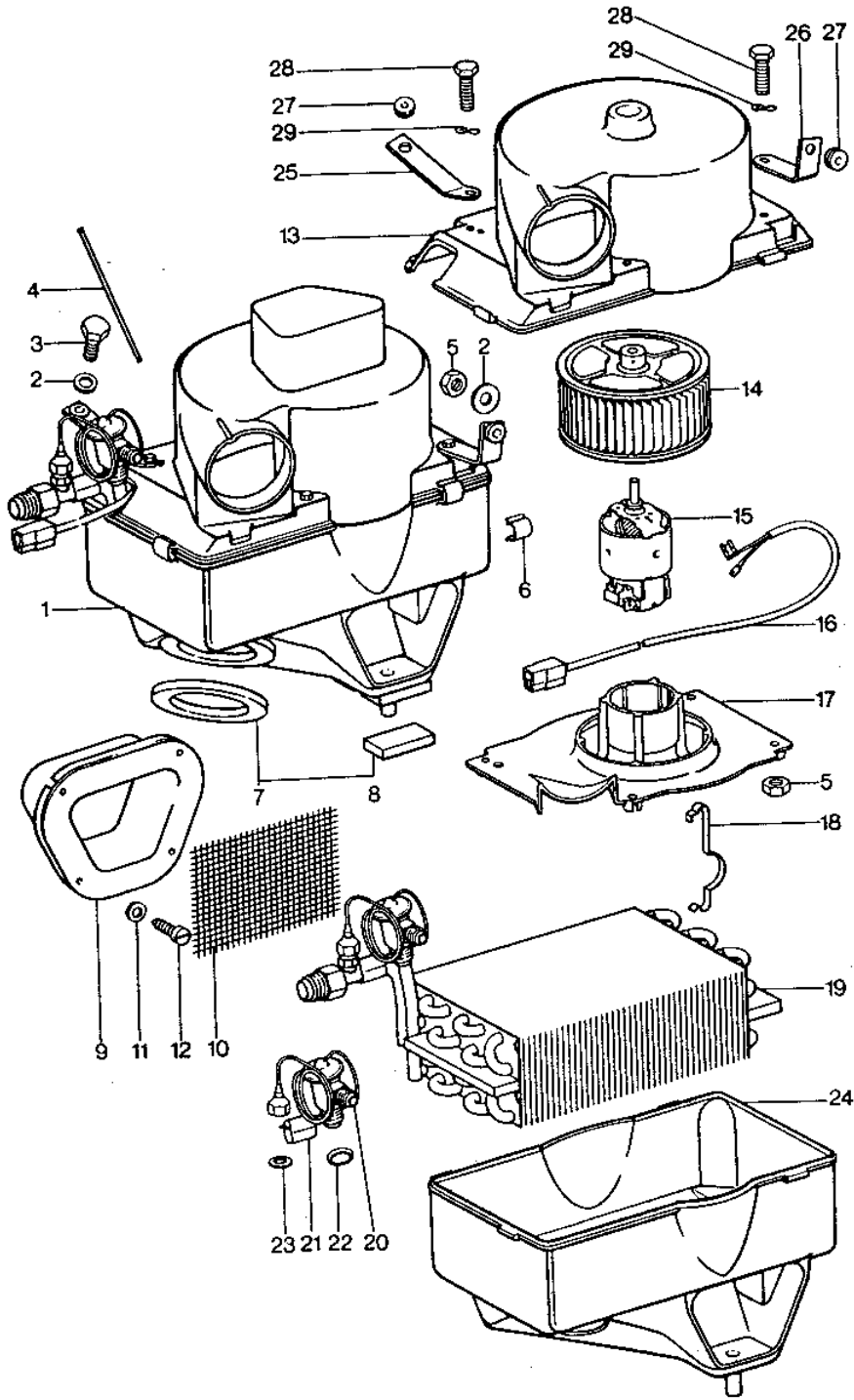
Pos	Part Number	Description	Remark	Qty	Model
		Ventilation Heating system 2	77-		
1	911 571 031 00	Fresh air inlet box	/LL	1	
(1)	911 571 032 00	Fresh air inlet box	/RL	1	
2	901 571 325 32	Sealing frame		1	
3	N 014 153 1	Oval-head screw M 5 X 40		2	
4	911 571 224 00	Water drain hose Air conditioner 600 MM	/LL/RL	1	
5	999 512 145 02	Hose clamp	/RL	1	
6	911 571 018 00	Blower with Engine		1	
-	911 571 905 00	Housing Front		1	
-	911 571 907 00	Housing Rear		1	
-	911 571 320 32	Blower motor with Fan		1	
7	N 010 205 6	Hexagon-head bolt M 5 X 10		2	
7	900 075 105 02	Screw M 5 X 10		2	
8	900 027 003 01	Lock ring B 5		2	
9	900 025 003 02	Washer 5,3		2	
10	901 571 922 00	Sealing ring		1	
10	901 571 922 01	Sealing ring		1	
11	901 559 401 20	Grille frame		1	
12	900 145 036 00	Rais. counters. h. tap. s. B 3,5 X 13		4	
13	901 559 410 20	Grille	/V	1	
14	901 559 491 20	Spacer		2	
15	911 613 111 10	Control switch	/LL	1	
(15)	911 613 112 07	Control switch	/RL	1	
-	911 612 172 01	Wiring harness		1	
-	900 631 129 90	Bulb 12 V, 2 W		1	
-	999 632 006 00	Bulb socket		1	
-	914 571 903 10	Sealing ring		1	
-	900 378 030 09	Hexagon-head bolt M 6 X 20		1	
-	N 011 524 7	Washer 6,4		1	
-	N 011 524 27	Washer 6,4		1	
-	914 571 151 10	Rubber sleeve Bowden control		1	
16	901 571 917 00	Knob Black		1	
16	901 571 918 00	Knob Red		1	
17	911 613 995 00	Knob Black		2	
18	911 571 049 01	Control box	/L	1	
18/1	911 571 051 00	Connecting flange		2	
18/2	999 512 162 02	Clamping spring		4	
19	911 571 050 01	Control box	/R	1	
20	911 571 039 00	Distributing piece	/LL	1	
(20)	911 571 040 00	Distributing piece	/RL	1	

Model: 911 75 Model life 1975>>1977

Pos	Part Number	Description	Remark	Qty	Model
21	911 571 239 00	Air hose		1	
22	473 261 233 A	Air hose		2	
23	999 512 349 02	Hose clamp		8	
23	999 512 349 01	Hose clamp		8	
23	999 512 349 0B	Hose clamp		8	
24	911 571 085 00	Air duct	/LL	1	
(24)	911 571 086 01	Air duct	/RL	1	
25	901 571 345 32	Hose piece		2	
26	901 572 045 31	Heating nozzle		2	
27	901 571 921 00	Retainer		24	
28	911 571 228 00	Air hose	/L	1	
29	999 512 551 00	Hose clamp		1	
30	911 571 228 00	Air hose	/R	1	
31	911 571 227 00	Air hose	/L	1	COUPE
(31)	911 572 223 00	Air hose	/R	1	TARGA
32	911 571 228 00	Air hose	/R	1	
33	911 571 347 01	Air distributor	/L	1	
(33)	911 571 348 01	Air distributor	/R	1	
34	900 067 208 02	Pan-head screw M 5 X 15		4	
35	N 012 005 3	Lock ring B 5		4	
36	900 025 003 02	Washer 5,3		4	
37	911 572 114 00	Bowden control		2	
38	901 571 919 00	Terminal		7	
39	911 612 863 00	Grommet		1	
39	914 571 151 10	Rubber sleeve		1	
40	901 572 913 01	Sealing ring		2	
41	901 571 347 32	Heater hose		2	

Model: 911 75

Model life 1975>>1977

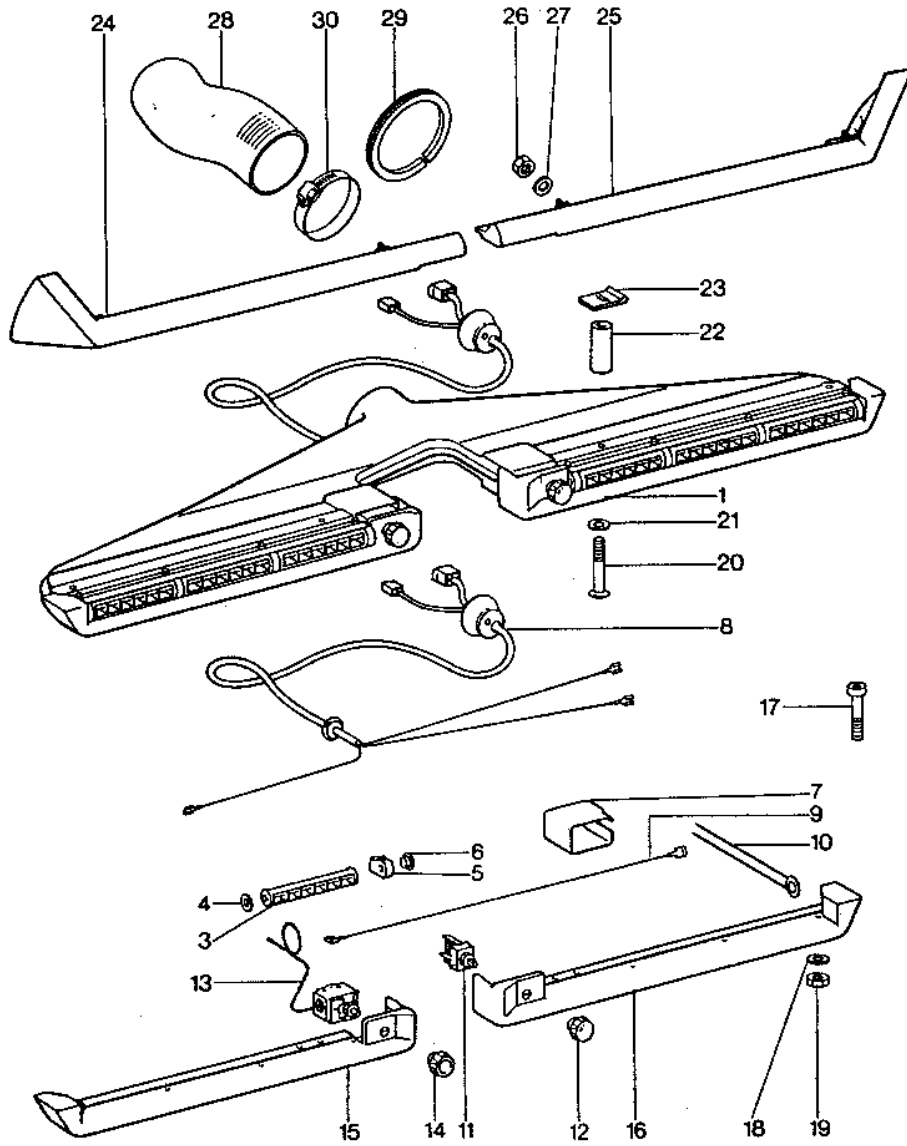


Model: 911 75 Model life 1975>>1977

Pos	Part Number	Description	Remark	Qty	Model
1	901 573 021 00	Air conditioner Evaporator Evaporator housing Accessories Evaporator with housing	/LL	1	
2	900 151 003 02	Washer 6,4		2	
2	900 151 006 03	Washer 6,4		2	
3	900 075 057 02	Hexagon-head bolt M 6 X 16		1	
3	900 075 057 03	Hexagon-head bolt M 6 X 16		1	
4	901 573 903 00	Guide tube for Temperature switch		1	
5	900 076 010 02	Nut M 6		5	
5	900 076 010 0B	Nut M 6		5	
6	901 573 904 00	Tensioning spring		4	
>>7	901 573 901 00	Parts kit Comprising:		1	
-		Sealing ring		1	
8		Rubber pad		2	
9	911 573 073 01	Connection piece		1	
10	901 573 129 00	Grille		1	
11	900 151 001 02	Washer 4,3		4	
12	900 143 004 02	Oval-head sheetmetal screw B 3,5 X 19		4	
13	911 573 023 00	Housing cover		1	
14	901 573 906 00	Fan		1	
14	901 573 906 01	Fan		1	
15	901 624 901 00	Electric motor		1	
16		See group 8/13/50 POS. 13		1	
17	911 573 323 00	Engine support		1	
18	901 624 903 00	Clamp		4	
19	901 573 907 00	Evaporator without Expansion valve		1	
20	901 573 915 00	Expansion valve		1	
21	901 573 914 00	Clip		1	
22	901 573 147 00	Gasket 3/4"		1	
23	901 573 916 00	Gasket 7/16"		1	
24	901 573 908 00	Housing Lower part		1	
25	911 572 473 00	Fastening angle		1	
26	911 572 471 00	Fastening angle		1	
27	901 573 133 00	Rubber sleeve		2	
28	900 378 030 09	Hexagon-head bolt M 6 X 20		4	
29	N 012 226 5	Spring washer B 6		4	

Model: 911 75

Model life 1975>>1977

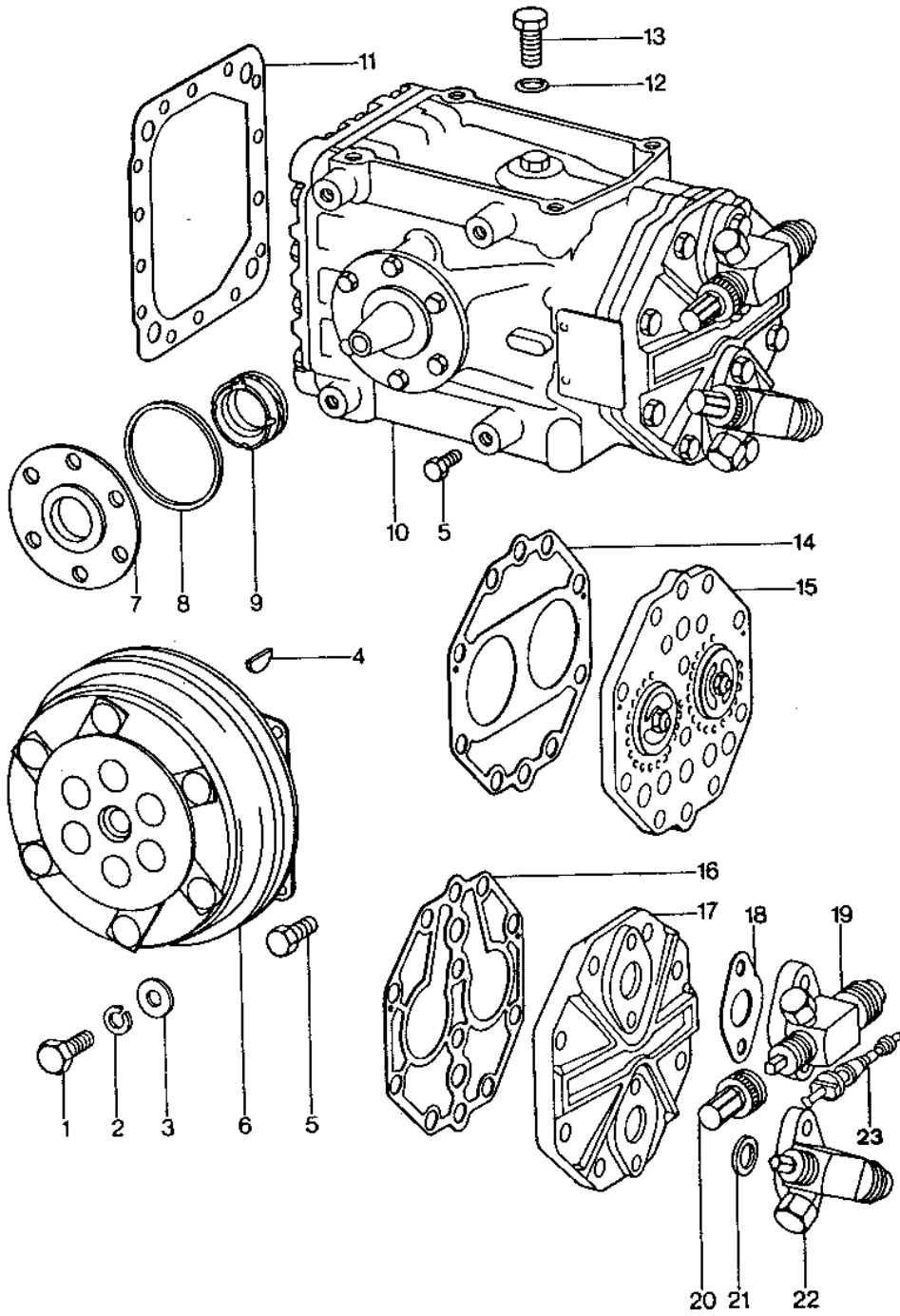


Model: 911 75 Model life 1975>>1977

Pos	Part Number	Description	Remark	Qty	Model
		Air conditioner			
		Nozzle			
		Accessories	-76		
1	901 573 065 00	Air vent		1	
3	901 573 067 00	Air vent		6	
4	901 573 169 00	Plastic washer		12	
5	901 573 165 00	Bearing		8	
6	914 552 233 10	Filler piece		2	
6		Filler piece		2	
	914 552 233 10 01C	Black			
7	901 573 912 00	Insert		1	
		2 X 55 X 165 ALU			
8		See group		1	
		8/13/50-POS.12			
9		See group		1	
		8/13/50-POS.12			
10	901 613 118 00	Thermostat		1	
11	901 613 117 00	Blower switch		1	
12	901 613 121 00	Knob		1	
13	911 613 919 00	Temperature switch		1	
14	901 613 122 00	Knob		1	
15	901 573 025 00	Padded cover	/L	1	
16	901 573 026 00	Padded cover	/R	1	
17	900 067 104 02	Pan-head screw		8	
		4 X 35			
18	900 025 002 02	Washer		8	
		4,3			
18	900 025 002 03	Washer		8	
		4,3			
19	999 090 001 02	Lock nut		8	
		M 4			
20	900 015 035 02	Oval-head screw		4	
		BM 5 X 55			
21	900 151 027 02	Washer		4	
		5,3			
21	900 151 027 03	Washer		4	
		5,3			
22	901 573 167 00	Spacer tube		4	
22	911 573 171 00	Spacer tube		4	
23	999 507 315 02	Captive nut		4	
24	901 552 035 28	Knee protection strip	/L	1	
		(FARBE ANGEBEN)			
25	901 552 036 28	Knee protection strip	/R	1	
		(FARBE ANGEBEN)			
26	900 076 027 02	Nut		4	
		M 5			
27	900 151 027 02	Washer		4	
		5,3			
27	900 151 027 03	Washer		4	
		5,3			
28	901 573 511 00	Air hose	/LL	1	
(28)	911 573 523 00	Air hose	/RL	1	
-	901 573 160 00	Hose clamp	/RL	1	
29	901 573 509 01	Sealing ring		1	
30	901 573 160 00	Hose clamp		1	

Model: 911 75

Model life 1975>>1977

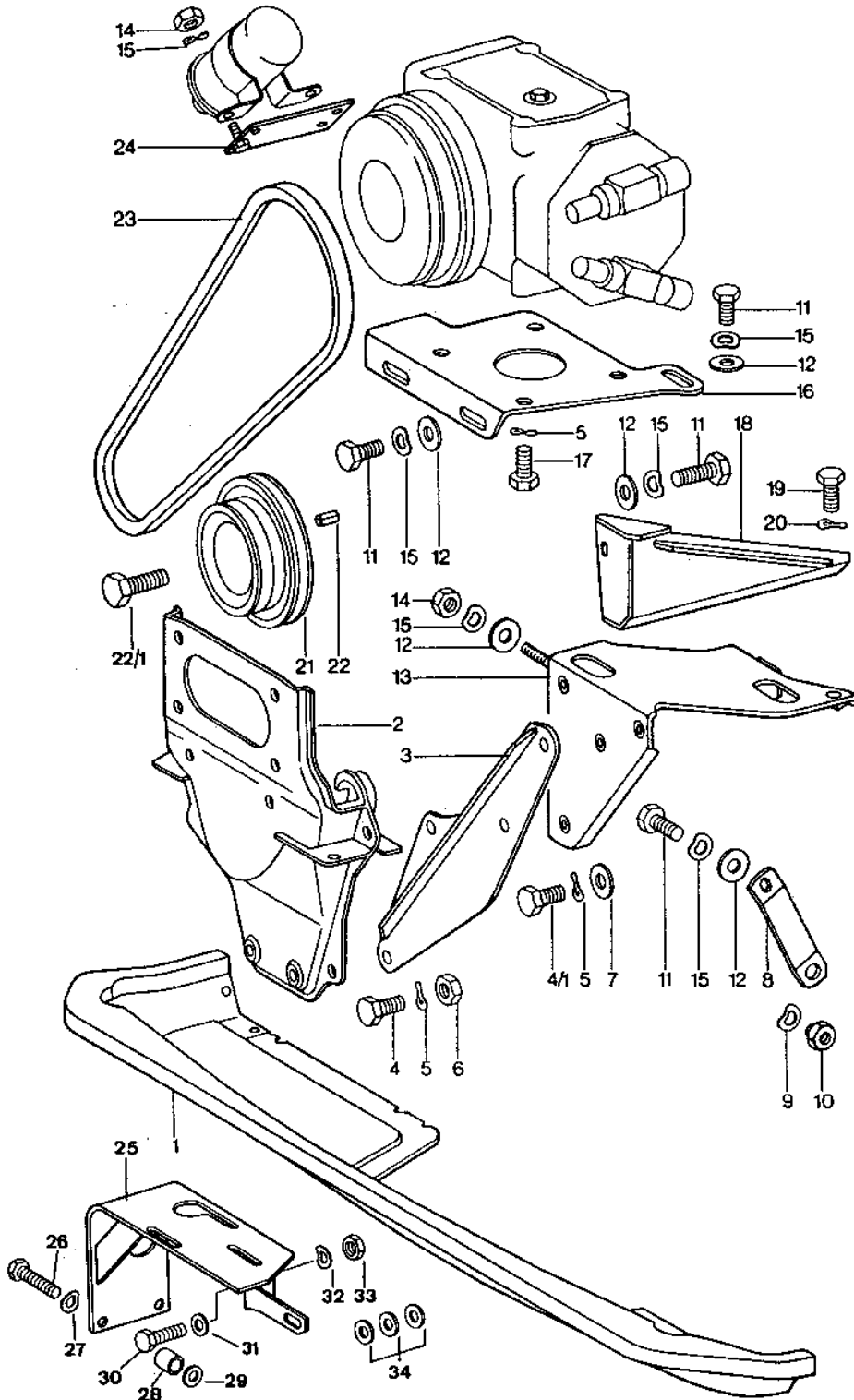


Model: 911 75 Model life 1975>>1977

Pos	Part Number	Description	Remark	Qty	Model
>>1-5	911 126 924 00	Air conditioner Compressor Compressor Comprising:		1	
1		Hexagon-head bolt 5/16" - 24 UNF - 1 1/2"		1	
2		Lock ring B 8		1	
3		Washer 8 X 22 X 4		1	
4		Woodruff key 4 X 6,5		1	
5		Hexagon-head bolt 1/4" - 20 UNC - A X 1/2"		4	
6	911 126 933 01	Clutch		1	
>>7-9	911 126 931 00	Parts kit		1	
7		Flange		1	
8		Gasket		1	
9		Shaft seal		1	
10	911 126 901 00	Compressor		1	
11	911 126 911 00	Gasket		1	
12	911 126 913 00	O-ring		2	
13	911 126 912 00	Hexagon-head bolt 3/8" X 15		1	
>>14-	911 126 917 00	Parts kit -		1	
		Comprising:			
14		Gasket		1	
15		Valve plate		1	
16		Gasket		1	
>>-	911 126 918 00	Parts kit		1	
		Comprising:			
14		Gasket		1	
16		Gasket		1	
17		Cylinder head cover		1	
>>-	911 126 916 00	Parts kit		1	
		Comprising:			
14		Gasket		1	
16		Gasket		1	
>>18	911 126 919 00	Sealing ring		1	
19	911 126 921 00	Flange valve		1	
20	911 126 923 00	Cap		2	
21	911 126 919 00	Sealing ring		2	
22	911 126 922 00	Flange valve	/R	1	

Model: 911 75

Model life 1975>>1977

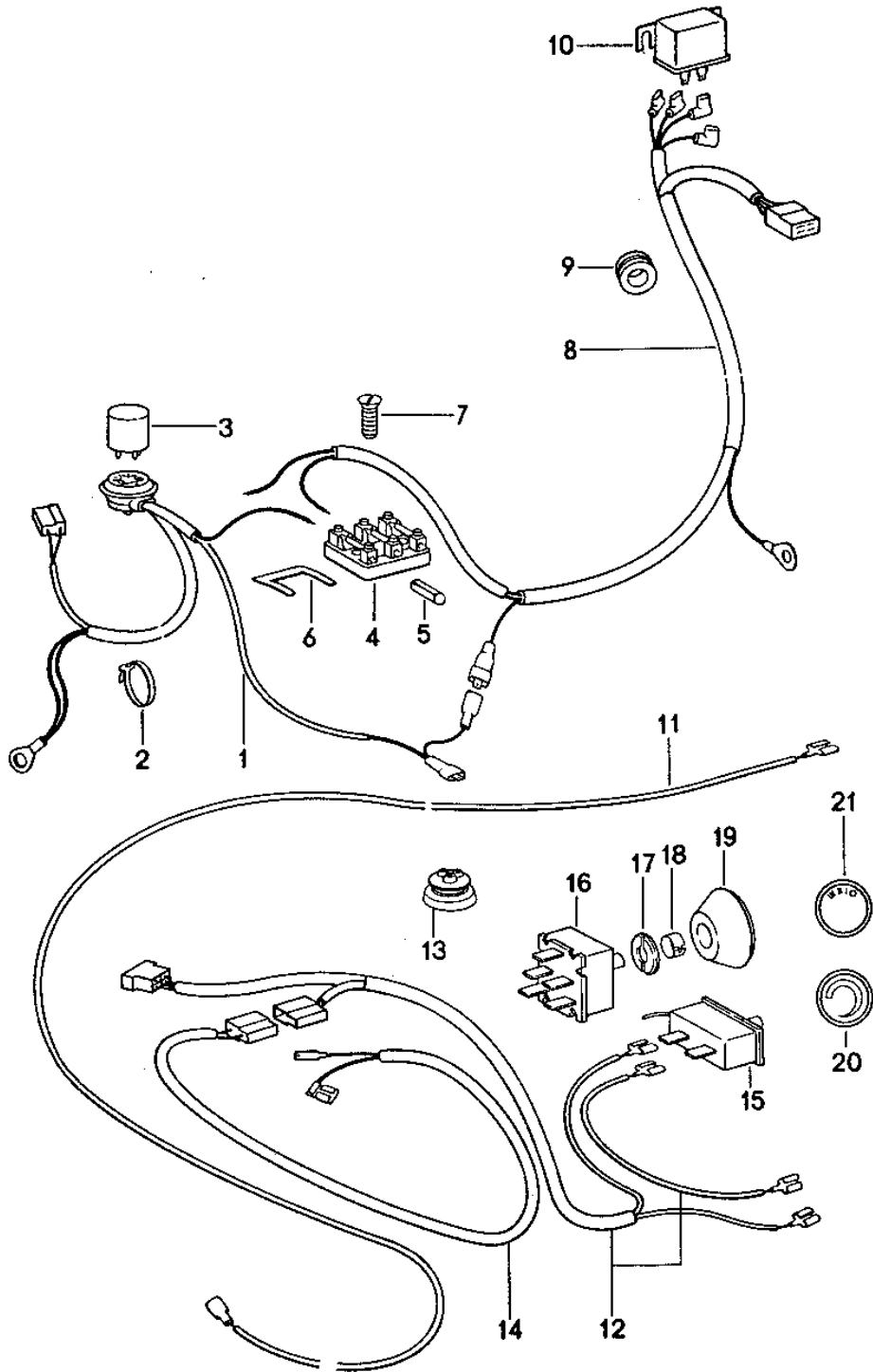


Model: 911 75 Model life 1975>>1977

Pos	Part Number	Description	Remark	Qty	Model
1		Air conditioner Compressor Driving mechanism Mounting See group 1/05/10 + 1/15/10		1	
2	911 115 014 03	Bracket	-75	1	
(2)		Bracket		1	
3	911 126 115 00	Strut		1	
4	900 075 040 02	Hexagon-head bolt M 10 X 20		2	
4	900 075 517 01	Hexagon-head bolt M 10 X 20		2	
4/1	900 156 006 02	Hexagon-head bolt M 10 X 18		2	
5	N 012 242 3	Spring washer A 10		4	
6	N 011 010 6	Hexagon nut M 10		2	
6	N 101 552 10	Hexagon nut M 10		2	
7	900 025 008 02	Washer 10,5		4	
7	N 011 527 4	Washer 10,5		4	
7	900 025 008 09	Washer 10,5		4	
7	900 025 008 04	Washer 10,5		4	
8	911 126 124 01	Strut		1	
9	900 028 014 01	Lock ring B 12		1	
10	964 126 125 20	Nut		1	
11	900 075 085 02	Hexagon-head bolt M 8 X 20		5	
12	900 025 007 02	Washer 8,4		6	
12	900 025 007 03	Washer 8,4		6	
13	911 126 101 01	Bracket		1	
14	900 076 025 02	Hexagon nut M 8		3	
14	900 076 064 02	Hexagon nut M 8		3	
15	N 012 241 8	Spring washer B 8		3	
16	911 126 117 01	Compressor plate		1	
17	999 075 021 02	Hexagon-head bolt 3/8" - 16 UNC - 2 A X 3/4"		4	
18	930 126 116 00	Fastening angle		1	
19	900 075 014 02	Hexagon-head bolt M 6 X 18		2	
19	900 075 014 03	Hexagon-head bolt M 6 X 18		2	
20	N 012 226 5	Spring washer B 6		2	
(21)	930 102 017 02	Pulley		1	
22	900 012 060 00	Straight pin 5 M 6 X 10		1	
22/1	999 093 005 02	Hexagon-head bolt M 12 X 1,5 X 22		1	
23	900 192 027 50	Narrow v-belt		1	
24	901 126 121 01	Mounting plate		1	

Model: 911 75

Model life 1975>>1977

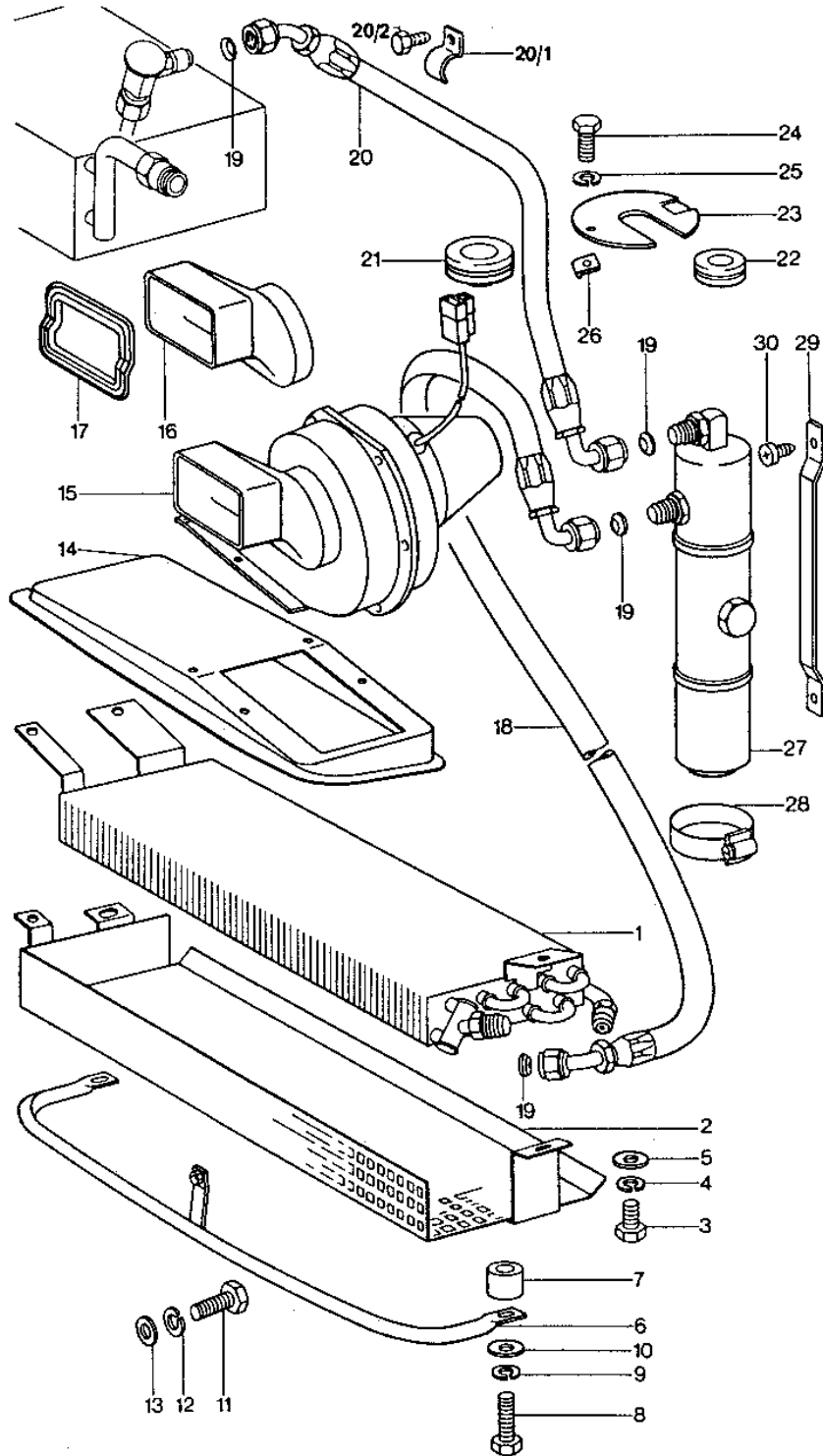


Model: 911 75 Model life 1975>>1977

Pos	Part Number	Description	Remark	Qty	Model
1	911 612 080 01	Air conditioner electrical components Wiring harness NR. 80		1	
2	999 513 008 40	Tie-wrap		1	
3	911 615 109 01	Standard type relay		1	
4	911 612 093 05	Fuse box Triple		1	
5	N 017 121 5	Lock 25 A		1	
6	901 612 835 01	Connecting rail		1	
7	900 146 009 02	Oval-head screw AM 4 X 12		2	
8	911 612 078 01	Wiring harness NR. 78		1	
9	999 702 119 50	Rubber sleeve		1	
10	911 615 103 01	Relay		1	
11	911 612 079 00	Wiring harness NR. 79		1	
12	901 612 086 00	Wiring harness NR. 29	-76	1	
(12)	911 612 029 01	Wiring harness NR. 29	77-	1	
13	911 612 863 00	Grommet		1	
13	914 571 151 10	Rubber sleeve		1	
14	901 612 084 00	Wiring harness NR. 28		1	
15	911 613 121 01	Temperature switch It is necessary to rework		1	
16	911 613 116 00	Blower switch		1	
17	911 613 119 01	Rosette for POS. 15		1	
17	911 613 120 01	Rosette for POS. 15		1	
18	999 591 557 01	Knob holder		2	
19	911 613 141 00	Knob		2	
20	911 613 238 00	Cap with symbol		1	
21	911 613 237 00	Cap with symbol		1	

Model: 911 75

Model life 1975>>1977



Model: 911 75 Model life 1975>>1977

Pos	Part Number	Description	Remark	Qty	Model
		Air conditioner Condenser Lines Front			
1	911 573 056 00	Condenser	/V	1	
2	911 573 058 01	Stone guard		1	
3	900 075 057 02	Hexagon-head bolt M 6 X 16		3	
3	900 075 057 03	Hexagon-head bolt M 6 X 16		3	
4	N 012 007 2	Lock ring B 6		3	
4	900 027 004 03	Lock ring B 6		3	
5	N 011 524 7	Washer 6,4		3	
5	N 011 524 27	Washer 6,4		3	
6	911 573 055 00	Impact protection		1	
7	911 573 513 01	Spacer		2	
8	N 040 281 1	Hexagon-head bolt M 10 X 45		2	
8	900 075 516 01	Hexagon-head bolt M 10 X 45		2	
9	900 027 016 02	Lock ring B 10		2	
9	900 027 016 03	Lock ring B 10		2	
10	900 151 026 02	Washer B10,5		2	
10	900 151 050 01	Washer B10,5		2	
11	900 075 085 02	Hexagon-head bolt M 8 X 20		1	
12	900 027 015 02	Lock ring B 8		1	
12	900 027 015 03	Lock ring B 8		1	
13	900 025 007 02	Washer B 8,4		1	
13	900 025 007 03	Washer B 8,4		1	
14	911 501 581 01	Air baffle plate		1	
14	911 501 581 01 GRV	Air baffle plate Prime coated		1	
15	911 624 013 01	Blower		1	
16	911 573 161 00	Intake manifold		1	
17	911 573 515 00	Gasket		1	
18	911 573 154 01	Refrigerant hose NW 8		1	
19	901 573 148 00	Gasket 5/8 "	-75	4	
20	911 573 152 02	Refrigerant hose NW 10	/LL	1	
20	911 573 152 03	Refrigerant hose NW 10	/LL	1	
(20)	911 573 159 00	Refrigerant hose NW 10	/RL -76	1	
(20)		Refrigerant hose NW 10	/RL 77-	1	
21	901 573 143 00	Rubber sleeve		1	
22	901 573 142 00	Rubber sleeve		1	
23	901 573 155 00	Support	-76	1	

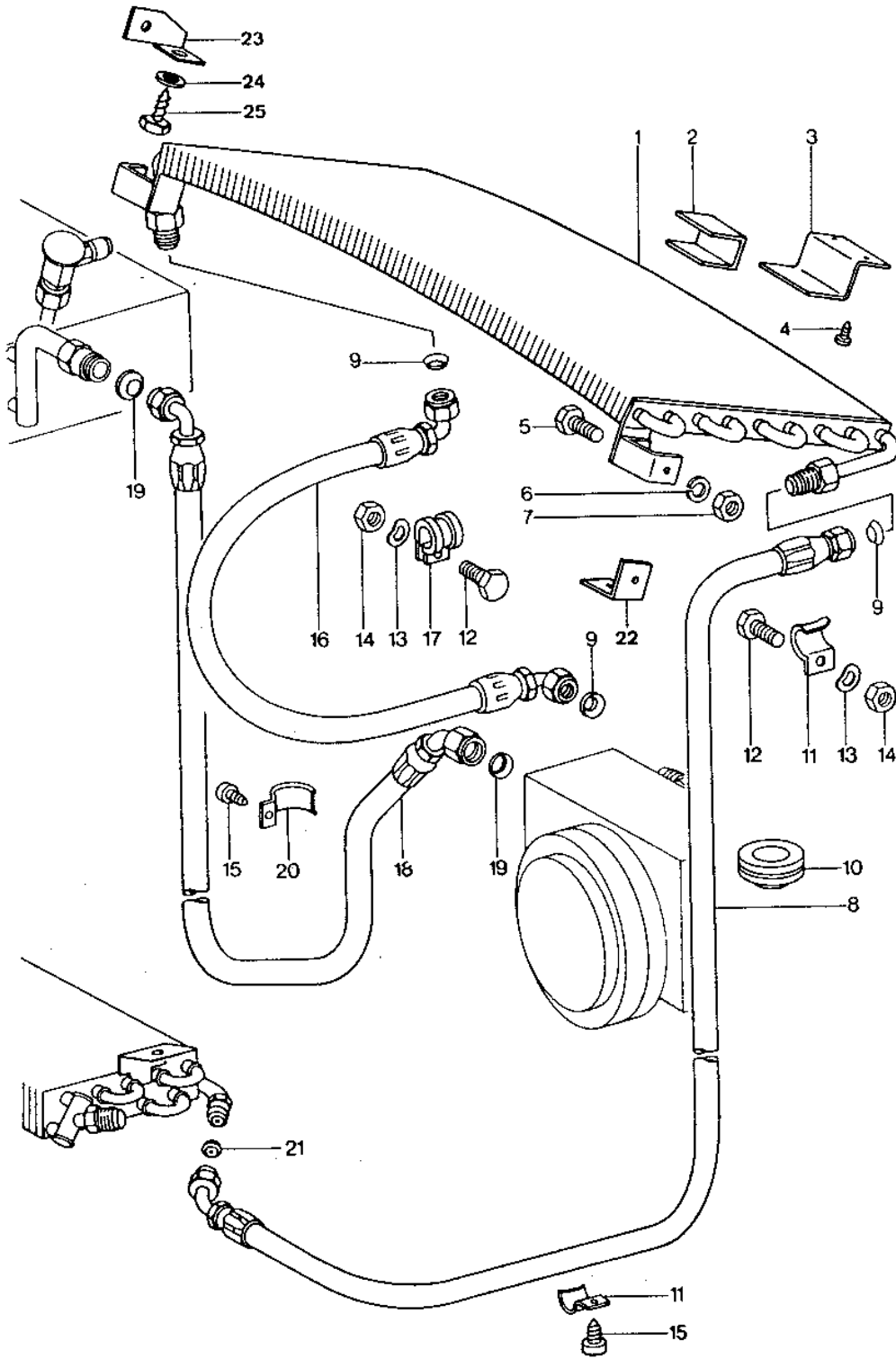
Model: 911 75

Model life 1975>>1977

Pos	Part Number	Description	Remark	Qty	Model
24	N 010 207 6	Hexagon-head bolt M 5 X 12	-76	1	
24	N 010 207 17	Hexagon-head bolt M 5 X 12		1	
25	N 012 005 3	Lock ring B 5	-76	1	
26	999 507 315 02	Captive nut	-76	1	
27	911 573 939 02	Desiccator		1	
28	901 573 141 00	Hose clamp		2	
29	901 573 140 00	Retaining bar		1	
30	900 143 007 02	Oval-head sheetmetal screw B 4,2 X 13		2	
30	900 073 507 01	Oval-head sheetmetal screw B 4,2 X 13		2	

Model: 911 75

Model life 1975>>1977

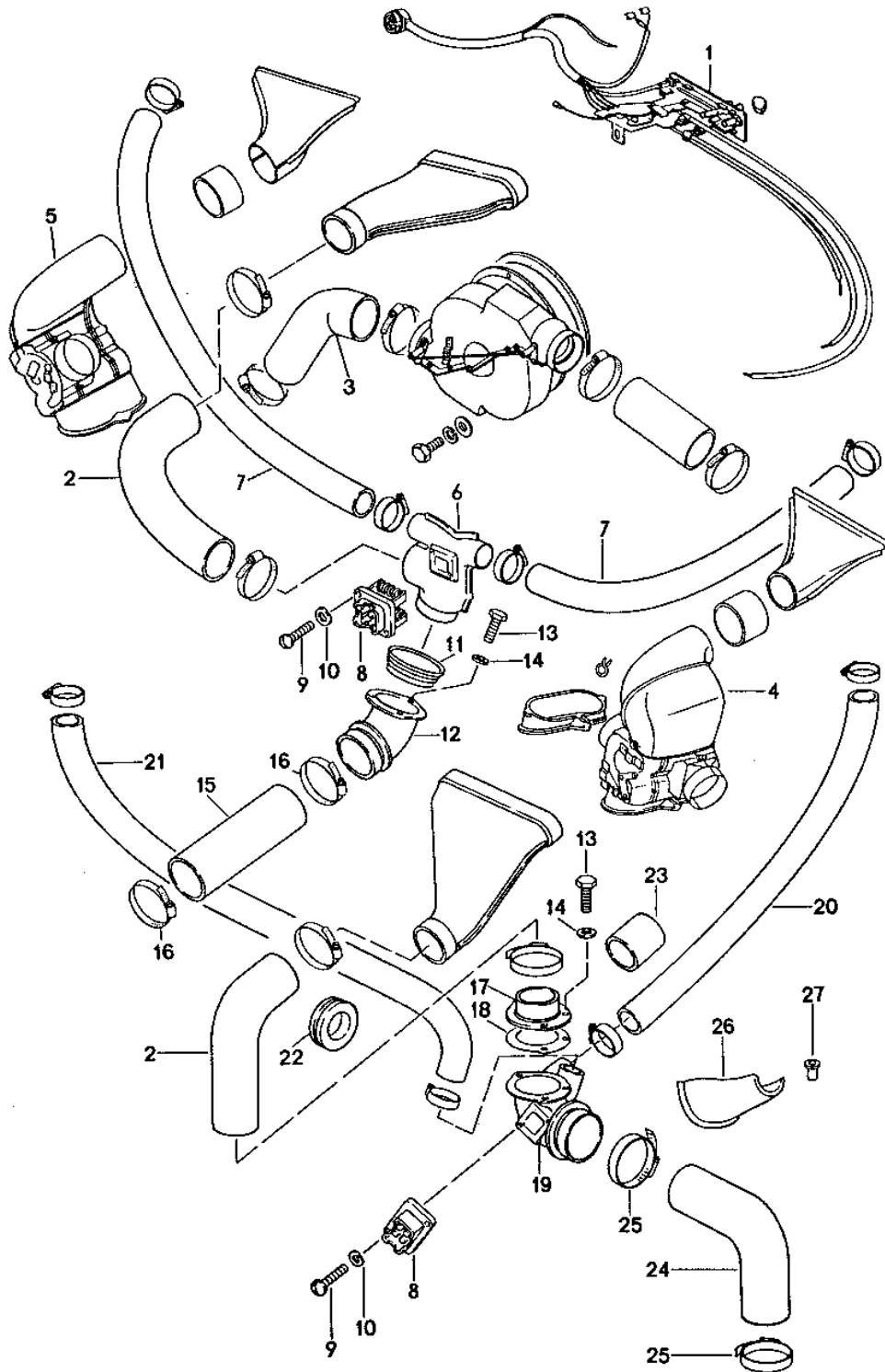


Model: 911 75 Model life 1975>>1977

Pos	Part Number	Description	Remark	Qty	Model
		Air conditioner Condenser Lines Rear			
(1)	930 573 056 00	Condenser		1	
2	901 573 138 00	Moltoprene shim 6 X 65 X 85		1	
(3)	911 573 059 00	Retaining bar		1	
(4)	N 010 264 4	Hexagon-head bolt M 5 X 20		1	
5	900 075 092 02	Hexagon-head bolt M 4 X 10		2	
6	900 027 011 01	Lock ring B 4		2	
7	N 011 004 6	Hexagon nut M 4		2	
7	N 011 004 G	Nut M 4		2	
8	911 573 153 01	Refrigerant hose NW 10 , 5000 MM		1	
-	930 573 151 00	Refrigerant hose NW 10 , 230 MM		1	
9	901 573 147 00	Gasket 3/4"		3	
10	901 573 143 00	Rubber sleeve		1	
11	999 513 002 40	Tie-wrap		18	
11	N 020 910 4	Tie-wrap		18	
11	999 513 003 40	Tie-wrap		18	
-	911 573 525 01	Refrigerant hose NW 10	/RL 77-	1	
12	N 010 207 6	Hexagon-head bolt M 5 X 12		2	
12	N 010 207 17	Hexagon-head bolt M 5 X 12		2	
(12)	N 010 209 5	Hexagon-head bolt M 5 X 25		1	
-	911 573 517 00	Spacer sleeve		1	
13	N 012 005 3	Lock ring B 5		2	
14	900 076 027 02	Nut M 5		2	
15	900 187 025 02	Hexagon-head tapping screw B 5,5 X 13		X	
(16)	923 573 150 00	Refrigerant hose NW 10		1	
17	999 511 066 02	Clamp	-75	1	
18	911 573 149 02	Refrigerant hose NW 13		1	
18	911 573 149 05	Refrigerant hose NW 13		1	
-	911 573 525 01	Refrigerant hose NW 13 Extension for POS. 18	/RL	1	
-	901 573 143 00	Rubber sleeve	/RL	1	
19	901 573 146 00	Gasket 7/8"		2	
20	911 573 145 00	Clamp		10	
20	911 573 145 01	Clamp		10	
21	901 573 148 00	Gasket 5/8"	-75	1	

Model: 911 75

Model life 1975>>1977

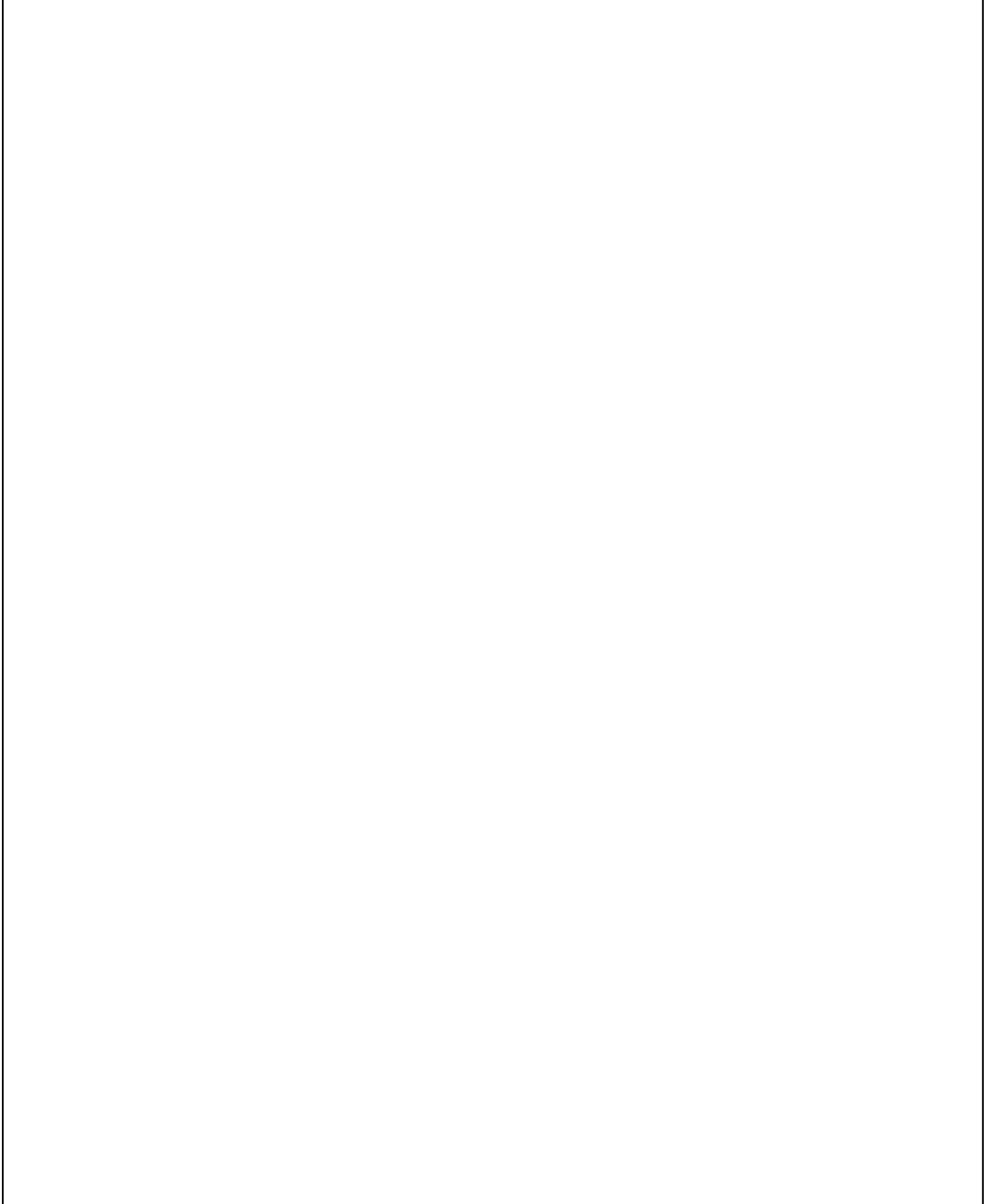


Model: 911 75 Model life 1975>>1977

Pos	Part Number	Description	Remark	Qty	Model
		Air conditioner Cooling air duct Installation parts without POS. See group 8/13/05			
1	911 613 111 07	Control switch	/LL	1	
(1)	911 613 112 07	Control switch	/RL	1	
2	911 571 243 00	Air hose		1	
3	473 261 233 A	Air hose		1	
4	911 571 049 02	Control box	/L	1	
5	911 571 050 02	Control box	/R	1	
6	911 573 031 00	Air distributor	/LL	1	
7	911 573 204 00	Air hose	/LL	2	
8	911 618 151 00	Thermo bi-metal switch		1	
9	900 146 011 02	Oval-head screw AM 4 X 10		2	
10	N 012 224 3	Spring washer A 4		2	
11	911 641 909 00	Rubber ring	/LL	1	
12	911 573 087 00	Connecting piece	/LL	1	
13	N 010 207 6	Hexagon-head bolt M 5 X 12		3	
13	N 010 207 17	Hexagon-head bolt M 5 X 12		3	
14	900 025 003 02	Washer 5,3		3	
15	911 571 240 01	Air hose	/LL	1	
15	911 571 240 02	Air hose	/LL	1	
16	999 512 351 02	Hose clamp	/LL	2	
17	911 573 191 00	Flange socket	/RL	1	
18	901 572 527 00	Sealing washer	/RL	2	
19	911 573 088 00	Connecting piece	/RL	1	
20	911 573 203 00	Air hose	/L /RL	1	
21	911 573 204 00	Air hose	/R /RL	1	
22	901 573 143 00	Rubber sleeve	/RL	3	
23	999 702 062 50	Grommet	/RL	1	
24	911 573 523 02	Air hose	/RL	1	
25	901 573 160 00	Hose clamp	/RL	2	
26	911 551 607 00	Covering	/RL	1	
27	900 121 015 02	Tubular rivet A 6 X 0,5 X 15	/RL	4	

Model: 911 75

Model life 1975>>1977

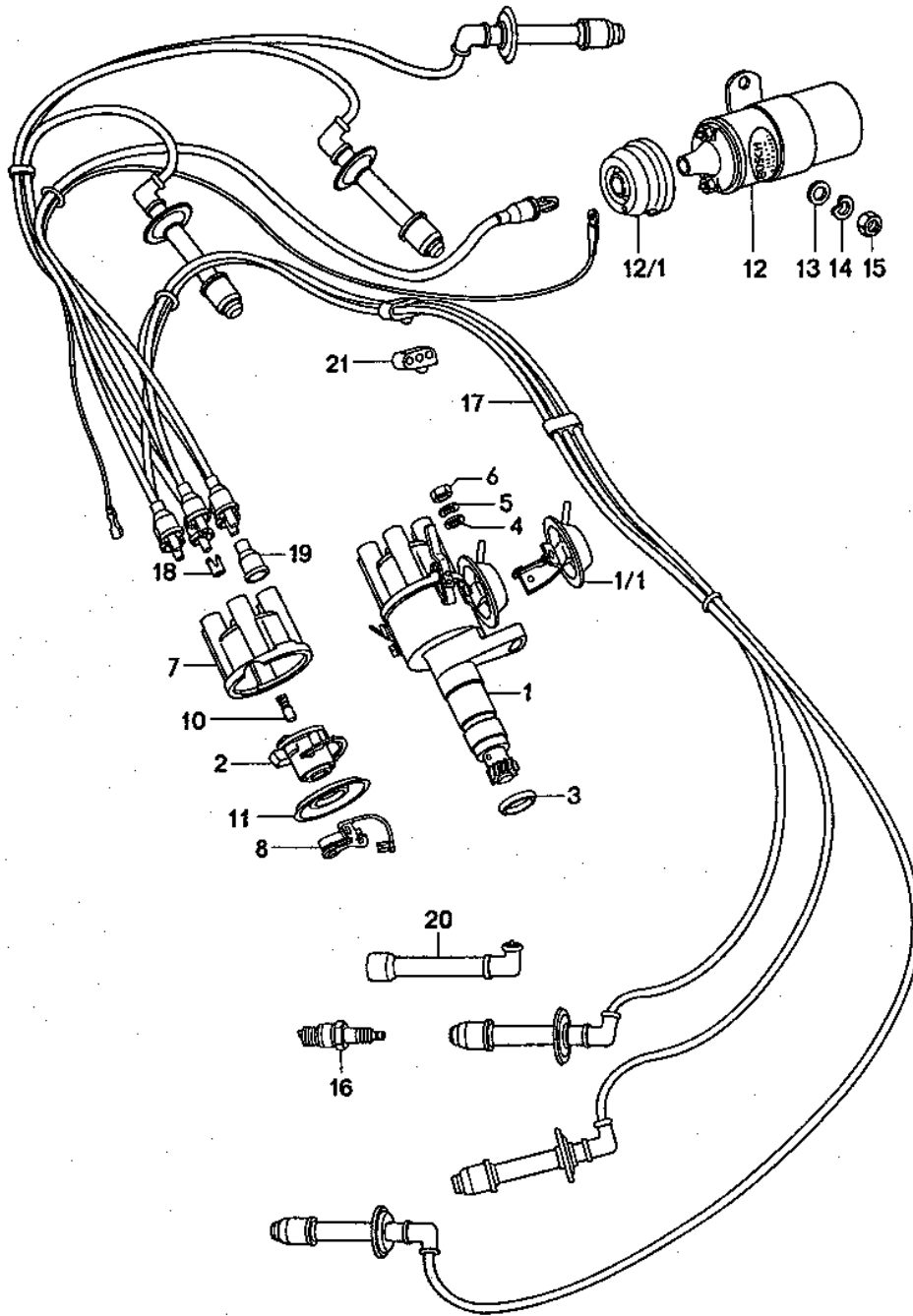


Model: 911 75 Model life 1975>>1977

Pos	Part Number	Description	Remark	Qty	Model
>>	911 531 914 00	Set of locks Repair kits Set of locks Coupe Coupe Set of locks Chrome for subsequent installation Comprising:		1	
-	911 531 061 00	Outer door handle	/L	1	
-	911 531 062 00	Outer door handle	/R	1	
-	911 531 946 00	Main key with Key lamp		1	
-	914 531 637 10	Main key		1	
-	914 531 903 11	Blank key for Secondary key		1	
-	911 613 901 01	Steering lock		1	
-	964 347 917 01	Steering lock without Buzzer contact		1	
-	911 552 902 03	Glove compartment lock		1	
>>	911 531 914 28	Set of locks Black for subsequent installation Comprising:		1	
-	911 531 061 28	Outer door handle	/L	1	
-	911 531 062 28	Outer door handle	/R	1	
-	911 531 946 00	Main key with Key lamp		1	
-	914 531 637 10	Main key		1	
-	914 531 903 11	Blank key für Secondary key		1	
-	911 613 901 01	Steering lock		1	
-	911 552 902 07	Glove compartment lock Repair kits		1	
-	911 701 057 00	Set of fastening parts Number plate Front and rear	(D) (DK) (F) (GB) (NL) (S)	1	
-	911 701 057 01	Set of fastening parts Number plate Front and rear	(USA)	1	
-	911 701 057 02	Set of fastening parts Number plate Front and rear	(A) (B) (CH) (I)	1	
-	911 701 057 03	Installation set Number plate Front and rear	(AUS) -76	1	
-	911 701 057 04	Installation set Number plate Front and rear	(N) -76	1	

Model: 911 75

Model life 1975>>1977



Model: 911 75 Model life 1975>>1977

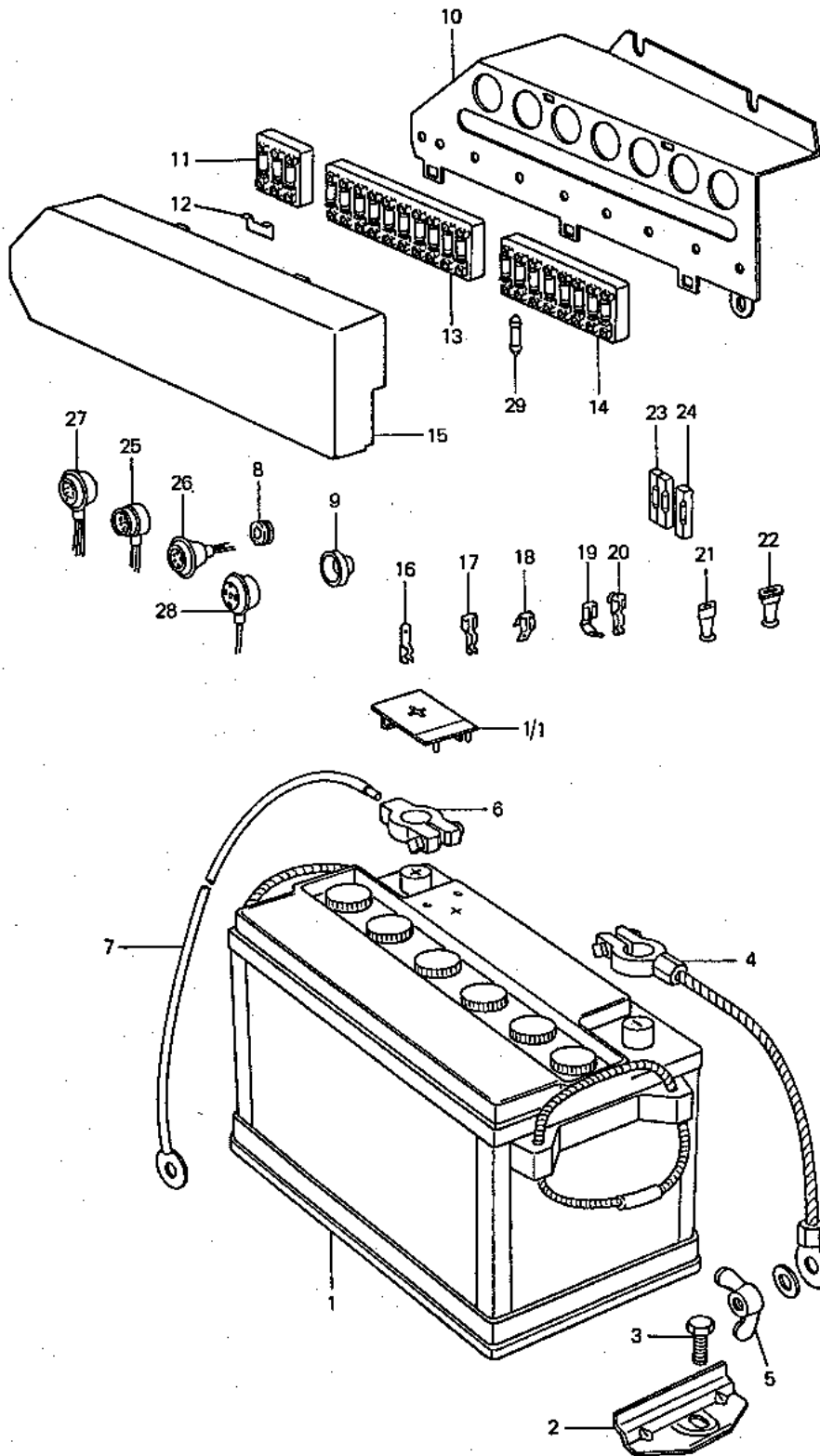
Pos	Part Number	Description	Remark	Qty	Model
(1)	930 602 101 00	Engine electrics Distributor		1	
(1)	930 602 101 X	Distributor - bosch - for 930/50/51/52/53		1	
(1)	930 602 101 01	Distributor		1	930/54
(1/1)	930 602 903 00	Vacuum unit - bosch -		1	
(2)	930 602 901 01	Rotor - bosch -		1	
(2)	930 602 901 04	Rotor - bosch -		1	
(2)	930 602 901 03	Rotor - bosch -		1	
(2)	930 602 901 04	Rotor - bosch -		1	
(2)	930 602 901 03	Rotor - bosch -		1	
(2)	930 602 901 04	Rotor - bosch -		1	
3	911 602 102 01	Sealing ring		1	
4	900 025 007 02	Washer B 8,4		1	
4	900 025 007 03	Washer B 8,4		1	
5	N 012 241 8	Spring washer 8 X 15		1	
6	900 076 025 02	Hexagon nut M 8		1	
6	900 076 064 02	Hexagon nut M 8		1	
(7)	930 602 904 00	Distributor cap - bosch -		1	
(7)	930 602 904 01	Distributor cap - bosch -		1	
(10)	930 602 905 00	Wiper contact - bosch -		1	
(11)	930 602 906 00	Dust cover - bosch -		1	
(12)	930 602 503 00	Ignition transformer		1	
(12)	930 602 503 01	Ignition transformer		1	
(12)	901 602 502 00	Ignition transformer		1	
12/1	911 602 801 00	Protection cap		1	
13	900 025 007 02	Washer 8,4		2	
13	900 025 007 03	Washer 8,4		2	
14	N 012 241 8	Spring washer B 8 X 15		2	
15	900 076 025 02	Hexagon nut M 8		2	
15	900 076 064 02	Hexagon nut M 8		2	
		Spark plug Use also: 547 09222 for		X	
-	547 09 222	Spark plug Nut for		X	
(16)	999 170 128 90	Spark plug Spark plug		6	

Model: 911 75 Model life 1975>>1977

Pos	Part Number	Description	Remark	Qty	Model
(17)	911 609 010 07	- bosch - Set of ignition cables geschirmt	/R	1	
(17)	911 609 011 07	Set of ignition cables geschirmt	/L	1	
-	911 609 061 07	Ignition lead Distributor Ignition transformer	76-	1	
-	900 612 001 00	Ignition lead 5 Meter	-75	X	
(18)	911 609 510 00	Cable plug		1	
(18)	PCG 609 510 00	Cable plug		1	
19	999 659 001 40	Water protection cap		8	
20	901 609 309 00	Screened connector	-76	6	
20	901 609 309 01	Screened connector		6	
(20)	911 602 315 00	Spark plug connector	77-	6	
21	901 609 591 00	Cable holder		3	
-	122 035 281	Suppression connector		7	

Model: 911 75

Model life 1975>>1977



Model: 911 75 Model life 1975>>1977

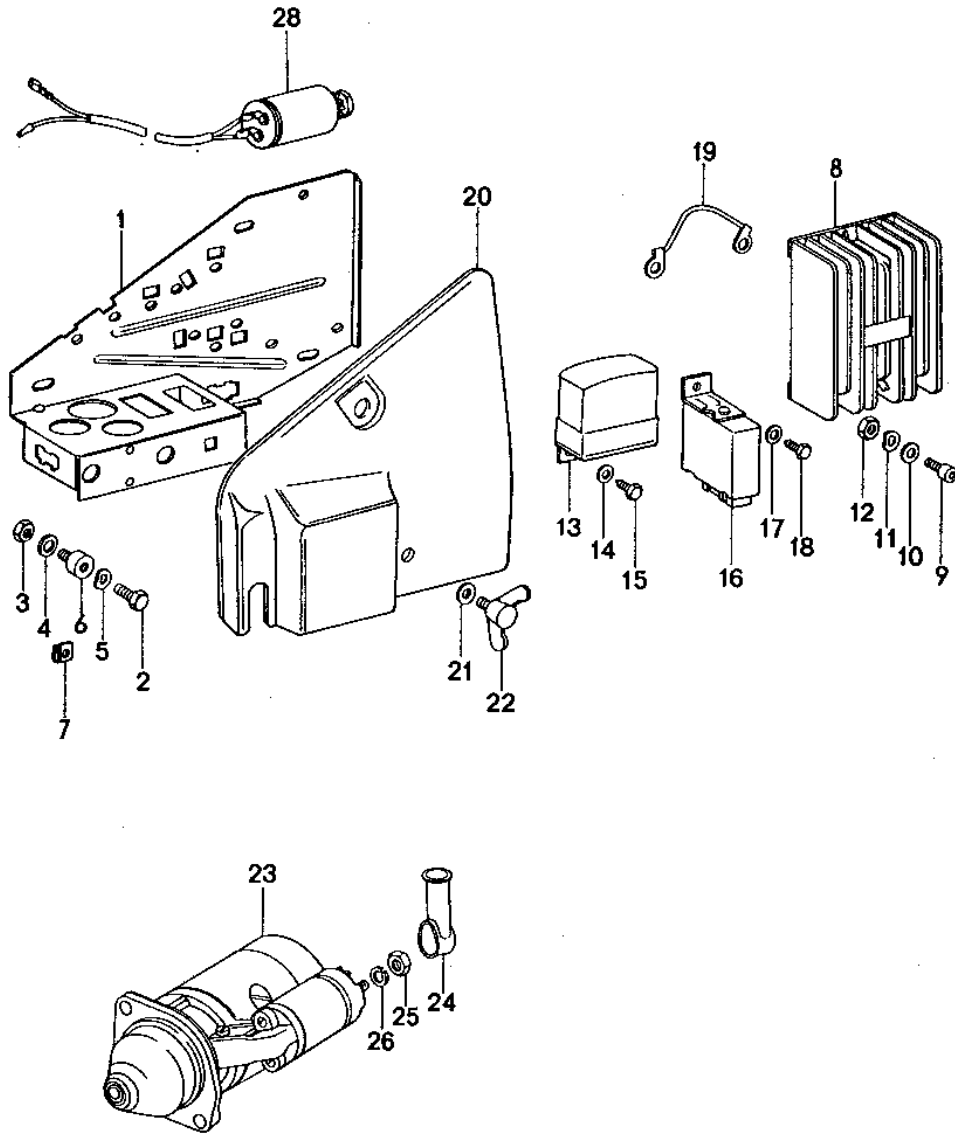
Pos	Part Number	Description	Remark	Qty	Model
1	999 611 023 90	Battery Mounting plate		1	
(1)	999 611 024 90	Battery 12 V 66 AH		1	
1/1	999 611 104 00	Battery 12 V 88 AH		1	
2	911 611 209 00	Pole covering		1	
3	999 075 032 02	Bracket		1	
4		Hexagon-head bolt M 8 X 20		1	
5	999 044 001 02	Ground strap		1	
-	900 025 025 02	See group 9/02/20		1	
-	900 076 030 02	Winged nut		4	
6	911 611 898 01	Washer 8,4		3	
6	911 611 898 04	Hexagon nut M 8		1	
7		Terminal		1	
8	999 702 051 50	Terminal		1	
9	911 611 921 00	Battery-starter cable		1	
10	911 612 197 00	See group 9/02/20		1	
-	911 612 401 00	Grommet		1	
-	900 025 002 02	Rubber boot		1	
-	900 025 002 03	Mounting plate		1	
-	900 143 076 02	Spacer		1	
11	911 612 093 05	Washer 4,3		2	
-	900 146 009 02	Washer 4,3		2	
12	901 612 835 01	Oval-head sheetmetal screw 4,2 X 25		1	
13	911 612 086 01	Fuse box		1	
14	911 612 087 01	Fuse box		1	
-	900 146 009 02	Oval-head screw 4 X 12		4	
-	999 507 401 40	Special nut		2	
15	911 612 161 01	Lid	-76	1	
(15)	930 612 161 00	Lid	77-	1	
16	999 652 115 10	Flat plug		X	
17	111 971 959	Flat receptacle with Clip 6,3 X 0,8		X	
(17)	PCG 971 959	Flat receptacle without Clip 6,3 X 1,0 SN		X	
(17)	999 652 106 02	Flat receptacle		X	
(17)	N 017 491 8	Flat receptacle		X	
(17)	N 017 494 3	Flat receptacle		X	
18	999 652 122 10	Multiple plug connector		X	
19	999 652 116 10	Flat receptacle		X	
20	999 652 126 10	Distributor		X	
21	999 652 119 40	Connector housing		X	
22	999 652 120 40	Insulating sleeve		X	
23	999 652 142 40	Push-on connector 2-pole		X	

Model: 911 75 Model life 1975>>1977

Pos	Part Number	Description	Remark	Qty	Model
24		Push-on connector Single pole		X	
25+26	901 612 330 00	Multiple plug connection 6-pole		X	
27	901 612 333 00	Plug socket for Standard type relay		X	
28	901 612 334 00	Plug socket for Flasher relay		X	
29	N 017 121 1	Safety fuse 8 A		X	
(29)	N 017 121 5	Lock 25 A		X	
(29)	N 017 121 4	Lock 16 A		X	
29	900 173 006 90	Safety fuse 5 A		X	
-	911 617 106 00	Diode for Windscreen heating Electric Together with Rear window heating Two-stage heatable		1	
-	999 652 106 02	Flat receptacle Windscreen heating Electric		1	
-	999 652 246 10	Cable shoe Windscreen heating Electric		1	
-	999 652 225 10	Cable shoe Windscreen heating Electric		1	

Model: 911 75

Model life 1975>>1977



Model: 911 75

Model life 1975>>1977

Pos	Part Number	Description	Remark	Qty	Model
		Mounting plate			
		Starter			
		Switch unit			
(1)	911 610 103 03	Mounting plate		1	
-	999 507 321 02	Captive nut		1	
-	999 507 315 02	Captive nut	-75	3	
-	999 507 325 02	Nut lock clip	76-	3	
2	N 010 208 5	Hexagon-head bolt		3	
		M 6 X 8			
3	900 910 096 02	Lock nut		3	
		VM 6			
4	900 031 011 02	Washer		3	
		6,4			
5	N 012 226 5	Spring washer		3	
		B 6			
6	999 703 302 00	Metalastik pivot bearing		3	
7	N 015 429 2	Speed nut		4	
		B 4,2			
7	N 015 429 6	Speed nut		4	
		B 4,2			
(8)	930 602 701 00	Switch unit		1	
(8)	930 602 701 X	Control unit		1	
-	900 067 148 02	Pan-head screw		3	
		M 5 X 25			
-	N 011 556 2	Washer		3	
		5,3			
(13)	911 603 206 13	Vibration regulator		1	
		MOTOROLA, MARCHAL, SEV			
		Generator			
-	930 617 117 01	Relay	77-	1	
		Slow-action relay			
		Ignition cut-off			
-	930 617 117 02	Relay	77-	1	
		Slow-action relay			
		Ignition cut-off			
14	900 151 001 02	Washer		2	
		A 4,3			
15	900 187 013 02	Hexagon-head tapping screw		2	
		BZ 4,2 X 13			
-	999 702 119 50	Rubber sleeve		2	
16	911 615 115 00	Relay		1	
		for			
		Rear window			
		Two-stage heatable			
19	911 612 008 00	Ground strap		1	
(20)	930 610 105 00	Cover	-75	1	
(20)	930 610 105 03	Cover	76-	1	
21	900 151 003 02	Washer		2	
		A 6,4			
21	900 151 006 03	Washer		2	
		A 6,4			
22	900 029 102 02	Wing screw		2	
		M 6 X 12			
(23)	916 604 101 00	Starter		1	
		(1,5 PS)			
(23)	916 604 101 X	Starter		1	
		(1,5 PS)			
(23)	916 604 101 BX	Starter		1	
		(1,5 PS)			
24	999 659 006 50	Protection cap		1	
25	N 011 132 2	Hexagon nut		1	
		M 8			
26	N 012 008 2	Lock ring		1	

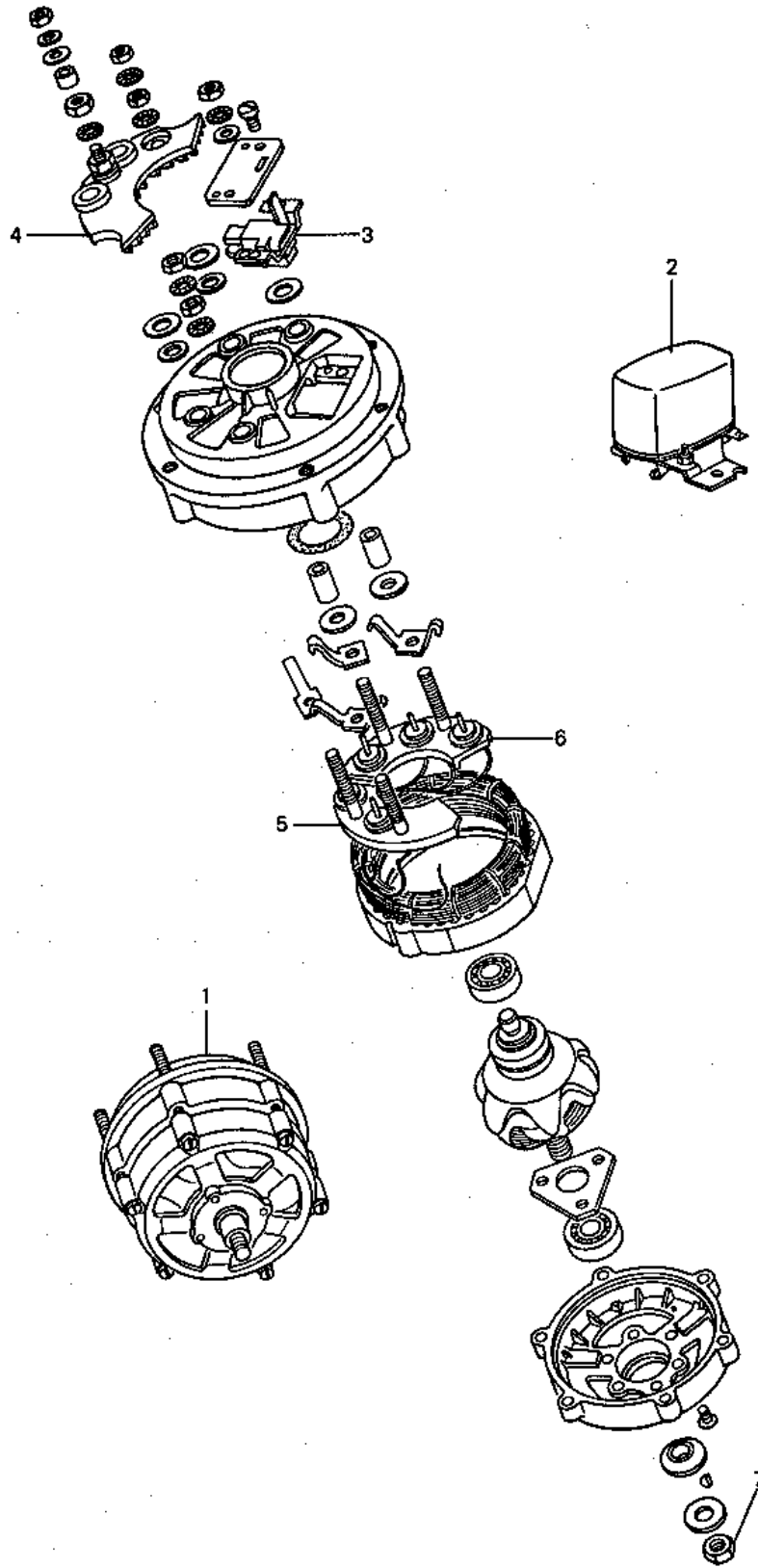
Model: 911 75

Model life 1975>>1977

Pos	Part Number	Description	Remark	Qty	Model
-	911 615 108 01	B 8 Standard type relay		1	
-	999 652 315 02	Red Flat plug		1	
-	911 612 093 05	Fuse box Triple		1	
-	900 014 074 02	Pan-head screw AM 4 X 12		2	
-	900 028 018 01	Spring washer B 4		2	
-	N 011 004 6	Hexagon nut M 4		2	
-	N 011 004 G	Nut M 4		2	
28	911 618 401 00	Condenser		1	
-	901 423 369 00	Retaining bracket		1	

Model: 911 75

Model life 1975>>1977



Model: 911 75 Model life 1975>>1977

Pos	Part Number	Description	Remark	Qty	Model
(1)	911 603 120 02	Generator See technical information GR.2 , NR.28 See TPI GR.9 , NR.13 , 09/94		1	
2		Generator 980 W MOTOROLA, MARCHAL, SEV Vibration regulator MOTOROLA, MARCHAL, SEV See group 9/02/05 Single parts for MOTOROLA, MARCHAL, SEV		1	
3	901 603 907 00	Generator		1	
7		Support Hexagon nut M 16 X 1 See group 1/05/00		1	

Model: 911 75 Model life 1975>>1977

Pos	Part Number	Description	Remark	Qty	Model
(1)	930 612 001 01	Wiring harnesses Wiring harness Tunnel	/LL -75	1	
(1)	930 612 001 02	Wiring harness Tunnel	/LL 76	1	
(1)	930 612 001 03	Wiring harness Tunnel	/LL 77-	1	
(1)	930 612 061 01	Wiring harness Tunnel	/RL 75-	1	
(1)	930 612 061 02	Wiring harness Tunnel	/RL 76	1	
(1)	930 612 061 03	Wiring harness Tunnel	/RL 77-	1	
-	999 513 002 40	Tie-wrap		1	
-	N 020 910 4	Tie-wrap		1	
-	999 513 003 40	Tie-wrap		1	
-	999 702 044 50	Rubber sleeve	-75	1	
-	999 702 132 50	Rubber sleeve	76-	1	
-	999 513 023 40	Tie-wrap		X	
2	911 612 002 12	Wiring harness Boot floor plate	/LL -76	1	
(2)	911 612 002 13	Wiring harness Boot floor plate	/LL 77-	1	
-	930 612 091 00	Single line for Indicator light Generator Instrument cluster	77-	1	
-	911 617 108 00	Diode for Indicator light Generator Bridge Instrument cluster	77-	1	
-	911 617 108 01	Diode for Indicator light Generator Bridge Instrument cluster	77-	1	
2	911 612 060 02	Wiring harness Boot floor plate	/RL -76	1	
(2)	911 612 060 03	Wiring harness Boot floor plate	/RL 77-	1	
3	911 612 003 01	Wiring harness FRONT luggage compartment		1	
-	113 941 189	Grommet Rubber Headlamp casing		X	
5	911 611 899 00	Ground strap Battery Body		1	
6	911 612 010 00	Wiring harness Light switch	-75	1	
(6)	911 612 010 01	Wiring harness Light switch	76-	1	
7	911 612 011 30	Wiring harness Ignition starter switch	-75	1	
(7)	911 612 011 32	Wiring harness Ignition starter switch	76-	1	
8	911 612 014 30	Wiring harness		1	

Model: 911 75 Model life 1975>>1977

Pos	Part Number	Description	Remark	Qty	Model
-	911 612 225 00	Hazard warning light sw. Single line Indicator light		1	
(9)	930 612 016 00	Oil pressure indicator Wiring harness Engine		1	930/50
(9)	930 612 016 01	Wiring harness Engine	76	1	930/51/52
(9)	930 612 016 02	Wiring harness Engine	77-	1	930/52/53/54
-	901 612 893 01	Flat connector socket for Regulator		1	
-	999 911 041 00	Edge protection 150 MM		*	
-	PCG 911 041 00	Edge protection White 560 MM		1	
10	911 612 022 22	Battery-starter cable		1	
-	911 612 821 00	Covering for Cable holder Seat well	76-	1	
-	911 612 025 01	Wiring harness Tunnel Rear window wiper	/LL	1	
-	911 612 019 00	Wiring harness Fuse box Rear window wiper	/LL	1	
-	911 612 063 01	Wiring harness Tunnel Rear window wiper	/RL	1	
-	911 612 031 01	Wiring harness Rear window wiper Engine		1	
-	911 612 099 00	Wiring harness Fuse box Rear window wiper Switch	/RL	1	
-	911 612 223 00	Single line Rear window wiper Switch		1	
-	911 612 026 00	Wiring harness Rear fog light Switch for rear fog light		1	
-	901 612 066 02	Wiring harness Switch Fog headlamp Rear fog light		1	
-	911 612 027 03	Additional cables Fog headlamp		1	
-	901 612 064 00	Ground cable Fog headlamp Rear fog light		1	
-	911 612 154 00	Wiring harness Rear fog light		1	
-	911 612 155 01	Wiring harness Rear fog light Double		1	
-	911 612 027 01	Ground cable Fog headlamp	(CDN) (USA) (J)	1	
-	901 612 053 00	Wiring harness Heater		1	

Model: 911 75 Model life 1975>>1977

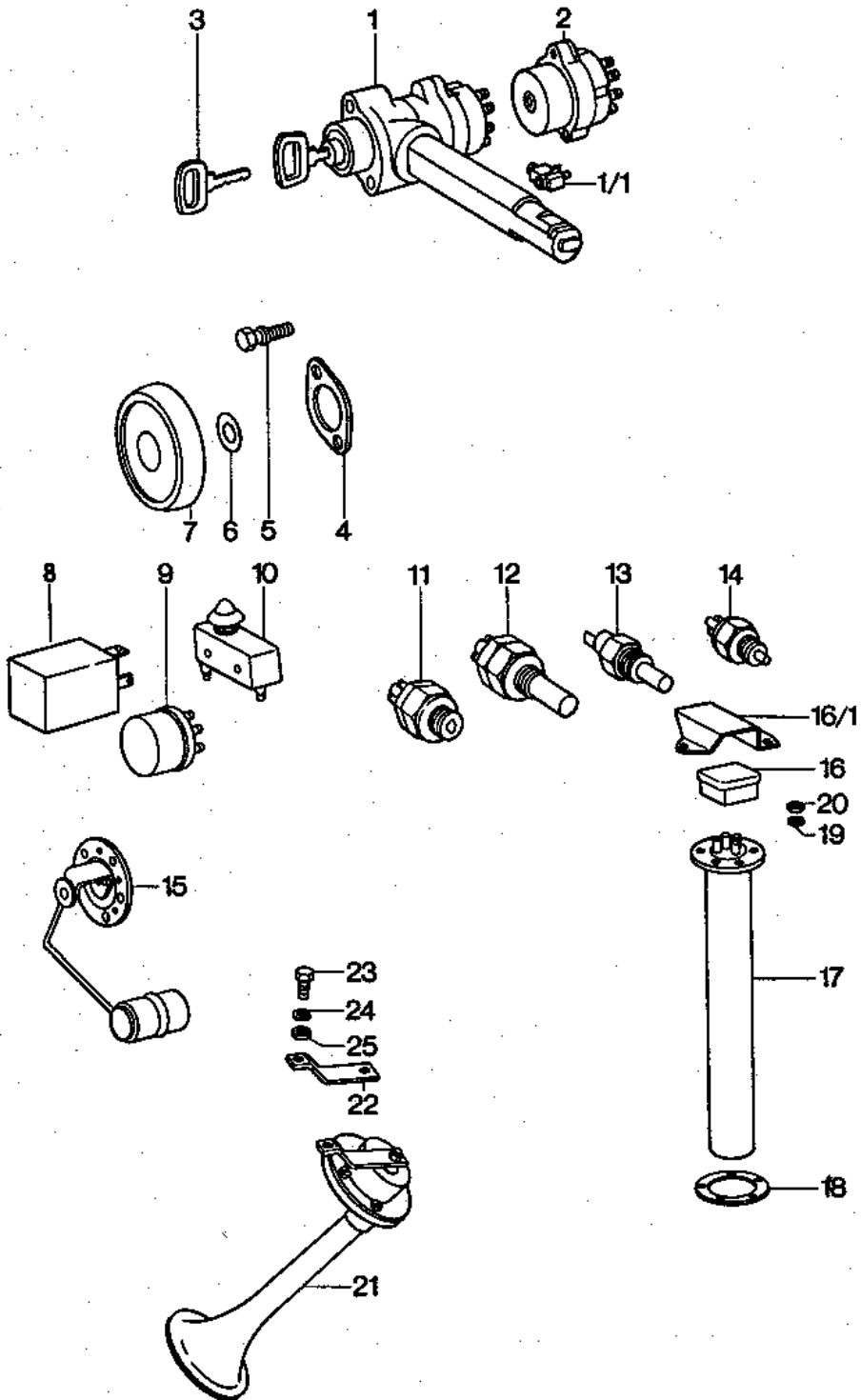
Pos	Part Number	Description	Remark	Qty	Model
-	911 612 034 00	-WEBASTO- Wiring harness Sunroof	/LL	1	
-	911 612 064 01	Wiring harness Sunroof	/RL	1	
-	911 612 032 01	Wiring harness Rear window heating Two-stage heatable		1	
-	911 612 035 00	Wiring harness Relay Rear window heating Two-stage heatable		1	
14	911 612 036 00	Wiring harness Rear window heating		1	
(14)	911 612 037 01	Wiring harness Rear window heating Two-stage heatable		2	
15	911 612 039 01	Wiring harness Rear light		2	
16	911 612 044 21	Wiring harness Luggage compartment lamp		1	
-	911 612 043 01	Wiring harness Indicator light Brake	-75	1	
-		Wiring harness Indicator light Brake	/LL 76	1	
-	911 612 043 03	Wiring harness Indicator light Brake	/RL 76	1	
-	911 612 041 07	Wiring harness Indicator light Brake	/RL 77-	1	
-	911 612 043 02	Wiring harness Indicator light Brake	77-	1	
-	911 612 041 05	Wiring harness Indicator light Seat belt Brake	/LL 77-	1	
-	911 612 170 01	Wiring harness Brake fluid Indicator light	/LL 77-	1	
-	911 618 102 01	Relay Seat belt	77-	1	
19	911 612 047 00	Wiring harness Illumination Instruments		1	
-	901 612 071 02	Wiring harness Power windows	-75	1	
-	911 612 167 00	Wiring harness Power windows	76-	1	
-	911 612 104 01	Wiring harness Power windows Control switch Driver's door		1	
-	911 612 104 02	Wiring harness Power windows Control switch Passenger's door		1	
-	911 612 147 00	Wiring harness Power windows Relay		1	

Model: 911 75 Model life 1975>>1977

Pos	Part Number	Description	Remark	Qty	Model
21	901 612 303 20	Ground strap Tank filler neck		1	
22	999 611 920 20	Ground strap Transmission Body		1	
-	901 612 030 07	Wiring harness Rear window heating Two-stage heatable		1	
-	911 612 057 00	Wiring harness Windscreen heating	/LL	1	
-	911 612 057 01	Wiring harness Windscreen heating	/RL	1	
(25)	911 612 072 13	Wiring harness Fuel pump	-76	1	
(25)	930 612 072 03	Wiring harness Fuel pump	77-	1	
26	930 612 072 01	Wiring harness Fuel pump	-76	1	
(26)	930 612 072 02	Wiring harness Fuel pump Mounting parts for Wiring harness Fuel pump	77-	1	
-	N 012 005 3	Lock ring B 5		1	
-	900 076 027 02	Nut M 5		1	
-	900 027 011 01	Lock ring B 4		1	
-	N 011 004 6	Hexagon nut M4		1	
-	N 011 004 G	Nut M4		1	
-	914 612 125 10	Wiring harness for Standard type relay M 448	(CH) -75	1	
-	911 612 083 00	Ground cable Ashtray light		1	
-	914 612 125 10	Wiring harness for Standard type relay M 447	(B) (F) (I) (L) -75	1	(P)
-	911 612 076 00	Wiring harness Headlight washer system with Air conditioner		1	
-	911 612 059 00	Wiring harness Wipe interval	-75	1	
-	911 612 059 02	Wiring harness Wipe interval	76-	1	
-	N 106 568 02	Oval-head sheetmetal screw B 4,8 X 9,5		2	

Model: 911 75

Model life 1975>>1977



Model: 911 75 Model life 1975>>1977

Pos	Part Number	Description	Remark	Qty	Model
(1)	911 613 901 01	Sender Relay Horn Steering lock without Buzzer contact W/o stipulated lock number		1	
(1)	964 347 917 01	Steering lock without Buzzer contact W/o stipulated lock number		1	
(1)	911 613 903 00	Steering lock without Buzzer contact State lock number		1	
(1)	964 347 917 00	Steering lock without Buzzer contact State lock number		1	
2	911 613 017 01	Ignition starter switch		1	
3	914 531 637 10	Main key State lock number		2	
(3)	914 531 903 11	Blank key State lock number		2	
(3)	914 531 903 10	Blank key for Main key		1	
(3)	914 531 903 11	Blank key for Secondary key		1	
(3)	911 531 946 00	Main key with Light State lock number	76-	1	
(3)	911 531 945 00	Blank key with Light	76-	1	
-	911 531 638 00	Cap		1	
-	928 537 627 02	Pressure spring		1	
-	911 531 640 00	Bulb		1	
-	911 531 641 00	Bridge		1	
-	911 531 642 00	Lid		1	
4	911 347 359 01	Tab washer		1	
5	999 219 017 02	Shear bolt		2	
6	911 613 169 00	Washer	76-	1	
6	911 613 169 01	Washer	76-	1	
7	911 613 160 00	Rosette		1	
-	999 190 113 02	Blind rivet		2	
8	914 618 303 11	Flasher relay		1	
9	911 615 109 01	Standard type relay		X	
10		Microswitch See illustrations 1/06/05 + 1/06/00			
11		Switch for Back-up light See illustrations 3/08/00			
12		Bridging switch See illustrations 3/07/05			
13		Temperature switch See illustrations			

Model: 911 75 Model life 1975>>1977

Pos	Part Number	Description	Remark	Qty	Model
15		3/07/05 Oil-level sender Electric See illustrations			
16	901 612 891 01	1/04/05 Connector housing for Sender		1	
16/1	901 201 275 30	Cap for Sender Yellow Anodised		1	
16/1	901 201 275 31	Cap for Sender Black		1	
17	901 741 801 00	Sender for Fuel-level indicator Fuel tank (62 - 85 L) See illustrations		1	
18	477 919 133	2/01/00 Sealing ring		1	
19	900 028 007 02	Spring washer B 5		5	
20	900 076 027 02	Nut M 5		5	
21	911 635 101 20	Fanfare High-pitched Long		1	
21	911 635 101 21	Fanfare Short High-pitched		1	
(21)	911 635 102 20	Fanfare Low-pitched Long		1	
(21)	911 635 102 21	Fanfare Long Low-pitched		1	
22	911 635 096 00	Support for Fanfare High-pitched		1	
(22)	911 635 097 01	Support for Fanfare Low-pitched		1	
23	900 075 087 02	Hexagon-head bolt M 8 X 16		2	
23	900 075 087 03	Hexagon-head bolt M 8 X 16		2	
24	900 027 005 02	Lock ring A 8		2	
25	900 151 008 02	Washer 8,4		2	
-	911 615 115 00	Relay for Rear window heating		1	
-	N 015 429 2	Two-stage heatable Speed nut B 4,2		1	

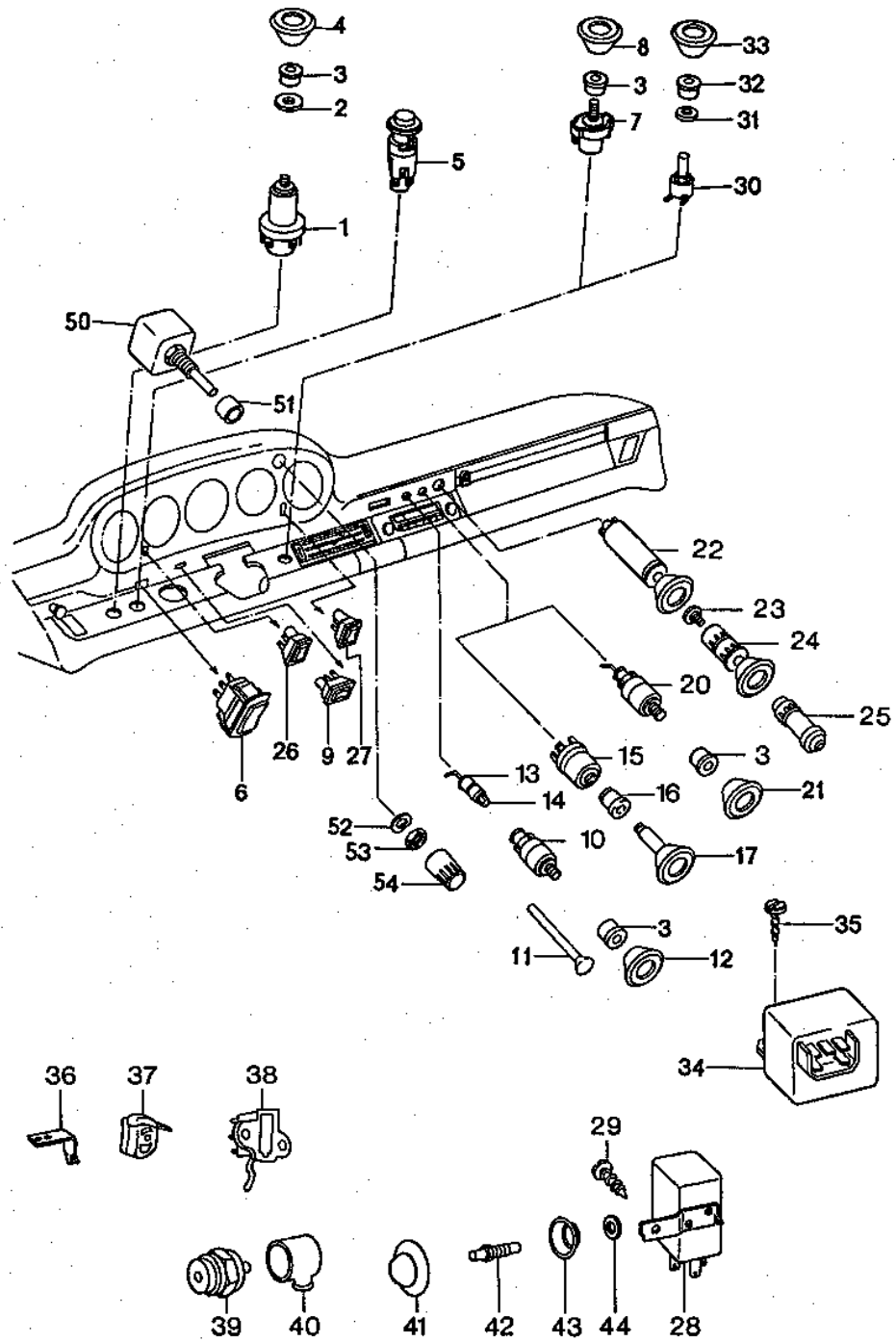
Model: 911 75

Model life 1975>>1977

Pos	Part Number	Description	Remark	Qty	Model
-	N 015 429 6	Speed nut B 4,2		1	
-	900 151 001 02	Washer A 4,3		1	
-	900 187 013 02	Hexagon-head tapping screw BZ 4,2 X 13		1	

Model: 911 75

Model life 1975>>1977



Model: 911 75

Model life 1975>>1977

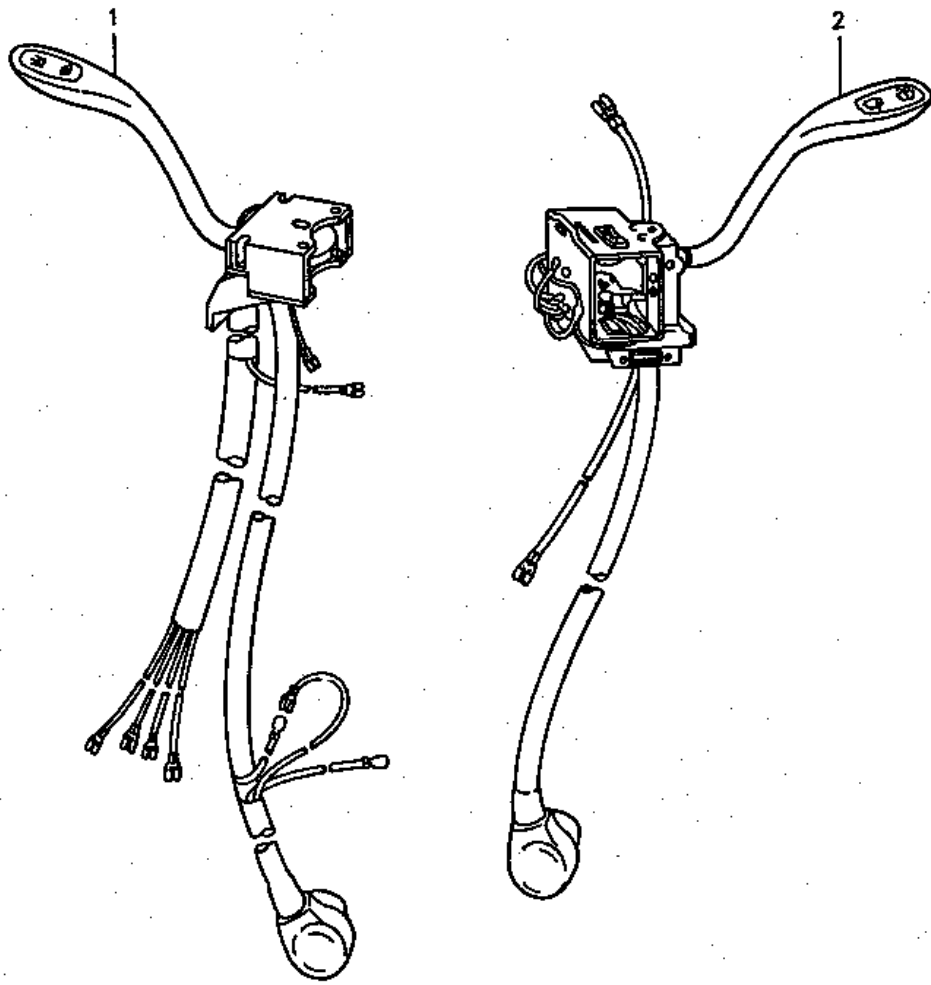
Pos	Part Number	Description	Remark	Qty	Model
1	911 613 029 01	Switch Push-pull light switch		1	
2	900 151 026 02	Washer B 10,5		1	
2	900 151 050 01	Washer B 10,5		1	
3	911 613 213 02	Rosette		1	
4	911 613 215 00	Knob		1	
5	911 613 124 32	Hazard warning light sw.		1	
6	911 613 622 00	Tip switch		1	
6	911 613 622 01	Tip switch		1	
-	911 613 621 03	Switch for window opener		3	
-	911 613 635 20	Assembly frame for window opener		3	
9	911 613 113 00	Changeover switch for electric adjustment		1	
(10)	911 613 145 00	Door mirror Switch for Rear window heating Two-stage heatable		1	
11	911 613 228 00	Luminous stick		1	
-	999 703 067 50	Stopper		1	
12	911 613 215 03	Knob		1	
13	999 632 007 00	Bulb socket		X	
14	900 631 102 90	Light 12 V 2 W		X	
15	914 613 451 10	Switch for Fog headlamp And Rear fog light		1	
16	911 613 213 03	Rosette		1	
17	911 613 028 01	Knob		1	
20	902 613 623 90	Switch for Fog headlamp Rear fog light		1	
-	911 612 251 00	Resistor for Fog headlamp Rear fog light		1	
21	911 613 215 02	Knob		1	
22	911 652 102 02	Cigarette lighter		1	
22	911 652 102 07	Cigarette lighter		1	
23	644 652 112 00	Glower for Cigarette lighter		1	
24	911 652 122 02	Connector for Cigarette lighter		1	
25	901 613 801 00	Connector		1	
26	911 613 321 01	Tip switch for Rear window wiper		1	
27	911 613 319 01	Tip switch for Headlight washer system		1	
28	928 618 111 00	Relay for Headlight washer system		1	
29	N 013 968 7	Tapping screw		1	

Model: 911 75 Model life 1975>>1977

Pos	Part Number	Description	Remark	Qty	Model
29	900 143 097 01	B 4,8 X 13 Tapping screw		1	
30	911 618 147 00	B 4,8 X 13 Potentiometer Wipe interval	-75	1	
31	900 151 007 01	Washer	-75	1	
32	911 618 213 00	Rosette	-75	1	
33	911 618 214 00	Knob	-75	1	
34	911 618 149 00	Pulse sender Wipe interval	-75	1	
(34)	911 618 149 01	Pulse sender Wipe interval	76-	1	
35	N 013 970 5	Oval-head sheetmetal screw B 4,8 X 9,5		1	
35	N 106 568 02	Oval-head sheetmetal screw B 4,8 X 9,5		1	
36		Contact bow Handbrake contact piece See group 7/01/05			
37		Segment Handbrake contact piece See group 7/01/05			
38		Switch Brake light See group 7/02/00; 7/02/01; 7/02/15; 7/02/20			
39		Back-up light switch without Cap See group 3/02/05			
40		Protection cap See group 3/02/05			
41	901 615 616 20	Rubber cap		2	
42	964 613 601 00	Door contact switch for Interior light Luggage compartment lamp		3	
(42)	901 615 601 02	Contact switch for Glove compartment light		1	
(42)	901 615 601 03	Contact switch for Glove compartment light		1	
43	901 615 615 20	Concave washer		2	
44	900 031 001 60	Washer 8,4		2	
50	911 618 147 01	Potentiometer Wipe interval		1	
50	911 618 147 02	Potentiometer Wipe interval		1	
51	911 618 207 00	Spacer sleeve		1	
52	900 028 019 01	Spring washer B 7		1	
53	911 618 209 00	Hexagon nut M 7 X 0.75		1	
54	911 618 011 00	Knob with Spring		1	

Model: 911 75

Model life 1975>>1977

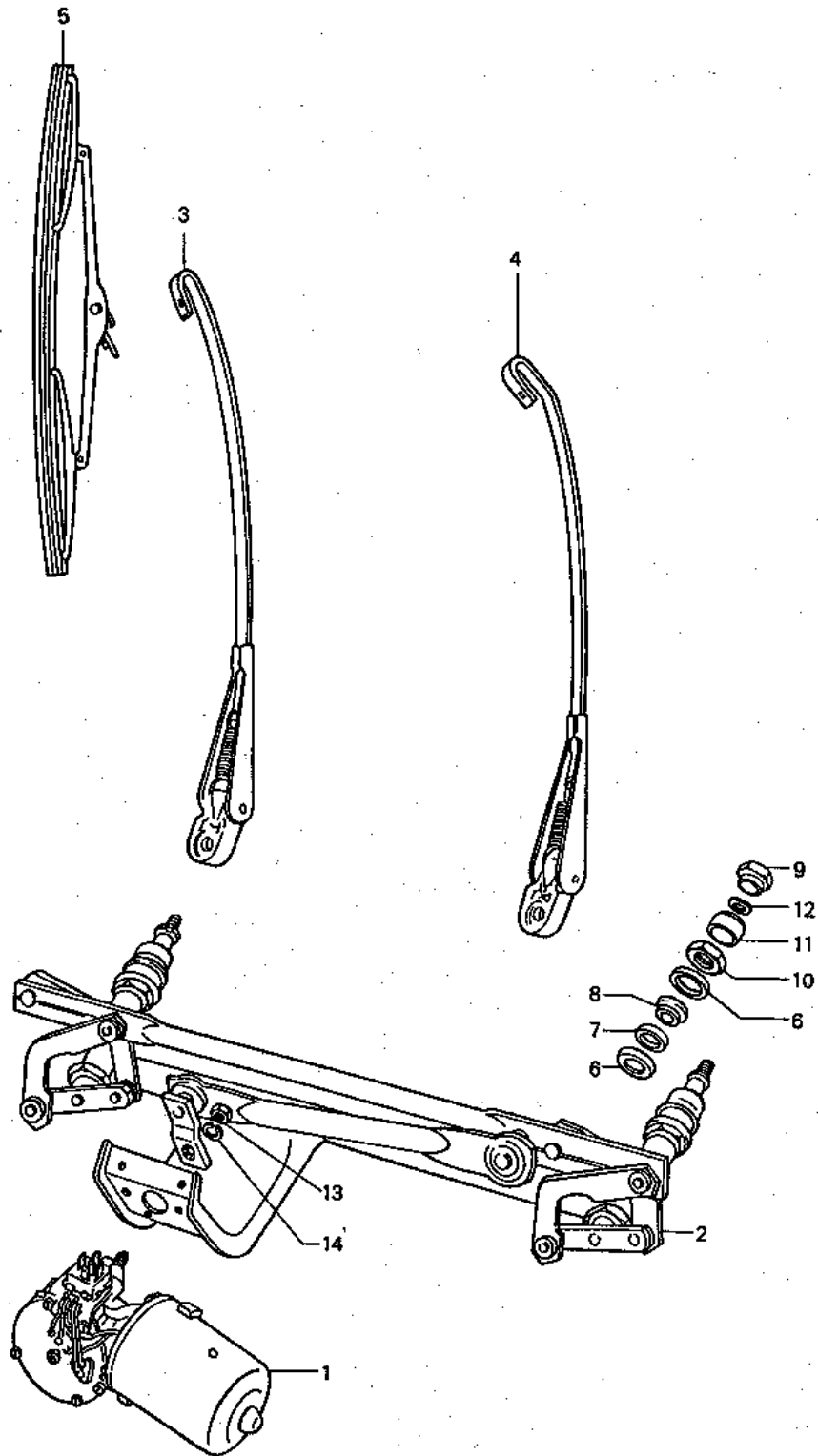


Model: 911 75 Model life 1975>>1977

Pos	Part Number	Description	Remark	Qty	Model
1	911 613 305 00	Steering column switch			
		Combined switch	-75	1	
(1)	911 613 305 01	Steering column switch	76-	1	
(1)	911 613 307 00	Combined switch	(B) (F) (I)	1	
			(L) -75		
(1)	911 613 307 01	Combined switch	(B) (F) (I)	1	
			(L) 76-		
2	911 613 306 02	Steering column switch	-75	1	
(2)		Steering column switch	-76	1	

Model: 911 75

Model life 1975>>1977



Model: 911 75 Model life 1975>>1977

Pos	Part Number	Description	Remark	Qty	Model
-	911 628 013 01	Windscreen wiper system without Wiper arm Wiper blade Switch	/LL	1	
-	911 628 012 01	Windscreen wiper system without Wiper arm Wiper blade Switch	/RL	1	
1	911 628 115 01	Wiper motor	/LL	1	
(1)	911 628 114 00	Wiper motor	/RL	1	
2	911 628 961 00	Crank drive with installation parts POS. 6 - 12	/LL	1	
(2)	911 628 961 01	Crank drive with installation parts POS. 6 - 12	/RL	1	
3	914 628 313 10	Wiper arm Installation instructions Attention	-75	1	
3	964 628 028 01	Wiper arm Together with 96462802802 Use Attention Modification Version	/L -75	1	
(3)	911 628 313 00	Wiper arm	76-	1	
4	914 628 314 10	Wiper arm Installation instructions Attention	/LL -75	1	
(4)	964 628 028 02	Wiper arm Together with 96462802801 Use Attention Modification Version	/LL -75	1	
(4)	911 628 314 00	Wiper arm Right	/LL 76-	1	
(4)	911 628 014 00	Wiper arm Installation instructions Attention	/RL -75	1	
(4)	911 628 312 00	Wiper arm Left	/RL 76-	1	
5	914 628 311 10	Wiper blade		2	
6	911 628 963 00	Flange washer Black		4	
7	901 628 923 01	Rubber bush		2	
8	901 628 924 00	Rubber bush		2	
9	901 628 341 00	Cap nut	-75	2	
(9)	N 011 118 11	Hexagon nut BM 8	76-	2	
(9)	900 034 001 05	Hexagon nut BM 8	76-	2	
10	901 628 925 00	Hexagon nut		2	
11	901 628 926 00	Cap		2	
12	901 628 927 00	Spring washer		2	
12	481 955 349	Spring washer		2	
12	803 955 437	Spring washer		2	
13	900 076 010 02	Nut		1	

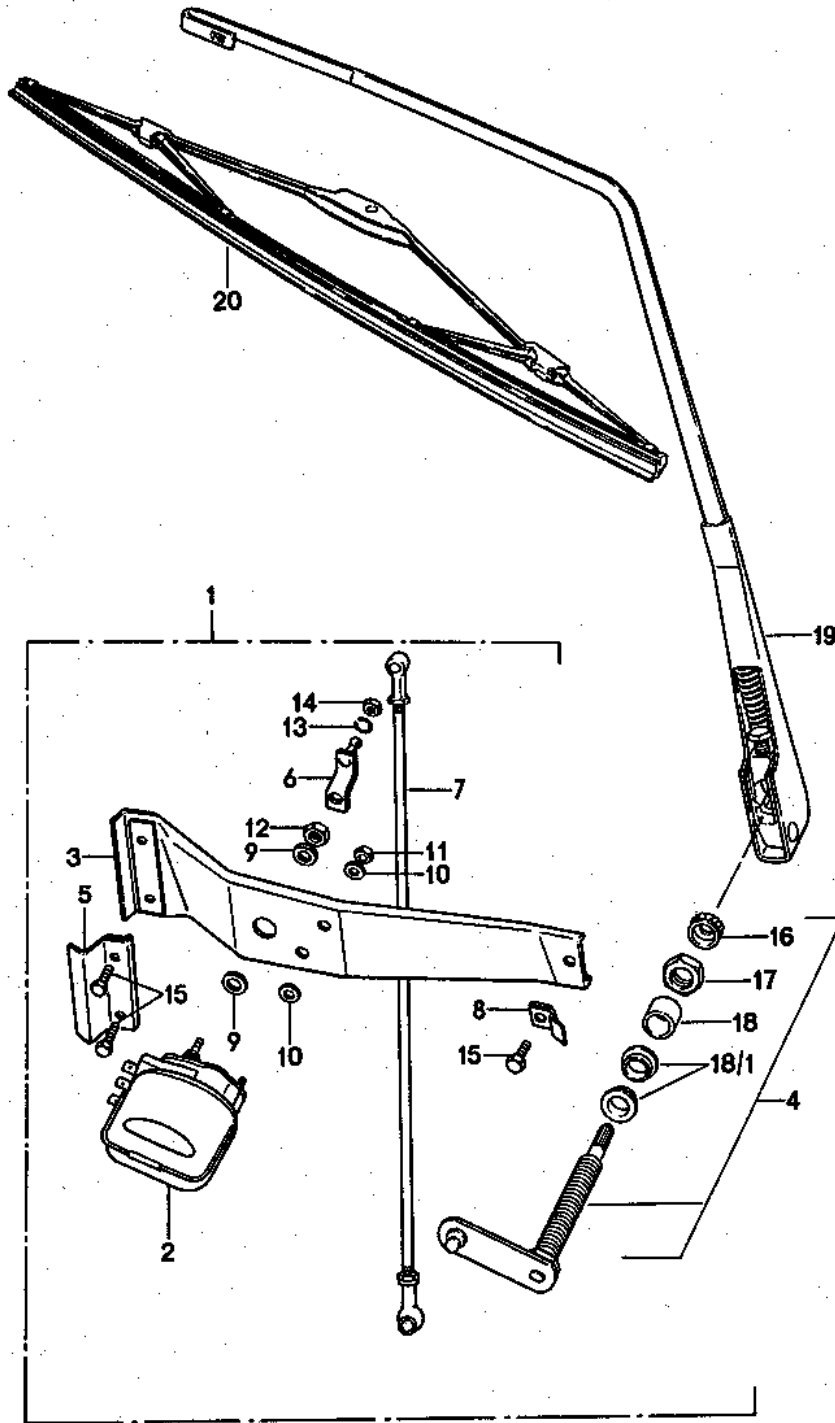
Model: 911 75

Model life 1975>>1977

Pos	Part Number	Description	Remark	Qty	Model
13	900 076 010 0B	M 6 Nut		1	
14	N 042 121 1	M 6 Shake-proof washer 6,4		1	

Model: 911 75

Model life 1975>>1977

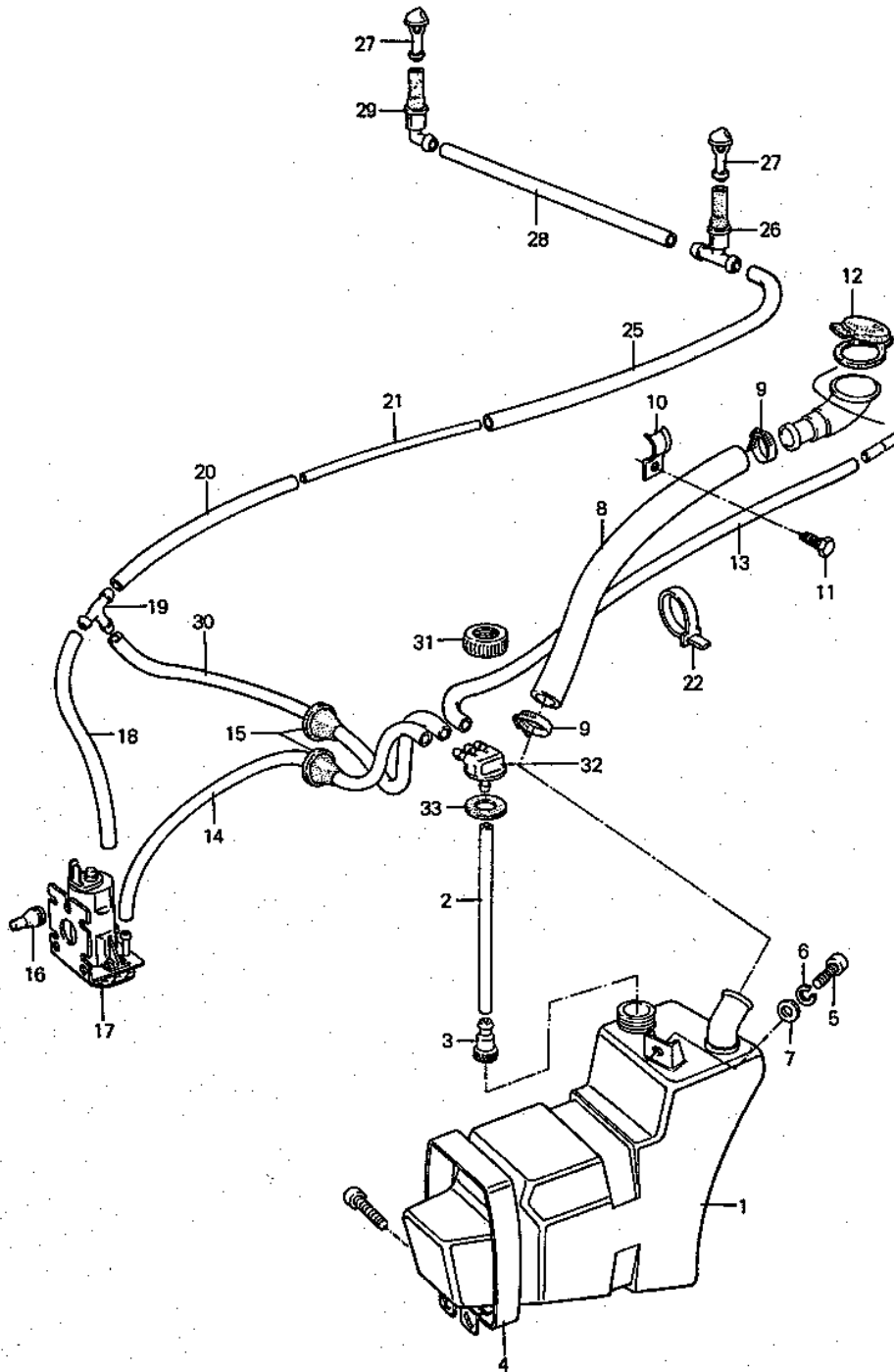


Model: 911 75 Model life 1975>>1977

Pos	Part Number	Description	Remark	Qty	Model
1	930 628 061 00	Rear window wiper		1	
2	911 628 063 00	Rear window wiper		1	
3	901 628 065 00	Wiper motor		1	
4	911 628 065 00	Assembly frame		1	
4	911 628 915 00	Wiper bearing		1	
(5)	930 628 507 00	Fastening angle		1	
6	901 628 318 00	Lever		1	
(7)	930 628 901 00	Joint rod		1	
8	901 628 337 00	Support		1	
9	901 628 338 00	Lock ring		2	
10	901 628 339 00	Lock ring		4	
11	900 076 027 02	Washer		2	
		Nut			
		M 5			
12	999 078 014 02	Hexagon nut		1	
13	900 027 014 01	Lock ring		1	
		B 6			
13	900 027 014 02	Lock ring		1	
		B 6			
13	N 012 006 4	Lock ring		1	
		B 6			
14	900 076 010 02	Nut		1	
		M 6			
14	900 076 010 0B	Nut		1	
		M 6			
15	N 010 215 13	Hexagon-head bolt		3	
		M 6 X 15			
16	911 628 911 00	Cap		1	
17	901 628 912 00	Hexagon nut		1	
18/1	911 628 753 00	Bush		1	
-	911 613 321 01	Tip switch		1	
		for			
-	911 612 019 00	Rear window wiper		1	
		Wiring harness			
		Fuse box			
		Rear window wiper			
		Switch			
-	911 612 223 00	Single line		1	
		for			
		Rear window wiper			
		Switch			
19	901 628 611 00	Wiper arm		1	
20	901 628 613 00	Wiper blade		1	
20	PCG 628 613 00	Wiper blade		1	
-	911 612 025 01	Wiring harness		1	
		Switch			
		Rear window wiper			
-	911 612 031 01	Wiring harness		1	
		Fuse box			
		Wiper motor			
-	911 617 106 01	Diode		1	
-	911 617 106 02	Diode		1	
-	999 652 142 40	Push-on connector		1	
-	999 702 119 50	Rubber sleeve		1	
-	999 911 084 40	Beading		X	
-		55 MM		1	

Model: 911 75

Model life 1975>>1977



Model: 911 75 Model life 1975>>1977

Pos	Part Number	Description	Remark	Qty	Model
1	911 628 075 08	Windscreen washer system		1	
-	N 020 301 1	Water reservoir		*	
-	PCG 020 301 10	Hose		X	
		Hose			
		PVC 4 X 1			
		3000 MM			
2		300 MM		1	
3	911 628 749 00	Valve		1	
4	911 628 081 00	Restraining strap		1	
4	911 628 081 02	Restraining strap		1	
5	900 378 030 09	Hexagon-head bolt		1	
		M 6 X 20			
6	N 012 007 2	Lock ring		1	
		A 6			
6	900 027 004 03	Lock ring		1	
		A 6			
7	900 151 003 02	Washer		1	
		A 6,4			
7	900 151 006 03	Washer		1	
		A 6,4			
8	911 628 236 00	Filling hose		1	
		25 X 32 X 710			
8	911 628 236 01	Filling hose		1	
		25 X 32 X 710			
9	999 512 356 02	Hose clamp		2	
10	911 573 145 00	Clamp		1	
10	911 573 145 01	Clamp		1	
11	900 187 025 02	Hexagon-head tapping screw		1	
		B 5,5 X 13			
12	964 201 507 00	Lid		1	
-	N 020 301 1	Hose		*	
		PVC 4 X 6			
-	PCG 020 301 10	Hose		X	
		PVC 4 X 1			
		3000 MM			
13		800 MM		1	
-	N 020 301 1	Hose		*	
		PVC 4 X 6			
-	PCG 020 301 10	Hose		X	
		PVC 4 X 1			
		3000 MM			
14		650 MM		1	
15	911 612 132 00	Grommet		2	
16	914 628 741 00	Stopper		3	
17	928 628 074 01	Pump		1	
-	N 020 301 1	Hose		*	
		PVC 4 X 6			
-	PCG 020 301 10	Hose		X	
		PVC 4 X 1			
		3000 MM			
18		150 MM		1	
19	901 628 749 20	T-piece		1	
-	N 020 301 1	Hose		*	
		PVC 4 X 6			
-	PCG 020 301 10	Hose		X	
		PVC 4 X 1			
		3000 MM			
20		360 MM		1	
-	999 181 183 40	Pipe		*	
		4 X 5			
21		1100 MM		1	
22	999 513 023 40	Tie-wrap		2	
-	N 020 301 1	Hose		*	

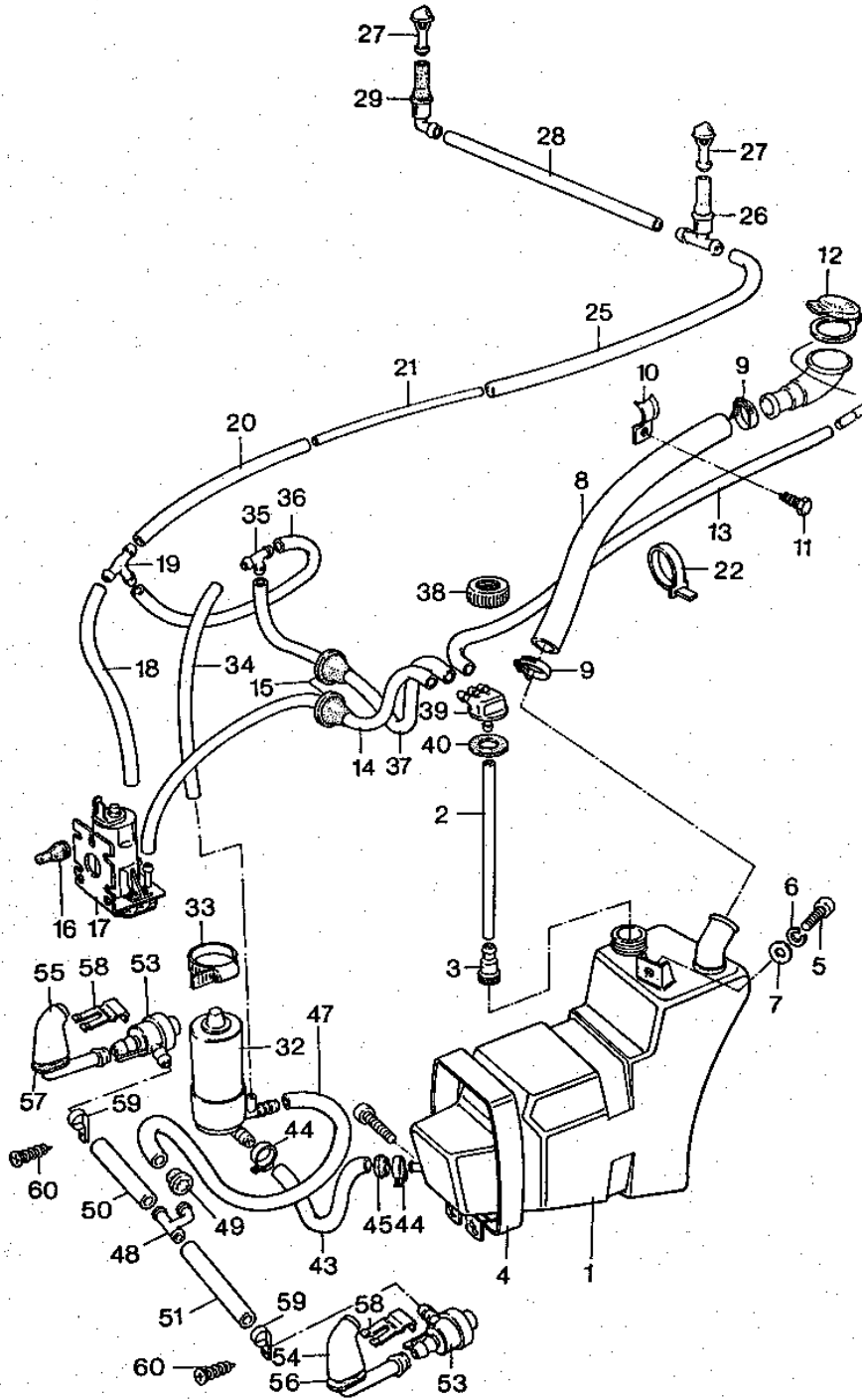
Model: 911 75

Model life 1975>>1977

Pos	Part Number	Description	Remark	Qty	Model
-	PCG 020 301 10	PVC 4 X 6 Hose		X	
25		PVC 4 X 1 3000 MM 560 MM		1	
26	914 628 433 00	Valve		1	
27	914 628 203 11	Nozzle		2	
-	N 020 301 1	Hose		*	
-	PCG 020 301 10	PVC 4 X 6 Hose		X	
28		PVC 4 X 1 3000 MM 900 MM		1	
29	911 628 999 00	Valve		1	
-	N 020 301 1	Hose		*	
-	PCG 020 301 10	PVC 4 X 6 Hose		X	
30		PVC 4 X 1 3000 MM 500 MM		1	
31	911 628 735 00	Threaded cover		1	
31	911 628 735 01	Threaded cover		1	
32	911 628 737 00	Connecting piece		1	
33	911 628 743 00	Closing gasket		1	
-	111 971 521 A	Hose		8	

Model: 911 75

Model life 1975>>1977



Model: 911 75

Model life 1975>>1977

Pos	Part Number	Description	Remark	Qty	Model
1	911 628 075 01	Windscreen washer system		1	
-	N 020 301 1	Together with		*	
		Headlight washer system			
		Water reservoir			
-	PCG 020 301 10	Hose		X	
		PVC 4 X 6			
		Hose			
		PVC 4 X 1			
		3000 MM			
2		300 MM		1	
3	911 628 749 00	Valve		1	
4	911 628 081 00	Restraining strap		1	
4	911 628 081 02	Restraining strap		1	
5	900 378 030 09	Hexagon-head bolt		1	
		M 6 X 20			
6	N 012 007 2	Lock ring		1	
		A 6			
6	900 027 004 03	Lock ring		1	
		A 6			
7	900 151 003 02	Washer		1	
		A 6,4			
7	900 151 006 03	Washer		1	
		A 6,4			
8	911 628 236 00	Filling hose		1	
		25 X 32 X 710			
8	911 628 236 01	Filling hose		1	
		25 X 32 X 710			
9	999 512 356 02	Hose clamp		2	
10	911 573 145 00	Clamp		1	
10	911 573 145 01	Clamp		1	
11	900 187 025 02	Hexagon-head tapping screw		1	
		B 5,5 X 13			
12	964 201 507 00	Lid		1	
-	N 020 301 1	Hose		*	
		PVC 4 X 6			
-	PCG 020 301 10	Hose		X	
		PVC 4 X 1			
		3000 MM			
13		800 MM		1	
-	N 020 301 1	Hose		*	
		PVC 4 X 6			
-	PCG 020 301 10	Hose		X	
		PVC 4 X 1			
		3000 MM			
14		650 MM		1	
15	911 612 132 00	Grommet		2	
16	914 628 741 00	Stopper		3	
17	928 628 074 01	Pump		1	
		Electric			
-	N 020 301 1	Hose		*	
		PVC 4 X 6			
-	PCG 020 301 10	Hose		X	
		PVC 4 X 1			
		3000 MM			
18		150 MM		1	
19	901 628 749 20	T-piece		1	
-	N 020 301 1	Hose		*	
		PVC 4 X 6			
-	PCG 020 301 10	Hose		X	
		PVC 4 X 1			
		3000 MM			
20		360 MM		2	
-	999 181 183 40	Pipe		*	

Model: 911 75 Model life 1975>>1977

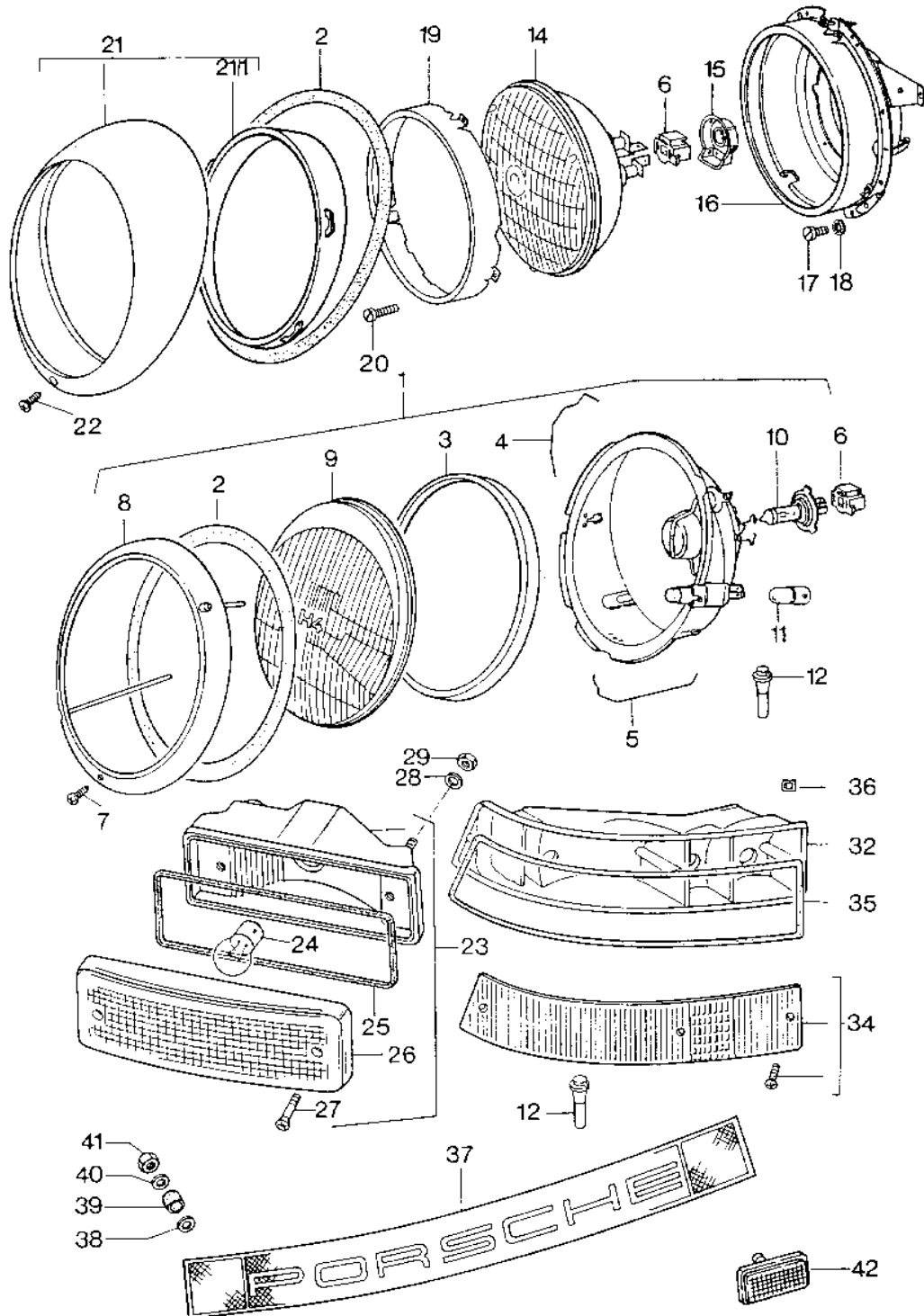
Pos	Part Number	Description	Remark	Qty	Model
21		4 X 5 1100 MM		1	
22	999 513 023 40	Tie-wrap		2	
-	N 020 301 1	Hose		*	
		PVC 4 X 6			
-	PCG 020 301 10	Hose		X	
		PVC 4 X 1			
		3000 MM			
25		560 MM		1	
26	914 628 433 00	Valve		1	
27	914 628 203 11	Nozzle		2	
-	N 020 301 1	Hose		*	
		PVC 4 X 6			
-	PCG 020 301 10	Hose		X	
		PVC 4 X 1			
		3000 MM			
28		900 MM		1	
29	911 628 999 00	Valve		1	
32	477 955 679 A	Pump		1	
33	999 512 164 02	Hose clamp		1	
35	911 628 748 00	Valve		1	
-	N 020 301 1	Hose		X	
		PVC 4 X 6			
-	PCG 020 301 10	Hose		X	
		PVC 4 X 1			
		3000 MM			
34		510 MM		1	
-	N 020 301 1	Hose		*	
		PVC 4 X 6			
-	PCG 020 301 10	Hose		X	
		PVC 4 X 1			
		3000 MM			
(34)		320 MM		1	
		for cars with			
		Air conditioner			
-	N 020 301 1	Hose		*	
		PVC 4 X 6			
-	PCG 020 301 10	Hose		X	
		PVC 4 X 1			
		3000 MM			
36		100 MM		1	
-	N 020 301 1	Hose		*	
		PVC 4 X 6			
-	PCG 020 301 10	Hose		X	
		PVC 4 X 1			
		3000 MM			
37		530 MM		1	
38	911 628 735 00	Threaded cover		1	
38	911 628 735 01	Threaded cover		1	
39	911 628 737 00	Connecting piece		1	
40	911 628 743 00	Closing gasket		1	
-	999 181 182 40	Hose		*	
		PVC 10 X 14			
43		330 MM		1	
(43)	999 181 182 40	Hose		*	
		PVC 10 X 14 X 140			
		for cars with			
		Air conditioner			
44	999 512 134 02	Hose clamp		2	
45	021 119 569 A	Rubber sleeve		1	
47	900 918 031 40	Pressure hose		*	
		10 X 12,5			
47	900 918 031 4B	Pressure hose		1	

Model: 911 75 Model life 1975>>1977

Pos	Part Number	Description	Remark	Qty	Model
(47)	900 918 031 40	10 X 12 Pressure hose PA 11 for cars with Air conditioner		*	
(47)	900 918 031 4B	Pressure hose 10 X 12 for cars with Air conditioner		1	
48	914 628 413 10	Distributing piece		1	
-	999 512 160 02	Hose clamp		6	
-	PCG 512 160 02	Hose clamp		6	
49	311 941 189 A	Grommet		1	
50	900 918 031 40	Pressure hose 10 X 12,5		*	
50	900 918 031 4B	Pressure hose 10 X 12 780MM		X	
51	900 918 031 40	Pressure hose 10 X 12,5		*	
51	900 918 031 4B	Pressure hose 10 X 12 480MM		X	
53	113 955 187	Pressure control valve		2	
54	911 628 085 00	Nozzle	/L	1	
54	911 628 085 02	Nozzle	/L	1	
55	911 628 086 00	Nozzle	/R	1	
55	911 628 086 01	Nozzle	/R	1	
56	911 628 807 00	Desk pad	/L	1	
57	911 628 808 00	Desk pad	/R	1	
58	113 955 199	Retainer spring		2	
59	999 511 052 02	Clamp		2	
60	N 013 968 7	Tapping screw B 4,8 X 13		2	
60	900 143 097 01	Tapping screw B 4,8 X 13		2	
-	111 971 521 A	Hose		12	

Model: 911 75

Model life 1975>>1977



Model: 911 75 Model life 1975>>1977

Pos	Part Number	Description	Remark	Qty	Model
1	911 631 112 00	Headlamp Lights Headlamp without POS. 2,6,10,11,12	(AUS) (GB) (ZA)	2	
(1)	911 631 113 00	Headlamp without POS. 2,6,10,11,12		2	
2	911 631 115 02	Gasket		2	
3	911 631 967 00	Gasket		2	
4	901 631 116 02	Locking spring Upper		6	
5	644 631 122 00	Locking spring Lower		5	
6	911 631 108 00	Terminal sleeve housing 3-pole		2	
-	N 017 498 A	Flat plug 7,7 X 1 CuZn		X	
7	900 270 063 07	Countersunk-head screw		2	
8	911 631 933 00	Headlamp ring Chrome		2	
(8)	911 631 141 00	Headlamp ring Prime coated		2	
-	911 631 033 00	Ball screw for Retaining ring		2	
-	911 631 132 00	Oval-head screw M 4 X 9 for Retaining ring		2	
-	113 951 539	Washer		2	
9	911 631 927 01	Lens for 911.631.112.00		2	
-	PCG 911 631 01	Kit Lens Comprising:	/RL	1	
-	911 631 927 01	Lens		2	
-	911 631 115 02	Gasket		2	
-	911 631 967 00	Gasket		2	
-	113 951 539	Washer		2	
(9)	911 631 927 00	Lens for 911.631.113.00		2	
-	PCG 911 631 00	Kit Lens Comprising:	/LL	1	
-	911 631 927 00	Lens		2	
-	911 631 115 02	Gasket		2	
-	911 631 967 00	Gasket		2	
-	113 951 539	Washer		2	
10	999 631 202 90	Bulb H4 12V - 60/55W White		2	
(10)	999 631 202 91	Halogen bulb H4 12V - 60/55W Yellow	(F)	2	
11	900 631 103 90	Bulb 12V - 4 W		2	
12	911 631 259 02	Rubber sleeve		4	
(14)	911 631 114 00	Headlamp	(J)	2	
-	900 631 109 90	Bulb 12V - 45/40 W	(J)	2	

Model: 911 75 Model life 1975>>1977

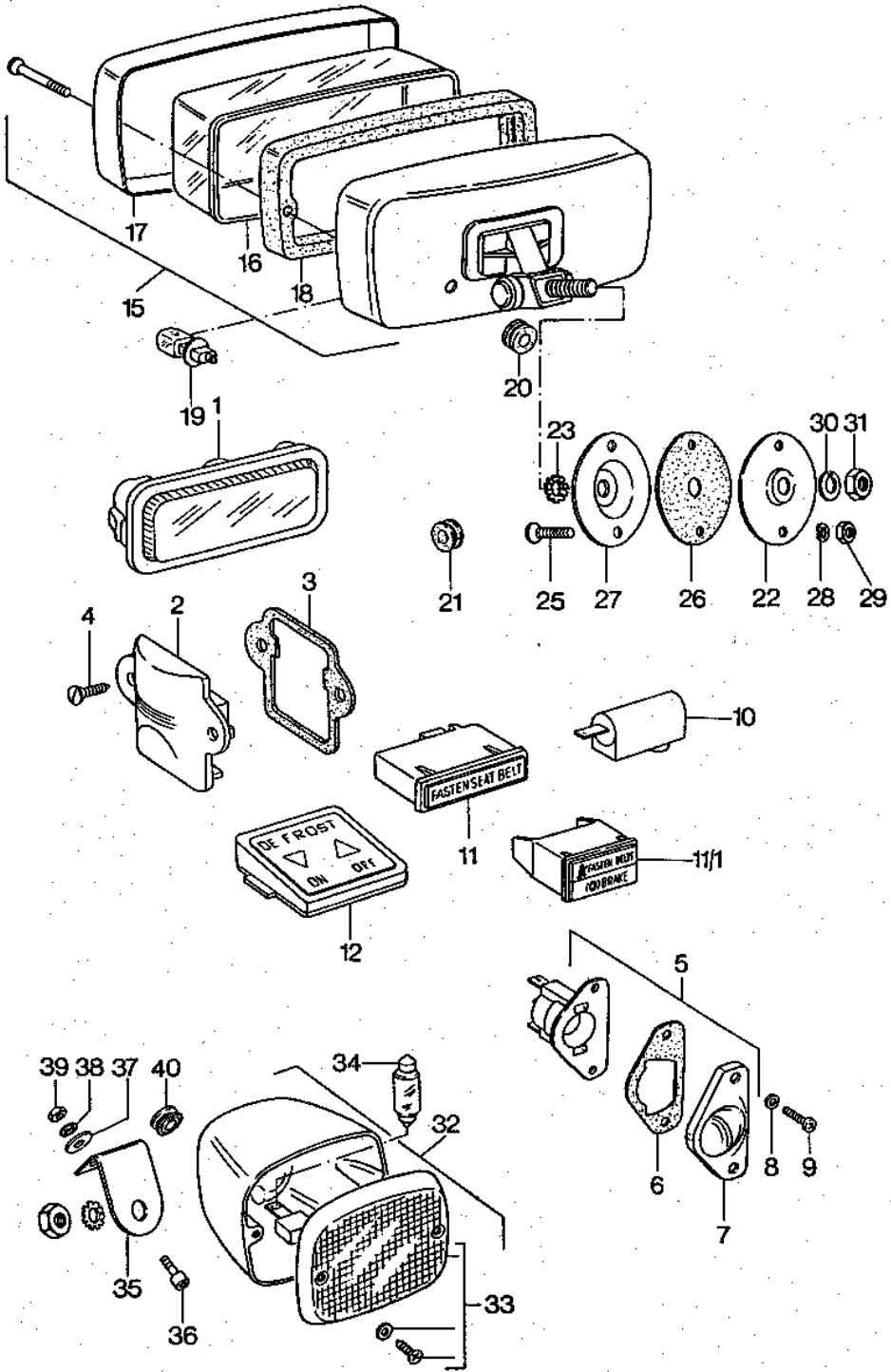
Pos	Part Number	Description	Remark	Qty	Model
15	911 631 116 00	for 911.631.114.00 Cap	(J)	2	
16	901 631 103 02	for 911.631.114.00 Mounting piece	(J)	2	
17	999 014 008 02	Cheese-head screw	(J)	8	
18	900 114 014 01	Shake-proof washer	(J)	8	
19	901 631 102 03	Window retaining bracket	(J)	2	
19	901 631 102 06	Window retaining bracket	(J)	2	
20	900 016 014 02	Half-round screw	(J)	6	
21	901 631 102 05	Retaining ring	(J)	2	
(21)	911 631 135 00	Retaining ring	(J)	2	
21/1	911 631 133 01	Intermediate ring	(J)	2	
22	911 631 146 01	Lens-head screw	(J)	2	
(22)		Lens-head screw	(J)	2	
-	911 631 148 00	Bush	(J)	2	
-	113 951 539	Washer	(J)	2	
23	911 631 405 00	Direction indicator light	/V	2	
(23)	911 631 407 00	Direction indicator light White	/V (I) -76	2	
(23)	911 631 417 00	Direction indicator light	/V (DK) (I) (N) (J)	2	
(23)	911 631 413 00	Side direction indicator	(DK) (I) (N) (J)	2	
24		Bulb See group 9/05/10			
25	911 631 961 00	Rubber seal	/V	2	
(25)	911 631 920 00	Direction indicator light Lens	(DK) (I) (N)	2	
26	911 631 914 00	Side direction indicator Lens	(J) /V	2	
(26)	911 631 915 00	Direction indicator light Orange Lens	/V (I) -76	2	
(26)	911 631 957 00	Direction indicator light White Lens	/V (DK) (I) (N) (J)	2	
27	911 631 918 00	Side direction indicator Oval-head sheetmetal screw	/V	4	
28	900 025 003 02	Washer 5,3		4	
29	N 021 196 1	Lock nut M 5		4	
29	N 021 196 3	Hexagon nut M 5		4	
-	999 591 379 01	Cable clamp		4	
32	911 631 939 00	Tail light housing	/L	1	
(32)	911 631 940 00	Tail light housing	/R	1	
-	N 100 818 01	Oval-head screw for Tail light housing M5 X 16		X	
34	911 631 949 00	Lens	/L	1	
-	PCG 631 911 00	Screw Fastening screw Silver Comprising: 6 Schrauben 6 Dichtungen		1	

Model: 911 75 Model life 1975>>1977

Pos	Part Number	Description	Remark	Qty	Model
-	PCG 631 911 01	Screw Fastening screw Black Comprising: 6 Schrauben 6 Dichtungen		1	
(34)	911 631 950 00	Lens	/R	1	
-	PCG 631 911 00	Screw Fastening screw Silver Comprising: 6 Schrauben 6 Dichtungen		1	
-	PCG 631 911 01	Screw Fastening screw Black Comprising: 6 Schrauben 6 Dichtungen		1	
35	911 631 971 01	Gasket	/L	1	
(35)	911 631 971 00	Gasket	/R	1	
36	999 507 312 12	Nut lock		4	
36	999 507 330 02	Cable holder		4	
36	999 507 312 12	Nut lock		4	
(37)	911 631 432 02	Covering		1	
38	911 631 602 00	Washer		10	
39	911 631 605 00	Hose piece		10	
40	911 631 603 00	Washer		10	
-	N 012 224 3	Spring washer		10	
41	N 011 004 6	Hexagon nut M 4		10	
41	N 011 004 G	Nut M 4		10	
42	930 633 101 01	Reflector		2	
42	930 633 101 02	Reflector		2	

Model: 911 75

Model life 1975>>1977



Model: 911 75 Model life 1975>>1977

Pos	Part Number	Description	Remark	Qty	Model
(1)	901 632 101 28	Fog headlamp			
		Rear fog light			
(1)	901 632 101 00	Interior light		2	
		Interior light		2	
		Chrome			
(1)	911 632 103 00	Interior light		1	
		Glove compartment			
2	901 632 201 01	Luggage compartment lamp		1	
3	901 632 291 00	Desk pad		1	
4	N 013 961 2	Oval-head sheetmetal screw		2	
		B 3,9 X 13			
4	N 013 961 11	Oval-head sheetmetal screw		2	
		B 3,9 X 13			
5	911 631 620 04	License plate light		2	
6	911 631 608 00	Gasket		2	
6	911 631 608 01	Gasket		2	
7	911 631 606 00	Lens		2	
8	911 631 604 00	Sealing washer		4	
(9)	900 146 041 07	Oval-head screw		4	
		BM 3 X 15			
(9)	900 143 116 07	Oval-head sheetmetal screw	(J)	4	
(9)	900 143 116 0H	Oval-head sheetmetal screw	(J)	4	
-	911 505 339 00	Speed nut	(J)	4	
-	999 591 381 02	Cable clamp		2	
-	999 591 381 01	Cable clamp		2	
10	911 632 904 00	Ashtray light		1	
		for			
		Ashtray			
11/1	911 632 013 02	Double indicator light	/RL 77-	1	
		("PARK-BRAKE"/"BRAKE")			
11/1	911 632 013 03	Indicator light	/LL 77-	1	
		for cars with			
		Brake booster			
-	911 632 116 01	Grommet	77-	1	
		for			
		Double indicator light			
15	911 631 206 03	Fog headlamp		2	
		Housing			
		Black			
(15)	911 631 206 04	Fog headlamp		2	
		Housing			
		Black			
		Light-diffusing lens			
		Yellow			
16	911 631 964 00	Light-diffusing lens		2	
		for			
		911.631.206.01			
		And			
		911.631.206.03			
(16)	911 631 963 00	Light-diffusing lens		2	
		for			
		911.631.206.02			
		And			
		911.631.206.04			
17	911 631 959 28	Ring for fog headlamp		2	
		Black			
18	911 631 956 00	Gasket		2	
19	900 631 126 90	Halogen bulb		2	
		H 3			
20	999 702 084 50	Rubber sleeve		2	
21	911 612 132 00	Grommet		2	
22	911 631 060 01	Tensioning plate		2	
		Outer			

Model: 911 75

Model life 1975>>1977

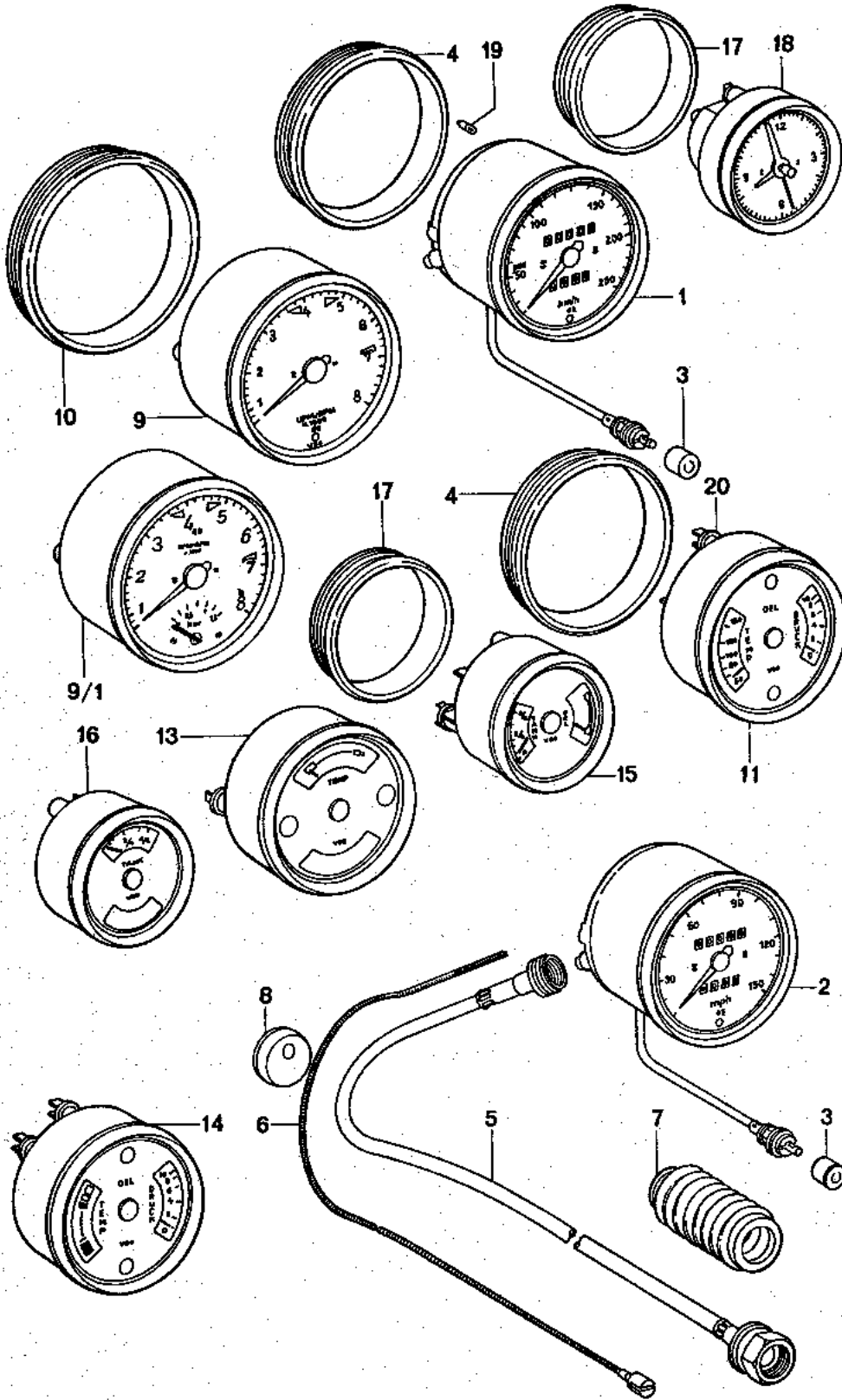
Pos	Part Number	Description	Remark	Qty	Model
23	900 114 011 01	Shake-proof washer A 10,5		2	
25	900 067 009 02	Pan-head screw M 6 X 16		4	
25	900 067 429 01	Pan-head screw M 6 X 16		4	
26	911 631 151 01	Rubber base		2	
27	911 631 150 01	Tensioning plate Inner		2	
28	N 012 226 5	Spring washer A 6		4	
29	900 076 010 02	Nut M 6		4	
29	900 076 010 0B	Nut M 6		4	
30	900 027 016 02	Lock ring B 10		2	
30	900 027 016 03	Lock ring B 10		2	
31	N 011 010 6	Hexagon nut M 10		2	
31	N 101 552 10	Hexagon nut M 10		2	
32	911 631 251 29	Rear fog light		2	
33	911 631 975 00	Lens Washer		2	
34	900 631 123 90	Linolite lamp 12 V - 18 W		2	
34	900 631 123 92	Linolite lamp 12 V - 18 W		2	
35	911 631 125 02	Fastening angle		2	
36	N 014 740 2	Pan-head screw M 6 X 16		4	
36	N 014 740 11	Pan-head screw M 6 X 16		4	
37	900 151 006 09	Washer B 6,4		4	
38	N 012 006 4	Lock ring B 6		4	
39	900 076 010 02	Nut		4	
39	900 076 010 0B	Nut		4	
40	999 702 020 50	Rubber sleeve 8 X 12 X 9		2	
-	999 652 208 10	Cable shoe for Rear fog light		2	
-	999 591 381 02	Cable clamp		6	
-	999 591 381 01	Cable clamp		6	
-	999 703 067 50	Stopper Switch Boot floor plate		1	
-	911 631 315 01	Engine compartment lamp		1	
-	999 631 202 90	Bulb H 4 12 V - 60 / 55 W		2	
-	999 631 202 91	Halogen bulb H 4 12 V - 60 / 55 W Yellow	(F)	2	
-	900 631 109 90	Bulb Headlamp 12 V - 45 / 40 W	(J)	2	
-	900 631 126 90	Halogen bulb H 3 for		2	

Model: 911 75 Model life 1975>>1977

Pos	Part Number	Description	Remark	Qty	Model
-	900 631 127 90	Fog headlamp Bulb for Direction indicator light And Back-up light 12 V - 21 W		6	
-	900 631 128 90	Bulb for Brake light And Rear light 12 V - 21 / 5 W		2	
-	900 631 103 90	Bulb for Side direction indicator 12 V - 4 W	(DK) (I) (J) (N)	2	
-	900 631 115 90	Bulb for Luggage compartment lamp 12 V - 10 W		1	
-	900 631 106 90	Linolite lamp for Interior light And Engine compartment lamp 12 V - 10 W		3	
-	900 631 102 90	Light for Instruments And Indicator light 12 V - 2 W		X	
-	900 631 129 90	Bulb for Switch Fog headlamp Additional headlamp -WEBASTO- Heating Windscreen heating And Rear window heating		X	
-	900 631 123 90	Linolite lamp for Rear fog light 12 V - 18 W		2	
-	900 631 123 92	Linolite lamp for Rear fog light 12 V - 18 W		2	
-	900 631 104 90	Bulb for License plate light 12 V - 5 W		2	

Model: 911 75

Model life 1975>>1977

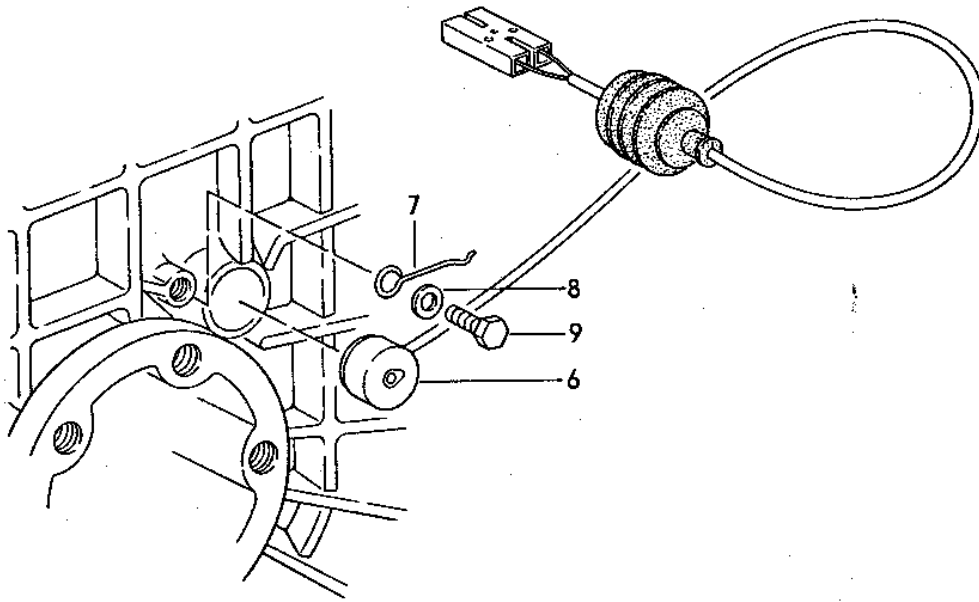
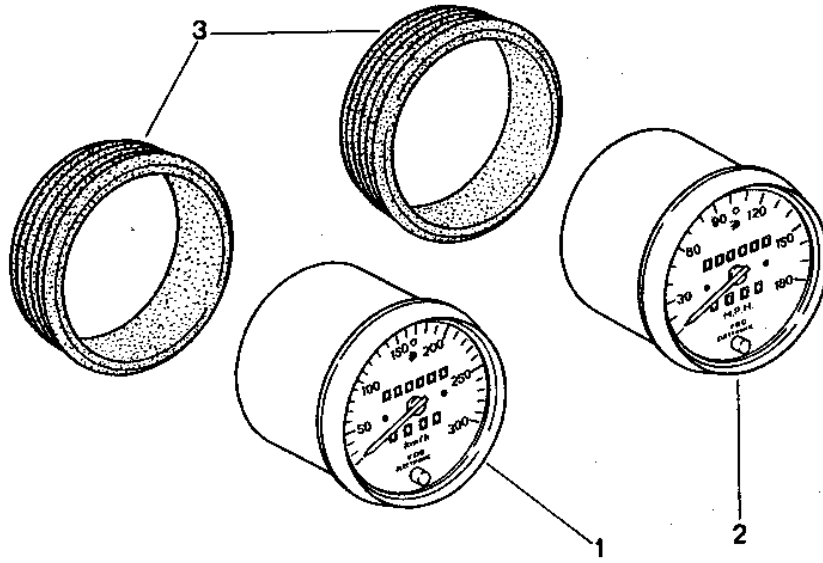


Model: 911 75 Model life 1975>>1977

Pos	Part Number	Description	Remark	Qty	Model
4	911 641 902 00	Tachometer Instrument cluster Rubber ring 100 \$		2	
(9)	930 641 301 00	Tachometer	-76	1	
9/1	930 641 302 00	Tachometer	77-	1	
10	911 641 903 00	Rubber ring 115 \$		1	
11	911 641 103 29	Instrument cluster 100 \$	-76	1	
(11)	911 641 103 02	Instrument cluster 100 \$	77-	1	
(11)	911 641 103 BX	Instrument cluster 100 \$	77-	1	
11	911 641 107 31	Instrument cluster English 100 \$	77-	1	
11	911 641 107 AX	Instrument cluster English 100 \$	77-	1	
15	911 641 202 03	Instrument cluster 80 \$		1	
15	911 641 202 DX	Instrument cluster 80 \$		1	
17	911 641 901 00	Rubber ring 80 \$		2	
18	911 641 701 29	Clock 80 \$		1	
19	900 631 102 90	Light for Illumination Instruments 12 V 2 W		X	
20	999 632 007 00	Bulb socket Single pole		X	
(20)	999 632 009 10	Bulb socket 2-pole		X	
-	911 612 047 00	Wiring harness for Illumination Instruments with Bulb socket		1	

Model: 911 75

Model life 1975>>1977



Model: 911 75

Model life 1975>>1977

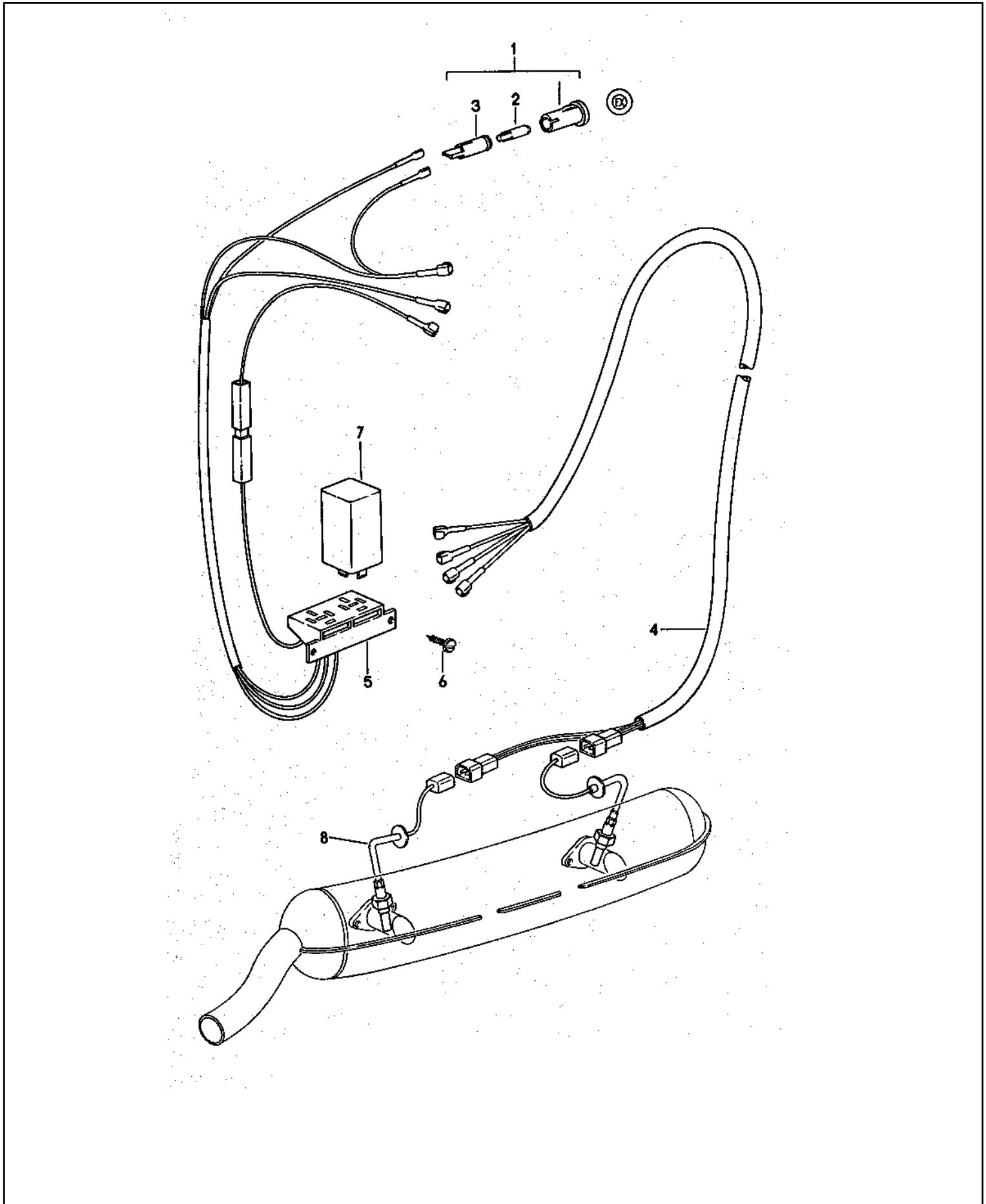
Pos	Part Number	Description	Remark	Qty	Model
1	911 641 532 00	Speedometer Pulse sender Speedometer KM/H 300 for / 60 Tyre	-76	1	
(1)	911 641 539 00	Speedometer KM/H 300 with Warning function /60 Tyre	(J) -76	1	
(1)	911 641 539 X	Speedometer KM/H 300 with Warning function /60 Tyre	(J)	1	
(1)	930 641 505 00	Speedometer KM/H 300 with Warning function /50 Tyre	(J)	1	
(1)	930 641 501 00	Speedometer KM/H 300 for / 50 Tyre	-76	1	
(1)	911 641 516 01	Speedometer	77-	1	
(1)	911 641 537 04	Speedometer KM/H 250 with Warning function	(J) 77-	1	
(1)	911 641 537 DX	Speedometer KM/H 250 with Warning function	(J) 77-	1	
2	911 641 534 00	Speedometer MPH 180	-76	1	
(2)	930 641 506 00	Speedometer MPH 180 for / 50 Tyre	-76	1	
(2)	930 641 506 X	Speedometer MPH 180 for / 50 Tyre		1	
3	911 641 902 00	Rubber ring 100\$		1	
-	999 703 093 40	Stopper		1	
6	911 606 209 00	Pulse sender		1	
7	915 660 509 00	Tensioning spring		1	
8	N 011 524 7	Washer 6,4		1	
8	N 011 524 27	Washer 6,4		1	
9	900 075 010 02	Hexagon nut M 6 X 12		1	
9	N 010 212 14	Hexagon-head bolt		1	

Model: 911 75 Model life 1975>>1977

Pos	Part Number	Description	Remark	Qty	Model
9	999 072 005 09	M 6 X 12 Hexagon nut		1	
9	999 072 005 01	M 6 X 12 Hexagon nut		1	
-	911 612 406 01	M 6 X 12 Cable holder		1	
-	900 093 010 02	Grooved nail 3 X 6	-76	1	
-		Grooved nail 3 X 8	77-	1	
-	999 513 002 40	Tie-wrap		1	
-	N 020 910 4	Tie-wrap		1	
-	999 513 003 40	Tie-wrap		1	

Model: 911 75

Model life 1975>>1977



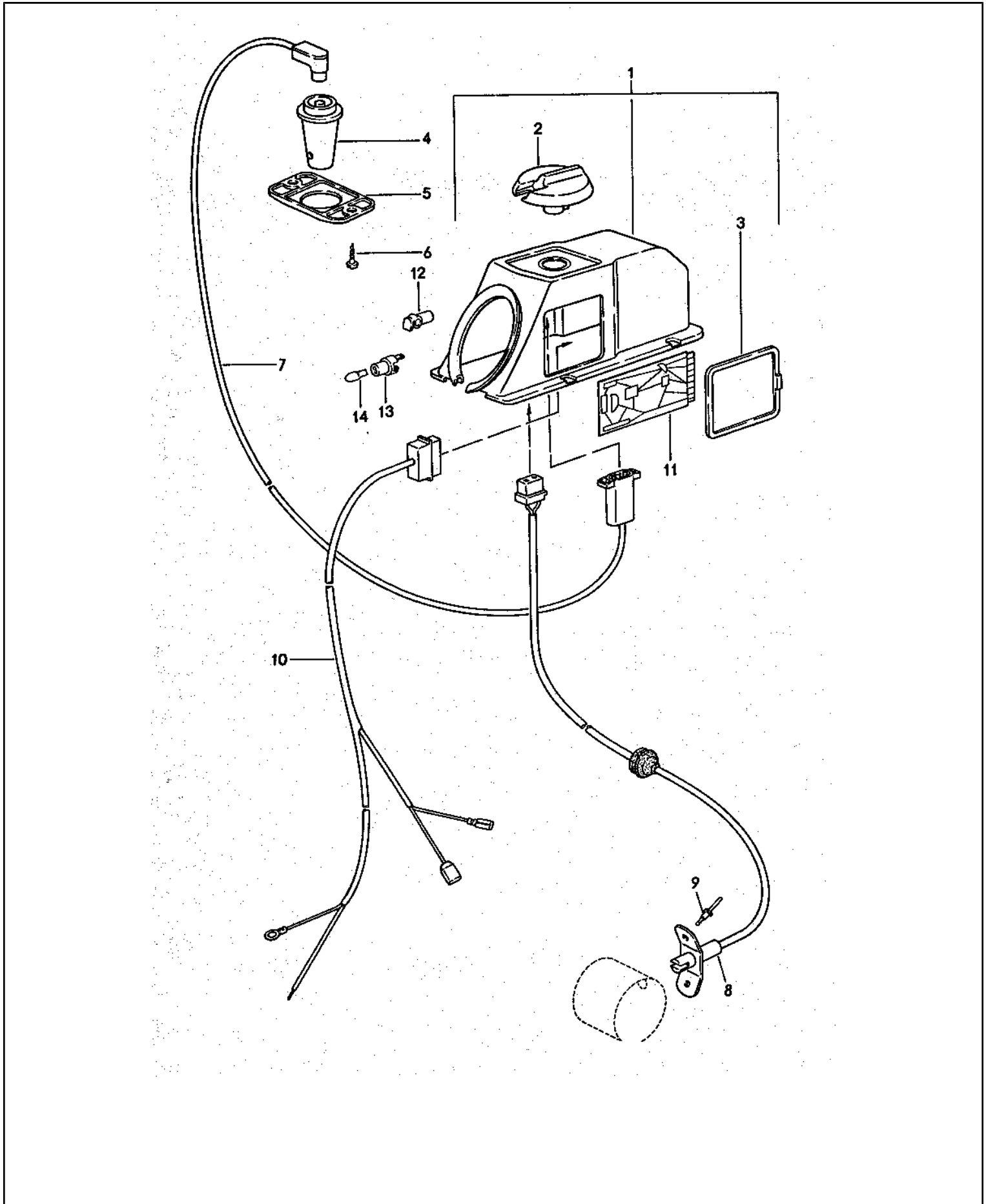
Model: 911 75

Model life 1975>>1977

Pos	Part Number	Description	Remark	Qty	Model
		Exhaust gas Temperature monitoring	(J)		
1	911 632 015 01	Indicator light " EX "		1	
2	900 631 129 90	Bulb		1	
3	111 919 243	Bulb socket		1	
4	930 612 171 00	Wiring harness for Temperature sensor		1	
5	930 612 169 00	Wiring harness for Indicator light "EX"		1	
6	N 013 970 5	Oval-head sheetmetal screw B 4,8 X 9,5		1	
6	N 106 568 02	Oval-head sheetmetal screw B 4,8 X 9,5		1	
(7)	043 906 086	Switch unit for Temperature monitoring		1	
(8)	930 606 115 01	Temperature sensor		1	

Model: 911 75

Model life 1975>>1977



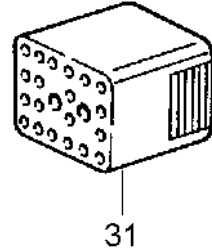
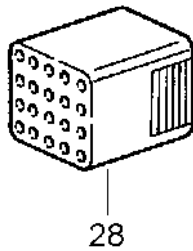
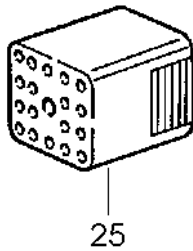
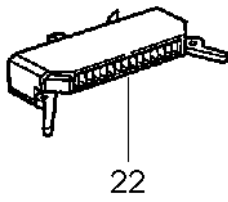
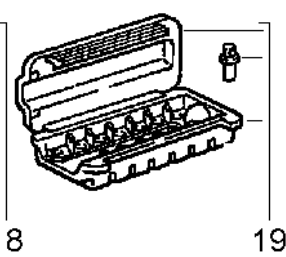
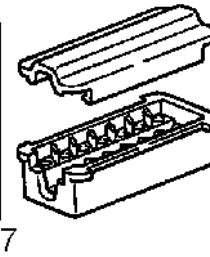
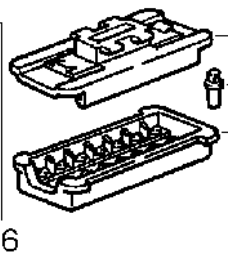
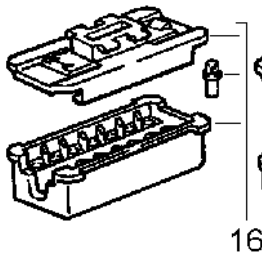
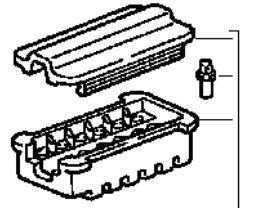
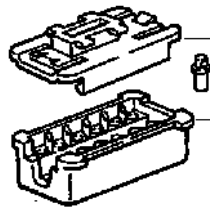
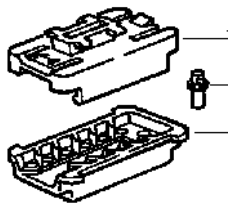
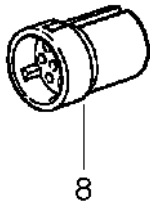
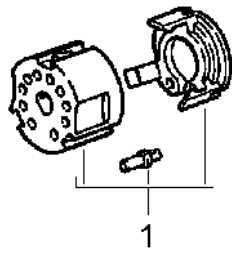
Model: 911 75

Model life 1975>>1977

Pos	Part Number	Description	Remark	Qty	Model
		Control mechanism for Heating			
1	911 659 049 01	Control mechanism		1	
2	911 659 110 00	Knob		1	
3	911 659 108 00	Lid		2	
4	911 659 105 01	Interior sensor		1	
5	911 571 235 01	Rosette		1	
6	900 143 065 07	Tapping screw B 2,9 X 9,5		2	
6	900 073 003 01	Tapping screw B 2,9 X 9,5		2	
7	911 612 150 00	Wiring harness		1	
8	911 659 101 00	Caloric feeler		1	
(8)	911 659 101 01	Caloric feeler		1	
9	999 190 129 02	Blind rivet		2	
10	911 612 152 00	Wiring harness	/LL	1	
(10)	911 612 152 01	Wiring harness	/RL	1	
-	N 012 225 2	Spring washer B 5		4	
-	900 075 154 07	Hexagon-head bolt M 5 X 18		4	
11	911 659 907 00	Printed circuit board		1	
12	999 168 021 40	Ball socket		2	
13	914 631 179 10	Bulb socket		1	
14	900 631 129 90	Bulb 12 V - 1,2 W		1	

Model: 911 75

Model life 1975>>1977



Model: 911 75 Model life 1975>>1977

Pos	Part Number	Description	Remark	Qty	Model
		Connector housing 10-pole Until 22-pole 10-pole			
1	911 612 889 00	Connector housing with		X	
-		Contact bush		10	
2	944 613 531 01	Connector housing for		X	
-	944 612 548 00	Contact bush 12-pole		10	
8	861 972 524	Connector housing 1,6 / 3,5		X	
9	911 612 122 02	Plug socket with		X	
		Contact bush		12	
9	911 612 122 04	Plug socket with		X	
		Contact bush		12	
10	928 612 423 00	Connector housing		X	
11	911 612 884 00	Connector housing		X	
11	911 612 121 01	Connector housing 14-pole		X	
16	911 612 115 02	Connector housing		X	
17	911 612 113 05	Connector housing		X	
18	911 612 115 03	Connector housing		X	
19	944 612 215 00	Connector housing without		X	
		Contact bush 99965235122 17-pole		14	
22	944 612 311 00	Connector housing for		X	
-	999 652 380 12	Contact spring 19-pole		X	
25	171 971 971 C	Connector housing Nature		X	
(25)	171 971 971 E	Connector housing White		X	
28	171 971 971	Connector housing Yellow		X	
(28)	171 971 971 D	Connector housing Red		X	
31	171 971 971 A	Connector housing Black		X	
(31)	171 971 971 B	Connector housing Blue		X	

Model: 911 75

Model life 1975>>1977



Model: 911 75 Model life 1975>>1977

Pos	Part Number	Description	Remark	Qty	Model
>>	911 628 997 00	Installation set Headlight washer system Fog headlamp Radio Headlight washer system Set for subsequent installation		1	
>>	911 631 993 00	Fog headlamp White Set for subsequent installation Comprising:		2	
-	911 631 206 03	Fog headlamp		2	
-	999 702 084 50	Rubber sleeve		2	
-	911 612 132 00	Grommet		2	
-	900 114 011 01	Shake-proof washer A 10,5		2	
-	911 631 060 01	Tensioning plate Outer		2	
-	911 631 151 01	Rubber base		2	
-	911 631 150 01	Tensioning plate Inner		4	
-	N 012 226 5	Spring washer A 6		4	
-	900 076 010 02	Nut M 6		2	
-	900 076 010 0B	Nut M 6		2	
-	900 027 016 02	Lock ring B 10		2	
-	900 027 016 03	Lock ring B 10		2	
-	N 011 010 6	Hexagon nut M 10		1	
-	N 101 552 10	Hexagon nut M 10		1	
-	911 612 027 03	Additional cables		1	
-	901 612 064 00	Ground cable		1	
-	901 612 066 02	Wiring harness for Switch		1	
-	911 615 109 01	Standard type relay		1	
-	902 613 623 90	Switch		1	
-	999 703 067 50	Stopper		1	
-	911 613 213 02	Rosette		1	
-	900 631 102 90	Light 12 V - 2 W		1	
-	911 613 215 02	Knob		1	
>>	911 631 993 01	Fog headlamp Yellow Set for subsequent installation Comprising:		1	
-	911 631 206 04	Fog headlamp		2	
-	999 702 084 50	Rubber sleeve		2	
-	911 612 132 00	Grommet		2	
-	900 114 011 01	Shake-proof washer A 10,5		2	
-	911 631 060 01	Tensioning plate Outer		2	
-	911 631 151 01	Rubber base		2	
-	911 631 150 01	Tensioning plate Inner		2	

Model: 911 75 Model life 1975>>1977

Pos	Part Number	Description	Remark	Qty	Model
-	N 012 226 5	Spring washer A 6		4	
-	900 076 010 02	Nut M 6		4	
-	900 076 010 0B	Nut M 6		4	
-	900 027 016 02	Lock ring B 10		2	
-	900 027 016 03	Lock ring B 10		2	
-	N 011 010 6	Hexagon nut M 10		2	
-	N 101 552 10	Hexagon nut M 10		2	
-	911 612 027 03	Additional cables		1	
-	901 612 064 00	Ground cable		1	
-	901 612 066 02	Wiring harness		1	
-	911 615 109 01	Standard type relay		1	
-	902 613 623 90	Switch		1	
-	999 703 067 50	Stopper		1	
-	911 613 213 02	Rosette		1	
-	900 631 102 90	Light 12 V - 2 W		1	
-	911 613 215 02	Knob		1	
>>	911 619 901 02	Suppression set for Radio Comprising:	76-	1	
-	911 619 001 00	Suppression set Regulator		1	
-	999 619 126 01	Condenser		1	
-	901 612 107 00	Wiper motor Ground strap Bonnet		2	
-	122 035 281	Suppression connector	(F) (GB)	7	
-	901 612 107 00	Ground strap Bonnet Antenna	(F) (GB)	2	
-	911 645 301 04	Telescopic antenna		1	
-	911 645 033 06	Antenna Chrome Rosette Black		1	
>>	911 645 906 00	Installation set Door speaker 8 OHM Comprising:	75-	1	
-	911 645 403 00	Door speaker 8 OHM		2	
-	911 612 148 07	Wiring harness Door		2	
-	911 612 148 10	Wiring harness Door Body Right		1	
-	911 612 148 11	Wiring harness Door Body Left		1	
-	911 612 148 05	Wiring harness Connecting line		1	
-	911 612 148 06	Wiring harness Loudspeaker		1	

Model: 911 75

Model life 1975>>1977

Pos	Part Number	Description	Remark	Qty	Model
-	999 651 152 02	Radio Cable clamp		2	
-	999 651 152 01	Cable clamp		2	
-	911 645 217 00	Housing Loudspeaker		2	
-	900 146 009 02	Oval-head screw AM 4 X 12		4	
-	900 025 002 02	Washer 4,3		16	
-	900 025 002 03	Washer 4,3		16	
-	900 027 002 02	Lock ring A 4		4	
-	N 011 004 6	Hexagon nut M 4		4	
-	N 011 004 G	Nut M 4		4	
-	900 143 007 02	Oval-head sheetmetal screw B 4,2 X 13		8	
-	900 073 507 01	Oval-head sheetmetal screw B 4,2 X 13		8	
>>	911 645 405 02	Installation set Stereo rear loudspeaker Only together with 8 OHM Door speaker Comprising:	76-	1	
-	911 645 403 01	Rear loudspeaker 8 OHM		2	
-	900 025 002 02	Washer 4,3		8	
-	900 025 002 03	Washer 4,3		8	
-	N 011 004 6	Hexagon nut M 4		8	
-	N 011 004 G	Nut M 4		8	
-	N 012 224 3	Spring washer A 4		8	
-	911 612 067 01	Wiring harness Rear loudspeaker		1	
-	911 612 095 02	Wiring harness Rear loudspeaker Radio		1	
>>	911 645 111 13	Installation set for Radio BAMBERG-STEREO LUEBECK CR M	-76	1	
>>	911 645 111 14	Installation set for Radio KOELN-AUTOMATIC FRANKFURT L-M-K-U FRANKFURT M-U US-BAND COBURG LM 1M 2 ELECTRONIC FRANKFURT-STEREO-US FRANKFURT-STEREO KOELN-STEREO-L-M-U BAMBERG-ELECTRONIC STEREO-L-M-U		1	

Model: 911 75

Model life 1975>>1977



Model: 911 75

Model life 1975>>1977

Pos	Part Number	Description	Remark	Qty	Model
-	911 645 190 00	Radio Navigation system Installation parts		1	
-	911 645 191 00	Radio Navigation system with PORSCHE logo		1	
-	911 645 192 00	Radio Navigation system with TMC with PORSCHE logo		1	
-	911 645 195 00	Cover for Radio Navigation system with PORSCHE logo		1	
-	911 645 197 00	Cover for Radio Navigation system without PORSCHE logo		1	
-	911 645 196 00	Adapter		1	
-	911 642 105 00	Adapter		1	
-	911 642 105 00	Antenna		1	
-	911 642 100 00	Antenna		1	
-	911 642 100 00	Software Update 1-2011		1	
-	911 642 100 01	Software Update 1-2013		1	
-	911 642 100 02	Software Update 1-2014		1	
-	911 642 107 00	Microphone		1	
-	911 645 199 00	Handheld transmitter		1	
-	911 645 190 01	Navigation system Knob Control part Navigation system		2	