

**Model: 959 87****Model life 1987>>1988**

## ORDER-INFO

THIS PARTS CATALOGUE CONTAINS ALL ORDER INFORMATION OF  
TYPE 959 FROM MODEL YEAR 1987 - 1988

IT IS AVAILABLE IN THE FOLLOWING LANGUAGES:

- GERMAN
- \*- ENGLISH
- FRENCH
- ITALIAN
- SPANISH

UPDATING IS BEING PERFORMED BY CHANGING OF UPDATE

THE EDITION CAN BE RECOGNIZED BY THE CURRENT NO.  
IN THE BOTTOM LINE OF SUBJECT UPDATE.

THE PREVIOUS UPDATE SHOULD NOT LONGER BE USED.

ALL ILLUSTRATIONS ARE SUBJECT TO  
CHANGE WITHOUT OBLIGATION.

"WE RESERVE THE RIGHT TO SUPPLY A SUBSEQUENTLY  
PRODUCED COMPONENT, ON WHICH ADDITIONAL WORK  
IS NECESSARY, INSTEAD OF THE COMPONENT LISTED IN  
THE CATALOGUE"



**Model: 959 87**

**Model life 1987>>1988**

SUMMARY TYPES

VEHICLE TYPE	MY	VIN	ENGINE TYPE
959 COUPE	87 H	95HS9 00001>01000	959.50, 330 KW
959 COUPE	88 J	95JS9 00001>01000	959.50, 330 KW

Model: 959 87

Model life 1987>>1988

EXPL. ENGINE-NO.

EXPLANATION OF THE MOTOR-NUMBERS USED IN THE CATALOGUE

=====

DIGIT:		1	2	3		4	5	6	7	8
EXAMPLE:		6	5	H		0	0	1	3	6
		=	=	=		=	=	=	=	=
ENGINE TYPE (6 = 6-CYL.-ENGINE)	-----+	!	!	!				!		
ENGINE VERSION	-----+		!	!				!		
MODEL YEAR	-----+			!				!		
SERIAL NUMBER	-----+							!		

Model: 959 87

Model life 1987>>1988

**Model: 959 87****Model life 1987>>1988**

## SUMMARY ENGINES

VEHICLE TYPE	ENGINE			TECHNICAL DATA
	TYPE	MJ	ENGINE NO.	
959 COUPE	959.50	87 H	65H 00001-01000	6CYL/2,85L/330KW
959 COUPE	959.50	88 J	65H 00001-01000	6CYL/2,85L/330KW

Model: 959 87

Model life 1987>>1988

EXPL. TRANSM. NO.

EXPLANATION OF THE TRANSMISSION-NUMBERS USED IN THE CATALOGUE

	=====							
DIGIT::	1	2	3	4	5	6	7	8
EXAMPLE:	7	5	H	0	0	1	4	3
	=	=	=	=====				
		!	!	!		!		
TRANSMISSION TYPE-----	+	!	!			!		
		!	!			!		
TRANSMISSION VERSION-----	+	!				!		
		!				!		
MODEL YEAR-----	+					!		
						!		
SERIAL NUMBER-----	+							

Model: 959 87

Model life 1987>>1988



**Model: 959 87**

**Model life 1987>>1988**

SUMM. TRANSMISS.

VEHICLE TYPE	TRANSM. TYPE	MY	TRANSMISSION NO.	TECHNICAL DATA
959 COUPE	G59.01	87 H	75H 00001-01000	6-SPEED/I=33:8
959 COUPE	G59.01	88 J	75H 00001-01000	6-SPEED/I=33:8

Model: 959 87

Model life 1987>>1988

LEGENDS/NOTICES

LEGENDS AND NOTICES

=====

IN COLUMN -S- STATUS

-----

- N NEW ADDITION
- P PART ALREADY IN PROGRAMME, BUT NEW AT THIS APPLICATION
- W DELETED AT THIS APPLICATION, BUT CONTINUED TO BE CARRIED
- A STOCK TO BE USED UP
- U DELETED WITHOUT REPLACEMENT
- E THIS PART NO. IS NO LONGER AVAILABLE FROM PORSCHE
- \* PART ALSO OR ONLY AVAILABLE IN REPAIR KIT
- > ALSO AVAILABLE IN EXCHANGE

IN COLUMN - ILL. -

-----

- 1 IDENTIFICATION NO. IN ILLUSTRATION
- (1) PART ONLY SIMILAR AS ILLUSTRATED
- PART IS NOT ILLUSTRATED

FIG.-NUMBERS FOR WHICH THERE IS SHOWN NO TEXT ARE NOT VALID FOR THIS EDITION OF CATALOGUE

IN COLUMN -PART NUMBER/CODE-

-----

000 000 000 00 PART NUMBER EQUALS ORDERING NO., IF A CODE IS SHOWN, IT WILL HAVE TO BE PART OF ORDERING NUMBER

AC3 COLOUR CODE

IN COLUMN -TEXT

-----

INSTALLATION WIRH ENGINE OR CHASSIS NUMBER-RANGE

EXAMPLE:

M 65H 00134 >> FROM ENGINE NO.

**Model: 959 87****Model life 1987>>1988**

F &gt;&gt; 95 HS90 00143 UP TO VIN

Model: 959 87

Model life 1987>>1988

LEGENDS/NOTICES

IN COLUMN - A -  
-----

IDENTIFICATION LETTER FOR PERIOD OF INSTALLATION  
THAT IS REPEATED SEVERAL TIMES IN THE CATALOG GROUP.

EXPLANATION PLEASE FIND IN TEXT COLUMN OF THE CATALOG GROUP

IN COLUMN - QU - = NO. OF PIECES  
-----

- 1 NUMBER PER APPLICATION
- X NUMBER AS NEEDED
- \* AVAILABLE ONLY IN RUNNING LENGTHS 1 = 1 METRE

IN COLUMN - MODEL/SYMBOL -  
-----

- M 650 OPTIONAL EQUIPMENT - SEE M-NO. LIST
- 88 LIMITATION OF MODEL YEAR FOR INSTANCE: VALID UP TO  
END OF MODEL YEAR 1988
- /LL LHD
- /RL RHD
- +
- /V FRONT I  
I
- /H REAR I  
I----> APPLIES TO
- /L LEFT I DIRECTION OF TRAVEL  
I
- /R RIGHT I  
-----+
- WW THE PART CAN BE USED INSTEAD OF THE  
PRECEDING ONE

Model: 959 87

Model life 1987&gt;&gt;1988

COUNTRY-EQIPM.

## EQUIPMENT BY COUNTRY REGULATIONS

=====

(A)	AUSTRIA
(AG)	THE GULF STATES
(AUS)	AUSTRALIA
(B)	BELGIUM
(CDN)	CANADA
(CH)	SWITZERLAND
(D)	FEDERAL REPUBLIC OF GERMANY
(DK)	DENMARK
(E)	SPAIN
(F)	FRANCE
(GB)	GREAT BRITAIN
(GR)	GREECE
(HK)	HONGKONG
(I)	ITALY
(J)	JAPAN
(L)	LUXEMBURG
(N)	NORWAY
(NL)	NETHERLANDS
(NS)	NEW ZEALAND
(P)	PORTUGAL
(RC)	TAIWAN
(S)	SWEDEN
(SA)	SAUDI ARABIA
(SF)	FINLAND
(USA)	UNITED STATES OF AMERICA

Model: 959 87

Model life 1987>>1988

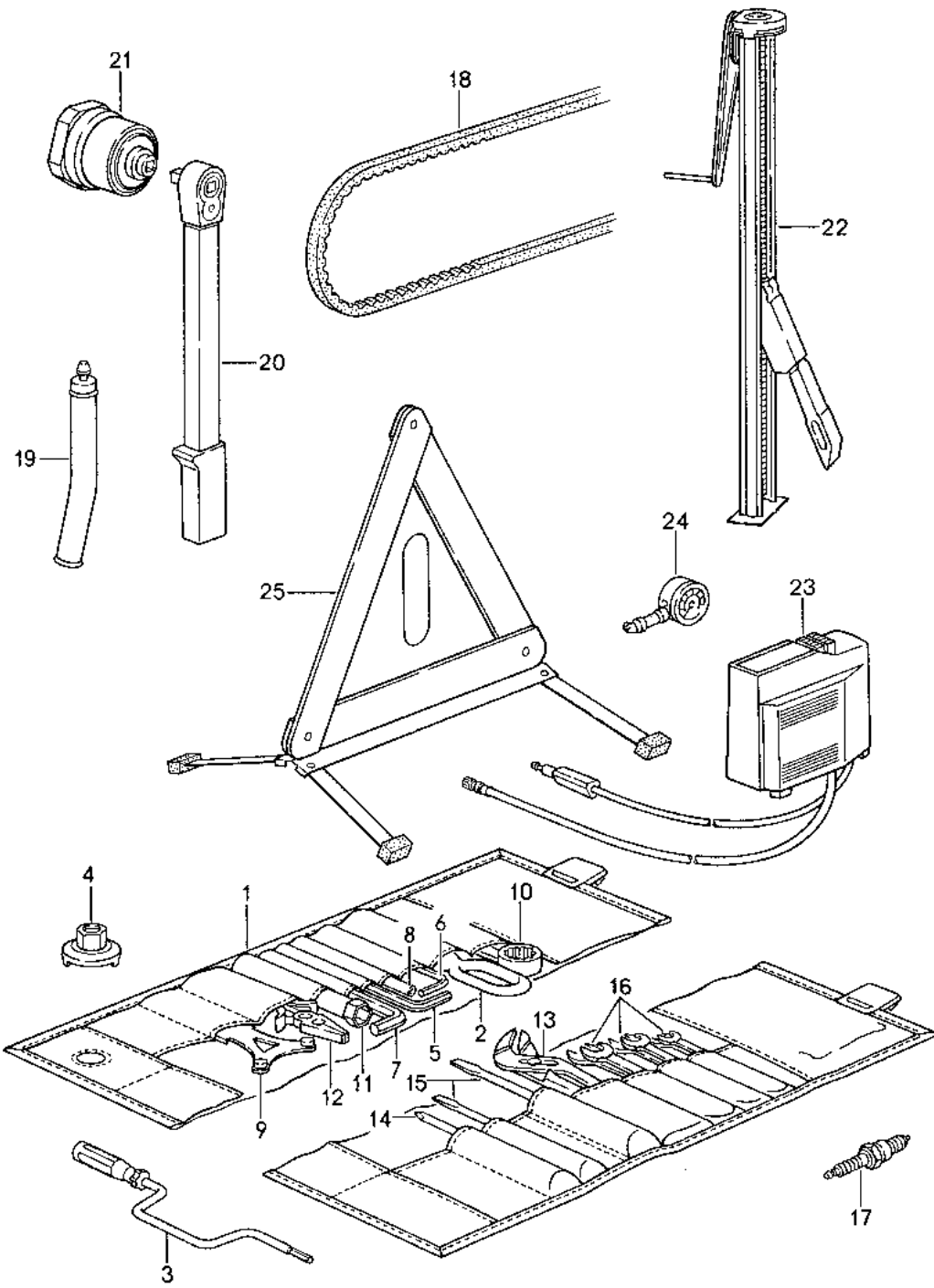
NR	Description
M000	+-----+ ! Summary of optional extras "M"! +-----+
M020	Speedometer with two scales mph-km/h
M034	Version for Italy
M061	Version for Great Britain
M103	Shock absorber adjustment
M119	Version for Spain
M124	Version for France
M126	Control and indications in French lettering
M139	Seat heating system, left seat
M225	Version for Belgium, engine designation: -B-
M269	Additional headlamps
M298	Preparation for unleaded fuel
M330	manual transmission
M330	Radio Blaupunkt Toronto SQR 46
M335	Automatic seat belt, 3-point, rear
M340	Seat heating system, right seat
M341	Central locking system
M383	Sports seat, left, electrically vertically adjustable
M387	Sports seat, right, electrically vertically adjustable
M405	Level control system
M407	Rear seats with static belts
M429	Front fog lights, white
M437	Comfort seat, left, electrically adjustable
M438	Comfort seat, right, electrically adjustable
M482	Tire Pressure Monitoring
M488	Inscriptions in German language
M492	Headlamps for left-hand traffic
M496	Preparation for Philips telephone "C" network
M533	Anti-theft device
M573	Air conditioner
M593	Anti-lock brake system (Bosch)
M651	Electric window opener
M983	Seat covers, front, leather

Model: 959 87

Model life 1987>>1988

Model: 959 87

Model life 1987>>1988





Model: 959 87

Model life 1987&gt;&gt;1988

Pos	Part Number	Description	Remark	Qty	Model
1	959 721 015 50	Tool Jack		1	
		Tool bag without Content			
	959 721 015 50 4DF	Dark grey metallic			
	959 721 015 50 3MF	Burgundy-metallic			
1	959 721 002 50	Tool bag with contents		1	
	959 721 002 50 4DF	Dark grey metallic			
	959 721 002 50 3MF	Burgundy-metallic			
2	928 722 101 05	Comprising: Towing lug		1	
3	959 721 302 00	Crank for emergency control		1	
		Front seat			
4	959 721 143 00	Socket wrench		1	
5	959 721 144 00	Angular screw driver 8 MM		1	
6	911 721 231 00	Angular screw driver 6 MM		1	
7	477 012 227	Angular screw driver 10 MM		1	
8	911 721 235 00	Extension rod		1	
9	959 721 141 04	Bolt wrench		1	
10	959 721 237 00	Ring wrench 60/24		1	
11	959 721 238 00	Spark plug wrench		1	
12	959 721 239 00	Universal pliers		1	
13	959 721 241 00	Pipe wrench		1	
14	959 721 243 00	Phillips screwdriver		1	
15	959 721 245 00	Screwdriver GR. 2		1	
15	959 721 247 00	Screwdriver GR. 1		1	
16	959 721 249 00	Double-end spanner 8 X 9		1	
16	959 721 251 00	Double-end spanner 10 X 11		1	
16	959 721 253 00	Double-end spanner 12 X 13		1	
16	959 721 255 00	Double-end spanner 14 X 15		1	
16	959 721 257 00	Double-end spanner 16 X 17		1	
16	959 721 259 00	Double-end spanner 18 X 19		1	
17	999 170 176 90	Spark plug		8	
18	999 192 307 50	Narrow v-belt 9,5 X 684		1	
18	999 192 308 50	Narrow v-belt 9,5 X 694		1	
19	959 722 011 00	Tool		1	
20	000 721 940 72	Tool		1	
21	000 721 940 71	Tool		1	
22	911 721 011 04	Jack		1	
23	911 652 052 00	Small electric compressor		1	
23	964 652 052 00	Small electric compressor		1	
23	964 652 053 00	Compressor		1	
23	993 652 053 00	Compressor		1	
23	996 652 053 00	Compressor		1	
23	997 652 051 00	Compressor		1	
23	997 652 055 00	Compressor		1	

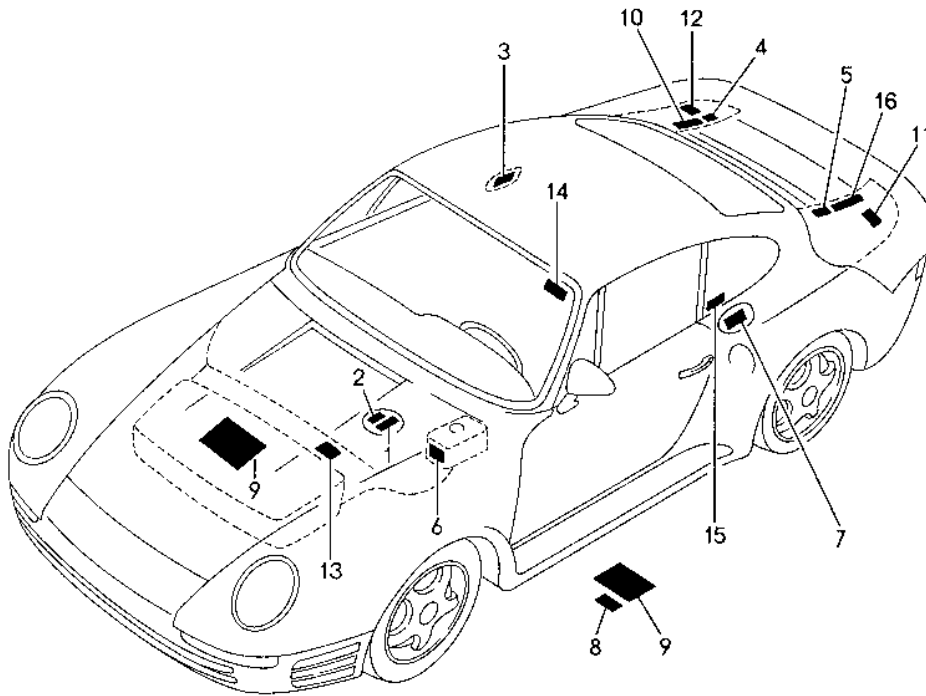
Model: 959 87

Model life 1987&gt;&gt;1988

Pos	Part Number	Description	Remark	Qty	Model
24	911 722 202 00	Tyre pressure gauge Porsche Classic mit Lederhülle		1	
25	911 721 104 01	Warning triangle		1	
25	PCG 860 251 00	Warning triangle		1	

Model: 959 87

Model life 1987>>1988



Model: 959 87

Model life 1987&gt;&gt;1988

Pos	Part Number	Description	Remark	Qty	Model
-	PCG 959 701 00	Stickers Stickers Complete set Comprising:		1	
-	959 701 230 01	Sticker Tyre pressure		1	
-	959 006 211 01	Sticker Required octane number		1	
-	959 006 504 01	Sticker Engine-oil level		1	
-	959 006 213 01	Sticker Firing order		1	
-	959 006 101 00	Sticker Expansion tank		1	
-	959 006 101 01	Sticker Expansion tank French		1	
-	959 701 226 00	Sticker Brake fluid reservoir		1	
-	959 701 220 01	Sticker Fill in mineral oil		1	
-	959 701 221 00	Sticker Note on maintenance Magnesium		1	
-	959 701 222 00	Sticker Overturn danger		1	
-	959 701 223 00	Indication sticker Power steering		1	
-	959 701 224 00	Indication sticker Oil level		1	
-	959 701 225 00	Indication sticker Engine oil		1	
-	959 701 227 00	Sticker Clutch fluid tank		1	
14	928 701 102 02	Indication sticker Sekuriflex German		1	
14	928 701 102 03	Indication sticker Sekuriflex French		1	
14	928 701 102 04	Indication sticker Sekuriflex Italian		1	
14	928 701 102 05	Indication sticker Sekuriflex Spanish		1	
14	928 701 102 06	Indication sticker Sekuriflex English		1	
15	911 701 250 00	Sticker Alarm system		1	
-	959 701 163 00	Sticker High voltage		1	

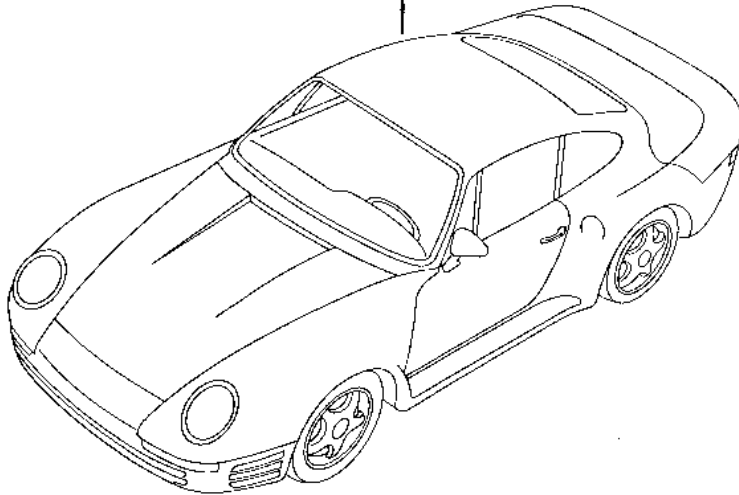
Model: 959 87

Model life 1987>>1988

FARBNUMMER  
COLOUR NUMBER  
NUMERO DE COULEUR  
NUMERO COLORE  
NUMERO DE COLOR

**80K 9 2**  
**GUARDS RED**  
**INDISCHROT**  
**G1**

FARB BENENNUNG  
COLOUR  
COULEUR  
COLORE  
COLOR



Model: 959 87

Model life 1987&gt;&gt;1988

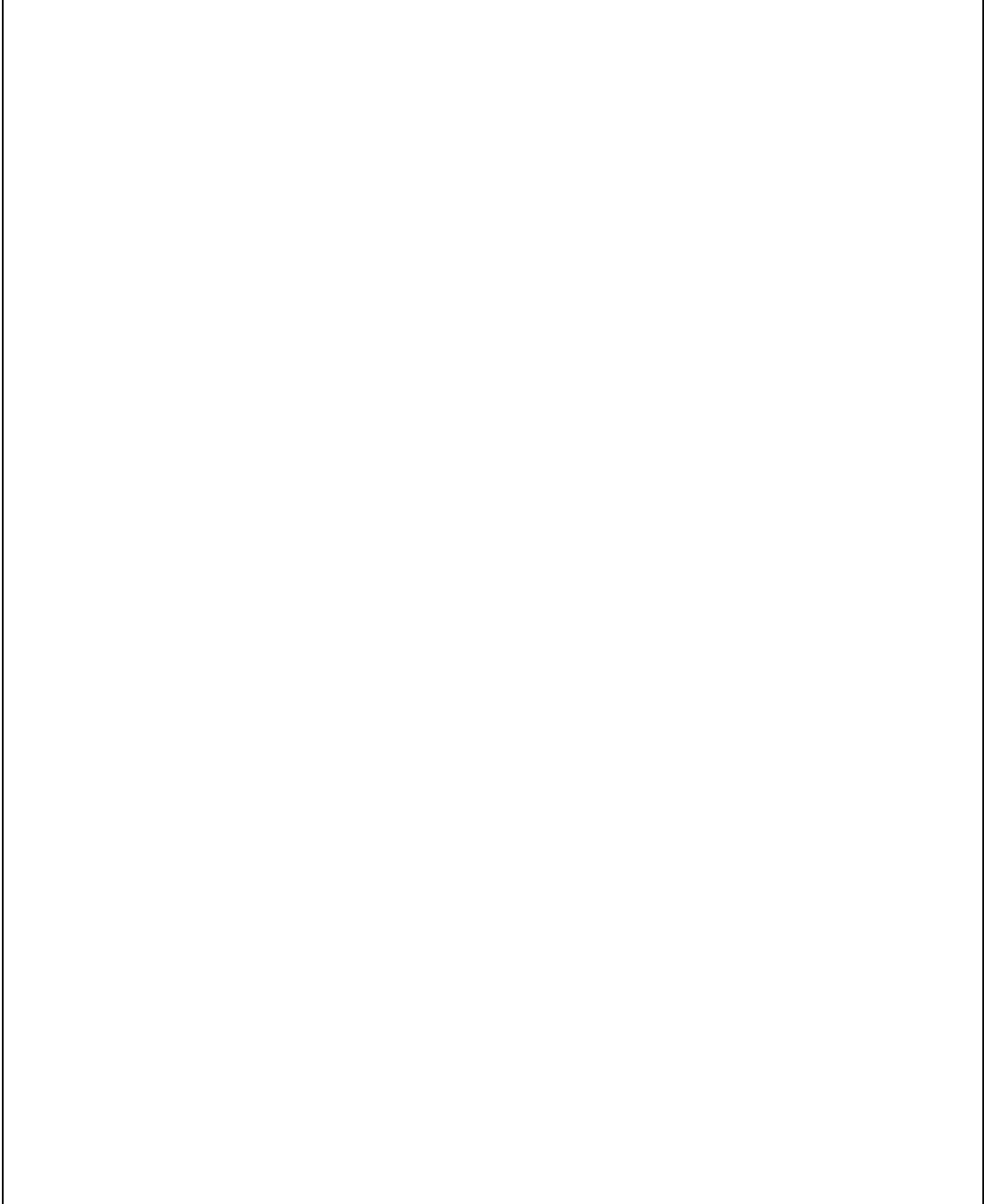
Pos	Part Number	Description	Remark	Qty	Model
-	ALN 787 003 10	Lacquers Basic materials Polyester filler 1KG		X	
-	ALN 787 003 20	Polyester filler 2KG		X	
-	ALZ 018 000 02	Hardener for Polyester filler 40 G		X	
-	L 014 200	Spotting putty 1KG		X	
-	ALN 788 007	Spray filler 1L		X	
-	ALZ 840 000 02	Hardener for Spray filler 25 ML		X	
-	911 096 162 04	Primer R48 SUPER Comprising: Wash primer 2 KG Hardener 1 KG		X	
-	911 096 310 06	Thinner for Wash primer 1L		X	
-	ALN 786 000 13	Acrylic primer filler 3L		X	
-	ALZ 009 001 06	Hardener Long for Primer filler 500 ML		X	
-	ALZ 009 002 06	Hardener Short for Primer filler 500ML		X	
-	ALV 855 000 15	Thinner for Primer filler 5L		X	
-	ALN 790 000 13	Acrylic primer filler HIGH SOLID 3L		X	
-	999 915 330 40	High build coating EPOXY F90 1L		X	
-	999 901 010 40	Hardener for High build coating EPOXY F90 1L		X	
-	999 901 008 40	Polyurethane prime coat 1L		X	
-	ALZ 009 001 06	Hardener for Polyurethane prime coat 0,5L		X	
-	ALV 855 000 15	Thinner		X	

Model: 959 87 Model life 1987>>1988

Pos	Part Number	Description	Remark	Qty	Model
		for Polyurethane prime coat 0,5L			
-	911 096 271 05	Polyurethane plastic putty 500 GR		X	
-	999 901 012 40	Underbody protection White 1L		X	
-	999 901 011 40	Underbody protection Grey 1L		X	
-	L 016 006	Nitro-cellulose thinner 2,5L		X	
-	000 043 001 00	Tin SN 90% CA.200 G		X	
-	911 095 903 80	Synthetic resin prime coat Metallic 1 L		X	
	911 095 903 80 810	Ruby red metallic			
	911 095 903 80 691	Graphite metallic			
	911 095 903 80 936	Silver metallic			
	911 095 903 80 947	Pearlescent effect			
-	911 096 320 00	Thinner for Synthetic resin lacquer 1L		X	
-	911 095 902 60	Top-coat paint 1L		X	
	911 095 902 60 027	Guards red			
	911 095 902 60 908	Grand prix white			
-	ALN 769 000 10	Clear lacquer		X	
-	ALZ 011 000	Elastic for Top-coat paint And Clear lacquer 1L		X	
-	ALZ 009 001 06	Hardener for Acrylic lacquer 500 ML		X	
-	ALV 855 000 15	Thinner for Acrylic lacquer 5L		X	
-	911 095 932 20	Paint touch-up applicator		X	
	911 095 932 20 027	Guards red			
	911 095 932 20 908	Grand prix white			
-	911 095 933 20	Paint touch-up applicator		X	
	911 095 933 20 810	Ruby red metallic			
	911 095 933 20 936	Silver metallic			

Model: 959 87

Model life 1987>>1988





Model: 959 87

Model life 1987>>1988

Pos	Part Number	Description	Remark	Qty	Model
-	999 571 062 00	Preservative agent Sealing compound Securing liquid Preservative agent Care kit Comprising: Suitcase		1	
-	999 901 013 40	Liquid preservative		1	
-	999 901 014 41	Car shampoo		1	
-	999 901 015 40	Polisher		1	
-	999 901 016 40	Tar remover		1	
-	999 901 017 40	Dashboard cleaner		1	
-	999 901 018 40	Paint polish		1	
-	999 901 019 41	Insect remover		1	
-	999 901 020 40	Spot remover		1	
-	999 901 021 40	Polishing cotton		1	
-	999 901 022 40	Polishing cloth		1	
-	000 044 000 02	Leather care 250 ML		1	
-	999 917 803 00	Window cleaner Spray bottle 250 ML		1	
-	928 628 931 00	Silicone remover 1000 ML		1	
-	000 044 000 93	Silicone remover 1000 ML		1	
-	999 901 017 41	Window cleaner Summer 250 ML		1	
-	999 901 017 42	Window cleaner Summer 250 ML		1	
-	000 044 000 87	Window cleaner Summer 250 ML		1	
-	999 901 033 40	Window cleaner Winter 1000 ML		1	
-	999 901 030 40	Rim cleaner Spray bottle 500 ML		1	
-	999 901 031 40	Rim cleaner Refilling bottle 1000 ML		1	
-	999 901 036 40	Car shampoo Refilling bottle 1000 ML		1	
-	000 043 010 00	Sealing compound Loctite -574- 50 CCM		1	
-	000 043 019 01	Sealing compound (SILIKON) 310 ML		1	
-	PCG 043 019 01	Sealing compound (SILIKON) 310 ML		1	
-	928 101 921 00	Securing liquid Loctite -270- High strength 10 CCM		1	
-	000 043 012 00	Loctite		1	

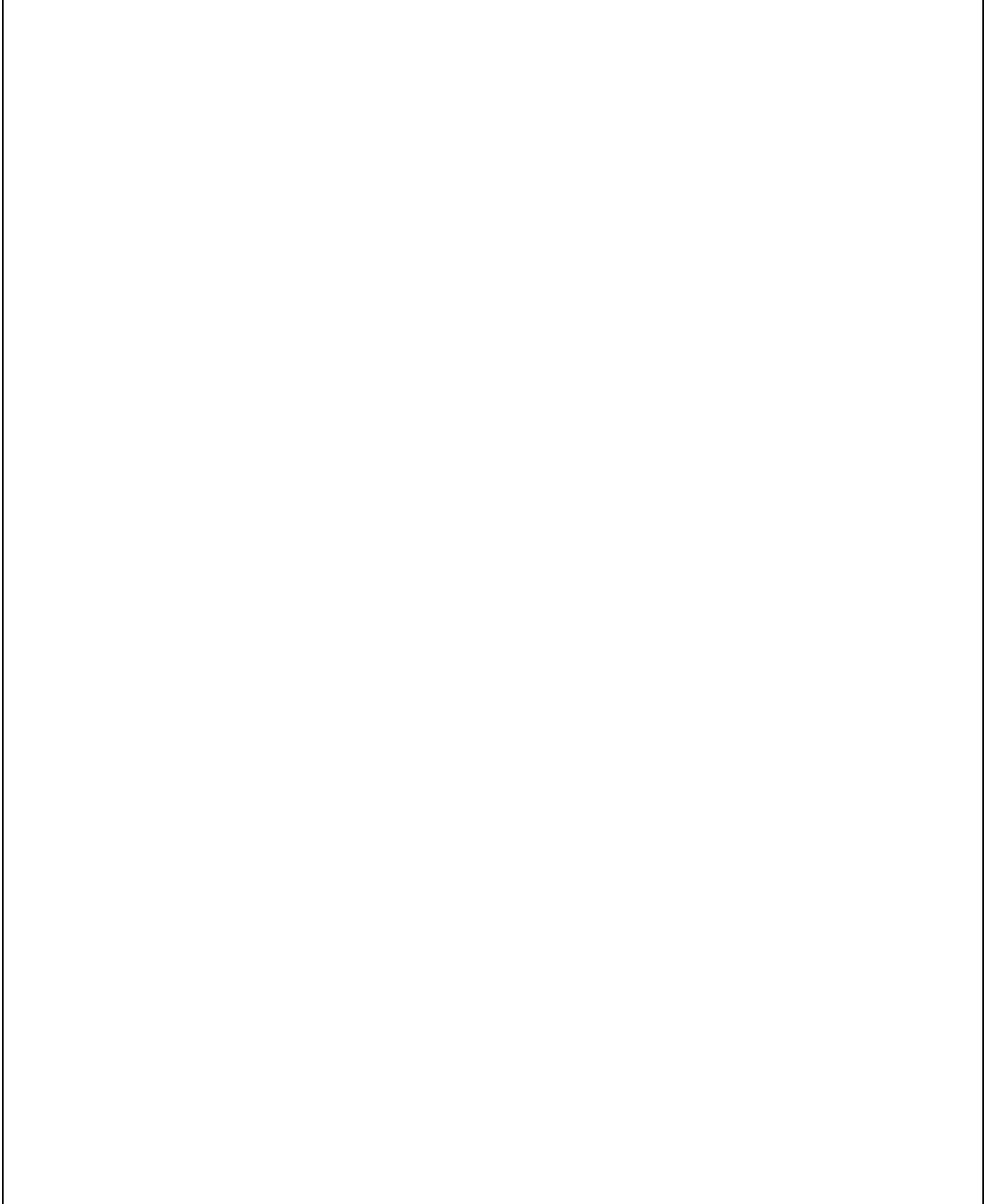
Model: 959 87

Model life 1987>>1988

Pos	Part Number	Description	Remark	Qty	Model
-	000 043 306 48	-221- Low strength 10 CCM Loctite -221- Low strength 10 CCM		1	

Model: 959 87

Model life 1987>>1988



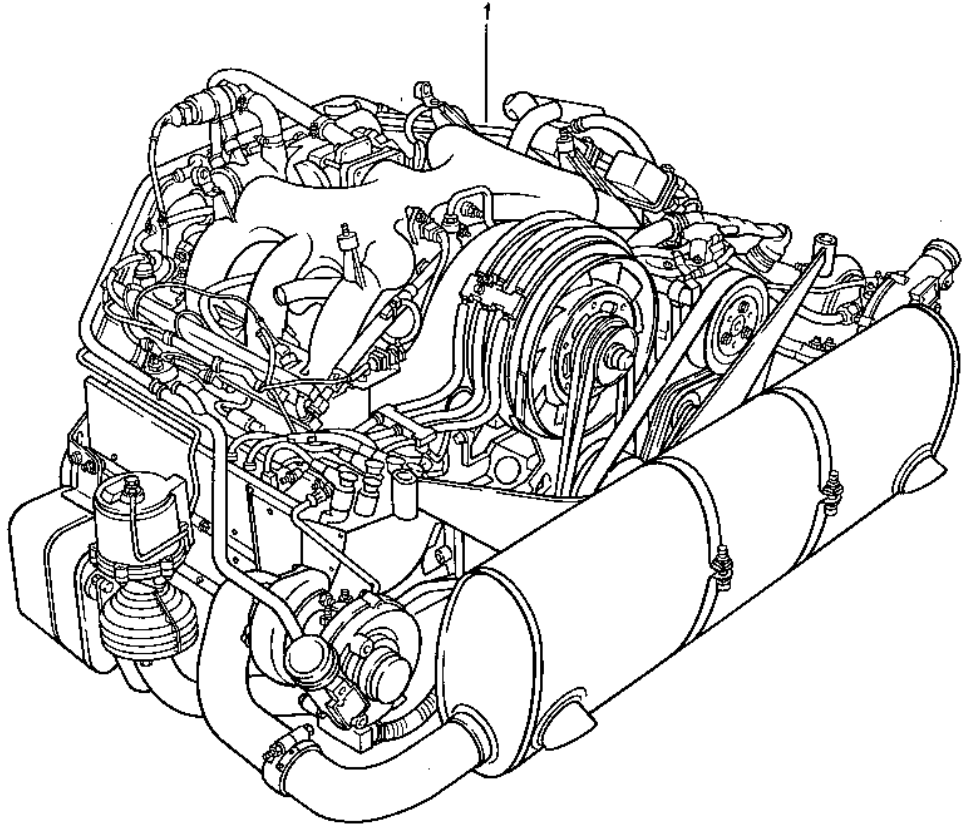
Model: 959 87

Model life 1987>>1988

Pos	Part Number	Description	Remark	Qty	Model
		Adhesive Lubricants Adhesive Adhesive set Loctite for pasting Glass Ceramics Metal Thermoset plastic			
-	000 043 051 00	Loctite Loctite 312 50 CCM		1	
-	000 043 202 65	Loctite AKTIVATOR NF 736 180 CCM		1 1	
-	000 043 013 00	Loctite -80646- Adhesive remover Spray bottle 311 G		1	
-	000 043 204 86	Adhesive set for Polyurethane parts Adhesive 150 ML Hardener 150 ML		1	
-	000 043 004 00	Lubricants Mounting paste Optimoly ht 90 G		1	
-	000 043 020 00	Optimoly TA Mounting paste 1 100-gramme tube		1	
-	000 043 110 01	Grease OPTITEMP PU 35 1 100-gramme tube		1	
-	000 043 024 00	Extreme-pressure grease Optimoly OLISTA-LONGTIME 3EP Extreme-pressure grease 80 G		1	
-	000 043 204 21	Grease for lock cylinder Spraying can		1	
-	G 052 778 A2	Grease for lock cylinder Spraying can		1	
-	000 043 117 00	Brake cylinder paste 1 50-g tube		1	
-	000 043 305 11	Brake cylinder paste 1 50-g tube		1	

Model: 959 87

Model life 1987>>1988



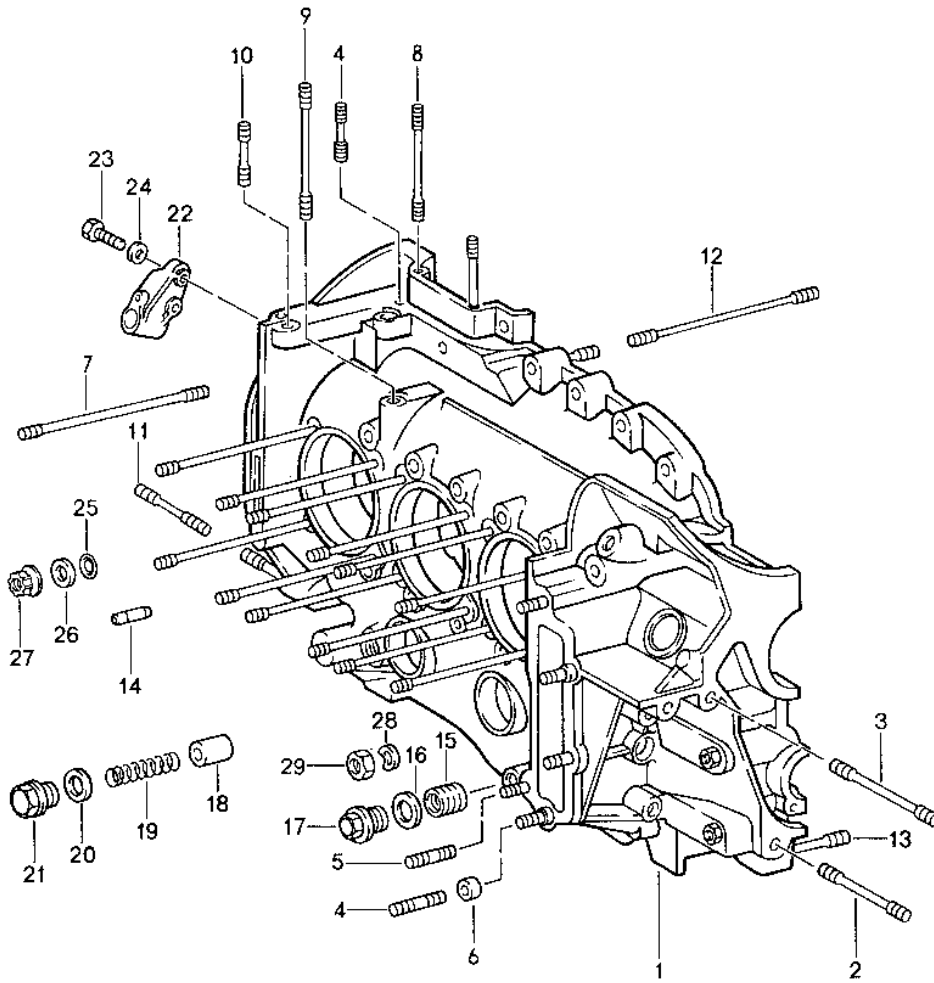
Model: 959 87

Model life 1987>>1988

Pos	Part Number	Description	Remark	Qty	Model
1	959 100 050 00	Replacement engine Engine		1	959.50

Model: 959 87

Model life 1987>>1988



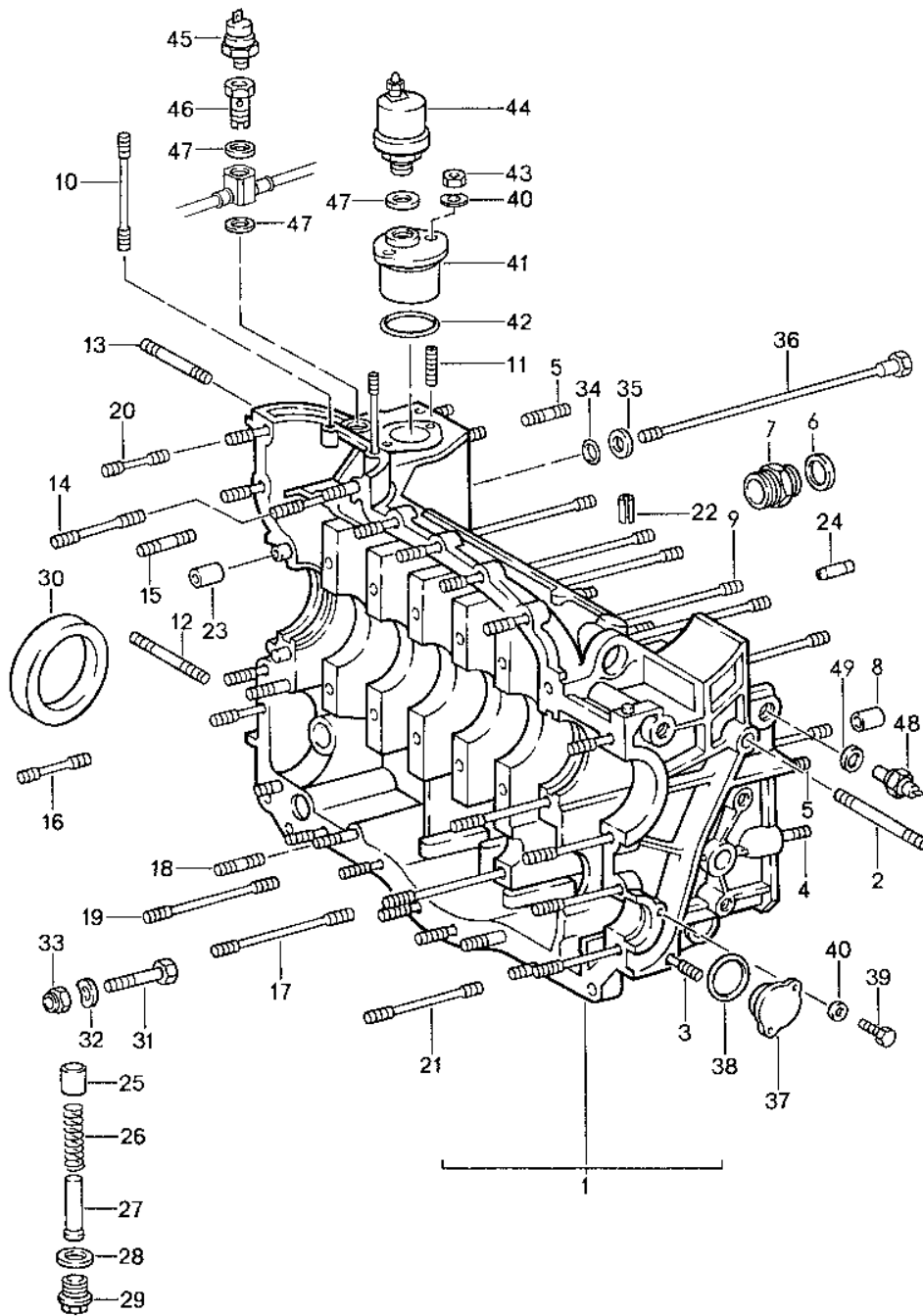
Model: 959 87 Model life 1987>>1988

Pos	Part Number	Description	Remark	Qty	Model
1	959 101 901 00	Crankcase Left		1	
2	999 062 285 08	Crankcase with studs		1	
3	999 062 283 08	Stud BM 10 X 42		1	
4	999 062 009 02	Stud BM 8 X 28		4	
4	900 060 105 01	Stud BM 8 X 28		4	
5	999 062 007 02	Stud BM 8 X 22		3	
5	900 060 106 01	Stud BM 8 X 22		3	
6	901 101 145 00	Dowel sleeve		2	
7	959 101 170 02	Stud		12	
8	999 062 168 02	Stud BM 6 X 70		2	
9	999 062 147 02	Stud BM 8 X 62		1	
10	999 062 008 02	Stud BM 8 X 25		1	
11	999 062 078 02	Stud BM 10 X 85		2	
12	959 101 174 01	Stud		2	
13	999 062 115 02	Stud BM 8 X 32		1	
14	930 101 015 00	Spray jet		3	
15	999 504 127 00	Threaded insert		1	
16	900 123 118 30	Sealing ring A 22 X 27		1	
17	944 107 197 01	Screw plug		1	
18	911 107 512 00	Piston		1	
19	901 107 531 00	Compression spring		1	
20	900 123 106 30	Sealing ring A 18 X 24		1	
21	999 064 026 02	Screw plug		1	
21	999 064 026 01	Screw plug		1	
22	959 101 189 00	Support		1	
23	N 010 217 9	Hexagon-head bolt M 6 X 20		2	
24	900 025 057 0A	Washer A 6,4		2	
24	N 011 524 17	Washer A 6,4		2	
24	N 011 524 7	Washer A 6,4		2	
24	N 011 524 27	Washer A 6,4		2	
25	999 701 006 40	O-ring \$ = 8 X 2		12	
26	959 101 161 00	Washer		12	
27	959 101 172 00	Nut		13	
28	900 031 025 0A	Washer 8,4		24	
29	999 084 095 02	Lock nut M 8		24	



Model: 959 87

Model life 1987>>1988



Model: 959 87 Model life 1987>>1988

Pos	Part Number	Description	Remark	Qty	Model
1	959 101 901 00	Crankcase Right		1	
2	999 062 283 08	Crankcase with studs		1	
3	999 062 285 08	Stud BM 10 X 95		1	
4	999 062 009 02	Stud BM 10 X 42		2	
4	900 060 105 01	Stud BM 8 X 28		2	
5	999 062 007 02	Stud BM 8 X 22		6	
5	900 060 106 01	Stud BM 8 X 22		6	
6	900 123 141 30	Sealing ring A 25 X 30		1	
7	959 207 315 00	Screw socket		1	
8	901 101 145 00	Dowel sleeve		2	
9	959 101 170 02	Stud		12	
10	999 062 168 02	Stud BM 6 X 70		2	
11	999 062 071 02	Stud BM 6 X 16		2	
12	999 062 078 02	Stud BM 10 X 85		1	
13	999 062 110 02	Stud BM 10 X 115		1	
14	999 062 138 02	Stud BM 8 X 52		1	
14	900 060 102 01	Stud BM 8 X 52		1	
15	999 062 009 02	Stud BM 8 X 28		2	
15	900 060 105 01	Stud BM 8 X 28		2	
16	999 062 075 02	Stud BM 8 X 48		2	
17	999 062 051 02	Stud BM 8 X 108		1	
18	999 062 006 02	Stud BM 8 X 20		3	
19	996 101 175 70	Stud		1	
20	999 062 115 02	Stud BM 8 X 32		13	
21	999 062 156 02	Stud BM 8 X 75		3	
21	900 060 101 01	Stud BM 8 X 75		3	
22	900 095 025 01	Roll pin 8 X 16		1	
23	901 101 195 00	Dowel sleeve		2	
24	930 101 015 00	Spray jet		3	
25	911 107 512 00	Piston		1	
26	930 107 531 01	Compression spring		1	
27	930 107 533 00	Guide sleeve		1	
27	930 107 533 01	Guide sleeve		1	
28	900 123 106 30	Sealing ring A 18 X 24		1	
29	999 064 026 02	Screw plug		1	
29	999 064 026 01	Screw plug		1	
30	999 113 264 40	Radial sealing ring		1	

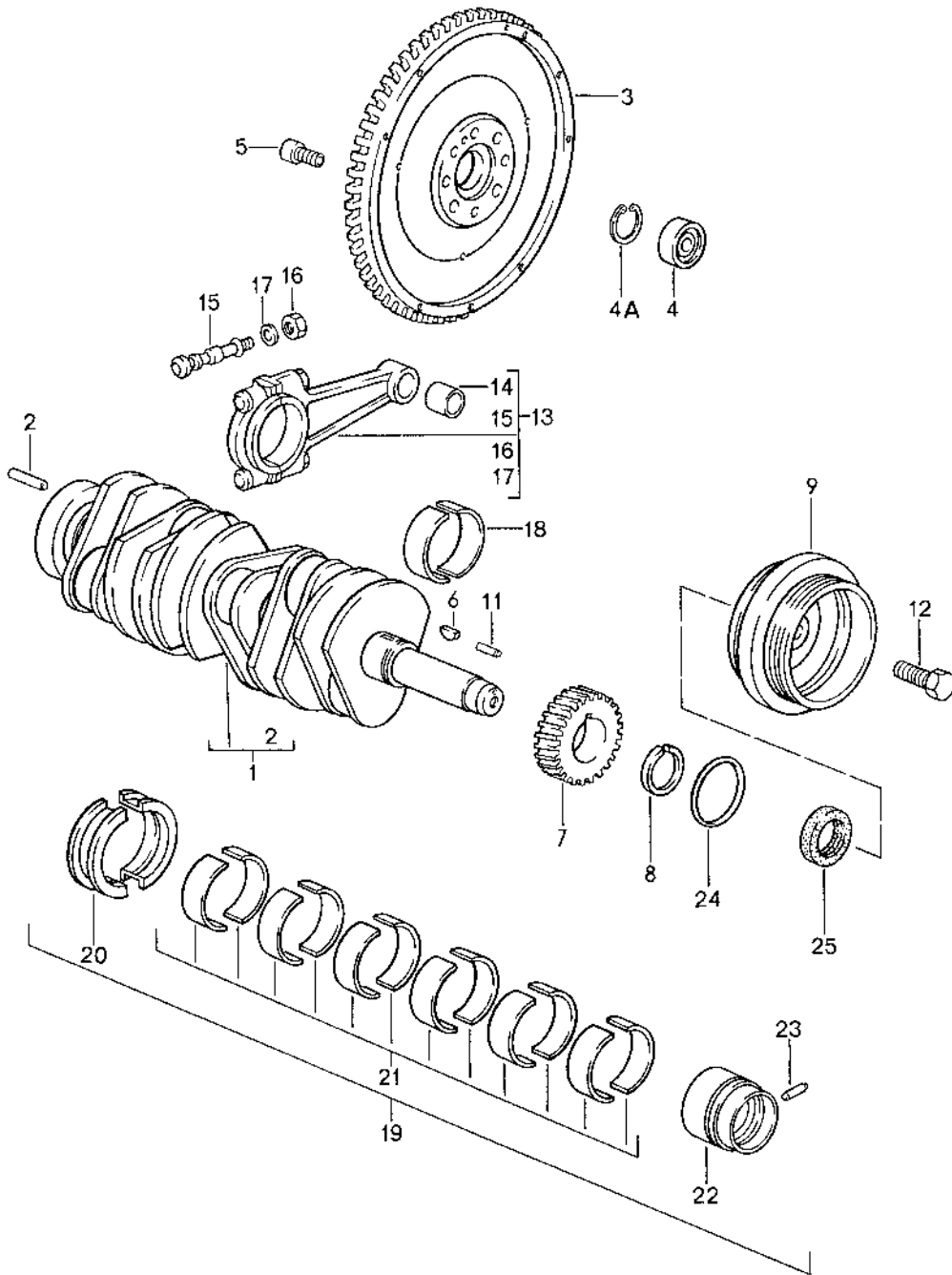
Model: 959 87

Model life 1987>>1988

Pos	Part Number	Description	Remark	Qty	Model
30	999 113 461 40	90 X 110 X 12 Radial sealing ring		1	
30	999 113 426 40	90 X 110 X 12 Radial sealing ring		1	
30	999 113 426 41	90 X 110 X 12 Radial sealing ring		1	
31	900 074 139 02	90 X 110 X 12 Hexagon-head bolt M 8 X 55		1	
31	900 074 139 03	Hexagon-head bolt M 8 X 55		1	
32	900 031 025 0A	Washer 8,4		1	
33	999 084 095 02	Lock nut M 8		1	
34	999 701 006 40	O-ring \$ = 8 X 2		12	
35	959 101 161 00	Washer		12	
36	959 101 173 01	Screw		11	
36	959 101 173 02	Screw		11	
37	930 105 165 00	Cover		1	
38	999 701 658 40	Round seal 33,3 X 2,4		1	
39	900 075 057 02	Hexagon-head bolt M 6 X 16		2	
39	900 075 057 03	Hexagon-head bolt M 6 X 16		2	
40	900 025 057 0A	Washer		4	
40	N 011 524 17	Washer		4	
40	N 011 524 7	Washer		4	
40	N 011 524 27	Washer		4	
41	959 107 765 01	Lid		1	
42	999 701 784 40	Round seal 39,2 X 3		1	
42	999 707 314 40	O-ring 39,2 X 3		1	
43	999 084 094 02	Lock nut M 6		2	
44	911 606 135 00	Pressure transmitter		1	
45	911 606 230 00	Oil pressure switch		1	
46	959 107 131 01	Banjo bolt		1	
47	900 123 106 30	Sealing ring A 18 X 24		3	
48	911 606 112 00	Remote temperature sensor		1	
49	900 123 007 30	Sealing ring A 14 X 18		1	

Model: 959 87

Model life 1987>>1988



Model: 959 87

Model life 1987>>1988

Pos	Part Number	Description	Remark	Qty	Model
1	959 102 014 04	Crankshaft		1	
2	900 095 031 00	Crankshaft		1	
		Tensioning sleeve			
		6 X 16			
3	959 102 213 02	Flywheel		1	
4	959 102 123 01	Deep-groove ball bearing		1	
4A	959 102 125 00	Circlip		1	
5	930 102 206 00	Pan-head screw		9	
6	999 118 009 00	Woodruff key		1	
7		See group		1	
		1/03/15			
8	901 102 148 00	Circlip		1	
		Number 0			
8	901 102 148 01	Circlip		1	
		Number 1			
8	901 102 148 02	Circlip		1	
		Number 2			
8	901 102 148 03	Circlip		1	
		Number 3			
9	959 102 018 00	Pulley		1	
11	900 302 027 00	Straight pin		1	
		3 M 6 X 12			
12	900 083 062 08	Hexagon-head bolt		1	
		M 12 X 1,5 X 32			
12	900 083 062 0J	Hexagon-head bolt		1	
		M 12 X 1,5 X 32			
13	959 103 010 61	Connecting rod		X	
		Weight group:			
		1=435-438 G			
13	959 103 010 62	Connecting rod		X	
		Weight group:			
		2=438-441 G			
13	959 103 010 63	Connecting rod		X	
		Weight group:			
		3=441-444 G			
13	959 103 010 64	Connecting rod		X	
		Weight group:			
		4=444-447 G			
13	959 103 010 65	Connecting rod		X	
		Weight group:			
		5=447-450 G			
13	959 103 010 66	Connecting rod		X	
		Weight group:			
		6=450-453 G			
>>	959 103 975 00	Connecting rod		1	
		1 set			
		Comprising:			
		Connecting rod		6	
14	901 103 131 01	Connecting rod bush		6	
15	959 103 171 00	Connecting rod bolt		12	
16	901 103 173 00	Connecting rod nut		12	
16	901 103 173 02	Connecting rod nut		12	
17	999 025 045 00	Washer		12	
18	935 103 141 01	Connecting-rod bearing		12	
18	935 103 141 53	Connecting-rod bearing		12	
18	935 103 141 52	Connecting-rod bearing		12	
		Oversize			
		0,10 MM			
19	964 101 901 00	Set of crankshaft bearings		1	
19	964 101 901 51	Set of crankshaft bearings		1	
		Oversize			
		Inner			
		0,25 MM			

Model: 959 87 Model life 1987>>1988

Pos	Part Number	Description	Remark	Qty	Model
19	964 101 901 56	Set of crankshaft bearings Oversize Inner 0,50 MM		1	
19	964 101 901 61	Set of crankshaft bearings Oversize Outer 0,25 MM		1	
19	964 101 901 71	Set of crankshaft bearings Oversize Inner 0,25 MM		1	
19	964 101 901 76	Set of crankshaft bearings Oversize Outer 0,25 MM		1	
20	930 101 131 15	Bearing shell Set I		1	
20	930 101 131 51	Bearing shell I Oversize Inner 0,25 MM		2	
20	930 101 131 56	Bearing shell I Oversize Inner 0,50 MM		2	
20	930 101 131 61	Bearing shell I Oversize Outer 0,25 MM		2	
20	930 101 131 71	Bearing shell I Oversize Inner 0,25 MM		2	
20	930 101 131 76	Bearing shell I Oversize Outer 0,25 MM		2	
21	930 101 132 15	Bearing shell II-VII		12	
21	930 101 132 51	Bearing shell II-VII Oversize Inner 0,25 MM		12	
21	930 101 132 92	Bearing shell II-VII		12	

Model: 959 87 Model life 1987>>1988

Pos	Part Number	Description	Remark	Qty	Model
21		Oversize Inner 0,25 MM Bearing shell Bearing shell II-VII Left front, right rear		12	
21	930 101 132 56	Inner 0,25 MM Bearing shell II-VII		12	
21	930 101 132 61	Oversize Inner 0,50 MM Bearing shell II-VII		12	
21	930 101 132 71	Oversize Outer 0,25 MM Bearing shell II-VII		12	
21	930 101 132 72	Oversize Inner 0,25 MM Outer 0,25 MM Bearing shell II-VII		12	
21		Oversize Inner 0,25 MM Outer 0,25 MM Bearing shell Bearing shell II-VII		12	
21	930 101 132 76	Oversize Inner 0,25 MM Outer 0,25 MM Bearing shell II-VII		12	
22	964 101 138 01	Oversize Inner 0,50 MM Outer 0,25 MM Bearing sleeve VIII		1	
22	964 101 138 54	Bearing sleeve VIII		1	
22	964 101 138 55	Oversize Inner 0,25 MM Bearing sleeve VIII		1	
22	964 101 138 65	Oversize Inner 0,50 MM Bearing sleeve VIII Oversize		1	

Model: 959 87

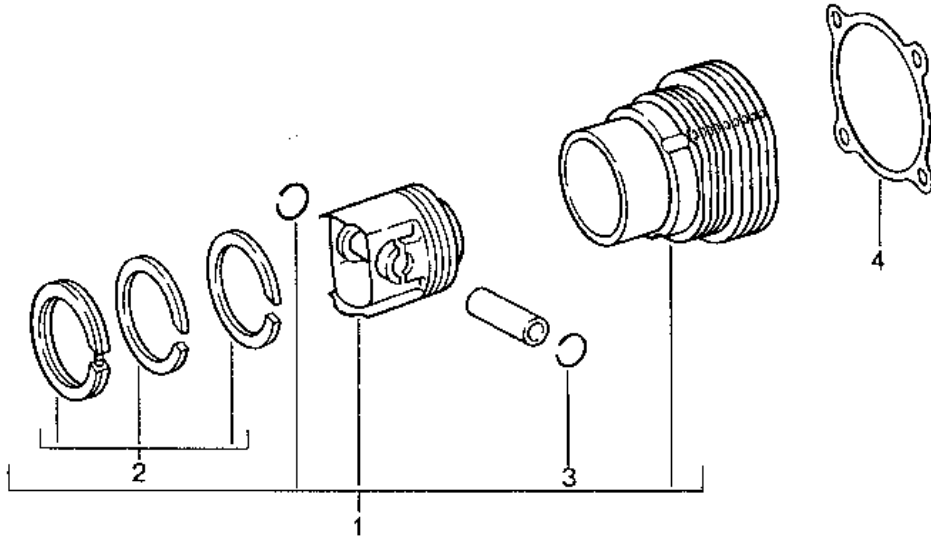
Model life 1987>>1988

Pos	Part Number	Description	Remark	Qty	Model
22	964 101 138 66	Outer 0,25 MM Bearing sleeve VIII Oversize Inner 0,25 MM		1	
22	964 101 138 67	Outer 0,25 MM Bearing sleeve VIII Oversize Inner 0,50 MM		1	
23	900 012 061 00	Outer 0,25 MM Straight pin 5 H 8 X 10		1	
24	999 707 285 40	O-ring 51 X 4,5		1	
25	999 113 290 41	Radial sealing ring 30 X 50 X 10		1	



Model: 959 87

Model life 1987>>1988



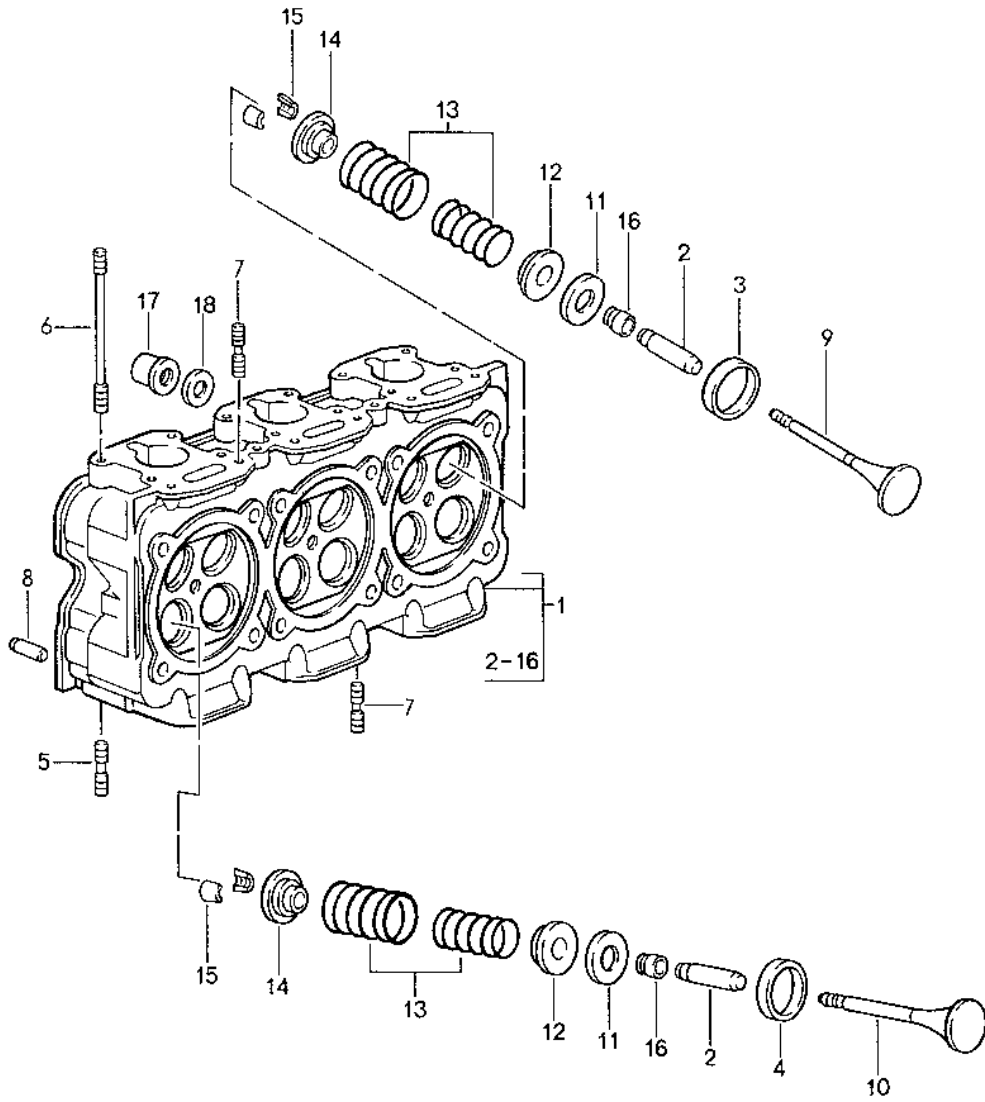
Model: 959 87

Model life 1987&gt;&gt;1988

Pos	Part Number	Description	Remark	Qty	Model
1	959 103 981 01	Cylinder with piston - mahle - Group 5 Cylinder with piston Identification -- / - 542-550 G		6	
1	959 103 981 02	Cylinder with piston Identification + / ++ 550-558 G - mahle - Group 6		6	
1	959 103 981 03	Cylinder with piston Identification -- / - 542-550 G		6	
1	959 103 981 04	Cylinder with piston Identification + / ++ 550-558 G		6	
2	959 103 983 01	Set of piston rings		6	
3	N 012 278 1	Circlip C 22		12	
4	959 104 195 03	Cylinder head gasket		6	

Model: 959 87

Model life 1987>>1988



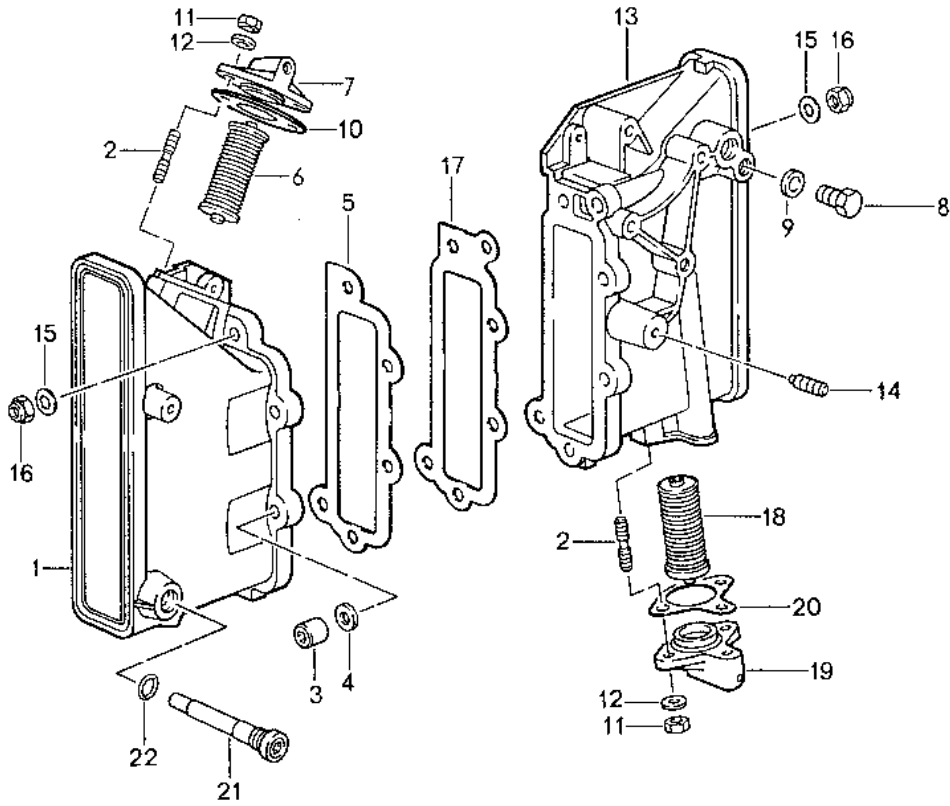
Model: 959 87

Model life 1987&gt;&gt;1988

Pos	Part Number	Description	Remark	Qty	Model
1	959 104 013 01	Cylinder head Cylinder head with valves Ready for installation		2	
(1)	959 104 033 01	Cylinder head without valves		2	
2	959 104 320 10	Valve guide 1st oversize		24	
3	928 104 611 12	Valve seat ring Intake Oversize 0.25 mm		12	
4	928 104 612 12	Valve seat ring Exhaust Oversize 0.25 mm		12	
5	999 062 270 02	Stud BM 8 X 18		24	
6	959 104 311 00	Stud M 6 X 95		24	
7	999 062 003 02	Stud BM 6 X 18		24	
8	999 012 034 00	Straight pin M 6 X 12		4	
9	959 105 409 01	Intake valve		12	
10	959 105 419 01	Exhaust valve		12	
11	944 105 465 02	Washer 0,5 MM		X	
11	944 105 465 03	Washer 1,0 MM		X	
11	944 105 465 04	Washer 1,5 MM		X	
12	944 105 463 02	Washer		24	
13	959 105 905 05	Set of valve springs		24	
14	944 105 467 03	Concave washer		24	
15	928 105 221 10	Valve collet		48	
16	928 104 601 07	Valve stem seal		24	
17	959 104 382 02	Cylinder head nut		24	
18	999 025 126 01	Washer		24	

Model: 959 87

Model life 1987>>1988



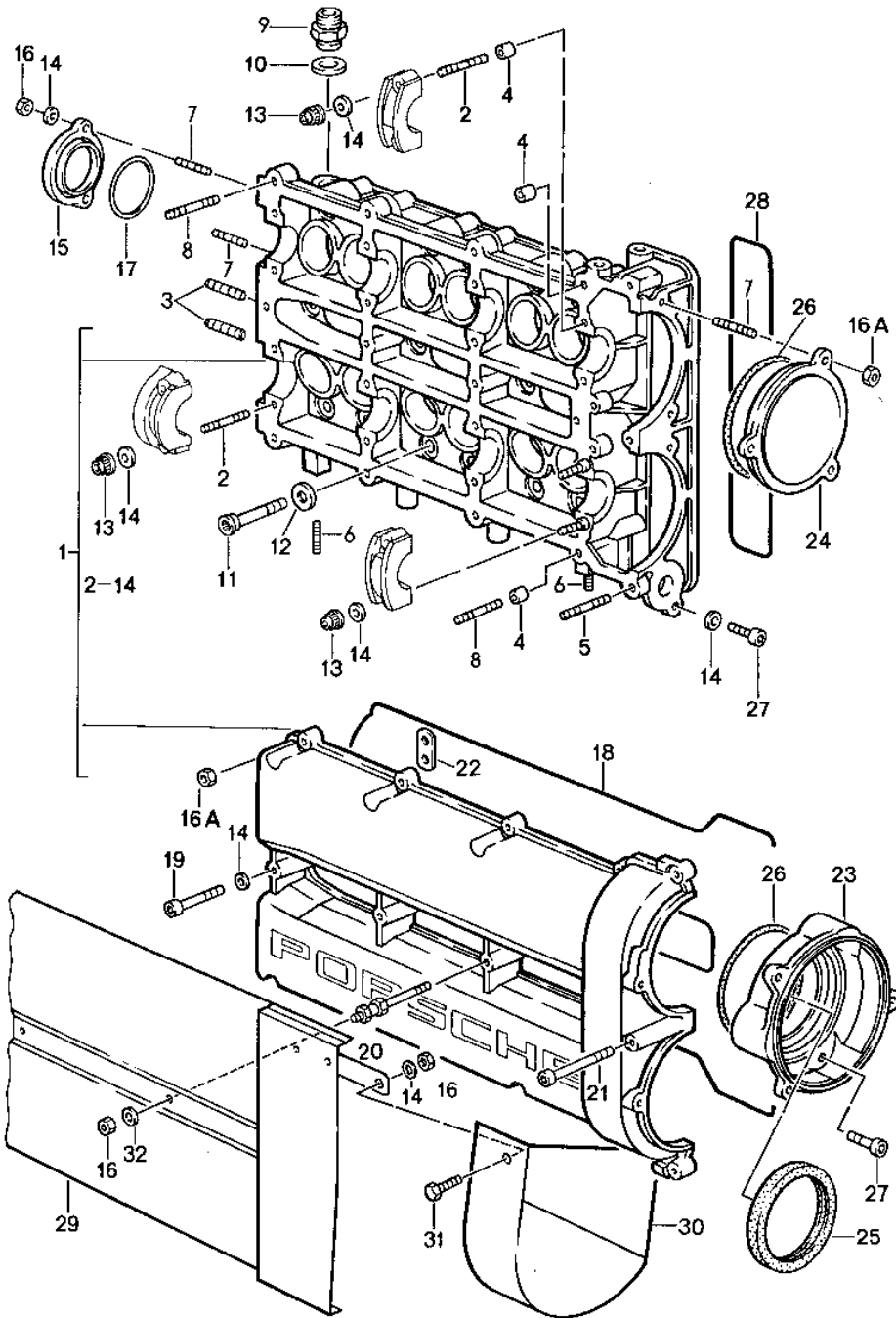
Model: 959 87

Model life 1987&gt;&gt;1988

Pos	Part Number	Description	Remark	Qty	Model
1	959 105 031 01	Chain case		1	
2	999 062 003 02	Stud BM 6 X 18	/L	4	
3	959 105 119 00	Nut		8	
4	959 105 243 00	Washer		8	
5	959 105 193 02	Gasket	/L	1	
6	959 105 051 01	Chain adjuster	/L	1	
7	959 105 027 01	Lid	/L	1	
8	999 134 036 02	Banjo bolt		1	
9	900 123 115 30	Sealing ring A 8 X 11,5		2	
10	959 105 123 00	Gasket	/L	1	
11	999 084 094 02	Lock nut M 6		4	
12	N 011 524 7	Washer A 6,4		4	
12	N 011 524 27	Washer A 6,4		4	
13	959 105 032 01	Chain case	/R	1	
14	999 062 005 02	Stud BM 8 X 18		1	
15	900 031 014 30	Washer 8,4		2	
16	999 084 095 02	Lock nut M 8		2	
17	959 105 194 02	Gasket	/R	1	
18	959 105 052 01	Chain adjuster	/R	1	
19	959 105 028 01	Lid	/R	1	
20	959 105 110 00	Gasket	/R	1	
20	959 105 110 01	Gasket	/R	1	
21	959 105 175 01	Bearing pin		2	
22	900 123 018 30	Sealing ring A 16 X 20		2	

Model: 959 87

Model life 1987>>1988



Model: 959 87 Model life 1987>>1988

Pos	Part Number	Description	Remark	Qty	Model
1	959 105 053 02	Camshaft housing	/L	1	
1A	959 105 115 01	Lid	/L	1	
(1)	959 105 054 02	Camshaft housing	/R	1	
(1A)	959 105 116 02	Lid	/R	1	
2	999 062 268 01	Stud BM 6 X 30		32	
3	999 062 005 02	Stud BM 8 X 18		4	
4	944 104 361 00	Dowel sleeve		36	
5	999 062 100 02	Stud BM 6 X 28		4	
6	999 062 055 02	Stud		4	
7	999 062 071 02	Stud BM 6 X 16		7	
8	999 062 102 02	Stud BM 6 X 22		16	
9	999 105 119 02	Connection piece		2	
10	900 123 131 30	Sealing ring A 16 X 20		2	
11	900 067 020 02	Pan-head screw M 8 X 50		36	
11	900 067 362 01	Pan-head screw M 8 X 50		36	
12	900 031 001 02	Washer 8,4		36	
12	900 031 105 01	Washer 8,4		36	
13	900 814 001 02	12-point nut M 6		32	
14	N 011 524 7	Washer A 6,4		73	
14	N 011 524 27	Washer A 6,4		73	
15	959 105 521 01	Lid		2	
16	999 084 094 02	Lock nut M 6		15	
16A	999 084 087 02	Lock nut M 6		13	
17	999 701 954 40	Round seal 44,12 X 2,62		2	
18	959 105 117 00	Gasket	/L	1	
(18)	959 105 118 00	Gasket	/R	1	
19	N 044 703 3	Pan-head screw M 6 X 45		4	
20	959 106 128 01	Hexagon-head bolt		4	
21	900 067 243 02	Pan-head screw M 6 X 68		2	
22	959 105 261 01	Support	/L	1	
(22)	959 105 262 01	Support	/R	1	
23	959 105 111 00	Housing		1	
24	959 105 112 00	Lid	/R	1	
25	999 113 319 40	Radial shaft seal 60 X 80 X 8		1	
26	999 701 816 40	Round seal		2	
27	N 014 773 1	Pan-head screw M 6 X 20		3	
28	959 105 513 02	Gasket	/L	1	
28	959 105 513 03	Gasket	/L	1	
(28)	959 105 514 02	Gasket	/R	1	
(28)	959 105 514 03	Gasket	/R	1	
29	959 106 123 03	Heat shield	/L	1	
(29)	959 106 124 01	Heat shield	/R	1	



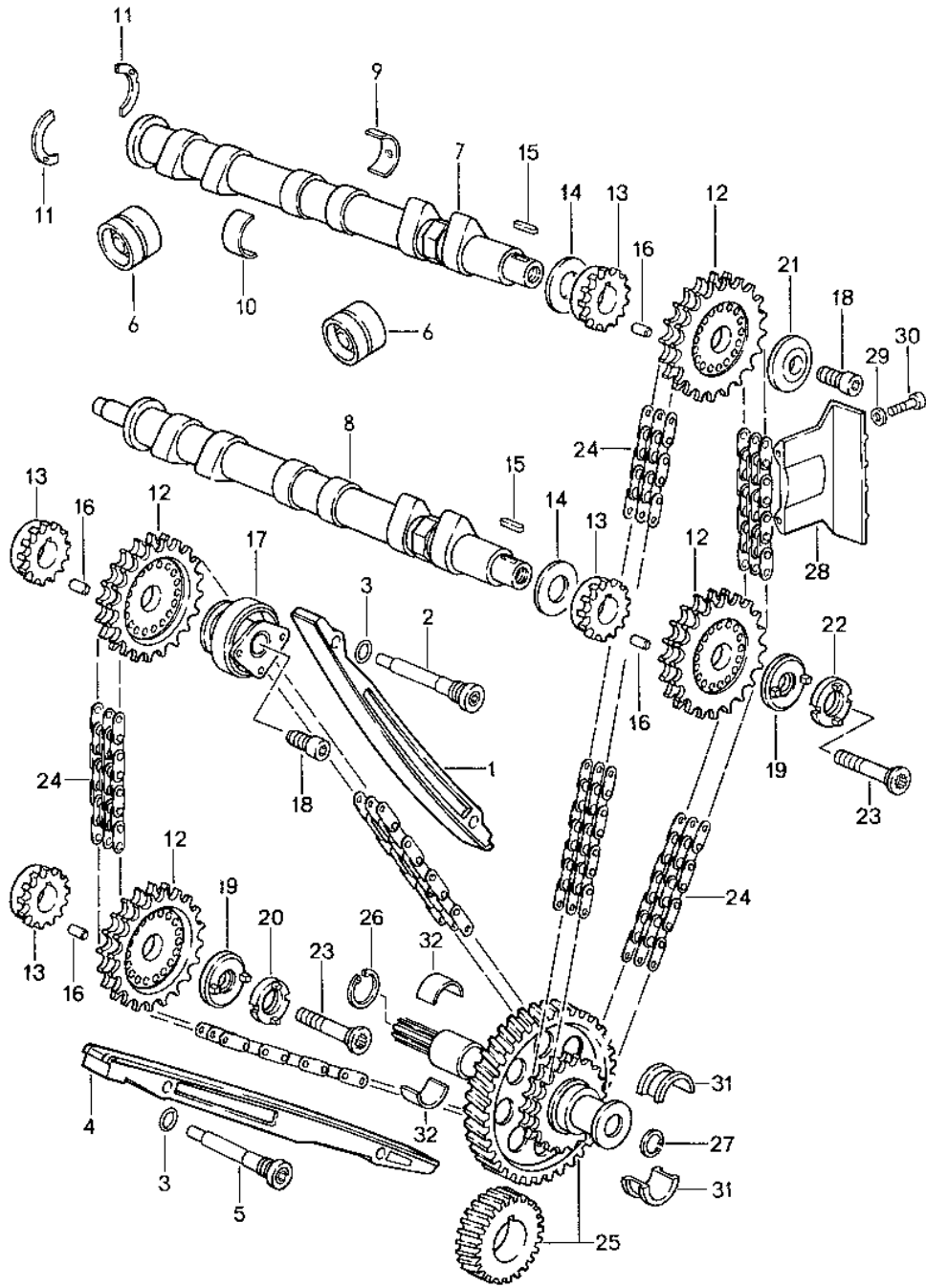
Model: 959 87

Model life 1987>>1988

Pos	Part Number	Description	Remark	Qty	Model
30	959 106 813 01	Heat shield		1	
31	999 143 004 08	Combination screw M 6 X 12		1	
31	999 143 004 01	Combination screw M 6 X 12		1	
31	999 075 039 0C	Combination screw M 6 X 12		1	
32	900 151 006 09	Washer B 6,4		8	

Model: 959 87

Model life 1987>>1988



Model: 959 87

Model life 1987>>1988

Pos	Part Number	Description	Remark	Qty	Model
1	959 105 075 01	Valve control Tensioner blade		2	
2	959 105 177 01	Bearing pin		1	
(2)	959 105 183 01	Bearing pin		1	
3	900 123 018 30	Sealing ring A 16 X 20		6	
4	959 105 041 01	Guide rail		1	
(4)	959 105 042 01	Guide rail		1	
5	959 105 179 01	Bearing pin		1	
(5)	959 105 181 01	Bearing pin		1	
6	959 105 309 00	Hydraulic valve tappet		24	
7	959 105 039 06	Camshaft Intake		2	
8	959 105 140 06	Camshaft Exhaust		2	
8	959 105 140 07	Camshaft Exhaust		2	
9	959 105 535 00	Camshaft bearing		16	
10	959 105 536 00	Camshaft bearing		16	
11	959 105 537 00	Thrust washer		8	
12	959 105 546 05	Sprocket 2 Z = 28		4	
13	959 105 341 02	Flange		4	
14	959 105 561 00	Shim		X	
15	900 117 078 00	Feather key B 4 X 4 X 8		4	
16	900 243 001 00	Straight pin A 6H8 X 14		4	
17	959 105 142 03	Driver		1	
18	959 105 143 00	Pan-head screw		2	
18	959 105 143 01	Pan-head screw		2	
19	959 105 167 00	Washer		2	
20	959 105 161 00	Drive plate		1	
21	959 105 163 00	Washer		1	
22	959 105 161 01	Drive plate		1	
22	959 105 161 04	Drive plate		1	
23	959 105 166 00	Pan-head screw		2	
23	959 105 166 01	Pan-head screw		2	
24	959 105 552 01	Timing chain		2	
25	959 105 911 02	Intermediate shaft with Timing gear Size 0		1	
25	959 105 911 90	Intermediate shaft with Timing gear Size 0		1	
25	959 105 911 12	Intermediate shaft with Timing gear Size 1		1	
26	900 041 026 01	Circlip 13 X 1		1	
27	N 012 296 1	Circlip 16 X 1		1	
28	959 105 227 02	Guide rail		2	
29	900 025 057 0A	Washer A 6,4		4	
29	N 011 524 17	Washer A 6,4		4	
29	N 011 524 7	Washer A 6,4		4	
29	N 011 524 27	Washer		4	

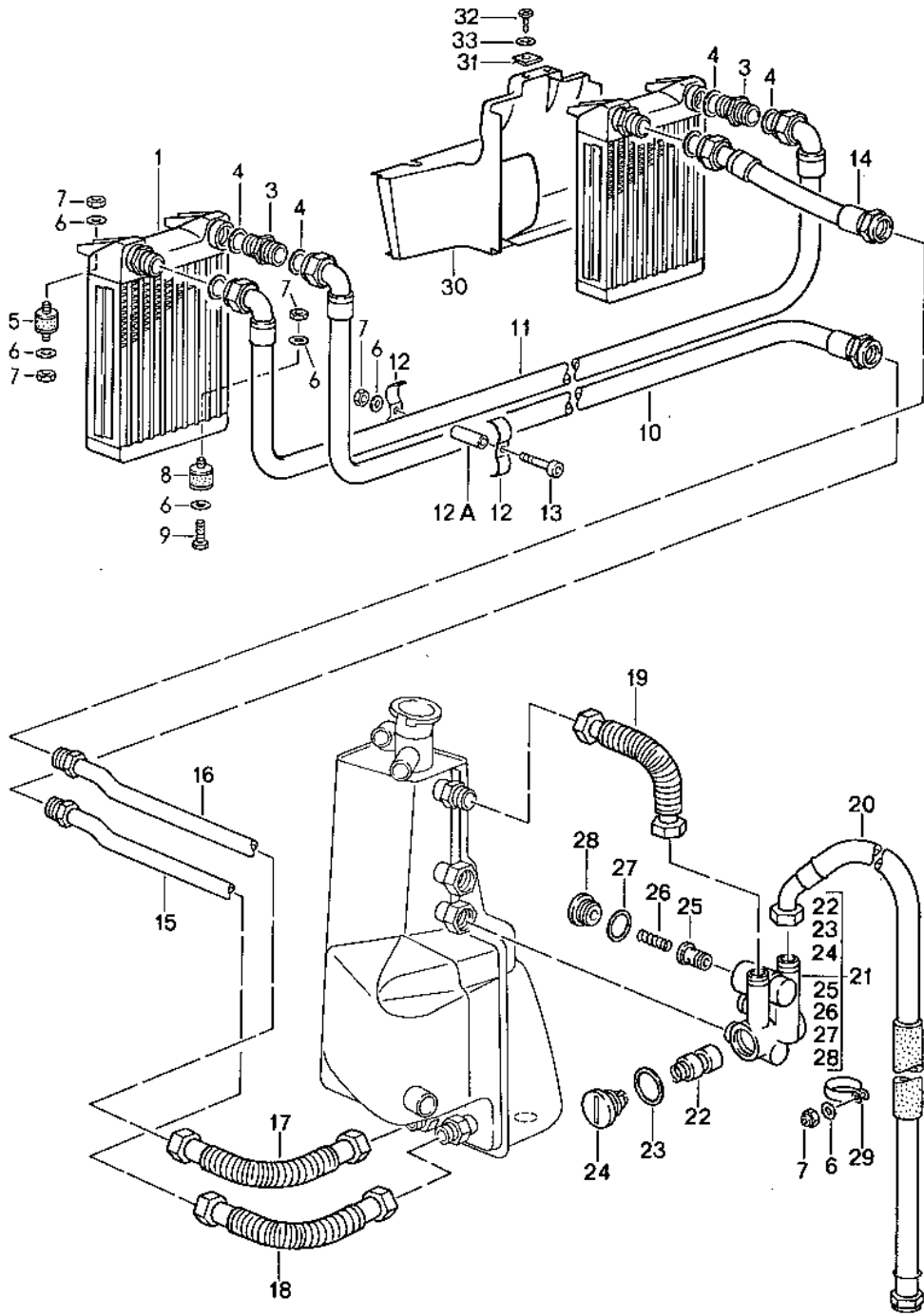
Model: 959 87

Model life 1987>>1988

Pos	Part Number	Description	Remark	Qty	Model
30	900 067 089 02	A 6,4 Pan-head screw M 6 X 25		4	
30	900 067 089 01	Pan-head screw M 6 X 25		4	
31	916 101 137 00	Thrust bearing		2	
31	993 101 137 00	Thrust bearing		2	
31	993 101 137 01	Thrust bearing		2	
32	901 101 135 00	Bearing		2	

Model: 959 87

Model life 1987>>1988



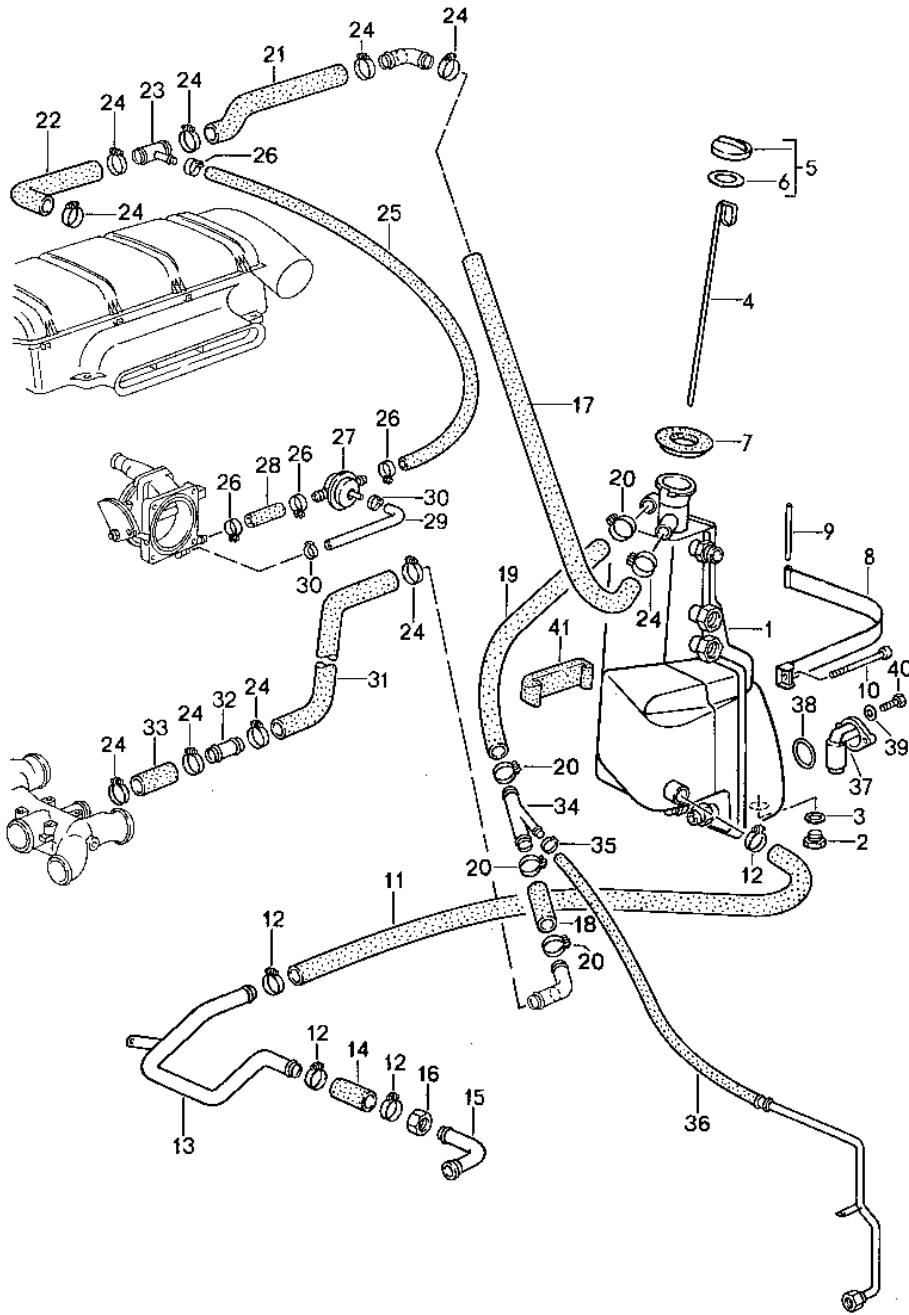
Model: 959 87

Model life 1987>>1988

Pos	Part Number	Description	Remark	Qty	Model
		Engine lubrication			
		Oil cooler			
1	959 207 349 00	Oil cooler	/L	1	
2	959 207 350 02	Oil cooler	/R	1	
3	959 207 125 00	Screw socket		4	
4	N 043 810 1	Sealing ring		4	
		A 30 X 36			
5	930 110 579 01	Bonded rubber buffer		4	
5	999 703 265 00	Bonded rubber buffer		4	
6	N 011 524 7	Washer		17	
		A 6,4			
6	N 011 524 27	Washer		17	
		A 6,4			
7	999 084 094 02	Lock nut		12	
		M 6			
8	999 703 315 00	Bonded rubber buffer		2	
9	999 072 005 09	Hexagon nut		2	
		M 6 X 12			
9	999 072 005 01	Hexagon nut		2	
		M 6 X 12			
10	959 207 111 01	Oil pipe		1	
11	959 207 117 00	Oil pipe		1	
12	911 207 303 00	Support		6	
12A	959 207 305 00	Sleeve		4	
13	N 044 703 3	Pan-head screw		4	
		M 6 X 45			
14	959 207 113 04	Oil pipe		1	
		230 MM			
14	959 207 113 05	Oil pipe		1	
		240 MM			
15	959 107 330 00	Oil pipe		1	
16	959 107 332 00	Oil pipe		1	
17	959 207 211 02	Oil tube		1	
18	959 207 213 00	Oil tube		1	
19	959 207 213 01	Oil tube		1	
20	959 207 127 01	Oil hose		1	
21	930 107 017 00	Regulator housing		1	
22	930 107 155 00	Regulator insert		1	
23	900 123 136 30	Sealing ring		1	
		A 42 X 49			
24	911 107 155 00	Screw plug		1	
25	930 107 076 00	Piston		1	
26	900 280 008 00	Compression spring		1	
27	900 123 075 30	Sealing ring		1	
		A 32 X 38			
28	916 107 276 00	Screw plug		1	
29	999 511 083 02	Pipe clamp		2	
		30/15			
(30)	959 575 135 01	Air guide	/R	1	
30	959 575 136 01	Air guide	/L	1	
31	999 591 349 02	Speed nut		8	
		B 3,5			
32	N 013 958 7	Oval-head sheetmetal screw		8	
		B 3,5 X 13			
33	900 025 002 02	Washer		8	
		A 4,3			
33	900 025 002 03	Washer		8	
		A 4,3			

Model: 959 87

Model life 1987>>1988



Model: 959 87

Model life 1987&gt;&gt;1988

Pos	Part Number	Description	Remark	Qty	Model
		Engine lubrication			
		Oil tank			
1	959 207 002 03	Oil tank		1	
2	911 107 176 03	Screw plug		1	
3	900 123 011 20	Sealing ring		1	
		A 22 X 27			
4	959 107 731 01	Oil level dipstick		1	
5	911 107 072 02	Fuel tank cap		1	
6	930 107 272 01	Sealing ring		1	
7	959 207 323 00	Sealing ring		1	
7	959 207 323 01	Sealing ring		1	
8	911 207 070 00	Restraining strap		1	
9	900 197 033 00	Tensioning sleeve		1	
		5 X 55			
10	900 067 045 02	Pan-head screw		1	
		M 8 X 80			
10	900 067 045 03	Pan-head screw		1	
		M 8 X 80			
11	959 207 219 00	Hose		1	
12	999 512 348 02	Hose clamp		4	
		S 25-40/13			
13	959 207 233 00	Oil pipe		1	
14	959 207 217 00	Hose		1	
15	959 207 221 00	Oil pipe		1	
16	900 104 024 02	Union nut		1	
		BLL 22			
-	000 043 205 16	Hose		*	
		25 X 4			
17		540 MM		1	
18		100 MM		1	
19		600 MM		1	
20	999 512 306 02	Hose clamp		4	
		S33/9ZY			
21	959 207 258 00	Hose		1	
22	959 207 257 00	Hose		1	
23	959 207 254 00	T-piece		1	
24	999 512 358 02	Hose clamp		10	
		S34/9ZY			
-	999 236 004 50	Hose		*	
		10 X 3,5			
25		420 MM		1	
26	N 023 569 2	Hose clamp		4	
		S16/9ZY			
26	PCG 023 569 2	Hose clamp		4	
		S16/9ZY			
27	959 207 227 02	Recirculating air valve		1	
28	959 207 255 00	Hose		1	
-	999 181 082 40	Hose		*	
		4,5 X 3			
29		210 MM		1	
30	999 512 476 02	Hose clamp		2	
		S10/7ZY			
31	959 207 253 00	Hose		1	
32	930 110 267 04	Connecting piece		1	
33	959 207 252 00	Hose		1	
34	959 207 223 00	Y-piece		1	
35	N 023 570 2	Hose clamp		1	
		S17/9ZY			
36	959 207 225 00	Vent line		1	
37	959 606 139 00	Tank gauge switch		1	
38	999 701 927 40	O-ring		1	
		38 X 3			
39	N 011 524 7	Washer		2	



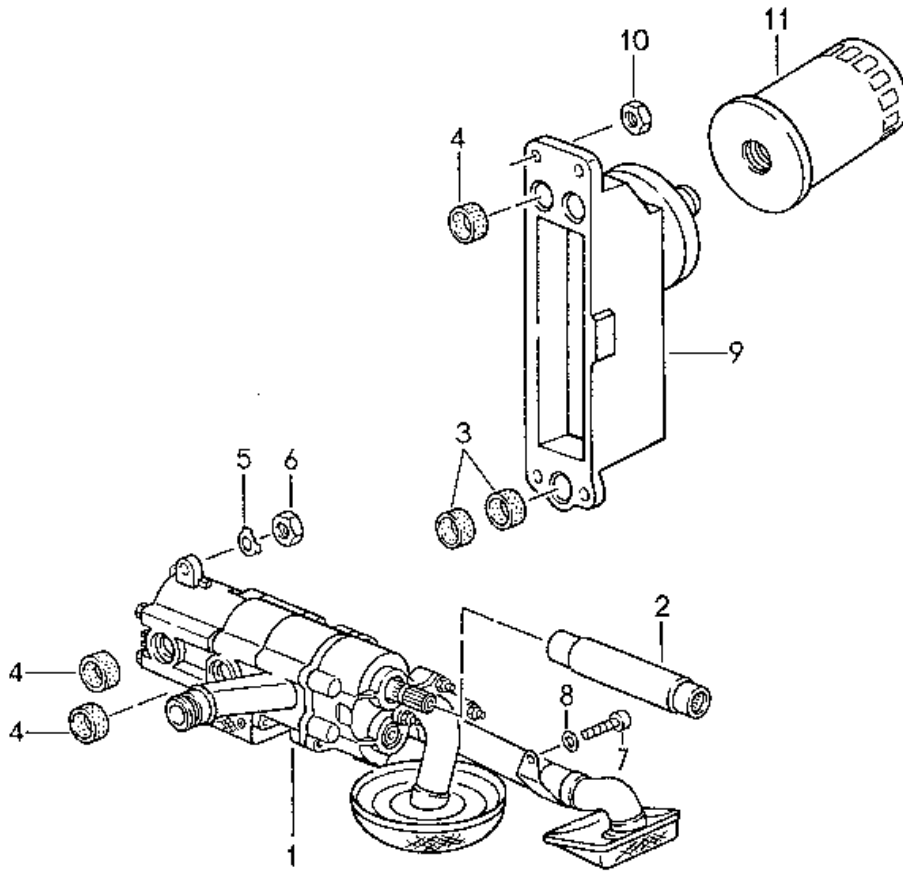
Model: 959 87

Model life 1987&gt;&gt;1988

Pos	Part Number	Description	Remark	Qty	Model
39	N 011 524 27	A 6,4 Washer		2	
40	900 075 014 02	A 6,4 Hexagon-head bolt M 6 X 18		2	
40	900 075 014 03	Hexagon-head bolt M 6 X 18		2	
41	959 207 321 00	Rubber stop		1	

Model: 959 87

Model life 1987>>1988



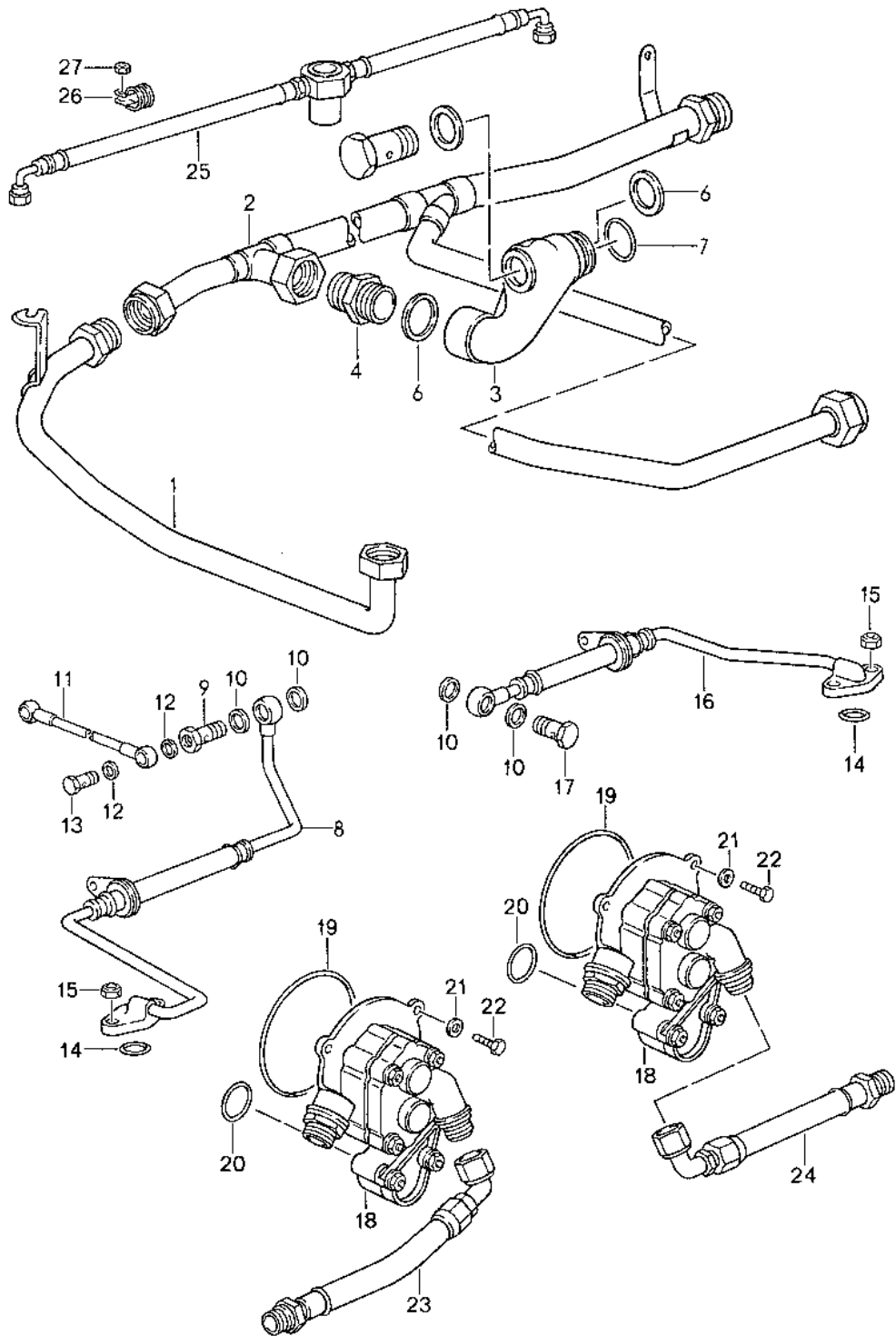
Model: 959 87

Model life 1987>>1988

Pos	Part Number	Description	Remark	Qty	Model
		Engine lubrication			
		Oil pump			
		Engine			
1	959 107 010 01	Oil pump		1	
2	935 107 041 00	Connecting shaft		1	
3	999 704 173 50	Sealing ring		1	
4	999 704 172 50	Sealing ring		4	
-	999 707 316 40	O-ring		1	
		Oil pump			
5	999 039 001 00	Tab washer		3	
6	999 084 095 02	Lock nut		3	
		M 8			
7	900 067 009 02	Pan-head screw		1	
		M 6 X 15			
7	900 067 429 01	Pan-head screw		1	
		M 6 X 15			
8	900 025 057 0A	Washer		1	
		A 6,4			
8	N 011 524 17	Washer		1	
		A 6,4			
8	N 011 524 7	Washer		1	
		A 6,4			
8	N 011 524 27	Washer		1	
		A 6,4			
9	959 107 053 01	Bracket		1	
10	999 084 088 02	Lock nut		3	
		M 8			
11	944 107 201 03	Oil filter		1	

Model: 959 87

Model life 1987>>1988



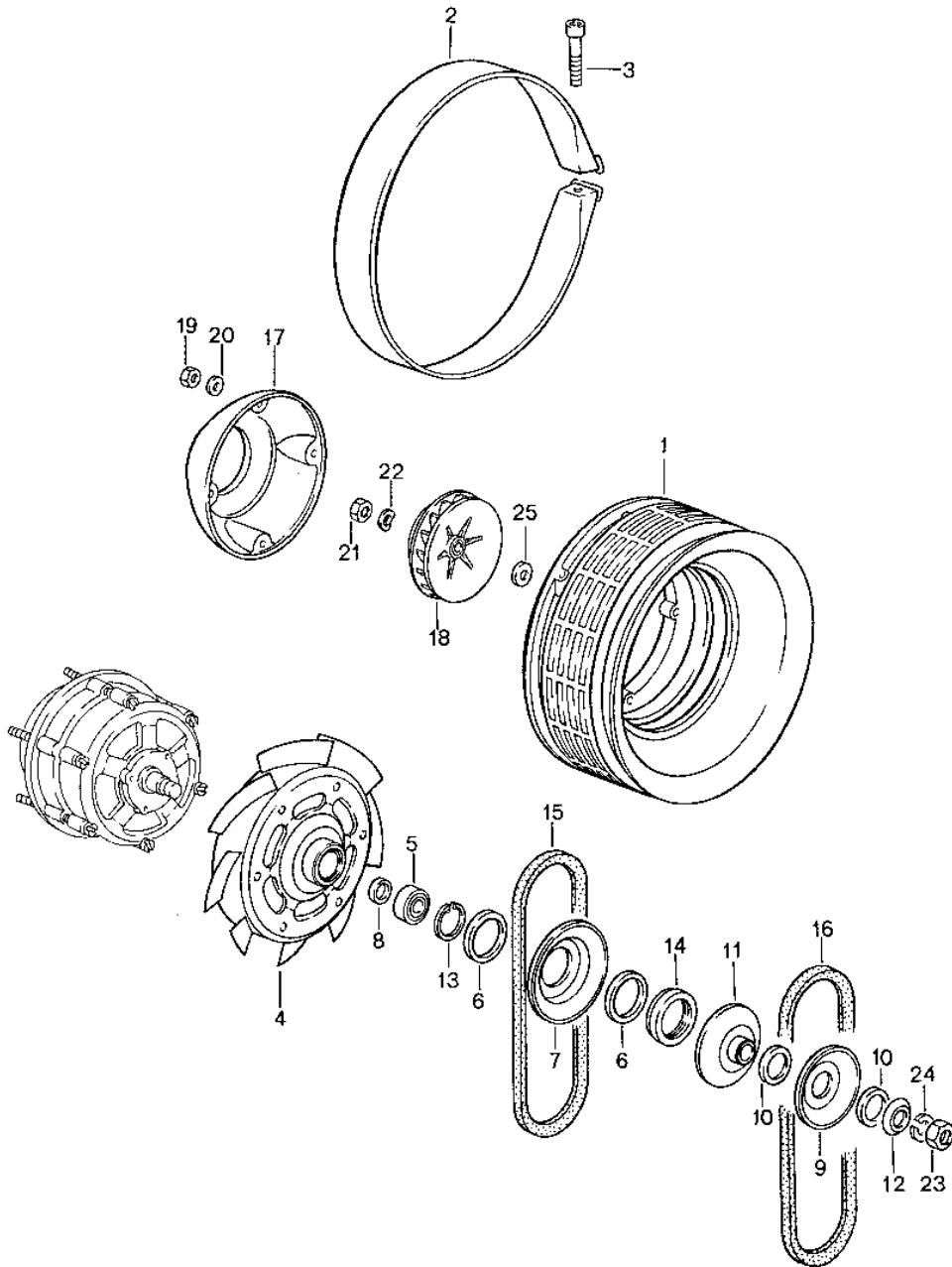
Model: 959 87

Model life 1987&gt;&gt;1988

Pos	Part Number	Description	Remark	Qty	Model
		Engine lubrication			
		Oil pump			
		Turbocharger			
1	959 107 133 02	Oil pipe	/L	1	
2	959 107 134 03	Oil pipe	/R	1	
3	959 107 413 01	Connecting piece		1	
4	999 136 019 00	Connection piece		1	
5	935 107 415 00	Banjo bolt		1	
6	N 043 854 3	Sealing ring A 26 X 31		3	
7	999 701 815 40	Round seal 27 X 5		1	
8	959 107 119 03	Oil pipe	/L	1	
9	959 107 217 00	Banjo bolt		1	
10	N 013 818 3	Sealing ring A 12 X 16 X 1,5		4	
11	959 107 215 00	Oil pipe	/L	1	
12	900 123 115 30	Sealing ring A 8 X 11,5		2	
13	900 175 015 00	Banjo bolt LL4		1	
14	999 707 043 40	O-ring		2	
15	999 084 052 02	Lock nut M 8		4	
16	959 107 120 02	Oil pipe	/R	1	
17	999 134 034 02	Banjo bolt		1	
18	959 107 014 00	Oil pump		2	
19	999 701 816 40	Round seal 84 X 1,78		2	
20	999 701 777 40	Round seal 20,8 X 2,5		2	
21	900 025 057 0A	Washer A 6,4		6	
21	N 011 524 17	Washer A 6,4		6	
21	N 011 524 7	Washer A 6,4		6	
21	N 011 524 27	Washer A 6,4		6	
22	900 075 014 02	Hexagon-head bolt M 6 X 18		6	
22	900 075 014 03	Hexagon-head bolt M 6 X 18		6	
23	959 107 251 02	Oil pipe	/L	1	
-	900 123 106 30	Sealing ring 18 X 24		1	
24	959 107 252 02	Oil pipe	/R	1	
-	900 123 106 30	Sealing ring 18 X 24		1	
25	959 107 125 03	Oil pipe		1	
26	N 020 620 1	Clamp B 15/3		1	
27	999 084 094 02	Lock nut M 6		1	

Model: 959 87

Model life 1987>>1988



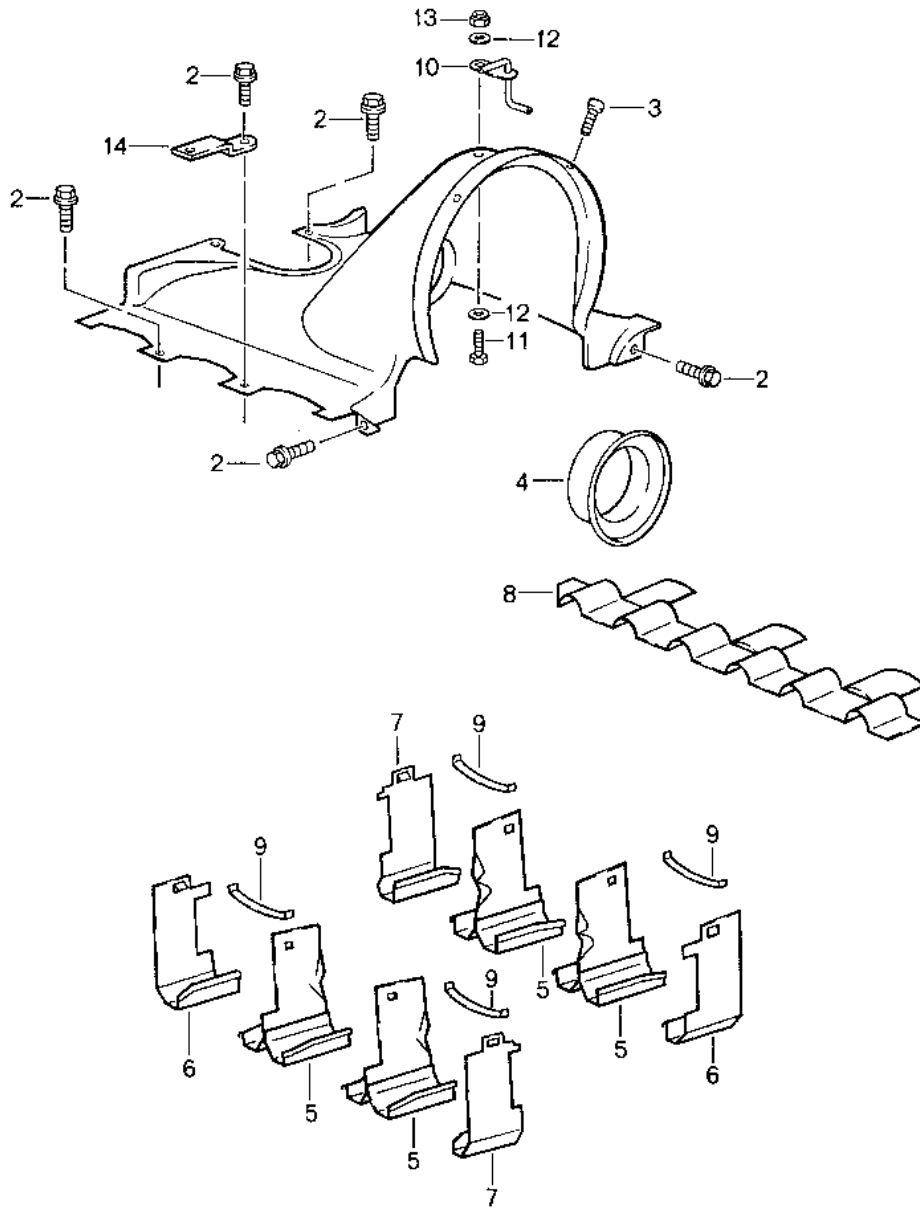
Model: 959 87

Model life 1987&gt;&gt;1988

Pos	Part Number	Description	Remark	Qty	Model
1	959 106 102 01	Air cooling Fan housing		1	
2	959 106 317 01	Clamp		1	
3	900 067 073 07	Pan-head screw M 8 X 45		1	
4	959 106 011 01	Impeller		1	
5	959 106 513 01	Angular-contact bearing		1	
6	959 106 579 01	Shim 0,5 MM		8	
6	959 106 579 02	Shim 1,5 MM		1	
7	959 106 210 00	Pulley half		1	
8	959 106 581 01	Spacer sleeve		1	
9	959 106 208 00	Pulley half		1	
10	959 106 580 00	Shim		8	
11	959 106 211 00	Pulley half		1	
12	959 106 428 00	Tensioning cap		1	
13	N 012 303 1	Circlip 32 X 1,2		1	
13	900 042 007 01	Circlip 32 X 1,2		1	
14	N 100 809 01	Grooved nut 38 X 1,5		1	
15	999 192 307 50	Narrow v-belt 9,5 X 684		1	
16	999 192 308 50	Narrow v-belt 9,5 X 694		1	
17	930 603 041 01	Hub extension		1	
18	928 603 045 01	Impeller		1	
19	900 910 010 02	Lock nut M 6		4	
20	900 025 057 0A	Washer 6,4		4	
20	N 011 524 17	Washer 6,4		4	
20	N 011 524 7	Washer 6,4		4	
20	N 011 524 27	Washer 6,4		4	
21	900 034 003 02	Hexagon nut M 10		1	
22	N 101 037 01	Washer 10 X 16 X 0,3		1	
23	900 034 013 02	Hexagon nut BM 16 X 1,5		1	
23	900 034 013 01	Hexagon nut BM 16 X 1,5		1	
24	N 012 016 1	Lock ring B 16		1	
25	900 234 066 02	Shim 12 X 18 X 0,5		X	
25	900 234 067 02	Shim 12 X 18 X 1,0		X	
25	900 234 068 00	Shim 12 X 18 X 1,2		X	
25	900 234 072 00	Shim 12 X 18 X 2,0		X	

Model: 959 87

Model life 1987>>1988





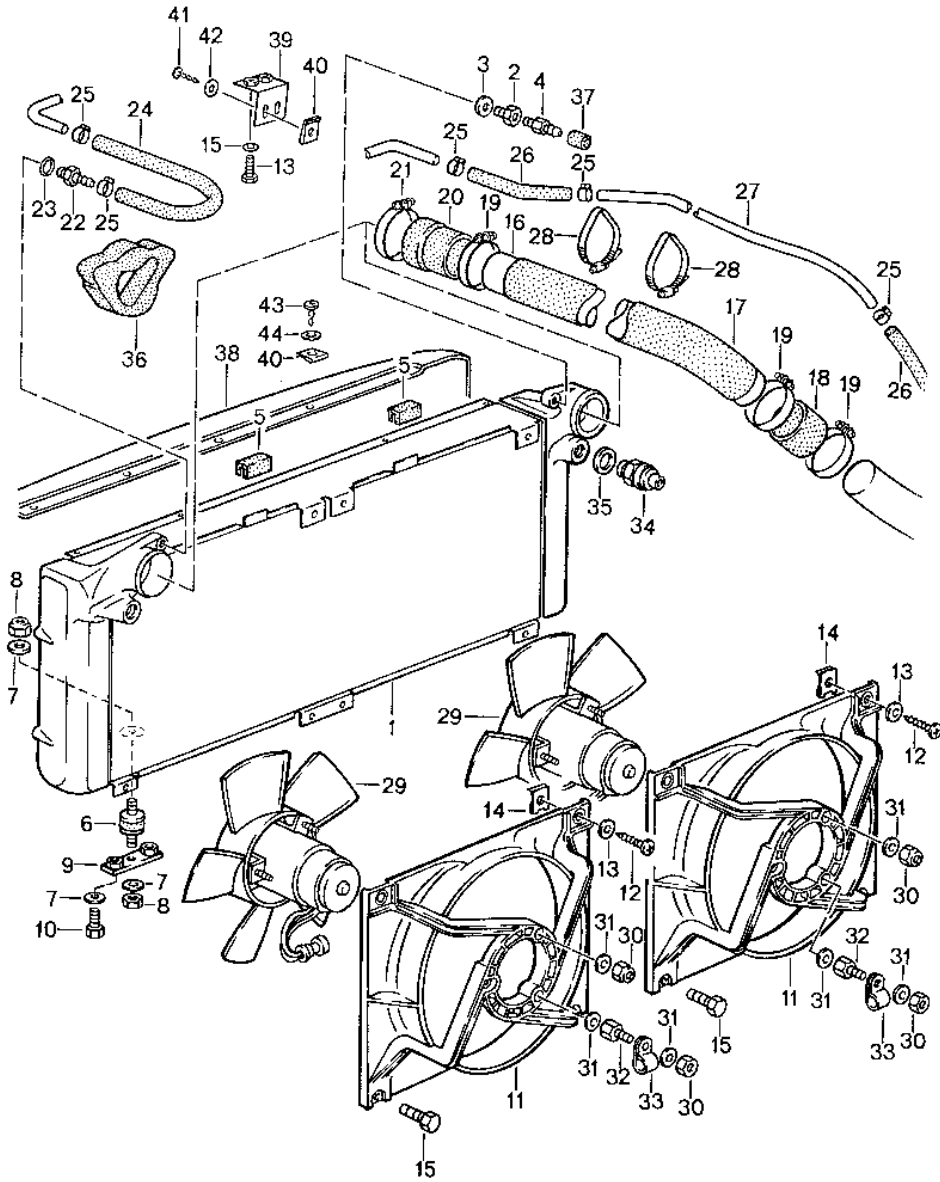
Model: 959 87

Model life 1987&gt;&gt;1988

Pos	Part Number	Description	Remark	Qty	Model
1	959 106 401 02	Air guide		1	
2	999 143 004 08	Air guide		8	
		Combination screw			
		M 6 X 12			
2	999 143 004 01	Combination screw		8	
		M 6 X 12			
2	999 075 039 0C	Combination screw		8	
		M 6 X 12			
3	900 067 008 02	Pan-head screw		2	
		M 6 X 12			
3	900 067 008 03	Pan-head screw		2	
		M 6 X 12			
4	959 106 106 00	Gasket		1	
5	959 106 023 00	Baffle plate		4	
6	959 106 221 00	Baffle plate		2	
7	959 106 222 00	Baffle plate		2	
8	930 106 301 00	Cover plate		2	
9	930 106 228 00	Leaf spring		6	
10	959 618 114 01	Breather pipe		1	
11	N 010 207 6	Hexagon-head bolt		1	
		M 5 X 12			
11	N 010 207 17	Hexagon-head bolt		1	
		M 5 X 12			
12	900 025 003 02	Washer		2	
		A 5,3			
13	900 910 009 02	Lock nut		1	
		M 5			
13	900 084 026 01	Lock nut		1	
		M 5			
14	959 607 319 00	Support		1	

Model: 959 87

Model life 1987>>1988



Model: 959 87

Model life 1987&gt;&gt;1988

Pos	Part Number	Description	Remark	Qty	Model
1	959 106 550 01	Water cooling 1 Radiator		1	
2	959 106 552 00	Bleeder screw		1	
3	900 123 144 30	Sealing ring A 10 X 13,5		1	
4	999 926 012 00	Bleeder valve M 6 X 29		1	
5	959 106 573 00	Rubber seal		2	
6	999 703 324 00	Bonded rubber buffer		2	
7	900 025 057 0A	Washer A 6,4		8	
7	N 011 524 17	Washer A 6,4		8	
7	N 011 524 7	Washer A 6,4		8	
7	N 011 524 27	Washer A 6,4		8	
8	999 084 094 02	Lock nut M 6		4	
9	959 106 561 02	Bearing plate		2	
10	999 217 019 02	Hexagon-head bolt		4	
11	959 106 577 03	Air guide		2	
12	900 143 145 02	Tapping screw BZ 6,3 X 13		4	
13	N 011 666 7	Washer B 6,4		6	
14	999 507 034 02	Speed nut		4	
15	900 075 057 02	Hexagon-head bolt M 6 X 16		6	
15	900 075 057 03	Hexagon-head bolt M 6 X 16		6	
16	959 106 161 00	Water tube	/L	1	
(16)	959 106 162 00	Water tube	/R	1	
17	999 301 031 40	Rubber plate 164 X 645		2	
18	959 106 165 01	Connecting hose		2	
19	999 512 164 02	Hose clamp S59/12		6	
20	959 106 167 00	Connecting hose		2	
21	999 512 470 02	Hose clamp S66/12		2	
22	928 106 443 02	Breather adapter		1	
23	999 701 651 40	O-ring 7,65 X 1,78		1	
24	959 106 159 01	Breather hose		1	
25	999 512 554 00	Hose clamp 12-22/9		5	
-	000 043 205 14	Hose 8 X 15		1	
27	959 106 234 00	Breather pipe		1	
28	999 512 348 02	Hose clamp 40-60/9		2	
29	959 624 101 00	Blower		2	
30	900 910 012 02	Lock nut M 6		6	
30	900 910 047 09	Lock nut M 6		6	
31	N 011 524 7	Washer A 6,4		8	
31	N 011 524 27	Washer A 6,4		8	
32	959 624 201 00	Spacer bolt		2	
33	999 511 142 02	Clamp		2	

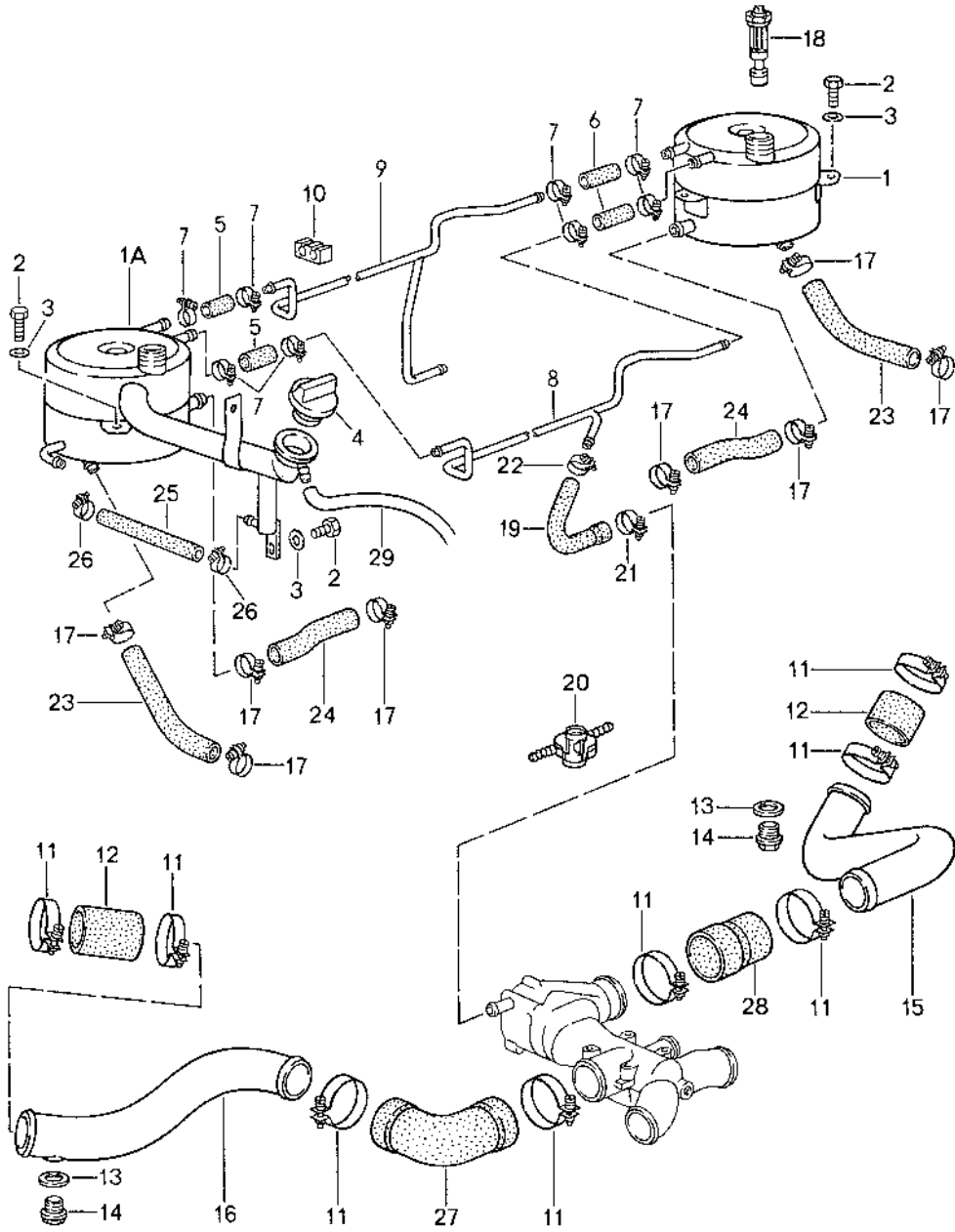
Model: 959 87

Model life 1987&gt;&gt;1988

Pos	Part Number	Description	Remark	Qty	Model
		17/15			
34	951 606 481 00	Switch		1	
35	900 123 118 30	Sealing ring A 22 X 27		1	
36	959 504 335 01	Gasket		2	
37	901 351 927 10	Dust boot		1	
38	959 575 133 00	Air guide		1	
39	959 575 163 00	Support		1	
40	999 591 349 02	Speed nut B 3,5		12	
41	N 013 958 7	Oval-head sheetmetal screw B 3,5 X 13		2	
42	900 151 028 02	Washer B 4,3		2	
42	900 151 028 01	Washer B 4,3		2	
43	900 143 049 07	Tapping screw B 3,5 X 9,5		10	
44	900 025 002 02	Washer A 4,3		10	
44	900 025 002 03	Washer A 4,3		10	

Model: 959 87

Model life 1987>>1988



Model: 959 87 Model life 1987>>1988

Pos	Part Number	Description	Remark	Qty	Model
1	959 106 256 02	Water cooling 2 Expansion tank	/R	1	
1A	959 106 257 02	Expansion tank	/L	1	
2	999 072 005 09	Hexagon nut M 6 X 12		7	
2	999 072 005 01	Hexagon nut M 6 X 12		7	
3	900 025 057 0A	Washer A 6,4		7	
3	N 011 524 17	Washer A 6,4		7	
3	N 011 524 7	Washer A 6,4		7	
3	N 011 524 27	Washer A 6,4		7	
4	959 106 267 00	Lid		1	
-	000 043 205 14	Hose 8 X 3,5		X	
5		42 MM		2	
6		52 MM		2	
7	999 512 554 00	Hose clamp SGT 12-22/9		8	
8	959 106 227 01	Breather pipe I		1	
9	959 106 229 01	Breather pipe II		1	
10	999 591 857 40	Hose holder		2	
11	999 512 164 02	Hose clamp S 59/12		8	
12	959 106 165 02	Connecting hose		2	
13	900 123 106 30	Sealing ring A 18 X 24		3	
14	N 016 161 1	Screw plug AM 18 X 1,5		3	
14	900 124 013 02	Screw plug AM 18 X 1,5		3	
15	959 106 626 02	Cooling water tube Return line		1	
16	959 106 625 02	Cooling water tube Supply		1	
17	999 512 374 02	Hose clamp SGT 20-32/9		8	
18	928 641 503 01	Tank gauge switch		2	
19	959 106 231 00	Connecting hose		1	
20	928 641 513 00	Pressure switch		1	
21	999 512 346 02	Hose clamp		1	
21	999 512 676 00	Hose clamp SGT 16-25/9		1	
22	999 512 554 00	Hose clamp SGT 12-22/9		1	
-	999 238 003 40	Hose 15 X 3,5		*	
23		260 MM		2	
24		110 MM		2	
25	000 043 205 14	Hose 8 X 3,5		1	
26	999 512 554 00	Hose clamp SGT 12-22/9		2	
27	959 106 622 01	Hose elbow		1	
28	959 106 621 01	Rubber sleeve		1	
-	999 239 006 40	Hose 8 X 14		*	
-	999 239 034 40	Hose		*	

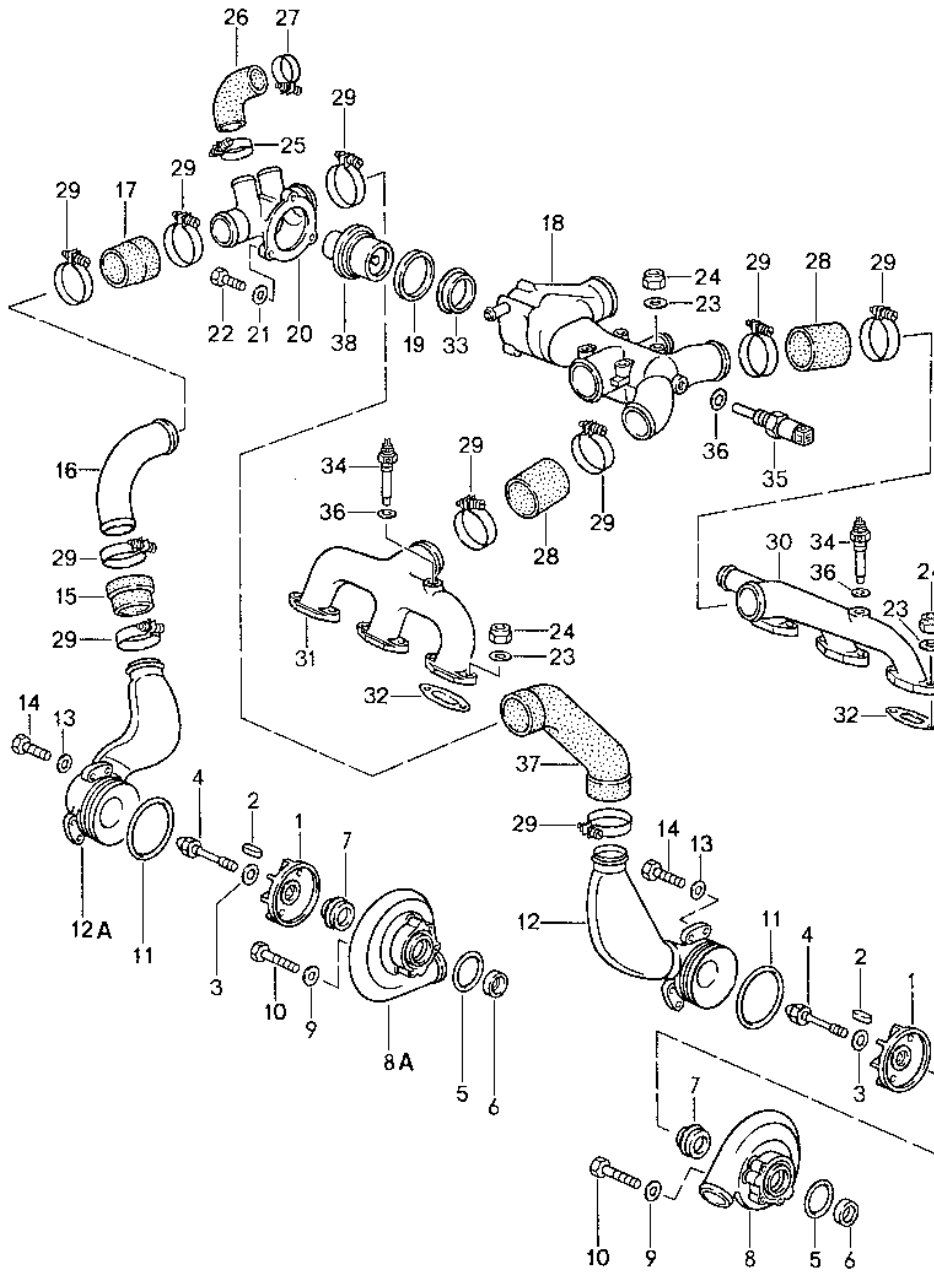
Model: 959 87

Model life 1987>>1988

Pos	Part Number	Description	Remark	Qty	Model
29		8 X 14 160 MM		1	

Model: 959 87

Model life 1987>>1988





Model: 959 87 Model life 1987>>1988

Pos	Part Number	Description	Remark	Qty	Model
		Water cooling 3			
1	959 106 515 00	Water pump impeller		2	
2	959 106 411 00	Feather key		2	
3	959 106 311 00	Washer		2	
4	959 106 131 00	Screw		2	
5	999 701 741 40	Round seal 43 X 2,5		2	
6	999 113 184 40	Radial shaft seal 16 X 28 X 7		2	
7	959 106 431 01	Sliding sealing ring		2	
8	959 106 512 00	Water pump housing	/R	1	
8A	959 106 511 00	Water pump housing	/L	1	
9	N 011 524 7	Washer A 6,4		6	
9	N 011 524 27	Washer A 6,4		6	
10	N 014 744 1	Pan-head screw M 6 X 32		6	
11	999 701 884 40	Round seal 76 X 4		2	
12	959 106 060 02	Intake manifold	/R	1	
12A	959 106 059 02	Intake manifold	/L	1	
13	900 025 057 0A	Washer A 6,4		6	
13	N 011 524 17	Washer A 6,4		6	
13	N 011 524 7	Washer A 6,4		6	
13	N 011 524 27	Washer A 6,4		6	
14	N 010 217 9	Hexagon-head bolt M 6 X 20		6	
15	959 106 305 01	Rubber sleeve		1	
16	959 106 307 01	Cooling water tube		1	
17	959 106 309 00	Rubber sleeve		1	
18	959 106 551 02	Thermostat housing		1	
19	959 106 557 00	Sealing ring		1	
20	959 106 555 02	Lid		1	
21	N 011 524 7	Washer A 6,4		3	
21	N 011 524 27	Washer A 6,4		3	
22	900 075 016 02	Hexagon-head bolt M 6 X 22		3	
22	900 075 016 03	Hexagon-head bolt M 6 X 22		3	
23	900 025 057 0A	Washer		9	
23	N 011 524 17	Washer		9	
23	N 011 524 7	Washer		9	
23	N 011 524 27	Washer		9	
24	999 084 094 02	Lock nut M 6		10	
25	999 512 356 02	Hose clamp SGT. 25-40		1	
26	959 106 215 00	Hose		1	
27	999 512 374 02	Hose clamp SGT. 20-32		1	
28	959 106 611 01	Hose		2	
29	999 512 348 02	Hose clamp SGT. 40-60		10	
30	959 106 554 00	Cool. water collect. tube	/R	1	
31	959 106 553 00	Cool. water collect. tube	/L	1	
32	959 106 565 00	Gasket		6	

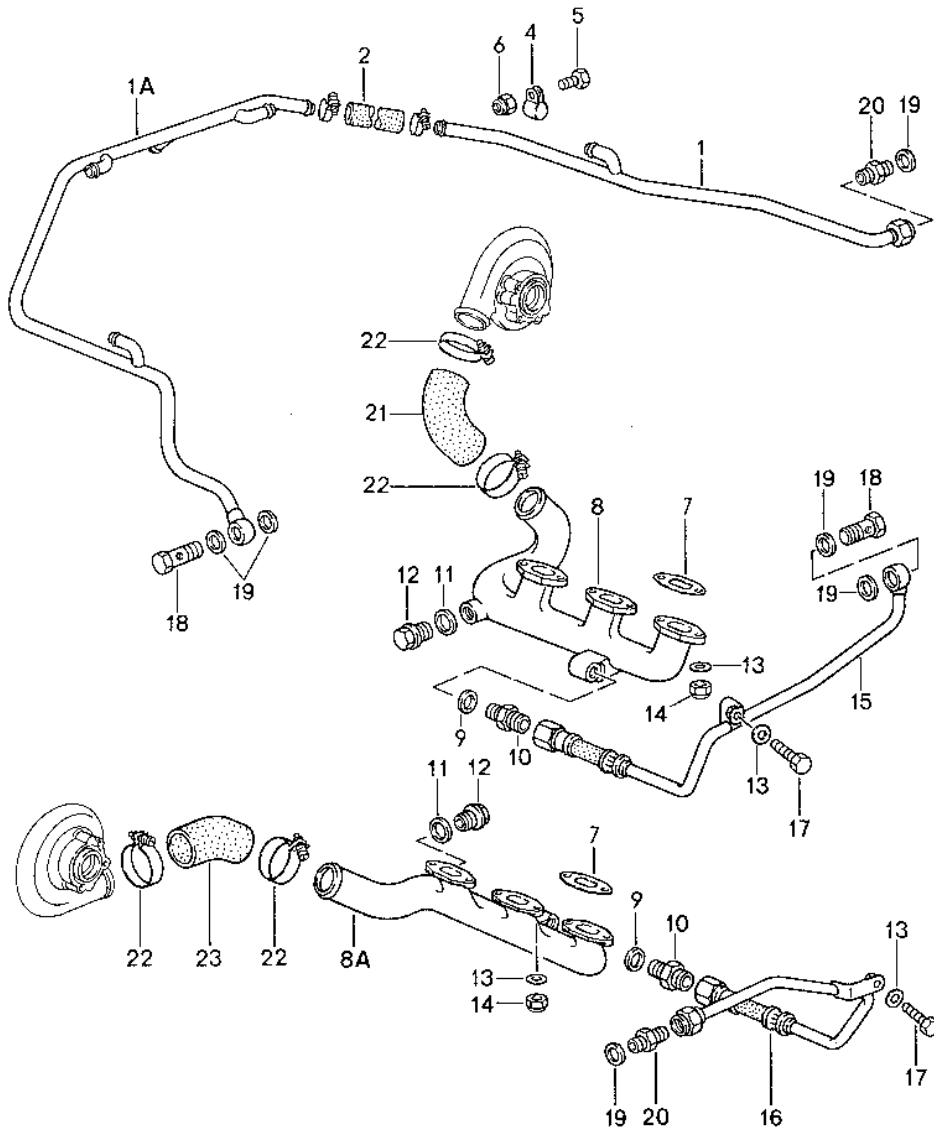
Model: 959 87

Model life 1987>>1988

Pos	Part Number	Description	Remark	Qty	Model
33	959 106 558 00	Sealing ring		1	
34	959 606 121 00	Temperature sensor		2	
35	944 606 125 00	Temperature sensor		1	
36	900 123 101 30	Sealing ring A 12 X 18		3	
37	959 106 618 02	Hose		1	
38	959 106 519 05	Thermostat insert		1	

Model: 959 87

Model life 1987>>1988



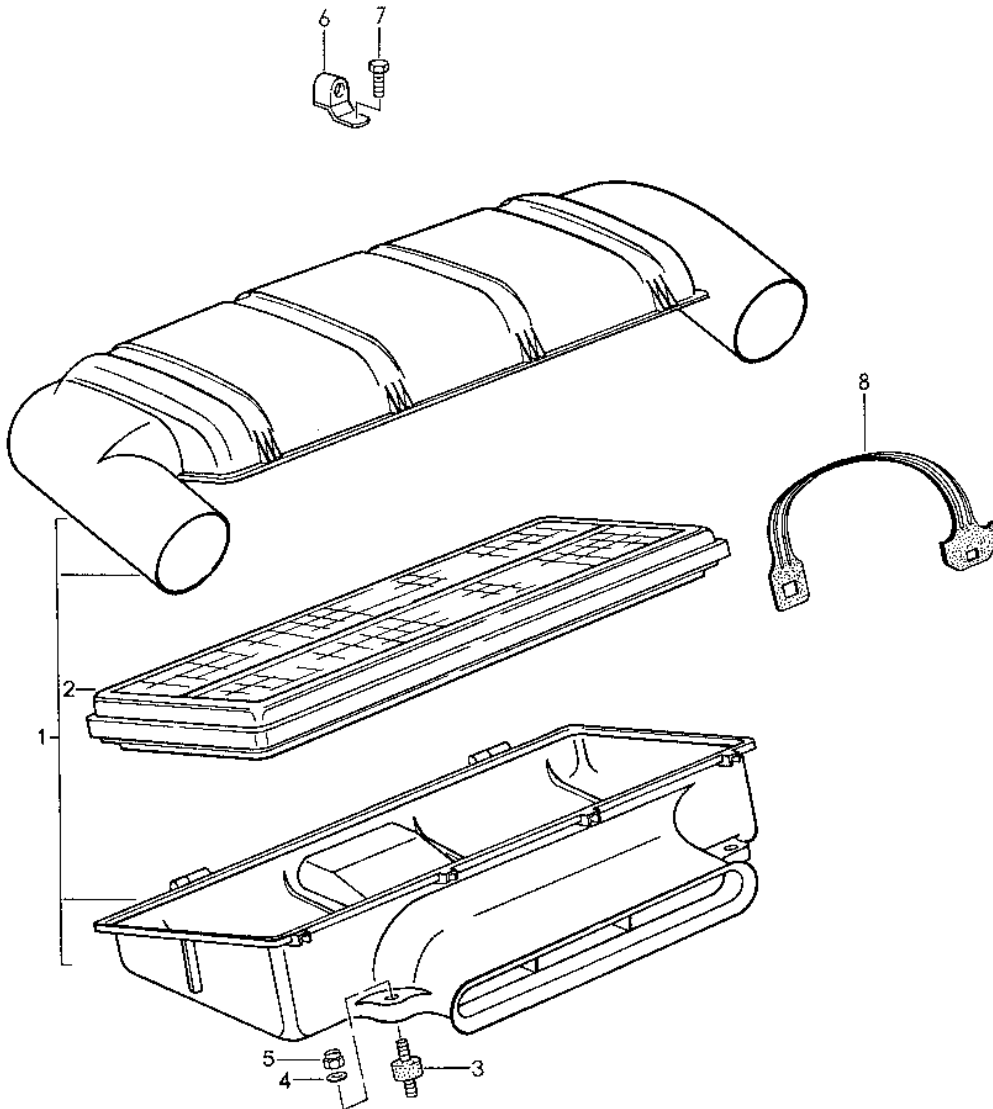
Model: 959 87

Model life 1987>>1988

Pos	Part Number	Description	Remark	Qty	Model
1	959 106 262 01	Water cooling 4 Cooling water tube	/R	1	
1A	959 106 261 02	Cooling water tube	/L	1	
-	999 238 003 40	Hose 15 X 3,5 170 MM		*	
2				1	
3	999 512 374 02	Hose clamp		1	
4	999 511 155 02	Pipe clamp		1	
4	999 511 155 01	Pipe clamp		1	
4	999 511 155 03	Pipe clamp		1	
5	N 016 207 6	Hexagon-head bolt M 5 X 12		1	
6	900 910 007 02	Lock nut M 5		1	
7	959 106 565 00	Gasket		6	
8	959 106 564 02	Cool. water distrib. tube	/R	1	
8A	959 106 563 02	Cool. water distrib. tube	/L	1	
9	N 013 848 5	Sealing ring A 16 X 22		2	
10	959 106 569 01	Screw socket		2	
11	900 123 106 30	Sealing ring A 18 X 24		2	
12	N 016 161 1	Screw plug AM 18 X 1,5		2	
12	900 124 013 02	Screw plug AM 18 X 1,5		2	
13	900 025 057 0A	Washer A 6,4		12	
13	N 011 524 17	Washer A 6,4		12	
13	N 011 524 7	Washer A 6,4		12	
13	N 011 524 27	Washer A 6,4		12	
14	999 084 094 02	Lock nut M 6		12	
15	959 106 266 04	Cooling water tube	/R	1	
16	959 106 265 01	Cooling water tube	/L	1	
17	999 217 019 02	Hexagon-head bolt		2	
18	900 175 005 02	Banjo bolt		2	
19	N 013 848 5	Sealing ring A 16 X 22		6	
20	959 106 283 01	Screw socket		2	
21	959 106 614 01	Water hose		1	
22	999 512 348 02	Hose clamp SGT. 40-60/9		4	
23	959 106 613 01	Water hose		1	

Model: 959 87

Model life 1987>>1988



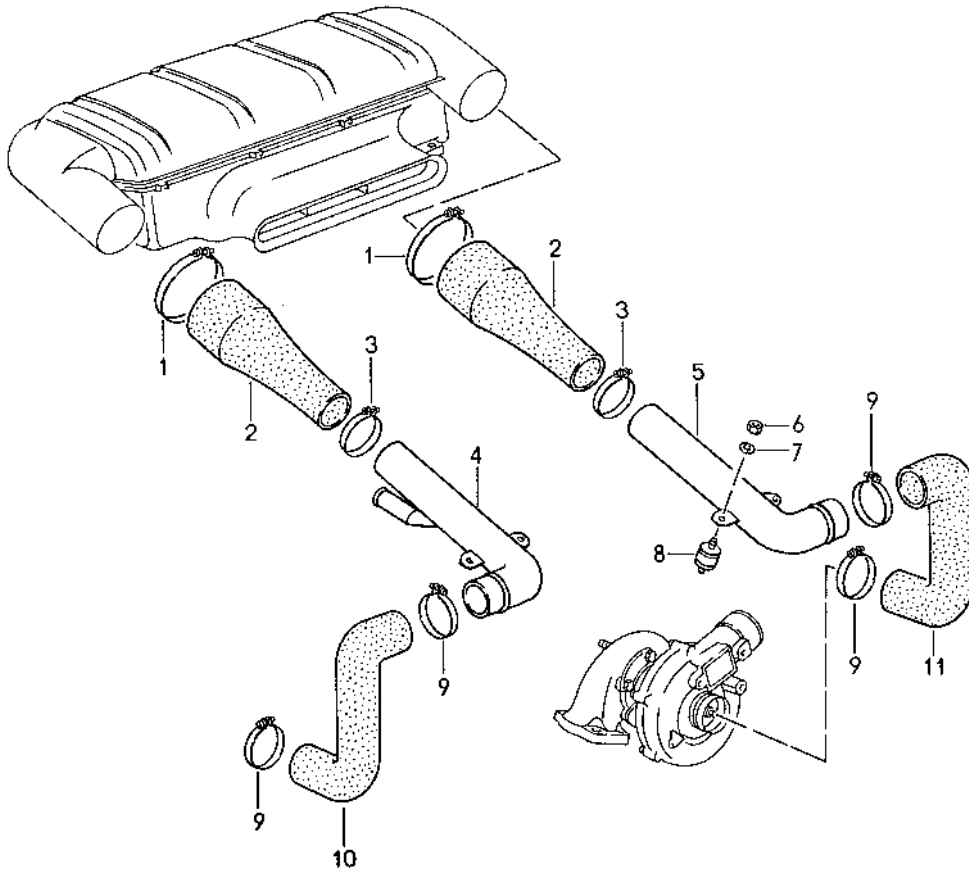
Model: 959 87

Model life 1987>>1988

Pos	Part Number	Description	Remark	Qty	Model
		Intake system 1			
1	959 110 020 03	Air cleaner		1	
2	959 110 185 00	Air cleaner cartridge		1	
3	930 110 579 01	Bonded rubber buffer		2	
3	999 703 265 00	Bonded rubber buffer		2	
4	900 025 057 0A	Washer A 6,4		2	
4	N 011 524 17	Washer A 6,4		2	
4	N 011 524 7	Washer A 6,4		2	
4	N 011 524 27	Washer A 6,4		2	
5	900 910 010 02	Lock nut M 6		2	
6	959 110 215 00	Rubber mounting		2	
7	900 075 267 02	Hexagon-head bolt M 6 X 14		2	
8	959 110 217 00	Restraining strap		4	

Model: 959 87

Model life 1987>>1988



Model: 959 87

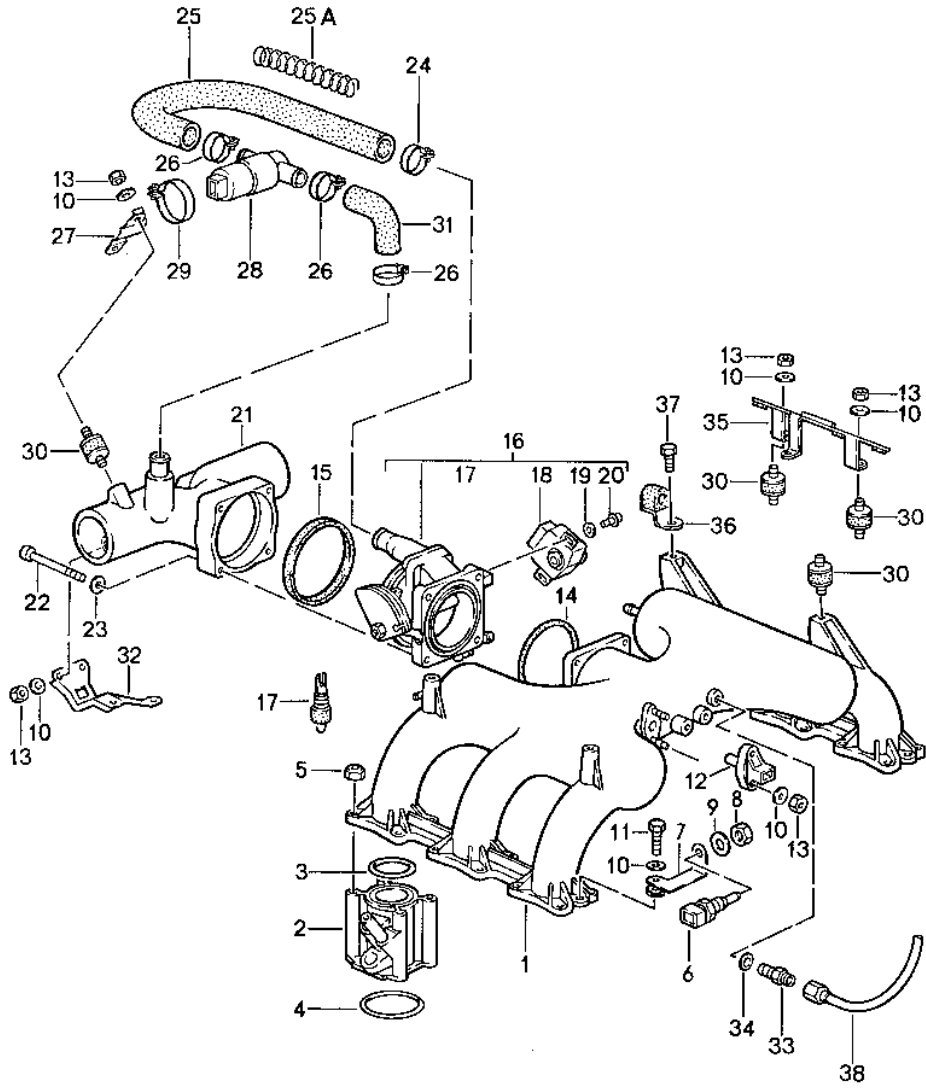
Model life 1987&gt;&gt;1988

Pos	Part Number	Description	Remark	Qty	Model
1	999 512 420 02	Intake system 2 Hose clamp SGT. 94/12		2	
2	959 110 182 01	Hose		2	
3	999 512 164 02	Hose clamp SGT. 59/12		2	
4	959 110 187 02	Air tube	/L	1	
5	959 110 188 02	Air tube	/R	1	
6	900 910 096 02	Lock nut M 6		4	
7	N 011 524 7	Washer A 6,4		4	
7	N 011 524 27	Washer A 6,4		4	
8	930 110 579 01	Bonded rubber buffer		4	
8	999 703 265 00	Bonded rubber buffer		4	
9	999 512 414 02	Hose clamp SGT. 61/12		4	
10	959 110 203 02	Suction hose	/L	1	
11	959 110 202 02	Suction hose	/R	1	



Model: 959 87

Model life 1987>>1988



Model: 959 87

Model life 1987&gt;&gt;1988

Pos	Part Number	Description	Remark	Qty	Model
		Mixture preparation 1			
1	959 110 034 01	Intake manifold		1	
1A	999 701 779 40	Round seal		1	
2	959 110 141 05	Insulating piece		4	
(2)	959 110 141 06	Insulating piece		2	
3	999 701 768 40	Round seal		6	
4	959 110 123 00	Gasket		1	
5	999 084 087 02	Lock nut M 6		24	
6	928 606 143 00	Temperature sensor		1	
7	959 606 217 00	Support		1	
8	900 078 017 02	Hexagon nut M 12 X 1,5		1	
9	900 025 009 02	Washer A 13		1	
10	N 011 524 7	Washer A 6,4		16	
10	N 011 524 27	Washer A 6,4		16	
11	900 075 014 02	Hexagon-head bolt M 6 X 18		1	
11	900 075 014 03	Hexagon-head bolt M 6 X 18		1	
12	959 606 129 00	Temperature sensor		1	
13	999 084 094 02	Lock nut M 6		11	
15	999 701 780 40	Round seal		1	
16	959 110 250 04	Throttle body		1	
17	959 110 617 00	Tension spring		1	
18	959 606 119 00	Throttle-valve switch		1	
19	N 012 224 3	Spring washer B 4		2	
20	900 146 011 02	Oval-head screw M 4 X 10		2	
21	959 110 091 02	Connection		1	
22	900 074 166 02	Hexagon-head bolt M 6 X 90		4	
23	900 031 011 30	Washer 6,4		4	
24	999 512 038 02	Hose clamp SGT. 28/9		1	
24	PCG 512 038 02	Hose clamp SGT. 28/9		1	
25	959 110 529 00	Hose elbow		1	
25A	959 110 326 00	Spring		1	
26	PCG 512 237 02	Hose clamp SGT. 26/9		3	
27	959 110 597 01	Retaining bracket		1	
28	930 606 161 00	Idle-speed adjuster		1	
29	999 512 369 02	Clamp SGT. 43/9		1	
29	999 512 369 0B	Clamp SGT. 43/9		1	
30	930 110 579 01	Bonded rubber buffer		7	
30	999 703 265 00	Bonded rubber buffer		7	
31	959 110 589 01	Hose elbow		1	
32	959 110 360 03	Support		1	
33	959 110 323 00	Screw socket		1	
34	900 123 115 30	Sealing ring A 8 X 11,5		1	
35	959 110 517 00	Bracket		1	
36	959 110 215 00	Rubber mounting		2	
37	900 075 267 02	Hexagon-head bolt		2	

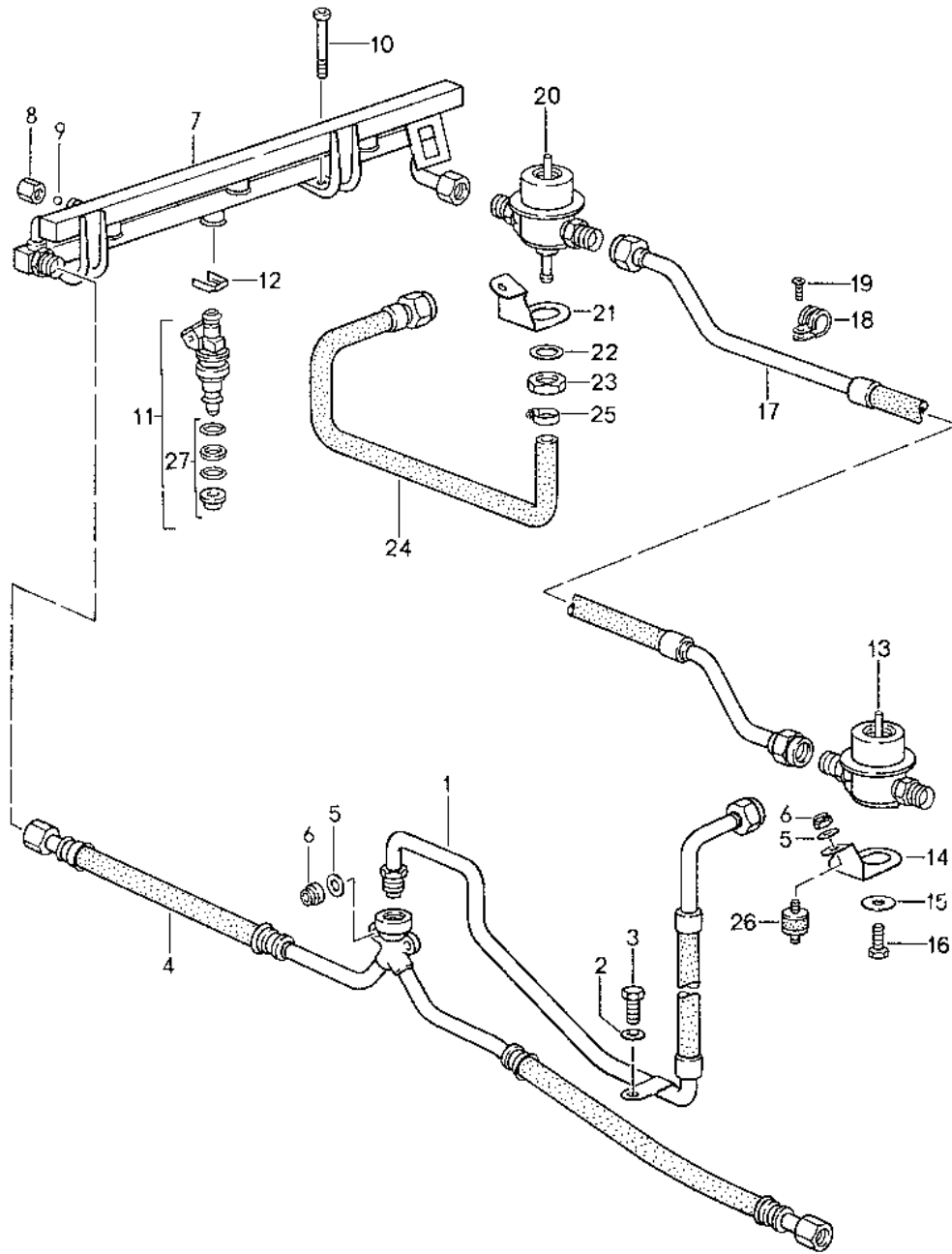
Model: 959 87

Model life 1987>>1988

Pos	Part Number	Description	Remark	Qty	Model
38	959 110 325 00	M 6 X 14 Control line		1	

Model: 959 87

Model life 1987>>1988

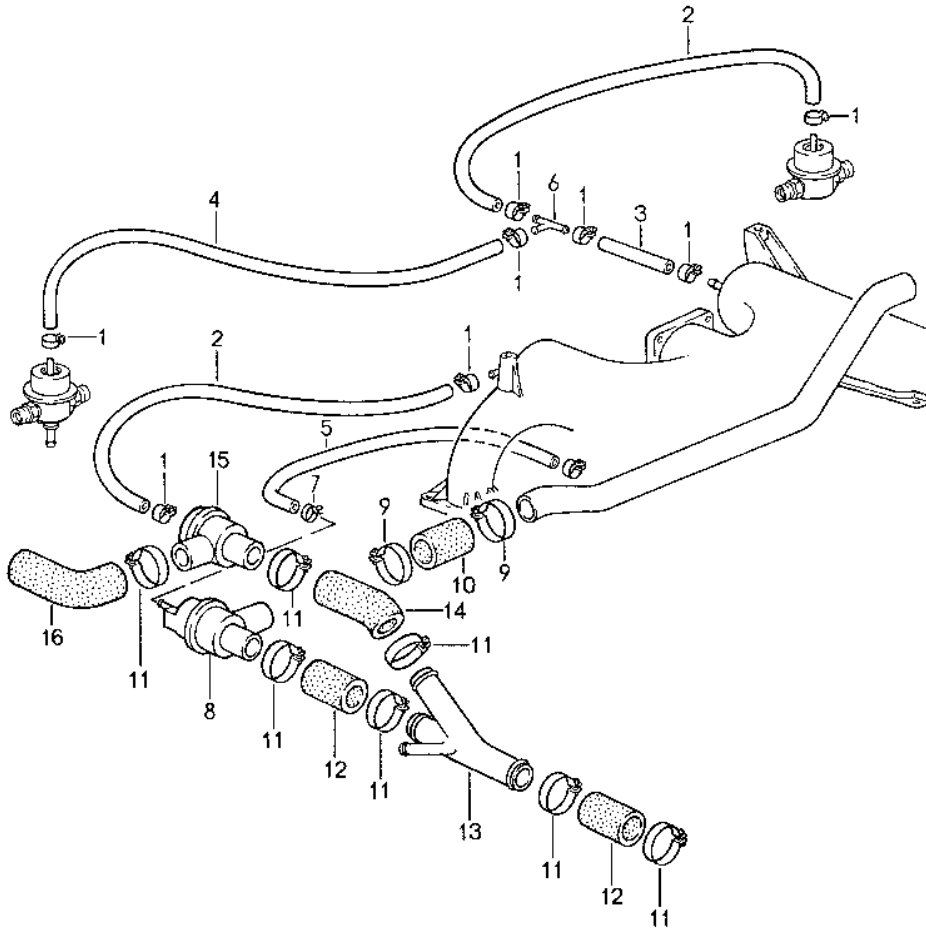


Model: 959 87 Model life 1987>>1988

Pos	Part Number	Description	Remark	Qty	Model
1	959 110 311 03	Mixture preparation 2 Fuel line		1	
2	900 025 007 02	Intake Washer A 8,4		1	
2	900 025 007 03	Washer A 8,4		1	
3	N 010 235 3	Hexagon-head bolt M 8 X 10		1	
4	959 110 312 01	Distributor line		1	
5	N 011 524 7	Washer A 6,4		4	
5	N 011 524 27	Washer A 6,4		4	
6	999 084 094 02	Lock nut M 6		4	
7	959 110 307 00	Fuel collection pipe	/L	1	
(7)	959 110 308 01	Fuel collection pipe	/R	1	
8	928 110 475 01	Cap nut		1	
8	928 110 475 03	Cap nut		1	
8	928 110 475 04	Cap nut		1	
9	900 108 022 00	Ball 9 MM		1	
10	N 044 703 3	Pan-head screw M 6 X 45		4	
11	928 606 120 00	Injector valve		12	
12	930 110 388 00	Retaining clip		12	
12	930 110 388 01	Retaining clip		12	
13	959 110 316 00	Diaphragm damper	/R	1	
14	959 110 318 00	Retaining bracket		1	
15	944 110 312 00	Washer A 8,4		1	
16	N 010 235 3	Hexagon-head bolt M 8 X 10		1	
17	959 110 310 01	Connecting line		1	
18	999 511 116 02	Clamp		1	
18	999 511 116 03	Clamp		1	
19	N 014 139 11	Oval-head screw M 6 X 12		1	
19	N 014 139 1B	Oval-head screw M 6 X 12		1	
20	959 110 315 00	Pressure regulator	/L	1	
21	959 110 317 00	Retaining bracket		1	
22	900 031 013 02	Washer A 17		1	
23	900 034 013 02	Hexagon nut M 16 X 1,5		1	
23	900 034 013 01	Hexagon nut M 16 X 1,5		1	
24	959 110 309 04	Fuel line Return line		1	
25	999 512 160 02	Hose clamp SGT. 13/9		1	
25	PCG 512 160 02	Hose clamp SGT. 13/9		1	
26	930 110 579 01	Bonded rubber buffer		2	
26	999 703 265 00	Bonded rubber buffer		2	
27	944 110 901 00	Gasket		1	

Model: 959 87

Model life 1987>>1988



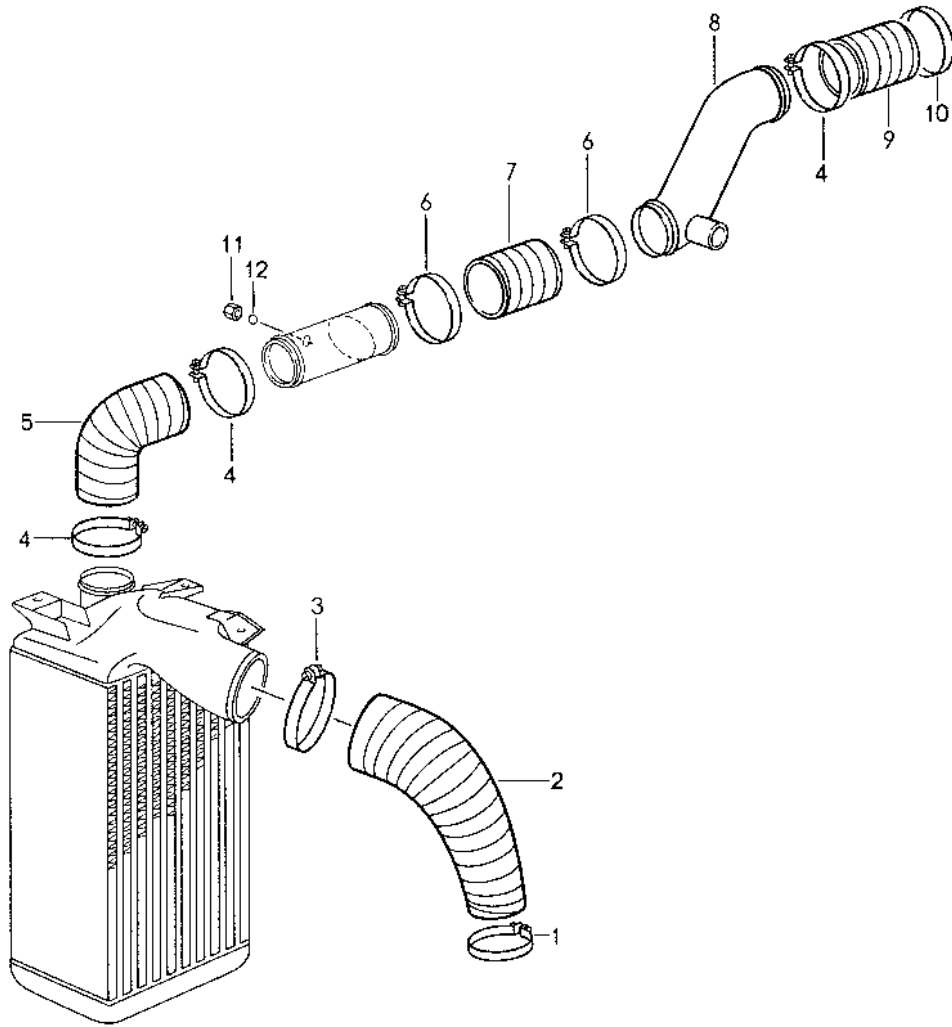
Model: 959 87

Model life 1987&gt;&gt;1988

Pos	Part Number	Description	Remark	Qty	Model
1	999 512 476 02	Mixture preparation 3 Hose clamp SGT. 10/7		6	
-	000 043 205 18	Hose 4,5 X 3		*	
2		325 MM		2	
3		35 MM		1	
4		760 MM		1	
5		250 MM		1	
6	999 137 005 40	T-piece		1	
7	999 512 522 02	Clamp		1	
8	959 606 213 00	Bleeder valve		1	
9	999 512 044 02	Hose clamp SGT. 32/9		2	
10	959 110 111 00	Hose		1	
11	999 512 306 02	Hose clamp SGT. 33/10		6	
12	959 110 205 00	Hose		2	
13	959 110 204 00	Y-piece		1	
14	959 110 207 00	Hose		1	
15	993 110 337 50	Shut-off valve		1	
15	993 110 337 51	Shut-off valve		1	
16	959 110 206 00	Hose elbow		1	

Model: 959 87

Model life 1987>>1988





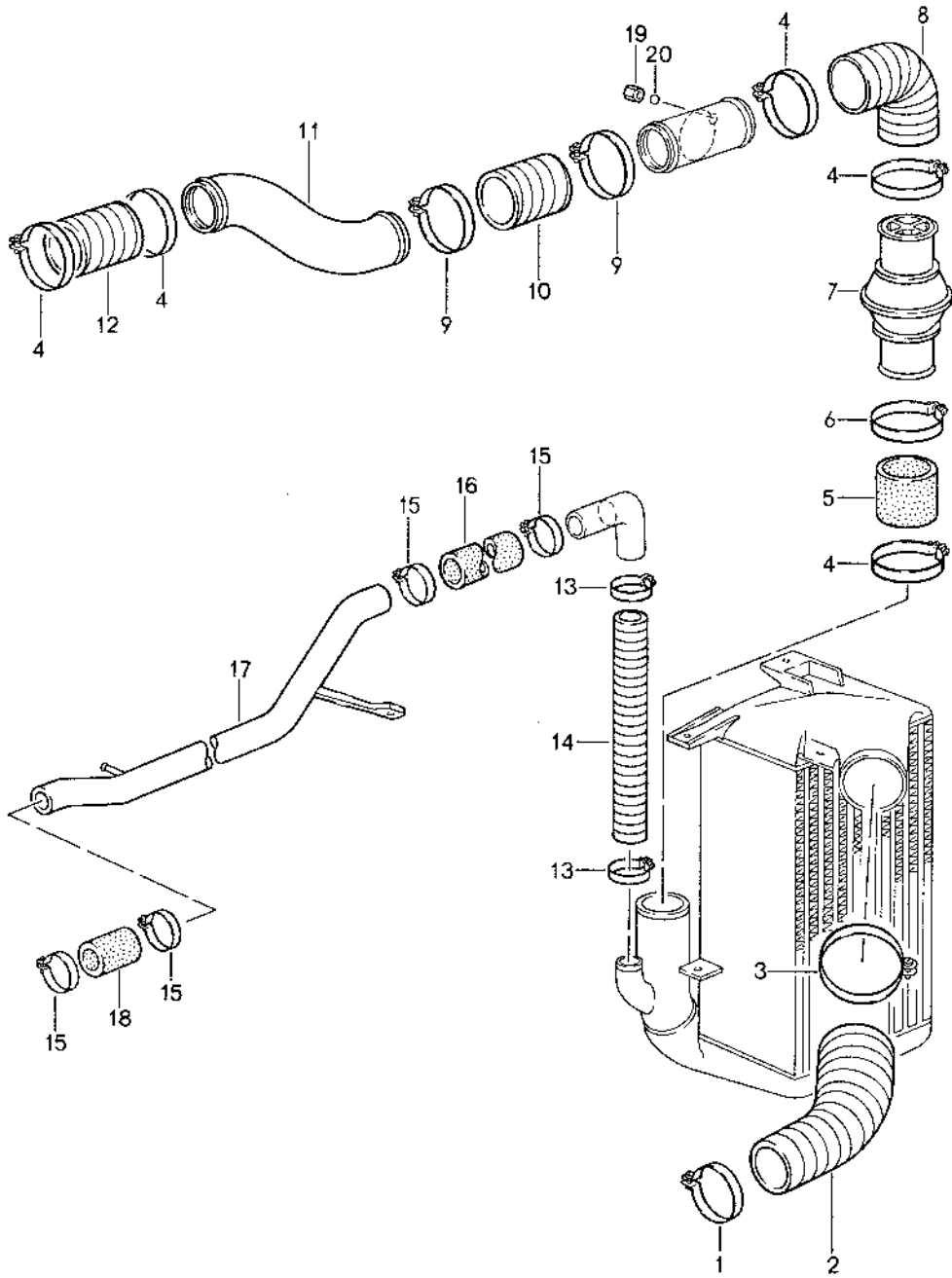
Model: 959 87

Model life 1987&gt;&gt;1988

Pos	Part Number	Description	Remark	Qty	Model
1	999 512 408 02	Supercharging 1 Hose clamp S 60/12		1	
2	959 110 605 02	Pressure hose		1	
2		Pressure hose		1	
3	999 512 491 02	Hose clamp S 83/12		1	
4	999 512 470 02	Hose clamp S 66/12		3	
5	959 110 419 00	Pressure hose		1	
6	999 512 407 02	Hose clamp S 65/12		2	
7	959 110 411 01	Sleeve		1	
8	959 110 119 02	Pressure pipe		1	
9	959 110 413 03	Sleeve		1	
10	999 512 494 02	Hose clamp S 73/12		1	
11	900 104 001 02	Union nut ALL 6		1	
12	900 108 013 00	Ball 8 MM		1	

Model: 959 87

Model life 1987>>1988



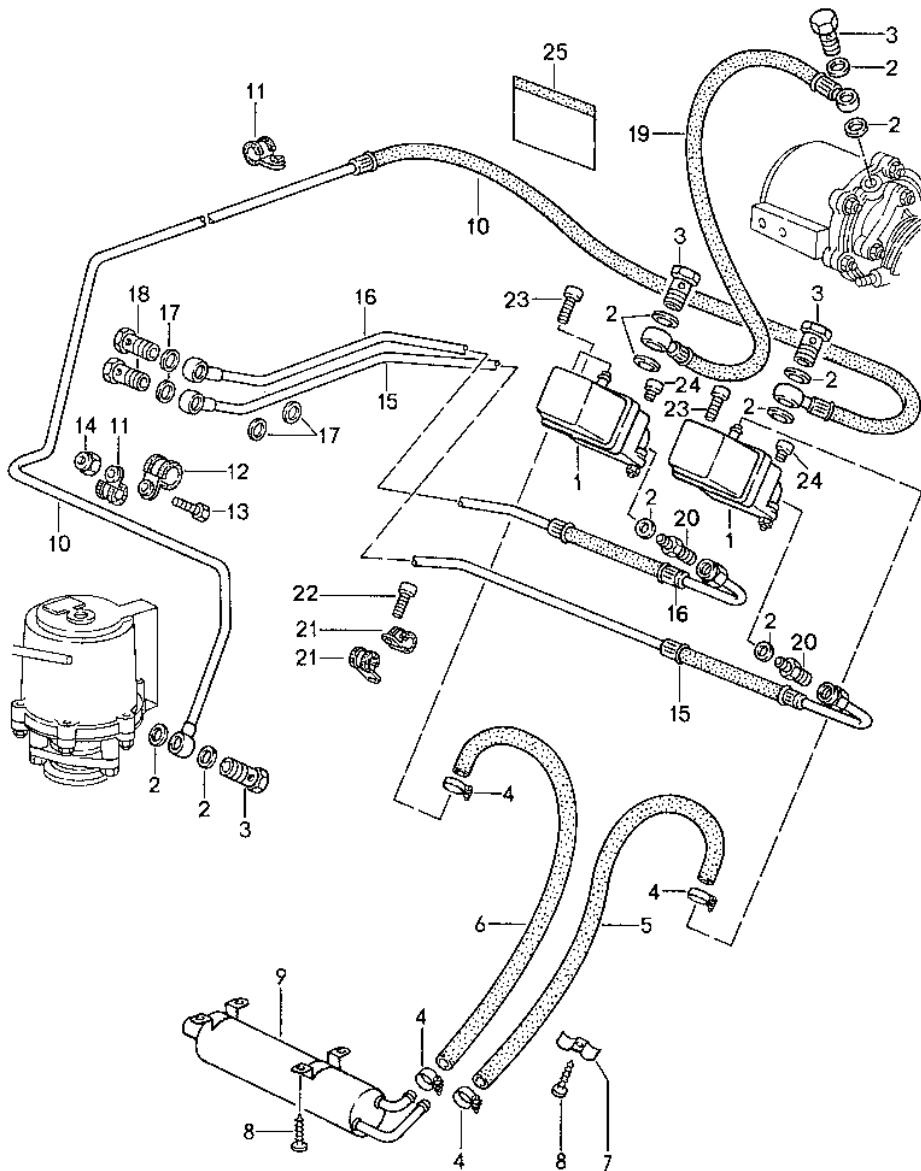
Model: 959 87

Model life 1987&gt;&gt;1988

Pos	Part Number	Description	Remark	Qty	Model
1	999 512 408 02	Supercharging 2 Hose clamp S 60/12		1	
2	959 110 604 04	Pressure hose		1	
3	999 512 491 02	Hose clamp S 83/12		1	
4	999 512 470 02	Hose clamp S 66/12		4	
5	959 110 415 03	Sleeve		1	
6	999 512 493 02	Hose clamp S 67/12		1	
7	959 110 573 04	Valve		1	
8	959 110 417 01	Pressure hose		1	
9	999 512 407 02	Hose clamp S 65/12		2	
10	959 110 411 01	Sleeve		1	
11	959 110 119 01	Pressure pipe		1	
12	959 110 413 03	Sleeve		1	
13	999 512 044 02	Hose clamp SR 32/X0,6		2	
14	959 110 395 01	Hose		1	
15	999 512 306 02	Hose clamp S 33/9ZY		4	
16	959 110 115 00	Hose		1	
17	959 110 208 00	Breather pipe		1	
18	959 110 111 00	Hose		1	
19	900 104 001 02	Union nut ALL 6		1	
20	900 108 013 00	Ball		1	

Model: 959 87

Model life 1987>>1988



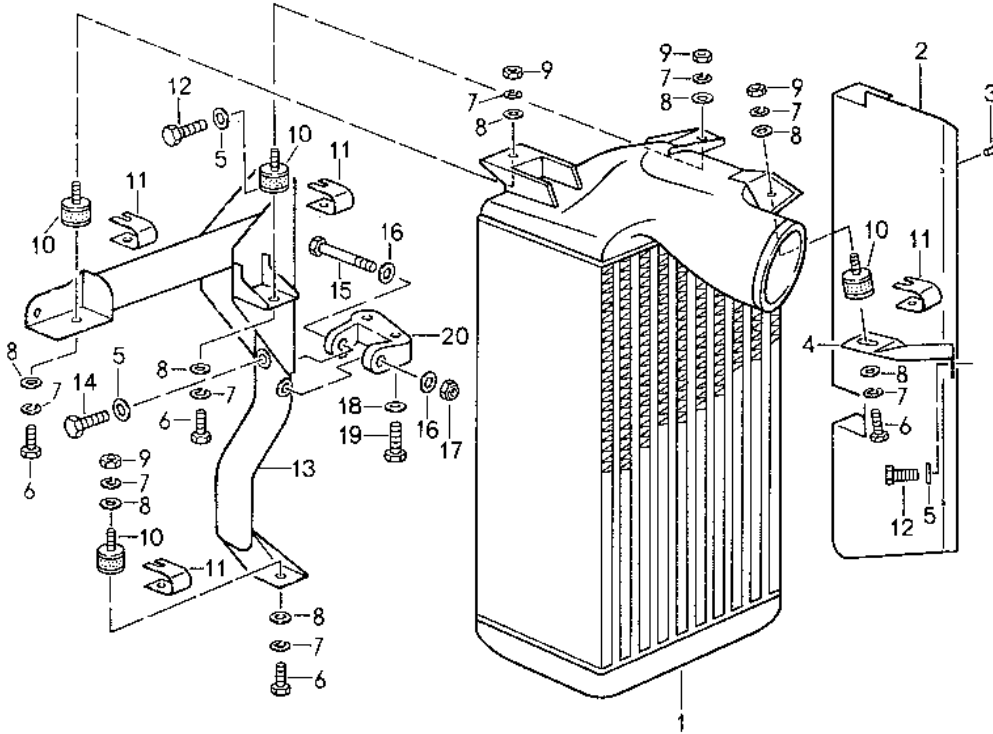
Model: 959 87

Model life 1987&gt;&gt;1988

Pos	Part Number	Description	Remark	Qty	Model
1	959 606 211 00	Supercharging 3 Cycle valve		2	
2	900 123 144 30	Sealing ring A 10 X 13,5		10	
3	999 134 035 00	Banjo bolt		4	
4	999 512 464 02	Hose clamp		4	
5	959 123 121 00	Connecting hose		1	
6	959 123 119 00	Connecting hose		1	
7	959 123 180 00	Dual clip		2	
8	999 919 042 02	Oval-head screw KA 50 X 12		6	
9	959 123 209 01	Timing valve damper		1	
10	959 123 321 02	Control line		1	
11	N 020 680 1	Clip		2	
12	999 511 052 02	Clamp		1	
13	N 010 207 6	Hexagon-head bolt M 5 X 12		1	
13	N 010 207 17	Hexagon-head bolt M 5 X 12		1	
14	900 910 007 02	Lock nut M 5		1	
15	959 123 111 00	Control line		1	
16	959 123 112 00	Control line		1	
17	900 123 116 30	Sealing ring A 12 X 15,5		4	
18	999 134 033 00	Banjo bolt		2	
19	959 123 319 00	Control line		1	
20	999 136 017 00	Screw socket		2	
21	N 020 621 1	Clamp		2	
22	N 100 534 01	Pan-head screw M 4 X 12		2	
23	999 219 015 02	Pan-head screw Micro-self-locking M 6 X 40		2	
24	999 219 016 02	Pan-head screw Micro-self-locking M 6 X 18		2	
25	959 123 322 00	Heat protection		1	

Model: 959 87

Model life 1987>>1988



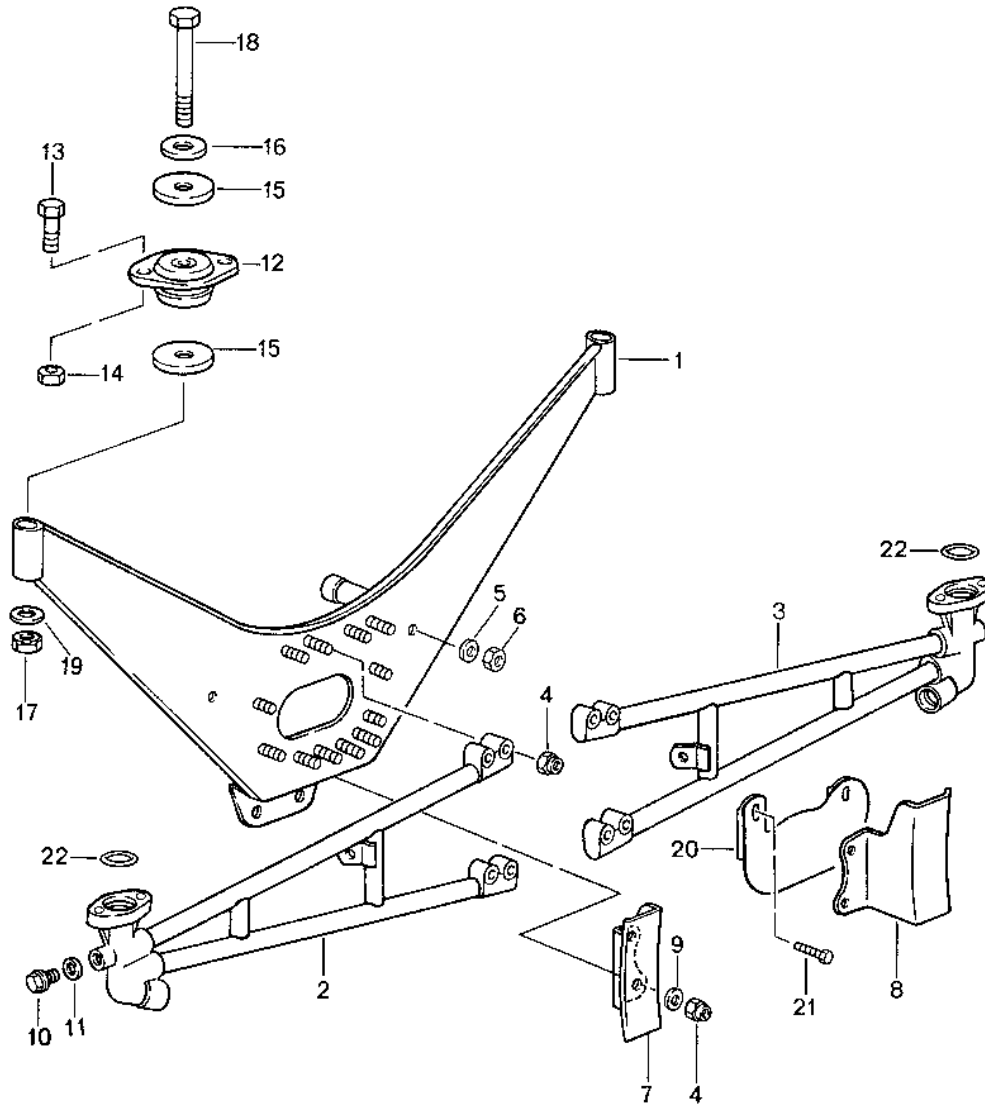
Model: 959 87

Model life 1987>>1988

Pos	Part Number	Description	Remark	Qty	Model
1	959 110 251 02	Charge air cooler		1	
(1)	959 110 252 02	Charge air cooler	/L	1	
2	959 556 457 01	Heat protection	/R	1	
(2)	959 556 458 01	Heat protection	/L	1	
3	999 190 113 02	Blind rivet	/R	1	
4	959 110 741 02	Support		4	
(4)	959 110 742 00	Support	/L	1	
5	900 031 001 02	Washer	/R	1	
		A 8,4		6	
5	900 031 105 01	Washer		6	
		A 8,4			
6	N 040 268 1	Hexagon-head bolt		8	
		M 6 X 14			
7	N 012 226 5	Spring washer		16	
8	N 011 524 7	Washer		20	
		A 6,4			
8	N 011 524 27	Washer		20	
		A 6,4			
9	900 076 010 02	Nut		8	
		M 6			
9	900 076 010 0B	Nut		8	
		M 6			
10	999 703 315 00	Bonded rubber buffer		8	
11	931 110 212 00	Retaining bar		8	
12	900 075 079 02	Hexagon-head bolt		6	
		M 8 X 22			
13	959 110 211 00	Support	/L	1	
(13)	959 110 212 00	Support	/R	1	
14	N 010 246 4	Hexagon-head bolt		3	
		M 8 X 45			
15	N 010 361 4	Hexagon-head bolt		2	
		M 8 X 65			
15	N 010 361 13	Hexagon-head bolt		2	
		M 8 X 65			
16	900 089 006 02	Washer		4	
		A 8			
16	900 089 006 01	Washer		4	
		A 8			
17	999 084 095 02	Lock nut		2	
		M 8			
18	999 025 163 02	Washer		4	
		A 6,3			
19	900 075 017 02	Hexagon-head bolt		4	
		M 6 X 25			
19	900 075 017 03	Hexagon-head bolt		4	
		M 6 X 25			
20	959 110 331 00	Support	/L	1	
(20)	959 110 332 00	Support	/R	1	

Model: 959 87

Model life 1987>>1988



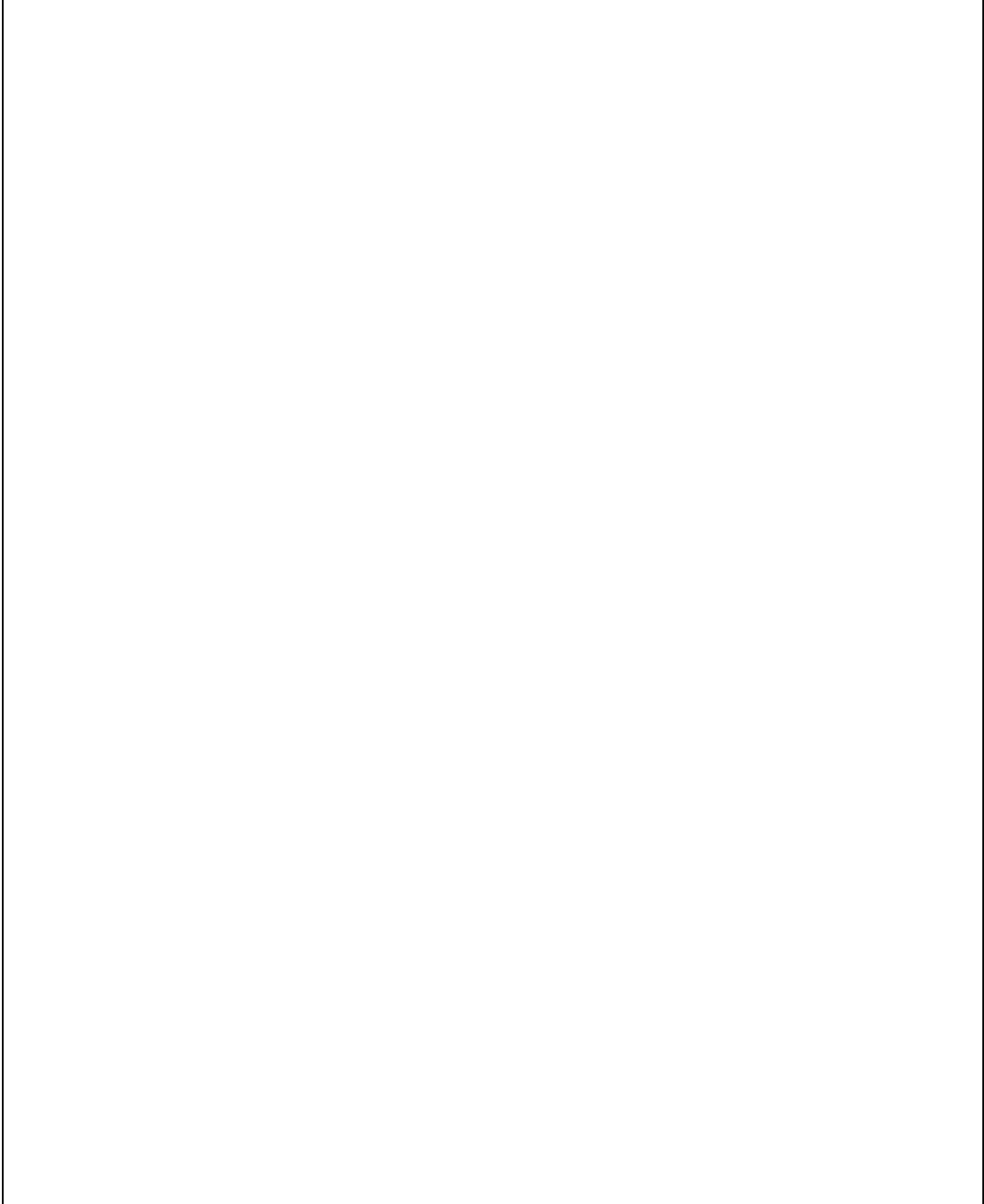


Model: 959 87 Model life 1987>>1988

Pos	Part Number	Description	Remark	Qty	Model
		Engine suspension			
		Bracket			
		Turbocharger			
1	959 115 111 07	Bracket		1	
2	959 123 303 00	Bracket	/L	1	
3	959 123 304 01	Bracket	/R	1	
4	999 084 052 02	Lock nut		12	
		M 8			
5	900 025 008 09	Washer		4	
		10,5			
5	900 025 008 04	Washer		4	
		10,5			
6	999 084 096 02	Lock nut		4	
		M 10			
6	900 910 130 01	Lock nut		4	
		M 10			
7	959 111 163 01	Bracket	/L	1	
8	959 111 164 01	Bracket	/R	1	
9	900 031 001 02	Washer		4	
		8,4			
9	900 031 105 01	Washer		4	
		8,4			
10	900 124 004 02	Screw plug		2	
		AM 10 X 1			
11	900 123 144 30	Sealing ring		2	
		A 10 X 13,5			
12	911 375 043 00	Bearing		2	
13	900 075 085 02	Hexagon-head bolt		4	
		M 8 X 20			
14	900 910 022 02	Lock nut		4	
		M 8			
15	959 375 313 00	Seat		4	
16	803 199 347	Spring washer		2	
16	803 199 34H	Washer		2	
17	900 910 046 02	Lock nut		2	
		M 12 X 1,5			
17	999 084 439 09	Lock nut		2	
		M 12 X 1,5			
17	999 084 445 09	Lock nut		2	
		M 12 X 1,5			
17	999 084 445 01	Lock nut		2	
		M 12 X 1,5			
18	900 082 059 02	Hexagon-head bolt		2	
		M 12 X 1,5 X 115			
19	999 025 148 02	Washer		2	
		12,5 X 21 X 4			
20	959 106 816 00	Heat shield	/R	1	
21	999 143 004 08	Combination screw		2	
		M 6 X 12			
21	999 143 004 01	Combination screw		2	
		M 6 X 12			
21	999 075 039 0C	Combination screw		2	
		M 6 X 12			
22	900 174 058 40	Round seal		2	
		25 X 3,15			

Model: 959 87

Model life 1987>>1988



Model: 959 87 Model life 1987>>1988

Pos	Part Number	Description	Remark	Qty	Model
>>	964 101 901 00	Gasket set Repair kits Set of crankshaft bearings		1	
-	930 101 131 15	Comprising: Bearing shell		1	
-	930 101 132 15	Set I Bearing shell		12	
-	964 101 138 01	II-VII Bearing sleeve		1	
>>	964 101 901 51	VIII Set of crankshaft bearings Oversize		1	
-	930 101 131 51	Inner 0,25 MM Comprising: Bearing shell		2	
-	930 101 132 51	I Bearing shell		12	
-	930 101 132 92	II-VII Bearing shell		12	
-	964 101 138 54	II-VII Bearing sleeve		1	
>>	964 101 901 56	VIII Set of crankshaft bearings Oversize		1	
-	930 101 131 56	Inner 0,50 MM Comprising: Bearing shell		2	
-	930 101 132 56	I Bearing shell		12	
-	964 101 138 55	II-VII Bearing sleeve		1	
>>	964 101 901 61	VIII Set of crankshaft bearings Oversize		1	
-	930 101 131 61	Outer 0,25 MM Comprising: Bearing shell		2	
-	930 101 132 61	I Bearing shell		12	
-	964 101 138 65	II-VII Bearing sleeve		1	
>>	964 101 901 71	VIII Set of crankshaft bearings Oversize		1	
-	930 101 131 71	Inner 0,25 MM Oversize Outer 0,25 MM Comprising: Bearing shell		2	
-	930 101 132 71	I Bearing shell		12	
-	930 101 132 72	II-VII Bearing shell		12	
-		II-VII Bearing shell		12	
-		Bearing shell Bearing shell		12	
		II-VII			

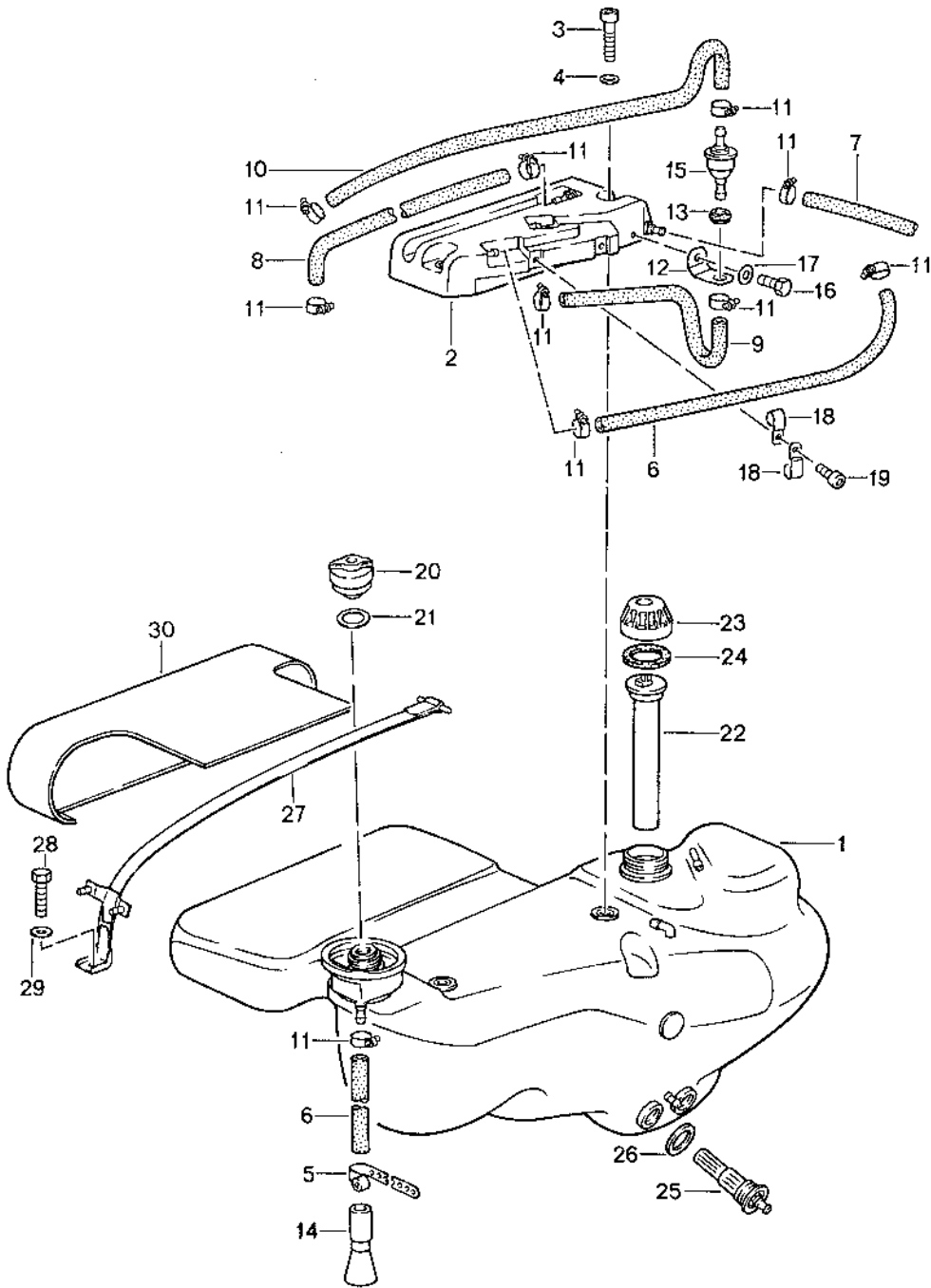
Model: 959 87

Model life 1987&gt;&gt;1988

Pos	Part Number	Description	Remark	Qty	Model
-	964 101 138 66	Bearing sleeve VIII		1	
>>	964 101 901 76	Set of crankshaft bearings Oversize Inner 0,50 MM Oversize Outer 0,25 MM Comprising:		1	
-	930 101 131 76	Bearing shell I		2	
-	930 101 132 76	Bearing shell II-VII		12	
-	964 101 138 67	Bearing sleeve VIII		1	
>>	959 103 975 00	Connecting rod 1 set Comprising: Connecting rod		1  6	

Model: 959 87

Model life 1987>>1988

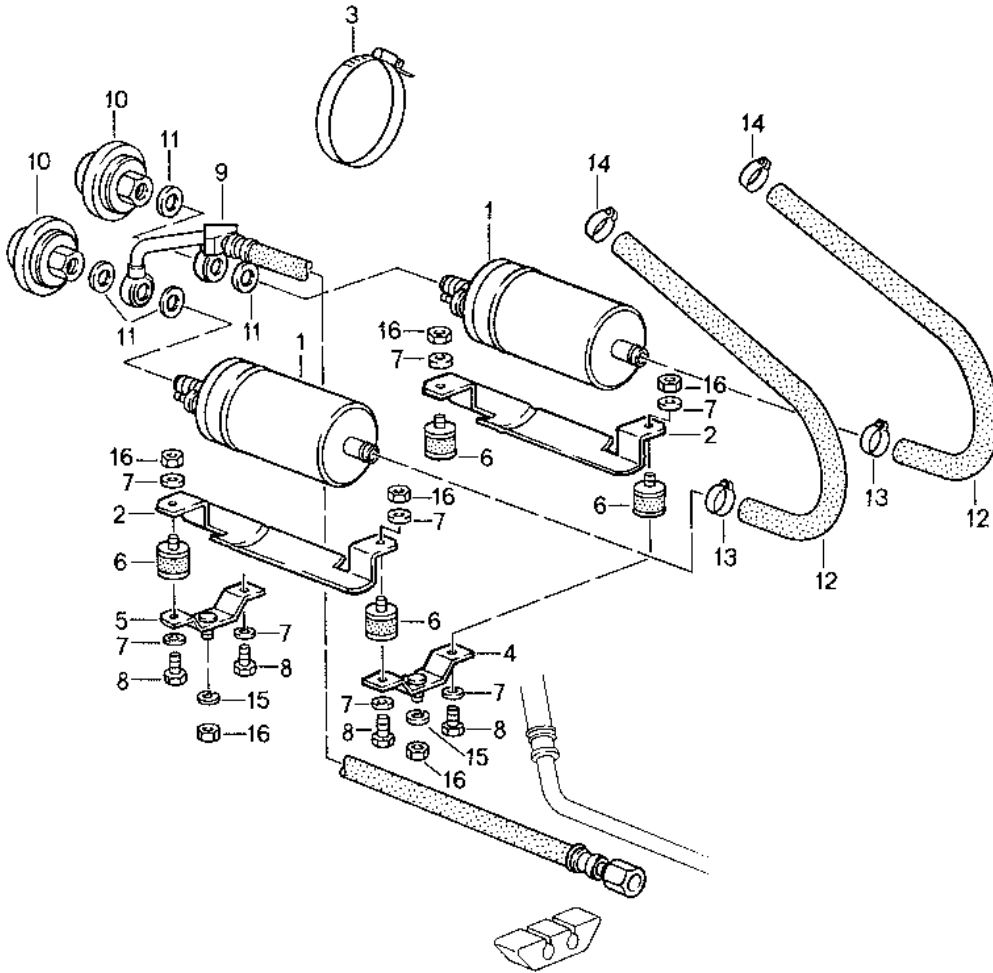


Model: 959 87 Model life 1987>>1988

Pos	Part Number	Description	Remark	Qty	Model
1	959 201 021 00	Fuel tank		1	
2	959 201 077 00	Expansion tank		1	
3	N 014 715 3	Pan-head screw M 8 X 50		2	
3	900 067 103 01	Pan-head screw M 8 X 50		2	
4	900 025 007 02	Washer A 8,4		2	
4	900 025 007 03	Washer A 8,4		2	
5	944 612 853 01	Tie-wrap		3	
-	999 181 716 50	Hose 9,5 X 15,5		*	
6		540 MM		2	
7		70 MM		1	
8	959 201 535 00	Hose		1	
9	959 201 747 00	Hose		1	
10	959 201 749 00	Hose		1	
11	N 023 570 2	Hose clamp A 9/15		11	
12	959 201 511 00	Retaining bracket		1	
13	111 971 911 A	Grommet		1	
14	928 201 255 02	Drain bush		1	
15	959 201 085 00	Shut-off valve		1	
16	999 072 005 09	Hexagon nut M 6 X 12		1	
16	999 072 005 01	Hexagon nut M 6 X 12		1	
17	N 011 524 7	Washer A 6,4		1	
17	N 011 524 27	Washer A 6,4		1	
18	959 201 421 00	Retaining bracket		2	
19	N 044 702 2	Pan-head screw M 6 X 8		2	
20	959 201 272 00	Fuel tank cap		1	
21	928 201 275 03	Sealing ring		1	
22	959 641 801 00	Tank gauge		1	
23	113 201 375	Union nut		1	
24	944 201 327 00	Sealing ring		1	
25	928 201 081 04	Fuel filter		2	
26	928 201 187 02	Sealing ring		2	
27	959 201 091 02	Restraining strap		1	
28	900 075 099 02	Hexagon-head bolt M 8 X 30		1	
28	900 075 099 03	Hexagon-head bolt M 8 X 30		1	
29	900 151 008 02	Washer B 8,4		1	
30	959 201 441 00	Protection cap		1	

Model: 959 87

Model life 1987>>1988



Model: 959 87

Model life 1987>>1988

Pos	Part Number	Description	Remark	Qty	Model
		Fuel system			
		Front			
1	959 620 102 00	Fuel pump		2	
2	959 356 295 00	Bracket		2	
3	999 512 371 02	Hose clamp		2	
		SGT 50-70/13			
4	959 356 067 01	Support		1	
5	959 356 067 02	Support		1	
6	999 703 350 00	Bonded rubber mounting		4	
7	N 011 524 7	Washer		8	
		A 6,4			
7	N 011 524 27	Washer		8	
		A 6,4			
8	N 010 208 5	Hexagon-head bolt		8	
		M 6 X 8			
9	959 356 059 01	Connecting piece		1	
10	959 356 905 00	Pressure damper		2	
11	N 013 812 2	Sealing ring		4	
12	959 356 057 00	Fuel hose		2	
13	999 512 554 00	Hose clamp		2	
		A 9 X 18			
14	999 512 346 00	Hose clamp		2	
		A 9 X 20			
15	N 012 226 5	Spring washer		2	
		A 6			
16	900 076 010 02	Nut		6	
		M 6			
16	900 076 010 0B	Nut		6	
		M 6			



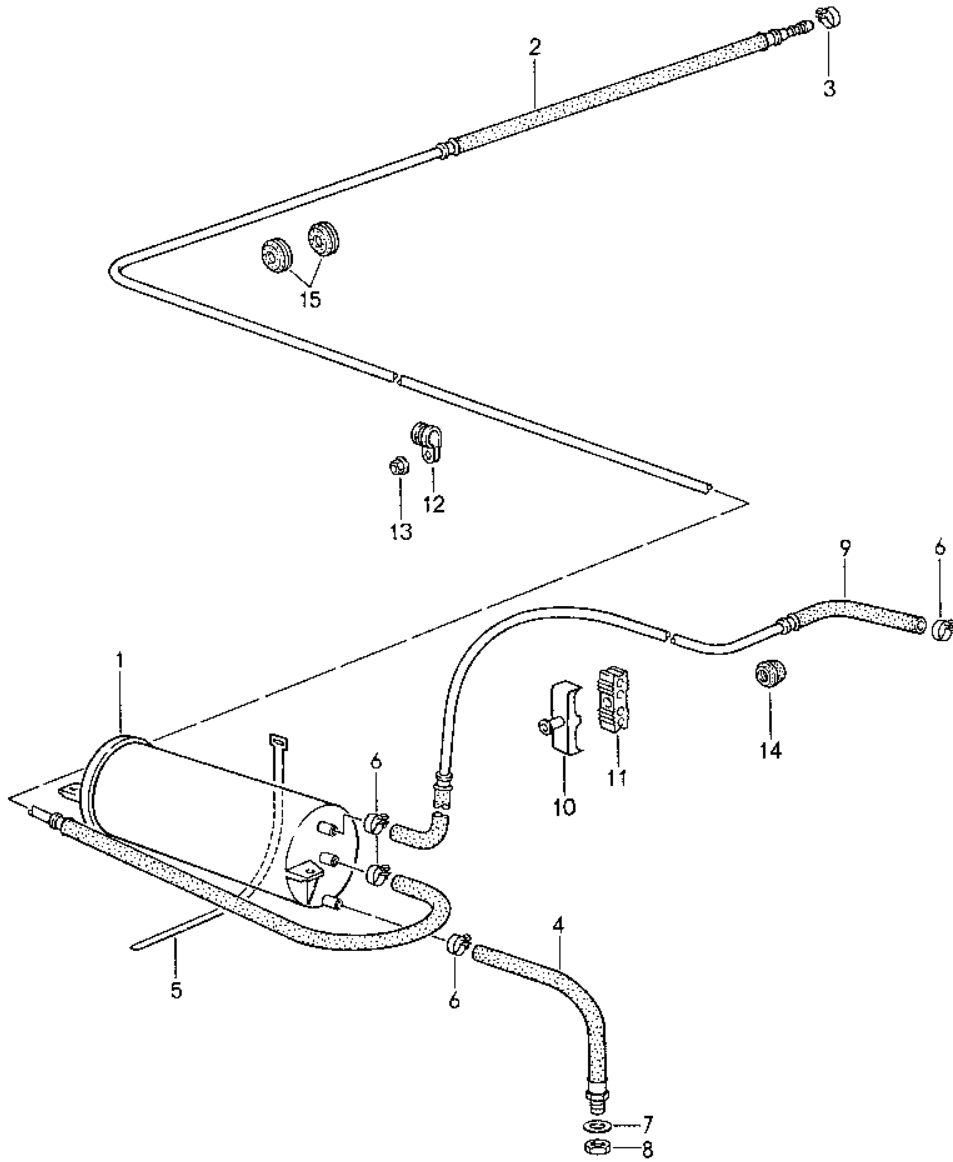


Model: 959 87 Model life 1987>>1988

Pos	Part Number	Description	Remark	Qty	Model
		Fuel system Rear			
1	959 356 065 01	Pressure line		1	
2	959 356 068 00	Return line		1	KOMFORT
(2)	959 356 063 01	Return line		1	SPORT
3	959 356 069 00	Return line		1	
4	N 023 569 2	Hose clamp A 9 X 16		1	
4	PCG 023 569 2	Hose clamp A 9 X 16		1	
5	959 356 650 00	Rubber mounting		1	
6	928 356 525 01	Rubber mounting		5	
7	928 356 555 00	Clamp		5	
8	951 356 471 01	Support		1	
9	928 110 253 04	Fuel filter		1	(AG) (SA)
9	928 110 253 06	Fuel filter		1	
10	999 703 323 00	Bonded rubber buffer		2	
11	999 512 390 00	Hose clamp SGT 60-80		1	
12	900 076 010 02	Nut M 6		4	
12	900 076 010 0B	Nut M 6		4	
13	959 573 101 01	Refrigerant line		1	
14	959 573 807 00	Support		1	
15	928 573 809 02	Support		1	
16	999 511 116 02	Clamp B 15/10		2	
16	999 511 116 03	Clamp B 15/10		2	
17	N 011 116 5	Hexagon nut M 6		2	

Model: 959 87

Model life 1987>>1988



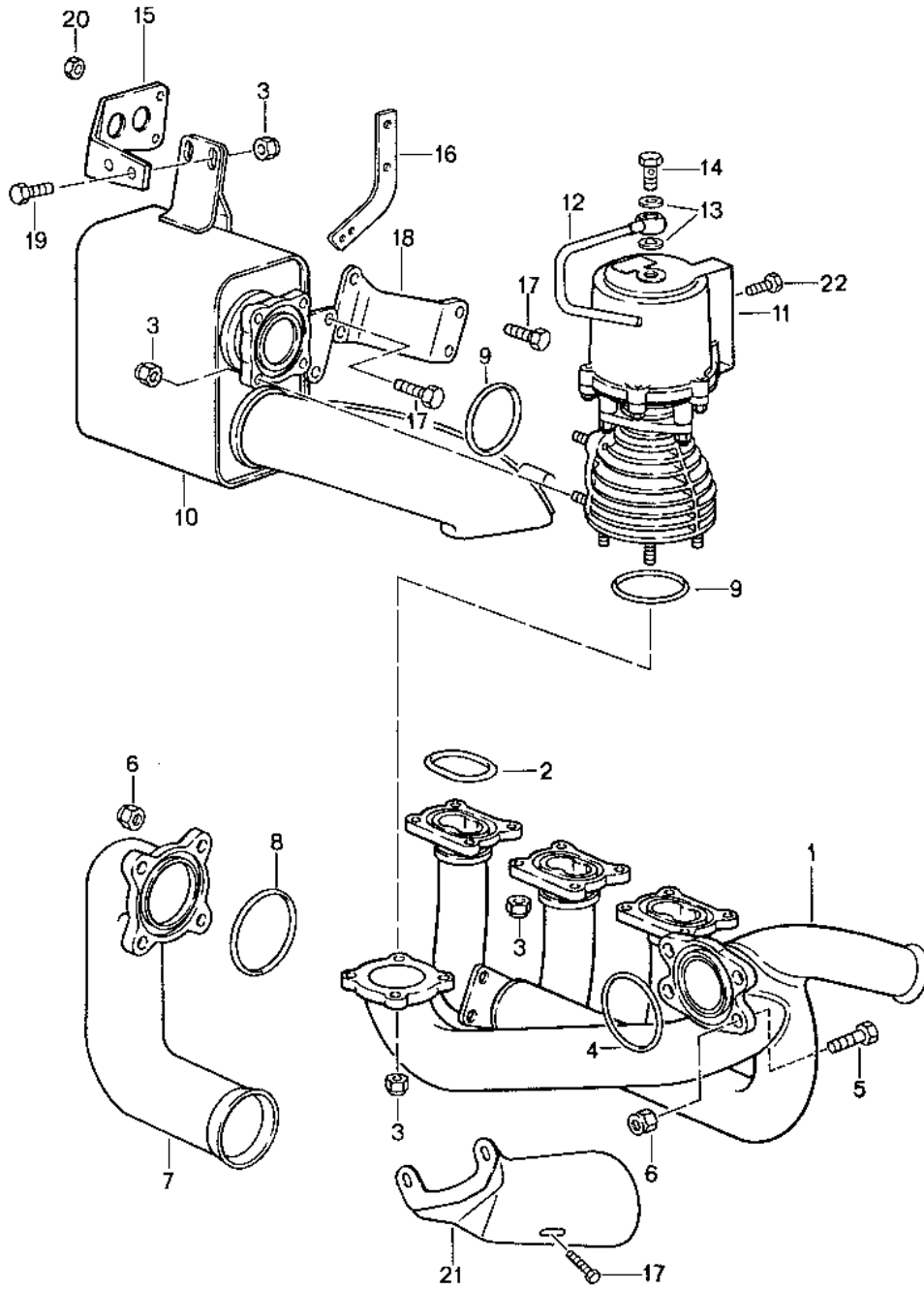
Model: 959 87

Model life 1987>>1988

Pos	Part Number	Description	Remark	Qty	Model
1	928 201 014 05	Carbon canister		1	
2	959 201 267 00	Carbon canister		1	
3	N 023 570 2	Vent line		1	
		Hose clamp		2	
		A 9/15ZY			
4	959 201 067 00	Hose		1	
5	N 020 906 3	Tie-wrap		1	
6	900 272 002 02	Hose clamp		3	
		AL 10-16A			
6	900 272 002 0B	Hose clamp		3	
		AL 10-16A			
7	N 011 530 2	Washer		1	
		A 19			
8	900 078 007 02	Hexagon nut		1	
		M 8 X 1,5			
9	959 201 277 00	Vent line		1	
10	928 356 553 00	Supporting bow		3	
11	928 356 551 01	Rubber mounting		3	
12	999 511 116 02	Clamp		1	
		B 15/10			
12	999 511 116 03	Clamp		1	
		B 15/10			
13	999 049 008 40	Plastic nut		1	
		T 5			
14	311 906 105	Grommet		1	
15	021 119 569 A	Rubber sleeve		1	

Model: 959 87

Model life 1987>>1988



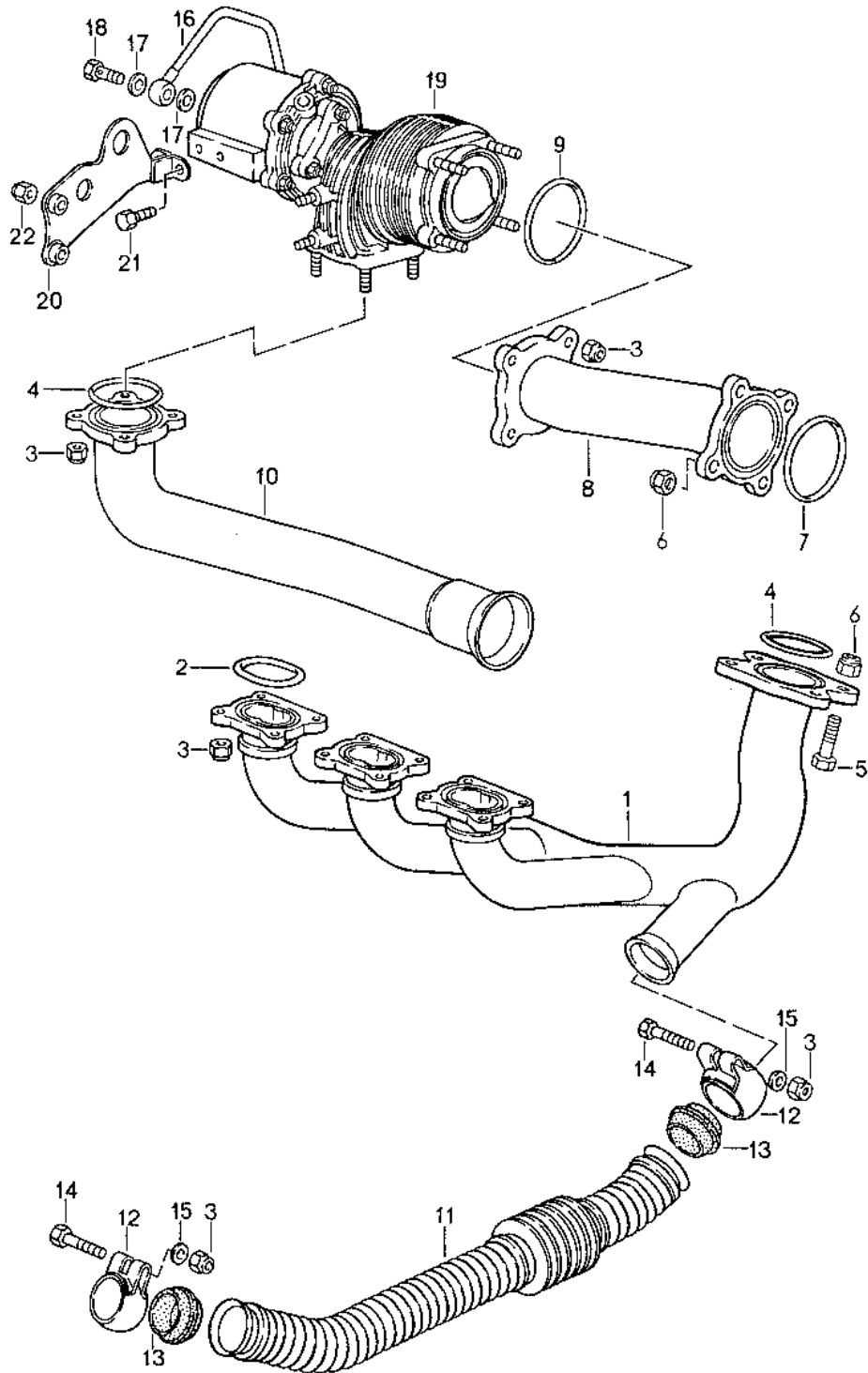
Model: 959 87

Model life 1987&gt;&gt;1988

Pos	Part Number	Description	Remark	Qty	Model
		Exhaust system Left			
1	959 111 153 05	Exhaust manifold		1	
1	959 111 153 03	Exhaust manifold		1	
2	959 111 511 00	Sealing ring		3	
3	999 084 052 02	Lock nut M 8		20	
4	959 111 527 00	Sealing ring		2	
4	959 111 527 01	Sealing ring		2	
5	900 075 325 02	Hexagon-head bolt M 10 X 35		4	
6	999 084 100 02	Lock nut M 10		8	
7	959 111 177 01	Exhaust pipe		1	
8	944 111 205 02	Gasket		1	
9	959 123 205 00	Sealing ring		2	
10	959 111 160 05	Muffler		1	
11	959 123 001 03	Wastegate		1	
12	959 123 317 01	Breather pipe		1	
13	900 123 144 30	Sealing ring A 10 X 13,5		2	
14	959 123 413 01	Banjo bolt		1	
15	959 111 167 00	Support		1	
(15)	959 111 167 02	Support		1	
16	959 111 260 00	Support		1	
17	999 217 051 08	Hexagon-head bolt M 8 X 12		5	
18	959 111 123 02	Retaining bracket		1	
19	900 075 382 02	Hexagon-head bolt M 8 X 18		2	
20	999 084 067 02	Lock nut M 8		2	
21	959 106 815 00	Heat shield	/L	1	
22	999 217 073 08	Hexagon-head bolt M 8 X 16		2	

Model: 959 87

Model life 1987>>1988



Model: 959 87

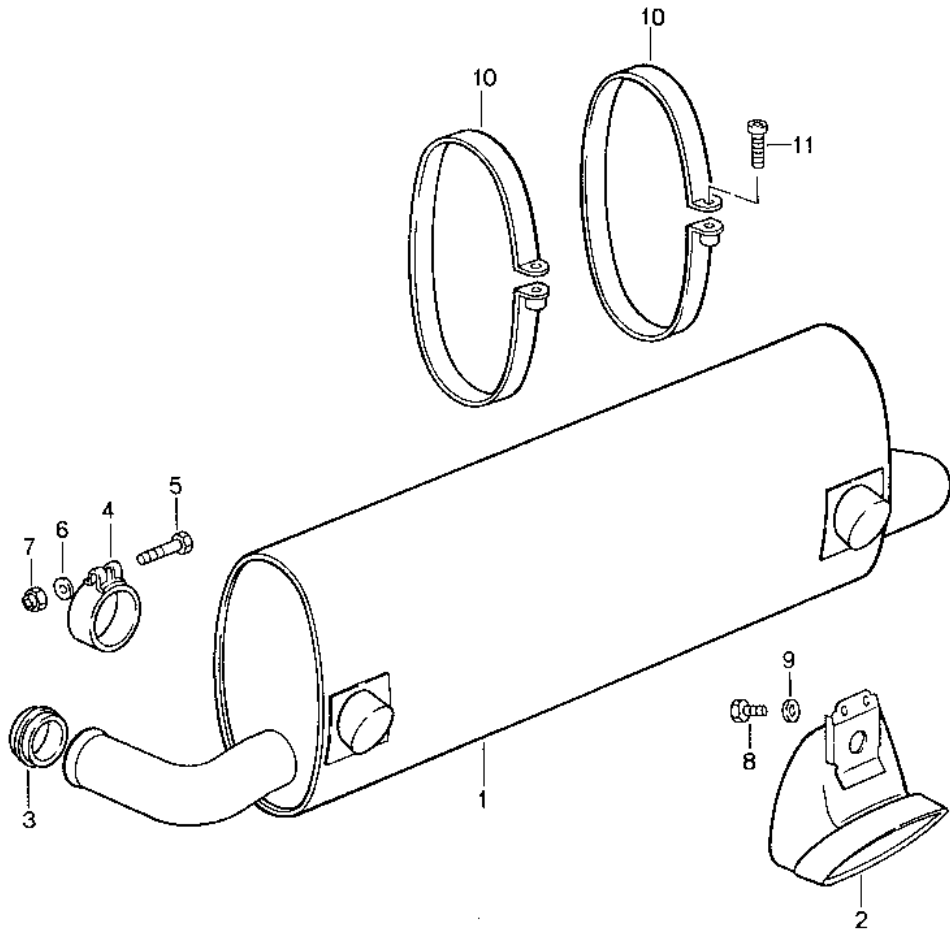
Model life 1987>>1988

Pos	Part Number	Description	Remark	Qty	Model
		Exhaust system Right			
1	959 111 154 00	Exhaust manifold		1	
2	959 111 511 00	Sealing ring		3	
3	999 084 052 02	Lock nut M 8		20	
4	959 111 527 00	Sealing ring		2	
4	959 111 527 01	Sealing ring		2	
5	900 075 325 02	Hexagon-head bolt M 10 X 35		4	
6	999 084 100 02	Lock nut M 10		8	
7	944 111 205 02	Gasket		1	
8	959 111 515 02	Exhaust line		1	
9	944 111 205 03	Sealing ring		1	
10	959 111 178 01	Exhaust pipe		1	
11	959 111 171 04	Cross tube		1	
12	959 111 333 00	Pipe clamp		2	
13	959 111 247 00	Sealing ring		2	
14	900 074 283 02	Screw M 8 X 45		2	
15	900 031 025 0A	Washer 8,4		2	
16	959 123 317 01	Breather pipe		1	
17	900 123 144 30	Sealing ring A 10 X 13,5		2	
18	959 123 413 01	Banjo bolt		1	
19	959 123 051 03	Sequence valve		1	
20	959 111 166 01	Support		1	
21	999 217 072 08	Hexagon-head bolt M 8 X 15		2	
22	999 084 067 02	Lock nut M 8		2	



Model: 959 87

Model life 1987>>1988



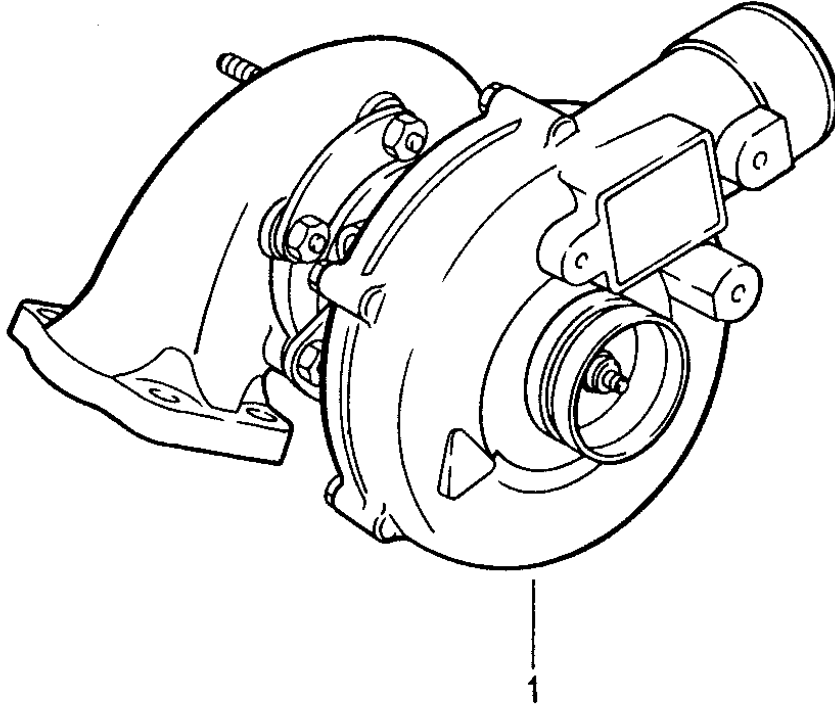
Model: 959 87

Model life 1987&gt;&gt;1988

Pos	Part Number	Description	Remark	Qty	Model
1	959 111 155 03	Exhaust silencer		1	
2	959 111 161 04	Exhaust silencer		2	
3	959 111 246 00	Cover		2	
4	959 111 335 00	Sealing ring		2	
		Pipe clamp		2	
		\$ 60			
5	900 074 309 02	Hexagon-head bolt		2	
		M 8 X 60			
6	900 031 025 0A	Washer		6	
		8,4			
7	900 910 097 02	Lock nut		6	
		M 8			
8	900 075 010 02	Hexagon nut		4	
		M 6 X 14			
8	N 010 212 14	Hexagon-head bolt		4	
		M 6 X 14			
8	999 072 005 09	Hexagon nut		4	
		M 6 X 14			
8	999 072 005 01	Hexagon nut		4	
		M 6 X 14			
9	N 011 666 7	Washer		4	
		6,4			
10	959 111 175 00	Clamp		2	
11	900 067 161 02	Pan-head screw		2	
		M 10 X 50			

Model: 959 87

Model life 1987>>1988



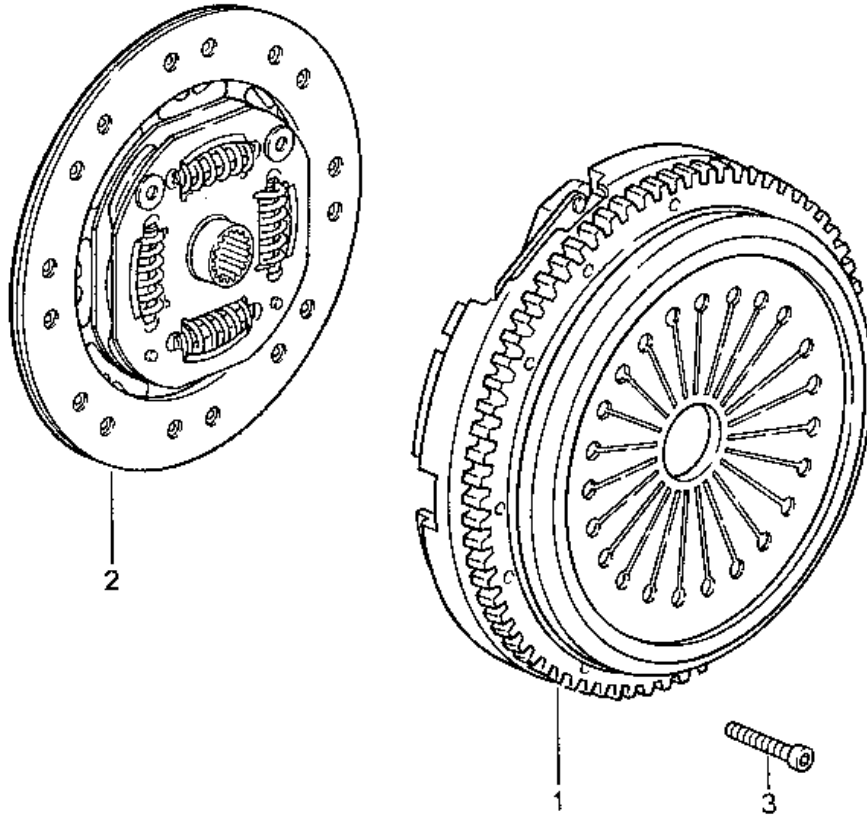
Model: 959 87

Model life 1987>>1988

Pos	Part Number	Description	Remark	Qty	Model
1	959 123 017 01	Turbocharger		1	
-	900 081 053 00	Turbocharger	/L	4	
		Stud			
		M 10 X 25			
(1)	959 123 018 01	Turbocharger	/R	1	
-	900 081 053 00	Turbocharger		4	
		Stud			
		M 10 X 25			

Model: 959 87

Model life 1987>>1988



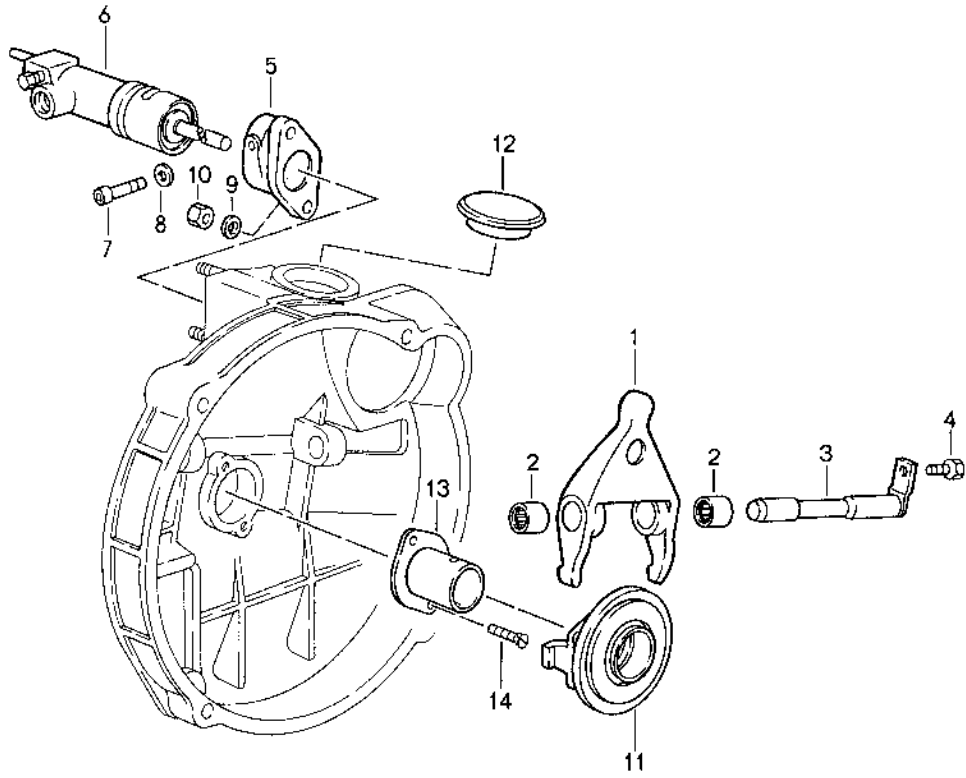
Model: 959 87

Model life 1987>>1988

Pos	Part Number	Description	Remark	Qty	Model
1	959 116 023 05	Clutch Pressure plate		1	
2	959 116 011 10	Clutch plate		1	
3	900 067 320 02	Pan-head screw M 8 X 55		9	

Model: 959 87

Model life 1987>>1988



Model: 959 87

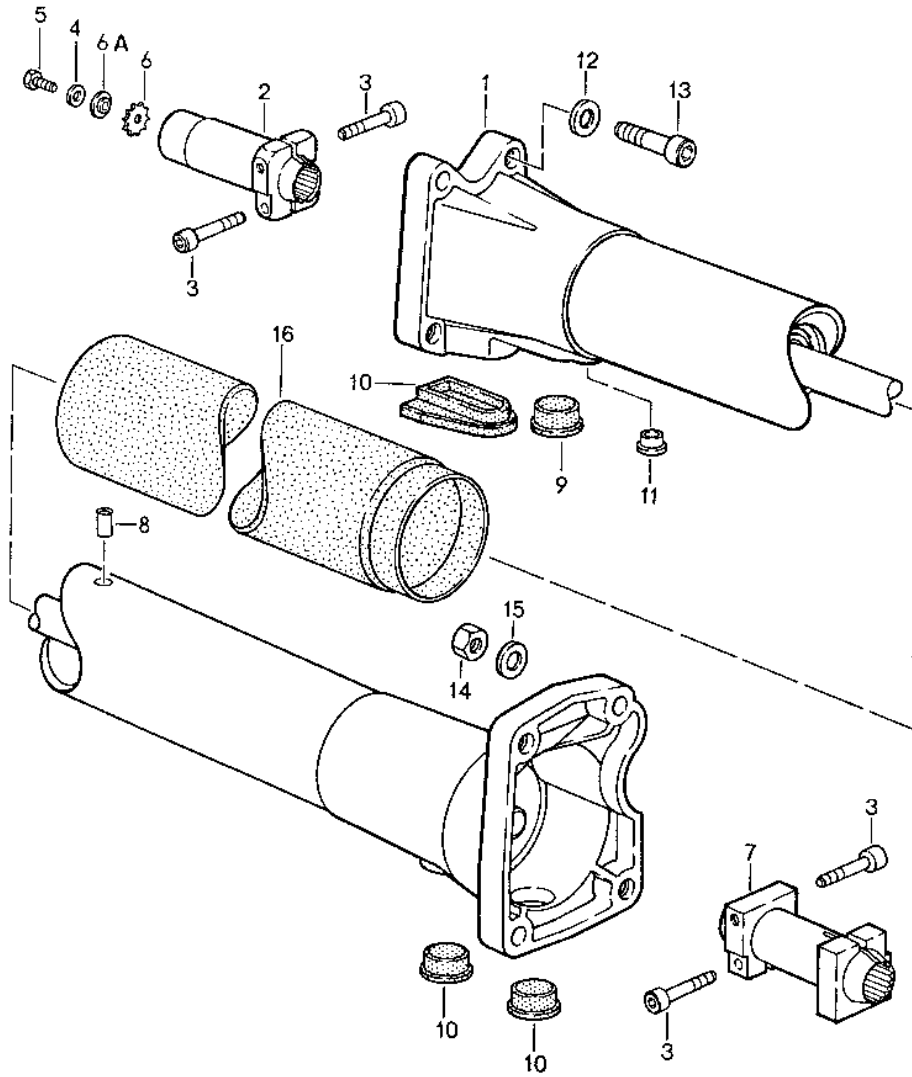
Model life 1987&gt;&gt;1988

Pos	Part Number	Description	Remark	Qty	Model
1	950 116 086 00	Clutch release Clutch release lever		1	
1	950 116 086 07	Clutch release lever		1	
2	999 201 213 00	Needle sleeve		2	
3	959 116 069 00	Bellcrank		1	
4	900 075 359 0A	Hexagon-head bolt M 6 X 16		1	
5	959 116 512 01	Flange		1	
6	959 116 237 02	Clutch operating cylinder		1	
7	900 067 320 02	Pan-head screw M 8 X 55		1	
8	N 011 558 1	Washer 8,4		1	
9	N 011 525 13	Washer A 8,4		2	
10	900 067 267 0A	Pan-head screw M 8 X 30		2	
11	959 116 080 06	Clutch release bearing		1	
12	959 116 177 00	Cap		1	
13	950 116 813 01	Guide tube		1	
14	900 270 055 0A	Oval-head screw M 6 X 14		2	



Model: 959 87

Model life 1987>>1988



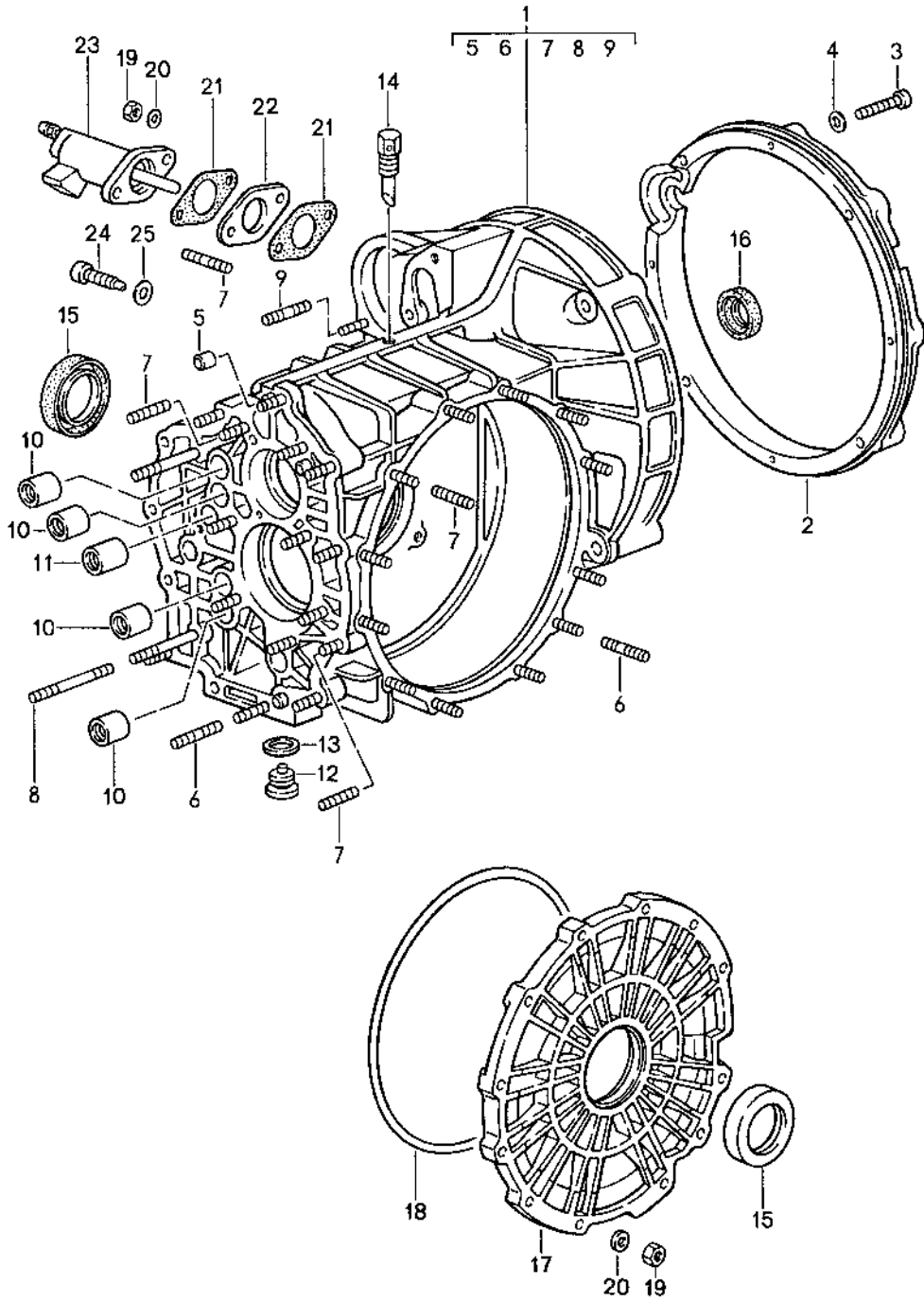
Model: 959 87

Model life 1987>>1988

Pos	Part Number	Description	Remark	Qty	Model
1	959 421 012 01	Central tube		1	
2	959 421 242 01	Clamping sleeve		1	
3	931 421 240 00	Clamping screw		4	
4	N 011 612 3	Washer R 6,6		1	
4	N 011 612 C	Washer R 6,6		1	
5	900 075 014 02	Hexagon-head bolt M 6 X 18		1	
5	900 075 014 03	Hexagon-head bolt M 6 X 18		1	
6	959 421 245 01	Sealing cap		1	
6A	959 421 247 00	Sealing washer		1	
7	922 421 051 02	Clamping sleeve		1	
7	922 421 051 03	Clamping sleeve		1	
8	999 500 032 02	Blind rivet nut M 8		2	
9	477 521 177	Cap		3	
10	959 421 251 00	Lid		1	
11	999 703 154 40	Stopper 20 X 15,6 X 10		1	
12	N 011 564 2	Washer 13		4	
12	N 011 564 4	Washer 13		4	
13	N 100 404 01	Pan-head screw M 12 X 1,5 X 60		4	
14	N 011 020 8	Hexagon nut M 12 X 1,5		4	
14	900 034 036 01	Hexagon nut M 12 X 1,5		4	
15	900 025 009 02	Washer 13		4	
16	959 421 150 00	Sound absorber		1	

Model: 959 87

Model life 1987>>1988



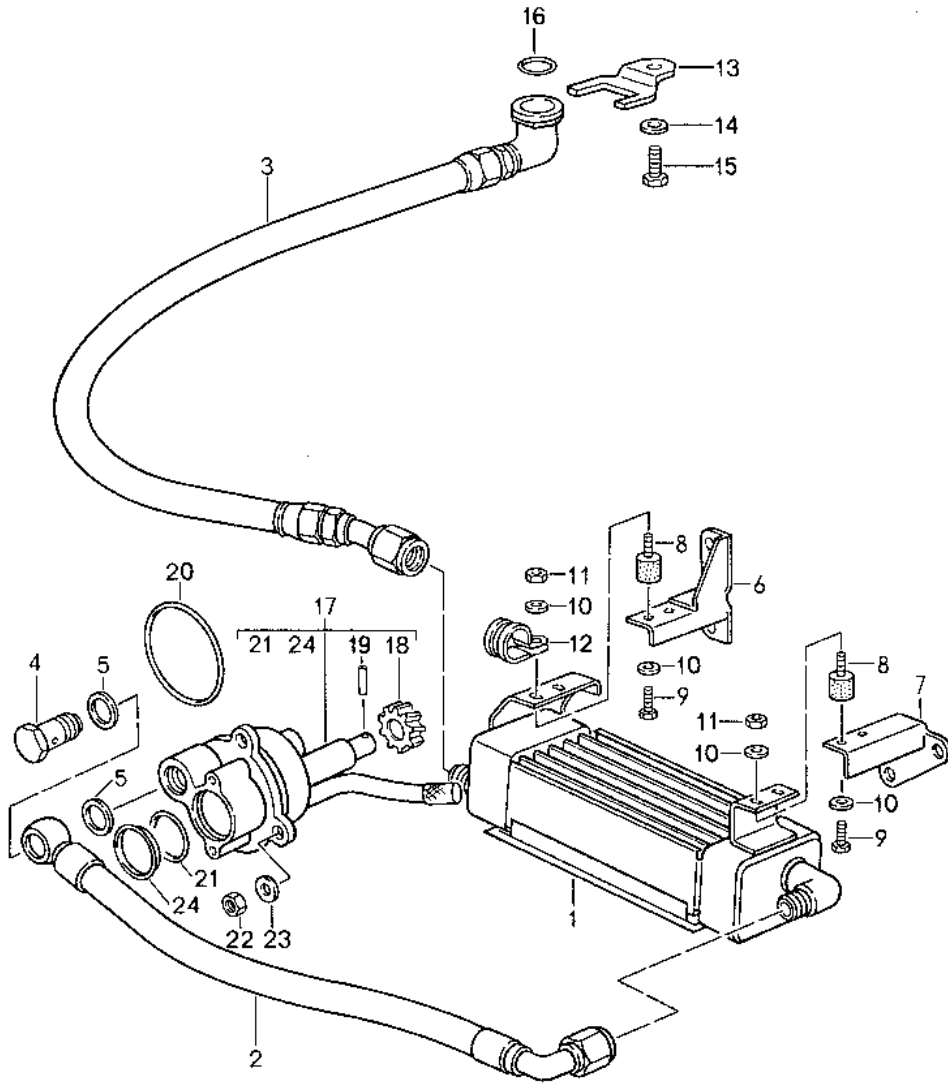
Model: 959 87

Model life 1987&gt;&gt;1988

Pos	Part Number	Description	Remark	Qty	Model
		Replacement transmission			
		Transmission case			
-	959 300 030 01	Replacement transmission		1	
1	959 301 910 10	Transmission case		1	
2	959 301 105 00	Intermediate flange		1	
3	900 067 013 02	Pan-head screw M 6 X 35		4	
4	N 011 557 1	Washer 6,4 X 11 X 1,6		4	
5	900 012 144 00	Straight pin 12 M 6 X 14		3	
6	999 062 009 0A	Stud BM 8 X 28		12	
7	999 062 008 0A	Stud BM 8 X 25		18	
8	999 062 156 0A	Stud BM 8 X 78		2	
9	999 062 210 0A	Stud BM 10 X 35		1	
10	999 203 003 00	Bearing sleeve 16 X 22 X 20		4	
11	999 203 004 10	Round socket 16 X 22 X 27		1	
12	999 063 008 0A	Screw plug		1	
13	900 123 011 30	Sealing ring A 22 X 27		1	
14	904 301 071 00	Bleeder		1	
15	999 113 347 40	Shaft sealing ring		2	
16	999 113 326 41	Shaft sealing ring		1	
17	959 301 311 00	Transmission cover Lateral		1	
18	999 701 437 40	O-ring		1	
19	900 076 025 02	Hexagon nut M 8		14	
19	900 076 064 02	Hexagon nut M 8		14	
20	900 025 017 0A	Washer A 8,4		14	
21	928 332 776 00	Flange gasket		2	
22	950 332 776 01	Intermediate flange		1	
23	950 332 775 00	Slave cylinder		1	
24	950 332 717 00	Pan-head screw		1	
25	900 025 060 0A	Washer		1	

Model: 959 87

Model life 1987>>1988

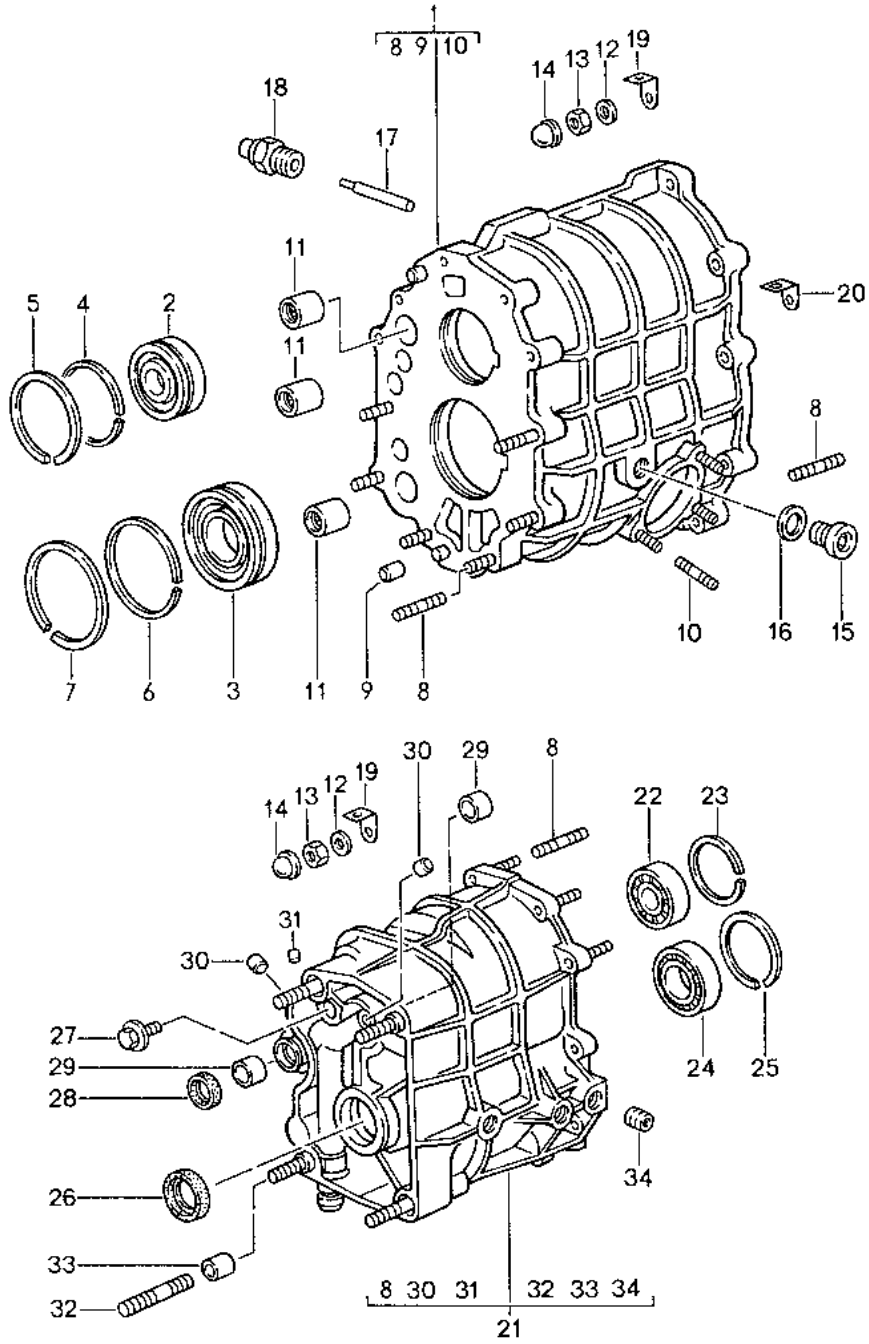


Model: 959 87 Model life 1987>>1988

Pos	Part Number	Description	Remark	Qty	Model
		Transmission oil cooler			
		Oil pump			
1	959 307 029 01	Transmission oil cooler		1	
2	959 307 381 05	Feed line		1	
3	959 307 387 01	Return line		1	
4	999 134 041 36	Banjo bolt		1	
5	900 123 106 30	Sealing ring		2	
		A 18 X 24			
6	959 307 311 04	Retaining bracket		1	
		Upper			
7	959 307 312 03	Retaining bracket		1	
		Lower			
8	999 703 316 00	Bonded rubber mounting		4	
8	999 703 193 01	Bonded rubber mounting		4	
9	900 075 001 03	Hexagon-head bolt		4	
		M 5 X 8			
10	900 151 027 30	Washer		8	
		B 5,3			
11	900 910 008 02	Lock nut		4	
		M 5			
12	N 020 647 1	Clamp		1	
		15 X 24			
13	959 301 120 01	Support		1	
14	900 025 007 02	Washer		1	
		A 8,4			
14	900 025 007 03	Washer		1	
		A 8,4			
15	900 075 082 02	Hexagon-head bolt		1	
		M 8 X 24			
16	999 701 656 40	O-ring		1	
		15,3 X 2,4			
17	959 307 023 00	Oil pump		1	
18	959 318 332 00	Speedometer pinion		1	
19	900 309 045 01	Tensioning sleeve		1	
20	999 701 799 40	Round seal		1	
		65 X 3			
21	999 701 274 40	O-ring		1	
		34 X 3			
22	900 076 025 02	Hexagon nut		3	
		M 8			
22	900 076 064 02	Hexagon nut		3	
		M 8			
23	900 025 007 02	Washer		3	
		A 8,4			
23	900 025 007 03	Washer		3	
		A 8,4			
24	950 318 338 00	Lid		1	

Model: 959 87

Model life 1987>>1988



Model: 959 87

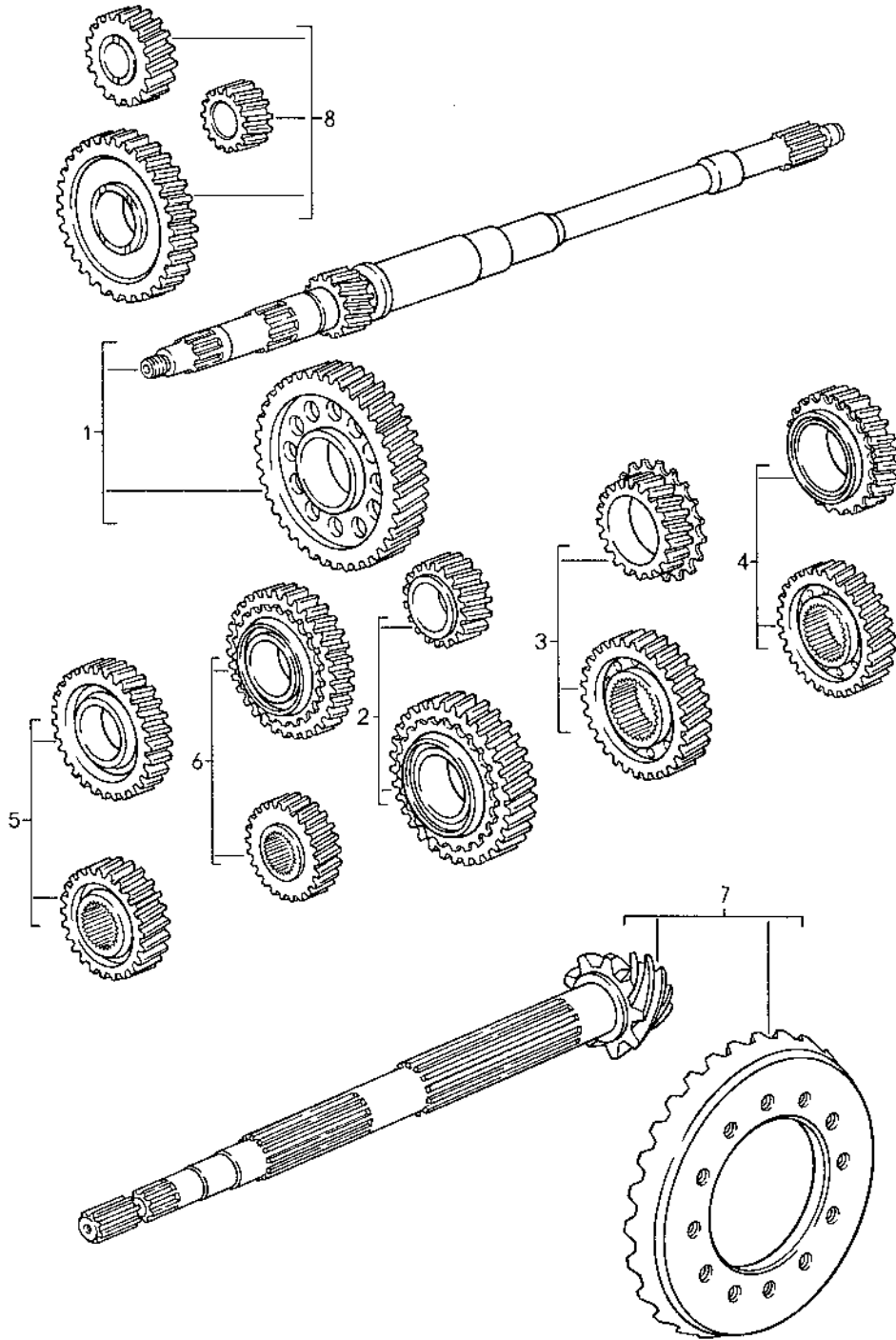
Model life 1987>>1988

Pos	Part Number	Description	Remark	Qty	Model
		Gear housing			
		Transmission cover			
1	959 301 911 01	Gear housing		1	
2	999 110 173 00	Cylindrical-roller bearing		1	
3	999 110 109 01	Cylindrical-roller bearing		1	
4	999 152 105 00	Circlip		1	
5	999 152 030 01	Circlip		1	
6	N 100 709 01	Circlip		1	
7	999 152 106 00	Circlip		1	
8	999 062 009 0A	Stud		1	
		BM 8 X 28			
9	900 012 144 00	Straight pin		2	
		12 M 6 X 14			
10	999 062 007 0A	Stud		3	
		BM 8 X 22			
11	999 203 003 00	Bearing sleeve		3	
12	900 025 017 0A	Washer		23	
		A 8,4			
13	900 076 025 0A	Hexagon nut		23	
		M 8			
14	999 703 237 40	Cap		23	
15	900 219 014 0A	Screw plug		1	
		M 24 X 1,5			
16	900 123 060 30	Sealing ring		1	
		A 24 X 29			
17	950 303 240 00	Cam follower		1	
18	914 613 541 02	Back-up light switch		1	
19	959 607 313 00	Support		1	
20	959 607 401 00	Retaining bracket		1	
21	959 301 913 03	Transmission cover		1	
		Front			
22	999 110 147 01	Cylindrical-roller bearing		1	
23	999 152 062 01	Circlip		1	
24	999 110 140 03	Cylindrical-roller bearing		1	
25	999 152 024 01	Circlip		1	
26	999 113 376 40	Radial shaft seal		1	
27	950 302 230 00	Screw plug		1	
28	999 113 381 40	Radial shaft seal		1	
29	999 924 030 00	Bearing sleeve		2	
30	999 501 073 30	Stopper		3	
		11,2			
31	999 501 072 30	Stopper		1	
		3,63			
32	999 062 273 08	Stud		4	
		BM 12 X 1,5 X 50			
33	999 095 040 0A	Dowel sleeve		2	
33	999 095 040 01	Dowel sleeve		2	
34	999 504 004 00	Threaded insert		4	
		M 8 X 20			



Model: 959 87

Model life 1987>>1988



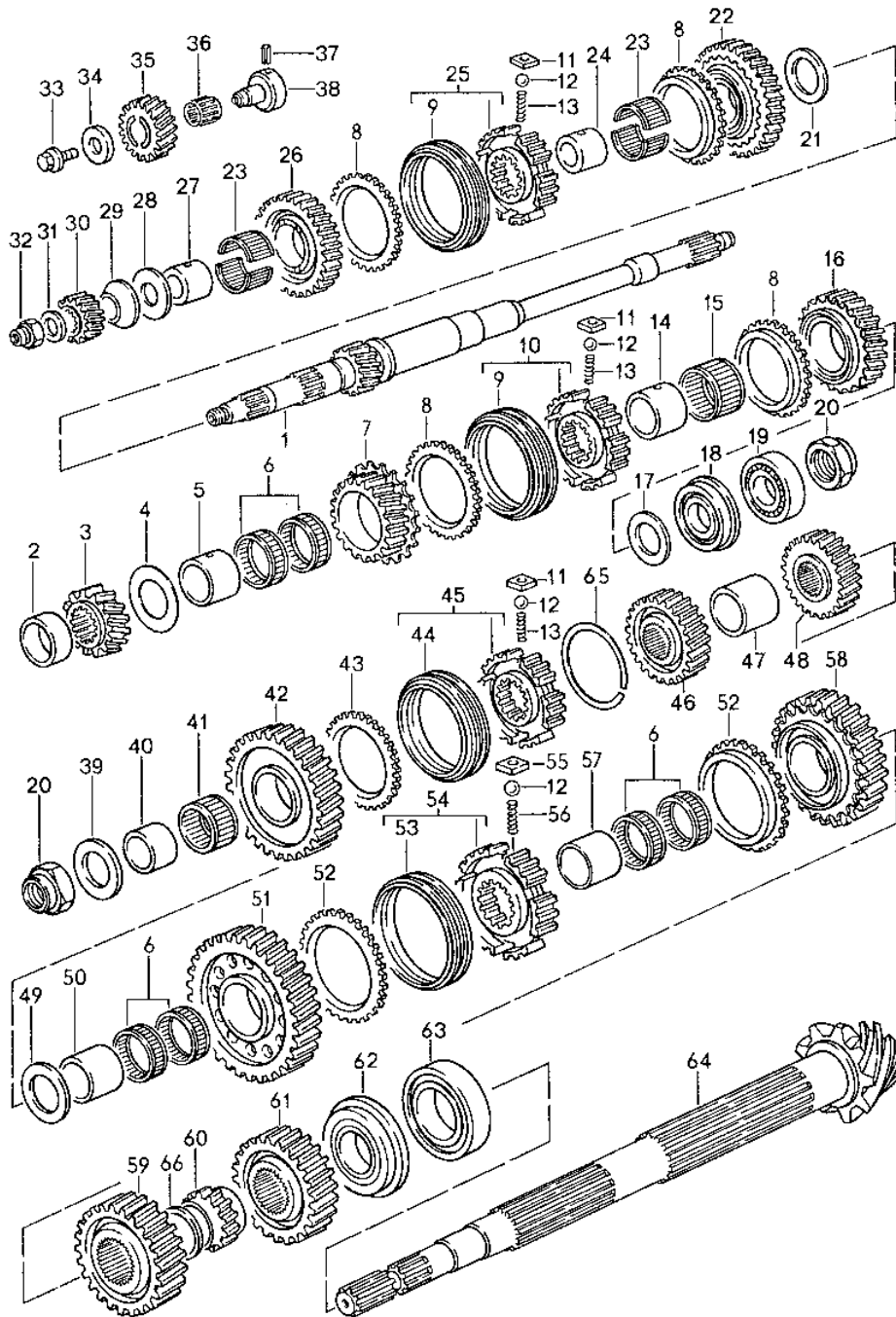
Model: 959 87

Model life 1987&gt;&gt;1988

Pos	Part Number	Description	Remark	Qty	Model
1	959 302 901 13	Gear wheel sets Gear set 1st gear Z 42 : 12		1	
2	959 302 902 11	Gear set 2nd gear Z 35 : 17		1	
3	959 302 903 11	Gear set 3 speed Z 31 : 22		1	
4	959 302 904 12	Gear set 4-speed Z 29 : 28		1	
5	959 302 905 12	Gear set 5th gear Z 26 : 32		1	
6	959 302 906 16	Gear set 6th gear Z 23 : 36		1	
7	959 302 911 03	Ring gear and pinion shaft Z 33 : 8		1	
8	950 302 907 03	Gear set Reverse gear		1	
8	950 302 907 07	Gear set Reverse gear		1	
8	950 302 907 08	Gear set Reverse gear		1	

Model: 959 87

Model life 1987>>1988



Model: 959 87

Model life 1987&gt;&gt;1988

Pos	Part Number	Description	Remark	Qty	Model
		Gears and shafts			
		Gear wheel sets			
		See group			
		3/03/00			
1		Drive shaft		1	
2	959 302 270 00	Spacer sleeve		1	
3		Fixed gear wheel		1	
		2nd gear			
4	950 302 293 00	Thrust washer		1	
5	959 302 263 10	Inner ring		1	
6	999 201 314 00	Needle cage		6	
7		Loose gear wheel		1	
		3rd gear			
8	959 304 211 50	Synchroniser ring		4	
9		Shift sleeve		2	
10	950 304 021 06	Guide sleeve		1	
10	950 304 021 81	Guide sleeve		1	
11	928 304 251 00	Stone		9	
12	N 025 653 2	Ball		12	
		6,5 MM			
13	928 304 261 01	Compression spring		9	
14	959 302 261 10	Inner ring		1	
15	999 201 315 00	Needle cage		1	
16		Loose gear wheel		1	
		4th speed			
17	950 302 294 05	Thrust washer		1	
18	999 052 094 00	Four-point bearing		1	
18	999 052 098 00	Four-point bearing		1	
19	999 110 117 01	Cylindrical-roller bearing		1	
20	930 302 281 00	Collar nut		2	
21	959 302 296 00	Thrust washer		X	
		2,45 MM			
21	959 302 296 01	Thrust washer		X	
		2,65 MM			
21	959 302 296 02	Thrust washer		X	
		2,85 MM			
21	959 302 296 03	Thrust washer		X	
		3,05 MM			
21	959 302 296 04	Thrust washer		X	
		3,25 MM			
21	959 302 296 05	Thrust washer		X	
		3,45 MM			
21	959 302 296 06	Thrust washer		X	
		2,25 MM			
21	959 302 296 07	Thrust washer		X	
		2,55 MM			
21	959 302 296 08	Thrust washer		X	
		2,75 MM			
22		Loose gear wheel		1	
		6th gear			
23	999 201 098 00	Needle cage		2	
24	959 302 266 10	Inner ring		1	
25	959 304 021 13	Shift sleeve		1	
26		Loose gear wheel		1	
		5th gear			
27	959 302 265 10	Inner ring		1	
28	959 302 295 00	Thrust washer		1	
29	959 302 271 00	Spacer sleeve		1	
30		Fixed gear wheel		1	
		Reverse gear			
31	959 302 297 00	Thrust washer		1	
32	959 302 281 01	Collar nut		1	
33	950 302 230 00	Screw plug		1	

Model: 959 87

Model life 1987&gt;&gt;1988

Pos	Part Number	Description	Remark	Qty	Model
34	959 302 287 00	Thrust washer		1	
35		Reverse idler gear		1	
36	999 201 227 00	Needle cage		1	
36	999 201 227 01	Needle cage		1	
37	N 013 302 1	Roll pin 4 X 10		1	
38	959 302 228 00	Bolt for Reverse idler gear		1	
39	959 302 298 00	Thrust washer		1	
40	950 302 265 01	Inner ring		1	
41	999 201 193 00	Needle cage		1	
42		Loose gear wheel Reverse gear		1	
43	928 304 211 05	Synchroniser ring		1	
44		Shift sleeve		1	
45	959 304 021 03	Shift sleeve		1	
46		Fixed gear wheel 6th gear		1	
47	959 302 267 00	Spacer sleeve		1	
48		Fixed gear wheel 6th gear		1	
49	959 302 291 00	Thrust washer 3,95 MM		X	
49	959 302 291 01	Thrust washer 4,15 MM		X	
49	959 302 291 02	Thrust washer 4,35 MM		X	
49	959 302 291 03	Thrust washer 4,55 MM		X	
49	959 302 291 04	Thrust washer 4,75 MM		X	
49	959 302 291 05	Thrust washer 4,95 MM		X	
50	959 302 261 00	Inner ring		1	
51		Loose gear wheel 1st gear		1	
52	959 304 311 52	Synchroniser ring		2	
53		Shift sleeve		1	
54	950 304 031 03	Guide sleeve		1	
54	950 304 031 31	Guide sleeve		1	
55	950 304 351 00	Stone		3	
56	928 304 261 00	Compression spring		3	
57	959 302 262 00	Inner ring		1	
58		Loose gear wheel 2nd gear		1	
59		Fixed gear wheel 3rd gear		1	
60	959 318 331 03	Speedometer drive		1	
61		Fixed gear wheel 4th speed		1	
62	999 052 088 00	Four-point bearing		1	
62	PCG 052 088 00	Four-point bearing		1	
63	999 110 119 01	Cylindrical-roller bearing		1	
64		Pinion shaft		1	
65	999 152 111 00	Circlip		1	
66	959 302 283 10	Adjusting shim 2,20 MM		X	
66	959 302 283 11	Adjusting shim 2,30 MM		X	
66	959 302 283 12	Adjusting shim 2,40 MM		X	
66	959 302 283 13	Adjusting shim		X	

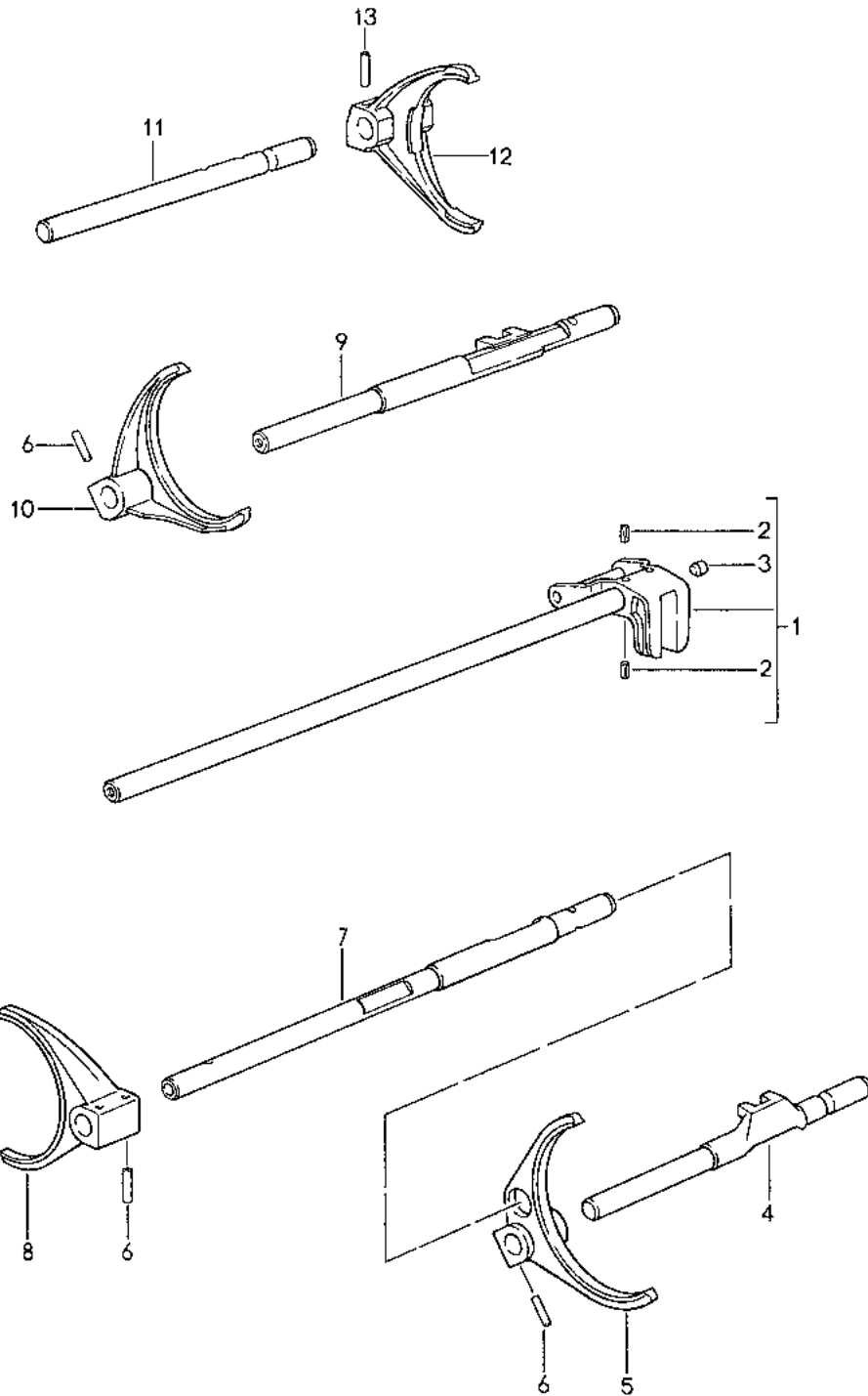
Model: 959 87

Model life 1987>>1988

Pos	Part Number	Description	Remark	Qty	Model
66	959 302 283 14	2,50 MM Adjusting shim		X	
66	959 302 283 15	2,60 MM Adjusting shim		X	
66	959 302 283 16	2,70 MM Adjusting shim		X	
66	959 302 283 17	2,80 MM Adjusting shim		X	
66	959 302 283 18	2,90 MM Adjusting shim		X	
		3,00 MM			

Model: 959 87

Model life 1987>>1988



Model: 959 87

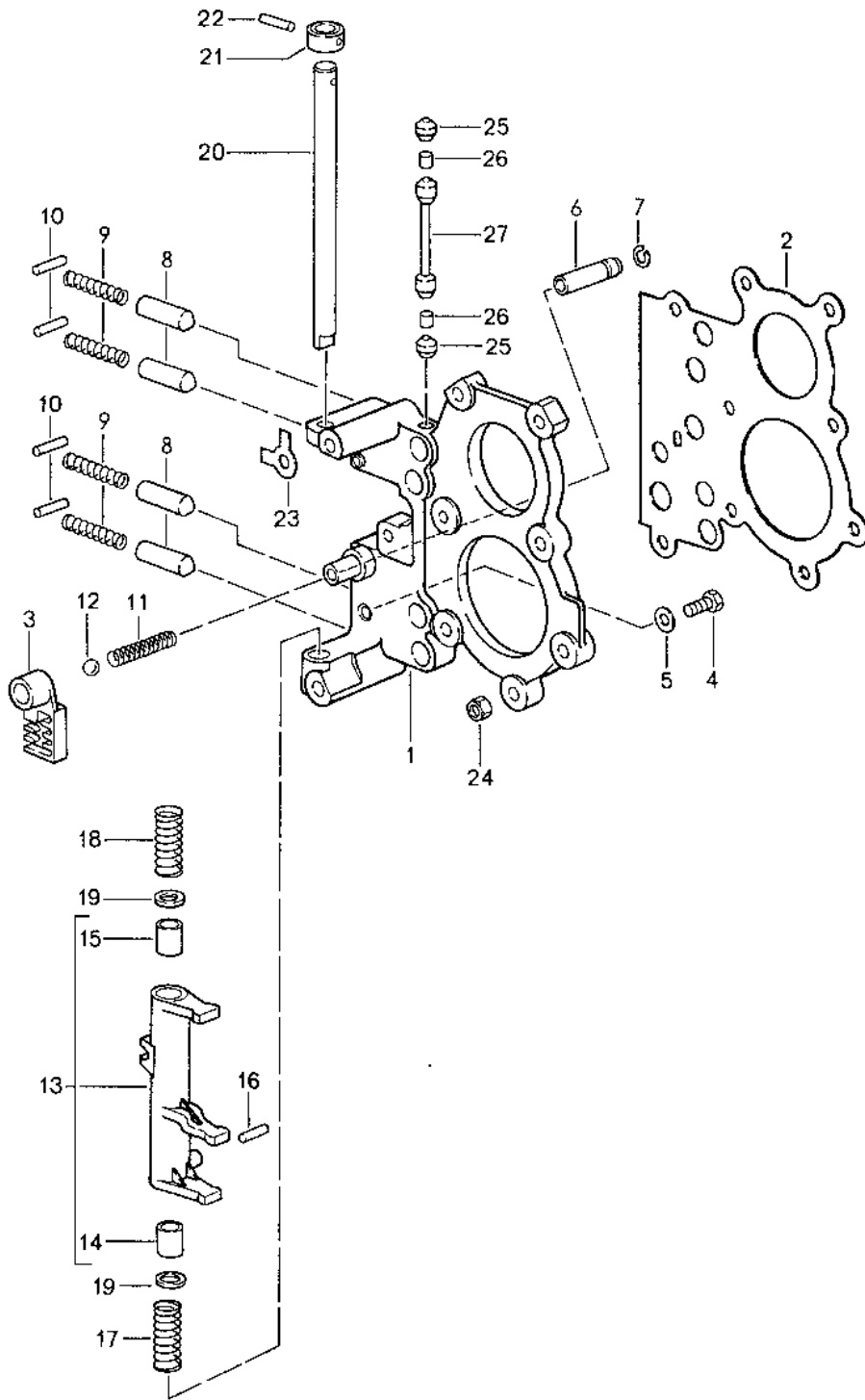
Model life 1987&gt;&gt;1988

Pos	Part Number	Description	Remark	Qty	Model
		Shift rods			
		shift forks			
1	959 303 019 02	Inner shift rod		1	
2	N 042 807 1	Straight pin 5 X 10		4	
3	999 501 023 30	Stopper 6,7		1	
4	959 303 101 01	Gear shift rod 1st / 2nd gear		1	
5	950 303 111 02	Shift fork 1st / 2nd gear		1	
6	N 023 353 1	Roll pin 1st / 2nd gear		6	
7	959 303 107 00	Gear shift rod Reverse gear		1	
8	950 303 115 02	Shift fork Reverse gear		1	
9	959 303 105 05	Shift fork 5th and 6th gear		1	
10	959 303 115 00	Shift fork 5th and 6th gear		1	
11	959 303 103 00	Gear shift rod 3rd/4th gear		1	
12	959 303 113 03	Shift fork 3rd/4th gear		1	
13	900 309 013 00	Roll pin 5 X 28		2	



Model: 959 87

Model life 1987>>1988

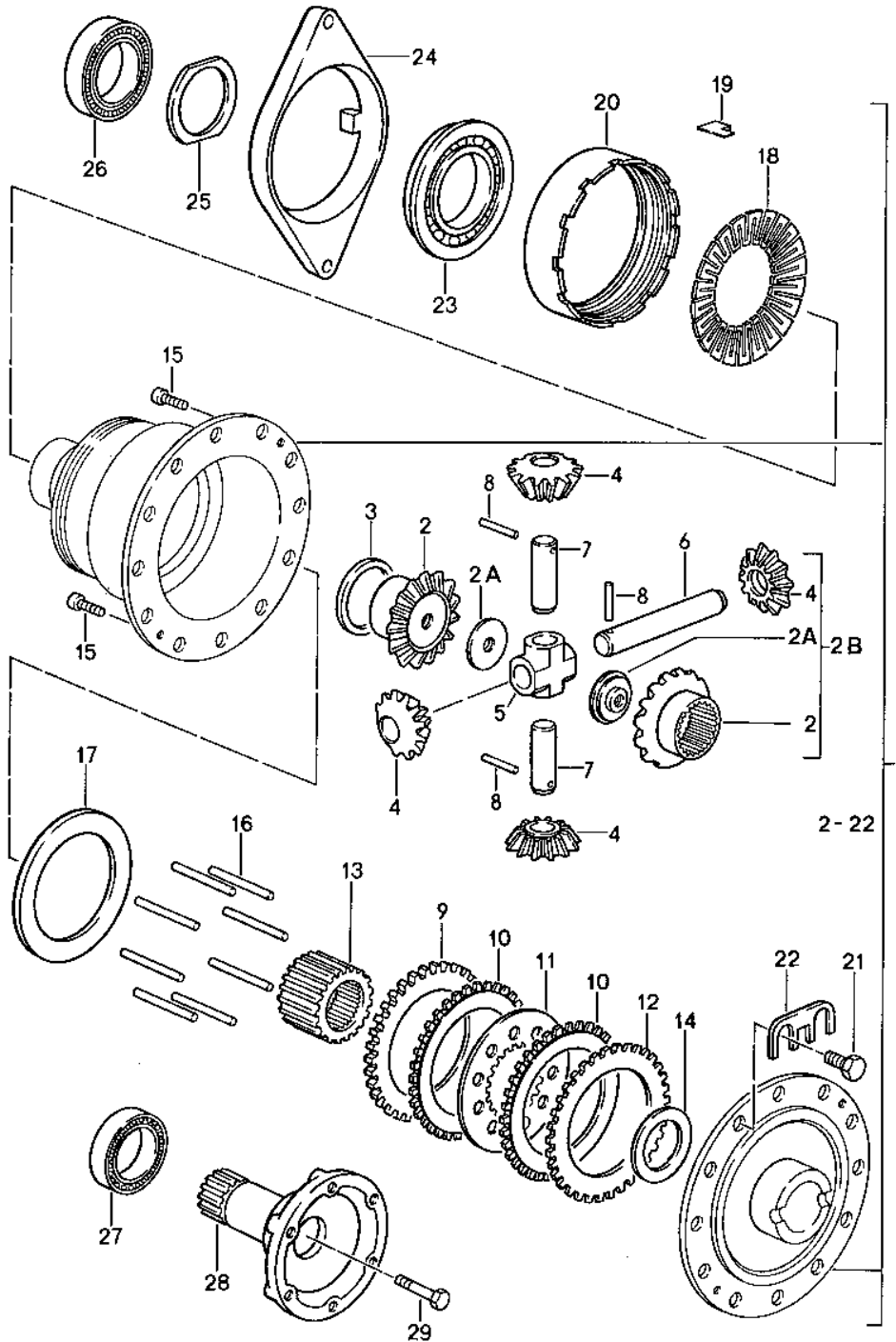


Model: 959 87 Model life 1987>>1988

Pos	Part Number	Description	Remark	Qty	Model
		Tensioning plate			
		Shift control lock device			
1	959 303 130 02	Tensioning plate		1	
2	950 303 125 10	Adjusting shim		X	
		0,1			
2	950 303 125 11	Adjusting shim		X	
		0,15			
2	950 303 125 12	Adjusting shim		X	
		0,2			
2	959 303 140 00	Shift gate		1	
4	N 010 212 0	Hexagon-head bolt		1	
		M 6 X 12			
5	N 011 666 3	Washer		1	
		6,1 X 18 X 2			
6	950 303 136 00	Dowel sleeve		1	
7	999 152 018 01	Circlip		1	
		SW 14			
8	928 303 233 25	Arresting bush		4	
9	959 303 235 00	Compression spring		4	
10	900 109 106 00	Needle-roller bearing		4	
		4 H11 X 16			
11	950 303 137 03	Compression spring		1	
12	N 025 669 2	Ball		1	
		\$ 10 MM			
13	959 303 035 02	Reverse lever		1	
14	999 924 026 00	Bush		1	
15	999 924 027 00	Bearing sleeve		1	
16	N 100 330 02	Straight pin		1	
		6 X 20			
17	959 303 133 00	Compression spring		1	
18	950 303 133 01	Compression spring		1	
19	N 027 381 1	Shim		1	
		10 X 16 X 1			
20	959 303 137 00	Bearing shaft		1	
21	959 303 139 00	Ring piece		1	
22	900 302 003 00	Straight pin		1	
		4 M6 X 24			
23	900 039 003 02	Washer		1	
		A 8,4 DIN 463			
24	900 076 025 02	Hexagon nut		1	
		M 8			
24	900 076 064 02	Hexagon nut		1	
		M 8			
25	950 303 142 00	Detent		2	
26	950 303 143 00	Detent		2	
27	959 303 141 00	Detent		1	

Model: 959 87

Model life 1987>>1988



Model: 959 87

Model life 1987>>1988

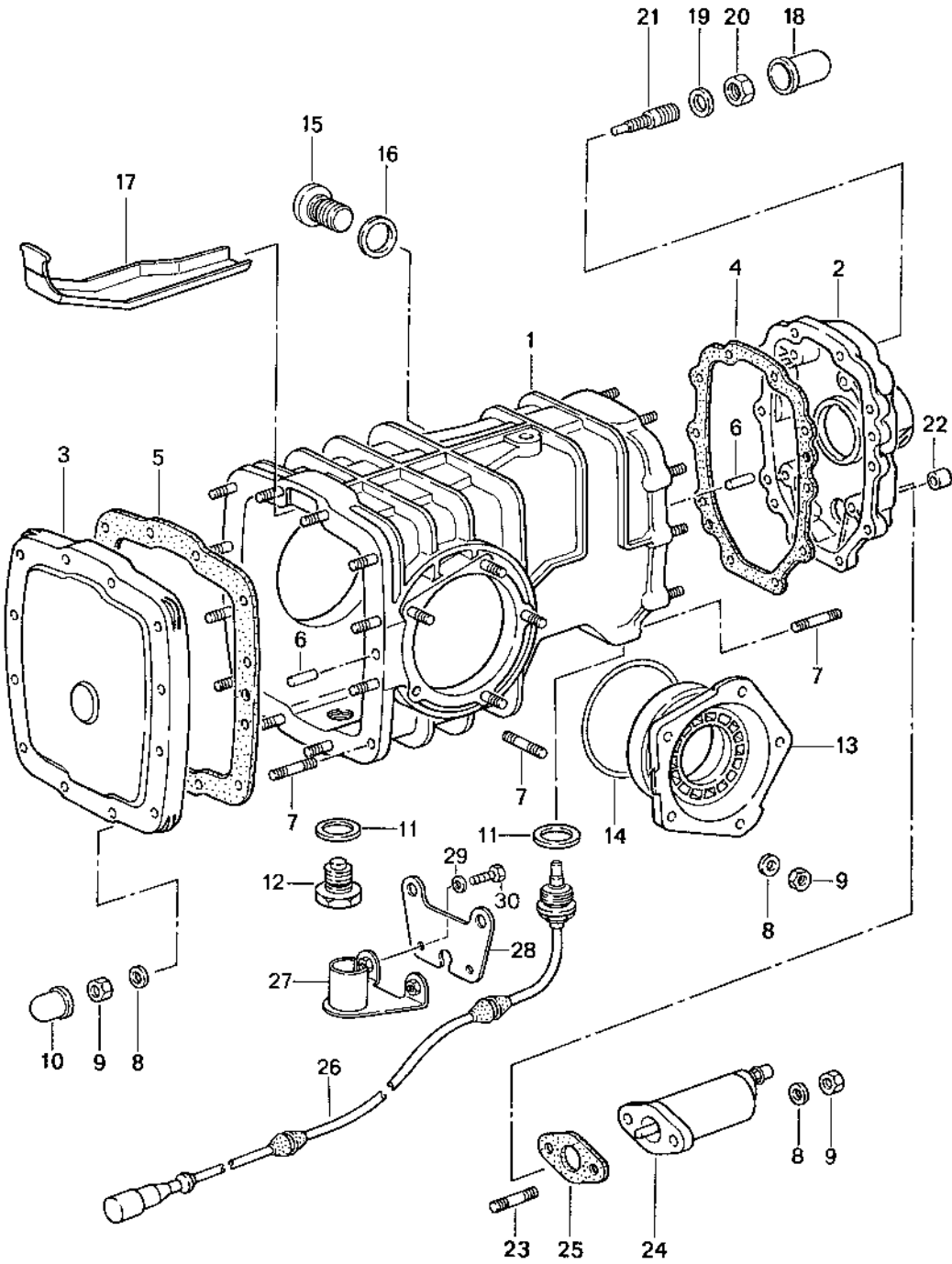
Pos	Part Number	Description	Remark	Qty	Model
		Differential Rear axle Equipped with laminas New See technical information GR.3 NR.2/89 Of 15.06.89			
1	950 332 072 02	Limited-slip differential		1	
2		Shaft bevel gear		2	
2A	959 332 279 00	Nut		2	
2B	959 332 907 00	Differential pinions		1	
3	959 332 719 00	Differential pinions			
		Thrust washer 2,0 MM		X	
3	959 332 719 01	Thrust washer 2,1 MM		X	
3	959 332 719 02	Thrust washer 2,2 MM		X	
3	959 332 719 03	Thrust washer 2,3 MM		X	
3	959 332 719 04	Thrust washer 2,4 MM		X	
4		Bevel pinion		4	
5	950 332 745 00	4 way connector		1	
6	950 332 741 00	Differential bolt Long		1	
7	950 332 743 00	Differential bolt Short		2	
8	900 309 035 00	Roll pin 5 X 40		3	
9	950 332 711 00	Thrust ring		1	
10	950 332 727 00	Disc with external splines		11	
10	950 332 727 20	Disc with external splines All Aussenlamellen Replace darf Not with 950.332.727.00 Installed Become		11	
11	950 332 722 00	Inner disc		10	
12	950 332 724 00	Spacer disc		1	
13	950 332 748 01	Disc carrier		1	
14	950 332 718 00	Thrust washer 2,0 MM		X	
14	950 332 718 01	Thrust washer 2,1 MM		X	
14	950 332 718 02	Thrust washer 2,2 MM		X	
14	950 332 718 03	Thrust washer 2,3 MM		X	
14	950 332 718 04	Thrust washer 2,4 MM		X	
14	950 332 718 05	Thrust washer 2,5 MM		X	
15	N 014 765 1	Pan-head screw M 6 X 10		2	
16	950 332 715 01	Pin		8	
17	950 332 713 00	Thrust ring		1	
18	950 332 756 01	Compression spring		1	

Model: 959 87 Model life 1987>>1988

Pos	Part Number	Description	Remark	Qty	Model
19	950 332 753 01	Tab washer		1	
(19)	950 332 753 03	Tab washer		1	
20	950 332 751 01	Locking ring		1	
21	959 332 276 00	Hexagon-head bolt		12	
22	950 332 285 00	Tab washer		6	
22	950 332 285 01	Tab washer		6	
23	950 332 761 05	Deep-groove ball bearing		1	
24	950 332 771 02	Engaging lever		1	
25	959 332 268 00	Adjusting ring 0,25 MM		X	
25	959 332 268 01	Adjusting ring 1,6 MM		X	
25	959 332 268 02	Adjusting ring 1,7 MM		X	
25	959 332 268 03	Adjusting ring 1,8 MM		X	
25	959 332 268 04	Adjusting ring 1,9 MM		X	
25	959 332 268 05	Adjusting ring 2,0 MM		X	
25	959 332 268 06	Adjusting ring 2,1 MM		X	
25	959 332 268 07	Adjusting ring 2,2 MM		X	
25	959 332 268 08	Adjusting ring 2,3 MM		X	
25	959 332 268 09	Adjusting ring 2,4 MM		X	
25	959 332 268 10	Adjusting ring 2,5 MM		X	
25	959 332 268 11	Adjusting ring 2,6 MM		X	
25	959 332 268 12	Adjusting ring 2,7 MM		X	
25	959 332 268 13	Adjusting ring 2,8 MM		X	
25	959 332 268 14	Adjusting ring 2,9 MM		X	
25	959 332 268 15	Adjusting ring 3,0 MM		X	
25	959 332 268 16	Adjusting ring 3,1 MM		X	
26	999 059 027 00	Taper roller bearing		1	
26	999 059 027 02	Taper roller bearing		1	
27	999 059 064 00	Taper roller bearing		1	
(28)	959 332 229 02	Joint flange	/R	1	
28	959 332 229 03	Joint flange	/L	1	
29	N 010 456 5	Hexagon-head bolt M 10 X 90	/L	1	
29	N 010 480 3	Hexagon-head bolt M 10 X 80	/R	1	

Model: 959 87

Model life 1987>>1988



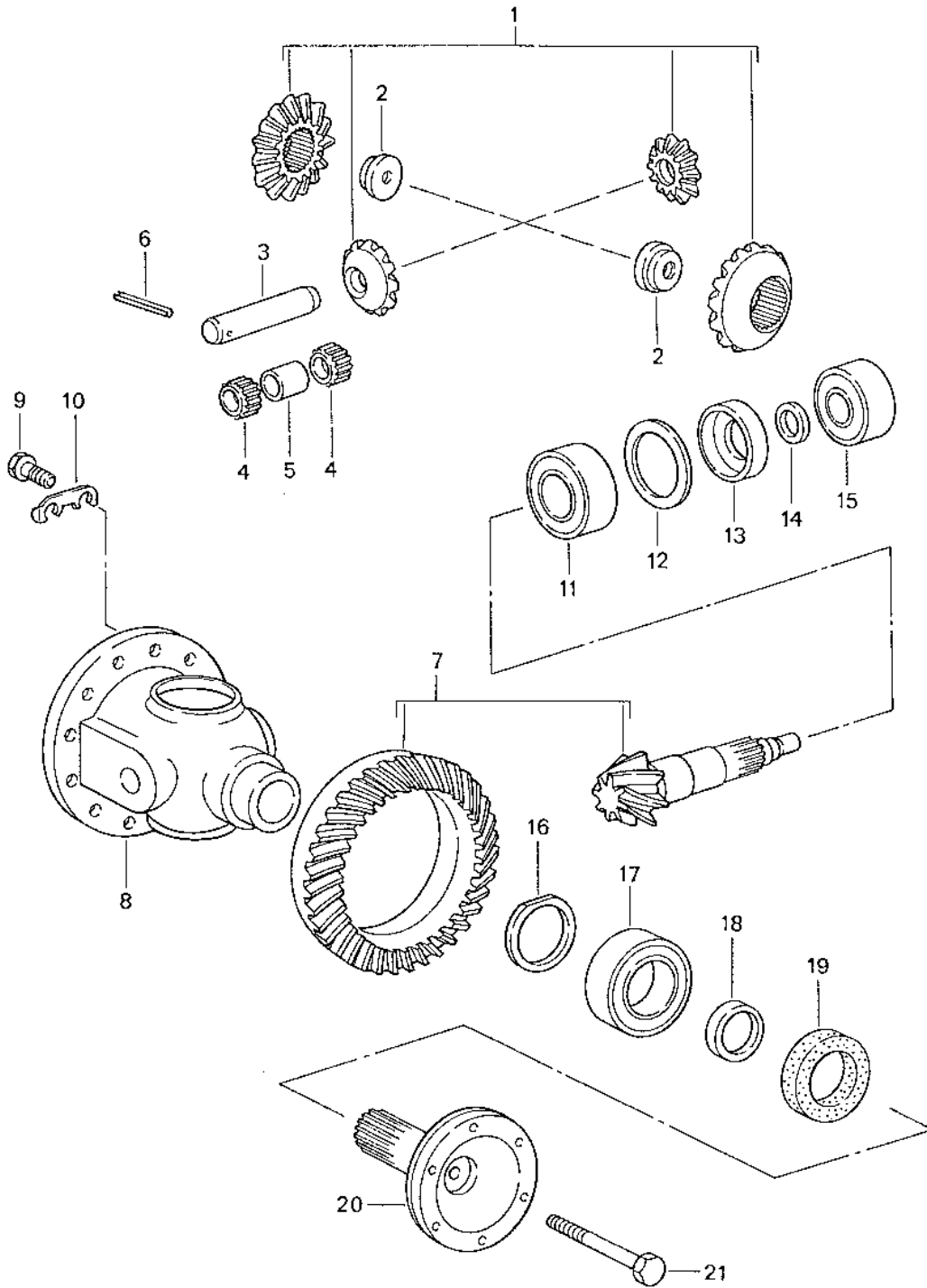
Model: 959 87

Model life 1987&gt;&gt;1988

Pos	Part Number	Description	Remark	Qty	Model
-	959 349 001 51	Front-axle final drive Transmission		1	
1	959 337 010 00	Housing		1	
2	959 337 305 00	Lid		1	
3	959 337 301 00	Lid		1	
4	959 337 306 00	Gasket		1	
5	959 337 302 00	Gasket		1	
6	900 012 110 00	Straight pin 6 X 14		4	
7	999 062 008 0A	Stud M 8 X 25		32	
8	900 025 017 0A	Washer 8,4		33	
9	900 076 025 0A	Hexagon nut M 8		34	
10	999 703 237 40	Cap		22	
11	999 025 171 30	Sealing ring		2	
12	999 064 029 00	Screw plug M 18 X 1,5		1	
13	959 337 311 00	Housing		2	
14	999 701 813 40	O-ring		2	
15	N 016 163 2	Screw plug M 22 X 1,5		1	
15	900 124 020 01	Screw plug M 22 X 1,5		1	
16	900 123 011 30	Sealing ring A 22 X 27		1	
17	959 337 308 00	Oil feeding groove		1	
18	999 703 238 40	Cap		1	
19	900 025 009 30	Washer		1	
20	900 076 016 0A	Hexagon nut		1	
21	999 242 003 0A	Threaded pin		1	
22	999 095 043 0A	Dowel sleeve		2	
23	999 062 008 0A	Stud M 8 X 25		2	
24	959 335 775 00	Clutch operating cylinder		1	
25	928 332 776 00	Flange gasket		1	
26	959 606 166 00	Temperature sensor		1	
27	959 606 165 00	Protective plate		1	
28	959 606 167 00	Retaining bracket		1	
29	900 025 003 02	Washer A 5,3		2	
30	N 010 207 6	Hexagon-head bolt M 5 X 12		2	
30	N 010 207 17	Hexagon-head bolt M 5 X 12		2	

Model: 959 87

Model life 1987>>1988





Model: 959 87

Model life 1987>>1988

Pos	Part Number	Description	Remark	Qty	Model
		Differential Front axle			
1	950 332 902 00	Differential pinions 1 set		1	
2	928 332 279 03	Threaded disc		2	
3	928 332 207 07	Differential bolt		1	
4	999 201 416 00	Needle cage		2	
5	928 332 205 01	Spacer sleeve		1	
6	900 309 035 00	Roll pin 5 X 40		1	
7	959 349 911 51	Ring gear and pinion shaft 33 : 8		1	
8	950 332 212 01	Differential housing		1	
9	959 332 276 00	Hexagon-head bolt		12	
10	950 332 285 00	Tab washer		6	
10	950 332 285 01	Tab washer		6	
11	999 059 086 00	Taper roller bearing		1	
11		Taper roller bearing		1	WW
12	959 349 310 00	Adjusting shim 0,10		X	
12	959 349 310 01	Adjusting shim 0,15		X	
12	959 349 310 02	Adjusting shim 0,20		X	
12	959 349 310 03	Adjusting shim 0,25		X	
12	959 349 310 04	Adjusting shim 0,30		X	
12	959 349 310 05	Adjusting shim 1,50		X	
12	959 349 310 07	Adjusting shim 2,00		X	
13	959 337 309 30	Heat shield		1	
14	959 349 311 00	Adjusting shim 0,10		X	
14	959 349 311 01	Adjusting shim 0,15		X	
14	959 349 311 02	Adjusting shim 0,20		X	
14	959 349 311 03	Adjusting shim 0,30		X	
14	959 349 311 06	Adjusting shim 0,50		X	
14	959 349 311 04	Adjusting shim 1,50		X	
14	959 349 311 05	Adjusting shim 2,00		X	
15	999 059 087 00	Taper roller bearing		1	
15		Taper roller bearing		1	WW
16	915 332 263 00	Adjusting ring 0,25		X	
16	915 332 265 00	Adjusting ring 2,4		X	
16	915 332 265 01	Adjusting ring 2,5		X	
16	915 332 265 02	Adjusting ring 2,6		X	
16	915 332 265 03	Adjusting ring 2,7		X	
16	915 332 265 04	Adjusting ring 2,8		X	
16	915 332 265 05	Adjusting ring 2,9		X	

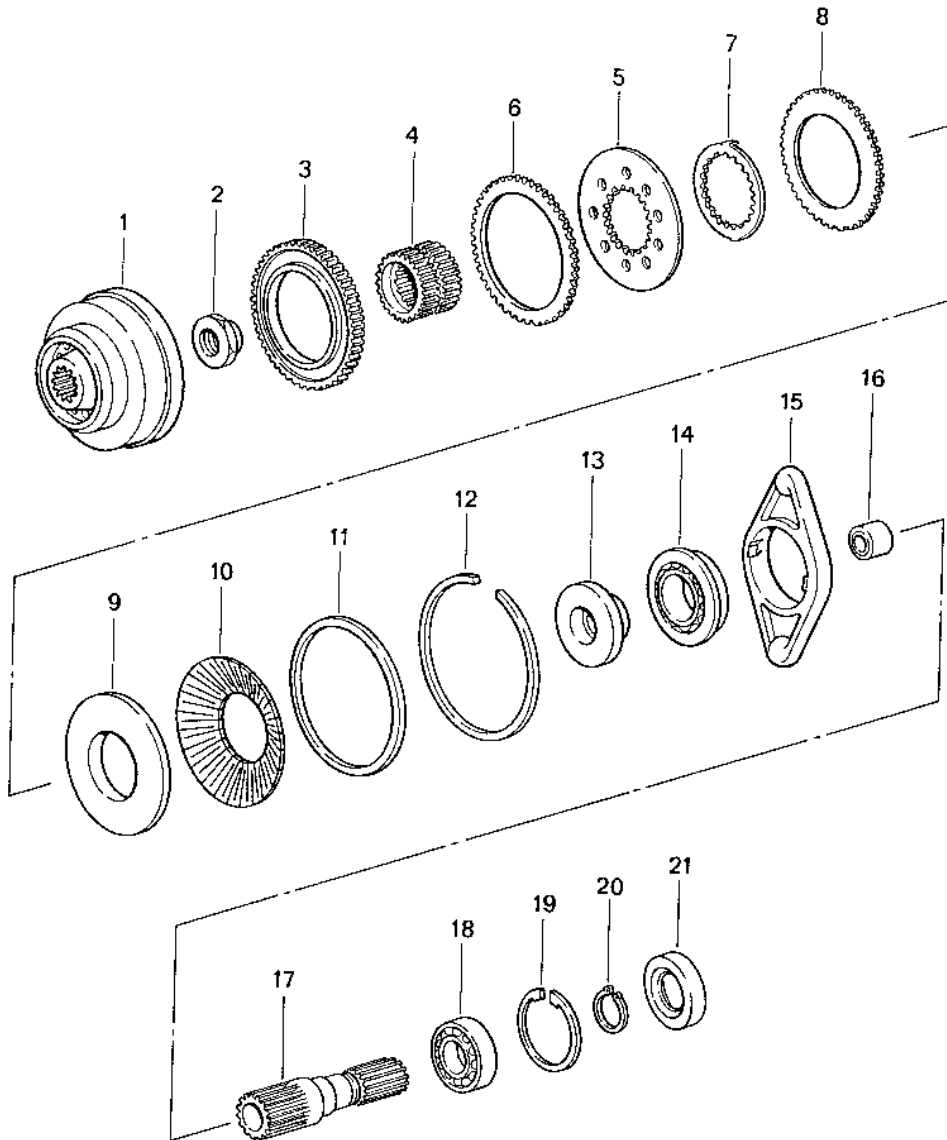
Model: 959 87

Model life 1987&gt;&gt;1988

Pos	Part Number	Description	Remark	Qty	Model
16	915 332 265 06	Adjusting ring 3,0		X	
16	915 332 265 07	Adjusting ring 3,1		X	
16	915 332 265 08	Adjusting ring 3,2		X	
16	915 332 265 09	Adjusting ring 3,3		X	
16	915 332 265 10	Adjusting ring 3,4		X	
16	915 332 265 11	Adjusting ring 3,5		X	
16	915 332 265 12	Adjusting ring 3,6		X	
16	915 332 265 13	Adjusting ring 3,7		X	
17	999 059 027 00	Taper roller bearing		2	
17	999 059 027 02	Taper roller bearing		2	
18	959 349 312 00	Spacer		2	
19	999 113 347 40	Shaft sealing ring		2	
20	959 332 229 01	Flanged shaft		2	
21	N 010 456 5	Hexagon-head bolt M 10 X 90		2	

Model: 959 87

Model life 1987>>1988



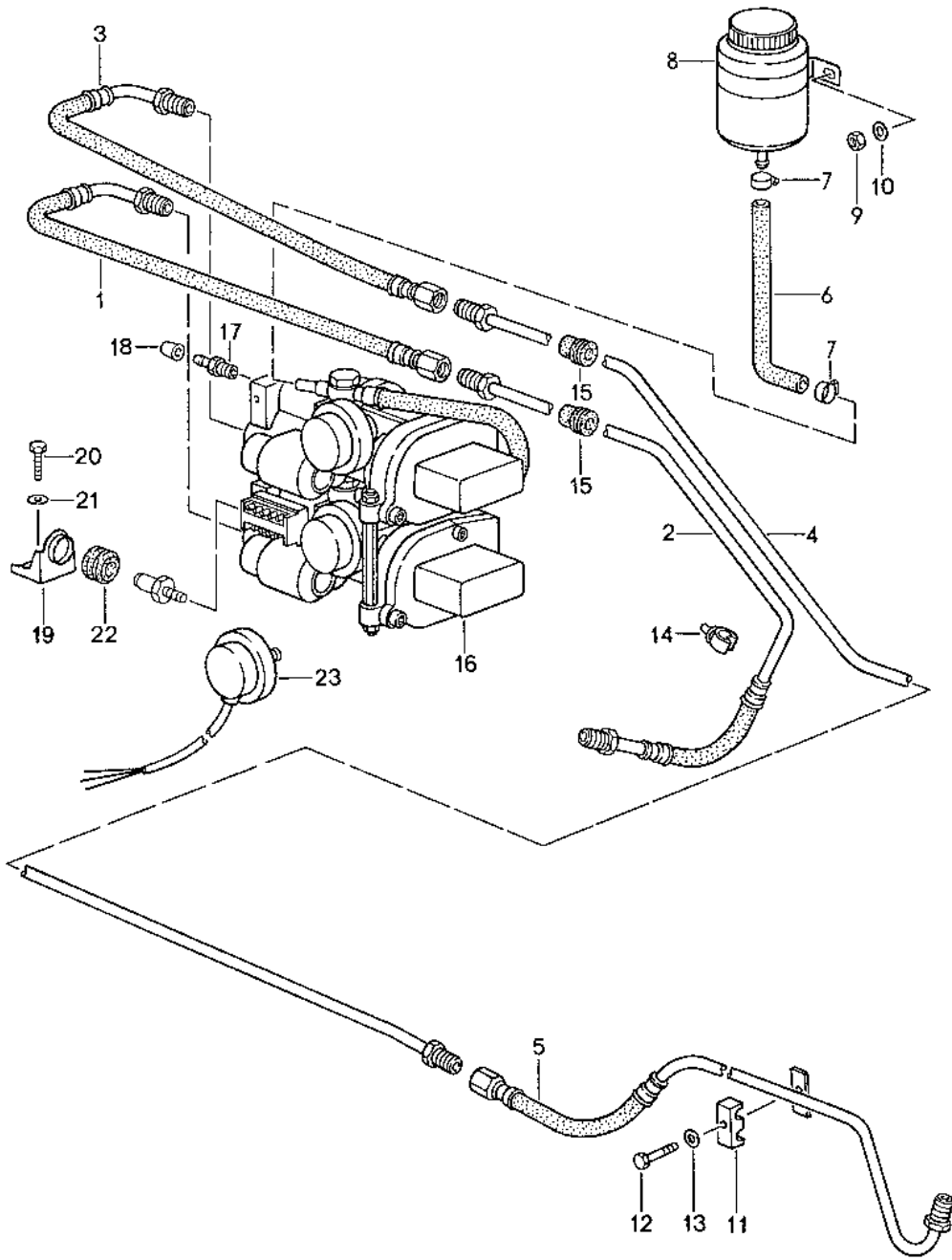
Model: 959 87

Model life 1987&gt;&gt;1988

Pos	Part Number	Description	Remark	Qty	Model
		Interaxle clutch			
		Front axle			
1	959 335 701 01	Clutch bell-housing		1	
2	959 335 710 00	Collar nut		1	
3	959 335 712 01	Spacer ring		1	
4	959 335 731 01	Disc carrier		1	
5	928 332 722 30	Inner disc (GYLON)		5	
6	928 332 727 30	Disc with external splines		6	
6	928 332 727 31	Disc with external splines		6	
7	959 335 720 00	Tab washer		1	
8	928 332 726 00	Disc 0,5		X	
8	928 332 726 01	Disc 0,7		X	
8	928 332 726 02	Disc 0,9		X	
8	928 332 726 03	Disc with external splines 1,1		X	
8	928 332 726 04	Disc with external splines 1,3		X	
8	928 332 726 13	Disc with external splines 1,3		X	
8	928 332 726 05	Disc with external splines 1,5		X	
8	928 332 726 06	Disc with external splines 1,7		X	
9	959 335 713 03	Thrust ring		1	
10	928 332 756 01	Cup spring		1	
11	959 335 714 00	Support ring		1	
12	999 152 107 01	Circlip		1	
13	959 335 764 00	Thrust ring		1	
14	959 335 761 05	Deep-groove ball bearing		1	
15	959 335 771 00	Engaging lever		1	
16	111 105 313 A	Needle-roller bearing		1	
17	959 335 732 01	Intermediate shaft		1	
18	999 052 111 00	Deep-groove ball bearing		1	
19	N 012 290 2	Circlip		1	
20	900 041 013 01	Circlip		1	
21	999 113 377 40	Radial shaft seal		1	

Model: 959 87

Model life 1987>>1988



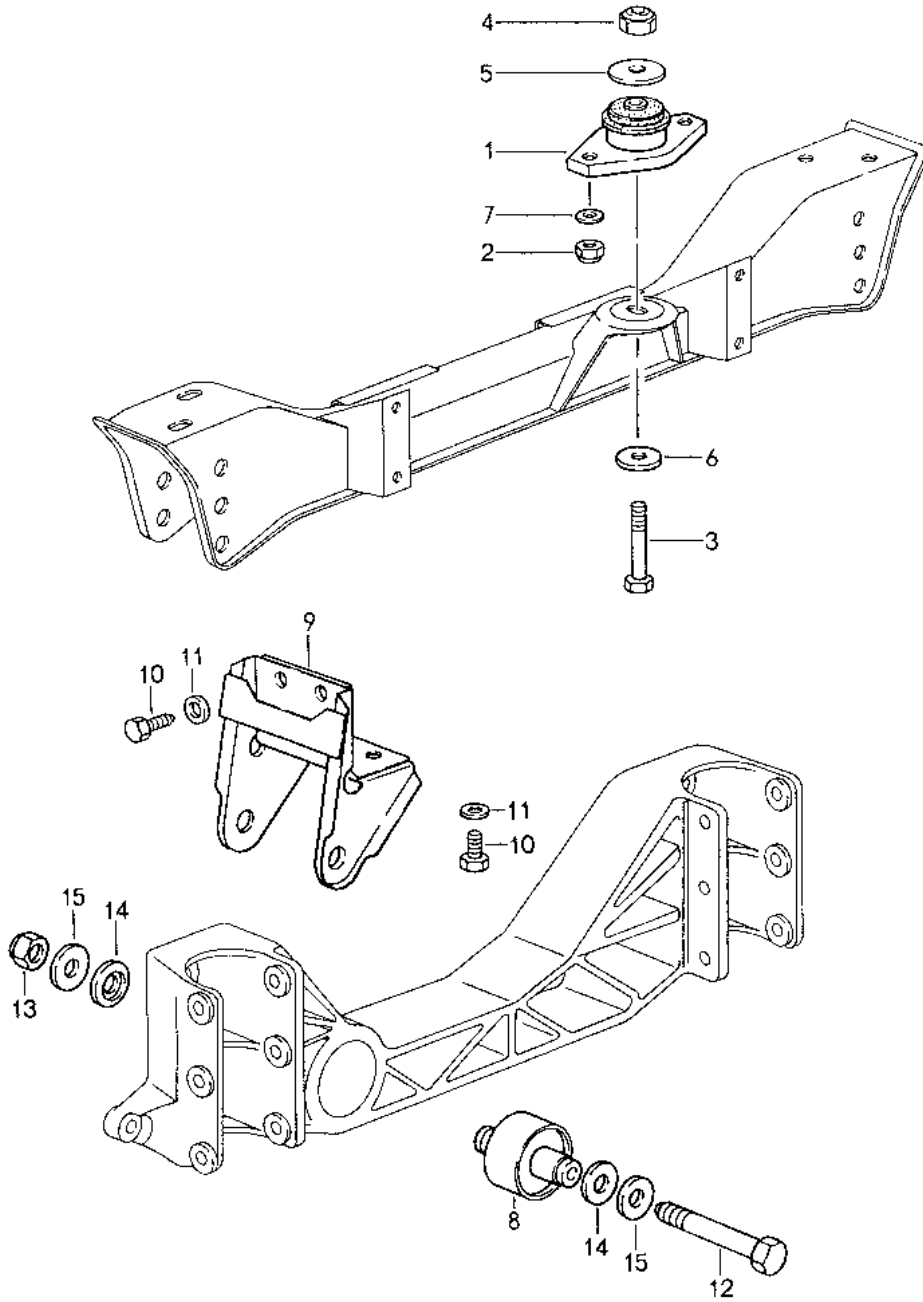
Model: 959 87

Model life 1987&gt;&gt;1988

Pos	Part Number	Description	Remark	Qty	Model
		Lock control			
1	959 315 010 00	Line		1	
2	959 315 011 01	Line		1	
3	959 315 012 00	Line		1	
4	959 315 013 00	Line		1	
5	959 315 014 01	Line		1	
6	959 315 150 00	Hose		1	
7	N 023 577 2	Hose clamp A 9/14		2	
7	PCG 023 577 2	Hose clamp A9 x 14		1	
8	959 315 167 00	Expansion tank		1	
9	900 076 010 02	Nut M 6		4	
9	900 076 010 0B	Nut M 6		4	
10	N 011 524 7	Washer A 6,4		4	
10	N 011 524 27	Washer A 6,4		4	
11	999 511 154 40	Dual clip		1	
12	900 075 017 0A	Hexagon-head bolt M 6 X 25		1	
13	999 025 108 02	Washer 6,4		1	
14	944 347 467 00	Cable clip		1	
15	911 356 202 04	Rubber sleeve		2	
16	959 660 011 00	Pressure transmitter		1	
16	959 660 011 X	Pressure transmitter		1	
17	930 351 919 00	Ventilation valve		2	
18	901 351 927 10	Dust boot		2	
19	959 660 113 00	Bearing bracket		1	
20	900 075 010 02	Hexagon nut M 6 X 12		1	
20	N 010 212 14	Hexagon-head bolt M 6 X 12		1	
20	999 072 005 09	Hexagon nut M 6 X 12		1	
20	999 072 005 01	Hexagon nut M 6 X 12		1	
21	N 011 524 7	Washer A 6,4		1	
21	N 011 524 27	Washer A 6,4		1	
22	928 355 635 00	Rubber mounting		3	
23	959 606 310 00	Pressure switch		2	

Model: 959 87

Model life 1987>>1988



Model: 959 87

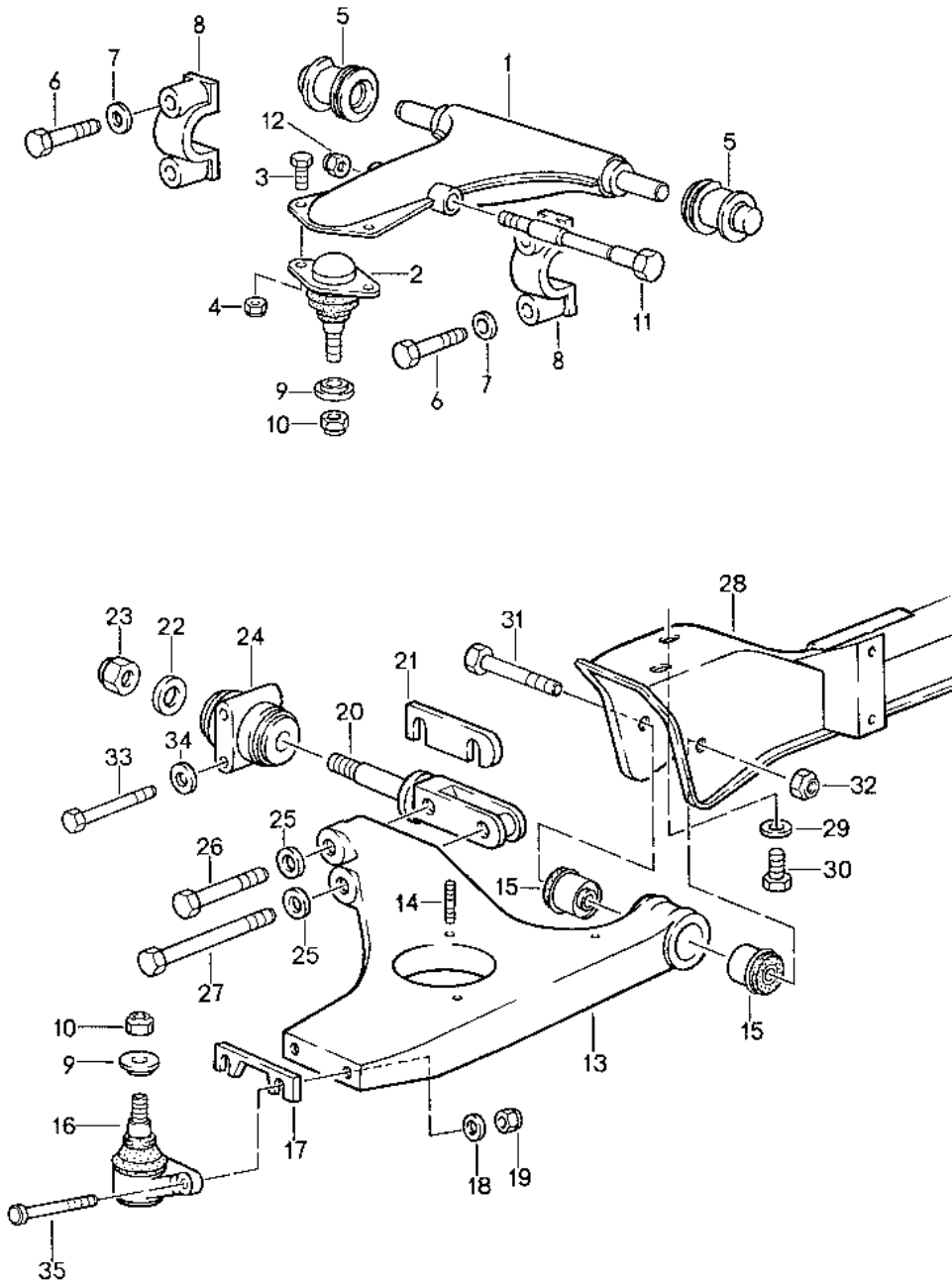
Model life 1987&gt;&gt;1988

Pos	Part Number	Description	Remark	Qty	Model
		Transmission suspension			
1	959 375 041 01	Bearing		1	
2	900 910 022 02	Lock nut M 8		2	
3	900 082 035 02	Hexagon-head bolt M 12 X 60		1	
4	900 910 046 02	Lock nut M 12		1	
4	999 084 439 09	Lock nut M 12		1	
4	999 084 445 09	Lock nut M 12		1	
4	999 084 445 01	Lock nut M 12		1	
5	959 333 524 00	Washer		1	
6	999 025 110 01	Washer 13 X 34 X 2,5		1	
7	900 025 007 02	Washer A 8,4		2	
7	900 025 007 03	Washer A 8,4		2	
8	959 375 043 01	Bearing		1	
9	959 375 033 01	Support		1	
10	N 010 240 16	Hexagon-head bolt M 8 X 20		4	
11	900 025 007 02	Washer 8,4		4	
11	900 025 007 03	Washer 8,4		4	
12	N 010 482 3	Hexagon-head bolt M 10 X 105		1	
13	900 910 031 09	Lock nut M 10		1	
13	900 910 031 01	Lock nut M 10		1	
14	959 375 311 00	Washer		2	
15	959 375 312 00	Washer		2	



Model: 959 87

Model life 1987>>1988



Model: 959 87

Model life 1987&gt;&gt;1988

Pos	Part Number	Description	Remark	Qty	Model
		Front axle			
		Cross member			
		Wishbone			
1	959 341 037 03	Control arm	/L	1	
(1)	959 341 038 03	Control arm	/R	1	
2	959 341 035 00	Ball joint		2	
3	N 010 239 11	Hexagon-head bolt M 8 X 18		4	
3	N 010 239 30	Hexagon-head bolt M 8 X 18		4	
4	900 910 022 02	Lock nut M 8		8	
5	959 341 273 05	Plain bearing		4	
6	959 341 280 00	Hexagon-head bolt M 10 X 55		8	
7	900 025 008 09	Washer 10,5		8	
7	900 025 008 04	Washer 10,5		8	
8	959 341 281 00	Clip		4	
9	959 341 629 00	Washer		4	
10	999 084 023 02	Uni-stop nut M 12 X 1,5		2	
10	N 022 141 4	Lock nut M 12 X 1,5		2	
11	959 341 307 01	Bolt		2	
12	900 910 034 02	Lock nut M 10		2	
13	959 341 233 00	Control arm		1	
(13)	959 341 234 00	Control arm		1	
14	999 062 001 02	Stud BM 6 X 10		6	
15	959 341 262 05	Rubber mounting		4	
15	959 341 262 08	Rubber mounting		4	
16	959 341 052 02	Ball joint		2	
17	959 341 241 03	Spacer plate 5 MM		X	
17	959 341 241 04	Spacer plate 3 MM		X	
17	959 341 241 05	Spacer plate 1 MM		X	
17	959 341 241 06	Spacer plate 1,5 MM		X	
18	999 025 125 09	Washer 8,4 X 17 X 3		4	
18	999 025 125 01	Washer 8,4 X 17 X 3		4	
19	900 910 022 02	Lock nut VF M 8		4	
20	959 341 231 01	Eccentric		2	
21	959 341 235 00	Spacer plate 5 MM		X	
21	959 341 235 01	Spacer plate 3 MM		X	
21	959 341 235 02	Spacer plate 1 MM		X	
22	N 100 034 01	Washer 17		2	
23	900 910 064 02	Lock nut M 16 X 1,5		2	
24	959 341 067 00	Rubber mounting		2	
25	900 025 009 02	Washer 13		4	

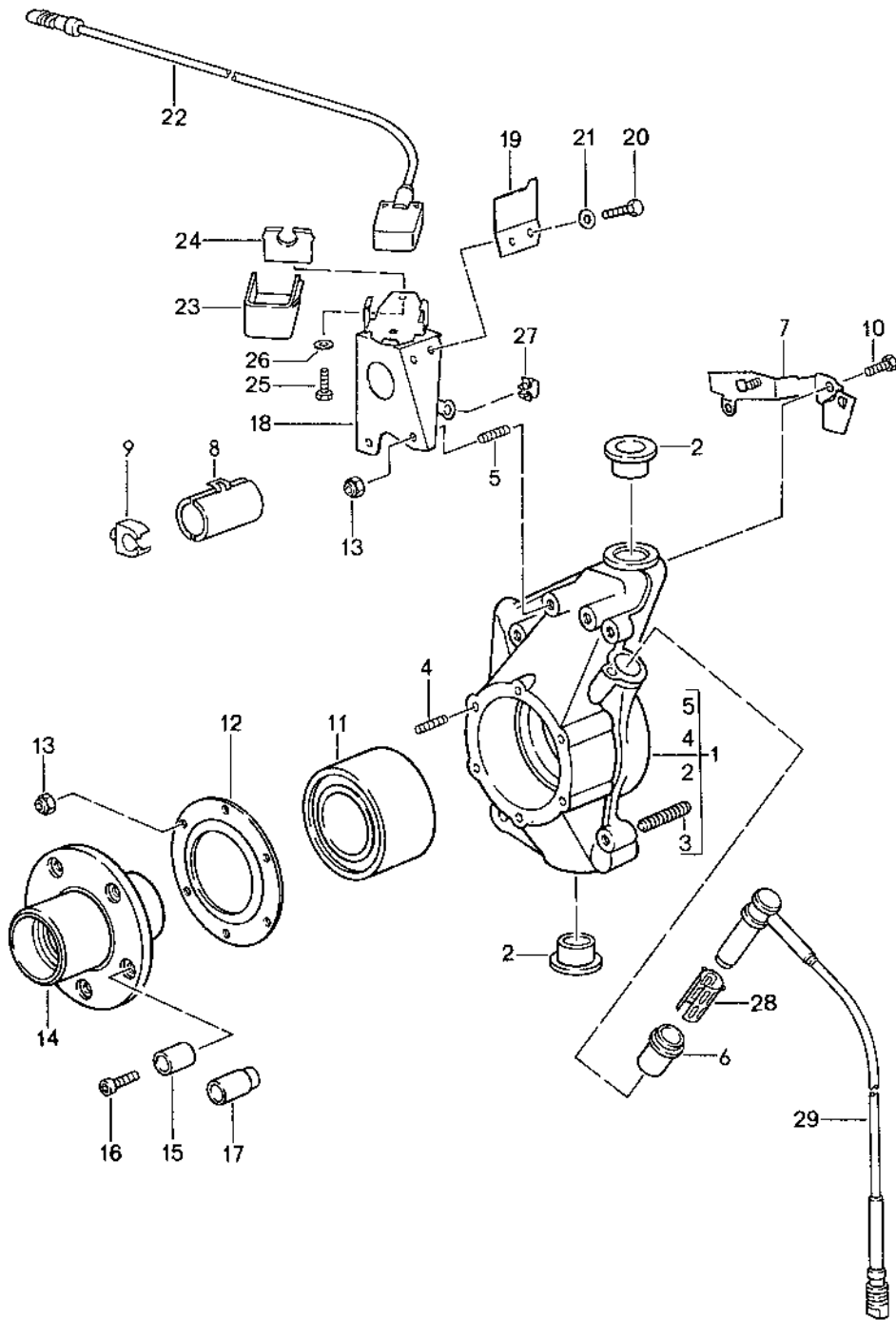
Model: 959 87

Model life 1987&gt;&gt;1988

Pos	Part Number	Description	Remark	Qty	Model
26	N 040 159 1	Hexagon-head bolt M 12 X 1,5 X 72		2	
27	900 082 059 02	Hexagon-head bolt M 12 X 1,5 X 115		2	
28	959 341 021 01	Cross member		1	
29	900 223 011 01	Washer 10,5		4	
29	900 223 011 02	Washer 10,5		4	
30	900 075 111 08	Hexagon-head bolt M 10 X 30		4	
31	900 074 160 02	Hexagon-head bolt M 12 X 1,5 X 75		2	
32	999 084 012 02	Lock nut M 12 X 1,5		2	
33	900 074 320 08	Hexagon-head bolt M 10 X 80		4	
34	900 025 008 09	Washer 10,5		4	
34	900 025 008 04	Washer 10,5		4	
35	959 341 232 00	Knurled screw M 8		4	

Model: 959 87

Model life 1987>>1988



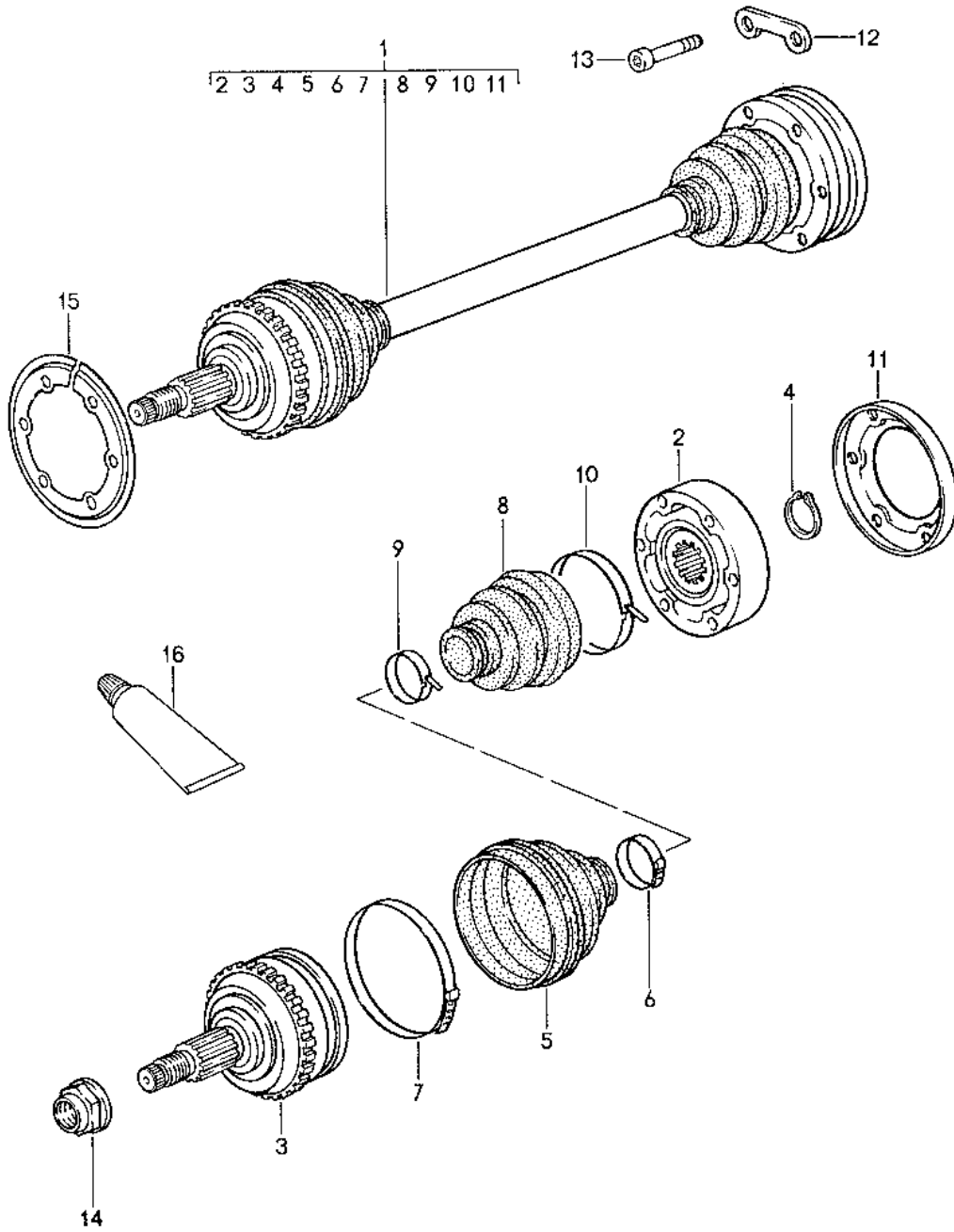
Model: 959 87

Model life 1987&gt;&gt;1988

Pos	Part Number	Description	Remark	Qty	Model
1	959 341 961 00	Wheel carrier		1	
(1)	959 341 962 00	Wheel carrier	/L	1	
2	959 341 621 00	Bush	/R	4	
3	999 062 292 09	Stud		4	
		M 10 X 45			
4	999 062 001 02	Stud		12	
		BM 6 X 10			
5	999 062 105 02	Stud		12	
		M 6 X 8			
6	959 332 617 00	Bush		2	
7	959 341 141 00	Support	/L	1	
(7)	959 341 142 00	Support	/R	1	
8	928 612 531 00	Push-on connector	/L	1	
(8)	928 612 531 01	Push-on connector	/R	1	
9	928 612 409 00	Clip		2	
10	N 010 210 13	Hexagon-head bolt		2	
		M 6 X 10			
11	959 341 631 01	Bearing		2	
12	959 341 609 00	Supporting plate		2	
13	900 910 010 02	Lock nut		12	
		M 6			
14	959 341 612 01	Wheel hub		2	
15	959 341 613 00	Driving pin		8	
16	900 067 008 02	Pan-head screw		10	
		M 6 X 12			
16	900 067 008 03	Pan-head screw		10	
		M 6 X 12			
17	959 341 613 02	Driving pin		2	
18	959 341 341 04	Support	/L	1	
(18)	959 341 342 04	Support	/R	1	
19	959 341 421 01	Protective plate	/L	1	
(19)	959 341 422 01	Protective plate	/R	1	
20	N 010 205 6	Hexagon-head bolt		4	
		M 5 X 10			
20	900 075 105 02	Screw		4	
		M 5 X 10			
21	N 012 226 5	Spring washer		4	
		B 6			
22	959 606 413 00	Sender		2	
23	959 361 061 00	Insulating piece		2	
24	959 361 645 00	Lid		2	
25	N 010 207 6	Hexagon-head bolt		2	
		M 5 X 12			
25	N 010 207 17	Hexagon-head bolt		2	
		M 5 X 12			
26	N 012 225 3	Spring washer		2	
		B 5			
27	181 971 847	Cable clip		2	
28	959 606 408 00	Bush		2	
29	959 606 403 00	Speed sensor		2	

Model: 959 87

Model life 1987>>1988



Model: 959 87

Model life 1987&gt;&gt;1988

Pos	Part Number	Description	Remark	Qty	Model
1	959 349 010 11	Drive shaft		2	
2	928 332 030 08	Joint		2	
3	959 349 030 00	Joint		2	
4	999 152 084 01	Circlip		2	
5	959 349 293 00	Bellows		2	
6	959 349 295 00	Hose clamp		2	
7	959 349 296 00	Hose clamp		2	
7	959 349 296 01	Hose clamp		2	
8	928 332 293 02	Dust bellows		2	
9	928 332 257 01	Clip		2	
10	911 332 257 00	Clip		2	
11	959 332 269 00	Lid		2	
12	911 332 191 00	Plate		6	
13	900 067 123 01	Pan-head screw M 10 X 50		12	
14	999 084 431 02	Lock nut M 22 X 1,5		2	
15	959 332 637 00	Cover plate		2	
16	000 043 110 01	Grease 100 G		1	





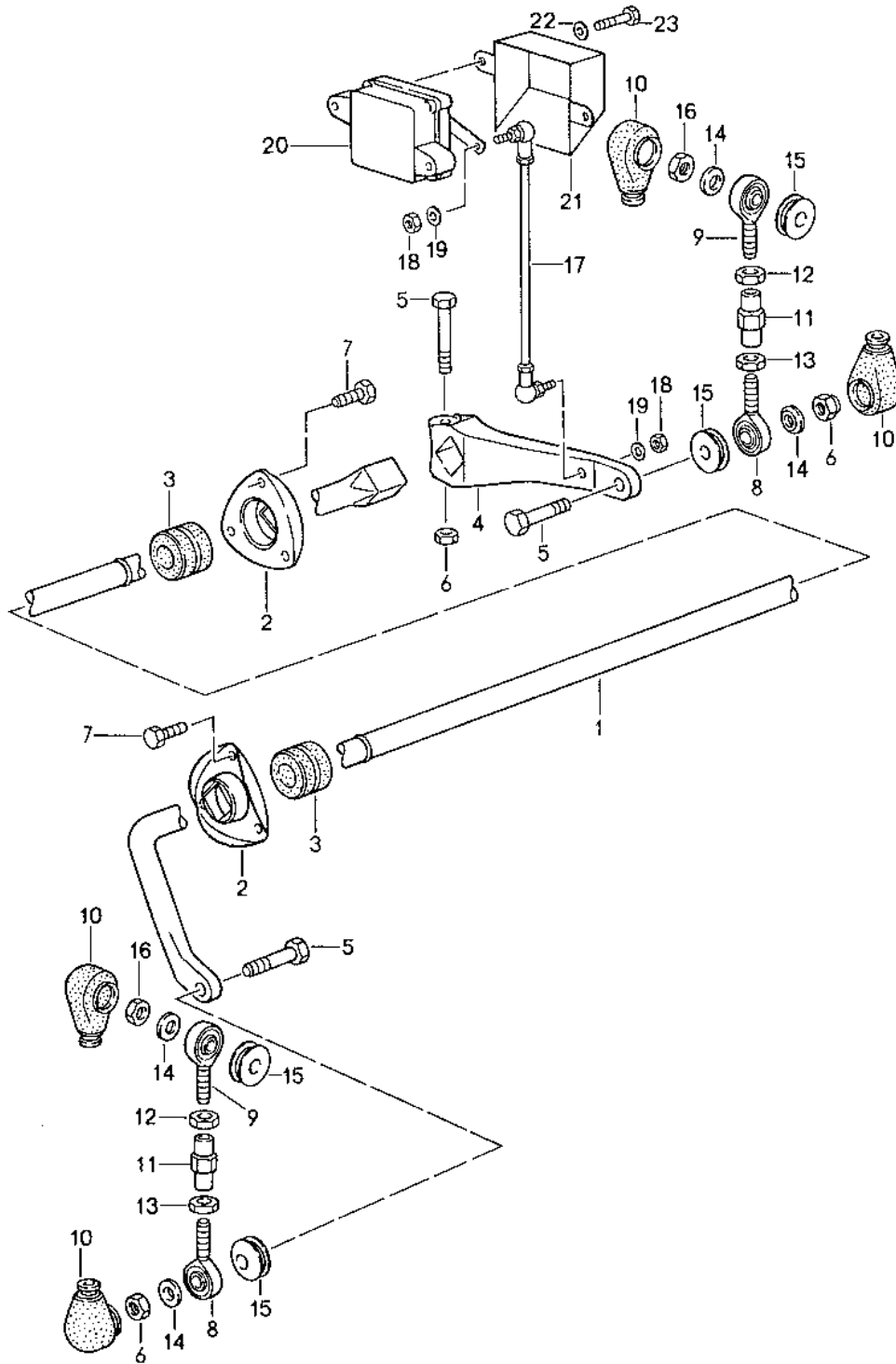
Model: 959 87

Model life 1987&gt;&gt;1988

Pos	Part Number	Description	Remark	Qty	Model
		suspension			
		Vibration damper			
1	959 343 063 02	Suspension cylinder		2	KOMFORT
1	959 343 063 03	Suspension cylinder		2	KOMFORT
1	959 343 063 CX	Suspension cylinder		2	KOMFORT
(1)	959 343 501 03	Vibration damper		2	SPORT
2	959 343 525 01	Bush		2	KOMFORT
3	959 333 524 00	Washer		2	KOMFORT
(3)	911 333 523 00	Washer		2	SPORT
		10,1 X 42 X 3			
4	959 343 511 03	Vibration damper		2	KOMFORT
4	959 343 511 CX	Vibration damper		2	KOMFORT
4	959 343 501 11	Vibration damper		2	SPORT
-	959 343 501 LX	Vibration damper		2	SPORT
5	928 333 513 01	Adjusting nut		2	KOMFORT
				4	SPORT
6	959 343 106 00	Spring		2	KOMFORT
6	959 343 102 00	Spring		4	SPORT
7	959 343 151 01	Additional spring		2	KOMFORT
				4	SPORT
8	959 343 521 03	Concave washer		2	
8A	959 343 521 02	Concave washer		2	SPORT
9	959 343 529 00	Support washer		2	
		12,1 X 18 X 2			
9A	959 343 530 00	Support washer		2	SPORT
		10 X 18 X 2			
10	999 084 023 02	Uni-stop nut		4	KOMFORT
		M 12 X 1,5		2	SPORT
10	N 022 141 4	Lock nut		4	KOMFORT
		M 12 X 1,5		2	SPORT
10	900 084 013 02	Lock nut		2	SPORT
		M 10 X 1			
11	959 343 523 00	Suspension strut mounting		2	
12	959 343 271 00	Bush		6	
-	999 704 141 40	Sealing washer		4	
13	959 343 725 00	Bush		2	
14	959 333 052 00	Drive flange		2	
15	959 624 075 01	Electric motor		2	
16	900 910 022 02	Lock nut		6	
		M 8			
17	999 025 125 09	Washer		6	
		8,4 X 17 X 3,1			
17	999 025 125 01	Washer		6	
		8,4 X 17 X 3,1			

Model: 959 87

Model life 1987>>1988



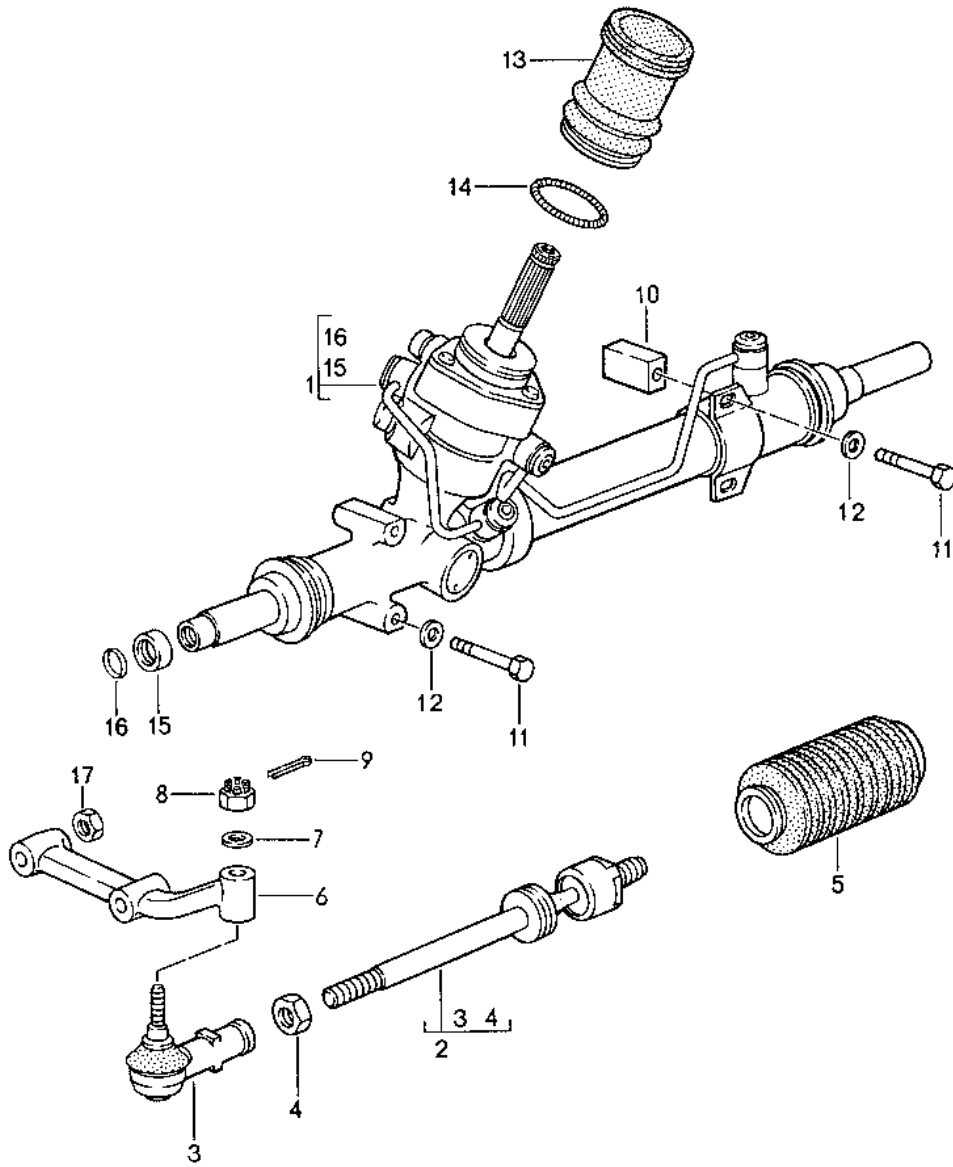
Model: 959 87

Model life 1987>>1988

Pos	Part Number	Description	Remark	Qty	Model
1	959 343 704 01	Stabiliser Stabiliser \$ 20		1	
2	959 343 755 00	Stabiliser mounting		2	
3	959 343 757 01	Rubber mounting \$ 18,5		2	
4	959 343 714 01	Lever		1	
5	N 010 023 2	Hexagon-head bolt M 10 X 45		3	
6	900 910 031 09	Lock nut M 10		3	
6	900 910 031 01	Lock nut M 10		3	
7	N 010 237 6	Hexagon-head bolt M 8 X 12		6	
7	N 010 237 14	Hexagon-head bolt M 8 X 12		6	
8	959 343 039 00	Swivel head		2	
9	959 343 040 00	Swivel head		2	
10	959 343 721 01	Sealing bellows		4	
11	959 343 718 01	Connecting rod		2	
12	900 158 003 02	Hexagon nut M 10 Right thread		2	
13	900 158 005 02	Hexagon nut M 10 Left thread		2	
14	959 343 272 00	Washer		4	
15	959 343 723 00	Spacer		2	
16	900 910 034 02	Lock nut M 10		2	
17	959 343 043 00	Connecting rod		1	
18	900 910 007 02	Lock nut M 5		2	
19	900 025 003 02	Washer A 5,3		2	
20	959 618 303 00	Drive link		1	
21	959 618 305 00	Stone guard		1	
22	900 025 007 02	Washer A 8,4		2	
22	900 025 007 03	Washer A 8,4		2	
23	N 010 335 5	Hexagon-head bolt M 8 X 35		2	
23	900 075 032 03	Hexagon-head bolt M 8 X 35		2	

Model: 959 87

Model life 1987>>1988



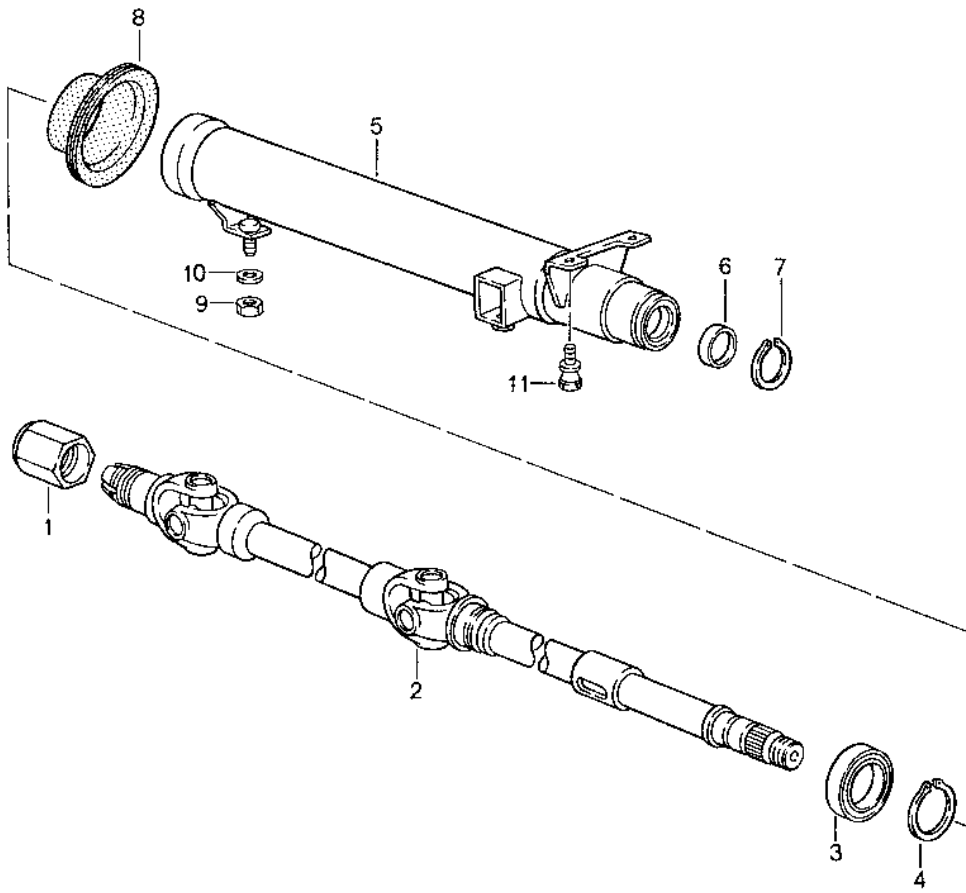
Model: 959 87

Model life 1987&gt;&gt;1988

Pos	Part Number	Description	Remark	Qty	Model
		Steering gear			
		Tie rod			
1	959 347 010 20	Steering gear		1	
2	959 347 031 21	Tie rod		2	
2	959 347 031 22	Tie rod		2	
3	930 347 322 00	Ball joint		2	
4	900 034 024 02	Hexagon nut M 14 X 1,5		2	
5	171 419 831 C	Boot		2	
5	PCG 419 831 C	Bellows		2	
6	959 347 201 03	Steering arm		2	
7	999 025 140 02	Washer 10,5 X 21 X 4		2	
8	N 011 210 1	Castle nut M 10 X 1		2	
9	900 021 013 00	Cotter pin 2 X 25		2	
10	959 347 244 00	Spacer		2	
11	N 010 248 1	Hexagon-head bolt M 8 X 60		4	
12	900 025 007 02	Washer A 8,4		4	
12	900 025 007 03	Washer A 8,4		4	
13	959 347 333 02	Gasket		1	
14	901 347 308 00	Retainer spring		1	
15	959 347 359 01	Stop		2	
16	999 701 600 40	O-ring 22 X 4		2	
17	900 910 034 02	Lock nut M 10		4	

Model: 959 87

Model life 1987>>1988



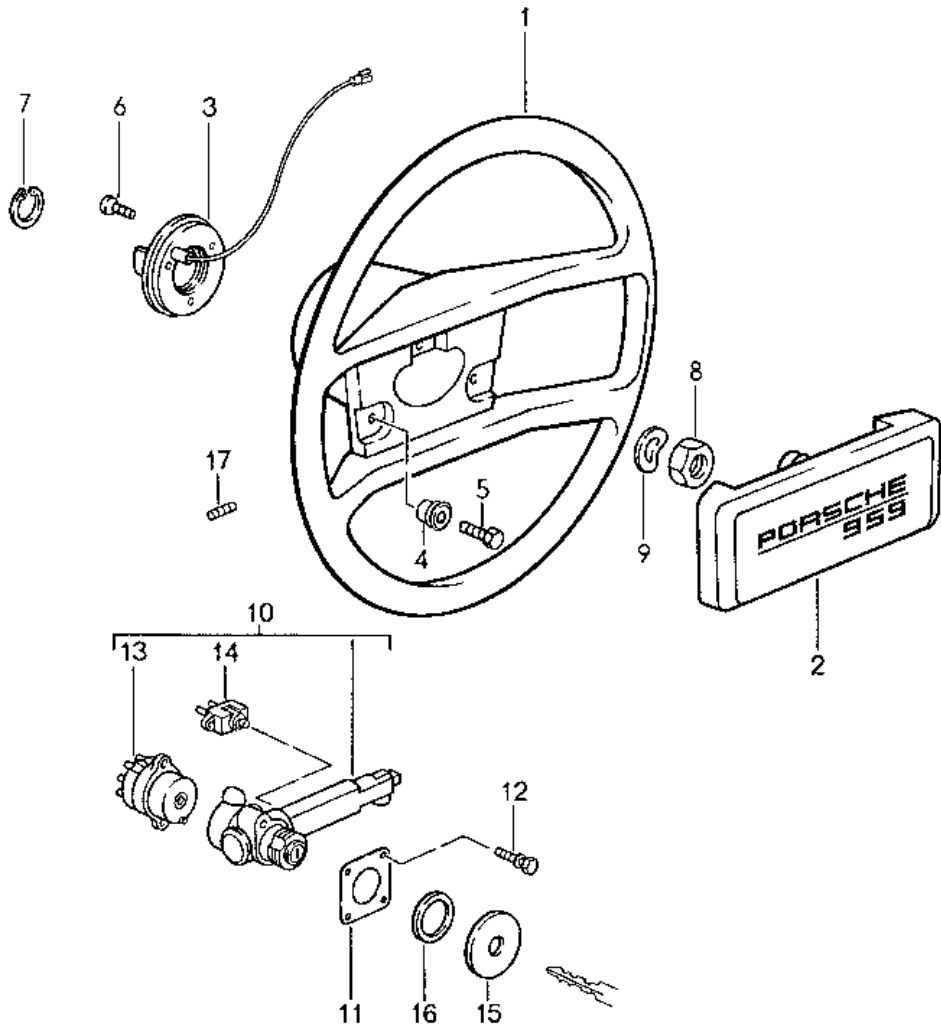
Model: 959 87

Model life 1987&gt;&gt;1988

Pos	Part Number	Description	Remark	Qty	Model
		Steering shaft			
		Steering outer tube			
1	959 347 625 01	Clamping nut		1	
2	959 347 059 20	Steering shaft		1	
3	999 052 133 00	Deep-groove ball bearing		1	
4	N 012 375 1	Circlip 30 X 1,5		1	
5	959 347 063 20	Steering outer tube		1	
6	999 234 004 00	Shim		1	
7	999 042 017 01	Snap ring A 22 X 1,2		1	
8	959 347 333 00	Gasket		1	
9	900 076 025 02	Hexagon nut M 8		1	
9	900 076 064 02	Hexagon nut M 8		1	
10	900 151 008 02	Washer B 8,4		1	
11	901 347 753 00	Shear bolt		2	

Model: 959 87

Model life 1987>>1988





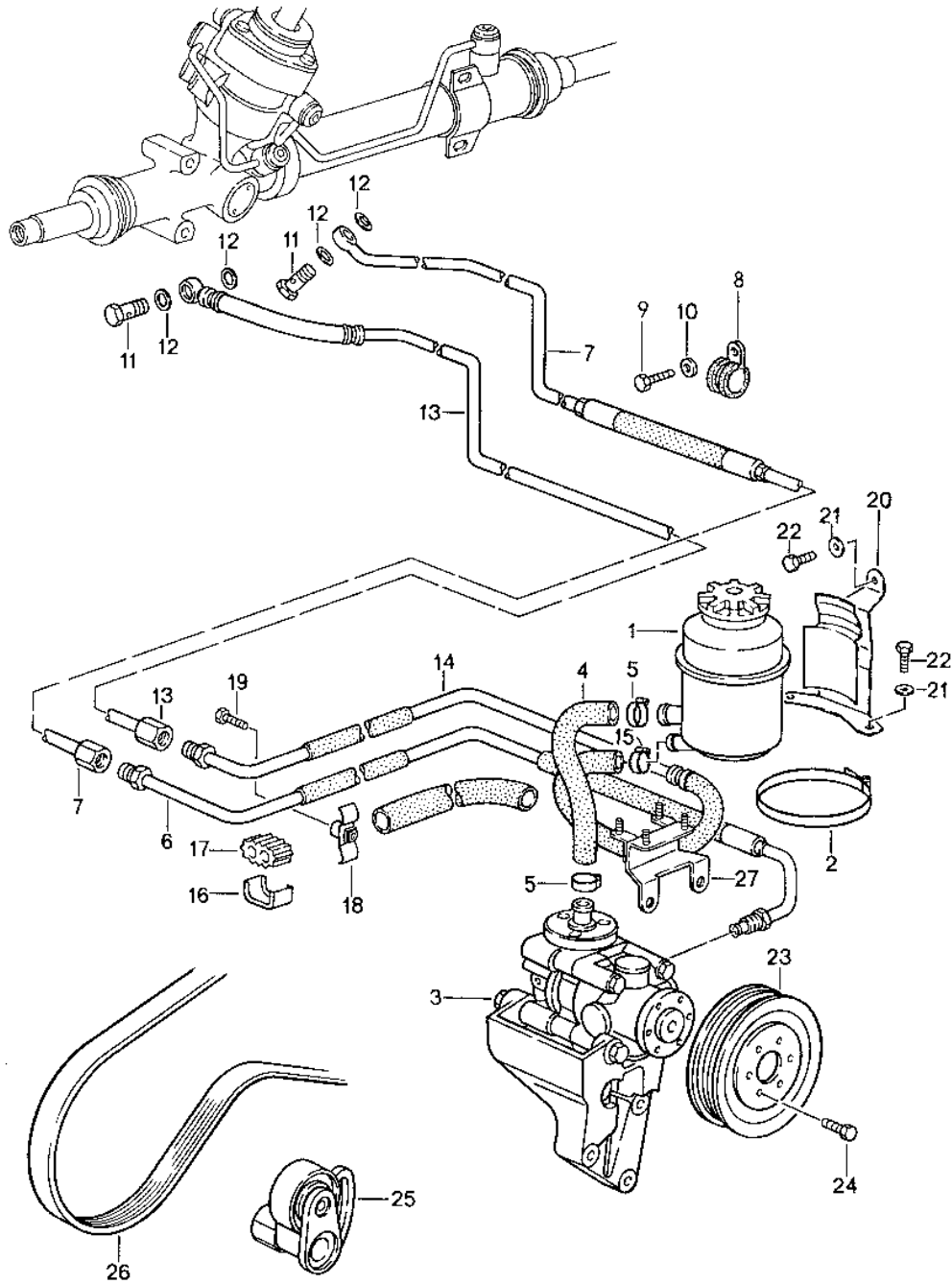
Model: 959 87

Model life 1987&gt;&gt;1988

Pos	Part Number	Description	Remark	Qty	Model
1	959 347 084 00	Steering wheel Sports steering wheel \$ 380 MM		1	
	959 347 084 00 4DF	Dark grey metallic			
	959 347 084 00 3MF	Burgundy-metallic			
2	959 347 859 00	Padded cap		1	
	959 347 859 00 4DF	Dark grey metallic			
	959 347 859 00 3MF	Burgundy-metallic			
3	928 347 099 00	Slip ring		1	
4	321 419 779 A	Insulating bush		3	
5	113 415 867 A	Hexagon-head bolt		3	
6	113 415 869	Oval-head screw 3,5 X 10		3	
7	113 415 531	Circlip		1	
8	900 078 007 02	Hexagon nut M 18 X 1,5		1	
9	N 012 239 1	Spring washer B 18		1	
10	911 613 902 02	Steering lock W/o stipulated lock number		1	
11	911 347 359 01	Tab washer		1	
12	999 219 017 02	Shear bolt		2	
13	964 613 012 00	Ignition starter switch		1	
14	911 613 125 00	Buzzer contact		1	
15	911 613 160 01	Rosette		1	
	911 613 160 01 70B	Black			
16	911 613 169 00	Washer		1	
16	911 613 169 01	Washer		1	
17	999 219 024 02	Shear bolt		1	

Model: 959 87

Model life 1987>>1988



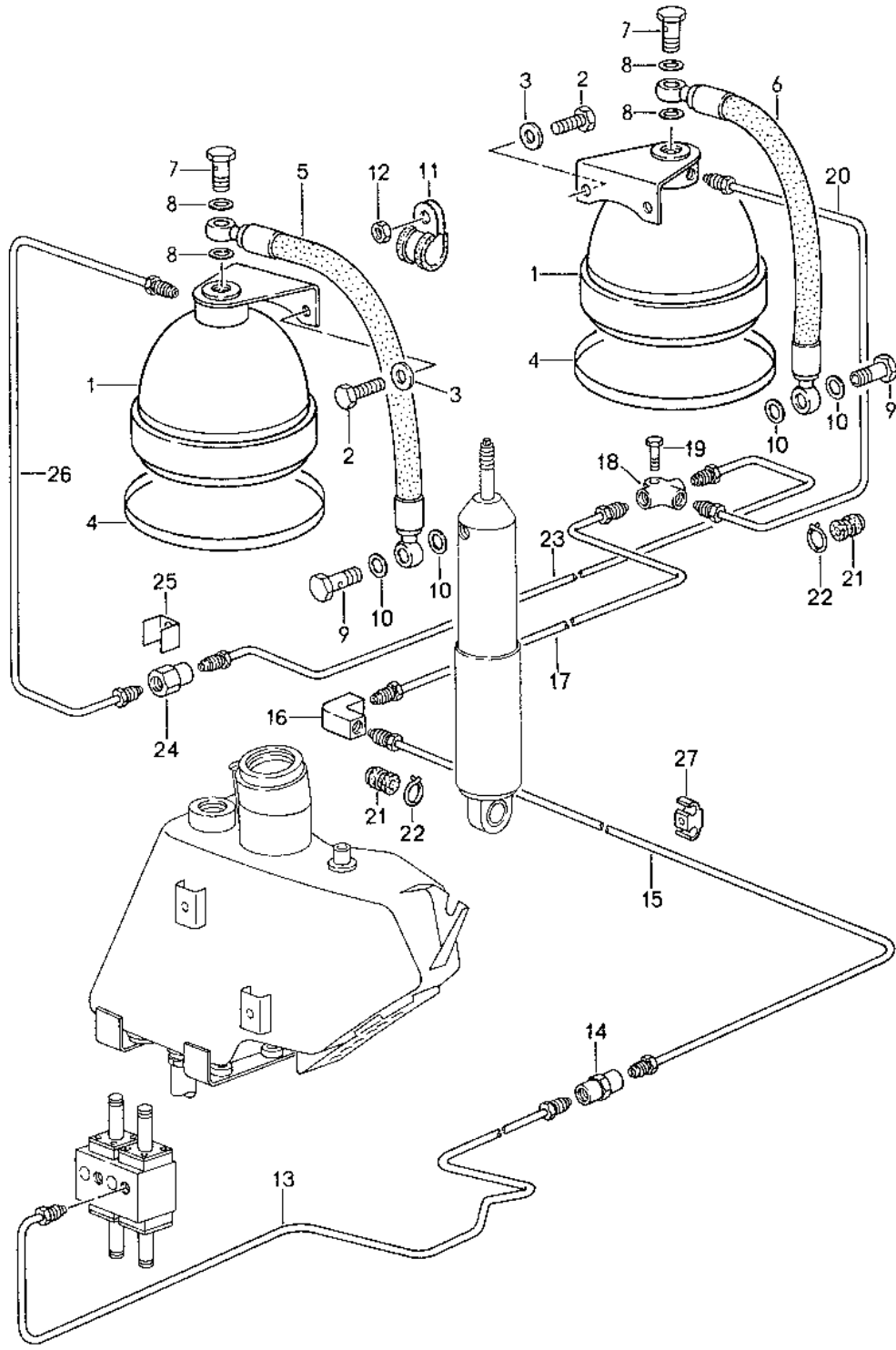
Model: 959 87

Model life 1987>>1988

Pos	Part Number	Description	Remark	Qty	Model
		Power steering Lines			
1	959 347 015 00	Oil tank		1	
1	993 347 015 01	Oil tank		1	
2	999 512 350 02	Hose clamp		1	
3	959 347 089 00	Tandem pump		1	KOMFORT
(3)	959 347 090 00	Vane type pump		1	SPORT
4	959 347 445 00	Hose		1	
5	999 512 346 00	Hose clamp A 9/22		2	
6	959 347 447 00	Pressure line		1	
7	959 347 448 01	Pressure line		1	
8	999 511 066 02	Clamp B 15 X 18		1	
9	999 072 005 09	Hexagon nut M 6 X 12		1	
9	999 072 005 01	Hexagon nut M 6 X 12		1	
10	N 011 524 7	Washer A 6,4		3	
10	N 011 524 27	Washer A 6,4		3	
11	999 134 032 02	Banjo bolt M 12 X 1,5		2	
12	900 123 026 20	Sealing ring D 12 X 6		4	
13	959 347 449 01	Return line		1	
14	959 347 450 00	Return line		1	
15	999 512 554 00	Hose clamp		1	
16	928 356 555 00	Clamp		7	
17	928 356 525 01	Rubber mounting		7	
18	959 347 278 00	Support		1	
19	N 010 217 9	Hexagon-head bolt M 6 X 20		1	
20	959 347 034 00	Support		1	
21	900 031 011 02	Washer 6,4		3	
22	N 010 210 13	Hexagon-head bolt M 6 X 10		3	
23	959 112 139 00	Pulley		1	
24	999 072 005 09	Hexagon nut 6 X 12		3	
24	999 072 005 01	Hexagon nut 6 X 12		3	
25	959 112 025 00	Tensioning roller		1	
26	999 192 302 50	Poly-rib belt 979 MM without air conditioner		1	
26	999 192 301 50	Poly-rib belt 1451 MM with air conditioner		1	
(26)	999 192 382 50	Poly-rib belt 1446 MM with air conditioner		1	
27	959 607 031 02	Support		1	
28	999 074 036 02	Hexagon-head bolt M 8 X 37		1	
28	999 074 037 02	Hexagon-head bolt M 8 X 50		2	
28	999 074 038 02	Hexagon-head bolt M 8 X 80		1	

Model: 959 87

Model life 1987>>1988

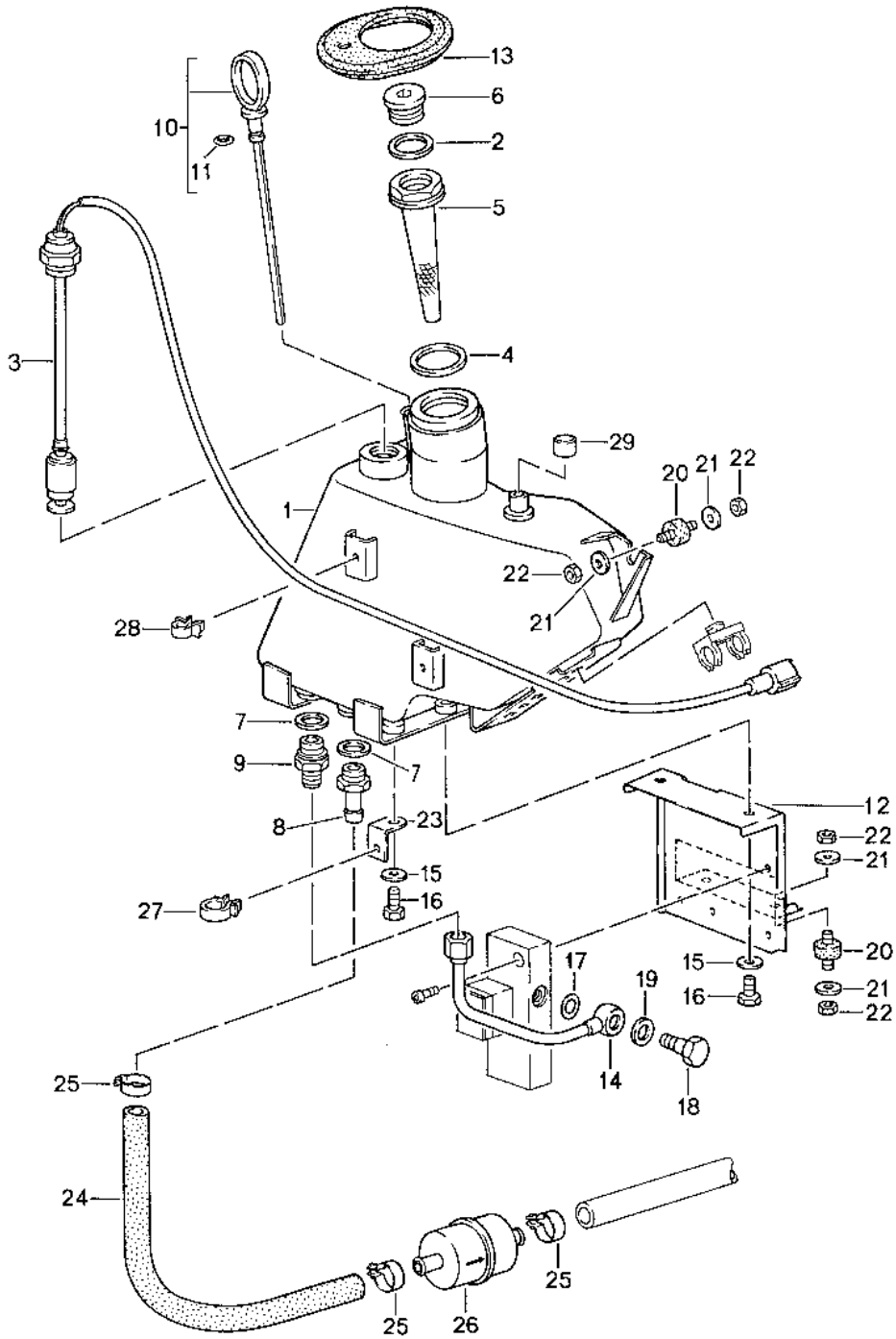


Model: 959 87 Model life 1987>>1988

Pos	Part Number	Description	Remark	Qty	Model
		Level adjustment Lines Front			
1	959 358 043 00	Pressure accumulator		2	
2	900 075 087 02	Hexagon-head bolt M 8 X 16		4	
2	900 075 087 03	Hexagon-head bolt M 8 X 16		4	
3	900 025 007 02	Washer A 8,4		4	
3	900 025 007 03	Washer A 8,4		4	
4	N 024 530 1	Hose clamp SB120-140		2	
5	959 358 045 00	Pressure hose	/L	1	
6	959 358 046 00	Pressure hose	/R	1	
7	N 021 071 2	Banjo bolt LL 8		2	
8	900 123 005 30	Sealing ring A 12 X 16		4	
9	N 021 074 1	Banjo bolt LL10		2	
9	N 021 074 7	Banjo bolt LL10		2	
10	900 123 042 20	Sealing ring D 14 X 18		4	
11	999 511 118 02	Pipe clamp B 15 X 15		2	
11	999 511 118 01	Pipe clamp B 15 X 15		2	
12	900 076 010 02	Nut M 6		2	
12	900 076 010 0B	Nut M 6		2	
13	959 358 063 00	Line		1	
14	914 355 661 00	Intermediate piece		1	
15	959 358 061 00	Line		1	
16	901 355 615 00	Angled pipe		1	
16	901 355 615 01	Angled pipe		1	
17	959 358 056 01	Line		1	
18	914 355 667 00	Distributor		1	
19	900 075 017 02	Hexagon-head bolt M 6 X 25		1	
19	900 075 017 03	Hexagon-head bolt M 6 X 25		1	
20	959 358 052 01	Line		1	
21	914 355 651 00	Rubber sleeve		2	
22	914 355 652 00	Clamp		2	
23	959 358 053 01	Line		1	
24	951 355 661 00	Intermediate piece		1	
25	803 611 715	Retainer spring		1	
26	959 358 055 01	Line		1	
27	811 611 797	Clip		10	

Model: 959 87

Model life 1987>>1988



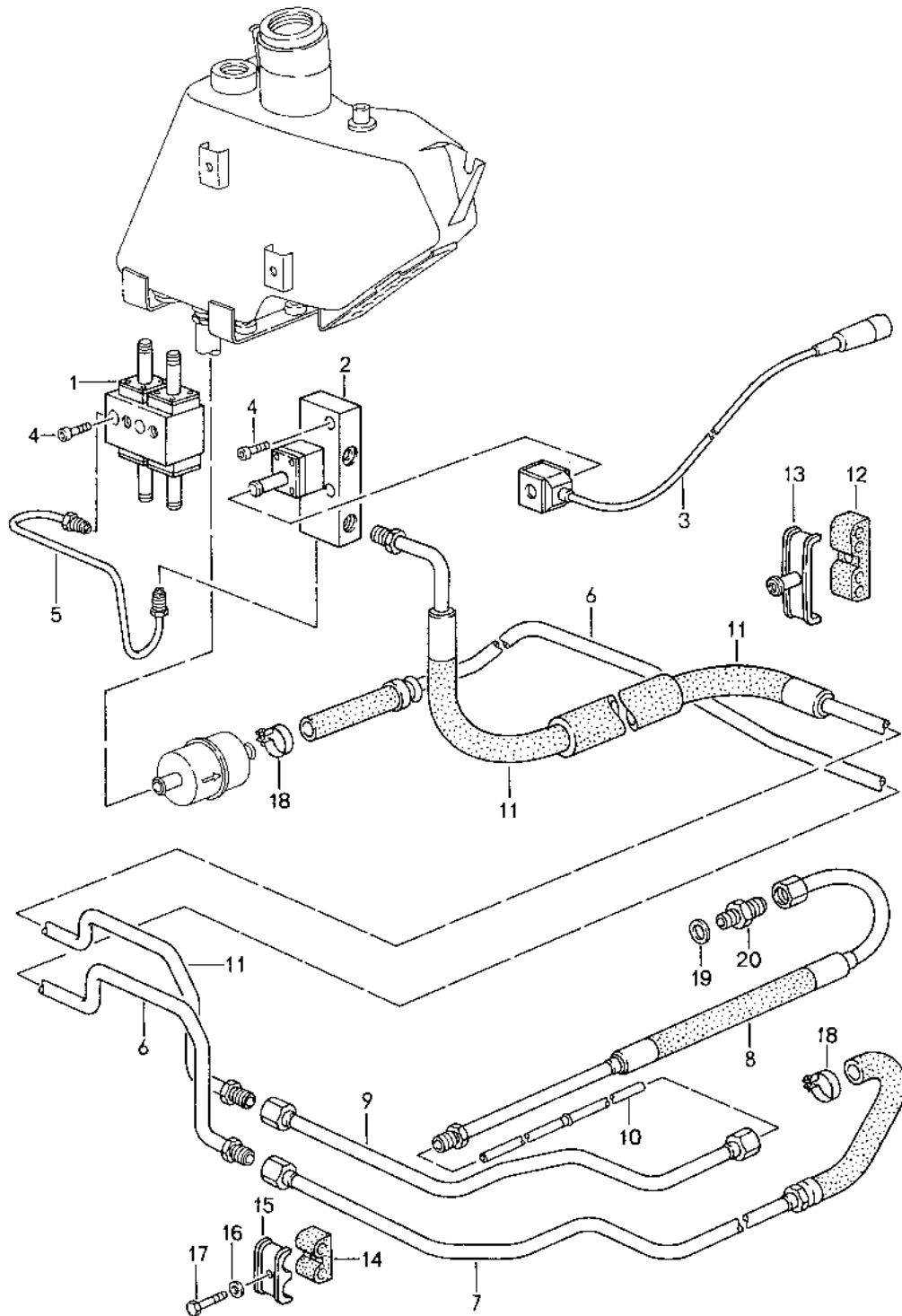
Model: 959 87

Model life 1987&gt;&gt;1988

Pos	Part Number	Description	Remark	Qty	Model
		Level adjustment			
		Oil tank			
1	959 358 024 00	Oil tank		1	
2	900 123 011 30	Sealing ring		2	
		A 22 X 27			
3	959 606 415 00	Tank gauge switch		1	
4	900 123 015 30	Sealing ring		1	
		A 30 X 36			
5	959 358 771 00	Filter		1	
6	900 219 001 30	Screw plug		1	
		M 22 X 1,5			
7	900 123 007 30	Sealing ring		2	
		A 14 X 18			
8	959 358 631 00	Union		1	
9	N 021 851 1	Connection piece		1	
		M 14 X 1,5			
10	959 358 081 00	Oil level dipstick		1	
11	900 174 063 40	Round seal		1	
		6 X 2			
12	959 358 032 01	Support		1	
13	959 358 634 01	Sealing ring		1	
14	959 358 069 00	Line		1	
15	900 025 007 02	Washer		4	
		A 8,4			
15	900 025 007 03	Washer		4	
		A 8,4			
16	N 010 237 6	Hexagon-head bolt		4	
		M 8 X 12			
16	N 010 237 14	Hexagon-head bolt		4	
		M 8 X 12			
17	900 123 066 30	Sealing ring		1	
		A 10 X 16			
18	901 355 531 00	Banjo bolt		1	
19	900 123 055 30	Sealing ring		1	
		A 12 X 17			
20	999 689 001 00	Bonded rubber mounting		3	
21	999 025 082 02	Washer		2	
		6,5			
22	900 076 010 02	Nut		5	
		M 6			
22	900 076 010 0B	Nut		5	
		M 6			
23	959 607 313 00	Support		1	
24	959 358 682 00	Hose		1	
25	N 023 569 2	Hose clamp		2	
		AR 9 X 16			
25	PCG 023 569 2	Hose clamp		2	
		AR 9 X 16			
26	959 358 770 00	Filter		1	
27	291 711 245	Cable clip		2	
		White			
28	181 971 847	Cable clip		1	
		Black			
29	014 301 485	Cap		1	

Model: 959 87

Model life 1987>>1988





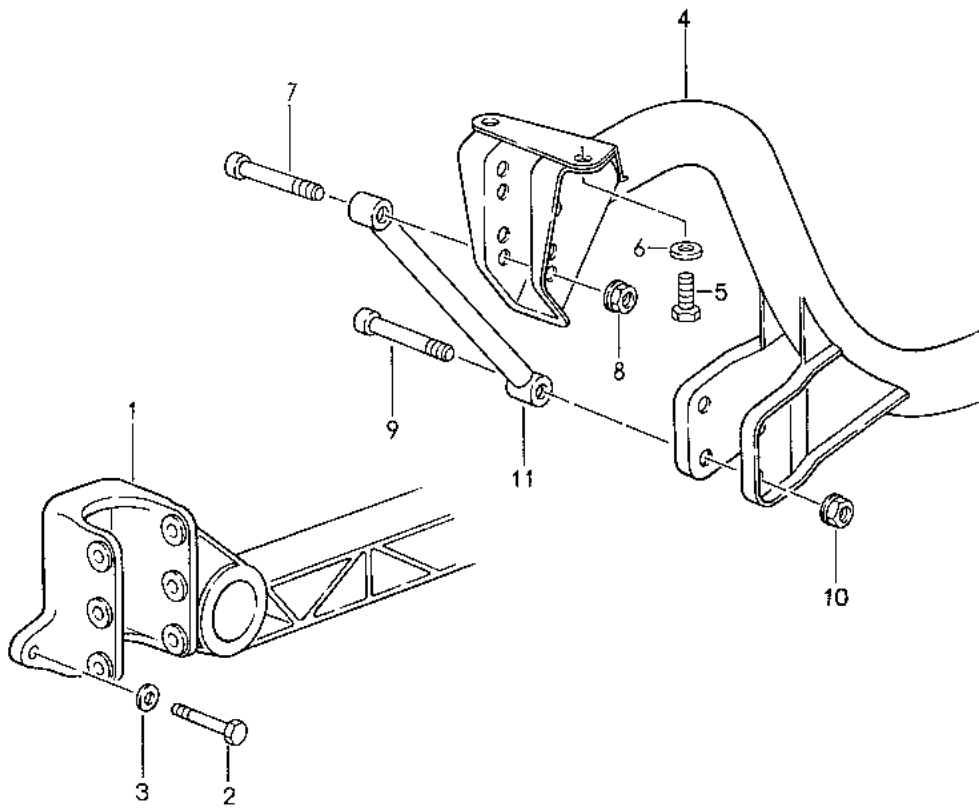
Model: 959 87

Model life 1987>>1988

Pos	Part Number	Description	Remark	Qty	Model
		Level adjustment Control			
1	959 358 615 01	Control mechanism		1	
2	959 358 617 00	Control mechanism		1	
3	959 606 351 00	Solenoid valve		1	
4	900 067 289 02	Pan-head screw M 5 X 14		4	
5	959 358 066 00	Line		1	
6	959 358 064 01	Intake pipe		1	
7	959 358 065 00	Intake pipe		1	
8	959 358 167 00	Pressure line		1	
9	959 358 168 00	Pressure line		1	
10	959 358 165 00	Hose		1	
11	959 358 050 02	Pressure line		1	
12	928 356 551 01	Rubber mounting		3	
13	959 358 553 00	Clamp		3	
14	928 356 525 01	Rubber mounting		3	
15	959 358 555 00	Clamp		3	
16	900 025 002 02	Washer A 4,3		2	
16	900 025 002 03	Washer A 4,3		2	
17	N 010 301 1	Hexagon-head bolt M 4 X 35		2	
18	N 023 569 2	Hose clamp AR 9 X 16		2	
18	PCG 023 569 2	Hose clamp AR 9 X 16		2	
19	900 123 101 30	Sealing ring A 12 X 18		1	
20	999 136 026 02	Union M 12 X 1,5		1	

Model: 959 87

Model life 1987>>1988



Model: 959 87

Model life 1987>>1988

Pos	Part Number	Description	Remark	Qty	Model
		Rear axle			
		Cross member			
		Cross member			
1	959 331 321 01	Cross member		1	
2	N 010 460 2	Hexagon-head bolt		4	
		M 10 X 60			
3	900 025 008 09	Washer		4	
		10,5			
3	900 025 008 04	Washer		4	
		10,5			
4	959 331 031 00	Cross member		1	
5	900 075 111 08	Hexagon-head bolt		4	
		M 10 X 30			
6	900 223 011 01	Washer		4	
		10,5			
6	900 223 011 02	Washer		4	
		10,5			
7	900 067 154 02	Pan-head screw		2	
		M 12 X 1,5 X 70			
8	900 910 046 02	Lock nut		2	
		M 12 X 1,5			
8	999 084 439 09	Lock nut		2	
		M 12 X 1,5			
8	999 084 445 09	Lock nut		2	
		M 12 X 1,5			
8	999 084 445 01	Lock nut		2	
		M 12 X 1,5			
9	900 067 268 02	Pan-head screw		2	
		M 12 X 1,5 X 80			
10	900 380 010 09	Lock nut		2	
		M 12 X 1,5			
11	959 331 041 01	Strut	/L	1	
(11)	959 331 042 01	Strut	/R	1	



Model: 959 87

Model life 1987&gt;&gt;1988

Pos	Part Number	Description	Remark	Qty	Model
1	959 331 033 02	Rear-axle trailing arm Control arm	/L	1	
(1)	959 331 034 02	Control arm	/R	1	
2	959 331 175 00	Articulated carrier		2	
3	959 331 177 00	Ball joint		2	
4	900 380 010 09	Lock nut M 12 X 1,5		2	
5	900 067 063 02	Pan-head screw M 10 X 20		6	
6	959 341 241 03	Spacer plate 5 MM		2	
(6)	959 341 241 04	Spacer plate 3 MM		*	
(6)	959 341 241 05	Spacer plate 1 MM		*	
7	900 067 068 02	Pan-head screw M 8 X 55		4	
8	959 331 327 01	Sleeve		4	
9	959 331 277 05	Plain bearing Green		2	
10	959 331 409 00	Thrust washer		2	
11	999 084 423 02	Lock nut M 8		2	
12	959 341 281 00	Clip		2	
13	959 341 280 00	Hexagon-head bolt M 10 X 55		4	
14	900 025 008 09	Washer 10,5		8	
14	900 025 008 04	Washer 10,5		8	
15	959 331 029 00	Wishbone	/L	1	
(15)	959 331 030 00	Wishbone	/R	1	
16	959 331 252 05	Bush Green		2	
17	959 331 725 01	Articulated support		2	
18	959 331 254 00	Bush		2	
19	959 331 259 00	Tie rod		2	
20	959 331 255 01	Swivel head	/L	2	
21	959 331 256 01	Swivel head	/R	2	
22	999 034 015 02	Hexagon nut M 14 X 1,5		2	
23	999 034 016 02	Hexagon nut M 14 X 1,5		2	
24	N 010 141 4	Hexagon-head bolt M 12 X 1,5		2	
25	959 331 279 00	Spacer tube		2	
26	N 022 141 4	Lock nut M 12 X 1,5		2	
27	959 331 229 00	Bolt		2	
28	959 331 253 00	Support washer		2	
29	900 910 092 02	Lock nut M 16		4	
29	900 360 007 01	Lock nut M 16		4	
30	959 331 210 00	Screw plug		2	
31	900 910 094 02	Lock nut M 14 X 1,5		2	
32	959 331 067 00	Rubber mounting		2	
33	959 331 267 01	Washer		2	
34	959 331 268 00	Washer		2	
35	900 074 181 02	Screw M 10 X 95		4	
36	900 910 031 09	Lock nut		4	

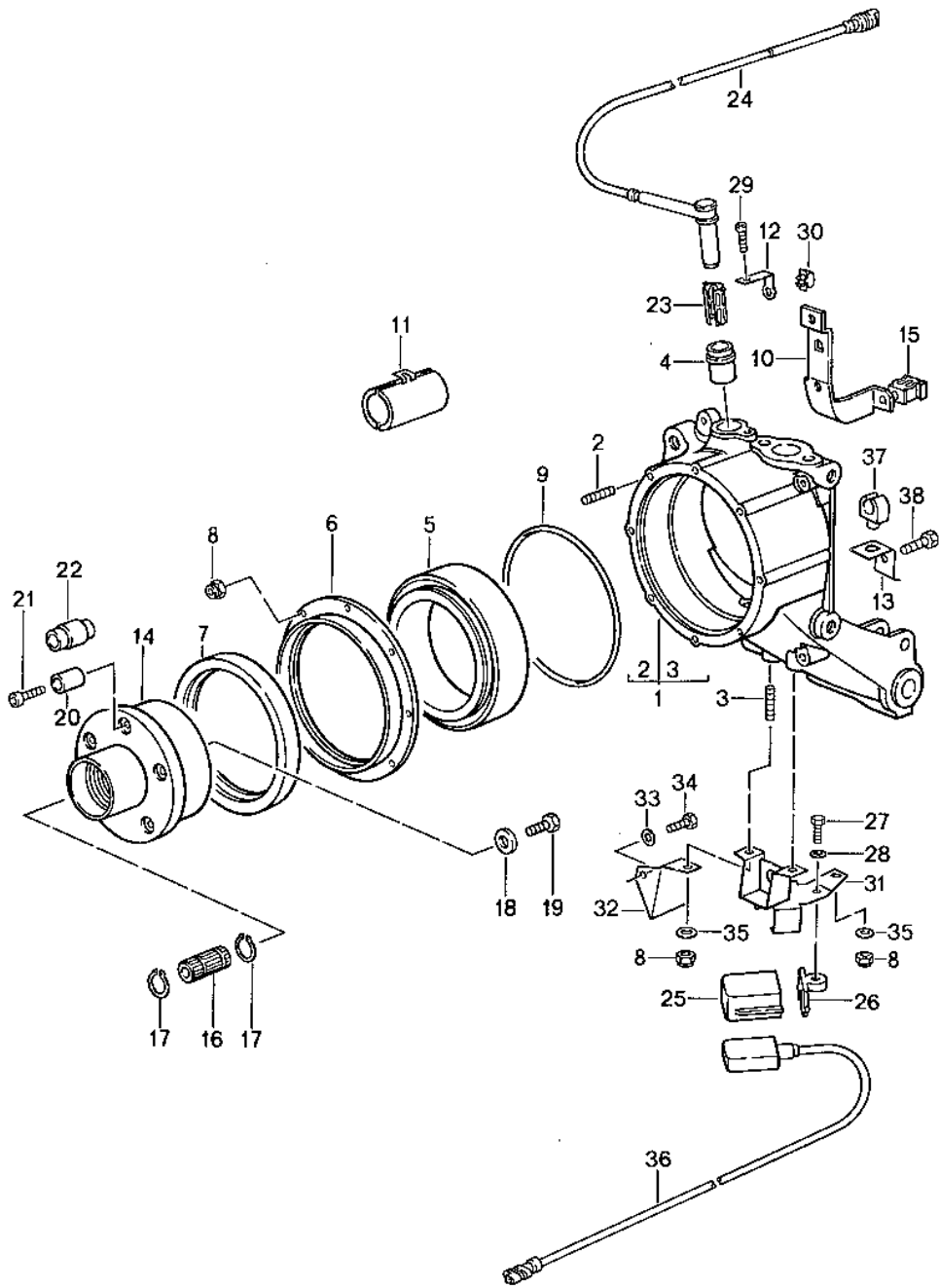
Model: 959 87

Model life 1987>>1988

Pos	Part Number	Description	Remark	Qty	Model
36	900 910 031 01	M 10 Lock nut		4	
37	900 025 008 09	M 10 Washer		8	
37	900 025 008 04	10,5 Washer		8	
38	959 331 279 00	10,5 Spacer tube		2	
39	959 331 281 01	Sealing rubber		2	
40	900 081 004 02	Stud		2	
41	900 184 008 00	M 8 X 20 Dowel pin		2	
42	959 333 043 00	4 X 10 Connecting rod		1	
43	900 910 007 02	Lock nut		2	
44	900 025 003 02	M 5 Washer		2	
45	959 618 304 00	A 5,3 Drive link		1	
46	959 618 307 00	Stone guard		1	
47	900 025 007 02	Washer		2	
47	900 025 007 03	A 8,4 Washer		2	
48	N 010 335 5	A 8,4 Hexagon-head bolt		2	
48	900 075 032 03	M 8 X 35 Hexagon-head bolt		2	
49	959 331 270 06	M 8 X 35 Plain bearing Green		2	

Model: 959 87

Model life 1987>>1988



Model: 959 87 Model life 1987>>1988

Pos	Part Number	Description	Remark	Qty	Model
1	959 331 963 00	Wheel carrier	/L	1	
(1)	959 331 964 00	Wheel carrier	/R	1	
2	999 062 055 02	Stud BM 6 X 12		16	
3	999 062 001 02	Stud BM 6 X 10		4	
4	959 332 618 00	Bush		2	
5	959 331 065 01	Bearing		2	
6	959 331 609 01	Retainer		2	
7	956 331 703 00	Shaft sealing ring		4	
8	900 910 010 02	Lock nut VF M6		22	
9	999 701 831 40	O-ring 142 X 3		2	
10	959 331 431 01	Support	/L	1	
(10)	959 331 432 01	Support	/R	1	
11	928 612 531 00	Push-on connector	/L	1	
(11)	928 612 531 01	Push-on connector	/R	1	
12	959 331 613 02	Support		2	
13	959 612 220 00	Support		2	
14	959 331 612 01	Wheel hub		2	
15	928 612 529 01	Cable clip		2	
16	959 331 621 00	Tread		2	
17	900 041 038 01	Circlip 17 X 1,5		4	
18	999 025 134 02	Washer 8,4 X 21 X 3		2	
19	900 075 087 02	Hexagon-head bolt M 8 X 15		2	
19	900 075 087 03	Hexagon-head bolt M 8 X 15		2	
20	959 341 613 00	Driving pin		8	
21	900 067 008 02	Pan-head screw M 6 X 12		10	
21	900 067 008 03	Pan-head screw M 6 X 12		10	
22	959 341 613 02	Driving pin		2	
23	959 606 408 00	Bush		2	
24	959 606 403 00	Speed sensor		2	
25	959 361 061 00	Insulating piece		2	
26	959 361 645 00	Lid		2	
27	N 010 207 6	Hexagon-head bolt M 5 X 12		2	
27	N 010 207 17	Hexagon-head bolt M 5 X 12		2	
28	N 012 225 3	Spring washer B 5		2	
29	N 014 740 2	Pan-head screw M 6 X 10		2	
29	N 014 740 11	Pan-head screw M 6 X 10		2	
30	181 971 847	Cable clip		2	
31	959 331 075 03	Support	/L	1	
(31)	959 331 076 03	Support	/R	1	
32	959 331 421 02	Protective plate	/L	1	
(32)	959 331 422 02	Protective plate	/R	1	
33	N 012 226 5	Spring washer B 6		2	
34	N 010 210 13	Hexagon-head bolt M 6 X 10		2	
35	N 011 524 7	Washer A 6,4		8	



Model: 959 87

Model life 1987&gt;&gt;1988

Pos	Part Number	Description	Remark	Qty	Model
35	N 011 524 27	Washer A 6,4		8	
36	959 606 414 00	Sender		2	
37	928 612 409 00	Clip		2	
38	N 010 210 13	Hexagon-head bolt M 6 X 10		2	



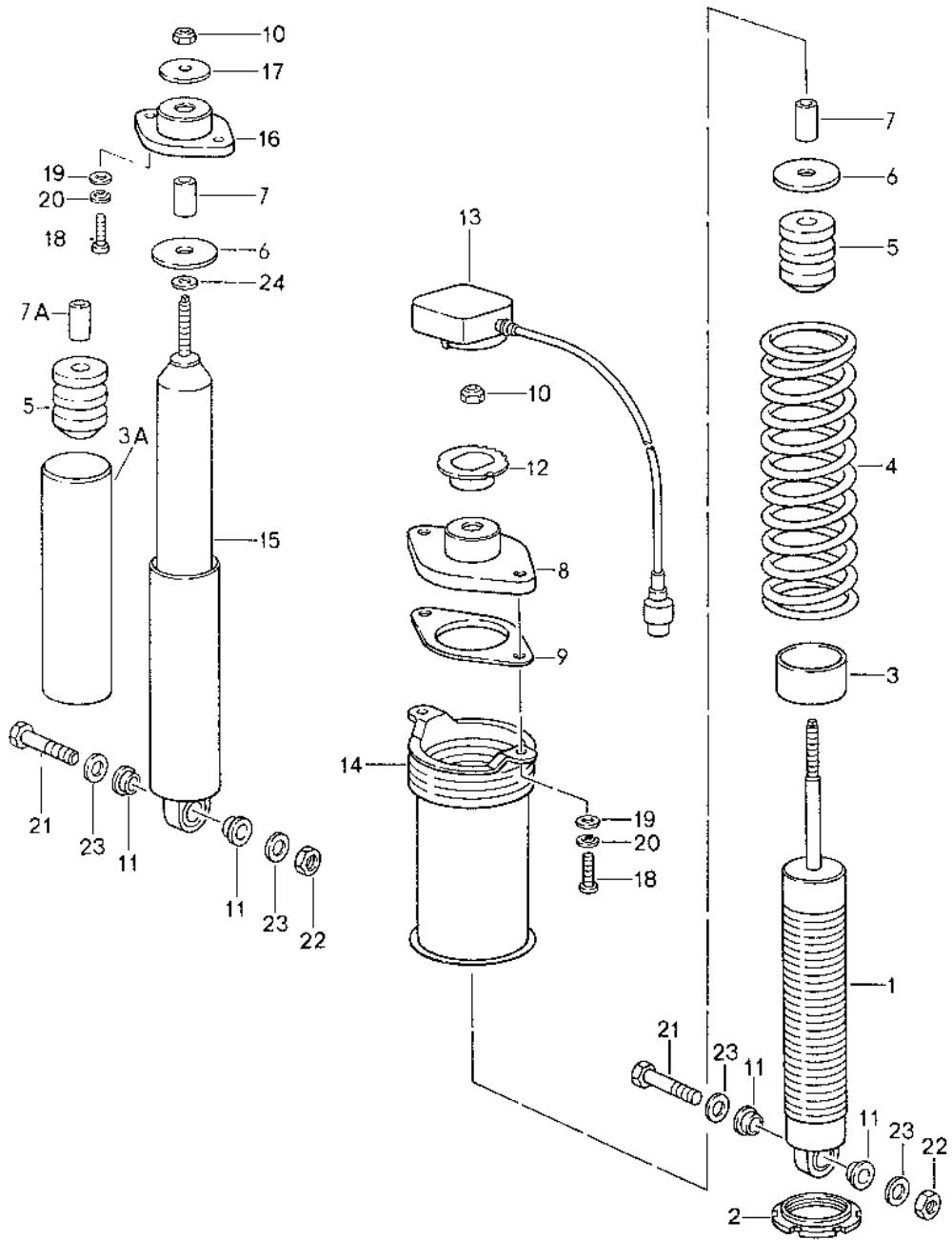
Model: 959 87

Model life 1987&gt;&gt;1988

Pos	Part Number	Description	Remark	Qty	Model
1	959 332 010 11	Drive shaft		2	
2	928 332 030 08	Joint		2	
3	959 332 030 00	Joint		2	
4	999 152 084 01	Circlip		4	
5	928 332 293 02	Dust bellows		4	
6	928 332 257 01	Clip		4	
7	911 332 257 00	Clip		4	
8	959 332 269 00	Lid		2	
9	959 332 267 00	Lid		2	
10	911 332 191 00	Plate		12	
11	900 067 123 01	Pan-head screw M 10 X 50		24	
12	959 332 637 00	Cover plate		2	
13	000 043 110 01	Grease 100 G		1	

Model: 959 87

Model life 1987>>1988



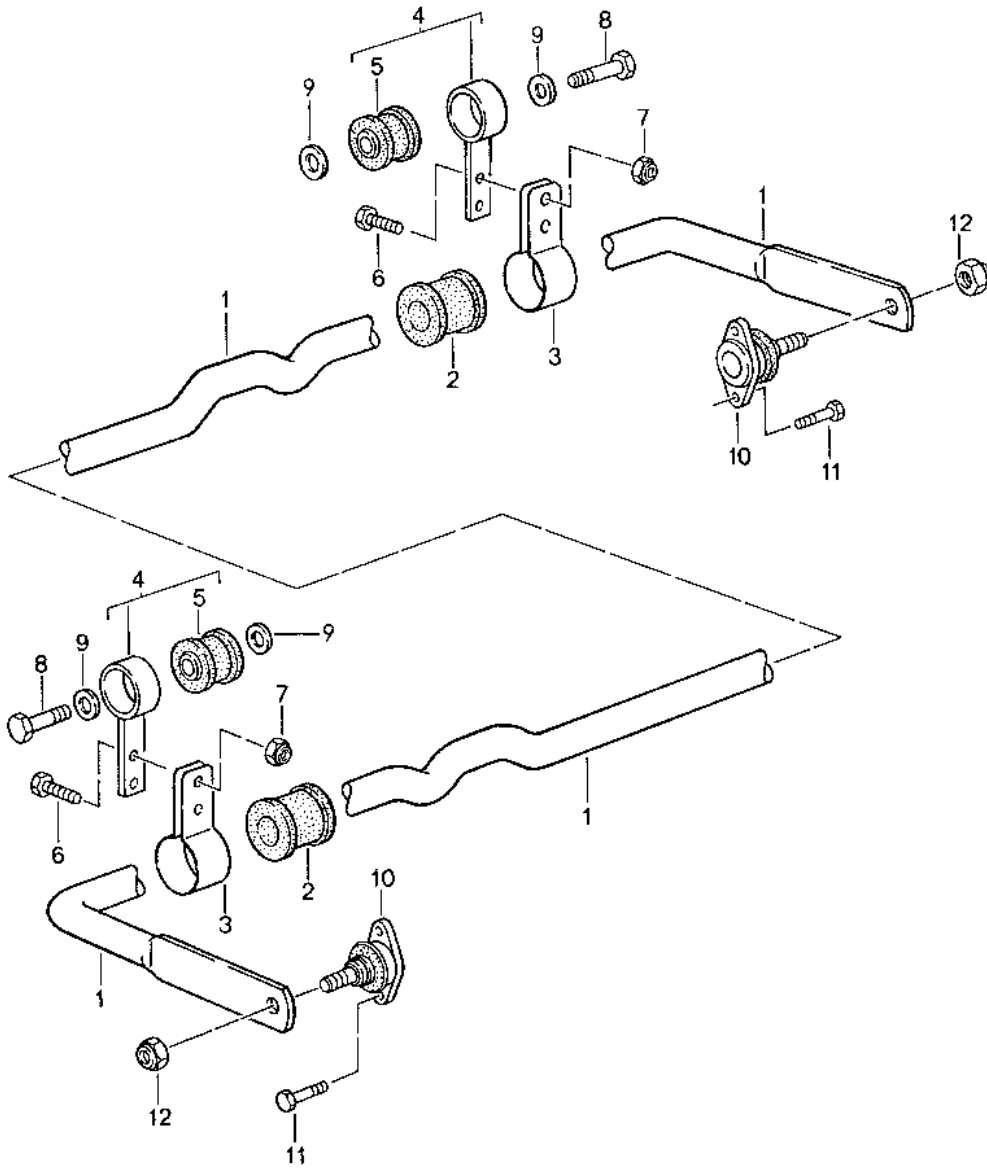
Model: 959 87

Model life 1987&gt;&gt;1988

Pos	Part Number	Description	Remark	Qty	Model
		suspension			
		Vibration damper			
1	959 333 511 03	Vibration damper		2	
2	959 333 513 00	Grooved nut		2	
3	959 333 541 00	Protection cap		2	
3A	959 333 423 00	Protective tube		2	SPORT
4	959 333 106 00	Spring		2	KOMFORT
4	959 333 102 00	Spring		2	SPORT
5	928 343 527 02	Additional spring		2	KOMFORT
				2	SPORT
6	959 333 523 00	Washer		4	KOMFORT
				2	SPORT
7	959 333 522 00	Spacer sleeve		4	KOMFORT
				2	SPORT
7A	959 333 521 00	Spacer sleeve		2	SPORT
8	959 333 315 00	Bearing flange		2	
9	959 333 319 00	Centring washer		2	
10	999 084 023 02	Uni-stop nut		4	KOMFORT
		M 12 X 1,5		2	SPORT
10	N 022 141 4	Lock nut		4	KOMFORT
		M 12 X 1,5		2	SPORT
10	900 084 013 02	Lock nut		2	SPORT
		M 10 X 1			
11	959 333 271 00	Bush		8	
-	999 704 141 40	Sealing washer		8	
12	959 333 052 00	Drive flange		2	
13	959 624 076 01	Electric motor		2	
14	959 333 531 01	Protective tube		2	
15	959 333 063 02	Suspension cylinder		2	KOMFORT
15	959 333 063 03	Suspension cylinder		2	KOMFORT
15	959 333 063 CX	Suspension cylinder		2	KOMFORT
(15)	959 333 501 01	Vibration damper		2	SPORT
(15)	959 333 501 11	Vibration damper		2	SONDERWUNSCH
16	959 333 313 00	Bearing flange		2	
17	959 333 524 00	Washer		2	KOMFORT
17	959 333 526 00	Washer		2	SPORT
		10,5 X 42 X 3			
18	900 067 057 02	Pan-head screw		8	
		M 8 X 20			
18	900 067 057 03	Pan-head screw		8	
		M 8 X 20			
19	999 025 125 09	Washer		4	
		8,2 X 17 X 3			
19	999 025 125 01	Washer		4	
		8,2 X 17 X 3			
20	N 012 241 8	Spring washer		4	
		B 8			
21	N 010 142 2	Hexagon-head bolt		4	
		M 12 X 1,5 X 50			
22	900 910 046 02	Lock nut		4	
		M 12			
22	999 084 439 09	Lock nut		4	
		M 12			
22	999 084 445 09	Lock nut		4	
		M 12			
22	999 084 445 01	Lock nut		4	
		M 12			
23	900 025 009 02	Washer		8	
		A 13			
24	959 343 530 00	Support washer		2	SPORT

Model: 959 87

Model life 1987>>1988



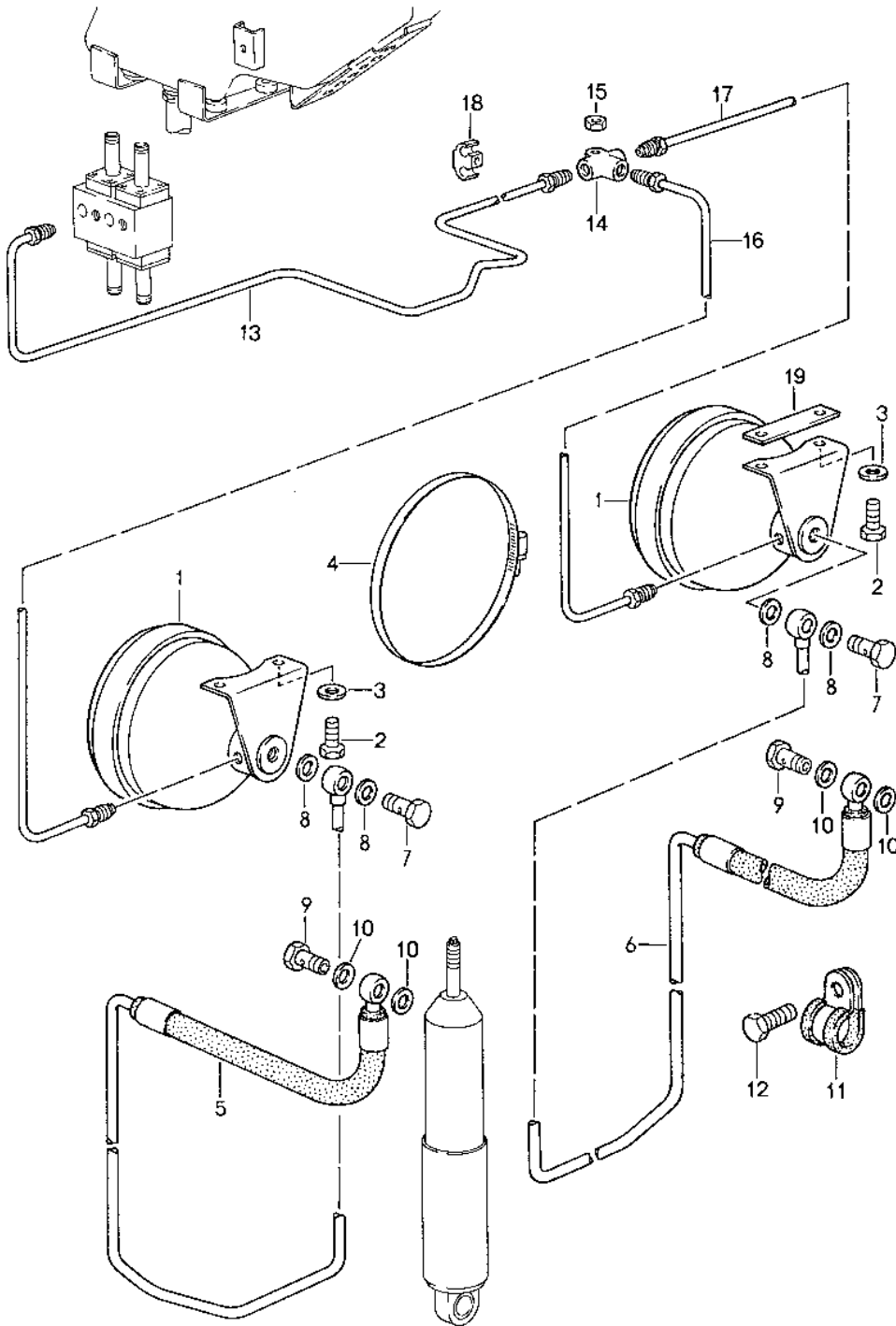
Model: 959 87

Model life 1987>>1988

Pos	Part Number	Description	Remark	Qty	Model
1	959 333 701 03	Stabiliser Stabiliser \$ 21		1	
2	477 411 053 M	Rubber bush \$ 21		2	
3	944 343 731 02	Clip		2	
4	959 333 059 01	Stabiliser mounting		2	
5	477 511 061	Rubber mounting		2	
6	N 010 239 11	Hexagon-head bolt M 8 X 18		4	
6	N 010 239 30	Hexagon-head bolt M 8 X 18		4	
7	900 910 022 02	Lock nut M 8		4	
8	900 074 059 02	Hexagon-head bolt M 10 X 40		2	
8	900 074 379 01	Hexagon-head bolt M 10 X 40		2	
9	928 333 761 00	Washer		4	
10	959 333 041 00	Ball joint		2	
11	900 075 193 08	Hexagon-head bolt M 6 X 16		4	
12	900 910 034 02	Lock nut M 10		2	

Model: 959 87

Model life 1987>>1988





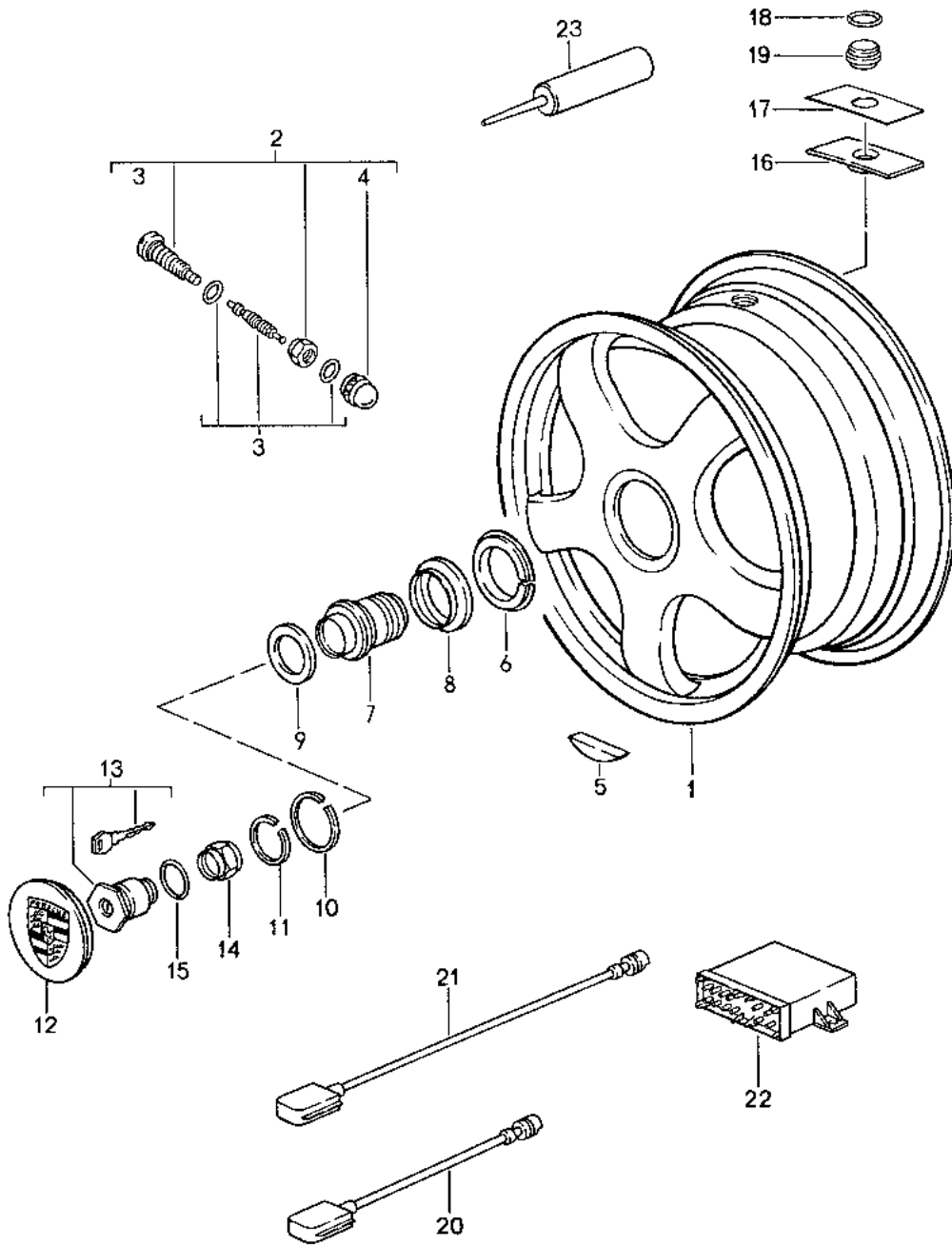
Model: 959 87

Model life 1987>>1988

Pos	Part Number	Description	Remark	Qty	Model
		Level adjustment Lines Rear			
1	959 358 043 00	Pressure accumulator		2	
2	900 075 087 02	Hexagon-head bolt M 8 X 16		4	
2	900 075 087 03	Hexagon-head bolt M 8 X 16		4	
3	900 025 007 02	Washer A 8,4		4	
3	900 025 007 03	Washer A 8,4		4	
4	N 024 530 1	Hose clamp SB 120-140		2	
5	959 358 047 01	Pressure hose	/L	1	
6	959 358 048 01	Pressure hose	/R	1	
7	N 021 071 2	Banjo bolt LL8		2	
8	900 123 005 30	Sealing ring A 12 X 16		4	
9	N 021 074 1	Banjo bolt LL10		2	
9	N 021 074 7	Banjo bolt LL10		2	
10	900 123 042 20	Sealing ring D 14 X 18		4	
11	999 511 186 02	Pipe clamp B 20 X 25		2	
12	900 075 040 02	Hexagon-head bolt M 10 X 20		2	
12	900 075 517 01	Hexagon-head bolt M 10 X 20		2	
13	959 358 057 00	Line		1	
14	914 355 667 00	Distributor		1	
15	900 076 010 02	Nut M 6		1	
15	900 076 010 0B	Nut M 6		1	
16	959 358 059 01	Line		1	
17	959 358 060 01	Line		1	
18	811 611 797	Clip		6	
19	959 358 752 00	Intermediate piece		X	

Model: 959 87

Model life 1987>>1988



Model: 959 87

Model life 1987&gt;&gt;1988

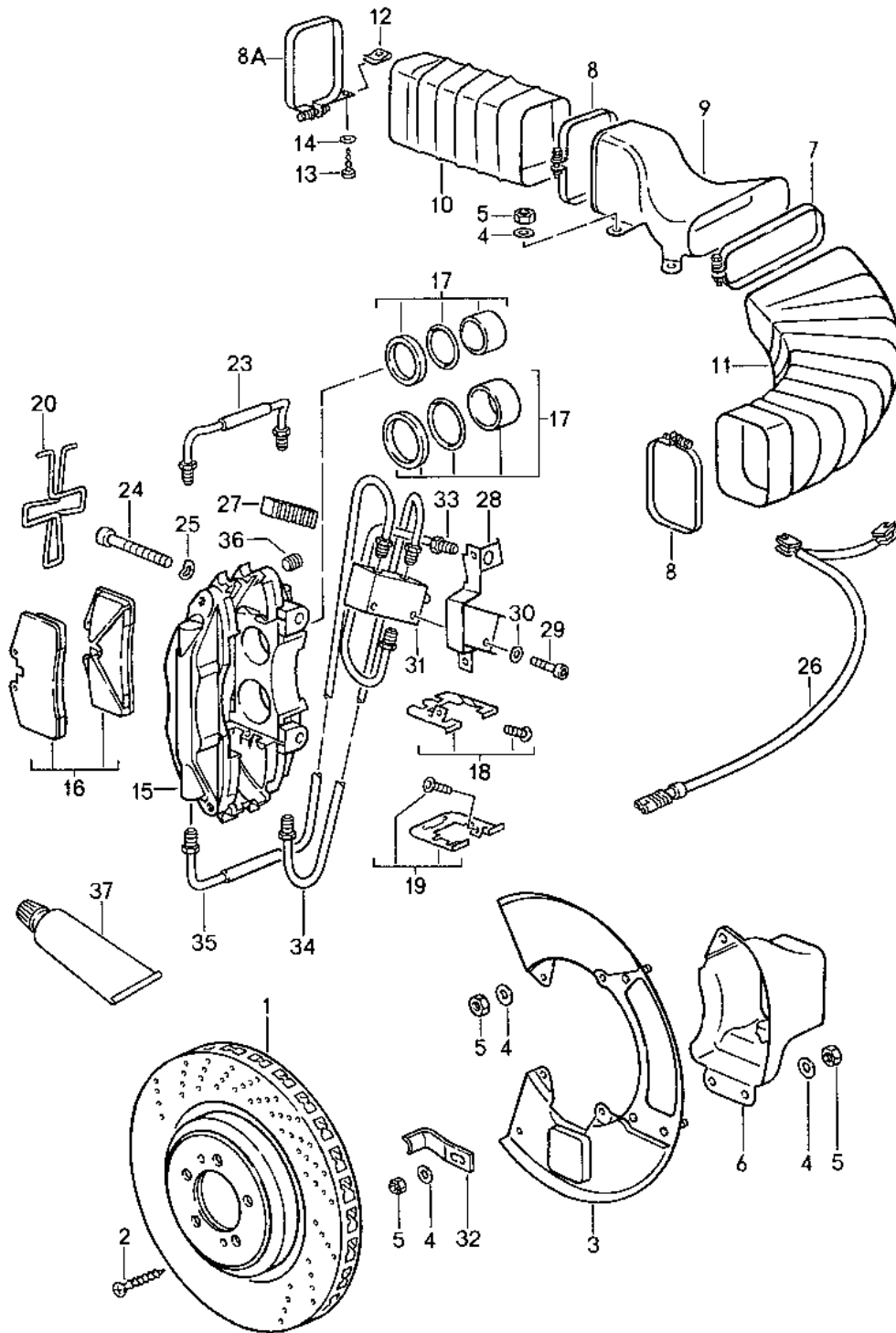
Pos	Part Number	Description	Remark	Qty	Model
		Wheels			
		Tyre			
		Tyre pressure monitoring			
1	959 361 033 90	Spoked wheel		2	
		Prime coated			
		8J X 17			
1	959 361 033 04	Spoked wheel		2	
		Silver metallic			
		8J X 17			
1	959 361 035 90	Spoked wheel		2	
		Prime coated			
		9J X 17			
1	959 361 039 90	Spoked wheel		2	
		Prime coated			
		10J X 17			
1	959 361 039 03	Spoked wheel		2	
		Silver metallic			
		10J X 17			
-	959 361 736 00	Tyre		X	
		235/45 - VR17			
-	959 361 756 00	Tyre		X	
		255/40 - VR17			
-	959 361 746 00	Tyre		X	
		235/45 - R17			
		Winter tyre			
2	959 361 053 00	Valve		4	
3	959 361 050 00	Gasket set		1	
(3)	999 926 017 00	Valve		1	
(3)	999 926 017 01	Valve		1	
(3)	999 707 021 40	O-ring		1	
4	959 361 531 00	Cap		4	
5	901 361 410 50	Balance stick-on weight		X	
		5 GR			
5	901 361 410 00	Balance stick-on weight		X	
		10 GR			
5	901 361 411 50	Balance stick-on weight		X	
		15 GR			
5	901 361 411 00	Balance stick-on weight		X	
		20 GR			
5	901 361 412 50	Balance stick-on weight		X	
		25 GR			
5	901 361 412 00	Balance stick-on weight		X	
		30 GR			
5	901 361 413 50	Balance stick-on weight		X	
		35 GR			
5	901 361 413 00	Balance stick-on weight		X	
		40 GR			
5	901 361 414 00	Balance stick-on weight		X	
		50 GR			
5	901 361 415 00	Balance stick-on weight		X	
		60 GR			
5	901 361 417 00	Balance stick-on weight		X	
		80 GR			
6	959 361 157 02	Cone ring		4	
7	959 361 154 00	Wheel bolt		4	
8	959 361 156 00	Thrust ring		4	
9	959 361 165 00	Cup spring		4	
10	999 152 116 01	Circlip		4	
		SB 60			
11	999 152 068 01	Circlip		4	
		SW 40			
12	959 361 037 00	Hub cap		4	
		Grand prix white			

Model: 959 87 Model life 1987>>1988

Pos	Part Number	Description	Remark	Qty	Model
12	959 361 037 01	Hub cap Silver metallic		4	
12	959 361 037 02	Hub cap Prime coated		4	
13	959 361 313 01	Anti-theft protection with lock cylinder And two spare keys State lock number		4	
14	959 361 315 00	Detent		4	
15	999 701 941 40	O-ring 27 X 4		4	
16	959 361 669 00	Protection cap		8	
17	959 361 671 00	Adhesive film		8	
18	999 701 915 40	Round seal 25 X 2		8	
19	959 361 661 00	Pressure sensor	/V	4	
(19)	959 361 661 01	Pressure sensor	/H	4	
20		See group 4/01/05			
21		See group 5/01/05			
22		See group 9/02/01			
23	000 043 019 01	Sealing compound (SILIKON) 310 ML		1	
23	PCG 043 019 01	Sealing compound (SILIKON) 310 ML		1	

Model: 959 87

Model life 1987>>1988



Model: 959 87

Model life 1987&gt;&gt;1988

Pos	Part Number	Description	Remark	Qty	Model
		Disc brake Front			
1	959 351 047 04	Brake disc	/L	1	
(1)	959 351 048 04	Brake disc	/R	1	
2	N 033 167 1	Countersunk-head screw M 6 X 12		4	
2	900 269 047 01	Countersunk-head screw M 6 X 12		4	
3	959 351 801 01	Protective plate	/L	1	
(3)	959 351 802 01	Protective plate	/R	1	
4	N 011 524 7	Washer 6,4		32	
4	N 011 524 27	Washer 6,4		32	
5	900 910 010 02	Lock nut M 6		32	
6	959 351 821 00	Brake ventilation	/L	1	
(3)	959 351 802 01	Protective plate	/R	1	
(6)	959 351 822 00	Brake ventilation	/R	1	
7	999 512 238 02	Hose clamp 85 X 103 X 9	/L	2	
8	999 512 227 02	Hose clamp 80 X 100 X 9		4	
8A	959 351 841 00	Hose clamp		2	
9	959 351 023 00	Intermediate piece	/L	1	
(9)	959 351 024 00	Intermediate piece	/R	1	
10	959 351 835 01	Hose		2	
11	959 351 836 01	Hose		2	
12	999 507 023 02	Speed nut B 4,8		2	
12	999 507 023 01	Speed nut B 4,8		2	
13	N 013 884 5	Hexagon-head tapping screw B 4,8 X 13		2	
14	900 151 027 02	Washer B 5,3		2	
14	900 151 027 03	Washer B 5,3		2	
15	959 351 421 01	Fixed calliper	/L	1	
(15)	959 351 422 01	Fixed calliper	/R	1	
16	959 351 949 03	Brake pad repair set		1	
16	993 351 939 01	Brake pad repair set		1	
17	928 351 919 00	Repair kit \$ 42 MM		1	
17	951 351 919 01	Gasket set \$ 36 MM		1	
18	993 351 959 00	Repair kit		1	
19	993 351 959 01	Repair kit		1	
20	928 351 950 01	Expanding spring		2	
21	N 011 524 7	Washer		4	
21	N 011 524 27	Washer		4	
22	900 067 089 02	Pan-head screw		4	
22	900 067 089 01	Pan-head screw		4	
23	959 351 971 00	Connecting line		2	
24	900 067 268 02	Pan-head screw M 12 X 1,5 X 80		4	
25	N 011 564 2	Washer 13 X 20 X 2		4	
25	N 011 564 4	Washer 13 X 20 X 2		4	
26	959 612 311 02	Warning contact		2	
27	959 355 153 00	Support		2	
28	959 341 433 01	Support	/L	1	

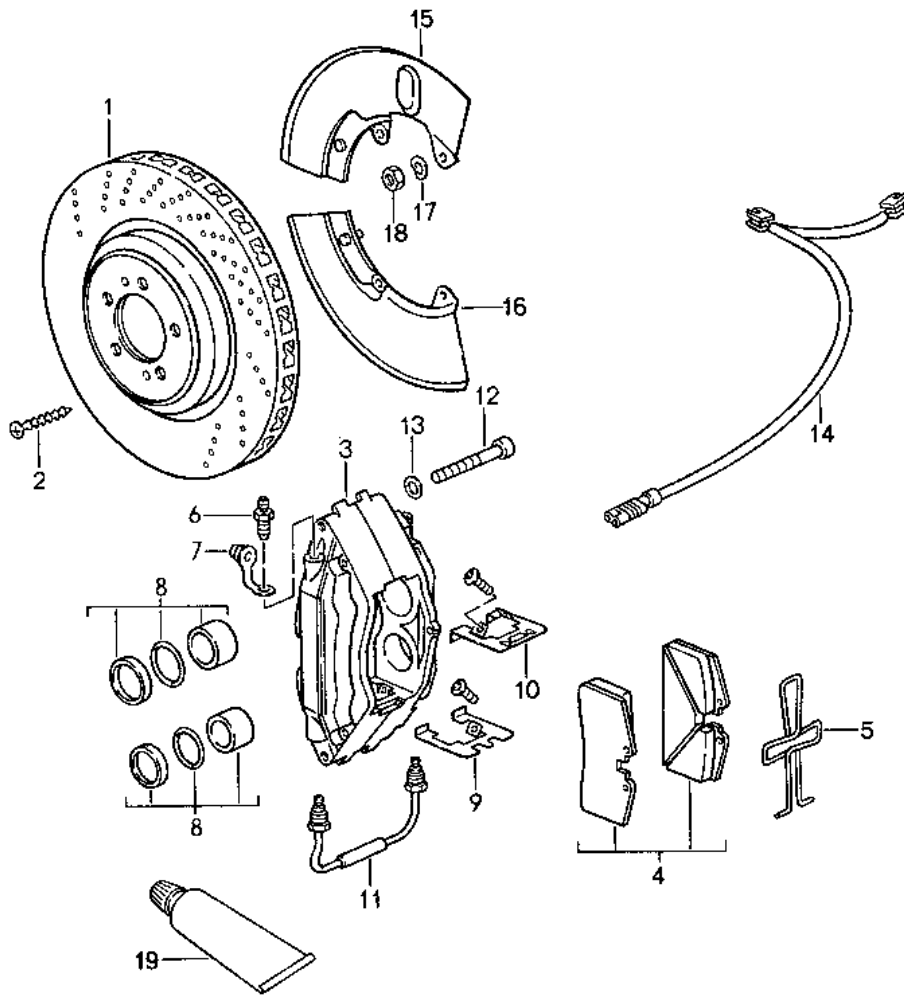
Model: 959 87

Model life 1987>>1988

Pos	Part Number	Description	Remark	Qty	Model
(28)	959 341 434 01	Support	/R	1	
29	900 067 089 02	Pan-head screw M 6 X 25		4	
29	900 067 089 01	Pan-head screw M 6 X 25		4	
30	N 011 524 7	Washer		4	
30	N 011 524 27	Washer		4	
31	959 355 345 00	Valve		2	
32	959 351 890 00	Support		2	
33	959 355 253 00	Brake line	/L	1	
(33)	959 355 252 00	Brake line	/R	1	
34	959 355 257 00	Brake line	/L	1	
(34)	959 355 256 00	Brake line	/R	1	
35	959 355 255 00	Brake line	/L	1	
(35)	959 355 254 00	Brake line	/R	1	
36	959 351 973 00	Screw plug		2	
37	000 043 117 00	Brake cylinder paste 50 G		1	
37	000 043 305 11	Brake cylinder paste 50 G		1	

Model: 959 87

Model life 1987>>1988





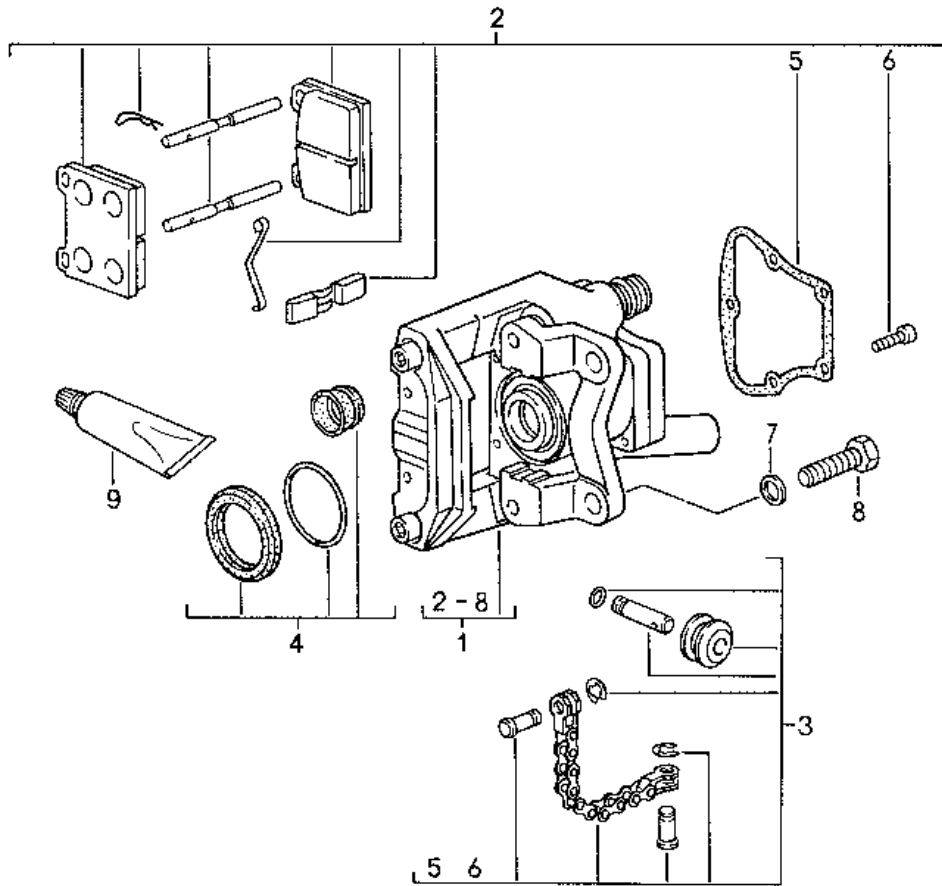
Model: 959 87

Model life 1987>>1988

Pos	Part Number	Description	Remark	Qty	Model
		Disc brake Rear			
1	959 352 047 03	Brake disc	/L	1	
(1)	959 352 048 03	Brake disc	/R	1	
(1)	959 352 048 12	Brake disc	/R	1	
2	N 033 167 1	Countersunk-head screw M 6 X 12		4	
2	900 269 047 01	Countersunk-head screw M 6 X 12		4	
3	959 352 421 00	Fixed calliper	/L	1	
(3)	959 352 422 00	Fixed calliper	/R	1	
4	959 351 949 03	Brake pad repair set		1	
4	993 351 939 01	Brake pad repair set		1	
5	928 351 950 01	Expanding spring		2	
6	930 351 919 00	Ventilation valve		4	
7	930 351 927 00	Dust boot		4	
7	930 351 927 01	Dust boot		4	
8	951 352 919 00	Gasket set \$ 30 MM		X	
8	951 351 919 01	Gasket set \$ 36 MM		X	
9	964 351 959 00	Repair kit		X	
10	964 351 959 01	Repair kit		X	
11	959 352 971 00	Connecting line		2	
12	900 067 154 02	Pan-head screw M 12 X 1,5 X 70		4	
13	N 011 564 2	Washer 13 X 20 X 2		4	
13	N 011 564 4	Washer 13 X 20 X 2		4	
14	959 612 312 02	Warning contact		2	
15	959 331 731 00	Protective plate	/L	1	
(15)	959 331 732 00	Protective plate	/R	1	
16	959 331 077 00	Protective plate	/L	1	
(16)	959 331 078 00	Protective plate	/R	1	
17	N 011 524 7	Washer 6,4		4	
17	N 011 524 27	Washer 6,4		4	
18	900 910 010 02	Lock nut M 6		4	
19	000 043 117 00	Brake cylinder paste 50 GR.		1	
19	000 043 305 11	Brake cylinder paste 50 GR.		1	

Model: 959 87

Model life 1987>>1988



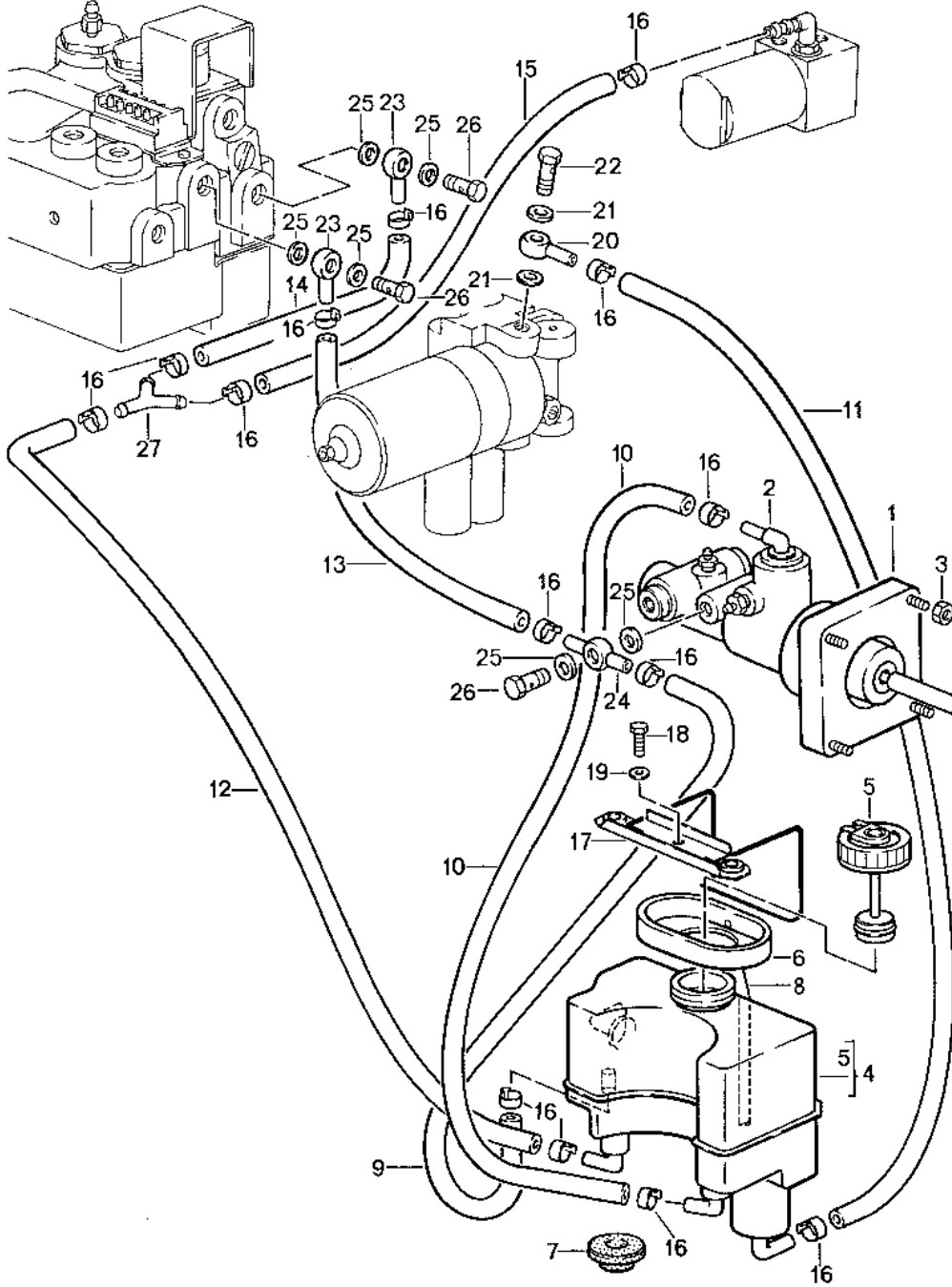
Model: 959 87

Model life 1987&gt;&gt;1988

Pos	Part Number	Description	Remark	Qty	Model
		Brake calliper for Handbrake			
1	959 352 445 01	Brake calliper	/L	1	
(1)	959 352 446 01	Brake calliper	/R	1	
2	959 352 959 00	Brake pad repair set		1	
3	959 352 979 00	Repair kit		1	
4	959 352 969 00	Gasket set		1	
5	959 352 965 00	Gasket		2	
6	N 014 703 2	Pan-head screw M 6 X 18		10	
7	900 028 014 02	Washer B 12		4	
7	900 028 014 03	Washer B 12		4	
8	N 010 127 4	Hexagon-head bolt M 12 X 1,5 X 30		4	
9	000 043 117 00	Brake cylinder paste 50 GR		1	
9	000 043 305 11	Brake cylinder paste 50 GR		1	

Model: 959 87

Model life 1987>>1988



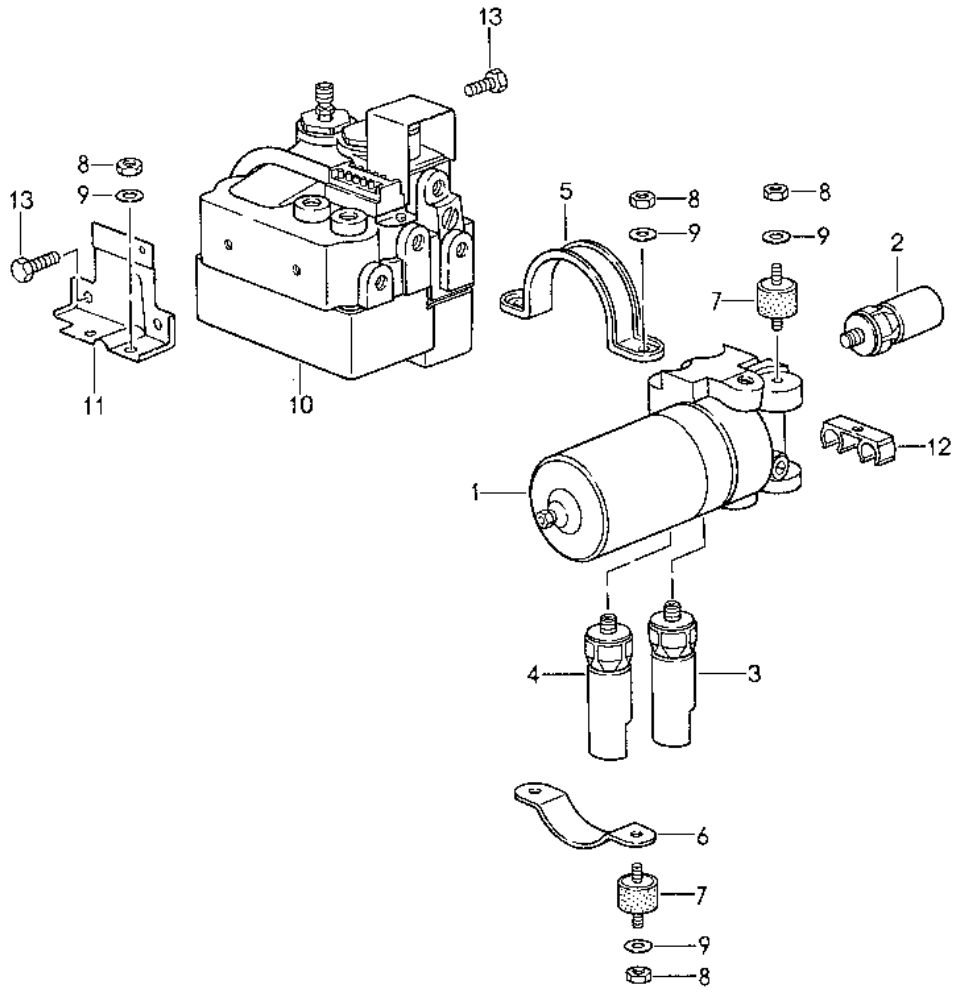
Model: 959 87

Model life 1987&gt;&gt;1988

Pos	Part Number	Description	Remark	Qty	Model
		Brake hydraulic system			
1	959 355 025 05	Brake booster		1	
2	911 355 322 00	Intake socket		1	
3	N 022 146 1	Lock nut M 8		4	
4	959 355 013 01	Brake fluid reservoir		1	
5	959 355 115 00	Screw-on cap		1	
6	959 355 659 00	Drip pan		1	
7	959 355 322 00	Rubber mounting		2	
-	928 110 014 00	Pipeline 5 X 1 600 MM		*	
8		Hose 7,5 X 12,5 420 MM		1	
-	999 181 021 50	Hose 7,5 X 12,5 405 MM		*	
9		810 MM		1	
10		1035 MM		1	
11		560 MM		1	
12		65 MM		1	
13		370 MM		1	
14	999 512 279 02	Clamp		15	
15	959 355 043 00	Support		1	
16	900 075 010 02	Hexagon nut M 6 X 12		1	
17	N 010 212 14	Hexagon-head bolt M 6 X 12		1	
18	999 072 005 09	Hexagon nut M 6 X 12		1	
18	999 072 005 01	Hexagon nut M 6 X 12		1	
19	N 011 524 7	Washer A 6,4		1	
19	N 011 524 27	Washer A 6,4		1	
20	999 230 074 02	Ring fitting		1	
21	N 013 812 2	Sealing ring A 12 X 15,5		2	
22	999 134 037 02	Banjo bolt M 12 X 1		1	
23	999 230 045 02	Ring fitting		2	
24	999 230 298 02	Double socket		1	
25	N 013 806 2	Sealing ring A 10 X 14		6	
26	999 134 027 02	Banjo bolt M 10 X 1		3	
26	999 134 027 0B	Banjo bolt M 10 X 1		3	
27	999 137 009 40	Y-piece		1	
28	959 355 893 00	Clutch		1	
29	959 355 891 00	Connection piece		1	

Model: 959 87

Model life 1987>>1988



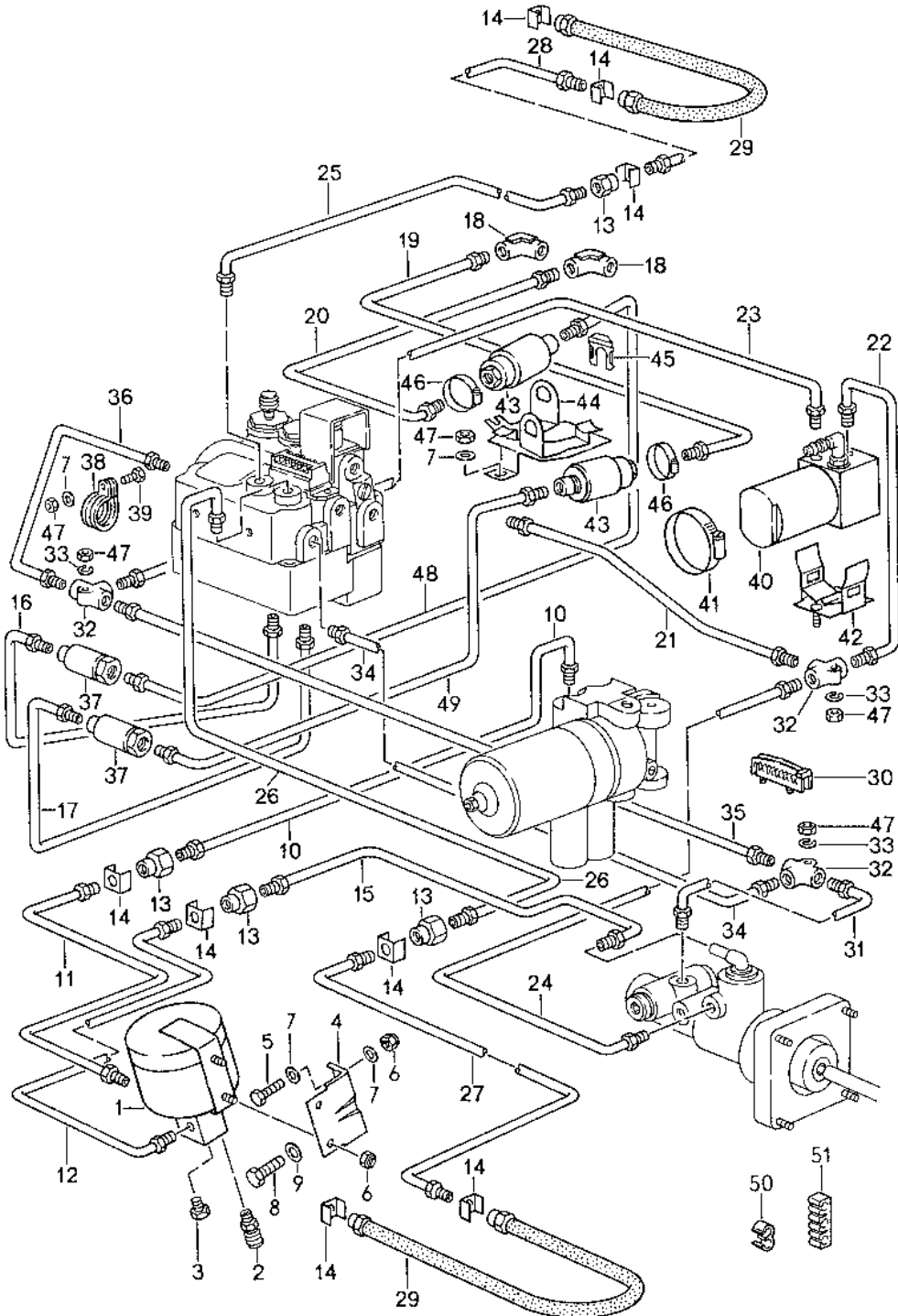
Model: 959 87

Model life 1987>>1988

Pos	Part Number	Description	Remark	Qty	Model
		Hydraulic unit			
		Speed sensor			
1	959 355 051 05	Pump		1	
1	959 355 051 EX	Pump		1	
2	959 606 043 00	Pressure switch		1	
3	959 606 045 00	Pressure switch		1	
4	959 606 047 00	Pressure switch		1	
5	959 355 411 00	Support		1	
6	959 355 413 00	Support		1	
7	999 703 329 00	Rubber mounting		3	
8	900 076 010 02	Nut		7	
		M 6			
8	900 076 010 0B	Nut		7	
		M 6			
9	N 011 524 7	Washer		7	
		A 6,4			
9	N 011 524 27	Washer		7	
		A 6,4			
10	959 355 755 01	Hydraulic unit		1	
11	959 355 415 01	Support		1	
12	999 651 207 40	Cable holder		1	
13	N 010 235 3	Hexagon-head bolt		4	
		M 8 X 10			

Model: 959 87

Model life 1987>>1988





Model: 959 87

Model life 1987&gt;&gt;1988

Pos	Part Number	Description	Remark	Qty	Model
		Brake lines			
		Front			
		Pressure accumulator			
1	964 355 109 13	Pressure accumulator		1	
2	964 355 809 00	Ventilation valve		1	
3	999 064 018 02	Screw plug		1	
		M 10 X 1			
4	959 355 417 00	Support		1	
5	N 010 215 13	Hexagon-head bolt		1	
		M 6 X 15			
6	900 910 010 09	Lock nut		3	
		VM 6			
7	N 011 524 7	Washer		3	
		A 6,4			
7	N 011 524 27	Washer		3	
		A 6,4			
8	999 074 017 02	Hexagon-head bolt		1	
		M 10 X 18			
		Micro-self-locking			
9	900 025 008 09	Washer		1	
		A 10,5			
9	900 025 008 04	Washer		1	
		A 10,5			
10	959 355 093 06	Pressure line		1	
11	959 355 047 06	Pressure line		1	
12	959 355 094 06	Pressure line		1	
13	951 355 661 00	Intermediate piece		4	
14	803 611 715	Retainer spring		12	
15	959 355 046 06	Brake line		1	
16	959 355 082 00	Brake line		1	
17	959 355 067 00	Brake line		1	
18	901 355 615 00	Angled pipe		4	
18	901 355 615 01	Angled pipe		4	
19	959 355 068 01	Brake line		1	
20	959 355 069 01	Brake line		1	
21	959 355 054 00	Brake line		1	
22	959 355 056 03	Brake line		1	
23	959 355 052 01	Brake line		1	
24	959 355 092 00	Brake line		1	
25	959 355 072 00	Brake line		1	
26	959 355 061 00	Brake line		1	
27	959 355 057 05	Brake line		1	
28	959 355 058 05	Brake line		1	
29	959 355 064 00	Brake hose		2	
29	959 355 064 01	Brake hose		2	
30	113 611 715 A	Brake hose bracket		2	
31	959 355 089 00	Brake line		1	
32	914 355 667 00	Distributor		3	
33	N 012 226 5	Spring washer		3	
		B 6			
34	959 355 070 00	Brake line		1	
35	959 355 087 01	Brake line		1	
36	959 355 074 00	Brake line		1	
37	959 355 307 00	Pressure regulator		2	
38	N 020 647 1	Clamp		2	
39	999 072 005 09	Hexagon nut		1	
		M 6 X 12			
39	999 072 005 01	Hexagon nut		1	
		M 6 X 12			
40	959 355 150 01	Bypass cylinder		1	
41	999 512 394 00	Hose clamp		1	
		40-60/13			
42	959 355 901 00	Support		1	

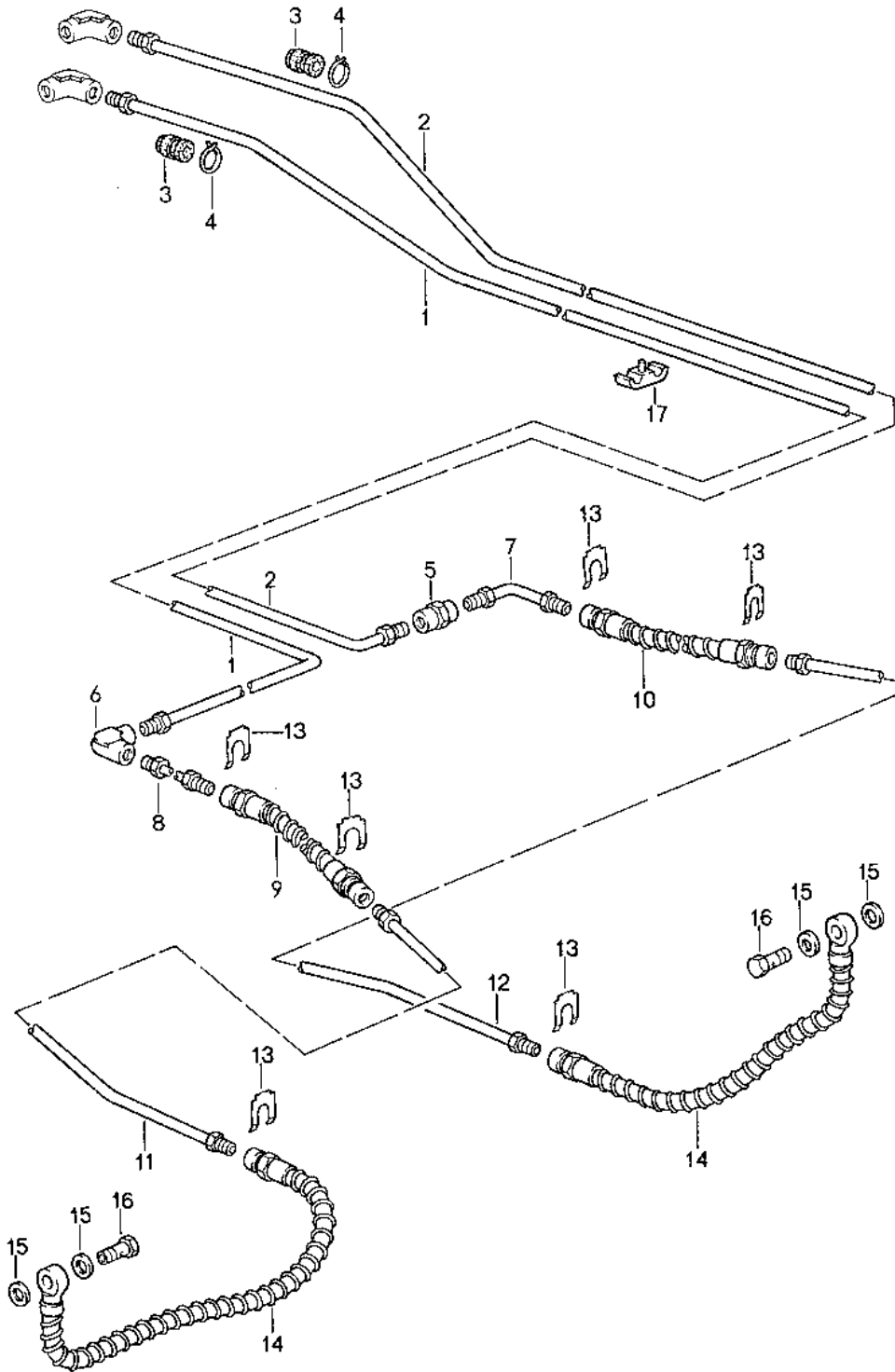
Model: 959 87

Model life 1987>>1988

Pos	Part Number	Description	Remark	Qty	Model
		for			
43	959 355 317 00	Bypass cylinder		2	
44	959 355 042 01	Pressure damper		1	
45	959 355 419 00	Support		2	
46	999 512 356 02	Retainer spring		2	
		Hose clamp		2	
		25-40/9			
47	900 076 010 02	Nut		5	
		M 6			
47	900 076 010 0B	Nut		5	
		M 6			
48	959 355 258 00	Brake line		1	
49	959 355 259 00	Brake line		1	
50	959 355 152 00	Support		1	
51	959 355 153 00	Support		2	

Model: 959 87

Model life 1987>>1988



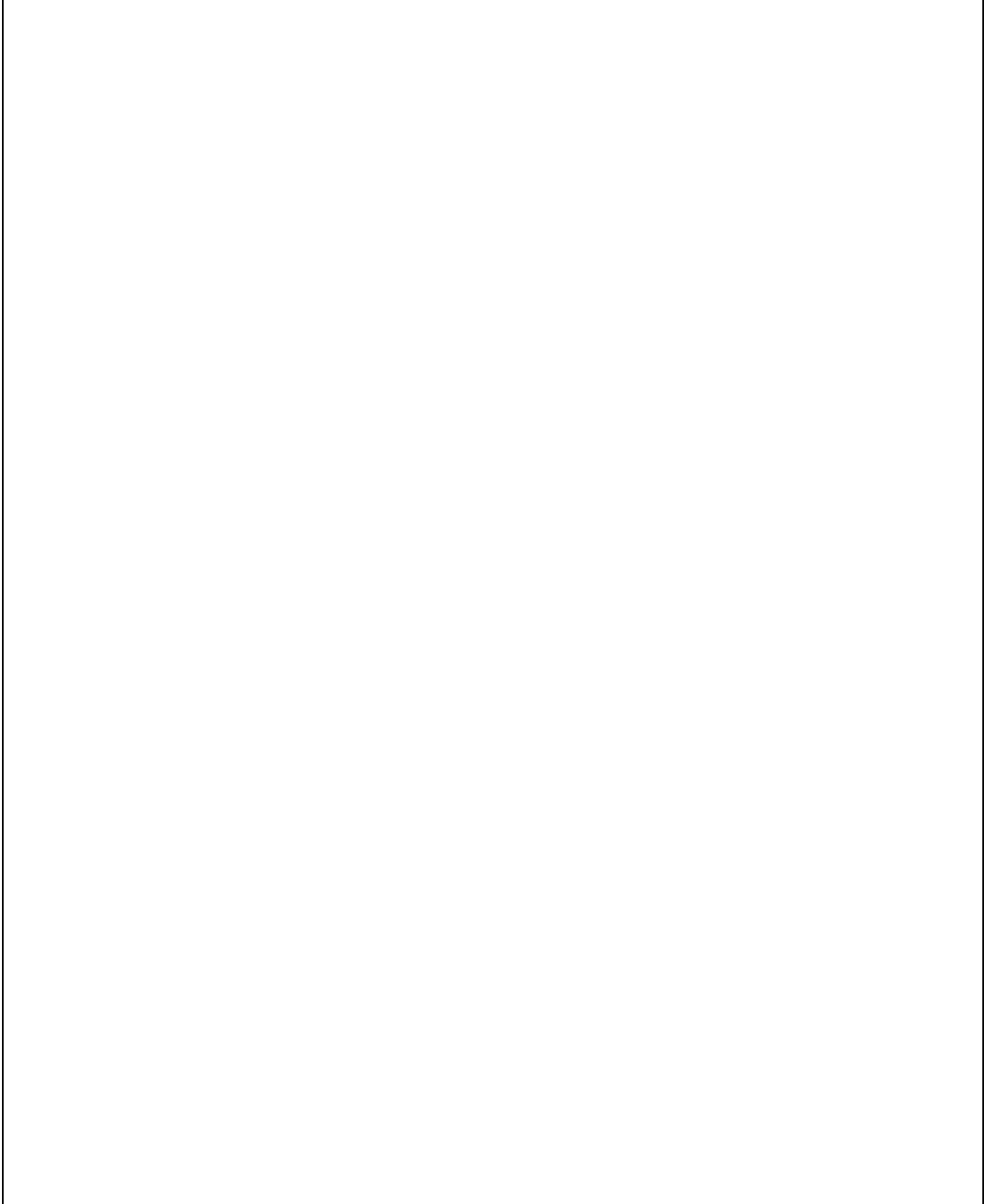
Model: 959 87

Model life 1987>>1988

Pos	Part Number	Description	Remark	Qty	Model
		Brake lines Centre Rear			
1	959 355 099 02	Brake line		1	
2	959 355 060 01	Brake line		1	
3	914 355 651 00	Rubber sleeve		1	
4	914 355 652 00	Clamp		1	
5	914 355 661 00	Intermediate piece		1	
6	901 355 615 00	Angled pipe		1	
6	901 355 615 01	Angled pipe		1	
7	959 355 095 01	Brake line		1	
8	959 355 086 00	Brake line		1	
9	959 355 083 00	Brake line		1	
9	959 355 083 01	Brake line		1	
10	959 355 084 01	Brake line		1	
10	959 355 084 02	Brake line		1	
10	959 355 084 03	Brake line		1	
11	959 355 065 00	Brake line		1	
12	959 355 066 00	Brake line		1	
13	113 611 715 A	Brake hose bracket		6	
14	959 355 085 00	Brake line		2	
14	959 355 085 01	Brake line		2	
15	N 013 806 2	Sealing ring A 10 X 14		4	
16	999 134 027 02	Banjo bolt M 10 X 1		2	
16	999 134 027 0B	Banjo bolt M 10 X 1		2	
17	811 611 797	Clip		5	

Model: 959 87

Model life 1987>>1988



Model: 959 87

Model life 1987>>1988

Pos	Part Number	Description	Remark	Qty	Model
>>	959 351 949 03	Repair kits Brake pad repair set	/V /H	2	
		Comprising: Brake pad		4	
>>	993 351 939 01	Brake pad repair set	/V /H	2	
		Comprising: Brake pad		4	
>>	959 351 949 03	Brake pad repair set	/V /H	2	
		Comprising: Brake pad		4	
>>	993 351 939 01	Brake pad repair set	/V /H	2	
		Comprising: Brake pad		4	
>>	928 351 919 00	Repair kit	/V	1	
		Comprising: Piston		1	
		Boot		1	
		Inner			
		Boot		1	
		Outer			
		\$ 42 MM			
>>	951 351 919 01	Gasket set	/V /H	4	
		Comprising: Piston		1	
		Boot		1	
		Inner			
		Boot		1	
		Outer			
		\$ 36 MM			
>>	951 352 919 00	Gasket set	/H	1	
		Comprising: Piston		1	
		Boot		1	
		Inner			
		Boot		1	
		Outer			
		\$ 30 MM			
>>	993 351 959 00	Repair kit	/V	1	
		Comprising: Spring plate		1	
		Lower			
		Screw		2	
>>	993 351 959 01	Repair kit	/V	1	
		Comprising: Spring plate		1	
		Upper			
		Screw		2	
>>	964 351 959 00	Repair kit	/H	1	
		Comprising: Spring plate		1	
		Lower			
		Screw		2	
>>	964 351 959 01	Repair kit	/H	1	
		Comprising: Spring plate		1	
		Upper			
		Screw		2	
>>	959 352 959 00	Brake pad repair set		1	
		Handbrake			
		Comprising: Brake pad		4	
		Safety seal		4	
		Expanding spring		2	

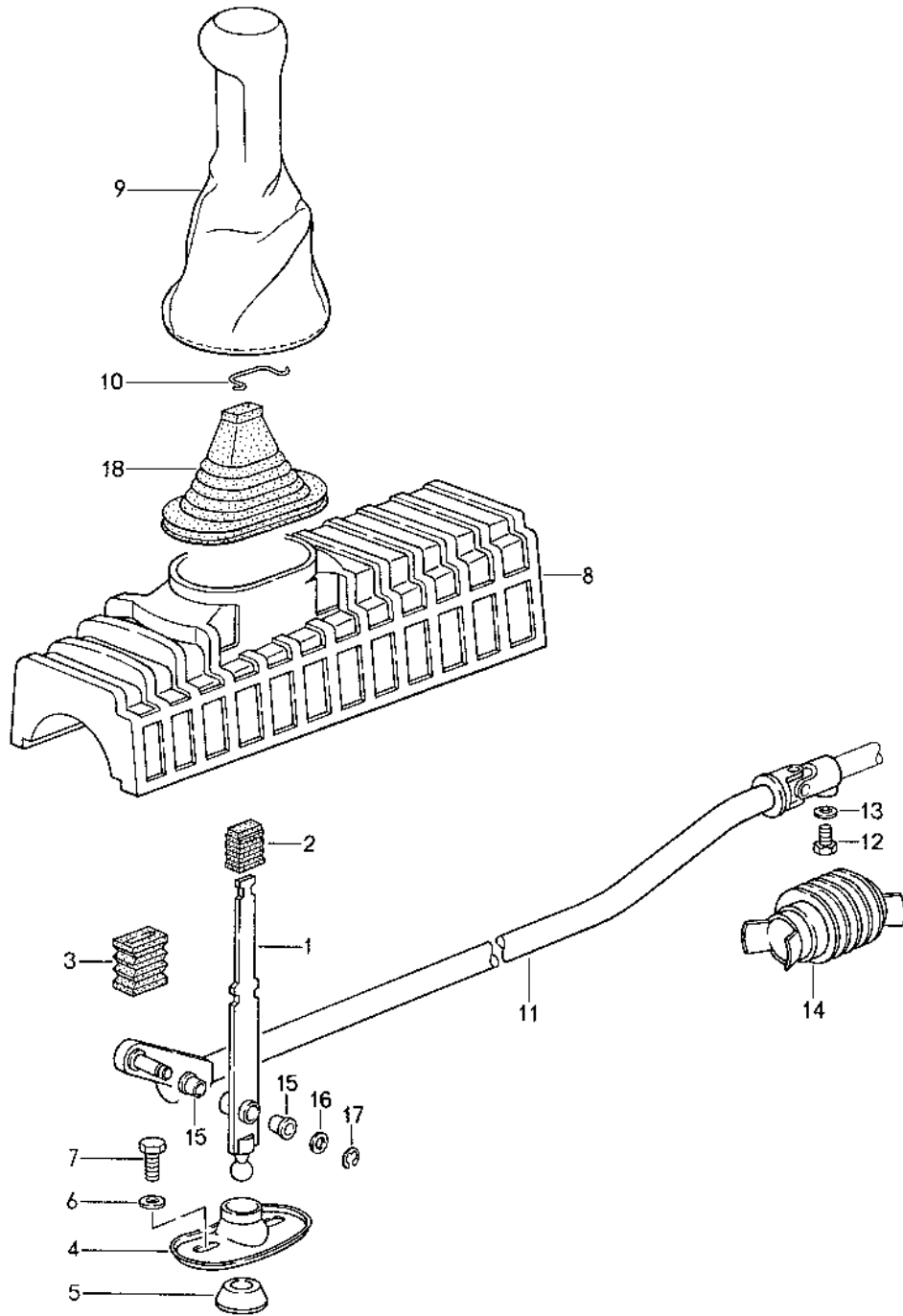
Model: 959 87

Model life 1987>>1988

Pos	Part Number	Description	Remark	Qty	Model
>>	959 352 979 00	Spring		2	
		Retaining pin		4	
		Gasket		2	
		Pan-head screw		10	
		Repair kit		1	
		Handbrake			
		Comprising:			
		Bolt		4	
		Lock		4	
		Chain		1	
		Bolt		1	
		Roller		1	
		Gasket		1	
		Gasket		1	
		Pan-head screw		5	
>>	959 352 969 00	Gasket set		1	
		Handbrake			
		Comprising:			
		Boot		2	
		Sealing ring		1	
		Protection cap		1	

Model: 959 87

Model life 1987>>1988





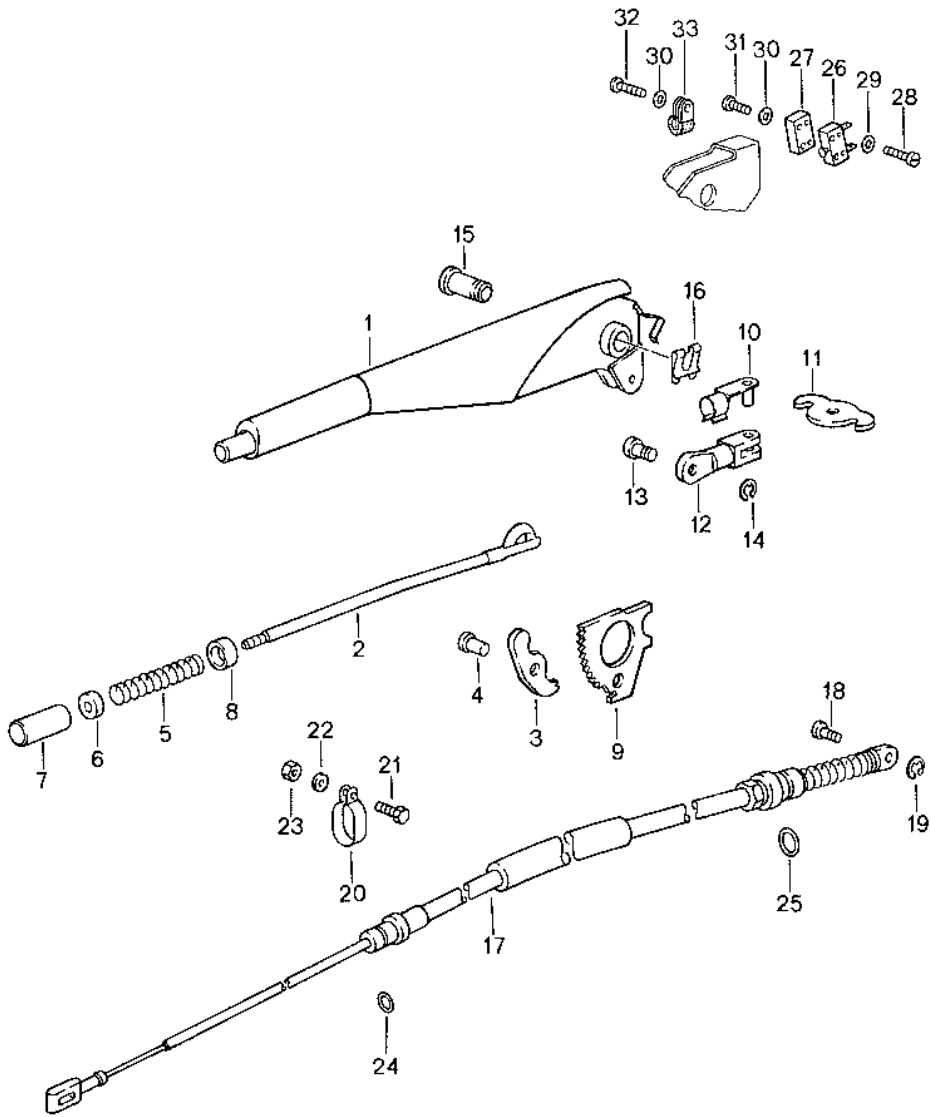
Model: 959 87

Model life 1987>>1988

Pos	Part Number	Description	Remark	Qty	Model
		Transmission control			
1	959 424 015 01	Gearshift lever		1	
2	931 424 110 00	Vibration damper		1	
3	931 424 111 00	Vibration damper		1	
4	959 424 110 00	Housing		1	
5	944 424 231 01	Bearing shell		1	
6	900 025 007 02	Washer A 8,4		2	
6	900 025 007 03	Washer A 8,4		2	
7	900 075 085 02	Hexagon-head bolt M 8 X 20		2	
8	959 424 080 00	Sound absorber		1	
9	959 424 075 00	Gearshift knob		1	
	959 424 075 00 4DF	Dark grey metallic			
	959 424 075 00 3MF	Burgundy-metallic			
10	477 711 269	Retainer spring		1	
11	959 424 020 01	Gear shift rod		1	
12	999 074 023 02	Fit bolt M 8 X 49		1	
13	N 011 654 2	Washer 9,5 X 17 X 1,5		1	
14	959 424 209 00	Bellows		1	
15	999 924 002 40	Bush		2	
16	900 025 008 09	Washer 10,5		1	
16	900 025 008 04	Washer 10,5		1	
17	999 166 034 02	Sl-lock		1	
18	959 424 139 01	Inner sleeve		1	

Model: 959 87

Model life 1987>>1988



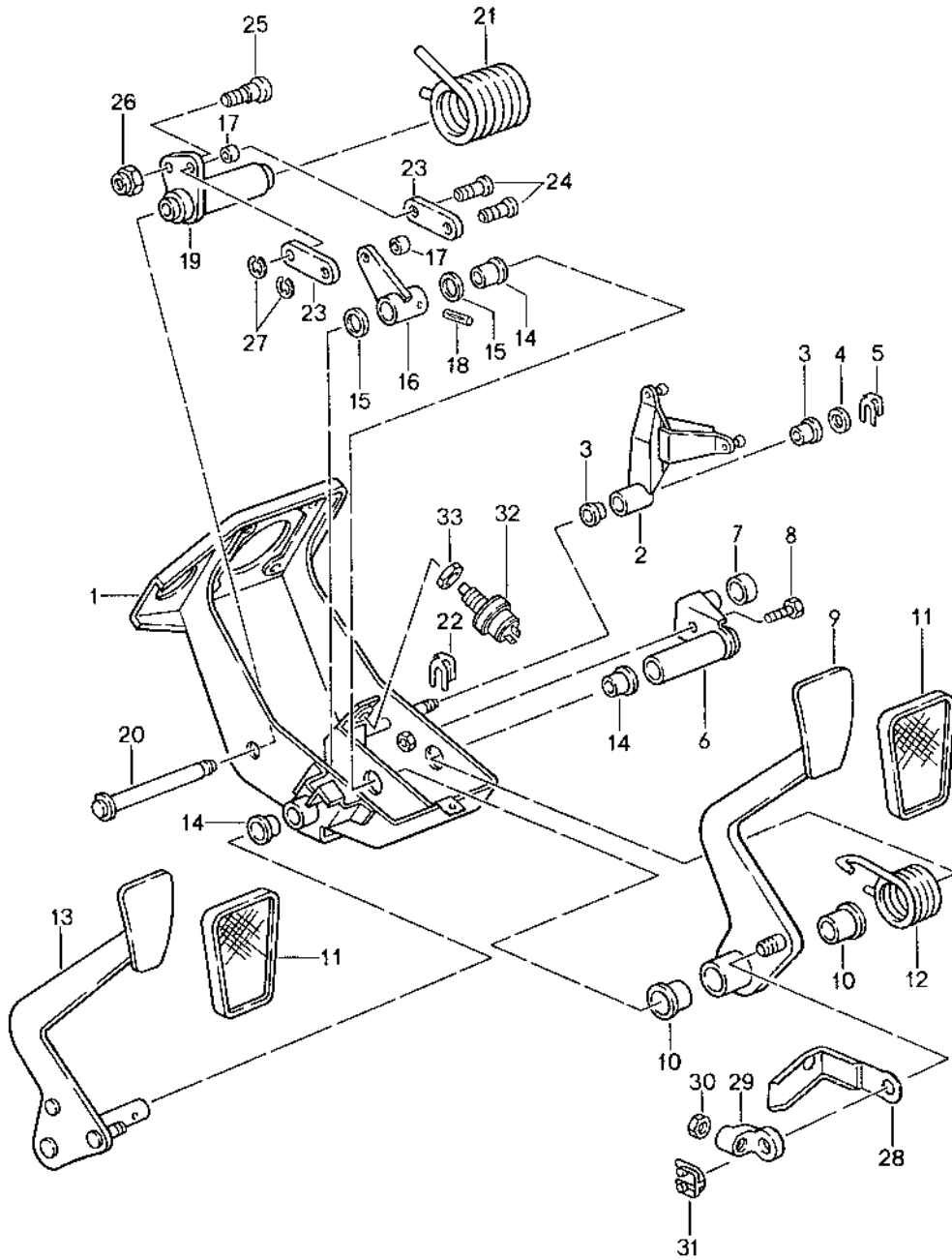
Model: 959 87

Model life 1987>>1988

Pos	Part Number	Description	Remark	Qty	Model
1	959 424 049 02	Handbrake		1	
	959 424 049 02 4DF	Parking-brake lever			
	959 424 049 02 3MF	Dark grey metallic			
		Burgundy-metallic			
2	901 424 567 03	Push rod		1	
3	901 424 508 00	Pawl		1	
4	901 424 511 00	Bolt		1	
5	901 424 543 00	Compression spring		1	
6	901 424 593 01	Ring		1	
7	901 424 523 01	Push button		1	
8	914 424 258 00	Guide sleeve		1	
9	914 424 541 00	Locking segment		1	
10	999 166 001 02	Bolt		1	
		ES 6 X 24			
11	901 424 568 00	Turnbuckle		1	
12	901 424 569 01	Fork		1	
13	999 166 010 02	Bolt		1	
		A 6 X 16 X 13			
14	N 012 645 2	Lock washer		1	
15	959 424 519 00	Bearing pin		1	
16	N 012 653 3	Lock washer		1	
17	959 424 551 02	Parking-brake cable		2	
18	959 352 511 00	Bolt		2	
19	900 116 003 02	Lock washer		2	
		4			
19	900 116 003 09	Lock washer		2	
		4			
20	999 706 011 80	Suspension strap		2	
21	N 010 215 13	Hexagon-head bolt		2	
		M 6 X 15			
22	N 012 226 5	Spring washer		2	
		B 6			
23	900 076 010 02	Nut		2	
23	900 076 010 0B	Nut		2	
24	999 701 281 40	O-ring		2	
		8 X 2,4			
24	999 701 281 01	O-ring		2	
		8 X 2,4			
25	999 701 833 40	Rubber ring		2	
		11,91 X 2,62			
26	959 613 165 00	Microswitch		1	
27	959 613 423 00	Retainer plate		1	
28	900 014 109 02	Pan-head screw		2	
		M 2 X 12			
29	900 025 035 02	Washer		2	
		2,2			
30	900 025 002 02	Washer		1	
		4,3			
30	900 025 002 03	Washer		1	
		4,3			
31	N 014 122 8	Oval-head screw		1	
		M 4 X 8			
31	N 014 122 17	Oval-head screw		1	
		M 4 X 8			
32	900 146 009 02	Oval-head screw		1	
		M 4 X 12			
33	N 020 680 1	Clip		1	
		6/12			

Model: 959 87

Model life 1987>>1988

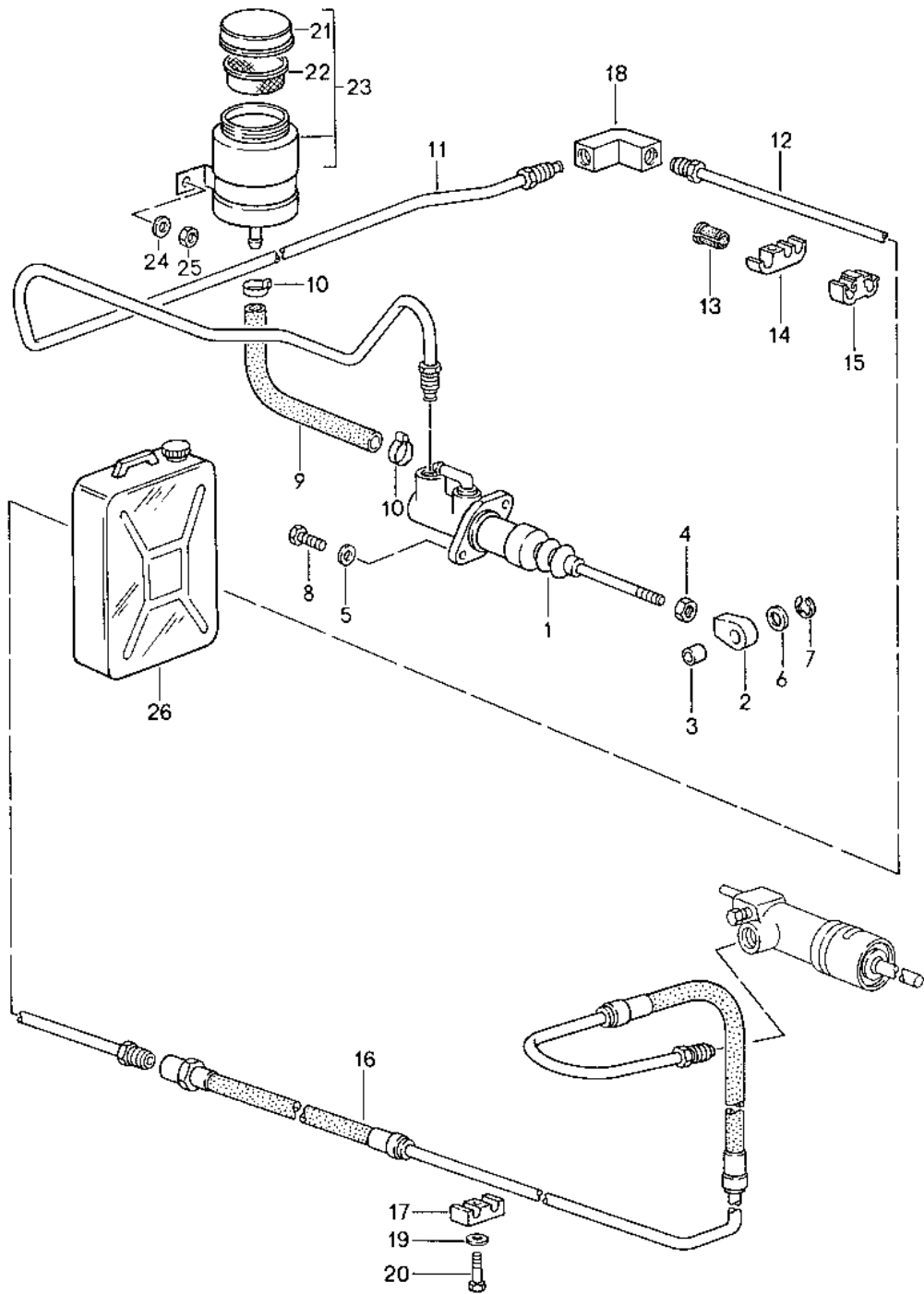


Model: 959 87 Model life 1987>>1988

Pos	Part Number	Description	Remark	Qty	Model
		Pedals			
		Clutch			
		Brake			
1	959 423 065 02	Bearing bracket		1	
2	959 423 083 00	Reverse lever		1	
3	901 423 253 00	Bearing sleeve		2	
4	900 031 001 02	Washer		1	
		8,4			
4	900 031 105 01	Washer		1	
		8,4			
5	999 166 060 02	Lock washer		1	
		8			
6	959 423 062 01	Bearing tube		1	
7	901 423 193 00	Rubber stop		1	
8	N 010 210 13	Hexagon-head bolt		1	
		M 6 X 10			
9	959 423 053 00	Brake pedal		1	
10	999 924 023 40	Bearing sleeve		2	
		\$ 20 MM			
11	914 423 210 00	Rubber pad		2	
12	959 423 531 03	Return spring		1	
13	959 423 079 02	Clutch pedal		1	
14	928 423 542 00	Bearing sleeve		3	
		\$ 14 MM			
15	999 025 127 40	Thrust washer		2	
		20 X 14			
16	959 423 071 01	Lever		1	
17	999 924 015 00	Bush		2	
		6 X 8 X 6			
18	N 023 351 1	Roll pin		1	
		6 X 28			
19	959 423 073 00	Lever		1	
20	959 423 081 01	Bearing shaft		1	
21	959 423 551 01	Clutch power spring		1	
22	N 012 329 2	Lock washer		1	
		9			
23	959 423 567 00	Lever		2	
24	959 423 569 01	Bolt		2	
25	911 423 561 00	Eccentric		1	
26	N 022 146 1	Lock nut		1	
		M 8			
27	999 166 008 02	Safety clip		2	
		5			
28	959 423 539 04	Bracket		1	
29	901 423 507 02	Intermediate piece		1	
30	900 157 002 02	Hexagon nut		1	
		M 10			
30	900 157 002 03	Hexagon nut		1	
		M 10			
31	999 166 057 01	Lock washer		1	
		12			
32	477 945 515	Brake light switch		1	
33	481 945 529	Nut		1	
34	959 423 554 00	Bearing		1	

Model: 959 87

Model life 1987>>1988



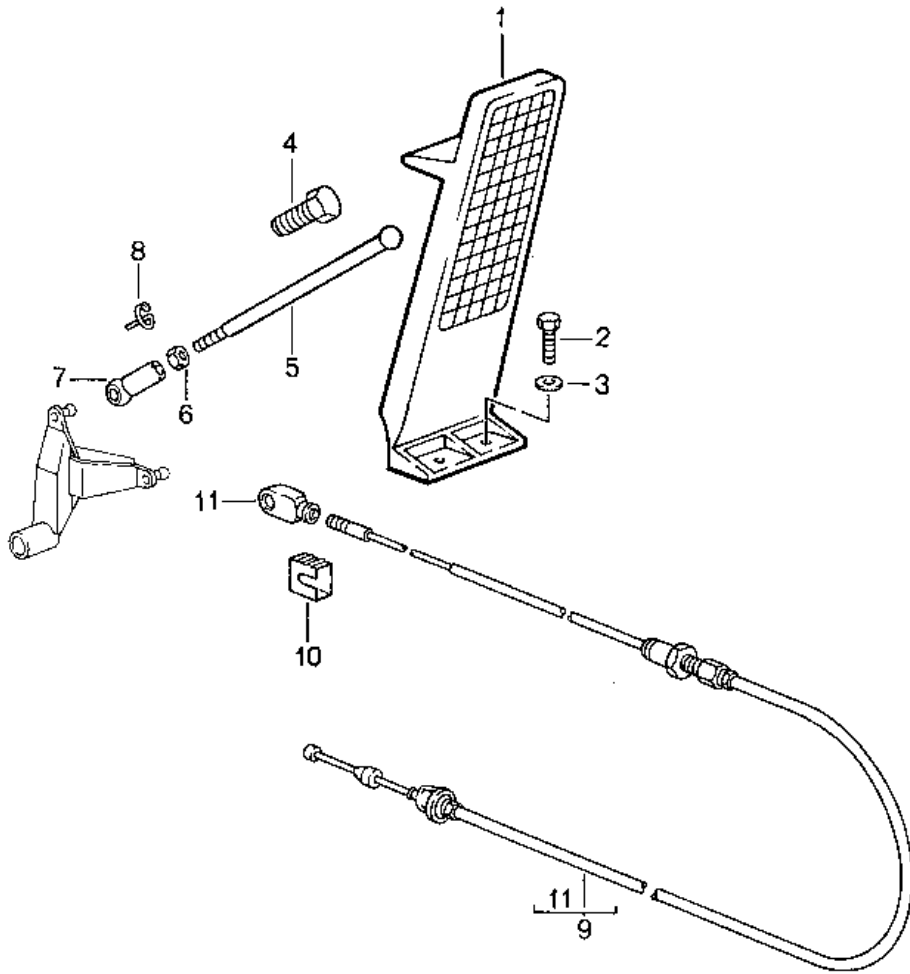
Model: 959 87

Model life 1987>>1988

Pos	Part Number	Description	Remark	Qty	Model
		clutch actuation			
		Clutch master cylinder			
		Lines			
1	959 423 171 02	Clutch master cylinder		1	
2	959 423 512 00	Intermediate piece		1	
3	999 924 001 40	Bearing sleeve		1	
		8 X 12 X 8,8			
4	900 076 025 02	Hexagon nut		1	
		M 8			
4	900 076 064 02	Hexagon nut		1	
		M 8			
5	900 031 001 02	Washer		2	
		A 8,4			
5	900 031 105 01	Washer		2	
		A 8,4			
6	900 025 007 02	Washer		1	
		A 8,4			
6	900 025 007 03	Washer		1	
		A 8,4			
7	999 166 060 02	Lock washer		1	
		8			
8	900 075 087 02	Hexagon-head bolt		2	
		M 8 X 16			
8	900 075 087 03	Hexagon-head bolt		2	
		M 8 X 16			
-	999 181 021 50	Hose		*	
		7,5 X 12,5			
9		350 MM		1	
10	999 512 279 02	Clamp		2	
11	959 423 091 00	Line		1	
12	959 423 092 00	Line		1	
13	911 356 202 04	Rubber sleeve		1	
14	944 356 591 00	Support		1	
15	999 591 740 40	Cable holder		6	
16	959 423 075 01	Line		1	
17	999 511 154 40	Dual clip		1	
18	959 423 605 00	Angled pipe		1	
19	999 025 108 02	Washer		1	
		6,4			
20	900 075 017 0A	Hexagon-head bolt		1	
		M 6 X 25			
21	959 423 113 00	Lid		1	
22	959 423 114 00	Strainer		1	
23	959 423 013 00	Expansion tank		1	
24	N 011 524 7	Washer		2	
		A 6,4			
24	N 011 524 27	Washer		2	
		A 6,4			
25	900 076 010 02	Nut		2	
		M 6			
25	900 076 010 0B	Nut		2	
		M 6			
26	999 917 211 00	Brake fluid		1	
		FAG DOT 4			
		5 LTR.			

Model: 959 87

Model life 1987>>1988





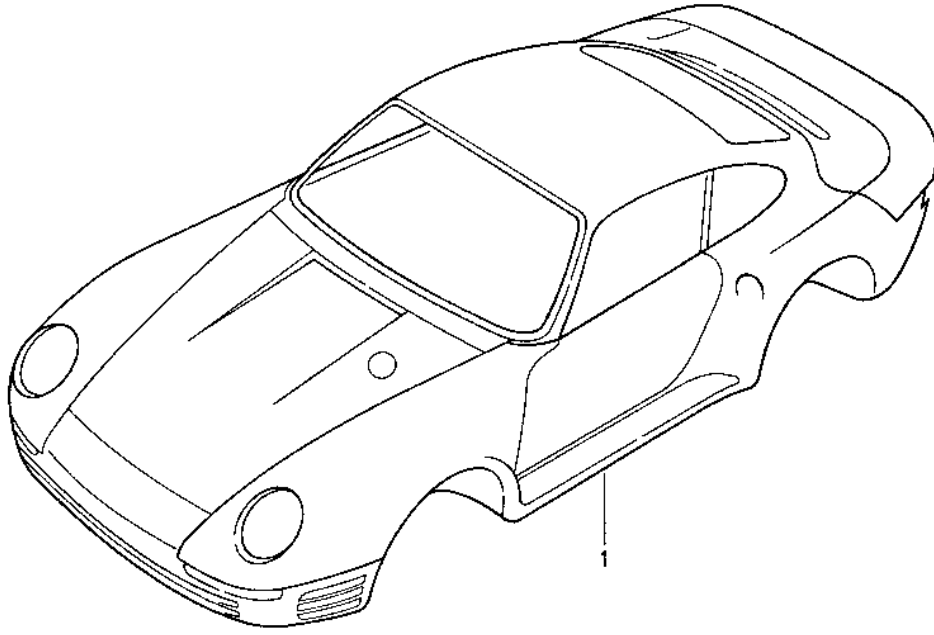
Model: 959 87

Model life 1987&gt;&gt;1988

Pos	Part Number	Description	Remark	Qty	Model
		Pedals			
		Accelerator control			
1	954 423 111 00	Accelerator pedal		1	
2	900 075 057 02	Hexagon-head bolt		2	
		M 6 X 16			
2	900 075 057 03	Hexagon-head bolt		2	
		M 6 X 16			
3	N 011 666 7	Washer		2	
		B 6,4			
4	944 423 731 00	Adjusting screw		1	
		M 12 X 1,5			
5	959 423 227 00	Push rod		1	
6	N 011 005 14	Hexagon nut		1	
		M 5			
6	900 076 091 01	Hexagon nut		1	
		M 5			
7	911 423 147 00	Ball socket		1	
8	900 169 014 02	Securing clip		1	
		S 8			
8	900 169 014 01	Securing clip		1	
		S 8			
9	959 423 023 03	Accelerator cable		1	
10	171 721 570 A	Safety clip		1	
11	010 321 320	Ball socket		1	

Model: 959 87

Model life 1987>>1988



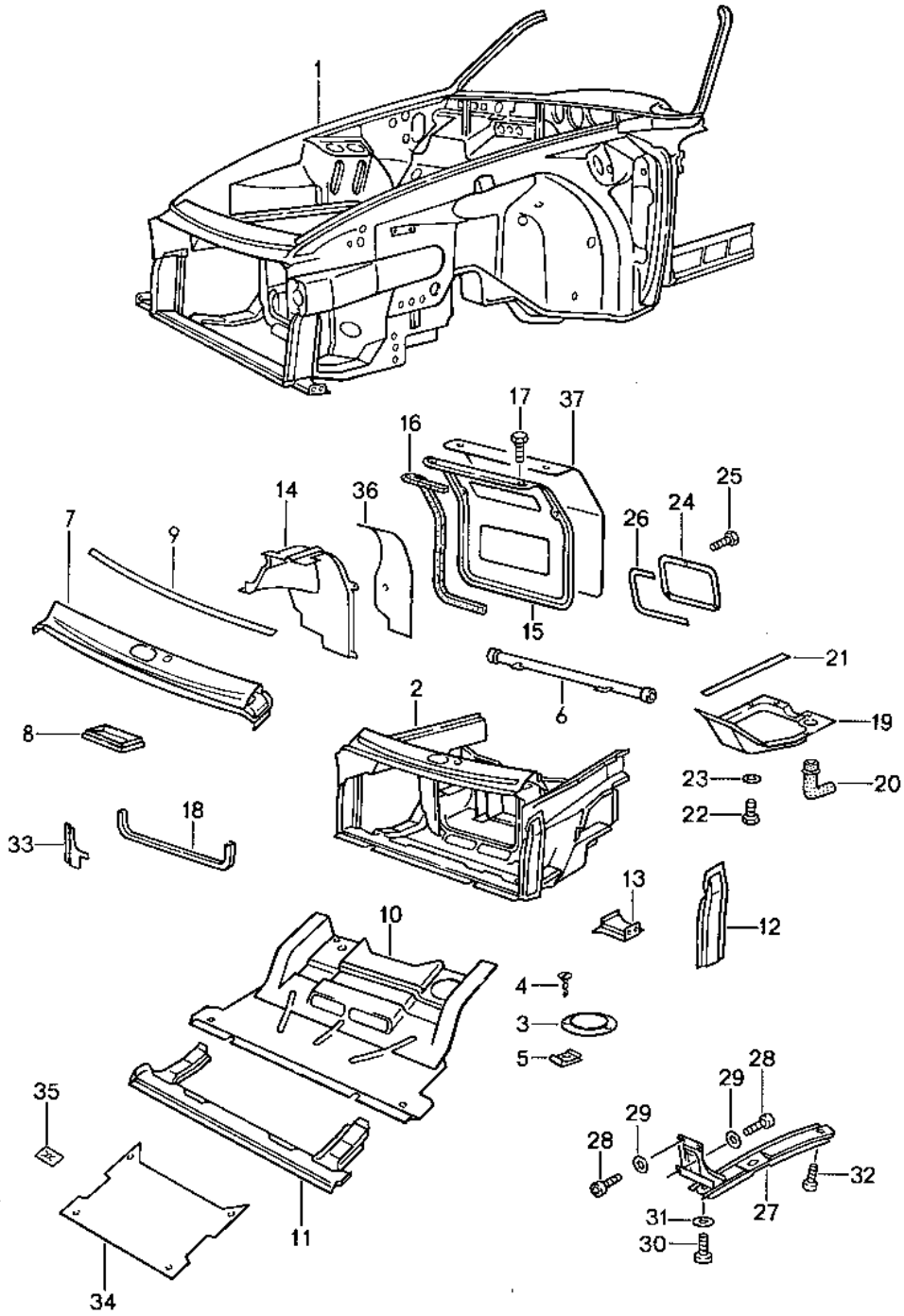
Model: 959 87

Model life 1987>>1988

Pos	Part Number	Description	Remark	Qty	Model
1	959 500 007 00	Body in white Prime coated Sealed Sprayed with filler with Underbody protection Body in white		1	

Model: 959 87

Model life 1987>>1988



Model: 959 87

Model life 1987>>1988

Pos	Part Number	Description	Remark	Qty	Model
		Frame			
		Front			
1	959 501 901 00	Body front section		1	
2	959 501 057 00	Sub-part		1	
		Body front section			
3	959 504 697 00	Lid		1	
4	N 013 956 7	Oval-head sheetmetal screw		3	
		BZ 3,5 X 6,5			
5	N 900 488 01	Speed nut		3	
		B 3,5			
6	959 501 131 01	Cross tube		1	
7	959 501 025 00	Lock carrier		1	
8	959 504 371 00	Cap		1	
9	911 501 395 00	Sealing rail		1	
9		Sealing rail		1	
	911 501 395 00 GRV	Prime coated			
10	959 501 505 00	Floorpan		1	
11	959 501 543 00	Bracket		1	
12	959 501 207 00	Side section	/L	1	
(12)	959 501 208 00	Side section	/R	1	
13	959 501 385 00	Support	/L	1	
(13)	959 501 386 00	Support	/R	1	
(14)	959 501 031 00	Air baffle plate	/L	1	
14	959 501 032 00	Air baffle plate	/R	1	
15	959 504 053 01	Lid		1	
-	000 043 205 22	Gasket		*	
16		1700 MM		1	
17	900 075 354 07	Hexagon-head bolt		4	
		M 6 X 16			
18	959 501 485 01	Rail		1	
19	959 504 201 00	Lid		1	
20	111 801 177	Rubber valve		1	
-	000 043 129 00	Sealing strap		*	
21		1045 MM		1	
22	N 010 210 13	Hexagon-head bolt		6	
		M 6 X 10			
23	N 011 524 7	Washer		8	
		A 6,4			
23	N 011 524 27	Washer		8	
		A 6,4			
24	959 504 395 00	Lid		1	
	959 504 395 00 GRV	Prime coated			
25	900 075 057 02	Hexagon-head bolt		3	
		M 6 X 16			
25	900 075 057 03	Hexagon-head bolt		3	
		M 6 X 16			
26	191 819 069	Gasket		1	
		650 X 20 X 10			
27	959 504 051 00	Reinforcement	/L	1	
(27)	959 504 052 00	Reinforcement	/R	1	
28	900 119 052 02	Pan-head screw		6	
		M 8 X 16			
29	N 011 525 13	Washer		6	
		A 8,4			
30	N 014 721 2	Pan-head screw		4	
		M 10 X 25			
31	900 223 011 01	Washer		6	
		10,5			
31	900 223 011 02	Washer		6	
		10,5			
32	900 067 063 02	Pan-head screw		2	
		M 10 X 20			
33	959 501 481 00	Filler plate	/L	1	

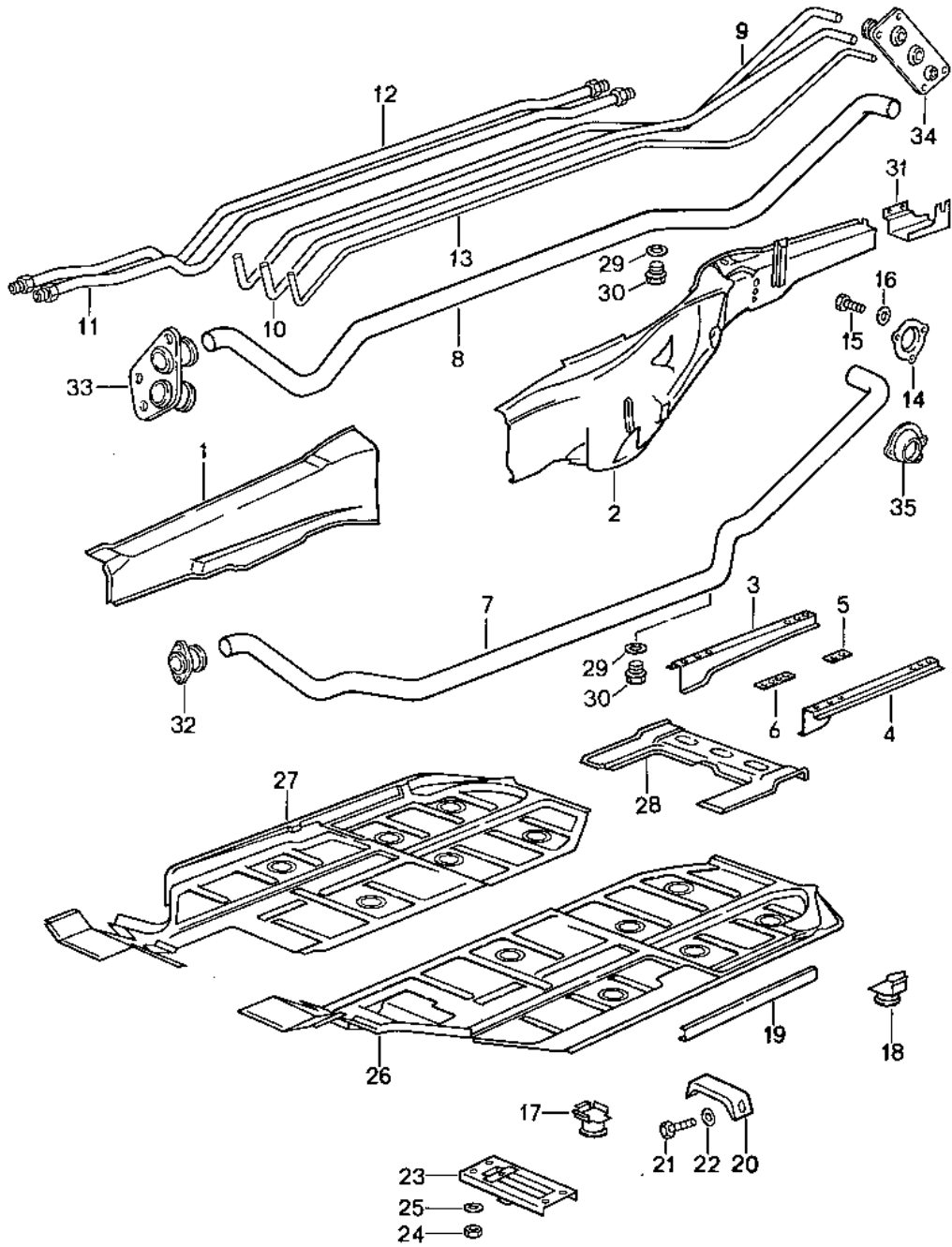
Model: 959 87

Model life 1987>>1988

Pos	Part Number	Description	Remark	Qty	Model
(33)	959 501 482 00	Filler plate	/R	1	
(33)		Filler plate	/R	1	
	959 501 482 00 GRV	Prime coated			
34	959 556 325 00	Heat protection		1	
35	N 900 661 01	Clamping washer		4	
36	959 556 322 00	Heat protection	/R	1	
(36)	959 556 321 00	Heat protection	/L	1	
37	959 556 323 00	Heat protection		1	

Model: 959 87

Model life 1987>>1988



Model: 959 87 Model life 1987>>1988

Pos	Part Number	Description	Remark	Qty	Model
		Frame			
		Centre			
1	959 501 101 00	Side member	/L	1	
(1)	959 501 102 00	Side member	/R	1	
2	959 501 807 00	Side member	/L	1	
(2)	959 501 808 00	Side member	/R	1	
3	959 501 168 00	Seat rail support	/R	1	
		Outer			
4	959 501 263 00	Seat rail support	/R	1	
		Inner			
4		Seat rail support	/L	1	
		Outer			
(4)	959 501 196 00	Seat rail support	/L	1	
		Inner			
5	928 521 101 05	Threaded plate		6	
		Short			
6	928 521 101 08	Threaded plate		2	
		Long			
7	959 106 163 00	Cooling water tube	/L	1	
8	959 106 164 00	Cooling water tube	/R	1	
9	959 572 156 00	Hot air duct		1	
		Supply			
10	959 572 158 00	Hot air duct		1	
		Return line			
11	959 107 330 00	Oil pipe		1	
		Supply			
12	959 107 332 00	Oil pipe		1	
		Return line			
13	959 106 270 00	Vent line		1	
14	959 572 407 01	Lid	/L	1	
(14)	959 572 408 01	Lid	/R	1	
15	N 010 215 13	Hexagon-head bolt		6	
		M 6 X 15			
16	N 011 524 7	Washer		6	
		A 6,4			
16	N 011 524 27	Washer		6	
		A 6,4			
17	959 501 159 00	Mounting	/H /L	1	
(17)	959 501 160 00	Mounting	/H /R	1	
18	959 501 165 00	Mounting	/V /L	1	
18		Mounting	/V /L	1	
	959 501 165 00 GRV	Prime coated			
(18)	959 501 166 00	Mounting	/V /R	1	
19	959 501 349 00	Retaining strip	/L	1	
(19)	959 501 749 00	Retaining strip	/R	1	
20	959 504 521 00	Transverse strut		1	
21	N 040 248 1	Hexagon-head bolt		2	
		M 10 X 12			
22	900 025 008 09	Washer		2	
		A 10,5			
22	900 025 008 04	Washer		2	
		A 10,5			
23	959 504 081 00	Strut		1	
24	999 084 096 02	Lock nut		4	
		BM 10			
24	900 910 130 01	Lock nut		4	
		BM 10			
25	900 151 026 02	Washer		4	
		10,5			
25	900 151 050 01	Washer		4	
		10,5			
26	959 501 501 00	Floorpan	/L	1	
27	959 501 502 00	Floorpan	/R	1	



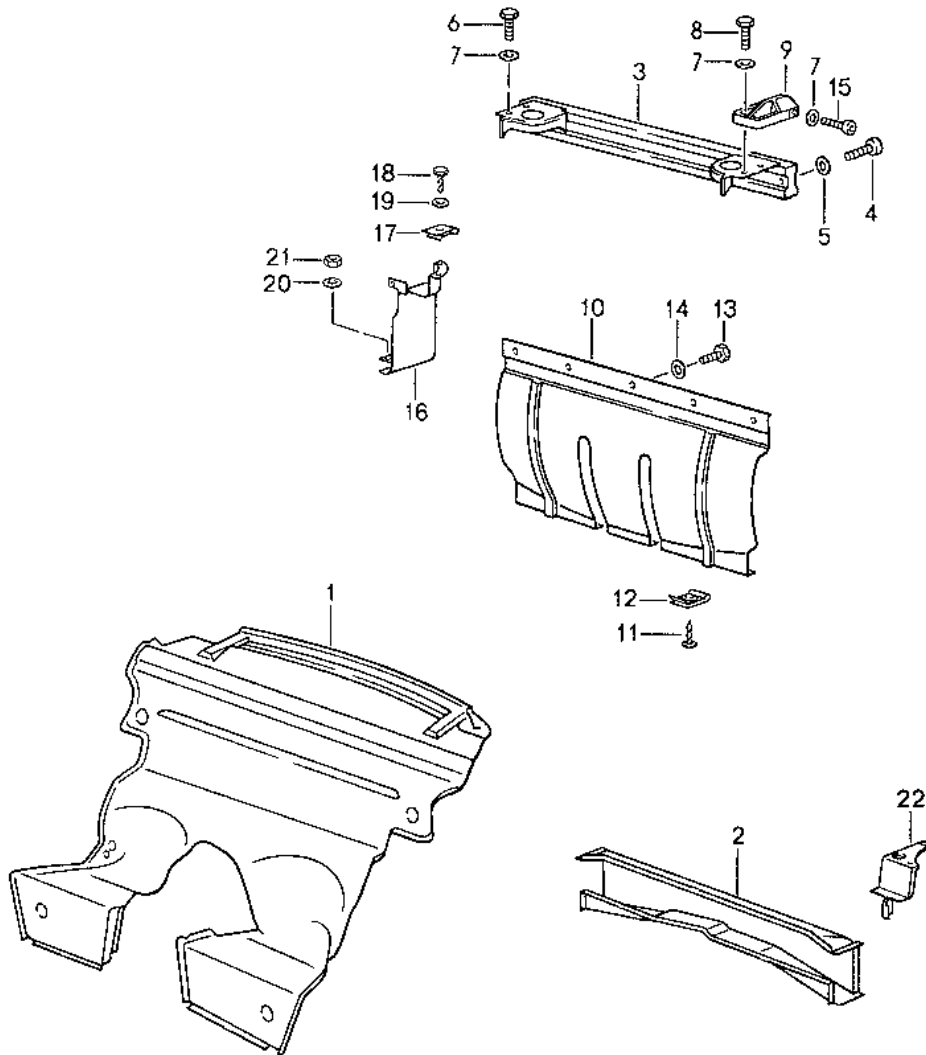
Model: 959 87

Model life 1987&gt;&gt;1988

Pos	Part Number	Description	Remark	Qty	Model
28	959 501 147 00	Seat support	/L	1	
(28)	959 501 148 00	Seat support	/R	1	
29	900 123 033 20	Sealing ring A 10 X 13,5		2	
30	900 219 010 09	Screw plug M 10 X 1		2	
(31)	959 504 415 00	Heat shield	/L	1	
31	959 504 416 00	Heat shield	/R	1	
32	959 572 203 00	Grommet		1	
33	959 572 431 00	Grommet		1	
34	959 572 435 00	Grommet		1	
35	959 572 527 00	Grommet	/L	1	
(35)	959 572 528 00	Grommet	/R	1	

Model: 959 87

Model life 1987>>1988



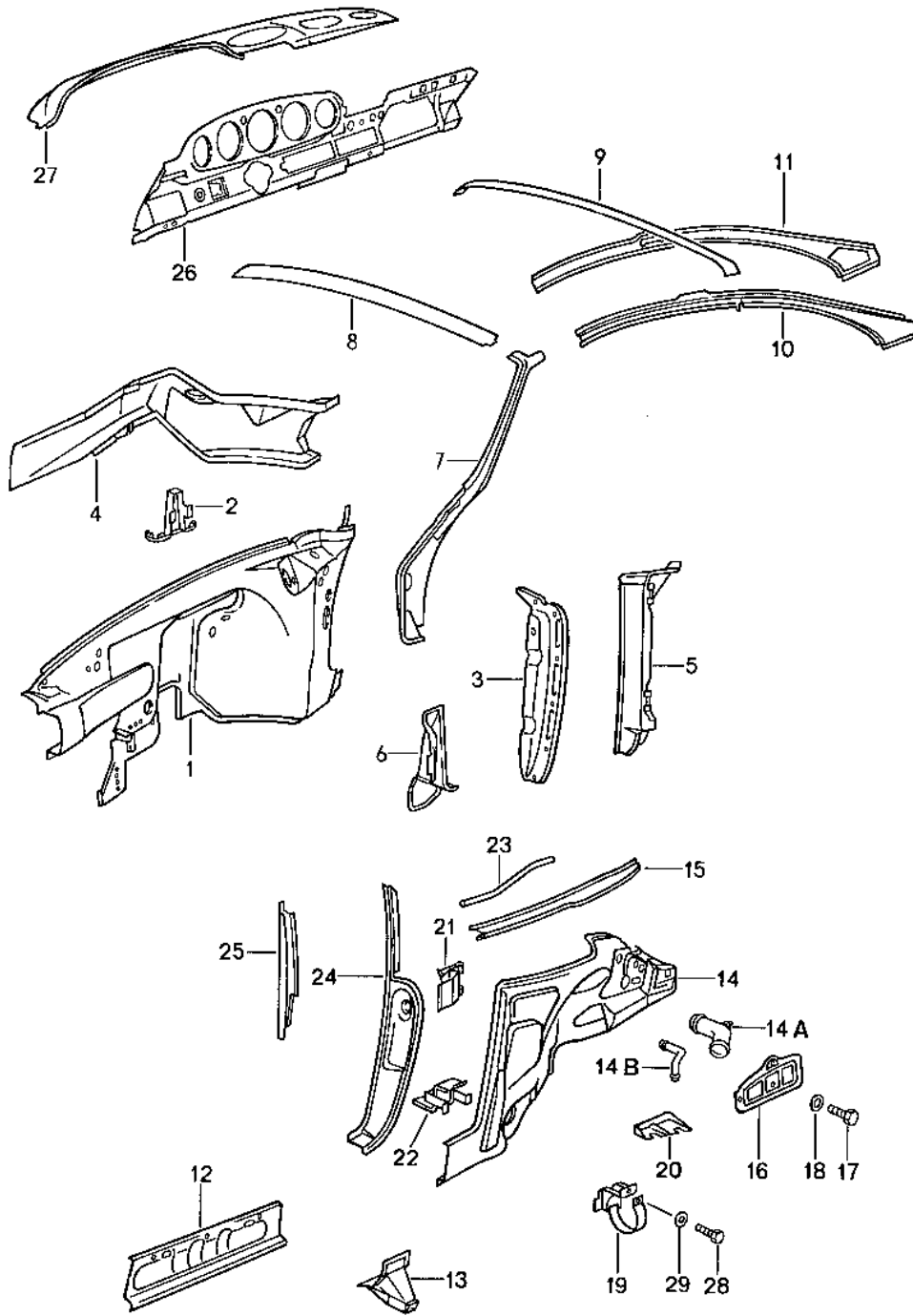
Model: 959 87

Model life 1987>>1988

Pos	Part Number	Description	Remark	Qty	Model
		Frame			
		Rear			
1	959 501 038 00	Seat well		1	
2	959 501 071 00	Cross member		1	
3	959 501 075 01	Engine carrier		1	
4	N 010 450 5	Hexagon-head bolt M 10 X 50		2	
4	900 074 373 02	Hexagon-head bolt M 10 X 50		2	
5	477 407 425	Washer		2	
6	900 075 043 02	Hexagon-head bolt M 10 X 30		2	
7	900 025 008 09	Washer 10,5		7	
7	900 025 008 04	Washer 10,5		7	
8	900 074 059 02	Hexagon-head bolt M 10 X 40		2	
8	900 074 379 01	Hexagon-head bolt M 10 X 40		2	
9	959 722 123 00	Bearing bracket		1	
10	959 504 325 01	Heat shield		1	
11	N 013 986 2	Counters. head tapp. screw B 3,5 X 9,5		2	
12	999 591 460 02	Speed nut B 3,5		2	
13	999 072 005 09	Hexagon nut M 6 X 12		5	
13	999 072 005 01	Hexagon nut M 6 X 12		5	
14	900 151 006 30	Washer B 6,4		5	
15	900 119 005 02	Pan-head screw M 10 X 30		1	
16	959 504 185 01	Heat shield	/L	1	
(16)	959 504 186 01	Heat shield	/R	1	
17	999 507 020 02	Speed nut B 4,2		4	
17	999 507 020 01	Speed nut 4,2		4	
18	900 187 013 02	Hexagon-head tapping screw BZ 4,2		4	
19	900 151 028 02	Washer 4,3		4	
19	900 151 028 01	Washer 4,3		4	
20	N 011 524 7	Washer 6,4		4	
20	N 011 524 27	Washer 6,4		4	
21	N 011 116 5	Hexagon nut M 6		4	
22	959 501 411 01	Support	/L	1	
(22)	959 501 412 01	Support	/R	1	

Model: 959 87

Model life 1987>>1988



Model: 959 87 Model life 1987>>1988

Pos	Part Number	Description	Remark	Qty	Model
		Interior panelling			
1	959 501 033 00	Wheel housing	/V /L	1	
(1)	959 501 034 00	Wheel housing	/V /R	1	
2	959 501 151 00	Support		1	
3	959 501 073 00	Wing joining plate	/L	1	
(3)	959 501 074 00	Wing joining plate	/R	1	
4	959 501 127 00	Reinforcing support	/L	1	
(4)	959 501 128 00	Reinforcing support	/R	1	
5	959 501 039 00	Hinge pillar	/L	1	
(5)	959 501 040 00	Hinge pillar	/R	1	
6	959 501 463 00	Post bracket	/L	1	
(6)	959 501 464 00	Post bracket	/R	1	
7	959 502 033 00	Roof pillar	/L	1	
(7)	959 502 034 00	Roof pillar	/R	1	
8	959 502 101 00	Transverse strut		1	
		Front			
9	959 502 051 00	Transverse strut		1	
		Rear			
10	959 502 551 00	Roof frame	/L	1	
		Outer			
(10)	959 502 552 00	Roof frame	/R	1	
		Outer			
11	959 502 031 00	Roof frame	/L	1	
		Inner			
(11)	959 502 032 00	Roof frame	/R	1	
		Inner			
12	911 501 123 04	Side member	/L	1	
(12)	911 501 124 04	Side member	/R	1	
(12)	964 501 136 00	Side member	/R	1	
(12)		Side member	/R	1	
		Floor			
		Right			
		Outer			
	964 501 136 00 GRV	Prime coated			
13	959 501 145 01	Jacking point		2	
14	959 501 017 00	Wheel housing	/H /L	1	
(14)	959 501 018 00	Wheel housing	/H /R	1	
14A	959 501 331 00	Pressure pipe		2	
14B	959 501 523 00	Breather pipe	/R	1	
15	959 501 861 00	Frame	/L	1	
(15)	959 501 862 00	Frame	/R	1	
16	959 504 157 00	Lid	/L	1	
(16)	959 504 158 00	Lid	/R	1	
17	900 075 087 02	Hexagon-head bolt		8	
		M 8 X 16			
17	900 075 087 03	Hexagon-head bolt		8	
		M 8 X 16			
18	N 011 525 13	Washer		8	
		8,4			
19	959 501 347 00	Bracket	/L	1	
		Carbon canister			
20	959 501 815 00	Bracket	/L	1	
		Oil tank			
21	959 501 778 00	Support	/R	1	
		Oil tank			
22	959 501 344 00	Bracket	/R	1	
		Oil tank			
23	959 502 403 00	Guide tube		1	
24	959 502 041 00	Lock pillar	/L	1	
(24)	959 502 042 00	Lock pillar	/R	1	
25	959 502 043 00	Lock pillar	/L	1	
		Inner panel			
(25)	959 502 044 00	Lock pillar	/R	1	

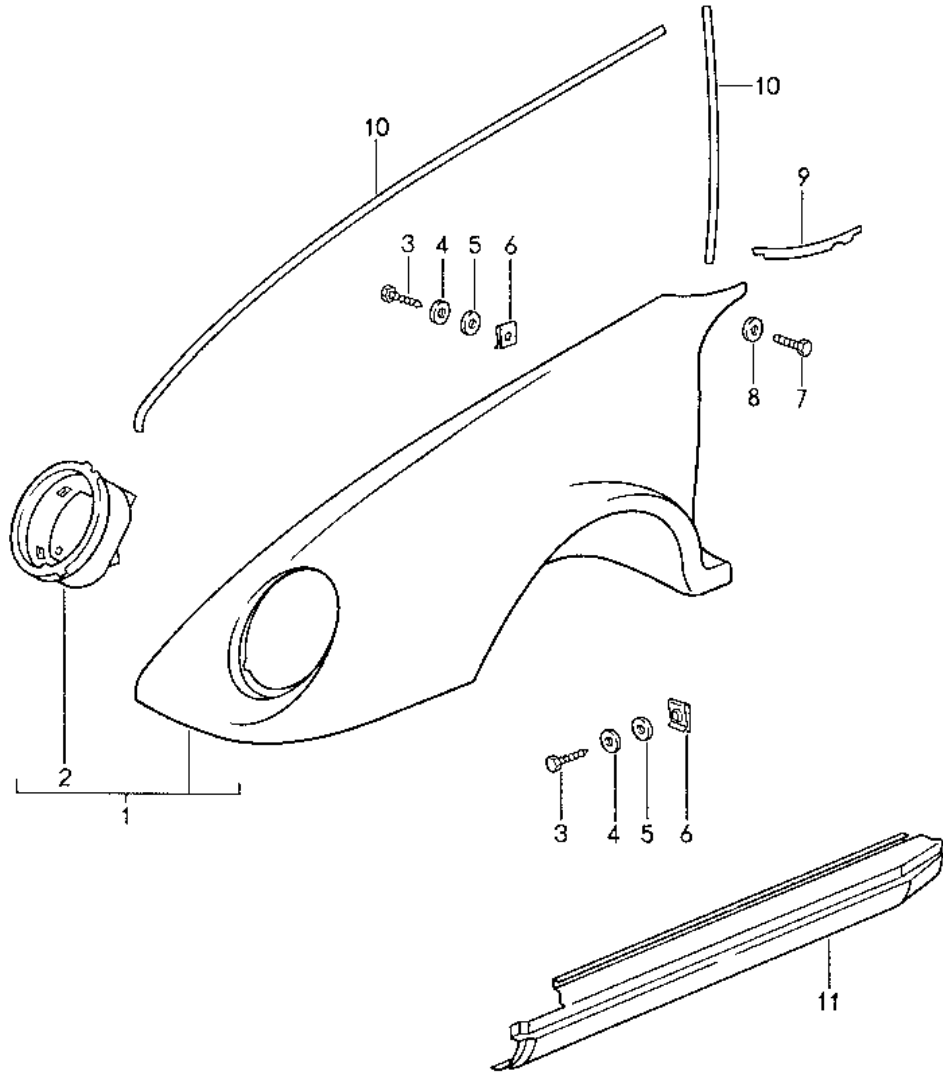
Model: 959 87

Model life 1987&gt;&gt;1988

Pos	Part Number	Description	Remark	Qty	Model
26	959 502 021 00	Inner panel Dashboard Lower part		1	
27	959 502 025 00	Dashboard Upper part		1	
28	N 014 703 2	Pan-head screw M 6 X 18		1	
29	803 817 121	Washer		1	

Model: 959 87

Model life 1987>>1988



Model: 959 87

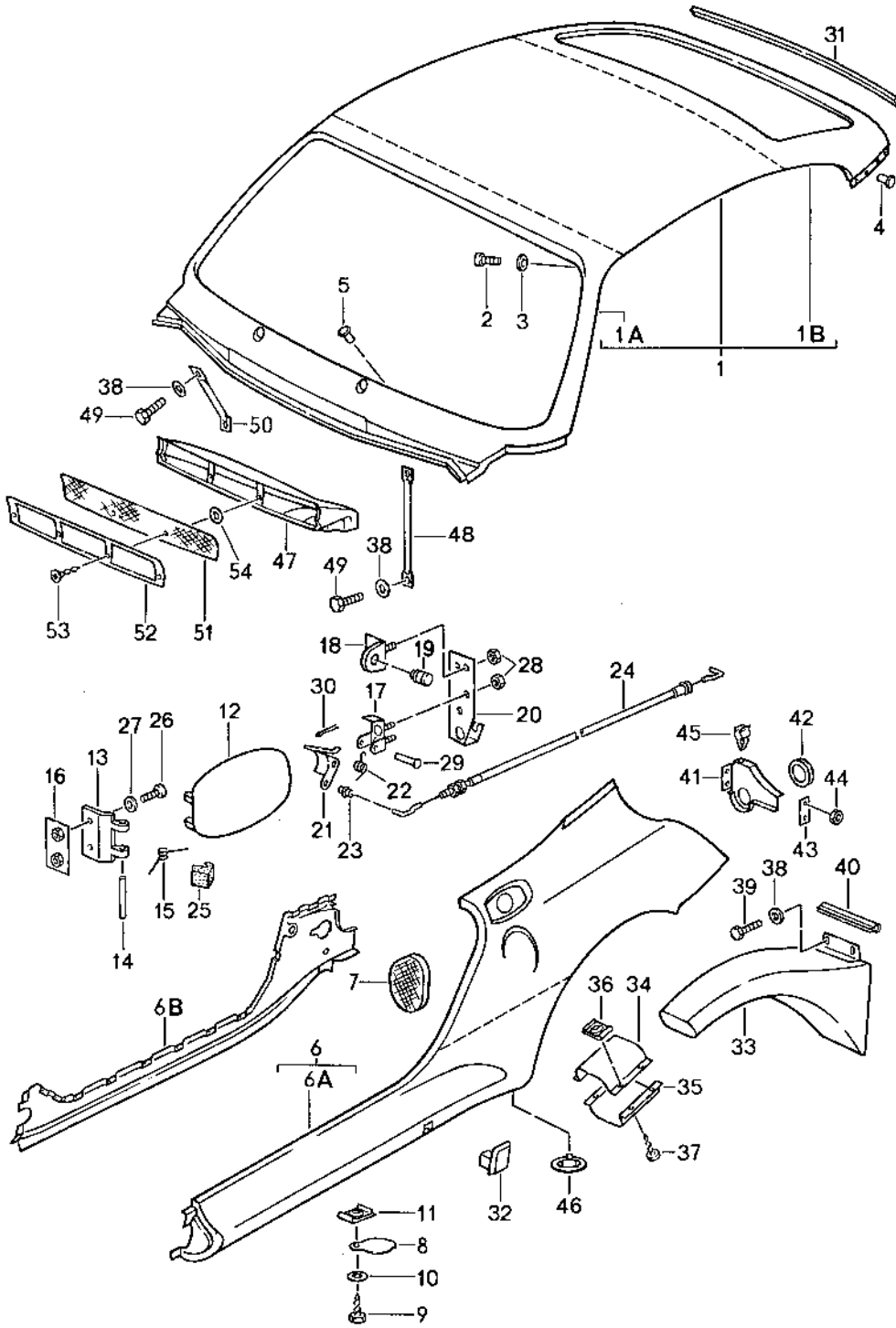
Model life 1987&gt;&gt;1988

Pos	Part Number	Description	Remark	Qty	Model
		Exterior panelling Front			
1	959 503 031 00	Wing	/L	1	
(1)	959 503 032 00	Wing	/R	1	
2	959 503 153 00	Headlamp casing	/L	1	
(2)	959 503 154 00	Headlamp casing	/R	1	
3	900 187 010 02	Hexagon-head tapping screw BZ 6,3 X 19		22	
3	900 187 010 03	Hexagon-head tapping screw BZ 6,3 X 19		22	
4	900 151 003 02	Washer A 6,4		22	
4	900 151 006 03	Washer A 6,4		22	
5	999 704 157 40	Washer		22	
6	999 591 327 02	Speed nut B 6,3		22	
6	999 501 327 01	Speed nut B 6,3		22	
6	999 591 327 01	Speed nut B 6,3		22	
7	900 067 011 02	Pan-head screw M 6 X 20		4	
7	900 067 011 03	Pan-head screw M 6 X 20		4	
8	N 011 550 1	Washer B 6,5		2	
8	N 011 666 7	Washer B 6,4		2	
9	901 503 394 22	Piping		2	
10	000 043 129 00	Sealing strap 25 X 2 MM		*	
11	959 503 141 00	Door sill	/L	1	
(11)	959 503 142 00	Door sill	/R	1	



Model: 959 87

Model life 1987>>1988



Model: 959 87 Model life 1987>>1988

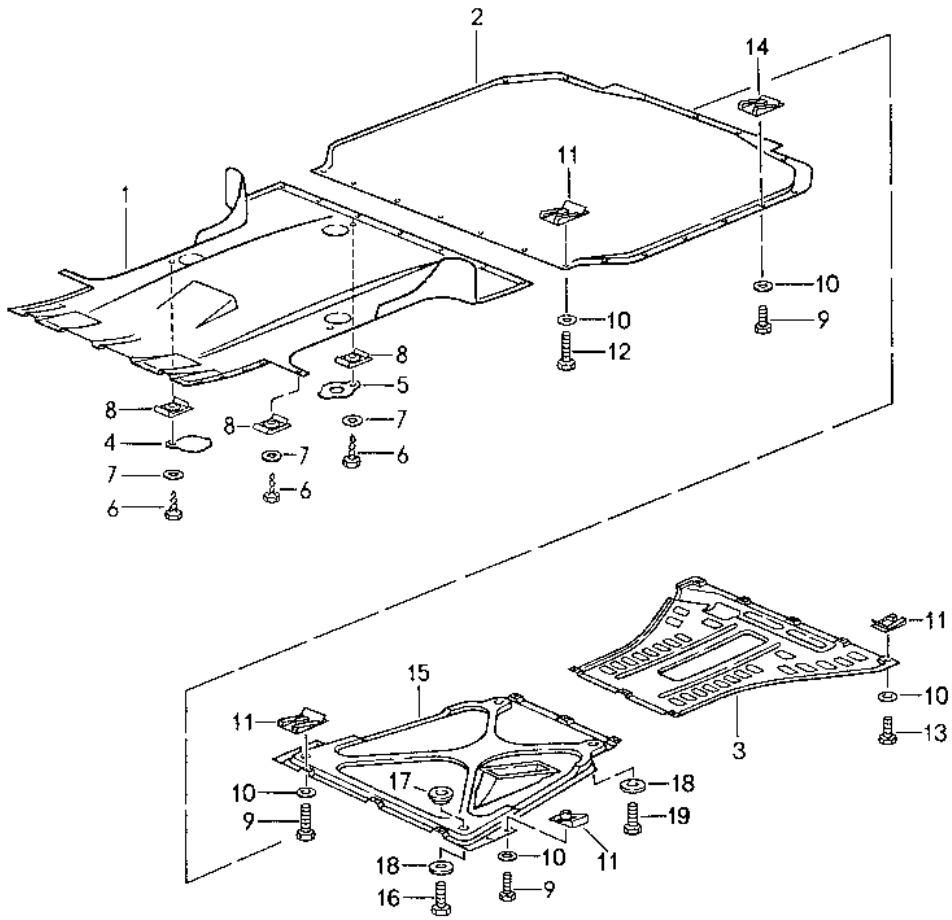
Pos	Part Number	Description	Remark	Qty	Model
		Exterior panelling			
		Rear			
1	959 503 087 00	Outer roof panel		1	
1A	959 503 923 00	Sub-part		1	
		Windscreen frame part			
1B	959 503 925 00	Sub-part		1	
		Rear window			
2	900 067 008 02	Pan-head screw		12	
		M 6 X 12			
2	900 067 008 03	Pan-head screw		12	
		M 6 X 12			
3	N 011 524 7	Washer		12	
		A 6,4			
3	N 011 524 27	Washer		12	
		A 6,4			
4	999 190 346 30	Blind rivet		8	
		5 X 10,4			
5	900 190 003 03	Rivet		40	
		A 3 X 6 X 6			
6	959 503 061 00	Side section	/L	1	
(6)	959 503 062 00	Side section	/R	1	
6A	959 503 921 00	Sub-part	/L	1	
		Door sill			
(6A)	959 503 922 00	Sub-part	/R	1	
		Door sill			
6B	959 503 603 00	Connecting piece	/L	1	
		Door sill			
(6B)	959 503 604 00	Connecting piece	/R	1	
		Door sill			
7	959 503 661 00	Ventilation grille		2	
8	959 503 681 00	Lid	/R	1	
9	N 013 884 5	Hexagon-head tapping screw	/R	1	
		B 4,8 X 13			
10	N 011 665 3	Washer	/R	1	
		B 5,3			
10	N 011 665 16	Washer	/R	1	
		B 5,3			
11	999 591 699 02	Speed nut	/R	1	
		B 4,8			
11	999 591 699 01	Speed nut	/R	1	
		B 4,8			
12	911 504 415 01	Lid		2	
13	911 504 416 01	Hinge		2	
13	911 504 416 03	Hinge		2	
14	644 504 315 00	Hinge bolt		2	
15	911 504 331 00	Spring		2	
16	959 504 205 00	Retainer plate		2	
17	959 503 077 00	Bearing bracket		2	
18	959 503 070 01	Support		2	
19	959 504 389 00	Rubber buffer		2	
20	959 504 223 00	Retainer plate	/L	1	
(20)	959 504 207 01	Retainer plate	/R	1	
21	911 504 418 00	Lever		2	
22	959 504 601 00	Spring		2	
23	999 596 002 40	Linkage clip		4	
24	959 504 071 01	Bowden cable		2	
25	959 504 623 00	Rubber stop		2	
26	900 067 009 02	Pan-head screw		4	
		M 6 X 15			
26	900 067 429 01	Pan-head screw		4	
		M 6 X 15			
27	N 011 524 7	Washer		4	
		6,4			

Model: 959 87 Model life 1987>>1988

Pos	Part Number	Description	Remark	Qty	Model
27	N 011 524 27	Washer 6,4		4	
28	999 084 102 02	Lock nut M 5		6	
29	900 087 030 02	Bolt 4 X 22 X 30		2	
30	900 021 030 02	Cotter pin 1 X 10		2	
31	911 503 507 01	Plastic foam strip for bleeding		1	
32	911 559 149 01	Stopper		2	
33	959 503 051 00	Air duct	/L	1	
(33)	959 503 052 00	Air duct	/R	1	
34	959 503 163 00	Connecting piece Upper part	/L	1	
(34)	959 503 164 00	Connecting piece Upper part	/R	1	
35	959 503 165 00	Connecting piece Lower part	/L	1	
(35)	959 503 166 00	Connecting piece Lower part	/R	1	
36	999 507 025 02	Speed nut B 4,8		8	
37	N 013 975 4	Oval-head sheetmetal screw B 4,8 X 19		8	
38	N 011 666 7	Washer B 6,4		7	
39	900 075 014 02	Hexagon-head bolt M 6 X 18		4	
39	900 075 014 03	Hexagon-head bolt M 6 X 18		4	
-	944 025 115 00	Sealing rubber 210 MM		*	
40				1	
41	959 503 461 00	Bracket	/L	1	
(41)	959 503 462 01	Bracket	/R	1	
42	999 702 156 40	Grommet 20 X 18 X 7	/R	1	
43	959 503 561 00	Perforated plate		2	
44	900 076 010 02	Nut M 6		8	
44	900 076 010 0B	Nut M 6		8	
45	999 651 223 02	Pipe clamp		2	
46	959 505 131 00	Lid		2	
47	959 572 053 00	Fresh air inlet box		1	
48	959 503 217 01	Bracket	/L	1	
49	N 040 268 1	Hexagon-head bolt M 6 X 14		3	
50	959 503 225 00	Bracket	/R	1	
51	959 559 410 00	Ventilation grille		1	
52	911 559 401 00	Grille frame		1	
53	N 014 086 12	Tapping screw B 3,5 X 13		4	
53	N 014 086 1C	Tapping screw B 3,5 X 13		4	
54	901 559 491 20	Spacer		2	

Model: 959 87

Model life 1987>>1988



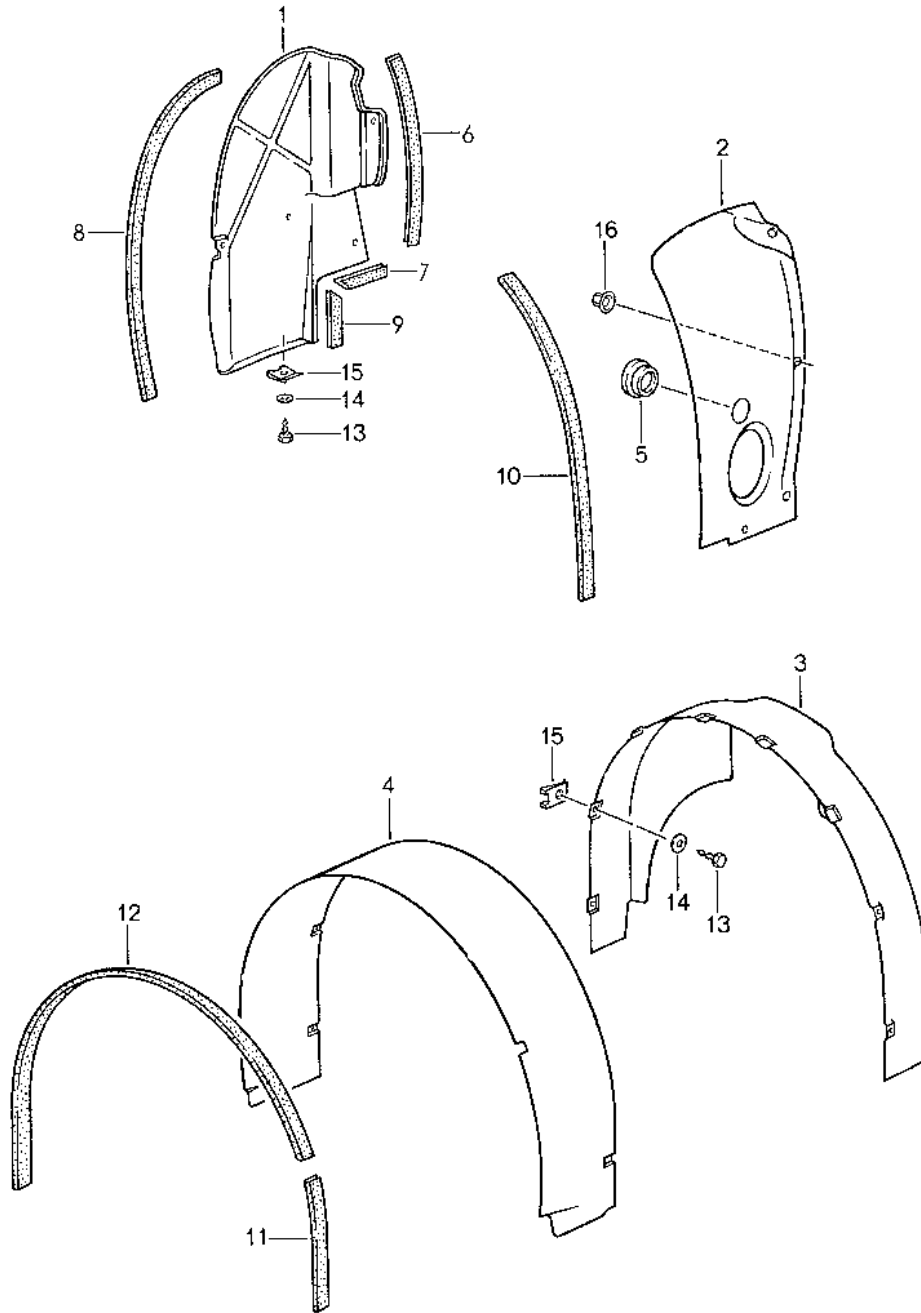
Model: 959 87

Model life 1987&gt;&gt;1988

Pos	Part Number	Description	Remark	Qty	Model
		Lining for Underbody			
1	959 503 531 00	Floor section Front		1	
2	959 503 537 00	Floor section Centre		1	
3	959 503 195 02	Floor section Rear		1	
4	959 503 681 00	Lid		2	
5	959 503 683 00	Lid		1	
6	N 013 884 5	Hexagon-head tapping screw B 4,8 X 13		5	
7	N 011 665 3	Washer B 5,3		5	
7	N 011 665 16	Washer B 5,3		5	
8	999 591 699 02	Speed nut B 4,8		5	
8	999 591 699 01	Speed nut B 4,8		5	
9	900 075 057 02	Hexagon-head bolt M 6 X 16		35	
9	900 075 057 03	Hexagon-head bolt M 6 X 16		35	
10	N 011 524 7	Washer A 6,4		42	
10	N 011 524 27	Washer A 6,4		42	
11	999 591 882 02	Speed nut M 6		32	
11	999 591 882 01	Speed nut M 6		32	
12	N 010 217 9	Hexagon-head bolt M 6 X 20		2	
13	900 075 016 02	Hexagon-head bolt M 6 X 22		5	
13	900 075 016 03	Hexagon-head bolt M 6 X 22		5	
14	999 591 912 02	Plug-in nut		10	
15	959 504 041 01	Reinforcement		1	
16	900 075 043 02	Hexagon-head bolt M 10 X 30		2	
17	999 209 011 09	Bush		1	
18	999 025 185 02	Washer B 10,5 X 34 X 3,5		4	
19	900 075 041 09	Hexagon-head bolt M 10 X 25		2	
19	900 075 481 01	Hexagon-head bolt M 10 X 25		2	

Model: 959 87

Model life 1987>>1988



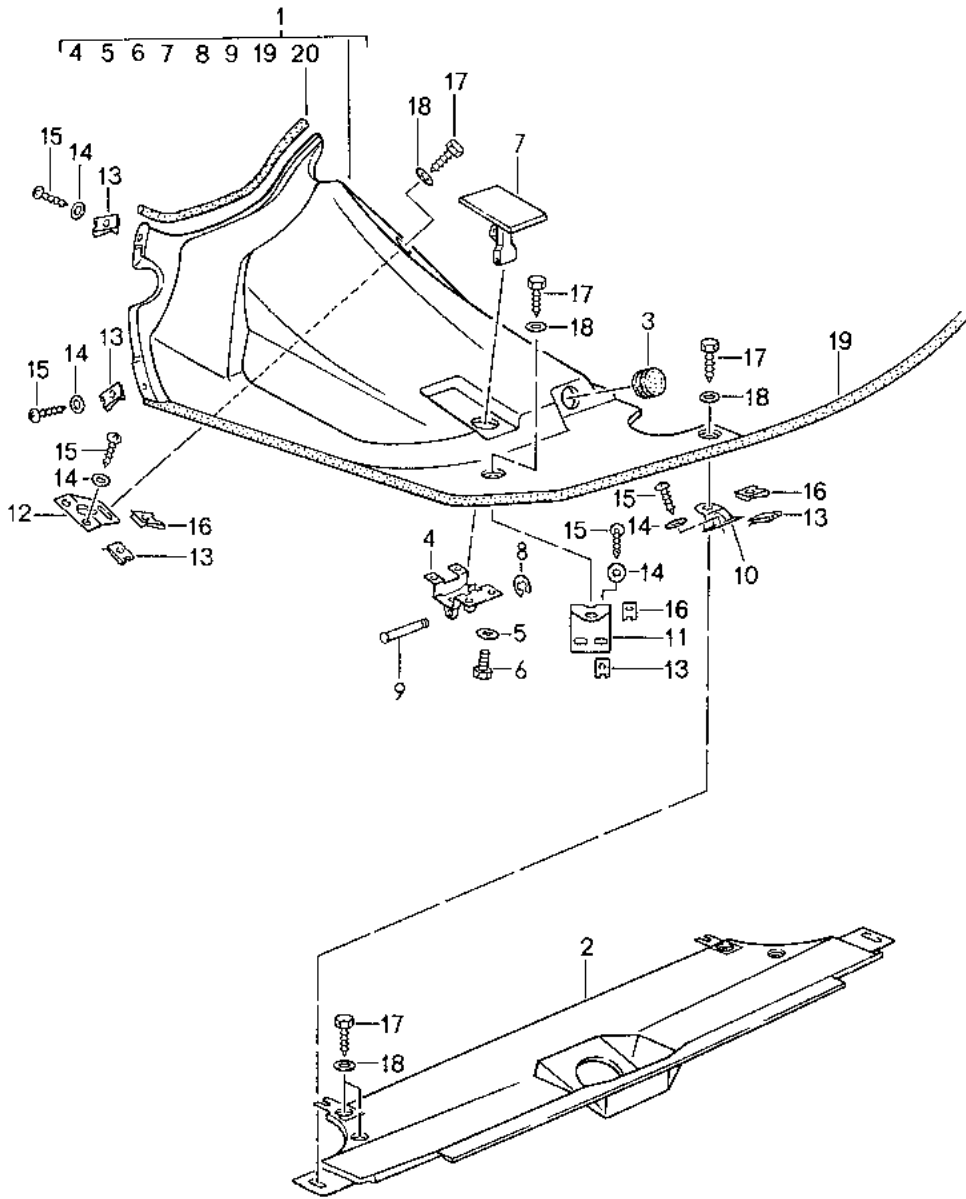
Model: 959 87

Model life 1987>>1988

Pos	Part Number	Description	Remark	Qty	Model
1	959 504 125 01	Wheel cover		1	
(1)	959 504 126 01	Wheel cover	/V /L	1	
2	959 504 127 00	Wheel cover	/V /R	1	
(2)	959 504 128 00	Wheel cover	/V /L	1	
3	959 504 129 00	Wheel cover	/V /R	1	
(3)	959 504 130 00	Wheel cover	/H /L	1	
4	959 504 139 00	Wheel cover	/H /R	1	
(4)	959 504 140 00	Wheel cover	/H /L	1	
5	959 504 631 00	Wheel cover	/H /R	1	
5	959 504 631 00	Cap		2	
-	944 025 115 00	Sealing rubber		*	
6		650 MM		2	
7		180 MM		2	
8		610 MM		2	
9		145 MM		2	
10		860 MM		2	
11		500 MM		2	
12		1100 MM		2	
13	900 187 018 02	Hexagon-head tapping screw		8	
		B 4,8 X 16			
14	N 011 665 3	Washer		8	
		B 5,3			
14	N 011 665 16	Washer		8	
		B 5,3			
15	999 591 699 02	Speed nut		8	
		B 4,8			
15	999 591 699 01	Speed nut		8	
		B 4,8			
16	999 049 008 40	Plastic nut		6	
		T5 PA 6,6			

Model: 959 87

Model life 1987>>1988





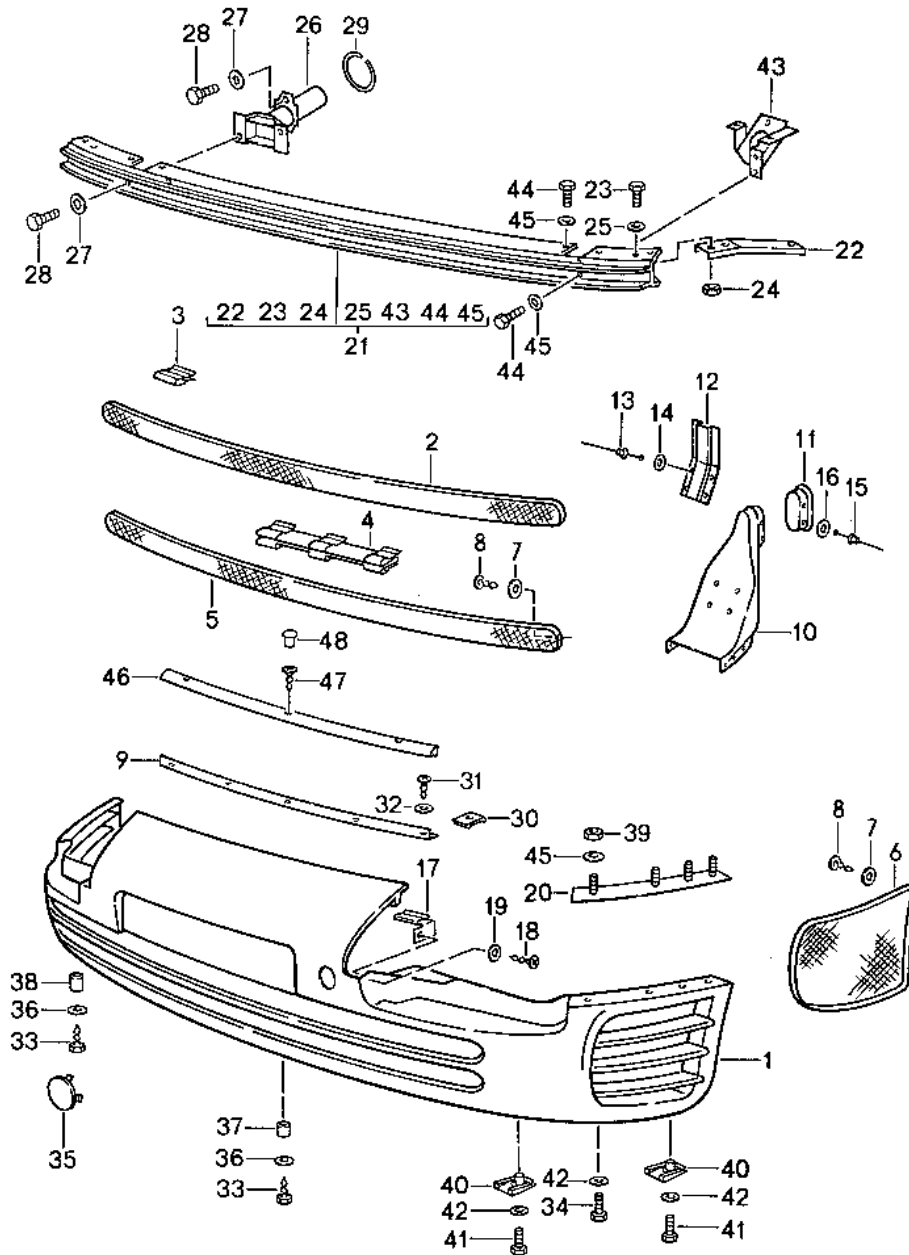
Model: 959 87

Model life 1987&gt;&gt;1988

Pos	Part Number	Description	Remark	Qty	Model
1	959 504 077 01	Engine compartment cover Cover	/L	1	
(1)	959 504 078 01	Cover	/R	1	
2	959 504 163 00	Cover Centre		1	
3	911 612 906 00	Cap	/L	1	
4	959 504 473 00	Plate		2	
5	900 025 003 02	Washer A 5,3		8	
6	900 075 001 03	Hexagon-head bolt M 5 X 8		8	
7	959 504 231 00	Handle		2	
8	999 166 054 02	Sl-lock SL4		2	
8	999 166 054 01	Sl-lock SL4		2	
9	928 537 557 02	Bolt		2	
10	959 504 605 01	Support	/L	1	
(10)	959 504 606 01	Support	/R	1	
11	959 504 411 00	Support		2	
12	959 504 413 00	Support		2	
13	999 591 349 02	Speed nut B 3,5		12	
14	N 011 521 3	Washer A 3,7		12	
15	900 143 124 07	Tapping screw BZ 3,5 X 13		12	
16	999 591 575 02	Speed nut B 4,2		12	
16	999 591 575 01	Speed nut B 4,2		12	
17	900 187 013 02	Hexagon-head tapping screw BZ 4,2 X 13		12	
18	900 151 028 02	Washer B 4,3		12	
18	900 151 028 01	Washer B 4,3		12	
19	911 542 403 03	Sealing rail	/L	1	
(19)	911 542 404 03	Sealing rail	/R	1	
20	959 504 199 00	Gasket		2	

Model: 959 87

Model life 1987>>1988



Model: 959 87

Model life 1987>>1988

Pos	Part Number	Description	Remark	Qty	Model
		Bumper			
		Front			
1	959 505 113 00	Lining		1	
2	959 505 137 00	Ventilation grille		1	
(2)	PCG 505 137 00	Ventilation grille		1	
		Set			
		Comprising:			
		Position			
		2, 5, 6, (6)			
3	999 591 773 03	Clamp		24	
4	999 591 776 03	Clamp		6	
5	959 505 138 00	Ventilation grille		1	
(5)	PCG 505 137 00	Ventilation grille		1	
		Set			
		Comprising:			
		Position			
		2, 5, 6, (6)			
6	959 505 215 00	Ventilation grille	/L	1	
6	PCG 505 137 00	Ventilation grille		1	
		Set			
		Comprising:			
		Position			
		2, 5, 6, (6)			
(6)	959 505 216 00	Ventilation grille	/R	1	
(6)	PCG 505 137 00	Ventilation grille		1	
		Set			
		Comprising:			
		Position			
		2, 5, 6, (6)			
7	900 025 029 30	Washer		16	
		A 4,3			
9	959 505 125 00	Reinforcement strip		1	
9		Reinforcement strip		1	
	959 505 125 00 GRV	Prime coated			
10	959 505 311 01	Air duct	/L	1	
(10)	959 505 312 01	Air duct	/R	1	
11	959 505 321 00	Extension		2	
12	959 505 351 00	Support		2	
12		Support		2	
	959 505 351 00 GRV	Prime coated			
13	999 190 140 02	Tubular rivet		12	
		4,0 X 6,1			
14	900 151 028 02	Washer		12	
		B 4,2			
14	900 151 028 01	Washer		12	
		B 4,2			
15	999 190 114 30	Blind rivet		26	
		\$ = 3,2			
16	900 151 019 02	Washer		26	
		B 3,2			
17	999 591 899 02	Clamp	/L	1	
(17)	999 591 909 02	Clamp	/R	1	
18	900 143 005 07	Tapping screw		2	
		B 3,9 X 12			
19	900 025 044 07	Washer		2	
		A 4,3			
20	959 505 041 00	Attachment strip	/L	1	
(20)	959 505 042 00	Attachment strip	/R	1	
21	959 505 010 01	Bracket		1	
22	959 505 111 02	Support		2	
22		Support		2	
	959 505 111 02 GRV	Prime coated			
23	900 075 057 02	Hexagon-head bolt		10	

Model: 959 87 Model life 1987>>1988

Pos	Part Number	Description	Remark	Qty	Model
23	900 075 057 03	M 6 X 16 Hexagon-head bolt		10	
24	900 076 010 02	M 6 X 16 Nut		4	
24	900 076 010 0B	M 6 Nut		4	
25	N 011 524 7	M 6 Washer		10	
25	N 011 524 27	A 6,4 Washer		10	
26	959 505 017 01	A 6,4 Impact pipe		2	
27	900 025 007 02	Washer		4	
27	900 025 007 03	A 8,4 Washer		4	
28	900 075 085 02	A 8,4 Hexagon-head bolt		8	
29	000 043 101 00	M 8 X 20 Sealing cord		1	
30	999 591 699 02	Speed nut		10	
30	999 591 699 01	B 4,8 Speed nut		10	
31	900 143 046 02	B 4,8 Oval-head sheetmetal screw		5	
31	900 143 046 01	B 4,8 X 16 Oval-head sheetmetal screw		5	
32	900 025 003 02	B 4,8 X 16 Washer		5	
33	N 013 885 1	A 5,3 Hexagon-head tapping screw			
34	900 075 057 02	B 4,8 X 25 Hexagon-head bolt		4	
34	900 075 057 03	M 6 X 16 Hexagon-head bolt		4	
35	959 505 131 00	M 6 X 16 Lid		1	
36	N 011 665 3	Washer		17	
36	N 011 665 16	B 5,3 Washer		17	
37	959 505 511 00	B 5,3 Spacer sleeve		3	
38	959 505 512 00	Spacer sleeve		2	
39	900 910 009 02	Lock nut		6	
39	900 084 026 01	M 5 Lock nut		6	
40	999 507 326 02	M 5 Captive nut		6	
41	999 217 024 02	M 6 Hexagon-head bolt		6	
42	944 503 255 00	M 5 X 16 Micro-self-locking		6	
43	959 505 231 02	Spacer Support	/L	1	
43	959 505 231 02 GRV	Support	/L	1	
(43)	959 505 232 02	Support	/R	1	
(43)	959 505 232 02 GRV	Support	/R	1	
44	900 075 145 02	Prime coated Hexagon-head bolt		8	
45	900 025 053 07	M 5 X 16 Washer		8	
46	959 559 413 00	A 5,3 Cover		1	

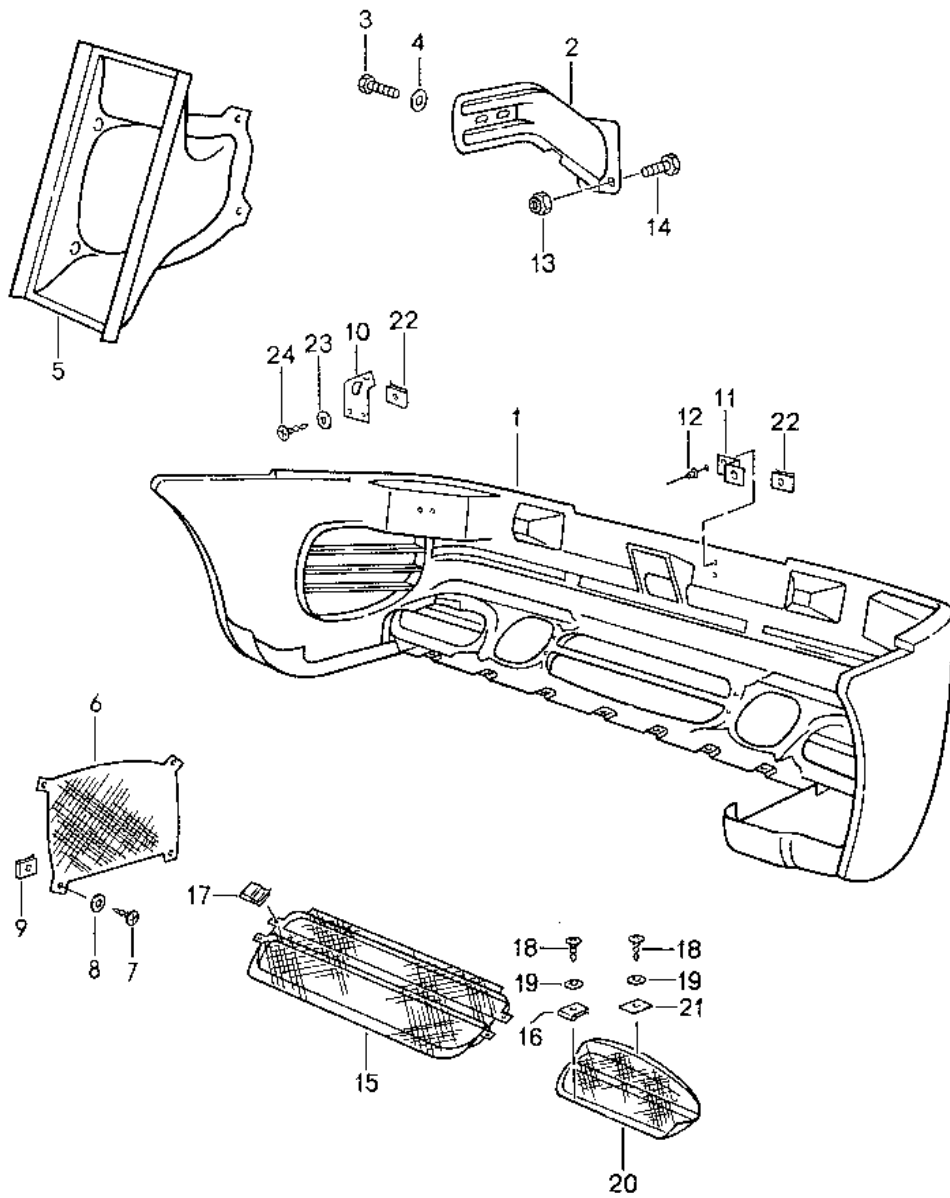
Model: 959 87

Model life 1987>>1988

Pos	Part Number	Description	Remark	Qty	Model
47	N 014 090 5	Rais. counters. h. tap. s. B 3,9 X 13		3	
48	914 552 233 10	Filler piece		3	
	914 552 233 10 01C	Black			
48	914 552 233 10	Filler piece		3	
	914 552 233 10 01C	Black			

Model: 959 87

Model life 1987>>1988



Model: 959 87

Model life 1987&gt;&gt;1988

Pos	Part Number	Description	Remark	Qty	Model
		Bumper			
		Rear			
1	959 503 019 00	Rear apron		1	
-	959 503 927 00	Sub-part	/L	1	
		Rear apron			
-	959 503 928 00	Sub-part	/R	1	
		Rear apron			
2	959 503 121 00	Support	/L	1	
2		Support	/L	1	
		Left			
	959 503 121 00 GRV	Prime coated			
(2)	959 503 122 00	Support	/R	1	
(2)		Support	/R	1	
		Right			
	959 503 122 00 GRV	Prime coated			
3	N 010 239 11	Hexagon-head bolt		4	
		M 8 X 18			
3	N 010 239 30	Hexagon-head bolt		4	
		M 8 X 18			
4	N 011 525 13	Washer		4	
		A 8,4			
5	959 503 521 00	Air duct	/L	1	
(5)	959 503 522 00	Air duct	/R	1	
6	959 503 523 00	Ventilation grille		2	
(6)	PCG 503 523 00	Ventilation grille		2	
		Set			
		Comprising:			
		Position			
		6,15, 20, (20)			
7	900 187 018 02	Hexagon-head tapping screw		8	
		B 4,8 X 16			
8	900 025 003 02	Washer		8	
		A 5,3			
9	999 507 348 02	Speed nut		8	
		B 4,8			
9	999 507 348 01	Speed nut		8	
		B 4,8			
10	959 504 411 00	Support		2	
11	959 503 711 00	Support		4	
12	999 190 119 30	Blind rivet		14	
		\$ = 4,0			
13	900 910 022 02	Lock nut		4	
		M 8			
14	900 151 008 02	Washer		4	
		B 8,4			
15	959 503 175 00	Ventilation grille		1	
(15)	PCG 503 523 00	Ventilation grille		1	
		Set			
		Comprising:			
		Position			
		6,15, 20, (20)			
16	999 591 725 02	Speed nut		10	
		B 3,5			
17	999 591 898 02	Clamp		4	
17	PCG 591 898 02	Clamp		4	
18	N 013 957 5	Oval-head sheetmetal screw		20	
		B 3,5 X 9,5			
19	N 011 664 5	Washer		20	
		B 4,3 X 12			
20	959 503 313 00	Ventilation grille	/L	1	
20	PCG 503 523 00	Ventilation grille		1	
		Set			
		Comprising:			

Model: 959 87

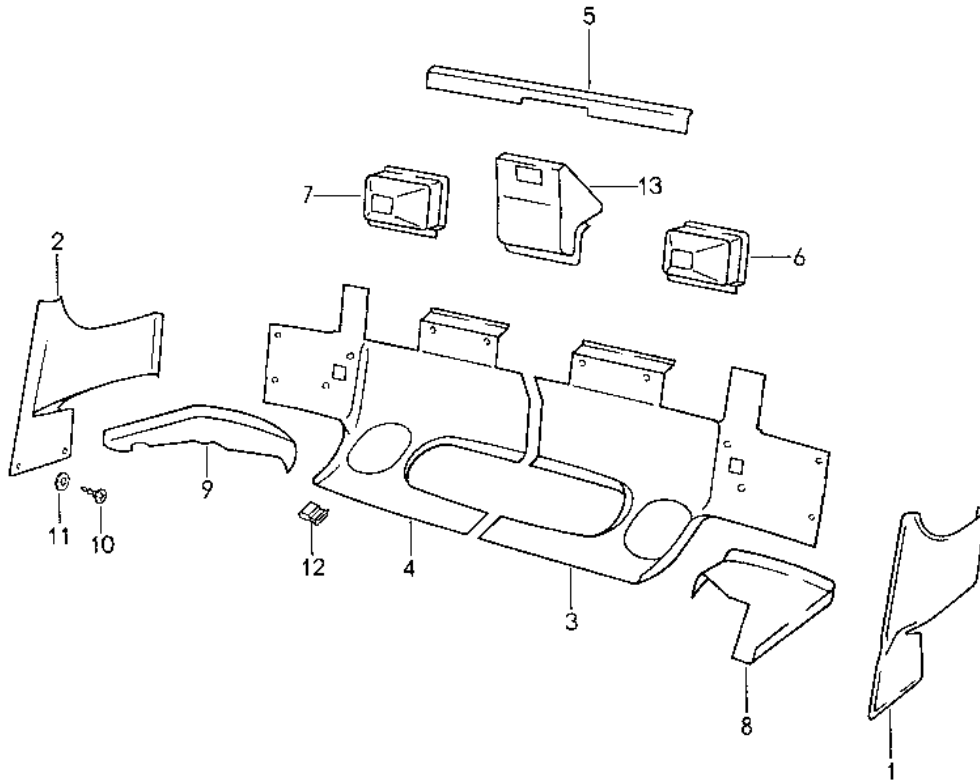
Model life 1987&gt;&gt;1988

Pos	Part Number	Description	Remark	Qty	Model
(20)	959 503 314 00	Position 6,15, 20, (20) Ventilation grille	/R	1	
(20)	PCG 503 523 00	Ventilation grille		1	
		Set Comprising: Position 6,15, 20, (20)			
21	999 591 351 02	Speed nut B 3,5		6	
22	999 591 349 02	Speed nut B 3,5		8	
23	N 011 521 3	Washer A 3,7		4	
24	900 143 124 07	Tapping screw BZ 3,5 X 13		4	



Model: 959 87

Model life 1987>>1988



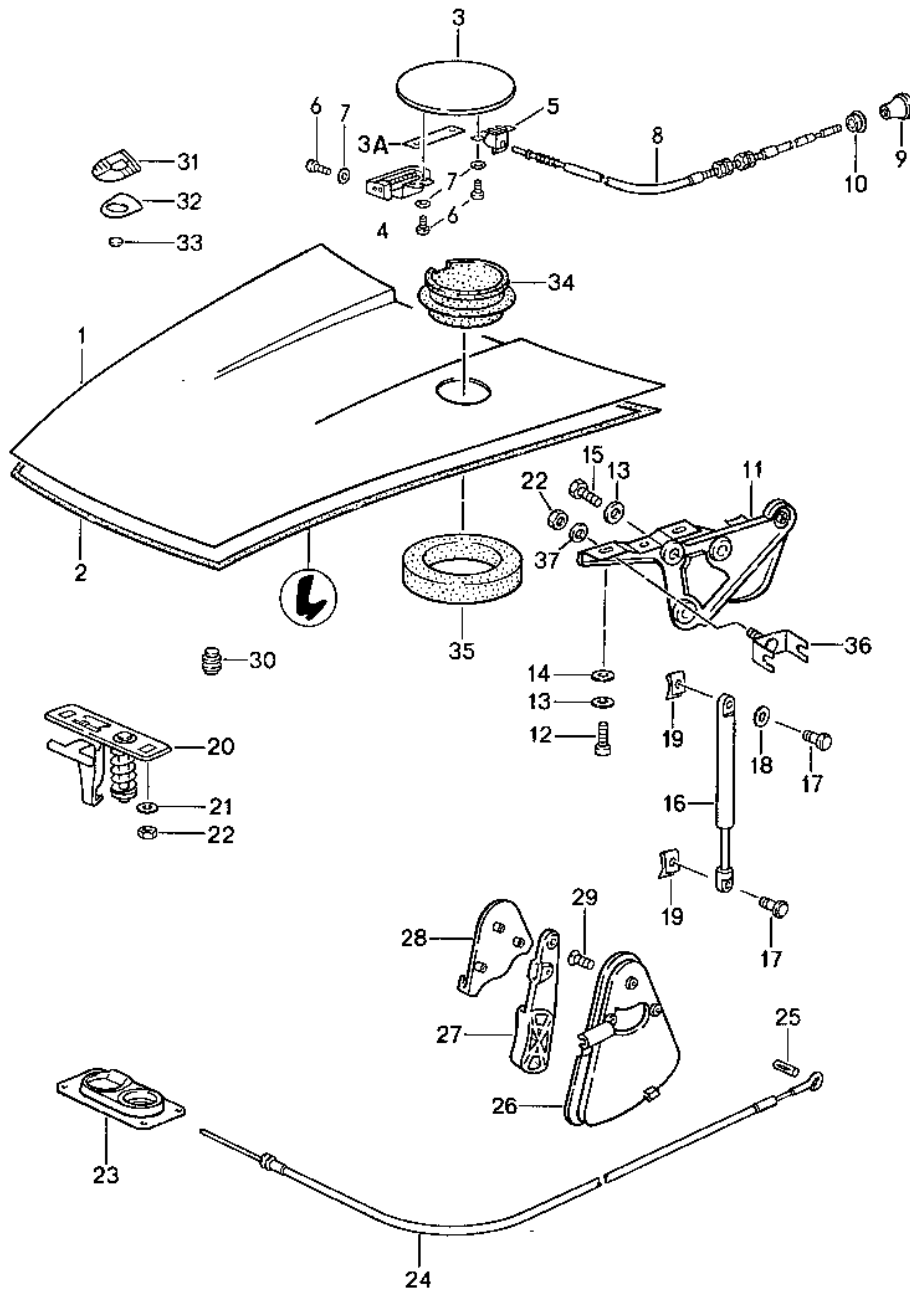
Model: 959 87

Model life 1987&gt;&gt;1988

Pos	Part Number	Description	Remark	Qty	Model
		Heat protection Bumper Rear			
1	959 556 443 00	Heat protection Air guide	/L	1	
2	959 556 444 00	Heat protection Air guide	/R	1	
3	959 556 445 00	Heat protection Upper	/L	1	
4	959 556 446 00	Heat protection Upper	/R	1	
5	959 556 448 00	Heat protection Centre		1	
6	959 556 453 00	Heat protection Rear fog light	/L	1	
7	959 556 454 00	Heat protection Rear fog light	/R	1	
8	959 556 455 00	Heat protection Air guide	/L	1	
9	959 556 456 00	Heat protection Air guide	/R	1	
10	900 143 031 02	Oval-head sheetmetal screw 4,2 X 9,5		29	
11	900 151 028 02	Washer 4,2		29	
11	900 151 028 01	Washer 4,2		29	
12	477 885 877	Clamp		7	
13	959 556 475 00	Heat protection Lock carrier		1	

Model: 959 87

Model life 1987>>1988



Model: 959 87 Model life 1987>>1988

Pos	Part Number	Description	Remark	Qty	Model
		Lid			
		Front			
1	959 511 010 30	Lid		1	
2	911 511 923 02	Sealing frame		1	
3	959 511 575 00	Lid		1	
3A	959 511 371 00	Sealing strip		1	
4	959 511 103 30	Hinge		1	
5	959 511 101 30	Lock		1	
6	N 044 744 2	Pan-head screw		5	
		M 4 X 6			
7	N 011 522 15	Washer		9	
		A 4,3			
8	959 511 045 00	Bowden cable		1	
8	959 511 045 01	Bowden cable		1	
9	901 552 822 00	Knob		1	
10	911 552 217 00	Rosette		1	
11	959 511 031 00	Hinge	/L	1	
11		Hinge	/L	1	
		Left			
	959 511 031 00 GRV	Prime coated			
(11)	959 511 032 00	Hinge	/R	1	
(11)		Hinge	/R	1	
		Right			
	959 511 032 00 GRV	Prime coated			
12	900 067 057 02	Pan-head screw		4	
		M 8 X 20			
12	900 067 057 03	Pan-head screw		4	
		M 8 X 20			
13	N 011 525 13	Washer		10	
		8,4			
14	900 151 008 02	Washer		X	
		B 8,4			
15	900 075 085 02	Hexagon-head bolt		6	
		M 8 X 20			
16	959 511 333 00	Gas prop		2	
17	999 166 043 02	Bolt		4	
18	911 511 332 00	Spacer		2	
19	N 012 645 2	Lock washer		4	
20	959 511 029 00	Lock upper part		1	
21	N 015 404 1	Washer		2	
		6,4			
21	900 223 030 02	Washer		2	
		6,4			
21	900 223 003 02	Washer		2	
		6,4			
22	900 076 010 02	Nut		3	
		M 6			
22	900 076 010 0B	Nut		3	
		M 6			
23	959 511 027 00	Lock		1	
24	959 511 037 00	Bowden cable		1	
25	900 197 018 00	Roll pin		1	
26	928 511 173 02	Bearing shell		1	
	928 511 173 02 70B	Black			
27	928 511 175 02	Pull handle		1	
	928 511 175 02 70B	Black			
28	928 511 143 02	Cover		1	
29	900 249 001 02	Countersunk-head screw		2	
		M 6 X 15			
29	900 249 031 01	Countersunk-head screw		2	
		M 6 X 15			
30	999 703 036 50	Rubber stop		2	
31	901 559 210 20	Lid emblem		1	

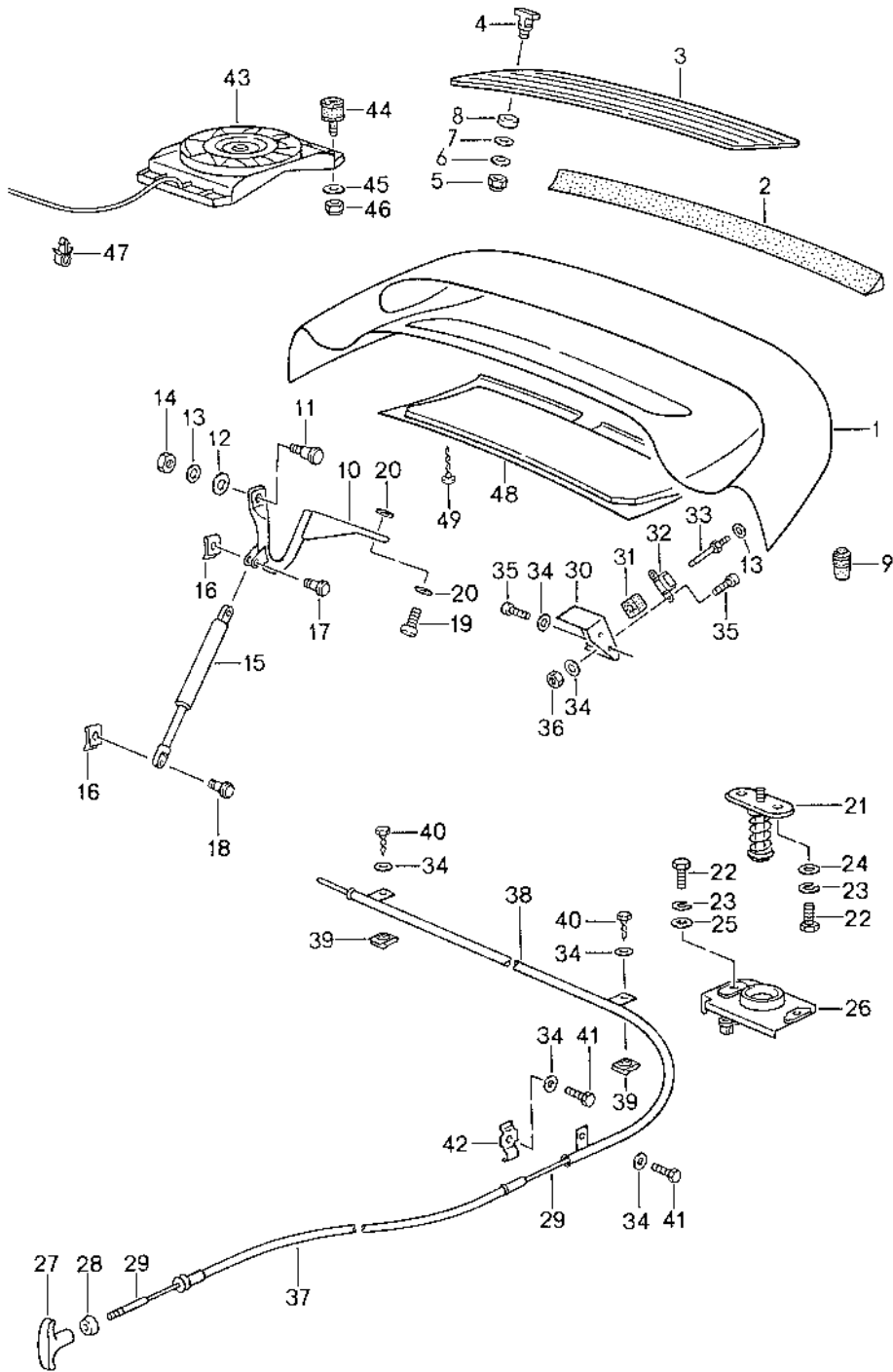
Model: 959 87

Model life 1987>>1988

Pos	Part Number	Description	Remark	Qty	Model
31	901 559 210 26	Lid emblem		1	
32	901 559 215 20	Desk pad		1	
32	7L5 853 611 B	Desk pad		1	
33	999 591 423 03	Tapping nut		2	
34	959 201 593 03	Gasket		1	
		Tank filler neck			
35	959 201 595 00	Rubber seal		1	
36	959 511 289 00	Support		1	
37	N 011 524 7	Washer		1	
		A 6,4			
37	N 011 524 27	Washer		1	
		A 6,4			

Model: 959 87

Model life 1987>>1988



Model: 959 87 Model life 1987>>1988

Pos	Part Number	Description	Remark	Qty	Model
		Lid			
		Rear			
1	959 512 010 00	Lid		1	
-	959 512 910 00	Sub-part		1	
		Lid			
2	959 512 023 00	Spoiler		1	
3	959 559 411 00	Ventilation grille		1	
4	911 559 433 00	T-headed screw		6	
5	900 910 009 02	Lock nut		6	
		M 5			
5	900 084 026 01	Lock nut		6	
		M 5			
6	N 011 665 3	Washer		6	
		A 5,3			
6	N 011 665 16	Washer		6	
		A 5,3			
7	113 951 539	Washer		6	
8	911 559 435 00	Spacer		6	
9	999 703 135 40	Rubber buffer		2	
10	959 512 035 31	Hinge	/L	1	
(10)	959 512 036 31	Hinge	/R	1	
11	959 512 317 00	Bolt		2	
12	911 561 430 00	Washer		2	
13	N 011 525 13	Washer		6	
		A 8,4			
14	900 910 023 02	Lock nut		2	
		M 8			
(14)	999 084 052 02	Lock nut		2	
		M 8			
15	911 511 331 01	Gas-pressure spring		2	
15	911 511 331 00	Gas-pressure spring		2	
16	N 012 645 2	Lock washer		4	
17	999 166 055 02	Bolt		2	
18	959 512 321 00	Bolt		2	
19	N 014 703 2	Pan-head screw		2	
		M 6 X 18			
20	900 075 014 02	Hexagon-head bolt		4	
20	900 075 014 03	Hexagon-head bolt		4	
		M 6 X 18			
21	930 512 052 00	Lock upper part		1	
22	900 075 260 02	Hexagon-head bolt		4	
		M 6 X 16			
23	N 012 006 4	Lock ring		4	
		B 6			
24	N 011 666 7	Washer		2	
		B 6,4			
25	N 011 524 7	Washer		3	
		A 6,4			
25	N 011 524 27	Washer		3	
		A 6,4			
26	901 512 052 00	Lock lower part		1	
27	901 552 813 20	Handle		1	
28	911 512 531 00	Grommet		1	
29	959 512 071 02	Traction		1	
30	959 512 219 00	Support	/L	1	
30	959 512 220 00	Support	/R	1	
31	959 512 225 00	Buffer		2	
32	959 512 226 00	Support		2	
33	959 512 227 00	Locating peg		2	
34	900 025 003 02	Washer		10	
		5,3			
35	N 014 760 3	Pan-head screw		8	
		M 5 X 12			

Model: 959 87

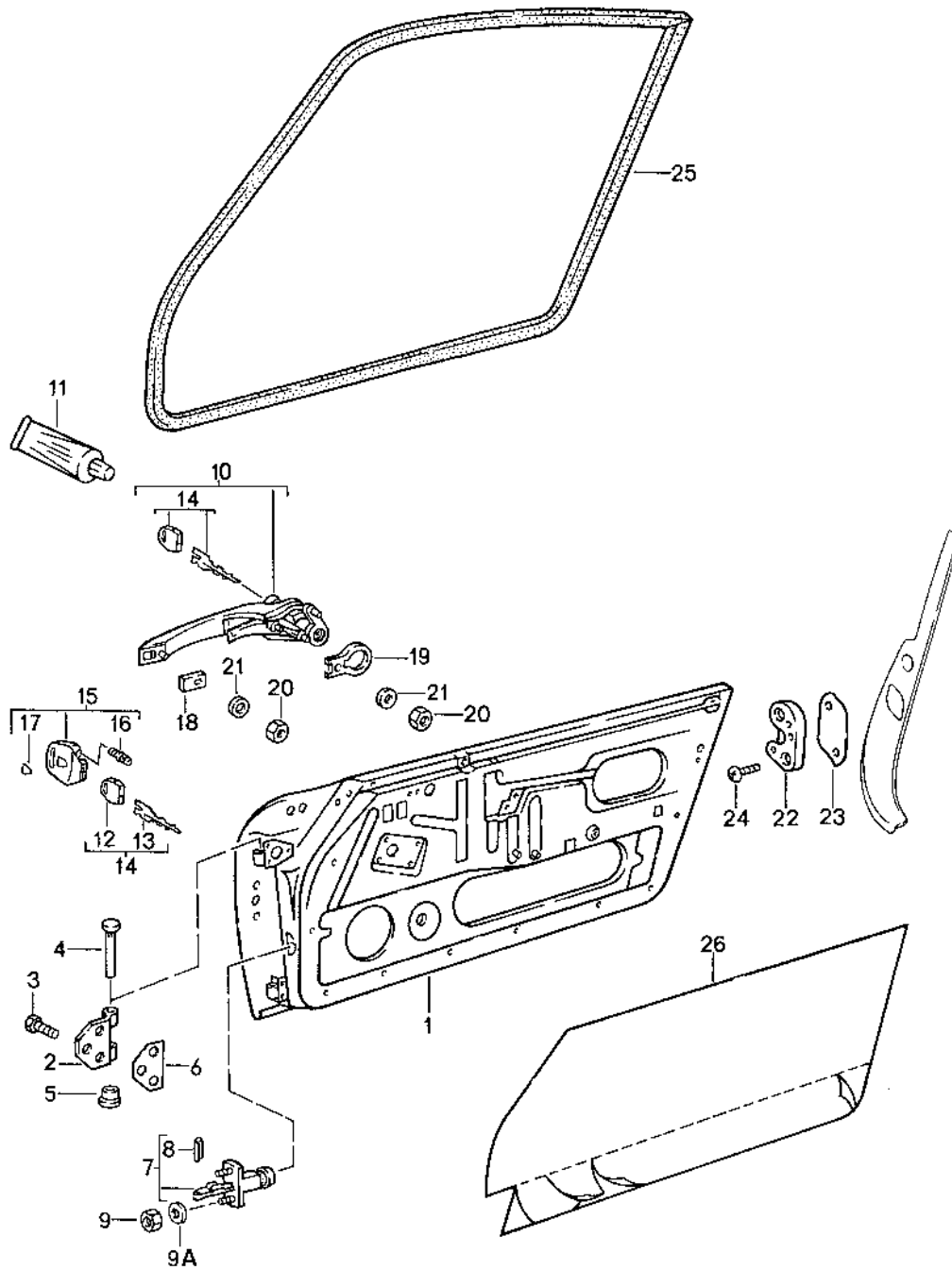
Model life 1987&gt;&gt;1988

Pos	Part Number	Description	Remark	Qty	Model
35	900 067 070 01	Pan-head screw M 5 X 12		8	
36	N 011 005 14	Hexagon nut M 5		4	
36	900 076 091 01	Hexagon nut M 5		4	
37	959 512 054 01	Guide tube		1	
38	959 512 033 01	Guide tube		1	
39	999 507 348 02	Speed nut 4,8		2	
39	999 507 348 01	Speed nut B 4,8		2	
40	900 187 018 02	Hexagon-head tapping screw 4,8 X 16		2	
41	999 072 005 09	Hexagon nut M 6 X 12		2	
41	999 072 005 01	Hexagon nut M 6 X 12		2	
42	928 511 541 02	Clamping piece		1	
43	959 624 035 00	Blower		2	
44	999 703 351 00	Bonded rubber mounting		8	
45	N 011 666 7	Washer B 6,4		8	
46	900 076 010 02	Nut M 6		8	
46	900 076 010 0B	Nut M 6		8	
47	999 651 227 40	Cable holder		4	
48	959 556 473 01	Heat protection		1	
49	900 143 031 02	Oval-head sheetmetal screw B 4,2 X 9,5		8	



Model: 959 87

Model life 1987>>1988



Model: 959 87 Model life 1987>>1988

Pos	Part Number	Description	Remark	Qty	Model
		Door with installation parts			
(1)	959 531 005 30	Bare door shell	/L	1	
1	959 531 006 30	Bare door shell	/R	1	
2	959 531 303 30	Hinge arm		4	
3	900 093 010 02	Grooved nail M 8 X 20		12	
4	901 531 305 20	Hinge bolt		4	
5	959 531 311 00	Bush		4	
6	901 531 391 20	Desk pad		4	
7	959 531 057 00	Door arrester		2	
8	900 309 032 02	Spiral clamping pin 6 X 18		2	
9	999 084 018 02	Lock nut M 6		4	
9A	N 011 550 1	Washer B 6,5		4	
10	911 538 941 07	Outer door handle with lock cylinder And two spare keys W/o stipulated lock number	/L	1	
(10)	911 538 941 06	Outer door handle with lock cylinder And two spare keys State lock number	/L	1	
10	911 538 942 07	Outer door handle with lock cylinder And two spare keys W/o stipulated lock number	/R	1	
10	911 538 942 06	Outer door handle with lock cylinder And two spare keys State lock number	/R	1	
11	000 043 204 21	Grease for lock cylinder		X	
11	G 052 778 A2	Grease for lock cylinder		X	
12	944 538 431 00	Key cap		1	
13	911 538 903 00	Blank key		1	
14	911 538 902 00	Replacement key with Key cap State lock number Information available		1	
15	944 538 041 00	Key lamp Complete		1	
15	944 538 041 01	Key lamp Complete		1	
16	928 537 630 02	Bulb E 5,5		1	
17	944 538 443 00	Crest		2	
18	911 531 631 00	Desk pad Front		2	
19	911 531 632 00	Desk pad Rear		2	
20	900 910 008 02	Lock nut M 5		4	
21	900 025 003 02	Washer A 5,3		4	
22	911 531 701 02	Door lock striker Yellow Chrome	/L	1	
(22)	911 531 702 02	Door lock striker	/R	1	

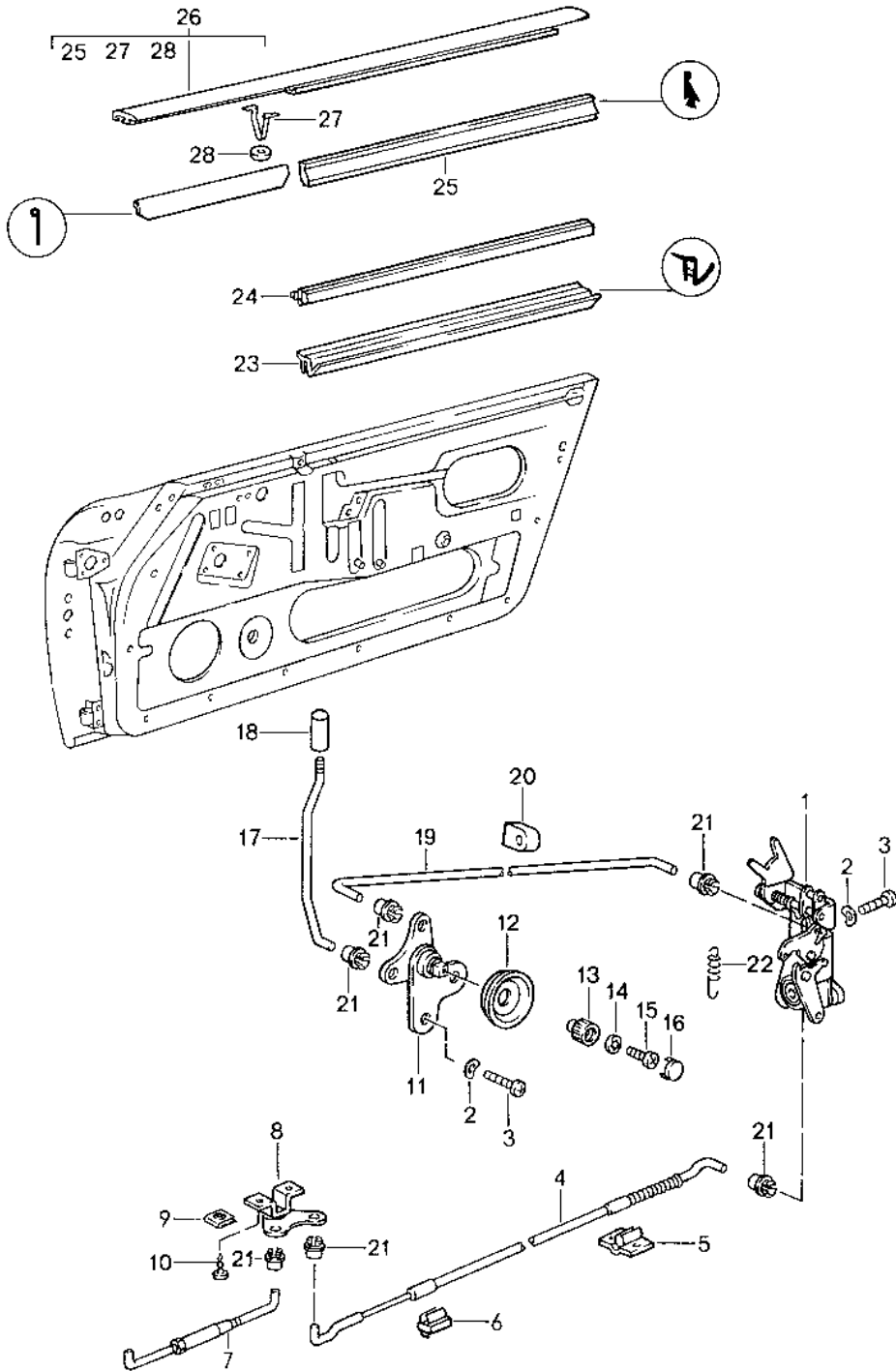
Model: 959 87

Model life 1987>>1988

Pos	Part Number	Description	Remark	Qty	Model
23	901 531 703 23	Yellow Chrome Desk pad 1 MM		X	
(23)	901 531 703 24	Desk pad 2 MM		1	
24	999 219 008 00	Oval-head screw M 8 X 40		4	
25	959 531 095 01	Door sealing	/L	1	
(25)	959 531 096 01	Door sealing	/R	1	
26	911 531 889 00	Seal	/L	1	
26	911 531 890 00	Seal	/R	1	

Model: 959 87

Model life 1987>>1988



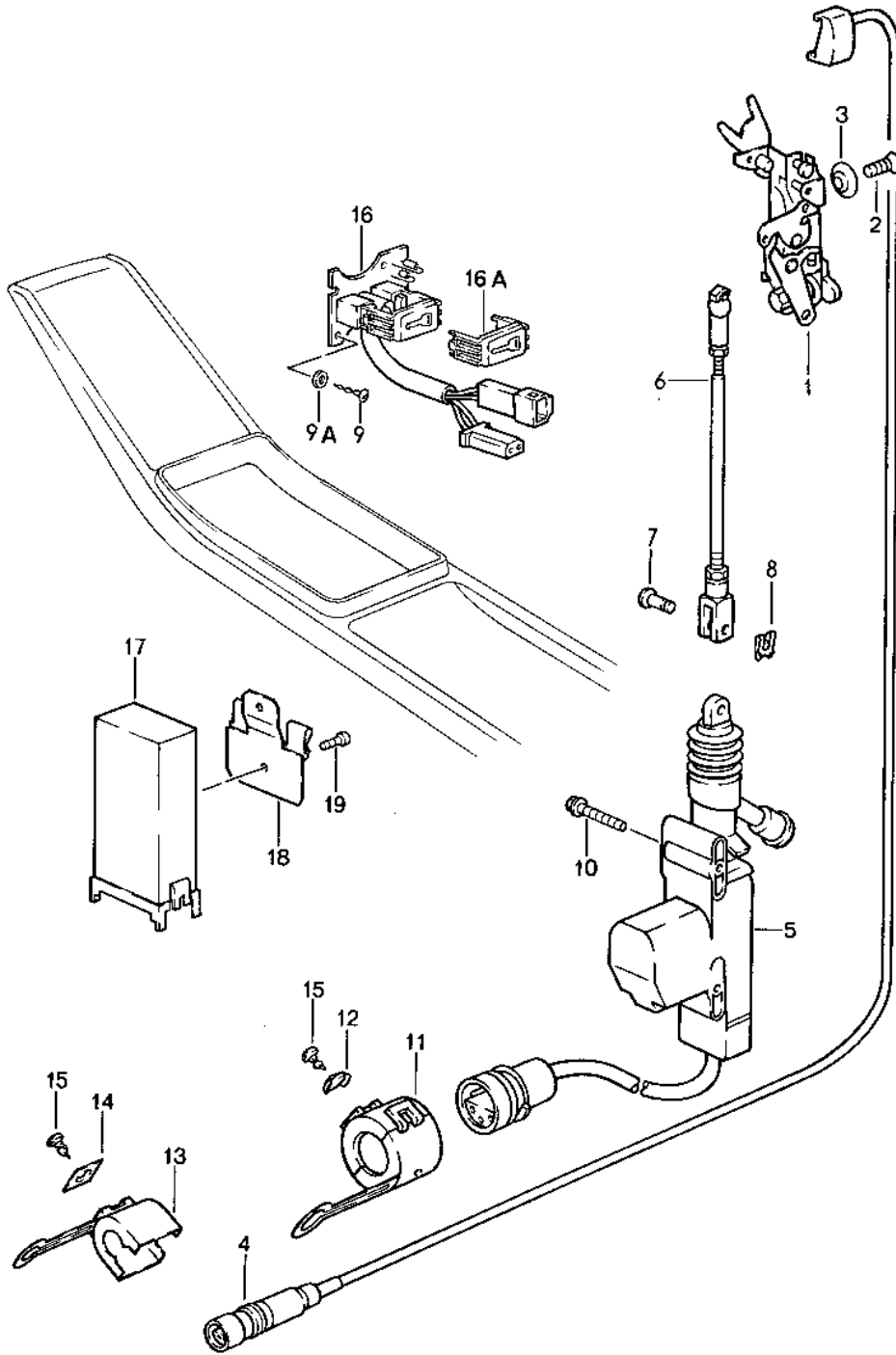
Model: 959 87

Model life 1987>>1988

Pos	Part Number	Description	Remark	Qty	Model
		Installation parts for Door			
1	964 531 053 02	Door lock	/L	1	
1	964 531 054 02	Door lock	/R	1	
2	900 028 008 01	Lock ring		4	
3	900 186 147 02	Pan-head screw M 6 X 10		4	
3	900 976 008 01	Pan-head screw M 6 X 10		4	
4	911 531 509 00	Bowden cable	/L	1	
4	911 531 510 00	Bowden cable	/R	1	
5	911 531 099 00	Support Rear		2	
6	911 531 097 00	Support Front		2	
7	911 531 091 00	Pull rod		2	
8	911 531 083 00	Relay lever		2	
9	999 507 009 02	Speed nut \$ 3,5		4	
10	N 014 086 4	Rais. counters. h. tap. s. B 3,5 X 13		4	
11	911 531 075 02	Mounting for push-button	/L	1	
11	911 531 075 03	Mounting for push-button	/L	1	
11	911 531 076 02	Mounting for push-button	/R	1	
11	911 531 076 03	Mounting for push-button	/R	1	
12	928 537 585 02	Covering		2	
13	928 537 581 03	Rotary knob		2	
14	900 116 005 02	Lock washer		2	
15	999 218 010 02	Oval-head screw		2	
16	911 531 703 00	Cap		2	
17	911 531 707 01	Rod for push-button	/L	1	
17	911 531 708 01	Rod for push-button	/R	1	
18	928 555 359 02	Locking knob		2	
18		Locking knob		2	
		Doors			
	928 555 359 02 70B	Black			
19	911 531 562 01	Connecting rod		2	
20	911 531 565 00	Rubber mounting		4	
(20)	911 531 599 00	Rubber mounting		4	
21	993 531 563 00	Linkage clip		8	
22	993 531 165 00	Tension spring		2	
23	911 531 951 01	Sealing for door slot		2	
24	901 531 935 20	Sealing for door slot	/L	1	
(24)	901 531 936 20	Sealing for door slot	/R	1	
25	911 531 931 02	Sealing strip	/L	1	
25	911 531 932 02	Sealing strip	/R	1	
26	911 531 041 30	Moulding	/L	1	
	911 531 041 30 70K	Black			
26	911 531 042 30	Moulding	/R	1	
	911 531 042 30 70K	Black			
27	999 591 326 02	Moulding clip		14	
27	999 591 326 01	Moulding clip		14	
28	911 531 309 00	Ring		14	

Model: 959 87

Model life 1987>>1988

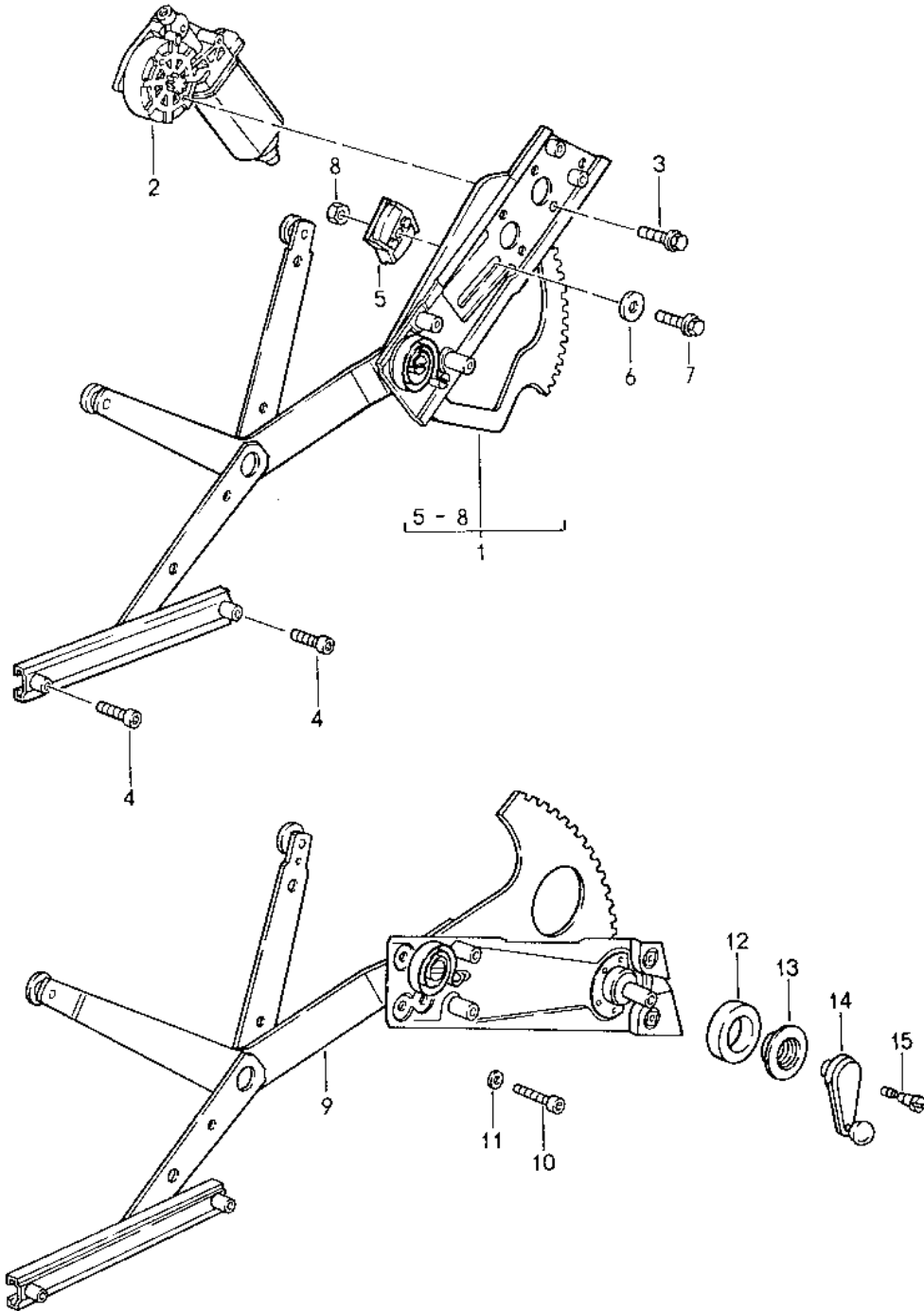


Model: 959 87 Model life 1987>>1988

Pos	Part Number	Description	Remark	Qty	Model
1	964 531 053 03	Central locking system Door lock	/L	1	
(1)	964 531 054 02	with antishutout mechanism Door lock	/R	1	
2	999 219 009 00	without antishutout mechanism Oval-head screw		6	
		AM 6 X 16			
3	999 591 118 02	Washer		6	
		6,5 X 20			
4	964 613 134 00	Microswitch		2	
5	911 624 211 01	Transmission element		2	
6	964 537 571 00	Operating rod		2	
7	N 100 438 01	Bolt		2	
8	N 012 644 1	Lock		2	
9	N 013 951 1	Screw		2	
		2,2 X 9,5			
9A	900 025 032 30	Washer		2	
		B 2,8			
10	999 919 035 02	Hexagon-head bolt		4	
		with Washer			
11	944 612 450 01	Support		2	
12	999 591 711 02	Speed nut		2	
13	944 612 420 00	Locking device		2	
14	999 591 351 02	Speed nut		2	
15	N 013 956 7	Oval-head sheetmetal screw		4	
		BZ 3,5 X 6,5			
16	959 613 169 00	Tip switch		1	
16A	959 613 609 00	Cap		1	
		for Tip switch			
17	911 618 113 01	Control unit		1	
17	911 618 113 02	Control unit		1	
18	959 618 129 00	Support		1	
19	999 919 032 02	Oval-head screw		1	
		3,5 X 10			

Model: 959 87

Model life 1987>>1988





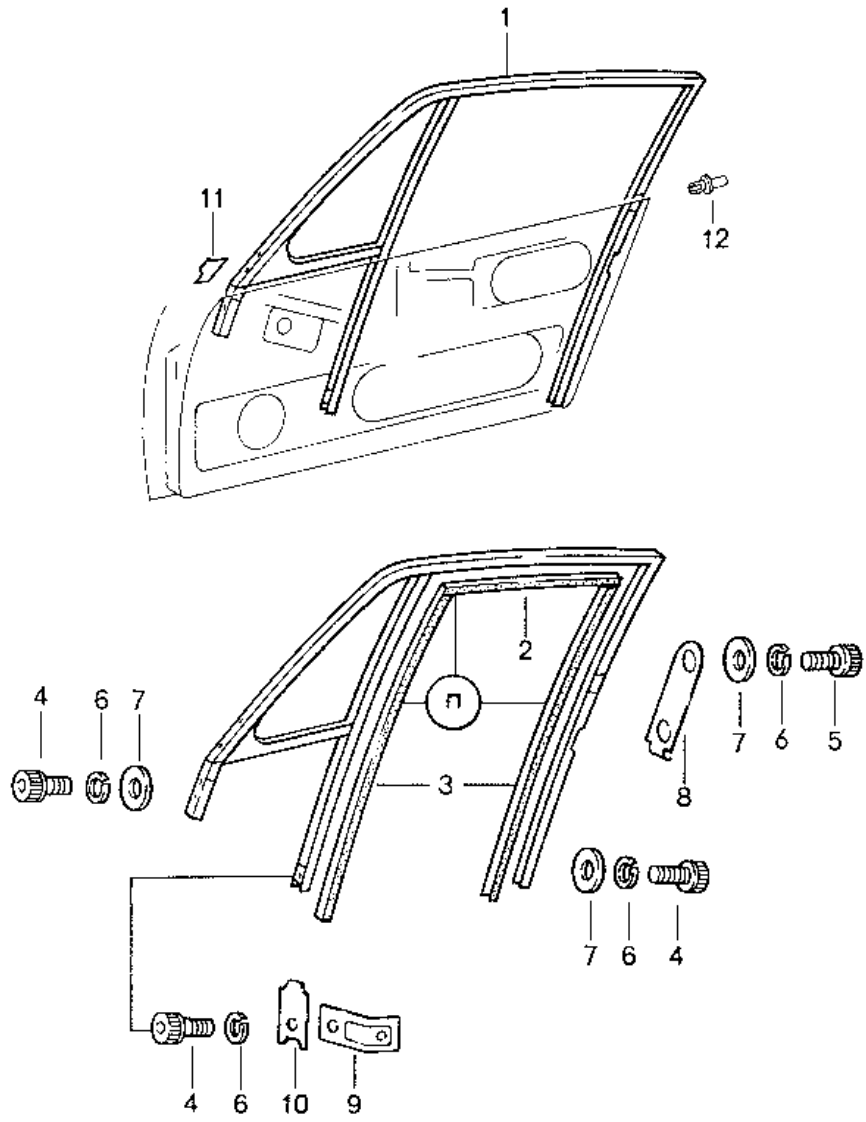
Model: 959 87

Model life 1987>>1988

Pos	Part Number	Description	Remark	Qty	Model
1	911 542 935 44	Power windows Cross-arm	/L	1	
(1)	911 542 936 44	Cross-arm	/R	1	
2	911 624 015 41	Motor	/L	1	
(2)	911 624 014 41	Motor	/R	1	
3	999 217 028 02	Hexagon-head bolt M 6 X 16		6	
4	999 218 016 02	Combination screw M 6 X 16		12	
4	999 218 016 01	Combination screw M 6 X 16		12	
5	911 542 231 41	Stop bracket	/L	1	
(5)	911 542 232 41	Stop bracket	/R	1	
6	N 011 524 7	Washer A 6,4		2	
6	N 011 524 27	Washer A 6,4		2	
7	999 217 043 08	Hexagon-head bolt M 8 X 16		2	
8	N 011 008 20	Hexagon nut M 8		2	
9	959 542 929 30	Cross-arm	/L	1	
(9)	959 542 930 30	Cross-arm	/R	1	
10	N 014 761 2	Pan-head screw M 6 X 12		12	
10	900 119 129 01	Pan-head screw M 6 X 12		12	
11	N 011 524 7	Washer A 6,4		12	
11	N 011 524 27	Washer A 6,4		12	
12	901 542 495 20	Sealing ring		2	
12	901 542 495 21	Sealing ring		2	
13	901 552 891 20	Rosette		2	
14	959 542 115 01	Window crank		2	
	959 542 115 01 3DL	Black			
15	911 542 475 00	Conical screw		2	

Model: 959 87

Model life 1987>>1988



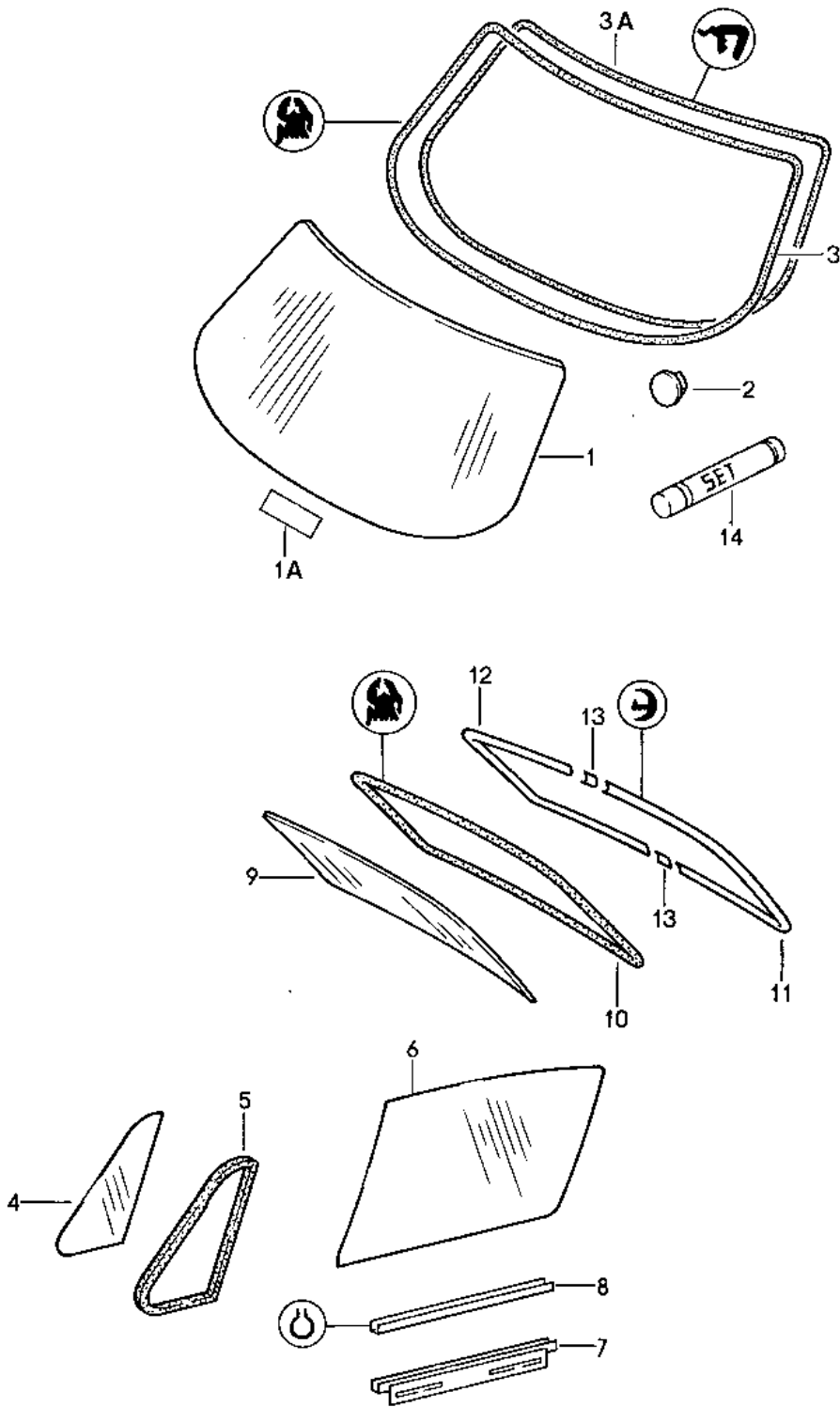
Model: 959 87

Model life 1987>>1988

Pos	Part Number	Description	Remark	Qty	Model
(1)	911 542 029 01	Door glass frame			
	911 542 029 01 70K	Door glass frame Black	/L	1	
1	911 542 030 01	Door glass frame			
	911 542 030 01 70K	Door glass frame Black	/R	1	
2	911 542 905 00	Window guide Comprising: Position 2+3		2	
4	900 119 052 02	Pan-head screw M 8 X 16		6	
5	999 218 008 02	Pan-head screw M 8 X 12		2	
5	900 119 018 03	Pan-head screw M 8 X 12		2	
6	900 027 015 02	Lock ring B 8		8	
6	900 027 015 03	Lock ring B 8		8	
7	900 025 007 02	Washer 8,4		8	
7	900 025 007 03	Washer 8,4		8	
8	901 542 299 25	Cover plate		2	
9	911 542 061 00	Retaining bracket		2	
10	901 542 252 25	Desk pad		2	
(11)	911 531 711 01	Joint rubber	/V /L	1	
11	911 531 712 01	Joint rubber	/V /R	1	
(11)	911 531 713 01	Joint rubber	/H /L	1	
(11)	911 531 714 01	Joint rubber	/H /R	1	
12	999 591 429 40	Expansion rivet		2	

Model: 959 87

Model life 1987>>1988

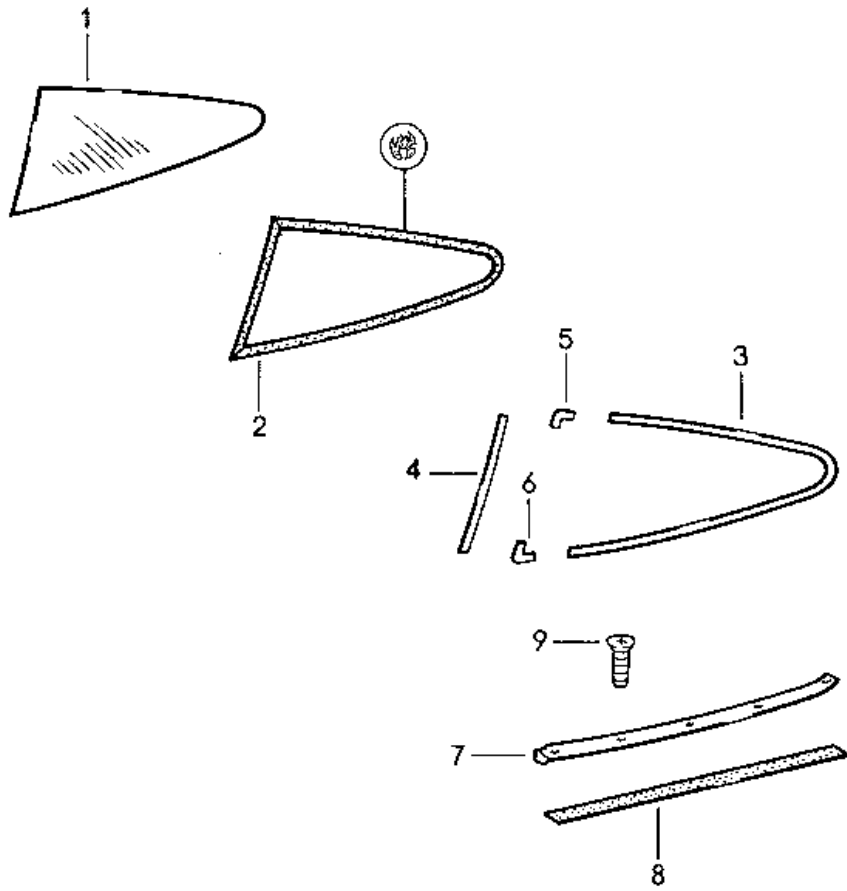


Model: 959 87 Model life 1987>>1988

Pos	Part Number	Description	Remark	Qty	Model
		window glazing			
1	959 541 011 02	Windscreen		1	
1	959 541 011 03	Windscreen		1	
1A	959 541 851 00	Spacer		X	
		1 MM			
1A	959 541 851 01	Spacer		X	
		2 MM			
2	477 845 043	Retainer plate		1	
3	959 541 511 01	Cover strip		1	
		Outer			
3	959 541 511 03	Cover strip		1	
		Outer			
3A	959 541 513 00	Cover strip		1	
		Inner			
4	959 542 501 00	Side window	/L	1	
		Tinted			
(4)	959 542 502 00	Side window	/R	1	
		Tinted			
5	901 542 921 21	Sealing frame	/L	1	
(5)	901 542 922 21	Sealing frame	/R	1	
6	959 542 101 01	Door window glass	/L	1	
6	959 542 101 02	Door window glass	/L	1	
(6)	959 542 102 01	Door window glass	/R	1	
(6)	959 542 102 02	Door window glass	/R	1	
7	911 542 057 00	Window lifter rail	/L	1	
(7)	911 542 058 00	Window lifter rail	/R	1	
8	959 542 491 00	Rubber ply		2	
9	959 545 105 00	Rear window		1	
		Tinted			
10	901 545 901 21	Sealing frame		1	
10	911 545 901 00	Sealing frame		1	
10	911 545 225 00	Sealing frame		1	
		It is necessary to rework			
11	911 545 911 00	Trim frame	/L	1	
	911 545 911 00 70K	Black			
11	911 545 911 00	Trim frame	/L	1	
	911 545 911 00 70K	Black			
12	911 545 912 00	Trim frame-half	/R	1	
	911 545 912 00 70K	Black			
12	911 545 912 00	Trim frame-half	/R	1	
	911 545 912 00 70K	Black			
13	911 541 921 01	Covering plate		2	
	911 541 921 01 70K	Black			
13	911 541 921 01	Covering plate		2	
	911 541 921 01 70K	Black			
14	000 043 038 01	Adhesive set		1	
		for			
		Windscreen			

Model: 959 87

Model life 1987>>1988

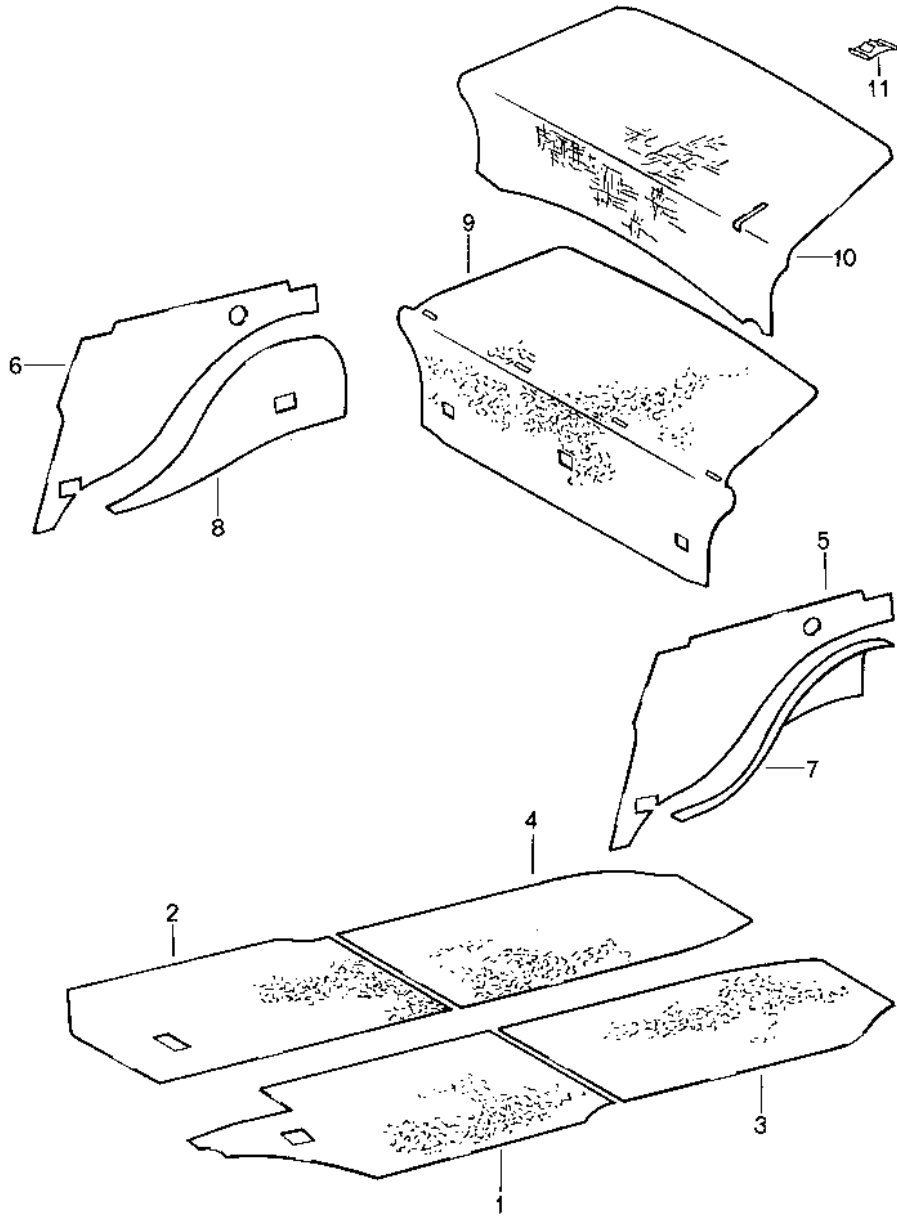


Model: 959 87 Model life 1987>>1988

Pos	Part Number	Description	Remark	Qty	Model
		window glazing			
		Rear			
1	959 543 101 00	Rear window	/L	1	
		Tinted			
(1)	959 543 102 00	Rear window	/R	1	
		Tinted			
2	911 543 035 01	Sealing frame	/L	1	
(2)	911 543 036 01	Sealing frame	/R	1	
3	911 543 419 02	Moulding	/L	1	
	911 543 419 02 70K	Black			
		Rear			
(3)	911 543 420 02	Moulding	/R	1	
	911 543 420 02 70K	Black			
		Rear			
4	911 543 197 02	Moulding	/L	1	
	911 543 197 02 70K	Black			
		Front			
(4)	911 543 198 02	Moulding	/R	1	
	911 543 198 02 70K	Black			
		Front			
5	911 543 187 02	Covering plate		2	
	911 543 187 02 70K	Black			
		Upper			
6	911 543 185 02	Covering plate		2	
	911 543 185 02 70K	Black			
		Lower			
6	911 543 185 02	Covering plate		2	
	911 543 185 02 70K	Black			
		Lower			
7	959 543 195 01	Moulding	/L	1	
	959 543 195 01 70K	Black			
(7)	959 543 196 01	Moulding	/R	1	
	959 543 196 01 70K	Black			
8	000 043 129 00	Sealing strap		X	
9	900 144 017 07	Tapping screw		12	
		B 2,9 X 13			
		Black			

Model: 959 87

Model life 1987>>1988





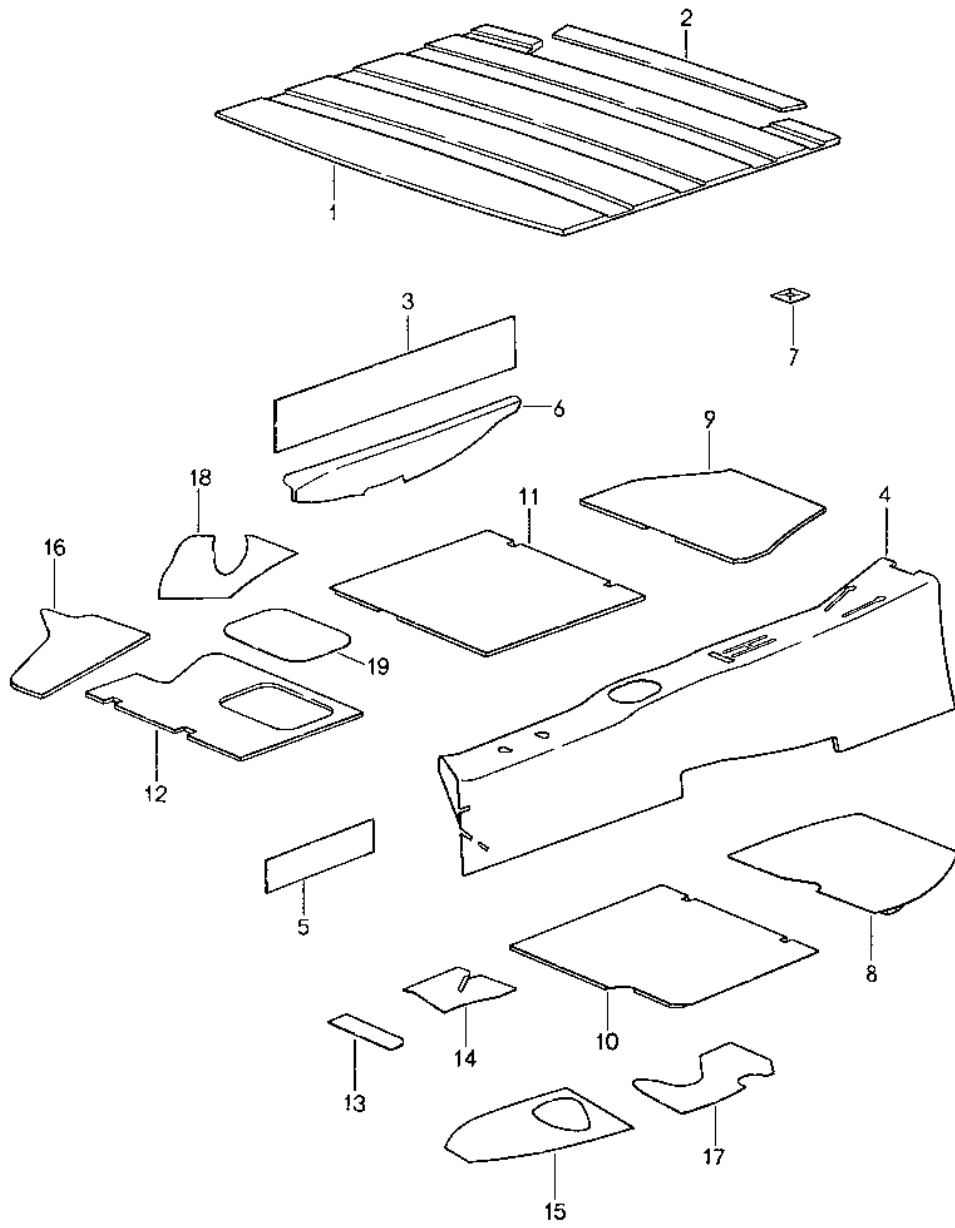
Model: 959 87

Model life 1987>>1988

Pos	Part Number	Description	Remark	Qty	Model
1	959 556 217 00	Body Sound proofing 1 Insulation Front	/L	1	
2	959 556 218 00	Insulation Front	/R	1	
3	959 556 215 00	Insulation Rear	/L	1	
4	959 556 216 00	Insulation Rear	/R	1	
5	959 556 235 00	Insulation for Wheel housing panel Upper	/L	1	
6	959 556 236 00	Insulation for Wheel housing panel Upper	/R	1	
7	959 556 255 00	Insulation for Wheel housing panel Lower	/L	1	
8	959 556 256 00	Insulation for Wheel housing panel Lower	/R	1	
9	959 556 239 00	Damping mat for rear panel Upper part		1	
10	959 556 891 00	Damping mat for engine compartment		1	
11	N 900 661 01	Clamping washer		X	

Model: 959 87

Model life 1987>>1988



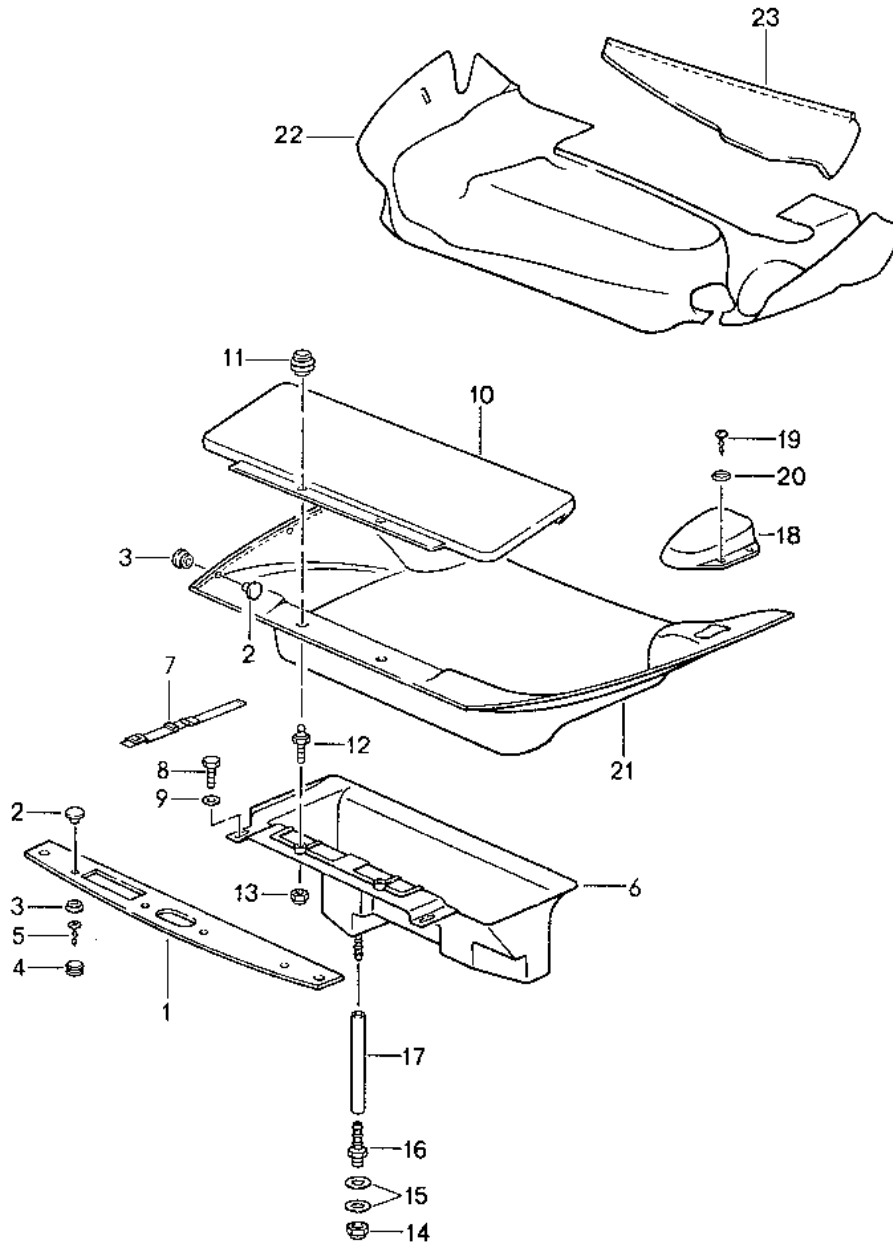
Model: 959 87

Model life 1987>>1988

Pos	Part Number	Description	Remark	Qty	Model
1	959 556 023 01	Body Sound proofing 2 Damping mat for Roof		1	
2	959 556 437 00	Damping strip		4	
3	911 556 248 00	Damping strip Door		2	
4	959 556 871 00	Sound absorber Tunnel		1	
(5)	959 556 873 00	Insulation Tunnel	/L	1	
5	959 556 874 00	Insulation Tunnel	/R	1	
6	959 556 875 00	Sound absorber Bracket	/L	1	
(6)	959 556 876 00	Sound absorber Bracket	/R	1	
7	N 900 661 01	Clamping washer A 4		4	
8	959 556 219 00	Sound absorber	/L	1	
9	959 556 220 00	Sound absorber	/R	1	
10	959 556 337 00	Sound absorber	/L	1	
11	959 556 338 00	Sound absorber	/R	1	
12	959 556 422 00	Sound absorber	/R	1	
13	959 556 335 00	Sound absorber	/L	1	
14	959 556 411 00	Sound absorber		1	
15	959 556 317 00	Sound absorber	/L	1	
16	959 556 318 00	Sound absorber	/R	1	
17	959 556 319 00	Sound absorber	/L	1	
18	959 556 320 00	Sound absorber	/R	1	
19	959 556 817 00	Sound absorber		1	

Model: 959 87

Model life 1987>>1988

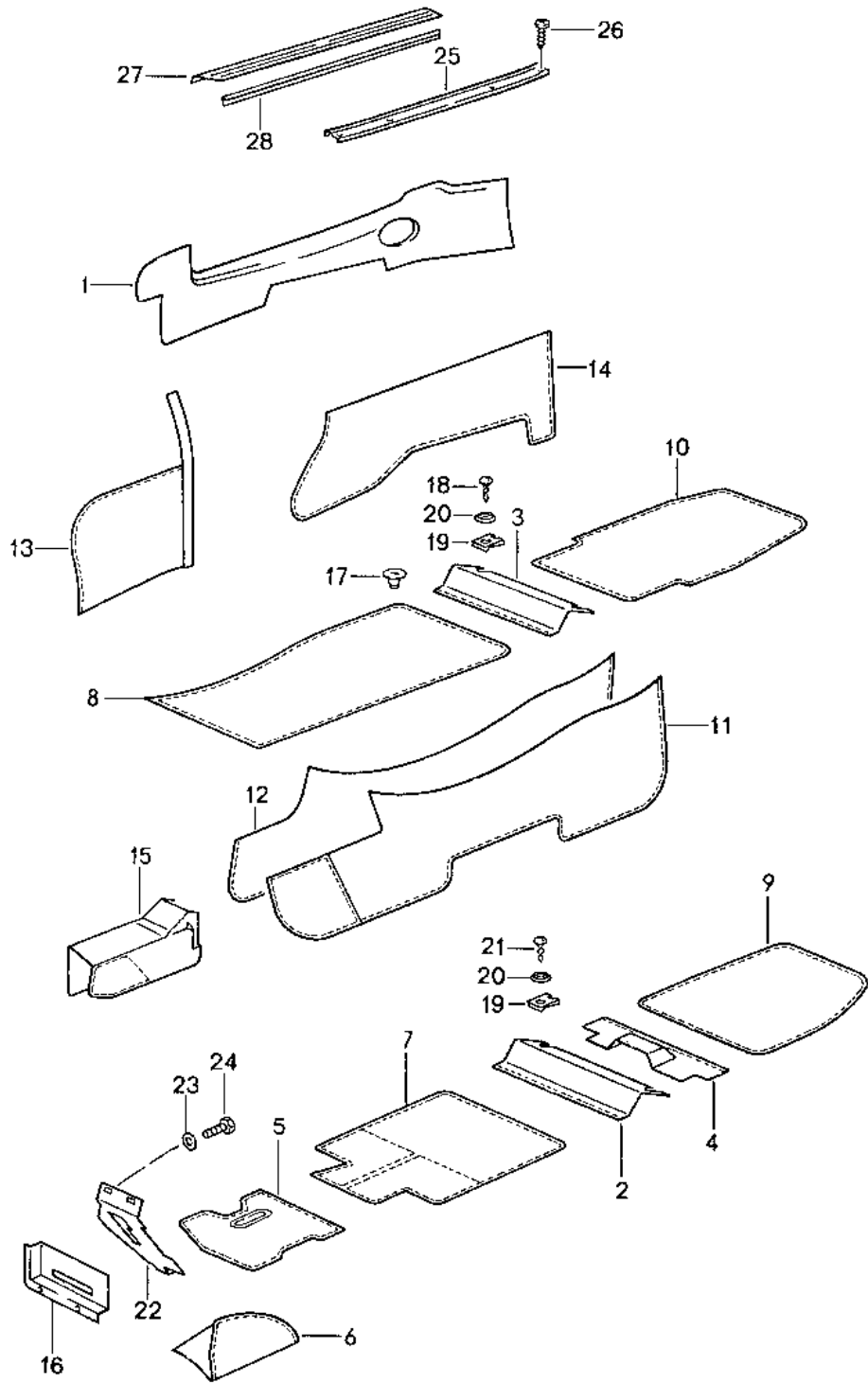


Model: 959 87 Model life 1987>>1988

Pos	Part Number	Description	Remark	Qty	Model
		Lining			
		FRONT luggage compartment			
1	959 551 441 00	Cover		1	
	959 551 441 00 9DD	Dark grey			
	959 551 441 00 8MD	Burgundy			
2	999 591 838 17	Push button		18	
3	999 591 836 17	Push button		18	
4	999 591 834 17	Snap fastener lower part		4	
5	900 143 049 07	Tapping screw		4	
		3,5 X 9,5			
6	959 551 207 00	Covering		1	
7	959 551 353 00	Restraining strap		1	
8	999 514 011 02	Screw		2	
		M 6 X 15			
9	999 025 165 40	Washer		2	
		5 X 16 X 2,5			
10	959 551 056 00	Cover		1	
	959 551 056 00 9DD	Dark grey			
	959 551 056 00 8MD	Burgundy			
11	999 591 983 12	Tenax upper part		2	
12	999 591 908 17	Tenax lower part		2	
13	900 910 009 02	Lock nut		2	
		M 5			
13	900 084 026 01	Lock nut		2	
		M 5			
14	900 034 009 02	Hexagon nut		1	
		BM 10 X 1			
15	900 025 008 09	Washer		2	
		A 10,5			
15	900 025 008 04	Washer		2	
		A 10,5			
16	999 137 050 40	Nipple		1	
		M 10 X 1			
-	N 020 379 1	Hose		*	
		6 X 2,5			
17		400 MM		1	
18	959 551 143 00	Cap	/L	1	
	959 551 143 00 9DD	Dark grey			
	959 551 143 00 8MD	Burgundy			
(18)	959 551 144 00	Cap	/R	1	
	959 551 144 00 9DD	Dark grey			
	959 551 144 00 8MD	Burgundy			
19	900 145 016 07	Tapping screw		6	
		4,2 X 19			
20	999 591 116 07	Cone washer		6	
21	959 551 071 00	Front-compartment carpet	/V	1	
	959 551 071 00 9DD	Dark grey			
	959 551 071 00 8MD	Burgundy			
22	959 551 073 00	Front-compartment carpet	/H	1	
	959 551 073 00 9DD	Dark grey			
	959 551 073 00 8MD	Burgundy			
23	959 551 333 00	Cover		1	
	959 551 333 00 9DD	Dark grey			
	959 551 333 00 8MD	Burgundy			
24	959 551 453 00	Hook		1	

Model: 959 87

Model life 1987>>1988



Model: 959 87 Model life 1987>>1988

Pos	Part Number	Description	Remark	Qty	Model
		Lining			
		Inner front			
(1)	959 551 115 00	Cover	/L	1	
1	959 551 116 00	Cover	/R	1	
2	959 551 117 00	Cover	/L	1	
	959 551 117 00 9DD	Dark grey			
	959 551 117 00 8MD	Burgundy			
3	959 551 118 00	Cover	/R	1	
	959 551 118 00 9DD	Dark grey			
	959 551 118 00 8MD	Burgundy			
4	959 551 119 00	Cover	/L	1	
	959 551 119 00 9DD	Dark grey			
	959 551 119 00 8MD	Burgundy			
5	959 551 015 00	Carpet	/L	1	
	959 551 015 00 9DD	Dark grey			
	959 551 015 00 8MD	Burgundy			
6	959 551 065 00	Carpet	/L	1	
	959 551 065 00 4DF	Dark grey metallic			
	959 551 065 00 3MF	Burgundy-metallic			
7	959 551 021 00	Carpet	/L	1	
	959 551 021 00 9DD	Dark grey			
	959 551 021 00 8MD	Burgundy			
8	959 551 012 00	Carpet	/R	1	
	959 551 012 00 9DD	Dark grey			
	959 551 012 00 8MD	Burgundy			
9	959 551 013 00	Carpet	/L	1	
	959 551 013 00 9DD	Dark grey			
	959 551 013 00 8MD	Burgundy			
10	959 551 014 00	Carpet	/R	1	
	959 551 014 00 9DD	Dark grey			
	959 551 014 00 8MD	Burgundy			
11	959 551 411 00	Carpet for tunnel	/L	1	
	959 551 411 00 9DD	Dark grey			
	959 551 411 00 8MD	Burgundy			
12	959 551 414 00	Carpet for tunnel	/R	1	
	959 551 414 00 9DD	Dark grey			
	959 551 414 00 8MD	Burgundy			
(13)	959 551 401 00	Side trim panel	/L	1	
	959 551 401 00 9DD	Dark grey			
	959 551 401 00 8MD	Burgundy			
13	959 551 402 00	Side trim panel	/R	1	
	959 551 402 00 9DD	Dark grey			
	959 551 402 00 8MD	Burgundy			
(14)	959 551 031 00	Lining	/L	1	
	959 551 031 00 9DD	Dark grey			
	959 551 031 00 8MD	Burgundy			
14	959 551 032 00	Lining	/R	1	
		Door sill			
	959 551 032 00 9DD	Dark grey			
	959 551 032 00 8MD	Burgundy			
15	959 552 061 00	Cover		1	
	959 552 061 00 9DD	Dark grey metallic			
	959 552 061 00 8MD	Burgundy-metallic			
16	959 552 051 00	Cover		1	
	959 552 051 00 9DD	Dark grey			
	959 552 051 00 8MD	Burgundy			
17	N 900 685 01	Push button		4	
18	900 145 075 07	Tapping screw		12	
		B 4,2 X 16			
19	999 591 331 02	Speed nut		14	
		B 4,2			
20	999 591 116 07	Cone washer		14	
21	900 145 016 07	Tapping screw		2	

Model: 959 87

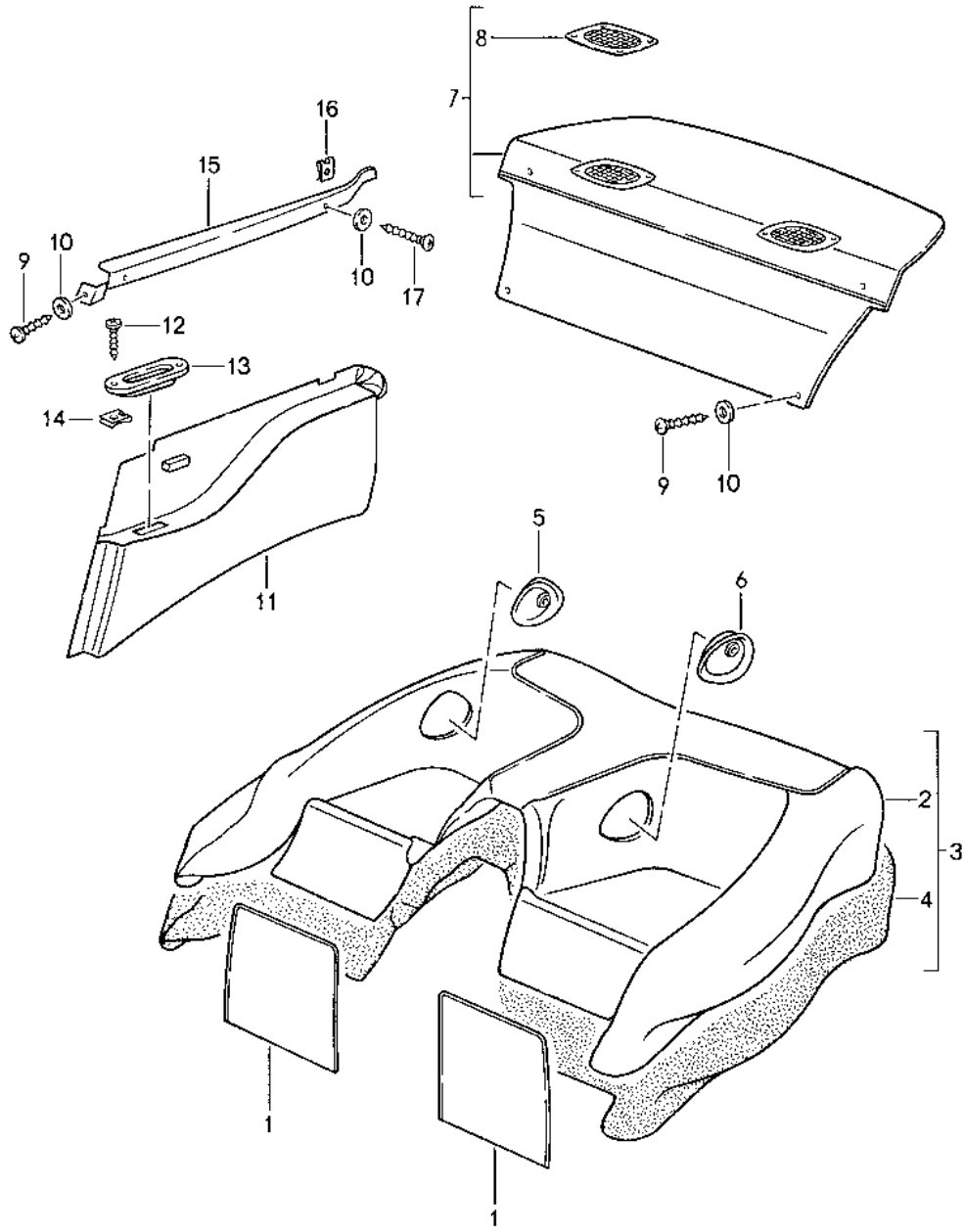
Model life 1987&gt;&gt;1988

Pos	Part Number	Description	Remark	Qty	Model
22	959 551 601 00	4,2 X 19 Pedal floor board		1	
23	N 011 666 7	Washer B 6,4		1	
24	900 075 057 02	Hexagon-head bolt M 6 X 16		1	
24	900 075 057 03	Hexagon-head bolt M 6 X 16		1	
25	901 551 419 28	Cover strip Inner		2	
25		Cover strip for Door sill Inner		2	
26	901 551 419 28 70K 900 143 041 07	Black Tapping screw B 3,5 X 9,5		10	
(27)	911 551 619 00	Rubber pad	/L	1	
27	911 551 620 00	Rubber pad	/R	1	
(28)	959 551 019 00	Door sill rail	/L	1	
	959 551 019 00 01C	Black			
28	959 551 020 00	Door sill rail	/R	1	
	959 551 020 00 01C	Black			



Model: 959 87

Model life 1987>>1988



Model: 959 87 Model life 1987>>1988

Pos	Part Number	Description	Remark	Qty	Model
1	959 551 051 00	Lining Inner rear Carpet Heel plate		2	
	959 551 051 00 9DD	Dark grey			
	959 551 051 00 8MD	Burgundy			
2	959 551 925 00	Lining Seat well Carpet		1	KOMFORT
	959 551 925 00 9DD	Dark grey			
	959 551 925 00 8MD	Burgundy			
2	959 551 927 00	Lining Seat well Carpet		1	SPORT
	959 551 927 00 9DD	Dark grey			
	959 551 927 00 8MD	Burgundy			
3	959 551 929 00	Lining Seat well Leather		1	KOMFORT
	959 551 929 00 4DF	Dark grey metallic			
	959 551 929 00 3MF	Burgundy-metallic			
4	959 522 324 00	Sound absorber Seat well		1	
5	959 522 035 00	Rosette Outer		1	
	959 522 035 00 4DF	Dark grey metallic			
	959 522 035 00 3MF	Burgundy-metallic			
(5)	959 522 036 00	Rosette Outer		1	
	959 522 036 00 4DF	Dark grey metallic			
	959 522 036 00 3MF	Burgundy-metallic			
6	959 522 037 00	Rosette Inner		1	
	959 522 037 00 4DF	Dark grey metallic			
	959 522 037 00 3MF	Burgundy-metallic			
(6)	959 522 038 00	Rosette Inner		1	
	959 522 038 00 4DF	Dark grey metallic			
	959 522 038 00 3MF	Burgundy-metallic			
7	959 555 111 00	Back wall lining		1	
	959 555 111 00 4DF	Dark grey			
	959 555 111 00 3MF	Burgundy			
8	911 555 019 00	Loudspeaker grille		2	
9	900 145 072 07	Tapping screw B 3,5 X 22		4	
10	999 591 102 17	Washer 3,5		8	
10	999 591 102 1H	Washer 3,5		8	
11	959 555 071 00	Side trim panel	/L	1	
	959 555 071 00 4DF	Dark grey metallic			
	959 555 071 00 3MF	Burgundy-metallic			
(11)	959 555 072 00	Side trim panel	/R	1	
	959 555 072 00 4DF	Dark grey metallic			
	959 555 072 00 3MF	Burgundy-metallic			
12	900 145 075 07	Tapping screw B 4,2 X 16		4	
13	959 555 615 01	Rosette		2	
14	999 591 331 02	Speed nut 3,5		4	
15	911 555 091 70	Rear cover moulding	/L	1	
	911 555 091 70 4DF	Dark grey metallic			

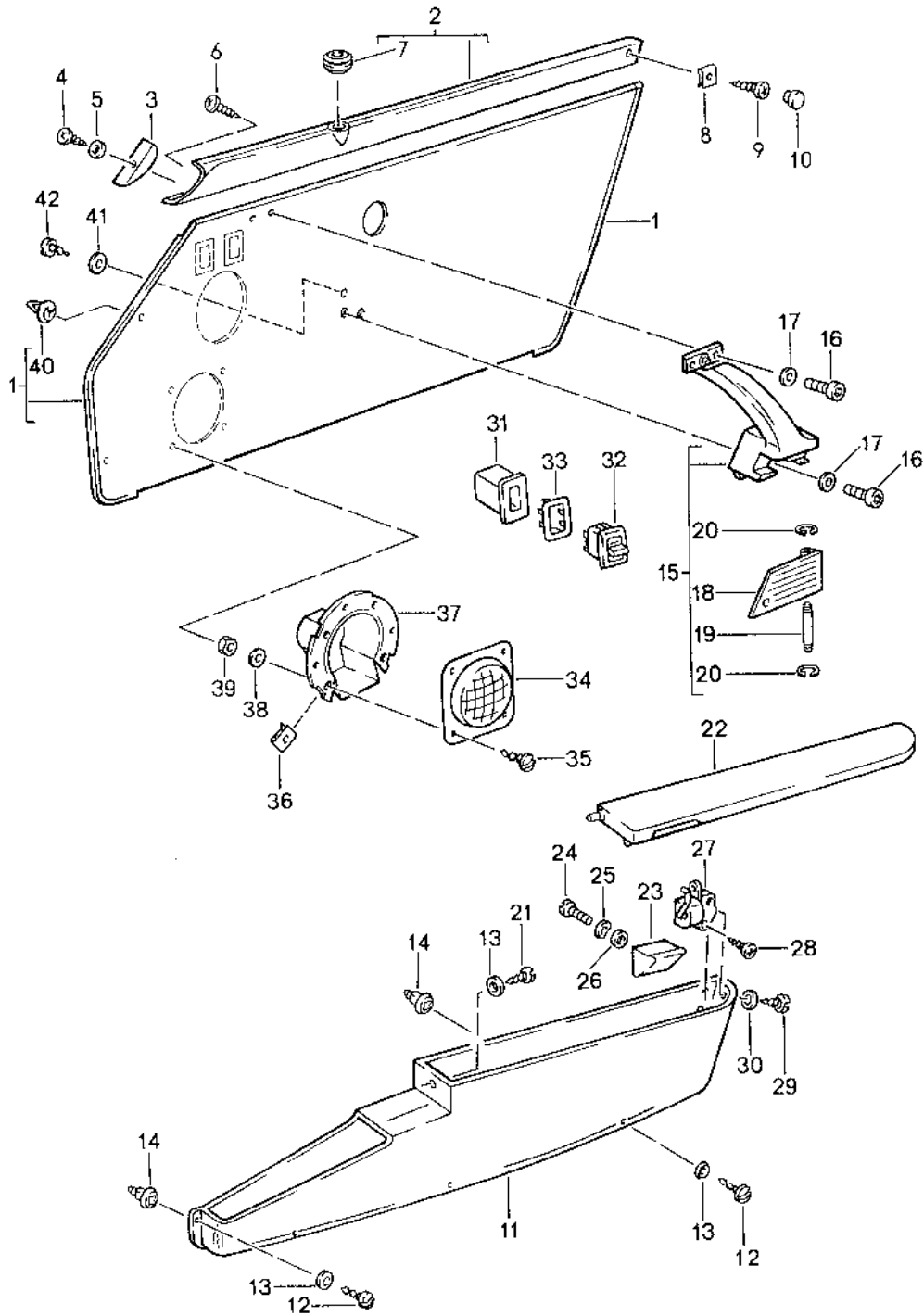
Model: 959 87

Model life 1987&gt;&gt;1988

Pos	Part Number	Description	Remark	Qty	Model
(15)	911 555 091 70 3MF	Burgundy-metallic			
	911 555 092 70	Rear cover moulding	/R	1	
	911 555 092 70 4DF	Dark grey metallic			
	911 555 092 70 3MF	Burgundy-metallic			
16	999 591 338 02	Speed nut B 3,5		4	
16	999 591 460 01	Speed nut B 3,5		4	
17	900 145 071 07	Tapping screw B 3,5 X 13		2	

Model: 959 87

Model life 1987>>1988



Model: 959 87 Model life 1987>>1988

Pos	Part Number	Description	Remark	Qty	Model
1	911 555 931 50	Door trim panel	/L	1	
	911 555 931 50 4DF	Dark grey metallic			
	911 555 931 50 3MF	Burgundy-metallic			
(1)	911 555 932 50	Door trim panel	/R	1	
	911 555 932 50 4DF	Dark grey metallic			
	911 555 932 50 3MF	Burgundy-metallic			
2	911 555 083 55	Cover strip	/L	1	
	911 555 083 55 4DF	Dark grey metallic			
	911 555 083 55 3MF	Burgundy-metallic			
(2)	911 555 084 55	Cover strip	/R	1	
	911 555 084 55 4DF	Dark grey metallic			
	911 555 084 55 3MF	Burgundy-metallic			
3	911 555 291 50	Cap	/L	1	
	911 555 291 50 4DF	Dark grey metallic			
	911 555 291 50 3MF	Burgundy-metallic			
(3)	911 555 292 50	Cap	/R	1	
	911 555 292 50 4DF	Dark grey metallic			
	911 555 292 50 3MF	Burgundy-metallic			
4	N 014 093 7	Rais. counters. h. tap. s. B 4,2 X 13		2	
5	N 100 401 02	Cone washer		2	
6	900 143 177 02	Combination tapping screw B 4,2 X 13		4	
7	928 555 569 02	Guide bush		2	
8	N 100 665 01	Speed nut B 3,5		2	
9	N 013 958 7	Oval-head sheetmetal screw B 3,5 X 13		4	
10	999 703 077 40	Cap		2	
(11)	959 555 037 01	Package box	/L	1	
	959 555 037 01 9DD	Dark grey			
	959 555 037 01 8MD	Burgundy			
11	959 555 038 01	Package box	/R	1	
	959 555 038 01 9DD	Dark grey			
	959 555 038 01 8MD	Burgundy			
12	900 145 026 07	Tapping screw B 4,2 X 22		8	
13	999 591 103 17	Protection washer		12	
13	PCG 591 103 17	Protection washer		12	
14	999 591 717 40	Expander nut B 4,2		10	
(15)	911 555 097 51	Grab handle	/L	1	
	911 555 097 51 9DD	Dark grey			
	911 555 097 51 8MD	Burgundy			
15	911 555 098 51	Grab handle	/R	1	
	911 555 098 51 9DD	Dark grey			
	911 555 098 51 8MD	Burgundy			
16	N 013 958 7	Oval-head sheetmetal screw B 5 X 13		2	
17	900 151 001 02	Washer A 3,4		2	
18	911 531 251 00	Door opener	/L	1	
	911 531 251 00 70B	Black			
(18)	911 531 252 00	Door opener	/R	1	
	911 531 252 00 70B	Black			
19	911 555 583 00	Bolt		2	
19	911 555 583 01	Bolt		2	
20	900 116 002 01	Lock washer		2	
21	900 145 075 07	Tapping screw B 4,2 X 16		2	
22	911 555 039 52	Lid	/L	1	
		Package box			

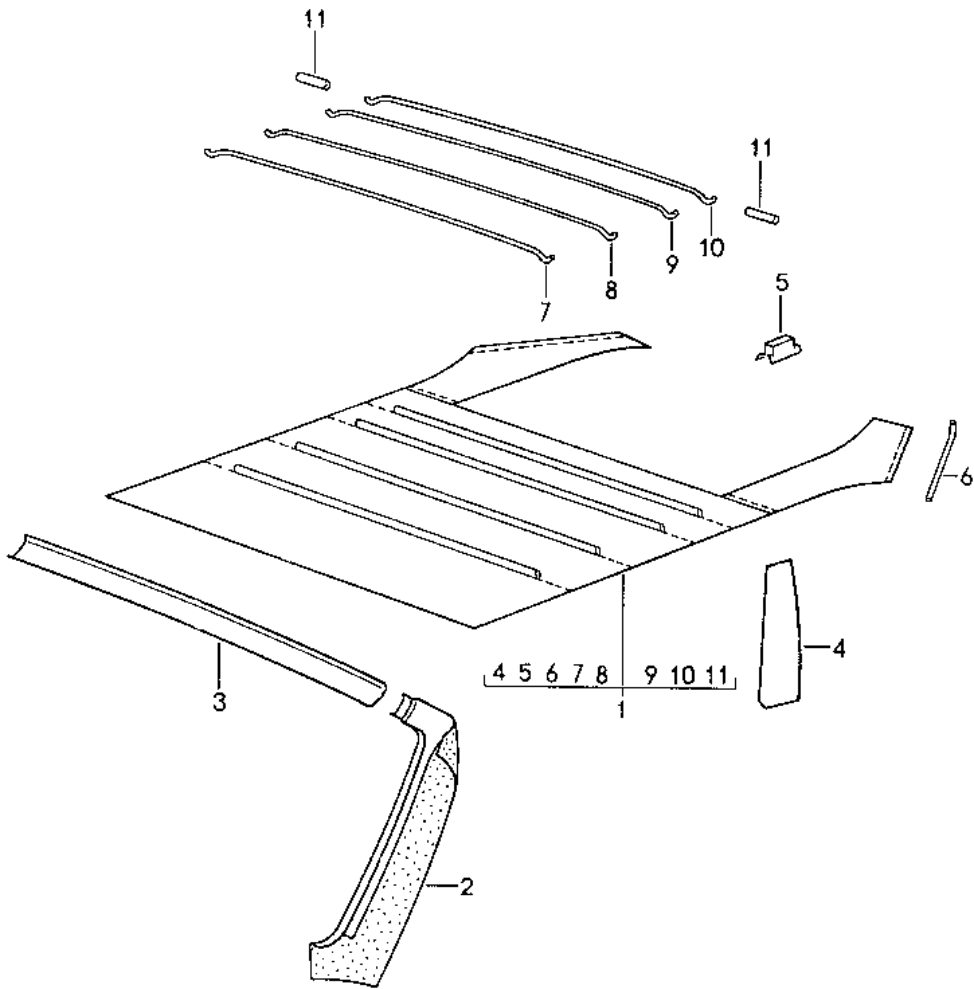
Model: 959 87

Model life 1987>>1988

Pos	Part Number	Description	Remark	Qty	Model
	911 555 039 52 4DF	Dark grey metallic			
	911 555 039 52 3MF	Burgundy-metallic			
(22)	911 555 040 52	Lid	/R	1	
		Package box			
	911 555 040 52 4DF	Dark grey metallic			
	911 555 040 52 3MF	Burgundy-metallic			
23	914 555 059 10	Support		2	
24	900 146 011 02	Oval-head screw AM 4 X 10		2	
25	900 028 018 01	Spring washer B 4		2	
26	900 151 028 02	Washer B 4,3		2	
26	900 151 028 01	Washer B 4,3		2	
27	911 555 045 03	Bearing	/L	1	
(27)	911 555 046 03	Bearing	/R	1	
28	900 143 047 07	Tapping screw B 4,2 X 19		4	
28	900 073 007 01	Tapping screw B 4,2 X 19		4	
29	900 145 079 07	Oval-head sheetmetal screw B 4,8 X 19		2	
30	999 704 605 07	Cone washer		2	
31	911 613 623 01	Grommet		3	
32	911 613 621 03	Switch		3	
33	911 613 635 20	Assembly frame		3	
34	911 555 013 01	Loudspeaker grille		2	
35	N 013 967 9	Tapping screw B 4,2 X 19		4	
36	999 591 575 02	Speed nut B 4,2		4	
36	999 591 575 01	Speed nut B 4,2		4	
37	911 555 217 00	Housing		2	
38	N 011 522 14	Washer A 4,3		6	
39	N 011 004 6	Hexagon nut M 4		6	
39	N 011 004 G	Nut M 4		6	
40	823 867 299	Clip		8	
41	900 151 001 02	Washer A 4,3		2	
42	N 013 958 7	Oval-head sheetmetal screw B 3,5 X 13		2	

Model: 959 87

Model life 1987>>1988



Model: 959 87

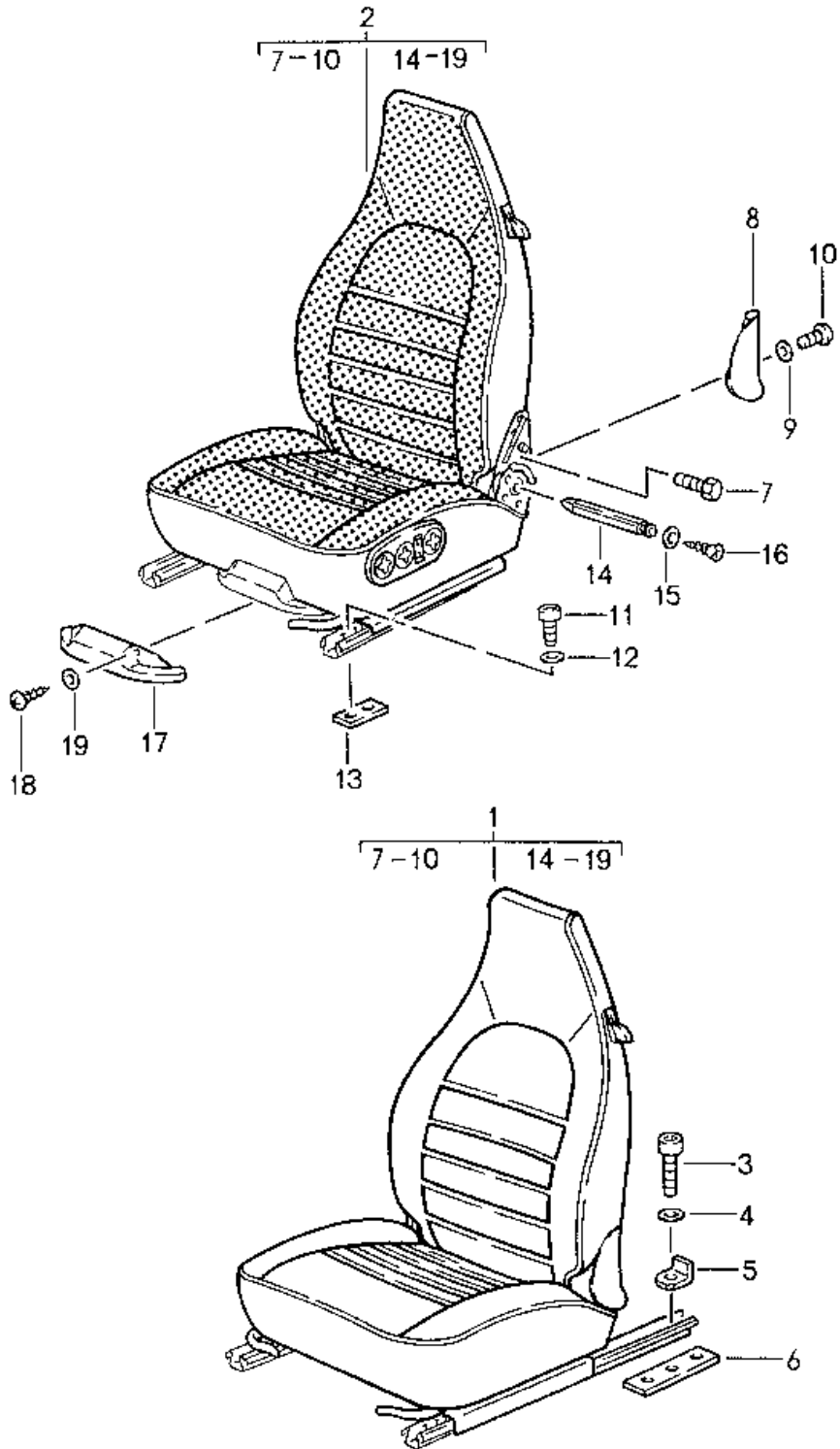
Model life 1987>>1988

Pos	Part Number	Description	Remark	Qty	Model
1	959 555 055 00	Rooflining		1	
	959 555 055 00 4DF	Rooflining			
	959 555 055 00 3MF	Dark grey metallic			
2	959 555 103 00	Burgundy-metallic		1	
	959 555 103 00 4DF	Lining	/L		
	959 555 103 00 3MF	Dark grey metallic			
(2)	959 555 104 00	Burgundy-metallic		1	
	959 555 104 00 4DF	Lining	/R		
	959 555 104 00 3MF	Dark grey metallic			
3	959 555 105 00	Burgundy-metallic		1	
	959 555 105 00 4DF	Lining			
	959 555 105 00 3MF	Dark grey metallic			
4	911 555 505 01	Burgundy-metallic		1	
		Lining	/L		
		for			
		Door pillar			
	911 555 505 01 4DF	Dark grey metallic			
	911 555 505 01 3MF	Burgundy-metallic			
4	911 555 506 01	Lining	/R	1	
		for			
		Door pillar			
	911 555 506 01 4DF	Dark grey metallic			
	911 555 506 01 3MF	Burgundy-metallic			
5	999 591 342 02	Clamp	/V	5	
		Front			
5	999 591 342 03	Clamp	/V	5	
		Front			
(5)	999 591 336 01	Fastening clamp	/H	5	
		Rear			
6	911 555 561 00	Tension wire		2	
7	959 555 611 00	Transverse strut		1	
		1			
8	959 555 612 00	Transverse strut		1	
		2			
9	959 555 613 00	Transverse strut		1	
		3			
10	901 555 513 20	Transverse strut		1	
		4			
11	644 555 515 00	Rubber profile		8	



Model: 959 87

Model life 1987>>1988



Model: 959 87

Model life 1987&gt;&gt;1988

Pos	Part Number	Description	Remark	Qty	Model
1	959 521 003 52	Front seat Front seat without heating Leather	/L	1	
	959 521 003 52 RS5	Dark grey metallic			
	959 521 003 52 RS7	Burgundy-metallic			
(1)	959 521 004 52	Front seat without heating Leather	/R	1	
	959 521 004 52 RS5	Dark grey metallic			
	959 521 004 52 RS7	Burgundy-metallic			
1	959 521 003 57	Front seat with heating Leather	/L	1	M139
	959 521 003 57 RS5	Dark grey metallic			
	959 521 003 57 RS7	Burgundy-metallic			
(1)	959 521 004 57	Front seat with heating Leather	/R	1	M340
	959 521 004 57 RS5	Dark grey metallic			
	959 521 004 57 RS7	Burgundy-metallic			
2	959 521 003 53	Front seat without heating Leather Seat and backrest surface Cloth	/L	1	
	959 521 003 53 RS4	Dark grey metallic			
	959 521 003 53 RS6	Burgundy-metallic			
(2)	959 521 004 53	Front seat without heating Leather Seat and backrest surface Cloth	/R	1	
	959 521 004 53 RS4	Dark grey metallic			
	959 521 004 53 RS6	Burgundy-metallic			
2	959 521 003 58	Front seat with heating Leather Seat and backrest surface Cloth	/L	1	M139
	959 521 003 58 RS4	Dark grey metallic			
	959 521 003 58 RS6	Burgundy-metallic			
(2)	959 521 004 58	Front seat with heating Leather Seat and backrest surface Cloth	/R	1	M340
	959 521 004 58 RS4	Dark grey metallic			
	959 521 004 58 RS6	Burgundy-metallic			
3	900 119 052 02	Pan-head screw		X	
4	900 031 105 01	Washer		12	
4	900 031 001 02	Washer		12	
		8,4			
4	900 031 105 01	Washer		12	
		8,4			
5	911 521 347 00	Stop		2	
6	928 521 101 08	Threaded plate Long		X	
7	911 521 547 00	Screw M 10 X 20		8	
8	959 521 147 00	Cover	/L	2	
	959 521 147 00 7CL	Dark grey metallic			
	959 521 147 00 3LW	Burgundy-metallic			

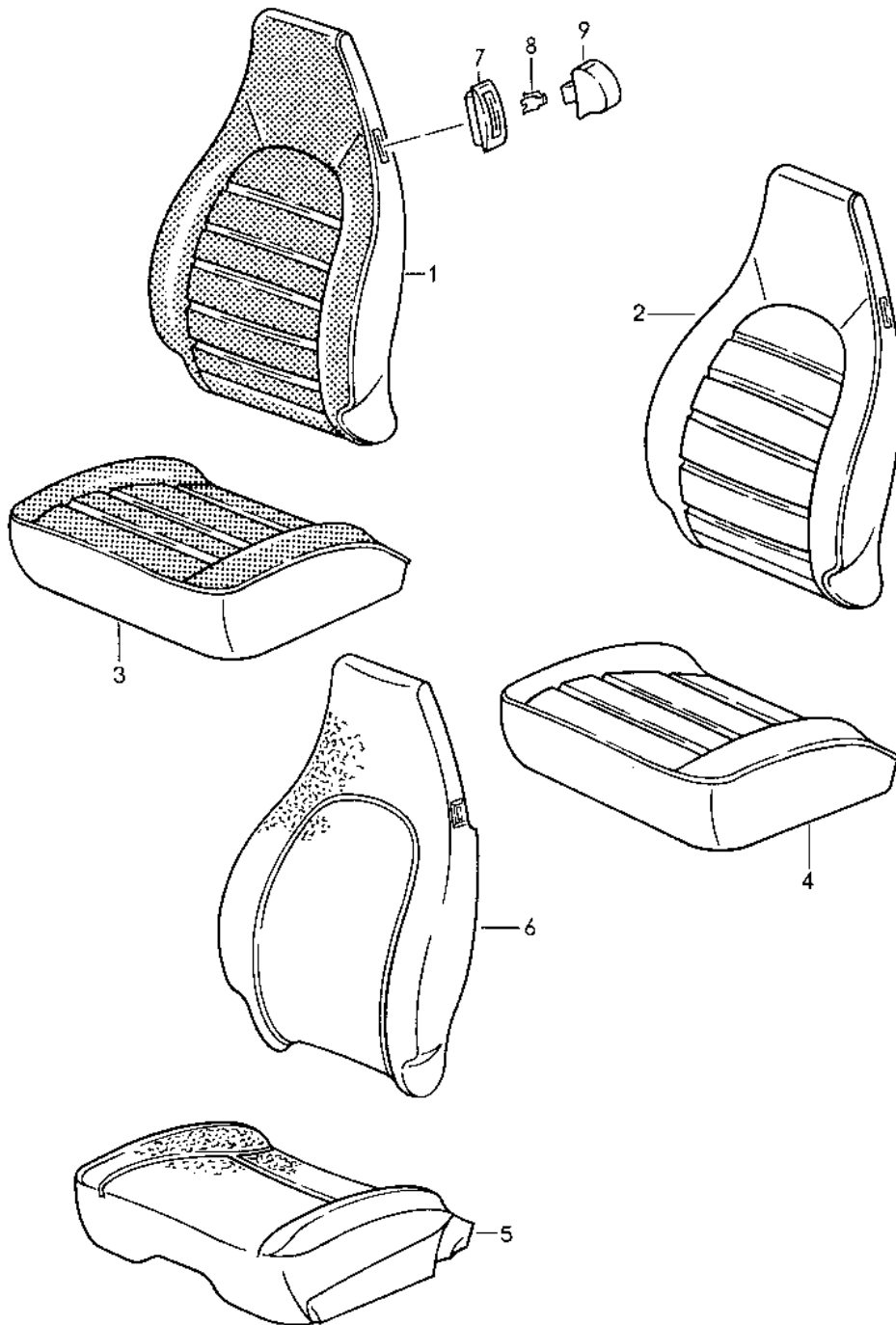
Model: 959 87

Model life 1987&gt;&gt;1988

Pos	Part Number	Description	Remark	Qty	Model
(8)	959 521 148 00	Cover	/R	2	
	959 521 148 00 7CL	Dark grey metallic			
	959 521 148 00 3LW	Burgundy-metallic			
9	900 025 044 07	Washer A 4,3		8	
10	900 143 113 07	Oval-head screw B 4,2 X 13		8	
10	900 143 113 0G	Oval-head screw B 4,2 X 13		8	
11	900 119 052 02	Pan-head screw		X	
12	900 031 105 01	Washer		12	
12	900 031 001 02	Washer 8,4		12	
12	900 031 105 01	Washer 8,4		12	
13	928 521 101 05	Threaded plate Short		X	
14	928 521 717 02	Square rod for backrest adjustment		4	
15	928 521 716 02	Lock washer for backrest adjustment		4	
15	928 521 716 03	Lock washer for backrest adjustment		4	
16	900 249 004 02	Countersunk-head screw M 4 X 8 for backrest adjustment		4	
17	928 521 760 02	Cover		2	
18	N 013 959 3	Oval-head sheetmetal screw B 3,5 X 16		4	
18	900 143 016 02	Oval-head sheetmetal screw B 3,5 X 16		4	
19	900 025 013 07	Washer A 3,7		4	

Model: 959 87

Model life 1987>>1988

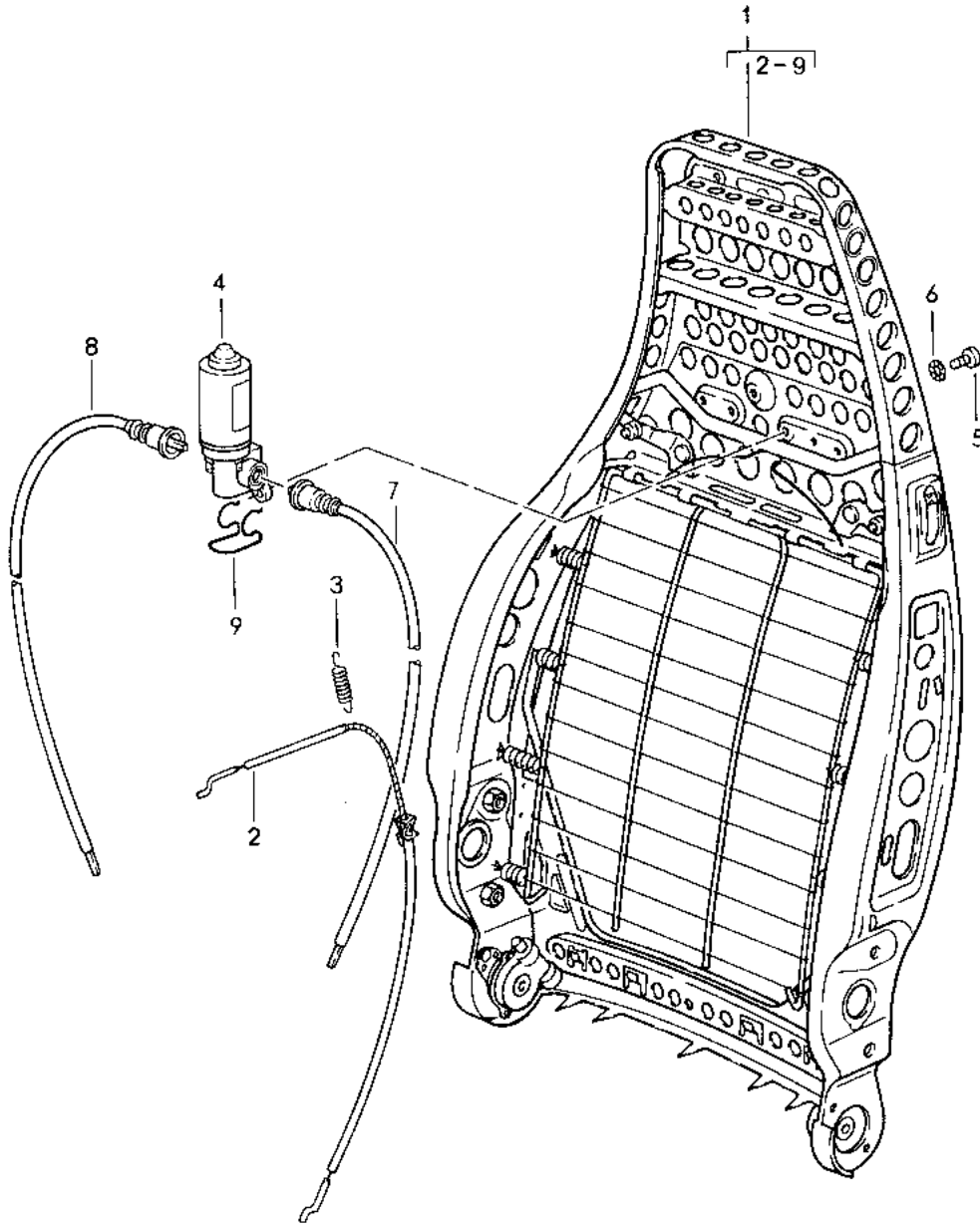


Model: 959 87 Model life 1987>>1988

Pos	Part Number	Description	Remark	Qty	Model
1	928 521 071 72	Front seat Cover Backrest cover without heating Leather Backrest surface cloth		2	
(1)	928 521 071 72 RS4	Dark grey metallic			
	928 521 071 72 RS6	Burgundy-metallic			
	928 521 071 77	Backrest cover with heating Leather Backrest surface cloth		2	
	928 521 071 77 RS4	Dark grey metallic			
	928 521 071 77 RS6	Burgundy-metallic			
2	928 521 071 71	Backrest cover without heating Leather		2	
	928 521 071 71 RS5	Dark grey metallic			
	928 521 071 71 RS7	Burgundy-metallic			
(2)	928 521 071 76	Backrest cover with heating Leather		2	
	928 521 071 76 RS5	Dark grey metallic			
	928 521 071 76 RS7	Burgundy-metallic			
3	928 521 037 72	Cover for cushion without heating Leather Seat surface cloth		2	
	928 521 037 72 RS4	Dark grey metallic			
	928 521 037 72 RS6	Burgundy-metallic			
(3)	944 521 037 77	Cover for cushion with heating Leather Seat surface cloth		2	
	944 521 037 77 RS4	Dark grey metallic			
	944 521 037 77 RS6	Burgundy-metallic			
4	944 521 037 72	Cover for cushion without heating Leather		2	
	944 521 037 72 RS5	Dark grey metallic			
	944 521 037 72 RS7	Burgundy-metallic			
(4)	928 521 037 76	Cover for cushion with heating Leather		2	
	928 521 037 76 RS5	Dark grey metallic			
	928 521 037 76 RS7	Burgundy-metallic			
5	928 521 385 23	Foam part	/L	1	
(5)	928 521 386 23	Foam part	/R	1	
5	928 521 385 24	Foam part	/L	1	M139
(5)	928 521 386 24	Foam part	/R	1	M340
6	993 521 393 06	Foam part		2	
6		Foam part		2	
7	911 521 815 00	Rosette		4	
	911 521 815 00 01C	Satin black			
8	311 881 247	Clip		4	
9	911 521 817 00	Control button		4	
	911 521 817 00 01C	Satin black			

Model: 959 87

Model life 1987>>1988



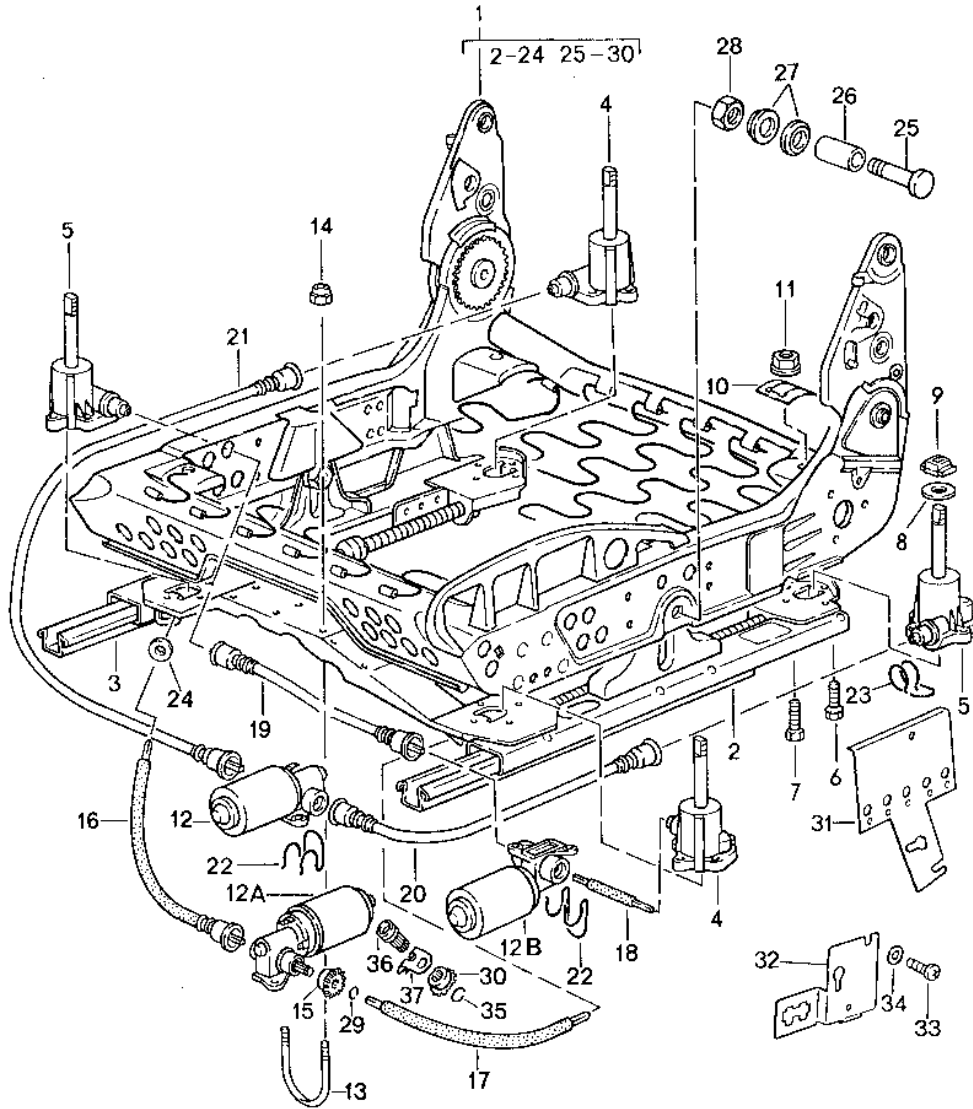
Model: 959 87

Model life 1987&gt;&gt;1988

Pos	Part Number	Description	Remark	Qty	Model
1	928 521 027 10	Backrest frame Electrically adjustable		2	
2	928 521 093 02	Backrest frame Electrically adjustable		4	
3	311 881 287 A	Bowden cable		4	
4	928 624 126 01	Tension spring		4	
5	N 014 128 4	Actuating lever		2	
6	N 012 130 2	Geared motor for backrest adjustment		4	
7	928 521 617 03	Oval-head screw M 5 X 8		4	
8	928 521 618 03	Shake-proof washer A 5,3		4	
9	928 521 675 02	Shaft	/L	2	
-	N 020 904 4	Shaft for backrest adjustment	/R	2	
		Moulded spring		2	
		Tie-wrap 6,5 X 120		10	

Model: 959 87

Model life 1987>>1988





Model: 959 87

Model life 1987&gt;&gt;1988

Pos	Part Number	Description	Remark	Qty	Model
		Seat frame Single parts			
1	959 521 069 03	Seat frame	/L	1	
(1)	959 521 070 03	Seat frame	/R	1	
2	928 521 489 08	Seat rail Outer	/L	1	
2		Seat rail Outer	/L	1	
(2)	928 521 490 08	Seat rail Outer	/R	1	
(2)		Seat rail Outer	/R	1	
3	964 521 491 01	Seat rail Inner	/R	1	
3		Seat rail Inner	/R	1	
(3)	964 521 492 01	Seat rail Inner	/L	1	
(3)		Seat rail Inner	/L	1	
4	928 521 721 03	Lifting gear Left front, right rear		4	
4		Lifting gear Left front, right rear		4	
5	928 521 722 03	Lifting gear Right front, left rear		4	
5		Lifting gear Right front, left rear		4	
6	999 217 033 01	Locking screw M 6 X 16		20	
7	900 186 032 02	Pan-head screw M 6 X 12		8	
8	999 025 129 40	Washer 10,2 X 30 X 1,5		8	
9	928 521 727 02	Slide		8	
10	928 521 723 02	Guide spring		8	
11	928 521 730 02	Nut		8	
12	928 624 126 01	Geared motor Rear vertical adjustment		2	
12A	928 624 136 00	Geared motor for longitudinal adjustment		2	
12B	928 624 126 01	Geared motor Front vertical adjustment		2	
13	999 222 001 02	Stirrup bolt M 4		6	
14	900 910 006 02	Lock nut M 4		12	
14	900 084 020 01	Lock nut M 4		12	
15	928 521 818 03	Bevel pinion for emergency control		1	
16	928 521 251 02	Shaft for longitudinal adjustment	/L	2	
17	928 521 252 03	Shaft for longitudinal adjustment	/R	2	
18	928 521 671 03	Shaft Front vertical adjustment	/L	2	
18		Shaft Front vertical adjustment	/L	2	
19	928 521 672 02	Pliable shaft Front vertical adjustment	/R	2	
20	928 521 673 05	Flexible shaft Rear vertical adjustment	/L	2	

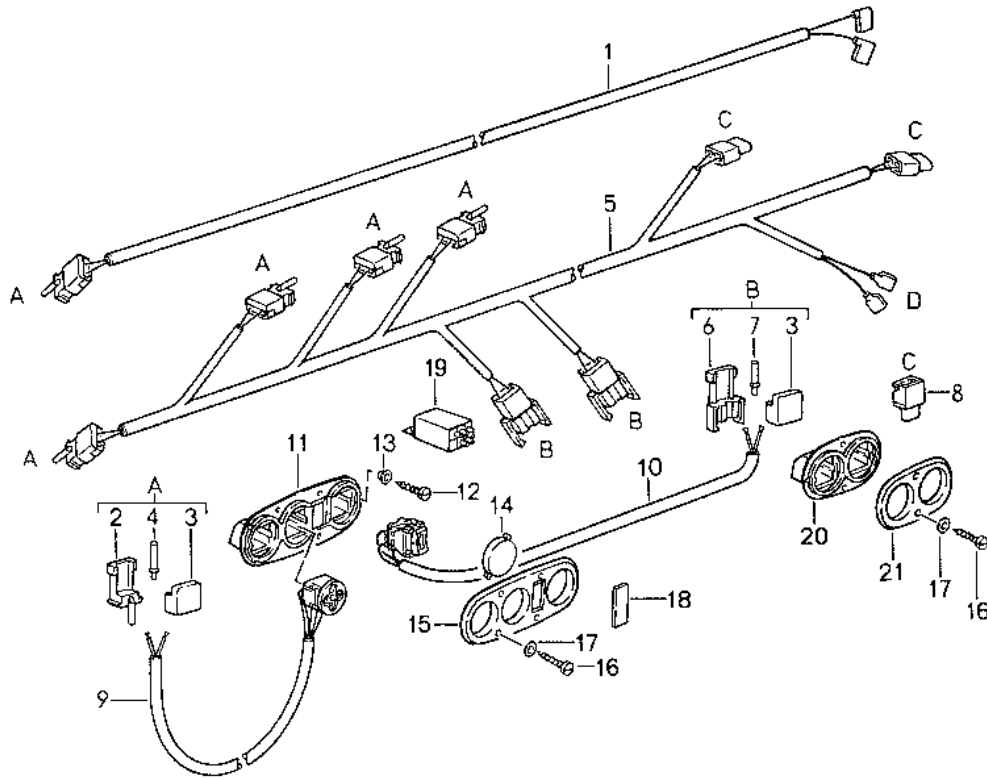
Model: 959 87

Model life 1987>>1988

Pos	Part Number	Description	Remark	Qty	Model
20		Flexible shaft Rear vertical adjustment	/L	2	
21	928 521 674 02	Pliable shaft Rear vertical adjustment	/R	2	
22	928 521 675 02	Moulded spring		6	
23	928 521 699 00	Moulded spring		6	
24	999 591 730 00	Lock washer		6	
25	928 521 681 02	Bolt		4	
26	928 521 685 02	Bush		4	
27	928 521 683 02	Washer		8	
28	900 034 003 02	Hexagon nut M 10		4	
29	900 906 005 01	Circlip A 8		2	
30	928 521 818 04	Bevel pinion for emergency control		1	
31	928 653 501 03	Bracket for electric seat equipment		1	
32	928 653 503 02	Bracket		1	
33	N 014 133 I	Oval-head screw		2	
33	N 014 133 8	Oval-head screw M 5 X 12		2	
33	N 014 133 I	Oval-head screw M 5 X 12		2	
34	900 025 003 02	Washer A 5,3		2	
35	N 042 499 1	Circlip A 12		1	
36	928 521 816 03	Bearing pin		1	
37	928 521 686 00	Moulded spring		2	

Model: 959 87

Model life 1987>>1988



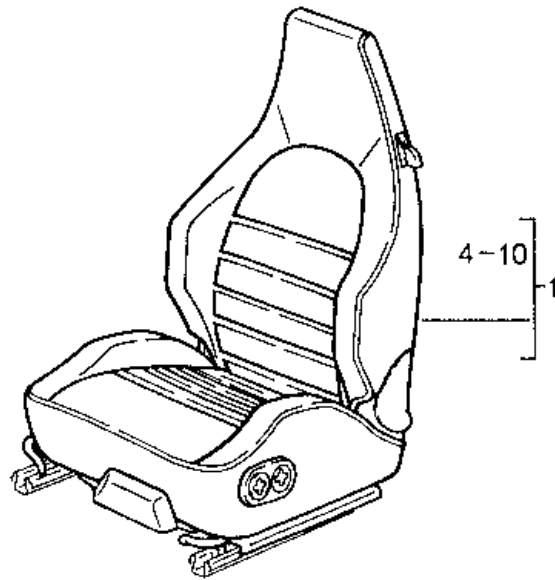
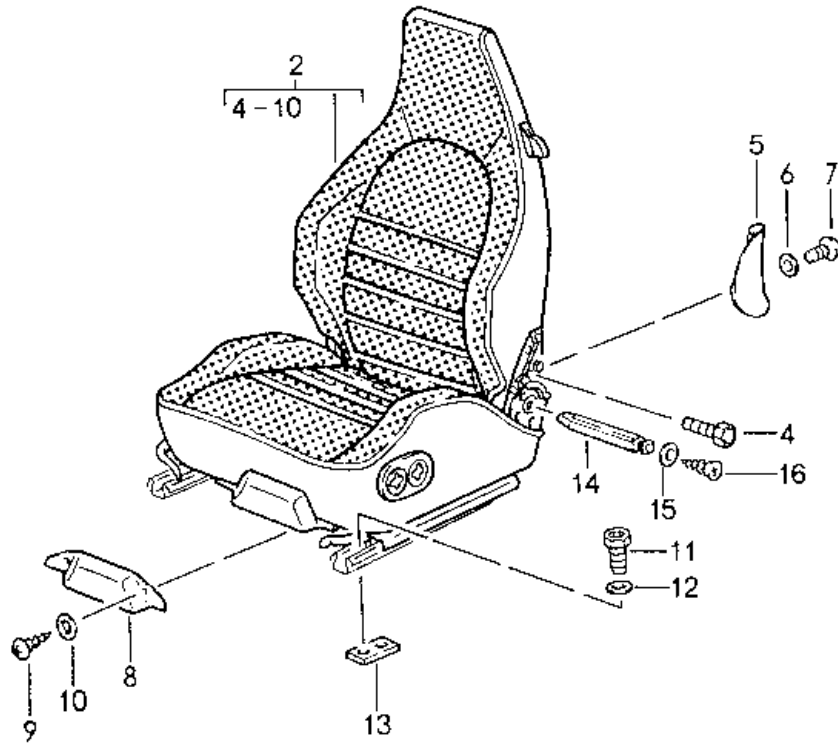
Model: 959 87

Model life 1987>>1988

Pos	Part Number	Description	Remark	Qty	Model
1	928 612 343 00	Front seat Wiring harness Switch Connecting line for backrest adjustment		1	
2	999 652 368 40	Connector housing		2	
3	999 652 372 40	Clip		2	
4	999 652 369 12	Pin		2	
5	928 612 337 00	Wiring harness for backrest adjustment Seat heater		1	
6	999 652 370 40	Connector housing		2	
7	999 652 371 12	Contact bush		2	
8	928 612 557 00	Connector housing		2	
9	928 613 182 00	Switch for longitudinal adjustment Front vertical adjustment		2	
(9)	928 613 183 00	Switch for backrest adjustment Rear vertical adjustment		2	
10	928 613 187 02	Switch Seat heater		1	M139
(10)	928 613 187 02 01C	Satin black			
	928 613 188 02	Switch Seat heater		1	M340
	928 613 188 02 01C	Satin black			
11	928 521 559 02	Switch insert		2	M139
11	928 521 560 02	Switch insert		2	M340
12	N 013 988 1	Counters. head tapp. screw B 3,5 X 16		2	
13	999 591 849 07	Washer B 3,5		2	
14	928 613 425 00	Cover		1	M139/340
15	928 521 561 03	Trim for switch		1	M139/340
	928 521 561 03 01C	Satin black			
16	N 013 959 3	Oval-head sheetmetal screw B 3,5 X 16		1	
16	900 143 016 02	Oval-head sheetmetal screw B 3,5 X 16		1	
17	900 025 013 07	Washer A 3,7		4	
18	944 613 259 01	Cover		1	
18	944 613 259 02	Cover		1	
	944 613 259 02 01C	Satin black			
19	928 618 521 00	Relay Seat heater		1	M139/340
20	928 521 559 04	Switch insert		2	
21	928 521 561 04	Trim for switch		2	
	928 521 561 04 01C	Satin black			

Model: 959 87

Model life 1987>>1988



Model: 959 87 Model life 1987>>1988

Pos	Part Number	Description	Remark	Qty	Model
1	959 521 001 52	Sports seat Sports seat without heating Leather	/L	1	
	959 521 001 52 RS5	Dark grey metallic			
	959 521 001 52 RS7	Burgundy-metallic			
(1)	959 521 002 52	Sports seat without heating Leather	/R	1	
	959 521 002 52 RS5	Dark grey metallic			
	959 521 002 52 RS7	Burgundy-metallic			
1	959 521 001 57	Sports seat with heating Leather	/L	1	M139
	959 521 001 57 RS5	Dark grey metallic			
	959 521 001 57 RS7	Burgundy-metallic			
(1)	959 521 002 57	Sports seat with heating Leather	/R	1	M340
	959 521 002 57 RS5	Dark grey metallic			
	959 521 002 57 RS7	Burgundy-metallic			
2	959 521 001 53	Sports seat without heating Leather Seat and backrest surface Cloth	/L	1	
	959 521 001 53 RS4	Dark grey metallic			
	959 521 001 53 RS6	Burgundy-metallic			
(2)	959 521 002 53	Sports seat without heating Leather Seat and backrest surface Cloth	/R	1	
	959 521 002 53 RS4	Dark grey metallic			
	959 521 002 53 RS6	Burgundy-metallic			
2	959 521 001 58	Sports seat with heating Leather Seat and backrest surface Cloth	/L	1	M139
	959 521 001 58 RS4	Dark grey metallic			
	959 521 001 58 RS6	Burgundy-metallic			
(2)	959 521 002 58	Sports seat with heating Leather Seat and backrest surface Cloth	/R	1	M340
	959 521 002 58 RS4	Dark grey metallic			
	959 521 002 58 RS6	Burgundy-metallic			
4	911 521 547 00	Screw M 10 X 20		4	
5	959 521 147 00	Cover		1	
	959 521 147 00 7CL	Dark grey metallic			
	959 521 147 00 3LW	Burgundy-metallic			
(5)	959 521 148 00	Cover		1	
	959 521 148 00 7CL	Dark grey metallic			
	959 521 148 00 3LW	Burgundy-metallic			
6	900 025 044 07	Washer A 4,3		8	
7	900 143 113 07	Oval-head screw B 4,2 X 13		8	
7	900 143 113 0G	Oval-head screw B 4,2 X 13		8	

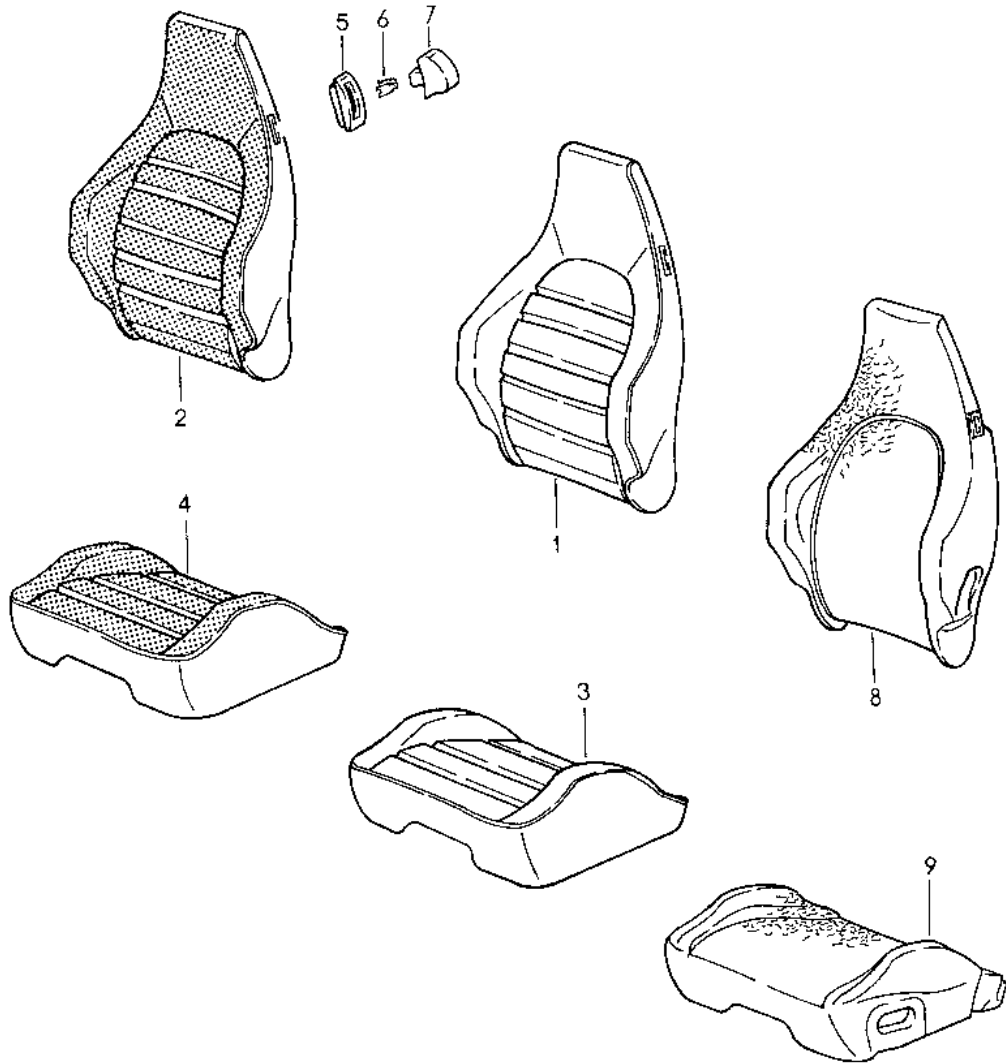
Model: 959 87

Model life 1987>>1988

Pos	Part Number	Description	Remark	Qty	Model
8	928 521 760 03	Cover		2	
9	N 013 959 3	Oval-head sheetmetal screw B 3,5 X 16		4	
9	900 143 016 02	Oval-head sheetmetal screw B 3,5 X 16		4	
10	900 025 013 07	Washer A 3,7		4	
11	900 119 052 02	Pan-head screw M 8 X 16		12	
12	900 031 105 01	Washer		12	
12	900 031 001 02	Washer 8,4		12	
12	900 031 105 01	Washer 8,4		12	
13	928 521 101 05	Threaded plate Short		X	
(13)	928 521 101 08	Threaded plate Long		X	

Model: 959 87

Model life 1987>>1988



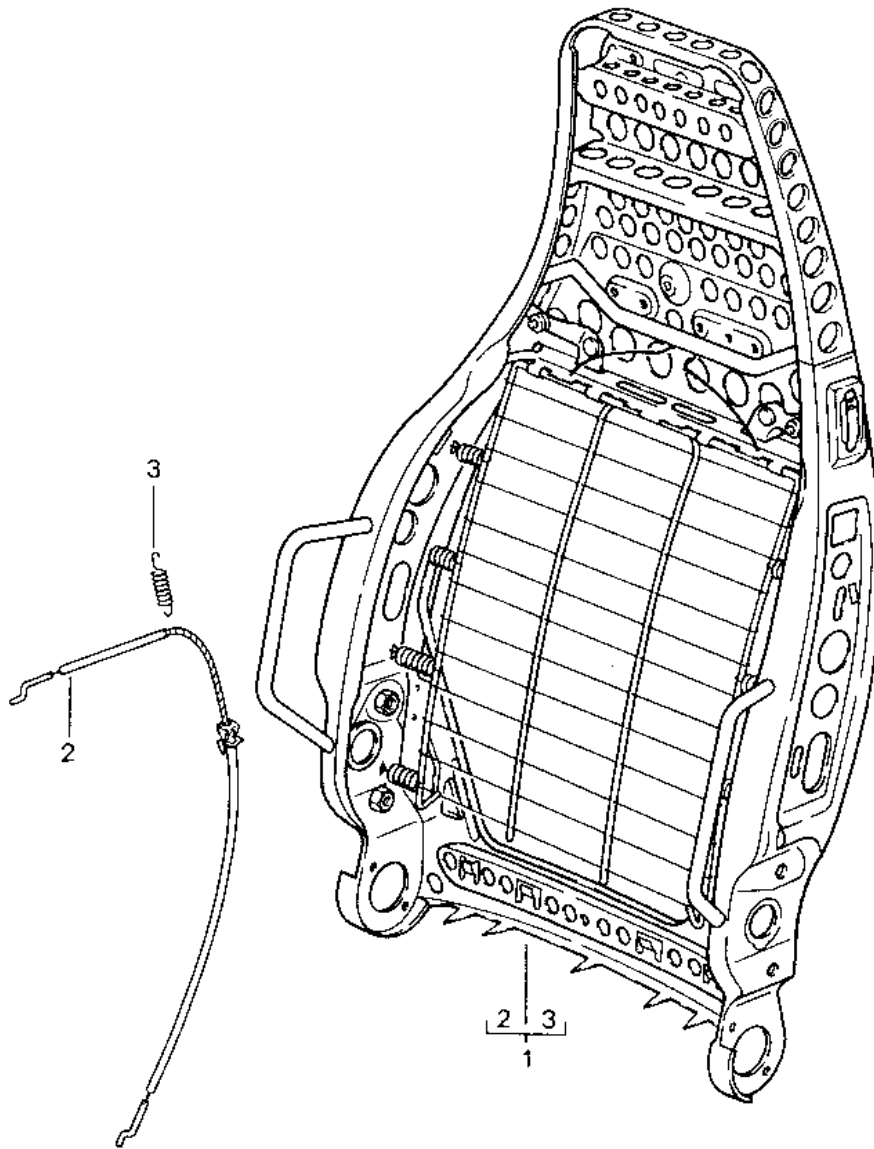


Model: 959 87 Model life 1987>>1988

Pos	Part Number	Description	Remark	Qty	Model
1	944 521 071 52	Sports seat Cover Backrest cover without heating Leather		2	
	944 521 071 52 RS5	Dark grey metallic			
	944 521 071 52 RS7	Burgundy-metallic			
(1)	944 521 071 57	Backrest cover with heating Leather		2	
	944 521 071 57 RS5	Dark grey metallic			
	944 521 071 57 RS7	Burgundy-metallic			
2	944 521 071 53	Backrest cover without heating Leather Backrest surface cloth		2	
	944 521 071 53 RS4	Dark grey metallic			
	944 521 071 53 RS6	Burgundy-metallic			
(2)	944 521 071 58	Backrest cover with heating Leather Backrest surface cloth		2	
	944 521 071 58 RS4	Dark grey metallic			
	944 521 071 58 RS6	Burgundy-metallic			
3	944 521 037 52	Cover for cushion without heating Leather		2	
	944 521 037 52 RS5	Dark grey metallic			
	944 521 037 52 RS7	Burgundy-metallic			
(3)	944 521 037 57	Cover for cushion with heating Leather		2	
	944 521 037 57 RS5	Dark grey metallic			
	944 521 037 57 RS7	Burgundy-metallic			
4	944 521 037 53	Cover for cushion without heating Leather Seat surface cloth		2	
	944 521 037 53 RS4	Dark grey metallic			
	944 521 037 53 RS6	Burgundy-metallic			
(4)	944 521 037 58	Cover for cushion with heating Leather Seat surface cloth		2	
	944 521 037 58 RS4	Dark grey metallic			
	944 521 037 58 RS6	Burgundy-metallic			
5	911 521 815 00	Rosette		4	
	911 521 815 00 01C	Satin black			
6	311 881 247	Clip		4	
7	911 521 817 00	Control button		4	
	911 521 817 00 01C	Satin black			
8	928 521 393 15	Foam part		2	
8		Foam part		2	
9	928 521 385 27	Foam part	/L	1	
(9)	928 521 385 28	Foam part	/L	1	M139
(9)	928 521 386 27	Foam part	/R	1	
(9)	928 521 386 28	Foam part	/R	1	M340

Model: 959 87

Model life 1987>>1988



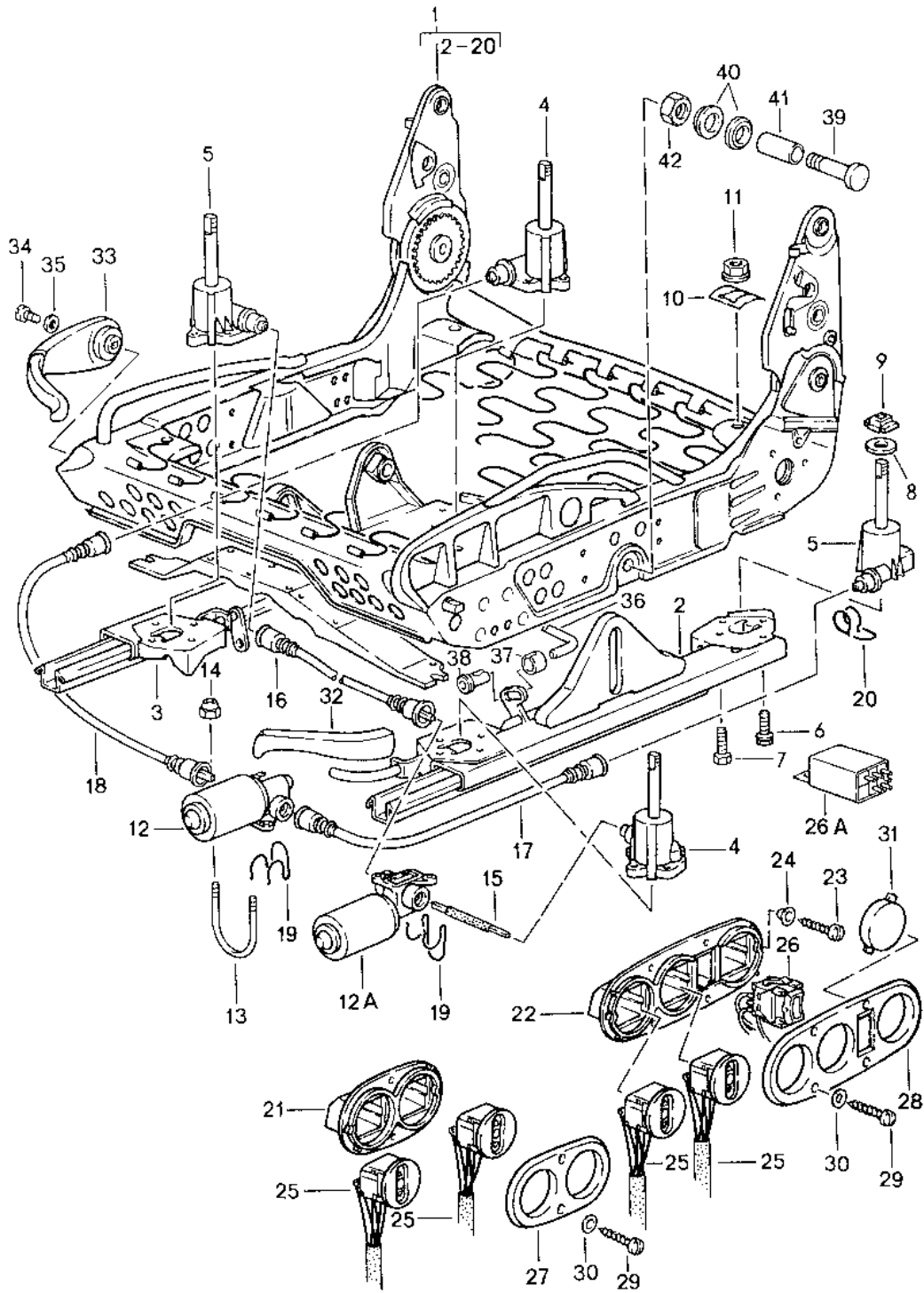
Model: 959 87

Model life 1987>>1988

Pos	Part Number	Description	Remark	Qty	Model
		Sports seat			
		Backrest frame			
1	944 521 027 01	Backrest frame		1	
2	928 521 093 02	Bowden cable		2	
3	311 881 287 A	Tension spring		2	
		Actuating lever			

Model: 959 87

Model life 1987>>1988



Model: 959 87 Model life 1987>>1988

Pos	Part Number	Description	Remark	Qty	Model
		Sports seat			M383/387
		Seat frame			
1	959 521 069 01	Seat frame	/L	1	
(1)	959 521 070 01	Seat frame	/R	1	
2	928 521 489 11	Seat rail		1	
		Left seat			
		Outer			
2		Seat rail		1	
		Left seat			
		Outer			
(2)	928 521 490 11	Seat rail		1	
		Right seat			
		Outer			
(2)		Seat rail		1	
		Right seat			
		Outer			
3	964 521 491 00	Seat rail		1	
		Left seat			
		Inner			
3		Seat rail		1	
		Left seat			
		Inner			
(3)	964 521 492 00	Seat rail		1	
		Right seat			
		Inner			
(3)		Seat rail		1	
		Right seat			
		Inner			
4	928 521 721 03	Lifting gear		4	
		Left front, right rear			
4		Lifting gear		4	
		Left front, right rear			
5	928 521 722 03	Lifting gear		4	
		Right front, left rear			
5		Lifting gear		4	
		Right front, left rear			
6	999 217 033 01	Locking screw		10	
		M 6 X 16			
7	900 186 032 02	Pan-head screw		4	
		M 6 X 12			
8	999 025 129 40	Washer		4	
9	928 521 727 02	Slide		4	
10	928 521 723 02	Guide spring		4	
11	928 521 730 02	Nut		4	
12	928 624 126 01	Geared motor		1	
		Rear vertical adjustment			
12A		Geared motor		1	
		Front vertical adjustment			
13	999 222 001 02	Stirrup bolt		2	
		M 4			
14	900 910 006 02	Lock nut		4	
		M 4			
14	900 084 020 01	Lock nut		4	
		M 4			
15	928 521 671 03	Shaft	/L	1	
		Front vertical adjustment			
15		Shaft	/L	1	
		Front vertical adjustment			
16	928 521 672 02	Pliable shaft		1	
		Front vertical adjustment			
17	928 521 673 05	Flexible shaft		1	
		Rear vertical adjustment			
17		Flexible shaft		1	

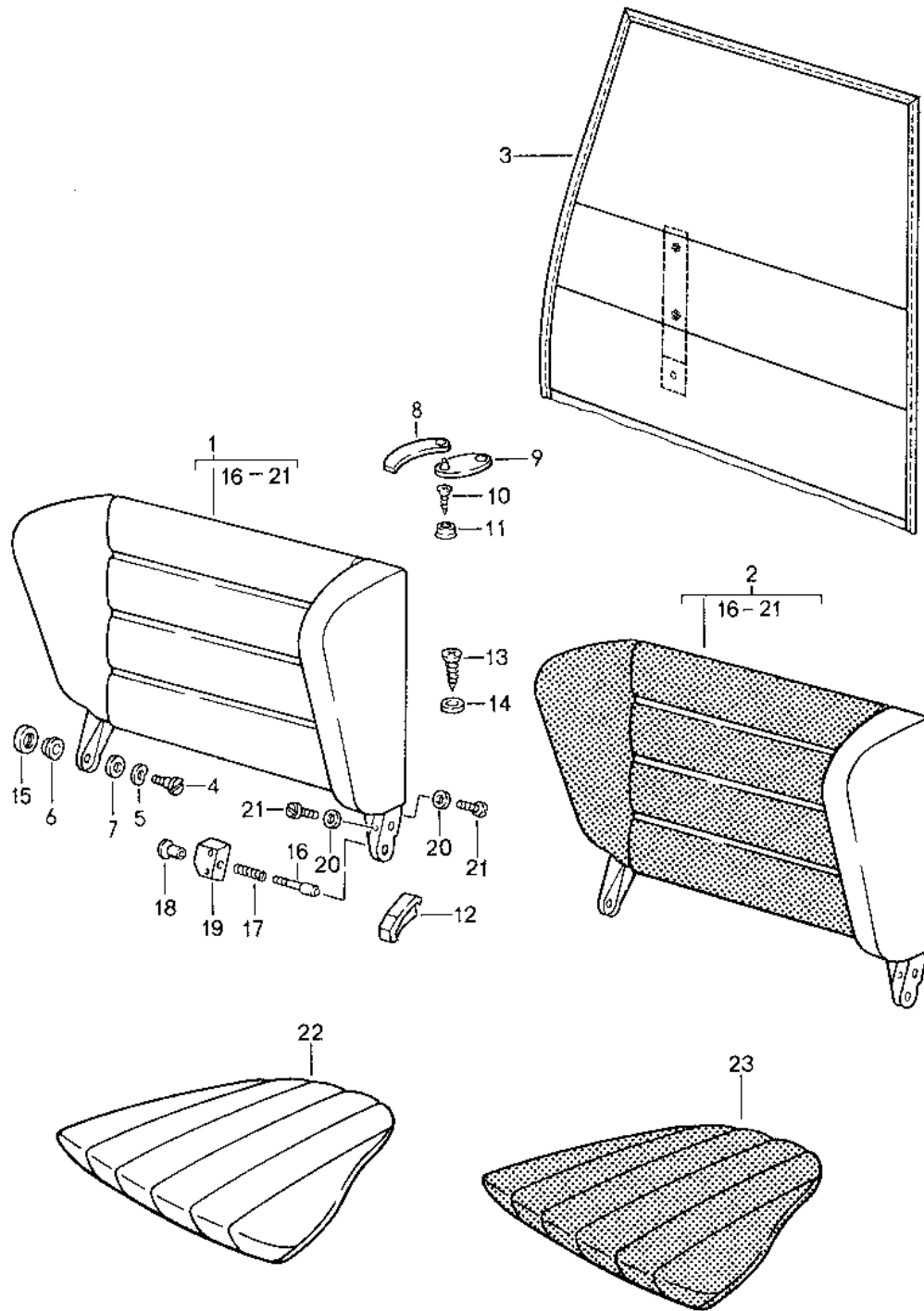
Model: 959 87

Model life 1987&gt;&gt;1988

Pos	Part Number	Description	Remark	Qty	Model
18	928 521 674 02	Rear vertical adjustment Pliable shaft		1	
19	928 521 675 02	Rear vertical adjustment Moulded spring		2	
20	928 521 699 00	for engine Moulded spring		3	
21	928 521 559 04	for Transmission		1	
22	928 521 559 02	Switch insert	/L	1	M139
(22)	928 521 560 02	Switch insert	/R	1	M340
23	N 013 988 1	Counters. head tapp. screw B 3,5 X 16		1	
24	999 591 849 07	Washer B 3,5		2	
25	928 613 181 00	Switch Elect. vertical adjustment		2	
26	928 613 187 02	Front and rear Switch	/L	1	M139
(26)	928 613 187 02 01C	Seat heater Black		1	
	928 613 188 02	Switch Seat heater	/R	1	M340
	928 613 188 02 01C	Black		1	
27	928 521 561 04	Trim for switch		2	M139
	928 521 561 04 01C	Satin black		2	
28	928 521 561 03	Trim for switch		2	
	928 521 561 03 01C	Satin black		2	
29	N 013 959 3	Oval-head sheetmetal screw B 3,5 X 16		2	
29	900 143 016 02	Oval-head sheetmetal screw B 3,5 X 16		2	
30	900 025 013 07	Washer A 3,7		2	
31	928 613 425 00	Cover		1	M139/340
32	911 521 533 00	Handle knob		1	
(32)	911 521 533 01	Handle knob		1	
(32)	911 521 533 01	Handle for longitudinal adjustment		2	
	911 521 533 01 01C	Satin black		1	
33	959 521 073 01	Lever for backrest adjustment		1	
34	900 119 011 07	Pan-head screw M 5 X 10		1	
35	900 031 006 07	Washer 5,3 X 9,5 X 1		1	
36	928 521 525 03	Connecting rod for longitudinal adjustment		2	
37	N 902 514 01	Clamping sleeve for longitudinal adjustment		4	
38	N 902 515 01	Guide bush for longitudinal adjustment		4	
39	928 521 681 02	Bolt		4	
40	928 521 683 02	Washer 1,5 PA 6		4	
41	928 521 685 02	Bush		4	
42	900 034 003 02	Hexagon nut M 10		4	

Model: 959 87

Model life 1987>>1988



Model: 959 87

Model life 1987&gt;&gt;1988

Pos	Part Number	Description	Remark	Qty	Model
1	959 522 005 50	Back seat backrest Backrest Leather	/L	1	
	959 522 005 50 RS5	Dark grey metallic			
	959 522 005 50 RS7	Burgundy-metallic			
(1)	959 522 006 50	Backrest Leather	/R	1	
	959 522 006 50 RS5	Dark grey metallic			
	959 522 006 50 RS7	Burgundy-metallic			
2	959 522 005 51	Backrest Leather	/L	1	
		Backrest surface cloth			
	959 522 005 51 RS4	Dark grey metallic			
	959 522 005 51 RS6	Burgundy-metallic			
(2)	959 522 006 51	Backrest Leather	/R	1	
		Backrest surface cloth			
	959 522 006 51 RS4	Dark grey metallic			
	959 522 006 51 RS6	Burgundy-metallic			
3	959 522 061 00	Carpet	/L	1	
	959 522 061 00 9DD	Dark grey			
	959 522 061 00 8MD	Burgundy			
(3)	959 522 062 00	Carpet	/R	1	
	959 522 062 00 9DD	Dark grey			
	959 522 062 00 8MD	Burgundy			
4	900 236 001 07	Oval-head screw M 8 X 10		2	
4	900 236 001 03	Oval-head screw M 8 X 10		2	
5	N 012 230 1	Spring washer B 10		2	
6	901 522 509 20	Bearing sleeve		2	
7	911 559 435 00	Spacer		4	
8	911 645 039 00	Retaining belt STEREO		2	
9	911 645 037 00	Retaining belt Extension STEREO		2	
-	999 591 802 17	Cap Push button		2	
10	900 143 004 00	Cross-recess screw B 3,5 X 19		2	
10	900 143 004 02	Oval-head sheetmetal screw		2	
11	999 591 805 12	Push button		2	
12	911 522 561 60	Intermediate piece		2	
13	900 145 041 07	Tapping screw 3,5 X 16		4	
14	999 591 116 07	Cone washer 4,5		4	
15	901 522 365 20	Cap		2	
16	911 522 229 00	Bolt		1	
17	911 522 233 00	Spring		1	
18	911 522 231 00	Knob		1	
(19)	911 522 227 01	Bearing	/L	1	
(19)		Bearing	/L	1	
19	911 522 228 01	Bearing	/R	1	
19		Bearing	/R	1	
20	999 523 106 02	Lock washer B 5		4	
21	N 014 133 8	Oval-head screw M 5 X 12		4	
21	N 014 133 I	Oval-head screw M 5 X 12		4	



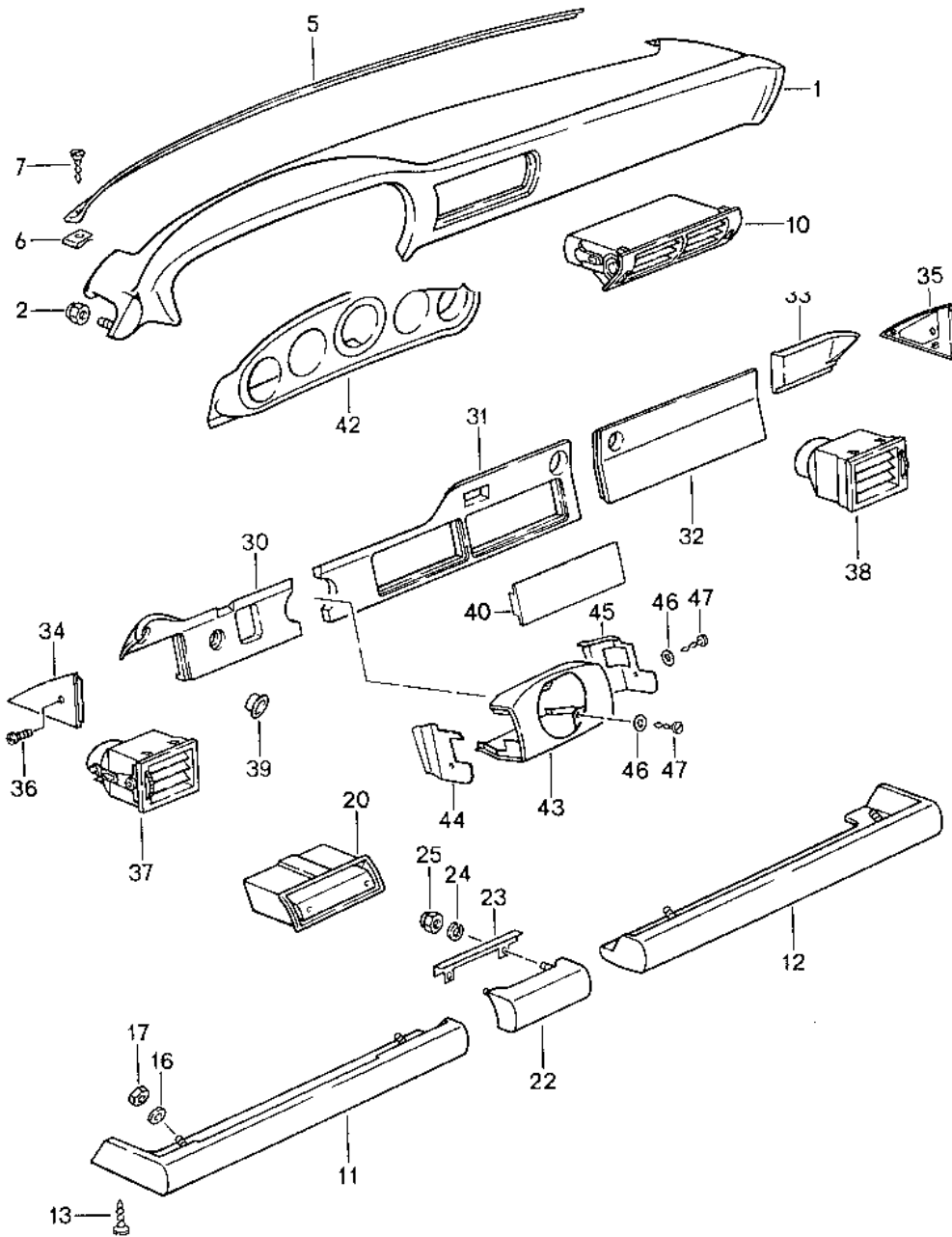
Model: 959 87

Model life 1987>>1988

Pos	Part Number	Description	Remark	Qty	Model
22	959 522 051 50	Back seat cushion Leather	/L	1	
	959 522 051 50 RS5	Dark grey metallic			
	959 522 051 50 RS7	Burgundy-metallic			
(22)	959 522 052 50	Back seat cushion Leather	/R	1	
	959 522 052 50 RS5	Dark grey metallic			
	959 522 052 50 RS7	Burgundy-metallic			
23	959 522 051 00	Back seat cushion Cloth	/L	1	
	959 522 051 00 RS4	Dark grey metallic			
	959 522 051 00 RS6	Burgundy-metallic			
(23)	959 522 052 00	Back seat cushion Cloth	/R	1	
	959 522 052 00 RS4	Dark grey metallic			
	959 522 052 00 RS6	Burgundy-metallic			

Model: 959 87

Model life 1987>>1988



Model: 959 87 Model life 1987>>1988

Pos	Part Number	Description	Remark	Qty	Model
1	959 552 015 50	Dashboard			
	959 552 015 50 4DF	Dashboard trim		1	
	959 552 015 50 3MF	Dark grey metallic			
	959 552 015 50 3MF	Burgundy-metallic			
2	999 090 003 02	Lock nut		7	
		M 6			
5	959 552 411 00	Defroster vent		1	
	959 552 411 00 7CL	Dark grey metallic			
	959 552 411 00 3LW	Burgundy-metallic			
6	999 591 713 02	Speed nut		5	
		B 4,2			
6	999 591 713 03	Speed nut		5	
		B 4,2			
7	900 145 075 07	Tapping screw		5	
		B 4,2 X 16			
10	911 572 051 01	Centre nozzle		1	
	911 572 051 01 01C	Black			
11	959 552 069 51	Knee protection strip	/L	1	
	959 552 069 51 4DF	Dark grey metallic			
	959 552 069 51 3MF	Burgundy-metallic			
12	959 552 070 51	Knee protection strip	/R	1	
	959 552 070 51 4DF	Dark grey metallic			
	959 552 070 51 3MF	Burgundy-metallic			
13	999 073 062 02	Tapping screw		2	
		B 4,8 X 19			
16	900 151 027 02	Washer		4	
		B 5,3			
16	900 151 027 03	Washer		4	
		B 5,3			
17	N 011 005 14	Hexagon nut		4	
		M 5			
17	900 076 091 01	Hexagon nut		4	
		M 5			
20	911 552 101 00	Ashtray		1	
22	911 552 050 51	Ashtray handle		1	
	911 552 050 51 4DF	Dark grey metallic			
	911 552 050 51 3MF	Burgundy-metallic			
23	911 552 607 00	Fireproof plate		1	
	911 552 607 00 70B	Black			
24	900 028 018 01	Spring washer		2	
		B 4			
25	900 070 001 02	Cap nut		2	
		M 4			
30	959 552 477 01	Cover		1	
	959 552 477 01 7AE	Black			
31	959 552 479 00	Cover		1	
	959 552 479 00 7AE	Black			
32	911 552 488 04	Cover		1	
	911 552 488 04 7AE	Black			
33	911 552 594 06	Cover		1	
	911 552 594 06 7AE	Black			
34	911 552 113 00	Cover		1	
	911 552 113 00 01C	Black			
35	911 552 114 00	Cover		1	
	911 552 114 00 01C	Black			
36	900 145 003 07	Tapping screw		2	
		BZ 3,5 X 9,5			
37	911 572 041 00	Side vent	/L	1	
	911 572 041 00 01C	Black			
38	911 572 042 00	Side vent	/R	1	
	911 572 042 00 01C	Black			
39	911 552 217 00	Rosette for		1	

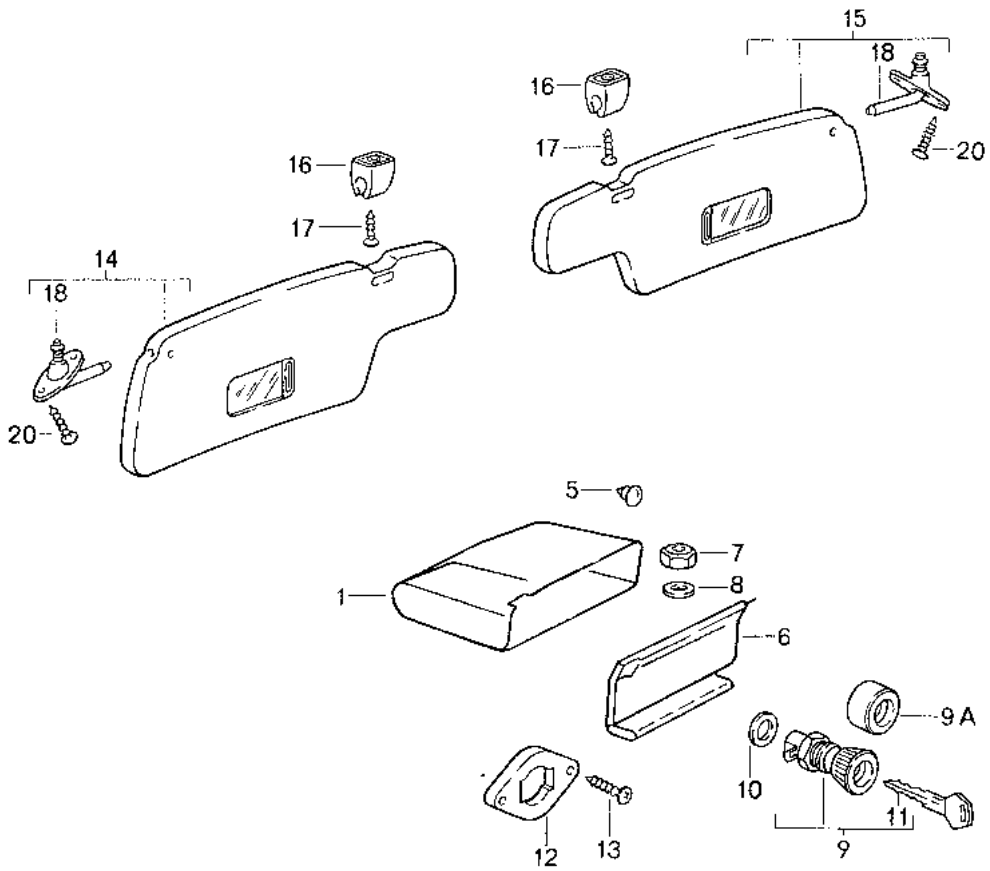
Model: 959 87

Model life 1987&gt;&gt;1988

Pos	Part Number	Description	Remark	Qty	Model
40	911 552 463 00	Lid-release cable		1	
		Tank filler neck			
42	911 552 549 00	Trim cover		1	
		Cover			
		for			
		Dashboard trim			
43	959 552 073 50	Switch housing		1	
	959 552 073 50 4DF	Dark grey metallic			
	959 552 073 50 3MF	Burgundy-metallic			
44	959 552 485 00	Lid	/L	1	
45	959 552 486 00	Lid	/R	1	
46	N 011 554 6	Washer		4	
		3,7			
47	999 073 047 02	Tapping screw		4	
		B 3,5 X 9,5			

Model: 959 87

Model life 1987>>1988



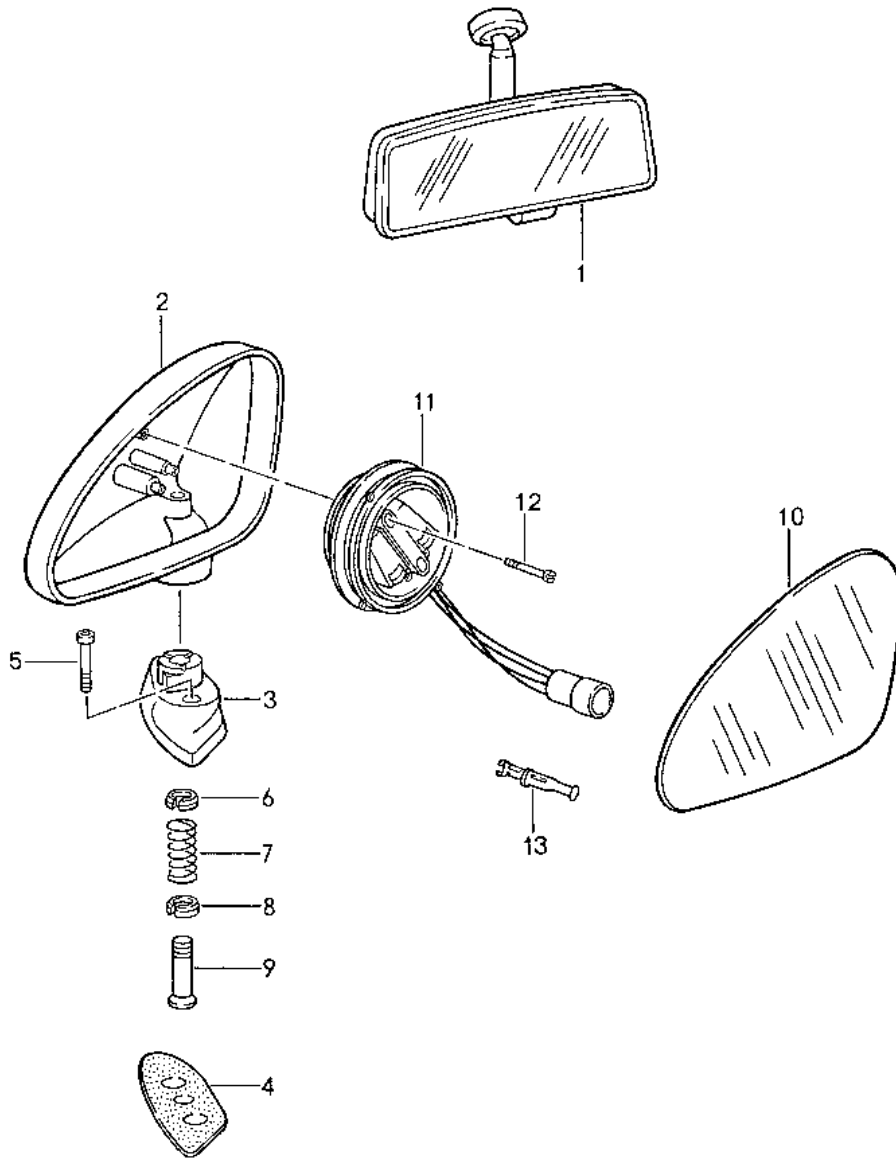
Model: 959 87

Model life 1987>>1988

Pos	Part Number	Description	Remark	Qty	Model
		Glove compartment			
		Sun visor			
1	959 552 041 00	Glove compartment		1	
5	999 703 064 50	Buffer		1	
		14 X 12			
6	959 552 010 00	Glove compartment cover		1	
	959 552 010 00 7AE	Black			
7	999 090 002 02	Lock nut		4	
		M 5			
8	900 025 003 02	Washer		4	
		5,3			
9	911 552 902 07	Glove compartment lock		1	
		with 2 secondary keys			
		W/o stipulated lock number			
		State lock number			
		Order also:			
		POS.9A			
9	911 552 902 08	Glove compartment lock		1	
		with 2 secondary keys			
		State lock number			
		Order also:			
		POS.9A			
9A	911 538 561 00	Knob		1	
10	911 552 103 01	Washer		1	
11	911 538 902 00	Replacement key		2	
		with			
		Key cap			
		State lock number			
		Information available			
12	911 552 513 02	Door lock striker		1	
13	900 143 065 07	Tapping screw		2	
		2,9 X 9,5			
13	900 073 003 01	Tapping screw		2	
		2,9 X 9,5			
14	959 731 031 50	Sun visor	/L	1	
		with mirror			
	959 731 031 50 4DF	Dark grey			
	959 731 031 50 3MF	Burgundy			
15	959 731 032 50	Sun visor	/R	1	
		with mirror			
	959 731 032 50 4DF	Dark grey			
	959 731 032 50 3MF	Burgundy			
16	911 731 331 00	Support		2	
17	900 143 111 07	Oval-head sheetmetal screw		2	
		B 3,9 X 13			
18	964 731 319 00	Bearing		2	
20	900 145 075 07	Tapping screw		4	
		B 4,2 X 16			

Model: 959 87

Model life 1987>>1988



Model: 959 87

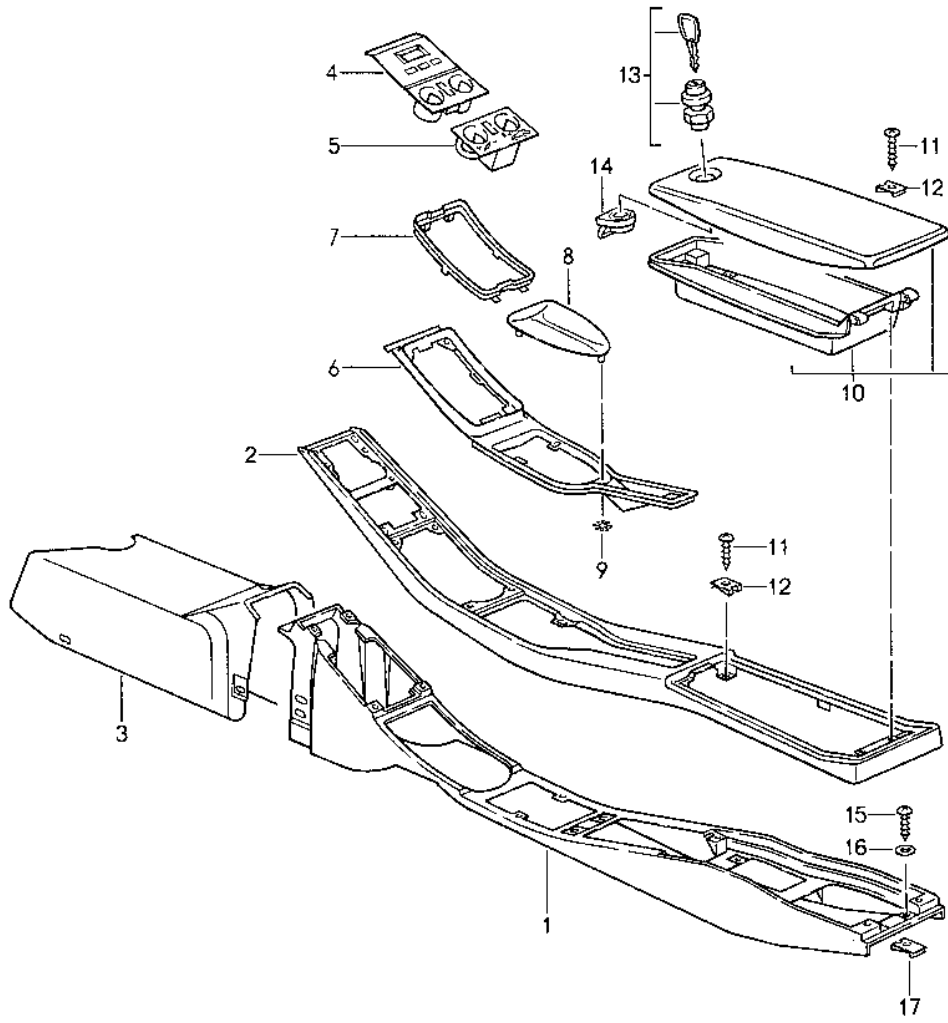
Model life 1987>>1988

Pos	Part Number	Description	Remark	Qty	Model
1	477 857 511 A	Interior mirror		1	
	477 857 511 A 01C	Door mirror			
1	477 857 511 B	Interior mirror		1	
	477 857 511 B 01C	Satin black			
2	959 731 243 00	Mirror housing	/L	1	
(2)	959 731 244 00	Mirror housing	/R	1	
3	959 731 241 00	Mirror base	/L	1	
(3)	959 731 242 00	Mirror base	/R	1	
4	959 731 247 00	Desk pad	/L	1	
(4)	959 731 248 00	Desk pad	/R	1	
5	N 044 703 5	Pan-head screw M 6 X 45		4	
6	911 731 347 00	Centring washer		2	
7	911 731 029 01	Compression spring		2	
8	911 731 345 02	Centring washer		2	
9	959 731 257 00	Guide tube		2	
10	959 731 017 00	Mirror glass	/L	1	
(10)	959 731 018 00	Mirror glass	/R	1	
11	959 731 027 00	Assembly kit		1	
12	900 278 012 02	Taptite screw M 3 X 20		3	
13	N 017 593 4	Cylindrical socket 1,6 X 0,75		X	



Model: 959 87

Model life 1987>>1988



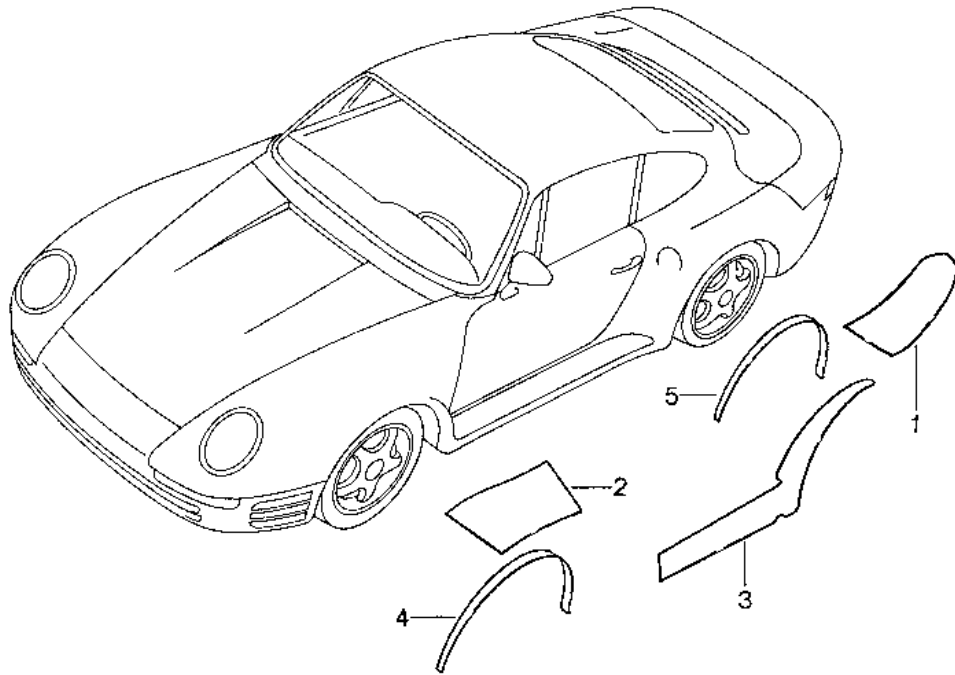
Model: 959 87

Model life 1987>>1988

Pos	Part Number	Description	Remark	Qty	Model
1	959 552 013 00	Centre console Centre console		1	
2	959 552 017 50	Lower part Centre console Upper part		1	
	959 552 017 50 4DF	Dark grey metallic			
	959 552 017 50 3MF	Burgundy-metallic			
3	959 552 061 00	Cover Booster		1	
	959 552 061 00 9DD	Dark grey metallic			
	959 552 061 00 8MD	Burgundy-metallic			
4	959 552 535 00	Cover Upper		1	
	959 552 535 00 1DB	Black			
5	959 552 537 02	Cover Centre		1	
	959 552 537 02 1DB	Black			
6	959 552 539 00	Cover Gearshift lever		1	
	959 552 539 00 1DB	Black			
7	959 552 541 00	Frame Gearshift lever		1	
8	959 552 039 00	Finger plate		1	
	959 552 039 00 4DF	Dark grey metallic			
	959 552 039 00 3MF	Burgundy-metallic			
9	999 591 390 02	Clamping washer		1	
10	959 552 111 50	Package box		1	
	959 552 111 50 4DF	Dark grey metallic			
	959 552 111 50 3MF	Burgundy-metallic			
11	N 013 958 14	Tapping screw B 3,5 X 13		1	
12	999 591 349 02	Speed nut B 3,5		1	
13	928 522 015 02	Push-button lock with keys		1	
14	928 522 069 02	Catch		1	
15	900 143 007 02	Oval-head sheetmetal screw B 4,2 X 13		6	
15	900 073 507 01	Oval-head sheetmetal screw B 4,2 X 13		6	
16	900 151 028 02	Washer B 4,3		6	
16	900 151 028 01	Washer B 4,3		6	
17	999 591 331 02	Speed nut B 4,2		10	

Model: 959 87

Model life 1987>>1988



Model: 959 87

Model life 1987>>1988

Pos	Part Number	Description	Remark	Qty	Model
1	959 559 321 00	Stone guard Stone guard film	/H /L	1	
1	959 559 331 00	Black Stone guard film Set Complete Left Right Transparent		1	
(1)	959 559 322 00	Stone guard film Black	/H /R	1	
(1)	959 559 331 00	Stone guard film Set Complete Left Right Transparent		1	
2	959 559 323 00	Stone guard film Black	/V /L	1	
(2)	959 559 324 00	Stone guard film Black	/V /R	1	
2	959 559 331 00	Stone guard film Set Complete Left Right Transparent		1	
3	959 559 325 00	Stone guard film Transparent	/H /L	1	
3	959 559 331 00	Stone guard film Set Complete Left Right Transparent		1	
(4)	959 559 327 00	Stone guard film Transparent	/V /L	1	
4	959 559 331 00	Stone guard film Set Complete Left Right Transparent		1	
(3)	959 559 326 00	Stone guard film Transparent	/H /R	1	
3	959 559 331 00	Stone guard film Set Complete Left Right Transparent		1	
3	959 559 325 01	Stone guard film	/H /L	1	
	959 559 325 01 4ZZ	Silver metallic			
	959 559 325 01 3YB	Grand prix white			
(3)	959 559 326 01	Stone guard film	/H /R	1	
	959 559 326 01 4ZZ	Silver metallic			
	959 559 326 01 3YB	Grand prix white			
4	959 559 327 00	Stone guard film Transparent	/V /L	1	
4	959 559 331 00	Stone guard film Set Complete Left		1	

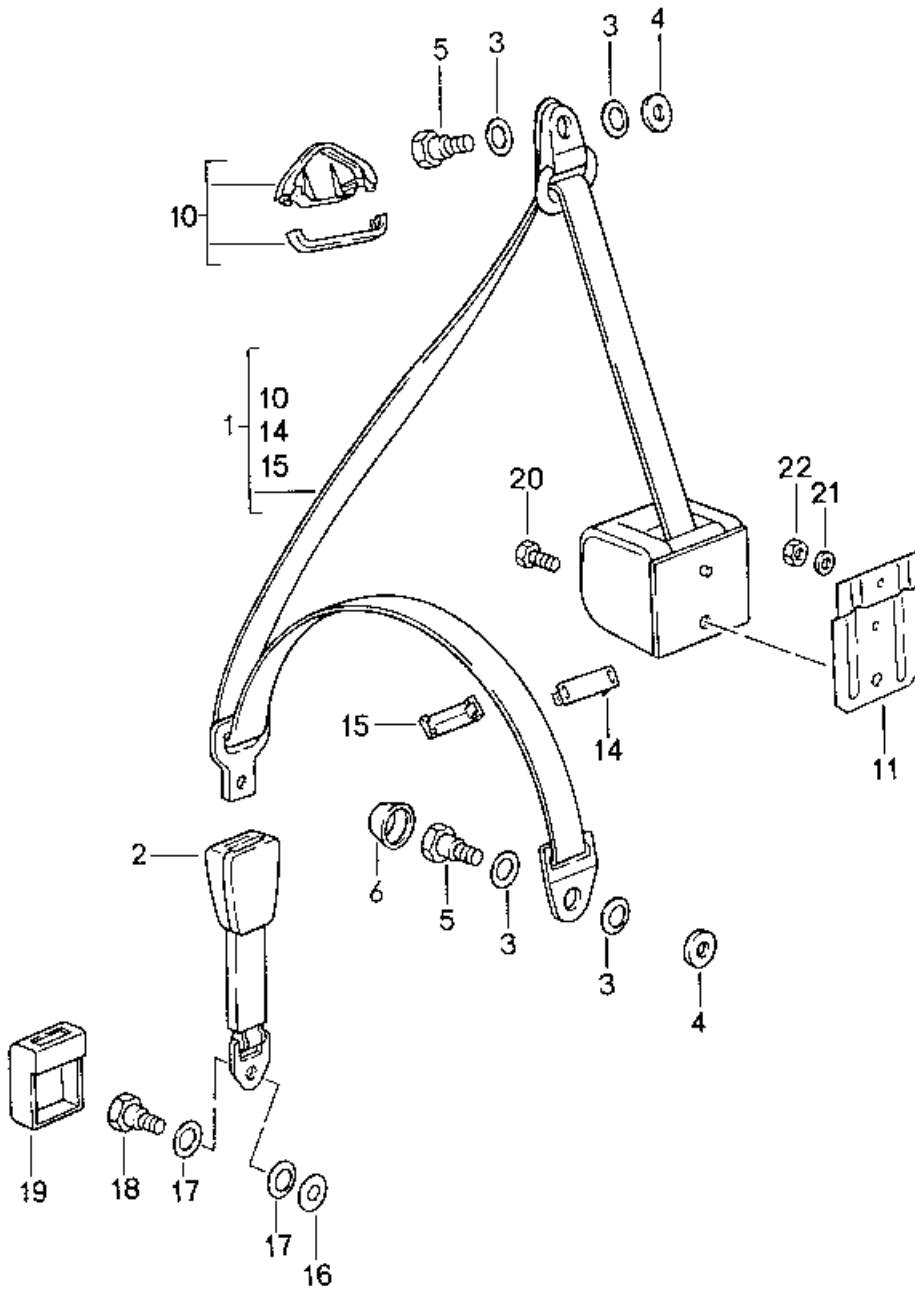
Model: 959 87

Model life 1987>>1988

Pos	Part Number	Description	Remark	Qty	Model
(4)	959 559 328 00	Right Transparent Stone guard film	/V /R	1	
4	959 559 327 01	Transparent Stone guard film	/V /L	1	
	959 559 327 01 4ZZ	Silver metallic			
	959 559 327 01 3YB	Grand prix white			
(4)	959 559 328 01	Stone guard film	/V /R	1	
	959 559 328 01 4ZZ	Silver metallic			
	959 559 328 01 3YB	Grand prix white			
5	959 559 329 00	Stone guard film Transparent	/H /L	1	
(5)	959 559 330 00	Stone guard film Transparent	/H /R	1	
5	959 559 331 00	Stone guard film Set Complete		1	
		Left			
		Right			
		Transparent			
5	959 559 329 01	Stone guard film	/H /L	1	
	959 559 329 01 4ZZ	Silver metallic			
	959 559 329 01 3YB	Grand prix white			
(5)	959 559 330 01	Stone guard film	/H /R	1	
	959 559 330 01 4ZZ	Silver metallic			
	959 559 330 01 3YB	Grand prix white			

Model: 959 87

Model life 1987>>1988



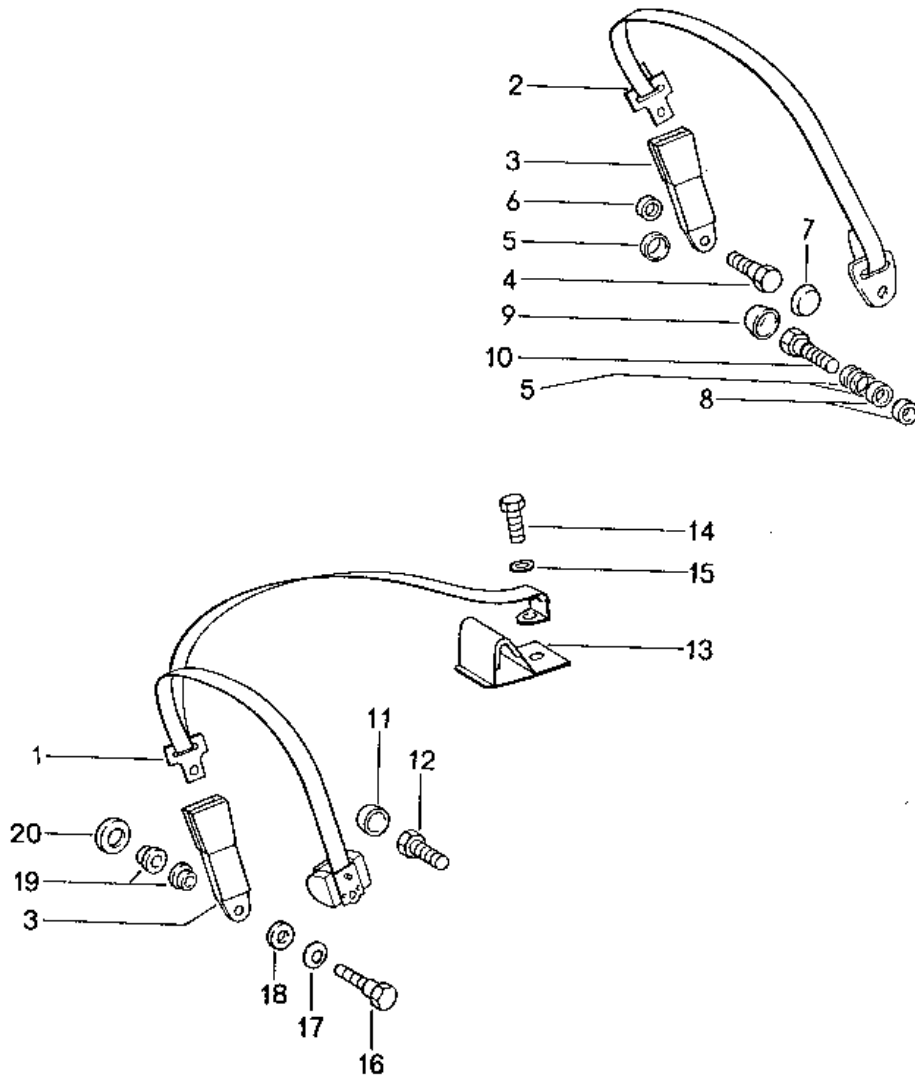
Model: 959 87

Model life 1987>>1988

Pos	Part Number	Description	Remark	Qty	Model
1	928 803 126 10	Seat belt Front		2	
	928 803 126 10 70B	Seat belt Automatic Black			
2	959 803 183 00	Seat-belt buckle		2	M437/438
(2)	959 803 183 01	Seat-belt buckle		2	M383/387
3	211 857 771	Washer		8	
4	999 025 113 02	Washer 11,5 X 21 X 2		2	
(4)	810 019 829	Spacer		2	
5	111 857 793 C	Hexagon-head bolt		2	
6	803 019 845	Cap		2	
10	944 803 141 00	Cover		2	
	944 803 141 00 70B	Black			
11	959 555 625 00	Support	/L	1	
(11)	959 555 626 00	Support	/R	1	
12	900 031 011 02	Washer 6,4		2	
13	900 076 010 02	Nut M 6		2	
13	900 076 010 0B	Nut M 6		2	
14	928 803 151 02	Clip Upper part		2	
15	928 803 153 02	Clip Lower part		2	
16	911 803 531 00	Paper washer		2	
17	911 803 533 00	Cup spring		4	
18	959 803 701 00	Hexagon-head bolt		2	
18	959 803 701 01	Hexagon-head bolt		2	
19	911 803 453 00	Cap for Seat-belt buckle		2	
20	911 803 150 00	Screw		2	
21	900 031 011 02	Washer 6,4		2	
22	900 076 010 02	Nut M 6		2	
22	900 076 010 0B	Nut M 6		2	

Model: 959 87

Model life 1987>>1988





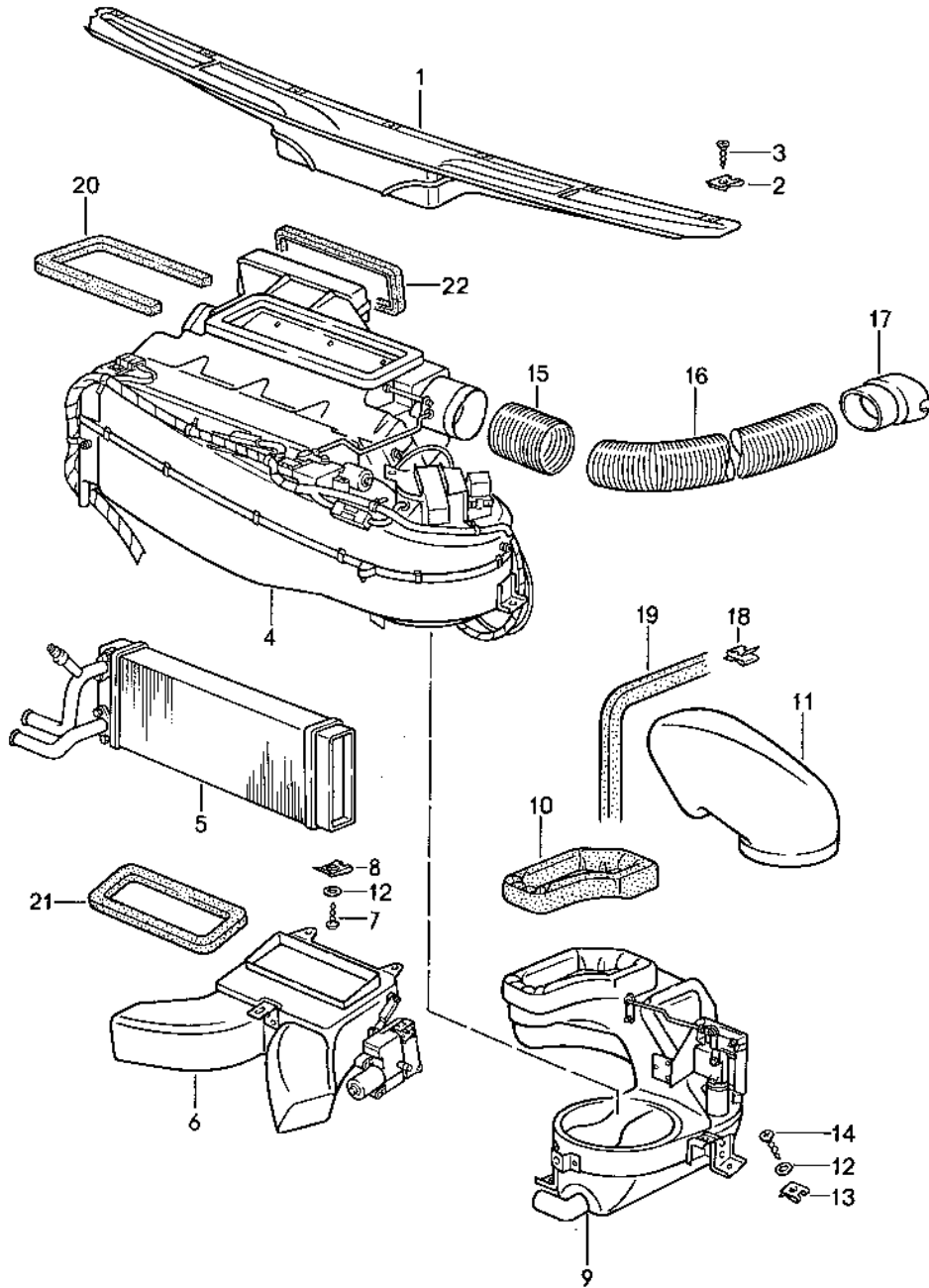
Model: 959 87

Model life 1987>>1988

Pos	Part Number	Description	Remark	Qty	Model
1	911 803 049 07 911 803 049 07 70B	Seat belt Rear Seat belt Black Automatic		2	M335
2	477 857 795 477 857 795 70B	Seat belt Black Manually		2	
3	477 857 739 B 477 857 739 B 70B	Seat-belt buckle Black		2	
4	911 803 451 00	Fastening screw		4	
5	211 857 771	Washer		4	
6	928 803 259 02	Spacer sleeve		2	
7	911 803 259 01	Cap		2	M335
8	810 019 829	Spacer		4	
9	803 019 845	Cap		2	
10	959 803 531 00	Fastening screw		2	
11	811 857 845	Cap		2	
12	959 803 503 00	Fastening screw		2	
13	911 803 479 00	Relay lever		2	
14	111 857 799	Hexagon-head bolt		2	
15	111 857 707 A	Spacer		2	
15	WHT 001 373	Spacer		2	
16	999 514 010 07	Fastening screw		2	
17	N 012 230 1	Spring washer		2	
18	911 559 435 00	Spacer		2	
19	901 522 509 20	Bearing sleeve		4	
20	901 522 365 20	Cap		2	

Model: 959 87

Model life 1987>>1988



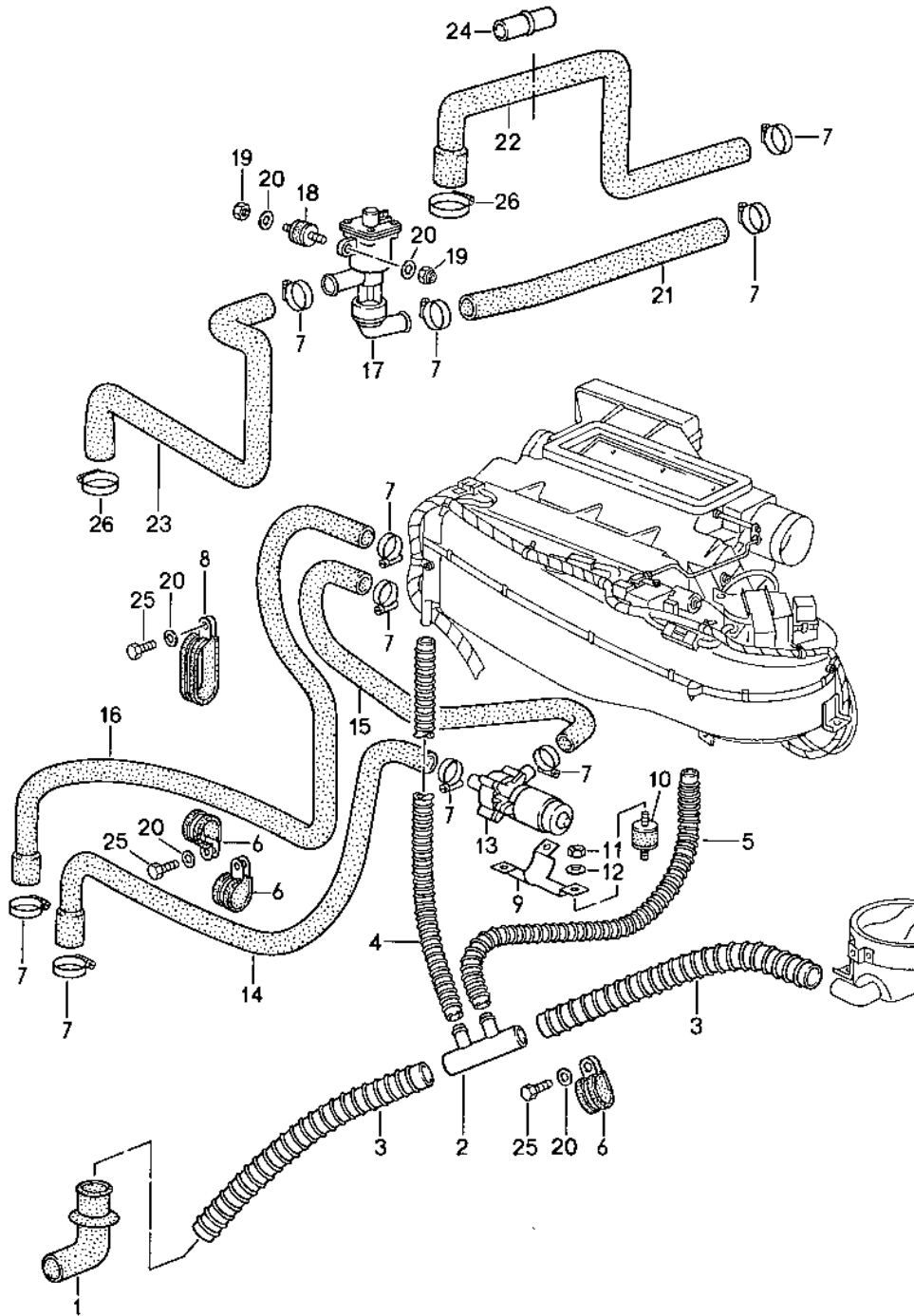
Model: 959 87

Model life 1987&gt;&gt;1988

Pos	Part Number	Description	Remark	Qty	Model
		Ventilation Heating system 1			
1	959 572 025 00	Air duct		1	
2	999 591 349 02	Speed nut B 3,5		15	
3	900 143 049 07	Tapping screw BZ 3,5 X 9,5		15	
4	959 572 036 00	Heater		1	
5	959 573 141 00	Heat exchanger		1	
6	959 573 033 00	Footwell outlet vent		1	
7	900 145 035 02	Rais. counters. h. tap. s. B 4,2 X 16		2	
8	999 591 850 02	Speed nut 4,2		2	
8	999 591 850 01	Speed nut 4,2		2	
9	959 572 023 00	Suction housing		1	
10	959 572 233 00	Gasket		1	
11	959 572 253 00	Air guide		1	
12	N 011 665 3	Washer B 5,3		4	
12	N 011 665 16	Washer B 5,3		4	
13	999 591 846 02	Speed nut 4,8		2	
14	900 187 120 02	Tapping screw		2	
15	959 572 255 00	Hose 60 X 80		2	
16	959 572 261 00	Hose 55 X 480		2	
17	959 572 273 00	Connection piece		2	
18	N 902 516 01	Clamp		1	
19	959 572 711 00	Gasket		1	
20	959 573 525 00	Gasket		1	
21	959 573 529 00	Gasket		1	
22	959 572 557 00	Gasket		1	

Model: 959 87

Model life 1987>>1988



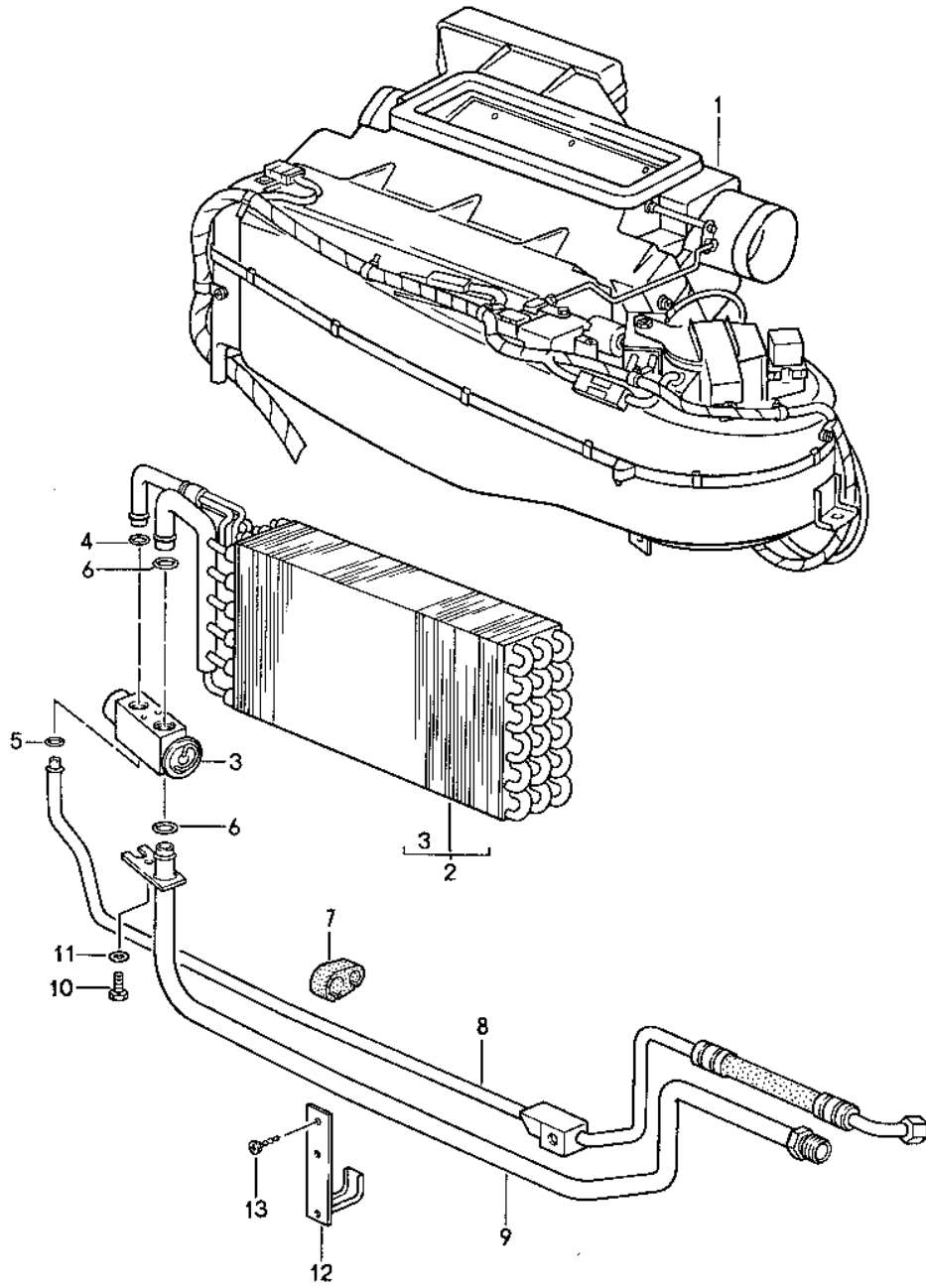
Model: 959 87

Model life 1987>>1988

Pos	Part Number	Description	Remark	Qty	Model
		Ventilation			
		Heating system 2			
1	959 572 549 00	Rubber sleeve		1	
2	959 572 547 00	Water drain tube		1	
3	959 572 401 00	Water drain hose		2	
4	959 572 402 00	Water drain hose 200 MM		1	
5	959 572 403 00	Water drain hose 325 MM		1	
6	999 511 124 02	Pipe clamp 28 X 15		3	
6	999 511 124 01	Clip 28 X 15		3	
7	999 512 346 00	Hose clamp		12	
8	999 511 084 02	Pipe clamp 2 X 22/15		1	
9	959 572 223 00	Support		1	
10	999 703 312 00	Bonded rubber buffer		3	
10	999 703 312 01	Bonded rubber buffer		3	
11	N 011 005 14	Hexagon nut M 5		6	
11	900 076 091 01	Hexagon nut M 5		6	
12	900 025 003 02	Washer 5,3		6	
13	959 653 109 01	Water pump		1	
14	959 572 462 01	Hose		1	
15	959 572 465 00	Hose		1	
16	959 572 463 00	Hose		1	
17	959 653 125 00	Cycle valve		1	
17	959 653 125 X	Cycle valve		1	
18	999 703 306 00	Bonded rubber mounting		2	
19	900 910 007 02	Lock nut M 5		4	
20	N 011 665 3	Washer B 5,3		6	
20	N 011 665 16	Washer B 5,3		6	
21	959 572 461 02	Water hose		1	
22	959 572 464 01	Water hose		1	
23	959 572 460 01	Water hose		1	
24	999 782 034 90	Pipe 14 X 2 X 63		1	
25	999 074 040 02	Hexagon-head bolt M 5 X 14		4	
26	999 512 374 02	Hose clamp 20-32		2	

Model: 959 87

Model life 1987>>1988



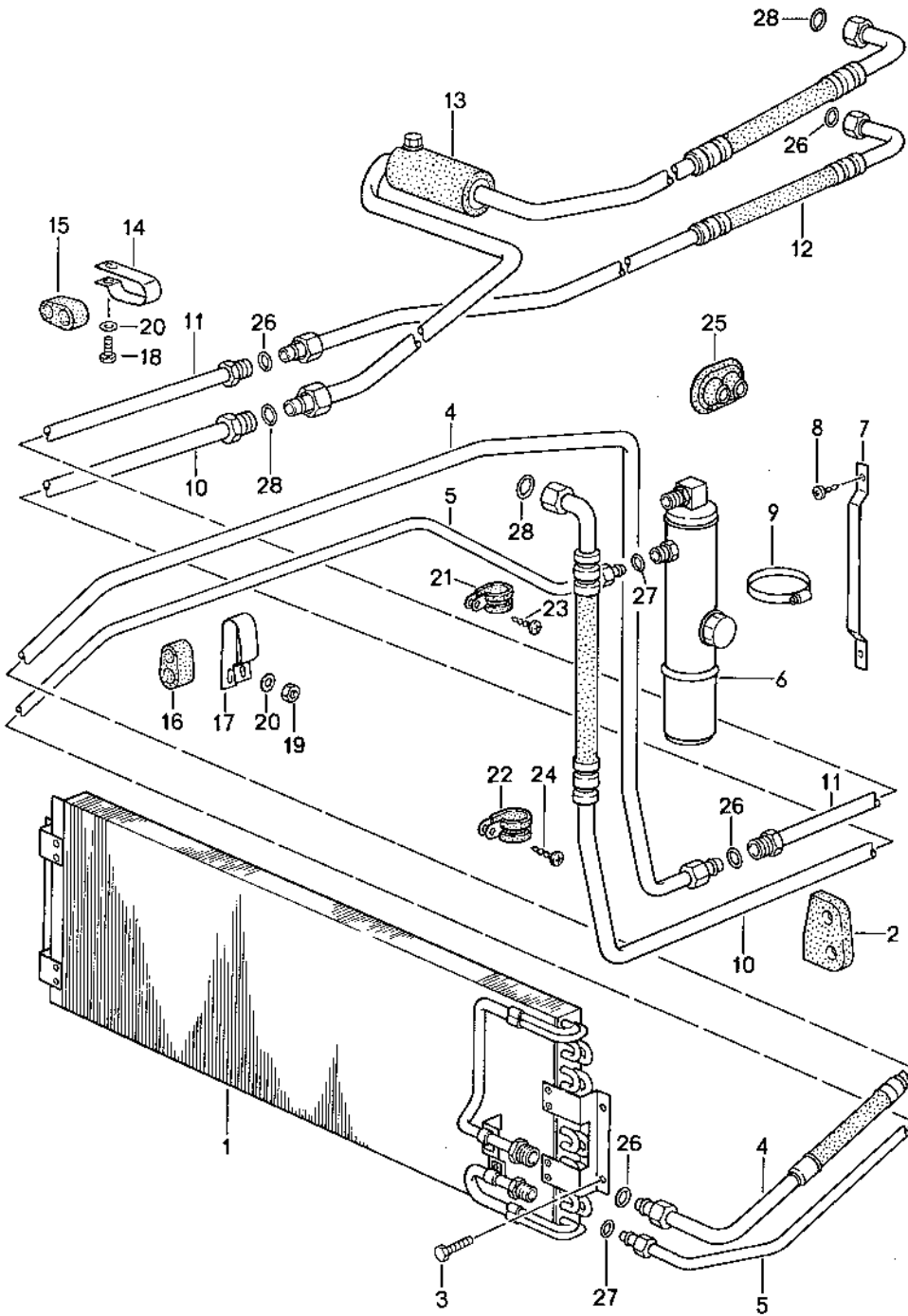
Model: 959 87

Model life 1987&gt;&gt;1988

Pos	Part Number	Description	Remark	Qty	Model
1	959 573 036 00	Air conditioner 1		1	
2	959 573 111 00	Air conditioner		1	
3	928 573 123 05	Evaporator		1	
4	928 573 123 05	Expansion valve		1	
4	999 707 250 40	O-ring		1	
		NW 10			
4	999 707 434 41	O-ring		1	
		NW 10			
5	999 707 247 40	O-ring		1	
		NW 8			
6	999 707 251 40	O-ring		2	
		NW 13			
7	928 570 455 00	Rubber mounting		5	
8	959 573 104 00	Refrigerant line		1	
9	959 573 107 00	Refrigerant line		1	
10	N 014 740 2	Pan-head screw		1	
		M 6 X 16			
10	N 014 740 11	Pan-head screw		1	
		M 6 X 16			
11	N 011 524 7	Washer		1	
		A 6,4			
11	N 011 524 27	Washer		1	
		A 6,4			
12	959 573 121 00	Support		1	
13	900 143 007 02	Oval-head sheetmetal screw		2	
		B 4,2 X 13			
13	900 073 507 01	Oval-head sheetmetal screw		2	
		B 4,2 X 13			

Model: 959 87

Model life 1987>>1988





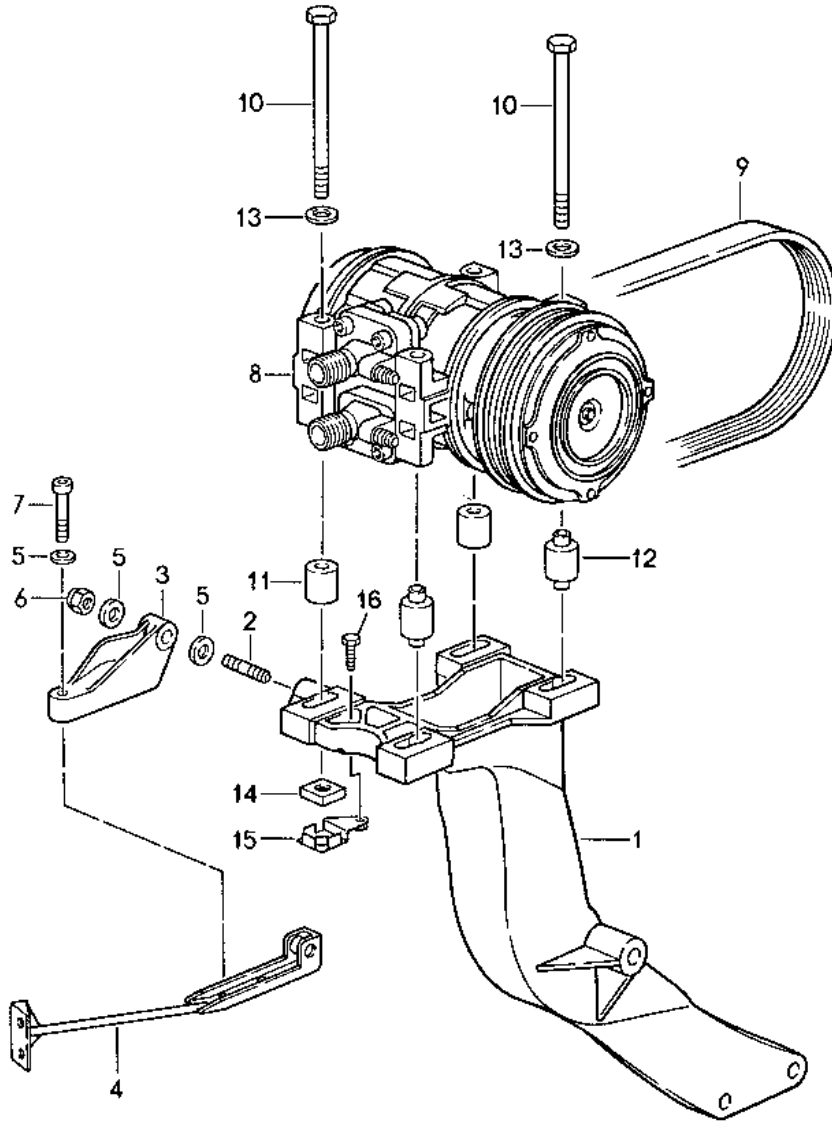
Model: 959 87

Model life 1987>>1988

Pos	Part Number	Description	Remark	Qty	Model
1	959 573 059 00	Air conditioner 2 Condenser		1	
2	951 575 137 01	Grommet		1	
3	999 217 019 02	Hexagon-head bolt M 6 X 12		4	
4	959 573 106 00	Refrigerant line		1	
5	959 573 103 00	Refrigerant line		1	
6	911 573 939 03	Desiccator		1	
7	901 573 140 00	Retaining bar		1	
8	900 143 029 02	Oval-head sheetmetal screw BZ 4,2 X 16		2	
9	901 573 141 00	Hose clamp		2	
10	959 573 108 00	Refrigerant line		1	
11	959 573 105 00	Refrigerant line		1	
12	959 573 102 01	Refrigerant line		1	
13	959 573 101 01	Refrigerant line with Fuel cooler Support		1	
14	928 570 453 00	Support		2	
15	959 573 455 00	Spacer rubber		1	
16	944 573 455 00	Spacer		3	
17	944 573 453 00	Support		3	
18	N 010 215 13	Hexagon-head bolt M 6 X 15		2	
19	900 910 010 09	Lock nut M 6		3	
20	999 025 049 02	Washer 6,2 X 16 X 2		5	
21	999 511 155 02	Pipe clamp 15/15		2	
22	999 511 124 02	Pipe clamp 25/15		1	
22	999 511 124 01	Clip 25/15		1	
23	N 013 968 7	Tapping screw 4,8 X 13		2	
23	900 143 097 01	Tapping screw 4,8 X 13		2	
24	900 187 018 02	Hexagon-head tapping screw 4,8 X 16		1	
25	823 819 699 A	Drain bush		1	
26	999 707 250 40	O-ring NW 10		4	
26	999 707 434 41	O-ring NW 10		4	
27	999 707 247 40	O-ring NW 8		2	
28	999 707 251 40	O-ring NW 13		3	

Model: 959 87

Model life 1987>>1988

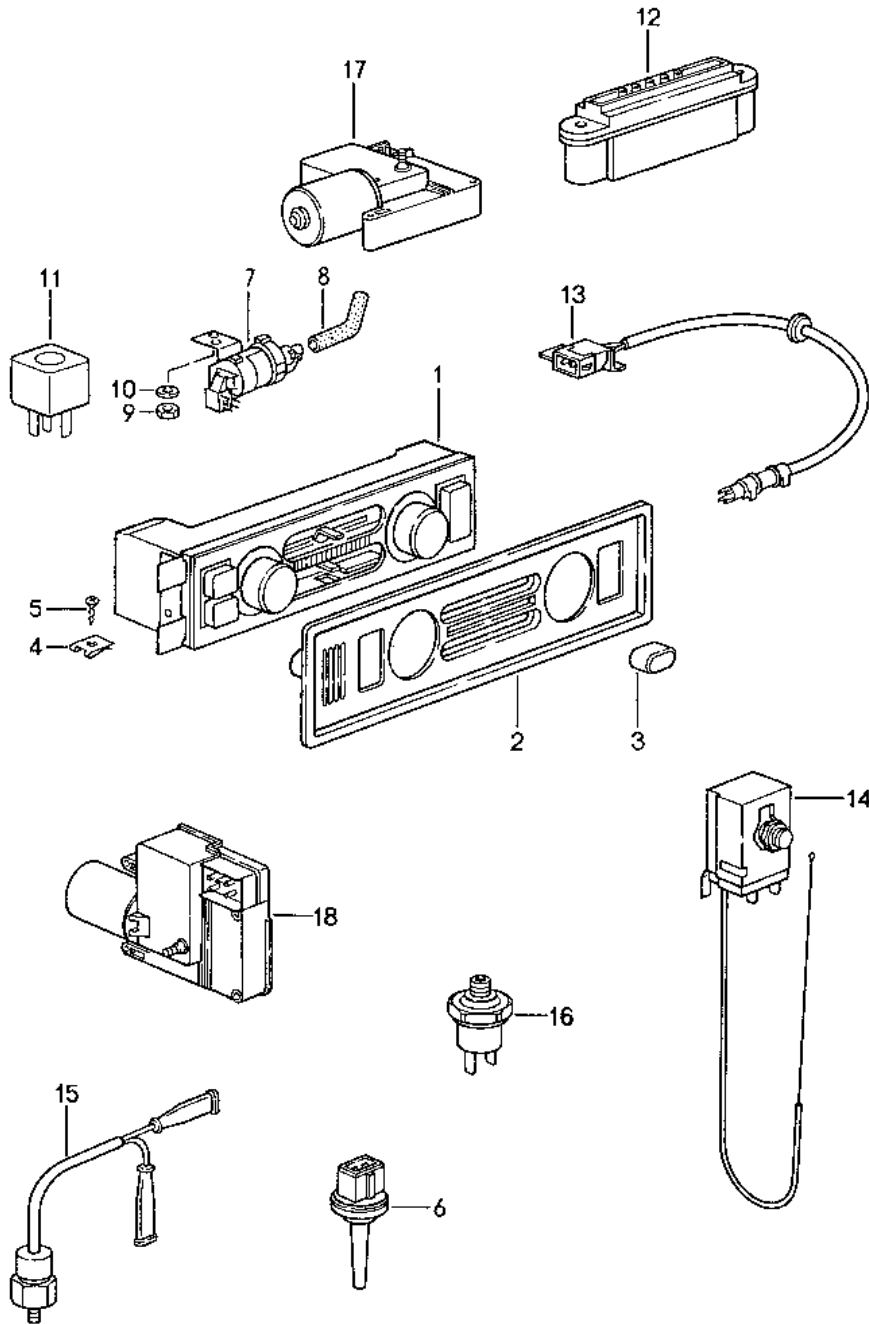


Model: 959 87 Model life 1987>>1988

Pos	Part Number	Description	Remark	Qty	Model
		Compressor			
		Bracket			
1	959 126 105 00	Bracket		1	
2	999 062 009 02	Stud		1	
		BM 8 X 28			
2	900 060 105 01	Stud		1	
		BM 8 X 28			
3	959 126 116 00	Support		1	
4	959 126 116 01	Support		1	
5	999 025 125 09	Washer		3	
		for			
		Support			
		959 126 116 00			
5	999 025 125 01	Washer		3	
		for			
		Support			
		959 126 116 00			
5	999 025 194 30	Washer		6	
		8,4X18X3			
		for			
		Support			
		959 126 116 01			
6	999 084 095 02	Lock nut		1	
		M 8			
7	N 014 726 1	Pan-head screw		2	
		M 8 X 30			
8	959 126 021 02	Compressor		1	
9	999 192 301 50	Poly-rib belt		1	
		1451 MM			
10	900 074 050 02	Hexagon-head bolt		4	
		M 8 X 120			
11	959 126 313 00	Spacer		2	
12	959 126 313 01	Spacer		2	
13	900 031 025 0A	Washer		4	
		8,4			
14	959 126 311 00	Nut		4	
15	959 126 312 00	Nut lock		1	
16	999 074 040 02	Hexagon-head bolt		1	
		M 5 X 14			

Model: 959 87

Model life 1987>>1988



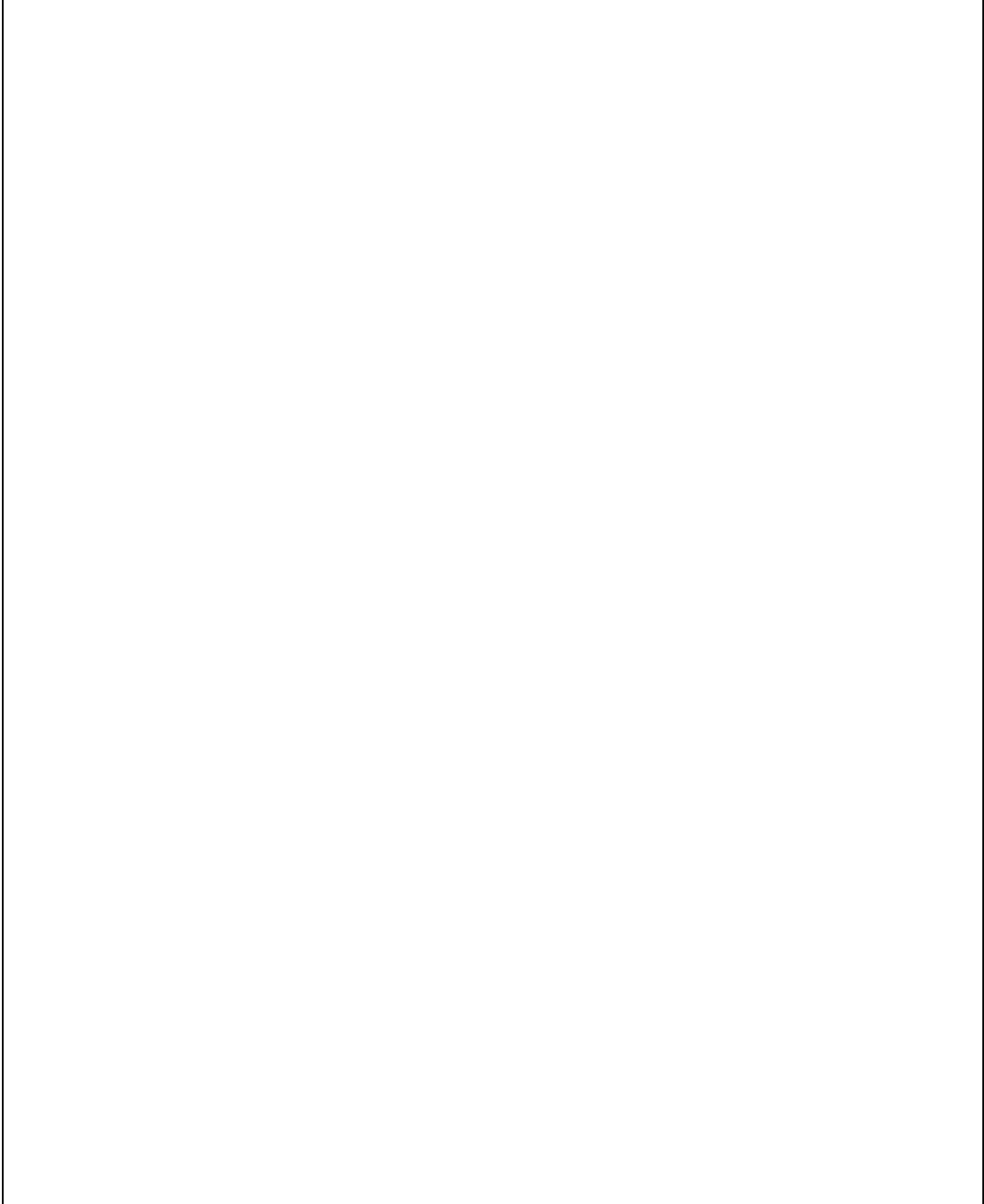
Model: 959 87

Model life 1987&gt;&gt;1988

Pos	Part Number	Description	Remark	Qty	Model
		electrical components for			
1	959 653 021 00	Air conditioner Control switch		1	
2	959 653 151 00	Cover		1	
3	944 653 205 00	Knob		2	
4	999 591 349 02	Speed nut B 3,5		3	
5	900 143 049 07	Tapping screw BZ 3,5 X 9,5		3	
6	964 659 120 00	Outer sensor		1	
7	959 624 013 00	Interior sensor		1	
8	959 572 403 00	Water drain hose		1	
9	N 011 005 14	Hexagon nut M 5		2	
9	900 076 091 01	Hexagon nut M 5		2	
10	900 025 003 02	Washer 5,3		2	
11	928 615 116 00	Relay for Water pump		1	
11	928 615 116 01	Relay for Water pump		1	
12	959 616 101 00	Resistor for Blower		1	
13	944 653 121 00	Temperature sensor		1	
(13)	PCG 653 121 00	Temperature sensor Repair kit without Connector housing		1	
-	477 971 909	Rubber sleeve		1	
14	928 613 133 00	Temperature switch		1	
15	928 613 131 01	Thermostat		1	
16	959 613 137 00	Low pressure switch		1	
17	959 624 119 00	Electric motor 30 GRAD		2	
18	944 624 119 00	Electric motor 60 degrees		1	

Model: 959 87

Model life 1987>>1988



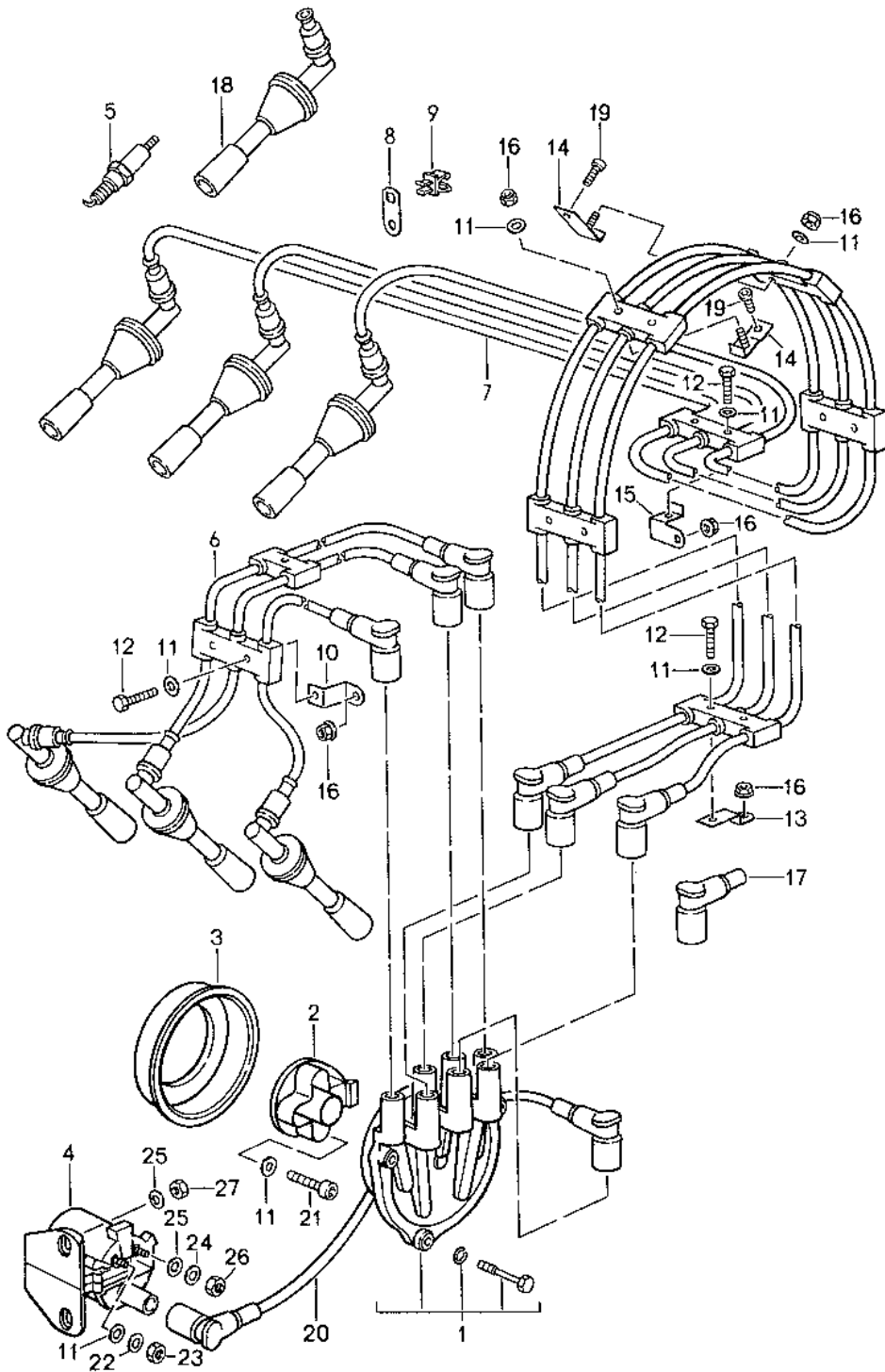
Model: 959 87

Model life 1987&gt;&gt;1988

Pos	Part Number	Description	Remark	Qty	Model
-	911 573 939 03	Conversion set Air conditioner Refrigerant R134a -- TI 1/95 -- Desiccator with Desiccator Insert		1	
-	999 707 247 40	O-ring 7,5 x 2 mm		2	
-	928 573 965 03	Valve Eckventil 90 Grad		1	
-	928 573 965 01	Valve TI 1/95		1	
-	928 573 965 02	Valve Eckventil 90 Grad		1	
-	928 573 965 00	Valve TI 1/95		1	
-	000 043 200 04	Oil		X	
-		Oil		X	
-		Refrigerant R 134a		X	
-	964 701 141 02	Sticker		2	

Model: 959 87

Model life 1987>>1988



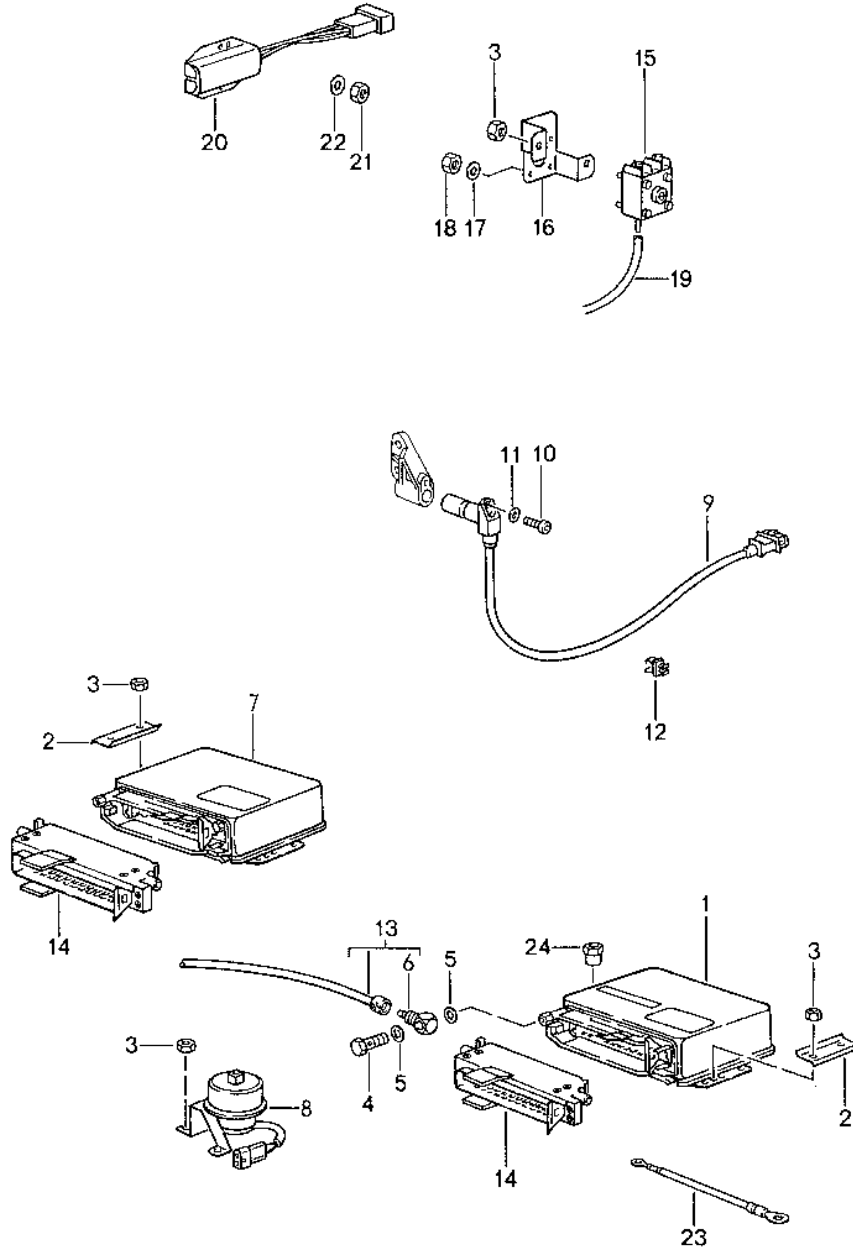


Model: 959 87 Model life 1987>>1988

Pos	Part Number	Description	Remark	Qty	Model
1	959 602 919 00	Engine electrics 1 Distributor cap		1	
2	959 602 902 02	Rotor		1	
3	959 602 909 00	Lid		1	
4	959 602 502 00	Ignition coil		1	
		Spark plug			
		Use also:			
		547 09222		X	
		for			
		Spark plug			
-	547 09 222	Nut		X	
		for			
		Spark plug			
5	999 170 176 90	Spark plug XR4CS		6	
6	959 602 041 00	Set of ignition cables	/L	1	
7	959 602 042 00	Set of ignition cables	/R	1	
8	959 602 329 00	Support		2	
9	928 602 554 00	Cable clip		2	
10	959 602 321 00	Support		1	
(10)	959 602 321 01	Support		1	
11	900 025 003 02	Washer		8	
		A 5,3			
12	N 010 264 4	Hexagon-head bolt M 5 X 20		5	
13	959 602 327 00	Support		1	
14	959 602 323 01	Support		2	
15	959 602 322 01	Support		1	
16	900 910 009 02	Lock nut		6	
16	900 084 026 01	Lock nut		6	
17	928 602 557 00	Distributor plug		X	
18	959 602 311 00	Screened connector		X	
19	N 010 207 6	Hexagon-head bolt M 5 X 12		2	
19	N 010 207 17	Hexagon-head bolt M 5 X 12		2	
20	959 602 061 00	Ignition lead		1	
21	900 119 001 02	Pan-head screw M 5 X 12		3	
21	900 976 003 01	Pan-head screw M 5 X 12		3	
22	N 012 222 4	Spring washer A 5		1	
23	N 011 005 14	Hexagon nut M 5		1	
23	900 076 091 01	Hexagon nut M 5		1	
24	N 012 226 5	Spring washer B 6		1	
25	N 011 524 7	Washer A 6,4		3	
25	N 011 524 27	Washer A 6,4		3	
26	900 076 010 02	Nut M 6		1	
26	900 076 010 0B	Nut M 6		1	
27	999 084 428 02	Lock nut M 6		2	

Model: 959 87

Model life 1987>>1988



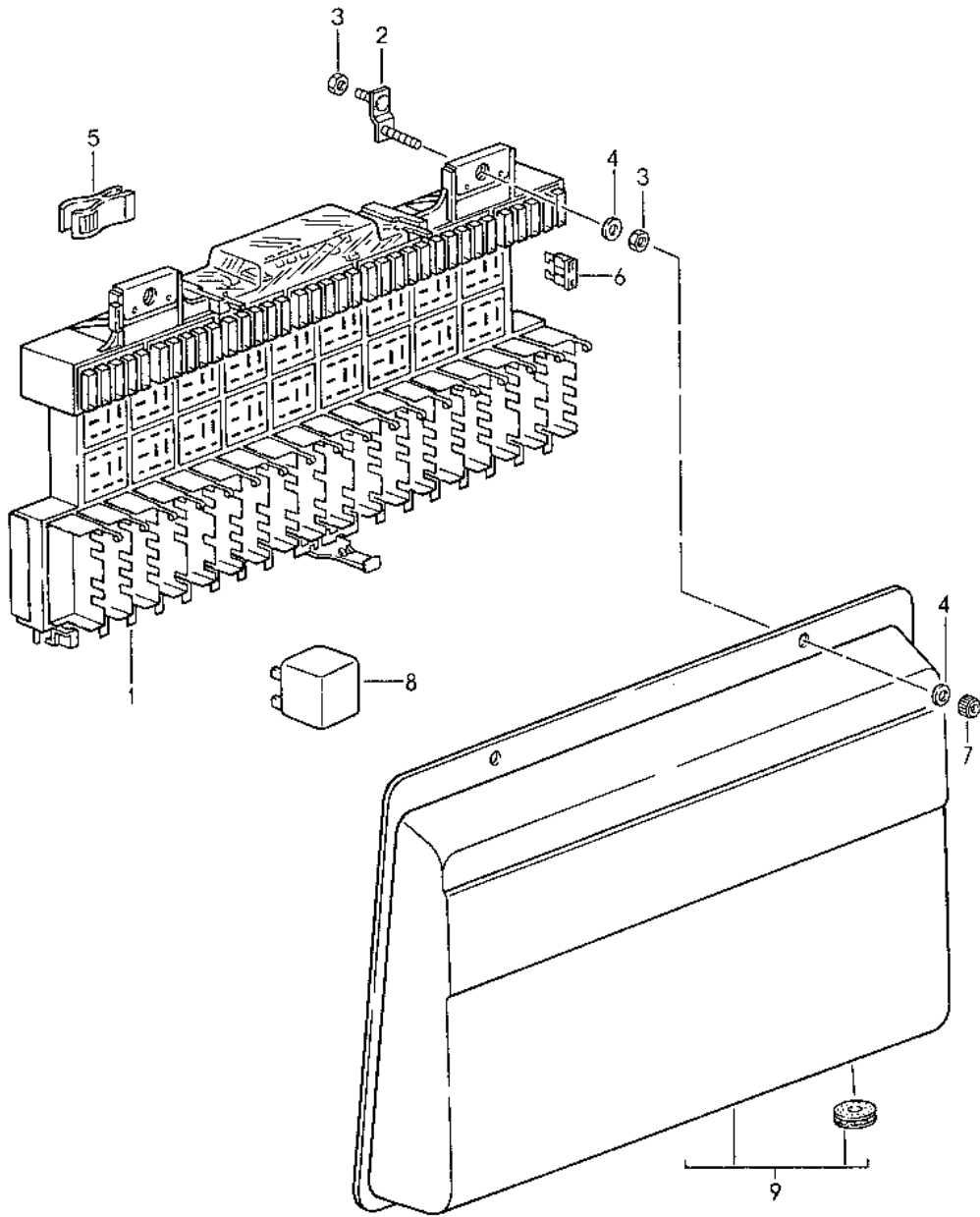
Model: 959 87

Model life 1987>>1988

Pos	Part Number	Description	Remark	Qty	Model
		Engine electrics 2			
1	959 618 111 00	Control unit		1	
2	959 618 113 00	Support		2	
3	999 084 428 02	Lock nut M 6		11	
4	959 618 115 00	Banjo bolt		1	
5	959 618 116 00	Sealing ring		2	
5	959 618 116 01	Sealing ring		2	
6	959 618 117 00	Ring piece		1	
6	959 618 117 01	Ring piece		1	
7	959 618 120 00	Control unit		1	
8	959 606 055 00	altitude capsule		1	
9	944 606 115 00	Pulse sender		1	
10	N 014 761 2	Pan-head screw M 6 X 12		1	
10	900 119 129 01	Pan-head screw M 6 X 12		1	
11	N 011 524 7	Washer 6,4		1	
11	N 011 524 27	Washer 6,4		1	
12	181 971 847	Cable clip		1	
13	959 110 325 00	Control line		1	
14	959 618 213 00	Screened connector		2	
15	959 606 219 00	Blower switch		1	
16	959 606 319 00	Support		1	
17	900 025 001 02	Washer A 3,2		4	
18	N 011 002 2	Hexagon nut M 3		4	
-	999 239 025 40	Hose		*	
19		1100 MM		1	
20	959 616 103 00	Series resistor		1	
21	900 910 009 02	Lock nut M 5		2	
21	900 084 026 01	Lock nut M 5		2	
22	900 025 003 02	Washer A 5,3		2	
23	959 612 619 00	Ground cable		1	
24	959 618 217 00	Hexagon nut M 6		1	

Model: 959 87

Model life 1987>>1988



Model: 959 87 Model life 1987>>1988

Pos	Part Number	Description	Remark	Qty	Model
		Central electrical system			
		Lock			
		Relay			
1	959 610 105 00	Central electrical system		1	
2	959 552 118 00	Support		2	
3	900 034 006 07	Hexagon nut		4	
		M 5			
4	900 025 003 02	Washer		4	
		A 5,3			
5	443 941 802	Tool		1	
6	999 607 004 00	Lock		X	
		5 A			
(6)	999 607 005 00	Lock		X	
		7,5 A			
(6)	999 607 083 00	Lock		X	
		7,5 A			
(6)	N 017 131 11	Lock		X	
		10 A			
(6)	999 607 007 00	Lock		X	
		15 A			
(6)	999 607 085 00	Lock		X	
		15 A			
(6)	N 017 131 13	Lock		X	
		20 A			
(6)	999 607 009 00	Lock		X	
		25 A			
(6)	999 607 087 00	Lock		X	
		25 A			
(6)	999 607 010 00	Lock		X	
		30 A			
(6)	999 607 088 00	Lock		X	
		30 A			
(6)	999 607 052 00	Lock		1	
		40 A			
7	900 241 003 40	Knurled nut		2	
8		Relay			
-	993 615 101 00	Switch unit		1	
-	993 615 101 01	Switch unit		1	
-	944 615 112 02	Relay		1	
		for window opener			
-	944 615 113 01	Relay		2	
		Motor fan			
-	944 615 113 02	Relay		2	
		Motor fan			
-	811 951 253	Double relay		2	
		Fanfare			
		Blower			
-	959 615 111 00	Double relay		2	
		Fuel pump			
-	944 615 116 00	Relay		1	
		Brake booster			
-	959 615 211 01	Double relay		1	
		Anti-lock brake system			
-	959 615 221 00	Double relay		1	
		Reduced tension			
-	959 615 231 00	Relay		1	
		Oil level			
-	959 615 261 00	Relay		1	
		Fuel reserve			
-	959 615 147 00	Relay		1	
		Rear window heating			
-	959 615 109 00	Double relay		1	
-	959 618 103 00	Relay		2	

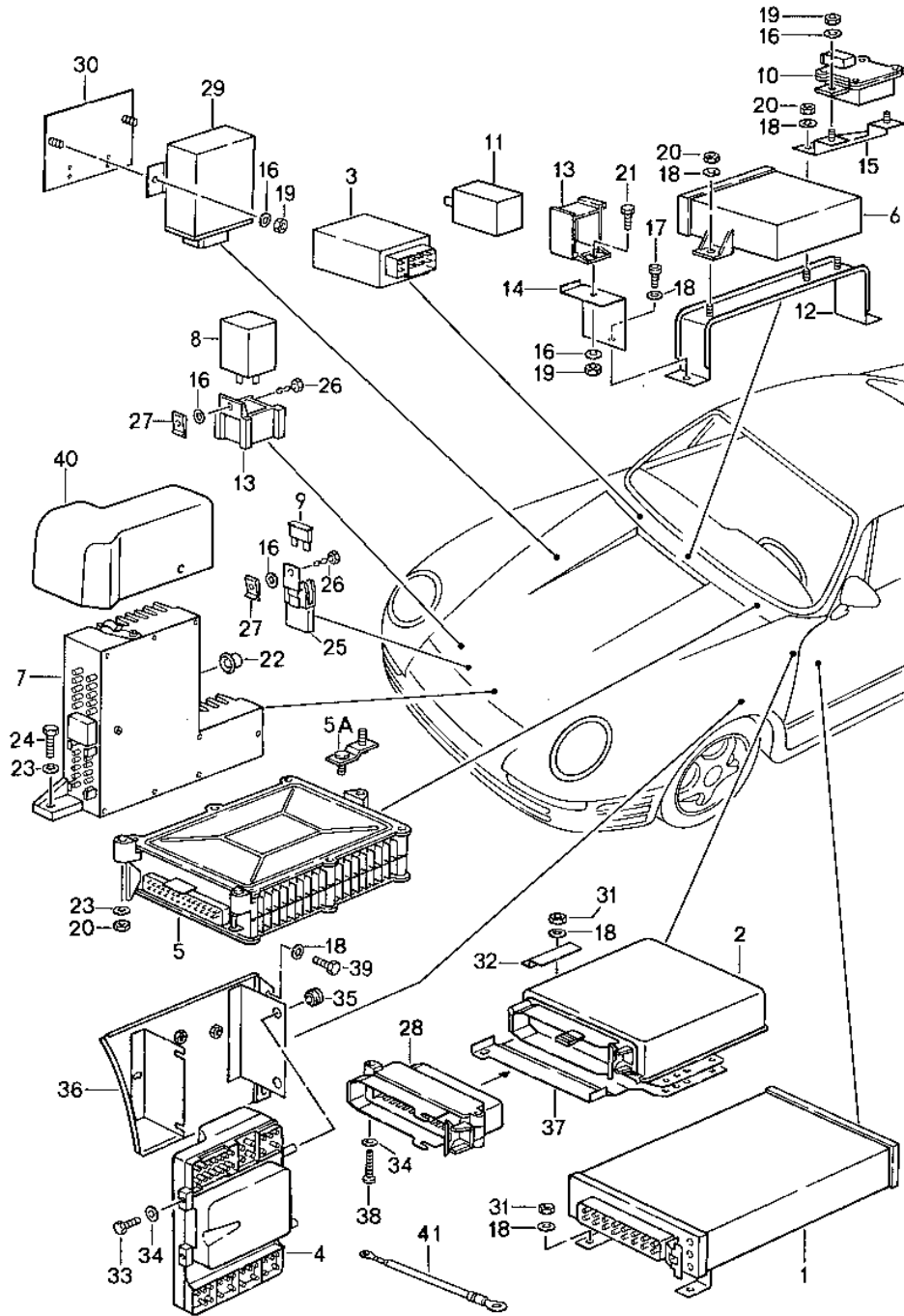
Model: 959 87

Model life 1987>>1988

Pos	Part Number	Description	Remark	Qty	Model
-	959 615 121 00	Buzzer Relay for oil pressure gauge		1	
9	959 610 017 00	Cover		1	
	959 610 017 00 9DD	Dark grey			
	959 610 017 00 8MD	Burgundy			
-	959 610 137 00	Sticker German		1	
-	959 610 137 10	Sticker English		1	
-	959 610 137 20	Sticker French		1	
-	959 610 137 30	Sticker Italian		1	
-	959 610 137 40	Sticker Spanish		1	

Model: 959 87

Model life 1987>>1988



Model: 959 87

Model life 1987&gt;&gt;1988

Pos	Part Number	Description	Remark	Qty	Model
1	959 618 130 00	Control units Control unit Function-drive		1	
2	959 618 301 00	Control unit		1	
2	959 618 301 X	Control unit Level adjustment		1	
3	911 637 104 02	Alarm control unit		1	
4	959 618 043 00	Control unit Vibration damper		1	
5	959 618 119 00	Control unit Anti-lock brake system		1	
5	959 618 119 X	Control unit Anti-lock brake system		1	
5A	959 552 128 00	Support for Control unit		1	
6	959 618 151 00	Control unit		1	
6	959 618 151 X	Control unit Tyre pressure monitoring		1	
7	959 618 131 00	Control unit		1	
7	959 618 131 X	Control unit Drive power		1	
8	959 615 251 00	Control unit Headlight washer system		1	
9	999 607 010 00	Lock 30 A		1	
9	999 607 088 00	Lock 30 A		1	
10	959 606 173 00	Control unit Acceleration		1	
11	959 615 241 00	Control unit Dimming Centre console		1	
12	959 618 165 00	Support		1	
13	928 615 511 00	Relay holder		1	
14	959 612 237 00	Support		1	
15	959 606 171 00	Support		1	
16	900 025 003 02	Washer A 5,3		3	
17	900 067 008 02	Pan-head screw M 6 X 12		2	
17	900 067 008 03	Pan-head screw M 6 X 12		2	
18	N 011 524 7	Washer A 6,4		4	
18	N 011 524 27	Washer A 6,4		4	
19	900 910 009 02	Lock nut M 5		3	
19	900 084 026 01	Lock nut M 5		3	
20	999 084 074 02	Lock nut M 6		2	
21	N 010 207 6	Hexagon-head bolt M 5 X 12		1	
21	N 010 207 17	Hexagon-head bolt M 5 X 12		1	
22	928 618 411 00	Grommet		1	
23	N 011 524 7	Washer A 6,4		1	
23	N 011 524 27	Washer A 6,4		1	
24	900 075 016 02	Hexagon-head bolt		1	



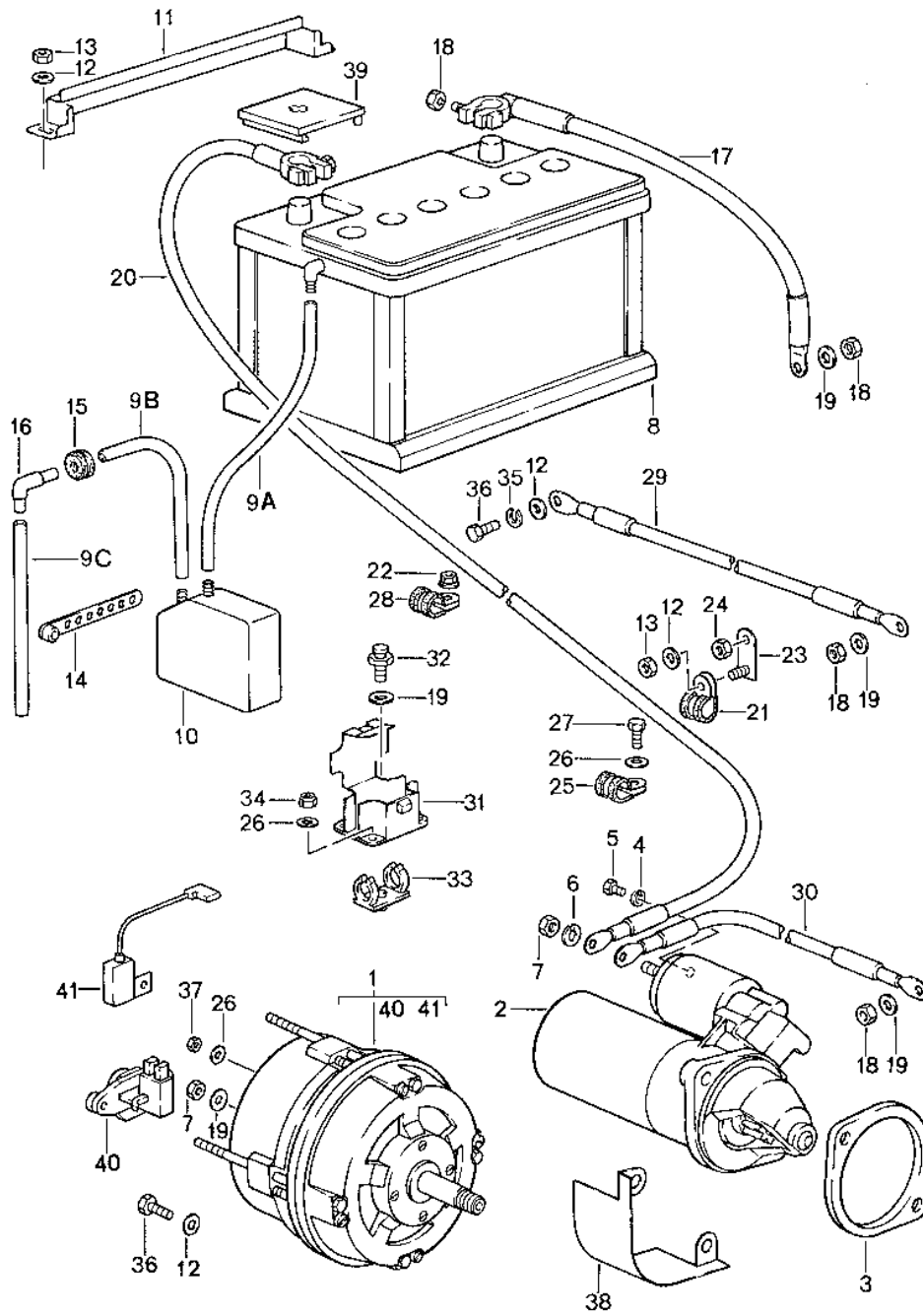
Model: 959 87

Model life 1987>>1988

Pos	Part Number	Description	Remark	Qty	Model
24	900 075 016 03	M 6 X 22 Hexagon-head bolt		1	
25	959 610 123 00	M 6 X 22 Fuse holder		1	
26	N 013 884 4	Hexagon-head tapping screw 4,8 X 13		2	
27	999 507 002 02	Speed nut		2	
27	999 507 002 0B	Speed nut		2	
28	959 618 125 00	Screened connector		1	
29	911 618 231 00	Control unit for reduced light		1	M492
30	959 618 233 00	Support		1	M492
31	999 084 428 02	Lock nut M 6		7	
32	959 618 113 00	Support		2	
33	N 010 204 4	Hexagon-head bolt M 4 X 10		2	
34	900 025 002 02	Washer A 4,3		2	
34	900 025 002 03	Washer A 4,3		2	
35	959 618 157 00	Grommet		2	
36	959 504 251 00	Support		1	
37	959 618 215 01	Support		1	
38	N 014 122 8	Oval-head screw M 4 X 8		2	
38	N 014 122 17	Oval-head screw M 4 X 8		2	
39	999 072 005 09	Hexagon nut M 6 X 12		2	
39	999 072 005 01	Hexagon nut M 6 X 12		2	
40	959 618 133 00	Cap		1	
41	959 612 619 00	Ground cable		1	

Model: 959 87

Model life 1987>>1988



Model: 959 87

Model life 1987&gt;&gt;1988

Pos	Part Number	Description	Remark	Qty	Model
		Generator			
		Starter			
		Battery			
1	959 603 121 00	Generator		1	
1	959 603 121 01	Generator		1	SPORT
2	911 604 101 01	Starter		1	
2	911 604 101 AX	Starter		1	
2	959 604 205 00	Starter		1	SPORT
3	959 604 203 01	Flange		1	
3	959 604 201 00	Flange		1	SPORT
4	N 012 001 2	Lock ring		1	
		A 4			
4	900 027 002 01	Lock ring		1	
		A 4			
5	900 075 285 02	Hexagon-head bolt		1	
		M 4 X 8			
6	900 027 015 02	Lock ring		1	
		B 8			
6	900 027 015 03	Lock ring		1	
		B 8			
7	900 076 025 02	Hexagon nut		1	
		M 8			
7	900 076 064 02	Hexagon nut		1	
		M 8			
8	959 611 105 00	Battery		1	
		12V 63AH			
8	945 611 101 00	Battery		1	SPORT
		12V 50AH			
8	999 611 051 20	Battery		1	SPORT
		12V 50AH			
-	477 915 505	Hose		*	
		1000 MM			
9A		180 MM		1	
9B		250 MM		1	
9C		320 MM		1	
10	959 611 115 00	Battery gas reservoir		1	
11	959 611 029 00	Tensioner blade		1	
12	N 011 524 7	Washer		2	
		A 6,4			
12	N 011 524 27	Washer		2	
		A 6,4			
13	999 084 074 02	Lock nut		2	
		M 6			
14	944 612 853 01	Tie-wrap		1	
15	111 953 547 A	Grommet		1	
16	803 915 507 A	Angled pipe		1	
17	959 612 611 00	Ground cable		1	
18	900 076 030 02	Hexagon nut		1	
		M 8			
19	900 025 007 02	Washer		1	
		8,4			
19	900 025 007 03	Washer		1	
		8,4			
20	959 612 613 00	Battery-starter cable		1	
21	999 511 118 02	Pipe clamp		2	
		15 / 15			
21	999 511 118 01	Pipe clamp		2	
		15 / 15			
22	999 591 839 40	Plastic nut		6	
		M 5			
23	959 612 323 00	Support		1	
24	999 084 428 02	Lock nut		1	
		M 6			

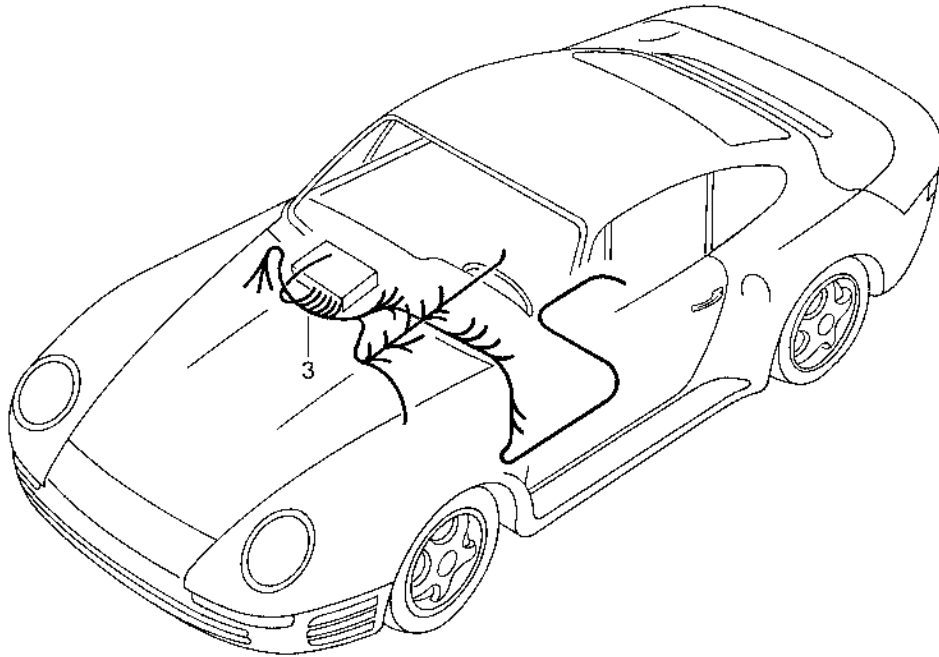
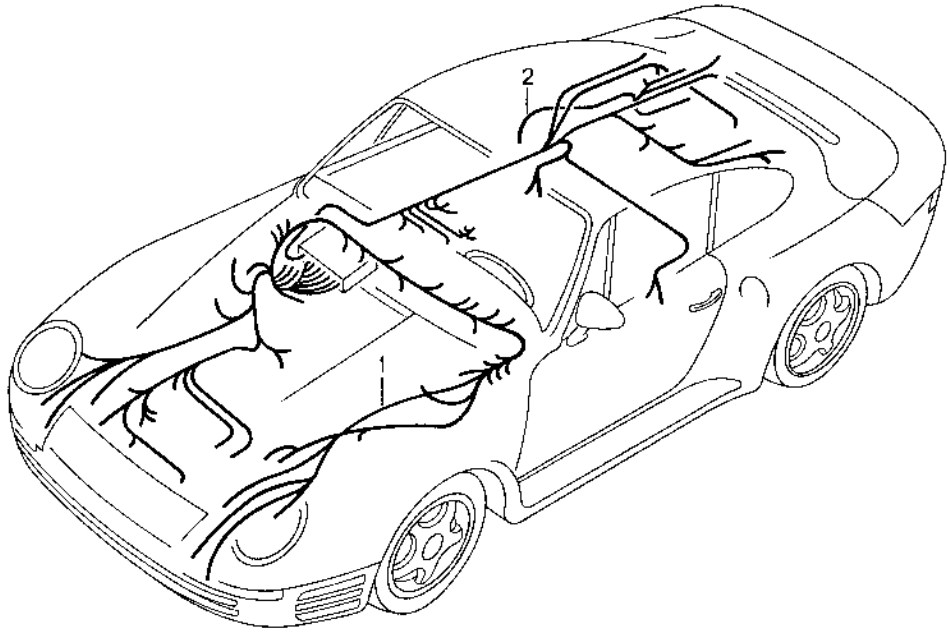
Model: 959 87

Model life 1987>>1988

Pos	Part Number	Description	Remark	Qty	Model
25	999 511 052 02	Clamp 12 / 15		1	
26	900 025 003 02	Washer 5,3		3	
27	900 075 145 02	Hexagon-head bolt M 5 X 16		1	
28	999 511 156 00	Clamp 13 / 15		1	
29	959 612 013 00	Ground cable Engine		1	
30	959 612 609 00	Ground cable Starter		1	
31	433 911 075	Housing		1	
32	959 607 335 00	Bolt		1	
33	999 651 203 40	Cable holder		1	
34	900 910 009 02	Lock nut M 5		1	
34	900 084 026 01	Lock nut M 5		1	
35	N 012 226 5	Spring washer B 6		1	
36	999 072 005 09	Hexagon nut M 6 X 12		1	
36	999 072 005 01	Hexagon nut M 6 X 12		1	
37	N 011 005 14	Hexagon nut M 5		1	
37	900 076 091 01	Hexagon nut M 5		1	
38	959 604 213 00	Cover plate		1	
39	999 611 104 00	Pole covering		1	
40	928 603 142 00	Regulator		1	
41	944 603 143 00	Condenser		1	

Model: 959 87

Model life 1987>>1988



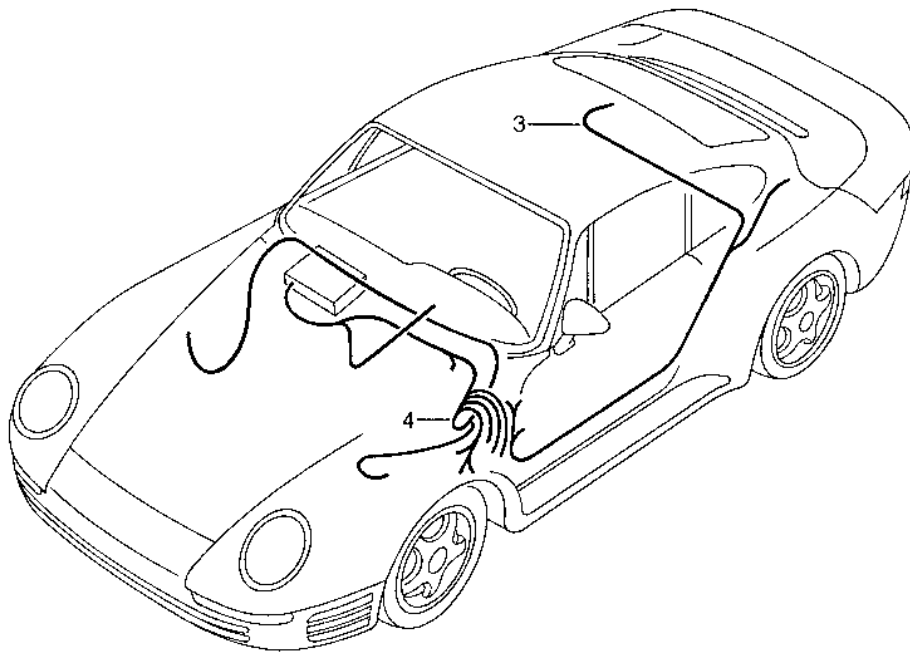
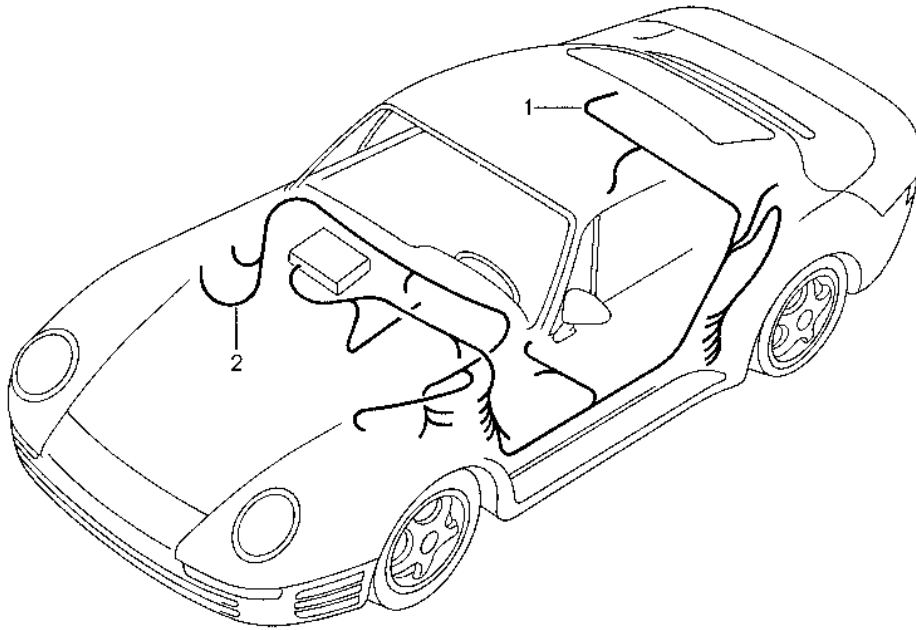
Model: 959 87

Model life 1987>>1988

Pos	Part Number	Description	Remark	Qty	Model
1	959 612 001 02	Wiring harnesses FRONT luggage compartment Dashboard Rear end Wiring harness NR.1		1	
2	959 612 004 01	FRONT luggage compartment Wiring harness NR.4		1	
3	959 612 003 01	Rear end Wiring harness NR.3		1	
3	959 612 003 02	Dashboard Wiring harness NR.3 Dashboard		1	SONDERWUNSCH

Model: 959 87

Model life 1987>>1988



Model: 959 87

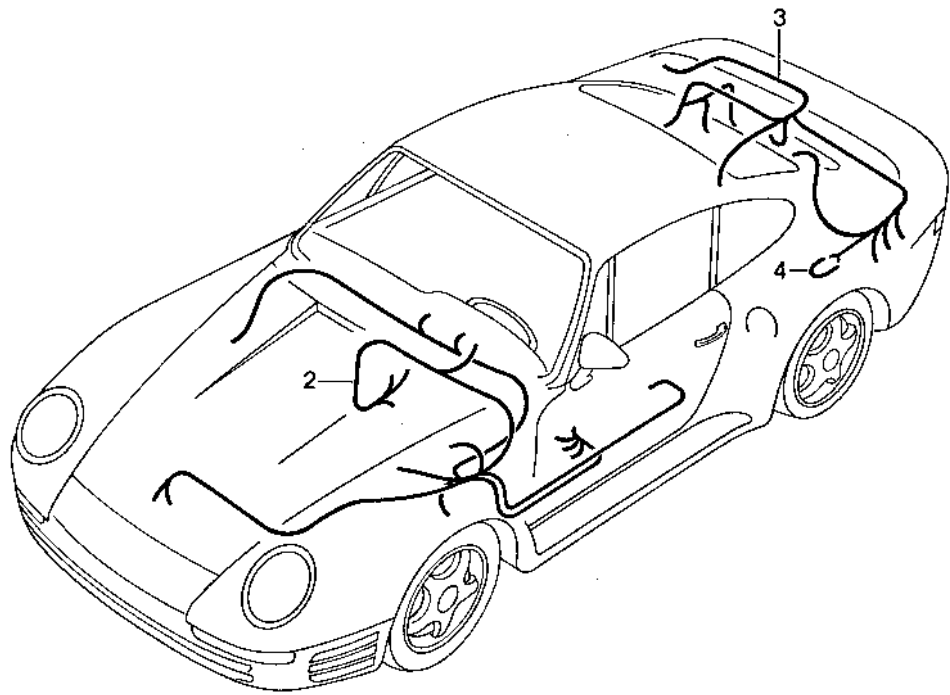
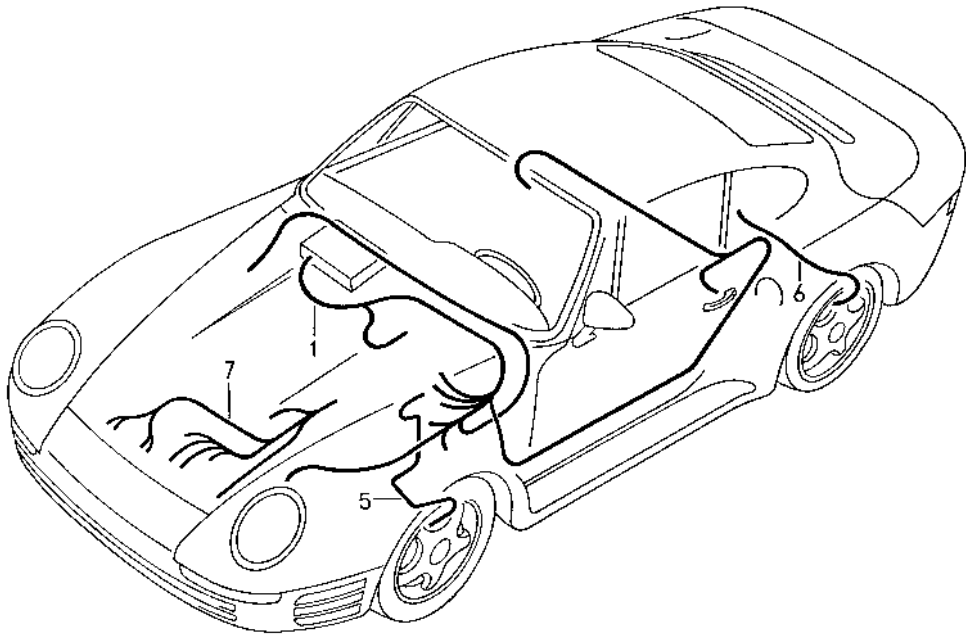
Model life 1987>>1988

Pos	Part Number	Description	Remark	Qty	Model
1	959 612 352 01	Wiring harnesses Shock absorber adjustment Level adjustment Wiring harness NR.352 Shock absorber adjustment Level adjustment Rear axle		1	
2	959 612 351 01	Wiring harness NR.351 Shock absorber adjustment Level adjustment Front axle		1	
3	959 612 354 00	Wiring harness NR.354 Shock absorber adjustment Rear axle		1	
4	959 612 069 00	Wiring harness NR.69 Shock absorber adjustment Front axle		1	



Model: 959 87

Model life 1987>>1988

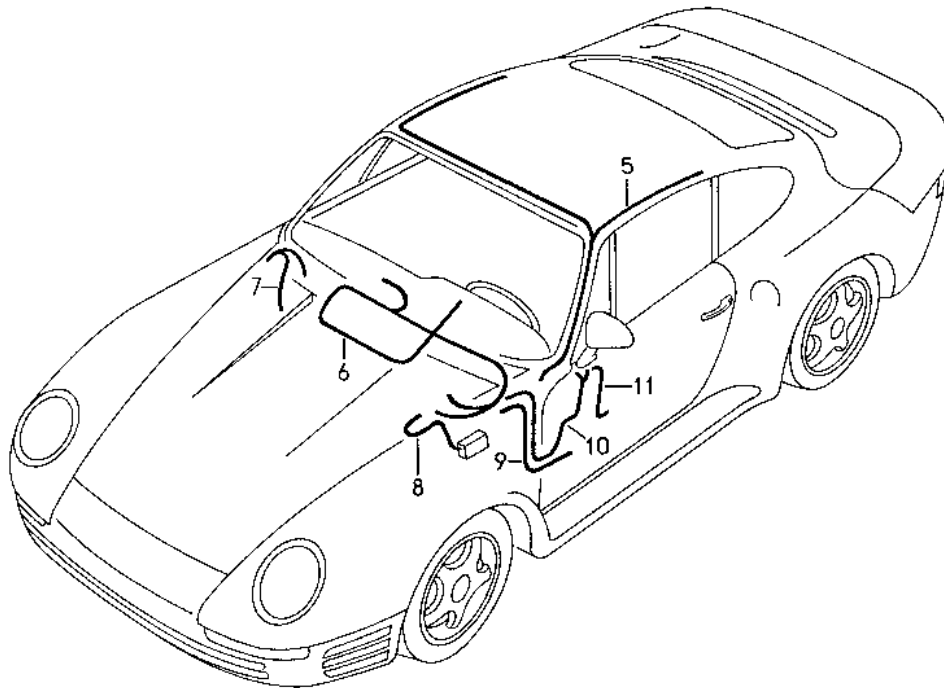
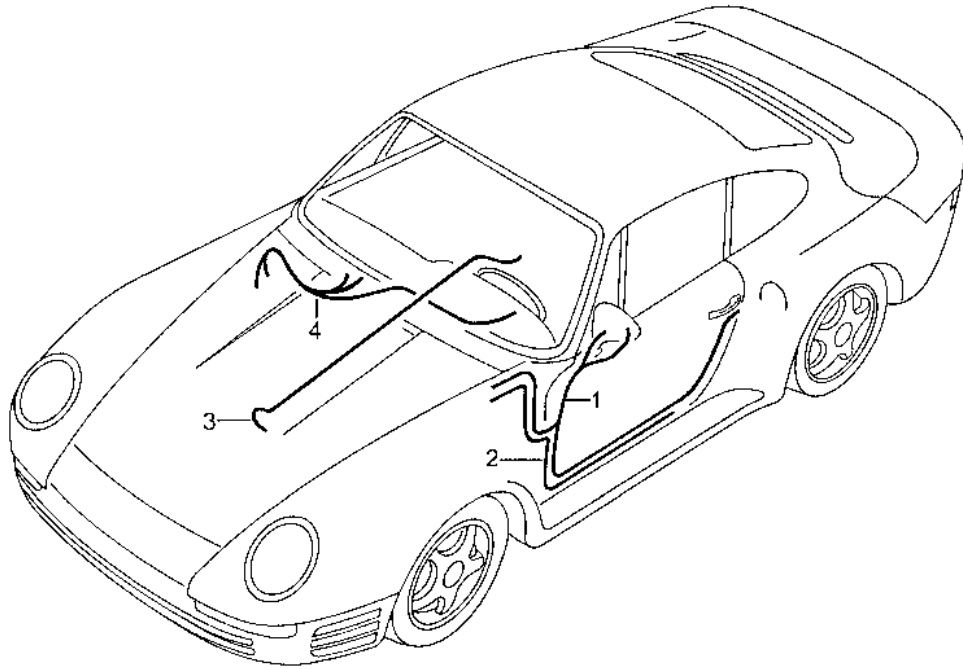


Model: 959 87 Model life 1987>>1988

Pos	Part Number	Description	Remark	Qty	Model
1	959 612 106 01	Wiring harnesses Anti-lock brake system Lock control Tyre pressure monitoring Engine Wiring harness NR.106		1	
2	959 612 066 01	Anti-lock brake system Wiring harness NR.66 Lock control Tyre pressure monitoring		1	
3	959 607 002 01	Wiring harness NR.2 Engine		1	
4	911 612 422 00	Adapter plug for - dme -		1	
5	959 612 403 00	Wiring harness Wiring harness for Anti-lock brake system Brake pad wear indicator Tyre pressure monitoring	/L	1	
(5)	959 612 402 00	Wiring harness for Anti-lock brake system Brake pad wear indicator Tyre pressure monitoring	/R	1	
6	959 612 404 00	Wiring harness for Anti-lock brake system Brake pad wear indicator Tyre pressure monitoring		2	
7	959 612 660 00	Wiring harness NR.660 Pressure transmitter Lock control		1	

Model: 959 87

Model life 1987>>1988



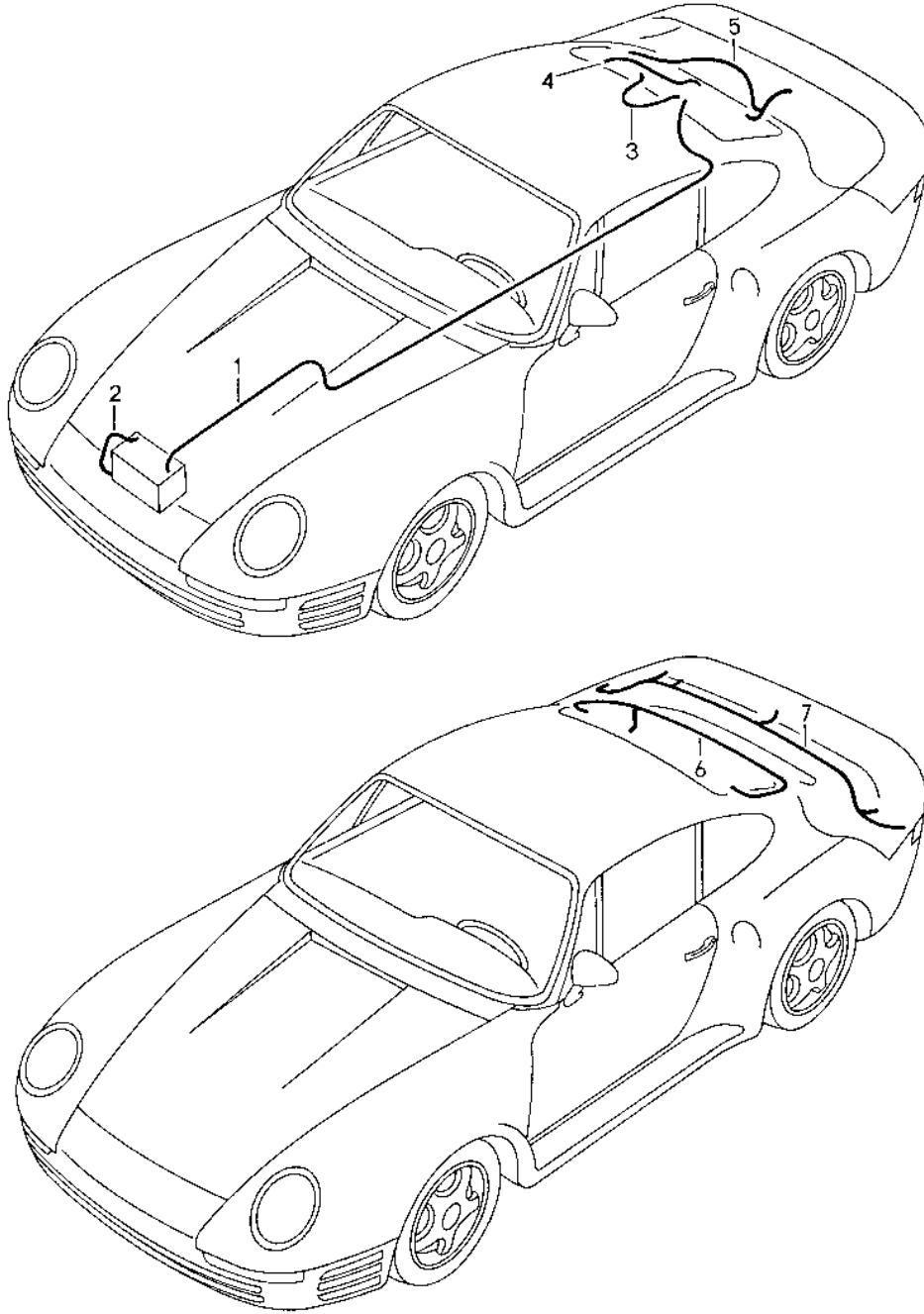
Model: 959 87

Model life 1987>>1988

Pos	Part Number	Description	Remark	Qty	Model
1	959 612 165 00	Wiring harnesses Body Door Wiring harness NR.165 Door mirror Driver's door		1	
(1)	959 612 164 00	Wiring harness NR.164 Door mirror Passenger's door		1	
2	911 612 264 00	Wiring harness NR.264 Central locking system		2	
3	959 612 067 00	Wiring harness NR.67 Oil temperature Interaxle clutch		1	
4	959 612 033 00	Wiring harness NR.33 for reduced light	(GB)	1	
5	959 612 042 00	Wiring harness NR.42 Interior light		1	
6	959 612 078 00	Wiring harness NR.78 Heater		1	
7	911 612 044 21	Wiring harness NR.44 Luggage compartment lamp		1	
8	911 612 177 02	Wiring harness NR.177 Direction indicator light		2	
9	911 612 148 13	Wiring harness NR.148 Loudspeaker		2	
10	911 612 104 01	Wiring harness NR.104 Switch Power windows Driver's door		1	
(10)	911 612 104 02	Wiring harness NR.104 Switch Power windows Passenger's door		1	
11	911 612 048 00	Wiring harness NR.48 Engine Power windows		2	

Model: 959 87

Model life 1987>>1988



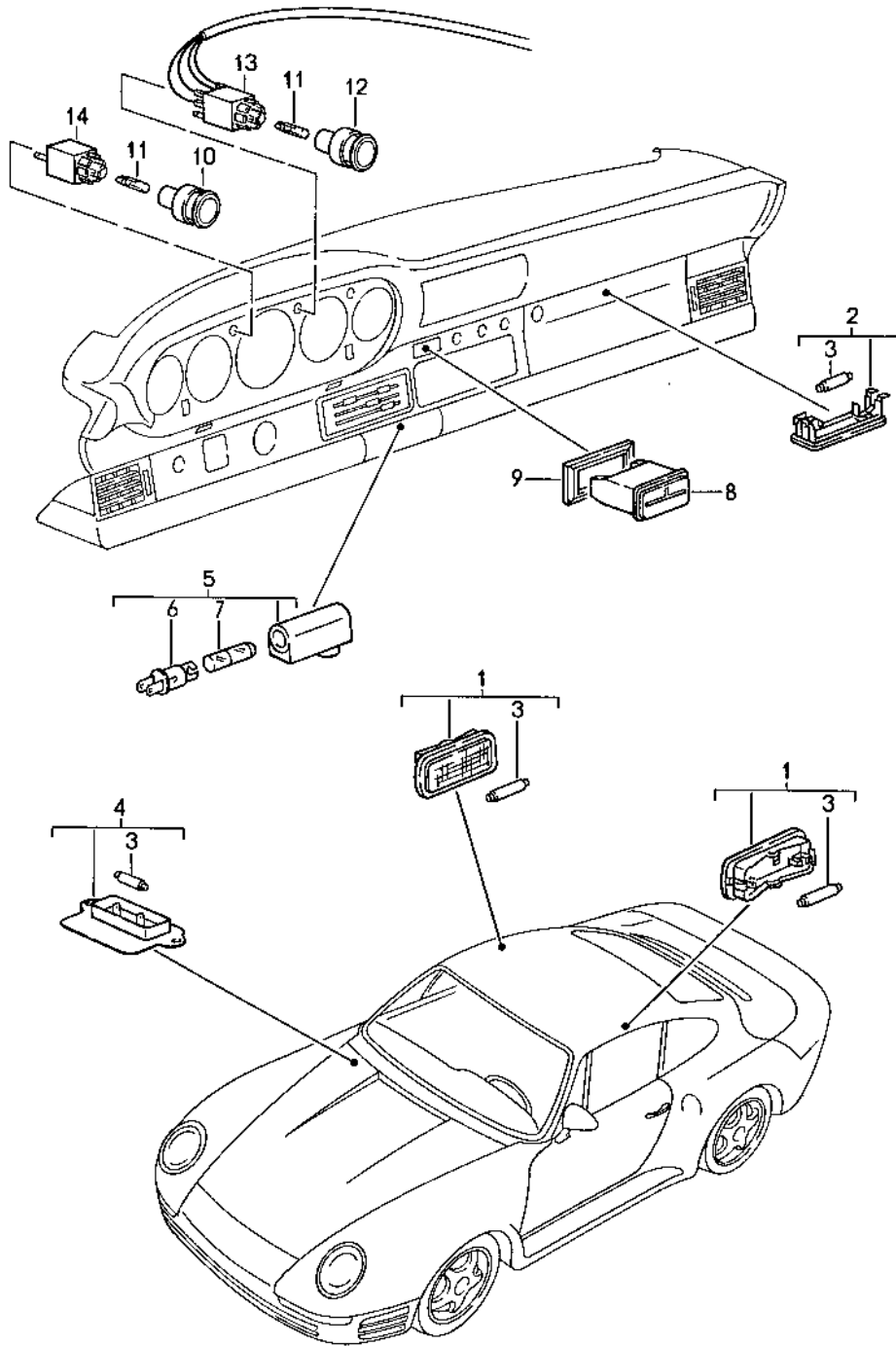
Model: 959 87

Model life 1987>>1988

Pos	Part Number	Description	Remark	Qty	Model
		Wiring harnesses			
		Rear end			
		Battery			
1	959 612 613 00	Battery-starter cable		1	
2	959 612 611 00	Ground cable		1	
		Battery			
3	959 612 609 00	Ground cable		1	
		Starter			
4	959 612 013 00	Ground cable		1	
		Engine			
5	959 612 102 00	Wiring harness		1	
		NR.102			
		Generator			
6	959 612 032 00	Wiring harness		1	
		NR.32			
		Rear window heating			
7	959 612 018 00	Wiring harness		1	
		NR.18			
		Rear light			

Model: 959 87

Model life 1987>>1988



Model: 959 87

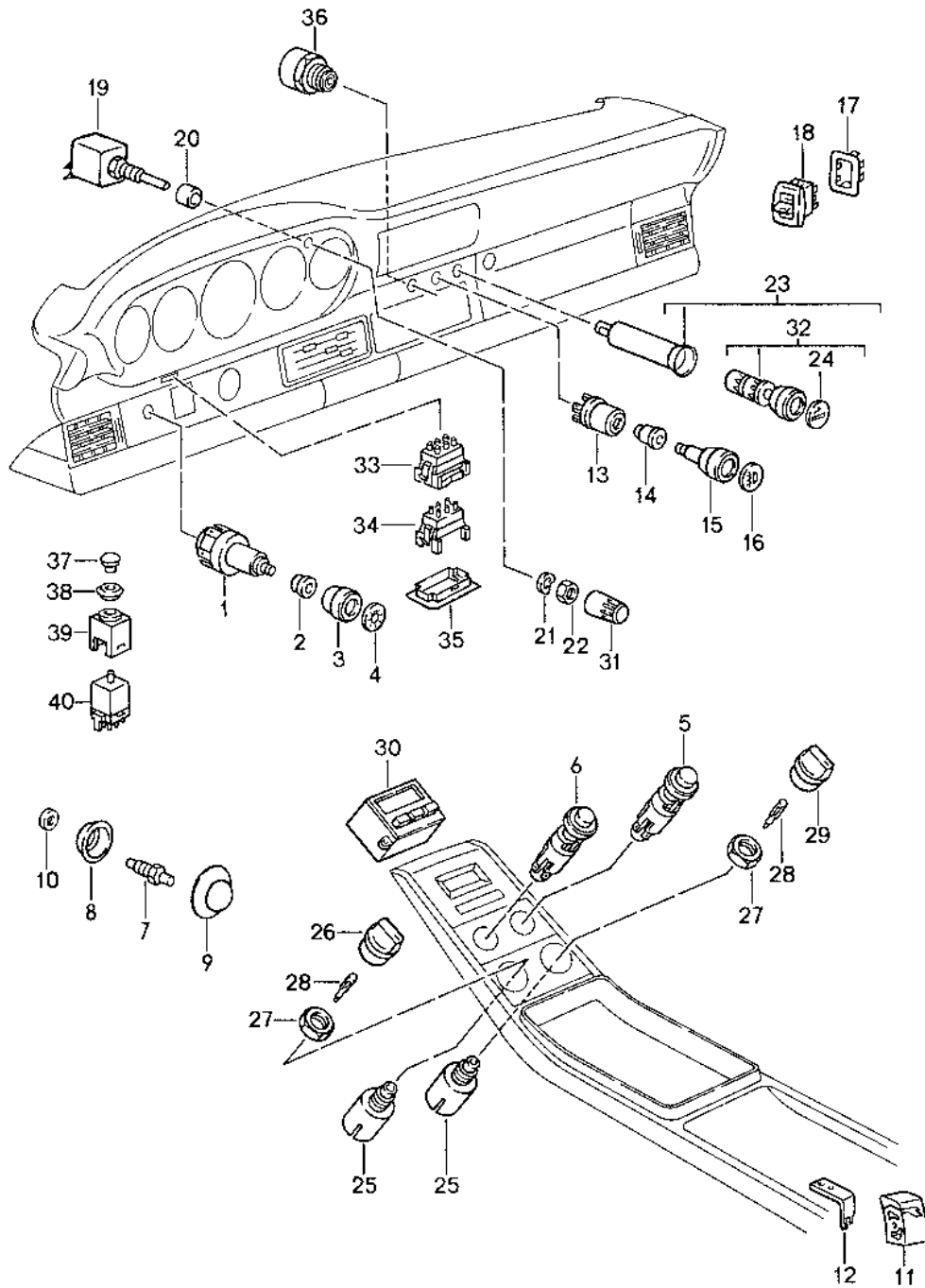
Model life 1987&gt;&gt;1988

Pos	Part Number	Description	Remark	Qty	Model
		Indicator lights			
		Interior lights			
1	901 632 101 28	Interior light		2	
2	911 632 103 00	Interior light		1	
		Glove compartment			
3	900 631 106 90	Linolite lamp		4	
		12V - 10W			
4	959 632 201 00	Luggage compartment lamp		1	
5	911 632 113 00	Light		1	
6	911 632 114 00	Bulb socket		1	
		2-pole			
7	900 631 102 90	Light		1	
		12V - 2W			
8	959 632 211 00	Combination warning light		1	
-	PCG 632 211 00	Lens		1	
		Combination warning light			
		for			
		95963221100			
9	911 632 116 01	Grommet		1	
10	959 632 115 00	Indicator light		1	
		Shock absorber adjustment			
11	959 632 120 00	Bulb		2	
		12V - 1,2W			
12	959 632 111 00	Indicator light		1	
		Level adjustment			
13	959 632 113 00	Tip switch		1	
		Level adjustment			
14	959 632 117 00	Bulb socket		1	
		Shock absorber adjustment			



Model: 959 87

Model life 1987>>1988



Model: 959 87

Model life 1987&gt;&gt;1988

Pos	Part Number	Description	Remark	Qty	Model
1	911 613 029 03	Switch Push-pull light switch		1	
2	911 613 213 07	Rosette		1	
3	911 613 214 05	Knob		1	
	911 613 214 05 01C	Black			
4	911 613 239 01	Cap with symbol		1	
4	911 613 239 02	Cap with symbol		1	
5	959 613 148 00	Switch Rear window heating		1	
6	911 613 124 32	Hazard warning light sw.		1	
7	964 613 601 00	Door contact switch Luggage compartment lamp Interior light		3	
(7)	901 615 601 02	Contact switch Glove compartment		1	
(7)	901 615 601 03	Contact switch Glove compartment		1	
8	901 615 615 20	Concave washer		2	
9	901 615 616 20	Rubber cap		2	
10	900 031 001 60	Washer 8,4		3	
11	959 613 165 00	Microswitch		1	
12	959 613 423 00	Retainer plate		1	
13	911 613 149 00	Switch Rear fog light		1	
14	911 613 213 03	Rosette		1	
15	911 613 028 10	Knob		1	
16	911 613 234 02	Cap with symbol		1	
17	911 613 635 20	Assembly frame		3	
18	911 613 621 03	Switch for window opener		3	
19	964 618 147 00	Potentiometer for Interval relay		1	
20	911 618 207 00	Spacer sleeve		1	
21	900 028 019 01	Spring washer B 7		1	
22	911 618 209 00	Hexagon nut M 7 X 0,75		1	
23	911 652 102 06	Cigarette lighter		1	
23	911 652 102 08	Cigarette lighter		1	
24	911 613 235 01	Cap with symbol		1	
24	911 613 235 02	Cap with symbol		1	
25	959 613 531 00	Switch		2	
26	959 613 141 00	Knob Shock absorber adjustment		1	
27	N 021 300 1	Hexagon nut M 16 X 1,5		2	
28	900 631 132 90	Bulb 12V-1,2W		2	
29	959 613 140 00	Knob Level adjustment		1	
30	944 641 213 00	Clock		1	
31	911 618 011 00	Knob		1	
32	911 652 122 02	Connector		1	
33	928 613 240 00	Switch		1	
	928 613 240 00 01C	Black			
34	928 612 325 00	Adapter plug		1	
	928 612 325 00 01C	Black			
35	911 613 615 01	Support		1	
	911 613 615 01 1DB	Black			
36	959 635 223 00	Sender		1	
37	911 613 082 00	Knob		1	

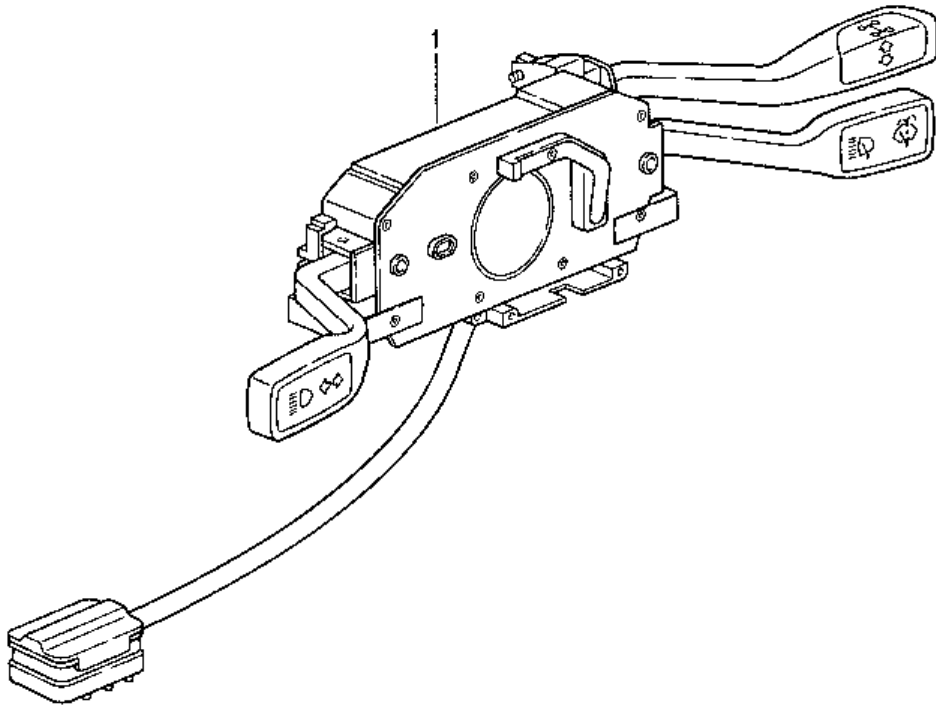
Model: 959 87

Model life 1987>>1988

Pos	Part Number	Description	Remark	Qty	Model
38	911 613 082 00 01C	Black		1	
	911 613 425 00	Rosette			
	911 613 425 00 01C	Black			
39	911 613 423 00	Assembly frame		1	
40	928 613 241 00	Switch		1	

Model: 959 87

Model life 1987>>1988



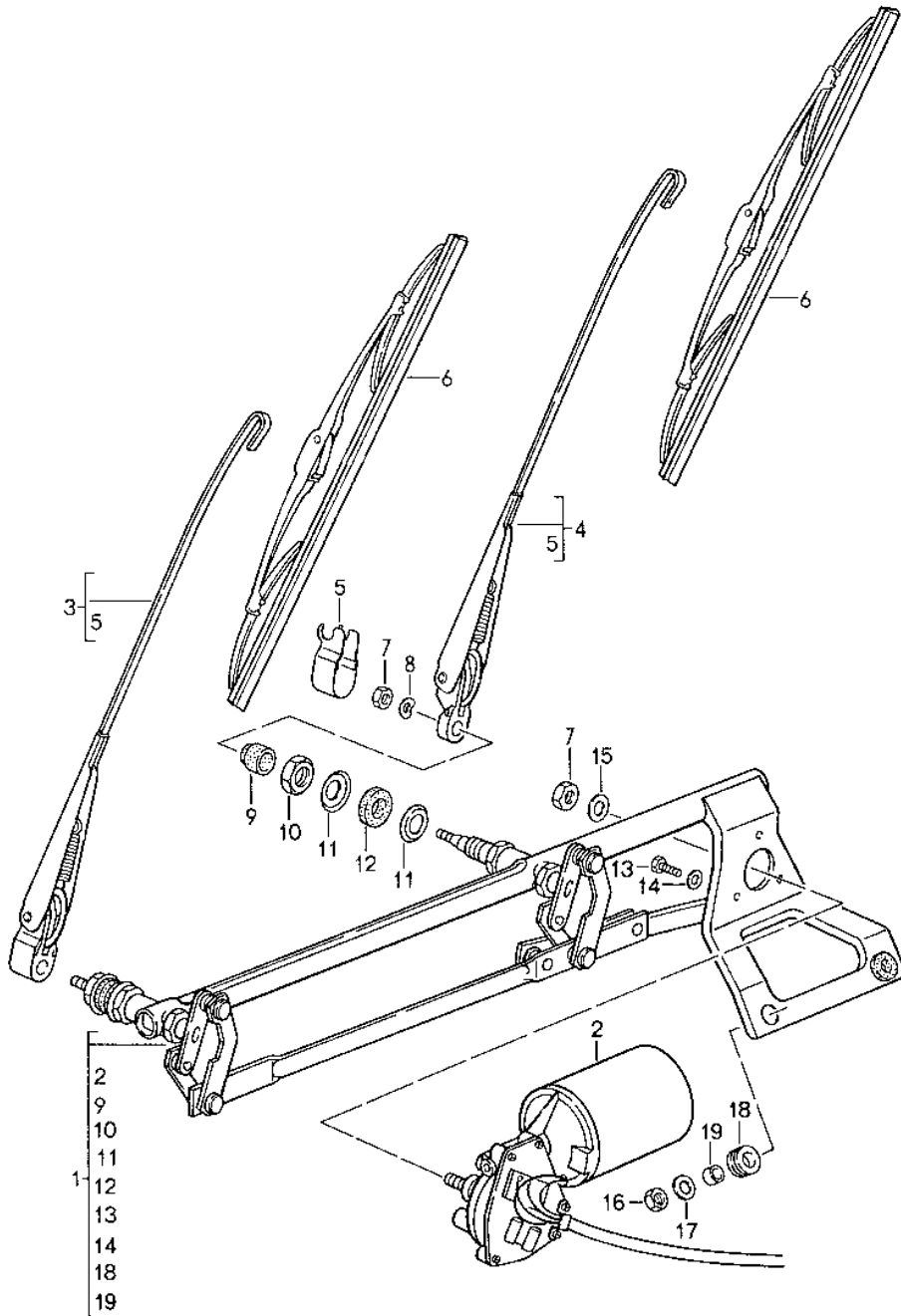
Model: 959 87

Model life 1987&gt;&gt;1988

Pos	Part Number	Description	Remark	Qty	Model
1	959 613 007 00	Steering column switch Steering column switch with Lock control		1	

Model: 959 87

Model life 1987>>1988



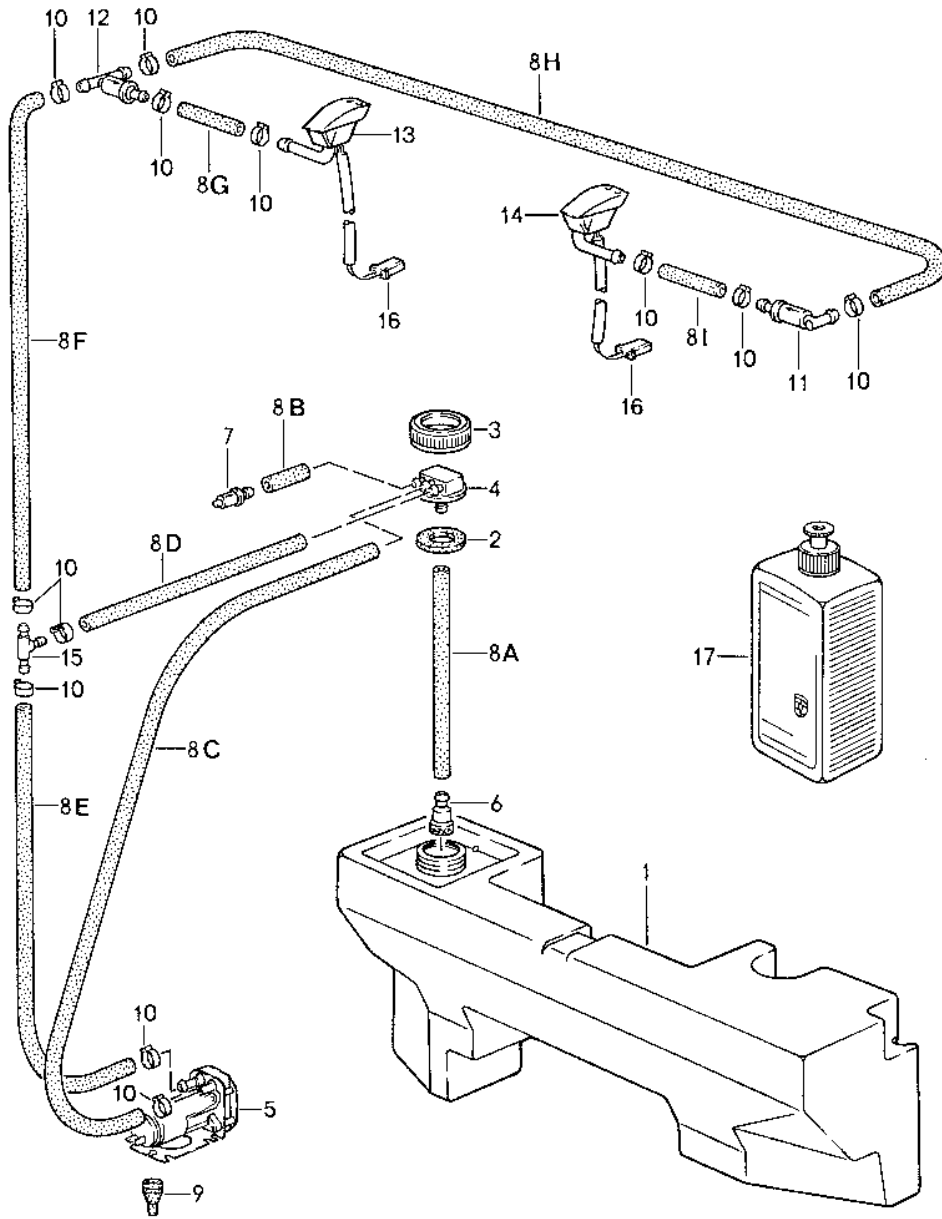
Model: 959 87

Model life 1987>>1988

Pos	Part Number	Description	Remark	Qty	Model
		Windscreen wiper system			
1	959 628 013 00	Windscreen wiper system		1	
2	944 628 303 00	Wiper motor		1	
3	911 628 313 00	Wiper arm	/L	1	
4	911 628 314 00	Wiper arm	/R	1	
5	928 628 623 00	Cap		2	
6	964 628 901 00	Wiper blade		2	
6	964 628 901 02	Wiper blade		2	
7	900 076 025 02	Hexagon nut M 8		3	
7	900 076 064 02	Hexagon nut M 8		3	
8	901 628 927 00	Spring washer		2	
8	481 955 349	Spring washer		2	
8	803 955 437	Spring washer		2	
9	901 628 926 00	Cap		2	
10	911 628 825 00	Hexagon nut		4	
11	911 628 963 00	Flange washer Black		4	
12	901 628 924 00	Rubber bush		2	
13	N 010 217 9	Hexagon-head bolt M 6 X 20		3	
14	N 011 524 7	Washer A 6,4		3	
14	N 011 524 27	Washer A 6,4		3	
15	900 025 007 02	Washer A 8,4		1	
15	900 025 007 03	Washer A 8,4		1	
16	999 084 074 02	Lock nut M 6		2	
17	900 151 003 02	Washer A 6,4		2	
17	900 151 006 03	Washer A 6,4		2	
18	944 628 126 00	Grommet		2	
19	944 628 127 00	Bush		2	

Model: 959 87

Model life 1987>>1988





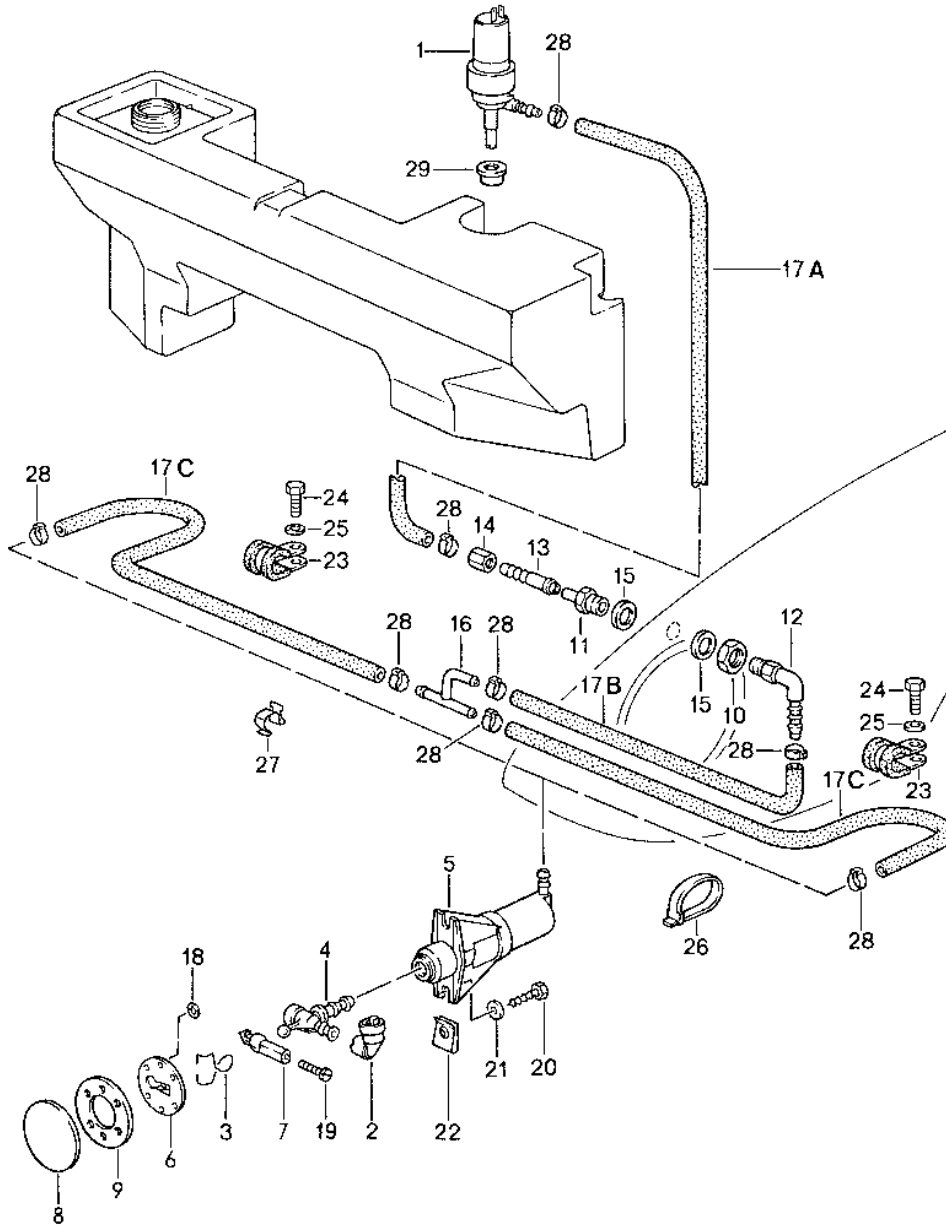
Model: 959 87

Model life 1987>>1988

Pos	Part Number	Description	Remark	Qty	Model
		Windscreen washer system			
1	959 528 075 02	Water reservoir		1	
2	911 628 743 00	Closing gasket		1	
3	911 628 735 00	Threaded cover		1	
3	911 628 735 01	Threaded cover		1	
4	911 628 737 00	Connecting piece		1	
5	928 628 074 01	Pump		1	
6	911 628 749 00	Valve		1	
7	914 628 215 00	Valve		1	
-	999 181 722 40	Hose		*	
		4,6 X 8,2			
8A		200 MM		1	
8B		20 MM		1	
8C		600 MM		1	
8D		520 MM		1	
8E		110 MM		1	
8F		1700 MM		1	
8G		400 MM		1	
8H		1350 MM		1	
8I		140 MM		1	
9	914 628 741 00	Stopper		3	
10	N 100 020 01	Clip		11	
10	999 512 527 00	Clamp		11	
11	477 955 481	Valve		1	
12	914 628 433 00	Valve		1	
13	928 628 077 00	Nozzle	/R	1	
	928 628 077 00 01C	Black			
14	944 628 077 00	Nozzle	/L	1	
	944 628 077 00 01C	Black			
15	901 628 749 20	T-piece		1	
16	171 971 998 A	Connector housing		2	
-	N 017 564 1	Round connector		4	
17	999 901 017 41	Window cleaner		1	
		Summer			
		250 ML			
17	999 901 017 42	Window cleaner		1	
		Summer			
		250 ML			
17	000 044 000 87	Window cleaner		1	
		Summer			
		250 ML			
(17)	999 901 033 40	Window cleaner		1	
		Winter			
		1000 ML			

Model: 959 87

Model life 1987>>1988



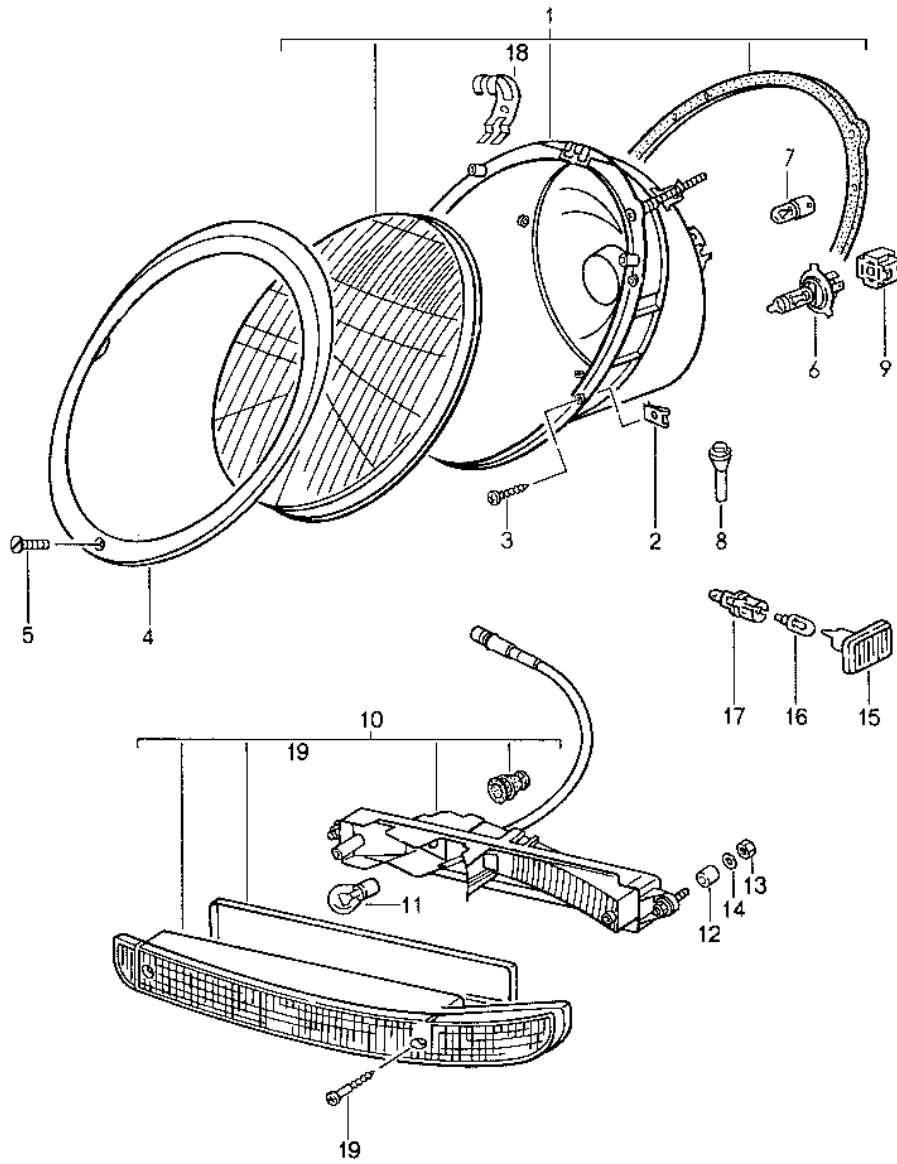
Model: 959 87

Model life 1987&gt;&gt;1988

Pos	Part Number	Description	Remark	Qty	Model
1	191 955 681	Headlight washer system Pump		1	
2	959 628 251 00	Nozzle		2	
3	959 628 167 00	Spring		2	
4	959 628 255 00	Pressure control valve		2	
5	959 628 153 00	Driving mechanism		2	
6	959 628 259 01	Support for Ball socket		2	
7	N 015 704 1	Ball socket		2	
8	959 628 257 01	Lid		2	
9	959 628 161 00	Gasket		2	
10	959 628 359 00	Nut		2	
11	959 628 355 00	Union		2	
12	959 628 361 00	Screw socket		2	
13	959 628 351 00	Connecting piece		2	
14	959 628 353 00	Union nut		2	
15	959 628 357 00	Sealing ring		4	
16	914 628 413 10	Distributing piece		1	
-	999 181 806 40	Hose 4,6 X 8,2		*	
17A		370 MM		1	
17B		770 MM		1	
17C		880 MM		2	
18	999 591 800 02	Clamping washer 3,5		12	
19	959 628 459 00	Pan-head screw PA 6,6		2	
20	900 187 018 02	Hexagon-head tapping screw 4,8 X 16		4	
21	N 011 665 3	Washer B 5,3		4	
21	N 011 665 16	Washer B 5,3		4	
22	999 591 348 02	Speed nut 4,8		4	
22	999 591 348 01	Speed nut 4,8		4	
23	999 511 061 02	Clamp 15 / 20		3	
23	999 511 061 01	Clamp 15 / 20		3	
24	900 075 087 02	Hexagon-head bolt M 8 X 16		3	
24	900 075 087 03	Hexagon-head bolt M 8 X 16		3	
25	900 025 007 02	Washer A 8,4		3	
25	900 025 007 03	Washer A 8,4		3	
26	999 513 010 40	Tie-wrap 10-70		3	
27	999 651 230 02	Hose holder		6	
28	999 512 335 02	Clamp			
29	928 628 193 00	Gasket		1	

Model: 959 87

Model life 1987>>1988



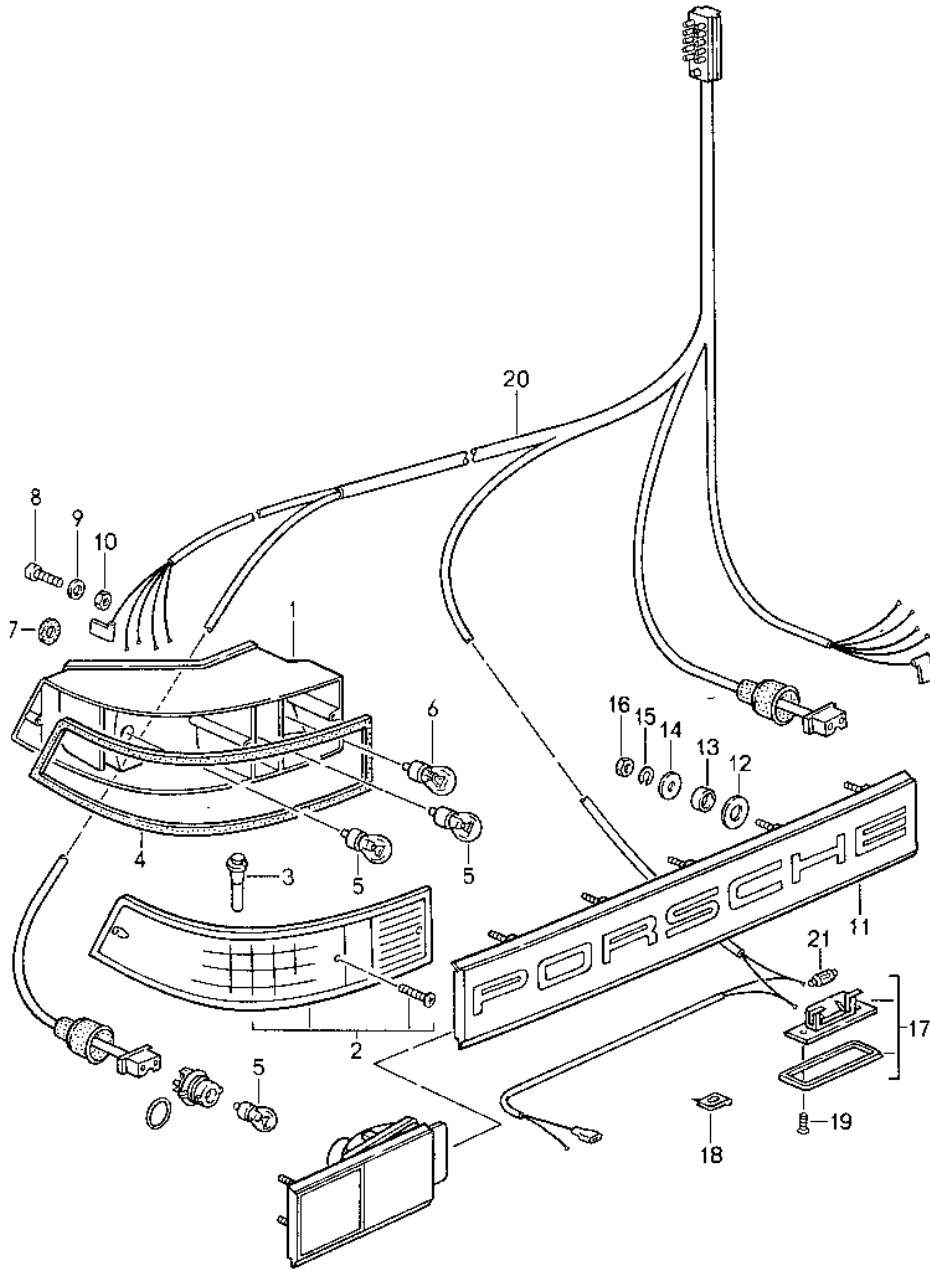
Model: 959 87

Model life 1987>>1988

Pos	Part Number	Description	Remark	Qty	Model
		Headlamp Lights Front			
1	959 631 113 00	Headlamp	/L	1	
(1)	959 631 114 00	Headlamp	/R	1	
(1)	959 631 213 00	Headlamp	/L	1	M492
(1)	959 631 214 00	Headlamp	/R	1	M492
2	999 507 229 02	Speed nut 3,9		8	
3	900 143 178 07	Oval-head sheetmetal screw B 3,9 X 22		8	
4	959 631 301 00	Covering frame		2	
5	900 270 060 00	Countersunk-head screw M 4 X 10		2	
6	999 631 202 90	Bulb H4 12V-60/55W		2	
6	999 631 202 91	Halogen bulb H4 12V-60/55W	(F)	2	
7	900 631 103 90	Bulb 12V-4W		2	
8	911 631 259 02	Rubber sleeve		2	
9	911 631 108 00	Terminal sleeve housing		2	
-	N 017 498 A	Flat plug 7,7 X 1 CuZn		X	
10	959 631 405 00	Direction indicator light	/L	1	
(10)	959 631 406 00	Direction indicator light	/R	1	
11	900 631 127 90	Bulb 12V-21W		2	
12	944 503 255 00	Spacer		4	
13	N 011 005 14	Hexagon nut M 5		4	
13	900 076 091 01	Hexagon nut M 5		4	
14	900 151 027 02	Washer B 5,3		4	
14	900 151 027 03	Washer B 5,3		4	
15	4A0 949 101	Direction indicator light		2	
16	999 631 032 90	Bulb 12V-10/5W		2	
17	161 949 111	Bulb socket		2	
18	959 631 423 00	Retainer spring for Covering frame		2	
19	411 953 169	Oval-head sheetmetal screw		4	

Model: 959 87

Model life 1987>>1988



Model: 959 87

Model life 1987>>1988

Pos	Part Number	Description	Remark	Qty	Model
		Lights			
		Rear			
1	911 631 939 00	Tail light housing	/L	1	
(1)	911 631 940 00	Tail light housing	/R	1	
-	N 100 818 01	Oval-head screw for Tail light housing M5 X 16		X	
2	911 631 949 00	Lens	/L	1	
-	PCG 631 911 00	Screw Fastening screw Silver Comprising: 6 Schrauben 6 Dichtungen		1	
-	PCG 631 911 01	Screw Fastening screw Black Comprising: 6 Schrauben 6 Dichtungen		1	
(2)	911 631 950 00	Lens	/R	1	
-	PCG 631 911 00	Screw Fastening screw Silver Comprising: 6 Schrauben 6 Dichtungen		1	
-	PCG 631 911 01	Screw Fastening screw Black Comprising: 6 Schrauben 6 Dichtungen		1	
3	911 631 259 02	Rubber sleeve		2	
4	911 631 971 01	Gasket	/L	1	
(4)	911 631 971 00	Gasket	/R	1	
5	900 631 127 90	Bulb 12V-21W		6	
6	900 631 128 90	Bulb 12V-21/5W		2	
7	959 631 417 00	Rubber ring		8	
8	900 146 049 00	Pan-head screw M 5 X 25		4	
9	900 025 053 00	Washer A 5,3		4	
10	900 910 104 07	Lock nut M 5		4	
11	959 631 251 00	Covering with rear foglamp		1	
12	911 631 602 00	Washer		16	
13	959 631 605 00	Hose piece		16	
14	911 631 603 00	Washer		16	
15	N 012 224 3	Spring washer		16	
16	N 011 004 6	Hexagon nut M 5		16	
16	N 011 004 G	Nut M 5		16	
17	959 631 619 00	License plate light		2	
18	999 591 750 02	Speed nut B 3,9		4	
19	900 143 132 07	Tapping screw B 3,9		4	

Model: 959 87

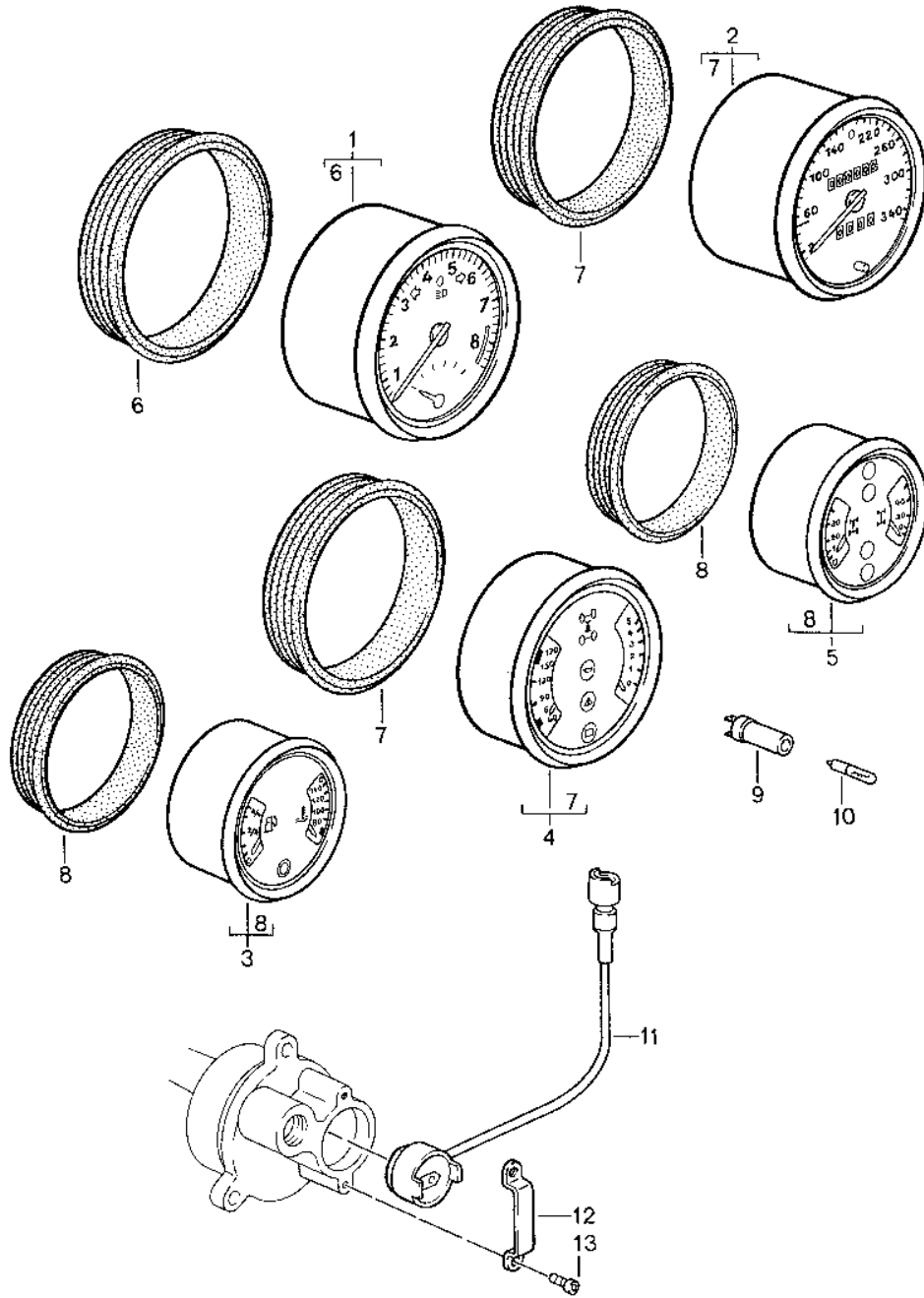
Model life 1987&gt;&gt;1988

Pos	Part Number	Description	Remark	Qty	Model
19		Tapping screw B 3,9 X 16		4	
20	959 612 018 00	Wiring harness		1	
21	900 631 105 90	Bulb 12V - 5W		2	



Model: 959 87

Model life 1987>>1988



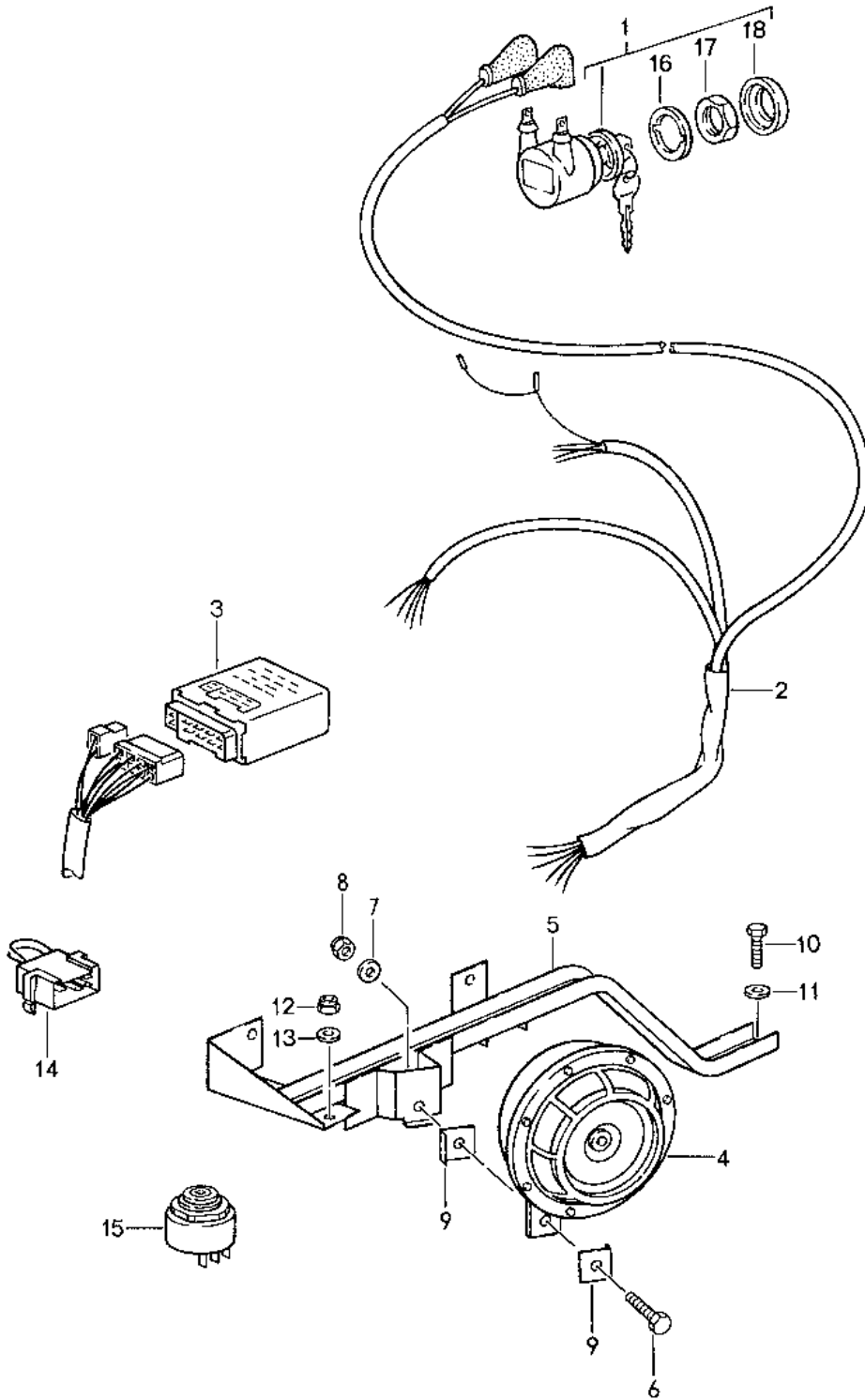
Model: 959 87

Model life 1987&gt;&gt;1988

Pos	Part Number	Description	Remark	Qty	Model
1	959 641 301 00	Instruments Tachometer with		1	
2	959 641 507 00	Boost pressure gauge Speedometer 350 KM/H		1	
2	959 641 507 X	Speedometer 350 KM/H		1	
(2)	959 641 517 00	Speedometer 220 MPH		1	
3	959 641 202 00	Instrument cluster Fuel/oil temperature gauge		1	
4	959 641 103 01	Instrument cluster Central warning light Tyre pressure monitoring		1	
5	959 641 750 00	Instrument cluster Lock control		1	
6	911 641 903 01	Rubber ring \$ 120		1	
7	911 641 902 01	Rubber ring \$ 100		2	
8	911 641 901 01	Rubber ring \$ 80		2	
9	999 632 002 00	Bulb socket		2	
10	900 631 103 90	Bulb 12V-4W		2	
(10)	900 631 102 90	Light 12V-2W		1	
11	959 606 210 00	Pulse sender Speedometer		1	
12	959 318 340 00	Support for		1	
13	900 067 201 02	Pulse sender Pan-head screw M 5 X 10		2	

Model: 959 87

Model life 1987>>1988



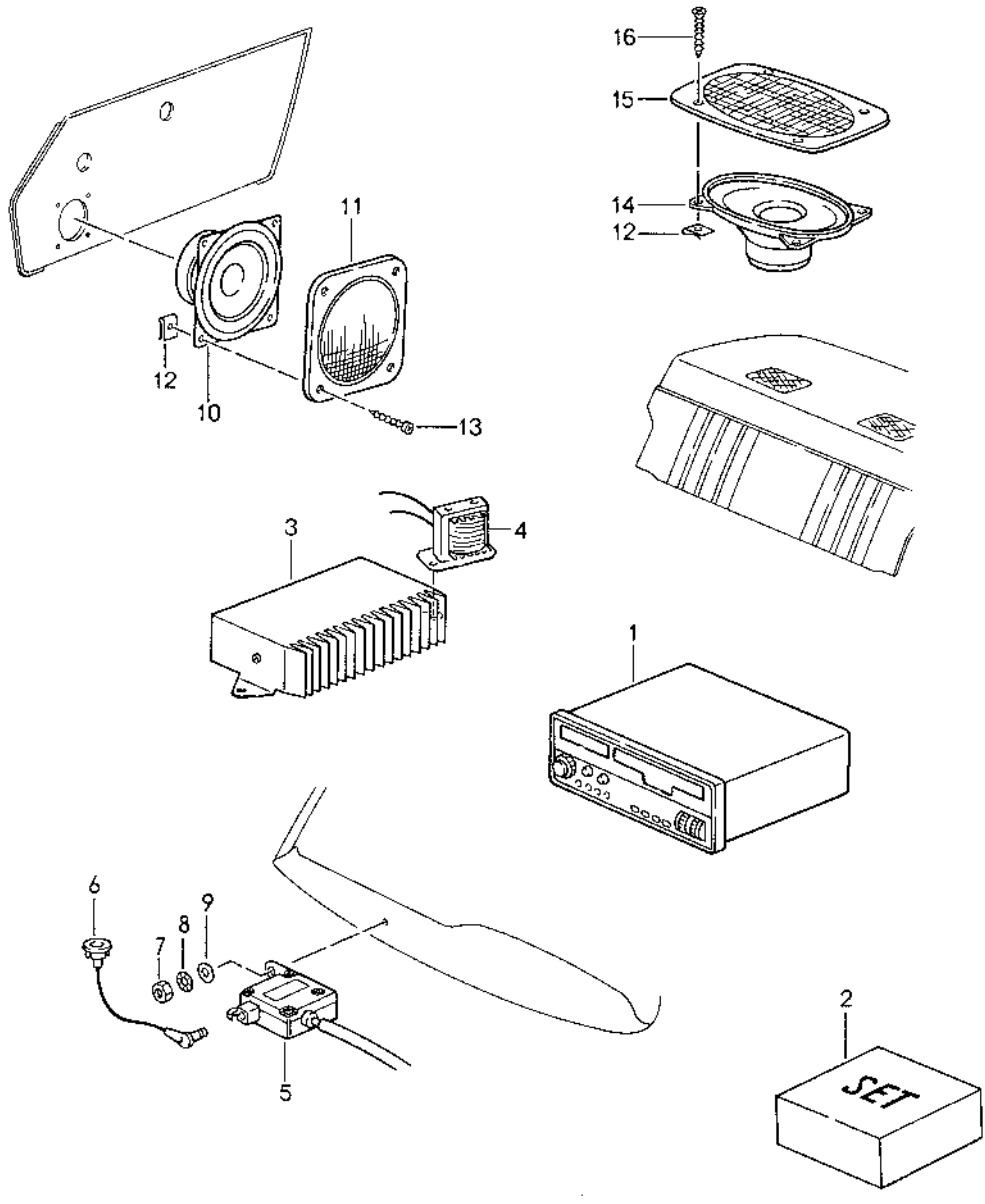
Model: 959 87

Model life 1987>>1988

Pos	Part Number	Description	Remark	Qty	Model
1	911 637 101 00	Alarm system		1	
2	959 612 165 00	Alarm switch with keys		1	
3	911 637 104 02	Wiring harness		1	
4	959 635 101 00	Driver's door		1	
(4)	959 635 102 00	Alarm control unit		1	
5	959 635 093 01	Horn		1	
5	959 635 093 01 GRV	High-pitched Horn	/L	1	
(5)	959 635 094 01	Low-pitched Support	/L	1	
(5)	959 635 094 01 GRV	Support	/L	1	
6	N 010 242 12	Support	/R	1	
7	900 025 007 02	Support	/R	1	
7	900 025 007 03	Prime coated Hexagon-head bolt		2	
8	900 910 024 02	Washer		2	
9	959 635 293 00	A 8,4		2	
10	900 075 057 02	Washer		2	
10	900 075 057 03	A 8,4		2	
11	N 011 524 7	Lock nut		2	
11	N 011 524 27	M 8		4	
12	900 910 009 02	Desk pad		2	
12	900 084 026 01	Hexagon-head bolt		2	
13	N 011 556 2	M 6 X 16		4	
14	959 612 101 00	Washer		4	
15	959 635 223 00	A 6,4		4	
16	477 951 255	Washer		4	
17	911 637 125 00	Lock nut		4	
18	477 951 251	M 5		4	
	477 951 251 01C	Lock nut		4	
		M 5		4	
		Washer		4	
		A 5,5		4	
		Bridge adapter		1	
		Sender		1	
		Washer		1	
		Hexagon nut		1	
		M 21 X 0,75		1	
		Rosette		1	
		Satin black		1	

Model: 959 87

Model life 1987>>1988



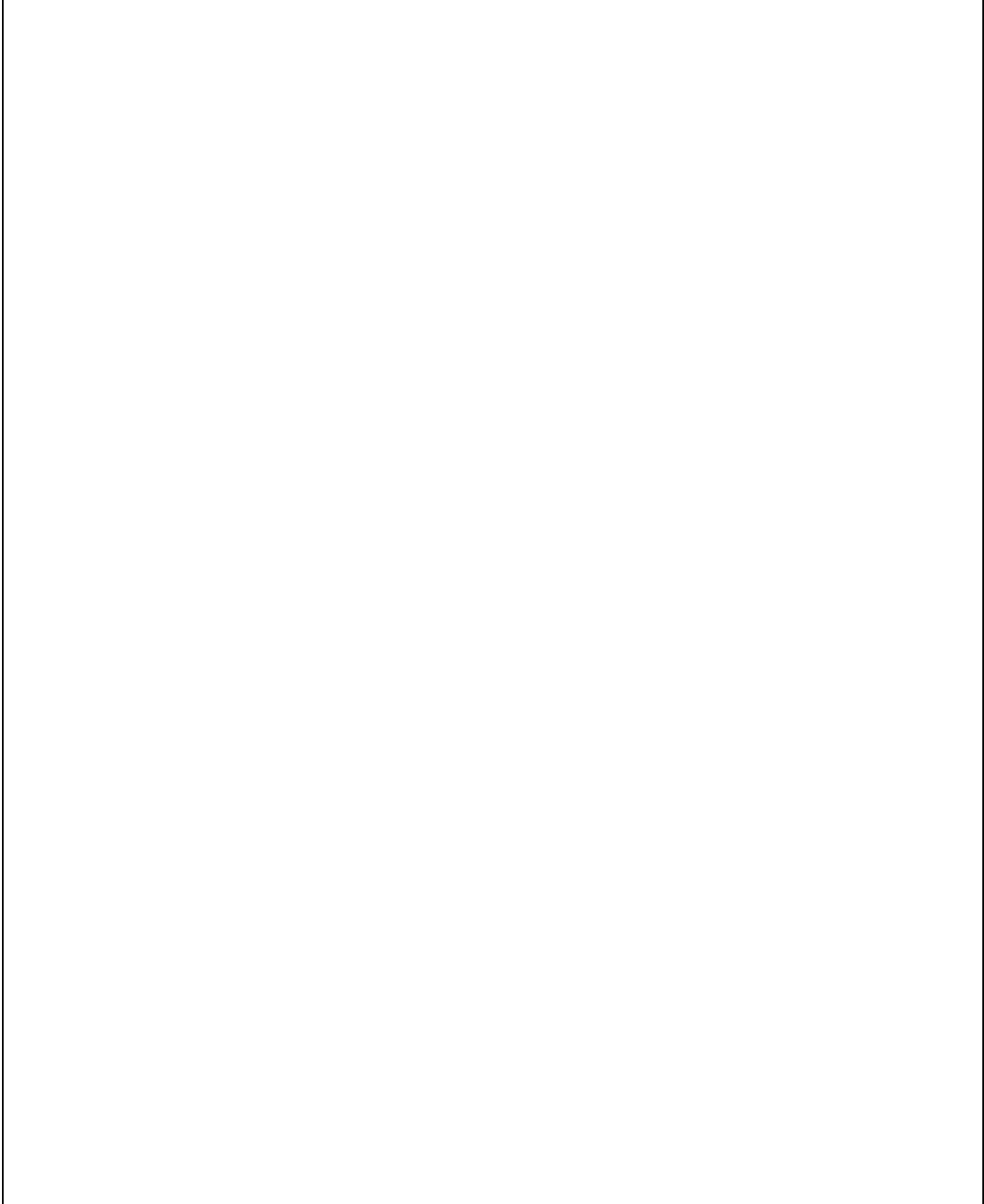
Model: 959 87

Model life 1987&gt;&gt;1988

Pos	Part Number	Description	Remark	Qty	Model
1	911 645 159 01	Radio Loudspeaker Installation parts		1	
1	911 645 139 02	Radio BREMEN SQR 46		1	
2	911 645 145 02	Radio TORONTO SQR 46 Installation set for		1	
-	911 645 173 02	Radio Comprising: Retaining frame Retainer spring Cap		1 1 1	
3	928 645 405 02	Amplifier		1	
4	999 619 140 00	Battery interference choke		1	
5	928 645 173 02	Antenna booster		1	
5	964 645 173 01	Antenna booster		1	
6	959 645 183 00	Connecting line		1	
7	900 076 010 02	Nut M 6		1	
7	900 076 010 0B	Nut M 6		1	
8	N 042 121 3	Shake-proof washer J 6,4		1	
9	N 011 524 7	Washer A 6,4		1	
9	N 011 524 27	Washer A 6,4		1	
10	911 645 433 00	Door speaker		2	
11	911 555 013 01	Loudspeaker grille		2	
12	999 591 575 02	Speed nut B 4,2		16	
12	999 591 575 01	Speed nut B 4,2		16	
13	N 013 967 9	Tapping screw B 4,2 X 19		8	
14	911 645 435 00	Rear loudspeaker		2	
15	911 555 019 00	Loudspeaker grille		2	
16	900 145 084 07	Tapping screw B 4,2 X 19		8	

Model: 959 87

Model life 1987>>1988



Model: 959 87

Model life 1987>>1988

Pos	Part Number	Description	Remark	Qty	Model
-	911 645 190 00	Radio Navigation system Installation parts		1	
-	911 645 191 00	Radio Navigation system with PORSCHE logo		1	
-	911 645 192 00	Radio Navigation system with TMC with PORSCHE logo		1	
-	911 645 195 00	Cover for Radio Navigation system with PORSCHE logo		1	
-	911 645 197 00	Cover for Radio Navigation system without PORSCHE logo		1	
-	911 645 196 00	Adapter		1	
-	911 642 105 00	Adapter		1	
-	911 642 105 00	Antenna		1	
-	911 642 100 00	Antenna		1	
-	911 642 100 00	Software Update 1-2011		1	
-	911 642 100 01	Software Update 1-2013		1	
-	911 642 100 02	Software Update 1-2014		1	
-	911 642 107 00	Microphone		1	
-	911 645 199 00	Handheld transmitter		1	
-	911 645 190 01	Navigation system Knob Control part Navigation system		2	