

**Model: 968 92****Model life 1992>>1995**

## ORDER-INFO

THIS PARTS CATALOGUE CONTAINS ALL ORDER INFORMATION OF  
TYPE 968 FROM MODEL YEAR 1992 TO MODEL YEAR 1995

IT IS AVAILABLE IN TWO EDITIONS IN THE FOLLOWING LANGUAGES:

EDITION

USA, CANADA - \*

EDITION

ALL OTHER COUNTRIES - GERMAN

\* - ENGLISH

- FRENCH

- ITALIAN

- SPANISH

UPDATING IS BEING PERFORMED BY CHANGING OF UPDATE.

THE EDITION CAN BE RECOGNIZED BY THE CURRENT NO.  
YEAR IN THE BOTTOM LINE OF SUBJECT UPDATE.

THE PREVIOUS UPDATE SHOULD NO LONGER BE USED.

ALL ILLUSTRATIONS ARE SUBJECT TO CHANGE WITHOUT OBLIGATION.

Model: 968 92

Model life 1992>>1995

EXPLANAT.- VIN

EXPLANATION OF THE ABRIDGED VERSION OF THE VEHICLE IDENT. NUMBERS (VIN)  
 =====  
 USED IN THE CATALOGUE  
 =====

DIGIT:                            1 2 3 4 5 6 7 8 9 10 11 12 13 14 15 16 17

EXAMPLE:                        W P O Z Z Z 9 6 Z N S 8 0 0 0 6 1

                                  ===            =        =        =        =====

  !            !        !        !            !

VEHICLE TYPE 1ST+2ND DIGIT-----+    !        !        !            !

  !        !        !            !

MODEL YEAR-----+    !        !        !            !

  !        !        !            !

MANUFACTURING LOCATION-----+    !        !        !            !

  !        !        !            !

VEHICLE TYPE 3RD DIGIT-----+    !        !        !            !

  !        !        !            !

SERIAL NUMBER-----+    !        !        !            !

Model: 968 92

Model life 1992&gt;&gt;1995

## SUMMARY TYPES

VEHICLE TYPE	MY	VEHICLE IDENT.NR.	ENGINE TYPE
968 COUPE	92 N	96NS8 00061>05000	M44.43/44 176 KW
968 CABRIO	92 N	96NS8 30061>35000	M44.43/44 176 KW
968 COUPE (USA) (CDN)	92 N	96NS8 20061>25000	M44.43/44 176 KW
968 CABRIO (USA) (CDN)	92 N	96NS8 40061>45000	M44.43/44 176 KW
968 COUPE	93 P	96PS8 00061>05000	M44.43/44 176 KW
968 COUPE CS	93 P	96PS8 15061>19000	M44.43 176 KW
968 CABRIO	93 P	96PS8 30061>34000	M44.43/44 176 KW
968 COUPE (USA) (CDN)	93 P	96PS8 20061>24000	M44.43/44 176 KW
968 CABRIO (USA) (CDN)	93 P	96PS8 40061>45000	M44.43/44 176 KW
968 COUPE	94 R	96RS8 00061>05000	M44.43/44 176 KW
968 COUPE CS	94 R	96RS8 15061>19000	M44.43 176 KW
968 CABRIO	94 R	96RS8 30061>34000	M44.43/44 176 KW
968 COUPE (USA) (CDN)	94 R	96RS8 20061>25000	M44.43/44 176 KW
968 CABRIO (USA) (CDN)	94 R	96RS8 40061>44000	M44.43/44 176 KW
968 COUPE	95 S	96SS8 00061>05000	M44.43/44 176 KW
968 COUPE CS	95 S	96SS8 15061>15800	M44.43 176 KW
968 CABRIO	95 S	96SS8 30061>34000	M44.43/44 176 KW
968 COUPE (USA) (CDN)	95 S	96SS8 20061>25000	M44.43/44 176 KW
968 VABRIO (USA) (CDN)	95 S	96SS8 40061>44000	M44.43/44 176 KW

Model: 968 92

Model life 1992>>1995

EXPL. ENGINE-NO.

EXPLANATION OF THE MOTOR-NUMBERS USED IN THE CATALOGUE

=====

DIGIT:		1	2	3		4	5	6	7	8
EXAMPLE:		4	2	N		0	0	5	0	1
		=	=	=		=	=	=	=	=
		!	!	!		!				
ENGINE TYPE (4 = 4-CYL.-ENGINE)	-----+	!	!			!				
		!	!			!				
ENGINE VERSION	-----+	!				!				
		!				!				
MODEL YEAR	-----+					!				
						!				
SERIAL NUMBER	-----+									!

**Model: 968 92****Model life 1992>>1995**

## SUMMARY ENGINE

VEHICLE TYPE	ENGINE			TECHNICAL DATA
	TYPE	MY	ENGINE NO.	
968	M44.43	92 N	42N 00501>20000	4CYL/3,0L/176 KW
968 M249	M44.44	92 N	42N 50501>60000	4CYL/3,0L/176 KW
968	M44.43	93 P	42P 00501>20000	4CYL/3,0L/176 KW
968 M249	M44.44	93 P	42P 50501>60000	4CYL/3,0L/176 KW
968	M44.43	94 R	42R 00501>20000	4CYL/3,0L/176 KW
968 M249	M44.44	94 R	42R 50501>60000	4CYL/3,0L/176 KW
968	M44.43	95 S	42S 00501>20000	4CYL/3,0L/176 KW
968 M249	M44.44	95 S	42S 50501>60000	4CYL/3,0L/176 KW

Model: 968 92

Model life 1992>>1995

EXPL. TRANSM. NO.

EXPLANATION OF THE TRANSMISSION-NUMBERS USED IN THE CATALOGUE

DIGIT:	1	2	3	4	5	6	7	8	9	10	11	12
EXAMPLE:	G	4	4	0	0	3	0	0	2	5	4	3
	=	=====				=	=====					
	!		!			!				!		!
	!		!			!				!		!
TRANSMISSION TYPE-----+			!			!				!		!
			!			!				!		!
TRANSMISSION VERSION-----+						!				!		!
						!				!		!
INDEX OF VARIANTS-----+										!		!
										!		!
SERIEL NUMBER-----+												!

Model: 968 92

Model life 1992&gt;&gt;1995

## SUMM. TRANSMISS.

VEHICLE TYPE	TRANSM.		TRANSMISSION NO.	TECHNICAL DATA
	TYPE	MY		
968	G44.00	92 N	G4400 1002001>999999	6-SPEED
968 M220	G44.00	92 N	G4400 2002001>999999	6-SPEED
968 TIPTRONIC	A44.00	92 N	A4400 1002001>999999	4-SPEED
968	G44.00	93 P	G4400 1002001>999999	6-SPEED
968 M220	G44.00	93 P	G4400 2002001>999999	6-SPEED
968 TIPTRONIC	A44.00	93 P	A4400 1002001>999999	4-SPEED
968	G44.00	94 R	G4400 1002001>999999	6-SPEED
968 M220	G44.00	94 R	G4400 2002001>999999	6-SPEED
968 TIPTRONIC	A44.00	94 R	A4400 1002001>999999	4-SPEED
968	G44.00	95 S	G4400 1002001>999999	6-SPEED
968 M220	G44.00	95 S	G4400 2002001>999999	6-SPEED
968 TIPTRONIC	A44.00	95 S	A4400 1002001>999999	4-SPEED

Model: 968 92

Model life 1992&gt;&gt;1995

## LEGENDS/NOTICES

## LEGENDS AND NOTICES

=====

## IN COLUMN -S- STATUS

-----

- N NEW ADDITION
- P PART ALREADY IN PROGRAMME, BUT NEW  
AT THIS APPLICATION
- W DELETED AT THIS APPLICATION, BUT CONTINUED  
TO BE CARRIED
- A STOCK TO BE USED UP
- U DELETED WITHOUT REPLACEMENT
- \* PART ALSO OR ONLY AVAILABLE  
IN REPAIR KIT
- > ALSO AVAILABLE IN EXCHANGE

## IN COLUMN - ILL. -

-----

- 1 IDENTIFICATION NO. IN ILLUSTRATION
- (1) PART ONLY SIMILAR AS ILLUSTRATED
- PART IS NOT ILLUSTRATED

FIG.-NUMBERS FOR WHICH THERE IS SHOWN NO TEXT ARE  
NOT VALID FOR THIS EDITION OF CATALOGUE

## IN COLUMN -PART NUMBER/CODE-

-----

000 000 000 00 PART NUMBER EQUALS ORDERING NO., IF A CODE IS  
SHOWN, IT WILL HAVE TO BE PART OF ORDERING  
NUMBER

AC3 COLOUR CODE

## IN COLUMN -TEXT

-----

INSTALLATION WITH ENGINE OR CHASSIS  
NUMBER-RANGE

## EXAMPLE:

M 42N 00501 &gt;&gt;

FROM ENGINE NO.



**Model: 968 92****Model life 1992>>1995**

F &gt;&gt; 96NS8 00561

UP TO CHASSIS NO.

Model: 968 92

Model life 1992>>1995

LEGENDS/NOTICES

IN COLUMN - A -  
-----

IDENTIFICATION LETTER FOR PERIOD OF INSTALLATION  
THAT IS REPEATED SEVERAL TIMES IN THE CATALOG GROUP.

EXPLANATION PLEASE FIND IN TEXT COLUMN OF THE CATALOG GROUP

IN COLUMN - QU - = NO. OF PIECES  
-----

- 1 NUMBER PER APPLICATION
- X NUMBER AS NEEDED
- \* AVAILABLE ONLY IN RUNNING LENGTHS 1 = 1 METRE

IN COLUMN - MODEL/SYMBOL -  
-----

- M650 OPTIONAL EQUIPMENT - SEE M-NO. LIST
- 93 LIMITATION OF MODEL YEAR FOR INSTANCE: VALID UP TO  
END OF MODEL YEAR 1984
- /LL LHD
- /RL RHD
- +
- /V FRONT I  
I
- /H REAR I  
I----> APPLIES TO
- /L LEFT I DIRECTION OF TRAVEL  
I
- /R RIGHT I  
-----+
- WW THE PART CAN BE USED INSTEAD OF THE  
PRECEDING ONE

Model: 968 92

Model life 1992&gt;&gt;1995

COUNTRY-EQIPM.

## EQUIPMENT BY COUNTRY REGULATIONS

=====

(A)	AUSTRIA
(AG)	ARABIAN GULF STATES
(AUS)	AUSTRALIA
(B)	BELGIUM
(CDN)	CANADA
(CH)	SWITZERLAND
(D)	FEDERAL REPUBLIC OF GERMANY
(DK)	DENMARK
(E)	SPAIN
(F)	FRANCE
(GB)	GREAT BRITAIN
(GR)	GREECE
(HK)	HONGKONG
(I)	ITALY
(J)	JAPAN
(L)	LUXEMBURG
(N)	NORWAY
(NL)	NETHERLANDS
(NZ)	NEW ZEALAND
(P)	PORTUGAL
(RC)	TAIWAN
(S)	SWEDEN
(SA)	SAUDI ARABIA
(SF)	FINLAND
(USA)	UNITED STATES OF AMERICA
(ZA)	SOUTH AFRICA

Model: 968 92

Model life 1992&gt;&gt;1995

NR	Description
M000	+-----+ ! Summary of optional extras "M"! +-----+
M018	Sports steering wheel with elevated hub 30 mm
M020	Speedometer with two scales mph-km/h
M024	Version for Greece
M030	Sport-type chassis
M034	Version for Italy
M036	Impact absorbers front and rear
M058	Impact absorbers, front and rear
M061	Version for Great Britain
M062	Version for Sweden
M063	Version Luxemburg
M113	Version for Canada
M114	Version for Taiwan
M119	Version for Spain
M124	Version for France
M126	Control and indications in French lettering
M127	Control and indications in Swedish
M130	Control and indications in English lettering
M139	Seat heating system, left seat
M150	Operation with leaded gas
M185	2-point seat belts, rear automatic
M186	2-point seat belts, rear manual
M193	Version for Japan
M195	Preparation for mobile telephone system
M197	Stronger battery
M208	Trailer coupling
M215	Version for Saudi Arabia
M219	Differential
M220	Locking differential 40 %
M225	Version for Belgium, engine designation: -B-
M249	Tiptronic transmission
M261	Door mirror - flat - passenger's side, electrically adjustable and heatable
M277	Version for Switzerland
M288	Headlamp washer
M298	Catalytic converter together with manual transmission
M299	Catalytic converter together with automatic transmission
M317	Equipment for countries with dust-laden air

Model: 968 92

Model life 1992&gt;&gt;1995

NR	Description
M325	Version for South Africa/New Zealand
M327	Radio "Symphony RDS"
M331	Radio "Porsche CR-1"
M332	Radio "Porsche CR-2"
M333	Radio Paris RCR 41
M334	Radio/cassette player Bremen RCM 42
M340	Seat heating system, right seat
M341	Central locking system
M379	Standard seat, left, electrical vertical adjustment
M380	Standard seat, right, electrcal vertical adjustment
M381	Standard seat, left, manually adjustable
M382	Standard seat, right, manually adjustable
M383	Sports seat, left, electrically vertically adjustable
M384	Bucket seat, left
M385	Bucket seat, right
M387	Sports seat, right, electrically vertically adjustable
M398	Cup wheel, 17-inch
M402	Cast wheel "Cup", 16-inch
M403	Cast wheel "Cup", 17-inch
M406	Rear seats with static belts
M418	Side protection moldings
M419	Rear luggage dump
M423	Holder for cassettes and coins
M425	Rear window wiper
M431	4-spoke steering wheel (leather), diameter 363 mm
M433	Leather steering wheel Atiwe
M437	Comfort seat, left, electrically adjustable
M438	Comfort seat, right, electrically adjustable
M441	Radio preparation
M451	Reduceg radio preparation
M454	Automatic speed control
M463	Clear windscreen
M466	2nd rear fog lamp
M467	Door mirror for driver's side, convex, electrically heatable and adjustable
M474	Shock absorber (sporting), front and rear
M479	Version for Australia
M480	6-speed manual transmission
M484	Version for USA

Model: 968 92

Model life 1992&gt;&gt;1995

NR	Description
M488	Inscriptions in German language
M489	Switches and insignias in German language
M490	Sound package
M492	Headlamps for left-hand traffic
M494	Additional amplifier
M498	Deletion of model designation on rear end
M499	Version for Germany
M513	Lumbar support, right seat
M526	Door panels (cloth)
M533	Anti-theft device
M553	Version for USA, Canada
M561	Airbag, driver's side
M562	Airbag, driver's side and front passenger's side
M564	Without airbag
M566	Front fog lights, white
M567	Windscreen tinted, upper part darker coloured
M573	Air conditioner
M586	Lumbar support, left seat
M595	Rear spoiler with color of the car
M602	Raised stop lamp
M605	Headlight levelling system
M611	Preparation for telephone installation Nokia (D-network)
M612	Preparation for Philips telephone "C2" network
M614	Preparation for telephone installation Motorola (D-network)
M650	Detachable roof, electrical
M651	Electric window opener
M655	Folding top control, electrical
M657	Power assisted steering
M685	Rear seats, split
M690	CD player "CD-10" radio + ARI
M691	CD player "CD-2" with radio
M692	CD autochanger "Porsche "
M693	CD radio London RDM 42
M900	Tourist's cars
M930	Seat covers, rear, leather
M931	Seat covers, rear, leatherette
M932	Seat covers,, rear cloth/leatherette/leatherette
M933	Seat covers, rear cloth/leather/leather
M934	Seat covers, rear, cloth/cloth/leatherette

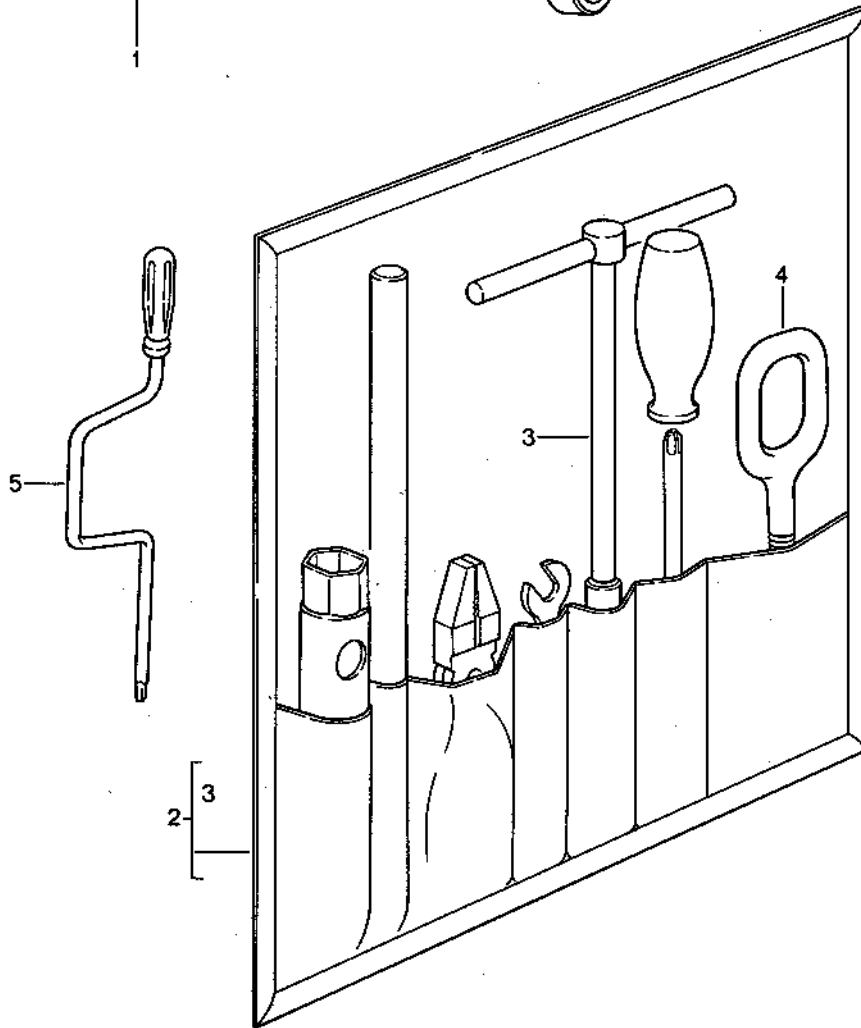
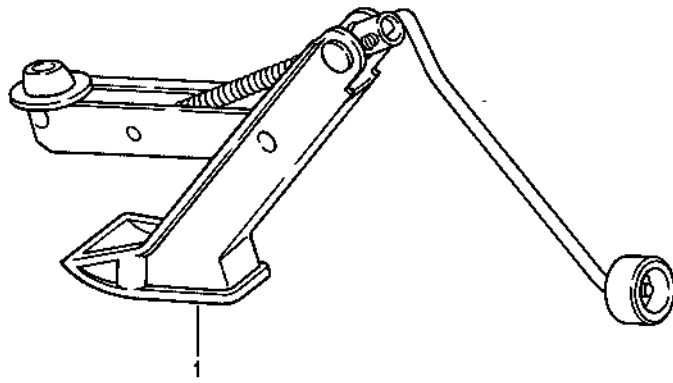
Model: 968 92

Model life 1992&gt;&gt;1995

NR	Description
M935	Seat covers, rear, draped leather
M945	Seat covers, front cloth/leatherette/leatherette
M946	Seat covers, front, leather/leather/leatherette
M947	Seat covers front: cloth/leather/leatherette rear: cloth/leatherette/leatherette
M948	Seat covers, front, cloth/leather/leather
M980	Seat cover - draped leather
M981	Leather equipment without seat covers
M983	Seat covers, front, leather
M986	Partial leather equipment
M990	Seat covers, front, cloth/cloth/leatherette

Model: 968 92

Model life 1992>>1995



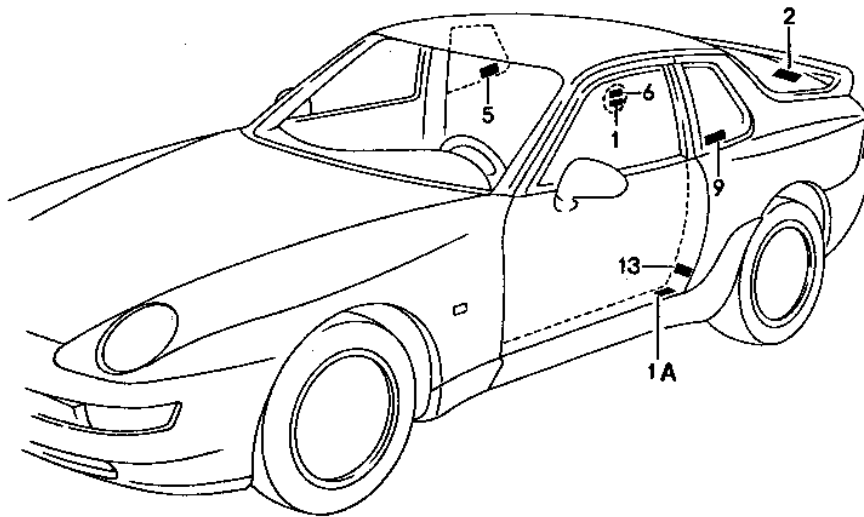
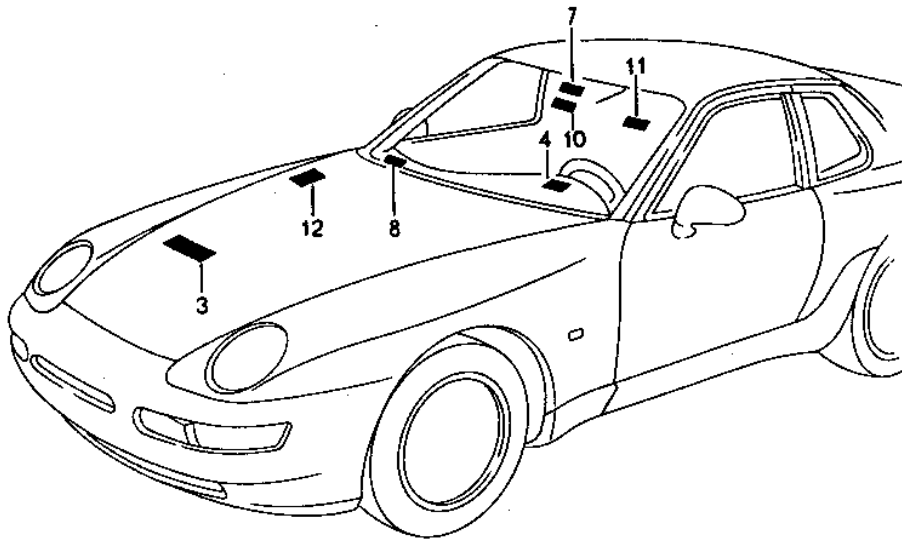


Model: 968 92 Model life 1992>>1995

Pos	Part Number	Description	Remark	Qty	Model
		Accessories			
1	000 721 710 01	Jack		1	
1	000 721 710 03	Jack		1	
(1)	000 721 711 01	Jack	(AUS) -93	1	
(1)		Jack	(AUS)	1	
2	944 721 027 05	Tool bag with contents Comprising: Tool bag		1	
		Angular screw driver		1	
3	477 012 233	Spark plug wrench		1	
		Rim wrench		1	
		Operating rod for Rim wrench		1	
		Double-end spanner 10 X 13		1	
		Handle		1	
		Insert for Cross-recess screw		1	
		And Slotted screw			
		Universal pliers		1	
-	928 361 311 00	Hook for Cover		1	
		Wheel nut			
		Use also:			
4	928 722 101 05	Towing lug		1	
5	928 521 907 02	Crank for emergency control		1	M437/438

Model: 968 92

Model life 1992>>1995



Model: 968 92 Model life 1992>>1995

Pos	Part Number	Description	Remark	Qty	Model
		Stickers			
		Stickers			
		Tyre pressure			
1	964 701 287 03	Sticker	92	1	
1	944 701 287 31	Sticker	93-	1	
1	944 701 287 23	Sticker	(AUS) 92	1	
1	944 701 287 26	Sticker	(AUS) 92	1	M403
1	944 701 287 29	Sticker	(AUS) 93-	1	M402
					M403
1	944 701 287 33	Sticker	(AUS) 93-	1	M030
1A	944 701 287 31	Sticker	93-	1	CABRIO
1A	944 701 287 29	Sticker	(AUS) 93-	1	CABRIO
		Stickers			
		Emergency wheel			
2	928 701 145 05	Sticker		1	
		German			
2	996 361 701 00	Sticker		1	
		English			
2	996 361 701 01	Sticker		1	
		French			
2	928 701 148 05	Sticker		1	
		Italian			
2	928 701 149 00	Sticker		1	
		Spanish			
2	928 701 150 00	Sticker		1	
		"MAX 80 KM/H"			
		Stickers			
		Engine specifications			
3	944 006 113 12	Sticker	(S) -93	1	
3	944 006 113 13	Sticker	(S) 94-	1	
3	944 006 115 33	Sticker	(AUS) 92	1	/(RC)
3	944 006 115 34	Sticker	(AUS) 93	1	
3	944 006 115 35	Sticker	(AUS) 94	1	
3	944 006 115 37	Sticker	(AUS) 95	1	
3	944 006 117 16	Sticker	(AUS) 92	1	
3	944 006 117 17	Sticker	(AUS) 93	1	
3	944 006 117 18	Sticker	(AUS) 94	1	
3	944 006 117 19	Sticker	(AUS) 95	1	
		Stickers			
		Unleaded			
		Dashboard			
4	928 701 173 02	Sticker		1	
		English			
4	928 701 173 06	Sticker		1	
		Swedish			
		Stickers			
		Unleaded			
		Side window			
5	477 000 258	Sticker		1	COUPE
		English			
5	944 701 201 08	Sticker		1	
		German			
5	928 701 171 02	Sticker		1	
		French			
5	944 701 201 05	Sticker		1	
		Swedish			
5	911 701 257 02	Sticker		1	
		Italian			
5	911 701 257 03	Sticker		1	
		Spanish			
		Stickers			
		Unleaded			
6	911 701 257 00	Sticker		1	CABRIO

Model: 968 92 Model life 1992>>1995

Pos	Part Number	Description	Remark	Qty	Model
6	944 701 201 09	English French Sticker		1	
6	911 701 257 04	German Sticker		1	
6	911 701 257 05	Italian Sticker		1	
6	944 701 201 06	Spanish Sticker		1	
6	928 006 117 14	Swedish Stickers Octane rating Sticker		1	98ROZ
6	928 006 117 13	Swedish Sticker		1	98ROZ
6	928 006 117 15	German Sticker		1	98ROZ
6	928 006 117 19	English Sticker		1	98ROZ M150
6	928 006 117 18	English Sticker		1	98ROZ
6	928 006 117 16	French Sticker		1	98ROZ
6	928 006 117 17	Italian Sticker		1	98ROZ
6	930 701 203 05	Spanish Sticker		1	93ROZ
7	944 701 422 03	English Stickers Airbag Sticker		1	
7	944 701 422 04	German Sticker		1	
7	945 701 422 00	English Sticker	/RL	1	
7	944 701 422 05	English Sticker		1	
8	928 701 421 03	French Sticker		1	
8	928 701 421 04	German Sticker		1	
9	911 701 250 00	English Sticker Stickers Convertible top control		2	CABRIO
10	941 701 151 22	Electric Sticker		1	
10	941 701 151 26	German Sticker		1	
10	941 701 151 25	Spanish Sticker		1	
10	941 701 151 27	Italian Sticker		1	
10	941 701 151 24	Japanese Sticker		1	
10	941 701 151 23	French Sticker English		1	

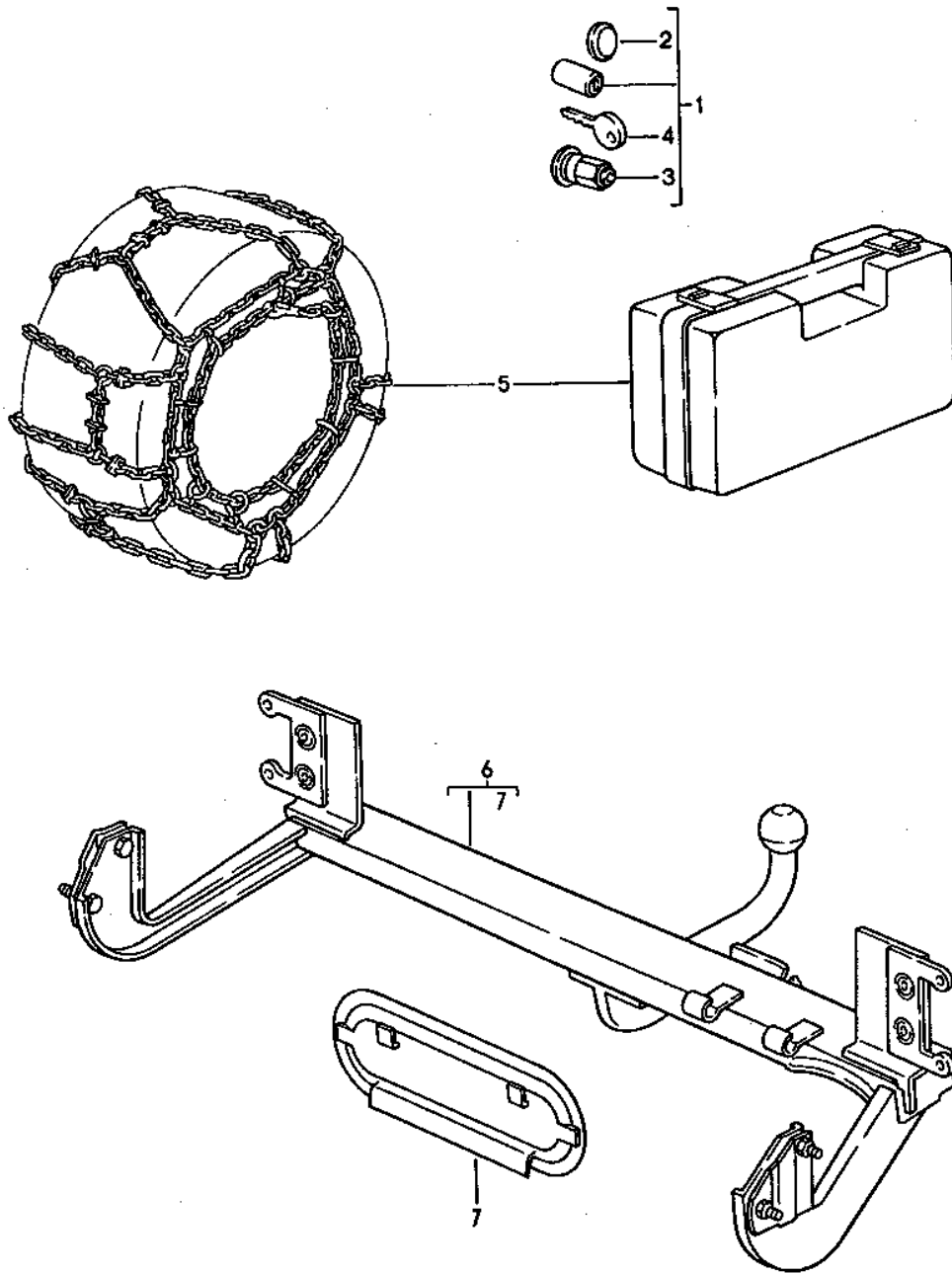
Model: 968 92

Model life 1992>>1995

Pos	Part Number	Description	Remark	Qty	Model
		Stickers			CABRIO
		Convertible top			
		Latch			
11	941 701 153 10	Sticker	/L	1	
(11)	941 701 154 10	Sticker	/R	1	
		Sticker			
		Contains asbestos			
12	944 006 222 00	Sticker	(CH)	1	
		Vehicle Ident. No.			Coupe
		Sticker			Cabrio
-	944 602 544 00	Sticker		1	
		Firing order			

Model: 968 92

Model life 1992>>1995

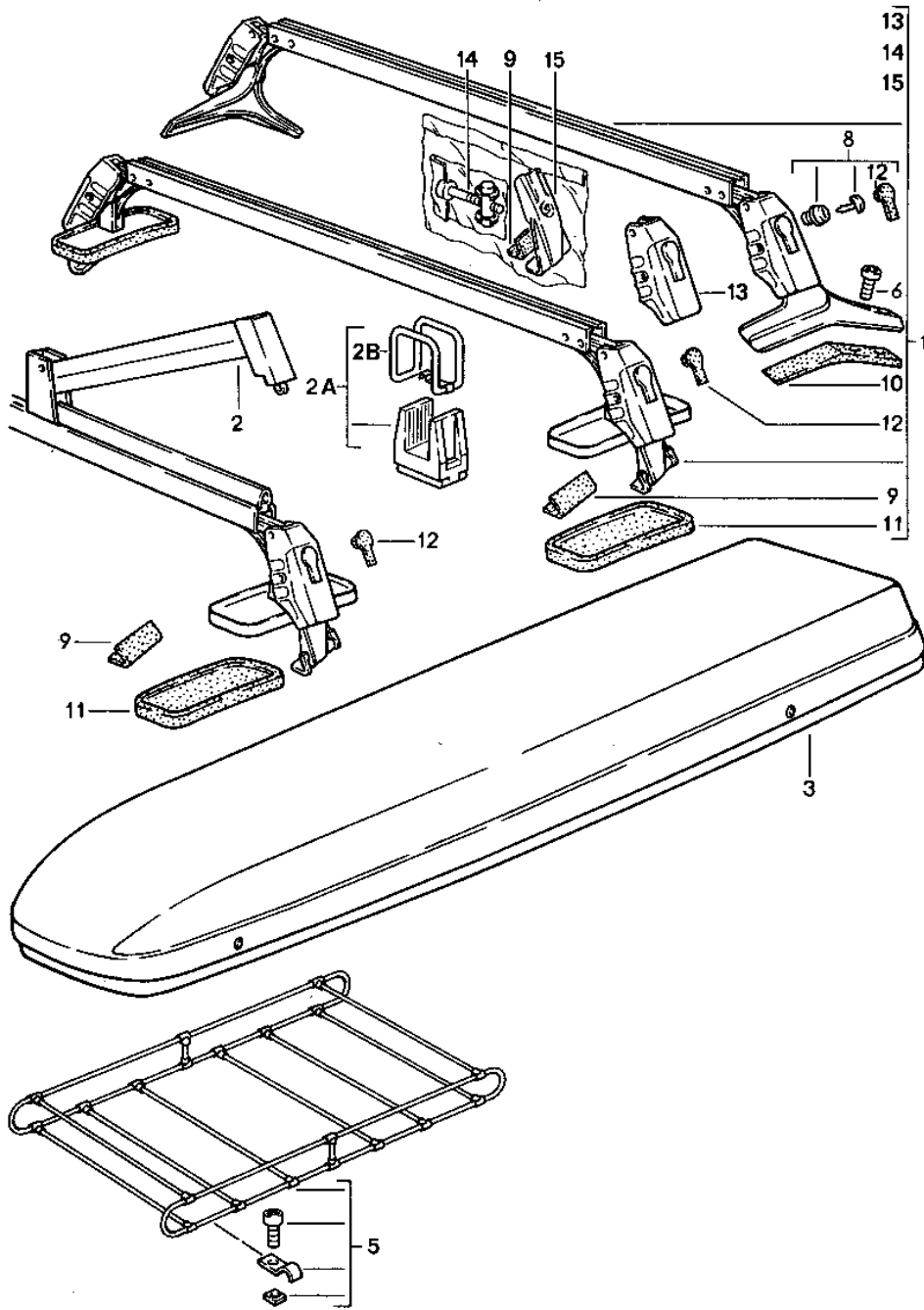


Model: 968 92 Model life 1992>>1995

Pos	Part Number	Description	Remark	Qty	Model
1	965 361 955 00	Accessories Wheel nut Lockable 1 set Comprising: Wheel nut Lock Cap	92	1  4 4 4	
1	993 361 057 00	Wheel nut Lockable 1 set Comprising: Wheel nut Lock Cap	93	1  4 4 4	
(1)		Wheel nut Lockable 1 set	94-	1	
2	965 361 167 00	Cap		4	
3	965 361 170 00	Wheel nut Lockable without lock	92	4	
3	993 361 057 00	Wheel nut Lockable without lock	93	4	
4	965 361 169 00	Blank key for Wheel nut Lockable	92	X	
4	968 361 169 00	Blank key for Wheel nut Lockable	93	X	
5	993 361 931 00	Snow chains Snow chains 1 set for Tyre 225/50 R 16		1	
5	911 361 924 00	Snow chains 1 set for Tyre 225/45 R 17		1	
(6)	968 722 901 00	Trailer coupling Trailer coupling Complete with Electric installation set		1	
7	944 722 709 00	Trim cover for Rear apron		1	
-	968 722 901 10	Retaining clip for Trim cover		2	

Model: 968 92

Model life 1992>>1995





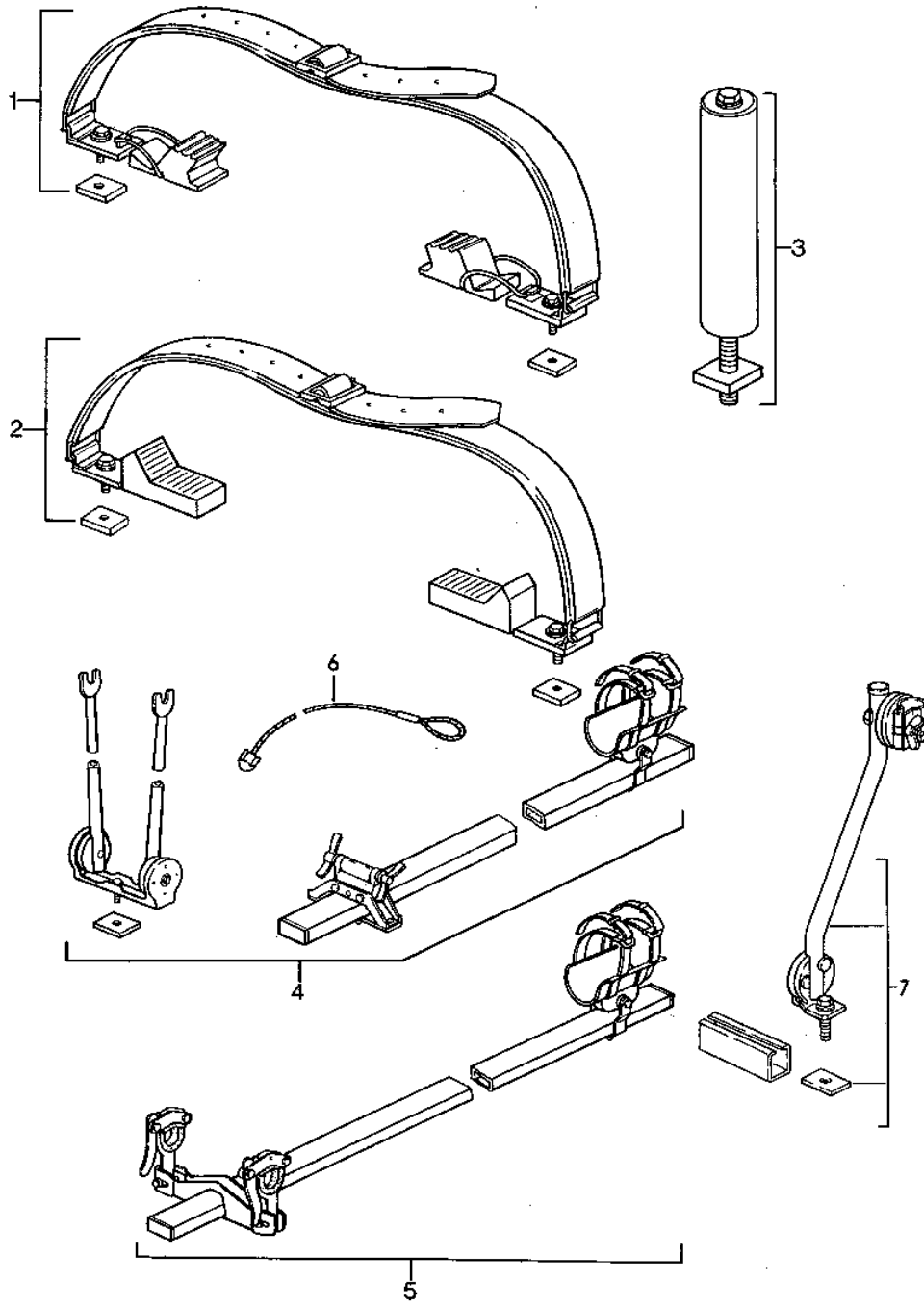
Model: 968 92

Model life 1992>>1995

Pos	Part Number	Description	Remark	Qty	Model
1	944 801 005 00	Roof transport system Roof rack 1 set		1	
2	928 801 061 02	Clamping bow 1 set		1	
2A	928 801 903 02	Rubber support for skis		1	
2B	928 801 193 02	Retaining strap		1	
3	928 801 063 02	Ski box	/L	1	
3	928 801 064 02	Ski box	/R	1	
5	928 801 081 02	Roof luggage rack set		1	
6	999 119 012 07	Pan-head screw		4	
8	928 801 011 02	Cylinder lock with keys		2	
9	477 091 145	Protection cap		2	
10	477 091 151 A	Protective rubber	/L	1	
(10)	477 091 152 A	Protective rubber	/R	1	
11	928 801 267 02	Rubber plate		2	
12	928 801 111 02	Protection cap		4	
13	928 801 107 02	Lid		2	
14	944 801 901 01	Parts kit Comprising: Bolt Screw Lock		X 1 1 2	
15	944 801 901 00	Parts kit Comprising: Support Desk pad Screw Washer		X 2 2 2 2	

Model: 968 92

Model life 1992>>1995



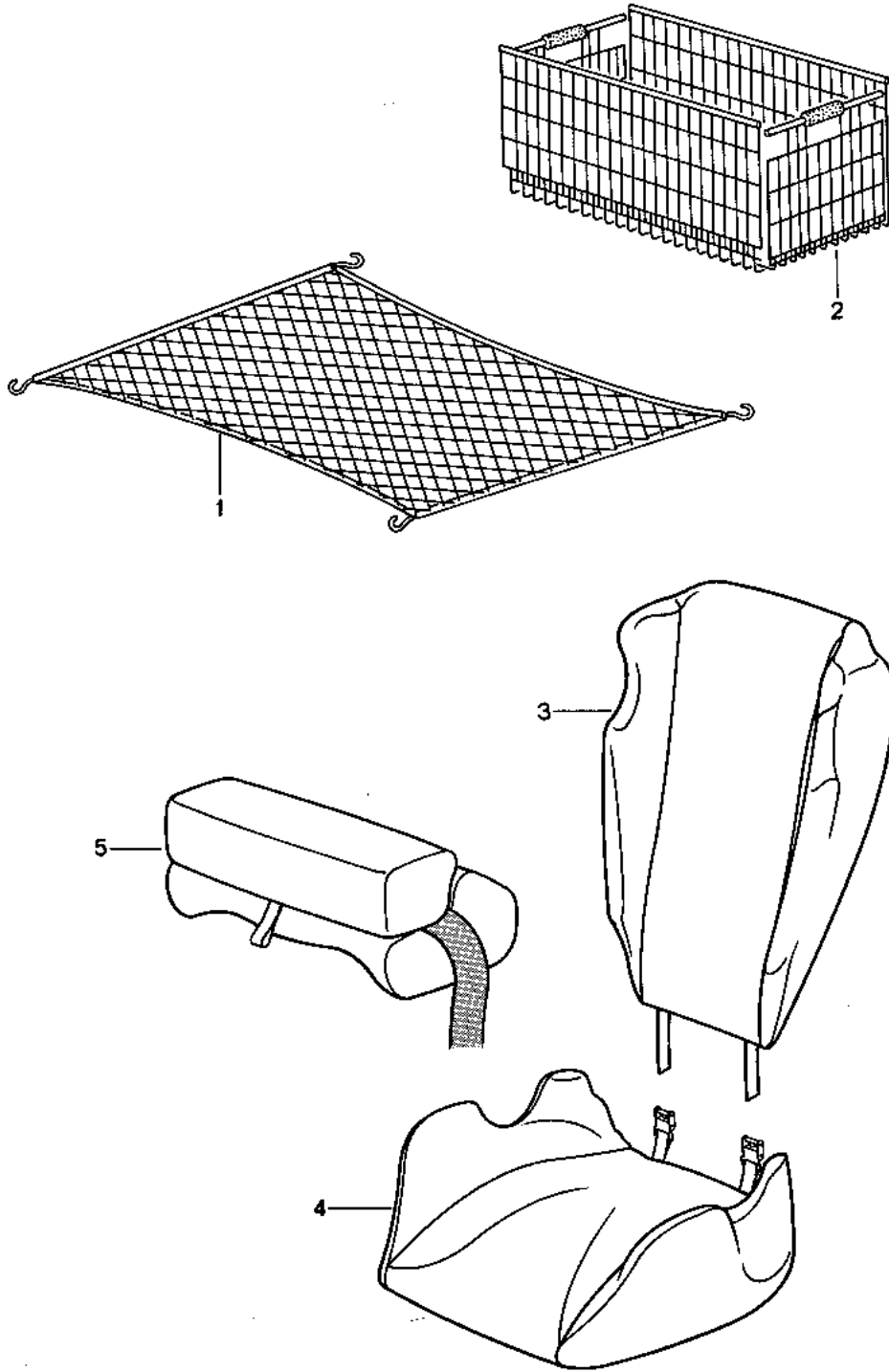
Model: 968 92

Model life 1992&gt;&gt;1995

Pos	Part Number	Description	Remark	Qty	Model
1	928 801 019 02	Roof transport system		1	
2	928 801 017 02	Set of surf board supports		1	
3	928 801 085 02	Set - canoe carrier		1	
4	928 801 093 02	Ladder support mandrel 1 set		1	
5	928 801 095 02	Set - bike carrier for Racing bike		1	
6	928 801 079 02	Set - bike carrier for Standard bike		1	
7	928 801 097 02	Safety rope for Anti-theft protection Support for bicycle		1	

Model: 968 92

Model life 1992>>1995



Model: 968 92 Model life 1992>>1995

Pos	Part Number	Description	Remark	Qty	Model
		Accessories			
1	477 863 539	Child car seat		1	
2	000 043 002 00	Luggage net		1	
		Car basket			
		Foldable			
		Child car seat			
		Picture			
		3 - 5			
		for			
		9 - 18 KG			
		Picture			
		4 - 5			
		for			
		15 - 25 KG			
		Picture			
		4			
		for			
		15 - 36 KG			
3	000 802 031 00	Backrest		1	
		Backrest			
	000 802 031 00 2CZ	Black/			
		Mulit-coloured			
	000 802 031 00 6WC	Porsche lettering cloth			
		Classic grey			
4	000 802 021 00	Seat cushion		1	
		Cup			
	000 802 021 00 2CZ	Black/			
		Mulit-coloured			
	000 802 021 00 6WC	Porsche lettering cloth			
		Classic grey			
5	000 802 041 00	Child car seat		1	
		Foam part			
	000 802 041 00 2CZ	Black/			
		Mulit-coloured			
	000 802 041 00 6WC	Porsche lettering cloth			
		Classic grey			

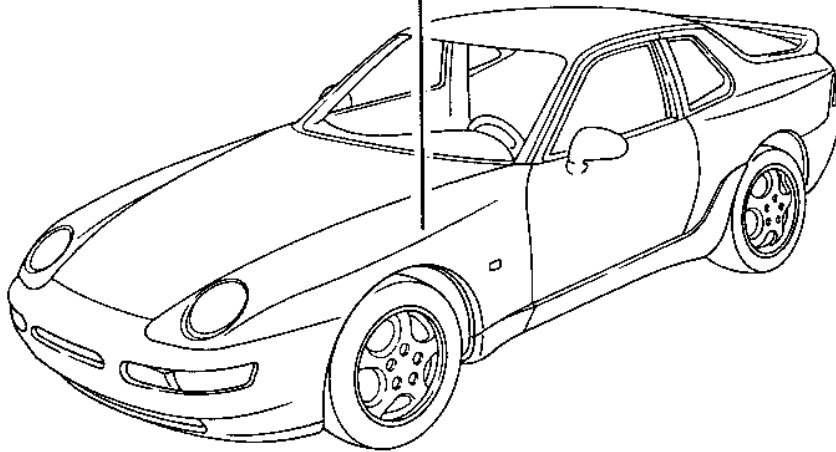
Model: 968 92

Model life 1992>>1995

FARBNUMMER  
COLOUR NUMBER  
NUMERO DE COULEUR  
NUMERO COLORE  
NUMERO DE COLOR

**80K19 2**  
**GUARDS RED**  
**INDISCHROT**  
**G1**

FARB BENENNUNG  
COLOUR  
COULEUR  
COLORE  
COLOR

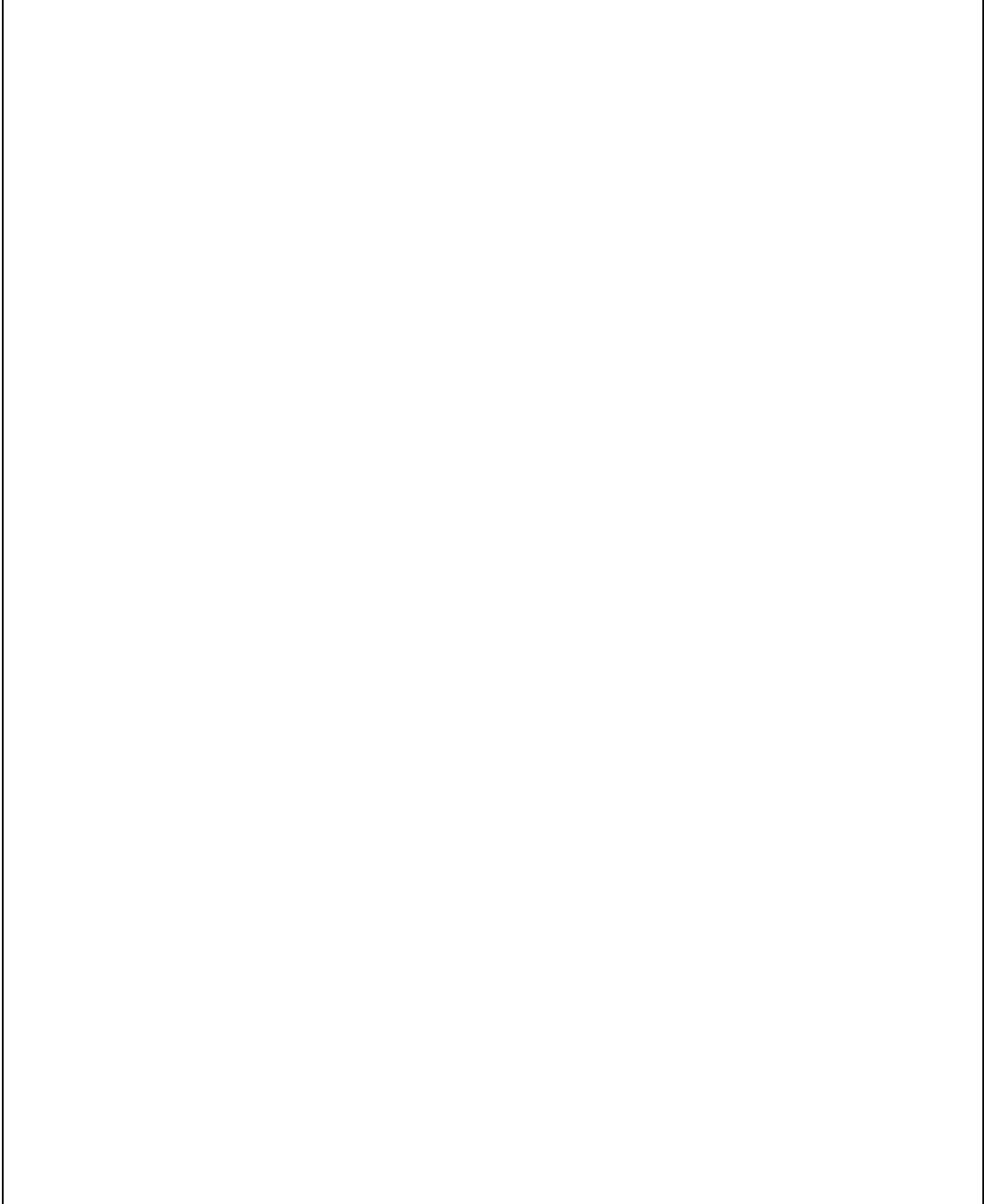


Model: 968 92 Model life 1992>>1995

Pos	Part Number	Description	Remark	Qty	Model
-	911 095 932 20	Paint touch-up applicator		X	
	911 095 932 20 908	Paint touch-up applicator			
	911 095 932 20 38B	Grand prix white			
	911 095 932 20 22R	Maritime blue	-93		
	911 095 932 20 700	Mint green	-93		
	911 095 932 20 719	Black			
	911 095 932 20 82N	Black	93-		
	911 095 932 20 22S	Rubystone red	92		
	911 095 932 20 80K	Signal green	-93		
	911 095 932 20 12G	Guards red			
	911 095 932 20 39E	Speed yellow	93-		
	911 095 932 20 39D	Riviera blue	94-		
	911 095 932 20 39D	Amaranth violet	94-		
-	911 095 933 20	Paint touch-up applicator		X	
		Set			
		Comprising:			
		Paint touch-up applicator			
		Top-coat paint			
		Paint touch-up applicator			
		Clear lacquer			
	911 095 933 20 39A	Amazon green metallic	-93		
	911 095 933 20 38A	Amethyst metallic	-93		
	911 095 933 20 37U	Cobalt blue metallic	-93		
	911 095 933 20 82H	Midnight Blue Metallic	92		
	911 095 933 20 37W	Horizon blue metallic	-93		
	911 095 933 20 37X	Marine blue metallic	92		
	911 095 933 20 35V	Black-metallic	-92		
	911 095 933 20 738	Black-metallic	93-		
	911 095 933 20 746	Slate grey metallic			
	911 095 933 20 22D	Polar silver metallic	-93		
	911 095 933 20 92E	Oak green metallic	-93		
	911 095 933 20 22L	Raspberry red metallic	93		
	911 095 933 20 83E	Wimbledon green metallic	93		
	911 095 933 20 23I	Violet blue metallic	93		
	911 095 933 20 37E	Iris blue metallic	94-		
	911 095 933 20 39N	Aventurine green metallic	94-		
	911 095 933 20 39R				

Model: 968 92

Model life 1992>>1995





Model: 968 92 Model life 1992>>1995

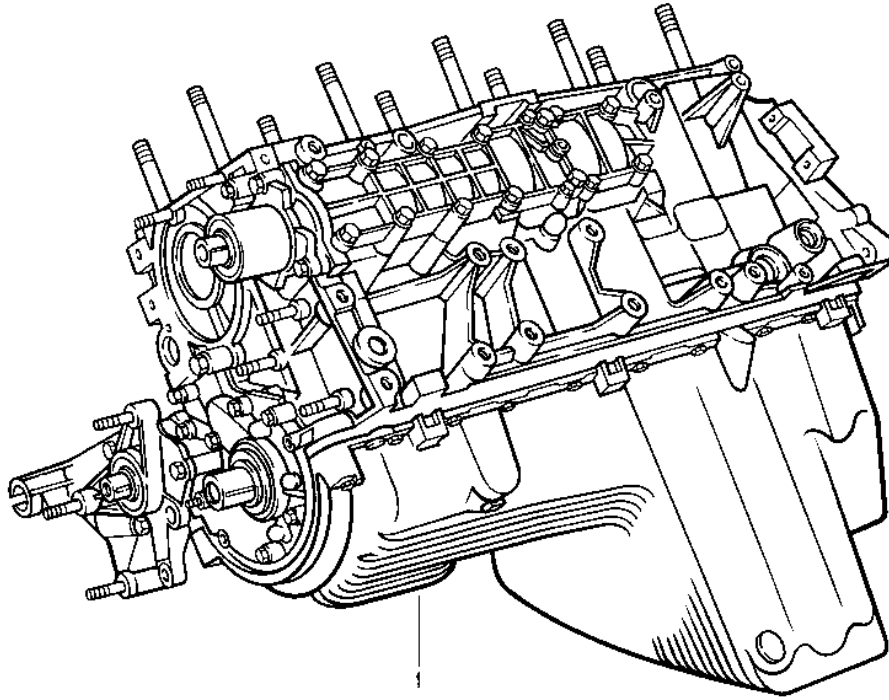
Pos	Part Number	Description	Remark	Qty	Model
-	928 101 921 00	Securing liquid Sealing compound Preservative agent Securing liquid Loctite -270- 10 CCM High strength		X	
-	000 043 012 00	Loctite -221- 10 CCM Low strength		X	
-	000 043 306 48	Loctite -221- 10 CCM Low strength Sealing compound		X	
-	000 043 010 00	Loctite -574- 50 CCM		X	
-	000 043 011 00	Loctite -638- 10 CCM for Balance shaft		X	
-	000 043 013 00	Loctite Adhesive remover -80646- Spraying can		X	
-	AMV 176 000 05	Adhesive sealing compound 310 CCM Loctite for pasting Metal Glass Ceramics Thermoset plastic Adhesive set Comprising:		1	
-	000 043 051 00	Loctite Loctite -317- 50 CCM		X	
-	000 043 202 65	Loctite AKTIVATOR NF 736 180 CCM		X	
-	000 043 019 01	Sealing compound SILASTIK 730 RTV 90 CCM		X	
-	PCG 043 019 01	Sealing compound SILASTIK 730 RTV 90 CCM		X	
-	000 043 004 00	Mounting paste Optimoly ht 1 90-gramme tube		X	
-	000 043 020 00	Optimoly Mounting paste OPTIMOLY - TA 1 100-gramme tube		X	
-	000 043 110 01	Silver Grease OPTITEMP PU35 1 100-gramme tube		X	

Model: 968 92 Model life 1992>>1995

Pos	Part Number	Description	Remark	Qty	Model
-	000 043 204 21	Grease for lock cylinder Spraying can		X	
-	G 052 778 A2	Grease for lock cylinder Spraying can Preservative agent		X	
-	999 571 062 00	Care kit Comprising: Suitcase		1	
-	999 901 013 40	Liquid preservative		1	
-	999 901 014 41	Car shampoo		1	
-	999 901 015 40	Polisher		1	
-	999 901 016 40	Tar remover		1	
-	999 901 017 40	Dashboard cleaner		1	
-	999 901 018 40	Paint polish		1	
-	999 901 019 41	Insect remover		1	
-	999 901 020 40	Spot remover		1	
-	999 901 021 40	Polishing cotton		1	
-	999 901 022 40	Polishing cloth		1	
-	000 044 000 02	Leather care 250 ML		X	
-	999 901 017 41	Window cleaner Summer 250 ML		X	
-	999 901 017 42	Window cleaner Summer 250 ML		X	
-	000 044 000 87	Window cleaner Summer 250 ML		X	
-	999 901 033 40	Window cleaner Winter 1000 ML		X	
-	999 901 036 40	Car shampoo Refilling bottle 1000 ML		X	
-	999 917 803 00	Window cleaner Spray bottle 250 ML		X	
-	928 628 931 00	Silicone remover 1000 ML		X	
-	000 044 000 93	Silicone remover 1000 ML		X	
-	999 901 030 40	Rim cleaner Spray bottle 500 ML		X	
-	999 901 031 40	Rim cleaner Refilling bottle 1000 ML		X	

Model: 968 92

Model life 1992>>1995



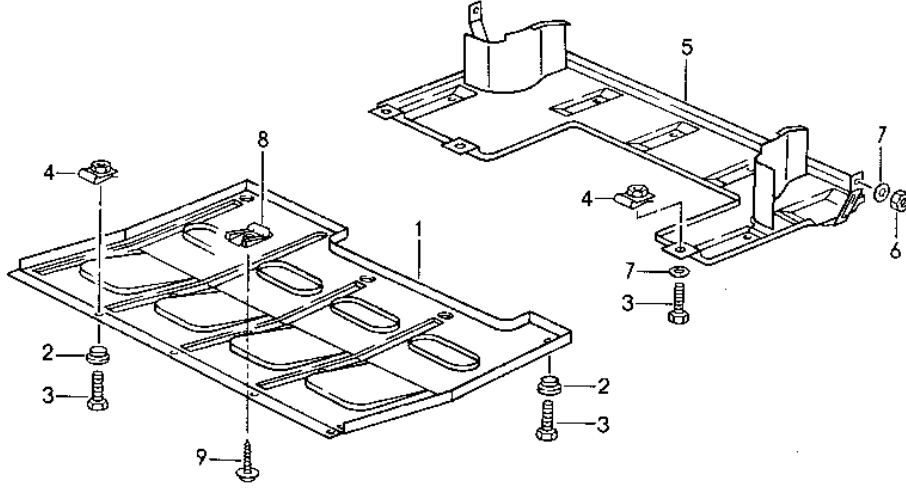
Model: 968 92

Model life 1992>>1995

Pos	Part Number	Description	Remark	Qty	Model
		Short engine Crankcase			M44.43/44
1	944 100 902 07	Short engine		1	M44.43/44
-	944 100 963 00	Crankcase with Threaded bolt Differential housing without Crankshaft Piston Balance shaft Oil pan Oil pump Oil-water radiator		1	M44.43/44

Model: 968 92

Model life 1992>>1995



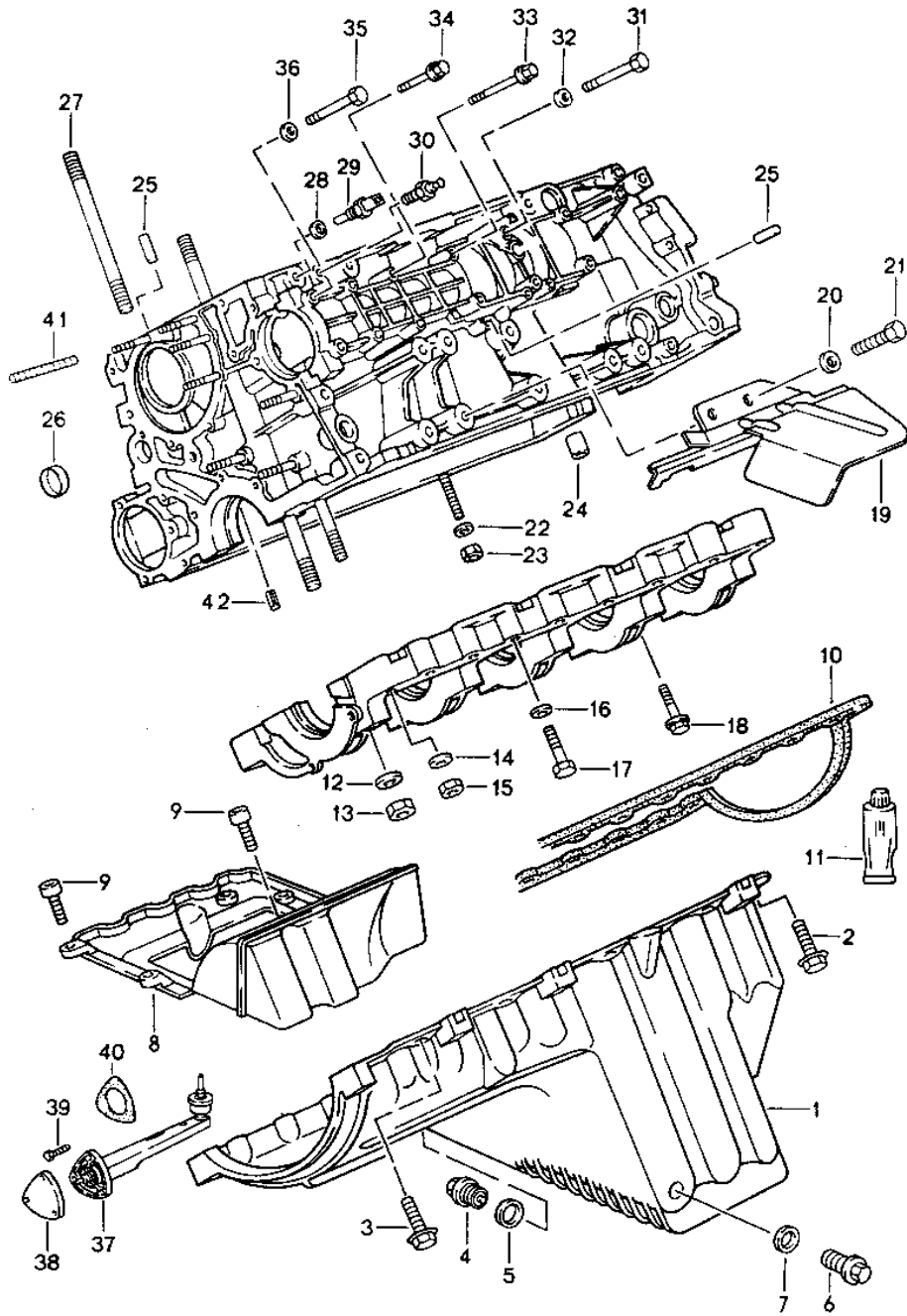
Model: 968 92

Model life 1992&gt;&gt;1995

Pos	Part Number	Description	Remark	Qty	Model
1	944 504 167 03	Protective plate		1	
2	944 503 257 00	Protective plate		8	
3	N 010 215 13	Spacer		11	
		Hexagon-head bolt			
		M 6 X 15			
4	999 507 326 02	Captive nut		6	
5	951 504 069 00	Protective plate		1	
6	900 076 010 02	Nut		2	
6	900 076 010 0B	Nut		2	
7	N 011 666 7	Washer		5	
8	999 591 699 02	Speed nut		3	
8	999 591 699 01	Speed nut		3	
9	900 143 159 07	Combination screw		3	
		B 4,8 X 19 Z2			

Model: 968 92

Model life 1992>>1995



Model: 968 92

Model life 1992>>1995

Pos	Part Number	Description	Remark	Qty	Model
		Crankcase			M44.43/44
		Mounting parts			
1	944 101 204 00	Oil pan		1	
2	900 075 344 02	Hexagon-head bolt M 6 X 50 Z1		4	
2	900 075 344 01	Hexagon-head bolt M 6 X 50 Z1		4	
3	900 075 341 02	Combination screw M 6 X 25 Z1		18	
3	900 075 341 01	Combination screw M 6 X 25 Z1		18	
4	944 107 197 01	Screw plug		1	
5	900 123 118 30	Sealing ring		1	
6	N 016 164 1	Screw plug		1	
7	900 123 049 30	Sealing ring		1	
8	944 107 389 03	Insert for oil sump		1	
9	900 119 001 02	Pan-head screw M 5 X 12		7	
9	900 976 003 01	Pan-head screw M 5 X 12		7	
10	944 101 205 02	Oil sump gasket		1	
11	000 043 019 01	Sealing compound 1 tube SILASTIK 730 RTV		X	
11	PCG 043 019 01	Sealing compound 1 tube SILASTIK 730 RTV		X	
(11)	000 043 010 00	Loctite 574 1 50-g tube		1	
12	944 104 229 00	Washer		10	
13	N 011 020 8	Hexagon nut M 12 X 1,5		10	
13	900 034 036 01	Hexagon nut M 12 X 1,5		10	
14	928 101 303 00	Washer		6	
15	N 011 010 13	Hexagon nut M 10		7	
16	900 025 007 02	Washer		7	
16	900 025 007 03	Washer		7	
17	900 074 040 02	Hexagon-head bolt M 8 X 50		6	
18	900 075 345 02	Combination screw M 6 X 35 Z1		5	
18	900 075 345 01	Combination screw M 6 X 35 Z1		5	
19	944 101 033 04	Heat shield		1	
20	900 025 007 02	Washer A 8,4		2	
20	900 025 007 03	Washer A 8,4		2	
21	900 075 085 02	Hexagon-head bolt M 8 X 20		2	
22	N 011 524 7	Washer A 6,4		1	
22	N 011 524 27	Washer A 6,4		1	
23	900 076 010 02	Nut M 6		1	
23	900 076 010 0B	Nut M 6		1	
24	928 101 195 03	Fitting bushing		1	
25	999 012 034 00	Straight pin		4	



Model: 968 92

Model life 1992>>1995

Pos	Part Number	Description	Remark	Qty	Model
26	N 011 919 1	8 X 12 Lid		2	
(26)	N 011 920 1	\$ 25 MM Lid		2	
27	944 101 197 03	\$ 26 MM Lid		2	
28	900 123 101 30	Stud		10	
29	944 606 125 00	Sealing ring		1	
30	928 606 201 01	A 12 X 18		1	
31	900 074 326 08	Temperature sensor		1	
31	900 074 326 01	Remote temperature sensor		1	
32	999 025 141 02	Hexagon-head bolt		4	
33	900 075 344 02	M 8 X 58		4	
33	900 075 344 01	Hexagon-head bolt		4	
34	900 075 349 02	M 8 X 58		4	
35	900 074 139 02	Washer		4	
35	900 074 139 03	8,1 X 17 X 3		16	
36	944 613 150 00	Hexagon-head bolt		16	
37	944 101 329 01	M 6 X 50 Z1		16	
38	944 101 233 02	Hexagon-head bolt		4	
39	999 062 044 02	M 6 X 50 Z1		4	
40	944 101 185 05	Hexagon-head bolt		X	
41	944 101 185 06	M 6 X 42 Z1		X	
42	N 013 315 1	Hexagon-head bolt		4	
-	999 062 258 08	M 8 X 55		8	
-	944 101 185 05	Washer		8	
-	944 101 185 06	A 8,4		8	
		Sender		1	
		for			
		Oil level			
		Lid		1	
		Hexagon-head bolt		3	
		M 5 X 20			
		Gasket		1	
		Gasket		1	
		Stud		1	
		M 8 X 30			
		for			
		Tensioner for toothed belt			
		Roll pin		1	
		5 X 10			
		Stud		7	
		M 10 X 55			
		Stud		2	
		Stud		8	
		M 12 X 110			



Model: 968 92

Model life 1992>>1995

Pos	Part Number	Description	Remark	Qty	Model
		Crankshaft			M44.43/44
		Connecting rod			
1	944 102 015 15	Crankshaft		1	
1	944 102 901 CX	Crankshaft		1	
2	944 114 012 01	Double-mass flywheel		1	M44.43
3	944 102 153 06	Flywheel		1	M44.44
4	931 102 111 00	Deep-groove ball bearing		1	
4	931 102 111 02	Deep-groove ball bearing		1	
5	930 102 206 00	Pan-head screw		9	
		M 10 X 1,25 X 20			
6	999 113 264 40	Radial sealing ring		1	
6	999 113 461 40	Radial sealing ring		1	
6	999 113 426 40	Radial sealing ring		1	
6	999 113 426 41	Radial sealing ring		1	
7	944 103 008 04	Connecting rod		4	
7		Connecting rod		4	
8	928 103 172 02	Connecting rod nut		8	
-	928 103 173 03	Connecting rod bolt		8	
9	928 103 143 05	Connecting-rod bearing		8	
	928 103 143 05 002	Russet			
		Pieces			
9	928 103 143 15	Connecting-rod bearing		4	
		Set			
9	928 103 143 52	Conrod bearing shell		X	
		Oversize 0.25 mm			
9	928 103 143 57	Conrod bearing shell		X	
		Oversize 0.50 mm			
10	928 101 117 08	Main bearing bush i		1	
10	928 101 117 58	Main bearing bush i		X	
		Undersize 0.25 mm			
10	928 101 117 68	Main bearing bush i		X	
		Undersize 0.50 mm			
11	928 101 115 02	Main bearing shell		3	
	928 101 115 02 002	Yellow			
		Upper half 2,4,5			
11	928 101 115 50	Main bearing shell		X	
		Undersize 0.25 mm			
11	928 101 115 60	Main bearing shell		X	
		Top half			
		Undersize 0.50 mm			
12	928 101 115 03	Main bearing shell		3	
	928 101 115 03 002	Yellow			
		Lower half 2,4,5			
12	928 101 115 15	Main bearing shell		3	
		Yellow			
		Standard			
		Set			
		Comprising:			
		928.101.115.02			
		928.101.115.03			
12	928 101 115 16	Main bearing shell		3	
		Yellow			
		Standard			
		Set			
		Comprising:			
		928.101.115.02			
		928.101.115.03			
12	928 101 115 51	Main bearing shell		X	
		Undersize 0.25 mm			
12	928 101 115 61	Main bearing shell		X	
		Undersize 0.50 mm			
13	944 101 139 00	Thrust bearing		2	
	944 101 139 00 002	Yellow			

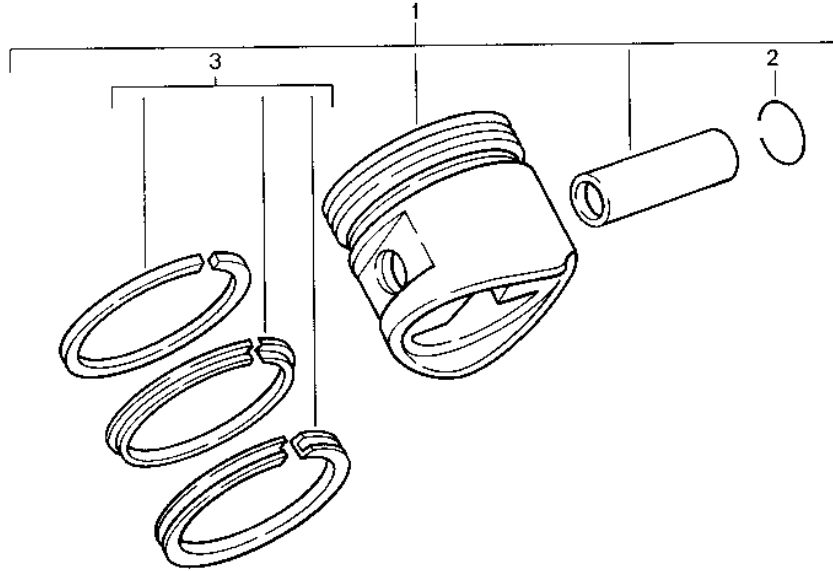
Model: 968 92

Model life 1992&gt;&gt;1995

Pos	Part Number	Description	Remark	Qty	Model
13	944 101 139 16	Thrust bearing		2	
13	928 101 133 53	Thrust bearing Undersize 0.25 mm		X	
13	928 101 133 63	Thrust bearing Undersize 0.50 mm		X	
14	900 117 036 00	Feather key 5 X 5 X 22		1	
15	944 105 125 07	Gear wheel Driving mechanism Camshaft		1	
16	944 102 209 11	Gear wheel Driving mechanism Balance shaft		1	
17	944 102 210 02	Washer		1	
18	900 082 085 02	Hexagon-head bolt M 16 X 1,5 X 60		1	
18	900 082 085 01	Hexagon-head bolt M 16 X 1,5 X 60		1	
19	944 102 116 12	Pulley		1	
20	900 067 279 08	Pan-head screw M 6 X 25		8	
21	900 234 127 00	Support washer		1	
22	900 095 031 00	Tensioning sleeve 6 X 16		1	
23	944 102 214 03	Pulley		1	
24	944 102 124 00	Packing plate		1	
25	944 103 133 02	Piston pin bush		4	
26	944 101 901 00	Set of crankshaft bearings		1	
26	928 101 901 52	Set of crankshaft bearings 1 set Undersize 0.25 mm		1	
26	928 101 901 62	Set of crankshaft bearings 1 set Undersize 0.50 mm		1	
27	944 105 126 00	Flange washer		1	
28	999 119 017 01	Pan-head screw M 10 X 1,25 X 62		9	

Model: 968 92

Model life 1992>>1995



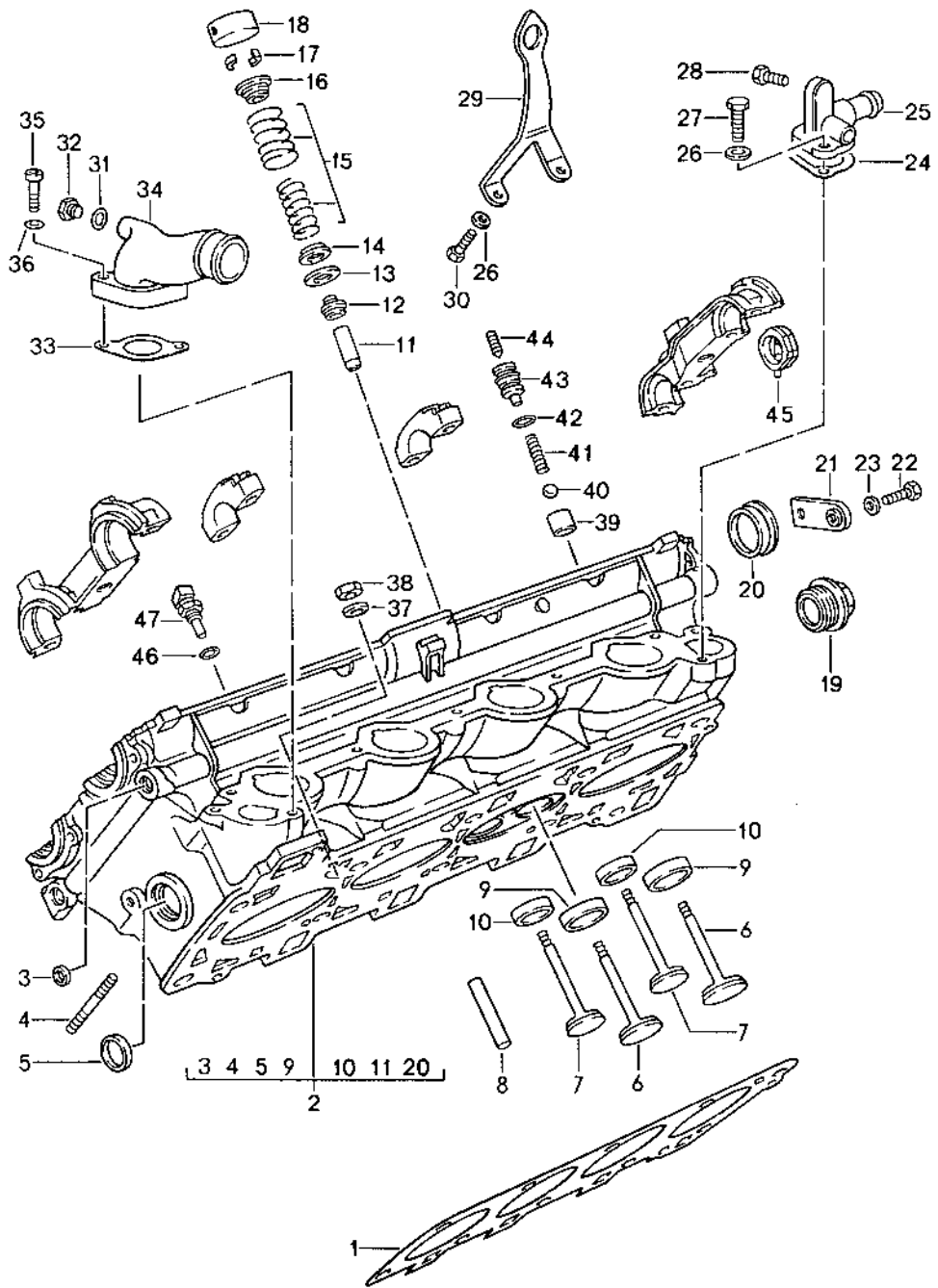
Model: 968 92

Model life 1992>>1995

Pos	Part Number	Description	Remark	Qty	Model
		Piston Piston rings			M44.43/44
1	944 103 058 00	Piston Tolerance group 0 104,00 MM		4	
1	944 103 058 10	Piston Tolerance group 1 104,00 MM		4	
1	944 103 058 20	Piston Tolerance group 2 104,00 MM		4	
1	944 103 058 50	Piston Tolerance group 0 104,50 MM		4	
1	944 103 058 60	Piston Tolerance group 1 104,50 MM		4	
1	944 103 058 70	Piston Tolerance group 2 104,50 MM		4	
2	N 012 277 1	Circlip		8	
3	944 103 902 60	Set of piston rings 104,00 MM		4	
3	944 103 902 61	Set of piston rings 104,50 MM		4	

Model: 968 92

Model life 1992>>1995



Model: 968 92 Model life 1992>>1995

Pos	Part Number	Description	Remark	Qty	Model
		Cylinder head Valves			M44.43/44
1	944 104 394 04	Cylinder head gasket		1	
(1)	944 104 394 51	Cylinder head gasket for Recond. cylinder heads		1	
2	944 104 054 00	Cylinder head		1	
3	N 011 918 1	Lid		X	
4	999 062 139 02	Stud BM 8 X 26		12	
5	900 036 014 02	Lid		1	
6	928 105 641 06	Intake valve		8	
7	928 105 642 06	Exhaust valve		8	
8	000 043 204 45	Sleeve for Valve stem seal		X	
9	928 104 611 18	Valve seat ring Intake Oversize 0.25 mm		8	
10	944 104 612 11	Valve seat ring Exhaust Oversize 0.25 mm		8	
11	944 104 327 51	Valve guide Exhaust 1st oversize		8	
(11)	944 104 327 52	Valve guide Intake 1st oversize		8	
12	928 104 601 07	Valve stem seal		16	
13	944 105 465 02	Washer 0,5 MM		X	
(13)	944 105 465 03	Washer 1,0 MM		X	
(13)	944 105 465 04	Washer 1,5 MM		X	
14	944 105 463 02	Washer		16	
15	944 105 907 03	Set of valve springs		16	
15	944 105 907 07	Set of valve springs		16	
16	944 105 467 03	Concave washer		16	
17	928 105 221 10	Valve collet		32	
18	928 105 312 02	Hydraulic valve tappet		16	
19	944 104 228 01	Screw plug		1	
20	928 105 215 00	Lid		3	
21	928 105 205 00	Support		3	
22	900 075 016 02	Hexagon-head bolt M 6 X 22		3	
22	900 075 016 03	Hexagon-head bolt M 6 X 22		3	
23	N 011 524 7	Washer A 6,4		3	
23	N 011 524 27	Washer A 6,4		3	
24	928 106 167 01	Gasket		1	
25	928 104 713 03	Adapter		1	
26	900 025 007 02	Washer A 8,4		7	
26	900 025 007 03	Washer A 8,4		7	
27	900 075 029 09	Hexagon-head bolt M 8 X 25		2	
27	900 075 029 03	Hexagon-head bolt M 8 X 25		2	
28	N 010 113 4	Hexagon-head bolt		1	



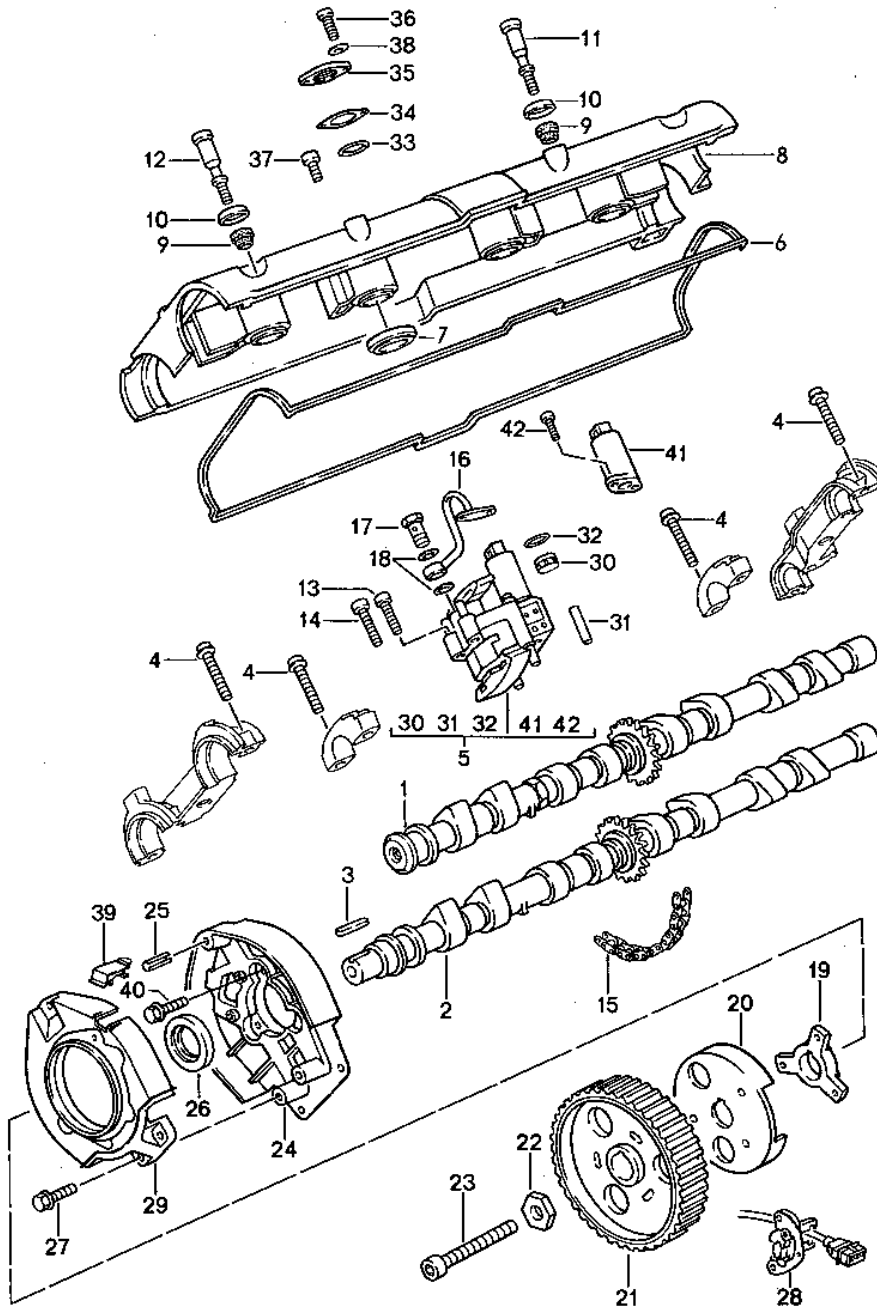
Model: 968 92

Model life 1992&gt;&gt;1995

Pos	Part Number	Description	Remark	Qty	Model
29	944 104 415 01	Shackle for transportation		1	
30	900 075 357 02	Combination screw M 6 X 12 Z1		2	
30	900 075 456 01	Combination screw M 6 X 12 Z1		2	
31	N 013 830 7	Sealing ring		1	
32	931 106 156 00	Screw plug		1	
33	944 104 365 04	Gasket		1	
34	944 104 312 03	Cooling water socket		1	
35	N 014 726 1	Pan-head screw M 8 X 30		2	
36	900 031 001 02	Washer		2	
36	900 031 105 01	Washer		2	
37	944 104 229 00	Washer		10	
38	999 076 043 02	Hexagon nut M 12 X 1,5		10	
39	928 104 121 00	Valve seat		1	
40	N 025 669 2	Ball		1	
41	928 104 129 00	Compression spring		1	
42	999 701 654 40	O-ring		1	
43	928 104 119 01	Spring guide		1	
44	999 218 035 02	Threaded pin M 6 X 20		1	
(45)	928 105 262 00	Pin		2	
46	900 123 101 30	Sealing ring A 12 X 18		1	
47	964 624 110 00	Temperature sensor		1	

Model: 968 92

Model life 1992>>1995



Model: 968 92

Model life 1992&gt;&gt;1995

Pos	Part Number	Description	Remark	Qty	Model
1	944 105 277 09	Camshaft		1	M44.43/44
2	944 105 275 10	Camshaft Intake Exhaust		1	
3	900 117 073 00	Feather key		1	
4	999 510 029 02	Combination screw M 8 X 40		24	
5	944 105 201 00	Chain adjuster		1	
5	944 105 201 01	Chain adjuster		1	
5	944 105 201 AX	Chain adjuster		1	
-	944 105 509 00	Guide rail Upper		1	
6	928 104 447 09	Gasket		1	
7	928 104 443 08	Sealing ring		4	
8	944 104 461 03	Cylinder head cover		1	
9	928 104 115 02	Thrust ring		13	
10	928 104 116 00	Thrust washer		13	
11	928 104 117 01	Pan-head screw Long		9	
11	928 104 117 03	Pan-head screw Long		9	
12	928 104 111 01	Pan-head screw Short		4	
12	928 104 111 02	Pan-head screw Short		4	
13	N 014 744 1	Pan-head screw M 6 X 32		2	
14	N 014 749 2	Pan-head screw M 6 X 40		1	
15	944 105 501 05	Timing chain		1	
16	944 105 167 06	Pipeline		1	
17	928 105 476 00	Banjo bolt		1	
(17)	928 105 476 04	Banjo bolt		2	
18	900 123 050 30	Sealing ring		2	
19	928 105 459 00	Hub		1	
20	944 105 229 03	Rotor trim		1	
21	944 105 545 12	Camshaft timing gear		1	
21	944 105 545 31	Camshaft timing gear		1	
22	928 105 457 02	Washer		1	
23	999 510 022 08	Pan-head screw M 10 X 65		1	
24	944 105 179 08	Toothed belt covering Rear		1	
24	944 105 179 09	Toothed belt covering Rear		1	
24	944 105 179 10	Toothed belt covering Rear		1	
25	999 095 103 01	Roll pin		1	
26	999 113 282 40	Shaft sealing ring		1	
27	999 074 031 02	Hexagon-head bolt M 6 X 20 Z1		2	
27	900 075 345 01	Combination screw M 6 X 35 Z1		1	
28		Hall sender See group 9/01/01			
29	944 105 189 04	Toothed belt covering Front		1	
29	944 105 189 05	Toothed belt covering Front		1	
30	944 105 508 00	Check valve		1	
31	944 105 507 00	Threaded pin		4	

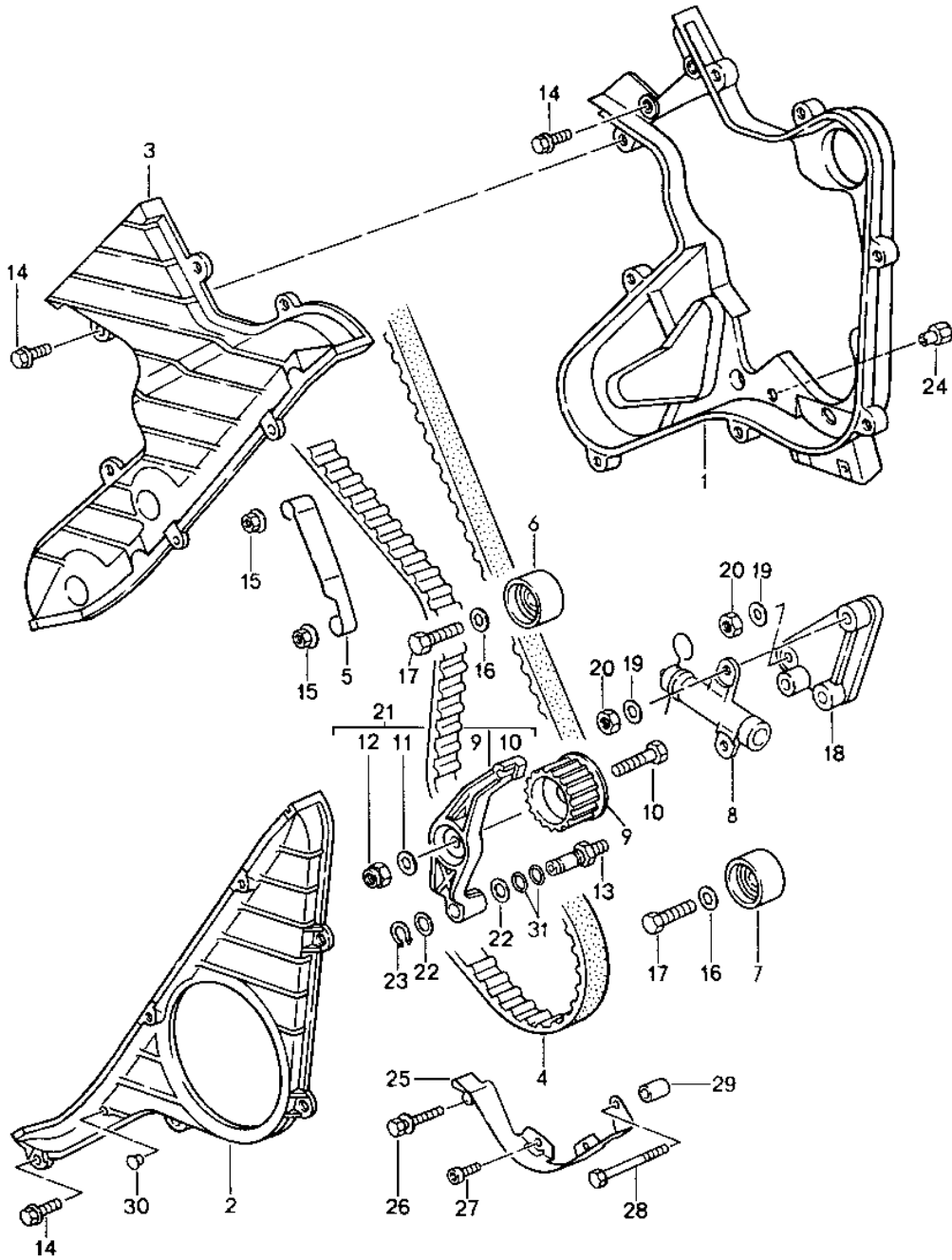
Model: 968 92

Model life 1992&gt;&gt;1995

Pos	Part Number	Description	Remark	Qty	Model
32	999 701 844 40	O-ring 8 X 1,5		1	
33	999 701 693 40	O-ring 25 X 2,5		1	
34	944 104 463 02	Gasket		1	
35	944 104 462 01	Lid		1	
36	900 067 111 02	Pan-head screw M 5 X 18		2	
36	900 067 111 01	Pan-head screw M 5 X 18		2	
37	999 703 388 00	Mounting for absorber 18 X 15		2	
38	900 025 003 02	Washer A 5,3		2	
39	944 105 131 01	Stopper		1	
40	999 074 031 02	Hexagon-head bolt M 6 X 20 Z1		3	
41	944 605 123 00	Solenoid valve		1	
42	900 067 080 02	Pan-head screw M 4 X 10		2	
42	900 067 080 03	Pan-head screw M 4 X 10		2	

Model: 968 92

Model life 1992>>1995



Model: 968 92

Model life 1992>>1995

Pos	Part Number	Description	Remark	Qty	Model
		Driving mechanism Camshaft			M44.43/44
1	944 105 033 07	Toothed belt covering		1	
2	944 105 037 01	Toothed belt covering		1	
3	944 105 035 01	Toothed belt covering		1	
4	944 105 323 02	Toothed belt		1	
5	944 105 213 01	Securing clip		1	
6	944 105 241 03	Roller		1	
6	944 105 241 04	Roller		1	
7	944 105 241 02	Roller		1	
8	944 105 172 03	Tensioner for toothed belt		1	
9	944 105 631 10	Tensioning roller		1	
10	N 010 445 2	Hexagon-head bolt M 10 X 45		1	
10	900 074 372 01	Hexagon-head bolt M 10 X 45		1	
11	900 025 008 09	Washer		1	
11	900 025 008 04	Washer		1	
12	900 910 034 02	Lock nut M 10		1	
13	944 105 170 04	Bearing pin	-94	1	
13	944 105 170 05	Bearing pin		1	
13	944 105 170 04	Bearing pin	95-	1	
13	944 105 170 05	Bearing pin	95-	1	
14	900 075 357 02	Combination screw M 6 X 12 Z1		11	
14	900 075 456 01	Combination screw M 6 X 12 Z1		11	
15	999 084 092 02	Lock nut		2	
16	900 025 008 09	Washer A 10,5		2	
16	900 025 008 04	Washer A 10,5		2	
17	900 075 043 02	Hexagon-head bolt M 10 X 30		2	
18	944 105 173 08	Bracket		1	
19	900 025 007 02	Washer A 8,4		3	
19	900 025 007 03	Washer A 8,4		3	
20	900 076 025 02	Hexagon nut M 8		3	
20	900 076 064 02	Hexagon nut M 8		3	
21	944 105 074 06	Tensioner for toothed belt		1	
22	900 234 182 02	Shim 14 X 20 X 0,5		2	
23	900 041 023 01	Circlip 14 X 1		1	
24	944 102 249 00	Spacer		3	
25	944 102 245 01	Guide rail		1	
25	944 102 245 02	Guide rail		1	
26	900 075 349 02	Hexagon-head bolt M 6 X 42 Z1		1	
27	N 014 761 2	Pan-head screw M 6 X 12		2	
27	900 119 129 01	Pan-head screw M 6 X 12		2	
28	900 074 164 02	Hexagon-head bolt M 6 X 70		1	
29	944 102 247 00	Spacer sleeve		1	
30	999 703 164 40	Stopper		1	
31	999 707 078 40	O-ring		2	

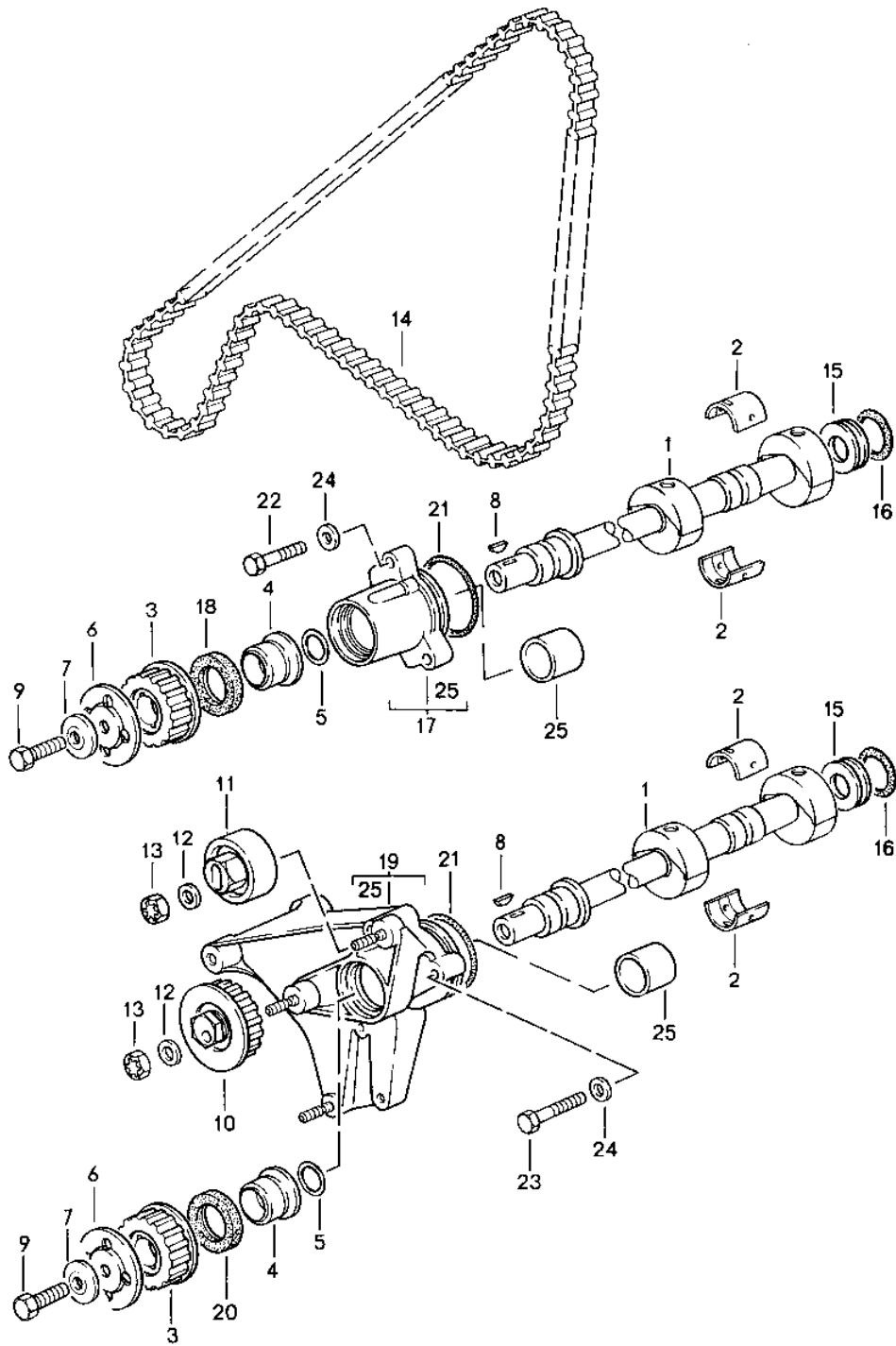
Model: 968 92

Model life 1992>>1995

Pos	Part Number	Description	Remark	Qty	Model
		12 X 1,5			

Model: 968 92

Model life 1992>>1995



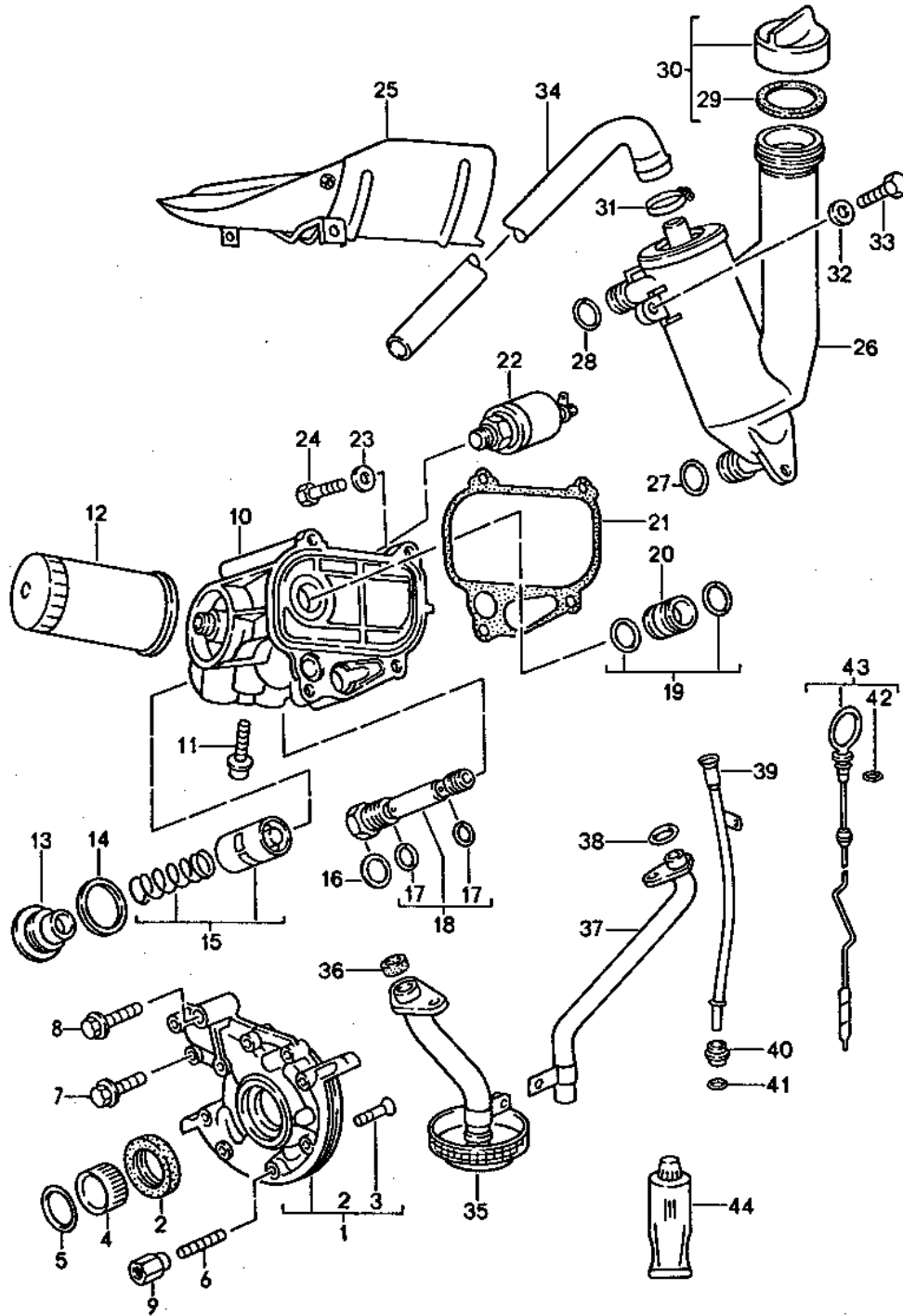


Model: 968 92 Model life 1992>>1995

Pos	Part Number	Description	Remark	Qty	Model
		Driving mechanism			M44.43/44
		Balance shaft			
1	944 102 923 00	Balance shaft		2	
2	944 101 121 10	Bearing shell		4	
3	944 102 205 04	Gear wheel		2	
4	928 105 139 02	Spacer sleeve		2	
5	944 105 321 00	Gasket		2	
6	944 102 281 04	Flange washer		2	
7	944 102 213 00	Washer		2	
7	944 102 213 01	Washer		2	
8	N 012 708 2	Woodruff key		2	
9	N 010 275 3	Hexagon-head bolt		2	
		M 10 X 35			
9	900 075 460 01	Hexagon-head bolt		2	
		M 10 X 35			
10	944 102 025 07	Tensioning roller		1	
11	944 102 277 06	Roller		1	
12	N 011 527 12	Washer		2	
		A 10,5			
12	900 025 081 01	Washer		2	
		A 10,5			
13	N 022 149 2	Lock nut		2	
		M 10			
14	944 102 219 04	Toothed belt		1	
		Technical information			
		Group 1			
		NR.15/95			
		Attention			
15	944 101 145 03	Locking ring		2	
16	999 701 875 40	Round seal		2	
17	944 101 045 01	Bearing case	/L	1	
18	999 113 425 40	Shaft sealing ring	/L	1	
		30 X 47 X 7			
19	944 101 042 03	Bearing case	/R	1	
20	999 113 424 40	Shaft sealing ring	/R	1	
		30 X 48 X 7			
21	999 701 652 40	O-ring		2	
		56,7 X 3,53			
22	N 010 335 5	Hexagon-head bolt		3	
		M 8 X 35			
22	900 075 032 03	Hexagon-head bolt		3	
		M 8 X 35			
23	N 010 360 6	Hexagon-head bolt		2	
		M 8 X 60			
23	N 010 360 19	Hexagon-head bolt		2	
		M 8 X 60			
(23)	N 014 715 3	Pan-head screw		1	
		M 8 X 45			
(23)	900 067 103 01	Pan-head screw		1	
		M 8 X 45			
24	900 025 007 02	Washer		6	
		A 8,4			
24	900 025 007 03	Washer		6	
		A 8,4			
25	944 101 125 02	Bearing sleeve		2	
(25)	944 101 125 50	Bearing sleeve		2	
		0,5 MM			
		Oversize			

Model: 968 92

Model life 1992>>1995



Model: 968 92

Model life 1992&gt;&gt;1995

Pos	Part Number	Description	Remark	Qty	Model
		Engine lubrication			M44.43/44
1	944 107 014 11	Oil pump		1	
2	999 113 331 40	Shaft sealing ring		1	
		38 X 52 X 7			
3	900 249 017 02	Countersunk-head screw		2	
		M 6 X 25			
4	944 107 161 02	Toothed sleeve		1	
4	944 107 161 04	Toothed sleeve		1	
5	999 707 283 40	Round seal		1	
		28 X 2,5			
6	999 062 123 02	Stud		3	
		M 6 X 45			
7	900 075 345 02	Combination screw		4	
		M 6 X 35			
7	900 075 345 01	Combination screw		4	
		M 6 X 35			
8	900 074 317 02	Hexagon-head bolt		1	
		M 10 X 45 Z1			
9	944 102 249 00	Spacer		3	
10	944 107 056 00	Thermostat housing		1	
11	N 090 378 1	Pan-head screw		1	
		M 8 X 25 Z1			
12	944 107 201 08	Oil filter		1	
13	951 107 153 01	Screw plug		1	
14	900 123 136 30	Sealing ring		1	
		A 42 X 49			
15	951 107 155 01	Thermostat		1	
16	N 043 815 3	Sealing ring		1	
		A 20 X 24			
17	999 707 144 40	Sealing ring		2	
18	944 107 035 02	Relief valve		1	
19	999 707 043 40	O-ring		2	
20	951 107 152 03	Connection piece		1	
20	951 107 152 04	Connection piece		1	
21	944 107 147 03	Gasket		1	
22	928 606 203 01	Oil pressure sender		1	
22	928 606 203 04	Oil pressure sender		1	
23	900 232 004 02	Washer		4	
23	900 232 004 01	Washer		4	
24	900 075 029 09	Hexagon-head bolt		4	
		M 8 X 25			
24	900 075 029 03	Hexagon-head bolt		4	
		M 8 X 25			
25	944 107 053 04	Cover plate		1	
26	944 107 180 11	Oil separator		1	
27	999 707 192 40	Round seal		1	
		24 X 5			
27	999 707 192 4A	Round seal		1	
		24 X 5			
28	999 707 191 40	Round seal		1	
		20 X 5			
29	999 701 846 40	O-ring		1	
		4,00 X 45,00			
30	944 107 091 01	Oil filler cover		1	
31	999 512 252 02	Hose clamp		1	
32	900 025 007 02	Washer		3	
		A 8.4			
32	900 025 007 03	Washer		3	
		A 8.4			
33	900 075 029 09	Hexagon-head bolt		3	
		M 8 X 25			
33	900 075 029 03	Hexagon-head bolt		3	
		M 8 X 25			

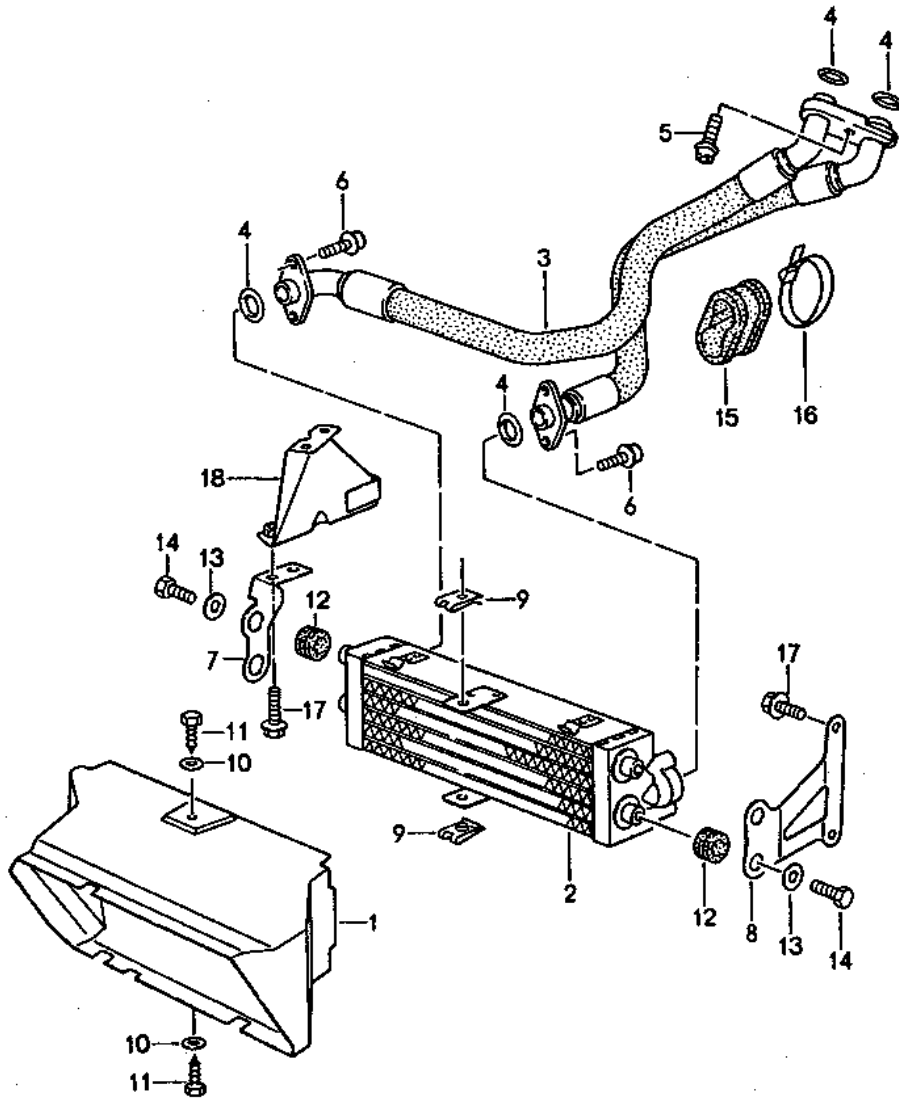
Model: 968 92

Model life 1992>>1995

Pos	Part Number	Description	Remark	Qty	Model
34	944 107 311 06	Moulded hose		1	
35	944 107 032 07	Suction tube		1	
36	944 107 136 03	Sealing ring		1	
36	944 107 136 04	Sealing ring		1	
37	944 107 052 01	Return pipe		1	
38	999 707 079 40	O-ring 20 X 1,3		1	
39	944 101 024 09	Guide tube		1	
40	944 107 329 00	Spacer sleeve		1	
41	900 174 044 40	Round seal		1	
42	900 331 013 40	O-ring 6,7 X 1,8		1	
43	944 107 025 01	Oil level dipstick		1	
44	000 043 010 00	Loctite -574- 50 ML		1	
44	000 043 124 00	Loctite ACTIVATOR N -764- 120 ML		1	

Model: 968 92

Model life 1992>>1995



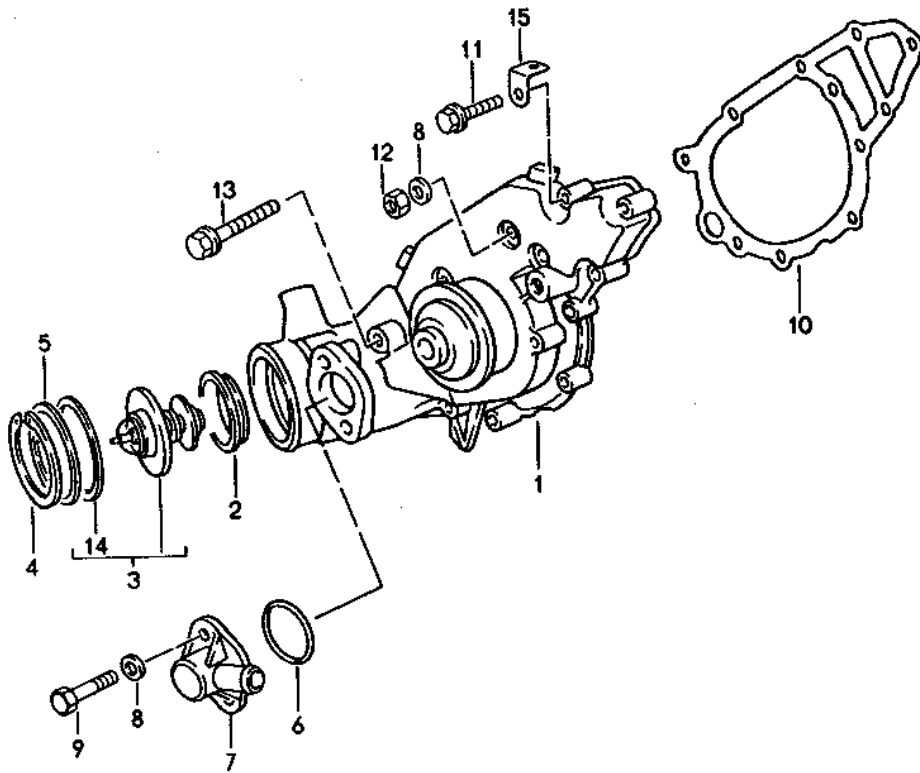
Model: 968 92

Model life 1992>>1995

Pos	Part Number	Description	Remark	Qty	Model
		Oil cooling			M44.43/44
1	944 207 311 02	Air guide		1	
2	944 207 309 02	Oil cooler		1	
(2)	944 207 309 01	Oil cooler		1	
3	944 207 011 04	Oil pipe		1	
3	944 207 011 06	Oil pipe		1	
4	900 331 022 40	O-ring		4	
5	N 090 378 1	Pan-head screw M 8 X 25 Z1		1	
6	900 067 009 02	Pan-head screw M 6 X 15		4	
6	900 067 429 01	Pan-head screw M 6 X 15		4	
7	944 207 315 02	Support		1	
8	944 207 317 00	Support		1	
9	999 591 489 02	Speed nut		2	
9	999 591 489 01	Speed nut		2	
10	N 011 665 3	Washer		2	
10	N 011 665 16	Washer		2	
11	N 013 884 4	Hexagon-head tapping screw		2	
12	056 129 669 B	Grommet		4	
13	N 011 612 3	Washer		4	
13	N 011 612 C	Washer		4	
14	999 072 005 09	Hexagon nut		4	
14	999 072 005 01	Hexagon nut		4	
15	930 207 265 00	Rubber mounting		1	
15	930 207 265 01	Rubber mounting		1	
16	N 020 906 3	Tie-wrap		1	
17	900 075 374 02	Combination screw M 6 X 14 Z2		6	
17	900 075 374 01	Combination screw M 6 X 14 Z2		6	
18	944 504 509 00	Support		1	

Model: 968 92

Model life 1992>>1995



Model: 968 92

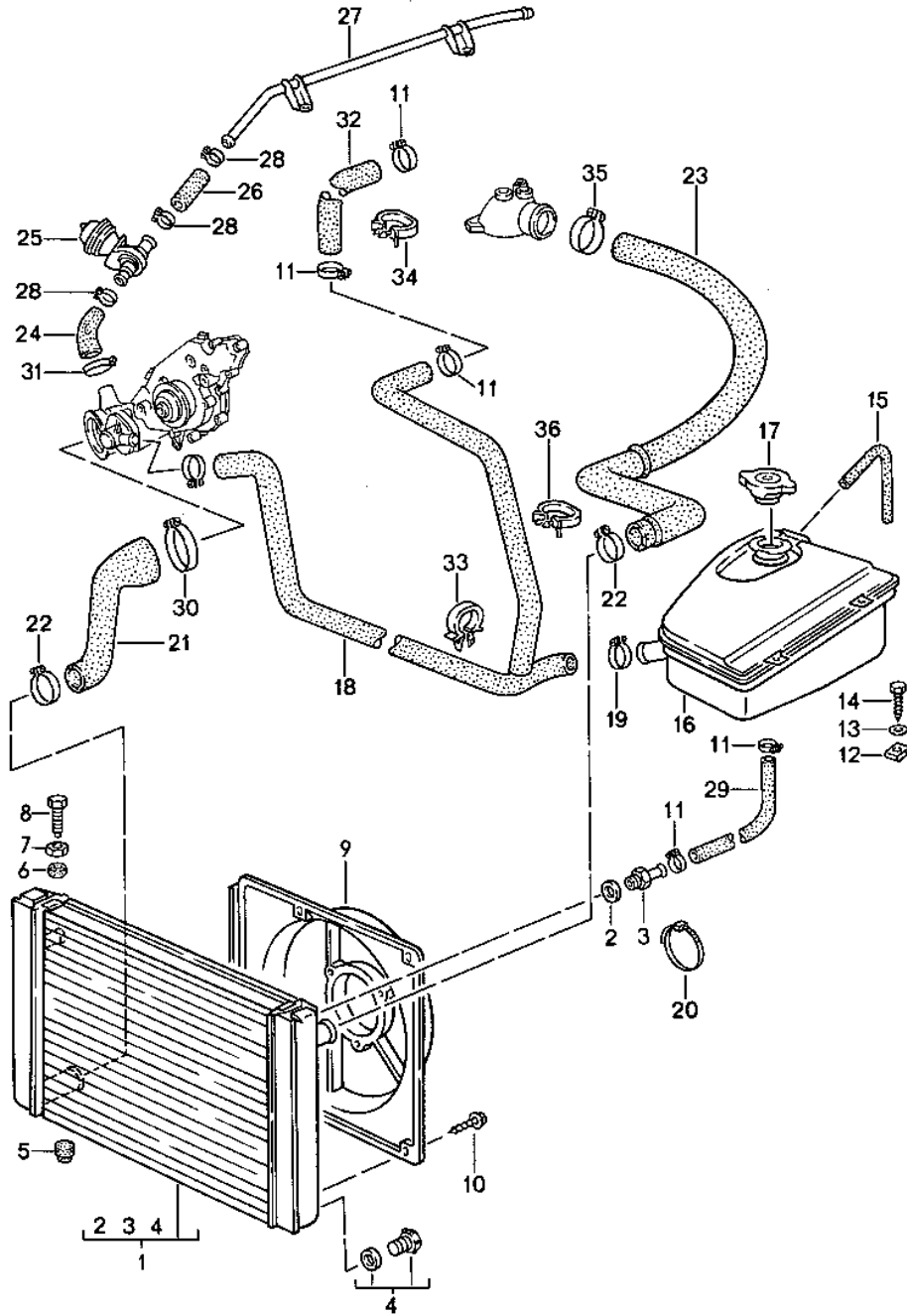
Model life 1992&gt;&gt;1995

Pos	Part Number	Description	Remark	Qty	Model
		Water pump			M44.43/44
1	944 106 003 00	Water pump		1	
1	944 106 021 AX	Water pump		1	
(1)	944 106 921 AX	Water pump		1	
		Repair kit			
2	951 106 155 00	Sealing ring		1	
3	944 106 019 00	Thermostat		1	
4	900 042 025 01	Circlip 55 X 2		1	
5	900 234 160 00	Shim		1	
6	999 707 283 40	Round seal 28 X 2,5		1	
7	951 106 313 00	Housing Black		1	
8	N 011 524 7	Washer A 6,4		4	
8	N 011 524 27	Washer A 6,4		4	
9	900 067 207 02	Combination screw M 6 X 20 Z1		2	
10	944 106 132 12	Gasket without asbestos		1	
11	900 075 345 02	Combination screw M 6 X 35 Z1		4	
11	900 075 345 01	Combination screw M 6 X 35 Z1		4	
(11)	900 075 346 02	Combination screw M 6 X 40 Z1		2	
12	900 076 010 02	Nut M 6		4	
12	900 076 010 0B	Nut M 6		4	
13	900 074 302 02	Hexagon-head bolt M 6 X 70 Z1		1	
13	900 074 302 01	Hexagon-head bolt M 6 X 70 Z1		1	
14	944 106 929 08	Sealing ring		1	
15	477 971 881 A	Retaining bracket		1	



Model: 968 92

Model life 1992>>1995



Model: 968 92

Model life 1992>>1995

Pos	Part Number	Description	Remark	Qty	Model
1	951 106 031 05	Water cooling Radiator		1	M44.43/44
1	951 106 031 07	Radiator with Stopper		1	M44.43
-	PCG 106 031 07	Repair kit Stopper for Radiator Comprising: Clip Cap		1	M44.43
1	951 106 031 06	Radiator	AUT.	1	M44.44
1	951 106 031 08	Radiator	AUT.	1	M44.44
2	944 106 928 00	Sealing ring		1	
3	944 106 927 00	Screw socket		1	
4	944 106 353 01	Screw plug		1	
5	951 106 107 00	Rubber mounting		2	
6	951 106 053 00	Rubber mounting		2	
7	N 011 118 11	Hexagon nut		2	
7	900 034 001 05	Hexagon nut		2	
8	900 069 006 02	Threaded pin		2	
9	944 106 141 02	Airscoop		1	968 CS
(9)	951 106 143 00	Airscoop		1	968
10	900 187 111 02	Combination screw 6,3 X 12		6	
10	900 187 111 01	Combination screw 6,3 X 12		6	
11	900 272 002 02	Hose clamp 10 - 16		2	
11	900 272 002 0B	Hose clamp 10 - 16		2	
12	477 955 461	Speed nut		2	
13	N 011 524 7	Washer A 6,4		6	
13	N 011 524 27	Washer A 6,4		6	
14	N 090 172 1	Combination screw 6,3 X 19		2	
14	N 090 172 6	Combination screw 6,3 X 19		2	
15	944 106 251 00	Water hose		1	
16	944 106 125 08	Expansion tank		1	
17	944 106 257 00	Lid		1	
18	944 106 217 05	Water hose	92	1	
18		Water hose	93-	1	
19	999 512 392 00	Hose clamp		4	
20	999 513 003 40	Tie-wrap		4	
21	951 106 237 04	Water hose		1	
22	999 512 500 00	Hose clamp 32 - 50		5	
23	944 106 239 11	Water hose		1	
23		Water hose		1	
24	944 106 241 04	Water hose		1	
25	928 574 573 03	Disc valve		1	
25	928 574 573 04	Disc valve		1	
-	986 307 507 00	Use also: Cap		1	
26	944 106 253 01	Water hose		1	
27	944 106 243 09	Water tube		1	
28	999 512 391 00	Hose clamp 16 - 25		3	
29	951 106 249 01	Water hose		1	

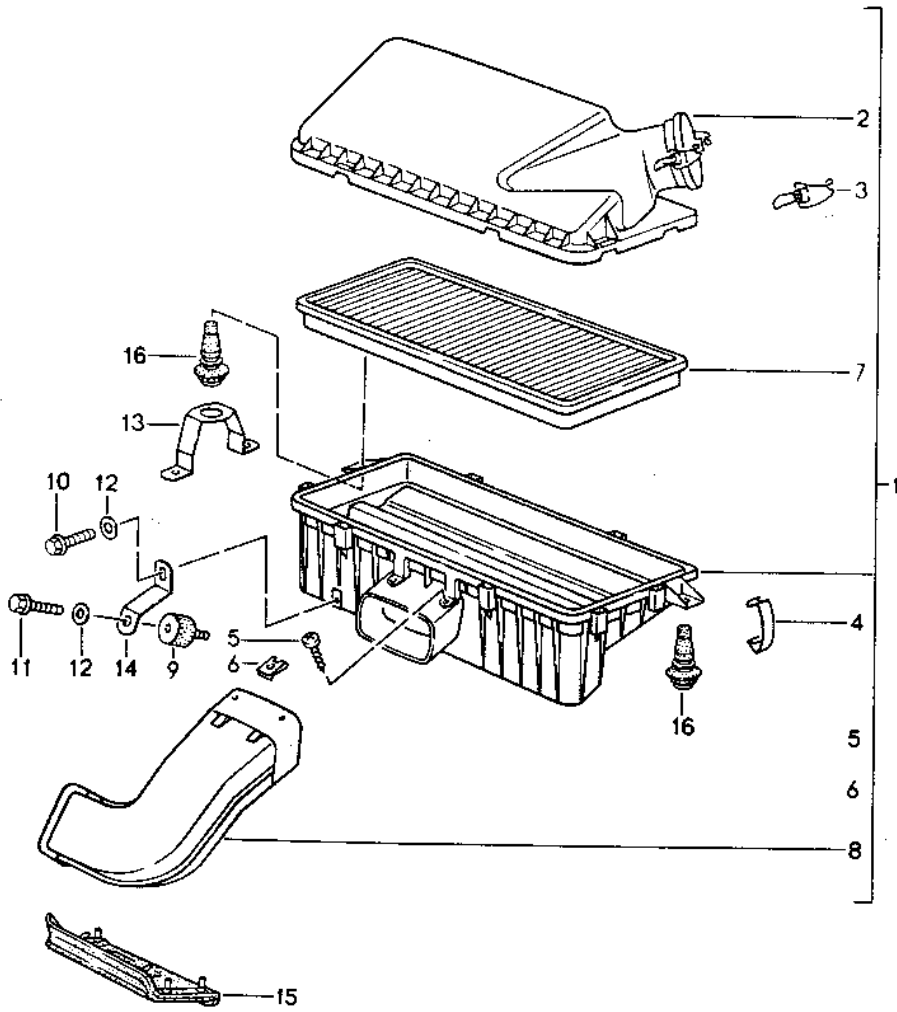
Model: 968 92

Model life 1992&gt;&gt;1995

Pos	Part Number	Description	Remark	Qty	Model
30	999 512 390 00	Hose clamp 60 - 80		1	
31	999 512 421 02	Hose clamp 23 - 35		1	
32	944 106 236 04	Water hose		1	
33	321 971 847 A	Clip		1	
34	171 971 847 A	Clip		1	
35	999 512 384 02	Hose clamp 25 - 40		3	
36	321 971 847 B	Clip		1	

Model: 968 92

Model life 1992>>1995



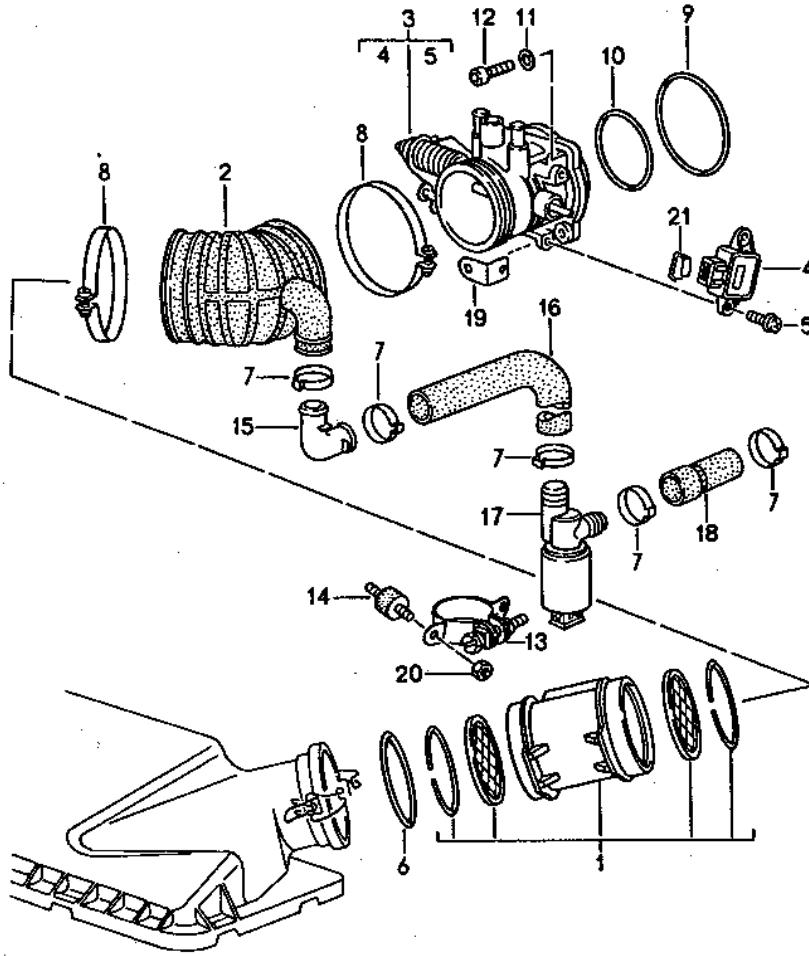
Model: 968 92

Model life 1992&gt;&gt;1995

Pos	Part Number	Description	Remark	Qty	Model
		Air cleaner			M44.43/44
1	944 110 016 10	Air cleaner		1	
2	944 110 016 51	Air cleaner cover		1	
3	944 110 116 03	Retaining clip		2	
4	944 110 116 02	Clamp		4	
5	900 143 152 07	Combination screw		2	
6	999 507 030 02	Speed nut		2	
7	944 110 166 10	Air cleaner cartridge		1	
8	944 110 016 71	Intake manifold		1	
9	999 703 315 00	Bonded rubber buffer		1	
10	900 075 221 02	Pan-head screw		1	
11	900 075 363 02	Combination screw		1	
12	N 011 666 7	Washer		2	
13	944 110 334 04	Support		1	
14	944 110 333 02	Support		1	
15	944 504 532 00	Sealing ring		1	
16	944 110 326 00	Rubber mounting		2	
16	944 110 326 01	Rubber mounting		2	

Model: 968 92

Model life 1992>>1995



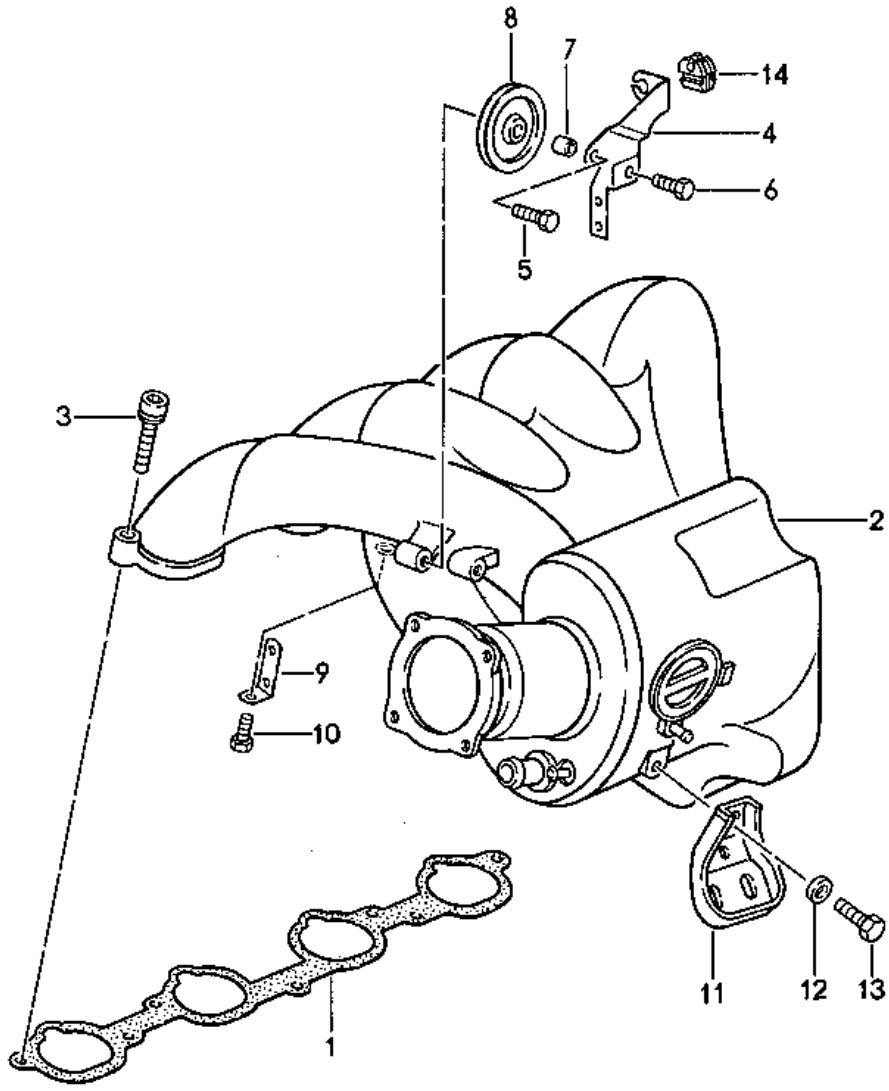
Model: 968 92

Model life 1992&gt;&gt;1995

Pos	Part Number	Description	Remark	Qty	Model
		Lh-jetronic 1			M44.43/44
1	951 606 125 02	Mass air flow meter		1	
2	944 110 308 02	Air guide		1	
3	944 110 025 03	Throttle body		1	
4	944 606 116 00	Throttle-valve switch		1	
5	900 146 120 02	Oval-head screw M 4 X 10 Z1		2	
6	999 707 206 40	O-ring		1	
7	999 512 455 00	Hose clamp		5	
8	999 512 351 02	Hose clamp 70 - 90		2	
9	999 707 036 40	Round seal 82 X 2,5		1	
10	999 701 331 40	Round seal 65 X 3		1	
11	N 011 524 7	Washer A 6,4		4	
11	N 011 524 27	Washer A 6,4		4	
12	900 067 089 02	Pan-head screw M 6 X 25		4	
12	900 067 089 01	Pan-head screw M 6 X 25		4	
13	944 110 147 01	Clamp with Bracket		1	
14	999 703 396 00	Bonded rubber buffer		2	
15	944 110 212 01	Connecting piece		1	
16	944 110 235 03	Moulded hose		1	
17	944 606 161 01	Idle-speed adjuster		1	
18	944 110 214 06	Moulded hose		1	
19	477 971 881 A	Retaining bracket		1	
20	900 076 010 02	Nut M 6		2	
20	900 076 010 0B	Nut M 6		2	
21	944 606 118 00	Safety clip		1	

Model: 968 92

Model life 1992>>1995





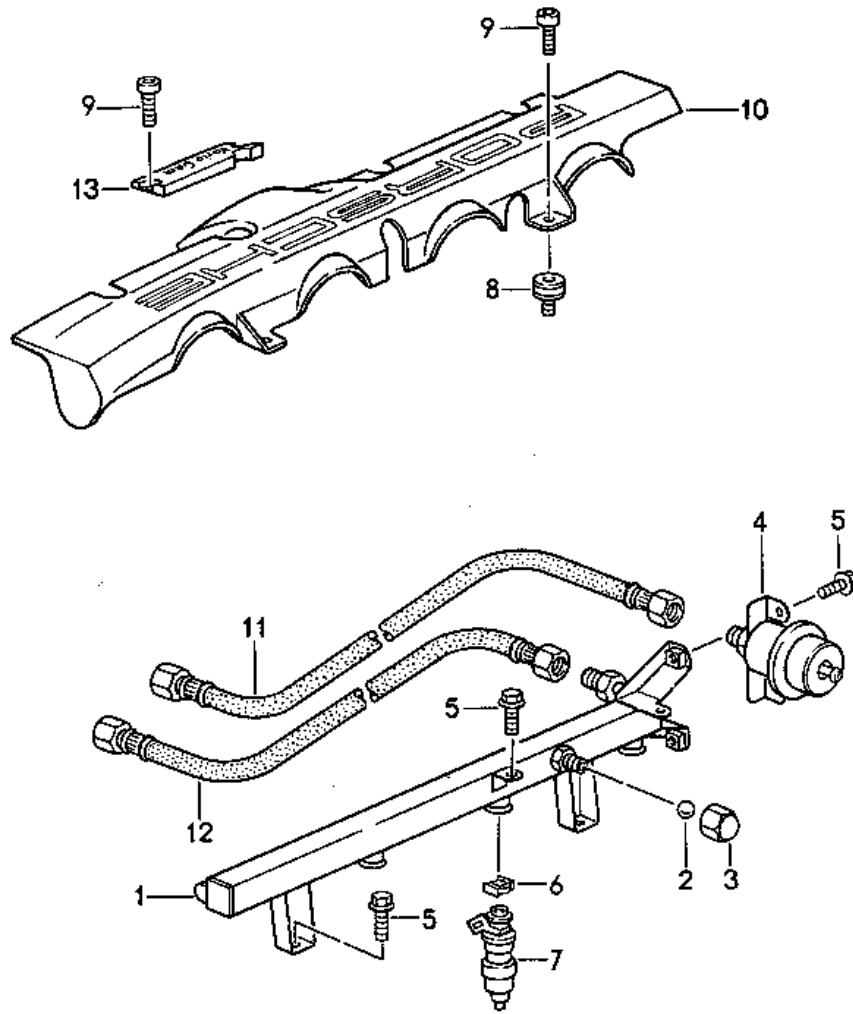
Model: 968 92

Model life 1992&gt;&gt;1995

Pos	Part Number	Description	Remark	Qty	Model
		Lh-jetronic 2			M44.43/44
1	944 110 305 12	Gasket without asbestos		1	
2	944 110 035 04	Intake manifold		1	
3	999 067 035 02	Pan-head screw M 8 X 35		7	
4	944 110 224 04	Support		1	
5	900 075 016 02	Hexagon-head bolt M 6 X 22		1	
5	900 075 016 03	Hexagon-head bolt M 6 X 22		1	
6	N 040 268 1	Hexagon-head bolt M 6 X 14		1	
7	944 110 220 00	Bush		1	
8	944 110 222 01	Deflection roller		1	
9	944 107 267 00	Retaining bracket		1	
10	900 075 357 02	Combination screw M 6 X 12 Z1		1	
10	900 075 456 01	Combination screw M 6 X 12 Z1		1	
11	944 110 164 04	Bracket		1	
12	900 223 001 02	Washer 8,4		3	
13	900 075 079 02	Hexagon-head bolt M 8 X 22		3	
14	964 423 435 00	Clip		1	

Model: 968 92

Model life 1992>>1995



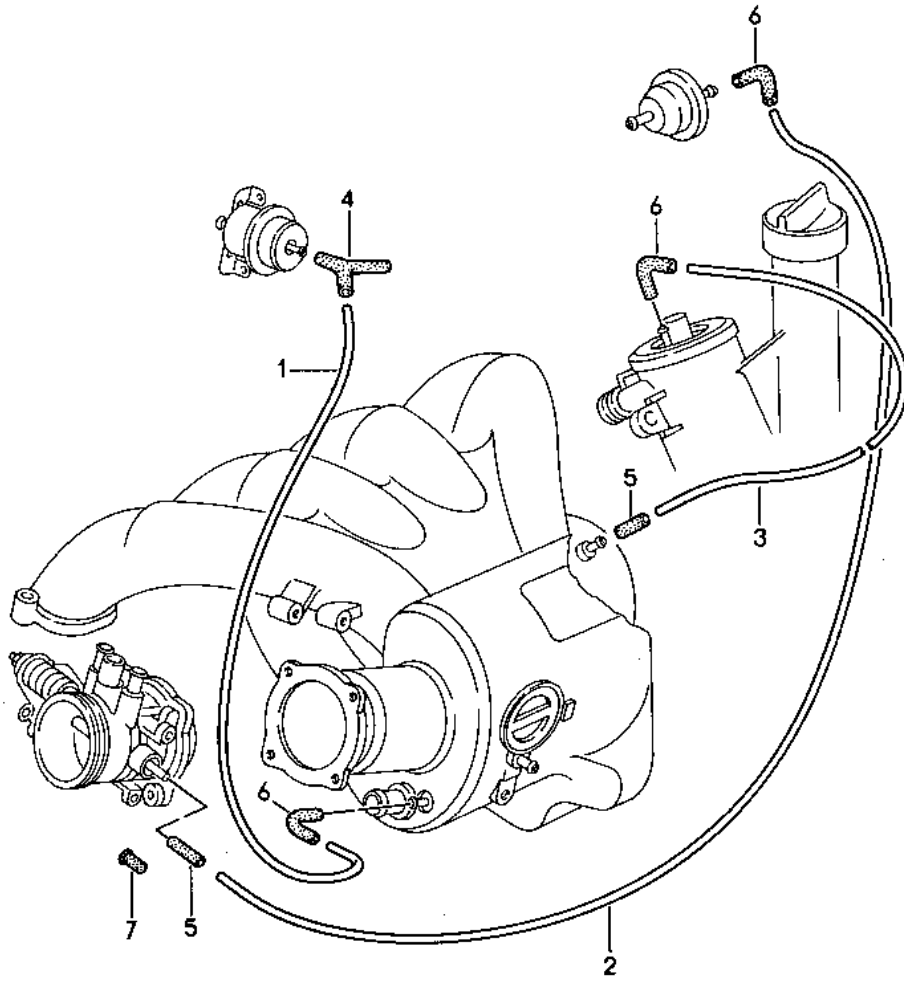
Model: 968 92

Model life 1992>>1995

Pos	Part Number	Description	Remark	Qty	Model
		Lh-jetronic 3			M44.43/44
1	944 110 080 19	Fuel collection pipe		1	
1		Fuel collection pipe		1	
2	900 108 022 00	Ball		1	
3	928 110 475 01	Cap nut		1	
3	928 110 475 03	Cap nut		1	
3	928 110 475 04	Cap nut		1	
4	944 110 198 06	Pressure regulator		1	
5	900 075 357 02	Combination screw M 6 X 12 Z1		6	
5	900 075 456 01	Combination screw M 6 X 12 Z1		6	
6	930 110 388 00	Retaining clip		4	
6	930 110 388 01	Retaining clip		4	
7	944 606 130 00	Injector valve		4	
8	999 703 388 00	Mounting for absorber 18 X 15 M 5		4	
9	900 067 051 02	Pan-head screw M 5 X 10		4	
10	944 110 380 01	Cover		1	
11	944 356 027 15	Fuel hose		1	
12	944 356 029 13	Fuel hose		1	
13	944 104 464 00	Cover		1	
14	944 110 901 01	O-ring		2	

Model: 968 92

Model life 1992>>1995



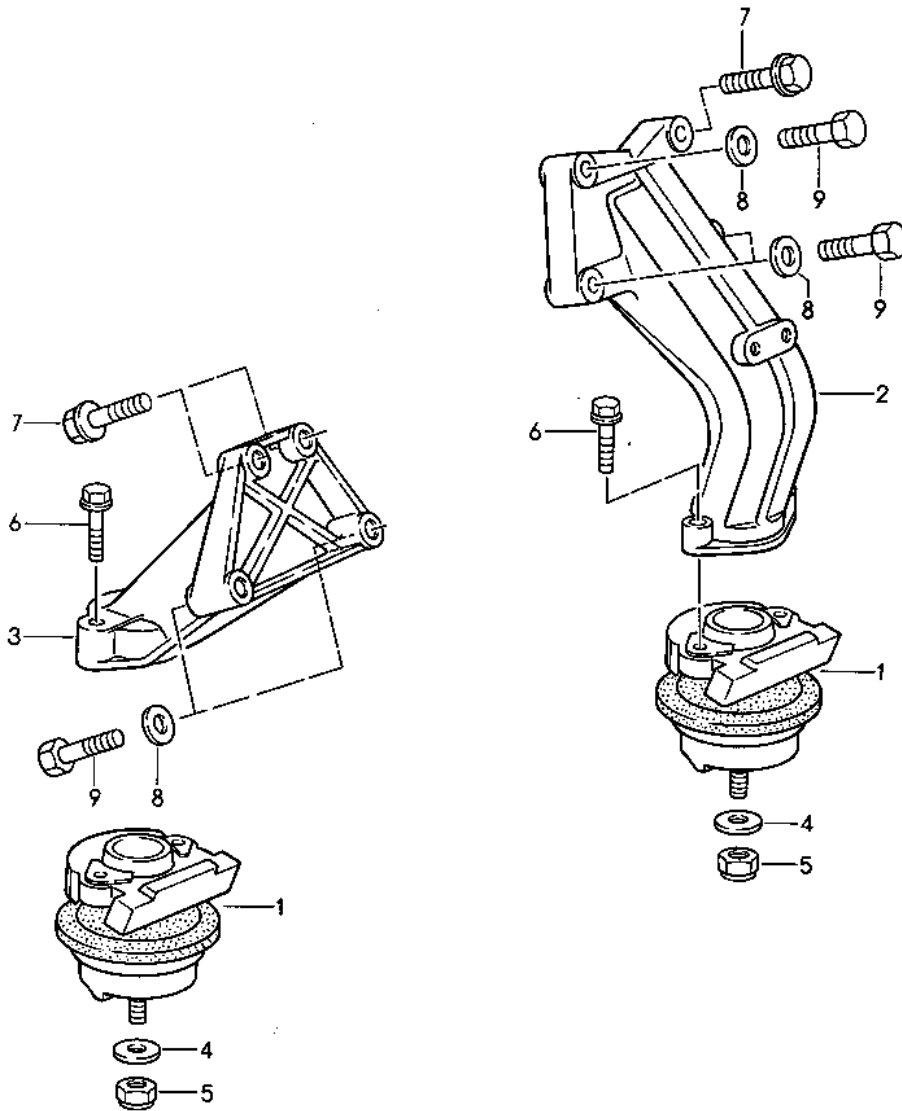
Model: 968 92

Model life 1992>>1995

Pos	Part Number	Description	Remark	Qty	Model
		Lh-jetronic			M44.43/44
		4			
-	N 020 139 11	Pipe		*	
		4 X 1			
1		500 MM		1	
2		720 MM		1	
3		175 MM		1	
4	928 573 727 03	Distributing piece		1	
4	928 573 727 05	Distributing piece		1	
5	928 574 747 03	Connecting piece		2	
6	928 574 717 03	Moulded hose		3	
7	930 110 292 00	Stopper		1	M150

Model: 968 92

Model life 1992>>1995

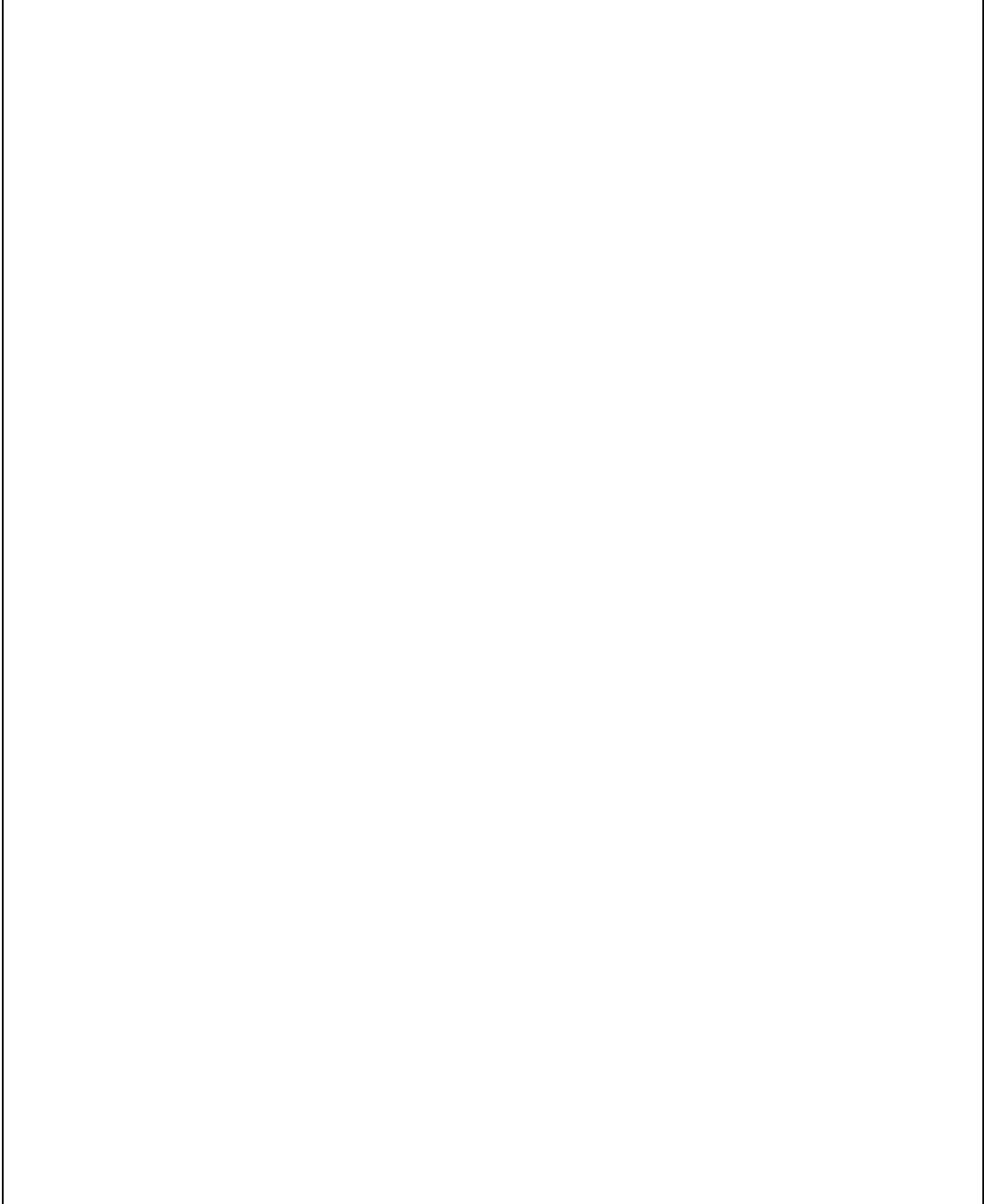


Model: 968 92 Model life 1992>>1995

Pos	Part Number	Description	Remark	Qty	Model
		Engine suspension			M44.43/44
1	951 375 042 04	Hydraulic mount		2	
1	951 375 042 07	Hydraulic mount		2	TIPTRONIC
2	944 375 123 06	Engine carrier	/L	1	
3	944 375 124 02	Engine carrier	/R	1	
4	477 407 425	Washer 30 X 5		2	
5	N 022 149 2	Lock nut VM 10		2	
6	900 378 015 02	Hexagon-head bolt M 8 X 35 Z1		4	
7	900 074 317 02	Hexagon-head bolt M 10 X 45 Z1		3	
8	900 025 008 09	Washer A 10,5		5	
8	900 025 008 04	Washer A 10,5		5	
9	900 074 063 02	Hexagon-head bolt M 10 X 55		5	
9	900 074 380 01	Hexagon-head bolt M 10 X 55		5	

Model: 968 92

Model life 1992>>1995





Model: 968 92 Model life 1992>>1995

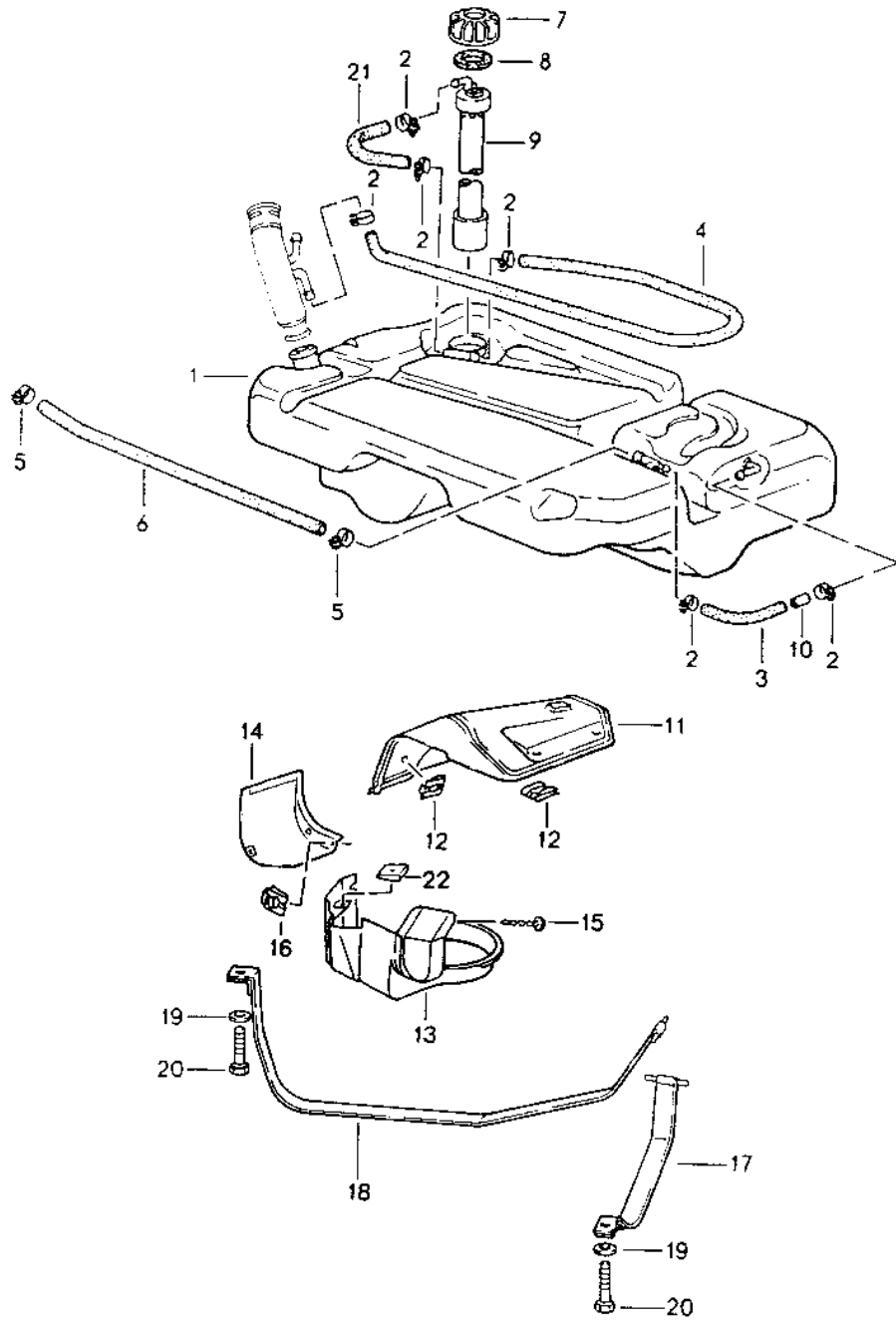
Pos	Part Number	Description	Remark	Qty	Model
		Repair kits			M44.43/44
		Maintenance set			
>>	944 100 901 07	Gasket set		1	
		Gasket set			
		for crankcase			
		Comprising:			
-	999 701 875 40	Round seal		2	
-	999 113 282 40	Shaft sealing ring		1	
-	999 113 424 40	Shaft sealing ring		1	
-	999 113 425 40	Shaft sealing ring		1	
-	999 701 652 40	O-ring		2	
-	944 101 205 02	Oil sump gasket		1	
-	N 043 815 3	Sealing ring		2	
-	999 113 264 40	Radial sealing ring		1	
-	999 113 461 40	Radial sealing ring		1	
-	999 113 426 40	Radial sealing ring		1	
-	999 113 426 41	Radial sealing ring		1	
-	944 105 321 00	Gasket		2	
-	944 106 132 12	Gasket		1	
-	999 113 331 40	Shaft sealing ring		1	
-	999 707 283 40	Round seal		1	
-	944 107 136 03	Sealing ring		1	
-	944 107 136 04	Sealing ring		1	
-	900 123 106 30	Sealing ring		1	
-	999 707 043 40	O-ring		2	
-	944 107 147 03	Gasket		1	
-	999 701 693 40	O-ring		2	
-	900 123 101 30	Sealing ring		1	
-	900 123 118 30	Sealing ring		1	
-	951 107 241 02	Sealing ring		1	
-	900 123 007 30	Sealing ring		1	
>>	944 101 901 00	Set of crankshaft bearings		1	
		Comprising:			
-	928 101 117 08	Main bearing bush i		1	
-	928 101 115 02	Main bearing shell		3	
	928 101 115 02 002	Yellow			
		Upper half 2,4,5			
(-)	928 101 115 15	Main bearing shell		3	
		Yellow			
		Standard			
		Set			
		Comprising:			
		928.101.115.02			
		928.101.115.03			
(-)	928 101 115 16	Main bearing shell		3	
		Yellow			
		Standard			
		Set			
		Comprising:			
		928.101.115.02			
		928.101.115.03			
-	928 101 115 01	Main bearing shell		3	
-	928 101 115 03	Main bearing shell		3	
	928 101 115 03 002	Yellow			
		Lower half 2,4,5			
-	944 101 139 00	Thrust bearing		2	
	944 101 139 00 002	Yellow			
-	944 101 139 16	Thrust bearing		2	
>>	928 101 901 52	Set of crankshaft bearings		1	
		1 set			
		Undersize 0.25 mm			
		Comprising:			
-	928 101 117 58	Main bearing bush i		1	

Model: 968 92 Model life 1992>>1995

Pos	Part Number	Description	Remark	Qty	Model
-	928 101 115 50	Main bearing shell Upper		3	
-	928 101 115 51	Main bearing shell Lower		3	
-	928 101 133 53	Thrust bearing		2	
>>	928 101 901 62	Set of crankshaft bearings 1 set Undersize 0.50 mm Comprising:		1	
-	928 101 117 68	Main bearing bush i		1	
-	928 101 115 60	Main bearing shell Top half Upper		3	
-	928 101 115 61	Main bearing shell Lower		3	
-	928 101 133 63	Thrust bearing		2	
>>	944 104 901 02	Gasket set for cylinder head Comprising:		1	
-	944 104 394 04	Cylinder head gasket		1	
-	928 104 601 07	Valve stem seal		16	
-	944 104 365 04	Gasket		1	
-	928 106 167 01	Gasket		1	
-	928 104 447 09	Gasket		1	
-	999 113 282 40	Shaft sealing ring		1	
-	900 123 050 30	Sealing ring		4	
-	928 104 115 02	Thrust ring		13	
-	944 110 305 12	Gasket		1	
-	999 701 331 40	Round seal		1	
-	999 707 036 40	Round seal		1	
-	944 111 205 00	Sealing ring		4	
-	944 111 135 01	Gasket		2	
-	928 104 443 08	Sealing ring		4	
>>	944 103 902 60	Set of piston rings 104,00 MM		4	
>>	944 103 902 61	Set of piston rings 104,50 MM		4	
>>	944 100 930 05	Maintenance set for Periodic maintenance 20000 KM / 12000 MLS Comprising:		1	M150
-	944 107 201 08	Oil filter		1	
-	900 123 118 30	Sealing ring		1	
-	999 170 189 90	Spark plug		4	
-	999 170 189 9A	Spark plug		4	
>>	944 100 930 06	Maintenance set for Periodic maintenance 40000 KM / 24000 MLS Comprising:		1	
-	944 107 201 08	Oil filter		1	
-	944 110 166 10	Air cleaner cartridge		1	
-	900 123 118 30	Sealing ring		1	
-	999 170 189 90	Spark plug		4	
-	999 170 189 9A	Spark plug		4	
-	928 110 253 05	Fuel filter		1	
>>	000 043 202 61	Retrofit kit FUER AU	(D)	1	M44.43/44

Model: 968 92

Model life 1992>>1995

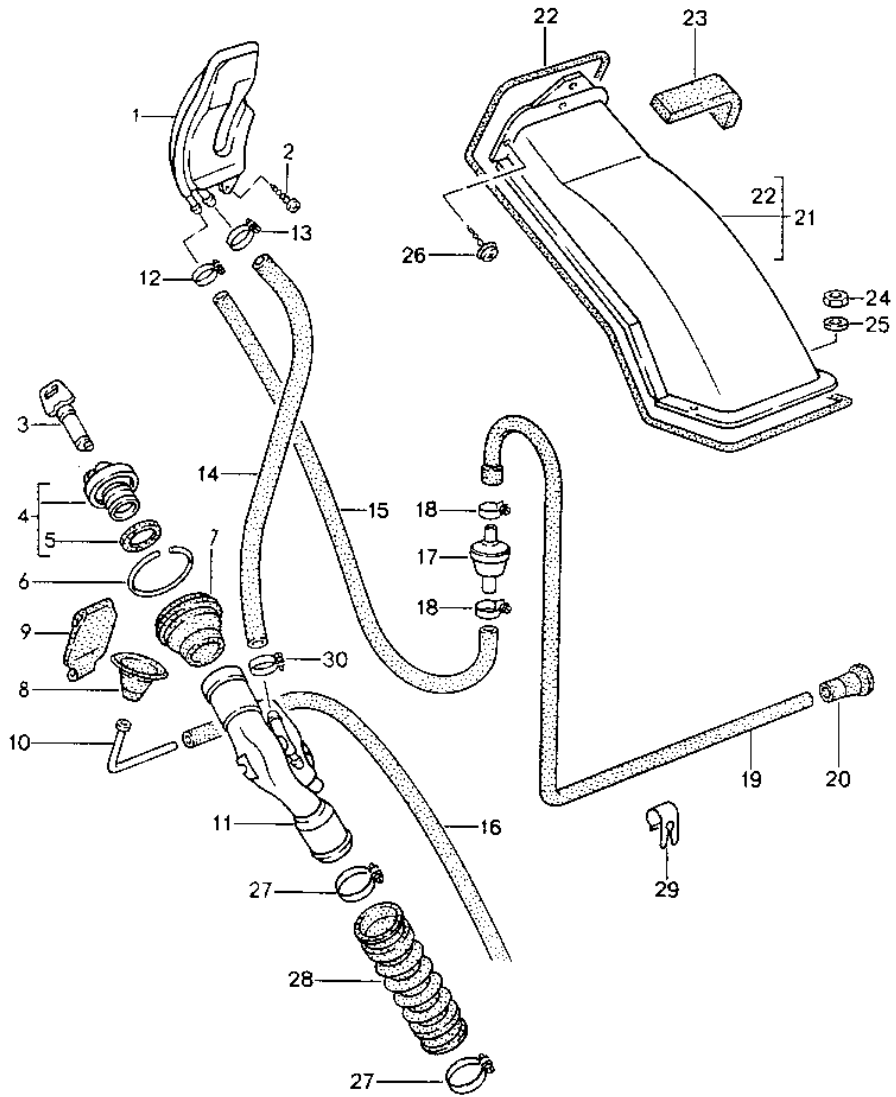


Model: 968 92 Model life 1992>>1995

Pos	Part Number	Description	Remark	Qty	Model
1	944 201 021 04	Fuel tank		1	
2	N 023 570 2	Hose clamp A 9 X 15 ZY		6	
-	999 181 716 50	Hose 9,5 X 15,5		*	
3		190 MM		1	
4		1950 MM		1	COUPE
4	941 201 713 11	Hose		1	CABRIO
5	N 023 569 2	Hose clamp A 9 X 16 ZY		2	
5	PCG 023 569 2	Hose clamp A 9 X 16 ZY		2	
6	951 201 123 03	Hose 886 MM		1	COUPE
6	941 201 711 11	Hose 1250 MM		1	CABRIO
7	951 201 375 00	Union nut		1	
8	944 201 327 00	Sealing ring		1	
9	944 641 037 01	Tank gauge		1	
10	911 201 263 02	Restrictor		1	
11	944 201 435 00	Heat protection plate		1	
12	N 012 653 3	Lock washer		4	
13	944 201 331 00	Cover		1	
14	951 201 025 00	Lid		1	
15	900 143 124 07	Tapping screw 3,5 X 13		3	
16	N 015 482 1	Speed nut		3	
17	944 201 345 01	Restraining strap	/L	1	
18	944 201 342 02	Restraining strap	/R	1	
19	N 900 741 01	Washer 8,4		2	
20	900 075 444 02	Hexagon-head bolt M 8 X 40 SP		2	
21	951 201 227 01	Hose		1	
22	951 201 233 00	Edge protection		1	

Model: 968 92

Model life 1992>>1995

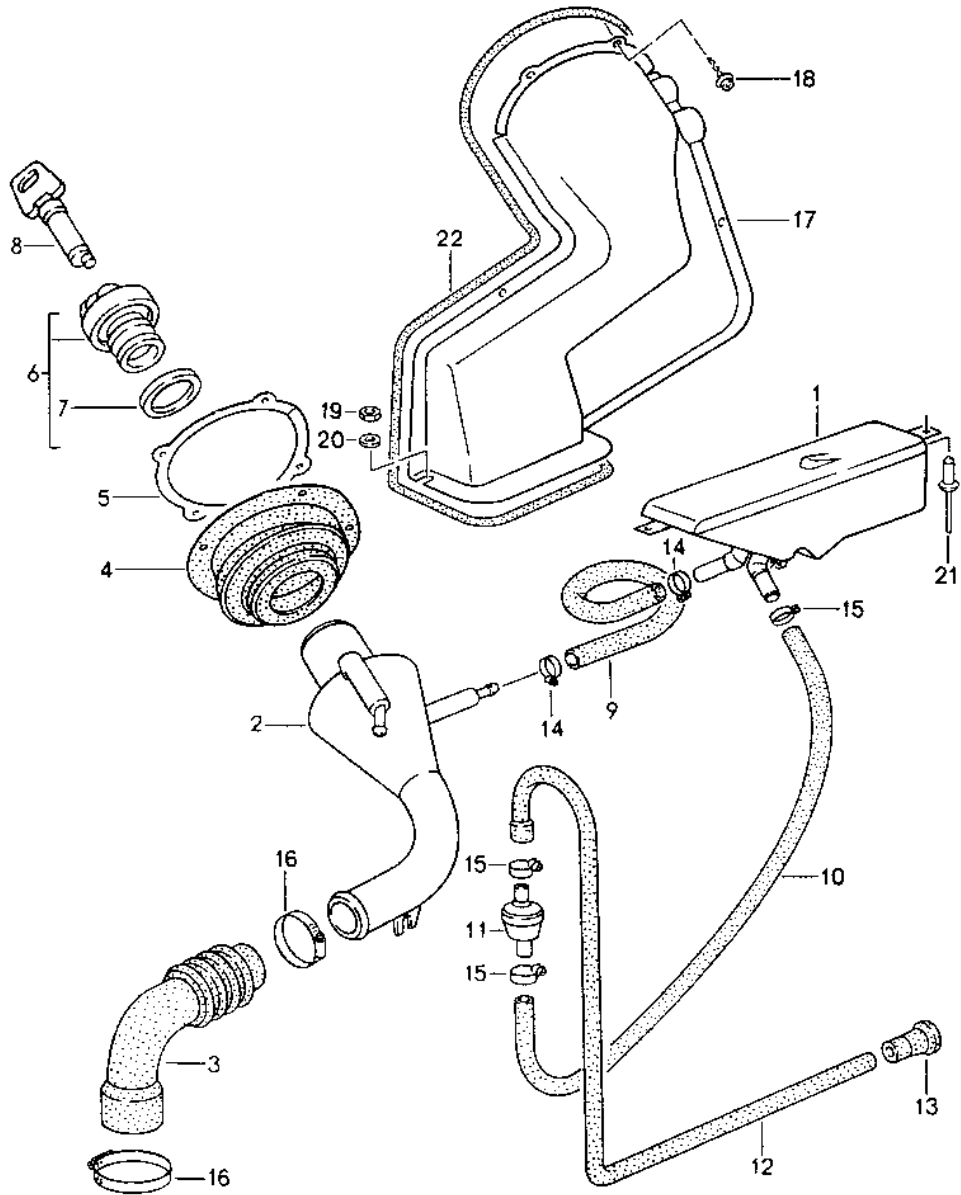


Model: 968 92 Model life 1992>>1995

Pos	Part Number	Description	Remark	Qty	Model
1	944 201 041 03	Filler neck Expansion tank	92	1	COUPE
1		Expansion tank	93-	1	
2	N 043 864 1	Hexagon-head bolt BM 3 X 6		1	
3	477 201 594	Lock cylinder with 1 key W/o stipulated lock number		1	
3	477 201 594 A	Lock cylinder with 1 key State lock number		1	
4	944 201 061 01	Fuel tank cap		1	
5	944 201 553 00	Gasket		1	
6	900 906 045 03	Circlip		1	
7	931 201 281 02	Sleeve		1	
8	944 201 461 00	Grommet		1	
9	928 201 057 02	Protective flap		1	
10	477 201 283 A	Connection piece		1	
11	944 201 043 04	Filler neck	92	1	
11		Filler neck	93-	1	
11	944 201 043 03	Filler neck	92	1	M150
11		Filler neck	(J) 92	1	
11		Filler neck	93-	1	M150
11		Filler neck	(J) 93-	1	
12	999 512 160 02	Hose clamp		1	
12	PCG 512 160 02	Hose clamp		1	
13	999 512 198 02	Hose clamp		1	
13	PCG 512 198 02	Hose clamp		1	
14	944 201 451 04	Hose		1	
15	951 201 449 01	Hose		1	
16	477 201 393 A	Hose		1	
16	477 201 393 C	Hose		1	
17	928 201 083 02	Shut-off valve		1	
18	N 023 570 2	Hose clamp		2	
19	944 201 159 01	Breather hose It is necessary to rework		1	
20	321 201 890 A	End piece		1	
21	944 201 047 03	Cover		1	
22	000 043 202 08	Packing cord		*	
		Roller		1	
-	000 043 205 05	Sound absorber		*	
23		100 MM		X	
24	N 011 005 14	Hexagon nut M 5		2	
24	900 076 091 01	Hexagon nut M 5		2	
25	900 025 003 02	Washer A 5,3		2	
26	900 143 117 02	Combination tapping screw 4,2 X 9,5 Z1		3	
27	113 201 281 B	Hose clamp		2	
28	944 201 319 00	Hose		1	
29	431 971 848 A	Clip		2	
30	N 023 569 2	Hose clamp		1	
30	PCG 023 569 2	Hose clamp		1	

Model: 968 92

Model life 1992>>1995



Model: 968 92

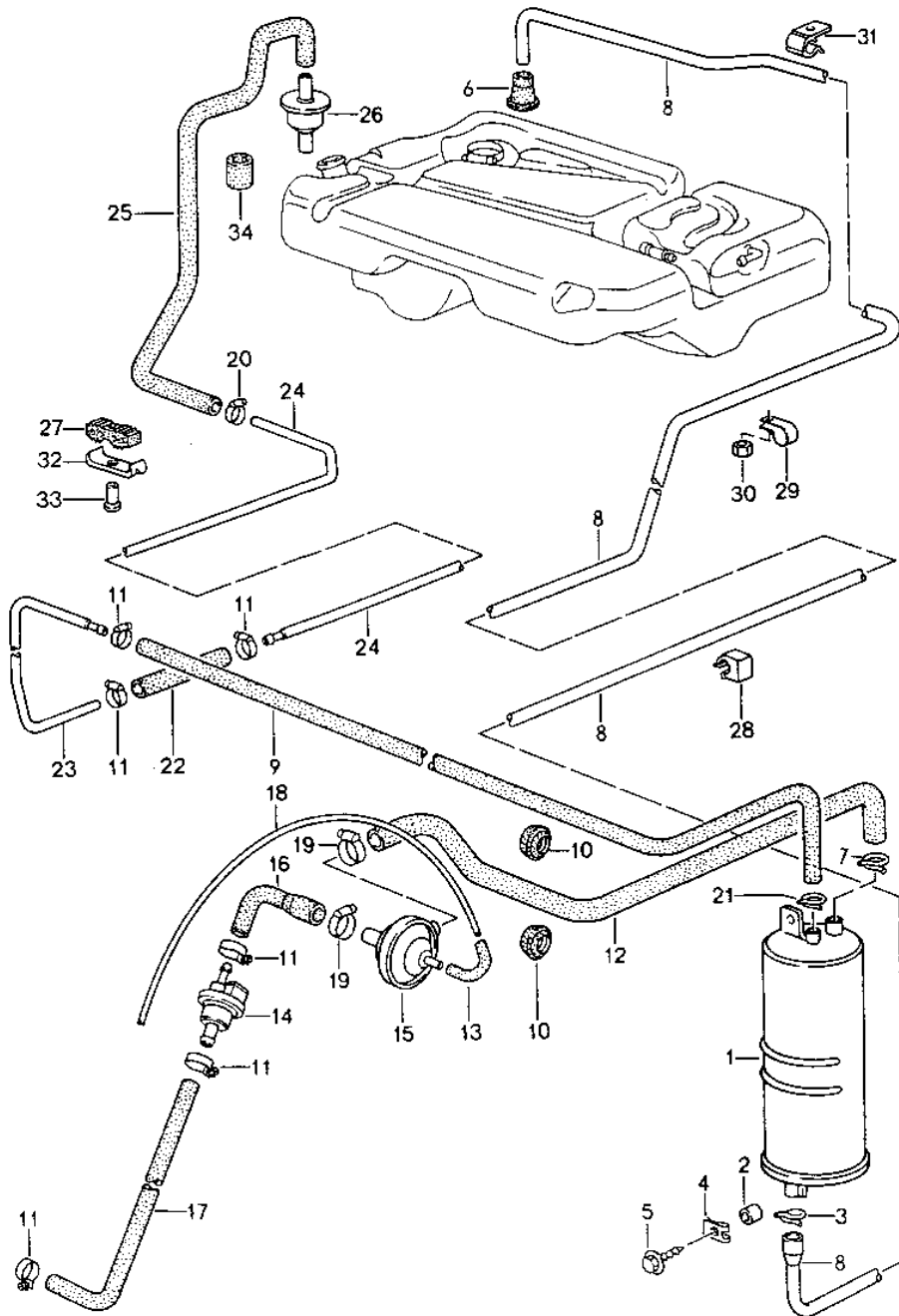
Model life 1992>>1995

Pos	Part Number	Description	Remark	Qty	Model
1	941 201 165 11	Filler neck Expansion tank	92	1	CABRIO
1		Expansion tank	93-	1	
2	941 201 351 10	Filler neck		1	M150
2	941 201 351 11	Filler neck		1	
2	941 201 043 13	Filler neck		1	M150
3	941 201 353 10	Bellows		1	
4	941 201 349 10	Sealing rubber		1	
5	941 201 393 10	Support		1	
6	944 201 061 01	Fuel tank cap		1	
7	944 201 553 00	Gasket		1	
8	477 201 594	Lock cylinder with Key		1	
8	477 201 594 A	W/o stipulated lock number Lock cylinder with 1 key State lock number		1	
9	941 201 717 10	Hose		1	
10	941 201 715 11	Moulded hose	92	1	
10		It is necessary to rework			
10		Moulded hose	93-	1	
11	928 201 083 02	Shut-off valve		1	
12	944 201 159 01	Breather hose		1	
13	321 201 890 A	End piece		1	
14	N 023 565 3	Hose clamp A 9 X 21		2	
15	N 023 569 2	Hose clamp AR 9 X 16		3	
15	PCG 023 569 2	Hose clamp AR 9 X 16		3	
16	113 201 281 B	Hose clamp		2	
17	941 201 149 10	Cover		1	
18	900 143 117 02	Combination tapping screw 4,2 X 9,5 Z1		4	
19	N 011 005 14	Hexagon nut M 5		2	
19	900 076 091 01	Hexagon nut M 5		2	
20	N 011 665 3	Washer B 5,1		2	
20	N 011 665 16	Washer B 5,1		2	
21	941 201 273 10	Rivet		2	
22	000 043 202 08	Packing cord Roller		* 1	



Model: 968 92

Model life 1992>>1995



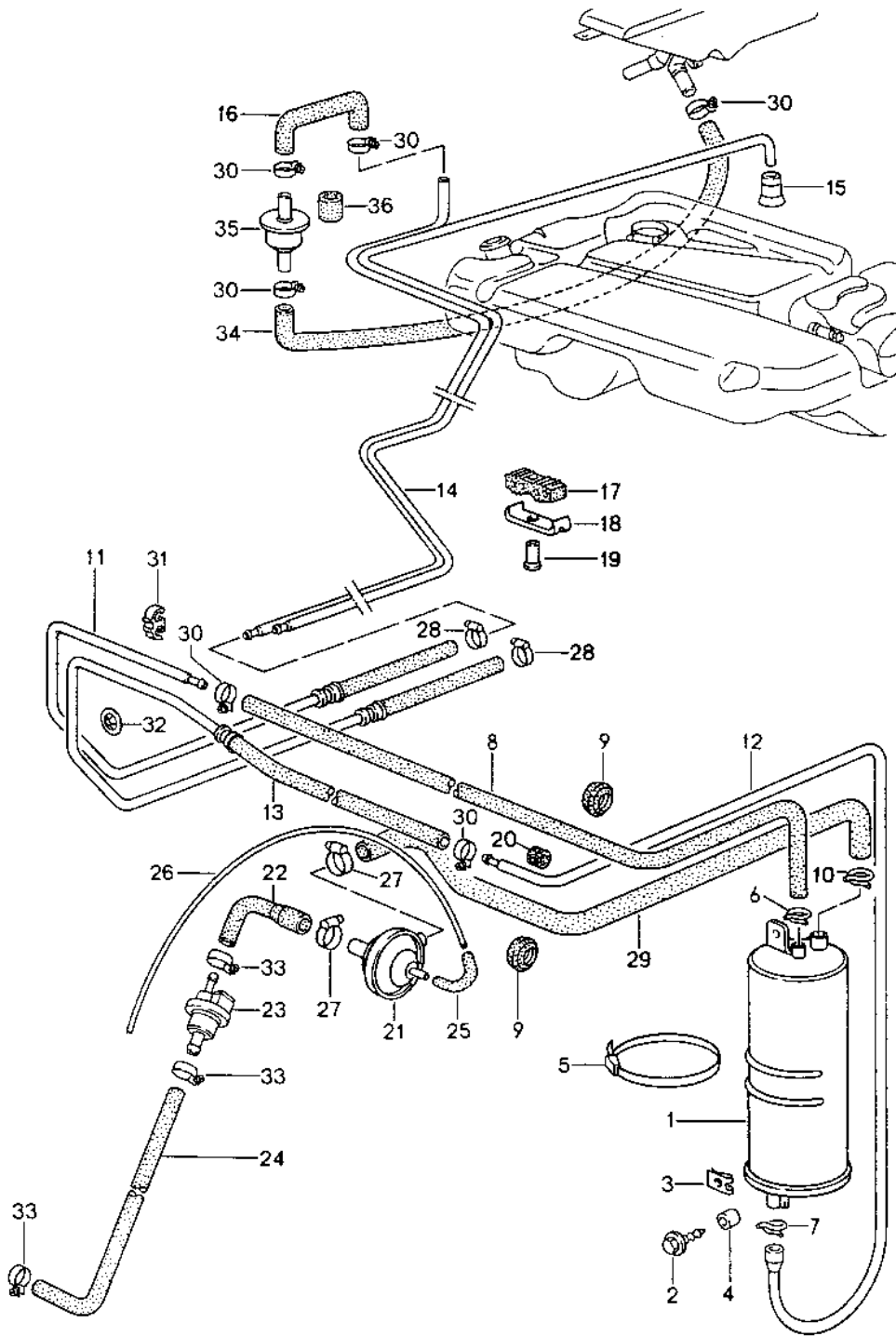
Model: 968 92

Model life 1992&gt;&gt;1995

Pos	Part Number	Description	Remark	Qty	Model
		Tank ventilation			COUPE
1	993 201 221 01	Carbon canister		1	
1	993 201 221 03	Carbon canister		1	
2	477 201 279	Sleeve		2	
3	999 512 364 02	Hose clamp		1	
4	N 015 449 1	Speed nut		2	
5	N 090 172 1	Combination screw		2	
		B 6,3 X 19 Z2			
5	N 090 172 6	Combination screw		2	
		B 6,3 X 19 Z2			
6	321 201 890 A	End piece		1	
7	999 512 140 02	Clamping ring		1	
8	944 201 737 01	Vent line		1	
9	944 201 723 00	Breather hose		1	
10	477 201 381	Rubber sleeve		2	
11	999 512 160 02	Hose clamp		6	
11	PCG 512 160 02	Hose clamp		6	
12	944 201 735 00	Moulded hose		1	
13	928 574 717 03	Moulded hose		1	
14	944 605 240 01	Bleeder valve		1	
15	928 110 429 08	Vacuum valve		1	
16	944 110 182 04	Moulded hose		1	
17	944 110 180 01	Moulded hose		1	
-	N 020 139 11	Polyamide tube		*	
		4 X 1			
18		720 MM		1	
19	999 512 554 00	Hose clamp		2	
		12 - 22			
20	N 024 528 1	Hose clamp		1	
		11 X 9			
21	999 512 265 02	Hose clamp		1	
22	944 201 775 00	Hose		1	
23	944 201 153 01	Breather pipe		1	
24	944 201 743 00	Breather pipe		1	
25	944 201 159 01	Breather hose		1	
26	928 201 083 02	Shut-off valve		1	
		Mounting parts			
27	941 356 533 10	Rubber mounting		9	
28	999 507 054 40	Cable holder		2	
29	999 511 200 40	Clip		7	
30	999 049 008 40	Plastic nut		7	
31	431 971 848 A	Clip		5	
32	941 356 555 11	Support		9	
33	999 511 199 40	Clamp		9	
34	477 971 951	Protective tube		2	

Model: 968 92

Model life 1992>>1995



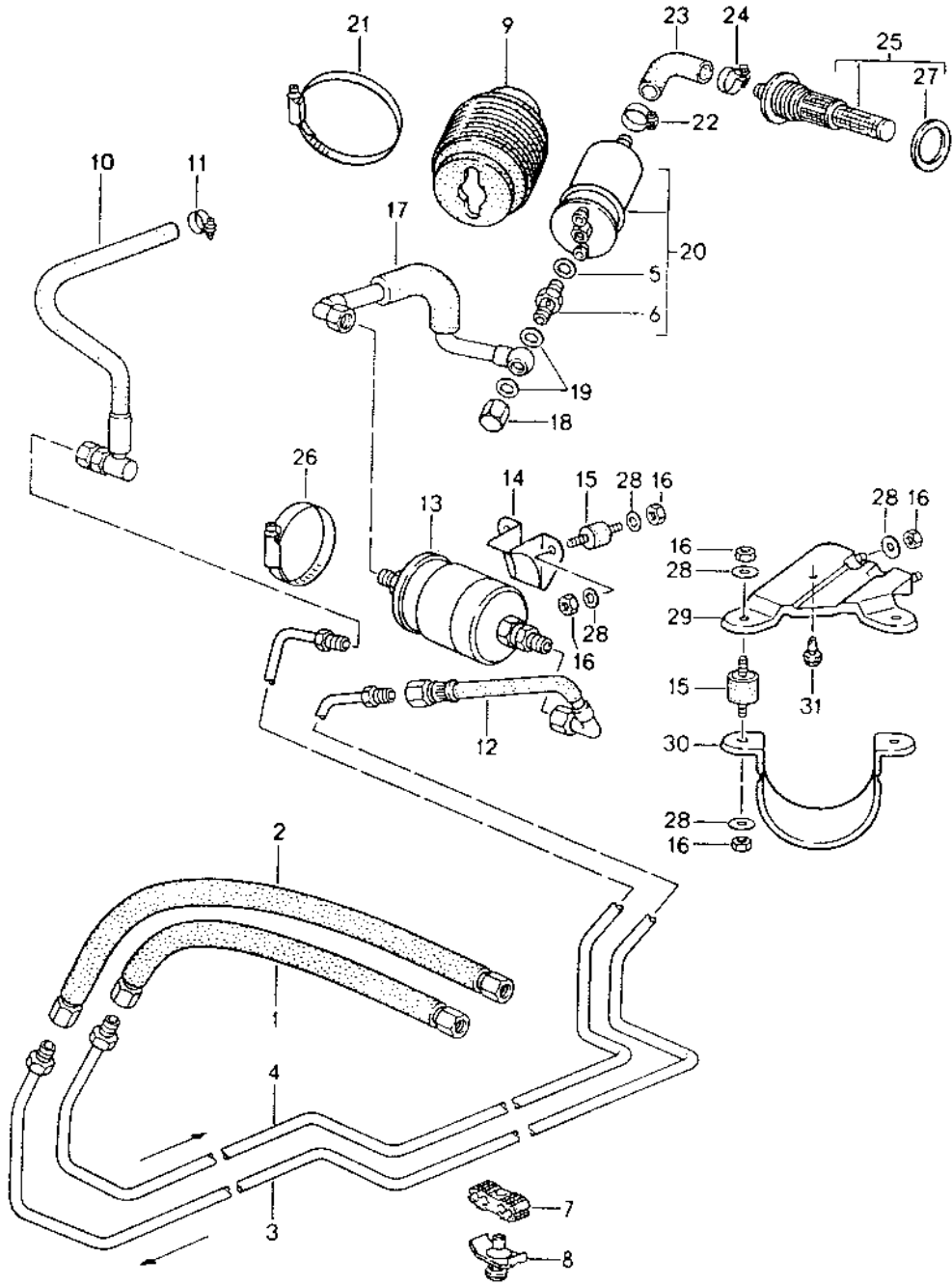
Model: 968 92

Model life 1992>>1995

Pos	Part Number	Description	Remark	Qty	Model
		Tank ventilation			CABRIO
1	993 201 221 01	Carbon canister		1	
1	993 201 221 03	Carbon canister		1	
2	N 090 172 1	Combination screw B 6,3 X 19 Z2		2	
2	N 090 172 6	Combination screw B 6,3 X 19 Z2		2	
3	N 015 449 1	Speed nut		2	
4	477 201 279	Sleeve		2	
5	N 020 906 3	Tie-wrap		1	
6	999 512 265 02	Hose clamp		1	
7	999 512 364 02	Hose clamp		1	
8	944 201 723 00	Breather hose		1	
9	477 201 381	Rubber sleeve		2	
10	999 512 140 02	Clamping ring		1	
11	941 201 153 11	Breather pipe		1	
12	941 201 737 00	Vent line		1	
13	941 201 163 10	Line	/LL	1	
13	942 201 163 10	Line	/RL	1	
14	941 201 173 10	Line		1	
15	321 201 890 A	End piece		1	
16	944 201 449 00	Hose		1	
17	941 356 533 10	Rubber mounting		7	
18	941 356 555 11	Support		7	
19	999 511 199 40	Clamp		7	
20	999 702 119 50	Rubber sleeve		1	
21	928 110 429 08	Vacuum valve		1	
22	944 110 182 04	Moulded hose		1	
23	944 605 240 01	Bleeder valve		1	
24	944 110 180 01	Moulded hose		1	
25	928 574 717 03	Moulded hose		1	
-	N 020 139 11	Polyamide tube 4 X 1 720 MM		*	
26				1	
27	999 512 554 00	Hose clamp 12 - 22		2	
28	N 023 564 1	Clip		2	
29	944 201 735 00	Moulded hose		1	
30	N 023 569 2	Hose clamp		6	
30	PCG 023 569 2	Hose clamp		6	
31	999 591 740 40	Cable holder		1	
32	N 903 350 01	Clamping washer		1	
33	999 512 160 02	Hose clamp		3	
33	PCG 512 160 02	Hose clamp		3	
34	941 201 715 11	Moulded hose		1	
34		It is necessary to rework			
34		Moulded hose		1	
35	928 201 083 02	Shut-off valve		1	
36	477 971 951	Protective tube		2	

Model: 968 92

Model life 1992>>1995



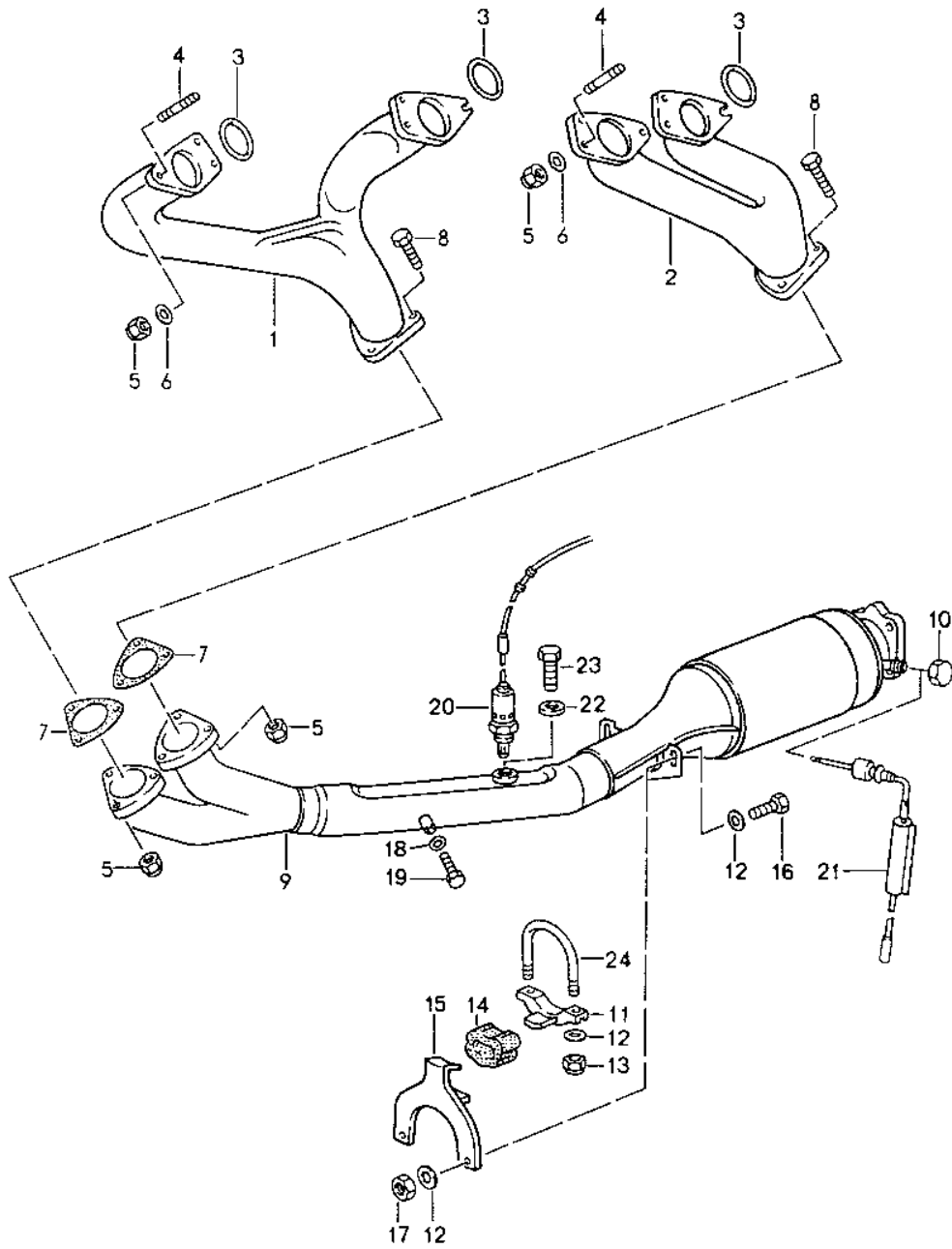
Model: 968 92

Model life 1992>>1995

Pos	Part Number	Description	Remark	Qty	Model
		Fuel system			
1	944 356 029 13	Fuel hose		1	
2	944 356 027 15	Fuel hose		1	
3	944 356 069 10	Fuel line	92	1	COUPE
3	944 356 069 11	Fuel line	93-	1	COUPE
3	944 356 069 12	Fuel line	93-	1	COUPE
		Information available	93-		
(3)	941 356 069 10	Fuel line	92	1	CABRIO
(3)	941 356 069 11	Fuel line	93-	1	CABRIO
4	944 356 037 10	Fuel return line	92	1	COUPE
4	944 356 037 11	Fuel return line	93-	1	COUPE
(4)	941 356 037 10	Fuel return line	92	1	CABRIO
(4)	941 356 037 11	Fuel return line	93-	1	CABRIO
5	N 013 812 3	Sealing ring		1	
6	944 608 951 01	Check valve		1	
7	999 591 975 40	Rubber mounting		9	COUPE
7	941 356 533 10	Rubber mounting		7	CABRIO
8	999 511 199 40	Clamp		9	COUPE
8	941 356 555 11	Support		7	CABRIO
9	944 356 091 00	Housing		1	
(10)	951 356 061 02	Fuel hose	92	1	
10	944 356 361 01	Fuel hose	92	1	M030
10		Fuel hose	93-	1	
11	N 023 569 2	Hose clamp		1	
11	PCG 023 569 2	Hose clamp		1	
(12)	944 356 047 01	Fuel hose	92	1	COUPE
(12)	941 356 047 11	Fuel hose	92	1	CABRIO
12	944 356 047 02	Fuel hose	93-	1	
13	928 110 253 05	Fuel filter		1	
14	944 356 473 00	Support	92	1	
15	999 703 229 00	Bonded rubber buffer		2	
15	999 703 465 00	Bonded rubber buffer		2	
16	900 076 010 02	Nut		4	
		M 6			
16	900 076 010 0B	Nut		4	
		M 6			
17	944 356 041 09	Fuel line	92	1	
(17)	944 356 041 10	Fuel line	93-	1	
18	928 110 475 01	Cap nut		1	
18	928 110 475 03	Cap nut		1	
18	928 110 475 04	Cap nut		1	
19	N 013 812 2	Sealing ring		2	
20	944 608 102 06	Fuel pump		1	
21	999 512 397 00	Hose clamp		1	
22	999 512 554 00	Hose clamp		1	
23	951 356 557 00	Fuel hose		1	
24	999 512 346 00	Hose clamp		1	
25	928 201 081 04	Fuel filter		1	
26	999 512 390 00	Hose clamp		1	
27	928 201 187 02	Sealing ring		1	
28	N 011 524 7	Washer		4	
		A 6,4			
28	N 011 524 27	Washer		4	
		A 6,4			
29	944 356 473 01	Support	92	1	M030
29		Support	93-	1	
30	944 356 475 00	Support	92	1	M030
30		Support	93-	1	
31	999 703 086 40	Stopper	92	1	M030
31		Stopper	93-	1	

Model: 968 92

Model life 1992>>1995



Model: 968 92

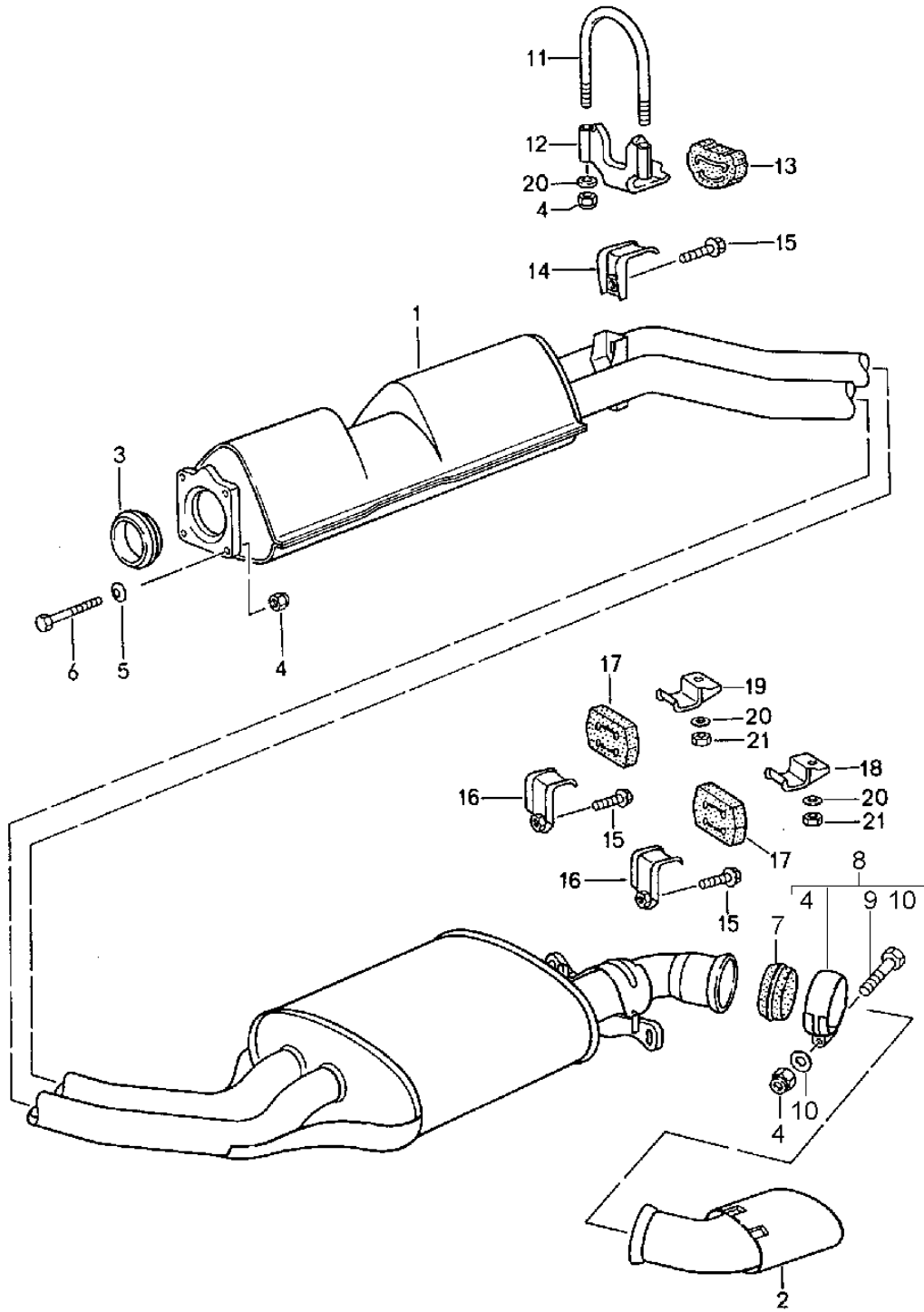
Model life 1992>>1995

Pos	Part Number	Description	Remark	Qty	Model
1	944 111 183 03	Exhaust system Catalytic converter Exhaust manifold Cylinders 1 and 4		1	
2	944 111 184 02	Exhaust manifold Cyl. 2 and 3		1	
3	944 111 205 00	Sealing ring		4	
4	999 062 139 02	Stud		12	
5	999 084 052 02	Lock nut M 8		18	
6	928 111 181 00	Washer		12	
7	944 111 135 01	Gasket		2	
8	900 074 282 02	Screw M 8 X 37		6	
9	944 111 081 12	Catalytic converter	92	1	
9	944 111 089 11	Catalytic converter	(J) 92	1	
9	944 111 991 11	Catalytic converter Use also:	93-	1	
10	951 111 171 00	Cap		1	
11	944 111 307 01	Support		1	
12	900 025 007 02	Washer		6	
12	900 025 007 03	Washer		6	
13	900 910 003 02	Lock nut		2	
13	900 910 003 04	Lock nut		2	
14	944 111 142 01	Rubber mounting		1	
14	944 111 142 02	Rubber mounting		1	
14	944 111 142 03	Rubber mounting		1	
15	931 111 061 02	Hook		1	
16	900 075 078 02	Hexagon-head bolt		2	
16	900 075 078 03	Hexagon-head bolt		2	
17	900 076 025 02	Hexagon nut		2	
17	900 076 064 02	Hexagon nut		2	
18	N 043 813 3	Sealing ring		1	
19	900 083 080 00	Hexagon-head bolt		1	
20	944 606 135 02	Oxygen sensor		1	
21	951 606 019 00	Temperature sensor	(J)	1	
22	900 123 009 20	Sealing ring		1	M150
23	900 219 015 00	Screw plug		1	M150
24	944 111 239 00	Clip		1	
25	944 113 061 00	Catalytic converter cover	(J)	1	



Model: 968 92

Model life 1992>>1995

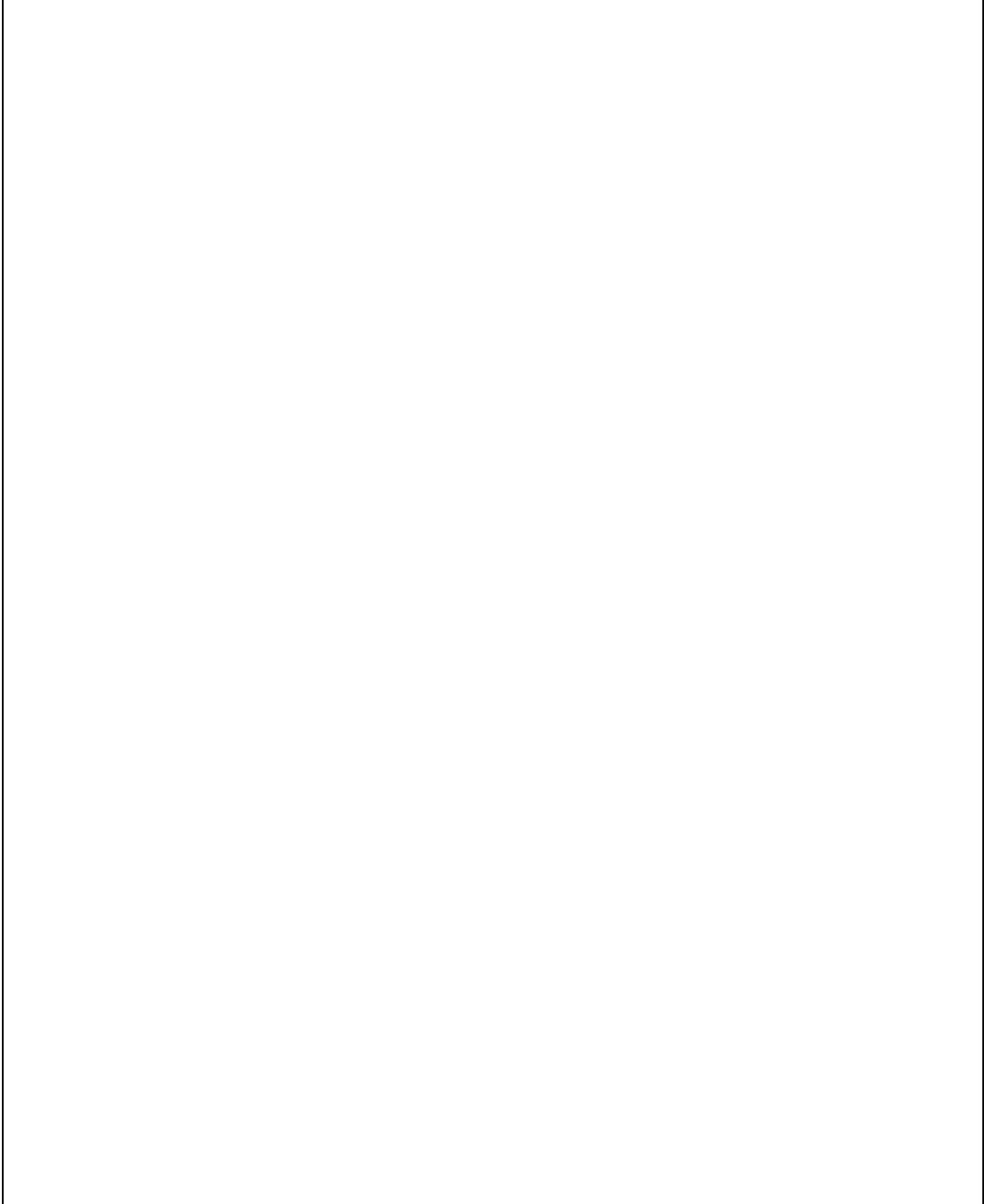


Model: 968 92 Model life 1992>>1995

Pos	Part Number	Description	Remark	Qty	Model
1	944 111 041 11	Exhaust system Central muffler Rear muffler Rear muffler And Rear muffler		1	
1	944 111 049 01	Rear muffler And Rear muffler	(CH)	1	
2	944 111 231 06	Tail pipe		1	
2	944 111 231 07	Tail pipe		1	
2		Tail pipe		1	
3	928 111 244 03	Sealing ring		1	
4	999 084 052 02	Lock nut		7	
5	900 336 005 00	Washer		4	
6	900 074 268 02	Hexagon-head bolt M 8 X 40		4	
7	964 111 247 01	Sealing ring		1	
8	964 111 336 00	Clip		1	
9	900 074 339 02	Hexagon-head bolt M 8 X 70		1	
10	999 025 125 09	Washer 8,4 X 17 X 3,1		1	
10	999 025 125 01	Washer 8,4 X 17 X 3,1		1	
11	944 111 239 03	Clip		1	
(11)	944 111 239 01	Clip		1	M249
12	944 111 307 06	Support		1	
13	944 111 142 01	Rubber mounting		1	
13	944 111 142 02	Rubber mounting		1	
13	944 111 142 03	Rubber mounting		1	
14	944 111 264 04	Hook		1	
(14)	944 111 264 07	Hook		1	M249
15	900 075 366 02	Combination screw M 8 X 16 Z1		3	
16	944 111 064 02	Hook		2	
17	928 111 259 02	Rubber mounting Information available		2	
18	944 111 121 00	Hook	/L	1	
19	944 111 121 01	Hook	/R	1	
20	900 025 007 02	Washer		4	
20	900 025 007 03	Washer		4	
21	900 076 025 02	Hexagon nut		2	
21	900 076 064 02	Hexagon nut		2	

Model: 968 92

Model life 1992>>1995



Model: 968 92

Model life 1992>>1995

Pos	Part Number	Description	Remark	Qty	Model
>>	944 111 901 06	Repair kits Set of fastening parts And Set of fastening parts for Catalytic converter Comprising:		1	
-	944 111 135 01	Gasket		2	
-	999 084 052 02	Lock nut		10	
-	944 111 142 01	Rubber mounting		1	
-	944 111 142 02	Rubber mounting		1	
-	944 111 142 03	Rubber mounting		1	
-	900 025 007 02	Washer		4	
-	900 025 007 03	Washer		4	
-	900 075 078 02	Hexagon-head bolt		2	
-	900 075 078 03	Hexagon-head bolt		2	
-	900 074 282 02	Screw		6	
-	928 111 244 03	Sealing ring		1	
-	900 336 005 00	Washer		4	
-	900 074 268 02	Hexagon-head bolt		4	
>>	944 111 901 07	Set of fastening parts And Set of fastening parts for Rear muffler Comprising:		1	
-	928 111 244 03	Sealing ring		1	
-	999 084 052 02	Lock nut		5	
-	900 336 005 00	Washer		4	
-	900 074 268 02	Hexagon-head bolt		4	
-	944 111 142 01	Rubber mounting		1	
-	944 111 142 02	Rubber mounting		1	
-	944 111 142 03	Rubber mounting		1	
-	944 111 264 04	Hook		1	
-	900 075 366 02	Combination screw		3	
-	944 111 064 02	Hook		2	
-	928 111 259 02	Rubber mounting Information available		2	
-	964 111 247 01	Sealing ring		1	
-	964 111 336 00	Clip Comprising:		1	
		900.074.339.02			
		999.025.125.01			
		999.084.052.02			
-	900 074 339 02	Hexagon-head bolt		1	
-	999 025 125 09	Washer		1	
-	999 025 125 01	Washer		1	
-	999 025 125 09	Washer		1	
-	999 025 125 01	Washer		1	
>>	944 111 901 08	Set of fastening parts And Set of fastening parts for Exhaust system Complete Comprising:		1	
-	944 111 135 01	Gasket		2	
-	999 084 052 02	Lock nut		10	
-	944 111 142 01	Rubber mounting		2	
-	944 111 142 02	Rubber mounting		2	
-	944 111 142 03	Rubber mounting		2	
-	900 025 007 02	Washer		4	
-	900 025 007 03	Washer		4	

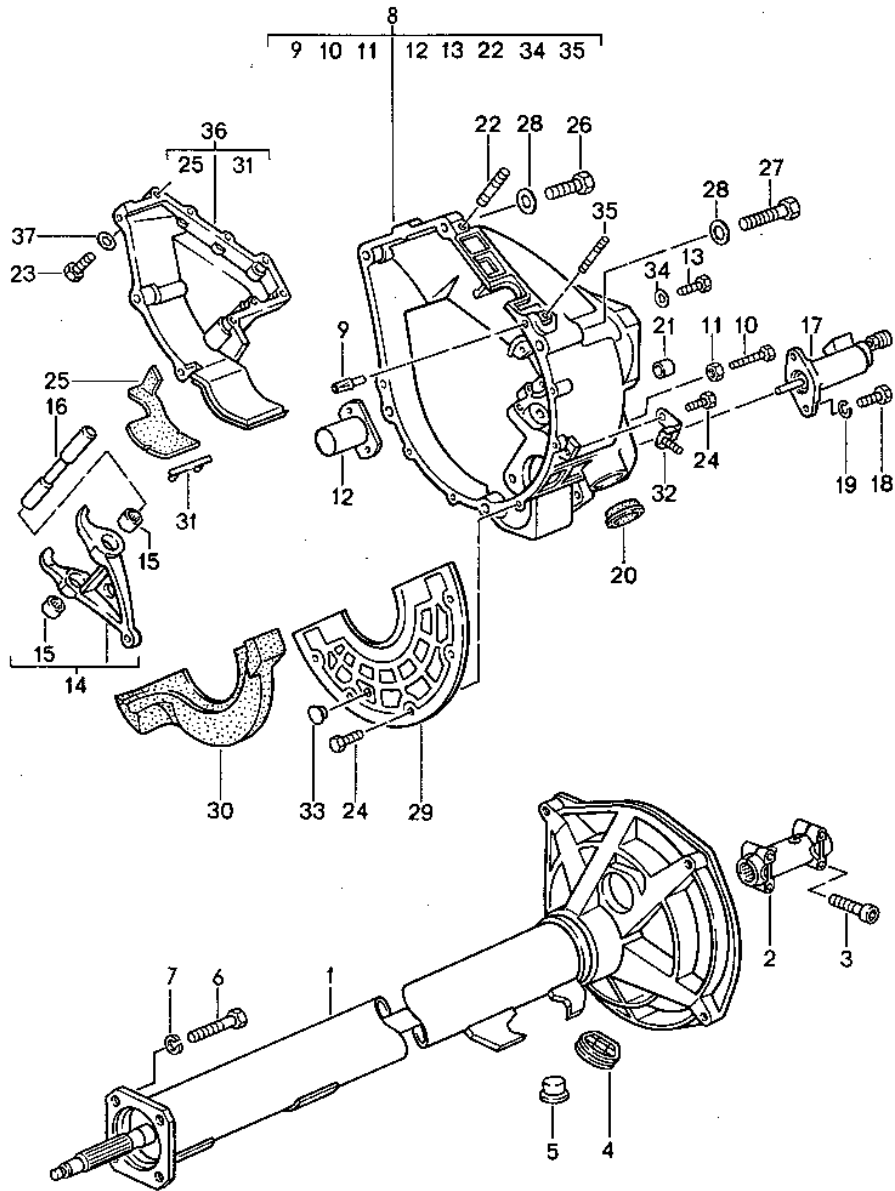
Model: 968 92

Model life 1992>>1995

Pos	Part Number	Description	Remark	Qty	Model
-	900 075 078 02	Hexagon-head bolt		2	
-	900 075 078 03	Hexagon-head bolt		2	
-	900 074 282 02	Screw		6	
-	928 111 244 03	Sealing ring		1	
-	900 336 005 00	Washer		4	
-	900 074 268 02	Hexagon-head bolt		4	
-	944 111 264 04	Hook		1	
-	900 075 366 02	Combination screw		3	
-	944 111 064 02	Hook		2	
-	928 111 259 02	Rubber mounting		2	
		Information available			
-	964 111 247 01	Sealing ring		1	
-	964 111 336 00	Clip		1	
		Comprising:			
		900.074.339.02			
		999.025.125.01			
		999.084.052.02			
-	900 074 339 02	Hexagon-head bolt		1	
-	999 025 125 09	Washer		1	
-	999 025 125 01	Washer		1	

Model: 968 92

Model life 1992>>1995



Model: 968 92

Model life 1992&gt;&gt;1995

Pos	Part Number	Description	Remark	Qty	Model
		Manual transmission			G44.00
		Central tube			
1	944 421 012 21	Central tube		1	
		Ready for installation			
1	944 421 012 CX	Central tube		1	
		Ready for installation			
2	944 421 241 01	Clamping sleeve		1	
2	944 421 241 02	Clamping sleeve		1	
3	931 421 240 00	Clamping screw		4	
4	477 521 277 C	Cap		1	
5	477 521 177	Cap		1	
6	N 010 275 4	Hexagon-head bolt		4	
		M 10 X 35			
7	N 012 028 1	Lock ring		4	
		10			
8	944 116 043 09	Clutch housing		1	
9	N 012 798 1	Dowel pin		1	
		5 X 36			
10	N 010 221 3	Hexagon-head bolt		1	
		M 6 X 35			
11	900 076 010 02	Nut		1	
		M 6			
11	900 076 010 0B	Nut		1	
		M 6			
12	944 116 087 01	Guide sleeve		1	
13	900 075 057 02	Hexagon-head bolt		2	
		M 6 X 16			
13	900 075 057 03	Hexagon-head bolt		2	
		M 6 X 16			
14	944 116 085 01	Clutch release lever		1	
14	944 116 085 02	Clutch release lever		1	
15	999 201 213 00	Needle sleeve		2	
16	951 116 133 00	Clutch control shaft		1	
17	944 116 237 02	Clutch operating cylinder		1	
18	N 010 233 6	Hexagon-head bolt		2	
		M 8 X 28			
18	900 075 136 03	Hexagon-head bolt		2	
		M 8 X 28			
19	900 027 015 02	Lock ring		2	
		B 8			
19	900 027 015 03	Lock ring		2	
		B 8			
20	931 116 177 00	Cap		1	
21	999 209 008 02	Dowel sleeve		2	
		10,3 X 15 X 11			
22	999 062 073 02	Stud		1	
		M 8 X 15			
23	N 040 222 2	Hexagon-head bolt		9	
		M 8 X 32			
24	999 072 005 09	Hexagon nut		6	
		M 6 X 12			
24	999 072 005 01	Hexagon nut		6	
		M 6 X 12			
25	944 116 383 00	Sound absorber		1	
26	N 010 142 2	Hexagon-head bolt		2	
		M 12 X 50			
27	N 010 191 2	Hexagon-head bolt		1	
		M 12 X 95			
27	900 082 142 01	Hexagon-head bolt		1	
		M 12 X 95			
28	900 025 009 02	Washer		3	
		A 13			
29	944 116 403 04	Protective plate		1	

Model: 968 92

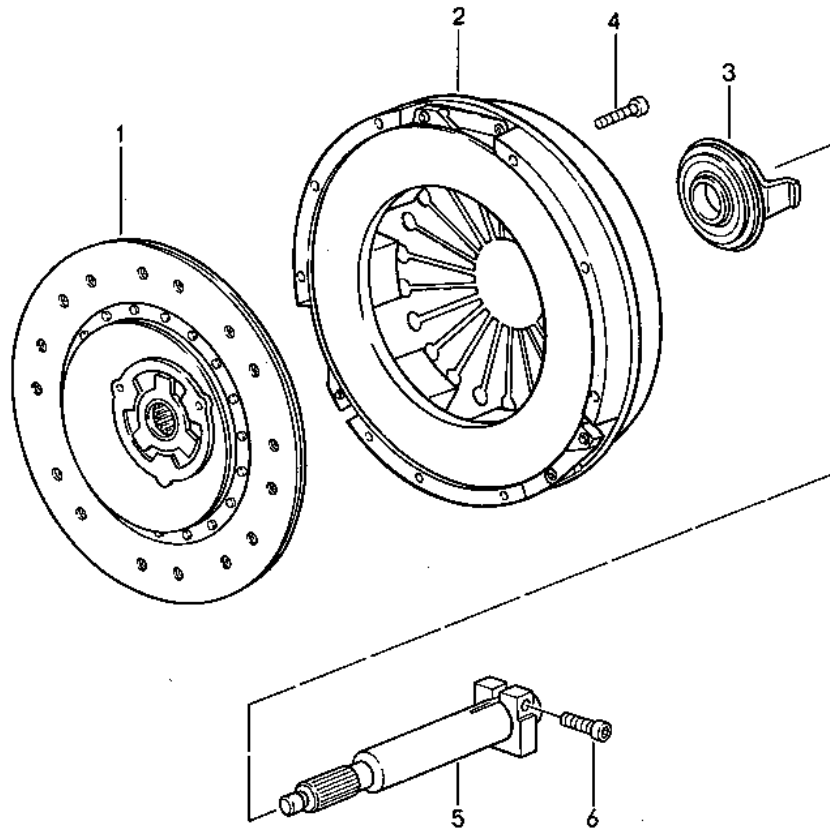
Model life 1992&gt;&gt;1995

Pos	Part Number	Description	Remark	Qty	Model
30	944 116 473 00	Sound absorber		1	
31	944 116 381 00	Stop		1	
32	944 612 129 00	Retaining bracket		1	
33	999 703 380 40	Stopper		1	
34	N 011 524 7	Washer A 6,4		2	
34	N 011 524 27	Washer A 6,4		2	
35	999 062 174 02	Stud M 5 X 12		1	
36	944 116 083 00	Lid		1	
37	900 025 007 02	Washer A 8,4		9	
37	900 025 007 03	Washer A 8,4		9	



Model: 968 92

Model life 1992>>1995



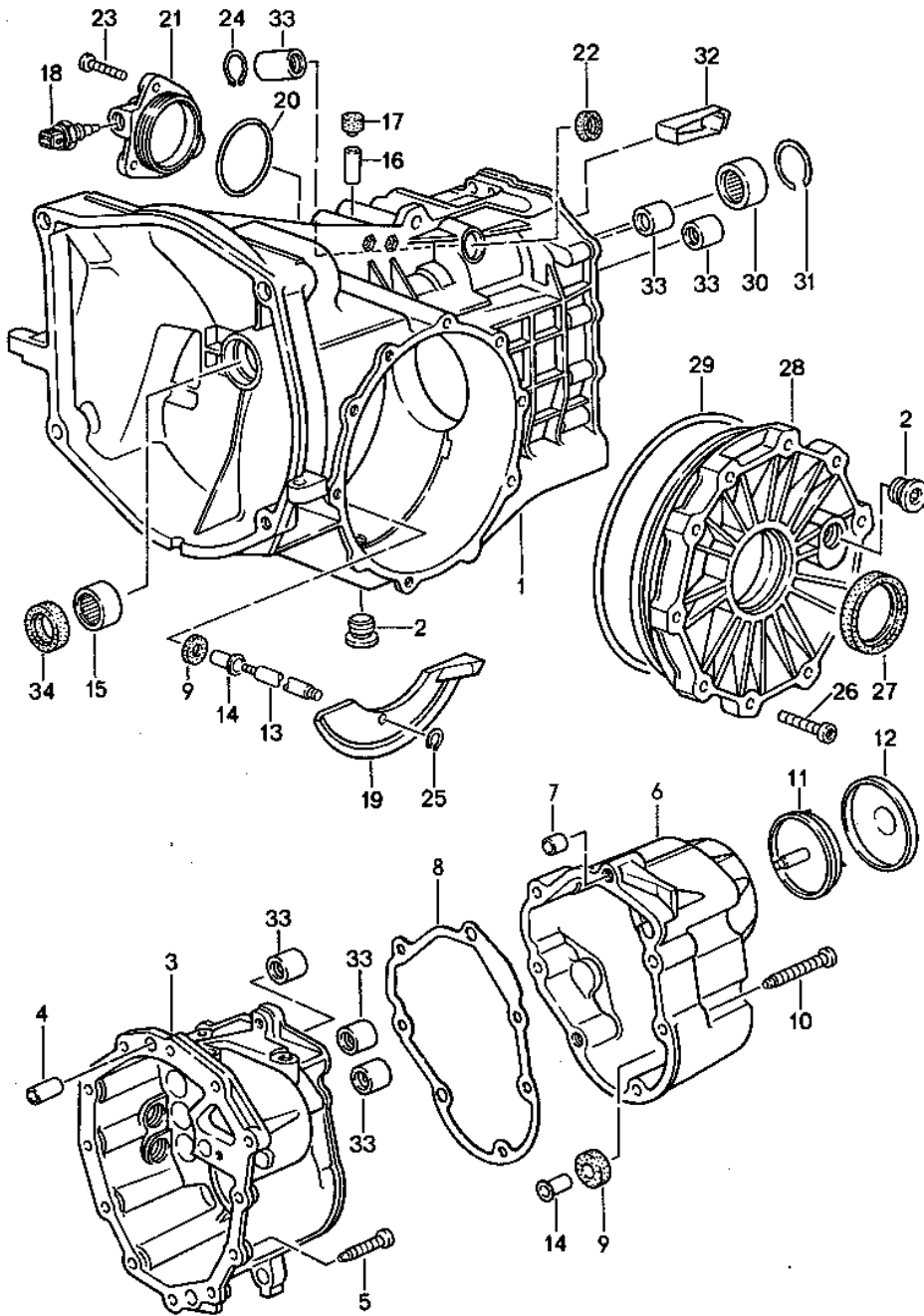
Model: 968 92

Model life 1992&gt;&gt;1995

Pos	Part Number	Description	Remark	Qty	Model
		Manual transmission Clutch			G44.00
1	944 116 014 90	Clutch plate Alternative parts: 944.116.013.02 944.116.014.00		1	
2	964 116 027 90	Pressure plate Alternative parts: 964.116.027.01 964.116.028.00		1	
3	944 116 080 01	Clutch release bearing		1	
4	999 510 015 02	Pan-head screw M 8 X 40		9	
4	999 510 015 01	Pan-head screw M 8 X 40		9	
5	944 421 235 03	Central shaft		1	
6	931 421 240 00	Clamping screw		1	
-	968 116 911 00	Repair kit for Clutch		1	

Model: 968 92

Model life 1992>>1995

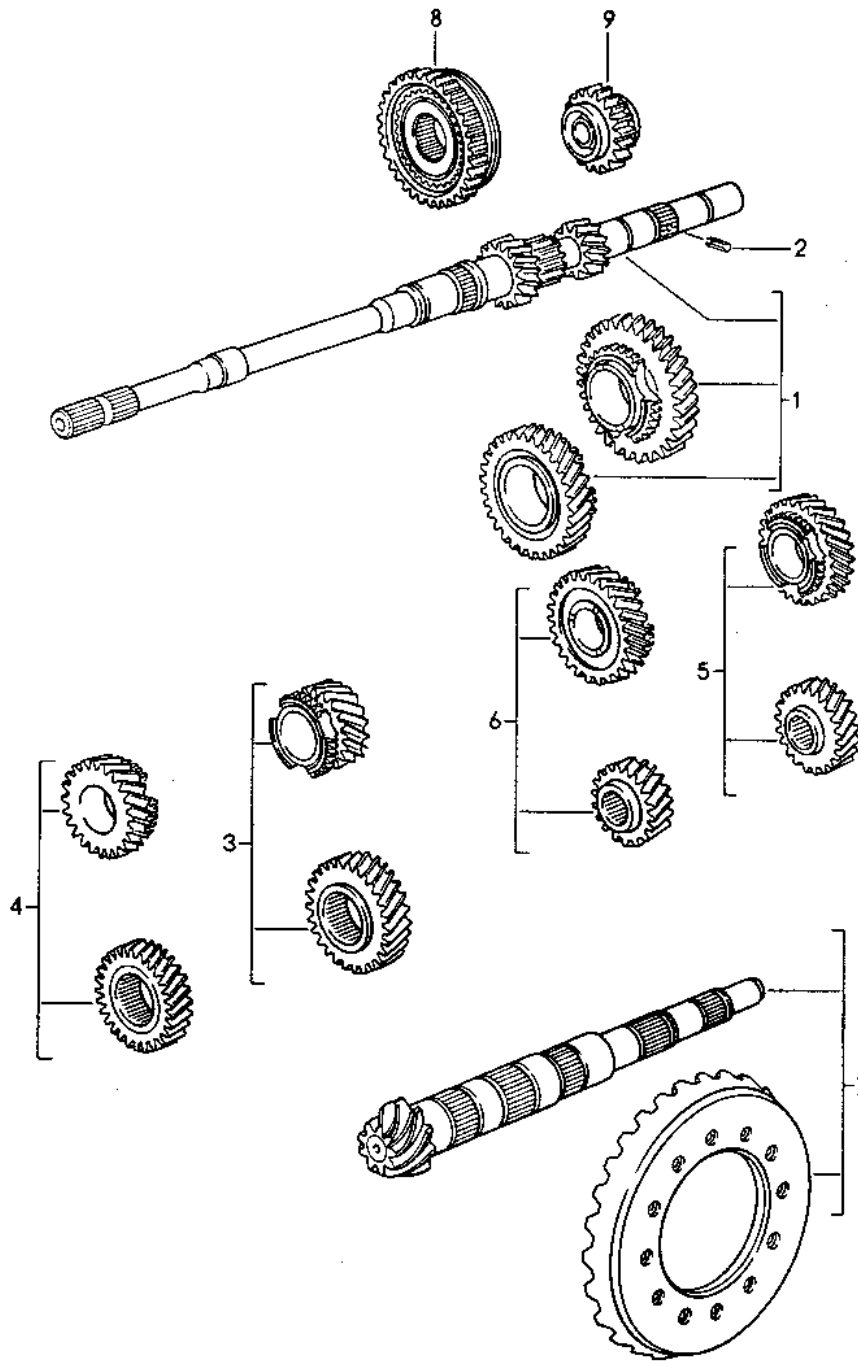


Model: 968 92 Model life 1992>>1995

Pos	Part Number	Description	Remark	Qty	Model
		Manual transmission Replacement transmission			G44.00
-	01E 300 042 J	Transmission case Replacement transmission		1	G44.00
-	01E 300 042 K	Complete Replacement transmission		1	M219 G44.00
-	01E 300 042 S	Complete Limit.-slip different. 40% Transmission		1	M220 G44.00
1	01E 301 103 B	Complete TORSEN Limit.-slip different. 40% Transmission case		1	M220
2	N 100 371 02	Screw plug		2	
2	900 219 001 30	M 22 X 1,5 Screw plug		2	
3	01E 301 211 C	M 22 X 1,5 End plate		1	
4	014 301 473	Sleeve		2	
4	0A2 301 473	Sleeve		2	
5	N 903 660 01	Torx screw		12	
6	01E 301 231 Q	M 8 X 36 Transmission cover		1	
7	016 301 299	Dowel sleeve		2	
7	016 301 299 A	Dowel sleeve		2	
8	01E 301 235	Gasket		1	
9	012 301 143	Magnet		2	
10	N 903 664 01	Torx screw		7	
11	01E 301 279	M 8 X 60 Insert		1	
12	01E 301 467	Lid		1	
13	01E 409 093	Screw socket		1	
14	012 301 183 A	Bush		2	
15	005 311 807	Needle sleeve		1	
16	014 301 473	Sleeve		1	
16	0A2 301 473	Sleeve		1	
17	014 301 485	Cap		1	
18	01E 941 521	Back-up light switch		1	
19	01E 409 077	Guide plate		1	
20	010 409 580	O-ring		1	
21	01E 301 453 D	Lid for Shift rod		1	
22	012 301 457 C	Shaft sealing ring		1	
23	N 903 659 01	Torx screw		3	
24	N 012 301 1	M 8 X 22 Circlip 24 X 1,2		1	
25	N 012 410 1	Circlip 10 X 1		1	
26	N 903 661 01	Torx screw		10	
27	999 113 347 40	M 8 X 42 Shaft sealing ring		2	
28	01E 409 131 A	Lid		1	
29	999 707 038 40	Round seal		1	
30	012 311 123	Needle sleeve		1	
31	N 102 298 01	Circlip 42 X 1,5		1	
32	01E 301 349 A	Cover plate		1	
33	01E 311 572	Round socket		6	
34	016 311 113 C	Radial shaft seal		1	

Model: 968 92

Model life 1992>>1995



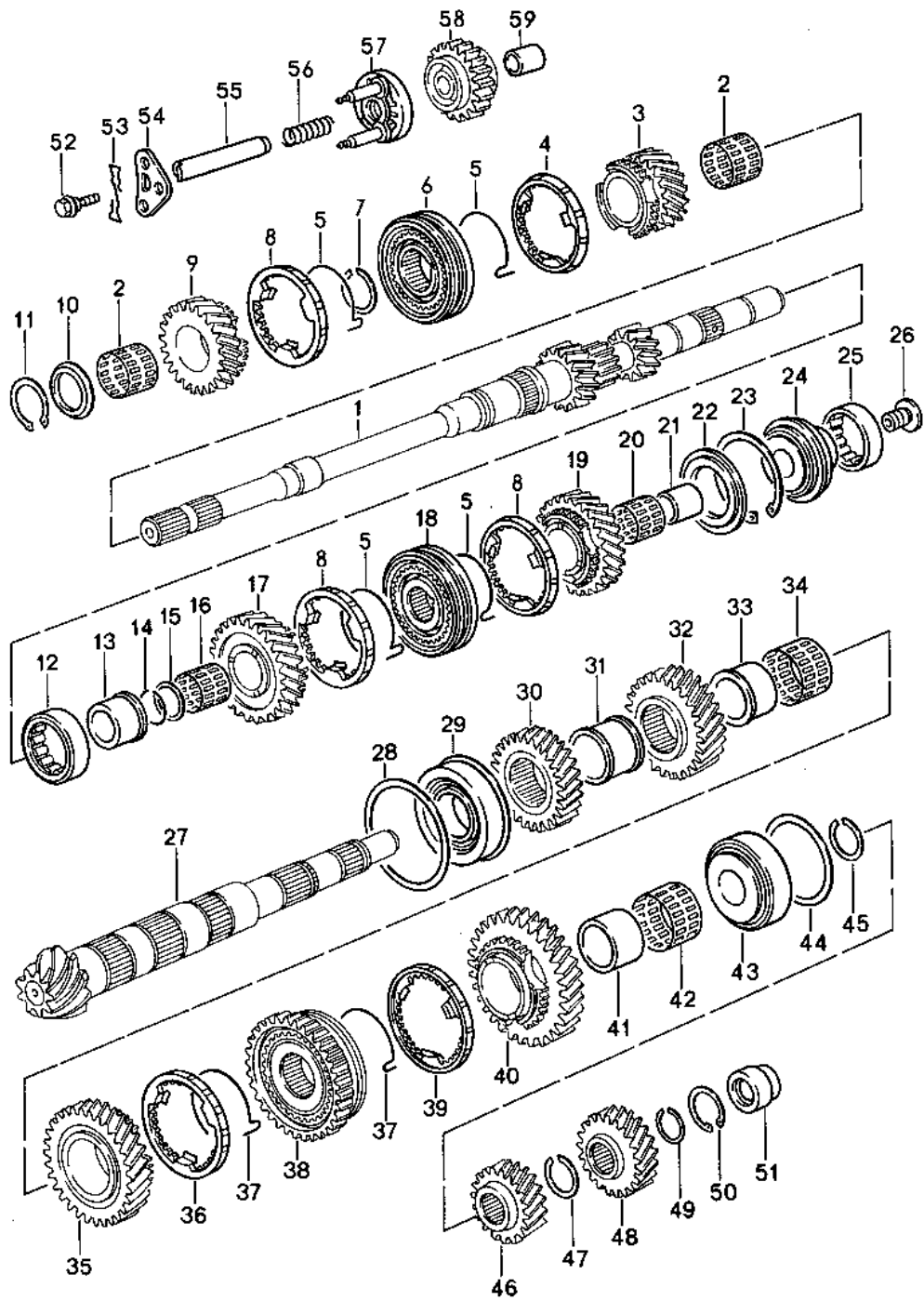
Model: 968 92

Model life 1992>>1995

Pos	Part Number	Description	Remark	Qty	Model
1	944 302 901 00	Manual transmission Gear wheel sets Gear set 1st gear Z 35 : 11 And Gear set 2nd gear Z 38 : 19		1	G44.00
1	944 302 901 01	Gear set 1st gear Z 35 : 11 And Gear set 2nd gear Z 38 : 19		1	
2	N 013 315 1	Roll pin 5 X 10		1	
3	944 302 903 00	Gear set 3rd gear Z 33 : 23		1	
4	944 302 904 00	Gear set 4th speed Z 30 : 27		1	
4	944 302 904 01	Gear set 4th speed Z 30 : 27		1	
5	944 302 905 00	Gear set 5th gear Z 31 : 34		1	
6	944 302 906 00	Gear set 6th gear Z 28 : 36		1	
7	01E 409 143 E	Ring gear and pinion shaft Z 34 : 9		1	
8	01E 311 239 G	Synchronising hub Reverse gear for 1st gear 2nd gear with Operating sleeve		1	
9	01E 311 529 A	Reverse idler gear		1	

Model: 968 92

Model life 1992>>1995



Model: 968 92

Model life 1992&gt;&gt;1995

Pos	Part Number	Description	Remark	Qty	Model
		Manual transmission Gears and shafts Gear wheel sets See group 3/03/00			G44.00
1		Drive shaft		1	
2	01E 311 115	Needle-roller bearing		2	
3		Loose gear wheel 3rd gear		1	
4	012 311 295 D	Synchroniser ring		1	
5	012 311 312 A	Spring		4	
6	01E 311 301	Synchronising hub		1	
7	N 902 944 01	Circlip 37 X 1,90		X	
7	N 902 944 02	Circlip 37 X 1,93		X	
7	N 902 944 03	Circlip 37 X 1,96		X	
7	N 902 944 04	Circlip 37 X 1,99		X	
7	N 902 944 05	Circlip 37 X 2,02		X	
7	N 902 944 06	Circlip 37 X 2,05		X	
8	012 311 295 B	Synchroniser ring		3	
9		Loose gear wheel 4th speed		1	
10	01E 311 155	Thrust washer		1	
11	N 902 944 05	Circlip 37 X 2,02		1	
12	01E 311 423	Cylindrical-roller bearing		1	
13	01E 311 431	Inner ring		1	
14	N 042 455 1	Circlip		1	
15	01E 311 413	Thrust ring		1	
16	01E 311 117	Needle cage		1	
17		Loose gear wheel 6th gear		1	
18	01E 311 302	Synchronising hub		1	
19		Loose gear wheel 5th gear		1	
20	01E 311 118	Needle-roller bearing		1	
21	01E 311 122	Inner ring		1	
22	01E 311 449	Insert		1	
23	N 905 140 01	Circlip 78 X 2,55		X	
23	N 905 140 02	Circlip 78 X 2,60		X	
23	N 905 140 03	Circlip 78 X 2,65		X	
23	N 905 140 04	Circlip 78 X 2,70		X	
24	01E 311 445	Four-point bearing		1	
25	01E 311 125	Cylindrical-roller bearing		1	
26	01E 311 308 A	Torx screw		1	
27		Output shaft		1	
28	01E 311 391	Adjusting shim 0,45 MM		X	
28	01E 311 391 A	Adjusting shim 0,50 MM		X	
28	01E 311 391 B	Adjusting shim 0,55 MM		X	
28	01E 311 391 C	Adjusting shim 0,60 MM		X	



Model: 968 92

Model life 1992&gt;&gt;1995

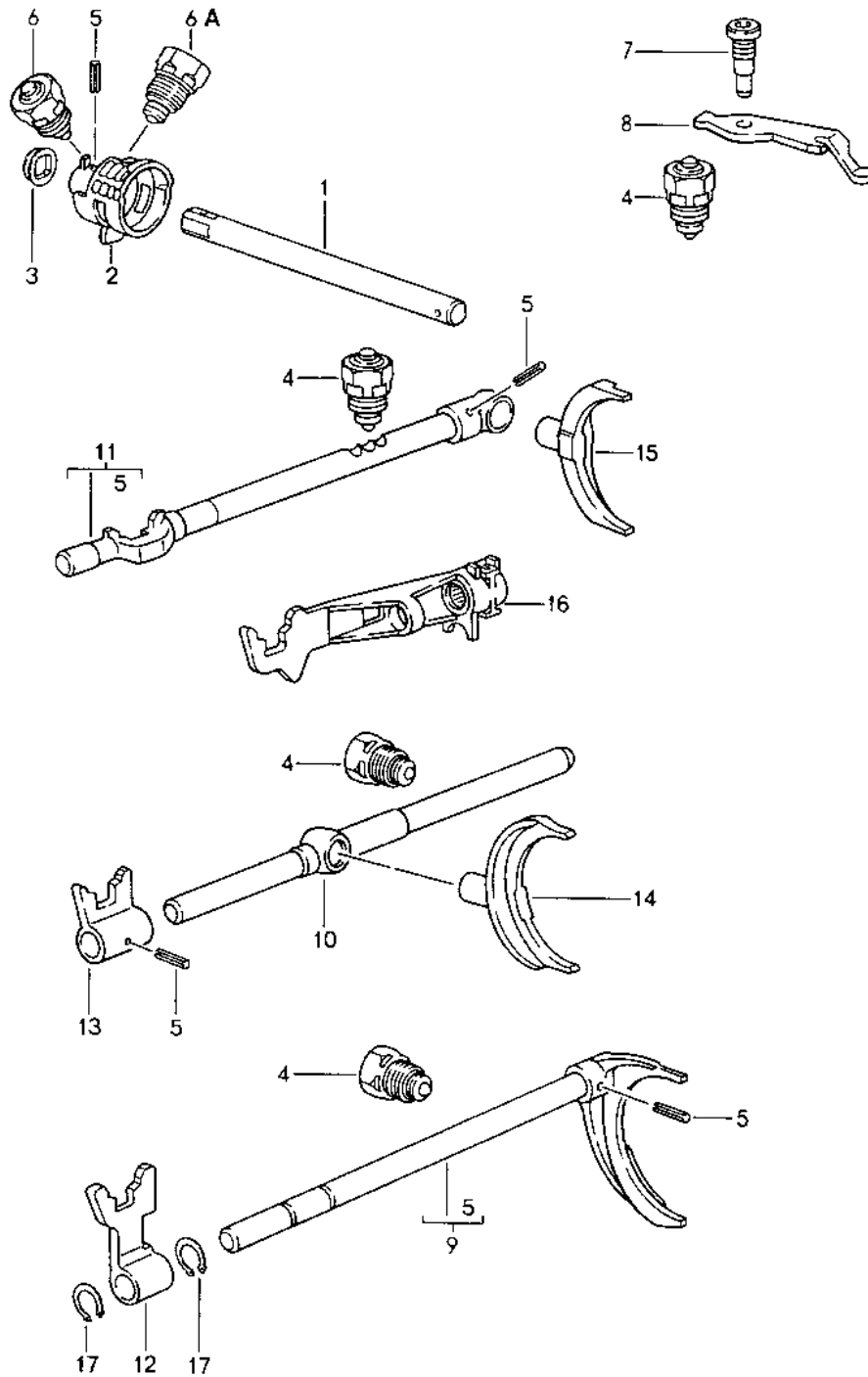
Pos	Part Number	Description	Remark	Qty	Model
28	01E 311 391 D	Adjusting shim 0,65 MM		X	
28	01E 311 391 E	Adjusting shim 0,70 MM		X	
28	01E 311 391 F	Adjusting shim 0,75 MM		X	
28	01E 311 391 G	Adjusting shim 0,80 MM		X	
28	01E 311 391 H	Adjusting shim 0,85 MM		X	
29	01E 311 220	Four-point bearing		1	
30		Fixed gear wheel 4th speed		1	
31	01E 311 470	Spacer sleeve		1	
32		Fixed gear wheel 3rd gear		1	
33	01E 311 277 A	Inner ring		1	
34	01E 311 229	Needle-roller bearing		1	
35		Loose gear wheel 2nd gear		1	
36	012 311 247 D	Synchroniser ring		1	
37	012 311 311 A	Spring		2	
38	01E 311 239 G	Synchronising hub for Reverse gear 1st gear 2nd gear with Operating sleeve		1	
39	012 311 247 C	Synchroniser ring		1	
39	012 311 247 E	Synchroniser ring		1	
40		Loose gear wheel 1st gear		1	
41	01E 311 267	Inner ring		1	
42	01E 311 207	Needle-roller bearing		1	
43	01E 311 375	Four-point bearing		1	
44	01E 311 393	Adjusting shim 0,45 MM		X	
44	01E 311 393 A	Adjusting shim 0,50 MM		X	
44	01E 311 393 B	Adjusting shim 0,55 MM		X	
44	01E 311 393 C	Adjusting shim 0,60 MM		X	
44	01E 311 393 D	Adjusting shim 0,65 MM		X	
44	01E 311 393 E	Adjusting shim 0,70 MM		X	
44	01E 311 393 F	Adjusting shim 0,75 MM		X	
44	01E 311 393 G	Adjusting shim 0,80 MM		X	
44	01E 311 393 H	Adjusting shim 0,85 MM		X	
44	01E 311 393 J	Adjusting shim 1,25 MM		X	
45	N 905 130 01	Circlip 31 X 1,66		X	
45	N 905 130 02	Circlip 31 X 1,75		X	
45	N 905 130 03	Circlip 31 X 1,84		X	
45	N 905 130 04	Circlip		X	

Model: 968 92 Model life 1992>>1995

Pos	Part Number	Description	Remark	Qty	Model
45	N 905 130 05	31 X 1,93 Circlip		X	
45	N 905 130 06	31 X 2,02 Circlip		X	
45	N 905 130 09	31 X 2,11 Circlip		X	
45	N 905 130 12	31 X 2,20 Circlip		X	
46		31 X 2,29 Fixed gear wheel		1	
47	N 905 130 06	6th gear Circlip		X	
47	N 905 130 07	31 X 2,11 Circlip		X	
47	N 905 130 08	31 X 2,14 Circlip		X	
47	N 905 130 09	31 X 2,17 Circlip		X	
47	N 905 130 10	31 X 2,20 Circlip		X	
47	N 905 130 11	31 X 2,23 Circlip		X	
47	N 905 130 12	31 X 2,26 Circlip		X	
48		31 X 2,29 Fixed gear wheel		1	
49	N 900 607 01	5th gear Circlip		1	
50	999 041 036 00	27 X 1,90 Circlip		1	
51	01E 311 429	37 X 1,50 Cylindrical-roller bearing		1	
52	088 301 291 A	Shouldered bolt		1	
53	016 311 861 C	Spring clip		1	
54	016 311 853 B	Retainer plate		1	
55	016 311 519 B	Reverse idler gear shaft		1	
56	016 311 859 C	Compression spring		1	
57	016 311 839 D	Synchroniser ring		1	
58		Reverse idler gear		1	
59	088 311 533	Bush		1	

Model: 968 92

Model life 1992>>1995



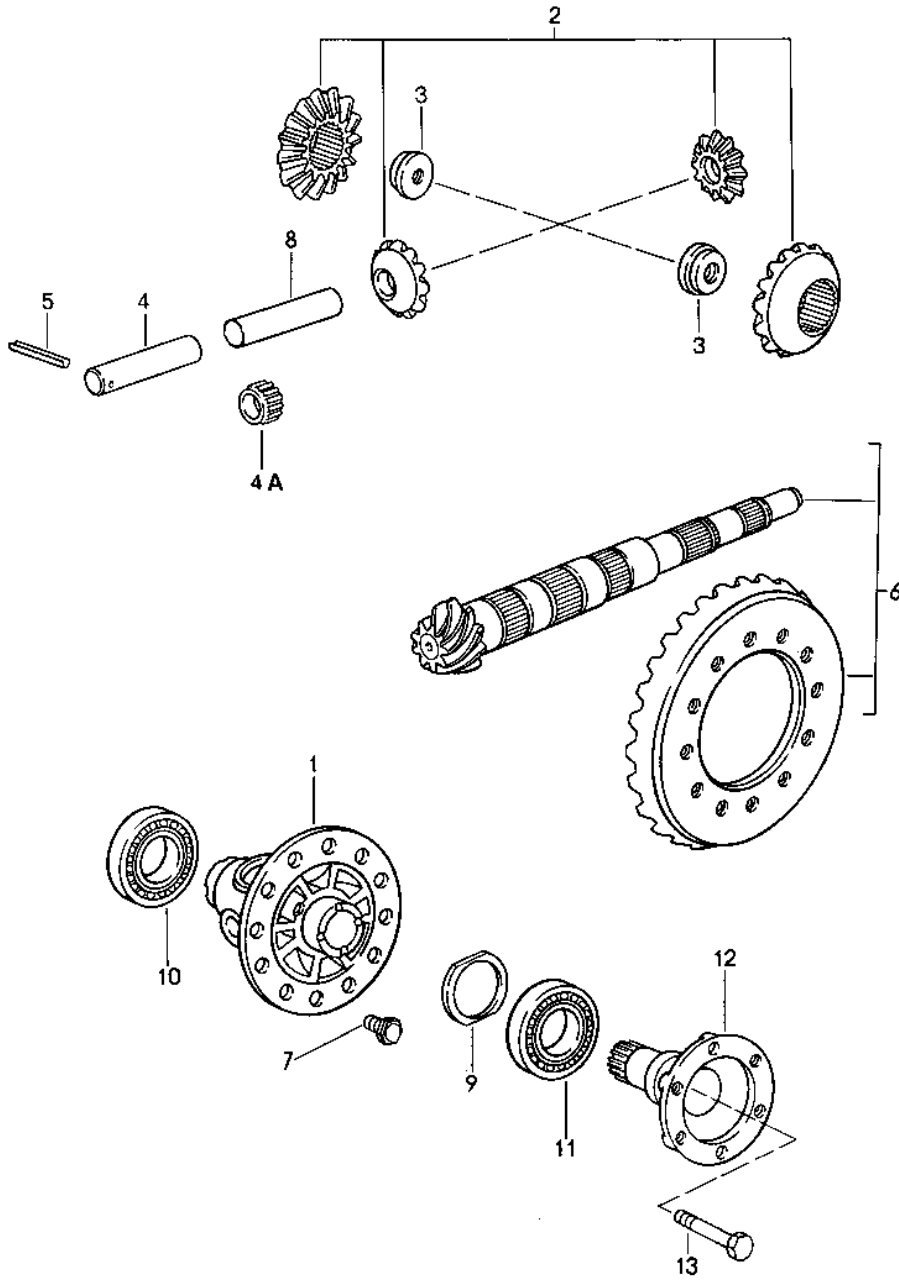
Model: 968 92

Model life 1992>>1995

Pos	Part Number	Description	Remark	Qty	Model
		Manual transmission			G44.00
		Shift rods			
		shift forks			
1	01E 311 543 C	Shift rod		1	
2	01E 311 545 E	Driver		1	
2		Driver		1	
3	012 311 722 A	Damping washer		1	
4	01E 301 242 F	Shift control lock device		4	
5	N 013 288 1	Tensioning sleeve		4	
		6 X 24			
6	01E 301 242 E	Shift control lock device		2	
7	01E 311 589	Torx screw		1	
		M 14 X 1,5			
8	01E 311 583	Reverse lever		1	
9	01E 311 549	Gear shift rod		1	
		1st gear			
		And			
		2nd gear			
10	01E 311 559 A	Gear shift rod		1	
		3rd gear			
		And			
		4th speed			
11	01E 311 575	Gear shift rod		1	
		5th gear			
		And			
		6th gear			
12	01E 311 550 B	Driver		1	
		1st gear			
		And			
		2nd gear			
13	01E 311 560 A	Driver		1	
		3rd gear			
		And			
		4th speed			
14	01E 311 561 A	Shift fork		1	
		3rd gear			
		And			
		4th speed			
15		Shift fork		1	
		5th gear			
		And			
		6th gear			
16	01E 311 579 B	Driver		1	
		for			
		Reverse gear			
17	N 900 811 01	Circlip		2	
		16 X 1,5			

Model: 968 92

Model life 1992>>1995

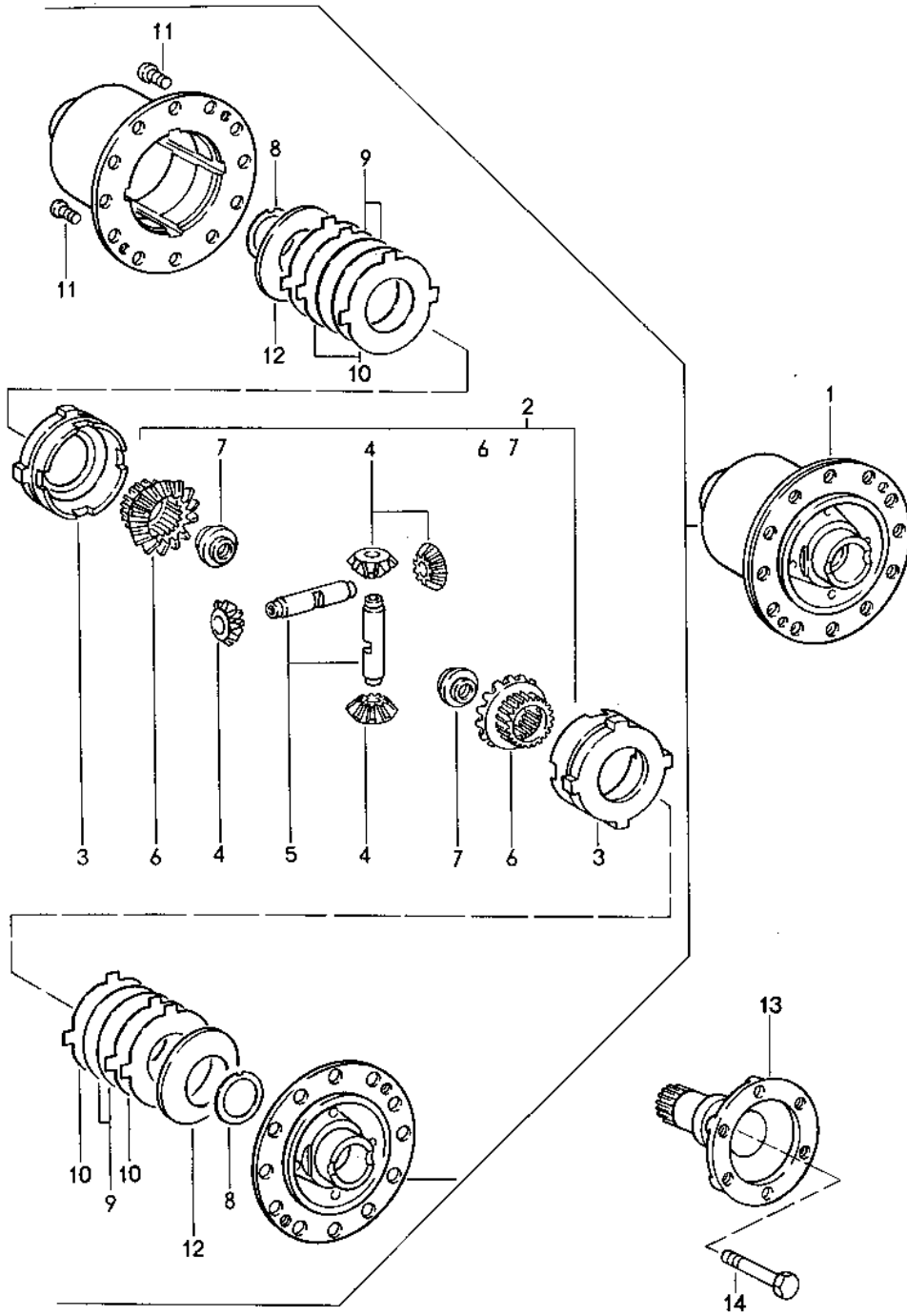


Model: 968 92 Model life 1992>>1995

Pos	Part Number	Description	Remark	Qty	Model
		Manual transmission			G44.00
		Differential			
1	950 332 212 01	Differential housing		1	
2	950 332 902 00	Differential pinions		1	
		1 set			
3	928 332 279 03	Threaded disc		2	
4	928 332 207 07	Differential bolt		1	
4A	999 201 347 00	Needle cage		2	
		18 X 22 X 19,8			
5	900 309 035 00	Roll pin		1	
		5 X 40			
6	01E 409 143 E	Ring gear and pinion shaft		1	
		34:9			
7	928 332 276 05	Hexagon-head bolt		12	
7	928 332 276 06	Hexagon-head bolt		12	
8	950 332 205 00	Spacer sleeve		1	
9	950 332 268 00	Adjusting ring		X	
		0,25 MM			
9	950 332 268 01	Adjusting ring		X	
		1,6 MM			
9	950 332 268 02	Adjusting ring		X	
		1,7 MM			
9	996 332 266 56	Adjusting ring		X	
		1,8 MM			
9	950 332 268 04	Adjusting ring		X	
		1,9 MM			
9	950 332 268 05	Adjusting ring		X	
		2,0 MM			
9	950 332 268 06	Adjusting ring		X	
		2,1 MM			
9	950 332 268 07	Adjusting ring		X	
		2,2 MM			
9	950 332 268 08	Adjusting ring		X	
		2,3 MM			
9	950 332 268 09	Adjusting ring		X	
		2,4 MM			
9	950 332 268 10	Adjusting ring		X	
		2,5 MM			
9	950 332 268 11	Adjusting ring		X	
		2,6 MM			
9	950 332 268 12	Adjusting ring		X	
		2,7 MM			
9	996 332 266 76	Adjusting ring		X	
		2,8 MM			
9	950 332 268 14	Adjusting ring		X	
		2,9 MM			
9	996 332 266 50	Adjusting ring		X	
		3,0 MM			
9	950 332 268 16	Adjusting ring		X	
		3,1 MM			
10	999 059 066 01	Taper roller bearing		1	
		50 X 80 X 20			
10	999 059 066 02	Taper roller bearing		1	
		50 X 80 X 20			
11	999 059 064 00	Taper roller bearing		1	
		50 X 90 X 21,7			
12	01E 409 355 B	Flanged shaft		2	
13	N 010 472 4	Hexagon-head bolt		2	
		M 10 X 85			
13	900 074 375 01	Hexagon-head bolt		2	
		M 10 X 85			

Model: 968 92

Model life 1992>>1995



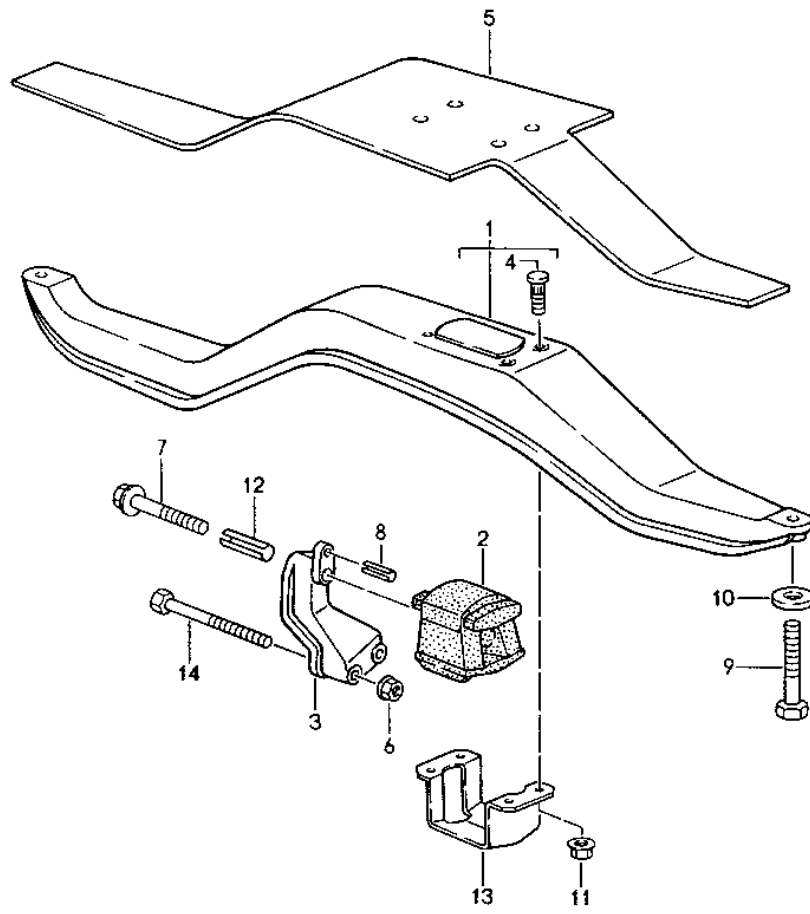
Model: 968 92 Model life 1992>>1995

Pos	Part Number	Description	Remark	Qty	Model
(1)	950 332 053 06	Manual transmission Limited-slip differential Limited-slip differential 40 % TORSEN		1	G44.00 M220
1		Limited-slip differential 40 % ZF		1	
2	928 332 905 00	Differential pinions 1 set		1	
3	928 332 511 00	Thrust ring		2	
4		Bevel pinion		4	
5	928 332 541 00	Differential shaft		2	
6		Shaft bevel gear		2	
7	928 332 279 01	Threaded disc		2	
8	901 332 561 11	Thrust washer		2	
9	928 332 551 00	Inner disc 2,0 MM		2	
10	917 332 552 10	Disc with external splines 1,9 MM		4	
10	917 332 552 11	Disc with external splines 2,0 MM		4	
10	917 332 552 12	Disc with external splines 2,1 MM		2	
11	N 014 765 2	Pan-head screw M 6 X 10		2	
12	928 332 555 20	Cup spring		2	
13	01E 409 355 B	Flanged shaft		2	
14	N 010 472 4	Hexagon-head bolt M 10 X 85		2	
14	900 074 375 01	Hexagon-head bolt M 10 X 85		2	



Model: 968 92

Model life 1992>>1995



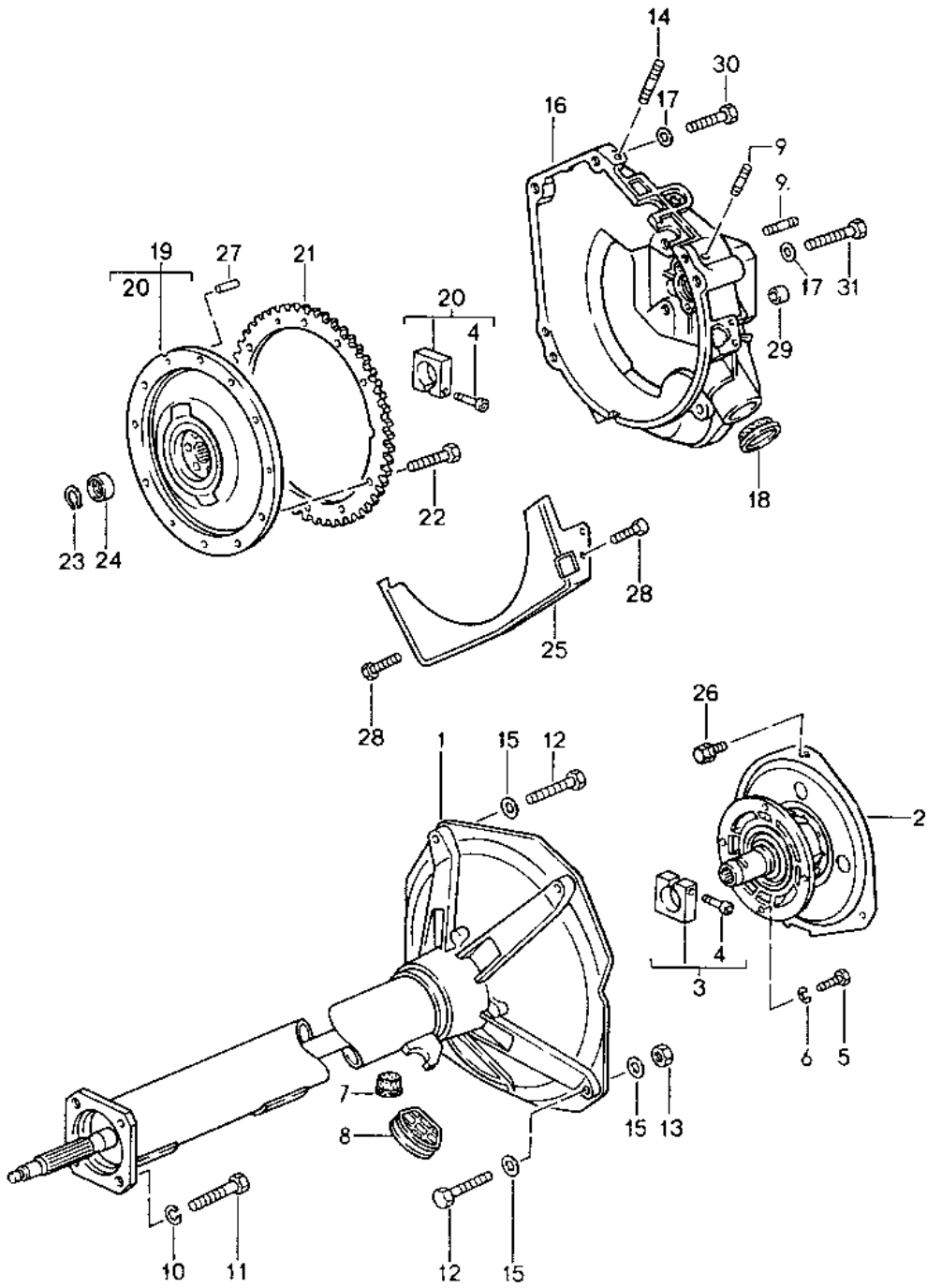
Model: 968 92

Model life 1992&gt;&gt;1995

Pos	Part Number	Description	Remark	Qty	Model
		Manual transmission Transmission suspension			G44.00
1	944 375 024 06	Transmission carrier		1	
2	944 375 045 11	Transmission mounting		1	
3	944 375 287 11	Bracket		1	
4	999 080 019 02	Screw M 8 X 24		4	
5	944 375 291 01	Sound absorber		1	
6	N 015 083 2	Hexagon nut M 8		2	
7	999 072 004 02	Hexagon-head bolt M 10 X 70 Z1		1	
8	900 095 031 00	Tensioning sleeve 6 X 16		1	
9	N 040 321 1	Hexagon-head bolt M 10 X 65		2	
10	999 025 195 02	Washer 10,3 X 25 X 3		2	
11	900 380 006 02	Lock nut M 8		4	
11	900 380 005 01	Nut M 8		4	
12	900 197 060 01	Roll pin 13 X 45		1	
13	944 375 275 08	Housing		1	
14	900 074 049 02	Screw M 8 X 110		2	

Model: 968 92

Model life 1992>>1995



Model: 968 92

Model life 1992>>1995

Pos	Part Number	Description	Remark	Qty	Model
		Tiptronic Central tube			A44.00
1	944 421 107 05	Central tube		1	
2	944 421 110 01	Converter mounting		1	
3	922 421 239 02	Clamping piece		1	
4	931 421 240 00	Clamping screw		2	
5	900 075 029 09	Hexagon-head bolt M 8 X 25		4	
5	900 075 029 03	Hexagon-head bolt M 8 X 25		4	
6	N 012 241 1	Spring washer B 8		4	
7	477 521 177	Cap		1	
8	477 521 277 C	Cap		1	
9	999 062 055 02	Stud M 6 X 12		2	
10	900 027 016 02	Lock ring B 10		4	
10	900 027 016 03	Lock ring B 10		4	
11	N 010 275 4	Hexagon-head bolt M 10 X 35		4	
12	900 075 411 02	Hexagon-head bolt M 10 X 65		4	
13	N 011 010 6	Hexagon nut M 10		2	
13	N 101 552 10	Hexagon nut M 10		2	
14	999 062 073 02	Stud M 8 X 15		1	
15	900 025 008 09	Washer A 10,5		6	
15	900 025 008 04	Washer A 10,5		6	
16	944 116 111 05	Clutch housing		1	
17	900 025 009 02	Washer A 13		4	
18	931 116 177 00	Cap		2	
19	944 116 065 04	Damper		1	
20	922 421 255 00	Clamping piece		1	
21	944 116 239 04	Starter ring		1	
22	N 014 717 2	Pan-head screw M 8 X 40		9	
23	900 273 002 01	Circlip 17 X 1		1	
24	944 116 631 00	Spacer sleeve 1,00		1	
24	944 116 631 01	Spacer sleeve 2,00		X	
24	944 116 631 02	Spacer sleeve 3,00		X	
24	944 116 631 03	Spacer sleeve 4,00		X	
24	944 116 631 04	Spacer sleeve 5,00		X	
24	944 116 631 05	Spacer sleeve 6,00		X	
24	944 116 631 06	Spacer sleeve 7,00		X	
24	944 116 631 07	Spacer sleeve 8,00		X	
24	944 116 631 11	Spacer sleeve 8,00		X	

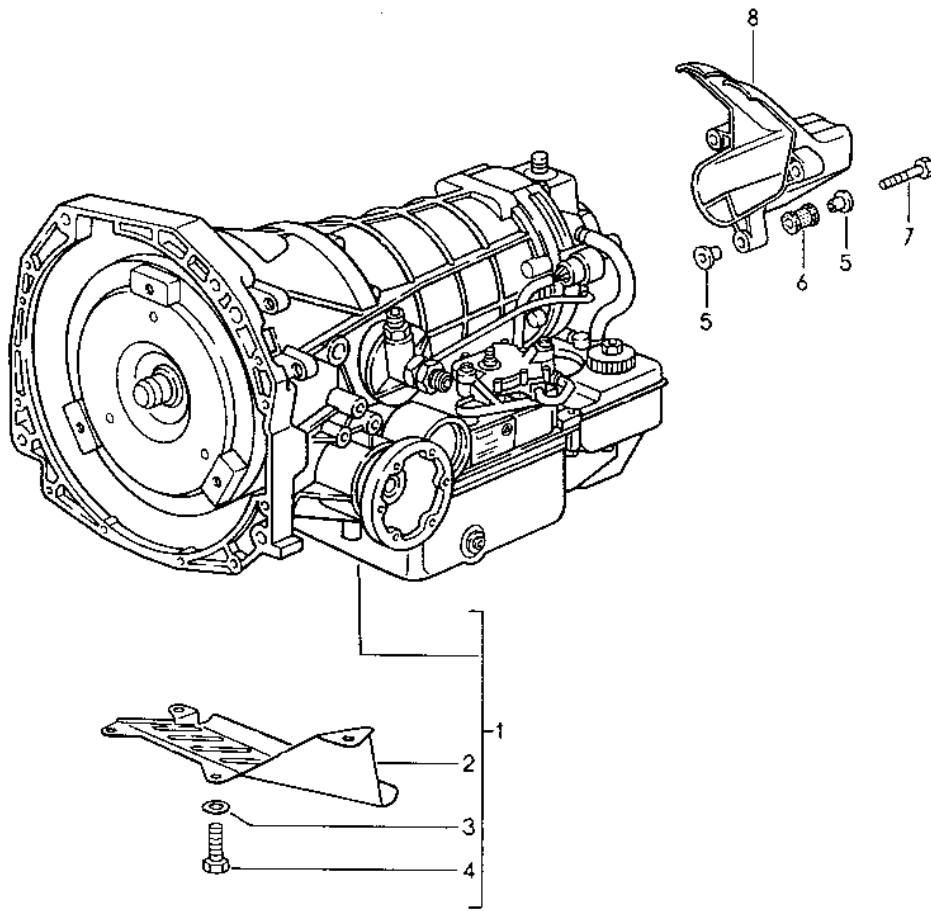
Model: 968 92

Model life 1992&gt;&gt;1995

Pos	Part Number	Description	Remark	Qty	Model
25	944 116 093 01	Protective plate		1	
26	900 378 012 02	Hexagon-head bolt M 10 X 1,25 X 20		3	
27	N 013 210 2	Straight pin 6 M 6 X 16		3	
28	900 075 040 02	Hexagon-head bolt M 10 X 20		2	
28	900 075 517 01	Hexagon-head bolt M 10 X 20		2	
29	999 209 008 02	Dowel sleeve 10,3 X 15 X 11		2	
30	N 010 142 2	Hexagon-head bolt M 12 X 1,5 X 50		2	
31	N 010 191 2	Hexagon-head bolt M 12 X 1,5 X 95		2	
31	900 082 142 01	Hexagon-head bolt M 12 X 1,5 X 95		2	

Model: 968 92

Model life 1992>>1995



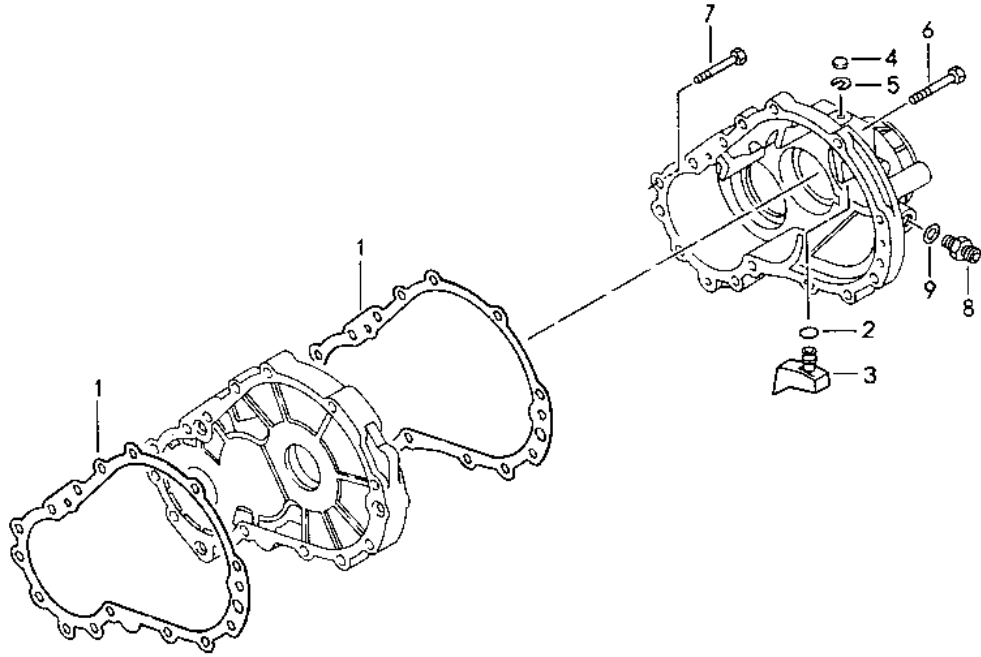
Model: 968 92

Model life 1992&gt;&gt;1995

Pos	Part Number	Description	Remark	Qty	Model
		Tiptronic Replacement transmission			A44.00
1	944 300 010 00	Transmission Ready for installation	92	1	
1	944 300 010 01	Transmission Ready for installation	93-	1	
2	944 385 481 00	Protective plate		1	
3	900 025 007 02	Washer A 8,4		4	
3	900 025 007 03	Washer A 8,4		4	
4	N 010 239 11	Hexagon-head bolt M 8 X 18		4	
4	N 010 239 30	Hexagon-head bolt M 8 X 18		4	

Model: 968 92

Model life 1992>>1995





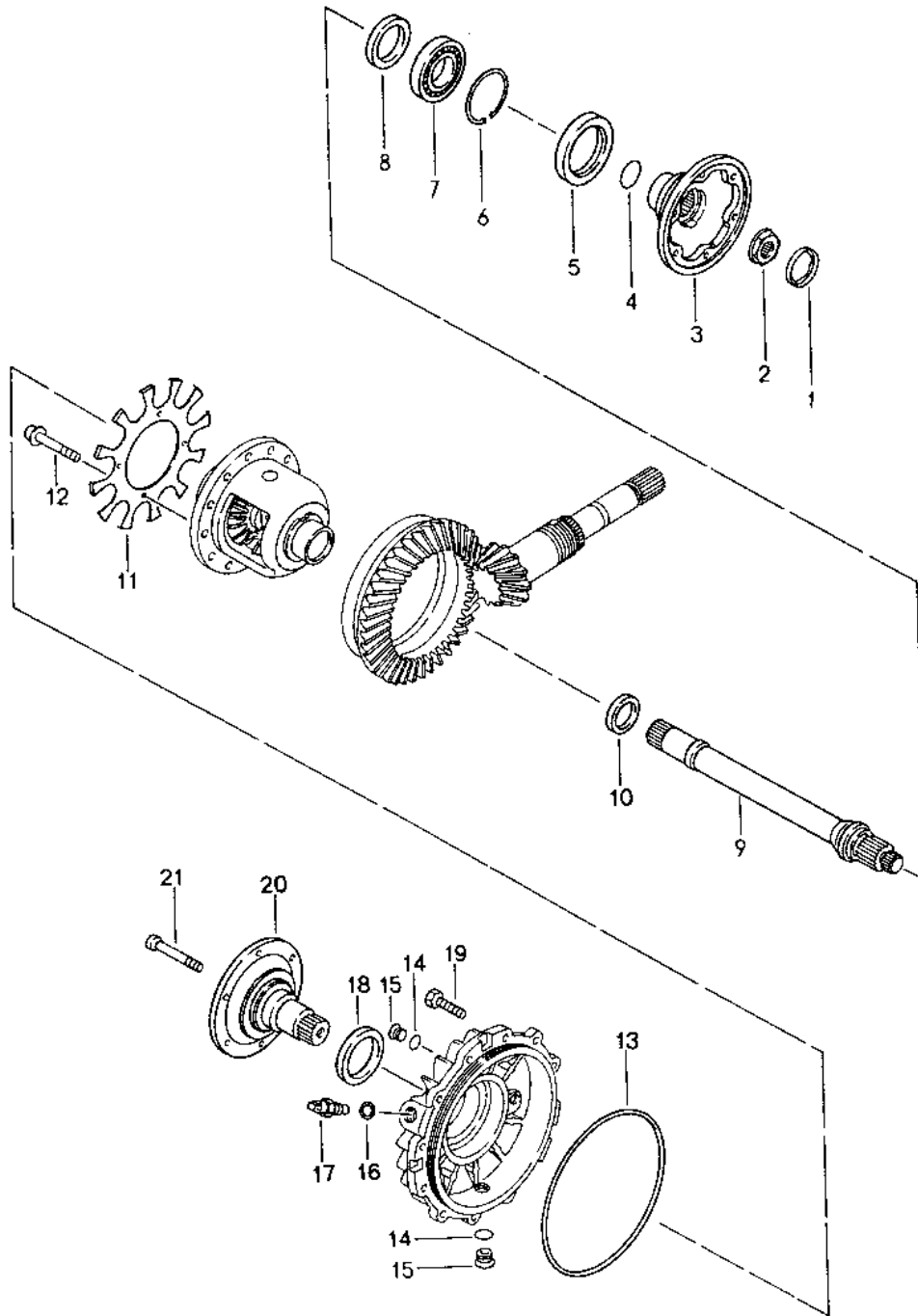
Model: 968 92

Model life 1992>>1995

Pos	Part Number	Description	Remark	Qty	Model
		Tiptronic Transmission case			A44.00
1	944 321 138 00	Gasket		2	
2	944 397 004 00	Round seal		1	
3	944 397 301 00	Bleeder		1	
4	944 397 040 00	Lid		1	
5	944 397 020 00	Retaining spring		1	
6	944 397 008 01	Hexagon-head bolt M 8 X 55 Z3		8	
7	944 397 008 02	Hexagon-head bolt M 8 X 105 Z3		5	
8	944 397 050 00	Connection piece		1	
9	944 397 025 00	Sealing ring A 1,20		1	

Model: 968 92

Model life 1992>>1995

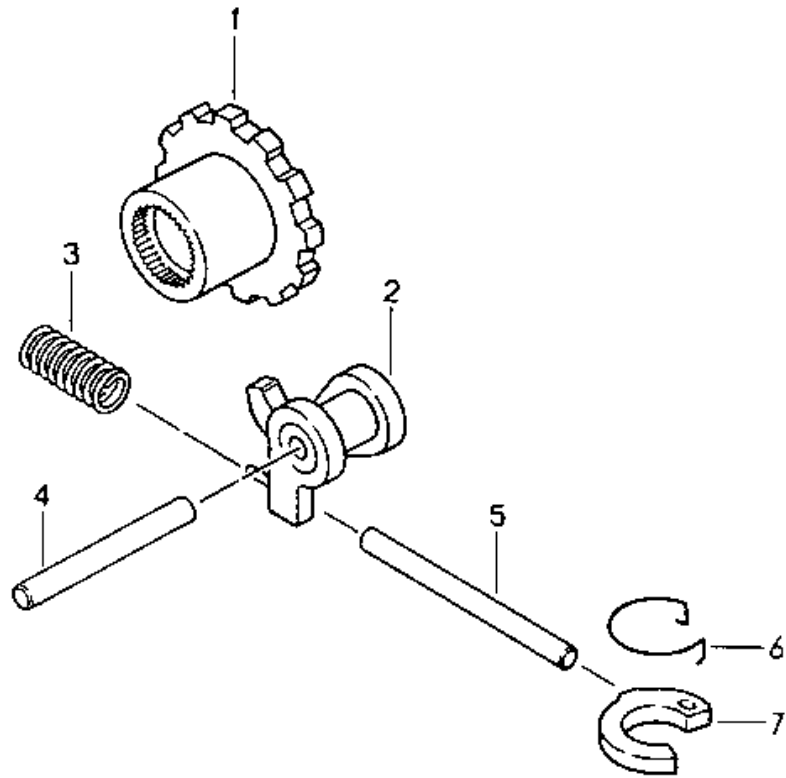


Model: 968 92 Model life 1992>>1995

Pos	Part Number	Description	Remark	Qty	Model
		Tiptronic Differential Housing			A44.00
1	944 332 291 00	Tab washer		1	
2	944 332 293 00	Collar nut M 20 X 1,5		1	
3	944 332 209 00	Joint flange		1	
4	996 397 013 00	Round seal		1	
5	944 397 017 00	Shaft sealing ring		1	
6	944 397 018 00	Circlip 62 X 2		1	
7	944 332 231 00	Ball bearing 35 X 62 X 14		1	
8	944 397 017 01	Shaft sealing ring		1	
9	944 332 211 00	Drive shaft		1	
10	944 397 017 02	Shaft sealing ring		1	
11	944 332 233 00	Washer		1	
12	944 397 006 03	Pan-head screw M 6 X 10		4	
13	944 397 022 00	Round seal		1	
14	944 397 016 00	Sealing ring A 18 X 22		2	
15	944 397 035 00	Screw plug M 18 X 1,5		2	
16	944 397 002 00	O-ring		1	
17	944 325 608 01	Inductive transmitter		1	
18	944 397 017 03	Shaft sealing ring		1	
19	944 397 008 00	Hexagon-head bolt M 8 X 25 Z3		12	
20	944 332 209 01	Joint flange		1	
21	944 332 587 00	Elastic bolt		1	

Model: 968 92

Model life 1992>>1995



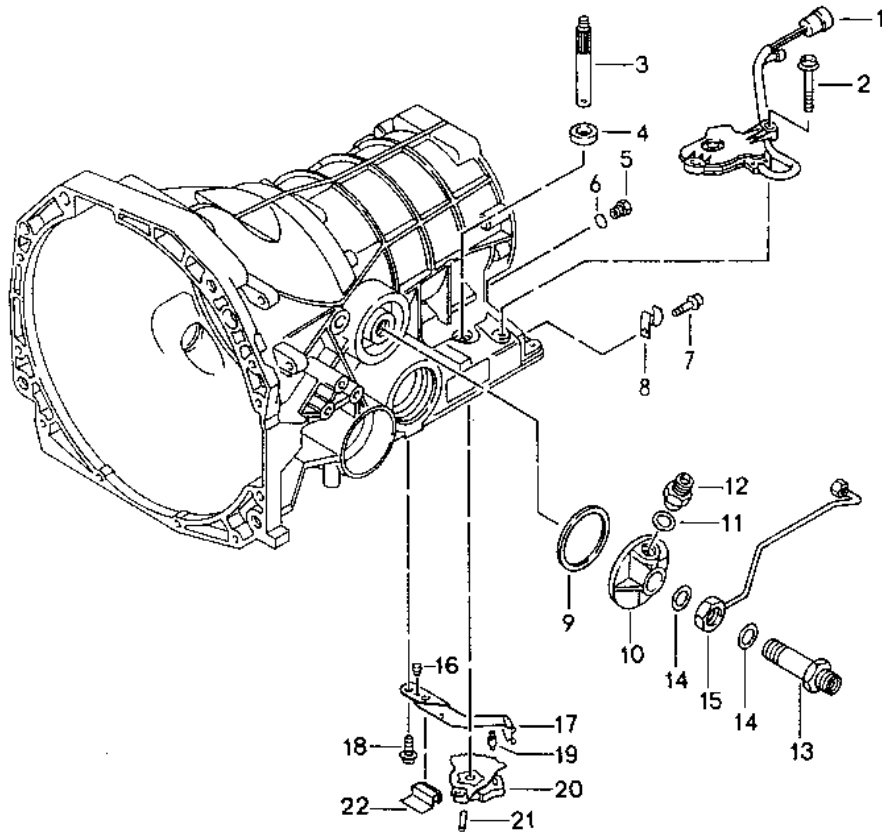
Model: 968 92

Model life 1992>>1995

Pos	Part Number	Description	Remark	Qty	Model
		Tiptronic			A44.00
		Parking lock			
1	944 324 121 00	Parking lock		1	
2	944 324 111 00	Stop		1	
3	944 324 109 00	Compression spring		1	
4	944 324 107 00	Bolt		1	
5	944 324 101 00	Push rod		1	
6	944 324 225 00	Spring clip		1	
7	944 324 103 00	Locking segment		1	

Model: 968 92

Model life 1992>>1995



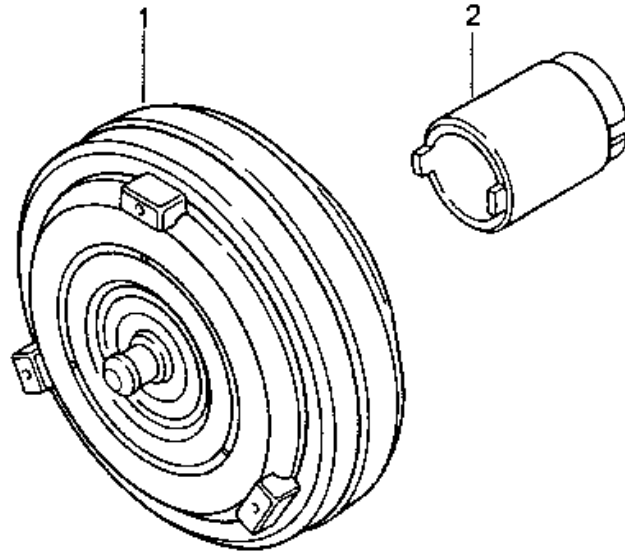
Model: 968 92

Model life 1992&gt;&gt;1995

Pos	Part Number	Description	Remark	Qty	Model
		Tiptronic Selector switch			A44.00
1	944 613 212 00	Selector switch		1	
2	944 397 006 02	Pan-head screw M 6 X 27		2	
3	944 325 321 00	Shaft		1	
4	944 397 019 00	Shaft sealing ring 12 X 22 X 7		1	
5	944 397 031 00	Screw plug M 10 X 1		2	
6	944 397 025 00	Sealing ring A 1,20		2	
7	944 397 006 01	Pan-head screw M 6 X 10		1	
8	944 321 211 00	Support		1	
9	944 397 015 00	Gasket		1	
10	944 321 115 00	Adapter		1	
11	944 397 037 00	Sealing ring A 16 X 20		1	
12	944 397 053 00	Connection piece M 16 X 1,5		1	
13	944 397 039 00	Banjo bolt M 20 X 1,5		1	
14	944 397 009 00	Sealing ring A 20 X 26		2	
15	944 321 117 00	Pipe		1	
16	944 324 210 00	Bolt		1	
17	944 324 110 00	Locking segment		1	
18	944 397 006 04	Pan-head screw M 6 X 13		2	
19	944 324 117 00	Roller		1	
20	944 324 115 00	Shift segment		1	
21	944 397 038 00	Roll pin		1	
22	944 324 119 00	Clamping spring		1	

Model: 968 92

Model life 1992>>1995





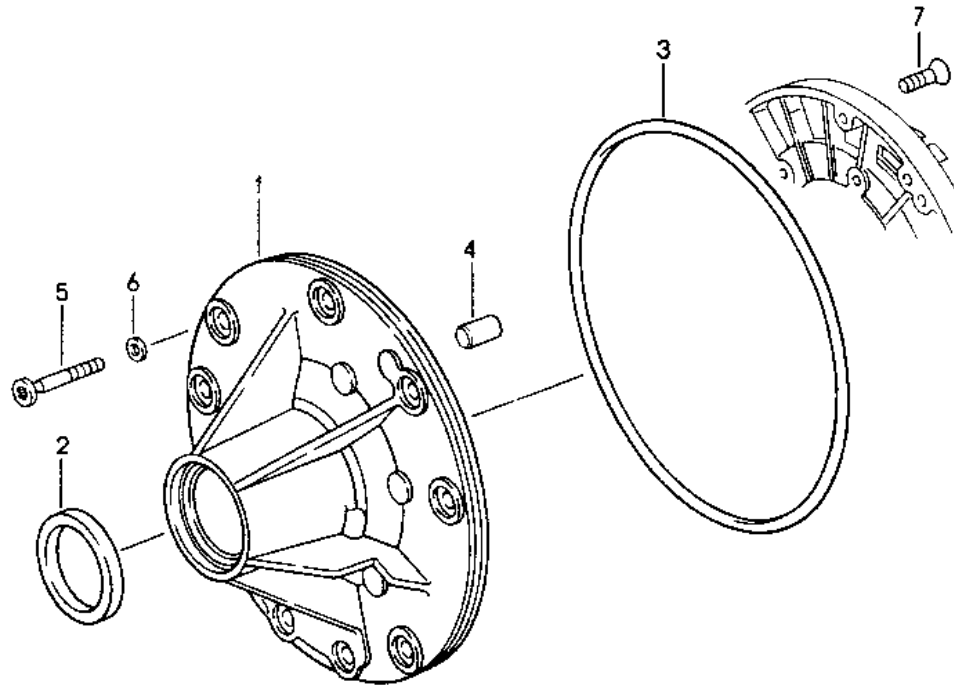
Model: 968 92

Model life 1992>>1995

Pos	Part Number	Description	Remark	Qty	Model
		Tiptronic Converter			A44.00
1	944 316 001 00	Converter		1	
2	944 316 110 00	Spacer tube		1	

Model: 968 92

Model life 1992>>1995



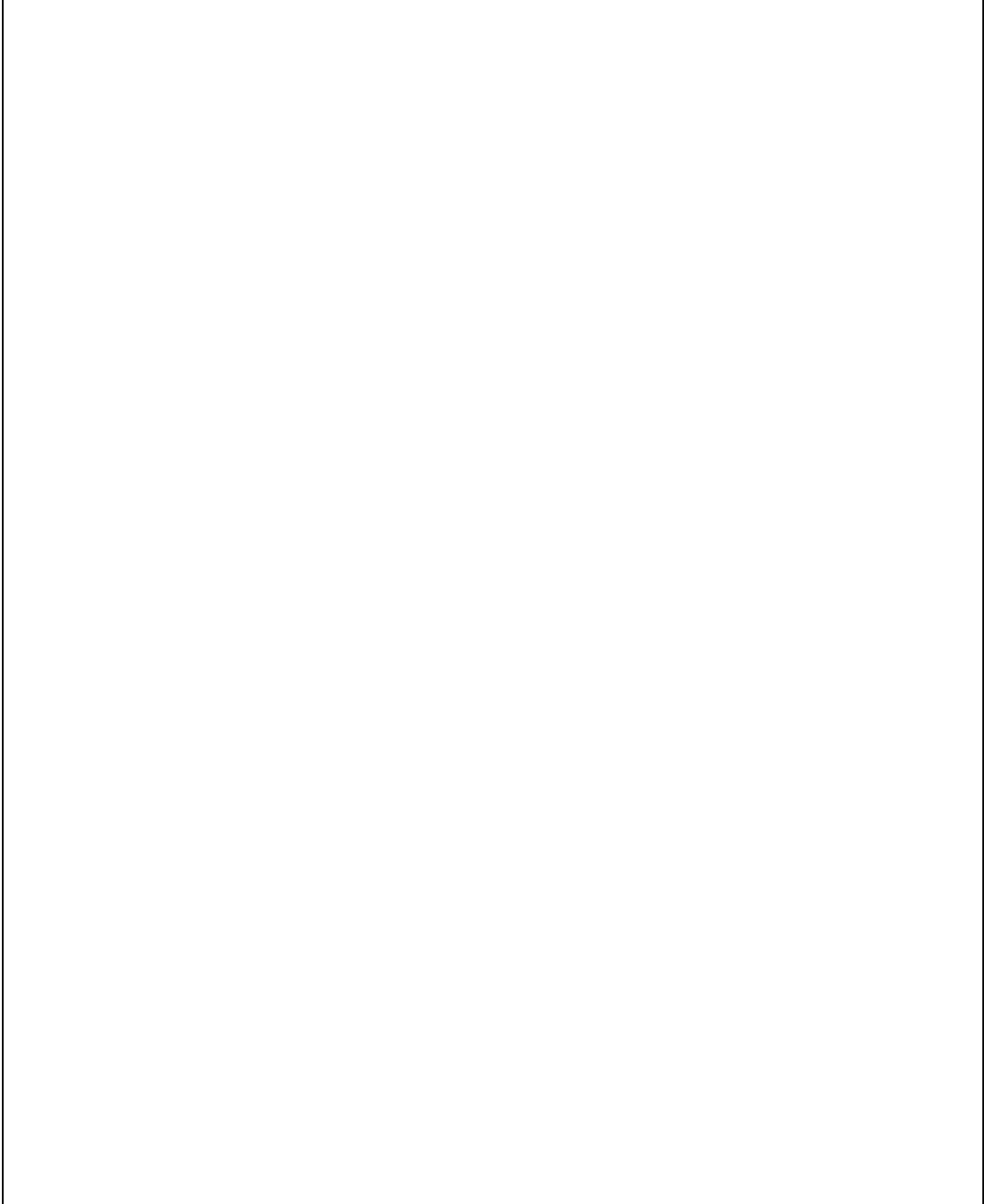
Model: 968 92

Model life 1992>>1995

Pos	Part Number	Description	Remark	Qty	Model
		Tiptronic			A44.00
		Oil pump			
1	944 307 115 00	Oil pump		1	
2	996 397 010 00	Shaft sealing ring		1	
3	944 397 011 00	Round seal		1	
4	944 397 030 00	Straight pin		1	
5	944 397 006 00	Pan-head screw M 6 X 40		9	
6	944 397 023 00	Sealing ring		9	
7	944 397 051 00	Countersunk-head screw M 6		6	

Model: 968 92

Model life 1992>>1995



Model: 968 92

Model life 1992&gt;&gt;1995

Pos	Part Number	Description	Remark	Qty	Model
		Tiptronic Seal OELRAUM See workshop manual			A44.00
1	944 302 211 00	Intermediate piece		1	
2	944 397 048 00	Pan-head screw M 8 X 17		1	
3	944 397 013 01	Round seal		1	
4	944 397 013 02	Round seal		1	
5	944 397 017 04	Shaft sealing ring		1	
6	944 397 017 05	Shaft sealing ring		1	



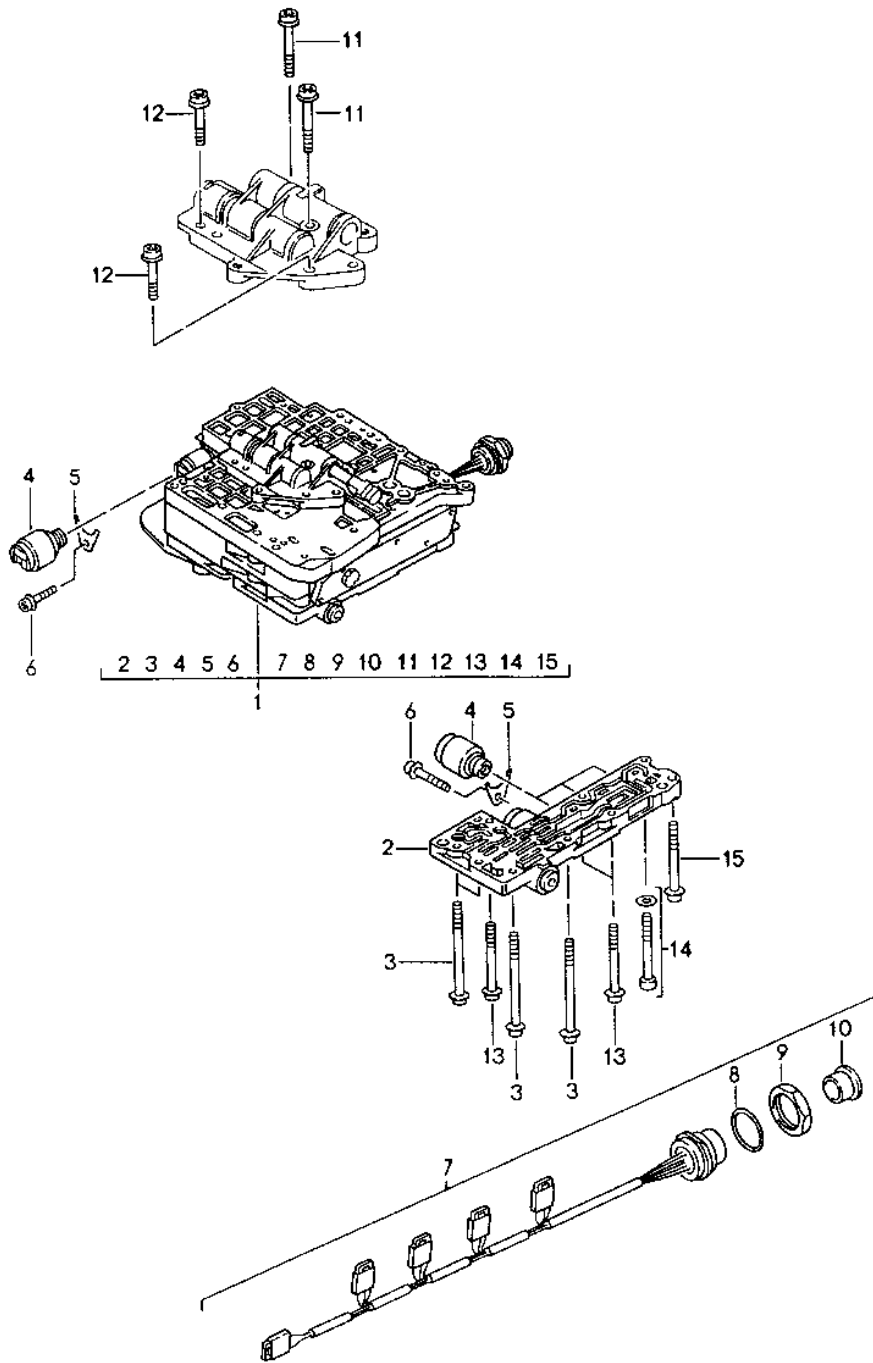
Model: 968 92

Model life 1992&gt;&gt;1995

Pos	Part Number	Description	Remark	Qty	Model
		Tiptronic			A44.00
		Oil pan			
1	944 321 025 00	Oil strainer		1	
2	944 321 124 00	Oil pan		1	
3	944 397 025 00	Oil sump gasket		1	
		Sealing ring		1	
		A 1,20			
4	944 307 110 00	Oil strainer		1	
5	944 397 001 00	Round seal		1	
6	943 397 006 00	Pan-head screw		7	
		M 6 X 80			
7	944 307 475 00	Filling container		1	
8	477 321 479 A	Strainer		1	
9	477 321 483 A	Gasket		1	
10	477 321 481	Screw-on cap		1	
11	477 321 487	O-ring		1	
12	944 397 060 00	Stud		4	
		M 6			
13	943 321 161 01	Retaining bracket		4	
14	944 397 021 00	Washer		4	
15	944 397 027 00	Hexagon nut		4	
		M 6			
16	944 397 006 01	Pan-head screw		2	
		M 6 X 10			
17	477 321 485	Union nut		1	
		M 26 X 1,5			
18	944 397 028 00	Cap nut		1	
		M 14 X 1,5			
19	944 397 029 01	Sealing ring		1	
		A 14 X 18			
20		Sealing ring		2	
		A 14 X 18			
21	943 307 101 00	Connection piece		1	
22	944 397 033 00	Ball		1	
		6 MM			
23	944 397 034 00	Banjo bolt		1	
		10			
24	943 321 119 00	Magnet		1	
25	944 397 031 00	Screw plug		1	
		M 10 X 1			
26	944 397 032 00	Hose clamp		4	
		14,0			
27	944 307 121 00	Hose		1	
29	944 307 121 01	Hose		1	

Model: 968 92

Model life 1992>>1995





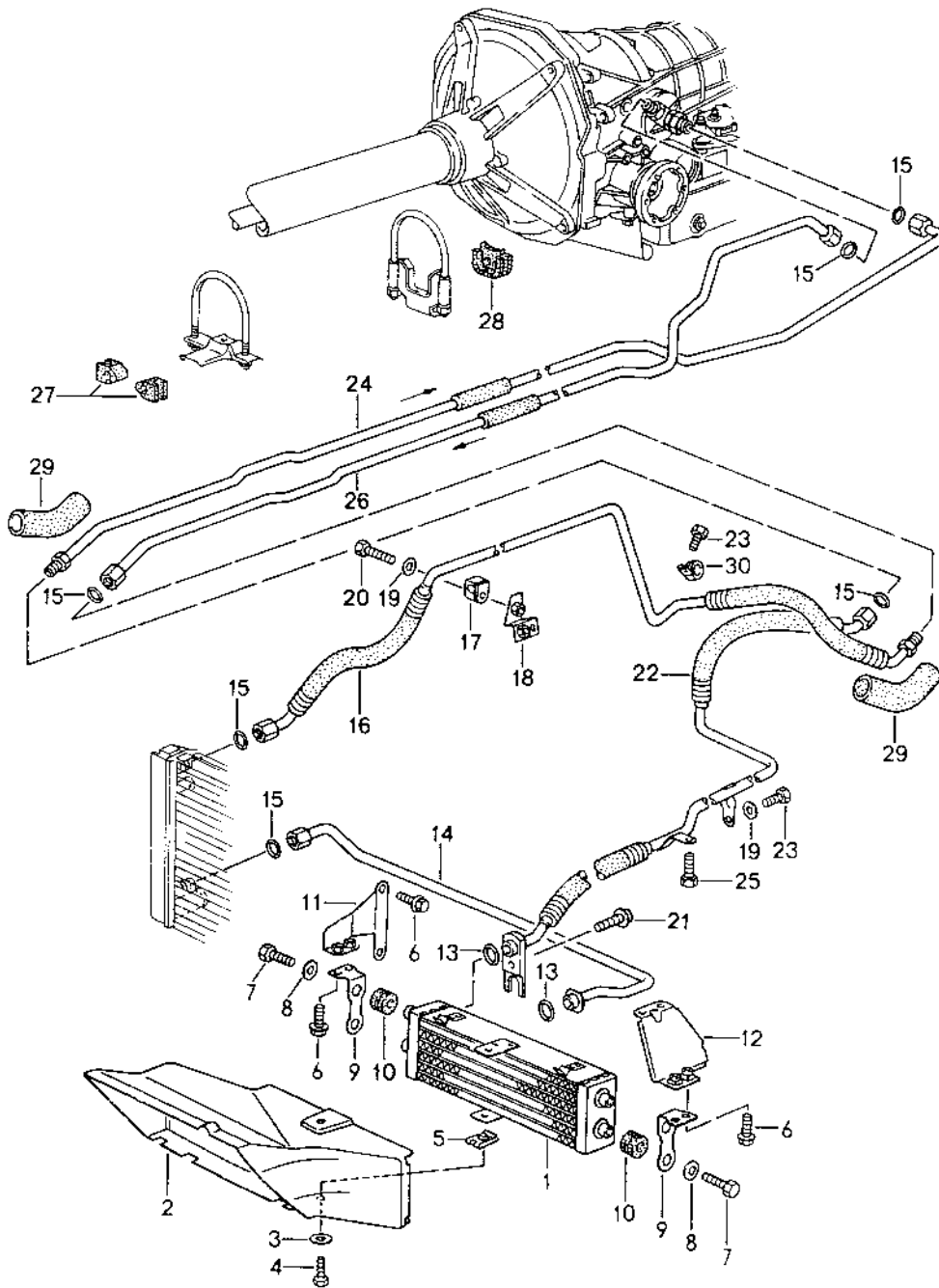
Model: 968 92

Model life 1992>>1995

Pos	Part Number	Description	Remark	Qty	Model
		Tiptronic Switch unit Solenoid valve			A44.00
1	944 325 001 00	Switch unit		1	
2	944 325 010 00	Valve housing with Pressure regulator		1	
3	943 397 006 00	Pan-head screw M 6 X 80		X	
4	944 325 602 00	Solenoid valve		4	
5	943 325 111 00	Retaining bracket		4	
6	943 397 045 00	Pan-head screw M 5 X 12		4	
7	944 325 605 00	Wiring harness		1	
8	943 397 007 00	Round seal 26,7 X 1,78		1	
9	944 397 026 00	Nut M 26 X 1		1	
10	944 397 041 00	Protection cap		1	
11	944 397 005 02	Pan-head screw M 5 X 35		2	
12	944 397 005 03	Pan-head screw M 5 X 25		2	
13	944 397 005 06	Pan-head screw M 5 X 70		X	
14	944 397 005 04	Pan-head screw M 5 X 60		X	
15	944 397 005 05	Pan-head screw M 5 X 65		2	

Model: 968 92

Model life 1992>>1995



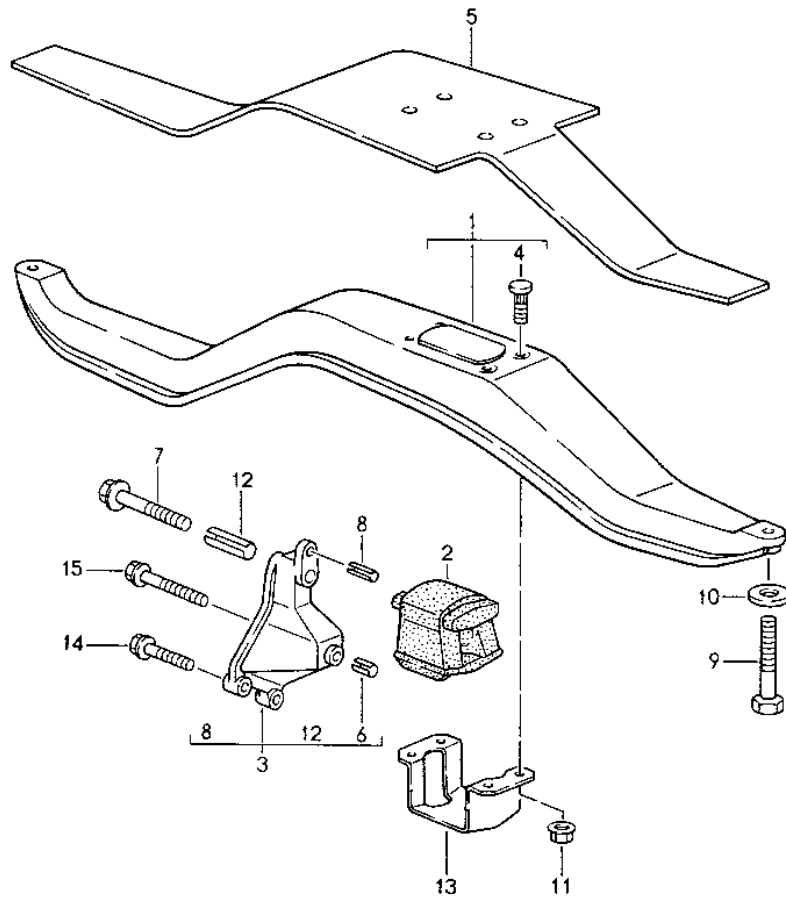
Model: 968 92

Model life 1992>>1995

Pos	Part Number	Description	Remark	Qty	Model
		Tiptronic			A44.00
		Atf cooler			
		Atf lines			
1	944 207 309 00	Transmission oil cooler		1	
2	944 307 411 00	Air guide		1	
3	900 151 027 02	Washer		2	
		B 5,3			
3	900 151 027 03	Washer		2	
		B 5,3			
4	N 013 884 4	Hexagon-head tapping screw		2	
		4,8 X 13			
5	999 591 489 02	Speed nut		2	
		B 4,8			
5	999 591 489 01	Speed nut		2	
		B 4,8			
6	900 075 374 02	Combination screw		6	
		M 6 X 14 Z2			
6	900 075 374 01	Combination screw		6	
		M 6 X 14 Z2			
7	999 072 005 09	Hexagon nut		4	
		M 6 X 12			
7	999 072 005 01	Hexagon nut		4	
		M 6 X 12			
8	N 011 612 3	Washer		4	
		R 7 X 22 X 2			
8	N 011 612 C	Washer		4	
		R 7 X 22 X 2			
9	944 207 315 02	Support		2	
10	056 129 669 B	Grommet		4	
11	944 307 407 00	Support		1	
12	944 504 507 00	Support		1	
13	900 331 022 40	O-ring		2	
14	944 307 017 01	Oil tube		1	
15	900 331 010 40	O-ring		6	
16	944 307 010 06	Oil pipe		1	
17	999 511 223 40	Clip		2	
18	944 107 333 00	Support		2	
19	N 011 524 7	Washer		3	
		A 6,4			
19	N 011 524 27	Washer		3	
		A 6,4			
20	N 010 220 3	Hexagon-head bolt		2	
		M 6 X 30			
21	N 090 378 1	Pan-head screw		1	
		M 8 X 25 Z1			
22	944 307 011 05	Oil pipe		1	
23	N 010 215 13	Hexagon-head bolt		2	
		M 6 X 15			
24	944 307 009 05	Oil pipe		1	
25	900 075 079 02	Hexagon-head bolt		1	
		M 8 X 22			
26	944 307 008 04	Oil pipe		1	
27	944 307 190 01	Rubber mounting		2	
28	944 307 190 03	Rubber mounting		1	
29	999 181 743 40	Protective tube		2	
30	999 511 069 02	Clamp		1	
30	999 511 069 0C	Clamp		1	

Model: 968 92

Model life 1992>>1995



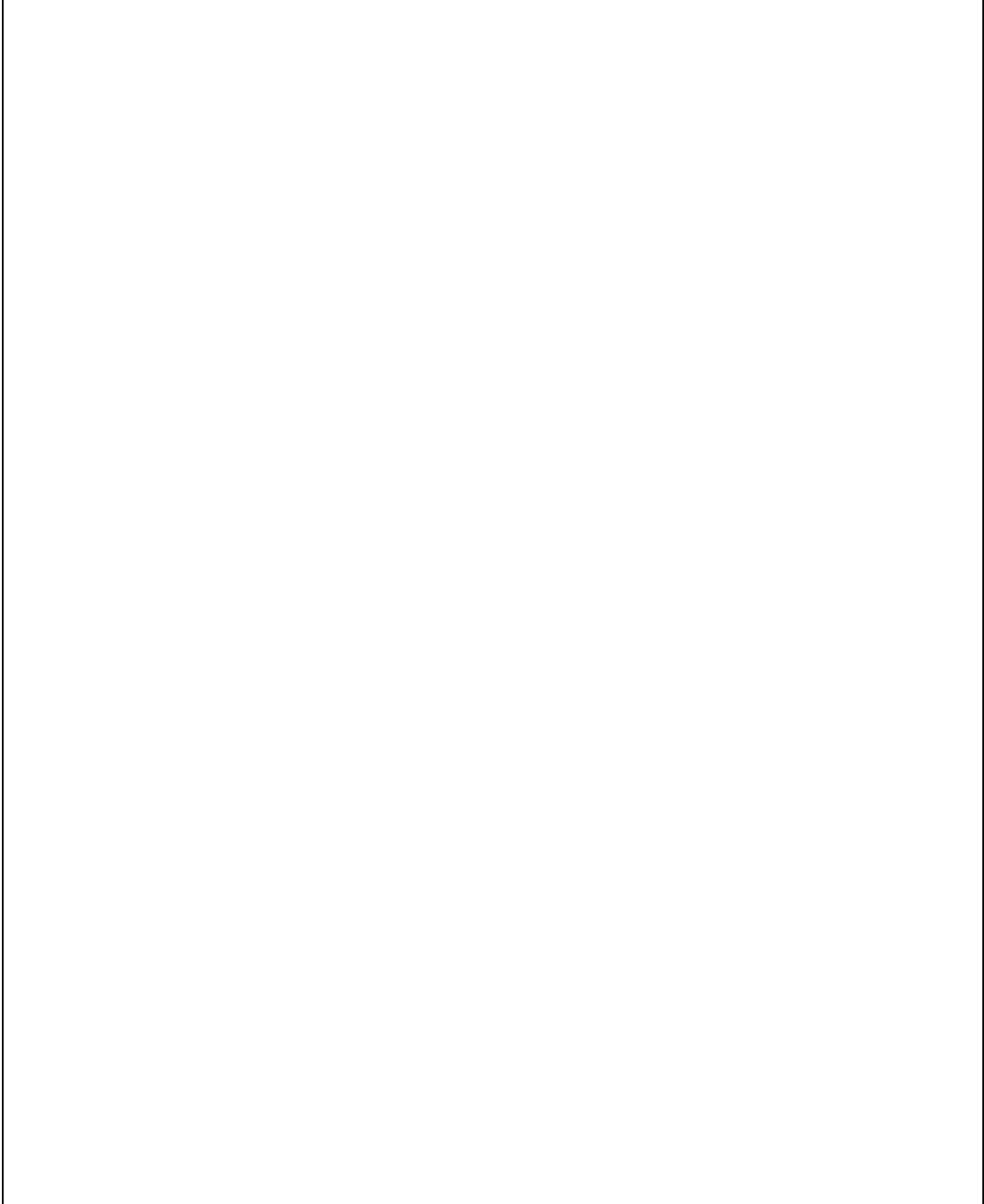
Model: 968 92

Model life 1992>>1995

Pos	Part Number	Description	Remark	Qty	Model
		Tiptronic Transmission suspension			A44.00
1	944 375 024 06	Transmission carrier		1	
2	944 375 045 11	Transmission mounting		1	
3	944 375 087 00	Bracket		1	
4	999 080 019 02	Screw M 8 X 24		4	
5	944 375 291 01	Sound absorber		1	
6	900 197 043 01	Roll pin 10 X 14		1	
7	999 072 004 02	Hexagon-head bolt M 10 X 70 Z1		1	
8	900 095 031 00	Tensioning sleeve 6 X 16		1	
9	N 040 321 1	Hexagon-head bolt M 10 X 65		2	
10	999 025 195 02	Washer 10,3 X 25 X 3		2	
11	900 380 006 02	Lock nut M 8		4	
11	900 380 005 01	Nut M 8		4	
12	900 197 060 01	Roll pin 13 X 45		1	
13	944 375 275 08	Housing		1	
14	900 378 055 02	Hexagon-head bolt M 8 X 40		2	
15	900 378 056 02	Hexagon-head bolt M 8 X 60		1	

Model: 968 92

Model life 1992>>1995



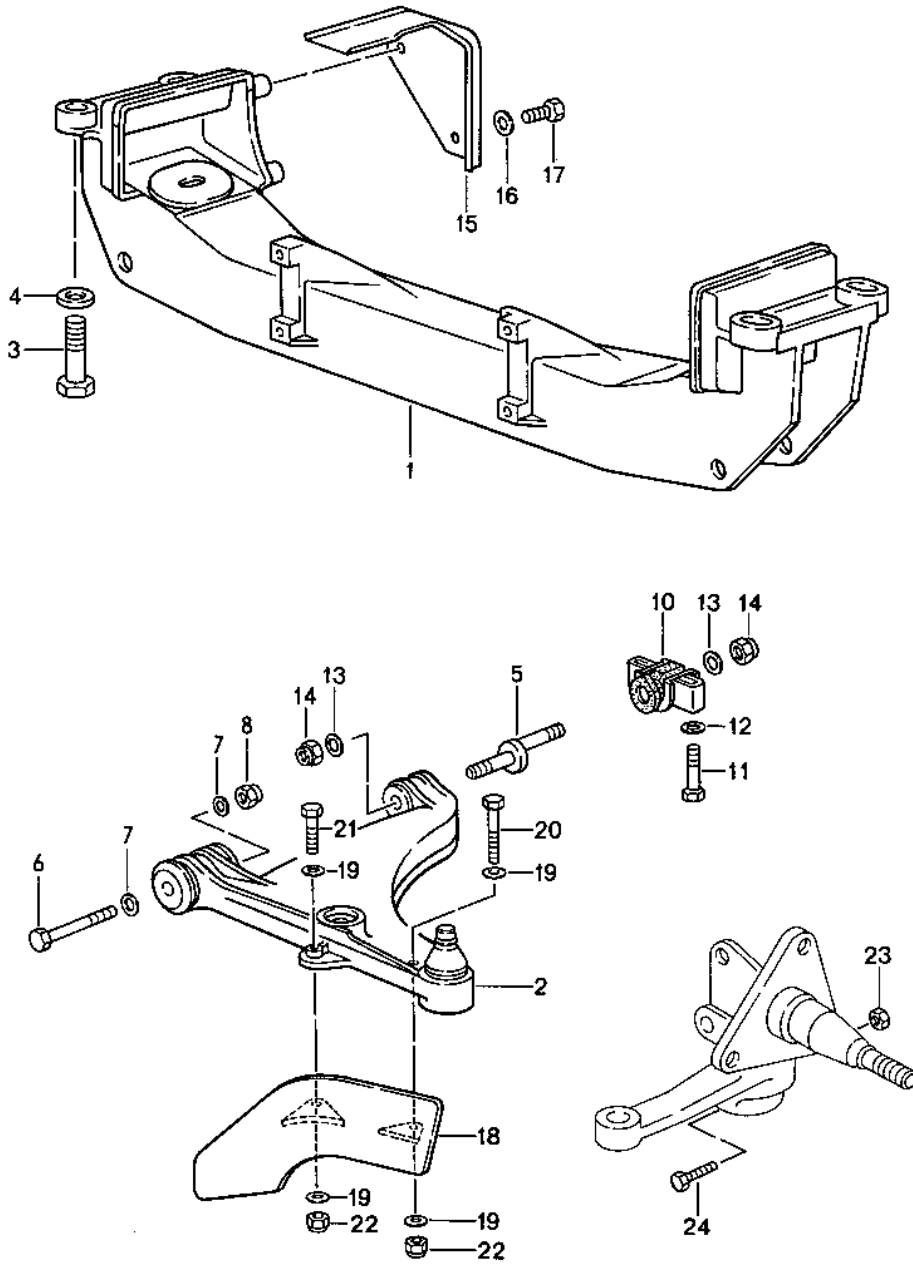
Model: 968 92

Model life 1992>>1995

Pos	Part Number	Description	Remark	Qty	Model
>>	944 300 901 00	Repair kits Manual transmission Tiptronic Gasket set Comprising:		1	G44.00 A44.00 G44.00
-	01E 301 235	Gasket		1	
-	01E 301 467	Lid		1	
-	010 409 580	O-ring		1	
-	012 301 457 C	Shaft sealing ring		1	
-	999 113 347 40	Shaft sealing ring		2	
-	999 707 038 40	Round seal		1	
-	016 311 113 C	Radial shaft seal		1	
		Oil filter set		1	A44.00
>>	944 307 901 00	Tiptronic Oil filter set Comprising:		1	
-	944 321 124 00	Oil sump gasket		1	
-	944 307 110 00	Oil strainer		1	
-	944 397 001 00	Round seal		1	
-	944 397 025 00	Sealing ring		1	
-	968 116 911 00	Repair kit for Clutch Comprising:		1	
		Drive plate		1	
		Pressure plate		1	
		Clutch release bearing		1	

Model: 968 92

Model life 1992>>1995





Model: 968 92

Model life 1992&gt;&gt;1995

Pos	Part Number	Description	Remark	Qty	Model
		Wishbone			
		Cross member			
1	944 341 103 07	Cross member	/LL	1	
(1)	945 341 103 04	Cross member	/RL	1	
2	944 341 027 02	Wishbone	/L	1	
2	944 341 927 31	Wishbone	/L	1	
		Only together with 944.341.928.31	/R		
(2)	944 341 028 02	Wishbone	/R	1	
(2)	944 341 928 31	Wishbone	/R	1	
		Only together with 944.341.927.31	/L		
3	900 082 140 01	Hexagon-head bolt M 12 X 75		4	
4	999 025 074 02	Washer 12,4 X 34 X 5		4	
4	999 025 074 01	Washer 12,4 X 34 X 5		4	
5	951 341 431 02	Eccentric bolt		2	
5	951 341 431 03	Eccentric bolt		2	
6	900 082 039 02	Hexagon-head bolt M 12 X 1,5 X 100		2	
6	900 082 137 01	Hexagon-head bolt M 12 X 1,5 X 100		2	
7	900 025 009 02	Washer A 13		4	
8	N 021 131 1	Lock nut M 12 X 1,5		2	
10	951 341 023 01	Rubber mounting		2	
11	N 040 321 1	Hexagon-head bolt M 10 X 65		4	
12	999 025 221 02	Washer 10,5		4	
12	999 025 221 0C	Washer 10,5		4	
13	900 223 010 02	Washer 13		4	
14	900 910 115 02	Lock nut		4	
15	951 341 108 02	Heat protection plate Right	/LL	1	
(15)	952 341 108 02	Heat protection plate Right	/RL	1	
16	N 011 524 7	Washer A 6,4		2	
16	N 011 524 27	Washer A 6,4		2	
17	N 010 215 13	Hexagon-head bolt M 6 X 15		2	
18	944 341 051 01	Air baffle plate	/L	1	
(18)	944 341 052 01	Air baffle plate	/R	1	
19	N 011 666 7	Washer B 6,4		8	
20	N 010 349 5	Hexagon-head bolt M 6 X 45		2	
21	N 010 347 5	Hexagon-head bolt M 6 X 35		2	
22	900 380 003 02	Hexagon nut M 6		4	
23	N 021 130 2	Lock nut VM 10		2	
23	N 022 149 2	Lock nut VM 10		2	
24	N 010 445 6	Hexagon-head bolt		2	

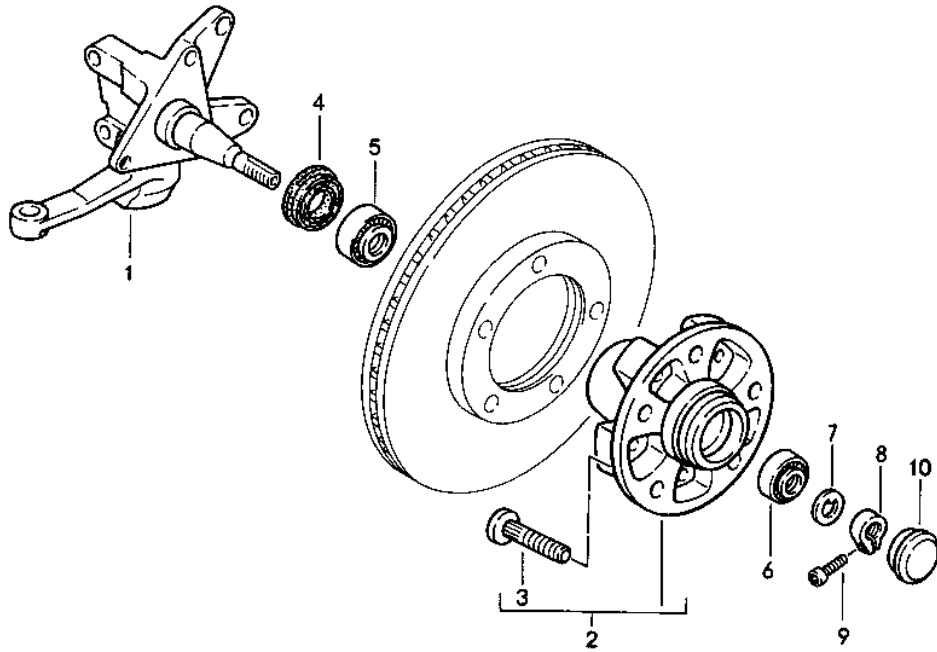
Model: 968 92

Model life 1992>>1995

Pos	Part Number	Description	Remark	Qty	Model
24	900 074 372 02	M 10 X 45 X 20 Hexagon-head bolt M 10 X 45 X 20		2	

Model: 968 92

Model life 1992>>1995



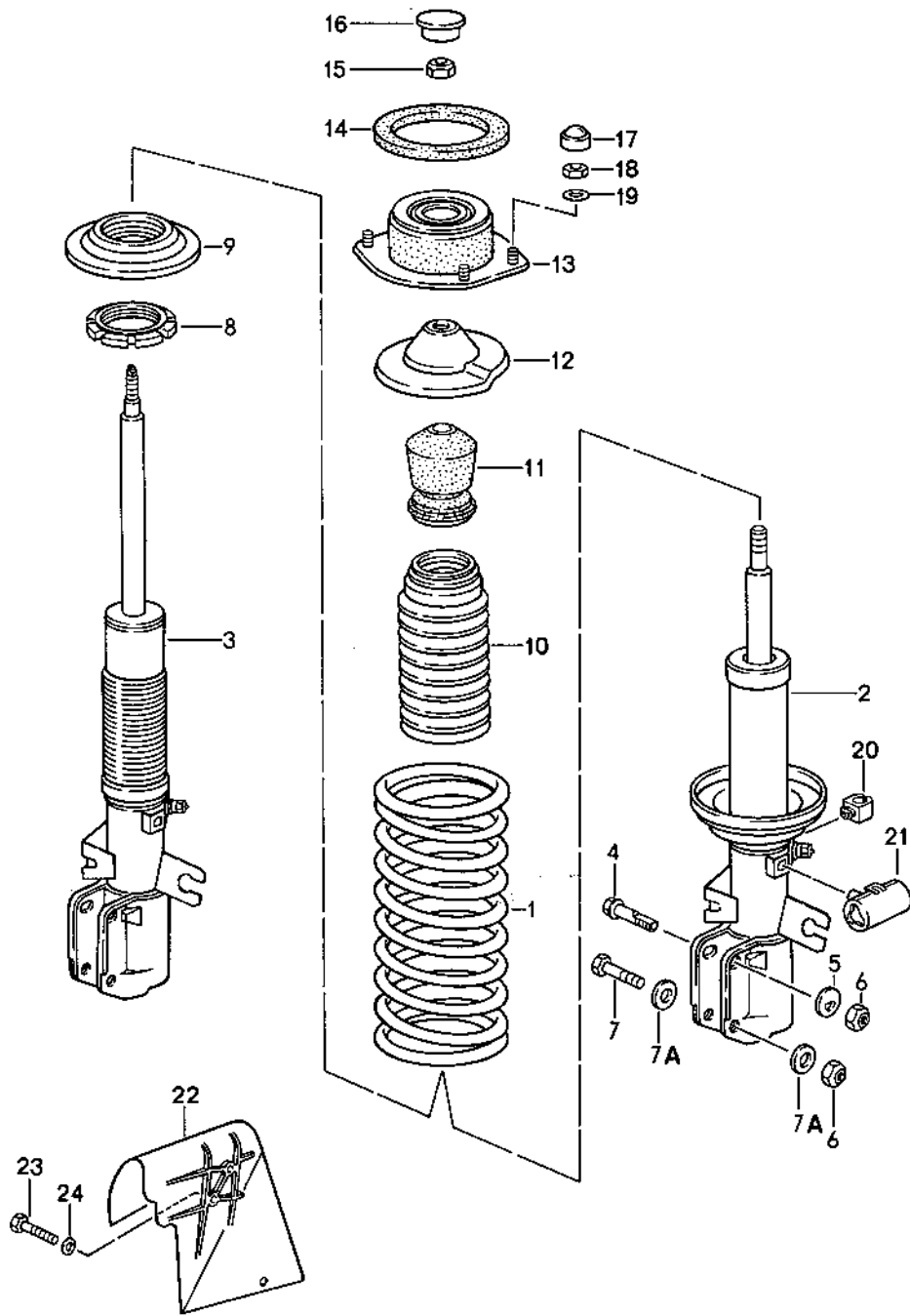
Model: 968 92

Model life 1992>>1995

Pos	Part Number	Description	Remark	Qty	Model
-	PCG 043 110 00	Steering knuckle Lubricants Grease Bearing 200 GR.		1	
1	951 341 655 06	Steering knuckle	/L	1	
1	951 341 656 06	Steering knuckle	/R	1	
1	951 341 655 34	Steering knuckle	/L	1	M030
1	951 341 656 34	Steering knuckle	/R	1	M030
2	951 341 065 06	Front wheel hub		2	
2	951 341 065 08	Front wheel hub		2	M030
3	928 341 671 02	Wheel bolt		10	
4	477 405 641	Radial sealing ring		2	
5	999 059 090 00	Taper roller bearing		2	
6	999 059 089 01	Taper roller bearing		2	
7	911 341 663 00	Thrust washer		2	
8	911 341 673 00	Clamping nut		2	
9	999 119 001 01	Pan-head screw M 7X 18		2	
9	999 119 001 0B	Pan-head screw M 7X 18		2	
10	477 405 692 C	Cap		2	

Model: 968 92

Model life 1992>>1995



Model: 968 92 Model life 1992>>1995

Pos	Part Number	Description	Remark	Qty	Model
1	944 343 531 04	suspension Shock absorber Front See technical information GR.4, NR.2/92 Coil spring 1 set Identification		1	COUPE
1	944 343 531 04 904 944 343 531 09	Beige Coil spring 1 set Identification		1	968CS
1	944 343 531 09 904 951 343 531 03	Blue Coil spring 1 set Identification		1	CABRIO
1	951 343 531 03 904 944 343 531 01	Grey Coil spring 1 set Identification		1	M030
1	944 343 531 01 104 944 343 531 33	Yellow Yellow Coil spring 1 set Identification		1	M030
2	951 343 031 12	Shock absorber	/L	1	
(2)	951 343 032 12	- fichtel + sachs - Shock absorber - fichtel + sachs -	/R	1	
3	944 343 031 28	Shock absorber - koni -	/L	1	M030
(3)	944 343 032 28	Shock absorber - koni -	/R	1	M030
4	171 407 265	Eccentric screw		2	
5	944 343 175 00	Eccentric washer		2	
6	N 022 141 4	Lock nut M 12 X 1,5		4	
7	900 082 058 02	Hexagon-head bolt M 12 X 1,5 X 55 Use also: POS. 7A		2	
7		Hexagon-head bolt M 12 X 1,5 X 55 Use also: POS. 7A		2	
7A	901 333 143 02	Washer 12,4 X 25 X 4		4	
8	951 343 524 00	Adjusting nut		2	M030
9	951 343 525 32	Concave washer		2	M030
10	951 343 529 01	Boot		2	
(10)	951 343 529 30	Boot		2	M030
11	951 343 527 00	Rubber stop		2	
12	951 343 528 00	Concave washer		2	
(12)	133 412 341	Concave washer		2	M030
13	951 343 018 04	Suspension strut mounting		2	
-	944 343 903 01	Insulation for		2	
(13)	951 343 018 04	Suspension strut mounting Insulation		2	

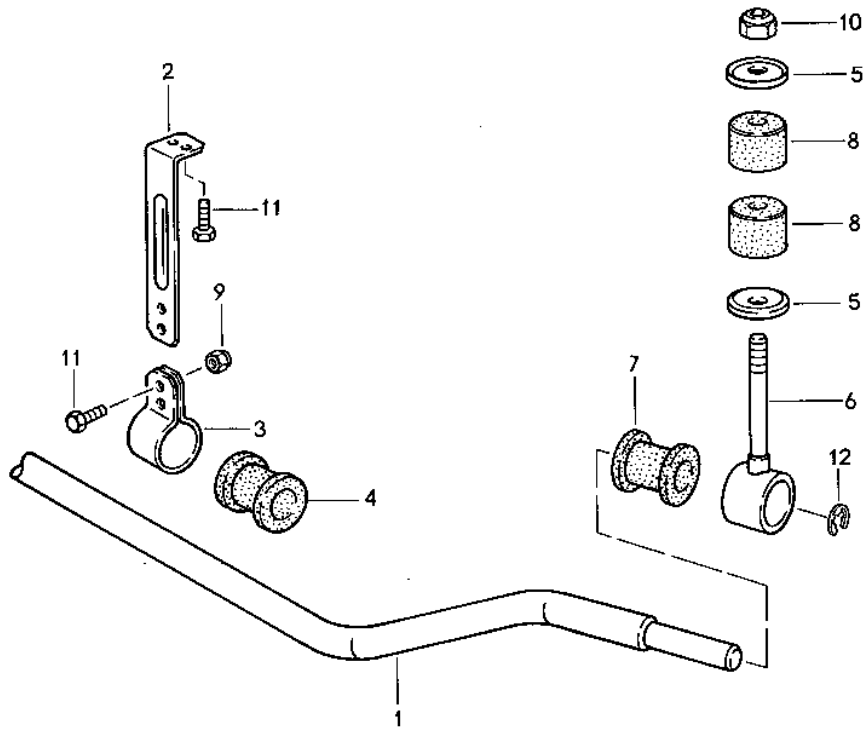
Model: 968 92

Model life 1992>>1995

Pos	Part Number	Description	Remark	Qty	Model
14	133 412 367	Sealing ring		2	
15	N 022 150 2	Lock nut M 14 X 1,5		2	
16	999 703 346 40	Stopper		2	
(16)	999 703 355 40	Cap		2	M030
17	999 703 387 40	Cap		8	
18	900 076 025 02	Hexagon nut M 8		8	
18	900 076 064 02	Hexagon nut M 8		8	
19	900 025 041 02	Washer A 8,4		8	
20	928 612 409 00	Clip		2	
21	928 612 531 00	Push-on connector	/L	1	
(21)	928 612 531 01	Push-on connector	/R	1	
22	944 341 555 01	Air guide	/L	1	
(22)	944 341 556 01	Air guide	/R	1	
23	N 010 217 9	Hexagon-head bolt M 6 X 20		4	
24	N 011 666 7	Washer B 6,4		4	

Model: 968 92

Model life 1992>>1995





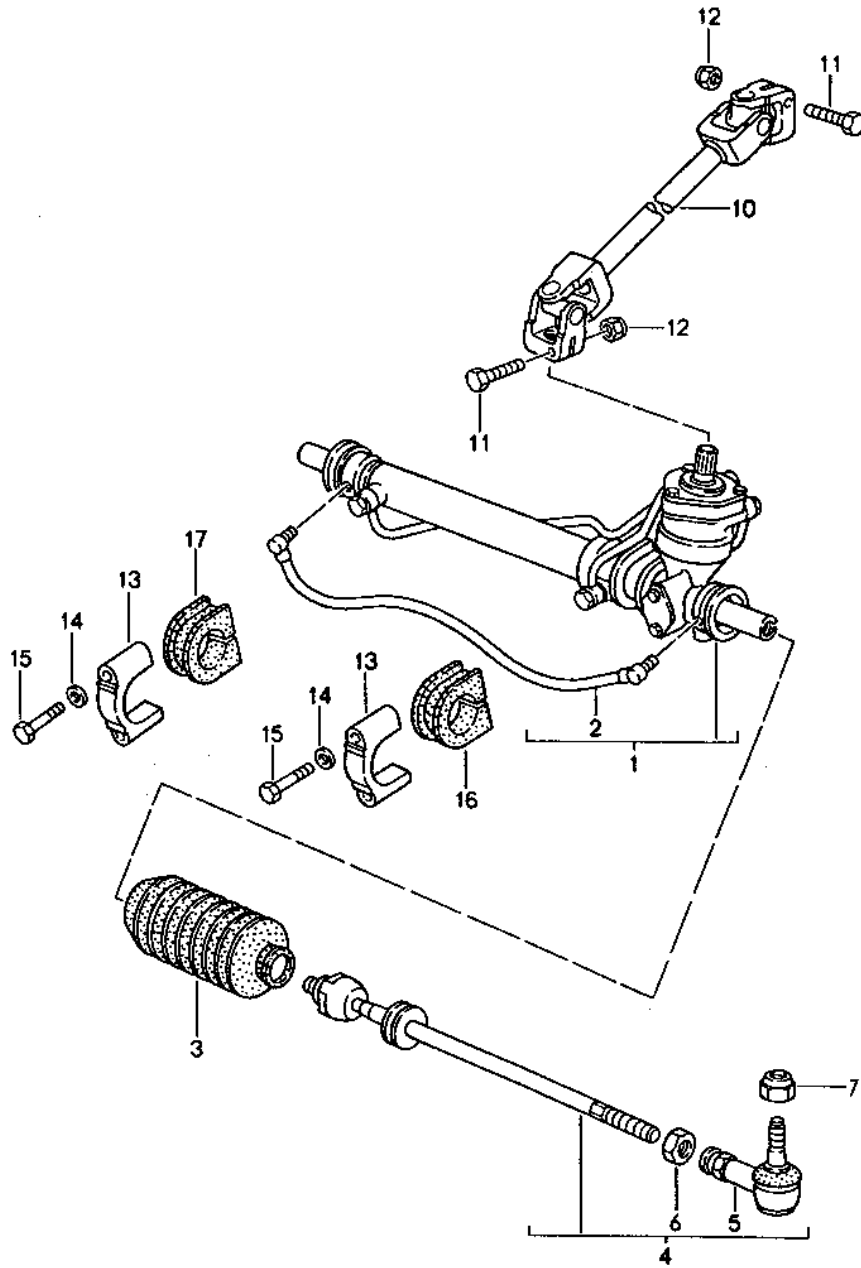
Model: 968 92

Model life 1992&gt;&gt;1995

Pos	Part Number	Description	Remark	Qty	Model
1	944 343 706 05	Stabiliser		1	
1	944 343 706 30	Stabiliser \$ 26,8 MM		1	M030
(1)	944 343 706 31	Stabiliser Use also: 951.343.794.03		1	M030
2	944 343 733 31	Suspension		2	
3	944 343 731 02	Clip		2	
4	951 343 794 02	Rubber bush		2	
4	951 343 794 05	Rubber bush		2	M030
(4)	951 343 794 03	Rubber bush Use also: 944.343.706.31		2	M030
5	477 411 043	Concave washer		1	
6	951 343 075 00	Mounting		4	
7	951 343 793 30	Rubber bush		2	
7	951 343 793 31	Rubber bush		2	M030
8	951 343 795 01	Rubber mounting		4	
9	900 910 022 09	Lock nut VM 8		4	
9	900 910 022 03	Lock nut VM 8		4	
10	N 021 130 2	Lock nut VM 10		2	
10	N 022 149 2	Lock nut VM 10		2	
11	900 075 079 02	Hexagon-head bolt M 8 X 22		4	
12	N 012 449 1	Lock washer 19		2	M030

Model: 968 92

Model life 1992>>1995



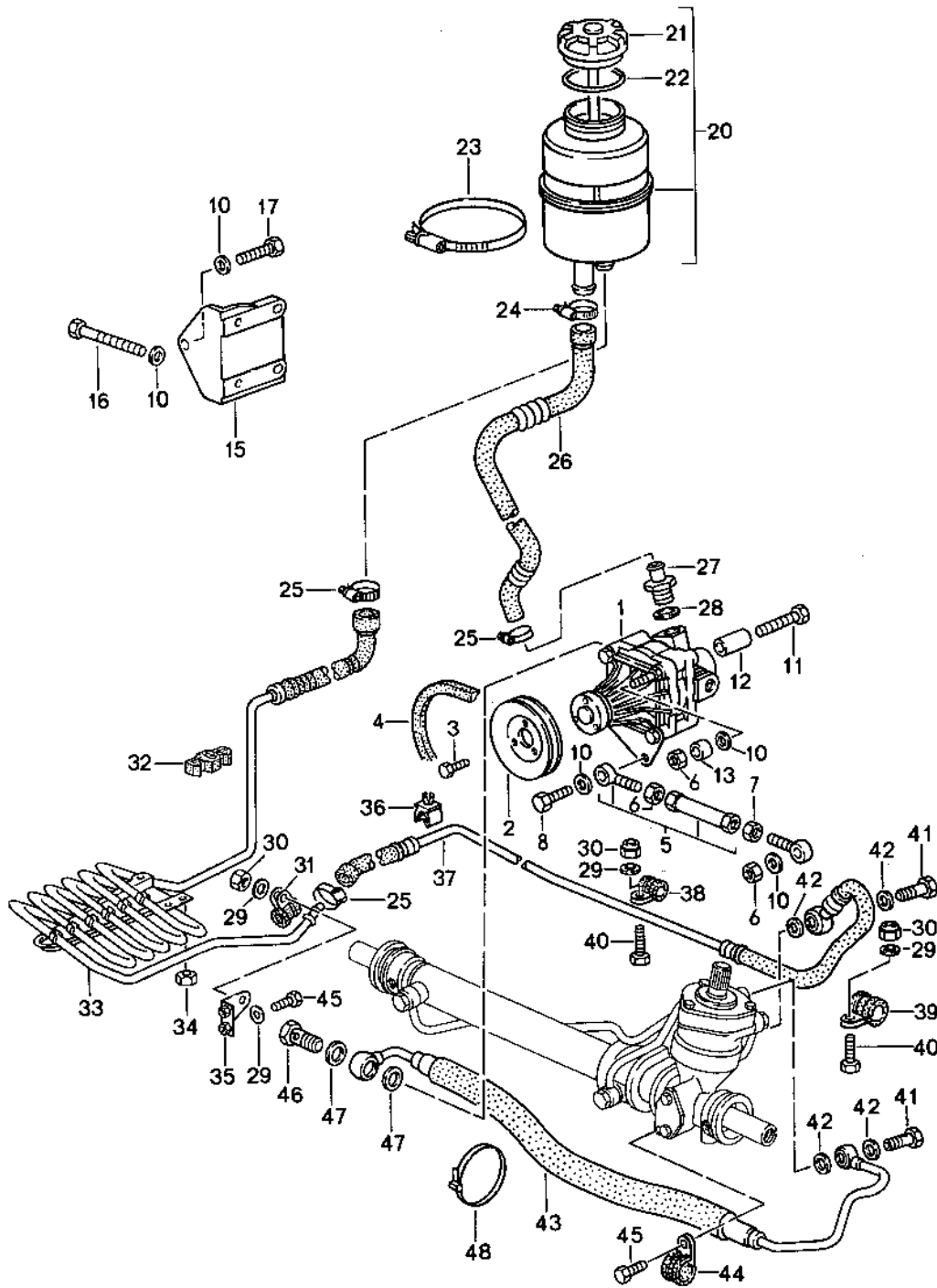
Model: 968 92

Model life 1992&gt;&gt;1995

Pos	Part Number	Description	Remark	Qty	Model
		Power steering			
		Steering gear			
		Tie rod			
1	944 347 011 24	Steering gear	/LL	1	
1	944 347 011 BX	Steering gear	/LL	1	
(1)	945 347 011 22	Steering gear	/RL	1	
(1)	945 347 011 BX	Steering gear	/RL	1	
2	944 347 311 00	Compensating line		1	
3	171 419 831 C	Boot		2	
3	PCG 419 831 C	Bellows		2	
4	944 347 033 23	Tie rod		2	
5	944 347 333 04	Ball joint		2	
6	900 034 024 07	Hexagon nut		2	
		M 14 X 1,5			
6	900 034 024 01	Hexagon nut		2	
		M 14 X 1,5			
7	N 022 141 1	Captive nut		2	
		M 12 X 1,5			
7	900 360 002 01	Lock nut		2	
		M 12 X 1,5			
7	900 360 002 0B	Lock nut		2	
		M 12 X 1,5			
10	944 347 027 02	Drive shaft	/LL	1	
10	944 347 027 03	Drive shaft	/LL	1	
(10)	945 347 027 00	Drive shaft	/RL	1	
11	N 010 335 7	Hexagon-head bolt		2	
		M 8 X 35			
12	900 910 022 09	Lock nut		2	
		M 8			
12	900 910 022 03	Lock nut		2	
		M 8			
13	944 347 223 01	Clip	/LL	2	
(13)	945 347 023 00	Clip	/RL	2	
14	900 025 007 02	Washer		4	
		A 8,4			
14	900 025 007 03	Washer		4	
		A 8,4			
15	N 010 360 6	Hexagon-head bolt	/LL	4	
		M 8 X 60			
15	N 010 360 19	Hexagon-head bolt	/LL	4	
		M 8 X 60			
15	900 074 281 08	Hexagon-head bolt	/LL	4	
		M 8 X 60			
(15)	900 074 134 02	Hexagon-head bolt	/RL	4	
		M 8 X 45			
16	944 347 137 00	Rubber insert	/L	1	
17	944 347 139 01	Rubber insert	/R	1	

Model: 968 92

Model life 1992>>1995



Model: 968 92

Model life 1992&gt;&gt;1995

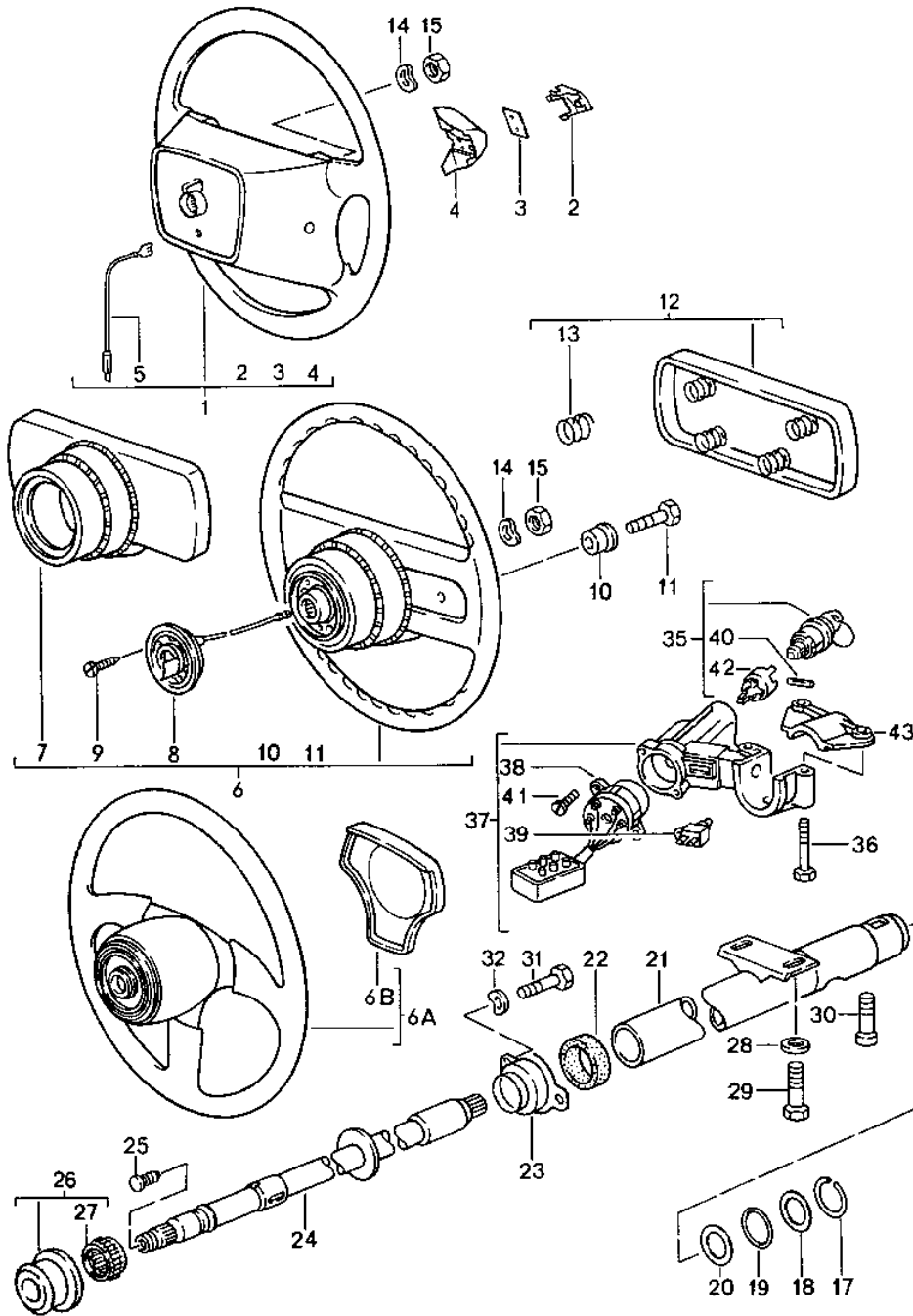
Pos	Part Number	Description	Remark	Qty	Model
		Power steering Vane type pump Lines			
1	944 347 432 08	Vane type pump		1	
1	944 347 432 CX	Vane type pump		1	
2	944 347 437 03	Pulley		1	
3	999 072 005 09	Hexagon nut M 6 X 12		3	
3	999 072 005 01	Hexagon nut M 6 X 12		3	
4	999 192 236 50	Narrow v-belt 9,5 X 950		1	
5	944 347 053 02	Strut		1	
6	900 076 025 02	Hexagon nut M 8		3	
6	900 076 064 02	Hexagon nut M 8		3	
7	N 011 008 24	Hexagon nut M 8 Left		1	
8	900 075 029 09	Hexagon-head bolt M 8 X 25		1	
8	900 075 029 03	Hexagon-head bolt M 8 X 25		1	
10	900 025 007 02	Washer A 8,4		8	
10	900 025 007 03	Washer A 8,4		8	
11	N 010 359 4	Hexagon-head bolt M 8 X 38		1	
12	944 347 441 02	Sleeve 26 MM		1	
13	944 347 442 00	Dowel sleeve 13 MM		1	
15	944 101 147 01	Bracket		1	
15	944 101 147 02	Bracket		1	
16	N 010 361 4	Hexagon-head bolt M 8 X 65		4	
16	N 010 361 13	Hexagon-head bolt M 8 X 65		4	
17	N 010 335 5	Hexagon-head bolt M 8 X 35		1	
17	900 075 032 03	Hexagon-head bolt M 8 X 35		1	
20	928 347 015 05	Container		1	
21	928 347 925 00	Lid		1	
22	928 347 927 00	Gasket		1	
23	999 512 350 02	Hose clamp \$ 80-100 MM		1	
24	999 512 346 02	Hose clamp 16-25		1	
24	999 512 676 00	Hose clamp 16-25		1	
25	N 023 570 2	Hose clamp A 15X9		3	
26	944 347 445 05	Moulded hose		1	
27	999 230 357 02	Connection piece		1	
27	999 230 357 01	Connection piece		1	
28	N 100 184 01	Sealing ring 16 X 20		1	
29	N 011 524 7	Washer A 6,4		5	
29	N 011 524 27	Washer		5	

Model: 968 92 Model life 1992>>1995

Pos	Part Number	Description	Remark	Qty	Model
30	900 910 012 02	A 6,4 Lock nut		3	
30	900 910 047 09	M 6 Lock nut		3	
31	999 511 116 02	M 6 Clamp		1	
31	999 511 116 03	10 X 15 Clamp		1	
32	999 507 374 40	10 X 15 Line bracket		1	
33	944 347 069 01	Radiator coil		1	
33	944 347 069 02	Radiator coil		1	
34	N 015 082 2	Hexagon nut		3	
35	944 347 278 00	M 6 Support		1	
36	944 347 467 00	Cable clip		1	
37	944 347 449 06	Return line	/LL	1	
(37)	945 347 449 02	Return line	/RL	1	
38	999 511 153 02	Clip		1	
39	N 020 626 2	8 X 15 Clip		1	
40	900 075 016 02	16 X 15 Hexagon-head bolt		2	
40	900 075 016 03	M 6 X 22 Hexagon-head bolt		2	
41	999 134 032 02	M 6 X 22 Banjo bolt	/LL	2	
41		M 12 X 1,5 Banjo bolt	/RL	1	
(41)	N 021 053 2	M 12 X 1,5 Banjo bolt	/RL	1	
42	900 123 026 20	Sealing ring	/LL	4	
42		12 X 15,5 Sealing ring	/RL	2	
(42)	N 100 390 01	12 X 15,5 Gasket	/RL	2	
43	944 347 447 02	Pressure line	/LL	1	
(43)	945 347 447 02	Pressure line	/RL	1	
44	999 511 066 02	Clamp	/LL	1	
(44)	999 511 111 02	18 X 15 Pipe clamp	/RL	1	
45	999 072 005 09	23 Hexagon nut		3	
45	999 072 005 01	M 6 X 12 Hexagon nut		3	
46	900 134 007 02	M 6 X 12 Banjo bolt		1	
46	900 134 007 01	A 8 Banjo bolt		1	
46	PCG 134 007 01	A 8 Banjo bolt		1	
47	900 123 042 20	A 8 Sealing ring		2	
48	999 513 010 40	14 X 18 Tie-wrap		1	
		9 X 250			

Model: 968 92

Model life 1992>>1995



Model: 968 92 Model life 1992>>1995

Pos	Part Number	Description	Remark	Qty	Model
1	944 347 804 51	Steering wheel Steering column Steering lock Sports steering wheel Airbag		1	
	944 347 804 51 1AJ	Black			
	944 347 804 51 9WW	Cobalt blue	-93		
	944 347 804 51 4XW	Magenta	-93		
	944 347 804 51 2JZ	Marine blue	-93		
1	944 347 804 52	Sports steering wheel Airbag		1	
	944 347 804 52 6XL	Classic grey			
	944 347 804 52 9WW	Cobalt blue	-93		
	944 347 804 52 2JZ	Marine blue	-93		
	944 347 804 52 H24	Midnight blue	94-		
	944 347 804 52 T15	Chestnut brown	94-		
2	944 347 835 00	Horn button	/L	1	
	944 347 835 00 01C	Black			
	944 347 835 00 4XC	Classic grey			
	944 347 835 00 6ZF	Cobalt blue	-93		
	944 347 835 00 6WX	Magenta	-93		
	944 347 835 00 9JJ	Marine blue	-93		
	944 347 835 00 2GS	Midnight blue	94-		
	944 347 835 00 4PV	Chestnut brown	94-		
2	944 347 836 00	Horn button	/R	1	
	944 347 836 00 01C	Black			
	944 347 836 00 4XC	Classic grey			
	944 347 836 00 6ZF	Cobalt blue	-93		
	944 347 836 00 6WX	Magenta	-93		
	944 347 836 00 9JJ	Marine blue	-93		
	944 347 836 00 2GS	Midnight blue	94-		
	944 347 836 00 4PV	Chestnut brown	94-		
3	944 347 884 00	Contact spring		2	
4	944 347 831 00	Switch housing	/L	1	
	944 347 831 00 01C	Satin black			
	944 347 831 00 4XC	Classic grey			
	944 347 831 00 6ZF	Cobalt blue	-93		
	944 347 831 00 6WX	Magenta	-93		
	944 347 831 00 9JJ	Marine blue	-93		
	944 347 831 00 2GS	Midnight blue	94-		
	944 347 831 00 4PV	Chestnut brown	94-		
4	944 347 832 00	Switch housing	/R	1	
	944 347 832 00 01C	Satin black			
	944 347 832 00 4XC	Classic grey			
	944 347 832 00 6ZF	Cobalt blue	-93		
	944 347 832 00 6WX	Magenta	-93		
	944 347 832 00 9JJ	Marine blue	-93		
	944 347 832 00 2GS	Midnight blue	94-		
	944 347 832 00 4PV	Chestnut brown	94-		
5	944 612 355 00	Wiper contact		1	
6	928 347 084 07	Steering wheel Leather \$ 363		1	M431
	928 347 084 07 1AJ	Black			
	928 347 084 07 8YR	Black			
	928 347 084 07 7WH	Classic grey			
	928 347 084 07 6XL	Classic grey			
	928 347 084 07 9WW	Cobalt blue	-93		
	928 347 084 07 4XW	Magenta	-93		
	928 347 084 07 2JZ	Marine blue	-93		
6	928 347 084 08	Steering wheel Leather with elevated hub		1	M018



Model: 968 92 Model life 1992>>1995

Pos	Part Number	Description	Remark	Qty	Model
		\$ 363			
	928 347 084 08 1AJ	Black			
	928 347 084 08 8YR	Black			
	928 347 084 08 7WH	Classic grey			
	928 347 084 08 9WW	Cobalt blue	-93		
	928 347 084 08 4XW	Magenta	-93		
	928 347 084 08 2JZ	Marine blue	-93		
6A	968 347 084 00	Steering wheel Leather		1	968CS
	968 347 084 00 8YR	Black			
6B	968 347 059 00	Padded cap Leather		1	968CS
	968 347 059 00 8YR	Black			
	968 347 059 00 9YL	Cobalt blue			
7	928 347 857 02	Lining		1	
	928 347 857 02 1DB	Black			
	928 347 857 02 5XL	Classic grey			
	928 347 857 02 6ZH	Cobalt blue	-93		
	928 347 857 02 5XW	Magenta	-93		
	928 347 857 02 5KF	Marine blue	-93		
8	928 347 099 00	Slip ring		1	
(8)	968 347 099 00	Slip ring		1	968 CS
9	113 415 869	Oval-head screw M 3,5 X 10		3	
10	321 419 779 A	Insulating bush		3	
11	113 415 867 A	Hexagon-head bolt M 4 X 15		3	
12	944 347 859 05	Padded cap Leather		1	
	944 347 859 05 8YR	Black			
	944 347 859 05 6XL	Classic grey			
	944 347 859 05 9WW	Cobalt blue	-93		
	944 347 859 05 4XW	Magenta	-93		
	944 347 859 05 2JZ	Marine blue	-93		
13	171 419 697	Compression spring		3	
14	N 012 238 1	Spring washer B 16		1	
15	900 078 006 01	Hexagon nut M 16 X 1,5		1	
17	999 234 004 00	Shim		1	
18	999 042 039 01	Snap ring		1	
17	999 042 017 01	Snap ring		1	
18	999 234 023 01	Shim		1	
19	999 707 138 40	O-ring		1	
20	999 234 022 01	Shim		1	
21	944 347 063 07	Steering column tube Airbag		1	
21	944 347 063 04	Steering column tube		1	
22	999 707 008 40	O-ring Airbag		1	
22	411 417 613	Rubber mounting		1	
23	944 347 076 00	Support ring Airbag		1	
23	411 417 605	Support ring		1	
24	944 347 019 04	Steering column	/LL	1	
(24)	944 347 019 10	Steering column Airbag	/LL	1	
(24)	945 347 019 04	Steering column	/RL	1	
(24)	945 347 019 10	Steering column Airbag	/RL	1	
		Use also:			
25	944 347 483 00	Stopper		1	
26	477 419 059	Needle sleeve		1	

Model: 968 92 Model life 1992>>1995

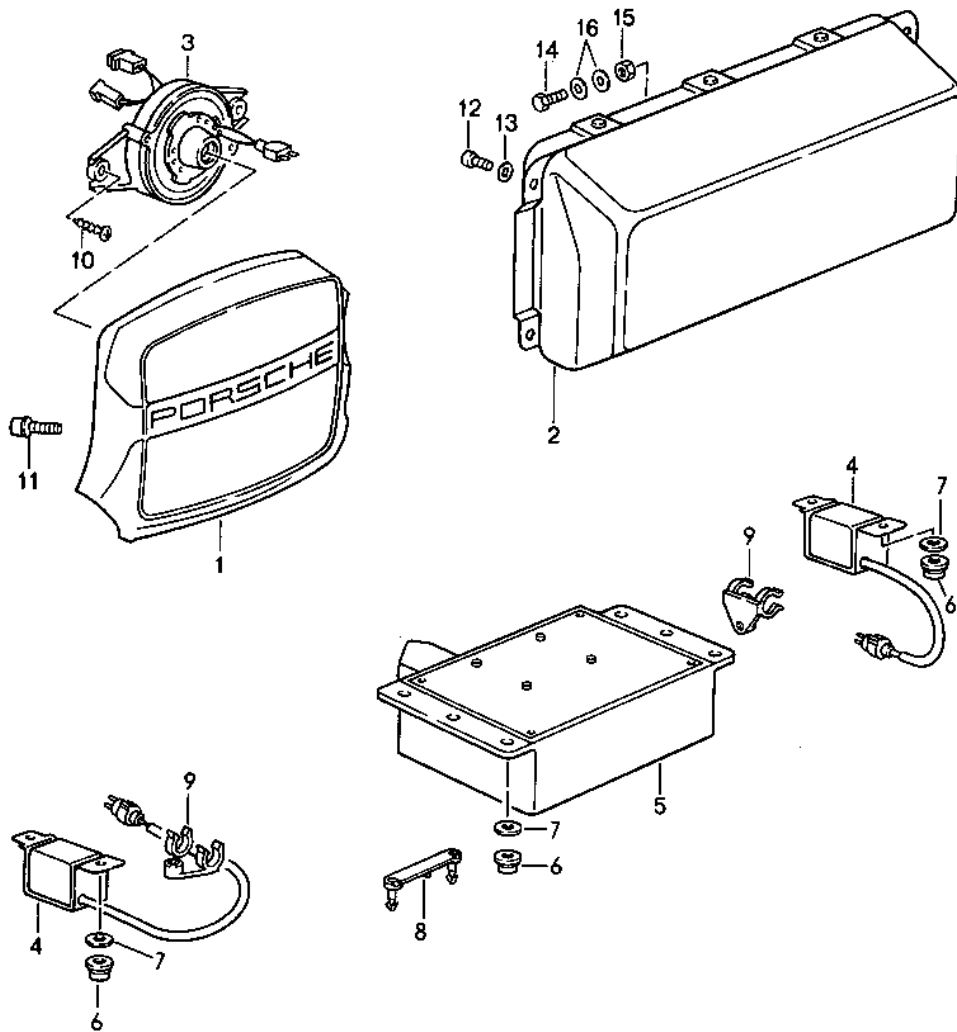
Pos	Part Number	Description	Remark	Qty	Model
27	113 415 511	Needle-roller bearing		1	
28	900 025 041 02	Washer A 8,4		2	
29	999 074 028 02	Shear bolt		2	
30	900 067 342 02	Pan-head screw M 8 X 22		1	
30	900 067 433 01	Pan-head screw M 8 X 22		1	
31	N 010 215 13	Hexagon-head bolt M 6 X 15		2	
32	211 805 243	Spring washer		2	
35	944 538 075 00	Steering lock Lock cylinder W/o stipulated lock number When required order also:		1	
-	944 538 181 00	Cap Lock cylinder Black		1	
(35)	944 538 075 01	Lock cylinder with stipulated lock number for Steering lock 944.347.975.03 When required order also:		1	
-	944 538 181 00	Cap Lock cylinder Black		1	
(35)	944 538 075 02	Lock cylinder W/o stipulated lock number When required order also:		1	M249
-	944 538 181 00	Cap Lock cylinder Black		1	
(35)	944 538 975 02	Lock cylinder with stipulated lock number for Steering lock 944.347.075.06 When required order also:		1	M249
-	944 538 181 00	Cap Lock cylinder Black		1	
36	944 347 343 01	Shear bolt		2	
37	944 347 975 03	Housing for Steering lock		1	
37	944 347 075 06	Steering lock housing for Steering lock		1	
38	944 613 024 01	Ignition starter switch		1	
(39)	911 613 125 00	Buzzer contact		1	(SA)
40	944 347 363 00	Lock		1	
41	N 014 122 8	Oval-head screw		2	
41	N 014 122 17	Oval-head screw M 4 X 8		2	
42	944 538 183 00	Control cams for Steering lock 944.347.075.03		1	
42	944 347 169 00	Control cams for Steering lock 944.347.075.06		1	

**Model:** 968 92      **Model life** 1992>>1995

Pos	Part Number	Description	Remark	Qty	Model
43	944 347 351 02	Retainer plate		1	

Model: 968 92

Model life 1992>>1995



Model: 968 92 Model life 1992>>1995

Pos	Part Number	Description	Remark	Qty	Model
(1)	968 347 089 00	Airbag Airbag unit Driver's side		1	
	968 347 089 00 2JZ	Marine blue	-93		
	968 347 089 00 9WW	Cobalt blue	-93		
	968 347 089 00 7WH	Classic grey			
	968 347 089 00 4XW	Magenta	-93		
		Use also:	-93		
		POS. 11	-93		
1	968 347 089 01	Airbag unit Driver's side		1	
	968 347 089 01 8YR	Black			
	968 347 089 01 6XL	Classic grey			
	968 347 089 01 2JZ	Marine blue	-93		
	968 347 089 01 9WW	Cobalt blue	-93		
	968 347 089 01 4XW	Magenta	-93		
	968 347 089 01 H24	Midnight blue	94-		
	968 347 089 01 T15	Chestnut brown	94-		
		Use also:	94-		
		POS. 11	94-		
2	944 803 071 02	Airbag unit Passenger's side		1	
3	928 652 211 00	Support for contact	-93	1	
3	928 652 211 01	Support for contact	94-	1	
4	928 613 220 02	Front sensor		2	
5	944 618 217 02	Control unit	/LL	1	
(5)	945 618 217 00	Control unit	/RL	1	
-	944 612 083 02	Wiring harness Control unit Airbag	/LL	1	
6	944 618 401 00	Nut M 6		6	
(6)	900 076 010 02	Nut M 6		2	
(6)	900 076 010 0B	Nut M 6		2	
7	N 011 524 7	Washer A 6,4		4	
7	N 011 524 27	Washer A 6,4		4	
8	964 612 901 00	Securing clip Blue		1	
9	321 971 898 B	Support		2	
10	N 013 968 7	Tapping screw B 4,8 X 13		2	
10	900 143 097 01	Tapping screw B 4,8 X 13		2	
(10)	N 014 133 8	Oval-head screw M 5 X 12	94-	2	
11	999 073 030 02	Pan-head screw M 6 X 19		2	
12	999 218 030 08	Pan-head screw M 6 X 10		4	
13	N 011 524 7	Washer A 6,4		4	
13	N 011 524 27	Washer A 6,4		4	
14	999 072 005 09	Hexagon nut M 6 X 12		1	
14	999 072 005 01	Hexagon nut M 6 X 12		1	
15	900 076 010 02	Nut M 6		1	

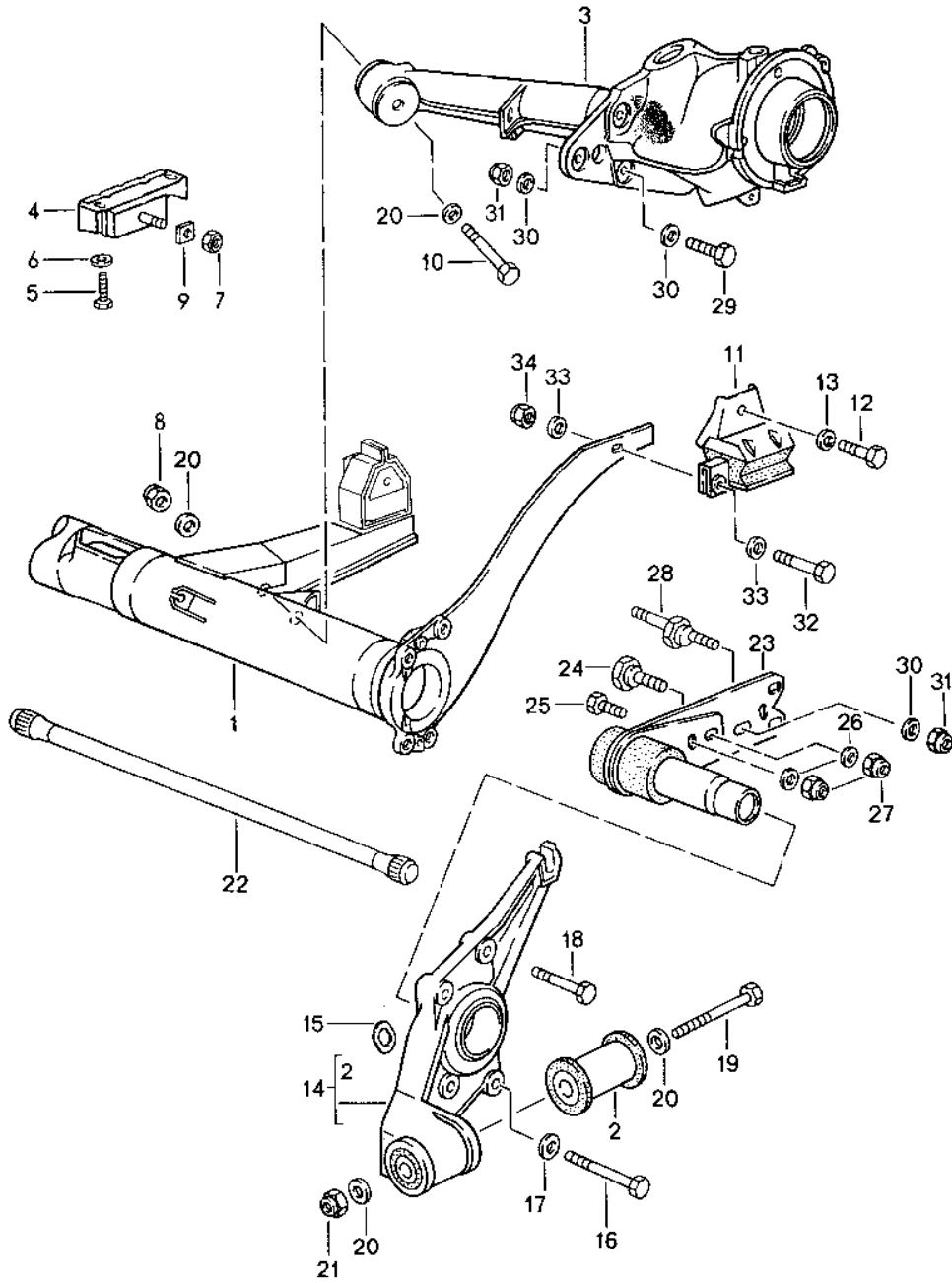
Model: 968 92

Model life 1992&gt;&gt;1995

Pos	Part Number	Description	Remark	Qty	Model
15	900 076 010 0B	Nut M 6		1	
16	N 011 666 7	Washer B 6,4		2	

Model: 968 92

Model life 1992>>1995



Model: 968 92 Model life 1992>>1995

Pos	Part Number	Description	Remark	Qty	Model
1	944 331 045 02	Rear axle carrier Rear-axle trailing arm Rear-axle cross-tube F >>96PS8 30593 F >>96RS8 00065 F >>96RS8 15062		1	
1	944 331 045 05	Rear-axle cross-tube F 96PS8 30594>> F 96RS8 00066>> F 96RS8 15062>>		1	
2	477 501 069 A	Rubber bush		2	
3	951 331 021 32	Rear-axle trailing arm When required order also:	/L -92	1	
3	944 331 021 01	Rear-axle trailing arm	/L 93-	1	
(3)	951 331 022 32	Rear-axle trailing arm When required order also:	/R -92	1	
(3)	944 331 022 01	Rear-axle trailing arm	/R 93-	1	
4	951 333 088 30	Mounting		2	
4	951 333 088 32	Mounting		2	
5	N 040 272 2	Hexagon-head bolt M 10 X 35		4	
6	N 011 527 12	Washer A 10,5		4	
6	900 025 081 01	Washer A 10,5		4	
7	N 900 876 01	Lock nut VM 10		2	
8	N 021 131 1	Lock nut M 12 X 1,5		2	
9	477 501 697	Washer		2	
10	N 010 190 4	Hexagon-head bolt		2	
11	944 331 075 00	Supporting mount F >>96PS8 30593 F >>96RS8 00065 F >>96RS8 15061	/L	1	
11	944 331 075 01	Supporting mount F >>96PS8 30593 F >>96RS8 00065 F >>96RS8 15061	/L	1	
11	944 331 075 00	Supporting mount F 96PS8 30594>> F 96RS8 00066>> F 96RS8 15062>>	/L	1	
11	944 331 075 01	Supporting mount F 96PS8 30594>> F 96RS8 00066>> F 96RS8 15062>>	/L	1	
(11)	944 331 076 00	Supporting mount F >>96PS8 30593 F >>96RS8 00065 F >>96RS8 15061	/R	1	
(11)	944 331 076 01	Supporting mount F >>96PS8 30593 F >>96RS8 00065 F >>96RS8 15061	/R	1	
(11)	944 331 076 00	Supporting mount F 96PS8 30594>> F 96RS8 00066>> F 96RS8 15062>>	/R	1	
(11)	944 331 076 01	Supporting mount F 96PS8 30594>> F 96RS8 00066>> F 96RS8 15062>>	/R	1	



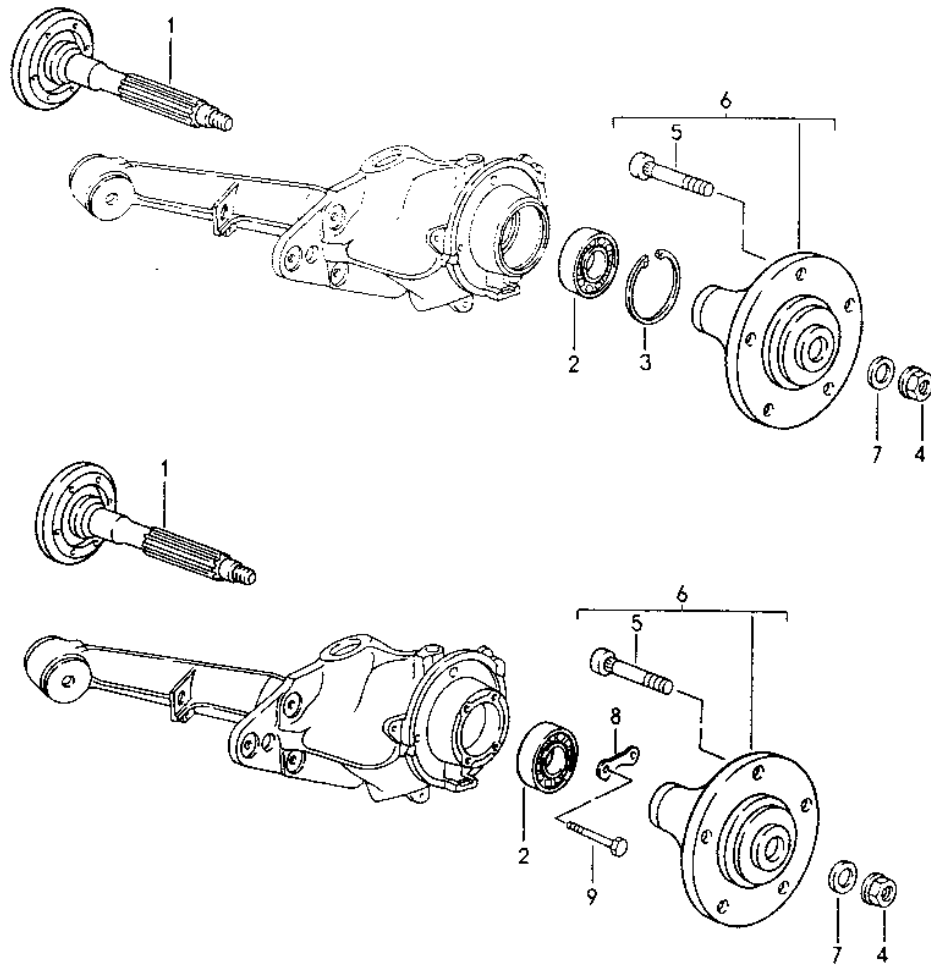
Model: 968 92

Model life 1992>>1995

Pos	Part Number	Description	Remark	Qty	Model
12	N 010 253 7	Hexagon-head bolt M 10 X 22		2	
13	N 012 230 6	Spring washer B 10		8	
14	944 331 059 00	Bearing flange	/L	1	
(14)	944 331 060 00	Bearing flange	/R	1	
15	951 331 667 00	Washer		2	
16	N 010 465 5	Hexagon-head bolt M 10 X 65		2	
16	900 074 248 03	Hexagon-head bolt M 10 X 65		2	
17	N 012 230 6	Spring washer B 10		8	
18	900 074 063 02	Hexagon-head bolt M 10 X 55		6	
18	900 074 380 01	Hexagon-head bolt M 10 X 55		6	
19	900 082 059 02	Hexagon-head bolt M 12 X 1,5 X 115		2	
20	803 199 347	Spring washer		8	
20	803 199 34H	Washer		8	
21	N 022 141 1	Captive nut VM 12 X 1,5		2	
21	900 360 002 01	Lock nut VM 12 X 1,5		2	
21	900 360 002 0B	Lock nut VM 12 X 1,5		2	
22	951 333 103 30	Torsion bar 25,5 MM	/L	1	
(22)	951 333 104 30	Torsion bar 25,5 MM	/R	1	
23	951 333 021 00	Rear axle strut		2	
24	911 333 303 00	Eccentric screw		2	
24	911 333 303 01	Eccentric screw		2	
25	911 333 305 00	Hexagon-head bolt		2	
25	911 333 305 01	Hexagon-head bolt		2	
26	999 025 135 02	Washer		4	
27	900 910 092 02	Lock nut VM 16 X 1,5		4	
27	900 360 007 01	Lock nut VM 16 X 1,5		4	
28	477 511 515	Camber eccentric		2	
28	477 511 516	Camber eccentric		2	
29	N 040 108 2	Hexagon-head bolt M 12 X 1,5 X 40		4	
30	901 333 143 01	Washer A 13		8	
31	N 022 141 4	Lock nut VM 12 X 1,5		4	
32	N 010 233 6	Hexagon-head bolt M 8 X 28		2	
32	900 075 136 03	Hexagon-head bolt M 8 X 28		2	
33	900 025 007 02	Washer A 8,4		4	
33	900 025 007 03	Washer A 8,4		4	
34	900 910 022 09	Lock nut VM 8		2	
34	900 910 022 03	Lock nut VM 8		2	

Model: 968 92

Model life 1992>>1995



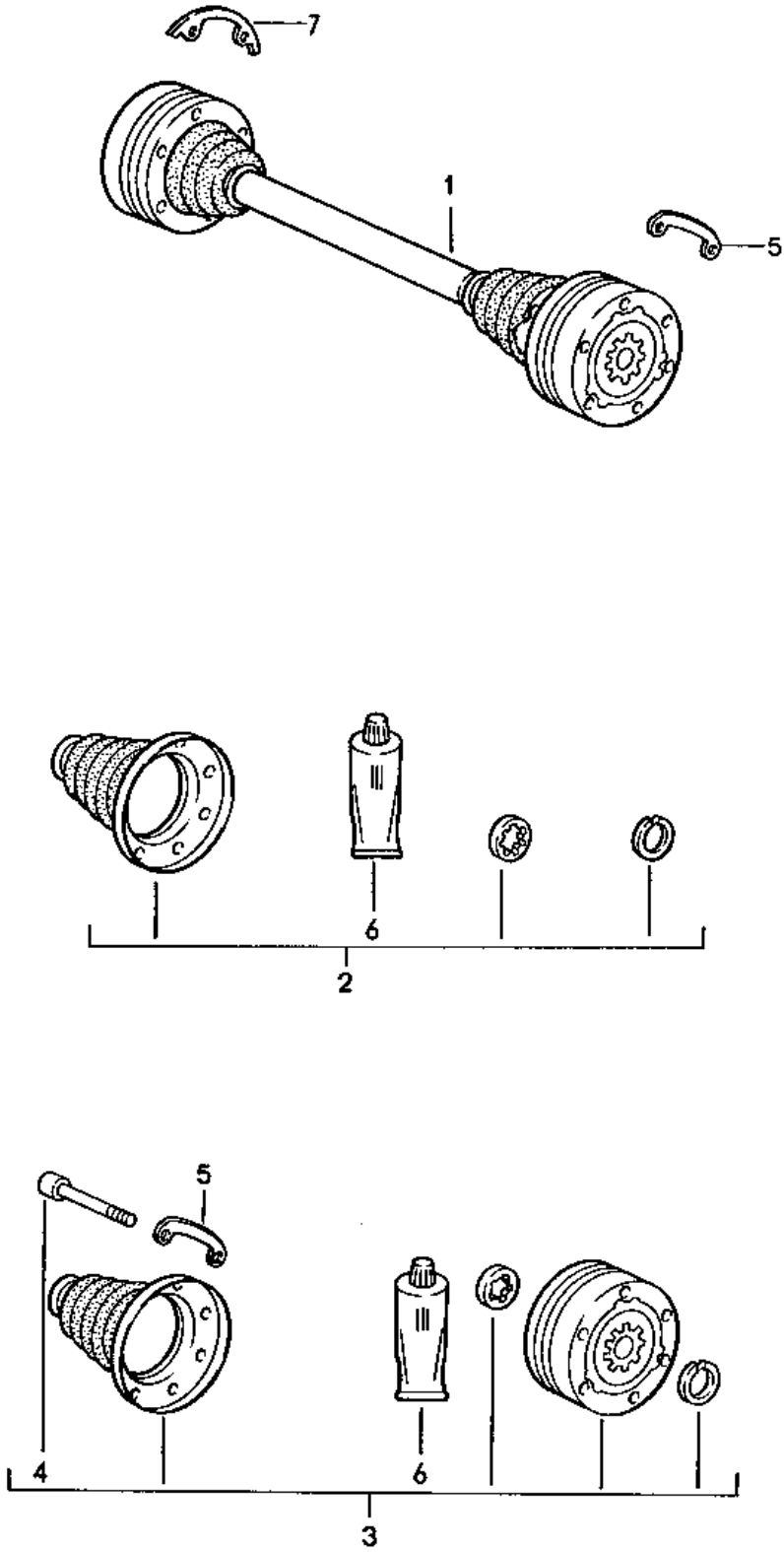
Model: 968 92

Model life 1992>>1995

Pos	Part Number	Description	Remark	Qty	Model
-	PCG 043 110 00	Rear wheel shaft Lubricants Grease Bearing 200 GR.		1	
1	951 332 235 35	Rear wheel shaft		2	
2	999 053 020 01	Angular-contact bearing		2	
3	N 012 350 1	Circlip	-92	2	
4	900 910 093 02	Lock nut M 22 X 1,5		2	
5	904 341 671 00	Wheel bolt		10	
5	993 331 671 02	Wheel bolt		10	
6	944 331 067 01	Wheel hub		2	
7	928 331 591 02	Washer		2	
8	964 331 199 02	Retainer plate	93-	4	
9	N 010 340 6	Hexagon-head bolt M 8 X 40	93-	8	

Model: 968 92

Model life 1992>>1995



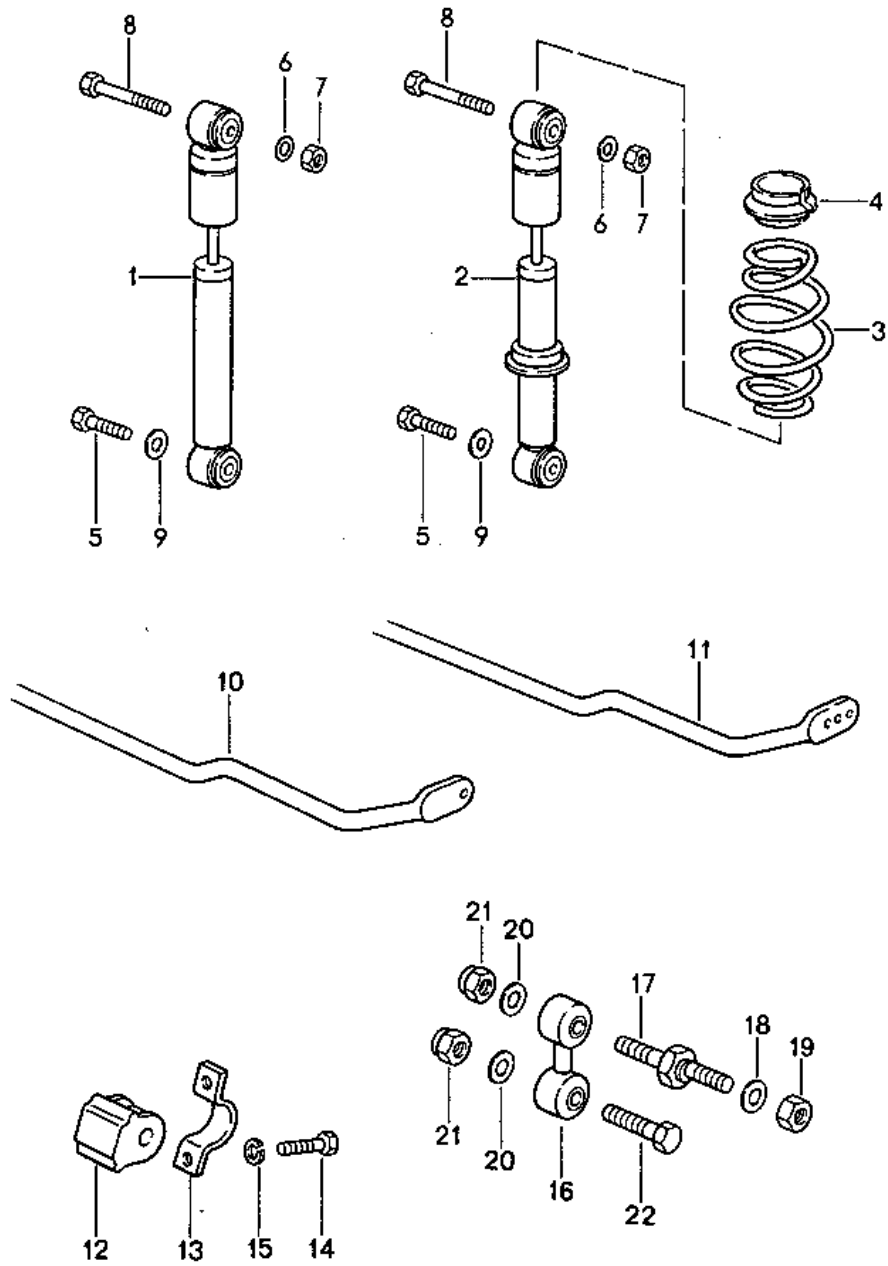
Model: 968 92

Model life 1992>>1995

Pos	Part Number	Description	Remark	Qty	Model
1	944 332 037 06	Drive shaft	/L	1	
1	944 332 037 08	Drive shaft	/L	1	
1	944 332 038 06	Drive shaft	/R	1	
1	944 332 038 11	Drive shaft	/R	1	
1	944 332 037 07	Drive shaft	/L	1	TIPTRONIC
1	944 332 037 09	Drive shaft	/L	1	TIPTRONIC
1	944 332 037 11	Drive shaft	/L	1	TIPTRONIC
1	944 332 038 07	Drive shaft	/R	1	TIPTRONIC
1	944 332 038 12	Drive shaft	/R	1	TIPTRONIC
(2)	951 332 903 00	Repair kit Dust bellows		4	
(3)	951 332 901 00	Repair kit Constant-velocity joint		4	
4	893 407 237	Pan-head screw		24	
4	N 911 082 01	Multiple-tooth screw		24	
5	944 332 191 00	Plate		6	
6	000 043 110 01	Grease 1 100-gramme tube		X	
7	951 332 233 01	Plate		6	

Model: 968 92

Model life 1992>>1995



Model: 968 92

Model life 1992>>1995

Pos	Part Number	Description	Remark	Qty	Model
		Vibration damper Stabiliser			
1	944 333 032 04	Vibration damper		2	
		- fichtel + sachs -			
2	944 333 032 03	Vibration damper		2	M030
		- koni -			
3	951 333 531 31	Additional spring		1	M030
		1 set			
		Identification			
	951 333 531 31 504	Green			
4	944 333 526 01	Concave washer		2	M030
5	900 082 054 02	Hexagon-head bolt		2	
		M 14 X 1,5 X 85			
6	043 101 129	Washer		2	
		B 12			
6	900 025 009 02	Washer		2	
7	N 022 141 1	Captive nut		2	
		M 12 X 1,5			
7	900 360 002 01	Lock nut		2	
		M 12 X 1,5			
7	900 360 002 0B	Lock nut		2	
		M 12 X 1,5			
8	900 082 044 02	Hexagon-head bolt		2	
		M 12 X 1,5 X 125			
8	900 082 118 01	Hexagon-head bolt		2	
		M 12 X 1,5 X 125			
9	999 025 062 02	Washer		2	
		Stabiliser			
10	477 511 411	Stabiliser		1	
		\$ 16 MM			
10	477 511 413	Stabiliser		1	M030/249
		\$ 18 MM			
11	944 333 701 01	Stabiliser		1	M030/480
		\$ 19 MM			
12	477 411 313 A	Stabiliser mounting		2	
		\$ 16 MM			
12	477 411 313 B	Stabiliser mounting		2	M030/249
		\$ 18 MM			
12	477 411 313 N	Stabiliser mounting		2	M030/249
		\$ 18 MM			
12	964 333 792 00	Stabiliser mounting		2	M030/480
		\$ 19 MM			
13	113 411 333	Retaining bar		2	
14	900 075 085 02	Hexagon-head bolt		4	
		M 8 X 20			
15	900 027 015 02	Lock ring		4	
		B 8			
15	900 027 015 03	Lock ring		4	
		B 8			
16	477 511 051 A	Stabiliser mounting		2	
17	477 511 515	Camber eccentric		2	
17	477 511 516	Camber eccentric		2	
18	N 011 531 7	Washer		2	
		A 13			
19	N 022 141 4	Lock nut		2	
		M 12 X 1,5			
20	N 011 527 12	Washer		4	
		A 10,5			
20	900 025 081 01	Washer		4	
		A 10,5			
21	N 022 149 2	Lock nut		4	
		M 10			
22	N 010 452 4	Hexagon-head bolt		2	

Model: 968 92

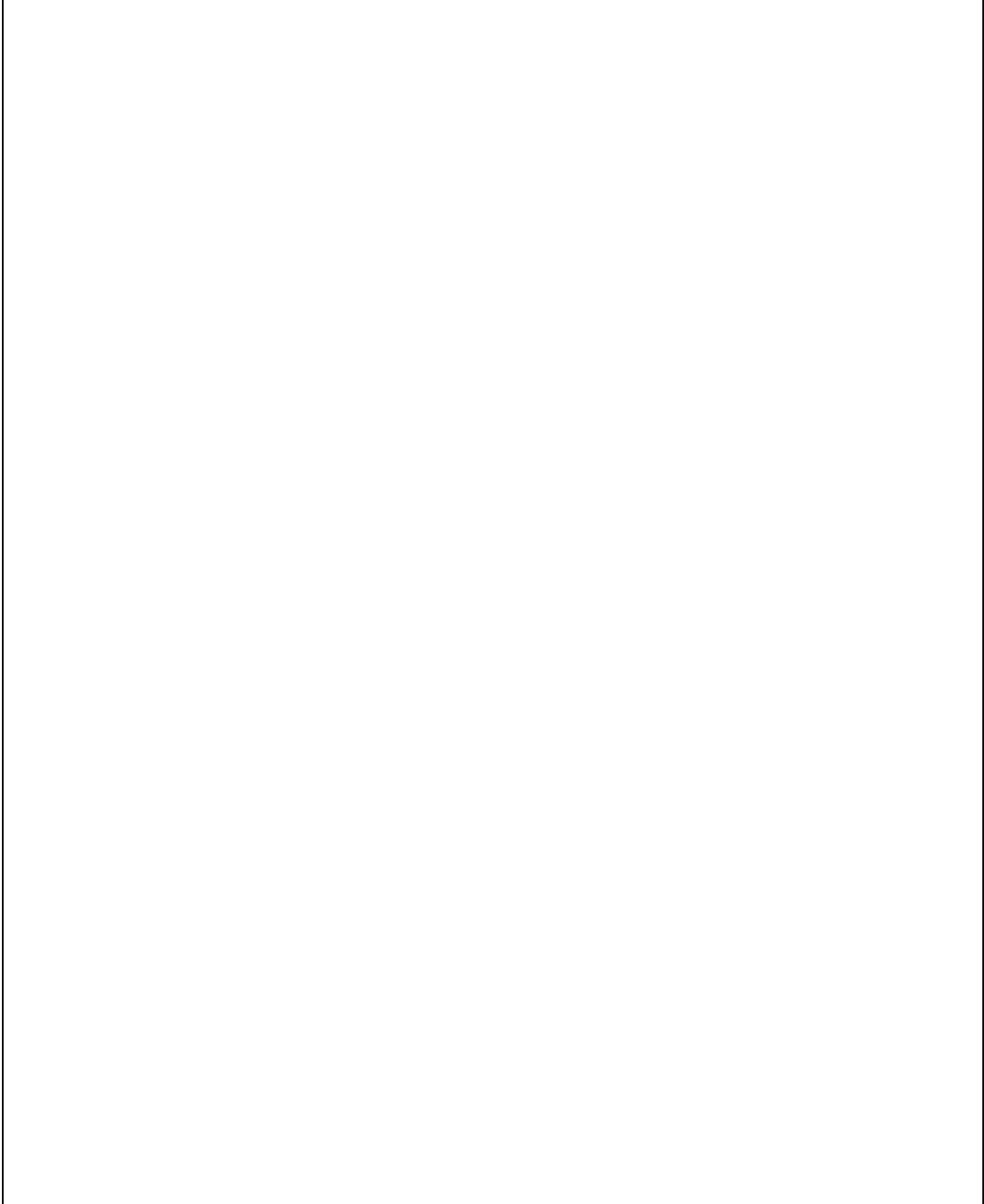
Model life 1992>>1995

Pos	Part Number	Description	Remark	Qty	Model
22	900 074 374 01	M 10 X 52 Hexagon-head bolt M 10 X 52		2	



Model: 968 92

Model life 1992>>1995

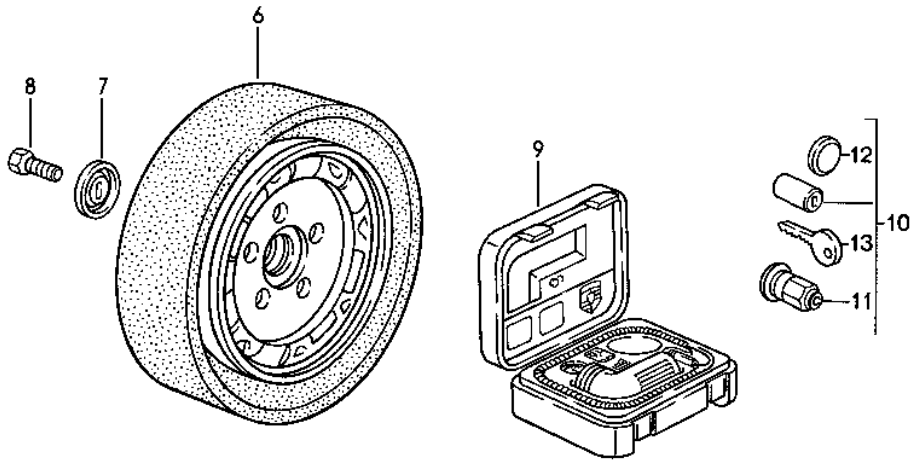
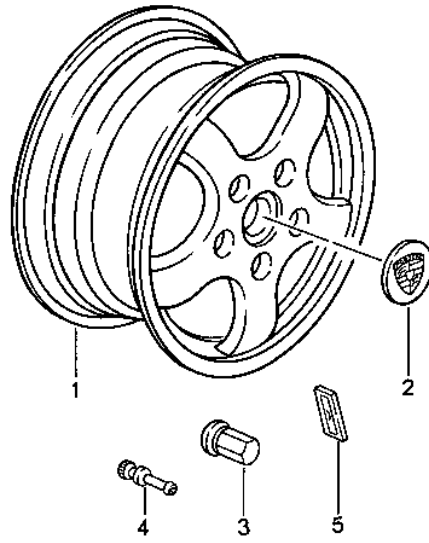


Model: 968 92 Model life 1992>>1995

Pos	Part Number	Description	Remark	Qty	Model
>>	951 332 903 00	Repair kits Repair kit Dust bellows Comprising: Dust bellows Bellow support		4    1 1	
-	911 332 257 00	Clip		1	
-	928 332 257 01	Clip		1	
-	900 041 013 01	Circlip		1	
-	000 043 110 01	Grease 1 100-gramme tube		1	
>>	951 332 901 00	Repair kit Constant-velocity joint Comprising: Constant-velocity joint Dust bellows Bellow support		4    1 1 1	
-	911 332 257 00	Clip		1	
-	928 332 257 01	Clip		1	
-	900 041 013 01	Circlip		1	
-	000 043 110 01	Grease 1 100-gramme tube		1	
-	893 407 237	Pan-head screw		12	
-	N 911 082 01	Multiple-tooth screw		12	

Model: 968 92

Model life 1992>>1995



Model: 968 92 Model life 1992>>1995

Pos	Part Number	Description	Remark	Qty	Model
1	944 362 114 00	Disc wheel See technical information GR. 4, NR.5/91 Perforated disc wheel 7 J X 16 ET 55 Silver	/V	2	
1	944 362 116 00	Alloy wheel 8 J X 16 ET 52 Silver	/H	2	
1	965 362 124 05 965 362 124 05 61M	Alloy wheel Silver metallic 7,5 J X 17 ET 65 Silver	/V -93	2	M030/403
1	993 362 124 05 993 362 124 05 61M	Alloy wheel Silver metallic 7,5 J X 17 ET 65	/V 94-	2	M398
1	965 362 128 00	Alloy wheel 9 J X 17 ET 55 Silver	/H -93	2	M030/403
1	993 362 128 00 993 362 128 00 61M	Alloy wheel Silver metallic 9 J X 17 ET 55	/H 94-	2	M398
1	965 362 126 01	Alloy wheel 8 J X 17 ET 52 Silver		2	
1	993 362 126 00 993 362 126 00 61M	Alloy wheel Silver metallic 8 J X 17 ET 52 for winter use	/H 94-	2	
1	965 362 128 05	Alloy wheel 9,5 X 17 ET 68 Silver	/H	2	
-	951 331 611 02	Only together with Spacer ring 17 MM		2	
-	904 341 671 00	Wheel bolt		10	
-	993 331 671 02	Wheel bolt		10	
-	999 182 003 36	Wheel nut		10	
2	928 361 303 00	Hub cap Silver	-93	4	
2	993 361 303 00 993 361 303 00 61M	Hub cap Silver metallic	94-	4	
3	999 182 003 36	Wheel nut		16	
4	900 265 001 50	Rubber valve \$ 15,2		4	
4	900 265 001 51	Rubber valve \$ 15,2		4	
5	901 361 410 50	Balance stick-on weight 5 G		X	
5	901 361 410 00	Balance stick-on weight 10 G		X	
5	901 361 411 50	Balance stick-on weight 15 G		X	
5	901 361 411 00	Balance stick-on weight		X	

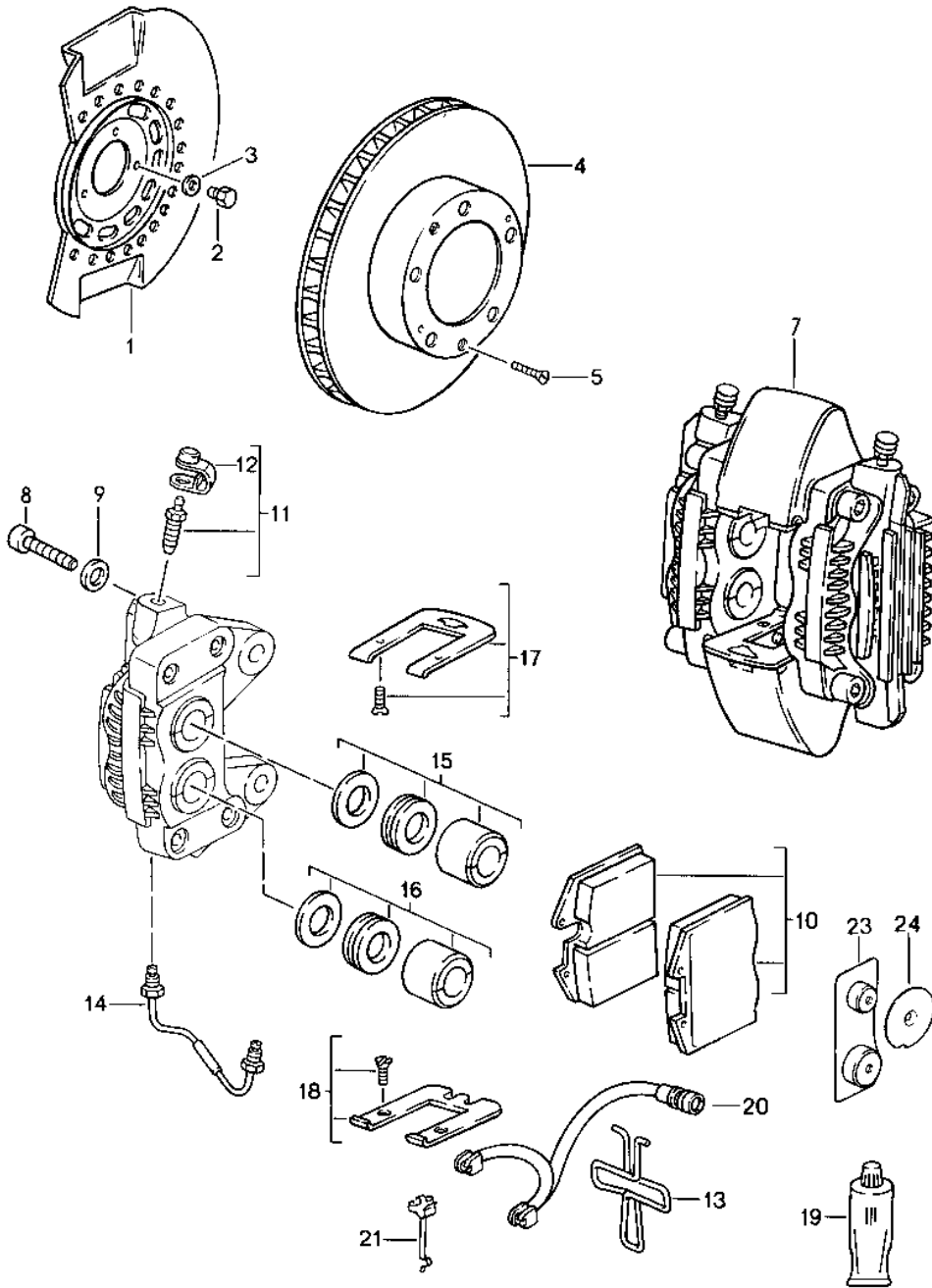
Model: 968 92

Model life 1992>>1995

Pos	Part Number	Description	Remark	Qty	Model
5	901 361 412 50	20 G Balance stick-on weight		X	
5	901 361 412 00	25 G Balance stick-on weight		X	
5	901 361 413 50	30 G Balance stick-on weight		X	
5	901 361 413 00	35 G Balance stick-on weight		X	
5	901 361 414 50	40 G Balance stick-on weight		X	
5	901 361 414 00	45 G Balance stick-on weight		X	
5	901 361 415 50	50 G Balance stick-on weight		X	
5	901 361 415 00	55 G Balance stick-on weight		X	
5	901 361 416 50	60 G Balance stick-on weight		X	
5	901 361 416 00	65 G Balance stick-on weight		X	
5	901 361 417 50	70 G Balance stick-on weight		X	
5	901 361 417 00	75 G Balance stick-on weight		X	
6	965 362 030 00	80 G Emergency wheel Alloy wheel with collapsible tire		1	
7	477 813 157	Mounting plate		1	
8	900 075 411 02	Hexagon-head bolt M 10 X 65		1	
9	964 652 053 00	Compressor for emergency wheel		1	
9	993 652 053 00	Compressor for emergency wheel		1	
9	996 652 053 00	Compressor for emergency wheel		1	
9	997 652 051 00	Compressor for emergency wheel		1	
9	997 652 055 00	Compressor for emergency wheel		1	
10	965 361 955 00	Wheel nut Lockable 1 set	92	1	
10	993 361 057 00	Wheel nut Lockable 1 set	93	1	
(10)		Wheel nut Lockable 1 set	94-	1	
11	965 361 170 00	Wheel nut Lockable without lock	92	4	
11	993 361 057 00	Wheel nut Lockable without lock	93	4	
12	965 361 167 00	Cap		4	
13	965 361 169 00	Blank key for Wheel nut Lockable	92	X	
13	968 361 169 00	Blank key for Wheel nut Lockable	93	X	

Model: 968 92

Model life 1992>>1995



Model: 968 92 Model life 1992>>1995

Pos	Part Number	Description	Remark	Qty	Model
		Disc brake Front axle See technical information GR.4, NR.1/93			
1	951 351 085 03	Cover plate	/L	1	
(1)	951 351 086 03	Cover plate	/R	1	
2	N 010 227 2	Hexagon-head bolt M 7 X 12		6	
3	900 028 019 08	Spring washer B 7		6	
4	951 351 041 02	Brake disc		2	
(4)	965 351 041 01	Brake disc	/L	1	M030
(4)	965 351 042 01	Brake disc	/R	1	M030
5	N 033 167 1	Countersunk-head screw M 6 X 12		4	
5	900 269 047 01	Countersunk-head screw M 6 X 12		4	
7	951 351 421 03	Fixed calliper with Protection cap Piston \$ 36/40	/L	1	
7	928 351 421 03	Fixed calliper with Protection cap Piston \$ 36/40	/L	1	M030
(7)	951 351 422 03	Fixed calliper with Protection cap Piston \$ 36/44	/R	1	
(7)	928 351 422 03	Fixed calliper with Protection cap Piston \$ 36/44	/R	1	M030
8	N 010 137 2	Hexagon-head bolt M 12 X 1,5 X 35		4	
8	900 083 073 01	Hexagon-head bolt M 12 X 1,5 X 35		4	
8	900 067 154 02	Pan-head screw M 12 X 1,5 X 70		4	M030
9	900 028 014 02	Washer B 12		4	
9	900 028 014 03	Washer B 12		4	
9	N 011 564 2	Washer B 13		4	M030
9	N 011 564 4	Washer B 13		4	M030
10	951 351 939 08	Brake pad repair set without asbestos		1	
10	993 351 939 01	Brake pad repair set		1	M030
10		Brake pad repair set without asbestos		1	M030
11	930 351 919 00	Ventilation valve		4	
12	930 351 927 00	Dust boot		4	
12	930 351 927 01	Dust boot		4	
13	951 352 950 00	Expanding spring		2	
13	928 351 950 01	Expanding spring		2	M030
14	951 351 971 00	Connecting line		2	
14	928 351 971 00	Connecting line		2	M030

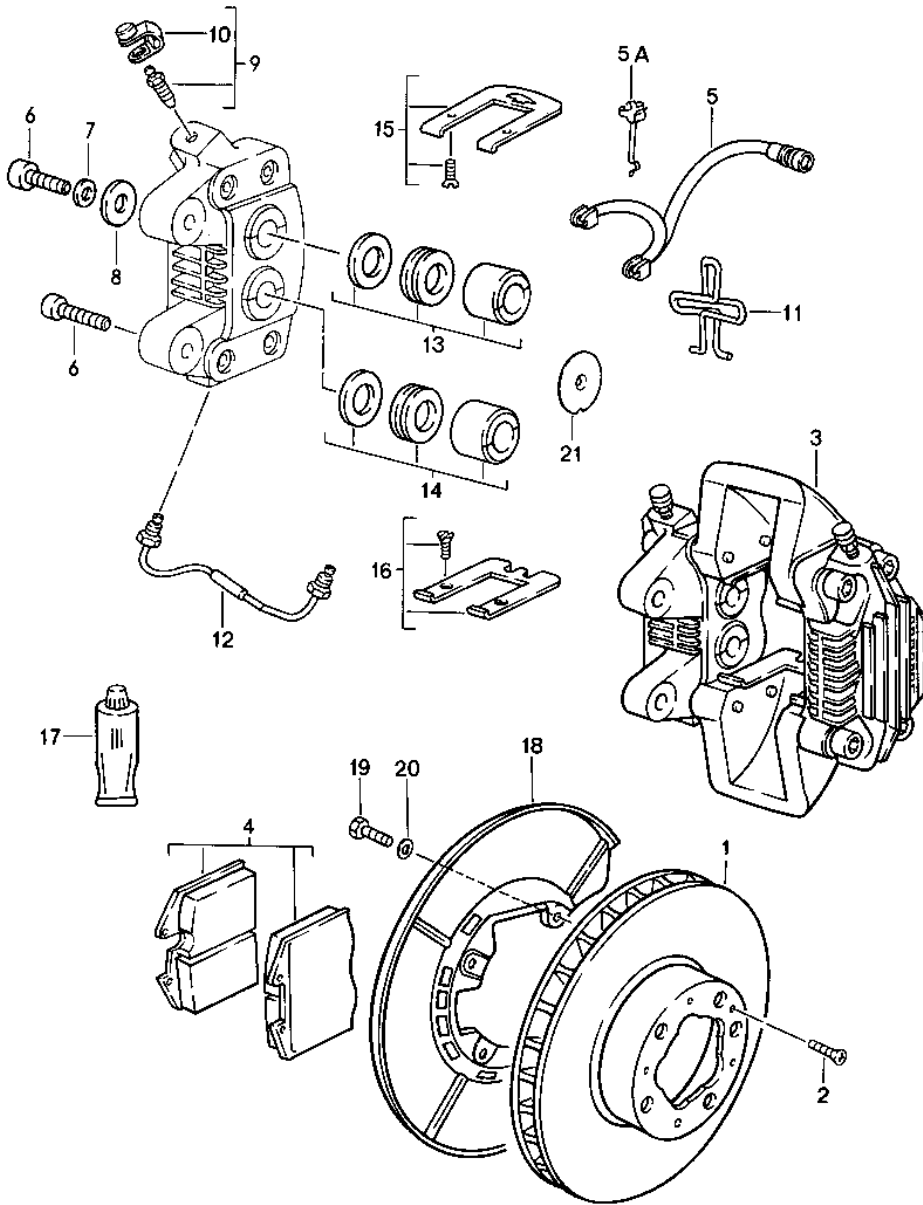
Model: 968 92 Model life 1992>>1995

Pos	Part Number	Description	Remark	Qty	Model
15	951 351 919 11	Gasket set with Protection cap \$ 40		2	
15	928 351 919 10	Gasket set with Protection cap \$ 44		2	M030
16	951 351 919 10	Gasket set with Protection cap \$ 36		2	
17	964 351 959 01	Repair kit Spring plate		2	
17	993 351 959 01	Repair kit Spring plate		2	M030
18	964 351 959 00	Repair kit Spring plate		2	
18	993 351 959 00	Repair kit Spring plate		2	M030
19	000 043 020 00	Optimoly TA		X	
(19)	000 043 117 00	1 100-gramme tube Brake cylinder paste		X	
(19)	000 043 305 11	1 50-g tube Brake cylinder paste		X	
20	944 612 365 01	Warning contact Use also:		2	
21	928 612 361 00	Cable holder		2	
23	951 351 089 03	Vibration damper for Fixed calliper \$ 19,7/27,3		4	M030
24	964 351 096 01	Damping plate for Piston \$ 36		4	
(24)	964 351 096 02	Damping plate for Piston \$ 40		4	



Model: 968 92

Model life 1992>>1995



Model: 968 92

Model life 1992>>1995

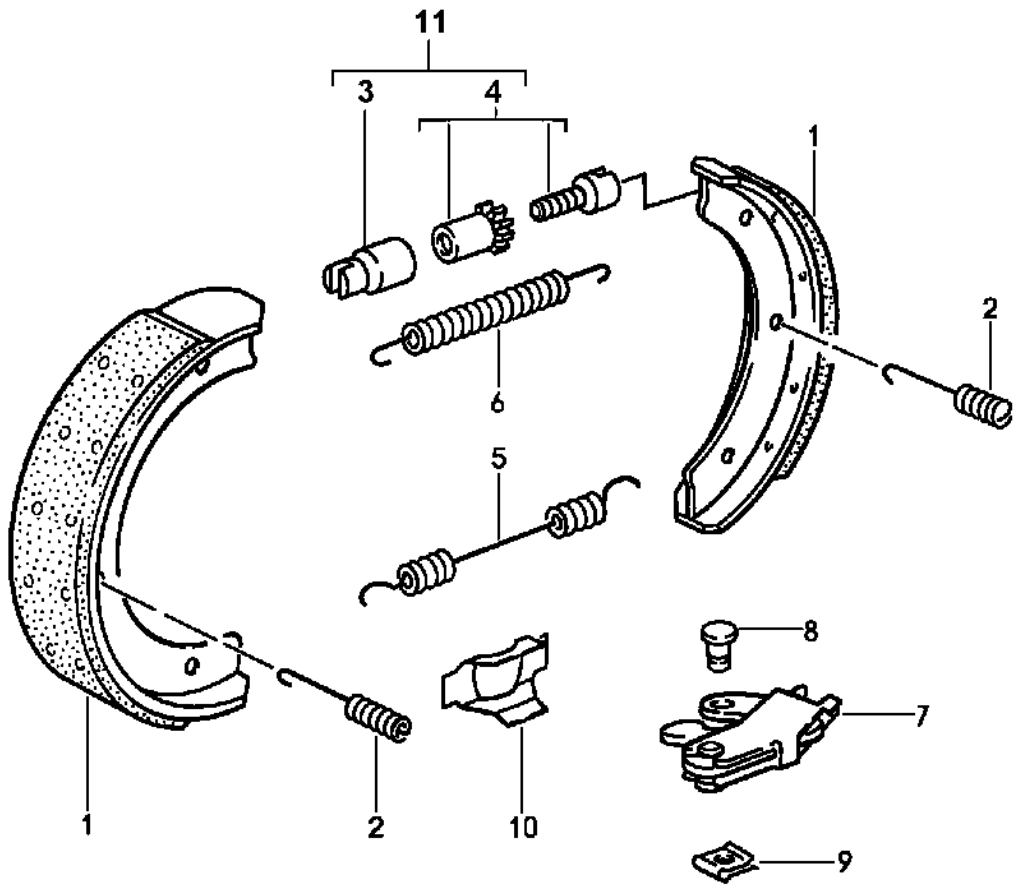
Pos	Part Number	Description	Remark	Qty	Model
		Disc brake Rear axle See technical information GR.4, NR1/93			
1	951 352 041 02	Brake disc		2	
(1)	951 352 041 91	Brake disc		2	M030
(1)	951 352 041 92	Brake disc		2	M030
2	N 033 167 1	Countersunk-head screw M 6 X 12		2	
2	900 269 047 01	Countersunk-head screw M 6 X 12		2	
3	951 352 421 02	Fixed calliper with Protection cap Piston	/L	1	
(3)	951 352 422 02	Fixed calliper with Protection cap Piston \$ 28/30	/R	1	
4	951 351 939 08	Brake pad repair set without asbestos		1	
4	965 352 939 04	Brake pad repair set without asbestos		1	M030
5	944 612 365 01	Warning contact Use also:		2	
5A	928 612 361 00	Cable holder		2	
6	N 040 108 1	Hexagon-head bolt M 12 X 1,5 X 40		4	
7	900 028 014 02	Washer B 12		4	
7	900 028 014 03	Washer B 12		4	
8	999 025 131 01	Spacer		4	
9	930 351 919 00	Ventilation valve		4	
10	930 351 927 00	Dust boot		4	
10	930 351 927 01	Dust boot		4	
11	951 352 950 00	Expanding spring		2	
12	951 352 971 00	Connecting line		2	
13	951 352 919 11	Gasket set with Protection cap \$ 30		2	
14	951 352 919 10	Gasket set with Protection cap \$ 28		2	
15	993 352 959 01	Repair kit Spring plate		2	
16	993 352 959 00	Repair kit Spring plate		2	
17	000 043 020 00	Optimoly TA		X	
(17)	000 043 117 00	1 100-gramme tube Brake cylinder paste		X	
(17)	000 043 305 11	1 50-g tube Brake cylinder paste		X	
18	964 352 801 00	1 50-g tube Protective plate		2	
19	999 072 005 09	Hexagon nut M 6 X 12		8	
19	999 072 005 01	Hexagon nut M 6 X 12		8	

**Model: 968 92**                      **Model life 1992>>1995**

Pos	Part Number	Description	Remark	Qty	Model
20	N 012 226 5	Spring washer		8	
21	964 352 096 00	Damping plate for Piston \$ 30		4	
21	996 352 086 00	Damping plate for Piston \$ 30		4	
21	964 352 096 01	Damping plate for Piston \$ 28		4	

Model: 968 92

Model life 1992>>1995



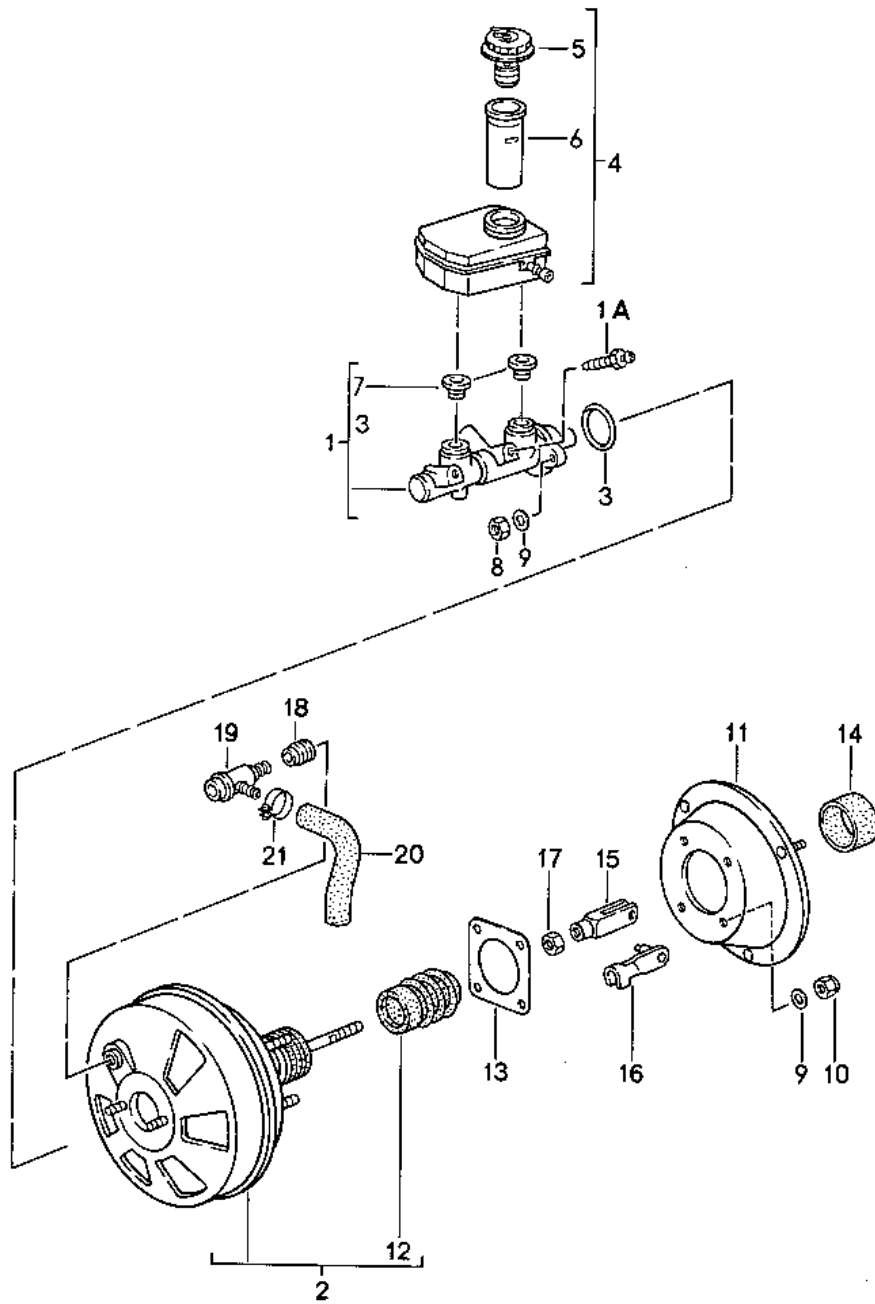
Model: 968 92

Model life 1992>>1995

Pos	Part Number	Description	Remark	Qty	Model
1	996 352 993 00	Handbrake Repair kit without asbestos		1	
(1)	997 352 993 02	Brake shoe 1 set Only together with Compression spring 996.352.741.00 Adjusting screw 993.352.071.00		1	
2	928 352 957 02	Compression spring		4	
(2)	996 352 741 00	Compression spring Only together with Repair kit 997.352.993.02		4	
3	911 352 944 00	Support bush		2	
4	911 352 098 00	Adjusting screw		2	
4	911 352 098 01	Adjusting screw		2	
5	951 352 454 00	Return spring		2	
5	996 352 723 00	Tension spring		2	
6	901 352 932 10	Return spring		2	
7	951 352 090 00	Expanding bow		2	
8	477 609 459	Bolt		2	
9	N 900 588 01	Lock		2	
10	951 352 807 00	Supporting plate		2	
11	993 352 071 00	Adjusting screw Only together with Repair kit 997.352.993.02		2	
11	298 609 723	Adjusting screw Only together with Repair kit 997.352.993.02		2	

Model: 968 92

Model life 1992>>1995



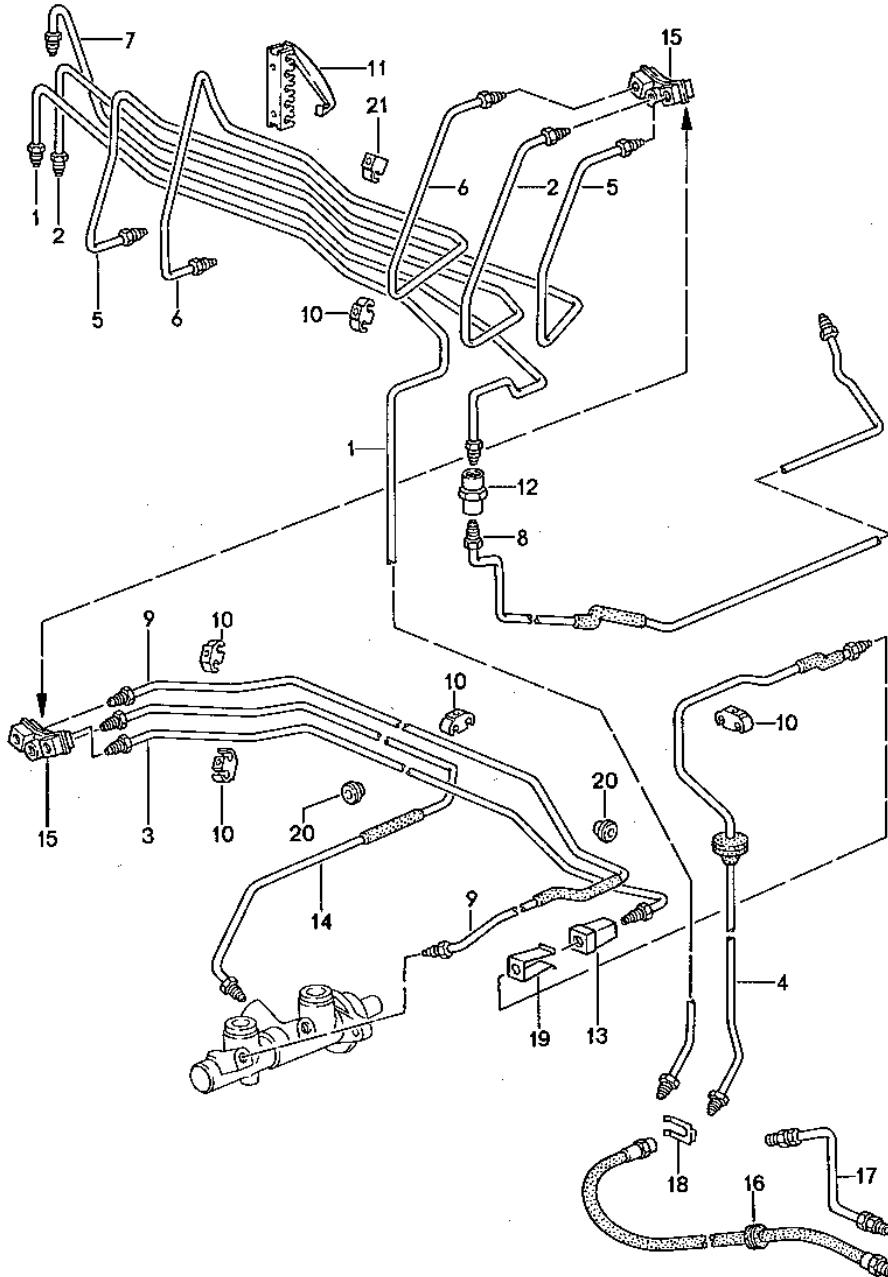
Model: 968 92

Model life 1992>>1995

Pos	Part Number	Description	Remark	Qty	Model
1	951 355 011 01	Brake master cylinder Brake booster Expansion tank Brake master cylinder - ate - Use also:		1	
1A	930 351 919 00	Ventilation valve		1	
2	944 355 023 11	Brake booster - ate -		1	
3	251 611 243	Sealing ring		1	
4	951 355 303 02	Expansion tank		1	
5	951 355 351 00	Lid		1	
6	951 355 385 00	Restrictor bush		1	
7	911 355 922 00	Sealing plug		2	
8	999 084 425 02	Lock nut M 8		2	
9	900 025 007 02	Washer A 8,4		9	
9	900 025 007 03	Washer A 8,4		9	
10	900 910 022 09	Lock nut M 8		7	
10	900 910 022 03	Lock nut M 8		7	
11	951 355 021 01	Intermediate flange		1	
12	477 611 115	Bellows		1	
13	477 611 951	Gasket		1	
14	477 611 969 D	Gasket		1	
15	999 166 061 30	Clevis		1	
16	N 023 476 1	Bolt		1	
17	N 011 010 6	Hexagon nut M 10		1	
17	N 101 552 10	Hexagon nut M 10		1	
18	911 355 921 00	Rubber seal		1	
18	955 355 921 00	Rubber seal		1	
19	191 611 933 F	Check valve		1	
20	944 110 435 03	Moulded hose		1	
21	999 512 554 00	Hose clamp		2	

Model: 968 92

Model life 1992>>1995





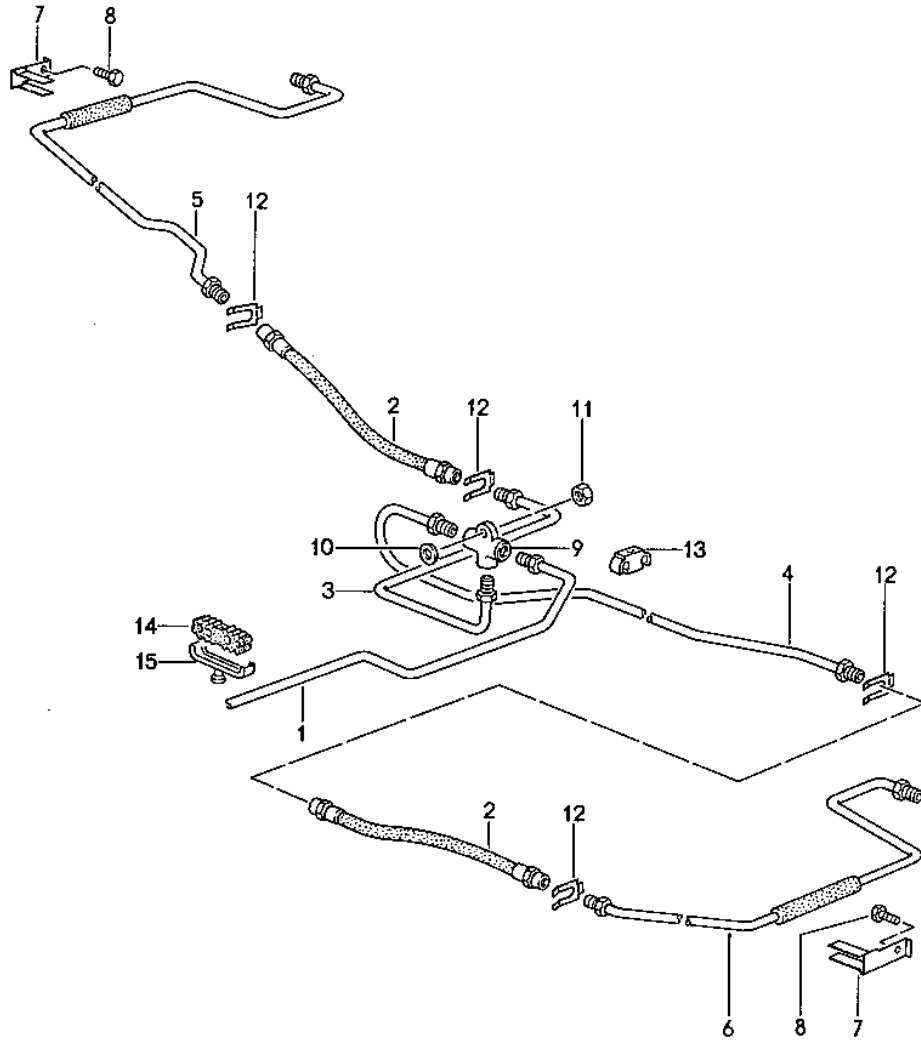
Model: 968 92

Model life 1992>>1995

Pos	Part Number	Description	Remark	Qty	Model
		Brake lines Front			
1	944 355 045 10	Brake line	/R	1	COUPE
(1)	941 355 045 05	Brake line	/R	1	CABRIO
2	944 355 047 15	Brake line	/L	1	
3	944 355 049 00	Brake line	/L	1	
4	944 355 051 01	Brake line	/L	1	COUPE
(4)	941 355 051 05	Brake line	/L	1	CABRIO
5	944 355 073 10	Brake line	/V	1	
5	944 355 073 13	Brake line	/V	1	
6	944 355 055 10	Brake line	/H	1	
7	944 355 061 00	Brake line	/H	1	
8	951 355 059 01	Brake line	/H	1	COUPE
(8)	941 355 059 12	Brake line	/H	1	CABRIO
9	944 355 034 10	Brake line		1	
10	811 611 797	Clip		6	
11	928 355 637 01	Support		1	
12	914 355 661 00	Intermediate piece		1	
13	944 355 665 00	Intermediate piece		1	
14	951 355 031 15	Brake line		1	
15	944 355 083 03	Intermediate piece		1	
16	951 355 079 31	Brake hose	/V -92	2	M030
16		Brake hose	/V	2	M030
(16)	944 355 079 01	Brake hose	/V -92	2	
(16)		Brake hose	/V	2	
17	951 355 041 30	Brake line	/L	1	M030
17	951 355 042 30	Brake line	/R	1	M030
18	113 611 715 A	Brake hose bracket		4	
19	803 611 715	Retainer spring		1	
20	951 355 755 00	Rubber sleeve		2	
21	944 355 637 00	Support		1	

Model: 968 92

Model life 1992>>1995



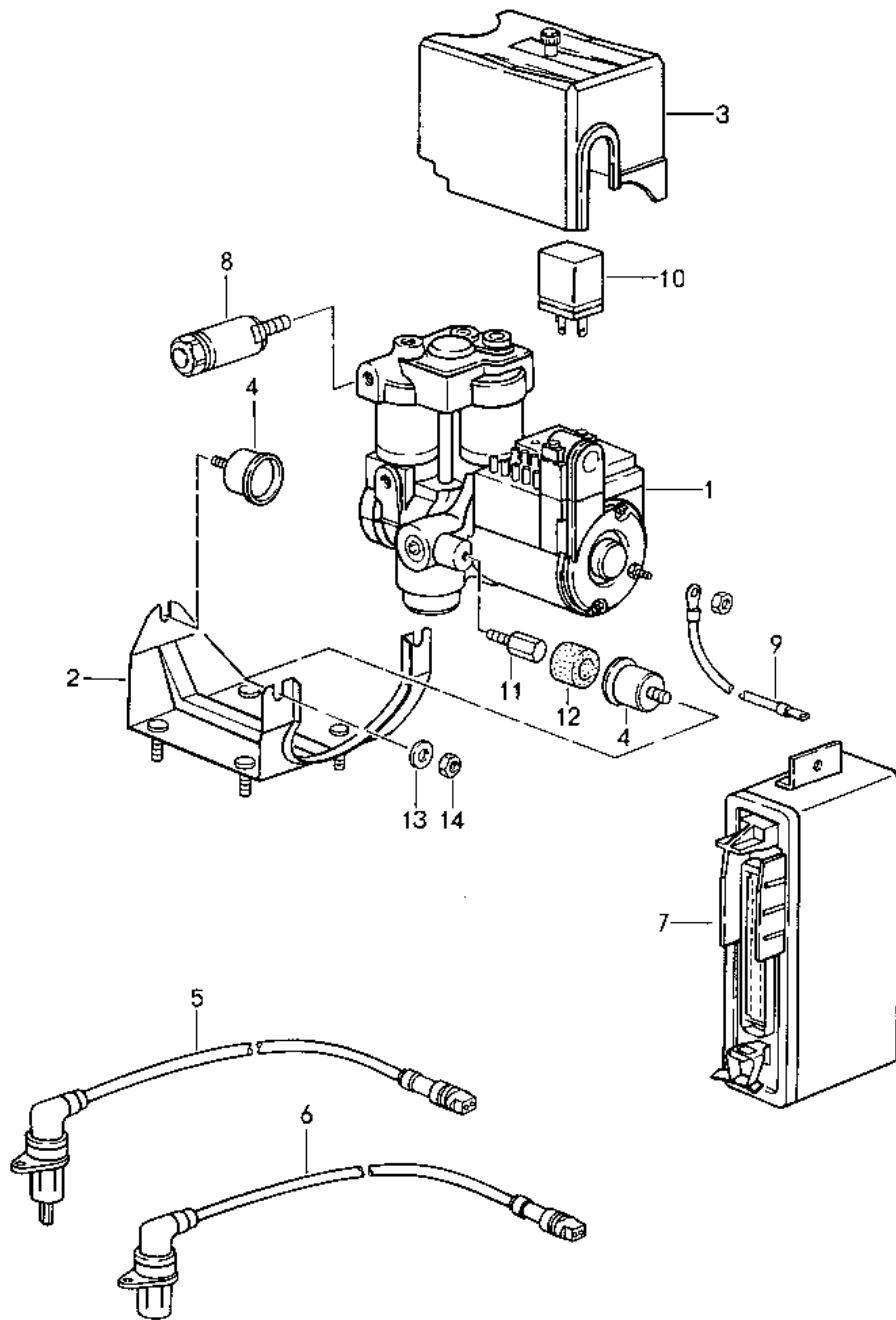
Model: 968 92

Model life 1992>>1995

Pos	Part Number	Description	Remark	Qty	Model
		Brake lines Rear			
1	951 355 059 01	Brake line	/H	1	COUPE
(1)	941 355 059 12	Brake line	/H	1	CABRIO
2	944 355 081 01	Brake hose	/H -92	2	
2		Brake hose	/H	2	
3	951 355 062 03	Brake line	/R	1	
4	951 355 061 02	Brake line	/L	1	
5	951 355 036 02	Brake line	/R	1	
5	951 355 036 03	Brake line	/R	1	
6	951 355 035 02	Brake line	/L	1	
6	951 355 035 03	Brake line	/L	1	
7	477 611 783	Support		2	
8	N 010 210 13	Hexagon-head bolt		2	
9	914 355 667 00	Distributor		1	
10	N 015 404 1	Washer		1	
10	900 223 030 02	Washer		1	
10	900 223 003 02	Washer		1	
11	900 076 010 02	Nut		1	
11	900 076 010 0B	Nut		1	
12	113 611 715 A	Brake hose bracket		4	
13	811 611 797	Clip		2	
14	999 591 975 40	Rubber mounting		7	
15	999 511 199 40	Clamp		7	

Model: 968 92

Model life 1992>>1995



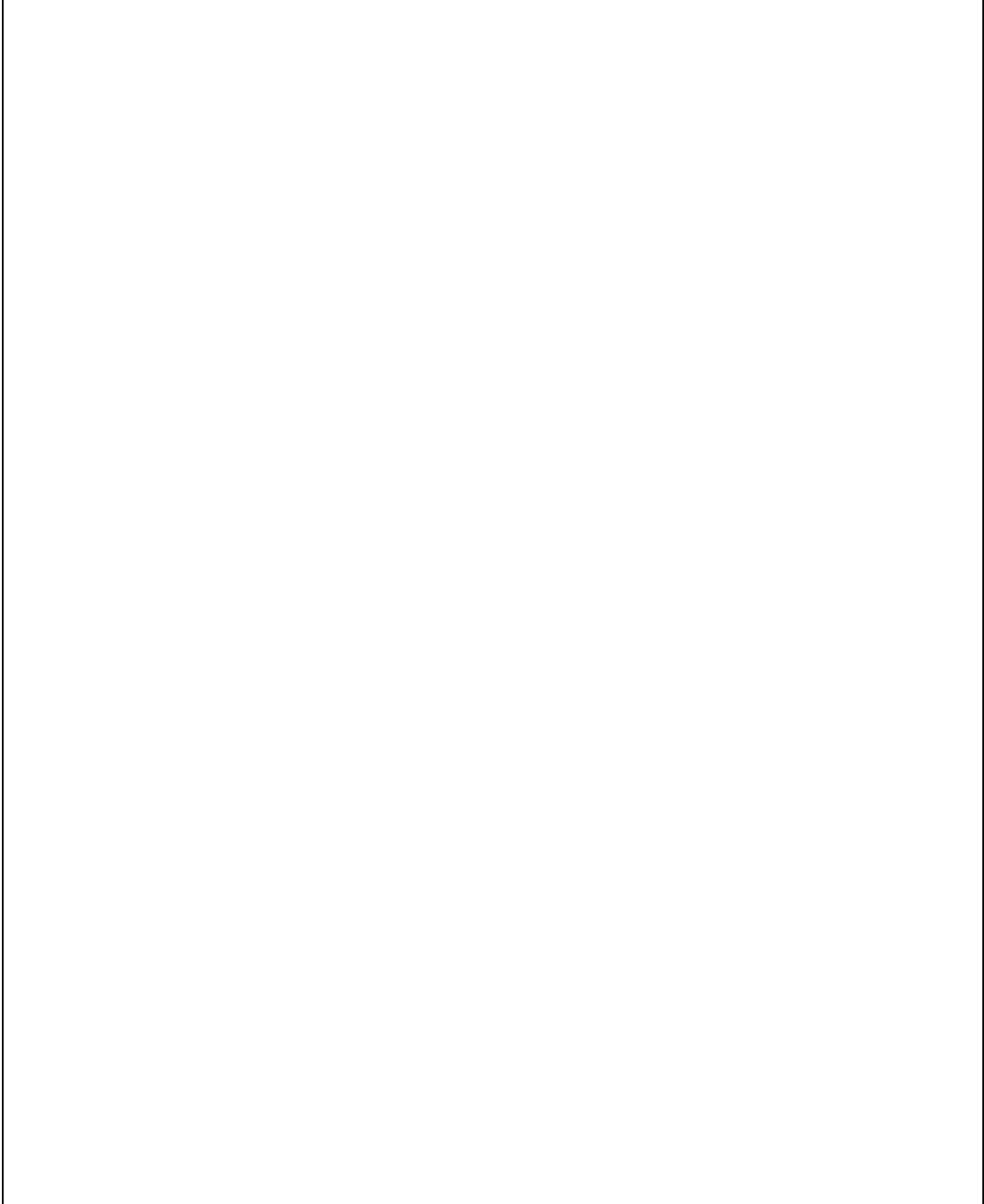
Model: 968 92

Model life 1992>>1995

Pos	Part Number	Description	Remark	Qty	Model
		Hydraulic unit Anti-lock brake system			
1	951 355 913 00	Hydraulic unit		1	
2	944 355 063 00	Support		1	
3	928 355 960 01	Cap		1	
4	944 355 631 00	Bearing sleeve		3	
5	928 606 404 02	Speed sensor	/V	2	
6	944 606 401 02	Speed sensor	/H	2	
7	928 618 118 00	Control unit		1	
7	928 618 118 X	Control unit		1	
8	951 355 305 01	Brake pressure regulator		1	
9	928 612 189 01	Ground strap		1	
10	928 618 931 01	Relay for Valve		1	
10	928 618 930 01	Relay for Engine		1	
11	944 355 667 00	Bolt M 6		3	
12	437 614 177	Rubber buffer		3	
13	N 011 666 7	Washer B 6,4		3	
14	N 011 062 3	Cap nut M 6		3	

Model: 968 92

Model life 1992>>1995



Model: 968 92 Model life 1992>>1995

Pos	Part Number	Description	Remark	Qty	Model
>>	951 351 939 08	Repair kits Brake pad repair set without asbestos Comprising: Brake pad	/V	1	
-	964 351 096 02	Use also: Damping plate for Piston \$ 40 MM		4	
-	964 351 096 01	Damping plate for Piston \$ 36 MM		4	
>>	951 351 919 11	Gasket set for Fixed calliper Comprising: Piston \$ 40 MM	/V	2	
>>	951 351 919 10	Sealing ring Protection cap Gasket set for Fixed calliper Comprising: Piston \$ 36 MM	/V	1 1 2	
>>	964 351 959 01	Sealing ring Protection cap Repair kit Comprising: Spring plate Countersunk-head screw	/V	1 1 2	
>>	964 351 959 00	Repair kit Comprising: Spring plate Countersunk-head screw	/V	1 2	
>>	993 351 939 01	Brake pad repair set without asbestos Comprising: Brake pad	/V	1 4	M030
-	951 351 089 03	Use also: Vibration damper for Fixed calliper \$ 19,7/27,3	/V	4	M030
>>	928 351 919 10	Gasket set for Fixed calliper Comprising: Piston \$ 44 MM	/V	2 1	M030
>>	993 351 959 01	Sealing ring Protection cap Repair kit Comprising: Spring plate Countersunk-head screw	/V	1 1 2	M030
>>	993 351 959 00	Repair kit Comprising: Spring plate Countersunk-head screw	/V	2 1 2	M030

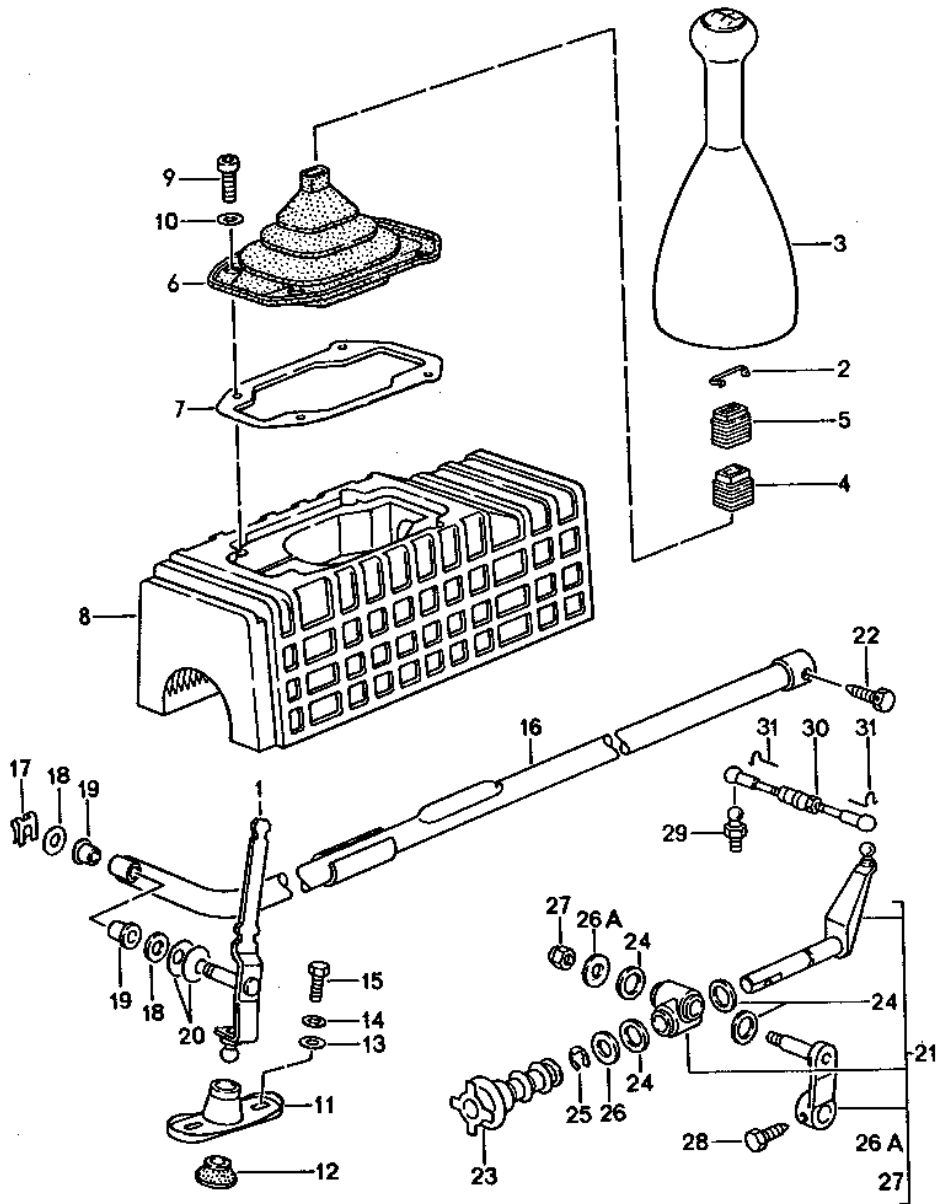
Model: 968 92 Model life 1992>>1995

Pos	Part Number	Description	Remark	Qty	Model
>>	951 351 939 08	Brake pad repair set without asbestos Comprising: Brake pad	/H	1	
-	964 352 096 00	Use also: Damping plate for Piston \$ 30 MM		4	
-	996 352 086 00	Damping plate for Piston \$ 30 MM		4	
-	964 352 096 01	Damping plate for Piston \$ 28 MM		4	
>>	965 352 939 04	Brake pad repair set without asbestos Comprising: Brake pad	/H	1	M030
-	964 352 096 00	Use also: Damping plate for Piston \$ 30 MM		4	
-	996 352 086 00	Damping plate for Piston \$ 30 MM		4	
-	964 352 096 01	Damping plate for Piston \$ 28 MM		4	
>>	951 352 919 11	Gasket set for Fixed calliper Comprising: Piston \$ 30 MM Sealing ring Protection cap	/H	2	
>>	951 352 919 10	Gasket set for Fixed calliper Comprising: Piston \$ 28 MM Sealing ring Protection cap	/H	2	
>>	993 352 959 01	Repair kit Comprising: Spring plate Countersunk-head screw	/H	2	
>>	993 352 959 00	Repair kit Comprising: Spring plate Countersunk-head screw	/H	2	



Model: 968 92

Model life 1992>>1995

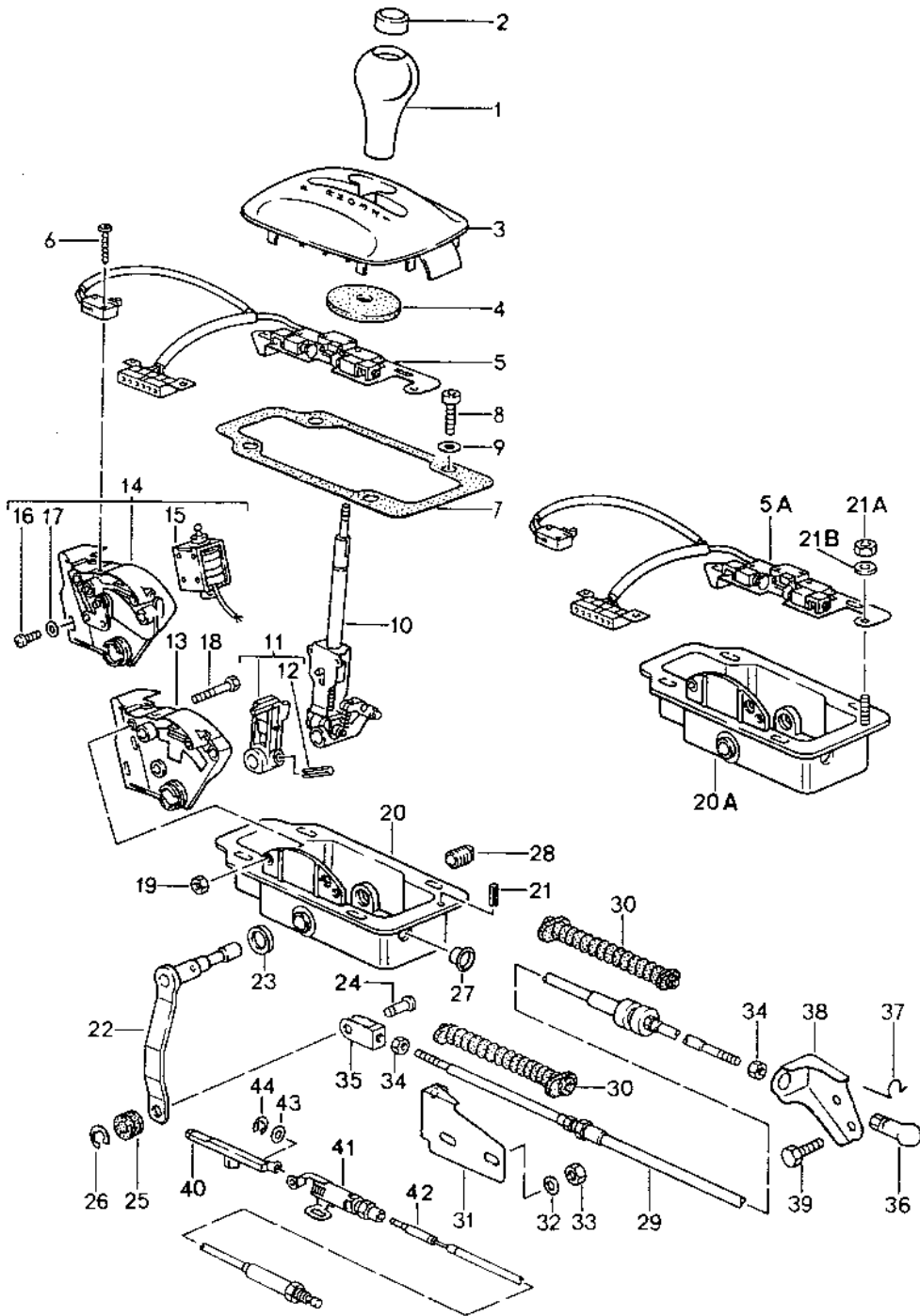


Model: 968 92 Model life 1992>>1995

Pos	Part Number	Description	Remark	Qty	Model
1	944 424 015 02	Actuator for Manual transmission Gearshift lever Use also: POS. 17,18,20		1	
2	477 711 269	Retainer spring		1	
3	944 424 075 02	Gearshift knob with Boot Leather		1	
	944 424 075 02 8YR	Black			
	944 424 075 02 5YW	Classic grey			
	944 424 075 02 F04	Cobalt blue	-93		
	944 424 075 02 M15	Magenta	-93		
	944 424 075 02 2KR	Marine blue	-93		
	944 424 075 02 1GP	Midnight blue	94-		
	944 424 075 02 3PK	Chestnut brown	94-		
4	931 424 111 00	Vibration damper		1	
5	931 424 110 00	Vibration damper		1	
6	944 424 139 01	Bellows		1	
7	944 424 134 01	Retaining frame		1	
8	944 424 180 00	Sound absorber		1	
9	N 014 740 2	Pan-head screw M 6 X 16		4	
9	N 014 740 11	Pan-head screw M 6 X 16		4	
10	900 031 011 02	Washer A 6,4		4	
11	944 424 229 00	Bearing bracket		1	
12	944 424 231 01	Bearing shell		1	
13	900 025 007 02	Washer A 8,4		3	
13	900 025 007 03	Washer A 8,4		3	
14	N 012 108 2	Serrated lock washer 8,4		3	
15	N 010 237 6	Hexagon-head bolt M 8 X 12		2	
15	N 010 237 14	Hexagon-head bolt M 8 X 12		2	
16	944 424 019 06	Gear shift rod		1	
17	999 166 034 02	Sl-lock		1	
18	N 027 381 2	Shim		2	
19	999 924 002 40	Bush		2	
20	900 222 015 01	Cup spring		2	
21	944 424 013 01	Intermediate shift lever		1	
22	999 074 042 02	Fit bolt		1	
23	477 711 159 B	Bellows		1	
24	477 711 149	Sealing ring		4	
25	N 012 415 1	Circlip 15 X 1		1	
26	477 711 139 A	Washer		1	
26A	477 711 139	Washer		1	
27	900 910 003 02	Lock nut M 8		1	
27	900 910 003 04	Lock nut VM 8		1	
28	443 711 189 A	Hexagon-head bolt		1	
29	999 167 046 00	Ball pin		1	
30	944 424 041 02	Joint rod		1	
31	900 169 016 02	Securing clip		2	

Model: 968 92

Model life 1992>>1995



Model: 968 92 Model life 1992>>1995

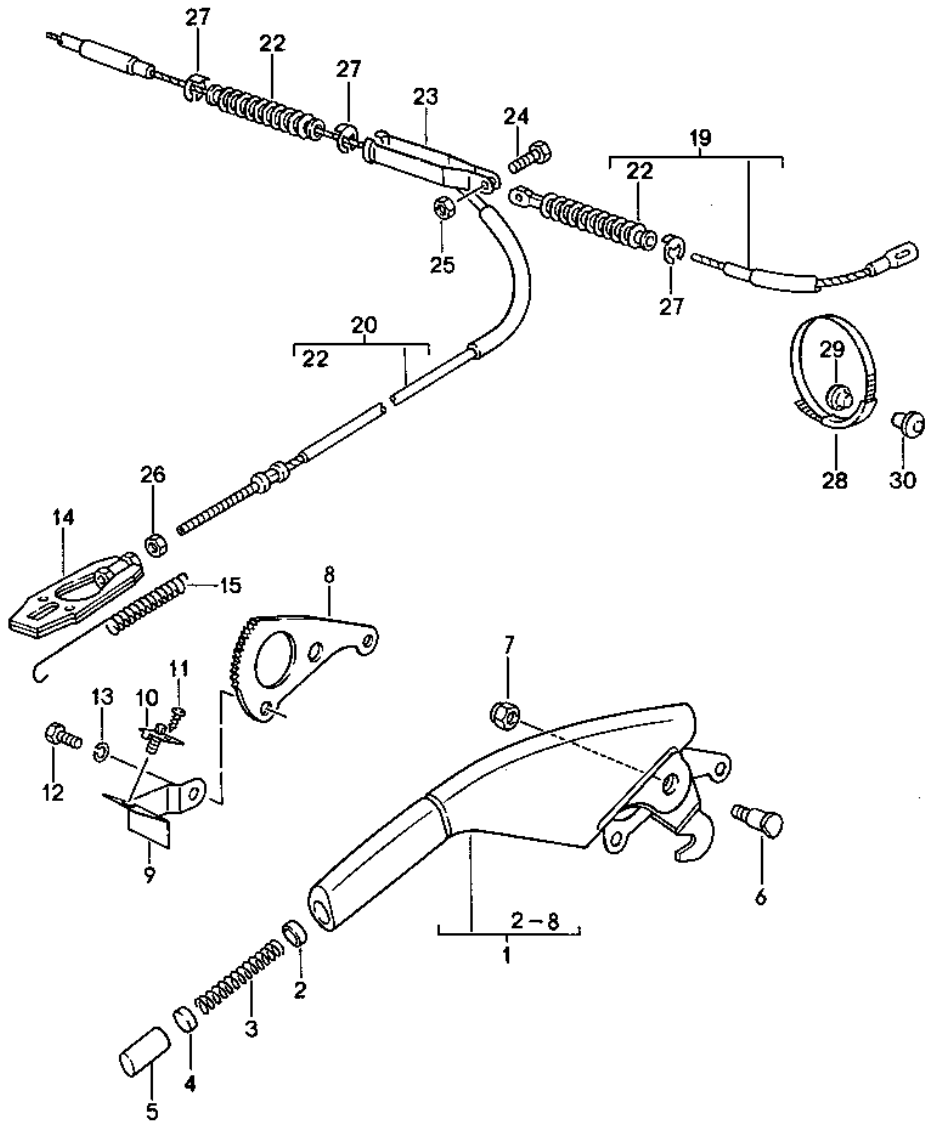
Pos	Part Number	Description	Remark	Qty	Model
		Selector lever Tiptronic SHIFT-LOCK KEY-LOCK			M249
1	944 426 069 01	Selector knob		1	
	944 426 069 01 1AJ	Black			
	944 426 069 01 6XL	Classic grey			
	944 426 069 01 9YL	Cobalt blue	-93		
	944 426 069 01 6YL	Magenta	-93		
	944 426 069 01 H05	Marine blue	-93		
	944 426 069 01 H24	Midnight blue	94-		
	944 426 069 01 T15	Chestnut brown	94-		
2	943 426 275 05	Key		1	
	943 426 275 05 01C	Satin black			
3	944 552 169 00	Trim cover		1	
	944 552 169 00 1DB	Black			
4	999 704 168 40	Cover disc		1	
5	944 613 043 01	Switch		1	
5A		Switch		1	
6	999 919 020 08	Oval-head screw 3,0 X 16		2	
7	944 426 129 01	Gasket		1	
8	900 067 011 02	Pan-head screw M 6 X 20		4	
8	900 067 011 03	Pan-head screw M 6 X 20		4	
9	N 011 666 7	Washer B 6,4		4	
10	944 426 051 00	Selector lever	-92	1	
(10)	944 426 051 01	Selector lever SHIFT-LOCK		1	
11	944 426 043 00	Driver		1	
12	N 013 317 1	Roll pin		1	
13	944 426 141 00	Gate guide	-92	1	
14	944 426 039 00	Gate guide SHIFT-LOCK		1	
15	928 624 170 00	Solenoid SHIFT-LOCK		1	
15	993 624 170 00	Solenoid SHIFT-LOCK		1	
16	N 014 121 8	It is necessary to rework Oval-head screw M 4 X 6		2	
17	900 151 028 02	Washer B 4,3		2	
17	900 151 028 01	Washer B 4,3		2	
18	900 074 318 02	Hexagon-head bolt M 5 X 40		2	
19	900 380 001 02	Nut M 5		2	
20	944 426 031 01	Housing		1	
20A		Housing		1	
21	N 013 302 1	Roll pin		2	
21A	N 011 004 6	Nut M 4		2	
21A	N 011 004 G	Nut M 4		2	
21B	900 025 002 02	Washer A 4,3		2	
21B	900 025 002 03	Washer A 4,3		2	
22	944 426 066 01	Reverse lever		1	

Model: 968 92 Model life 1992>>1995

Pos	Part Number	Description	Remark	Qty	Model
23	999 699 020 40	Sealing ring		1	
24	943 426 149 00	Bolt		1	
25	943 426 261 00	Rubber mounting		1	
26	N 012 436 2	Lock washer		1	
27	999 703 164 40	Stopper		1	
28	944 426 133 00	Bearing screw		1	
29	944 426 033 05	Cable		1	
30	944 426 103 00	Bellows		2	
31	944 426 111 03	Support		1	
32	900 025 007 02	Washer A 8,4		2	
32	900 025 007 03	Washer A 8,4		2	
33	900 076 025 02	Hexagon nut M 8		2	
33	900 076 064 02	Hexagon nut M 8		2	
34	N 011 005 14	Hexagon nut M 5		2	
34	900 076 091 01	Hexagon nut M 5		2	
35	943 426 047 00	Clevis		1	
36	911 423 147 00	Ball socket		1	
37	900 169 014 02	Securing clip		1	
37	900 169 014 01	Securing clip		1	
38	944 426 111 01	Support		1	
39	900 075 085 02	Hexagon-head bolt M 8 X20		2	
-	944 426 063 01	Selector lever Transmission		1	
-	N 011 018 4	Hexagon nut M 8 X 1 for Selector lever for KEY - LOCK		1	
40	944 426 379 02	Slide		1	
41	944 426 073 00	Housing		1	
42	944 426 173 02	Cable	/LL	1	
(42)	944 426 174 00	Cable	/RL	1	
43	900 904 009 02	Washer A 3,2		1	
44	900 116 014 01	Lock washer		1	

Model: 968 92

Model life 1992>>1995



Model: 968 92

Model life 1992&gt;&gt;1995

Pos	Part Number	Description	Remark	Qty	Model
1	944 424 051 01	Parking-brake lever		1	
		Parking-brake lever			
		Leatherette			
	944 424 051 01 8YR	Black			
	944 424 051 01 6XL	Classic grey			
	944 424 051 01 6YL	Magenta	-93		
(1)	944 424 051 50	Parking-brake lever		1	
		Leather			
	944 424 051 50 8YR	Black			
	944 424 051 50 6XL	Classic grey			
	944 424 051 50 9YL	Cobalt blue	-93		
	944 424 051 50 6YL	Magenta	-93		
	944 424 051 50 8ZL	Light grey	-93		
	944 424 051 50 4YU	Cashmere beige			
	944 424 051 50 H05	Marine blue	-93		
	944 424 051 50 M05	Matador red	-93		
	944 424 051 50 D35	Carrara grey	-93		
	944 424 051 50 J25	Sherwood green	-93		
	944 424 051 50 H24	Midnight blue	94-		
	944 424 051 50 T15	Chestnut brown	94-		
	944 424 051 50 3QN	Marble grey	94-		
	944 424 051 50 G43	Provence blue	94-		
	944 424 051 50 K03	Cedar green	94-		
	944 424 051 50 8SE	Flamenco red	94-		
2	914 424 258 00	Guide sleeve		1	
3	901 424 543 00	Compression spring		1	
4	901 424 593 01	Ring		1	
5	944 424 523 00	Push button		1	
6	928 424 527 00	Bearing pin		1	
7	900 084 004 03	Hexagon nut		1	
7	900 084 004 02	Hexagon nut		1	
8	928 424 541 14	Locking segment		1	
9	944 424 535 00	Support	/LL	1	
(9)	945 424 535 00	Retainer plate	/RL	1	
10	968 613 601 00	Contact switch		1	
11	N 013 957 5	Oval-head sheetmetal screw		1	
		B 3,5 X 9,5			
12	N 010 241 0	Hexagon-head bolt		2	
		M 8 X 22 SB			
13	900 025 007 02	Washer		2	
		A 8,4			
13	900 025 007 03	Washer		2	
		A 8,4			
-	999 703 387 40	Cap		1	
14	928 424 033 00	Turnbuckle		1	
15	944 424 537 00	Return spring		1	
19	951 424 071 02	Parking-brake cable		1	
		Short			
20	951 424 072 02	Parking-brake cable		1	
		Long			
22	477 609 715	Sealing sleeve		2	
23	477 711 965	Compensating bow		1	
24	N 010 217 9	Hexagon-head bolt		1	
		M 6 X 20			
25	900 910 012 02	Lock nut		1	
		M 6			
25	900 910 047 09	Lock nut		1	
		M 6			
26	900 076 010 02	Nut		1	
		M 6			
26	900 076 010 0B	Nut		1	
		M 6			
27	999 166 027 02	Circlip		3	

Model: 968 92

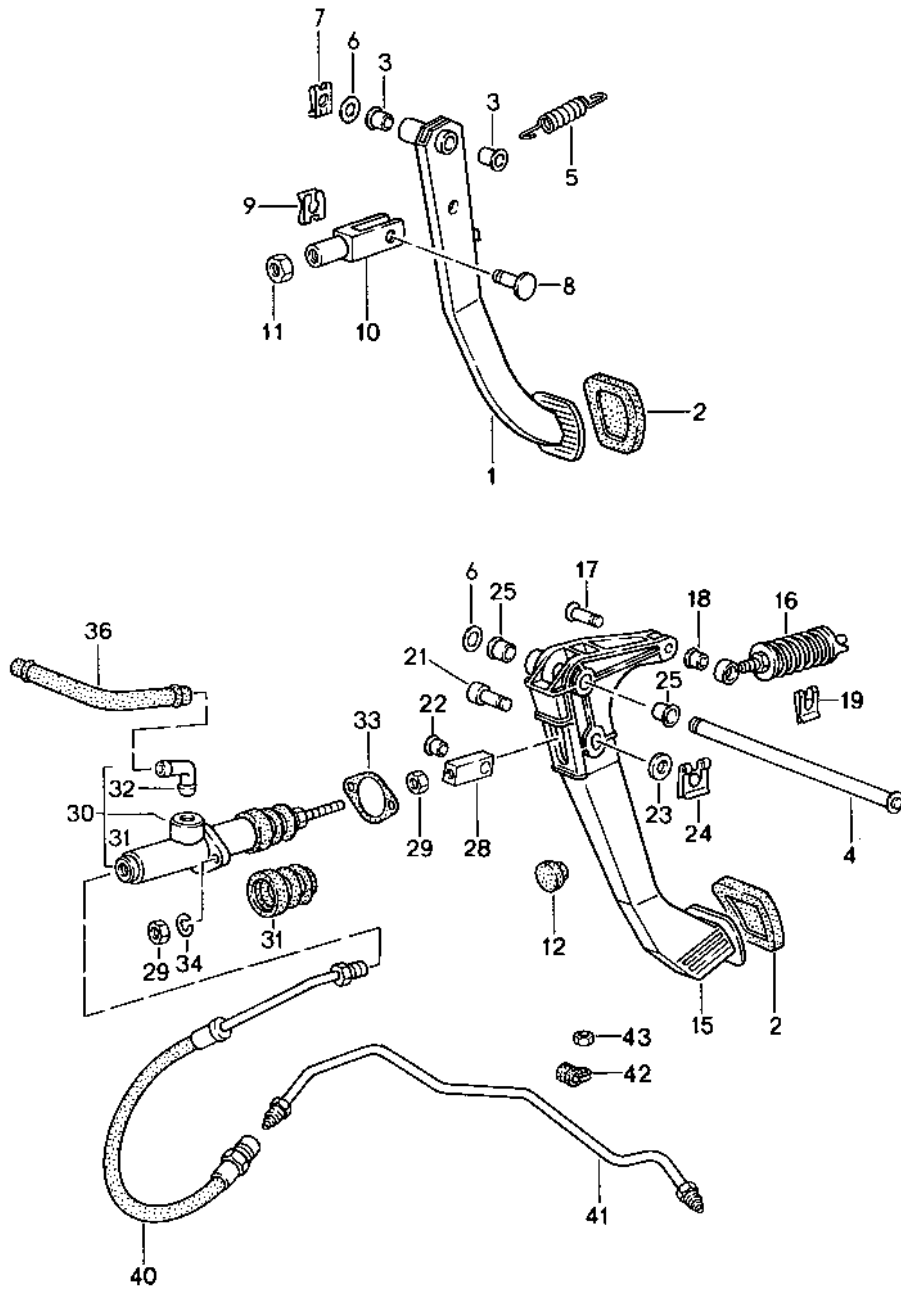
Model life 1992>>1995

Pos	Part Number	Description	Remark	Qty	Model
28	477 711 979	8 Retaining strap		2	
29	N 013 530 3	Rivet		2	
30	N 013 510 1	Compression rivet		2	
31	901 424 509 01	Stop		1	



Model: 968 92

Model life 1992>>1995



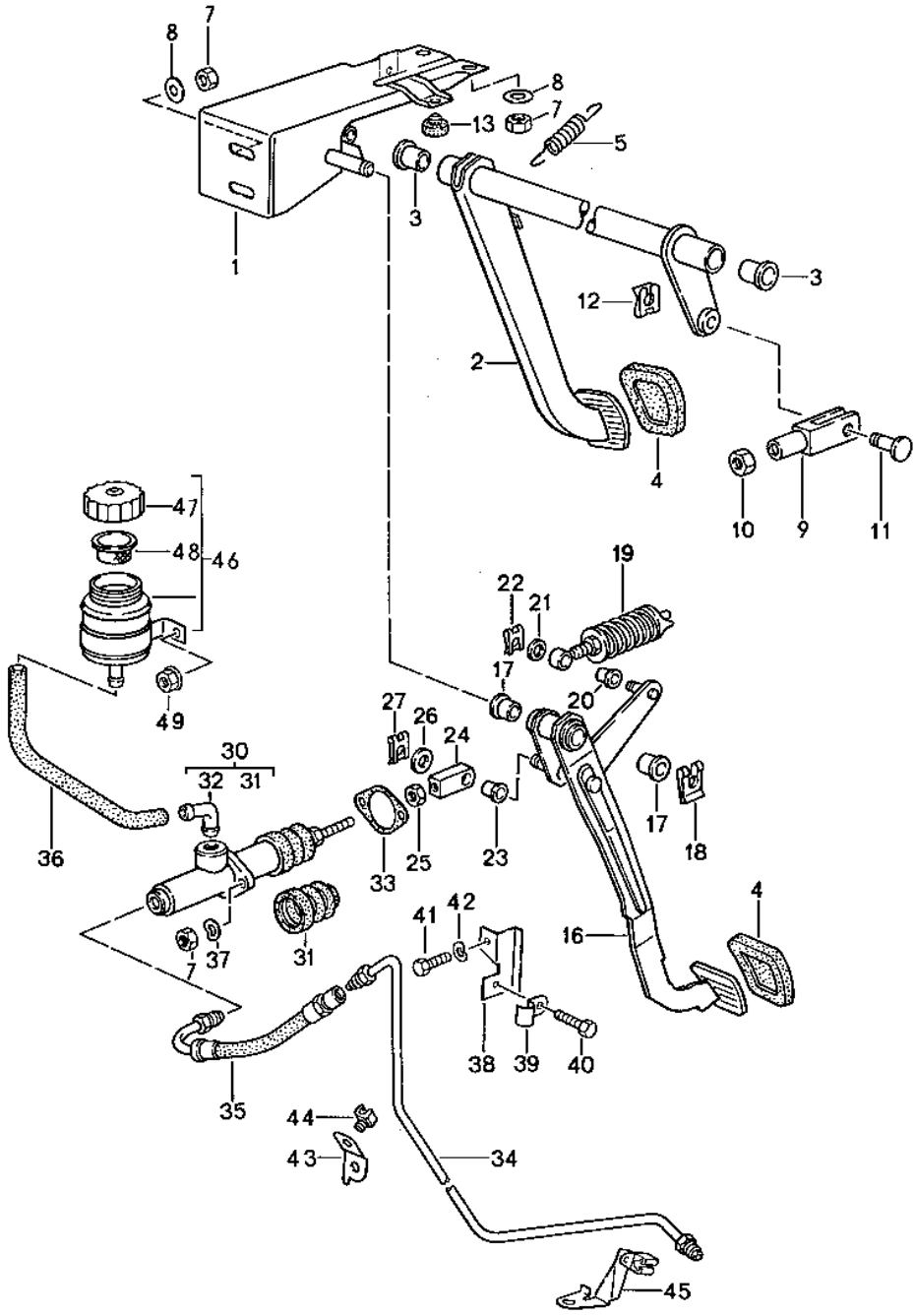
Model: 968 92

Model life 1992&gt;&gt;1995

Pos	Part Number	Description	Remark	Qty	Model
		Brake Clutch Pedals Left-hand drive See technical information GR. 3, NR.2/93			
1	944 423 051 03	Brake pedal		1	
(1)	944 423 051 05	Brake pedal		1	TIPTRONIC
2	321 721 173	Pedal cap		2	
(2)	827 723 173	Cap		1	TIPTRONIC
3	999 924 003 40	Bush 12 X 13,6		2	
4	944 423 085 00	Bolt		1	
(4)	944 423 061 06	Bolt		1	TIPTRONIC
5	321 721 191	Return spring		1	
6	311 955 255	Washer		2	
7	999 166 077 02	Safety clip		1	
8	999 088 010 02	Bolt 10 X 28 X 23,5		1	
9	999 021 001 07	Connector		1	
10	999 166 061 30	Clevis		1	
11	N 011 010 6	Hexagon nut M 10		1	
11	N 101 552 10	Hexagon nut M 10		1	
12	999 703 183 40	Buffer		1	TIPTRONIC
15	944 423 038 02	Clutch pedal		1	
16	477 721 353 A	Clutch power spring		1	
17	999 088 019 02	Bolt		1	
18	999 924 001 40	Bearing sleeve		1	
19	999 166 075 02	Safety clip		1	
21	944 423 387 00	Bolt		1	
22	999 924 002 40	Bush		1	
23	900 025 008 09	Washer A 10,5		1	
23	900 025 008 04	Washer A 10,5		1	
24	999 166 076 02	Safety clip		1	
24	999 166 076 01	Safety clip		1	
25	999 924 039 00	Bush		2	
28	928 423 517 00	Clevis		1	
29	900 076 025 02	Hexagon nut M 8		3	
29	900 076 064 02	Hexagon nut M 8		3	
30	944 423 149 00	Clutch master cylinder		1	
31	928 423 908 00	Bellows		1	
32	477 721 177	Angled pipe		1	
33	928 423 191 00	Gasket		1	
34	N 012 229 3	Spring washer A 8		2	
-	999 181 021 50	Hose 12,5 X 7,5		*	
36		270 MM		1	
40	944 423 177 01	Clutch hose		1	
41	944 423 091 23	Clutch pipeline		1	
42	N 020 680 1	Clip		1	
43	N 011 005 14	Hexagon nut M 5		1	
43	900 076 091 01	Hexagon nut M 5		1	

Model: 968 92

Model life 1992>>1995



Model: 968 92 Model life 1992>>1995

Pos	Part Number	Description	Remark	Qty	Model
		Brake Clutch Pedals Right-hand drive See technical information GR. 3, NR. 2/93			
1	945 423 021 11	Bracket		1	
2	945 423 051 01	Brake pedal		1	
(2)	945 423 051 03	Brake pedal		1	TIPTRONIC
3	478 721 153	Bearing sleeve		2	
4	321 721 173	Pedal cap		2	
(4)	827 723 173	Cap		1	TIPTRONIC
5	321 721 191	Return spring		1	
7	900 076 025 02	Hexagon nut M 8		5	
7	900 076 064 02	Hexagon nut M 8		5	
8	N 011 670 1	Washer B 8,4		3	
9	999 166 061 30	Clevis		1	
10	N 011 010 6	Hexagon nut M 10		1	
10	N 101 552 10	Hexagon nut M 10		1	
11	999 088 010 02	Bolt		1	
12	999 021 001 07	Connector		1	
13	999 703 183 40	Buffer		1	
16	945 423 037 01	Clutch pedal		1	
17	443 721 153 A	Bearing sleeve		2	
18	N 012 653 1	Lock washer		1	
19	477 721 353 A	Clutch power spring		1	
20	999 924 001 40	Bearing sleeve		1	
21	900 025 007 02	Washer A 8,4		1	
21	900 025 007 03	Washer A 8,4		1	
22	999 166 075 02	Safety clip		1	
23	999 924 002 40	Bush		1	
24	478 721 179	Intermediate piece		1	
25	N 011 118 14	Hexagon nut M 8		1	
25	900 034 001 05	Hexagon nut M 8		1	
26	900 025 008 09	Washer A 10,5		1	
26	900 025 008 04	Washer A 10,5		1	
27	999 166 076 02	Safety clip		1	
27	999 166 076 01	Safety clip		1	
30	945 423 149 00	Clutch master cylinder		1	
31	928 423 908 00	Bellows		1	
32	477 721 177	Angled pipe		1	
33	928 423 191 00	Gasket		1	
34	945 423 091 21	Clutch pipeline		1	
35	945 423 089 12	Clutch hose		1	
36	478 721 219	Connecting hose It is necessary to rework		1	
37	N 012 229 3	Spring washer A 8		2	
38	945 423 093 21	Support		1	
39	N 020 680 1	Clip		1	
40	N 010 205 6	Hexagon-head bolt M 5 X 10		1	

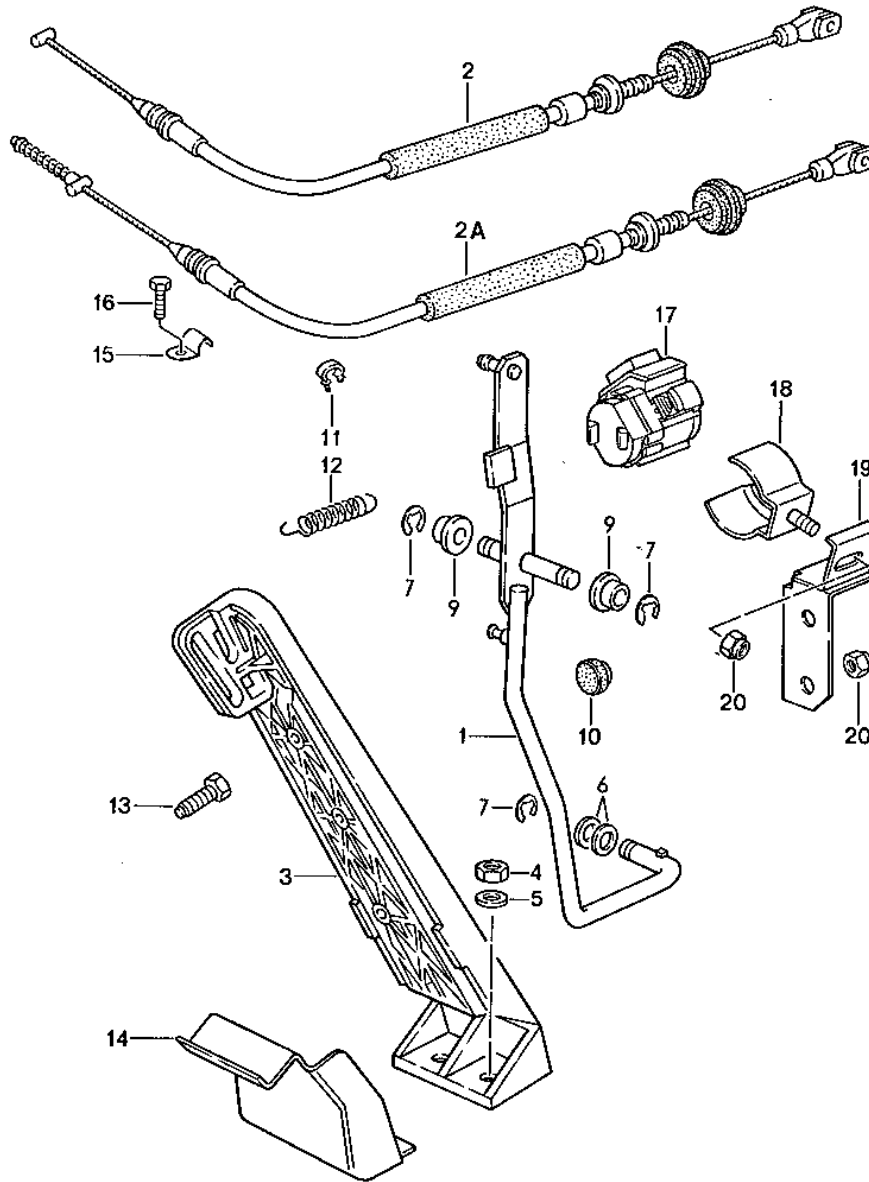
Model: 968 92

Model life 1992&gt;&gt;1995

Pos	Part Number	Description	Remark	Qty	Model
40	900 075 105 02	Screw M 5 X 10		1	
41	N 010 210 13	Hexagon-head bolt M 6 X 10		1	
42	N 012 226 5	Spring washer B 6		1	
43	945 423 193 01	Support		1	
44	999 591 578 40	Clip		X	
45	945 423 095 01	Support		1	
46	944 423 210 00	Expansion tank		1	
47	477 611 361	Lid		1	
48	211 611 381 B	Strainer		1	
49	N 015 082 2	Hexagon nut M 6		2	

Model: 968 92

Model life 1992>>1995



Model: 968 92

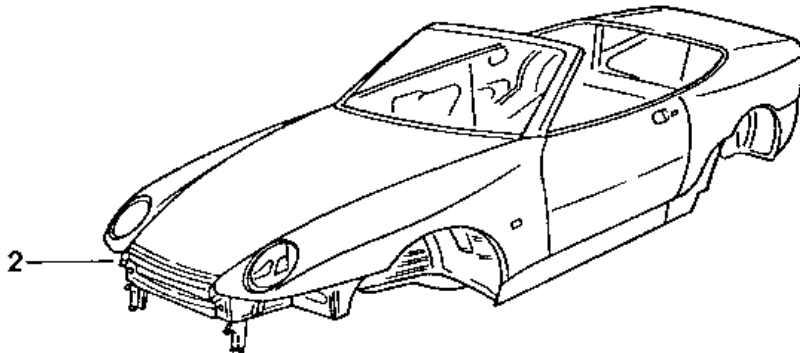
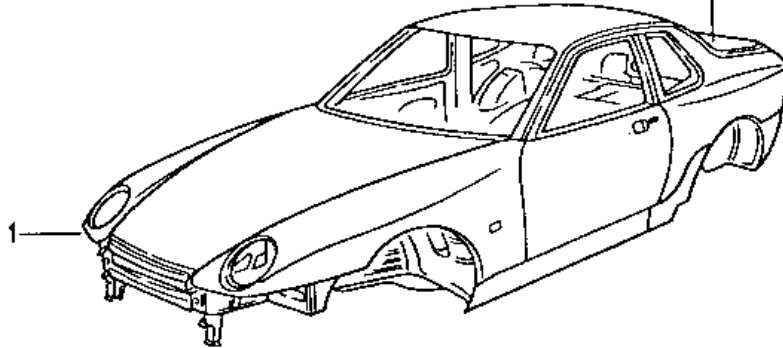
Model life 1992>>1995

Pos	Part Number	Description	Remark	Qty	Model
		Accelerator control			
		Accelerator cable			
1	944 423 031 02	Accelerator control	/LL	1	
(1)	945 423 031 02	Accelerator control	/RL	1	
2	944 423 023 22	Accelerator cable	/LL	1	
(2)	945 423 023 21	Accelerator cable	/RL	1	
2A	944 423 071 22	Accelerator cable	/LL	1	TIPTRONIC
(2A)	945 423 071 21	Accelerator cable	/RL	1	TIPTRONIC
3	944 423 111 01	Accelerator pedal		1	
4	900 076 010 02	Nut		2	
		M 6			
4	900 076 010 0B	Nut		2	
		M 6			
5	803 817 121	Washer		2	
6	900 025 038 40	Washer		2	
7	999 166 060 02	Lock washer		3	
9	477 721 543	Bearing sleeve		2	
10	999 703 183 40	Buffer		1	
11	477 971 851	Cable clip	/RL	1	
12	944 423 833 00	Spring		1	
13	999 217 120 02	Adjusting screw		1	
14	944 423 411 01	Stop		1	
		Airbag			
15	999 511 118 02	Pipe clamp		1	
		B 15			
15	999 511 118 01	Pipe clamp		1	
		B 15			
16	999 072 005 09	Hexagon nut		1	
		M 6 X 12			
16	999 072 005 01	Hexagon nut		1	
		M 6 X 12			
17	964 613 211 00	Kickdown switch		1	TIPTRONIC
18	944 423 243 00	Support		1	TIPTRONIC
19	944 423 139 00	Support	/LL	1	TIPTRONIC
20	900 380 003 02	Hexagon nut		3	TIPTRONIC
		M 6			

Model: 968 92

Model life 1992>>1995

B — WPOZZZ 96zNS801495  
C — 944 044  
M4443-42N 84400-10  
L80K LT  
D — COO 139 231 340 403  
573 650 340 348 383  
E — 425 430 474 498 567  
650  
F — 00311 00321 00341  
04661 05981 08301





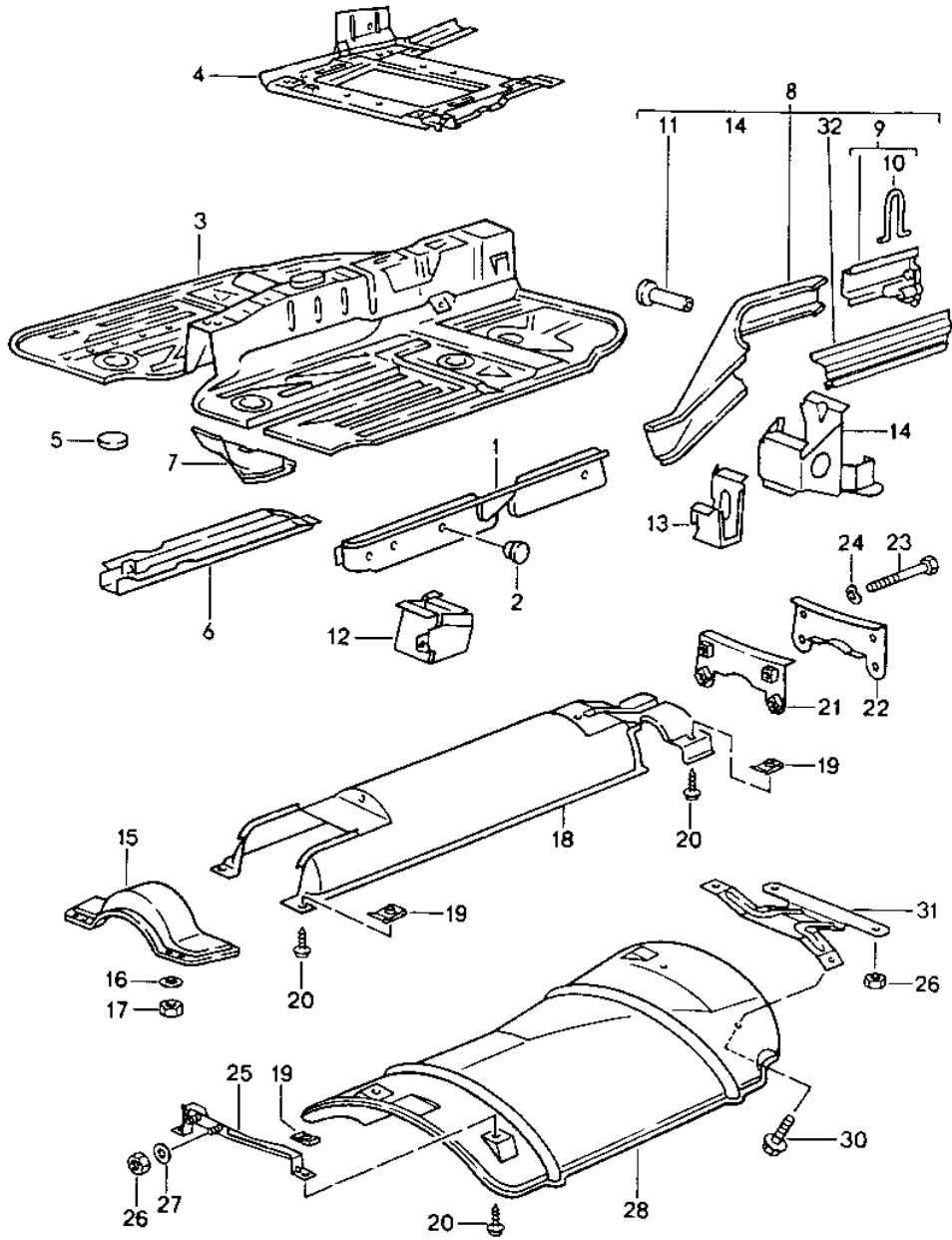
Model: 968 92

Model life 1992>>1995

Pos	Part Number	Description	Remark	Qty	Model
		Body in white Prime coated Sealed Sprayed with filler with Underbody protection BodysHELLs can only only available from current Model year available The data required for your order Can be found on the Vehicle data carrier Please indicate this data in your order Vehicle data carrier Vehicle Ident. No. Order type Country equipment Optional extras Additional applications			
A		Vehicle data carrier			
B		Vehicle Ident. No.			
C		Order type			
D		Country equipment			
E		Optional extras			
F		Additional applications			
1	968 500 901 00	Body in white		1	COUPE
2	968 500 901 10	Body in white		1	CABRIO

Model: 968 92

Model life 1992>>1995



Model: 968 92 Model life 1992>>1995

Pos	Part Number	Description	Remark	Qty	Model
1	944 501 119 01	Side member Heat shield	/L	1	
(1)	944 501 120 01	Side member Centre	/R	1	
-	944 501 221 00	Support	/LL	1	
	944 501 221 00 GRV	Prime coated for Parking-brake lever			
-	945 501 221 00	Support	/RL	1	
	945 501 221 00 GRV	Prime coated for Parking-brake lever			
2	999 703 119 40	Stopper		2	
(2)	803 803 583	Rubber sleeve		2	
(2)	999 703 195 40	Rubber sleeve		2	
(2)	803 803 583 A	Stopper		10	
(2)	999 703 196 40	Lid		10	
3	944 501 501 00	Floor section Centre		1	
4	944 501 027 02	Seat support	/L	1	
(4)	944 501 028 02	Seat support	/R	1	
5	411 803 595	Lid 136 MM \$		2	
6	477 803 283	Side member		2	
7	951 501 181 00	Gusset plate	/L	1	
(7)	951 501 182 00	Gusset plate	/R	1	
8	944 501 173 01	Side member	/L	1	
(8)	944 501 174 00	Side member	/R	1	
9	951 502 065 01	Side member Rear	/L	1	
(9)	951 502 066 00	Side member Rear	/R	1	
10	477 803 129	Retaining bow		2	
11	477 803 145	Bush		2	
12	944 501 581 00	Jacking point	/L /V	1	COUPE
(12)	941 501 581 10	Jacking point	/L /V	1	CABRIO
(12)		Jacking point Front Left Cabriolet	/L /V	1	CABRIO
	941 501 581 10 GRV	Prime coated			
(12)	944 501 582 00	Jacking point	/R /V	1	COUPE
(12)	941 501 582 10	Jacking point	/R /V	1	CABRIO
13	944 501 593 00	Jacking point	/L /H	1	
13		Jacking point Rear Left	/L /H	1	
	944 501 593 00 GRV	Prime coated			
(13)	944 501 594 00	Jacking point	/R /H	1	
(13)		Jacking point Rear Right	/R /H	1	
	944 501 594 00 GRV	Prime coated			
14	944 501 583 00	Mounting Rear axle	/L	1	
(14)	944 501 584 00	Mounting Rear axle	/R	1	
15	477 803 253	Transverse strut		1	COUPE
(15)	941 501 255 10	Reinforcement		1	CABRIO
16	999 025 078 02	Washer A8, 4		4	COUPE

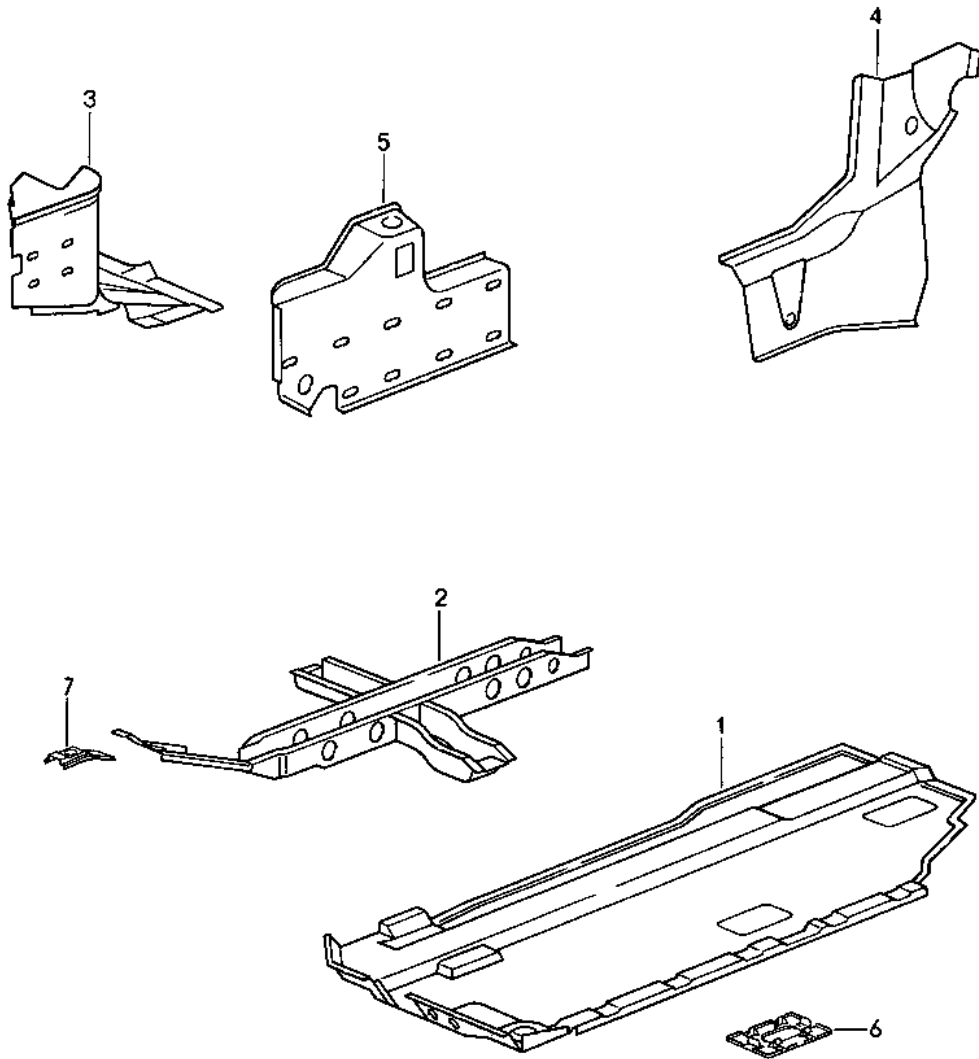
Model: 968 92

Model life 1992>>1995

Pos	Part Number	Description	Remark	Qty	Model
(16)	900 151 008 02	Washer B8,4		4	CABRIO
17	900 076 025 02	Hexagon nut M8		4	
17	900 076 064 02	Hexagon nut M8		4	
18	944 504 869 00	Heat shield Catalytic converter		1	
19	999 591 485 02	Speed nut B4,8		2	
20	N 090 239 1	Combination screw B4,8X13		2	
21	944 504 091 01	Transverse strut	/V	1	
22	944 504 491 03	Transverse strut	/H	1	
23	900 074 044 02	Hexagon-head bolt M8X70		4	
24	N 012 229 3	Spring washer A8		4	
25	944 504 435 00	Support		1	
26	900 076 010 02	Nut M6		3	
26	900 076 010 0B	Nut M6		3	
27	N 011 524 7	Washer A6,4		2	
27	N 011 524 27	Washer A6,4		2	
28	944 504 137 00	Heat shield		1	
(28)	944 504 137 01	Heat shield		1	M249
30	900 075 374 02	Combination screw M6X14		4	
30	900 075 374 01	Combination screw M6X14		4	
31	951 504 437 00	Support		1	
32	944 501 235 01	Reinforcement		2	
	944 501 235 01 GRV	Prime coated			

Model: 968 92

Model life 1992>>1995

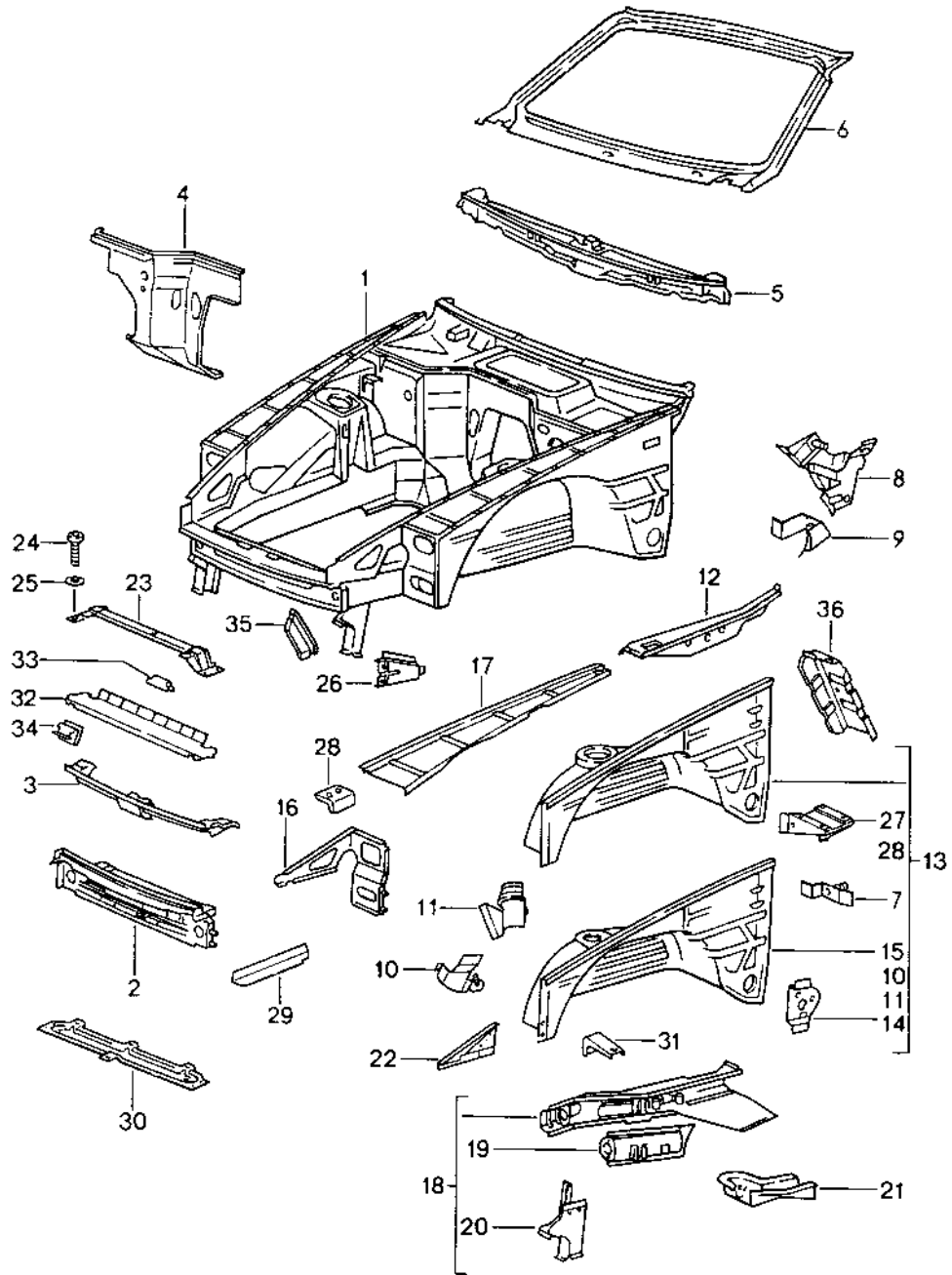


Model: 968 92 Model life 1992>>1995

Pos	Part Number	Description	Remark	Qty	Model
		Floor section Reinforcement			CABRIO
1	941 501 961 10	Floorpan	/L	1	
(1)	941 501 962 10	Floorpan	/R	1	
2	941 502 909 10	Reinforcement	/L	1	
(2)	941 502 910 10	Reinforcement	/R	1	
(3)	941 501 107 10	Reinforcement	/V /L	1	
		Wheel housing			
3	941 501 108 10	Reinforcement	/V /R	1	
		Wheel housing			
(4)	941 502 253 10	Reinforcement	/H /L	1	
4	941 502 254 10	Reinforcement	/H /R	1	
(5)	941 502 345 10	Reinforcement	/V /L	1	
5	941 502 346 10	Reinforcement	/V /R	1	
6	941 501 595 10	Cover		6	
7	941 501 457 10	Reinforcement	/V /L	1	
(7)	941 501 458 10	Reinforcement	/V /R	1	
-	941 501 459 10	Reinforcing support	/L	1	
	941 501 459 10 GRV	Prime coated for Floorpan			
-	941 501 460 10	Reinforcing support	/R	1	
	941 501 460 10 GRV	Prime coated for Floorpan			

Model: 968 92

Model life 1992>>1995



Model: 968 92 Model life 1992>>1995

Pos	Part Number	Description	Remark	Qty	Model
1	944 501 011 32	Body front section Front part	/LL	1	
(1)	944 501 011 32 GRV	Prime coated			
	945 501 011 26	Front part	/RL	1	
	945 501 011 26 GRV	Prime coated			
2	944 502 051 05	Cross member with End plate		1	
3	944 503 395 00	Lock carrier		1	
4	951 502 201 00	Cross panel	/L	1	
4		Firewall Left	/L	1	
(4)	951 502 201 00 GRV	Prime coated			
(4)	944 502 202 03	Firewall	/R	1	
		Firewall Right	/R	1	
	944 502 202 03 GRV	Prime coated			
5	944 502 079 03	Cross member		1	
6	944 502 911 02	Windscreen frame		1	
7	945 501 183 00	Bracket	/RL	1	
8	945 501 346 01	Bearing bracket	/RL	1	
9	945 501 551 00	Stop	/RL	1	
10	944 501 094 01	Support Ignition coil		1	
11	944 501 292 00	Support Expansion tank		1	
12	944 502 119 04	Side member Upper	/L	1	
(12)	944 502 120 04	Side member Upper	/LL /R	1	
(12)	945 502 120 04	Side member Upper	/RL /R	1	
13	944 501 901 05	Wheel housing Order also: POS.7	/L /RL	1	
(13)	944 501 902 05	Wheel housing Order also: POS.8,9	/R /RL	1	
14	944 502 071 00	Mounting		1	
15	944 501 101 04	Wheel housing	/L	1	
15		Wheel housing Left	/L	1	
(15)	944 501 101 04 GRV	Prime coated			
(15)	944 501 102 04	Wheel housing Right	/R /R	1 1	
	944 501 102 04 GRV	Prime coated			
16	944 501 345 00	Wheel housing Front part	/L	1	
16	944 501 345 01	Wheel housing Front part	/L	1	
(16)	944 501 345 01 GRV	Prime coated			
(16)	944 501 346 00	Wheel housing Front part	/R	1	
(16)	944 501 346 01	Wheel housing Front part	/R	1	
	944 501 346 01 GRV	Prime coated			
17	944 501 531 00	Wheel housing Upper part	/L	1	
17		Wheel housing Upper part Left	/L	1	
	944 501 531 00 GRV	Prime coated			

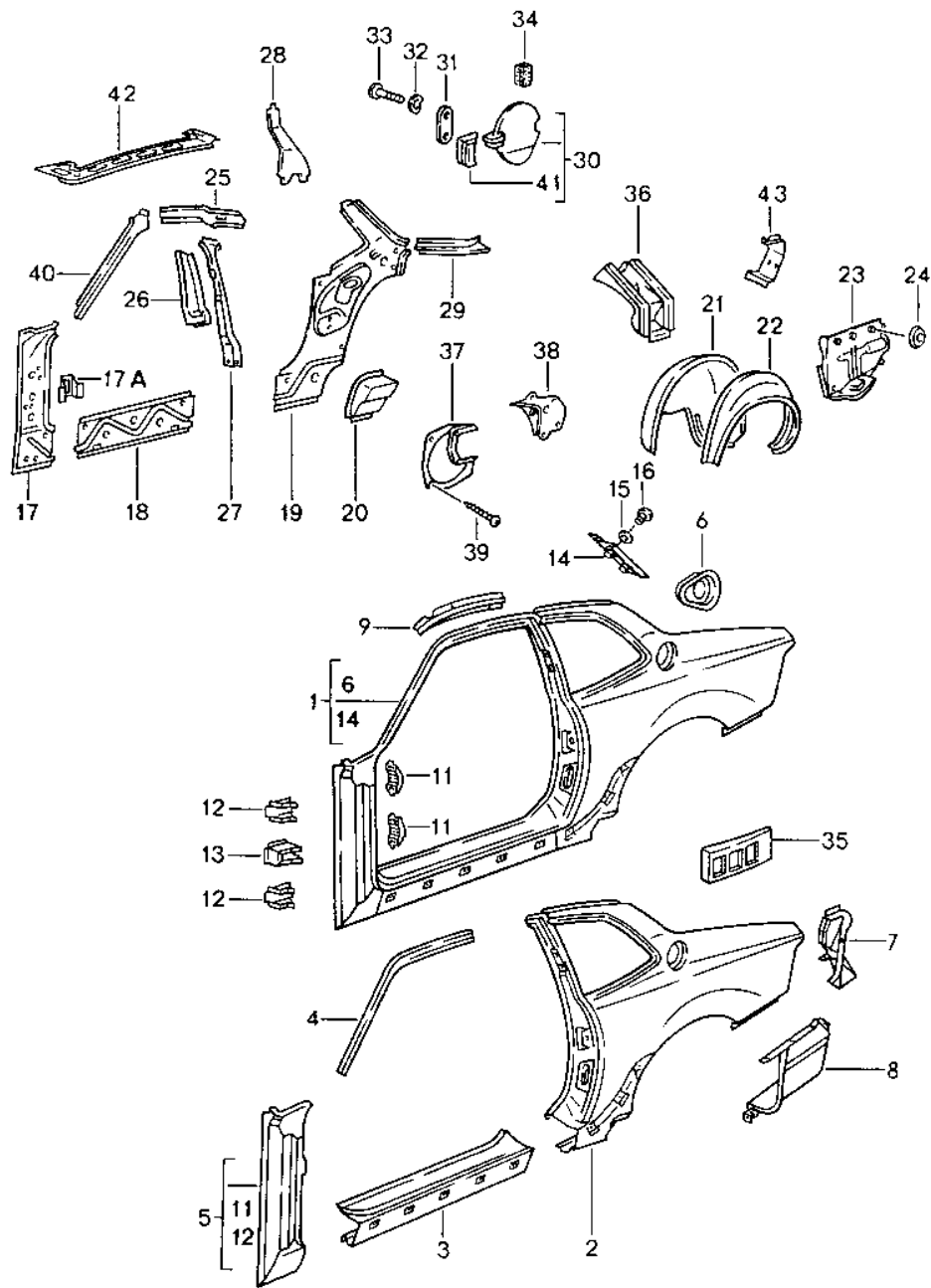


Model: 968 92 Model life 1992>>1995

Pos	Part Number	Description	Remark	Qty	Model
(17)	944 501 212 00	Wheel housing Upper part	/R	1	
(17)		Wheel housing Upper part Right	/R	1	
	944 501 212 00 GRV	Prime coated			
18	944 501 017 02	Side member	/L	1	
(18)	944 501 018 02	Side member	/R	1	
19	944 501 081 03	Filler plate	/L	1	
(19)	944 501 082 03	Filler plate	/R	1	
20	944 501 045 00	Separator	/L	1	
(20)	944 501 046 00	Separator	/R	1	
21	951 501 165 00	Closing element	/L	1	
(21)	951 501 166 00	Closing element	/R	1	
22	944 501 461 00	Supporting plate	/L	1	
(22)	944 501 862 00	Supporting plate	/R	1	
(22)		Supporting plate Side member Right	/R	1	
	944 501 862 00 GRV	Prime coated			
23	944 504 175 00	Cross member		1	
24	N 014 701 7	Pan-head screw M 6 X 12		4	
25	N 011 524 7	Washer A 6,4		4	
25	N 011 524 27	Washer A 6,4		4	
26	944 501 493 00	Mounting	/L	1	
(26)	944 501 494 00	Mounting	/R	1	
(26)		Mounting	/R	1	
	944 501 494 00 GRV	Prime coated			
27	944 501 096 00	Bracket		1	
	944 501 096 00 GRV	Prime coated			
28	944 501 731 00	Support		2	
	944 501 731 00 GRV	Prime coated			
29	944 501 873 00	Reinforcement	/L	1	
	944 501 873 00 GRV	Prime coated			
(29)	944 501 874 00	Reinforcement	/R	1	
	944 501 874 00 GRV	Prime coated			
30	951 501 251 00	Cross member		1	
31	944 503 523 01	Support	/L	1	
	944 503 523 01 GRV	Prime coated			
(31)	944 503 524 01	Support	/R	1	
	944 503 524 01 GRV	Prime coated			
32	951 504 321 01	Air guide		1	
33	999 591 342 02	Clamp		5	
33	999 591 342 03	Clamp		5	
34	477 819 212	Clip		4	
35	941 501 755 10	Support	/L	1	CABRIO
	941 501 755 10 GRV	Prime coated			
(35)	941 501 756 10	Support	/R	1	CABRIO
	941 501 756 10 GRV	Prime coated			
36	944 501 719 00	Foot support	/LL	1	
	944 501 719 00 GRV	Prime coated			
-	944 504 112 01	Water protection Hydraulic unit		1	M593

Model: 968 92

Model life 1992>>1995



Model: 968 92 Model life 1992>>1995

Pos	Part Number	Description	Remark	Qty	Model
		Side section			COUPE
1	944 503 061 10	Side section	/L	1	
(1)	944 503 062 10	Side section	/R	1	
2	944 503 903 04	Side section Outer	/L	1	
(2)	944 503 904 04	Side section Outer	/R	1	
3	944 503 611 01	Door sill	/L	1	
(3)	944 503 612 01	Door sill	/R	1	
4	944 503 517 00	Roof frame	/L	1	
(4)	944 503 518 00	Roof frame	/R	1	
5	944 503 605 01	Hinge pillar	/L	1	
(5)	944 503 606 01	Hinge pillar	/R	1	
6	944 503 068 00	Pot Tank filler neck		1	
7	951 502 215 00	Terminal piece Outer	/L	1	
(7)	951 502 216 00	Terminal piece Outer	/R	1	
8	944 503 417 00	Side section Lower	/L	1	
(8)	944 503 418 00	Side section Lower	/R	1	
(8)		Side section Lower	/R	1	
9	477 809 585	End piece	/L	1	
(9)	477 809 586	End piece	/R	1	
11	477 809 653	Bearing bracket		4	
12	477 809 655	Hinge reinforcement		4	
13	477 809 625	Reinforcement		2	
14	944 503 097 00	Reinforcement	/L	1	
(14)	944 503 098 00	Reinforcement	/R	1	
15	928 504 355 02	Gasket		4	
16	999 015 005 07	Half-round screw		4	
17	477 809 393 A	Hinge pillar Use also:	/L	1	
(17)	477 809 394 A	POS.17A Hinge pillar Use also:	/LL /R	1 1	
17A	944 502 373 00	POS.17A Mounting Switch Rear lid release	/RL	1	
18	477 809 433	Separator		2	
18	477 809 433 00	Separator		2	
19	944 502 901 04	Side section Order also:	/L	1	
(19)	944 502 902 04	POS.37 POS.39 M490: POS.38 POS.39 Side section Order also:		1 3 1 4 1	
(19)	944 502 902 04	POS.(37) POS.39 M490: POS.(38) POS.39	/R	1 3 1 4	
20	944 502 387 00	Corner plate	/L	1	
(20)	944 502 388 00	Corner plate	/R	1	
21	944 501 043 00	Wheel housing	/L	1	
(21)	944 501 044 01	Wheel-housing liner	/R	1	

Model: 968 92 Model life 1992>>1995

Pos	Part Number	Description	Remark	Qty	Model
22	944 502 401 00	Wheel housing	/L	1	
(22)	944 502 402 00	Wheel housing	/R	1	
23	944 502 425 01	Filler plate	/L	1	
(23)	944 502 426 02	Filler plate	/R	1	
24	803 803 583	Rubber sleeve		X	
24	999 703 195 40	Rubber sleeve		X	
(24)	021 119 569	Rubber sleeve		X	M650
25	944 502 059 00	Side section Upper	/L	1	
(25)	944 502 060 00	Side section Upper	/R	1	
26	477 809 397	Centre pillar	/L	1	
(26)	477 809 398	Centre pillar	/R	1	
27	944 502 049 00	Reinforcement	/L	1	
(27)	944 502 050 00	Reinforcement	/R	1	
29	944 502 439 00	Reinforcement	/L	1	
(29)	944 502 440 01	Reinforcement	/R	1	
30	944 504 095 00	Fuel filler flap		1	COUPE
(30)		Flap See group 8/02/25		1	CABRIO
31	944 504 403 00	Desk pad		X	
32	N 012 222 4	Spring washer A 5		2	
33	900 146 106 07	Oval-head screw M 5 X 12		2	
34	944 504 397 00	Stop		1	
(35)	944 555 276 00	Filler piece	/R	1	
36	951 201 049 01	Cover Lower part		1	
37	944 504 621 00	Filler neck Adapter for Loudspeaker	/L 92	1	
(37)	944 504 622 00	Adapter for Loudspeaker	/R 92	1	
38	944 504 611 01	Adapter for Loudspeaker	/L 92	1	M490
38		Adapter for Loudspeaker	/L 93	1	
38		Adapter for Loudspeaker	/L 94-	1	
(38)	944 504 612 01	Adapter for Loudspeaker	/R 92	1	M490
(38)		Adapter for Loudspeaker	/R 93	1	
(38)		Adapter for Loudspeaker	/R 94-	1	
39	N 090 114 1	Tapping screw B 3,9 X 9,5		8	
40	944 502 041 00	Side section Inner	/L	1	
(40)	944 502 042 00	Side section Inner	/R	1	
41	944 504 391 00	Hinge		1	
42	944 502 581 00	Reinforcement	/L	1	M650

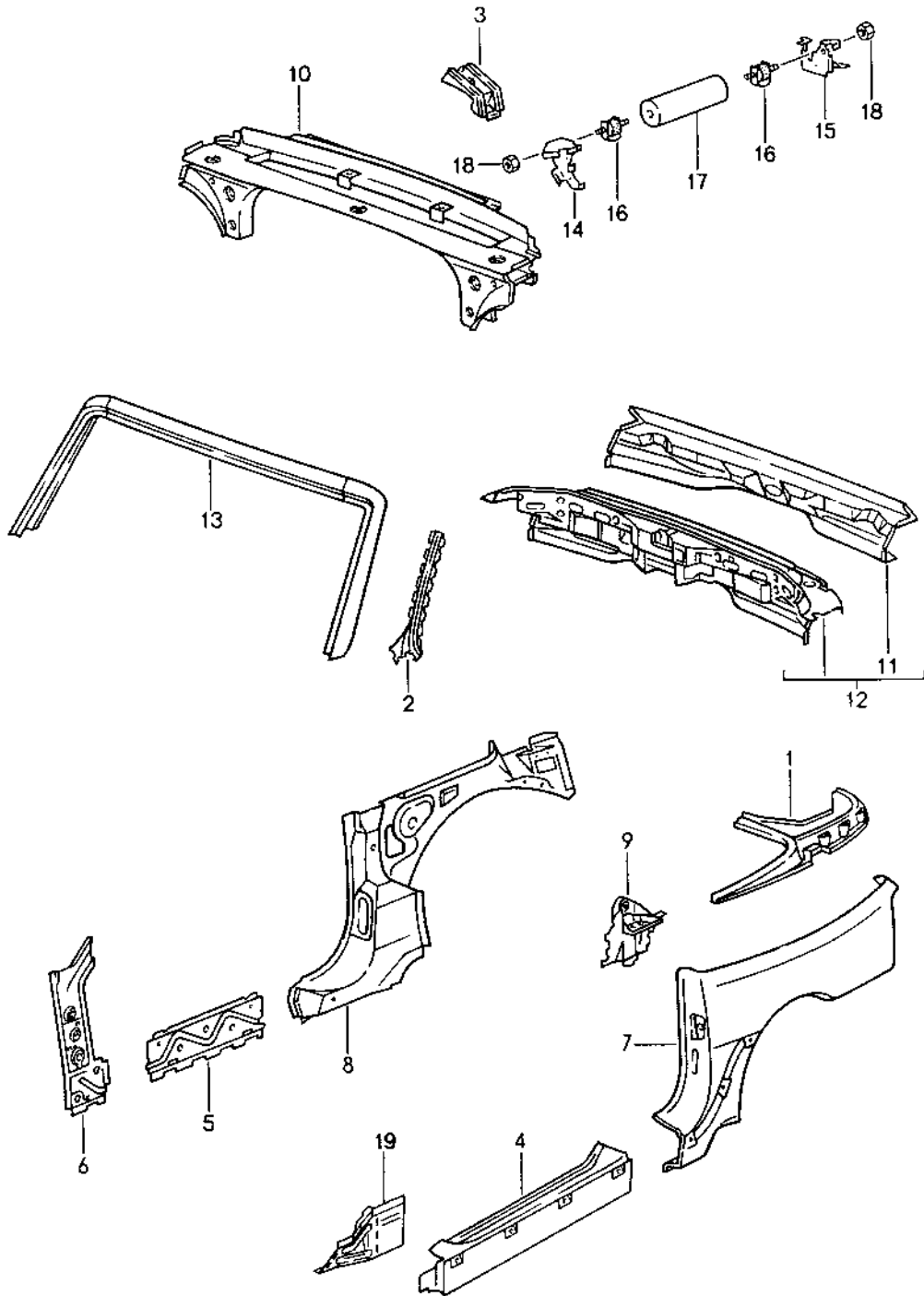
Model: 968 92

Model life 1992&gt;&gt;1995

Pos	Part Number	Description	Remark	Qty	Model
(42)	944 502 582 00	Reinforcement	/R	1	M650
43	945 502 261 00	Mounting	/L	1	
		Three-point seat belt			
(43)	945 502 262 00	Mounting	/R	1	
		Three-point seat belt			

Model: 968 92

Model life 1992>>1995



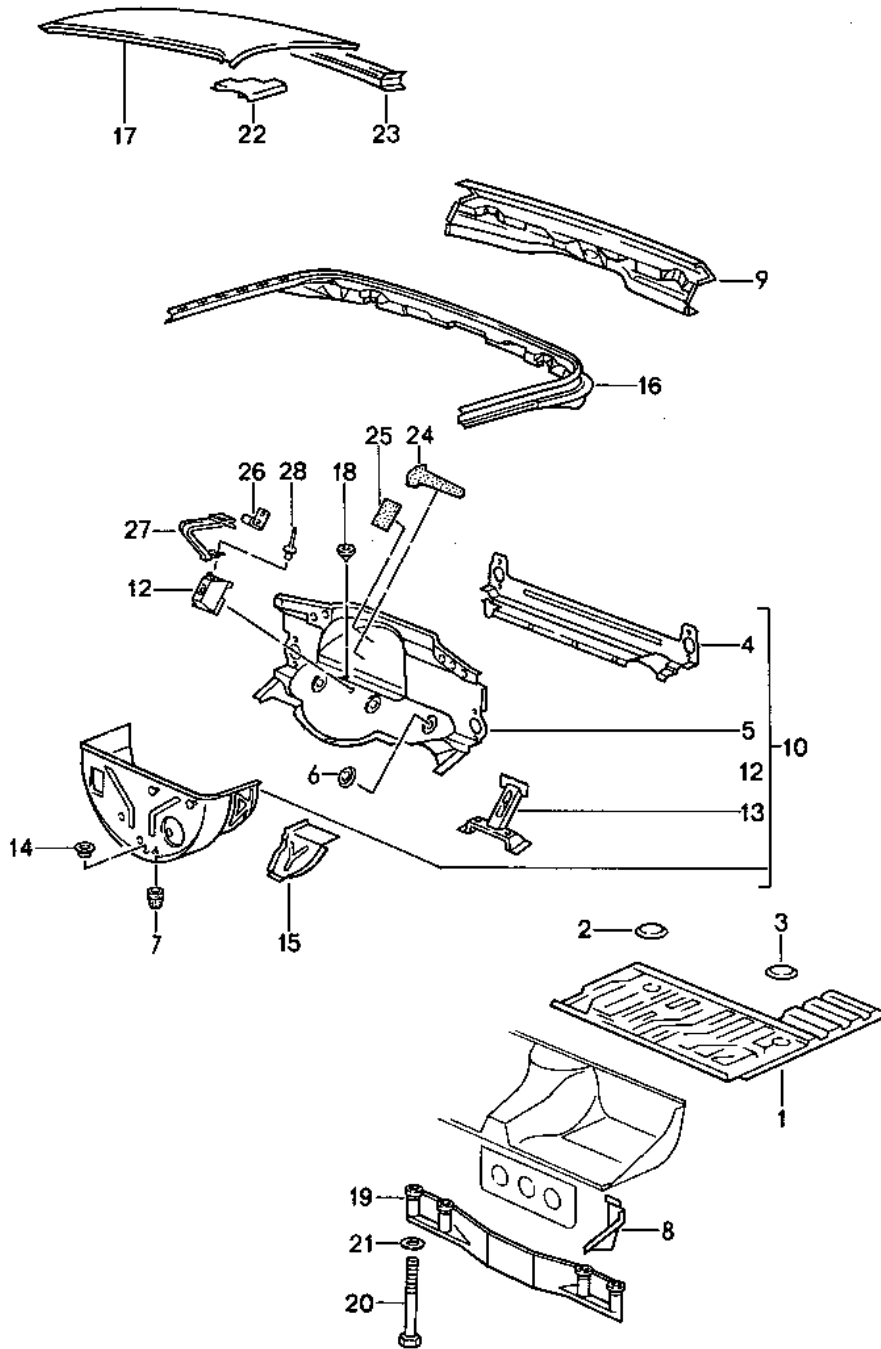
Model: 968 92

Model life 1992>>1995

Pos	Part Number	Description	Remark	Qty	Model
		Side section Windscreen frame Terminal piece			CABRIO
1	941 201 341 10	Reinforcement	/L	1	
(1)	941 201 342 10	Side section Reinforcement	/R	1	
2	941 502 325 10	Side section Reinforcement	/L	1	
(2)	941 502 326 10	Windscreen frame Reinforcement	/R	1	
3	941 201 347 10	Windscreen frame Reinforcement	/R	1	
4	941 503 311 11	Tank filler neck Lower part Door sill	/L	1	
(4)	941 503 312 11	Door sill	/R	1	
5	941 502 433 10	Separator	/L	1	
(5)	941 502 434 10	Separator	/R	1	
6	941 502 395 10	Hinge pillar	/L	1	
(6)	941 502 396 10	Hinge pillar	/R	1	
7	941 503 901 12	Side section	/L	1	
(7)	941 503 902 12	Side section	/R	1	
8	941 501 901 10	Side section	/L	1	
(8)	941 501 902 10	Side section	/R	1	
9	941 502 907 10	Convertible top support	/L	1	
(9)	941 502 908 10	Convertible top support	/R	1	
10	941 502 901 10	Cross member		1	
11	941 502 913 11	End plate		1	
12	941 502 903 11	Terminal piece		1	
13	941 502 905 10	Windscreen frame		1	
14	941 502 443 10	Support	/V	1	
15	941 502 441 10	Support	/H	1	
16	941 504 701 10	Buffer		2	
17	941 504 105 11	Vibration damper		1	
17		Vibration damper		1	
18	941 504 813 10	Nut M10		2	
19	941 503 331 10	Reinforcement	/L	1	
(19)	941 503 331 10 GRV	Prime coated			
	941 503 332 10	Reinforcement	/R	1	
	941 503 332 10 GRV	Prime coated			

Model: 968 92

Model life 1992>>1995



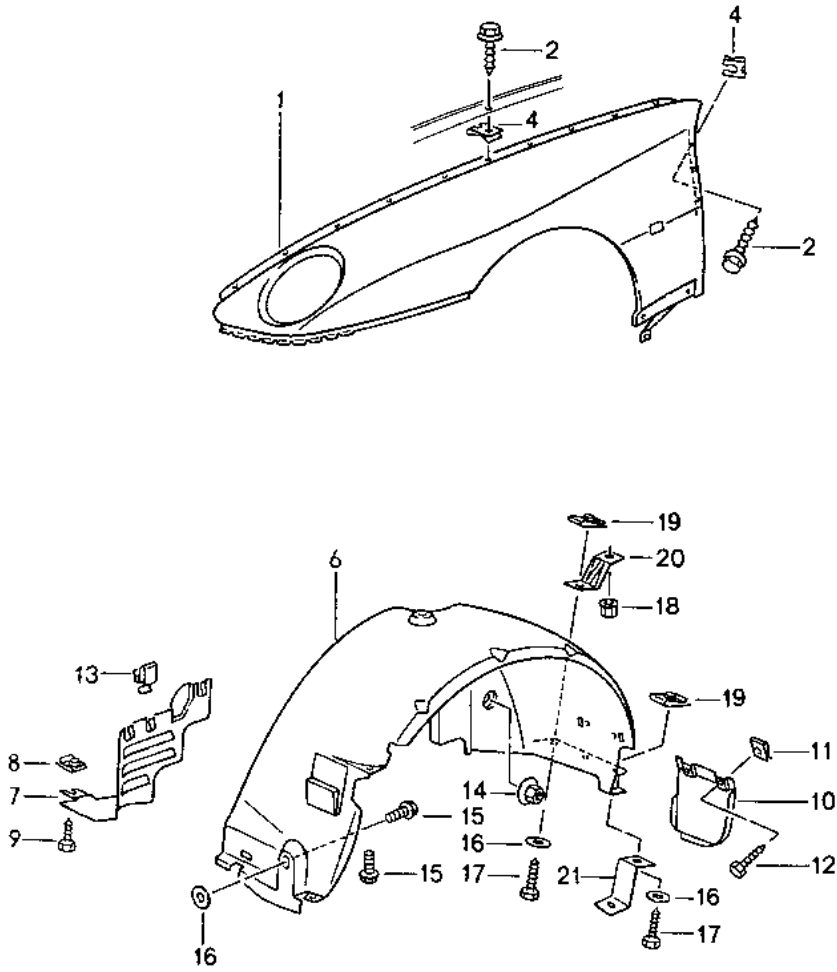


Model: 968 92 Model life 1992>>1995

Pos	Part Number	Description	Remark	Qty	Model
		Transmission carrier			
		Boot floor plate			
		Roof			
1	944 501 075 01	Boot floor plate		1	
2	944 504 207 00	Lid		1	
		Tank gauge			
3	411 803 595	Lid		1	
		136 MM \$			
4	951 502 063 00	Cross member		1	
5	951 502 801 00	End plate		1	
5		End plate		1	
		Rear			
		Lower			
	951 502 801 00 GRV	Prime coated			
6	803 803 583	Rubber sleeve		3	
6	999 703 195 40	Rubber sleeve		3	
7	111 701 309	Water drain sleeve		1	
8	477 813 145 B	Corner plate	/L	1	
(8)	477 813 146 B	Corner plate	/R	1	
9	951 503 037 00	Terminal piece		1	
		Upper			
10	951 502 081 00	Terminal piece		1	
		Lower			
12	944 502 605 00	Support		1	
13	951 502 091 01	Support		1	
		Rear muffler			
14	803 803 583 A	Stopper		2	
14	999 703 196 40	Lid		2	
15	477 813 309	Corner panel	/L	1	
(15)	944 502 210 00	Corner panel	/R	1	
16	951 502 035 00	Reinforcement	/H	1	
17	944 503 912 02	Roof		1	
(17)	944 503 912 03	Roof		1	M650
18	N 020 024 1	Stopper		2	
19	477 813 285	Transverse strut		1	
		Seat well			
20	900 074 181 02	Screw		4	
		M 10 X 95			
21	900 025 008 09	Washer		4	
		10,5			
21	900 025 008 04	Washer		4	
		10,5			
22	477 817 033	Reinforcement plate	/V /L	1	
(22)	477 817 034	Reinforcement	/V /R	1	
23	477 817 171 A	Roof frame		1	
24	944 721 701 00	Rubber support		1	
25	944 721 703 00	Rubber support		3	
26	928 502 845 02	Retaining bracket		1	
26		Retaining bracket		1	
		for			
		Restraining strap			
		Jack			
	928 502 845 02 GRV	Prime coated			
27	944 722 021 00	Restraining strap		1	
28	999 190 395 30	Blind rivet		1	
		A5X6			

Model: 968 92

Model life 1992>>1995

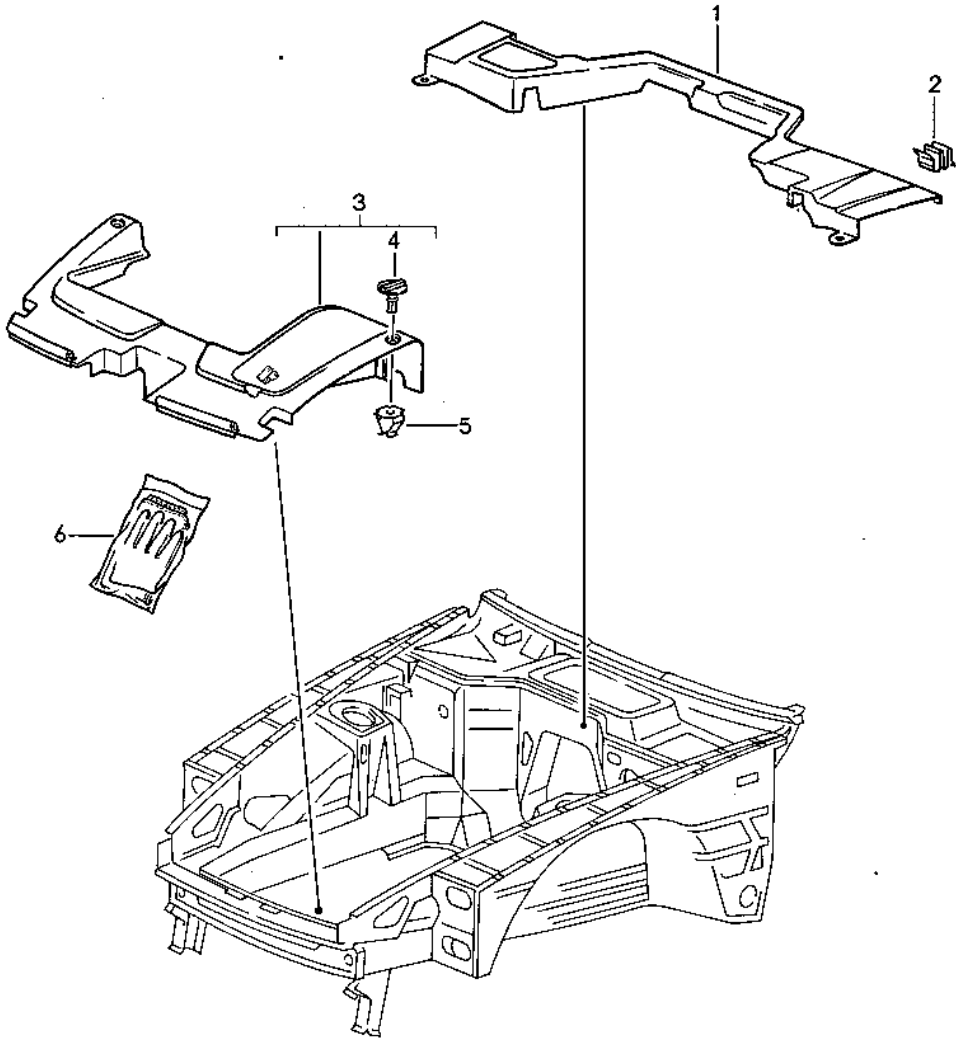


Model: 968 92 Model life 1992>>1995

Pos	Part Number	Description	Remark	Qty	Model
1	944 503 021 01	Wing	/L	1	
(1)	944 503 022 01	Wing	/R	1	
(1)	944 503 021 01	Wing	/L	1	
(1)	944 503 022 01	Wing	/R	1	
2	N 090 172 1	Combination screw		22	
3	N 013 891 1	Hexagon-head tapping screw 6,3 X 19		24	
4	999 507 003 02	Speed nut B 6,3 X 17		24	
4	999 507 003 01	Speed nut B 6,3 X 17		24	
5	N 011 524 7	Washer A 6,4		2	
5	N 011 524 27	Washer A 6,4		2	
6	944 504 381 10	Wheel-housing liner	/L	1	
(6)	944 504 382 11	Wheel-housing liner	/R	1	
7	944 504 385 01	Extension	/L	1	
(7)	944 504 386 01	Wheel-housing liner Extension	/R	1	
8	999 591 699 02	Speed nut 4,8		2	
8	999 591 699 01	Speed nut 4,8		2	
9	900 187 138 00	Combination tapping screw B 4,8 X 22		2	
9	900 187 138 01	Combination tapping screw B 4,8 X 22		2	
10	944 504 567 00	Lid	/L	1	
(10)	944 504 568 00	Lid	/R	1	
11	999 591 485 02	Speed nut B 4,8		4	
12	900 143 159 07	Combination screw B 4,8 X 19		4	
13	999 507 420 02	Clamp		2	
14	999 049 022 40	Plastic nut T 5		8	
15	900 075 355 02	Combination screw M 6 X 16		4	
15	900 075 355 01	Hexagon-head bolt M 6 X 16		4	
16	N 011 666 7	Washer B 6,4		6	
17	N 013 891 1	Hexagon-head tapping screw B 6,3		4	
18	999 049 008 40	Plastic nut T 5		2	COUPE
19	999 591 486 02	Speed nut 6,3		4	
20	944 504 281 01	Support		2	COUPE
21	944 504 281 01 GRV	Prime coated			
(21)	944 504 893 00	Support	/L	1	COUPE
(21)	944 504 893 00 GRV	Prime coated			
(21)	944 504 894 00	Support	/R	1	COUPE
(21)	944 504 894 00 GRV	Prime coated			
(21)	944 504 893 01	Support	/L	1	CABRIO
(21)	944 504 893 01 GRV	Prime coated			
(21)	944 504 894 01	Support	/R	1	CABRIO
(21)	944 504 894 01 GRV	Prime coated			

Model: 968 92

Model life 1992>>1995



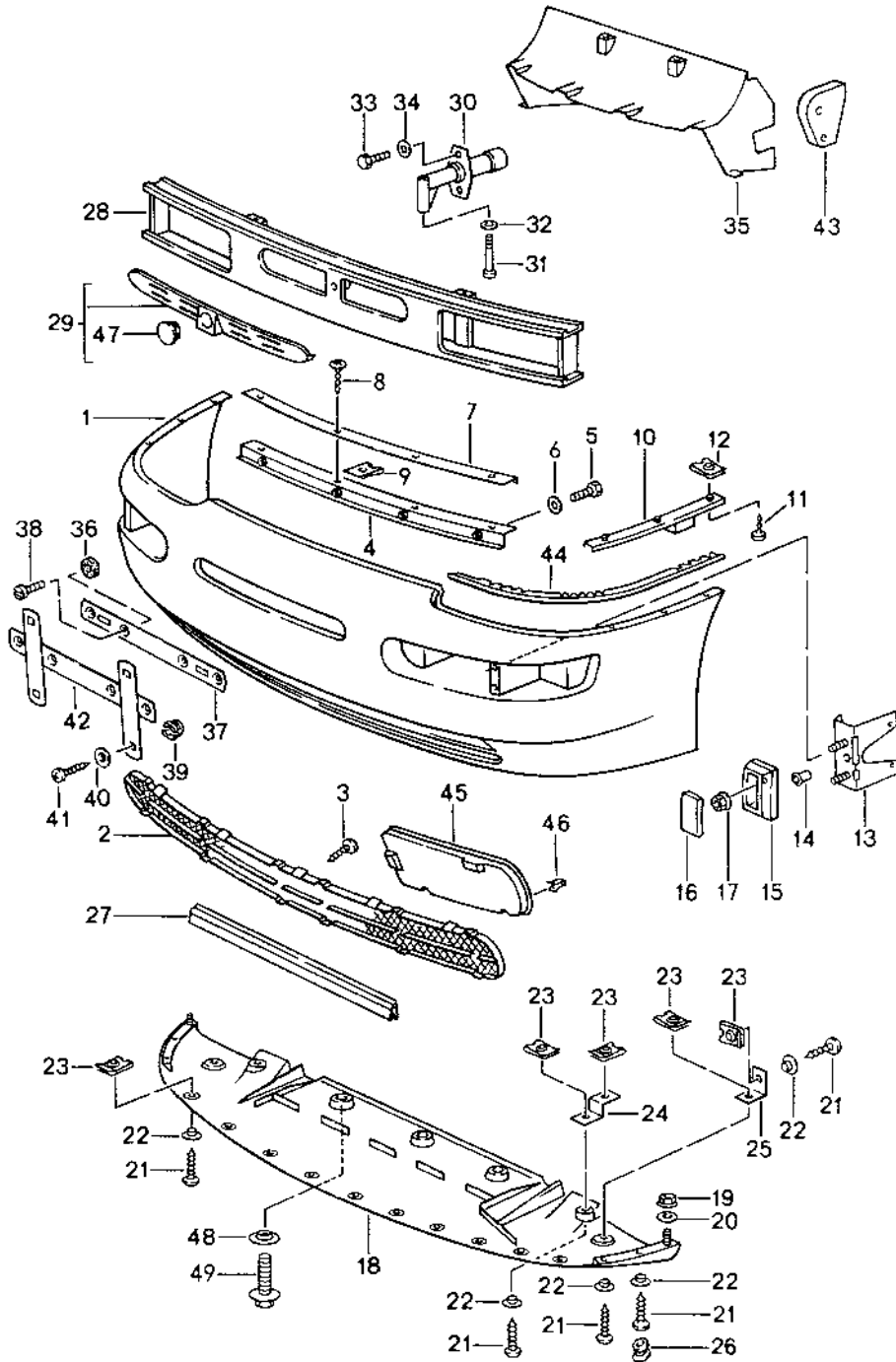
Model: 968 92

Model life 1992>>1995

Pos	Part Number	Description	Remark	Qty	Model
		Lining	-93		
		Engine compartment			
1	944 504 533 00	Cover	/H	1	
	944 504 533 00 01C	Satin black			
2	999 507 385 09	Clamp		6	
3	944 504 143 00	Cover	/V	1	
	944 504 143 00 01C	Satin black			
4	999 590 033 40	Locking bolt		2	
5	999 507 386 09	Clamp		2	
6	944 722 910 00	Set		X	
		Comprising:			
-	944 722 131 00	Gloves		1	
-	944 722 233 00	Cleaning rag		1	
-	944 722 231 00	Bag		1	

Model: 968 92

Model life 1992>>1995



Model: 968 92 Model life 1992>>1995

Pos	Part Number	Description	Remark	Qty	Model
		Front apron			
		Bumper			
1	944 505 113 00	Lining		1	
	944 505 113 00 G2X	Prime coated			
1	944 505 113 02	Lining		1	
	944 505 113 02 G2X	Prime coated			
(1)	944 505 113 01	Lining		1	M288
	944 505 113 01 G2X	Prime coated			
(1)	944 505 113 03	Lining		1	M288
	944 505 113 03 G2X	Prime coated			
2	944 505 121 00	Ventilation grille		1	
3	999 919 020 08	Oval-head screw		18	
		M3X16			
4	944 505 145 00	Retaining strip		1	
5	900 075 260 02	Hexagon-head bolt		4	
		M6X16			
6	N 011 666 7	Washer		4	
		B6,4			
7	944 505 143 00	Rail		1	
8	900 145 092 07	Tapping screw		4	
		B4,8X22			
9	999 591 699 02	Speed nut		7	
		B4,8			
9	999 591 699 01	Speed nut		7	
		B4,8			
10	944 505 173 00	Retaining strip	/L	1	
(10)	944 505 174 00	Retaining strip	/R	1	
11	900 187 138 00	Combination tapping screw		11	
		B4,8X22			
11	900 187 138 01	Combination tapping screw		11	
		B4,8X22			
12	999 591 485 02	Speed nut		7	
		B4,8			
18	944 505 075 00	Lining		1	
	944 505 075 00 01C	Satin black			
19	900 910 007 02	Lock nut		2	
		M5			
20	900 151 027 02	Washer		2	
		B5,3			
20	900 151 027 03	Washer		2	
		B5,3			
21	900 143 085 07	Tapping screw		19	
		B4,2X16			
22	951 505 157 00	Spacer		15	
23	N 902 689 01	Speed nut		19	
		B4,2			
23	999 591 742 01	Speed nut		19	
		B4,2			
24	944 505 359 00	Support		2	
25	951 505 355 00	Bracket		2	
26	944 505 347 00	Stopper		2	
	944 505 347 00 01C	Satin black			
27	944 505 523 00	Piping		1	
28	944 505 010 00	Bumper		1	
29	944 505 131 00	Trim cover		1	
	944 505 131 00 01C	Satin black			
30	944 505 017 04	Impact absorber		2	M058
(30)	944 505 018 00	Impact pipe		2	
31	900 067 084 02	Pan-head screw		2	
		M12X110			
31	900 067 084 03	Pan-head screw		2	
		M12X110			
32	900 025 009 02	Washer		2	

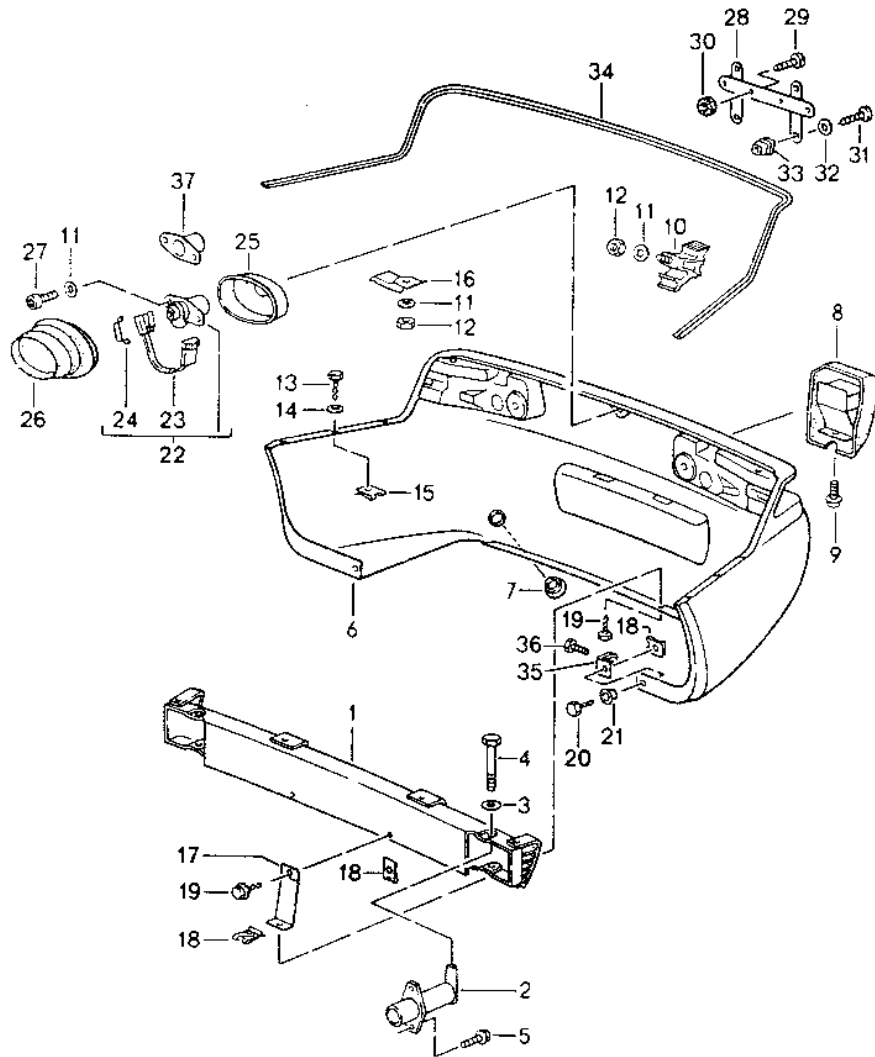
Model: 968 92 Model life 1992>>1995

Pos	Part Number	Description	Remark	Qty	Model
		A13			
33	900 075 339 08	Hexagon-head bolt M8X30		4	
33	900 075 339 01	Hexagon-head bolt M8X30		4	
34	900 025 007 02	Washer A8,4		4	
34	900 025 007 03	Washer A8,4		4	
35	944 575 141 00	Air guide		1	
(35)	944 575 141 01	Air guide		1	M573
36	928 701 133 02	Spacer		2	
37	944 701 121 00	Support		1	
38	N 014 001 1	Tapping screw B4,8X25		2	
39	999 591 498 40	Special nut		X	
40	N 011 522 8	Washer A4,3		4	
41	900 143 134 00	Tapping screw BZ4,2X9,5		4	
43	951 575 137 01	Grommet		1	M573
44	944 505 531 00	Piping	/L	1	
	944 505 531 00 01C	Satin black			
(44)	944 505 532 00	Piping	/R	1	
	944 505 532 00 01C	Satin black			
45	944 505 561 00	Cover		1	M480
46	999 591 773 03	Clamp		3	M480
47	944 505 103 00	Cap		1	
	944 505 103 00 01C	Satin black			
48	944 503 257 00	Spacer		3	
49	900 075 422 00	Combination screw M6X20		3	



Model: 968 92

Model life 1992>>1995



Model: 968 92 Model life 1992>>1995

Pos	Part Number	Description	Remark	Qty	Model
		Rear apron			
		Bumper			
1	951 505 021 00	Bracket		1	
2	944 505 018 00	Impact pipe		2	
2		Impact pipe		2	
(2)	944 505 017 04	Impact absorber		2	M058
(2)		Impact absorber		2	M058
3	900 025 009 02	Washer		2	
		A13			
4	N 010 463 1	Hexagon-head bolt		2	
		M12X110			
5	900 075 358 02	Hexagon-head bolt		4	
		M8X20			
5	900 075 085 02	Hexagon-head bolt		4	
		M8X20			
6	944 505 023 00	Lining		1	
	944 505 023 00 G2X	Prime coated			
7	951 505 103 00	Cap		1	
	951 505 103 00 G2X	Prime coated			
10	951 505 151 00	Clamping piece		4	
11	900 025 003 02	Washer		8	
		A5,3			
12	900 910 007 02	Lock nut		4	
		VM5			
13	900 187 138 00	Combination tapping screw		10	
		B4,8X22			
13	900 187 138 01	Combination tapping screw		10	
		B4,8X22			
14	999 704 158 40	Washer		10	
		5,3X18			
15	999 591 997 02	Speed nut		10	
		B4,8			
16	951 505 361 01	Clamping piece		2	
17	951 505 279 00	Bracket		2	
18	999 591 699 02	Speed nut		6	
		B4,8			
18	999 591 699 01	Speed nut		6	
		B4,8			
19	900 187 103 02	Combination screw		4	
		B4,8X16Z2			
20	900 187 134 07	Tapping screw		2	
		B4,8X16			
21	951 505 157 00	Spacer		2	
22	944 538 073 01	Lock cylinder		1	COUPE
		with stipulated lock number			
		State lock number			
(22)	944 538 911 02	Lock cylinder		1	COUPE
		W/o stipulated lock number			
		with 2 secondary keys			
(22)	941 538 073 10	Lock cylinder		1	CABRIO
		with stipulated lock number			
		State lock number			
(22)	941 538 911 10	Lock cylinder		1	CABRIO
		W/o stipulated lock number			
		with 2 secondary keys			
23	944 624 030 00	Microswitch		1	
24	999 591 910 00	Clamp		1	
25	951 505 705 00	Mounting piece		1	
26	951 505 707 00	Boot		1	
27	900 067 051 02	Pan-head screw		2	
		M 5 X 10			
29	N 013 968 7	Tapping screw		2	
		B4,8X13Z1			

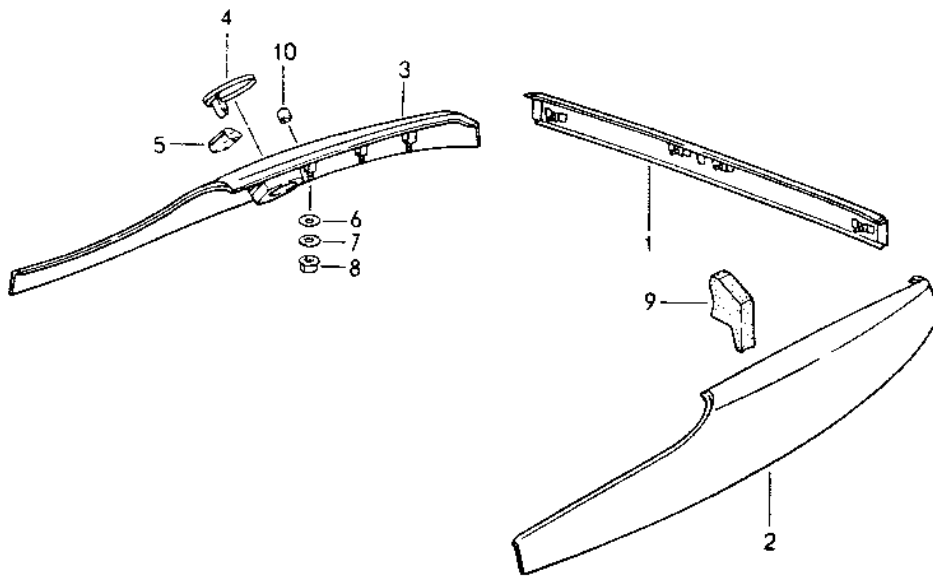
Model: 968 92

Model life 1992>>1995

Pos	Part Number	Description	Remark	Qty	Model
29	900 143 097 01	Tapping screw B4, 8X13Z1		2	
30	914 571 903 10	Sealing ring		X	
34	944 505 283 01	Piping		1	
35	944 505 765 00	Support		2	
36	900 378 058 07	Hexagon-head bolt M 5 X 10		2	
37	944 505 671 00 944 505 671 00 01C	Cap Black		1	968CS

Model: 968 92

Model life 1992>>1995



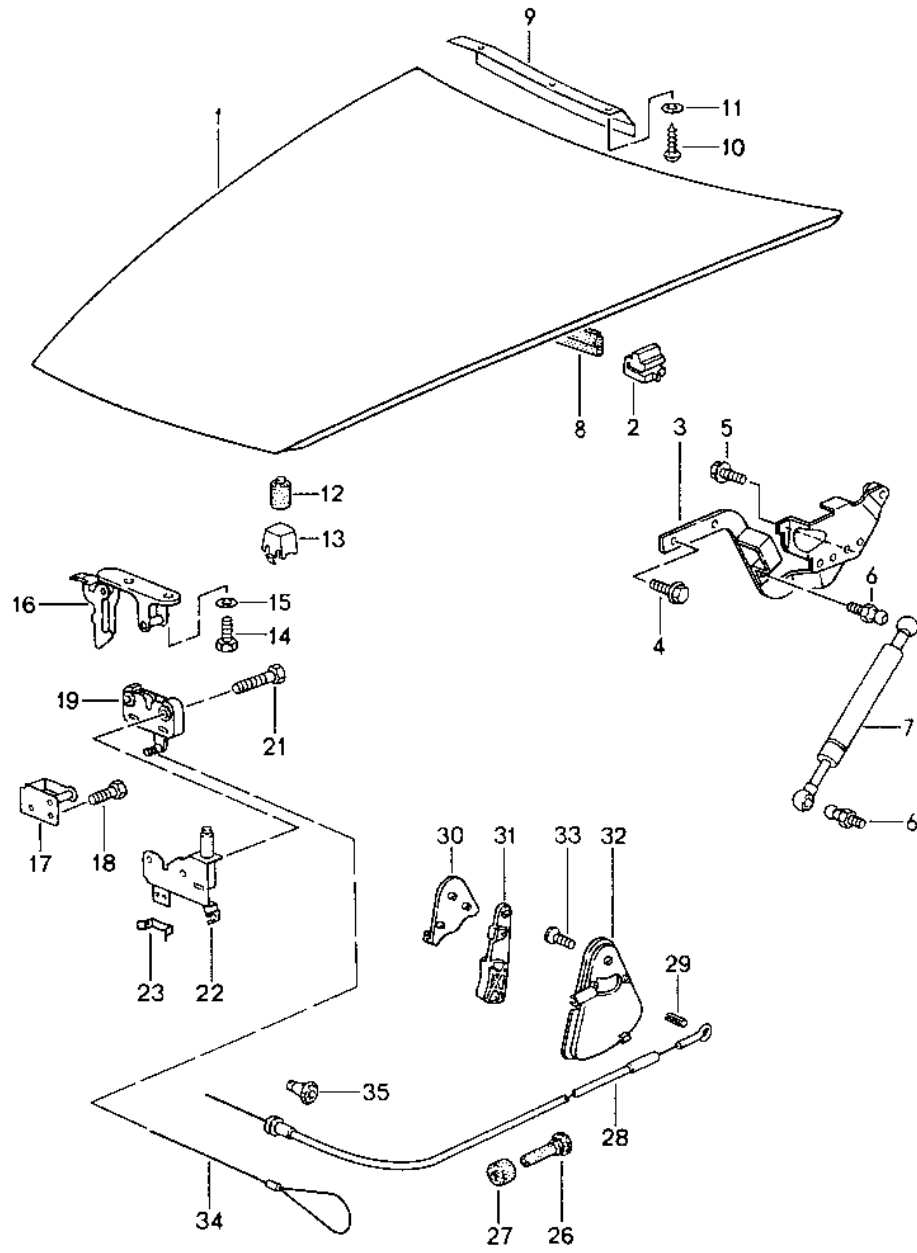
Model: 968 92

Model life 1992>>1995

Pos	Part Number	Description	Remark	Qty	Model
		Linings	/H		CABRIO
1	941 503 627 11	Terminal piece	/H	1	
2	941 503 625 10	Side section	/L	1	
3	941 503 626 10	Side section	/R	1	
4	941 504 095 10	Flap		1	
5	944 504 391 00	Hinge		1	
6	941 504 875 10	Rubber washer		14	
7	941 504 857 10	Washer		14	
8	900 377 009 02	Hexagon nut M5		14	
9	941 504 731 10	Filler piece		4	
10	941 201 361 10	Rubber buffer		2	

Model: 968 92

Model life 1992>>1995



Model: 968 92

Model life 1992>>1995

Pos	Part Number	Description	Remark	Qty	Model
1	944 511 005 13	Lid Front Actuator Bonnet		1	
1		Lid Front		1	
2	944 511 005 13 GRV	Prime coated			
2	944 511 485 00	Filler piece		2	
3	944 511 301 01	Lid hinge	/L	1	
(3)	944 511 302 01	Lid hinge	/R	1	
4	N 014 331 2	Hexagon-head bolt M 8 X 18		4	
5	N 902 180 01	Combination screw M 8 X 16		4	
6	999 167 042 02	Ball pin		4	
6	999 167 051 03	Ball pin		4	
7	944 511 351 03	Gas-pressure spring		2	
8	928 511 141 04	Gasket		1	
9	944 511 201 01	It is necessary to rework Tab washer	/LL	1	
10	900 143 157 07	Combination screw BZ4,2X13	/LL	3	
12	999 703 140 40	Rubber buffer		2	
13	928 511 203 02	Support		2	
14	999 072 005 09	Hexagon nut M 6 X 12		2	
14	999 072 005 01	Hexagon nut M 6 X 12		2	
15	N 015 404 1	Washer A 6,4		2	
15	900 223 030 02	Washer A 6,4		2	
15	900 223 003 02	Washer A 6,4		2	
16	944 511 051 00	Lid lock Upper part		1	
17	944 511 431 00	Mounting		1	
18	900 075 260 02	Hexagon-head bolt M 6 X 16		2	
19	944 511 027 00	Lock lower part Lower part		1	
21	900 075 378 02	Combination screw M 6 X 35		2	
22	944 511 331 00	Mounting		1	
23	999 591 998 00	Spring clamp		1	
26	477 823 591	Grommet		1	
27	477 823 593	Stopper		1	
28	944 511 037 01	Bowden cable		1	
28	944 511 037 02	Bowden cable Position 26 + 27 order at the same time		1	
29	900 197 018 00	Roll pin 4 X 12		1	
30	928 511 143 02	Cover		1	
	928 511 143 02 70B	Black			
31	928 511 175 02	Pull handle		1	
32	928 511 173 02	Bearing shell		1	
33	900 249 001 02	Countersunk-head screw M 6 X 15		2	
33	900 249 031 01	Countersunk-head screw M 6 X 15		2	
34	964 512 521 00	Emergency operation		1	

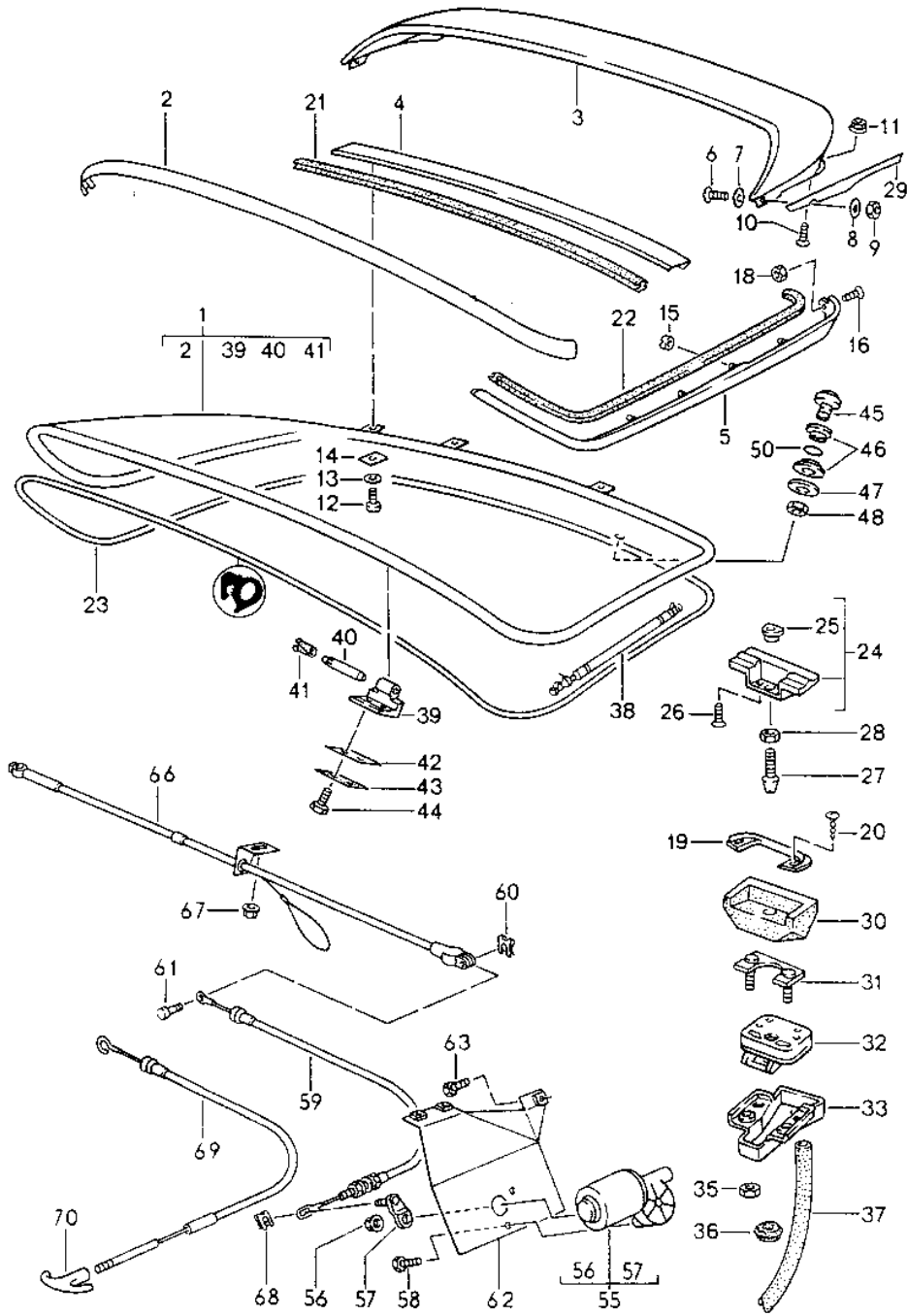
Model: 968 92 Model life 1992>>1995

Pos	Part Number	Description	Remark	Qty	Model
35	911 612 132 00	Grommet		1	968CS



Model: 968 92

Model life 1992>>1995



Model: 968 92 Model life 1992>>1995

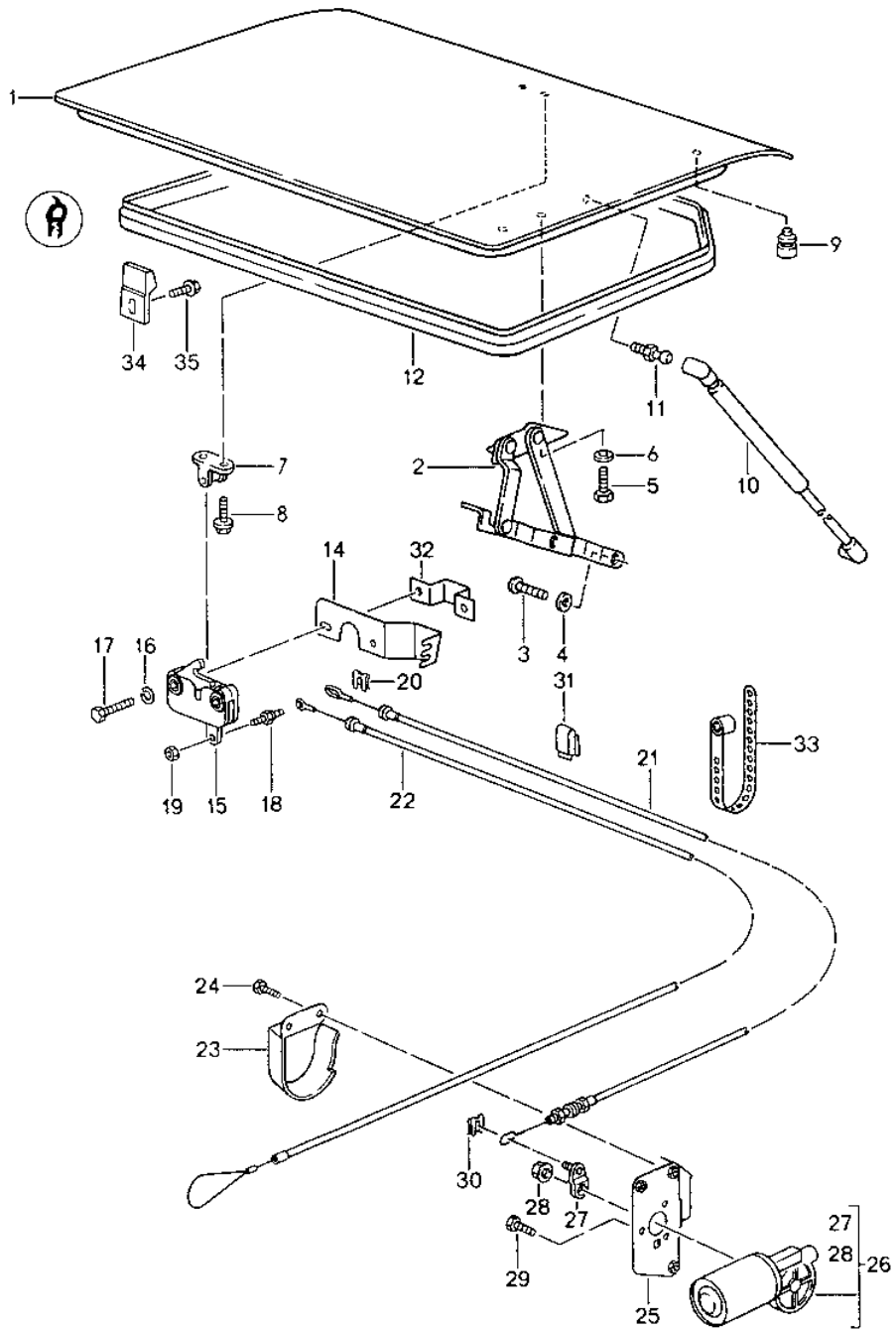
Pos	Part Number	Description	Remark	Qty	Model
		Rear lid			
		Rear spoiler			
1	968 512 929 00	Rear lid		1	
1		Rear lid		1	
1	968 512 929 01	Rear lid		1	M602
1		Rear lid		1	M602
2	477 853 313 A	Trim frame		1	
3	951 512 101 00	Rear spoiler		1	
	951 512 101 00 03C	Rally black			
4	944 512 103 00	Rear spoiler		1	
	944 512 103 00 03C	Rally black			
(4)	944 512 103 01	Rear spoiler		1	M602
	944 512 103 01 03C	Rally black			
5	951 512 405 00	Rear spoiler	/L	1	
	951 512 405 00 03C	Rally black			
(5)	951 512 406 00	Rear spoiler	/R	1	
	951 512 406 00 03C	Rally black			
6	N 033 184 1	Countersunk-head screw M 5 X 22		2	
6	N 033 184 A	Countersunk-head screw M 5 X 22		2	
7	803 955 637	Sealing washer		4	
8	900 151 027 07	Washer B 5,3 X 15		2	
9	900 034 033 07	Nut M 5		2	
10	900 269 054 07	Countersunk-head screw M 5 X 25		2	
11	900 380 001 02	Nut M 5		2	
12	N 102 158 01	Pan-head screw M 5 X 8		4	
13	900 025 053 07	Washer A 5,3 X 10		4	
14	951 512 733 01	Compensating plate		X	
15	N 021 255 1	Slotted nut M 4		14	
16	900 269 017 02	Countersunk-head screw M 5 X 12		2	
18	900 380 001 02	Nut M 5		2	
19	944 512 465 02	Additional gasket	/L	1	
(19)	944 512 466 02	Additional gasket	/R	1	
20	999 073 040 00	Tapping screw BZ 4,2 X 9,5		4	
21	951 512 603 00	Gasket		1	
22	951 512 605 02	Gasket	/L	1	
	951 512 605 02 01C	Black			
(22)	951 512 606 02	Gasket	/R	1	
	951 512 606 02 01C	Black			
23	944 512 043 00	Seal for rear lid		1	
24	944 512 021 03	Housing	/L	1	
(24)	944 512 022 03	Housing	/R	1	
25	477 827 035	Rubber mounting		2	
26	999 219 011 07	Countersunk-head screw M 6 X 16		4	
26	999 219 011 0H	Countersunk-head screw M 6 X 16		4	
26	999 219 011 0J	Countersunk-head screw M 6 X 16		4	
27	944 538 547 00	Lock pin		2	
28	N 011 151 3	Hexagon nut M 8		2	

Model: 968 92 Model life 1992>>1995

Pos	Part Number	Description	Remark	Qty	Model
29	944 512 613 00	Adhesive film	/L	1	
(29)	944 512 614 00	Adhesive film	/R	1	
30	944 512 365 02	Gasket	/L	1	
(30)	944 512 366 02	Gasket	/R	1	
31	951 512 447 00	Reinforcement plate		2	
32	944 538 056 04	Rear lid lock		2	
33	477 827 541	Water drip pan		2	
34	N 011 524 7	Washer A 6,4		4	
34	N 011 524 27	Washer A 6,4		4	
35	900 910 010 09	Lock nut M 6		4	
36	111 971 911 A	Grommet		2	
37	477 827 547	Hose 400 MM		2	
38	944 512 349 00	Gas-pressure spring	/L	1	
(38)	944 512 348 00	Gas-pressure spring	/R	1	
39	477 827 305 B	Hinge half		2	
40	944 512 311 00	Hinge pin		2	
41	477 827 441	Bush		2	
42	944 512 413 00	Gasket		2	
43	928 512 417 03	Plate		2	
44	999 218 045 07	Pan-head screw M 8 X 16 Micro-self-locking		4	
45	477 845 333	Screw plug		1	
46	477 955 439	Grommet		2	
47	477 845 331	Washer		1	
48	N 011 118 14	Hexagon nut M 8		1	
48	900 034 001 05	Hexagon nut M 8		1	
49	477 827 529 A	Sealing ring		1	
50	999 707 301 40	O-ring		1	
55	951 624 024 01	Electric motor		1	
56	999 084 045 02	Lock nut		1	
57	944 624 814 00	Lever		1	
58	999 217 004 02	Combination screw M 6 X 12		2	
59	944 512 097 04	Bowden cable		1	
60	900 116 002 01	Lock washer		1	
61	999 088 022 02	Bolt M 6		1	
62	951 504 409 00	Bracket		1	
63	900 075 363 02	Combination screw M 6 X 10		3	
65	999 168 025 00	Ball socket		1	
66	951 504 411 00	Pull rod		1	
67	900 377 010 09	Hexagon nut M 6		1	
68	999 166 054 02	Sl-lock		1	
68	999 166 054 01	Sl-lock		1	
69	944 512 097 05	Bowden cable		1	968CS
70	901 552 813 20	Handle		1	968CS

Model: 968 92

Model life 1992>>1995

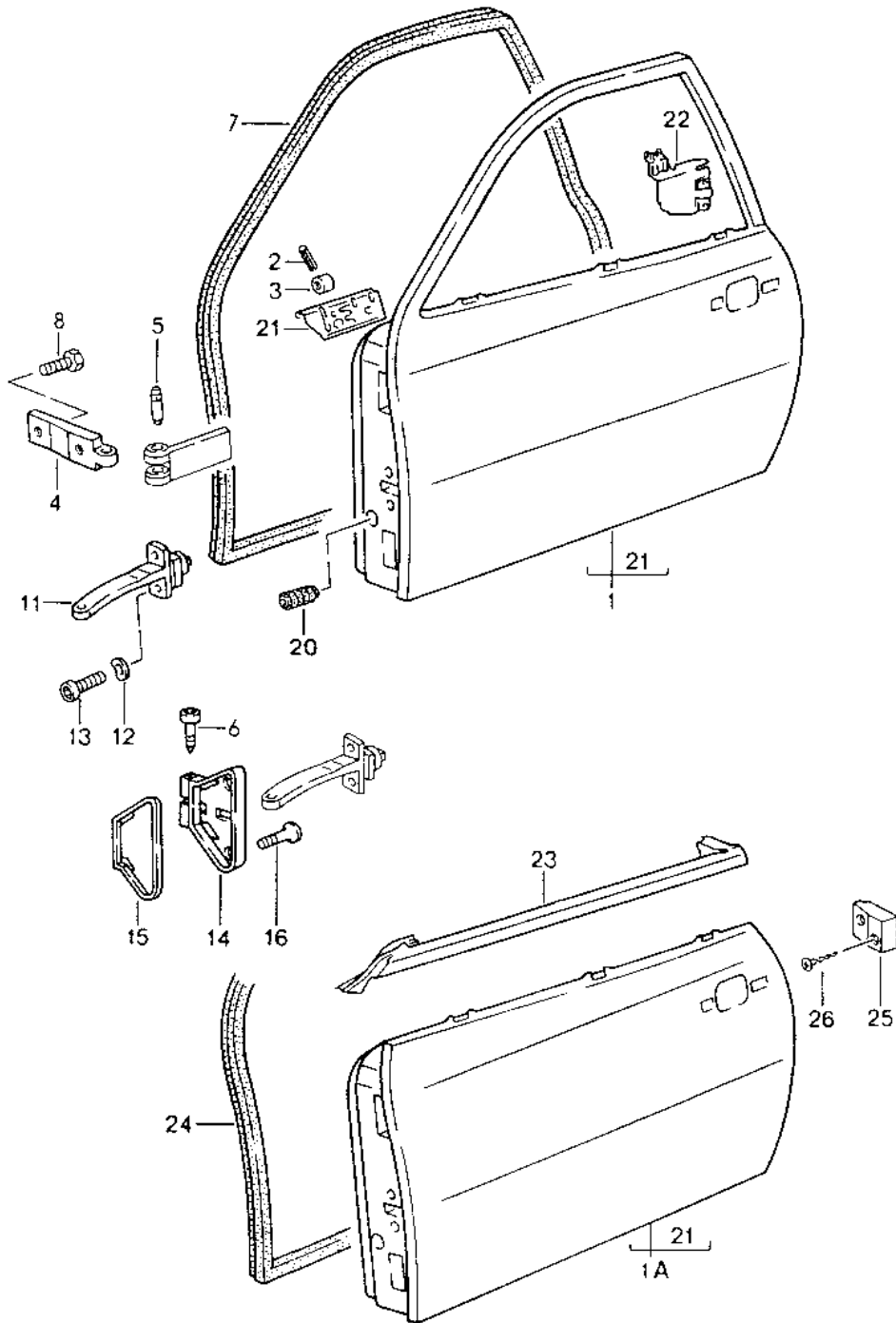


Model: 968 92 Model life 1992>>1995

Pos	Part Number	Description	Remark	Qty	Model
		Rear lid			CABRIO
1	941 512 107 10	Lid		1	
2	941 512 131 12	Lid hinge	/L	1	
	941 512 131 12 GRV	Prime coated			
2	941 512 131 12	Lid hinge	/L	1	
	941 512 131 12 GRV	Prime coated			
(2)	941 512 132 12	Lid hinge	/R	1	
	941 512 132 12 GRV	Prime coated			
3	900 075 366 02	Combination screw M 8 X 16		4	
4	900 151 008 02	Washer		4	
5	900 075 366 02	Combination screw M 8 X 16		4	
6	900 151 008 02	Washer		4	
7	941 512 103 10	Lock upper part		1	
8	N 902 180 01	Combination screw M 8 X 16		2	
9	999 703 140 40	Rubber buffer	-92	2	
9		Rubber buffer		2	
10	941 512 349 11	Gas-pressure spring		2	
11	941 512 341 10	Ball pin		4	
12	941 504 351 10	Seal for rear lid		1	
14	941 512 793 10	Mounting plate		1	
15	944 511 027 00	Lock lower part		1	
		It is necessary to rework			
16	N 012 007 2	Lock ring		2	
16	900 027 004 03	Lock ring		2	
17	900 074 015 02	Hexagon-head bolt M 6 X 30		2	
17	900 074 015 03	Hexagon-head bolt M 6 X 30		2	
18	941 512 729 10	Threaded bolt		1	
19	900 910 004 02	Lock nut M 4		1	
20	999 166 054 02	S1-lock		1	
20	999 166 054 01	S1-lock		1	
21	941 512 097 10	Bowden cable Electric		1	
22	941 512 197 10	Bowden cable Manually		1	
23	941 512 791 10	Cap		1	
24	999 217 049 08	Hexagon-head bolt M 5 X 12		3	
25	941 502 629 11	Mounting plate		1	
26	951 624 024 01	Electric motor		1	
27	944 624 814 00	Lever		1	
28	999 084 045 02	Lock nut		1	
29	999 217 004 02	Combination screw M 6 X 12		2	
30	999 166 054 02	S1-lock		1	
30	999 166 054 01	S1-lock		1	
31	944 628 181 00	Retaining clip		2	
32	941 502 635 10	Support		1	
33	999 513 049 40	Tie-wrap		2	
34	941 504 571 10	Stop		2	
35	N 014 325 1	Hexagon-head bolt M 5 X 14		2	

Model: 968 92

Model life 1992>>1995



Model: 968 92 Model life 1992>>1995

Pos	Part Number	Description	Remark	Qty	Model
1	944 531 005 06	Door	/L	1	COUPE
	944 531 005 06 GRV	Prime coated			
(1)	944 531 006 06	Door	/R	1	COUPE
	944 531 006 06 GRV	Prime coated			
1A	941 531 901 10	Door	/LL /L	1	CABRIO
(1A)	941 531 902 10	Door	/LL /R	1	CABRIO
(1A)	942 531 901 10	Door	/RL /L	1	CABRIO
(1A)	942 531 902 10	Door	/RL /R	1	CABRIO
2	N 013 295 1	Tensioning sleeve		2	
3	928 531 235 03	Threaded piece		2	
4	171 831 403	Hinge half		4	
5	321 831 421	Hinge pin		4	
6	928 537 419 03	Pan-head screw		2	
7	944 537 091 03	Door seal	/L	1	
7		Door seal	/L	1	
(7)	944 537 092 03	Door seal	/R	1	
(7)		Door seal	/R	1	
8	N 902 180 01	Combination screw M 8 X 16		8	
11	944 537 609 00	Door arrester		2	
12	N 011 524 7	Washer B 6		4	
12	N 011 524 27	Washer B 6		4	
13	900 067 008 02	Pan-head screw M 6 X 12		4	
13	900 067 008 03	Pan-head screw M 6 X 12		4	
14	928 537 417 02	Bearing bracket	/L	1	
14	928 537 417 03	Bearing bracket	/L	1	
(14)	928 537 418 02	Bearing bracket	/R	1	
15	928 537 425 02	Desk pad	/L	1	
(15)	928 537 426 02	Desk pad	/R	1	
16	928 537 459 02	Oval-head screw M 6 X 20		4	
20	477 971 910	Bellows		2	
21	944 531 239 04	Reinforcement	/L	1	COUPE
	944 531 239 04 GRV	Prime coated			
(21)	944 531 240 04	Door mirror Reinforcement	/R	1	COUPE
	944 531 240 04 GRV	Prime coated			
(21)	941 531 239 13	Door mirror Reinforcement	/LL /L	1	CABRIO
(21)	941 531 240 13	Door mirror Reinforcement	/LL /R	1	CABRIO
(21)	942 531 239 13	Door mirror Reinforcement	/RL /L	1	CABRIO
(21)	942 531 240 13	Door mirror Reinforcement	/RL /R	1	CABRIO
22	944 531 135 00	Cover plate	/L	1	
(22)	944 531 136 00	Cover plate	/R	1	
23	941 537 093 10	Sealing strip Outer	/L	1	CABRIO
(23)	941 537 094 10	Sealing strip Outer	/R	1	CABRIO
(23)	941 537 572 10	Sealing for door slot Inner	/L	1	CABRIO
(23)	941 537 572 20	Sealing for door slot Inner	/L	1	CABRIO
(23)	941 537 572 10	Sealing for door slot Inner	/R	1	CABRIO

Model: 968 92

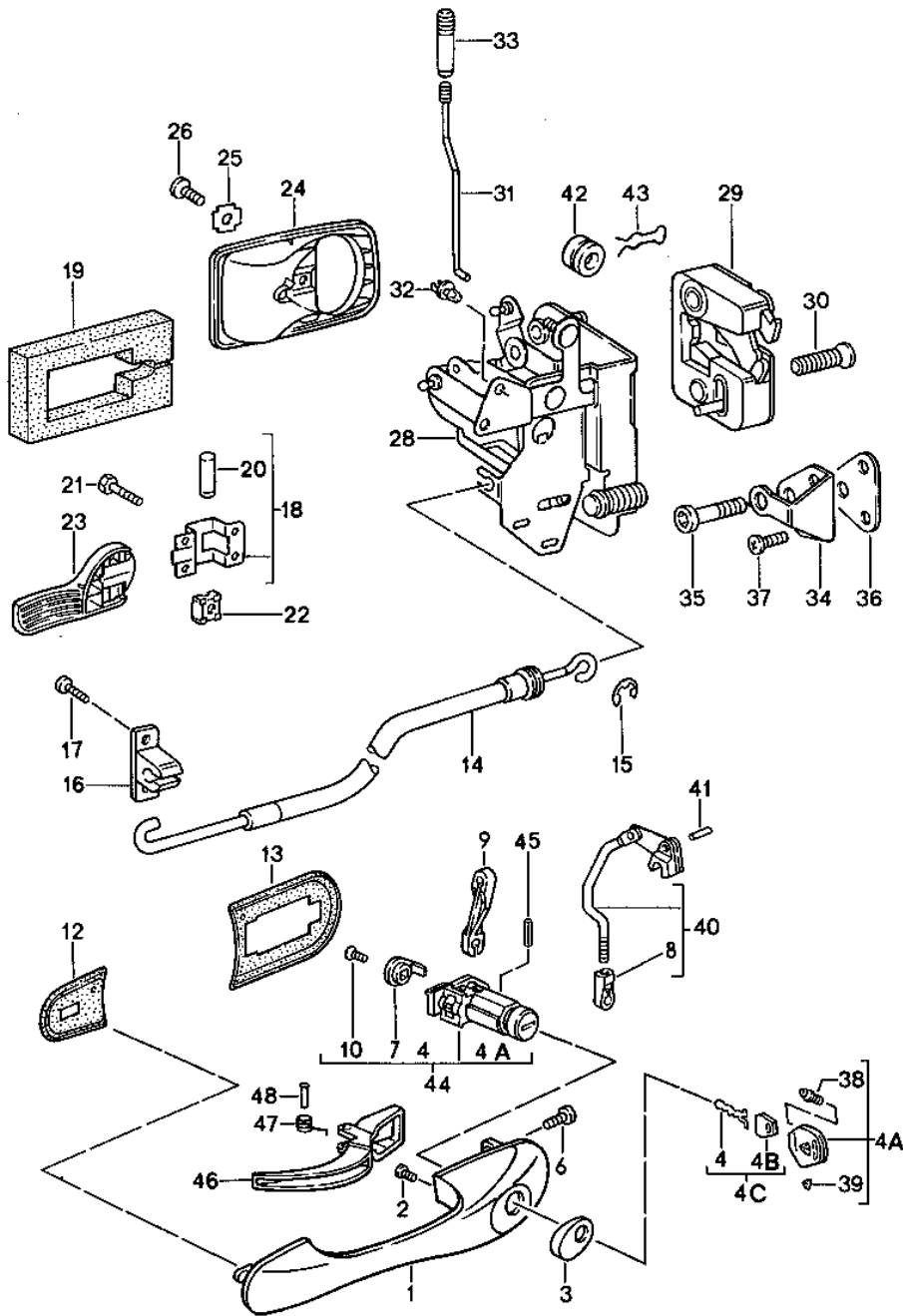
Model life 1992&gt;&gt;1995

Pos	Part Number	Description	Remark	Qty	Model
(23)	941 537 572 20	Sealing for door slot Inner	/R	1	CABRIO
24	941 537 091 10	Door seal	/L	1	CABRIO
(24)	941 537 092 10	Door seal	/R	1	CABRIO
25	941 504 911 10	Wedge		2	CABRIO
26	900 144 034 07	Tapping screw B 4,2 X 16		4	CABRIO
26	900 144 034 0G	Tapping screw B 4,2 X 16		4	CABRIO



Model: 968 92

Model life 1992>>1995



Model: 968 92 Model life 1992>>1995

Pos	Part Number	Description	Remark	Qty	Model
1	944 537 661 04	Outer door handle			
		Door lock			
	944 537 661 04	Outer door handle	/L	1	
	944 537 661 04 G2X	Light grey			
(1)	944 537 662 04	Outer door handle	/R	1	
	944 537 662 04 G2X	Light grey			
2	999 218 079 02	Oval-head screw		2	
		M3X5			
		Micro-self-locking			
3	944 537 611 00	Rosette	/L	1	
(3)	944 537 612 00	Rosette	/R	1	
4	944 538 331 00	Blank key		2	
4A	944 538 041 00	Key lamp		1	
4A	944 538 041 01	Key lamp		1	
4B	944 538 431 00	Key cap		1	
4C	944 538 933 00	Key		1	
		with stipulated lock number			
		State lock number			
		Information available			
6	900 067 328 02	Pan-head screw		2	
		M 6 X 10			
7	477 837 497	Driver		2	
8	999 168 004 40	Ball socket		2	
9	477 837 505 A	Connecting piece	/L	1	
(9)	477 837 506 A	Connecting piece	/R	1	
10	N 033 165 1	Countersunk-head screw		2	
		AM 4 X 8			
12	944 537 621 00	Desk pad	/L /V	1	
(12)	944 537 622 00	Desk pad	/R /V	1	
13	944 537 631 00	Desk pad	/L /H	1	
(13)	944 537 632 00	Desk pad	/R /H	1	
14	477 837 017 A	Bowden cable		2	
15	999 166 054 02	S1-lock		2	
		3,2			
15	999 166 054 01	S1-lock		2	
		3,2			
16	477 837 115 A	Support		2	
17	999 217 029 02	Hexagon-head bolt		4	
		M 6 X 10			
		Self-locking			
(17)	PCG 217 029 02	Hexagon-head bolt		4	
		M 6 X 10			
		Self-locking			
18	944 537 029 00	Inner door release	/L	1	
(18)	944 537 030 00	Inner door release	/R	1	
19	477 831 304 A	Seal		2	
20	N 013 666 1	Rivet		2	
		B 4 X 32			
21	999 217 029 02	Hexagon-head bolt		8	
(21)	PCG 217 029 02	Hexagon-head bolt		8	
		M 6 X 10, SELBSTSICHERND			
22	477 837 521	Captive nut		8	
23	944 537 225 00	Handle	/L	1	
		Inner door release			
	944 537 225 00 3DL	Black			
	944 537 225 00 4XC	Classic grey			
	944 537 225 00 6ZF	Cobalt blue	-93		
	944 537 225 00 6WX	Magenta	-93		
	944 537 225 00 9ZN	Light grey	-93		
	944 537 225 00 3UD	Cashmere beige			
	944 537 225 00 9JJ	Marine blue	-93		
	944 537 225 00 2GS	Midnight blue	94-		
	944 537 225 00 4PV	Chestnut brown	94-		

Model: 968 92 Model life 1992>>1995

Pos	Part Number	Description	Remark	Qty	Model
(23)	944 537 225 00 3BE	Marble grey	94-	1	
	944 537 226 00	Handle	/R		
		Inner door release			
	944 537 226 00 3DL	Black			
	944 537 226 00 4XC	Classic grey			
	944 537 226 00 6ZF	Cobalt blue	-93		
	944 537 226 00 6WX	Magenta	-93		
	944 537 226 00 9ZN	Light grey	-93		
	944 537 226 00 3UD	Cashmere beige			
	944 537 226 00 9JJ	Marine blue	-93		
	944 537 226 00 2GS	Midnight blue	94-		
	944 537 226 00 4PV	Chestnut brown	94-		
	944 537 226 00 3BE	Marble grey	94-		
24	944 537 229 00	Rosette			
	944 537 229 00 3DL	Black			
	944 537 229 00 4XC	Classic grey			
	944 537 229 00 6ZF	Cobalt blue	-93		
	944 537 229 00 6WX	Magenta	-93		
	944 537 229 00 9ZN	Light grey	-93		
	944 537 229 00 3UD	Cashmere beige			
	944 537 229 00 9JJ	Marine blue	-93		
	944 537 229 00 2GS	Midnight blue	94-		
	944 537 229 00 4PV	Chestnut brown	94-		
	944 537 229 00 3BE	Marble grey	94-		
26	N 014 216 1	Countersunk-head screw		2	
		AM 5 X 10			
28	928 537 053 09	Door lock	/LL /L	1	
		Inner part			
(28)	928 537 054 10	Door lock	/LL /R	1	
		Inner part			
(28)	927 537 053 10	Door lock	/RL /L	1	
		Inner part			
(28)	927 537 054 09	Door lock	/RL /R	1	
		Inner part			
29	928 537 153 03	Door lock	/L	1	
		Outer part			
(29)	928 537 154 03	Door lock	/R	1	
		Outer part			
30	928 537 721 02	Oval-head screw		4	
		M 8 X 35			
31	477 837 183 A	Locking rod		2	M525/533
(31)	477 837 183 B	Locking rod			
32	477 837 187	Clip		2	
33	944 637 238 00	Knob			
	944 637 238 00 01C	Black		2	968CS
(33)	944 555 359 01	Knob			
	944 555 359 01 01C	Black			
34	928 537 133 04	Door lock striker		2	
35	928 537 131 03	Lock pin			
36	928 537 135 04	Desk pad		2	
37	900 249 022 02	Countersunk-head screw			
		M 8 X 20			
38	928 537 630 02	Bulb		1	
		E 5,5			
39	944 538 443 00	Crest		1	
40	944 537 261 02	Reverse lever	/L		
(40)	944 537 262 02	Reverse lever	/R	1	
(41)	944 537 637 00	Pin			
42	928 537 613 02	Weight		2	
43	928 537 615 02	Spring clamp			
44	944 537 937 00	Lock cylinder	/L	1	
		W/o stipulated lock number			
		When required order also:			

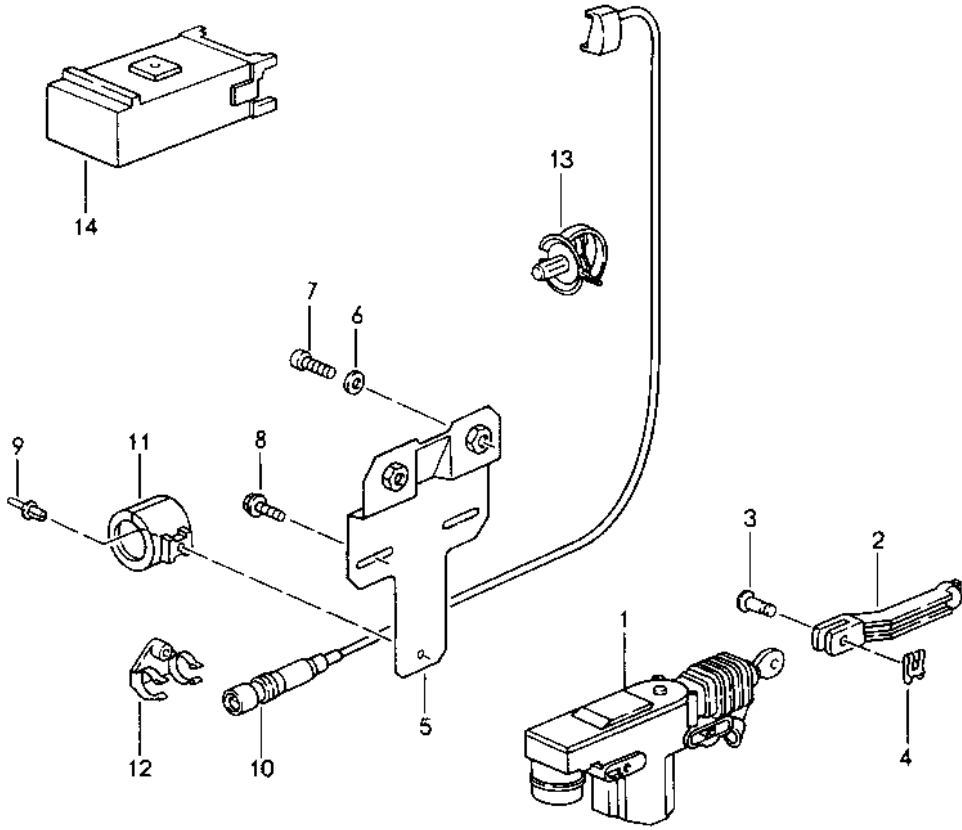
Model: 968 92

Model life 1992>>1995

Pos	Part Number	Description	Remark	Qty	Model
(44)	944 537 937 01	911.613.133.00 Lock cylinder with stipulated lock number When required order also: 911.613.133.00	/L	1 1	
(44)	944 537 938 00	911.613.133.00 Lock cylinder W/o stipulated lock number When required order also: 911.613.133.00	/R	1 1	
(44)	944 537 938 01	911.613.133.00 Lock cylinder with stipulated lock number When required order also: 911.613.133.00	/R	1 1	
-		Grease for lock cylinder See group 0/05/00		1 1	
45	900 309 041 00	Roll pin 2X12		2	
46	944 537 671 00	Actuating lever	/L	1	
(46)	944 537 672 00	Actuating lever	/R	1	
47	944 537 655 00	Tensioning spring		2	
48	944 537 243 00	Clinch pin		2	

Model: 968 92

Model life 1992>>1995



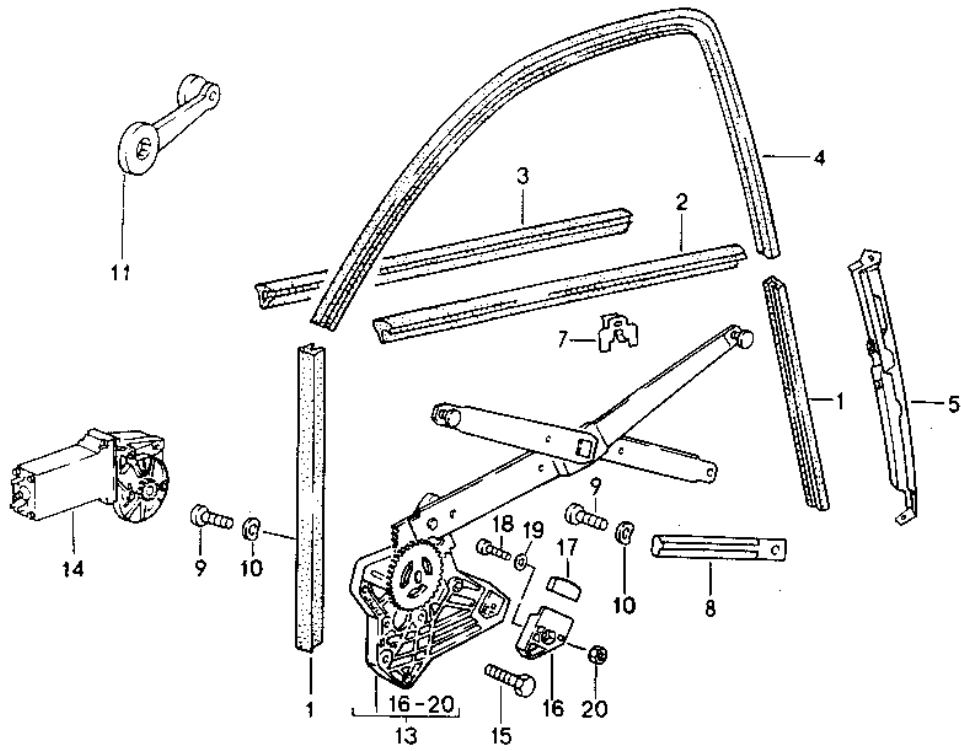
Model: 968 92

Model life 1992>>1995

Pos	Part Number	Description	Remark	Qty	Model
1	928 624 211 00	Central locking system Transmission element		2	
2	944 537 511 00	Operating rod		2	
3	N 100 438 01	Bolt		2	
4	N 012 644 1	Lock		2	
5	944 537 151 00	Mounting plate		2	
6	N 011 524 7	Washer A 6,4		4	
6	N 011 524 27	Washer A 6,4		4	
7	N 014 765 2	Pan-head screw M 6 X 10		4	
8	999 919 035 02	Hexagon-head bolt		4	
9	N 038 504 1	Expansion rivet 15 X 7,5		2	
10	964 613 134 00	Microswitch		2	
11	944 612 450 01	Support		2	
12	321 971 898 B	Support		2	
13	944 612 555 00	Cable holder		14	
14		Alarm control unit See group 9/09/00		1	

Model: 968 92

Model life 1992>>1995



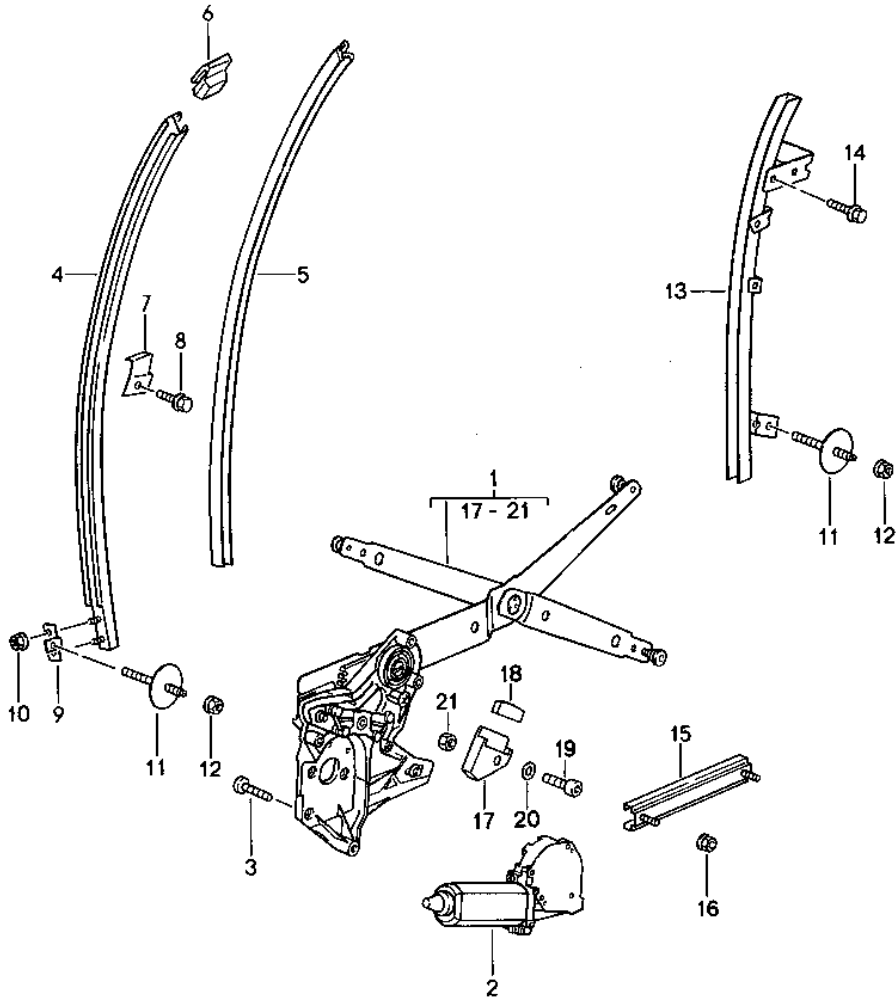
Model: 968 92 Model life 1992>>1995

Pos	Part Number	Description	Remark	Qty	Model
		Power windows			COUPE
		Window guide			
1	477 837 385	Window guide		4	
2	477 837 469 A	Sealing strip	/L	1	
		Outer			
(2)	477 837 470 A	Sealing strip	/R	1	
		Outer			
3	477 837 471 A	Sealing for door slot		2	
		Inner			
4	944 537 079 00	Window guide	/L	1	
(4)	944 537 080 00	Window guide	/R	1	
5	944 531 103 00	Window guide rail	/L	1	
(5)	944 531 104 00	Window guide rail	/R	1	
7	171 837 485	Clamp		10	
8	944 537 589 00	Guide rail		2	
9	999 217 029 02	Hexagon-head bolt		12	
		M 6 X 10			
		Self-locking			
(9)	PCG 217 029 02	Hexagon-head bolt		12	
		M 6 X 10			
		Self-locking			
10	N 011 652 1	Washer		12	
		A 7 X 12			
11	944 555 057 01	Window crank		2	968CS
	944 555 057 01 3DL	Black			
13	944 537 941 01	Cross-arm	/L	1	
(13)	944 537 942 01	Cross-arm	/R	1	
(13)	944 537 041 00	Cross-arm	/L	1	968CS
(13)	944 537 042 00	Cross-arm	/R	1	968CS
14	477 959 123 A	Engine and transmission	/L	1	
(14)	477 959 124 A	Engine and transmission	/R	1	
15	N 014 228 4	Countersunk-head screw		6	
		AM 6 X 12			
16	944 537 981 00	Stop	/L	1	
		Lower			
16		Stop	/R	1	
		Upper			
(16)	944 537 982 00	Stop	/L	1	
		Upper			
(16)		Stop	/R	1	
		Lower			
17	944 537 983 00	Insert		4	
18	N 014 707 2	Pan-head screw		4	
		M8X15			
18	900 067 131 03	Pan-head screw		4	
		M8X15			
19	900 336 004 02	Lock washer		4	
20	N 011 118 8	Nut		4	
		M8			
20	900 034 001 03	Nut		4	
		M8			
20	900 034 001 04	Nut		4	
		M8			
		electrical components			
		Power windows			
		See group			
		9/02/27,9/03/00			



Model: 968 92

Model life 1992>>1995



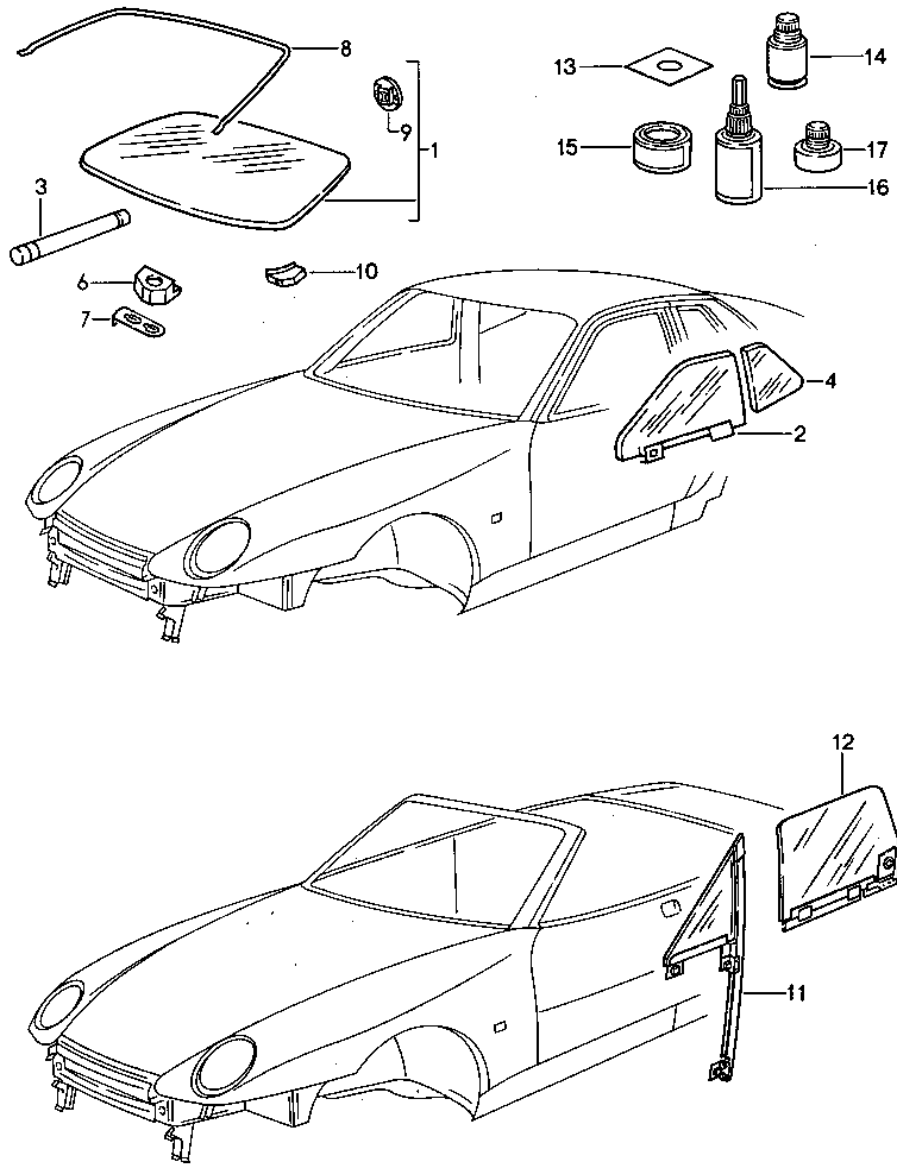
Model: 968 92

Model life 1992>>1995

Pos	Part Number	Description	Remark	Qty	Model
		Power windows			CABRIO
		Window guide			
(1)	941 537 901 10	Cross-arm	/L	1	
1	941 537 902 10	Cross-arm	/R	1	
(2)	477 959 123 A	Engine and transmission	/L	1	
2	477 959 124 A	Engine and transmission	/R	1	
3	N 014 228 4	Countersunk-head screw AM 6 X 12		6	
(4)	941 531 505 10	Window guide rail	/V /L	1	
4	941 531 506 10	Window guide rail	/V /R	1	
5	941 531 530 10	Window guide		2	
(6)	941 531 527 10	Terminal piece	/L	1	
6	941 531 528 10	Terminal piece	/R	1	
(7)	941 531 521 10	Support	/L	1	
7	941 531 522 10	Support	/R	1	
8	900 075 355 02	Combination screw M6X16		2	
8	900 075 355 01	Hexagon-head bolt M6X16		2	
(9)	941 531 525 10	Support	/L	1	
9	941 531 524 10	Support	/R	1	
10	941 531 637 10	Hexagon nut M6		4	
11	941 504 723 12	Threaded bolt		4	
11		Threaded bolt		4	
12	941 531 637 10	Hexagon nut M6		4	
(13)	941 531 511 10	Window guide rail	/H /L	1	
13	941 531 512 10	Window guide rail	/H /R	1	
14	900 075 355 02	Combination screw M6X16		2	
14	900 075 355 01	Hexagon-head bolt M6X16		2	
15	941 537 499 10	Guide rail		2	
16	941 531 637 10	Hexagon nut M6		4	
17	944 537 982 00	Stop Lower	/R	1	
17		Stop Upper	/L	1	
(17)	944 537 981 00	Stop Upper	/R	1	
(17)		Stop Lower	/L	1	
18	944 537 983 00	Insert		4	
19	N 014 707 2	Pan-head screw M8X15		4	
19	900 067 131 03	Pan-head screw M8X15		4	
20	900 336 004 02	Lock washer		4	
21	N 011 118 8	Nut M8		4	
21	900 034 001 03	Nut M8		4	
21	900 034 001 04	Nut M8		4	

Model: 968 92

Model life 1992>>1995



Model: 968 92 Model life 1992>>1995

Pos	Part Number	Description	Remark	Qty	Model
1	944 541 011 13	window glazing Windscreen Clear with Antenna		1	COUPE
(1)	944 541 011 12	Windscreen Tinted with Antenna		1	COUPE
(1)	944 541 011 14	Windscreen Green top tint with Antenna		1	COUPE
(1)	941 541 011 10	Windscreen Tinted with Antenna		1	CABRIO
(1)	941 541 011 11	Windscreen Clear with Antenna		1	CABRIO
2	944 542 023 01	Door window glass Tinted	/L	1	COUPE
(2)	944 542 024 01	Door window glass Tinted	/R	1	COUPE
3	999 915 509 40	Adhesive set		1	
3	000 043 038 01	Adhesive set Windscreen Side window		1	COUPE
(3)	000 043 204 82	Adhesive for Cover strip		X	
4	944 543 011 00	Side window Tinted	/L	1	
(4)	944 543 012 00	Side window Tinted	/R	1	
6	944 559 031 02	Spacer		2	
7	944 559 337 00	Fastening part		2	
8	944 559 535 03	Cover strip		1	
8	944 559 535 05	Cover strip		1	
8	944 559 535 06	Cover strip		1	
8	993 541 225 01	It is necessary to rework Covering frame		1	CABRIO
8	993 541 925 00	It is necessary to rework Covering frame		1	CABRIO
8	993 541 925 00	It is necessary to rework Covering frame		1	CABRIO
9	477 845 043	Retainer plate Interior mirror		1	
10	944 559 341 00	Stopper	/L	1	
(10)	944 559 342 00	Stopper	/R	1	
11	941 542 901 10	Side window Tinted	/L	1	CABRIO
(11)	941 542 902 10	Side window Tinted	/R	1	CABRIO
12	941 542 903 10	Door window glass Tinted	/L	1	CABRIO
(12)	941 542 904 10	Door window glass Tinted Adhesive for Interior mirror See technical information GR.6 NR.5/91	/R	1	CABRIO

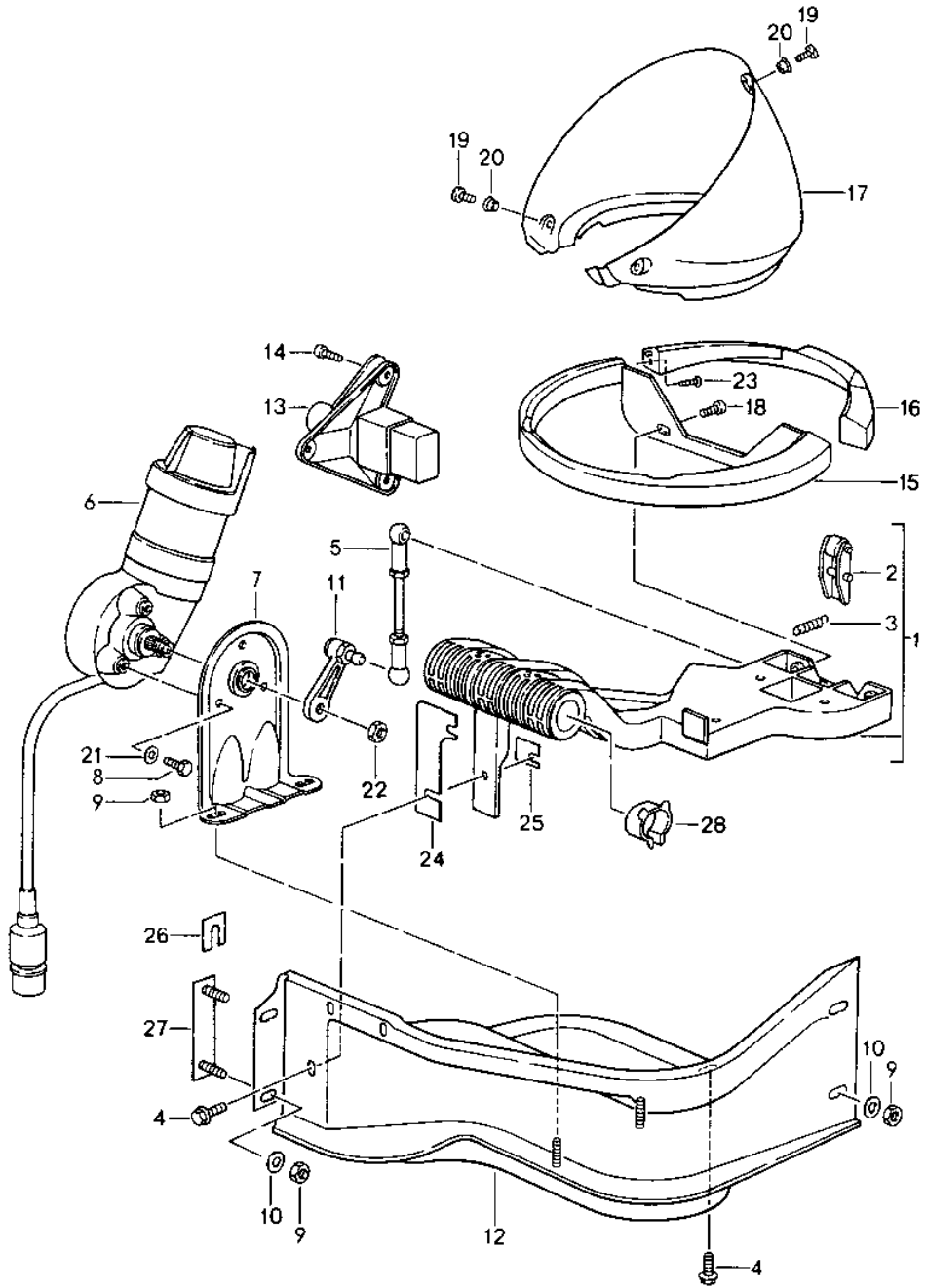
Model: 968 92

Model life 1992>>1995

Pos	Part Number	Description	Remark	Qty	Model
13	000 043 177 00	Cover foil		1	
14	000 043 157 00	Cleaning agent		X	
15	000 043 158 00	Primer PRIMER		X	
16	000 043 051 00	Loctite		X	
17	000 043 202 65	Loctite AKTIVATOR NF 736		X	

Model: 968 92

Model life 1992>>1995



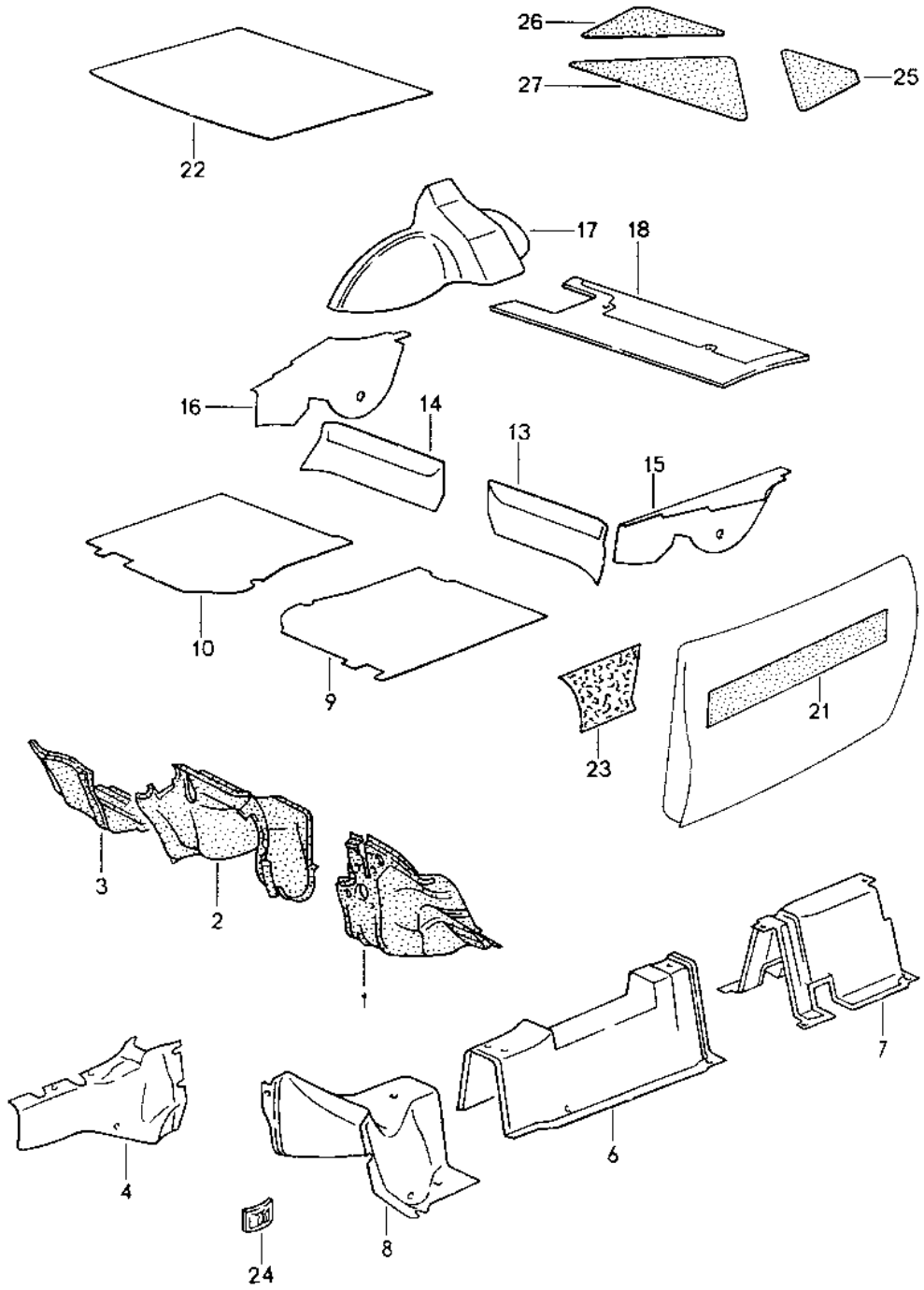
Model: 968 92

Model life 1992&gt;&gt;1995

Pos	Part Number	Description	Remark	Qty	Model
1	944 750 073 01	Pop-up headlight			
(1)	944 750 074 01	Swivel frame	/L	1	
2	928 750 079 02	Swivel frame	/R	1	
3	928 750 291 02	Locking segment		2	
4	900 075 355 02	Tension spring		2	
4	900 075 355 01	Combination screw M6X16		10	
4	900 075 355 01	Hexagon-head bolt M6X16		10	
5	999 168 031 02	Joint rod		2	
6	944 624 051 00	Electric motor	/L	1	
(6)	944 624 052 00	Electric motor	/R	1	
7	944 750 621 01	Bearing bracket	/L	1	
(7)	944 750 622 01	Bearing bracket	/R	1	
8	999 072 005 09	Hexagon nut M6X12		6	
8	999 072 005 01	Hexagon nut M6X12		6	
9	900 910 010 09	Lock nut M6		10	
10	N 011 524 7	Washer A6,4		8	
10	N 011 524 27	Washer A6,4		8	
11	944 750 412 00	Reverse lever		2	
12	944 750 093 00	Bracket	/L	1	
(12)	944 750 094 00	Bracket	/R	1	
13	944 750 321 00	Release		2	
14	900 075 426 07	Combination screw M6X16		6	
15	944 750 151 00	Retaining ring Front		2	
16	944 750 153 00	Retaining ring Rear		2	
17	944 750 121 00	Housing		2	
18	999 217 124 02	Combination screw M6X12		4	
19	N 013 965 9	Micro-self-locking Oval-head sheetmetal screw BZ4,2X9,5		6	
20	951 505 157 00	Spacer		6	
21	N 012 007 2	Lock ring A6		6	
21	900 027 004 03	Lock ring A6		6	
22	999 084 613 02	Lock nut M6		2	
23	900 146 038 02	Oval-head screw M4X16		4	
24	944 750 585 00	Spacer 1,0 MM		X	
24	944 750 585 01	Spacer 0,5 MM		X	
25	944 750 587 00	Spacer 1,0 MM		X	
25	944 750 587 01	Spacer 0,5 MM		X	
26	944 750 801 00	Spacer		X	
27	944 750 777 00	Plate with screw bolt		2	
28	944 612 342 00	Edge protection		4	

Model: 968 92

Model life 1992>>1995



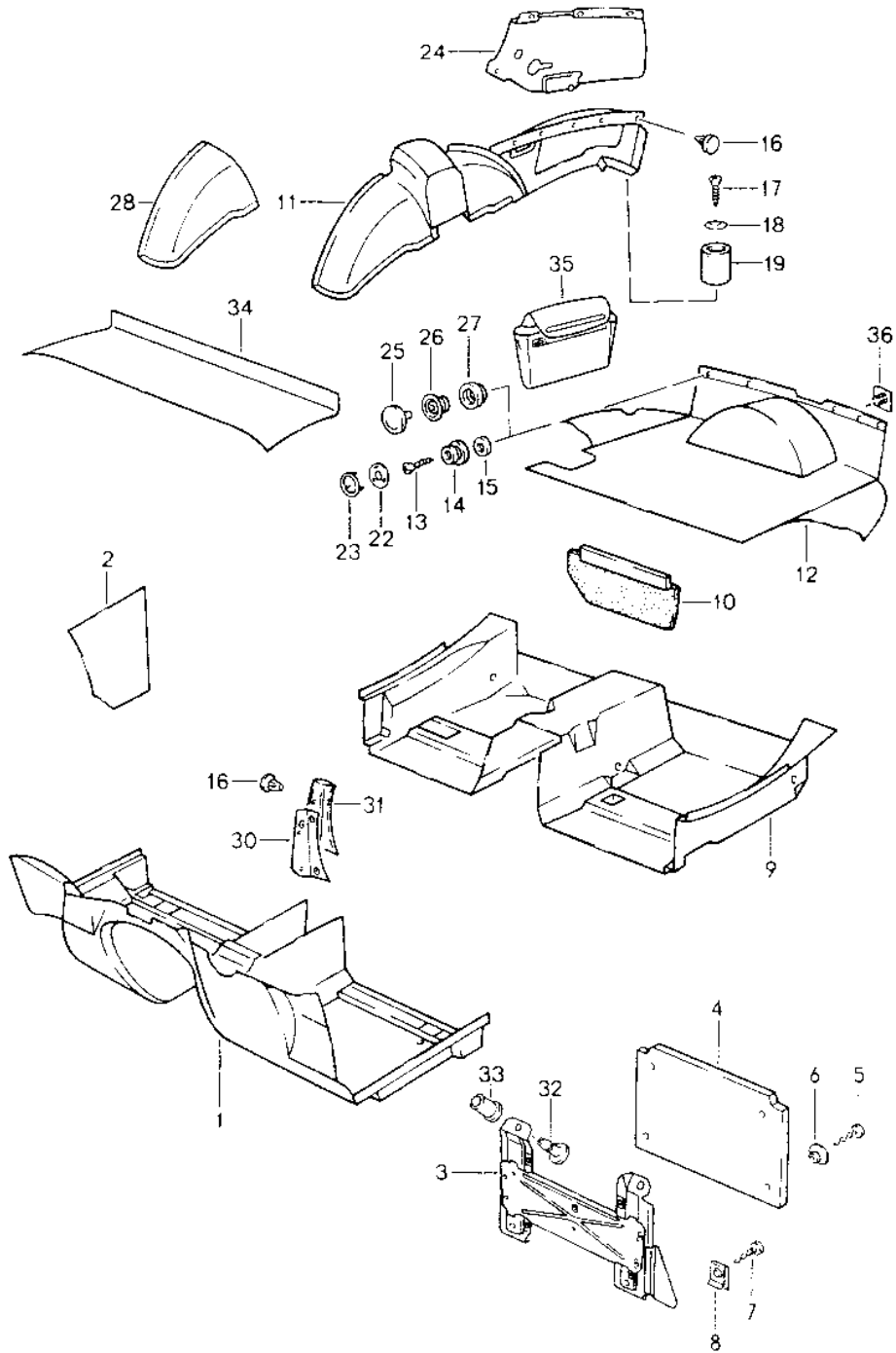


Model: 968 92 Model life 1992>>1995

Pos	Part Number	Description	Remark	Qty	Model
1	944 556 865 02	Sound absorber		1	
1		Sound absorber	/LL /L	1	
(1)	945 556 865 01	Sound absorber	/LL /L	1	
(1)		Sound absorber	/RL /L	1	968CS
		Firewall	/RL /L	1	
2	944 556 855 02	Sound absorber	/LL	1	
2		Sound absorber	/LL	1	968CS
(2)	945 556 855 01	Sound absorber	/RL	1	
(2)		Sound absorber	/RL	1	
		Firewall			
		Centre			
3	944 556 866 00	Insulation	/LL /R	1	
3	944 556 866 03	Sound absorber	/LL /R	1	
3		Sound absorber	/LL /R	1	
(3)	945 556 866 03	Sound absorber	/RL /R	1	
(3)		Sound absorber	/RL /R	1	968CS
		Firewall			
4	944 556 074 00	Sound absorber	/R	1	
6	951 556 071 01	Sound absorber		1	
7	944 556 621 00	Insulation		1	
8	944 556 077 00	Sound absorber	/LL	1	
(8)	945 556 077 00	Sound absorber	/RL	1	
9	944 556 775 01	Sound absorber	/LL /L	1	
9		Sound absorber	/LL /L	1	968CS
(9)	945 556 775 01	Sound absorber	/RL /L	1	
(9)		Sound absorber	/RL /L	1	968CS
10	944 556 776 01	Sound absorber	/LL /R	1	
10		Sound absorber	/LL /R	1	968CS
(10)	945 556 776 01	Sound absorber	/RL /R	1	
(10)		Sound absorber	/RL /R	1	968CS
13	944 556 085 00	Sound absorber	/L	1	
14	944 556 086 00	Sound absorber	/R	1	
15	944 556 777 01	Sound absorber	/L	1	
15		Sound absorber	/L	1	968CS
16	944 556 778 01	Sound absorber	/R	1	
16		Sound absorber	/R	1	968CS
(17)	944 556 885 00	Sound absorber	/L	1	
(17)		Sound absorber	/L	1	968 CS
17	944 556 886 00	Sound absorber	/R	1	
17		Sound absorber	/R	1	968 CS
18	944 556 081 00	Sound absorber		1	
		Boot floor plate			
21	993 556 521 00	Insulation		2	
		Door			
22	944 556 609 00	Sound absorber		1	
		Roof			
23	944 556 853 02	Insulation	/LL /L	1	
23		Insulation	/LL /L	1	
(23)	945 556 853 02	Insulation	/RL /L	1	
(23)		Insulation	/RL /L	1	
(23)	944 556 854 03	Insulation	/LL /R	1	
(23)	944 556 854 04	Insulation	/LL /R	1	
(23)	945 556 854 04	Insulation	/RL /R	1	
(23)	945 556 854 05	Insulation	/RL /R	1	
24	N 900 661 01	Clamping washer		X	
25	941 556 315 11	Sound absorber	/L	1	CABRIO
26	941 556 316 11	Sound absorber	/R	1	CABRIO
27	941 556 317 11	Sound absorber		1	CABRIO
		Centre			

Model: 968 92

Model life 1992>>1995



Model: 968 92 Model life 1992>>1995

Pos	Part Number	Description	Remark	Qty	Model
1	944 555 055 02	Linings Floor mat	/LL	1	COUPE
	944 555 055 02 1DR	Black			
	944 555 055 02 D06	Classic grey			
	944 555 055 02 G47	Cobalt blue	-93		
	944 555 055 02 L52	Magenta	-93		
	944 555 055 02 D42	Light grey	-93		
	944 555 055 02 8HP	Midnight blue	94-		
	944 555 055 02 8RP	Chestnut brown	94-		
	944 555 055 02 2BQ	Marble grey	94-		
	944 555 055 02 T32	Cashmere beige			
	944 555 055 02 4KF	Marine blue	-93		
	944 555 055 02 N02	Matador red	-93		
	944 555 055 02 E12	Carrara grey	-93		
	944 555 055 02 J22	Sherwood green	-93		
	944 555 055 02 7HE	Provence blue	94-		
	944 555 055 02 1JE	Cedar green	94-		
	944 555 055 02 4UP	Flamenco red	94-		
(1)	945 555 055 02	Floor mat	/RL	1	COUPE
	945 555 055 02 1DR	Black			
	945 555 055 02 D06	Classic grey			
	945 555 055 02 G47	Cobalt blue	-93		
	945 555 055 02 L52	Magenta	-93		
	945 555 055 02 D42	Light grey	-93		
	945 555 055 02 8HP	Midnight blue	94-		
	945 555 055 02 8RP	Chestnut brown	94-		
	945 555 055 02 2BQ	Marble grey	94-		
	945 555 055 02 T32	Cashmere beige			
	945 555 055 02 4KF	Marine blue	-93		
	945 555 055 02 N02	Matador red	-93		
	945 555 055 02 E12	Carrara grey	-93		
	945 555 055 02 J22	Sherwood green	-93		
	945 555 055 02 7HE	Provence blue	94-		
	945 555 055 02 1JE	Cedar green	94-		
	945 555 055 02 4UP	Flamenco red	94-		
(1)	941 555 055 11	Floor mat	/LL	1	CABRIO
	941 555 055 11 1DR	Black			
	941 555 055 11 D06	Classic grey			
	941 555 055 11 G47	Cobalt blue	-93		
	941 555 055 11 L52	Magenta	-93		
	941 555 055 11 D42	Light grey	-93		
	941 555 055 11 8HP	Midnight blue	94-		
	941 555 055 11 8RP	Chestnut brown	94-		
	941 555 055 11 2BQ	Marble grey	94-		
	941 555 055 11 T32	Cashmere beige			
	941 555 055 11 4KF	Marine blue	-93		
	941 555 055 11 N02	Matador red	-93		
	941 555 055 11 E12	Carrara grey	-93		
	941 555 055 11 J22	Sherwood green	-93		
	941 555 055 11 7HE	Provence blue	94-		
	941 555 055 11 1JE	Cedar green	94-		
	941 555 055 11 4UP	Flamenco red	94-		
(1)	942 555 055 11	Floor mat	/RL	1	CABRIO
	942 555 055 11 1DR	Black			
	942 555 055 11 D06	Classic grey			
	942 555 055 11 G47	Cobalt blue	-93		
	942 555 055 11 L52	Magenta	-93		
	942 555 055 11 D42	Light grey	-93		
	942 555 055 11 8HP	Midnight blue	94-		
	942 555 055 11 8RP	Chestnut brown	94-		
	942 555 055 11 2BQ	Marble grey	94-		
	942 555 055 11 T32	Cashmere beige			
	942 555 055 11 4KF	Marine blue	-93		

Model: 968 92 Model life 1992>>1995

Pos	Part Number	Description	Remark	Qty	Model
	942 555 055 11 N02	Matador red	-93		
	942 555 055 11 E12	Carrara grey	-93		
	942 555 055 11 J22	Sherwood green	-93		
	942 555 055 11 7HE	Provence blue	94-		
	942 555 055 11 1JE	Cedar green	94-		
	942 555 055 11 4UP	Flamenco red	94-		
(2)	944 555 081 00	Lining	/LL /L	1	COUPE
	944 555 081 00 1DR	Black			
	944 555 081 00 D06	Classic grey			
	944 555 081 00 G47	Cobalt blue	-93		
	944 555 081 00 L52	Magenta	-93		
	944 555 081 00 D42	Light grey	-93		
	944 555 081 00 8HP	Midnight blue	94-		
	944 555 081 00 8RP	Chestnut brown	94-		
	944 555 081 00 2BQ	Marble grey	94-		
	944 555 081 00 T32	Cashmere beige			
	944 555 081 00 4KF	Marine blue	-93		
	944 555 081 00 N02	Matador red	-93		
	944 555 081 00 E12	Carrara grey	-93		
	944 555 081 00 J22	Sherwood green	-93		
	944 555 081 00 7HE	Provence blue	94-		
	944 555 081 00 1JE	Cedar green	94-		
	944 555 081 00 4UP	Flamenco red	94-		
2	944 555 082 02	Lining	/LL /R	1	COUPE
	944 555 082 02 1DR	Black			
	944 555 082 02 D06	Classic grey			
	944 555 082 02 G47	Cobalt blue	-93		
	944 555 082 02 L52	Magenta	-93		
	944 555 082 02 D42	Light grey	-93		
	944 555 082 02 8HP	Midnight blue	94-		
	944 555 082 02 8RP	Chestnut brown	94-		
	944 555 082 02 2BQ	Marble grey	94-		
	944 555 082 02 T32	Cashmere beige			
	944 555 082 02 4KF	Marine blue	-93		
	944 555 082 02 N02	Matador red	-93		
	944 555 082 02 E12	Carrara grey	-93		
	944 555 082 02 J22	Sherwood green	-93		
	944 555 082 02 7HE	Provence blue	94-		
	944 555 082 02 1JE	Cedar green	94-		
	944 555 082 02 4UP	Flamenco red	94-		
(2)	941 555 543 10	Lining	/LL /L	1	CABRIO
	941 555 543 10 1DR	Black			
	941 555 543 10 D06	Classic grey			
	941 555 543 10 G47	Cobalt blue	-93		
	941 555 543 10 L52	Magenta	-93		
	941 555 543 10 D42	Light grey	-93		
	941 555 543 10 8HP	Midnight blue	94-		
	941 555 543 10 8RP	Chestnut brown	94-		
	941 555 543 10 2BQ	Marble grey	94-		
	941 555 543 10 T32	Cashmere beige			
	941 555 543 10 4KF	Marine blue	-93		
	941 555 543 10 N02	Matador red	-93		
	941 555 543 10 E12	Carrara grey	-93		
	941 555 543 10 J22	Sherwood green	-93		
	941 555 543 10 7HE	Provence blue	94-		
	941 555 543 10 1JE	Cedar green	94-		
	941 555 543 10 4UP	Flamenco red	94-		
(2)	941 555 544 10	Lining	/LL /R	1	CABRIO
	941 555 544 10 1DR	Black			
	941 555 544 10 D06	Classic grey			
	941 555 544 10 G47	Cobalt blue	-93		
	941 555 544 10 L52	Magenta	-93		
	941 555 544 10 D42	Light grey	-93		

Model: 968 92 Model life 1992>>1995

Pos	Part Number	Description	Remark	Qty	Model
	941 555 544 10 8HP	Midnight blue	94-		
	941 555 544 10 8RP	Chestnut brown	94-		
	941 555 544 10 2BQ	Marble grey	94-		
	941 555 544 10 T32	Cashmere beige			
	941 555 544 10 4KF	Marine blue	-93		
	941 555 544 10 N02	Matador red	-93		
	941 555 544 10 E12	Carrara grey	-93		
	941 555 544 10 J22	Sherwood green	-93		
	941 555 544 10 7HE	Provence blue	94-		
	941 555 544 10 1JE	Cedar green	94-		
	941 555 544 10 4UP	Flamenco red	94-		
(2)	945 555 081 00	Lining	/RL /L	1	COUPE
	945 555 081 00 1DR	Black			
	945 555 081 00 D06	Classic grey			
	945 555 081 00 G47	Cobalt blue	-93		
	945 555 081 00 L52	Magenta	-93		
	945 555 081 00 D42	Light grey	-93		
	945 555 081 00 8HP	Midnight blue	94-		
	945 555 081 00 8RP	Chestnut brown	94-		
	945 555 081 00 2BQ	Marble grey	94-		
	945 555 081 00 T32	Cashmere beige			
	945 555 081 00 4KF	Marine blue	-93		
	945 555 081 00 N02	Matador red	-93		
	945 555 081 00 E12	Carrara grey	-93		
	945 555 081 00 J22	Sherwood green	-93		
	945 555 081 00 7HE	Provence blue	94-		
	945 555 081 00 1JE	Cedar green	94-		
	945 555 081 00 4UP	Flamenco red	94-		
(2)	945 555 082 03	Lining	/RL /R	1	COUPE
	945 555 082 03 1DR	Black			
	945 555 082 03 D06	Classic grey			
	945 555 082 03 G47	Cobalt blue	-93		
	945 555 082 03 L52	Magenta	-93		
	945 555 082 03 D42	Light grey	-93		
	945 555 082 03 8HP	Midnight blue	94-		
	945 555 082 03 8RP	Chestnut brown	94-		
	945 555 082 03 2BQ	Marble grey	94-		
	945 555 082 03 T32	Cashmere beige			
	945 555 082 03 4KF	Marine blue	-93		
	945 555 082 03 N02	Matador red	-93		
	945 555 082 03 E12	Carrara grey	-93		
	945 555 082 03 J22	Sherwood green	-93		
	945 555 082 03 7HE	Provence blue	94-		
	945 555 082 03 1JE	Cedar green	94-		
	945 555 082 03 4UP	Flamenco red	94-		
(2)	942 555 543 10	Lining	/RL /L	1	CABRIO
	942 555 543 10 1DR	Black			
	942 555 543 10 D06	Classic grey			
	942 555 543 10 G47	Cobalt blue	-93		
	942 555 543 10 L52	Magenta	-93		
	942 555 543 10 D42	Light grey	-93		
	942 555 543 10 8HP	Midnight blue	94-		
	942 555 543 10 8RP	Chestnut brown	94-		
	942 555 543 10 2BQ	Marble grey	94-		
	942 555 543 10 T32	Cashmere beige			
	942 555 543 10 4KF	Marine blue	-93		
	942 555 543 10 N02	Matador red	-93		
	942 555 543 10 E12	Carrara grey	-93		
	942 555 543 10 J22	Sherwood green	-93		
	942 555 543 10 7HE	Provence blue	94-		
	942 555 543 10 1JE	Cedar green	94-		
	942 555 543 10 4UP	Flamenco red	94-		
(2)	942 555 544 10	Lining	/RL /R	1	CABRIO

Model: 968 92 Model life 1992>>1995

Pos	Part Number	Description	Remark	Qty	Model
	942 555 544 10 1DR	Black			
	942 555 544 10 D06	Classic grey			
	942 555 544 10 G47	Cobalt blue	-93		
	942 555 544 10 L52	Magenta	-93		
	942 555 544 10 D42	Light grey	-93		
	942 555 544 10 8HP	Midnight blue	94-		
	942 555 544 10 8RP	Chestnut brown	94-		
	942 555 544 10 2BQ	Marble grey	94-		
	942 555 544 10 T32	Cashmere beige			
	942 555 544 10 4KF	Marine blue	-93		
	942 555 544 10 N02	Matador red	-93		
	942 555 544 10 E12	Carrara grey	-93		
	942 555 544 10 J22	Sherwood green	-93		
	942 555 544 10 7HE	Provence blue	94-		
	942 555 544 10 1JE	Cedar green	94-		
	942 555 544 10 4UP	Flamenco red	94-		
(2)	945 555 081 00	Lining	/L	1	968CS
	945 555 081 00 1DR	Black			
(2)	944 555 082 02	Lining	/LL /R	1	968CS
	944 555 082 02 1DR	Black			
(2)	945 555 082 05	Lining	/RL /R	1	968CS
	945 555 082 05 1DR	Black			
3	944 551 049 01	Frame	/LL	1	
(3)	945 551 049 02	Frame	/RL	1	
4	944 551 149 02	Foot support	/LL	1	
(4)	945 551 149 02	Foot support	/RL	1	
5	N 013 971 3	Oval-head sheetmetal screw B 4,8 X 22		4	
6	901 423 368 00	Desk pad		4	
7	N 013 968 7	Tapping screw B 4,8 X 13		2	
7	900 143 097 01	Tapping screw B 4,8 X 13		2	
8	999 591 348 02	Speed nut B 4,8		2	
8	999 591 348 01	Speed nut B 4,8		2	
9	944 555 071 01	Floor mat	/LL -93	1	
	944 555 071 01 1DR	Black			
	944 555 071 01 D06	Classic grey			
	944 555 071 01 G47	Cobalt blue	-93		
	944 555 071 01 L52	Magenta	-93		
	944 555 071 01 D42	Light grey	-93		
	944 555 071 01 T32	Cashmere beige			
	944 555 071 01 4KF	Marine blue	-93		
	944 555 071 01 N02	Matador red	-93		
	944 555 071 01 E12	Carrara grey	-93		
	944 555 071 01 J22	Sherwood green	-93		
9	944 555 071 02	Floor mat	/LL -93	1	
	944 555 071 02 G47	Cobalt blue	-93		
	944 555 071 02 D42	Light grey	-93		
(9)	945 555 071 01	Floor mat	/RL -93	1	
	945 555 071 01 1DR	Black			
	945 555 071 01 D06	Classic grey			
	945 555 071 01 G47	Cobalt blue	-93		
	945 555 071 01 L52	Magenta	-93		
	945 555 071 01 D42	Light grey	-93		
	945 555 071 01 T32	Cashmere beige			
	945 555 071 01 4KF	Marine blue	-93		
	945 555 071 01 N02	Matador red	-93		
	945 555 071 01 E12	Carrara grey	-93		
	945 555 071 01 J22	Sherwood green	-93		
(9)	945 555 071 02	Floor mat	/RL 94-	1	

Model: 968 92 Model life 1992>>1995

Pos	Part Number	Description	Remark	Qty	Model
	945 555 071 02 1DR	Black			
	945 555 071 02 D06	Classic grey			
	945 555 071 02 8HP	Midnight blue	94-		
	945 555 071 02 8RP	Chestnut brown	94-		
	945 555 071 02 2BQ	Marble grey	94-		
	945 555 071 02 T32	Cashmere beige			
	945 555 071 02 7HE	Provence blue	94-		
	945 555 071 02 1JE	Cedar green	94-		
	945 555 071 02 4UP	Flamenco red	94-		
(10)	477 863 571 A	Lining	/L -93	1	
	477 863 571 A 1DR	Black			
	477 863 571 A D06	Classic grey			
	477 863 571 A G47	Cobalt blue			
	477 863 571 A L52	Magenta			
	477 863 571 A D42	Light grey			
	477 863 571 A T32	Cashmere beige			
	477 863 571 A 4KF	Marine blue			
	477 863 571 A N02	Matador red			
	477 863 571 A E12	Carrara grey			
	477 863 571 A J22	Sherwood green			
10	477 863 572 A	Lining	/R -93	1	
	477 863 572 A 1DR	Black			
	477 863 572 A D06	Classic grey			
	477 863 572 A G47	Cobalt blue			
	477 863 572 A L52	Magenta			
	477 863 572 A D42	Light grey			
	477 863 572 A T32	Cashmere beige			
	477 863 572 A 4KF	Marine blue			
	477 863 572 A N02	Matador red			
	477 863 572 A E12	Carrara grey			
	477 863 572 A J22	Sherwood green			
(10)	944 551 231 00	Lining	94-	1	
	944 551 231 00 1DR	Black			
	944 551 231 00 D06	Classic grey			
	944 551 231 00 8HP	Midnight blue			
	944 551 231 00 8RP	Chestnut brown			
	944 551 231 00 2BQ	Marble grey			
	944 551 231 00 T32	Cashmere beige			
	944 551 231 00 7HE	Provence blue			
	944 551 231 00 1JE	Cedar green			
	944 551 231 00 4UP	Flamenco red			
(11)	951 555 083 01	Side trim panel	/L	1	COUPE
	951 555 083 01 1DR	Black			
	951 555 083 01 D06	Classic grey			
	951 555 083 01 G47	Cobalt blue	-93		
	951 555 083 01 L52	Magenta	-93		
	951 555 083 01 D42	Light grey	-93		
	951 555 083 01 8HP	Midnight blue	94-		
	951 555 083 01 8RP	Chestnut brown	94-		
	951 555 083 01 2BQ	Marble grey	94-		
	951 555 083 01 T32	Cashmere beige			
	951 555 083 01 4KF	Marine blue	-93		
	951 555 083 01 N02	Matador red	-93		
	951 555 083 01 E12	Carrara grey	-93		
	951 555 083 01 J22	Sherwood green	-93		
	951 555 083 01 7HE	Provence blue	94-		
	951 555 083 01 1JE	Cedar green	94-		
	951 555 083 01 4UP	Flamenco red	94-		
(11)	951 555 084 01	Side trim panel	/R	1	COUPE
	951 555 084 01 1DR	Black			
	951 555 084 01 D06	Classic grey			
	951 555 084 01 G47	Cobalt blue	-93		
	951 555 084 01 L52	Magenta	-93		

Model: 968 92 Model life 1992>>1995

Pos	Part Number	Description	Remark	Qty	Model
	951 555 084 01 D42	Light grey	-93		
	951 555 084 01 8HP	Midnight blue	94-		
	951 555 084 01 8RP	Chestnut brown	94-		
	951 555 084 01 2BQ	Marble grey	94-		
	951 555 084 01 T32	Cashmere beige			
	951 555 084 01 4KF	Marine blue	-93		
	951 555 084 01 N02	Matador red	-93		
	951 555 084 01 E12	Carrara grey	-93		
	951 555 084 01 J22	Sherwood green	-93		
	951 555 084 01 7HE	Provence blue	94-		
	951 555 084 01 1JE	Cedar green	94-		
	951 555 084 01 4UP	Flamenco red	94-		
(11)	941 555 083 11	Side trim panel	/L	1	CABRIO
	941 555 083 11 1DR	Black			
	941 555 083 11 D06	Classic grey			
	941 555 083 11 G47	Cobalt blue	-93		
	941 555 083 11 L52	Magenta	-93		
	941 555 083 11 D42	Light grey	-93		
	941 555 083 11 8HP	Midnight blue	94-		
	941 555 083 11 8RP	Chestnut brown	94-		
	941 555 083 11 2BQ	Marble grey	94-		
	941 555 083 11 T32	Cashmere beige			
	941 555 083 11 4KF	Marine blue	-93		
	941 555 083 11 N02	Matador red	-93		
	941 555 083 11 E12	Carrara grey	-93		
	941 555 083 11 J22	Sherwood green	-93		
	941 555 083 11 7HE	Provence blue	94-		
	941 555 083 11 1JE	Cedar green	94-		
	941 555 083 11 4UP	Flamenco red	94-		
(11)	941 555 084 11	Side trim panel	/R	1	CABRIO
	941 555 084 11 1DR	Black			
	941 555 084 11 D06	Classic grey			
	941 555 084 11 G47	Cobalt blue	-93		
	941 555 084 11 L52	Magenta	-93		
	941 555 084 11 D42	Light grey	-93		
	941 555 084 11 8HP	Midnight blue	94-		
	941 555 084 11 8RP	Chestnut brown	94-		
	941 555 084 11 2BQ	Marble grey	94-		
	941 555 084 11 T32	Cashmere beige			
	941 555 084 11 4KF	Marine blue	-93		
	941 555 084 11 N02	Matador red	-93		
	941 555 084 11 E12	Carrara grey	-93		
	941 555 084 11 J22	Sherwood green	-93		
	941 555 084 11 7HE	Provence blue	94-		
	941 555 084 11 1JE	Cedar green	94-		
	941 555 084 11 4UP	Flamenco red	94-		
(11)	944 555 083 05	Lining	/L	1	968CS
	944 555 083 05 1DR	Black			
(11)	944 555 083 06	Side trim panel	/L 94-	1	968CS M685
	944 555 083 06 1DR	Black			
(11)	944 555 084 05	Lining	/R	1	968CS
	944 555 084 05 1DR	Black			
12	951 555 063 00	Boot floor lining	-94	1	COUPE
	951 555 063 00 1DR	Black			
	951 555 063 00 D06	Classic grey			
	951 555 063 00 G47	Cobalt blue	-93		
	951 555 063 00 L52	Magenta	-93		
	951 555 063 00 D42	Light grey	-93		
	951 555 063 00 8HP	Midnight blue	94-		
	951 555 063 00 8RP	Chestnut brown	94-		
	951 555 063 00 2BQ	Marble grey	94-		
	951 555 063 00 T32	Cashmere beige			



Model: 968 92 Model life 1992>>1995

Pos	Part Number	Description	Remark	Qty	Model
	951 555 063 00 4KF	Marine blue	-93		
	951 555 063 00 N02	Matador red	-93		
	951 555 063 00 E12	Carrara grey	-93		
	951 555 063 00 J22	Sherwood green	-93		
	951 555 063 00 7HE	Provence blue	94-		
	951 555 063 00 1JE	Cedar green	94-		
	951 555 063 00 4UP	Flamenco red	94-		
(12)	941 555 063 11	Boot floor lining		1	CABRIO
	941 555 063 11 1DR	Black			
	941 555 063 11 D06	Classic grey			
	941 555 063 11 G47	Cobalt blue	-93		
	941 555 063 11 L52	Magenta	-93		
	941 555 063 11 D42	Light grey	-93		
	941 555 063 11 8HP	Midnight blue	94-		
	941 555 063 11 8RP	Chestnut brown	94-		
	941 555 063 11 2BQ	Marble grey	94-		
	941 555 063 11 T32	Cashmere beige			
	941 555 063 11 4KF	Marine blue	-93		
	941 555 063 11 N02	Matador red	-93		
	941 555 063 11 E12	Carrara grey	-93		
	941 555 063 11 J22	Sherwood green	-93		
	941 555 063 11 7HE	Provence blue	94-		
	941 555 063 11 1JE	Cedar green	94-		
	941 555 063 11 4UP	Flamenco red	94-		
12	951 555 063 00	Boot floor lining	(AUS) 95-	1	COUPE
	951 555 063 00 1DR	Black			
	951 555 063 00 D06	Classic grey			
	951 555 063 00 8HP	Midnight blue			
	951 555 063 00 8RP	Chestnut brown			
	951 555 063 00 2BQ	Marble grey			
	951 555 063 00 T32	Cashmere beige			
	951 555 063 00 7HE	Provence blue			
	951 555 063 00 1JE	Cedar green			
	951 555 063 00 4UP	Flamenco red			
(12)	944 555 063 14	Boot floor lining	95-	1	COUPE
	944 555 063 14 1DR	Black			
	944 555 063 14 D06	Classic grey			
	944 555 063 14 8HP	Midnight blue			
	944 555 063 14 8RP	Chestnut brown			
	944 555 063 14 2BQ	Marble grey			
	944 555 063 14 T32	Cashmere beige			
	944 555 063 14 7HE	Provence blue			
	944 555 063 14 1JE	Cedar green			
	944 555 063 14 4UP	Flamenco red			
13	N 013 957 5	Oval-head sheetmetal screw B 3,5 X 9,5		6	
14	968 555 901 00	Set of fastening parts		6	
15	N 011 665 3	Washer 5,3		6	
15	N 011 665 16	Washer 5,3		6	
16	477 863 747	Clip		X	
	477 863 747 01C	Black			
	477 863 747 4XC	Classic grey			
	477 863 747 6ZF	Cobalt blue	-93		
	477 863 747 6WX	Magenta	-93		
	477 863 747 9ZN	Light grey	-93		
	477 863 747 2GS	Midnight blue	94-		
	477 863 747 4PV	Chestnut brown	94-		
	477 863 747 3BE	Marble grey	94-		
	477 863 747 3UD	Cashmere beige			
	477 863 747 9JJ	Marine blue	-93		
17	900 143 064 07	Tapping screw		2	

Model: 968 92 Model life 1992>>1995

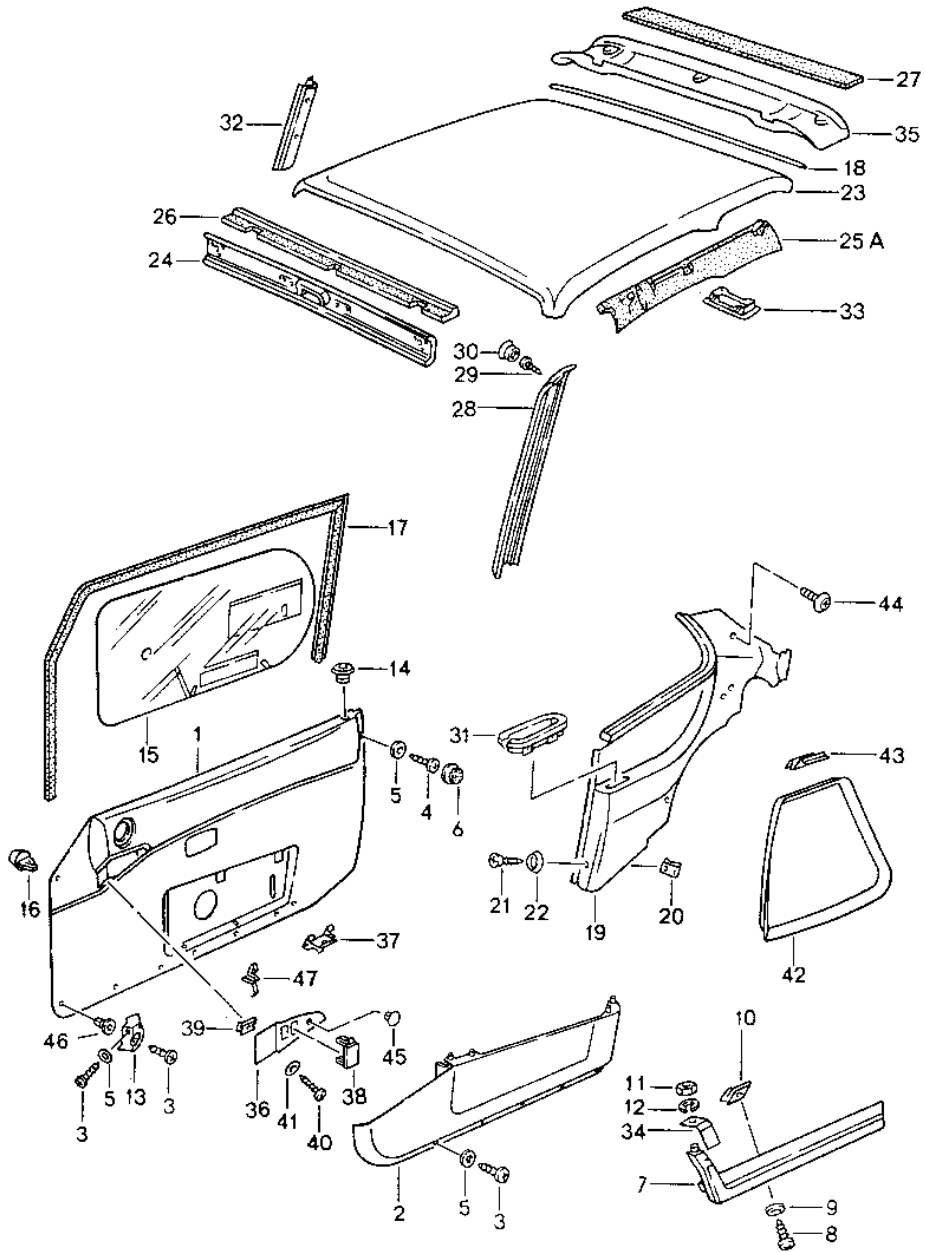
Pos	Part Number	Description	Remark	Qty	Model
18	N 011 521 3	B 3,5 X 25 Washer		2	
19	999 703 176 40	A 3,7 X 8 Round buffer		2	
22	968 555 901 00	Set of fastening parts		6	
23		Set of fastening parts		6	
24	944 555 389 00	Cover	/LL	1	M650
(24)	945 555 389 00	Cover	/RL	1	M650
25	999 591 885 13	Push button		6	
		Cap			
	999 591 885 13 041	Black			
	999 591 885 13 C01	Classic grey			
	999 591 885 13 G42	Cobalt blue	-93		
	999 591 885 13 F30	Magenta	-93		
	999 591 885 13 E28	Light grey	-93		
	999 591 885 13 2GE	Midnight blue	94-		
	999 591 885 13 9QA	Chestnut brown	94-		
	999 591 885 13 4AS	Marble grey	94-		
	999 591 885 13 R07	Cashmere beige			
26	999 591 834 17	Snap fastener lower part 10,2X4,7		4	
(26)	999 507 393 12	Snap fastener lower part 10,2X9		2	
27	999 591 836 17	Push button		6	
(28)	941 555 325 10	Lining	/H /L	1	CABRIO
	941 555 325 10 1DR	Black			
	941 555 325 10 D06	Classic grey			
	941 555 325 10 G47	Cobalt blue	-93		
	941 555 325 10 L52	Magenta	-93		
	941 555 325 10 D42	Light grey	-93		
	941 555 325 10 8HP	Midnight blue	94-		
	941 555 325 10 8RP	Chestnut brown	94-		
	941 555 325 10 2BQ	Marble grey	94-		
	941 555 325 10 T32	Cashmere beige			
	941 555 325 10 4KF	Marine blue	-93		
	941 555 325 10 N02	Matador red	-93		
	941 555 325 10 E12	Carrara grey	-93		
	941 555 325 10 J22	Sherwood green	-93		
	941 555 325 10 7HE	Provence blue	94-		
	941 555 325 10 1JE	Cedar green	94-		
	941 555 325 10 4UP	Flamenco red	94-		
28	941 555 326 10	Lining	/H /R	1	CABRIO
	941 555 326 10 1DR	Black			
	941 555 326 10 D06	Classic grey			
	941 555 326 10 G47	Cobalt blue	-93		
	941 555 326 10 L52	Magenta	-93		
	941 555 326 10 D42	Light grey	-93		
	941 555 326 10 8HP	Midnight blue	94-		
	941 555 326 10 8RP	Chestnut brown	94-		
	941 555 326 10 2BQ	Marble grey	94-		
	941 555 326 10 T32	Cashmere beige			
	941 555 326 10 4KF	Marine blue	-93		
	941 555 326 10 N02	Matador red	-93		
	941 555 326 10 E12	Carrara grey	-93		
	941 555 326 10 J22	Sherwood green	-93		
	941 555 326 10 7HE	Provence blue	94-		
	941 555 326 10 1JE	Cedar green	94-		
	941 555 326 10 4UP	Flamenco red	94-		
30	478 863 765	Foot support	/RL /R	1	
(30)	478 863 763 A	Foot support	/RL /R	1	M249
31	478 863 767	Carpet	/RL /R	1	
	478 863 767 1DR	Black			
	478 863 767 D06	Classic grey			

Model: 968 92 Model life 1992>>1995

Pos	Part Number	Description	Remark	Qty	Model
	478 863 767 G47	Cobalt blue	-93		
	478 863 767 L52	Magenta	-93		
	478 863 767 D42	Light grey	-93		
	478 863 767 8HP	Midnight blue	94-		
	478 863 767 8RP	Chestnut brown	94-		
	478 863 767 2BQ	Marble grey	94-		
	478 863 767 T32	Cashmere beige			
	478 863 767 4KF	Marine blue	-93		
	478 863 767 N02	Matador red	-93		
	478 863 767 E12	Carrara grey	-93		
	478 863 767 J22	Sherwood green	-93		
	478 863 767 7HE	Provence blue	94-		
	478 863 767 1JE	Cedar green	94-		
	478 863 767 4UP	Flamenco red	94-		
32	999 591 837 40	Push button		2	
33	944 551 437 00	Sleeve		2	
34	941 555 119 10	Luggage compartment trim		1	CABRIO
	941 555 119 10 1DR	Black			
	941 555 119 10 D06	Classic grey			
	941 555 119 10 G47	Cobalt blue	-93		
	941 555 119 10 L52	Magenta	-93		
	941 555 119 10 D42	Light grey	-93		
	941 555 119 10 8HP	Midnight blue	94-		
	941 555 119 10 8RP	Chestnut brown	94-		
	941 555 119 10 2BQ	Marble grey	94-		
	941 555 119 10 T32	Cashmere beige			
	941 555 119 10 4KF	Marine blue	-93		
	941 555 119 10 N02	Matador red	-93		
	941 555 119 10 E12	Carrara grey	-93		
	941 555 119 10 J22	Sherwood green	-93		
	941 555 119 10 7HE	Provence blue	94-		
	941 555 119 10 1JE	Cedar green	94-		
	941 555 119 10 4UP	Flamenco red	94-		
35	941 555 673 10	Lining		1	CABRIO M692
		CD changer			
	941 555 673 10 1DR	Black			
	941 555 673 10 D06	Classic grey			
	941 555 673 10 G47	Cobalt blue	-93		
	941 555 673 10 L52	Magenta	-93		
	941 555 673 10 D42	Light grey	-93		
	941 555 673 10 8HP	Midnight blue	94-		
	941 555 673 10 8RP	Chestnut brown	94-		
	941 555 673 10 2BQ	Marble grey	94-		
	941 555 673 10 T32	Cashmere beige			
	941 555 673 10 4KF	Marine blue	-93		
	941 555 673 10 N02	Matador red	-93		
	941 555 673 10 E12	Carrara grey	-93		
	941 555 673 10 J22	Sherwood green	-93		
	941 555 673 10 7HE	Provence blue	94-		
	941 555 673 10 1JE	Cedar green	94-		
	941 555 673 10 4UP	Flamenco red	94-		
36	999 902 019 40	Velcro fastener 26,15 X 26,15 Not for	95-  (AUS)	6	COUPE

Model: 968 92

Model life 1992>>1995



Model: 968 92 Model life 1992>>1995

Pos	Part Number	Description	Remark	Qty	Model
(1)	944 555 917 00	Door trim panel Rooflining Door trim panel Leatherette	/L -93	1	
	944 555 917 00 BQN	Black			
	944 555 917 00 BQP	Classic grey			
	944 555 917 00 BQQ	Cobalt blue			
	944 555 917 00 ASP	Magenta			
	944 555 917 00 CCA	Black/light grey			
	944 555 917 00 CCC	Classic grey/light grey			
	944 555 917 00 CCE	Cobalt blue/light grey			
	944 555 917 00 CCG	Magenta/light grey			
	944 555 917 00 CCJ	Black/cashmere beige			
	944 555 917 00 CCL	Marine blue			
		When required order also:			
1	944 555 918 00	Door trim panel Leatherette	/R -93	1	
	944 555 918 00 BQN	Black			
	944 555 918 00 BQP	Classic grey			
	944 555 918 00 BQQ	Cobalt blue			
	944 555 918 00 ASP	Magenta			
	944 555 918 00 CCA	Black/light grey			
	944 555 918 00 CCC	Classic grey/light grey			
	944 555 918 00 CCE	Cobalt blue/light grey			
	944 555 918 00 CCG	Magenta/light grey			
	944 555 918 00 CCJ	Black/cashmere beige			
	944 555 918 00 CCL	Marine blue			
		When required order also:			
-	477 837 471 A	Sealing for door slot		X	COUPE
-	941 537 572 10	Sealing for door slot	/L	X	CABRIO
-	941 537 572 20	Sealing for door slot	/L	X	CABRIO
-	941 537 572 10	Sealing for door slot	/R	X	CABRIO
-	941 537 572 20	Sealing for door slot	/R	X	CABRIO
(1)	944 555 067 00	Door trim panel Leatherette	/L	1	
	944 555 067 00 BQN	Black			
	944 555 067 00 BQP	Classic grey			
	944 555 067 00 DBK	Midnight blue			
	944 555 067 00 DCH	Chestnut brown			
	944 555 067 00 DDH	Black/marble grey			
	944 555 067 00 DBN	Midnight blue/marble grey			
	944 555 067 00 CCJ	Black/cashmere beige			
1	944 555 068 00	Door trim panel Leatherette	/R	1	
	944 555 068 00 BQN	Black			
	944 555 068 00 BQP	Classic grey			
	944 555 068 00 DBK	Midnight blue			
	944 555 068 00 DCH	Chestnut brown			
	944 555 068 00 DDH	Black/marble grey			
	944 555 068 00 DBN	Midnight blue/marble grey			
	944 555 068 00 CCJ	Black/cashmere beige			
(1)	944 555 067 03	Door trim panel Leatherette	/L 94-	1	M490
	944 555 067 03 BQN	Black			
	944 555 067 03 BQP	Classic grey			
	944 555 067 03 DBK	Midnight blue			
	944 555 067 03 DCH	Chestnut brown			
	944 555 067 03 DDH	Black/marble grey			
	944 555 067 03 DBN	Midnight blue/marble grey			
	944 555 067 03 CCJ	Black/cashmere beige			
(1)	944 555 068 03	Door trim panel Leatherette	/R 94-	1	M490
	944 555 068 03 BQN	Black			

Model: 968 92 Model life 1992>>1995

Pos	Part Number	Description	Remark	Qty	Model
	944 555 068 03 BQP	Classic grey			
	944 555 068 03 DBK	Midnight blue			
	944 555 068 03 DCH	Chestnut brown			
	944 555 068 03 DDH	Black/marble grey			
	944 555 068 03 DBN	Midnight blue/marble grey			
	944 555 068 03 CCJ	Black/cashmere beige			
(1)	944 555 917 01	Door trim panel Leatherette/ Multicolour	/L -93	1	M526
	944 555 917 01 SQ8	Black			
	944 555 917 01 AQY	Classic grey			
	944 555 917 01 AQX	Cobalt blue			
	944 555 917 01 ASS	Magenta			
	944 555 917 01 SQ3	Black/light grey			
	944 555 917 01 CFF	Classic grey/light grey			
	944 555 917 01 CFG	Cobalt blue/light grey			
	944 555 917 01 CFH	Magenta/light grey			
	944 555 917 01 CFJ	Black/cashmere beige			
	944 555 917 01 SQ7	Marine blue			
(1)	944 555 918 01	Door trim panel Leatherette/ Multicolour	/R -93	1	M526
	944 555 918 01 SQ8	Black			
	944 555 918 01 AQY	Classic grey			
	944 555 918 01 AQX	Cobalt blue			
	944 555 918 01 ASS	Magenta			
	944 555 918 01 SQ3	Black/light grey			
	944 555 918 01 CFF	Classic grey/light grey			
	944 555 918 01 CFG	Cobalt blue/light grey			
	944 555 918 01 CFH	Magenta/light grey			
	944 555 918 01 CFJ	Black/cashmere beige			
	944 555 918 01 SQ7	Marine blue			
(1)	944 555 917 01	Door trim panel Leatherette/ Porsche lettering cloth	/L -93	1	M526
	944 555 917 01 NU5	Black			
	944 555 917 01 APJ	Classic grey			
	944 555 917 01 ARJ	Cobalt blue			
	944 555 917 01 ASY	Magenta			
	944 555 917 01 CFK	Black/light grey			
	944 555 917 01 CFL	Classic grey/light grey			
	944 555 917 01 CFM	Cobalt blue/light grey			
	944 555 917 01 CFN	Magenta/light grey			
	944 555 917 01 CFP	Black/cashmere beige			
	944 555 917 01 SM9	Marine blue			
(1)	944 555 918 01	When required order also: Door trim panel Leatherette/ Porsche lettering cloth	/R -93	1	M526
	944 555 918 01 NU5	Black			
	944 555 918 01 APJ	Classic grey			
	944 555 918 01 ARJ	Cobalt blue			
	944 555 918 01 ASY	Magenta			
	944 555 918 01 CFK	Black/light grey			
	944 555 918 01 CFL	Classic grey/light grey			
	944 555 918 01 CFM	Cobalt blue/light grey			
	944 555 918 01 CFN	Magenta/light grey			
	944 555 918 01 CFP	Black/cashmere beige			
	944 555 918 01 SM9	Marine blue			
		When required order also:			
-	477 837 471 A	Sealing for door slot		X	COUPE
-	941 537 572 10	Sealing for door slot	/L	X	CABRIO
-	941 537 572 20	Sealing for door slot	/L	X	CABRIO

Model: 968 92 Model life 1992>>1995

Pos	Part Number	Description	Remark	Qty	Model
-	941 537 572 10	Sealing for door slot	/R	X	CABRIO
-	941 537 572 20	Sealing for door slot	/R	X	CABRIO
1	944 555 917 02	Door trim panel Leather	/L -93	1	
	944 555 917 02 QD4	Black			
	944 555 917 02 APQ	Classic grey			
	944 555 917 02 ARQ	Cobalt blue			
	944 555 917 02 ASQ	Magenta			
	944 555 917 02 CCB	Black/light grey			
	944 555 917 02 CCD	Classic grey/light grey			
	944 555 917 02 CCF	Cobalt blue/light grey			
	944 555 917 02 CCH	Magenta/light grey			
	944 555 917 02 CCK	Black/cashmere beige			
	944 555 917 02 CCM	Marine blue			
	944 555 917 02 BQR	Matador red			
	944 555 917 02 BQS	Carrara grey			
	944 555 917 02 BQT	Sherwood green			
(1)	944 555 918 02	When required order also: Door trim panel Leather	/R -93	1	
	944 555 918 02 QD4	Black			
	944 555 918 02 APQ	Classic grey			
	944 555 918 02 ARQ	Cobalt blue			
	944 555 918 02 ASQ	Magenta			
	944 555 918 02 CCB	Black/light grey			
	944 555 918 02 CCD	Classic grey/light grey			
	944 555 918 02 CCF	Cobalt blue/light grey			
	944 555 918 02 CCH	Magenta/light grey			
	944 555 918 02 CCK	Black/cashmere beige			
	944 555 918 02 CCM	Marine blue			
	944 555 918 02 BQR	Matador red			
	944 555 918 02 BQS	Carrara grey			
	944 555 918 02 BQT	Sherwood green			
		When required order also:			
-	477 837 471 A	Sealing for door slot		X	COUPE
-	941 537 572 10	Sealing for door slot	/L	X	CABRIO
-	941 537 572 20	Sealing for door slot	/L	X	CABRIO
-	941 537 572 10	Sealing for door slot	/R	X	CABRIO
-	941 537 572 20	Sealing for door slot	/R	X	CABRIO
(1)	944 555 067 02	Door trim panel Leather	/L	1	
	944 555 067 02 ATT	Black			
	944 555 067 02 APQ	Classic grey			
	944 555 067 02 DBM	Midnight blue			
	944 555 067 02 DCK	Chestnut brown			
	944 555 067 02 DDK	Black/marble grey			
	944 555 067 02 DBQ	Midnight blue/marble grey			
	944 555 067 02 CCK	Black/cashmere beige			
	944 555 067 02 DFC	Black/provence blue			
	944 555 067 02 DFD	Midnight bl./provence blue			
	944 555 067 02 DFF	Cedar green			
	944 555 067 02 DFG	Flamenco red			
1	944 555 068 02	Door trim panel Leather	/R	1	
	944 555 068 02 ATT	Black			
	944 555 068 02 APQ	Classic grey			
	944 555 068 02 DBM	Midnight blue			
	944 555 068 02 DCK	Chestnut brown			
	944 555 068 02 DDK	Black/marble grey			
	944 555 068 02 DBQ	Midnight blue/marble grey			
	944 555 068 02 CCK	Black/cashmere beige			
	944 555 068 02 DFC	Black/provence blue			
	944 555 068 02 DFD	Midnight bl./provence blue			

Model: 968 92 Model life 1992>>1995

Pos	Part Number	Description	Remark	Qty	Model
(1)	944 555 068 02 DFF	Cedar green			
	944 555 068 02 DFG	Flamenco red			
	944 555 067 05	Door trim panel	/L 94-	1	M490
		Leather			
	944 555 067 05 ATT	Black			
	944 555 067 05 APQ	Classic grey			
	944 555 067 05 DBM	Midnight blue			
	944 555 067 05 DCK	Chestnut brown			
	944 555 067 05 DDK	Black/marble grey			
	944 555 067 05 DBQ	Midnight blue/marble grey			
	944 555 067 05 CCK	Black/cashmere beige			
	944 555 067 05 DFC	Black/provence blue			
	944 555 067 05 DFD	Midnight bl./provence blue			
	944 555 067 05 DFF	Cedar green			
(1)	944 555 067 05 DFG	Flamenco red			
	944 555 068 05	Door trim panel	/R 94-	1	M490
		Leather			
	944 555 068 05 ATT	Black			
	944 555 068 05 APQ	Classic grey			
	944 555 068 05 DBM	Midnight blue			
	944 555 068 05 DCK	Chestnut brown			
	944 555 068 05 DDK	Black/marble grey			
	944 555 068 05 DBQ	Midnight blue/marble grey			
	944 555 068 05 CCK	Black/cashmere beige			
	944 555 068 05 DFC	Black/provence blue			
	944 555 068 05 DFD	Midnight bl./provence blue			
	944 555 068 05 DFF	Cedar green			
	944 555 068 05 DFG	Flamenco red			
(1)	944 555 017 06	Door trim panel	/L	1	968CS
		Leatherette			
(1)	944 555 017 06 BQN	Black			
	944 555 018 06	Door trim panel	/R	1	968CS
2	944 555 018 06 BQN	Black			
	944 555 043 01	Shelf	/L	1	
(2)	944 555 043 01 1DR	Black			
	944 555 043 01 D06	Classic grey			
	944 555 043 01 G47	Cobalt blue	-93		
	944 555 043 01 L52	Magenta	-93		
	944 555 043 01 D42	Light grey	-93		
	944 555 043 01 8HP	Midnight blue	94-		
	944 555 043 01 8RP	Chestnut brown	94-		
	944 555 043 01 2BQ	Marble grey	94-		
	944 555 043 01 T32	Cashmere beige			
	944 555 043 01 4KF	Marine blue	-93		
	944 555 043 01 7HE	Provence blue	94-		
	944 555 043 01 1JE	Cedar green	94-		
	944 555 043 01 4UP	Flamenco red	94-		
	944 555 044 01	Shelf	/R	1	
	944 555 044 01 1DR	Black			
	944 555 044 01 D06	Classic grey			
	944 555 044 01 G47	Cobalt blue	-93		
	944 555 044 01 L52	Magenta	-93		
	944 555 044 01 D42	Light grey	-93		
	944 555 044 01 8HP	Midnight blue	94-		
944 555 044 01 8RP	Chestnut brown	94-			
944 555 044 01 2BQ	Marble grey	94-			
944 555 044 01 T32	Cashmere beige				
944 555 044 01 4KF	Marine blue	-93			
944 555 044 01 7HE	Provence blue	94-			
944 555 044 01 1JE	Cedar green	94-			
944 555 044 01 4UP	Flamenco red	94-			
(2)	944 555 273 00	Shelf	/L	1	968CS



Model: 968 92 Model life 1992>>1995

Pos	Part Number	Description	Remark	Qty	Model
(2)	944 555 273 00 1DR	Black			
	944 555 274 00	Shelf	/R	1	968CS
	944 555 274 00 1DR	Black			
3	N 013 962 3	Tapping screw		6	
		B 3,9 X 16			
4	311 867 167	Oval-head sheetmetal screw		4	
		4,2			
5	N 011 664 13	Washer		10	
		4,3			
6	311 867 169	Cap		4	
	311 867 169 01C	Black			
	311 867 169 4XC	Classic grey			
	311 867 169 6ZF	Cobalt blue	-93		
	311 867 169 6WX	Magenta	-93		
	311 867 169 9JJ	Marine blue	-93		
	311 867 169 2GS	Midnight blue	94-		
	311 867 169 4PV	Chestnut brown	94-		
(7)	944 555 075 01	Armrest	/L -93	1	
		Leatherette			
	944 555 075 01 05T	Black			
	944 555 075 01 2WJ	Classic grey			
	944 555 075 01 9ZH	Cobalt blue			
	944 555 075 01 4WY	Magenta			
	944 555 075 01 1ZU	Light grey			
	944 555 075 01 7RT	Cashmere beige			
	944 555 075 01 1KX	Marine blue			
7	944 555 076 01	Armrest	/R -93	1	
		Leatherette			
	944 555 076 01 05T	Black			
	944 555 076 01 2WJ	Classic grey			
	944 555 076 01 9ZH	Cobalt blue			
	944 555 076 01 4WY	Magenta			
	944 555 076 01 1ZU	Light grey			
	944 555 076 01 7RT	Cashmere beige			
	944 555 076 01 1KX	Marine blue			
(7)	944 555 075 51	Armrest	/L	1	M981
		Leather			
	944 555 075 51 8YR	Black			
	944 555 075 51 6XL	Classic grey			
	944 555 075 51 9YL	Cobalt blue	-93		
	944 555 075 51 6YL	Magenta	-93		
	944 555 075 51 8ZL	Light grey	-93		
	944 555 075 51 H24	Midnight blue	94-		
	944 555 075 51 T15	Chestnut brown	94-		
	944 555 075 51 3QN	Marble grey	94-		
	944 555 075 51 4YU	Cashmere beige			
	944 555 075 51 H05	Marine blue	-93		
	944 555 075 51 M05	Matador red	-93		
	944 555 075 51 D35	Carrara grey	-93		
	944 555 075 51 J25	Sherwood green	-93		
	944 555 075 51 G43	Provence blue	94-		
	944 555 075 51 K03	Cedar green	94-		
	944 555 075 51 8SE	Flamenco red	94-		
(7)	944 555 076 51	Armrest	/R	1	M981
		Leather			
	944 555 076 51 8YR	Black			
	944 555 076 51 6XL	Classic grey			
	944 555 076 51 9YL	Cobalt blue	-93		
	944 555 076 51 6YL	Magenta	-93		
	944 555 076 51 8ZL	Light grey	-93		
	944 555 076 51 H24	Midnight blue	94-		
	944 555 076 51 T15	Chestnut brown	94-		
	944 555 076 51 3QN	Marble grey	94-		

Model: 968 92 Model life 1992>>1995

Pos	Part Number	Description	Remark	Qty	Model
	944 555 076 51 4YU	Cashmere beige			
	944 555 076 51 H05	Marine blue	-93		
	944 555 076 51 M05	Matador red	-93		
	944 555 076 51 D35	Carrara grey	-93		
	944 555 076 51 J25	Sherwood green	-93		
	944 555 076 51 G43	Provence blue	94-		
	944 555 076 51 K03	Cedar green	94-		
	944 555 076 51 8SE	Flamenco red	94-		
8	900 143 019 07	Oval-head sheetmetal screw B 4,8 X 22		6	
9	N 012 225 3	Spring washer B 5		6	
10	999 591 722 02	Speed nut B 4,8 X 19,8		6	
11	900 910 010 09	Lock nut M 6		2	
12	N 011 524 7	Washer 6		2	
12	N 011 524 27	Washer 6		2	
(13)	944 555 449 00	Mounting	/L	2	
13	944 555 450 00	Mounting	/R	2	
14	928 555 569 02	Guide bush		2	
(15)	944 555 177 05	Sealing film	/L	1	
(15)		Sealing film	/L	1	
15	944 555 178 05	Sealing film	/R	1	
15		Sealing film	/R	1	
16	823 867 299	Clip		27	
(17)	944 555 031 01	Door seal	/L -92	1	
(17)	944 555 032 01	Door seal	/R -92	1	
(17)	944 555 031 01	Door seal	/L 93-	1	
(17)	944 555 032 01	Door seal	/R 93-	1	
18	477 867 543	Roof strut		3	
19	944 555 021 11	Side trim panel	/L 92	1	COUPE
	944 555 021 11 05T	Black			
	944 555 021 11 B05	Classic grey			
	944 555 021 11 G01	Cobalt blue			
	944 555 021 11 F61	Magenta			
	944 555 021 11 3KY	Marine blue			
(19)	944 555 021 13	Side trim panel	/L 92	1	M490
	944 555 021 13 05T	Black			
	944 555 021 13 B05	Classic grey			
	944 555 021 13 G01	Cobalt blue			
	944 555 021 13 F61	Magenta			
	944 555 021 13 3KY	Marine blue			
(19)	944 555 022 11	Side trim panel	/R 92	1	COUPE
	944 555 022 11 05T	Black			
	944 555 022 11 B05	Classic grey			
	944 555 022 11 G01	Cobalt blue			
	944 555 022 11 F61	Magenta			
	944 555 022 11 3KY	Marine blue			
(19)	944 555 022 13	Side trim panel	/R 92	1	M490
	944 555 022 13 05T	Black			
	944 555 022 13 B05	Classic grey			
	944 555 022 13 G01	Cobalt blue			
	944 555 022 13 F61	Magenta			
	944 555 022 13 3KY	Marine blue			
19	944 555 021 13	Side trim panel	/L 93	1	COUPE
	944 555 021 13 05T	Black			
	944 555 021 13 B05	Classic grey			
	944 555 021 13 G01	Cobalt blue			
	944 555 021 13 F61	Magenta			
	944 555 021 13 3KY	Marine blue			

Model: 968 92 Model life 1992>>1995

Pos	Part Number	Description	Remark	Qty	Model
(19)	944 555 022 13	Side trim panel	/R 93	1	COUPE
	944 555 022 13 05T	Black			
	944 555 022 13 B05	Classic grey			
	944 555 022 13 G01	Cobalt blue			
	944 555 022 13 F61	Magenta			
	944 555 022 13 3KY	Marine blue			
(19)	944 555 021 16	Side trim panel	/L 94-	1	COUPE
	944 555 021 16 05T	Black			
	944 555 021 16 B05	Classic grey			
	944 555 021 16 1HS	Midnight blue			
	944 555 021 16 4PL	Chestnut brown			
(19)	944 555 022 16	Side trim panel	/R 94-	1	COUPE
	944 555 022 16 05T	Black			
	944 555 022 16 B05	Classic grey			
	944 555 022 16 1HS	Midnight blue			
	944 555 022 16 4PL	Chestnut brown			
(19)	944 555 021 15	Side trim panel	/L	1	968CS
	944 555 021 15 05T	Black			
(19)	944 555 022 15	Side trim panel	/R	1	968CS
	944 555 022 15 05T	Black			
20	N 015 438 1	Speed nut		2	
		B 3,5 X 16,5			
21	N 014 087 5	Oval-head sheetmetal screw		4	
		B 3,5 X 16			
21	900 145 104 01	Rais. counters. h. tap. s.		4	
		B 3,5 X 16			
22	N 011 578 1	Cone washer		4	
		3,7			
23	477 867 503	Rooflining		1	
	477 867 503 05T	Black	-93		
	477 867 503 4WH	Classic grey	-93		
	477 867 503 2YR	Cobalt blue	-93		
	477 867 503 5VW	Magenta	-93		
	477 867 503 1KX	Marine blue	-93		
	477 867 503 5VE	Black	94-		
	477 867 503 6WP	Classic grey	94-		
	477 867 503 1GE	Midnight blue	94-		
	477 867 503 1NE	Chestnut brown	94-		
(23)	944 555 519 00	Rooflining		1	M650
	944 555 519 00 05T	Black	-93		
	944 555 519 00 4YW	Classic grey	-93		
	944 555 519 00 3YW	Cobalt blue	-93		
	944 555 519 00 N01	Magenta	-93		
	944 555 519 00 3KY	Marine blue	-93		
	944 555 519 00 5VE	Black	94-		
	944 555 519 00 6WP	Classic grey	94-		
	944 555 519 00 1GE	Midnight blue	94-		
	944 555 519 00 1NE	Chestnut brown	94-		
24	944 555 037 00	Lining	/V	1	
		Roof frame			
	944 555 037 00 05T	Black			
	944 555 037 00 9WH	Classic grey			
	944 555 037 00 7YG	Cobalt blue	-93		
	944 555 037 00 9YF	Magenta	-93		
	944 555 037 00 1KX	Marine blue	-93		
	944 555 037 00 3HP	Midnight blue	94-		
	944 555 037 00 6PN	Chestnut brown	94-		
25A	944 555 115 01	Roof frame padding	/L	1	M650
(25A)	944 555 116 01	Roof frame padding	/R	1	M650
26	944 564 531 02	Roof frame padding	/V	1	M650
27	944 555 533 00	Roof frame padding	/H	1	M650
28	944 555 053 00	Lining	/L	1	
		Windscreen frame			

Model: 968 92 Model life 1992>>1995

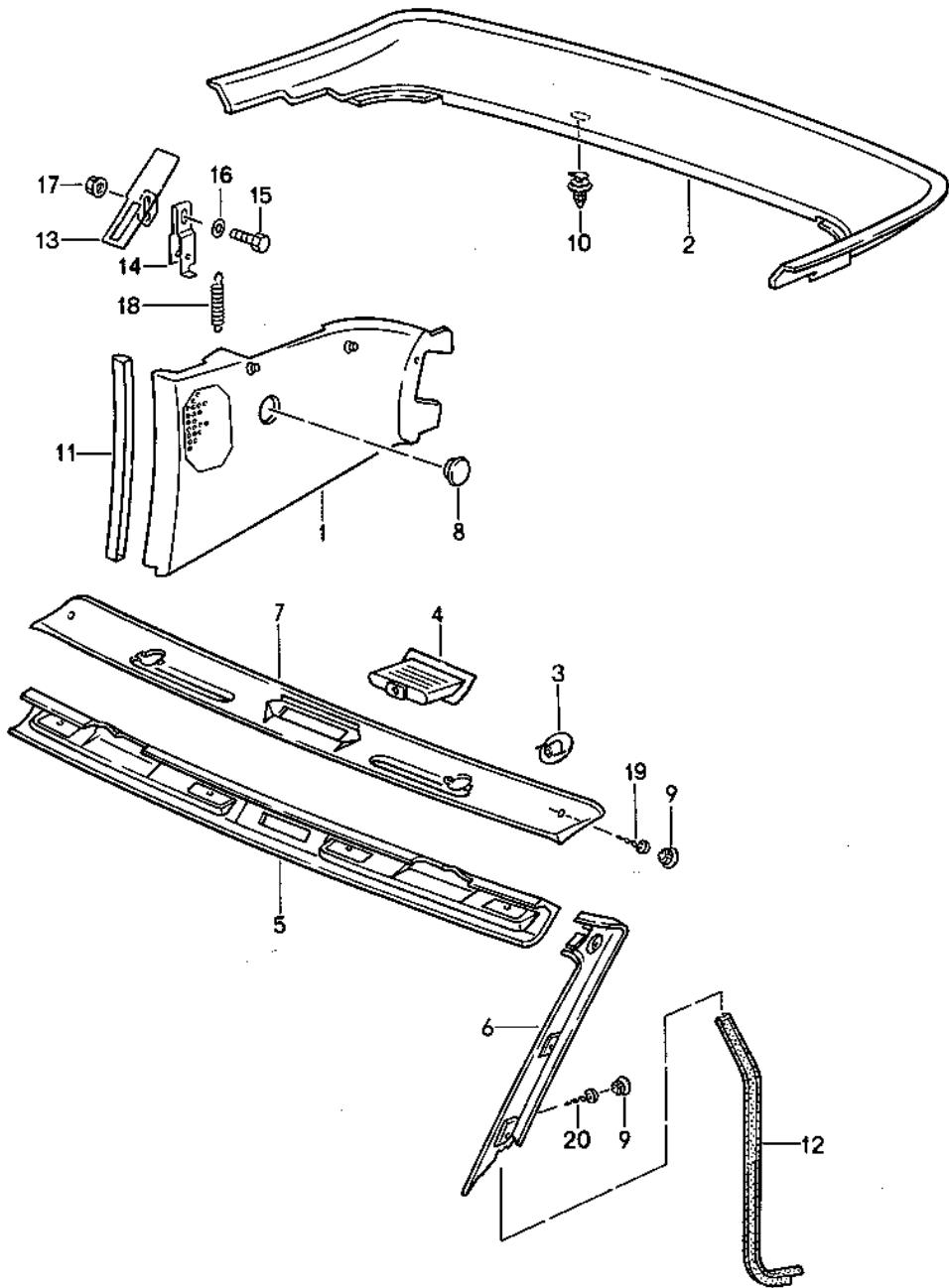
Pos	Part Number	Description	Remark	Qty	Model
	944 555 053 00 05T	Black			
	944 555 053 00 9WH	Classic grey			
	944 555 053 00 7YG	Cobalt blue	-93		
	944 555 053 00 9YF	Magenta	-93		
	944 555 053 00 1KX	Marine blue	-93		
	944 555 053 00 3HP	Midnight blue	94-		
	944 555 053 00 6PN	Chestnut brown	94-		
(28)	944 555 054 00	Lining	/R	1	
		Windscreen frame			
	944 555 054 00 05T	Black			
	944 555 054 00 9WH	Classic grey			
	944 555 054 00 7YG	Cobalt blue	-93		
	944 555 054 00 9YF	Magenta	-93		
	944 555 054 00 1KX	Marine blue	-93		
	944 555 054 00 3HP	Midnight blue	94-		
	944 555 054 00 6PN	Chestnut brown	94-		
29	N 013 962 2	Oval-head sheetmetal screw		6	
		B 3,9 X 16			
30	914 552 233 10	Filler piece		6	
	914 552 233 10 01C	Black			
	914 552 233 10 4XC	Classic grey			
	914 552 233 10 6ZF	Cobalt blue			
	914 552 233 10 6WX	Magenta			
	914 552 233 10 9JJ	Marine blue			
30	914 552 233 10	Filler piece		6	
	914 552 233 10 01C	Black			
	914 552 233 10 4XC	Classic grey			
31	477 867 653	Rosette		2	
32	477 867 655	Lining	/L	1	
	477 867 655 05T	Black	-93		
	477 867 655 4YW	Classic grey	-93		
	477 867 655 3YW	Cobalt blue	-93		
	477 867 655 N01	Magenta	-93		
	477 867 655 3KY	Marine blue	-93		
	477 867 655 5VE	Black	94-		
	477 867 655 6WP	Classic grey	94-		
	477 867 655 1GE	Midnight blue	94-		
	477 867 655 1NE	Chestnut brown	94-		
(32)	477 867 656	Lining	/R	1	
	477 867 656 05T	Black	-93		
	477 867 656 4YW	Classic grey	-93		
	477 867 656 3YW	Cobalt blue	-93		
	477 867 656 N01	Magenta	-93		
	477 867 656 3KY	Marine blue	-93		
	477 867 656 5VE	Black	94-		
	477 867 656 6WP	Classic grey	94-		
	477 867 656 1GE	Midnight blue	94-		
	477 867 656 1NE	Chestnut brown	94-		
33	477 867 923 A	Cap		2	
	477 867 923 A 01C	Black			
	477 867 923 A 4XC	Classic grey			
	477 867 923 A 6ZF	Cobalt blue	-93		
	477 867 923 A 6WX	Magenta	-93		
	477 867 923 A 9JJ	Marine blue	-93		
	477 867 923 A 3HE	Midnight blue	94-		
	477 867 923 A 5PW	Chestnut brown	94-		
(34)	477 867 153	Fastening hook	/L	1	
34	477 867 154	Hook	/R	1	
35	944 555 041 01	Lining	/H	1	M650
	944 555 041 01 05T	Black			
	944 555 041 01 B17	Classic grey			
	944 555 041 01 G23	Cobalt blue	-93		
	944 555 041 01 L35	Magenta	-93		

Model: 968 92 Model life 1992>>1995

Pos	Part Number	Description	Remark	Qty	Model
35	944 555 041 01 3KY	Marine blue	-93	1	
	944 555 041 01 1HS	Midnight blue	94-		
	944 555 041 01 4PL	Chestnut brown	94-		
	944 555 041 02	Lining	/H		
	944 555 041 02 05T	Black Surface is different			
(36)	944 555 271 00	Cover	/LL /L	1	
36	944 555 271 00 1DB	Black		1	
	944 555 272 01	Cover	/LL /R		
(36)	944 555 272 01 1DB	Black		1	
	945 555 271 01	Cover	/RL /L		
(36)	945 555 271 01 1DB	Black		1	
	945 555 272 00	Cover	/RL /R		
37	945 555 272 00 1DB	Black		1	
	945 555 272 00	Cover			
37	944 555 437 00	Clamp		2	
38	951 613 255 00	Cover		X	
	951 613 255 00 1DB	Black			
39	N 100 509 02	Speed nut		4	
40	N 013 959 3	Oval-head sheetmetal screw B 3,5 X 16		4	
	900 143 016 01	Oval-head sheetmetal screw B 3,5 X 16			
41	N 011 554 6	Washer 3,7		4	
	944 555 535 00	Covering frame	/L		
42	944 555 535 00 01C	Black		1	
	944 555 536 00	Covering frame	/R		
43	944 555 536 00 01C	Black		1	
	999 507 364 02	Clamp			
44	999 703 403 40	Stopper		2	968CS
45	999 703 404 40	Cap		1	968CS
	999 703 404 40 1DB	Black			
46	999 507 043 40	Expander nut		2	
47	944 555 453 00	Clamp		2	

Model: 968 92

Model life 1992>>1995



Model: 968 92 Model life 1992>>1995

Pos	Part Number	Description	Remark	Qty	Model
		Linings			CABRIO
(1)	941 555 021 10	Side trim panel	/L	1	
	941 555 021 10 05T	Black			
	941 555 021 10 B10	Classic grey			
	941 555 021 10 G12	Cobalt blue	-93		
	941 555 021 10 M24	Magenta	-93		
	941 555 021 10 3KY	Marine blue	-93		
	941 555 021 10 1HS	Midnight blue	94-		
	941 555 021 10 4PL	Chestnut brown	94-		
1	941 555 022 10	Side trim panel	/R	1	
	941 555 022 10 05T	Black			
	941 555 022 10 B10	Classic grey			
	941 555 022 10 G12	Cobalt blue	-93		
	941 555 022 10 M24	Magenta	-93		
	941 555 022 10 3KY	Marine blue	-93		
	941 555 022 10 1HS	Midnight blue	94-		
	941 555 022 10 4PL	Chestnut brown	94-		
2	941 555 232 10	Lining		1	
	941 555 232 10 A15	Anthracite			
3	941 555 335 10	Rosette		2	
	941 555 335 10 01C	Satin black			
4	941 555 339 10	Finger plate		1	
	941 555 339 10 01C	Black			
5	941 555 037 10	Lining		1	
		Windscreen frame			
	941 555 037 10 05T	Black			
	941 555 037 10 B10	Classic grey			
	941 555 037 10 G12	Cobalt blue	-93		
	941 555 037 10 M24	Magenta	-93		
	941 555 037 10 3KY	Marine blue	-93		
	941 555 037 10 1HS	Midnight blue	94-		
	941 555 037 10 4PL	Chestnut brown	94-		
6	941 555 053 10	Lining	/L	1	
		Windscreen frame			
	941 555 053 10 05T	Black			
	941 555 053 10 B10	Classic grey			
	941 555 053 10 G12	Cobalt blue	-93		
	941 555 053 10 M24	Magenta	-93		
	941 555 053 10 3KY	Marine blue	-93		
	941 555 053 10 1HS	Midnight blue	94-		
	941 555 053 10 4PL	Chestnut brown	94-		
(6)	941 555 054 10	Lining	/R	1	
		Windscreen frame			
	941 555 054 10 05T	Black			
	941 555 054 10 B10	Classic grey			
	941 555 054 10 G12	Cobalt blue	-93		
	941 555 054 10 M24	Magenta	-93		
	941 555 054 10 3KY	Marine blue	-93		
	941 555 054 10 1HS	Midnight blue	94-		
	941 555 054 10 4PL	Chestnut brown	94-		
7	941 555 337 10	Lining		1	
	941 555 337 10 05T	Black			
	941 555 337 10 B10	Classic grey			
	941 555 337 10 G12	Cobalt blue	-93		
	941 555 337 10 M24	Magenta	-93		
	941 555 337 10 3KY	Marine blue	-93		
	941 555 337 10 1HS	Midnight blue	94-		
	941 555 337 10 4PL	Chestnut brown	94-		
8	911 555 523 66	Cap		2	
	911 555 523 66 70B	Black			
	911 555 523 66 4XC	Classic grey			
	911 555 523 66 6ZF	Cobalt blue	-93		
	911 555 523 66 6WX	Magenta	-93		

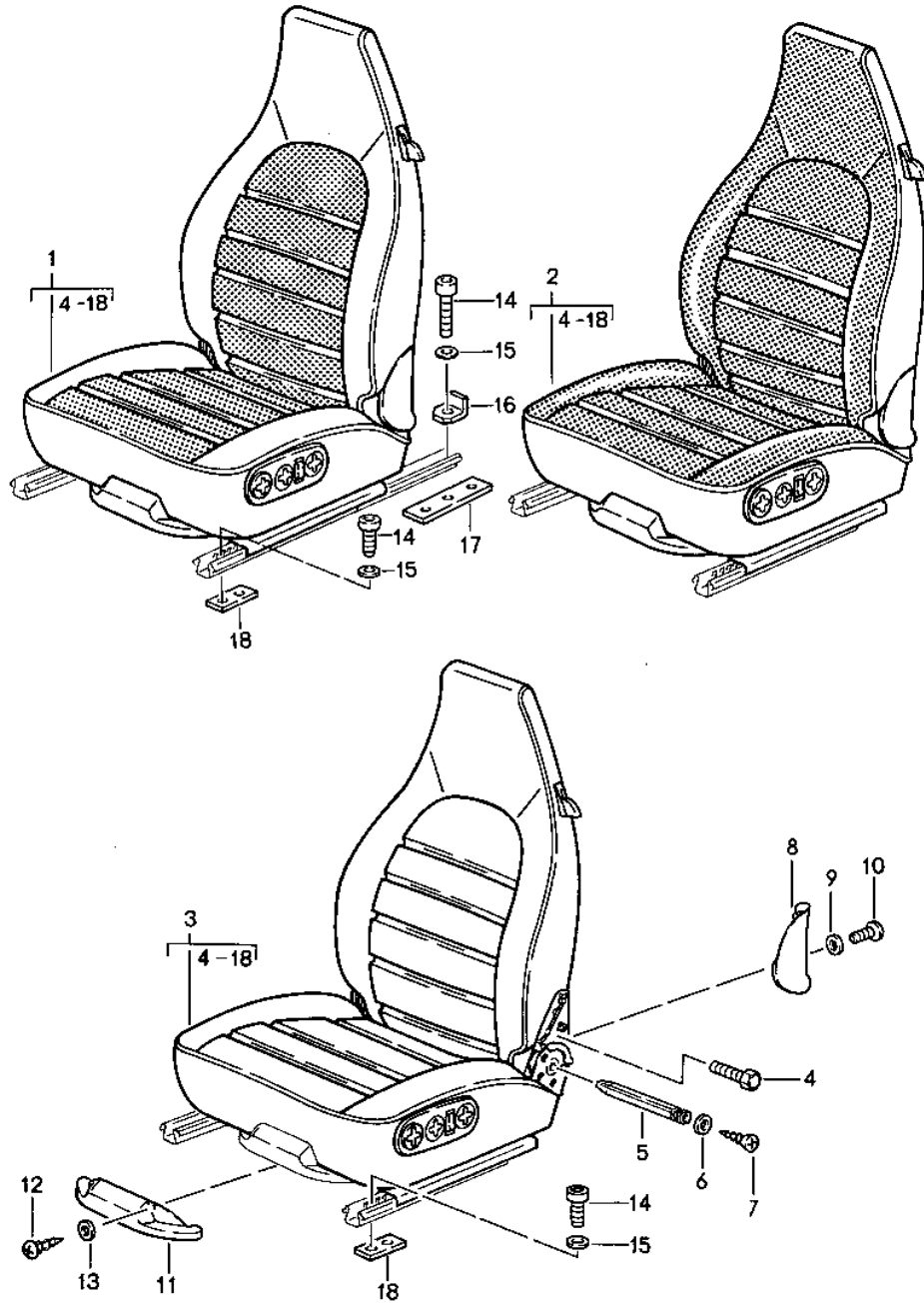
Model: 968 92 Model life 1992>>1995

Pos	Part Number	Description	Remark	Qty	Model
9	911 555 523 66 9JJ	Marine blue	-93	8	
	911 555 523 66 2GS	Midnight blue	94-		
	911 555 523 66 4PV	Chestnut brown	94-		
	941 504 710 10	Filler piece			
	941 504 710 10 01C	Black			
	941 504 710 10 6ZF	Cobalt blue	-93		
		Magenta	-93		
	941 504 710 10 9JJ	Marine blue	-93		
	941 504 710 10 2GS	Midnight blue	94-		
	941 504 710 10 4PV	Chestnut brown	94-		
10	941 504 715 10	Fastening plug		8	
11	941 555 593 10	Piping		2	
12	941 555 743 11	Gasket	/L	1	
(12)	941 555 744 11	Gasket	/R	1	
(13)	941 555 131 10	Hinge pillar		1	
	941 555 131 10 A15	Cover	/L		
13	941 555 132 10	Anthracite		1	
	941 555 132 10 A15	Cover	/R		
(14)	941 555 355 10	Anthracite		1	
14	941 555 355 10	Joint fork	/L	1	
15	941 555 356 10	Joint fork	/R	1	
16	941 504 806 10	Hexagon-head bolt		2	
		M 6 X 16			
16	N 011 524 7	Washer		2	
16	N 011 524 27	A 6,4		2	
		Washer			
17	900 910 010 09	A 6,4		2	
		Lock nut			
18	941 555 525 10	M 6		2	
19	900 143 085 07	Spring		4	
		Tapping screw			
20	900 143 146 07	B 4,2 X 16		10	
		Tapping screw			
		B 4,2 X 9,5			



Model: 968 92

Model life 1992>>1995



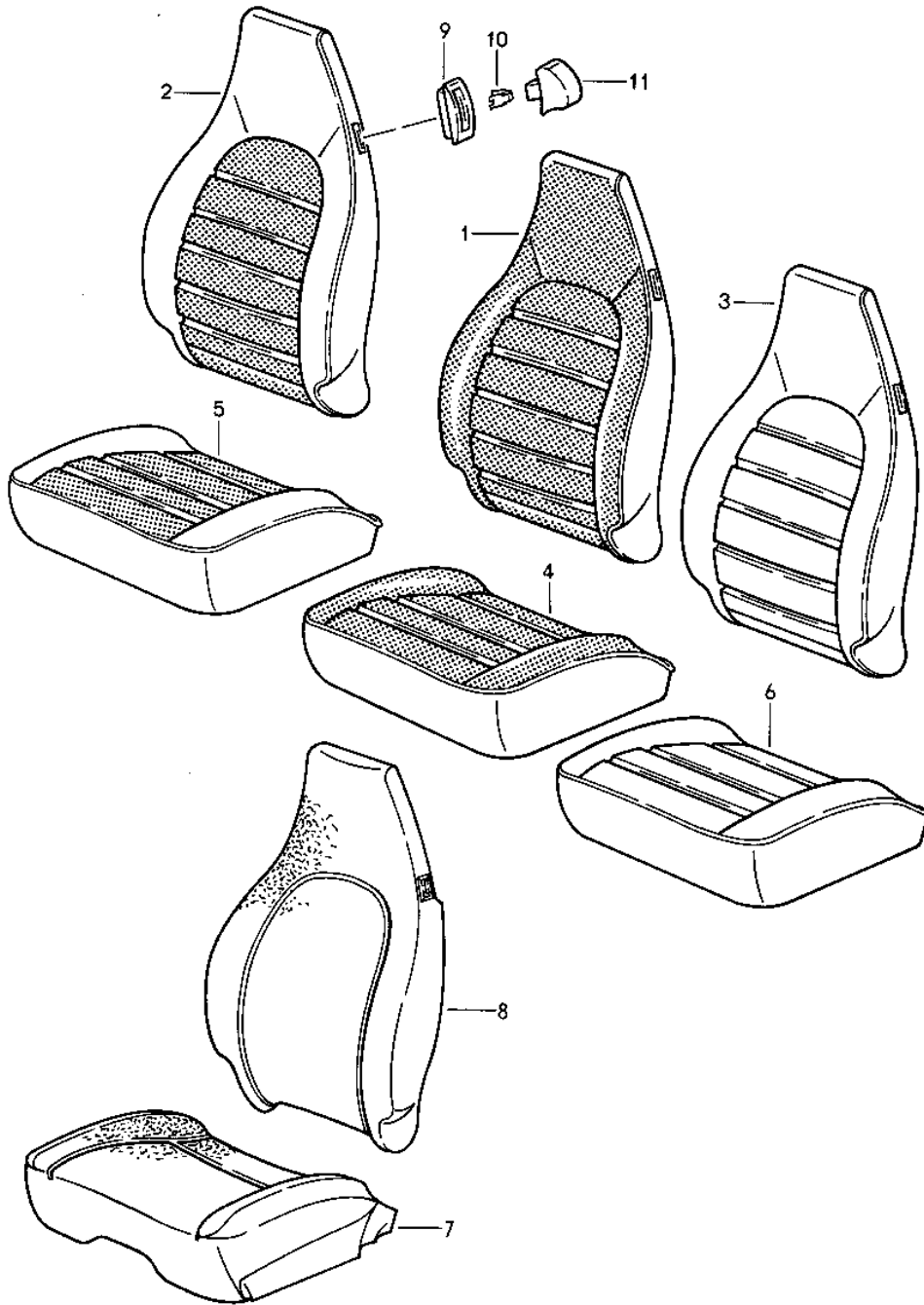
Model: 968 92

Model life 1992>>1995

Pos	Part Number	Description	Remark	Qty	Model
-	TPC 000 000 00 TPC 000 000 00 6WC	Seat Complete Group 8/08/00 - 8/08/60 See group 8/04/60 - 8/04/86 Catalogue STZ.18 Cloth Cloth by the running meter PORSCHE logo Classic grey Running meter		1	

Model: 968 92

Model life 1992>>1995

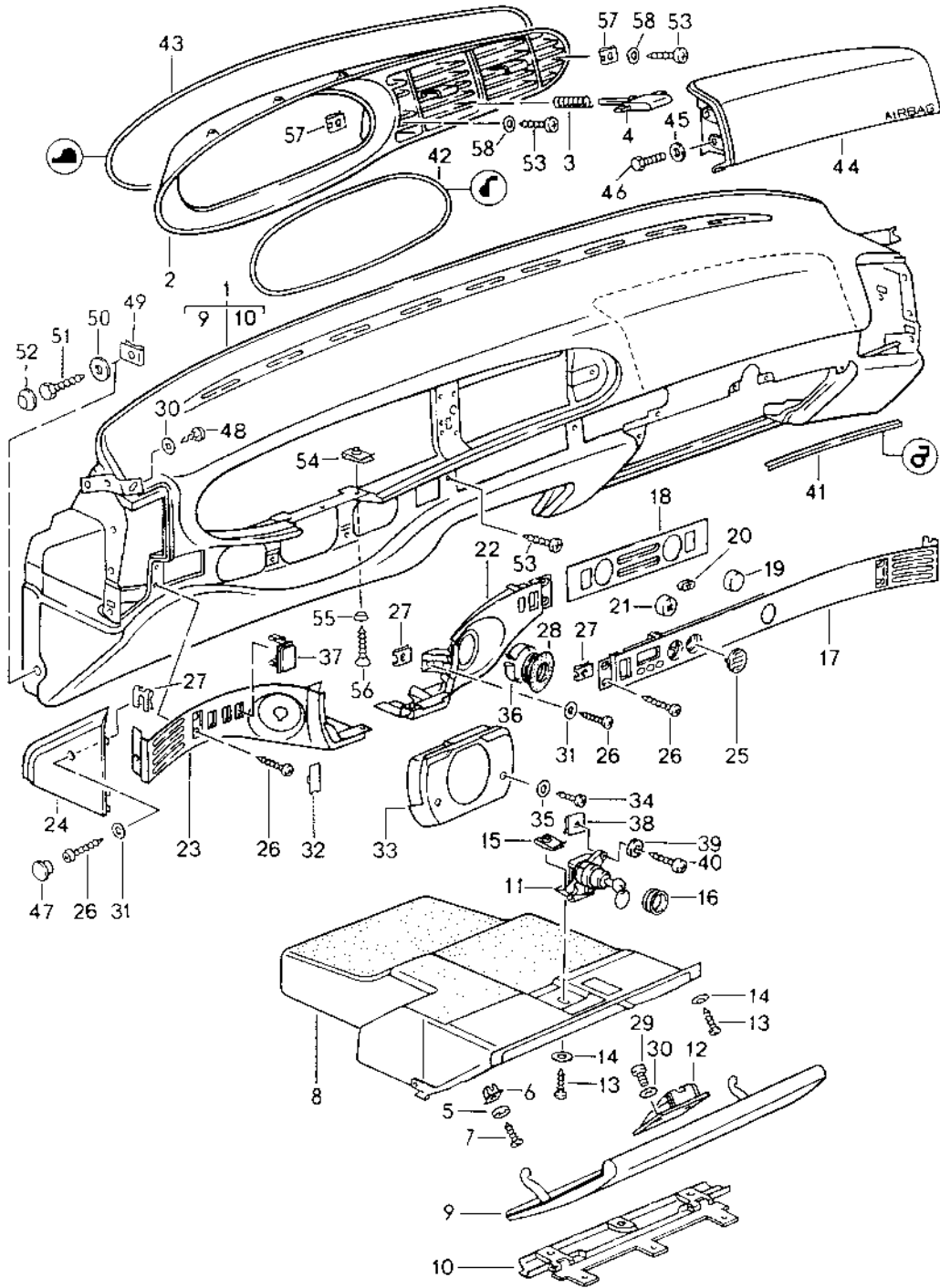


Model: 968 92 Model life 1992>>1995

Pos	Part Number	Description	Remark	Qty	Model
-	TPC 000 000 00 TPC 000 000 00 6WC	Cloth Cloth by the running meter PORSCHE logo Classic grey Running meter		1	

Model: 968 92

Model life 1992>>1995



Model: 968 92 Model life 1992>>1995

Pos	Part Number	Description	Remark	Qty	Model
1	944 552 085 00	Dashbord trim Dashbord	/LL	1	M564
	944 552 085 00 NW8	Black			
	944 552 085 00 APN	Classic grey			
	944 552 085 00 ARN	Cobalt blue			
	944 552 085 00 CCN	Magenta			
	944 552 085 00 CCQ	Black/light grey			
	944 552 085 00 CCS	Classic grey/light grey			
	944 552 085 00 CCU	Cobalt blue/light grey			
	944 552 085 00 CCW	Magenta/light grey			
	944 552 085 00 DBF	Midnight blue	94-		
	944 552 085 00 DCF	Chestnut brown	94-		
	944 552 085 00 DDF	Black/marble grey	94-		
	944 552 085 00 DBH	Midnight blue/marble grey	94-		
	944 552 085 00 CCY	Black/cashmere beige			
	944 552 085 00 US1	Marine blue			
1	944 552 085 02	Dashbord	/LL 93-	1	M564
	944 552 085 02 NW8	Black			
	944 552 085 02 APN	Classic grey			
	944 552 085 02 ARN	Cobalt blue	-93		
	944 552 085 02 CCN	Magenta	-93		
	944 552 085 02 CCQ	Black/light grey	-93		
	944 552 085 02 CCS	Classic grey/light grey	-93		
	944 552 085 02 CCU	Cobalt blue/light grey	-93		
	944 552 085 02 CCW	Magenta/light grey	-93		
	944 552 085 02 DBF	Midnight blue	94-		
	944 552 085 02 DCF	Chestnut brown	94-		
	944 552 085 02 DDF	Black/marble grey	94-		
	944 552 085 02 DBH	Midnight blue/marble grey	94-		
	944 552 085 02 CCY	Black/cashmere beige			
	944 552 085 02 US1	Marine blue	-93		
(1)	944 552 085 25	Dashbord Airbag	/LL	1	
	944 552 085 25 NW8	Black			
	944 552 085 25 APN	Classic grey			
	944 552 085 25 ARN	Cobalt blue	-93		
	944 552 085 25 CCN	Magenta	-93		
	944 552 085 25 CCQ	Black/light grey	-93		
	944 552 085 25 CCS	Classic grey/light grey	-93		
	944 552 085 25 CCU	Cobalt blue/light grey	-93		
	944 552 085 25 CCW	Magenta/light grey	-93		
	944 552 085 25 DBF	Midnight blue	94-		
	944 552 085 25 DCF	Chestnut brown	94-		
	944 552 085 25 DDF	Black/marble grey	94-		
	944 552 085 25 DBH	Midnight blue/marble grey	94-		
	944 552 085 25 CCY	Black/cashmere beige			
	944 552 085 25 US1	Marine blue	-93		
(1)	945 552 085 00	Dashbord trim	/RL	1	
	945 552 085 00 NW8	Black			
	945 552 085 00 APN	Classic grey			
	945 552 085 00 ARN	Cobalt blue	-93		
	945 552 085 00 CCN	Magenta	-93		
	945 552 085 00 CCQ	Black/light grey	-93		
	945 552 085 00 CCS	Classic grey/light grey	-93		
	945 552 085 00 CCU	Cobalt blue/light grey	-93		
	945 552 085 00 CCW	Magenta/light grey	-93		
	945 552 085 00 DBF	Midnight blue	94-		
	945 552 085 00 DCF	Chestnut brown	94-		
	945 552 085 00 DDF	Black/marble grey	94-		
	945 552 085 00 DBH	Midnight blue/marble grey	94-		
	945 552 085 00 CCY	Black/cashmere beige			
	945 552 085 00 US1	Marine blue	-93		

Model: 968 92 Model life 1992>>1995

Pos	Part Number	Description	Remark	Qty	Model
1	944 552 085 50	Dashboards Leather	/LL	1	M564
	944 552 085 50 ATP	Black			
	944 552 085 50 APP	Classic grey			
	944 552 085 50 ARP	Cobalt blue			
	944 552 085 50 CCP	Magenta			
	944 552 085 50 CCR	Black/light grey			
	944 552 085 50 CCT	Classic grey/light grey			
	944 552 085 50 CCV	Cobalt blue/light grey			
	944 552 085 50 CCX	Magenta/light grey			
	944 552 085 50 DBG	Midnight blue	94-		
	944 552 085 50 DCG	Chestnut brown	94-		
	944 552 085 50 DDG	Black/marble grey	94-		
	944 552 085 50 DBJ	Midnight blue/marble grey	94-		
	944 552 085 50 CCZ	Black/cashmere beige			
	944 552 085 50 CFA	Marine blue			
	944 552 085 50 CFB	Matador red			
	944 552 085 50 CFC	Carrara grey			
	944 552 085 50 CFD	Sherwood green			
	944 552 085 50 DER	Black/provence blue	94-		
	944 552 085 50 DES	Midnight bl./provence blue	94-		
	944 552 085 50 DEU	Cedar green	94-		
	944 552 085 50 DEV	Flamenco red	94-		
1	944 552 085 03	Dashboards Leather	/LL 93-	1	M564
	944 552 085 03 ATP	Black			
	944 552 085 03 APP	Classic grey			
	944 552 085 03 ARP	Cobalt blue	-93		
	944 552 085 03 CCP	Magenta	-93		
	944 552 085 03 CCR	Black/light grey	-93		
	944 552 085 03 CCT	Classic grey/light grey	-93		
	944 552 085 03 CCV	Cobalt blue/light grey	-93		
	944 552 085 03 CCX	Magenta/light grey	-93		
	944 552 085 03 DBG	Midnight blue	94-		
	944 552 085 03 DCG	Chestnut brown	94-		
	944 552 085 03 DDG	Black/marble grey	94-		
	944 552 085 03 DBJ	Midnight blue/marble grey	94-		
	944 552 085 03 CCZ	Black/cashmere beige			
	944 552 085 03 CFA	Marine blue	-93		
	944 552 085 03 CFB	Matador red	-93		
	944 552 085 03 CFC	Carrara grey	-93		
	944 552 085 03 CFD	Sherwood green	-93		
	944 552 085 03 DER	Black/provence blue	94-		
	944 552 085 03 DES	Midnight bl./provence blue	94-		
	944 552 085 03 DEU	Cedar green	94-		
	944 552 085 03 DEV	Flamenco red	94-		
(1)	944 552 085 26	Dashboards Airbag Leather	/LL	1	
	944 552 085 26 ATP	Black			
	944 552 085 26 APP	Classic grey			
	944 552 085 26 ARP	Cobalt blue	-93		
	944 552 085 26 CCP	Magenta	-93		
	944 552 085 26 CCR	Black/light grey	-93		
	944 552 085 26 CCT	Classic grey/light grey	-93		
	944 552 085 26 CCV	Cobalt blue/light grey	-93		
	944 552 085 26 CCX	Magenta/light grey	-93		
	944 552 085 26 DBG	Midnight blue	94-		
	944 552 085 26 DCG	Chestnut brown	94-		
	944 552 085 26 DDG	Black/marble grey	94-		
	944 552 085 26 DBJ	Midnight blue/marble grey	94-		
	944 552 085 26 CCZ	Black/cashmere beige			

Model: 968 92 Model life 1992>>1995

Pos	Part Number	Description	Remark	Qty	Model
	944 552 085 26 CFA	Marine blue	-93		
	944 552 085 26 CFB	Matador red	-93		
	944 552 085 26 CFC	Carrara grey	-93		
	944 552 085 26 CFD	Sherwood green	-93		
	944 552 085 26 DER	Black/provence blue	94-		
	944 552 085 26 DES	Midnight bl./provence blue	94-		
	944 552 085 26 DEU	Cedar green	94-		
	944 552 085 26 DEV	Flamenco red	94-		
(1)	945 552 085 50	Dashboard Leather	/RL	1	
	945 552 085 50 ATP	Black			
	945 552 085 50 APP	Classic grey			
	945 552 085 50 ARP	Cobalt blue	-93		
	945 552 085 50 CCP	Magenta	-93		
	945 552 085 50 CCR	Black/light grey	-93		
	945 552 085 50 CCT	Classic grey/light grey	-93		
	945 552 085 50 CCV	Cobalt blue/light grey	-93		
	945 552 085 50 CCX	Magenta/light grey	-93		
	945 552 085 50 DBG	Midnight blue	94-		
	945 552 085 50 DCG	Chestnut brown	94-		
	945 552 085 50 DDG	Black/marble grey	94-		
	945 552 085 50 DBJ	Midnight blue/marble grey	94-		
	945 552 085 50 CCZ	Black/cashmere beige			
	945 552 085 50 CFA	Marine blue	-93		
	945 552 085 50 CFB	Matador red	-93		
	945 552 085 50 CFC	Carrara grey	-93		
	945 552 085 50 CFD	Sherwood green	-93		
	945 552 085 50 DER	Black/provence blue	94-		
	945 552 085 50 DES	Midnight bl./provence blue	94-		
	945 552 085 50 DEU	Cedar green	94-		
	945 552 085 50 DEV	Flamenco red	94-		
2	944 552 023 00	Dashboard trim	/LL	1	
	944 552 023 00 1DB	Black			
(2)	944 552 023 01	Dashboard trim Airbag	/LL	1	
	944 552 023 01 1DB	Black			
(2)	945 552 023 00	Dashboard trim	/RL	1	
	945 552 023 00 1DB	Black			
3	944 572 421 00	Spring		1	
4	944 572 419 00	Knob		1	
5	944 552 259 00	Plug		2	
6	999 591 679 40	Special nut		2	
7	N 902 662 01	Combination tapping screw B 3,5 X 16		2	
7	PCG 902 662 01	Combination tapping screw B 4,2 X 16		2	
8	944 552 049 00	Glove compartment	/LL	1	M564
(8)	944 552 049 01	Glove compartment	/LL	1	M564/573
(8)	945 552 049 00	Glove compartment	/RL	1	
(8)	944 552 049 20	Glove compartment Airbag		1	
(8)	944 552 049 21	Glove compartment Airbag		1	M573
9	944 552 123 00	Glove compartment cover	/LL	1	M564
	944 552 123 00 05T	Black			
	944 552 123 00 B10	Classic grey			
	944 552 123 00 G12	Cobalt blue			
	944 552 123 00 M24	Magenta			
	944 552 123 00 B44	Light grey			
	944 552 123 00 1HS	Midnight blue	94-		
	944 552 123 00 4PL	Chestnut brown	94-		
	944 552 123 00 9EB	Marble grey	94-		



Model: 968 92

Model life 1992>>1995

Pos	Part Number	Description	Remark	Qty	Model
9	944 552 123 00 R04	Cashmere beige		1	M564
	944 552 123 00 3KY	Marine blue			
	944 552 123 02	Glove compartment cover	/LL 93-		
	944 552 123 02 05T	Black			
	944 552 123 02 B10	Classic grey			
	944 552 123 02 G12	Cobalt blue	-93		
	944 552 123 02 M24	Magenta	-93		
	944 552 123 02 B44	Light grey	-93		
	944 552 123 02 1HS	Midnight blue	94-		
	944 552 123 02 4PL	Chestnut brown	94-		
944 552 123 02 9EB	Marble grey	94-			
944 552 123 02 R04	Cashmere beige				
944 552 123 02 3KY	Marine blue	-93			
(9)	944 552 123 21	Glove compartment cover	/LL -93	1	
		Airbag			
	944 552 123 21 05T	Black			
	944 552 123 21 B10	Classic grey			
	944 552 123 21 G12	Cobalt blue	-93		
	944 552 123 21 M24	Magenta	-93		
	944 552 123 21 B44	Light grey	-93		
	944 552 123 21 R04	Cashmere beige			
	944 552 123 21 3KY	Marine blue	-93		
(9)	944 552 123 23	Glove compartment cover			
		Airbag			
	944 552 123 23 05T	Black			
	944 552 123 23 B10	Classic grey			
	944 552 123 23 G12	Cobalt blue	-93		
	944 552 123 23 M24	Magenta	-93		
	944 552 123 23 B44	Light grey	-93		
	944 552 123 23 1HS	Midnight blue	94-		
	944 552 123 23 4PL	Chestnut brown	94-		
	944 552 123 23 9EB	Marble grey	94-		
	944 552 123 23 R04	Cashmere beige			
	944 552 123 23 3KY	Marine blue	-93		
(9)	945 552 123 00	Glove compartment cover	/RL	1	
		Airbag			
	945 552 123 00 05T	Black			
	945 552 123 00 B10	Classic grey			
	945 552 123 00 G12	Cobalt blue	-93		
	945 552 123 00 M24	Magenta	-93		
	945 552 123 00 B44	Light grey	-93		
	945 552 123 00 1HS	Midnight blue	94-		
	945 552 123 00 4PL	Chestnut brown	94-		
	945 552 123 00 9EB	Marble grey	94-		
	945 552 123 00 R04	Cashmere beige			
	945 552 123 00 3KY	Marine blue	-93		
9	944 552 123 50	Glove compartment cover	/LL	1	M564/981
		Leather			
	944 552 123 50 8YR	Black			
	944 552 123 50 6XL	Classic grey			
	944 552 123 50 9YL	Cobalt blue			
	944 552 123 50 6YL	Magenta			
	944 552 123 50 8ZL	Light grey			
	944 552 123 50 H24	Midnight blue	94-		
	944 552 123 50 T15	Chestnut brown	94-		
	944 552 123 50 3QN	Marble grey	94-		
	944 552 123 50 4YU	Cashmere beige			
	944 552 123 50 H05	Marine blue			
	944 552 123 50 M05	Matador red			
	944 552 123 50 D35	Carrara grey			
	944 552 123 50 J25	Sherwood green			
	944 552 123 50 G43	Provence blue	94-		
	944 552 123 50 K03	Cedar green	94-		

Model: 968 92 Model life 1992>>1995

Pos	Part Number	Description	Remark	Qty	Model		
9	944 552 123 50 8SE	Flamenco red	94-	1	M564/981		
	944 552 123 55	Glove compartment cover Leather	/LL 93-				
	944 552 123 55 8YR	Black					
	944 552 123 55 6XL	Classic grey					
	944 552 123 55 9YL	Cobalt blue	-93				
	944 552 123 55 6YL	Magenta	-93				
	944 552 123 55 8ZL	Light grey	-93				
	944 552 123 55 H24	Midnight blue	94-				
	944 552 123 55 T15	Chestnut brown	94-				
	944 552 123 55 3QN	Marble grey	94-				
	944 552 123 55 4YU	Cashmere beige					
	944 552 123 55 H05	Marine blue	-93				
	944 552 123 55 M05	Matador red	-93				
	944 552 123 55 D35	Carrara grey	-93				
	944 552 123 55 J25	Sherwood green	-93				
	944 552 123 55 G43	Provence blue	94-				
	944 552 123 55 K03	Cedar green	94-				
944 552 123 55 8SE	Flamenco red	94-					
(9)	944 552 123 52	Glove compartment cover Airbag Leather	/LL -93	1	M981		
	944 552 123 52 8YR	Black					
	944 552 123 52 6XL	Classic grey					
	944 552 123 52 9YL	Cobalt blue	-93				
	944 552 123 52 6YL	Magenta	-93				
	944 552 123 52 8ZL	Light grey	-93				
	944 552 123 52 4YU	Cashmere beige					
	944 552 123 52 H05	Marine blue	-93				
	944 552 123 52 M05	Matador red	-93				
	944 552 123 52 D35	Carrara grey	-93				
	944 552 123 52 J25	Sherwood green	-93				
(9)	944 552 123 54	Glove compartment cover Airbag Leather	/LL			1	M981
	944 552 123 54 8YR	Black					
	944 552 123 54 6XL	Classic grey					
	944 552 123 54 9YL	Cobalt blue	-93				
	944 552 123 54 6YL	Magenta	-93				
	944 552 123 54 8ZL	Light grey	-93				
	944 552 123 54 H24	Midnight blue	94-				
	944 552 123 54 T15	Chestnut brown	94-				
	944 552 123 54 3QN	Marble grey	94-				
	944 552 123 54 4YU	Cashmere beige					
	944 552 123 54 H05	Marine blue	-93				
	944 552 123 54 M05	Matador red	-93				
	944 552 123 54 D35	Carrara grey	-93				
	944 552 123 54 J25	Sherwood green	-93				
	944 552 123 54 G43	Provence blue	94-				
	944 552 123 54 K03	Cedar green	94-				
944 552 123 54 8SE	Flamenco red	94-					
(9)	945 552 123 50	Glove compartment cover Leather	/RL	1	M981		
	945 552 123 50 8YR	Black					
	945 552 123 50 6XL	Classic grey					
	945 552 123 50 9YL	Cobalt blue	-93				
	945 552 123 50 6YL	Magenta	-93				
	945 552 123 50 8ZL	Light grey	-93				
	945 552 123 50 H24	Midnight blue	94-				
	945 552 123 50 T15	Chestnut brown	94-				
	945 552 123 50 3QN	Marble grey	94-				
	945 552 123 50 4YU	Cashmere beige					
	945 552 123 50 H05	Marine blue	-93				

Model: 968 92 Model life 1992>>1995

Pos	Part Number	Description	Remark	Qty	Model
	945 552 123 50 M05	Matador red	-93		
	945 552 123 50 D35	Carrara grey	-93		
	945 552 123 50 J25	Sherwood green	-93		
	945 552 123 50 G43	Provence blue	94-		
	945 552 123 50 K03	Cedar green	94-		
	945 552 123 50 8SE	Flamenco red	94-		
10	928 552 055 03	Hinge		1	
(11)	944 538 951 02	Twist lock for Glove compartment		1	
(11)	944 538 951 03	W/o stipulated lock number Twist lock for Glove compartment with stipulated lock number		1	
(12)	944 538 061 21	Closing element Twist lock		1	
13	N 013 958 14	Tapping screw 3,5 X 13		1	
14	N 011 663 4	Washer B 3,7		1	
15	999 591 349 02	Speed nut B 3,5		1	
16	944 538 529 00	Sealing ring Glove compartment lock		1	
(16)	944 552 585 00	Retaining ring		1	
17	944 552 436 00	Strip for switches	/LL /R	1	
	944 552 436 00 1DB	Black			
(17)	945 552 435 00	Strip for switches	/RL /R	1	
	945 552 435 00 1DB	Black			
18		Cover See group 8/13/30			
19		Knob Blower switch See group 8/13/30		1	
20		Knob Slide See group 8/13/30		1	
21		Knob Thermostat See group 8/13/30		1	
22	944 552 431 00	Strip for switches	/LL	1	
	944 552 431 00 1DB	Black			
(22)	945 552 431 00	Strip for switches Centre	/RL	1	
	945 552 431 00 1DB	Black			
23	944 552 429 00	Strip for switches	/LL /L	1	
	944 552 429 00 1DB	Black			
(23)	945 552 429 00	Strip for switches	/RL /L	1	
	945 552 429 00 1DB	Black			
24	944 552 083 00	Trim cover	/L	1	
	944 552 083 00 1DB	Black			
(24)	944 552 084 00	Trim cover	/R	1	
	944 552 084 00 1DB	Black			
25	944 552 451 00	Rosette Interior sensor		1	
26	N 013 959 3	Oval-head sheetmetal screw 3,5 X 16		X	
26	900 143 016 02	Oval-head sheetmetal screw		X	

Model: 968 92 Model life 1992>>1995

Pos	Part Number	Description	Remark	Qty	Model
27	N 015 438 1	3,5 X 16 Speed nut		X	
28	944 552 447 00	B 4,8 X 16 Cover		1	
29	N 014 128 13	Ignition starter lock Oval-head screw		2	
30	N 011 665 10	M 5 X 8 Washer		4	
31	N 011 554 6	B 5,3 Washer		X	
32	944 552 449 00	B 3,7 DIN 433 Cover	/L	1	
(32)	944 552 449 00 1DB	Strip for switches Black			
	944 552 450 00	Cover	/R	1	
	944 552 450 00 1DB	Strip for switches Black			
33	944 552 073 00	Lining		1	
(33)	944 552 073 01	Black		1	M454
	944 552 073 01 1DB	Lining Black			
(33)	944 552 273 20	Lining		1	
	944 552 273 20 1DB	Airbag Black			
(33)	944 552 373 20	Boot		1	
	944 552 373 20 01C	Airbag Black			
34	999 073 047 02	Tapping screw	94	2	
34		Tapping screw	95-	2	
35	N 011 554 6	B 3,5 X 9,5 Washer		2	
36	944 552 452 00	3,7 Clip		1	
37	944 613 257 00	Cover	/LL	1	
37		Cover	/LL	1	
(37)	944 613 257 00 1DB	Black			
(37)	945 613 257 00	Cover	/RL	1	
(37)	944 613 256 00	Cover		1	CABRIO
	944 613 256 00 1DB	Rear window heating Black			
38	999 591 763 02	Speed nut		3	
(38)	999 591 777 02	B 4,8 Push-button lock		3	
39	N 011 556 2	Speed nut		3	
40	N 013 975 4	B 4,8 Twist lock		3	
(40)	900 143 046 02	Washer 5,3 Oval-head sheetmetal screw		3	
(40)	900 143 046 01	B 4,8 X 19 Push-button lock Oval-head sheetmetal screw		3	
		B 4,8 X 16 Twist lock			
41	944 552 035 00	Oval-head sheetmetal screw		3	
42	999 911 342 40	B 4,8 X 16 Twist lock		1	
43	999 911 320 40	Gasket		1	
		Piping		1	
		Dashboard trim			
		Inner			
		Piping		1	
		Dashboard trim			

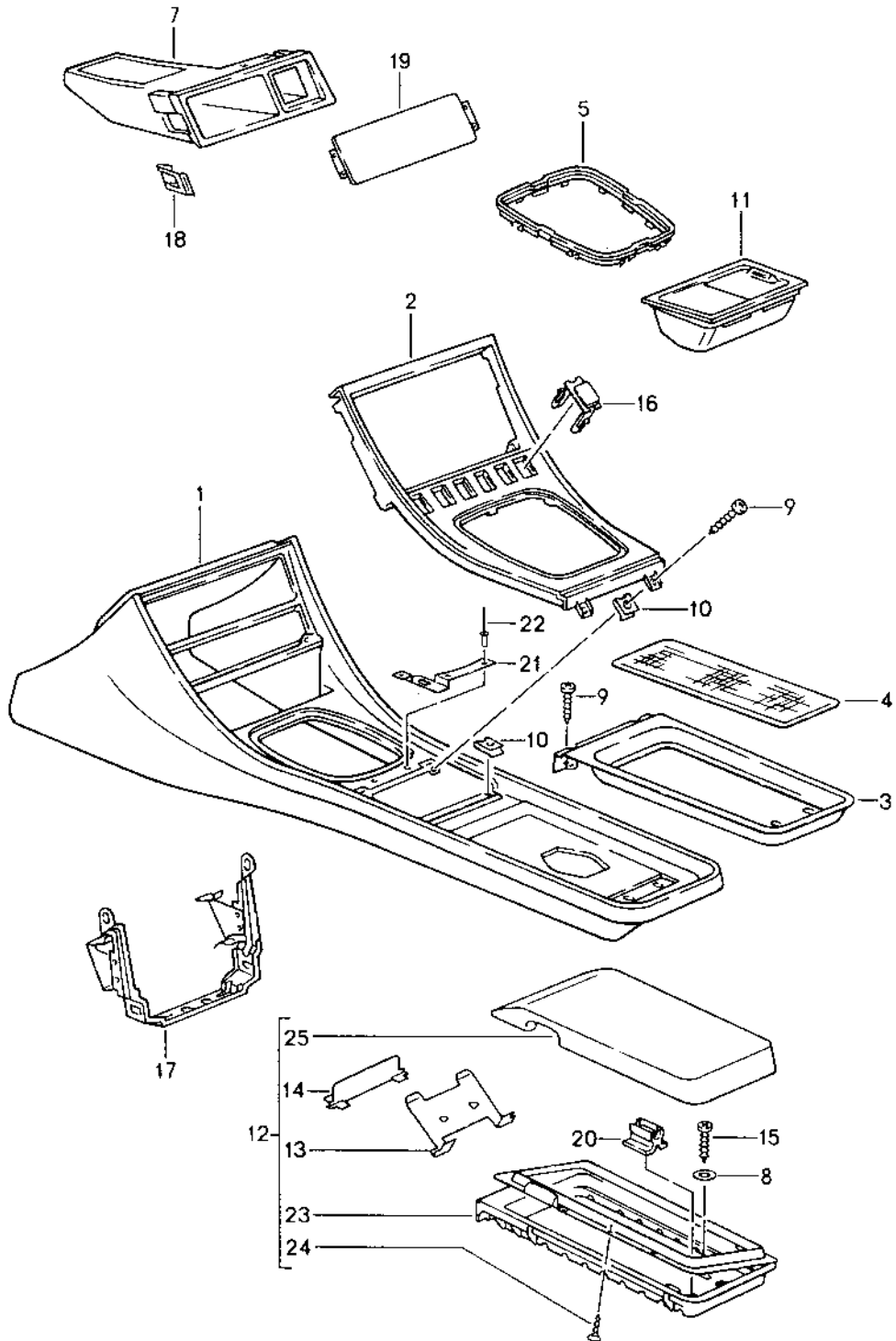
Model: 968 92

Model life 1992>>1995

Pos	Part Number	Description	Remark	Qty	Model
44	944 552 385 00	Outer Lid		1	
	944 552 385 00 05T	Airbag Black			
	944 552 385 00 9WH	Classic grey			
	944 552 385 00 7YG	Cobalt blue	-93		
	944 552 385 00 9YF	Magenta	-93		
	944 552 385 00 1KX	Marine blue	-93		
	944 552 385 00 3HP	Midnight blue	94-		
	944 552 385 00 6PN	Chestnut brown	94-		
45	N 011 666 7	Washer B 6,4		4	M562
46	999 217 020 02	Hexagon-head bolt M 6 X 10		4	M562
		Micro-self-locking			
46	999 217 020 01	Hexagon-head bolt M 6 X 10		4	M562
		Micro-self-locking			
47	944 552 767 00	Cap		2	
	944 552 767 00 01C	Black			
48	N 013 968 7	Tapping screw B 4,8 X 13		2	
48	900 143 097 01	Tapping screw B 4,8 X 13		2	
49	N 015 449 1	Speed nut B 6,3		2	
50	999 025 167 07	Washer B 7,4		2	
51	900 187 123 07	Tapping screw B 6,3 X 22		2	
52	928 555 383 02	Cap		2	
	928 555 383 02 70B	Black			
53	N 013 959 3	Oval-head sheetmetal screw 3,5 X 16		10	
53	900 143 016 02	Oval-head sheetmetal screw 3,5 X 16		10	
54	999 591 733 07	Speed nut 3,5		2	
55	N 100 401 02	Cone washer B 4,2		2	
56	900 145 070 07	Tapping screw 3,5 X 19		2	
57	N 015 438 1	Speed nut 3,5		3	
58	N 011 554 6	Washer 3,7		3	

Model: 968 92

Model life 1992>>1995



Model: 968 92 Model life 1992>>1995

Pos	Part Number	Description	Remark	Qty	Model
1	944 552 051 01	Cassette box Centre console Centre console Leatherette		1	
	944 552 051 01 05T	Black			
	944 552 051 01 B10	Classic grey			
	944 552 051 01 G12	Cobalt blue	-93		
	944 552 051 01 M24	Magenta	-93		
	944 552 051 01 B44	Light grey	-93		
	944 552 051 01 1HS	Midnight blue	94-		
	944 552 051 01 4PL	Chestnut brown	94-		
	944 552 051 01 9EB	Marble grey	94-		
	944 552 051 01 R04	Cashmere beige			
	944 552 051 01 3KY	Marine blue	-93		
(1)	944 552 051 02	Centre console Leatherette	-93	1	M249
	944 552 051 02 05T	Black			
	944 552 051 02 B10	Classic grey			
	944 552 051 02 G12	Cobalt blue	-93		
	944 552 051 02 M24	Magenta	-93		
	944 552 051 02 B44	Light grey	-93		
	944 552 051 02 R04	Cashmere beige			
	944 552 051 02 3KY	Marine blue	-93		
(1)	944 552 051 51	Centre console Leather		1	M981
	944 552 051 51 8YR	Black			
	944 552 051 51 6XL	Classic grey			
	944 552 051 51 9YL	Cobalt blue	-93		
	944 552 051 51 6YL	Magenta	-93		
	944 552 051 51 8ZL	Light grey	-93		
	944 552 051 51 H24	Midnight blue	94-		
	944 552 051 51 T15	Chestnut brown	94-		
	944 552 051 51 3QN	Marble grey	94-		
	944 552 051 51 4YU	Cashmere beige			
	944 552 051 51 H05	Marine blue	-93		
	944 552 051 51 M05	Matador red	-93		
	944 552 051 51 D35	Carrara grey	-93		
	944 552 051 51 J25	Sherwood green	-93		
	944 552 051 51 G43	Provence blue	94-		
	944 552 051 51 K03	Cedar green	94-		
	944 552 051 51 8SE	Flamenco red	94-		
(1)	944 552 051 52	Centre console Leather	-93	1	M249/981
	944 552 051 52 8YR	Black			
	944 552 051 52 6XL	Classic grey			
	944 552 051 52 9YL	Cobalt blue	-93		
	944 552 051 52 6YL	Magenta	-93		
	944 552 051 52 8ZL	Light grey	-93		
	944 552 051 52 4YU	Cashmere beige			
	944 552 051 52 H05	Marine blue	-93		
	944 552 051 52 M05	Matador red	-93		
	944 552 051 52 D35	Carrara grey	-93		
	944 552 051 52 J25	Sherwood green	-93		
2	944 552 117 00	Covering frame		1	
	944 552 117 00 1DB	Black			
3	944 552 155 00	Tray		1	
	944 552 155 00 1DB	Black			
		Centre console			
4	944 552 161 00	Insert		1	
	944 552 161 00 01C	Black			
5	944 552 257 00	Frame		1	M480
7	944 641 248 00	Package box		1	
	944 641 248 00 1DB	Black			

Model: 968 92 Model life 1992>>1995

Pos	Part Number	Description	Remark	Qty	Model
(7)	944 552 157 00	Package box		1	968CS
	944 552 157 00 1DB	Black			
8	900 151 028 07	Washer B 4,3		2	
9	N 013 958 14	Tapping screw 3,5 X 13		6	
10	999 591 349 02	Speed nut		4	
11	944 552 171 01	Ashtray		1	
	944 552 171 01 1DB	Black			
11	944 552 171 02	Ashtray		1	
	944 552 171 02 1DB	Black			
12	944 552 063 01	Cassette box	/LL	1	
		Leatherette			
	944 552 063 01 05T	Black			
	944 552 063 01 B10	Classic grey			
	944 552 063 01 G12	Cobalt blue	-93		
	944 552 063 01 M24	Magenta	-93		
	944 552 063 01 B44	Light grey	-93		
	944 552 063 01 6HP	Midnight blue	94-		
	944 552 063 01 7PD	Chestnut brown	94-		
	944 552 063 01 8CF	Marble grey	94-		
	944 552 063 01 R04	Cashmere beige			
	944 552 063 01 3KY	Marine blue	-93		
(12)	945 552 063 01	Cassette box	/RL	1	
		Leatherette			
	945 552 063 01 05T	Black			
	945 552 063 01 B10	Classic grey			
	945 552 063 01 G12	Cobalt blue	-93		
	945 552 063 01 M24	Magenta	-93		
	945 552 063 01 B44	Light grey	-93		
	945 552 063 01 6HP	Midnight blue	94-		
	945 552 063 01 7PD	Chestnut brown	94-		
	945 552 063 01 8CF	Marble grey	94-		
	945 552 063 01 R04	Cashmere beige			
	945 552 063 01 3KY	Marine blue	-93		
12	944 552 063 51	Cassette box	/LL	1	M981
		Leather			
	944 552 063 51 8YR	Black			
	944 552 063 51 6XL	Classic grey			
	944 552 063 51 9YL	Cobalt blue	-93		
	944 552 063 51 6YL	Magenta	-93		
	944 552 063 51 8ZL	Light grey	-93		
	944 552 063 51 H24	Midnight blue	94-		
	944 552 063 51 T15	Chestnut brown	94-		
	944 552 063 51 3QN	Marble grey	94-		
	944 552 063 51 4YU	Cashmere beige			
	944 552 063 51 H05	Marine blue	-93		
	944 552 063 51 M05	Matador red	-93		
	944 552 063 51 D35	Carrara grey	-93		
	944 552 063 51 J25	Sherwood green	-93		
	944 552 063 51 G43	Provence blue	94-		
	944 552 063 51 K03	Cedar green	94-		
	944 552 063 51 8SE	Flamenco red	94-		
(12)	945 552 063 51	Cassette box	/RL	1	M981
		Leather			
	945 552 063 51 8YR	Black			
	945 552 063 51 6XL	Classic grey			
	945 552 063 51 9YL	Cobalt blue	-93		
	945 552 063 51 6YL	Magenta	-93		
	945 552 063 51 8ZL	Light grey	-93		
	945 552 063 51 H24	Midnight blue	94-		
	945 552 063 51 T15	Chestnut brown	94-		
	945 552 063 51 3QN	Marble grey	94-		



Model: 968 92 Model life 1992>>1995

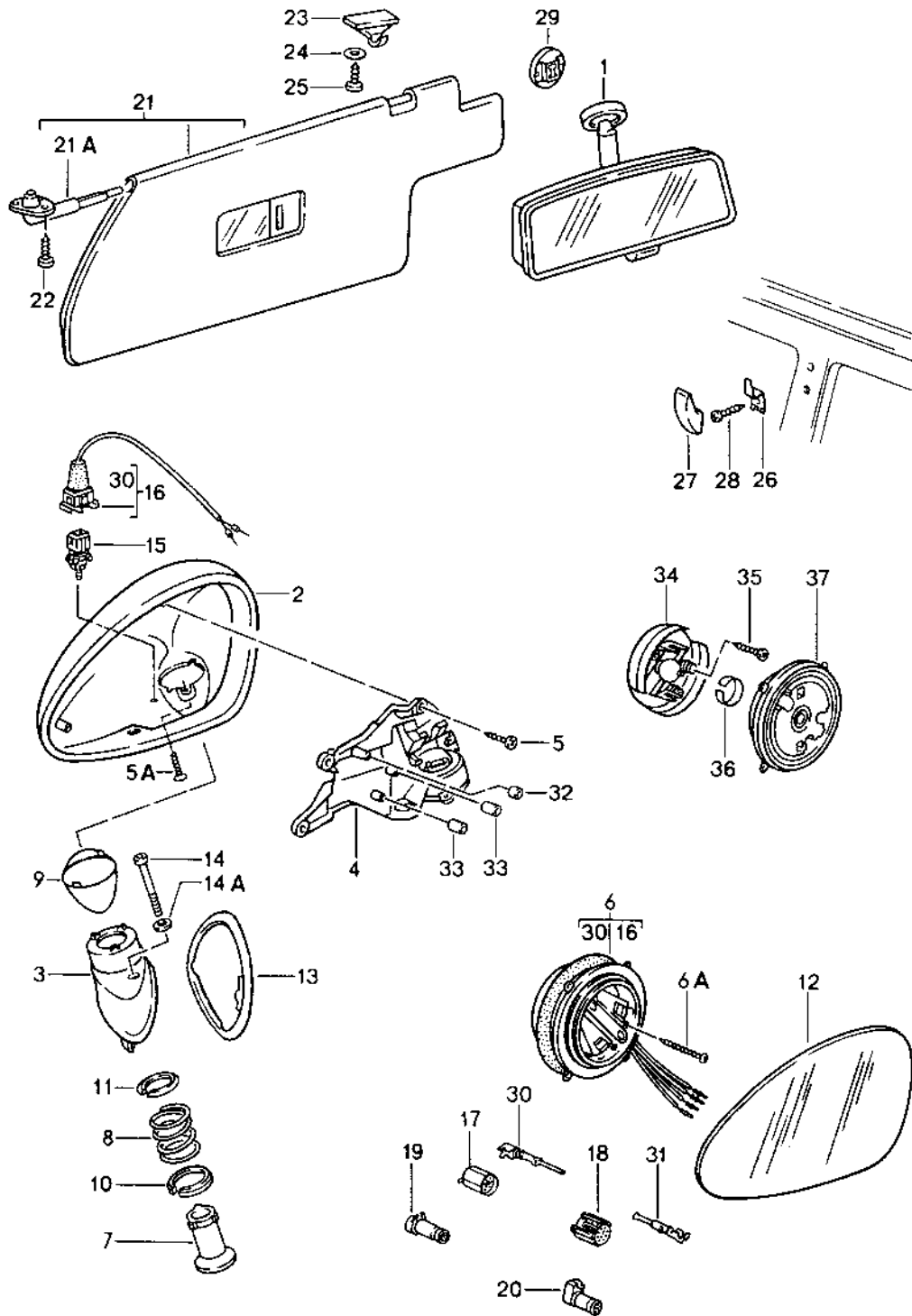
Pos	Part Number	Description	Remark	Qty	Model
	945 552 063 51 4YU	Cashmere beige			
	945 552 063 51 H05	Marine blue	-93		
	945 552 063 51 M05	Matador red	-93		
	945 552 063 51 D35	Carrara grey	-93		
	945 552 063 51 J25	Sherwood green	-93		
	945 552 063 51 G43	Provence blue	94-		
	945 552 063 51 K03	Cedar green	94-		
	945 552 063 51 8SE	Flamenco red	94-		
13	928 555 731 02	Cassette rack		8	
	928 555 731 02 01C	Satin black			
13	928 555 731 02	Cassette rack		4	CABRIO
	928 555 731 02 01C	Satin black			
14	928 555 741 02	Partition panel		1	
15	N 902 663 01	Oval-head sheetmetal screw 4,2 X 25		2	
	944 613 256 00	Cover		1	
	944 613 256 00 1DB	Black Fader			
(16)	944 613 259 02	Cover Switch		5	
	944 613 259 02 1DB	Black			
17	944 552 067 02	Support		1	M564
18	944 552 557 00	Spring clamp		2	
19	944 552 261 02	Cover		1	
	944 552 261 02 1DB	Black			
20	999 507 367 40	Support		2	CABRIO
21	944 552 623 00	Fastening angle		1	M249
22	900 190 002 02	Rivet A3X7		3	M249
23	944 552 553 01	Frame Cassette box	/LL	1	
	944 552 553 01 01C	Black			
(23)	945 552 553 01	Frame Cassette box	/RL	1	
	945 552 553 01 01C	Black			
24	900 144 017 07	Tapping screw 2,9 X 13		8	
25	944 552 165 00	Lid Leatherette	/LL	1	
	944 552 165 00 05T	Black			
	944 552 165 00 2WJ	Classic grey			
	944 552 165 00 9ZH	Cobalt blue	-93		
	944 552 165 00 4WY	Magenta	-93		
	944 552 165 00 1ZU	Light grey	-93		
	944 552 165 00 7RT	Cashmere beige			
	944 552 165 00 1KX	Marine blue	-93		
	944 552 165 00 6HP	Midnight blue	94-		
	944 552 165 00 7PD	Chestnut brown	94-		
	944 552 165 00 8CF	Marble grey	94-		
(25)	945 552 165 00	Lid Leatherette	/RL	1	
	945 552 165 00 05T	Black			
	945 552 165 00 2WJ	Classic grey			
	945 552 165 00 9ZH	Cobalt blue	-93		
	945 552 165 00 4WY	Magenta	-93		
	945 552 165 00 1ZU	Light grey	-93		
	945 552 165 00 7RT	Cashmere beige			
	945 552 165 00 1KX	Marine blue	-93		
	945 552 165 00 6HP	Midnight blue	94-		
	945 552 165 00 7PD	Chestnut brown	94-		
	945 552 165 00 8CF	Marble grey	94-		
25	944 552 165 50	Lid Leather	/LL	1	

Model: 968 92 Model life 1992>>1995

Pos	Part Number	Description	Remark	Qty	Model
	944 552 165 50 8YR	Black			
	944 552 165 50 6XL	Classic grey			
	944 552 165 50 9YL	Cobalt blue	-93		
	944 552 165 50 6YL	Magenta	-93		
	944 552 165 50 8ZL	Light grey	-93		
	944 552 165 50 4YU	Cashmere beige			
	944 552 165 50 H05	Marine blue	-93		
	944 552 165 50 M05	Matador red	-93		
	944 552 165 50 D35	Carrara grey	-93		
	944 552 165 50 J25	Sherwood green	-93		
	944 552 165 50 H24	Midnight blue	94-		
	944 552 165 50 T15	Chestnut brown	94-		
	944 552 165 50 3QN	Marble grey	94-		
	944 552 165 50 G43	Provence blue	94-		
	944 552 165 50 K03	Cedar green	94-		
	944 552 165 50 8SE	Flamenco red	94-		
(25)	945 552 165 50	Lid	/RL	1	
		Leather			
	945 552 165 50 8YR	Black			
	945 552 165 50 6XL	Classic grey			
	945 552 165 50 9YL	Cobalt blue	-93		
	945 552 165 50 6YL	Magenta	-93		
	945 552 165 50 8ZL	Light grey	-93		
	945 552 165 50 4YU	Cashmere beige			
	945 552 165 50 H05	Marine blue	-93		
	945 552 165 50 M05	Matador red	-93		
	945 552 165 50 D35	Carrara grey	-93		
	945 552 165 50 J25	Sherwood green	-93		
	945 552 165 50 H24	Midnight blue	94-		
	945 552 165 50 T15	Chestnut brown	94-		
	945 552 165 50 3QN	Marble grey	94-		
	945 552 165 50 G43	Provence blue	94-		
	945 552 165 50 K03	Cedar green	94-		
	945 552 165 50 8SE	Flamenco red	94-		

Model: 968 92

Model life 1992>>1995



Model: 968 92 Model life 1992>>1995

Pos	Part Number	Description	Remark	Qty	Model
		Interior mirror			
		Door mirror			
		Sun visor			
1	477 857 511 A	Interior mirror		1	
	477 857 511 A 01C	Satin black			
1	477 857 511 B	Interior mirror		1	
	477 857 511 B 01C	Satin black			
2	965 731 243 00	Mirror housing	/L	1	
	965 731 243 00 G2L	Prime coated			
(2)	965 731 244 00	Mirror housing	/R	1	
	965 731 244 00 G2L	Prime coated			
3	944 731 241 00	Mirror base	/LL /L	1	
	944 731 241 00 G2M	Prime coated			
(3)	944 731 242 00	Mirror base	/LL /R	1	
	944 731 242 00 G2M	Prime coated			
(3)	945 731 241 00	Mirror base	/RL /L	1	
	945 731 241 00 G2M	Prime coated			
(3)	945 731 242 00	Mirror base	/RL /R	1	
	945 731 242 00 G2M	Prime coated			
4	965 731 245 01	Reinforcement plate	/L	1	
(4)	965 731 246 01	Reinforcement plate	/R	1	
5	999 919 109 02	Countersunk-head screw		6	
		3,0 X 12			
5A	999 919 110 02	Oval-head screw		2	
		3,0 X 14			
6	965 624 901 00	Adjusting motor		2	
		When required order also:			
		POS.17			
		POS.19			
6	965 624 901 01	Adjusting motor		2	
		When required order also:			
		POS.17			
		POS.19			
6A	900 278 013 02	Oval-head screw		6	
		M 3 X 30			
6A	900 278 008 01	Oval-head screw		6	
		M 3 X 30			
7	965 731 257 00	Bolt		2	
8	965 731 259 00	Compression spring		2	
9	965 731 143 00	Gasket	/L	1	
(9)	965 731 144 00	Gasket	/R	1	
10	965 731 345 00	Centring washer		2	
		Lower			
11	965 731 347 00	Centring washer		2	
		Upper			
12	965 731 035 00	Mirror glass	/L	1	
		Plane			
(12)	965 731 036 00	Mirror glass	/R	1	
		Plane			
(12)	965 731 037 00	Mirror glass	/L	1	
		Convex			
(12)	965 731 038 00	Mirror glass	/R	1	
		Convex			
(12)	964 731 035 00	Mirror glass	/L	1	968CS
		Plane			
(12)	964 731 036 00	Mirror glass	/R	1	968CS
		Plane			
(12)	964 731 037 00	Mirror glass	/L	1	968CS
		Convex			
(12)	964 731 038 00	Mirror glass	/R	1	968CS
		Convex			
13	944 731 247 00	Desk pad	/L	1	
(13)	944 731 248 00	Desk pad	/R	1	

Model: 968 92 Model life 1992>>1995

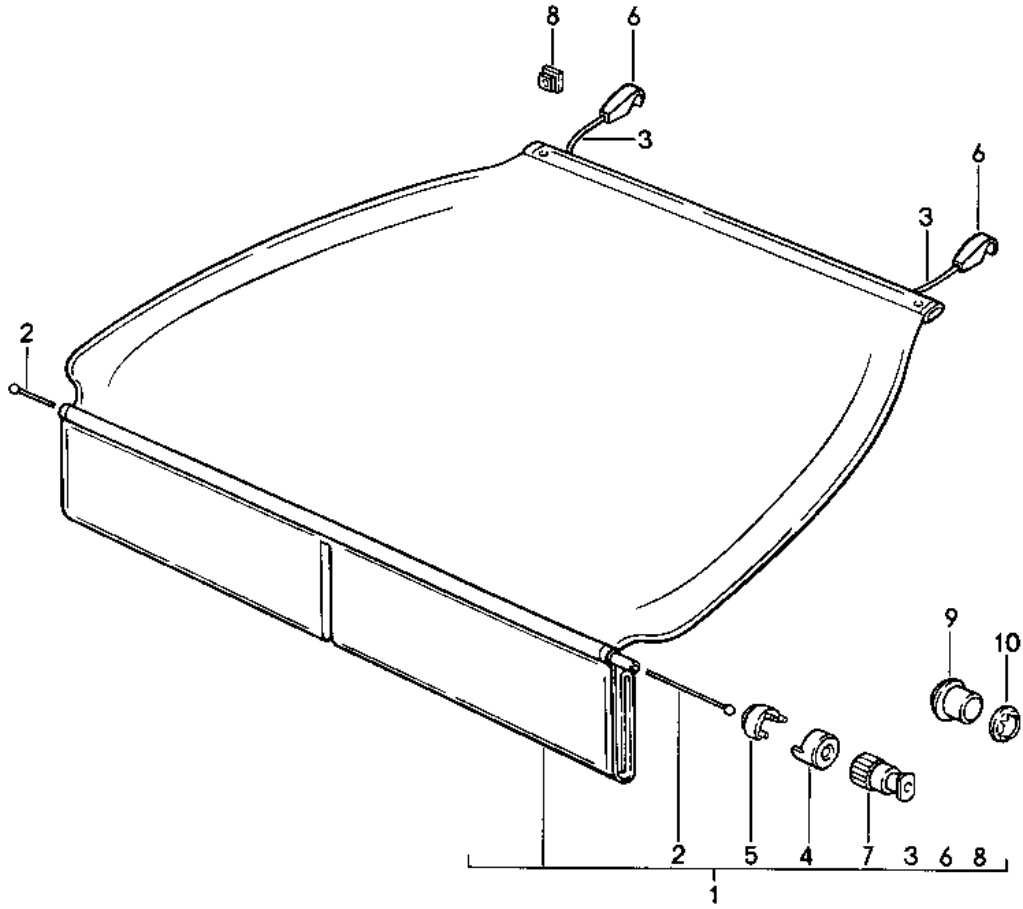
Pos	Part Number	Description	Remark	Qty	Model
14	999 218 078 02	Pan-head screw Micro-self-locking M 5 X 40 X 25		2	
14A	999 025 233 40	Washer 5,1 X 8,5		2	
15	928 641 142 00	Temperature sensor		1	
16	964 612 909 00	Wiring harness		1	
16	964 612 909 01	Wiring harness		1	
17	928 612 615 00	Pin connector socket 15-pole		1	
18	928 612 515 03	Plug socket 15-pole		1	
19	964 612 516 00	Pin connector socket 6-pole		1	
20	964 612 616 00	Plug socket 6-pole		1	
21	944 731 031 01	Sun visor	/L	1	COUPE
	944 731 031 01 70A	Black			
	944 731 031 01 6WJ	Classic grey			
	944 731 031 01 7YU	Cobalt blue	-93		
	944 731 031 01 8YA	Magenta	-93		
	944 731 031 01 5GS	Midnight blue	94-		
(21)	944 731 031 02	Sun visor	/L (AUS) (S)	1	COUPE
	944 731 031 02 70A	Black			
	944 731 031 02 6WJ	Classic grey			
	944 731 031 02 7YU	Cobalt blue	-93		
	944 731 031 02 8YA	Magenta	-93		
	944 731 031 02 5GS	Midnight blue	94-		
(21)	944 731 032 01	Sun visor	/R	1	COUPE
	944 731 032 01 70A	Black			
	944 731 032 01 6WJ	Classic grey			
	944 731 032 01 7YU	Cobalt blue	-93		
	944 731 032 01 8YA	Magenta	-93		
	944 731 032 01 5GS	Midnight blue	94-		
(21)	944 731 032 02	Sun visor	/R (AUS) (S)	1	COUPE
	944 731 032 02 70A	Black			
	944 731 032 02 6WJ	Classic grey			
	944 731 032 02 7YU	Cobalt blue	-93		
	944 731 032 02 8YA	Magenta	-93		
	944 731 032 02 5GS	Midnight blue	94-		
(21)	941 731 031 10	Sun visor	/L	1	CABRIO
	941 731 031 10 70A	Black			
	941 731 031 10 6WJ	Classic grey			
	941 731 031 10 7YU	Cobalt blue			
	941 731 031 10 8YA	Magenta			
	941 731 031 10 5GS	Midnight blue	94-		
(21)	941 731 031 11	Sun visor	/L 93-	1	CABRIO
	941 731 031 11 70A	Black			
	941 731 031 11 6WJ	Classic grey			
	941 731 031 11 7YU	Cobalt blue	-93		
	941 731 031 11 8YA	Magenta	-93		
	941 731 031 11 5GS	Midnight blue	94-		
	941 731 031 11 8PQ	Chestnut brown			
(21)	941 731 032 10	Sun visor	/R	1	CABRIO
	941 731 032 10 70A	Black			
	941 731 032 10 6WJ	Classic grey			
	941 731 032 10 7YU	Cobalt blue			
	941 731 032 10 8YA	Magenta			
	941 731 032 10 5GS	Midnight blue	94-		
(21)	941 731 032 11	Sun visor	/R 93-	1	CABRIO
	941 731 032 11 70A	Black			

Model: 968 92 Model life 1992>>1995

Pos	Part Number	Description	Remark	Qty	Model
	941 731 032 11 6WJ	Classic grey			
	941 731 032 11 7YU	Cobalt blue	-93		
	941 731 032 11 8YA	Magenta	-93		
	941 731 032 11 5GS	Midnight blue	94-		
21A	944 731 437 00	Bearing	/L	1	COUPE
	944 731 437 00 01C	Black			
(21A)	944 731 438 00	Bearing	/R	1	COUPE
	944 731 438 00 01C	Black			
22	N 014 096 3	Rais. counters. h. tap. s. B 4,2 X 22		6	
23	944 731 439 00	Support		2	COUPE
(23)	964 731 319 40	Bearing bracket	/L	2	CABRIO
(23)	964 731 320 40	Bearing bracket	/R	2	CABRIO
24	900 151 028 02	Washer B 4,3		4	
24	900 151 028 01	Washer B 4,3		4	
25	900 143 047 07	Tapping screw B 4,2 X 19		4	
25	900 073 007 01	Tapping screw B 4,2 X 19		4	
26	901 552 872 20	Coat hook		2	
27	901 552 871 40	Cover		2	
28	900 250 007 02	Tapping screw AM 5 X 12		2	
29	477 845 043	Retainer plate Adhesive See group 8/05/00		1	
30	999 652 710 10	Cylindrical socket		X	
31	999 652 711 10	Bush		X	
32	964 731 765 00	Bush 3,8		2	968CS
33	964 731 769 00	Bush 8,8		4	968CS
34	964 731 767 00	Plate with ball		2	968CS
35	900 278 013 02	Oval-head screw M 3 X 30		6	968CS
35	900 278 008 01	Oval-head screw M 3 X 30		6	968CS
36	964 731 771 00	Circular spring		2	968CS
37	964 731 763 00	Disc with spherical hole		2	968CS

Model: 968 92

Model life 1992>>1995



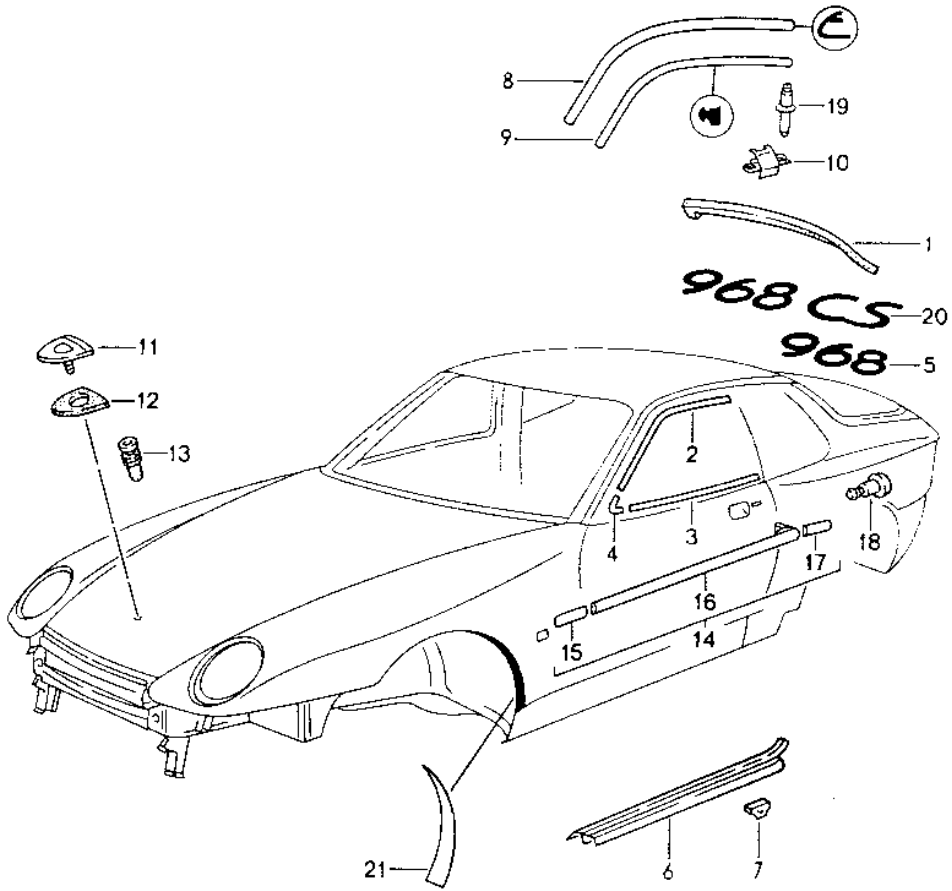
Model: 968 92 Model life 1992>>1995

Pos	Part Number	Description	Remark	Qty	Model
1	944 555 027 00	Luggage compartment cover Luggage compartment cover		1	
	944 555 027 00 70G	Black			
	944 555 027 00 5WG	Classic grey			
	944 555 027 00 7ZF	Cobalt blue			
	944 555 027 00 7YM	Magenta			
	944 555 027 00 5KG	Marine blue			
	944 555 027 00 5GQ	Midnight blue	94-		
	944 555 027 00 1QL	Chestnut brown	94-		
(1)	944 555 027 01	Luggage compartment cover	93	1	
	944 555 027 01 70G	Black			
	944 555 027 01 5WG	Classic grey			
	944 555 027 01 7ZF	Cobalt blue	-93		
	944 555 027 01 7YM	Magenta	-93		
	944 555 027 01 5KG	Marine blue	-93		
(1)	944 555 027 02	Luggage compartment cover		1	
	944 555 027 02 70G	Black			
	944 555 027 02 5WG	Classic grey			
	944 555 027 02 7ZF	Cobalt blue	-93		
	944 555 027 02 7YM	Magenta	-93		
	944 555 027 02 5KG	Marine blue	-93		
	944 555 027 02 5GQ	Midnight blue	94-		
	944 555 027 02 1QL	Chestnut brown	94-		
-	999 701 639 40	Round rubber cord 1265 MM 875 MM		*	
				1	
				2	
4	928 555 795 02	End piece of pipe		2	
5	928 555 785 02	Clamp for fabric		2	
6	944 555 775 00	Hook		2	
6		Hook		2	
	944 555 775 00 70B	Black			
7	928 555 775 02	Belt end piece		2	
8	928 555 791 02	Rosette		2	
9	928 555 777 02	End piece of rope		2	
10	999 591 484 02	Clamping washer		2	



Model: 968 92

Model life 1992>>1995

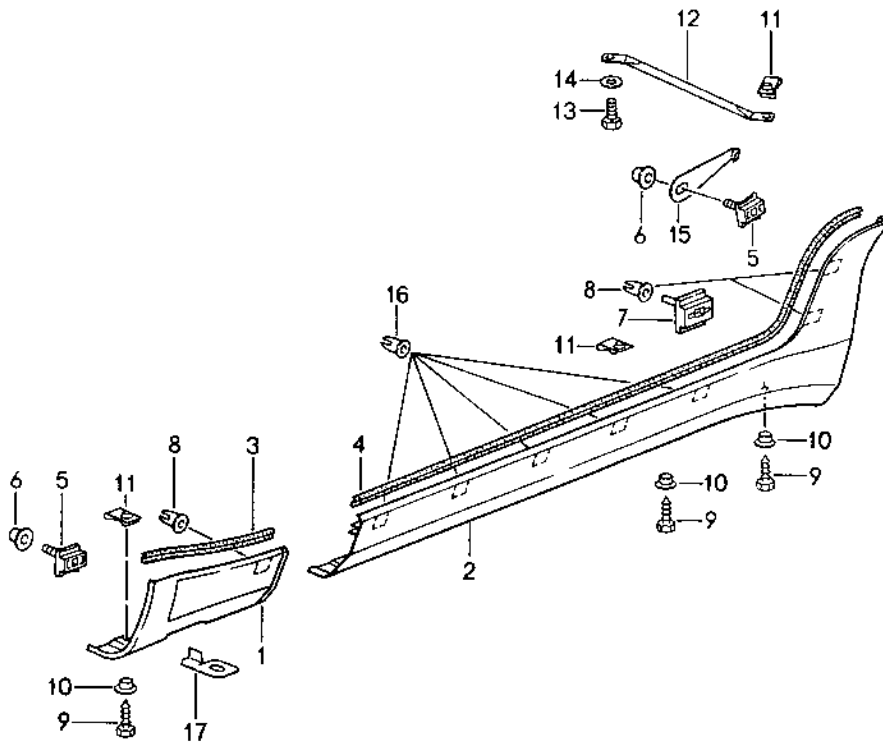


Model: 968 92 Model life 1992>>1995

Pos	Part Number	Description	Remark	Qty	Model
1	477 853 313 A	Moulding Trim frame	/H	1	
2	477 853 373 B	Moulding	/L	1	
(2)	477 853 374 B	Moulding	/R	1	
3	477 853 371 B	Moulding	/L	1	
3	PCG 853 371 B	Moulding	/L	1	
(3)	477 853 372 B	Moulding	/R	1	
4	477 853 375 A	Moulding		2	
5	944 559 220 03	Logo		1	
	944 559 220 03 70C	Rally black			
6	944 551 121 00	Scuff plate	/L	1	
(6)	944 551 122 00	Scuff plate	/R	1	
7	477 853 655	Clamp		10	
7	999 507 851 01	Clamp		10	
8	944 559 705 00	Roof edge strip	/L	1	
(8)	944 559 706 00	Roof edge strip	/R	1	
9	944 559 707 00	Sealing rubber		2	
10	999 591 732 02	Clamp		12	
11	901 559 210 20	Lid emblem		1	
11	901 559 210 26	Lid emblem		1	
12	901 559 215 20	Desk pad		1	
12	7L5 853 611 B	Desk pad		1	
13	999 702 175 50	Grommet		2	
14	931 559 901 00	Set of moldings Use also: Adhesive AMV 176.000.05		1	
15	931 559 137 00	Side guard Wing	/V	2	
16	931 559 133 00	Side guard	/L	1	
(16)	931 559 134 00	Side guard Door	/R	1	
17	931 559 141 00	Side guard	/L	1	
(17)	931 559 142 00	Side guard Side section	/R	1	
-	931 559 175 00	Adhesive tape Side guard Wing		2	
-	931 559 165 00	Adhesive tape Side guard Door		2	
-	931 559 182 00	Adhesive tape Side guard Side section		2	
-	AMV 176 000 05	Adhesive sealing compound		1	
18	999 190 326 40	Rivet		2	
19	431 805 121 A	Bolt		X	
20	944 559 127 00	Logo		1	968CS
	944 559 127 00 70C	Rally black			
21	944 559 321 00	Stone guard film	/L	1	
	944 559 321 00 3YK	Clear			
(21)	944 559 322 00	Stone guard film	/R	1	
	944 559 322 00 3YK	Clear			
(21)	944 559 321 01	Stone guard film	/L	1	
	944 559 321 01 3YB	Grand prix white			
	944 559 321 01 Z07	Polar silver metallic			
(21)	944 559 322 01	Stone guard film	/R	1	
	944 559 322 01 3YB	Grand prix white			
	944 559 322 01 Z07	Polar silver metallic			

Model: 968 92

Model life 1992>>1995

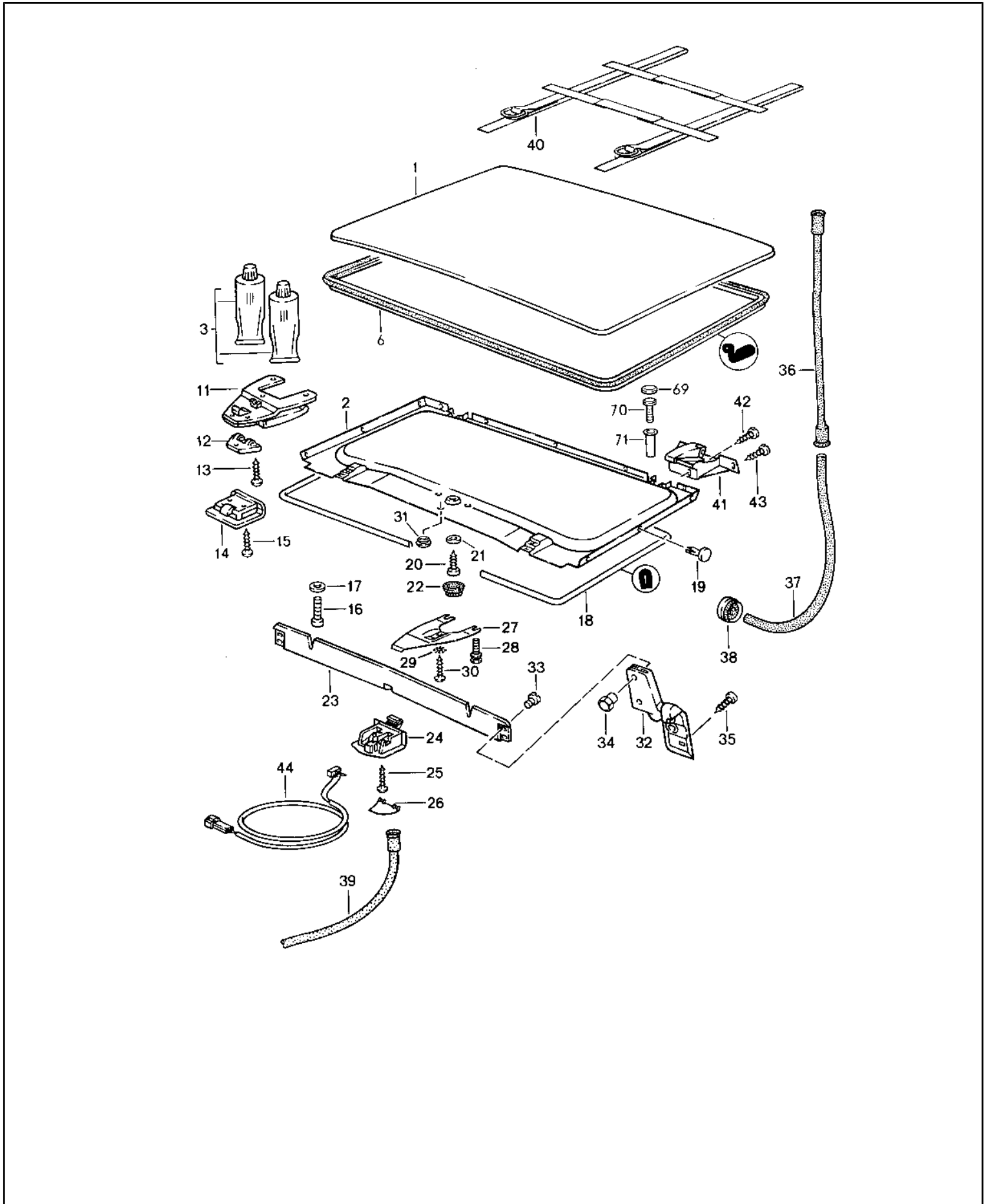


Model: 968 92 Model life 1992>>1995

Pos	Part Number	Description	Remark	Qty	Model
1	944 559 171 00	Sill cover		1	
(1)	944 559 172 00	Sill cover	/V /L	1	
2	944 559 173 00	Sill cover	/V /R	1	
(2)	944 559 174 00	Sill cover	/H /L	1	
3	944 559 174 00	Sill cover	/H /R	1	
	944 559 271 00	Cover strip	/V /L	1	
	944 559 271 00 01C	Black			
(3)	944 559 272 00	Cover strip	/V /R	1	
	944 559 272 00 01C	Black			
4	944 559 273 00	Cover strip	/H /L	1	
	944 559 273 00 01C	Black			
(4)	944 559 274 00	Cover strip	/H /R	1	
	944 559 274 00 01C	Black			
5	999 591 990 00	Support		6	
		T5			
6	999 049 008 40	Plastic nut		4	
		T5			
7	999 591 991 40	Clip		16	
8	999 702 160 40	Grommet		6	
9	900 187 015 02	Hexagon-head tapping screw		14	
		B 6,3 X 16			
10	928 559 313 02	Spacer sleeve		14	
11	999 591 486 02	Speed nut		14	
		B 6,3			
12	944 559 501 00	Bracket		2	
13	900 075 017 02	Hexagon-head bolt		2	
		M 6 X 25			
13	900 075 017 03	Hexagon-head bolt		2	
		M 6 X 25			
14	N 011 666 12	Washer		2	
		B 6,4			
-	900 377 010 09	Hexagon nut		2	
		M 6			
15	944 559 775 00	Retainer spring	/L	1	
(15)	944 559 776 00	Retainer spring	/R	1	
16	999 702 202 50	Grommet		10	
17	944 559 771 00	Clamping piece		2	

Model: 968 92

Model life 1992>>1995



Model: 968 92 Model life 1992&gt;&gt;1995

Pos	Part Number	Description	Remark	Qty	Model
		Lifting roof			M650
1	944 564 917 01	Roof		1	
1		Roof		1	
2	944 564 047 02	Rooflining		1	
	944 564 047 02 05T	Black			
	944 564 047 02 B17	Classic grey			
	944 564 047 02 G23	Cobalt blue	-93		
	944 564 047 02 L35	Magenta	-93		
	944 564 047 02 3KY	Marine blue	-93		
	944 564 047 02 1HS	Midnight blue	94-		
	944 564 047 02 4PL	Chestnut brown	94-		
3	000 043 204 86	Adhesive set		X	
		Comprising:			
		Adhesive			
		150 ML			
		Hardener			
		150 ML			
6	944 564 114 05	Gasket		1	
11	477 871 217	Roof catch	/V	2	
12	477 871 219	Bearing bracket		2	
13	N 033 174 1	Countersunk-head screw		6	
		M 3 X 6			
13	900 269 001 01	Countersunk-head screw		6	
		M 3 X 6			
14	477 871 665 A	Centring wedge		2	
	477 871 665 A 01C	Black			
15	N 013 964 4	Oval-head sheetmetal screw		5	
		B 4,2 X 16			
16	900 270 064 07	Countersunk-head screw		2	
		M 5 X 16			
17	999 704 606 17	Washer		6	
18	944 564 623 00	Edge protection		1	
18	944 564 623 02	Edge protection		1	
19	477 871 053	Expansion rivet		11	
20	311 867 167	Oval-head sheetmetal screw		1	
21	900 151 028 02	Washer		1	
21	900 151 028 01	Washer		1	
22	311 867 169	Cap		1	
	311 867 169 01C	Black			
	311 867 169 4XC	Classic grey			
	311 867 169 6ZF	Cobalt blue	-93		
	311 867 169 6WX	Magenta	-93		
	311 867 169 9JJ	Marine blue	-93		
	311 867 169 2GS	Midnight blue	94-		
	311 867 169 4PV	Chestnut brown	94-		
23	944 564 093 00	Air deflector		1	
24	944 564 683 00	Bearing		1	
	944 564 683 00 01C	Black			
25	N 013 964 4	Oval-head sheetmetal screw		5	
		4,2 X 16			
26	944 564 685 00	Flap		1	
27	944 564 223 00	Fastening part		1	
	944 564 223 00 01C	Black			
28	944 564 224 00	Adjusting screw		2	
29	N 012 222 4	Spring washer		5	
		A 5			
30	N 014 133 8	Oval-head screw		1	
		M 5 X 12			
31	944 564 233 00	Cap		3	
	944 564 233 00 01C	Black			
	944 564 233 00 4XC	Classic grey			
	944 564 233 00 6ZF	Cobalt blue	-93		
	944 564 233 00 6WX	Magenta	-93		

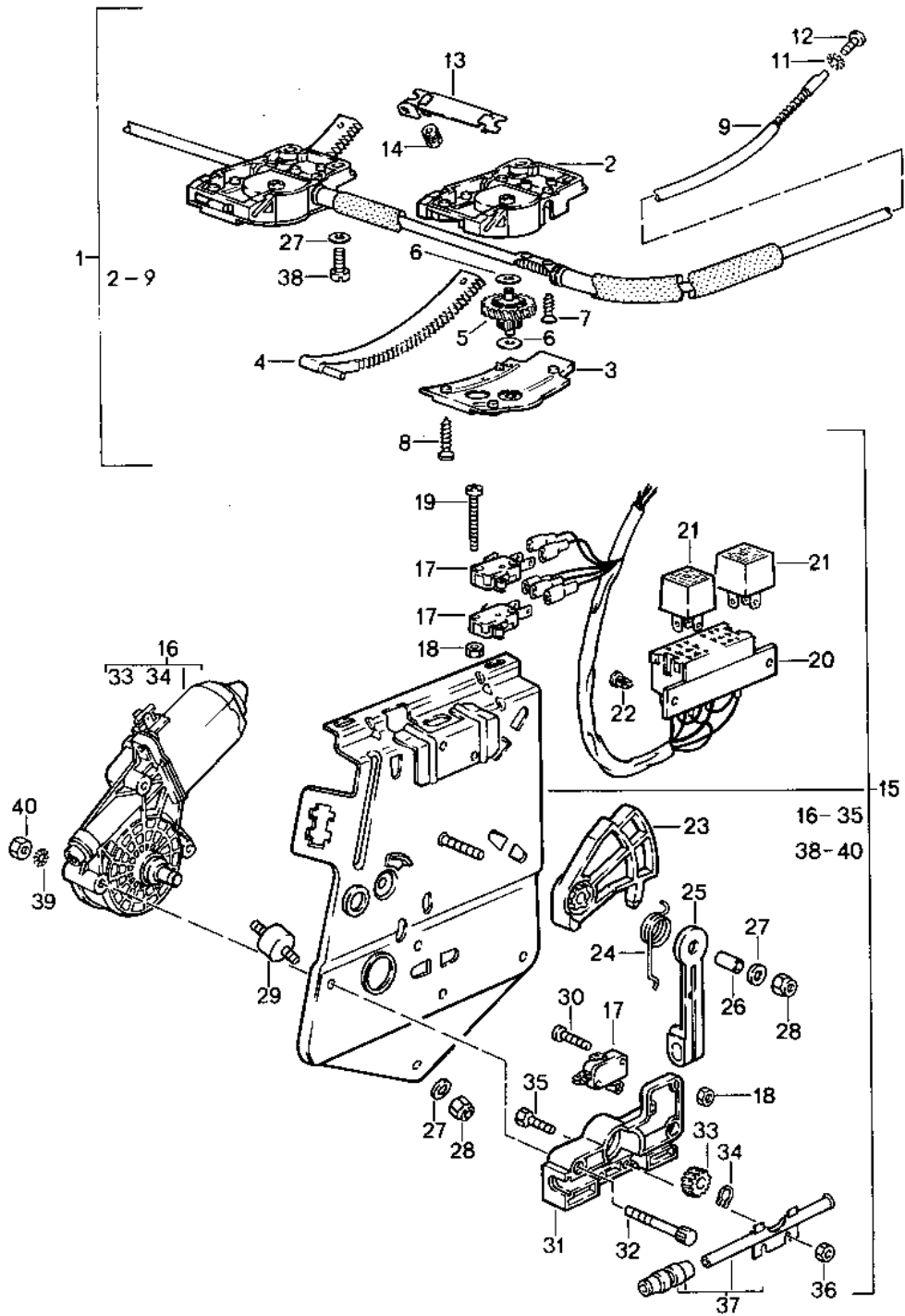
Model: 968 92

Model life 1992>>1995

Pos	Part Number	Description	Remark	Qty	Model
	944 564 233 00 9JJ	Marine blue	-93		
	944 564 233 00 2GS	Midnight blue	94-		
	944 564 233 00 4PV	Chestnut brown	94-		
32	477 871 635 A	Hinge	/L	1	
(32)	477 871 636 A	Hinge	/R	1	
33	477 837 959	Self-lock. fillister screw		4	
34	477 871 701 A	Cap nut		4	
35	900 143 031 02	Oval-head sheetmetal screw B 4,2 X 9,5		4	
36	944 564 235 00	Water drain hose	/L /H	1	
(36)	944 564 064 00	Water drain hose	/R /H	1	
37	944 564 237 00	Water drain tube	/L /H	1	
(37)	944 564 238 00	Water drain tube	/R /H	1	
38	021 119 569	Rubber sleeve		X	
39	321 877 233 C	Water drain hose	/V	2	
40	944 721 811 00	Retaining strap		1	
41	944 564 161 00	Gate guide	/L /H	1	
(41)	944 564 162 00	Gate guide	/R /H	1	
(41)	944 564 162 02	Gate guide	/R /H	1	
42	N 014 133 8	Oval-head screw M 5 X 12		2	
43	N 014 264 4	Oval-head screw AM 5 X 10		4	
44	944 613 033 00	Microswitch		1	
69	999 703 347 40	Cap		4	
70	999 119 016 40	Adjusting screw M 4 X 10		5	
71	999 500 033 17	Blind rivet nut M 4		4	

Model: 968 92

Model life 1992>>1995





Model: 968 92

Model life 1992>>1995

Pos	Part Number	Description	Remark	Qty	Model
		Lifting roof Driving mechanism			M650
1	944 564 041 01	Assembly kit		1	
2	944 564 507 01	Guide		2	
3	944 564 509 01	Plate		2	
4	944 564 501 01	Segment	/L	1	
(4)	944 564 502 01	Segment	/R	1	
(4)	944 564 502 02	Segment	/R	1	
5	944 564 430 01	Gear wheel		2	
6	944 564 459 01	Shim		4	
7	999 919 051 02	Countersunk-head screw M 4 X 8		4	
8	999 919 052 02	Countersunk-head screw M 4 X 18		10	
9	944 564 043 02	Shaft		1	
9	944 564 043 03	Shaft		1	
11	999 523 116 01	Lock washer		3	
12	N 014 121 6	Oval-head screw M 4 X 6		1	
13	944 564 461 00	Support	/L	1	
(13)	944 564 462 00	Support	/R	1	
14	999 076 036 02	Adjusting nut M 4		4	
15	944 624 055 01	Electric drive		1	
16	944 624 011 01	Electric motor		1	
17	944 613 128 01	Microswitch		3	
18	N 011 002 2	Hexagon nut		4	
19	900 146 072 02	Oval-head screw M 3 X 25		2	
20	944 612 011 01	Wiring harness		1	
21	431 951 253 D	Relay		2	
21	999 657 016 90	Relay		2	
22	999 591 854 40	Expansion rivet		2	
23	944 564 535 00	Lever		1	
24	944 564 539 00	Spring		1	
25	944 564 537 00	Lever		1	
26	944 564 541 00	Sleeve		1	
27	N 011 524 7	Washer 6,4		6	
27	N 011 524 27	Washer 6,4		6	
28	900 910 012 02	Lock nut M 6		2	
28	900 910 047 09	Lock nut M 6		2	
29	999 703 349 00	Rubber mounting		1	
30	N 044 134 2	Oval-head screw M 3 X 20		2	
31	944 564 515 01	Housing		1	
32	944 564 543 00	Screw		2	
33	944 564 437 01	Pinion		1	
34	900 116 003 02	Lock washer		1	
34	900 116 003 09	Lock washer		1	
35	900 075 100 02	Hexagon-head bolt M 4 X 12		2	
35	900 075 100 03	Hexagon-head bolt M 4 X 12		2	
36	N 011 004 6	Hexagon nut M 4		2	
36	N 011 004 G	Nut M 4		2	
37	944 564 048 00	Pipe		1	
38	900 067 011 02	Pan-head screw		4	

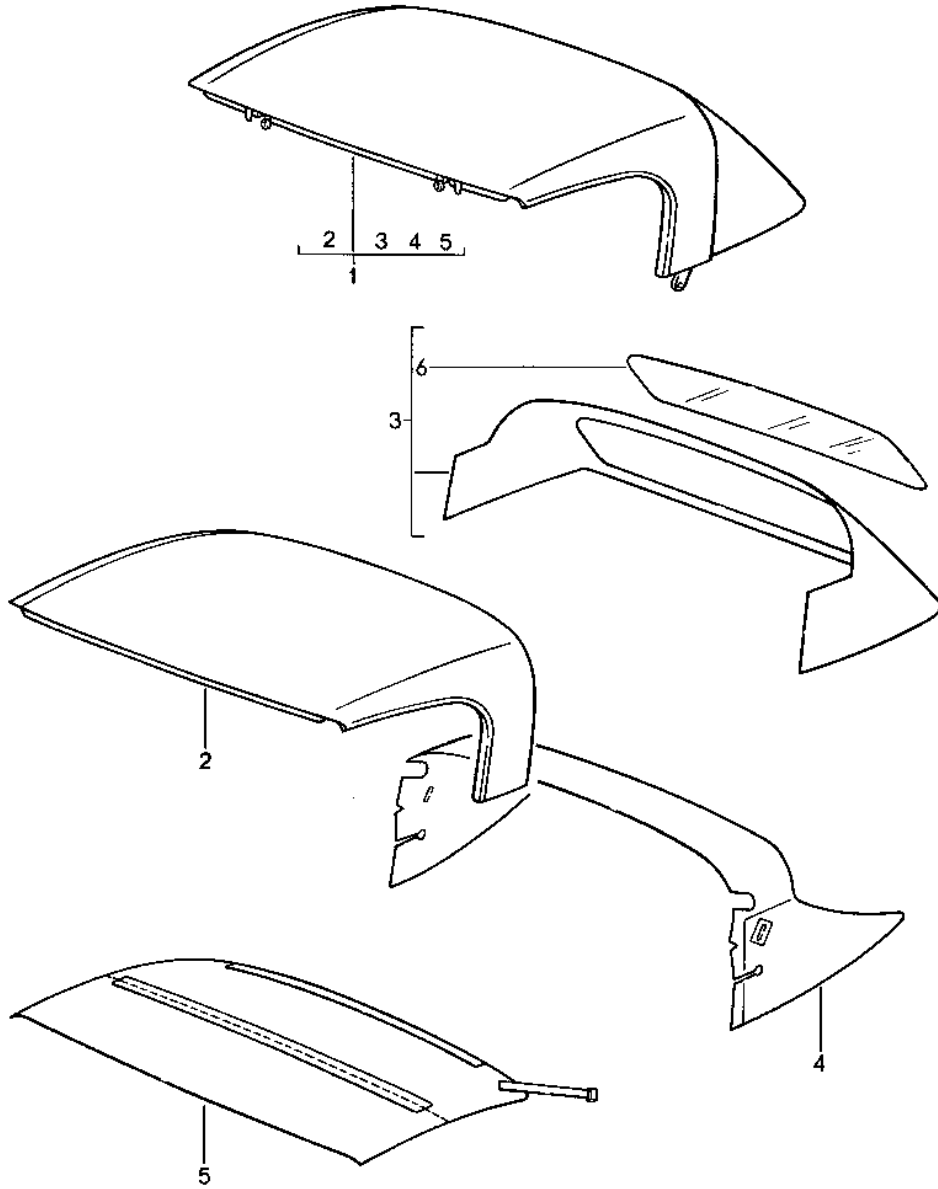
Model: 968 92

Model life 1992&gt;&gt;1995

Pos	Part Number	Description	Remark	Qty	Model
38	900 067 011 03	Pan-head screw		4	
39	999 523 117 01	Lock washer		3	
40	900 076 010 02	Nut M 6		3	
40	900 076 010 0B	Nut M 6		3	

Model: 968 92

Model life 1992>>1995

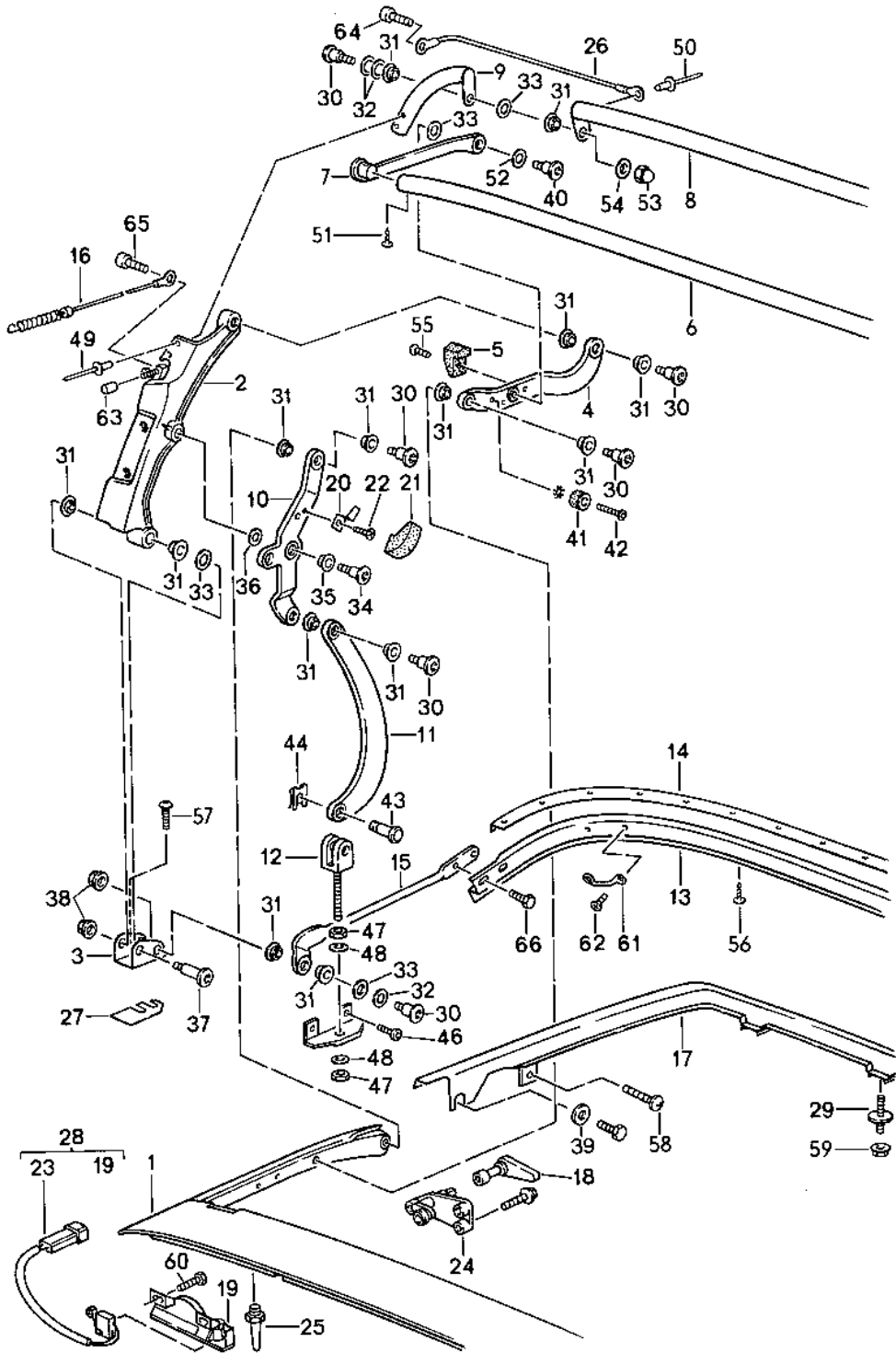


Model: 968 92 Model life 1992>>1995

Pos	Part Number	Description	Remark	Qty	Model
1	941 561 901 10	Convertible top Convertible top covering Convertible top Ready for installation		1	CABRIO
	941 561 901 10 2XW	Black See TPI GR.8 NR.44			
	941 561 901 10 A03	Black See TPI GR.8 NR.44			
	941 561 901 10 3ZL	Cobalt blue	-93		
	941 561 901 10 5YH	Magenta	-93		
	941 561 901 10 7JW	Dark blue			
	941 561 901 10 5XF	Classic grey			
	941 561 901 10 B39	Florentine grey	94-		
	941 561 901 10 8PZ	Chestnut brown	94-		
2	941 561 051 10	Convertible top covering	/V	1	
	941 561 051 10 2XW	Black See TPI GR.8 NR.44			
	941 561 051 10 A03	Black See TPI GR.8 NR.44			
	941 561 051 10 3ZL	Cobalt blue	-93		
	941 561 051 10 5YH	Magenta	-93		
	941 561 051 10 7JW	Dark blue			
	941 561 051 10 5XF	Classic grey			
	941 561 051 10 B39	Florentine grey	94-		
	941 561 051 10 8PZ	Chestnut brown	94-		
3	941 561 053 10	Convertible top covering with Rear window	/H	1	
	941 561 053 10 2XW	Black See TPI GR.8 NR.44			
	941 561 053 10 A03	Black See TPI GR.8 NR.44			
	941 561 053 10 3ZL	Cobalt blue	-93		
	941 561 053 10 5YH	Magenta	-93		
	941 561 053 10 7JW	Dark blue			
	941 561 053 10 5XF	Classic grey			
	941 561 053 10 B39	Florentine grey	94-		
	941 561 053 10 8PZ	Chestnut brown	94-		
4	941 561 150 10	Roofliner	/H	1	
	941 561 150 10 A20	Black			
5	941 561 149 10	Roofliner	/V	1	
	941 561 149 10 A20	Black			
-	999 591 597 02	Tenax lower part B 4,2 x 10		X	
-	999 591 983 12	Tenax upper part		X	

Model: 968 92

Model life 1992>>1995



Model: 968 92 Model life 1992>>1995

Pos	Part Number	Description	Remark	Qty	Model
		Convertible top frame			CABRIO
1	941 561 125 10	Roof frame		1	
(2)	941 561 201 11	Main folding top bow	/L	1	
2	941 561 202 11	Main folding top bow	/R	1	
(3)	941 561 507 10	Convertible top support	/L	1	
3	941 561 508 10	Convertible top support	/R	1	
(4)	941 561 563 10	Lever	/L	1	
	941 561 563 10 03C	Rally black			
4	941 561 564 10	Lever	/R	1	
	941 561 564 10 03C	Rally black			
5	941 561 565 10	Buffer		2	
6	941 561 561 10	Intermed. folding top bow	/V	1	
(7)	941 561 569 10	Lever	/L	1	
	941 561 569 10 03C	Rally black			
7	941 561 570 10	Lever	/R	1	
	941 561 570 10 03C	Rally black			
8	941 561 503 10	Main folding top bow		1	
(9)	941 561 505 10	Extension	/L	1	
9	941 561 506 10	Extension	/R	1	
(10)	941 561 555 10	Lever	/L	1	
	941 561 555 10 03C	Rally black			
10	941 561 556 10	Lever	/R	1	
	941 561 556 10 03C	Rally black			
(11)	941 561 557 10	Lever	/L	1	
	941 561 557 10 03C	Rally black			
11	941 561 558 10	Lever	/R	1	
	941 561 558 10 03C	Rally black			
12	941 561 559 10	Joint fork		2	
13	941 561 509 10	Intermed. folding top bow	/H	1	
14	941 561 515 10	Connecting rail		1	
(15)	941 561 531 10	Connecting piece	/L	1	
15	941 561 532 10	Connecting piece	/R	1	
16	941 561 535 10	Tension rope		2	
17	941 561 471 10	Clamp		1	
18	911 565 075 62	Handle		2	
	911 565 075 62 70B	Black			
(19)	941 561 963 10	Gate guide	/L	1	
19	941 561 964 10	Gate guide	/R	1	
20	901 552 872 20	Coat hook		2	
21	901 552 871 40	Cover		2	
22	900 250 007 02	Tapping screw		2	
		AM 5 X 12			
23	941 613 103 10	Microswitch		2	
(24)	941 565 031 10	Catch	/L	1	
24	941 565 032 10	Catch	/R	1	
25	941 565 214 10	Locating peg		2	
26	941 561 537 10	Tension rope		2	
27	941 561 527 10	Spacer plate		2	
(28)	941 561 963 10	Gate guide	/L	1	
28	941 561 964 10	Gate guide	/R	1	
29	941 504 717 10	Threaded bolt		4	
30	941 504 817 10	Screw		12	
		M 8 X 22,5			
		Micro-self-locking			
30	941 504 817 11	Screw		12	
		M 8 X 22,5			
		Micro-self-locking			
31	941 504 815 10	Bearing sleeve		24	
32	941 504 838 10	Lock washer		6	
33	941 561 574 10	Spacer sleeve		8	
34	941 504 826 10	Screw		2	
		M 10 X 21,5			
		Micro-self-locking			

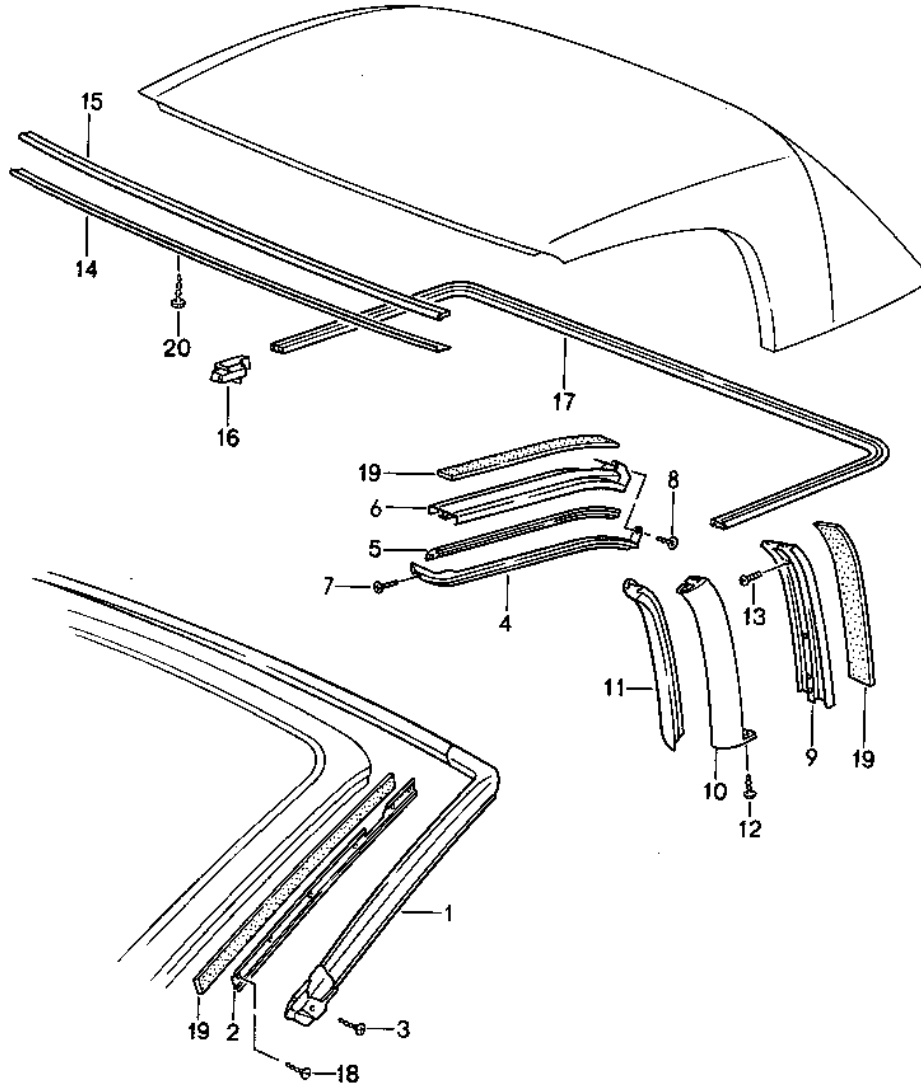
Model: 968 92

Model life 1992&gt;&gt;1995

Pos	Part Number	Description	Remark	Qty	Model
35	999 924 028 00	Bearing sleeve		2	
36	911 561 430 00	Washer		2	
37	941 504 829 10	Screw M 8 X 42 Micro-self-locking		2	
38	900 377 003 02	Hexagon nut		4	
39	941 504 865 10	Washer		2	
40	941 504 818 10	Screw M 8 X 16,8		2	
41	911 561 402 00	Eccentric washer		2	
42	N 033 185 1	Countersunk-head screw		2	
43	911 561 761 65	Bolt		2	
44	999 166 034 02	Sl-lock		2	
45	911 561 431 65	Bearing bracket		2	
46	941 504 801 10	Screw M 8 X 20		4	
47	N 011 010 13	Hexagon nut M 10		4	
48	900 025 008 09	Washer A 10,5		4	
48	900 025 008 04	Washer A 10,5		4	
49	999 190 405 00	Blind rivet 4,8 X 13,9		4	
50	N 901 499 01	Blind rivet 4 X 7,4		2	
51	941 504 839 10	Screw 4,2 X 16		2	
52	941 504 835 10	Washer		2	
53	900 096 003 07	Cap nut M 8		2	
54	900 025 048 07	Washer A8		2	
55	941 504 825 10	Screw M 4 X 8		2	
56	941 504 837 10	Screw		X	
57	941 504 801 10	Screw M 8 X 20		4	
58	941 504 844 10	Screw 4,8 X 16		2	
59	941 504 843 10	Nut M 6		4	
60	941 504 849 10	Screw M 6 X 10		4	
61	941 561 585 10	Retaining bar		2	
62	N 013 997 2	Counters. head tapp. screw B 4,2 X 13		4	
63	941 504 713 10	Rubber stop		2	
64	941 504 873 10	Screw M 4 X 11		2	
65	999 217 078 07	Hexagon-head bolt M 4 X 6		2	
66	941 504 841 10	Pan-head screw M 5 X 12		4	

Model: 968 92

Model life 1992>>1995



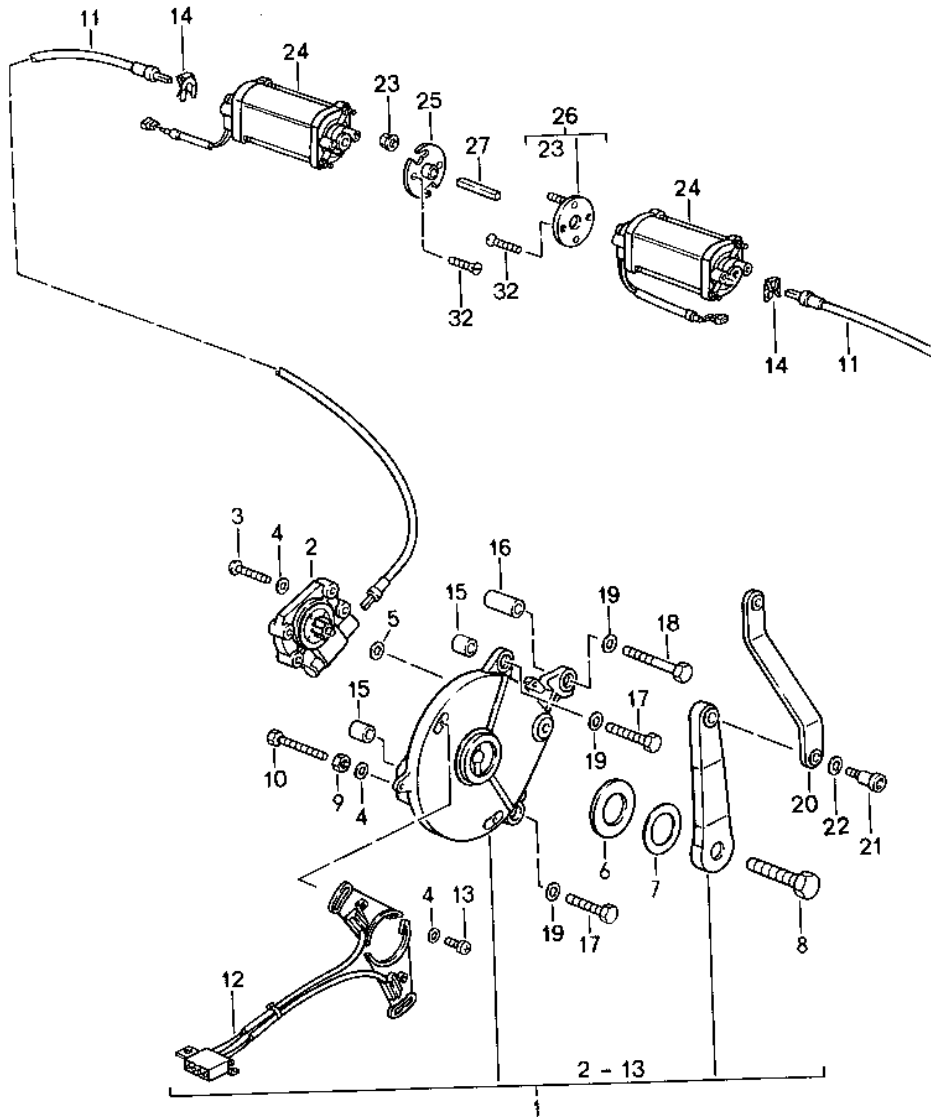


Model: 968 92 Model life 1992>>1995

Pos	Part Number	Description	Remark	Qty	Model
1	941 555 546 10	Seal Gasket Windscreen frame		1	CABRIO
2	941 555 541 10	Rail	/L	1	
(2)	941 555 542 10	Rail	/R	1	
3	941 504 708 10	Fastening plug		2	
4	941 561 387 11	Roof frame seal Outer Uncoated	/L	1	
(4)	941 561 388 11	Roof frame seal Outer Uncoated	/R	1	
5	941 561 385 10	Roof frame seal Inner	/L	1	
(5)	941 561 386 10	Roof frame seal Inner	/R	1	
6	941 561 389 10	Rail	/L	1	
(6)	941 561 390 10	Rail	/R	1	
7	900 143 113 07	Oval-head screw B 4,2 X 13,0		2	
7	900 143 113 0G	Oval-head screw B 4,2 X 13,0		2	
8	941 504 708 10	Fastening plug		4	
9	941 561 551 11	Rail	/L	1	
(9)	941 561 552 11	Rail	/R	1	
10	941 561 517 11	Gasket Outer Uncoated	/L	1	
(10)	941 561 518 11	Gasket Outer Uncoated	/R	1	
11	941 561 519 10	Gasket Inner	/L	1	
(11)	941 561 520 10	Gasket Inner	/R	1	
12	941 504 708 10	Fastening plug		4	
13	900 143 084 07	Oval-head sheetmetal screw B 3,5 X 16,0		9	
14	941 561 417 10	Rail		1	
15	941 561 419 10	Roof frame seal	/V	1	
16	941 803 301 11	Cover	/L	1	
(16)	941 803 301 11 01C	Black			
	941 803 302 11	Cover	/R	1	
	941 803 302 11 01C	Black			
17	941 504 361 10	Gasket	/H	1	
18	N 013 957 5	Oval-head sheetmetal screw B 3,5 X 9,5		1	
19	941 504 709 10	Sealing strap Roller 15,3 M		X	
20	900 144 038 07	Tapping screw B2,9X6,5		9	

Model: 968 92

Model life 1992>>1995



Model: 968 92

Model life 1992&gt;&gt;1995

Pos	Part Number	Description	Remark	Qty	Model
		Convertible top control Electric			CABRIO
(1)	911 561 045 68	Transmission	/L	1	
1	911 561 046 68	Transmission	/R	1	
(2)	911 561 103 65	Planetary transmission	/L	1	
2	911 561 104 65	Planetary transmission	/R	1	
3	900 146 025 02	Half-round screw M 4 X 18		2	
4	900 025 002 02	Washer A 4,3		6	
4	900 025 002 03	Washer A 4,3		6	
5	900 234 003 02	Shim 8 X 14 X 1,0		2	
5	900 234 003 01	Shim 8 X 14 X 1,0		2	
6	999 025 254 10	Washer 30 X 50 X 1,5		2	
7	900 234 143 02	Shim 30 X 42 X 0,1		X	
8	900 378 288 01	Hexagon-head bolt M 12 X 30		2	
9	N 011 004 6	Micro-self-locking Hexagon nut M 4		2	
9	N 011 004 G	Nut M 4		2	
10	N 040 257 1	Hexagon-head bolt M 4 X 22		2	
(11)	911 561 107 66	Shaft	/L	1	
11	911 561 108 66	Shaft	/R	1	
12	911 613 037 00	Microswitch with Plate		1	
12	911 613 037 01	Microswitch with Plate It is necessary to rework Use also: Tie-wrap 1 x 999.513.049.40		1	
13	N 014 122 8	Oval-head screw M 4 X 8		2	
13	N 014 122 17	Oval-head screw M 4 X 8		2	
14	911 561 643 65	Spring clamp		2	
14	987 561 643 00	Spring clamp		2	
15	941 561 831 10	Bush		4	
16	941 561 833 10	Bush		2	
17	N 010 347 5	Hexagon-head bolt M 6 X 35		4	
18	N 040 303 1	Hexagon-head bolt M 6 X 50		2	
19	N 015 404 1	Washer A 6,4		6	
19	900 223 030 02	Washer A 6,4		6	
19	900 223 003 02	Washer A 6,4		6	
20	941 561 681 10	Push rod		2	
21	911 561 418 00	Screw M 8 X 20		2	
22	941 504 815 10	Bearing sleeve		4	

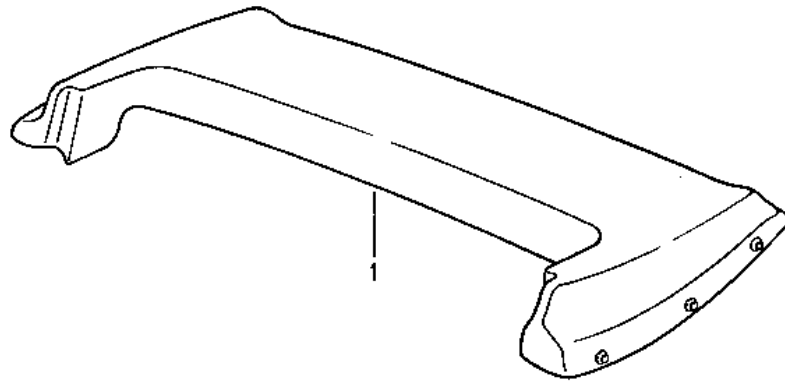
Model: 968 92

Model life 1992&gt;&gt;1995

Pos	Part Number	Description	Remark	Qty	Model
23	999 084 078 02	Hexagon nut M 5		2	
24	911 624 117 00	Electric motor		2	
25	911 624 269 01	Washer		1	
26	911 624 171 01	Washer		1	
27	911 624 273 00	Connecting piece		1	
32	999 919 045 02	Countersunk-head screw M 5 X 16		4	

Model: 968 92

Model life 1992>>1995



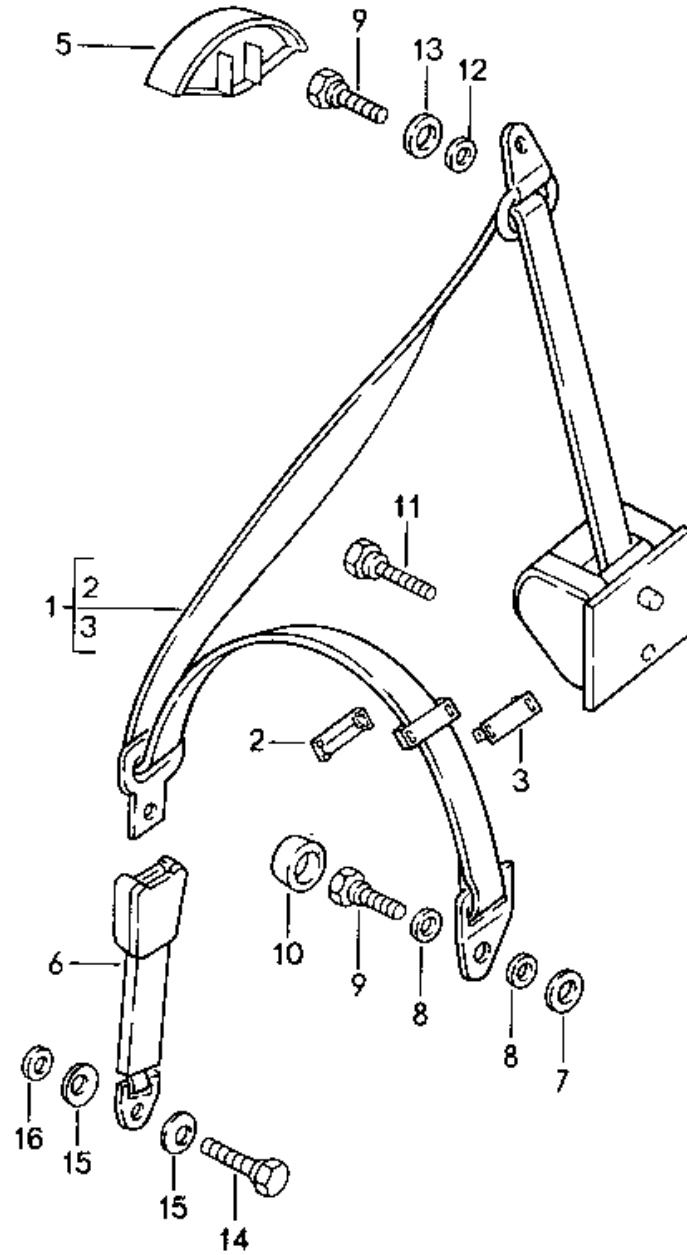
Model: 968 92

Model life 1992>>1995

Pos	Part Number	Description	Remark	Qty	Model
1	941 561 023 10	Convertible top cover		1	CABRIO
	941 561 023 10 A03	Convertible top cover Black			
	941 561 023 10 3ZL	Cobalt blue	-93		
	941 561 023 10 5YH	Magenta	-93		
	941 561 023 10 7JW	Dark blue			
	941 561 023 10 5XF	Classic grey			
	941 561 023 10 B39	Florentine grey	94-		
	941 561 023 10 8PZ	Chestnut brown	94-		
-	999 591 983 12	Tenax upper part		X	
-	999 591 597 02	Tenax lower part B 4,2 x 10		X	
2	941 561 087 10	Bag		1	
	941 561 087 10 700	Convertible top cover Black			

Model: 968 92

Model life 1992>>1995



Model: 968 92

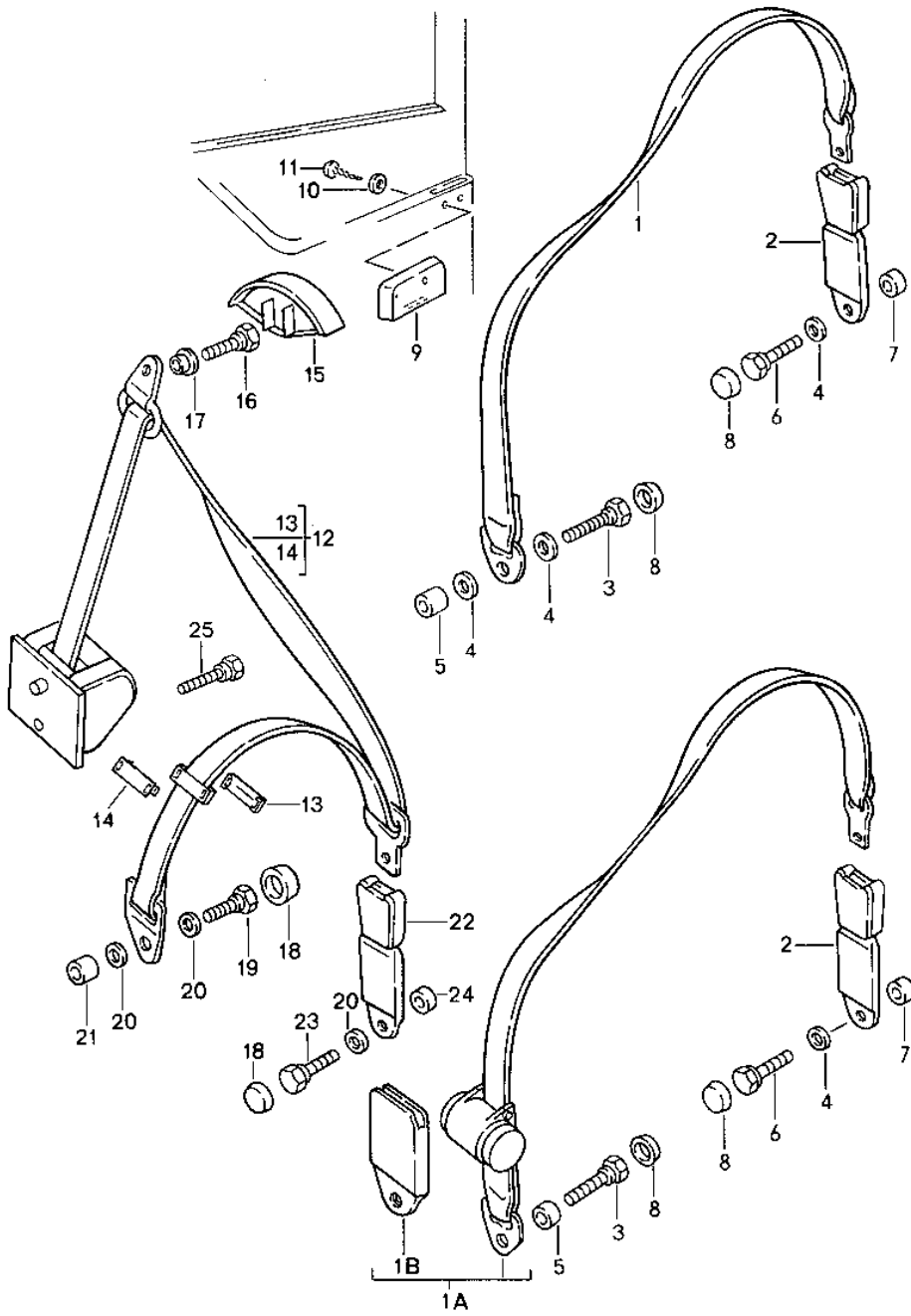
Model life 1992>>1995

Pos	Part Number	Description	Remark	Qty	Model
		Seat belt Front			
1	944 803 033 02	Seat belt	/L	1	COUPE
	944 803 033 02 70B	Satin black			
1	941 803 033 12	Seat belt	/L	1	CABRIO
	941 803 033 12 70B	Satin black			
(1)	944 803 034 02	Seat belt	/R	1	COUPE
	944 803 034 02 70B	Satin black			
(1)	941 803 034 12	Seat belt	/R	1	CABRIO
	941 803 034 12 70B	Satin black			
2	928 803 151 02	Clip		2	
		Upper part			
3	928 803 153 02	Clip		2	
		Lower part			
5	944 803 141 00	Cover		2	
	944 803 141 00 70B	Black			
(5)	941 555 311 10	Cover	/L	1	CABRIO
	941 555 311 10 70B	Satin black			
(5)	941 555 312 10	Cover	/R	1	CABRIO
	941 555 312 10 70B	Satin black			
6	964 803 183 01	Seat-belt buckle		1	
		Driver's side			
	964 803 183 01 70B	Black			
(6)	964 803 183 00	Seat-belt buckle		1	
		Passenger's side			
	964 803 183 00 70B	Black			
6	964 803 183 05	Seat-belt buckle		1	M383/387
		Driver's side			
	964 803 183 05 70B	Black			
(6)	964 803 183 04	Seat-belt buckle		1	M383/387
		Passenger's side			
	964 803 183 04 70B	Black			
7	111 857 707 A	Spacer		2	
7	WHT 001 373	Spacer		2	
(7)	999 924 063 02	Spacer sleeve		2	
		Airbag			
8	911 803 533 00	Cup spring		2	
9	111 857 793 E	Hexagon-head bolt		2	
10	811 857 845	Cap		2	
11	111 857 799 A	Hexagon-head bolt		2	
11	3E0 857 799	Hexagon-head bolt		2	
12	928 803 212 02	Spacer		2	
13	928 803 157 02	Washer		2	
14	959 803 701 00	Hexagon-head bolt		2	
14	959 803 701 01	Hexagon-head bolt		2	
15	999 028 014 02	Spring washer		2	
16	N 011 655 2	Washer		2	



Model: 968 92

Model life 1992>>1995



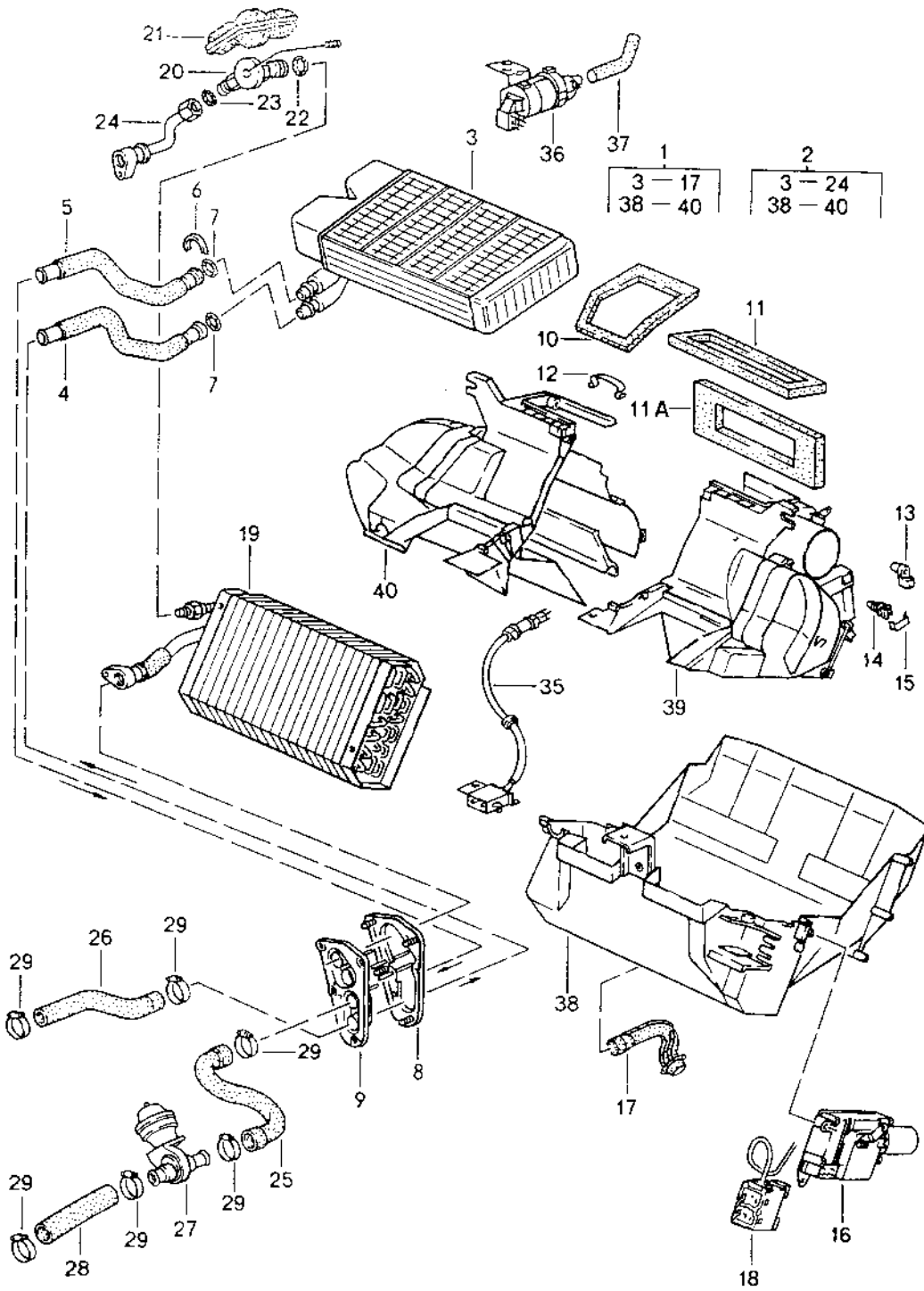
Model: 968 92

Model life 1992>>1995

Pos	Part Number	Description	Remark	Qty	Model
1	477 857 795	Seat belt Rear Lap belt		2	M186
1A	477 857 795 70B	Manually Satin black			
	477 857 787 C	Seat belt		2	M185/215
	477 857 787 C 70B	Automatic			
1B	477 857 750 B	Cap		2	M185
2	477 857 739 A	Seat-belt buckle		2	
2	477 857 739 B	Seat-belt buckle		2	
	477 857 739 B 70B	Black			
3	111 857 793 E	Hexagon-head bolt		4	
4	211 857 771	Washer		6	
5	928 803 259 02	Spacer sleeve		2	
6	477 857 853	Screw		2	
7	999 209 033 02	Spacer sleeve		2	
8	811 857 845	Cap		4	
9	477 857 375 A	Support for seatbelt		2	
	477 857 375 A 01C	Black			
	477 857 375 A 4XC	Classic grey			
	477 857 375 A 6ZF	Cobalt blue			
	477 857 375 A 6WX	Magenta			
10	N 011 665 3	Washer B 5,3 X 15		4	
10	N 011 665 16	Washer B 5,3 X 15		4	
11	900 146 003 02	Oval-head screw M 5 X 11		4	
		Three-point seat belt Automatic			M335
(12)	944 803 021 02	Seat belt	/L	1	
	944 803 021 02 70B	Satin black			
12	944 803 022 02	Seat belt	/R	1	
	944 803 022 02 70B	Satin black			
13	928 803 151 02	Clip Upper part		2	
14	928 803 153 02	Clip Lower part		2	
15	944 803 141 00	Cover		2	
	944 803 141 00 70B	Black			
16	111 857 793 E	Hexagon-head bolt		2	
17	945 803 311 00	Spacer ring		2	
18	811 857 845	Cap		4	
19	803 019 811 B	Hexagon-head bolt		2	
20	211 857 771	Washer		6	
21	928 803 259 02	Spacer sleeve		2	
22	477 857 739 A	Seat-belt buckle		2	
22	477 857 739 B	Seat-belt buckle		2	
	477 857 739 B 70B	Black			
23	477 857 853	Screw		2	
24	999 209 033 02	Spacer sleeve		2	
25	911 803 150 00	Screw		2	

Model: 968 92

Model life 1992>>1995



Model: 968 92 Model life 1992>>1995

Pos	Part Number	Description	Remark	Qty	Model
		Heater			
		Air conditioner			
1	944 572 020 03	Heater		1	
2	944 573 020 04	Heater	-92	1	M573
2	944 573 020 05	Heater	93-	1	M573
3	944 572 130 00	Heat exchanger		1	
4	944 572 184 00	Water tube		1	
		Return line			
5	944 572 185 00	Water tube		1	
		Supply			
6	944 572 287 00	Clip		2	
7	944 572 188 00	O-ring		2	
8	944 572 262 00	Mounting plate		1	
(9)	944 572 264 00	Gasket		1	
9	944 573 264 00	Gasket		1	M573
10	944 572 201 00	Gasket	/L	1	
(10)	944 572 202 00	Gasket	/R	1	
11	944 572 162 01	Gasket		1	
11A	944 572 162 02	Gasket		1	
12	944 572 215 00	Spring clamp		9	
13	944 572 313 00	Bearing		3	
14	944 572 314 00	Bearing		3	
15	944 572 217 00	Spring clamp		3	
16	944 624 119 00	Electric motor		2	
		Defroster flap			
		Footwell flap			
		60 degrees			
(16)	944 624 120 00	Electric motor		1	
		Temperature mixing flap			
		98 degrees			
17	944 572 221 00	Water drain hose		1	
18	944 659 221 00	Temperature sensor		1	M573
18	944 659 221 01	Temperature sensor		1	M573
19	944 573 211 01	Evaporator	-92	1	M573
19	944 573 211 02	Evaporator	93-	1	M573
20	944 573 201 00	Expansion valve	-92	1	M573
20	944 573 201 01	Expansion valve	93-	1	M573
21	477 820 447 B	Insulator		1	M573
22	944 573 215 00	O-ring	-92	1	M573
22	944 573 217 00	O-ring	93-	1	M573
23	944 573 216 00	O-ring	-92	1	M573
23	944 573 218 00	O-ring	93-	1	M573
24	944 573 213 00	Refrigerant line	-92	1	M573
24	944 573 213 01	Refrigerant line	93-	1	M573
25	944 572 587 02	Water hose		1	
		Supply			
26	944 572 589 00	Water hose		1	
		Return line			
27	928 574 573 03	Disc valve		1	
27	928 574 573 04	Disc valve		1	
28	944 572 385 01	Heater hose		1	
29	999 512 346 00	Hose clamp		X	
		SGT 16-25			
35	944 653 121 00	Temperature sensor		1	
(35)	PCG 653 121 00	Temperature sensor		1	
		Repair kit			
		without			
		Connector housing			
-	477 971 909	Rubber sleeve		1	
36	944 624 013 00	Interior sensor		1	
37	944 572 529 00	Hose		1	
		Interior sensor			
38	944 572 135 01	Housing		1	

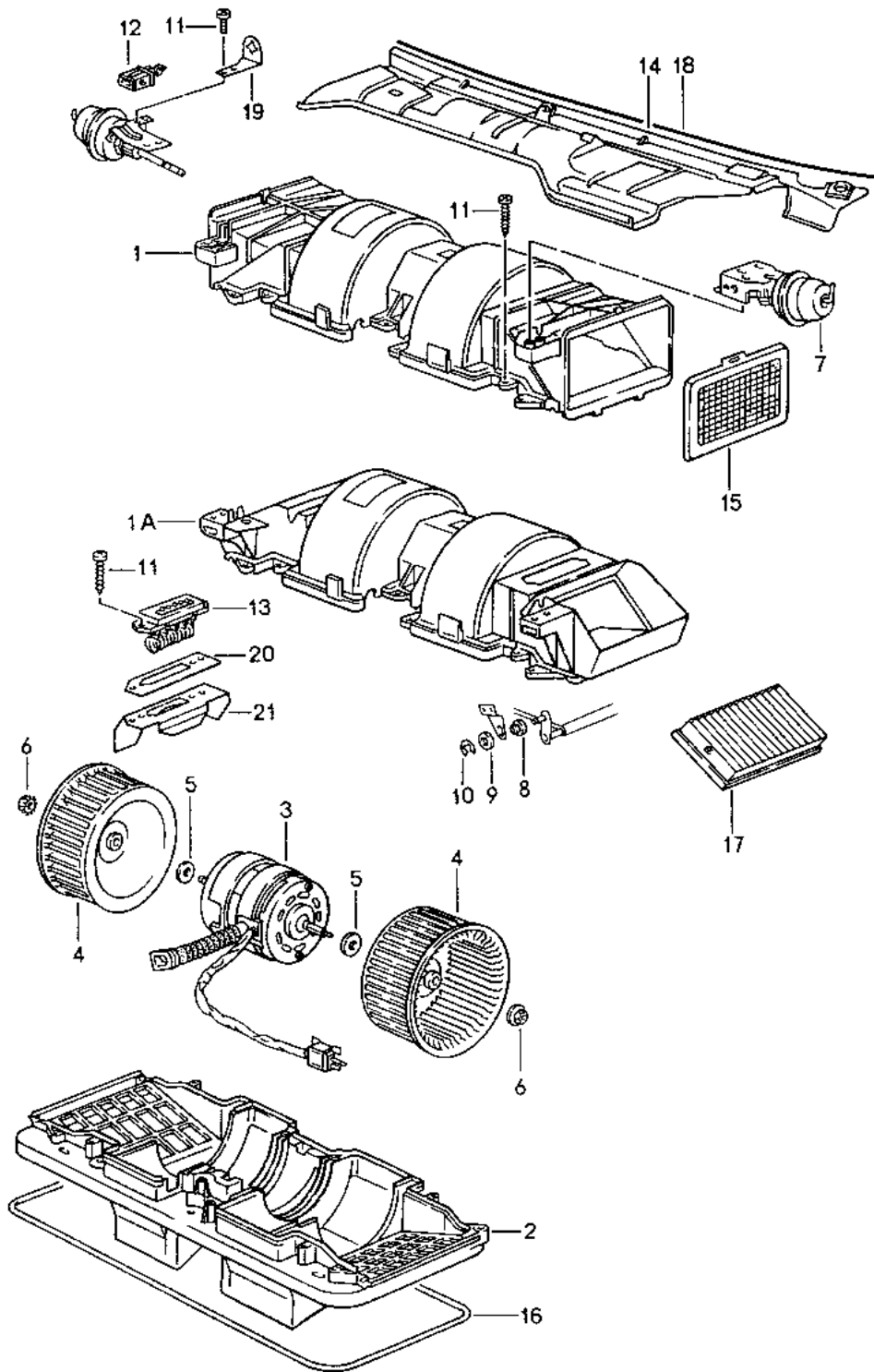
Model: 968 92

Model life 1992>>1995

Pos	Part Number	Description	Remark	Qty	Model
39	944 572 121 01	Lower part Housing	/L	1	
40	944 572 122 01	Housing	/R	1	

Model: 968 92

Model life 1992>>1995

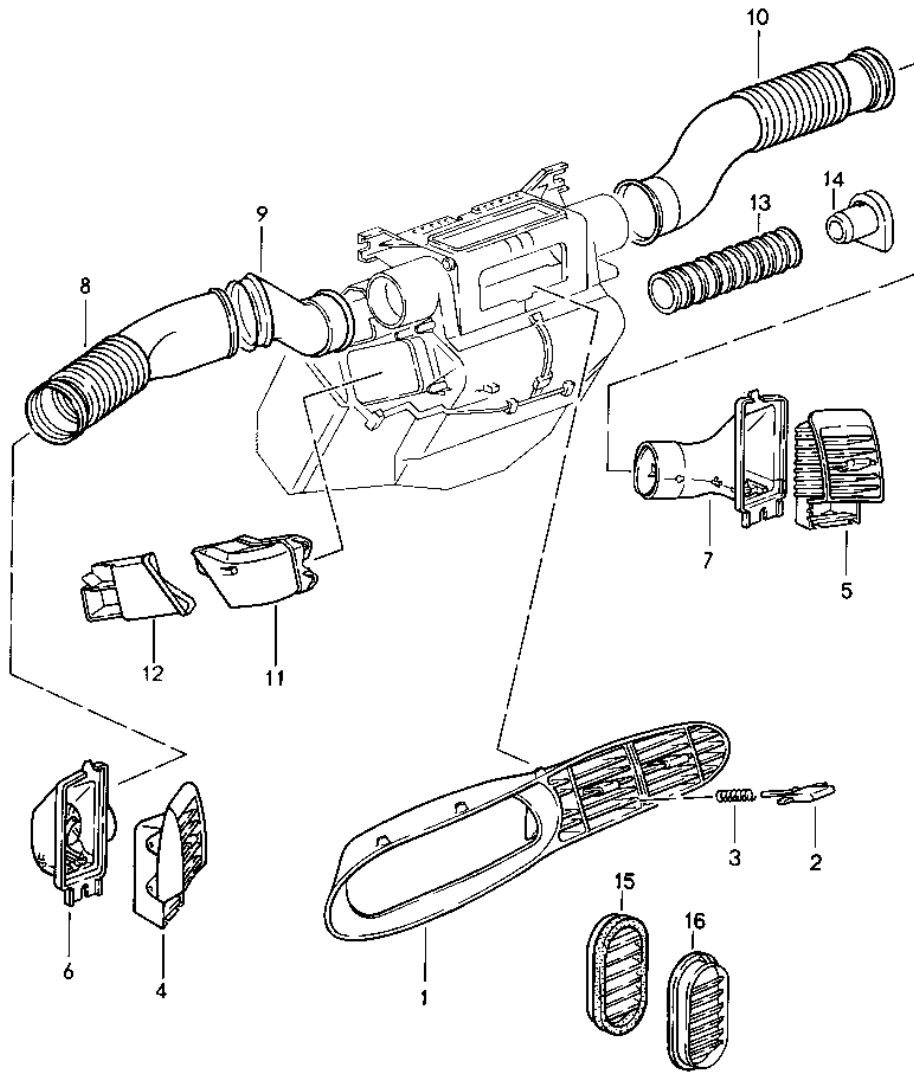


Model: 968 92 Model life 1992>>1995

Pos	Part Number	Description	Remark	Qty	Model
1	944 572 105 01	Blower Housing	-93	1	
1A	944 572 105 02	Upper part Housing	94-	1	
2	944 572 103 01	Upper part Housing		1	
3	944 624 117 00	Lower part Electric motor		1	
(3)		Electric motor		1	M573
4	944 572 211 00	Fan	/L	1	
(4)	944 572 212 00	Fan	/R	1	
5	944 572 470 00	Washer		2	
6	477 820 471 A	Nut M 5		2	
7	944 572 119 00	Vacuum unit	/L	1	
(7)	944 572 120 00	Vacuum unit	/R	1	
8	944 572 183 00	Bearing		2	
9	944 572 225 00	Washer		2	
10	944 572 222 00	Circlip		2	
11	944 572 464 00	Tapping screw B 5 X 12		X	
12	964 659 120 00	Outer sensor		1	
13	944 616 105 00	Ballast resistor		1	
14	944 572 063 07	Cover	/LL -93	1	
	944 572 063 07 01C	Satin black			
(14)	944 572 063 08	Cover	/LL	1	
	944 572 063 08 01C	Satin black			
(14)	945 572 063 07	Cover	/RL -93	1	
	945 572 063 07 01C	Satin black			
(14)	945 572 063 08	Cover	/RL 94-	1	
	945 572 063 08 01C	Satin black			
15	944 572 104 00	Air cleaner	-93	2	
16	477 898 011 A	Sealing set		16	
17	944 572 479 00	Air cleaner cartridge	94-	2	
18	000 043 204 87	Adhesive tape		1	
		Roller 5 M			
19	944 572 213 01	Support		1	
20	944 572 593 00	Gasket		1	
21	944 616 106 00	Cover		1	

Model: 968 92

Model life 1992>>1995



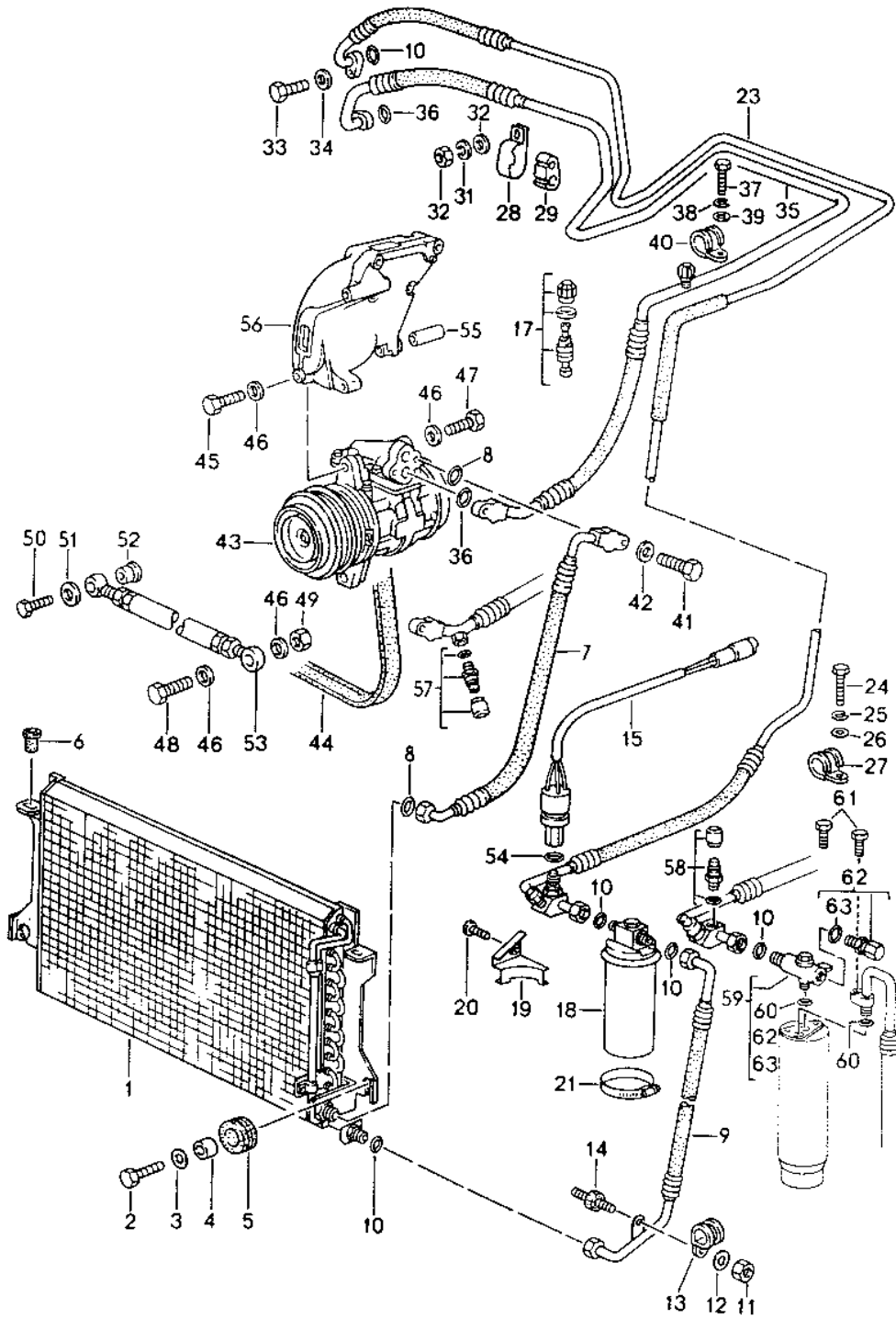


Model: 968 92 Model life 1992>>1995

Pos	Part Number	Description	Remark	Qty	Model
1	944 552 023 00	Air guide Dashboard trim	/LL	1	M564
	944 552 023 00 1DB	Airbag Black			
(1)	944 552 023 01	Dashboard trim	/LL	1	
	944 552 023 01 1DB	Airbag Black			
(1)	945 552 023 00	Dashboard trim	/RL	1	
	945 552 023 00 1DB	Airbag Black			
2	944 572 419 00	Knob		1	
3	944 572 421 00	Spring		1	
4	944 572 251 00	Side vent	/L	1	
	944 572 251 00 QE7	Black			
	944 572 251 00 APY	Classic grey			
	944 572 251 00 ARY	Cobalt blue	-93		
	944 572 251 00 CFE	Magenta	-93		
	944 572 251 00 UR5	Marine blue	-93		
	944 572 251 00 DBE	Midnight blue	94-		
	944 572 251 00 DCE	Chestnut brown	94-		
5	944 572 252 00	Side vent	/R	1	
	944 572 252 00 QE7	Black			
	944 572 252 00 APY	Classic grey			
	944 572 252 00 ARY	Cobalt blue	-93		
	944 572 252 00 CFE	Magenta	-93		
	944 572 252 00 UR5	Marine blue	-93		
	944 572 252 00 DBE	Midnight blue	94-		
	944 572 252 00 DCE	Chestnut brown	94-		
6	944 572 241 00	Air guide	/L	1	
7	944 572 242 00	Air guide	/R	1	
8	944 572 425 00	Air guide	/LL	1	
(8)	941 572 425 10	Air guide	/LL	1	CABRIO M562
(8)	945 572 425 00	Air guide	/RL 92	1	
(8)	945 572 425 01	Air guide	/RL 93-	1	
9	944 572 427 00	Air guide	/LL	1	
(9)	941 572 427 11	Air guide	/LL	1	CABRIO
(9)	945 572 427 00	Air guide	/RL 92	1	
(9)	945 572 427 01	Air guide	/RL 93-	1	
10	944 572 426 00	Air guide		1	
11	944 572 125 00	Footwell outlet vent	/L	1	
(11)	944 572 126 00	Footwell outlet vent	/R	1	
12	944 572 415 00	Footwell outlet vent	/LL /L	1	
(12)	945 572 415 00	Footwell outlet vent	/RL /L	1	
(12)	944 572 416 00	Footwell outlet vent	/LL /R	1	
(12)	945 572 416 00	Footwell outlet vent	/RL /R	1	
15	477 819 179 A	Cover	/L	1	COUPE
	477 819 179 A 01C	Black			
(15)	477 819 180 A	Cover	/R	1	COUPE
	477 819 180 A 01C	Black			
(15)	477 819 177 A	Cover		2	CABRIO
	477 819 177 A 01C	Black			
16	477 819 175	Cover		2	

Model: 968 92

Model life 1992>>1995



Model: 968 92 Model life 1992>>1995

Pos	Part Number	Description	Remark	Qty	Model
		Refrigerant circuit			M573
1	944 573 011 05	Condenser	-92	1	
1		Condenser	93-	1	
2	N 010 217 9	Hexagon-head bolt M 6 X 20		2	
3	N 011 612 3	Washer R 6,6		2	
3	N 011 612 C	Washer R 6,6		2	
4	052 109 135	Spacer sleeve		2	
5	056 129 669 B	Grommet		2	
6	944 573 457 00	Rubber sleeve		2	
7	944 573 097 11	Refrigerant line		1	
7	944 573 097 12	Refrigerant line		1	
8	999 707 250 40	O-ring		2	
8	999 707 434 41	O-ring		2	
9	944 573 095 12	Refrigerant line	-92	1	
(9)	944 573 095 13	Refrigerant line	93-	1	
10	999 707 247 40	O-ring	-92	4	
10		O-ring	93-	4	
11	900 076 010 02	Nut M 6		1	
11	900 076 010 0B	Nut M 6		1	
12	900 025 008 09	Washer A 6,4		1	
12	900 025 008 04	Washer A 6,4		1	
13	N 020 647 1	Clamp 23/15	-92	1	
(13)	999 511 065 02	Clip 26/15	93-	1	
14	928 110 191 00	Bonded rubber buffer		1	
15	964 613 137 00	Pressure switch	-92	1	
(15)	964 613 137 01	Pressure switch	93-	1	
17	928 573 096 03	Valve	-92	1	
18	944 573 943 00	Desiccator	-92	1	
(18)	944 573 143 01	Desiccator	93-	1	
19	944 573 331 00	Support		1	
20	900 075 357 02	Combination screw M 6 X 12		1	
20	900 075 456 01	Combination screw M 6 X 12		1	
21	999 512 390 00	Hose clamp 60 - 80	-92	1	
(21)	999 512 565 00	Hose clamp 50 - 70	93-	1	
23	944 573 093 08	Refrigerant line	-92	1	
(23)	944 573 093 10	Refrigerant line		1	
-	999 652 787 40	Order also: Connector housing	-92	1	
-	999 652 786 12	Flat connector		4	
-	999 652 788 40	Seal		4	
24	N 010 215 13	Hexagon-head bolt M 6 X 15		1	
25	N 012 006 4	Lock ring B 6		1	
26	N 011 524 7	Washer A 6,4		1	
26	N 011 524 27	Washer A 6,4		1	
27	999 511 116 02	Clamp B 15 X 10 GI		1	

Model: 968 92 Model life 1992>>1995

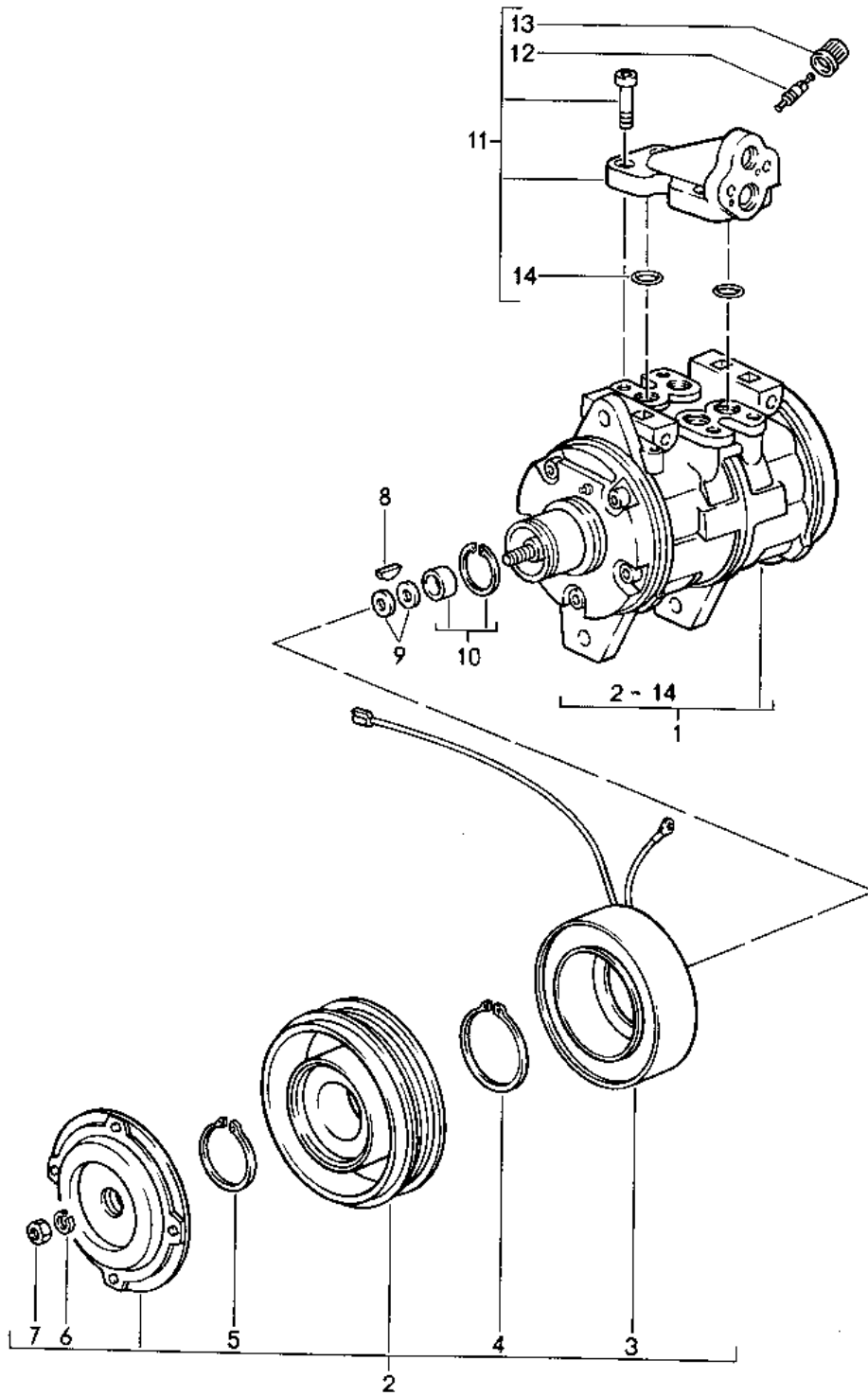
Pos	Part Number	Description	Remark	Qty	Model
27	999 511 116 03	Clamp B 15 X 10 GI		1	
28	944 573 453 00	Support		1	
29	944 573 455 00	Spacer		1	
30	900 076 010 02	Nut M 6		1	
30	900 076 010 0B	Nut M 6		1	
31	N 012 006 4	Lock ring B 6		1	
32	N 011 524 7	Washer A 6,4		1	
32	N 011 524 27	Washer A 6,4		1	
33	900 075 016 02	Hexagon-head bolt M 6 X 22		2	
33	900 075 016 03	Hexagon-head bolt M 6 X 22		2	
34	N 011 524 7	Washer A 6,4		2	
34	N 011 524 27	Washer A 6,4		2	
35	944 573 091 08	Refrigerant line	-92	1	
(35)		Refrigerant line	93-	1	
36	999 707 251 40	O-ring	-92	2	
36		O-ring	93-	2	
37	900 378 030 09	Hexagon-head bolt M 6 X 20		1	
38	N 012 006 4	Lock ring B 6		1	
39	N 011 524 7	Washer A 6,4		1	
39	N 011 524 27	Washer A 6,4		1	
40	N 902 512 01	Pipe clamp RSGW 1,5 X 15/15		1	
41	N 040 222 1	Hexagon-head bolt M 8 X 32		1	
42	900 025 007 02	Washer A 8,4		1	
42	900 025 007 03	Washer A 8,4		1	
43	944 126 008 00	Compressor	-92	1	
43	944 126 008 01	Compressor	93-	1	
44	999 192 285 50	Poly-rib belt K 6 - 1000 LW		1	
44	999 192 291 50	Poly-rib belt K 6 - 1000 LW		1	
44	999 192 299 50	Poly-rib belt K 6 - 1000 LW		1	
45	900 082 088 02	Hexagon-head bolt M 10 X 1,25 X 50		1	
45	900 082 146 01	Hexagon-head bolt M 10 X 1,25 X 50		1	
46	900 025 008 09	Washer A 10,5		4	
46	900 025 008 04	Washer A 10,5		4	
47	900 074 139 02	Hexagon-head bolt M 8 X 55		1	
47	900 074 139 03	Hexagon-head bolt M 8 X 55		1	
48	N 040 125 1	Hexagon-head bolt		1	

Model: 968 92 Model life 1992>>1995

Pos	Part Number	Description	Remark	Qty	Model
49	900 910 034 02	M 10 X 1,25 X 30 Lock nut		1	
50	N 010 359 4	M 10 Hexagon-head bolt		1	
51	900 025 007 02	M 8 X 38 Washer		1	
51	900 025 007 03	A 8,4 Washer		1	
52	944 126 127 01	A 8,4 Bush		1	
53	944 126 021 03	Strut		1	
54	999 707 261 40	O-ring		1	
55	944 126 135 00	Sleeve		1	
56	944 126 123 06	Bracket		1	
57	928 573 465 00	Valve	93-	1	
58	928 573 466 00	Valve	93-	1	
59	993 573 243 00	Distributing piece	93	1	
59		Distributing piece	94-	1	
60	999 707 262 40	O-ring	93-	2	
61	999 075 048 02	Hexagon-head bolt M 6 X 22	93-	2	
62	928 573 311 00	Relief valve	93-	1	
63	999 707 261 40	O-ring	93-	1	

Model: 968 92

Model life 1992>>1995

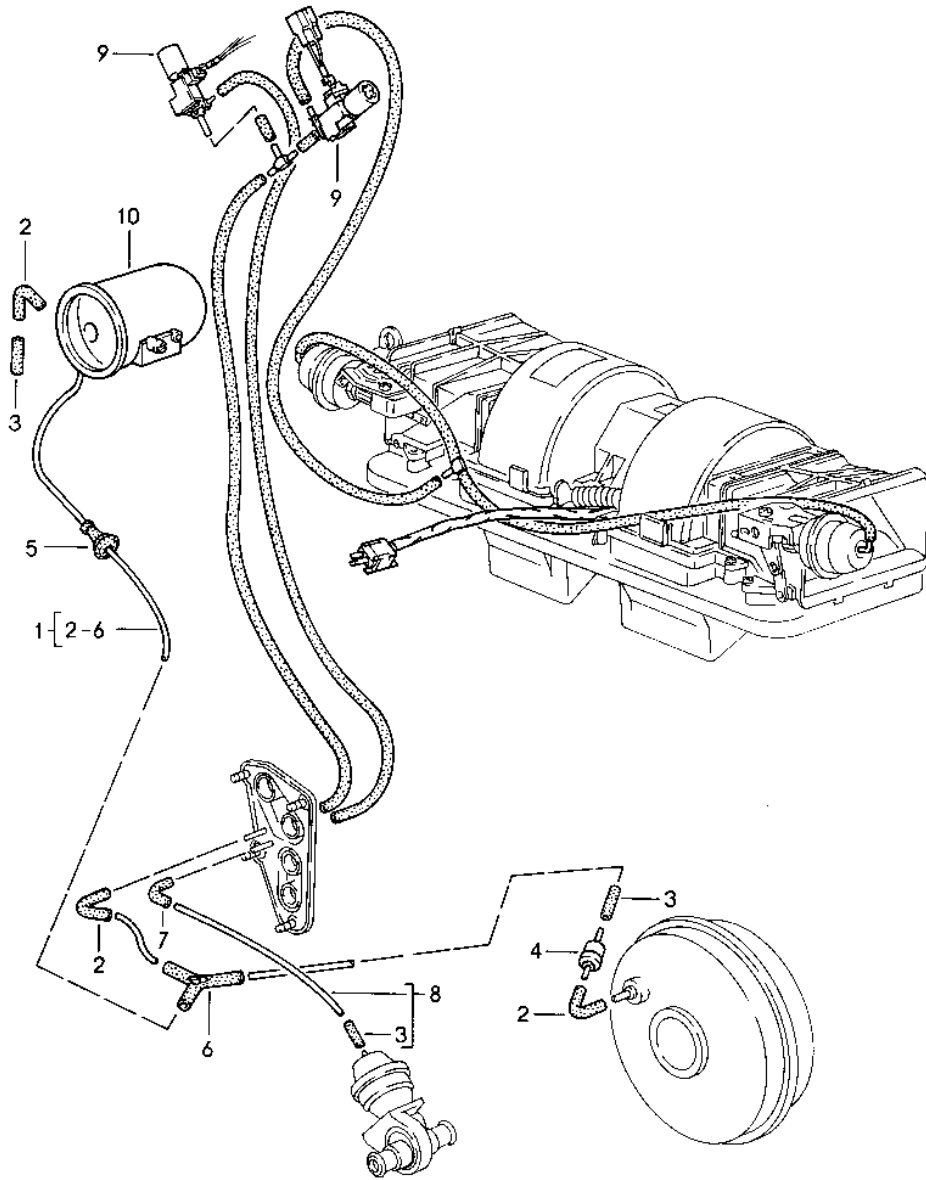


Model: 968 92 Model life 1992>>1995

Pos	Part Number	Description	Remark	Qty	Model
		Compressor			M573
1	944 126 008 00	Compressor	-92	1	
1	944 126 008 01	Compressor	93-	1	
2	944 126 923 01	Clutch	-92	1	
(2)	944 126 923 02	Clutch	93-	1	
3	944 126 925 01	Solenoid coil	-92	1	
4	477 298 841	Circlip \$ 37 MM		1	
5	477 298 843	Circlip \$ 45,8 MM		1	
6	900 027 015 02	Lock ring B 8	-92	1	
6	900 027 015 03	Lock ring B 8		1	
7	N 011 008 8	Hexagon nut M 8	-92	1	
8	944 126 905 00	Spring	-92	1	
9	477 298 829	Spacer 0,1 MM		X	
(9)	477 298 829 A	Spacer 0,2 MM		X	
(9)	477 298 829 B	Spacer 0,5 MM		X	
(9)	477 298 829 C	Spacer 0,8 MM		X	
(9)	477 298 829 B	Spacer 1,0 MM		X	
10	930 126 921 00	Set of shaft seals	-92	1	
11	944 126 940 00	Valve	-92	1	
(11)	944 126 940 01	Suction + press. connect.	93-	1	
12	928 573 908 03	Valve insert	-92	1	
(12)	928 126 902 01	Valve insert with Cap	93-	1	
13	928 573 909 02	Cap	-92	1	
14	944 126 935 01	O-ring	-92	X	
14		O-ring	93-	X	

Model: 968 92

Model life 1992>>1995





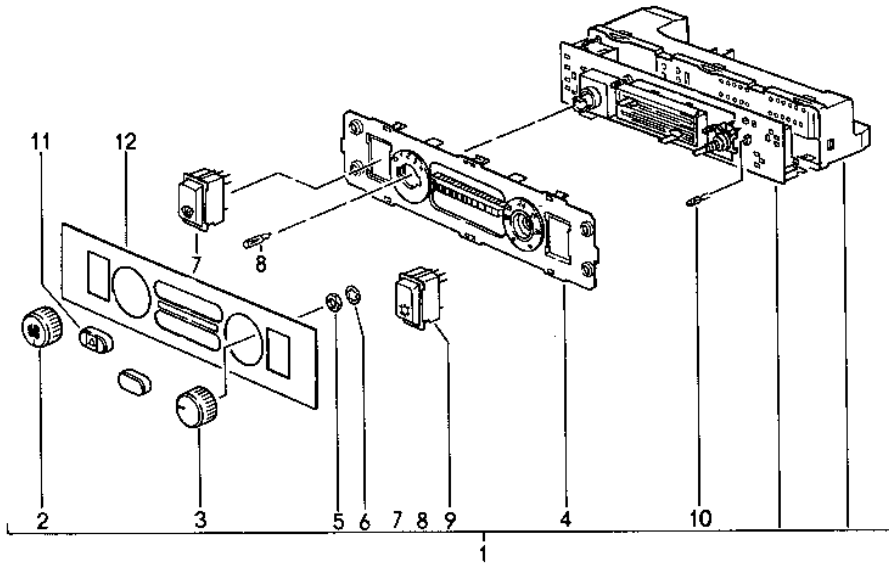
Model: 968 92

Model life 1992>>1995

Pos	Part Number	Description	Remark	Qty	Model
1	944 572 710 00	Vacuum control			
(1)	945 572 710 00	Vacuum hose	/LL	1	
2	928 574 717 03	Vacuum hose	/RL	1	
3	928 574 717 03	Moulded hose	/LL	3	
3	928 574 747 03	Connecting piece	/RL	3	
4	928 537 361 02	Valve		1	
5	477 819 849	Grommet		1	
6	928 573 727 02	Distributing piece		1	
7	928 574 717 03	Moulded hose		1	
8	944 572 709 00	Vacuum hose		1	
9	944 659 215 01	Recirculating air valve		1	
9	944 659 215 03	Recirculating air valve		1	
(9)	944 659 215 02	Heater valve		1	
(9)	944 659 215 03	Heater valve		1	
10	945 573 808 00	Vacuum reservoir		1	

Model: 968 92

Model life 1992>>1995

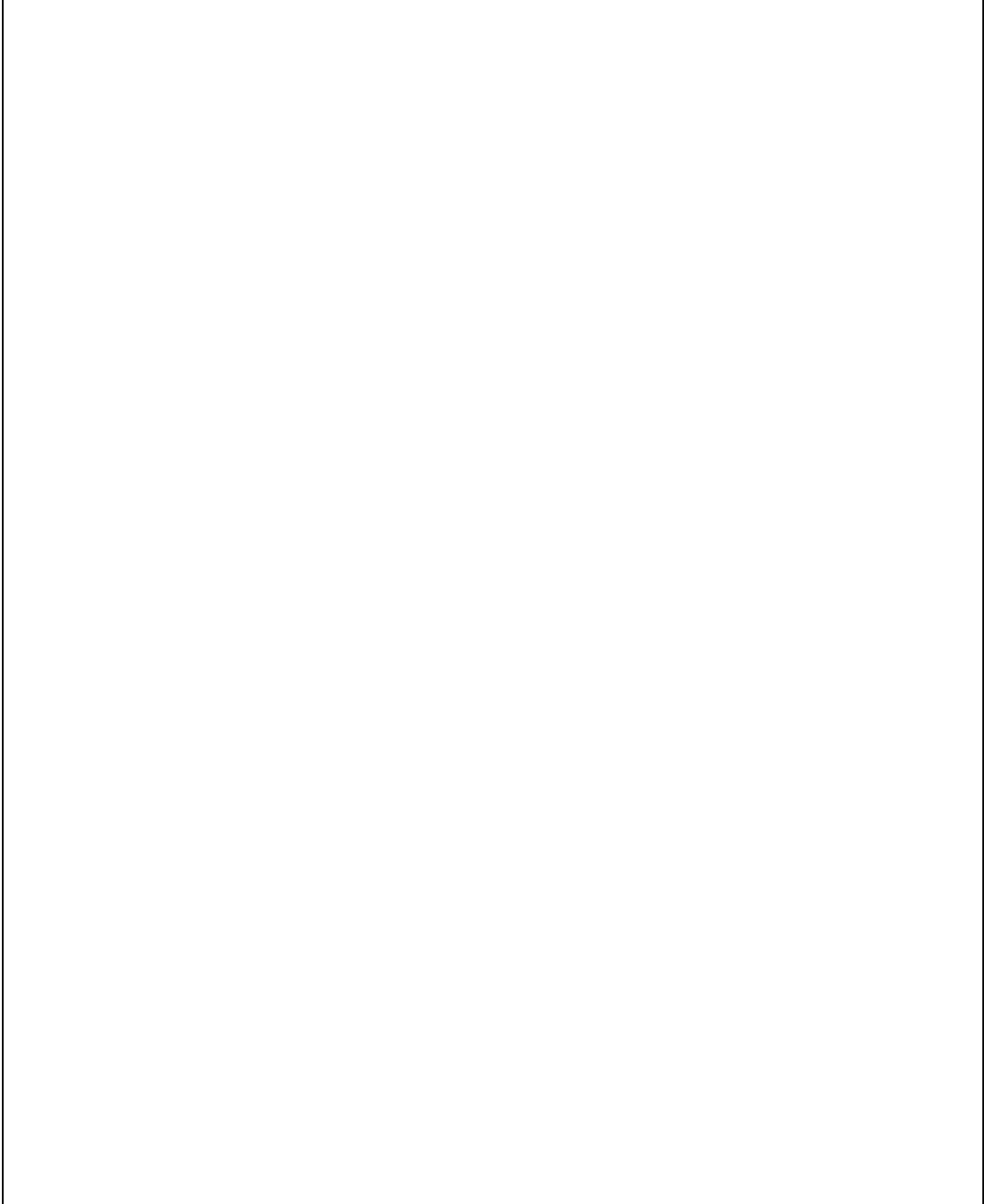


Model: 968 92 Model life 1992>>1995

Pos	Part Number	Description	Remark	Qty	Model
1	944 653 021 03	Control switch		1	
	944 653 021 03 01C	Control switch Black			
(1)	944 653 021 02	Control switch		1	968CS
	944 653 021 02 01C	Control switch Black			
(1)	944 653 021 04	Control switch		1	M573
	944 653 021 04 01C	Control switch Black			
2	944 653 207 00	Knob		1	
		Blower switch			
	944 653 207 00 01C	Blower switch Black			
3	944 653 208 00	Knob		1	
		Temperature control			
	944 653 208 00 01C	Temperature control Black			
4	944 653 912 00	Cover		1	
		Clear			
(4)	944 653 911 00	Cover		1	968CS
		Clear			
5	999 034 021 30	Hexagon nut		1	
		M 7 X 0,75			
6	900 028 045 02	Spring washer		1	
		A 8			
7	944 653 923 00	Tip switch		1	
(7)	944 653 921 00	Tip switch		1	M573
8	900 631 134 90	Bulb		1	
		1,2W			
9	944 653 924 00	Tip switch		1	
(9)	944 653 922 00	Tip switch		1	M573
10	999 631 031 90	Bulb		3	
11	944 653 205 00	Knob		2	
	944 653 205 00 01C	Knob Black			
12	944 653 203 00	Cover		1	
	944 653 203 00 1DB	Cover Black			

Model: 968 92

Model life 1992>>1995

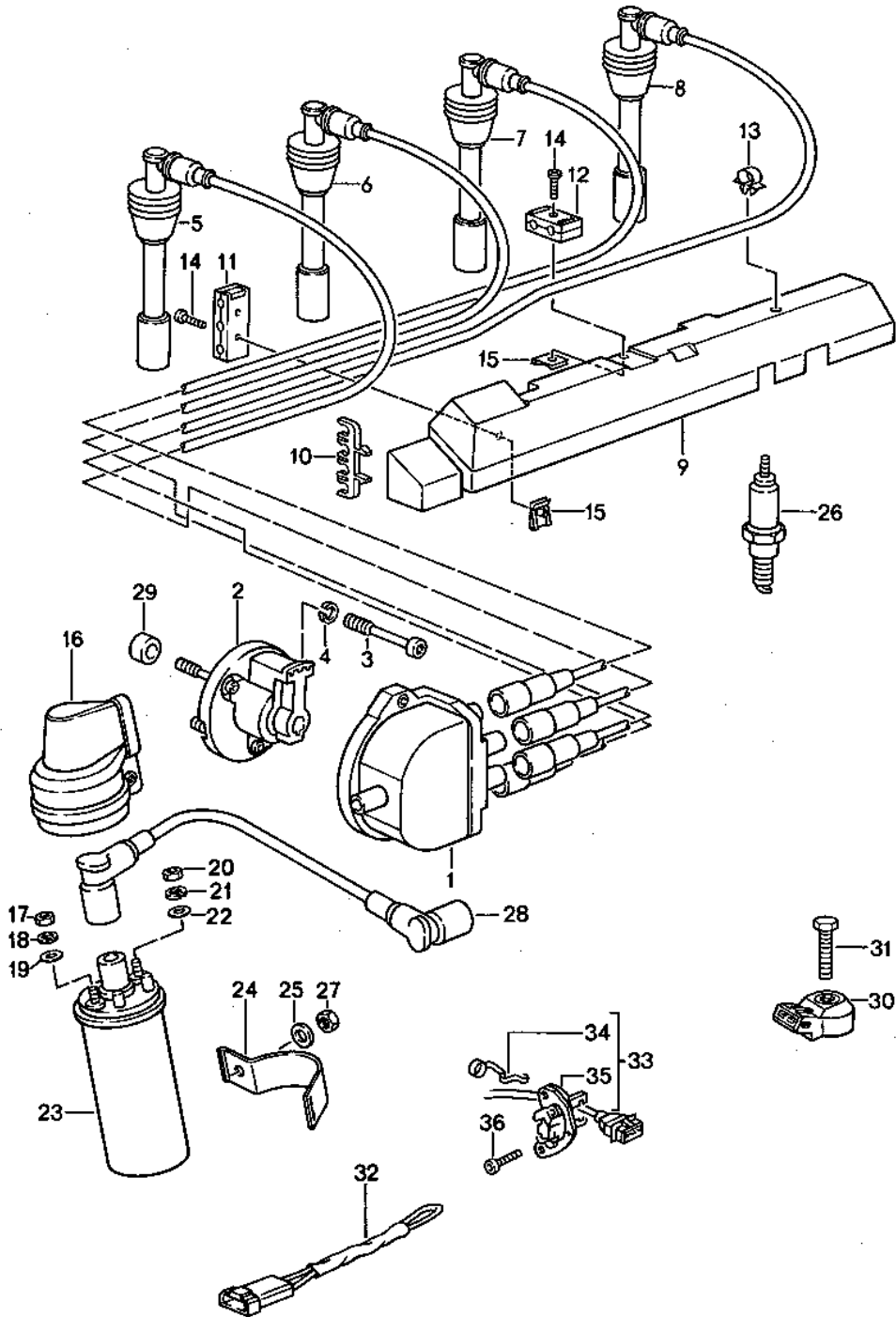


Model: 968 92 Model life 1992>>1995

Pos	Part Number	Description	Remark	Qty	Model
>>	944 538 001 49	Repair kits		1	
>>		Set of locks		1	
>>		Set of locks		1	
		Comprising:			
		Lock cylinder	/L	1	
		Door handle			
		Lock cylinder	/R		
		Door handle			
		Steering lock		1	
		Lock cylinder		1	
		Rear lid lock			
		Lock cylinder		1	
		Fuel tank cap			
		Glove compartment lock		1	
		Secondary key		3	
		Key ring		1	
		Key tag		1	
>>	000 043 300 94	Adhesive set		1	
		Windscreen			
>>	944 501 941 00	Repair kit		1	
		Blind rivet			
		Comprising:			
		Blind rivet		10	
		Blind rivet		5	
		Blind rivet		5	
		Assembly sleeve		1	
>>	931 559 901 00	Set of moldings		1	M418
		Comprising:			
-	931 559 137 00	Side guard	/V	2	
		Wing			
-	931 559 133 00	Side guard	/L	1	
		Door			
-	931 559 134 00	Side guard	/R	1	
		Door			
-	931 559 141 00	Side guard	/L	1	
		Side section			
-	931 559 142 00	Side guard	/R	1	
		Side section			
		Use also:			
		Adhesive			
		AMV 176.000.05			

Model: 968 92

Model life 1992>>1995



Model: 968 92

Model life 1992>>1995

Pos	Part Number	Description	Remark	Qty	Model
		Engine electrics 1			M44.43/44
1	928 602 211 01	Distributor cap		1	
-	944 602 544 00	Sticker		1	
		Firing order			
2	944 602 213 00	Rotor		1	
2	944 602 213 01	Rotor		1	
3	928 602 223 00	Screw		3	
4	N 012 005 3	Lock ring		3	
		B 5			
5	944 602 070 10	Ignition lead		1	
		Cylinder 1			
6	944 602 070 11	Ignition lead		1	
		Cylinder 2			
7	944 602 070 12	Ignition lead		1	
		Cylinder 3			
8	944 602 070 13	Ignition lead		1	
		Cylinder 4			
9	944 110 280 02	Cable guide		1	
10	052 905 471 A	Support		1	
11	928 602 323 00	Cable holder		1	
		Single parts			
		Complete			
		in pairs			
		Order			
12	928 602 322 00	Cable holder		1	
		Single parts			
		Complete			
		in pairs			
		Order			
13	477 971 851	Cable clip		1	
14	N 044 132 2	Oval-head screw		2	
		M 5 X 20			
15	999 507 067 02	Speed nut		2	
16	944 602 801 00	Protection cap		1	
17	900 076 010 02	Nut		1	
		M 6			
17	900 076 010 0B	Nut		1	
		M 6			
18	N 012 006 4	Lock ring		1	
		B 6			
19	N 011 524 7	Washer		1	
		A 6.4			
19	N 011 524 27	Washer		1	
		A 6.4			
20	N 011 005 14	Hexagon nut		1	
		M 5			
20	900 076 091 01	Hexagon nut		1	
		M 5			
21	N 012 005 3	Lock ring		1	
		B 5			
22	900 025 003 02	Washer		1	
		A 5.3			
23	944 602 115 00	Ignition coil		1	
24	944 602 294 01	Clamping bow		1	
25	N 011 524 7	Washer		1	
		A 6,4			
25	N 011 524 27	Washer		1	
		A 6,4			
		Spark plug			
		Use also:			
		547 09222		X	
		for			
		Spark plug			

Model: 968 92

Model life 1992>>1995

Pos	Part Number	Description	Remark	Qty	Model
-	547 09 222	Nut for		X	
26	999 170 189 90	Spark plug Spark plug - bosch - WR 7 DTC		4	
26	999 170 189 9A	Spark plug - bosch - WR 7 DC+		4	
27	900 076 010 02	Nut M 6		1	
27	900 076 010 0B	Nut M 6		1	
28	944 602 060 09	Ignition lead		1	
29	944 105 137 01	Spacer sleeve		3	
29	944 105 137 02	Spacer sleeve		3	
30	944 606 145 00	Knock sensor		2	
31	999 217 082 02	Hexagon-head bolt		2	
31	900 075 518 01	Hexagon-head bolt		2	
32	944 612 492 00	Coding plug		1	M150
33	944 606 170 02	Hall sender		1	
34	928 606 282 00	Tensioning spring		1	
35	928 606 180 01	Cap		1	
36	900 067 255 02	Pan-head screw M 5 X 12		2	



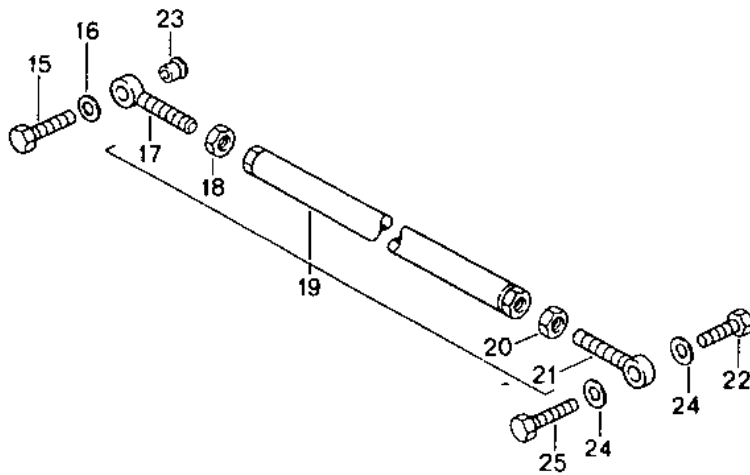
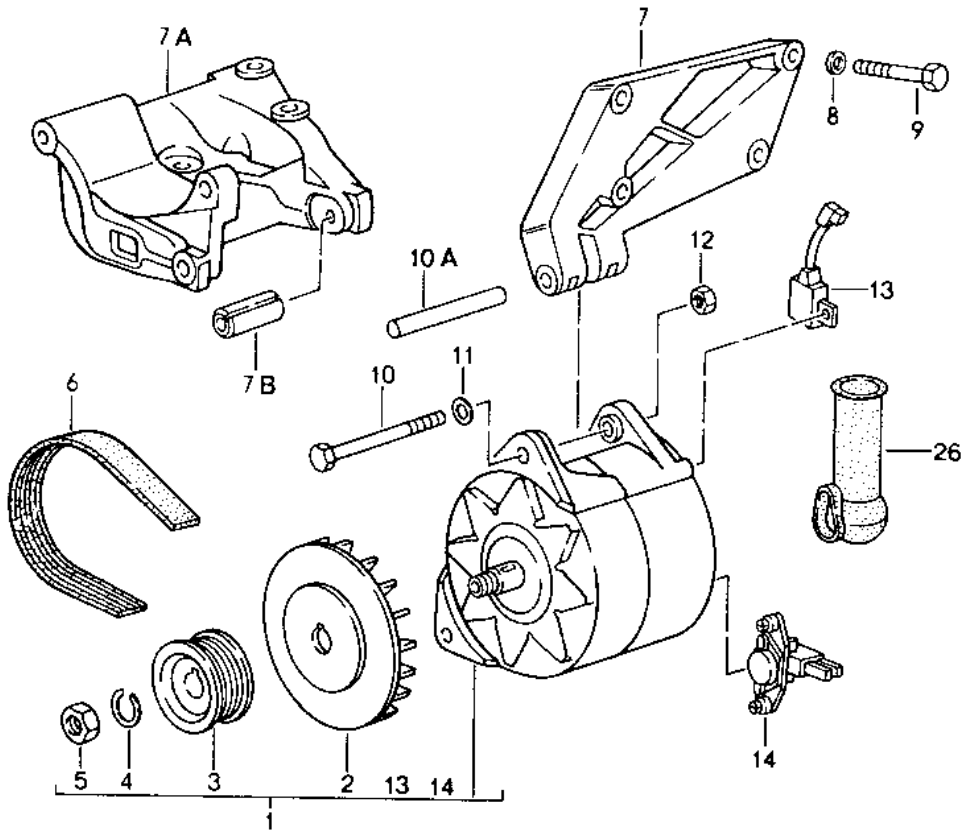


Model: 968 92 Model life 1992>>1995

Pos	Part Number	Description	Remark	Qty	Model
		Engine electrics 2			
1	944 618 123 02	Control unit		1	
2	900 146 003 02	Oval-head screw M 5 X 10		3	
3	900 025 003 02	Washer A 5,3		3	
4	N 011 125 2	Cap nut M 5		3	
5	944 606 115 00	Pulse sender		1	
6	944 101 321 11	Support		1	
7	900 025 007 02	Washer A 8,4		1	
7	900 025 007 03	Washer A 8,4		1	
8	N 014 725 2	Pan-head screw M 8 X 25		1	
8	900 067 018 03	Pan-head screw M 8 X 25		1	
9	900 067 247 02	Combination screw M 8 X 30		1	
9	900 067 247 01	Combination screw M 8 X 30		1	
10	999 218 005 02	Pan-head screw M 6 X 24		1	
10	999 218 005 01	Pan-head screw M 6 X 24		1	
11	900 197 047 08	Tensioning sleeve		1	
12	944 606 212 00	Potentiometer		1	M150
13	944 606 935 00	Cap Red		1	M150
14	944 606 053 01	Support		1	M150
15	900 076 010 02	Nut M 6		2	M150
15	900 076 010 0B	Nut M 6		2	
16	N 011 524 7	Washer A 6,4		2	M150
16	N 011 524 27	Washer A 6,4		2	M150
17	944 607 175 00	Wiring harness Wiring harness		1	M150
18	944 607 127 00	Support		1	
19	N 010 210 13	Hexagon-head bolt M 6 X 10		2	
20	999 651 224 40	Cable holder		1	
20	999 651 210 40	Cable holder		1	
21	928 612 273 00	Cap for Plug socket		1	

Model: 968 92

Model life 1992>>1995



Model: 968 92 Model life 1992>>1995

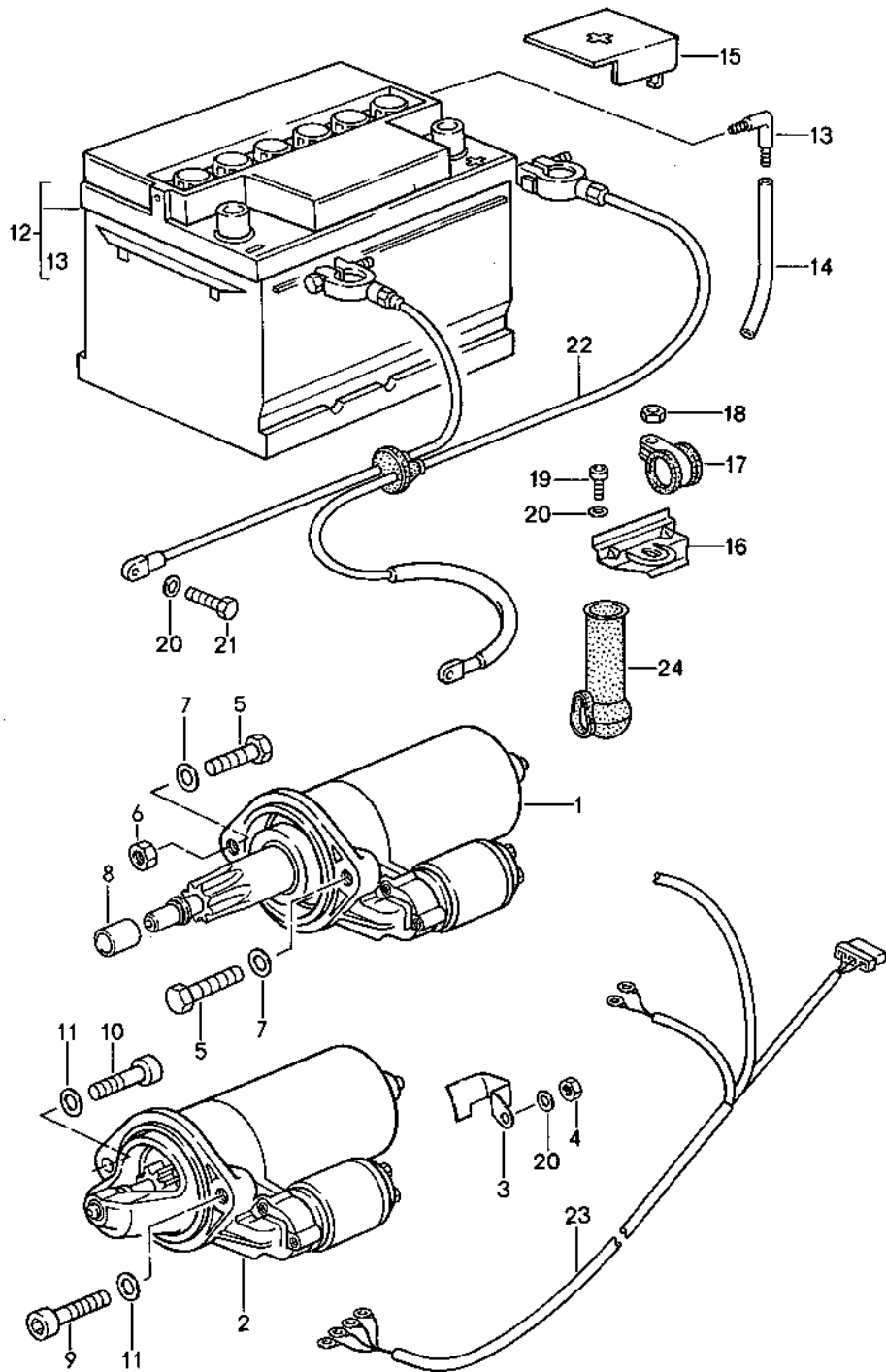
Pos	Part Number	Description	Remark	Qty	Model
1	928 603 011 05	Generator with Mounting parts Generator		1	968 968CS M573
1	928 603 011 EX	Generator		1	968 968CS M573
1	944 603 109 00	Generator		1	968CS
2	928 603 443 02	Fan		1	968 968CS M573
(2)	068 903 171 A	Fan		1	968CS
3	928 603 021 01	Pulley		1	968 968CS M573
3	944 603 021 01	Pulley		1	968CS
4	N 012 016 1	Lock ring		1	
5	900 034 013 02	Hexagon nut M 16 X 1,5		1	
5	900 034 013 01	Hexagon nut M 16 X 1,5		1	
6	999 192 290 50	Poly-rib belt K 6 X 720		1	
(6)	999 192 299 50	Poly-rib belt K 6 X 1000		1	M573
7	944 603 134 02	Bracket		1	
7A	944 126 123 06	Bracket		1	M573
7B	944 126 135 00	Sleeve		1	M573
8	900 025 008 09	Washer A 10,5		4	
8	900 025 008 04	Washer A 10,5		4	
9	N 010 470 7	Hexagon-head bolt M 10 X 70		4	
9	N 010 470 1	Hexagon-head bolt M 10 X 70		4	
10	900 074 197 02	Hexagon-head bolt M 10 X130		1	968 968CS M573
(10)	900 074 052 02	Screw M 8 X 130		1	968CS
10A	944 126 127 03	Spacer sleeve		1	968CS
11	900 025 008 09	Washer A 10,5		1	968 968CS M573
11	900 025 008 04	Washer A 10,5		1	968 968CS M573
(11)	900 025 007 02	Washer A 8,4		1	968CS
(11)	900 025 007 03	Washer A 8,4		1	968CS
12	900 910 031 09	Lock nut VF M 10		1	
12	900 910 031 01	Lock nut VF M 10		1	
(12)	900 910 097 02	Lock nut VF M 8		1	968CS
13	944 603 143 00	Condenser		1	
14	928 603 142 00	Regulator		1	
-	900 910 097 02	Lock nut		1	

Model: 968 92 Model life 1992>>1995

Pos	Part Number	Description	Remark	Qty	Model
-	900 025 007 02	VF M 8 Washer A 8,4 for Terminal clamp B + Generator		1	
-	900 025 007 03	Washer A 8,4 for Terminal clamp B + Generator		1	
-	900 910 007 02	Lock nut VF M 5		1	
-	900 025 003 02	Washer A 5,3 for Terminal clamp 61 Generator		1	
15	N 010 359 4	Hexagon-head bolt M 8 X 38		1	
16	900 025 007 02	Washer A 8,4		1	
16	900 025 007 03	Washer A 8,4		1	
17	N 100 692 01	Eye screw		1	
18	900 076 033 02	Hexagon nut M 10		1	
19	944 126 021 03	Strut		1	
20	N 011 010 6	Hexagon nut M 10		1	
20	N 101 552 10	Hexagon nut M 10		1	
21	N 100 693 01	Eye screw		1	
22	N 010 445 2	Hexagon-head bolt M 10 X 45		1	968 968CS M573
22	900 074 372 01	Hexagon-head bolt M 10 X 45		1	968 968CS M573
(22)	N 010 359 4	Hexagon-head bolt M 8 X 38		1	968CS
23	944 126 127 01	Bush		1	968 968CS M573
23		Bush		2	968CS
24	900 025 008 09	Washer A 10,5		1	968 968CS M573
24	900 025 008 04	Washer A 10,5		1	968 968CS M573
(24)	900 025 007 02	Washer A 8,4		1	968CS
(24)	900 025 007 03	Washer A 8,4		1	968CS
25	N 040 125 1	Hexagon-head bolt M 10 X 1,25 X 30		1	M573
26	999 659 006 50	Protection cap B + Generator		1	

Model: 968 92

Model life 1992>>1995



Model: 968 92 Model life 1992>>1995

Pos	Part Number	Description	Remark	Qty	Model
1	944 604 104 00	Starter Battery Wiring harnesses Starter 1,7 KW		1	
1	944 604 104 X	Starter 1,7 KW		1	
1	944 604 104 AX	Starter 1,7 KW		1	
1		Starter 1,7 KW		1	
2	944 604 103 00	Starter 1,7 KW		1	TIPTRONIC
(2)	944 604 103 X	Starter 1,7 KW		1	TIPTRONIC
(2)	944 604 103 AX	Starter 1,7 KW		1	TIPTRONIC
3	944 604 122 00	Insulating piece		1	TIPTRONIC
4	900 084 004 03	Hexagon nut		1	TIPTRONIC
4	900 084 004 02	Hexagon nut		1	TIPTRONIC
5	N 040 281 1	Hexagon-head bolt M 10 X 45		2	
5	900 075 516 01	Hexagon-head bolt M 10 X 45		2	
6	N 011 010 6	Hexagon nut M 10		1	
6	N 101 552 10	Hexagon nut M 10		1	
7	900 025 008 09	Washer A 10,5		2	
7	900 025 008 04	Washer A 10,5		2	
8	999 531 017 10	Bush		1	
9	900 067 032 02	Pan-head screw M 12 X 50		1	TIPTRONIC
10	900 067 283 02	Pan-head screw M 12 X 35		1	TIPTRONIC
11	N 011 564 2	Washer B 13		2	TIPTRONIC
11	N 011 564 4	Washer B 13		2	TIPTRONIC
12	999 611 065 20	Battery 12 V 65 AH	/LL	1	
12	999 611 065 22	Battery 12 V 65 AH	/LL	1	
12	999 611 070 20	Battery 12 V 75 AH	/RL	1	
12	999 611 070 21	Tech. information memo 911 NR. 02/97 Battery 12 V 75 AH Tech. information memo 911 NR. 02/97	/RL	1	
12	999 611 050 20	Battery 12 V 50 AH		1	
13	893 915 507	Angled pipe		1	
-	477 915 505	Hose		*	
14		250 MM		1	
15	477 915 429 A	Pole covering	/LL	1	
15	477 915 429	Pole covering	/RL	1	
16	914 611 233 10	Tension terminal	/LL	1	
(16)	945 611 021 00	Support	/RL	1	
17	999 511 077 02	Clamp	/LL	1	

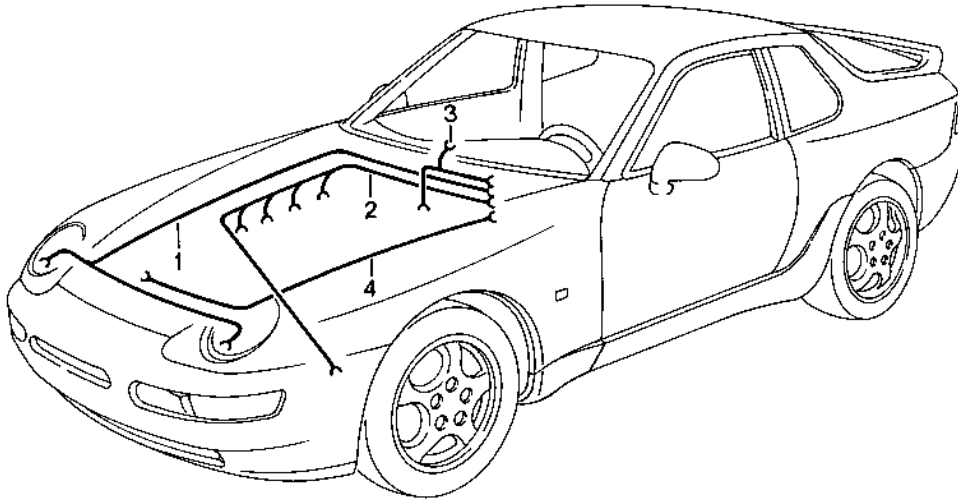
Model: 968 92 Model life 1992>>1995

Pos	Part Number	Description	Remark	Qty	Model
18	477 915 489	Hexagon nut M 8	/LL	1	
18	900 034 001 05	Hexagon nut M 8	/LL	1	
19	900 067 057 02	Pan-head screw M 8 X 20	/RL	1	
19	900 067 057 03	Pan-head screw M 8 X 20		1	
20	900 025 007 02	Washer A 8,4		3	
20	900 025 007 03	Washer A 8,4		3	
21	N 010 241 0	Hexagon-head bolt M 8 X 20		1	
22	944 612 027 03	Wiring harness Battery Starter	/LL	1	
22	944 612 027 04	Wiring harness Battery Starter	/LL	1	TIPTRONIC
(22)	945 612 027 05	Wiring harness Battery Starter	/RL	1	
(22)	945 612 027 06	Wiring harness Battery Starter	/RL	1	TIPTRONIC
(22)	945 611 041 00	Ground strap Battery	/RL	1	
23	944 607 029 04	Wiring harness Starter Generator		1	
23	944 607 029 08	Wiring harness Starter Generator		1	TIPTRONIC
(23)	945 612 013 01	Line Starter Hydraulic unit	/RL	1	
(23)	945 612 013 02	Line Starter Hydraulic unit	/RL	1	TIPTRONIC
24	999 659 006 50	Protection cap Starter		1	
-	477 971 235	Ground strap Body Clutch housing	/RL	1	



Model: 968 92

Model life 1992>>1995



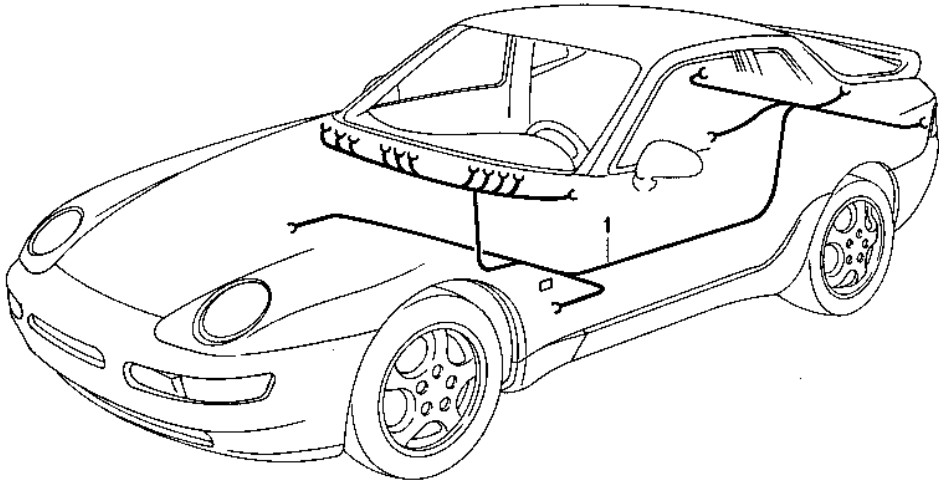
Model: 968 92

Model life 1992>>1995

Pos	Part Number	Description	Remark	Qty	Model
		Wiring harnesses Engine compartment Heating Air conditioner			
1	944 612 008 10	Wiring harness Engine compartment	/LL 92	1	
1	968 612 008 00	Wiring harness Engine compartment	/LL 93-	1	
1	944 612 008 12	Wiring harness Engine compartment	/LL (J) 92	1	
1	968 612 008 03	Wiring harness Engine compartment	/LL (J) 93-	1	
1	945 612 008 10	Wiring harness Engine compartment	/RL 92	1	
1	968 612 008 02	Wiring harness Engine compartment	/RL 93-	1	
1	945 612 008 11	Wiring harness Engine compartment	/RL (J) 92	1	
1	968 612 008 04	Wiring harness Engine compartment	/RL (J) 93-	1	
2	944 607 173 04	Wiring harness - dme -		1	
2	944 607 173 05	Wiring harness - dme -		1	TIPTRONIC
3	944 612 633 00	Wiring harness Air conditioner Heater		1	
4	944 612 081 00	Wiring harness Engine compartment lamp		1	

Model: 968 92

Model life 1992>>1995

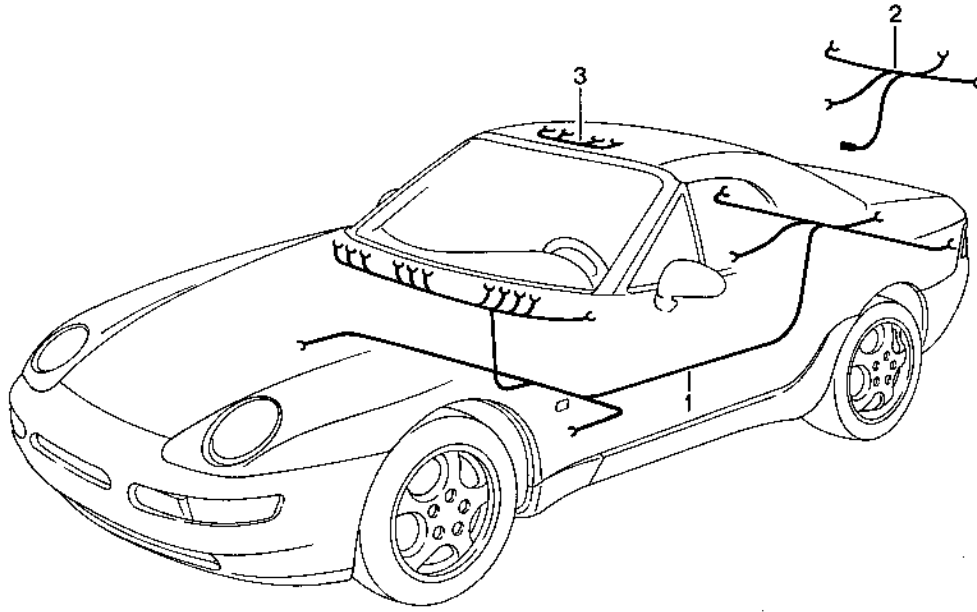


Model: 968 92 Model life 1992>>1995

Pos	Part Number	Description	Remark	Qty	Model
		Wiring harnesses Passenger compartment			COUPE
1	944 612 060 00	Wiring harness Passenger compartment	/LL 92	1	
1	968 612 060 09	Wiring harness Passenger compartment	/LL 93	1	
1	968 612 060 66	Wiring harness Passenger compartment	/LL 94	1	
1	944 612 060 01	Wiring harness Passenger compartment	/LL 92	1	TIPTRONIC
1	968 612 060 13	Wiring harness Passenger compartment	/LL 93	1	TIPTRONIC
1	968 612 060 42	Wiring harness Passenger compartment	/LL 94	1	TIPTRONIC
1	944 612 060 06	Wiring harness Passenger compartment	92	1	(SA)
1	968 612 060 05	Wiring harness Passenger compartment	93	1	(SA)
1	968 612 060 65	Wiring harness Passenger compartment	94	1	(SA)
1	944 612 060 07	Wiring harness Passenger compartment	92	1	(SA) TIPTRONIC
1	968 612 060 07	Wiring harness Passenger compartment	93	1	(SA) TIPTRONIC
1	968 612 060 36	Wiring harness Passenger compartment	94	1	(SA) TIPTRONIC
1	945 612 060 00	Wiring harness Passenger compartment	/RL 92	1	
1	968 612 060 21	Wiring harness Passenger compartment	/RL 93	1	
1	968 612 060 67	Wiring harness Passenger compartment	/RL 94	1	
1	945 612 060 01	Wiring harness Passenger compartment	/RL 92	1	TIPTRONIC
1	968 612 060 22	Wiring harness Passenger compartment	/RL 93	1	TIPTRONIC
1	968 612 060 52	Wiring harness Passenger compartment	/RL 94	1	TIPTRONIC
-	928 612 220 00	Bridge adapter		1	M564

Model: 968 92

Model life 1992>>1995

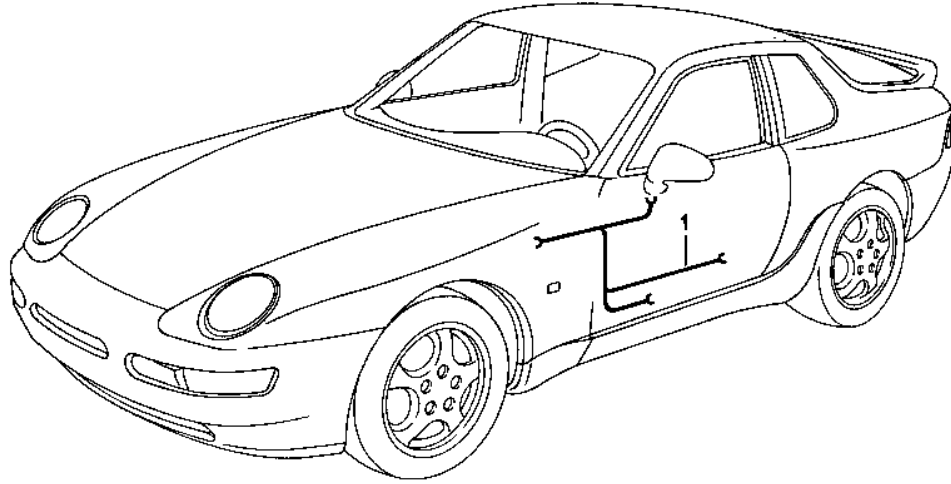


Model: 968 92 Model life 1992>>1995

Pos	Part Number	Description	Remark	Qty	Model
1	941 612 060 10	Wiring harnesses Passenger compartment Wiring harness	/LL 92	1	CABRIO
1	968 612 060 11	Passenger compartment Wiring harness	/LL 93	1	
1	968 612 060 40	Passenger compartment Wiring harness	/LL 94	1	
1	941 612 060 11	Passenger compartment Wiring harness	/LL 92	1	TIPTRONIC
1	968 612 060 14	Passenger compartment Wiring harness	/LL 93	1	TIPTRONIC
1	968 612 060 43	Passenger compartment Wiring harness	/LL 94	1	TIPTRONIC
1	941 612 060 16	Passenger compartment Wiring harness	92	1	(SA)
1	968 612 060 06	Passenger compartment Wiring harness	93	1	(SA)
1	968 612 060 35	Passenger compartment Wiring harness	94	1	(SA)
1	941 612 060 17	Passenger compartment Wiring harness	92	1	(SA)
1	968 612 060 08	Passenger compartment Wiring harness	93	1	TIPTRONIC (SA)
1	968 612 060 37	Passenger compartment Wiring harness	94	1	TIPTRONIC (SA)
1	942 612 060 10	Passenger compartment Wiring harness	/RL 92	1	TIPTRONIC
1	968 612 060 23	Passenger compartment Wiring harness	/RL 93	1	TIPTRONIC
1	968 612 060 53	Passenger compartment Wiring harness	/RL 94	1	TIPTRONIC
1	942 612 060 11	Passenger compartment Wiring harness	/RL 92	1	TIPTRONIC
1	968 612 060 24	Passenger compartment Wiring harness	/RL 93	1	TIPTRONIC
1	968 612 060 54	Passenger compartment Wiring harness	/RL 94	1	TIPTRONIC
2	941 612 017 11	Passenger compartment Wiring harness		1	
3	941 612 911 00	for Convertible top Wiring harness		1	
-	928 612 220 00	for Microswitch Bridge adapter		1	M564

Model: 968 92

Model life 1992>>1995



Model: 968 92

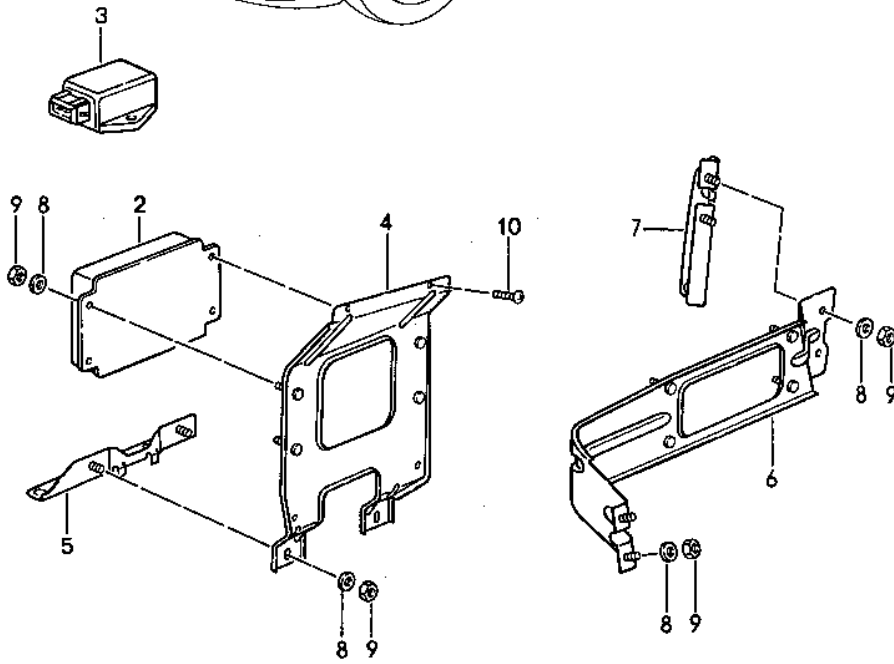
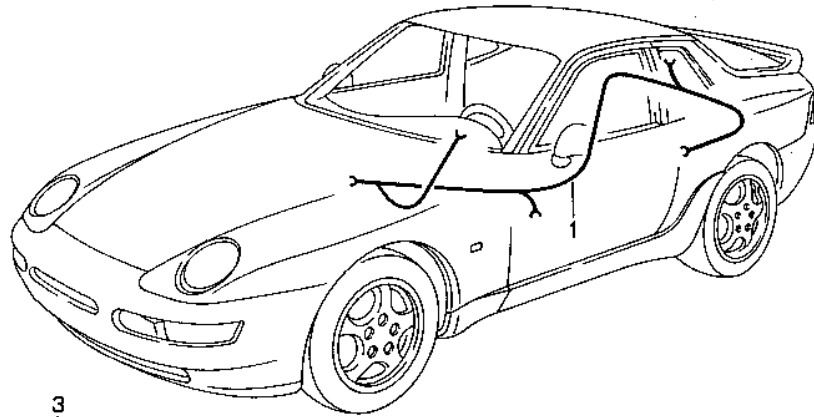
Model life 1992>>1995

Pos	Part Number	Description	Remark	Qty	Model
		Wiring harnesses Doors			COUPE/CABRIO
1	944 612 033 07	Wiring harness Driver's door	-93	1	COUPE
1	968 612 033 00	Wiring harness Driver's door	94-	1	COUPE
1	941 612 033 12	Wiring harness Driver's door	-93	1	CABRIO
1	968 612 033 01	Wiring harness Driver's door	94-	1	CABRIO
1	944 612 034 07	Wiring harness Passenger's door	-93	1	
1	968 612 034 00	Wiring harness Passenger's door	94-	1	



Model: 968 92

Model life 1992>>1995

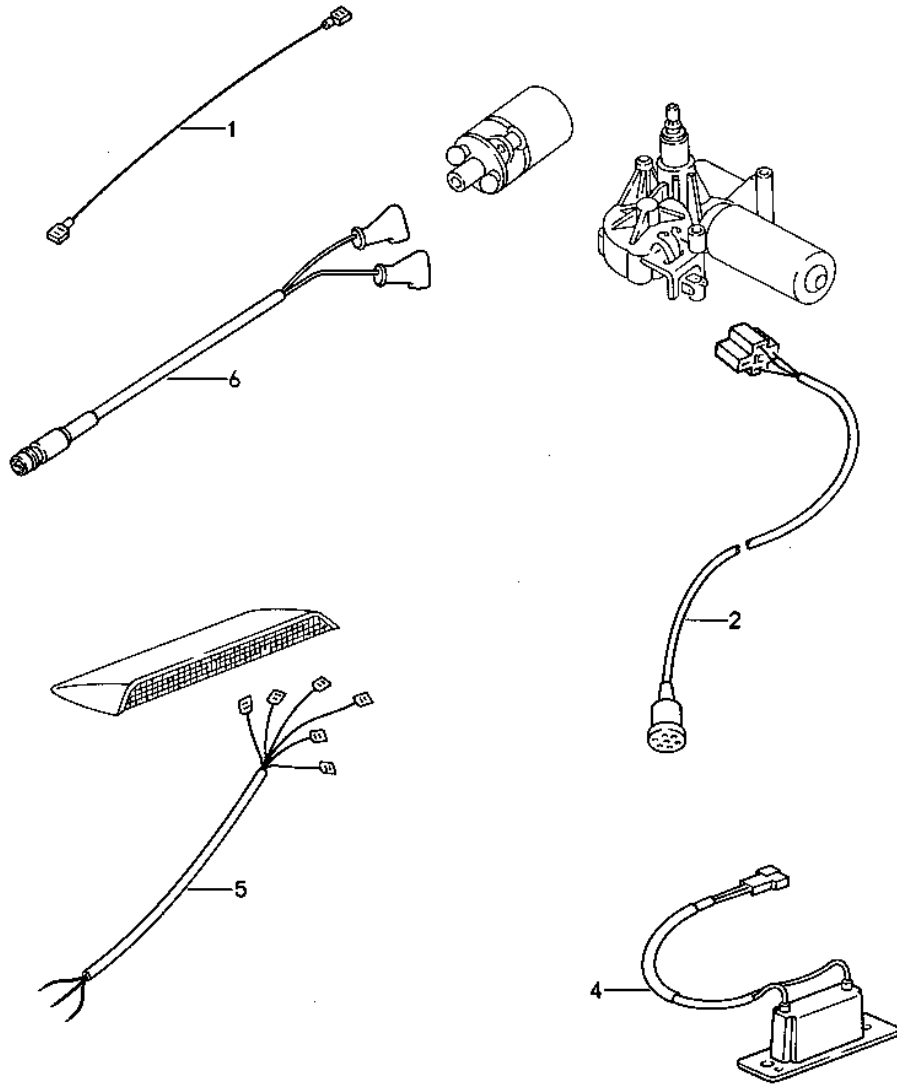


Model: 968 92 Model life 1992>>1995

Pos	Part Number	Description	Remark	Qty	Model
		Wiring harnesses Control units Tiptronic			
1	944 612 014 00	Wiring harness	/LL	1	
(1)	968 612 014 00	Wiring harness	/RL	1	
-	968 612 901 00	Wiring harness		1	
		Repair kit for 944.612.014.00 968.612.014.00	/LL /RL		
2	944 618 114 01	Control unit		1	
3	993 606 153 00	Lateral accelerat. sensor		1	
3	993 606 153 01	Lateral accelerat. sensor		1	
4	944 618 062 01	Support		1	COUPE
5	944 618 072 00	Retaining strip		1	COUPE
6	941 618 062 10	Support		1	CABRIO
7	941 618 072 10	Retaining bracket		1	CABRIO
8	N 011 524 7	Washer A 6,4		8	
8	N 011 524 27	Washer A 6,4		8	
9	900 076 010 02	Nut M 6		8	
9	900 076 010 0B	Nut M 6		8	
10	900 146 117 02	Combination screw M 5 X 12 Z1		2	COUPE

Model: 968 92

Model life 1992>>1995



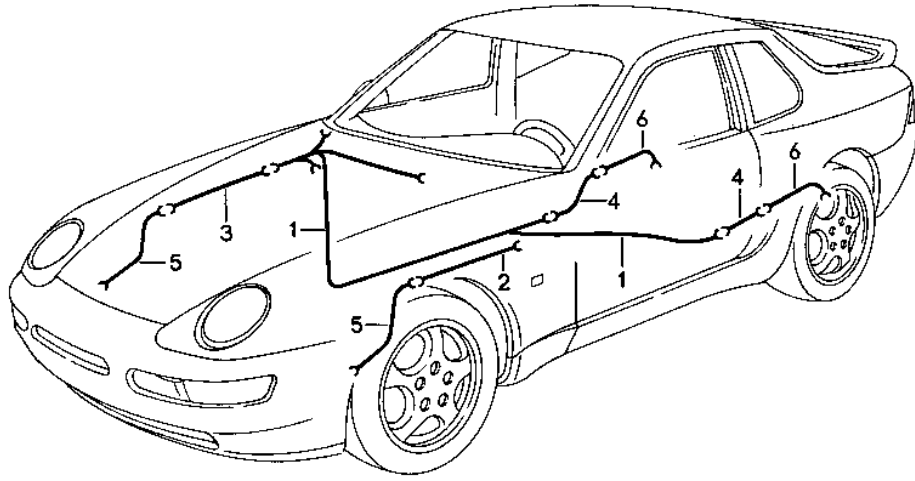
Model: 968 92

Model life 1992>>1995

Pos	Part Number	Description	Remark	Qty	Model
1	477 971 257 B	Wiring harnesses Rear end Single line Gas-pressure spring		2	COUPE CABRIO
2	951 612 065 01	Rear window Wiring harness Rear window wiper And Additional brake light		1	
4	951 612 070 01	Wiring harness License plate light		1	
5	968 612 087 00	Wiring harness Luggage compartment lamp And Additional brake light		1	CABRIO
(5)	968 612 087 01	Wiring harness Luggage compartment lamp Use also:		1	CABRIO
-	941 613 105 10	Switch		1	
-	941 613 205 10	Washer		1	
-	941 613 305 10	Adhesive film		1	
6	944 612 051 01	Wiring harness Fuel pump		1	

Model: 968 92

Model life 1992>>1995



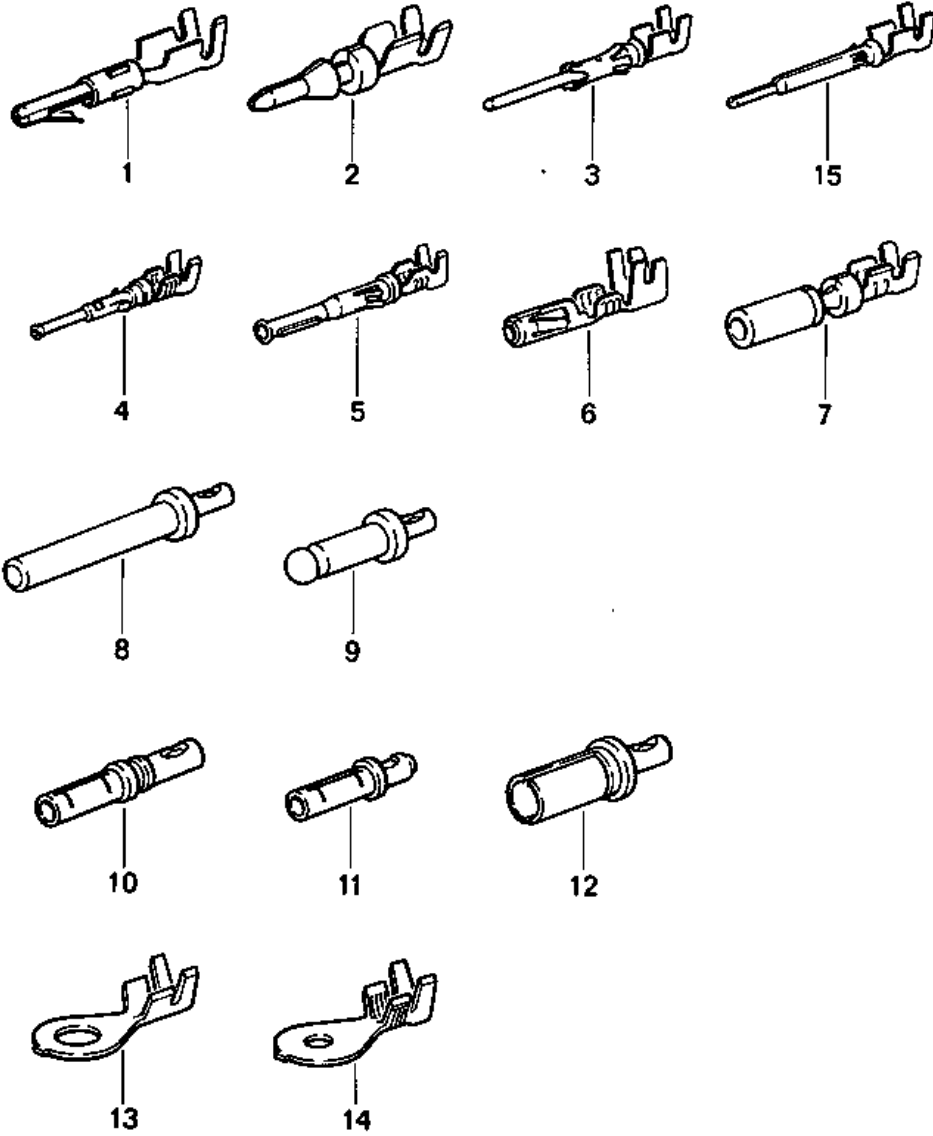
Model: 968 92

Model life 1992>>1995

Pos	Part Number	Description	Remark	Qty	Model
1	944 612 067 01	Wiring harnesses Anti-lock brake system Brake pad wear indicator Wiring harness	/LL	1	
1	945 612 067 01	Anti-lock brake system Wiring harness	/RL	1	
2	944 612 111 01	Anti-lock brake system Additional cable for Anti-lock brake system And		1	
3	944 612 110 01	Brake pad wear indicator Wiring harness for ABS UND		1	
4	944 612 112 00	Brake pad wear indicator Additional cable for ABS UND		2	
5	928 606 404 02	Brake pad wear indicator Speed sensor		2	
6	944 606 401 02	Speed sensor		2	

Model: 968 92

Model life 1992>>1995



Model: 968 92

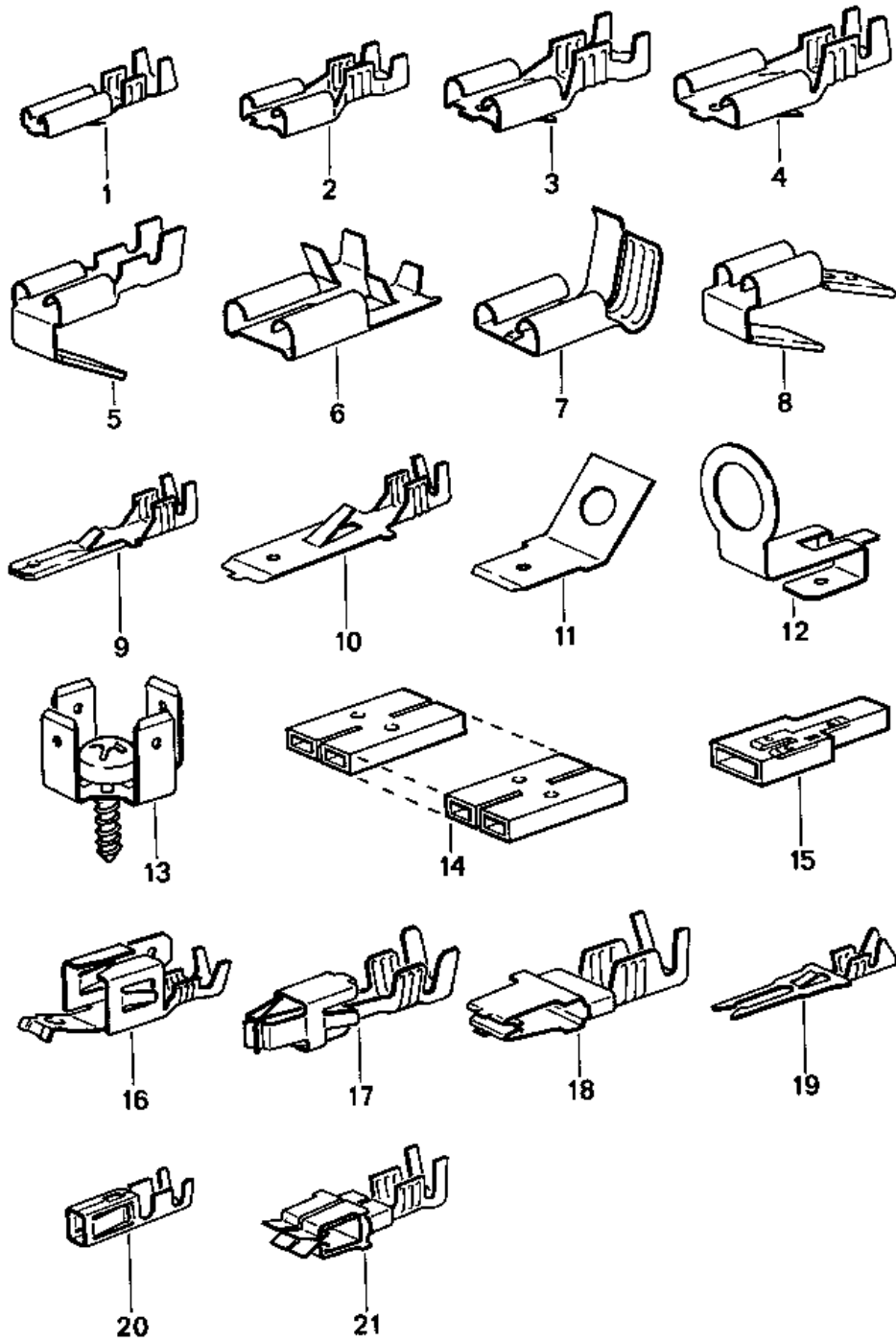
Model life 1992>>1995

Pos	Part Number	Description	Remark	Qty	Model
1	N 017 586 2	Round connector Contact pin Cable shoe Round connector \$ 0,5 - 1,0 CUZN		X	
2	944 612 428 00	Round connector \$ 0,75 - 1,5 CUSN		X	
3	N 017 564 1	Round connector \$ 0,5 - 1,0 CUSN		X	
4	N 017 562 4	Cylindrical socket \$ 0,5 - 1,0 CUSN		X	
6	N 017 599 4	Cylindrical socket \$ 2,5 - 6,0 CUSN		X	
7	944 612 427 00	Contact bush \$ 0,75 - 1,5 CUSN		X	
8	999 652 369 12	Pin \$ 0,5 - 2,0 CUAG		X	
9	911 612 907 00	Contact pin \$ 0,5 - 2,0 CUAG		X	
9	911 612 907 01	Contact pin \$ 0,5 - 2,0 CUAG		X	
9	944 612 546 00	Contact pin \$ 0,5 - 2,0		X	
10	944 612 548 00	Contact bush \$ 0,5 - 2,0 CUAG		X	
11	999 652 351 22	Contact bush \$ 0,5 - 2,0 CUBE		X	
12	999 652 371 12	Contact bush \$ 0,5 - 2,0 CUAG		X	
13	N 017 505 4	Cable shoe \$ 5,0 - 1,0		X	
(13)	N 017 515 4	Cable shoe \$ 5,0 - 2,5		X	
(13)	N 017 516 2	Cable shoe \$ 6,0 - 2,5		X	
(13)	999 650 532 00	Cable shoe \$ 8,0 - 2,5 CUSN		X	
(13)	999 652 246 10	Cable shoe \$ 8,0 - 2,5 CUSN		X	
(13)	999 652 225 10	Cable shoe \$ 8,0 - 2,5 CUSN		X	
(13)	999 652 235 10	Cable shoe \$ 10 - 2,5		X	
14	999 652 208 10	Cable shoe \$ 6,0 - 2,5		X	



Model: 968 92

Model life 1992>>1995



Model: 968 92

Model life 1992>>1995

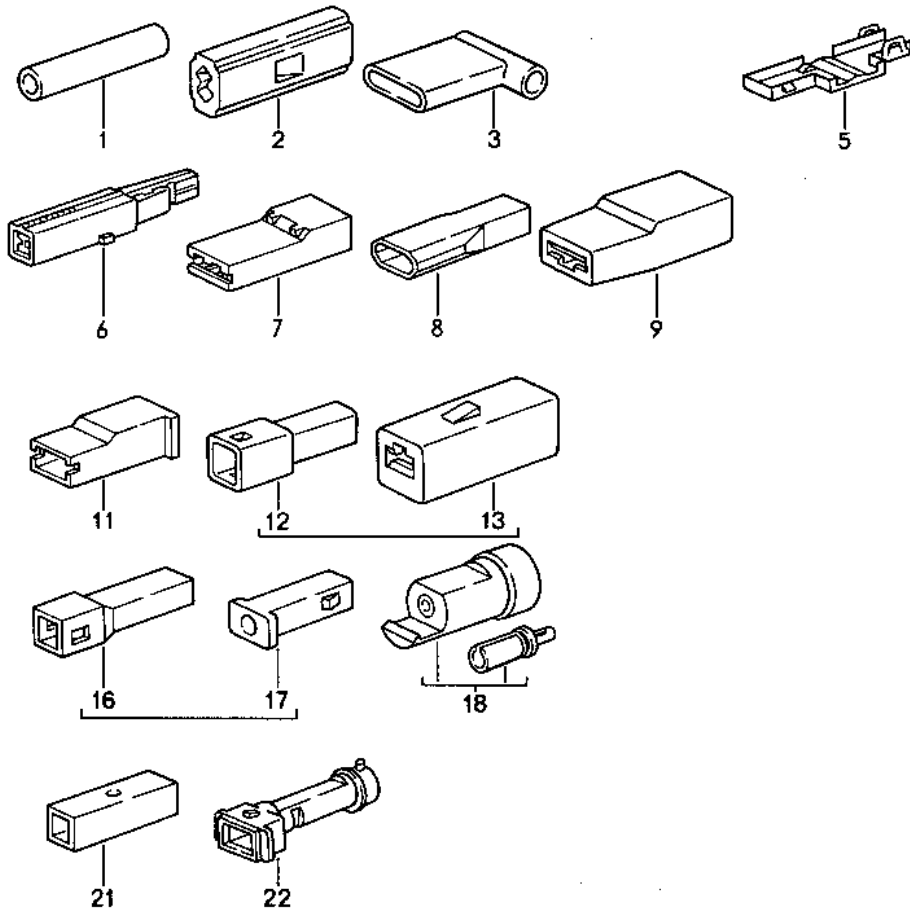
Pos	Part Number	Description	Remark	Qty	Model
1	111 971 958	Flat plug Push-on connector Flat receptacle with Clip 2,8 X 1		X	
(1)	N 017 243 1	Flat receptacle without Clip 2,8 X 1,5 CUZN		X	
2	111 971 959	Flat receptacle with Clip 6,3 X 0,8		X	
(2)	PCG 971 959	Flat receptacle without Clip 6,3 X 1,0 SN		X	
2	N 017 491 8	Flat receptacle with Clip 6,3 X 2,5 CUZN		X	
2	N 017 494 3	Flat receptacle with Clip 6,3 X 6,0 CUSN		X	
(2)	999 652 106 02	Flat receptacle without Clip 6,3 X 1,5 CUSN		X	
3	N 017 453 1	Flat receptacle without Clip 7,7 X 2,5 CUZN		X	
3	N 017 245 1	Flat receptacle without Clip 7,7 X 10 CUSN		X	
5	N 017 242 1	Flat receptacle with Push-on connector 6,3 X 1		X	
6	N 017 498 2	Flat receptacle 6,3 X 1 CUSN		X	
-	N 017 498 A	Flat plug 7,7 X 1 CuZn		X	
7	999 652 116 02	Retaining bracket 6,3 X 1,5		X	
8	999 652 122 10	Multiple plug connector 6,3		X	
9	N 017 457 2	Flat plug with Clip 2,8 X 1		X	
10	111 971 985	Flat plug with Clip 6,3 X 1		X	
10	111 971 986	Flat plug with Clip 6,3 X 2,5		X	
11	999 652 125 10	Flat plug		X	

Model: 968 92 Model life 1992>>1995

Pos	Part Number	Description	Remark	Qty	Model
11	999 652 315 02	6,3/\$ 2,8 Flat plug		X	
(11)		6,3/\$ 5,3 CUSN Flat plug		X	
12	911 603 911 00	6,3/\$ 5,3 Push-on connector		X	
13	171 971 519 A	6,3 Ground connector		X	
13	PCG 971 519 A	6,3 Ground connector		X	
14	999 652 142 40	Push-on connector		X	
(14)		6,3 Push-on connector		X	
		6,3 5-FACH			
		6,3 1-FACH			
15	999 652 151 40	Push-on connector		X	
16	999 652 275 10	6,3 Contact		X	
17	N 903 353 03	6,3 Contact spring		X	
18	999 652 451 22	\$ 2,5 - 3,5 Coding element		X	
19	999 652 380 12	6,3/\$ 0,5 - 1,0 Contact spring		X	
20	999 652 269 12	\$ 0,4 - 0,75 Contact spring		X	
21	999 652 456 22	Contact spring \$ 0,75 - 1,5		X	

Model: 968 92

Model life 1992>>1995

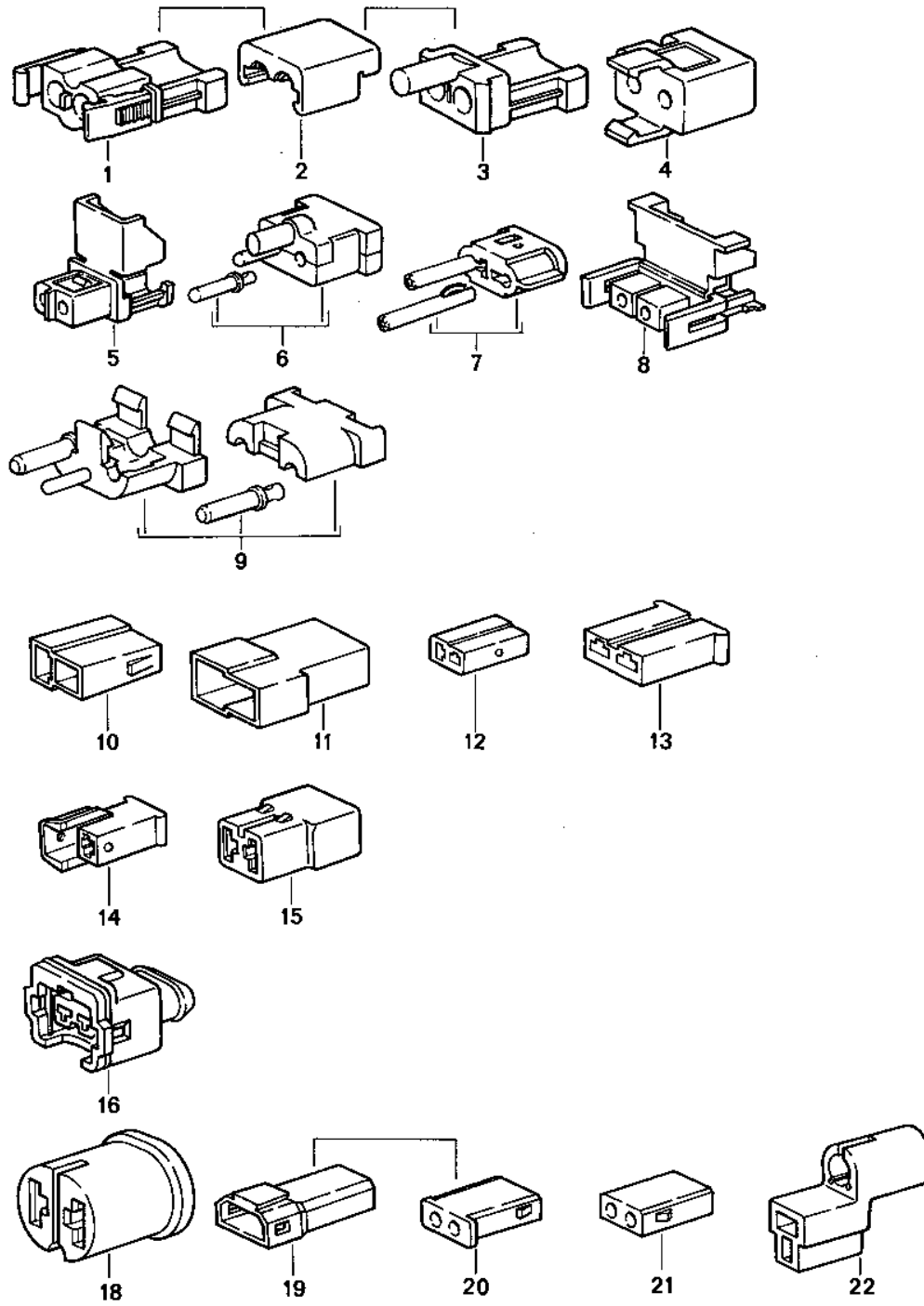


Model: 968 92 Model life 1992>>1995

Pos	Part Number	Description	Remark	Qty	Model
		Insulated cable connection Connector housing Single pole			
1	999 652 149 40	Insulated cable connection \$ 1,5		X	
2	111 971 921	Protection cap 6,3		X	
3	999 652 160 40	Sleeve 6,3		X	
5	211 971 921	Protection cap 6,3		X	
6	059 905 371	Diode connector 6,3		X	
7	111 971 921 B	Connector housing 6,3		X	
8	999 652 119 40	Connector housing 6,3		X	
9	825 971 990	Terminal sleeve housing 6,3		X	
11	431 971 995	Flat connector socket 6,3		X	
12	823 971 976	Flat connector socket 2,8		X	
13	823 971 990	Terminal sleeve housing 2,8		X	
16	171 971 998	Connector housing 1,6		X	
17	171 971 999	Terminal sleeve housing 1,6		X	
18	999 653 002 90	Connector housing with		X	
-	999 652 371 12	Contact bush		X	
21	111 971 977	Flat connector socket 6,3		X	
22	813 972 643 A	Flat connector socket		X	

Model: 968 92

Model life 1992>>1995



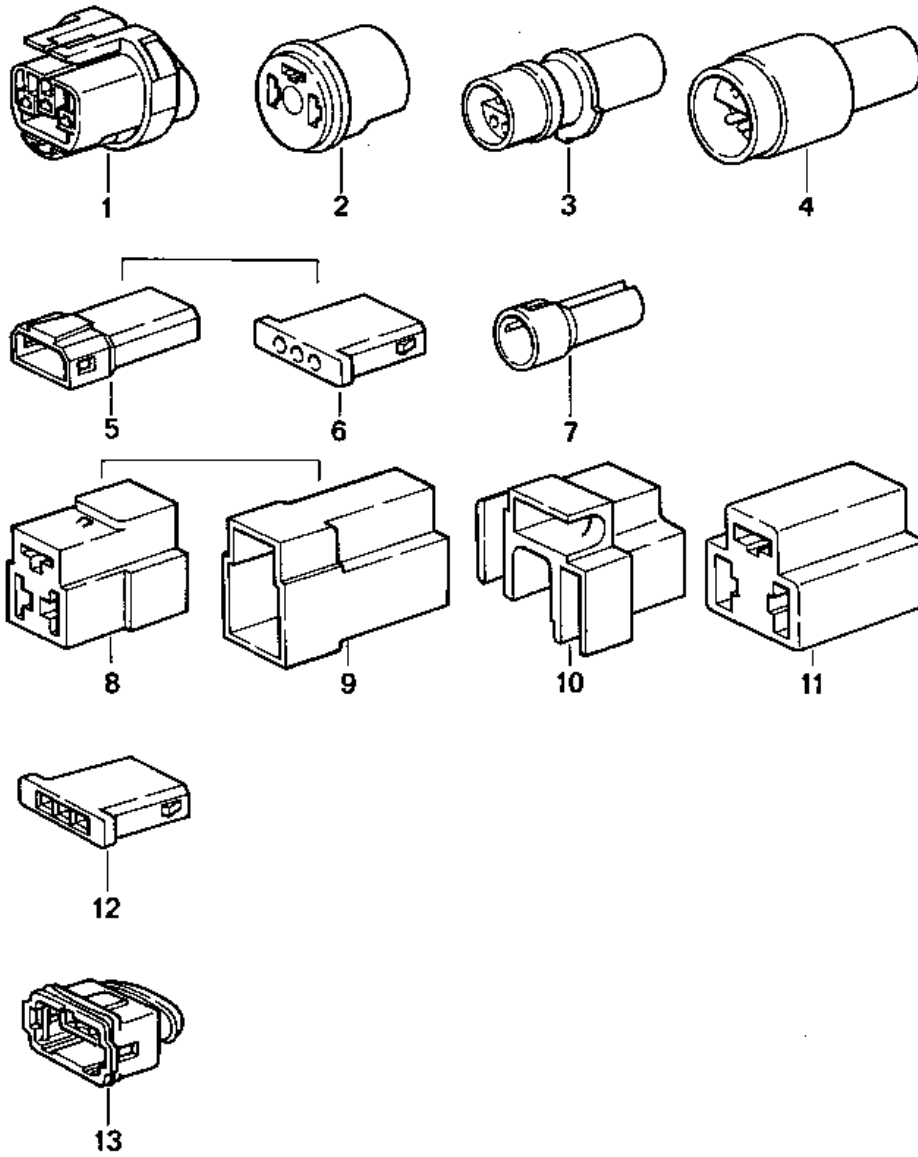
Model: 968 92

Model life 1992>>1995

Pos	Part Number	Description	Remark	Qty	Model
1	999 652 370 40	Connector housing 2-pole		X	
-	999 652 371 12	Connector housing for		X	
2	999 652 372 40	Contact bush		X	
3	999 652 368 40	Clip		X	
-	999 652 369 12	Connector housing for		X	
4	911 612 887 00	Pin		X	
-	999 652 351 22	Connector housing for		X	
5	928 612 557 00	Contact bush		X	
-	944 612 548 00	Connector housing with		X	
6	999 652 381 00	Contact bush		2	
7	911 645 112 00	Adapter plug with		X	
8	944 612 547 00	Contact bush		2	
-	944 612 548 00	Connector housing for		X	
9	911 612 118 00	Contact bush		X	
10	999 652 167 40	Connector housing with		X	
11	999 652 192 47	Contact bush		2	
12	810 971 989	Terminal sleeve housing 6,3		X	
13	171 906 231	Connector housing 6,3		X	
14	171 971 934	Connector housing 6,3		X	
15	815 971 989	Connector housing 6,3		X	
16	022 906 231 A	Connector housing Grey		X	
-	N 903 353 03	for		X	
16	928 612 825 00	Contact spring		X	
18	810 971 993	Connector housing Beige		X	
19	171 971 998 A	Terminal sleeve housing 1,6		X	
20	171 971 999 A	Connector housing 1,6		X	
21		Terminal sleeve housing 1,6		X	
22	944 612 439 00	Connector housing for Cigarette lighter		X	

Model: 968 92

Model life 1992>>1995





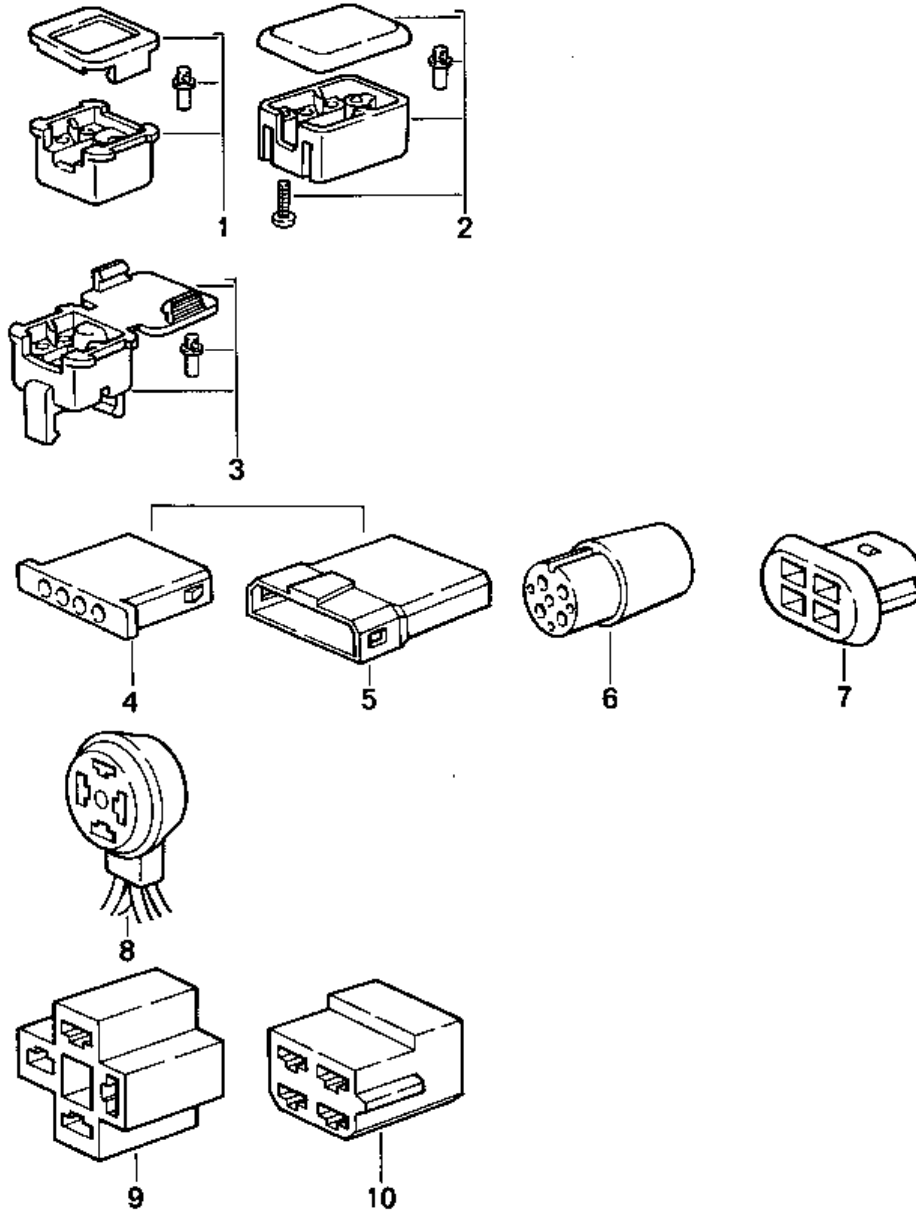
Model: 968 92

Model life 1992>>1995

Pos	Part Number	Description	Remark	Qty	Model
		Connector housing 3-pole			
1	165 941 165	Connector housing 3,5		X	
2	113 945 525	Terminal sleeve housing 6,3		X	
3	944 612 436 00	Connector for		X	
-	944 612 428 00	Round connector		X	
4	944 612 435 00	Connector housing for		X	
-	944 612 427 00	Contact bush		X	
5	171 971 998 B	Connector housing 1,6		X	
6	171 971 999 B	Terminal sleeve housing 1,6		X	
7	113 919 113	Connector housing 1,6		X	
8	821 971 970	Connector housing 6,3		X	
9	821 971 975	Flat connector socket 6,3		X	
10	111 941 341	Terminal sleeve housing 6,3		X	
11	914 612 327 10	Connector housing 6,3		X	
12	311 906 231 B	Connector housing		X	
13	022 906 233 B	Connector housing		X	

Model: 968 92

Model life 1992>>1995



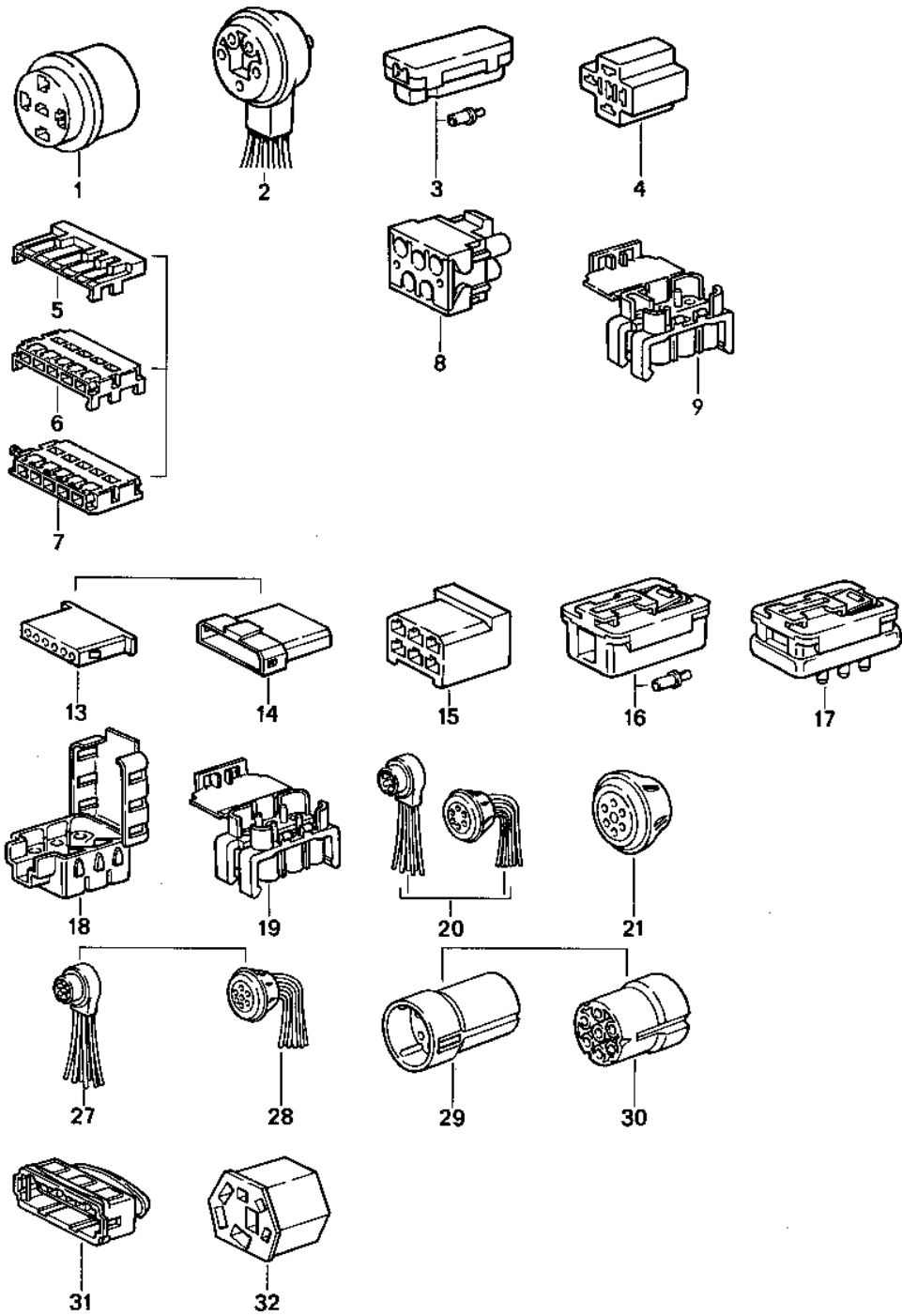
Model: 968 92

Model life 1992>>1995

Pos	Part Number	Description	Remark	Qty	Model
1	901 612 891 01	Connector housing 4-pole		X	
-	999 652 371 12	Connector housing with Contact bush		X	
2	901 612 891 00	Connector housing with		X	
-	999 652 371 12	Contact bush		X	
3	944 612 217 00	Connector housing with		X	
-	999 652 351 22	Contact bush		X	
4	171 971 999 C	Connector housing 1,6		X	
5	171 971 998 C	Connector housing 1,6		X	
6	914 612 325 00	Plug socket 1,6		X	
7	928 612 131 00	Connector housing		X	
8	901 612 334 00	Plug socket		X	
9	928 631 108 00	Connector housing 6,3		X	
10	803 905 897	Connector housing 6,3		X	

Model: 968 92

Model life 1992>>1995

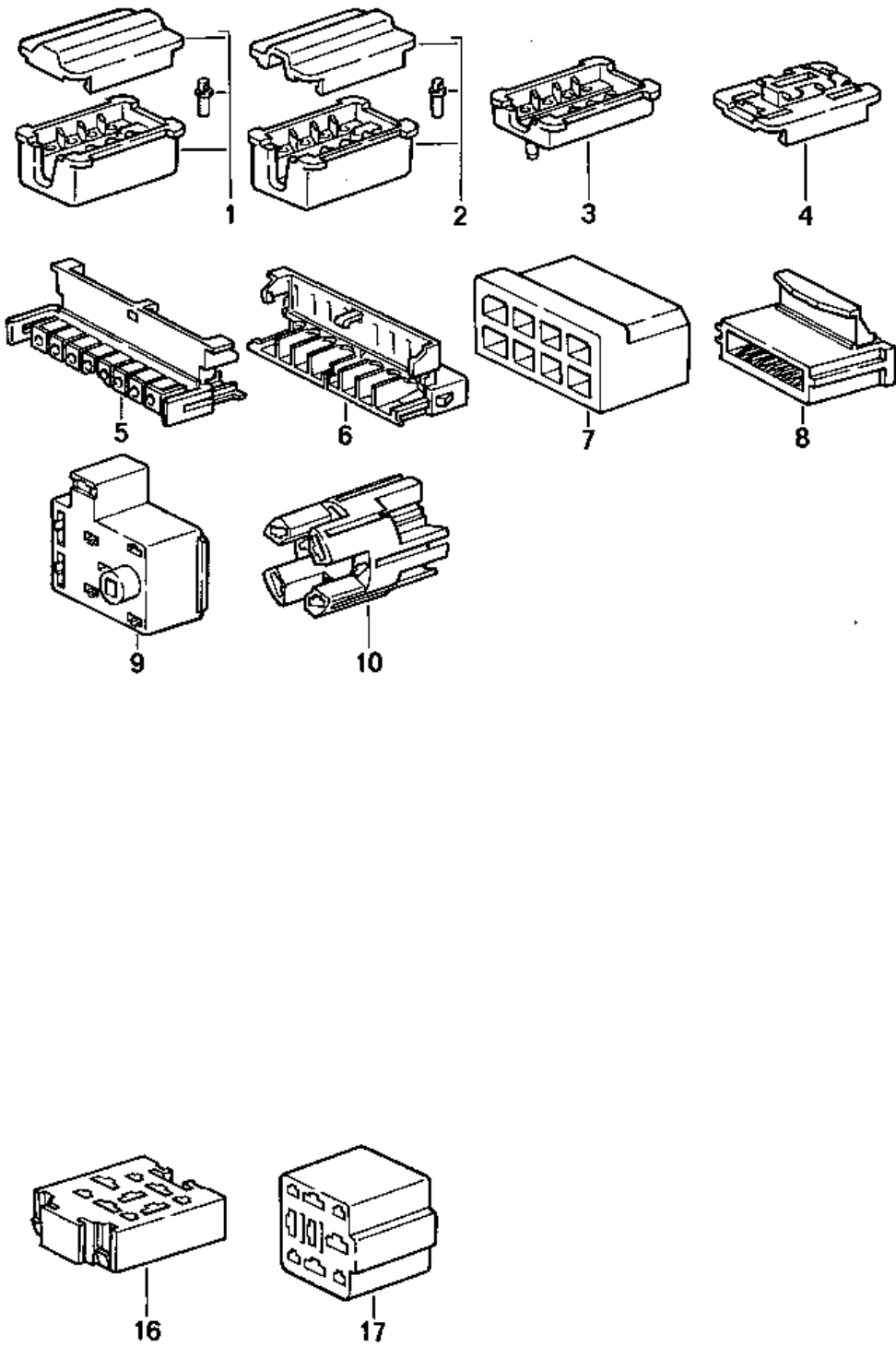


Model: 968 92 Model life 1992>>1995

Pos	Part Number	Description	Remark	Qty	Model
		Connector housing 5-pole			
		6-pole			
		7-pole			
		5-pole			
1	113 971 835	Terminal sleeve housing 2, 8		X	
2	901 612 333 00	Plug socket for Standard type relay		X	
3	928 612 411 00	Clutch with Contact bush		X	
4	803 971 835 A	Terminal sleeve housing for Relay		X	
5	928 612 335 25	Coding element		X	
6	928 612 332 00	Module housing		X	
-	999 652 451 22	Coding element		X	
7	928 612 331 00	Initial housing		X	
8	928 612 542 00	Clutch housing		X	
9	944 612 539 00	Clutch 6-pole		X	
13	171 971 999 E	Connector housing 1, 6		X	
14	171 971 998 E	Connector housing 1, 6		X	
15	803 971 831	Terminal sleeve housing 6, 3		X	
16	911 612 868 01	Clutch with Contact bush		X	
17	911 612 867 02	Connector with Contact pin		6 X	
18	928 612 469 00	Clutch for Contact pin		6 X	
19	944 612 537 00	Clutch		X	
20	901 612 330 00	Multiple plug connection		X	
21	901 612 061 00	Push-on connector 7-pole		X	
27	911 612 331 00	Connector		X	
28	911 612 332 00	Plug socket		X	
29	803 971 980	Pin connector socket		X	
30	803 971 979	Plug socket		X	
31	071 906 233	Terminal sleeve housing		X	
32	111 953 631	Terminal sleeve housing		X	

Model: 968 92

Model life 1992>>1995



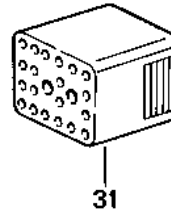
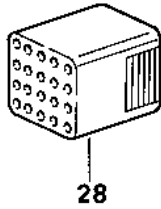
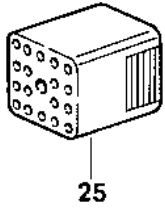
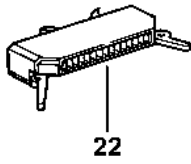
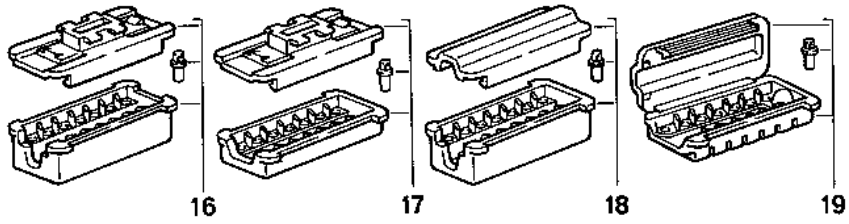
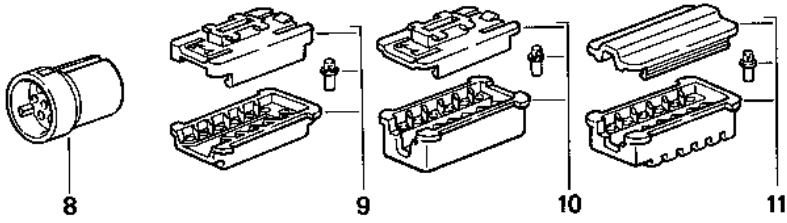
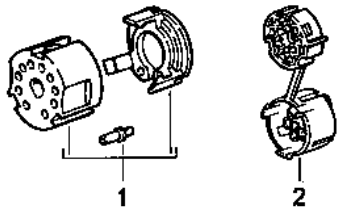
Model: 968 92

Model life 1992>>1995

Pos	Part Number	Description	Remark	Qty	Model
		Connector housing 8-pole			
		9-pole			
		8-pole			
1	944 612 117 00	Connector housing		X	
		with			
-	999 652 371 12	Contact bush		8	
2	928 612 117 01	Connector housing		X	
		with			
-	999 652 371 12	Contact bush		8	
3	999 652 395 40	Connector housing		X	
4	999 652 396 40	Clip		X	
5	944 612 554 00	Connector housing		X	
		for			
-	944 612 548 00	Contact bush		X	
6	944 612 553 00	Connector housing		X	
7	803 971 971	Connector housing		X	
		6,3			
8	113 971 998 B	Connector housing		X	
9	321 971 999 A	Terminal sleeve housing		X	
10	911 612 120 00	Connector housing		X	
		6,3			
		9-pole			
16	135 937 501 A	Relay carrier		X	
17	849 941 593	Connector housing		X	

Model: 968 92

Model life 1992>>1995



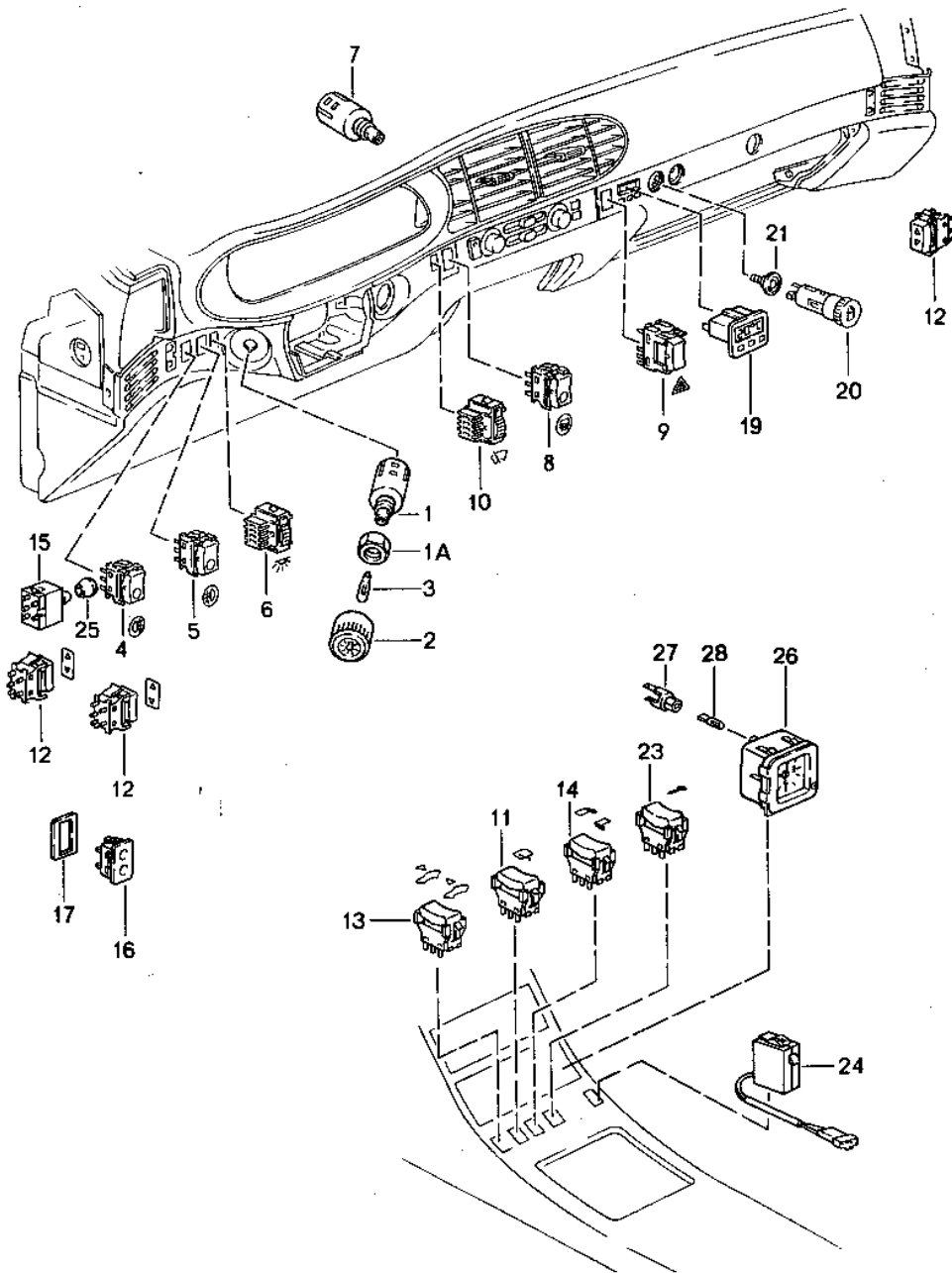


Model: 968 92 Model life 1992>>1995

Pos	Part Number	Description	Remark	Qty	Model
		Connector housing 10-pole Until 22-pole 10-pole			
1	911 612 889 00	Connector housing with		X	
(2)	944 613 531 01	Contact bush Connector housing for		10 X	
-	944 612 548 00	Contact bush 12-pole		X	
8	861 972 524	Connector housing		X	
9	911 612 122 02	Plug socket with		X	
9	911 612 122 04	Contact bush Plug socket with		12 X	
10	928 612 423 00	Contact bush Connector housing		12 X	
11	911 612 884 00	Connector housing		X	
11	911 612 121 01	Connector housing 14-pole		X	
16	911 612 115 02	Connector housing		X	
17	911 612 113 05	Connector housing		X	
18	911 612 115 03	Connector housing		X	
19	944 612 215 00	Connector housing without		X	
		Contact bush 99965235122 17-pole		14	
22	944 612 311 00	Connector housing for		X	
-	999 652 380 12	Contact spring 19-pole		X	
25	171 971 971 C	Connector housing Beige		X	
25	171 971 971 E	Connector housing White		X	
28	171 971 971	20-pole Connector housing Yellow		X	
28	171 971 971 D	Connector housing Red		X	
31	171 971 971 A	22-pole Connector housing Black		X	
31	171 971 971 B	Connector housing Blue		X	

Model: 968 92

Model life 1992>>1995



Model: 968 92

Model life 1992>>1995

Pos	Part Number	Description	Remark	Qty	Model
		Switch			
		Ambient temperature gauge			
		Clock			
1	993 613 531 00	Light switch		1	
1A	900 034 013 02	Hexagon nut		1	
1A	900 034 013 01	Hexagon nut		1	
2	944 613 533 01	Knob		1	
3	999 631 130 90	Bulb		1	
		0,30 W			
4	944 613 121 01	Switch		1	
		for			
		Fog headlamp			
5	944 613 120 04	Switch for rear fog light		1	
6	944 613 131 00	Potentiometer		1	
7	944 641 321 00	Tip switch		1	
		Trip meter			
8	944 613 117 00	Rocker switch		1	
		for			
		Rear window heating			
9	944 613 235 01	Hazard warning light sw.		1	
	944 613 235 01 N05	Red			
10	944 613 115 00	Potentiometer		1	
		Windscreen wiper system			
11	951 613 113 00	Rocker switch		1	
	951 613 113 00 01C	Satin black			
		for			
		Rear window wiper			
12	951 613 133 00	Tip switch		3	
		for			
		Power window			
13	944 613 123 00	Tip switch		1	
	944 613 123 00 01C	Satin black			
		Lifting roof			
13	944 613 123 00	Tip switch		1	CABRIO
	944 613 123 00 01C	Satin black			
		for			
		Convertible top			
		Electric			
14	944 613 220 00	Rocker switch		1	
		Mirror changeover switch			
15	928 613 241 00	Switch		1	
		Door mirror			
16	944 613 129 01	Tip switch		1	
	944 613 129 01 01C	Satin black			
		for			
		Rear lid release			
17	477 867 185 B	Mounting piece		1	
		for			
		Switch			
-	477 867 189	Spring clamp		2	
		for			
		Mounting piece			
19	944 641 223 00	Ambient temperature gauge		1	
	944 641 223 00 01C	Satin black			
(19)	944 641 913 00	Clock		1	968CS
	944 641 913 00 01C	Satin black			
-	944 641 900 00	Glass-base bulb		1	
20	944 652 307 00	Cigarette lighter		1	
21	644 652 112 00	Glower		1	
-	999 632 014 00	Bulb socket		1	
		for			
		Cigarette lighter			
		And			

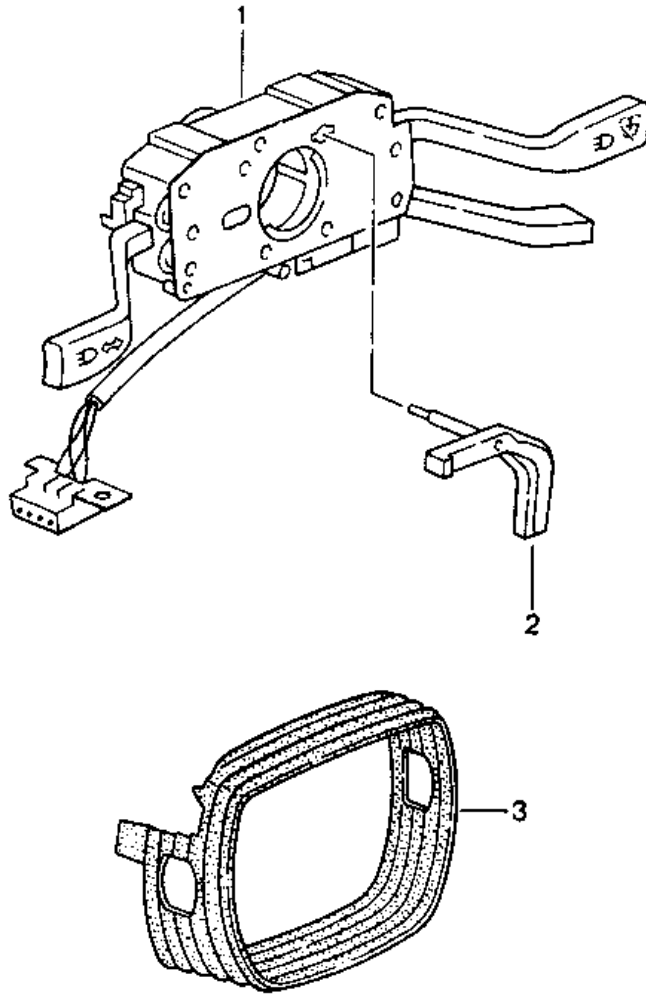
Model: 968 92

Model life 1992>>1995

Pos	Part Number	Description	Remark	Qty	Model
-	N 012 469 1	Ashtray Circlip for Cigarette lighter		1	
-	999 591 383 02	Cable clamp for Bulb socket Ashtray		1	
23	951 613 147 00 951 613 147 00 01C	Switch Satin black Door latch		1	
24	944 631 230 01 944 631 230 01 01C	Potentiometer Satin black for Headlight levelling system		1	
25	944 613 265 00	Knob for Switch Door mirror		1	
26	944 641 148 00	Clock		1	
27	999 632 017 02	Bulb socket		1	
28	900 631 132 90	Bulb 12 V , 1,2 W		1	

Model: 968 92

Model life 1992>>1995



Model: 968 92 Model life 1992>>1995

Pos	Part Number	Description	Remark	Qty	Model
1	928 613 316 00 928 613 316 00 01C	Steering column switch Steering column switch Black for cars without Headlight washer system	-93	1	
1	928 613 316 01 928 613 316 01 01C	Steering column switch Black for cars without Headlight washer system	94-	1	
1	928 613 312 00 928 613 312 00 01C	Steering column switch Black for cars without Headlight washer system	-93	1	M454/488
1	928 613 312 01 928 613 312 01 01C	Steering column switch Black for cars without Headlight washer system	94-	1	M454/488
1	928 613 314 00 928 613 314 00 01C	Steering column switch Black for cars without Headlight washer system	-93	1	M126/454
1	928 613 314 01 928 613 314 01 01C	Steering column switch Black for cars without Headlight washer system	94-	1	M126/454
1	928 613 313 00 928 613 313 00 01C	Steering column switch Black for cars without Headlight washer system	-93	1	M130/454
1	928 613 313 01 928 613 313 01 01C	Steering column switch Black for cars without Headlight washer system	94-	1	M130/454
1	928 613 308 00 928 613 308 00 01C	Steering column switch Black for cars with Headlight washer system	-93	1	
1	928 613 308 01 928 613 308 01 01C	Steering column switch Black for cars with Headlight washer system	94-	1	
1	928 613 304 00 928 613 304 00 01C	Steering column switch Black for cars with Headlight washer system	-93	1	M454/488
1	928 613 304 01 928 613 304 01 01C	Steering column switch Black for cars with Headlight washer system	94-	1	M454/488
1	928 613 306 00 928 613 306 00 01C	Steering column switch Black for cars with Headlight washer system	-93	1	M126/454
1	928 613 306 01 928 613 306 01 01C	Steering column switch Black for cars with Headlight washer system	94-	1	M126/454
1	928 613 305 00 928 613 305 00 01C	Steering column switch Black for cars with Headlight washer system	-93	1	M130/454
1	928 613 305 01 928 613 305 01 01C	Steering column switch Black	94-	1	M130/454

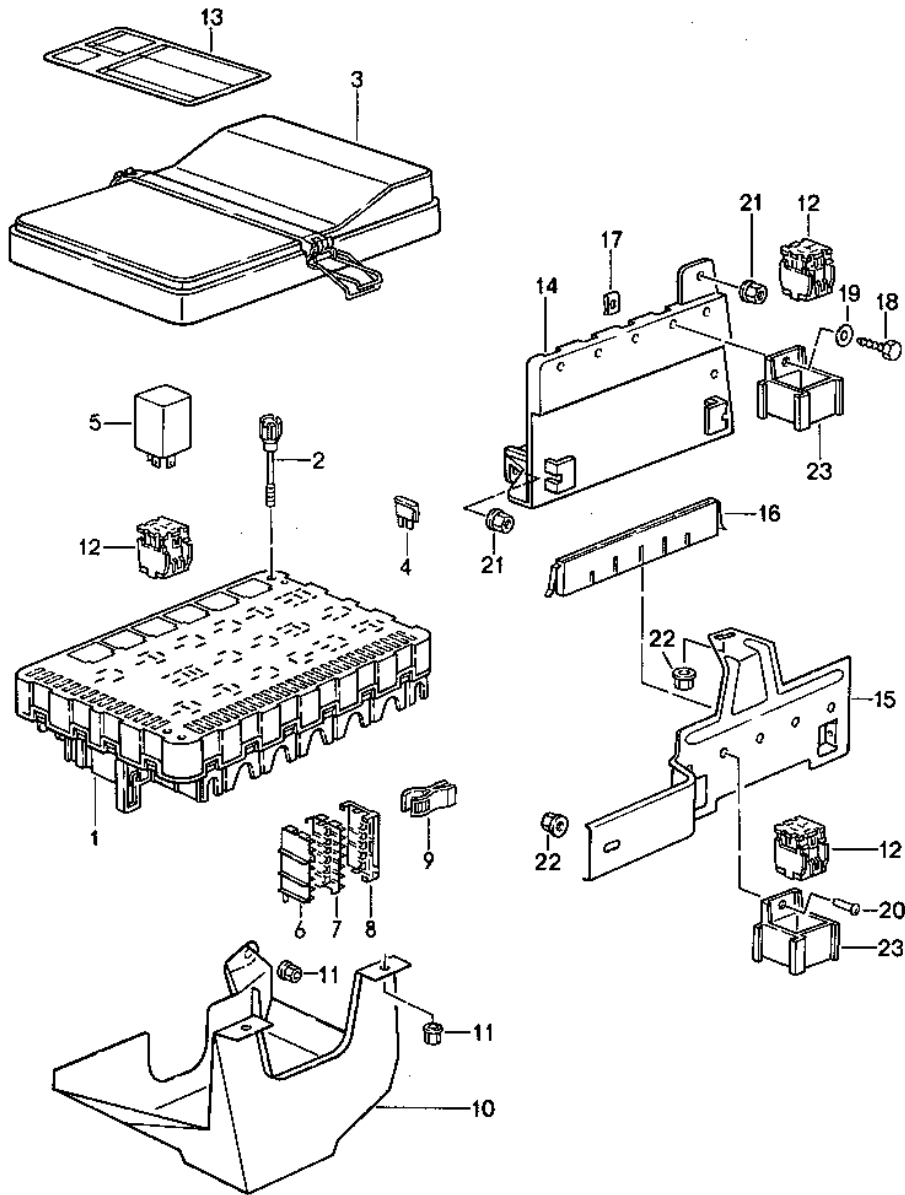
Model: 968 92

Model life 1992>>1995

Pos	Part Number	Description	Remark	Qty	Model
2	928 652 104 00	for cars with Headlight washer system		1	
3	944 552 373 20	Contact plate		1	
	944 552 373 20 01C	Boot Black for Steering column switch Airbag			

Model: 968 92

Model life 1992>>1995





Model: 968 92

Model life 1992&gt;&gt;1995

Pos	Part Number	Description	Remark	Qty	Model
		Central electrical system 1 + 2			
		Central electrical system 1			
1	944 610 110 00	Mounting plate		1	
2	944 610 611 00	Screw		2	
3	944 610 017 02	Lid		1	
		Lock			
4	999 607 005 00	Lock		X	
		7,5 A			
4	999 607 083 00	Lock		X	
		7,5 A			
4	999 607 007 00	Lock		X	
		15 A			
4	999 607 085 00	Lock		X	
		15 A			
4	999 607 009 00	Lock		X	
		25 A			
4	999 607 087 00	Lock		X	
		25 A			
4	999 607 010 00	Lock		X	
		30 A			
4	999 607 088 00	Lock		X	
		30 A			
5		Relay			
(5)	944 615 119 00	Relay for Blower		1	
		Relay socket/code:	G1		
(5)	141 951 253 B	Relay for KL 15		1	
		Relay socket/code:	G2		
(5)	928 615 203 00	Relay for Rear window heating		1	
		Relay socket/code:	G3		
(5)	111 953 227 D	Flasher relay		1	
		Relay socket/code:	G4		
(5)	191 953 227 A	Flasher relay		1	
		Relay socket/code:	G4		
(5)	1H0 953 227	Flasher relay		1	
		Relay socket/code:	G4		
(5)	928 615 131 00	Flasher relay for cars with Trailer coupling		1	
		Relay socket/code:	G4		
(5)	993 615 227 00	Relay for - dme - Fuel pump		1	
		Relay socket/code:	G5		
(5)	993 615 227 01	Relay for - dme - Fuel pump		1	
		Relay socket/code:	G5		
(5)	964 610 183 04	Bridge adapter for cars with Fog headlamp Rear fog light		1	
		Relay socket/code:	G6		
(5)	944 610 183 13	Bridge adapter	(N)	1	

Model: 968 92 Model life 1992>>1995

Pos	Part Number	Description	Remark	Qty	Model
(5)	944 615 112 02	for cars with Fog headlamp Rear fog light Relay socket/code: Relay for Power window	G6	1	
(5)	944 615 116 00	Relay socket/code: Relay for Power window	G7 (AUS)	1	
(5)	944 618 215 00	Relay socket/code: Relay Buzzer	G7	1	(SA)
(5)	993 615 101 00	Relay socket/code: Switch unit	G8	1	
(5)	993 615 101 01	Relay socket/code: Switch unit	G9	1	
(5)	944 615 104 03	Relay socket/code: Relay for	G9	1	968 968CS M573
(5)	944 615 104 04	Motor fan Relay socket/code: Relay for	G10	1	968 968CS M573
(5)	944 615 105 02	Motor fan Relay socket/code: Relay for	G10	1	968CS
(5)	141 951 253 B	Motor fan Relay socket/code: Relay for	G10	1	
(5)		Fog headlamp Rear fog light Relay socket/code: Relay for	G11	1	
(5)	191 937 503	Fanfare Relay socket/code: Relay for	G13	1	
(5)	928 618 111 00	KL.X Relay socket/code: Relay for	G14	1	
(5)	964 618 220 00	Headlight washer system Relay socket/code: Control unit	G15	1	
(5)	964 618 220 51	Frequency converter Relay socket/code: Control unit	G16	1	
(5)	944 618 205 00	Frequency converter Relay socket/code: Control unit	G16	1	
G18		Relay socket/code: for	G17	.	
(5)	964 615 215 00	Electric motor Pop-up headlight Relay for		1	

Model: 968 92

Model life 1992>>1995

Pos	Part Number	Description	Remark	Qty	Model
(5)	999 657 018 90	Air conditioner Relay socket/code: Relay for Air conditioner	G19	1	
(5)	141 951 253 B	Relay socket/code: Relay for Starter	G19	1	TIPTRONIC
(5)	944 615 117 02	Relay socket/code: Relay for Lifting roof	G20	1	
(5)	941 615 101 11	Relay socket/code: Relay for Convertible top Electric	G21	1	CABRIO
(5)	928 615 124 01	Relay socket/code: Relay for -ABS-	G21	1	
(5)	928 615 124 03	Relay socket/code: Relay for -ABS-	G22	1	
(5)	964 618 145 00	Relay socket/code: Control unit Selector lever lock	G22	1	TIPTRONIC
(5)	911 617 119 00	Relay socket/code: Switch unit for Exhaust gas Temperature monitoring	G23 (J)	1	
(5)	928 618 102 03	Relay socket/code: Warning time relay Warning time relay	G24	1	
(5)	141 951 253 B	Relay socket/code: Relay for Fog headlamp	G25 (J)	1	
6	928 612 331 00	Relay socket/code: Initial housing Black	G26	X	
7	928 612 332 00	Module housing		X	
8	928 612 335 25	Coding element		X	
9	443 941 802	Tool		1	
10	944 610 219 02	Cover		1	
11	999 591 839 40	Plastic nut		3	
12	928 610 511 00	Relay carrier Assignment sticker		X	
13	944 610 221 06	Assignment sticker German	92	1	
13	968 610 221 00	Assignment sticker German	93-	1	
13	944 610 231 06	Assignment sticker English	92	1	
13	968 610 231 00	Assignment sticker English	93-	1	
13	944 610 241 06	Assignment sticker French	92	1	
13	968 610 241 00	Assignment sticker French	93-	1	

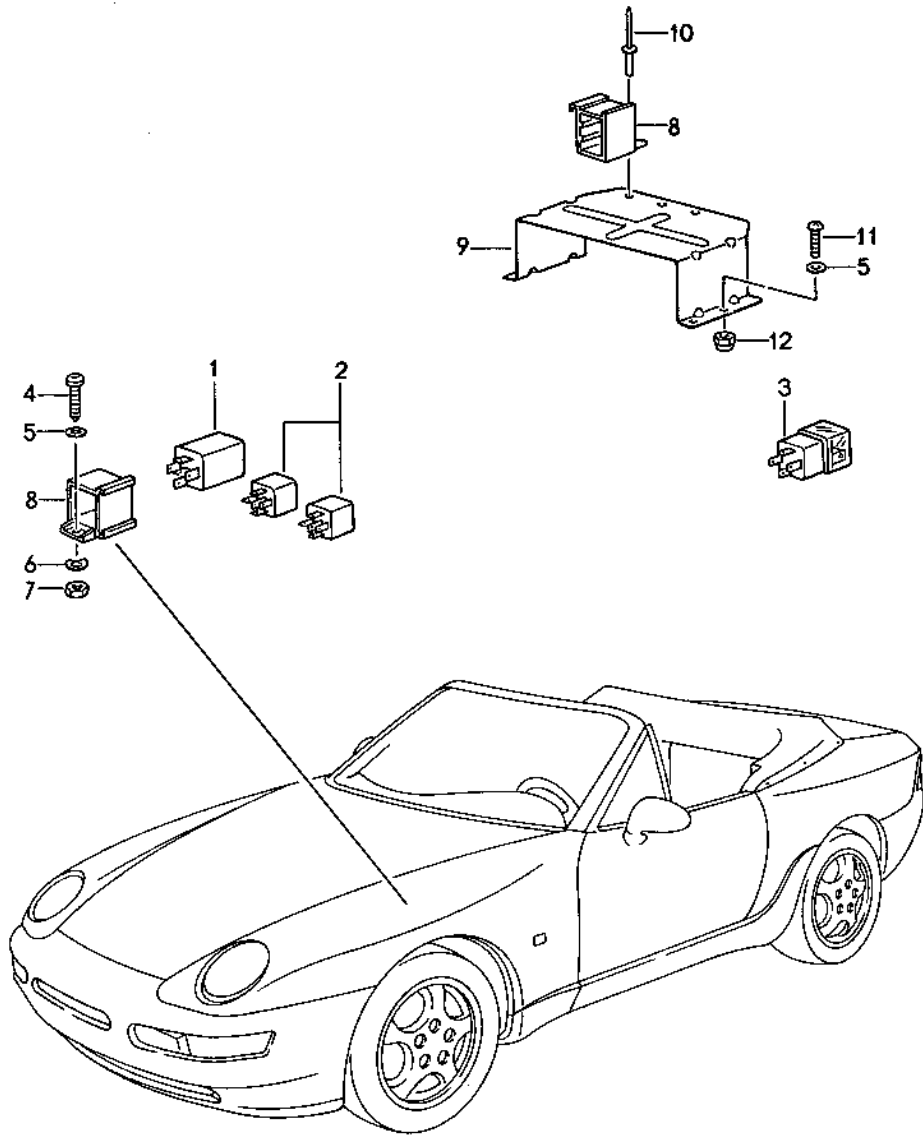
Model: 968 92

Model life 1992&gt;&gt;1995

Pos	Part Number	Description	Remark	Qty	Model
13	944 610 251 06	Assignment sticker Italian	92	1	
13	968 610 251 00	Assignment sticker Italian	93-	1	
13	944 610 261 06	Assignment sticker Spanish	92	1	
13	968 610 261 00	Assignment sticker Spanish Central electrical system 2	93-	1	
14	944 610 135 00	Bracket	/LL	1	
15	945 610 135 00	Bracket	/RL	1	
16	443 937 501 A	Fuse holder		1	
17	999 591 925 02	Speed nut B 4,2	/LL	5	
18	900 187 013 02	Hexagon-head tapping screw BZ 4,2 X 13	/LL	5	
19	900 151 028 02	Washer B 4,3	/LL	5	
19	900 151 028 01	Washer B 4,3	/LL	5	
20	999 591 765 40	Expansion rivet	/RL	4	
21	900 377 010 09	Hexagon nut M 6	/LL	2	
22	900 377 009 02	Hexagon nut M 5	/RL	2	
23	928 615 511 00	Relay holder		X	

Model: 968 92

Model life 1992>>1995



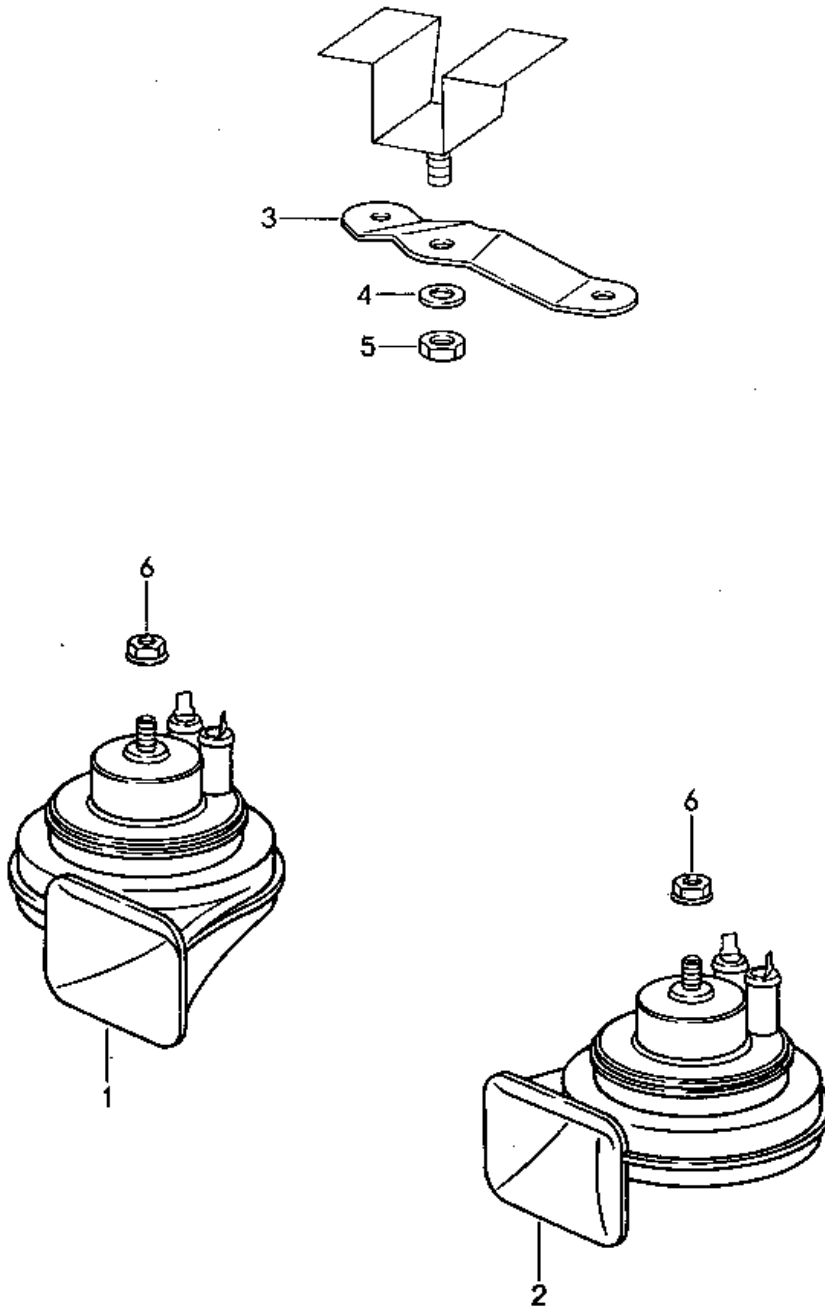
Model: 968 92

Model life 1992>>1995

Pos	Part Number	Description	Remark	Qty	Model
		Relay for Convertible top control			CABRIO
1	944 615 122 00	Slow-action relay		1	
2	944 615 119 00	Relay for Window lowering		2	
3	431 951 253 D	Relay for Convertible top control		2	
3	999 657 016 90	Relay for Convertible top control		2	
4	900 146 003 02	Oval-head screw M 5 X 10		2	
5	900 025 003 02	Washer A 5,3		4	
6	N 012 035 1	Lock ring A 5		2	
7	N 011 005 14	Hexagon nut M 5		2	
7	900 076 091 01	Hexagon nut M 5		2	
8	928 615 511 00	Relay holder		3	
9	944 618 551 00	Clip for Relay		1	
10	999 190 119 30	Blind rivet A 4,0 X 6,8		3	
11	N 014 129 6	Oval-head screw M 5 X 10		3	
12	N 011 125 2	Cap nut M 5		3	

Model: 968 92

Model life 1992>>1995



Model: 968 92

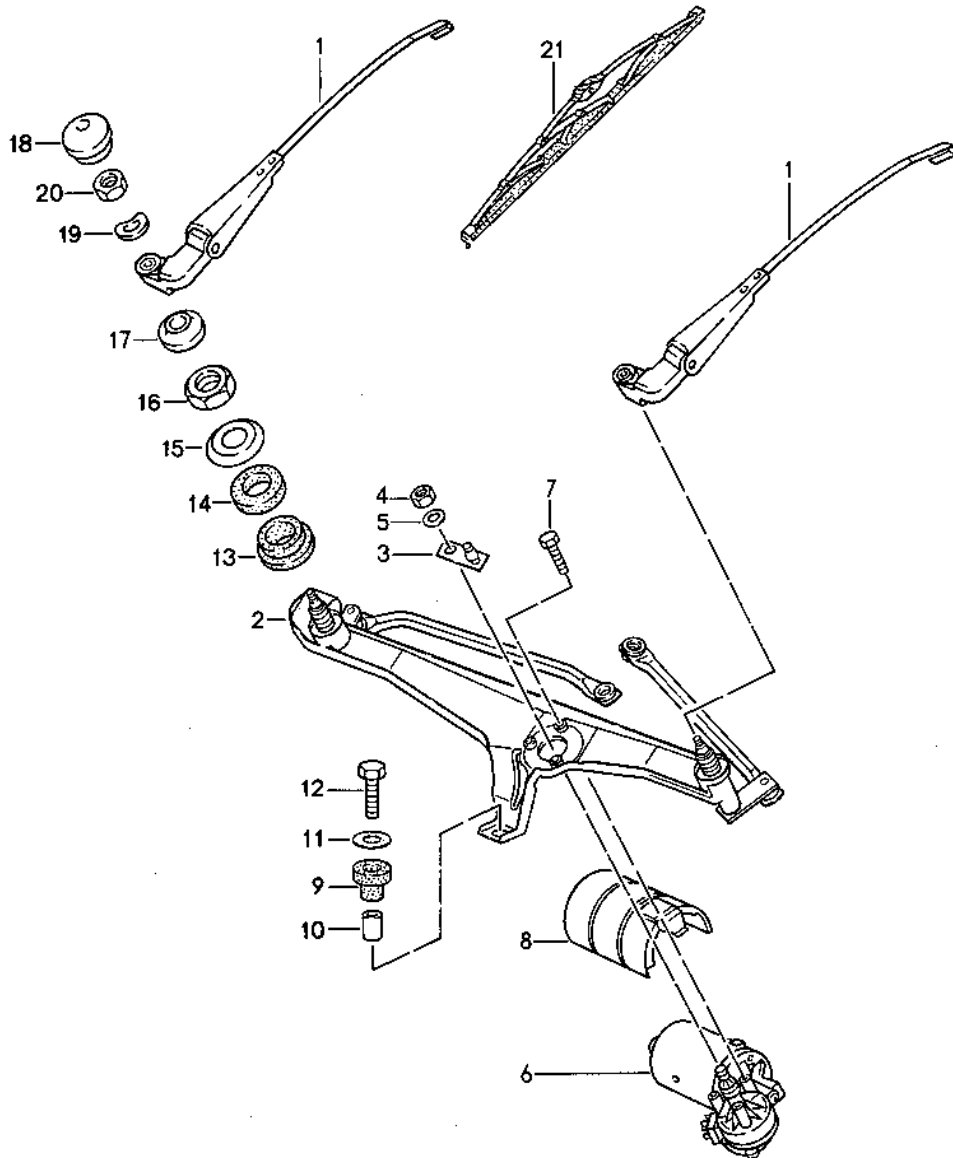
Model life 1992&gt;&gt;1995

Pos	Part Number	Description	Remark	Qty	Model
1	928 635 222 00	Horn Fanfare Low-pitched -KLAXON-		1	
1	944 635 205 00	Fanfare Low-pitched -FIAMM-		1	
2	928 635 221 00	Fanfare High-pitched -KLAXON-		1	
2	928 635 221 01	Fanfare High-pitched -KLAXON-		1	
2	944 635 206 00	Fanfare High-pitched -FIAMM-		1	
3	893 951 229	Spring clip		1	
4	900 025 007 02	Washer A 8,4		1	
4	900 025 007 03	Washer A 8,4		1	
5	N 011 118 11	Hexagon nut M 8		1	
5	900 034 001 05	Hexagon nut M 8		1	
6	900 380 003 02	Hexagon nut M 6		2	



Model: 968 92

Model life 1992>>1995



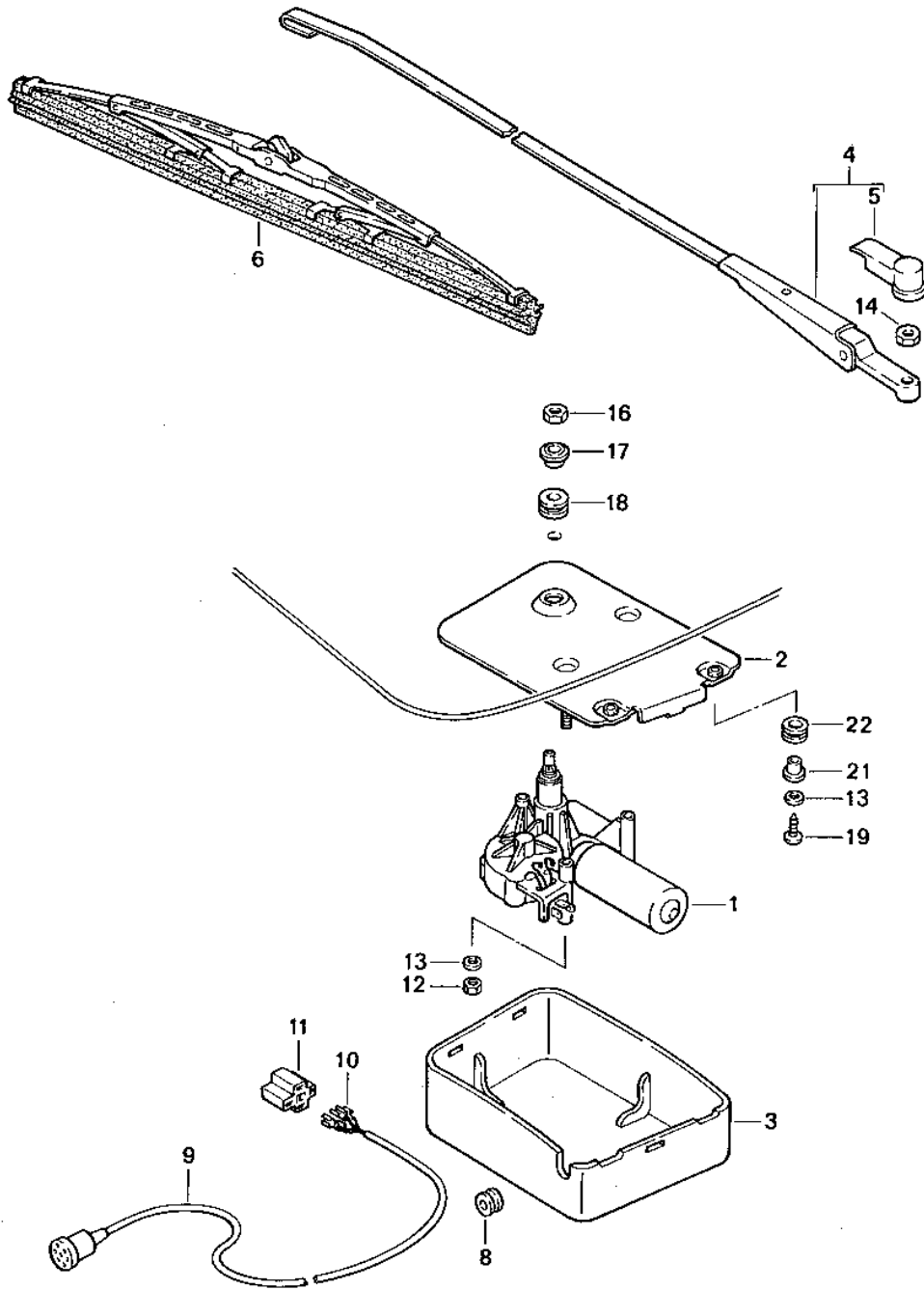
Model: 968 92

Model life 1992>>1995

Pos	Part Number	Description	Remark	Qty	Model
		Windscreen wiper system			
1	944 628 028 12	Wiper arm	/LL	2	
1	945 628 028 22	Wiper arm	/RL	2	
2	944 628 920 00	Frame	/LL	1	
(2)	945 628 919 00	Frame	/RL	1	
3	944 628 330 00	Crank		1	
4	900 076 025 02	Hexagon nut M 8		1	
4	900 076 064 02	Hexagon nut M 8		1	
5	N 012 229 3	Spring washer A 8		1	
6	944 628 303 01	Wiper motor		1	
7	999 217 164 02	Hexagon-head bolt M 6 X 15		3	
8	944 628 101 01	Cover		1	
	944 628 101 01 01C	Satin black			
8	944 628 101 02	Cover	/LL 94-	1	
	944 628 101 02 01C	Satin black			
9	944 628 126 00	Grommet		1	
10	944 628 127 00	Bush		1	
11	N 902 707 01	Washer B 6,4		1	
12	900 075 341 02	Combination screw M 6 X 20		1	
12	900 075 341 01	Combination screw M 6 X 20		1	
13	944 628 129 00	Rubber bush		2	
-	PCG 628 129 00	Bush Satz bestehend aus 2 x 94462812800 2 x 94462812900		4	
14	944 628 128 01	Rubber bush		2	
15	944 628 125 01	Flange washer		2	
15	944 628 125 02	Flange washer		2	
16	999 034 013 07	Hexagon nut M 18 X 1,5		2	
17	944 628 339 00	Bush		1	
18	944 628 305 01	Cap		2	
19	803 955 437	Spring washer		2	
20	N 011 151 3	Hexagon nut M 8		2	
21	928 628 901 01	Wiper blade		2	
21	928 628 901 03	Wiper blade		2	

Model: 968 92

Model life 1992>>1995

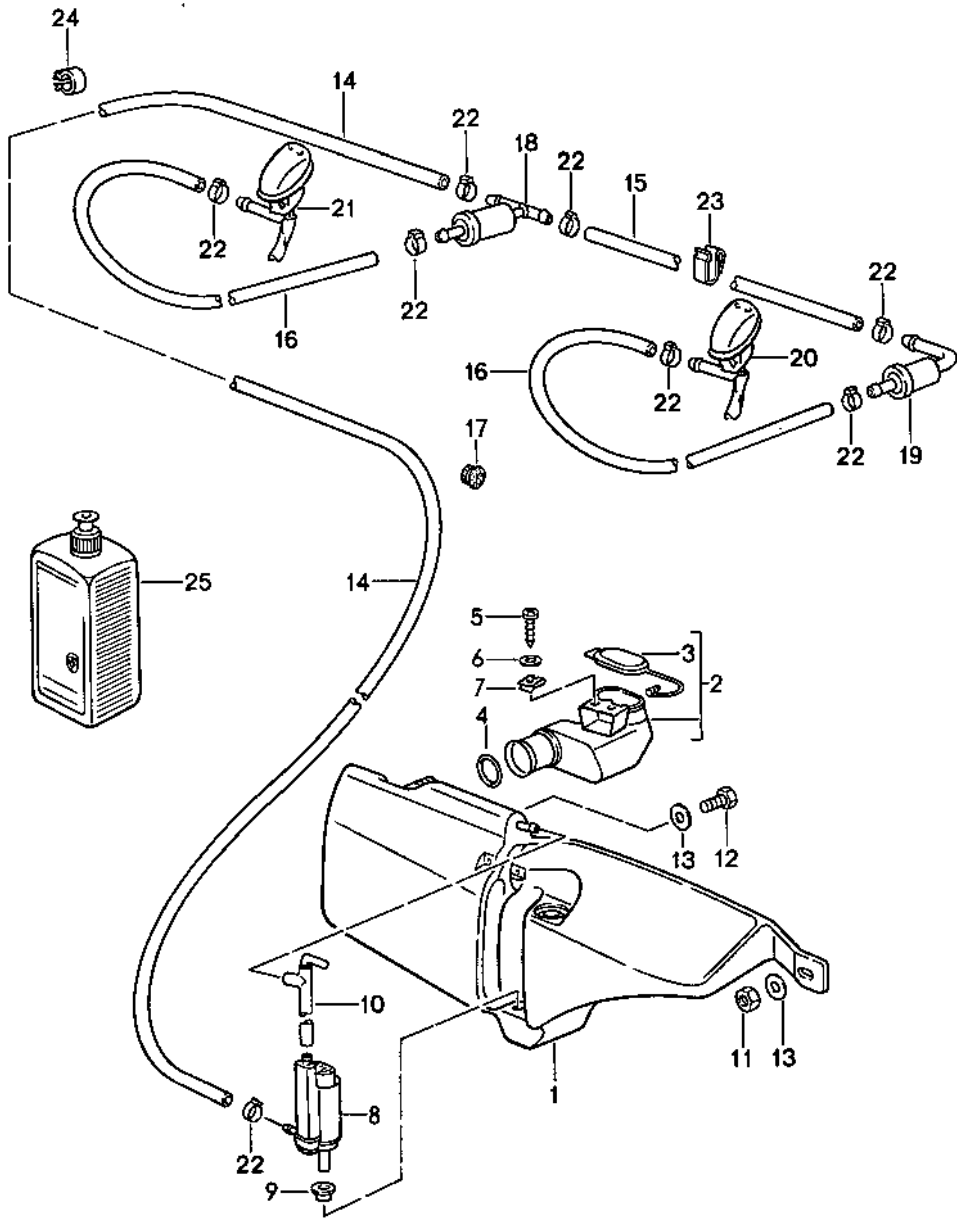


Model: 968 92 Model life 1992>>1995

Pos	Part Number	Description	Remark	Qty	Model
1	944 628 030 00	Rear window wiper Wiper motor		1	
2	944 628 071 02	Mounting plate		1	
	944 628 071 02 03C	Black			
3	477 955 737 A	Cap		1	
	477 955 737 A 01C	Satin black			
4	944 628 032 00	Wiper arm		1	
5	944 628 122 00	Cap		1	
6	944 628 132 00	Windscreen wiper blade		1	
(6)	944 628 132 01	Windscreen wiper blade		1	
8	111 941 189	Drain bush		1	
9	951 612 065 01	Wiring harness		1	
10	N 017 490 6	Flat connector 6,3 X 1		3	
11	803 971 835 A	Terminal sleeve housing		1	
12	900 076 010 02	Nut M 6		2	
12	900 076 010 0B	Nut M 6		2	
13	N 011 524 7	Washer A 6,4		4	
13	N 011 524 27	Washer A 6,4		4	
14	N 011 151 3	Hexagon nut M 8		1	
16	477 955 149	Hexagon nut		1	
17	445 955 753	Bush		1	
18	533 955 758	Gasket		1	
19	N 014 133 8	Oval-head screw M 5 X 12		2	
21	999 209 017 02	Spacer sleeve		2	
22	999 702 180 40	Rubber sleeve		2	

Model: 968 92

Model life 1992>>1995



Model: 968 92 Model life 1992>>1995

Pos	Part Number	Description	Remark	Qty	Model
1	944 528 375 02	Windscreen washer system Fluid tank for cars with Headlight washer system	92	1	
1		Fluid tank for cars with Headlight washer system		1	
(1)	944 528 375 03	Fluid tank for cars without Headlight washer system		1	
2	944 528 373 00	Filler neck with Lid		1	
3	944 528 621 00	Lid		1	
4	999 701 723 40	O-ring		1	
5	900 143 124 07	Tapping screw BZ 3.5 X 13		2	
6	900 025 050 07	Washer A 3,5		2	
7	999 591 349 02	Speed nut B 3,5		2	
8	944 628 072 00	Pump		1	
9	944 628 321 00	Gasket		1	
10	944 628 063 00	Vent hose		1	
11	900 076 010 02	Nut M 6		1	
11	900 076 010 0B	Nut M 6		1	
12	N 010 210 13	Hexagon-head bolt M 6 X 10		1	
13	N 011 666 7	Washer B 6,4		2	
-	999 181 722 40	Hose 4,6 X 1,8		*	
14		1950 MM	/LL	1	
14		1880 MM	/RL	1	
15		660 MM		1	
16		300 MM		2	
17	999 702 137 40	Rubber sleeve		1	
18	914 628 433 00	Valve		1	
19	477 955 481	Valve	-93	1	
19	914 628 215 00	Valve	94-	1	
20	928 628 077 00	Nozzle	/L -93	1	
	928 628 077 00 70B	Black Heatable			
20	993 628 077 00	Nozzle	/L 94-	1	
	993 628 077 00 01C	Black Heatable			
21	944 628 077 00	Nozzle	/R -93	1	
	944 628 077 00 01C	Black Heatable			
21	993 628 077 01	Nozzle	/R 94-	1	
	993 628 077 01 01C	Black Heatable			
22	N 100 020 01	Clip 10/6		8	
22	999 512 527 00	Clamp 10/6		8	
23	944 628 181 00	Retaining clip		8	
24	431 971 848 A	Clip		2	
(24)	999 507 391 40	Hose holder	/RL	1	
25	999 901 017 41	Window cleaner 250 ML		X	

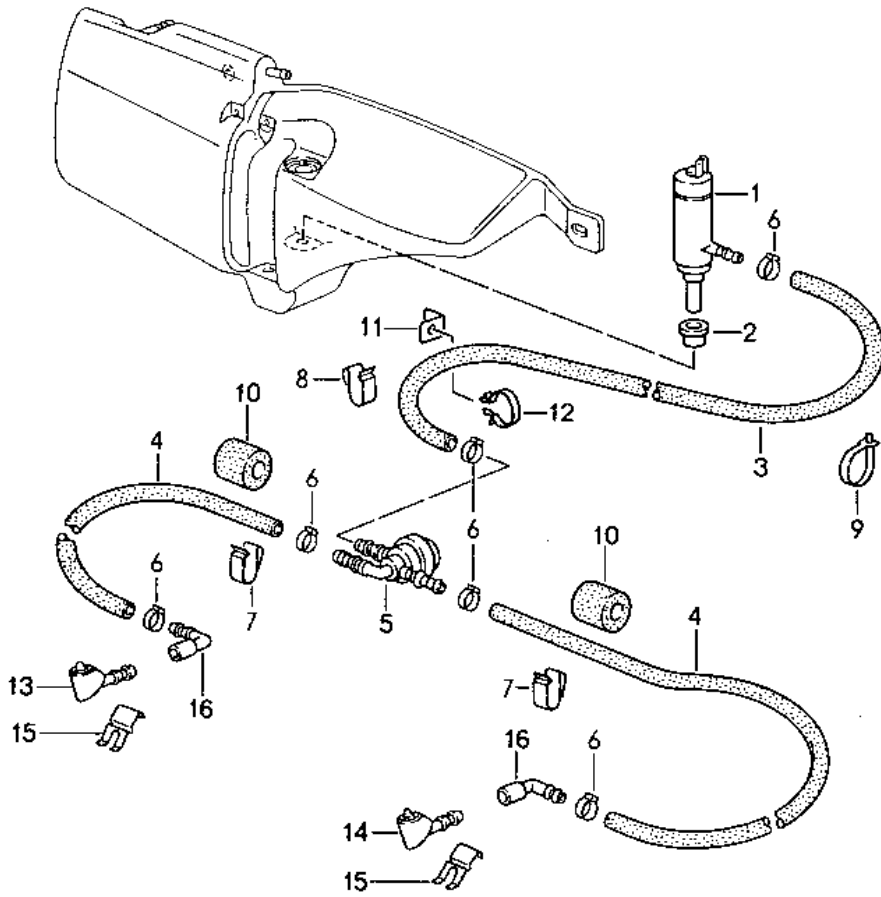
Model: 968 92

Model life 1992>>1995

Pos	Part Number	Description	Remark	Qty	Model
25	999 901 017 42	Summer Window cleaner 250 ML		X	
25	000 044 000 87	Summer Window cleaner 250 ML		X	
25	999 901 033 40	Summer Window cleaner 1000 ML Winter		X	

Model: 968 92

Model life 1992>>1995





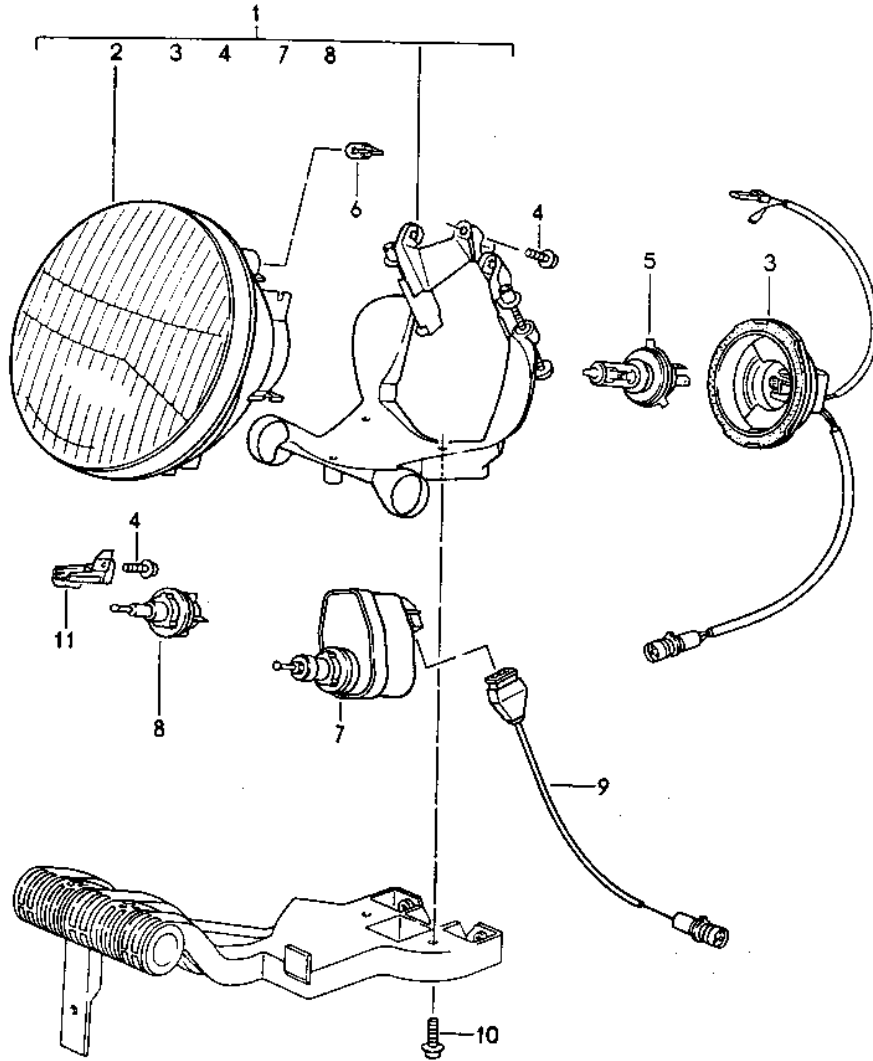
Model: 968 92

Model life 1992&gt;&gt;1995

Pos	Part Number	Description	Remark	Qty	Model
		Headlight washer system			M288
1	357 955 681	Pump		1	
2	928 628 193 00	Gasket		1	
-	999 181 806 40	Hose		*	
		10 X 3			
3		1800 MM		1	
4		550 MM		2	
5	281 955 187	Valve		1	
6	999 512 489 00	Hose clamp		8	
7	999 651 259 02	Hose holder		2	
8	999 651 254 02	Hose holder		3	
9	999 513 041 40	Tie-wrap		2	
10	477 971 951	Protective tube		2	
11	477 971 881 B	Retaining bracket		1	
12	171 971 847 A	Clip		1	
13	944 628 073 00	Nozzle	/L	1	
	944 628 073 00 01C				
14	944 628 074 00	Nozzle	/R	1	
	944 628 074 00 01C				
15	944 628 273 00	Clamp		2	
16	944 628 274 00	Angled pipe		2	

Model: 968 92

Model life 1992>>1995



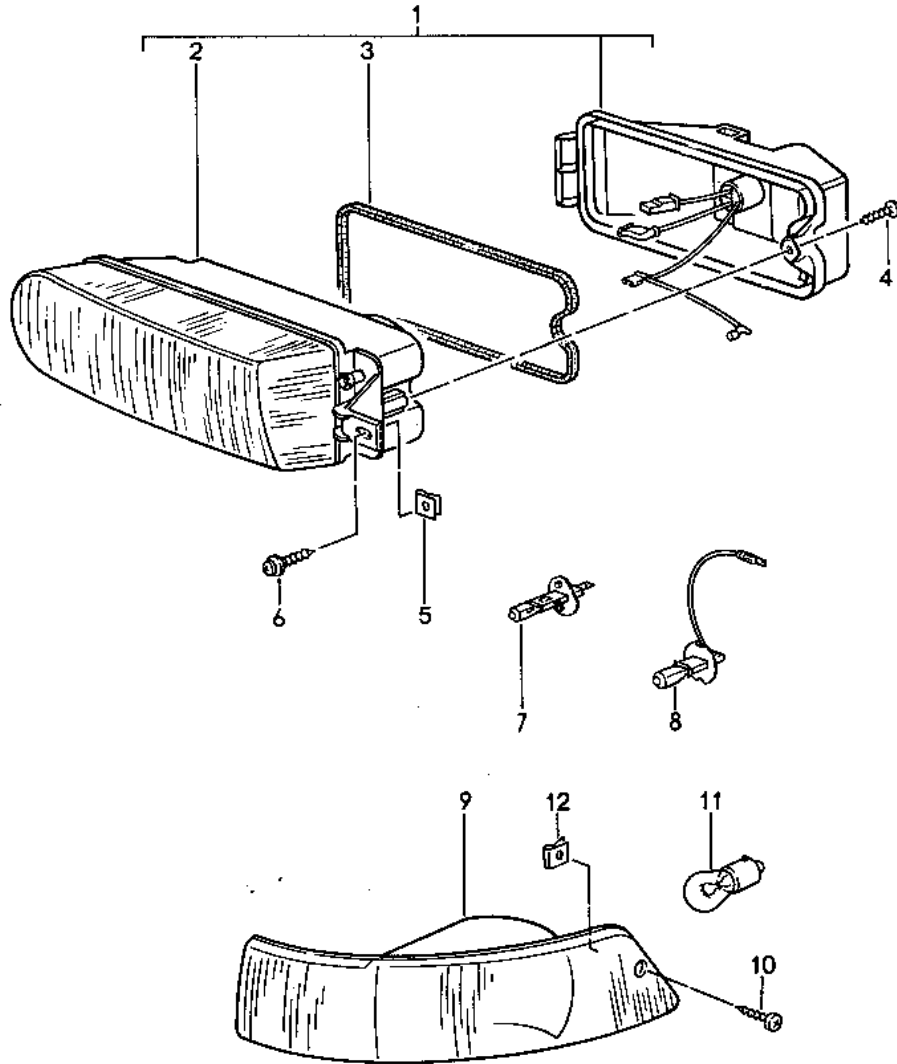
Model: 968 92

Model life 1992>>1995

Pos	Part Number	Description	Remark	Qty	Model
1	944 631 929 00	Headlamp	/L	1	
(1)	944 631 930 00	Headlamp	/R	1	
1	944 631 927 00	Headlamp	/L	1	M492
(1)	944 631 928 00	Headlamp	/R	1	M492
2	944 631 910 01	Headlamp unit		2	
(2)	944 631 911 01	Headlamp unit		2	M492
3	944 612 957 01	Cap		2	
4	944 631 942 00	Cross-recess screw 5 X 12,5		10	
5	999 631 202 90	Bulb		2	
5	999 631 202 91	Halogen bulb	(F)	2	
6	999 631 032 90	Bulb 12 V - 5 W		2	
7	944 624 909 00	Electric motor Headlight levelling system		2	
7	944 624 909 01	Electric motor Headlight levelling system		2	
9	944 612 082 00	Wiring harness Headlight levelling system		2	
10	999 218 016 02	Combination screw M 6 X 16 Micro-self-locking		6	
10	999 218 016 01	Combination screw M 6 X 16 Micro-self-locking		6	
11	944 631 915 00	Articulated piece	/L	1	
(11)	944 631 916 00	Articulated piece	/R	1	

Model: 968 92

Model life 1992>>1995

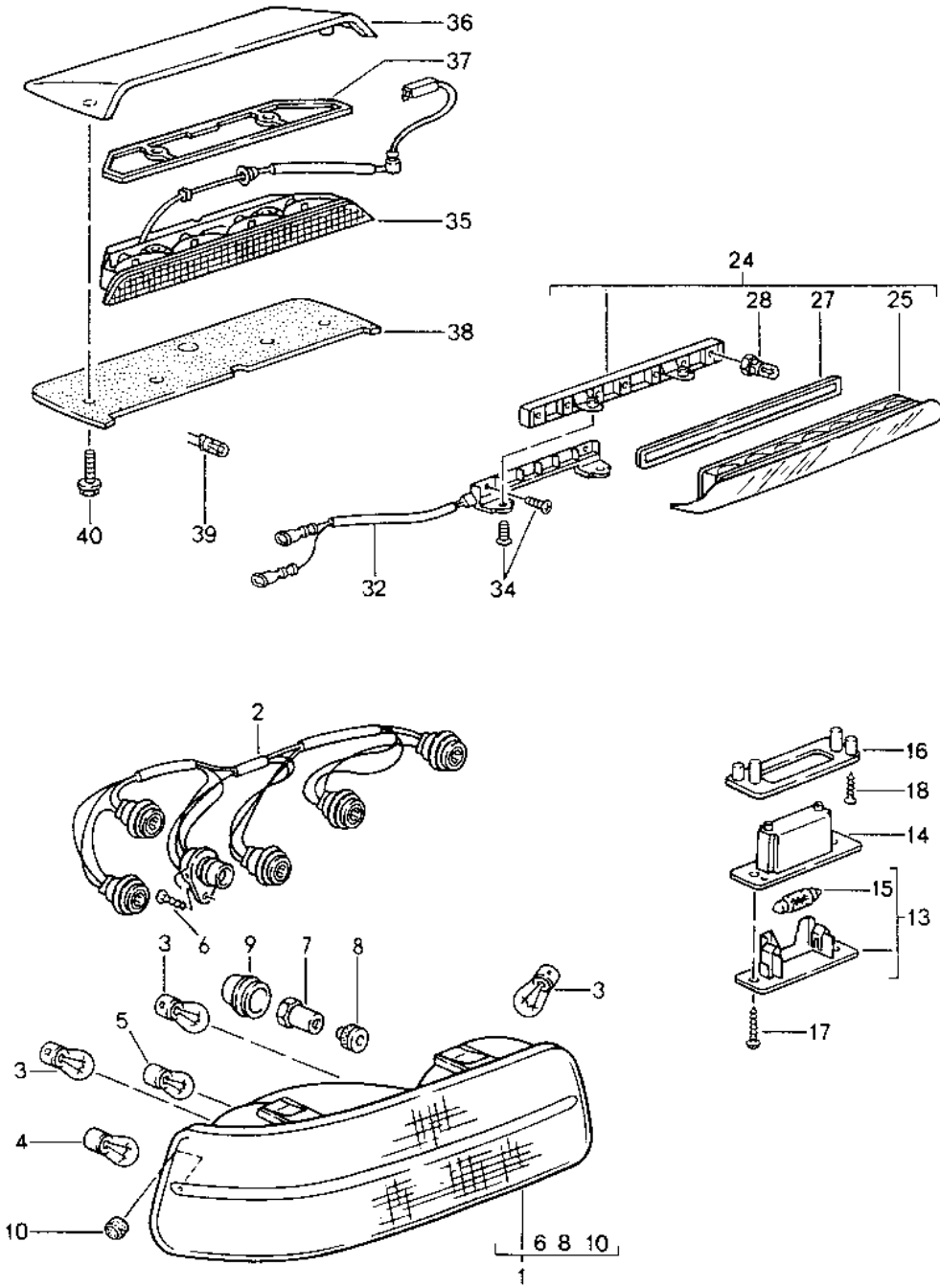


Model: 968 92 Model life 1992>>1995

Pos	Part Number	Description	Remark	Qty	Model
1	944 631 033 00	Additional headlamp Direction indicator light Combined lights White	/L	1	
(1)	944 631 034 00	Combined lights White	/R	1	
1	944 631 047 00	Combined lights	/L (J)	1	
(1)	944 631 048 00	Combined lights	/R (J)	1	
1	944 631 037 00	Combined lights Yellow	/L (F)	1	
(1)	944 631 038 00	Combined lights Yellow	/R (F)	1	
2	944 631 033 00	Combined lights White	/L	1	
(2)	944 631 034 00	Combined lights White	/R	1	
2	944 631 047 00	Combined lights	/L (J)	1	
(2)	944 631 048 00	Combined lights	/R (J)	1	
2	944 631 037 00	Combined lights Yellow	/L (F)	1	
(2)	944 631 038 00	Combined lights Yellow	/R (F)	1	
3	944 631 421 00	Gasket		2	
4	944 631 941 00	Cross-recess screw 5 X 16		2	
5	999 591 943 02	Speed nut B 4,2		2	
6	900 143 181 02	Combination screw B 4,2X 22		2	
7	900 631 125 90	Halogen bulb H 1		2	
8	900 631 126 90	Halogen bulb H 3		2	
9	944 631 051 00	Direction indicator light	/L	1	
(9)	944 631 052 00	Direction indicator light	/R	1	
10	900 143 087 00	Tapping screw B 4,8 X 25		2	
11	900 631 127 90	Bulb 12 V - 21 W		2	
12	999 591 699 02	Speed nut B 4,8		2	
12	999 591 699 01	Speed nut B 4,8		2	

Model: 968 92

Model life 1992>>1995

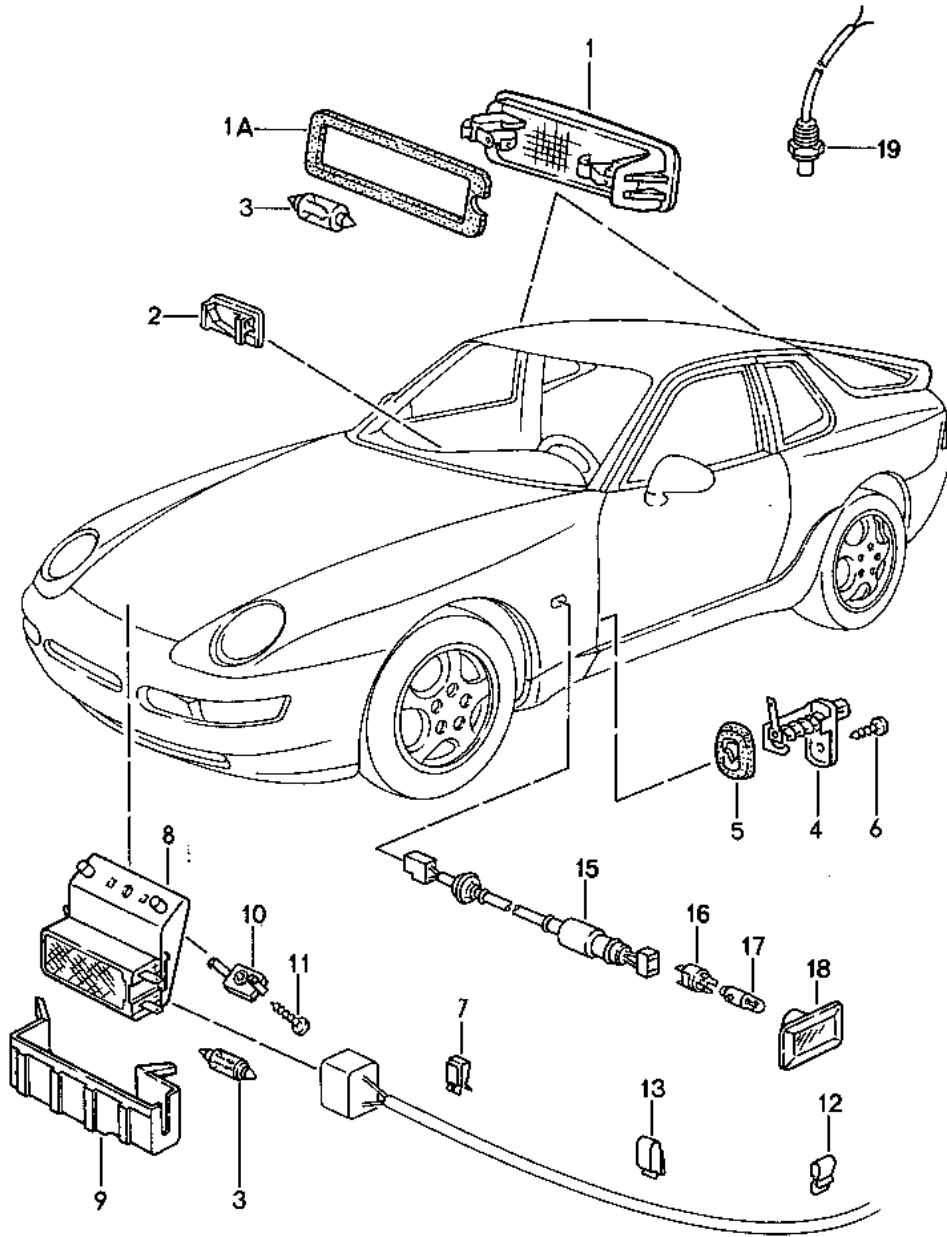


Model: 968 92 Model life 1992>>1995

Pos	Part Number	Description	Remark	Qty	Model
1	951 631 923 00	Rear light License plate light Additional brake light	/L	1	
1	951 631 925 00	Rear light without rear foglamp	/L	1	
1	944 631 943 00	Rear light with rear foglamp	/L (J)	1	
(1)	951 631 924 00	Rear light without rear foglamp	/R	1	
(1)	944 631 944 00	Rear light with rear foglamp	/R (J)	1	
(1)	951 631 926 00	Rear light with rear foglamp	/R	1	
2	951 631 235 00	Wiring harness for cars without Rear fog light		2	
2	951 631 234 00	Wiring harness for cars with Rear fog light		2	
3	900 631 127 90	Bulb 12V-21W		6	
4	900 631 128 90	Bulb 12V-21/5W		2	
5	900 631 104 90	Bulb 12V-5W		2	
6	999 919 164 09	Oval-head screw 5 X 12		2	
7	951 631 033 00	Plastic nut M 5		2	
8	951 631 144 00	Sealing washer		2	
9	951 631 126 00	Cap		2	
10	951 631 155 00	Rubber stop		2	
13	964 631 620 00	License plate light		2	
	964 631 620 00 01C	Black			
14	964 612 620 00	Cap		2	
15	900 631 105 90	Bulb 12V-5W		2	
16	928 631 603 00	Mounting plate		2	
17	999 919 084 07	Oval-head screw 4 X 16		4	
18	999 919 067 02	Countersunk-head screw 3 X 10		4	
24	951 631 060 00	Additional brake light		1	COUPE
25	951 631 261 00	Housing		1	
27	965 631 281 00	Gasket		1	
28	999 631 030 90	Bulb		7	
32	951 631 121 00	Lamp insert		1	
34	N 014 123 4	Lens-head screw M 4 X 10		4	
-	944 612 222 00	Cable cover		1	
35	941 631 261 10	Lamp insert for Additional brake light		1	CABRIO
36	941 631 911 00	Housing		1	
37	941 631 911 30	Gasket		1	
38	941 631 911 10	Gasket		1	
39	941 631 911 20	Bulb		1	
40	999 217 127 02	Combination screw M 6 X 20		2	

Model: 968 92

Model life 1992>>1995





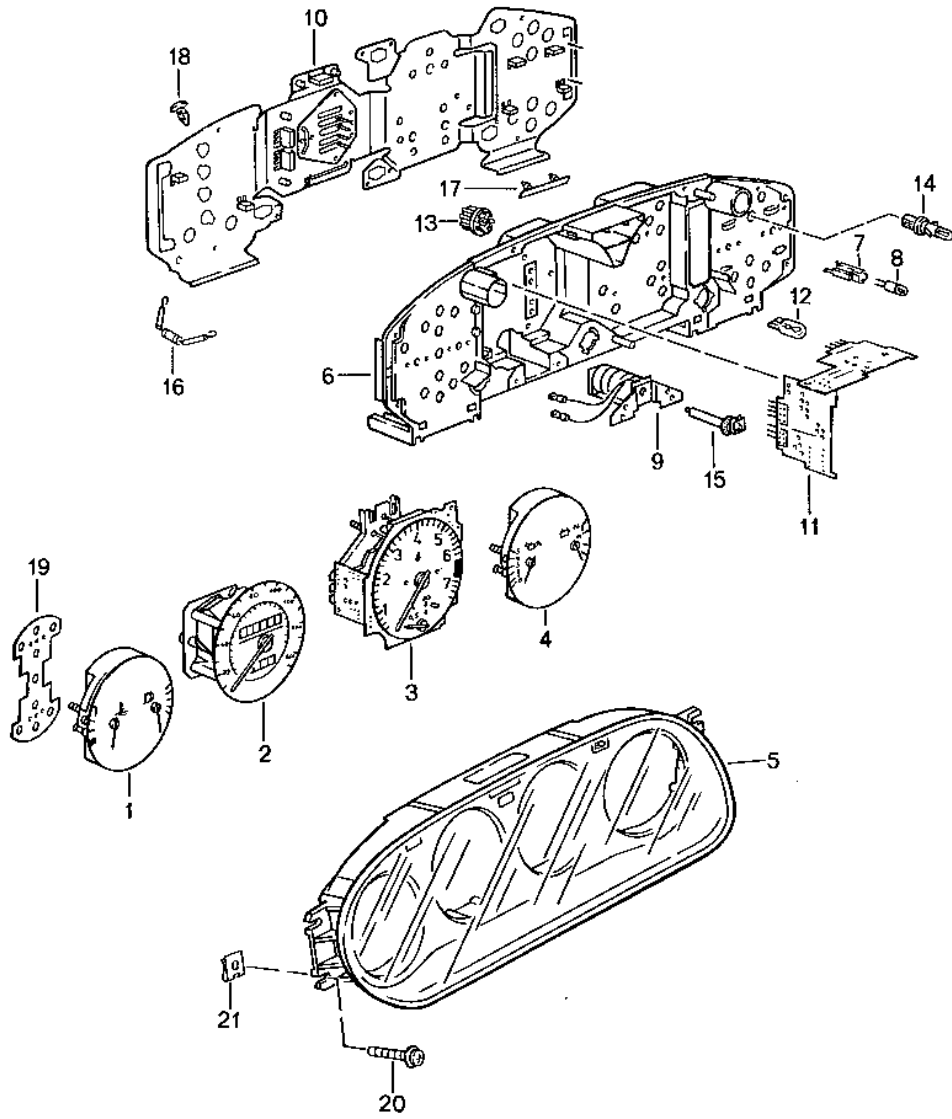
Model: 968 92

Model life 1992&gt;&gt;1995

Pos	Part Number	Description	Remark	Qty	Model
1	823 947 105 B	Interior light Direction indicator light Interior light		2	
1A	941 632 101 10	Luggage compartment lamp Gasket for Luggage compartment lamp		1	CABRIO
2	944 632 114 00	Glove compartment light		1	
3	900 631 106 90	Linolite lamp K 12V, 10W		3	
(3)	999 631 018 90	Bulb M 12V, 3W		1	
4	968 613 601 00	Contact switch		2	
5	944 613 114 00	Gasket		2	
6	N 013 958 7	Oval-head sheetmetal screw B 3,5 X 13		2	
7	893 971 847	Clip		8	
8	928 632 111 01	Light		1	
9	928 632 112 00	Cap		1	
10	928 632 113 00	Cap		1	
11	900 143 164 02	Combination screw BZ 4,2 X 13Z1		1	
12	999 507 377 07	Retaining clip		2	
13	944 628 181 00	Retaining clip		2	
14	999 702 137 40	Rubber sleeve		1	
15	944 612 103 00	Wiring harness Direction indicator light		2	
16	161 949 111	Bulb socket		2	
17	999 631 032 90	Bulb		2	
18	4A0 949 101	Direction indicator light		2	
19	941 613 105 10	Switch for Luggage compartment lamp		1	CABRIO
-	941 613 205 10	Use also: Washer		1	
-	941 613 305 10	Adhesive film		1	

Model: 968 92

Model life 1992>>1995



Model: 968 92

Model life 1992>>1995

Pos	Part Number	Description	Remark	Qty	Model
1	944 641 953 06	Instrument cluster Instrument insert Left - temperat. - fuel gauge - German		1	
1	944 641 953 07	Instrument insert Left - temperat. - fuel gauge - English		1	
1	944 641 953 08	Instrument insert Left - temperat. - fuel gauge - French		1	
2	944 641 951 26	Speedometer 300 KM/H		1	
2	944 641 951 27	Speedometer 180 MPH + 300 KM/H	(GB)	1	
2	944 641 951 28	Speedometer 300 KM/H with Speed warning device		1	(SA)
2	944 641 951 22	Speedometer 300 KM/H		1	TIPTRONIC
2	944 641 951 23	Speedometer 180 MPH + 300 KM/H	(GB)	1	TIPTRONIC
2	944 641 951 24	Speedometer 300 KM/H with Speed warning device		1	(SA) TIPTRONIC
3	944 641 952 14	Tachometer		1	
3	944 641 952 13	Tachometer		1	TIPTRONIC
4	944 641 954 06	Instrument insert Right - volt - oil - German		1	
4	944 641 954 07	Instrument insert Right - volt - oil - English		1	
4	944 641 954 08	Instrument insert Right - volt - oil - French		1	
5	944 641 941 01	Covering frame		1	
6	928 641 968 01	Mounting plate		1	
7	928 641 982 00	Bulb socket		X	
8	928 641 983 00	Bulb		X	
8	928 641 983 01	Bulb		X	
9	928 641 921 00	Solenoid coil		1	
10	944 641 961 02	Printed circuit board		1	
11	944 641 959 02	Printed circuit board		1	
12	900 631 019 90	Glass-base bulb 12 V - 3 W		3	
13	928 641 927 00	Bulb socket		3	
13	928 641 927 01	Bulb socket		3	
(13)	964 641 920 00	Glass-base bulb Indicator light Airbag		1	
14	999 631 301 90	Bulb		X	
15	928 641 960 00	Zero adjustment shaft		1	
16	928 641 981 01	Resistor		1	
17	928 641 985 00	Clip		3	
18	928 641 984 00	Clip		4	

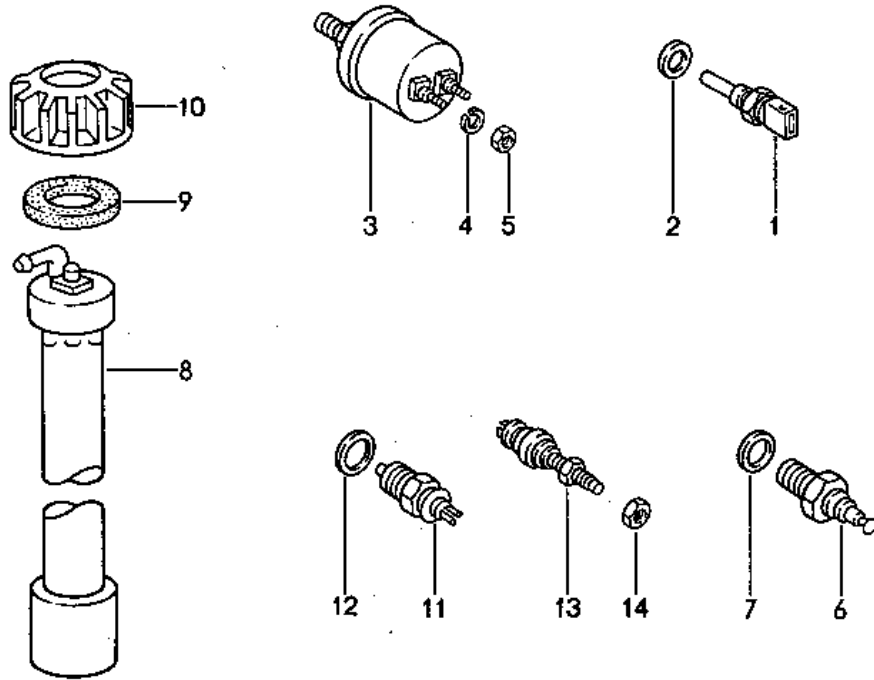
Model: 968 92

Model life 1992&gt;&gt;1995

Pos	Part Number	Description	Remark	Qty	Model
19	928 641 986 00	Gasket		1	
20	900 143 151 02	Combination tapping screw B 4,2 X 16		4	
21	N 015 429 2	Speed nut B 4,2		4	
21	N 015 429 6	Speed nut B 4,2		4	

Model: 968 92

Model life 1992>>1995



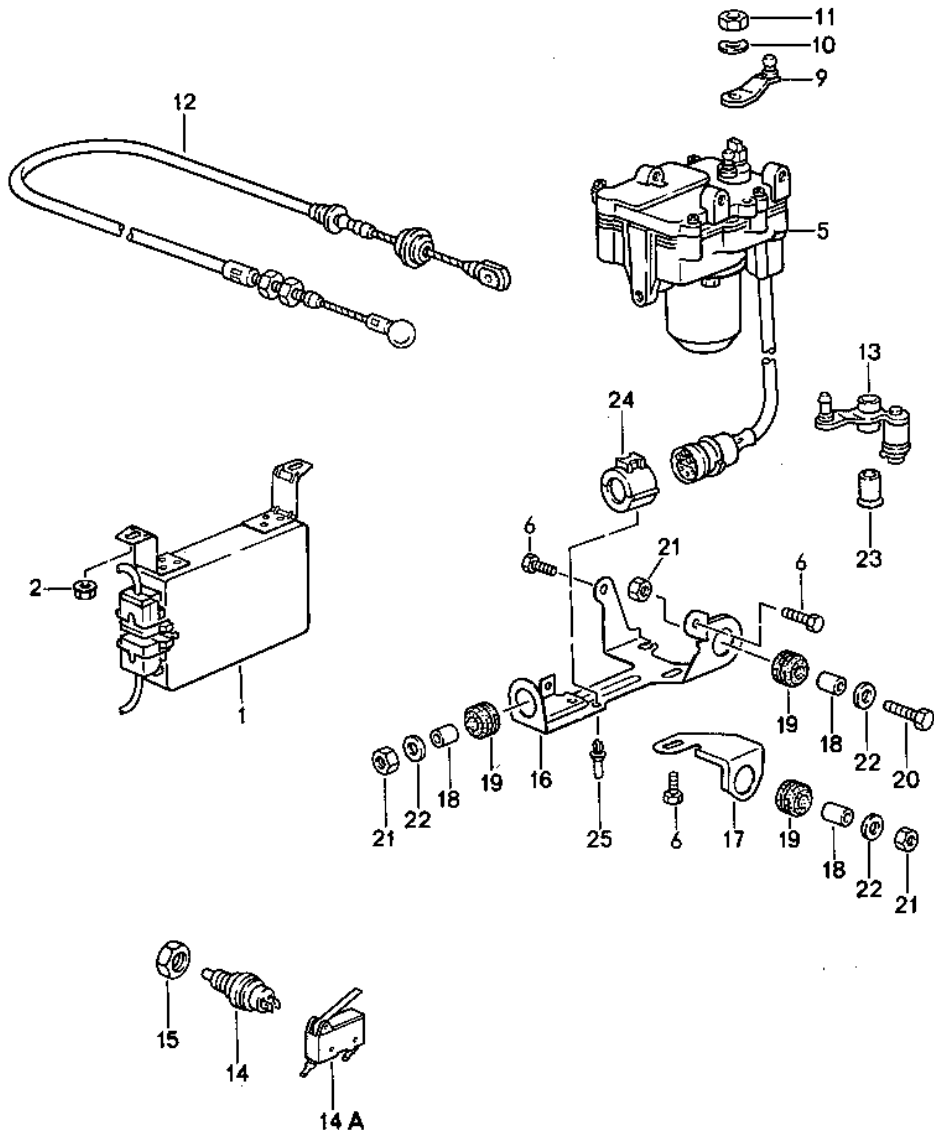
Model: 968 92

Model life 1992&gt;&gt;1995

Pos	Part Number	Description	Remark	Qty	Model
		Switch			
		And			
		Sender			
1	944 606 125 00	Temperature sensor		1	
2	900 123 101 30	Sealing ring		1	
		12 X 18			
3	928 606 203 01	Oil pressure sender		1	
3	928 606 203 04	Oil pressure sender		1	
4	N 012 224 3	Spring washer		2	
		A 4			
5	N 011 004 6	Hexagon nut		2	
		M 4			
5	N 011 004 G	Nut		2	
		M 4			
6	928 606 201 01	Remote temperature sensor		1	
		for cooling water			
7	900 123 007 30	Sealing ring		1	
		A 14 X 18			
8	944 641 037 01	Tank gauge		1	
9	944 201 327 00	Sealing ring		1	
10	951 201 375 00	Union nut		1	
11	01E 941 521	Back-up light switch		1	
12	900 123 106 30	Sealing ring		1	
13	477 945 515	Brake light switch		1	
14	481 945 529	Nut		1	

Model: 968 92

Model life 1992>>1995



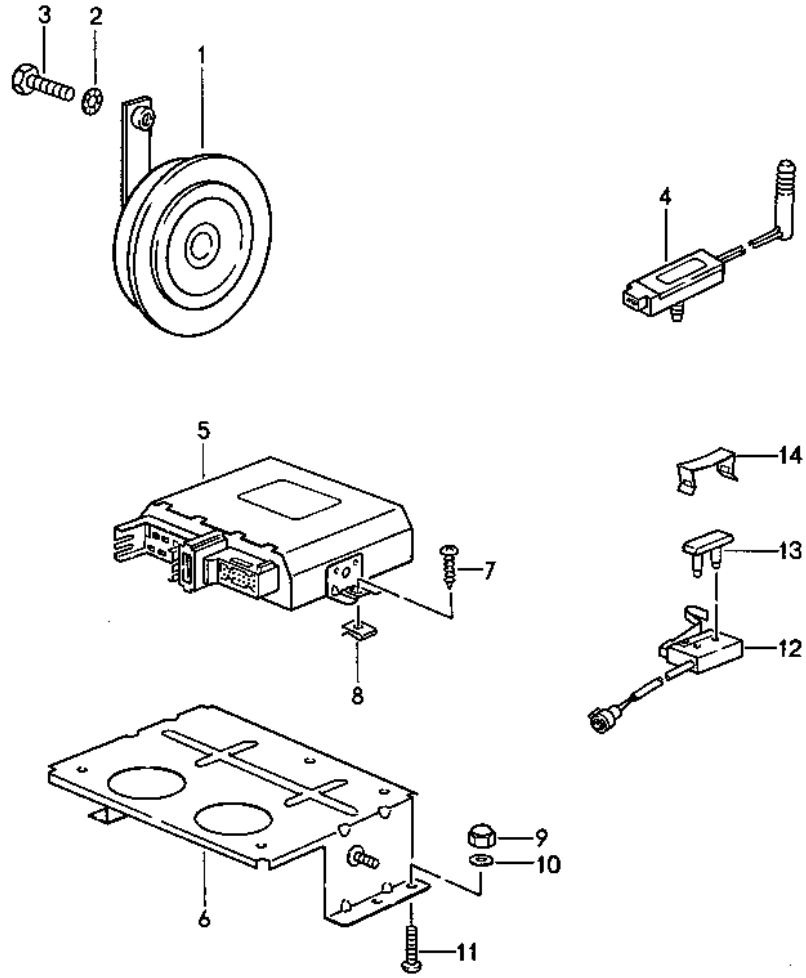
Model: 968 92 Model life 1992>>1995

Pos	Part Number	Description	Remark	Qty	Model
		Cruise control			M454
1	944 617 132 00	Control unit		1	
2	900 377 010 09	Hexagon nut M 6		2	
5	944 617 121 00	Drive link		1	
6	999 072 005 09	Hexagon nut M 6 X 12		3	
6	999 072 005 01	Hexagon nut M 6 X 12		3	
9	944 423 047 00	Rubber mounting for Electric motor		1	
10	N 012 229 3	Spring washer A 8		1	
11	N 011 018 4	Hexagon nut M 8 X 1		1	
12	944 423 025 05	Cable	/LL	1	
(12)	945 423 025 03	Cable	/RL	1	
13	944 423 055 00	Reverse lever	/LL	1	
13	945 423 055 00	Reverse lever	/RL	1	
14	944 613 413 00	Switch for Clutch pedal	/LL	1	
14A	928 613 413 01	Microswitch for Clutch pedal	/RL	1	
15	481 945 529	Nut M 12 X 1		1	
16	944 617 125 01	Support		1	
17	944 617 123 01	Support		1	
18	999 531 014 02	Bush		3	
19	999 702 133 40	Rubber mounting		3	
20	900 075 017 02	Hexagon-head bolt M 6 X 25		1	
20	900 075 017 03	Hexagon-head bolt M 6 X 25		1	
21	900 076 010 02	Nut M 6		3	
21	900 076 010 0B	Nut M 6		3	
22	N 011 666 7	Washer B 6,1		4	
23	999 924 001 40	Bearing sleeve		2	
24	944 612 450 01	Support		1	
25	999 591 429 40	Expansion rivet		2	
-	171 721 570 A	Safety clip for Cable		1	



Model: 968 92

Model life 1992>>1995



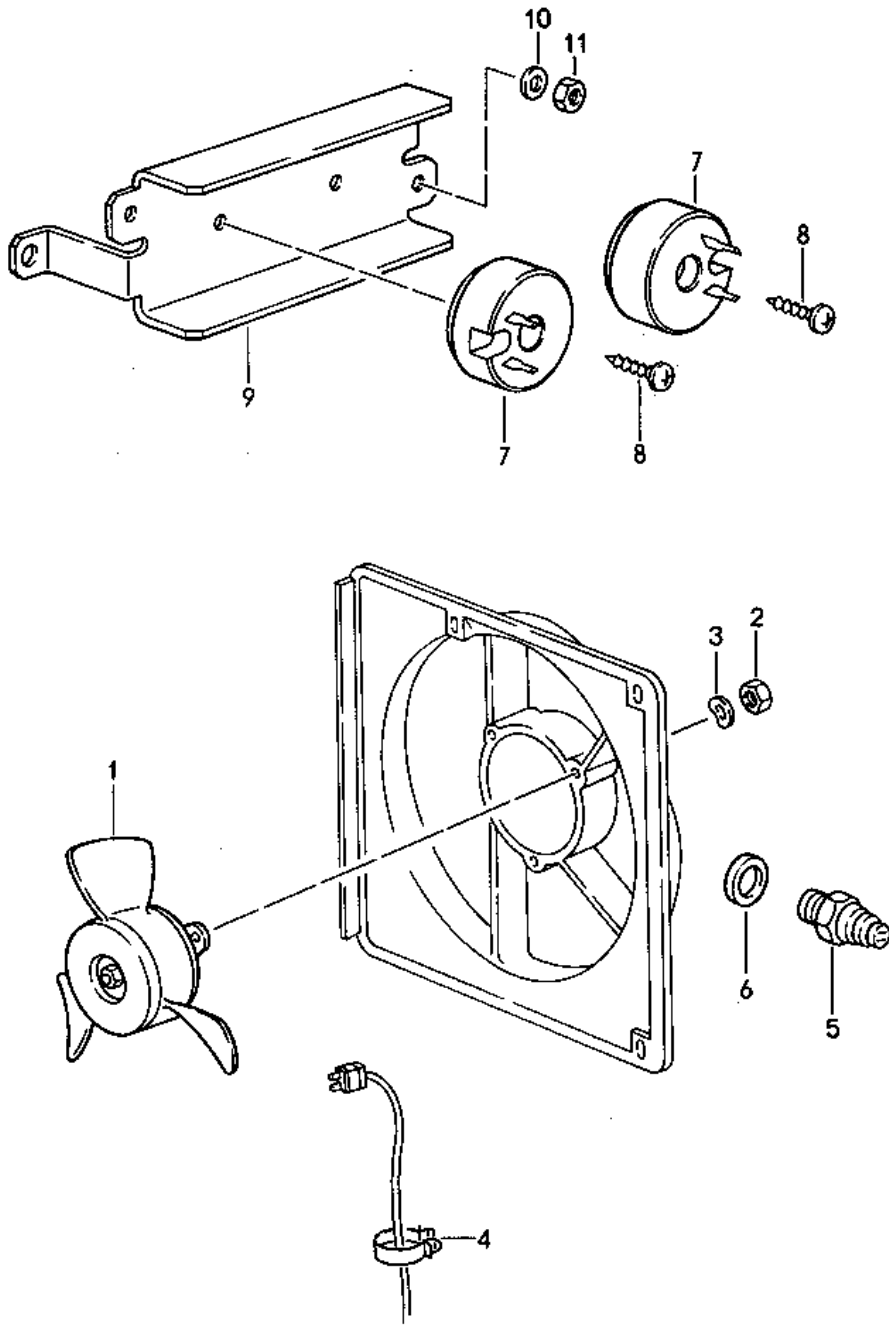
Model: 968 92

Model life 1992>>1995

Pos	Part Number	Description	Remark	Qty	Model
1	944 637 103 01	Alarm system Horn		1	
2	999 523 102 02	Washer J 8,4		1	
2	999 523 102 0B	Washer J 8,4		1	
3	900 075 087 02	Hexagon-head bolt M 8 X 16		1	
3	900 075 087 03	Hexagon-head bolt M 8 X 16		1	
4	944 637 238 00 944 637 238 00 01C	Knob Black Door latch with Lamp insert		2	
5	928 618 260 01	Control unit Alarm system Central locking system		1	
5	928 618 260 03	Control unit Alarm system Central locking system		1	
6	945 618 152 00	Clip for Alarm control unit	/RL	1	
7	N 013 965 9	Oval-head sheetmetal screw 4,2 X 9,5	/RL	2	
8	999 591 723 02	Speed nut B 4,2	/RL	2	
9	N 011 125 2	Cap nut M 5		3	
10	900 025 003 02	Washer A 5,3		3	
11	N 014 129 6	Oval-head screw M 5 X 10		3	
12	964 613 431 00	Microswitch		1	
12	964 613 431 01	Microswitch		1	
13	911 613 417 00	Support		1	
14	999 591 998 00	Spring clamp		1	
-	928 612 925 00	Wiring harness Adapter for Additional function Use also:		1	
-	928 612 547 00	Connector housing		1	
-	171 971 998 C	Connector housing		1	
-	944 612 637 01	Protective tube		1	

Model: 968 92

Model life 1992>>1995



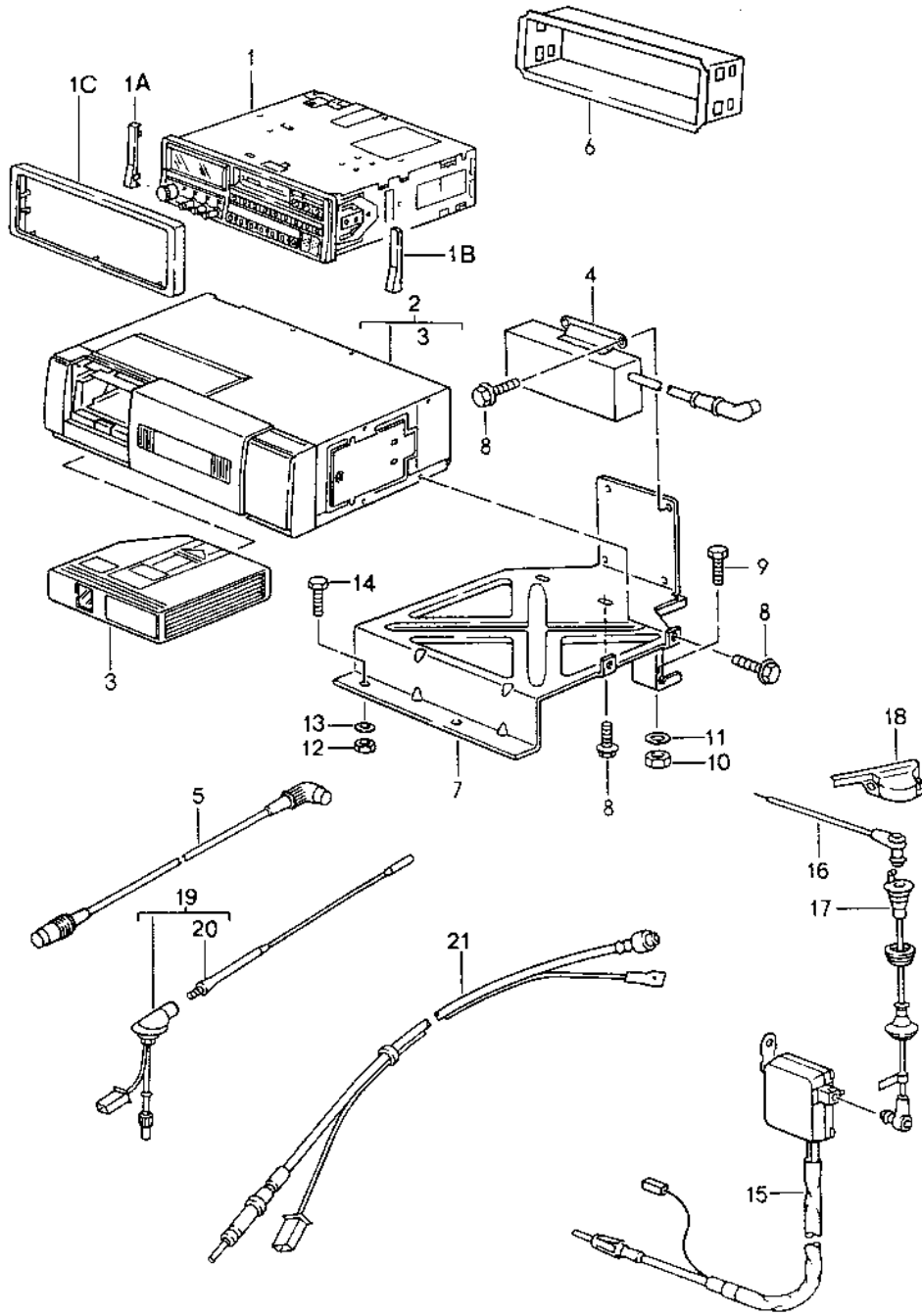
Model: 968 92

Model life 1992>>1995

Pos	Part Number	Description	Remark	Qty	Model
1	944 624 021 03	Electric fan Electric fan		2	968 968CS M573 968CS
1		Electric fan		1	
2	900 910 012 02	Lock nut M 6		6	
2	900 910 047 09	Lock nut M 6		6	
3	N 011 666 7	Washer A 6,4		6	
4	999 651 168 40	Cable holder		1	
5	951 606 481 00	Switch		1	
6	N 043 808 1	Sealing ring A 22 X 29		1	
7	944 616 522 00	Series resistor 70 W/0,6 OHM		2	
7	944 616 522 01	Series resistor 70 W/0,6 OHM		2	
8	900 250 016 02	Tapping screw AM 5 X 16		2	
9	944 616 511 01	Heat dissipator	/LL	1	
(9)	944 616 511 00	Heat dissipator	/RL	1	
10	N 012 226 5	Spring washer A 6		2	
11	900 076 010 02	Nut M 6		2	
11	900 076 010 0B	Nut M 6		2	

Model: 968 92

Model life 1992>>1995



Model: 968 92 Model life 1992>>1995

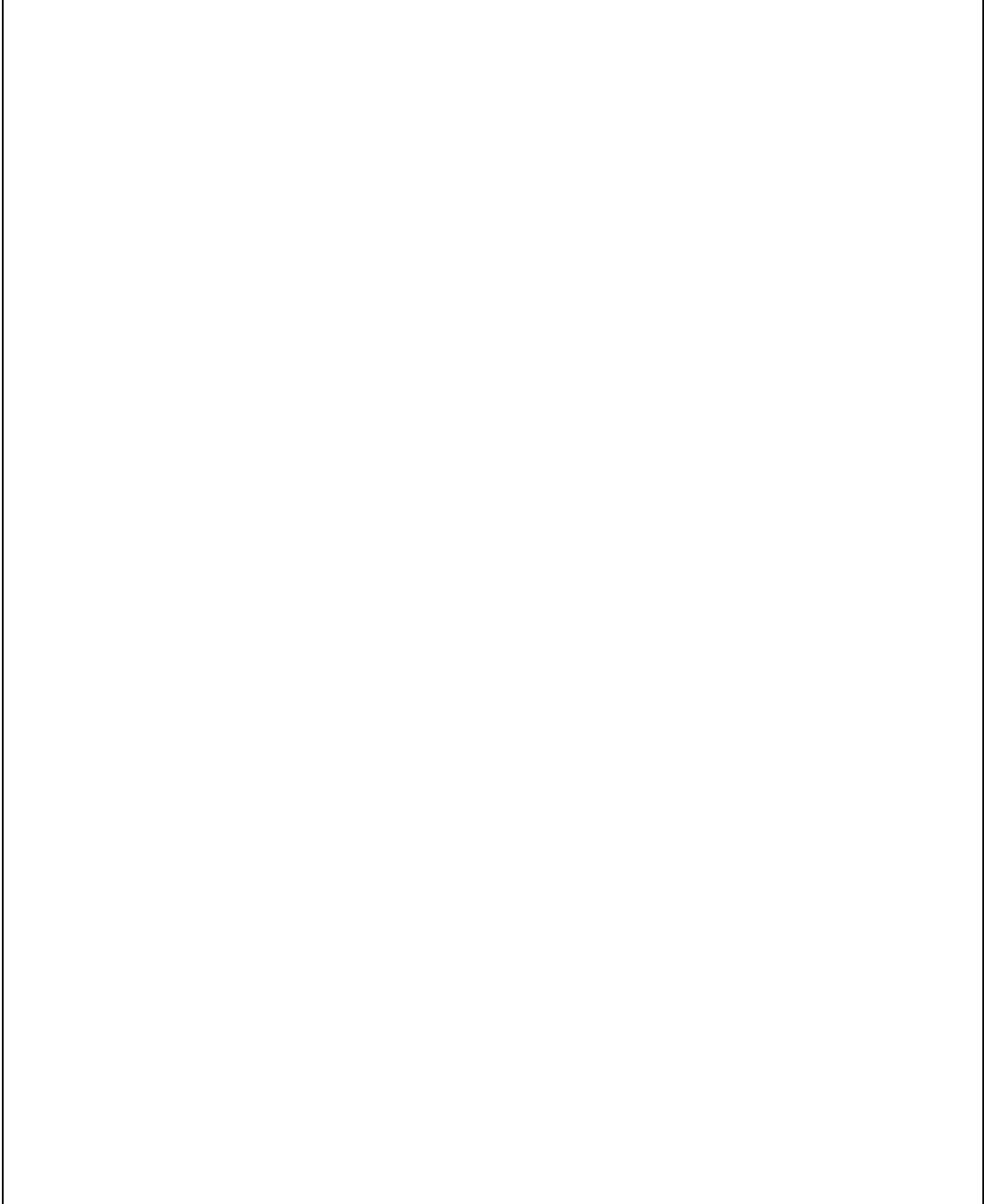
Pos	Part Number	Description	Remark	Qty	Model
1	964 645 103 00	Radio CD changer	-93	1	M327
1A	928 645 903 00	Radio SYMPHONY RDS Cover	/L	1	M327
1B	928 645 904 00	for Cover	/R	1	M327
1C	928 645 071 00	Cover		1	
	928 645 071 00 01C	Frame Black			
(1)	993 645 101 00	for CR-2,CD-10 Radio	94-	1	M334
(1)	993 645 103 00	BREMEN RCM 43 Radio	94-	1	M334/692
(1)	964 645 108 00	BREMEN RCM 43 Radio	93	1	M333
(1)	993 645 108 00	PARIS RCR 41 Radio	94-	1	M333
(1)	964 645 015 00	PARIS RCR 42 Radio	(J)	1	
(1)	928 645 018 00	CR-2 Installation set	-92	1	M690
(1)	964 645 107 00	CD-10 Radio	93	1	M693
(1)	993 645 107 00	LONDON RDM 42 Radio	94-	1	M693
2	964 645 111 00	LONDON RDM 42 CD changer		1	M692
3	964 645 113 00	CDC-1 Magazine		1	
4	964 645 112 00	for CD changer Adapter		1	M327/334
5	944 645 450 00	for Connecting line Radio		1	COUPE
(5)	928 645 450 00	CD changer Connecting line for Radio		1	CABRIO
6	911 645 173 03	CD changer Retaining frame		1	
7	944 645 051 00	Retaining frame CD changer		1	COUPE
(7)	941 645 051 00	Retaining frame CD changer		1	CABRIO
8	999 075 067 09	Combination screw		8	
9	900 075 040 02	M 4 X 8Z1 Hexagon-head bolt		1	
9	900 075 517 01	M 10 X 20 Hexagon-head bolt		1	
10	900 096 009 02	M 10 X 20 Cap nut		1	
11	900 025 008 09	M 10 Washer		1	
11	900 025 008 04	A 10,5 Washer		1	
		A 10,5			

Model: 968 92 Model life 1992>>1995

Pos	Part Number	Description	Remark	Qty	Model
12	900 076 010 02	Nut M 6		2	
12	900 076 010 0B	Nut M 6		2	
13	N 011 524 7	Washer A 6,4		2	
13	N 011 524 27	Washer A 6,4		2	
14	900 075 057 02	Hexagon-head bolt M 6 X 16		2	
14	900 075 057 03	Hexagon-head bolt M 6 X 16		2	
15	928 645 173 02	Antenna booster		1	CABRIO
15	964 645 173 01	Antenna booster		1	CABRIO
16	944 645 185 01	Connecting cable for Antenna booster		1	CABRIO
17	941 645 183 00	Extension cable for Antenna booster		1	CABRIO
18	944 645 414 00	Cover		1	CABRIO
	944 645 414 00 01C	Satin black			
19	928 645 201 00	Antenna with Booster		1	COUPE
20	928 645 902 00	Antenna rod		1	
21	944 645 202 00	Extension cable for Antenna		1	COUPE

Model: 968 92

Model life 1992>>1995





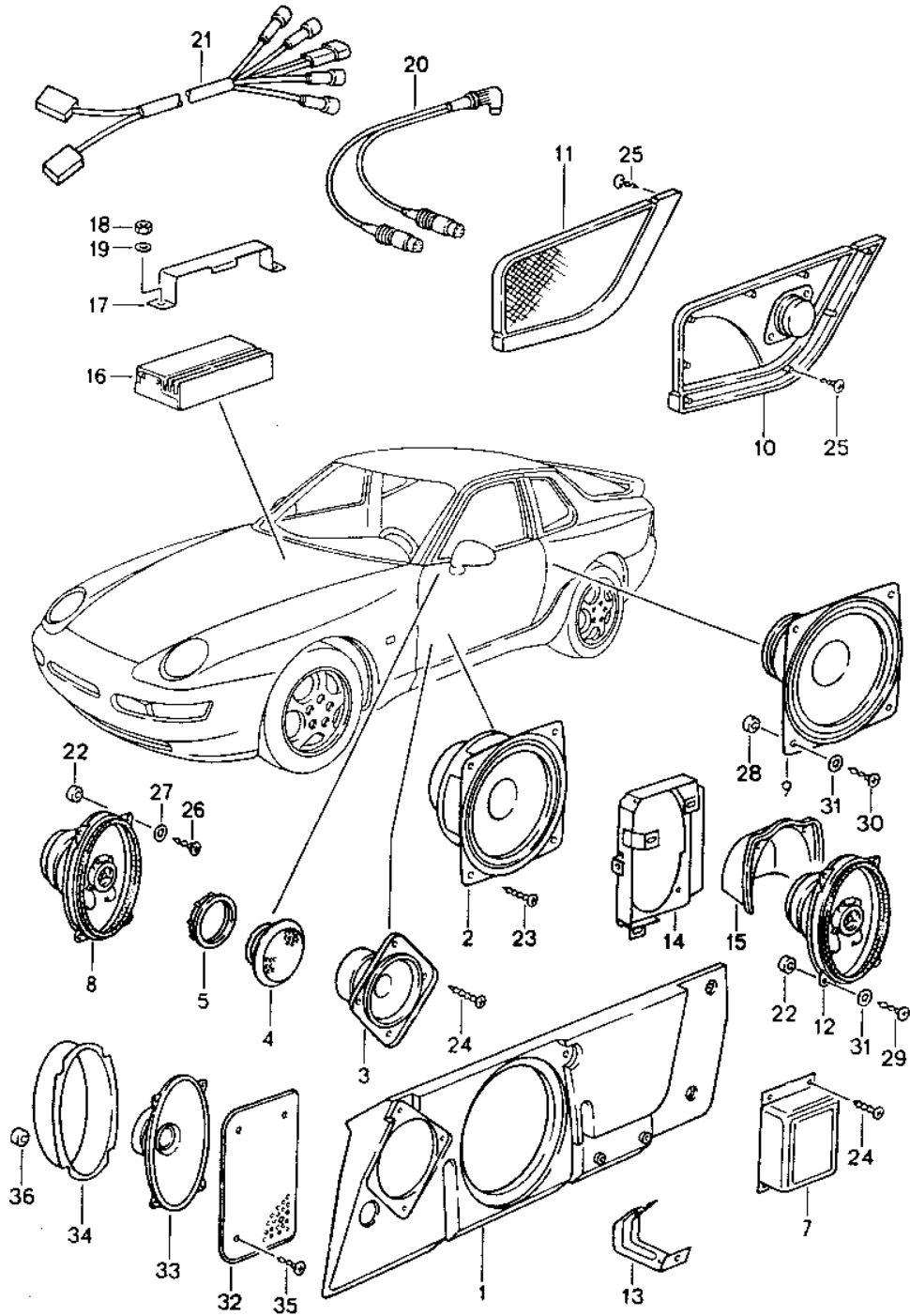
Model: 968 92

Model life 1992>>1995

Pos	Part Number	Description	Remark	Qty	Model
-	911 645 190 00	Radio Navigation system Installation parts		1	
-	911 645 191 00	Radio Navigation system with PORSCHE logo		1	
-	911 645 192 00	Radio Navigation system with TMC with PORSCHE logo		1	
-	911 645 195 00	Cover for Radio Navigation system with PORSCHE logo		1	
-	911 645 197 00	Cover for Radio Navigation system without PORSCHE logo		1	
-	911 645 196 00	Adapter		1	
-	911 642 105 00	Adapter		1	
-	911 642 105 00	Antenna		1	
-	911 642 100 00	Antenna		1	
-	911 642 100 00	Software Update 1-2011		1	
-	911 642 100 01	Software Update 1-2013		1	
-	911 642 100 02	Software Update 1-2013		1	
-	911 642 107 00	Software Update 1-2014		1	
-	911 642 107 00	Microphone		1	

Model: 968 92

Model life 1992>>1995



Model: 968 92 Model life 1992>>1995

Pos	Part Number	Description	Remark	Qty	Model
		Loudspeaker	-93		
		Sound system			M490
		Booster			M494
(1)	944 555 143 02	Retaining frame	/L	1	
(1)		Retaining frame	/L	1	
1	944 555 144 02	Retaining frame	/R	1	
1		Retaining frame	/R	1	
(1)	944 555 943 00	Retaining frame	/L	1	M490
1	944 555 944 00	Retaining frame	/R	1	M490
2	944 645 504 00	Woofers		2	
(2)	944 645 429 00	Woofers		2	M490
3	944 645 419 00	Mid-range loudspeaker		2	M490
4	944 645 502 00	Tweeter		2	
	944 645 502 00 1DB	Black			
5	944 645 503 00	Retaining ring		2	
7	944 645 437 00	Diplexer		2	M490
(7)	944 645 937 00	Connecting cable		2	
8	944 645 461 01	Loudspeaker	92	2	COUPE
		Rear			
		Use also:			
-	477 035 999	Gasket	92	2	
9	944 645 505 00	Loudspeaker	93	2	COUPE
		Rear			
9	944 645 425 00	Woofers		2	COUPE M490
		Rear			
10	944 645 047 00	Loudspeaker grille	/L 93	1	COUPE
		Rear			
	944 645 047 00 1DB	Black			
10	944 645 045 00	Loudspeaker	/L	1	COUPE M490
		Rear			
	944 645 045 00 01C	Satin black			
11	944 645 048 00	Loudspeaker grille	/R 93	1	COUPE
		Rear			
	944 645 048 00 1DB	Black			
11	944 645 046 00	Loudspeaker	/R	1	COUPE M490
		Rear			
	944 645 046 00 01C	Satin black			
12	944 645 463 00	Loudspeaker	92	2	CABRIO
		Rear			
12	941 645 505 10	Loudspeaker	93	2	CABRIO
		Rear			
12	944 645 464 00	Loudspeaker		2	CABRIO M490
		Rear			
13	944 531 243 00	Retaining bracket for		4	
		Retaining frame			
14	941 555 573 10	Mounting for	/L	1	CABRIO
		Loudspeaker			
(14)	941 555 574 10	Mounting for	/R	1	CABRIO
		Loudspeaker			
15	941 555 575 10	Covering for		2	CABRIO
		Loudspeaker			
16	944 645 301 00	Booster		2	M494
-	944 645 301 X	Booster		2	M494
-	999 607 101 00	Lock for		2	M494

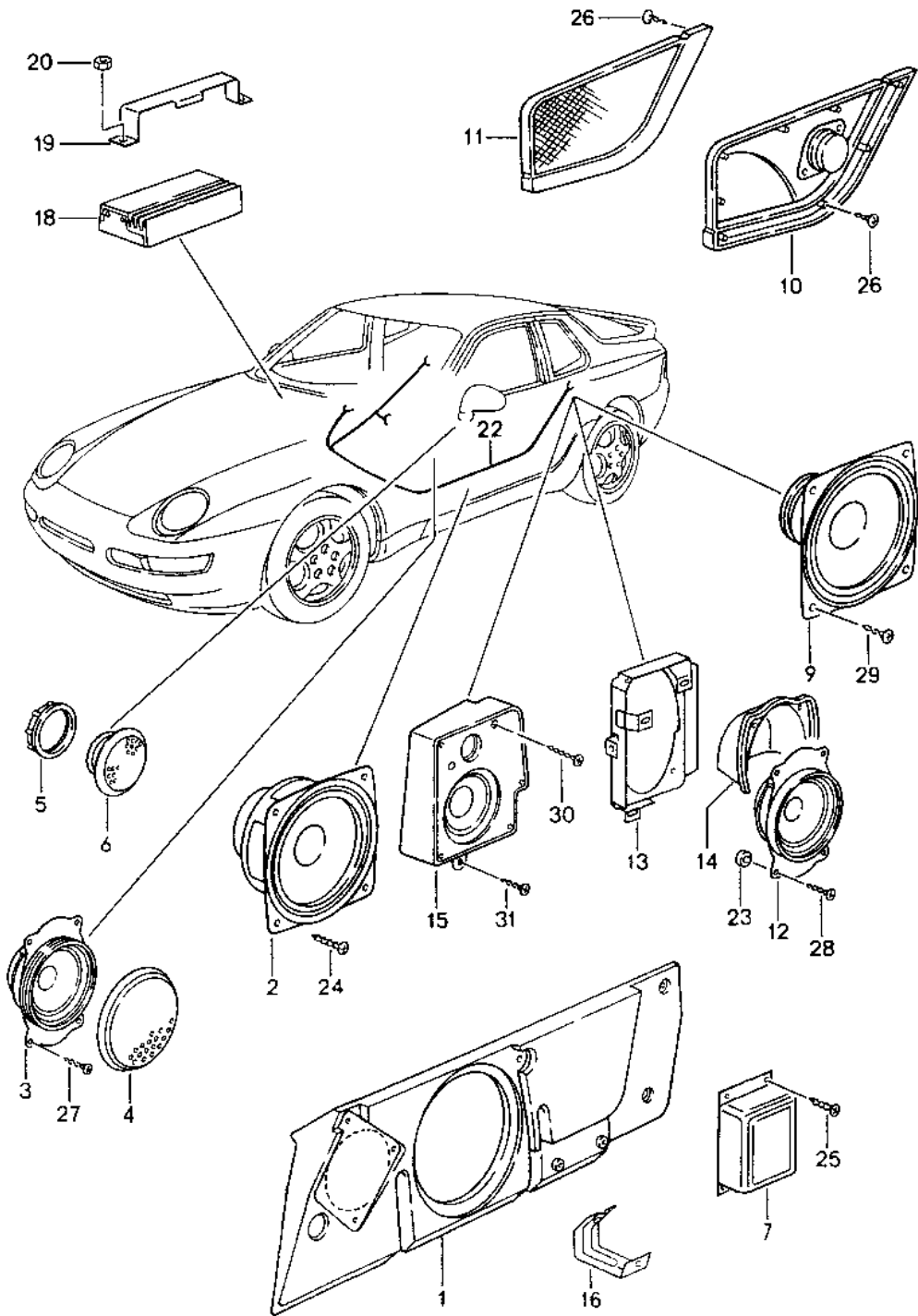
Model: 968 92

Model life 1992>>1995

Pos	Part Number	Description	Remark	Qty	Model
17	944 645 311 00	Booster Bracket		2	M494
18	N 011 005 14	Hexagon nut M 5		4	M494
18	900 076 091 01	Hexagon nut M 5		4	M494
19	900 025 003 02	Washer A 5,3		4	M494
20	944 645 331 00	Connecting cable		1	M494
21	944 612 049 00	Wiring harness		1	M494
22	944 645 480 00	Spacer sleeve	92	8	CABRIO
22	477 035 375	Bush	93	8	CABRIO
23	900 143 031 02	Oval-head sheetmetal screw B 4,2 X 9,5		10	
24	N 013 953 2	Oval-head sheetmetal screw B 2,9 X 9,5		16	M490
25	999 919 032 02	Oval-head screw 3,5 X 10		18	
26	N 013 962 2	Oval-head sheetmetal screw B 3,9 X 16		8	
27	900 151 028 02	Washer		8	
27	900 151 028 01	Washer		8	
28	477 035 375	Bush		8	
29	900 143 037 02	Tapping screw B 3,9 X 22		8	CABRIO
30	N 013 961 2	Oval-head sheetmetal screw B 3,9 X 13		8	COUPE
30	N 013 961 11	Oval-head sheetmetal screw B 3,9 X 13		8	COUPE
31	900 025 002 02	Washer A 4,3		8	
31	900 025 002 03	Washer A 4,3		8	
32	477 867 081	Loudspeaker grille Front		2	968CS
	477 867 081 01C	Satin black			
33	944 645 451 00	Loudspeaker Front		2	968CS
33	944 645 951 00	Loudspeaker HINWEISTEXT VORGÄNGER Attention		X	
34	944 645 015 00	Water protection		2	968CS
35	N 014 091 4	Rais. counters. h. tap. s. 3,9 X 16		8	968CS
36	477 867 373	Bush		8	968CS

Model: 968 92

Model life 1992>>1995



Model: 968 92 Model life 1992>>1995

Pos	Part Number	Description	Remark	Qty	Model
		Loudspeaker Sound system Booster Loudspeaker See group 9/11/05	94-		M490 968CS
(1)	944 555 143 02	Retaining frame	/L	1	
1	944 555 144 02	Retaining frame	/R	1	
2	944 645 504 00	Woofers		2	
2	944 645 508 00	Woofers		2	M490
3	944 645 507 00	Mid-range loudspeaker		2	M490
4	944 645 577 00	Loudspeaker grille Mid-range loudspeaker		2	M490
	944 645 577 00 1DB	Black			
5	944 645 503 00	Retaining ring		2	
6	944 645 502 00	Tweeter		2	
	944 645 502 00 1DB	Black			
6	944 645 506 00	Tweeter		2	M490
	944 645 506 00 1DB	Black			
7	944 645 201 00	Diplexer		2	M490
(7)	944 645 937 00	Connecting cable		2	
9	944 645 505 00	Loudspeaker Rear		2	COUPE
(9)	944 645 032 00	Woofers Rear		2	COUPE M490
10	944 645 047 00	Loudspeaker grille Rear	/L	1	COUPE
	944 645 047 00 1DB	Black			
10	944 645 049 00	Loudspeaker	/L	1	COUPE M490
	944 645 049 00 1DB	Black			
11	944 645 048 00	Loudspeaker grille Rear	/R	1	COUPE
	944 645 048 00 1DB	Black			
11	944 645 050 00	Loudspeaker	/R	1	COUPE M490
	944 645 050 00 1DB	Black			
12	941 645 505 10	Loudspeaker Rear		2	CABRIO
(13)	941 555 573 10	Mounting for Loudspeaker	/L	1	CABRIO
13	941 555 574 10	Mounting for Loudspeaker	/R	1	CABRIO
14	941 555 575 10	Covering for Loudspeaker		2	CABRIO
(15)	941 645 049 10	Loudspeaker	/L	1	CABRIO M490
15	941 645 050 10	Loudspeaker Rear	/R	1	CABRIO M490
16	944 531 243 00	Retaining bracket for Retaining frame		4	
18	944 645 301 00	Booster		1	M490
-	944 645 301 X	Booster		1	M490
-	999 607 101 00	Lock		1	M490

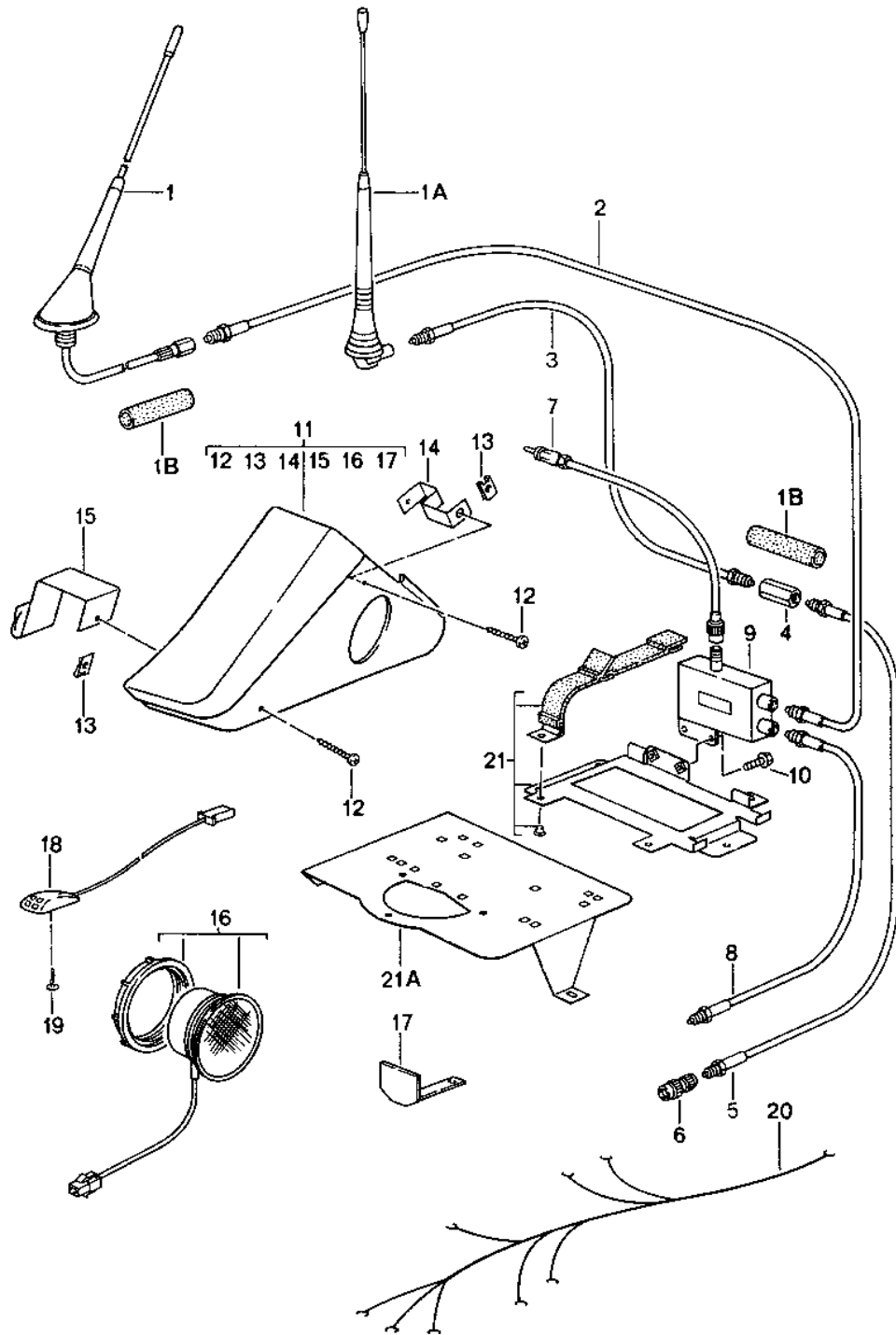
Model: 968 92

Model life 1992>>1995

Pos	Part Number	Description	Remark	Qty	Model
		for			
		Booster			
19	944 645 311 00	Bracket		1	M490
20	900 377 009 02	Hexagon nut		2	M490
22	968 612 062 00	Wiring harness		1	COUPE
					M490
(22)	968 612 062 01	Wiring harness		1	CABRIO
					M490
23	477 035 375	Bush		8	CABRIO
24	900 143 031 02	Oval-head sheetmetal screw B 4,2 X 9,5		10	
25	N 013 953 2	Oval-head sheetmetal screw B 2,9 X 9,5		8	M490
26	999 919 032 02	Oval-head screw 3,5 X 10		18	
27	900 143 151 02	Combination tapping screw B 4,2 X 16		8	M490
28	900 143 181 02	Combination screw B 4,2 X 22		8	CABRIO
29	900 143 151 02	Combination tapping screw B 4,2 X 16		8	COUPE
30	900 143 153 07	Tapping screw		4	CABRIO
					M490
31	900 143 113 07	ST 4,2 X 32 Oval-head screw		2	CABRIO
					M490
31	900 143 113 0G	B 4,2 X 13 Oval-head screw		2	CABRIO
					M490
		B 4,2 X 13			

Model: 968 92

Model life 1992>>1995





Model: 968 92 Model life 1992>>1995

Pos	Part Number	Description	Remark	Qty	Model
1	964 646 314 00	Preparation for telephone Antenna		1	M611/614 COUPE
1A	964 646 315 00	Antenna		1	CABRIO
1B	928 612 636 01	Protective tube		1	
2	996 612 086 00	Extension cable		1	COUPE
3	944 646 060 00	Extension cable		1	CABRIO
4	944 646 501 00	Adapter plug		1	CABRIO M611
5	944 646 066 00	Cable		1	CABRIO M611
6	964 646 318 00	Adapter plug		1	CABRIO
7	944 646 064 00	Cable		1	COUPE
8	944 646 065 00	Antenna two-way splitter Radio Cable		1	COUPE M614
(8)	944 646 066 00	Antenna two-way splitter Telephone Cable		1	COUPE M611
9	993 646 313 00	Antenna two-way splitter		1	COUPE
10	999 075 067 09	Combination screw M4 X 8		2	
11	944 646 201 00	Bracket		1	
	944 646 201 00 1DR	Black			
	944 646 201 00 D06	Classic grey			
	944 646 201 00 8HP	Midnight blue			
	944 646 201 00 8RP	Chestnut brown			
	944 646 201 00 2BQ	Marble grey			
	944 646 201 00 T32	Cashmere beige			
	944 646 201 00 7HE	Provence blue			
	944 646 201 00 1JE	Cedar green			
	944 646 201 00 4UP	Flamenco red			
12	900 143 089 07	Tapping screw 4,2 X 38		2	
13	999 507 036 02	Speed nut 4,2		2	
14	944 646 245 00	Retaining bracket		1	
15	944 646 246 00	Retaining bracket		1	
16	993 646 241 00	Loudspeaker		1	
17	993 646 247 01	Stop for Seat		1	
18	964 646 307 00	Microphone		1	M614
18	993 646 307 00	Microphone		1	M611
19	999 919 039 02	Counters. head tapp. screw 3,5 X 8		2	
20	944 646 050 00	Wiring harness		1	
-	928 646 510 00	Screw for Mount Connector housing		2	M611
21	944 646 026 00	Bracket		1	
21A	944 646 111 00	Bracket		1	M611