

Model: 987 05**Model life 2005>>2008**

Model Overview Sales Type

Sales term	Description	Mounting time	Remark
987310	Boxster	08/04-07/08	
987311	Boxster	08/04-07/08	
987320	Boxster S	08/04-07/08	
987321	Boxster S	08/04-07/08	
987330	Boxster "Orange"	08/07-07/08	
987340	Boxster S "Orange"	08/07-07/08	
987360	Boxster S RS 60 Spyder	08/07-07/08	
987361	Boxster S RS 60 Spyder	08/07-07/08	
987371	Boxster Sport Edition	08/07-07/08	
987381	Boxster S Sport Edition	08/07-07/08	
987740	Boxster S Special edition Porsche Design Edition 2	08/07-07/08	
987741	Boxster S Special edition Porsche Design Edition 2	08/07-07/08	

Model: 987 05

Model life 2005>>2008

Model Overview EC

EC	Sales term	LTR	KW	Hp	Cyl	Mounting time	Remark
9625		2,70	176	239	6	08/04-07/06	
9626		3,20	206	280	6	08/04-07/06	
9720		2,70	180	244	6	08/06-07/08	
9721		3,40	217	295	6	08/06-07/08	
9722		3,40	223	303	6	08/07-07/08	

Model: 987 05**Model life 2005>>2008**

Model Overview TC

TC	Sales term	Type	Mounting time	Remark
A8701		5A	08/04-07/06	
A8702		5A	08/06-07/08	
A8720		5A	08/04-07/06	
A8721		5A	08/06-07/08	
G8701		5S	08/04-07/08	
G8720		6S	08/04-07/08	
G8721		6S	08/06-07/08	

Model: 987 05 Model life 2005>>2008

VIN-Numbers Overview

Model year	Date	VIN		Remark
2005	01.08.2004	98-5S700061	>98-5S710000	Boxster
2005	01.08.2004	98-5U700061	>98-5U710000	Boxster
2005	01.08.2004	98-5S720061	>98-5S730000	Boxster S
2005	01.08.2004	98-5U720061	>98-5U730000	Boxster S
2005	01.08.2004	98-5S710061	>98-5S720000	Boxster (USA, CDN, MEX, BR)
2005	01.08.2004	98-5U710061	>98-5U720000	Boxster (USA, CDN, MEX, BR)
2005	01.08.2004	98-5S730061	>98-5S740000	Boxster S (USA, CDN, MEX, BR)
2005	01.08.2004	98-5U730061	>98-5U740000	Boxster S (USA, CDN, MEX, BR)
2006	01.08.2005	98-6S700061	>98-6S710000	Boxster
2006	01.08.2005	98-6U700061	>98-6U710000	Boxster
2006	01.08.2005	98-6S720061	>98-6S730000	Boxster S
2006	01.08.2005	98-6U720061	>98-6U730000	Boxster S
2006	01.08.2005	98-6S710061	>98-6S720000	Boxster (USA, CDN, MEX, BR)
2006	01.08.2005	98-6U710061	>98-6U720000	Boxster (USA, CDN, MEX, BR)
2006	01.08.2005	98-6S730061	>98-6S740000	Boxster S (USA, CDN, MEX, BR)
2006	01.08.2005	98-6U730061	>98-6U740000	Boxster S (USA, CDN, MEX, BR)
2007	01.08.2006	98-7S700061	>98-7S710000	Boxster
2007	01.08.2006	98-7U700061	>98-7U710000	Boxster
2007	01.08.2006	98-7S720061	>98-7S730000	Boxster S
2007	01.08.2006	98-7U720061	>98-7U730000	Boxster S
2007	01.08.2006	98-7S710061	>98-7S720000	Boxster (USA, CN, CDN, MEX, BR)
2007	01.08.2006	98-7U710061	>98-7U720000	Boxster (USA, CN, CDN, MEX, BR)
2007	01.08.2006	98-7S730061	>98-7S740000	Boxster S (USA, CN, CDN, MEX, BR)
2007	01.08.2006	98-7U730061	>98-7U740000	Boxster S (USA, CN, CDN, MEX, BR)
2008	01.08.2007	98-8S700061	>98-8S710000	Boxster
2008	01.08.2007	98-8U700061	>98-8U710000	Boxster
2008	01.08.2007	98-8S720061	>98-8S730000	Boxster S
2008	01.08.2007	98-8U720061	>98-8U730000	Boxster S
2008	01.08.2007	98-8S710061	>98-8S720000	Boxster (USA, CN, CDN, MEX, BR)
2008	01.08.2007	98-8U710061	>98-8U720000	Boxster (USA, CN, CDN, MEX, BR)
2008	01.08.2007	98-8S730061	>98-8S740000	Boxster S (USA, CN, CDN, MEX, BR)
2008	01.08.2007	98-8U730061	>98-8U740000	Boxster S

Model: 987 05

Model life 2005>>2008

(USA, CN, CDN, MEX,
BR)

Model: 987 05**Model life 2005>>2008**

Engine Numbers

Engine number	Model year	Vehicle type	Engine type
615 00501>60000	2005	BOXSTER	9625
625 00501>60000	2005	BOXSTER"S"	9626
616 00501>60000	2006	BOXSTER	9625
626 00501>60000	2006	BOXSTER"S"	9626
657 00501>60000	2007	BOXSTER	9720
677 00501>60000	2007	BOXSTER"S"	9721
658 00501>60000	2008	BOXSTER	9720
678 00501>60000	2008	BOXSTER"S"	9721
668 00501>60000	2008	BOXSTER"S" RS SPYDER	9722

Model: 987 05

Model life 2005>>2008

Transmission Numbers

Transmission Number	Model year	Vehicle type	Gearbox type
A8701 1 002001>999999	2005	BOXSTER TIPTRONIC	A8701
A8720 1 002001>999999	2005	BOXSTER "S" TIPTRONIC	A8720
G8701 1 002001>999999	2005	BOXSTER	G8701
G8720 1 002001>999999	2005	BOXSTER "S"	G8720
A8701 1 002001>999999	2006	BOXSTER TIPTRONIC	A8701
A8720 1 002001>999999	2006	BOXSTER "S" TIPTRONIC	A8720
G8701 1 002001>999999	2006	BOXSTER	G8701
G8720 1 002001>999999	2006	BOXSTER "S"	G8720
A8702 1 002001>999999	2007	BOXSTER TIPTRONIC	A8702
A8721 1 002001>999999	2007	BOXSTER "S" TIPTRONIC	A8721
G8701 1 002001>999999	2007	BOXSTER	G8701
G8720 1 002001>999999	2007	BOXSTER I480	G8720
G8721 1 002001>999999	2007	BOXSTER "S"	G8721
A8702 1 002001>999999	2008	BOXSTER TIPTRONIC	A8702
A8721 1 002001>999999	2008	BOXSTER "S" TIPTRONIC	A8721
G8701 1 002001>999999	2008	BOXSTER	G8701
G8720 1 002001>999999	2008	BOXSTER I480	G8720
G8721 1 002001>999999	2008	BOXSTER "S"	G8721

Model: 987 05

Model life 2005>>2008

NR	Description
008	Boxster S 3.2 litres displacement
009	Boxster 2.7 litres displacement
024	Version for Greece
025	Black-coloured instrument dials, stopwatch
026	Silver-coloured instrument dials, stopwatch
027	Instrument dials, stopwatch in Carrara White
029	Standard chassis
030	Sports suspension
032	Touring suspension
034	Version for Italy
058	Impact absorbers, front and rear
061	Version for Great Britain
062	sweden version
063	Version Luxemburg
064	Version for Netherlands
065	Version for Denmark
066	Version for Norway
067	Version for Finland
068	PAP right-hand drive version
069	Other country version
071	EU country version
072	Version for Mexico
073	Version for Russia
074	PAP left-hand drive version
075	Chinese version
098	Left-hand drive version
099	Right-hand drive version
111	Version for Austria
113	Version for Canada
114	Version for Taiwan
119	Version for Spain
124	Version for France
126	Control and indications in French lettering
127	Control and indications in Swedish lettering
130	Control and indications in English lettering
150	Operation with leaded gas
159	Curbed engine, 155 kW/211 bhp
193	japan version
194	Battery, 60 Ah
195	Battery, 70 Ah
196	Battery, 80 Ah
197	Stronger battery
198	Enhanced starter motor (1.7 kW)
199	Battery disconnection switch
200	95 Ah battery
210	Licence plate holder version 2
211	Licence plate holder version 3

Model: 987 05

Model life 2005>>2008

NR	Description
215	Version for Saudi Arabia
218	Licence plate holder version 4
219	Differential
220	Locking differential 40 %
225	Version for Belgium
237	All-season tyres ZR 19"
249	Tiptronic transmission
265	Automatic anti-dazzle interior mirror with rain sensor
266	Automatic anti-dazzle door mirror
267	Automatically dimmable interior and door mirrors
268	Rain sensor
270	Door mirrors -flat - driver's side, electrically adjustable and heatable
271	Door mirrors -aspherical- driver's side, electrically adjustable and heatable
273	Door mirrors, electrically adjustable and heatable
274	Vanity mirror, illuminated
277	Swiss version
288	Headlamp washer
301	Transmission ratio long
305	Gear lever in Alcantara, Black
308	Selector lever in Alcantara, Black
325	Version for South Africa/New Zealand
342	Seat heating, left/right seat
369	Standard seat, left
370	Standard seat, right
375	Sports seat, backrest shell, left
376	Sports seat, backrest shell, right
377	Sports seat, backrest shell, left, electrically adjustable
378	Sports seat, backrest shell, right, electrically adjustable
388	Sports bucket seat, left
389	Sports bucket seat, right
392	17-inch Carrera wheel
393	17-inch Boxster II wheel (987)
397	18-inch Boxster II wheel (987)
398	19" Cayman S wheel
401	18-in. Cayman S wheel
402	Carrera 3 wheel 18-inch
403	Carrera S wheel 19-inch
404	19" Turbo-1 wheel
405	Carrera Classic wheel 19-inch
406	Carrera GT wheel 19-inch/20-inch

Model: 987 05

Model life 2005>>2008

NR	Description
407	SportDesign wheel 19-inch
410	18" Turbo-2/Panamera wheel
411	18-inch Carrera wheel -->2005 19-inch Carrera wheel 2012-->
415	18-inch Turbo-Look II wheel
416	18-inch GT3 wheel
418	18-inch Turbo II wheel in GT Silver
424	CD storage unit
425	Rear window wiper
426	Without rear window wiper
431	Multi-function steering wheel, touch + feel
432	Steering wheel with Tiptronic operation
433	20" Carrera S wheel (4)
435	Sports steering wheel
436	3-spoke airbag steering wheel
437	Comfort seat, left, electrically adjustable
438	Comfort seat, right, electrically adjustable
439	20" 911 Turbo 4 wheel
440	Antenna diversity
441	prepared for radio
444	Anti-theft lock, wheel bolts "THATCHAM"
446	Concave wheel centers with full-colour Porsche Crest
447	Emergency wheel
450	Ceramic brake (PCCB)
451	Multi-function steering wheel, Makassar Ebony, touch + feel
452	Multi-function steering wheel, Sycamore, touch + feel
453	Multi-function steering wheel, Carbon, touch + feel
454	Automatic speed control
459	3-spoke airbag steering wheel, touch + feel
460	20" RS Spyder Design wheel
461	External antenna
475	"PASM" electronic damper control
476	Porsche Stability Management (PSM)
479	Version for Australia
480	6-speed manual transmission
481	5th-speed manual transmission
482	Tire Pressure Monitoring TPM, 433 MHz
483	315-MHz TPM, Tire Pressure Monitoring
484	Version for USA
488	Inscriptions in German language
490	Sound system "ASK"
492	Headlights for left-hand traffic

Model: 987 05

Model life 2005>>2008

NR	Description
498	Deletion of model designation on rear end
499	Version for Germany
501	Car cover
509	Fire extinguishers
513	Lumbar support, right seat
521	Tilt sensor
524	Immobilizer, central locking, 433 MHz
525	Immobilizer, central locking, 315 MHz
532	Alarm system remote control omitted
533	Radio convertible-top operation omitted
534	Theft security system, 433 MHz
535	Theft security system, 315 MHz
536	-07 Alarm siren and tilt sensor 08- Alarm siren
537	Seat position control for comfort seat, left
538	Seat position control for comfort seat, right
539	Mechanical seat height adjustment, left
540	Mechanical seat height adjustment, right
541	Active seat ventilation (incl. heated seats)
544	Anti-theft protection without infrared monitoring, 433 MHz
545	Anti-theft protection without infrared monitoring, 315 MHz
549	Roof Transport System
550	Hardtop
551	Wind deflector
553	Version for USA, Canada
554	Front spoiler lip included
555	Black seat belts
560	Advanced airbag
562	Airbag, driver's side and front passenger's side
563	Side airbag
566	Front fog lights, white
567	Windscreen tinted, upper part darker coloured
568	Windscreen without shade band
571	Activated charcoal filter
572	Manual air-conditioning system
573	Air conditioner
575	Luggage compartment cooling system
581	Centre console, front
584	Storage box on engine cover
586	Lumbar support, left seat
594	Alcantara rooflining
601	Xenon lighting system

Model: 987 05

Model life 2005>>2008

NR	Description
602	Center high-mounted stop light
606	Daytime driving lights
607	Garage door opener "Homelink", 315 MHz
608	Garage door opener "Homelink" 433 MHz
610	DVD navigation, "Europe package"
611	DVD navigation South Africa
612	DVD navigation middle east
613	DVD navigation australia
614	DVD navigation asia-pacific
615	DVD navigation system, North America
616	DVD, Navigation Russia
617	DVD Navigation China
618	Phone preparation
619	Mobile phone preparation (BLUETOOTH) without console
621	12-V socket, passenger's side, footwell
625	"KESSY" Porsche Entry and Drive
635	Park distance control
639	Sport Chrono package
640	Sport Chrono Plus package
641	electronic log book
650	Electrical sliding roof
651	Electric window opener
652	Without sliding/tilting roof
657	Power steering
659	on-board computer
660	Obd 2
661	Stricter emission-control concept
664	Orvr
665	-2008 PCM 2, 2009- PCM 3 basic module incl. radio
666	-2008 PCM 2, 2009- PCM 3 telephone (GSM)
668	PCM2 telephone handset
669	PCM 3 - Telephone handset (BLUETOOTH)
670	PCM2 navigation
672	-2008 PCM 2, 2009- PCM 3 Offroad navigation
674	"Vehicle Tracking System" preparation
675	Without radio preparation (Japan navigation system)
677	"Driver card" antenna
678	Alarm system connection
679	Restart inhibitor
680	BOSE sound package
685	Rear seats, split
689	Preperation for CD autochanger
690	CD radio "Porsche Online Pro"
692	CD autochanger "Porsche"
694	CD radio "PORSCHE CDR 24"
697	CD radio "Porsche CDR-23"
711	Omission underbody protection

Model: 987 05

Model life 2005>>2008

NR	Description
753	Special model "orange Spyder"
754	Special model "RS 60 Spyder"
755	Special model "Porsche Design Edition 1"
757	Special model "Porsche Design Edition 2"
789	Colour to sample
796	Full leather trim natural leather
798	Full leather trim special leather
799	Full leather trim by choice
801	Makassar Ebony wood package, dark (matt satin finish)
802	Sycamore package, light (matt satin finish)
803	Carbon package
804	GT2 Carbon exterior package
805	Lifestyle package
810	foot mats
912	without identification plate
936	Seat covers, rear, leather
937	Seat covers, rear, leatherette
939	Seat covers, rear, draped leather
946	Seat covers, front, leather/leather/leatherette
950	Alcantara seat covers, front
951	Seat covers front, Alcantara/leather/leather
970	Two-tone interior
971	"TORO" embossed leather
981	Leather equipment, without seat covers
982	Seat covers, front, draped leather/leather/leather
983	Seat covers, front, leather
985	Seat covers, leather/leather/leatherette, 2
990	Seat covers, front, cloth/cloth/leatherette
991	Steering wheel airbag module in leather
998	Leather, natural
999	Passenger compartment monitoring sensor for leather colour of choice
XAF	Turbo aerokit
XAG	Carrera - rear spoiler
XAH	Carrera 4S aerokit
XAJ	Painted sill covers
XAL	Aerokit Boxster
XAM	Aerokit Cayman
XCA	Dashboard trim strip (3-part) sports seats
XCB	Instrument surround sports seats
XCC	Side air vents sports seats
XCD	Center air vent bracket sports seats
XCE	Rear center console sports seats

Model: 987 05

Model life 2005>>2008

NR	Description
XCG	Sports seat backrest in Aluminium Look finish
XCH	Side/centre air vent slats, sports seats
XCK	Rear center console in Galvano Silver
XCL	Instrument surround in Galvano Silver
XCM	Roll-over bar in Galvano Silver
XCN	Side air vents in Aluminium Look finish (997)
XCY	Center air vent in Aluminium Look finish
XCZ	Short shifter
XEA	Passive handset in leather
XE8	Gear lever knob aluminium/dark burr maple/leather
XE9	Handbrake lever aluminium/dark burr maple/leather
XFD	Instrument dials in Sand Beige
XFE	Instrument dials in Terracotta
XFF	Instrument dials in Brown/Natural
XFG	Instrument dials in Guards Red
XFH	Instrument dials in Speed Yellow
XFJ	Instrument dials in Carrara White
XGB	Decorative dashboard trim, carbon
XGC	Dashboard carbon/Alcantara
XGD	Parking brake handle carbon/Alcantara
XGE	Handle recess insert, carbon
XJL	Makassar Ebony side air vent
XJM	Sycamore side air vent
XJN	Makassar Ebony center air vent
XJP	Sycamore center air vent
XJR	Makassar Ebony windscreen defroster panel
XJS	Sycamore windscreen defroster panel
XJT	Makassar Ebony rear center console
XJU	Sycamore rear center console
XJ4	Leather cover for ignition lock surround
XKB	Side air vent in light burr maple
XKC	Side air vent in dark burr maple
XKG	"Defroster trim in light burr maple; leather"
XKH	"Defroster trim in dark burr maple; leather"
XKJ	Defroster trim in Carbon/leather
XKL	Leather speaker covers
XKM	Speaker covers in light burr maple
XKN	Speaker covers in dark burr maple
XKP	Carbon speaker covers
XKR	Center air vent bracket in light burr maple
XKS	Center air vent bracket in dark burr maple
XLA	Boxster tailpipe
XLF	Sports exhaust system
XME	Rear section of centre console painted
XMF	Front center console including 2 storage bins, leather
XMJ	Rear section of centre console in Carbon

Model: 987 05

Model life 2005>>2008

NR	Description
XMK	Roll-over bar in exterior color
XML	Rear center console in light burr maple
XMP	Leather sun visor, 2 illuminated vanity mirrors *
XMR	Sun visor in leather, 2 illuminated vanity mirrors,
XMZ	Rear section of centre console in leather
XNB	Rear center console in dark burr maple
XNG	Instrument surround in leather
XNN	Center air vent bracket in leather
XNR	Carbon center air vent bracket
XNS	Leather steering column trim, 4-part
XNU	Leather trim strip (dashboard)
XNV	Trim strip (dashboard) in light burr maple
XNW	Trim strip (dashboard) in dark burr maple
XNX	Carbon trim strip (dashboard)
XPA	3-spoke sports steering wheel in leather interior co
XPB	3-spoke sports steering wheel, light burr maple, leather
XPC	3-spoke sports steering wheel, dark burr maple, leather
XPD	3-spoke sports steering wheel, Carbon/leather
XPG	3-spoke sports steering wheel, sports seats
XPV	Multi-function steering wheel, Galvano Silver
XPW	Instrument surround in light burr maple
XPX	Instrument surround in dark burr maple *
XPY	Carbon instrument surround
XRB	18-inch Sport Classic II wheel
XRC	18-inch SportTechno wheel
XRL	18-inch SportDesign wheel
XRN	17-mm spacers, rear
XRP	5-mm spacers, front/rear
XRR	19-in. Carrera Sport wheel
XSA	Painted sports seat backrest
XSB	Leather sports seat backrest
XSC	Porsche Crest embossed in headrest
XSD	Front seat controls in leather
XSE	Bucket seat, left
XSF	Bucket seat, right
XSG	Racing bucket seat, left
XSH	Silver seat belts
XSJ	6-point harness
XSL	6-point safety catch
XSM	Racing safety cage
XSN	Omission of rear seats
XSR	Carbon back for bucket seat, right
XSS	Carbon back for bucket seat, left

Model: 987 05

Model life 2005>>2008

NR	Description
XST	Seat belts in Sand Beige
XSU	Upholstered seat
XSW	Seat belts in Maritime Blue
XSX	Seat belts in Guards Red
XSY	Seat belts in Speed Yellow
XTG	Inner door sills in leather
XTJ	Door panel parts in light burr maple
XTK	Door panel parts in dark burr maple
XTL	Door panel parts in Carbon
XTR	Door panel parts in Aluminium Look finish
XTT	Makassar Ebony door panel parts
XTU	Sycamore door panel parts
XTV	Leather door panel parts
XTW	Door panel parts in Galvano Silver
XVM	Leather center air vent
XVP	Trim strip including cupholder cover in leather
XVR	Side/centre air vent in leather
XV1	Defroster trim in leather
XXF	Red tail lights
XXZ	Footrest
XX1	Floor mats, logo, leather border
XX2	footwell light
XY5	Tiptronic gear selector gate in leather
XZB	Carbon centre air vent
XZD	Interior light surround in leather
X45	Instrument dial in interior color
X46	Tiptronic selector lever in aluminium/leather
X47	Gear lever knob in Carbon/leather
X48	Tiptronic selector lever in Carbon/aluminium
X50	Powerkit 331/340 kW
X51	Powerkit 250 kW
X54	Stainless steel tailpipes
X58	Handbrake lever in Carbon/leather
X65	Tiptronic selector lever in light burr maple/aluminium
X66	Tiptronic selector lever in dark burr maple/aluminium
X69	Door entry guards in Carbon with logo
X70	Door entry guards in stainless steel with logo
X71	Instrument dial painted/Aluminium Look finish
X72	Gear lever knob aluminium/light burr maple/leather
X73	Turbo sports suspension
X74	Sports suspension (exclusive)
X75	Differential lock (exclusive)
X76	Inner door sill guard, left/right
X91	Handbrake lever aluminium/light burr maple/leather
X97	Gear lever knob in aluminium/leather

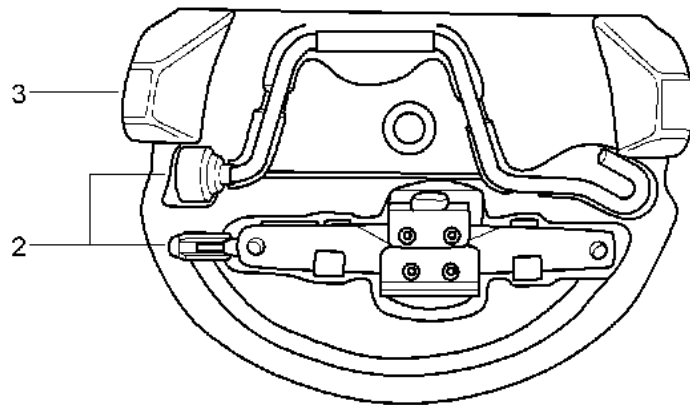
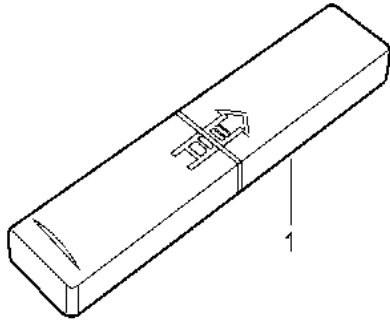
Model: 987 05

Model life 2005>>2008

NR	Description
X98	Handbrake lever in aluminium/leather
X99	Natural leather

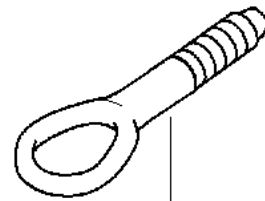
Model: 987 05

Model life 2005>>2008

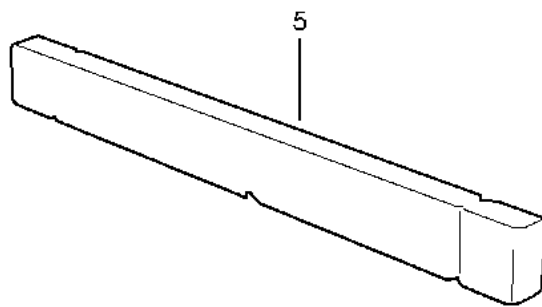


3

2



4



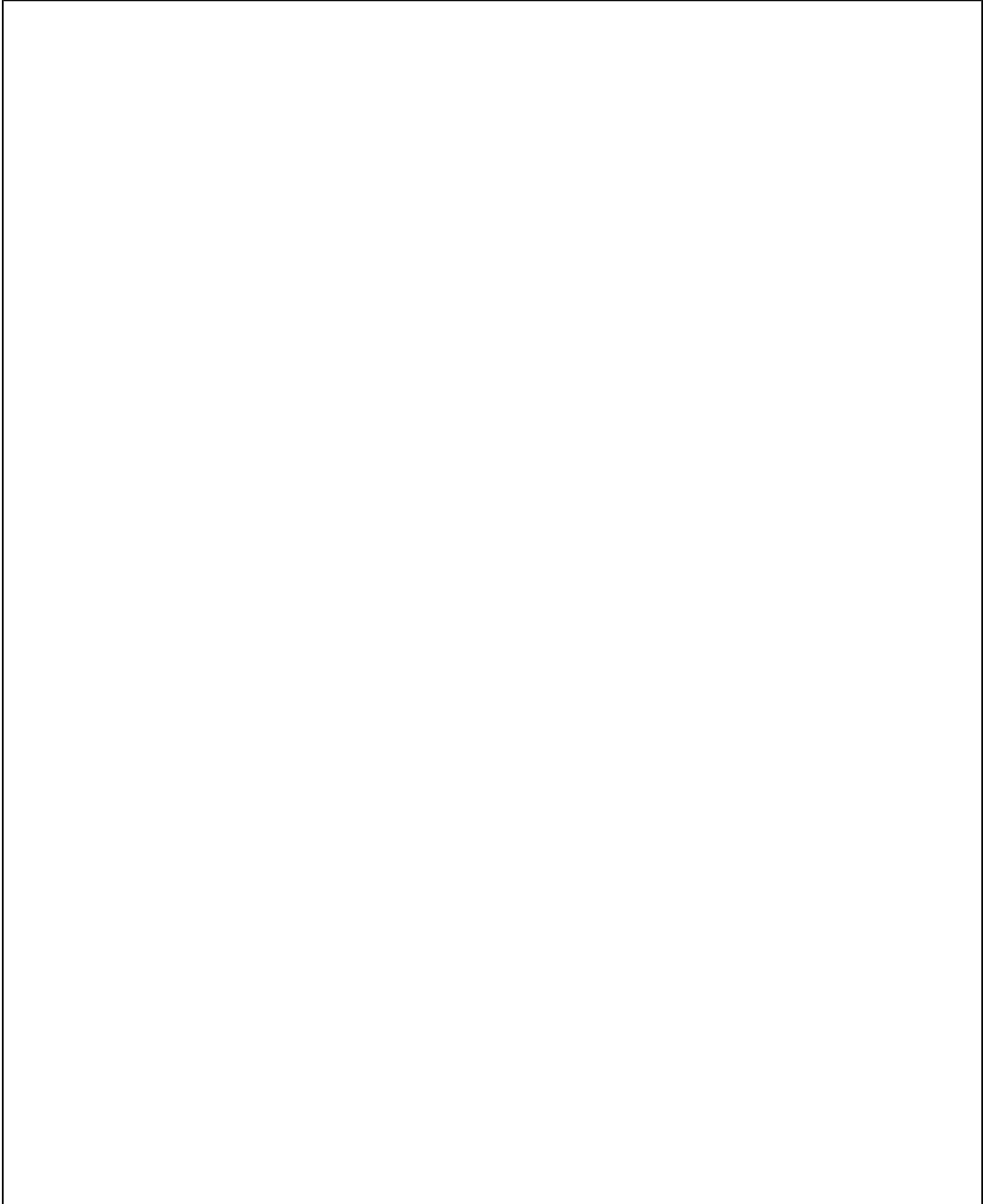
5

Model: 987 05 Model life 2005>>2008

Pos	Part Number	Description	Remark	Qty	Model
1	997 721 115 00	Tool jack Toolbox with contents comprising:		1	
-	477 012 229	Double open-ended spanner 10 X 13		1	
-	477 012 231	screwdriver		1	
-	111 012 287	handle for screwdriver		1	
-	999 571 077 02	Socket wrench - 5 - for Headlights		1	
2	996 721 211 00	Scissors type jack		1	PR:447
3	996 722 101 00	Foam part		1	PR:447
-	999 571 074 30	Threaded stud for Assembly Wheels		1	PR:447
-	477 012 221 A	wheel bolt wrench		1	PR:447
-	999 571 070 30	operating rod for Rim wrench		1	PR:447
-	997 722 801 00	Mounting for vehicle tools		1	PR:447
-	996 361 521 00	Protective sleeve		1	PR:447
-	997 722 061 00	Cover Spare wheel Discontinued part		1	PR:447
-	997 722 061 01	Cover Spare wheel		1	PR:447
-	987 722 103 00	Support Spare wheel		1	PR:447
4	997 721 551 00	Tow hitch		1	
-	999 571 081 01	release tool Convertible top		1	
5	000 722 722 05	warning triangle		1	
5	000 722 722 06	warning triangle		1	
-	993 722 041 00	first aid kit		1	

Model: 987 05

Model life 2005>>2008



Model: 987 05

Model life 2005>>2008

Pos	Part Number	Description	Remark	Qty	Model
-		Signs/notices		1	PR:447
-	996 361 701 20	Signs/notices Spare wheel Sticker		1	"AUS"
-	997 361 701 00	English Sticker		1	PR:215
-	928 701 150 00	Arabic Sticker		1	
-		"MAX 80 KM/H"		1	
(2)	955 701 675 00	Signs/notices Engine specifications Sticker		1	PR:193
		Reservoir			
3	996 006 108 00	D - MJ 2008>> - MJ 2008 Sticker		1	PR:068
3	997 006 108 00	D - MJ 2005>> - MJ 2005 Sticker		1	PR:068
4	996 006 120 00	D - MJ 2006>> Notice		1	
4	997 006 544 00	Reservoir Coolant Sticker		1	
4	997 006 544 01	engine oil - MOBIL 1 - D >> - MJ 2006 Sticker		1	
(4)	997 701 535 00	engine oil - MOBIL 1 - D - MJ 2007>> Sticker		1	PR:193
-		Engine-oil level D - MJ 2008>> - MJ 2008			
5	996 006 117 00	Signs/notices Type of fuel Sticker		1	
5	996 006 117 02	98 ROZ Sticker		1	"AUS"
5	996 006 117 01	96 ROZ Sticker		1	PR:150
5	996 006 117 03	98 ROZ Sticker		1	PR:193
5	955 701 676 15	93 RON/MON/2 sticker for		1	PR:193
5	955 701 676 10	fuel filler neck D - MJ 2008>> - MJ 2008 Sticker		1	PR:193
-		Fuel filler flap D - MJ 2008>> - MJ 2008			
6	3B0 010 219 B	Signs/notices Airbag sticker with pictogram for - airbag / child's seat		1	
6	8D0 010 141 Q	child seat sticker with pictogram for - airbag / child's seat		1	"AUS"
6	987 701 430 00	child seat Sticker		1	
6	987 701 430 01	child seat German Sticker		1	
6	987 701 430 02	child seat English Sticker		1	

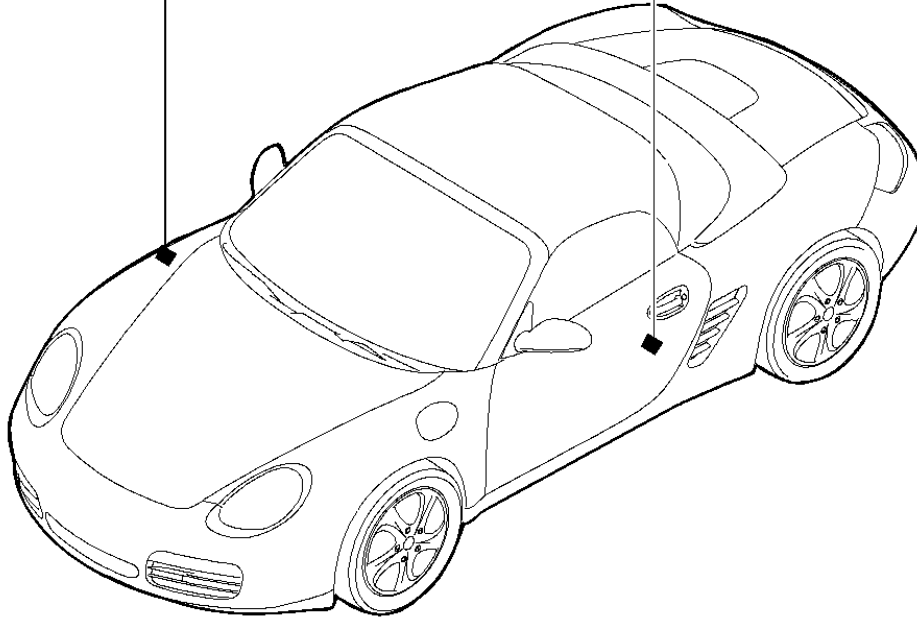
Model: 987 05 Model life 2005>>2008

Pos	Part Number	Description	Remark	Qty	Model
6	987 701 430 03	child seat French Sticker		1	
6	987 701 430 04	child seat Italian Sticker		1	
6	987 701 430 05	child seat Swedish Sticker		1	
6	987 701 430 06	child seat Spanish Sticker		1	
6	987 701 430 07	child seat Arabic Sticker		1	
(6)	955 701 675 10	child seat Chinese D - MJ 2006>> Sticker Recycling		1	PR:193
9	986 701 141 01	D - MJ 2008>> - MJ 2008 Sticker		1	
(9)	987 701 521 00	Air conditioning Sticker		1	PR:193
(9)	955 701 673 00	Air conditioning D - MJ 2008>> - MJ 2008 Sticker		1	PR:193
10	997 701 170 00	Battery D - MJ 2008>> - MJ 2008 Sticker		1	
(10)	997 701 527 00	first aid kit Sticker		1	PR:193
(10)	955 701 675 05	Headlights D - MJ 2008>> - MJ 2008 Sticker		1	PR:193
11	955 701 675 15	brake fluid D - MJ 2008>> - MJ 2008 Sticker		1	PR:193
12	997 701 531 00	Import Japan D - MJ 2008>> - MJ 2008 Sticker		1	PR:193
(12)	955 701 676 00	Airbag D - MJ 2008>> - MJ 2008 Sticker		1	PR:193
-		Warning light Engine D - MJ 2008>> - MJ 2008 Signs/notices Convertible top control see illustration:	807-009		

Model: 987 05

Model life 2005>>2008

Colour 25H Libell Türkis Metallic

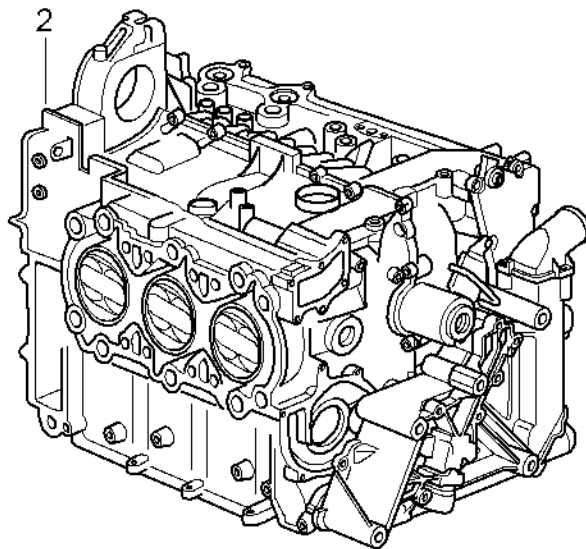
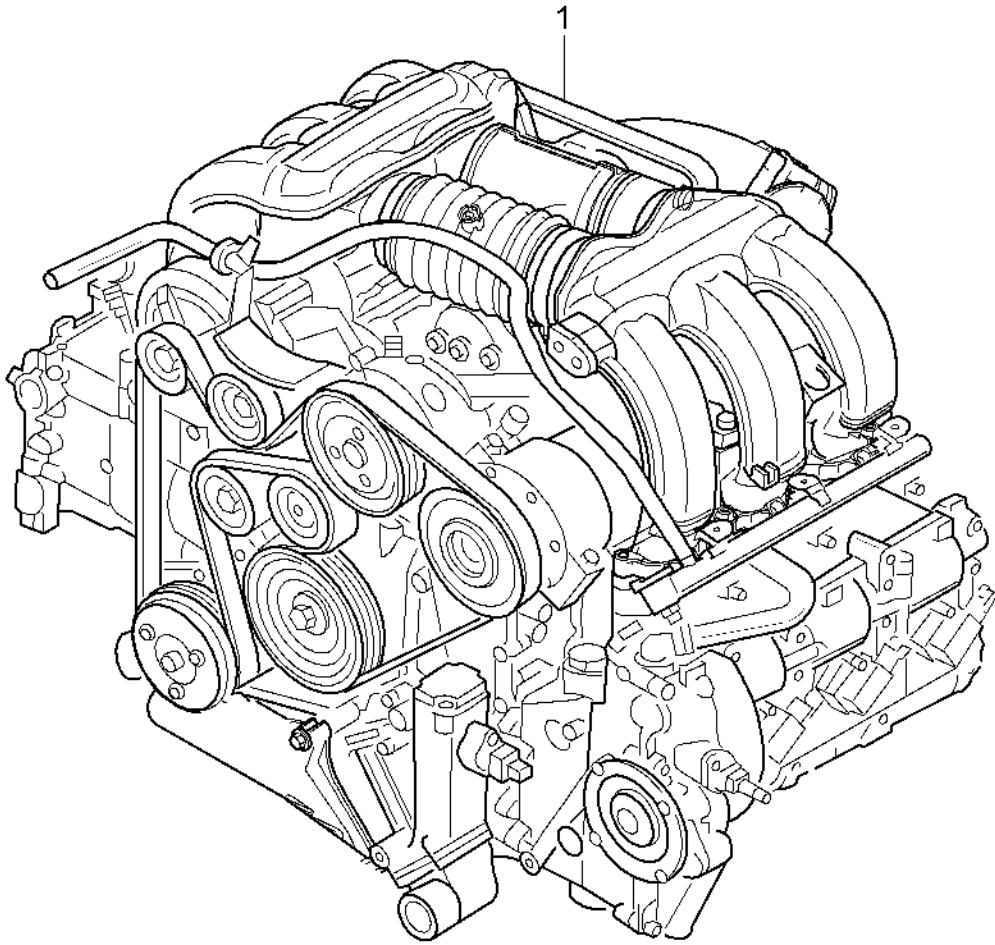


Model: 987 05 Model life 2005>>2008

Pos	Part Number	Description	Remark	Qty	Model
-	911 095 932 20	paint touch-up applicator Paints		X	
	911 095 932 20 041	Black			A 1
	911 095 932 20 80K	guards red (Porsche)			G 1
	911 095 932 20 B9A	Carrara white			B 4
	911 095 932 20 12G	Speed yellow			X 4
	911 095 932 20 8C6	orange			N 2
		D - MJ 2008>> - MJ 2008			
-	911 095 933 20	Paint pen set Set comprising: base paint clear paint		X	
	911 095 933 20 92T	Arctic silver metallic			X 1
	911 095 933 20 M3W	Carmon red metallic			E 4
	911 095 933 20 M5W	Lapis blue metallic			J 2
	911 095 933 20 M6W	Lagoon green metallic			G 4
	911 095 933 20 C9Z	Basalt black metallic			Z 4
	911 095 933 20 M7X	Atlas grey metallic			E 7
	911 095 933 20 37W	Midnight Blue Metallic			E 9
	911 095 933 20 6B4	Seal grey metallic			Y 1
	911 095 933 20 22E	Forest green metallic			53
	911 095 933 20 37U	Cobalt blue metallic			56
	911 095 933 20 22D	Slate grey metallic			59
	911 095 933 20 M7Z	GT Silver Metallic			U 2
	911 095 933 20 M6X	Dark olive-metallic			7 G
	911 095 933 20 M7W	Meteor Grey Metallic			9 Q
		D - MJ 2007>>			
	911 095 933 20 8A7	Ruby red metallic			L 2
		D - MJ 2008>> - MJ 2008			
	911 095 933 20 M8W	Macadamia Metallic			9 S
		D - MJ 2008>> - MJ 2008			
	911 095 933 20 2B5	Malachite Green Metallic			H 1
		D - MJ 2008>> - MJ 2008			
	911 095 933 20 M2Z	Nordic Gold Metallic			8 W
		D - MJ 2008>> - MJ 2008			

Model: 987 05

Model life 2005>>2008



Model: 987 05 Model life 2005>>2008

Pos	Part Number	Description	Remark	Qty	Model
-		Replacement engine without: Clutch plate Tiptronic without: flywheel Manual gearbox			9625, 9626, 9720, 9721, 9722
-		Technical information GRUPPE 1 NR.1/04 Attention			
1	987 100 925 00	Replacement engine		1	9625+ PR:481
1	987 100 925 03	D - MJ 2005>> - MJ 2005 Replacement engine		1	9625+ PR:481
(1)	987 100 920 00	D - MJ 2006>> - MJ 2006 Replacement engine		1	9720+ PR:481
(1)	987 100 920 06	D - MJ 2007>> - MJ 2007 Replacement engine		1	9720+ PR:481
1	987 100 925 01	D - MJ 2008>> - MJ 2008 Replacement engine		1	9625+ PR:249
1	987 100 925 04	D - MJ 2005>> - MJ 2005 Replacement engine		1	9625+ PR:249
(1)	987 100 920 01	D - MJ 2006>> - MJ 2006 Replacement engine		1	9720+ PR:249
(1)	987 100 920 08	D - MJ 2007>> - MJ 2007 Replacement engine		1	9720+ PR:249
1	987 100 925 02	D - MJ 2008>> - MJ 2008 Replacement engine		1	9625+ PR:480
1	987 100 925 05	D - MJ 2005>> - MJ 2005 Replacement engine		1	9625+ PR:480
(1)	987 100 920 05	D - MJ 2006>> - MJ 2006 Replacement engine		1	9720+ PR:480
(1)	987 100 920 10	D - MJ 2007>> - MJ 2007 Replacement engine		1	9720+ PR:480
1	987 100 926 00	D - MJ 2008>> - MJ 2008 Replacement engine		1	9626+ PR:480
1	987 100 926 02	D - MJ 2005>> - MJ 2005 Replacement engine		1	9626+ PR:480
(1)	987 100 921 04	D - MJ 2006>> - MJ 2006 Replacement engine		1	9721+ PR:480
(1)	987 100 921 08	D - MJ 2007>> - MJ 2007 Replacement engine		1	9721+ PR:480
(1)	987 100 922 00	D - MJ 2008>> - MJ 2008 Replacement engine		1	9722+ PR:480
		D - MJ 2008>> - MJ 2008			

Model: 987 05 Model life 2005>>2008

Pos	Part Number	Description	Remark	Qty	Model
1	987 100 926 01	Replacement engine		1	9626+ PR:249
1	987 100 926 03	D - MJ 2005>> - MJ 2005 Replacement engine		1	9626+ PR:249
(1)	987 100 921 05	D - MJ 2006>> - MJ 2006 Replacement engine		1	9721+ PR:249
(1)	987 100 921 10	D - MJ 2007>> - MJ 2007 Replacement engine		1	9721+ PR:249
(1)	987 100 922 02	D - MJ 2008>> - MJ 2008 Replacement engine		1	9722+ PR:249
(1)	987 100 921 11	D - MJ 2008>> - MJ 2008 Replacement engine		1	9721+ PR:249
2	987 100 925 50	D - MJ 2008>> - MJ 2008 Short block comprising: Crankcase housing Connecting rod Crankshaft piston oil pump timing chain Parts kit without: Gaskets	also use: 996 101 016 00 996 104 215 54 996 104 216 02 996 105 244 03 000 043 204 35 000 043 300 13 996 106 125 53 999 075 074 00 999 170 223 90	1 4 2 2 X X 1 12 6	9625
2	987 100 925 TX	D - MJ 2005>> - MJ 2006 Short block comprising: Crankcase housing Connecting rod Crankshaft piston oil pump timing chain Parts kit without: Gaskets	also use: 996 101 016 00 996 104 215 54 996 104 216 02 996 105 244 03 000 043 204 35 000 043 300 13 996 106 125 53 999 075 074 00 999 170 223 90	1 4 2 2 X X 1 12 6	9625
-	996 104 170 10	D - MJ 2005>> - MJ 2006 Cylinder head gasket Short block 98710092550/TX Parts kit for seals Cylinder head	999 170 223 90	6 2	

Model: 987 05 Model life 2005>>2008

Pos	Part Number	Description	Remark	Qty	Model
			also use:		
			996 101 336 50	1	
			996 101 331 50	1	
			996 104 203 00	6	
			999 701 761 41	6	
			996 105 903 05	4	
			999 707 479 40	2	
			999 707 404 40	2	
			996 113 233 50	1	
			996 113 213 51	1	
			999 707 554 40	2	
			999 707 547 40	2	
			999 707 389 40	2	
			996 111 107 55	2	
			999 707 574 40	12	
-	996 106 326 50	Seal Short block 98710092550/TX Parts kit for seals Accessories		1	
			also use:		
			999 702 206 50	1	
			999 707 348 40	1	
			996 107 103 51	2	
			999 707 364 40	1	
			997 106 340 00	1	
			996 110 247 03	6	
			997 106 709 00	1	
			997 113 233 01	1	
			997 106 708 00	1	
2	987 100 926 50	Short block comprising: Crankcase housing Connecting rod Crankshaft piston oil pump timing chain Parts kit		1	9626
			without:		
		Gaskets			
			also use:		
			996 101 016 00	1	
			996 104 215 54	4	
			996 104 216 02	2	
			996 105 244 03	2	
			000 043 204 35	X	
			000 043 300 13	X	
			996 106 125 53	1	
			999 075 074 00	12	
			999 170 223 90	6	
2	987 100 926 TX	D - MJ 2005>> - MJ 2006 Short block comprising: Crankcase housing Connecting rod Crankshaft piston oil pump timing chain Parts kit		1	9626
			without:		
		Gaskets			
			also use:		
			996 101 016 00	1	
			996 104 215 54	4	
			996 104 216 02	2	
			996 105 244 03	2	

Model: 987 05 Model life 2005>>2008

Pos	Part Number	Description	Remark	Qty	Model
-	996 104 170 60	D - MJ 2005>> - MJ 2006 Cylinder head gasket Short block 98710092650/TX Parts kit for seals Cylinder head	000 043 204 35 000 043 300 13 996 106 125 53 999 075 074 00 999 170 223 90	X X 1 12 6 2	
		also use:	996 101 336 50 996 101 331 50 996 104 203 00 999 701 761 41 996 105 903 05 999 707 479 40 999 707 404 40 996 113 213 51 999 707 554 40 999 707 547 40 999 707 389 40 996 111 107 55 999 707 574 40	1 1 6 6 4 2 2 1 2 2 2 2 12 1	
-	996 106 326 50	Seal thermostat housing Short block 98710092650/TX Parts kit for seals Accessories			
		also use:	999 702 206 50 999 707 348 40 996 107 103 51 999 707 364 40 997 106 340 00 996 110 247 03 999 106 709 00 999 106 708 00 997 113 233 01 996 113 213 51	1 1 1 1 1 6 1 1 1 1 1	
2	987 100 920 50	Short block comprising: Crankcase housing Connecting rod Crankshaft piston oil pump timing chain Parts kit			9720
		Gaskets			
		without:			
		also use:	996 101 016 00 996 104 215 54 996 104 216 02 996 105 244 03 000 043 204 35 000 043 300 13 996 106 125 53 999 075 074 00 999 170 223 90	1 4 2 4 X X 1 12 6 1	
2	987 100 920 TX	D - MJ 2007>> - MJ 2008 Short block comprising: Crankcase housing Connecting rod			9720

Model: 987 05 Model life 2005>>2008

Pos	Part Number	Description	Remark	Qty	Model
-	996 104 170 10	Crankshaft piston oil pump timing chain Parts kit without: Gaskets also use:	996 101 016 00 996 104 215 54 996 104 216 02 996 105 244 03 000 043 204 35 000 043 300 13 996 106 125 53 999 075 074 00 999 170 223 90	1 4 2 4 X X 1 12 6	
-	996 106 326 50	D - MJ 2007>> - MJ 2008 Cylinder head gasket Short block 98710092050/TX Parts kit for seals Cylinder head also use:	996 101 336 50 996 101 331 50 996 104 203 00 999 701 761 41 996 105 903 05 999 707 479 40 999 707 404 40 996 113 213 51 999 707 554 40 999 707 547 40 999 707 389 40 996 111 107 55 999 707 574 40 999 707 573 40	1 1 6 6 4 2 2 1 2 2 2 2 6 6	
-	996 106 326 50	Seal thermostat housing Short block Parts kit for seals Accessories also use:	999 702 206 50 999 707 348 40 996 107 103 51 999 707 364 40 997 106 340 00 996 106 326 50 997 106 709 00 997 110 247 02 997 113 233 01 997 106 708 00	1 1 2 1 1 1 1 6 1 1	
2	987 100 921 50	Short block comprising: Crankcase housing Connecting rod Crankshaft piston oil pump timing chain Parts kit without: Gaskets also use:	996 101 016 00 996 104 215 54	1 4	9721

Model: 987 05 Model life 2005>>2008

Pos	Part Number	Description	Remark	Qty	Model
2	987 100 921 TX	D - MJ 2007>> - MJ 2008 Short block comprising: Crankcase housing Connecting rod Crankshaft piston oil pump timing chain Parts kit	996 104 216 02 996 105 244 03 000 043 204 35 000 043 300 13 996 106 125 53 999 075 074 00 999 170 223 90	2 4 X X 1 12 6 1	9721
-	996 104 201 04	D - MJ 2007>> - MJ 2008 Cylinder head gasket Short block 98710092150/TX Parts kit for seals Cylinder head	996 101 016 00 996 104 215 54 996 104 216 02 996 105 244 03 000 043 204 35 000 043 300 13 996 106 125 53 999 075 074 00 999 170 223 90	1 4 2 4 X X 1 12 6 2	
-	996 106 326 50	Seal thermostat housing Short block 98710092150/TX Parts kit for seals Accessories	996 101 336 50 996 101 331 50 996 104 203 00 999 701 761 41 996 105 903 05 999 707 479 40 999 707 404 40 996 113 213 51 999 707 554 40 999 707 547 40 999 707 389 40 996 111 107 55 999 707 574 40 999 707 573 40	1 1 6 6 4 2 2 1 2 2 1 2 12 6 1	
2	987 100 922 50	Short block	999 702 206 50 999 707 348 40 996 107 103 51 999 707 364 40 997 106 340 00 997 106 709 00 997 106 708 00 997 110 247 02 997 113 233 01 996 113 213 51	1 1 2 1 1 1 1 1 1 1 1	9722

Model: 987 05 Model life 2005>>2008

Pos	Part Number	Description	Remark	Qty	Model
		comprising: Crankcase housing Connecting rod Crankshaft piston oil pump timing chain Parts kit without: Gaskets			
			also use:		
			996 101 016 00	1	
			996 104 215 54	4	
			996 104 216 02	2	
			996 105 244 03	4	
			000 043 204 35	X	
			000 043 300 13	X	
			996 106 125 53	1	
			999 075 074 00	12	
			999 170 223 90	6	
2	987 100 922 TX	D - MJ 2008>> - MJ 2008 Short block comprising: Crankcase housing Connecting rod Crankshaft piston oil pump timing chain Parts kit without: Gaskets			9722
			also use:		
			996 101 016 00	1	
			996 104 215 54	4	
			996 104 216 02	2	
			996 105 244 03	4	
			000 043 204 35	X	
			000 043 300 13	X	
			996 106 125 53	1	
			999 075 074 00	12	
			999 170 223 90	6	
-	996 104 201 04	D - MJ 2008>> - MJ 2008 Cylinder head gasket Short block 98710092250/TX Parts kit for seals Cylinder head also use:			
			996 101 336 50	1	
			996 101 331 50	1	
			996 104 203 00	6	
			999 701 761 41	6	
			996 105 903 05	2	
			999 707 479 40	2	
			999 707 404 40	2	
			996 113 213 51	1	
			999 707 554 40	2	
			999 707 547 40	2	
			999 707 389 40	2	
			996 111 107 55	2	
			999 707 574 40	12	
-	996 106 326 50	Seal thermostat housing Short block 98710092250/TX Parts kit for seals Accessories			
				1	

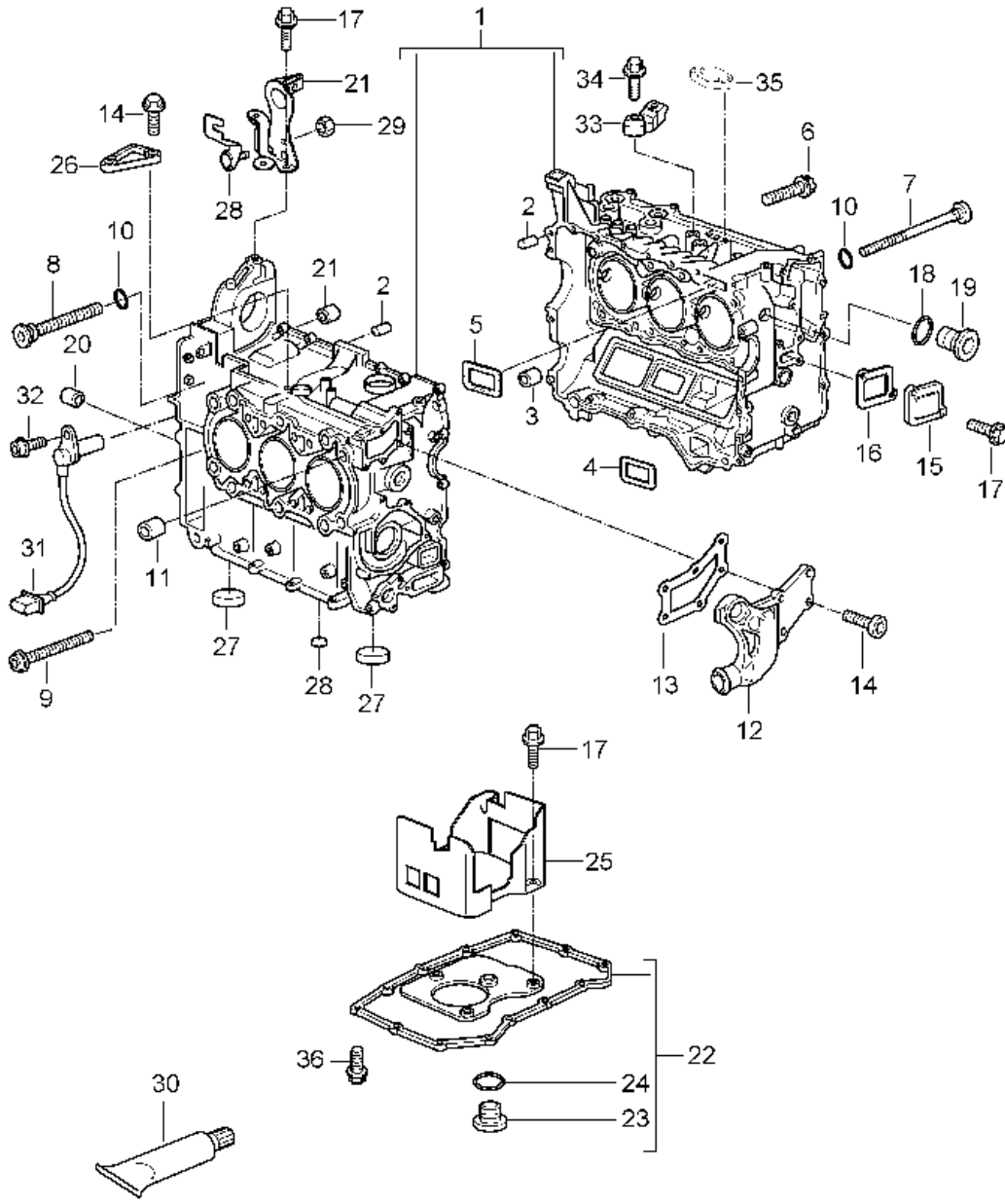
Model: 987 05

Model life 2005>>2008

Pos	Part Number	Description	Remark	Qty	Model
		also use:	999 702 206 50	1	
			999 707 348 40	1	
			996 107 103 51	2	
			999 707 364 40	1	
			997 106 340 00	1	
			997 106 709 00	1	
			997 106 708 00	1	
			997 110 247 02	6	
			997 113 233 01	1	

Model: 987 05

Model life 2005>>2008



Model: 987 05 Model life 2005>>2008

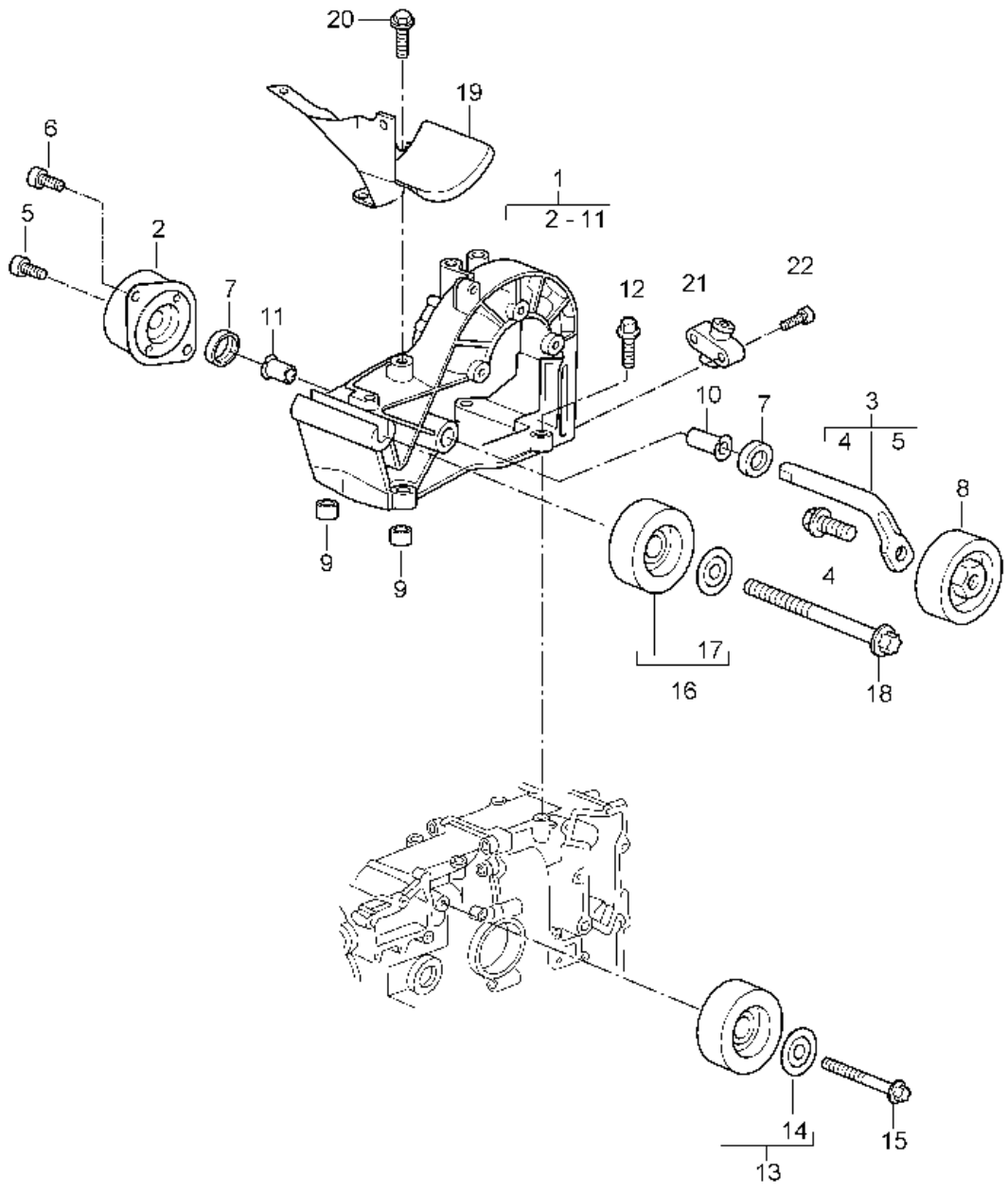
Pos	Part Number	Description	Remark	Qty	Model
		Crankcase housing Individual parts			9625,9626, 9720,9721, 9722 9626
1	996 101 901 10	Crankcase housing D >> - MJ 2006		1	
1	987 101 901 00	Crankcase housing D - MJ 2007>>		1	9721,9722
1	996 101 901 09	Crankcase housing D >> - MJ 2006		1	9625
1	987 101 901 01	Crankcase housing D - MJ 2007>>		1	9720
2	999 012 049 00	Cylinder pin 12M 6 X 22		3	
3	996 101 253 51	dowel sleeve		3	
4	996 101 361 51	Seal		1	
5	996 101 363 50	Seal		1	
6	900 385 270 04	Torx screw M 6 X 35		19	
(6)	999 385 004 09	Torx screw BM 6 X 35 blue Coated D >> - MJ 2007		4	
(6)	999 385 004 01	Torx screw BM 6 X 35 white Coated D - MJ 2008>>		4	
7	996 101 219 52	Screw 9 X 150		1	
8	996 101 229 00	Screw M 9 X 94		1	
9	996 101 203 00	Screw 9 X 94		1	
10	999 701 789 40	O-ring 12 X 2		2	
11	999 095 043 01	dowel sleeve 17M 6 X 18,5	also use: 999 917 788 00	1 4	
12	996 101 021 01	End cap Discontinued part		1	
(12)	996 101 021 02	End cap		1	
13	996 101 331 50	Seal		1	
14	999 073 344 04	flat round head bolt M 6 X 20		8	
15	996 101 016 00	End cap		1	
16	996 101 336 50	Seal		1	
17	900 385 009 09	Torx screw BM 6 X 16		4	
18	900 123 147 30	seal ring A 27 X 32		1	
19	900 219 017 30	sealing plug M 27 X 2		1	
20	014 301 153 B	dowel sleeve 13 X 16 X13,5		2	
21		see illustration:	107-005	1	
22	996 107 031 55	oil sump Discontinued part		1	
(22)	996 107 031 57	oil sump Discontinued part		1	
(22)	996 107 031 58	oil sump		1	
23	900 219 009 30	sealing plug M 18 X 1,5		1	

Model: 987 05 Model life 2005>>2008

Pos	Part Number	Description	Remark	Qty	Model
24	900 123 106 30	seal ring A 18 X 24		1	
25	997 107 243 00	filler plate		1	
26	999 036 005 02	End cap B 50		2	
27	000 043 300 19	End cap B 16 Discontinued part		1	
27	900 036 029 03	End cap B 16		1	
28	996 101 613 50	Bracket		1	PR:249
29	900 377 010 09	Hexagon nut M 6		1	PR:249
30	000 043 204 35	sealant 50 ML Loctite 5900		X	
31	986 606 112 03	impulse sender Discontinued part		1	
31	986 606 112 04	impulse sender		1	
32	900 387 264 09	Socket head bolt M 6 X 16 Discontinued part		1	
32	900 387 264 01	Socket head bolt M 6 X 16		1	
32	N 105 464 03	Hexagon socket head bolt M 6 X 16		1	
33	997 606 121 00	Knock sensor		2	
34	900 385 090 04	Torx screw BM 8 X 35		2	
35	997 113 340 00	End cap		1	PR:-661
-	996 113 213 51	Seal		1	
36	900 385 019 02	Screw BM 6 X 20		13	

Model: 987 05

Model life 2005>>2008

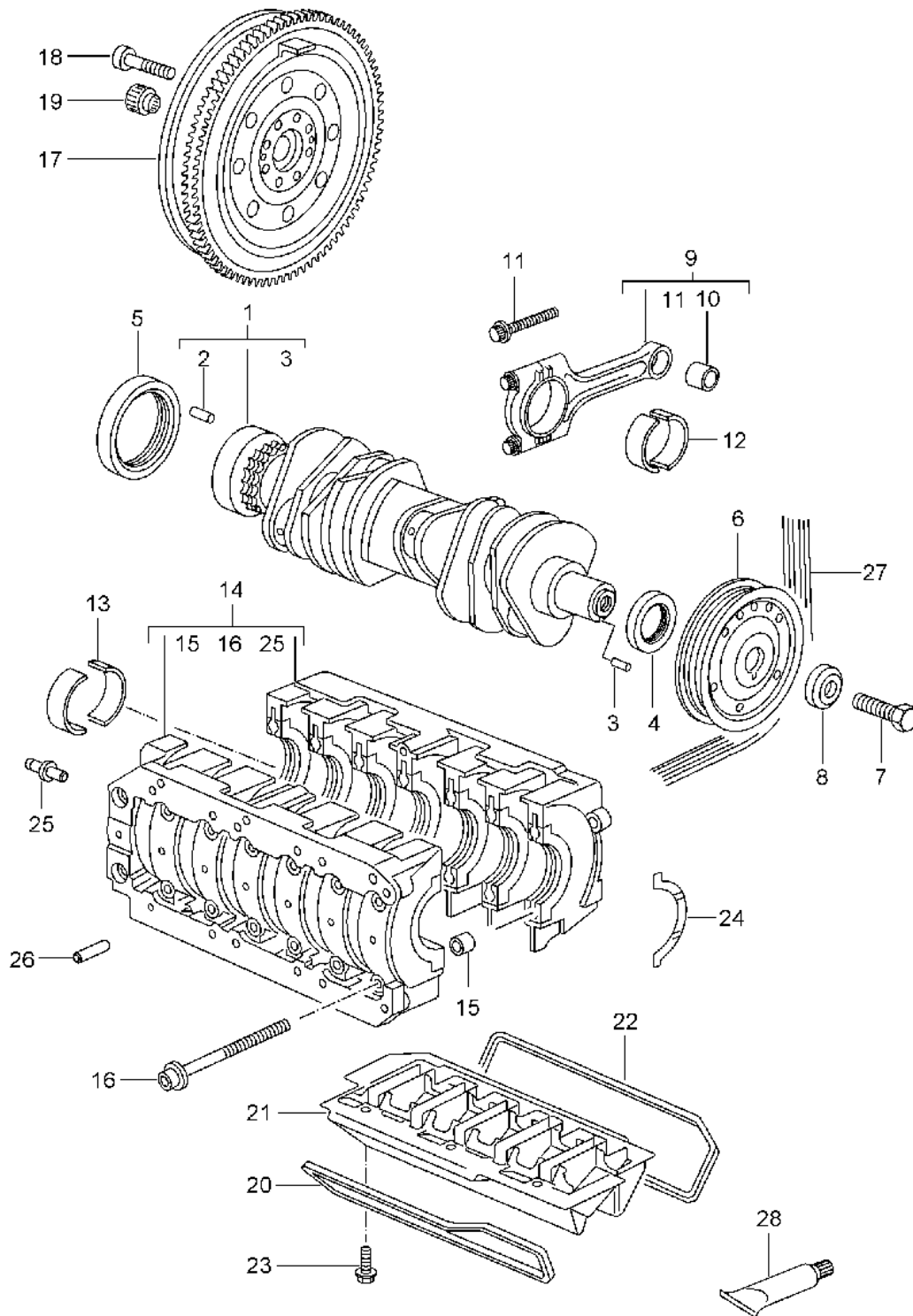


Model: 987 05 Model life 2005>>2008

Pos	Part Number	Description	Remark	Qty	Model
		Belt tensioner Belt drive			9625,9626, 9720,9721, 9722
1	997 102 016 00	Console		1	PR:480,481
(1)	996 102 016 01	Console		1	PR:249
		Discontinued part			
(1)	996 102 016 03	Console		1	PR:249
2	997 102 260 00	tensioner		1	
3	996 102 360 51	lever		1	
4	999 072 041 09	Hexagon bolt M 10 X 30		1	
5	900 067 117 03	Socket head bolt M 6 X 16		1	
6	999 067 045 09	Socket head bolt M 8 X 22		2	
7	996 102 365 50	dust cap		2	
8	997 102 117 00	Tensioning roller		1	PR:480,481
(8)	996 102 117 57	Tensioning roller		1	PR:249
9	999 095 064 00	dowel sleeve 12 M 6 X 13		2	
10	997 102 167 00	Bush		1	
11	997 102 165 00	Bush		1	
12	900 385 090 04	Torx screw M 8 X 35		4	
13	997 102 119 00	idler pulley		1	PR:480,481
(13)	996 102 119 58	idler pulley		1	PR:249
14	996 102 127 54	Cover disc		1	
15	900 385 091 04	Torx screw M 8 X 60		1	
		Discontinued part			
15	900 385 091 01	Hexagon head bolt M 8 X 60		1	
16	997 102 118 00	idler pulley		1	PR:480,481
(16)	996 102 118 56	idler pulley		1	PR:249
17	996 102 125 53	Cover disc		1	PR:249
18	900 385 092 04	Torx screw M 10 X 145		1	
19	996 102 211 05	Cover		1	
20	900 385 279 09	Hexagon bolt M 6 X 12		3	
		Discontinued part			
20	900 385 279 01	Hexagon head bolt M 6 X 12		3	
21	997 126 101 00	Bracket Compressor Air conditioning		1	

Model: 987 05

Model life 2005>>2008



Model: 987 05 Model life 2005>>2008

Pos	Part Number	Description	Remark	Qty	Model
		Crankshaft			9625,9626, 9720,9721, 9722
1	996 102 011 58	Crankshaft		1	
1	987 102 010 03	Crankshaft		1	9721,9722
2	900 095 031 01	spring pin 6,0 X 16		1	
3	900 302 021 00	Cylinder pin A 4,0 X 10		1	
4	999 113 475 40	Shaft oil seal 40 X 62 X 10		1	
5	999 113 490 40	Shaft oil seal 85 X 105 X 11		1	
5	997 101 212 00	No longer use the part here Shaft oil seal 85 x 105 x 11		1	
6	996 102 115 63	pulley		1	
7	900 082 085 09	Hexagon bolt M 16 X 1,5 X 60		1	
8	996 102 315 51	pressure washer		1	
9	996 103 975 02	Connecting rod Connecting rods comprising: 6 Connecting rods See workshop manual 987 GR.1-1		1	
10	996 103 111 51	bush - connecting rod		6	
11	997 103 115 01	bolt - connecting rod		12	
12	996 103 121 62	connecting rod bearing shell		12	
13	987 101 205 01	crankshaft bearing No longer use the part here		14	9625
13	996 101 205 10	crankshaft bearing		14	9626,9720
13	996 101 205 10	crankshaft bearing		14	9625
13	996 101 209 04	crankshaft bearing	also use: 996 101 007 09	14	9721,9722
14	987 101 007 20	Bearing housing only in conj. with: 987.101.205.01 No longer use the part here		1	9625
14	996 101 007 09	Bearing housing		1	9625,9626, 9720
14	996 101 007 22	Bearing housing Discontinued part		1	9721
(14)	996 101 007 23	Bearing housing		1	9721,9722
15	999 095 064 00	dowel sleeve 12 M 6 X 13		3	
16	996 101 115 60	Screw M >> 615 06313		14	9625
(16)	996 101 115 61	Screw M 615 06314 >> No longer use the part here		14	9625
(16)	996 101 115 61	Screw for Bearing housing No longer use the part here		14	9720,9721, 9722,9626
(16)	996 101 115 59	Screw for Bearing housing		14	9720,9721, 9722,9626
17	986 114 012 05	Dual-mass flywheel		1	9625,9720+ PR:481
17	986 114 012 06	Dual-mass flywheel		1	9625,9626, 9720+

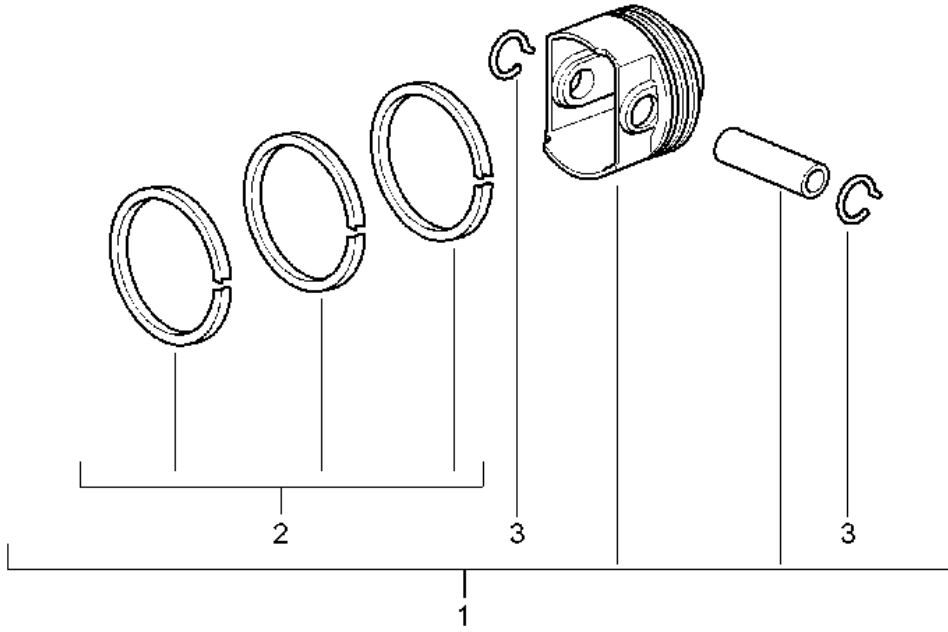
Model: 987 05

Model life 2005>>2008

Pos	Part Number	Description	Remark	Qty	Model
17	986 114 012 06	Dual-mass flywheel		1	PR:480 9721,9722+ PR:480
18	999 073 092 09	Socket head bolt M 10 X 1 X 50		8	
19	034 105 313 A	needle bearing -		1	
20	996 101 241 51	Seal		1	
21	996 101 110 00	oil separator		1	
22	996 101 242 51	Seal		1	
23	900 385 050 09	Torx screw M 6 X 16		6	
(23)	900 385 050 01	Discontinued part Hexagon head bolt M 6 X 16		6	
24	996 101 129 52	thrust washer		2	9625,9626, 9720
(24)	996 101 132 00	thrust washer		2	9721,9722
25	996 101 117 54	Cylinder pin		1	
26	996 101 018 51	Spray jet		6	
27	996 102 151 66	Poly-rib belt		1	
28	000 043 204 17	Extreme-pressure grease 100 GR.		X	

Model: 987 05

Model life 2005>>2008



Model: 987 05 Model life 2005>>2008

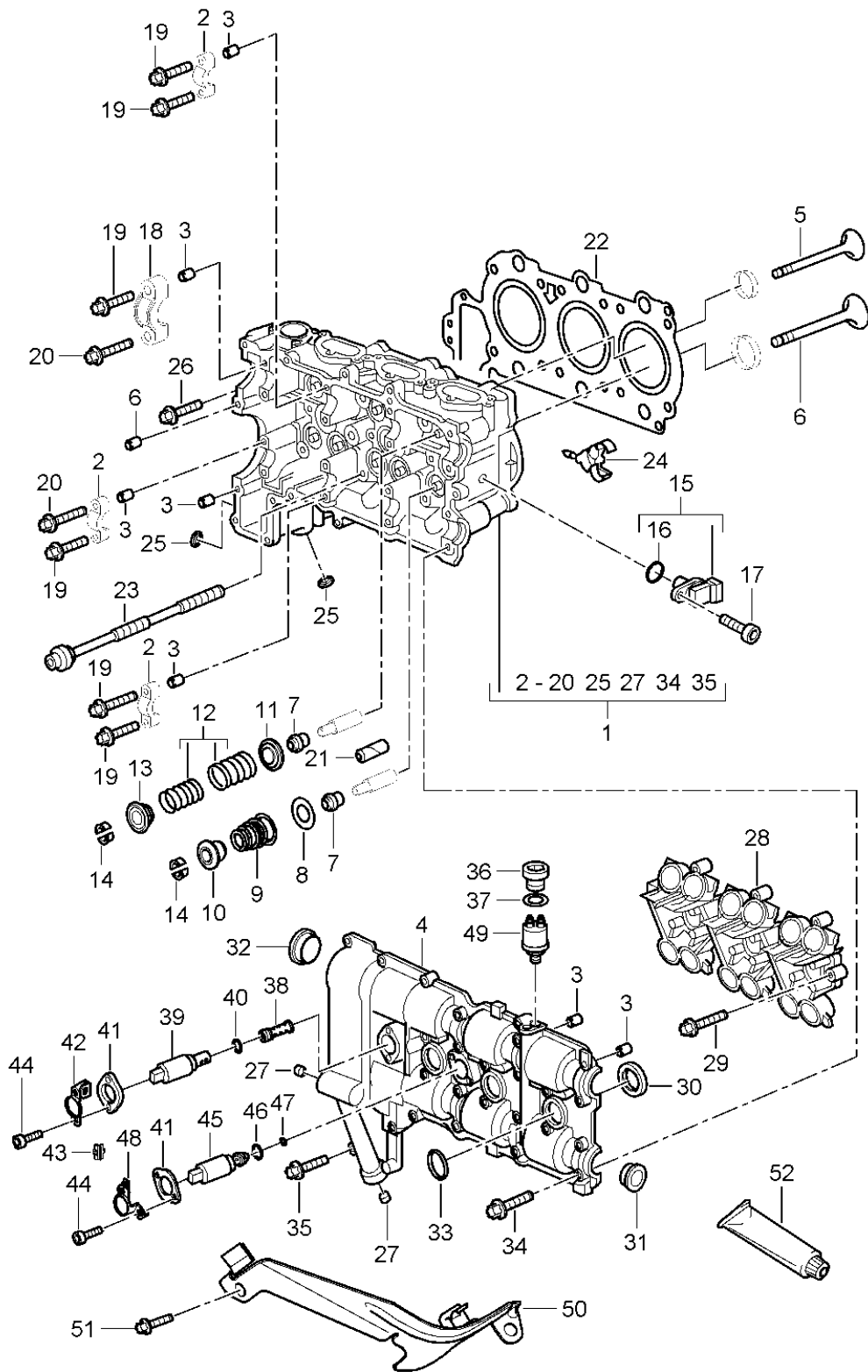
Pos	Part Number	Description	Remark	Qty	Model
		piston			9625,9626, 9720,9721, 9722 9625
1	996 103 071 14	piston complete Tolerance range X Identification: >> >> -		6	
(1)	996 103 071 15	460 - 466 G piston complete Tolerance range X Identification: >> >> +		6	9625
(1)	987 103 071 03	466 - 472 G piston complete Tolerance range X Identification: >> >> -		6	9720
(1)	987 103 071 04	462 - 468 G No longer use the part here piston complete Tolerance range X Identification: >> >> +		6	9720
(1)	987 103 971 00	468 - 474 G No longer use the part here 1 set pistons Content piston Tolerance range X Only by sets		1	9720
(1)	996 103 032 15	piston Tolerance range X Identification: >> >> -		6	9626
(1)	996 103 032 16	535 - 541 G piston Tolerance range X Identification: >> >> +		6	9626
(1)	987 103 051 13	541 - 547 G piston complete Tolerance range X Identification: >> >> -		6	9721,9722
(1)	987 103 051 14	524 - 530 G piston complete Tolerance range X Identification: >> >> +		6	9721,9722
2	996 103 073 00	530 - 536 G 1 set: piston rings		6	9625
2	996 103 073 00	1 set: piston rings		6	9720
2	996 103 033 51	1 set: piston rings		6	9626
2	987 103 053 02	1 set: piston rings		6	9721,9722

Model: 987 05 Model life 2005>>2008

Pos	Part Number	Description	Remark	Qty	Model
3	996 103 141 03	Securing ring		12	

Model: 987 05

Model life 2005>>2008



Model: 987 05 Model life 2005>>2008

Pos	Part Number	Description	Remark	Qty	Model
		Cylinder head			9625,9626, 9720,9721, 9722
1	996 104 933 00	Complete cylinder head Cyl. 1 - 3		1	9625
1	996 104 933 AX	Complete cylinder head Cyl. 1 - 3		1	9625
1	987 104 915 00	Cylinder head Cyl. 1 - 3		1	9720
1	987 104 915 AX	Cylinder head Cyl. 1 - 3		1	9720
(1)	996 104 953 00	Complete cylinder head Cyl. 1 - 3		1	9626
(1)	996 104 953 AX	Complete cylinder head Cyl. 1 - 3		1	9626
(1)	987 104 913 00	Cylinder head Cyl. 1 - 3		1	9721,9722
(1)	987 104 913 AX	Cylinder head Cyl. 1 - 3		1	9721,9722
(1)	996 104 934 00	Complete cylinder head Cyl. 4 - 6		1	9625
(1)	996 104 934 AX	Complete cylinder head Cyl. 4 - 6		1	9625
(1)	987 104 916 00	Cylinder head Cyl. 4 - 6		1	9720
(1)	987 104 916 AX	Cylinder head Cyl. 4 - 6		1	9720
(1)	996 104 954 00	Complete cylinder head Cyl. 4 - 6		1	9626
(1)	996 104 954 AX	Complete cylinder head Cyl. 4 - 6		1	9626
(1)	987 104 914 00	Cylinder head Cyl. 4 - 6		1	9721,9722
(1)	987 104 914 AX	Cylinder head Cyl. 4 - 6		1	9721,9722
2		Bearing cover Matching with: Cylinder head		6	
3	996 104 117 50	dowel sleeve		28	
4		Cover Matching with: Cylinder head		2	
5	996 105 111 02	Inlet valve Discontinued part		12	9625
5	996 105 111 05	Inlet valve		12	9625
5	987 105 115 00	Inlet valve		12	9720
(5)	996 105 111 52	Inlet valve		12	9626
(5)	996 105 271 00	Inlet valve Discontinued part		12	9721,9722
(5)	996 105 271 02	Inlet valve		12	9721,9722
6	996 105 113 04	exhaust valve		12	9625
6	987 105 116 00	exhaust valve		12	N97.20
(6)	996 105 247 00	exhaust valve		12	9626
(6)	996 105 273 03	exhaust valve Discontinued part		12	9721,9722
(6)	996 105 273 04	exhaust valve		12	
7	996 105 115 52	Valve stem seal		24	
8	996 105 117 51	spring disc exhaust valve	lower	24	9625,9626
(8)	996 105 117 51	spring disc exhaust valve	lower	12	9720,9721
(9)	996 105 119 56	Valve spring		12	9625,9626
9	996 105 118 01	Valve spring		12	9720,9721,

Model: 987 05

Model life 2005>>2008

Pos	Part Number	Description	Remark	Qty	Model
10	996 105 121 54	exhaust valve spring disc	upper	24	9722 9625,9626
10	996 105 121 54	spring disc	upper	12	9720,9721, 9722
11	996 105 147 00	exhaust valve spring disc	lower	12	
(12)	996 105 119 56	Inlet valve Valve spring		12	9625,9626
12	996 105 939 00	1 set of valve springs Inlet valve		12	9720,9721, 9722
13	996 105 145 00	spring disc Inlet valve	upper	12	
14	996 105 123 51	Valve collet		48	
15	997 606 106 01	Hall sensor Discontinued part		2	
15	997 606 106 03	Hall sensor		2	
16	999 707 404 40	O-ring 17,05 X 1,78 To Use 997.606.106.03 No longer use the part here		2	
17	900 387 264 01	Socket head bolt M 6 X 16 Discontinued part		2	
17	N 105 464 03	Hexagon socket head bolt M 6 X 16		2	
18		Bearing cover Intake Matching with: Cylinder head		2	
19	900 385 017 09	Torx screw M 6 X 35		12	
20	900 385 025 01	Torx screw M 6 X 40		4	
21	000 043 204 46	Sleeve for Valve stem seal		1	
22	996 104 170 10	Cylinder head gasket		2	/97.20 9625 9626
(22)	996 104 170 60	Cylinder head gasket		2	9626
(22)	996 104 201 04	Cylinder head gasket		2	9721,9722
23	996 104 180 58	Screw M 10 X 230 Discontinued part		24	
23	996 104 180 59	Screw M 10 X 230		24	
24	999 507 075 40	Cable holder 3,0 - 12		3	
25	999 036 026 02	End cap B 10 Discontinued part		4	
(25)	999 036 026 01	End cap B 10		4	
26	900 385 048 01	Torx screw M 6 X 30 Mount Cylinder head Crankcase housing		8	
27	900 036 023 02	End cap B 18 Discontinued part		4	

Model: 987 05 Model life 2005>>2008

Pos	Part Number	Description	Remark	Qty	Model
(27)	900 036 023 01	End cap B 18		4	
28	996 104 042 03	housing Tappets Hydraulic		2	9625,9626
(28)	987 104 045 00	housing Tappets Hydraulic		2	9720
(28)	997 104 043 00	housing Tappets Hydraulic		2	9721,9722
29	900 385 017 09	Torx screw M 6 X35		22	
30	996 104 203 00	Seal		6	
31	996 104 215 54	End cap		4	
32	996 104 216 02	End cap		2	
33	999 701 761 41	O-ring 28 X 2		6	
34	999 385 003 01	Torx screw M 6 X 30		16	
35	900 385 048 01	Torx screw M 6 X 30		24	
36	900 219 018 30	sealing plug M 14 X 1,5		1	
36	999 063 038 01	No longer use the part here sealing plug M 14 X 1,5		1	
37	900 123 104 30	seal ring A 14 X 18		1	
37	900 123 173 20	No longer use the part here seal ring A 14 X 18		1	
38	997 105 701 00	oil strainer		2	
39	996 105 303 05	throttle control element Camshaft Discontinued part		2	
40	996 105 903 05	O-ring throttle control element Camshaft		2	
41	996 105 244 03	End cap throttle control element		4	
42	996 105 256 01	bracket f.throttle contr.elem.		2	
43	999 651 386 02	Cable clamp 5,5 - 9,0 Discontinued part		4	
43	999 651 386 01	Cable clamp 5,5 - 9,0		4	
44	900 387 006 01	Socket head bolt M 6 X 20		8	
45	997 105 301 00	throttle control element		2	9720,9721, 9722
46	999 707 479 40	O-ring 22,00 X 1,50		2	9720,9721, 9722
47	999 707 441 40	O-ring 18,00 X 1,50		2	9720,9721, 9722
48	996 105 310 03	Bracket D - MJ 2007>>		2	9720,9721
49	986 606 203 03	Oil pressure switch		1	
50	987 104 445 00	Guard plate Cyl. 1 - 3		1	
51	900 385 009 09	Torx screw M 6 X 16		4	
52	000 043 204 35	sealant		X	

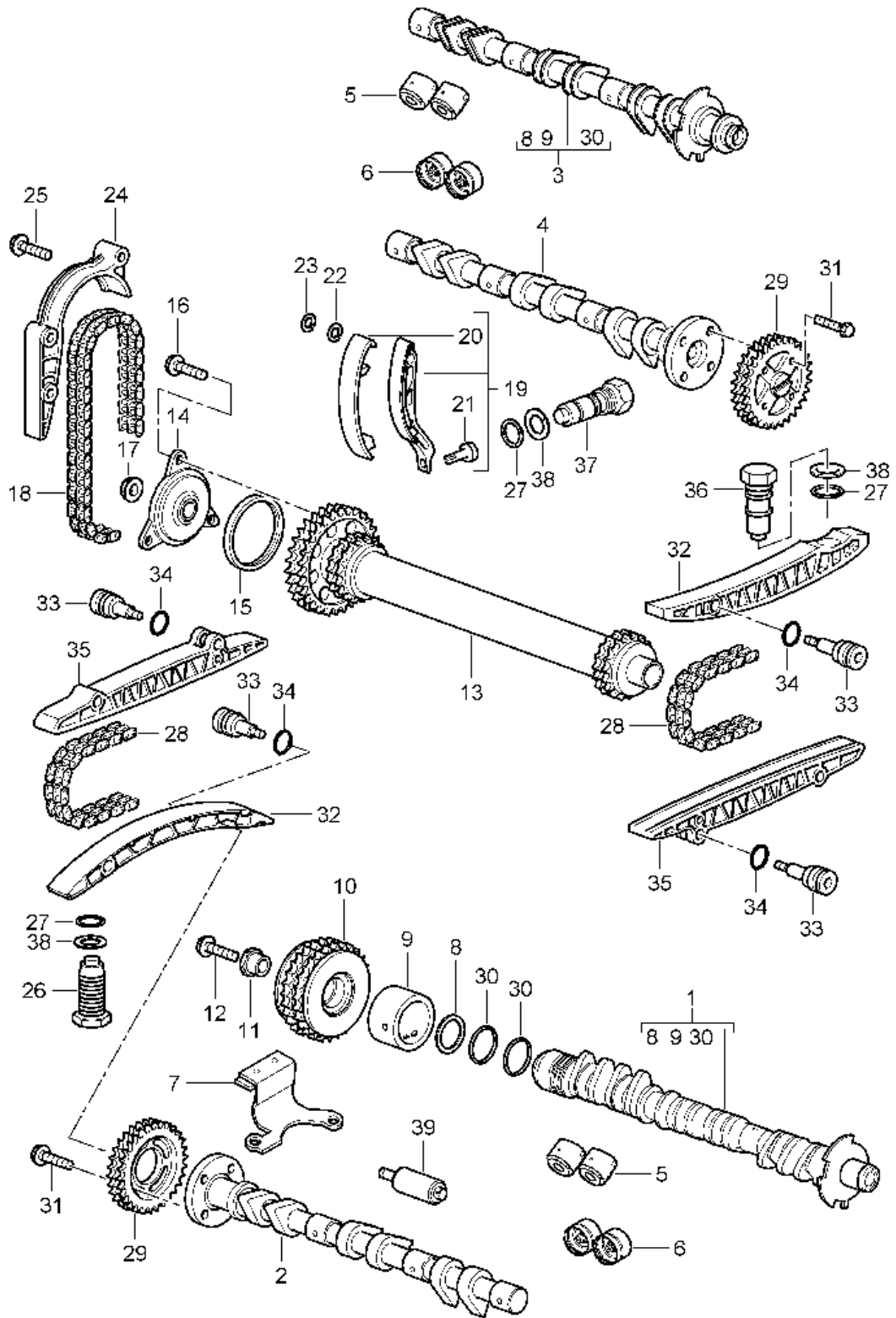
Model: 987 05

Model life 2005>>2008

Pos	Part Number	Description	Remark	Qty	Model
(52)	000 043 024 00	50 ML Extreme-pressure grease 1 tube 80 Gr. for Camshaft		1	

Model: 987 05

Model life 2005>>2008



Model: 987 05 Model life 2005>>2008

Pos	Part Number	Description	Remark	Qty	Model
		Camshaft Driving mechanism			9625, 9626, 9720, 9721, 9722 9626
1	996 105 921 00	Camshaft Intake Cyl. 1 - 3		1	
(1)	997 105 947 00	Camshaft Intake Cyl. 1 - 3		1	9721
(1)	997 105 047 03	No longer use the part here Camshaft Intake Cyl. 1 - 3		1	9721
(1)	997 105 947 01	No longer use the part here Camshaft Intake Cyl. 1 - 3		1	9721, 9722
(1)	996 105 921 20	Camshaft Intake Cyl. 1 - 3		1	9625
(1)	987 105 951 00	Camshaft Intake Cyl. 1 - 3		1	9720
2	996 105 065 01	Camshaft Exhaust Cyl. 1 - 3		1	9625
(2)	996 105 065 02	Discontinued part Camshaft Exhaust Cyl. 1 - 3		1	9625
(2)	987 105 065 04	Camshaft Exhaust Cyl. 1 - 3		1	9720
(2)	987 105 065 05	Discontinued part Camshaft Exhaust Cyl. 1 - 3		1	9720
(2)	996 105 063 01	Camshaft Exhaust Cyl. 1 - 3		1	9626
(2)	996 105 063 02	Discontinued part Camshaft Exhaust Cyl. 1 - 3		1	9626
(2)	996 105 059 01	Camshaft Exhaust Cyl. 1 - 3		1	9721, 9722
(2)	996 105 059 02	Discontinued part Camshaft Exhaust Cyl. 1 - 3		1	9721, 9722
3	996 105 916 00	Camshaft Intake Cyl. 4 - 6		1	9626
(3)	997 105 948 00	Camshaft Intake Cyl. 4 - 6		1	9721
(3)	997 105 048 03	No longer use the part here Camshaft Intake Cyl. 4 - 6		1	9721
(3)	997 105 948 01	No longer use the part here Camshaft		1	9721, 9722

Model: 987 05 Model life 2005>>2008

Pos	Part Number	Description	Remark	Qty	Model
(3)	996 105 916 20	Intake Cyl. 4 - 6 Camshaft		1	9625
(3)	987 105 952 00	Intake Cyl. 4 - 6 Camshaft		1	9720
4	996 105 066 26	Intake Cyl. 4 - 6 Camshaft Exhaust		1	9625
(4)	996 105 066 27	Discontinued part Camshaft Exhaust Cyl. 4 - 6		1	9625
(4)	987 105 066 04	Discontinued part Camshaft Exhaust Cyl. 4 - 6		1	9720
(4)	987 105 066 05	Discontinued part Camshaft Exhaust Cyl. 4 - 6		1	9720
(4)	996 105 064 27	Discontinued part Camshaft Exhaust Cyl. 4 - 6		1	9626
(4)	996 105 064 28	Discontinued part Camshaft Exhaust Cyl. 4 - 6		1	9626
(4)	997 105 060 01	Discontinued part Camshaft Exhaust Cyl. 4 - 6		1	9721,9722
(4)	997 105 060 02	Discontinued part Camshaft Exhaust Cyl. 4 - 6		1	9721,9722
5	996 105 041 72	Hydraulic tappet		24	9625,9626
5	996 105 041 72	Hydraulic tappet Exhaust		12	9720,9721, 9722
6	996 105 255 25	Hydraulic tappet		12	9720,9721, 9722
7	996 105 168 03	Intake Rail Discontinued part		2	
7	996 105 168 04	Rail		2	
8	996 105 203 00	Washer		2	
9	996 104 205 07	Bearing bush		2	
10	996 105 051 03	camshaft adjuster unit Camshaft Intake cylinder Cyl. 1 - 3 Discontinued part		1	
10	996 105 051 04	camshaft adjuster unit Camshaft Intake cylinder Cyl. 1 - 3		1	
(10)	996 105 052 01	camshaft adjuster unit Camshaft Intake cylinder Cyl. 4 - 6 Discontinued part		1	

Model: 987 05 Model life 2005>>2008

Pos	Part Number	Description	Remark	Qty	Model
(10)	996 105 052 02	camshaft adjuster unit Camshaft Intake cylinder Cyl. 4 - 6		1	
11	987 105 260 01	Intermediate piece		2	
12	987 105 254 00	Hexagon bolt M 12 X 1,5 X 130		2	
13	996 105 901 06	Intermediate shaft		1	
14	996 105 024 06	Bearing cover		1	
15	996 105 112 01	Seal		1	
16	900 385 093 09	Hexagon bolt M 6 X 20 Discontinued part		3	
16	900 385 093 01	Hexagon bolt M 6 X 20		3	
17	999 076 084 01	Hexagon nut M 12 x 1,25		1	
18	996 105 171 56	timing chain Discontinued part		1	
18	996 105 171 58	timing chain		1	
19	996 105 165 55	Tensioner blade		1	
20	996 105 195 00	covering		1	
21	996 105 197 00	Pressure pin		1	
22	900 234 040 01	fitted washer 10 X 16 X 1,2		1	
23	900 041 004 01	Securing ring 10 X 1		1	
24	996 105 166 51	slide rail		1	
25	900 075 486 01	Bolt with washer M 6 X 40		3	
26	996 105 186 01	chain tensioner Discontinued part		1	
26	996 105 186 02	chain tensioner		1	
27	999 707 344 40	O-ring 18,77 X 1,78		3	
28	996 105 152 00	timing chain Discontinued part		2	
28	996 105 152 01	timing chain		2	
29	996 105 178 54	Chain sprocket	with:	2	
30	996 105 280 51	Follower ring		1	
31	900 385 041 01	Torx screw M 6 X 12		8	
32	996 105 156 00	Tensioner blade cylinder 1 - 3		1	
(32)	996 105 158 00	Tensioner blade cylinder 4 - 6 Discontinued part		1	
(32)	996 105 158 01	Tensioner blade cylinder 4 - 6		1	
33	996 105 062 01	Screw M 6 Discontinued part		6	
(33)	9A1 105 062 01	Socket head bolt M 6		6	
34	999 707 346 40	O-ring 15 X 3		6	
35	996 105 054 01	slide rail		1	

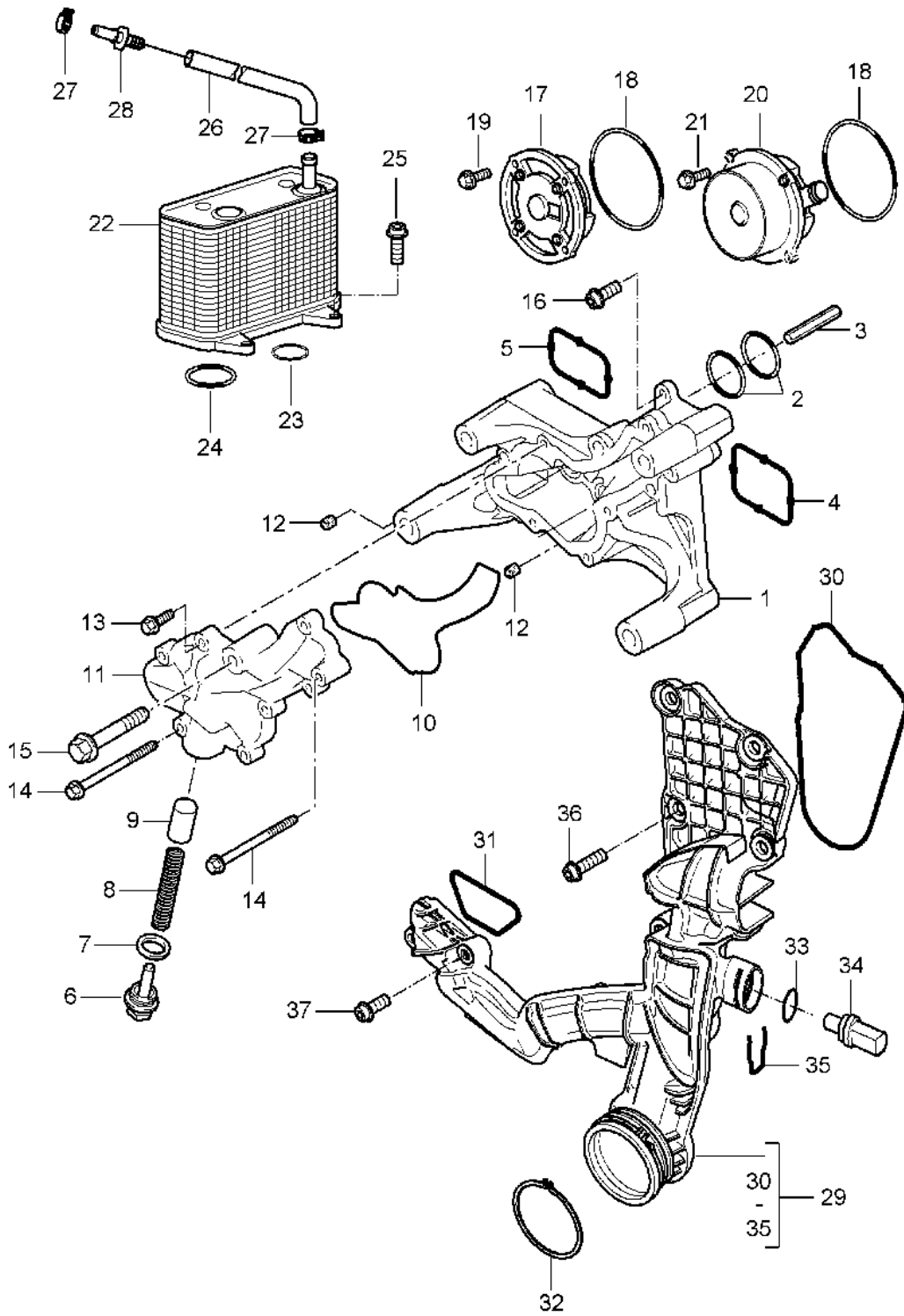
Model: 987 05

Model life 2005>>2008

Pos	Part Number	Description	Remark	Qty	Model
(35)	996 105 164 00	cylinder 1 - 3 slide rail cylinder 4 - 6		1	
36	996 105 188 01	chain tensioner Discontinued part		1	
36	996 105 188 02	chain tensioner		1	
37	996 105 180 56	chain tensioner Discontinued part		1	
37	996 105 180 58	chain tensioner		1	
38	900 123 147 30	seal ring A 27 X 32		3	
39		throttle control element see illustration:	103-000	2	
40	900 385 025 09	Torx screw M 6 X 40 Discontinued part		2	
(40)	900 385 025 01	Torx screw M 6 X 40		2	
41	900 385 017 09	Torx screw M 6 X 35		2	
42	999 707 571 40	O-ring 18 x 2		1	
-	000 043 024 00	Extreme-pressure grease 1 tube 80 Gr. for Camshaft		1	

Model: 987 05

Model life 2005>>2008



Model: 987 05 Model life 2005>>2008

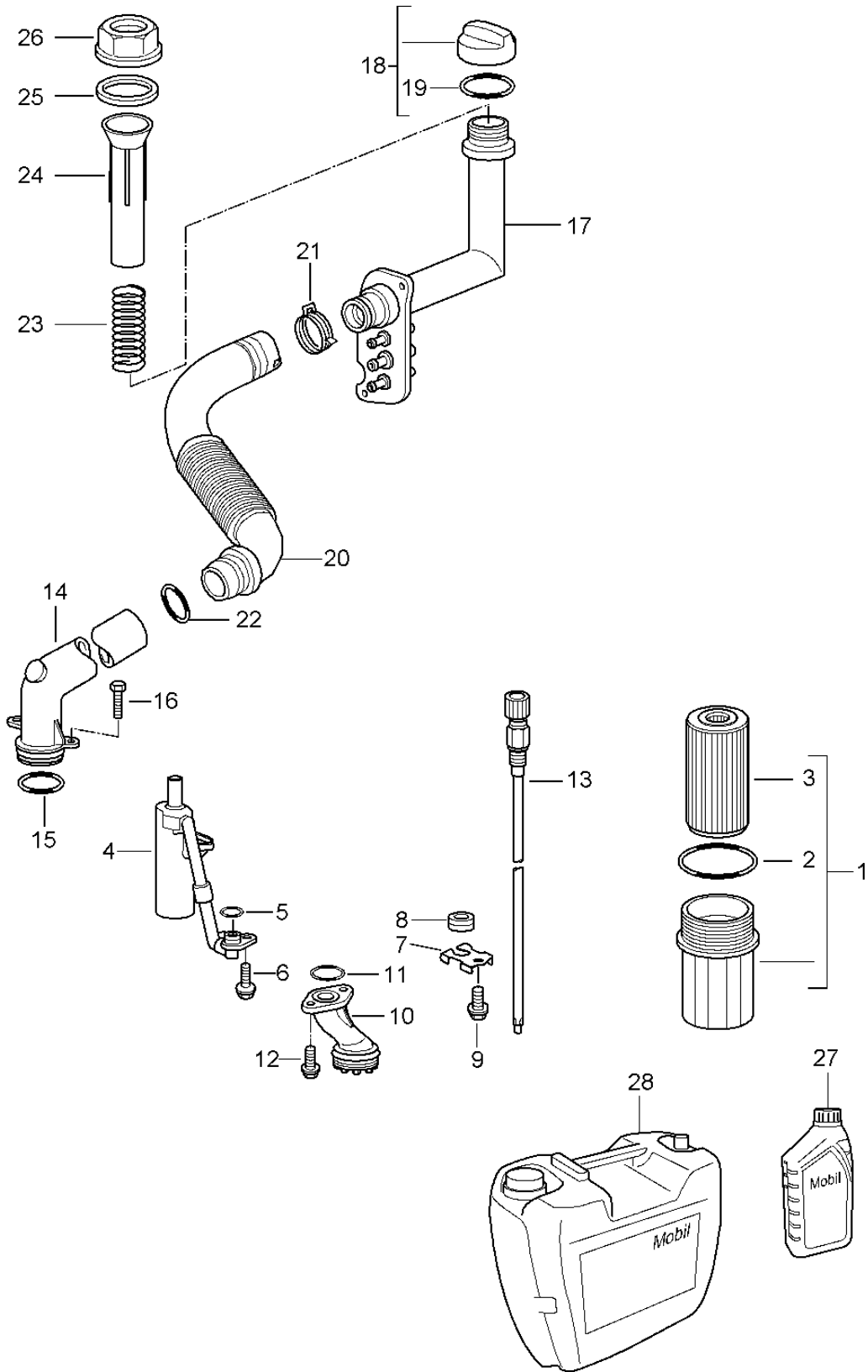
Pos	Part Number	Description	Remark	Qty	Model
		oil pump Tandem pump			9625,9626, 9720,9721, 9722
1	997 107 012 04	oil pump		1	
(1)	997 107 912 04	Discontinued part oil pump		1	
(1)	997 107 012 06	D >> - MJ 2006 oil pump		1	
(1)	997 107 012 07	D - MJ 2007>> Discontinued part oil pump		1	
2	996 107 103 51	D - MJ 2007>> O-ring 29,1 X 2,55		2	
		also use:	000 043 300 13	1	
3	996 107 121 50	Follower		1	
4	997 107 266 00	seal ring		1	
5	997 107 267 00	seal ring		1	
6	996 107 105 51	sealing plug		1	
7	996 107 123 50	Seal		1	
8	996 107 127 53	Spring for oil pressure relief valve		1	
9	997 107 125 01	piston		1	
10	997 107 261 00	seal ring		1	
11	997 107 212 03	Oil pump cover Use Position 1 No longer use the part here		1	
12	996 106 103 50	dowel sleeve		2	
13	900 385 023 09	Screw BM 6 X 25		6	
14	999 073 355 09	flat round head bolt M 6 X 80		2	
(14)	999 073 381 01	D >> - MJ 2006 flat round head bolt M 6 X 110 D - MJ 2007>>		1	
15	900 385 089 09	Torx screw BM 10 X 100		1	
16	999 073 344 04	flat round head bolt M 6 X 20		6	
17	997 107 021 03	oil pump Discontinued part		1	
17	997 107 021 04	oil pump		1	
18	999 707 554 40	O-ring 95 X 2,5		2	
19	999 073 316 09	also use: Hexagon bolt M 6 X 20	000 043 300 13	4	
20	997 107 022 01	Tandem pump Discontinued part		1	
20	997 107 022 02	Tandem pump Discontinued part		1	
20	997 107 022 03	Tandem pump Discontinued part		1	
20	997 107 022 04	Tandem pump		1	
21	999 073 317 09	flat round head bolt M 6 X 30		4	
22	996 107 025 07	heat exchanger		1	9625,9626, 9720
(22)	987 107 025 01	heat exchanger Discontinued part		1	9721,9722

Model: 987 05 Model life 2005>>2008

Pos	Part Number	Description	Remark	Qty	Model
(22)	987 107 025 02	heat exchanger		1	9721, 9722
23	999 707 547 40	O-ring 28 X 3		2	
24	999 707 389 40	O-ring 35 X 4		2	
25	900 387 264 09	Socket head bolt M 6 X 16 Discontinued part		4	
25	900 387 264 01	Socket head bolt M 6 X 16		4	
25	N 105 464 03	Hexagon socket head bolt M 6 X 16		4	
26	987 106 249 00	Vent hose		1	9625, 9626
(26)	987 106 531 00	Vent hose F >> 98-8U702 381 F >> 98-8U722 204		1	9720, 9721, 9722
(26)	987 106 531 01	Vent hose F 98-8U702 382>> F 98-8U722 205>>		1	9720, 9721, 9722
27	999 512 650 09	Hose clamp B 14 X 12		2	9625, 9626
(27)	999 512 684 09	Clamp B 18 X 12		2	9720, 9721, 9722
28	996 106 255 00	Push-on sleeve		1	9625, 9626
29	987 106 508 04	Water guide housing		1	
30	997 106 709 00	seal ring		1	
31	997 106 708 00	seal ring		1	
32	997 106 802 03	Spring SCB 42		1	
33	999 707 508 40	O-ring 19,6 X 3,65		1	
34	997 606 410 00	Temperature sensor		1	
35	999 021 011 01	retaining spring SL-B110		1	
36	999 073 344 04	flat round head bolt M 6 X 20 Discontinued part		3	
36	999 073 344 01	flat round head bolt M 6 X 20		3	
37	999 073 352 09	flat round head bolt M 6 X 35 Discontinued part		5	
37	999 073 352 01	flat round head bolt M 6 X 35		5	
-	996 102 235 01	arm Belt drive		1	PR:249, 572
-	996 102 235 01	arm Belt drive		1	PR:249, 573

Model: 987 05

Model life 2005>>2008

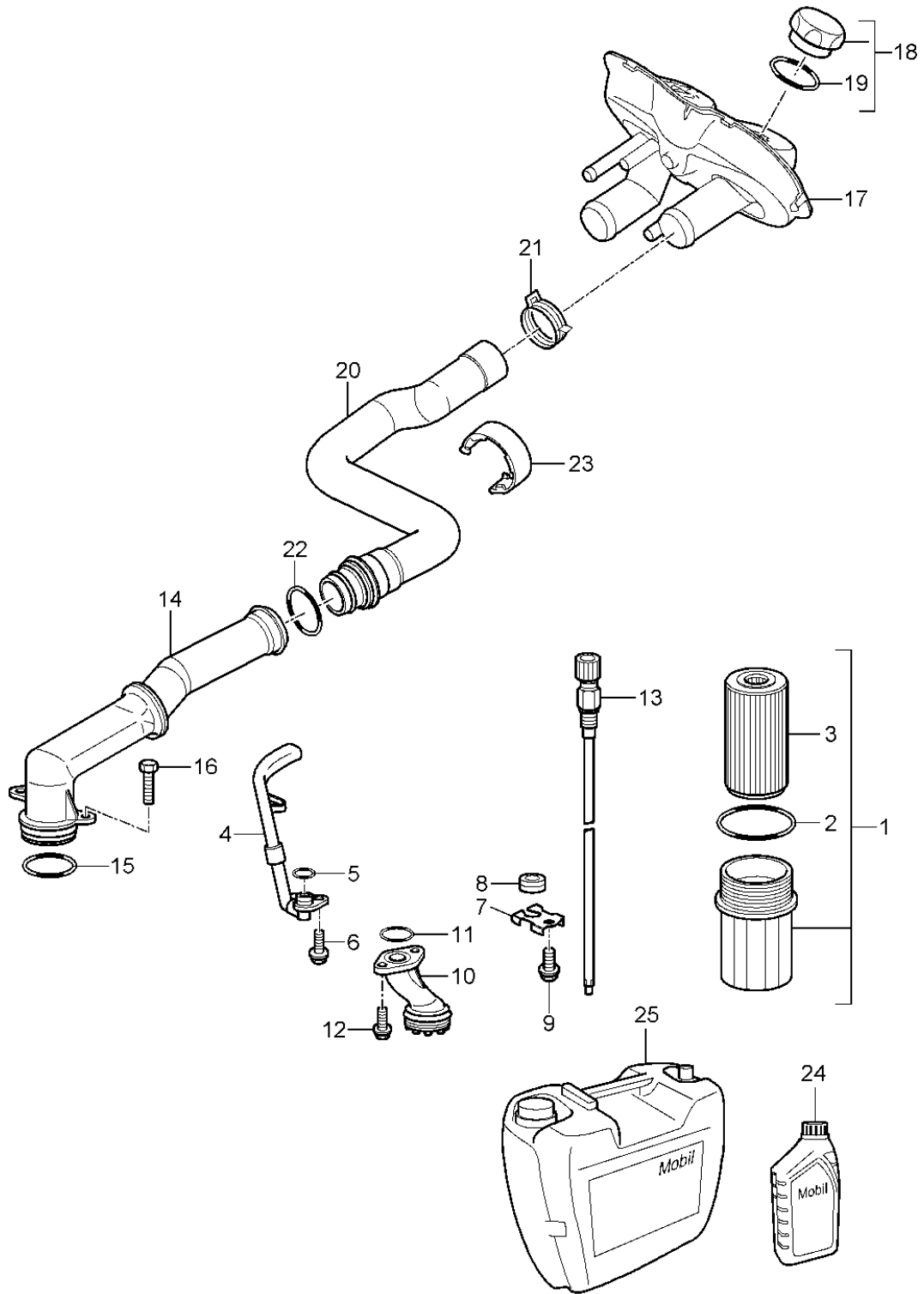


Model: 987 05 Model life 2005>>2008

Pos	Part Number	Description	Remark	Qty	Model
		Engine lubrication			9625,9626
1	996 107 020 55	oil filter		1	
2	996 107 313 51	seal ring		1	
		also use:	000 043 300 13	1	
3	996 107 225 60	filter element		1	
4	996 107 080 54	oil separator		2	
5	999 701 789 40	O-ring 12 X 2		2	
6	999 073 344 04	flat round head bolt BM 6 X 20		5	
7	996 107 333 50	Bracket		1	
8	999 702 206 50	Grommet 9,5 X 18,0 X 1,2		1	
9	900 385 275 09	Torx screw M 6 X 20		2	
10	996 107 075 57	Suction tube		1	
11	999 707 375 40	O-ring 30 X 3		1	
12	900 378 030 09	Hexagon bolt M 6 X 20		2	
13	996 606 150 00	oil level sender		1	
14	987 107 150 00	oil pipe		1	
15	999 707 348 40	O-ring 42 X 4		1	
		also use:	000 043 300 13	1	
16	900 385 050 09	Torx screw M 6 X 16		2	
(16)	900 385 050 01	Discontinued part Hexagon head bolt M 6 X 16		2	
17	996 107 273 05	Filler tube		1	
18	996 107 035 52	End cap		1	
19	996 107 336 00	Seal		1	
20	987 107 254 01	Oil hose		1	
21	999 512 667 09	Hose clamp 44 X 12		1	
22	999 701 416 40	O-ring 33 X 4		1	
23	996 107 343 00	Spring		1	
24	996 107 323 00	Oil funnel		1	
25	996 107 303 00	Seal		1	
26	996 107 367 00	Locknut		1	
27	000 043 301 19	engine oil EXXON MOBIL 1 0W-40 1 LITER Container		X	
28	000 043 301 21	engine oil EXXON MOBIL 1 0W-40 20 LITER Container		X	

Model: 987 05

Model life 2005>>2008

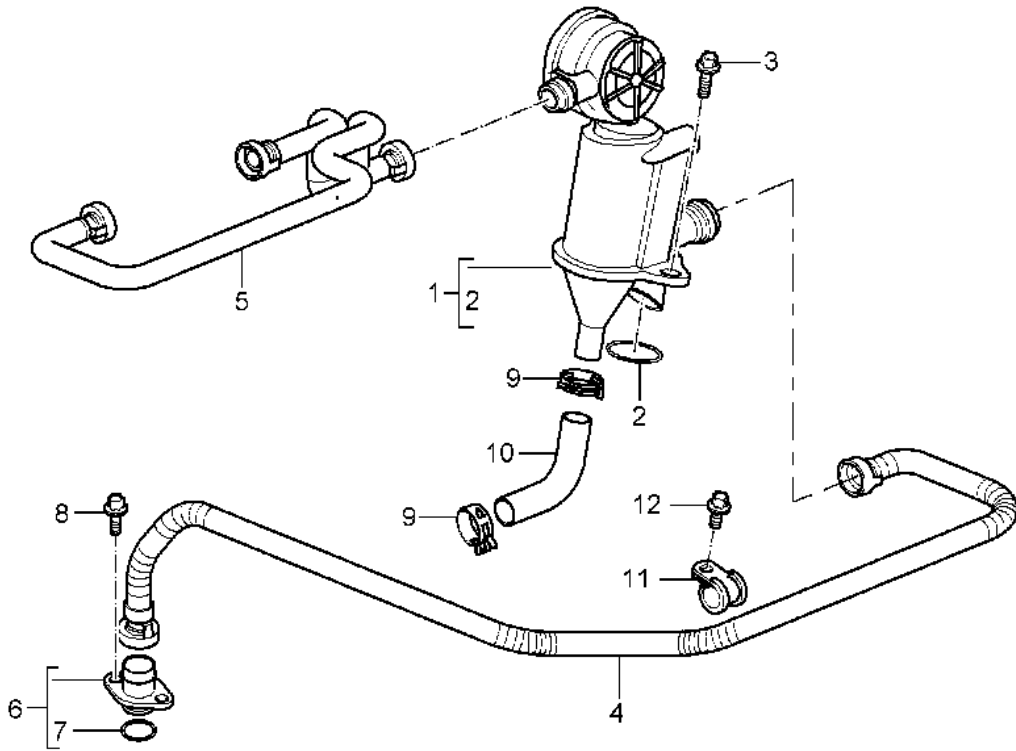


Model: 987 05 Model life 2005>>2008

Pos	Part Number	Description	Remark	Qty	Model
		Engine lubrication			9720,9721, 9722
1	996 107 020 55	oil filter		1	
2	996 107 313 51	seal ring		1	
			also use: 000 043 300 13	1	
3	996 107 225 53	filter element		1	
4	997 107 016 00	Return pipe		2	
5	999 701 789 40	O-ring 12 X 2		2	
6	900 385 019 04	Torx screw BM 6 X 20		4	
7	996 107 333 50	Bracket		1	9720
(7)	997 107 333 50	Bracket		1	9721,9722
8	999 702 206 50	Grommet 9,5 X 18,0 X 1,2		1	
9	900 385 041 09	Torx screw M 6 X 12		1	
10	996 107 075 57	Suction tube		1	
11	999 707 375 40	O-ring 30 X 3		1	
12	900 385 275 09	Torx screw M 6 X 20		2	
13	996 606 150 00	oil level sender		1	
14	987 107 150 00	oil pipe		1	
15	999 707 348 40	O-ring 42 X 4		1	
			also use: 000 043 300 13	1	
16	900 385 050 09	Torx screw M 6 X 16		2	
(16)	900 385 050 01	Discontinued part Hexagon head bolt M 6 X 16		2	
17		see illustration:	105-022	1	
18		see illustration:	105-022	1	
19		see illustration:	105-022	1	
20	987 107 064 01	Oil hose Discontinued part		1	
20	987 107 064 02	Oil hose		1	
21	999 512 667 09	Hose clamp 44 X 12		1	
22	999 701 416 40	O-ring 33 X 4		1	
23	987 107 205 00	Clip		1	
24	000 043 301 19	engine oil EXXON MOBIL 1 0W-40 1 LITER Container		X	
25	000 043 301 21	engine oil EXXON MOBIL 1 0W-40 20 LITER Container		X	

Model: 987 05

Model life 2005>>2008



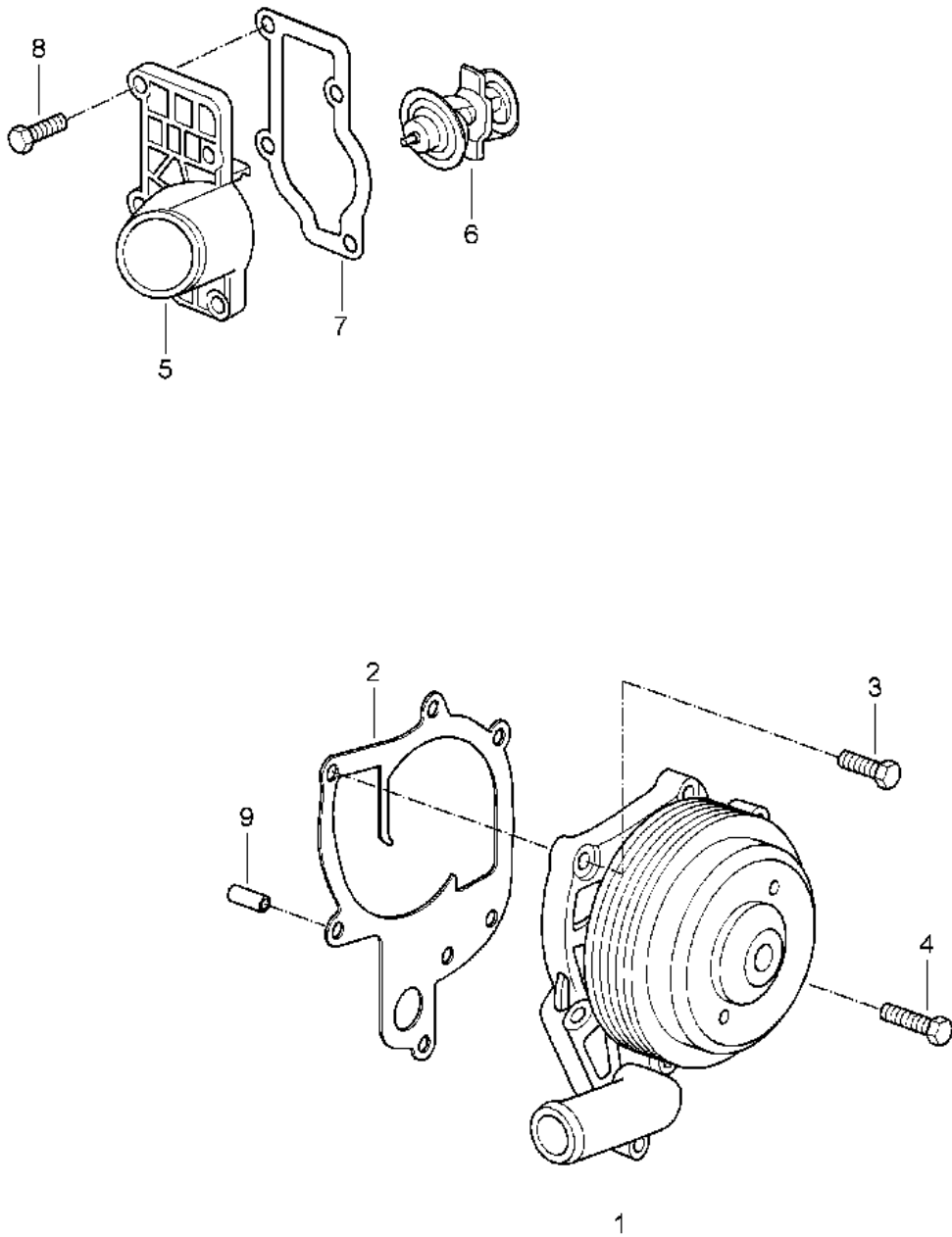
Model: 987 05

Model life 2005>>2008

Pos	Part Number	Description	Remark	Qty	Model
		Crankcase housing Bleeding			9625, 9626, 9720, 9721, 9722
1	996 107 026 00	oil separator		1	
		No longer use the part here			
1	996 107 026 01	oil separator		1	
2	999 707 507 40	O-ring 29,74 X 2,95		1	
3	900 385 275 09	Torx screw M 6 X 20		2	
4	987 107 147 01	Breather line Cyl. 4 - 6		1	9625, 9626
		Discontinued part			
4	987 107 246 01	Breather line Cyl. 4 - 6		1	9720, 9721, 9722
(4)	987 107 947 00	Breather line Cyl. 4 - 6		1	
5	987 107 146 02	Breather line oil separator		1	9625, 9626
5	987 107 145 00	Breather line oil separator		1	9720, 9721, 9722
6	996 107 047 01	ventilation union		1	
7	999 707 364 40	seal ring 30 X 2,5		1	
8	900 385 050 09	Torx screw M 6 X 16		3	
		Discontinued part			
(8)	900 385 050 01	Hexagon head bolt M 6 X 16		3	
9	999 512 683 09	Hose clamp 23 X 12		2	
10	996 107 175 50	Oil hose		1	
11	999 511 008 00	Clamp 26 X 15		1	
12	900 385 041 09	Torx screw M 6 X 12		1	

Model: 987 05

Model life 2005>>2008



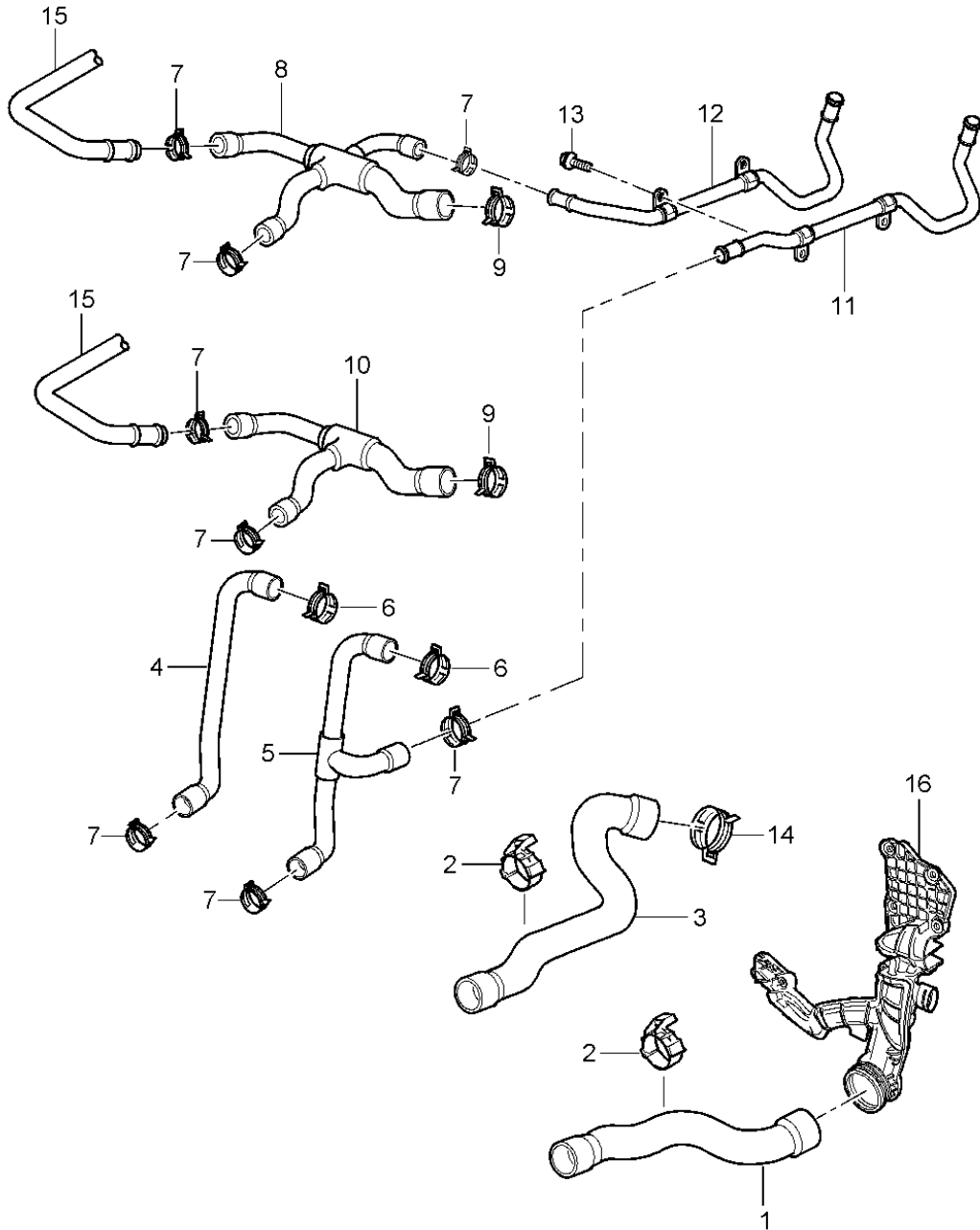
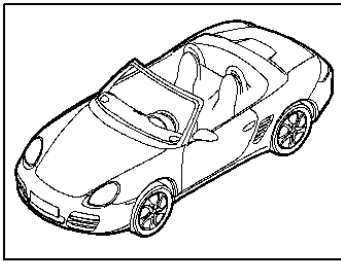
Model: 987 05

Model life 2005>>2008

Pos	Part Number	Description	Remark	Qty	Model
		Coolant pump thermostat housing			9625, 9626, 9720, 9721, 9722
1	997 106 011 02	Coolant pump		1	
(1)	997 106 011 05	Discontinued part Coolant pump		1	
(1)	997 106 011 06	Discontinued part Coolant pump		1	
2	997 106 340 00	Seal		1	
3	900 378 013 09	Hexagon bolt M 6 X 25		5	
(3)	900 378 013 01	D >> - MJ 2007 Hexagon bolt M 6 X 25		5	
4	900 378 177 09	D - MJ 2008>> Hexagon bolt M 6 X 30		2	
(4)	900 378 177 01	D >> - MJ 2007 Hexagon bolt M 6 X 30		2	
5	996 106 013 57	D - MJ 2008>> thermostat		1	
(5)	996 106 013 59	with: Thermostat insert Discontinued part thermostat		1	
6	996 106 125 52	with: Thermostat insert		1	
7	996 106 326 50	Thermostat insert		1	
8	900 385 019 04	Seal		4	
9	996 106 103 50	Torx screw M 6 X 20 dowel sleeve 8,2 X 7		2	

Model: 987 05

Model life 2005>>2008

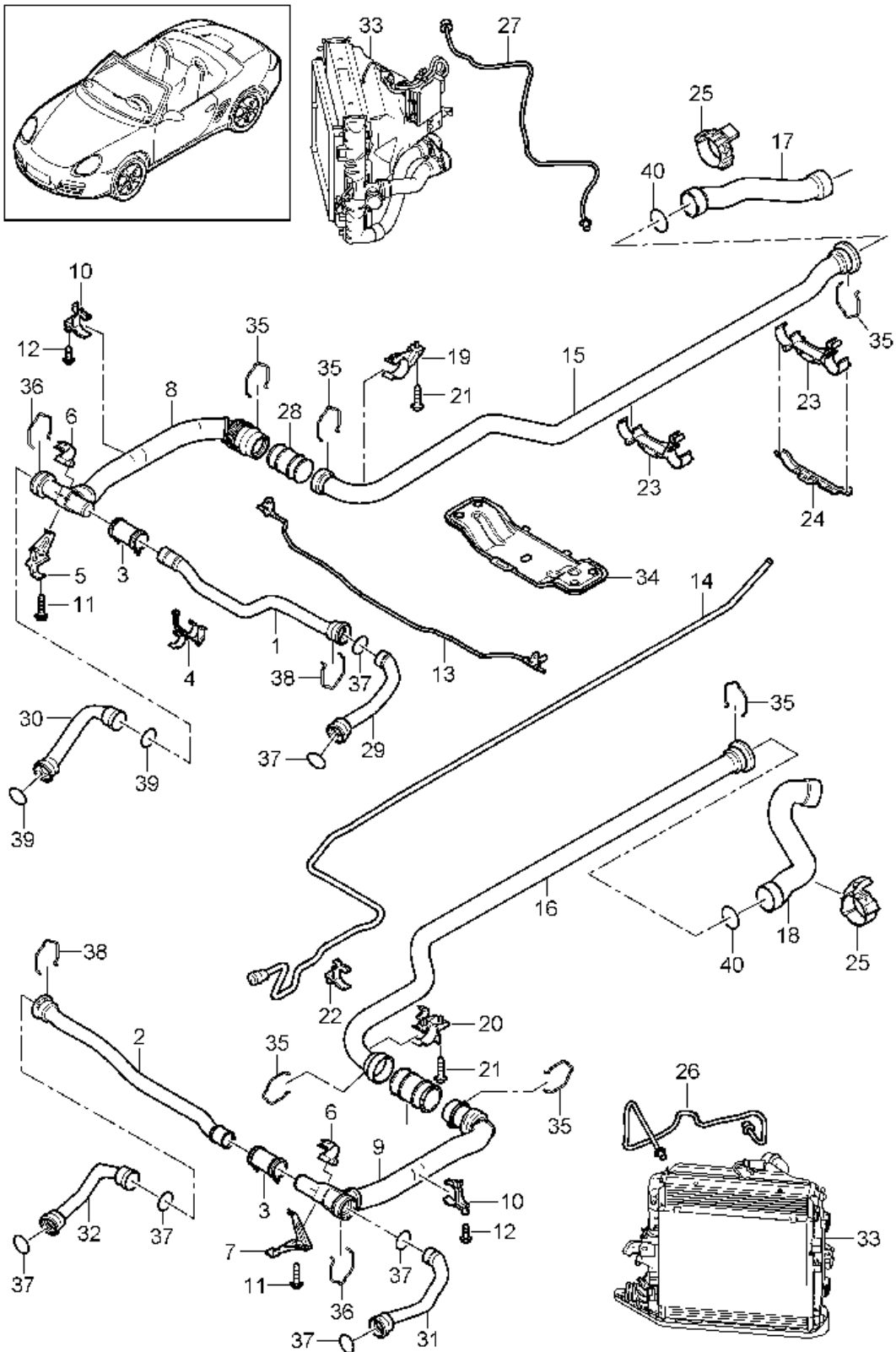


Model: 987 05 Model life 2005>>2008

Pos	Part Number	Description	Remark	Qty	Model
		Water cooling 1			9625,9626, 9720,9721, 9722
1	987 106 501 05	Water hose		1	
1	987 106 501 06	No longer use the part here Water hose		1	
1	987 106 501 07	Supply Discontinued part Water hose		1	
2	987 106 425 00	Supply Bracket		2	
3	987 106 502 03	Discontinued part Water hose		1	
3	987 106 502 04	Return line Discontinued part Water hose		1	
4	996 106 212 09	Return line Water hose		1	PR:480,481
4	996 106 212 11	Supply Discontinued part Water hose		1	PR:480,481
5	996 106 212 10	Supply Hose		1	PR:249
5	996 106 212 12	Supply Discontinued part Hose		1	PR:249
6	999 512 660 09	Supply Hose clamp		1	
7	999 512 657 09	29 X 12 Hose clamp		4	
8	987 106 522 01	26 X 12 Water hose		1	PR:249
8	987 106 522 02	Return line Discontinued part Water hose		1	PR:249
9	999 512 664 09	Return line Hose clamp		1	
10	996 106 222 15	36 X 12 Water hose		1	PR:480,481
10	996 106 222 17	Return line Discontinued part Water hose		1	PR:480,481
11	987 106 674 00	Return line Coolant pipe		1	PR:249
12	996 106 672 01	Supply Atf cooler Coolant pipe		1	PR:249
13	900 385 009 09	Return line Atf cooler Torx screw		2	PR:249
14	999 512 669 09	M 6 X 16 Hose clamp		1	
15		53 X 12 see illustration:	105-020	1	
16		see illustration:	104-000	1	

Model: 987 05

Model life 2005>>2008



Model: 987 05 Model life 2005>>2008

Pos	Part Number	Description	Remark	Qty	Model
		Water cooling 2			9625,9626, 9720,9721, 9722
1	997 106 711 01	Water pipe Supply Discontinued part		1	
(1)	997 106 711 02	Water pipe Supply Discontinued part		1	
(1)	997 106 711 03	Water pipe Supply		1	
2	997 106 720 01	Water pipe Return line Discontinued part		1	
(2)	997 106 720 02	Water pipe Return line Discontinued part		1	
(2)	997 106 720 03	Water pipe Return line		1	
3	997 106 723 04	Water hose		2	
4	997 106 525 01	Bracket	center	1	
5	997 106 574 02	Cross tube pipe holder	right	1	
6	997 106 526 01	Distributor tube Bracket	upper	2	
7	997 106 573 02	Cross tube pipe holder	left	1	
8	997 106 752 03	Distributor tube Distributor tube Supply		1	
(8)	997 106 752 04	D >> - MJ 2006 Distributor tube Supply		1	
9	997 106 751 03	D - MJ 2007>> Distributor tube Return line		1	
(9)	997 106 751 04	D >> - MJ 2006 Distributor tube Return line		1	
10	997 106 413 01	D - MJ 2007>> pipe holder		2	
(10)	997 106 413 01	Distributor tube pipe holder	right	1	PR:601
(10)	997 106 414 00	Distributor tube Bracket	left	1	PR:601
11	900 378 013 09	Distributor tube Hexagon bolt M 6 X 25		2	
12	900 378 036 09	Hexagon bolt M 6 X 12		2	
13	997 106 767 02	Breather line Transverse		1	
14	987 106 227 01	Breather line tunnel		1	
15	987 106 651 02	Water pipe Supply tunnel Discontinued part		1	9625,9720+ PR:249
15	987 106 651 02	Water pipe Supply tunnel		1	9626,9721
15	987 106 651 03	Discontinued part Water pipe		1	9625,9720+

Model: 987 05 Model life 2005>>2008

Pos	Part Number	Description	Remark	Qty	Model
		Supply tunnel			PR:249
15	987 106 651 04	Discontinued part Water pipe		1	9625,9720+
		Supply tunnel			PR:249
15	987 106 651 03	Water pipe		1	9626,9721
		Supply tunnel			
15	987 106 651 04	Discontinued part Water pipe		1	9625,9720+
		Supply tunnel			PR:249
(15)	987 106 851 01	Water pipe		1	9625,9720+
		Supply tunnel			PR:480,481
(15)	987 106 851 03	Discontinued part Water pipe		1	9625,9720+
		Supply tunnel			PR:480,481
(16)	987 106 652 02	Water pipe		1	9625,9720+
		Return line tunnel			PR:249
(16)	987 106 652 02	Discontinued part Water pipe		1	9626,9721
		Return line tunnel			
(16)	987 106 652 03	Discontinued part Water pipe		1	9625,9720+
		Return line tunnel			PR:249
(16)	987 106 652 04	Discontinued part Water pipe		1	9625,9720+
		Return line tunnel			PR:249
(16)	987 106 652 03	Water pipe		1	9626,9721
		Return line tunnel			
(16)	987 106 652 04	Discontinued part Water pipe		1	9625,9720+
		Return line tunnel			PR:249
(16)	987 106 852 02	Water pipe		1	9625,9720+
		Return line tunnel			PR:480,481
(16)	987 106 852 03	Discontinued part Water pipe		1	9625,9720+
		Return line tunnel			PR:480,481
17		see illustration:	105-005	1	
18		see illustration:	105-005	1	PR:480
19	997 106 520 02	Bracket	right	1	
20	997 106 521 01	Firewall Bracket	left	1	
21	900 378 035 01	Hexagon bolt		2	
		M 6 X 16			
22	997 106 512 03	Distance piece		1	
23	997 106 540 02	Breather line		2	
24	997 106 515 02	Bracket		1	
		tunnel			
		Bridge			
		tunnel			

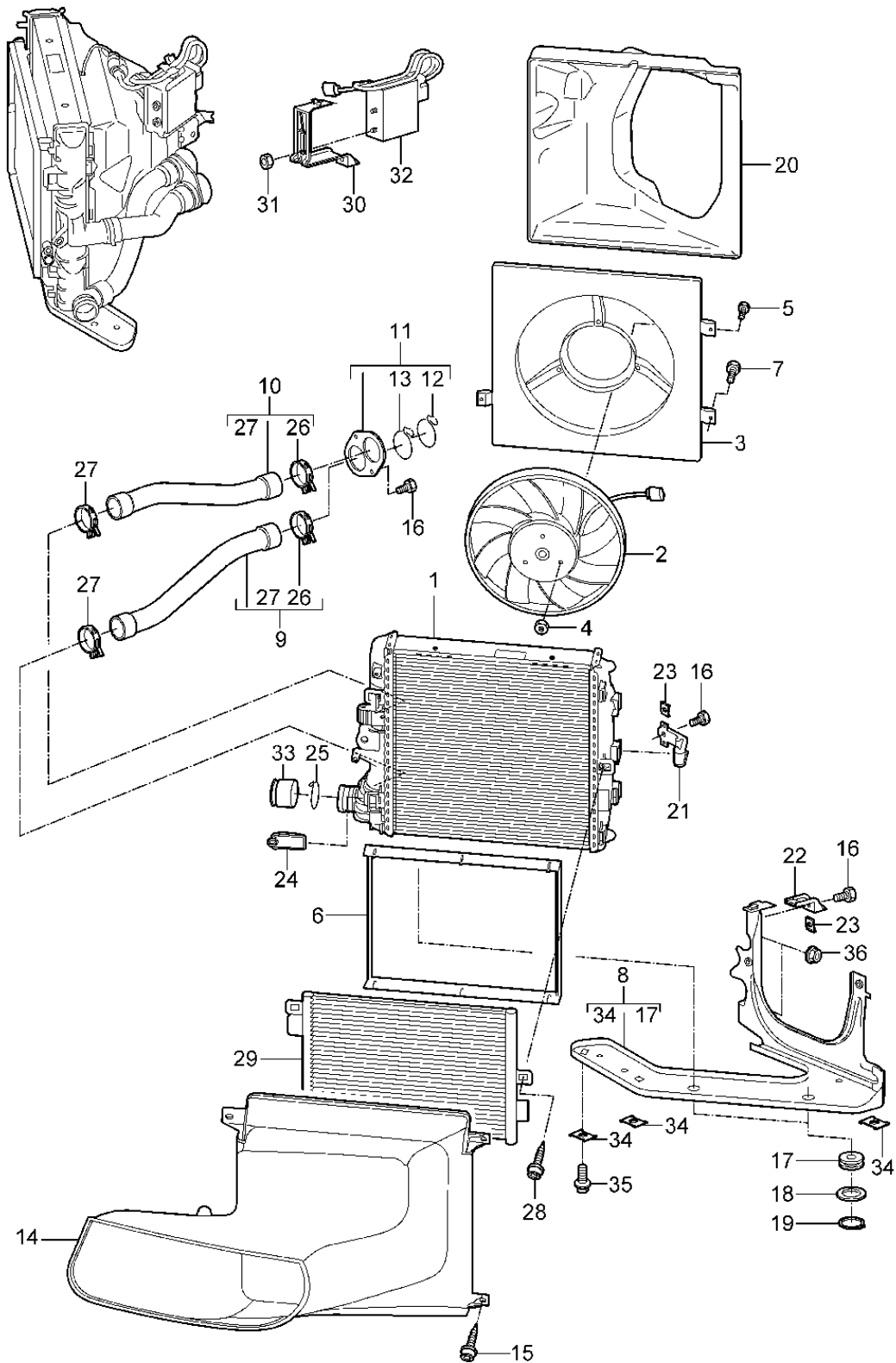
Model: 987 05

Model life 2005>>2008

Pos	Part Number	Description	Remark	Qty	Model
25	987 106 425 00	Bracket Heel plate		1	
26	997 106 765 02	Line	left	1	
27	997 106 766 02	Line	right	1	
28	997 106 551 03	Sleeve		2	
29	997 106 623 03	Water hose Supply	left	1	
30	997 106 627 03	Water hose Supply	right	1	
31	997 106 728 03	Water hose Return line	left	1	
32	997 106 624 03	Water hose Return line	right	1	
33		see illustration:	105-015	X	
34		see illustration:	801-070	X	
35	997 106 802 03	Spring		X	
36	997 106 802 02	Spring		X	
37	996 106 801 02	O-ring 36,3 X 3,53		X	
38	997 106 802 01	Spring		X	
39	996 106 801 07	O-ring 39,3 X 3,53		X	
40	996 106 801 03	O-ring 46,7 X 3,53		X	

Model: 987 05

Model life 2005>>2008



Model: 987 05 Model life 2005>>2008

Pos	Part Number	Description	Remark	Qty	Model
		Water cooling 3			9625,9626, 9720,9721, 9722
1	997 106 131 02	Radiator	left	1	
(1)	997 106 132 02	Radiator	right	1	
2	997 624 135 02	Radiator fan	left	2	
(2)	997 624 136 02	Radiator fan	right	2	
3	997 624 131 02	Air guide	left	2	
(3)	997 624 132 02	Air guide	right	2	
4	900 377 001 02	Hexagon nut M 6		6	
5	900 146 116 09	Screw M 5 X 16		6	
6	997 573 711 00	Sealing frame		1	
7	999 919 125 09	Hexagon bolt plastic M 5 X 16		6	
8	997 106 155 01	Console	left	1	
(8)	997 106 156 01	Console	right	1	
9	997 106 621 03	Water hose Supply	left	1	
(9)	997 106 622 03	Water hose Supply	right	1	
10	997 106 625 03	Water hose Return line	left	1	
10	997 106 626 03	Water hose Return line	right	1	
11	997 106 255 02	Connecting piece		2	
12	997 106 802 01	Spring SCB 33		1	
13	997 106 802 02	Spring SCB 36		1	
14	987 575 321 00	Air guide	left	1	
(14)	987 575 322 00	Air guide	right	1	
15	999 919 134 09	fillister hd. bolt M 6 X 16		6	
16	900 385 009 09	Torx screw M 6 X 16		6	
17	999 703 494 40	Rubber bush 15 X 19,5		4	
18	999 025 255 02	Washer		4	
19	999 166 083 09	Retaining plate B 25		4	
20	997 575 341 00	Air guide	left	1	
(20)	997 575 342 00	Air guide	right	1	
21	997 106 232 01	Bracket	outer	2	
22	997 106 455 00	Bracket	left	1	
23	999 591 350 02	panel nut ST 4,8		6	
23	999 591 350 01	Discontinued part panel nut ST 4,8		6	
24	997 106 231 02	Bracket	inner	2	
25	997 106 802 00	Spring SCB26		2	
26	997 106 901 00	clamp		2	
27	997 106 902 00	clamp		2	
28	999 919 125 09	Hexagon bolt 6,0 X 16		1	
29		Condenser see illustration:	813-025	*	
30	997 106 456 00	Bracket	right	1	
31	900 377 010 09	Hexagon nut		2	

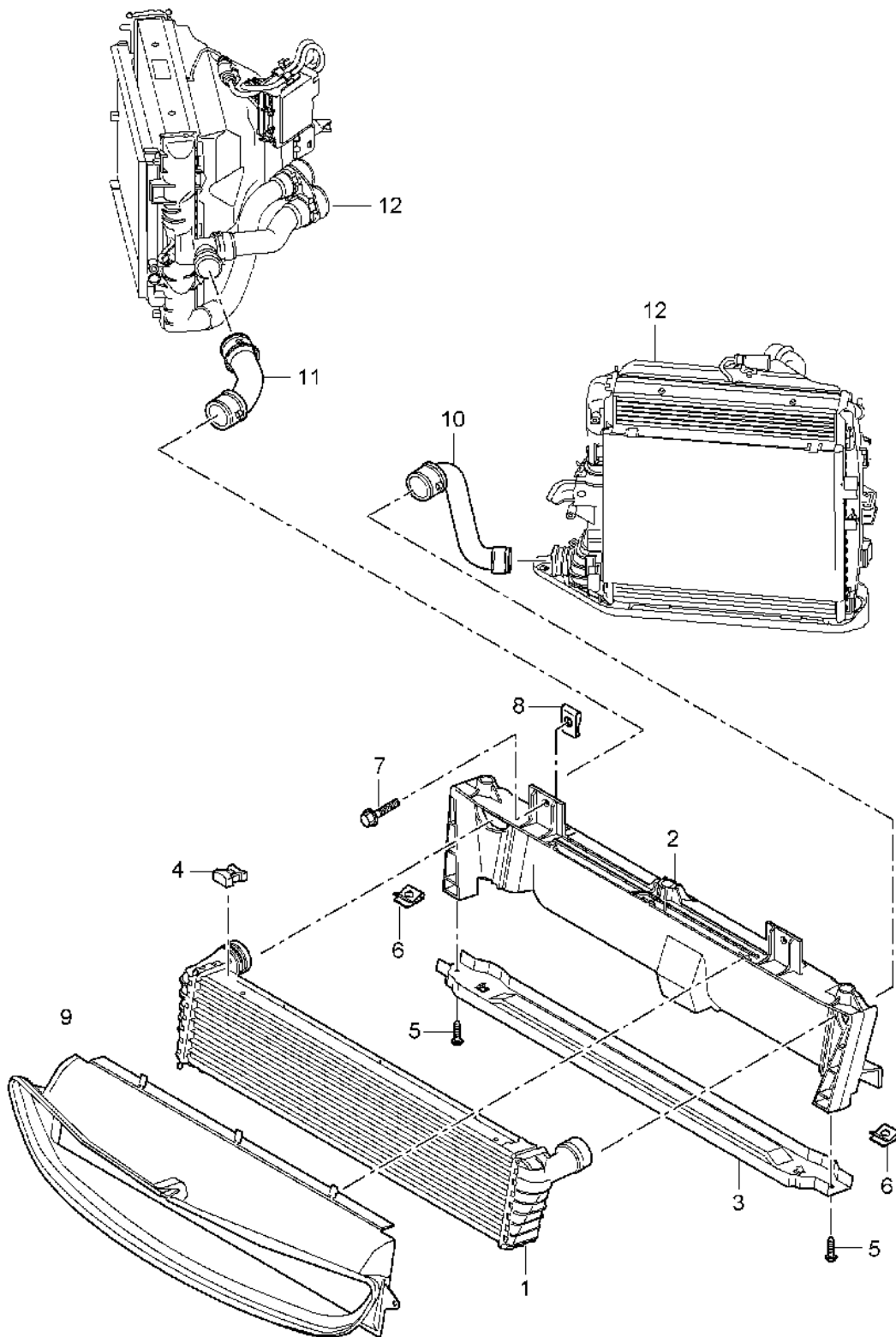
Model: 987 05

Model life 2005>>2008

Pos	Part Number	Description	Remark	Qty	Model
32		M 6 Control unit Cooling air control		1	
		see illustration:	901-003		
33	997 106 546 02	Bungs		2	
34	999 591 329 01	panel nut ST 4,8		3	
35	999 072 048 01	Hexagon bolt M 8 X 25		2	
36	999 084 447 01	Hexagon nut M 8		4	
36	PAF 003 923	Hexagon nut M 8		4	

Model: 987 05

Model life 2005>>2008



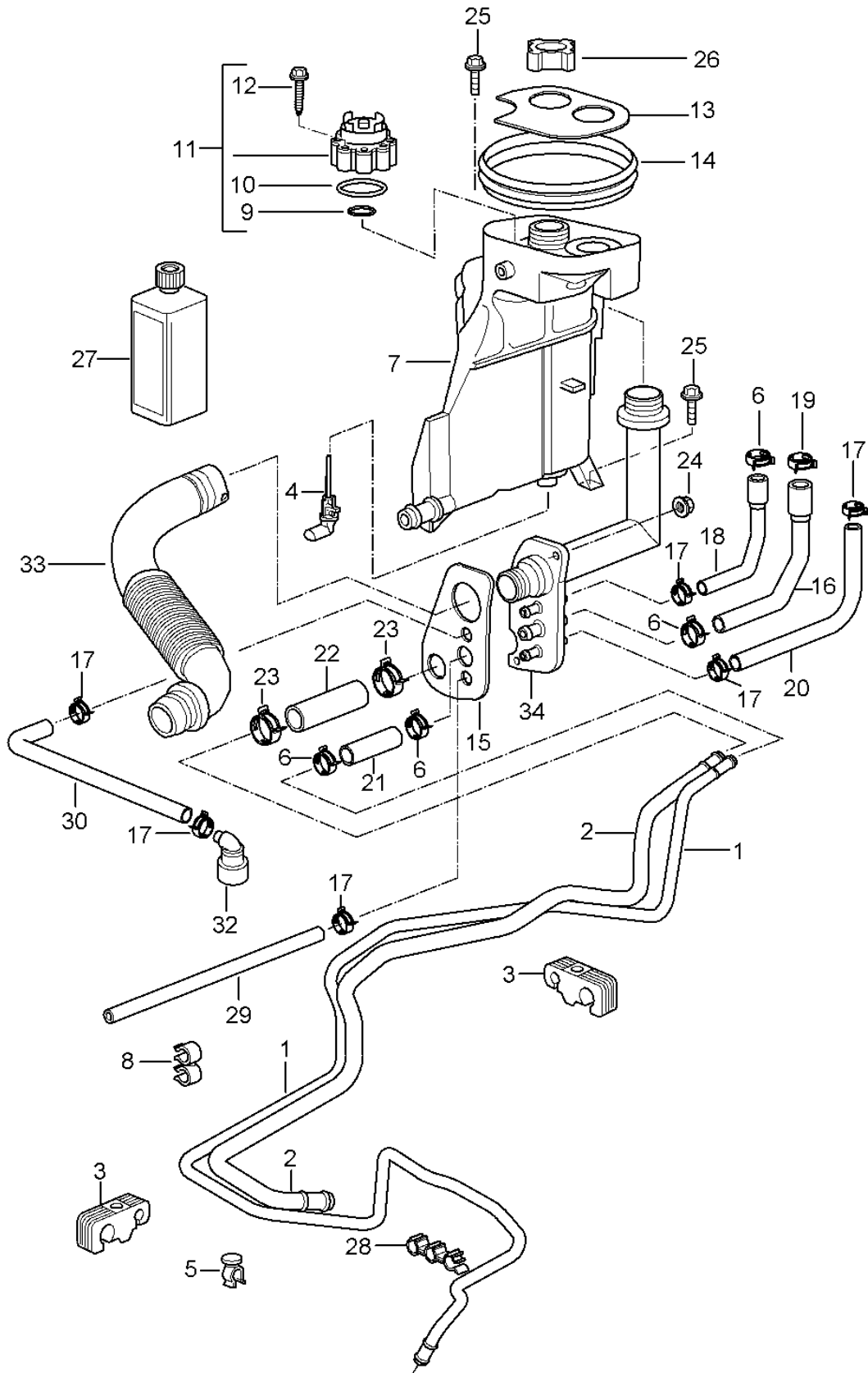
Model: 987 05

Model life 2005>>2008

Pos	Part Number	Description	Remark	Qty	Model
		Radiator	center		9626, 9721, 9722+ PR:249
1	997 106 037 02	Radiator		1	
2	997 504 487 00	Retaining frame	upper	1	
3	997 504 485 00	Retaining frame	lower	1	
4	997 106 437 01	Rubber bush		4	
5	900 378 035 01	Hexagon bolt M 6 X 16		2	
6	999 591 882 02	panel nut M 6		2	
6	999 591 882 01	Discontinued part panel nut M 6		2	
7	900 378 074 09	Hexagon bolt M 8 X 16		4	
8	999 591 869 02	panel nut M 8		4	
9	987 575 323 00	Air guide Radiator	center	1	
10	997 106 639 03	Water hose Return line		1	
11	997 106 638 03	Water hose Supply		1	
12		see illustration:	105-015	X	

Model: 987 05

Model life 2005>>2008



Model: 987 05 Model life 2005>>2008

Pos	Part Number	Description	Remark	Qty	Model
1	987 106 681 01	Water cooling 4 Breather line Discontinued part		1	9625,9626
1	987 106 681 02	Breather line		1	
2	987 106 663 00	Filler tube		1	
3	999 591 140 40	Line holder		2	
4	997 641 503 00	Switch		1	
5	999 507 743 40	Cable holder Breather line		2	
6	999 512 653 09	Hose clamp 20 X 12		3	
7	996 106 147 07	Reservoir Discontinued part		1	
7	996 106 147 08	Reservoir		1	
8	999 507 570 40	Hose bracket 11,0 / 18,0		2	
9	999 707 371 40	O-ring 17 X 4		1	
10	999 707 370 40	O-ring 47 X 4		1	
11	996 106 347 01	Bleed valve		1	
12	999 919 058 02	Hexagon bolt 5,0 X 40		8	
13	996 106 234 01	Cover		1	
14	986 504 644 00	Seal		1	
15	996 106 235 02	Seal		1	
16	996 106 237 02	Hose Discontinued part		1	
16	996 106 237 03	Hose		1	
17	999 512 651 09	Hose clamp 15 X 12		3	
18	996 106 247 02	Vent hose Discontinued part		1	
18	996 106 247 03	Vent hose		1	
19	999 512 655 09	Hose clamp 22 X 12		1	
20	996 106 287 03	Overflow hose Discontinued part		1	
20	996 106 287 04	Overflow hose		1	
21	996 106 257 02	Vent hose Discontinued part		1	
21	996 106 257 03	Vent hose		1	
22	996 106 297 03	Overflow hose Discontinued part		1	
23	996 106 297 06	Overflow hose		1	
23	999 512 658 09	Hose clamp 27 X 12		2	
24	999 076 071 02	Hexagon nut M 6		2	
25	900 075 333 02	Bolt with washer M 6 X 25		8	
26	996 106 447 01	cap for expansion tank Discontinued part		1	
(26)	996 106 447 04	cap for expansion tank See technical manual Group 1		1	
27	000 043 203 78	Antifreeze 1 LTR. Container Discontinued part		X	
(27)	000 043 203 79	Antifreeze		X	

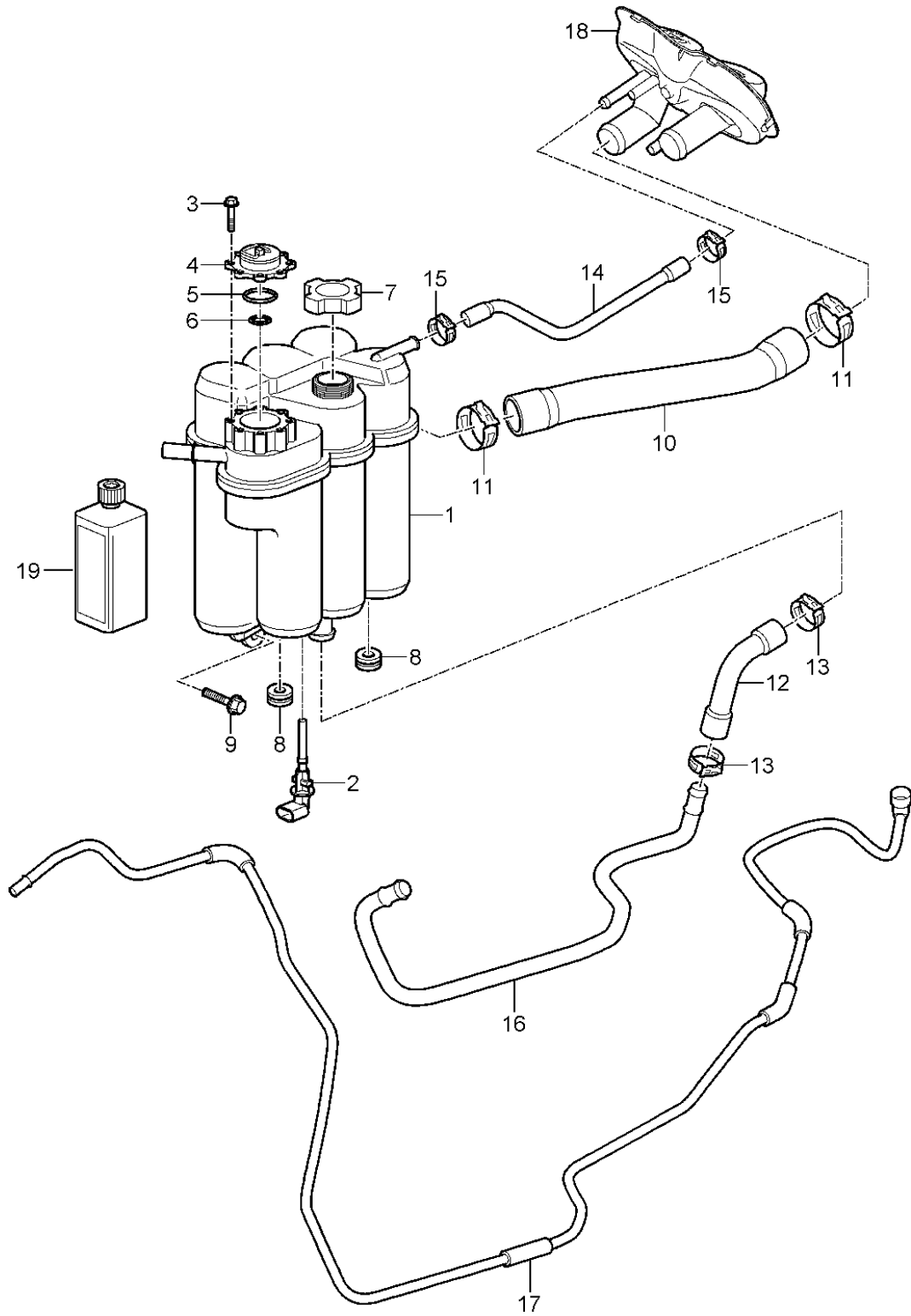
Model: 987 05

Model life 2005>>2008

Pos	Part Number	Description	Remark	Qty	Model
		25 LTR. Container			
(27)	000 043 301 03	Discontinued part Coolant additive	1.0 Ltr.	X	
(27)	000 043 301 04	discontinued part Coolant additive	20ltr.	X	
(27)	000 043 301 47	discontinued part Coolant additive	1.0 Ltr.	X	
(27)	000 043 305 15	discontinued part Coolant additive	1.0 Ltr.	X	
(27)	000 043 301 48	Coolant additive	20ltr.	X	
(27)	000 043 305 16	Discontinued part Coolant additive	20ltr.	X	
(27)	000 043 305 64	Cleaning solution	20ltr.	1	
28	999 507 743 40	Cable holder		1	
29	996 106 267 02	Hose		1	
29	996 106 267 03	Hose		1	
30	996 106 207 04	Hose		1	
		Discontinued part			
30	996 106 207 05	Hose		1	
31	999 500 084 01	insert nut M 6		2	
32	996 106 253 00	Hose connector		1	
33		see illustration:	104-005		
34		see illustration:	104-005		

Model: 987 05

Model life 2005>>2008

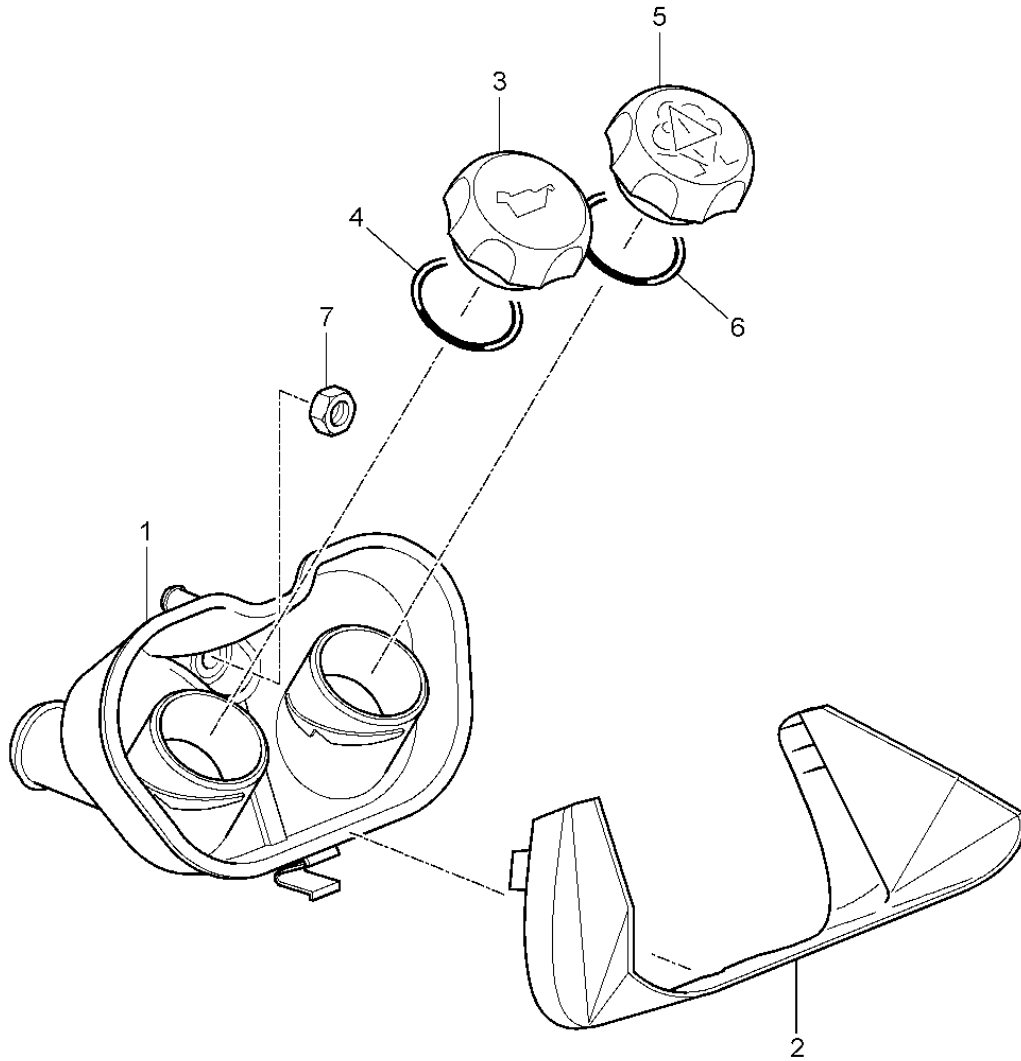


Model: 987 05 Model life 2005>>2008

Pos	Part Number	Description	Remark	Qty	Model
		Water cooling 4			9720,9721, 9722
1	987 106 047 02	Reservoir F >> 98-8U702 381 F >> 98-8U722 204		1	
(1)	987 106 047 03	Reservoir F 98-8U702 382>> F 98-8U722 205>>		1	
(2)	987 641 503 00	Switch		1	
3	999 919 058 01	Hexagon bolt M 5 X 40		8	
4	996 106 347 02	Bleed valve		1	
5	999 707 370 40	O-ring 47,00 X 4,0		1	
6	999 707 371 40	O-ring 17,00 X 4,0		1	
7	996 106 447 01	cap for expansion tank		1	
(7)	996 106 447 04	Discontinued part cap for expansion tank See technical manual Group 1		1	
8	999 702 183 40	Grommet		2	
9	900 378 074 09	Hexagon bolt M 8 X 16		1	
10	987 106 270 02	Water hose		1	
11	999 512 672 09	Hose clamp 40 X 12		2	
12	987 106 267 02	Hose		1	
13	999 512 657 09	Hose clamp 26 X 12		2	
14	987 106 287 01	Breather line		1	
15	999 512 684 09	Clamp 18 X 12		2	
16	987 106 664 01	Line		1	
17	987 106 682 01	Breather line		1	
18		see illustration:	105-022		
(19)	000 043 301 03	Coolant additive discontinued part	1.0 Ltr.	X	
(19)	000 043 301 04	Coolant additive discontinued part	20ltr.	X	
(19)	000 043 301 47	Coolant additive discontinued part	1.0 Ltr.	X	
(19)	000 043 305 15	Coolant additive	1.0 Ltr.	X	
(19)	000 043 301 48	Coolant additive discontinued part	20ltr.	X	
(19)	000 043 305 16	Coolant additive	20ltr.	X	
(19)	000 043 305 64	Cleaning solution	20ltr.	1	

Model: 987 05

Model life 2005>>2008



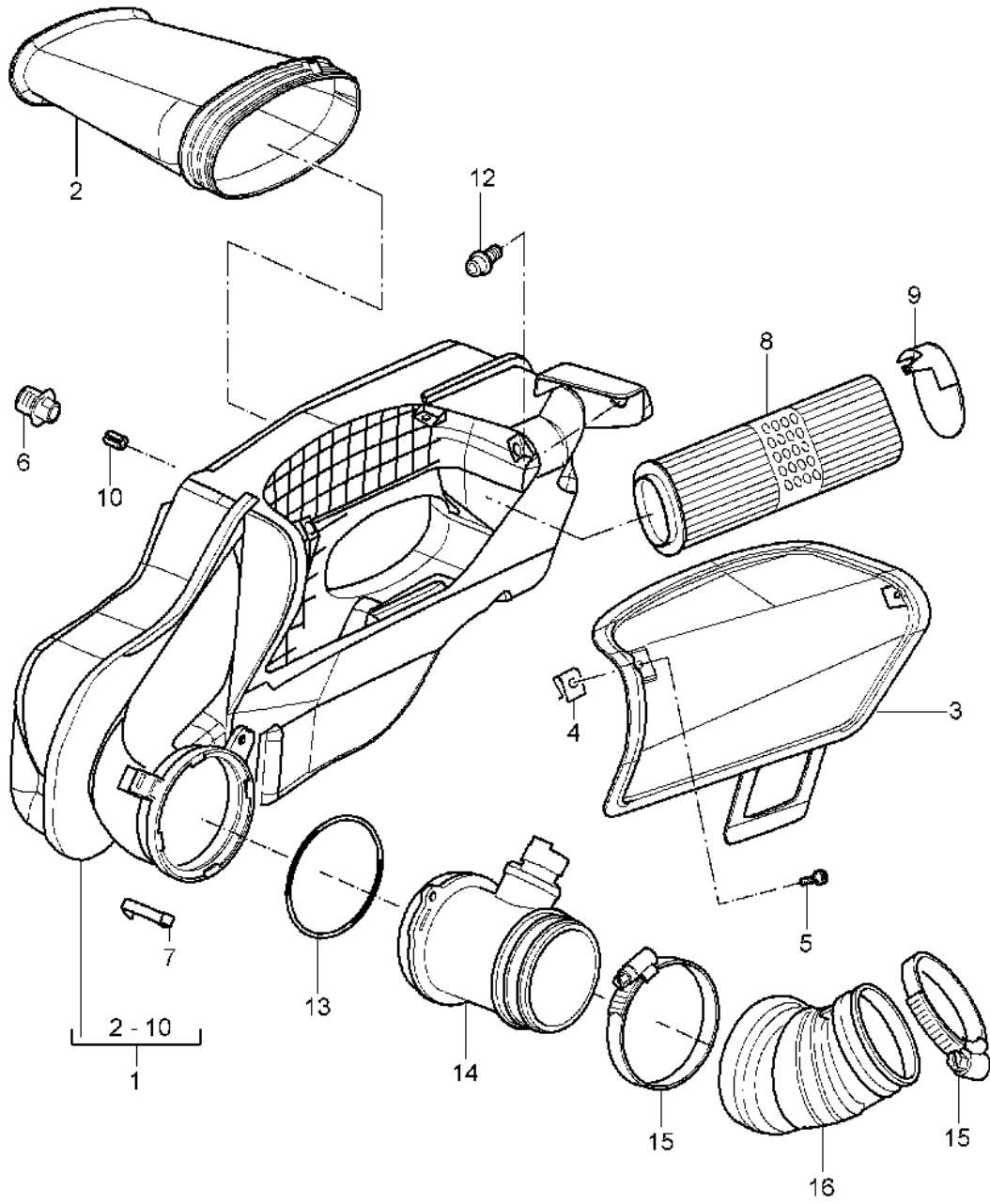
Model: 987 05

Model life 2005>>2008

Pos	Part Number	Description	Remark	Qty	Model
		Water cooling 4 Serviceschale			9720, 9721, 9722
1	987 106 150 02	Cup		1	
2	987 106 180 00	Cover		1	
3	987 107 035 01	End cap engine oil		1	
4	987 107 336 00	Seal		1	
5	987 106 044 00	End cap Coolant		1	
6	987 106 170 00	Seal		1	
7	999 076 071 02	Hexagon nut M 6		1	

Model: 987 05

Model life 2005>>2008



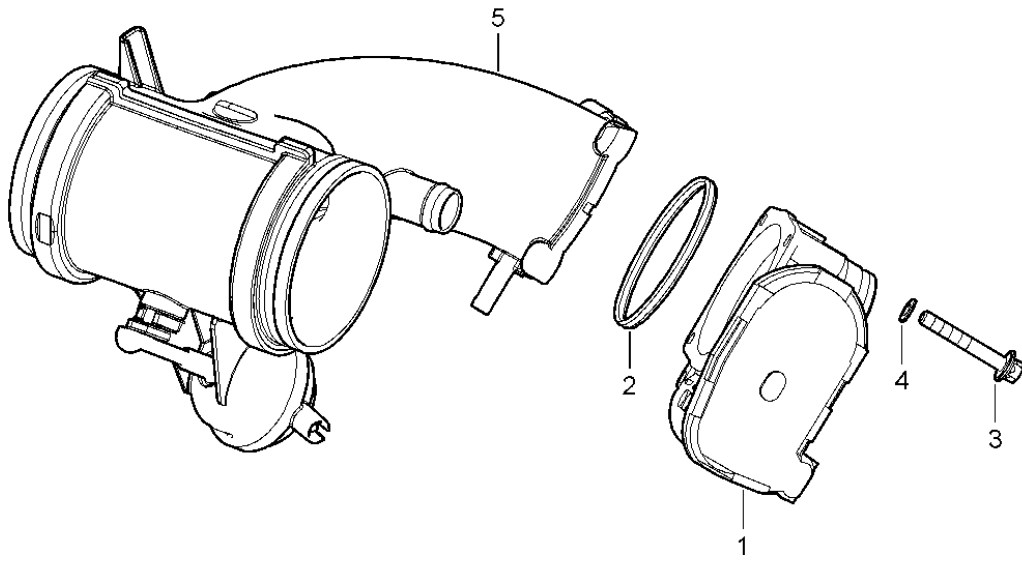
Model: 987 05

Model life 2005>>2008

Pos	Part Number	Description	Remark	Qty	Model
		Air filter			9625, 9626, 9720, 9721, 9722
1	987 110 021 00	Air filter		1	
2	987 110 122 00	intake manifold		1	
3	987 110 131 00	Housing cover		1	
4	999 507 442 02	panel nut		2	
5	900 143 095 09	panel screw		3	
6	987 110 141 00	Grommet		1	
7	993 110 116 01	angled bracket		1	
8	987 110 133 00	Air filter element Discontinued part		1	
8	987 110 133 01	Air filter element		1	
9	987 110 134 00	Securing plate		1	
10	900 095 099 09	spring pin 12 X 14		3	
11	999 919 050 09	fillister hd. bolt 4 X 12		1	
12	900 075 333 02	Bolt with washer M 6 X 25		1	
13	999 707 052 40	O-ring 91 X 6		1	
14	987 606 125 00	Air mass meter		1	
15	999 512 542 00	Hose clamp 80 - 100		2	
16	987 110 222 00	air guide for air cleaner Discontinued part		1	
(16)	987 110 222 01	air guide for air cleaner		1	

Model: 987 05

Model life 2005>>2008



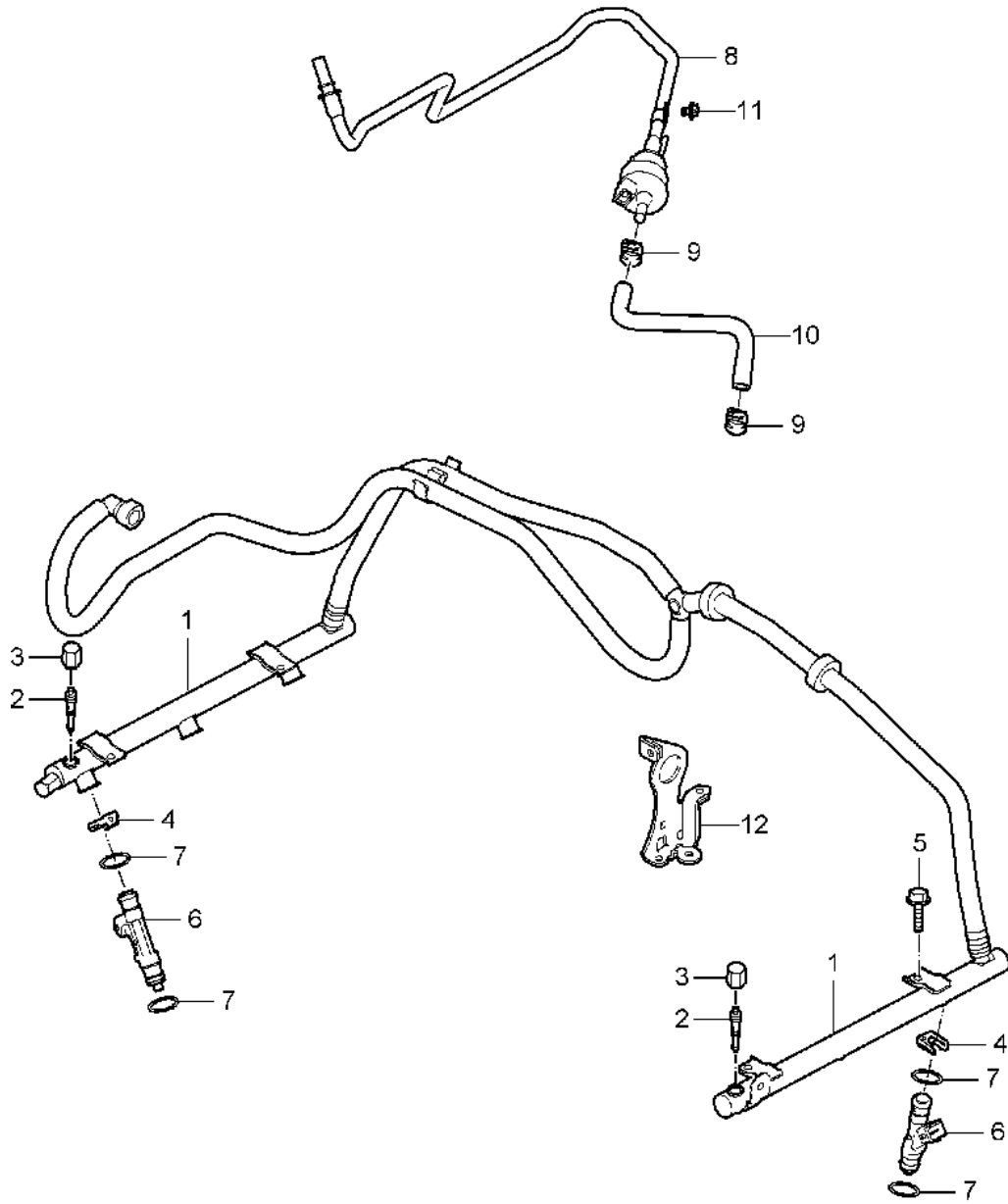
Model: 987 05

Model life 2005>>2008

Pos	Part Number	Description	Remark	Qty	Model
		throttle valve adapter			9625,9626, 9720,9721, 9722
1	986 605 115 01	throttle valve adapter D >> - MJ 2006		1	
(1)	997 605 115 00	throttle valve adapter D - MJ 2007>>		1	
2	996 110 319 00	Seal D >> - MJ 2006		1	
(2)	997 110 319 00	Seal Distributor tube D - MJ 2007>>		1	
3	900 385 010 09	Torx screw M 6 X 50		4	
4	N 011 524 7	Washer A 6,4		2	
5		Distributor tube see illustration:	107-010		

Model: 987 05

Model life 2005>>2008



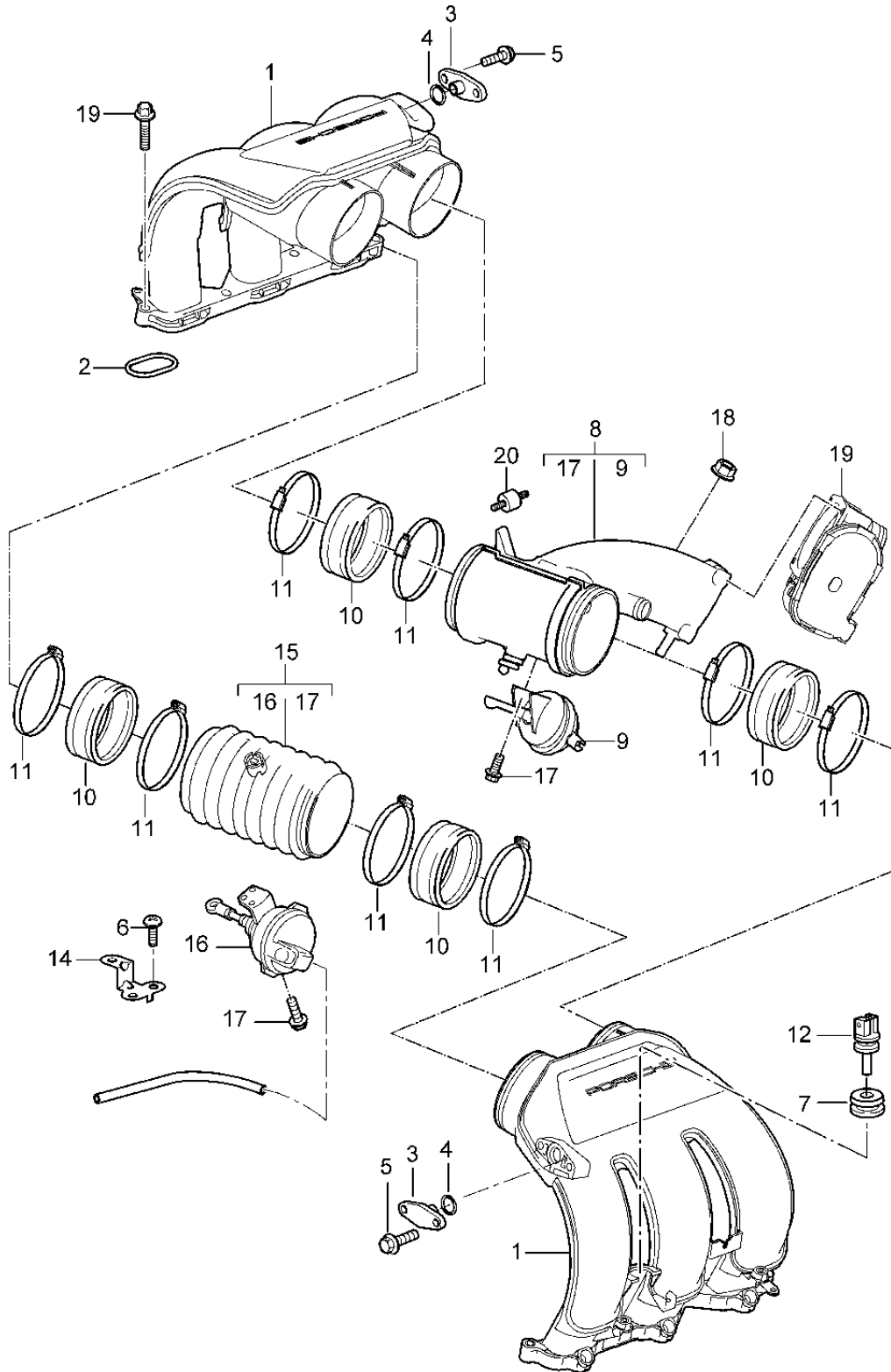
Model: 987 05

Model life 2005>>2008

Pos	Part Number	Description	Remark	Qty	Model
		Fuel collection pipe			9625, 9626, 9720, 9721, 9722
1	987 110 036 00	Fuel collection pipe		1	9625, 9626
(1)	987 110 031 01	Fuel collection pipe		1	9720, 9721, 9722
2	993 110 217 00	Valve		1	
3	997 110 218 00	Cap closure		1	
4	996 110 113 52	Retaining clip		6	
5	900 385 041 09	Torx screw M 6 X 12		4	
6	996 606 122 00	Injection valve		6	9625, 9626
(6)	997 605 123 00	Injection valve		6	9720, 9721, 9722
7	999 707 574 40	O-ring 7,52 X 3,51		12	
8	987 110 128 00	Breather line		1	
9	999 512 650 09	Hose clamp B 14 X 12		2	
10	987 110 137 02	Vent hose		1	9625, 9626
(10)	987 110 237 00	Hose Tank ventilation		1	9720, 9721, 9722
11	999 919 125 09	Hexagon bolt M 6 X 16		1	
12	996 101 213 56	Retaining bar		1	9625, 9626

Model: 987 05

Model life 2005>>2008

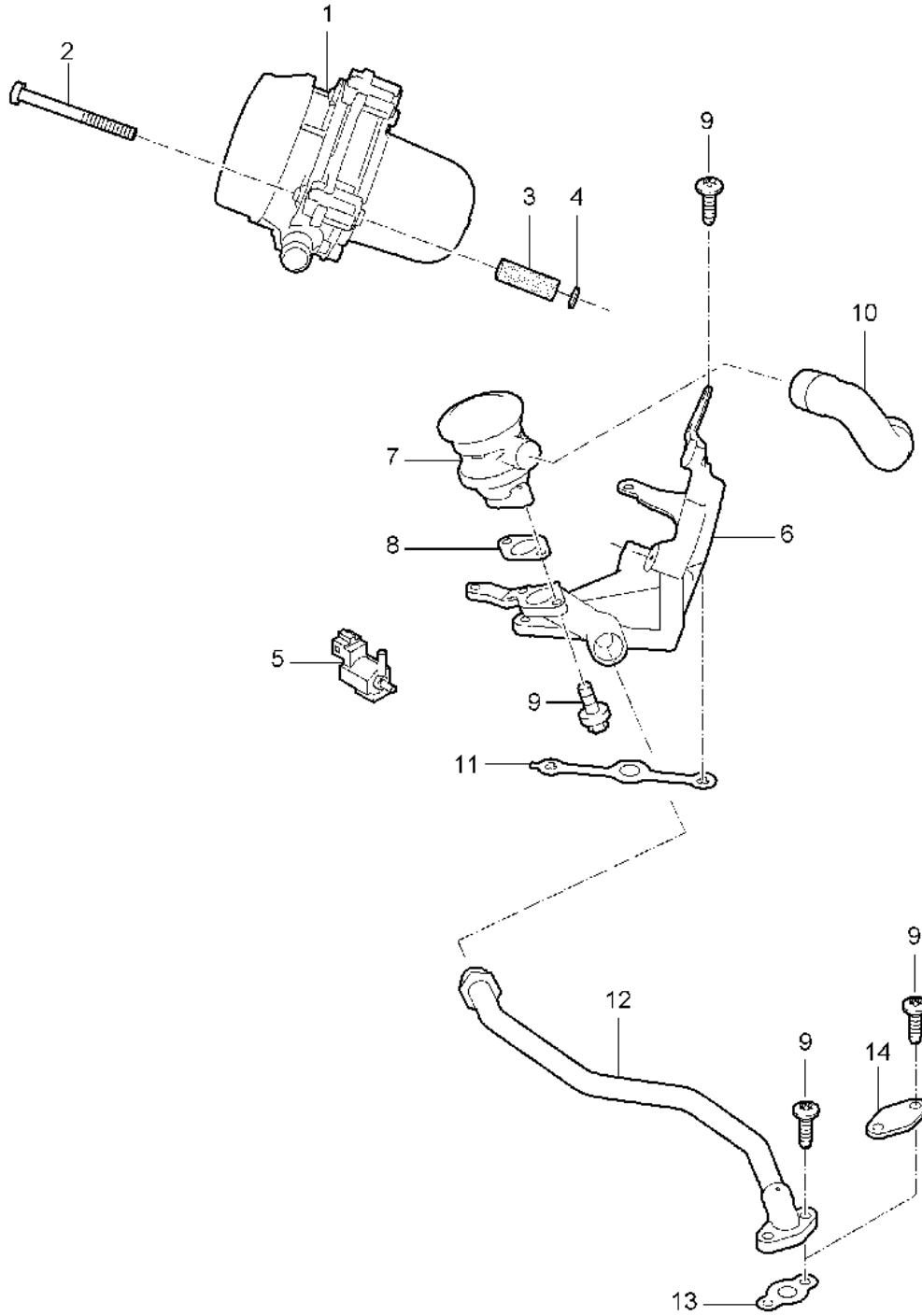


Model: 987 05 Model life 2005>>2008

Pos	Part Number	Description	Remark	Qty	Model
		intake air distributor			9625,9626, 9720,9721, 9722
1	996 110 045 01	intake air distributor		2	9625,9626
(1)	997 110 036 01	intake air distributor		2	9721,9720, 9722
2	996 110 247 03	Seal		6	9625,9626
(2)	997 110 247 01	Seal		6	9721,9720, 9722
3	996 110 251 51	End cap		2	
		D >> - MJ 2006			
4	999 701 163 40	O-ring 11,0 X 2,5		2	
		D >> - MJ 2006			
		Discontinued part			
4	999 701 163 41	O-ring 11,0 X 2,5		2	
5	900 385 017 04	Torx screw 6,0 X 16		4	
		D >> - MJ 2006			
		Discontinued part			
5	900 385 017 01	Torx screw 6,0 X 16		4	
6	900 385 041 09	Torx screw BM 6 X 12		1	
		D >> - MJ 2006			
7	993 110 530 01	Grommet		1	
8	987 110 055 01	Distributor tube		1	9625,9626
(8)	987 110 116 01	Distributor tube		1	9721,9720, 9722
9	987 110 462 00	Vacuum unit		1	9625,9626
10	996 110 686 02	Rubber sleeve		4	9625,9626
		Discontinued part			
(10)	996 110 686 03	Rubber sleeve		4	9625,9626
(10)	997 110 685 00	Rubber sleeve		4	9721,9720, 9722
11	999 512 350 02	Hose clamp 80 - 100/9		8	9625,9626
(11)	999 512 539 01	Hose clamp 90 - 110/9		8	9721,9720, 9722
12	997 606 213 00	Temperature sensor		1	
13	900 385 017 04	Torx screw M 6 X 35		12	
14	987 110 226 00	Bracket		1	9625,9626
15	996 110 130 02	Resonance tube		1	9625,9626
(15)	996 110 120 53	Resonance tube		1	9721,9720, 9722
16	993 110 462 02	Vacuum unit		1	
17	900 146 123 02	Screw M 5 X 16		4	
-	000 043 204 99	Hose 3,5 X 2 120 MM		*	
18	900 380 022 09	Hexagon nut M 6		1	
19		throttle valve adapter see illustration:	107-000	1	
20	999 703 239 01	sound absorber piece 20X15 M6		1	

Model: 987 05

Model life 2005>>2008

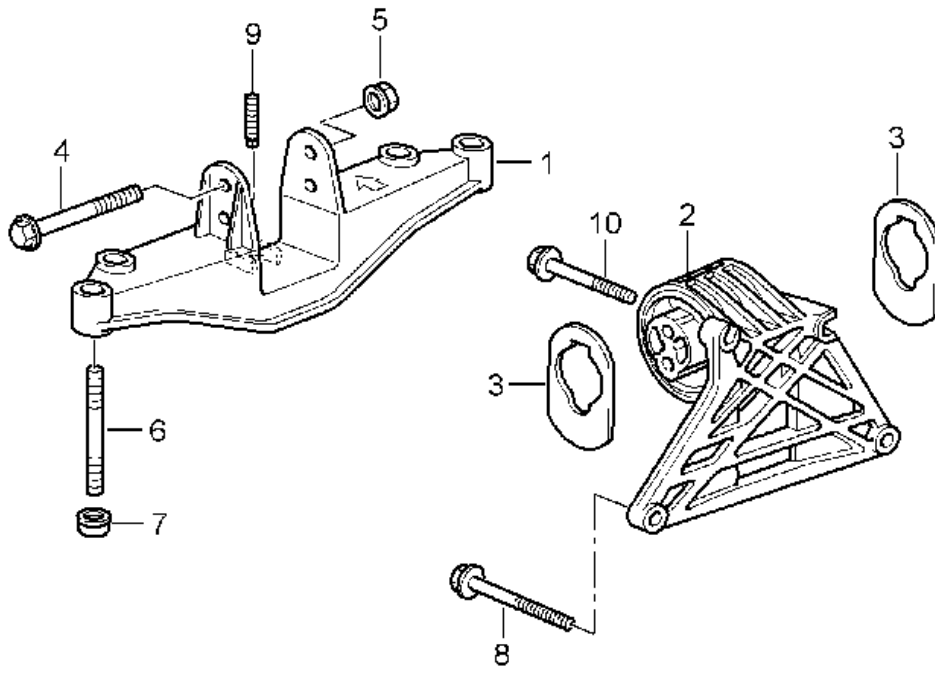


Model: 987 05 Model life 2005>>2008

Pos	Part Number	Description	Remark	Qty	Model
		Air injection			9625,9626, 9720,9721, 9722
1	997 605 104 00	Secondary pump		1	
(1)	997 605 104 02	Secondary pump		1	
2	955 113 325 00	fillister hd. bolt M 6 X 50		3	
3	999 703 868 40	Rubber bush 8,76 X 33,3		3	
4	999 209 077 02	spacer sleeve 6,5 X 1		3	
4	999 209 077 01	Discontinued part spacer sleeve 6,5 X 1		3	
5	996 605 123 01	Change-over valve		1	
6	997 113 137 01	Console Secondary pump		1	
7	948 113 203 51	Valve		1	
8	993 113 258 51	Seal		1	
9	999 073 344 04	flat round head bolt M 6 X 20		7	
10	997 113 339 02	Hose		1	
11	997 113 233 01	Seal Console		1	
12	997 113 117 01	Connecting line		1	
13	996 113 213 51	Seal Connecting line		1	
14	997 113 340 00	End cap		1	

Model: 987 05

Model life 2005>>2008

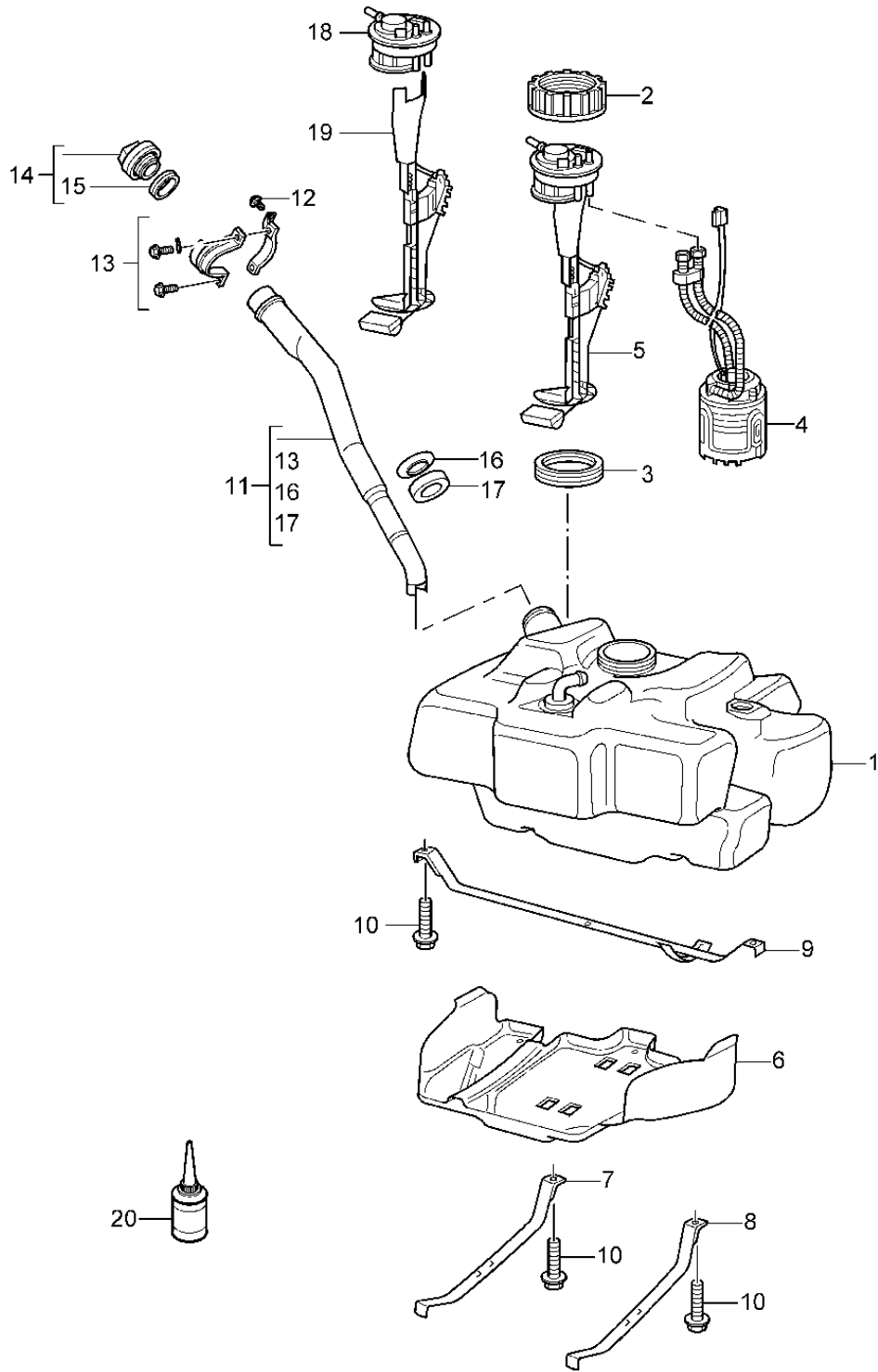


Model: 987 05 Model life 2005>>2008

Pos	Part Number	Description	Remark	Qty	Model
		Engine suspension			9625, 9626, 9720, 9721, 9722
1	987 375 309 01	Engine brackets		1	
(1)	987 375 309 02	Engine brackets		1	
2	987 375 023 02	Console for engine mounting		1	9625, 9626
2	987 375 023 03	Console for engine mounting		1	9721, 9720, 9722
(2)	987 375 023 04	Console for engine mounting Discontinued part		1	
(2)	987 375 023 05	Console for engine mounting		1	
3	987 375 255 03	Stop		2	9625, 9626
3	987 375 255 05	Stop D >> - MJ 2007 Discontinued part		2	9721, 9720, 9722
3	9A1 375 257 01	Stop		2	
4	900 378 167 09	Hexagon bolt M 10 X 110		2	
5	900 380 008 09	Locknut M 10		2	
6	999 061 106 09	Threaded pin M 10 X 84 Discontinued part		4	
6	999 061 106 01	Threaded pin M 10 X 84		4	
7	999 076 053 09	Hexagon nut M 10		4	
8	999 072 027 09	Hexagon bolt M 10 X 120		3	
9	999 919 169 02	Threaded pin 6,0 X 11/M6		1	
10	999 072 036 09	Hexagon bolt M 10 X 80		1	

Model: 987 05

Model life 2005>>2008



Model: 987 05 Model life 2005>>2008

Pos	Part Number	Description	Remark	Qty	Model
1	996 201 021 05	Fuel tank	lhd	1	PR:098
(1)	997 201 022 01	Fuel tank	rhd	1	PR:099
2	996 201 623 00	Union nut		1	
3	321 919 133	seal ring		1	
		Discontinued part			
3	1J0 919 133 A	seal ring		1	
4	996 620 132 00	Fuel pump		1	
5	996 620 832 02	Tank gauge		1	
		with:			
		flange			
6	997 201 331 02	Bottom protection for fuel tank	lhd	1	PR:098
(6)	997 201 331 03	Bottom protection for fuel tank	rhd	1	PR:099
7	996 201 106 02	tensioning strap	right	1	
		Discontinued part			
(7)	997 201 106 01	tensioning strap	right	1	
8	996 201 105 02	tensioning strap	left	1	
		Discontinued part			
(8)	997 201 105 01	tensioning strap	left	1	
9	996 201 107 02	tensioning strap	lhd	1	PR:098
(9)	996 201 108 00	tensioning strap	rhd	1	PR:099
10	900 075 479 09	Bolt with washer M 8 X 40		4	
11	997 201 043 00	fuel filler neck		1	
		F >> 98-5U700 076			
		F >> 98-5U701 308			
		F >> 98-5U721 351			
		Discontinued part			
11	997 201 043 06	fuel filler neck		1	
		F >> 98-5U700 076			
		F >> 98-5U701 308			
		F >> 98-5U721 351			
		also use:			
11	997 201 043 06	fuel filler neck	997 201 951 00	1	
		F 98-5U700 077>>		1	
		F 98-5U701 309>>			
		F 98-5U721 352>>			
(11)	997 201 043 07	fuel filler neck		1	PR:150,193
12	999 015 025 09	Oval-head screw M 6 X 12		1	
		F >> 98-5U700 076			
		F >> 98-5U701 308			
		F >> 98-5U721 351			
(12)	999 073 348 09	fillister hd. bolt M 6 X 12		1	
		F 98-5U700 077>>			
		F 98-5U701 309>>			
		F 98-5U721 352>>			
13	997 201 951 00	Bracket (complete)		1	
		F >> 98-5U700 076			
		F >> 98-5U701 308			
		F >> 98-5U721 351			
13	997 201 951 02	Bracket for filler neck (complete)		1	
		F 98-5U700 077>>			
		F 98-5U701 309>>			
		F 98-5U721 352>>			
14	996 201 241 03	Fuel tank cap		1	
		with:			
		Clip			

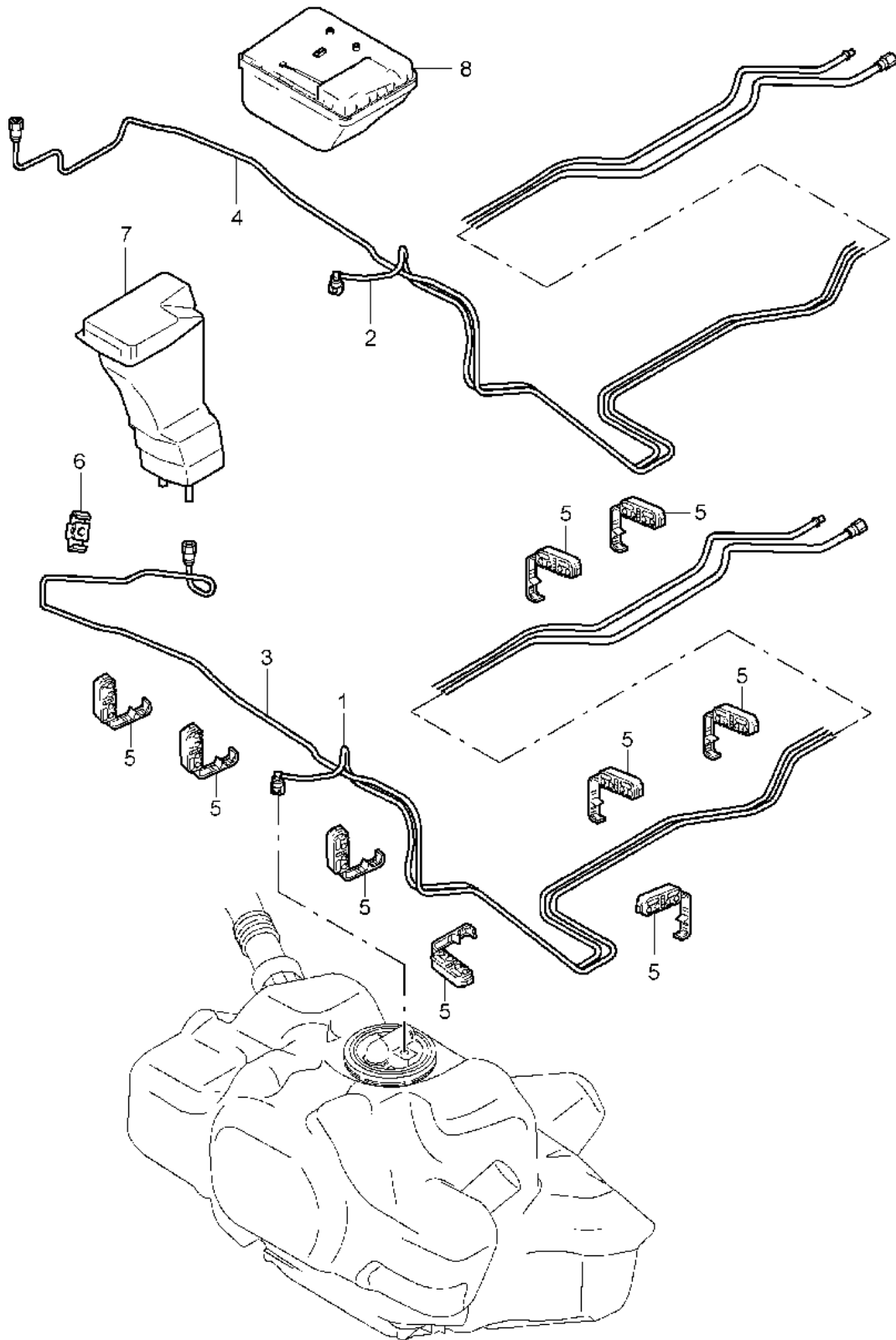
Model: 987 05

Model life 2005>>2008

Pos	Part Number	Description	Remark	Qty	Model
-	999 507 499 40	Spreader rivet		1	
15	191 201 557	seal ring		1	
16	996 201 755 00	support washer		1	
17	996 201 753 00	Seal		1	
20	000 043 206 89	Multi-purpose additive for Otto engine fuels 100 ML		1	
20	000 043 209 02	Discontinued part Multi-purpose additive for Otto engine fuels 100 ML		1	

Model: 987 05

Model life 2005>>2008



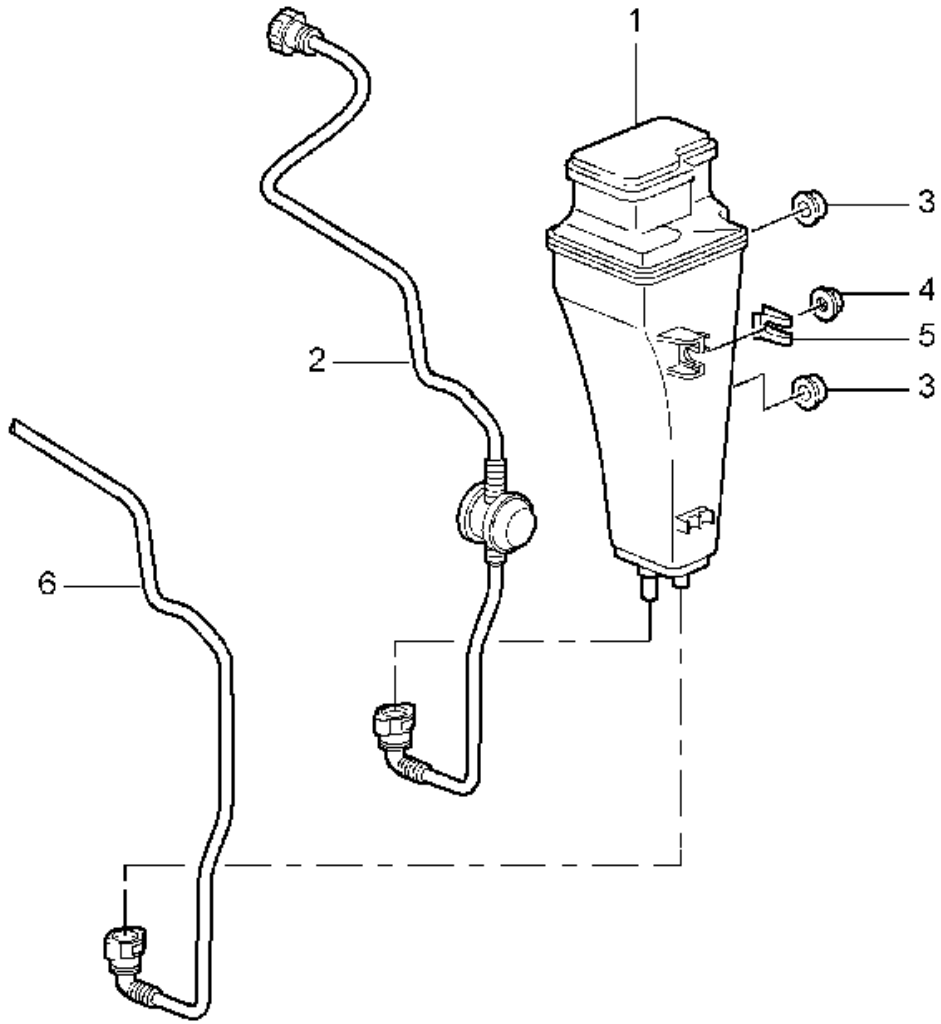
Model: 987 05

Model life 2005>>2008

Pos	Part Number	Description	Remark	Qty	Model
1	987 201 261 01	Fuel system Fuel line Fuel pump for Engine		1	
3	987 201 353 01	Purge-air line Activated charcoal container for Engine		1	
5	999 507 521 40	Cable holder 8,0/8/10		9	
6	999 507 727 40	Cable holder 8,0/10,0		1	
7		Activated charcoal container see illustration:	201-020	1	

Model: 987 05

Model life 2005>>2008



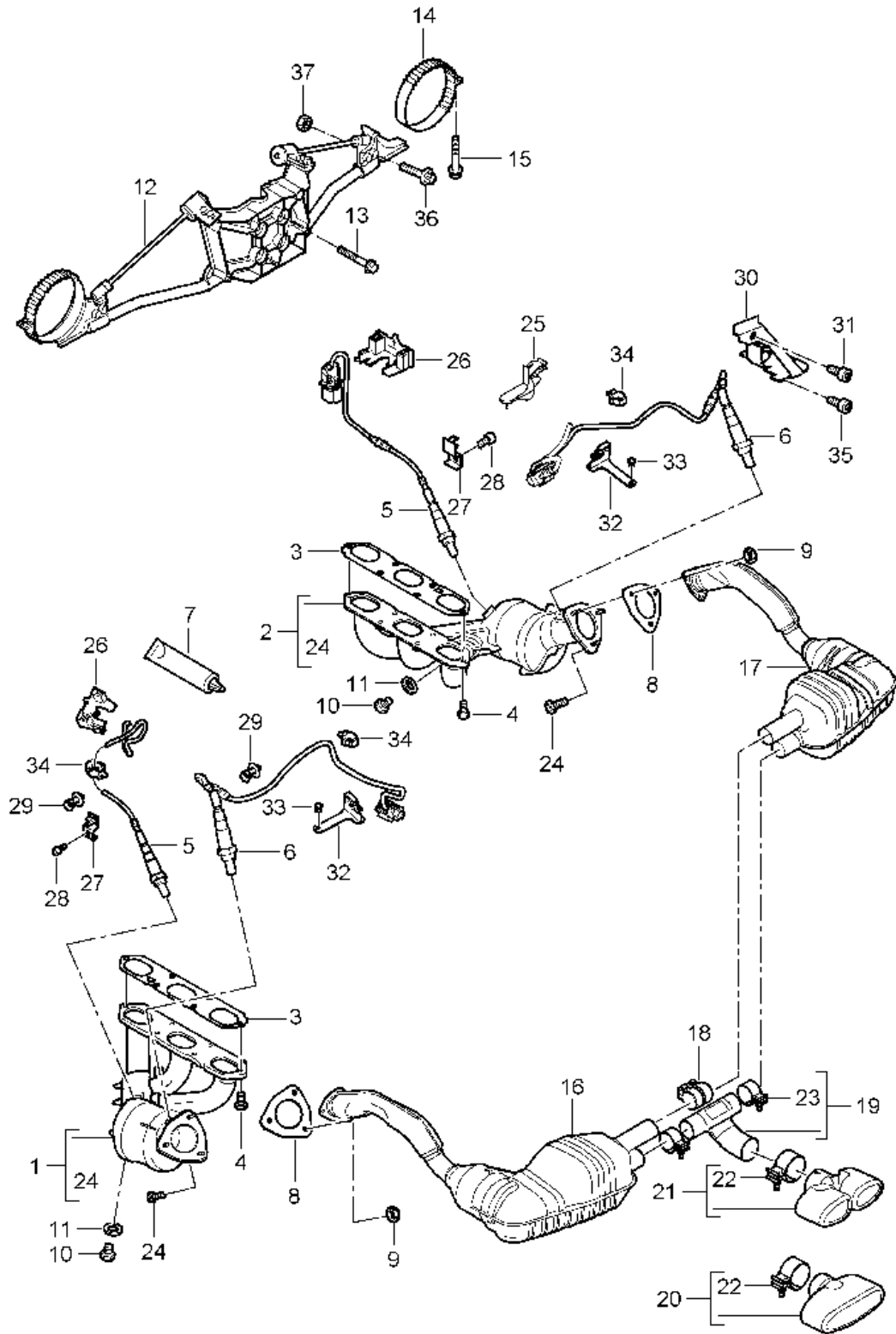
Model: 987 05

Model life 2005>>2008

Pos	Part Number	Description	Remark	Qty	Model
1	997 201 221 01	Activated charcoal container Activated charcoal container (complete)		1	
2	997 201 251 00	Breather line Fuel tank for Activated charcoal container		1	
3	999 702 221 40	Grommet		2	
4	999 084 629 09	Hexagon nut M 6		1	
4	999 084 629 01	Discontinued part Hexagon nut M 6		1	
5	999 507 543 02	Clip 2,00 - 3,00		1	
6		Purge-air line see illustration:	201-005	1	

Model: 987 05

Model life 2005>>2008



Model: 987 05 Model life 2005>>2008

Pos	Part Number	Description	Remark	Qty	Model
		exhaust system			9625,9626, 9720,9721, 9722 9625
1	987 113 104 07	Exhaust manifolds with: Pre-catalytic converter Cyl. 4 - 6 D - MJ 2005>> - MJ 2005 Discontinued part		1	
(1)	987 113 104 08	Exhaust manifolds with: Pre-catalytic converter Cyl. 4 - 6 D - MJ 2006>> - MJ 2006 Discontinued part		1	9625
(1)	987 113 104 10	Exhaust manifolds with: Pre-catalytic converter Cyl. 4 - 6		1	9625
(1)	987 113 104 AX	Exhaust manifolds with: Pre-catalytic converter Cyl. 4 - 6		1	9625
(1)	987 113 108 05	Exhaust manifolds with: Pre-catalytic converter Cyl. 4 - 6 D - MJ 2007>>		1	9721,9720, 9722
(1)	987 113 108 AX	Exhaust manifolds with: Pre-catalytic converter Cyl. 4 - 6 D - MJ 2007>>		1	9721,9720, 9722
(1)	987 113 106 05	Exhaust manifolds with: Pre-catalytic converter Cyl. 4 - 6 D - MJ 2005>> - MJ 2005 Discontinued part		1	9626
(1)	987 113 106 06	Exhaust manifolds with: Pre-catalytic converter Cyl. 4 - 6		1	9626
(1)	987 113 106 AX	Exhaust manifolds with: Pre-catalytic converter Cyl. 4 - 6		1	9626
2	987 113 103 07	Exhaust manifolds with: Pre-catalytic converter Cyl. 1 - 3 D - MJ 2005>> - MJ 2005 Discontinued part		1	9625
(2)	987 113 103 10	Exhaust manifolds with: Pre-catalytic converter Cyl. 1 - 3		1	9625
(2)	987 113 103 AX	Exhaust manifolds with: Pre-catalytic converter Cyl. 1 - 3		1	9625
(2)	987 113 107 05	Exhaust manifolds with:		1	9721,9720, 9722

Model: 987 05 Model life 2005>>2008

Pos	Part Number	Description	Remark	Qty	Model
(2)	987 113 107 AX	Pre-catalytic converter Cyl. 1 - 3 D - MJ 2007>> Exhaust manifolds	with:	1	9721,9720, 9722
(2)	987 113 105 05	Pre-catalytic converter Cyl. 1 - 3 D - MJ 2007>> Exhaust manifolds	with:	1	9626
(2)	987 113 105 06	Pre-catalytic converter Cyl. 1 - 3 Discontinued part Exhaust manifolds	with:	1	9626
(2)	987 113 105 AX	Pre-catalytic converter Cyl. 1 - 3 Exhaust manifolds	with:	1	9626
3	996 111 107 54	Pre-catalytic converter Cyl. 1 - 3 Seal		2	
3	996 111 107 55	Exhaust manifolds Discontinued part Seal		2	
4	999 075 074 00	Exhaust manifolds Hexagon bolt M 8 X 26		12	
5	987 606 123 01	Lambda probe in front of Catalytic converter		2	
5	987 606 123 03	Discontinued part Lambda probe in front of Catalytic converter		2	
5	987 606 123 03	Lambda probe in front of Catalytic converter		2	
5	987 606 123 02	Lambda probe in front of Catalytic converter		4	9721,9720, 9722
6	987 606 124 00	D - MJ 2007>> Lambda probe After Catalytic converter		2	
(6)	987 606 123 02	No longer use the part here Lambda probe After Catalytic converter		2	
7	000 043 207 07	grease for oxygen sensor		1	
8	997 111 113 00	Seal		2	
9	999 084 046 02	also use:	999 084 046 02	3	
9	999 084 046 02	Locknut M 8	900 075 365 02	3	
10	900 083 080 00	Hexagon bolt M 8 x 1		6	
10	900 083 080 00	Hexagon bolt M 8 x 1		2	
11	900 123 050 20	Exhaust emission tube seal ring 8 x 11,5		2	
12	987 111 041 02	Exhaust emission tube Retainer for exhaust system		1	9625,9626+

Model: 987 05 Model life 2005>>2008

Pos	Part Number	Description	Remark	Qty	Model
(12)	987 111 041 03	Retainer for exhaust system		1	PR:249 9720,9721, 9722+
(12)	987 111 042 00	D - MJ 2007>> Retainer for exhaust system		1	PR:249 9625+ PR:481
(12)	987 111 042 03	Discontinued part Retainer for exhaust system		1	9720+ PR:481
(12)	987 111 042 04	D - MJ 2007>> No longer use the part here Retainer for exhaust system		1	9720+ PR:481
(12)	987 111 043 03	Retainer for exhaust system		1	9625,9626
(12)	987 111 043 04	Discontinued part Retainer for exhaust system		1	PR:480
13	900 378 070 09	D - MJ 2007>> Hexagon bolt M 10 X 30		4	9625,9626
(13)	900 378 056 02	Hexagon bolt M 8 X 60		3	9625,9626
14	987 111 210 00	Clip No longer use the part here		2	
14	987 111 210 01	Clip		2	
15	900 378 055 09	Hexagon bolt		2	
16	987 113 112 00	Silencer with: Main catalytic converter Cyl. 4 - 6 D - MJ 2005>> - MJ 2005 Discontinued part		1	9626
16	987 113 112 04	Silencer with: Main catalytic converter Cyl. 4 - 6 D - MJ 2006>> - MJ 2006 Discontinued part		1	9626
16	987 113 112 05	Silencer with: Main catalytic converter Cyl. 4 - 6		1	9626
16	987 113 112 AX	Silencer with catalyst Main catalytic converter Cyl. 4 - 6		1	9626
16	987 113 118 01	Silencer with: Main catalytic converter Cyl. 4 - 6 D - MJ 2007>> Discontinued part		1	9721,9720
16	987 113 118 02	Silencer with: Main catalytic converter Cyl. 4 - 6 D - MJ 2007>>		1	9721,9720
16	987 113 114 00	Silencer with: Main catalytic converter Cyl. 4 - 6 D - MJ 2005>> - MJ 2005 Discontinued part		1	9625
16	987 113 114 02	Silencer with:		1	9625

Model: 987 05

Model life 2005>>2008

Pos	Part Number	Description	Remark	Qty	Model
16	987 113 114 03	Main catalytic converter Cyl. 4 - 6 D - MJ 2006>> - MJ 2006 Discontinued part Silencer		1	9625
		with:			
16	987 113 114 AX	Main catalytic converter Cyl. 4 - 6 Silencer with catalyst		1	9625
(16)	987 113 512 00	Main catalytic converter Cyl. 4 - 6 Silencer		1	PR:XLF
		with:			
(16)	987 113 512 01	Main catalytic converter Cyl. 4 - 6 D - MJ 2007>> - MJ 2007 Discontinued part Silencer		1	PR:XLF
		with:			
(16)	987 113 512 02	Main catalytic converter Cyl. 4 - 6 D - MJ 2008>> Discontinued part Silencer		1	PR:XLF
		with:			
(16)	987 113 512 AX	Main catalytic converter Cyl. 4 - 6 Silencer with catalyst		1	PR:XLF
(16)	987 113 512 60	Main catalytic converter Cyl. 4 - 6 Silencer		1	9722
		with:			
(16)	987 113 512 CX	Main catalytic converter Cyl. 4 - 6 D - MJ 2008>> Silencer with catalyst		1	9722
17	987 113 111 00	Main catalytic converter Cyl. 4 - 6 D - MJ 2008>> Silencer		1	9626
		with:			
17	987 113 111 04	Main catalytic converter Cyl. 1 - 3 D - MJ 2005>> - MJ 2005 Discontinued part Silencer		1	9626
		with:			
17	987 113 111 05	Main catalytic converter Cyl. 1 - 3 D - MJ 2006>> - MJ 2006 Discontinued part Silencer		1	9626
		with:			
17	987 113 111 AX	Main catalytic converter Cyl. 1 - 3 Silencer with catalyst		1	9626
17	987 113 117 01	Main catalytic converter Cyl. 1 - 3 Silencer		1	9721,9720
		with:			
		Main catalytic converter Cyl. 1 - 3 D - MJ 2007>>			

Model: 987 05 Model life 2005>>2008

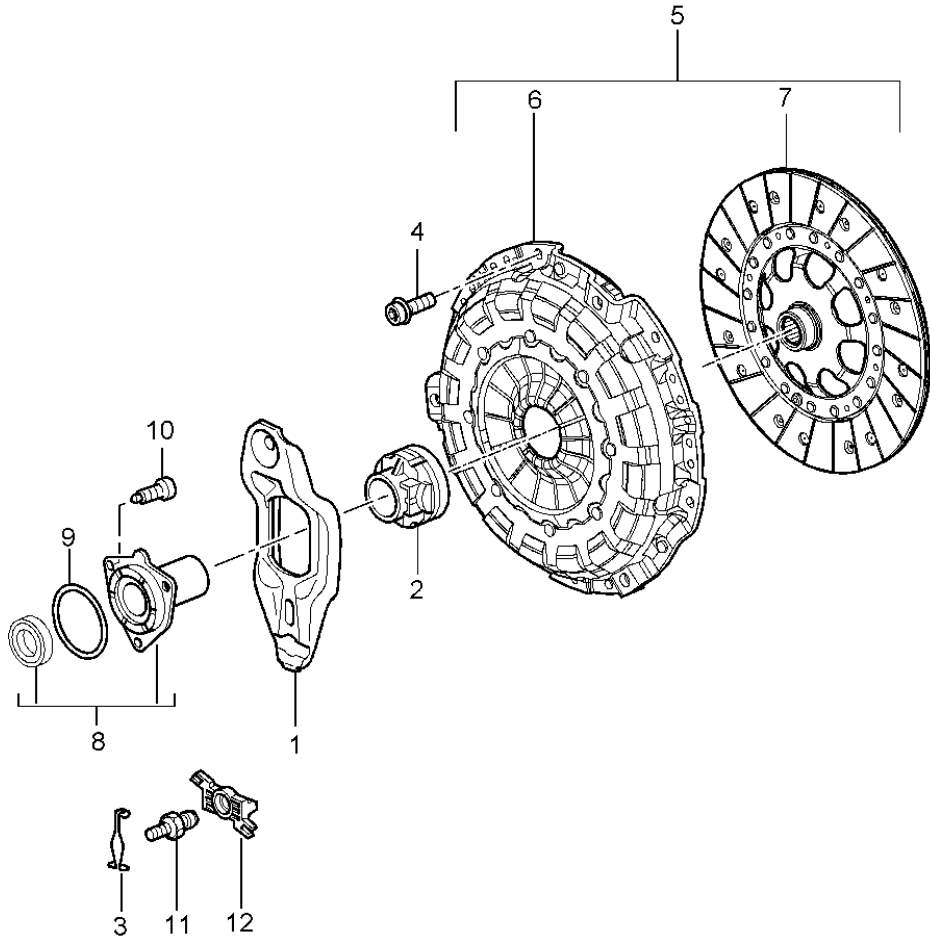
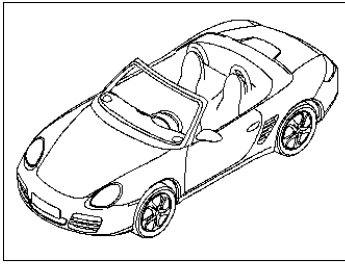
Pos	Part Number	Description	Remark	Qty	Model
17	987 113 117 02	Discontinued part Silencer with: Main catalytic converter Cyl. 1 - 3 D - MJ 2007>>		1	9721,9720
17	987 113 113 00	Silencer with: Main catalytic converter Cyl. 1 - 3 D - MJ 2005>> - MJ 2005		1	9625
17	987 113 113 02	Discontinued part Silencer with: Main catalytic converter Cyl. 1 - 3 D - MJ 2006>> - MJ 2006		1	9625
17	987 113 113 03	Discontinued part Silencer with: Main catalytic converter Cyl. 1 - 3		1	9625
17	987 113 113 AX	Silencer with catalyst Main catalytic converter Cyl. 1 - 3		1	9625
(17)	987 113 511 00	Silencer with: Main catalytic converter Cyl. 1 - 3 D - MJ 2007>> - MJ 2007		1	PR:XLF
(17)	987 113 511 01	Discontinued part Silencer with: Main catalytic converter Cyl. 1 - 3 D - MJ 2008>>		1	PR:XLF
(17)	987 113 511 02	Discontinued part Silencer with: Main catalytic converter Cyl. 1 - 3		1	PR:XLF
(17)	987 113 511 AX	Silencer with catalyst Main catalytic converter Cyl. 1 - 3		1	PR:XLF
(17)	987 113 511 60	Silencer with: Main catalytic converter Cyl. 1 - 3 D - MJ 2008>>		1	9722
(17)	987 113 511 CX	Silencer with catalyst Main catalytic converter Cyl. 1 - 3 D - MJ 2008>>		1	9722
18	987 111 220 00	Clamping sleeve		1	
19	987 111 353 00	Exhaust pipe		1	.21 9625,9626, 9720 9625
20	987 111 253 00	Tailpipe D >> - MJ 2006		1	9720
20	987 111 253 00	Tailpipe D - MJ 2007>>		1	9626
21	987 111 254 02	Tailpipe		1	

Model: 987 05 Model life 2005>>2008

Pos	Part Number	Description	Remark	Qty	Model
21	987 111 254 02	D >> - MJ 2006 Tailpipe		1	9721
(21)	987 111 254 01	D - MJ 2007>> Tailpipe		1	PR:XLA
(21)	987 111 258 30	Tailpipe D - MJ 2008>> Discontinued part		1	9722+ PR:754
(21)	987 111 258 31	Tailpipe D - MJ 2008>>		1	9722+ PR:754
22	000 043 300 53	Clamp for Trim Set (complete)		1	
23	000 043 300 54	Clamp for Exhaust pipe Set (complete)		2	
24	900 075 365 02	Screw M 8 X 30		X	
25	987 606 103 01	Holder for lambda probe Line		1	
26	987 606 259 01	Bracket Connector Lambda probe To filler plate		2	PR:660
27	987 606 104 00	Bracket Line Lambda probe To Valve cover Discontinued part		3	
(27)	987 606 104 01	Holder for lambda probe Line To Valve cover		3	
28	900 385 041 09	Torx screw M 6 X 12		3	
29	999 507 111 40	Line holder Lambda probe To Cylinder head		2	
30	987 104 445 00	Guard plate		1	
31	900 387 009 09	Screw M 6 X 12		1	
32	987 606 105 01	Bracket Connector Lambda probe		2	
33	999 591 712 40	Spreader rivet 6,0 X 12,0		4	
34	999 507 075 40	Cable holder 3,0 - 12,0		3	
35	900 385 041 09	Torx screw M 6 X 12		1	
37	900 380 005 01	Nut M 8		12	

Model: 987 05

Model life 2005>>2008

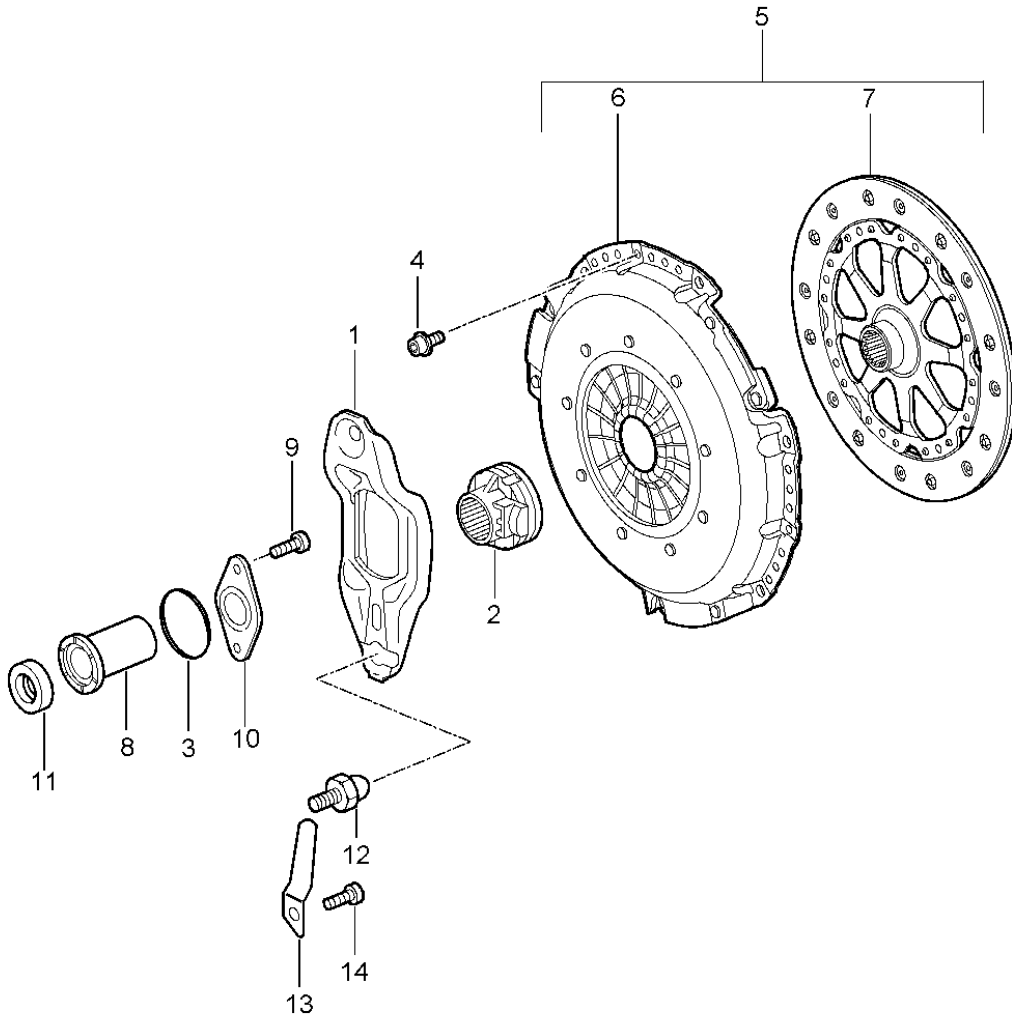
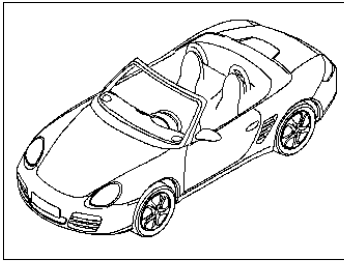


Model: 987 05 Model life 2005>>2008

Pos	Part Number	Description	Remark	Qty	Model
		Coupling			9625,9720+ PR:481
1	012 141 719 B	clutch operating lever		1	
2	012 141 165 E	release bearing		1	
3	012 141 741	retaining spring		1	
4	900 067 131 03	Socket head bolt M 8 X 16		6	
		No longer use the part here			
(4)	999 073 458 01	Screw M 8 X 16		6	
5	987 116 914 00	Coupling Set		1	
6	986 116 028 04	Pressure plate		1	
7	987 116 014 00	Clutch plate Discontinued part		1	
7	987 116 014 01	Clutch plate		1	
8	012 141 180 B	guide sleeve		1	
9	N 903 542 01	O-ring 56,8 X 2,6		1	
10	N 903 663 01	Socket head bolt M 8 X 22		3	
11	012 141 777 D	Ball stud		1	
12	012 141 751 B	Intermediate piece Discontinued part		1	
12	012 141 751 C	Intermediate piece		1	
-	987 116 014 01	Clutch plate		1	
-	000 043 304 02	Grease KLÜBERALFA HM83-801 50 GR.		X	
-	000 043 024 00	Extreme-pressure grease LONGTIME 3EP 80 GR.		X	

Model: 987 05

Model life 2005>>2008

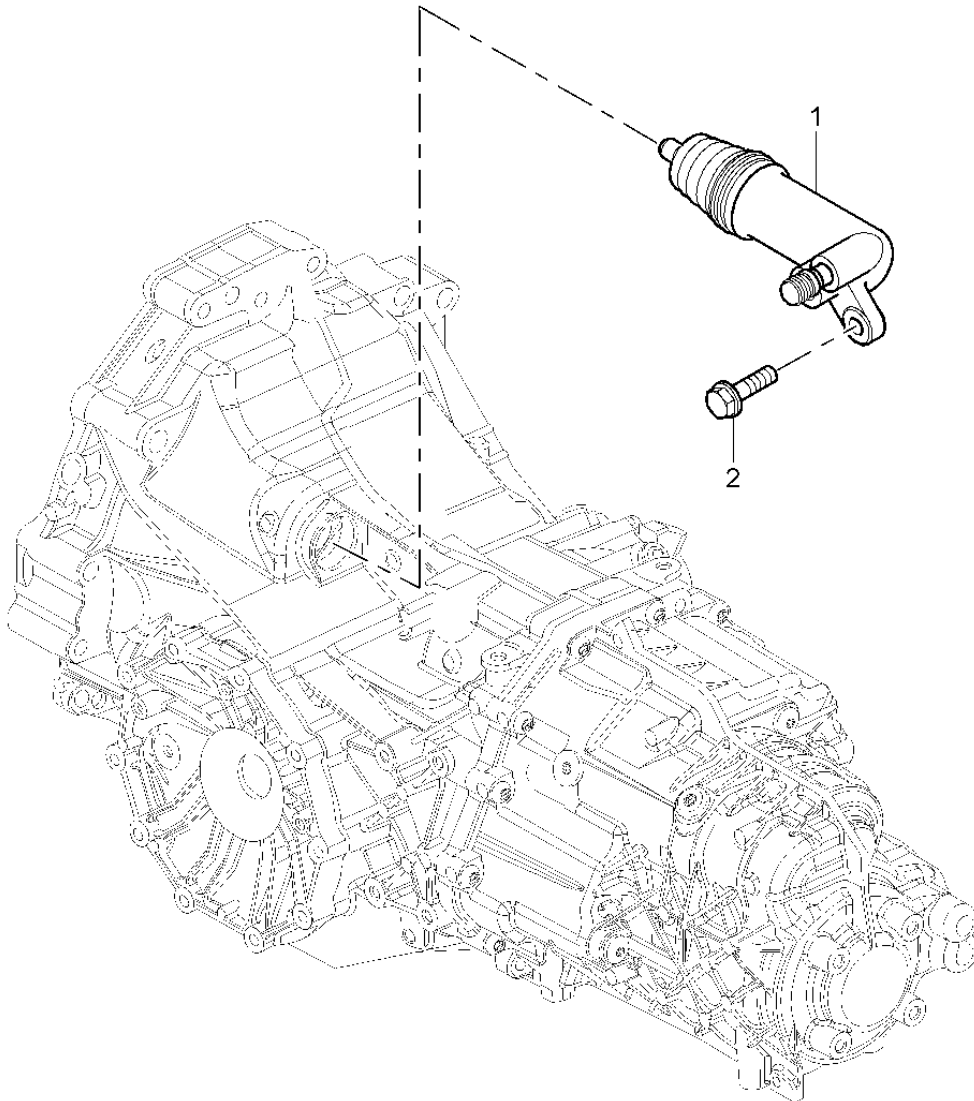


Model: 987 05 Model life 2005>>2008

Pos	Part Number	Description	Remark	Qty	Model
1	0A2 141 719	Coupling clutch operating lever Discontinued part		1	PR:480
1	0A2 141 719 A	clutch operating lever		1	
2	012 141 165 E	release bearing		1	
3	0A2 311 091 A	O-ring		1	
4	900 067 131 03	Socket head bolt M 8 X 16 No longer use the part here		6	
(4)	999 073 458 01	Screw M 8 X 16		6	
5	987 116 913 22	Coupling Set Discontinued part		1	9625,9626, 9720
(5)	987 116 913 23	Coupling Set Discontinued part		1	9625,9626, 9720
(5)	987 116 913 24	Coupling Set		1	9625,9626, 9720
(5)	987 116 913 30	Coupling Set		1	9721,9722
(5)	987 116 913 36	Coupling Set		1	9721,9722
6	987 116 027 22	Pressure plate		1	9625,9626, 9720
(6)	987 116 027 30	Pressure plate Discontinued part		1	9721
(6)	987 116 027 33	Pressure plate		1	9721
7	987 116 013 20	Clutch plate Discontinued part		1	9625,9626, 9720,9721
7	987 116 013 21	Clutch plate		1	9625,9626, 9720,9721
7	987 116 013 22	Discontinued part Clutch plate		1	9625,9626, 9720,9721
8	0A2 141 181	guide sleeve		1	
9	999 073 320 02	Hexagon bolt m 8 x 20,5		2	
10	0A2 141 179	Retaining plate		1	
11	016 311 113 C	radial shaft seal		1	
12	01E 141 751 A	Intermediate piece		1	
13	01E 141 721 A	leaf spring		1	
14	999 073 319 02	flat round head bolt M 8 x 22		1	

Model: 987 05

Model life 2005>>2008



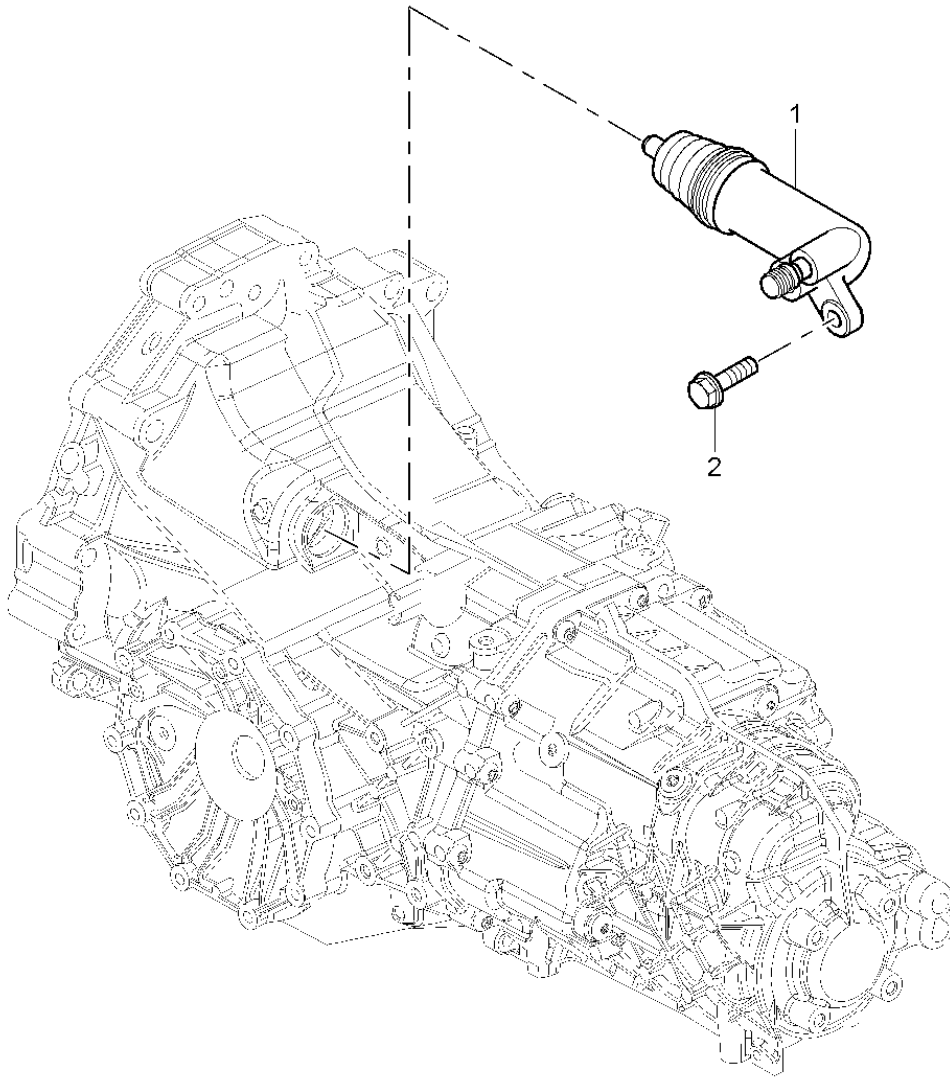
Model: 987 05

Model life 2005>>2008

Pos	Part Number	Description	Remark	Qty	Model
		Clutch release			G8701+ PR:481
1	8E0 721 257 B	Clutch slave cylinder D >> - MJ 2007		1	
1	8E0 721 257 M	Clutch slave cylinder D - MJ 2008>>		1	
2	N 090 316 5	bolt,hex.hd.with shoul.(combi) M 8 X 30 Z1 D >> - MJ 2007		1	
(2)	900 075 506 01	Bolt with washer M 8 X 30 D - MJ 2008>>		1	

Model: 987 05

Model life 2005>>2008



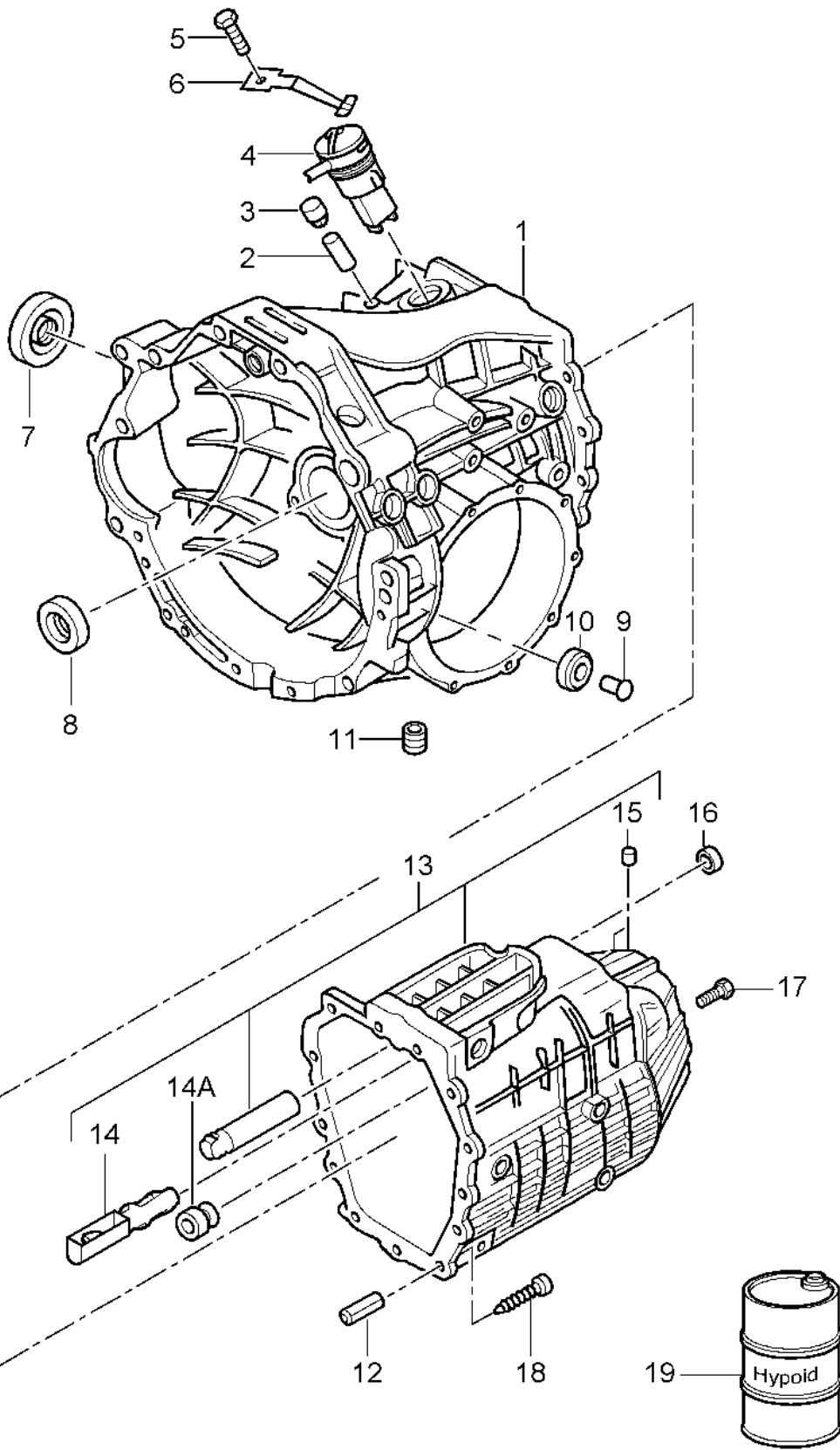
Model: 987 05

Model life 2005>>2008

Pos	Part Number	Description	Remark	Qty	Model
1	986 116 237 00	Clutch release Clutch slave cylinder No longer use the part here		1	G8720, G8721
(1)	986 116 237 01	Clutch slave cylinder		1	
2	N 090 316 5	bolt, hex. hd. with shoul. (combi) M 8 X 30 Z1 D >> - MJ 2007		1	
(2)	900 075 506 01	Bolt with washer M 8 X 30 D - MJ 2008>>		1	

Model: 987 05

Model life 2005>>2008



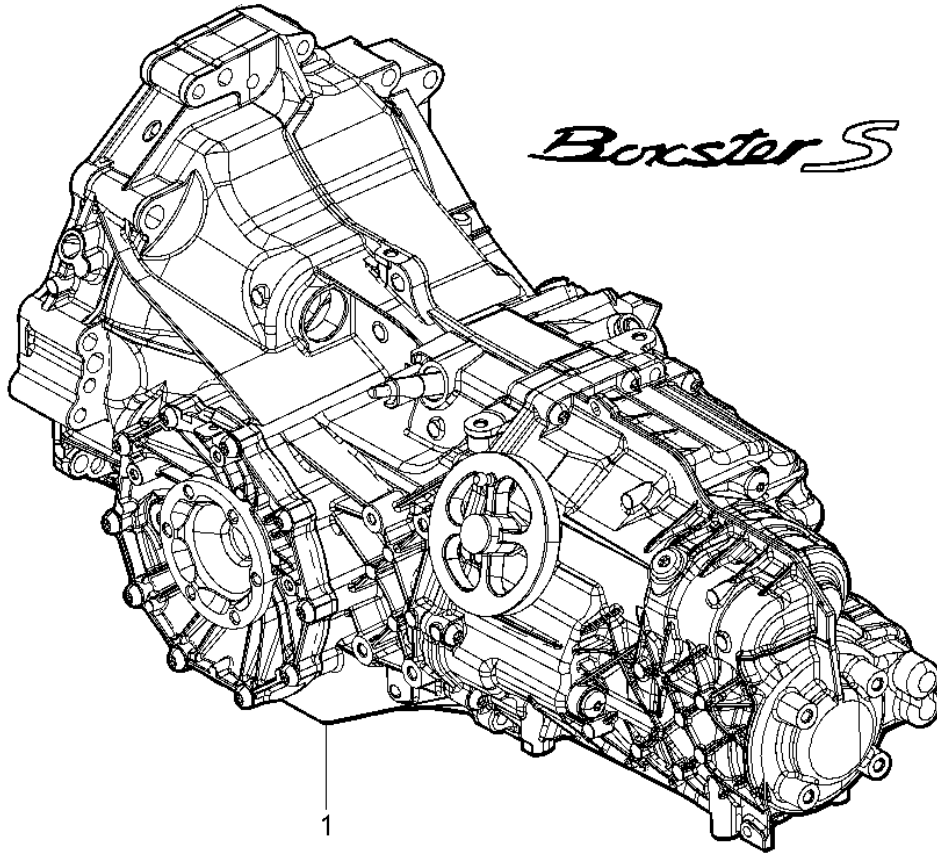
Model: 987 05

Model life 2005>>2008

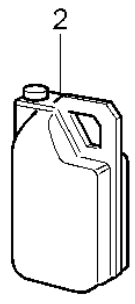
Pos	Part Number	Description	Remark	Qty	Model
-		Replacement transmission Gear housing Gearbox Classification letter Attention			G8701+ PR:481 GAL
-	987 300 010 00	Manual gearbox		1	GAL
1	012 301 103 AD	Gear housing		1	
2	012 301 474 A	Sleeve 12 X 30		1	
3	014 301 485	Cap for venting the gearbox		1	
4	012 919 823 F	Switch		1	
-	999 652 907 40	Plug socket		1	
-	999 652 694 12	Contact bush		2	
-	999 704 161 40	Seal		2	
-	999 652 811 40	Bungs		3	
5	N 040 255 2	Hexagon bolt M 8 X 14		1	
6	012 301 483 G	leaf spring		1	
7	016 409 399 B	radial shaft seal 45 X 60 X 8		1	
8	012 311 113 B	radial shaft seal		1	
9	012 301 183 A	bush BM 8 X 20		1	
10	01X 301 143	Magnet		1	
11	WHT 001 937	sealing plug M 24 X 1,5		1	
12	012 301 473	Sleeve 12 X 30		1	
13	012 301 205 P	Gearbox cover	also use: 012 311 439 P	1	
14	012 301 276 A	oil drip tray		1	
14A	012 311 429 P	roller sleeve 23 X 39 X 28,3		1	
15	012 301 115	Bungs		2	
16	012 301 457 C	Shaft oil seal 16 X 24 X 6		1	
18	012 301 282 A	Oval hexagon socket head bolt M 8 X 48 No longer use the part here		13	
18	9A7 002 079 00	Torx screw M 8 X 48		13	
19	000 043 204 71	Transmission fluid HYPOID 25 LTR. Container		X	
19	000 043 304 71	Discontinued part Transmission fluid HYPOID 20 LTR. Container		X	

Model: 987 05

Model life 2005>>2008



Boxster S



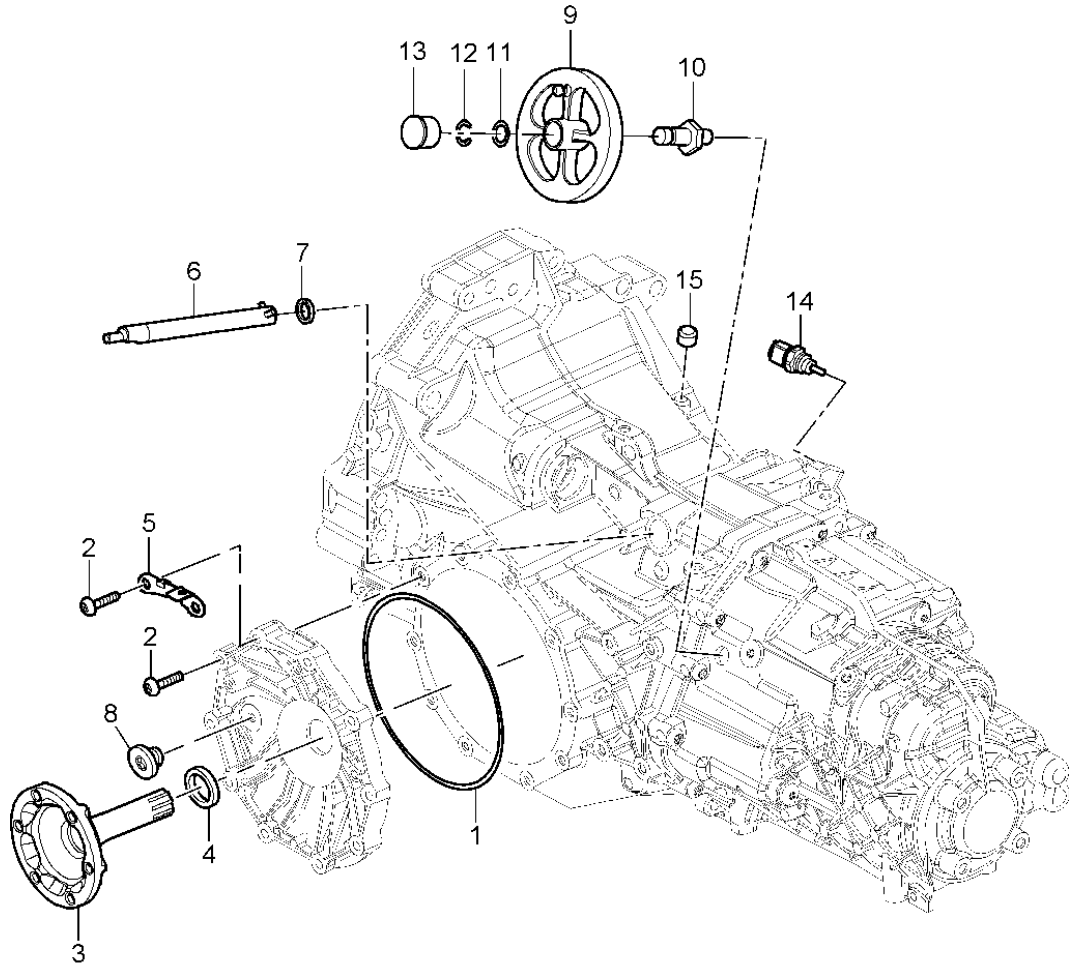
Model: 987 05

Model life 2005>>2008

Pos	Part Number	Description	Remark	Qty	Model
1	987 300 010 22	Replacement transmission Ready for installation 6-speed manual transmission Discontinued part		1	G8720, G8721+ PR:480 G8720
(1)	987 300 010 24	6-speed manual transmission Discontinued part		1	G8720
(1)	987 300 010 BX	6-speed manual transmission Discontinued part		1	G8720
1	987 300 010 23	6-speed manual transmission Discontinued part		1	G8721
(1)	987 300 010 25	6-speed manual transmission		1	G8721
(1)	987 300 010 2X	6-speed manual transmission		1	G8721
2	000 043 204 71	Transmission fluid HYPOID Container 25 LTR. Discontinued part		X	
2	000 043 304 71	Transmission fluid HYPOID Container 20 LTR.		X	

Model: 987 05

Model life 2005>>2008



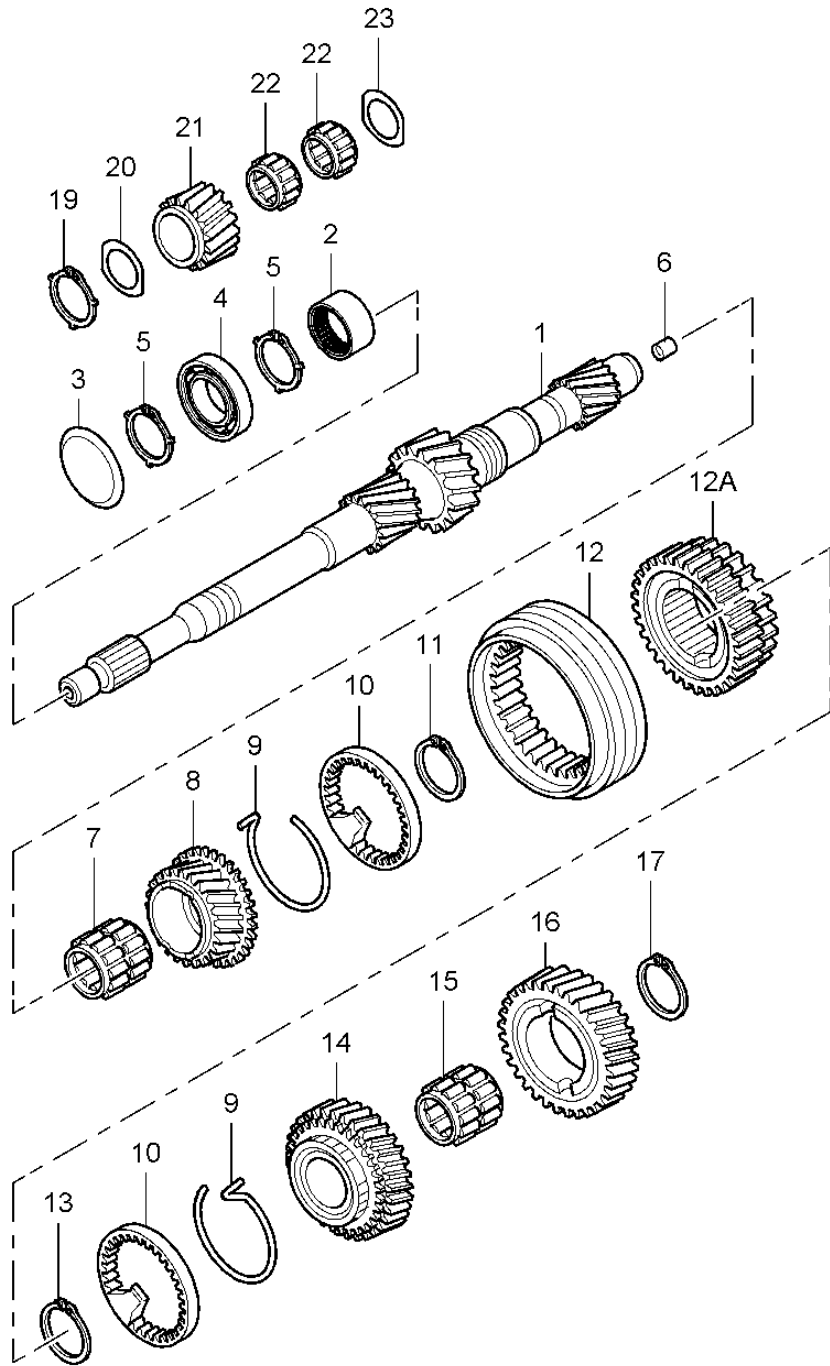
Model: 987 05

Model life 2005>>2008

Pos	Part Number	Description	Remark	Qty	Model
		Replacement transmission Individual parts			G8720, G8721+ PR:480
1	N 905 144 01	O-ring 171,00 X 3,50		1	
2	999 073 368 01	Torx screw M 8 X 42		10	
3	987 332 209 00	Drive flange		2	
4	016 409 399 B	radial shaft seal		2	
5	987 116 214 00	Support		1	
6	987 303 021 00	shift rod		1	
7	012 301 457 B	Shaft oil seal		1	
8	N 910 597 01	sealing plug M 22 X 1,5		1	
9	987 303 051 00	flywheel Discontinued part		1	
9	987 303 051 10	flywheel		1	
10	987 303 151 01	bearing pin		1	
11	900 234 147 00	fitted washer 12 X 18 X 1,0		1	
12	900 041 005 03	Securing ring 12 X 1		1	
13	999 703 011 40	Bungs 25,5 X 30 X 11		1	
14	01E 941 521 A	switch for reversing light Back-up light Discontinued part		1	
(14)	01E 941 521 B	switch for reversing light Back-up light		1	
15	014 301 485	Cap for venting the gearbox breather assy.		1	

Model: 987 05

Model life 2005>>2008



Model: 987 05 Model life 2005>>2008

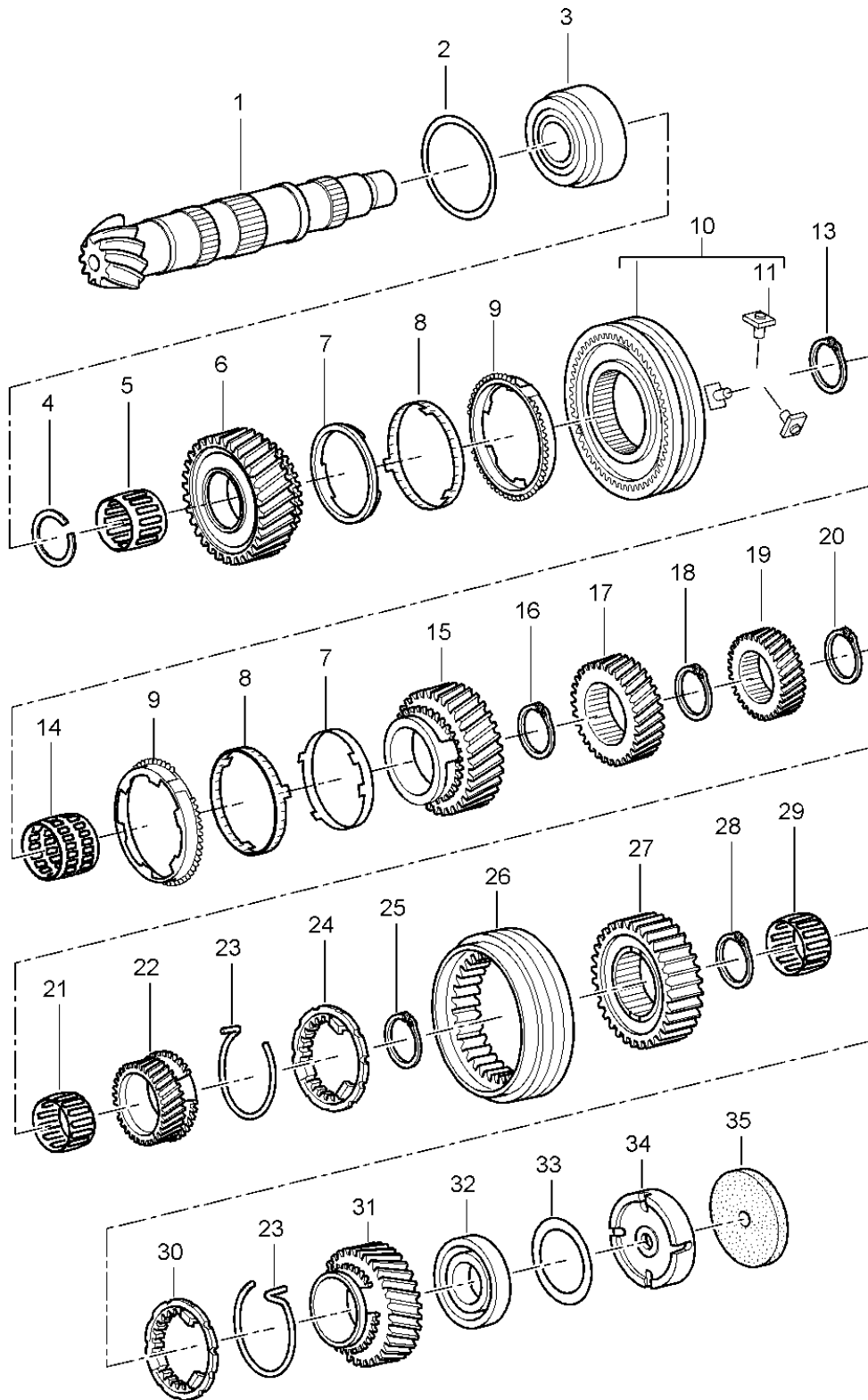
Pos	Part Number	Description	Remark	Qty	Model
-		gears and shafts Gearbox Classification letter Attention			G8701+ PR:481 GAL
1	012 311 105 AG	Input shaft		1	
2	012 311 123 D	Needle bush 27 X 41 X 23		1	
3	012 311 443	Belleville spring 42 X 58 X 2		1	
4	012 311 445 G	grooved ball bearing 25 X 58 X 16		1	
4	012 311 445 H	Discontinued part grooved ball bearing 25 X 58 X 16		1	
5	N 902 941 02	Securing ring 24,9 X 1,45		X	
(5)	N 902 941 14	Securing ring 24,9 X 1,54		X	
(5)	N 902 941 15	Securing ring 24,9 X 1,63		X	
(5)	N 902 941 16	Securing ring 24,9 X 1,72		X	
(5)	N 902 941 17	Securing ring 24,9 X 1,81		1	
(5)	N 902 941 18	Securing ring 24,9 X 1,9		X	
(5)	N 902 941 19	Securing ring 24,9 X 1,99		X	
(5)	N 902 941 20	Securing ring 24,9 X 2,08		X	
(5)	N 902 941 11	Securing ring 24,9 X 2,17		X	
6	012 311 111 A	Sleeve 13 X 14 X 10,8		1	
7	012 311 213 J	Needle cage 38 X 43 X 29,5		1	
8	012 311 131 CB	change gear 3rd gear Z = 40 : 28		1	
9	01X 311 312 A	securing spring 3rd/4th gear		2	
10	01X 311 295 J	synchronizer ring 3rd/4th gear		2	
11	N 902 945 01	Securing ring 38 X 2		1	
12	01X 311 315	Sliding sleeve 3rd/4th gear		1	
12A	01X 311 309	synchronizing hub 3rd/4th gear		1	
13	N 902 944 01	Securing ring 37 X 1,9		X	
(13)	N 902 944 02	Securing ring 37 X 1,93		X	
(13)	N 902 944 03	Securing ring 37 X 1,96		X	
(13)	N 902 944 04	Securing ring 37 X 1,99		X	
(13)	N 902 944 05	Securing ring 37 X 2,02		X	
(13)	N 902 944 06	Securing ring 37 X 2,05		X	
14	012 311 149 CQ	change gear		1	

Model: 987 05 Model life 2005>>2008

Pos	Part Number	Description	Remark	Qty	Model
15	012 311 115 F	4th speed Z = 36 : 33 Needle cage		1	
(16)	012 311 159 CH	37 X 42 X 29,8 gear		1	
17	N 902 942 02	5th gear Z = 31 ; 37 Securing ring		X	
(17)	N 902 942 03	36 X 1,9 Securing ring		X	
(17)	N 902 942 04	36 X 1,93 Securing ring		X	
(17)	N 902 942 05	36 X 1,96 Securing ring		X	
(17)	N 902 942 06	36 X 1,99 Securing ring		X	
18	012 311 429 P	36 X 2,02 roller sleeve		1	
19	N 902 951 01	23 X 39 X 28,2 Securing ring		1	
20	012 311 518	22 X 1,7 4th speed Support plate		1	
21	012 311 531 E	3rd gear reverse gear		1	
22	012 311 523 G	needle bearing -		2	
23	012 311 517	22 X 30 X 16 thrust washer		1	

Model: 987 05

Model life 2005>>2008



Model: 987 05 Model life 2005>>2008

Pos	Part Number	Description	Remark	Qty	Model
-		gears and shafts Gearbox Classification letter Attention			G8701+ PR:481 GAL
1		Output shaft		1	
2	012 311 391	adjusting washer 0,4		X	
(2)	012 311 391 A	adjusting washer 0,45		X	
(2)	012 311 391 B	adjusting washer 0,5		X	
(2)	012 311 391 C	adjusting washer 0,55		X	
(2)	012 311 391 D	adjusting washer 0,6		X	
(2)	012 311 391 E	adjusting washer 0,65		X	
(2)	012 311 391 F	adjusting washer 0,7		X	
(2)	012 311 391 G	adjusting washer 0,75		X	
3	012 311 220 A	Taper roller bearing 48,6 X 88 X 21,5		1	
4	N 908 600 01	Securing ring A 48,5 X 2,00		X	
(4)	N 908 600 07	Securing ring A 48,5 X 2,03		X	
(4)	N 908 600 08	Securing ring A 48,5 X 2,09		X	
(4)	N 908 600 09	Securing ring A 48,5 X 2,12		X	
(4)	N 908 600 10	Securing ring 48,5 X 2,15		X	
5	01X 311 325 A	needle bearing - 1st gear 48,5 X 52,5 X 26,4		1	
6	012 311 250 H	change gear 1st gear Z = 35 : 10		1	
7	01X 311 277 G	inner ring 1st gear		1	
(7)	01X 311 277 B	inner ring 2nd gear		1	
(7)	0B1 311 277	Discontinued part inner ring 2nd gear		1	
8	01X 311 259 G	Intermediate ring 1st / 2nd gear		2	
9	01X 311 247 P	synchronizer ring 1st / 2nd gear		2	
9	0B1 311 247 B	Discontinued part synchronizer ring 1st / 2nd gear		2	
10	01X 311 239 B	synchronizing hub with locking collar		1	
		with:			
10	01X 311 239 C	Sliding sleeve 1st / 2nd gear Discontinued part synchronizing hub with locking collar		1	
		with:			

Model: 987 05 Model life 2005>>2008

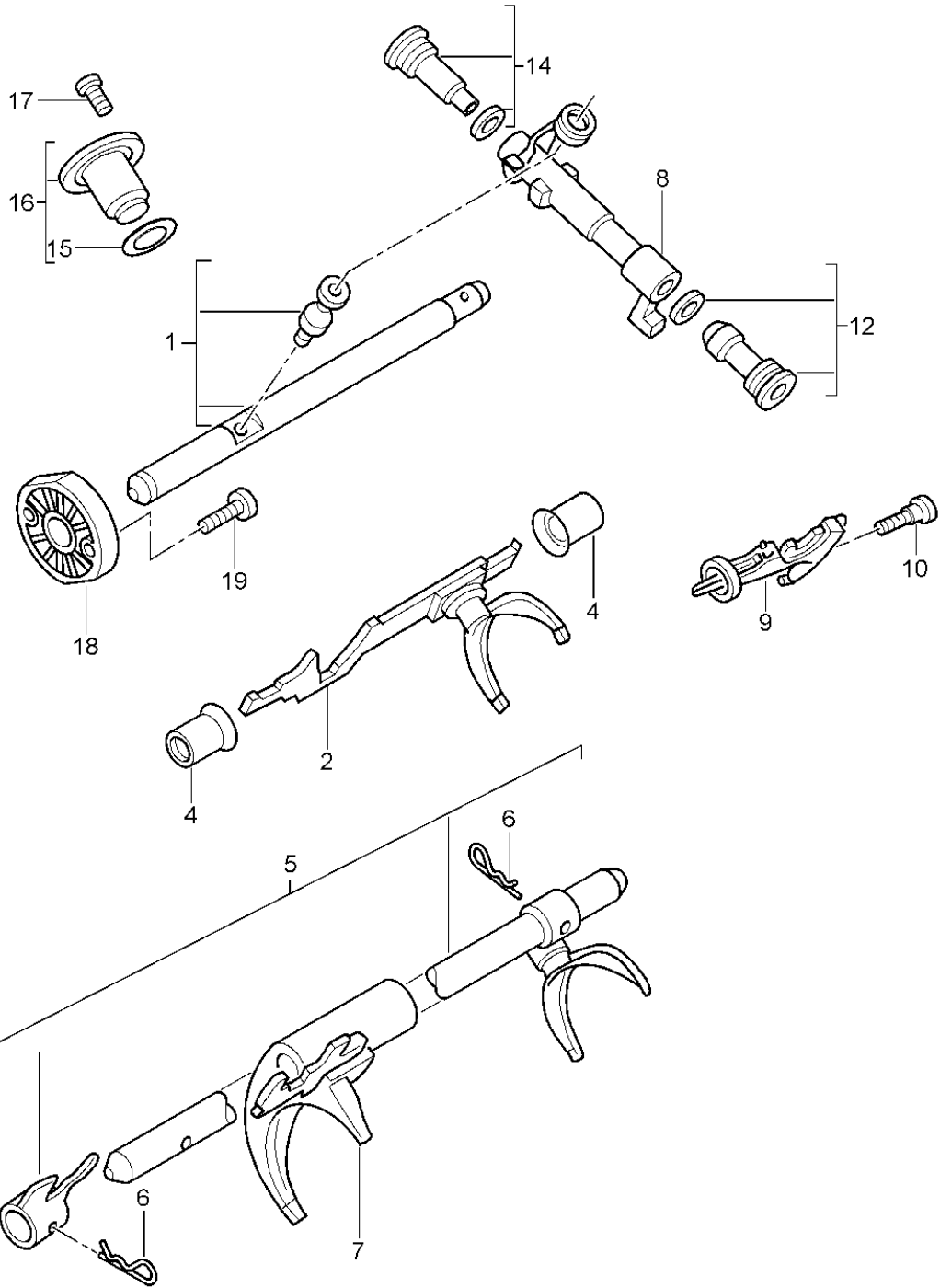
Pos	Part Number	Description	Remark	Qty	Model
11	01X 311 314 B	Sliding sleeve		3	
13	N 902 947 01	1st / 2nd gear thrust piece		X	
(13)	N 902 947 02	Securing ring 47 X 1,9		X	
(13)	N 902 947 03	Securing ring 47 X 1,93		X	
(13)	N 902 947 04	Securing ring 47 X 1,96		X	
(13)	N 902 947 05	Securing ring 47 X 1,99		X	
14	012 311 229 K	Securing ring 47 X 2,02		X	
14	012 311 229 K	Needle cage 2nd gear 47 X 52 X 26,6		1	
15	012 311 260 L	change gear 2nd gear Z = 36 : 17		1	
16	012 311 317	Securing ring 47 X 2,5		1	
17	012 311 285 BT	gear 3rd gear Z = 40 : 28		1	
18	01X 311 317	Securing ring 44,5 x 1,9		X	
(18)	01X 311 317 A	Securing ring 44,5 x 1,94		X	
(18)	01X 311 317 B	Securing ring 44,5 x 1,98		X	
(18)	01X 311 317 C	Securing ring 44,5 x 2,02		X	
(18)	01X 311 317 D	Securing ring 44,5 x 2,06		X	
(18)	01X 311 317 E	Securing ring 44,5 x 2,10		X	
19	012 311 149 BT	gear 4th speed Z = 36 : 33		1	
20	N 902 945 01	Securing ring 38 X 2		X	
(20)	N 902 945 02	Securing ring 38 X 2,16		X	
(20)	N 902 945 03	Securing ring 38 X 2,20		X	
(20)	N 902 945 04	Securing ring 38 X 2,24		X	
(20)	N 902 945 05	Securing ring 38 X 2,28		X	
21	012 311 116 G	Needle cage 5th gear 38 X 43 X 27		1	
22	012 311 159 EJ	change gear 5th gear Z = 31 : 37		1	
23	01X 311 312 A	securing spring		2	
24	01X 311 295 J	synchronizer ring 5th gear and		1	
25	N 902 945 01	Reverse gear Securing ring 38 X 2		1	
26	01X 311 315	Sliding sleeve		2	

Model: 987 05 Model life 2005>>2008

Pos	Part Number	Description	Remark	Qty	Model
27	01X 311 309	5th gear and Reverse gear synchronizing hub		1	
28	N 902 944 01	5th gear and Reverse gear		X	
(28)	N 902 944 02	Securing ring 37 X 1,9		X	
(28)	N 902 944 03	Securing ring 37 X 1,93		X	
(28)	N 902 944 04	Securing ring 37 X 1,96		X	
(28)	N 902 944 05	Securing ring 37 X 1,99		X	
(28)	N 902 944 06	Securing ring 37 X 2,02		X	
29	012 311 234 E	Securing ring 37 X 2,05		X	
30	01X 311 295 J	needle bearing - 37 x 42 x 24,5		1	
31	012 311 217 L	synchronizer ring		1	
32	012 311 375 C	Reverse gear sliding wheel for reverse gear		1	
33	012 311 393	Taper roller bearing 31,7 x 76,2 x 25,4		X	
(33)	012 311 393 A	adjusting washer 0,45		X	
(33)	012 311 393 B	adjusting washer 0,49		X	
(33)	012 311 393 C	adjusting washer 0,53		X	
(33)	012 311 393 D	adjusting washer 0,57		X	
(33)	012 311 393 E	adjusting washer 0,61		X	
(33)	012 311 393 F	adjusting washer 0,65		X	
(33)	012 311 393 G	adjusting washer 0,69		X	
(33)	012 311 393 H	adjusting washer 0,73		X	
(33)	012 311 393 J	adjusting washer 0,77		X	
(33)	012 311 393 K	adjusting washer 0,81		X	
(33)	012 311 393 L	adjusting washer 0,85		X	
34	012 301 251 B	adjusting washer 0,89		X	
(34)	012 301 251 C	Pressure plate 70,98 X 14,8		X	
35	012 301 193 C	Pressure plate 70,98 X 15,3		1	
		Rubber washer 71 X 7			

Model: 987 05

Model life 2005>>2008



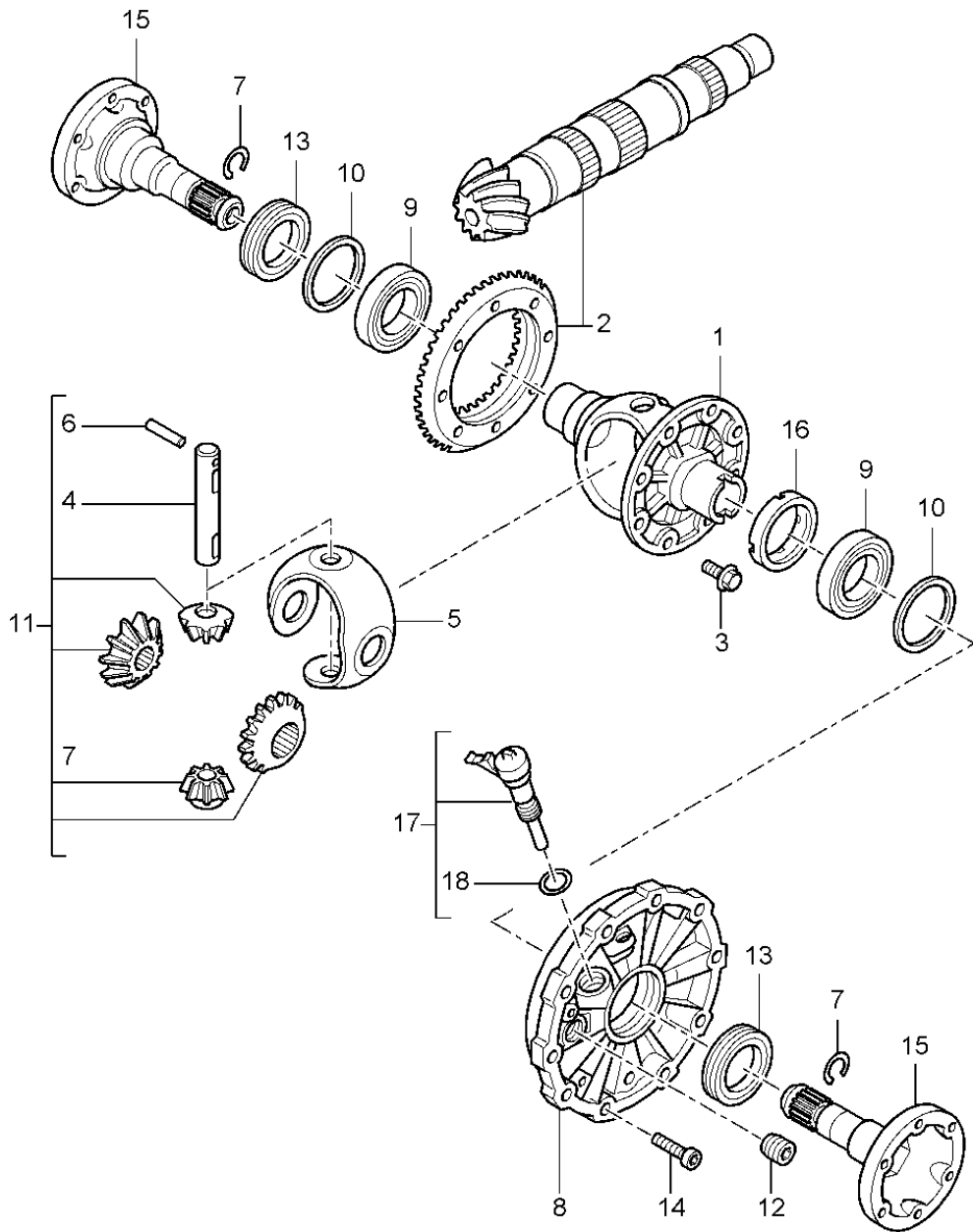
Model: 987 05

Model life 2005>>2008

Pos	Part Number	Description	Remark	Qty	Model
		Manual gearbox			G8701+
		Shift rods			PR:481
		shift forks			
1	012 311 505	shift rod		1	
2	012 311 559 D	selector shaft		1	
		3rd/4th gear			
4	012 301 120 C	Ball sleeve		2	
5	012 311 575 D	selector shaft		1	
		5th gear			
		and			
		Reverse gear			
6	N 023 332 1	spring pin		2	
		6 X 24			
7	012 311 549	Selector fork		1	
		1st / 2nd gear			
8	012 311 617 E	Deviating shaft		1	
9	012 311 741	locking segment		1	
10	012 301 291	Hexagon socket flange screw		1	
		M 8 X 30			
12	012 311 718 D	stop screw		1	
		M 22 X 1,5			
14	012 311 720 D	stop screw		1	
		M 26 X 1,5			
15	N 903 541 01	O-ring		1	
		22 X 2			
16	012 311 691 A	Locking unit		1	
17	N 903 663 03	Cylinder screw,		2	
		self-locking			
		M 8 X 22			
18	012 301 451	Cover for selector shaft		1	
19	N 903 660 01	Oval hexagon socket head bolt		2	
		M 8 X 36			

Model: 987 05

Model life 2005>>2008



Model: 987 05 Model life 2005>>2008

Pos	Part Number	Description	Remark	Qty	Model
-		Differential			G8701+
		Gearbox			PR:481
		Classification letter			GAL
		Attention			
1	01X 409 121 A	Differential housing		1	
		90 MM			
2	012 409 143 EE	pinion gear set		1	
		30 : 8			
3	N 903 614 01	Hexagon bolt		10	
		M 10 X 1 X 22,8			
4	005 409 177 00	Differential bolt		1	
5	02B 409 170 A	Thrust washer assembly		1	
		Discontinued part			
5	02M 409 170 A	Thrust washer assembly		1	
6	N 100 726 01	spring pin		1	
		5 X 36			
7	012 409 413	snap ring		2	
8	012 409 131 L	Cover for axle differential		1	
9	002 517 185 A	Taper roller bearing	right	1	
		46 X 75 X 18			
		Discontinued part			
9	002 517 185 M	Taper roller bearing	right	1	
		46 X 75 X 18			
9	01X 409 123	Taper roller bearing	left	1	
		50 X 80 X 20			
10	012 409 387	compensation washer		X	
		0,45			
10	012 409 387 DM	compensation washer	left	X	
		0,45			
10	012 409 387 AK	compensation washer	right	X	
		0,45			
(10)	012 409 387 DN	compensation washer	left	X	
		0,49			
(10)	012 409 387 AL	compensation washer	right	X	
		0,49			
(10)	012 409 387 DP	compensation washer	left	X	
		0,53			
(10)	012 409 387 AM	compensation washer	right	X	
		0,53			
(10)	012 409 387 DQ	compensation washer	left	X	
		0,57			
(10)	012 409 387 AN	compensation washer	right	X	
		0,57			
(10)	012 409 387 DR	compensation washer	left	X	
		0,61			
(10)	012 409 387 AP	compensation washer	right	X	
		0,61			
(10)	012 409 387 DS	compensation washer	left	X	
		0,65			
(10)	012 409 387 AQ	compensation washer	right	X	
		0,65			
(10)	012 409 387 DT	compensation washer	left	X	
		0,69			
(10)	012 409 387 AR	compensation washer	right	X	
		0,69			
(10)	012 409 387 EA	compensation washer	left	X	
		0,73			
(10)	012 409 387 AS	compensation washer	right	X	
		0,73			
(10)	012 409 387 EB	compensation washer	left	X	
		0,77			
(10)	012 409 387 AT	compensation washer	right	X	

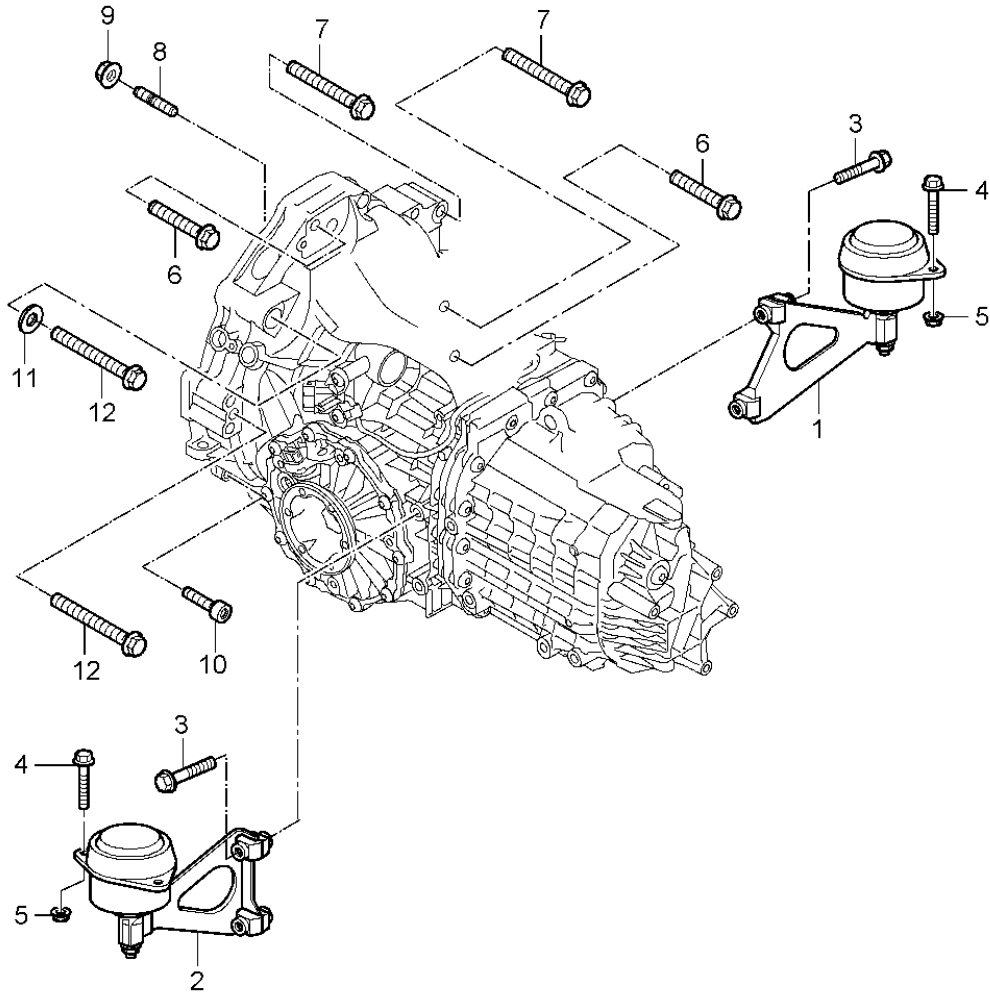
Model: 987 05

Model life 2005>>2008

Pos	Part Number	Description	Remark	Qty	Model
(10)	012 409 387 EC	0,77 compensation washer	left	X	
(10)	012 409 387 BA	0,81 compensation washer	right	X	
(10)	012 409 387 ED	0,81 compensation washer	left	X	
(10)	012 409 387 BB	0,85 compensation washer	right	X	
11	01X 498 081	1 set: differential pinions		1	
12	WHT 001 937	sealing plug M 24 X 1,5		1	
13	016 409 399 B	radial shaft seal 45 X 60 X 8		2	
14	N 903 660 01	Oval hexagon socket head bolt M 8 X 36		10	
15	012 409 343 AC	Flanged shaft		2	
16	012 409 182 C	Drive wheel speedometer without:		1	
(17)	012 409 961	Function-drive Sealing cap		1	
18	N 903 684 01	O-ring 14,5 X 2		1	

Model: 987 05

Model life 2005>>2008

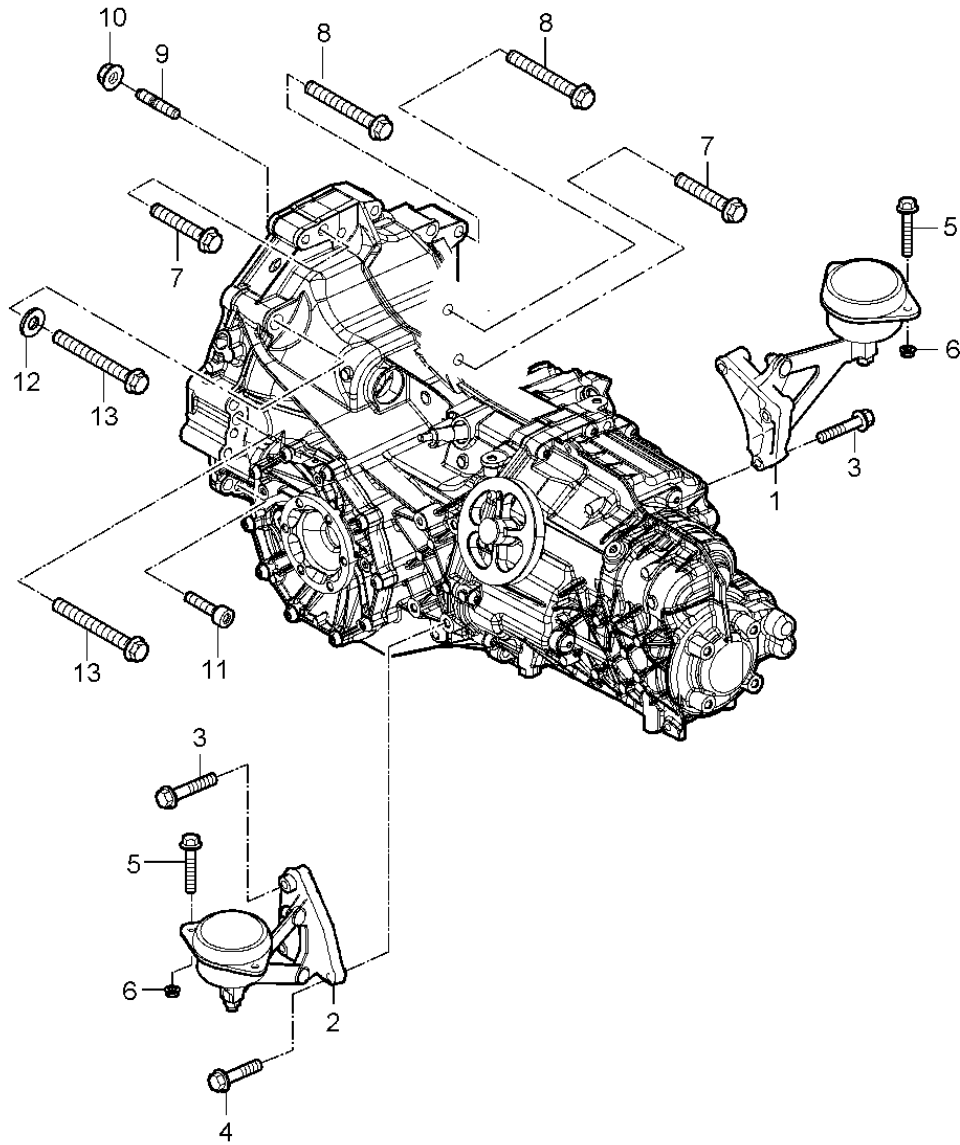


Model: 987 05 Model life 2005>>2008

Pos	Part Number	Description	Remark	Qty	Model
		Manual gearbox Transmission suspension Threaded joint for Engine			9625,9720+ PR:481
1	986 375 084 03	Transmission bracket	right	1	
2	986 375 083 03	Transmission bracket	left	1	
		Discontinued part			
2	986 375 083 04	Transmission bracket	left	1	
3	900 378 098 09	Hexagon bolt M 10 X 60		4	
		Discontinued part			
3	900 378 098 01	Hexagon bolt AM 10 X 60		4	
4	900 378 159 09	Hexagon bolt M 8 X 60		4	
5	999 084 447 01	Hexagon nut M 8		4	
5	PAF 003 923	Hexagon nut M 8		4	
6	999 072 008 09	Hexagon bolt M 12 X 1,5 X 70		2	
		Discontinued part			
(6)	999 072 008 01	Hexagon bolt M 12 X 1,5 X 70		2	
7	999 072 009 09	Hexagon bolt M 12 X 1,5 X 90		2	
		Discontinued part			
(7)	999 072 009 01	Hexagon bolt M 12 X 1,5 X 90		2	
8	999 218 088 09	Threaded pin M 10 X 30		1	
9	900 377 011 09	Hexagon nut M 10		1	
		Discontinued part			
(9)	900 377 011 01	Hexagon nut M 10		1	
10	999 073 118 09	Socket head bolt M 10 X 40		1	
		Discontinued part			
(10)	999 073 118 01	Socket head bolt M 10 X 40		1	
11	N 905 028 02	Washer 15 X 28 X 3,5		1	
12	999 072 010 09	Hexagon bolt M 12 X 1,5 X 100		2	
		Discontinued part			
(12)	999 072 010 01	Hexagon bolt M 12 X 1,5 X 100		2	

Model: 987 05

Model life 2005>>2008

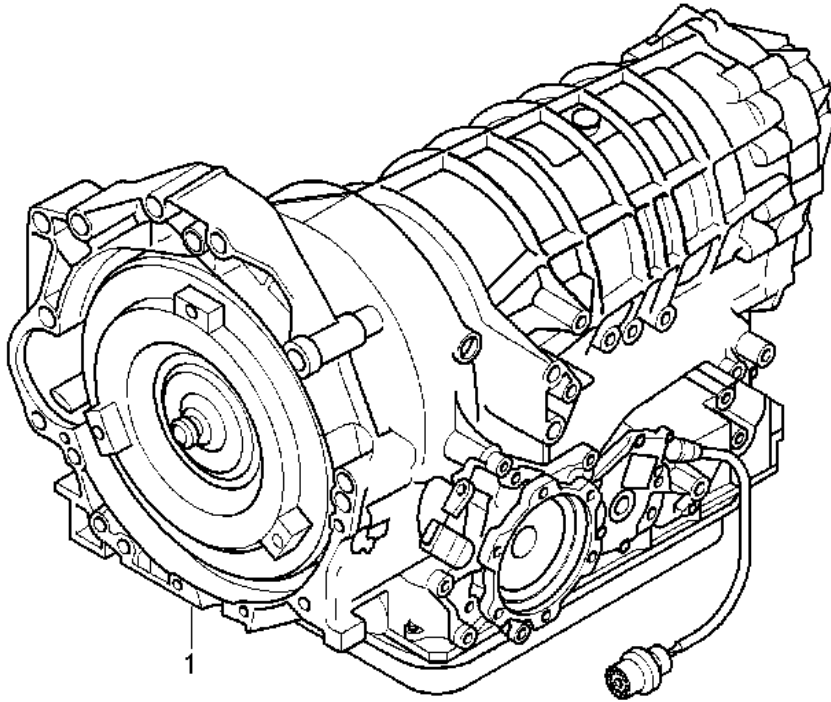


Model: 987 05 Model life 2005>>2008

Pos	Part Number	Description	Remark	Qty	Model
		Manual gearbox Transmission suspension Threaded joint Engine			PR:480
1	987 375 042 01	Transmission bracket	right	1	
		Discontinued part			
1	987 375 042 02	Transmission bracket	right	1	
2	987 375 041 01	Transmission bracket	left	1	
		Discontinued part			
2	987 375 041 02	Transmission bracket	left	1	
3	900 378 098 09	Hexagon bolt M 10 X 60		4	
		Discontinued part			
3	900 378 098 01	Hexagon bolt AM 10 X 60		4	
4	900 378 021 09	Hexagon bolt M 10 X 40		2	
5	900 378 159 09	Hexagon bolt M 8 X 60		4	
6	900 380 005 09	Hexagon nut M 8		4	
7	999 072 008 09	Hexagon bolt M 12 X 1,5 X 70		2	
		Discontinued part			
(7)	999 072 008 01	Hexagon bolt M 12 X 1,5 X 70		2	
8	999 072 009 09	Hexagon bolt M 12 X 1,5 X 90		2	
		Discontinued part			
(8)	999 072 009 01	Hexagon bolt M 12 X 1,5 X 90		2	
9	999 218 088 09	Threaded pin M 10 X 30		1	
10	900 377 011 09	Hexagon nut M 10		1	
		Discontinued part			
(10)	900 377 011 01	Hexagon nut M 10		1	
11	999 073 118 09	Socket head bolt M 10 X 40		1	
		Discontinued part			
(11)	999 073 118 01	Socket head bolt M 10 X 40		1	
12	N 905 028 02	Washer 15 X 28 X 3,5		1	
13	999 072 010 09	Hexagon bolt M 12 X 1,5 X 100		2	
		Discontinued part			
(13)	999 072 010 01	Hexagon bolt M 12 X 1,5 X 100		2	

Model: 987 05

Model life 2005>>2008



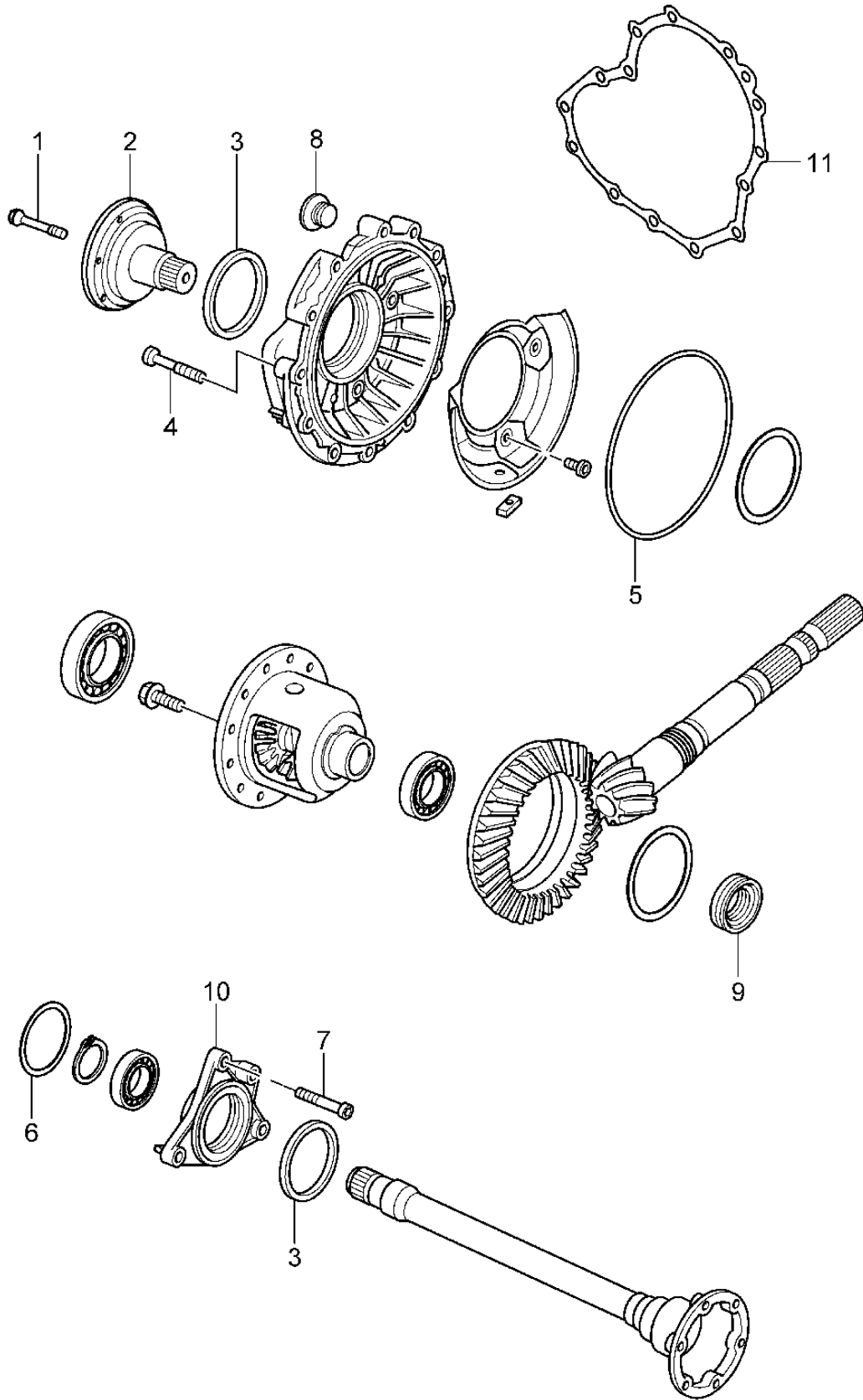
Model: 987 05

Model life 2005>>2008

Pos	Part Number	Description	Remark	Qty	Model
		Tiptronic Replacement transmission Ready for installation			PR:249
1	987 300 011 00	Gearbox Discontinued part		1	A8701
1	987 300 011 02	Gearbox		1	A8701
1	987 300 011 BX	Gearbox		1	A8701 -"CN. "
1	987 300 011 01	Gearbox		1	A8702
1	987 300 011 CX	Gearbox		1	A8702 -"CN. "
1	987 300 011 20	Gearbox		1	A8720
1	987 300 011 AX	Gearbox		1	A8720 -"CN. "
1	987 300 011 21	Gearbox		1	A8721
1	987 300 011 DX	Gearbox		1	A8721 -"CN. "
2	000 043 205 09	Transmission fluid ATF 20 LTR. Container		X	
3	999 917 546 00	Transmission fluid HYPOID 1 LTR. Container Discontinued part		X	
3	000 043 305 49	Transmission fluid HYPOID 1 LTR. Container		X	

Model: 987 05

Model life 2005>>2008

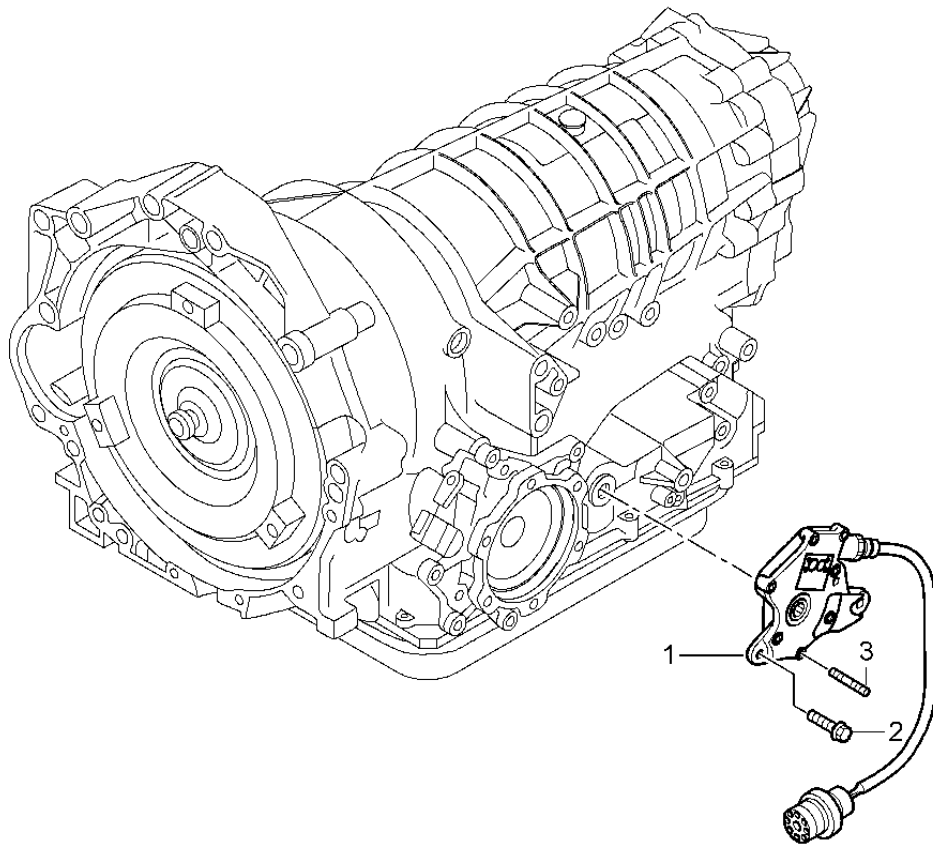


Model: 987 05 Model life 2005>>2008

Pos	Part Number	Description	Remark	Qty	Model
		Tiptronic Differential Differential housing			PR:249
1	944 332 587 00	Expansion screw M 8		1	
2	986 332 201 00	Drive flange M 8 for Gearbox 98730001100		1	A8701
(2)	986 332 201 20	Drive flange M 10 for Gearbox 98730001102		1	A8701
(2)	987 332 208 00	Drive flange M 10 for Gearbox 98730001101		1	A8702
3	986 397 027 00	Shaft oil seal for Cover		1	
(3)	996 397 015 00	Shaft oil seal for flange		1	
4	986 397 029 00	Socket head bolt M 8 X 45		12	
5	986 397 028 00	O-ring		1	
6	986 397 034 00	O-ring		1	
7	996 397 007 00	Socket head bolt M 8 X 30		3	
8	986 397 026 00	Seal bolt with sealing ring Discontinued part		1	
8	986 397 026 01	Seal bolt with sealing ring		1	
9	986 397 039 00	Shaft oil seal 34 X 46-37 X 12-16		1	
10	986 332 203 00	Cover Flanged shaft		1	
11	986 397 038 00	Seal Firewall Cover		1	

Model: 987 05

Model life 2005>>2008



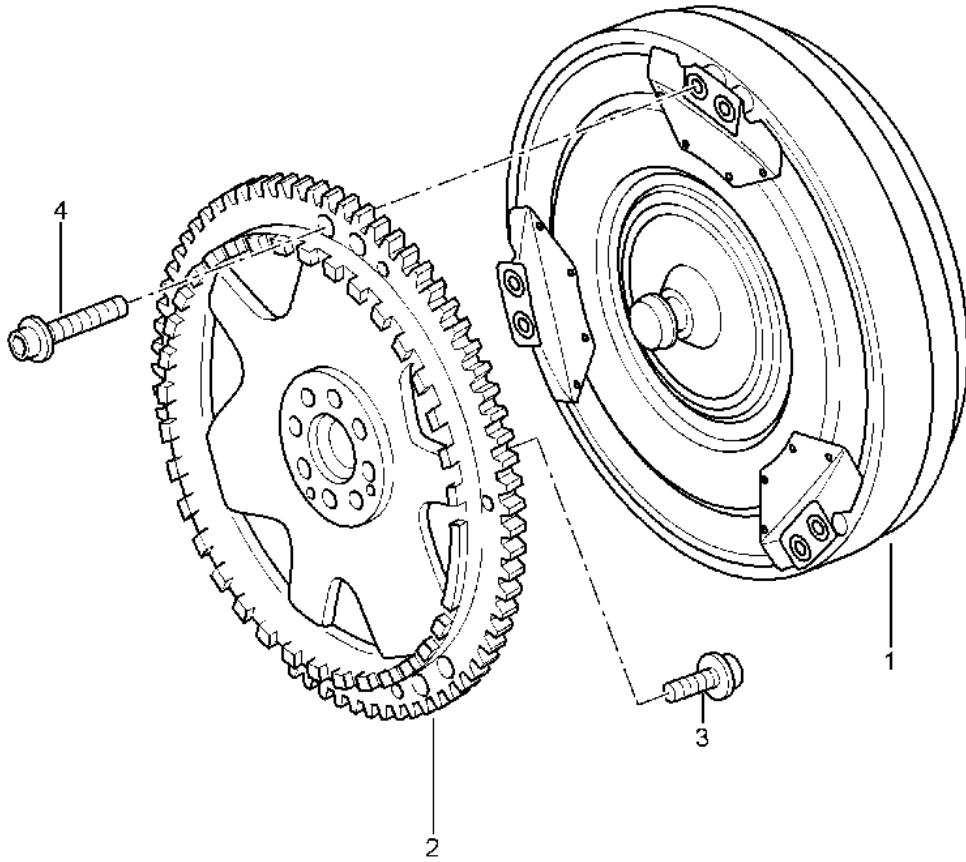
Model: 987 05

Model life 2005>>2008

Pos	Part Number	Description	Remark	Qty	Model
		Tiptronic			PR:249
1	986 325 612 01	Selector switch		1	
2	986 397 025 00	Switch		2	
		Socket head bolt			
		M 6 X 15			
		Discontinued part			
2	986 397 025 01	Socket head bolt		2	
		M 6 X 15			
3	986 397 024 00	Cylinder pin		1	
		M 6 X 14			

Model: 987 05

Model life 2005>>2008



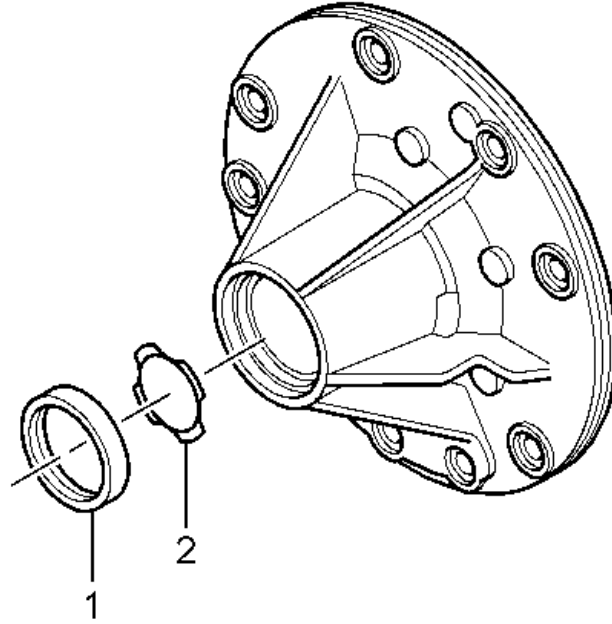
Model: 987 05

Model life 2005>>2008

Pos	Part Number	Description	Remark	Qty	Model
		Tiptronic			PR:249
1	986 316 001 05	Torque converter		1	A8701, A8702
1	996 316 001 01	Torque converter		1	A8720, A8721
2	996 116 075 07	Clutch plate		1	
3	999 073 091 09	Socket head bolt M 10 X 1 X 25		8	
4	900 067 369 09	Socket head bolt M 8 X 20		6	

Model: 987 05

Model life 2005>>2008



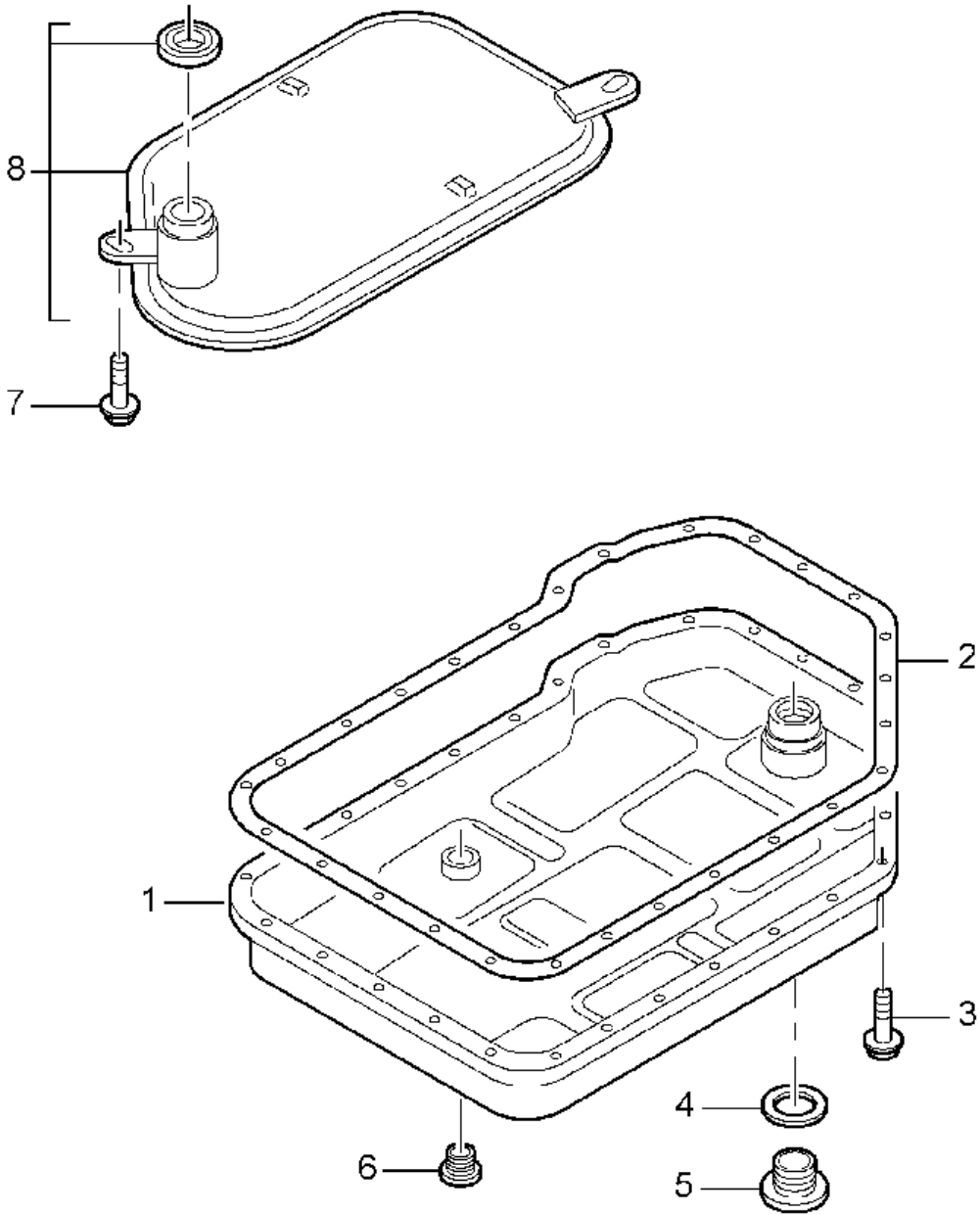
Model: 987 05

Model life 2005>>2008

Pos	Part Number	Description	Remark	Qty	Model
		Tiptronic oil pump			PR:249
1	996 397 010 00	Shaft oil seal		1	
2	986 397 012 00	Washer		1	

Model: 987 05

Model life 2005>>2008



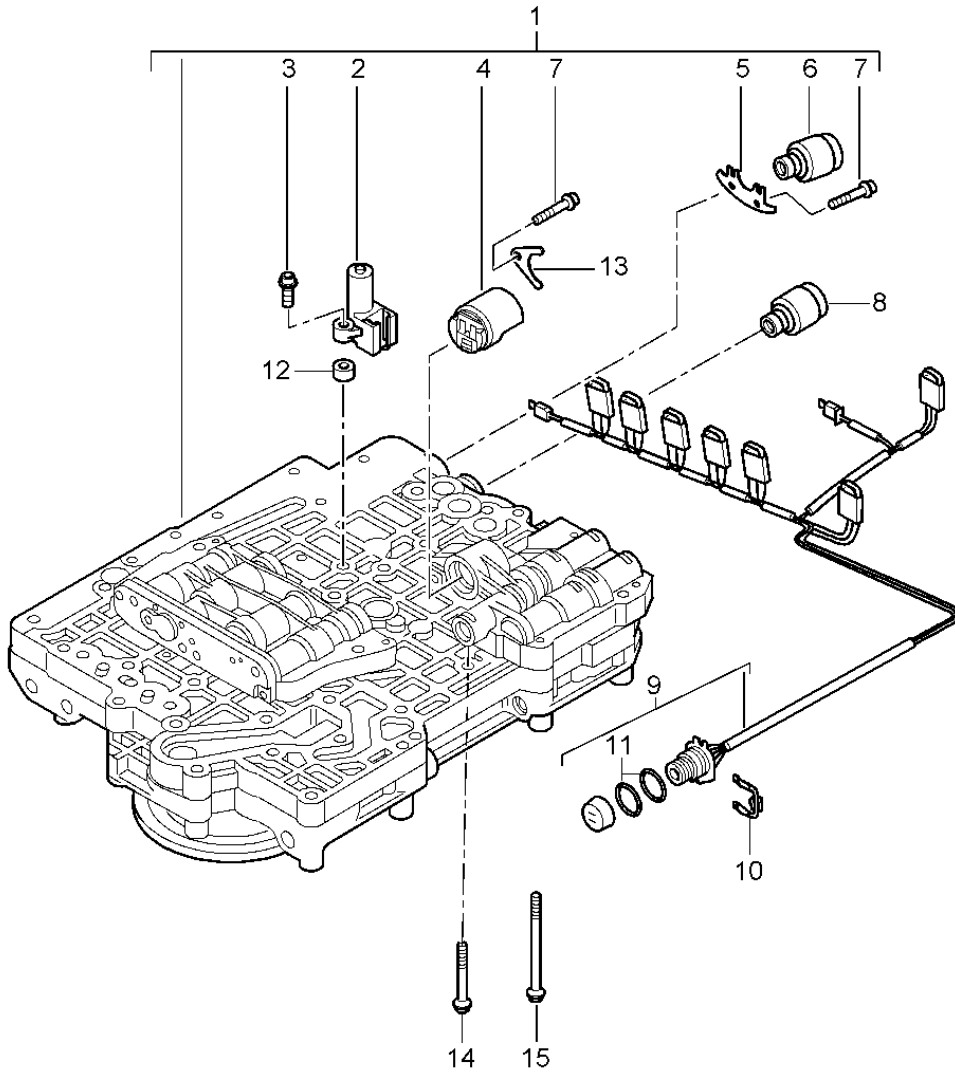
Model: 987 05

Model life 2005>>2008

Pos	Part Number	Description	Remark	Qty	Model
		Tiptronic oil filter oil sump			PR:249
1	986 321 025 02	oil sump		1	
2	986 397 016 00	gasket for oil sump		1	
3	943 397 039 00	Socket head bolt M 6 X 20		27	
4	986 397 014 00	O-ring		1	
5	986 397 015 00	sealing plug M 30 X 1,5		1	
5	986 397 015 01	Discontinued part sealing plug M 30 X 1,5		1	
6	986 397 013 00	Seal bolt with sealing ring M 16 X 1,5		1	
7	943 397 045 00	Socket head bolt M 5 X 12		2	
8	986 307 403 00	Filter		2	

Model: 987 05

Model life 2005>>2008



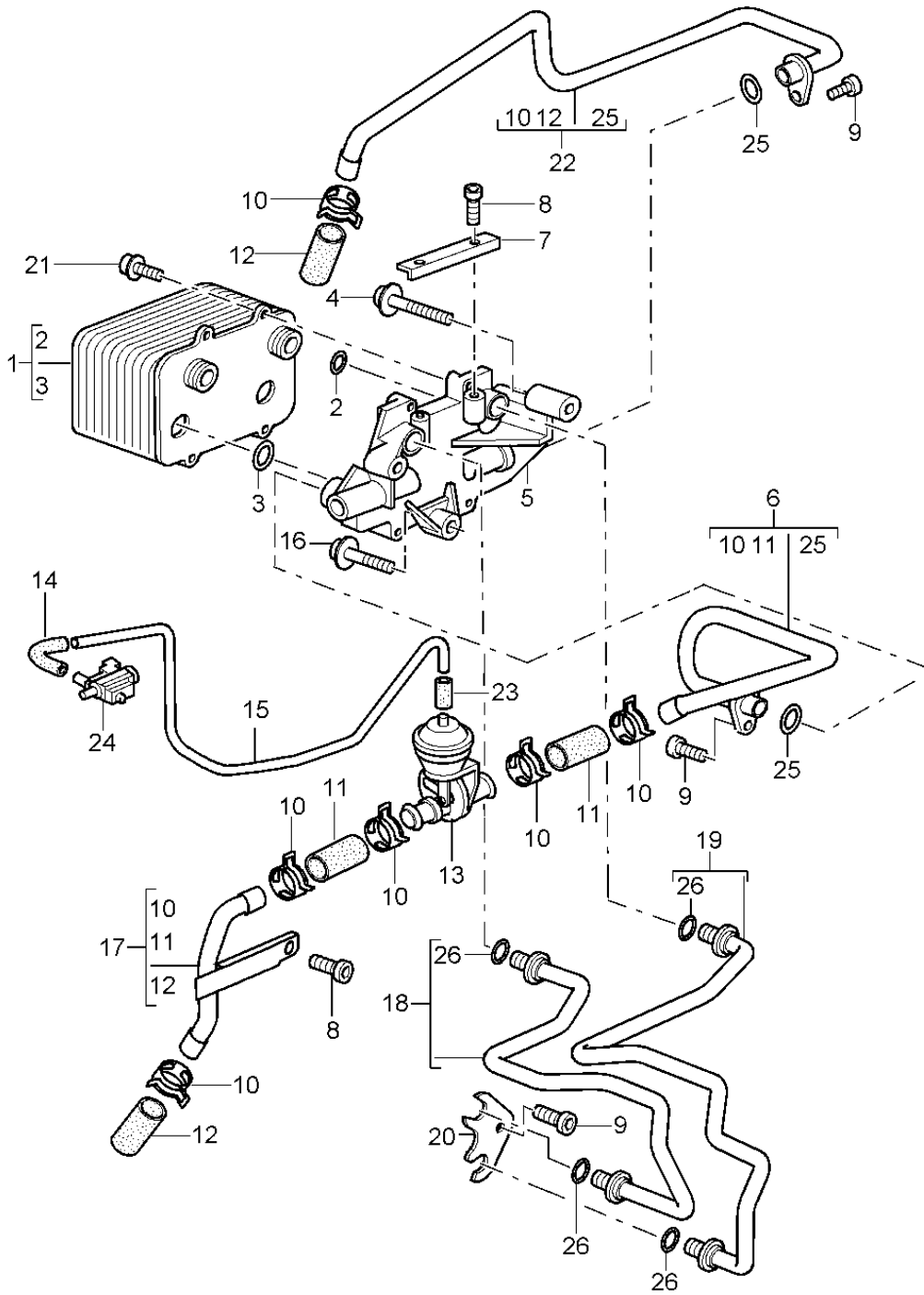
Model: 987 05

Model life 2005>>2008

Pos	Part Number	Description	Remark	Qty	Model
		Tiptronic Switch unit Solenoid valve pressure regulator			PR:249
1	986 325 617 01	Switch unit		1	A8701,A8720
(1)	987 325 617 00	Switch unit		1	A8702,A8721
2	986 325 608 00	Inductive sensor		1	
3	986 397 019 00	Socket head bolt M 5 X 40		2	
4	986 325 604 01	pressure regulator		1	
5	986 325 615 00	Retaining plate		2	
6	986 325 601 00	Solenoid valve		3	
7	943 397 045 00	Socket head bolt M 5 X 12		5	
8	986 325 603 00	pressure regulator		3	
9	987 325 611 01	Wire set		1	A8701
(9)	987 325 611 00	Wire set		1	A8702,A8720, A8721
10	986 397 018 01	Clip		1	
11	986 397 017 00	O-ring		2	
12	986 397 020 00	Spacer ring		2	
13	943 325 111 00	Retaining plate		1	
14	943 397 013 00	Socket head bolt M 6 X 30		1	
15	943 397 005 00	Socket head bolt M 6 X 60		16	

Model: 987 05

Model life 2005>>2008



Model: 987 05 Model life 2005>>2008

Pos	Part Number	Description	Remark	Qty	Model
		Tiptronic Atf cooler Atf lines			PR:249
1	996 307 017 01	Atf cooler		1	
2	999 707 388 40	O-ring 18,64 X 3,53		2	
3	900 331 034 40	O-ring 25,8 X 3,55		2	
4	999 073 116 09	fillister hd. bolt M 8 X 55		1	
5	986 307 020 00	Port plate		1	
6	986 307 076 21	Water line Supply		1	
(6)	986 307 076 22	D >> - MJ 2006 Water line Supply		1	
7	986 307 143 02	D - MJ 2007>> Latch		1	
8	999 073 103 09	fillister hd. bolt M 6 X 16		2	
9	999 073 094 09	fillister hd. bolt M 8 X 20		4	
10	999 512 656 09	Hose clamp		6	
11	900 181 060 50	B 25 X 12 Water hose		2	
12	900 181 062 50	18 X 3,5 X 50 Water hose		2	
13	928 574 573 03	18 X 3,5 X 60 Disc valve		1	
14	928 574 717 05	Molded hose		1	
14	928 574 717 07	Molded hose		1	
14	9P1 129 487	No longer use the part here Molded hose		1	
-	999 181 742 40	Pipe 4,0 X 1,0		X	
15		shorten to:	140 MM	1	
16	999 073 105 09	flat round head bolt M 8 X 40		2	
17	986 307 075 21	Water line Supply		1	
(17)	986 307 075 22	D >> - MJ 2006 Water line Supply		1	
18	986 307 085 04	D - MJ 2007>> Oil return line		1	
(18)	986 307 085 05	D >> - MJ 2006 Oil return line D - MJ 2007>>		1	
19	986 307 082 04	Oil pipe Supply		1	
(19)	986 307 082 05	D >> - MJ 2006 Oil pipe Supply		1	
20	996 307 147 00	D - MJ 2007>> Bracket		1	
(20)	996 307 147 01	D >> - MJ 2006 Bracket D - MJ 2007>>		1	
21	999 073 103 09	fillister hd. bolt M 6 X 16		4	
22	987 307 077 01	Water pipe Return line		1	
23	999 239 040 40	Connecting piece		1	

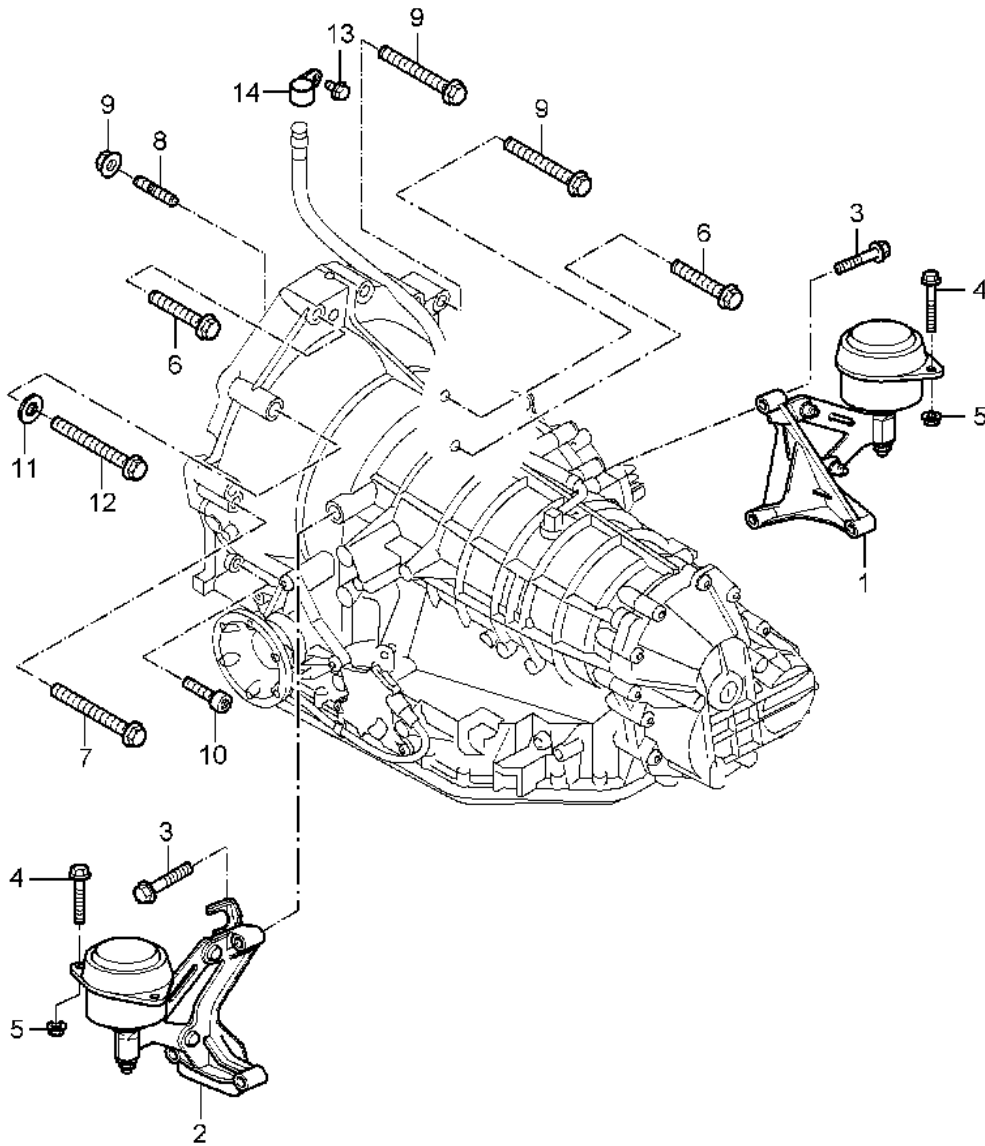
Model: 987 05

Model life 2005>>2008

Pos	Part Number	Description	Remark	Qty	Model
24	996 605 123 01	Change-over valve		1	
25	999 707 387 40	O-ring 15 X 2,5		2	
26	999 707 386 40	O-ring 12,37 X 2,62		4	

Model: 987 05

Model life 2005>>2008

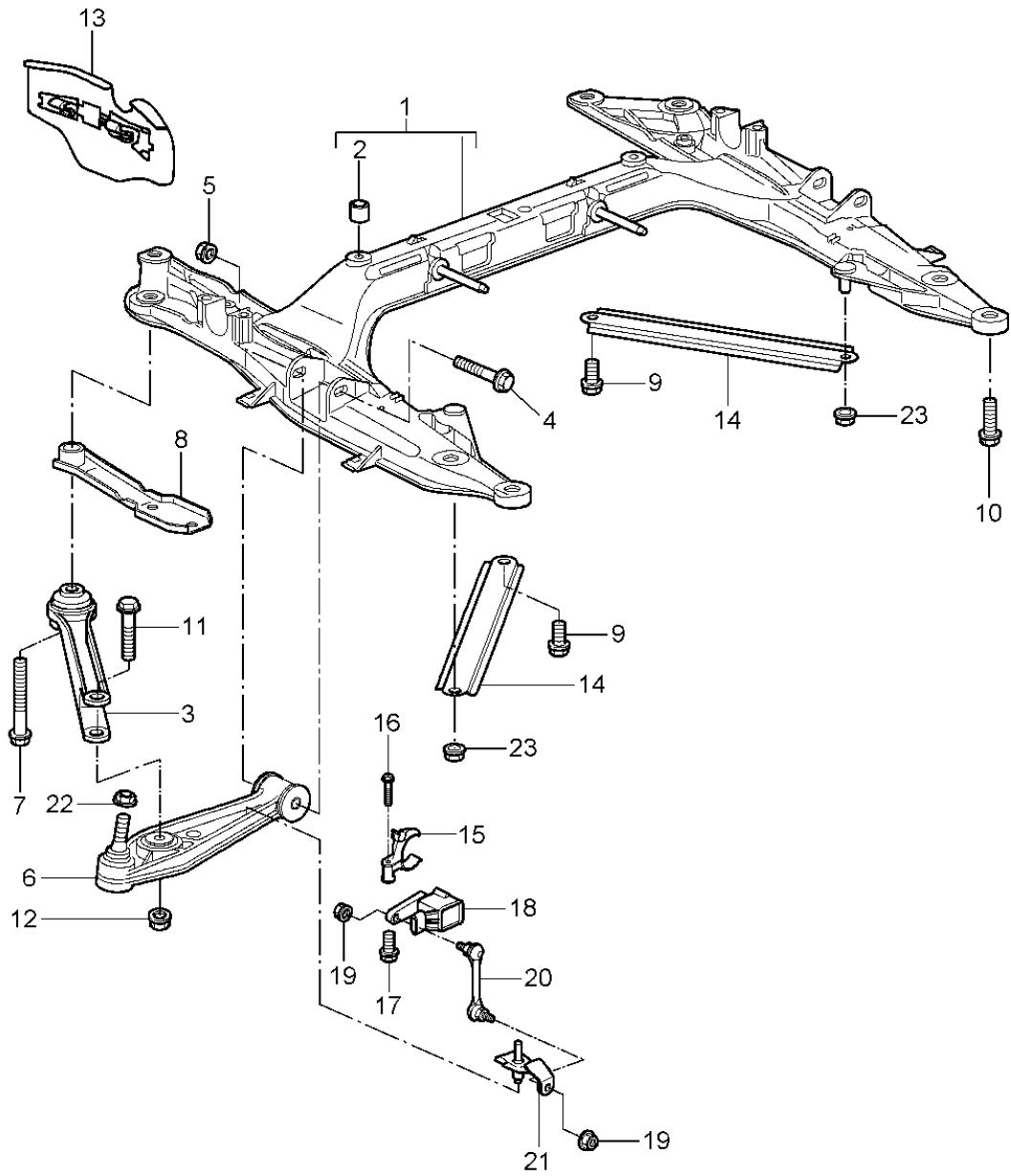


Model: 987 05 Model life 2005>>2008

Pos	Part Number	Description	Remark	Qty	Model
		Tiptronic Transmission suspension Threaded joint for Engine			PR:249
1	986 375 094 03	Transmission bracket	right	1	
		Discontinued part			
1	986 375 094 04	Transmission bracket	right	1	
2	987 375 093 01	Transmission bracket	left	1	
		Discontinued part			
2	987 375 093 02	Transmission bracket	left	1	
3	900 378 076 09	Hexagon bolt M 10 X 50		6	
4	900 378 159 09	Hexagon bolt M 8 X 60		4	
5	999 084 447 09	Hexagon nut M 8		4	
6	999 072 008 09	Hexagon bolt M 12 X 1,5 X 70		1	
		Discontinued part			
6	999 072 008 01	Hexagon bolt M 12 X 1,5 X 70		1	
7	999 072 009 09	Hexagon bolt M 12 X 1,5 X 90		3	
		Discontinued part			
7	999 072 009 01	Hexagon bolt M 12 X 1,5 X 90		3	
8	999 218 088 09	Threaded pin M 10 X 30		1	
9	900 377 011 09	Hexagon nut M 10		1	
10	999 073 119 09	Socket head bolt M 10 X 50		1	
11	N 905 028 02	Washer 15 X 28 X 3,5		1	
12	999 072 010 09	Hexagon bolt M 12 X 1,5 X 100		1	
13	900 378 036 09	Hexagon bolt M 6 X 12		1	
14	999 511 142 02	Clamp A 1		1	

Model: 987 05

Model life 2005>>2008



Model: 987 05 Model life 2005>>2008

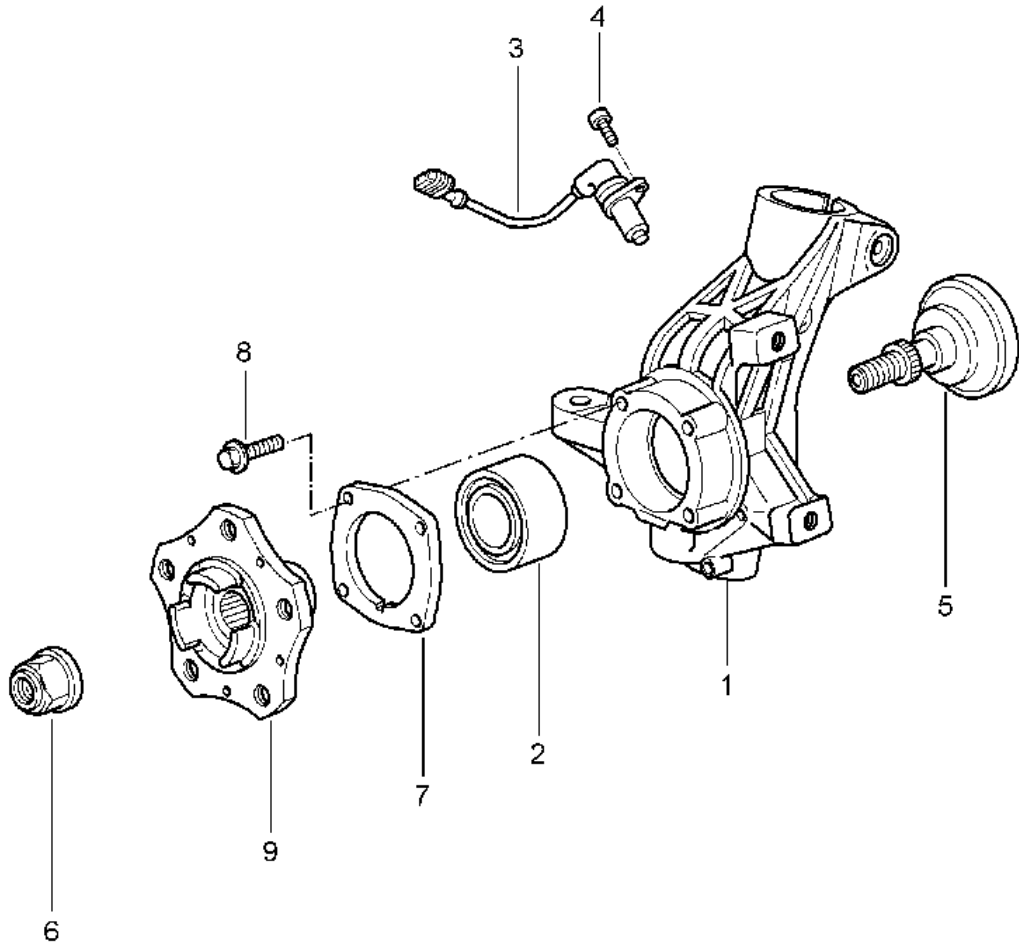
Pos	Part Number	Description	Remark	Qty	Model
1	997 341 081 04	Cross member Wishbone		1	
(1)	997 341 081 06	Discontinued part		1	
2	900 197 070 00	Cross member spring pin 13 X 14		1	
3	997 341 043 00	Guide		2	
4	900 378 165 09	Hexagon bolt M 12 X 1,5 X 95 D >> - MJ 2007		2	
(4)	900 378 165 01	Hexagon bolt M 12 X 1,5 X 95 D - MJ 2008>>		2	
5	999 084 445 01	Locknut M 12 X 1,5		2	
6	997 341 053 00	Wishbone D - MJ 2005>> - MJ 2005		2	
(6)	997 341 053 03	Wishbone		2	
7	900 378 241 09	Hexagon bolt M 14 X 1,5 X 120 D - MJ 2005>> - MJ 2005		2	
(7)	999 072 050 09	Discontinued part Hexagon bolt M 14 X 1,5 X 120		2	
8	997 341 145 01	plate D - MJ 2005>> - MJ 2005		2	
(8)	997 341 145 05	Discontinued part plate		2	
9	999 072 047 09	Hexagon bolt M 12 X 1,5 X 30 Discontinued part		6	
(9)	999 072 047 01	Hexagon bolt M 12 x 1,5 x 30		6	
(10)	900 378 072 01	Hexagon bolt M 12 X 1,5 X 30	front	2	
10	900 378 192 09	Hexagon bolt M 14 X 1,5 X 50 Discontinued part	rear	4	
10	900 378 192 01	Hexagon bolt M 14 x 1,5 x 50	rear	4	
11	900 378 279 09	Hexagon bolt M 14 X 1,5 X 95 D >> - MJ 2007		2	
(11)	900 378 279 01	Hexagon bolt M 14 X 1,5 X 95 D - MJ 2008>>		2	
12	900 380 012 09	Hexagon nut M 14 X 1,5 Discontinued part		2	
12	900 380 012 01	Hexagon nut M 14 X 1,5		2	
13	996 341 483 05	Spoiler	left	1	
13	996 341 484 05	Spoiler	right	1	
14	997 504 433 00	Brace		2	
15		Bracket see illustration:	105-010	1	PR:601
16	900 146 003 02	fillister hd. bolt M 5 X 10		2	PR:601
(16)	900 146 003 03	fillister hd. bolt M 5 x 10		2	PR:601
17	900 378 036 09	Hexagon bolt M 6 X 12		1	PR:601

Model: 987 05 Model life 2005>>2008

Pos	Part Number	Description	Remark	Qty	Model
18	997 631 121 00	Level sensor		1	PR:601
19	900 380 015 09	Hexagon nut M 6		2	PR:601
(19)	900 380 015 01	Discontinued part Hexagon nut M 6		2	PR:601
20	997 341 375 01	Brace		1	PR:601
21	996 341 371 03	Bracket for cross member		1	PR:601
22	999 084 449 09	Locknut M 12 X 1,5		2	
23	999 084 445 01	Locknut M 12 X 1,5		2	

Model: 987 05

Model life 2005>>2008



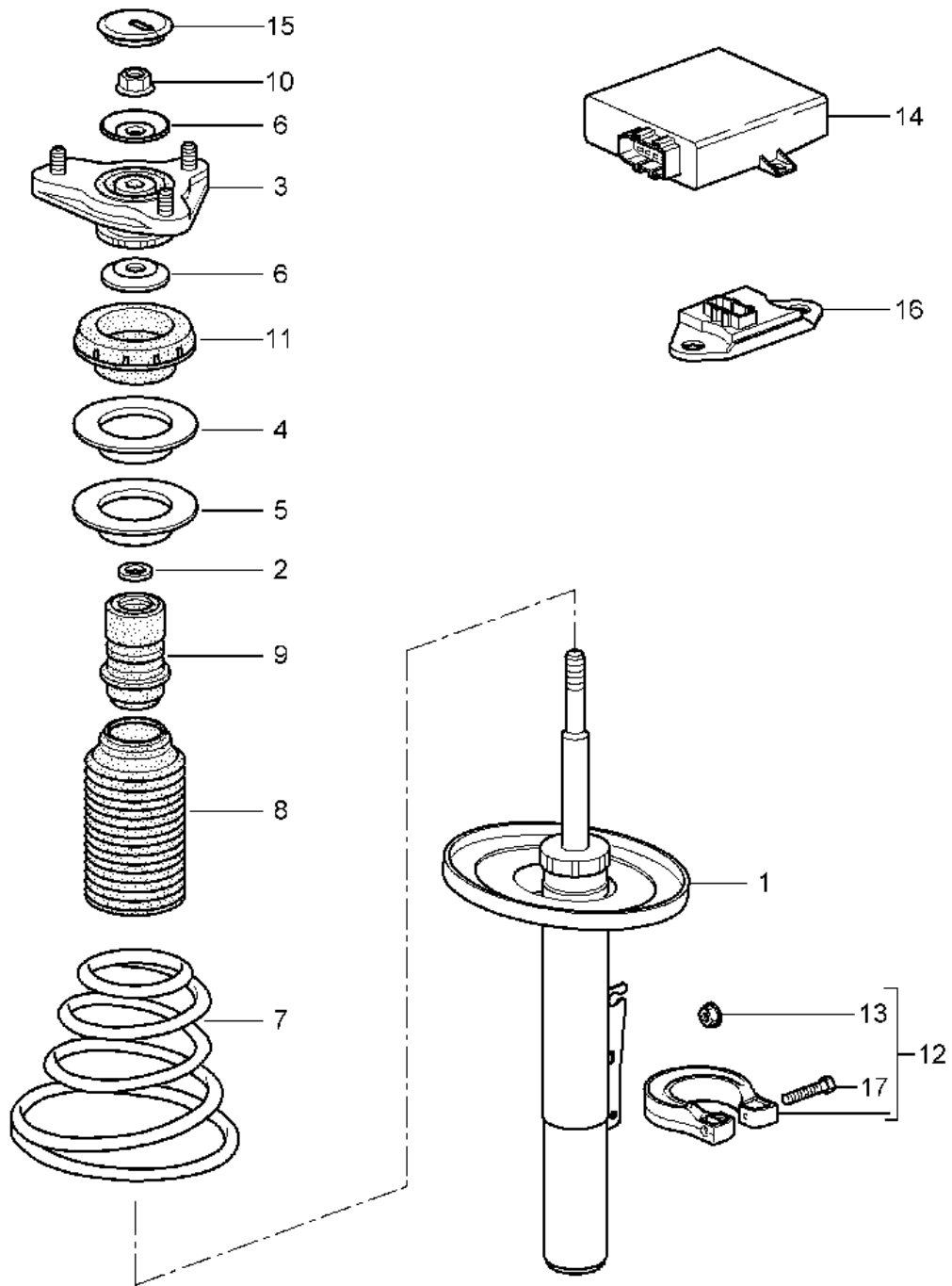
Model: 987 05

Model life 2005>>2008

Pos	Part Number	Description	Remark	Qty	Model
		Wheel carrier			
		Wheel hub			
1	997 341 157 05	Wheel carrier	left	1	
(1)	997 341 157 25	Wheel carrier	left	1	PR:450
(1)	997 341 158 05	Wheel carrier	right	1	
(1)	997 341 158 25	Wheel carrier	right	1	PR:450
2	999 053 054 05	angular ball bearing		2	
3	997 606 407 01	speed sensor		2	
-	999 507 464 40	bracket for speed sensor		2	
4	900 067 117 09	Socket head bolt		2	
		M 6 X 16			
5	997 341 131 00	retaining bolt		2	
6	999 084 634 02	Locknut		2	
		M 22 X 1,5			
7	986 331 661 20	Cover		2	
8	999 217 042 09	Hexagon bolt		8	
		M 8 X 35			
9	997 341 605 01	Wheel hub		2	
		Discontinued part			
(9)	991 341 605 02	Wheel hub		2	
		Discontinued part			
(9)	991 341 605 03	Wheel hub		2	
-	997 361 605 90	Spacer ring		2	PR:XRP
		5 MM			

Model: 987 05

Model life 2005>>2008



Model: 987 05 Model life 2005>>2008

Pos	Part Number	Description	Remark	Qty	Model
		suspension			
		Shock absorber strut			
1	987 343 041 06	Shock absorbers		2	
(1)	987 343 041 07	Shock absorbers		2	
(1)	987 343 045 06	Shock absorbers		2	PR:475
		Discontinued part			
(1)	987 343 045 10	Shock absorbers		2	PR:475
-		Mount			
		Shock absorbers			
-	900 378 138 09	Hexagon bolt		2	
		M 12 X 1,5 X 70			
		Discontinued part			
-	900 378 138 01	Hexagon bolt		2	
		M 12 X 1,5 X 70			
-	999 084 445 01	Locknut		2	
		M 12 X 1,5			
2	996 343 513 00	Washer		2	
3	997 343 018 00	Shock absorber bearing		2	
		Discontinued part			
3	997 343 018 01	Shock absorber bearing		2	
-	999 084 447 09	Hexagon nut		6	
		M 8			
		Discontinued part			
-	999 084 447 01	Hexagon nut		6	
		M 8			
-	PAF 003 923	Hexagon nut		6	
		M 8			
4	996 343 517 01	Thrust ring		2	
5	996 343 511 00	Balancing plate		X	
		3,0 MM			
(5)	996 343 511 01	Balancing plate		X	
		6,5 MM			
6	997 343 107 01	Stop plate		4	
(6)	997 343 107 00	Stop plate	lower	2	PR:475
(6)	997 343 107 01	Stop plate	upper	2	
7	997 343 531 32	Coil spring		1	
		1 set			
		Discontinued part			
	997 343 531 32 504	1 pair of springs			
		Rapeseed yellow			
		blue			
		F >> 98-5S700 085			
		F >> 98-5U701 649			
		F >> 98-5S720 067			
		F >> 98-5U721 706			
7	997 343 531 82	Coil spring		1	
		1 set			
	997 343 531 82 504	1 pair of springs			
		Rapeseed yellow			
		blue			
		F >> 98-5S700 085			
		F >> 98-5U701 649			
		F >> 98-5S720 067			
		F >> 98-5U721 706			
(7)	997 343 531 38	Coil spring		1	
		1 set			
	997 343 531 38 504	1 pair of springs			
		Rapeseed yellow			
		blue			
		F 98-5S700 086>>			
		F 98-5U701 650>>			
		F 98-5S720 068>>			
		F 98-5U721 707>>			

Model: 987 05 Model life 2005>>2008

Pos	Part Number	Description	Remark	Qty	Model
(7)	997 343 531 30	Coil spring 1 set Discontinued part		1	PR:475
	997 343 531 30 504	1 pair of springs blue red F >> 98-5S700 084 F >> 98-5U701 652 F >> 98-5S720 089 F >> 98-5U721 707			
(7)	997 343 531 37	Coil spring 1 set Discontinued part		1	PR:475
	997 343 531 37 504	1 pair of springs blue red F 98-5S700 085>> F 98-5U701 653>> F 98-5S720 090>> F 98-5U721 708>>			
(7)	997 343 531 41	Coil spring 1 set Discontinued part		1	PR:475
	997 343 531 41 504	1 pair of springs blue red F 98-5S700 085>> F 98-5U701 653>> F 98-5S720 090>> F 98-5U721 708>>			
8	996 343 505 00	Bellows		2	
9	996 343 301 02	helper spring		2	
10	900 380 012 09	Hexagon nut M 14 X 1,5 Discontinued part		2	
10	900 380 012 01	Hexagon nut M 14 X 1,5		2	
(11)	996 343 515 05	grooved ball bearing with housing		2	
(12)	997 343 569 00	Clamp		2	BOXSTER S
13	900 377 010 09	Hexagon nut M 6		2	BOXSTER S
-	900 378 111 09	Hexagon bolt M 6 X 60		2	
14	987 618 105 05	Control unit D >> - MJ 2005 Discontinued part		1	PR:475
(14)	987 618 105 15	Control unit D >> - MJ 2005 Discontinued part		1	PR:475
(14)	987 618 105 16	Control unit D >> - MJ 2005		1	PR:475
(14)	987 618 105 09	Control unit D >> - MJ 2007		1	PR:475
(14)	987 618 105 10	Control unit D - MJ 2008>>		1	PR:475
15	999 703 457 40	End cap		2	
16	997 606 111 00	Acceleration sensor for bodywork D >> - MJ 2006 Discontinued part		1	
(16)	997 606 111 01	Acceleration sensor for bodywork D - MJ 2007>>		1	

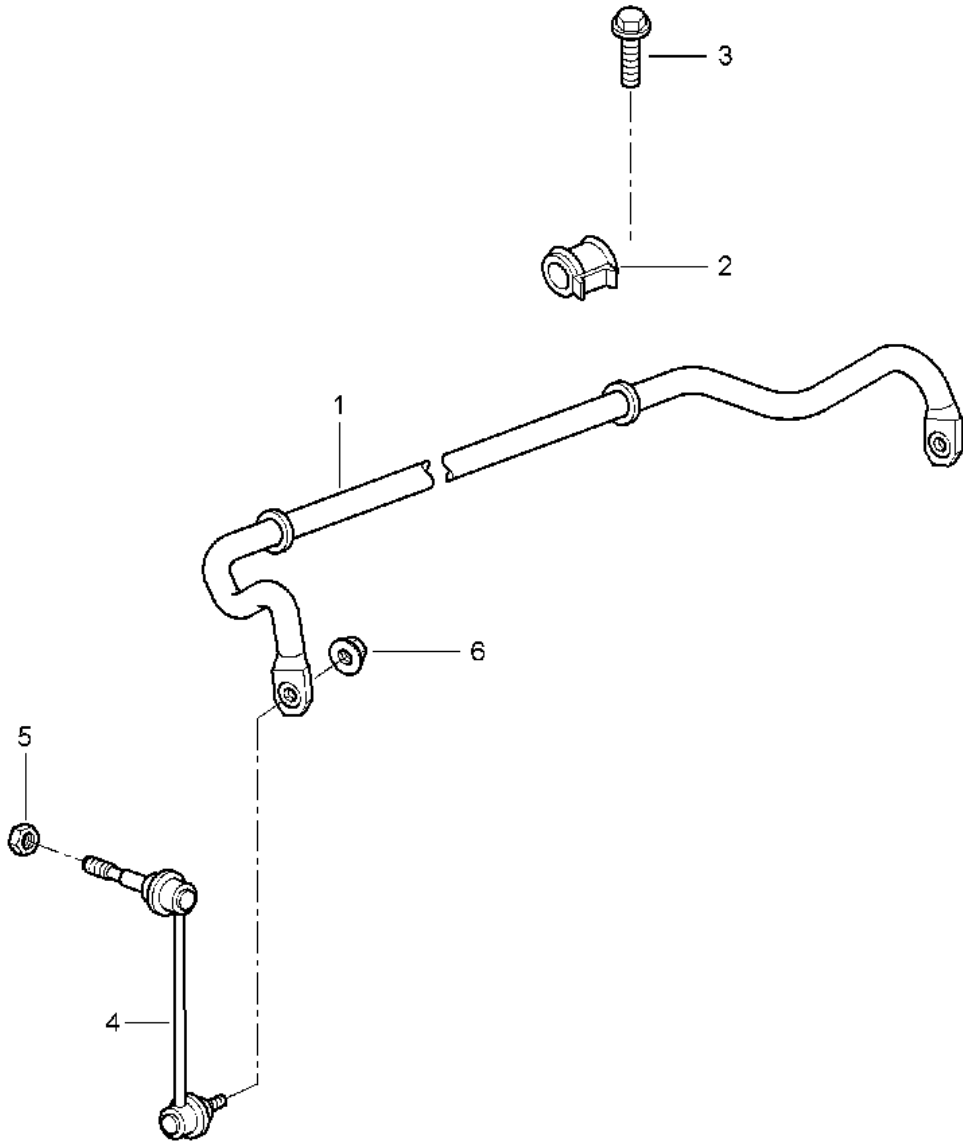
Model: 987 05

Model life 2005>>2008

Pos	Part Number	Description	Remark	Qty	Model
17	900 378 111 09	Hexagon bolt M 6 X 60		2	
16	997 606 111 01	Acceleration sensor for bodywork		1	
17	997 606 212 00	Bracket Body		1	
(17)	997 606 212 01	D >> - MJ 2006 Bracket Body D - MJ 2007>>		1	

Model: 987 05

Model life 2005>>2008



Model: 987 05 Model life 2005>>2008

Pos	Part Number	Description	Remark	Qty	Model
1	997 343 701 03	Anti-roll bar Anti-roll bar		1	BOXSTER BOXSTER PR:249,481
(1)	997 343 701 04	Anti-roll bar		1	BOXSTER PR:480
(1)	997 343 701 07	Discontinued part Anti-roll bar		1	BOXSTER PR:480
(1)	997 343 701 05	Anti-roll bar		1	BOXSTER PR:475
(1)	997 343 701 04	Anti-roll bar		1	BOXSTER S PR:029
(1)	997 343 701 07	Discontinued part Anti-roll bar		1	BOXSTER S PR:029
(1)	997 343 701 05	Anti-roll bar		1	BOXSTER S PR:475
2	996 343 792 12	anti-roll bar bearing bracket		2	BOXSTER PR:029,249
(2)	996 343 792 17	anti-roll bar bearing bracket		2	BOXSTER PR:029,481
(2)	996 343 792 17	anti-roll bar bearing bracket		2	BOXSTER PR:029,480
(2)	996 343 792 17	anti-roll bar bearing bracket		2	BOXSTER PR:475
(2)	996 343 792 17	anti-roll bar bearing bracket		2	BOXSTER S PR:029
(2)	996 343 792 17	anti-roll bar bearing bracket		2	BOXSTER S PR:475
3	900 378 098 01	Hexagon bolt M 10 X 60		4	
-	900 380 008 01	Hexagon nut M 10		4	
4	997 343 069 00	Coupling rod See technical manual Group 4 NR.407819	left	1	
(4)	997 343 069 01	Coupling rod See technical manual Group 4 NR.407819	left	1	
(4)	997 343 070 00	Coupling rod See technical manual Group 4 NR.407819	right	1	
(4)	997 343 070 01	Coupling rod See technical manual Group 4 NR.407819	right	1	
5	999 084 445 01	Locknut M 12 X 1,5 See technical manual Group 4 NR.407819		2	
(5)	999 084 123 09	Hexagon nut M 10 See technical manual Group 4 NR.407819		2	
6	999 084 643 09	Hexagon nut M 10 See technical manual		2	

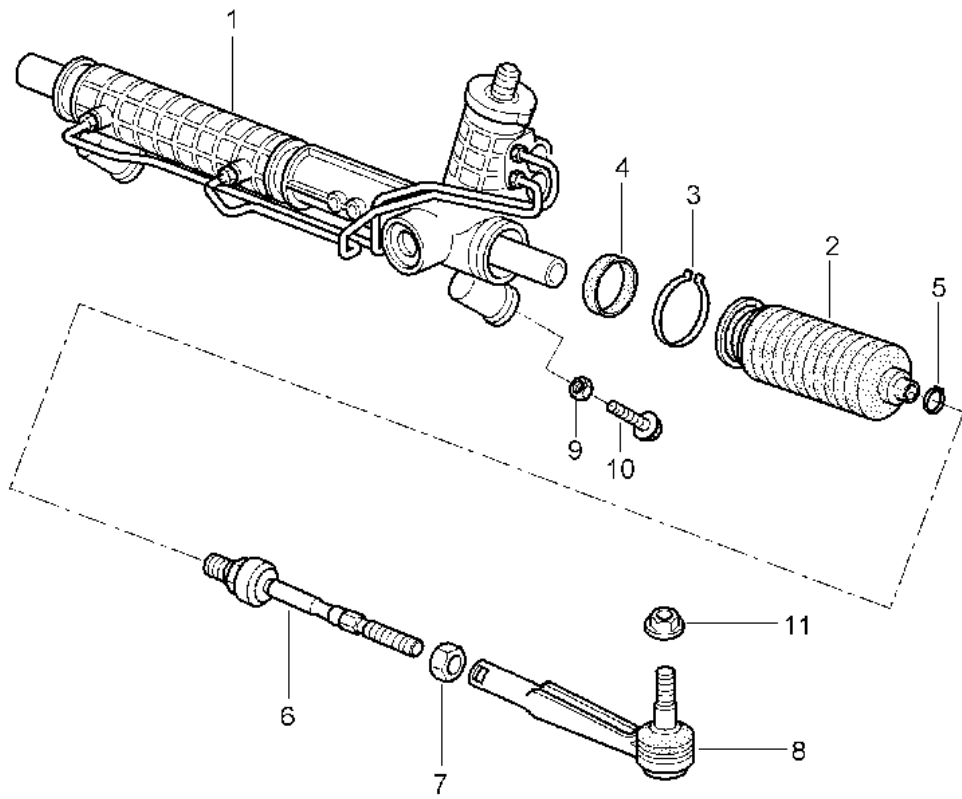
Model: 987 05

Model life 2005>>2008

Pos	Part Number	Description	Remark	Qty	Model
(6)	999 084 123 09	Group 4 NR.407819 Hexagon nut M 10 See technical manual Group 4 NR.407819		2	

Model: 987 05

Model life 2005>>2008

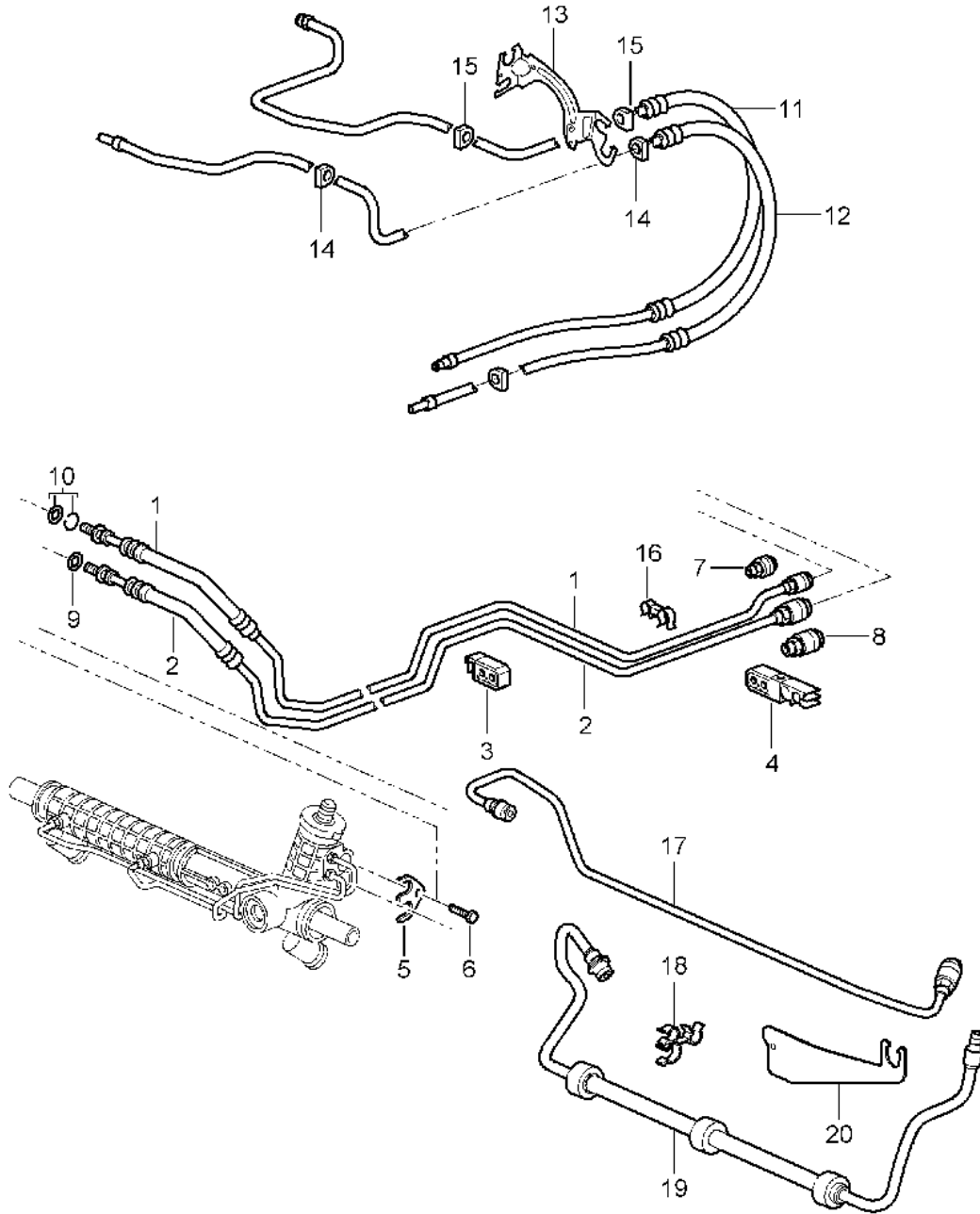


Model: 987 05 Model life 2005>>2008

Pos	Part Number	Description	Remark	Qty	Model
1	997 347 011 05	Power steering Steering gear Steering parts Steering gear Power steering D >> - MJ 2007		1	PR:098
(1)	997 347 011 06	Steering gear Power steering D - MJ 2008>>		1	PR:098
(1)	997 347 012 04	Steering gear Power steering D >> - MJ 2007		1	PR:099
(1)	997 347 012 05	Steering gear Power steering D - MJ 2008>>		1	PR:099
-	996 347 110 02	Clip pinion Steering gear		1	
2	997 347 191 00	Bellows for Steering gear		2	
3	996 347 293 04	clamping ring for Steering gear		2	
4	997 347 373 00	seal ring for Steering gear		2	
5	999 512 693 09	clamping ring		2	
6	997 347 322 00	Joint D >> - MJ 2007		2	
(6)	997 347 322 01	Joint D - MJ 2008>>		2	
7	999 034 037 09	Hexagon nut M 14 X 1,5		2	
8	996 347 131 04	Track rod		2	
9		see illustration, item:	401-000,2		
10	900 378 100 01	Hexagon bolt AM 10 X 45		2	
11	999 084 449 09	Locknut M 12 X 1,5		2	

Model: 987 05

Model life 2005>>2008



Model: 987 05 Model life 2005>>2008

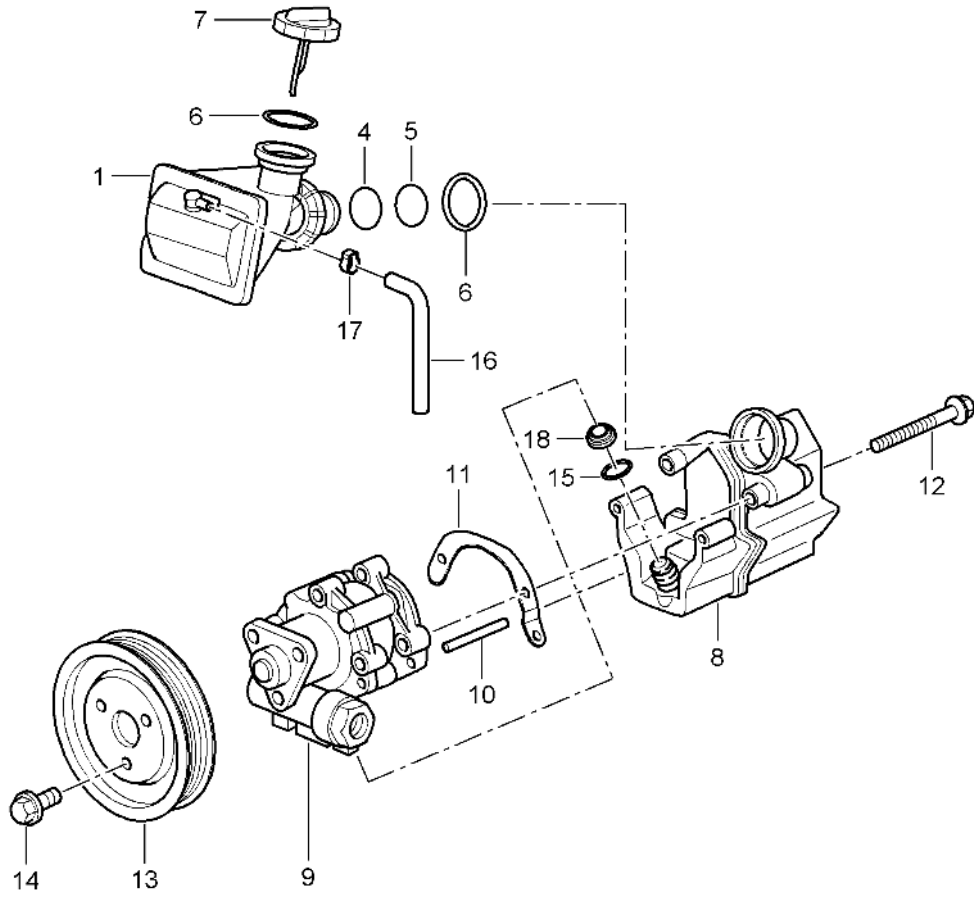
Pos	Part Number	Description	Remark	Qty	Model
1	997 347 451 03	Power steering Lines Pressure line D >> - MJ 2007		1	PR:098
(1)	997 347 451 04	Pressure line D - MJ 2008>> Discontinued part		1	PR:098
(1)	997 347 451 05	Pressure line D - MJ 2008>>		1	PR:098
(1)	997 347 452 02	Pressure line		1	PR:099
2	987 347 449 03	return line Discontinued part		1	PR:098
(2)	987 347 449 05	return line Discontinued part		1	PR:098
(2)	987 347 449 07	return line		1	PR:098
(2)	987 347 650 00	return line D >> - MJ 2007		1	PR:099
(2)	987 347 650 03	return line D - MJ 2008>>		1	PR:099
3	996 347 543 00	Cable holder		3	
4	996 355 543 00	Bracket		1	
5	996 347 769 01	Tension shackle		1	
6	900 067 063 02	Socket head bolt M 10 X 20 D >> - MJ 2007		1	
(6)	900 067 063 03	Socket head bolt M 10 x 20 D - MJ 2008>>		1	
7	999 230 552 10	Threaded joint		1	
8	999 230 551 10	Threaded joint		1	
-	999 230 683 40	securing clip for Threaded joint		X	
-	999 230 584 40	Pressure line Securing ring Threaded joint return line		1	PR:098
-	999 230 584 40	Securing ring Threaded joint return line		2	PR:099
9	999 230 542 40	O-ring		X	
10	999 230 543 40	repair set Gaskets		X	
11	987 347 443 02	Pressure line Discontinued part		1	
(11)	987 347 443 03	Pressure line Discontinued part		1	
(11)	987 347 443 04	Pressure line		1	
12	987 347 439 01	return line		1	
13	987 347 749 01	Line holder		1	
14	999 702 210 40	Rubber grommet		4	
15	999 702 226 40	Rubber grommet		3	
16	999 507 091 40	Cable holder		3	
17	997 347 564 02	Pressure line D >> - MJ 2007		1	PR:099
(17)	997 347 564 03	Pressure line D - MJ 2008>> Discontinued part		1	PR:099
(17)	997 347 564 04	Pressure line D - MJ 2008>>		1	PR:099
18	999 507 963 40	Line holder		1	PR:099
19	997 347 462 02	return line D >> - MJ 2006		1	PR:099

Model: 987 05 Model life 2005>>2008

Pos	Part Number	Description	Remark	Qty	Model
(19)	997 347 462 03	return line D - MJ 2007>> Discontinued part		1	PR:099
(19)	997 347 462 04	return line D - MJ 2007>>		1	PR:099
20	997 347 560 00	Line holder		1	PR:099

Model: 987 05

Model life 2005>>2008



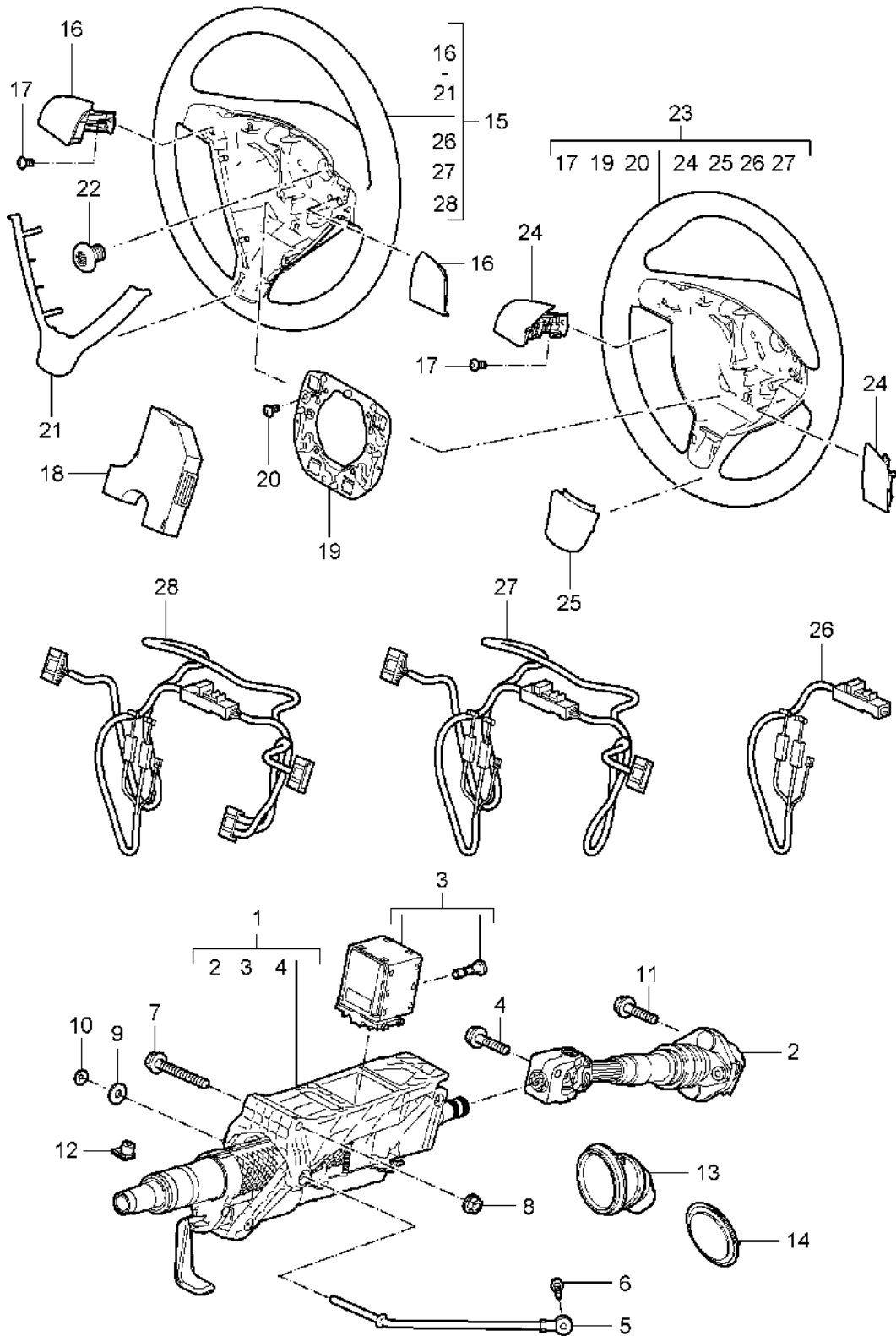
Model: 987 05

Model life 2005>>2008

Pos	Part Number	Description	Remark	Qty	Model
		Power steering Power-steering pump container			
1	986 314 225 02	Reservoir		1	
(1)	987 314 225 00	Reservoir		1	PR:754
4	999 707 362 40	seal ring		1	
5	999 707 363 40	seal ring		1	
6	999 701 154 40	seal ring		2	
7	986 314 223 00	Cover		1	
8	997 314 220 00	oil container		1	
9	996 314 050 02	Power-steering pump		1	
10	996 314 320 03	Cylinder pin		2	
11	996 314 431 05	Support		1	
12	900 378 105 09	Hexagon bolt AM 8 X 70		2	
		D >> - MJ 2006			
(12)	900 378 105 01	Screw am 8 x 70 D - MJ 2007>>		2	
13	996 147 223 60	pulley		1	
14	900 385 099 04	Torx screw M 8 X 12 Discontinued part		3	
14	900 385 099 01	Torx screw M 8 X 12		3	
15	999 707 204 40	seal ring 12.5 X 2N		1	
17	999 512 527 00	Clamp 8,5-10,0		1	
-	000 043 203 33	Pentosin 1000 ML		X	
18	996 314 427 00	Guide		1	

Model: 987 05

Model life 2005>>2008



Model: 987 05 Model life 2005>>2008

Pos	Part Number	Description	Remark	Qty	Model
1	997 347 007 05	Steering protective pipe Intermediate steering shaft Steering wheels Complete steering column		1	
(1)	997 347 007 06	with: Intermediate steering shaft Discontinued part Complete steering column		1	
(1)	997 347 007 09	with: Intermediate steering shaft Discontinued part Complete steering column		1	
2	997 347 023 02	Intermediate steering shaft Intermediate steering shaft Discontinued part		1	
(2)	997 347 023 04	Intermediate steering shaft		1	
3	997 618 158 01	Control unit Steering column		1	
(3)	997 618 158 03	with: Screw D - MJ 2006>> - MJ 2006 Discontinued part Control unit Steering column		1	
(3)	997 618 158 04	with: Screw D >> - MJ 2007 Discontinued part Control unit Steering column		1	
4	999 217 042 09	with: Screw D - MJ 2008>> Hexagon bolt M 8 X 35		1	
5	997 347 243 00	Support		1	
6	900 378 173 09	Hexagon bolt AM 6 X 20 Discontinued part		1	
(6)	900 378 173 01	Hexagon bolt M 6 X 20		1	
7	900 378 095 09	Hexagon bolt M 10 X 100 Discontinued part		1	
(7)	900 378 095 01	Hexagon bolt M 10 X 100		1	
8	900 380 008 09	Locknut M 10 Discontinued part		1	
8	900 380 008 01	Hexagon nut M 10		1	
9	900 151 006 09	Washer Discontinued part		1	
(9)	900 151 006 03	Washer		1	
10	999 507 217 07	Clamping washer		1	
11	999 217 042 09	Hexagon bolt M 8 X 35		1	
12	999 920 019 40	Plug-in nut 3,5 X 2,5 X 9		1	
13	986 347 037 01	Bellows		1	
14	996 347 339 02	Rubber seal filler plate		1	

Model: 987 05 Model life 2005>>2008

Pos	Part Number	Description	Remark	Qty	Model
15	997 347 804 03	steering wheel (leather)		1	PR:436,481,480
		Embossed Discontinued part			
	997 347 804 03 FOA	Black			
	997 347 804 03 FOB	Stone grey			
	997 347 804 03 FOC	Sand beige			
	997 347 804 03 FOD	Palm green			
	997 347 804 03 FOE	sea blue			
	997 347 804 03 FOF	Terracotta			
	997 347 804 03 FOG	Cocoa			
	997 347 804 03 FOH	Dark grey/natural			
	997 347 804 03 FOJ	Brown/natural			
	997 347 804 03 FSQ	Carrera Red			
15	997 347 804 60	steering wheel (leather)		1	PR:436,481,480
		Embossed Discontinued part			
	997 347 804 60 A34	Black			
	997 347 804 60 B24	Stone grey			
	997 347 804 60 T24	Sand beige			
	997 347 804 60 E24	sea blue			
	997 347 804 60 M24	Terracotta			
	997 347 804 60 R24	Cocoa			
	997 347 804 60 D14	Dark grey/natural			
	997 347 804 60 T34	Brown/natural			
	997 347 804 60 N14	Carrera Red			
15	997 347 804 72	steering wheel (leather)		1	PR:436,481,480
		Embossed			
	997 347 804 72 A34	Black			
	997 347 804 72 B24	Stone grey			
	997 347 804 72 T24	Sand beige			
	997 347 804 72 E24	sea blue			
	997 347 804 72 M24	Terracotta			
	997 347 804 72 R24	Cocoa			
	997 347 804 72 D14	Dark grey/natural			
	997 347 804 72 T34	Brown/natural			
	997 347 804 72 N14	Carrera Red			
15	997 347 804 61	steering wheel (leather)		1	PR:436,249
		Embossed			
	997 347 804 61 A34	Black			
	997 347 804 61 B24	Stone grey			
	997 347 804 61 T24	Sand beige			
	997 347 804 61 E24	sea blue			
	997 347 804 61 M24	Terracotta			
	997 347 804 61 R24	Cocoa			
	997 347 804 61 D14	Dark grey/natural			
	997 347 804 61 T34	Brown/natural			
	997 347 804 61 N14	Carrera Red			
(15)	997 347 804 01	steering wheel		1	PR:459,481,480
		Plain leather			
	997 347 804 01 FOK	black/grey			
	997 347 804 01 FOL	Stone grey/stone grey			
	997 347 804 01 FOM	Sand beige/sand beige			
	997 347 804 01 FON	Palmgreen/palmgreen			
	997 347 804 01 FOO	Sea blue/grey			
	997 347 804 01 FOP	Terracotta/terracotta			
	997 347 804 01 FOQ	Cocoa/Cocoa			
	997 347 804 01 FOR	Darkgrey natural/grey			
	997 347 804 01 FOS	Brown nat./brown nat.			
	997 347 804 01 FSQ	Carrera Red			
(15)	997 347 804 11	steering wheel		1	PR:459,249

Model: 987 05 Model life 2005>>2008

Pos	Part Number	Description	Remark	Qty	Model
		Plain leather			
	997 347 804 11 FOK	black/grey			
	997 347 804 11 FOL	Stone grey/stone grey			
	997 347 804 11 FOM	Sand beige/sand beige			
	997 347 804 11 FON	Palmgreen/palmgreen			
	997 347 804 11 FOO	Sea blue/grey			
	997 347 804 11 FOP	Terracotta/terracotta			
	997 347 804 11 FOQ	Cocoa/Cocoa			
	997 347 804 11 FOR	Darkgrey natural/grey			
	997 347 804 11 FOS	Brown nat./brown nat.			
	997 347 804 11 FSQ	Carrera Red			
(15)	997 347 804 05	steering wheel (leather)		1	PR:431,481,480
		Plain leather			
		Multi-function			
		Discontinued part			
	997 347 804 05 FOK	black/grey			
		Discontinued part			
	997 347 804 05 FOL	Stone grey/stone grey			
		Discontinued part			
	997 347 804 05 FOM	Sand beige/sand beige			
	997 347 804 05 FON	Palmgreen/palmgreen			
	997 347 804 05 FOO	Sea blue/grey			
		Discontinued part			
	997 347 804 05 FOP	Terracotta/terracotta			
	997 347 804 05 FOQ	Cocoa/Cocoa			
		Discontinued part			
	997 347 804 05 FOR	Darkgrey natural/grey			
	997 347 804 05 FOS	Brown nat./brown nat.			
	997 347 804 05 FSQ	Carrera Red			
		Discontinued part			
(15)	997 347 804 63	multifunction steering wheel		1	PR:431,481,480
		Plain leather			
	997 347 804 63 A34	black/grey			
	997 347 804 63 B24	Stone grey/stone grey			
	997 347 804 63 T24	Sand beige/sand beige			
	997 347 804 63 E24	Sea blue/grey			
	997 347 804 63 M24	Terracotta/terracotta			
	997 347 804 63 R24	Cocoa/Cocoa			
	997 347 804 63 D14	Darkgrey natural/grey			
	997 347 804 63 T34	Brown nat./brown nat.			
	997 347 804 63 N14	Carrera Red/Carrera Red			
(15)	997 347 804 06	steering wheel (leather)		1	PR:431,249
		Plain leather			
		Multi-function			
		Discontinued part			
	997 347 804 06 FOK	black/grey			
	997 347 804 06 FOL	Stone grey/stone grey			
	997 347 804 06 FOM	Sand beige/sand beige			
	997 347 804 06 FON	Palmgreen/palmgreen			
	997 347 804 06 FOO	Sea blue/grey			
	997 347 804 06 FOP	Terracotta/terracotta			
	997 347 804 06 FOQ	Cocoa/Cocoa			
	997 347 804 06 FOR	Darkgrey natural/grey			
	997 347 804 06 FOS	Brown nat./brown nat.			
	997 347 804 06 FSQ	Carrera Red			
(15)	997 347 804 65	steering wheel (leather)		1	PR:431,249
		Plain leather			
		Multi-function			
		Discontinued part			
	997 347 804 65 A34	black/grey			
	997 347 804 65 B24	Stone grey/stone grey			
	997 347 804 65 T24	Sand beige/sand beige			
	997 347 804 65 J24	Palmgreen/palmgreen			

Model: 987 05 Model life 2005>>2008

Pos	Part Number	Description	Remark	Qty	Model
	997 347 804 65 E24	Sea blue/grey			
	997 347 804 65 M24	Terracotta/terracotta			
	997 347 804 65 R24	Cocoa/Cocoa			
	997 347 804 65 D14	Darkgrey natural/grey			
	997 347 804 65 T34	Brown nat./brown nat.			
	997 347 804 65 N14	Carrera Red			
(15)	997 347 804 77	steering wheel (leather) Plain leather Multi-function		1	PR:431,249
	997 347 804 77 A34	Black			
	997 347 804 77 B24	Stone grey			
	997 347 804 77 T24	Sand beige			
	997 347 804 77 E24	sea blue			
	997 347 804 77 M24	Terracotta			
	997 347 804 77 R24	Cocoa			
	997 347 804 77 D14	Dark grey/natural			
	997 347 804 77 T34	Brown/natural			
	997 347 804 77 N14	Carrera Red			
(15)	997 347 804 22	steering wheel Multi-function Wood macassar		1	PR:451,481, 480
	997 347 804 22 FOK	black/grey			
	997 347 804 22 FOL	Stone grey/stone grey			
	997 347 804 22 FOM	Sand beige/sand beige			
	997 347 804 22 FON	Palmgreen/palmgreen			
	997 347 804 22 FOO	Sea blue/grey			
	997 347 804 22 FOP	Terracotta/terracotta			
	997 347 804 22 FOQ	Cocoa/Cocoa			
	997 347 804 22 FOR	Darkgrey natural/grey			
	997 347 804 22 FOS	Brown nat./brown nat.			
	997 347 804 22 FSQ	Carrera Red			
(15)	997 347 804 32	steering wheel Multi-function Wood macassar		1	PR:451,249
	997 347 804 32 FOK	black/grey			
	997 347 804 32 FOL	Stone grey/stone grey			
	997 347 804 32 FOM	Sand beige/sand beige			
	997 347 804 32 FON	Palmgreen/palmgreen			
	997 347 804 32 FOO	Sea blue/grey			
	997 347 804 32 FOP	Terracotta/terracotta			
	997 347 804 32 FOQ	Cocoa/Cocoa			
	997 347 804 32 FOR	Darkgrey natural/grey			
	997 347 804 32 FOS	Brown nat./brown nat.			
	997 347 804 32 FSQ	Carrera Red			
(15)	997 347 804 23	steering wheel Multi-function Wood Sycamore wood		1	PR:452,481, 480
	997 347 804 23 FOK	black/grey			
	997 347 804 23 FOL	Stone grey/stone grey			
	997 347 804 23 FOM	Sand beige/sand beige			
	997 347 804 23 FON	Palmgreen/palmgreen			
	997 347 804 23 FOO	Sea blue/grey			
	997 347 804 23 FOP	Terracotta/terracotta			
	997 347 804 23 FOQ	Cocoa/Cocoa			
	997 347 804 23 FOR	Darkgrey natural/grey			
	997 347 804 23 FOS	Brown nat./brown nat.			
	997 347 804 23 FSQ	Carrera Red			
(15)	997 347 804 33	steering wheel Multi-function Wood		1	PR:452,249

Model: 987 05 Model life 2005>>2008

Pos	Part Number	Description	Remark	Qty	Model
	997 347 804 33 FOK	Sycamore wood black/grey			
	997 347 804 33 FOL	Stone grey/stone grey			
	997 347 804 33 FOM	Sand beige/sand beige			
	997 347 804 33 FON	Palmgreen/palmgreen			
	997 347 804 33 FOO	Sea blue/grey			
	997 347 804 33 FOP	Terracotta/terracotta			
	997 347 804 33 FOQ	Cocoa/Cocoa			
	997 347 804 33 FOR	Darkgrey natural/grey			
	997 347 804 33 FOS	Brown nat./brown nat.			
	997 347 804 33 FSQ	Carrera Red			
(15)	997 347 804 24	steering wheel Multi-function Carbon		1	PR:453,481, 480
	997 347 804 24 FOK	black/grey			
	997 347 804 24 FOL	Stone grey/stone grey			
	997 347 804 24 FOM	Sand beige/sand beige			
	997 347 804 24 FON	Palmgreen/palmgreen			
	997 347 804 24 FOO	Sea blue/grey			
	997 347 804 24 FOP	Terracotta/terracotta			
	997 347 804 24 FOQ	Cocoa/Cocoa			
	997 347 804 24 FOR	Darkgrey natural/grey			
	997 347 804 24 FOS	Brown nat./brown nat.			
	997 347 804 24 FSQ	Carrera Red			
(15)	997 347 804 34	steering wheel Multi-function Carbon		1	PR:453,249
	997 347 804 34 FOK	black/grey			
	997 347 804 34 FOL	Stone grey/stone grey			
	997 347 804 34 FOM	Sand beige/sand beige			
	997 347 804 34 FON	Palmgreen/palmgreen			
	997 347 804 34 FOO	Sea blue/grey			
	997 347 804 34 FOP	Terracotta/terracotta			
	997 347 804 34 FOQ	Cocoa/Cocoa			
	997 347 804 34 FOR	Darkgrey natural/grey			
	997 347 804 34 FOS	Brown nat./brown nat.			
	997 347 804 34 FSQ	Carrera Red			
(15)	997 347 981 00	multifunction steering wheel Aluminium look		1	PR:480,XPV
	997 347 981 00 A34	Black			
	997 347 981 00 B24	Stone grey			
	997 347 981 00 D14	Dark grey/natural			
	997 347 981 00 E24	sea blue			
	997 347 981 00 J24	Palm green			
	997 347 981 00 M24	Terracotta			
	997 347 981 00 R24	Cocoa			
	997 347 981 00 T24	Sand beige			
	997 347 981 00 T34	Brown/natural			
	997 347 981 00 N14	Carrera Red			
(15)	997 347 981 01	multifunction steering wheel Aluminium look		1	PR:432,XPV
	997 347 981 01 A34	Black			
	997 347 981 01 B24	Stone grey			
	997 347 981 01 D14	Dark grey/natural			
	997 347 981 01 E24	sea blue			
	997 347 981 01 J24	Palm green			
	997 347 981 01 M24	Terracotta			
	997 347 981 01 R24	Cocoa			
	997 347 981 01 T24	Sand beige			
	997 347 981 01 T34	Brown/natural			
	997 347 981 01 N14	Carrera Red/Carrera Red			
16	997 347 837 00	Dummy cover	left	1	PR:480,481
	997 347 837 00 V04	Galvano silver			

Model: 987 05 Model life 2005>>2008

Pos	Part Number	Description	Remark	Qty	Model
(16)	997 347 838 00 997 347 838 00 V04	Dummy cover Galvano silver	right	1	PR:480,481
(16)	997 613 431 01	Switching module with: Tiptronic Lever D - MJ 2005>> - MJ 2005	left	1	PR:249
(16)	997 613 431 01 V04 997 613 431 02	Galvano silver Switching module with: Tiptronic Lever D - MJ 2006>>	left	1	PR:249
(16)	997 613 431 02 V04 997 613 432 01	Galvano silver Switching module with: Tiptronic Lever D - MJ 2005>> - MJ 2005	right	1	PR:249
(16)	997 613 432 01 V04 997 613 432 02	Galvano silver Switching module with: Tiptronic Lever D - MJ 2006>>	right	1	PR:249
(16)	997 613 432 02 V04 997 613 433 01	Galvano silver Switching module Multi-function Manual gearbox D - MJ 2005>> - MJ 2005	left	1	PR:480,481
(16)	997 613 433 01 V04 997 613 433 02	Galvano silver Switching module Multi-function Manual gearbox D - MJ 2006>>	left	1	PR:480,481
(16)	997 613 433 02 V04 997 613 433 03	Galvano silver F >> 98-7U701 426 F >> 98-7U721 120 Switching module Multi-function Manual gearbox	left	1	PR:480,481
(16)	997 613 433 03 V04	Galvano silver F 98-7U701 427>> F 98-7U721 121>> also use: 997 613 434 03 (V04) 997 613 445 03 See technical manual			
(16)	997 613 434 01	Group: 91 6119 91 7719 Switching module Multi-function Manual gearbox D - MJ 2005>> - MJ 2005	right	1	PR:480,481
(16)	997 613 434 01 V04 997 613 434 02	Galvano silver Switching module Multi-function Manual gearbox D - MJ 2006>>	right	1	PR:480,481
(16)	997 613 434 02 V04	Galvano silver F >> 98-7U701 426 F >> 98-7U721 120			

Model: 987 05 Model life 2005>>2008

Pos	Part Number	Description	Remark	Qty	Model
(16)	997 613 434 03	Switching module Multi-function Manual gearbox	right	1	PR:480,481
	997 613 434 03 V04	Galvano silver F 98-7U701 427>> F 98-7U721 121>> also use: 997 613 433 03 (V04) 997 613 445 03 See technical manual Group: 91 6119 91 7719			
(16)	997 613 435 01	Switching module Multi-function	left	1	PR:249
	997 613 435 01 V04	Galvano silver D - MJ 2005>> - MJ 2005			
(16)	997 613 435 02	Switching module Multi-function	left	1	PR:249
	997 613 435 02 V04	Galvano silver F >> 98-7U701 426 F >> 98-7U721 120 with: Tiptronic Lever D - MJ 2006>> Discontinued part			
(16)	997 613 435 03	Switching module Multi-function	left	1	PR:249
	997 613 435 03 V04	Galvano silver F 98-7U701 427>> F 98-7U721 121>> also use: 997 613 436 03 (V04) 997 613 445 03 See technical manual Group: 91 6119 91 7719			
(16)	997 613 436 01	Switching module Multi-function	right	1	PR:249
	997 613 436 01 V04	Galvano silver D - MJ 2005>> - MJ 2005			
(16)	997 613 436 02	Switching module Multi-function	right	1	PR:249
	997 613 436 02 V04	Galvano silver D - MJ 2006>> Discontinued part F >> 98-7U701 426 F >> 98-7U721 120 with: Tiptronic Lever			
(16)	997 613 436 03	Switching module	right	1	PR:249

Model: 987 05 Model life 2005>>2008

Pos	Part Number	Description	Remark	Qty	Model
	997 613 436 03 V04	Multi-function with: Tiptronic Lever Galvano silver F 98-7U701 427>> F 98-7U721 121>>			
		also use:	997 613 435 03 (V04) 997 613 445 03		
		See technical manual			
		Group:			
17	999 073 318 09	91 6119 91 7719 Round-head screw M 4 X 10		2	
18	997 613 445 01	Electronic unit Multi-function Discontinued part		1	PR:431,451, 452,453
(18)	997 613 445 02	Electronic unit Multi-function F >> 98-7U701 426 F >> 98-7U721 120		1	
(18)	997 613 445 03	Electronic unit Multi-function F 98-7U701 427>> F 98-7U721 121>>		1	PR:431,451, 452,453
		also use:	997 613 435 03 (V04) left 997 613 436 03 (V04) right	1	
		See technical manual			
		Group:			
		91 6119, 91 7719			
(18)	997 613 445 03	Electronic unit Multi-function F 98-7U701 427>> F 98-7U721 121>>		1	PR:431,451, 249,452,453
		also use:	997 613 433 03 (V04) left 997 613 434 03 (V04) right	1	
		See technical manual			
		Group:			
		91 6119, 91 7719			
19	997 347 880 00	retaining frame		1	
20	999 141 022 09	flat round head bolt M 5 X 12,5		4	
21	997 347 821 00	Trim		1	
	997 347 821 00 D07	Volcano grey			
22	N 910 207 01	Screw with int. serrations M 18 X 1,5 X 26		1	

Model: 987 05 Model life 2005>>2008

Pos	Part Number	Description	Remark	Qty	Model
23	997 347 804 40	sports steering wheel(leather)		1	PR:435,481,480
		Embossed			
	997 347 804 40 FOA	Black			
	997 347 804 40 FOB	Stone grey			
	997 347 804 40 FOC	Sand beige			
	997 347 804 40 FOD	Palm green			
	997 347 804 40 FOE	sea blue			
	997 347 804 40 FOF	Terracotta			
	997 347 804 40 FOG	Cocoa			
	997 347 804 40 FOH	Dark grey/natural			
	997 347 804 40 FOJ	Brown/natural			
	997 347 804 40 FSQ	Carrera Red			
(23)	997 347 804 50	sports steering wheel(leather)		1	PR:435,249
		Embossed			
	997 347 804 50 FOA	Black			
	997 347 804 50 FOB	Stone grey			
	997 347 804 50 FOC	Sand beige			
	997 347 804 50 FOD	Palm green			
	997 347 804 50 FOE	sea blue			
	997 347 804 50 FOF	Terracotta			
	997 347 804 50 FOG	Cocoa			
	997 347 804 50 FOH	Dark grey/natural			
	997 347 804 50 FOJ	Brown/natural			
	997 347 804 50 N14	Carrera Red			
(23)	997 347 804 41	sports steering wheel		1	PR:460,481,480
		Plain leather			
	997 347 804 41 FOK	black/grey			
	997 347 804 41 FOL	Stone grey/stone grey			
	997 347 804 41 FOM	Sand beige/sand beige			
	997 347 804 41 FON	Palmgreen/palmgreen			
	997 347 804 41 FOO	Sea blue/grey			
	997 347 804 41 FOP	Terracotta/terracotta			
	997 347 804 41 FOQ	Cocoa/Cocoa			
	997 347 804 41 FOR	Darkgrey natural/grey			
	997 347 804 41 FOS	Brown nat./brown nat.			
	997 347 804 41 FSQ	Carrera Red			
(23)	997 347 804 51	sports steering wheel		1	PR:460,249
		Plain leather			
	997 347 804 51 FOK	black/grey			
	997 347 804 51 FOL	Stone grey/stone grey			
	997 347 804 51 FOM	Sand beige/sand beige			
	997 347 804 51 FON	Palmgreen/palmgreen			
	997 347 804 51 FOO	Sea blue/grey			
	997 347 804 51 FOP	Terracotta/terracotta			
	997 347 804 51 FOQ	Cocoa/Cocoa			
	997 347 804 51 FOR	Darkgrey natural/grey			
	997 347 804 51 FOS	Brown nat./brown nat.			
	997 347 804 51 FSQ	Carrera Red			
(23)	997 347 804 91	sports steering wheel		1	PR:753,757
		Alcantara			
	997 347 804 91 A15	Black			
(23)	997 347 804 93	sports steering wheel		1	PR:753,249,757
		Alcantara			
	997 347 804 93 A15	Black			
(23)	997 347 980 00	sports steering wheel(leather)		1	PR:480,XPA
	997 347 980 00 A34	Black			
	997 347 980 00 B24	Stone grey			
	997 347 980 00 D14	Dark grey/natural			
	997 347 980 00 E24	sea blue			
	997 347 980 00 J24	Palm green			
	997 347 980 00 M24	Terracotta			
	997 347 980 00 R24	Cocoa			

Model: 987 05 Model life 2005>>2008

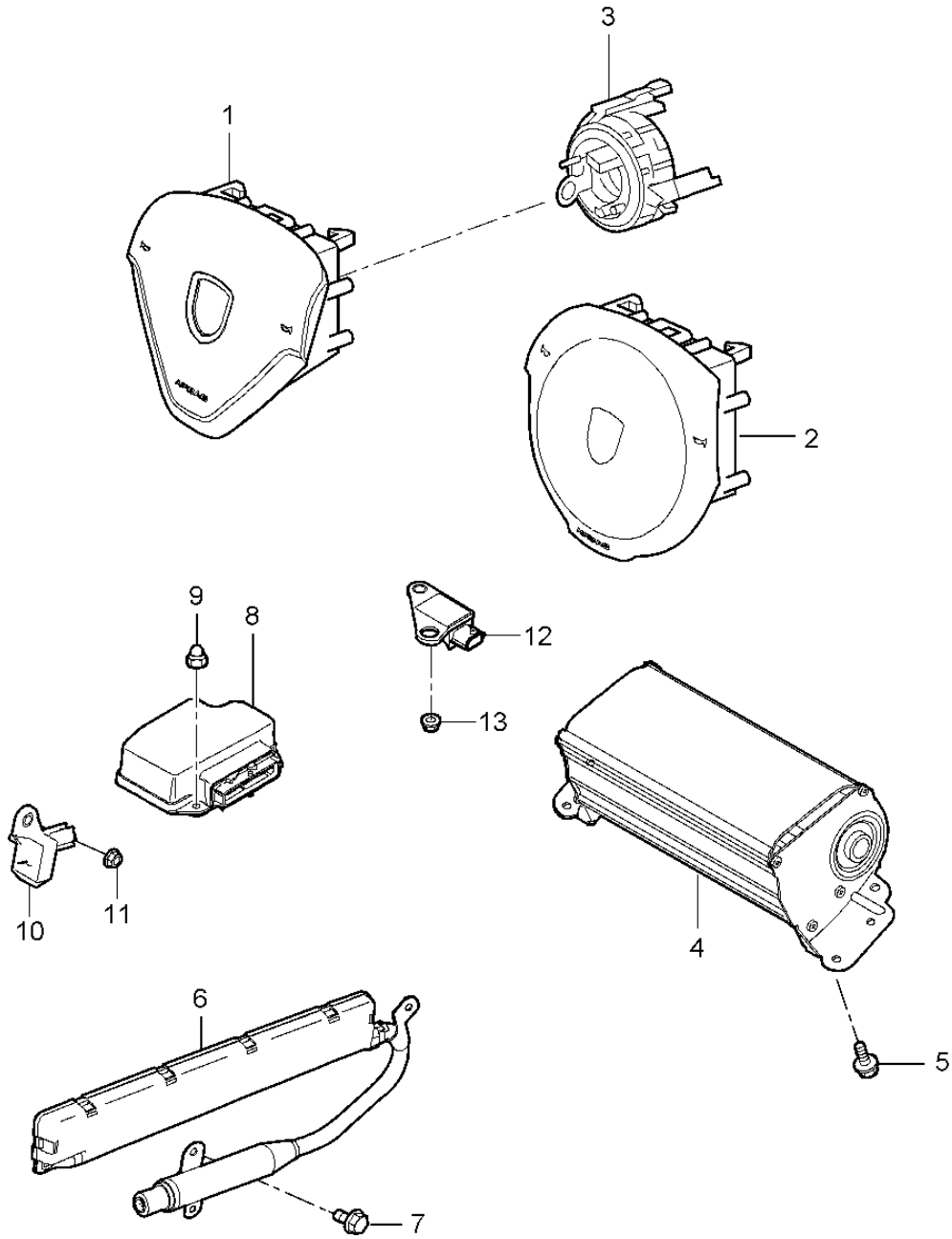
Pos	Part Number	Description	Remark	Qty	Model
	997 347 980 00 T24	Sand beige			
	997 347 980 00 T34	Brown/natural			
	997 347 980 00 N14	Carrera Red			
(23)	997 347 980 01	sports steering wheel (leather)		1	PR:432,XPA
	997 347 980 01 A34	Black			
	997 347 980 01 B24	Stone grey			
	997 347 980 01 D14	Dark grey/natural			
	997 347 980 01 E24	sea blue			
	997 347 980 01 J24	Palm green			
	997 347 980 01 M24	Terracotta			
	997 347 980 01 R24	Cocoa			
	997 347 980 01 T24	Sand beige			
	997 347 980 01 T34	Brown/natural			
	997 347 980 01 N14	Carrera Red			
(23)	997 347 804 53	sports steering wheel Leather Discontinued part		1	PR:754,432
	997 347 804 53 VAH	Carrera Red			
	997 347 804 53 VAJ	Dark grey/natural			
(23)	997 347 804 59	sports steering wheel Leather Discontinued part		1	PR:754,432
	997 347 804 59 N25	Carrera Red			
	997 347 804 59 D13	Dark grey/natural			
(23)	997 347 804 71	steering wheel Leather		1	PR:754,432
	997 347 804 71 N25	Carrera Red			
	997 347 804 71 D13	Dark grey/natural			
(23)	997 347 804 43	sports steering wheel Leather Discontinued part		1	PR:754,249
	997 347 804 43 VAH	Carrera Red			
	997 347 804 43 VAJ	Dark grey/natural			
(23)	997 347 804 56	sports steering wheel Leather Discontinued part		1	PR:754,249
	997 347 804 56 N25	Carrera Red			
	997 347 804 56 D13	Dark grey/natural			
(23)	997 347 804 68	steering wheel Leather		1	PR:754,249
	997 347 804 68 N25	Carrera Red			
	997 347 804 68 D13	Dark grey/natural			
24	997 347 837 40	Dummy cover	left	1	PR:480,481
	997 347 837 40 V04	Galvano silver			
(24)	997 347 838 40	Dummy cover	right	1	PR:480,481
	997 347 838 40 V04	Galvano silver			
(24)	997 613 437 00	Switching module	left	1	PR:249
		with: Tiptronic Lever D - MJ 2005>> - MJ 2005			
(24)	997 613 437 00 V04	Galvano silver			
	997 613 437 02	Switching module	left	1	PR:249
		with: Tiptronic Lever D - MJ 2006>> - MJ 2006			
	997 613 437 02 V04	Galvano silver			
(24)	997 613 437 03	Switching module	left	1	PR:249
		with: Tiptronic Lever D - MJ 2007>>			

Model: 987 05 Model life 2005>>2008

Pos	Part Number	Description	Remark	Qty	Model
(24)	997 613 437 03 V04 997 613 438 00	Galvano silver Switching module with: Tiptronic Lever D - MJ 2005>> - MJ 2005	right	1	PR:249
(24)	997 613 438 00 V04 997 613 438 02	Galvano silver Switching module with: Tiptronic Lever D - MJ 2006>> - MJ 2006	right	1	PR:249
(24)	997 613 438 02 V04 997 613 438 03	Galvano silver Switching module with: Tiptronic Lever D - MJ 2007>>	right	1	PR:249
25	997 613 438 03 V04 997 347 821 40	Galvano silver Dummy cover		1	
26	997 347 821 40 V04 997 612 672 00	Galvano silver Wire set 3-spoke steering wheel sports steering wheel without:		1	PR:480,481
26	997 612 672 01	Multi-function Manual gearbox Discontinued part Wire set 3-spoke steering wheel sports steering wheel without:		1	PR:480,481
26	997 612 672 02	Multi-function Manual gearbox Discontinued part Wire set 3-spoke steering wheel sports steering wheel without:		1	PR:480,481
27	997 612 674 00	Multi-function Manual gearbox Wire set 3-spoke steering wheel sports steering wheel without:		1	PR:249
28	997 612 673 00	Multi-function Tiptronic Wire set 3-spoke steering wheel with: Multi-function Manual gearbox Tiptronic		1	PR:431,451, 452,453

Model: 987 05

Model life 2005>>2008



Model: 987 05 Model life 2005>>2008

Pos	Part Number	Description	Remark	Qty	Model
1	997 803 089 13	Airbag Airbag unit 3-spoke steering wheel plastic Porsche crest Coloured Discontinued part		1	PR:436
	997 803 089 13 A32	Black			
	997 803 089 13 B22	Stone grey			
	997 803 089 13 T22	Sand beige			
	997 803 089 13 E22	sea blue			
	997 803 089 13 J22	Palm green			
	997 803 089 13 M22	Terracotta			
	997 803 089 13 R32	Cocoa			
	997 803 089 13 T32	Brown/natural			
	997 803 089 13 N22	Carrera Red			
1	997 803 089 19	Airbag unit 3-spoke steering wheel plastic Porsche crest Coloured Discontinued part		1	PR:436
	997 803 089 19 A32	Black			
	997 803 089 19 B22	Stone grey			
	997 803 089 19 T22	Sand beige			
	997 803 089 19 E22	sea blue			
	997 803 089 19 J22	Palm green			
	997 803 089 19 M22	Terracotta			
	997 803 089 19 R32	Cocoa			
	997 803 089 19 T32	Brown/natural			
	997 803 089 19 N22	Carrera Red			
1	997 803 089 25	Airbag unit 3-spoke steering wheel plastic Porsche crest Coloured		1	PR:436
	997 803 089 25 A32	Black			
	997 803 089 25 B22	Stone grey			
	997 803 089 25 T22	Sand beige			
	997 803 089 25 E22	sea blue			
	997 803 089 25 J22	Palm green			
	997 803 089 25 M22	Terracotta			
	997 803 089 25 R32	Cocoa			
	997 803 089 25 T32	Brown/natural			
	997 803 089 25 N22	Carrera Red			
(1)	997 803 089 14	Airbag unit 3-spoke steering wheel Leather Porsche crest Coloured Discontinued part		1	PR:431,451, 452,453,459, 991
	997 803 089 14 A34	Black Discontinued part			
	997 803 089 14 B24	Stone grey Discontinued part			
	997 803 089 14 T24	Sand beige Discontinued part			
	997 803 089 14 E24	sea blue Discontinued part			
	997 803 089 14 J24	Palm green			
	997 803 089 14 M24	Terracotta Discontinued part			
	997 803 089 14 R24	Cocoa			

Model: 987 05 Model life 2005>>2008

Pos	Part Number	Description	Remark	Qty	Model
	997 803 089 14 D14	Discontinued part Dark grey/natural			
	997 803 089 14 T34	Brown/natural			
	997 803 089 14 N14	Carrera Red			
(1)	997 803 089 20	Discontinued part Airbag unit 3-spoke steering wheel Leather Porsche crest Coloured		1	PR:431,451, 452,453,459, 991
	997 803 089 20 A34	Discontinued part Black			
	997 803 089 20 B24	Stone grey			
	997 803 089 20 T24	Sand beige			
	997 803 089 20 E24	sea blue			
	997 803 089 20 J24	Palm green			
	997 803 089 20 M24	Terracotta			
	997 803 089 20 R24	Cocoa			
	997 803 089 20 D14	Dark grey/natural			
	997 803 089 20 T34	Brown/natural			
	997 803 089 20 N14	Carrera Red			
(1)	997 803 089 26	Airbag unit 3-spoke steering wheel Leather Porsche crest Coloured		1	PR:431,451, 452,453,459, 991
	997 803 089 26 A34	Black			
	997 803 089 26 B24	Stone grey			
	997 803 089 26 T24	Sand beige			
	997 803 089 26 E24	sea blue			
	997 803 089 26 J24	Palm green			
	997 803 089 26 M24	Terracotta			
	997 803 089 26 R24	Cocoa			
	997 803 089 26 D14	Dark grey/natural			
	997 803 089 26 T34	Brown/natural			
	997 803 089 26 N14	Carrera Red			
(2)	997 803 089 16	Airbag unit Discontinued part		1	PR:435
	997 803 089 16 A32	Black			
	997 803 089 16 B22	Stone grey			
	997 803 089 16 T22	Sand beige			
	997 803 089 16 E22	sea blue			
	997 803 089 16 J22	Palm green			
	997 803 089 16 M22	Terracotta			
	997 803 089 16 R32	Cocoa			
	997 803 089 16 T32	Brown/natural			
	997 803 089 16 N22	Carrera Red			
(2)	997 803 089 21	Airbag unit Discontinued part		1	PR:435
	997 803 089 21 A32	Black			
	997 803 089 21 B22	Stone grey			
	997 803 089 21 T22	Sand beige			
	997 803 089 21 E22	sea blue			
	997 803 089 21 J22	Palm green			
	997 803 089 21 M22	Terracotta			
	997 803 089 21 R32	Cocoa			
	997 803 089 21 T32	Brown/natural			
	997 803 089 21 N22	Carrera Red			
(2)	997 803 089 22	Airbag unit sports steering wheel Leather Discontinued part		1	PR:435
	997 803 089 22 A34	Black			

Model: 987 05 Model life 2005>>2008

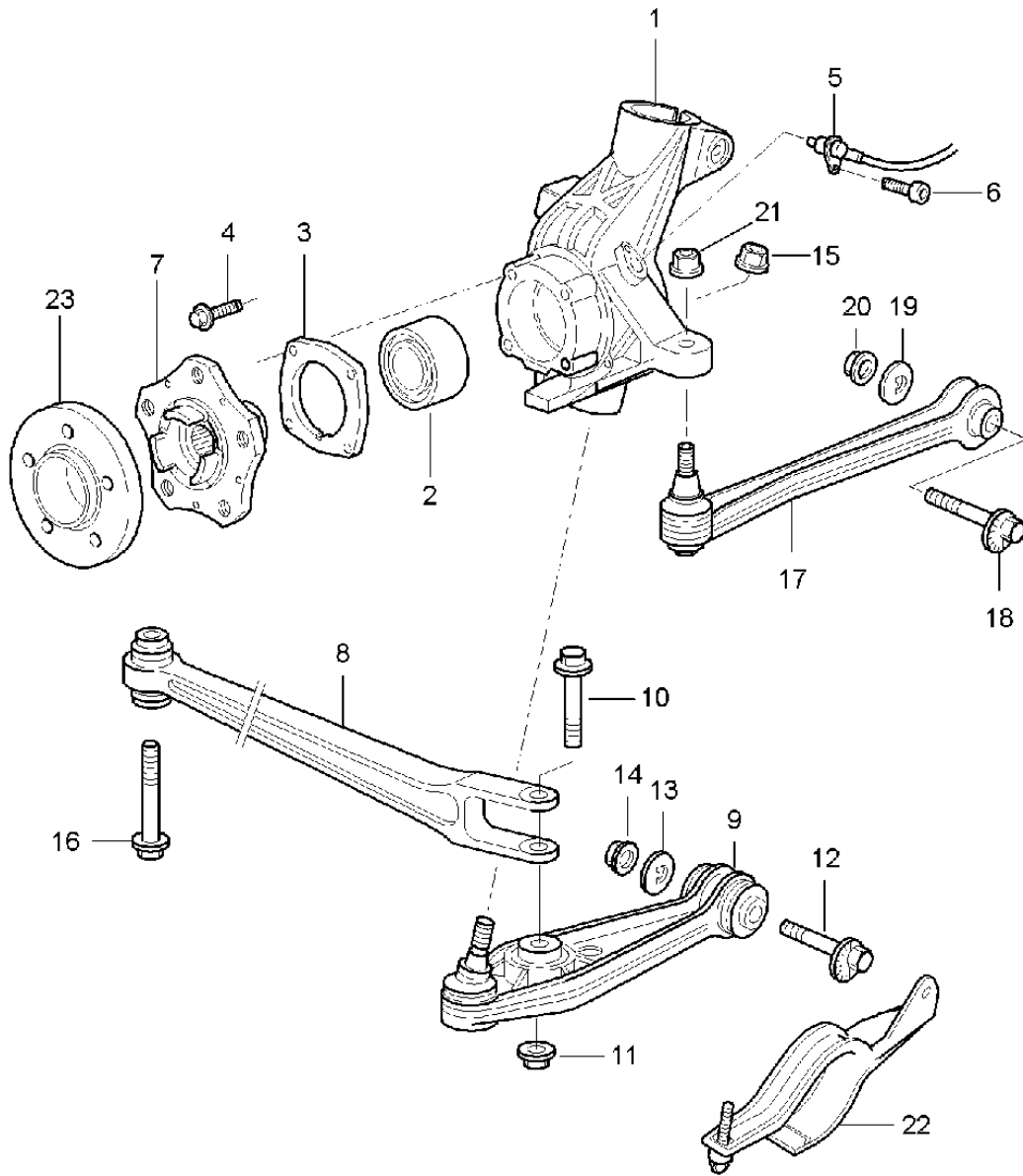
Pos	Part Number	Description	Remark	Qty	Model
	997 803 089 22 B24	Stone grey			
	997 803 089 22 T24	Sand beige			
	997 803 089 22 E24	sea blue			
	997 803 089 22 J24	Palm green			
	997 803 089 22 M24	Terracotta			
	997 803 089 22 R24	Cocoa			
	997 803 089 22 T34	Brown/natural			
	997 803 089 22 N14	Carrera Red			
(2)	997 803 089 27	Airbag unit		1	PR:435
		sports steering wheel			
		Leather			
	997 803 089 27 A34	Black			
	997 803 089 27 B24	Stone grey			
	997 803 089 27 T24	Sand beige			
	997 803 089 27 E24	sea blue			
	997 803 089 27 J24	Palm green			
	997 803 089 27 M24	Terracotta			
	997 803 089 27 R24	Cocoa			
	997 803 089 27 T34	Brown/natural			
	997 803 089 27 N14	Carrera Red			
(2)	997 803 089 17	Airbag unit		1	PR:460,991
		sports steering wheel			
		Leather			
		Porsche crest			
		Coloured			
		Discontinued part			
	997 803 089 17 A34	Black			
	997 803 089 17 B24	Stone grey			
	997 803 089 17 T24	Sand beige			
	997 803 089 17 E24	sea blue			
	997 803 089 17 J24	Palm green			
	997 803 089 17 M24	Terracotta			
	997 803 089 17 R24	Cocoa			
	997 803 089 17 D14	Dark grey/natural			
	997 803 089 17 T34	Brown/natural			
	997 803 089 17 N14	Carrera Red			
(2)	997 803 089 22	Airbag unit		1	PR:460,991
		sports steering wheel			
		Leather			
		Porsche crest			
		Coloured			
		Discontinued part			
	997 803 089 22 A34	Black			
	997 803 089 22 B24	Stone grey			
	997 803 089 22 T24	Sand beige			
	997 803 089 22 E24	sea blue			
	997 803 089 22 J24	Palm green			
	997 803 089 22 M24	Terracotta			
	997 803 089 22 R24	Cocoa			
	997 803 089 22 D14	Dark grey/natural			
	997 803 089 22 T34	Brown/natural			
	997 803 089 22 N14	Carrera Red			
(2)	997 803 089 27	Airbag unit		1	PR:460,991
		sports steering wheel			
		Leather			
		Porsche crest			
		Coloured			
	997 803 089 27 A34	Black			
	997 803 089 27 B24	Stone grey			
	997 803 089 27 T24	Sand beige			
	997 803 089 27 E24	sea blue			
	997 803 089 27 J24	Palm green			
	997 803 089 27 M24	Terracotta			

Model: 987 05 Model life 2005>>2008

Pos	Part Number	Description	Remark	Qty	Model
	997 803 089 27 R24	Cocoa			
	997 803 089 27 D14	Dark grey/natural			
	997 803 089 27 T34	Brown/natural			
	997 803 089 27 N14	Carrera Red			
(2)	997 803 089 17	Airbag unit Leather Discontinued part		1	PR:754
	997 803 089 17 D14	Dark grey/natural			
	997 803 089 17 N14	Carrera Red			
(2)	997 803 089 22	Airbag unit Leather Discontinued part		1	PR:754
	997 803 089 22 D14	Dark grey/natural			
	997 803 089 22 N14	Carrera Red			
(2)	997 803 089 27	Airbag unit Leather		1	PR:754
	997 803 089 27 D14	Dark grey/natural			
	997 803 089 27 N14	Carrera Red			
3	955 652 211 11	Spring		1	
		with:			
4	997 803 071 05	steering sensor Airbag unit (passenger side)		1	
5	900 378 222 09	Hexagon bolt M 6 X 16		4	
6	997 803 091 03	Side airbag unit for	left	1	
(6)	997 803 092 03	Head airbag unit Side airbag unit for	right	1	
7	900 378 035 01	Hexagon bolt M 6 X 16		6	
8	997 618 217 06	Control unit for airbag D - MJ 2005>> - MJ 2005 Discontinued part		1	
(8)	997 618 217 07	Control unit for airbag D - MJ 2006>>		1	
9	999 070 015 02	domed cap nut M 6		3	
10	997 618 221 00	Crash sensor for airbag Side airbag unit		2	
11	999 084 629 09	Hexagon nut M 6		8	
12	997 618 223 01	Accelerator sensor Airbag Front		2	
13	999 084 638 01	Hexagon nut M 6 SB		2	

Model: 987 05

Model life 2005>>2008



Model: 987 05 Model life 2005>>2008

Pos	Part Number	Description	Remark	Qty	Model
		Rear axle			
		Wheel carrier			
		Guide			
		Wheel hub			
1	987 331 157 05	Wheel carrier	left	1	
(1)	987 331 158 05	Wheel carrier	right	1	
2	999 053 054 05	angular ball bearing		2	
(3)	986 331 661 20	Cover		2	
4	999 217 042 09	Hexagon bolt		8	
		M 8 X 35			
5	997 606 407 01	speed sensor		2	
6	900 067 117 09	Socket head bolt		2	
		M 6 X 16			
7	997 341 605 01	Wheel hub		2	
		Discontinued part			
7	991 341 605 02	Wheel hub		2	
		Discontinued part			
7	991 341 605 03	Wheel hub		2	
8	987 331 043 02	Guide		2	
(9)	996 341 053 17	Wishbone		2	
		F >> 98-6U703 033			
		F >> 98-6U722 298			
(9)	997 331 053 01	Wishbone		2	
		F 98-6U703 034>>			
		F 98-6U722 299>>			
10	900 378 135 09	Hexagon bolt		2	
		M 14 X 1,5 X 75			
		Discontinued part			
(10)	900 378 135 01	Hexagon bolt		2	
		M 14 x 1,5 x 75			
11	900 380 012 09	Hexagon nut		2	
		M 14 X 1,5			
		Discontinued part			
11	900 380 012 01	Hexagon nut		2	
		M 14 X 1,5			
(12)	996 331 217 03	Eccentric bolt		2	
		M 12 X 100			
(12)	996 331 217 04	Eccentric bolt		2	
		M 12 X 105			
		Technical information			
		Group 4			
		Nr.4238			
		20/07			
13	996 331 219 00	eccentric washer		2	
14	999 084 445 01	Locknut		4	
		M 12 X 1,5			
15	999 084 449 09	Locknut		2	
		M 12 X 1,5			
16	900 378 209 09	Hexagon bolt		2	
		M 14 X 1,5 X 90			
-	986 331 023 00	Nut lock		2	
17	996 331 045 12	Track rod		2	
		D - MJ 2005>> - MJ 2005			
		Discontinued part			
(17)	997 331 045 04	Track rod		2	
		D - MJ 2006>>			
18	996 331 217 02	Eccentric bolt		2	
		M 12 X 83			
19	996 331 219 00	eccentric washer		2	
20	999 084 445 01	Locknut		2	
		M 12 X 1,5			
21	999 084 449 09	Locknut		2	
		M 12 X 1,5			

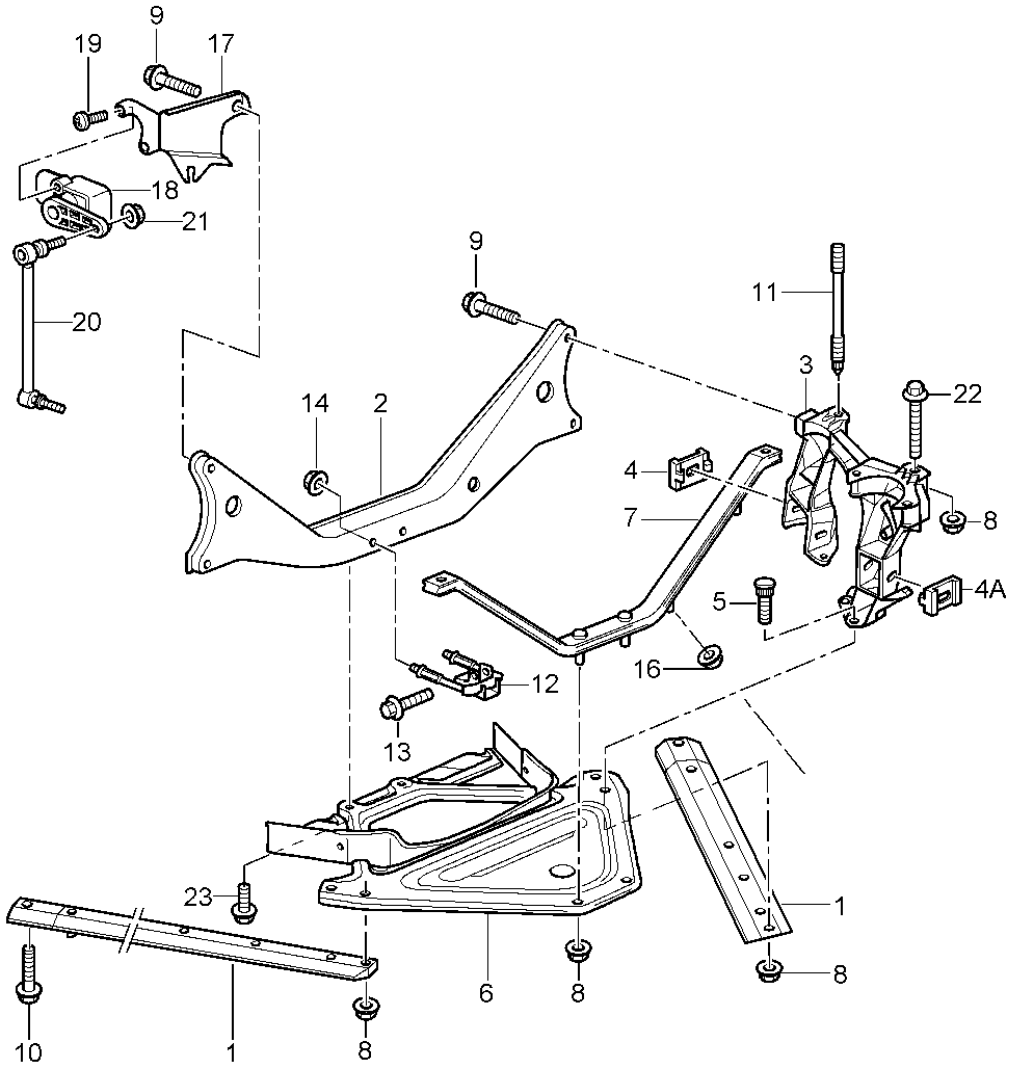
Model: 987 05

Model life 2005>>2008

Pos	Part Number	Description	Remark	Qty	Model
22	987 331 371 02	Bracket	left	2	PR:601
23	997 361 605 90	Spacer ring 5 mm		2	PR:XRP

Model: 987 05

Model life 2005>>2008



Model: 987 05 Model life 2005>>2008

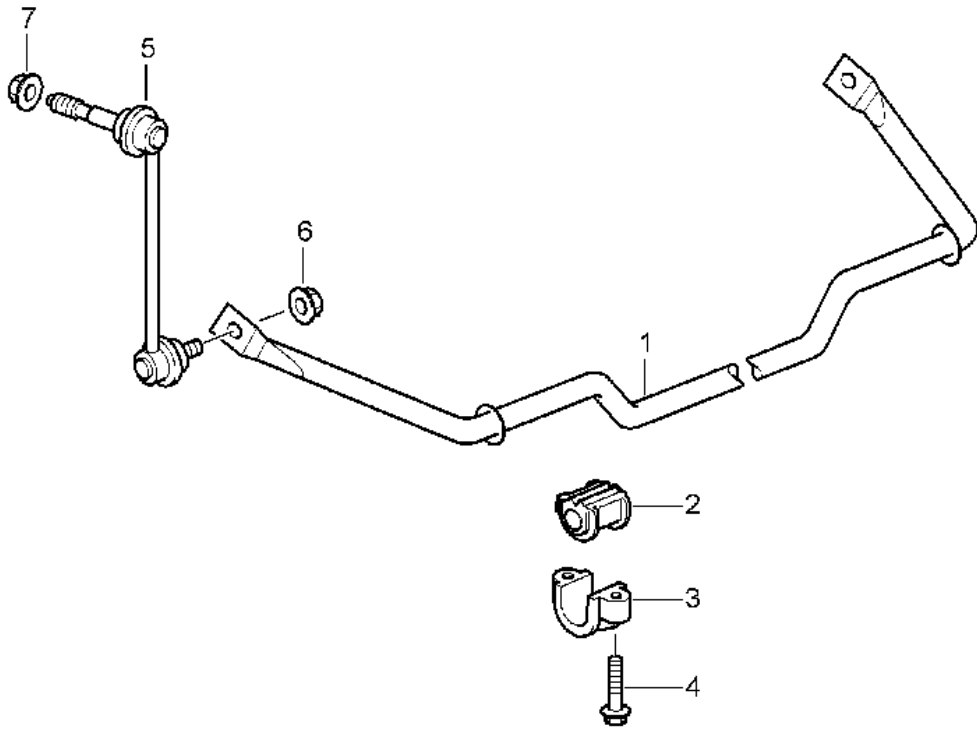
Pos	Part Number	Description	Remark	Qty	Model
1	986 331 031 01	Rear axle Side part Carrier Brace F >> 98-8U700 750 F >> 98-8U720 549	left	1	
(1)	987 331 031 20	Brace F 98-8U700 751>> F 98-8U720 550>>	left	1	
(1)	986 331 032 01	Brace F >> 98-8U700 750 F >> 98-8U720 549	right	1	
(1)	987 331 032 20	Brace F 98-8U700 751>> F 98-8U720 550>>	right	1	
2	986 331 071 10	Cross member		1	
3	987 331 051 04	Side part	left	1	
(3)	987 331 052 04	Side part Technical information Group 4 Nr.4238 20/07	right	1	
4	986 331 351 01	Clip		6	
5	999 080 031 09	Fastening screw D >> - MJ 2007		8	
(5)	999 080 031 01	Fastening screw D - MJ 2008>>		8	
6	987 331 161 02	Bracket		1	PR:481
(6)	987 331 161 01	Bracket		1	PR:249
(6)	987 331 161 00	Bracket		1	PR:480
-	986 331 361 03	Spoiler		2	
-	999 507 774 40	press stud A 3,9		2	
-	999 507 775 40	press stud B 3,9		2	
7	986 331 093 03	Brace		1	
-	999 072 032 09	Hexagon bolt M 10 X 75 Discontinued part		2	
-	999 072 032 01	Hexagon bolt M 10 x 75 POS.7 Threaded joint Body		1	
8	999 076 053 09	Hexagon nut M 10		14	
(9)	999 072 037 09	Hexagon bolt M 10 X 45		4	
-	999 076 058 09	Nut M 10 - 10 -26A1 in Side part Discontinued part		8	
-	999 076 058 01	Nut M 10 - 10 26B1 in Side part		8	
(10)	999 072 031 01	Hexagon bolt M 10 x 45		2	
(10)	999 073 443 01	F >> 98-8U700 750 F >> 98-8U720 549 Bolt with washer F 98-8U700 751>>		2	

Model: 987 05 Model life 2005>>2008

Pos	Part Number	Description	Remark	Qty	Model
11	999 061 108 09	F 98-8U720 550>> Threaded pin M 10 X 113 Discontinued part		4	
(11)	999 061 108 01	Threaded pin M 10 X 113		4	
12	986 331 181 01	Arresting cable		1	
13	900 378 107 09	Hexagon bolt M 8 X 45 Discontinued part		1	
(13)	900 378 107 01	Hexagon bolt M 8 x 45		1	
14	900 380 005 09	Hexagon nut M 8 D >> - MJ 2006		2	
(14)	999 084 457 01	Hexagon nut M 8 D - MJ 2007>>		2	
17	987 331 611 01	Bracket		1	PR:601
18	997 631 121 00	Level sensor		1	PR:601
19	N 014 129 12	fillister hd. bolt M 5 X 10		2	PR:601
20	987 331 375 00	Brace		1	PR:601
21	900 380 015 09	Hexagon nut VM 6 Discontinued part		2	PR:601
(21)	900 380 015 01	Hexagon nut VM 6		2	PR:601
22	999 217 165 09	Hexagon bolt M 10 X 80		2	
23	999 072 024 01	Hexagon bolt M 10 x 25		2	

Model: 987 05

Model life 2005>>2008

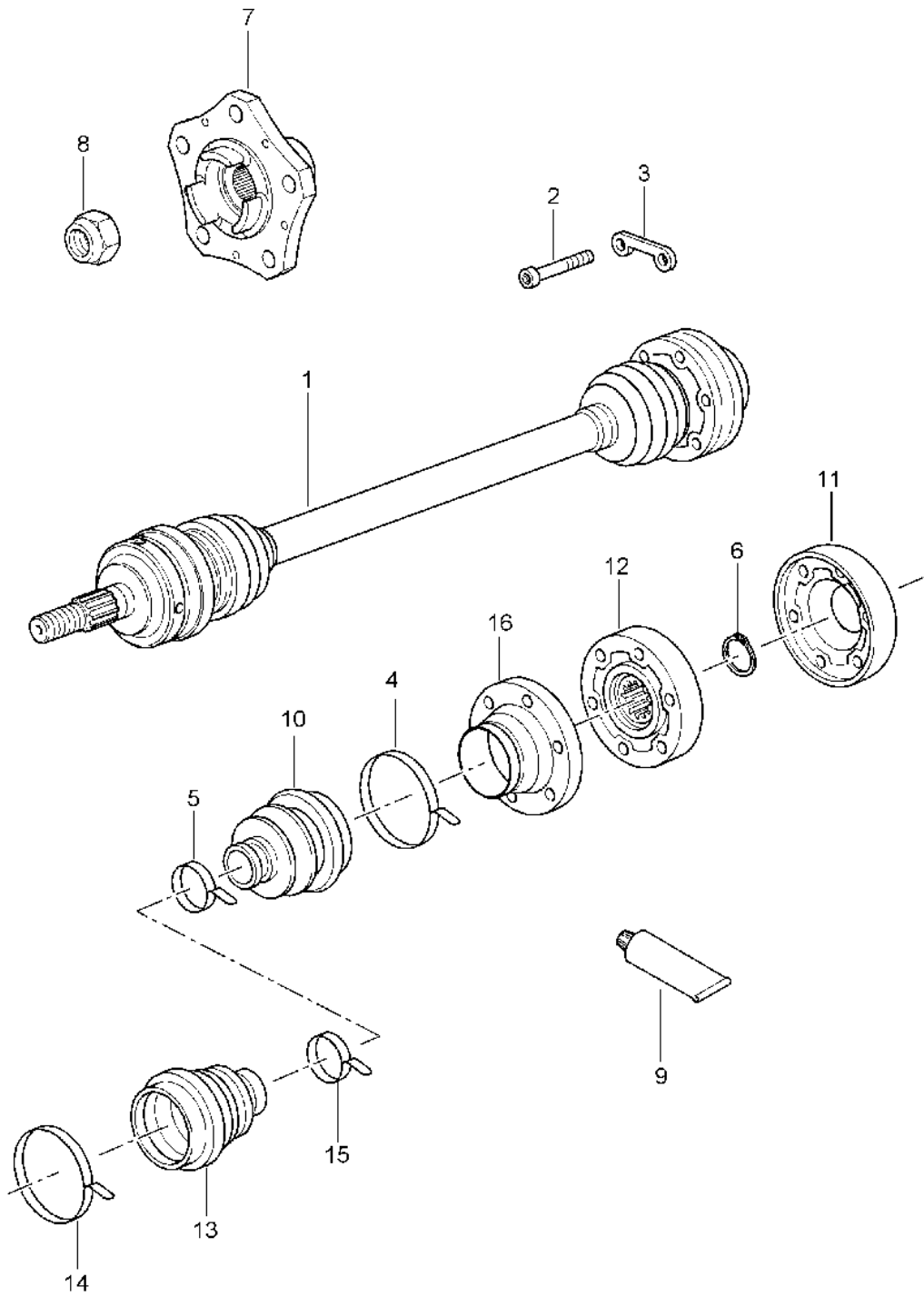


Model: 987 05 Model life 2005>>2008

Pos	Part Number	Description	Remark	Qty	Model
1	987 333 701 01	Anti-roll bar Anti-roll bar Discontinued part		1	PR:029
(1)	987 333 701 04	Anti-roll bar		1	PR:029
(1)	987 333 701 02	Anti-roll bar Discontinued part		1	PR:475
(1)	987 333 701 05	Anti-roll bar		1	PR:475
2	996 333 792 28	anti-roll bar bearing bracket		2	PR:029
(2)	996 333 792 25	anti-roll bar bearing bracket		2	PR:475
3	996 333 777 01	Bearing clamp		2	
4	900 378 055 01	Hexagon bolt AM 8 X 40		4	
5	997 343 069 00	Coupling rod See technical manual Group 4 NR.429019	left	1	
(5)	997 343 069 01	Coupling rod See technical manual Group 4 NR.429019	left	1	
(5)	997 343 070 00	Coupling rod See technical manual Group 4 NR.429019	right	1	
(5)	997 343 070 01	Coupling rod See technical manual Group 4 NR.429019	right	1	
6	999 084 643 09	Hexagon nut M 10 See technical manual Group 4 NR.429019		2	
(6)	999 084 123 09	Hexagon nut M 10 See technical manual Group 4 NR.429019		2	
7	999 084 445 01	Locknut M 12 See technical manual Group 4 NR.429019		2	
(7)	999 084 123 09	Hexagon nut M 10 See technical manual Group 4 NR.429019		2	

Model: 987 05

Model life 2005>>2008

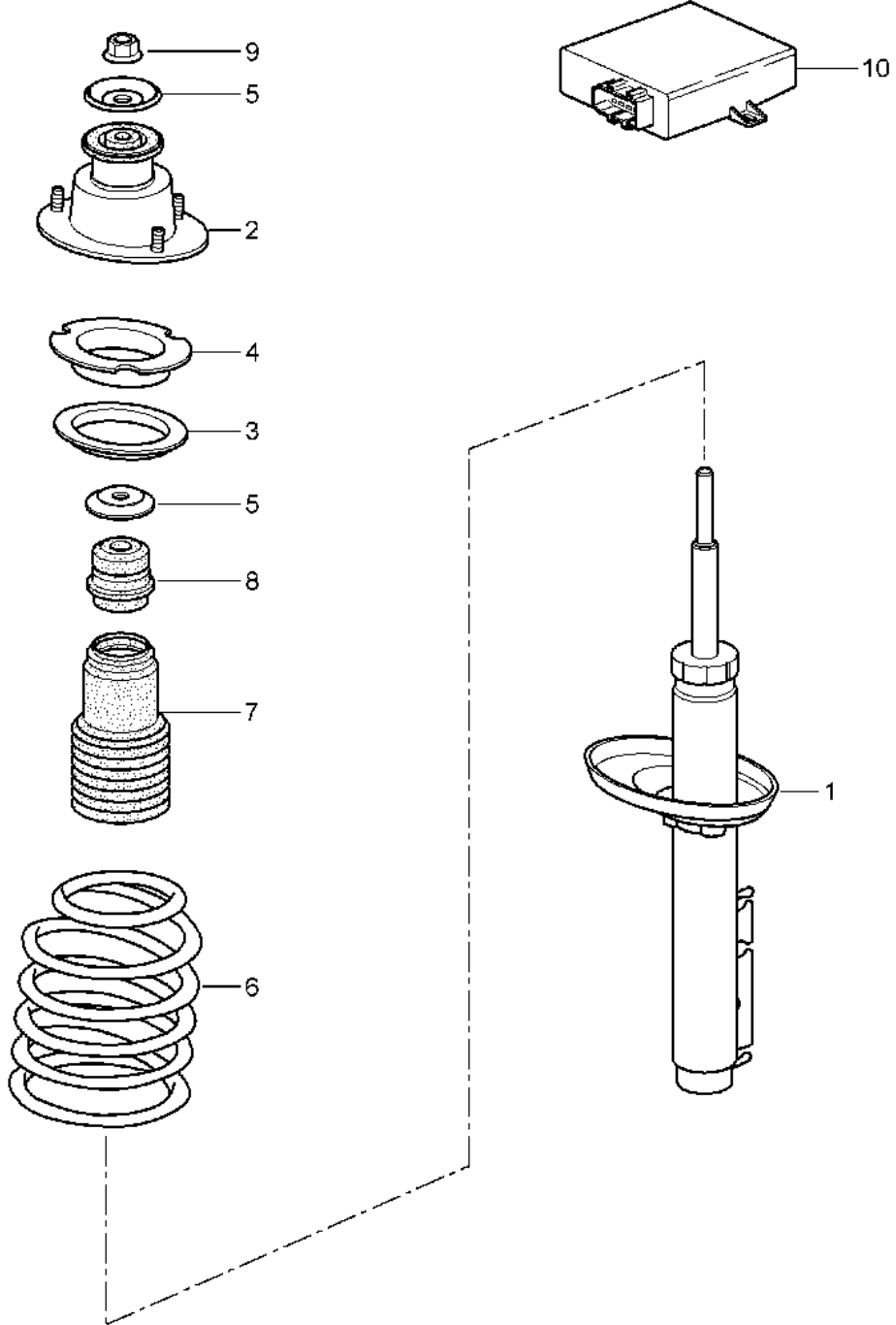


Model: 987 05 Model life 2005>>2008

Pos	Part Number	Description	Remark	Qty	Model
1	987 332 024 05	Drive shaft Wheel hub	left	2	BOXSTER PR:481
(1)	987 332 024 04	Drive shaft	right	1	BOXSTER PR:481
(1)	987 332 024 23	Drive shaft	left	1	PR:480
(1)	987 332 024 24	Drive shaft	right	1	PR:480
(1)	987 332 024 06	Drive shaft		2	BOXSTER PR:249
(1)	987 332 024 25	Drive shaft		2	BOXSTER S PR:249
2	N 909 417 01	Socket head bolt with inner multipoint head M 10 X 45		12	BOXSTER PR:481
(2)	900 067 229 09	Socket head bolt M 10 X 48,4 Discontinued part		12	PR:480
(2)	900 067 229 01	Socket head bolt M 10 X 48,4		12	PR:480
(2)	986 332 190 00	Socket head bolt M 8 X 44		X	BOXSTER PR:249
(2)	N 909 417 01	Socket head bolt with inner multipoint head M 10 x 45		X	BOXSTER PR:249
(2)	900 067 298 09	Socket head bolt M 10 X 46,5 Discontinued part		12	BOXSTER S PR:249
(2)	900 067 298 02	Socket head bolt M 10 X 46,5 Discontinued part		12	BOXSTER S PR:249
(2)	999 510 047 01	Socket head bolt M 10 X 46,5		12	BOXSTER S PR:249
3	986 332 191 00	Spacer		6	BOXSTER
(3)	996 332 191 00	Spacer		6	BOXSTER S
4	996 332 957 00	Clip 73 MM		2	
5	996 332 257 00	Clip 34 MM		2	
6	900 041 014 00	Securing ring		2	
7	997 341 605 01	Wheel hub Discontinued part		2	
7	991 341 605 02	Wheel hub Discontinued part		2	
7	991 341 605 03	Wheel hub		2	
8	999 084 641 02	Locknut		2	
9	000 043 110 01	Grease 1 100-gramme tube		X	
(9)	000 043 205 36	sealant 1 100-gramme tube		X	
10	996 332 293 00	Dust bellows		2	
11	986 332 267 00	End cap Discontinued part		2	BOXSTER
11	987 332 267 00	End cap		2	BOXSTER
(11)	928 332 267 01	End cap		2	BOXSTER S
12	986 332 030 00	Joint		2	BOXSTER
(12)	996 332 030 00	Joint		2	BOXSTER S
13	996 332 293 00	Dust bellows		2	
14	996 332 957 00	Clip		2	
15	996 332 257 00	Clip		2	
16	986 332 259 00	Bellow support		2	BOXSTER
(16)	996 332 259 00	Bellow support		2	BOXSTER S

Model: 987 05

Model life 2005>>2008



Model: 987 05 Model life 2005>>2008

Pos	Part Number	Description	Remark	Qty	Model
1	987 333 051 04	Shock absorbers Coil spring	BILSTEIN	2	PR:029
(1)	987 333 051 11	Shock absorbers Discontinued part	BILSTEIN	2	PR:029
(1)	987 333 051 14	Shock absorbers	BILSTEIN	2	PR:029
(1)	987 333 053 07	vibration damper	BILSTEIN	2	PR:475,481, 480
(1)	987 333 053 12	Discontinued part vibration damper	BILSTEIN	2	PR:475,481, 480
(1)	987 333 053 20	Discontinued part vibration damper	BILSTEIN	2	PR:475,481, 480
(1)	987 333 053 08	vibration damper	BILSTEIN	2	PR:475,249
(1)	987 333 053 14	Discontinued part vibration damper	BILSTEIN	2	PR:475,249
(1)	987 333 053 21	Discontinued part vibration damper	BILSTEIN	2	PR:475,249
-		Mount			
-	900 380 005 09	Shock absorbers Hexagon nut		6	
-	999 084 445 01	M 8 Locknut		2	
(2)	986 333 059 06	M 12 X 1,5 Shock absorber bearing		2	
(2)	987 333 059 00	D >> - MJ 2008 Shock absorber bearing		2	
-	999 703 543 40	D - MJ 2009>> End cap		2	
3	986 333 509 02	Engine support bearing		2	
4	986 333 504 02	ring		X	
(4)	986 333 504 03	Balancing plate 3,0 MM		X	
5	997 343 107 01	Balancing plate 6,0 MM		4	PR:029
(5)	997 343 107 00	Stop plate	upper	2	PR:475
(5)	997 343 107 01	Stop plate	lower	2	PR:475
6	987 333 531 19	Coil spring		1	BOXSTER
		1 set			PR:029,481
	987 333 531 19 504	1 pair of springs			
		Rapeseed yellow			
		white			
		F >> 98-5S700 096			
		F >> 98-5U701 696			
(6)	987 333 531 53	Coil spring		1	BOXSTER
		1 set			PR:029,481
	987 333 531 53 504	1 pair of springs			
		Rapeseed yellow			
		white			
		F 98-5S700 097>>			
		F 98-5U701 697>>			
(6)	987 333 531 19	Coil spring		1	BOXSTER
		1 set			PR:029,480
	987 333 531 19 504	1 pair of springs			
		Rapeseed yellow			
		white			
		F >> 98-5S700 096			
		F >> 98-5U701 696			
(6)	987 333 531 53	Coil spring		1	BOXSTER
		1 set			PR:029,480

Model: 987 05 Model life 2005>>2008

Pos	Part Number	Description	Remark	Qty	Model
	987 333 531 53 504	1 pair of springs Rapeseed yellow white F 98-5S700 097>> F 98-5U701 697>>			
(6)	987 333 531 27	Coil spring 1 set		1	BOXSTER PR:029,480
	987 333 531 27 504	1 pair of springs Rapeseed yellow violet F >> 98-5S700 096 F >> 98-5U701 696			
(6)	987 333 531 48	Coil spring 1 set D >> - MJ 2006		1	BOXSTER PR:029,249
	987 333 531 48 504	1 pair of springs Rapeseed yellow violet F 98-5S700 097>> F 98-5U701 697>>			
(6)	987 333 531 55	Coil spring 1 set D - MJ 2007>>		1	BOXSTER PR:029,249
	987 333 531 55 504	1 pair of springs Rapeseed yellow violet F 98-5S700 097>> F 98-5U701 697>>			
(6)	987 333 531 20	Coil spring 1 set		1	BOXSTER S PR:029,480
	987 333 531 20 504	1 pair of springs Rapeseed yellow red F >> 98-5S720 067 F >> 98-5U720 071			
(6)	987 333 531 49	Coil spring 1 set Discontinued part		1	BOXSTER S PR:029,480
	987 333 531 49 504	1 pair of springs Rapeseed yellow red F 98-5S720 068>> F 98-5U720 072>>			
(6)	987 333 531 56	Coil spring 1 set		1	BOXSTER S PR:029,480
	987 333 531 56 504	1 pair of springs Rapeseed yellow red F 98-5S720 068>> F 98-5U720 072>>			
(6)	987 333 531 22	Coil spring 1 set		1	BOXSTER S PR:029,249
	987 333 531 22 504	1 pair of springs Rapeseed yellow green F >> 98-5S720 067 F >> 98-5U720 071			
(6)	987 333 531 50	Coil spring 1 set		1	BOXSTER S PR:029,249
	987 333 531 50 504	1 pair of springs Rapeseed yellow green F 98-5S720 068>>			

Model: 987 05 Model life 2005>>2008

Pos	Part Number	Description	Remark	Qty	Model
(6)	987 333 531 29 987 333 531 29 504	F 98-5U720 072>> Coil spring 1 set 1 pair of springs silver violet F >> 98-5S700 086 F >> 98-5S700 096 F >> 98-5U701 696		1	PR:475,481
(6)	987 333 531 51 987 333 531 51 504	Coil spring 1 set Discontinued part 1 pair of springs silver violet F 98-5S700 087>> F 98-5S700 097>> F 98-5U701 697>>		1	PR:475,481
(6)	987 333 531 62 987 333 531 62 504	Coil spring 1 set Discontinued part 1 pair of springs red silver F 98-5S700 087>> F 98-5S700 097>> F 98-5U701 697>>		1	PR:475,481
(6)	987 333 531 1F 987 333 531 1F 504	Coil spring 1 set 1 pair of springs red silver F 98-5S700 087>> F 98-5S700 097>> F 98-5U701 697>>		1	PR:475,481
(6)	987 333 531 29 987 333 531 29 504	Coil spring 1 set 1 pair of springs silver violet F >> 98-5S700 086 F >> 98-5S700 096 F >> 98-5U701 696 F >> 98-5S720 067 F >> 98-5S720 071 F >> 98-5U721 761		1	PR:475,480
(6)	987 333 531 51 987 333 531 51 504	Coil spring 1 set Discontinued part 1 pair of springs silver violet F 98-5S700 087>> F 98-5S700 097>> F 98-5U701 697>> F 98-5S720 068>> F 98-5S720 072>> F 98-5U721 762>>		1	PR:475,480
(6)	987 333 531 62 987 333 531 62 504	Coil spring 1 set Discontinued part 1 pair of springs red		1	PR:475,480

Model: 987 05 Model life 2005>>2008

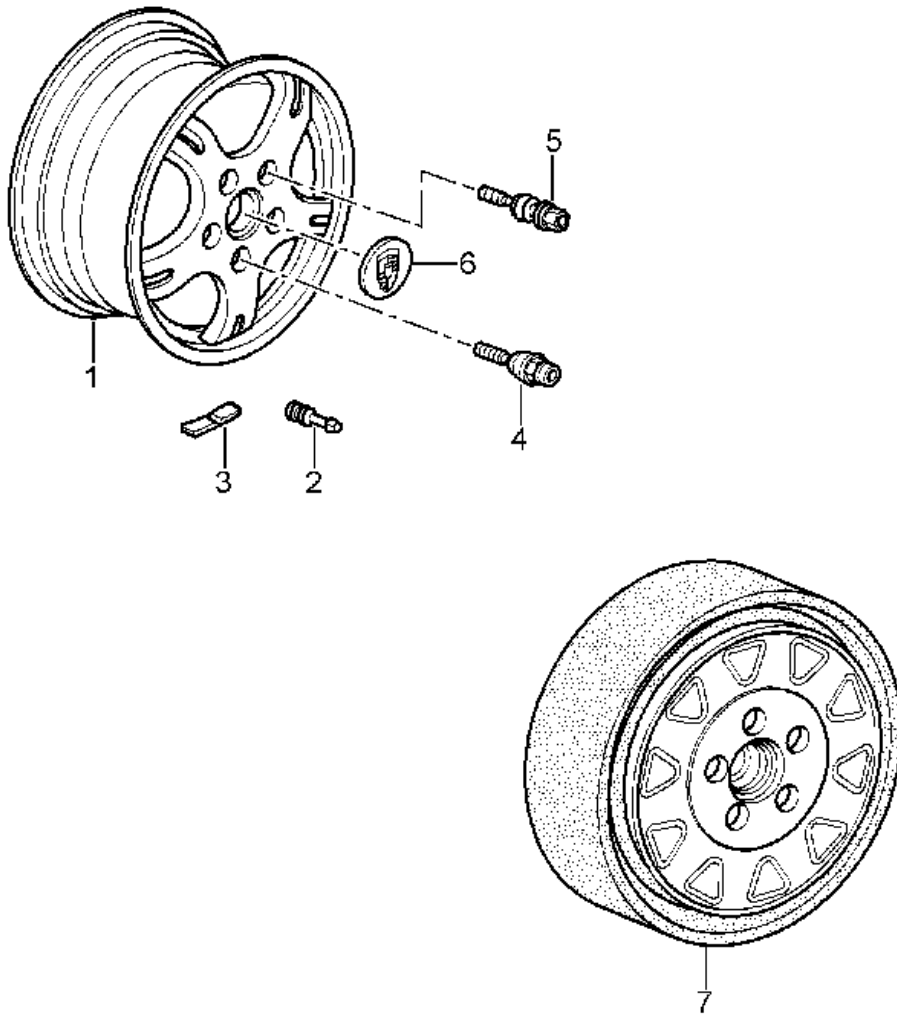
Pos	Part Number	Description	Remark	Qty	Model
(6)	987 333 531 1F 987 333 531 1F 504	silver F 98-5S700 087>> F 98-5S700 097>> F 98-5U701 697>> F 98-5S720 068>> F 98-5S720 072>> F 98-5U721 762>> Coil spring 1 set 1 pair of springs		1	PR:475,480
(6)	987 333 531 30 987 333 531 30 504	red silver F 98-5S700 087>> F 98-5S700 097>> F 98-5U701 697>> F 98-5S720 068>> F 98-5S720 072>> F 98-5U721 762>> Coil spring 1 set 1 pair of springs		1	PR:475,249
(6)	987 333 531 52 987 333 531 52 504	pink red F >> 98-5S700 086 F >> 98-5S700 096 F >> 98-5U701 696 F >> 98-5S720 067 F >> 98-5S720 071 F >> 98-5U721 761 Coil spring 1 set Discontinued part 1 pair of springs		1	PR:475,249
(6)	987 333 531 63 987 333 531 63 504	pink red F 98-5S700 087>> F 98-5S700 097>> F 98-5U701 697>> F 98-5S720 068>> F 98-5S720 072>> F 98-5U721 762>> Coil spring 1 set 1 pair of springs		1	PR:475,249
7	986 333 505 01	Bellows		1	
8	986 333 301 01	helper spring		1	
(8)	987 333 301 00	D - MJ 2005>> - MJ 2005 helper spring D - MJ 2006>>		1	
9	900 380 012 09	Hexagon nut M 14 X 1,5 Discontinued part		2	PR:029
9	900 380 012 01	Hexagon nut M 14 X 1,5		2	PR:029
(9)	999 084 645 09	Hexagon nut		2	PR:475

Model: 987 05 Model life 2005>>2008

Pos	Part Number	Description	Remark	Qty	Model
10	987 618 105 05	M 14 X 1,5 Control unit D - MJ 2005>> - MJ 2005 Discontinued part		1	PR:475
(10)	987 618 105 15	Control unit D - MJ 2005>> - MJ 2005 Discontinued part		1	PR:475
(10)	987 618 105 16	Control unit D - MJ 2005>> - MJ 2005		1	PR:475
(10)	987 618 105 09	Control unit D >> - MJ 2007		1	PR:475
(10)	987 618 105 10	Control unit D - MJ 2008>>		1	PR:475
-	997 618 205 00	Retainer for control units for		1	PR:475
-	997 606 111 01	Acceleration sensor for bodywork		1	PR:475
-	987 606 235 00	Bracket for Accelerator sensor		1	PR:475

Model: 987 05

Model life 2005>>2008



Model: 987 05

Model life 2005>>2008

Pos	Part Number	Description	Remark	Qty	Model
-		Wheels Wheel bolts see Technical information 84/11 Group 4 4407			
1	987 362 122 05	Alloy wheel 6,5 J X 17 ET 55	front	2	PR:393
(1)	987 362 136 00	Alloy wheel 8 J X 18 ET 57 Discontinued part	front	2	PR:397
(1)	987 362 136 02	Alloy wheel 8 J X 18 ET 57	front	2	PR:397
(1)	987 362 122 06	Alloy wheel 6,5 J X 17 ET 55	front	2	PR:398
(1)	987 362 136 01	Alloy wheel 8 J X 18 ET 57	front	2	PR:401
(1)	997 362 156 07	Alloy wheel S+M 8 J X 19 ET 57	front	2	PR:403
(1)	997 362 156 00	Alloy wheel BBS 8 J x 19 Et 57	front	2	PR:403
(1)	997 362 156 02	Alloy wheel 8 J x 19 Et 57 D - MJ 2007>>	front	2	PR:404
(1)	997 362 156 03	Alloy wheel 8 J X 19 ET 57	front	2	PR:405
(1)	997 362 156 04	Alloy wheel 8 J X 19 ET 57	front	2	PR:407
(1)	997 362 156 55	Alloy wheel 8.5 J x 19 Et 55	front	2	PR:XRR
(1)	987 362 126 00	Alloy wheel 8 J X 17 ET 40	rear	2	PR:393
(1)	987 362 138 00	Alloy wheel 9 J X 18 ET 43 Discontinued part	rear	2	PR:397
(1)	987 362 138 02	Alloy wheel 9 J X 18 ET 43	rear	2	PR:397
(1)	987 362 126 01	Alloy wheel 8 J X 17 ET 40	rear	2	PR:398
(1)	987 362 138 01	Alloy wheel 9 J X 18 ET 43	rear	2	PR:401
(1)	997 362 158 05	Alloy wheel 9,5 J X 19 ET 46	rear	2	PR:403

Model: 987 05 Model life 2005>>2008

Pos	Part Number	Description	Remark	Qty	Model
(1)	997 362 158 08	Alloy wheel 9,5 J x 19 ET 46 D - MJ 2007>>	rear	2	PR:404
(1)	997 362 158 06	Alloy wheel 9,5 J X 19 ET 46	rear	2	PR:405
(1)	997 362 158 07	Alloy wheel 9,5 J X 19 ET46	rear	2	PR:407
(1)	997 362 160 50	Alloy wheel 10 J x 19 ET 42	rear	2	PR:XRR
2	900 265 001 50	Rubber valve Rubber		4	
(2)	900 265 001 51	Rubber valve Rubber Discontinued part		4	
(2)	311 601 361	Rubber valve Rubber		4	
3	1K0 601 178 C	Balancer weight (self-adhesive) 5 G.		X	
(3)	997 361 405 00	D - MJ 2005>> - MJ 2005 Balancer weight (self-adhesive) 5 G.		X	
(3)	1K0 601 179 C	D - MJ 2006>> Balancer weight (self-adhesive) 10 G.		X	
(3)	997 361 410 00	D - MJ 2005>> - MJ 2005 Balancer weight (self-adhesive) 10 G.		X	
(3)	1K0 601 181 C	D - MJ 2006>> Balancer weight (self-adhesive) 15 G.		X	
(3)	997 361 415 00	D - MJ 2005>> - MJ 2005 Balancer weight (self-adhesive) 15 G.		X	
(3)	1K0 601 182 C	D - MJ 2006>> Balancer weight (self-adhesive) 20 G.		X	
(3)	997 361 420 00	D - MJ 2005>> - MJ 2005 Balancer weight (self-adhesive) 20 G.		X	
(3)	1K0 601 183 C	D - MJ 2006>> Balancer weight (self-adhesive) 25 G.		X	
(3)	997 361 425 00	D - MJ 2005>> - MJ 2005 Balancer weight (self-adhesive) 25 G.		X	
(3)	1K0 601 184 C	D - MJ 2006>> Balancer weight (self-adhesive) 30 G.		X	

Model: 987 05 Model life 2005>>2008

Pos	Part Number	Description	Remark	Qty	Model
(3)	997 361 430 00	D - MJ 2005>> - MJ 2005 Balancer weight (self-adhesive) 30 G.		X	
(3)	1K0 601 185 C	D - MJ 2006>> Balancer weight (self-adhesive) 35 G.		X	
(3)	997 361 435 00	D - MJ 2005>> - MJ 2005 Balancer weight (self-adhesive) 35 G.		X	
(3)	1K0 601 186 C	D - MJ 2006>> Balancer weight (self-adhesive) 40 G.		X	
(3)	997 361 440 00	D - MJ 2005>> - MJ 2005 Balancer weight (self-adhesive) 40 G.		X	
(3)	1K0 601 187 C	D - MJ 2006>> Balancer weight (self-adhesive) 45 G.		X	
(3)	997 361 445 00	D - MJ 2005>> - MJ 2005 Balancer weight (self-adhesive) 45 G.		X	
(3)	1K0 601 188 C	D - MJ 2006>> Balancer weight (self-adhesive) 50 G.		X	
(3)	997 361 450 00	D - MJ 2005>> - MJ 2005 Balancer weight (self-adhesive) 50 G.		X	
(3)	1K0 601 189 C	D - MJ 2006>> Balancer weight (self-adhesive) 55 G.		X	
(3)	997 361 455 00	D - MJ 2005>> - MJ 2005 Balancer weight (self-adhesive) 55 G.		X	
(3)	1K0 601 190 C	D - MJ 2006>> Balancer weight (self-adhesive) 60 G.		X	
(3)	997 361 460 00	D - MJ 2005>> - MJ 2005 Balancer weight (self-adhesive) 60 G.		X	
(3)	997 361 465 00	D - MJ 2006>> Balancer weight (self-adhesive) 65 G.		X	
(3)	997 361 470 00	Balancer weight (self-adhesive) 70 G.		X	
(3)	997 361 475 00	Balancer weight (self-adhesive) 75 G.		X	
(3)	997 361 480 00	Balancer weight		X	

Model: 987 05 Model life 2005>>2008

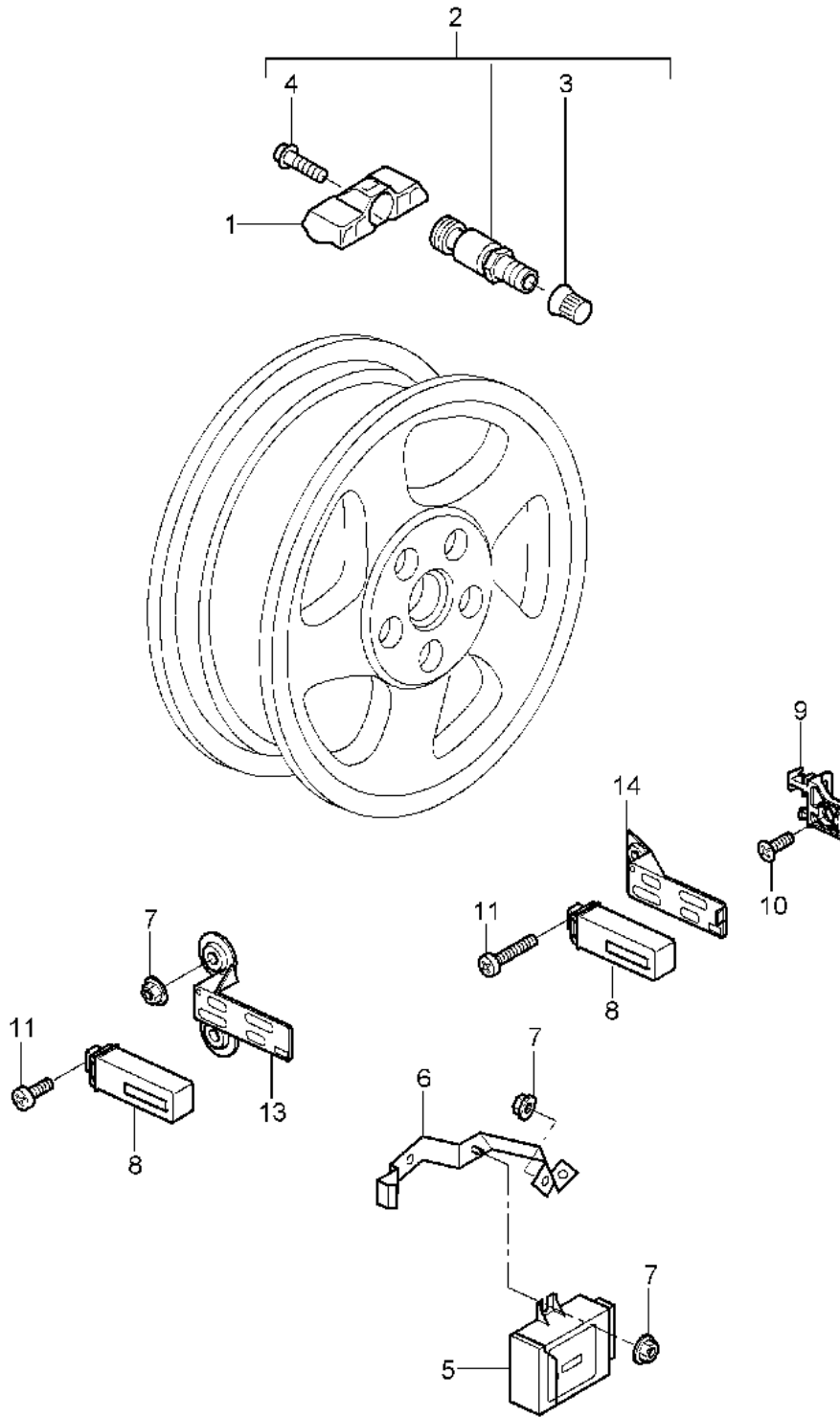
Pos	Part Number	Description	Remark	Qty	Model
(3)	997 361 485 00	(self-adhesive) 80 G. Balancer weight (self-adhesive)		X	
(3)	997 361 490 00	85 G. Balancer weight (self-adhesive)		X	
-		90 G. Wheel bolts see Technical information 84/11 Group 4 4407			
(4)	996 361 057 02	Set Anti-theft protection 1 set silver Discontinued part		1	
(4)	997 361 057 02	Set Anti-theft protection 1 set silver		1	
(4)	997 361 057 00	Set Anti-theft protection 1 set silver Discontinued part		1	PR:444 "GB."
(4)	997 361 057 01	Set Anti-theft protection 1 set silver		1	PR:444 "GB."
(4)	997 361 980 09	Set Anti-theft protection 1 set silver		1	PR:XRP,444 "GB."
5	996 361 203 02	Wheel bolt silver Discontinued part		X	
5	997 361 203 01	Wheel bolt silver Discontinued part		X	
5	997 361 203 02	Wheel bolt silver		X	
(5)	996 361 980 00	Wheel bolt silver		X	PR:XRP
6	955 361 303 00	Hub cap		4	
	955 361 303 00 9A1	silver			
(6)	955 361 303 05	Hub cap		4	PR:446
	955 361 303 05 9A1	silver			
(6)	997 361 303 01	Hub cap Porsche crest Coloured silver		4	PR:XRR
(6)	997 361 305 00	Hub cap D - MJ 2007>> Discontinued part		4	PR:404
(6)	7PP 601 149 F	Hub cap D - MJ 2007>>		4	PR:404
(6)	997 361 303 00	Hub cap		4	PR:757
	997 361 303 00 B9A	No longer use the part here Carrara white Special model			

Model: 987 05 Model life 2005>>2008

Pos	Part Number	Description	Remark	Qty	Model
(6)	997 361 303 04	Porsche crest Coloured Hub cap		4	PR:757
	997 361 303 04 B9A	No longer use the part here Carrara white Special model			
(6)	955 361 303 20	Porsche crest Coloured Hub cap		4	PR:757
	955 361 303 20 9A1	silver Special model Porsche crest Coloured Paint modify in workshop			
7	996 362 020 04	Spare wheel		1	PR:447
8	955 722 631 00	Compressed air bottle Discontinued part		1	
8	4L0 012 619 A	Tyre sealant		1	
9	996 361 411 00	Belt for Spare wheel		1	PR:447
10	996 361 521 00	Protective sleeve for Spare wheel		1	PR:447
11	999 914 001 40	Plastic gloves No longer use the part here		1	PR:447
12	997 652 051 00	Compressor for Spare wheel		1	
(12)	997 652 055 00	D >> - MJ 2007 Compressor for Spare wheel		1	
		also use:	991 555 575 03 (1E0)	1	
			991 555 765 02 (1E0)	1	
		D - MJ 2008>>			

Model: 987 05

Model life 2005>>2008



Model: 987 05 Model life 2005>>2008

Pos	Part Number	Description	Remark	Qty	Model
1	997 606 021 00	tyre pressure control system Tyre pressure sensor tyre pressure control system also use: D >> - MJ 2007	955 361 053 00	4	PR:482,483 PR:482
(1)	997 606 021 01	Tyre pressure sensor tyre pressure control system also use: D - MJ 2008>> Discontinued part	955 361 053 00	4	PR:482
(1)	997 606 021 02	Tyre pressure sensor tyre pressure control system also use: D - MJ 2008>>	955 361 053 00	4	PR:482
(1)	997 606 023 00	Tyre pressure sensor tyre pressure control system also use: D >> - MJ 2007 Discontinued part	955 361 053 00	4	PR:483
(1)	997 606 023 01	Tyre pressure sensor tyre pressure control system also use: D - MJ 2008>> Discontinued part	955 361 053 00	4	PR:483
(2)	997 606 023 02	Tyre pressure sensor tyre pressure control system also use: Discontinued part	955 361 053 00	4	PR:483 -"ROK"
(2)	997 606 023 03	Tyre pressure sensor tyre pressure control system also use:	955 361 053 00	4	PR:483 -"ROK"
(2)	997 606 025 00	Tyre pressure sensor tyre pressure control system also use: Discontinued part	955 361 053 00	4	PR:483 "ROK"
(2)	997 606 021 00	Tyre pressure sensor tyre pressure control system also use:	955 361 053 00	4	PR:483 "ROK"
2	955 361 053 00	Valve aluminium Discontinued part		4	
(2)	9P1 601 361 A	Valve aluminium		4	
3	N 908 729 01	Valve cap for valve unit		4	
4	4D0 601 365	Hexagon socket head bolt, self-locking		4	
5	997 618 103 06	Control unit for tyre pressure control		1	
6	997 618 203 00	Bracket Control unit		1	
7	999 076 081 40	Hexagon plastic collar nut T5 16 X 11, 2		7	
8	997 606 101 00	Aerial 433 MHZ		4	PR:482 -"ROK"
(8)	997 606 102 00	Aerial 433 MHZ only in conj. with: 997.606.021.02		4	"ROK"
(8)	997 606 103 00	Aerial 315 MHZ		4	PR:483
11	999 919 023 09	fillister hd. bolt M 5 X 35		4	

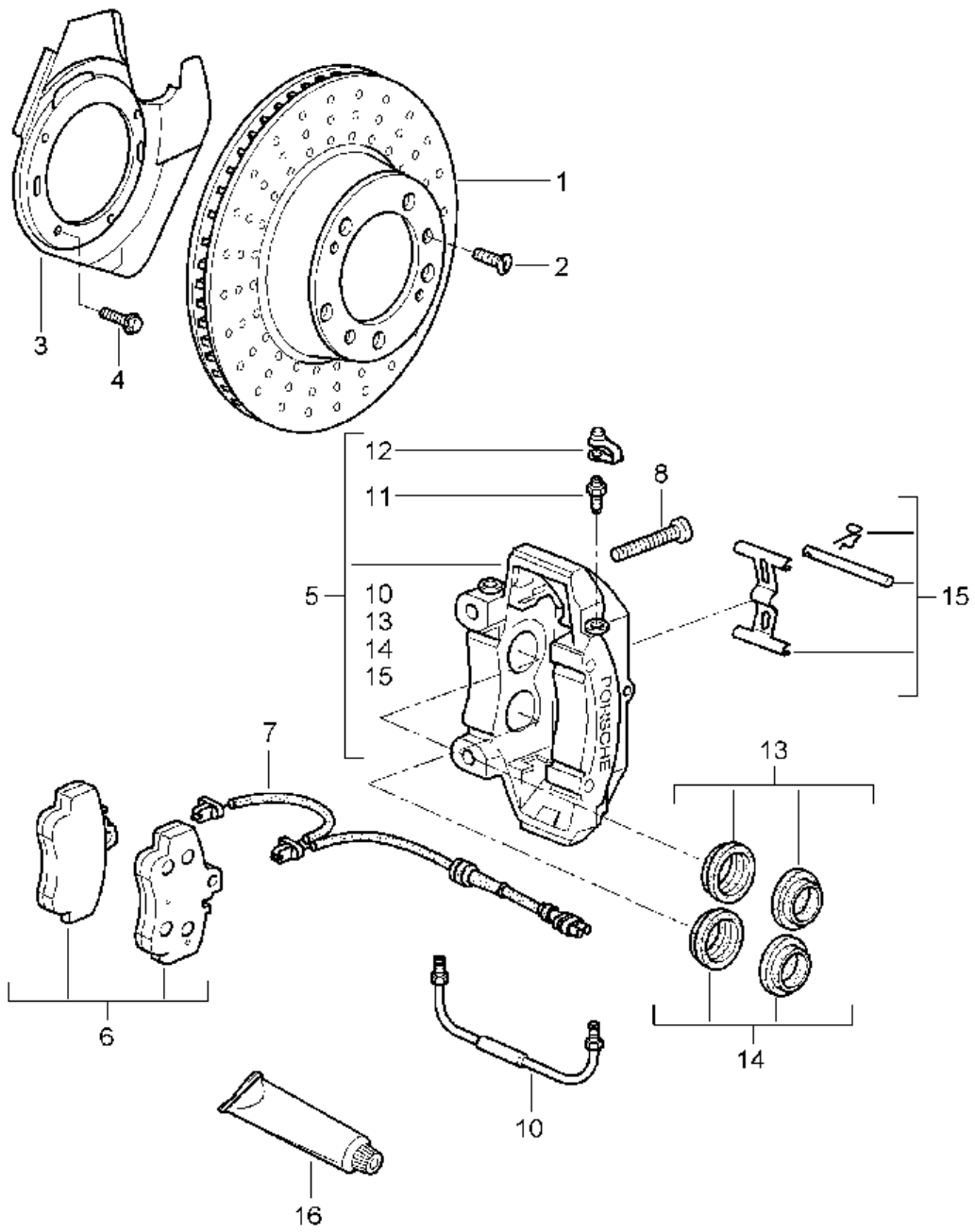
Model: 987 05

Model life 2005>>2008

Pos	Part Number	Description	Remark	Qty	Model
13	997 606 141 00	Retainer for aerial	front	2	
14	997 606 131 00	Retainer for aerial Rear axle		2	

Model: 987 05

Model life 2005>>2008



Model: 987 05 Model life 2005>>2008

Pos	Part Number	Description	Remark	Qty	Model
-		Disc brake Front axle Brake disc Only in pairs Replace Technical manual Attention			PR:450
1	987 351 401 01	Brake disc	left front	1	
(1)	996 351 405 01	Brake disc	left front	1	BOXSTER S
(1)	996 351 031 03	Brake disc	left front	1	BOXSTER S PR:450
(1)	996 351 031 04	D >> - MJ 2007 Brake disc	left front	1	BOXSTER S PR:450
(1)	997 351 031 01	D - MJ 2008>> Brake disc	left front	1	BOXSTER S PR:450
(1)	987 351 402 01	D - MJ 2008>> Brake disc	right front	1	
(1)	996 351 406 01	Brake disc	right front	1	BOXSTER S
(1)	996 351 032 03	Brake disc	right front	1	BOXSTER S PR:450
(1)	996 351 032 04	D >> - MJ 2007 Brake disc	right front	1	BOXSTER S PR:450
(1)	997 351 032 01	D - MJ 2008>> Brake disc	right front	1	BOXSTER S PR:450
2	900 269 047 09	D - MJ 2008>> countersunk bolt M 6 X 12		4	
2	900 269 047 01	Discontinued part countersunk bolt M 6 X 12		4	
(3)	997 351 801 02	Cover plate	left	1	
(3)	997 351 802 02	Cover plate	right	1	
(3)	997 351 805 05	Cover plate	left	1	PR:450
(3)	997 351 806 05	Cover plate	right	1	PR:450
4	999 217 116 09	Hexagon bolt M 6 X 16		X	
5	986 351 421 03	caliper without brake pads	left	1	
(5)	996 351 425 11	caliper without brake pads	left	1	BOXSTER S
(5)	996 351 431 30	caliper without brake pads	left	1	BOXSTER S PR:450
(5)	996 351 431 31	D >> - MJ 2007 caliper without brake pads	left	1	BOXSTER S PR:450
(5)	986 351 422 03	D - MJ 2008>> caliper without brake pads	right	1	
(5)	996 351 426 11	caliper without brake pads	right	1	BOXSTER S
(5)	996 351 432 30	caliper without brake pads	right	1	BOXSTER S PR:450
(5)	996 351 432 31	D >> - MJ 2007 caliper without brake pads	right	1	BOXSTER S PR:450
(6)	987 351 939 02	D - MJ 2008>> 1 set of brake pads for disk brake	front	1	BOXSTER
(6)	987 351 939 03	Discontinued part 1 set of brake pads for disk brake	front	1	BOXSTER
(6)	997 351 939 05	1 set of brake pads for	front	1	BOXSTER S

Model: 987 05 Model life 2005>>2008

Pos	Part Number	Description	Remark	Qty	Model
		disk brake			
			997 612 756 00	1	
		also use:	997 612 759 00	1	
			955 352 960 00	1	
		See technical manual	46		
		Group:	NR. 3619		
(6)	996 351 947 01	1 set of brake pads for disk brake	front	1	BOXSTER S
		See technical manual			
		Group:			
		also use:			
		Fasteners			
(6)	997 351 948 00	Discontinued part 1 set of brake pads for disk brake	front	1	PR:450 BOXSTER S
		See technical manual			
		Group:			
		also use:			
		Fasteners			
(6)	997 351 948 01	Discontinued part 1 set of brake pads for disk brake	front	1	PR:450 BOXSTER S
		See technical manual			
		Group:			
		also use:			
		Fasteners			
-	987 351 088 00	Damping plate		4	PR:450 BOXSTER
		Discontinued part			
-	987 351 088 01	Damping plate		4	BOXSTER
-	996 351 088 01	Damping plate		4	BOXSTER S
		Discontinued part			
-	996 351 088 02	Damping plate		4	BOXSTER S
-	996 352 086 01	Damping plate		12	BOXSTER S
		See technical manual			
		Group:			
		46 34 20			
		F >> 98-6U722 485			
		Discontinued part			
-	996 352 086 02	Damping plate		12	PR:450 BOXSTER S
		See technical manual			
		Group:			
		46 34 20			
		F >> 98-6U722 485			
7	997 612 755 00	sender wire (pad wear indicator)	left	2	PR:450 BOXSTER
(7)	997 612 757 00	sender wire (pad wear indicator)	right	2	BOXSTER
(7)	997 612 756 00	Warning contact	left	2	BOXSTER S
		See technical manual			
		Group:			
		46 3619			
(7)	997 612 759 00	sender wire (pad wear indicator)	right	2	BOXSTER S
		See technical manual			
		Group:	46 36 19		
(7)	997 612 675 01	sender wire (pad wear indicator)	left	1	BOXSTER S
(7)	997 612 679 00	sender wire (pad wear indicator)	right	1	PR:450 BOXSTER S
8	999 067 041 09	Socket head bolt		4	PR:450

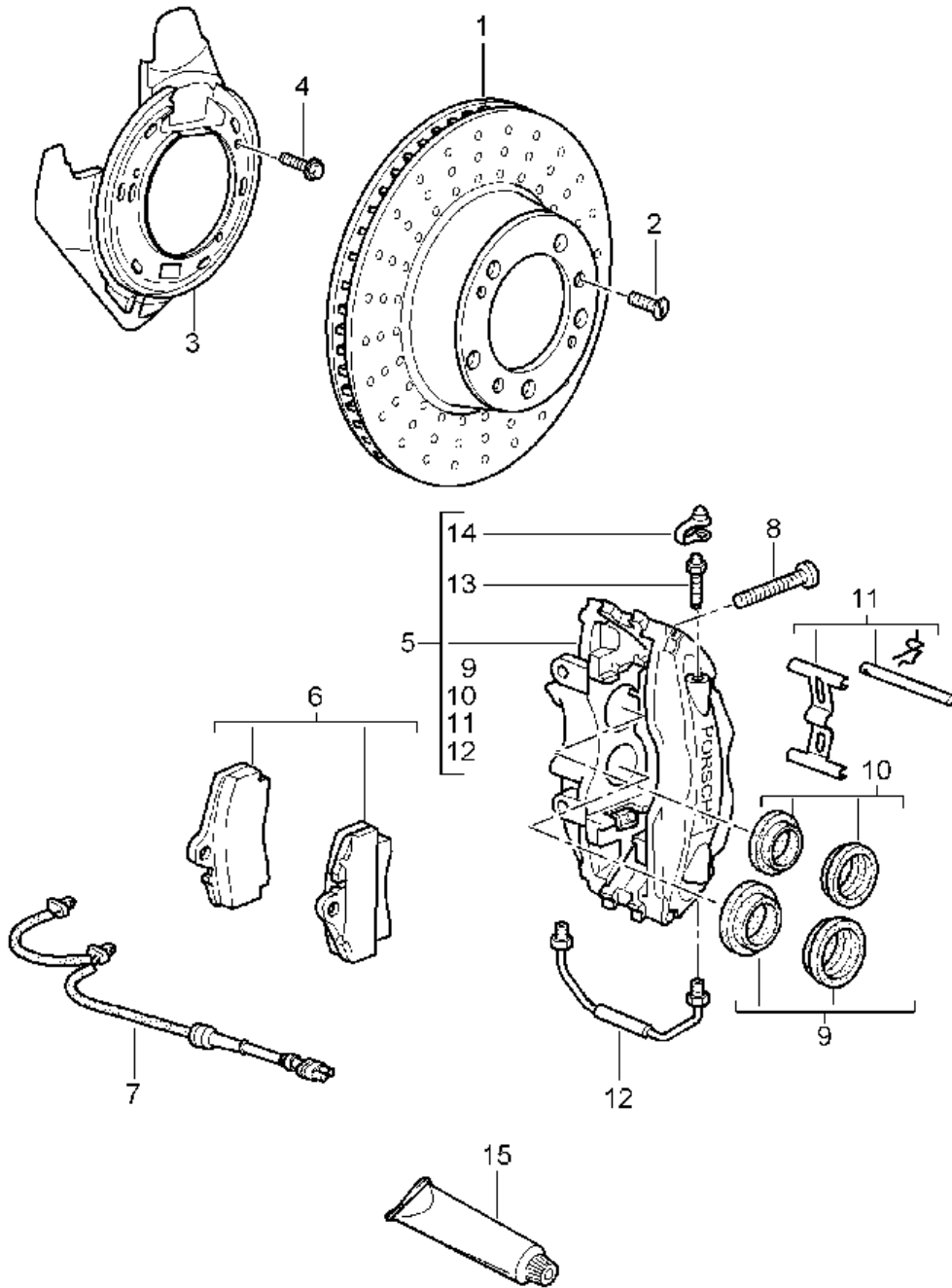
Model: 987 05

Model life 2005>>2008

Pos	Part Number	Description	Remark	Qty	Model
8	999 067 041 01	M 12 X 1,5 X 72 Discontinued part Socket head bolt		4	
(8)	999 067 047 09	M 12 X 1,5 X 72 Socket head bolt		4	BOXSTER S PR:450
-	944 612 627 00	M 12 X 1,5 X 85 Line holder for Warning contact		2	
10	996 352 962 00	Connecting line	left	1	
(10)	996 352 961 00	Connecting line	right	1	
(10)	996 351 961 00	Connecting line	left	1	BOXSTER S
(10)	996 351 962 00	Connecting line	right	1	BOXSTER S
(10)	996 351 961 30	Connecting line		2	BOXSTER S PR:450
11	930 351 919 00	Breather valve		2	
12	930 351 927 00	dust cap Discontinued part		2	
12	930 351 927 01	dust cap		2	
13	951 351 917 01	repair set Protection caps		2	
14	951 351 917 00	40 MM \$ repair set Protection caps		2	
13	996 351 915 01	36 MM \$ repair set Protection caps		2	BOXSTER S PR:450
-	951 352 917 00	38 MM \$ repair set Protection caps		2	BOXSTER S PR:450
14	996 351 915 00	28 MM \$ repair set Protection caps		2	BOXSTER S PR:450
15	996 352 959 01	32 MM \$ repair set Fasteners		1	
		Pin		2	
		Cup expander spring		2	
		Securing bars		2	
(15)	955 352 960 00	Repair set for rear axle Fasteners		1	BOXSTER S
		Pin		2	
		Cup expander spring		2	
		Securing bars		2	
		See technical manual			
(15)	996 351 959 30	Group: repair set Fasteners		1	BOXSTER S PR:450
		Pin		2	
		Cup expander spring		2	
		Screw		2	
16	000 043 117 00	brake cylinder paste		X	
		50 G			
(16)	000 043 020 00	Assembly paste		X	
		100 G			

Model: 987 05

Model life 2005>>2008



Model: 987 05 Model life 2005>>2008

Pos	Part Number	Description	Remark	Qty	Model
-		Disc brake Rear axle Brake disc (use in pairs only) See technical manual			PR:450
1	987 352 401 01	Brake disc	rear	2	
(1)	987 352 403 00	Brake disc Discontinued part	rear	2	BOXSTER S
(1)	987 352 403 01	Brake disc	rear	2	BOXSTER S
(1)	987 352 031 00	Brake disc	left rear	1	BOXSTER S PR:450
(1)	987 352 031 01	D - MJ 2005>> - MJ 2005 Brake disc	left rear	1	BOXSTER S PR:450
(1)	987 352 031 02	D - MJ 2006>> Brake disc	left rear	1	BOXSTER S PR:450
(1)	987 352 031 03	D - MJ 2008>> Discontinued part Brake disc	left rear	1	BOXSTER S PR:450
(1)	981 352 031 00	D - MJ 2008>> Discontinued part Brake disc	left rear	1	BOXSTER S PR:450
(1)	987 352 032 00	D - MJ 2008>> Brake disc	right rear	1	BOXSTER S PR:450
(1)	987 352 032 01	D - MJ 2005>> - MJ 2005 Brake disc	right rear	1	BOXSTER S PR:450
(1)	987 352 032 02	D - MJ 2006>> Brake disc	right rear	1	BOXSTER S
(1)	987 352 032 03	D - MJ 2008>> Discontinued part Brake disc	right rear	1	BOXSTER S
(1)	981 352 032 00	D - MJ 2008>> Discontinued part Brake disc	right rear	1	BOXSTER S
2	900 269 047 09	countersunk bolt M 6 X 12		4	
2	900 269 047 01	Discontinued part countersunk bolt M 6 X 12		4	
(2)	900 269 106 09	countersunk bolt M 6 x 16		4	PR:XRP
(2)	900 269 106 01	Discontinued part countersunk bolt M 6 x 16		4	PR:XRP
3	987 352 801 00	Protective plate		2	
4	999 217 116 09	Hexagon bolt M 6 X 16		X	
(4)	999 217 116 01	Discontinued part Hexagon bolt M 6 X 16		X	
5	986 352 423 01	caliper without brake pads	left	1	
(5)	996 352 421 13	caliper without brake pads	left	1	BOXSTER S
(5)	996 352 423 30	caliper without brake pads	left	1	BOXSTER S PR:450
(5)	996 352 423 31	D >> - MJ 2007 caliper without brake pads	left	1	BOXSTER S PR:450

Model: 987 05 Model life 2005>>2008

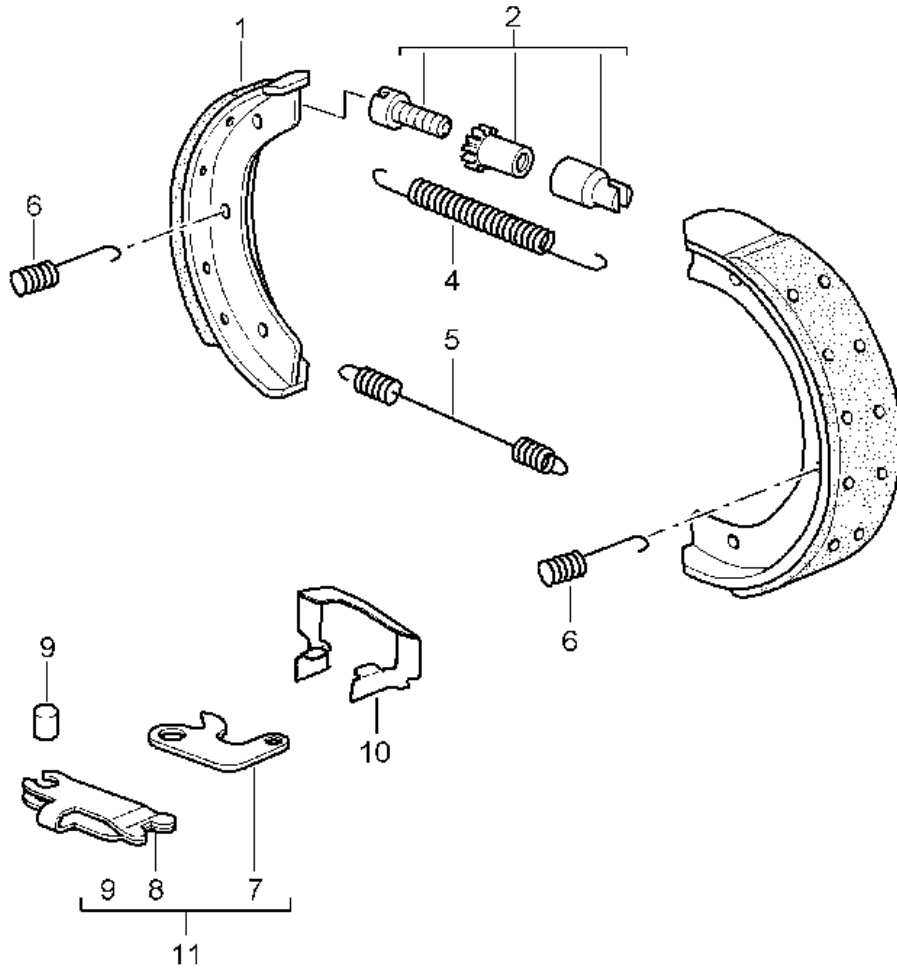
Pos	Part Number	Description	Remark	Qty	Model
(5)	986 352 424 01	D - MJ 2008>> caliper without brake pads	right	1	
(5)	996 352 422 13	caliper without brake pads	right	1	BOXSTER S
(5)	996 352 424 30	caliper without brake pads	right	1	BOXSTER S PR:450
(5)	996 352 424 31	D >> - MJ 2007 caliper without brake pads	right	1	BOXSTER S PR:450
6	987 352 939 00	D - MJ 2008>> 1 set of brake pads for disk brake	rear	1	
(6)	987 352 939 01	Discontinued part 1 set of brake pads for disk brake	rear	1	
(6)	986 352 939 10	1 set of brake pads for disk brake	rear	1	BOXSTER S
(6)	996 352 947 01	1 set of brake pads for disk brake See technical manual	rear	1	BOXSTER S
(6)	997 352 948 00	Group: also use: Fasteners 1 set of brake pads for disk brake	rear 46 35 20	1	PR:450 BOXSTER S
7	987 612 676 01	sender wire (pad wear indicator)		2	PR:450 BOXSTER
(7)	986 612 365 00	sender wire (pad wear indicator)		2	BOXSTER S
(7)	987 612 676 01	sender wire (pad wear indicator)		2	BOXSTER S PR:450
-	999 507 464 40	Warning contact bracket for speed sensor		2	
8	999 067 041 09	Socket head bolt M 12 X 1,5 X 72 Discontinued part		4	
8	999 067 041 01	Socket head bolt M 12 X 1,5 X 72 Discontinued part		4	
(8)	999 073 402 01	Socket head bolt M 12 X 1;5 X 72		4	
(8)	999 067 041 09	Socket head bolt M 12 X 1,5 X 72 Discontinued part		4	BOXSTER S PR:-450
(8)	999 067 041 01	Socket head bolt M 12 X 1,5 X 72 Discontinued part		4	BOXSTER S PR:-450
(8)	999 073 402 01	Socket head bolt M 12 X 1,5 X 72		4	BOXSTER S PR:-450
(8)	999 067 047 09	Socket head bolt M 12 X 1,5 X 85 Discontinued part		4	BOXSTER S PR:450
(8)	999 067 053 09	Socket head bolt M 12 X 1,5 X 85		4	BOXSTER S PR:450
-	944 612 627 00	Line holder for sender wire (pad wear indicator)		2	

Model: 987 05 Model life 2005>>2008

Pos	Part Number	Description	Remark	Qty	Model
9	951 352 917 01	repair set Protective cap 30 MM \$		2	
10	951 352 917 00	repair set Protective cap 28 MM \$		2	
11	996 352 959 01	repair set Fasteners Pin		1 2	PR:-450
		Cup expander spring		2	
		Securing bars		2	
(11)	996 351 959 01	repair set Fasteners Pin		1 2	BOXSTER S PR:450
		Cup expander spring		2	
		Securing bars		2	
-	964 352 096 00	Damping plate 30 MM \$		X X	BOXSTER S BOXSTER S PR:450
-	964 352 096 01	Damping plate 28 MM \$		X	BOXSTER S
-	996 352 086 01	Damping plate 28 MM \$ See technical manual		X	BOXSTER S PR:450
		Group: 46 35 20 F >> 98-6U731 545 F >> 98-6U731 545			
-	996 352 086 02	Discontinued part Damping plate 28 MM \$ See technical manual		X	BOXSTER S PR:450
		Group: 46 35 20 F >> 98-6U731 545 F >> 98-6U731 545			
12	996 352 961 00	Connecting line	left	1	PR:-450
(12)	996 352 962 00	Connecting line	right	1	PR:-450
(12)	996 351 961 30	Connecting line		2	BOXSTER S PR:450
13	930 351 919 00	Breather valve		4	
14	930 351 927 00	dust cap Discontinued part		4	
14	930 351 927 01	dust cap		4	
15	000 043 117 00	brake cylinder paste 50 G		X	
(15)	000 043 020 00	Assembly paste 100 G		X	

Model: 987 05

Model life 2005>>2008



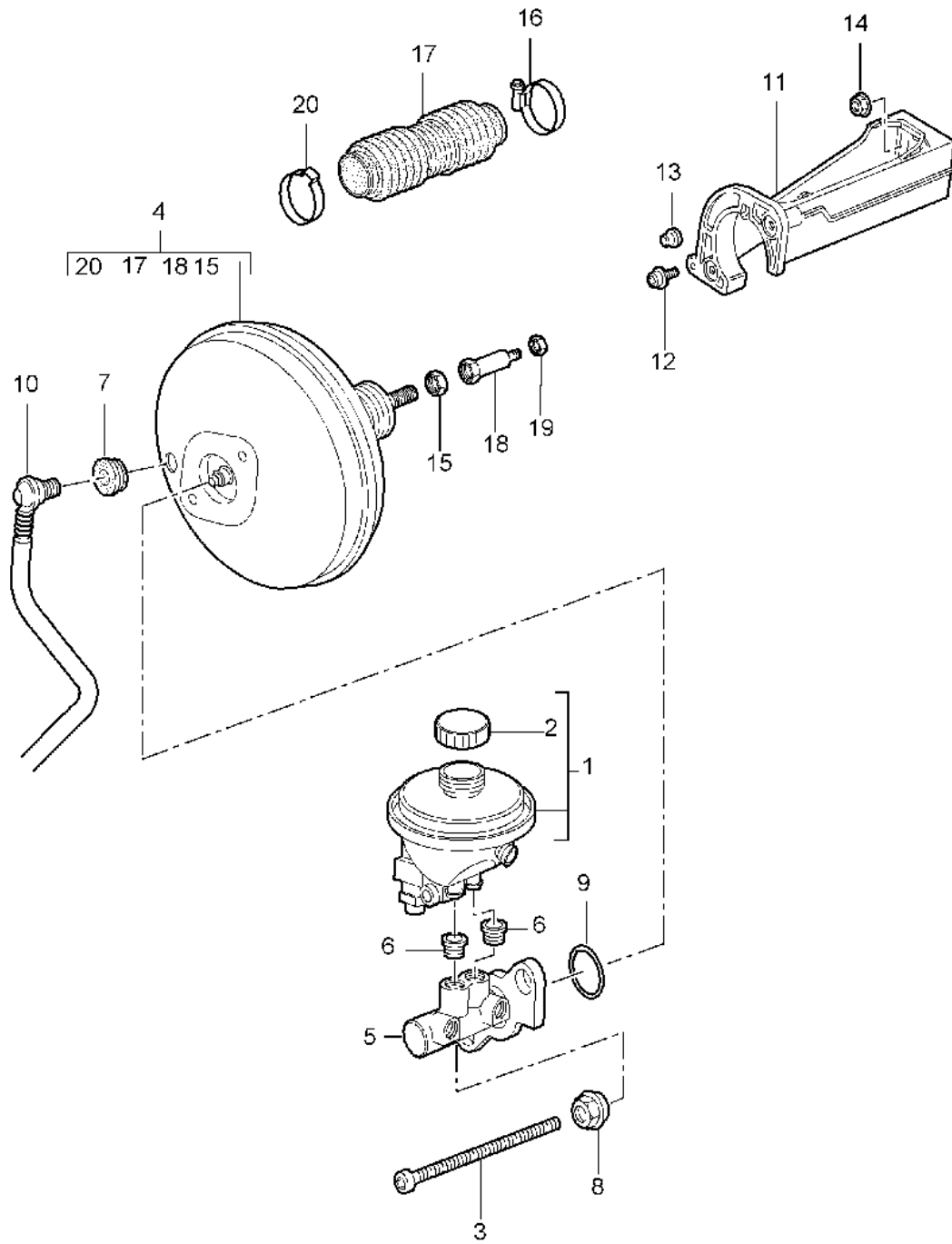
Model: 987 05

Model life 2005>>2008

Pos	Part Number	Description	Remark	Qty	Model
-		handbrake See technical manual			
		Group:			
		46 83 20			
(1)	996 352 993 02	Brake shoe 1 set		1	
		only in conj. with:			
		Pressure spring 997.352.741.01			
2	993 352 071 00	adjustment screw Discontinued part		2	
(2)	298 609 723	adjustment screw		2	
4	997 352 721 01	tension spring Discontinued part		2	
(4)	298 609 717	tension spring		2	
5	997 352 723 01	tension spring		2	
		D - MJ 2005>> - MJ 2005			
(5)	997 352 723 02	tension spring		2	
		D - MJ 2006>>			
(6)	997 352 741 01	Pressure spring		4	
		only in conj. with:			
		Brake shoe 996.352.993.00/01/02			
7	986 352 731 01	Actuating lever		2	
8	986 352 733 02	Clip		2	
9	986 352 735 00	Articulated bolt		2	
10	997 352 807 01	Support plate		2	
11	986 352 073 02	Expanding bow		2	

Model: 987 05

Model life 2005>>2008

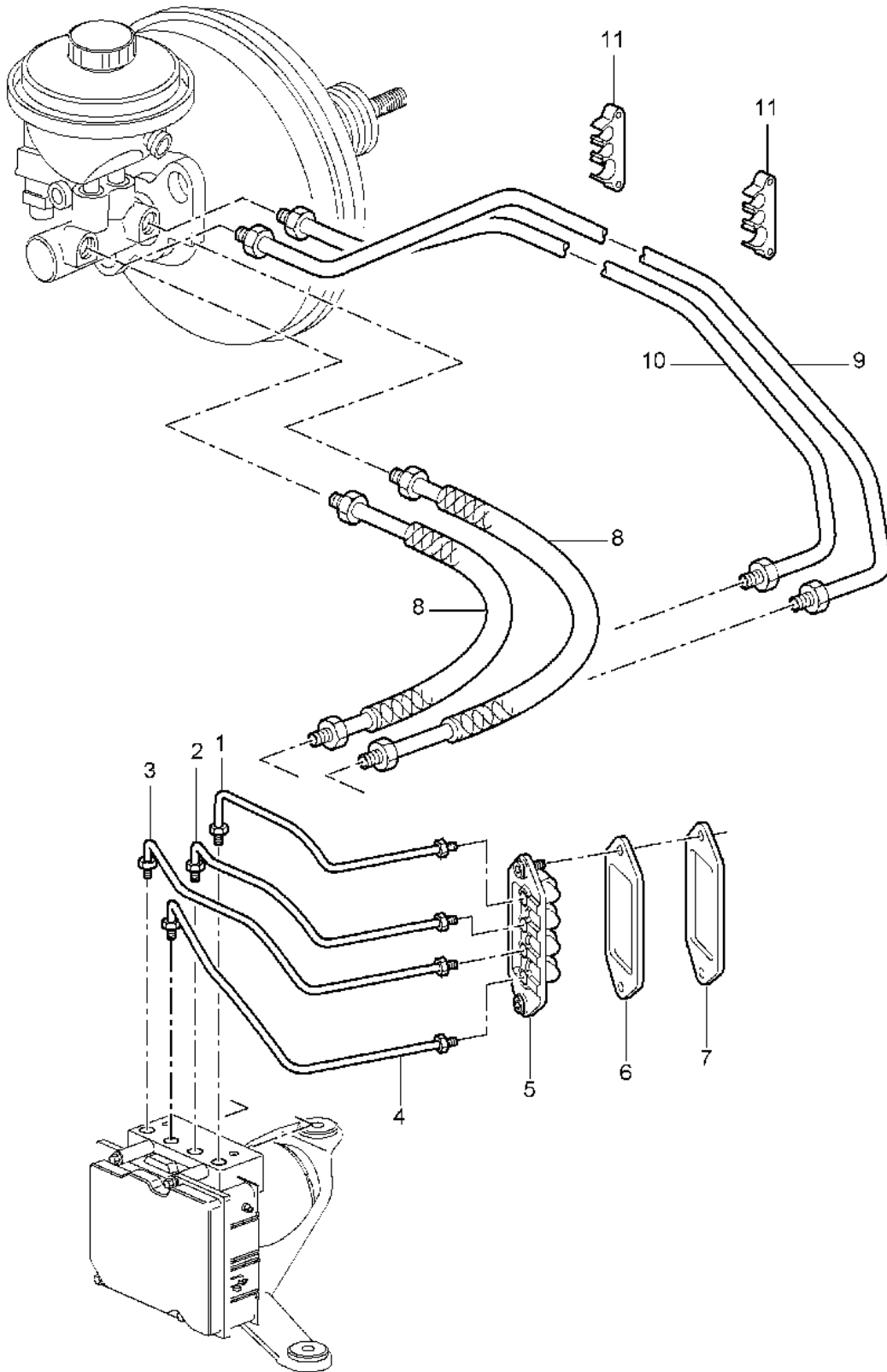


Model: 987 05 Model life 2005>>2008

Pos	Part Number	Description	Remark	Qty	Model
-	000 043 210 82	Brake master cylinder			
-	000 043 210 86	Brake servo			
-	000 043 210 86	brake fluid	1.0 Ltr.	X	
-	000 043 210 86	brake fluid	30ltr.	X	
1	997 355 013 00	Reservoir for brake fluid D - MJ 2005>> - MJ 2005 Discontinued part		1	PR:480,481
(1)	997 355 013 01	Reservoir for brake fluid		1	PR:480,481
(1)	997 355 013 20	Reservoir for brake fluid D - MJ 2005>> - MJ 2005 Discontinued part		1	PR:249
(1)	997 355 013 21	Reservoir for brake fluid		1	PR:249
2	996 355 119 01	catch		1	
-	997 355 125 00	contact carrier for container		1	
3	999 073 124 09	Socket head bolt M 8 X 154 X 80		2	
(3)	999 073 124 02	Socket head bolt M 8 X 154 X 80 Discontinued part		2	
(3)	999 073 615 01	Socket head bolt M 8 X 154 X 80		2	
4	997 355 923 00	Brake servo		1	
-	996 355 137 01	catch Threaded joint Brake servo		1	
5	997 355 910 00	Brake master cylinder		1	
(5)	997 355 910 00	Brake master cylinder		1	BOXSTER S
(5)	997 355 910 10	Brake master cylinder		1	BOXSTER S PR:450
6	993 355 922 00	Grommet		2	
7	999 702 182 40	Rubber bush		1	
8	997 355 925 00	Hexagon nut		2	
9	993 355 212 00	Seal		1	
10	997 355 577 00	Vacuum line		1	PR:098
(10)	997 355 578 00	Vacuum line		1	PR:099
11	997 423 251 00	Intermediate piece		1	
12	999 073 189 01	flat round head bolt M 6 X 12		2	
13	999 703 448 50	Bungs	right	1	
14	999 084 630 09	Hexagon nut M 8		2	
15	900 183 015 02	Hexagon nut M 12 X 1,5		1	
-	996 355 901 01	Seal Brake servo filler plate		1	
16	999 512 478 00	Hose clamp		1	
17	996 423 269 05	Bellows		1	
18	996 355 927 01	Connecting piece		1	
19	900 380 015 09	Hexagon nut M 6 Discontinued part		1	
(19)	900 380 015 01	Hexagon nut M 6		1	
20	999 512 672 00	clamp		1	

Model: 987 05

Model life 2005>>2008



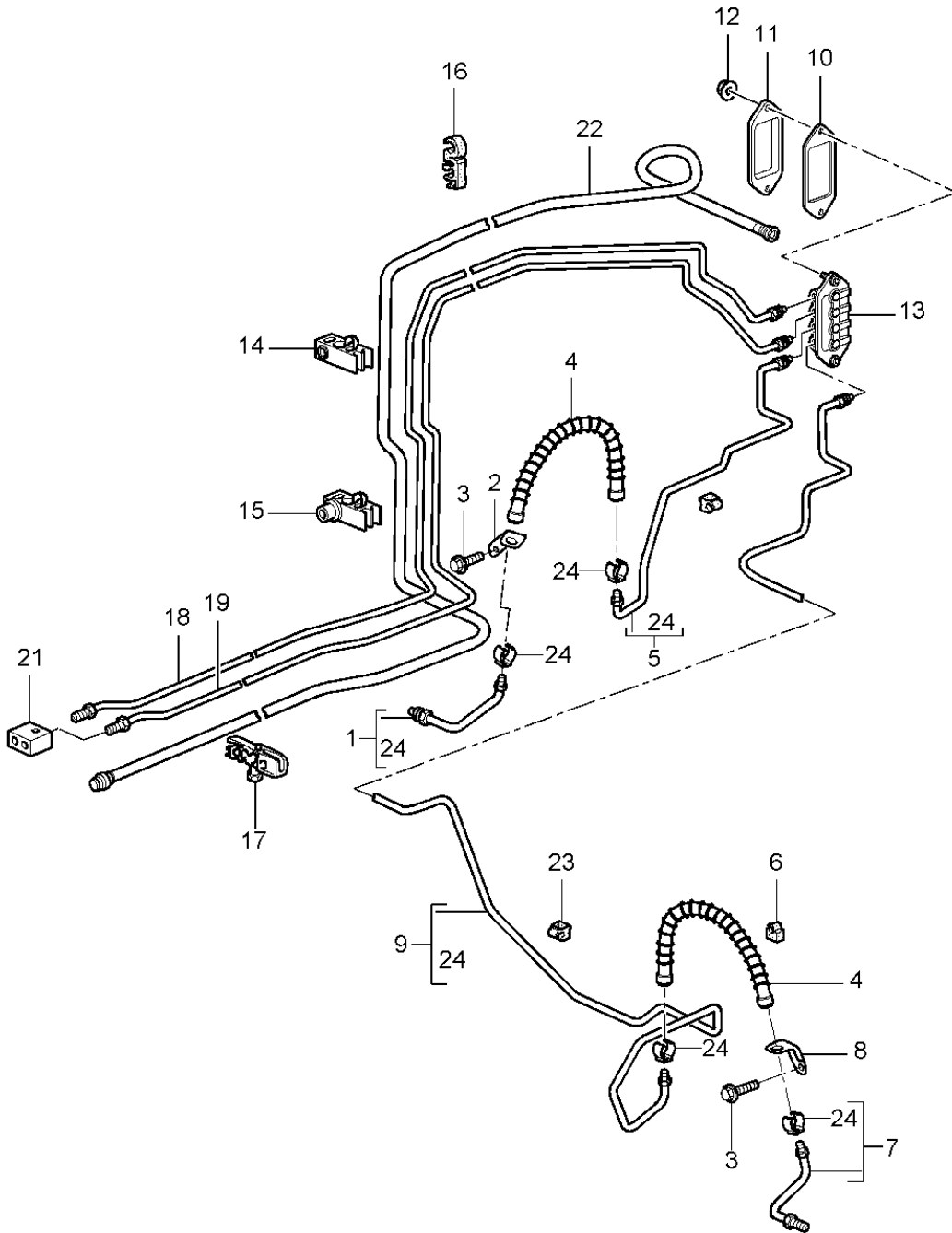
Model: 987 05

Model life 2005>>2008

Pos	Part Number	Description	Remark	Qty	Model
		Brake lines			
		Front end			
1	997 355 315 00	Brake line		1	
2	997 355 316 00	Brake line		1	
3	997 355 327 00	Brake line		1	
4	997 355 326 00	Brake line		1	
5	997 355 650 00	Intermediate piece		1	
6	997 355 752 00	Seal		1	
7	997 355 753 00	Reinforcement		1	
8	997 355 311 00	Pressure line		2	PR:098
9	997 355 312 00	Pressure line		1	PR:099
10	997 355 314 00	Pressure line		1	PR:099
11	999 507 632 40	Cable holder		2	

Model: 987 05

Model life 2005>>2008

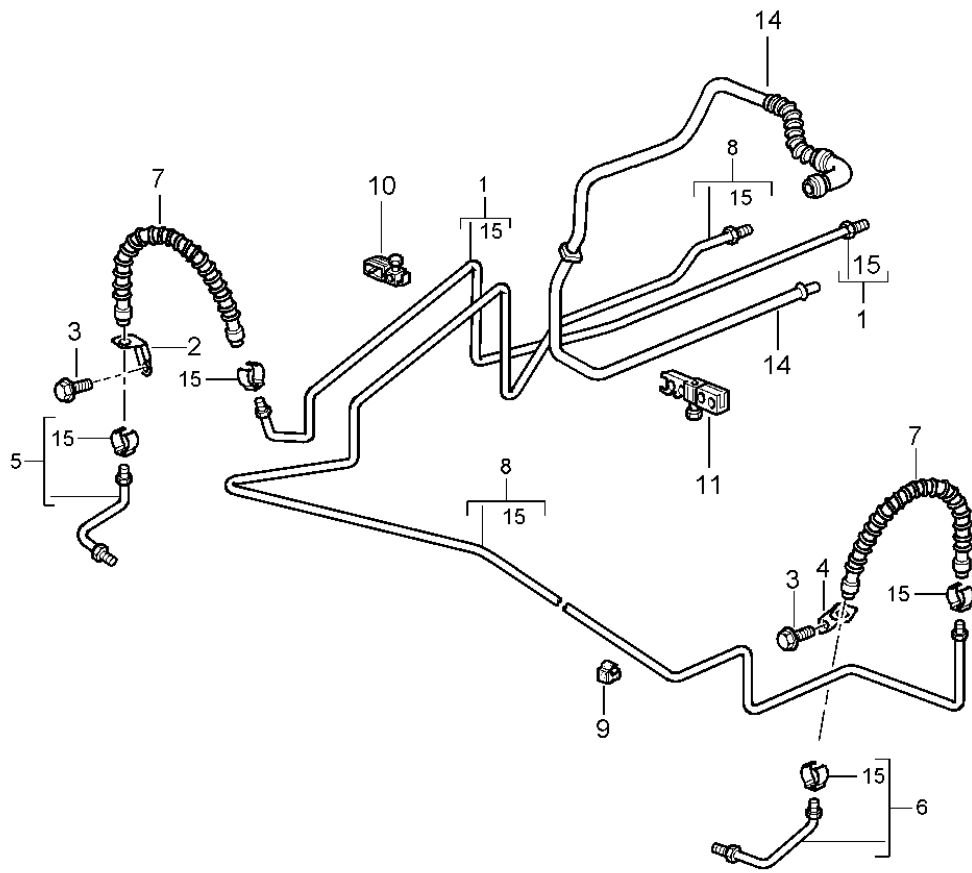


Model: 987 05 Model life 2005>>2008

Pos	Part Number	Description	Remark	Qty	Model
		Brake lines			
		Brake lines			
		Underbody			
		Vacuum line			
1	996 355 581 06	Brake line	left	1	
(1)	996 355 581 9B	Brake line	left	1	PR:450
2	996 355 501 06	Brake hose bracket	left	1	
3	900 067 117 09	Socket head bolt M 6 X 16		2	
4	996 355 139 01	Brake hose		2	
		Discontinued part			
4	996 355 139 03	Brake hose		2	
5	997 355 175 02	Brake line	left	1	
		Discontinued part			
5	997 355 175 10	Brake line	left	1	
		Discontinued part			
5	997 355 175 11	Brake line	left	1	
6	999 591 930 40	Bracket		X	
7	996 355 584 06	Brake line	right	1	
(7)	996 355 584 9B	Brake line	right	1	PR:450
8	996 355 502 06	Brake hose bracket	right	1	
9	997 355 176 02	Brake line		1	
10	997 355 753 00	Reinforcement		1	
11	997 355 752 00	Seal		1	
12	900 380 015 09	Hexagon nut M 6		3	
		Discontinued part			
(12)	900 380 015 01	Hexagon nut M 6		3	
13	997 355 650 00	Intermediate piece		1	
14	996 355 545 00	Bracket		3	
15	996 355 549 00	Bracket		1	
16	996 355 547 01	Bracket		2	
17	996 355 543 00	Bracket		1	
18	997 355 177 01	Brake line		1	
19	997 355 179 01	Brake line		1	
		Discontinued part			
19	997 355 179 10	Brake line		1	
		Discontinued part			
19	997 355 179 11	Brake line		1	
21	996 355 760 31	Connecting piece		1	
22	997 355 571 01	Vacuum line		1	
-	999 702 289 40	Grommet		1	
		Wheel housing			
23	999 651 331 40	Cable holder		5	
24	997 355 331 00	retaining spring for Brake hose		X	

Model: 987 05

Model life 2005>>2008

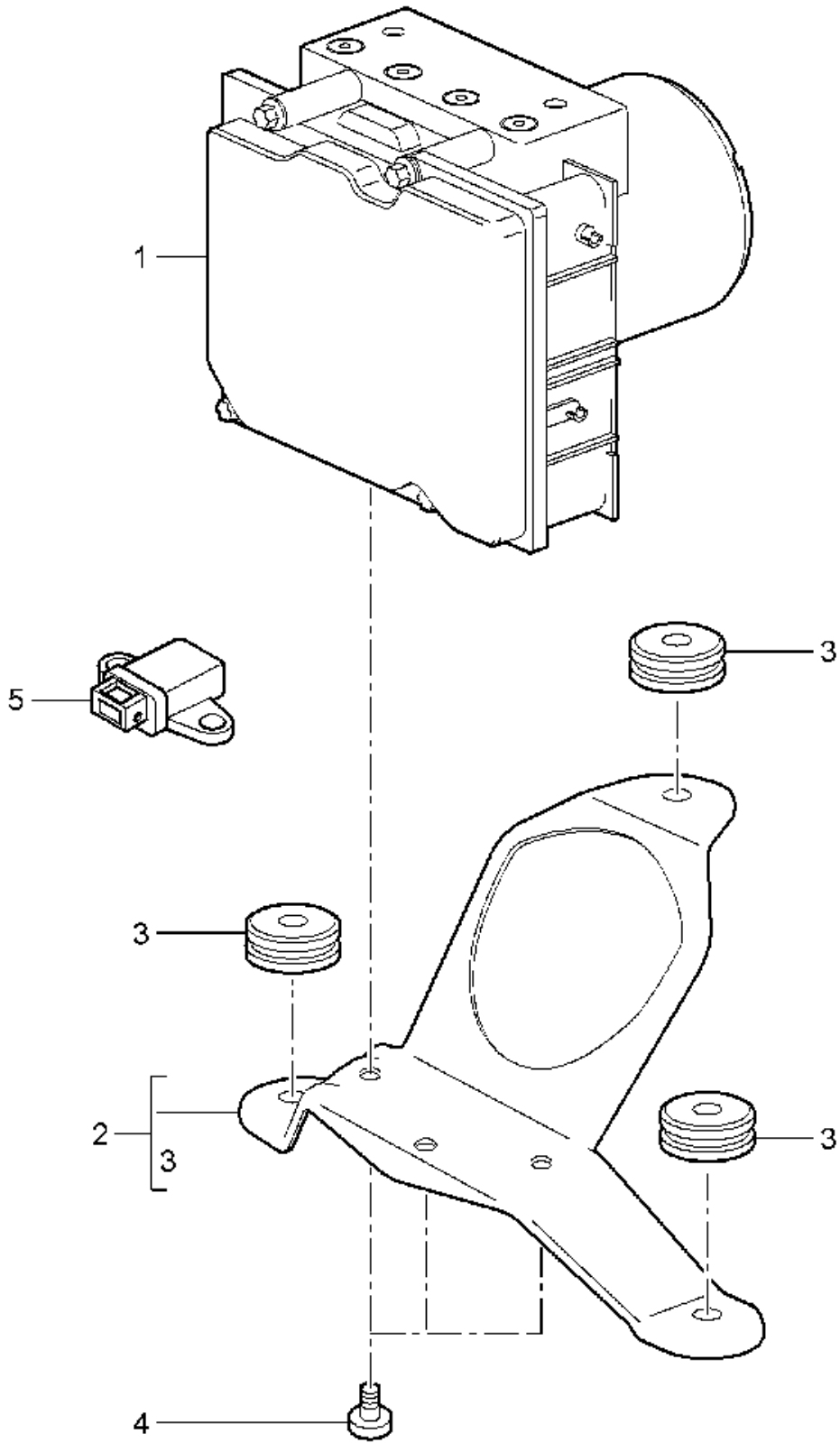


Model: 987 05 Model life 2005>>2008

Pos	Part Number	Description	Remark	Qty	Model
		Brake line			
		Underbody			
		Rear axle			
		Vacuum line			
1	987 355 189 01	Brake line	left	1	
2	987 355 501 01	Retainer for brake hose	left	1	
3	900 075 355 01	Hexagon bolt M 6 X 16		4	
4	987 355 502 01	Retainer for brake hose	right	1	
5	987 355 581 00	Brake line	left	1	
(5)	987 355 583 00	Brake line	left	1	BOXSTER S PR:450
		Discontinued part			
(5)	987 355 583 01	Brake line	left	1	BOXSTER S PR:450
6	987 355 582 00	Brake line	right	1	
(6)	987 355 584 00	Brake line	right	1	BOXSTER S PR:450
		Discontinued part			
(6)	987 355 584 01	Brake line	right	1	BOXSTER S PR:450
-	996 501 815 02	Brake line bracket		2	
		Brake hose			
7	987 355 137 00	Brake hose		2	
		Discontinued part			
(7)	987 355 637 00	Brake hose		2	
		Discontinued part			
(7)	987 355 637 01	Brake hose		2	
8	987 355 190 01	Brake line	right	1	
9	999 651 331 40	Cable holder		3	
10	964 423 811 00	Bracket		2	
11	996 355 543 00	Bracket		1	
14	987 355 575 01	Vacuum line		1	
		Discontinued part			
(14)	987 355 575 02	Vacuum line		1	
15	997 355 331 00	retaining spring for Brake hose		X	

Model: 987 05

Model life 2005>>2008



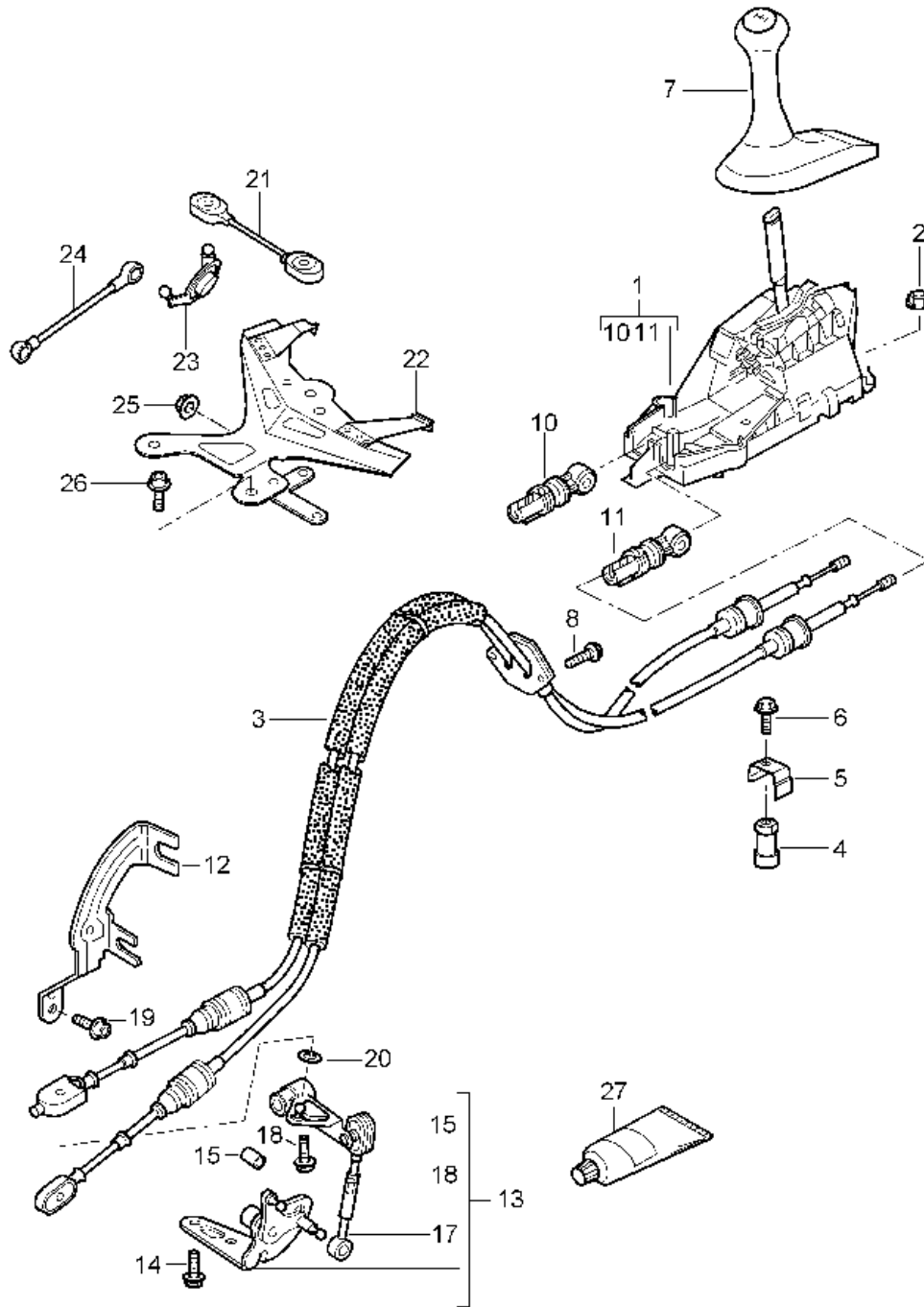
Model: 987 05

Model life 2005>>2008

Pos	Part Number	Description	Remark	Qty	Model
		Hydraulic unit anti-locking brake syst. -abs- Control			
1	987 355 955 04	Hydraulic unit		1	
2	997 355 033 00	Bracket		1	
		with:			
3	964 356 635 00	Rubber bush		3	
-	999 045 004 40	Rubber bush		3	
		Hexagon nut		3	
		plastic			
4	900 385 060 09	Screw		3	
		BM 6 X 10			
		Discontinued part			
(4)	900 385 060 01	Screw		3	
		BM 6 x 10			
5	996 606 145 00	Sensor		1	

Model: 987 05

Model life 2005>>2008



Model: 987 05 Model life 2005>>2008

Pos	Part Number	Description	Remark	Qty	Model
		Transmission control Manual gearbox			PR:480,481
1	997 424 010 00	ball housing - gearshift lever		1	
(1)	997 424 983 00	ball housing - gearshift lever		1	PR:XCZ
2	999 084 629 01	Hexagon nut M 6SB		4	
3	987 424 041 00	Cable Discontinued part		1	PR:481
(3)	987 424 041 01	Shift cable		1	PR:481
		D >> - MJ 2006			
(3)	987 424 041 11	Cable		1	PR:481
		D - MJ 2007>>			
(3)	987 424 042 00	Cable Discontinued part		1	PR:480
(3)	987 424 042 01	Shift cable		1	PR:480
		D >> - MJ 2006			
		No longer use the part here			
(3)	987 424 042 02	Shift cable		1	PR:480
		D >> - MJ 2006			
(3)	987 424 042 11	Cable		1	PR:480
		D - MJ 2007>>			
		No longer use the part here			
(3)	987 424 042 12	Cable		1	PR:480
		D - MJ 2007>>			
4	986 424 221 00	Distance piece No longer use the part here		2	
5	987 424 211 01	Bracket No longer use the part here		1	
6	900 075 023 02	Hexagon bolt M8 X 12 No longer use the part here		1	
7	987 424 075 00	gearstick knob (leather) Shift pattern Black		1	PR:481
	987 424 075 00 FOT	black/black			
	987 424 075 00 FOU	Stone grey/stone grey			
	987 424 075 00 FOV	Sand beige/sand beige			
	987 424 075 00 FOW	Sea blue/sea blue			
	987 424 075 00 FOX	Palmgreen/palmgreen			
	987 424 075 00 FPW	Terracotta/terracotta			
	987 424 075 00 FPX	Cocoa/Cocoa			
	987 424 075 00 FQE	Black/stone grey			
	987 424 075 00 FOY	Dark grey/dark grey			
	987 424 075 00 FOZ	For remote-controlled parking			
(7)	987 424 075 03	gearstick knob Carbon Shift pattern Black		1	PR:481,803
	987 424 075 03 FPP	Black			
	987 424 075 03 FPQ	Stone grey			
	987 424 075 03 FPR	Sand beige			
	987 424 075 03 FPS	sea blue			
	987 424 075 03 FPT	Palm green			
	987 424 075 03 FQC	Terracotta			
	987 424 075 03 FQD	Cocoa			
	987 424 075 03 FPU	Dark grey/natural			
	987 424 075 03 FPV	Brown/natural			
(7)	987 424 075 04	gearstick knob (leather) macassar Shift pattern Black		1	PR:481,801
	987 424 075 04 FPA	Black			
	987 424 075 04 FPB	Stone grey			

Model: 987 05 Model life 2005>>2008

Pos	Part Number	Description	Remark	Qty	Model
	987 424 075 04 FPC	Sand beige			
	987 424 075 04 FPD	sea blue			
	987 424 075 04 FPE	Palm green			
	987 424 075 04 FPY	Terracotta			
	987 424 075 04 FPZ	Cocoa			
	987 424 075 04 FPF	Dark grey/natural			
	987 424 075 04 FPG	Brown/natural			
(7)	987 424 075 04	gearstick knob (leather) Sycamore wood Shift pattern Black		1	PR:481,802
	987 424 075 04 FPH	Black			
	987 424 075 04 FPJ	Stone grey			
	987 424 075 04 FPK	Sand beige			
	987 424 075 04 FPL	sea blue			
	987 424 075 04 FPM	Palm green			
	987 424 075 04 FQA	Terracotta			
	987 424 075 04 FQB	Cocoa			
	987 424 075 04 FPN	Dark grey/natural			
	987 424 075 04 FPO	Brown/natural			
(7)	997 424 075 01	gearstick knob (leather) Shift pattern Aluminium look		1	PR:480
	997 424 075 01 FOT	black/black			
	997 424 075 01 FOU	Stone grey/stone grey			
	997 424 075 01 FOV	Sand beige/sand beige			
	997 424 075 01 FOW	Sea blue/sea blue			
	997 424 075 01 FOX	Palmgreen/palmgreen			
	997 424 075 01 FPW	Terracotta/terracotta			
	997 424 075 01 FPX	Cocoa/Cocoa			
	997 424 075 01 FQE	Black/stone grey			
	997 424 075 01 FOY	Dark grey/dark grey			
	997 424 075 01 FOZ	Brown nat./brown nat.			
(7)	997 424 075 03	gearstick knob Carbon Shift pattern Aluminium look		1	PR:480,803
	997 424 075 03 FPP	Black			
	997 424 075 03 FPQ	Stone grey			
	997 424 075 03 FPR	Sand beige			
	997 424 075 03 FPS	sea blue			
	997 424 075 03 FPT	Palm green			
	997 424 075 03 FQC	Terracotta			
	997 424 075 03 FQD	Cocoa			
	997 424 075 03 FPU	Dark grey/natural			
	997 424 075 03 FPV	Brown/natural			
(7)	997 424 075 04	gearstick knob (leather) macassar Shift pattern Aluminium look		1	PR:480,801
	997 424 075 04 FPA	Black			
	997 424 075 04 FPB	Stone grey			
	997 424 075 04 FPC	Sand beige			
	997 424 075 04 FPD	sea blue			
	997 424 075 04 FPE	Palm green			
	997 424 075 04 FPY	Terracotta			
	997 424 075 04 FPZ	Cocoa			
	997 424 075 04 FPF	Dark grey/natural			
	997 424 075 04 FPG	Brown/natural			
(7)	997 424 075 04	gearstick knob (leather) Sycamore wood Shift pattern Aluminium look		1	PR:480,802

Model: 987 05 Model life 2005>>2008

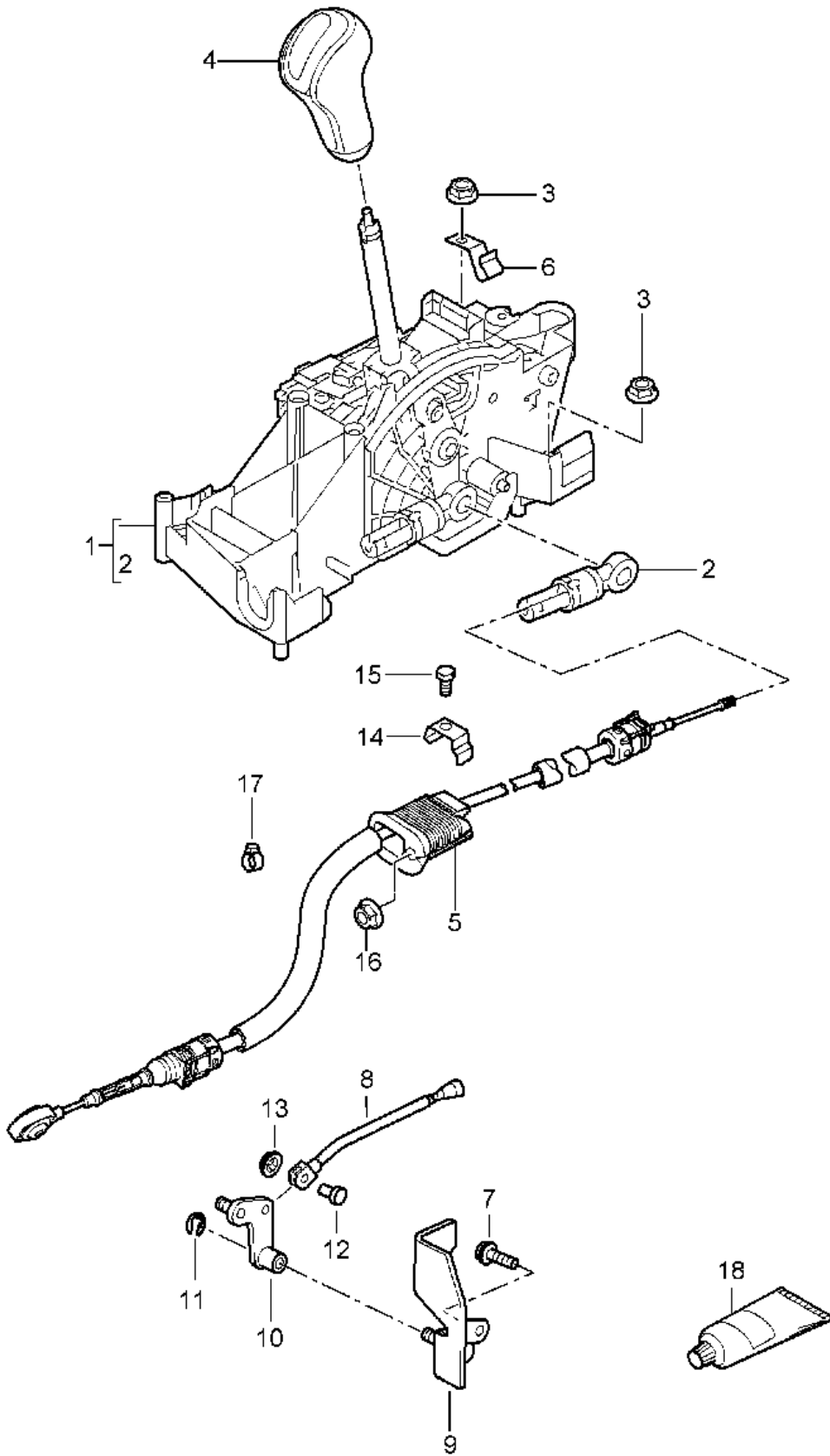
Pos	Part Number	Description	Remark	Qty	Model
	997 424 075 04 FPH	Black			
	997 424 075 04 FPJ	Stone grey			
	997 424 075 04 FPK	Sand beige			
	997 424 075 04 FPL	sea blue			
	997 424 075 04 FPM	Palm green			
	997 424 075 04 FQA	Terracotta			
	997 424 075 04 FQB	Cocoa			
	997 424 075 04 FPN	Dark grey/natural			
	997 424 075 04 FPO	Brown/natural			
(7)	997 424 981 00	gearstick knob aluminium Leather D - MJ 2006>>		1	PR:X97,480
	997 424 981 00 8YR	Black			
	997 424 981 00 5X5	Stone grey			
	997 424 981 00 8G1	Sand beige			
	997 424 981 00 3S8	sea blue			
	997 424 981 00 4P1	Palm green			
	997 424 981 00 9N2	Terracotta			
	997 424 981 00 9Q3	Cocoa			
	997 424 981 00 D11	Dark grey/natural			
	997 424 981 00 T11	Brown/natural			
(7)	987 424 981 00	gearstick knob (leather) aluminium D - MJ 2006>>		1	PR:X97,481
	987 424 981 00 8YR	Black			
	987 424 981 00 5X5	Stone grey			
	987 424 981 00 8G1	Sand beige			
	987 424 981 00 3S8	sea blue			
	987 424 981 00 4P1	Palm green			
	987 424 981 00 9N2	Terracotta			
	987 424 981 00 9Q3	Cocoa			
	987 424 981 00 D11	Dark grey/natural			
	987 424 981 00 T11	Brown/natural			
(7)	997 424 981 00	gearstick knob aluminium Leather		1	PR:754,X97
	997 424 981 00 N11	Carrera Red			
(7)	997 424 981 00 D11	Dark grey/natural			
	997 424 075 90	gearstick knob (leather)		1	PR:757
	997 424 075 90 A15	Black			
8	900 378 152 09	Hexagon bolt M 6 X 20		2	PR:481
(8)	999 084 629 09	Hexagon nut M 6		2	PR:480
(10)	996 424 145 01	Securing element for Cable Adjustable		1	
-	996 424 445 00	Clip for Securing element		1	
11	996 424 147 00	Securing element for Cable Adjustable		1	
12	986 424 165 02	Bracket for Cable		1	
13	987 424 913 02	Poles Adjustable D >> - MJ 2007 D >> - MJ 2007		1	PR:481

Model: 987 05 Model life 2005>>2008

Pos	Part Number	Description	Remark	Qty	Model
(13)	987 424 913 03	Poles Adjustable		1	PR:481
14	900 075 085 02	D - MJ 2008>> Hexagon bolt M 8 X 20		2	
15	987 424 135 00	Stop buffer		1	
17	987 424 932 02	connecting rod Adjustable		1	
18	N 901 239 02	Hexagon bolt M 8 X 26		1	
19	999 073 209 09	Socket head bolt M 10 X 20		2	
20	986 424 133 00	Washer		2	
21	987 424 131 02	toggle lever D >> - MJ 2007		1	PR:480
(21)	987 424 131 22	Discontinued part toggle lever D - MJ 2008>>		1	PR:480
22	987 424 137 01	Transmission bracket		1	PR:480
23	987 424 023 00	lever No longer use the part here		1	PR:480
23	981 424 023 00	lever		1	PR:480
24	987 424 035 00	connecting rod D >> - MJ 2006		1	PR:480
(24)	987 424 035 10	connecting rod D - MJ 2007>> Discontinued part		1	PR:480
(24)	981 424 035 10	connecting rod D - MJ 2007>>		1	PR:480
25	900 377 003 02	Hexagon nut M 8		1	PR:480
26	900 385 274 09	Torx screw M 10 X 25		3	PR:480
27	000 043 205 93	grease 1 100-gramme tube		X	

Model: 987 05

Model life 2005>>2008



Model: 987 05 Model life 2005>>2008

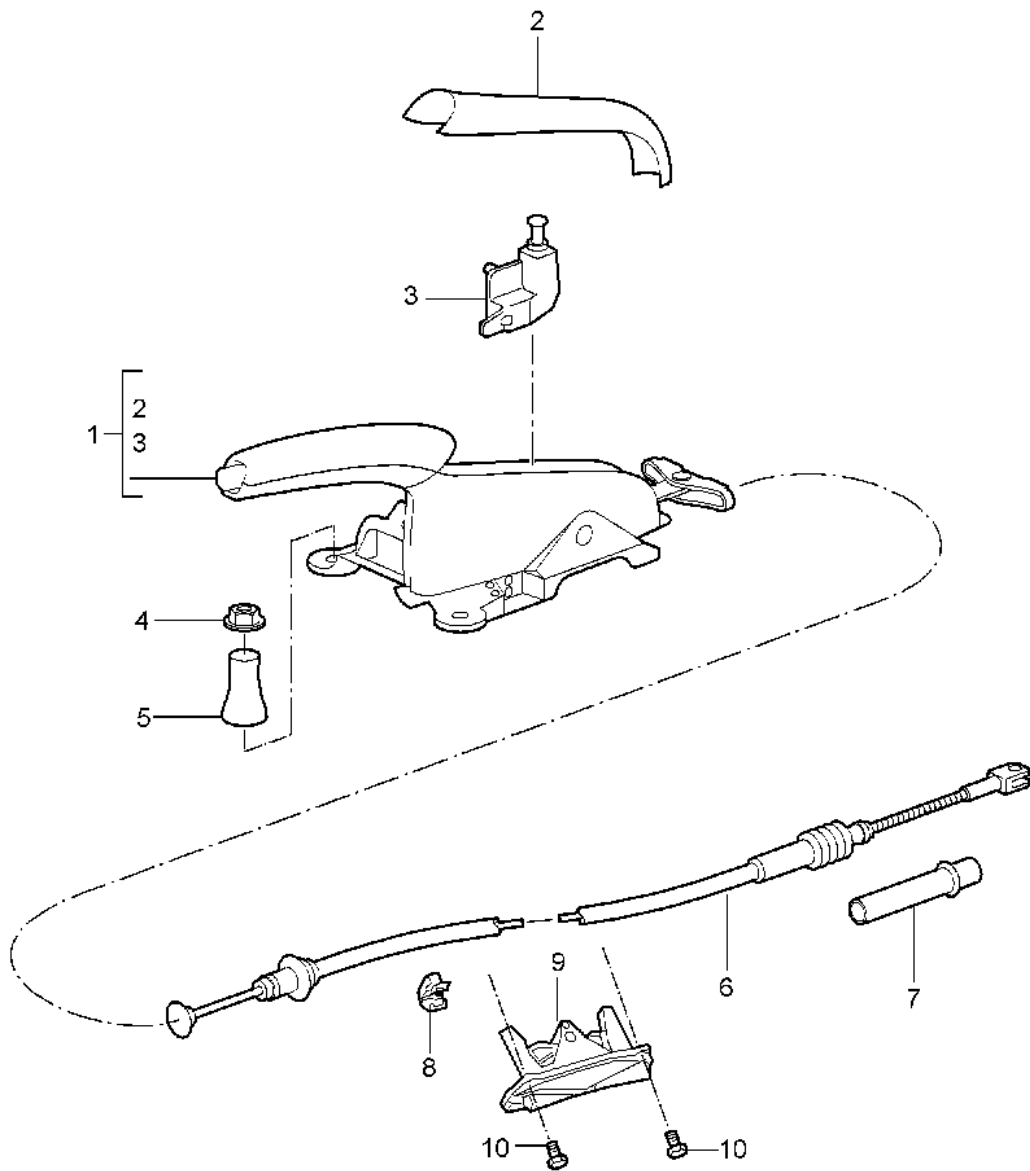
Pos	Part Number	Description	Remark	Qty	Model
1	987 426 011 01	selector lever Tiptronic selector lever with: housing D >> - MJ 2006 Discontinued part		1	PR:249
(1)	987 426 011 02	selector lever with: housing Switch		1	
-	997 613 243 02	selector lever No longer use the part here		1	
-	996 613 212 10	Switch selector lever		1	
2	996 426 035 00	Securing element for Cable Adjustable		1	
3	999 084 629 09	Hexagon nut M 6		4	
4	997 426 069 00	Selector knob Leather D >> - MJ 2006		1	
	997 426 069 00 8YR	Black			
	997 426 069 00 5X5	Stone grey			
	997 426 069 00 8G1	Sand beige			
	997 426 069 00 3S8	sea blue			
	997 426 069 00 4P1	Palm green			
	997 426 069 00 9N2	Terracotta			
	997 426 069 00 9Q3	Cocoa			
	997 426 069 00 D11	Dark grey/natural			
	997 426 069 00 T11	Brown/natural			
(4)	997 426 069 10	Selector knob Leather D >> - MJ 2006		1	
	997 426 069 10 4P1	Palm green			
(4)	997 426 069 10	Selector knob Leather D - MJ 2007>>		1	
	997 426 069 10 8YR	Black			
	997 426 069 10 5X5	Stone grey			
	997 426 069 10 8G1	Sand beige			
	997 426 069 10 3S8	sea blue			
	997 426 069 10 4P1	Palm green			
	997 426 069 10 9N2	Terracotta			
	997 426 069 10 9Q3	Cocoa			
	997 426 069 10 D11	Dark grey/natural			
	997 426 069 10 T11	Brown/natural			
	997 426 069 10 N11	Carrera Red			
(4)	997 426 069 03	Selector knob D >> - MJ 2006		1	PR:803
	997 426 069 03 A35	Carbon			
(4)	997 426 069 13	Selector knob D - MJ 2007>>		1	PR:803
	997 426 069 13 A35	Carbon			
(4)	997 426 069 04	Selector knob D >> - MJ 2006		1	PR:801
	997 426 069 04 S61	macassar			
(4)	997 426 069 14	Selector knob D - MJ 2007>>		1	PR:801
	997 426 069 14 S61	macassar			

Model: 987 05 Model life 2005>>2008

Pos	Part Number	Description	Remark	Qty	Model
(4)	997 426 069 04	Selector knob D >> - MJ 2006		1	PR:802
	997 426 069 04 S62	Sycamore wood			
(4)	997 426 069 14	Selector knob D - MJ 2007>>		1	PR:802
	997 426 069 14 S62	Sycamore wood			
(4)	997 426 069 10	Selector knob Leather		1	PR:754
	997 426 069 10 N11	Carrera Red			
	997 426 069 10 D11	Dark grey/natural			
(4)	997 426 991 00	selector lever Leather		1	PR:757
	997 426 991 00 A15	Black			
-	997 426 275 00	Button for selector lever release		1	
	997 426 275 00 V05	Galvano silver			
5	987 426 033 00	Cable Discontinued part		1	
(5)	987 426 033 01	Cable Discontinued part		1	
(5)	987 426 033 02	Cable		1	
(5)	987 426 033 12	Cable D >> - MJ 2006		1	
		D - MJ 2007>>			
6	999 507 465 02	Cable holder		1	
7	999 073 094 09	fillister hd. bolt M 8 X 20		2	
8	986 426 043 01	push rod		1	
9	986 426 041 06	basic plate		1	
10	986 426 045 06	relay lever		1	
11	900 116 007 09	fuse D >> - MJ 2007		1	
(11)	900 116 007 02	fuse		1	
12	986 426 415 02	Pin		1	
13	999 507 057 02	Clamping washer D >> - MJ 2007		1	
(13)	999 507 057 03	Clamping washer D - MJ 2008>>		1	
14	987 424 211 01	Bracket No longer use the part here		1	
15	900 075 023 02	Hexagon bolt M 8 X 12 No longer use the part here		1	
16	999 084 629 09	Hexagon nut M 6		2	
17	999 507 635 00	Bracket		1	
18	000 043 205 93	grease 1 100-gramme tube		1	

Model: 987 05

Model life 2005>>2008



Model: 987 05

Model life 2005>>2008

Pos	Part Number	Description	Remark	Qty	Model
(1)	997 424 031 62	handbrake Actuator handbrake lever grip (leather) (complete) Discontinued part		1	
	997 424 031 62 8YR	Black			
	997 424 031 62 5X5	Stone grey			
	997 424 031 62 8G1	Sand beige			
	997 424 031 62 3S8	sea blue			
	997 424 031 62 4P1	Palm green			
	997 424 031 62 9N2	Terracotta			
	997 424 031 62 9Q3	Cocoa			
	997 424 031 62 FQF	Black/stone grey			
	997 424 031 62 D11	Dark grey/natural			
	997 424 031 62 T11	Brown/natural			
	997 424 031 62 N11	Carrera Red			
		D - MJ 2008>>			
(1)	997 424 031 67	handbrake lever grip (leather) (complete)		1	
	997 424 031 67 8YR	Black			
	997 424 031 67 5X5	Stone grey			
	997 424 031 67 8G1	Sand beige			
	997 424 031 67 3S8	sea blue			
	997 424 031 67 4P1	Palm green			
	997 424 031 67 9N2	Terracotta			
	997 424 031 67 9Q3	Cocoa			
	997 424 031 67 FQF	Black/stone grey			
	997 424 031 67 D11	Dark grey/natural			
	997 424 031 67 T11	Brown/natural			
	997 424 031 67 N11	Carrera Red			
		D - MJ 2008>>			
(1)	997 424 031 63	Brake lever (complete) macassar Discontinued part		1	PR:801
	997 424 031 63 8YR	Black			
	997 424 031 63 5X5	Stone grey			
	997 424 031 63 8G1	Sand beige			
	997 424 031 63 3S8	sea blue			
	997 424 031 63 4P1	Palm green			
	997 424 031 63 9N2	Terracotta			
	997 424 031 63 9Q3	Cocoa			
	997 424 031 63 D11	Dark grey/natural			
	997 424 031 63 T11	Brown/natural			
	997 424 031 63 N11	Carrera Red			
		D - MJ 2008>>			
(1)	997 424 031 68	Brake lever (complete) macassar		1	PR:801
	997 424 031 68 8YR	Black			
	997 424 031 68 5X5	Stone grey			
	997 424 031 68 8G1	Sand beige			
	997 424 031 68 3S8	sea blue			
	997 424 031 68 4P1	Palm green			
	997 424 031 68 9N2	Terracotta			
	997 424 031 68 9Q3	Cocoa			
	997 424 031 68 D11	Dark grey/natural			
	997 424 031 68 T11	Brown/natural			
	997 424 031 68 N11	Carrera Red			
		D - MJ 2008>>			
(1)	997 424 031 64	Brake lever (complete) Sycamore wood		1	PR:802

Model: 987 05 Model life 2005>>2008

Pos	Part Number	Description	Remark	Qty	Model
		Discontinued part			
	997 424 031 64 8YR	Black			
	997 424 031 64 8G1	Sand beige			
	997 424 031 64 3S8	sea blue			
	997 424 031 64 4P1	Palm green			
	997 424 031 64 9N2	Terracotta			
	997 424 031 64 9Q3	Cocoa			
	997 424 031 64 D11	Dark grey/natural			
	997 424 031 64 T11	Brown/natural			
	997 424 031 64 N11	Carrera Red			
		D - MJ 2008>>			
(1)	997 424 031 69	Brake lever (complete) Sycamore wood		1	PR:802
	997 424 031 69 8YR	Black			
	997 424 031 69 5X5	Stone grey			
	997 424 031 69 8G1	Sand beige			
	997 424 031 69 3S8	sea blue			
	997 424 031 69 4P1	Palm green			
	997 424 031 69 9N2	Terracotta			
	997 424 031 69 9Q3	Cocoa			
	997 424 031 69 D11	Dark grey/natural			
	997 424 031 69 T11	Brown/natural			
	997 424 031 69 N11	Carrera Red			
		D - MJ 2008>>			
(1)	997 424 031 65	Brake lever (complete) Carbon		1	PR:803
		Discontinued part			
	997 424 031 65 8YR	Black			
	997 424 031 65 5X5	Stone grey			
	997 424 031 65 8G1	Sand beige			
	997 424 031 65 3S8	sea blue			
	997 424 031 65 4P1	Palm green			
	997 424 031 65 9N2	Terracotta			
	997 424 031 65 9Q3	Cocoa			
	997 424 031 65 D11	Dark grey/natural			
	997 424 031 65 T11	Brown/natural			
	997 424 031 65 N11	Carrera Red			
		D - MJ 2008>>			
(1)	997 424 031 70	Brake lever (complete) Carbon		1	PR:803
	997 424 031 70 8YR	Black			
	997 424 031 70 5X5	Stone grey			
	997 424 031 70 8G1	Sand beige			
	997 424 031 70 3S8	sea blue			
	997 424 031 70 4P1	Palm green			
	997 424 031 70 9N2	Terracotta			
	997 424 031 70 9Q3	Cocoa			
	997 424 031 70 D11	Dark grey/natural			
	997 424 031 70 T11	Brown/natural			
	997 424 031 70 N11	Carrera Red			
		D - MJ 2008>>			
(1)	997 424 980 00	handbrake lever grip (leather) (complete)		1	PR:X98,098
		D - MJ 2007>>			
		Discontinued part			
	997 424 980 00 8YR	Black			
	997 424 980 00 5X5	Stone grey			
	997 424 980 00 8G1	Sand beige			
	997 424 980 00 3S8	sea blue			
	997 424 980 00 4P1	Palm green			

Model: 987 05 Model life 2005>>2008

Pos	Part Number	Description	Remark	Qty	Model
	997 424 980 00 9N2	Terracotta			
	997 424 980 00 9Q3	Cocoa			
	997 424 980 00 D11	Dark grey/natural			
	997 424 980 00 T11	Brown/natural			
(1)	997 424 980 06	handbrake lever grip (leather) (complete) D - MJ 2007>>		1	PR:X98,098
	997 424 980 06 8YR	Black			
	997 424 980 06 5X5	Stone grey			
	997 424 980 06 8G1	Sand beige			
	997 424 980 06 3S8	sea blue			
	997 424 980 06 4P1	Palm green			
	997 424 980 06 9N2	Terracotta			
	997 424 980 06 9Q3	Cocoa			
	997 424 980 06 D11	Dark grey/natural			
	997 424 980 06 T11	Brown/natural			
(1)	997 424 980 01	handbrake lever grip (leather) (complete) D - MJ 2007>> Discontinued part		1	PR:X98,099
	997 424 980 01 8YR	Black			
	997 424 980 01 5X5	Stone grey			
	997 424 980 01 8G1	Sand beige			
	997 424 980 01 3S8	sea blue			
	997 424 980 01 4P1	Palm green			
	997 424 980 01 9N2	Terracotta			
	997 424 980 01 9Q3	Cocoa			
	997 424 980 01 D11	Dark grey/natural			
	997 424 980 01 T11	Brown/natural			
(1)	997 424 980 07	handbrake lever grip (leather) (complete) D - MJ 2007>>		1	PR:X98,099
	997 424 980 07 8YR	Black			
	997 424 980 07 5X5	Stone grey			
	997 424 980 07 8G1	Sand beige			
	997 424 980 07 3S8	sea blue			
	997 424 980 07 4P1	Palm green			
	997 424 980 07 9N2	Terracotta			
	997 424 980 07 9Q3	Cocoa			
	997 424 980 07 D11	Dark grey/natural			
	997 424 980 07 T11	Brown/natural			
(1)	997 424 031 66	handbrake lever grip (leather) (complete) Discontinued part		1	PR:754
	997 424 031 66 VAL	Carrera Red			
	997 424 031 66 VAK	Dark grey/natural			
(1)	997 424 031 71	handbrake lever grip (leather) (complete)		1	PR:754
	997 424 031 71 VAL	Carrera Red			
	997 424 031 71 VAK	Dark grey/natural			
(1)	997 424 031 92	Brake lever Alcantara Discontinued part		1	PR:757
	997 424 031 92 A15	Black			
(1)	997 424 031 93	Brake lever Alcantara		1	PR:757
	997 424 031 93 A15	Black			
2	997 424 155 00	trim for handbrake lever Leather		1	
	997 424 155 00 8YR	Black			
	997 424 155 00 5X5	Stone grey			
	997 424 155 00 8G1	Sand beige			
	997 424 155 00 3S8	sea blue			

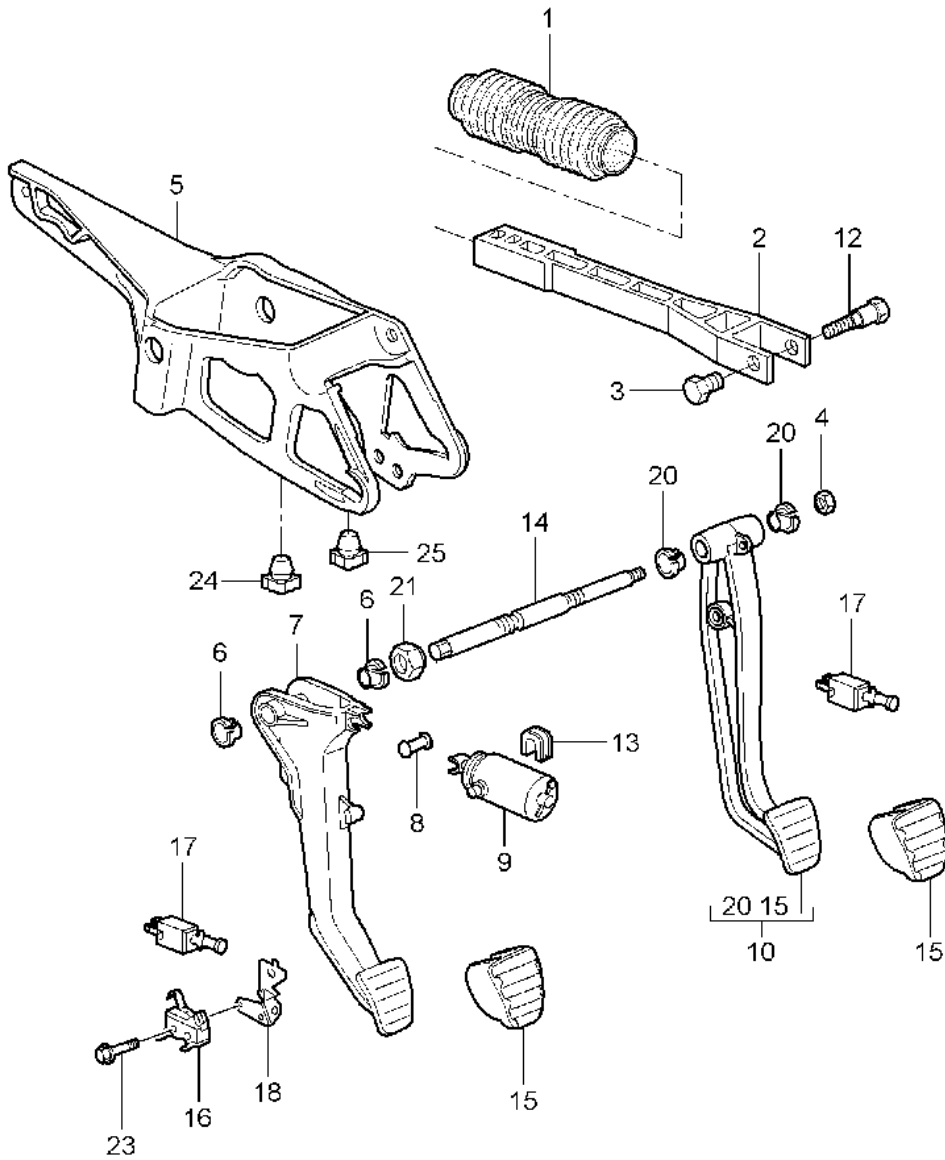
Model: 987 05

Model life 2005>>2008

Pos	Part Number	Description	Remark	Qty	Model
	997 424 155 00 4P1	Palm green			
	997 424 155 00 9N2	Terracotta			
	997 424 155 00 9Q3	Cocoa			
	997 424 155 00 D11	Dark grey/natural			
	997 424 155 00 T11	Brown/natural			
(2)	997 424 155 90	trim for handbrake lever		1	PR:757
	997 424 155 90 A15	Black			
3	996 613 112 01	Switch		1	
4	999 084 630 09	Hexagon nut M 8		4	
5	986 424 221 00	Distance piece No longer use the part here		1	
6	987 424 141 04	Parking-brake cable Discontinued part		2	
(6)	987 424 141 05	Parking-brake cable		2	
7	986 424 721 07	guide tube		2	
8	999 507 827 40	Hose bracket		2	
9	986 424 310 02	housing		1	
10	900 378 035 01	Hexagon bolt M 6 X 16		4	

Model: 987 05

Model life 2005>>2008



Model: 987 05

Model life 2005>>2008

Pos	Part Number	Description	Remark	Qty	Model
-	000 043 206 17	Pedals universal low temperat. grease 1 tube		X	
1		Bellows see illustration:	604-000	1	
(2)	996 423 165 05	push rod		1	
3	996 423 307 00	Sleeve		1	
4	900 380 005 09	Hexagon nut M 8		3	
		Console for Servo spring		2	
5	997 423 571 02	bush		1	PR:480,481
6	997 423 399 01	Clutch pedal switch		2	PR:480,481
7	997 423 139 01	Pin		1	PR:480,481
(8)	996 423 315 06	Pin		1	PR:480,481
-	999 166 022 02	K1-lock for Pin		1	PR:480,481
9	997 423 081 05	Servo spring		1	
(10)	997 423 091 03	brake pedal Discontinued part		1	PR:480,098
(10)	997 423 091 04	brake pedal		1	PR:480,098, 481
(10)	997 423 092 03	brake pedal Discontinued part		1	PR:480,099
(10)	997 423 092 04	brake pedal		1	PR:480,099, 481
(10)	997 423 093 03	brake pedal Discontinued part		1	PR:249,098
(10)	997 423 093 04	brake pedal		1	PR:249,098
10	997 423 094 03	brake pedal Discontinued part		1	PR:249,099
10	997 423 094 04	brake pedal		1	PR:249,099
12	996 423 308 00	Pin		1	
13	997 423 581 00	bearing shell		1	
14	997 423 281 00	axle		1	PR:480,098, 481
(14)	997 423 284 00	axle		1	PR:480,099, 481
(14)	996 423 283 05	axle		1	PR:249,098
(14)	996 423 286 05	axle		1	PR:249,099
-	996 423 277 00	Bearing sleeve brake pedal		1	PR:099
15	997 423 910 00	pad for brake and clutch pedals		2	PR:480,481
(15)	997 423 912 00	Cap for foot brake pedal		1	PR:249
16	997 613 109 00	Switch		1	PR:480,481
(17)	996 613 113 01	Switch brake pedal		2	
(17)	996 613 114 01	Switch for clutch pedal Clutch pedal switch		1	
18	997 423 541 00	Bracket		1	
20	997 423 401 00	bush		2	PR:098
(20)	997 423 402 00	bush		2	PR:099
21	997 423 275 01	sealing plug		1	
22	900 378 273 09	Hexagon bolt M 6 X 18 Discontinued part		1	
(22)	900 378 273 01	Hexagon bolt M 6 x 18		1	
23	900 146 159 02	flat round head bolt M 3 X 20		1	

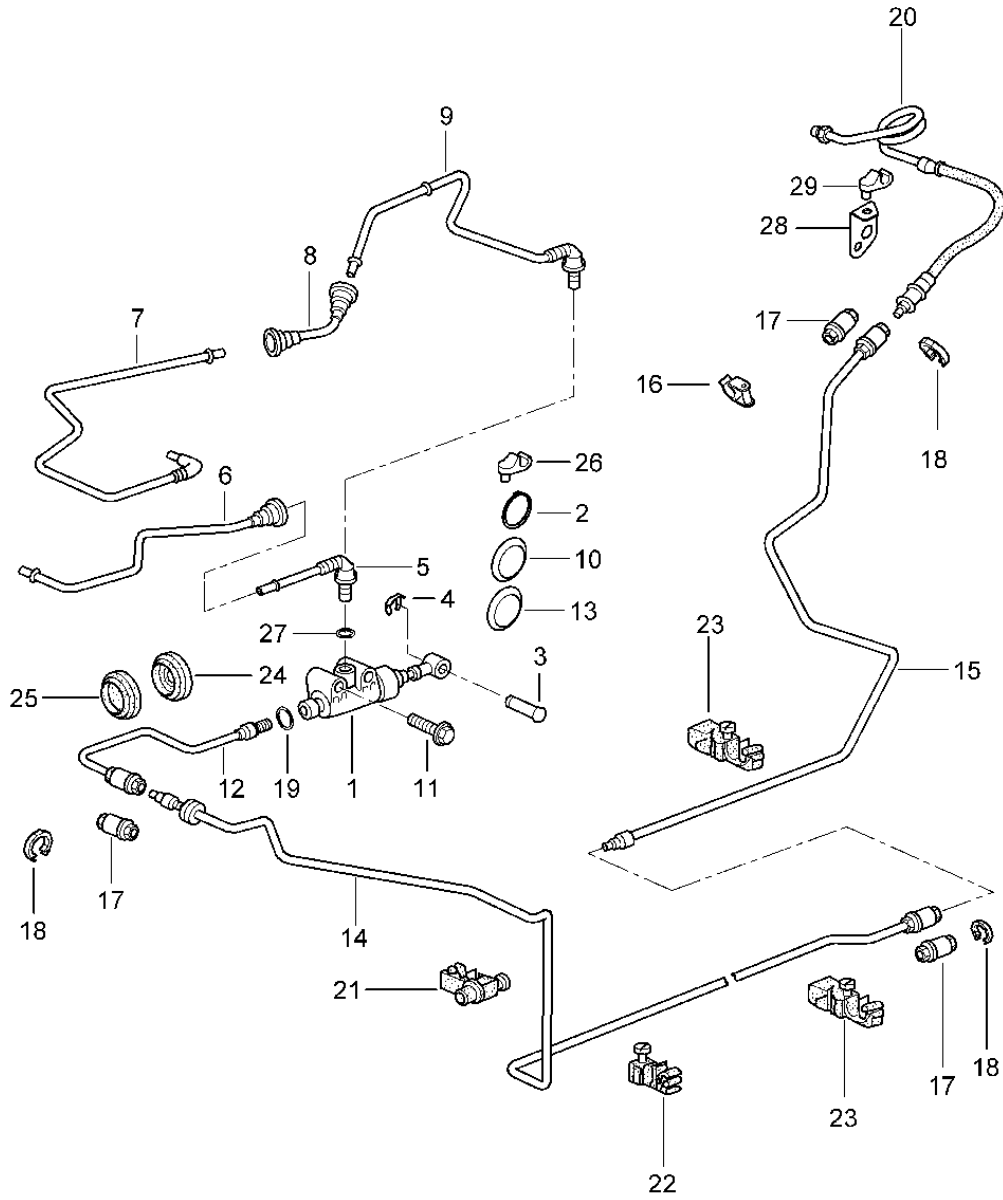
Model: 987 05

Model life 2005>>2008

Pos	Part Number	Description	Remark	Qty	Model
23	999 073 480 01	Discontinued part Bolt with washer M 3 X 20		1	
24	997 423 695 00	Rubber stop		1	
25	997 423 697 00	Rubber stop		1	

Model: 987 05

Model life 2005>>2008

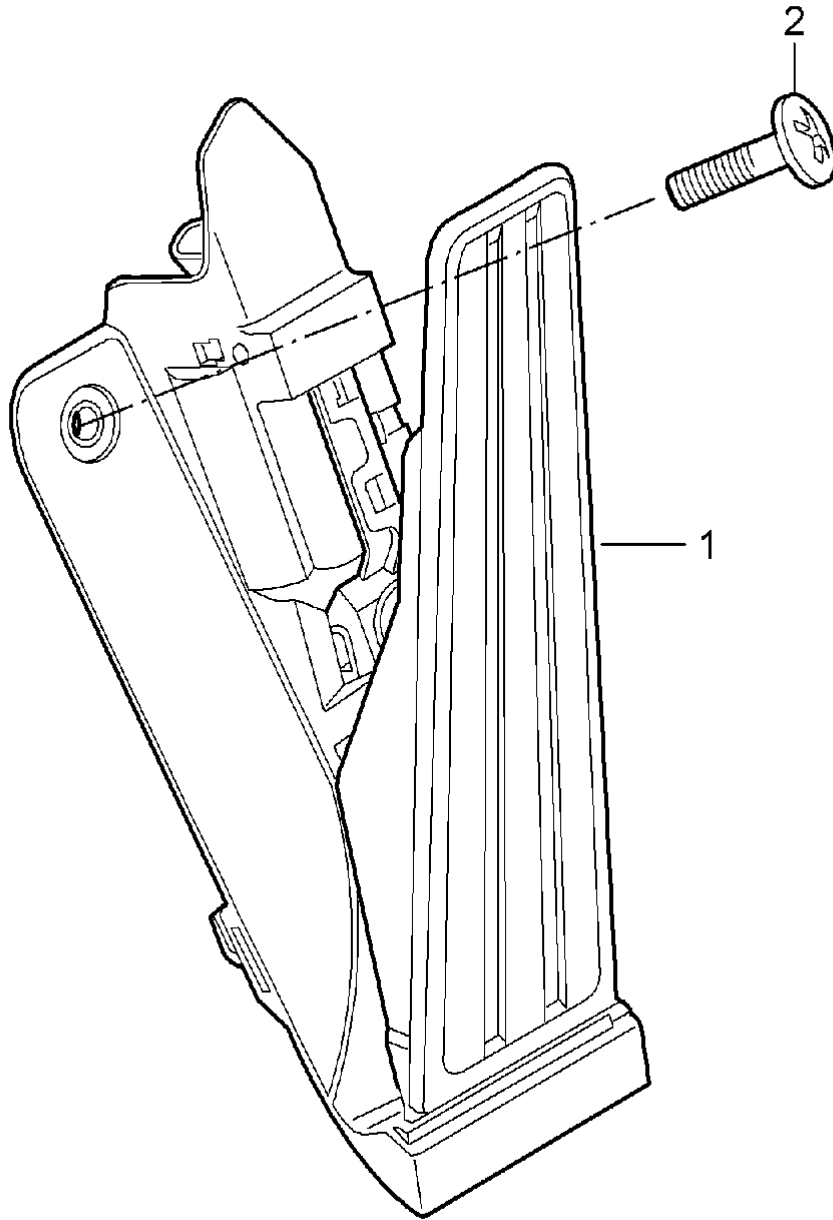


Model: 987 05 Model life 2005>>2008

Pos	Part Number	Description	Remark	Qty	Model
		clutch actuation			
		Clutch master cylinder			
		Clutch tube			
1	997 423 171 01	Clutch master cylinder		1	
2	996 423 614 00	Securing ring		1	
		Pressure line			
3	996 423 315 06	Pin		1	
4	999 166 022 02	Kl-lock for Pin		1	
		Discontinued part			
4	999 166 022 01	Kl-lock for Pin		1	
5	997 423 147 00	Feed line		1	PR:098
6	997 423 137 00	Feed line		1	PR:098
7	996 423 138 04	Feed line		1	PR:099
8	996 423 140 02	Feed line		1	PR:099
9	996 423 142 02	Feed line		1	PR:099
10	999 703 421 40	Grommet		1	PR:249
		Side part			
11	900 378 217 09	Hexagon bolt M 6 X 40		2	
12	996 423 107 10	Clutch tube		1	PR:098
		Discontinued part			
(12)	996 423 107 11	Clutch tube		1	PR:098
(12)	997 423 108 00	Clutch tube		1	PR:099
		Discontinued part			
(12)	997 423 108 01	Clutch tube		1	PR:099
13	999 702 174 50	Grommet		1	PR:098
14	997 423 109 00	Clutch tube		1	
		Discontinued part			
(14)	997 423 109 01	Clutch tube		1	
15	987 423 113 00	Clutch tube		1	PR:480
		Discontinued part			
(15)	987 423 113 01	Clutch tube		1	PR:480
(15)	987 423 113 25	Clutch tube		1	PR:481
16	999 591 964 40	Bracket		1	
17	999 230 541 10	Threaded joint		3	
18	999 230 685 40	Securing ring for Threaded joint		3	
19	999 707 333 40	seal ring		1	
20	987 423 377 00	Clutch hose D >> - MJ 2007		1	PR:480
(20)	987 423 377 01	Clutch hose D - MJ 2008>> Discontinued part		1	PR:480
(20)	987 423 377 02	Clutch hose D - MJ 2008>>		1	PR:480
21	996 355 549 00	Bracket		1	
22	996 355 545 00	Bracket		2	
23	996 355 543 00	Bracket		4	
24	999 702 216 42	Grommet		1	PR:481, 480
25	999 702 217 41	Grommet		1	PR:249
26	999 507 586 40	Cable holder		1	
27	999 707 333 40	seal ring 6,07 X 1,78N		1	
28	986 423 677 25	Support		1	PR:481
29	999 507 586 40	Cable holder		1	PR:481

Model: 987 05

Model life 2005>>2008



Model: 987 05

Model life 2005>>2008

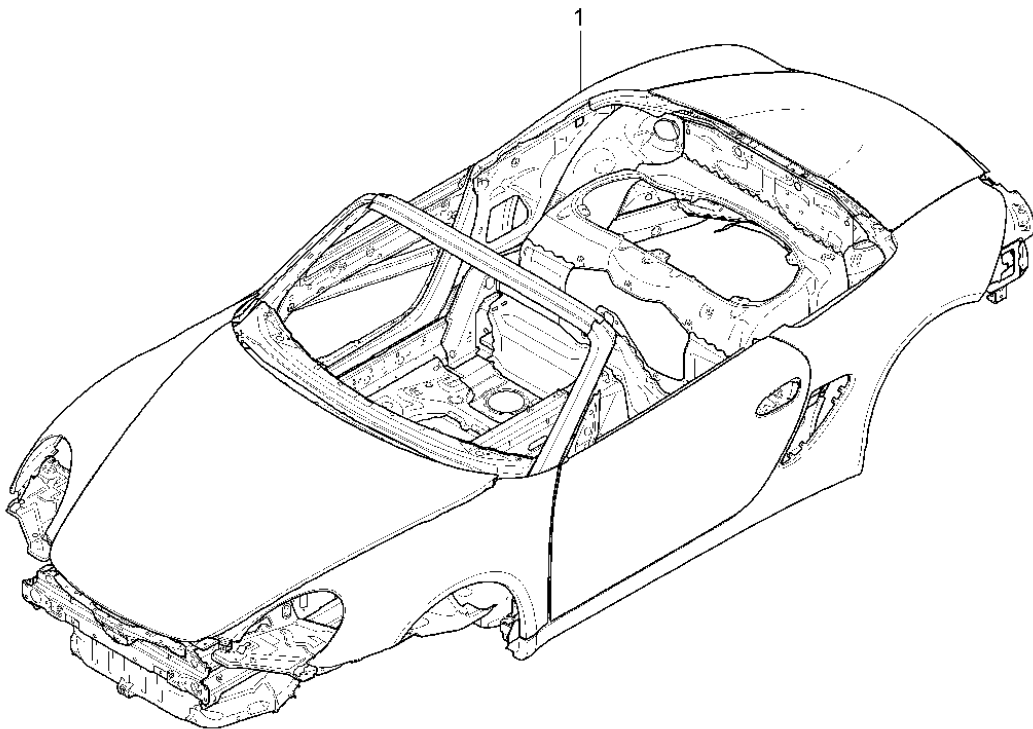
Pos	Part Number	Description	Remark	Qty	Model
		Pedals			
1	997 423 019 02	throttle control		1	PR:480,481
(1)	997 423 021 02	throttle control		1	PR:249
2	900 146 161 09	flat round head bolt M 6 X 20		1	

Model: 987 05

Model life 2005>>2008

- B — WPOZZZ 98 z 5U730070
- C — 987 121
M9701-685 G9701
- G — L6B4 AT
- D — C00 267 268 425 437
- E — 438 446 454 537 610
635 640 650 666 670
- F — 00641 20772

A



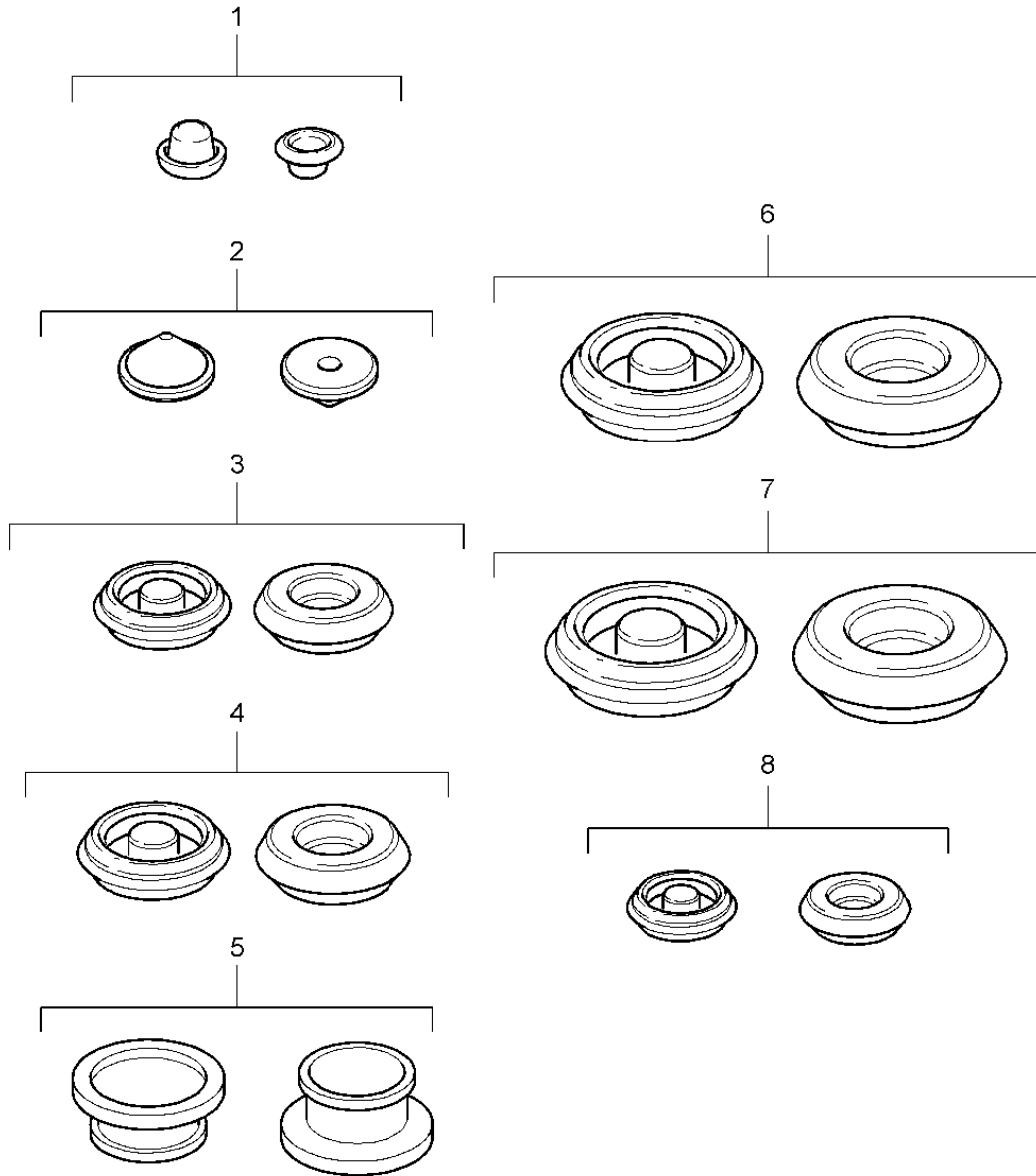
Model: 987 05

Model life 2005>>2008

Pos	Part Number	Description	Remark	Qty	Model
-		Car body primed Sealed			
		with: Underbody protection			
		with: Doors/lids/wings			
-		Bodyshells can only only available from current Model year available			
-		The data required for your order Can be found on the Vehicle data carrier in Vehicle wallet Please indicate this data in your order Vehicle data carrier Vehicle Ident. No. Order type Country equipment Optional extras Additional applications Please state the colour			
A					
B					
C					
D					
E					
F					
G					
1	987 500 900 00 987 500 900 00 GRV	Car body primed		1	

Model: 987 05

Model life 2005>>2008



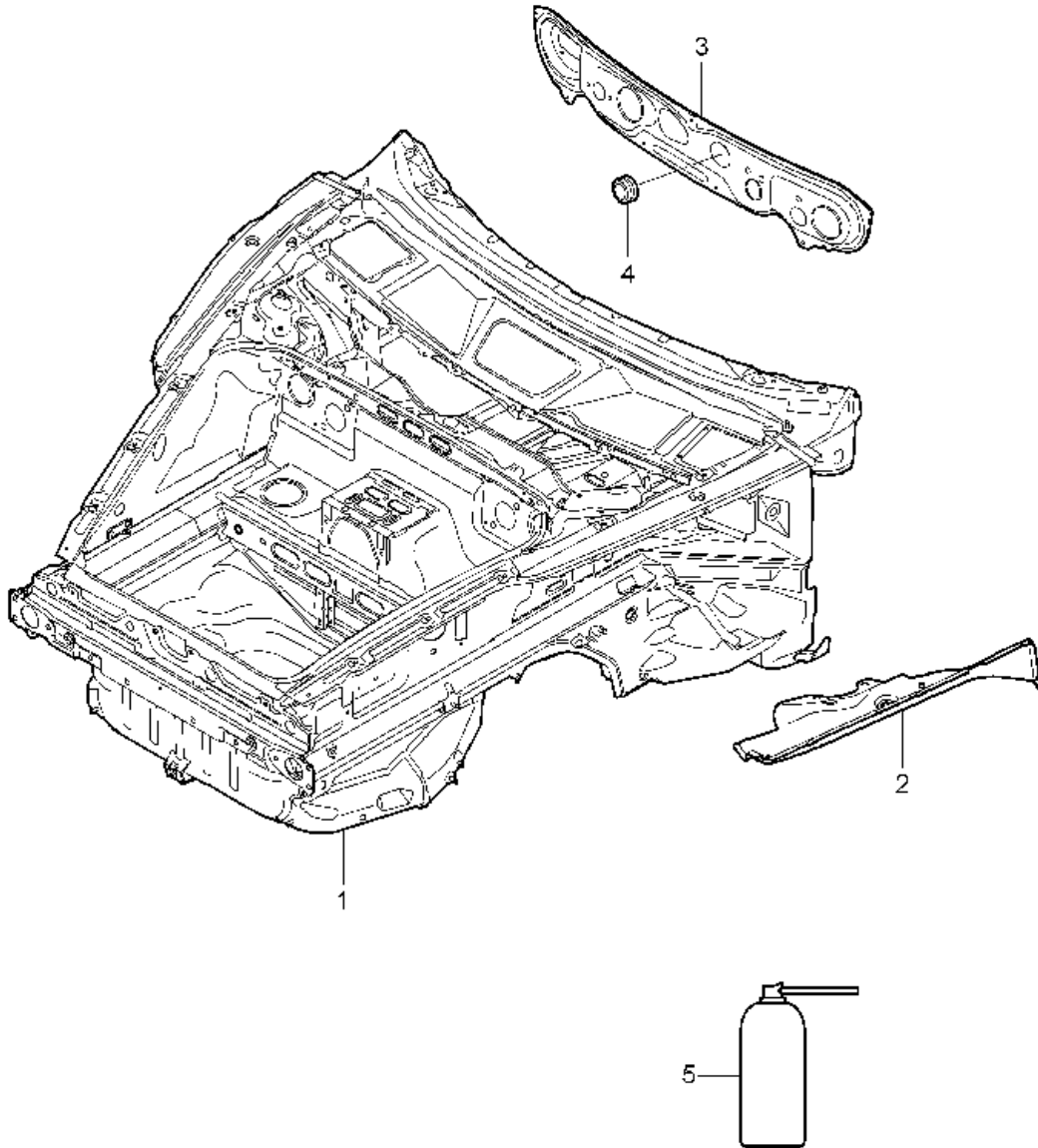
Model: 987 05

Model life 2005>>2008

Pos	Part Number	Description	Remark	Qty	Model
1	999 703 462 40	Bungs Plane See workshop manual End cap 10 x 6,5		X	
2	999 703 421 40	Grommet 15 mm		X	
4	803 803 583 A	Bungs 20 x 30 Discontinued part		X	
4	999 703 196 40	End cap 20 x 30		X	
5	999 703 420 40	Bungs 20,3 x 30 x 11		X	
6	803 803 583	Rubber grommet 30 x 40 Discontinued part		X	
6	999 703 195 40	Rubber grommet 30 x 40		X	
7	999 703 433 40	Bungs 30 x 42		X	
8	999 703 435 40	End cap 15 x 26		X	

Model: 987 05

Model life 2005>>2008



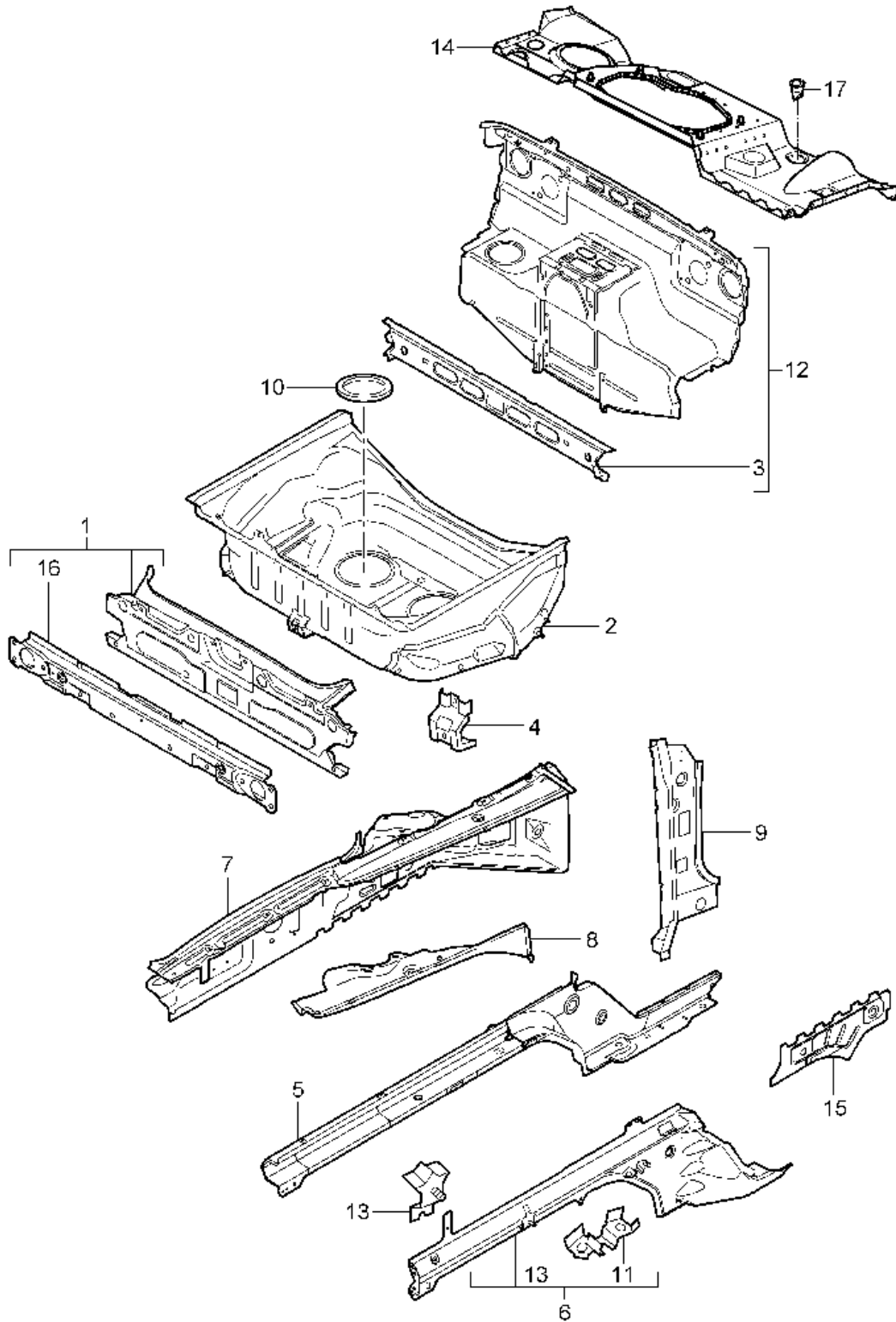
Model: 987 05

Model life 2005>>2008

Pos	Part Number	Description	Remark	Qty	Model
1	987 501 911 00 987 501 911 00 GRV	Front end Front end primed also use: sealant Pos. 5 Processing instructions See technical manual		1	
-		also use:			
2	997 501 945 00 997 501 945 00 GRV	Lower part primed	left	1	
(2)	997 501 946 00 997 501 946 00 GRV	Bottom half primed	right	1	
3	997 504 121 00	Cover	lhd	1	PR:098
(3)	997 504 121 01	Cover	rhd	1	PR:099
-		also use:			
-	000 043 300 94	Adhesive set		1	
4	999 702 255 41	End cap 62,5 X 72,6		1	
5	999 915 337 40	sealant		1	

Model: 987 05

Model life 2005>>2008

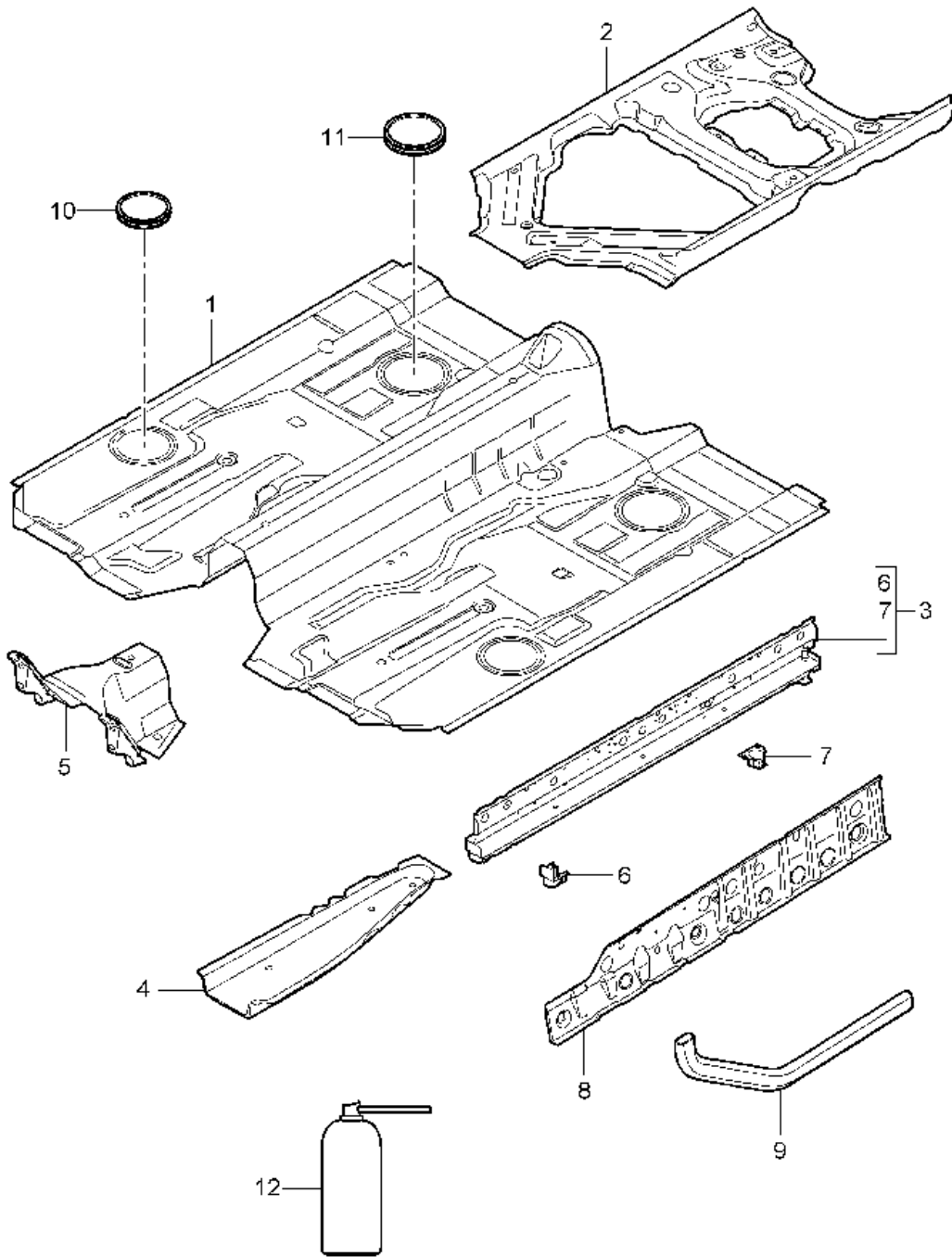


Model: 987 05 Model life 2005>>2008

Pos	Part Number	Description	Remark	Qty	Model
		Front end			
		Individual parts			
1	997 501 931 00	Cross panel		1	
	997 501 931 00 GRV	primed			
2	987 501 979 00	Spare wheel well		1	
	987 501 979 00 GRV	primed			
3	997 501 649 00	Cross member		1	
		filler plate			
	997 501 649 00 GRV	primed			
4	996 501 621 00	Bracket		3	
	996 501 621 00 GRV	primed			
5	997 501 305 01	Side member	left	1	
	997 501 305 01 GRV	primed			
(5)	997 501 306 01	Side member	right	1	
	997 501 306 01 GRV	primed			
6	997 501 915 00	Side member	left	1	
	997 501 915 00 GRV	primed			
(6)	997 501 916 00	Side member	right	1	
	997 501 916 00 GRV	primed			
7	997 501 935 00	Wheel housing	left	1	
		Discontinued part			
	997 501 935 00 GRV	primed			
7	997 501 935 01	Wheel housing	left	1	
	997 501 935 01 GRV	primed			
(7)	997 501 936 01	Wheel housing	right	1	
	997 501 936 01 GRV	primed			
8	997 501 945 00	Lower part	left	1	
	997 501 945 00 GRV	primed			
(8)	997 501 946 00	Bottom half	right	1	
	997 501 946 00 GRV	primed			
9	997 501 937 00	Hinge pillar	left	1	
	997 501 937 00 GRV	primed			
9	997 501 938 00	Hinge pillar	right	1	
	997 501 938 00 GRV	primed			
10	996 504 201 01	Cover		2	
		\$ 145 MM			
11	996 501 815 02	Brake line bracket		2	
	996 501 815 02 GRV	primed			
12	997 502 921 00	filler plate		1	
	997 502 921 00 GRV	primed			
13	996 501 341 00	Bracket	upper	2	
		Radiator			
	996 501 341 00 GRV	primed			
14	997 502 017 01	Cross panel		1	
	997 502 017 01 GRV	primed			
15	997 501 665 01	Web plate	left	1	
	997 501 665 01 GRV	primed			
(15)	997 501 666 01	Web plate	right	1	
	997 501 666 01 GRV	primed			
16	997 501 901 00	Cross member		1	
	997 501 901 00 GRV	primed			
17	999 703 476 40	Grommet		4	
		29,8 X 1,0			
17	999 703 476 41	Grommet		4	
		29,8 X 1,0			

Model: 987 05

Model life 2005>>2008

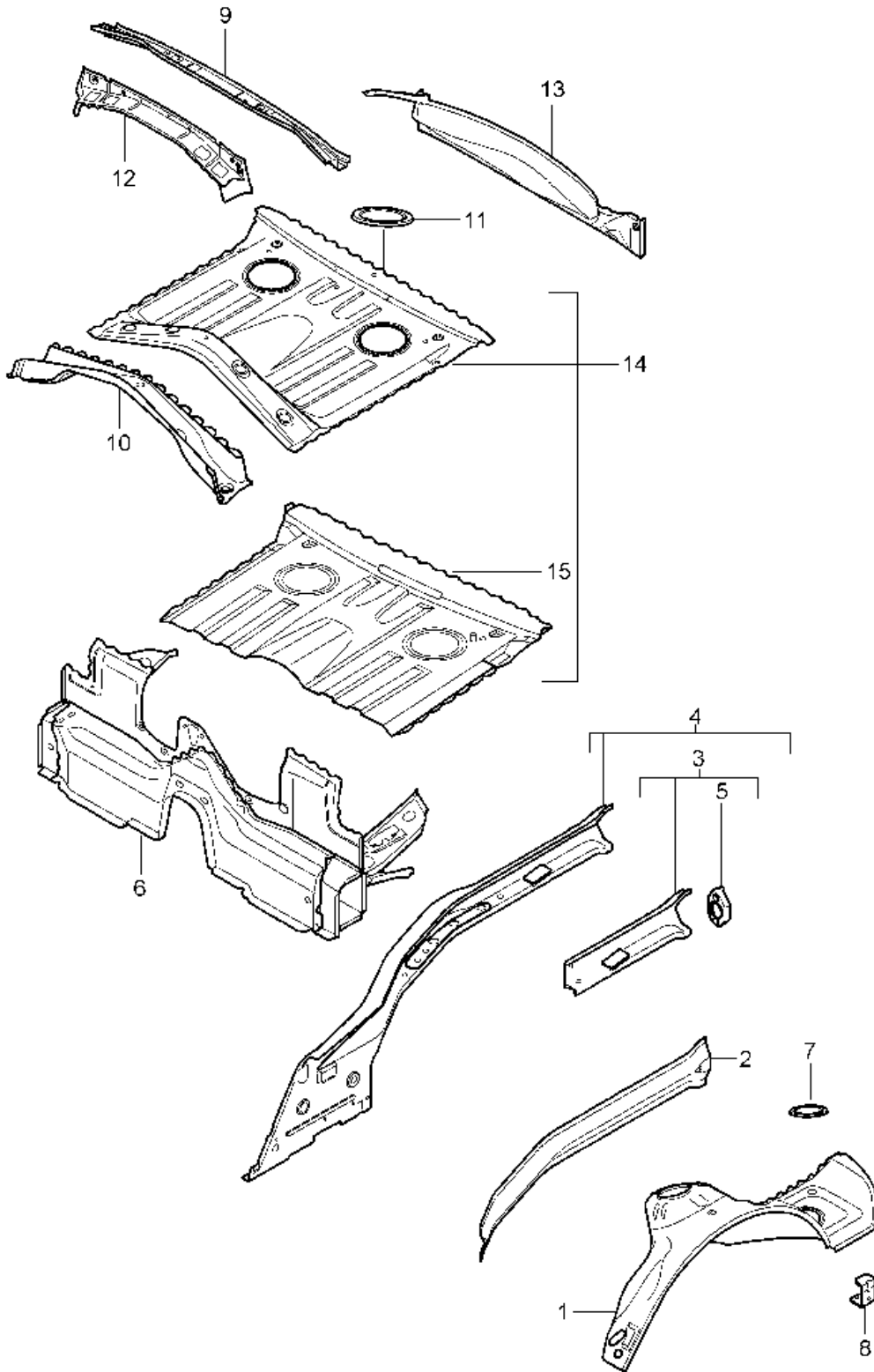


Model: 987 05 Model life 2005>>2008

Pos	Part Number	Description	Remark	Qty	Model
1	987 501 551 00	Floor	center	1	
	987 501 551 00 GRV	Floor primed			
2	997 501 953 01	Seat support	left	1	
	997 501 953 01 GRV	Seat support primed			
(2)	997 501 954 01	Seat support	right	1	
	997 501 954 01 GRV	Seat support primed			
3	987 501 957 00	Side member	left	1	
	987 501 957 00 GRV	Side member primed			
(3)	987 501 958 00	Side member	right	1	
	987 501 958 00 GRV	Side member primed			
4	997 501 525 00	Side member	left	1	
	997 501 525 00 GRV	Side member primed			
(4)	997 501 526 00	Side member	right	1	
	997 501 526 00 GRV	Side member primed			
5	996 501 751 00	Extension		1	
	996 501 751 00 GRV	Extension primed			
6	996 501 785 00	socket - jack	left front	1	
	996 501 785 00 GRV	socket - jack primed			
(6)	996 501 786 00	socket - jack	right front	1	
	996 501 786 00 GRV	socket - jack primed			
7	996 501 481 01	socket - jack	left rear	1	
	996 501 481 01 GRV	socket - jack primed			
(7)	996 501 482 01	socket - jack	right rear	1	
	996 501 482 01 GRV	socket - jack primed			
8	997 501 329 00	Retaining plate	left	1	
	997 501 329 00 GRV	Retaining plate primed			
(8)	997 501 330 00	Retaining plate	right	1	
	997 501 330 00 GRV	Retaining plate primed			
9	997 501 439 00	Support tube		2	
	997 501 439 00 GRV	Support tube primed			
		also use:			
		sealant			
		Pos. 12			
		Processing instructions			
		See technical manual			
		51 49 55			
10	996 504 205 01	Cover		2	
		\$ 125 MM			
11	996 504 201 01	Cover		2	
		\$ 145 MM			
12	999 915 337 40	sealant		1	

Model: 987 05

Model life 2005>>2008



Model: 987 05 Model life 2005>>2008

Pos	Part Number	Description	Remark	Qty	Model
-	000 043 206 29	Rear end Individual parts Adhesive set		X	
		Body comprising:			
-	000 043 206 30	adhesive		1	
-	000 043 206 31	Double cartridge gun		1	
-	000 043 206 32	emulsion tube		1	
-	000 043 206 33	activator		1	
1	987 501 983 00	Wheel housing	left	1	-10
	987 501 983 00 GRV	primed			
1	987 501 983 01	Wheel housing	left	1	11-
	987 501 983 01 GRV	primed			
(1)	987 501 984 01	Wheel housing	right	1	-10
	987 501 984 01 GRV	primed			
(1)	987 501 984 02	Wheel housing	right	1	11-
	987 501 984 02 GRV	primed			
-	987 501 654 00	Retainer for control units		1	
	987 501 654 00 GRV	primed			
		Control unit			
		Tiptronic			
2	986 501 995 01	Side member	left	2	
	986 501 995 01 GRV	primed	outer		
(2)	986 501 996 01	Side member	right	2	
	986 501 996 01 GRV	primed	outer		
3	986 501 977 00	Side member	left	1	
	986 501 977 00 GRV	primed	inner		
		Sub-part			
		See workshop manual			
(3)	987 501 978 00	Side member	right	1	
		Discontinued part			
	987 501 978 00 GRV	primed	inner		
		Sub-part			
		See workshop manual			
(3)	987 501 978 02	Side member	right	1	
	987 501 978 02 GRV	primed	inner		
		Sub-part			
		See workshop manual			
4	987 501 177 00	Side member	left	1	
	987 501 177 00 GRV	primed	inner		
(4)	987 501 178 00	Side member	right	1	
	987 501 178 00 GRV	primed	inner		
5	996 501 377 01	Support		2	
	996 501 377 01 GRV	primed			
6	987 501 191 00	filler plate		1	
	987 501 191 00 GRV	primed			
7	996 504 209 01	Cover		2	
		100 MM			
8	986 501 613 00	Bracket		1	
	986 501 613 00 GRV	primed			
9	987 502 685 00	Console		1	
	987 502 685 00 GRV	primed			
		Side part			
10	986 501 575 00	Cross member		1	
	986 501 575 00 GRV	primed			
		Rear axle			
11	996 504 201 01	Cover		2	
		145 MM			
12	986 502 673 01	Cross member		1	
	986 502 673 01 GRV	primed			
13	987 501 243 00	Cross panel		1	
	987 501 243 00 GRV	primed			
14	986 501 471 00	Floor section		1	

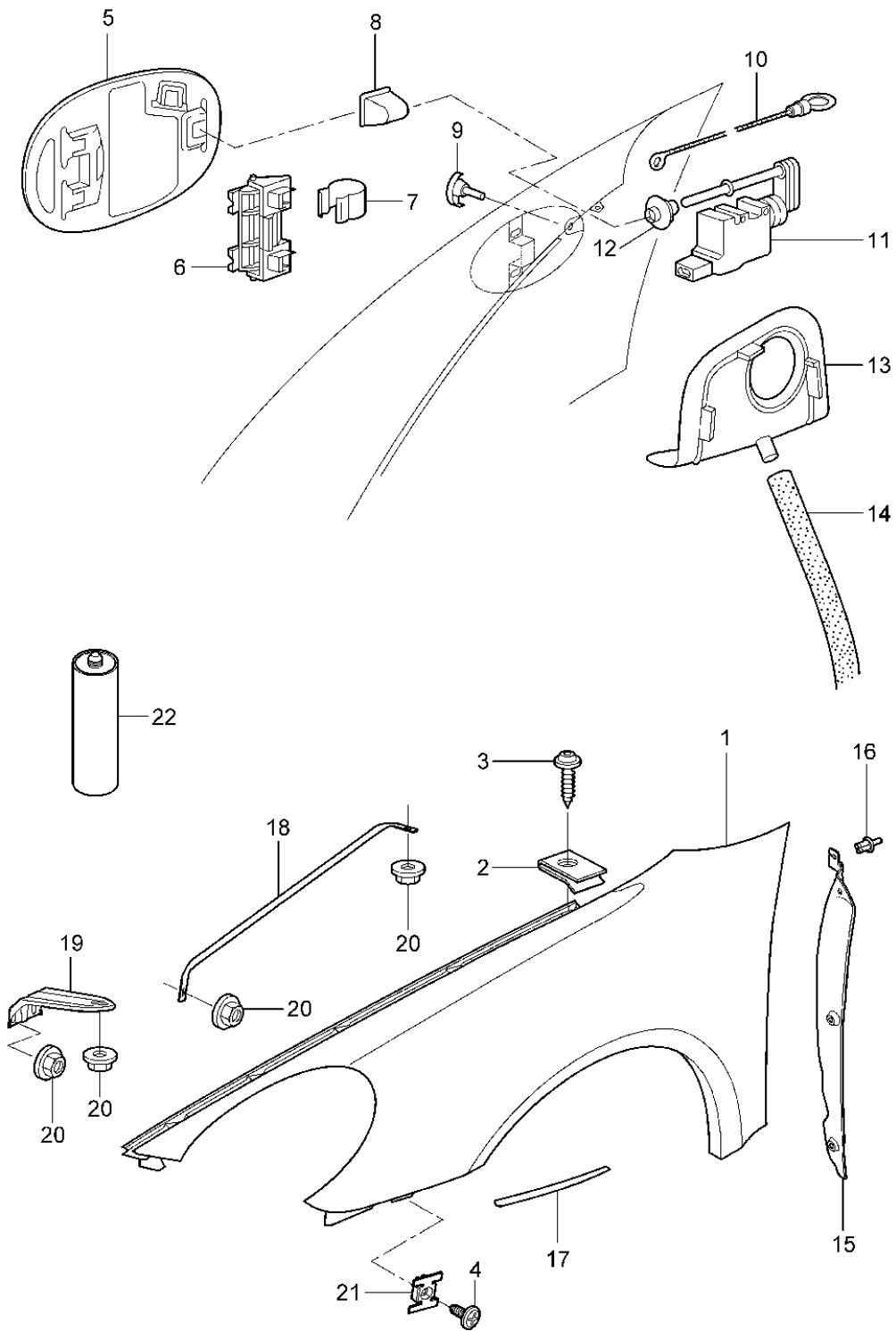
Model: 987 05

Model life 2005>>2008

Pos	Part Number	Description	Remark	Qty	Model
15	986 501 471 00 GRV 986 501 971 00 986 501 971 00 GRV	primed boot floor plate primed		1	

Model: 987 05

Model life 2005>>2008

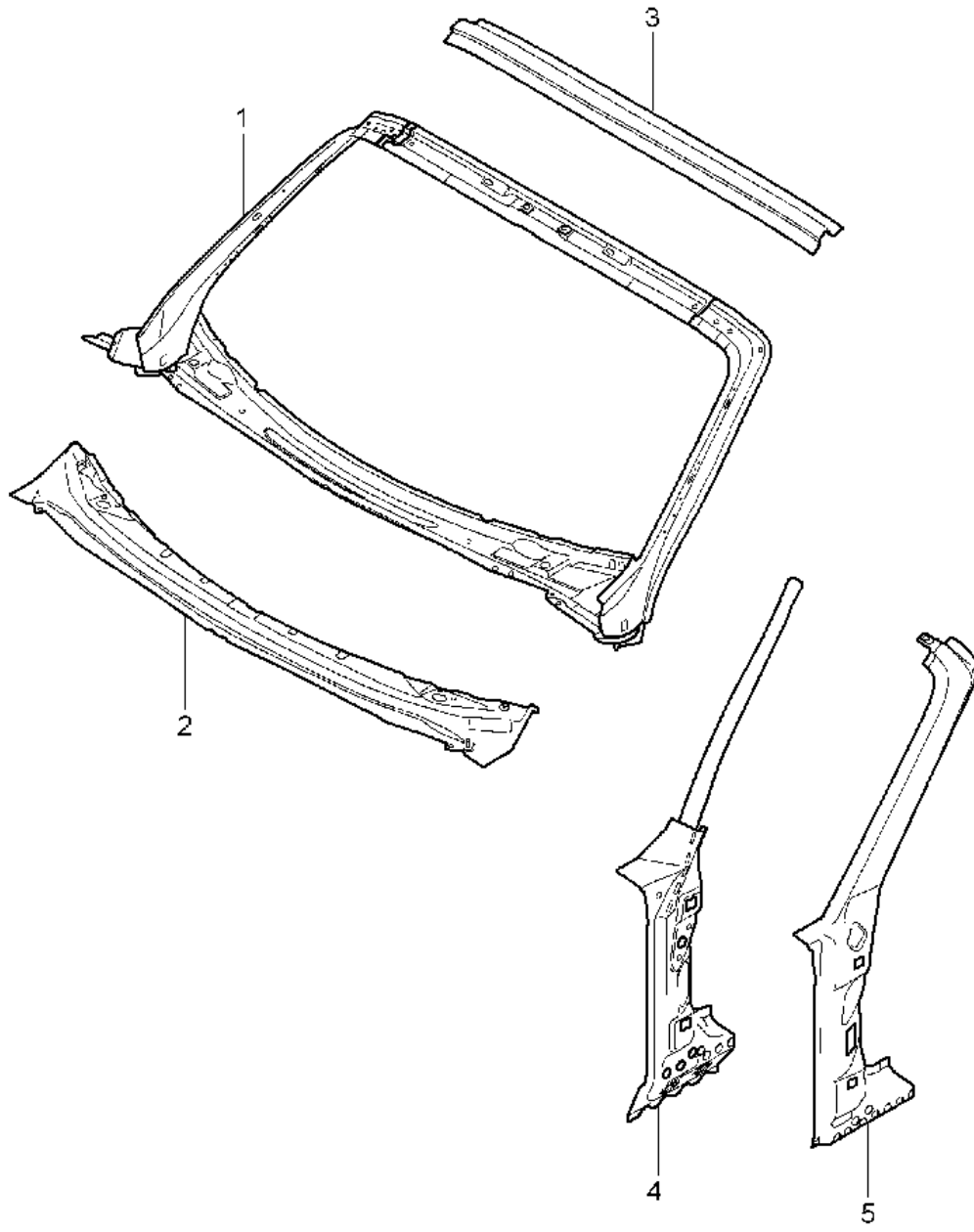


Model: 987 05 Model life 2005>>2008

Pos	Part Number	Description	Remark	Qty	Model
1	987 503 031 00	Wing	left	1	
		Wing			
		D - MJ 2005>>			
	987 503 031 00 GRV	primed			
(1)	987 503 032 02	Wing	right	1	PR:-461
		D - MJ 2005>> - MJ 2007			
	987 503 032 02 GRV	primed			
(1)	987 503 932 00	Wing	right	1	PR:-461
		D - MJ 2008>>			
	987 503 932 00 GRV	primed			
(1)	987 503 032 01	Wing	right	1	PR:461
		D - MJ 2005>>			
		Discontinued part			
	987 503 032 01 GRV	primed			
(1)	987 503 932 01	Wing	right	1	PR:461
		D - MJ 2005>>			
	987 503 932 01 GRV	primed			
2	999 507 003 02	panel nut		18	
		ST 6,3			
		Discontinued part			
2	999 507 003 01	panel nut		18	
		ST 6,3			
3	999 073 128 02	panel screw		10	
		ST 6,3 X 14			
4	900 187 111 02	Bolt with washer		8	
		ST 6,3 X 12			
		Discontinued part			
4	900 187 111 01	Bolt with washer		8	
		ST 6,3 X 12			
5	987 504 134 00	Fuel filler flap		1	
	987 504 134 00 GRV	primed			
6	996 201 063 00	Hinge		1	
7	997 504 711 00	Spring		1	
8	996 201 423 00	Cap		1	
9	997 504 888 01	Rubber stop		1	
10	996 201 493 00	Emergency operation		1	
11	997 624 113 00	throttle control element		1	
12	996 624 505 02	Guide rose		1	
13	996 201 667 01	Sleeve		1	
		D >> - MJ 2005			
13	997 201 667 00	Sleeve		1	
		D - MJ 2006>>			
14	996 201 153 00	Hose		1	
15	997 504 641 01	lining for fender	left	1	
	997 504 641 01 01C	Black			
(15)	997 504 642 01	lining for fender	right	1	
	997 504 642 01 01C	Black			
16	999 591 712 40	Spreader rivet		6	
		A 6,0 X 12,0			
17	987 504 531 00	Protective film	left	1	
(17)	987 504 532 00	Protective film	right	1	
18	997 504 441 00	Brace		2	
	997 504 441 00 GRV	primed			
19	997 504 555 00	Console		2	
	997 504 555 00 GRV	primed			
20	999 076 066 09	Hexagon nut		10	
		M 6			
21	999 507 590 02	Cage nut		6	
		ST 4,8			
22	000 043 204 85	cavity preservative agent		X	
		400 ML			

Model: 987 05

Model life 2005>>2008

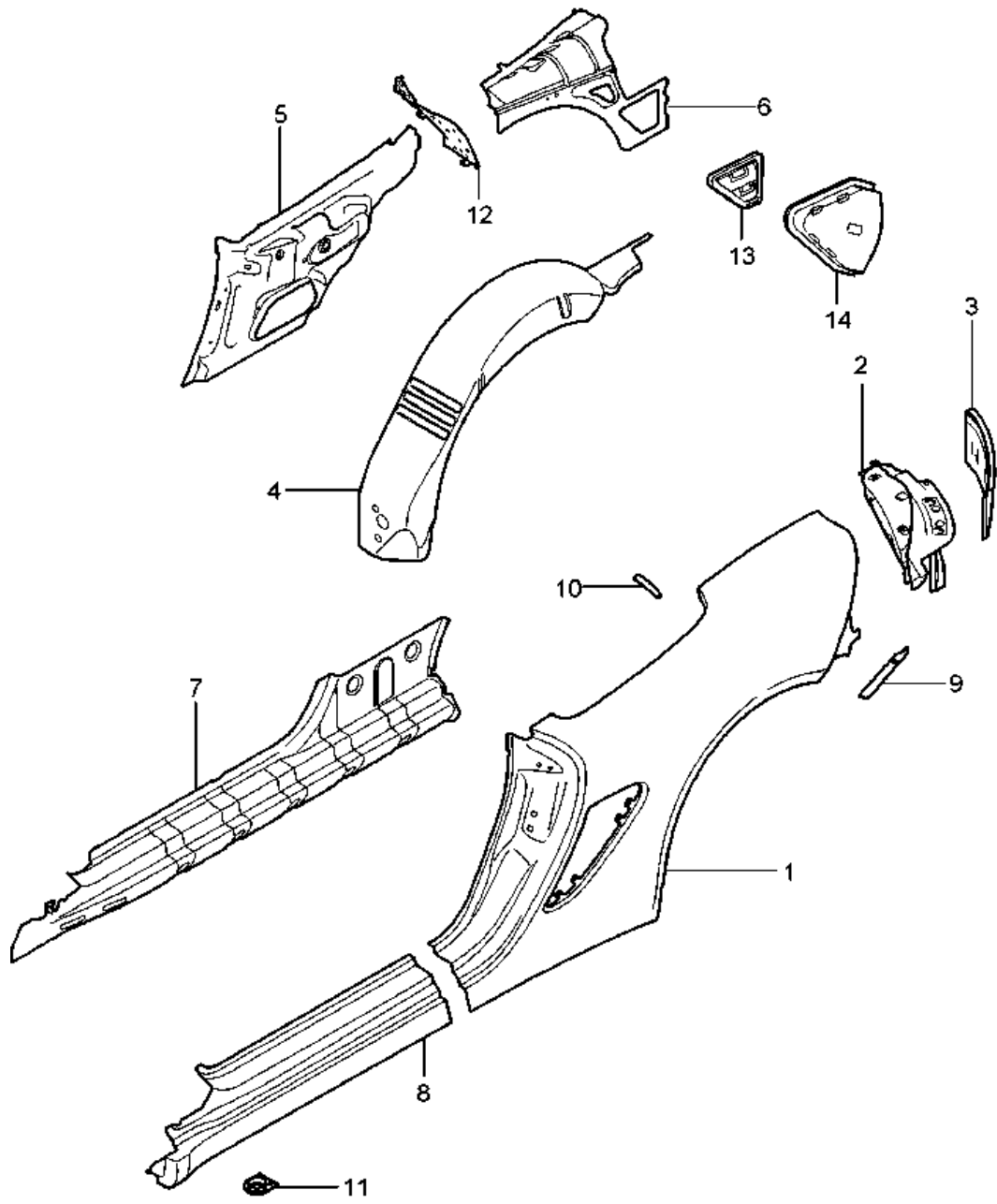


Model: 987 05 Model life 2005>>2008

Pos	Part Number	Description	Remark	Qty	Model
1	987 502 137 00	Scuttle		1	
	987 502 137 00 GRV	primed	inner		
2	997 502 527 00	Scuttle		1	
	997 502 527 00 GRV	primed	outer		
3	987 502 529 00	Scuttle		1	
	987 502 529 00 GRV	primed	outer		
4	987 502 135 01	Reinforcement for A-pillar	left	1	
	987 502 135 01 GRV	primed			
		also use:			
(4)	987 502 136 01	Reinforcement for A-pillar	right	1	
	987 502 136 01 GRV	primed			
		also use:			
-	000 043 206 29	Adhesive set		X	
		Body			
		comprising:			
-	000 043 206 30	adhesive		1	
-	000 043 206 31	Double cartridge gun		1	
-	000 043 206 32	emulsion tube		1	
-	000 043 206 33	activator		1	
5	987 502 335 00	Hinge pillar	left	1	
	987 502 335 00 GRV	primed			
		also use:			
(5)	987 502 336 00	Hinge pillar	right	1	
	987 502 336 00 GRV	primed			
		also use:			
-	000 043 206 29	Adhesive set		X	
		Body			
		comprising:			
-	000 043 206 30	adhesive		1	
-	000 043 206 31	Double cartridge gun		1	
-	000 043 206 32	emulsion tube		1	
-	000 043 206 33	activator		1	

Model: 987 05

Model life 2005>>2008



Model: 987 05 Model life 2005>>2008

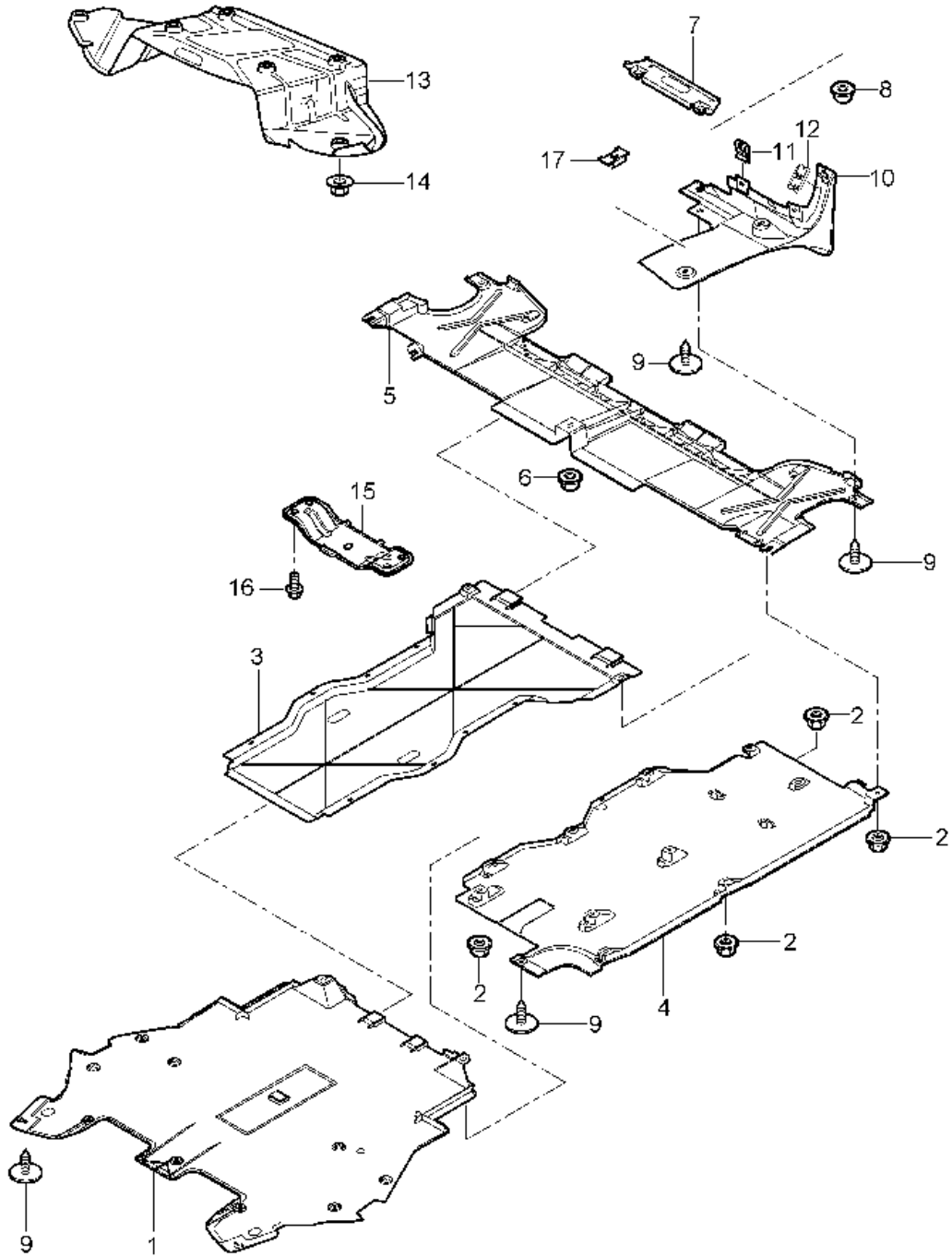
Pos	Part Number	Description	Remark	Qty	Model
1	987 503 961 02	Side part			
	987 503 961 02 GRV	Side part primed	left	1	
(1)	987 503 962 02	Side part	right	1	
	987 503 962 02 GRV	Side part primed			
-		also use:			
-	999 915 650 40	adhesive teromix 6700		X	
-	000 043 300 48	Tool set See technical manual Group 5 53 55 55		X	
2	987 502 161 00	Frame for light	left	1	
	987 502 161 00 GRV	Frame for light primed			
(2)	987 502 162 00	Frame for light	right	1	
	987 502 162 00 GRV	Frame for light primed			
3	987 501 651 00	corner part	left	1	
	987 501 651 00 GRV	corner part primed			
(3)	987 501 652 00	corner part	right	1	
	987 501 652 00 GRV	corner part primed			
4	987 502 515 00	Wheel housing	left	1	
	987 502 515 00 GRV	Wheel housing primed			
(4)	987 502 516 00	Wheel housing	right	1	
	987 502 516 00 GRV	Wheel housing primed			
5	987 502 083 00	Side part	left	1	
	987 502 083 00 GRV	Side part primed			
(5)	987 502 084 00	Side part	right	1	
	987 502 084 00 GRV	Side part primed			
6	986 502 085 00	Side part	left	1	
	986 502 085 00 GRV	Side part primed			
(6)	986 502 106 00	Side part	right	1	
	986 502 106 00 GRV	Side part primed			
7	986 502 163 02	Reinforcement Sill	left	1	
	986 502 163 02 GRV	Reinforcement Sill primed			
		also use:			
(7)	986 502 164 01	Reinforcement Sill	right	1	
	986 502 164 01 GRV	Reinforcement Sill primed			
		also use:			
-	000 043 206 29	Adhesive set Body comprising:		X	
-	000 043 206 30	adhesive		1	
-	000 043 206 31	Double cartridge gun		1	
-	000 043 206 32	emulsion tube		1	
-	000 043 206 33	activator		1	
8	987 503 963 02	Sill	left	1	
	987 503 963 02 GRV	Sill primed			
(8)	987 503 964 02	Sill	right	1	
	987 503 964 02 GRV	Sill primed			
9	987 504 631 00	Protective film	left	2	
10	996 537 237 00	Protective film		2	
11	999 703 475 40	drain tube		2	
12	987 504 901 00	Sill Seal See technical manual Group 5 53 55 55		2	
13	986 572 043 02	Bleeding	left	1	
(13)	986 572 044 00	Bleeding	right	1	
14	986 572 643 01	Air-guide cowl Bleeding	left	1	

Model: 987 05 **Model life** 2005>>2008

Pos	Part Number	Description	Remark	Qty	Model
(14)	986 572 644 01	Air-guide cowl Bleeding	right	1	

Model: 987 05

Model life 2005>>2008

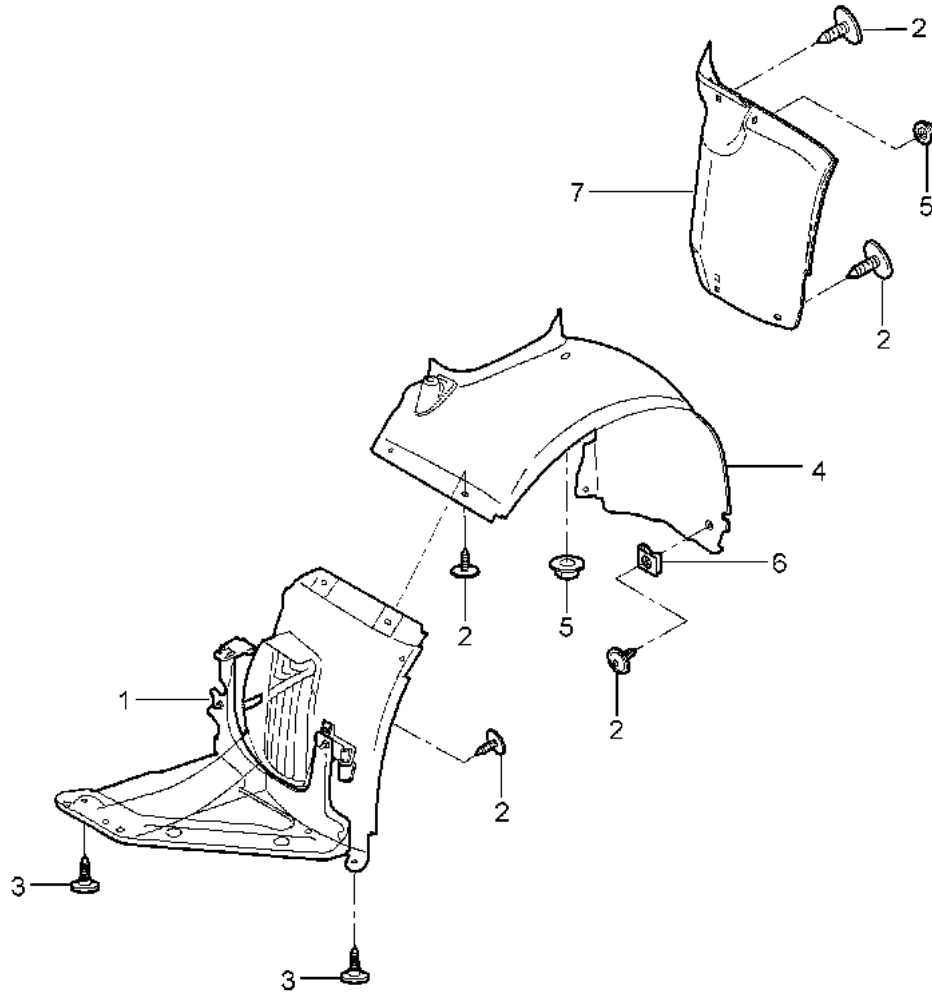


Model: 987 05 Model life 2005>>2008

Pos	Part Number	Description	Remark	Qty	Model
		Linings			
		Underbody			
1	997 504 527 02	Cover	front	1	
2	999 049 028 40	Plastic nut T 5/22 X 10		33	
3	997 504 043 00	Cover	center	1	
4	997 504 343 02	Cover	left	1	
(4)	997 504 344 02	Cover	right	1	
5	987 504 129 00	Cover	rear	1	
6	999 076 068 09	Hexagon nut M 6		1	
6	999 076 068 01	Discontinued part Hexagon nut M 6		1	
7	987 504 571 00	Bracket Cover Discontinued part	rear	2	
7	987 504 571 01	Bracket Cover	left rear	1	
7	987 504 572 01	Bracket Cover	right rear	1	
8	999 084 212 02	Hexagon nut M 6		2	
9	999 073 231 09	panel screw ST 4,8 X 16		X	
10	987 504 793 00	Trim	left	1	
(10)	987 504 793 00 01C	Satin black			
	987 504 794 00	Trim	right	1	
	987 504 794 00 01C	Satin black			
11	999 507 795 09	panel nut ST 4,8		2	
12	987 504 635 00	Clip	left	1	
(12)	987 504 636 00	Clip	right	1	
		Trim		1	
13	987 504 405 00	Heat insulation		1	
14	999 049 025 09	Collar nut T 5		7	
15	997 504 823 01	Transverse strut tunnel		1	
	997 504 823 01 GRV	primed			
16	900 075 475 09	Bolt with washer M 10 x 25		4	
17	999 507 849 01	Cage nut st 4,8		4	

Model: 987 05

Model life 2005>>2008

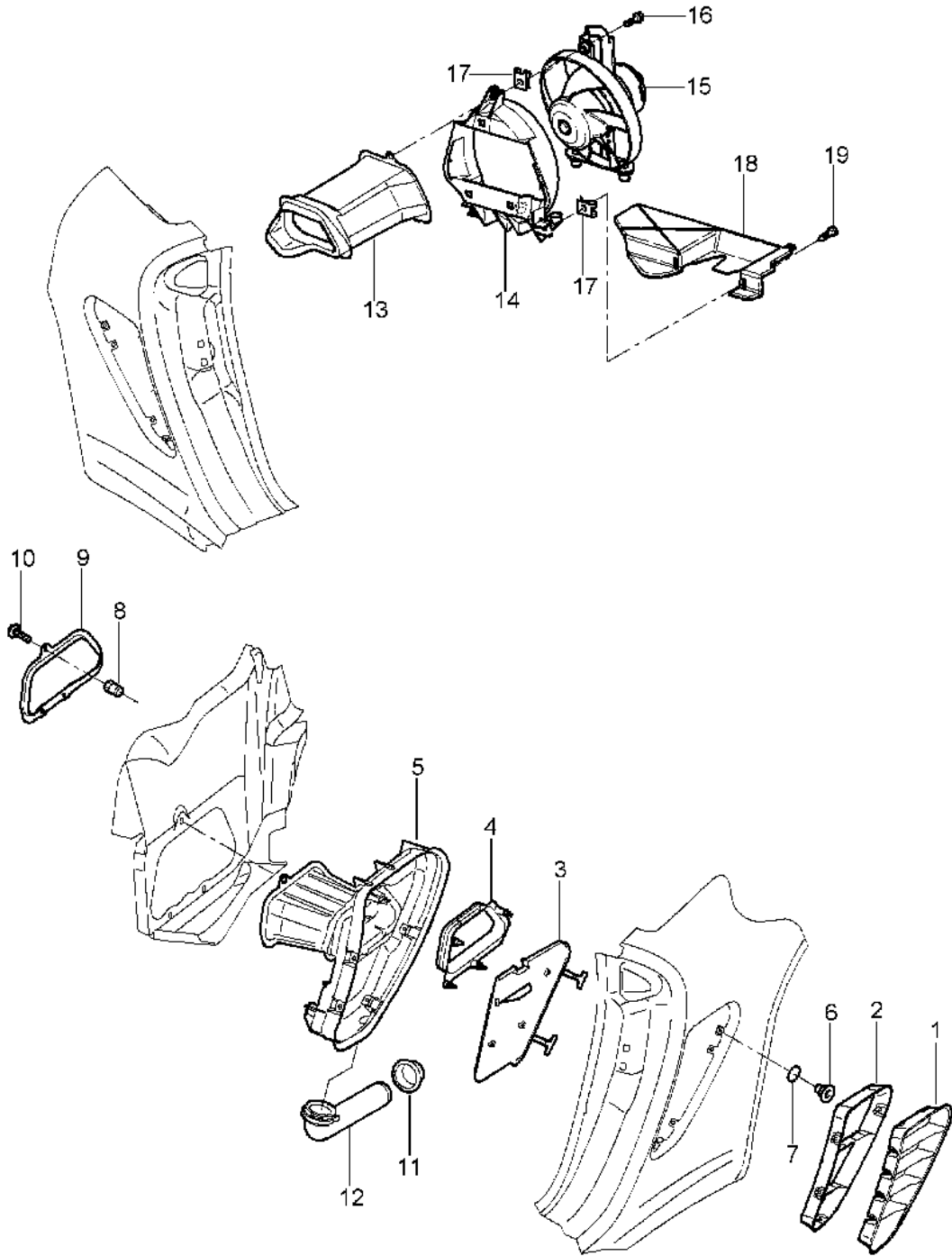


Model: 987 05 Model life 2005>>2008

Pos	Part Number	Description	Remark	Qty	Model
		Linings for			
1	987 504 123 00	Wheel housing Wheel housing liner	left front	1	PR:480,481
		Discontinued part			
(1)	987 504 124 00	Wheel housing liner	right front	1	PR:480,481
		Discontinued part			
(1)	987 504 123 04	Wheel housing liner	left front	1	PR:480,481
(1)	987 504 124 04	Wheel housing liner	right front	1	PR:480,481
(1)	987 504 123 03	Wheel housing liner	left front	1	PR:249
		Discontinued part			
(1)	987 504 124 03	Wheel housing liner	right front	1	PR:249
		Discontinued part			
(1)	987 504 123 05	Wheel housing liner	left front	1	PR:249
(1)	987 504 124 05	Wheel housing liner	right front	1	PR:249
(1)	987 504 123 06	Wheel housing liner	left front	1	PR:754,480
(1)	987 504 124 06	Wheel housing liner	right front	1	PR:754,480
(1)	987 504 123 07	Wheel housing liner	left front	1	PR:754,249
(1)	987 504 124 07	Wheel housing liner	right front	1	PR:754,249
2	999 073 231 09	panel screw ST 4,8 X 16		20	
3	999 073 227 09	panel screw ST 4,8 X 19		4	
4	987 504 203 00	Wheel housing liner	front and rear	1	
(4)	987 504 204 00	Wheel housing liner	front and rear	1	
5	999 049 028 40	Plastic nut T5		10	
6	999 507 795 09	panel nut		2	
7	987 504 573 01	Wheel housing liner	front and rear	1	
(7)	987 504 574 01	Wheel housing liner	front and rear	1	
8	987 504 673 01	Heat insulation	left	1	
(8)	987 504 674 01	Heat insulation	right	1	
9	999 507 795 09	Brake hose panel nut		2	

Model: 987 05

Model life 2005>>2008



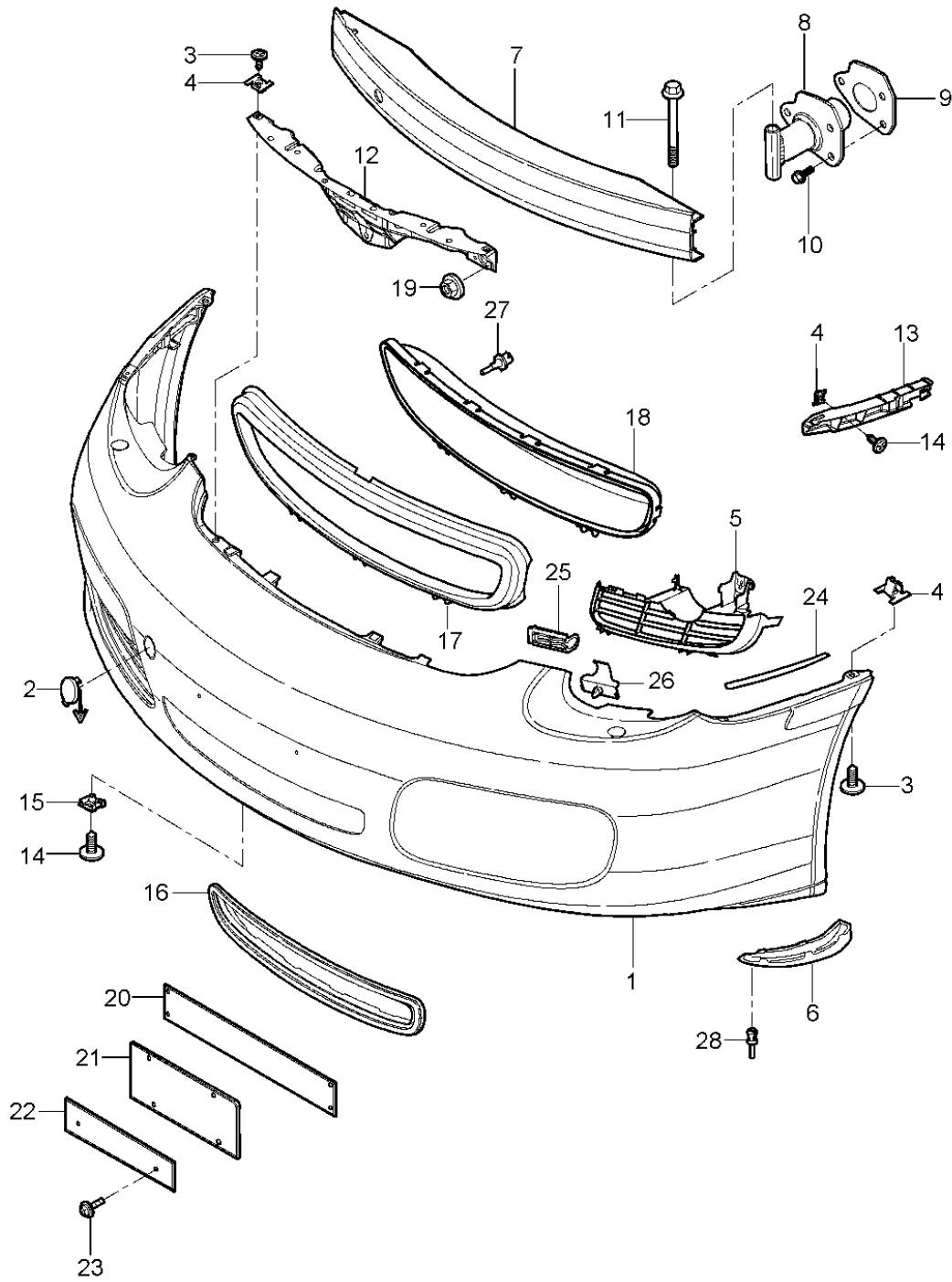
Model: 987 05

Model life 2005>>2008

Pos	Part Number	Description	Remark	Qty	Model
1	987 504 561 01	Ventilation Engine compartment Ventilation grille	left	1	
(1)	987 504 561 01 9B1	Titanium metallic			
	987 504 562 01	Ventilation grille	right	1	
	987 504 562 01 9B1	Titanium metallic			
2	987 504 749 01	Frame	left	1	
	987 504 749 01 01C	Satin black			
(2)	987 504 750 01	Frame	right	1	
	987 504 750 01 01C	Satin black			
3	987 575 647 01	Impact absorber plate	left	1	
4	987 575 757 00	Reinforcement	left	1	
		Air guide			
5	987 575 657 00	Air guide	left inner	1	
6	999 507 585 40	Retaining clip		8	
7	999 701 489 40	seal ring	left	4	
8	999 500 069 02	riveted cap nut		6	
9	987 575 759 00	Mounting frame		1	
		Air guide			
10	900 075 413 09	Bolt with washer		3	
		M 6 X 16			
11	999 702 288 40	Grommet	left	1	
		32,5 X 20			
12	987 504 431 00	water drain pipe	left	1	
13	987 575 360 01	Air guide channel	right	1	
14	986 575 356 00	Airscoop	right	1	
15	986 624 036 00	Fan	right	1	
16	900 075 333 02	Bolt with washer		3	
		M 6 X 25			
17	999 507 550 02	panel nut		3	
		M 6			
18	986 575 756 02	Air guide	right	1	
19	900 378 036 09	Hexagon bolt		1	
		M 6 X 12			

Model: 987 05

Model life 2005>>2008



Model: 987 05 Model life 2005>>2008

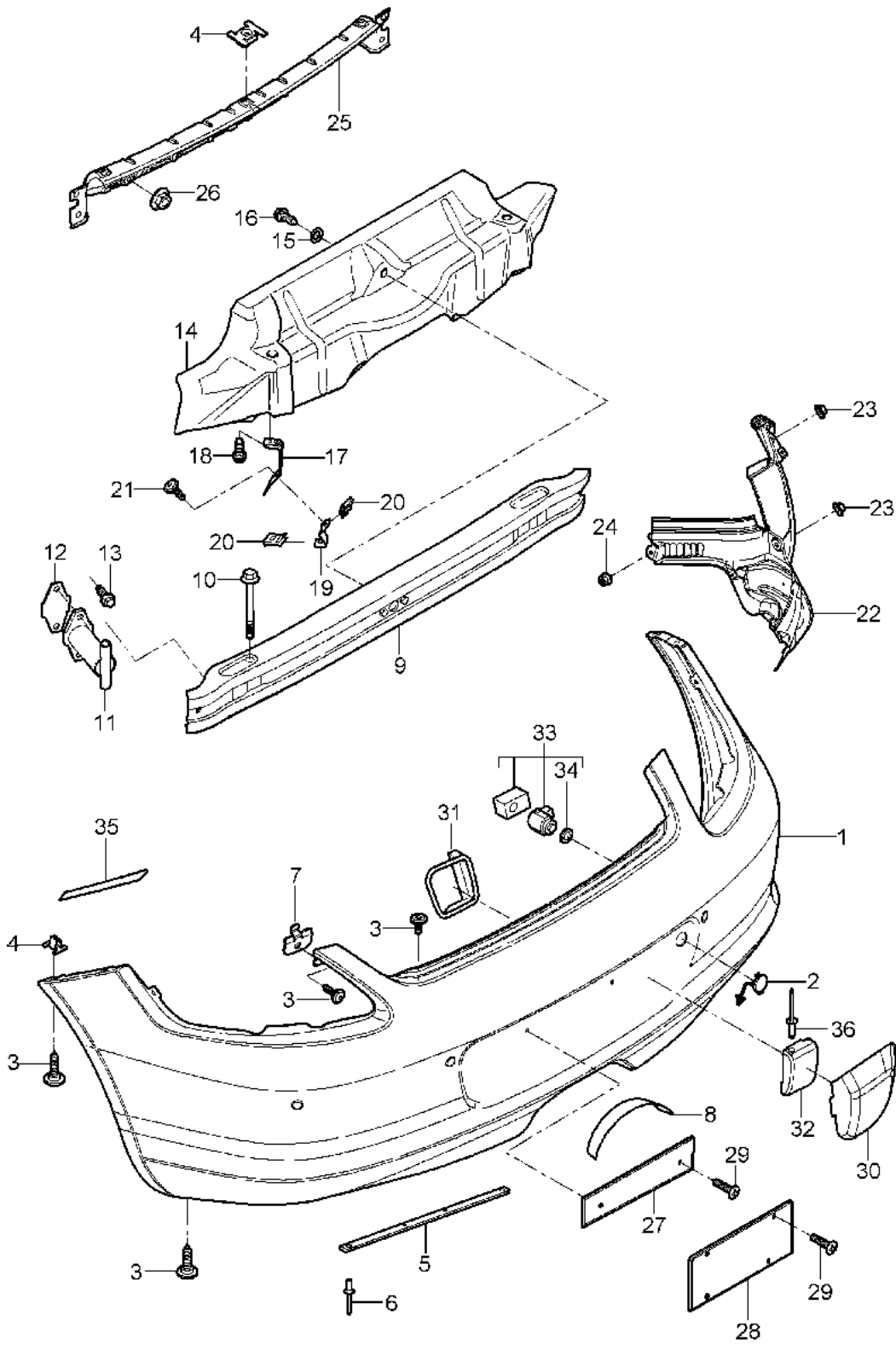
Pos	Part Number	Description	Remark	Qty	Model
1	987 505 191 22	bumper	front	1	BOXSTER
(1)	987 505 191 23	Trim		1	BOXSTER
(1)	987 505 191 24	Trim		1	PR:288 PR:249 BOXSTER S
(1)	987 505 191 03	Trim		1	PR:288,249 BOXSTER S
(1)	987 505 191 26	Trim		1	PR:480 BOXSTER S
(1)	987 505 191 27	Trim		1	PR:288,480 BOXSTER S
2	987 505 703 00	Cover cap		1	
	987 505 703 00 G2X	primed			
3	999 073 227 09	panel screw		10	
4	999 507 590 02	Cage nut		X	
5	987 505 553 00	Grille frame	left	1	BOXSTER
	987 505 553 00 01C	Satin black			
(5)	987 505 554 00	Grille frame	right	1	BOXSTER
	987 505 554 00 01C	Satin black			
(5)	987 505 553 06	Grille frame	left	1	BOXSTER PR:753
	987 505 553 06 041	Black			
(5)	987 505 554 06	Grille frame	right	1	BOXSTER PR:753
	987 505 554 06 041	Black			
(5)	987 505 553 01	Grille frame	left	1	BOXSTER S
	987 505 553 01 FNP	Titanium metallic			
(5)	987 505 554 01	Grille frame	right	1	BOXSTER S
	987 505 554 01 FNP	Titanium metallic			
(5)	987 505 553 07	Grille frame	left	1	BOXSTER S PR:753
	987 505 553 07 041	Orange/primed			
(5)	987 505 554 07	Grille frame	right	1	BOXSTER S PR:753
	987 505 554 07 041	Orange/primed			
(6)	987 505 525 00	Trim	left	1	PR:-XAL
	987 505 525 00 01C	Satin black			
(6)	987 505 526 00	Trim	right	1	PR:-XAL
	987 505 526 00 01C	Satin black			
(6)	987 505 987 03	Spoiler	left	1	PR:XAL
			also use:		
(6)	987 505 988 03	Spoiler	right	1	PR:XAL
			also use:		
-	987 505 989 00	Adhesive set		1	
7	997 505 141 02	Bumper carrier		1	
8	997 505 319 00	Impact pipe		2	
9	997 505 751 02	Seal		2	
		Shock absorber			
10	900 378 267 09	Bolt with washer M8X30		6	
11	900 378 088 09	Hexagon bolt m 12 x 100		2	
12	997 505 531 00	retaining strip	center	1	
13	987 505 535 01	retaining strip	left	1	
(13)	987 505 536 01	retaining strip	right	1	
14	999 073 418 01	panel screw ST4,8 X 19-C		4	
-	999 591 387 02	Clamping washer		10	
15	999 591 699 02	panel nut ST 4,8		1	
16	987 505 551 00	Trim		1	BOXSTER S
	987 505 551 00 G2X	primed			

Model: 987 05 Model life 2005>>2008

Pos	Part Number	Description	Remark	Qty	Model
17	987 505 555 00	Retaining frame		1	PR:249
	987 505 555 00 01C	Satin black			BOXSTER S
18	987 505 751 01	Cover	center	1	PR:480
		Air inlet			BOXSTER S
	987 505 751 01 01C	Satin black			
19	999 076 078 09	Hexagon nut		3	
		M 6			
20	987 701 105 00	Licence plate holder		1	PR:211
	987 701 105 00 01C	Satin black			
22	987 701 109 00	Licence plate holder		1	PR:210
	987 701 109 00 01C	Satin black			
23	999 919 228 A2	Screw		X	
		5,0X28,0			
(23)	999 919 227 A2	panel screw		X	
		5,0X13,0			
24	987 504 531 00	Protective film	left	1	
(24)	987 504 532 00	Protective film	right	1	
25	987 505 719 00	Fixing		2	
26	987 505 709 00	Guide plate		2	
27	996 641 142 00	Temperature sensor		1	
28	999 591 712 40	Spreader rivet		6	
		6,0X12,0			

Model: 987 05

Model life 2005>>2008



Model: 987 05 Model life 2005>>2008

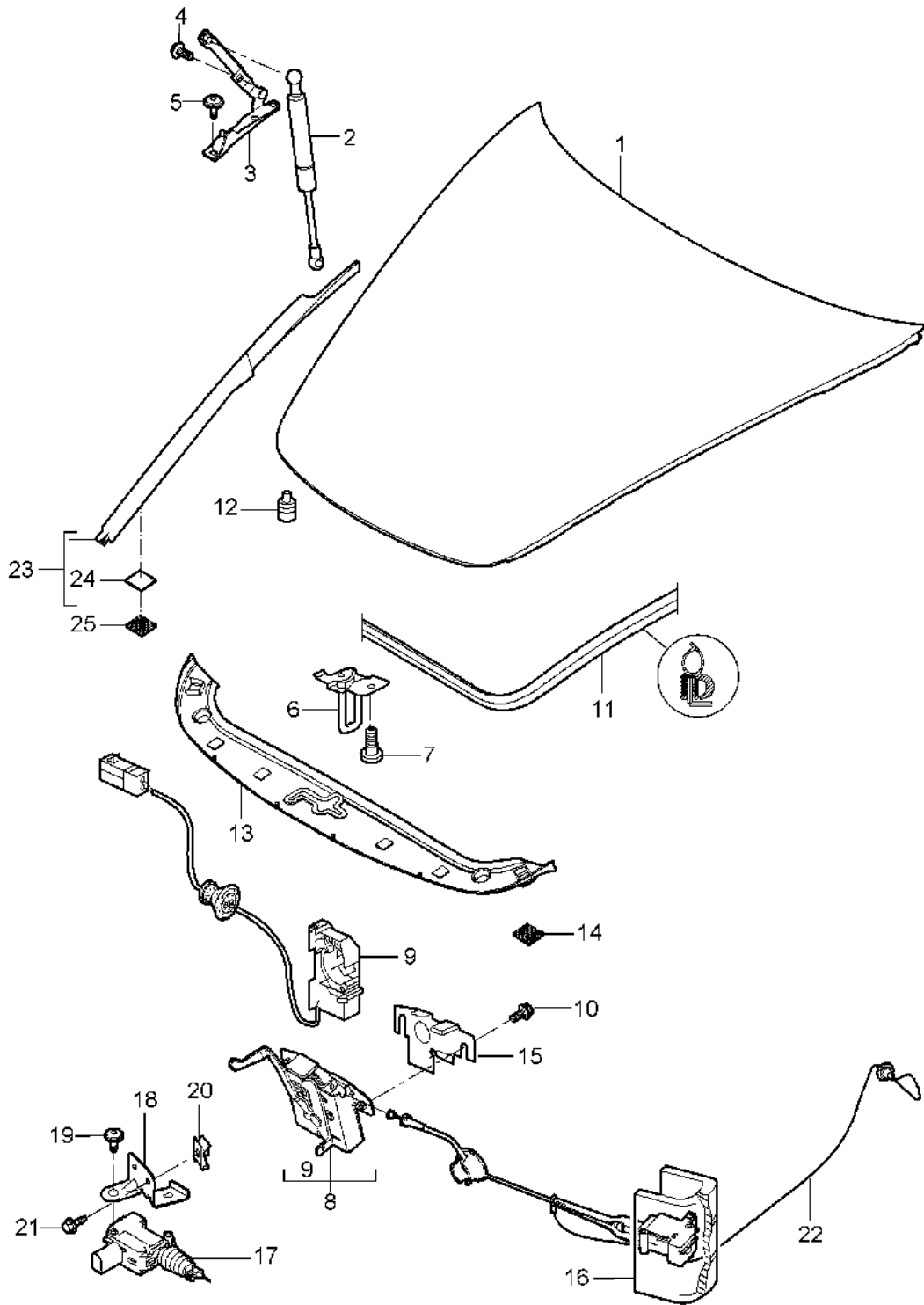
Pos	Part Number	Description	Remark	Qty	Model
1	987 505 411 00	bumper Trim	rear	1	
	987 505 411 00 G2X	Discontinued part primed			
(1)	987 505 411 32	Trim		1	
	987 505 411 32 G2X	primed			
1	987 505 996 04	Trim		1	PR:XAL
	987 505 996 04 G2X	Discontinued part primed			
1	987 505 291 00	Trim		1	PR:635
	987 505 291 08	Discontinued part Trim			
1	987 505 993 00	Trim		1	PR:635
2	997 505 803 00	cover for towing eye		1	PR:635, XAL
	997 505 803 00 G2X	primed			
3	999 073 227 09	panel screw ST 4,8 X 19		15	
4	999 507 590 02	Cage nut ST 4,8		7	
5	987 505 837 00	retaining rail		2	
6	999 190 104 30	Pop rivet 3,2 X 7,9		4	
7	987 505 815 00	Retaining plate		2	
8	987 505 811 00	Guard plate for tail pipe		1	
	987 505 811 00 9B1	Titanium metallic			
8	987 505 997 00	Guard plate		1	PR:XAL
	987 505 997 00 9B1	Titanium metallic			
9	987 505 241 00	Bumper carrier		1	
10	900 378 088 09	Hexagon bolt M 12 X 1,5 X 100		2	
11	996 505 019 01	Impact pipe		2	
(11)	996 505 015 00	Shock absorber		2	PR:113
12	996 505 775 00	Underlay		2	
	996 505 775 01	Shock absorber Underlay			
(12)	996 505 775 01	Shock absorber		2	PR:113
13	900 378 267 09	Bolt with washer M 8 X 30		4	
14	987 505 475 00	Heat insulation	center	1	
15	999 025 243 02	Washer 5,0X1,0		1	
16	900 278 025 02	Hexagon bolt M5X12		1	
17	987 505 639 00	Rear support		2	
18	999 075 056 09	Bolt with washer M 6 X 22		2	
19	996 505 649 01	angle Rear support		2	
20	999 507 795 09	panel nut ST4,8		4	
21	999 073 314 09	panel screw ST4,8X16-C		2	
(22)	987 505 631 00	Bracket	left	1	
22	987 505 632 00	Bracket	right	1	
23	999 076 078 09	Hexagon nut M 6		6	
24	999 049 028 40	Plastic nut T5/22 X 10		4	
25	987 505 841 00	Securing strip		1	
26	999 076 078 09	Hexagon nut M 6		5	
27	987 701 105 00	Licence plate holder		1	PR:211
	987 701 105 00 01C	Satin black			

Model: 987 05 Model life 2005>>2008

Pos	Part Number	Description	Remark	Qty	Model
(27)	987 701 107 00	Licence plate holder		1	PR:210
	987 701 107 00 01C	Satin black			
29	999 919 227 A2	panel screw		4	PR:210,211
		Bracket			
(29)	999 919 227 A2	panel screw		8	PR:218
		Bracket			
		Number plate			
		5 X 13			
33	955 606 275 05	Sensor		4	
		Parking aid			
34	7L6 919 659	O-ring		4	
		Sensor			
		Sensor			
35	987 504 631 00	Protective film		2	
36	999 591 712 40	Spreader rivet		6	
-	987 505 991 00	Support		1	PR:XAL
-	999 507 696 00	U-clip		1	
-	999 507 840 40	Cable holder		2	PR:XAL
-	999 591 974 01	Clamping washer		4	PR:XAL
-	999 073 426 01	panel screw		2	PR:XAL

Model: 987 05

Model life 2005>>2008



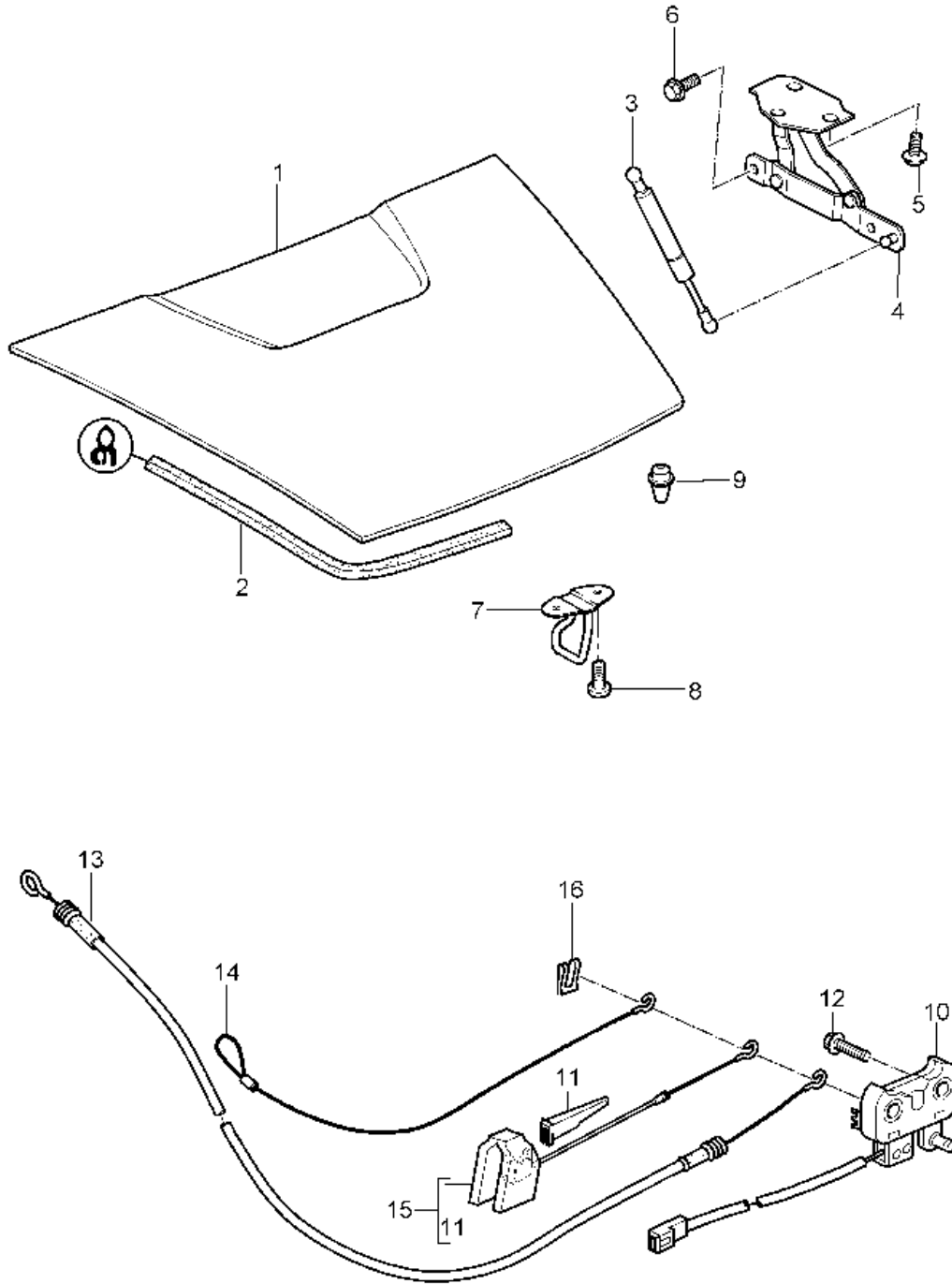
Model: 987 05

Model life 2005>>2008

Pos	Part Number	Description	Remark	Qty	Model
1	997 511 011 00	Cover	front	1	
	997 511 011 00 GRV	Cover primed			
2	997 511 551 01	Gas filled strut		2	
(3)	997 511 151 00	Hinge	left	1	
3	997 511 152 00	Hinge	right	1	
4	999 073 357 09	fillister hd. bolt M 6 X 12		4	
5	999 073 348 09	fillister hd. bolt M 6 X 20		4	
6	997 511 051 00	Lock upper part		1	
7	999 073 350 04	flat round head bolt M 6 X 16		2	
8	997 511 053 00	Lock lower part		1	
9	997 613 206 00	Micro switch		1	
10	900 075 466 09	Bolt with washer M 6 X 16		2	
11	997 511 611 00	Seal		1	
12	999 703 140 41	Rubber buffer		2	
13	997 504 811 03	Cover panel		1	
	997 504 811 03 FMT	Satin black			
14	999 902 049 40	Velcro fastener		4	
15	996 511 653 00	Cover		1	
16	997 511 117 00	throttle control element		1	
(23)	997 572 465 02	Cover panel	left	1	
	997 572 465 02 02A	Black			
23	997 572 466 02	Cover panel	right	1	
		Wing			
	997 572 466 02 02A	Black			
24	999 902 052 40	Velcro fastener		4	
		Cover			
		20 X 20			
25	999 902 051 40	Velcro fastener		4	
		Wing			
		20 X 20			

Model: 987 05

Model life 2005>>2008



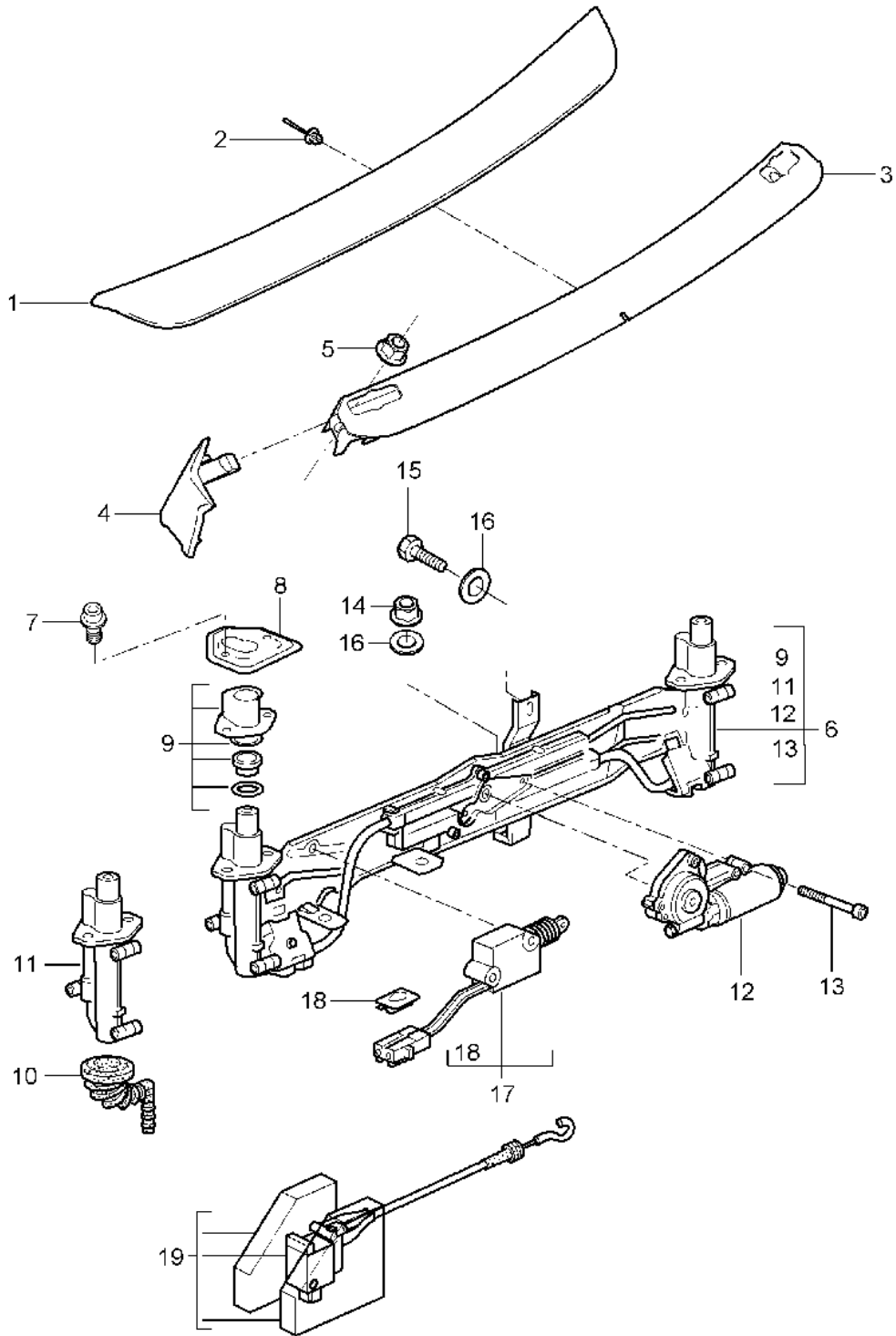
Model: 987 05

Model life 2005>>2008

Pos	Part Number	Description	Remark	Qty	Model
1	987 512 011 00	Cover	rear	1	
	987 512 011 00 GRV	Cover primed			
			also use:		
-	000 043 204 38	sealant	000 043 204 38	1	
2	987 512 611 01	Seal		1	
3	987 512 551 01	Gas filled strut		1	
(4)	987 512 151 00	Hinge	left	1	
		Discontinued part			
(4)	987 512 151 02	Hinge	left	1	
4	987 512 152 00	Hinge	right	1	
		Discontinued part			
4	987 512 152 02	Hinge	right	1	
5	900 075 469 02	Bolt with washer		4	
		M 6 X 22			
6	900 378 155 09	Hexagon bolt		4	
		M 6 X 16			
7	987 512 051 00	Lock upper part		1	
8	999 073 350 04	flat round head bolt		2	
		M 6 X 16			
9	987 512 987 00	throttle control element		2	
10	987 512 053 01	Lock lower part		1	
11	997 511 753 00	Guide for Bowden cable		1	
12	900 075 504 01	Bolt with washer		2	
		M 6 X 45			
13	987 512 217 00	Lid-release cable		1	
		Cover			
14	987 512 521 00	Emergency operation		1	
		Cable			
15	987 512 117 00	throttle control element		1	
16	999 166 054 02	S1-lock		1	
		Discontinued part			
16	999 166 054 01	S1-lock		1	

Model: 987 05

Model life 2005>>2008

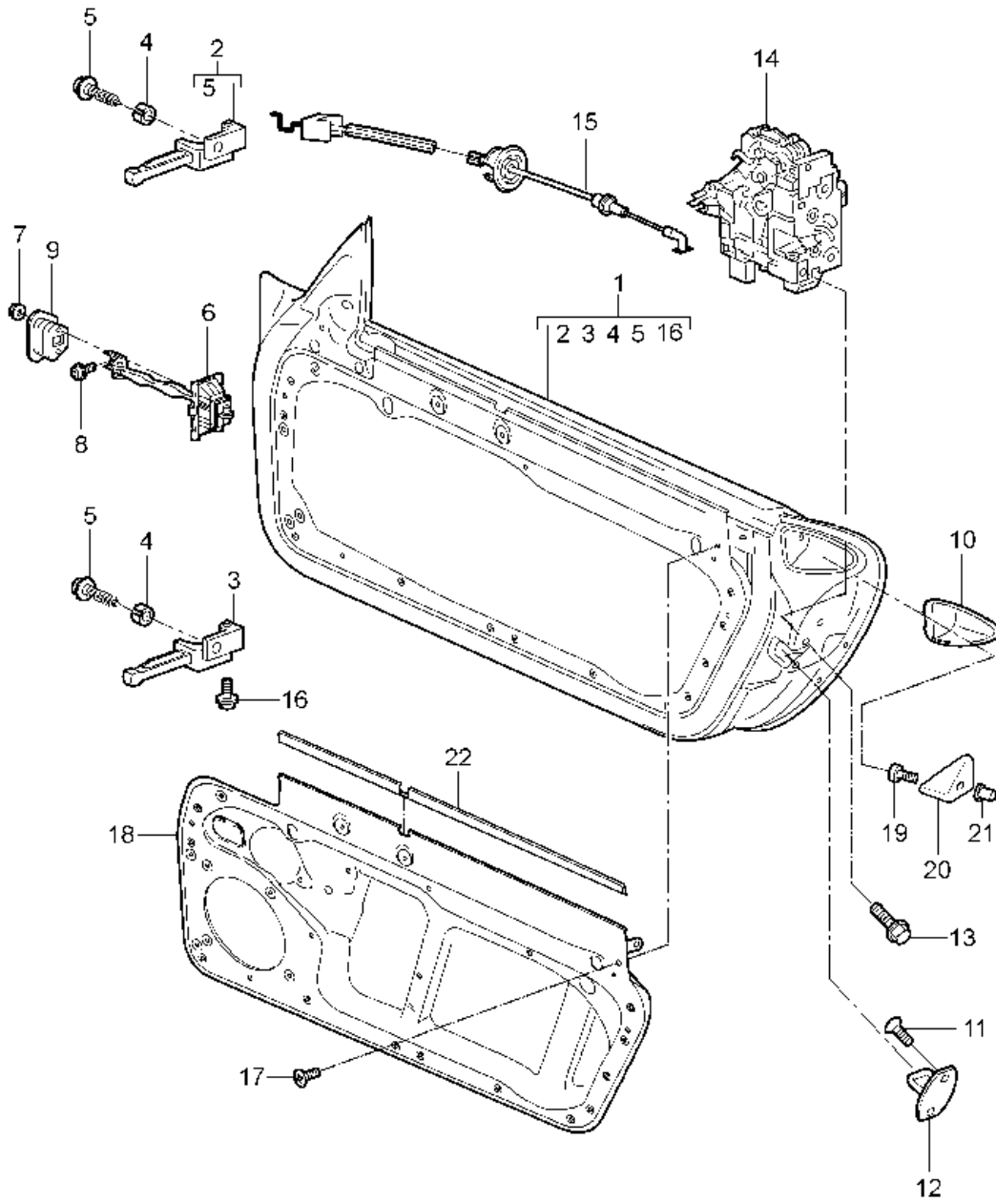


Model: 987 05 Model life 2005>>2008

Pos	Part Number	Description	Remark	Qty	Model
1	987 504 609 00	Rear spoiler Upper part		1	
(1)	987 504 609 00 G2X 987 504 981 01	primed Spoiler primed		1	PR:XAL
2	999 507 499 40	D - MJ 2006>> - MJ 2008 Spreader rivet 5,0 X 11,5		3	
3	987 504 613 00	Carrier		1	
3	987 504 613 01	D >> - MJ 2005 Carrier		1	
4	987 504 615 00	Upper part D - MJ 2006>> Cover	left	1	
(4)	987 504 616 00	Carrier Cover	right	1	
5	900 377 003 02	Carrier Hexagon nut M8		2	
6	987 504 109 00	Driving mechanism (complete)		1	
7	999 218 016 02	Bolt with washer M 6 X 16 Micro-self-locking Discontinued part		4	
7	999 218 016 01	Bolt with washer M 6 X 16 Micro-self-locking		4	
8	986 504 251 00	Securing plate		2	
9	987 504 413 00	Gasket set Toggle catch		2	
10	987 504 415 00	Water drainage hose		1	
11	987 504 411 00	Toggle catch		2	
12	996 624 151 00	Electric motor		1	
13	900 074 364 02	Hexagon bolt M 5 X 55 Micro-self-locking		1	
14	999 084 629 09	Hexagon nut M 6		3	
15	900 075 485 09	Hexagon bolt M 6 X 16		1	
16	900 035 001 09	Washer		4	
17	996 624 117 01	throttle control element Cover	rear	1	
18	999 507 434 40	bracket for connector housing		1	
19	987 512 117 00	throttle control element		1	

Model: 987 05

Model life 2005>>2008



Model: 987 05 Model life 2005>>2008

Pos	Part Number	Description	Remark	Qty	Model
(1)	997 531 011 02 997 531 011 02 GRV	Door shell Installation parts Door lock Door shell primed	left	1	
		also use:			
1	997 531 012 02 997 531 012 02 GRV	Door shell primed	right	1	
		also use:			
-	000 043 305 32	sealant		1	
(2)	997 531 321 00	Hinge	left	1	
2	997 531 322 00	Hinge	right	1	
(3)	997 531 319 00	Hinge	left	1	
3	997 531 320 00	Hinge	right	1	
4	996 531 831 00	Sleeve		4	
5	900 067 291 01	Bolt with washer M 8 X 16		2	
6	997 537 151 01	Door catch Discontinued part		2	
6	997 537 151 02	Door catch		2	
7	999 084 212 02	Hexagon nut M 6		4	
8	999 073 138 09	Screw M 8 X 25 Discontinued part		2	
9	996 537 751 00	Seal		2	
(10)	997 537 331 00 997 537 331 00 01C	Support Satin black		1	
10	997 537 332 00 997 537 332 00 01C	Support Satin black		1	
11	N 910 174 01	countersunk multi-point socket head bolt M 8 X 22		4	
12	3B0 837 033 P	Lock striker		2	
13	WHT 000 439	flat round head bolt M 8 X 20		2	
(14)	3D1 837 015	Door lock	left lhd	1	PR:098
14	3D1 837 016	Door lock	right lhd	1	PR:098
(14)	3D2 837 015	Door lock	left rhd	1	PR:099
(14)	3D2 837 016	Door lock	right rhd	1	PR:099
15	997 537 319 01	Bowden cable		2	
16	999 072 043 09	Hexagon bolt M 6 X 12 Micro-self-locking fillister hd. bolt M6 X 16		4	
17	999 073 333 09			9	
(18)	997 537 201 00	Inner panel D >> - MJ 2005 No longer use the part here	left	1	
18	997 537 202 00	Inner panel D >> - MJ 2005 No longer use the part here	right	1	
(18)	997 537 901 00	Inner panel D >> - MJ 2005	left	1	
18	997 537 902 00	Inner panel D >> - MJ 2005	right	1	
(18)	987 537 201 00	Inner panel D - MJ 2006>> No longer use the part here	left	1	
18	987 537 202 00	Inner panel D - MJ 2006>> No longer use the part here	right	1	
18	987 537 201 01	Inner panel	left	1	

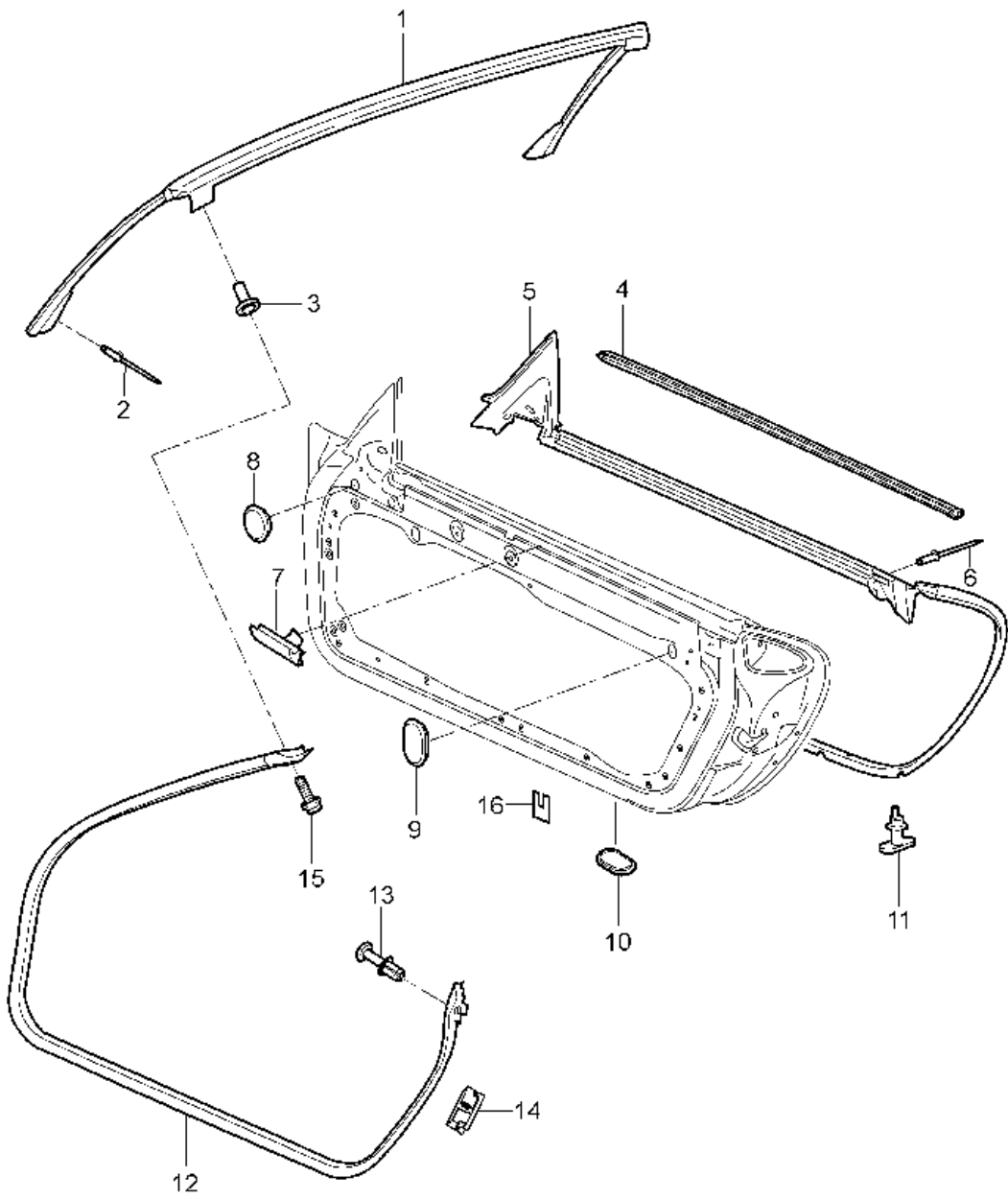
Model: 987 05

Model life 2005>>2008

Pos	Part Number	Description	Remark	Qty	Model
18	987 537 202 01	D - MJ 2006>> Inner panel	right	1	
19	900 119 072 00	D - MJ 2006>> Socket head bolt M8 X 16		2	
(20)	997 537 333 00	Support	left	1	
	997 537 333 00 G2X	primed			
20	997 537 334 00	Support	right	1	
		Side part			
	997 537 334 00 G2X	primed			
21	999 500 121 02	riveted cap nut M8 / 0,8 - 3		2	
-	999 551 172 40	Lining strap 25 x 1,3 x 730 for Inner panel		2	

Model: 987 05

Model life 2005>>2008

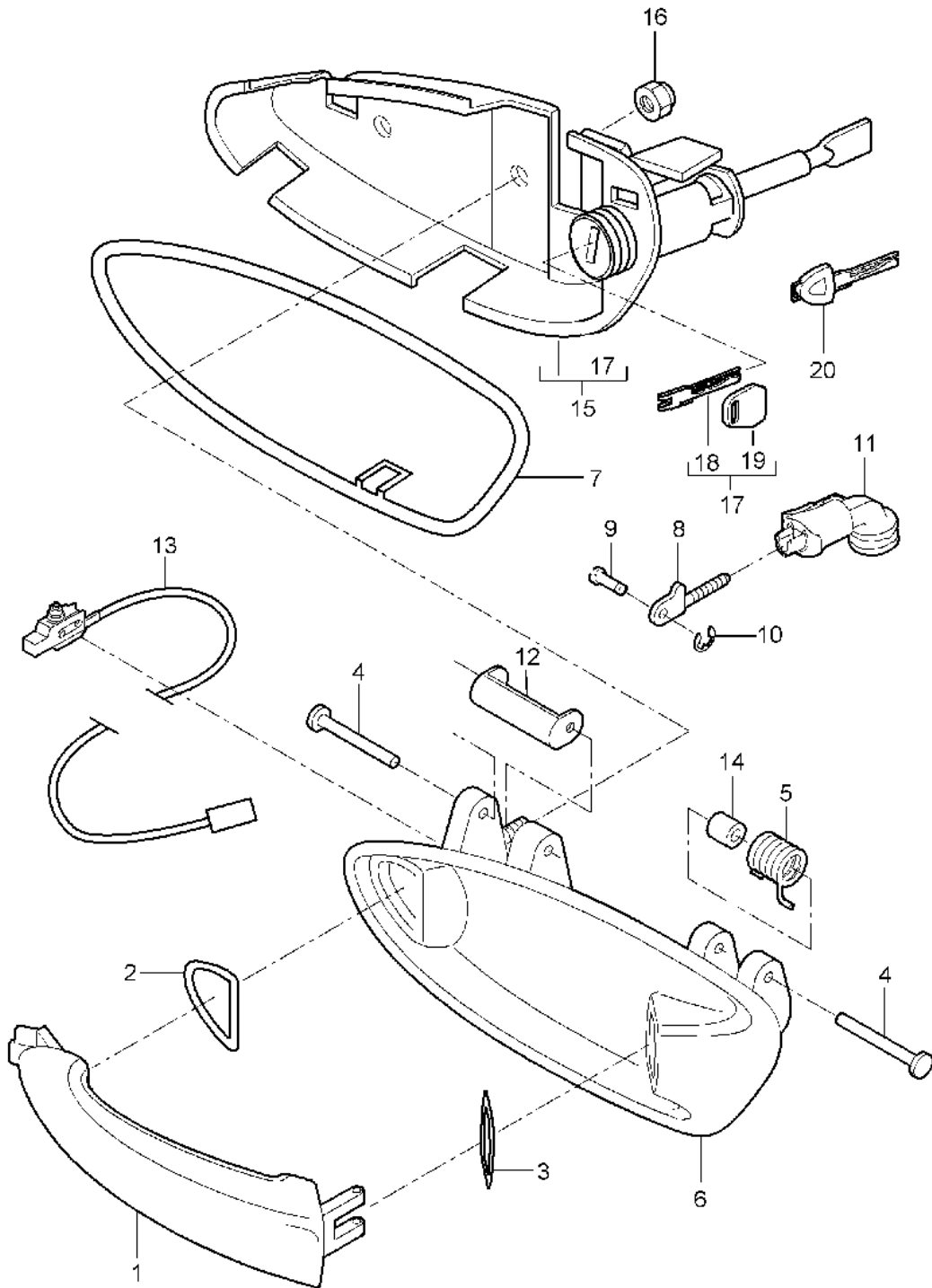


Model: 987 05 Model life 2005>>2008

Pos	Part Number	Description	Remark	Qty	Model
1	987 537 077 01	Door seal		1	
2	999 190 445 37	Seal windshield frame		X	
3	999 500 098 01	Seal		2	
(4)	997 537 085 00	Pop rivet		1	
4	997 537 086 00	A 4,0 X 7,9		1	
(5)	997 537 531 06	rivetted cap nut		1	
		M 5/0,5-3			
		D >> - MJ 2007			
(5)	997 537 531 07	Discontinued part			
		Seal	left	1	
		D - MJ 2008>>			
5	997 537 532 06	Seal	right	1	
		D >> - MJ 2007			
5	997 537 532 07	Discontinued part			
		Seal	right inner	1	
		D - MJ 2008>>			
7	997 537 495 00	Seal		1	
8	803 803 583 A	Bungs		2	
		20,0 X 30,0			
		Discontinued part			
8	999 703 196 40	End cap		2	
		20,0 X 30,0			
9	999 703 541 40	End cap		4	
		20,0 X 28,0			
10	999 703 542 40	End cap		8	
		23,8 X 38,7			
11	999 507 578 40	Clip		36	
		Seal			
		5,0 X 3,7			
		D >> - MJ 2007			
11	999 591 513 40	Clip		36	
		Seal			
		5,8 x 0,9			
		D - MJ 2008>>			
(12)	987 537 075 00	Door seal	left	1	
12	987 537 076 00	Door seal	right	1	
13	999 507 706 40	expanding nut		2	
		4,2			
14	999 507 710 02	U-clip		2	
15	900 075 362 02	Bolt with washer		2	
		M 5 X 16			
16	996 537 337 00	protective foil for door		4	

Model: 987 05

Model life 2005>>2008

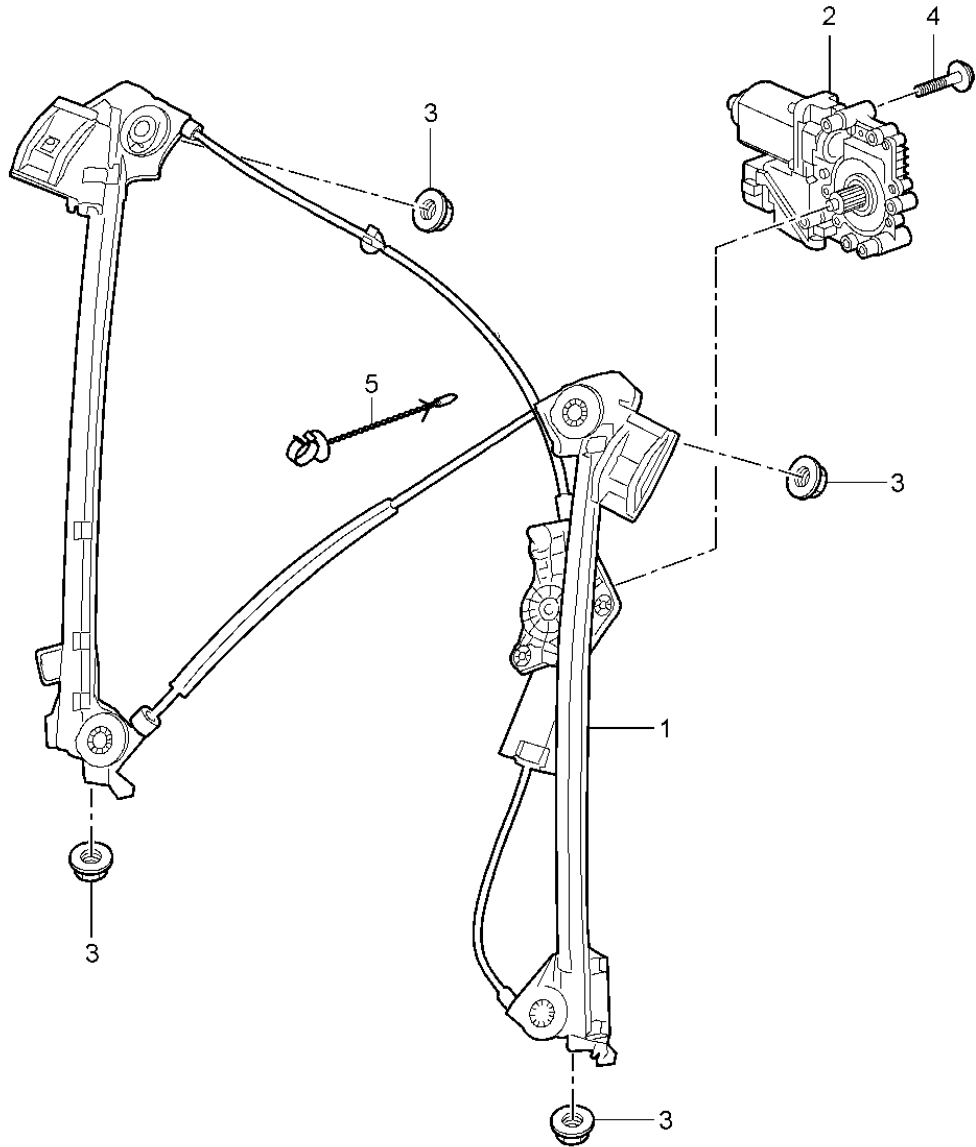


Model: 987 05 Model life 2005>>2008

Pos	Part Number	Description	Remark	Qty	Model
1	997 537 613 00	Door handle	left	1	
	997 537 613 00 G2X	primed			
(1)	997 537 614 00	Door handle	right	1	
	997 537 614 00 G2X	primed			
2	997 537 623 00	Stop buffer		2	
3	997 537 625 00	Stop buffer		2	
4	997 537 621 00	axle		2	
5	997 537 611 00	Return spring	left	1	
(5)	997 537 612 00	Return spring	right	1	
6	997 537 645 00	Handle liner	left lhd	1	PR:098
	997 537 645 00 G2X	primed			
(6)	997 537 646 00	Handle liner	right rhd	1	PR:099
	997 537 646 00 G2X	primed			
(6)	997 537 645 01	Handle liner	left rhd	1	PR:099
	997 537 645 01 G2X	primed			
(6)	997 537 646 01	Handle liner	right lhd	1	PR:098
	997 537 646 01 G2X	primed			
7	997 537 637 00	Underlay	left	1	
(7)	997 537 638 00	Underlay	right	1	
8	997 537 627 00	operating rod		2	
9	997 537 629 00	Pin		2	
10	996 537 641 00	Retaining washer		2	
11	997 537 445 02	Connecting piece		2	
12	997 537 653 00	Actuating lever	left	1	
(12)	997 537 654 00	Actuating lever	right	1	
13	997 613 125 00	Micro switch		2	
13	997 613 125 02	Micro switch		2	
14	997 537 633 00	Window regulator bush		2	
15	997 538 963 00	Bracket	left lhd	1	PR:098
		with lock cylinder			
		with stipulated lock number			
(15)	997 538 964 00	Bracket	right rhd	1	PR:099
		with lock cylinder			
		with stipulated lock number			
(15)	997 538 963 01	Bracket	left lhd	1	PR:098
		with lock cylinder			
		W/o stipulated lock number			
(15)	997 538 964 01	Bracket	right rhd	1	PR:099
		with lock cylinder			
		W/o stipulated lock number			
(15)	997 537 463 01	Bracket	left rhd	1	PR:099
		Without lock cylinder			
(15)	997 537 464 01	Bracket	right lhd	1	PR:098
		Without lock cylinder			
16	900 380 015 09	Hexagon nut		4	
		M6			
17	997 538 931 00	Replacement key		X	
		with stipulated lock number			
		State lock number			
18	997 538 531 00	Blank key		X	
19	944 538 431 00	Key cover		X	
20	955 538 916 00	emergency key		X	
		with stipulated lock number			
		State lock number			
		D >> - MJ 2006			
(20)	955 538 216 00	emergency key		X	
		W/o stipulated lock number			
		D >> - MJ 2006			

Model: 987 05

Model life 2005>>2008

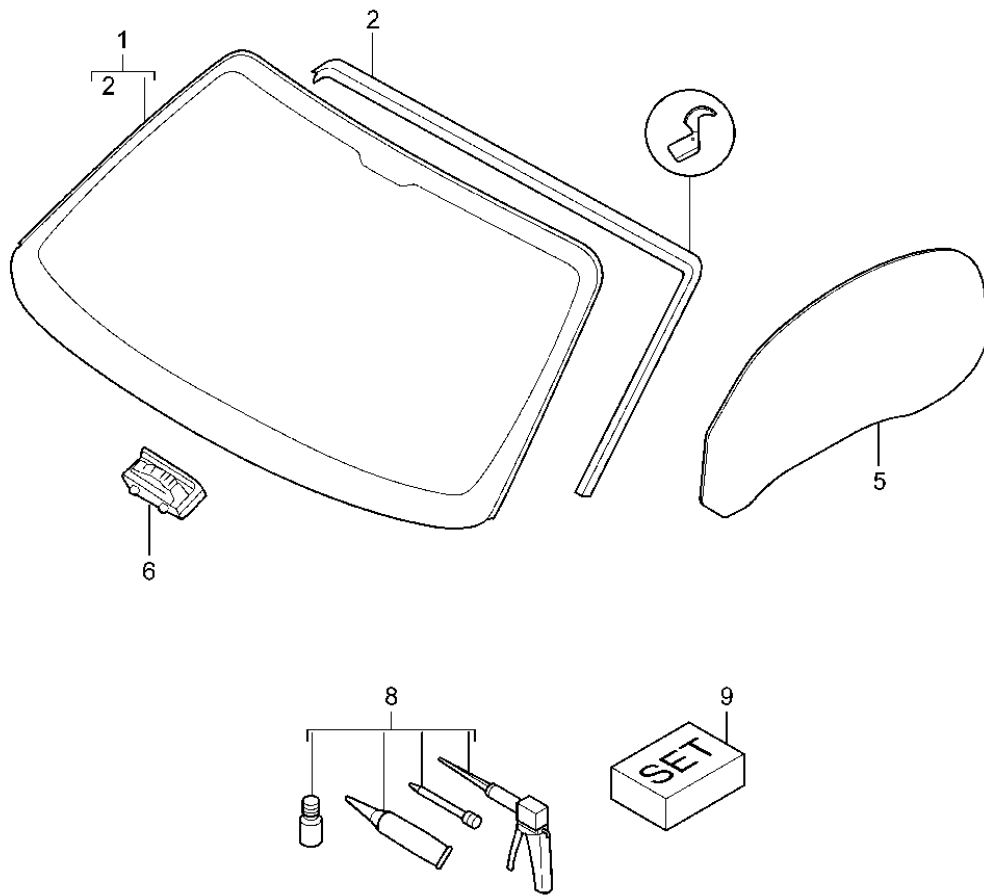


Model: 987 05 Model life 2005>>2008

Pos	Part Number	Description	Remark	Qty	Model
1	987 542 075 00	Window regulator Window regulator	left	1	
		D >> - MJ 2005			
1	987 542 075 01	Window regulator	left	1	
		D - MJ 2006>>			
(1)	987 542 076 00	Window regulator	right	1	
		D >> - MJ 2005			
(1)	987 542 076 01	Window regulator	right	1	
		D - MJ 2006>>			
2	987 624 101 06	Electric motor	left lhd	1	PR:098
		D >> - MJ 2005			
(2)	987 624 104 06	Electric motor	right lhd	1	PR:098
		D >> - MJ 2005			
(2)	987 624 102 06	Electric motor	right rhd	1	PR:099
		D >> - MJ 2005			
(2)	987 624 103 06	Electric motor	left rhd	1	PR:099
		D >> - MJ 2005			
(2)	997 624 181 02	Electric motor	left lhd	1	PR:098
		D - MJ 2006>>			
(2)	997 624 182 02	Electric motor	right lhd	1	PR:098
		D - MJ 2006>>			
(2)	997 624 182 06	Electric motor	right lhd	1	PR:098
		D - MJ 2006>>			
(2)	997 624 181 02	Electric motor	right rhd	1	PR:099
		D - MJ 2006>>			
(2)	997 624 182 02	Electric motor	left rhd	1	PR:099
		D - MJ 2006>>			
(2)	997 624 182 06	Electric motor	left rhd	1	PR:099
		D - MJ 2006>>			
3	900 380 015 09	Hexagon nut		4	
		M 6			
4	999 919 209 09	fillister hd. bolt		6	
		M5X22			
5	987 542 941 00	Clip		1	
		Bowden cable			
		Window regulator			

Model: 987 05

Model life 2005>>2008

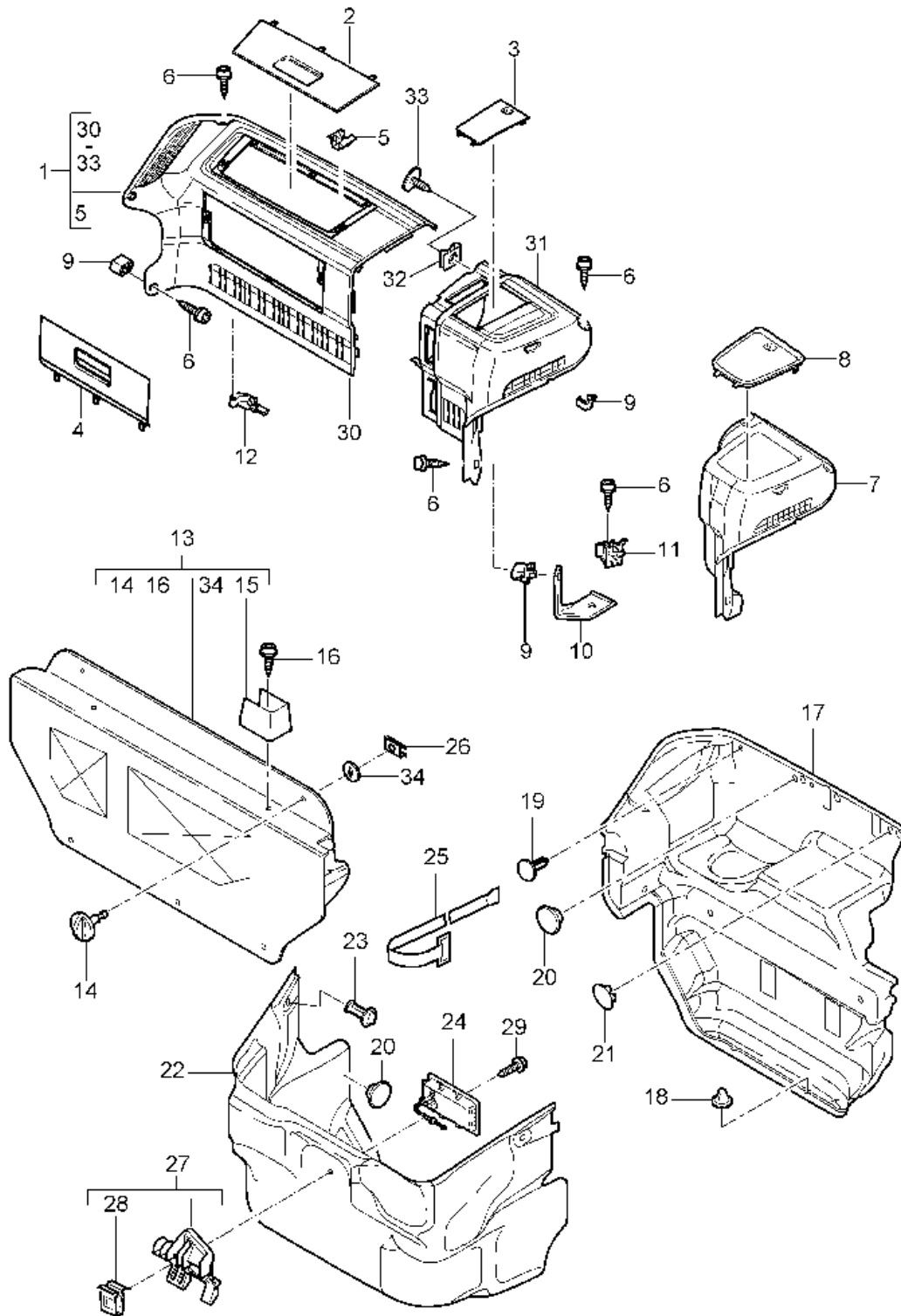


Model: 987 05 Model life 2005>>2008

Pos	Part Number	Description	Remark	Qty	Model
1	987 541 911 08	window glazing Windscreen Tinted		1	PR:568
(1)	987 541 911 09	Windscreen Tinted	also use: 000 043 305 35	1	PR:567
(1)	987 541 911 10	Windscreen Tinted	also use: 000 043 305 35	1	PR:267,268, 568
(1)	987 541 911 18	Windscreen Tinted	also use: 000 043 305 35	1	PR:267,268, 568
(1)	987 541 911 11	Windscreen Tinted	also use: 000 043 305 35	1	PR:267,268, 567
(1)	987 541 911 12	Windscreen Tinted	also use: 000 043 305 35	1	PR:440,568
(1)	987 541 911 13	Windscreen Tinted	also use: 000 043 305 35	1	PR:440,567
(1)	987 541 911 14	Windscreen Tinted	also use: 000 043 305 35	1	PR:267,268, 440,568
(1)	987 541 911 15	Windscreen Tinted	also use: 000 043 305 35	1	PR:267,268, 440,567
2	997 541 901 09	Seal for front window		1	
5	987 542 511 02	Door window	left	1	
(5)	987 542 512 02	Door window	right	1	
6	999 507 576 41	Bracket		2	
8	000 043 305 35	2K pane adhesive set		1	
9	000 043 206 47	Car care set Side window See technical manual		X	

Model: 987 05

Model life 2005>>2008



Model: 987 05 Model life 2005>>2008

Pos	Part Number	Description	Remark	Qty	Model
(1)	997 551 133 00	Luggage compartment Lugg. compartment trim, compl. (3-part)	front lhd	1	PR:098,670
	997 551 133 00 02A	Black			
(1)	997 551 133 00	Lugg. compartment trim, compl. (3-part)	lhd	1	PR:098,672
	997 551 133 00 02A	Black			
(1)	997 551 133 00	Lugg. compartment trim, compl. (3-part)	lhd	1	PR:098,692
	997 551 133 00 02A	Black			
(1)	997 551 133 01	Lugg. compartment trim, compl. (3-part)	rhd	1	PR:099,670
	997 551 133 01 02A	Black			
(1)	997 551 133 01	Lugg. compartment trim, compl. (3-part)	rhd	1	PR:099,672
	997 551 133 01 02A	Black			
(1)	997 551 133 01	Lugg. compartment trim, compl. (3-part)	rhd	1	PR:099,692
	997 551 133 01 02A	Black			
2	997 551 306 00	cover for luggage compartment trim	lhd upper	1	PR:098,670
	997 551 306 00 02A	Black			
2	997 551 306 00	cover for luggage compartment trim	lhd upper	1	PR:098,672
	997 551 306 00 02A	Black			
2	997 551 306 00	cover for luggage compartment trim	lhd upper	1	PR:098,692
	997 551 306 00 02A	Black			
(2)	997 551 305 00	cover for luggage compartment trim	rhd upper	1	PR:099
	997 551 305 00 02A	Black			
3	997 551 301 00	Cover Brake servo	lhd	1	PR:098,670
	997 551 301 00 02A	Black			
3	997 551 301 00	Cover Brake servo	lhd	1	PR:098,672
	997 551 301 00 02A	Black			
3	997 551 301 00	Cover Brake servo	lhd	1	PR:098,692
	997 551 301 00 02A	Black			
(3)	997 551 302 00	Cover Brake servo	rhd	1	PR:099
	997 551 302 00 02A	Black			
4	997 551 308 00	cover for luggage compartment trim	lhd lower	1	PR:098,670
	997 551 308 00 02A	Black			
4	997 551 308 00	cover for luggage compartment trim	lhd lower	1	PR:098,672
	997 551 308 00 02A	Black			
4	997 551 308 00	cover for luggage compartment trim	lhd lower	1	PR:098,692
	997 551 308 00 02A	Black			
(4)	997 551 307 00	cover for luggage compartment trim	rhd lower	1	PR:099
	997 551 307 00 02A	Black			
5	999 507 735 02	Clamp 9 X 22/2,5		4	
6	900 187 501 01	panel screw ST 3,5 X 16		X	
7	997 551 231 00	Trim Brake servo	lhd	1	PR:098
	997 551 231 00 02A	Black			
8	997 551 311 00	Cover trim	lhd	1	PR:098

Model: 987 05 Model life 2005>>2008

Pos	Part Number	Description	Remark	Qty	Model
9	997 551 311 00 02A 999 507 734 40	Brake servo Black Bracket ST 3,5		X	
10	997 551 771 02	Bracket Trim Luggage compartment		1	
11	999 507 512 40	Bracket ST 3,5		X	
12	997 551 772 02	Bracket for trim		1	
13	997 551 123 02	Luggage compartment trim Tool Carpet		1	
(13)	997 551 123 02 A31 997 551 123 03	Black Luggage compartment trim Tool Carpet		1	PR:193
14	997 551 123 03 A31 997 551 803 00	Black catch Trim Tool		2	
15	997 551 801 00	retaining strap for warning triangle	left	1	
(15)	997 551 801 00 02A 997 551 802 00	Black retaining strap for warning triangle	right	1	
16	997 551 802 00 02A 999 073 362 09	Black panel screw 4,8 X 22		2	
17	997 551 051 06	Luggage compartment trim filler plate Valid up to: F >> 98-5S700 078 F >> 98-5U701 581 F >> 98-5U721 624 also use: Position 22	lhd	1	PR:098,476
(17)	997 551 051 06 A31 997 551 051 08	Black Trim Luggage compartment filler plate Valid up to: F >> 98-5S700 078 F >> 98-5U701 581 F >> 98-5U721 624 also use: Position 22	lhd	1	PR:098,476, 670
(17)	997 551 051 08 A31 997 551 051 08	Black Trim Luggage compartment filler plate Valid up to: F >> 98-5S700 078 F >> 98-5U701 581 F >> 98-5U721 624 also use: Position 22		1	PR:476,692
	997 551 051 08 A31	Black			

Model: 987 05 Model life 2005>>2008

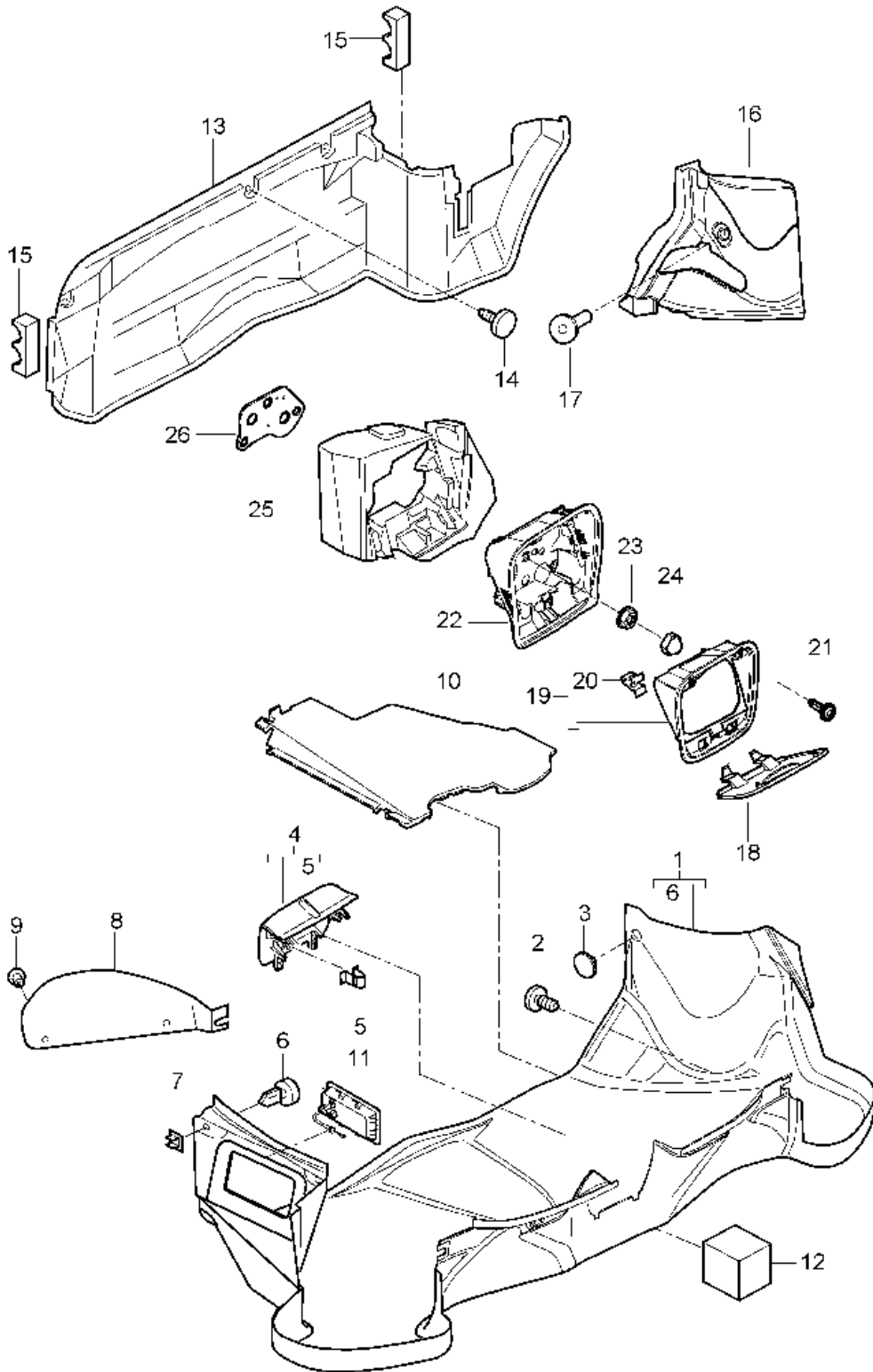
Pos	Part Number	Description	Remark	Qty	Model
(17)	997 551 051 10	Luggage compartment trim filler plate Valid up to: F >> 98-5S700 078 F >> 98-5U701 581 F >> 98-5U721 624 also use: Position 22		1	PR:476,664
(17)	997 551 051 10 A31 997 551 051 12	Black Luggage compartment trim filler plate Valid up to: F >> 98-5S700 078 F >> 98-5U701 581 F >> 98-5U721 624 also use: Position 22	rhd	1	PR:099
(17)	997 551 051 12 A31 997 551 051 15	Black Luggage compartment trim filler plate Valid from: F 98-5S700 079>> F 98-5U701 582>> F 98-5U721 625>>	lhd	1	PR:098,476
(17)	997 551 051 15 A31 997 551 051 16	Black Luggage compartment trim filler plate Valid from: F 98-5S700 079>> F 98-5U701 582>> F 98-5U721 625>>	lhd	1	PR:098,476, 670
(17)	997 551 051 16 A31 997 551 051 16	Black Luggage compartment trim filler plate Valid from: F 98-5S700 079>> F 98-5U701 582>> F 98-5U721 625>>	lhd	1	PR:098,476, 672
(17)	997 551 051 16 A31 997 551 051 16	Black Luggage compartment trim filler plate Valid from: F 98-5S700 079>> F 98-5U701 582>> F 98-5U721 625>>	lhd	1	PR:098,476, 692
(17)	997 551 051 16 A31 997 551 051 18	Black Luggage compartment trim filler plate Valid from: F 98-5S700 079>> F 98-5U701 582>> F 98-5U721 625>>	rhd	1	PR:099
18	999 049 004 40	Plastic nut T5 / 32 X 20		2	
19	999 703 432 40	Bungs 8,2 X 18		2	
20	999 703 455 41	End cap		X	

Model: 987 05 Model life 2005>>2008

Pos	Part Number	Description	Remark	Qty	Model
21	999 703 456 40	12,2 X 25 Cover cap		1	
22	987 551 045 00	49 X 26 Trim Luggage compartment liner Valid up to: F >> 98-5S700 078 F >> 98-5U701 581 F >> 98-5U721 624 also use: Position 17		1	
(22)	987 551 045 00 A31 987 551 045 04	Black Trim Luggage compartment liner Valid from: F 98-5S700 079>> F 98-5U701 582>> F 98-5U721 625>>		1	
23	987 551 045 04 A31 999 049 006 40	Black Plastic nut T5 /30 X 7,5		2	
25	997 551 741 00	retaining strap for first aid kit		1	PR:024
(25)	997 551 741 00	retaining strap for first aid kit		1	PR:499
26	999 590 055 01	Securing clip 10,7 X 11,5		2	
30	997 551 634 00	Luggage compartment trim	lhd	1	PR:098,670
30	997 551 634 00 FMU	black/black	lhd	1	PR:098,672
30	997 551 634 00 FMU	Luggage compartment trim	lhd	1	PR:098,692
(30)	997 551 634 00 FMU	black/black	lhd	1	PR:099
31	997 551 635 00	Luggage compartment trim	rhd	1	PR:099
31	997 551 635 00 FMU	black/black			
31	997 551 633 00	Trim Brake servo	lhd	1	PR:098,670
31	997 551 633 00 FMU	black/black			
31	997 551 633 00	Trim Brake servo	lhd	1	PR:098,672
31	997 551 633 00 FMU	black/black			
(31)	997 551 633 00	Trim Brake servo	lhd	1	PR:098,692
31	997 551 633 00 FMU	black/black			
(31)	997 551 632 00	Trim Brake servo		1	PR:099
32	997 551 632 00 FMU	black/black			
32	999 507 795 09	panel nut 4,8		3	
33	999 073 231 09	panel screw st 4,8 X 16		3	
34	999 025 236 40	Washer fuse catch Position 14		2	

Model: 987 05

Model life 2005>>2008



Model: 987 05 Model life 2005>>2008

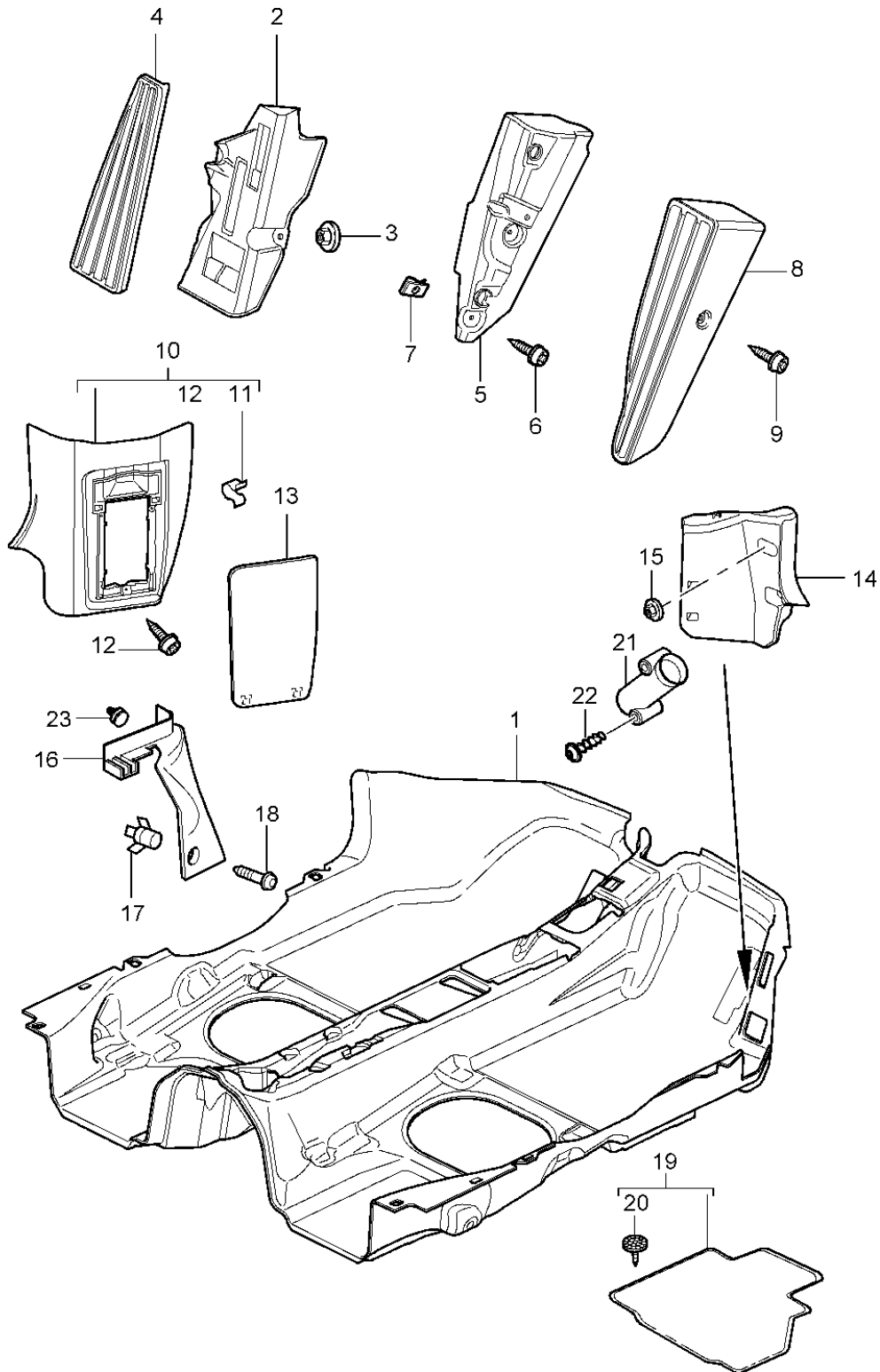
Pos	Part Number	Description	Remark	Qty	Model
1	987 551 053 00	Luggage compartment Luggage compartment trim D >> - MJ 2006	rear	1	
(1)	987 551 053 00 A31	Black			
	987 551 053 03	Luggage compartment trim D - MJ 2007>>		1	
	987 551 053 03 A31	Black			
2	999 703 432 40	Bungs 8,0		4	
3	999 703 455 41	End cap 12,2 X 25		1	
4	987 551 251 03	Luggage compartment trim Lid lock		1	
	987 551 251 03 02A	Black			
5	999 507 681 01	Clip 2,5/3,0		2	
6	999 507 529 40	catch 18,0		2	
7	999 590 046 40	Cam disc 10,0 X 11,5		2	
8	987 551 651 00	Cover Rear light	left	1	
	987 551 651 00 A31	Black			
(8)	987 551 652 00	Cover Rear light	right	1	
	987 551 652 00 A31	Black			
9	999 049 005 40	Plastic nut T5/27 X 9,8		X	
10	986 551 763 01	Reinforcement	left	1	
(10)	986 551 764 01	Reinforcement D >> - MJ 2006	right	1	
(10)	987 551 764 00	Reinforcement D - MJ 2007>>	right	1	
12	987 551 603 00	Foam part Luggage compartment liner		3	
13	987 551 047 00	Luggage compartment trim D >> - MJ 2006		1	
	987 551 047 00 A31	Black			
(13)	987 551 047 01	Luggage compartment trim D - MJ 2007>>		1	
	987 551 047 01 A31	Black			
14	999 703 432 40	Bungs 8,0		3	
15	987 551 403 00	Foam part Luggage compartment		1	
16	987 551 702 00	Foam part Luggage compartment liner D - MJ 2007>>		1	
17	999 049 027 40	Plastic nut T5/30 X 1,8 D - MJ 2007>>		X	
18	987 551 372 01	Cover Service Cup D - MJ 2007>>		1	
	987 551 372 01 01C	Satin black			
19	987 551 074 01	Cover frame Service Cup D - MJ 2007>>		1	
	987 551 074 01 01C	Satin black			
20	999 507 552 01	Spring clip 9,0 X 13/4,0		2	

Model: 987 05 Model life 2005>>2008

Pos	Part Number	Description	Remark	Qty	Model
21	999 073 226 09	D - MJ 2007>> panel screw ST 4,2 X 16C		X	
22	987 551 078 01	D - MJ 2007>> Assembly frame Service Cup		1	
23	999 076 078 01	D - MJ 2007>> Hexagon nut M 6		3	
24	999 703 231 40	D - MJ 2007>> Protective cap		1	
25	987 556 502 00	D - MJ 2007>> Sound absorber Service Cup		1	
26	987 555 477 00	D - MJ 2007>> Sealing frame Service Cup D - MJ 2007>>		1	

Model: 987 05

Model life 2005>>2008



Model: 987 05 Model life 2005>>2008

Pos	Part Number	Description	Remark	Qty	Model
1	987 551 011 04	Interior equipment Flooring Linings Flooring (carpet)	lhd	1	PR:098
	987 551 011 04 FLW	Black			
	987 551 011 04 FLX	Stone grey			
	987 551 011 04 FLY	Sand beige			
	987 551 011 04 FLZ	sea blue			
	987 551 011 04 FMA	Palm green			
		D >> - MJ 2007			
	987 551 011 04 FMB	Terracotta			
	987 551 011 04 FMC	Cocoa			
	987 551 011 04 FMD	Dark grey/natural			
	987 551 011 04 FME	Brown/natural			
	987 551 011 04 FSV	Carrera Red			
		D - MJ 2008>>			
(1)	987 551 011 05	Flooring (carpet)	rhd	1	PR:099
	987 551 011 05 FLW	Black			
	987 551 011 05 FLX	Stone grey			
	987 551 011 05 FLY	Sand beige			
	987 551 011 05 FLZ	sea blue			
	987 551 011 05 FMA	Palm green			
		D >> - MJ 2007			
	987 551 011 05 FMB	Terracotta			
	987 551 011 05 FMC	Cocoa			
	987 551 011 05 FMD	Dark grey/natural			
	987 551 011 05 FME	Brown/natural			
	987 551 011 05 FSV	Carrera Red			
		D - MJ 2008>>			
-	997 551 813 00	Protective film Carpet	lhd	1	PR:098
		D >> - MJ 2007			
-	997 551 813 01	Protective film Carpet	lhd	1	PR:098
		D - MJ 2008>>			
-	997 551 815 00	Protective film Carpet	rhd	1	PR:099
2	997 551 211 01	Foot rest	lhd	1	PR:098
3	999 076 081 40	Hexagon plastic collar nut T5/16 X 11,2		2	
4	997 551 611 00	Cover for footrest	lhd	1	PR:098
	997 551 611 00 01C	Satin black			
(4)	997 551 986 00	Cover for footrest	lhd	1	PR:XXZ,098
5	997 551 212 00	Foot rest	rhd	1	PR:099
6	999 073 060 02	panel screw ST 4,8 X 13 for Mount Foot rest	rhd	2	PR:099
7	999 591 485 01	panel nut ST 4,8 for Mount Foot rest	rhd	2	PR:099
8	997 551 612 00	Cover for footrest	rhd	1	PR:099
	997 551 612 00 01C	Satin black			
9	999 919 188 09	fillister hd. bolt 5,0 X 30 for Mount Cover Foot rest	rhd	1	PR:099
10	997 551 101 00	Trim	lhd	1	PR:098

Model: 987 05 Model life 2005>>2008

Pos	Part Number	Description	Remark	Qty	Model
		Fuse box			
		Carpet			
	997 551 101 00 A10	Black			
	997 551 101 00 B10	Stone grey			
	997 551 101 00 T10	Sand beige			
	997 551 101 00 E10	sea blue			
	997 551 101 00 J10	Palm green			
		D >> - MJ 2007			
	997 551 101 00 M10	Terracotta			
	997 551 101 00 R10	Cocoa			
	997 551 101 00 D11	Dark grey/natural			
	997 551 101 00 T11	Brown/natural			
	997 551 101 00 N10	Carrera Red			
		D - MJ 2008>>			
(10)	997 551 102 00	Trim	rhd	1	PR:099
		Fuse box			
		Carpet			
	997 551 102 00 A10	Black			
	997 551 102 00 B10	Stone grey			
	997 551 102 00 T10	Sand beige			
	997 551 102 00 E10	sea blue			
	997 551 102 00 J10	Palm green			
		D >> - MJ 2007			
	997 551 102 00 M10	Terracotta			
	997 551 102 00 R10	Cocoa			
	997 551 102 00 D11	Dark grey/natural			
	997 551 102 00 T11	Brown/natural			
	997 551 102 00 N10	Carrera Red			
		D - MJ 2008>>			
11	999 507 552 01	Spring clip		2	
		9,0 X 13/4,0			
12	999 919 161 09	fillister hd. bolt		3	
		5,0 X 18			
		for			
		Mount			
		Fuse box			
13	997 551 621 00	Cover trim	lhd	1	PR:098
		Fuse box			
(13)	997 551 621 00 01C	Satin black			
	997 551 622 00	Cover trim	rhd	1	PR:099
		Fuse box			
(14)	997 551 622 00 01C	Satin black			
(14)	997 551 712 02	Bracket	lhd	1	PR:098
		Flooring			
(14)	997 551 711 02	Bracket	rhd	1	PR:099
		Flooring			
15	999 076 081 40	Hexagon plastic collar nut		2	
		T5/16 X 11,2			
		Mount			
		Bracket			
		Flooring			
16	987 551 215 01	Trim	left	1	
		Seat belt			
	987 551 215 01 FQG	black/black			
	987 551 215 01 FQH	Stone grey/stone grey			
	987 551 215 01 FQJ	Sand beige/sand beige			
	987 551 215 01 FQK	Sea blue/sea blue			
	987 551 215 01 FQL	Palmgreen/palmgreen			
	987 551 215 01 FQM	Terracotta/terracotta			
	987 551 215 01 FQN	Cocoa/Cocoa			
	987 551 215 01 FQQ	Black/stone grey			
	987 551 215 01 FQO	Dark grey natural/black			
	987 551 215 01 FQP	Brown nat./brown nat.			

Model: 987 05 Model life 2005>>2008

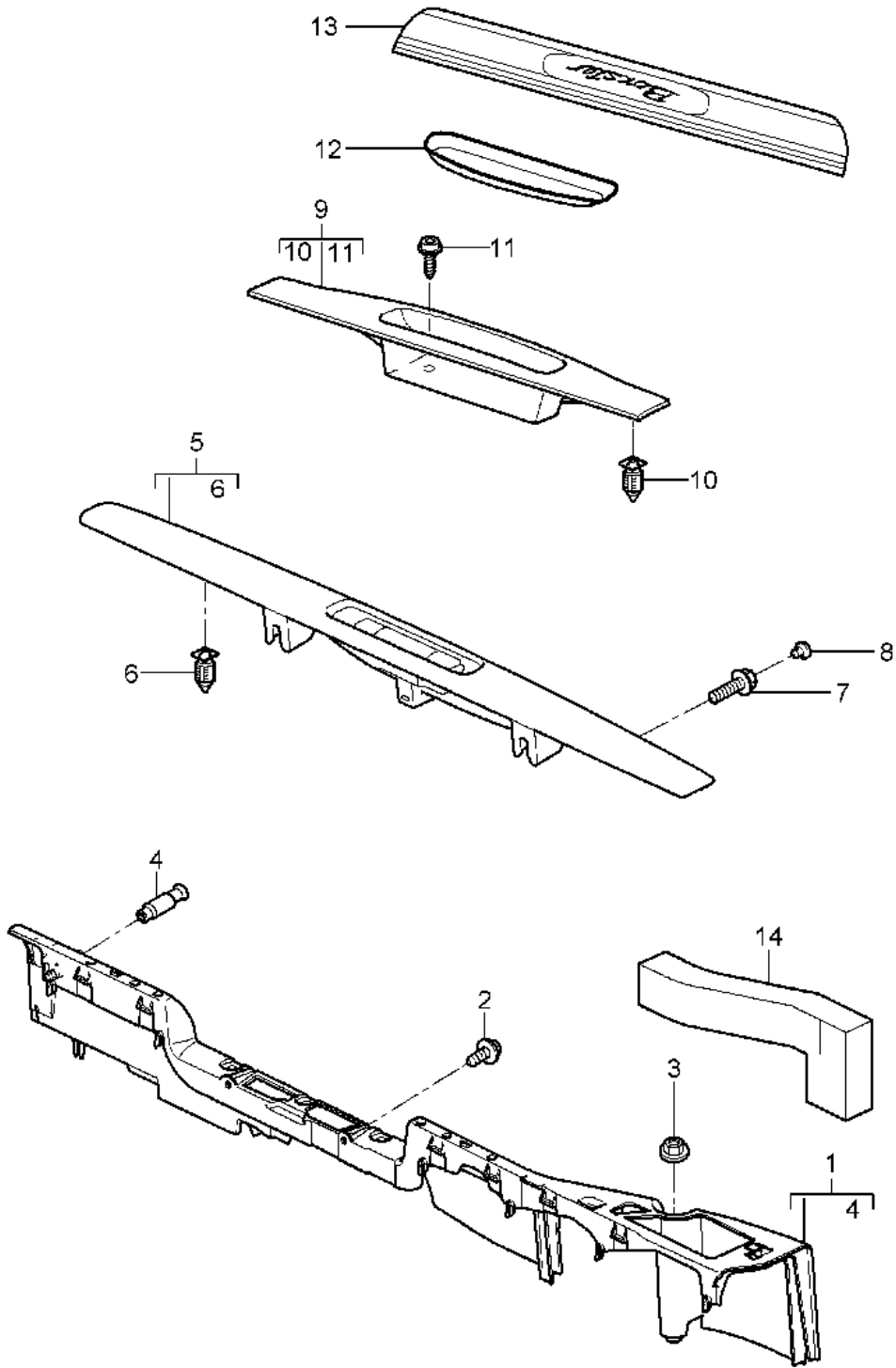
Pos	Part Number	Description	Remark	Qty	Model
16	987 551 215 02	Trim Seat belt D - MJ 2007>>	left	1	
	987 551 215 02 FQL	Palmgreen/palmgreen D >> - MJ 2007			
	987 551 215 02 FQM	Terracotta/terracotta			
	987 551 215 02 FQN	Cocoa/Cocoa			
	987 551 215 02 FQP	Brown nat./brown nat.			
16	987 551 215 02	Trim Seat belt Until Chassis number See technical information GR.7 NR. 17/11 KD-NR. 70 D - MJ 2007>>	left	1	
	987 551 215 02 FQG	black/black			
	987 551 215 02 FQH	Stone grey/stone grey			
	987 551 215 02 FQJ	Sand beige/sand beige			
	987 551 215 02 FQK	Sea blue/sea blue			
	987 551 215 02 FQQ	Black/stone grey			
	987 551 215 02 FQO	Dark grey natural/black			
	987 551 215 02 FSY	Carrera Red D - MJ 2008>>			
16	987 551 215 03	Trim Seat belt From Chassis number See technical information GR.7 NR. 17/11 KD-NR. 70 D - MJ 2007>>	left	1	
	987 551 215 03 FQG	black/black			
	987 551 215 03 FQH	Stone grey/stone grey			
	987 551 215 03 FQJ	Sand beige/sand beige			
	987 551 215 03 FQK	Sea blue/sea blue			
	987 551 215 03 FQQ	Black/stone grey			
	987 551 215 03 FQO	Dark grey natural/black			
	987 551 215 03 FSY	Carrera Red D - MJ 2008>>			
(16)	987 551 216 01	Trim Seat belt black/black Stone grey/steel grey Sand beige/sand beige Sea blue/sea blue Palmgreen/palmgreen Terracotta/terracotta Cocoa/Cocoa Black/stone grey Dark grey natural/black	right	1	
	987 551 216 01 FQG	black/black			
	987 551 216 01 FQH	Stone grey/steel grey			
	987 551 216 01 FQJ	Sand beige/sand beige			
	987 551 216 01 FQK	Sea blue/sea blue			
	987 551 216 01 FQL	Palmgreen/palmgreen			
	987 551 216 01 FQM	Terracotta/terracotta			
	987 551 216 01 FQN	Cocoa/Cocoa			
	987 551 216 01 FQQ	Black/stone grey			
	987 551 216 01 FQO	Dark grey natural/black			
	987 551 216 01 FQP	Brown nat./brown nat.			
(16)	987 551 216 02	Trim Seat belt D - MJ 2007>>	right	1	
	987 551 216 02 FQL	Palmgreen/palmgreen D >> - MJ 2007			
	987 551 216 02 FQM	Terracotta/terracotta			
	987 551 216 02 FQN	Cocoa/Cocoa			
	987 551 216 02 FQP	Brown nat./brown nat.			
(16)	987 551 216 02	Trim Seat belt Until	right	1	

Model: 987 05 Model life 2005>>2008

Pos	Part Number	Description	Remark	Qty	Model
		Chassis number See technical information GR.7 NR. 17/11 KD-NR. 70 D - MJ 2007>>			
	987 551 216 02 FQG	black/black			
	987 551 216 02 FQH	Stone grey/stone grey			
	987 551 216 02 FQJ	Sand beige/sand beige			
	987 551 216 02 FQK	Sea blue/sea blue			
	987 551 216 02 FQQ	Black/stone grey			
	987 551 216 02 FQO	Dark grey natural/black			
	987 551 216 02 FSY	Carrera Red D - MJ 2008>>			
(16)	987 551 216 03	Trim Seat belt From Chassis number See technical information GR.7 NR. 17/11 KD-NR. 70 D - MJ 2007>>	right	1	
	987 551 216 03 FQG	black/black			
	987 551 216 03 FQH	Stone grey/stone grey			
	987 551 216 03 FQJ	Sand beige/sand beige			
	987 551 216 03 FQK	Sea blue/sea blue			
	987 551 216 03 FQQ	Black/stone grey			
	987 551 216 03 FQO	Dark grey natural/black			
	987 551 216 03 FSY	Carrera Red D - MJ 2008>>			
17	999 507 438 40	Bracket 3,5		2	
18	999 073 049 02	panel screw 3,5 X 16		2	
19		Floor mats Set see illustration:	807-007	1	
20	999 902 054 40	Tequipment catalogue Fixing plate for Floor mats		4	
21	964 551 751 00	Bracket Warning light	rhd	1	PR:099,193
(21)	997 551 852 00	Bracket Warning light	lhd	1	PR:098,193
22	999 919 254 01	fillister hd. bolt 4,0 x 36,5		2	PR:193
23	999 507 837 40	Clip Trim Seat belt		2	

Model: 987 05

Model life 2005>>2008



Model: 987 05 Model life 2005>>2008

Pos	Part Number	Description	Remark	Qty	Model
1	987 551 619 01	Trim Sill Support	left	1	
(1)	987 551 620 01	Sill Support	right	1	
2	900 143 082 01	Sill panel screw ST 6,3 X 13 for Mount Support		4	
3	999 076 081 40	Sill Hexagon plastic collar nut T5 16 X 11,2 for Mount Support		2	
4	996 551 873 00	Sill Locating peg for Mount Support		2	
5	997 551 019 04	Sill Trim (drivers side)	lhd	1	PR:098
(5)	997 551 019 04 A03	Black			
	997 551 019 05	Trim Sill (drivers side)	rhd	1	PR:099
	997 551 019 05 A03	Black			
6	999 507 484 40	expanding nut 9 X 22		6	
7	999 067 046 01	Bolt with washer M 6 X 20		2	
8	999 703 443 40	Bungs 8,0 X 11		2	
	999 703 443 40 01C	Satin black			
9	997 551 120 01	Trim Sill (passenger side)		1	
	997 551 120 01 A03	Black			
10	999 507 484 40	expanding nut 9 X 22		6	
11	999 919 164 09	fillister hd. bolt 5,0 X 12		1	
12	996 551 513 00	Mat		1	
(13)	987 551 303 04	Sill trim strip Lacquered		2	BOXSTER PR:-X69,-X70
	987 551 303 04 A03	Black			
13	987 551 303 05	Sill trim strip Lacquered		2	BOXSTER S PR:-X69,-X70
	987 551 303 05 A03	Black			
(13)	987 551 980 13	1 set of sill strips		1	BOXSTER S PR:754,X70
(13)	987 551 980 18	D - MJ 2008>> - MJ 2008 1 set of sill strips		1	BOXSTER S PR:757,X70
-		D - MJ 2008>> Sill trim strip Exclusive See catalogue Tequipment			

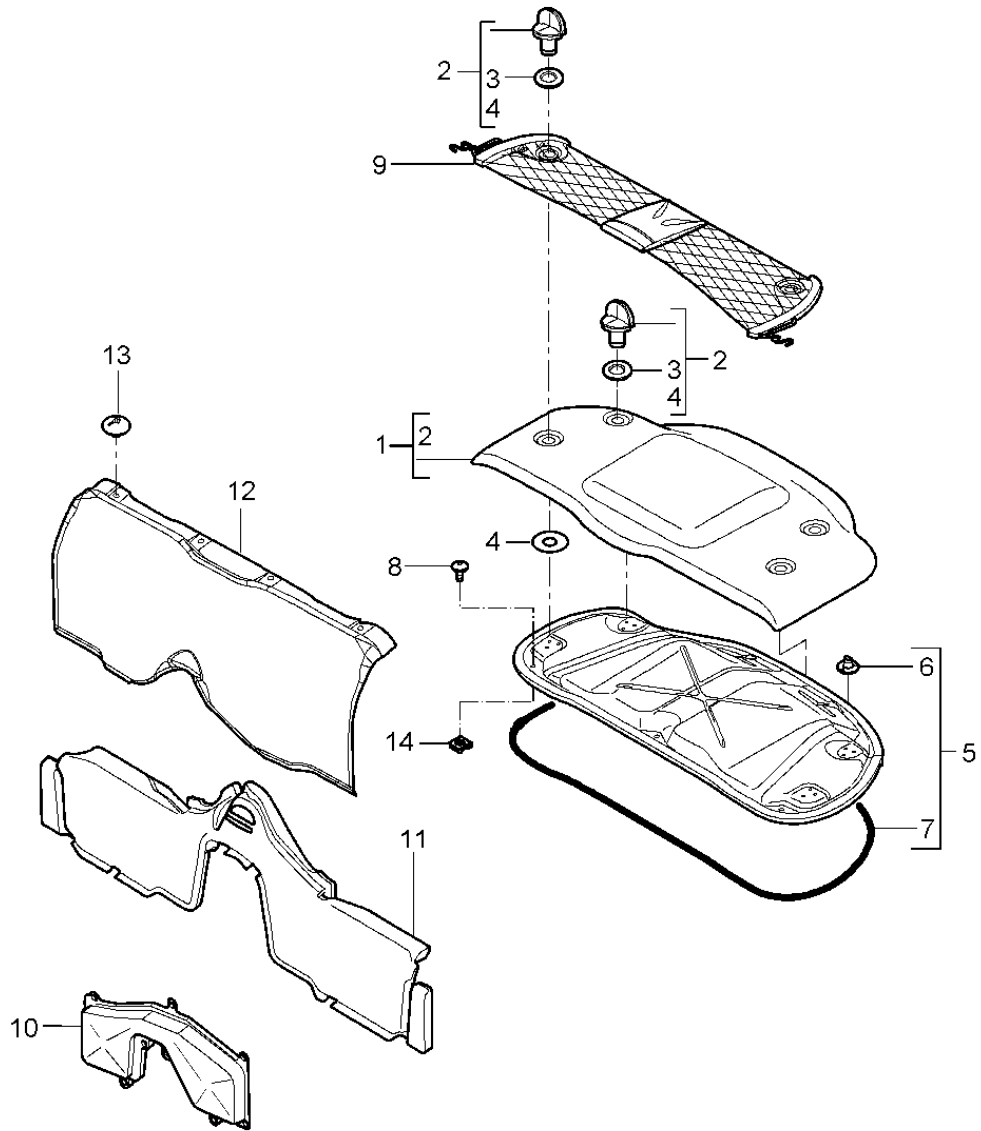
Model: 987 05

Model life 2005>>2008

Pos	Part Number	Description	Remark	Qty	Model
14	987 556 605 00	8/07/07 Sound absorber Support		2	

Model: 987 05

Model life 2005>>2008



Model: 987 05 Model life 2005>>2008

Pos	Part Number	Description	Remark	Qty	Model
1	987 551 039 03	Linings Engine compartment Trim Carpet		1	
	987 551 039 03 FMZ	Palm green			
	987 551 039 03 FNA	Terracotta			
	987 551 039 03 FNB	Cocoa			
	987 551 039 03 FNC	Dark grey/natural			
	987 551 039 03 FND	Brown/natural			
1	987 551 039 03	Trim Carpet Until Chassis number See technical information GR.7 NR. 17/11 KD-NR. 70		1	
	987 551 039 03 FMV	Black			
	987 551 039 03 FMW	Stone grey			
	987 551 039 03 FMX	Sand beige			
	987 551 039 03 FMY	sea blue			
	987 551 039 03 FSX	Carrera Red			
1	987 551 039 04	Trim Carpet From Chassis number See technical information GR.7 NR. 17/11 KD-NR. 70		1	
	987 551 039 04 FMV	Black			
	987 551 039 04 FMW	Stone grey			
	987 551 039 04 FMX	Sand beige			
	987 551 039 04 FMY	sea blue			
	987 551 039 04 FSX	Carrera Red			
2	986 551 339 00	catch		4	
	986 551 339 00 01C	Satin black			
3	986 551 543 00	pressure washer 40 X 3 X 24		4	
	986 551 543 00 01C	Satin black			
4	986 551 545 00	Retaining washer 55 X 1 X 21		4	
5	987 513 211 00	cover for engine compartment D >> - MJ 2005		1	
(5)	987 513 211 02	cover for engine compartment D - MJ 2006>>		1	
6	986 551 547 00	Support		4	
-	999 190 174 30	Pop rivet Mount Support		12	
7	987 513 611 00	Seal Engine cover		1	
8	999 073 130 02	fillister hd. bolt M6 X 16		5	
9	987 551 633 00	Luggage net		1	
10	986 504 181 00	engine compartment lid filler plate		1	
-	999 084 629 01	Hexagon nut M6		2	
-	900 378 169 01	Hexagon bolt M6X12		4	
11	987 551 033 00	Trim Cross member Carpet D >> - MJ 2007		1	

Model: 987 05 Model life 2005>>2008

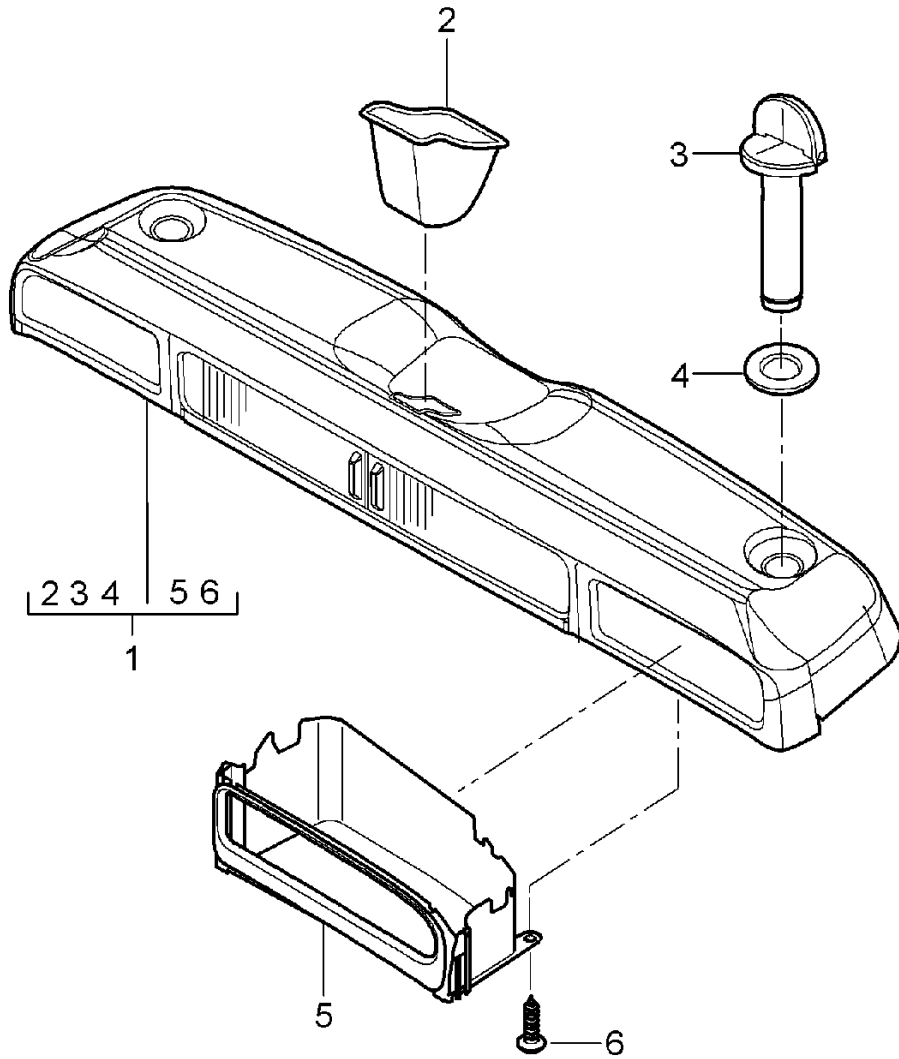
Pos	Part Number	Description	Remark	Qty	Model
	987 551 033 00 A10	Black			
	987 551 033 00 B10	Stone grey			
	987 551 033 00 T10	Sand beige			
	987 551 033 00 E10	sea blue			
	987 551 033 00 J10	Palm green			
		D >> - MJ 2007			
	987 551 033 00 M10	Terracotta			
	987 551 033 00 R10	Cocoa			
	987 551 033 00 D11	Dark grey/natural			
	987 551 033 00 T11	Brown/natural			
11	987 551 033 01	Trim		1	
		Cross member			
		Carpet			
		D - MJ 2008>>			
	987 551 033 01 M10	Terracotta			
	987 551 033 01 R10	Cocoa			
	987 551 033 01 D11	Dark grey/natural			
	987 551 033 01 T11	Brown/natural			
11	987 551 033 01	Trim		1	
		Cross member			
		Carpet			
		Until			
		Chassis number			
		See technical information			
		GR.7 NR. 17/11			
		KD-NR. 70			
		D - MJ 2008>>			
	987 551 033 01 A10	Black			
	987 551 033 01 B10	Stone grey			
	987 551 033 01 T10	Sand beige			
	987 551 033 01 E10	sea blue			
	987 551 033 01 N10	Carrera Red			
		D - MJ 2008>>			
11	987 551 033 02	Trim		1	
		Cross member			
		Carpet			
		From			
		Chassis number			
		See technical information			
		GR.7 NR. 17/11			
		KD-NR. 70			
		D - MJ 2008>>			
	987 551 033 02 A10	Black			
	987 551 033 02 B10	Stone grey			
	987 551 033 02 T10	Sand beige			
	987 551 033 02 E10	sea blue			
	987 551 033 02 N10	Carrera Red			
		D - MJ 2008>>			
12	987 551 035 00	Rear panel trim		1	
		Carpet			
		D >> - MJ 2007			
	987 551 035 00 A10	Black			
	987 551 035 00 B10	Stone grey			
	987 551 035 00 T10	Sand beige			
	987 551 035 00 E10	sea blue			
	987 551 035 00 J10	Palm green			
		D >> - MJ 2007			
	987 551 035 00 M10	Terracotta			
	987 551 035 00 R10	Cocoa			
	987 551 035 00 D11	Dark grey/natural			
	987 551 035 00 T11	Brown/natural			
12	987 551 035 03	Rear panel trim		1	
		Carpet			

Model: 987 05 Model life 2005>>2008

Pos	Part Number	Description	Remark	Qty	Model
		D - MJ 2008>>			
	987 551 035 03 M10	Terracotta			
	987 551 035 03 R10	Cocoa			
	987 551 035 03 D11	Dark grey/natural			
	987 551 035 03 T11	Brown/natural			
12	987 551 035 03	Rear panel trim		1	
		Carpet			
		Until			
		Chassis number			
		See technical information			
		GR.7 NR. 17/11			
		KD-NR. 70			
		D - MJ 2008>>			
	987 551 035 03 A10	Black			
	987 551 035 03 B10	Stone grey			
	987 551 035 03 T10	Sand beige			
	987 551 035 03 E10	sea blue			
	987 551 035 03 N10	Carrera Red			
		D - MJ 2008>>			
12	987 551 035 06	Rear panel trim		1	
		Carpet			
		From			
		Chassis number			
		See technical information			
		GR.7 NR. 17/11			
		KD-NR. 70			
		D - MJ 2008>>			
	987 551 035 06 A10	Black			
	987 551 035 06 B10	Stone grey			
	987 551 035 06 T10	Sand beige			
	987 551 035 06 E10	sea blue			
	987 551 035 06 N10	Carrera Red			
		D - MJ 2008>>			
13	999 049 020 40	Plastic nut		4	
		T5/30 X 5,1			
14	999 591 869 02	panel nut		5	
		M 8			

Model: 987 05

Model life 2005>>2008

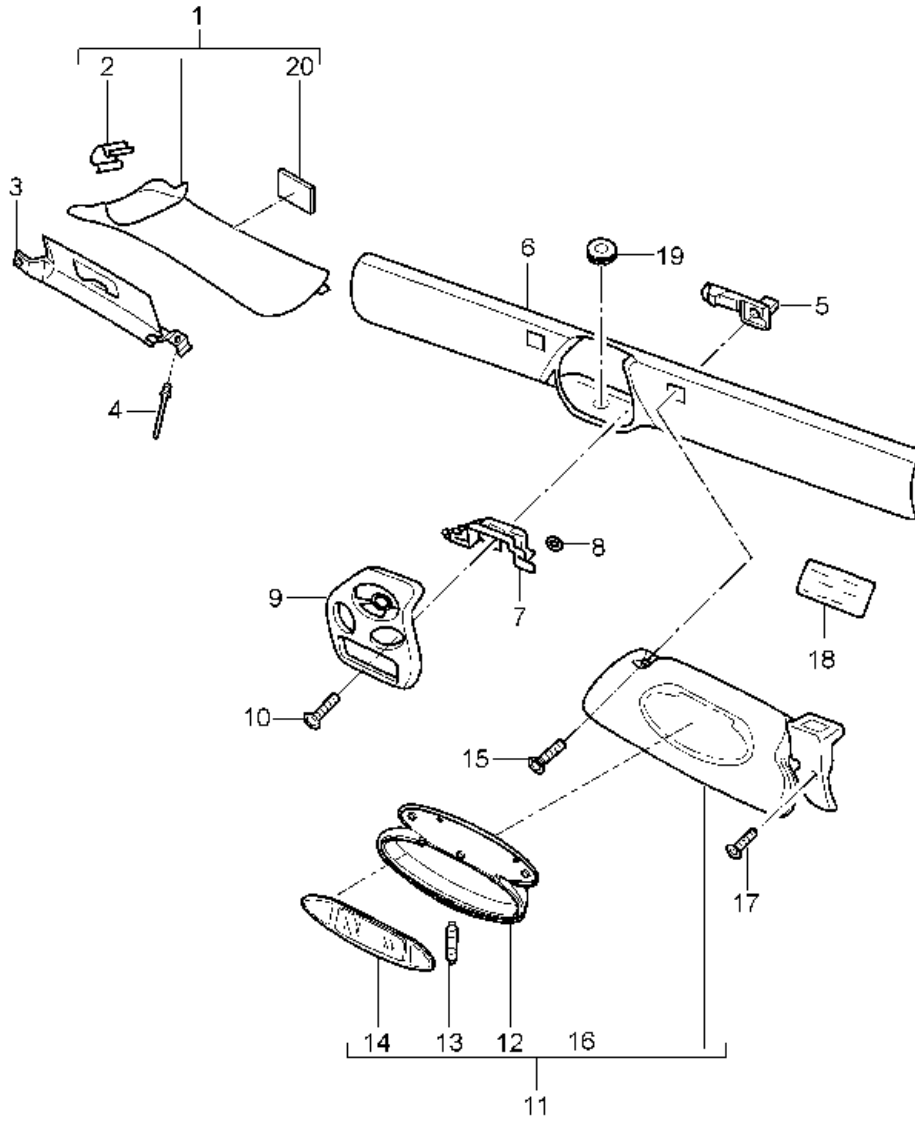
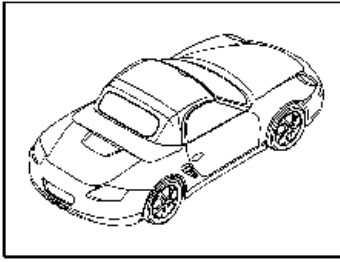


Model: 987 05 Model life 2005>>2008

Pos	Part Number	Description	Remark	Qty	Model
1	987 551 223 01	Stowage box		1	PR:584
	987 551 223 01 FNK	Stowage box Palm green			PR:584
		D >> - MJ 2007			
	987 551 223 01 FNL	Terracotta			
	987 551 223 01 FNM	Cocoa			
	987 551 223 01 FNN	Dark grey/natural			
	987 551 223 01 FNO	Brown/natural			
1	987 551 223 01	Stowage box		1	PR:584
		Until			
		Chassis number			
		See technical information			
		GR.7 NR. 17/11			
		KD-NR. 70			
	987 551 223 01 FNF	Black			
	987 551 223 01 FNG	Stone grey			
	987 551 223 01 FNH	Sand beige			
	987 551 223 01 FNJ	sea blue			
	987 551 223 01 FSZ	Carrera Red			
		D - MJ 2008>>			
1	987 551 223 02	Stowage box		1	PR:584
		From			
		Chassis number			
		See technical information			
		GR.7 NR. 17/11			
		KD-NR. 70			
	987 551 223 02 FNF	Black			
	987 551 223 02 FNG	Stone grey			
	987 551 223 02 FNH	Sand beige			
	987 551 223 02 FNJ	sea blue			
	987 551 223 02 FSZ	Carrera Red			
		D - MJ 2008>>			
2	986 551 427 00	Rosette		1	PR:584
		for			
		Stowage box			
		987 551 223 00 ...			
		F >> 98-5S700 089			
		F >> 98-5S720 072			
		F >> 98-5U721 685			
	986 551 427 00 01C	Satin black			
2	987 551 427 00	Rosette		1	PR:584
		for			
		Stowage box			
		987 551 223 01...			
		F 98-5S700 090>>			
		F 98-5S720 073>>			
		F 98-5U721 686>>			
	987 551 427 00 01C	Satin black			
3	986 551 429 00	catch		2	PR:584
	986 551 429 00 01C	Satin black			
4	986 551 543 00	pressure washer		2	PR:584
		40 X 3 X 24			
	986 551 543 00 01C	Satin black			
5	986 551 435 00	tray	left	1	PR:584
		Appendix			
	986 551 435 00 01C	Satin black			
(5)	986 551 436 00	tray	right	1	PR:584
		Appendix			
	986 551 436 00 01C	Satin black			
6	999 919 164 09	fillister hd. bolt		7	PR:584
		5 X 12			

Model: 987 05

Model life 2005>>2008



Model: 987 05 Model life 2005>>2008

Pos	Part Number	Description	Remark	Qty	Model
1	987 555 181 00	windshield frame sun vizors A-pillar trim	left	1	
		D - MJ 2005>> - MJ 2005			
(1)	987 555 181 00 A03	Black			
	987 555 182 00	A-pillar trim	right	1	
		D - MJ 2005>> - MJ 2005			
(1)	987 555 182 00 A03	Black			
	987 555 181 03	A-pillar trim	left	1	
		D - MJ 2006>>			
(1)	987 555 181 03 A03	Black			
	987 555 182 03	A-pillar trim	right	1	
		D - MJ 2006>>			
(2)	987 555 182 03 A03	Black			
	999 507 681 01	Clip 2,5/3,0		2	
		D - MJ 2005>> - MJ 2005			
(2)	999 507 047 09	Clip 3,6		2	
		D - MJ 2006>> - MJ 2006			
3	986 555 291 00	deformation element A-pillar	left	1	
		D - MJ 2005>> - MJ 2005			
(3)	986 555 292 00	deformation element A-pillar	right	1	
		D - MJ 2005>> - MJ 2005			
4	999 190 184 01	Pop rivet 4,0 X 8,5		X	
5	986 731 541 01	basic plate Support Sun visor		2	
6	986 555 059 01	Trim for wind protection window frame		1	
	986 555 059 01 A03	Black			
(6)	986 555 059 03	Trim		1	PR:267
		windshield frame			
	986 555 059 03 A03	Black			
7	986 613 799 00	Micro switch Locking mechanism Convertible top		1	
8	999 507 534 02	Clamping washer 2,5		2	
9	986 561 235 03	Support Locking mechanism Convertible top		1	
	986 561 235 03 A09	Rally black			
10	999 073 166 09	countersunk bolt M 6 X 25		2	
(11)	987 731 031 10	Sun visor with mirror	left	1	
	987 731 031 10 A12	Black			
11	987 731 032 10	Sun visor with mirror	right	1	
	987 731 032 10 A12	Black			
(11)	987 731 981 09	Sun visor with mirror Leather	left lhd	1	PR:XMR,098
	987 731 981 09 A11	Black			
	987 731 981 09 5X6	Stone grey			
	987 731 981 09 8G2	Sand beige			
	987 731 981 09 3S9	sea blue			
	987 731 981 09 4P2	Palm green			
		D >> - MJ 2007			
	987 731 981 09 9S5	Terracotta			
	987 731 981 09 9V6	Cocoa			
	987 731 981 09 D12	Dark grey/natural			

Model: 987 05 Model life 2005>>2008

Pos	Part Number	Description	Remark	Qty	Model
(11)	987 731 981 09 T12	Brown/natural			
	987 731 981 09 N12	Carrera Red			
		D - MJ 2008>>			
	987 731 982 09	Sun visor with mirror	right lhd	1	PR:XMR,098
		Leather			
	987 731 982 09 A11	Black			
	987 731 982 09 5X6	Stone grey			
	987 731 982 09 8G2	Sand beige			
	987 731 982 09 3S9	sea blue			
	987 731 982 09 4P2	Palm green			
		D >> - MJ 2007			
(11)	987 731 982 09 9S5	Terracotta			
	987 731 982 09 9V6	Cocoa			
	987 731 982 09 D12	Dark grey/natural			
	987 731 982 09 T12	Brown/natural			
	987 731 982 09 N12	Carrera Red			
		D - MJ 2008>>			
	987 731 981 10	Sun visor with mirror	left rhd	1	PR:XMR,099
		Leather			
	987 731 981 10 A11	Black			
	987 731 981 10 5X6	Stone grey			
	987 731 981 10 8G2	Sand beige			
987 731 981 10 3S9	sea blue				
987 731 981 10 4P2	Palm green				
	D >> - MJ 2007				
(11)	987 731 981 10 9S5	Terracotta			
	987 731 981 10 9V6	Cocoa			
	987 731 981 10 D12	Dark grey/natural			
	987 731 981 10 T12	Brown/natural			
	987 731 981 10 N12	Carrera Red			
		D - MJ 2008>>			
	987 731 982 10	Sun visor with mirror	right rhd	1	PR:XMR,099
		Leather			
	987 731 982 10 A11	Black			
	987 731 982 10 5X6	Stone grey			
	987 731 982 10 8G2	Sand beige			
987 731 982 10 3S9	sea blue				
987 731 982 10 4P2	Palm green				
	D >> - MJ 2007				
12	996 731 903 00	Mirror housing		1	
		with:			
13	996 731 903 00 01C	Lighting			
	999 631 147 90	Satin black bulb		2	
14	996 731 531 01	3 W			
		Mirror glass		2	
		with:			
15	996 731 531 01 01C	Frame			
	999 919 120 09	Satin black fillister hd. bolt		2	
17	999 073 166 09	4,0 X 18			
		countersunk bolt		4	
18	987 701 401 06	M 6 X 25			
		Notice		1	PR:488
18	987 701 401 07	Convertible top control			
		German Notice		1	PR:130

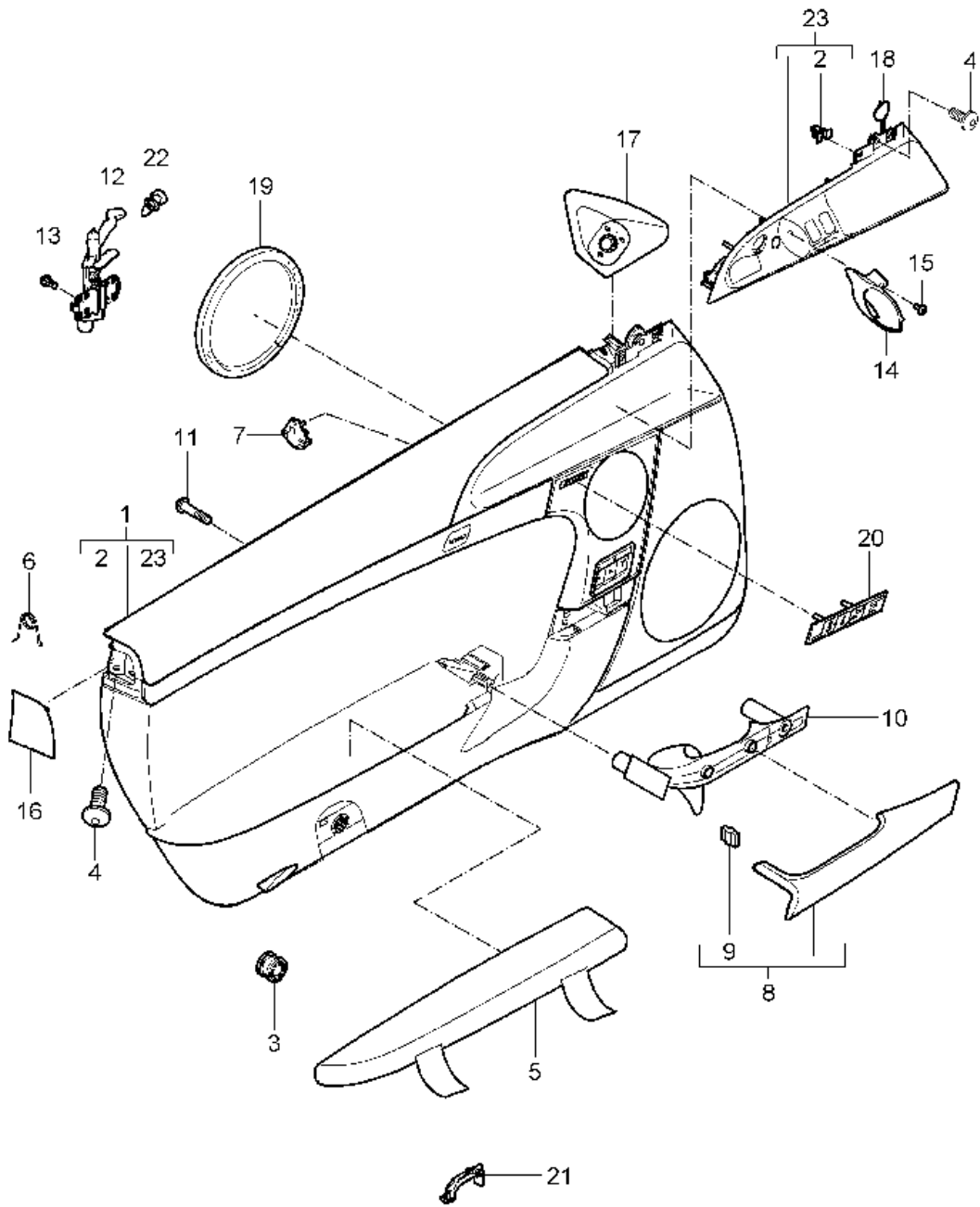
Model: 987 05

Model life 2005>>2008

Pos	Part Number	Description	Remark	Qty	Model
18	987 701 401 08	Convertible top control English Notice		1	PR:126,113
18	987 701 401 09	Convertible top control French Notice		1	PR:034
18	987 701 401 10	Convertible top control Italian Notice		1	PR:119
18	987 701 401 11	Convertible top control Spanish Notice		1	PR:193
19	996 555 619 00	Convertible top control Japanese Grommet		1	PR:267
20	999 551 134 40	Wire set Rain sensor Adhesive tape 20 x 65		2	

Model: 987 05

Model life 2005>>2008



Model: 987 05 Model life 2005>>2008

Pos	Part Number	Description	Remark	Qty	Model
1	997 555 201 00	door panel Accessories door panel slush technology D >> - MJ 2007	left lhd	1	PR:098
	997 555 201 00 9E8	Palm green D >> - MJ 2007			
1	997 555 201 00	door panel slush technology Until Chassis number See technical information GR.7 NR. 17/11 KD-NR. 70	left lhd	1	PR:098
	997 555 201 00 9L4	Black			
	997 555 201 00 9M5	Stone grey			
	997 555 201 00 9C6	Sand beige			
	997 555 201 00 9D7	sea blue			
1	997 555 901 00	door panel slush technology From Chassis number See technical information GR.7 NR. 17/11 KD-NR. 70	left lhd	1	PR:098
	997 555 901 00 9L4	Black			
	997 555 901 00 9M5	Stone grey			
	997 555 901 00 9C6	Sand beige			
	997 555 901 00 9D7	sea blue			
(1)	997 555 201 04	door panel slush technology D >> - MJ 2007	left lhd	1	PR:098,490
	997 555 201 04 9E8	Palm green D >> - MJ 2007			
(1)	997 555 201 04	door panel slush technology Until Chassis number See technical information GR.7 NR. 17/11 KD-NR. 70	left lhd	1	PR:098,490
	997 555 201 04 9L4	Black			
	997 555 201 04 9M5	Stone grey			
	997 555 201 04 9C6	Sand beige			
	997 555 201 04 9D7	sea blue			
(1)	997 555 901 01	door panel slush technology From Chassis number See technical information GR.7 NR. 17/11 KD-NR. 70	left lhd	1	PR:098,490
	997 555 901 01 9L4	Black			
	997 555 901 01 9M5	Stone grey			
	997 555 901 01 9C6	Sand beige			
	997 555 901 01 9D7	sea blue			
(1)	997 555 201 06	door panel slush technology D >> - MJ 2007	left lhd	1	PR:537,098
	997 555 201 06 9E8	Palm green D >> - MJ 2007			
(1)	997 555 201 06	door panel slush technology	left lhd	1	PR:537,098

Model: 987 05 Model life 2005>>2008

Pos	Part Number	Description	Remark	Qty	Model
		Until Chassis number See technical information GR.7 NR. 17/11 KD-NR. 70			
	997 555 201 06 9L4	Black			
	997 555 201 06 9M5	Stone grey			
	997 555 201 06 9C6	Sand beige			
	997 555 201 06 9D7	sea blue			
(1)	997 555 901 03	door panel slush technology From Chassis number See technical information GR.7 NR. 17/11 KD-NR. 70	left lhd	1	PR:537,098
	997 555 901 03 9L4	Black			
	997 555 901 03 9M5	Stone grey			
	997 555 901 03 9C6	Sand beige			
	997 555 901 03 9D7	sea blue			
(1)	997 555 201 06	door panel slush technology D >> - MJ 2007	left lhd	1	PR:490,537,098
	997 555 201 06 9E8	Palm green D >> - MJ 2007			
(1)	997 555 201 06	door panel slush technology	left lhd	1	PR:490,537,098
		Until Chassis number See technical information GR.7 NR. 17/11 KD-NR. 70			
	997 555 201 06 9L4	Black			
	997 555 201 06 9M5	Stone grey			
	997 555 201 06 9C6	Sand beige			
	997 555 201 06 9D7	sea blue			
(1)	997 555 901 03	door panel slush technology From Chassis number See technical information GR.7 NR. 17/11 KD-NR. 70	left lhd	1	PR:490,537,098
	997 555 901 03 9L4	Black			
	997 555 901 03 9M5	Stone grey			
	997 555 901 03 9C6	Sand beige			
	997 555 901 03 9D7	sea blue			
(1)	997 555 202 24	door panel slush technology D >> - MJ 2007	right lhd	1	PR:098
	997 555 202 24 9E8	Palm green D >> - MJ 2007			
(1)	997 555 202 24	door panel slush technology	right lhd	1	PR:098
		Until Chassis number See technical information GR.7 NR. 17/11 KD-NR. 70			
	997 555 202 24 9L4	Black			
	997 555 202 24 9M5	Stone grey			
	997 555 202 24 9C6	Sand beige			
	997 555 202 24 9D7	sea blue			

Model: 987 05 Model life 2005>>2008

Pos	Part Number	Description	Remark	Qty	Model
(1)	997 555 902 17	door panel slush technology From Chassis number See technical information GR.7 NR. 17/11 KD-NR. 70	right lhd	1	PR:098
	997 555 902 17 9L4	Black			
	997 555 902 17 9M5	Stone grey			
	997 555 902 17 9C6	Sand beige			
	997 555 902 17 9D7	sea blue			
(1)	997 555 202 26	door panel slush technology D >> - MJ 2007	right lhd	1	PR:098,490
	997 555 202 26 9E8	Palm green D >> - MJ 2007			
(1)	997 555 202 26	door panel slush technology Until Chassis number See technical information GR.7 NR. 17/11 KD-NR. 70	right lhd	1	PR:098,490
	997 555 202 26 9L4	Black			
	997 555 202 26 9M5	Stone grey			
	997 555 202 26 9C6	Sand beige			
	997 555 202 26 9D7	sea blue			
(1)	997 555 902 18	door panel slush technology From Chassis number See technical information GR.7 NR. 17/11 KD-NR. 70	right lhd	1	PR:098,490
	997 555 902 18 9L4	Black			
	997 555 902 18 9M5	Stone grey			
	997 555 902 18 9C6	Sand beige			
	997 555 902 18 9D7	sea blue			
(1)	997 555 202 26	door panel slush technology D >> - MJ 2007	right lhd	1	PR:537,098
	997 555 202 26 9E8	Palm green D >> - MJ 2007			
(1)	997 555 202 26	door panel slush technology Until Chassis number See technical information GR.7 NR. 17/11 KD-NR. 70	right lhd	1	PR:537,098
	997 555 202 26 9L4	Black			
	997 555 202 26 9M5	Stone grey			
	997 555 202 26 9C6	Sand beige			
	997 555 202 26 9D7	sea blue			
(1)	997 555 902 18	door panel slush technology From Chassis number See technical information GR.7 NR. 17/11 KD-NR. 70	right lhd	1	PR:537,098
	997 555 902 18 9L4	Black			
	997 555 902 18 9M5	Stone grey			

Model: 987 05 Model life 2005>>2008

Pos	Part Number	Description	Remark	Qty	Model
(1)	997 555 902 18 9C6 997 555 902 18 9D7 997 555 202 00	Sand beige sea blue door panel slush technology D >> - MJ 2007	right rhd	1	PR:099
(1)	997 555 202 00 9E8 997 555 202 00	Palm green D >> - MJ 2007 door panel slush technology Until Chassis number See technical information GR.7 NR. 17/11 KD-NR. 70	right rhd	1	PR:099
(1)	997 555 202 00 9L4 997 555 202 00 9M5 997 555 202 00 9C6 997 555 202 00 9D7 997 555 902 00	Black Stone grey Sand beige sea blue door panel slush technology From Chassis number See technical information GR.7 NR. 17/11 KD-NR. 70	right rhd	1	PR:099
(1)	997 555 902 00 9L4 997 555 902 00 9M5 997 555 902 00 9C6 997 555 902 00 9D7 997 555 202 04	Black Stone grey Sand beige sea blue door panel slush technology D >> - MJ 2007	right rhd	1	PR:099,490
(1)	997 555 202 04 9E8 997 555 202 04	Palm green D >> - MJ 2007 door panel slush technology Until Chassis number See technical information GR.7 NR. 17/11 KD-NR. 70	right rhd	1	PR:099,490
(1)	997 555 202 04 9L4 997 555 202 04 9M5 997 555 202 04 9C6 997 555 202 04 9D7 997 555 901 01	Black Stone grey Sand beige sea blue door panel slush technology From Chassis number See technical information GR.7 NR. 17/11 KD-NR. 70	right rhd	1	PR:099,490
(1)	997 555 901 01 9L4 997 555 901 01 9M5 997 555 901 01 9C6 997 555 901 01 9D7 997 555 202 06	Black Stone grey Sand beige sea blue door panel slush technology D >> - MJ 2007	right rhd	1	PR:538,099
(1)	997 555 202 06 9E8 997 555 202 06	Palm green D >> - MJ 2007 door panel slush technology	right rhd	1	PR:538,099

Model: 987 05 Model life 2005>>2008

Pos	Part Number	Description	Remark	Qty	Model
		Until Chassis number See technical information GR.7 NR. 17/11 KD-NR. 70			
	997 555 202 06 9L4	Black			
	997 555 202 06 9M5	Stone grey			
	997 555 202 06 9C6	Sand beige			
	997 555 202 06 9D7	sea blue			
(1)	997 555 902 03	door panel slush technology	right rhd	1	PR:538,099
		From Chassis number See technical information GR.7 NR. 17/11 KD-NR. 70			
	997 555 902 03 9L4	Black			
	997 555 902 03 9M5	Stone grey			
	997 555 902 03 9C6	Sand beige			
	997 555 902 03 9D7	sea blue			
(1)	997 555 202 06	door panel slush technology	right rhd	1	PR:490,538,099
(1)	997 555 202 06 9E8	Palm green			
(1)	997 555 202 06	door panel slush technology	right rhd	1	PR:490,538,099
		Until Chassis number See technical information GR.7 NR. 17/11 KD-NR. 70			
	997 555 202 06 9L4	Black			
	997 555 202 06 9M5	Stone grey			
	997 555 202 06 9C6	Sand beige			
	997 555 202 06 9D7	sea blue			
(1)	997 555 902 03	door panel slush technology	right rhd	1	PR:490,538,099
		From Chassis number See technical information GR.7 NR. 17/11 KD-NR. 70			
	997 555 902 03 9L4	Black			
	997 555 902 03 9M5	Stone grey			
	997 555 902 03 9C6	Sand beige			
	997 555 902 03 9D7	sea blue			
(1)	997 555 201 24	door panel slush technology	left rhd	1	PR:099
		D >> - MJ 2007			
	997 555 201 24 9E8	Palm green			
(1)	997 555 201 24	door panel slush technology	left rhd	1	PR:099
		Until Chassis number See technical information GR.7 NR. 17/11 KD-NR. 70			
	997 555 201 24 9L4	Black			
	997 555 201 24 9M5	Stone grey			
	997 555 201 24 9C6	Sand beige			
	997 555 201 24 9D7	sea blue			
(1)	997 555 901 17	door panel slush technology	left rhd	1	PR:099

Model: 987 05 Model life 2005>>2008

Pos	Part Number	Description	Remark	Qty	Model
		From Chassis number See technical information GR.7 NR. 17/11 KD-NR. 70			
	997 555 901 17 9L4	Black			
	997 555 901 17 9M5	Stone grey			
	997 555 901 17 9C6	Sand beige			
	997 555 901 17 9D7	sea blue			
(1)	997 555 201 26	door panel slush technology D >> - MJ 2007	left rhd	1	PR:099,490
	997 555 201 26 9E8	Palm green D >> - MJ 2007			
(1)	997 555 201 26	door panel slush technology Until Chassis number See technical information GR.7 NR. 17/11 KD-NR. 70	left rhd	1	PR:099,490
	997 555 201 26 9L4	Black			
	997 555 201 26 9M5	Stone grey			
	997 555 201 26 9C6	Sand beige			
	997 555 201 26 9D7	sea blue			
(1)	997 555 901 18	door panel slush technology From Chassis number See technical information GR.7 NR. 17/11 KD-NR. 70	left rhd	1	PR:099,490
	997 555 901 18 9L4	Black			
	997 555 901 18 9M5	Stone grey			
	997 555 901 18 9C6	Sand beige			
	997 555 901 18 9D7	sea blue			
(1)	997 555 201 26	door panel slush technology D >> - MJ 2007	left rhd	1	PR:538,099
	997 555 201 26 9E8	Palm green D >> - MJ 2007			
(1)	997 555 201 26	door panel slush technology Until Chassis number See technical information GR.7 NR. 17/11 KD-NR. 70	left rhd	1	PR:538,099
	997 555 201 26 9L4	Black			
	997 555 201 26 9M5	Stone grey			
	997 555 201 26 9C6	Sand beige			
	997 555 201 26 9D7	sea blue			
(1)	997 555 901 18	door panel slush technology From Chassis number See technical information GR.7 NR. 17/11 KD-NR. 70	left rhd	1	PR:538,099
	997 555 901 18 9L4	Black			
	997 555 901 18 9M5	Stone grey			
	997 555 901 18 9C6	Sand beige			
	997 555 901 18 9D7	sea blue			

Model: 987 05 Model life 2005>>2008

Pos	Part Number	Description	Remark	Qty	Model
(1)	997 555 201 08	door panel slush technology D >> - MJ 2007	left lhd	1	PR:098,680
	997 555 201 08 9E8	Palm green D >> - MJ 2007			
(1)	997 555 201 08	door panel slush technology Until Chassis number See technical information GR.7 NR. 17/11 KD-NR. 70	left lhd	1	PR:098,680
	997 555 201 08 9L4	Black			
	997 555 201 08 9M5	Stone grey			
	997 555 201 08 9C6	Sand beige			
	997 555 201 08 9D7	sea blue			
(1)	997 555 901 05	door panel slush technology From Chassis number See technical information GR.7 NR. 17/11 KD-NR. 70	left lhd	1	PR:098,680
	997 555 901 05 9L4	Black			
	997 555 901 05 9M5	Stone grey			
	997 555 901 05 9C6	Sand beige			
	997 555 901 05 9D7	sea blue			
(1)	997 555 201 10	door panel slush technology D >> - MJ 2007	left lhd	1	PR:537,680, 098
	997 555 201 10 9E8	Palm green D >> - MJ 2007			
(1)	997 555 201 10	door panel slush technology Until Chassis number See technical information GR.7 NR. 17/11 KD-NR. 70	left lhd	1	PR:537,680, 098
	997 555 201 10 9L4	Black			
	997 555 201 10 9M5	Stone grey			
	997 555 201 10 9C6	Sand beige			
	997 555 201 10 9D7	sea blue			
(1)	997 555 901 07	door panel slush technology From Chassis number See technical information GR.7 NR. 17/11 KD-NR. 70	left lhd	1	PR:537,680, 098
	997 555 901 07 9L4	Black			
	997 555 901 07 9M5	Stone grey			
	997 555 901 07 9C6	Sand beige			
	997 555 901 07 9D7	sea blue			
(1)	997 555 202 28	door panel slush technology D >> - MJ 2007	left lhd	1	PR:098,680
	997 555 202 28 9E8	Palm green D >> - MJ 2007			
(1)	997 555 202 28	door panel slush technology Until Chassis number	right lhd	1	PR:098,680

Model: 987 05 Model life 2005>>2008

Pos	Part Number	Description	Remark	Qty	Model
		See technical information GR.7 NR. 17/11 KD-NR. 70			
	997 555 202 28 9L4	Black			
	997 555 202 28 9M5	Stone grey			
	997 555 202 28 9C6	Sand beige			
	997 555 202 28 9D7	sea blue			
(1)	997 555 902 20	door panel slush technology From Chassis number See technical information GR.7 NR. 17/11 KD-NR. 70	right lhd	1	PR:098,680
	997 555 902 20 9L4	Black			
	997 555 902 20 9M5	Stone grey			
	997 555 902 20 9C6	Sand beige			
	997 555 902 20 9D7	sea blue			
(1)	997 555 202 08	door panel slush technology D >> - MJ 2007	right rhd	1	PR:099,680
	997 555 202 08 9E8	Palm green D >> - MJ 2007			
(1)	997 555 202 08	door panel slush technology Until Chassis number See technical information GR.7 NR. 17/11 KD-NR. 70	right rhd	1	PR:099,680
	997 555 202 08 9L4	Black			
	997 555 202 08 9M5	Stone grey			
	997 555 202 08 9C6	Sand beige			
	997 555 202 08 9D7	sea blue			
(1)	997 555 902 05	door panel slush technology From Chassis number See technical information GR.7 NR. 17/11 KD-NR. 70	right rhd	1	PR:099,680
	997 555 902 05 9L4	Black			
	997 555 902 05 9M5	Stone grey			
	997 555 902 05 9C6	Sand beige			
	997 555 902 05 9D7	sea blue			
(1)	997 555 202 10	door panel slush technology D >> - MJ 2007	right rhd	1	PR:538,680, 099
	997 555 202 10 9E8	Palm green D >> - MJ 2007			
(1)	997 555 202 10	door panel slush technology Until Chassis number See technical information GR.7 NR. 17/11 KD-NR. 70	right rhd	1	PR:538,680, 099
	997 555 202 10 9L4	Black			
	997 555 202 10 9M5	Stone grey			
	997 555 202 10 9C6	Sand beige			
	997 555 202 10 9D7	sea blue			
(1)	997 555 902 07	door panel slush technology	right rhd	1	PR:538,680, 099

Model: 987 05 Model life 2005>>2008

Pos	Part Number	Description	Remark	Qty	Model
		From Chassis number See technical information GR.7 NR. 17/11 KD-NR. 70			
	997 555 902 07 9L4	Black			
	997 555 902 07 9M5	Stone grey			
	997 555 902 07 9C6	Sand beige			
	997 555 902 07 9D7	sea blue			
(1)	997 555 201 28	door panel slush technology D >> - MJ 2007	right rhd	1	PR:099,680
	997 555 201 28 9E8	Palm green D >> - MJ 2007			
(1)	997 555 201 28	door panel slush technology Until Chassis number See technical information GR.7 NR. 17/11 KD-NR. 70	left rhd	1	PR:099,680
	997 555 201 28 9L4	Black			
	997 555 201 28 9M5	Stone grey			
	997 555 201 28 9C6	Sand beige			
	997 555 201 28 9D7	sea blue			
(1)	997 555 901 20	door panel slush technology From Chassis number See technical information GR.7 NR. 17/11 KD-NR. 70	left rhd	1	PR:099,680
	997 555 901 20 9L4	Black			
	997 555 901 20 9M5	Stone grey			
	997 555 901 20 9C6	Sand beige			
	997 555 901 20 9D7	sea blue			
(1)	997 555 201 05	Door panel trim (leather)	left lhd	1	PR:098,981
	997 555 201 05 FSE	Palmgreen/palmgreen D >> - MJ 2007			
	997 555 201 05 FSF	Terracotta/terracotta			
	997 555 201 05 FSG	Cocoa/Cocoa			
	997 555 201 05 FSH	Darkgrey natural/grey			
	997 555 201 05 FSJ	Brown nat./brown nat.			
	997 555 201 05 BCB	Black/stone grey			
(1)	997 555 201 05	Door panel trim (leather) Until Chassis number See technical information GR.7 NR. 17/11 KD-NR. 70	left lhd	1	PR:098,981
	997 555 201 05 FSC	Sand beige/sand beige			
	997 555 201 05 FSA	black/grey			
	997 555 201 05 FSD	Sea blue/grey			
	997 555 201 05 FSP	Carrera Red D - MJ 2008>>			
	997 555 201 05 FSB	Stone grey/stone grey			
(1)	997 555 901 02	Door panel trim (leather) From Chassis number See technical information GR.7 NR. 17/11 KD-NR. 70	left lhd	1	PR:098,981
	997 555 901 02 FSC	Sand beige/sand beige			

Model: 987 05 Model life 2005>>2008

Pos	Part Number	Description	Remark	Qty	Model
	997 555 901 02 FSP	Carrera Red			
		D - MJ 2008>>			
	997 555 901 02 FSA	Black			
	997 555 901 02 FSB	Stone grey			
	997 555 901 02 FSD	sea blue			
(1)	997 555 201 05	Door panel trim (leather)	left lhd	1	PR:098,490,981
	997 555 201 05 FSE	Palmgreen/palmgreen			
		D >> - MJ 2007			
	997 555 201 05 FSF	Terracotta/terracotta			
	997 555 201 05 FSG	Cocoa/Cocoa			
	997 555 201 05 FSH	Darkgrey natural/grey			
	997 555 201 05 BCB	Black/stone grey			
	997 555 201 05 FSJ	Brown nat./brown nat.			
(1)	997 555 201 05	Door panel trim (leather)	left lhd	1	PR:098,480,981
		Until			
		Chassis number			
		See technical information			
		GR.7 NR. 17/11			
		KD-NR. 70			
	997 555 201 05 FSC	Sand beige/sand beige			
	997 555 201 05 FSA	black/grey			
	997 555 201 05 FSB	Stone grey/stone grey			
	997 555 201 05 FSD	Sea blue/grey			
	997 555 201 05 FSP	Carrera Red			
		D - MJ 2008>>			
(1)	997 555 901 02	Door panel trim (leather)	left lhd	1	PR:098,480,981
		From			
		Chassis number			
		See technical information			
		GR.7 NR. 17/11			
		KD-NR. 70			
	997 555 901 02 FSC	Sand beige/sand beige			
	997 555 901 02 FSA	Black			
	997 555 901 02 FSB	Stone grey			
	997 555 901 02 FSD	sea blue			
	997 555 901 02 FSP	Carrera Red			
		D - MJ 2008>>			
(1)	997 555 201 07	Door panel trim (leather)	left lhd	1	PR:537,981,098
	997 555 201 07 FSE	Palmgreen/palmgreen			
		D >> - MJ 2007			
	997 555 201 07 FSF	Terracotta/terracotta			
	997 555 201 07 FSG	Cocoa/Cocoa			
	997 555 201 07 FSH	Darkgrey natural/grey			
	997 555 201 07 BCB	Black/stone grey			
	997 555 201 07 FSJ	Brown nat./brown nat.			
(1)	997 555 201 07	Door panel trim (leather)	left lhd	1	PR:537,981,098
		Until			
		Chassis number			
		See technical information			
		GR.7 NR. 17/11			
		KD-NR. 70			
	997 555 201 07 FSB	Stone grey/stone grey			
	997 555 201 07 FSC	Sand beige/sand beige			
	997 555 201 07 FSP	Carrera Red			
		D - MJ 2008>>			
	997 555 201 07 FSA	black/grey			
	997 555 201 07 FSD	Sea blue/grey			
(1)	997 555 901 04	Door panel trim (leather)	left lhd	1	PR:537,981,

Model: 987 05 Model life 2005>>2008

Pos	Part Number	Description	Remark	Qty	Model
		From Chassis number See technical information GR.7 NR. 17/11 KD-NR. 70			098
	997 555 901 04 FSB	Stone grey/stone grey			
	997 555 901 04 FSC	Sand beige/sand beige			
	997 555 901 04 FSP	Carrera Red			
		D - MJ 2008>>			
	997 555 901 04 FSA	Black			
	997 555 901 04 FSD	sea blue			
(1)	997 555 201 07	Door panel trim (leather)	left lhd	1	PR:490,537, 981,098
	997 555 201 07 FSE	Palmgreen/palmgreen			
		D >> - MJ 2007			
	997 555 201 07 BCB	Black/stone grey			
	997 555 201 07 FSF	Terracotta/terracotta			
	997 555 201 07 FSG	Cocoa/Cocoa			
	997 555 201 07 FSH	Darkgrey natural/grey			
	997 555 201 07 FSJ	Brown nat./brown nat.			
(1)	997 555 201 07	Door panel trim (leather)	left lhd	1	PR:490,537, 981,098
		Until Chassis number See technical information GR.7 NR. 17/11 KD-NR. 70			
	997 555 201 07 FSB	Stone grey/stone grey			
	997 555 201 07 FSC	Sand beige/sand beige			
	997 555 201 07 FSP	Carrera Red			
		D - MJ 2008>>			
	997 555 201 07 FSA	black/grey			
	997 555 201 07 FSD	Sea blue/grey			
(1)	997 555 901 04	Door panel trim (leather)	left lhd	1	PR:490,537, 981,098
		From Chassis number See technical information GR.7 NR. 17/11 KD-NR. 70			
	997 555 901 04 FSA	Black			
	997 555 901 04 FSB	Stone grey/stone grey			
	997 555 901 04 FSC	Sand beige/sand beige			
	997 555 901 04 FSD	sea blue			
	997 555 901 04 FSP	Carrera Red			
		D - MJ 2008>>			
(1)	997 555 202 27	Door panel trim (leather)	right lhd	1	PR:098,981
	997 555 202 27 FSE	Palmgreen/palmgreen			
		D >> - MJ 2007			
	997 555 202 27 FSF	Terracotta/terracotta			
	997 555 202 27 FSG	Cocoa/Cocoa			
	997 555 202 27 FSH	Darkgrey natural/grey			
	997 555 202 27 FSJ	Brown nat./brown nat.			
	997 555 202 27 BCB	Black/stone grey			
(1)	997 555 202 27	Door panel trim (leather)	right lhd	1	PR:098,981
		Until Chassis number See technical information GR.7 NR. 17/11 KD-NR. 70			
	997 555 202 27 FSB	Stone grey/stone grey			
	997 555 202 27 FSC	Sand beige/sand beige			

Model: 987 05 Model life 2005>>2008

Pos	Part Number	Description	Remark	Qty	Model
	997 555 202 27 FSP	Carrera Red			
		D - MJ 2008>>			
	997 555 202 27 FSA	black/grey			
	997 555 202 27 FSD	Sea blue/grey			
(1)	997 555 902 19	Door panel trim (leather)	right lhd	1	PR:098,981
		From			
		Chassis number			
		See technical information			
		GR.7 NR. 17/11			
		KD-NR. 70			
	997 555 902 19 FSA	Black			
	997 555 902 19 FSB	Stone grey/stone grey			
	997 555 902 19 FSC	Sand beige/sand beige			
	997 555 902 19 FSD	sea blue			
	997 555 902 19 FSP	Carrera Red			
		D - MJ 2008>>			
(1)	997 555 202 27	Door panel trim (leather)	right lhd	1	PR:098,490,981
	997 555 202 27 FSE	Palmgreen/palmgreen			
		D >> - MJ 2007			
	997 555 202 27 BCB	Black/stone grey			
	997 555 202 27 FSF	Terracotta/terracotta			
	997 555 202 27 FSG	Cocoa/Cocoa			
	997 555 202 27 FSH	Darkgrey natural/grey			
	997 555 202 27 FSJ	Brown nat./brown nat.			
(1)	997 555 202 27	Door panel trim (leather)	right lhd	1	PR:098,490,981
		Until			
		Chassis number			
		See technical information			
		GR.7 NR. 17/11			
		KD-NR. 70			
	997 555 202 27 FSB	Stone grey/stone grey			
	997 555 202 27 FSC	Sand beige/sand beige			
	997 555 202 27 FSP	Carrera Red			
		D - MJ 2008>>			
	997 555 202 27 FSA	black/grey			
	997 555 202 27 FSD	Sea blue/grey			
(1)	997 555 902 19	Door panel trim (leather)	right lhd	1	PR:098,490,981
		From			
		Chassis number			
		See technical information			
		GR.7 NR. 17/11			
		KD-NR. 70			
	997 555 902 19 FSA	Black			
	997 555 902 19 FSB	Stone grey/stone grey			
	997 555 902 19 FSC	Sand beige/sand beige			
	997 555 902 19 FSD	sea blue			
	997 555 902 19 FSP	Carrera Red			
		D - MJ 2008>>			
(1)	997 555 202 05	Door panel trim (leather)	right rhd	1	PR:099,981
	997 555 202 05 FSE	Palmgreen/palmgreen			
		D >> - MJ 2007			
	997 555 202 05 FSF	Terracotta/terracotta			
	997 555 202 05 FSG	Cocoa/Cocoa			
	997 555 202 05 FSH	Darkgrey natural/grey			
	997 555 202 05 FSJ	Brown nat./brown nat.			
	997 555 202 05 BCB	Black/stone grey			
(1)	997 555 202 05	Door panel trim (leather)	right rhd	1	PR:099,981
		From			
		Chassis number			
		See technical information			

Model: 987 05 Model life 2005>>2008

Pos	Part Number	Description	Remark	Qty	Model
		GR.7 NR. 17/11 KD-NR. 70			
	997 555 202 05 FSB	Stone grey/stone grey			
	997 555 202 05 FSC	Sand beige/sand beige			
	997 555 202 05 FSP	Carrera Red			
		D - MJ 2008>>			
	997 555 202 05 FSA	black/grey			
	997 555 202 05 FSD	Sea blue/grey			
(1)	997 555 902 02	Door panel trim (leather) From Chassis number See technical information	right rhd	1	PR:099,981
		GR.7 NR. 17/11 KD-NR. 70			
	997 555 902 02 FSA	Black			
	997 555 902 02 FSB	Stone grey			
	997 555 902 02 FSC	Sand beige/sand beige			
	997 555 902 02 FSD	sea blue			
	997 555 902 02 FSP	Carrera Red			
		D - MJ 2008>>			
(1)	997 555 202 05	Door panel trim (leather)	right rhd	1	PR:099,490,981
	997 555 202 05 FSE	Palmgreen/palmgreen D >> - MJ 2007			
	997 555 202 05 BCB	Black/stone grey			
	997 555 202 05 FSF	Terracotta/terracotta			
	997 555 202 05 FSG	Cocoa/Cocoa			
	997 555 202 05 FSH	Darkgrey natural/grey			
	997 555 202 05 FSJ	Brown nat./brown nat.			
(1)	997 555 202 05	Door panel trim (leather) Until Chassis number See technical information	right rhd	1	PR:099,490,981
		GR.7 NR. 17/11 KD-NR. 70			
	997 555 202 05 FSB	Stone grey/stone grey			
	997 555 202 05 FSC	Sand beige/sand beige			
	997 555 202 05 FSP	Carrera Red			
		D - MJ 2008>>			
	997 555 202 05 FSA	black/grey			
	997 555 202 05 FSD	Sea blue/grey			
(1)	997 555 902 02	Door panel trim (leather) From Chassis number See technical information	right rhd	1	PR:099,490,981
		GR.7 NR. 17/11 KD-NR. 70			
	997 555 902 02 FSA	Black			
	997 555 902 02 FSB	Stone grey			
	997 555 902 02 FSC	Sand beige/sand beige			
	997 555 902 02 FSD	sea blue			
	997 555 902 02 FSP	Carrera Red			
		D - MJ 2008>>			
(1)	997 555 202 07	Door panel trim (leather)	right	1	PR:538,981
	997 555 202 07 FSE	Palmgreen/palmgreen D >> - MJ 2007			
	997 555 202 07 FSF	Terracotta/terracotta			
	997 555 202 07 FSG	Cocoa/Cocoa			
	997 555 202 07 FSH	Darkgrey natural/grey			
	997 555 202 07 FSJ	Brown nat./brown nat.			
	997 555 202 07 BCB	Black/stone grey			

Model: 987 05 Model life 2005>>2008

Pos	Part Number	Description	Remark	Qty	Model
(1)	997 555 202 07	Door panel trim (leather) Until Chassis number See technical information GR.7 NR. 17/11 KD-NR. 70	right	1	PR:538,981
	997 555 202 07 FSB	Stone grey/stone grey			
	997 555 202 07 FSC	Sand beige/sand beige			
	997 555 202 07 FSA	black/grey			
	997 555 202 07 FSD	Sea blue/grey			
	997 555 202 07 FSP	Carrera Red			
		D - MJ 2008>>			
(1)	997 555 902 04	Door panel trim (leather) From Chassis number See technical information GR.7 NR. 17/11 KD-NR. 70	right	1	PR:538,981
	997 555 902 04 FSA	Black			
	997 555 902 04 FSB	Stone grey			
	997 555 902 04 FSC	Sand beige/sand beige			
	997 555 902 04 FSD	sea blue			
	997 555 902 04 FSP	Carrera Red			
		D - MJ 2008>>			
(1)	997 555 202 07	Door panel trim (leather)	right rhd	1	PR:490,538, 981,099
	997 555 202 07 FSE	Palmgreen/palmgreen D >> - MJ 2007			
	997 555 202 07 FSF	Terracotta/terracotta			
	997 555 202 07 FSG	Cocoa/Cocoa			
	997 555 202 07 FSH	Darkgrey natural/grey			
	997 555 202 07 FSJ	Brown nat./brown nat.			
	997 555 202 07 BCB	Black/stone grey			
(1)	997 555 202 07	Door panel trim (leather) Until Chassis number See technical information GR.7 NR. 17/11 KD-NR. 70	right rhd	1	PR:490,538, 981,099
	997 555 202 07 FSB	Stone grey/stone grey			
	997 555 202 07 FSC	Sand beige/sand beige			
	997 555 202 07 FSP	Carrera Red			
		D - MJ 2008>>			
	997 555 202 07 FSA	black/grey			
	997 555 202 07 FSD	Sea blue/grey			
(1)	997 555 902 04	Door panel trim (leather) From Chassis number See technical information GR.7 NR. 17/11 KD-NR. 70	right rhd	1	PR:490,538, 981,099
	997 555 902 04 FSA	Black			
	997 555 902 04 FSB	Stone grey			
	997 555 902 04 FSC	Sand beige/sand beige			
	997 555 902 04 FSD	sea blue			
	997 555 902 04 FSP	Carrera Red			
		D - MJ 2008>>			
(1)	997 555 201 27	Door panel trim (leather)	left rhd	1	PR:099,981
	997 555 201 27 FSE	Palmgreen/palmgreen D >> - MJ 2007			
	997 555 201 27 FSF	Terracotta/terracotta			

Model: 987 05 Model life 2005>>2008

Pos	Part Number	Description	Remark	Qty	Model
(1)	997 555 201 27 FSG	Cocoa/Cocoa			
	997 555 201 27 FSH	Darkgrey natural/grey			
	997 555 201 27 FSJ	Brown nat./brown nat.			
	997 555 201 27 BCB	Black/stone grey			
	997 555 201 27	Door panel trim (leather)	left rhd	1	PR:099,981
		Until			
		Chassis number			
		See technical information			
		GR.7 NR. 17/11			
		KD-NR. 70			
(1)	997 555 201 27 FSB	Stone grey/stone grey			
	997 555 201 27 FSC	Sand beige/sand beige			
	997 555 201 27 FSA	black/grey			
	997 555 201 27 FSD	Sea blue/grey			
	997 555 201 27 FSP	Carrera Red			
		D - MJ 2008>>			
	997 555 901 19	Door panel trim (leather)	left rhd	1	PR:099,981
		From			
		Chassis number			
		See technical information			
(1)	997 555 901 19 FSA	Black			
	997 555 901 19 FSB	Stone grey/stone grey			
	997 555 901 19 FSC	Sand beige/sand beige			
	997 555 901 19 FSD	sea blue			
	997 555 901 19 FSP	Carrera Red			
		D - MJ 2008>>			
	997 555 201 27	Door panel trim (leather)	left rhd	1	PR:099,490,981
		997 555 201 27 FSE	Palmgreen/palmgreen		
		D >> - MJ 2007			
		997 555 201 27 FSF	Terracotta/terracotta		
(1)	997 555 201 27 FSG	Cocoa/Cocoa			
	997 555 201 27 FSH	Darkgrey natural/grey			
	997 555 201 27 FSJ	Brown nat./brown nat.			
	997 555 201 27 BCB	Black/stone grey			
	997 555 201 27	Door panel trim (leather)	left rhd	1	PR:099,490,981
		Until			
		Chassis number			
		See technical information			
		GR.7 NR. 17/11			
		KD-NR. 70			
(1)	997 555 201 27 FSB	Stone grey/stone grey			
	997 555 201 27 FSC	Sand beige/sand beige			
	997 555 201 27 FSA	black/grey			
	997 555 201 27 FSD	Sea blue/grey			
	997 555 201 27 FSP	Carrera Red			
		D - MJ 2008>>			
	997 555 901 19	Door panel trim (leather)	left rhd	1	PR:099,490,981
		From			
		Chassis number			
		See technical information			
(1)	997 555 901 19 FSA	Black			
	997 555 901 19 FSB	Stone grey/stone grey			
	997 555 901 19 FSD	sea blue			
	997 555 901 19 FSC	Sand beige/sand beige			
	997 555 901 19 FSP	Carrera Red			
		D - MJ 2008>>			

Model: 987 05 Model life 2005>>2008

Pos	Part Number	Description	Remark	Qty	Model
(1)	997 555 201 09	Door panel trim (leather)	left lhd	1	PR:098,680,981
	997 555 201 09 FSE	Palmgreen/palmgreen D >> - MJ 2007			
	997 555 201 09 FSF	Terracotta/terracotta			
	997 555 201 09 FSG	Cocoa/Cocoa			
	997 555 201 09 FSH	Darkgrey natural/grey			
	997 555 201 09 FSJ	Brown nat./brown nat.			
	997 555 201 09 BCB	Black/stone grey			
(1)	997 555 201 09	Door panel trim (leather)	left lhd	1	PR:098,680,981
		Until Chassis number See technical information GR.7 NR. 17/11 KD-NR. 70			
	997 555 201 09 FSB	Stone grey/stone grey			
	997 555 201 09 FSC	Sand beige/sand beige			
	997 555 201 09 FSA	black/grey			
	997 555 201 09 FSD	Sea blue/grey			
	997 555 201 09 FSP	Carrera Red D - MJ 2008>>			
(1)	997 555 901 06	Door panel trim (leather)	left lhd	1	PR:098,680,981
		From Chassis number See technical information GR.7 NR. 17/11 KD-NR. 70			
	997 555 901 06 FSA	Black			
	997 555 901 06 FSB	Stone grey			
	997 555 901 06 FSC	Sand beige/sand beige			
	997 555 901 06 FSD	sea blue			
	997 555 901 06 FSP	Carrera Red D - MJ 2008>>			
(1)	997 555 201 11	Door panel trim (leather)	left lhd	1	PR:537,680,981,098
	997 555 201 11 FSE	Palmgreen/palmgreen D >> - MJ 2007			
	997 555 201 11 FSF	Terracotta/terracotta			
	997 555 201 11 FSG	Cocoa/Cocoa			
	997 555 201 11 FSH	Darkgrey natural/grey			
	997 555 201 11 FSJ	Brown nat./brown nat.			
	997 555 201 11 BCB	Black/stone grey			
(1)	997 555 201 11	Door panel trim (leather)	left lhd	1	PR:537,680,981,098
		Until Chassis number See technical information GR.7 NR. 17/11 KD-NR. 70			
	997 555 201 11 FSB	Stone grey/stone grey			
	997 555 201 11 FSC	Sand beige/sand beige			
	997 555 201 11 FSA	black/grey			
	997 555 201 11 FSD	Sea blue/grey			
	997 555 201 11 FSP	Carrera Red D - MJ 2008>>			
(1)	997 555 901 08	Door panel trim (leather)	left lhd	1	PR:537,680,981,098
		From Chassis number See technical information GR.7 NR. 17/11			

Model: 987 05 Model life 2005>>2008

Pos	Part Number	Description	Remark	Qty	Model
		KD-NR. 70			
	997 555 901 08 FSA	Black			
	997 555 901 08 FSB	Stone grey/stone grey			
	997 555 901 08 FSC	Sand beige/sand beige			
	997 555 901 08 FSD	sea blue			
	997 555 901 08 FSP	Carrera Red			
		D - MJ 2008>>			
(1)	997 555 202 29	Door panel trim (leather)	right lhd	1	PR:098,680,981
	997 555 202 29 FSE	Palmgreen/palmgreen			
		D >> - MJ 2007			
	997 555 202 29 FSF	Terracotta/terracotta			
	997 555 202 29 FSG	Cocoa/Cocoa			
	997 555 202 29 FSH	Darkgrey natural/grey			
	997 555 202 29 FSJ	Brown nat./brown nat.			
	997 555 202 29 BCB	Black/stone grey			
(1)	997 555 202 29	Door panel trim (leather)	right lhd	1	PR:098,680,981
		Until			
		Chassis number			
		See technical information			
		GR.7 NR. 17/11			
		KD-NR. 70			
	997 555 202 29 FSB	Stone grey/stone grey			
	997 555 202 29 FSC	Sand beige/sand beige			
	997 555 202 29 FSA	black/grey			
	997 555 202 29 FSD	Sea blue/grey			
	997 555 202 29 FSP	Carrera Red			
		D - MJ 2008>>			
(1)	997 555 902 21	Door panel trim (leather)	right lhd	1	PR:098,680,981
		From			
		Chassis number			
		See technical information			
		GR.7 NR. 17/11			
		KD-NR. 70			
	997 555 902 21 FSA	Black			
	997 555 902 21 FSB	Stone grey/stone grey			
	997 555 902 21 FSC	Sand beige/sand beige			
	997 555 902 21 FSD	sea blue			
	997 555 902 21 FSP	Carrera Red			
		D - MJ 2008>>			
(1)	997 555 202 09	Door panel trim (leather)	right rhd	1	PR:099,680,981
	997 555 202 09 FSE	Palmgreen/palmgreen			
		D >> - MJ 2007			
	997 555 202 09 FSF	Terracotta/terracotta			
	997 555 202 09 FSG	Cocoa/Cocoa			
	997 555 202 09 FSH	Darkgrey natural/grey			
	997 555 202 09 FSJ	Brown nat./brown nat.			
	997 555 202 09 BCB	Black/stone grey			
(1)	997 555 202 09	Door panel trim (leather)	right rhd	1	PR:099,680,981
		Until			
		Chassis number			
		See technical information			
		GR.7 NR. 17/11			
		KD-NR. 70			
	997 555 202 09 FSB	Stone grey/stone grey			
	997 555 202 09 FSC	Sand beige/sand beige			
	997 555 202 09 FSA	black/grey			
	997 555 202 09 FSD	Sea blue/grey			
	997 555 202 09 FSP	Carrera Red			

Model: 987 05 Model life 2005>>2008

Pos	Part Number	Description	Remark	Qty	Model
(1)	997 555 902 06	D - MJ 2008>> Door panel trim (leather) From Chassis number See technical information GR.7 NR. 17/11 KD-NR. 70	right rhd	1	PR:099,680, 981
	997 555 902 06 FSA	Black			
	997 555 902 06 FSB	Stone grey/stone grey			
	997 555 902 06 FSC	Sand beige/sand beige			
	997 555 902 06 FSD	sea blue			
	997 555 902 06 FSP	Carrera Red			
(1)	997 555 202 11	D - MJ 2008>> Door panel trim (leather) From Chassis number See technical information GR.7 NR. 17/11 KD-NR. 70	right rhd	1	PR:538,680, 981,099
	997 555 202 11 FSE	Palmgreen/palmgreen			
	997 555 202 11 FSF	D >> - MJ 2007 Terracotta/terracotta			
	997 555 202 11 FSG	Cocoa/Cocoa			
	997 555 202 11 FSH	Darkgrey natural/grey			
	997 555 202 11 FSJ	Brown nat./brown nat.			
	997 555 202 11 BCB	Black/stone grey			
(1)	997 555 202 11	Door panel trim (leather) Until Chassis number See technical information GR.7 NR. 17/11 KD-NR. 70	right rhd	1	PR:538,680, 981,099
	997 555 202 11 FSB	Stone grey/stone grey			
	997 555 202 11 FSC	Sand beige/sand beige			
	997 555 202 11 FSA	black/grey			
	997 555 202 11 FSD	Sea blue/grey			
	997 555 202 11 FSP	Carrera Red			
(1)	997 555 902 08	D - MJ 2008>> Door panel trim (leather) From Chassis number See technical information GR.7 NR. 17/11 KD-NR. 70	right rhd	1	PR:538,680, 981,099
	997 555 902 08 FSA	Black			
	997 555 902 08 FSB	Stone grey			
	997 555 902 08 FSC	Sand beige/sand beige			
	997 555 902 08 FSD	sea blue			
	997 555 902 08 FSP	Carrera Red			
(1)	997 555 201 29	D - MJ 2008>> Door panel trim (leather) From Chassis number See technical information GR.7 NR. 17/11 KD-NR. 70	left rhd	1	PR:099,680, 981
	997 555 201 29 FSE	Palmgreen/palmgreen			
	997 555 201 29 FSF	D >> - MJ 2007 Terracotta/terracotta			
	997 555 201 29 FSG	Cocoa/Cocoa			
	997 555 201 29 FSH	Darkgrey natural/grey			
	997 555 201 29 FSJ	Brown nat./brown nat.			
	997 555 201 29 BCB	Black/stone grey			
(1)	997 555 201 29	Door panel trim (leather) Until Chassis number See technical information	left rhd	1	PR:099,680, 981

Model: 987 05 Model life 2005>>2008

Pos	Part Number	Description	Remark	Qty	Model
		GR.7 NR. 17/11 KD-NR. 70			
	997 555 201 29 FSB	Stone grey/stone grey			
	997 555 201 29 FSC	Sand beige/sand beige			
	997 555 201 29 FSA	black/grey			
	997 555 201 29 FSD	Sea blue/grey			
	997 555 201 29 FSP	Carrera Red			
		D - MJ 2008>>			
(1)	997 555 901 21	Door panel trim (leather)	left rhd	1	PR:099,680, 981
		From Chassis number See technical information GR.7 NR. 17/11 KD-NR. 70			
	997 555 901 21 FSA	Black			
	997 555 901 21 FSB	Stone grey/stone grey			
	997 555 901 21 FSC	Sand beige/sand beige			
	997 555 901 21 FSD	sea blue			
	997 555 901 21 FSP	Carrera Red			
		D - MJ 2008>>			
(1)	997 555 201 05	Door panel trim (leather)	left lhd	1	PR:098,754, 981
		D - MJ 2008>>			
	997 555 201 05 VAF	Dark grey/natural			
	997 555 201 05 VAG	Carrera Red			
(1)	997 555 201 05	Door panel trim (leather)	left lhd	1	PR:098,490, 754,981
		D - MJ 2008>>			
	997 555 201 05 VAF	Dark grey/natural			
	997 555 201 05 VAG	Carrera Red			
(1)	997 555 202 27	Door panel trim (leather)	right lhd	1	PR:098,754, 981
		D - MJ 2008>>			
	997 555 202 27 VAF	Dark grey/natural			
	997 555 202 27 VAG	Carrera Red			
(1)	997 555 202 27	Door panel trim (leather)	right lhd	1	PR:098,490, 754,981
		D - MJ 2008>>			
	997 555 202 27 VAF	Dark grey/natural			
	997 555 202 27 VAG	Carrera Red			
(1)	997 555 202 05	Door panel trim (leather)	right rhd	1	PR:099,754, 981
		D - MJ 2008>>			
	997 555 202 05 VAF	Dark grey/natural			
	997 555 202 05 VAG	Carrera Red			
(1)	997 555 202 05	Door panel trim (leather)	right rhd	1	PR:099,490, 754,981
		D - MJ 2008>>			
	997 555 202 05 VAF	Dark grey/natural			
	997 555 202 05 VAG	Carrera Red			
(1)	997 555 201 27	Door panel trim (leather)	left rhd	1	PR:099,754, 981
		D - MJ 2008>>			
	997 555 201 27 VAF	Dark grey/natural			
	997 555 201 27 VAG	Carrera Red			
(1)	997 555 201 27	Door panel trim (leather)	left rhd	1	PR:099,490, 754,981
		D - MJ 2008>>			
	997 555 201 27 VAF	Dark grey/natural			
	997 555 201 27 VAG	Carrera Red			
(1)	997 555 201 09	Door panel trim (leather)	left lhd	1	PR:098,680, 754,981

Model: 987 05 Model life 2005>>2008

Pos	Part Number	Description	Remark	Qty	Model				
(1)	997 555 201 09 VAF	D - MJ 2008>> Dark grey/natural	right lhd	1	PR:098,680, 754,981				
	997 555 201 09 VAG	Carrera Red							
	997 555 202 29	Door panel trim (leather)							
(1)	997 555 202 29 VAF	D - MJ 2008>> Dark grey/natural	right rhd	1	PR:099,680, 754,981				
	997 555 202 29 VAG	Carrera Red							
	997 555 202 09	Door panel trim (leather)							
(1)	997 555 202 09 VAF	D - MJ 2008>> Dark grey/natural	left rhd	1	PR:099,680, 754,981				
	997 555 202 09 VAG	Carrera Red							
	997 555 201 29	Door panel trim (leather)							
2	997 555 201 29 VAF	D - MJ 2008>> Dark grey/natural		2					
	997 555 201 29 VAG	Carrera Red							
	999 507 533 02	Clamp 8,0 X 10/2,5							
3	955 555 243 00	Retaining clip		9					
4	999 073 322 02	fillister hd. bolt 6 X 20 for Mount door panel		5					
	987 555 221 01	Cover							
	987 555 221 01 1MZ	Black							
5	987 555 221 01 1YP	Stone grey	left	1	BOXSTER				
	987 555 221 01 1TK	Sand beige							
	987 555 221 01 1VM	sea blue							
	987 555 221 01 1UL	Palm green							
	987 555 221 01	D >> - MJ 2007							
(5)	987 555 222 01	Cover Stowage compartment	right	1	BOXSTER				
	987 555 222 01 1MZ	Black							
	987 555 222 01 1YP	Stone grey							
	987 555 222 01 1TK	Sand beige							
	987 555 222 01 1VM	sea blue							
	987 555 222 01 1UL	Palm green							
(5)	997 555 221 01	D >> - MJ 2007 Cover Stowage compartment Leather	left	1	BOXSTER PR:981				
	997 555 221 01 FSA	black/grey							
	997 555 221 01 FSB	Stone grey/stone grey							
	997 555 221 01 FSC	Sand beige/sand beige							
	997 555 221 01 FSD	Sea blue/grey							
	997 555 221 01 FSE	Palmgreen/palmgreen							
	997 555 221 01 FSF	D >> - MJ 2007 Terracotta/terracotta							
	997 555 221 01 FSG	Cocoa/Cocoa							
	997 555 221 01 FSH	Darkgrey natural/grey							
	997 555 221 01 FSJ	Brown nat./brown nat.							
	997 555 221 01 FSP	Carrera Red							
	(5)	997 555 221 01				D - MJ 2008>> Cover Stowage compartment Leather	left	1	BOXSTER S
		997 555 221 01 FSA				black/grey			
997 555 221 01 FSB		Stone grey/stone grey							
997 555 221 01 FSC		Sand beige/sand beige							
997 555 221 01 FSD		Sea blue/grey							

Model: 987 05 Model life 2005>>2008

Pos	Part Number	Description	Remark	Qty	Model
	997 555 221 01 FSE	Palmgreen/palmgreen D >> - MJ 2007			
	997 555 221 01 FSF	Terracotta/terracotta			
	997 555 221 01 FSG	Cocoa/Cocoa			
	997 555 221 01 FSH	Darkgrey natural/grey			
	997 555 221 01 FSJ	Brown nat./brown nat.			
	997 555 221 01 FSP	Carrera Red D - MJ 2008>>			
(5)	997 555 222 01	Cover Stowage compartment Leather	right	1	BOXSTER PR:981
	997 555 222 01 FSA	black/grey			
	997 555 222 01 FSB	Stone grey/stone grey			
	997 555 222 01 FSC	Sand beige/sand beige			
	997 555 222 01 FSD	Sea blue/grey			
	997 555 222 01 FSE	Palmgreen/palmgreen D >> - MJ 2007			
	997 555 222 01 FSF	Terracotta/terracotta			
	997 555 222 01 FSG	Cocoa/Cocoa			
	997 555 222 01 FSH	Darkgrey natural/grey			
	997 555 222 01 FSJ	Brown nat./brown nat.			
	997 555 222 01 FSP	Carrera Red D - MJ 2008>>			
(5)	997 555 222 01	Cover Stowage compartment Leather	right	1	BOXSTER S
	997 555 222 01 FSA	black/grey			
	997 555 222 01 FSB	Stone grey/stone grey			
	997 555 222 01 FSC	Sand beige/sand beige			
	997 555 222 01 FSD	Sea blue/grey			
	997 555 222 01 FSE	Palmgreen/palmgreen D >> - MJ 2007			
	997 555 222 01 FSF	Terracotta/terracotta			
	997 555 222 01 FSG	Cocoa/Cocoa			
	997 555 222 01 FSH	Darkgrey natural/grey			
	997 555 222 01 FSJ	Brown nat./brown nat.			
	997 555 222 01 FSP	Carrera Red D - MJ 2008>>			
(5)	997 555 989 00	Cover for stowage compartment Carbon	left	1	PR:XTL
(5)	997 555 989 00 A35	Black			
(5)	997 555 990 00	Cover for stowage compartment Carbon	right	1	PR:XTL
(5)	997 555 990 00 A35	Black			
(5)	997 555 989 01	Cover for stowage compartment	left	1	PR:XTU
(5)	997 555 989 01 S62	Sycamore wood			
(5)	997 555 990 01	Cover for stowage compartment	right	1	PR:XTU
(5)	997 555 990 01 S62	Sycamore wood			
(5)	997 555 989 02	Cover for stowage compartment	left	1	PR:XTT
(5)	997 555 989 02 S61	macassar			
(5)	997 555 990 02	Cover for stowage compartment	right	1	PR:XTT
(5)	997 555 990 02 S61	macassar			
(5)	997 555 989 03	Cover for stowage compartment	left	1	PR:XTW
(5)	997 555 989 03 V04	Galvano silver			
(5)	997 555 990 03	Cover for stowage compartment	right	1	PR:XTW
(5)	997 555 990 03 V04	Galvano silver			
6	997 555 833 00	Leg spring for Cover	left	1	
(6)	997 555 834 00	Stowage compartment Leg spring for Cover	right	1	

Model: 987 05 Model life 2005>>2008

Pos	Part Number	Description	Remark	Qty	Model
7	997 555 841 00	Stowage compartment Damper		1	
8	987 555 271 01	Stowage compartment Pull handle Upper part	left	1	BOXSTER
	987 555 271 01 A11	Black			
	987 555 271 01 5X6	Stone grey			
	987 555 271 01 8G2	Sand beige			
	987 555 271 01 3S9	sea blue			
	987 555 271 01 4P2	Palm green			
(8)	987 555 272 01	D >> - MJ 2007 Pull handle Upper part	right	1	BOXSTER
	987 555 272 01 A11	Black			
	987 555 272 01 5X6	Stone grey			
	987 555 272 01 8G2	Sand beige			
	987 555 272 01 3S9	sea blue			
	987 555 272 01 4P2	Palm green			
(8)	987 555 271 02	D >> - MJ 2007 Pull handle (leather) Upper part	left	1	BOXSTER PR:981
	987 555 271 02 FSA	black/grey			
	987 555 271 02 FSB	Stone grey/stone grey			
	987 555 271 02 FSC	Sand beige/sand beige			
	987 555 271 02 FSD	Sea blue/grey			
	987 555 271 02 FSE	Palmgreen/palmgreen			
	987 555 271 02 FSF	Terracotta/terracotta			
	987 555 271 02 FSG	Cocoa/Cocoa			
	987 555 271 02 FSH	Darkgrey natural/grey			
	987 555 271 02 FSJ	Brown nat./brown nat.			
	987 555 271 02 FSP	Carrera Red			
(8)	987 555 271 02	D - MJ 2008>> Pull handle (leather) Upper part	left	1	BOXSTER S
	987 555 271 02 FSA	black/grey			
	987 555 271 02 FSB	Stone grey/stone grey			
	987 555 271 02 FSC	Sand beige/sand beige			
	987 555 271 02 FSD	Sea blue/grey			
	987 555 271 02 FSE	Palmgreen/palmgreen			
	987 555 271 02 FSF	Terracotta/terracotta			
	987 555 271 02 FSG	Cocoa/Cocoa			
	987 555 271 02 FSH	Darkgrey natural/grey			
	987 555 271 02 FSJ	Brown nat./brown nat.			
	987 555 271 02 FSP	Carrera Red			
(8)	987 555 272 02	D - MJ 2008>> Pull handle (leather) Upper part	right	1	BOXSTER PR:981
	987 555 272 02 FSA	black/grey			
	987 555 272 02 FSB	Stone grey/stone grey			
	987 555 272 02 FSC	Sand beige/sand beige			
	987 555 272 02 FSD	Sea blue/grey			
	987 555 272 02 FSE	Palmgreen/palmgreen			
	987 555 272 02 FSF	Terracotta/terracotta			
	987 555 272 02 FSG	Cocoa/Cocoa			
	987 555 272 02 FSH	Darkgrey natural/grey			
	987 555 272 02 FSJ	Brown nat./brown nat.			
	987 555 272 02 FSP	Carrera Red			
(8)	987 555 272 02	D - MJ 2008>> Pull handle (leather) Upper part	right	1	BOXSTER S

Model: 987 05 Model life 2005>>2008

Pos	Part Number	Description	Remark	Qty	Model
	987 555 272 02 FSA	black/grey			
	987 555 272 02 FSB	Stone grey/stone grey			
	987 555 272 02 FSC	Sand beige/sand beige			
	987 555 272 02 FSD	Sea blue/grey			
	987 555 272 02 FSE	Palmgreen/palmgreen			
		D >> - MJ 2007			
	987 555 272 02 FSF	Terracotta/terracotta			
	987 555 272 02 FSG	Cocoa/Cocoa			
	987 555 272 02 FSH	Darkgrey natural/grey			
	987 555 272 02 FSJ	Brown nat./brown nat.			
	987 555 272 02 FSP	Carrera Red			
		D - MJ 2008>>			
(8)	987 555 987 00	Pull handle	left	1	PR:XTL
		Upper part			
	987 555 987 00 A11	Black			
	987 555 987 00 5X6	Stone grey			
	987 555 987 00 8G2	Sand beige			
	987 555 987 00 3S9	sea blue			
	987 555 987 00 4P2	Palm green			
		D >> - MJ 2007			
	987 555 987 00 9S5	Terracotta			
	987 555 987 00 9V6	Cocoa			
	987 555 987 00 D12	Dark grey/natural			
	987 555 987 00 T12	Brown/natural			
	987 555 987 00 N12	Carrera Red			
		D - MJ 2008>>			
(8)	987 555 988 00	Pull handle	right	1	PR:XTL
		Upper part			
	987 555 988 00 A11	Black			
	987 555 988 00 5X6	Stone grey			
	987 555 988 00 8G2	Sand beige			
	987 555 988 00 3S9	sea blue			
	987 555 988 00 4P2	Palm green			
		D >> - MJ 2007			
	987 555 988 00 9S5	Terracotta			
	987 555 988 00 9V6	Cocoa			
	987 555 988 00 D12	Dark grey/natural			
	987 555 988 00 T12	Brown/natural			
	987 555 988 00 N12	Carrera Red			
		D - MJ 2008>>			
(8)	987 555 987 01	Pull handle	left	1	PR:XTU
		Upper part			
	987 555 987 01 A11	Black			
	987 555 987 01 5X6	Stone grey			
	987 555 987 01 8G2	Sand beige			
	987 555 987 01 3S9	sea blue			
	987 555 987 01 4P2	Palm green			
		D >> - MJ 2007			
	987 555 987 01 9S5	Terracotta			
	987 555 987 01 9V6	Cocoa			
	987 555 987 01 D12	Dark grey/natural			
	987 555 987 01 T12	Brown/natural			
	987 555 987 01 N12	Carrera Red			
		D - MJ 2008>>			
(8)	987 555 988 01	Pull handle	right	1	PR:XTU
		Upper part			
	987 555 988 01 A11	Black			
	987 555 988 01 5X6	Stone grey			
	987 555 988 01 8G2	Sand beige			
	987 555 988 01 3S9	sea blue			
	987 555 988 01 4P2	Palm green			
		D >> - MJ 2007			
	987 555 988 01 9S5	Terracotta			

Model: 987 05 Model life 2005>>2008

Pos	Part Number	Description	Remark	Qty	Model	
(8)	987 555 988 01 9V6	Cocoa				
	987 555 988 01 D12	Dark grey/natural				
	987 555 988 01 T12	Brown/natural				
	987 555 988 01 N12	Carrera Red				
		D - MJ 2008>>				
	987 555 987 02	Pull handle	left	1	PR:XTT	
		Upper part				
	987 555 987 02 A11	Black				
	987 555 987 02 5X6	Stone grey				
	987 555 987 02 8G2	Sand beige				
	987 555 987 02 3S9	sea blue				
	987 555 987 02 4P2	Palm green				
		D >> - MJ 2007				
	987 555 987 02 9S5	Terracotta				
(8)	987 555 987 02 9V6	Cocoa				
	987 555 987 02 D12	Dark grey/natural				
	987 555 987 02 T12	Brown/natural				
	987 555 987 02 N12	Carrera Red				
		D - MJ 2008>>				
	987 555 988 02	Pull handle	right	1	PR:XTT	
		Upper part				
	987 555 988 02 A11	Black				
	987 555 988 02 5X6	Stone grey				
	987 555 988 02 8G2	Sand beige				
	987 555 988 02 3S9	sea blue				
	987 555 988 02 4P2	Palm green				
		D >> - MJ 2007				
	987 555 988 02 9S5	Terracotta				
(8)	987 555 988 02 9V6	Cocoa				
	987 555 988 02 D12	Dark grey/natural				
	987 555 988 02 T12	Brown/natural				
	987 555 988 02 N12	Carrera Red				
		D - MJ 2008>>				
	987 555 987 03	Pull handle	left	1	PR:XTW	
		Upper part				
	987 555 987 03 A11	Black				
	987 555 987 03 5X6	Stone grey				
	987 555 987 03 8G2	Sand beige				
	987 555 987 03 3S9	sea blue				
	987 555 987 03 4P2	Palm green				
		D >> - MJ 2007				
	987 555 987 03 9S5	Terracotta				
(8)	987 555 987 03 9V6	Cocoa				
	987 555 987 03 D12	Dark grey/natural				
	987 555 987 03 T12	Brown/natural				
	987 555 987 03 N12	Carrera Red				
		D - MJ 2008>>				
	987 555 988 03	Pull handle	right	1	PR:XTW	
		Upper part				
	987 555 988 03 A11	Black				
	987 555 988 03 5X6	Stone grey				
	987 555 988 03 8G2	Sand beige				
	987 555 988 03 3S9	sea blue				
	987 555 988 03 4P2	Palm green				
		D >> - MJ 2007				
	987 555 988 03 9S5	Terracotta				
9	987 555 988 03 9V6	Cocoa				
	987 555 988 03 D12	Dark grey/natural				
	987 555 988 03 T12	Brown/natural				
	987 555 988 03 N12	Carrera Red				
		D - MJ 2008>>				
	999 591 380 01	Cable fastener		4		
	10	987 555 261 01	Pull handle	left	1	

Model: 987 05 Model life 2005>>2008

Pos	Part Number	Description	Remark	Qty	Model
	987 555 261 01 A11	Lower part Black			
	987 555 261 01 5X6	Stone grey			
	987 555 261 01 8G2	Sand beige			
	987 555 261 01 3S9	sea blue			
	987 555 261 01 4P2	Palm green			
		D >> - MJ 2007			
	987 555 261 01 9S5	Terracotta			
	987 555 261 01 9V6	Cocoa			
	987 555 261 01 D12	Dark grey/natural			
	987 555 261 01 T12	Brown/natural			
	987 555 261 01 N12	Carrera Red			
		D - MJ 2008>>			
(10)	987 555 262 01	Pull handle	right	1	
		Lower part			
	987 555 262 01 A11	Black			
	987 555 262 01 5X6	Stone grey			
	987 555 262 01 8G2	Sand beige			
	987 555 262 01 3S9	sea blue			
	987 555 262 01 4P2	Palm green			
		D >> - MJ 2007			
	987 555 262 01 9S5	Terracotta			
	987 555 262 01 9V6	Cocoa			
	987 555 262 01 D12	Dark grey/natural			
	987 555 262 01 T12	Brown/natural			
	987 555 262 01 N12	Carrera Red			
		D - MJ 2008>>			
11	999 919 229 02	fillister hd. bolt 6,0 X 40,0 for Mount		2	
12	997 555 381 02	Pull handle Axle bearing	left	1	
(12)	997 555 382 02	Axle bearing	right	1	
13	999 919 164 09	fillister hd. bolt 5 X 12 for Mount		3	
14	997 555 461 01	Axle bearing lever Inner actuator	left	1	
(14)	997 555 461 01 V05	Galvano silver			
	997 555 462 01	lever Inner actuator	right	1	
	997 555 462 01 V05	Galvano silver			
15	999 919 164 09	fillister hd. bolt 5 X 12 for Mount		1	
16	997 555 683 00	lever Inner actuator Cover cap	left	1	
	997 555 683 00 A03	Airbag Black			
	997 555 683 00 5V7	Stone grey			
	997 555 683 00 5Z1	Sand beige			
	997 555 683 00 8W7	sea blue			
	997 555 683 00 5Y2	Palm green			
		D >> - MJ 2007			
	997 555 683 00 8X8	Terracotta			
	997 555 683 00 8P9	Cocoa			
	997 555 683 00 T13	Brown/natural			
	997 555 683 00 N23	Carrera Red			

Model: 987 05 Model life 2005>>2008

Pos	Part Number	Description	Remark	Qty	Model
(16)	997 555 684 00	D - MJ 2008>> Cover cap	right	1	
	997 555 684 00 A03	Airbag Black			
	997 555 684 00 5V7	Stone grey			
	997 555 684 00 5Z1	Sand beige			
	997 555 684 00 8W7	sea blue			
	997 555 684 00 5Y2	Palm green			
	997 555 684 00 8X8	D >> - MJ 2007 Terracotta			
	997 555 684 00 8P9	Cocoa			
	997 555 684 00 T13	Brown/natural			
	997 555 684 00 N23	Carrera Red			
17	997 555 685 02	D - MJ 2008>> Cover	left lhd	1	PR:098
	997 555 685 02 A03	Exterior mirror (drivers side) Lacquered Black			
	997 555 685 02 5V7	Stone grey			
	997 555 685 02 5Z1	Sand beige			
	997 555 685 02 8W7	sea blue			
	997 555 685 02 5Y2	Palm green			
	997 555 685 02 8X8	D >> - MJ 2007 Terracotta			
	997 555 685 02 8P9	Cocoa			
	997 555 685 02 T13	Brown/natural			
	997 555 685 02 N23	Carrera Red			
(17)	997 555 686 03	D - MJ 2008>> Cover	right rhd	1	PR:099
	997 555 686 03 A03	Exterior mirror (drivers side) Lacquered Black			
	997 555 686 03 5V7	Stone grey			
	997 555 686 03 5Z1	Sand beige			
	997 555 686 03 8W7	sea blue			
	997 555 686 03 5Y2	Palm green			
	997 555 686 03 8X8	D >> - MJ 2007 Terracotta			
	997 555 686 03 8P9	Cocoa			
	997 555 686 03 T13	Brown/natural			
	997 555 686 03 N23	Carrera Red			
(17)	997 555 686 02	D - MJ 2008>> Cover	right lhd	1	PR:098
	997 555 686 02 A03	Exterior mirror (passenger side) Lacquered Black			
	997 555 686 02 5V7	Stone grey			
	997 555 686 02 5Z1	Sand beige			
	997 555 686 02 8W7	sea blue			
	997 555 686 02 5Y2	Palm green			
	997 555 686 02 8X8	D >> - MJ 2007 Terracotta			
	997 555 686 02 8P9	Cocoa			
	997 555 686 02 T13	Brown/natural			
	997 555 686 02 N23	Carrera Red			
(17)	997 555 685 03	D - MJ 2008>> Cover	left rhd	1	PR:099
	997 555 685 03	Exterior mirror (passenger side) Lacquered			

Model: 987 05 Model life 2005>>2008

Pos	Part Number	Description	Remark	Qty	Model
	997 555 685 03 A03	Black			
	997 555 685 03 5V7	Stone grey			
	997 555 685 03 5Z1	Sand beige			
	997 555 685 03 8W7	sea blue			
	997 555 685 03 5Y2	Palm green			
		D >> - MJ 2007			
	997 555 685 03 8X8	Terracotta			
	997 555 685 03 8P9	Cocoa			
	997 555 685 03 T13	Brown/natural			
	997 555 685 03 N23	Carrera Red			
		D - MJ 2008>>			
18	997 555 577 00	Cover cap		1	
		Handle liner			
	997 555 577 00 A03	Black			
	997 555 577 00 5V7	Stone grey			
	997 555 577 00 8W7	sea blue			
	997 555 577 00 5Y2	Palm green			
		D >> - MJ 2007			
	997 555 577 00 8X8	Terracotta			
	997 555 577 00 8P9	Cocoa			
	997 555 577 00 T13	Brown/natural			
	997 555 577 00 N23	Carrera Red			
		D - MJ 2008>>			
19	997 555 895 00	Plastic foam strip for		1	
		Bass loudspeaker			
20	997 645 511 00	inscription		2	PR:680
21	997 555 597 00	Distance piece		2	
		Bonnet hinge			
22	999 702 281 41	Grommet		1	
		Axle bearing			
23	997 555 351 03	Insert	left lhd	1	PR:098
		Handle liner			
		Lacquered			
	997 555 351 03 A03	Black			
	997 555 351 03 5V7	Stone grey			
	997 555 351 03 5Z1	Sand beige			
	997 555 351 03 8W7	sea blue			
	997 555 351 03 5Y2	Palm green			
		D >> - MJ 2007			
	997 555 351 03 8X8	Terracotta			
	997 555 351 03 8P9	Cocoa			
	997 555 351 03 T13	Brown/natural			
	997 555 351 03 N23	Carrera Red			
		D - MJ 2008>>			
(23)	997 555 352 03	Insert	right rhd	1	PR:099
		Handle liner			
		Lacquered			
	997 555 352 03 A03	Black			
	997 555 352 03 5V7	Stone grey			
	997 555 352 03 5Z1	Sand beige			
	997 555 352 03 8W7	sea blue			
	997 555 352 03 5Y2	Palm green			
		D >> - MJ 2007			
	997 555 352 03 8X8	Terracotta			
	997 555 352 03 8P9	Cocoa			
	997 555 352 03 T13	Brown/natural			
	997 555 352 03 N23	Carrera Red			
		D - MJ 2008>>			
(23)	997 555 352 04	Insert	right lhd	1	PR:098
		Handle liner			
		Lacquered			
	997 555 352 04 A03	Black			

Model: 987 05 Model life 2005>>2008

Pos	Part Number	Description	Remark	Qty	Model
	997 555 352 04 5V7	Stone grey			
	997 555 352 04 5Z1	Sand beige			
	997 555 352 04 8W7	sea blue			
	997 555 352 04 5Y2	Palm green			
		D >> - MJ 2007			
	997 555 352 04 8X8	Terracotta			
	997 555 352 04 8P9	Cocoa			
	997 555 352 04 T13	Brown/natural			
	997 555 352 04 N23	Carrera Red			
		D - MJ 2008>>			
(23)	997 555 351 04	Insert	left rhd	1	PR:099
		Handle liner			
		Lacquered			
	997 555 351 04 A03	Black			
	997 555 351 04 5V7	Stone grey			
	997 555 351 04 5Z1	Sand beige			
	997 555 351 04 8W7	sea blue			
	997 555 351 04 5Y2	Palm green			
		D >> - MJ 2007			
	997 555 351 04 8X8	Terracotta			
	997 555 351 04 8P9	Cocoa			
	997 555 351 04 T13	Brown/natural			
	997 555 351 04 N23	Carrera Red			
		D - MJ 2008>>			
23	997 555 985 00	Insert	left lhd	1	PR:XTV,098
		Handle liner			
		Leather			
	997 555 985 00 A11	Black			
	997 555 985 00 5X6	Stone grey			
	997 555 985 00 8G2	Sand beige			
	997 555 985 00 3S9	sea blue			
	997 555 985 00 4P2	Palm green			
		D >> - MJ 2007			
	997 555 985 00 9S5	Terracotta			
	997 555 985 00 9V6	Cocoa			
	997 555 985 00 D12	Dark grey/natural			
	997 555 985 00 T12	Brown/natural			
	997 555 985 00 N12	Carrera Red			
		D - MJ 2008>>			
(23)	997 555 986 01	Insert	right rhd	1	PR:XTV,099
		Handle liner			
		Leather			
	997 555 986 01 A11	Black			
	997 555 986 01 5X6	Stone grey			
	997 555 986 01 8G2	Sand beige			
	997 555 986 01 3S9	sea blue			
	997 555 986 01 4P2	Palm green			
		D >> - MJ 2007			
	997 555 986 01 9S5	Terracotta			
	997 555 986 01 9V6	Cocoa			
	997 555 986 01 D12	Dark grey/natural			
	997 555 986 01 T12	Brown/natural			
	997 555 986 01 N12	Carrera Red			
		D - MJ 2008>>			
(23)	997 555 986 00	Insert	right lhd	1	PR:XTV,098
		Handle liner			
		Leather			
	997 555 986 00 A11	Black			
	997 555 986 00 5X6	Stone grey			
	997 555 986 00 8G2	Sand beige			
	997 555 986 00 3S9	sea blue			
	997 555 986 00 4P2	Palm green			
		D >> - MJ 2007			

Model: 987 05 Model life 2005>>2008

Pos	Part Number	Description	Remark	Qty	Model
	997 555 986 00 9S5	Terracotta			
	997 555 986 00 9V6	Cocoa			
	997 555 986 00 D12	Dark grey/natural			
	997 555 986 00 T12	Brown/natural			
	997 555 986 00 N12	Carrera Red			
		D - MJ 2008>>			
(23)	997 555 985 02	Insert	left rhd	1	PR:XTV,099
		Handle liner			
		Leather			
	997 555 985 02 A11	Black			
	997 555 985 02 5X6	Stone grey			
	997 555 985 02 8G2	Sand beige			
	997 555 985 02 3S9	sea blue			
	997 555 985 02 4P2	Palm green			
		D >> - MJ 2007			
	997 555 985 02 9S5	Terracotta			
	997 555 985 02 9V6	Cocoa			
	997 555 985 02 D12	Dark grey/natural			
	997 555 985 02 T12	Brown/natural			
	997 555 985 02 N12	Carrera Red			
		D - MJ 2008>>			
23	997 555 985 03	Insert	left lhd	1	PR:XTL,098
		Handle liner			
		Carbon			
	997 555 985 03 A35	Black			
(23)	997 555 986 04	Insert	right rhd	1	PR:XTL,099
		Handle liner			
		Carbon			
	997 555 986 04 A35	Black			
(23)	997 555 986 03	Insert	right lhd	1	PR:XTL,098
		Handle liner			
		Carbon			
	997 555 986 03 A35	Black			
(23)	997 555 985 05	Insert	left rhd	1	PR:XTL,099
		Handle liner			
		Carbon			
	997 555 985 05 A35	Black			
23	997 555 985 06	Insert	left lhd	1	PR:XTU,098
		Handle liner			
	997 555 985 06 S62	Sycamore wood			
(23)	997 555 986 07	Insert	right rhd	1	PR:XTU,099
		Handle liner			
	997 555 986 07 S62	Sycamore wood			
(23)	997 555 986 06	Insert	right lhd	1	PR:XTU,098
		Handle liner			
	997 555 986 06 S62	Sycamore wood			
(23)	997 555 985 08	Insert	left rhd	1	PR:XTU,099
		Handle liner			
	997 555 985 08 S62	Sycamore wood			
23	997 555 985 09	Insert	left lhd	1	PR:XTT,098
		Handle liner			
	997 555 985 09 S61	macassar			
(23)	997 555 986 10	Insert	right rhd	1	PR:XTT,099
		Handle liner			
	997 555 986 10 S61	macassar			
(23)	997 555 986 09	Insert	right lhd	1	PR:XTT,098
		Handle liner			
	997 555 986 09 S61	macassar			
(23)	997 555 985 11	Insert	left rhd	1	PR:XTT,099
		Handle liner			
	997 555 985 11 S61	macassar			
23	997 555 985 12	Insert	left lhd	1	PR:XTW,098
		Handle liner			

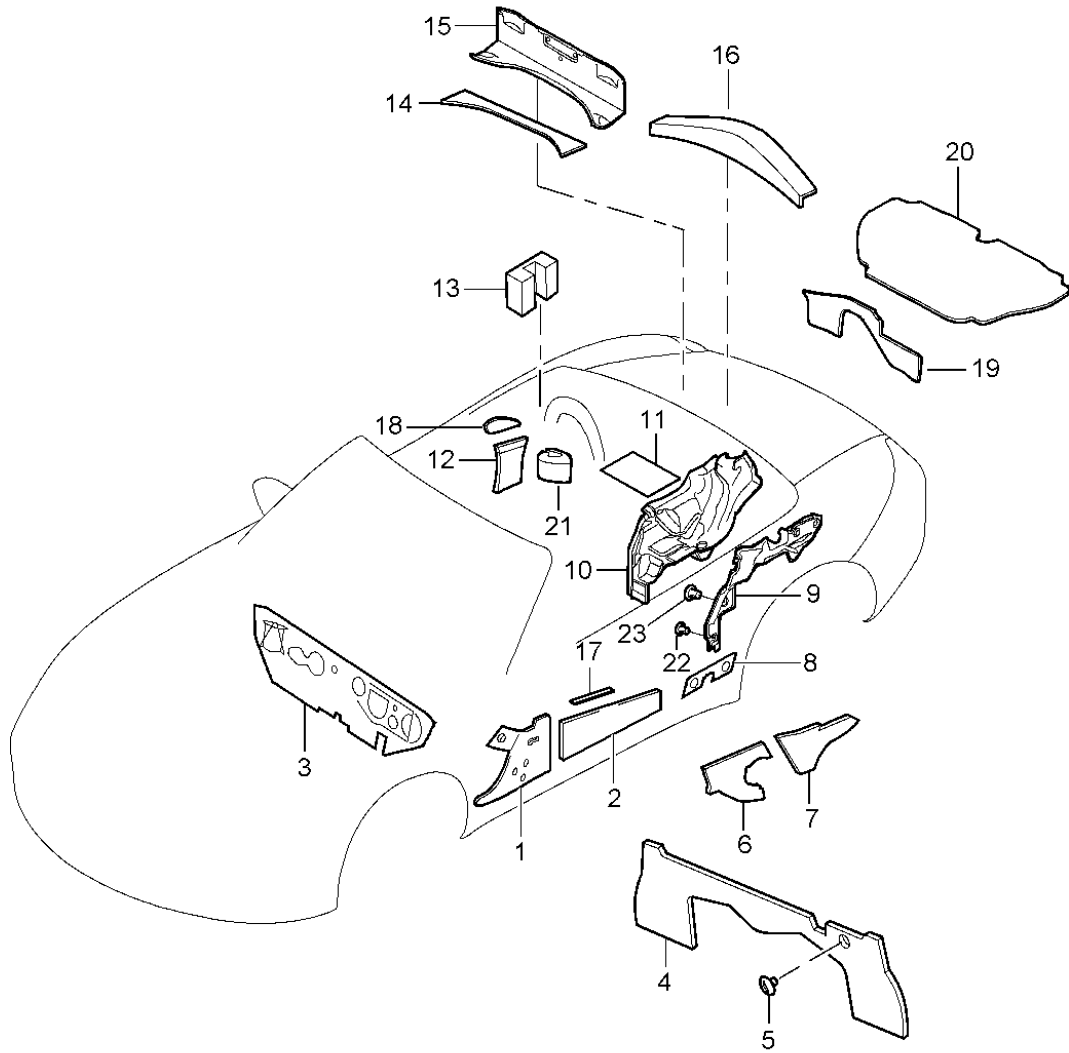
Model: 987 05

Model life 2005>>2008

Pos	Part Number	Description	Remark	Qty	Model
(23)	997 555 985 12 V04 997 555 986 13	Galvano silver Insert Handle liner	right rhd	1	PR:XTW,099
(23)	997 555 986 13 V04 997 555 986 12	Galvano silver Insert Handle liner	right lhd	1	PR:XTW,098
(23)	997 555 986 12 V04 997 555 985 14 997 555 985 14 V04	Galvano silver Insert Handle liner Galvano silver	left rhd	1	PR:XTW,099

Model: 987 05

Model life 2005>>2008



Model: 987 05 Model life 2005>>2008

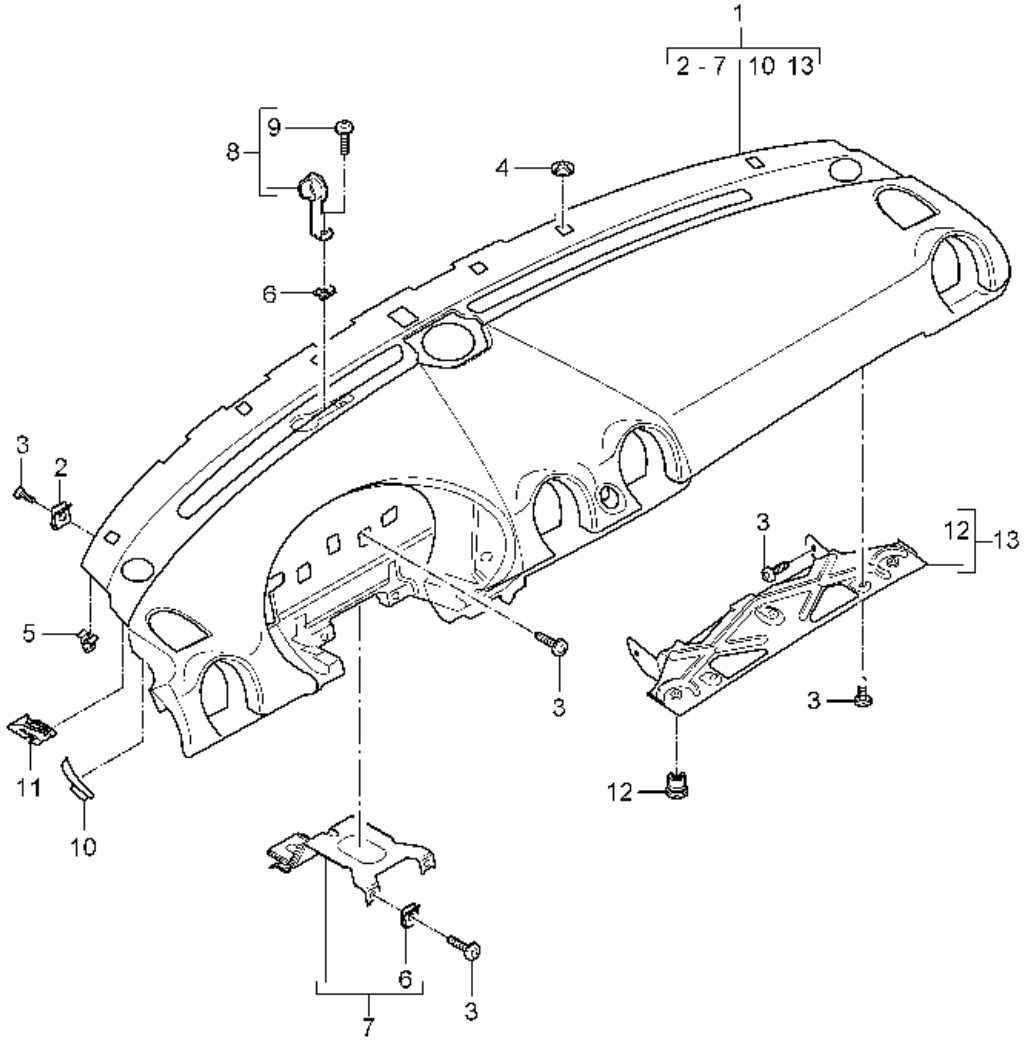
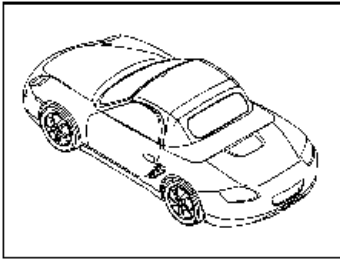
Pos	Part Number	Description	Remark	Qty	Model
		Body			
1	997 556 605 00	Sound proofing 1 Sound absorber	left	1	
(1)	997 556 606 00	Wheel housing Sound absorber	front right	1	
2	997 537 551 00	Wheel housing sound absorber for door	front	2	
3	997 556 723 00	Sound absorber Firewall	lhd	1	PR:098
(3)	997 556 724 00	Sound absorber Firewall	rhd	1	PR:099
4	987 556 741 00	Sound absorber Engine bay rear panel		1	
(4)	987 556 741 01	D >> - MJ 2006 Sound absorber Engine bay rear panel		1	
(4)	987 556 741 02	D >> - MJ 2008 Sound absorber Engine bay rear panel		1	
5	999 049 020 40	D - MJ 2009>> Plastic nut		1	
(6)	987 556 721 00	T5 / 30 X 5,1 Sound absorber	left	1	
6	987 556 722 00	Engine bay Sound absorber	side right	1	
7	987 556 724 00	Engine bay Sound absorber	side right	1	
8	987 556 683 00	Sound absorber for side panel	side	2	
9	987 556 663 00	Sound absorber	rear	1	
(9)	987 556 664 00	convertible top stowage box Sound absorber	outer right	1	
10	987 556 623 02	convertible top stowage box Sound absorber	outer left	1	
(10)	987 556 624 02	convertible top stowage box Sound absorber	side right	1	
11	987 556 601 00	convertible top stowage box Damping	side	1	
(12)	987 556 603 00	Engine cover Sound absorber	left	1	
12	987 556 604 00	Cover Seat belt D >> - MJ 2006		1	
(12)	987 556 603 01	Sound absorber Cover Seat belt D >> - MJ 2006	right	1	
(12)	987 556 604 01	Sound absorber Cover Seat belt D - MJ 2007>>	left	1	
13	987 556 671 01	Sound absorber	right	1	
14	987 556 627 00	roll bar Damping convertible top stowage box		2 1	

Model: 987 05 Model life 2005>>2008

Pos	Part Number	Description	Remark	Qty	Model
15	987 556 621 00	Sound absorber convertible top stowage box		1	
16	987 556 665 00	Sound absorber		1	
(16)	987 556 665 02	D - MJ 2008>> - MJ 2008 Sound absorber Cross member D - MJ 2008>>	rear	1	
17	997 537 553 00	sound absorber for door Reinforcement D - MJ 2006>>		4	
18	987 556 607 00	Sound absorber Cover Seat belt D - MJ 2007>>	left upper	1	
(18)	987 556 608 00	Sound absorber Cover Seat belt D - MJ 2007>>	right upper	1	
19	987 556 745 00	Damping filler plate D - MJ 2007>>	inner	1	
20	987 556 743 00	sound absorber for engine lid D - MJ 2007>>	inner	1	
21	987 556 653 00	Damping roll bar D - MJ 2007>>	lower	2	
22	999 703 432 40	Bungs		2	
23	999 507 581 40	Bungs		4	

Model: 987 05

Model life 2005>>2008



Model: 987 05 Model life 2005>>2008

Pos	Part Number	Description	Remark	Qty	Model
-		Instrument panel trim Upper part with: Fasteners Accessories			
1	987 552 101 10	dashboard Upper part Leatherette Valid up to: F >> 98-8U700 666 F >> 98-8U720 501	809-001 lhd	1	PR:098
(1)	987 552 102 10	dashboard Upper part Leatherette Valid up to: F >> 98-8U700 543 F >> 98-8U720 411	 rhd	1	PR:099
1	987 552 101 21	dashboard Upper part Leatherette Valid from: F 98-8U700 667>> F 98-8U720 502>>	 lhd	1	PR:098
(1)	987 552 102 21	dashboard Upper part Leatherette Valid from: F 98-8U700 544>> F 98-8U720 412>>	 rhd	1	PR:099
(1)	987 552 101 12	dashboard Upper part Leatherette Valid up to: F >> 98-8U700 666 F >> 98-8U720 501	 lhd	1	PR:098, 639, 640
	987 552 101 12 9L4	Black			
	987 552 101 12 9M5	Stone grey			
	987 552 101 12 9C6	Sand beige			
	987 552 101 12 9D7	sea blue			
	987 552 101 12 9E8	Palm green			

Model: 987 05 Model life 2005>>2008

Pos	Part Number	Description	Remark	Qty	Model
(1)	987 552 102 12	D >> - MJ 2007 dashboard Upper part Leatherette Valid up to: F >> 98-8U700 543 F >> 98-8U720 411	rhd	1	PR:099,639,640
	987 552 102 12 9L4	Black			
	987 552 102 12 9M5	Stone grey			
	987 552 102 12 9C6	Sand beige			
	987 552 102 12 9D7	sea blue			
	987 552 102 12 9E8	Palm green			
1	987 552 101 23	D >> - MJ 2007 dashboard Upper part Leatherette Valid from: F 98-8U700 667>> F 98-8U720 502>>	lhd	1	PR:098,639,640
	987 552 101 23 9L4	Black			
	987 552 101 23 9M5	Stone grey			
	987 552 101 23 9C6	Sand beige			
	987 552 101 23 9D7	sea blue			
(1)	987 552 102 23	dashboard Upper part Leatherette Valid from: F 98-8U700 544>> F 98-8U720 412>>	rhd	1	PR:099,639,640
	987 552 102 23 9L4	Black			
	987 552 102 23 9M5	Stone grey			
	987 552 102 23 9C6	Sand beige			
	987 552 102 23 9D7	sea blue			
(1)	987 552 101 11	dashboard Upper part Leather Valid up to: F >> 98-8U700 666 F >> 98-8U720 501	lhd	1	PR:098,981
	987 552 101 11 A11	Black			
	987 552 101 11 5X6	Stone grey			
	987 552 101 11 8G2	Sand beige			
	987 552 101 11 3S9	sea blue			
	987 552 101 11 4P2	Palm green			
	D >> - MJ 2007				
	987 552 101 11 9S5	Terracotta			
	987 552 101 11 9V6	Cocoa			
	987 552 101 11 D12	Dark grey/natural			
	987 552 101 11 T12	Brown/natural			
	987 552 101 11 N12	Carrera Red			
(1)	987 552 102 11	D - MJ 2008>> dashboard Upper part Leather Valid up to: F >> 98-8U700 543 F >> 98-8U720 411	rhd	1	PR:099,981
	987 552 102 11 A11	Black			
	987 552 102 11 5X6	Stone grey			
	987 552 102 11 8G2	Sand beige			
	987 552 102 11 3S9	sea blue			

Model: 987 05 Model life 2005>>2008

Pos	Part Number	Description	Remark	Qty	Model
	987 552 102 11 4P2	Palm green D >> - MJ 2007			
	987 552 102 11 9S5	Terracotta			
	987 552 102 11 9V6	Cocoa			
	987 552 102 11 D12	Dark grey/natural			
	987 552 102 11 T12	Brown/natural			
	987 552 102 11 N12	Carrera Red			
1	987 552 101 22	D - MJ 2008>> dashboard Upper part Leather Valid from: F 98-8U700 667>> F 98-8U720 502>>	lhd	1	PR:098,981
	987 552 101 22 A11	Black			
	987 552 101 22 5X6	Stone grey			
	987 552 101 22 8G2	Sand beige			
	987 552 101 22 3S9	sea blue			
	987 552 101 22 9S5	Terracotta			
	987 552 101 22 9V6	Cocoa			
	987 552 101 22 D12	Dark grey/natural			
	987 552 101 22 T12	Brown/natural			
	987 552 101 22 N12	Carrera Red			
(1)	987 552 102 22	D - MJ 2008>> dashboard Upper part Leather Valid from: F 98-8U700 544>> F 98-8U720 412>>	rhd	1	PR:099,981
	987 552 102 22 A11	Black			
	987 552 102 22 5X6	Stone grey			
	987 552 102 22 8G2	Sand beige			
	987 552 102 22 3S9	sea blue			
	987 552 102 22 9S5	Terracotta			
	987 552 102 22 9V6	Cocoa			
	987 552 102 22 D12	Dark grey/natural			
	987 552 102 22 T12	Brown/natural			
	987 552 102 22 N12	Carrera Red			
(1)	987 552 101 13	D - MJ 2008>> dashboard Upper part Leather Valid up to: F >> 98-8U700 666 F >> 98-8U720 501	lhd	1	PR:098,639, 640,981
	987 552 101 13 A11	Black			
	987 552 101 13 5X6	Stone grey			
	987 552 101 13 8G2	Sand beige			
	987 552 101 13 3S9	sea blue			
	987 552 101 13 4P2	Palm green D >> - MJ 2007			
	987 552 101 13 9S5	Terracotta			
	987 552 101 13 9V6	Cocoa			
	987 552 101 13 D12	Dark grey/natural			
	987 552 101 13 T12	Brown/natural			
	987 552 101 13 N12	Carrera Red			
(1)	987 552 102 13	D - MJ 2008>> dashboard Upper part Leather	rhd	1	PR:099,639, 640,981

Model: 987 05 Model life 2005>>2008

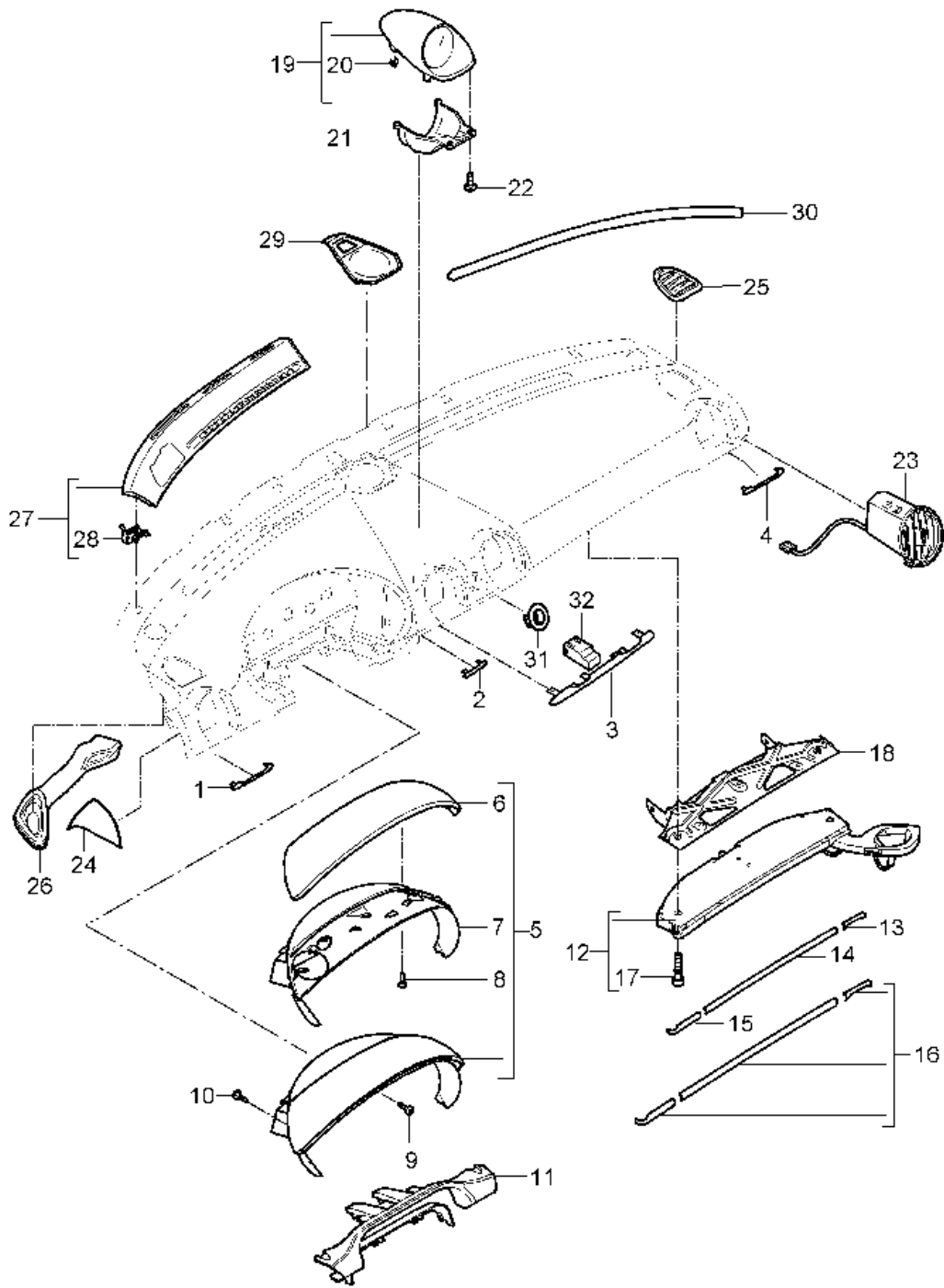
Pos	Part Number	Description	Remark	Qty	Model
		Valid up to: F >> 98-8U700 543 F >> 98-8U720 411			
	987 552 102 13 A11	Black			
	987 552 102 13 5X6	Stone grey			
	987 552 102 13 8G2	Sand beige			
	987 552 102 13 3S9	sea blue			
	987 552 102 13 4P2	Palm green			
		D >> - MJ 2007			
	987 552 102 13 9S5	Terracotta			
	987 552 102 13 9V6	Cocoa			
	987 552 102 13 D12	Dark grey/natural			
	987 552 102 13 T12	Brown/natural			
	987 552 102 13 N12	Carrera Red			
		D - MJ 2008>>			
1	987 552 101 24	dashboard Upper part Leather Valid from: F 98-8U700 667>> F 98-8U720 502>>	lhd	1	PR:098, 639, 640, 981
	987 552 101 24 A11	Black			
	987 552 101 24 5X6	Stone grey			
	987 552 101 24 8G2	Sand beige			
	987 552 101 24 3S9	sea blue			
	987 552 101 24 9S5	Terracotta			
	987 552 101 24 9V6	Cocoa			
	987 552 101 24 D12	Dark grey/natural			
	987 552 101 24 T12	Brown/natural			
	987 552 101 24 N12	Carrera Red			
		D - MJ 2008>>			
(1)	987 552 102 24	dashboard Upper part Leather Valid from: F 98-8U700 544>> F 98-8U720 412>>	rhd	1	PR:099, 639, 640, 981
	987 552 102 24 A11	Black			
	987 552 102 24 5X6	Stone grey			
	987 552 102 24 8G2	Sand beige			
	987 552 102 24 3S9	sea blue			
	987 552 102 24 9S5	Terracotta			
	987 552 102 24 9V6	Cocoa			
	987 552 102 24 D12	Dark grey/natural			
	987 552 102 24 T12	Brown/natural			
	987 552 102 24 N12	Carrera Red			
		D - MJ 2008>>			
2	999 507 971 01	panel nut ST 4,2		X	
3	999 073 155 09	panel screw ST 4,2 X 13		X	
4	999 507 106 02	Clamping washer 8,0		X	
5	999 507 732 01	Clamp 8,0 X 12,0 /4,0		X	
6	999 507 020 01	panel nut ST 4,2		X	
7	997 552 617 01	bracket for dash panel (drivers side)		1	
8	997 552 673 00	Cover Defroster trim		2	

Model: 987 05 Model life 2005>>2008

Pos	Part Number	Description	Remark	Qty	Model
9	999 073 226 09	panel screw ST 4,2 X 16		2	
10	997 552 481 00	Insert A-pillar	left	1	
(10)	997 552 482 00	Insert A-pillar	right	1	
11	999 507 921 01	Clip		2	
12	999 500 132 00	castellated nut M5 Valid up to: F >> 98-8U700 666 F >> 98-8U720 501 F >> 98-8U700 543 F >> 98-8U720 411		2	
(12)	999 507 319 01	Cage nut M5 Valid from: F 98-8U700 667>> F 98-8U720 502>> F 98-8U700 544>> F 98-8U720 412>>		2	
13	997 552 360 02	Retaining plate for Beverages Bracket Valid up to: F >>98U7 00666 F >>98U7 20501	lhd	1	PR:098
(13)	997 552 359 02	Retaining plate for Beverages Bracket Valid up to: F >> 98-8U700 543 F >> 98-8U720 411	rhd	1	PR:099
(13)	997 552 360 03	Retaining plate for Beverages Bracket Valid from: F 98-8U700 667>> F 98-8U720 502>>	lhd	1	PR:098
(13)	997 552 359 03	Retaining plate for Beverages Bracket Valid from: F 98-8U700 544>> F 98-8U720 412>>	rhd	1	PR:099

Model: 987 05

Model life 2005>>2008



Model: 987 05 Model life 2005>>2008

Pos	Part Number	Description	Remark	Qty	Model
		Instrument panel trim Upper part			
		with:			
1	987 552 381 01	Accessories Trim (drivers side)	outer lhd	1	BOXSTER PR:098
(1)	987 552 381 01 D07	Volcano grey			
(1)	987 552 382 01	Trim (drivers side)	outer rhd	1	BOXSTER PR:099
(1)	987 552 382 01 D07	Volcano grey			
(1)	987 552 381 02	Trim (drivers side)	outer lhd	1	BOXSTER S PR:098
(1)	987 552 381 02 V04	Galvano silver			
(1)	987 552 382 02	Trim (drivers side)	outer rhd	1	BOXSTER S PR:099
(1)	987 552 382 02 V04	Galvano silver			
(1)	987 552 381 03	Trim (drivers side)	outer lhd	1	PR:098,801
(1)	987 552 381 03 S61	macassar			
(1)	987 552 382 03	Trim (drivers side)	outer rhd	1	PR:099,801
(1)	987 552 382 03 S61	macassar			
(1)	987 552 381 04	Trim	left lhd	1	PR:098,802
(1)	987 552 381 04 S62	Sycamore wood			
(1)	987 552 382 04	Trim	right rhd	1	PR:099,802
(1)	987 552 382 04 S62	Sycamore wood			
(1)	987 552 381 05	Trim (drivers side)	outer lhd	1	PR:098,803
(1)	987 552 381 05 A35	Black			
(1)	987 552 382 05	Trim (drivers side)	outer rhd	1	PR:099,803
(1)	987 552 382 05 A35	Black			
(1)	987 552 381 06	Trim (drivers side)	outer lhd	1	PR:098,757
(1)	987 552 381 06 G2X	D - MJ 2008>> primed			
(1)	987 552 382 06	Trim (drivers side)	outer rhd	1	PR:099,757
(1)	987 552 382 06 G2X	D - MJ 2008>> primed			
(1)	987 552 986 00	Trim (drivers side)	outer lhd	1	PR:XVP,098
	987 552 986 00 A11	Black			
	987 552 986 00 5X6	Stone grey			
	987 552 986 00 8G2	Sand beige			
	987 552 986 00 3S9	sea blue			
	987 552 986 00 4P2	Palm green			
		D >> - MJ 2007			
	987 552 986 00 9S5	Terracotta			
	987 552 986 00 9V6	Cocoa			
	987 552 986 00 D12	Dark grey/natural			
	987 552 986 00 T12	Brown/natural			
	987 552 986 00 N12	Carrera Red			
(1)	987 552 986 01	D - MJ 2008>> Trim (drivers side)	outer rhd	1	PR:XVP,099
	987 552 986 01 A11	Black			
	987 552 986 01 5X6	Stone grey			
	987 552 986 01 8G2	Sand beige			

Model: 987 05 Model life 2005>>2008

Pos	Part Number	Description	Remark	Qty	Model
	987 552 986 01 3S9	sea blue			
	987 552 986 01 4P2	Palm green			
		D >> - MJ 2007			
	987 552 986 01 9S5	Terracotta			
	987 552 986 01 9V6	Cocoa			
	987 552 986 01 D12	Dark grey/natural			
	987 552 986 01 T12	Brown/natural			
	987 552 986 01 N12	Carrera Red			
		D - MJ 2008>>			
2	987 552 383 01	Trim (drivers side)	inner lhd	1	BOXSTER PR:098
(2)	987 552 383 01 D07	Volcano grey			
	987 552 384 01	Trim (drivers side)	inner rhd	1	BOXSTER PR:099
(2)	987 552 384 01 D07	Volcano grey			
	987 552 383 02	Trim (drivers side)	inner lhd	1	BOXSTER S PR:098
(2)	987 552 383 02 V04	Galvano silver			
	987 552 384 02	Trim (drivers side)	inner rhd	1	BOXSTER S PR:099
(2)	987 552 384 02 V04	Galvano silver			
	987 552 383 03	Trim (drivers side)	inner lhd	1	PR:098,801
(2)	987 552 383 03 S61	macassar			
	987 552 384 03	Trim (drivers side)	inner rhd	1	PR:099,801
(2)	987 552 384 03 S61	macassar			
	987 552 383 04	Trim (drivers side)	inner lhd	1	PR:098,802
(2)	987 552 383 04 S62	Sycamore wood			
	987 552 384 04	Trim (drivers side)	inner rhd	1	PR:099,802
(2)	987 552 384 04 S62	Sycamore wood			
	987 552 383 05	Trim (drivers side)	inner lhd	1	PR:098,803
(2)	987 552 383 05 A35	Black			
	987 552 384 05	Trim (drivers side)	inner rhd	1	PR:099,803
(2)	987 552 384 05 A35	Black			
	987 552 383 06	Trim (drivers side)	inner lhd	1	PR:098,757
		D - MJ 2008>>			
(2)	987 552 383 06 G2X	primed			
	987 552 384 06	Trim (drivers side)	inner rhd	1	PR:099,757
		D - MJ 2008>>			
(2)	987 552 384 06 G2X	primed			
	987 552 987 00	Trim (drivers side)	inner lhd	1	PR:XVP,098
	987 552 987 00 A11	Black			
	987 552 987 00 5X6	Stone grey			
	987 552 987 00 8G2	Sand beige			
	987 552 987 00 3S9	sea blue			
	987 552 987 00 4P2	Palm green			
		D >> - MJ 2007			
	987 552 987 00 9S5	Terracotta			
	987 552 987 00 9V6	Cocoa			
	987 552 987 00 D12	Dark grey/natural			
	987 552 987 00 T12	Brown/natural			
	987 552 987 00 N12	Carrera Red			
		D - MJ 2008>>			
(2)	987 552 987 01	Trim (drivers side)	inner rhd	1	PR:XVP,099

Model: 987 05 Model life 2005>>2008

Pos	Part Number	Description	Remark	Qty	Model
	987 552 987 01 A11	Black			
	987 552 987 01 5X6	Stone grey			
	987 552 987 01 8G2	Sand beige			
	987 552 987 01 3S9	sea blue			
	987 552 987 01 4P2	Palm green			
		D >> - MJ 2007			
	987 552 987 01 9S5	Terracotta			
	987 552 987 01 9V6	Cocoa			
	987 552 987 01 D12	Dark grey/natural			
	987 552 987 01 T12	Brown/natural			
	987 552 987 01 N12	Carrera Red			
		D - MJ 2008>>			
3	987 552 585 01	molding for dashboard	center	1	BOXSTER
	987 552 585 01 D07	Volcano grey			
(3)	987 552 585 02	molding for dashboard	center	1	BOXSTER S
	987 552 585 02 V04	Galvano silver			
(3)	987 552 585 03	molding for dashboard	center	1	PR:801
	987 552 585 03 S61	macassar			
(3)	987 552 585 04	molding for dashboard	center	1	PR:802
	987 552 585 04 S62	Sycamore wood			
(3)	987 552 585 05	molding for dashboard	center	1	PR:803
	987 552 585 05 A35	Black			
(3)	987 552 585 06	molding for dashboard	center	1	PR:757
		D - MJ 2008>>			
	987 552 585 06 G2X	primed			
(3)	987 552 981 00	molding for dashboard	center	1	PR:XVP
	987 552 981 00 A11	Black			
	987 552 981 00 5X6	Stone grey			
	987 552 981 00 8G2	Sand beige			
	987 552 981 00 3S9	sea blue			
	987 552 981 00 4P2	Palm green			
		D >> - MJ 2007			
	987 552 981 00 9S5	Terracotta			
	987 552 981 00 9V6	Cocoa			
	987 552 981 00 D12	Dark grey/natural			
	987 552 981 00 T12	Brown/natural			
	987 552 981 00 N12	Carrera Red			
		D - MJ 2008>>			
4	987 552 388 01	molding for dashboard (passenger side)	lhd	1	BOXSTER PR:098
	987 552 388 01 D07	Volcano grey			
(4)	987 552 387 01	molding for dashboard (passenger side)	rhd	1	BOXSTER PR:099
	987 552 387 01 D07	Volcano grey			
(4)	987 552 388 02	molding for dashboard (passenger side)	lhd	1	BOXSTER S PR:098
	987 552 388 02 V04	Galvano silver			
(4)	987 552 387 02	molding for dashboard (passenger side)	rhd	1	BOXSTER S PR:099
	987 552 387 02 V04	Galvano silver			
(4)	987 552 388 03	molding for dashboard (passenger side)	lhd	1	PR:098,801
	987 552 388 03 S61	macassar			
(4)	987 552 387 03	molding for dashboard (passenger side)	rhd	1	PR:099,801
	987 552 387 03 S61	macassar			
(4)	987 552 388 04	molding for dashboard (passenger side)	lhd	1	PR:098,802
	987 552 388 04 S62	Sycamore wood			
(4)	987 552 387 04	molding for dashboard (passenger side)	rhd	1	PR:099,802

Model: 987 05 Model life 2005>>2008

Pos	Part Number	Description	Remark	Qty	Model
(4)	987 552 387 04 S62 987 552 388 05	Sycamore wood molding for dashboard (passenger side)	lhd	1	PR:098,803
(4)	987 552 388 05 A35 987 552 387 05	Black molding for dashboard (passenger side)	lhd	1	PR:803,098
(4)	987 552 387 05 A35 987 552 388 06	Black molding for dashboard (passenger side)	lhd	1	PR:098,757
(4)	987 552 388 06 G2X 987 552 387 06	primed molding for dashboard (passenger side)	rhd	1	PR:099,757
(4)	987 552 387 06 G2X 987 552 982 00	primed molding for dashboard (passenger side)	lhd	1	PR:XVP,098
	987 552 982 00 A11	Black			
	987 552 982 00 5X6	Stone grey			
	987 552 982 00 8G2	Sand beige			
	987 552 982 00 3S9	sea blue			
	987 552 982 00 4P2	Palm green			
		D >> - MJ 2007			
	987 552 982 00 9S5	Terracotta			
	987 552 982 00 9V6	Cocoa			
	987 552 982 00 D12	Dark grey/natural			
	987 552 982 00 T12	Brown/natural			
	987 552 982 00 N12	Carrera Red			
(4)	987 552 982 01	D - MJ 2008>> molding for dashboard (passenger side)	rhd	1	PR:XVP,099
	987 552 982 01 A11	Black			
	987 552 982 01 5X6	Stone grey			
	987 552 982 01 8G2	Sand beige			
	987 552 982 01 3S9	sea blue			
	987 552 982 01 4P2	Palm green			
		D >> - MJ 2007			
	987 552 982 01 9S5	Terracotta			
	987 552 982 01 9V6	Cocoa			
	987 552 982 01 D12	Dark grey/natural			
	987 552 982 01 T12	Brown/natural			
	987 552 982 01 N12	Carrera Red			
		D - MJ 2008>>			
5	987 552 021 00	Instrument box (complete) slush technology	lhd	1	PR:098
	987 552 021 00 9L4	Black			
	987 552 021 00 9M5	Stone grey			
	987 552 021 00 9C6	Sand beige			
	987 552 021 00 9D7	sea blue			
	987 552 021 00 9E8	Palm green			
		D >> - MJ 2007			
(5)	987 552 022 00	Instrument box (complete) slush technology	rhd	1	PR:099
	987 552 022 00 9L4	Black			
	987 552 022 00 9M5	Stone grey			
	987 552 022 00 9C6	Sand beige			
	987 552 022 00 9D7	sea blue			
	987 552 022 00 9E8	Palm green			
		D >> - MJ 2007			
(5)	987 552 021 01	Instrument box (complete)	lhd	1	PR:098,981

Model: 987 05 Model life 2005>>2008

Pos	Part Number	Description	Remark	Qty	Model
	987 552 021 01 FSA	black/grey			
	987 552 021 01 FSB	Stone grey/stone grey			
	987 552 021 01 FSC	Sand beige/sand beige			
	987 552 021 01 FSD	Sea blue/grey			
	987 552 021 01 FSE	Palmgreen/palmgreen			
		D >> - MJ 2007			
	987 552 021 01 FSF	Terracotta/terracotta			
	987 552 021 01 FSG	Cocoa/Cocoa			
	987 552 021 01 FSH	Darkgrey natural/grey			
	987 552 021 01 FSJ	Brown nat./brown nat.			
	987 552 021 01 FSP	Carrera Red			
		D - MJ 2008>>			
(5)	987 552 022 01	Instrument box (complete)	rhd	1	PR:099,981
	987 552 022 01 FSA	black/grey			
	987 552 022 01 FSB	Stone grey/stone grey			
	987 552 022 01 FSC	Sand beige/sand beige			
	987 552 022 01 FSD	Sea blue/grey			
	987 552 022 01 FSE	Palmgreen/palmgreen			
		D >> - MJ 2007			
	987 552 022 01 FSF	Terracotta/terracotta			
	987 552 022 01 FSG	Cocoa/Cocoa			
	987 552 022 01 FSH	Darkgrey natural/grey			
	987 552 022 01 FSJ	Brown nat./brown nat.			
	987 552 022 01 FSP	Carrera Red			
		D - MJ 2008>>			
(5)	987 552 990 00	Instrument box (complete)	lhd	1	PR:XNG,098
	987 552 990 00 9L4	Black			
	987 552 990 00 9M5	Stone grey			
	987 552 990 00 9C6	Sand beige			
	987 552 990 00 9D7	sea blue			
	987 552 990 00 9E8	Palm green			
		D >> - MJ 2007			
(5)	987 552 990 01	Instrument box (complete)	rhd	1	PR:XNG,099
	987 552 990 01 9L4	Black			
	987 552 990 01 9M5	Stone grey			
	987 552 990 01 9C6	Sand beige			
	987 552 990 01 9D7	sea blue			
	987 552 990 01 9E8	Palm green			
		D >> - MJ 2007			
(5)	987 552 990 02	Instrument box (complete)	lhd	1	PR:XNG,098, 991
	987 552 990 02 A11	Black			
	987 552 990 02 5X6	Stone grey			
	987 552 990 02 8G2	Sand beige			
	987 552 990 02 3S9	sea blue			
	987 552 990 02 4P2	Palm green			
		D >> - MJ 2007			
	987 552 990 02 9S5	Terracotta			
	987 552 990 02 9V6	Cocoa			
	987 552 990 02 D12	Dark grey/natural			
	987 552 990 02 T12	Brown/natural			
	987 552 990 02 N12	Carrera Red			
		D - MJ 2008>>			
(5)	987 552 990 03	Instrument box (complete)	rhd	1	PR:XNG,099, 981
	987 552 990 03 A11	Black			
	987 552 990 03 5X6	Stone grey			
	987 552 990 03 8G2	Sand beige			
	987 552 990 03 3S9	sea blue			
	987 552 990 03 4P2	Palm green			

Model: 987 05 Model life 2005>>2008

Pos	Part Number	Description	Remark	Qty	Model
		D >> - MJ 2007			
	987 552 990 03 9S5	Terracotta			
	987 552 990 03 9V6	Cocoa			
	987 552 990 03 D12	Dark grey/natural			
	987 552 990 03 T12	Brown/natural			
	987 552 990 03 N12	Carrera Red			
		D - MJ 2008>>			
(5)	987 552 990 04	Instrument box (complete)	lhd	1	PR:XCL,098
	987 552 990 04 9L4	Black			
	987 552 990 04 9M5	Stone grey			
	987 552 990 04 9C6	Sand beige			
	987 552 990 04 9D7	sea blue			
	987 552 990 04 9E8	Palm green			
		D >> - MJ 2007			
(5)	987 552 990 05	Instrument box (complete)	rhd	1	PR:XCL,099
	987 552 990 05 9L4	Black			
	987 552 990 05 9M5	Stone grey			
	987 552 990 05 9C6	Sand beige			
	987 552 990 05 9D7	sea blue			
	987 552 990 05 9E8	Palm green			
		D >> - MJ 2007			
(5)	987 552 990 06	Instrument box (complete)	lhd	1	PR:XCL,098,981
	987 552 990 06 A11	Black			
	987 552 990 06 5X6	Stone grey			
	987 552 990 06 8G2	Sand beige			
	987 552 990 06 3S9	sea blue			
	987 552 990 06 4P2	Palm green			
		D >> - MJ 2007			
	987 552 990 06 9S5	Terracotta			
	987 552 990 06 9V6	Cocoa			
	987 552 990 06 D12	Dark grey/natural			
	987 552 990 06 T12	Brown/natural			
	987 552 990 06 N12	Carrera Red			
		D - MJ 2008>>			
(5)	987 552 990 07	Instrument box (complete)	rhd	1	PR:XCL,099,981
	987 552 990 07 A11	Black			
	987 552 990 07 5X6	Stone grey			
	987 552 990 07 8G2	Sand beige			
	987 552 990 07 3S9	sea blue			
	987 552 990 07 4P2	Palm green			
		D >> - MJ 2007			
	987 552 990 07 9S5	Terracotta			
	987 552 990 07 9V6	Cocoa			
	987 552 990 07 D12	Dark grey/natural			
	987 552 990 07 T12	Brown/natural			
	987 552 990 07 N12	Carrera Red			
		D - MJ 2008>>			
(5)	987 552 325 02	Instrument box Lacquered		1	PR:098,754
		D - MJ 2008>>			
	987 552 325 02 A03	Black			
	987 552 325 02 N23	Carrera Red			
(5)	987 552 326 02	Instrument box Lacquered		1	PR:099,754
		D - MJ 2008>>			
	987 552 326 02 A03	Black			
	987 552 326 02 N23	Carrera Red			
6	987 552 121 02	Instrument box Upper part	lhd	1	PR:098

Model: 987 05 Model life 2005>>2008

Pos	Part Number	Description	Remark	Qty	Model
		slush technology			
	987 552 121 02 9L4	Black			
	987 552 121 02 9M5	Stone grey			
	987 552 121 02 9C6	Sand beige			
	987 552 121 02 9D7	sea blue			
	987 552 121 02 9E8	Palm green			
		D >> - MJ 2007			
6	987 552 122 02	Instrument box	rhd	1	PR:099
		Upper part			
		slush technology			
	987 552 122 02 9L4	Black			
	987 552 122 02 9M5	Stone grey			
	987 552 122 02 9C6	Sand beige			
	987 552 122 02 9D7	sea blue			
	987 552 122 02 9E8	Palm green			
		D >> - MJ 2007			
(6)	987 552 121 03	Instrument box	lhd	1	PR:098,981
		Upper part			
	987 552 121 03 FSA	black/grey			
	987 552 121 03 FSB	Stone grey/stone grey			
	987 552 121 03 FSC	Sand beige/sand beige			
	987 552 121 03 FSD	Sea blue/grey			
	987 552 121 03 FSE	Palmgreen/palmgreen			
		D >> - MJ 2007			
	987 552 121 03 FSF	Terracotta/terracotta			
	987 552 121 03 FSG	Cocoa/Cocoa			
	987 552 121 03 FSH	Darkgrey natural/grey			
	987 552 121 03 FSJ	Brown nat./brown nat.			
	987 552 121 03 FSP	Carrera Red			
		D - MJ 2008>>			
(6)	987 552 122 03	Instrument box	rhd	1	PR:099,981
		Upper part			
	987 552 122 03 FSA	black/grey			
	987 552 122 03 FSB	Stone grey/stone grey			
	987 552 122 03 FSC	Sand beige/sand beige			
	987 552 122 03 FSD	Sea blue/grey			
	987 552 122 03 FSE	Palmgreen/palmgreen			
		D >> - MJ 2007			
	987 552 122 03 FSF	Terracotta/terracotta			
	987 552 122 03 FSG	Cocoa/Cocoa			
	987 552 122 03 FSH	Darkgrey natural/grey			
	987 552 122 03 FSJ	Brown nat./brown nat.			
	987 552 122 03 FSP	Carrera Red			
		D - MJ 2008>>			
7	987 552 227 01	Trim	lhd	1	PR:098
		Combi-instrument			
	987 552 227 01 A03	Black			
	987 552 227 01 5V7	Stone grey			
	987 552 227 01 5Z1	Sand beige			
	987 552 227 01 8W7	sea blue			
	987 552 227 01 5Y2	Palm green			
		D >> - MJ 2007			
	987 552 227 01 8X8	Terracotta			
	987 552 227 01 8P9	Cocoa			
	987 552 227 01 T13	Brown/natural			
	987 552 227 01 N23	Carrera Red			
		D - MJ 2008>>			
(7)	987 552 228 01	Trim	rhd	1	PR:099
		Combi-instrument			
	987 552 228 01 A03	Black			
	987 552 228 01 5V7	Stone grey			
	987 552 228 01 5Z1	Sand beige			
	987 552 228 01 8W7	sea blue			

Model: 987 05 Model life 2005>>2008

Pos	Part Number	Description	Remark	Qty	Model
	987 552 228 01 5Y2	Palm green D >> - MJ 2007			
	987 552 228 01 8X8	Terracotta			
	987 552 228 01 8P9	Cocoa			
	987 552 228 01 T13	Brown/natural			
	987 552 228 01 N23	Carrera Red D - MJ 2008>>			
(7)	987 552 989 00	Leather panel Combi-instrument	lhd	1	PR:XNG, 098, 981
	987 552 989 00 A11	Black			
	987 552 989 00 5X6	Stone grey			
	987 552 989 00 8G2	Sand beige			
	987 552 989 00 3S9	sea blue			
	987 552 989 00 4P2	Palm green D >> - MJ 2007			
	987 552 989 00 9S5	Terracotta			
	987 552 989 00 9V6	Cocoa			
	987 552 989 00 D12	Dark grey/natural			
	987 552 989 00 T12	Brown/natural			
	987 552 989 00 N12	Carrera Red D - MJ 2008>>			
(7)	987 552 989 01	Leather panel Combi-instrument	rhd	1	PR:XNG, 099, 981
	987 552 989 01 A11	Black			
	987 552 989 01 5X6	Stone grey			
	987 552 989 01 8G2	Sand beige			
	987 552 989 01 3S9	sea blue			
	987 552 989 01 4P2	Palm green D >> - MJ 2007			
	987 552 989 01 9S5	Terracotta			
	987 552 989 01 9V6	Cocoa			
	987 552 989 01 D12	Dark grey/natural			
	987 552 989 01 T12	Brown/natural			
	987 552 989 01 N12	Carrera Red D - MJ 2008>>			
(7)	987 552 989 02	Trim Combi-instrument	lhd	1	PR:XCL, 098, 981
	987 552 989 02 V04	Galvano silver			
(7)	987 552 989 03	Trim Combi-instrument	rhd	1	PR:XCL, 099, 981
	987 552 989 03 V04	Galvano silver			
8	999 073 340 09	panel screw ST 3,5 X 11		2	
9	999 073 155 09	panel screw ST 4,2 X 13 Mount Trim		2	
10	999 073 226 09	Combi-instrument panel screw ST 4,2 X 16 Mount Trim		5	
-	999 507 621 02	Combi-instrument panel nut Mount Trim		5	
-	999 507 621 01	Combi-instrument D >> - MJ 2006 panel nut ST 4,2 Mount Trim		5	
		Combi-instrument			

Model: 987 05 Model life 2005>>2008

Pos	Part Number	Description	Remark	Qty	Model
11	987 552 271 01	D - MJ 2007>> Bridge	lhd	1	PR:098
	987 552 271 01 A03	Black			
	987 552 271 01 5V7	Stone grey			
	987 552 271 01 5Z1	Sand beige			
	987 552 271 01 8W7	sea blue			
	987 552 271 01 5Y2	Palm green			
		D >> - MJ 2007			
	987 552 271 01 8X8	Terracotta			
	987 552 271 01 8P9	Cocoa			
	987 552 271 01 T13	Brown/natural			
	987 552 271 01 N23	Carrera Red			
(11)	987 552 272 01	D - MJ 2008>> Bridge	rhd	1	PR:099
	987 552 272 01 A03	Black			
	987 552 272 01 5V7	Stone grey			
	987 552 272 01 5Z1	Sand beige			
	987 552 272 01 8W7	sea blue			
	987 552 272 01 5Y2	Palm green			
		D >> - MJ 2007			
	987 552 272 01 8X8	Terracotta			
	987 552 272 01 8P9	Cocoa			
	987 552 272 01 T13	Brown/natural			
	987 552 272 01 N23	Carrera Red			
11	987 552 978 00	D - MJ 2008>> Bridge	lhd	1	PR:XNS,098
		D - MJ 2006>>			
	987 552 978 00 A11	Black			
	987 552 978 00 5X6	Stone grey			
	987 552 978 00 8G2	Sand beige			
	987 552 978 00 3S9	sea blue			
	987 552 978 00 4P2	Palm green			
		D >> - MJ 2007			
	987 552 978 00 9S5	Terracotta			
	987 552 978 00 9V6	Cocoa			
	987 552 978 00 D12	Dark grey/natural			
	987 552 978 00 T12	Brown/natural			
	987 552 978 00 N12	Carrera Red			
(11)	987 552 978 01	D - MJ 2008>> Bridge	rhd	1	PR:XNS,099
		D - MJ 2006>>			
	987 552 978 01 A11	Black			
	987 552 978 01 5X6	Stone grey			
	987 552 978 01 8G2	Sand beige			
	987 552 978 01 3S9	sea blue			
	987 552 978 01 4P2	Palm green			
		D >> - MJ 2007			
	987 552 978 01 9S5	Terracotta			
	987 552 978 01 9V6	Cocoa			
	987 552 978 01 D12	Dark grey/natural			
	987 552 978 01 T12	Brown/natural			
	987 552 978 01 N12	Carrera Red			
12	997 552 294 03	D - MJ 2008>> Drinks holder	lhd	1	PR:098
12	997 552 293 04	Drinks holder	rhd	1	PR:099
-	997 552 905 00	repair set		1	
		Flap			
		torsion spring			
		for			
		Beverages			
		Bracket			
13	997 552 394 01	Retainer for trim	right lhd	1	BOXSTER PR:098

Model: 987 05 Model life 2005>>2008

Pos	Part Number	Description	Remark	Qty	Model
(13)	997 552 394 01 D07 997 552 393 01	Volcano grey Retainer for trim	right rhd	1	BOXSTER PR:099
(13)	997 552 393 01 D07 997 552 394 02	Volcano grey Retainer for trim	right lhd	1	BOXSTER S PR:098
(13)	997 552 394 02 V04 997 552 393 02	Galvano silver Retainer for trim	right rhd	1	BOXSTER S PR:099
(13)	997 552 393 02 V04 997 552 396 05	Galvano silver Retainer for trim	right lhd	1	PR:098,803
(13)	997 552 396 05 A35 997 552 395 05	Black Retainer for trim	right rhd	1	PR:099,803
(13)	997 552 395 05 A35 987 552 394 00	Black Trim for drinks holder	right lhd	1	PR:098,757
(13)	987 552 394 00 G2X 987 552 393 00	D - MJ 2008>> primed Trim for drinks holder	right rhd	1	PR:099,757
(13)	987 552 393 00 G2X 997 552 993 00	D - MJ 2008>> primed Leather panel	right lhd	1	PR:XVP,098
(13)	997 552 993 00 A11 997 552 993 00 5X6 997 552 993 00 8G2 997 552 993 00 3S9 997 552 993 00 4P2	Black Stone grey Sand beige sea blue Palm green			
(13)	997 552 993 00 9S5 997 552 993 00 9V6 997 552 993 00 D12 997 552 993 00 T12 997 552 993 00 N12	D >> - MJ 2007 Terracotta Cocoa Dark grey/natural Brown/natural Carrera Red			
(13)	997 552 993 01 997 552 993 01 A11 997 552 993 01 5X6 997 552 993 01 8G2 997 552 993 01 3S9 997 552 993 01 4P2	D - MJ 2008>> Leather panel Black Stone grey Sand beige sea blue Palm green	right rhd	1	PR:XVP,099
(13)	997 552 993 01 9S5 997 552 993 01 9V6 997 552 993 01 D12 997 552 993 01 T12 997 552 993 01 N12	D - MJ 2008>> Terracotta Cocoa Dark grey/natural Brown/natural Carrera Red			
14	997 552 398 00	Retainer for trim	center lhd	1	BOXSTER PR:098
(14)	997 552 398 00 D07 997 552 397 00	Volcano grey Retainer for trim	center rhd	1	BOXSTER PR:099
(14)	997 552 397 00 D07 997 552 398 01	Volcano grey Retainer for trim	center lhd	1	BOXSTER S PR:098
(14)	997 552 398 01 V04 997 552 397 01	Galvano silver Retainer for trim	center rhd	1	BOXSTER S PR:099
(14)	997 552 397 01 V04 997 552 398 04	Galvano silver Retainer for trim	center lhd	1	PR:098,803
(14)	997 552 398 04 A35	Black	center		

Model: 987 05 Model life 2005>>2008

Pos	Part Number	Description	Remark	Qty	Model
(14)	997 552 397 04	Retainer for trim	center rhd	1	PR:099,803
(14)	997 552 397 04 A35 987 552 392 00	Black Retainer for trim	center lhd	1	PR:098,757
(14)	987 552 392 00 G2X 987 552 391 00	D - MJ 2008>> primed Retainer for trim	center rhd	1	PR:099,757
(14)	987 552 391 00 G2X 997 552 994 00	D - MJ 2008>> primed Leather panel	center lhd	1	PR:XVP,098
(14)	997 552 994 00 A11 997 552 994 00 5X6 997 552 994 00 8G2 997 552 994 00 3S9 997 552 994 00 4P2	Black Stone grey Sand beige sea blue Palm green			
(14)	997 552 994 00 9S5 997 552 994 00 9V6 997 552 994 00 D12 997 552 994 00 T12 997 552 994 00 N12	D >> - MJ 2007 Terracotta Cocoa Dark grey/natural Brown/natural Carrera Red			
(14)	997 552 994 01 997 552 994 01 A11 997 552 994 01 5X6 997 552 994 01 8G2 997 552 994 01 3S9 997 552 994 01 4P2	D - MJ 2008>> Leather panel Black Stone grey Sand beige sea blue Palm green	center rhd	1	PR:XVP,099
(15)	997 552 994 01 9S5 997 552 994 01 9V6 997 552 994 01 D12 997 552 994 01 T12 997 552 994 01 N12	D >> - MJ 2007 Terracotta Cocoa Dark grey/natural Brown/natural Carrera Red			
(15)	997 552 396 01	D - MJ 2008>> Retainer for trim	left lhd	1	BOXSTER PR:098
(15)	997 552 396 01 D07 997 552 395 01	Volcano grey Retainer for trim	left rhd	1	BOXSTER PR:099
(15)	997 552 395 01 D07 997 552 396 02	Volcano grey Retainer for trim	left lhd	1	BOXSTER S PR:098
(15)	997 552 396 02 V04 997 552 395 02	Galvano silver Retainer for trim	left rhd	1	BOXSTER S PR:099
(15)	997 552 395 02 V04 997 552 394 05	Galvano silver Retainer for trim	left lhd	1	PR:098,803
(15)	997 552 394 05 A35 997 552 393 05	Black Retainer for trim	left rhd	1	PR:099,803
(15)	997 552 393 05 A35 987 552 396 00	Black Trim for drinks holder	left lhd	1	PR:098,757
(15)	987 552 396 00 G2X 987 552 395 00	D - MJ 2008>> primed Trim for drinks holder	left rhd	1	PR:099,757
(15)	987 552 395 00 G2X	D - MJ 2008>> primed			

Model: 987 05 Model life 2005>>2008

Pos	Part Number	Description	Remark	Qty	Model
(15)	997 552 992 00	Leather panel	left lhd	1	PR:XVP,098
	997 552 992 00 A11	Black			
	997 552 992 00 5X6	Stone grey			
	997 552 992 00 8G2	Sand beige			
	997 552 992 00 3S9	sea blue			
	997 552 992 00 4P2	Palm green			
		D >> - MJ 2007			
	997 552 992 00 9S5	Terracotta			
	997 552 992 00 9V6	Cocoa			
	997 552 992 00 D12	Dark grey/natural			
	997 552 992 00 T12	Brown/natural			
	997 552 992 00 N12	Carrera Red			
		D - MJ 2008>>			
(15)	997 552 992 01	Leather panel	left rhd	1	PR:XVP,099
	997 552 992 01 A11	Black			
	997 552 992 01 5X6	Stone grey			
	997 552 992 01 8G2	Sand beige			
	997 552 992 01 3S9	sea blue			
	997 552 992 01 4P2	Palm green			
		D >> - MJ 2007			
	997 552 992 01 9S5	Terracotta			
	997 552 992 01 9V6	Cocoa			
	997 552 992 01 D12	Dark grey/natural			
	997 552 992 01 T12	Brown/natural			
	997 552 992 01 N12	Carrera Red			
		D - MJ 2008>>			
16	997 552 904 00	Set	lhd	1	PR:098,801
		Trim			
		Wood			
	997 552 904 00 S61	macassar			
(16)	997 552 903 00	Set	rhd	1	PR:099,801
		Trim			
		Wood			
	997 552 903 00 S61	macassar			
16	997 552 904 01	Set	lhd	1	PR:098,802
		Trim			
		Wood			
	997 552 904 01 S62	Sycamore wood			
(16)	997 552 903 01	Set	rhd	1	PR:099,802
		Trim			
		Wood			
	997 552 903 01 S62	Sycamore wood			
17	900 067 416 01	Socket head bolt		2	
		M5 x 27			
18		Retaining plate		1	
		Beverages			
		Bracket			
		see illustration:	809-000		
19	987 552 371 00	Air guide		1	PR:639,640
		Upper part			
	987 552 371 00 A03	Black			
	987 552 371 00 5V7	Stone grey			
	987 552 371 00 5Z1	Sand beige			
	987 552 371 00 8W7	sea blue			
	987 552 371 00 5Y2	Palm green			
		D >> - MJ 2007			
(19)	987 552 371 01	Air guide		1	PR:639,640, 981
		Upper part			
	987 552 371 01 A11	Black			
	987 552 371 01 5X6	Stone grey			
	987 552 371 01 8G2	Sand beige			
	987 552 371 01 3S9	sea blue			
	987 552 371 01 4P2	Palm green			

Model: 987 05 Model life 2005>>2008

Pos	Part Number	Description	Remark	Qty	Model
		D >> - MJ 2007			
	987 552 371 01 9S5	Terracotta			
	987 552 371 01 9V6	Cocoa			
	987 552 371 01 D12	Dark grey/natural			
	987 552 371 01 T12	Brown/natural			
	987 552 371 01 N12	Carrera Red			
		D - MJ 2008>>			
20	999 507 920 01	U-clip 1,7-2,1		4	PR:639,640
21	997 552 373 01	Retainer, upper part		1	PR:639,640
22	999 919 167 09	fillister hd. bolt 3,0 X 10		4	
23	987 552 131 03	Air vent		4	
		D >> - MJ 2007			
	987 552 131 03 FNE	Volcano grey/galvanosilver			
23	987 552 131 04	Air vent		4	
		D - MJ 2008>>			
(23)	987 552 131 04 FRA	Black/Galvano Silver		4	PR:XVR
	987 552 980 00	Air vent			
	987 552 980 00 A11	Black			
	987 552 980 00 5X6	Stone grey			
	987 552 980 00 8G2	Sand beige			
	987 552 980 00 3S9	sea blue			
	987 552 980 00 4P2	Palm green			
		D >> - MJ 2007			
	987 552 980 00 9S5	Terracotta			
	987 552 980 00 9V6	Cocoa			
	987 552 980 00 D12	Dark grey/natural			
	987 552 980 00 T12	Brown/natural			
	987 552 980 00 N12	Carrera Red			
		D - MJ 2008>>			
24	987 552 537 01	Dash panel trim Upper part	left	1	
	987 552 537 01 A03	Black			
	987 552 537 01 5V7	Stone grey			
	987 552 537 01 5Z1	Sand beige			
	987 552 537 01 8W7	sea blue			
	987 552 537 01 5Y2	Palm green			
		D >> - MJ 2007			
	987 552 537 01 8X8	Terracotta			
	987 552 537 01 8P9	Cocoa			
	987 552 537 01 T13	Brown/natural			
	987 552 537 01 N23	Carrera Red			
		D - MJ 2008>>			
(24)	987 552 538 01	Dash panel trim Upper part	right	1	
	987 552 538 01 A03	Black			
	987 552 538 01 5V7	Stone grey			
	987 552 538 01 5Z1	Sand beige			
	987 552 538 01 8W7	sea blue			
	987 552 538 01 5Y2	Palm green			
		D >> - MJ 2007			
	987 552 538 01 8X8	Terracotta			
	987 552 538 01 8P9	Cocoa			
	987 552 538 01 T13	Brown/natural			
	987 552 538 01 N23	Carrera Red			
		D - MJ 2008>>			
25	987 552 455 01	Cover Defroster vent	left	1	
	987 552 455 01 A03	Black			
	987 552 455 01 5V7	Stone grey			
	987 552 455 01 5Z1	Sand beige			
	987 552 455 01 8W7	sea blue			

Model: 987 05 Model life 2005>>2008

Pos	Part Number	Description	Remark	Qty	Model
	987 552 455 01 5Y2	Palm green D >> - MJ 2007			
	987 552 455 01 8X8	Terracotta			
	987 552 455 01 8P9	Cocoa			
	987 552 455 01 T13	Brown/natural			
	987 552 455 01 N23	Carrera Red D - MJ 2008>>			
(25)	987 552 456 01	Cover	right	1	
		Defroster vent			
	987 552 456 01 A03	Black			
	987 552 456 01 5V7	Stone grey			
	987 552 456 01 5Z1	Sand beige			
	987 552 456 01 8W7	sea blue			
	987 552 456 01 5Y2	Palm green D >> - MJ 2007			
	987 552 456 01 8X8	Terracotta			
	987 552 456 01 8P9	Cocoa			
	987 552 456 01 T13	Brown/natural			
	987 552 456 01 N23	Carrera Red D - MJ 2008>>			
26	987 552 315 02	Air guide	left side	1	
(26)	987 552 316 02	Air guide	right side	1	
27	997 552 175 01	Defroster trim	left	1	
	997 552 175 01 A03	Black			
	997 552 175 01 5V7	Stone grey			
	997 552 175 01 5Z1	Sand beige			
	997 552 175 01 8W7	sea blue			
	997 552 175 01 5Y2	Palm green D >> - MJ 2007			
	997 552 175 01 8X8	Terracotta			
	997 552 175 01 8P9	Cocoa			
	997 552 175 01 T13	Brown/natural			
	997 552 175 01 N23	Carrera Red D - MJ 2008>>			
(27)	997 552 176 01	Defroster trim	right	1	
	997 552 176 01 A03	Black			
	997 552 176 01 5V7	Stone grey			
	997 552 176 01 5Z1	Sand beige			
	997 552 176 01 8W7	sea blue			
	997 552 176 01 5Y2	Palm green D >> - MJ 2007			
	997 552 176 01 8X8	Terracotta			
	997 552 176 01 8P9	Cocoa			
	997 552 176 01 T13	Brown/natural			
	997 552 176 01 N23	Carrera Red D - MJ 2008>>			
(27)	997 552 983 00	Defroster trim	left	1	PR:XV1
	997 552 983 00 A11	Black			
	997 552 983 00 5X6	Stone grey			
	997 552 983 00 8G2	Sand beige			
	997 552 983 00 3S9	sea blue			
	997 552 983 00 4P2	Palm green D >> - MJ 2007			
	997 552 983 00 9S5	Terracotta			
	997 552 983 00 9V6	Cocoa			
	997 552 983 00 D12	Dark grey/natural			
	997 552 983 00 T12	Brown/natural			
	997 552 983 00 N12	Carrera Red D - MJ 2008>>			
(27)	997 552 984 00	Defroster trim	right	1	PR:XV1
	997 552 984 00 A11	Black			

Model: 987 05 Model life 2005>>2008

Pos	Part Number	Description	Remark	Qty	Model
	997 552 984 00 5X6	Stone grey			
	997 552 984 00 8G2	Sand beige			
	997 552 984 00 3S9	sea blue			
	997 552 984 00 4P2	Palm green			
		D >> - MJ 2007			
	997 552 984 00 9S5	Terracotta			
	997 552 984 00 9V6	Cocoa			
	997 552 984 00 D12	Dark grey/natural			
	997 552 984 00 T12	Brown/natural			
	997 552 984 00 N12	Carrera Red			
		D - MJ 2008>>			
(27)	997 552 983 01	Defroster trim	left	1	PR: XKJ
	997 552 983 01 A11	Black			
	997 552 983 01 5X6	Stone grey			
	997 552 983 01 8G2	Sand beige			
	997 552 983 01 3S9	sea blue			
	997 552 983 01 4P2	Palm green			
		D >> - MJ 2007			
	997 552 983 01 9S5	Terracotta			
	997 552 983 01 9V6	Cocoa			
	997 552 983 01 D12	Dark grey/natural			
	997 552 983 01 T12	Brown/natural			
	997 552 983 01 N12	Carrera Red			
		D - MJ 2008>>			
(27)	997 552 984 01	Defroster trim	right	1	PR: XKJ
	997 552 984 01 A11	Black			
	997 552 984 01 5X6	Stone grey			
	997 552 984 01 8G2	Sand beige			
	997 552 984 01 3S9	sea blue			
	997 552 984 01 4P2	Palm green			
		D >> - MJ 2007			
	997 552 984 01 9S5	Terracotta			
	997 552 984 01 9V6	Cocoa			
	997 552 984 01 D12	Dark grey/natural			
	997 552 984 01 T12	Brown/natural			
	997 552 984 01 N12	Carrera Red			
		D - MJ 2008>>			
(27)	997 552 983 02	Defroster trim	left	1	PR: XJS
	997 552 983 02 A11	Black			
	997 552 983 02 5X6	Stone grey			
	997 552 983 02 8G2	Sand beige			
	997 552 983 02 3S9	sea blue			
	997 552 983 02 4P2	Palm green			
		D >> - MJ 2007			
	997 552 983 02 9S5	Terracotta			
	997 552 983 02 9V6	Cocoa			
	997 552 983 02 D12	Dark grey/natural			
	997 552 983 02 T12	Brown/natural			
	997 552 983 02 N12	Carrera Red			
		D - MJ 2008>>			
(27)	997 552 984 02	Defroster trim	right	1	PR: XJS
	997 552 984 02 A11	Black			
	997 552 984 02 5X6	Stone grey			
	997 552 984 02 8G2	Sand beige			
	997 552 984 02 3S9	sea blue			
	997 552 984 02 4P2	Palm green			
		D >> - MJ 2007			
	997 552 984 02 9S5	Terracotta			
	997 552 984 02 9V6	Cocoa			
	997 552 984 02 D12	Dark grey/natural			
	997 552 984 02 T12	Brown/natural			
	997 552 984 02 N12	Carrera Red			
		D - MJ 2008>>			

Model: 987 05 Model life 2005>>2008

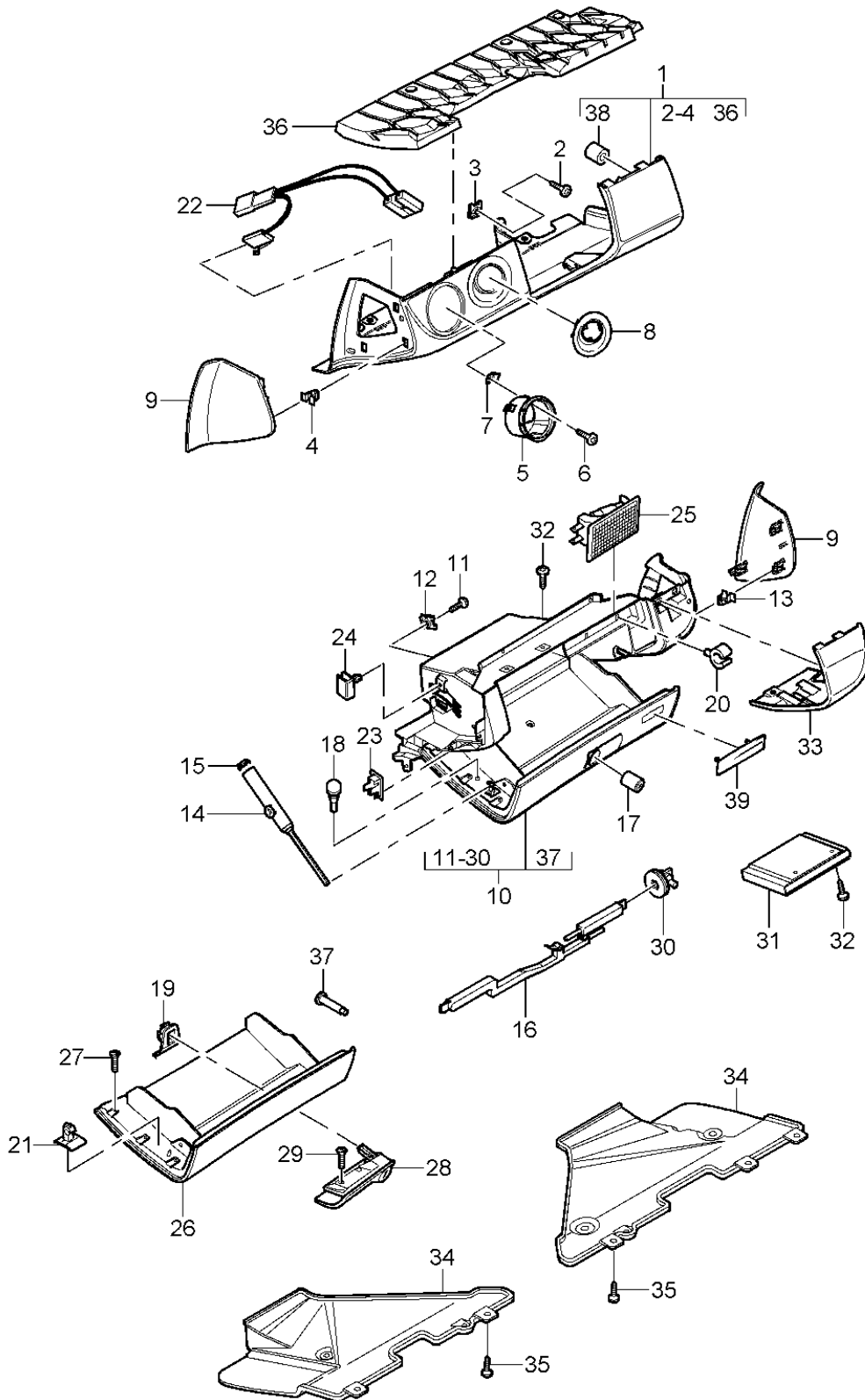
Pos	Part Number	Description	Remark	Qty	Model	
(27)	997 552 983 03	Defroster trim	left	1	PR:XJR	
	997 552 983 03 A11	Black				
	997 552 983 03 5X6	Stone grey				
	997 552 983 03 8G2	Sand beige				
	997 552 983 03 3S9	sea blue				
	997 552 983 03 4P2	Palm green				
		D >> - MJ 2007				
	997 552 983 03 9S5	Terracotta				
	997 552 983 03 9V6	Cocoa				
	997 552 983 03 D12	Dark grey/natural				
(27)	997 552 984 03	Defroster trim	right	1	PR:XJR	
	997 552 984 03 A11	Black				
	997 552 984 03 5X6	Stone grey				
	997 552 984 03 8G2	Sand beige				
	997 552 984 03 3S9	sea blue				
	997 552 984 03 4P2	Palm green				
		D >> - MJ 2007				
	997 552 984 03 9S5	Terracotta				
	997 552 984 03 9V6	Cocoa				
	997 552 984 03 D12	Dark grey/natural				
28	999 591 307 01	U-clip	center	1		
	29	997 552 351 01				Trim
		997 552 351 01 A03				Black
		997 552 351 01 5V7				Stone grey
		997 552 351 01 5Z1				Sand beige
		997 552 351 01 8W7				sea blue
		997 552 351 01 5Y2				Palm green
		D >> - MJ 2007				
		997 552 351 01 8X8				Terracotta
		997 552 351 01 8P9				Cocoa
(29)	997 552 985 00	Leather panel	center	1	PR:XV1	
	997 552 985 00 A11	Black				
	997 552 985 00 5X6	Stone grey				
	997 552 985 00 8G2	Sand beige				
	997 552 985 00 3S9	sea blue				
	997 552 985 00 4P2	Palm green				
		D >> - MJ 2007				
	997 552 985 00 9S5	Terracotta				
	997 552 985 00 9V6	Cocoa				
	997 552 985 00 D12	Dark grey/natural				
(29)	997 552 985 00	Leather panel	center	1	PR:XKJ	
	997 552 985 00 A11	Black				
	997 552 985 00 5X6	Stone grey				
	997 552 985 00 8G2	Sand beige				
	997 552 985 00 3S9	sea blue				
	997 552 985 00 4P2	Palm green				
		D >> - MJ 2007				
	997 552 985 00 9S5	Terracotta				
	997 552 985 00 9V6	Cocoa				
	997 552 985 00 D12	Dark grey/natural				
997 552 985 00 T12	Brown/natural					

Model: 987 05 Model life 2005>>2008

Pos	Part Number	Description	Remark	Qty	Model
	997 552 985 00 N12	Carrera Red D - MJ 2008>>			
(29)	997 552 985 00	Leather panel	center	1	PR:XJS
	997 552 985 00 A11	Black			
	997 552 985 00 5X6	Stone grey			
	997 552 985 00 8G2	Sand beige			
	997 552 985 00 3S9	sea blue			
	997 552 985 00 4P2	Palm green D >> - MJ 2007			
	997 552 985 00 9S5	Terracotta			
	997 552 985 00 9V6	Cocoa			
	997 552 985 00 D12	Dark grey/natural			
	997 552 985 00 T12	Brown/natural			
	997 552 985 00 N12	Carrera Red D - MJ 2008>>			
(29)	997 552 985 00	Leather panel	center	1	PR:XJR
	997 552 985 00 A11	Black			
	997 552 985 00 5X6	Stone grey			
	997 552 985 00 8G2	Sand beige			
	997 552 985 00 3S9	sea blue			
	997 552 985 00 4P2	Palm green D >> - MJ 2007			
	997 552 985 00 9S5	Terracotta			
	997 552 985 00 9V6	Cocoa			
	997 552 985 00 D12	Dark grey/natural			
	997 552 985 00 T12	Brown/natural			
	997 552 985 00 N12	Carrera Red D - MJ 2008>>			
30	997 552 645 00	Seal Scuttle		1	
31	987 552 397 02	Trim Hazard warning light sw.		1	
	987 552 397 02 A03	Black			
	987 552 397 02 5V7	Stone grey			
	987 552 397 02 5Z1	Sand beige			
	987 552 397 02 8W7	sea blue			
	987 552 397 02 5Y2	Palm green D >> - MJ 2007			
	987 552 397 02 8X8	Terracotta			
	987 552 397 02 8P9	Cocoa			
	987 552 397 02 T13	Brown/natural			
	987 552 397 02 N23	Carrera Red D - MJ 2008>>			
32	987 552 595 00	Support Switch Central locking system		1	

Model: 987 05

Model life 2005>>2008



Model: 987 05 Model life 2005>>2008

Pos	Part Number	Description	Remark	Qty	Model
1	997 552 201 02	Glove box Cover and Trim (drivers side) Trim lower section Leatherette	lhd	1	PR:098
	997 552 201 02 1MZ	Black			
	997 552 201 02 1YP	Stone grey			
	997 552 201 02 1TK	Sand beige			
	997 552 201 02 1VM	sea blue			
	997 552 201 02 1UL	Palm green			
(1)	997 552 202 02	D >> - MJ 2007 Trim lower section Leatherette	rhd	1	PR:099
	997 552 202 02 1MZ	Black			
	997 552 202 02 1YP	Stone grey			
	997 552 202 02 1TK	Sand beige			
	997 552 202 02 1VM	sea blue			
	997 552 202 02 1UL	Palm green			
(1)	997 552 201 03	D >> - MJ 2007 Trim lower section Leather	lhd	1	PR:098,981
	997 552 201 03 A11	Black			
	997 552 201 03 5X6	Stone grey			
	997 552 201 03 8G2	Sand beige			
	997 552 201 03 3S9	sea blue			
	997 552 201 03 4P2	Palm green			
	997 552 201 03 9S5	Terracotta			
	997 552 201 03 9V6	Cocoa			
	997 552 201 03 D12	Dark grey/natural			
	997 552 201 03 T12	Brown/natural			
	997 552 201 03 N12	Carrera Red			
(1)	997 552 202 03	D - MJ 2008>> Trim lower section Leather	rhd	1	PR:099,981
	997 552 202 03 A11	Black			
	997 552 202 03 5X6	Stone grey			
	997 552 202 03 8G2	Sand beige			
	997 552 202 03 3S9	sea blue			
	997 552 202 03 4P2	Palm green			
	997 552 202 03 9S5	Terracotta			
	997 552 202 03 9V6	Cocoa			
	997 552 202 03 D12	Dark grey/natural			
	997 552 202 03 T12	Brown/natural			
	997 552 202 03 N12	Carrera Red			
	997 552 202 03	D - MJ 2008>>			
2	999 073 155 09	panel screw 4,2 X 13		7	
3	999 507 971 01	panel nut 4,2		7	
4	999 507 732 01	Clamp 8 X 12/ 4 for Mount		7	
5	997 552 427 01	Trim Light switch		1	
	997 552 427 01 A03	Black			
	997 552 427 01 5V7	Stone grey			
	997 552 427 01 5Z1	Sand beige			

Model: 987 05 Model life 2005>>2008

Pos	Part Number	Description	Remark	Qty	Model
	997 552 427 01 8W7	sea blue			
	997 552 427 01 5Y2	Palm green			
		D >> - MJ 2007			
	997 552 427 01 8X8	Terracotta			
	997 552 427 01 8P9	Cocoa			
	997 552 427 01 T13	Brown/natural			
	997 552 427 01 N23	Carrera Red			
		D - MJ 2008>>			
6	999 073 155 09	panel screw		3	
		4,2 X 13			
7	999 507 971 01	panel nut		3	
		4,2			
		for			
		Mount			
		Trim			
		Light switch			
8	997 552 425 01	Trim	lhd	1	PR:098
		Ignition starter lock			
	997 552 425 01 A03	Black			
	997 552 425 01 5V7	Stone grey			
	997 552 425 01 5Z1	Sand beige			
	997 552 425 01 8W7	sea blue			
	997 552 425 01 5Y2	Palm green			
		D >> - MJ 2007			
	997 552 425 01 8X8	Terracotta			
	997 552 425 01 8P9	Cocoa			
	997 552 425 01 T13	Brown/natural			
	997 552 425 01 N23	Carrera Red			
		D - MJ 2008>>			
(8)	997 552 426 01	Trim	rhd	1	PR:099
		Ignition starter lock			
	997 552 426 01 A03	Black			
	997 552 426 01 5V7	Stone grey			
	997 552 426 01 5Z1	Sand beige			
	997 552 426 01 8W7	sea blue			
	997 552 426 01 5Y2	Palm green			
		D >> - MJ 2007			
	997 552 426 01 8X8	Terracotta			
	997 552 426 01 8P9	Cocoa			
	997 552 426 01 T13	Brown/natural			
	997 552 426 01 N23	Carrera Red			
		D - MJ 2008>>			
9	997 552 405 02	Trim	left	1	
	997 552 405 02 A03	Black			
	997 552 405 02 5V7	Stone grey			
	997 552 405 02 5Z1	Sand beige			
	997 552 405 02 8W7	sea blue			
	997 552 405 02 5Y2	Palm green			
		D >> - MJ 2007			
	997 552 405 02 8X8	Terracotta			
	997 552 405 02 8P9	Cocoa			
	997 552 405 02 T13	Brown/natural			
	997 552 405 02 N23	Carrera Red			
		D - MJ 2008>>			
(9)	997 552 406 02	Trim	right side	1	
		(drivers side)			
	997 552 406 02 A03	Black			
	997 552 406 02 5V7	Stone grey			
	997 552 406 02 5Z1	Sand beige			
	997 552 406 02 8W7	sea blue			
	997 552 406 02 5Y2	Palm green			
		D >> - MJ 2007			

Model: 987 05 Model life 2005>>2008

Pos	Part Number	Description	Remark	Qty	Model
	997 552 406 02 8X8	Terracotta			
	997 552 406 02 8P9	Cocoa			
	997 552 406 02 T13	Brown/natural			
	997 552 406 02 N23	Carrera Red			
		D - MJ 2008>>			
10	997 552 204 04	Glove box	lhd	1	PR:098
		Leatherette (complete)			
		Valid up to:			
		F >> 98-8U700 666			
		F >> 98-8U720 501			
	997 552 204 04 1MZ	Black			
	997 552 204 04 1YP	Stone grey			
	997 552 204 04 1TK	Sand beige			
	997 552 204 04 1VM	sea blue			
	997 552 204 04 1UL	Palm green			
		D >> - MJ 2007			
(10)	997 552 203 04	Glove box	rhd	1	PR:099
		Leatherette (complete)			
		Valid up to:			
		F >> 98-8U700 543			
		F >> 98-8U720 411			
	997 552 203 04 1MZ	Black			
	997 552 203 04 1YP	Stone grey			
	997 552 203 04 1TK	Sand beige			
	997 552 203 04 1VM	sea blue			
	997 552 203 04 1UL	Palm green			
		D >> - MJ 2007			
10	997 552 204 06	Glove box	lhd	1	PR:098
		Leatherette (complete)			
		Valid from:			
		F 98-8U700 667>>			
		F 98-8U720 502>>			
	997 552 204 06 1MZ	Black			
	997 552 204 06 1YP	Stone grey			
	997 552 204 06 1TK	Sand beige			
	997 552 204 06 1VM	sea blue			
(10)	997 552 203 06	Glove box	rhd	1	PR:099
		Leatherette (complete)			
		Valid from:			
		F 98-8U700 544>>			
		F 98-8U720 412>>			
	997 552 203 06 1MZ	Black			
	997 552 203 06 1YP	Stone grey			
	997 552 203 06 1TK	Sand beige			
	997 552 203 06 1VM	sea blue			
10	997 552 204 05	Glove box	lhd	1	PR:098,981
		Leather (complete)			
		Valid up to:			
		F >> 98-8U700 666			
		F >> 98-8U720 501			
	997 552 204 05 A11	Black			
	997 552 204 05 5X6	Stone grey			
	997 552 204 05 8G2	Sand beige			
	997 552 204 05 3S9	sea blue			
	997 552 204 05 4P2	Palm green			
		D >> - MJ 2007			
	997 552 204 05 9S5	Terracotta			
	997 552 204 05 9V6	Cocoa			

Model: 987 05 Model life 2005>>2008

Pos	Part Number	Description	Remark	Qty	Model
	997 552 204 05 D12	Dark grey/natural			
	997 552 204 05 T12	Brown/natural			
	997 552 204 05 N12	Carrera Red			
(10)	997 552 203 05	D - MJ 2008>> Glove box Leather (complete) Valid up to: F >> 98-8U700 543 F >> 98-8U720 411	rhd	1	PR:099,981
	997 552 203 05 A11	Black			
	997 552 203 05 5X6	Stone grey			
	997 552 203 05 8G2	Sand beige			
	997 552 203 05 3S9	sea blue			
	997 552 203 05 4P2	Palm green			
		D >> - MJ 2007			
	997 552 203 05 9S5	Terracotta			
	997 552 203 05 9V6	Cocoa			
	997 552 203 05 D12	Dark grey/natural			
	997 552 203 05 T12	Brown/natural			
	997 552 203 05 N12	Carrera Red			
10	997 552 204 07	D - MJ 2008>> Glove box Leather (complete) Valid from: F 98-8U700 667>> F 98-8U720 502>>	lhd	1	PR:098,981
	997 552 204 07 A11	Black			
	997 552 204 07 5X6	Stone grey			
	997 552 204 07 8G2	Sand beige			
	997 552 204 07 3S9	sea blue			
	997 552 204 07 9S5	Terracotta			
	997 552 204 07 9V6	Cocoa			
	997 552 204 07 D12	Dark grey/natural			
	997 552 204 07 T12	Brown/natural			
	997 552 204 07 N12	Carrera Red			
(10)	997 552 203 07	Glove box Leather (complete) Valid from: F 98-8U700 544>> F 98-8U720 412>>	rhd	1	PR:099,981
	997 552 203 07 A11	Black			
	997 552 203 07 5X6	Stone grey			
	997 552 203 07 8G2	Sand beige			
	997 552 203 07 3S9	sea blue			
	997 552 203 07 9S5	Terracotta			
	997 552 203 07 9V6	Cocoa			
	997 552 203 07 D12	Dark grey/natural			
	997 552 203 07 T12	Brown/natural			
	997 552 203 07 N12	Carrera Red			
(10)	987 552 204 06	D - MJ 2008>> - MJ 2008 Glove box (complete) Leather	lhd	1	Boxster S PR:098,754, 981
	987 552 204 06 D12	Dark grey/natural			
	987 552 204 06 N12	Carrera Red			
(10)	987 552 203 06	D - MJ 2008>> - MJ 2008 Glove box (complete) Leather	rhd	1	Boxster S PR:099,754, 981
	987 552 203 06 D12	Dark grey/natural			

Model: 987 05 Model life 2005>>2008

Pos	Part Number	Description	Remark	Qty	Model
(10)	987 552 203 06 N12 987 552 204 05	Carrera Red Glove box (complete) Leather D - MJ 2008>>	lhd	1	Boxster S PR:098,757, 981
	987 552 204 05 A11 987 552 204 05 5X6	Black Stone grey D - MJ 2008>>			
(10)	987 552 203 05	Glove box (complete) Leather D - MJ 2008>>	rhd	1	Boxster S PR:099,757, 981
	987 552 203 05 A11 987 552 203 05 5X6	Black Stone grey D - MJ 2008>>			
11	999 073 155 09	panel screw 4,2 X 13		X	
12	999 507 971 01	panel nut 4,2		X	
13	999 507 732 01	Clamp 8 X 12 /4 for Mount		X	
14	997 552 484 01	Glove box Damper		1	
15	997 552 612 00	Glove box Cover Damper		1	
16	997 552 410 01	Release Glove box	lhd	1	PR:098
(16)	997 552 409 01	Release Glove box	rhd	1	PR:099
17	996 552 915 01	Lock cylinders Vehicle Ident. No. Indicate		1	
18	997 555 533 01	Stop Glove box F >> 98-6S700 139 F >> 98-6U700 977 F >> 98-6S720 104 F >> 98-6U720 649		2	
18	999 703 068 40	Stop buffer 3,7 x 10,3 F 98-6S700 140>> F 98-6U700 978>> F 98-6S720 105>> F 98-6U720 650>>		2	
19	997 552 509 02	Support Closing element	left lhd	1	PR:098
(19)	997 552 510 02	Support Closing element	right lhd	1	PR:098
(19)	997 552 509 03	Support Closing element	left rhd	1	PR:099
(19)	997 552 510 03	Support Closing element	right rhd	1	PR:099
20	996 552 813 00	Pen holder		2	
21	996 552 879 00	Adapter for Damper		2	
22	997 612 651 00	Wire set Glove box light		1	
23	999 650 564 40	Clip for		1	

Model: 987 05 Model life 2005>>2008

Pos	Part Number	Description	Remark	Qty	Model
24	999 650 565 40	Wire set Micro switch Clip for Wire set		1	
25	997 632 071 00	Glove box light		1	
26	997 552 252 02	Glove compartment cover Leatherette	lhd	1	PR:098
	997 552 252 02 1MZ	Black			
	997 552 252 02 1YP	Stone grey			
	997 552 252 02 1TK	Sand beige			
	997 552 252 02 1VM	sea blue			
	997 552 252 02 1UL	Palm green			
		D >> - MJ 2007			
(26)	997 552 251 02	Glove compartment cover Leatherette	rhd	1	PR:099
	997 552 251 02 1MZ	Black			
	997 552 251 02 1YP	Stone grey			
	997 552 251 02 1TK	Sand beige			
	997 552 251 02 1VM	sea blue			
	997 552 251 02 1UL	Palm green			
		D >> - MJ 2007			
(26)	997 552 252 03	Glove compartment cover Leather	lhd	1	PR:098,981
	997 552 252 03 A11	Black			
	997 552 252 03 5X6	Stone grey			
	997 552 252 03 8G2	Sand beige			
	997 552 252 03 3S9	sea blue			
	997 552 252 03 4P2	Palm green			
		D >> - MJ 2007			
	997 552 252 03 9S5	Terracotta			
	997 552 252 03 9V6	Cocoa			
	997 552 252 03 D12	Dark grey/natural			
	997 552 252 03 T12	Brown/natural			
	997 552 252 03 N12	Carrera Red			
		D - MJ 2008>>			
(26)	997 552 251 03	Glove compartment cover Leather	rhd	1	PR:099,981
	997 552 251 03 A11	Black			
	997 552 251 03 5X6	Stone grey			
	997 552 251 03 8G2	Sand beige			
	997 552 251 03 3S9	sea blue			
	997 552 251 03 4P2	Palm green			
		D >> - MJ 2007			
	997 552 251 03 9S5	Terracotta			
	997 552 251 03 9V6	Cocoa			
	997 552 251 03 D12	Dark grey/natural			
	997 552 251 03 T12	Brown/natural			
	997 552 251 03 N12	Carrera Red			
		D - MJ 2008>>			
(26)	987 552 252 03	Glove compartment cover Leather	lhd	1	Boxster S PR:098,754, 981
		D - MJ 2008>> - MJ 2008			
	987 552 252 03 D12	Dark grey/natural			
	987 552 252 03 N12	Carrera Red			
(26)	987 552 251 02	Glove compartment cover Leather	rhd	1	Boxster S PR:099,754, 981
		D - MJ 2008>> - MJ 2008			
	987 552 251 02 D12	Dark grey/natural			
	987 552 251 02 N12	Carrera Red			
(26)	987 552 252 02	Glove compartment cover Leather	lhd	1	Boxster S PR:098,757,

Model: 987 05 Model life 2005>>2008

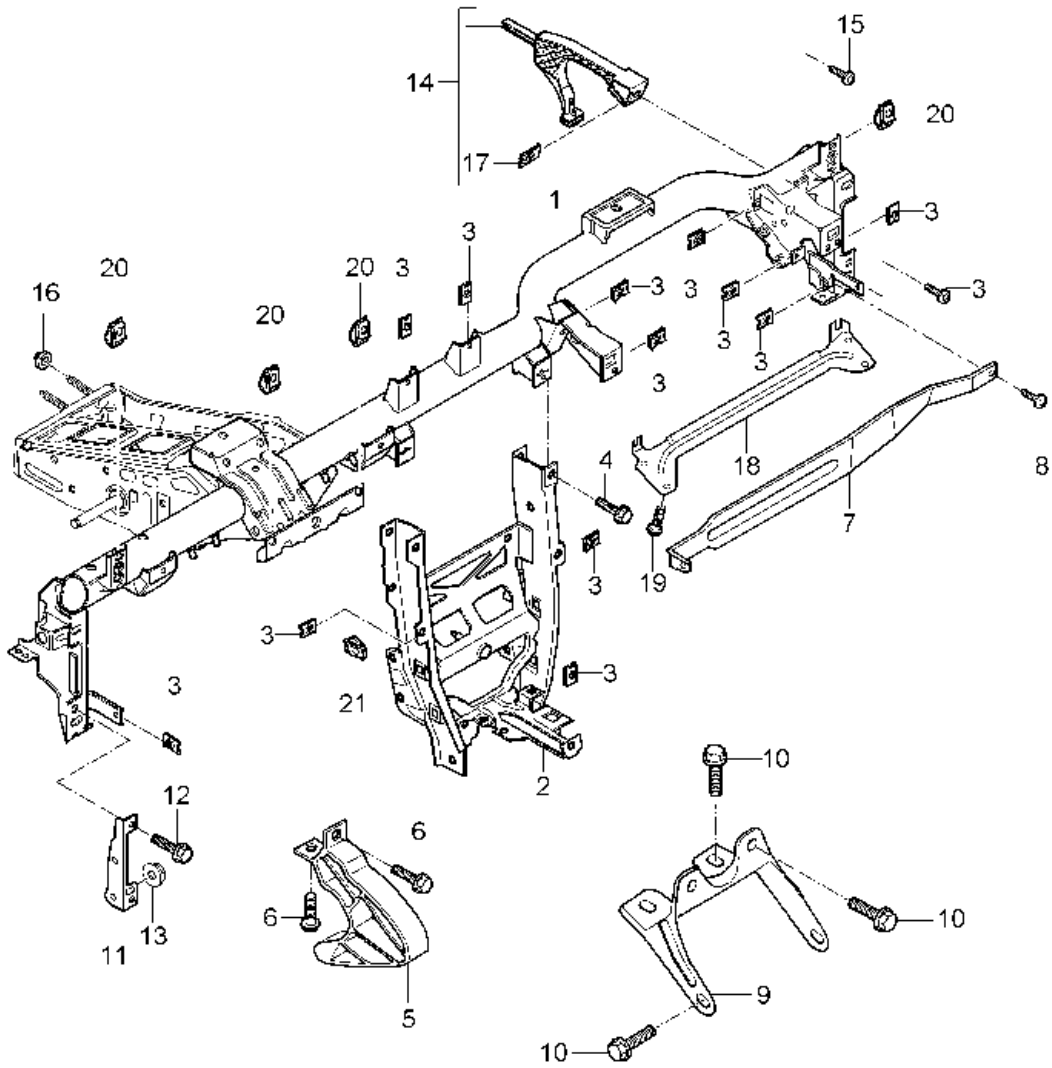
Pos	Part Number	Description	Remark	Qty	Model
		D - MJ 2008>>			981
	987 552 252 02 A11	Black			
	987 552 252 02 5X6	Stone grey			
(26)	987 552 251 01	Glove compartment cover Leather	rhd	1	Boxster S PR:099,757, 981
		D - MJ 2008>>			
	987 552 251 01 A11	Black			
	987 552 251 01 5X6	Stone grey			
27	999 073 249 07	panel screw 3.5 X 12 for Mount		11	
		Glove compartment cover handle (complete)			
28	997 552 362 01	handle	lhd	1	PR:098
	997 552 362 01 A03	Black			
	997 552 362 01 5V7	Stone grey			
	997 552 362 01 5Z1	Sand beige			
	997 552 362 01 8W7	sea blue			
	997 552 362 01 5Y2	Palm green			
		D >> - MJ 2007			
	997 552 362 01 8X8	Terracotta			
	997 552 362 01 8P9	Cocoa			
	997 552 362 01 T13	Brown/natural			
	997 552 362 01 N23	Carrera Red			
		D - MJ 2008>>			
(28)	997 552 361 01	handle (complete)	rhd	1	PR:099
	997 552 361 01 A03	Black			
	997 552 361 01 5V7	Stone grey			
	997 552 361 01 5Z1	Sand beige			
	997 552 361 01 8W7	sea blue			
	997 552 361 01 5Y2	Palm green			
		D >> - MJ 2007			
	997 552 361 01 8X8	Terracotta			
	997 552 361 01 8P9	Cocoa			
	997 552 361 01 T13	Brown/natural			
	997 552 361 01 N23	Carrera Red			
		D - MJ 2008>>			
29	999 073 240 01	Screw M 4 X 10 for Mount handle		2	
30	997 552 448 00	Stop		1	
31	997 552 663 00	Box for cds		1	PR:424
(31)	997 552 665 00	Trim Box for cds		1	
32	999 073 240 01	Screw M 4 X 10		2	
33	997 552 256 02	Trim (passenger side) Leatherette	lhd	1	PR:098
	997 552 256 02 1MZ	Black			
	997 552 256 02 1YP	Stone grey			
	997 552 256 02 1TK	Sand beige			
	997 552 256 02 1VM	sea blue			
	997 552 256 02 1UL	Palm green			
		D >> - MJ 2007			
(33)	997 552 255 02	Trim (passenger side) Leatherette	rhd	1	PR:099
	997 552 255 02 1MZ	Black			

Model: 987 05 Model life 2005>>2008

Pos	Part Number	Description	Remark	Qty	Model
	997 552 255 02 1YP	Stone grey			
	997 552 255 02 1TK	Sand beige			
	997 552 255 02 1VM	sea blue			
	997 552 255 02 1UL	Palm green			
		D >> - MJ 2007			
33	997 552 256 03	Leather panel (passenger side)	lhd	1	PR:098,981
	997 552 256 03 A11	Black			
	997 552 256 03 5X6	Stone grey			
	997 552 256 03 8G2	Sand beige			
	997 552 256 03 3S9	sea blue			
	997 552 256 03 4P2	Palm green			
		D >> - MJ 2007			
	997 552 256 03 9S5	Terracotta			
	997 552 256 03 9V6	Cocoa			
	997 552 256 03 D12	Dark grey/natural			
	997 552 256 03 T12	Brown/natural			
	997 552 256 03 N12	Carrera Red			
		D - MJ 2008>>			
(33)	997 552 255 03	Leather panel (passenger side)	rhd	1	PR:099,981
	997 552 255 03 A11	Black			
	997 552 255 03 5X6	Stone grey			
	997 552 255 03 8G2	Sand beige			
	997 552 255 03 3S9	sea blue			
	997 552 255 03 4P2	Palm green			
		D >> - MJ 2007			
	997 552 255 03 9S5	Terracotta			
	997 552 255 03 9V6	Cocoa			
	997 552 255 03 D12	Dark grey/natural			
	997 552 255 03 T12	Brown/natural			
	997 552 255 03 N12	Carrera Red			
		D - MJ 2008>>			
34	997 552 414 01	Trim Footwell (passenger side)	lhd	1	PR:098
(34)	997 552 413 01	Trim Footwell (passenger side)	rhd	1	PR:099
35	1H0 819 943	round hd. screw for Mount Trim Footwell		X	
36	997 552 451 01	Insert	lhd	1	PR:098
(36)	997 552 452 01	Insert	rhd	1	PR:099
37	997 552 649 01	Hinge bolt Glove box		2	
38	997 552 821 00	Grommet		3	
(39)		Badge		1	PR:754
(39)		Badge		1	PR:757
		Vehicle Ident. No. Indicate			

Model: 987 05

Model life 2005>>2008



Model: 987 05

Model life 2005>>2008

Pos	Part Number	Description	Remark	Qty	Model
1	997 552 063 03	retaining frame dashboard			
(1)	997 552 063 04	retaining frame	lhd	1	PR:098
		retaining frame	rhd	1	PR:099
		D >> - MJ 2007			
(1)	997 552 063 06	retaining frame	rhd	1	PR:099
		D - MJ 2008>>			
2	997 552 163 05	Support	lhd	1	PR:098
		tunnel			
(2)	997 552 163 06	Support	rhd	1	PR:099
		tunnel			
3	999 507 020 01	panel nut		X	
		ST 4,2			
4	900 378 305 01	Hexagon bolt		2	
		M 8 X 65			
		for			
		Mount			
		Support			
9	997 552 515 01	Bracket		1	
		tunnel			
10	999 073 442 01	Screw		X	
		M 6 X 25			
		for			
		Mount			
		Bracket			
		tunnel			
11	997 552 407 01	bracket for dash panel	left	1	
		A-pillar			
(11)	997 552 408 01	bracket for dash panel	right	1	
		A-pillar			
12	900 378 176 01	Hexagon bolt		4	
		M 8 X 20			
		for			
		Mount			
		Bracket			
		A-pillar			
13	999 084 630 09	Hexagon nut		4	
		M 8			
		for			
		Mount			
		Bracket			
		A-pillar			
14	997 552 401 00	Retainer for support frame		1	
		heater			
15	999 073 155 09	panel screw		1	
		ST 4,2 X 13			
		for			
		Mount			
		Bracket			
		heater			
16	997 423 299 01	Nut		2	
		for			
		Adjustment			
		retaining frame			
		Firewall			
17	999 507 971 01	panel nut		1	
		ST 4,2			
		for			
		Mount			
		Bracket			
		heater			
18	997 552 603 01	Reinforcement plate		1	
		Bracket			

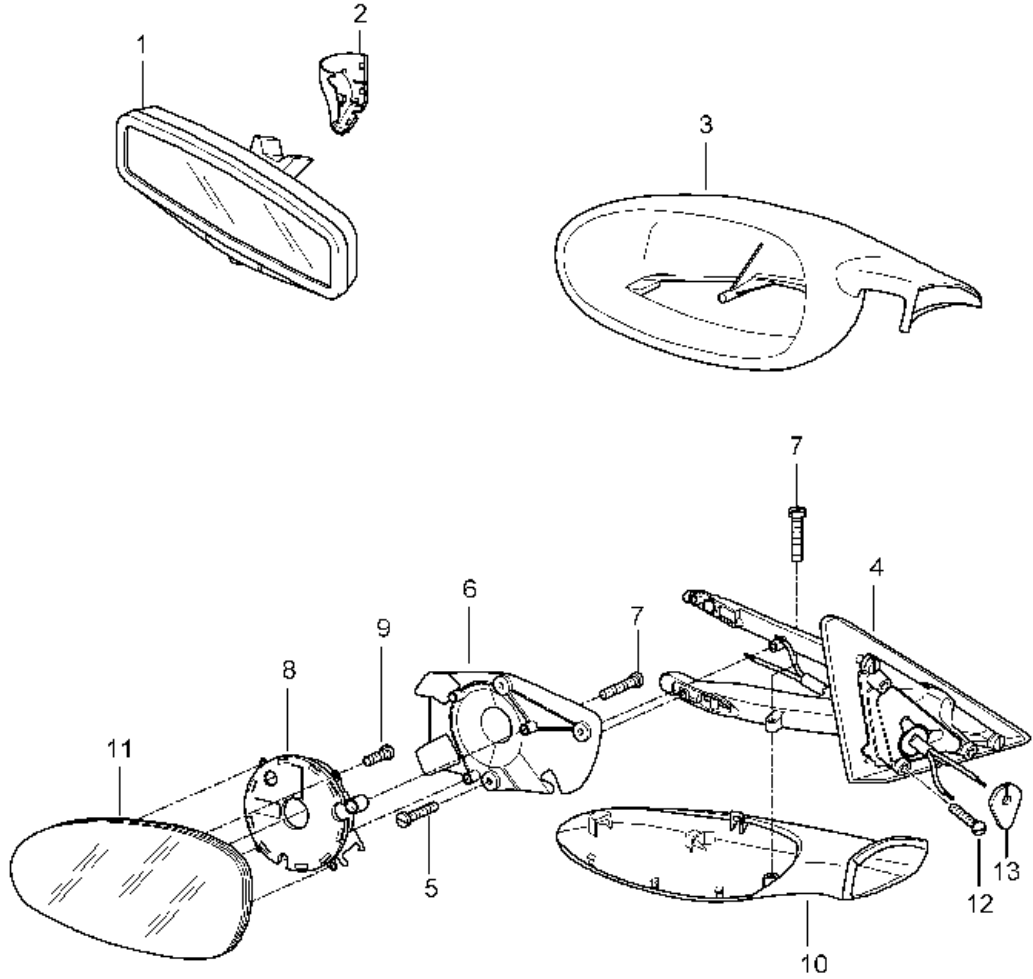
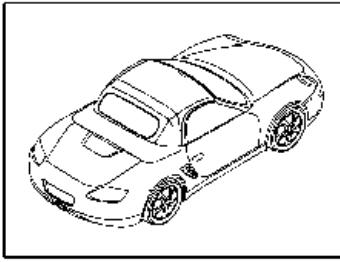
Model: 987 05

Model life 2005>>2008

Pos	Part Number	Description	Remark	Qty	Model
19	900 378 222 09	Airbag Hexagon bolt M 6 X 16		4	
20	999 591 850 01	panel nut ST 4,2		X	
21	999 591 951 03	panel nut ST 4,2		X	

Model: 987 05

Model life 2005>>2008



Model: 987 05 Model life 2005>>2008

Pos	Part Number	Description	Remark	Qty	Model
1	996 731 511 00	Interior mirror		1	
	996 731 511 00 01C	Exterior mirror			
	996 731 511 00 01C	Interior mirror			
(1)	987 731 511 00	Satin black			
	987 731 511 00 01C	Interior mirror, automatic		1	PR:267
	987 731 511 00 01C	anti-dazzle			
2	997 731 811 00	Satin black			
	997 731 811 00 01C	Cover	left	1	PR:267
	997 731 811 00 01C	Interior mirror			
2	997 731 812 00	Satin black			
	997 731 812 00 01C	Cover	right	1	PR:267
	997 731 812 00 01C	Interior mirror			
3	997 731 619 00	Satin black			
	997 731 619 00 G2L	Exterior mirror housing	left	1	
	997 731 619 00 G2L	primed			
(3)	997 731 620 00	Exterior mirror housing	right	1	
	997 731 620 00 G2L	primed			
4	997 731 219 00	Mirror base	left lhd	1	PR:098
	997 731 219 00 G2L	Exterior mirror			
	997 731 219 00 G2L	primed			
		with:			
(4)	997 731 220 00	Wire set			
	997 731 220 00 G2L	Mirror base	right lhd	1	PR:098
	997 731 220 00 G2L	Exterior mirror			
	997 731 220 00 G2L	primed			
		with:			
(4)	997 731 219 01	Wire set			
	997 731 219 01 G2L	Mirror base	left lhd	1	PR:537,098
	997 731 219 01 G2L	Exterior mirror			
	997 731 219 01 G2L	primed			
		with:			
(4)	997 731 220 01	Wire set			
	997 731 220 01 G2L	Mirror base	right lhd	1	PR:537,098
	997 731 220 01 G2L	Exterior mirror			
	997 731 220 01 G2L	primed			
		with:			
(4)	997 731 219 02	Wire set			
	997 731 219 02 G2L	Mirror base	left lhd	1	PR:098,267
	997 731 219 02 G2L	Exterior mirror			
	997 731 219 02 G2L	primed			
		with:			
(4)	997 731 220 02	Wire set			
	997 731 220 02 G2L	Mirror base	right lhd	1	PR:098,267
	997 731 220 02 G2L	Exterior mirror			
	997 731 220 02 G2L	primed			
		with:			
(4)	997 731 219 03	Wire set			
	997 731 219 03 G2L	Mirror base	left lhd	1	PR:267,537,098
	997 731 219 03 G2L	Exterior mirror			
	997 731 219 03 G2L	primed			
		with:			
(4)	997 731 220 03	Wire set			
	997 731 220 03 G2L	Mirror base	right lhd	1	PR:267,537,098
	997 731 220 03 G2L	Exterior mirror			
	997 731 220 03 G2L	primed			
		with:			
(4)	997 731 219 04	Wire set			
	997 731 219 04 G2L	Mirror base	left rhd	1	PR:099
	997 731 219 04 G2L	Exterior mirror			
	997 731 219 04 G2L	primed			
		with:			
(4)	997 731 220 04	Wire set			
	997 731 220 04	Mirror base	right rhd	1	PR:099

Model: 987 05 Model life 2005>>2008

Pos	Part Number	Description	Remark	Qty	Model
	997 731 220 04 G2L	Exterior mirror primed			
		with:			
(4)	997 731 219 05	Wire set Mirror base	left rhd	1	PR:099,538
	997 731 219 05 G2L	Exterior mirror primed			
		with:			
(4)	997 731 220 05	Wire set Mirror base	right rhd	1	PR:099,538
	997 731 220 05 G2L	Exterior mirror primed			
		with:			
(4)	997 731 219 06	Wire set Mirror base	left rhd	1	PR:099,267
	997 731 219 06 G2L	Exterior mirror primed			
		with:			
(4)	997 731 220 06	Wire set Mirror base	right rhd	1	PR:099,267
	997 731 220 06 G2L	Exterior mirror primed			
		with:			
(4)	997 731 219 07	Wire set Mirror base	left	1	PR:267,538
	997 731 219 07 G2L	Exterior mirror primed			
		with:			
(4)	997 731 220 07	Wire set Mirror base	right	1	PR:267,538
	997 731 220 07 G2L	Exterior mirror primed			
		with:			
5	999 919 024 09	Wire set fillister hd. bolt 3,0 X 12		2	
6	997 731 519 00	plate	left	1	
(6)	997 731 520 00	Exterior mirror plate	right	1	
7	999 141 043 02	Exterior mirror fillister hd. bolt 3,0 X 14		5	
8	997 624 047 00	Adjusting motor Discontinued part		2	
8	997 624 047 01	Adjusting motor		2	
8	7PP 959 578 D	Adjusting motor		2	PR:-537,-538
(8)	997 624 048 00	Exterior mirror Adjusting motor Discontinued part		2	PR:537,538
(8)	997 624 048 01	Adjusting motor		2	PR:537,538
9	999 141 043 02	fillister hd. bolt M 3,0 X 14		3	
10	997 731 719 00	Trim for exterior mirror housing	left lower	1	
	997 731 719 00 G2L	primed			
(10)	997 731 720 00	Trim for exterior mirror housing	right lower	1	
	997 731 720 00 G2L	primed			
11	997 731 035 00	Mirror glass (flat)	left lhd	1	PR:098,270
(11)	997 731 035 01	Mirror (aspherical) Aspherical	left lhd	1	PR:098,271
(11)	997 731 035 02	Mirror glass (flat)	left lhd	1	PR:098,267, 270

Model: 987 05 Model life 2005>>2008

Pos	Part Number	Description	Remark	Qty	Model
(11)	997 731 035 04	Dimmable D >> - MJ 2006 Mirror glass (flat)	left lhd	1	PR:098,267, 270
(11)	997 731 035 03	Dimmable D - MJ 2007>> Mirror (aspherical) Aspherical	left lhd	1	PR:098,267, 271
(11)	997 731 035 05	Dimmable D >> - MJ 2006 Mirror (aspherical) Aspherical	left lhd	1	PR:098,267, 271
(11)	997 731 037 00	Dimmable D - MJ 2007>> Mirror glass (convex)	left rhd	1	PR:099
(11)	997 731 037 01	Mirror glass (convex)	left rhd	1	PR:099,267
(11)	997 731 037 02	Dimmable D >> - MJ 2006 Mirror glass (convex)	left rhd	1	PR:099,267
(11)	997 731 038 00	Dimmable D - MJ 2007>> Mirror glass (convex)	right lhd	1	PR:098
(11)	997 731 038 01	Mirror glass (convex)	right lhd	1	PR:098 "ROK"
(11)	997 731 038 02	Mirror glass (convex)	right lhd	1	PR:215,098
(11)	997 731 038 03	Mirror glass (convex)	right lhd	1	PR:098,267
(11)	997 731 038 06	Dimmable D >> - MJ 2006 Mirror glass (convex)	right lhd	1	PR:098,267
(11)	997 731 038 04	Dimmable D - MJ 2007>> Mirror glass (convex)	right lhd	1	PR:267,098 "ROK"
(11)	997 731 038 07	Dimmable D >> - MJ 2006 Mirror glass (convex)	right lhd	1	PR:267,098 "ROK"
(11)	997 731 038 05	Dimmable D - MJ 2007>> Mirror glass (convex)	right lhd	1	PR:215,267, 098
(11)	997 731 038 08	Dimmable D >> - MJ 2006 Mirror glass (convex)	right lhd	1	PR:215,267, 098
(11)	997 731 036 00	Dimmable D - MJ 2007>> Mirror glass (flat)	right rhd	1	PR:099,270
(11)	997 731 036 01	Mirror (aspherical) Aspherical	right rhd	1	PR:099,271
(11)	997 731 036 02	Mirror glass (flat)	right rhd	1	PR:099,267, 270
(11)	997 731 036 04	Dimmable D >> - MJ 2006 Mirror glass (flat)	right rhd	1	PR:099,267, 270
(11)	997 731 036 03	Dimmable D - MJ 2007>> Mirror (aspherical) Aspherical	right rhd	1	PR:099,267, 271
(11)	997 731 036 05	Dimmable D >> - MJ 2006 Mirror (aspherical)	right rhd	1	PR:099,267,

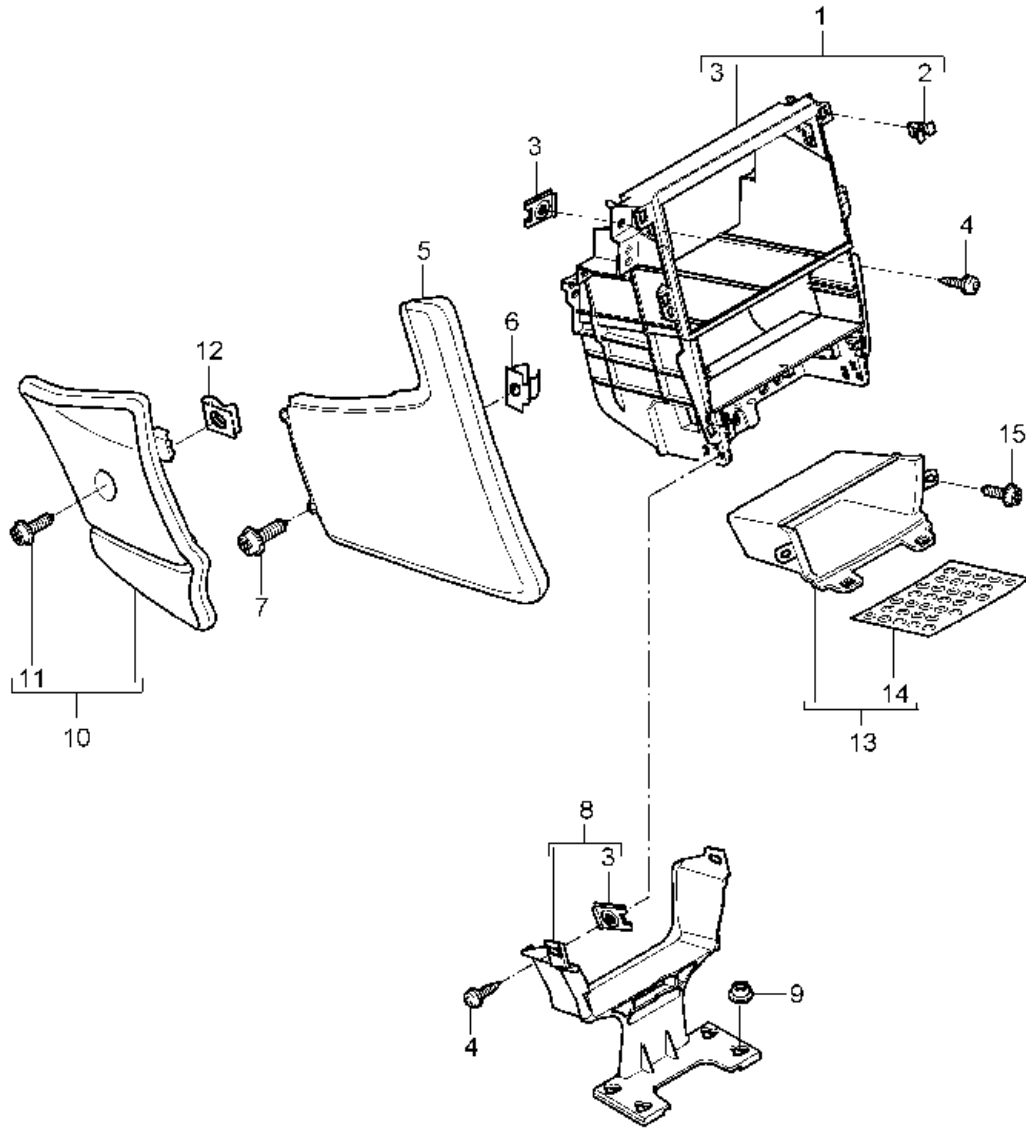
Model: 987 05

Model life 2005>>2008

Pos	Part Number	Description	Remark	Qty	Model
		Aspherical Dimmable			271
12	999 073 345 09	D - MJ 2007>> Oval-head screw M 5 X 18		3	
13	997 537 731 00	Seal Cable plug Mirror base		1	
13	997 537 733 00	D >> - MJ 2006 Seal Cable plug Mirror base D - MJ 2007>>		1	

Model: 987 05

Model life 2005>>2008



Model: 987 05 Model life 2005>>2008

Pos	Part Number	Description	Remark	Qty	Model
1	997 553 111 03	Centre console Carrier	front front	1	
2	999 507 476 01	Centre console Clamp 8,0 X 10,0/2,5		6	
3	999 507 971 01	panel nut ST 4,2		X	
4	999 073 155 09	panel screw ST 4,2 x 13		X	
5	997 553 117 05	Trim	left side	1	PR:-618, -619,-668, -669
		Leatherette			
	997 553 117 05 9L4	Black			
	997 553 117 05 9M5	Stone grey			
	997 553 117 05 9C6	Sand beige			
	997 553 117 05 9D7	sea blue			
	997 553 117 05 9E8	Palm green			
		D >> - MJ 2007			
(5)	997 553 118 05	Trim	right side	1	PR:-618, -619,-668, -669
		Leatherette			
	997 553 118 05 9L4	Black			
	997 553 118 05 9M5	Stone grey			
	997 553 118 05 9C6	Sand beige			
	997 553 118 05 9D7	sea blue			
	997 553 118 05 9E8	Palm green			
		D >> - MJ 2007			
5	997 553 117 06	Leather panel	left side	1	PR:981,618, 619,668,669
	997 553 117 06 FSA	black/grey			
	997 553 117 06 FSB	Stone grey/stone grey			
	997 553 117 06 FSC	Sand beige/sand beige			
	997 553 117 06 FSD	Sea blue/grey			
	997 553 117 06 FSE	Palmgreen/palmgreen			
		D >> - MJ 2007			
	997 553 117 06 FSF	Terracotta/terracotta			
	997 553 117 06 FSG	Cocoa/Cocoa			
	997 553 117 06 FSH	Darkgrey natural/grey			
	997 553 117 06 FSJ	Brown nat./brown nat.			
	997 553 117 06 FSP	Carrera Red			
		D - MJ 2008>>			
(5)	997 553 118 06	Leather panel	right side	1	PR:981,618, 619,668,669
	997 553 118 06 FSA	black/grey			
	997 553 118 06 FSB	Stone grey/stone grey			
	997 553 118 06 FSC	Sand beige/sand beige			
	997 553 118 06 FSD	Sea blue/grey			
	997 553 118 06 FSE	Palmgreen/palmgreen			
		D >> - MJ 2007			
	997 553 118 06 FSF	Terracotta/terracotta			
	997 553 118 06 FSG	Cocoa/Cocoa			
	997 553 118 06 FSH	Darkgrey natural/grey			
	997 553 118 06 FSJ	Brown nat./brown nat.			
	997 553 118 06 FSP	Carrera Red			
		D - MJ 2008>>			
-		Trim	side	1	
		with: preparation for telephone see illustration:			
6	999 591 508 02	Cage nut ST 4,2 for Mount	911-010 side	4	

Model: 987 05 Model life 2005>>2008

Pos	Part Number	Description	Remark	Qty	Model
6	999 591 508 01	Trim D >> - MJ 2006 Cage nut st 4,2 for Mount Trim	side	4	
7	999 073 226 09	D - MJ 2007>> panel screw ST 4,2 X 16 for Mount Trim	side	4	
8	997 553 361 01	Support	center	1	
9	999 084 629 01	Hexagon nut M6		4	
10	997 553 131 01	Cover Footwell outlet vent Carpet	left lhd	1	PR:098
	997 553 131 01 A10	Black			
	997 553 131 01 B10	Stone grey			
	997 553 131 01 T10	Sand beige			
	997 553 131 01 E10	sea blue			
	997 553 131 01 J10	Palm green			
	997 553 131 01 M10	Terracotta			
	997 553 131 01 R10	Cocoa			
	997 553 131 01 D11	Dark grey/natural			
	997 553 131 01 T11	Brown/natural			
	997 553 131 01 N10	Carrera Red			
(10)	997 553 132 01	D - MJ 2008>> Cover Footwell outlet vent Carpet	right lhd	1	PR:098
	997 553 132 01 A10	Black			
	997 553 132 01 B10	Stone grey			
	997 553 132 01 T10	Sand beige			
	997 553 132 01 E10	sea blue			
	997 553 132 01 J10	Palm green			
	997 553 132 01 M10	Terracotta			
	997 553 132 01 R10	Cocoa			
	997 553 132 01 D11	Dark grey/natural			
	997 553 132 01 T11	Brown/natural			
	997 553 132 01 N10	Carrera Red			
(10)	997 553 132 02	D - MJ 2008>> Cover Footwell outlet vent Carpet	right rhd	1	PR:099
	997 553 132 02 A10	Black			
	997 553 132 02 B10	Stone grey			
	997 553 132 02 T10	Sand beige			
	997 553 132 02 E10	sea blue			
	997 553 132 02 J10	Palm green			
	997 553 132 02 M10	Terracotta			
	997 553 132 02 R10	Cocoa			
	997 553 132 02 D11	Dark grey/natural			
	997 553 132 02 T11	Brown/natural			
	997 553 132 02 N10	Carrera Red			
(10)	997 553 131 02	D - MJ 2008>> Cover Footwell outlet vent Carpet	left rhd	1	PR:099
	997 553 131 02 A10	Black			
	997 553 131 02 B10	Stone grey			

Model: 987 05 Model life 2005>>2008

Pos	Part Number	Description	Remark	Qty	Model
	997 553 131 02 T10	Sand beige			
	997 553 131 02 E10	sea blue			
	997 553 131 02 J10	Palm green			
	997 553 131 02 M10	Terracotta			
	997 553 131 02 R10	Cocoa			
	997 553 131 02 D11	Dark grey/natural			
	997 553 131 02 T11	Brown/natural			
	997 553 131 02 N10	Carrera Red			
		D - MJ 2008>>			
10	997 553 131 01	Cover	left	1	
		Footwell outlet vent			
		Carpet			
		D - MJ 2006>>			
	997 553 131 01 A10	Black			
	997 553 131 01 B10	Stone grey			
	997 553 131 01 T10	Sand beige			
	997 553 131 01 E10	sea blue			
	997 553 131 01 J10	Palm green			
		D >> - MJ 2007			
	997 553 131 01 M10	Terracotta			
	997 553 131 01 R10	Cocoa			
	997 553 131 01 D11	Dark grey/natural			
	997 553 131 01 T11	Brown/natural			
	997 553 131 01 N10	Carrera Red			
		D - MJ 2008>>			
(10)	997 553 132 01	Cover	right lhd	1	PR:098,621
		Footwell outlet vent			
		Carpet			
		D - MJ 2006>>			
	997 553 132 01 A10	Black			
	997 553 132 01 B10	Stone grey			
	997 553 132 01 T10	Sand beige			
	997 553 132 01 E10	sea blue			
	997 553 132 01 J10	Palm green			
		D >> - MJ 2007			
	997 553 132 01 M10	Terracotta			
	997 553 132 01 R10	Cocoa			
	997 553 132 01 D11	Dark grey/natural			
	997 553 132 01 T11	Brown/natural			
	997 553 132 01 N10	Carrera Red			
		D - MJ 2008>>			
(10)	997 553 132 02	Cover	right	1	
		Footwell outlet vent			
		Carpet			
		D - MJ 2006>>			
	997 553 132 02 A10	Black			
	997 553 132 02 B10	Stone grey			
	997 553 132 02 T10	Sand beige			
	997 553 132 02 E10	sea blue			
	997 553 132 02 J10	Palm green			
		D >> - MJ 2007			
	997 553 132 02 M10	Terracotta			
	997 553 132 02 R10	Cocoa			
	997 553 132 02 D11	Dark grey/natural			
	997 553 132 02 T11	Brown/natural			
	997 553 132 02 N10	Carrera Red			
		D - MJ 2008>>			
11	999 073 223 07	fillister hd. bolt		2	
		M 6 X 25			
12	999 507 766 02	panel nut		2	
		M 6			
13	997 553 143 01	Stowage compartment	front	1	
		Centre console			

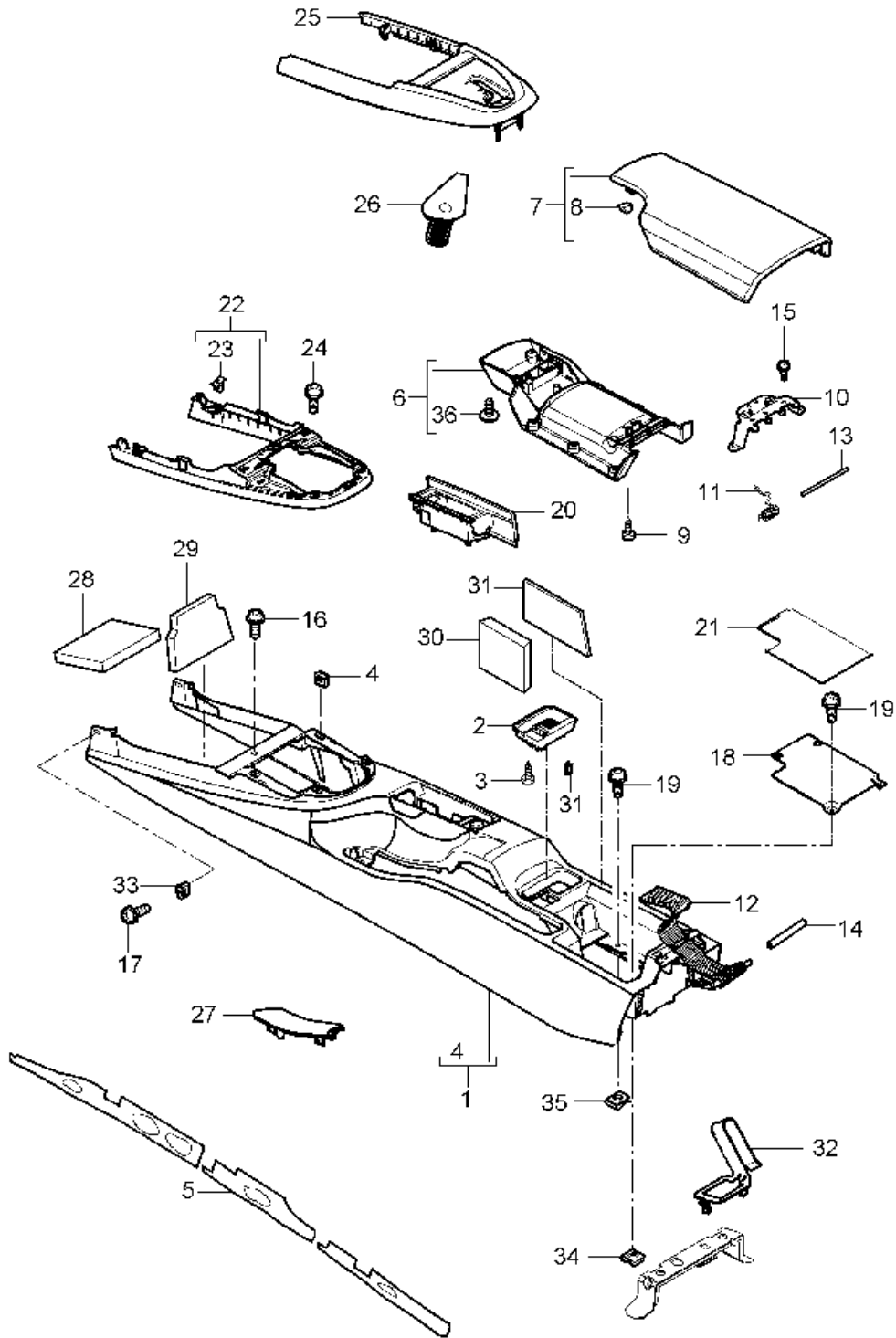
Model: 987 05

Model life 2005>>2008

Pos	Part Number	Description	Remark	Qty	Model
14	997 553 143 01 D07 997 553 543 01	Volcano grey Insert for centre console Stowage compartment		1	
15	999 919 164 09	fillister hd. bolt 5,0 X 12,0		3	

Model: 987 05

Model life 2005>>2008



Model: 987 05 Model life 2005>>2008

Pos	Part Number	Description	Remark	Qty	Model
1	997 553 211 01	Centre console Centre console D - MJ 2005>> - MJ 2005	rear	1	
	997 553 211 01 A03	Black			
	997 553 211 01 5V7	Stone grey			
	997 553 211 01 5Z1	Sand beige			
	997 553 211 01 8W7	sea blue			
	997 553 211 01 5Y2	Palm green			
	997 553 211 01 8X8	Terracotta			
	997 553 211 01 8P9	Cocoa			
	997 553 211 01 T13	Brown/natural			
1	997 553 211 03	Centre console D - MJ 2006>> - MJ 2006		1	
	997 553 211 03 A03	Black			
	997 553 211 03 5V7	Stone grey			
	997 553 211 03 5Z1	Sand beige			
	997 553 211 03 8W7	sea blue			
	997 553 211 03 5Y2	Palm green			
	997 553 211 03 8X8	Terracotta			
	997 553 211 03 8P9	Cocoa			
	997 553 211 03 T13	Brown/natural			
(1)	997 553 211 07	Centre console for vehicles up to F >> 98-8U702 845 F >> 98-8U722 686 also use: D - MJ 2007>>	997 613 141 10	1	BOXSTER BOXSTER_S
	997 553 211 07 A03	Black			
	997 553 211 07 5V7	Stone grey			
	997 553 211 07 5Z1	Sand beige			
	997 553 211 07 8W7	sea blue			
	997 553 211 07 5Y2	Palm green			
	997 553 211 07 8X8	Terracotta			
	997 553 211 07 8P9	Cocoa			
	997 553 211 07 T13	Brown/natural			
	997 553 211 07 N23	Carrera Red			
(1)	997 553 901 02	Centre console Valid from: F 98-8U702 846>> F 98-8U722 687>> D - MJ 2007>>		1	BOXSTER BOXSTER_S
	997 553 901 02 A03	Black			
	997 553 901 02 5V7	Stone grey			
	997 553 901 02 5Z1	Sand beige			
	997 553 901 02 8W7	sea blue			
	997 553 901 02 5Y2	Palm green			
	997 553 901 02 8X8	Terracotta			
	997 553 901 02 8P9	Cocoa			
	997 553 901 02 T13	Brown/natural			
	997 553 901 02 N23	Carrera Red			
(1)	997 553 980 50	Centre console Leather for vehicles up to F >> 98-8U702 845 F >> 98-8U722 686 also use:	997 613 141 10	1	PR:XMZ BOXSTER BOXSTER_S
	997 553 980 50 A11	Black			
	997 553 980 50 5X6	Stone grey			
	997 553 980 50 8G2	Sand beige			
	997 553 980 50 3S9	sea blue			
	997 553 980 50 4P2	Palm green			
	D >> - MJ 2007				
	997 553 980 50 9S5	Terracotta			

Model: 987 05 Model life 2005>>2008

Pos	Part Number	Description	Remark	Qty	Model
	997 553 980 50 9V6	Cocoa			
	997 553 980 50 D12	Dark grey/natural			
	997 553 980 50 T12	Brown/natural			
	997 553 980 50 N12	Carrera Red			
(1)	997 553 980 50	D - MJ 2008>> Centre console Leather Valid from: F 98-8U702 846>> F 98-8U722 687>>		1	PR:XMZ BOXSTER BOXSTER_S
	997 553 980 50 A11	Black			
	997 553 980 50 5X6	Stone grey			
	997 553 980 50 8G2	Sand beige			
	997 553 980 50 3S9	sea blue			
	997 553 980 50 4P2	Palm green			
		D >> - MJ 2007			
	997 553 980 50 9S5	Terracotta			
	997 553 980 50 9V6	Cocoa			
	997 553 980 50 D12	Dark grey/natural			
	997 553 980 50 T12	Brown/natural			
	997 553 980 50 N12	Carrera Red			
(1)	997 553 980 54	D - MJ 2008>> Centre console Carbon for vehicles up to F >> 98-8U702 845 F >> 98-8U722 686		1	PR:XMJ BOXSTER BOXSTER_S
	997 553 980 54 A35	Black			
(1)	997 553 980 54	Centre console Carbon Valid from: F 98-8U702 846>> F 98-8U722 687>>	997 613 141 10 also use:	1	PR:XMJ BOXSTER BOXSTER_S
(1)	997 553 980 54 A35	Black			
(1)	997 553 980 14	Centre console D - MJ 2005>> - MJ 2005	rear	1	PR:XJU
(1)	997 553 980 14 S62	Sycamore wood			
(1)	997 553 980 14	Centre console D - MJ 2006>> - MJ 2008	rear	1	PR:XJU, 370
(1)	997 553 980 14 S62	Sycamore wood			
(1)	997 553 980 14	Centre console D - MJ 2006>> - MJ 2008	rear	1	PR:XJU, 438
(1)	997 553 980 14 S62	Sycamore wood			
(1)	997 553 980 34	Centre console D - MJ 2006>> - MJ 2008	rear	1	PR:XJU, 376
(1)	997 553 980 34 S62	Sycamore wood			
(1)	997 553 980 34	Centre console D - MJ 2006>> - MJ 2008	rear	1	PR:XJU, 378
(1)	997 553 980 34 S62	Sycamore wood			
(1)	997 553 980 34	Centre console D - MJ 2008>> - MJ 2008	rear	1	PR:XJU, 389
(1)	997 553 980 34 S62	Sycamore wood			
(1)	997 553 980 58	Centre console for vehicles up to F >> 98-8U702 845 F >> 98-8U722 686		1	PR:XJT BOXSTER BOXSTER_S
	997 553 980 58 S61	macassar			
(1)	997 553 980 58	Centre console Valid from: F 98-8U702 846>> F 98-8U722 687>>	997 613 141 10 also use:	1	PR:XJT BOXSTER BOXSTER_S

Model: 987 05 Model life 2005>>2008

Pos	Part Number	Description	Remark	Qty	Model
(1)	997 553 980 58 S61 997 553 980 62	macassar Centre console for vehicles up to F >> 98-8U702 845 F >> 98-8U722 686 also use:	997 613 141 10	1	PR:XCK BOXSTER BOXSTER_S
(1)	997 553 980 62 V04 997 553 980 62	Galvano silver Centre console Valid from: F 98-8U702 846>> F 98-8U722 687>>		1	PR:XCK BOXSTER BOXSTER_S
(1)	997 553 980 62 V04 997 553 980 66	Galvano silver Centre console for vehicles up to F >> 98-8U702 845 F >> 98-8U722 686 also use:	997 613 141 10	1	PR:XME BOXSTER BOXSTER_S
	997 553 980 66 041	Black			
	997 553 980 66 84A	guards red (Porsche)			
	997 553 980 66 B9A	Carrara white			
	997 553 980 66 12H	Speed yellow			
	997 553 980 66 92U	Arctic silver metallic			
	997 553 980 66 M3W	Carmon red metallic			
	997 553 980 66 M5W	Lapis blue metallic			
	997 553 980 66 M6W	Lagoon green metallic			
	997 553 980 66 C9Z	Basalt black metallic			
	997 553 980 66 M7X	Atlas grey metallic			
	997 553 980 66 39C	Midnight Blue Metallic			
	997 553 980 66 6B4	Seal grey metallic			
	997 553 980 66 M7W	Meteor Grey Metallic			
	997 553 980 66 2B4	Forest green metallic			
	997 553 980 66 3C8	Cobalt blue metallic			
	997 553 980 66 23F	Slate grey metallic			
	997 553 980 66 M7Z	GT Silver Metallic			
	997 553 980 66 M6X	Dark olive-metallic			
	997 553 980 66 M8W	Macadamia Metallic D - MJ 2008>>			
	997 553 980 66 8A7	Ruby red metallic D - MJ 2008>>			
	997 553 980 66 2B5	Malachite Green Metallic D - MJ 2008>>			
(1)	997 553 980 66	Centre console Valid from: F 98-8U702 846>> F 98-8U722 687>>		1	PR:XME BOXSTER BOXSTER_S
	997 553 980 66 041	Black			
	997 553 980 66 84A	guards red (Porsche)			
	997 553 980 66 B9A	Carrara white			
	997 553 980 66 12H	Speed yellow			
	997 553 980 66 92U	Arctic silver metallic			
	997 553 980 66 M3W	Carmon red metallic			
	997 553 980 66 M5W	Lapis blue metallic			
	997 553 980 66 M6W	Lagoon green metallic			
	997 553 980 66 C9Z	Basalt black metallic			
	997 553 980 66 M7X	Atlas grey metallic			
	997 553 980 66 39C	Midnight Blue Metallic			
	997 553 980 66 6B4	Seal grey metallic			
	997 553 980 66 M7W	Meteor Grey Metallic			
	997 553 980 66 2B4	Forest green metallic			
	997 553 980 66 3C8	Cobalt blue metallic			
	997 553 980 66 23F	Slate grey metallic			
	997 553 980 66 M7Z	GT Silver Metallic			
	997 553 980 66 M6X	Dark olive-metallic			

Model: 987 05 Model life 2005>>2008

Pos	Part Number	Description	Remark	Qty	Model
	997 553 980 66 M8W	Macadamia Metallic D - MJ 2008>>			
	997 553 980 66 8A7	Ruby red metallic D - MJ 2008>>			
	997 553 980 66 2B5	Malachite Green Metallic D - MJ 2008>>			
(1)	997 553 997 01	Protective film Centre console See technical manual 681749		2	
2	997 553 575 02	Insert Locking mechanism Centre console		1	
3	997 553 575 02 01C 999 919 159 09	Satin black fillister hd. bolt 4 X 12		1	
4	999 591 210 40	expanding nut 4,2		4	
5	997 553 843 00	Sound absorber	left	1	
(5)	997 553 844 00	Sound absorber	right	1	
6	997 553 433 01	cover for center console	inner	1	
7	997 553 433 01 01C 987 553 231 00 987 553 231 00 1MZ 987 553 231 00 1YP 987 553 231 00 1TK 987 553 231 00 1VM 987 553 231 00 1UL	Satin black cover for center console Black Stone grey Sand beige sea blue Palm green	outer	1	BOXSTER
(7)	997 553 231 01	Cover (leather)	outer	1	Boxster PR:981
	997 553 231 01 A11 997 553 231 01 5X6 997 553 231 01 8G2 997 553 231 01 3S9 997 553 231 01 4P2 997 553 231 01 9S5 997 553 231 01 9V6 997 553 231 01 D12 997 553 231 01 T12 997 553 231 01 N12	Black Stone grey Sand beige sea blue Palm green Terracotta Cocoa Dark grey/natural Brown/natural Carrera Red			
(7)	997 553 231 01	Cover (leather)	outer	1	Boxster S
	997 553 231 01 A11 997 553 231 01 5X6 997 553 231 01 8G2 997 553 231 01 3S9 997 553 231 01 4P2 997 553 231 01 9S5 997 553 231 01 9V6 997 553 231 01 D12 997 553 231 01 T12 997 553 231 01 N12	Black Stone grey Sand beige sea blue Palm green Terracotta Cocoa Dark grey/natural Brown/natural Carrera Red			
8	999 507 972 01	panel nut 3,5		8	
9	999 073 153 01	panel screw 3,5 X 14		8	
10	997 553 437 01	Hinge		1	
11	997 553 439 00	Leg spring		1	
12	997 553 441 00	Belt		1	
13	997 553 447 00	axle		1	
14	997 553 733 00	Locking pin		1	
15	999 919 159 09	fillister hd. bolt M4X12		2	
16	999 919 121 09	fillister hd. bolt		2	

Model: 987 05 Model life 2005>>2008

Pos	Part Number	Description	Remark	Qty	Model
17	999 073 155 09	5 X 16 for Mount Centre console panel screw 4,2 X 13		2	
18	997 553 615 01	for Mount Centre console Floor		1	
19	999 073 226 09	Centre console panel screw 4,2 X 16		2	
20	997 553 141 02	ashtray Lacquered D >> - MJ 2007		1	
	997 553 141 02 A03	Black			
	997 553 141 02 5V7	Stone grey			
	997 553 141 02 5Z1	Sand beige			
	997 553 141 02 8W7	sea blue			
	997 553 141 02 5Y2	Palm green			
	997 553 141 02 8X8	Terracotta			
	997 553 141 02 8P9	Cocoa			
	997 553 141 02 T13	Brown/natural			
20	997 553 902 00	ashtray Lacquered D - MJ 2008>>		1	
	997 553 902 00 A03	Black			
	997 553 902 00 5V7	Stone grey			
	997 553 902 00 5Z1	Sand beige			
	997 553 902 00 8W7	sea blue			
	997 553 902 00 8X8	Terracotta			
	997 553 902 00 8P9	Cocoa			
	997 553 902 00 T13	Brown/natural			
	997 553 902 00 N23	Carrera Red			
(20)	997 553 982 00	ashtray Leather		1	PR:XMZ
	997 553 982 00 A11	Black			
	997 553 982 00 5X6	Stone grey			
	997 553 982 00 8G2	Sand beige			
	997 553 982 00 3S9	sea blue			
	997 553 982 00 4P2	Palm green			
	997 553 982 00 9S5	Terracotta			
	997 553 982 00 9V6	Cocoa			
	997 553 982 00 D12	Dark grey/natural			
	997 553 982 00 T12	Brown/natural			
	997 553 982 00 N12	Carrera Red			
(20)	997 553 982 01	ashtray Carbon		1	PR:XMJ
	997 553 982 01 A35	Black			
(20)	997 553 982 02	ashtray		1	PR:XJU
	997 553 982 02 S62	Sycamore wood			
(20)	997 553 982 03	ashtray		1	PR:XJT
	997 553 982 03 S61	macassar			
(20)	997 553 982 04	ashtray Aluminium look		1	PR:XCK
	997 553 982 04 V04	Galvano silver			
(20)	997 553 982 05	ashtray Lacquered		1	PR:XME
	997 553 982 05 041	Black			
	997 553 982 05 84A	guards red (Porsche)			
	997 553 982 05 B9A	Carrara white			
	997 553 982 05 12H	Speed yellow			

Model: 987 05 Model life 2005>>2008

Pos	Part Number	Description	Remark	Qty	Model
	997 553 982 05 92U	Arctic silver metallic			
	997 553 982 05 M3W	Carmon red metallic			
	997 553 982 05 M5W	Coral metallic			
	997 553 982 05 M6W	Lagoon green metallic			
	997 553 982 05 C9Z	Basalt black metallic			
	997 553 982 05 M7X	Atlas grey metallic			
	997 553 982 05 39C	Midnight Blue Metallic			
	997 553 982 05 6B4	Seal grey metallic			
	997 553 982 05 M7W	Meteor Grey Metallic			
	997 553 982 05 2B4	Forest green metallic			
	997 553 982 05 3C8	Cobalt blue metallic			
	997 553 982 05 23F	Slate grey metallic			
	997 553 982 05 M7Z	GT Silver Metallic			
	997 553 982 05 M6X	Dark olive-metallic			
	997 553 982 05 M8W	Macadamia Metallic			
	997 553 982 05 8A7	Ruby red metallic			
	997 553 982 05 2B5	Malachite Green Metallic			
21	997 553 611 01	Insert for centre console		1	
22	997 553 261 05	Frame Lacquered		1	BOXSTER
	997 553 261 05 D07	Volcano grey			
(22)	997 553 261 02	Frame Lacquered		1	BOXSTER S
		D >> - MJ 2007			
	997 553 261 02 V04	Galvano silver			
(22)	997 553 261 06	Frame Lacquered		1	BOXSTER S
		D - MJ 2008>>			
	997 553 261 06 V04	Galvano silver			
(22)	987 553 261 01	Frame D - MJ 2008>>		1	PR:757
	987 553 261 01 G2X	primed			
23	999 507 533 02	Clamp		7	
		8,0 X 10,0/2,5			
24	999 073 155 09	panel screw		4	
		4,2 X 13			
25	997 553 241 02	Cover Shift gate Lacquered		1	PR:249
	997 553 241 02 A03	Black			
	997 553 241 02 5V7	Stone grey			
	997 553 241 02 5Z1	Sand beige			
	997 553 241 02 8W7	sea blue			
	997 553 241 02 5Y2	Palm green			
	997 553 241 02 8X8	Terracotta			
	997 553 241 02 8P9	Cocoa			
	997 553 241 02 T13	Brown/natural			
	997 553 241 02 N23	Carrera Red			
(25)	997 553 243 01	Cover Shift gate Lacquered		1	PR:480,481
	997 553 243 01 A03	Black			
	997 553 243 01 5V7	Stone grey			
	997 553 243 01 5Z1	Sand beige			
	997 553 243 01 8W7	sea blue			
	997 553 243 01 5Y2	Palm green			
	997 553 243 01 8X8	Terracotta			
	997 553 243 01 8P9	Cocoa			
	997 553 243 01 T13	Brown/natural			
	997 553 243 01 N23	Carrera Red			
26	996 552 687 00	slide valve		1	PR:249
	996 552 687 00 01C	Black			
27	997 553 455 01	Cover		1	

Model: 987 05

Model life 2005>>2008

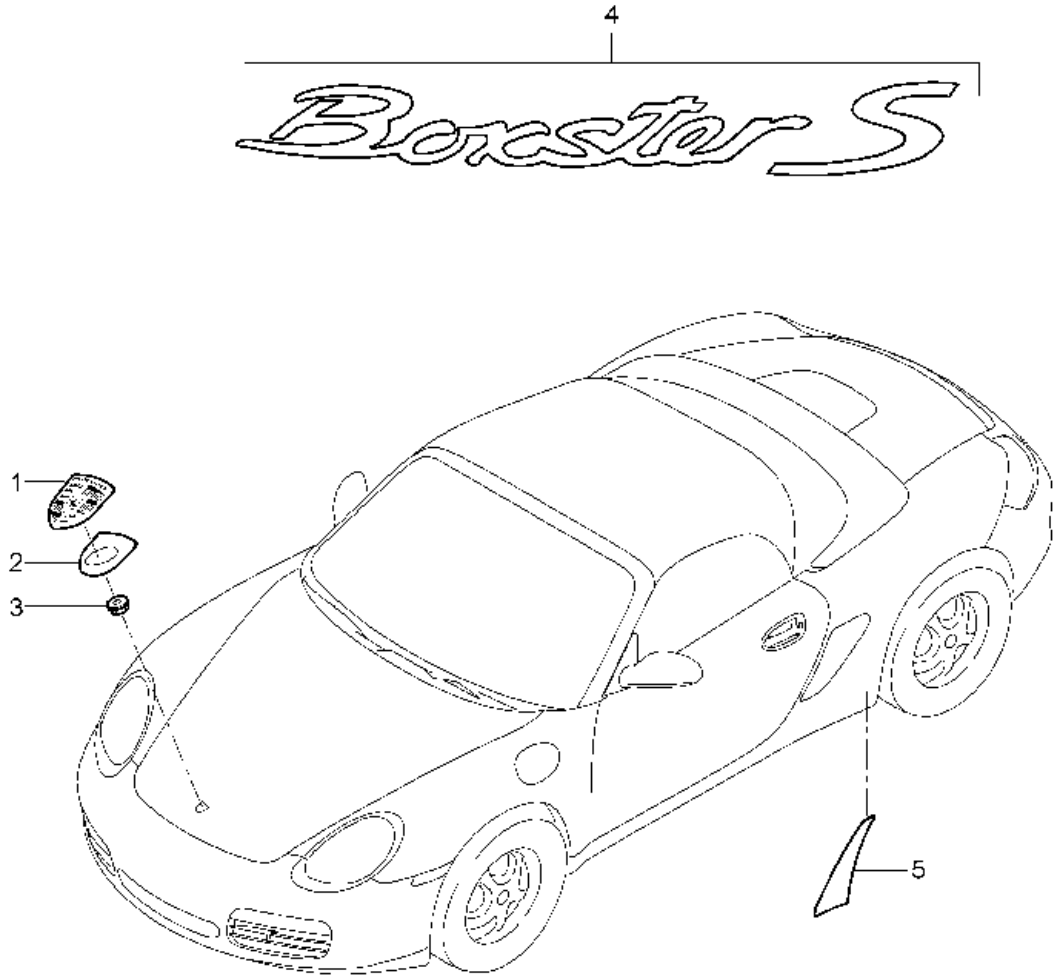
Pos	Part Number	Description	Remark	Qty	Model
		Brake lever Lacquered D >> - MJ 2007			
	997 553 455 01 A03	Black			
	997 553 455 01 5V7	Stone grey			
	997 553 455 01 5Z1	Sand beige			
	997 553 455 01 8W7	sea blue			
	997 553 455 01 5Y2	Palm green			
	997 553 455 01 8X8	Terracotta			
	997 553 455 01 8P9	Cocoa			
	997 553 455 01 T13	Brown/natural			
27	997 553 903 00	Cover		1	
		Brake lever Lacquered D - MJ 2008>>			
	997 553 903 00 A03	Black			
	997 553 903 00 5V7	Stone grey			
	997 553 903 00 5Z1	Sand beige			
	997 553 903 00 8W7	sea blue			
	997 553 903 00 8X8	Terracotta			
	997 553 903 00 8P9	Cocoa			
	997 553 903 00 T13	Brown/natural			
	997 553 903 00 N23	Carrera Red			
(27)	997 553 981 00	Cover		1	PR:XCK
		Brake lever			
	997 553 981 00 A11	Black			
	997 553 981 00 5X6	Stone grey			
	997 553 981 00 8G2	Sand beige			
	997 553 981 00 3S9	sea blue			
	997 553 981 00 4P2	Palm green			
	997 553 981 00 9S5	Terracotta			
	997 553 981 00 9V6	Cocoa			
	997 553 981 00 D12	Dark grey/natural			
	997 553 981 00 T12	Brown/natural			
	997 553 981 00 N12	Carrera Red			
(27)	997 553 981 00	Cover		1	PR:XJT
		Brake lever			
	997 553 981 00 A11	Black			
	997 553 981 00 5X6	Stone grey			
	997 553 981 00 8G2	Sand beige			
	997 553 981 00 3S9	sea blue			
	997 553 981 00 4P2	Palm green			
	997 553 981 00 9S5	Terracotta			
	997 553 981 00 9V6	Cocoa			
	997 553 981 00 D12	Dark grey/natural			
	997 553 981 00 T12	Brown/natural			
	997 553 981 00 N12	Carrera Red			
(27)	997 553 981 00	Cover		1	PR:XJU
		Brake lever			
	997 553 981 00 A11	Black			
	997 553 981 00 5X6	Stone grey			
	997 553 981 00 8G2	Sand beige			
	997 553 981 00 3S9	sea blue			
	997 553 981 00 4P2	Palm green			
	997 553 981 00 9S5	Terracotta			
	997 553 981 00 9V6	Cocoa			
	997 553 981 00 D12	Dark grey/natural			
	997 553 981 00 T12	Brown/natural			
	997 553 981 00 N12	Carrera Red			
(27)	997 553 981 00	Cover		1	PR:XME
		Brake lever			
	997 553 981 00 A11	Black			
	997 553 981 00 5X6	Stone grey			

Model: 987 05 Model life 2005>>2008

Pos	Part Number	Description	Remark	Qty	Model
	997 553 981 00 8G2	Sand beige			
	997 553 981 00 3S9	sea blue			
	997 553 981 00 4P2	Palm green			
	997 553 981 00 9S5	Terracotta			
	997 553 981 00 9V6	Cocoa			
	997 553 981 00 D12	Dark grey/natural			
	997 553 981 00 T12	Brown/natural			
	997 553 981 00 N12	Carrera Red			
(27)	997 553 981 00	Cover		1	PR:XMJ
		Brake lever			
	997 553 981 00 A11	Black			
	997 553 981 00 5X6	Stone grey			
	997 553 981 00 8G2	Sand beige			
	997 553 981 00 3S9	sea blue			
	997 553 981 00 4P2	Palm green			
	997 553 981 00 9S5	Terracotta			
	997 553 981 00 9V6	Cocoa			
	997 553 981 00 D12	Dark grey/natural			
	997 553 981 00 T12	Brown/natural			
	997 553 981 00 N12	Carrera Red			
(27)	997 553 981 06	Cover		1	PR:XMZ
		Brake lever			
	997 553 981 06 A11	Black			
	997 553 981 06 5X6	Stone grey			
	997 553 981 06 8G2	Sand beige			
	997 553 981 06 3S9	sea blue			
	997 553 981 06 4P2	Palm green			
	997 553 981 06 9S5	Terracotta			
	997 553 981 06 9V6	Cocoa			
	997 553 981 06 D12	Dark grey/natural			
	997 553 981 06 T12	Brown/natural			
	997 553 981 06 N12	Carrera Red			
28	997 553 871 00	Filler piece		1	
		Centre console			
29	997 553 873 00	Filler piece		1	
		Centre console			
30	997 553 875 00	Filler piece		1	
		Centre console			
31	997 553 877 00	Filler piece		1	
		Centre console			
32	987 553 269 00	Bracket		1	
		Shift cable			
33	999 591 215 40	expanding nut		2	
		4,2			
34	999 507 028 01	panel nut		X	
		4,2			
35	999 507 028 01	panel nut		X	
		4,2			
36	997 553 732 00	Rubber buffer	inner	2	
		Cover			

Model: 987 05

Model life 2005>>2008



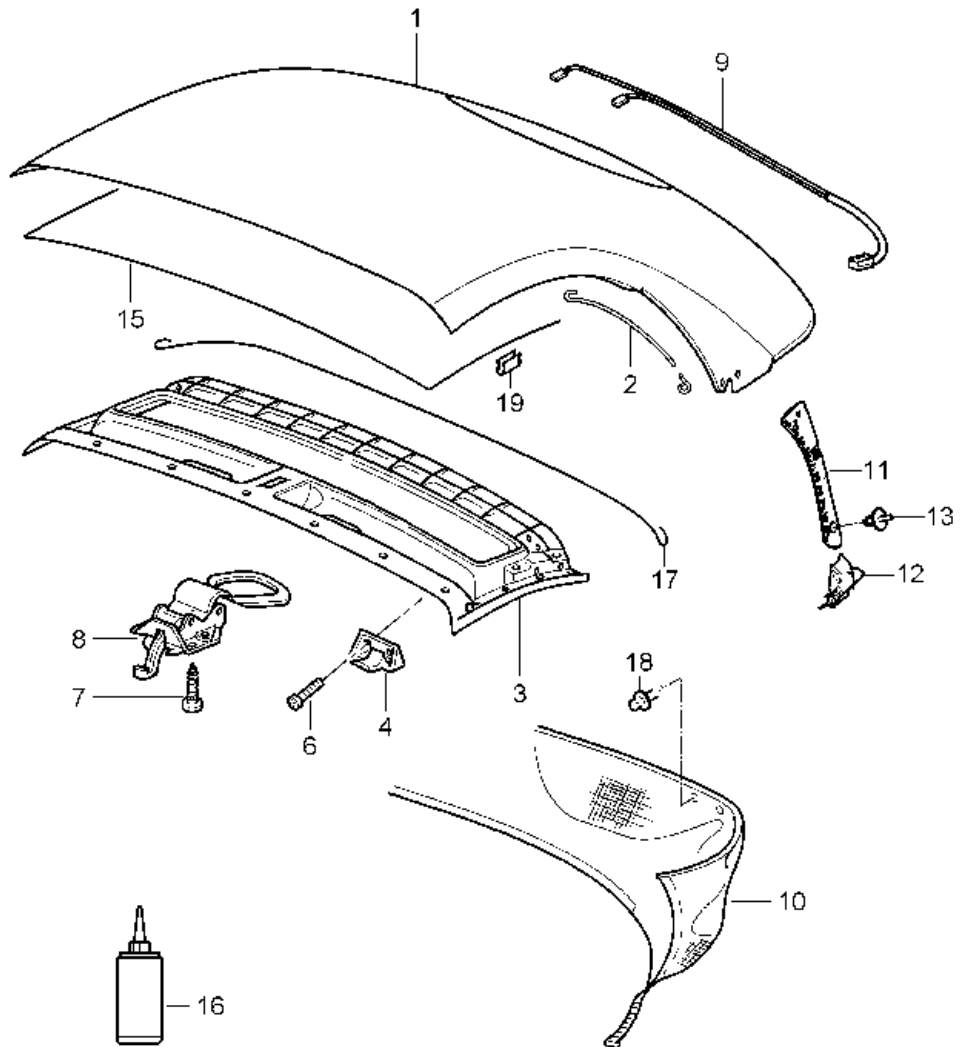
Model: 987 05

Model life 2005>>2008

Pos	Part Number	Description	Remark	Qty	Model
		inscriptions/lettering			
		Stone guard film			
1	997 559 211 00	Porsche crest		1	
(1)	996 559 211 01	Porsche crest		1	
2	7L5 853 611 B	Underlay		1	
3	999 591 423 03	Tapping nut		2	
4	987 559 037 00	inscription		1	
		Satin aluminium			
(4)	987 559 037 02	inscription		1	
		chromed			
		High gloss			
(4)	987 559 984 00	inscription		1	
		Boxster			
		primed			
(4)	987 559 985 00	inscription		1	
		S			
		primed			
5	987 504 825 01	Stone guard film	left	1	
		Side part			
(5)	987 504 826 01	Stone guard film	right	1	
		Side part			
6	987 559 447 01	Decorative film	front	1	PR:757
		Front apron			
		and			
		Cover			
7	987 559 449 01	Decorative film		1	PR:757
		convertible top stowage box			
8	987 559 451 01	Decorative film		1	PR:757
		Rear lid			
(8)	987 559 451 02	Decorative film		1	PR:757,075
		Rear lid			
9	987 559 453 01	Decorative film		1	PR:757
		Rear spoiler			
		and			
		rear spoiler			
10	987 559 444 01	Decorative film for door	right	1	PR:757
		and			
		Wing			
(10)	987 559 443 01	Decorative film for door	left	1	PR:757
		and			
		Wing			

Model: 987 05

Model life 2005>>2008



Model: 987 05 Model life 2005>>2008

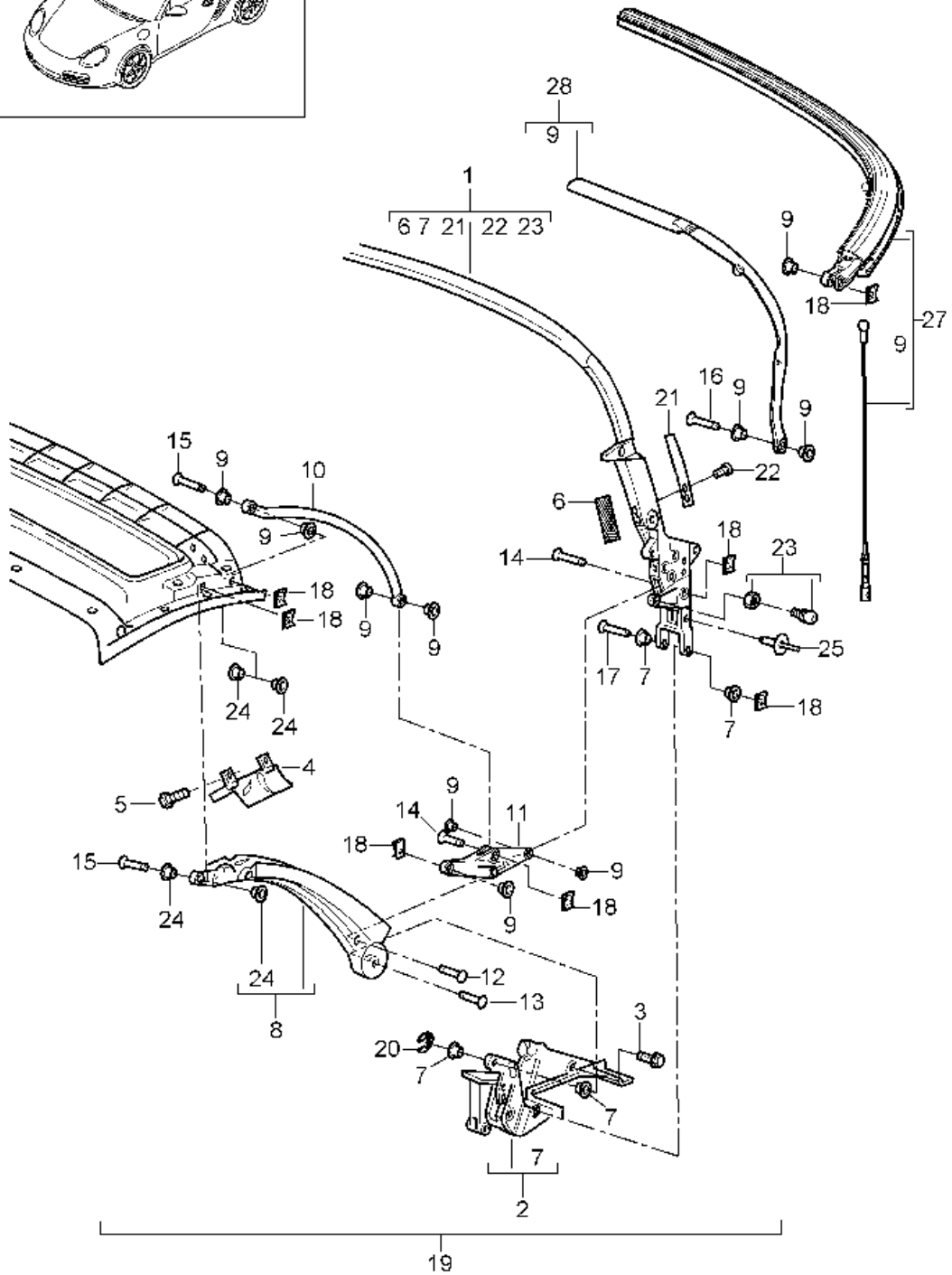
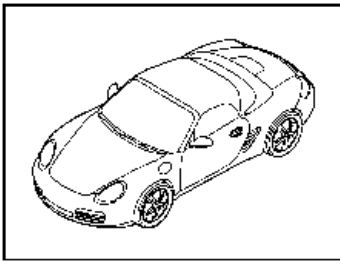
Pos	Part Number	Description	Remark	Qty	Model
1	987 561 903 00	Convertible top covering Roofliner Convertible top covering D >> - MJ 2005 Discontinued part		1	
	987 561 903 00 A10	Black			
	987 561 903 00 C17	Grey			
	987 561 903 00 G02	Metropole blue			
	987 561 903 00 R17	brown			
	987 561 903 00 L02	red			
1	987 561 903 01	Convertible top covering with: Assembly kit Valid up to: F >> 98-8U702 915 F >> 98-8U722 781 F >> 98-8U712 267 F >> 98-8U731 864		1	
	987 561 903 01 A10	Black			
	987 561 903 01 C17	Grey			
	987 561 903 01 G02	Metropole blue			
	987 561 903 01 R17	brown			
	987 561 903 01 L02	red			
-	987 561 975 00	Assembly kit Convertible top covering Valid up to: F >> 98-8U702 915 F >> 98-8U722 781 F >> 98-8U712 267 F >> 98-8U731 864		1	
1	987 561 903 02	Convertible top covering with: Assembly kit Valid from: F 98-8U702 916>> F 98-8U722 782>> F 98-8U712 268>> F 98-8U731 865>> also use: 987 561 933 00 See workshop manual Group 6 61-2819 61-2855		1	
	987 561 903 02 A10	Black			
	987 561 903 02 C17	Grey			
	987 561 903 02 G02	Metropole blue			
	987 561 903 02 R17	brown			
	987 561 903 02 L02	red			
-	987 561 933 00	Assembly kit cord	side	1	
-	987 561 945 00	Assembly kit Convertible top covering Valid from: F 98-8U702 916>> F 98-8U722 782>> F 98-8U712 268>> F 98-8U731 865>>		1	
2	987 561 915 00	tension wire		2	
3	987 561 907 01	roof frame		1	
	987 561 907 01 A09	Rally black			
4	987 561 605 00	Centring journal	left	1	
	987 561 605 00 70C	Black			
(4)	987 561 606 00	Centring journal	right	1	

Model: 987 05 Model life 2005>>2008

Pos	Part Number	Description	Remark	Qty	Model
	987 561 606 00 70C	Black			
6	999 919 144 09	fillister hd. bolt		4	
7	999 919 148 09	fillister hd. bolt		4	
8	987 561 017 00	Soft top catch		1	
	987 561 017 00 A09	Black			
9	987 612 698 00	Wire set		1	
		Rear window heating			
10	987 561 085 00	Cloth		1	
		Black			
		Valid up to:			
		F >> 98-8U702 915			
		F >> 98-8U722 781			
		F >> 98-8U712 267			
		F >> 98-8U731 864			
(10)	987 561 085 01	Cloth		1	
	987 561 085 01 A21	Black			
		Valid from:			
		F 98-8U702 916>>			
		F 98-8U722 782>>			
		F 98-8U712 268>>			
		F 98-8U731 865>>			
11	987 561 669 01	slide valve	left	1	
(11)	987 561 670 01	slide valve	right	1	
12	987 561 559 00	clamping piece	left	1	
(12)	987 561 560 00	clamping piece	right	1	
13	987 561 597 00	Clip		2	
15	987 561 905 00	Moulded headliner		1	
		Discontinued part			
	987 561 905 00 A21	Black			
15	987 561 953 01	Moulded headliner		1	
		with:			
		Assembly kit			
	987 561 953 01 A21	Black			
-	987 561 943 00	Assembly kit		1	
		for			
		Roofliner			
-	999 094 020 30	Pin		2	
		Pin			
		D >> - MJ 2005			
16	999 917 557 00	Grease		X	
		30 ML			
17	987 561 773 01	tension wire		1	
18	999 591 941 40	Spreader rivet		4	
19	999 507 137 01	Retaining clip		8	

Model: 987 05

Model life 2005>>2008



Model: 987 05 Model life 2005>>2008

Pos	Part Number	Description	Remark	Qty	Model
1	987 561 037 00	top frame Individual parts Main bracing		1	
2	987 561 443 00	Convertible top support Valid up to: F >> 98-8U702 915 F >> 98-8U722 781 F >> 98-8U712 267 F >> 98-8U731 864	left	1	
(2)	987 561 443 01	Convertible top support Valid from: F 98-8U702 916>> F 98-8U722 782>> F 98-8U712 268>> F 98-8U731 865>>	left	1	
(2)	987 561 444 00	Convertible top support Valid up to: F >> 98-8U702 915 F >> 98-8U722 781 F >> 98-8U712 267 F >> 98-8U731 864	right	1	
(2)	987 561 444 01	Convertible top support Valid from: F 98-8U702 916>> F 98-8U722 782>> F 98-8U712 268>> F 98-8U731 865>>	right	1	
3	900 378 033 09	Hexagon bolt		6	
4	987 561 165 01	Flap use if required:	left 987 561 881 00	1	
(4)	987 561 165 01 A09 987 561 166 01	Black Flap use if required:	left 999 919 152 09 right 987 561 882 00	1 1	
5	987 561 166 01 A09 999 919 141 09	Black fillister hd. bolt		2	
6	987 561 927 00	felt strip Set Main bracing	side	1	
7	999 924 117 40	bush 8x10x10,5		X	
8	987 561 909 01 987 561 909 01 A09	B-pillar Black	left	1	
(8)	987 561 910 01 987 561 910 01 A09	B-pillar Black	right	1	
9	999 924 118 40	bush 8x10x5,5		X	
10	987 561 039 00	Guide with:	left	1	
(10)	987 561 040 00	tension wire Guide with:	right	1	
11	987 561 345 00	tension wire swing lever	left lower	1	
(11)	987 561 346 00	swing lever	right lower	1	
12	999 088 043 30	Pin schwarz		2	
13	999 094 019 30	Pin		2	

Model: 987 05 Model life 2005>>2008

Pos	Part Number	Description	Remark	Qty	Model
14	999 088 042 30	Pin		X	
15	999 088 049 30	Pin		4	
16	999 088 047 30	Pin		2	
17	999 094 020 30	Pin		2	
18	999 166 075 09	securing clip		X	
19	987 561 011 02	top frame		1	
		without:			
		roll bar			
	987 561 011 02 A09	Black			
		Valid up to:			
		F >> 98-8U702 915			
		F >> 98-8U722 781			
		F >> 98-8U712 267			
		F >> 98-8U731 864			
(19)		top frame		1	
		Valid from:			
		F 98-8U702 916>>			
		F 98-8U722 782>>			
		F 98-8U712 268>>			
		F 98-8U731 865>>			
		Individual parts			
		Use			
20	999 166 090 02	Retaining washer		2	
		with:			
		strap			
21	987 561 769 00	leaf spring		2	
22	999 919 142 09	Oval-head screw		4	
23	987 561 925 00	Ball stud		1	
		Set			
24	999 924 086 40	Bearing bush		X	
25	999 190 194 30	Rivet		2	
		D12,4/4x10,2			
		Valid from:			
		F 98-8U702 916>>			
		F 98-8U722 782>>			
		F 98-8U712 268>>			
		F 98-8U731 865>>			
27	987 561 041 00	Roof arch		1	
		Valid up to:			
		F >> 98-8U702 915			
		F >> 98-8U722 781			
		F >> 98-8U712 267			
		F >> 98-8U731 864			
		modify in workshop			
		See workshop manual			
		Group 6			
		61-3055			
		also use:	999 190 480 30	2	
-	999 190 480 30	Pop rivet		2	
27	987 561 041 01	Roof arch		1	
		Valid from:			
		F 98-8U702 916>>			
		F 98-8U722 782>>			
		F 98-8U712 268>>			
		F 98-8U731 865>>			
-	987 561 421 00	tension wire		2	
28	987 561 237 00	Roof arch		1	
		Valid up to:			
		F >> 98-8U702 915			
		F >> 98-8U722 781			
		F >> 98-8U712 267			
		F >> 98-8U731 864			
28	987 561 237 01	Roof arch		1	

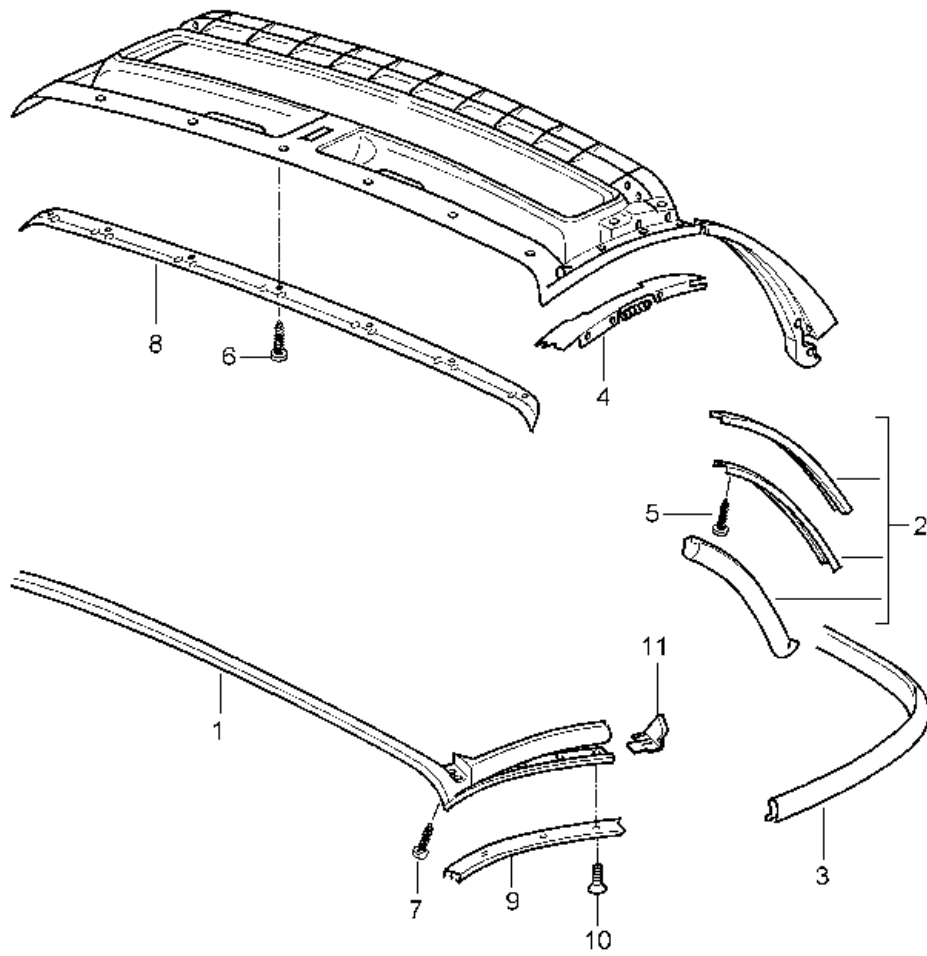
Model: 987 05

Model life 2005>>2008

Pos	Part Number	Description	Remark	Qty	Model
		Valid from: F 98-8U702 916>> F 98-8U722 782>> F 98-8U712 268>> F 98-8U731 865>>			

Model: 987 05

Model life 2005>>2008



Model: 987 05 Model life 2005>>2008

Pos	Part Number	Description	Remark	Qty	Model
		Convertible top			
1	987 561 327 02	Seal		1	
2	987 561 123 01	roof frame seal	left	1	
(2)	987 561 124 01	Seal	right	1	
		B-pillar			
3	987 561 393 00	Seal		1	
		Roof arch			
4	987 561 115 01	retaining strip	left	1	
(4)	987 561 116 01	retaining strip	right	1	
5	999 919 239 01	fillister hd. bolt		7	
		3,5x12			
6	999 919 139 09	fillister hd. bolt		6	
7	999 919 139 09	fillister hd. bolt		2	
8	987 561 501 00	retaining strip		1	
9	987 561 401 00	retaining strip		1	
(9)	987 561 402 00	retaining strip		1	
10	999 919 152 09	fillister hd. bolt		8	
11	987 561 813 02	Filler piece	left	1	
(11)	987 561 814 02	Filler piece	right	1	

Model: 987 05 Model life 2005>>2008

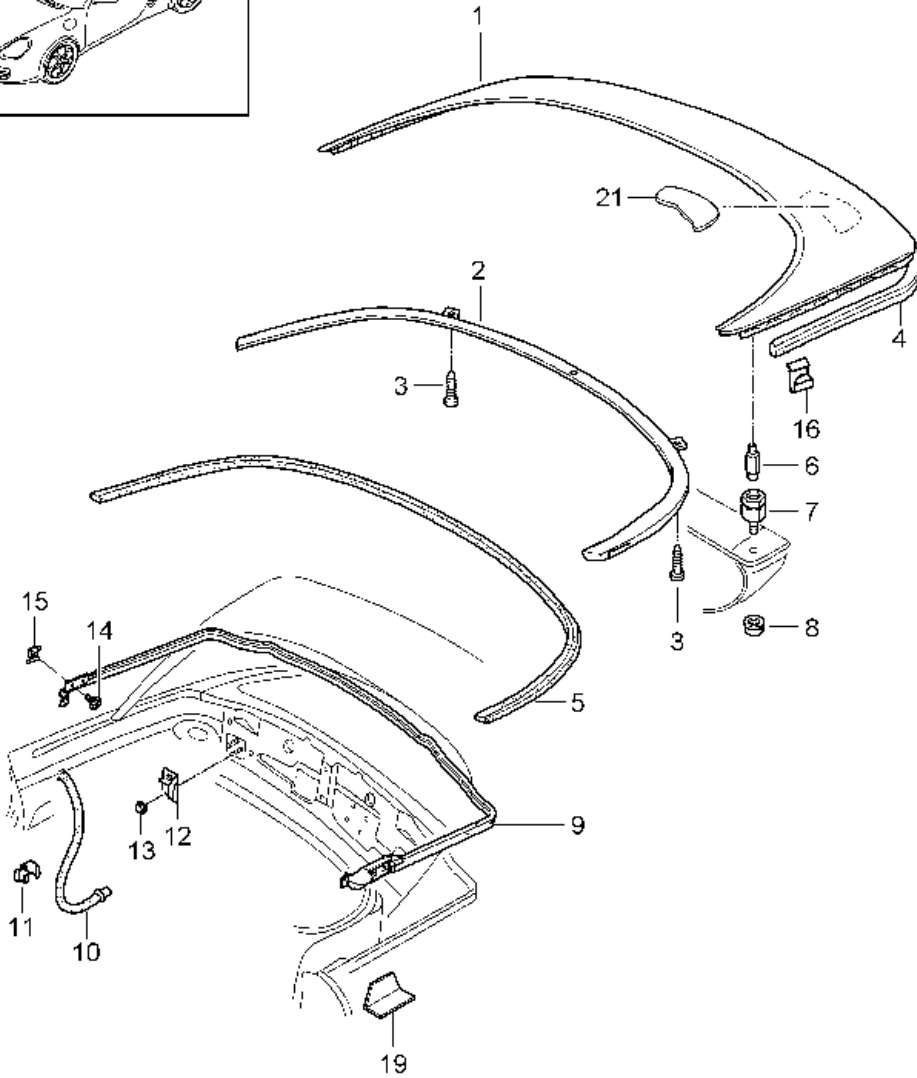
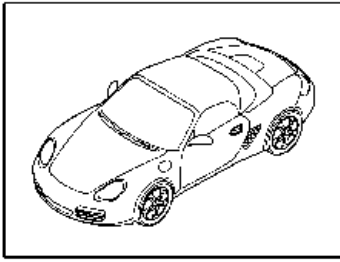
Pos	Part Number	Description	Remark	Qty	Model
1	987 561 179 00	Driving mechanism Convertible top convertible top stowage box Cover Gearbox F >> 98-6U702 822 F >> 98-6U722 145	left	1	
1	987 561 179 02	Gearbox F 98-6U702 823>> F 98-6U722 146>>	left	1	
1	987 561 180 00	Gearbox F >> 98-6U702 822 F >> 98-6U722 145	right	1	
1	987 561 180 02	Gearbox F 98-6U702 823>> F 98-6U722 146>>	right	1	
3	986 561 717 03	Pliable shaft >F 987U700250 >F 987U720275 >F 987U710140 >F 987U730068		2	
3	987 561 107 00	Pliable shaft F 98-7U700 251>> F 98-7U720 276>> F 98-7U710 141>> F 98-7U730 069>>		2	
4	987 561 279 00	slide rod F >> 98-6U702 822 F >> 98-6U722 145		2	
4	987 561 279 01	slide rod F 98-6U702 823>> F 98-6U722 146>>		2	
7	987 561 919 00	Assembly kit for Lever		1	
9	986 561 479 01	Lever F >> 98-6U702 822 F >> 98-6U722 145	left	1	
(9)	987 561 479 01	Lever F 98-6U702 823>> F 98-6U722 146>>	left	1	
9	986 561 480 01	Lever F >> 98-6U702 822 F >> 98-6U722 145	right	1	
(9)	987 561 480 01	Lever F 98-6U702 823>> F 98-6U722 146>>	right	1	
10	987 561 579 00	slide rod F >> 98-6U702 822 F >> 98-6U722 145	left	1	
10	987 561 579 01	slide rod F 98-6U702 823>> F 98-6U722 146>>	left	1	
10	987 561 580 00	slide rod F >> 98-6U702 822 F >> 98-6U722 145	right	1	
10	987 561 580 01	slide rod F 98-6U702 823>> F 98-6U722 146>>	right	1	
11	999 924 130 40	Bearing bush		X	
12	999 166 075 09	securing clip		X	
13	986 624 117 01	Electric motor		1	
14	986 624 299 00	Bracket		1	

Model: 987 05 Model life 2005>>2008

Pos	Part Number	Description	Remark	Qty	Model
15	987 561 551 00	Guide arm	left	1	
	987 561 551 00 GRV	primed			
(15)	987 561 552 00	Guide arm	right	1	
	987 561 552 00 GRV	primed			
16	987 561 571 00	Hinge lever	left	1	
	987 561 571 00 GRV	primed			
(16)	987 561 572 00	Hinge lever	right	1	
	987 561 572 00 GRV	primed			
17	987 561 679 00	Bracket	left	1	
	987 561 679 00 GRV	primed			
17	987 561 680 00	Bracket	right	1	
	987 561 680 00 GRV	primed			
18	900 167 023 02	Ball stud		1	
19	900 377 010 09	Hexagon nut		12	
20	999 166 075 09	securing clip		X	
21	999 088 027 30	Pin		2	
24	987 561 253 00	slide rail		2	
25	987 561 761 00	Water drain plate	left	1	
25	987 561 762 00	Water drain plate	right	1	
26	986 561 577 01	Glide piece		2	
28	900 067 376 09	Socket head bolt		4	
29	999 076 055 09	Hexagon nut		6	
30	987 561 789 00	Threaded pin		6	
31	987 561 589 00	Washer		2	
		F >> 98-6U702 822			
		F >> 98-6U722 145			
31	987 561 589 01	Washer		2	
		F 98-6U702 823>>			
		F 98-6U722 146>>			
32	999 217 095 02	Hexagon bolt		2	
		Discontinued part			
32	900 378 288 01	Hexagon bolt		2	
		Micro-self-locking			
33		Ball stud		1	
		Set			
		see illustration:	811-005		
34	987 561 445 00	Cover	left	1	
	987 561 445 00 01C	Black			
(34)	987 561 446 00	Cover	right	1	
	987 561 446 00 01C	Black			
35	986 624 295 00	Cover cap		1	
36	N 011 118 11	Hexagon nut		2	
		Discontinued part			
36	900 034 001 05	Hexagon nut		2	
		M8			
37	987 561 643 00	Spring clip		2	
37	987 561 643 00	Spring clip		2	
38	987 561 277 01	Lever	left	1	
		with:			
		slide rod			
		F 98-6U702 823>>			
		F 98-6U722 146>>			
(38)	987 561 278 01	Lever	right	1	
		with:			
		slide rod			
		F 98-6U702 823>>			
		F 98-6U722 146>>			

Model: 987 05

Model life 2005>>2008



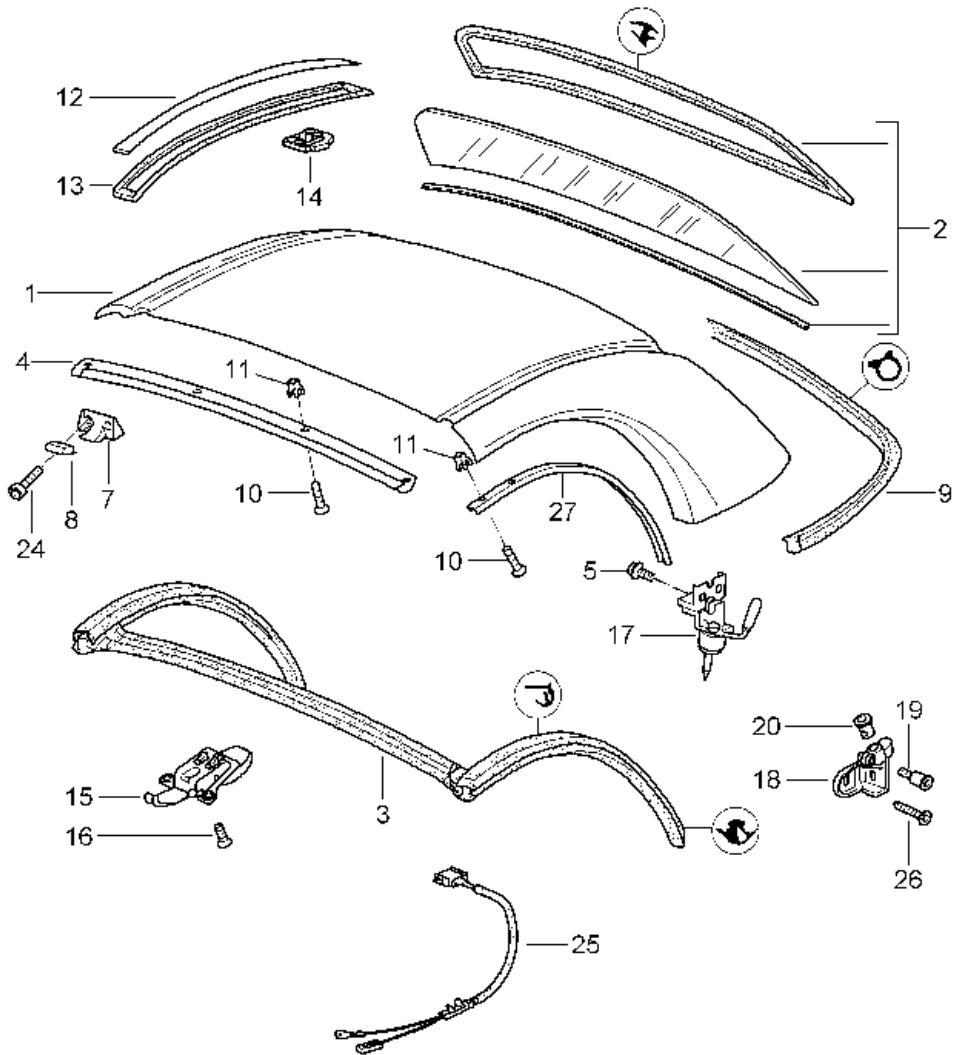
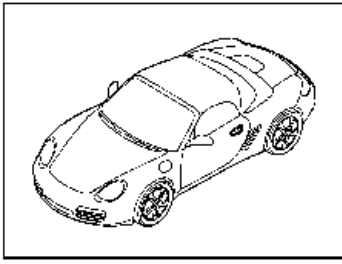
Model: 987 05

Model life 2005>>2008

Pos	Part Number	Description	Remark	Qty	Model
		convertible top stowage box Cover Gaskets			
1	987 514 011 00	cabrio top stowage box cover		1	
	987 514 011 00 GRV	primed			
2	987 514 631 01	strip		1	
3	999 073 047 02	panel screw		2	
4	986 514 714 01	Edge protection		2	
5	986 514 731 00	Seal		1	
6	987 514 253 02	Centring journal		2	
7	986 514 251 01	shelf		2	
8	999 076 061 09	Hexagon nut		4	
9	987 514 211 00	seal for conv. top stowage box		1	
10	986 514 241 00	Water drainage hose		2	
11	999 507 551 09	Cable fastener		4	
(12)	987 561 505 00	Bracket Cloth		2	
13	999 084 629 09	Hexagon nut		4	
14	999 073 060 02	panel screw 4,8 x 13		4	
15	999 591 329 09	panel nut 4,8		4	
16	999 507 600 09	U-clip Edge protection		4	
19	987 561 801 00	Stop 1 MM		1	
19	987 561 801 01	Stop 2 MM		1	
19	987 561 801 02	Stop 3 MM		1	
19	987 561 801 03	Stop 4 MM		1	
19	987 561 801 04	Stop 5 MM		1	
21	987 561 633 00	Buffer		1	/L
(21)	987 561 634 00	Buffer		1	/R

Model: 987 05

Model life 2005>>2008

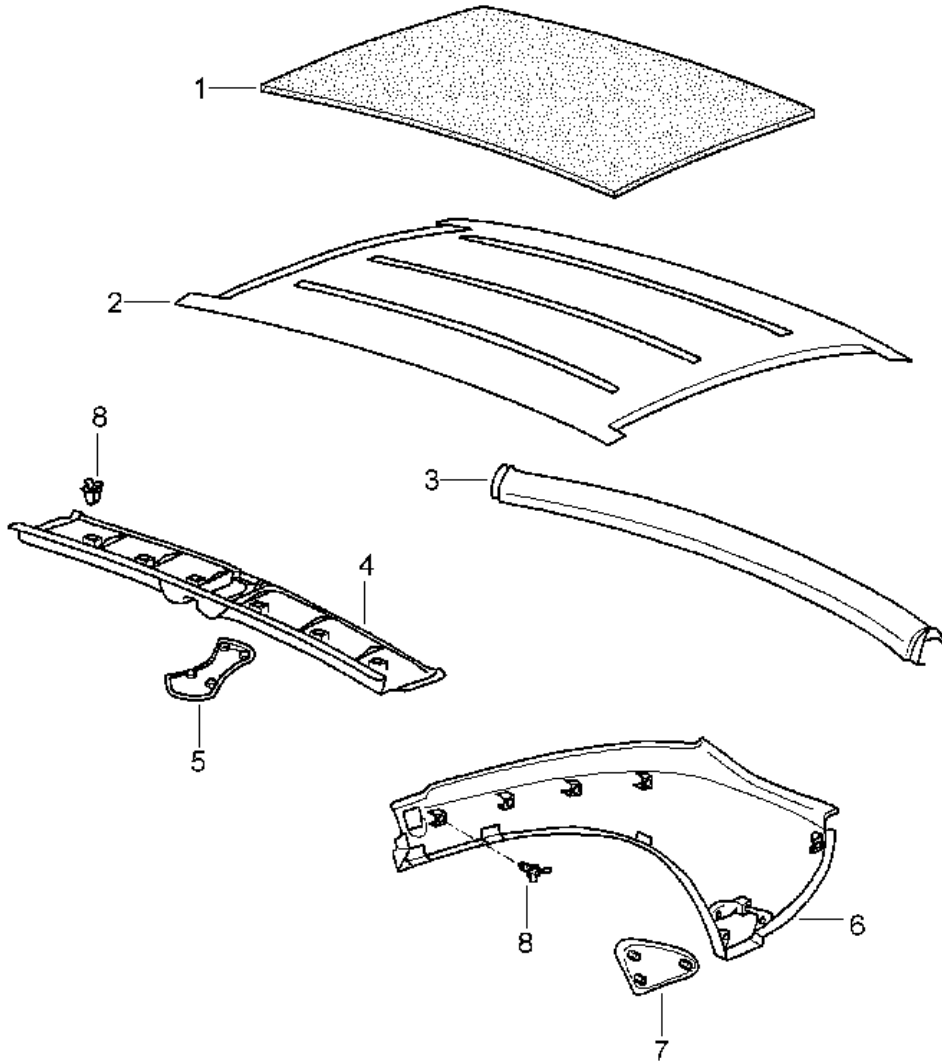


Model: 987 05 Model life 2005>>2008

Pos	Part Number	Description	Remark	Qty	Model
		hardtop Accessories Gaskets			PR:550
1	987 563 911 00 987 563 911 00 GRV	hardtop primed		1	
		without:			
2	986 563 091 01	Accessories Rear window Ready for installation		1	
3	987 563 125 00	roof frame seal Discontinued part		1	
3	987 563 125 01	roof frame seal		1	
4	986 563 319 01	retaining strip		1	
5	999 073 382 01	Bolt with washer		3	
7	986 561 605 00	Centring journal		2	
	986 561 605 00 A09	Black			
8	986 563 625 03	Cap		2	
9	987 563 127 00	Seal		1	
10	999 073 049 02	panel screw		24	
11	999 507 547 40	expanding nut		24	
12	986 563 707 00	Cover trim	left	1	
	986 563 707 00 GRV	primed			
(12)	986 563 708 00	Cover trim	right	1	
	986 563 708 00 GRV	primed			
13	986 563 361 00	Seal	left	1	
(13)	986 563 362 00	Seal	right	1	
14	986 563 721 00	Clip		8	
15	986 563 401 00	catch		1	
16	900 249 055 09	countersunk bolt M 6X20		3	
17	987 563 403 01	catch	left	1	
(17)	987 563 404 01	catch	right	1	
18	987 561 653 00	Support	left	1	
(18)	987 561 654 00	Support	right	1	
19	999 219 041 00	Locating bolt		2	
20	987 563 713 00	Insert	left	1	
(20)	987 563 714 00	Insert	right	1	
24	999 015 035 09	Screw		2	
25	987 612 696 00	Wire set		1	
26	999 073 168 09	Oval-head screw		4	
27	987 563 309 00	retaining strip	left	1	
(27)	987 563 310 00	retaining strip	right	1	
-	000 043 203 29	sealing tape NITTO		X	
28	986 561 655 00	Cap		2	

Model: 987 05

Model life 2005>>2008

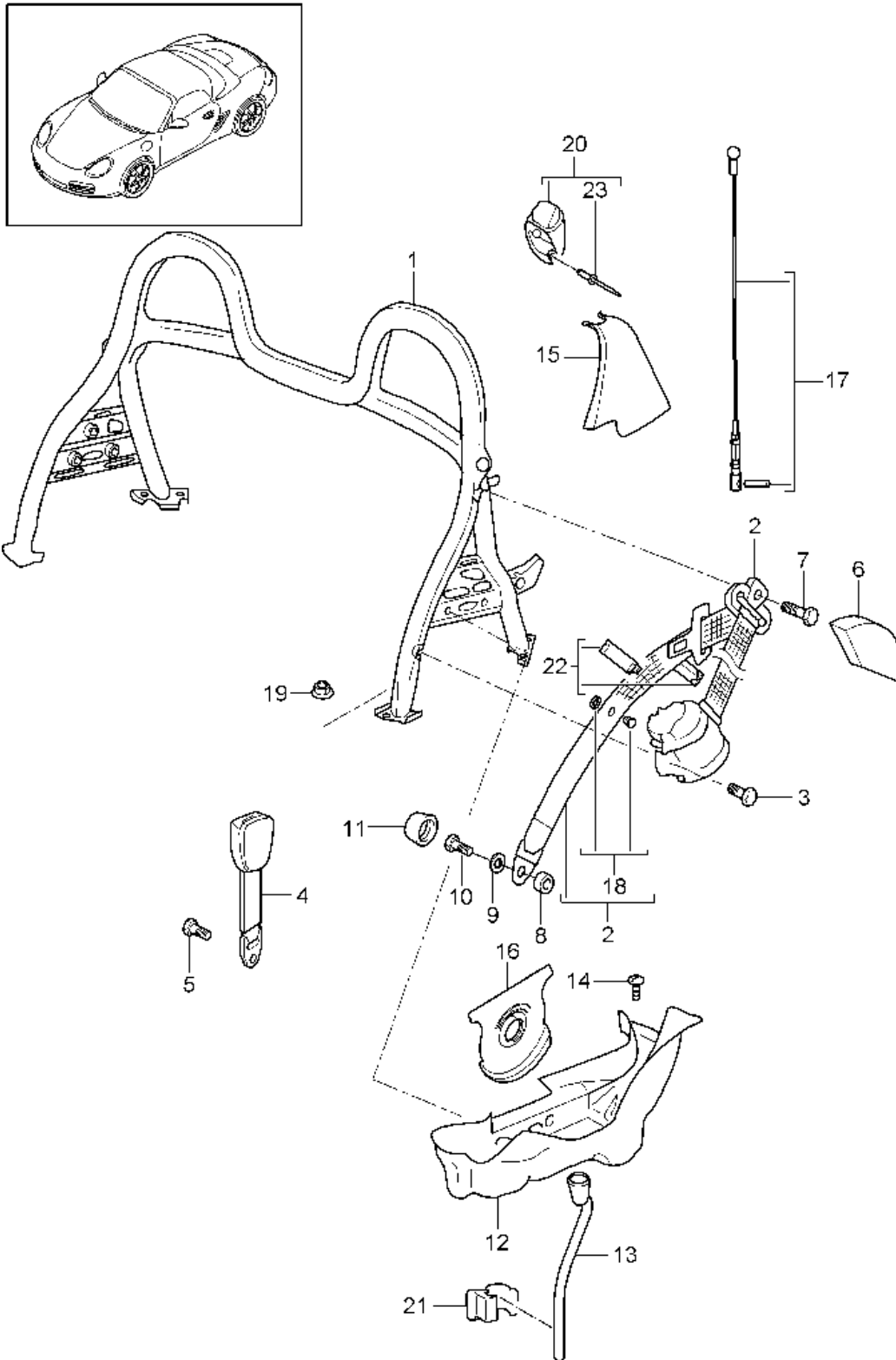


Model: 987 05 Model life 2005>>2008

Pos	Part Number	Description	Remark	Qty	Model
1	986 563 523 00	hardtop Interior equipment Sound absorber		1	
2	986 563 111 01	Set Trim		1	
3	986 563 111 01 A21	Black		1	
3	987 563 505 00	Trim		1	
4	987 563 505 00 A03	Black		1	
4	986 563 501 00	Trim		1	
5	986 563 501 00 A03	Black		1	
5	987 563 551 00	Cover trim		1	
6	987 563 551 00 A03	Black		1	
6	987 563 503 00	Trim	left	1	
(6)	987 563 503 00 A03	Black		1	
(6)	987 563 504 00	Trim	right	1	
(6)	987 563 504 00 A03	Black		1	
7	987 563 553 00	Cover trim	left	1	
7	987 563 553 00 A03	Black		1	
(7)	987 563 554 00	Cover trim	right	1	
(7)	987 563 554 00 A03	Black		1	
8	999 507 764 40	Clip		X	

Model: 987 05

Model life 2005>>2008



Model: 987 05 Model life 2005>>2008

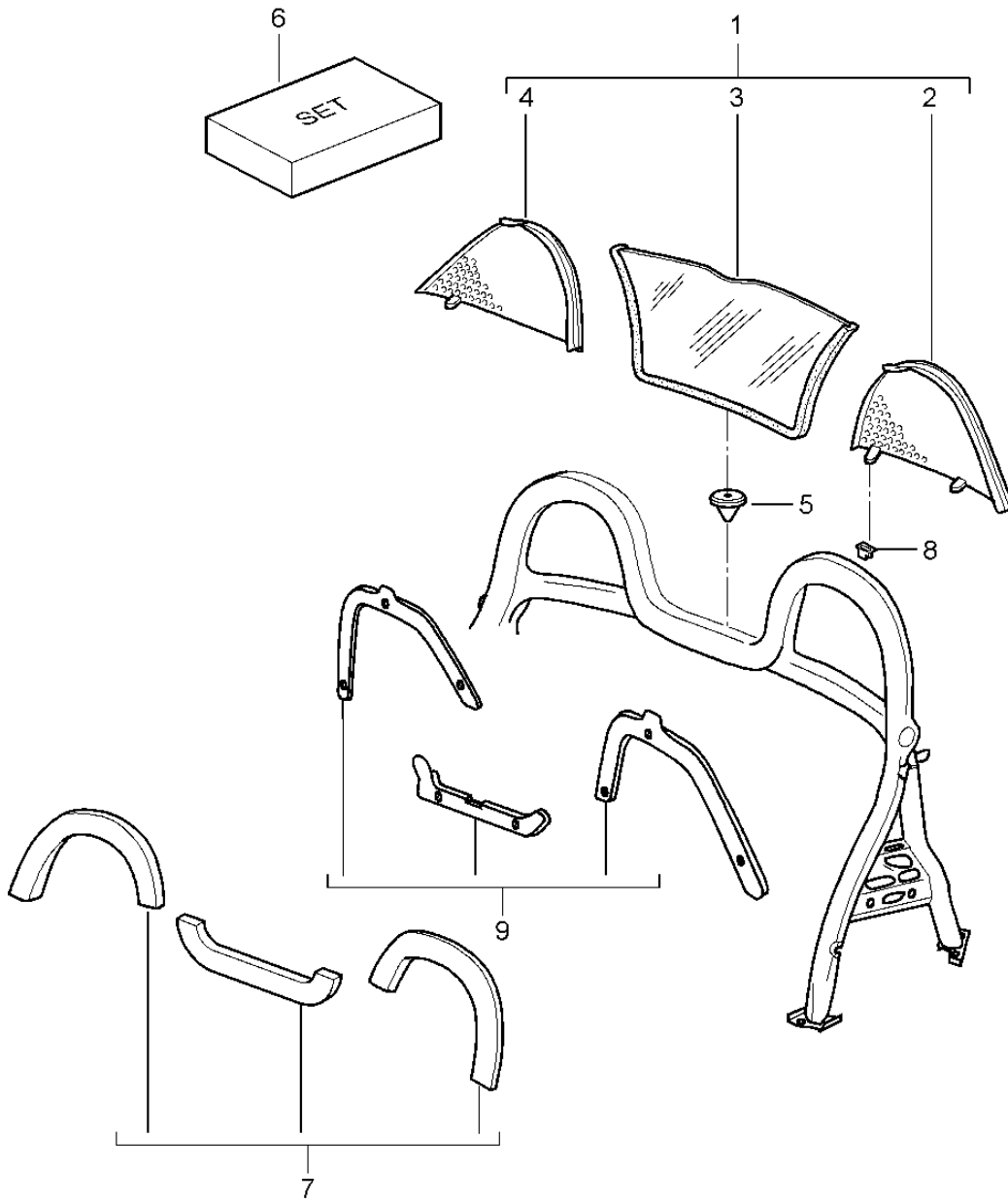
Pos	Part Number	Description	Remark	Qty	Model
1	987 580 011 01	roll bar		1	
		Seat belt			
	987 580 011 01 D08	roll bar			
		Volcano grey			
2	987 803 033 02	Three-point safety belt	left	1	
	987 803 033 02 A23	Black			PR:555
	987 803 033 02 V02	Speed yellow			PR:XSX
	987 803 033 02 U01	silver			PR:XSH
	987 803 033 02 N13	guards red (Porsche)			PR:XSX
2	987 803 033 04	Three-point safety belt	left	1	
	987 803 033 04 6M4	Sand beige			PR:XST
(2)	987 803 034 03	Three-point safety belt	right	1	
	987 803 034 03 A23	Black			PR:555
	987 803 034 03 V02	Speed yellow			PR:XSX
	987 803 034 03 U01	silver			PR:XSH
	987 803 034 03 N13	guards red (Porsche)			PR:XSX
(2)	987 803 034 06	Three-point safety belt	right	1	
	987 803 034 06 6M4	Sand beige			PR:XST
3	999 075 070 09	Hexagon bolt		2	
(4)	996 803 183 08	Belt latch		1	
		(passenger side)			
4	997 803 183 01	Belt latch		1	
		(drivers side)			
4	997 803 183 04	Belt latch		1	PR:388
		(drivers side)			
		D - MJ 2008>>			
(4)	997 803 183 04	Belt latch		1	PR:389
		(drivers side)			
		D - MJ 2008>>			
(4)	997 803 183 05	Belt latch		1	PR:389
		(passenger side)			
		D - MJ 2008>>			
4	997 803 183 05	Belt latch		1	PR:388
		(passenger side)			
		D - MJ 2008>>			
-		Cable		X	
		for			
		Seat belt tensioner			
		see illustration:	902-010		
5	999 218 101 02	Hexagon bolt		2	
6	987 803 541 00	Cover		2	
	987 803 541 00 01C	Black			
7	999 075 057 09	Hexagon bolt		2	
8	999 924 064 02	spacer sleeve		2	
		Discontinued part			
8	999 924 064 01	spacer sleeve		2	
(8)	997 803 663 00	spacer sleeve		1	PR:388,389
		D - MJ 2008>>			
9	211 857 771	Washer		2	
(9)	999 028 022 01	Spring washer		1	PR:388,389
		D - MJ 2008>>			
-	999 025 275 A2	Washer		1	PR:388,389
		D - MJ 2008>>			
10	999 075 073 09	Hexagon bolt		2	
(10)	999 075 072 A2	Hexagon bolt		2	PR:388,389
		D - MJ 2008>>			
11	811 857 845	Cover cap		2	
	811 857 845 01C	Satin black			
12	987 561 805 00	Water drip pan	left	1	
		Valid up to:			
		F >> 98-8U702 915			
		F >> 98-8U722 781			
		F >> 98-8U712 267			

Model: 987 05 Model life 2005>>2008

Pos	Part Number	Description	Remark	Qty	Model
12	987 561 805 01	F >> 98-8U731 864 Water drip pan Valid from: F 98-8U702 916>> F 98-8U722 782>> F 98-8U712 268>> F 98-8U731 865>>	left	1	
(12)	987 561 806 00	Water drip pan Valid up to: F >> 98-8U702 915 F >> 98-8U722 781 F >> 98-8U712 267 F >> 98-8U731 864	right	1	
(12)	987 561 806 01	Water drip pan Valid from: F 98-8U702 916>> F 98-8U722 782>> F 98-8U712 268>> F 98-8U731 865>>	right	1	
-	987 561 487 00	filter element Water drip pan		2	
13	987 561 733 00	water drain pipe	left	1	
(13)	987 561 734 00	water drain pipe	right	1	
14	996 561 247 00	Spreader rivet		2	
15	987 580 801 00	Cover	left	1	
	987 580 801 00 01C	Black			
(15)	987 580 802 00	Cover	right	1	
	987 580 802 00 01C	Black			
16		Washer see illustration:	811-012	2	
17	987 561 421 00	tension wire		2	
18	955 803 056 00	knob		2	
	955 803 056 00 HCP	Black			
19	999 076 065 02	Collar nut		8	
20	987 561 911 00	Assembly kit Console	left	1	
	987 561 911 00 01C	Satin black			
(20)	987 561 912 00	Assembly kit Console	right	1	
	987 561 912 00 01C	Satin black			
21	999 507 551 09	Cable fastener		4	
22	997 803 334 00	clamping piece		2	
	997 803 334 00 01C	Black			
23	999 190 176 00	Pop rivet		4	

Model: 987 05

Model life 2005>>2008

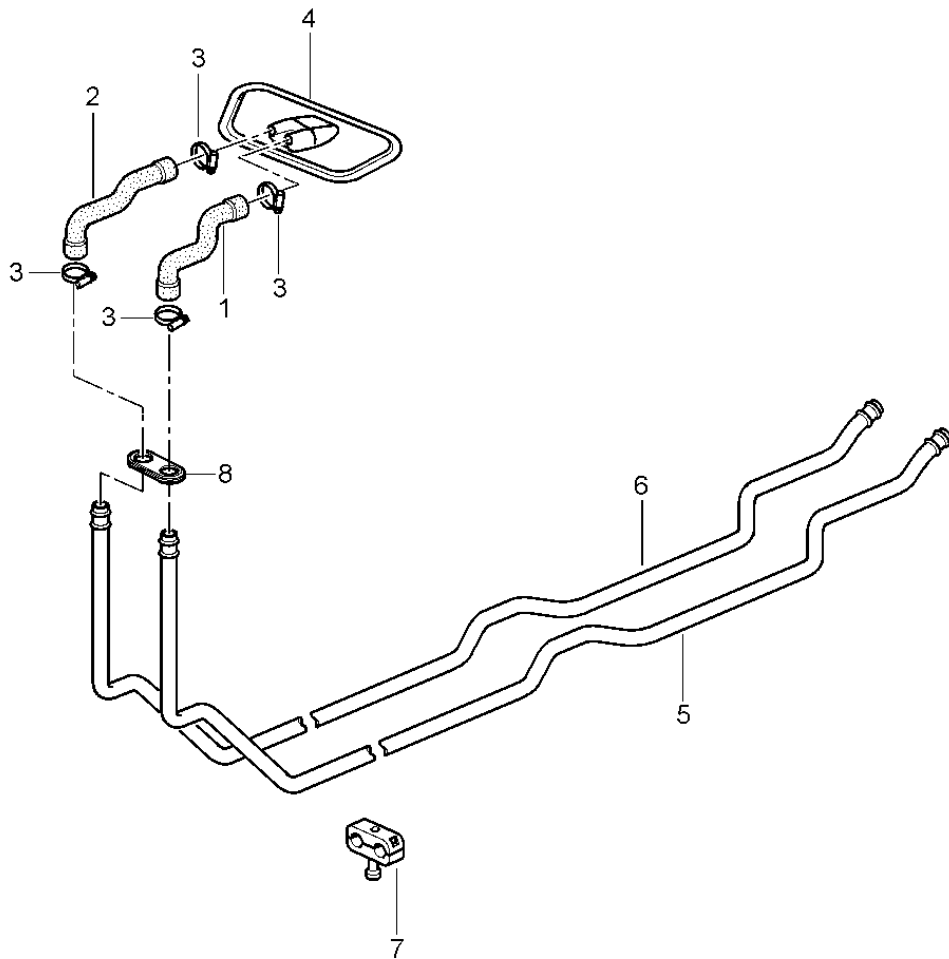
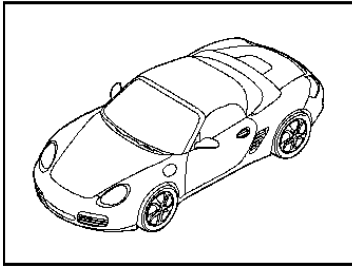


Model: 987 05 Model life 2005>>2008

Pos	Part Number	Description	Remark	Qty	Model
1	987 561 125 00	Windbreak and Linings roll bar		1	
2	987 561 583 00	Windbreak Side part		1	
3	987 561 621 00	Windbreak Centre part		1	
		with:			
4	987 561 584 00	Pocket Side part		1	
5	987 561 821 00	Stop buffer Centre part		1	
6	987 561 901 02	Set of fastening parts for Windbreak		1	
7	987 580 311 01	Rollover bar trim Leatherette Set		1	
	987 580 311 01 A37	Black			
	987 580 311 01 B27	Stone grey			
	987 580 311 01 E27	sea blue			
	987 580 311 01 T27	Sand beige			
	987 580 311 01 J27	Palm green			
		D >> - MJ 2007			
7	987 580 311 03	Rollover bar trim Leather Set		1	
	987 580 311 03 A11	Black			
	987 580 311 03 D12	Dark grey/natural			
	987 580 311 03 T12	Brown/natural			
	987 580 311 03 3S9	sea blue			
	987 580 311 03 4P2	Palm green			
		D >> - MJ 2007			
	987 580 311 03 5X6	Stone grey			
	987 580 311 03 8G2	Sand beige			
	987 580 311 03 9S5	Terracotta			
	987 580 311 03 9V6	Cocoa			
	987 580 311 03 N12	Carrera Red			
		D - MJ 2008>>			
8	986 580 751 00	Clip		8	
9	987 580 911 00	Set		1	
-	999 911 011 50	Foam part Tread		1	
-	987 561 825 00	Windbreak Tread		2	
		Windbreak See technical manual			

Model: 987 05

Model life 2005>>2008

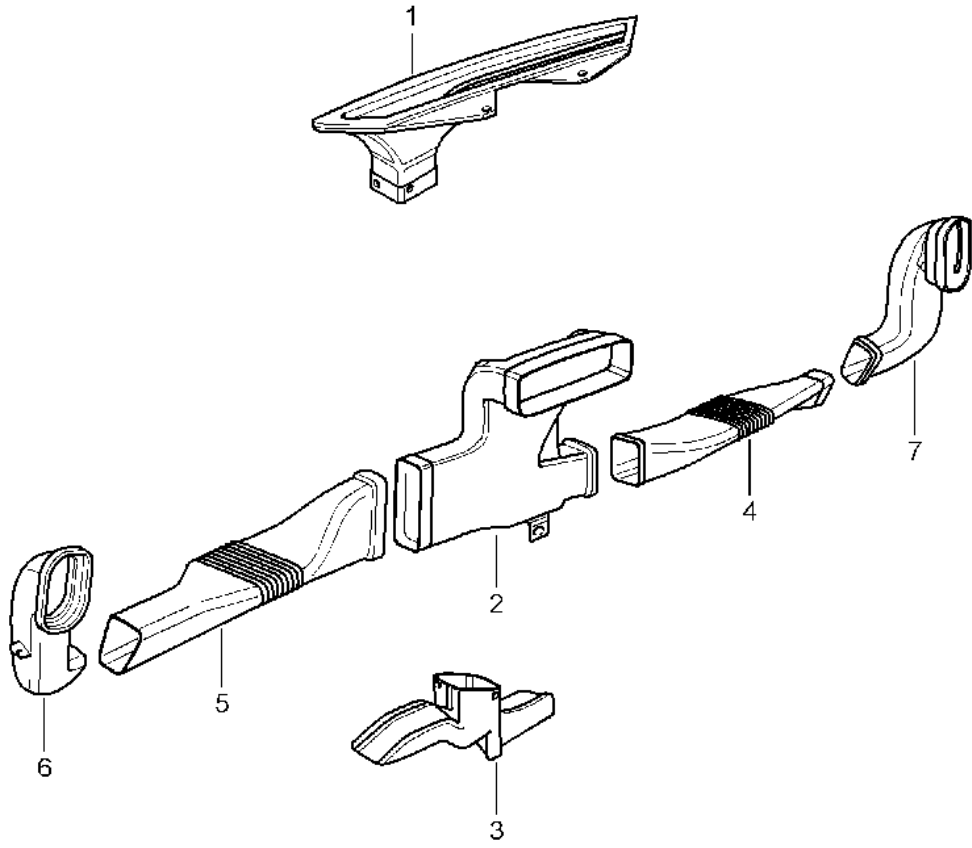


Model: 987 05 Model life 2005>>2008

Pos	Part Number	Description	Remark	Qty	Model
1	996 572 583 04	Heating system 1 Feed line return line Heating hose Zulauf	lhd	1	PR:098
(1)	996 572 583 05	Heating hose Zulauf	rhd	1	PR:099
2	996 572 585 04	Heating hose Return line	lhd	1	PR:098
(2)	996 572 585 05	Heating hose Rücklauf	rhd	1	PR:099
3	999 512 441 02	Hose clamp		4	
4	996 572 263 02	Seal	lhd	1	PR:098
(4)	996 572 263 03	Seal	rhd	1	PR:099
5	987 572 681 00	Heater pipeline Supply Discontinued part		1	
6	987 572 683 00	Heater pipeline Return line Discontinued part		1	
7	999 511 230 40	Cable holder		3	
-	999 511 232 41	Rubber bush		3	
8	996 572 765 02	Grommet		1	

Model: 987 05

Model life 2005>>2008

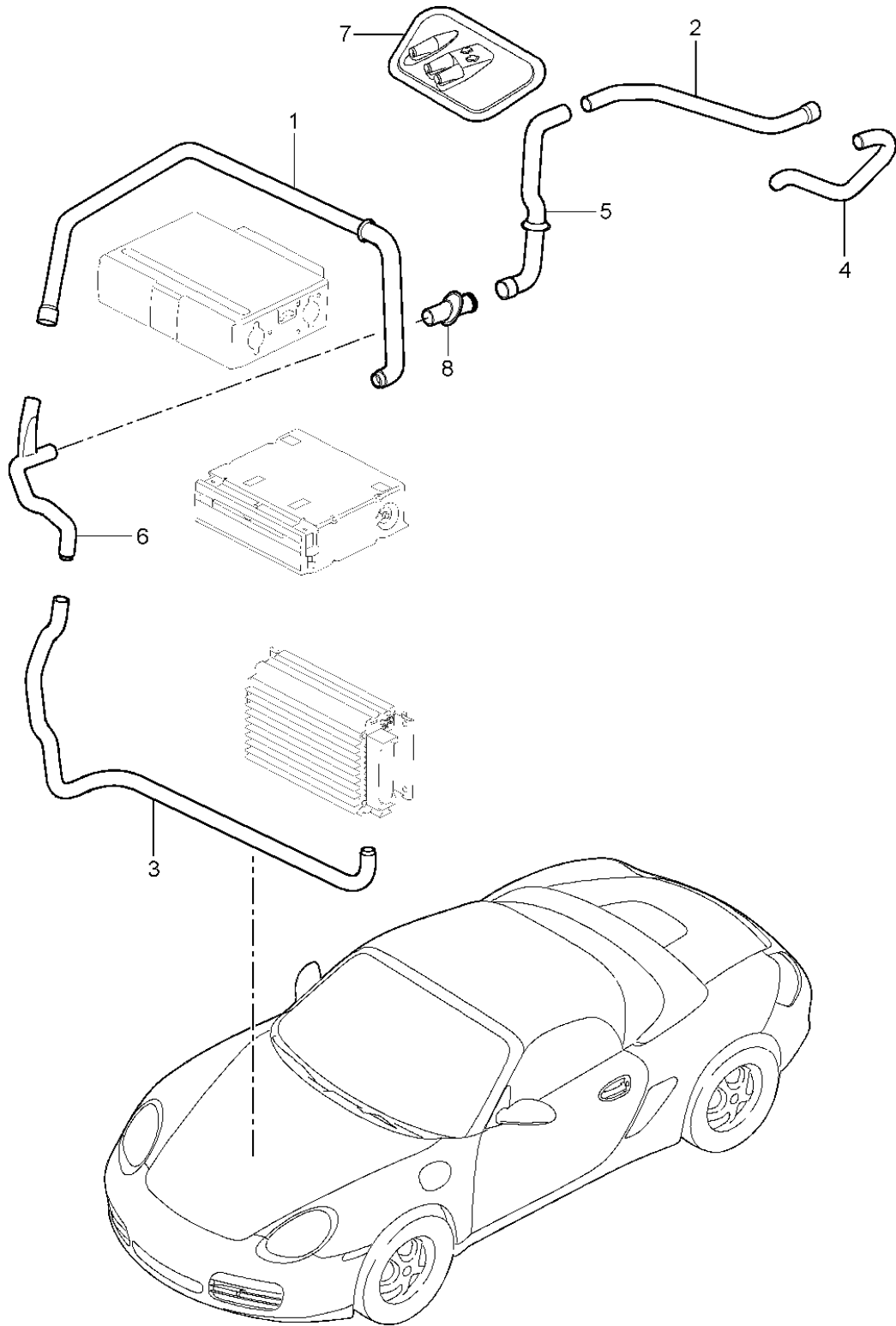


Model: 987 05 Model life 2005>>2008

Pos	Part Number	Description	Remark	Qty	Model
		heater			
		Air distributor			
1	997 572 631 00	Defroster nozzle for wind-screen	lhd	1	PR:098
(1)	997 572 631 01	Defroster nozzle for wind-screen	rhd	1	PR:099
2	997 572 171 00	Air distributor	lhd	1	PR:098
(2)	997 572 171 01	Air distributor	rhd	1	PR:099
3	997 572 793 00	Footwell outlet vent	lhd	1	PR:098
(3)	997 572 793 02	Footwell outlet vent	lhd	1	PR:098, 680
(3)	997 572 793 01	Footwell outlet vent	rhd	1	PR:099
(3)	997 572 793 03	Footwell outlet vent	rhd	1	PR:099, 680
4	997 572 464 00	Air guide	right lhd	1	PR:098
(4)	997 572 464 01	Air guide	right rhd	1	PR:099
5	997 572 463 00	Air guide	left lhd	1	PR:098
(5)	997 572 463 01	Air guide	left rhd	1	PR:099
6	987 572 767 00	Air guide	left lhd	1	PR:098
(6)	987 572 767 01	Air guide	left rhd	1	PR:099
7	987 572 768 00	Air guide	right lhd	1	PR:098
(7)	987 572 768 01	Air guide	right rhd	1	PR:099
-	987 572 769 00	Intermediate piece		1	PR:098
-	987 572 769 01	Intermediate piece		1	PR:099

Model: 987 05

Model life 2005>>2008

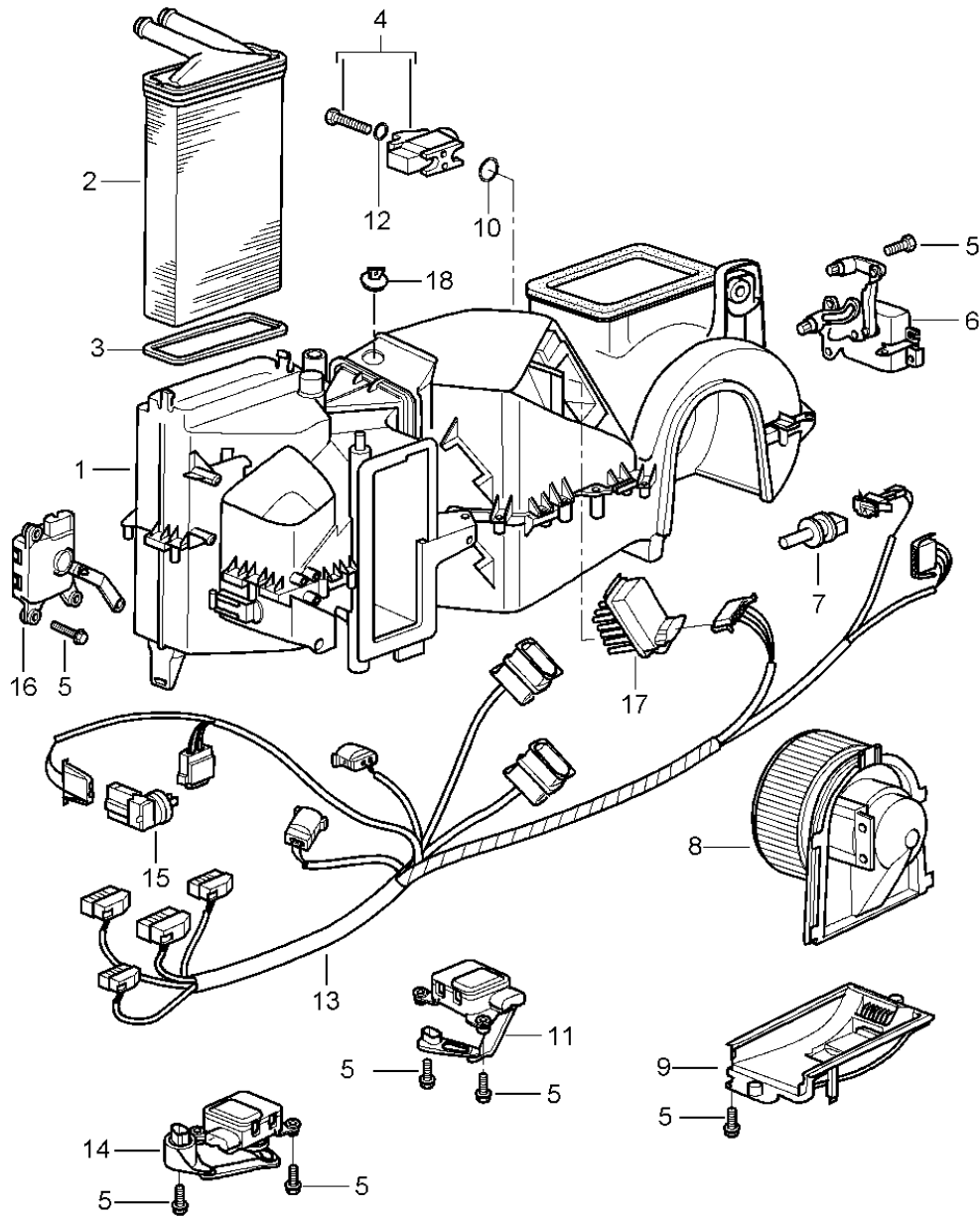
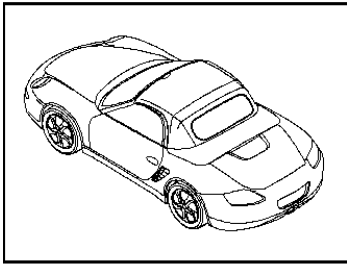


Model: 987 05 Model life 2005>>2008

Pos	Part Number	Description	Remark	Qty	Model
		Luggage compartment			PR:575
		Cooling			
1	997 572 588 00	Air guide		1	PR:575,692
		DVD			
(1)	997 572 588 02	Air guide		1	PR:575
		DVD			
2	997 572 582 00	Air guide		1	PR:575
		water box			
3	997 572 590 00	Air guide		1	PR:490,575,
		Amplifiers			680
4	997 572 580 00	Air guide		1	PR:575
		Air conditioner			
5	997 572 584 03	Air guide		1	PR:575
		filler plate			
6	997 572 586 06	Air guide		1	PR:575
		Amplifiers			
7	997 572 263 00	Seal		1	PR:575
8	997 572 593 00	connection piece		1	PR:575
-	999 076 081 40	Hexagon plastic collar nut		2	
-	999 703 009 40	Bungs		1	

Model: 987 05

Model life 2005>>2008



Model: 987 05 Model life 2005>>2008

Pos	Part Number	Description	Remark	Qty	Model
1	987 573 901 00	Air conditioner Individual parts Air conditioner without: heat exchanger with: evaporator	lhd	1	PR:098,572
(1)	987 573 901 01	Air conditioner without: heat exchanger with: evaporator	rhd	1	PR:099,572
(1)	996 573 901 01	Air conditioner without: heat exchanger with: evaporator	rhd	1	PR:099,573
(1)	997 573 901 04	Air conditioner without: heat exchanger with: evaporator	lhd	1	PR:098,573
2	997 572 129 00	heat exchanger		1	
3	996 572 913 00	Seal		1	
4	996 573 929 01	Expansion valve		1	
5	900 143 102 02	Bolt with washer		X	
6	996 573 915 00	actuator motor for fresh air flap Identification: >> >> Black	lhd	1	PR:098,573
(6)	996 572 915 00	Servomotor		1	PR:572
(6)	996 573 915 01	actuator motor for fresh air flap Identification: >> >> Black	rhd	1	PR:099,573
7	955 572 304 10	Temperature sensor		1	
8	996 624 107 01	Fan	lhd	1	PR:098
(8)	996 624 108 01	Fan	rhd	1	PR:099
9	996 573 905 00	Cover		1	
10	999 707 596 40	O-ring 14x1,82		1	
11	996 573 919 02	Servomotor Temperature valve Identification: >> >> pink	lhd	1	PR:098
(11)	996 573 919 03	Servomotor Temperature valve Identification: >> >> pink	rhd	1	PR:099
12	999 707 534 41	O-ring 17x2,00		1	
13	997 612 655 02	Wire set	lhd	1	PR:098,573
(13)	997 612 656 02	Wire set D >> - MJ 2007	rhd	1	PR:099,573
(13)	997 612 656 04	Wire set D - MJ 2008>>	rhd	1	PR:099,573
(13)	987 612 655 00	Wire set D >> - MJ 2007	lhd	1	PR:098,572
(13)	987 612 655 02	Wire set D - MJ 2008>>	lhd	1	PR:098,572
(13)	987 612 656 01	Wire set D >> - MJ 2007	rhd	1	PR:099,572
(13)	987 612 656 03	Wire set	rhd	1	PR:099,572

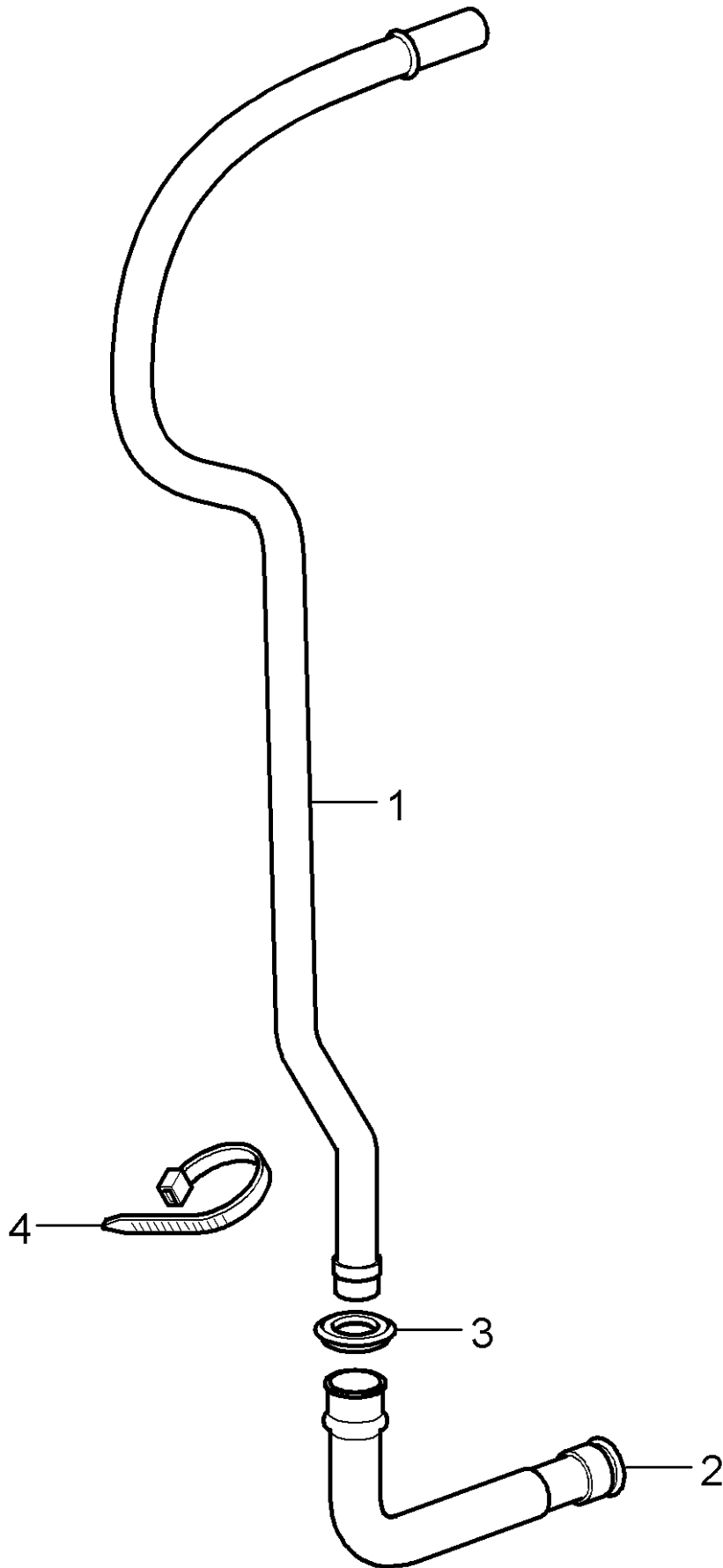
Model: 987 05

Model life 2005>>2008

Pos	Part Number	Description	Remark	Qty	Model
14	996 573 921 02	D - MJ 2008>> Servomotor for defroster flap Identification: >> >> yellow	lhd	1	PR:098
(14)	996 573 921 03	Servomotor for defroster flap Identification: >> >> yellow	rhd	1	PR:099
15	1H0 907 543 A	Temperature sensor		1	
16	996 573 917 02	central flap positioning motor Identification: >> >> green	lhd	1	PR:098
(16)	996 573 917 03	central flap positioning motor Identification: >> >> green	rhd	1	PR:099
17	996 573 923 00	Resistor		1	
-	996 573 927 00	Blower outlet sensor		1	PR:573
-	1H0 819 943	round hd. screw		2	
18	997 573 935 00	Bungs		1	

Model: 987 05

Model life 2005>>2008



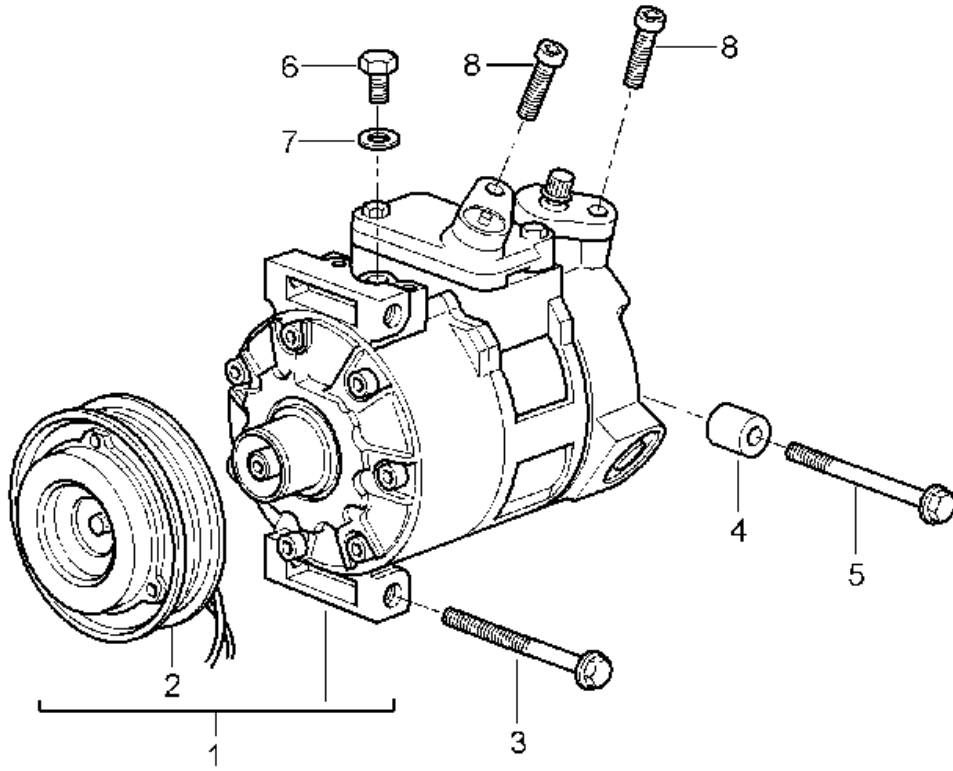
Model: 987 05

Model life 2005>>2008

Pos	Part Number	Description	Remark	Qty	Model
		water drain pipe			
		Mount			
		Air conditioner			
1	996 573 793 01	water drain pipe	lhd	1	PR:098
1	996 573 794 01	water drain pipe	rhd	1	PR:099
2	996 573 797 02	Connecting piece		1	
3	996 573 795 01	Grommet		1	
4	999 513 049 40	Cable ties		1	

Model: 987 05

Model life 2005>>2008



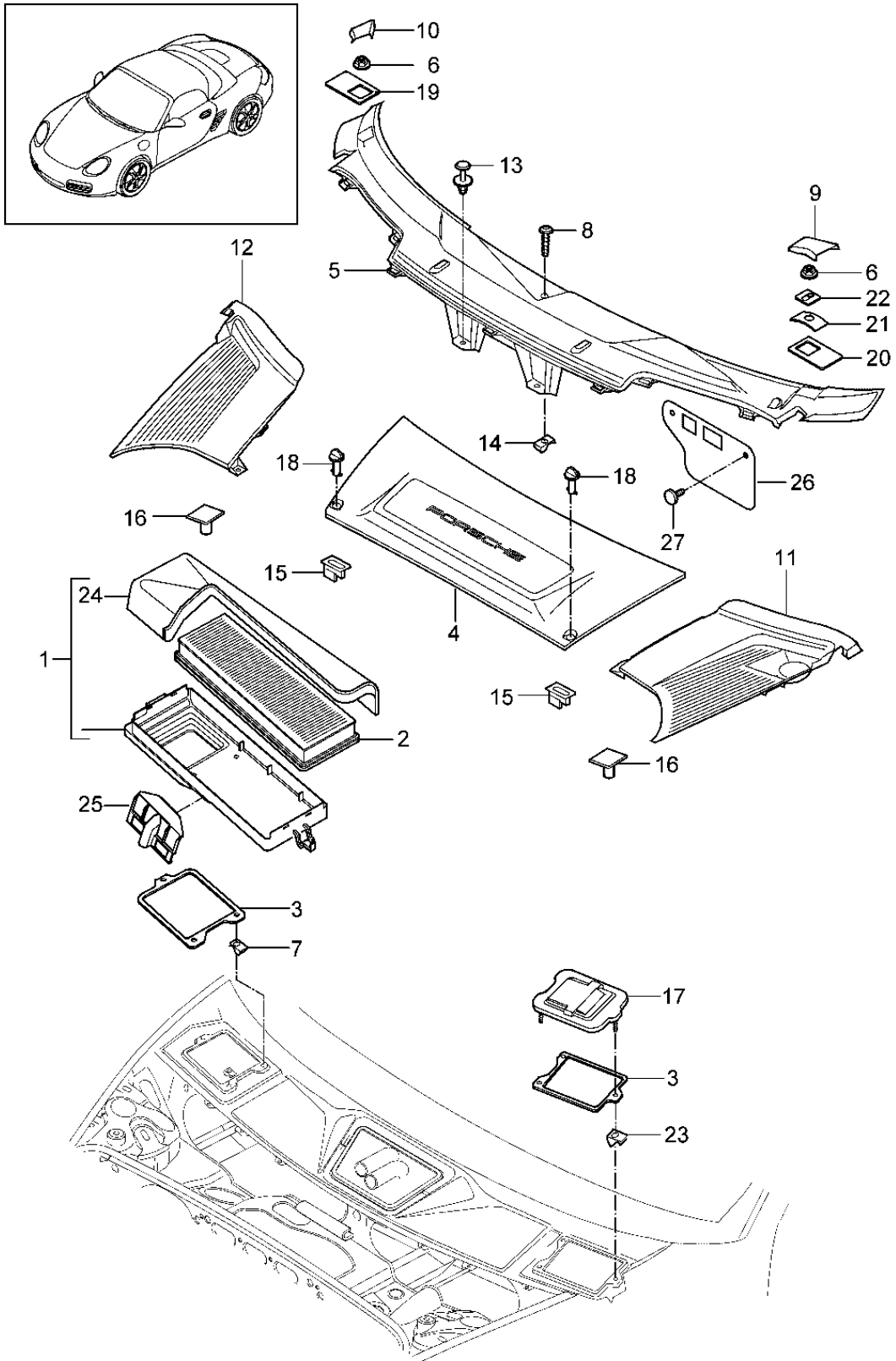
Model: 987 05

Model life 2005>>2008

Pos	Part Number	Description	Remark	Qty	Model
1	996 126 011 52	Compressor		1	
2	996 573 926 00	Magnetic coupling		1	
3	900 378 075 09	Hexagon bolt M 8X90		2	
		D >> - MJ 2006			
(3)	900 385 102 01	Torx screw M 8x90		2	
		D - MJ 2007>>			
4	996 126 102 53	Distance piece		1	
5	900 378 136 09	Hexagon bolt M 8X120		1	
		D >> - MJ 2006			
(5)	900 385 281 01	Torx screw M 8x120		1	
		D - MJ 2007>>			
6	996 573 926 01	Oil filler screw		1	
7	996 573 926 02	seal ring		1	
8	900 067 147 02	Socket head bolt		2	
		Discontinued part			
8	900 067 147 01	Socket head bolt		2	
-	000 043 200 04	Compressor oil 250 ml		1	

Model: 987 05

Model life 2005>>2008



Model: 987 05 Model life 2005>>2008

Pos	Part Number	Description	Remark	Qty	Model
1	997 572 019 04	Particulate filter housing	lhd	1	PR:098
(1)	997 572 019 05	Cowl panel covering housing	rhd	1	PR:099
2	997 571 219 01	Dust and pollen filter		1	
3	997 572 221 00	Seal		1	
4	997 572 567 04	Battery cover		1	
5	997 572 567 04 FMT	Black			
	997 572 563 08	Cover	lhd	1	PR:098
		Scuttle			
	997 572 563 08 FMT	Black			
(5)	997 572 563 09	Cover	rhd	1	PR:099
		Scuttle			
	997 572 563 09 FMT	Black			
6	999 076 071 02	Hexagon nut M6		2	
7	999 507 348 01	panel nut		3	
8	N 906 487 04	Hexagon socket oval head bolt		1	
9	997 572 569 04	Cover cap	left lhd	2	PR:098
	997 572 569 04 FMT	Black			
9	997 572 569 05	Cover cap	left rhd	2	PR:099
	997 572 569 05 FMT	Black			
10	997 572 570 04	Cover cap	right lhd	1	PR:098
	997 572 570 04 FMT	Black			
(10)	997 572 570 05	Cover cap	right rhd	1	PR:099
	997 572 570 05 FMT	Black			
11	997 572 361 07	Plenum chamber cover	left	1	
	997 572 361 07 02A	Black			
12	997 572 362 08	Plenum chamber cover	right	1	
	997 572 362 08 02A	Black			
13	999 507 497 40	Spreader rivet 8 X 14		2	
14	999 507 834 41	expanding nut ST 4,8		1	
15	999 590 046 40	Cam disc		2	
16	999 902 046 40	catch		1	
17	997 572 419 03	Cover		1	
18	997 572 867 00	Locking bolt		2	
	997 572 867 00 02A	Black			
18	997 572 867 01	Locking bolt		2	
	997 572 867 01 02A	Black			
19	997 572 842 00	Pressure plate (passenger side)		1	
		D >> - MJ 2006			
		Discontinued part			
19	997 572 842 01	Pressure plate (passenger side)	right lhd	1	PR:098
		D - MJ 2007>>			
19	997 572 842 02	Pressure plate (passenger side)	left rhd	1	PR:099
		D - MJ 2007>>			
20	997 572 841 00	Pressure plate (drivers side)		1	
21	997 572 837 00	spring plate (drivers side)		1	
22	997 572 533 00	Retaining plate (drivers side)		1	
23	999 591 855 01	panel nut		3	
24	997 572 729 02	Dust and pollen filter insert	lhd	1	PR:098
		Particulate filter			
(24)	997 572 729 03	Dust and pollen filter insert	rhd	1	PR:099
		Particulate filter			

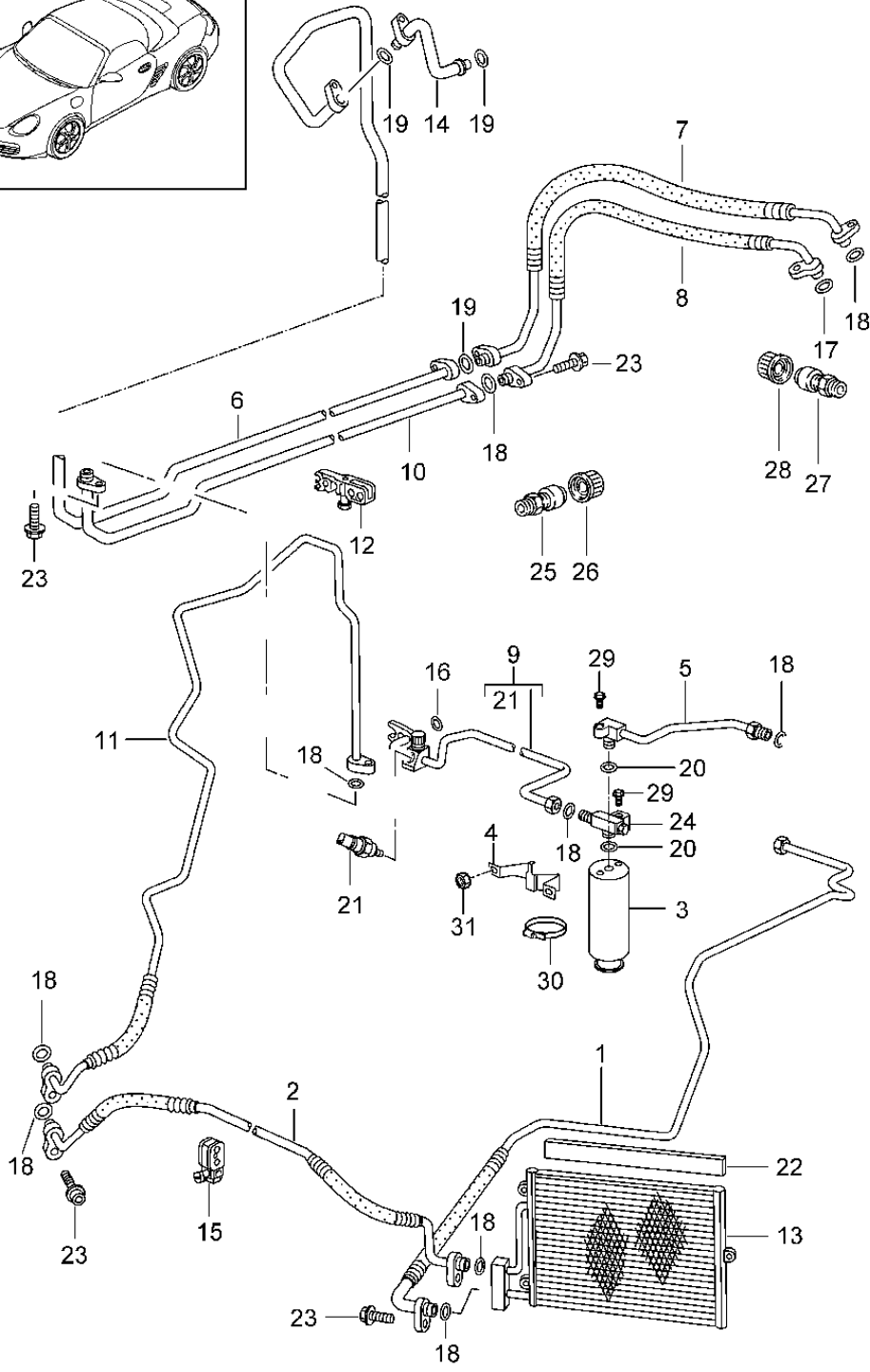
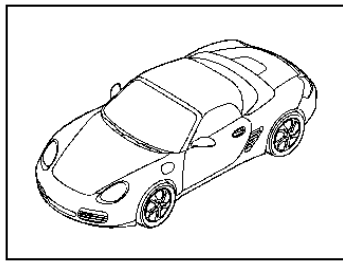
Model: 987 05

Model life 2005>>2008

Pos	Part Number	Description	Remark	Qty	Model
25	997 572 862 01	Support		1	
26	997 572 763 00	Cover		1	
27	999 703 432 40	Bungs 8,0 12,2 X 25		2	

Model: 987 05

Model life 2005>>2008

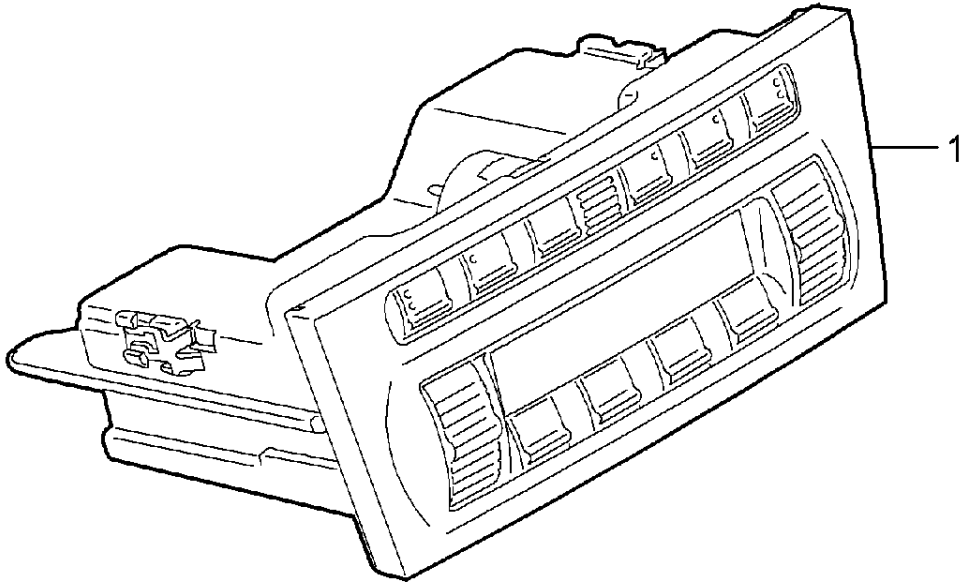


Model: 987 05 Model life 2005>>2008

Pos	Part Number	Description	Remark	Qty	Model
		refrigerant circuit			
1	997 573 105 03	Pressure line		1	
2	997 573 103 02	Pressure line		1	
3	944 573 143 01	Drier		1	
4	996 573 451 00	bracket for drier		1	
5	996 573 106 00	Refrigerant line		1	
6	996 573 091 01	suction line		1	
7	987 573 099 00	suction line		1	9625,9626
7	987 573 099 01	suction line		1	9720,9721, 9722
8	987 573 097 02	Pressure line		1	9625,9626
8	987 573 097 04	Pressure line		1	9720,9721, 9722
9	997 573 108 02	Pressure line	lhd	1	PR:098
(9)	997 573 108 01	Pressure line	rhd	1	PR:099
		Discontinued part			
(9)	997 573 108 03	Pressure line	rhd	1	PR:099
10	996 573 092 02	Pressure line		1	
11	997 573 094 02	Pressure line		1	
12	996 347 543 00	Cable holder		2	
13	996 573 111 03	Condenser		2	
14	996 573 093 06	suction line	lhd	1	PR:098
(14)	996 573 093 07	suction line	rhd	1	PR:099
15	996 347 543 00	Cable holder		X	
16	999 707 247 40	O-ring		2	
		7,5X2			
17	999 707 439 41	O-ring		8	
		23,8X2,4			
18	999 707 434 41	O-ring		8	
		10,6X2			
19	999 707 534 41	O-ring		X	
		17X2			
20	999 707 262 40	O-ring		X	
		6,7X1,8			
21	1K0 959 126 B	Pressure sensor		1	
		use if required:			
		Discontinued part			
(21)	955 613 137 01	Pressure sensor		1	
		use if required:			
		Discontinued part			
(21)	955 613 137 02	Pressure sensor		1	
		use if required:			
-	999 707 555 41	O-ring		1	
		10,8 X 1,8			
22	996 573 711 00	Cover trim		2	
23	900 067 019 03	Socket head bolt		X	
24	997 573 243 00	Distributor		1	
25	996 573 465 00	Valve		1	
		suction line			
26	944 573 663 02	Cap		1	
27	996 573 466 00	Pressure valve		1	
		Pressure line			
28	944 573 663 01	Cap		1	
29	900 075 340 01	Bolt with washer		1	
		M6x22			
30	999 512 349 01	Hose clamp		1	
		A50-70/9			

Model: 987 05

Model life 2005>>2008

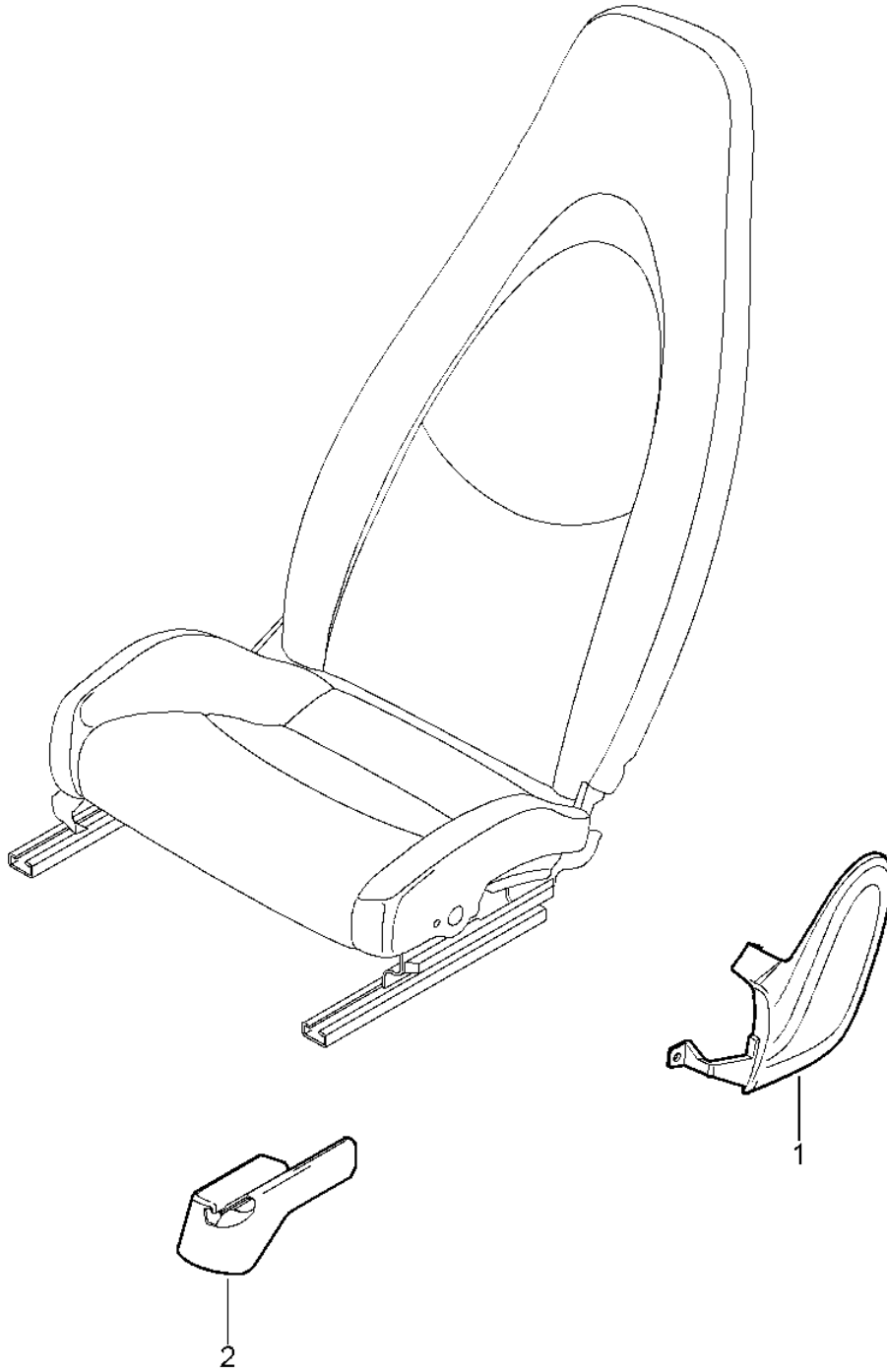


Model: 987 05 Model life 2005>>2008

Pos	Part Number	Description	Remark	Qty	Model
1	997 653 103 10	Control switch Control panel D >> - MJ 2007		1	PR:572
1	997 653 103 10 FMH 997 653 103 13	Volcano Grey/Black Mat Control panel D - MJ 2008>>		1	PR:572
(1)	997 653 103 13 FMH 997 653 113 10	Volcano Grey/Black Mat Control panel D >> - MJ 2007		1	PR:572,342
(1)	997 653 113 10 FMH 997 653 113 13	Volcano Grey/Black Mat Control panel D - MJ 2008>>		1	PR:572,342
(1)	997 653 113 13 FMH 997 653 101 09	Volcano Grey/Black Mat Control panel D >> - MJ 2007		1	PR:573
(1)	997 653 101 09 FMH 997 653 101 13	Volcano Grey/Black Mat Control panel D - MJ 2008>>		1	PR:573
(1)	997 653 101 13 FMH 997 653 111 09	Volcano Grey/Black Mat Control panel D >> - MJ 2007		1	PR:573,342
(1)	997 653 111 09 FMH 997 653 111 13	Volcano Grey/Black Mat Control panel D - MJ 2008>>		1	PR:573,342
	997 653 111 13 FMH	Volcano Grey/Black Mat			

Model: 987 05

Model life 2005>>2008

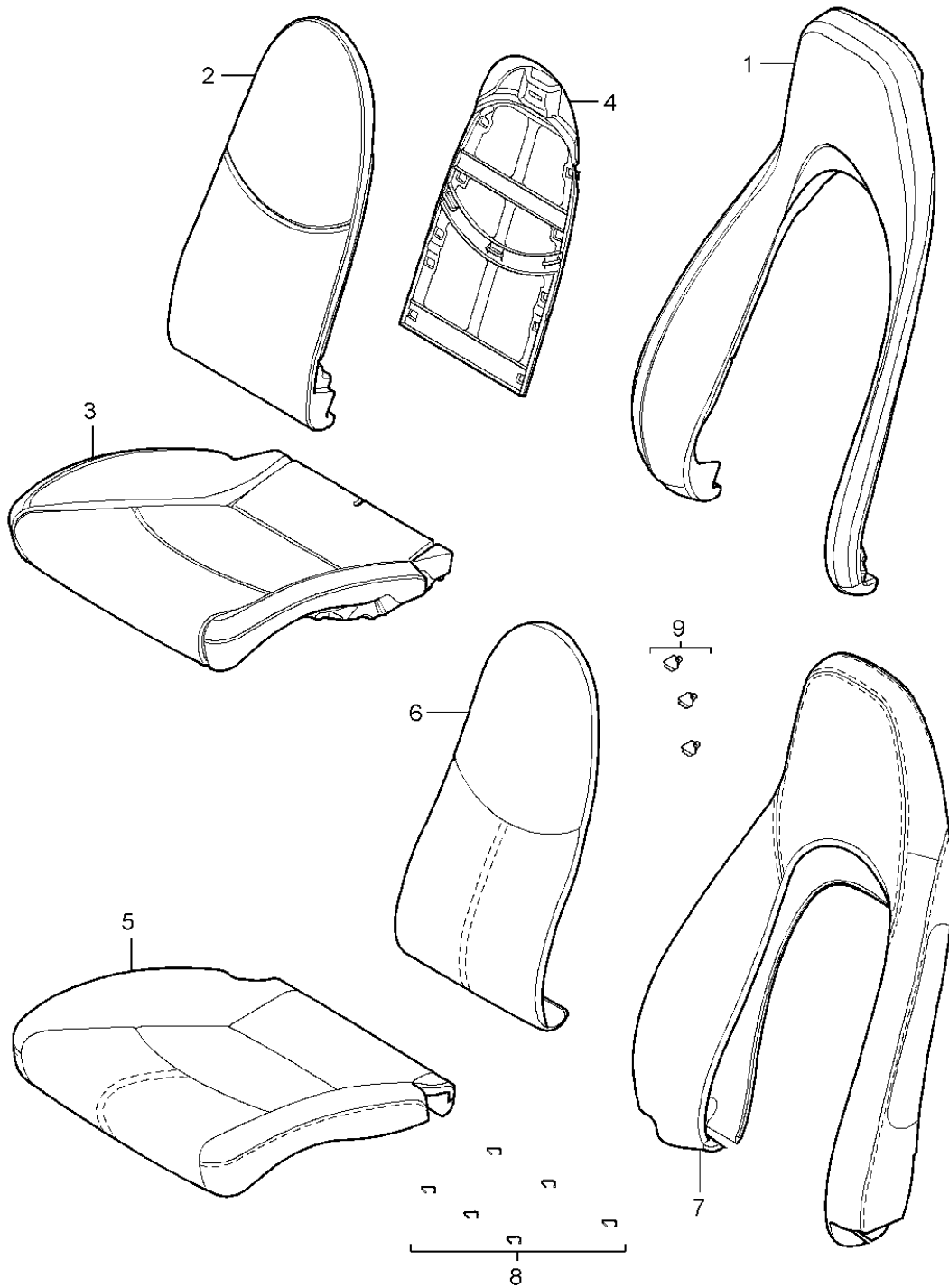


Model: 987 05 Model life 2005>>2008

Pos	Part Number	Description	Remark	Qty	Model
		Front seat Standard seat Comfort seat (complete) Not available D - MJ 2005>>			BOXSTER BOXSTER S
1	997 521 315 02	Cover panel Mounting component	left	1	PR:369,375, 377,437
(1)	997 521 315 02 D07 997 521 316 02	Volcano grey Cover panel Mounting component	right	1	PR:370,376, 378,438
(1)	997 521 316 02 D07 997 521 316 03	Volcano grey Cover panel Mounting component For vehicles with 'Advanced' airbag D - MJ 2006>>	right	1	PR:370,376, 378,438,560
2	997 521 316 03 D07 997 521 359 01	Volcano grey Rail Seat rail	left	1	PR:369,375
(2)	997 521 359 01 01C 997 521 360 01	Satin black Rail Seat rail	right	1	PR:370,376
(2)	997 521 360 01 01C 997 521 361 00	Satin black Rail Seat rail	left	1	PR:370,376, 377,378,437, 438
(2)	997 521 361 00 01C 997 521 362 00	Satin black Rail Seat rail	right	1	PR:369,375, 377,378,437, 438
	997 521 362 00 01C	Satin black			

Model: 987 05

Model life 2005>>2008



Model: 987 05 Model life 2005>>2008

Pos	Part Number	Description	Remark	Qty	Model
		Foam part Cover Standard seat Comfort seat D - MJ 2005>>			BOXSTER BOXSTER S
1	997 521 535 00	Foam part backrest	outer	2	PR:369,370, 437,438
2	997 521 581 00	Foam part backrest	center	2	PR:369,370, 375,376,377, 378,437,438
3	997 521 571 00	Foam part Seat cushion		1	PR:369,370, 437,438
(3)	997 521 571 03	Foam part Seat cushion For vehicles with 'Advanced' airbag D - MJ 2006>>		1	PR:370,438, 560
4	997 521 551 01	Backrest-padding support part		2	PR:369,370, 375,376,377, 378,437,438
5	987 521 161 00	Seat cover		2	PR:369,370, 950
	987 521 161 00 FLA	Black			
	987 521 161 00 FLD	Stone grey			
	987 521 161 00 FLG	Sand beige			
	987 521 161 00 FLK	sea blue			
	987 521 161 00 FLN	Palm green			
(5)	997 521 161 00	Seat cover Leatherette		1	PR:369,370, 437,946
	997 521 161 00 FLB	Black			
	997 521 161 00 FLE	Stone grey			
	997 521 161 00 FLH	Sand beige			
	997 521 161 00 FLL	sea blue			
	997 521 161 00 FLO	Palm green			
(5)	997 521 161 01	Seat cover Leather		1	PR:369,370, 437,983
	997 521 161 01 FLC	Black			
	997 521 161 01 FLF	Stone grey			
	997 521 161 01 FLJ	Sand beige			
	997 521 161 01 FLM	sea blue			
	997 521 161 01 FLP	Palm green			
	997 521 161 01 FLQ	Terracotta			
	997 521 161 01 FLR	Cocoa			
	997 521 161 01 BCA	Black/stone grey			
	997 521 161 01 VAA	Dark grey/natural			
	997 521 161 01 VAB	Brown/natural			
	997 521 161 01 VAC	Carrera Red			
(5)	997 521 161 02	Seat cover Draped leather		1	PR:369,370, 437,982
	997 521 161 02 FLC	Black			
	997 521 161 02 FLF	Stone grey			
	997 521 161 02 FLJ	Sand beige			
	997 521 161 02 FLM	sea blue			
	997 521 161 02 FLP	Palm green			
	997 521 161 02 FLQ	Terracotta			
	997 521 161 02 FLR	Cocoa			
	997 521 161 02 BCA	Black/stone grey			
	997 521 161 02 VAA	Dark grey/natural			
	997 521 161 02 VAB	Brown/natural			
	997 521 161 02 VAC	Carrera Red			
6	987 521 151 00	Backrest cushion cover Centre part Alcantara		2	PR:369,370, 950

Model: 987 05 Model life 2005>>2008

Pos	Part Number	Description	Remark	Qty	Model	
	987 521 151 00 A15	Black				
	987 521 151 00 B15	Stone grey				
	987 521 151 00 T45	Sand beige				
	987 521 151 00 G15	Metropole blue				
	987 521 151 00 J45	Palm green				
(6)	997 521 151 00	Backrest cushion cover Centre part		1	PR:946	
	997 521 151 00 A08	Black				
	997 521 151 00 5D6	Stone grey				
	997 521 151 00 T25	Sand beige				
	997 521 151 00 3W7	sea blue				
	997 521 151 00 4Q2	Palm green				
(6)	997 521 151 00	Backrest cushion cover Centre part		1	PR:983	
	997 521 151 00 8YR	Black				
	997 521 151 00 5X5	Stone grey				
	997 521 151 00 8G1	Sand beige				
	997 521 151 00 3S8	sea blue				
	997 521 151 00 4P1	Palm green				
	997 521 151 00 9N2	Terracotta				
	997 521 151 00 9Q3	Cocoa				
	997 521 151 00 D11	Dark grey/natural				
	997 521 151 00 T11	Brown/natural				
	997 521 151 00 N11	Carrera Red				
	(6)	997 521 151 01	Backrest cushion cover Centre part		1	PR:369,370, 437,438,982
	997 521 151 01 8YR	Black				
	997 521 151 01 5X5	Stone grey				
	997 521 151 01 8G1	Sand beige				
	997 521 151 01 3S8	sea blue				
	997 521 151 01 4P1	Palm green				
	997 521 151 01 9N2	Terracotta				
	997 521 151 01 9Q3	Cocoa				
	997 521 151 01 D11	Dark grey/natural				
	997 521 151 01 T11	Brown/natural				
	997 521 151 01 N11	Carrera Red				
	7	987 521 141 00	backrest cover (alcantara) Outer part	left	1	PR:369,950
	987 521 141 00 FLA	Black				
	987 521 141 00 FLD	Stone grey				
	987 521 141 00 FLG	Sand beige				
	987 521 141 00 FLK	sea blue				
	987 521 141 00 FLN	Palm green				
(7)	987 521 142 00	backrest cover (alcantara) Outer part	right	1	PR:370,950	
	987 521 142 00 FLA	Black				
	987 521 142 00 FLD	Stone grey				
	987 521 142 00 FLG	Sand beige				
	987 521 142 00 FLK	sea blue				
	987 521 142 00 FLN	Palm green				
(7)	987 521 141 01	Backrest cover Outer part	left	1	PR:369,437, 946	
	D	>> - MJ 2006				
	987 521 141 01 FLB	Black				
	987 521 141 01 FLE	Stone grey				
	987 521 141 01 FLH	Sand beige				
	987 521 141 01 FLL	sea blue				
	987 521 141 01 FLO	Palm green				
	(7)	987 521 142 01	Backrest cover Outer part	right	1	PR:370,438, 946
	D	>> - MJ 2006				
	987 521 142 01 FLB	Black				
	987 521 142 01 FLE	Stone grey				

Model: 987 05 Model life 2005>>2008

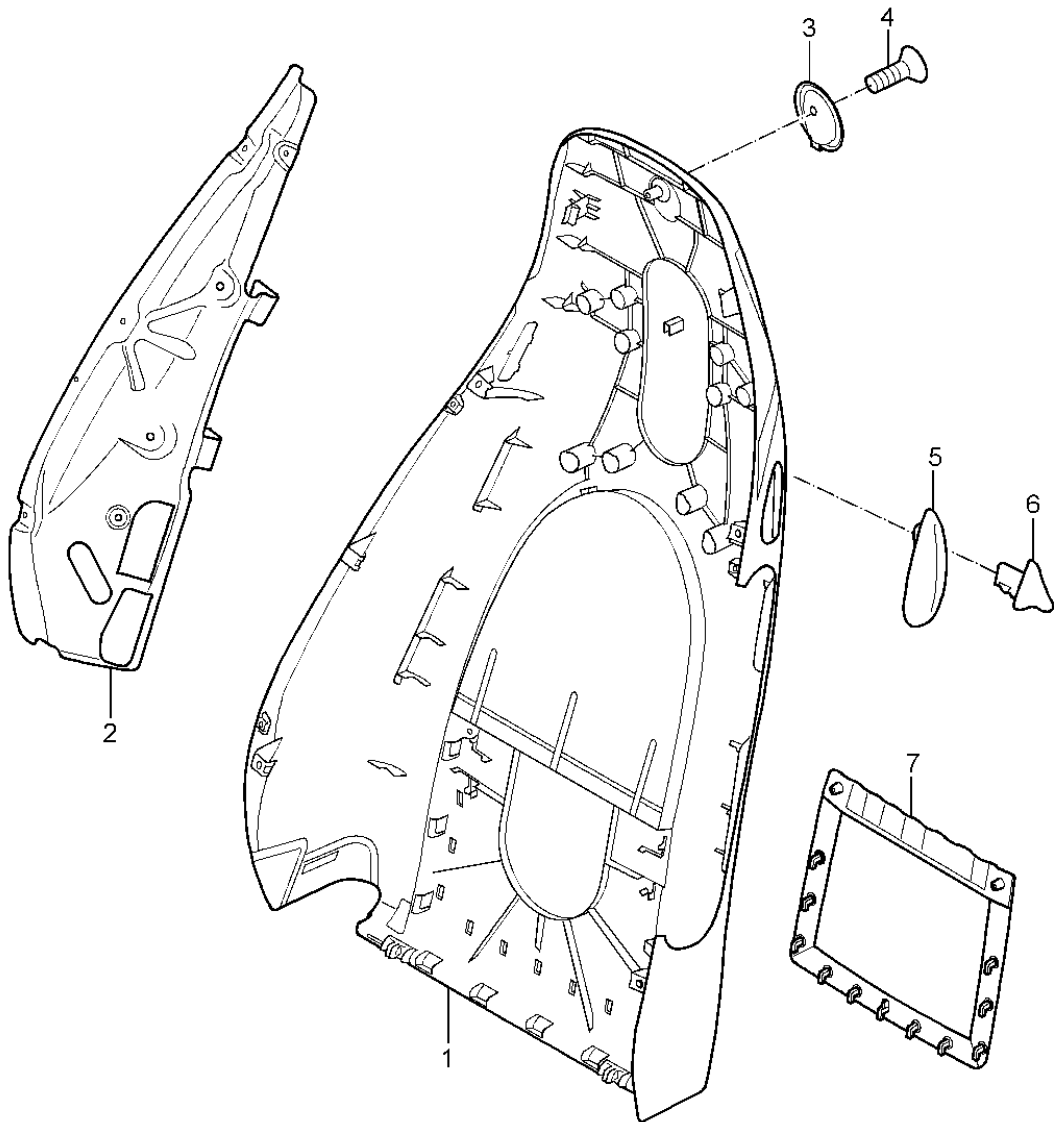
Pos	Part Number	Description	Remark	Qty	Model
(7)	987 521 142 01 FLH	Sand beige	left	1	PR:369,437, 946
	987 521 142 01 FLL	sea blue			
	987 521 142 01 FLO	Palm green			
	987 521 141 03	Backrest cover D - MJ 2007>>			
	987 521 141 03 FLB	Black			
	987 521 141 03 FLE	Stone grey			
	987 521 141 03 FLH	Sand beige			
(7)	987 521 141 03 FLL	sea blue	right	1	PR:370,438, 946
	987 521 141 03 FLO	Palm green			
	987 521 142 03	Backrest cover Outer part D - MJ 2007>>			
	987 521 142 03 FLB	Black			
	987 521 142 03 FLE	Stone grey			
	987 521 142 03 FLH	Sand beige			
	987 521 142 03 FLL	sea blue			
(7)	987 521 142 03 FLO	Palm green	left	1	PR:369,437, 982,983
	987 521 141 02	Backrest cover Outer part			
	987 521 141 02 FLC	Black			
	987 521 141 02 FLF	Stone grey			
	987 521 141 02 FLJ	Sand beige			
	987 521 141 02 FLM	sea blue			
	987 521 141 02 FLP	Palm green			
	987 521 141 02 FLQ	Terracotta			
	987 521 141 02 FLR	Cocoa			
	987 521 141 02 VAA	Dark grey/natural			
	987 521 141 02 VAB	Brown/natural			
	987 521 142 02	Backrest cover Outer part			
	987 521 142 02 FLC	Black			
	987 521 142 02 FLF	Stone grey			
	987 521 142 02 FLJ	Sand beige			
	987 521 142 02 FLM	sea blue			
	987 521 142 02 FLP	Palm green			
987 521 142 02 FLQ	Terracotta				
987 521 142 02 FLR	Cocoa				
987 521 142 02 VAA	Dark grey/natural				
987 521 142 02 VAB	Brown/natural				
(7)	987 521 941 00	Backrest cover Outer part D >> - MJ 2007	left	1	PR:XSC,946, 369,437
	987 521 941 00 A08	Black			
	987 521 941 00 5D6	Stone grey			
	987 521 941 00 3W7	sea blue			
	987 521 941 00 4Q2	Palm green			
	987 521 941 00 T25	Sand beige			
	987 521 941 03	Backrest cover Outer part D - MJ 2008>>			
	987 521 941 03 A08	Black			
	987 521 941 03 5D6	Stone grey			
	987 521 941 03 3W7	sea blue			
(7)	987 521 941 03 T25	Sand beige	left	1	PR:XSC,946, 369,437
	987 521 941 04	Backrest cover Outer part			
	987 521 941 04 5D6	Stone grey			
	987 521 941 04 3W7	sea blue			
	987 521 941 04 T25	Sand beige			
(7)	987 521 941 04 A08	Black	left	1	PR:XSC,946, 541,369,437
	987 521 941 04 5D6	Stone grey			
	987 521 941 04 3W7	sea blue			
	987 521 941 04 T25	Sand beige			
	987 521 941 04 A08	Black			
(7)	987 521 942 00	Backrest cover	right	1	PR:XSC,946,

Model: 987 05 Model life 2005>>2008

Pos	Part Number	Description	Remark	Qty	Model
		Outer part D >> - MJ 2007			370,438
	987 521 942 00 A08	Black			
	987 521 942 00 5D6	Stone grey			
	987 521 942 00 3W7	sea blue			
	987 521 942 00 4Q2	Palm green			
	987 521 942 00 T25	Sand beige			
(7)	987 521 942 03	Backrest cover Outer part D - MJ 2008>>	right	1	PR:XSC,946, 370,438
	987 521 942 03 A08	Black			
	987 521 942 03 5D6	Stone grey			
	987 521 942 03 3W7	sea blue			
	987 521 942 03 T25	Sand beige			
(7)	987 521 942 04	Backrest cover Outer part	right	1	PR:XSC,946, 541,370,438
	987 521 942 04 5D6	Stone grey			
	987 521 942 04 3W7	sea blue			
	987 521 942 04 T25	Sand beige			
	987 521 942 04 A08	Black			
(7)	987 521 941 01	Backrest cover Outer part	left	1	PR:XSC,982, 983,369,437
	987 521 941 01 8YR	Black			
	987 521 941 01 5X5	Stone grey			
	987 521 941 01 8G1	Sand beige			
	987 521 941 01 3S8	sea blue			
	987 521 941 01 4P1	Palm green			
	987 521 941 01 9N2	Terracotta			
	987 521 941 01 9Q3	Cocoa			
	987 521 941 01 D11	Dark grey/natural			
	987 521 941 01 T11	Brown/natural			
	987 521 941 01 N11	Carrera Red			
(7)	987 521 942 01	Backrest cover Outer part	right	1	PR:XSC,982, 983,370,438
	987 521 942 01 8YR	Black			
	987 521 942 01 5X5	Stone grey			
	987 521 942 01 8G1	Sand beige			
	987 521 942 01 3S8	sea blue			
	987 521 942 01 4P1	Palm green			
	987 521 942 01 9N2	Terracotta			
	987 521 942 01 9Q3	Cocoa			
	987 521 942 01 D11	Dark grey/natural			
	987 521 942 01 T11	Brown/natural			
	987 521 942 01 N11	Carrera Red			
8	N 015 261 2	Clip Padding		6	
		Seat			
9	997 521 897 00	Clip Backrest cover		5	

Model: 987 05

Model life 2005>>2008

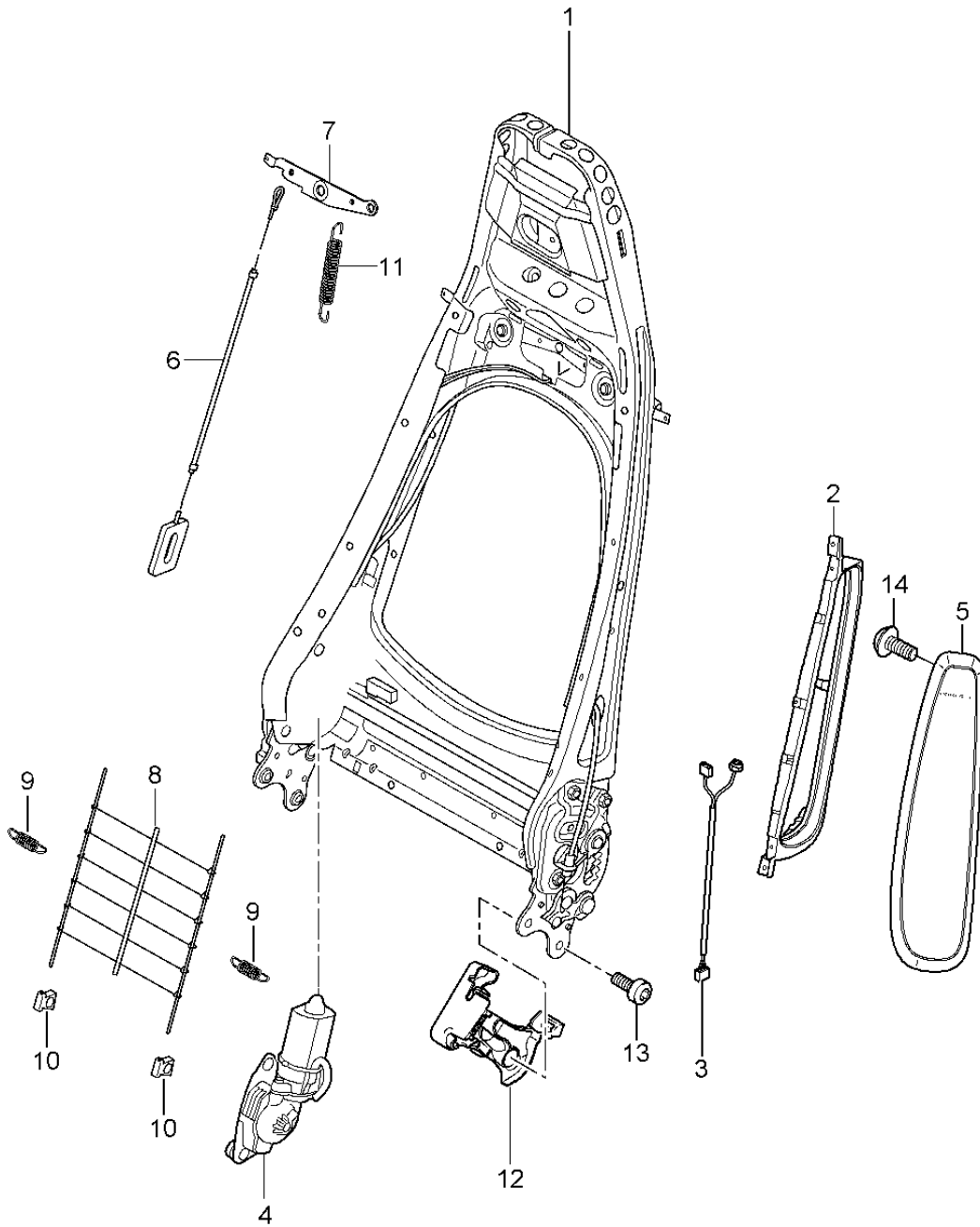


Model: 987 05 Model life 2005>>2008

Pos	Part Number	Description	Remark	Qty	Model
		Backrest shell Standard seat Comfort seat D - MJ 2005>>			BOXSTER BOXSTER S
1	987 521 303 02	Backrest shell D - MJ 2005>> - MJ 2005	left	1	PR:369,437
(1)	987 521 303 02 01C	Satin black			
(1)	987 521 304 02	Backrest shell D - MJ 2005>> - MJ 2005	right	1	PR:370,438
(1)	987 521 304 02 01C	Satin black			
(1)	987 521 303 04	Backrest shell D - MJ 2006>>	left	1	PR:369,437
(1)	987 521 303 04 01C	Satin black			
(1)	987 521 304 04	Backrest shell D - MJ 2006>>	right	1	PR:370,438
(2)	987 521 304 04 01C	Satin black			
2	997 521 319 00	Support	left	1	
2	997 521 320 00	Support	right	1	
3	997 521 373 01	Backrest side bolster Coat hook		2	
4	997 521 373 01 D07	Volcano grey			
4	999 919 199 09	countersunk bolt Coat hook 5,0 X 25-M		1	
5	997 521 621 02	Rosette lever for folding backrest	left	1	PR:369,370, 437,438
(5)	997 521 621 02 D07	Volcano grey			
(5)	997 521 622 02	Rosette lever for folding backrest	right	1	PR:369,370, 437,438
6	997 521 622 02 D07	Volcano grey			
6	987 521 623 01	Actuator button lever for folding backrest	left	1	
(6)	987 521 623 01 V05	Galvano silver			
(6)	987 521 624 01	Actuator button lever for folding backrest	right	1	
7	987 521 624 01 V05	Galvano silver			
7	997 521 313 01	Pocket Backrest shell		1	PR:369,370, 437,438,982, 983
(7)	997 521 313 01 8YR	Black			
(7)	987 521 313 01	Pocket Backrest shell		1	PR:369,370, 437,438,946, 950
	987 521 313 01 5Q2	Black			

Model: 987 05

Model life 2005>>2008



Model: 987 05 Model life 2005>>2008

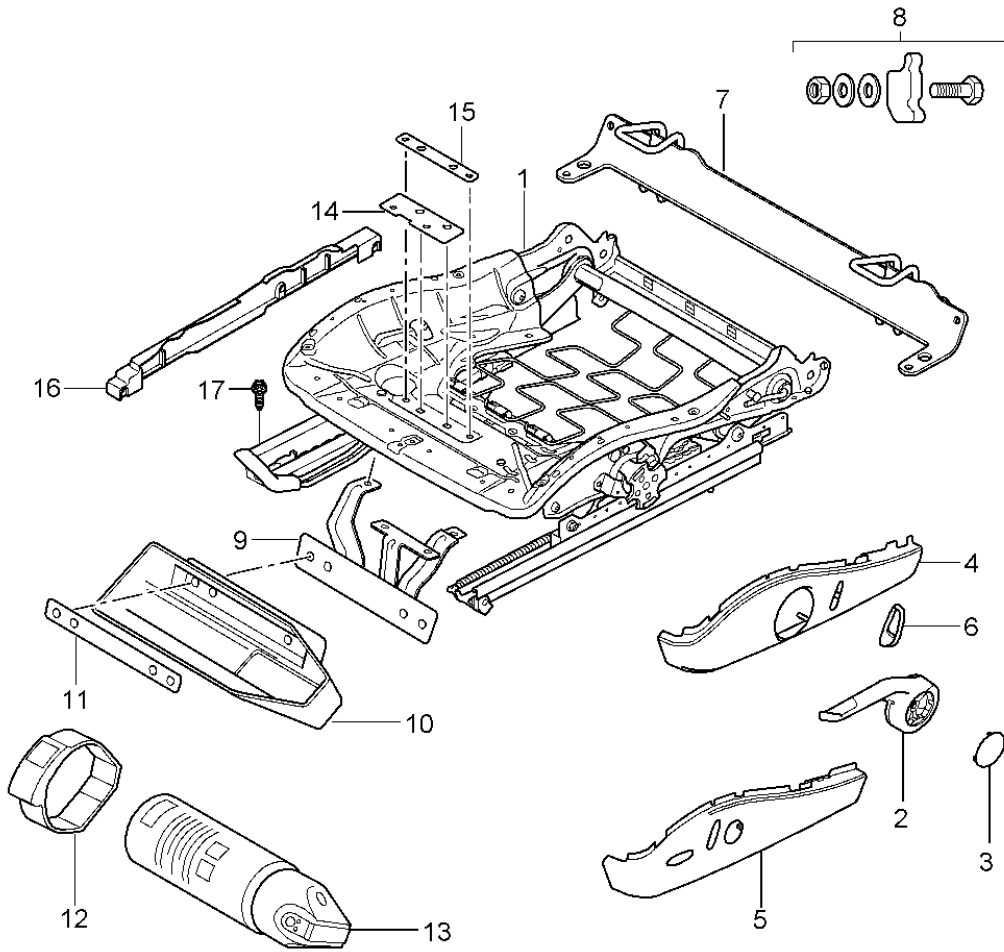
Pos	Part Number	Description	Remark	Qty	Model
1	997 521 329 00	Backrest frame Standard seat Comfort seat D - MJ 2005>> backrest frame	left a. right	2	BOXSTER BOXSTER S PR:369,370, 437,438
		without:			
(1)	997 521 329 02	Memory D >> - MJ 2007 backrest frame	left a. right	2	PR:369,370, 437,438
		without:			
(1)	997 521 329 01	Memory D - MJ 2008>> backrest frame	left a. right	2	PR:537,538
(1)	997 521 329 03	D >> - MJ 2007 backrest frame	left a. right	2	PR:537,538
		with:			
		Memory D - MJ 2008>>			
2	997 521 533 00	Cushion carrier	left	1	PR:369,437
(2)	997 521 534 00	Cushion carrier	right	1	PR:370,438
3	997 612 785 01	Side airbag unit			
(3)	997 612 786 01	Wire set	left	1	PR:537
		Wire set	right	1	PR:538
4	997 624 331 00	Side airbag unit Electric motor	left a. right	1	PR:537,538
(4)	997 624 321 00	Backrest frame Memory Electric motor	left a. right	1	PR:369,370, 437,438
		Backrest frame			
		without:			
5	997 803 081 01	Memory Side airbag unit	left	1	
	997 803 081 01 A03	Black			
	997 803 081 01 5V7	Stone grey			
	997 803 081 01 5Z1	Sand beige			
	997 803 081 01 8W7	sea blue			
	997 803 081 01 5Y2	Palm green			
	997 803 081 01 8X8	Terracotta			
	997 803 081 01 8P9	Cocoa			
	997 803 081 01 T13	Brown/natural			
	997 803 081 01 N23	Carrera Red			
(5)	997 803 082 01	D - MJ 2008>> Side airbag unit	right	1	
	997 803 082 01 A03	Black			
	997 803 082 01 5V7	Stone grey			
	997 803 082 01 5Z1	Sand beige			
	997 803 082 01 8W7	sea blue			
	997 803 082 01 5Y2	Palm green			
	997 803 082 01 8X8	Terracotta			
	997 803 082 01 8P9	Cocoa			
	997 803 082 01 T13	Brown/natural			
	997 803 082 01 N23	Carrera Red			
6	997 521 485 00	D - MJ 2008>> Bowden cable		2	
7	997 521 375 00	Backrest frame Release		1	
8	997 521 855 00	Backrest frame Grille		1	
9	997 521 893 00	Backrest frame tension spring		2	
10	997 521 895 00	Inner spring Clip Inner spring		2	

Model: 987 05 Model life 2005>>2008

Pos	Part Number	Description	Remark	Qty	Model
11	997 521 797 00	tension spring Release backrest		1	
12	997 521 335 01	Trim	left	1	
	997 521 335 01 D07	Volcano grey			
(12)	997 521 336 01	Trim Mounting component	right inner	1	
	997 521 336 01 D07	Volcano grey			
13	999 073 375 09	Screw M10 x 13,0 Mount backrest		4	
14	999 073 306 09	Seat frame Screw Mount Side airbag unit		2	

Model: 987 05

Model life 2005>>2008



Model: 987 05 Model life 2005>>2008

Pos	Part Number	Description	Remark	Qty	Model
		Seat frame Standard seat Comfort seat D - MJ 2005>>			BOXSTER BOXSTER S
1	997 521 201 00	Seat frame D >> - MJ 2006	left lhd	1	PR:098,369, 375
(1)	997 521 201 10	Seat frame Height adjustment Manually (drivers side) D - MJ 2007>>	left lhd lhd	1	PR:098,369, 375
(1)	997 521 202 00	Seat frame Height adjustment Manually (drivers side) D >> - MJ 2007	right rhd	1	PR:099,370, 376
(1)	997 521 202 19	Seat frame Height adjustment Manually (drivers side) D - MJ 2008>>	right rhd	1	PR:099,370, 376
(1)	997 521 201 04	Seat frame D >> - MJ 2006	left	1	PR:377,437
(1)	997 521 201 12	Seat frame D - MJ 2007>>	left	1	PR:377,437
(1)	997 521 202 10	Seat frame D >> - MJ 2006	right	1	PR:378,438
(1)	997 521 202 21	Seat frame Electric without: Memory D - MJ 2007>>	right	1	PR:378,438
(1)	997 521 201 05	Seat frame D >> - MJ 2006	left	1	PR:377,437, 537
(1)	997 521 201 13	Seat frame Memory D - MJ 2007>>	left	1	PR:377,437, 537
(1)	997 521 202 11	Seat frame D >> - MJ 2006	right	1	PR:378,438, 538
(1)	997 521 202 22	Seat frame Electric Memory D - MJ 2007>>		1	PR:378,438, 538
(1)	997 521 201 03	Seat frame D >> - MJ 2006	left rhd	1	PR:099,369, 375
(1)	997 521 201 11	Seat frame Manually (passenger side) D - MJ 2007>>	left rhd rhd	1	PR:099,369, 375
(1)	997 521 202 06	Seat frame D - MJ 2006>> - MJ 2006	right	1	PR:370,376, 560
(1)	997 521 202 23	Seat frame Manually seat occupied recognition D - MJ 2007>>	right	1	PR:370,376, 560
(1)	997 521 202 12	Seat frame D - MJ 2006>> - MJ 2006	right	1	PR:378,438, 560
(1)	997 521 202 24	Seat frame Electric seat occupied recognition D - MJ 2007>>	right	1	PR:378,438, 560
(1)	997 521 202 05	Seat frame D >> - MJ 2006	right lhd	1	PR:098,370, 376

Model: 987 05 Model life 2005>>2008

Pos	Part Number	Description	Remark	Qty	Model
(1)	997 521 202 20	Seat frame Manually (passenger side) D - MJ 2007>>	right lhd lhd	1	PR:098,370, 376
2	997 521 627 01	Actuating lever Height adjustment	left	1	PR:369,375
(2)	997 521 627 01 V05	Galvano silver			
(2)	997 521 628 01	Actuating lever Height adjustment	right	1	PR:370,376
	997 521 628 01 V05	Galvano silver			
3	997 521 629 01	Cover cap Actuating lever	left a. right	2	PR:369,370, 375,376
	997 521 629 01 D07	Volcano grey			
4	997 521 325 06	Trim for switch	left	1	PR:369,375
	997 521 325 06 D07	Volcano grey without: For vehicles with 'Advanced' airbag			
(4)	997 521 326 06	Trim for switch	right	1	PR:370,376
	997 521 326 06 D07	Volcano grey without: For vehicles with 'Advanced' airbag			
5	997 521 325 07	Trim for switch	left	1	PR:437
		without: For vehicles with 'Advanced' airbag			
	997 521 325 07 D07	Volcano grey			
(5)	997 521 326 07	Trim for switch	right	1	PR:438
		without: For vehicles with 'Advanced' airbag			
	997 521 326 07 D07	Volcano grey			
(5)	997 521 326 09	Trim for switch For vehicles with 'Advanced' airbag	right	1	PR:370,376, 560
		D - MJ 2006>>			
	997 521 326 09 D07	Volcano grey			
(5)	997 521 326 10	Trim for switch For vehicles with 'Advanced' airbag	right	1	PR:438,560
		D - MJ 2006>>			
	997 521 326 10 D07	Volcano grey			
6	997 521 631 01	Actuator button backrest		1	PR:369,370, 375,376,377, 378
	997 521 631 01 V05	Galvano silver			
7	997 521 061 01	Retainer plate child seat ISOFIX Not for: AUSTRALIEN		1	
8	997 521 961 01	1 set attachment parts Retainer plate		1	
9	997 521 251 00	Holder for fire extinguisher		1	PR:098,509
(9)	997 521 252 00	Holder for fire extinguisher		1	PR:099,509
10	997 521 607 00	Cup Fire extinguishers		1	PR:509
11	997 521 881 00	Holder for fire extinguisher Cup		1	PR:509
12	997 521 851 00	tensioning strap Fire extinguishers		1	PR:509
13	996 722 115 00	Fire extinguishers		1	PR:509

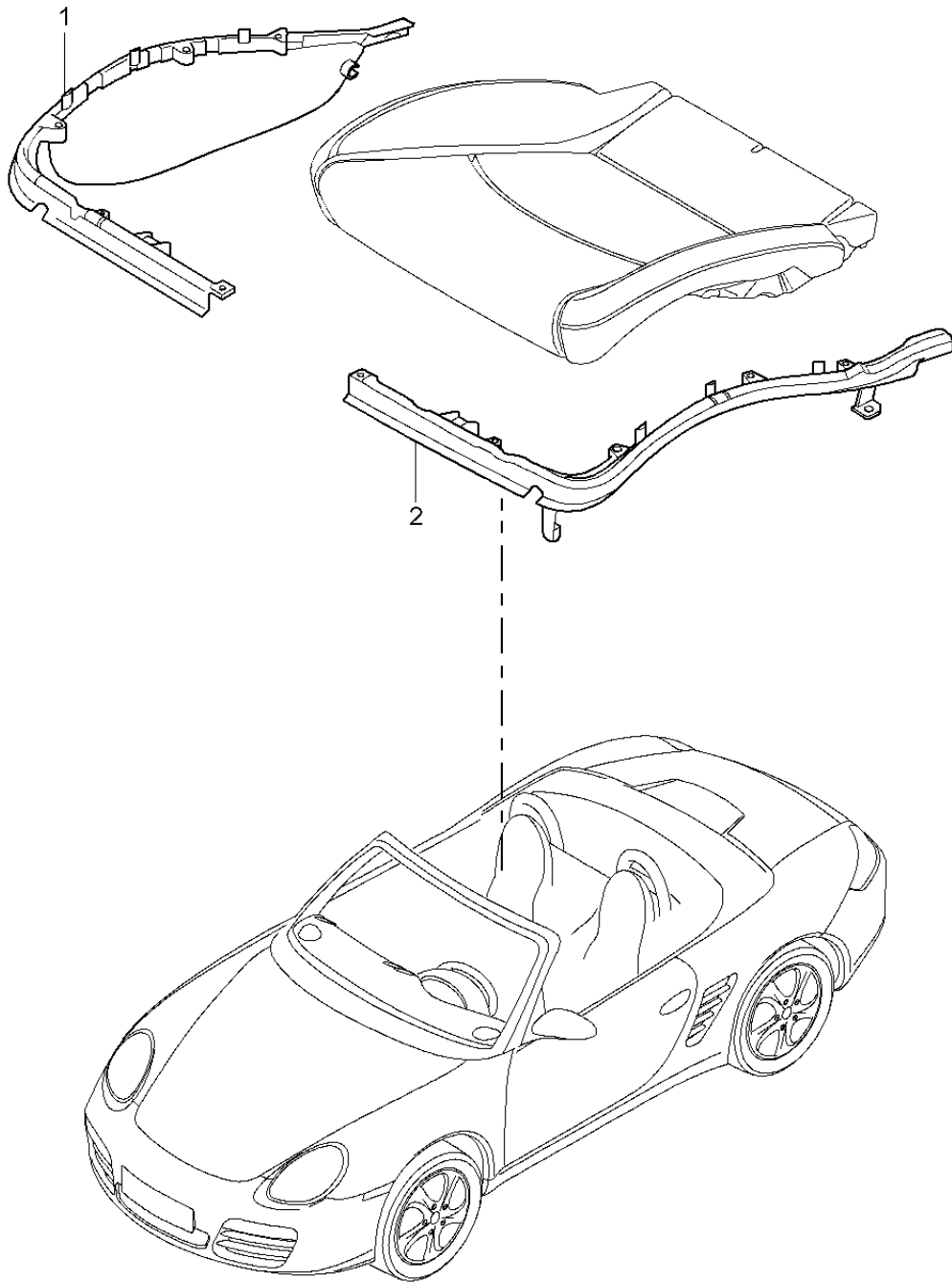
Model: 987 05

Model life 2005>>2008

Pos	Part Number	Description	Remark	Qty	Model
		Information available			
14	997 521 841 00	Reinforcement	front	1	PR:509
15	997 521 843 00	Reinforcement	rear	1	PR:509
(16)	997 521 427 01	Cover	left	1	PR:370,376, 378,438,560
		Sensor			
		Weight			
		D - MJ 2006>>			
	997 521 427 01 01C	Satin black			
16	997 521 426 01	Cover	right	1	PR:370,376, 378,438,560
		Sensor			
		Weight			
	997 521 426 01 01C	Satin black			
17	999 141 047 01	Torx screw		4	
		Mount			
		Seat rail			

Model: 987 05

Model life 2005>>2008



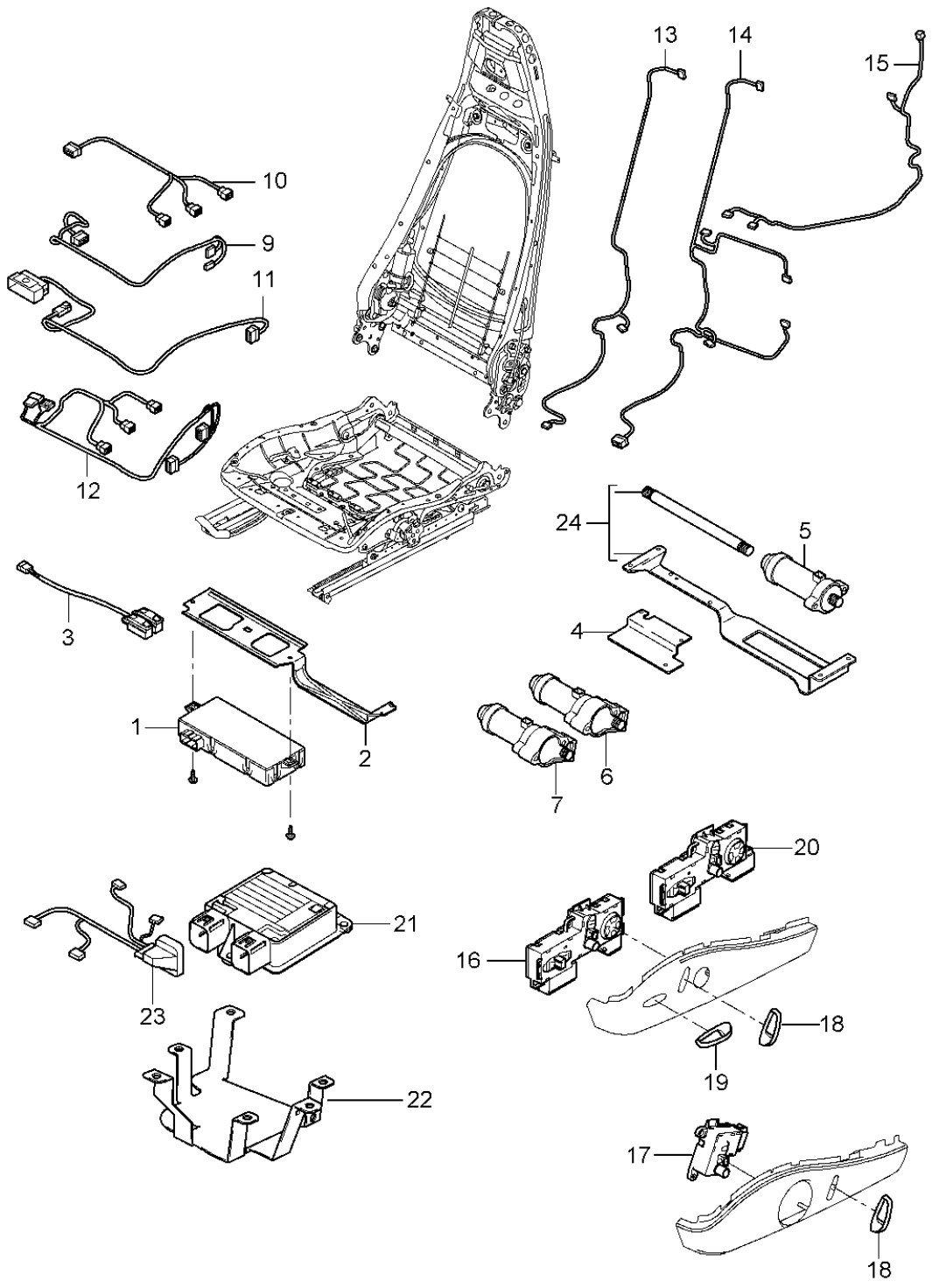
Model: 987 05

Model life 2005>>2008

Pos	Part Number	Description	Remark	Qty	Model
		Cushion carrier Frame Seat surface Standard seat Comfort seat D - MJ 2005>>			BOXSTER BOXSTER S
1	997 521 547 00	Frame	left	1	PR:370,438
(1)	997 521 548 00	Frame	right inner	1	PR:369,437
2	997 521 545 00	Frame	left	1	PR:369,437
(2)	997 521 546 00	Frame	right outer	1	PR:370,438
-	997 521 546 01	without: For vehicles with 'Advanced' airbag Frame	right outer	1	PR:370,438, 560
		with: For vehicles with 'Advanced' airbag D - MJ 2006>>			

Model: 987 05

Model life 2005>>2008



Model: 987 05 Model life 2005>>2008

Pos	Part Number	Description	Remark	Qty	Model
		Wiring looms Control unit Switch Standard seat Comfort seat D - MJ 2005>>			BOXSTER BOXSTER S
1	997 618 537 07	Control unit		1	PR:537,538
2	997 521 643 00	Seating position control Retainer for control units		1	PR:537,538
3	997 613 725 00	Seating position control Switch		1	PR:377
(3)	997 613 725 00 V05 997 613 726 00	Seat adjuster Galvano silver Switch		1	PR:378
4	997 613 726 00 V05	Seat adjuster Galvano silver			
5	997 521 343 00	Bracket for compressor		1	PR:377,378
	997 624 322 00	Electric motor Seat adjuster Lengthways		1	PR:437,438
(5)	997 624 332 00	without: Memory Electric motor Seat adjuster Lengthways		1	PR:537,538
6	997 624 322 00	with: Memory Electric motor Seat adjuster Height adjustment		1	PR:437,438
(6)	997 624 332 00	without: Memory Electric motor Seat adjuster Height adjustment		1	PR:537,538
7	997 624 323 00	with: Memory Electric motor Seat adjuster Tilt angle		1	PR:437,438
(7)	997 624 333 00	without: Memory Electric motor Seat adjuster Tilt angle		1	PR:537,538
9	997 612 684 00	with: Memory Wire set Seat adjuster		1	PR:537,538
10	997 612 690 00	Memory Wire set Lengthways Height adjustment		1	PR:537,538
11	997 612 682 01	Memory Wire set Switch		1	PR:369,370, 375,376
12	997 612 683 01	Seat adjuster Wire set Switch		1	PR:437,438
13	997 612 689 00	Seat adjuster without: Memory Wire set		1	PR:377,378,

Model: 987 05 Model life 2005>>2008

Pos	Part Number	Description	Remark	Qty	Model
		Lumbar support without:			437, 438
14	997 612 687 00	Memory Wire set Lumbar backrest		1	PR:537, 538, 437, 438
15	997 612 685 01	Memory Wire set backrest	left	1	PR:369, 375, 377, 437
(15)	997 612 686 01	Memory Wire set backrest	right	1	PR:370, 376, 378, 438
16	997 613 721 01	switch for seat adjustment	left	1	PR:377, 437, 537
(16)	997 613 721 01 V05	Memory switch Galvano silver			
	997 613 722 01	switch for seat adjustment	right	1	PR:378, 438, 538
	997 613 722 01 V05	Memory switch Galvano silver			
17	997 613 713 00	switch for seat adjustment	left	1	PR:369, 375
(17)	997 613 714 00	switch for seat adjustment	right	1	PR:370, 376
		Manually adjustable			
18	997 521 631 01	Actuator button		1	PR:369, 370, 375
	997 521 631 01 V05	Galvano silver			PR:437, 438
18	997 521 631 02	Actuator button D - MJ 2008>>		1	PR:369, 370, 375
	997 521 631 02 V05	Galvano silver			PR:437, 438
19	997 521 633 02	Actuator button		1	PR:377, 378, 437
	997 521 633 02 V05	Galvano silver			
19	997 521 633 03	Actuator button D - MJ 2008>>		1	PR:377, 378, 437
	997 521 633 03 V05	Galvano silver			
20	997 613 717 01	switch for seat adjustment without:	left	1	PR:377, 437
		Memory			
	997 613 717 01 V05	Galvano silver			
20	997 613 717 02	switch for seat adjustment without:	left	1	PR:377, 437
		Memory			
	997 613 717 02 V05	D - MJ 2008>> Galvano silver			
(20)	997 613 718 01	switch for seat adjustment without:	right	1	PR:378, 438
		Memory			
	997 613 718 01 V05	Galvano silver			
(20)	997 613 718 02	switch for seat adjustment without:	right	1	PR:378, 438
		Memory			
	997 613 718 02 V05	D - MJ 2008>> Galvano silver			
(21)	997 618 233 05	Control unit for seat occupied sensor D - MJ 2006>>		1	PR:370, 376, 378, 438, 560
(22)	997 521 646 00	Retainer for control units		1	PR:370, 376, 378, 438, 560
		seat occupied recognition D - MJ 2006>>			
23	997 612 688 00	Wire set Control unit seat occupied recognition D - MJ 2006>>		1	PR:370, 376, 378, 438, 560

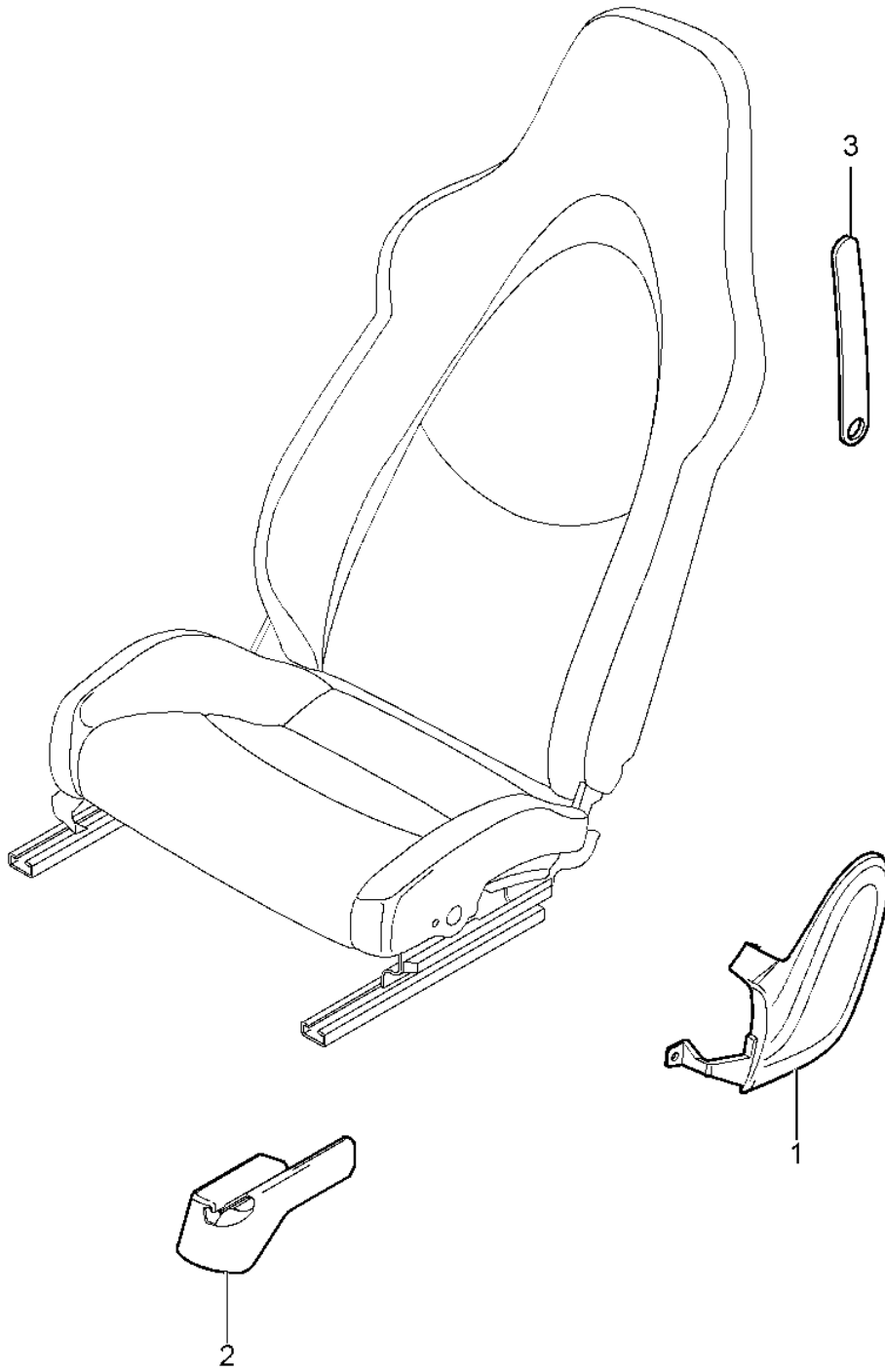
Model: 987 05

Model life 2005>>2008

Pos	Part Number	Description	Remark	Qty	Model
24	000 043 207 06	Pliable shaft Adjusting motor Lengthways		1	
(24)	997 521 901 00	repair set Pliable shaft Console for engine mounting		1	
-	999 650 973 40	Clip Mount Wire set seat occupied recognition		1	

Model: 987 05

Model life 2005>>2008

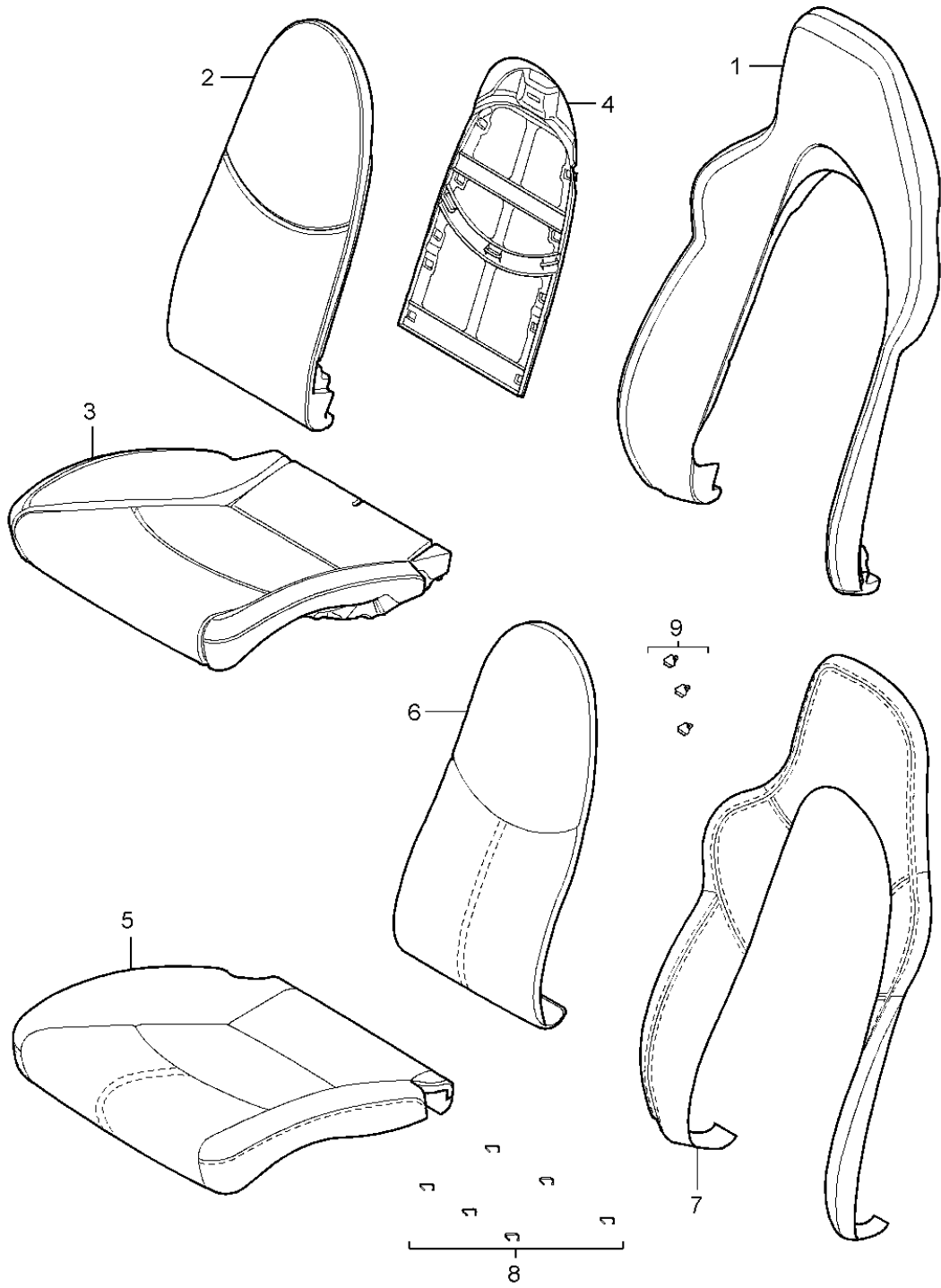


Model: 987 05 Model life 2005>>2008

Pos	Part Number	Description	Remark	Qty	Model
		Front seat sports seat (complete) Not available D - MJ 2005>>			BOXSTER BOXSTER S
1	997 521 315 02	Cover panel Mounting component	left	1	PR:375,377
(1)	997 521 315 02 D07 997 521 316 02	Volcano grey Cover panel Mounting component	right	1	PR:376,378
(1)	997 521 316 02 D07 997 521 316 03	Volcano grey Cover panel Mounting component For vehicles with 'Advanced' airbag D - MJ 2006>>	right	1	PR:370,376, 378,438,560
2	997 521 316 03 D07 997 521 359 01	Volcano grey Rail Seat rail	left	1	PR:369,375
(2)	997 521 359 01 01C 997 521 360 01	Satin black Rail Seat rail	right	1	PR:370,376
(2)	997 521 360 01 01C 997 521 361 00	Satin black Rail	left	1	PR:370,376
(2)	997 521 361 00 01C 997 521 362 00	Satin black Rail	right	1	PR:375,377, 378
3	997 521 362 00 01C 987 521 181 00	Satin black 1 set attachment parts Guide Belt (complete) D - MJ 2005>>	left	1	PR:375,377
(3)	987 521 181 00 8YR 987 521 181 00 5X5 987 521 181 00 8G1 987 521 181 00 3S8 987 521 181 00 4P1 987 521 181 00 9N2 987 521 181 00 9Q3 987 521 181 00 D11 987 521 181 00 T11 987 521 181 00 N11 987 521 182 00	Black Stone grey Sand beige sea blue Palm green Terracotta Cocoa Dark grey/natural Brown/natural Carrera Red 1 set attachment parts Guide Belt (complete) D - MJ 2005>>	right	1	PR:376,378
	987 521 182 00 8YR 987 521 182 00 5X5 987 521 182 00 8G1 987 521 182 00 3S8 987 521 182 00 4P1 987 521 182 00 9N2 987 521 182 00 9Q3 987 521 182 00 D11 987 521 182 00 T11 987 521 182 00 N11	Black Stone grey Sand beige sea blue Palm green Terracotta Cocoa Dark grey/natural Brown/natural Carrera Red			

Model: 987 05

Model life 2005>>2008



Model: 987 05 Model life 2005>>2008

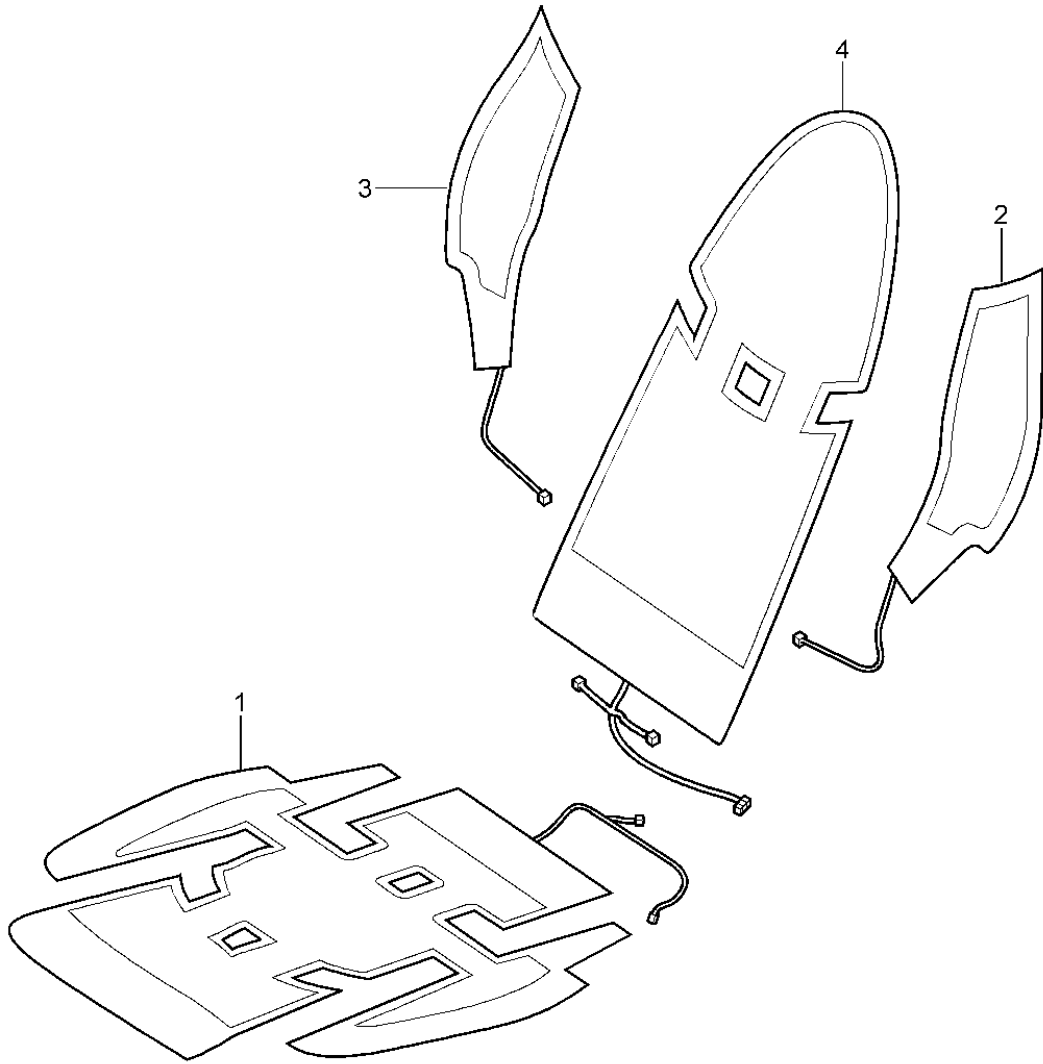
Pos	Part Number	Description	Remark	Qty	Model
		Foam part Cover sports seat D - MJ 2005>>			BOXSTER BOXSTER S
1	997 521 535 01	Foam part backrest	outer	2	PR:375,376
2	997 521 581 00	Foam part backrest	center	2	PR:375,376, 377,378
3	997 521 571 01	Foam part Seat cushion		2	PR:375,376
(3)	997 521 571 02	Foam part Seat cushion		2	PR:377,378
(3)	997 521 571 04	Foam part Seat cushion For vehicles with 'Advanced' airbag D - MJ 2006>>		2	PR:376,560
(3)	997 521 571 05	Foam part Seat cushion For vehicles with 'Advanced' airbag D - MJ 2006>>		2	PR:378,560
4	997 521 551 01	Backrest-padding support part		2	PR:375,376, 377,378
5	987 521 161 01	Seat cover Special model RS Spyder		2	PR:375,754, 983,376
	987 521 161 01 VAD	dark grey			
	987 521 161 01 VAE	Carrera Red			
(5)	987 521 161 02	Seat cover Special model RS Spyder		2	PR:377,754, 983,376
	987 521 161 02 VAD	dark grey			
	987 521 161 02 VAE	Carrera Red			
(5)	997 521 161 03	Seat cover		2	PR:375,376, 983
	997 521 161 03 FLC	Black			
	997 521 161 03 FLF	Stone grey			
	997 521 161 03 FLJ	Sand beige			
	997 521 161 03 FLM	sea blue			
	997 521 161 03 FLP	Palm green			
	997 521 161 03 FLQ	Terracotta			
	997 521 161 03 FLR	Cocoa			
	997 521 161 03 BCA	Black/stone grey			
	997 521 161 03 VAA	Dark grey/natural			
	997 521 161 03 VAB	Brown/natural			
	997 521 161 03 VAC	Carrera Red			
(5)	997 521 161 06	Seat cover		2	PR:377,378, 983
	997 521 161 06 FLC	Black			
	997 521 161 06 FLF	Stone grey			
	997 521 161 06 FLJ	Sand beige			
	997 521 161 06 FLM	sea blue			
	997 521 161 06 FLP	Palm green			
	997 521 161 06 FLQ	Terracotta			
	997 521 161 06 FLR	Cocoa			
	997 521 161 06 BCA	Black/stone grey			
	997 521 161 06 VAA	Dark grey/natural			
	997 521 161 06 VAB	Brown/natural			
	997 521 161 06 VAC	Carrera Red			
6	997 521 151 00	Backrest cushion cover Centre part		2	PR:369,370, 437,438,946
	997 521 151 00 A08	Black			

Model: 987 05 Model life 2005>>2008

Pos	Part Number	Description	Remark	Qty	Model
(6)	997 521 151 00 5D6	Stone grey		1	PR:375,376, 377,378,983
	997 521 151 00 T25	Sand beige			
	997 521 151 00 3W7	sea blue			
	997 521 151 00 4Q2	Palm green			
	997 521 151 00	Backrest cushion cover			
		Centre part			
	997 521 151 00 8YR	Black			
	997 521 151 00 5X5	Stone grey			
	997 521 151 00 8G1	Sand beige			
	997 521 151 00 3S8	sea blue			
	997 521 151 00 4P1	Palm green			
(6)	997 521 151 00 9N2	Terracotta		2	PR:950
	997 521 151 00 9Q3	Cocoa			
	997 521 151 00 D11	Dark grey/natural			
	997 521 151 00 T11	Brown/natural			
	997 521 151 00 N11	Carrera Red			
	987 521 151 00	Backrest cushion cover			
		Centre part			
		Alcantara			
	987 521 151 00 A15	Black			
	987 521 151 01	Backrest cushion cover			
		Special model			
	Centre part				
	D - MJ 2008>>				
(7)	987 521 151 01 VAE	Carrera Red		2	PR:375,376, 377,378,983
	987 521 151 01 VAD	dark grey			
	997 521 155 01	Backrest cover			
		Outer part			
	997 521 155 01 FLC	Black			
	997 521 155 01 FLF	Stone grey			
	997 521 155 01 FLJ	Sand beige			
	997 521 155 01 FLM	sea blue			
	997 521 155 01 FLP	Palm green			
	997 521 155 01 FLQ	Terracotta			
	997 521 155 01 FLR	Cocoa			
(7)	997 521 155 01 VAA	Dark grey/natural		1	PR:XSC,983
	997 521 155 01 VAB	Brown/natural			
	997 521 155 01 VAC	Carrera Red			
	997 521 941 02	Backrest cover			
		Outer part			
	997 521 941 02 8YR	Black			
	997 521 941 02 5X5	Stone grey			
	997 521 941 02 8G1	Sand beige			
	997 521 941 02 3S8	sea blue			
	997 521 941 02 4P1	Palm green			
	997 521 941 02 9N2	Terracotta			
997 521 941 02 9Q3	Cocoa				
997 521 941 02 D11	Dark grey/natural				
997 521 941 02 T11	Brown/natural				
997 521 941 02 N11	Carrera Red				
8	N 015 261 2	Clip		6	PR:375,376, 377,378
		Padding			
		Seat			
9	997 521 897 00	Clip		5	PR:375,376, 377,378
		Backrest cover			

Model: 987 05

Model life 2005>>2008

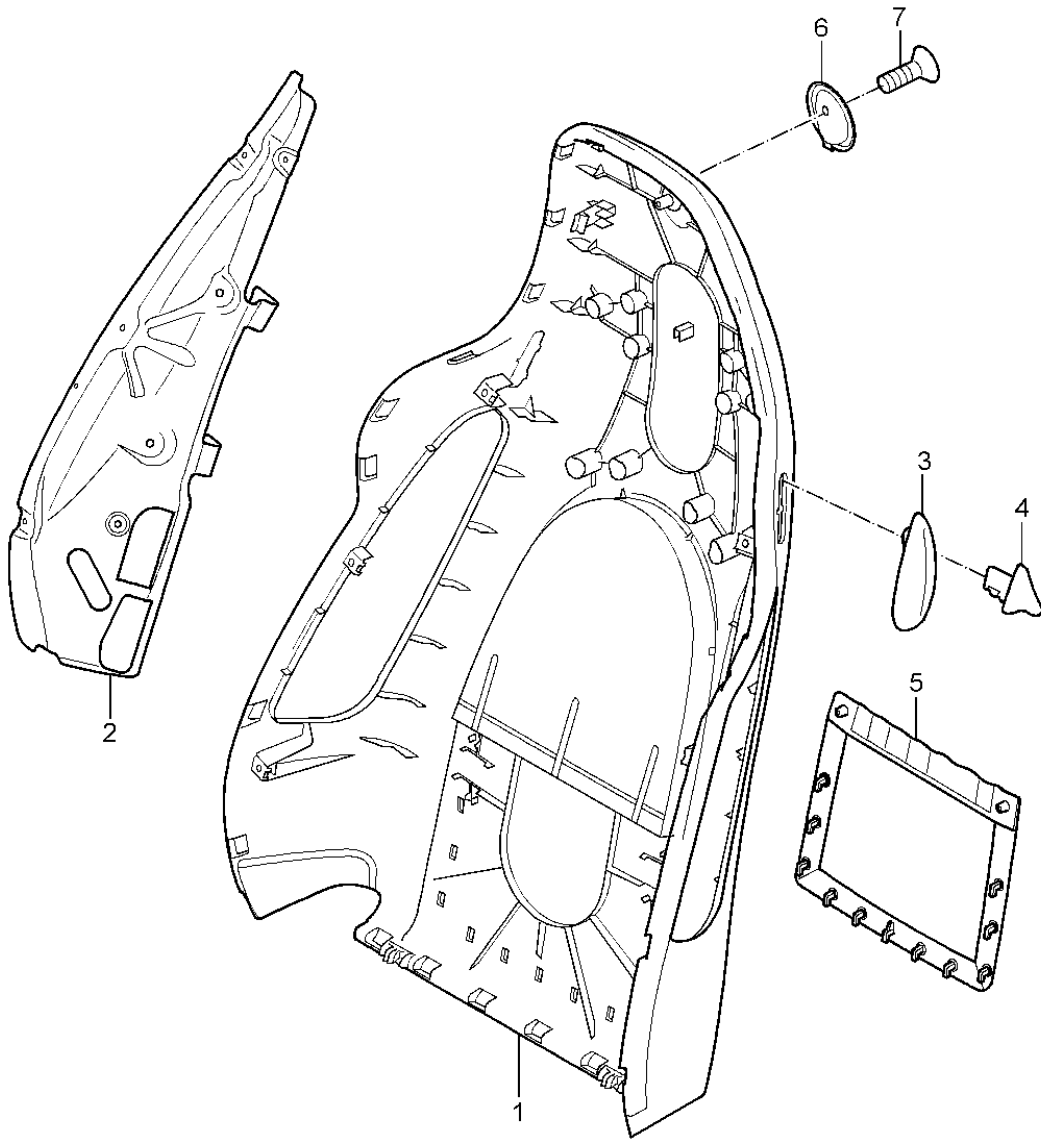


Model: 987 05 Model life 2005>>2008

Pos	Part Number	Description	Remark	Qty	Model
		heater			BOXSTER BOXSTER S
1	997 653 105 02	D - MJ 2005>> Heating element Seat cushion Standard seat Comfort seat	left a. right	2	PR:342,369, 370,437,438
(1)	997 653 105 03	Heating element Seat cushion sports seat	left a. right	2	PR:342,375, 376,377,378
2	997 653 109 00	Heating element Backrest side bolster Standard seat Comfort seat	left	1	PR:342,369, 370,437,438
(2)	997 653 109 01	Heating element Backrest side bolster sports seat	left	1	PR:342,375, 376,377,378
3	997 653 110 00	Heating element Backrest side bolster Standard seat Comfort seat	right	1	PR:342,369, 370,437,438
(3)	997 653 110 01	Heating element Backrest side bolster sports seat	right	1	PR:342,375, 376,377,378
4	997 653 107 00	Heating element Backrest cushion	left a. right	2	PR:342

Model: 987 05

Model life 2005>>2008



Model: 987 05 Model life 2005>>2008

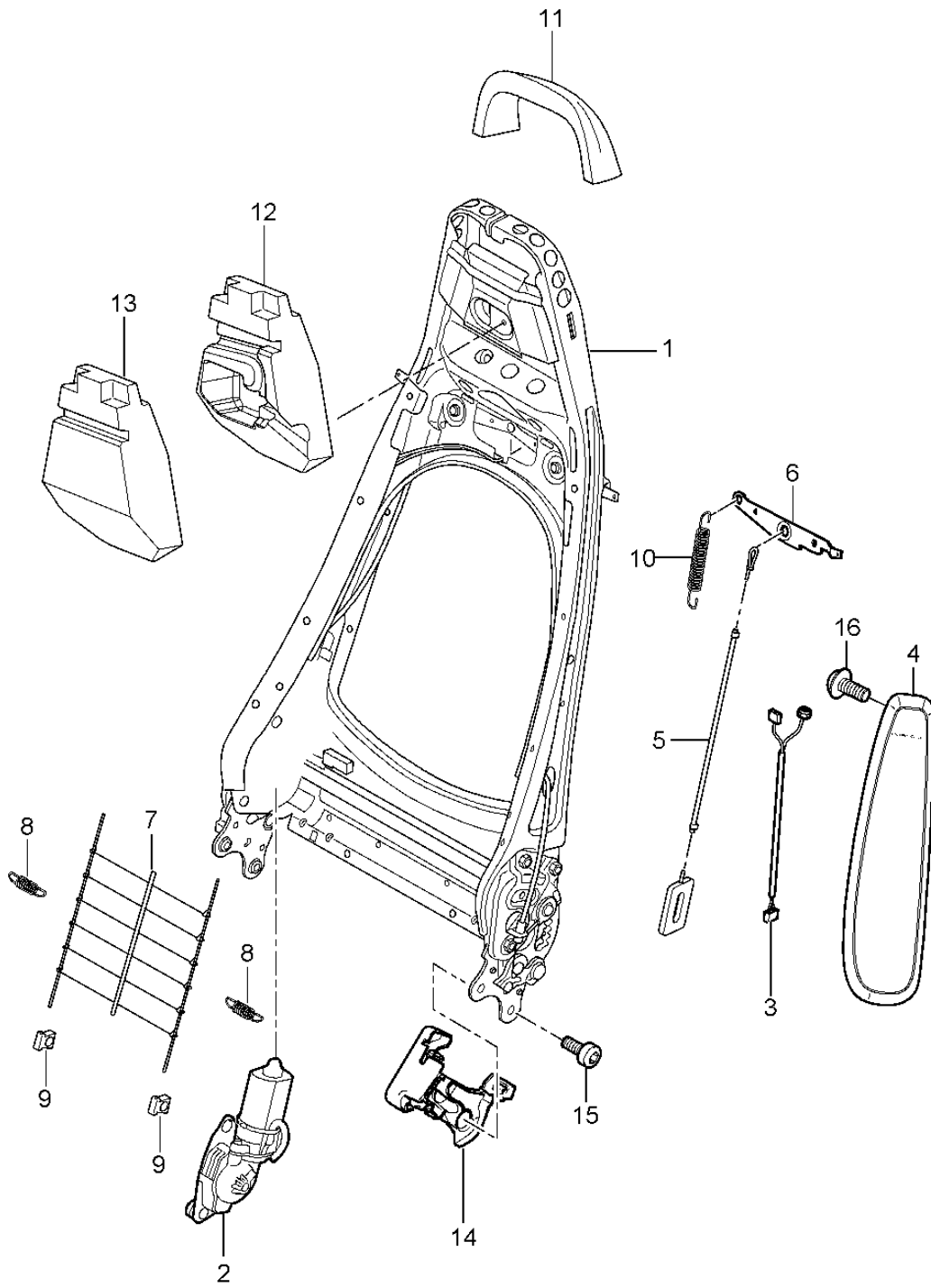
Pos	Part Number	Description	Remark	Qty	Model
		Backrest shell sports seat D - MJ 2005>>			BOXSTER BOXSTER S
(1)	987 521 303 03	Backrest shell D - MJ 2005>> - MJ 2005	left	1	PR:375,377
(1)	987 521 303 03 D07 987 521 304 03	Volcano grey Backrest shell D - MJ 2005>> - MJ 2005	right	1	PR:376,378
(1)	987 521 304 03 D07 987 521 303 05	Volcano grey Backrest shell D - MJ 2006>>	left	1	PR:375,377
(1)	987 521 303 05 D07 987 521 304 05	Volcano grey Backrest shell D - MJ 2006>>	right	1	PR:376,378
(1)	987 521 304 05 D07 987 521 981 00	Volcano grey Backrest shell D - MJ 2006>>	left	1	PR:XSA, 375, 377
	987 521 981 00 041	Black			
	987 521 981 00 84A	guards red (Porsche)			
	987 521 981 00 12H	Speed yellow			
	987 521 981 00 B9A	Carrara white			
	987 521 981 00 92U	Arctic silver metallic			
	987 521 981 00 M3W	Carmon red metallic			
	987 521 981 00 M5W	Lapis blue metallic			
	987 521 981 00 M6W	Lagoon green metallic			
	987 521 981 00 C9Z	Basalt black metallic			
	987 521 981 00 M7X	Atlas grey metallic			
	987 521 981 00 39C	Midnight Blue Metallic			
	987 521 981 00 6B4	Seal grey metallic			
	987 521 981 00 2B4	Forest green metallic			
	987 521 981 00 3C8	Cobalt blue metallic			
	987 521 981 00 23F	Slate grey metallic			
	987 521 981 00 M6X	Dark olive-metallic			
	987 521 981 00 M7Z	GT Silver Metallic			
(1)	987 521 982 00	Backrest shell D - MJ 2006>>	right	1	PR:XSA, 376, 378
	987 521 982 00 041	Black			
	987 521 982 00 84A	guards red (Porsche)			
	987 521 982 00 12H	Speed yellow			
	987 521 982 00 B9A	Carrara white			
	987 521 982 00 92U	Arctic silver metallic			
	987 521 982 00 M3W	Carmon red metallic			
	987 521 982 00 M5W	Lapis blue metallic			
	987 521 982 00 M6W	Lagoon green metallic			
	987 521 982 00 C9Z	Basalt black metallic			
	987 521 982 00 M7X	Atlas grey metallic			
	987 521 982 00 39C	Midnight Blue Metallic			
	987 521 982 00 6B4	Seal grey metallic			
	987 521 982 00 2B4	Forest green metallic			
	987 521 982 00 3C8	Cobalt blue metallic			
	987 521 982 00 23F	Slate grey metallic			
	987 521 982 00 M6X	Dark olive-metallic			
	987 521 982 00 M7Z	GT Silver Metallic			
(1)	987 521 981 01	Backrest shell Lacquered Aluminium coloured D - MJ 2006>>	left	1	PR:XCG, 375, 377
(1)	987 521 981 01 V04 987 521 982 01	Galvano silver Backrest shell Lacquered Aluminium coloured D - MJ 2006>>	right	1	PR:XCG, 376, 378
	987 521 982 01 V04	Galvano silver			

Model: 987 05 Model life 2005>>2008

Pos	Part Number	Description	Remark	Qty	Model
2	997 521 319 00	Support	left	1	PR:375,376, 377,378
(2)	997 521 320 00	Support backrest	right	1	PR:375,376, 377,378
3	997 521 621 03	Rosette lever for folding backrest	left	1	PR:375,377
	997 521 621 03 D07	Volcano grey			
(3)	997 521 622 03	Rosette lever for folding backrest	right	1	PR:376,378
	997 521 622 03 D07	Volcano grey			
4	987 521 623 01	Actuator button lever for folding backrest	left	1	PR:375,377
	987 521 623 01 V05	Galvano silver			
(4)	987 521 624 01	Actuator button lever for folding backrest	right	1	PR:376,378
	987 521 624 01 V05	Galvano silver			
5	997 521 313 01	Pocket Backrest shell Black		1	PR:375,376, 377,378,983
	997 521 313 01 5X5	Stone grey			
	997 521 313 01 8G1	Sand beige			
	997 521 313 01 3S8	sea blue			
	997 521 313 01 4P1	Palm green			
	997 521 313 01 9N2	Terracotta			
	997 521 313 01 9Q3	Cocoa			
	997 521 313 01 D11	Dark grey/natural			
	997 521 313 01 T11	Brown/natural			
(6)	997 521 373 01	Coat hook D - MJ 2005>>		2	
	997 521 373 01 D07	Volcano grey			
7	999 919 199 09	countersunk bolt Coat hook 5,0 X 25-M		1	

Model: 987 05

Model life 2005>>2008



Model: 987 05 Model life 2005>>2008

Pos	Part Number	Description	Remark	Qty	Model
1	997 521 329 00	Backrest frame sports seat D - MJ 2005>> backrest frame without:	left a. right	2	BOXSTER BOXSTER S PR:375,376, 377,378
(1)	997 521 329 02	Memory D >> - MJ 2007 backrest frame without:	left a. right	2	PR:375,376, 377,378
(1)	997 521 329 01	Memory D - MJ 2008>> backrest frame	left a. right	2	PR:537,538
(1)	997 521 329 03	D >> - MJ 2007 backrest frame with:	left a. right	2	PR:537,538
2	997 624 331 00	Memory D - MJ 2008>> Electric motor Backrest frame	left a. right	1	PR:537,538
(2)	997 624 321 00	Memory Electric motor Backrest frame without:	left a. right	1	PR:375,376, 377,378
3	997 612 785 01	Memory Wire set	left	1	PR:537
(3)	997 612 786 01	Wire set	right	1	PR:538
4	997 803 081 01	Side airbag unit Side airbag unit	left	1	PR:375,377
(4)	997 803 081 01 D07	Volcano grey			
(4)	997 803 082 01	Side airbag unit	right	1	PR:376,378
(4)	997 803 082 01 D07	Volcano grey			
(4)	997 803 981 00	Side airbag unit D - MJ 2007>>	left	1	PR:XSG,375, 377
	997 803 981 00 A03	Black			
	997 803 981 00 5V7	Stone grey			
	997 803 981 00 5Z1	Sand beige			
	997 803 981 00 5Y2	Palm green			
	997 803 981 00 8W7	D - MJ 2007>> - MJ 2007 sea blue			
	997 803 981 00 8X8	Terracotta			
	997 803 981 00 8P9	Cocoa			
	997 803 981 00 T13	Brown/natural			
	997 803 981 00 N23	Carrera Red			
(4)	997 803 981 00	D - MJ 2008>> Side airbag unit D - MJ 2007>>	left	1	PR:XSA,375, 377
	997 803 981 00 A03	Black			
	997 803 981 00 5V7	Stone grey			
	997 803 981 00 5Z1	Sand beige			
	997 803 981 00 5Y2	Palm green			
	997 803 981 00 8W7	D - MJ 2007>> - MJ 2007 sea blue			
	997 803 981 00 8X8	Terracotta			
	997 803 981 00 8P9	Cocoa			
	997 803 981 00 T13	Brown/natural			
	997 803 981 00 N23	Carrera Red			
(4)	997 803 981 00	D - MJ 2008>> Side airbag unit D - MJ 2007>>	left	1	PR:XSB,375, 377
	997 803 981 00 A03	Black			
	997 803 981 00 5V7	Stone grey			
	997 803 981 00 5Z1	Sand beige			
	997 803 981 00 5Y2	Palm green			

Model: 987 05 Model life 2005>>2008

Pos	Part Number	Description	Remark	Qty	Model
		D - MJ 2007>> - MJ 2007			
	997 803 981 00 8W7	sea blue			
	997 803 981 00 8X8	Terracotta			
	997 803 981 00 8P9	Cocoa			
	997 803 981 00 T13	Brown/natural			
	997 803 981 00 N23	Carrera Red			
		D - MJ 2008>>			
(4)	997 803 982 00	Side airbag unit	left	1	PR:XSG, 376, 378
		D - MJ 2007>>			
	997 803 982 00 A03	Black			
	997 803 982 00 5V7	Stone grey			
	997 803 982 00 5Z1	Sand beige			
	997 803 982 00 5Y2	Palm green			
		D - MJ 2007>> - MJ 2007			
	997 803 982 00 8W7	sea blue			
	997 803 982 00 8X8	Terracotta			
	997 803 982 00 8P9	Cocoa			
	997 803 982 00 T13	Brown/natural			
	997 803 982 00 N23	Carrera Red			
		D - MJ 2008>>			
(4)	997 803 982 00	Side airbag unit	left	1	PR:XSA, 376, 378
		D - MJ 2007>>			
	997 803 982 00 A03	Black			
	997 803 982 00 5V7	Stone grey			
	997 803 982 00 5Z1	Sand beige			
	997 803 982 00 5Y2	Palm green			
		D - MJ 2007>> - MJ 2007			
	997 803 982 00 8W7	sea blue			
	997 803 982 00 8X8	Terracotta			
	997 803 982 00 8P9	Cocoa			
	997 803 982 00 T13	Brown/natural			
	997 803 982 00 N23	Carrera Red			
		D - MJ 2008>>			
(4)	997 803 982 00	Side airbag unit	left	1	PR:XSB, 376, 378
		D - MJ 2007>>			
	997 803 982 00 A03	Black			
	997 803 982 00 5V7	Stone grey			
	997 803 982 00 5Z1	Sand beige			
	997 803 982 00 5Y2	Palm green			
		D - MJ 2007>> - MJ 2007			
	997 803 982 00 8W7	sea blue			
	997 803 982 00 8X8	Terracotta			
	997 803 982 00 8P9	Cocoa			
	997 803 982 00 T13	Brown/natural			
	997 803 982 00 N23	Carrera Red			
		D - MJ 2008>>			
5	997 521 485 00	Bowden cable		2	
		Backrest frame			
6	997 521 375 00	Release		1	
		Backrest frame			
7	997 521 855 00	Grille		1	
		Backrest frame			
8	997 521 893 00	tension spring		2	
		Inner spring			
9	997 521 895 00	Clip		2	
		Inner spring			
10	997 521 797 00	tension spring		1	
		Release			
		backrest			
11	997 521 885 00	Foam part	upper	1	PR:375, 376, 377, 378
		Head restraint			
12	997 521 887 01	Foam part	center	1	PR:377, 378
		Head restraint			

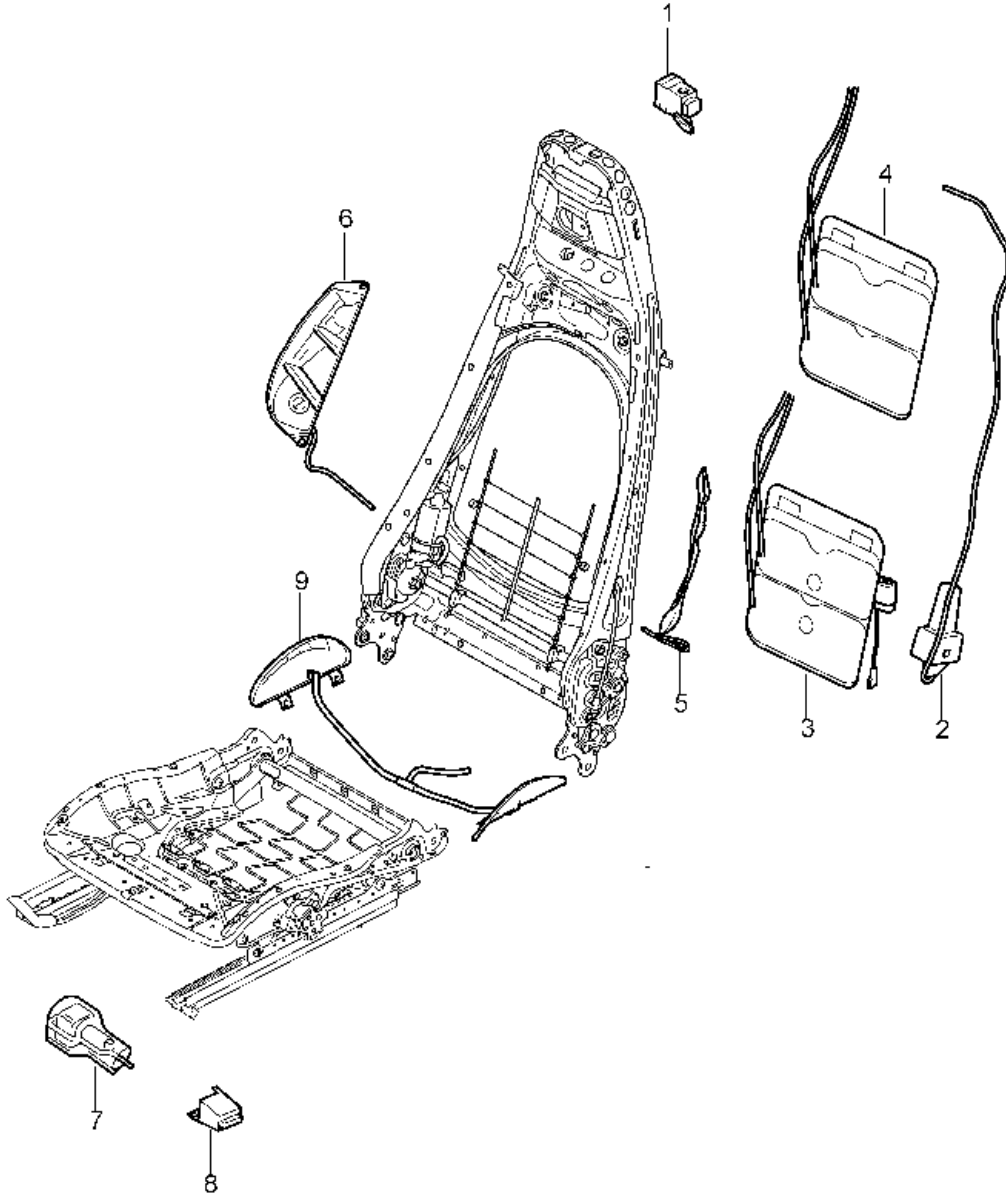
Model: 987 05

Model life 2005>>2008

Pos	Part Number	Description	Remark	Qty	Model
13	997 521 887 00	Electric Foam part Head restraint	center	1	PR:375,376
14	997 521 335 01	Trim	left	1	
	997 521 335 01 D07	Volcano grey			
(14)	997 521 336 01	Trim	right	1	
		Mounting component	inner		
	997 521 336 01 D07	Volcano grey			
15	999 073 375 09	Screw M10 x 13 Mount backrest Seat frame		4	
16	999 073 306 09	Screw Mount Side airbag unit		2	

Model: 987 05

Model life 2005>>2008

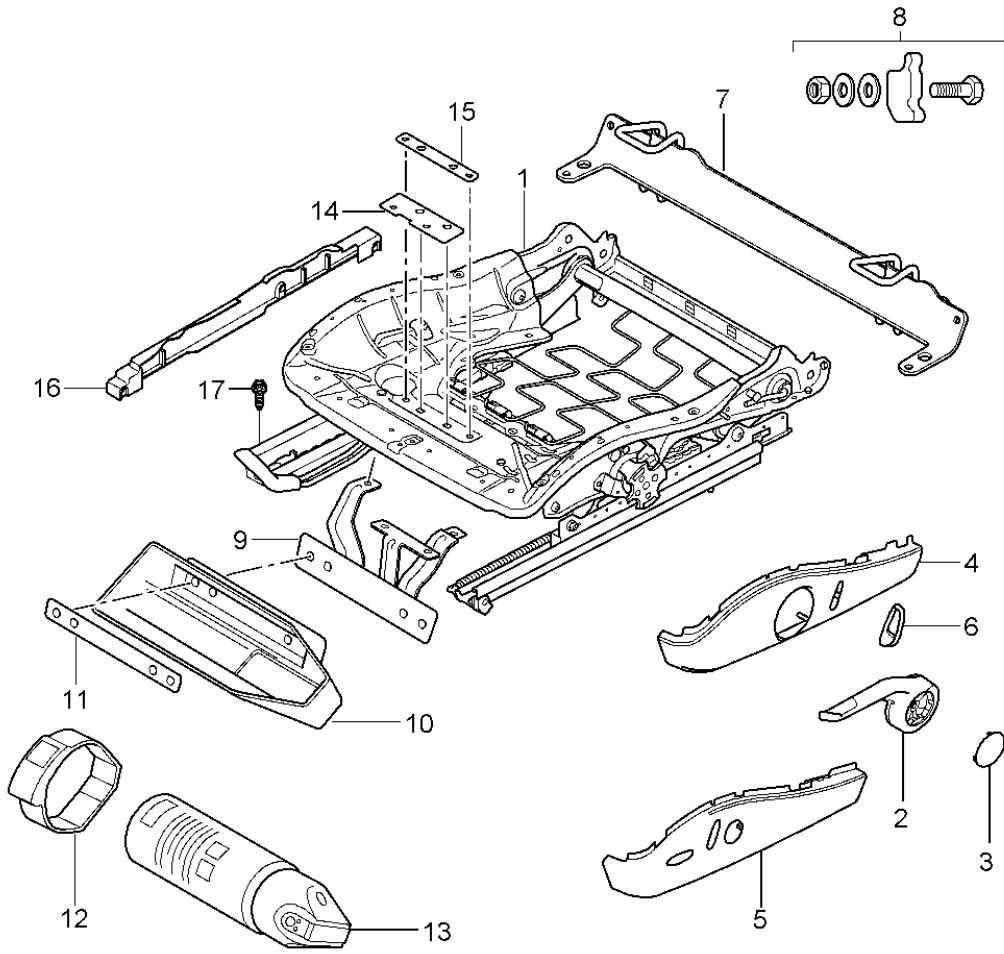


Model: 987 05 Model life 2005>>2008

Pos	Part Number	Description	Remark	Qty	Model
1	997 617 725 00	Lumbar support sports seat D - MJ 2005>> Valve Lumbar support without:		1	BOXSTER BOXSTER S PR:377,378, 437,438
(1)	997 617 726 00	Memory Valve Lumbar support Memory		1	PR:537,538
2	997 620 725 00	Compressor Lumbar		1	PR:377,378, 437,438
3	997 521 709 01	Lumbar support Memory		1	PR:377,378, 437,438,537, 538
4	997 521 709 00	Lumbar support without: Memory		1	PR:377,378, 437,438
5	997 521 711 00	container Air distributor		1	PR:377,378
6	997 521 712 00	Backrest side bolster container Air distributor		1	PR:377,378
7	997 620 727 00	Backrest side bolster Compressor Lumbar support		1	PR:377,378
8	997 617 727 00	Seat cushion Valve Adjustment Seat		1	PR:377,378
9	997 521 713 01	Wide container Air distributor Seat side bolster		1	PR:377,378

Model: 987 05

Model life 2005>>2008



Model: 987 05 Model life 2005>>2008

Pos	Part Number	Description	Remark	Qty	Model
1	997 521 201 00	Seat frame sports seat D - MJ 2005>>			BOXSTER BOXSTER S
(1)	997 521 201 10	Seat frame D >> - MJ 2006	left lhd	1	PR:098,369, 375
(1)	997 521 202 00	Seat frame Height adjustment Manually (drivers side) D - MJ 2007>>	left lhd lhd	1	PR:098,369, 375
(1)	997 521 202 19	Seat frame Height adjustment Manually (drivers side) D >> - MJ 2007	right rhd	1	PR:099,370, 376
(1)	997 521 201 04	Seat frame D >> - MJ 2006	right rhd	1	PR:099,370, 376
(1)	997 521 201 12	Seat frame Electric without: Memory D - MJ 2007>>	left	1	PR:377,437
(1)	997 521 202 10	Seat frame D >> - MJ 2006	left	1	PR:377,437
(1)	997 521 202 21	Seat frame Electric without: Memory D - MJ 2007>>	right	1	PR:378,438
(1)	997 521 201 05	Seat frame D >> - MJ 2006	right	1	PR:378,438
(1)	997 521 201 13	Seat frame Electric Memory D - MJ 2007>>	left	1	PR:377,437, 537
(1)	997 521 201 03	Seat frame D >> - MJ 2006	left	1	PR:377,437, 537
(1)	997 521 201 11	Seat frame Manually (passenger side) D - MJ 2007>>	left rhd rhd	1	PR:099,369, 375
(1)	997 521 202 06	Seat frame D - MJ 2006>> - MJ 2006	left rhd rhd	1	PR:099,369, 375
(1)	997 521 202 23	Seat frame Manually seat occupied recognition D - MJ 2007>>	right	1	PR:370,376, 560
(1)	997 521 202 11	Seat frame D >> - MJ 2006	right	1	PR:370,376, 560
(1)	997 521 202 22	Seat frame Electric Memory D - MJ 2007>>	right	1	PR:378,438, 538
(1)	997 521 202 12	Seat frame D - MJ 2006>> - MJ 2006	right	1	PR:378,438, 538
(1)	997 521 202 24	Seat frame Electric seat occupied recognition	right	1	PR:378,438, 560

Model: 987 05 Model life 2005>>2008

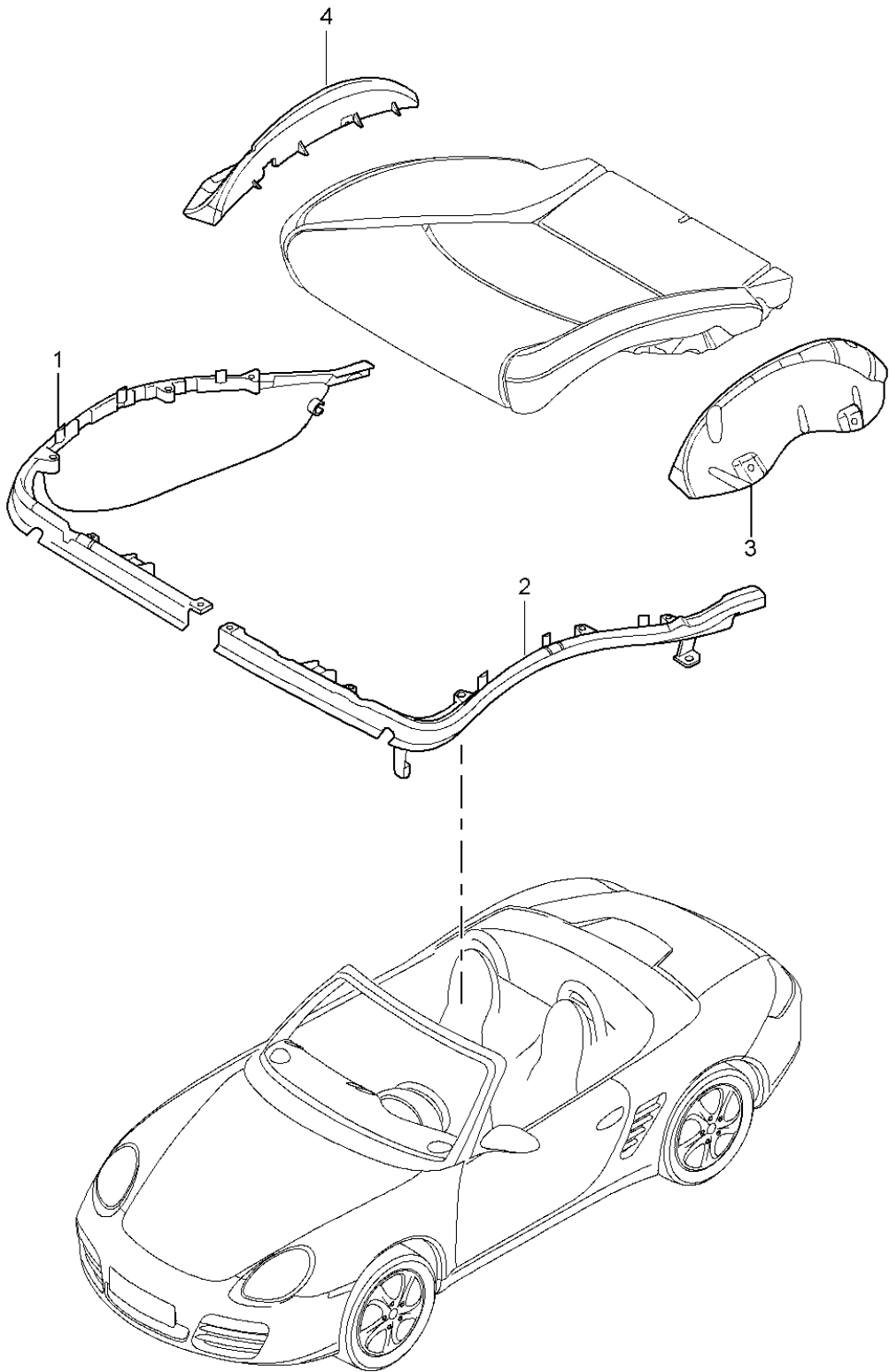
Pos	Part Number	Description	Remark	Qty	Model
(1)	997 521 202 05	D - MJ 2007>> Seat frame	right lhd	1	PR:098,370, 376
(1)	997 521 202 20	D >> - MJ 2006 Seat frame Manually (passenger side)	right lhd lhd	1	PR:098,370, 376
2	997 521 627 01	D - MJ 2007>> Actuating lever Height adjustment	left	1	PR:369,375
(2)	997 521 628 01	997 521 627 01 V05 Actuating lever Height adjustment	right	1	PR:370,376
3	997 521 629 01	997 521 628 01 V05 Cover cap Actuating lever	left a. right	2	PR:369,370, 375,376
4	997 521 325 06	997 521 629 01 D07 Volcano grey Trim for switch	left	1	PR:369,375
(4)	997 521 326 06	997 521 325 06 D07 Volcano grey without: For vehicles with 'Advanced' airbag	right	1	PR:370,376
5	997 521 325 08	997 521 326 06 D07 Volcano grey Trim for switch	left	1	PR:377
(5)	997 521 326 08	997 521 325 08 D07 Volcano grey Galvano silver Trim for switch	right	1	PR:378
(5)	997 521 326 09	997 521 326 08 D07 Volcano grey Galvano silver Trim for switch	right	1	PR:370,376, 560
(5)	997 521 326 11	997 521 326 08 V04 Galvano silver Trim for switch For vehicles with 'Advanced' airbag	right	1	PR:378,560
6	997 521 631 01	D - MJ 2006>> Volcano grey Trim for switch For vehicles with 'Advanced' airbag	right	1	PR:375,376, 377,378
7	997 521 061 01	997 521 326 11 D07 Volcano grey Actuator button backrest		1	
8	997 521 961 01	997 521 631 01 V05 Galvano silver Retainer plate child seat ISOFIX Not for: AUSTRALIEN		1	
9	997 521 251 00	1 set attachment parts Retainer plate		1	
(9)	997 521 252 00	Holder for fire extinguisher		1	PR:098,509
10	997 521 607 00	Holder for fire extinguisher Cup		1	PR:099,509
11	997 521 881 00	Fire extinguishers Holder for fire extinguisher Cup		1	PR:509
12	997 521 851 00	tensioning strap Fire extinguishers		1	PR:509
13	996 722 115 00	Fire extinguishers Information available		1	PR:509
14	997 521 841 00	Reinforcement	front	1	PR:509

Model: 987 05 Model life 2005>>2008

Pos	Part Number	Description	Remark	Qty	Model
15	997 521 843 00	Reinforcement	rear	1	PR:509
16	997 521 426 01	Cover Sensor Weight D - MJ 2006>>	right	1	PR:376,378, 560
(16)	997 521 426 01 01C	Satin black			
	997 521 427 01	Cover Sensor Weight D - MJ 2006>>	left	1	PR:376,378, 560
17	997 521 427 01 01C	Satin black			
	999 141 047 01	Torx screw Mount Seat rail		4	

Model: 987 05

Model life 2005>>2008

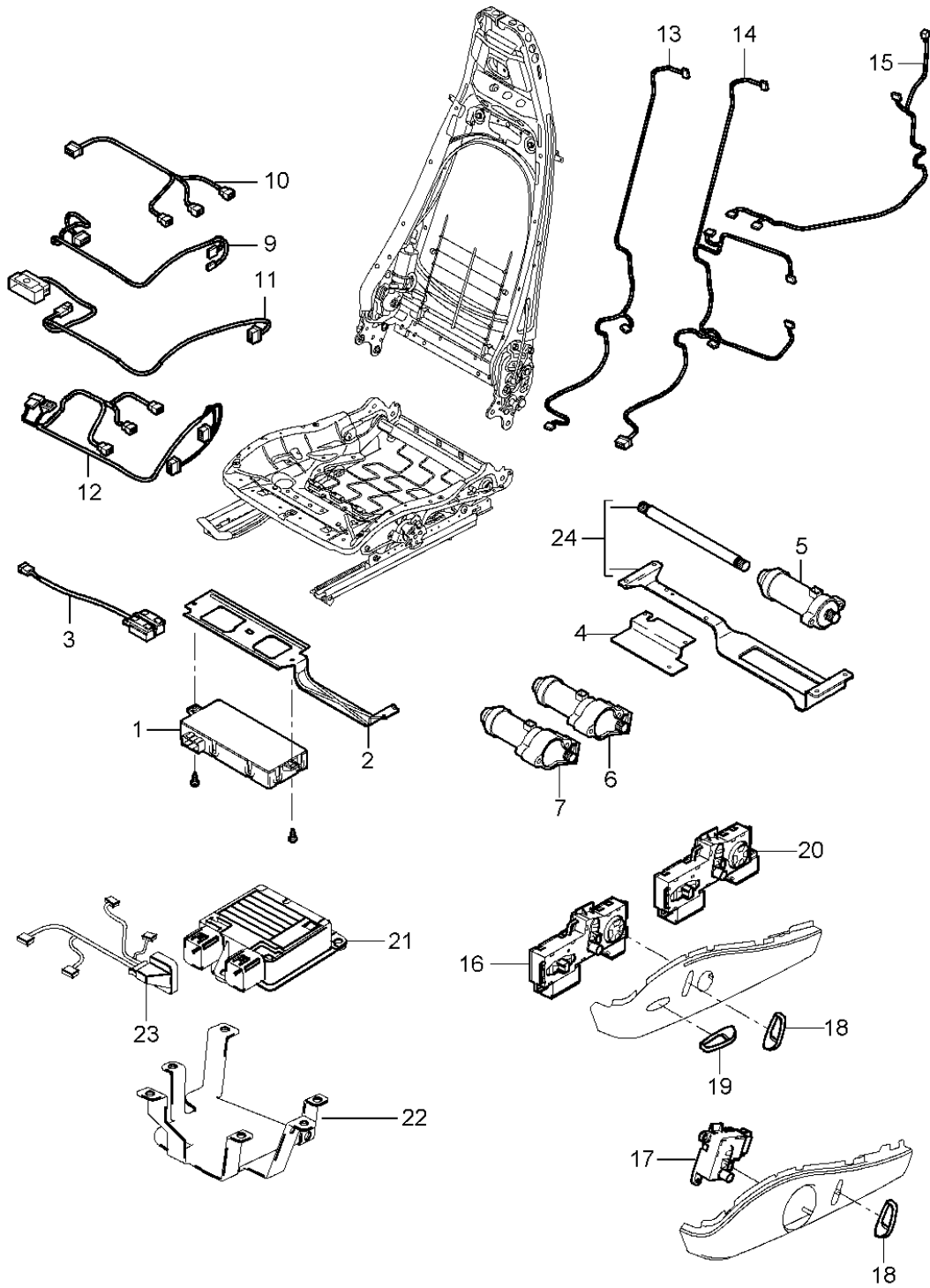


Model: 987 05 Model life 2005>>2008

Pos	Part Number	Description	Remark	Qty	Model
		Cushion carrier			BOXSTER
		Frame			BOXSTER S
		Seat surface			
		sports seat			
		D - MJ 2005>>			
1	997 521 547 00	Frame	left	1	PR:376,378
(1)	997 521 548 00	Frame	right	1	PR:375,377
			inner		
(2)	997 521 545 00	Frame	left	1	PR:375,377
2	997 521 546 00	Frame	right	1	PR:376,378
			outer		
3	997 521 519 00	Support plate	left	1	PR:377,378
		Seat cushion			
4	997 521 520 00	Support plate	right	1	PR:377,378
		Seat cushion			
-	997 521 546 01	Frame	right	1	PR:376,378,
			outer		560
		with:			
		For vehicles with 'Advanced'			
		airbag			
		D - MJ 2006>>			

Model: 987 05

Model life 2005>>2008



Model: 987 05 Model life 2005>>2008

Pos	Part Number	Description	Remark	Qty	Model
		Wiring looms Control unit Switch sports seat D - MJ 2005>>			BOXSTER BOXSTER S
1	997 618 537 07	Control unit		1	PR:537,538
2	997 521 643 00	Seating position control Retainer for control units Seating position control		1	PR:537,538
3	997 613 725 00	Switch		1	PR:377
(3)	997 613 725 00 V05	Galvano silver		1	PR:378
	997 613 726 00	Switch		1	PR:378
	997 613 726 00 V05	Galvano silver		1	PR:377,378
4	997 521 343 00	Bracket for compressor Electric motor		1	PR:377,378
5	997 624 322 00	Electric motor Seat adjuster Lengthways		1	PR:377,378
(5)	997 624 332 00	Memory Electric motor Seat adjuster Lengthways	without:	1	PR:537,538
6	997 624 322 00	Memory Electric motor Seat adjuster Height adjustment	with:	1	PR:377,378
(6)	997 624 332 00	Memory Electric motor Seat adjuster Height adjustment	without:	1	PR:537,538
7	997 624 323 00	Memory Electric motor Seat adjuster Tilt angle	with:	1	PR:437,438
(7)	997 624 333 00	Memory Electric motor Seat adjuster Tilt angle	without:	1	PR:537,538
9	997 612 684 00	Memory Wire set Switch Seat adjuster		1	PR:537,538
10	997 612 690 00	Memory Wire set Height adjustment Lengthways		1	PR:537,538
11	997 612 682 01	Memory Wire set Switch		1	PR:369,370, 375,376
12	997 612 691 01	Wire set Switch		1	PR:377,378
12	997 612 691 02	Memory D >> - MJ 2007 Wire set Switch	without:	1	PR:377,378
			without:		

Model: 987 05 Model life 2005>>2008

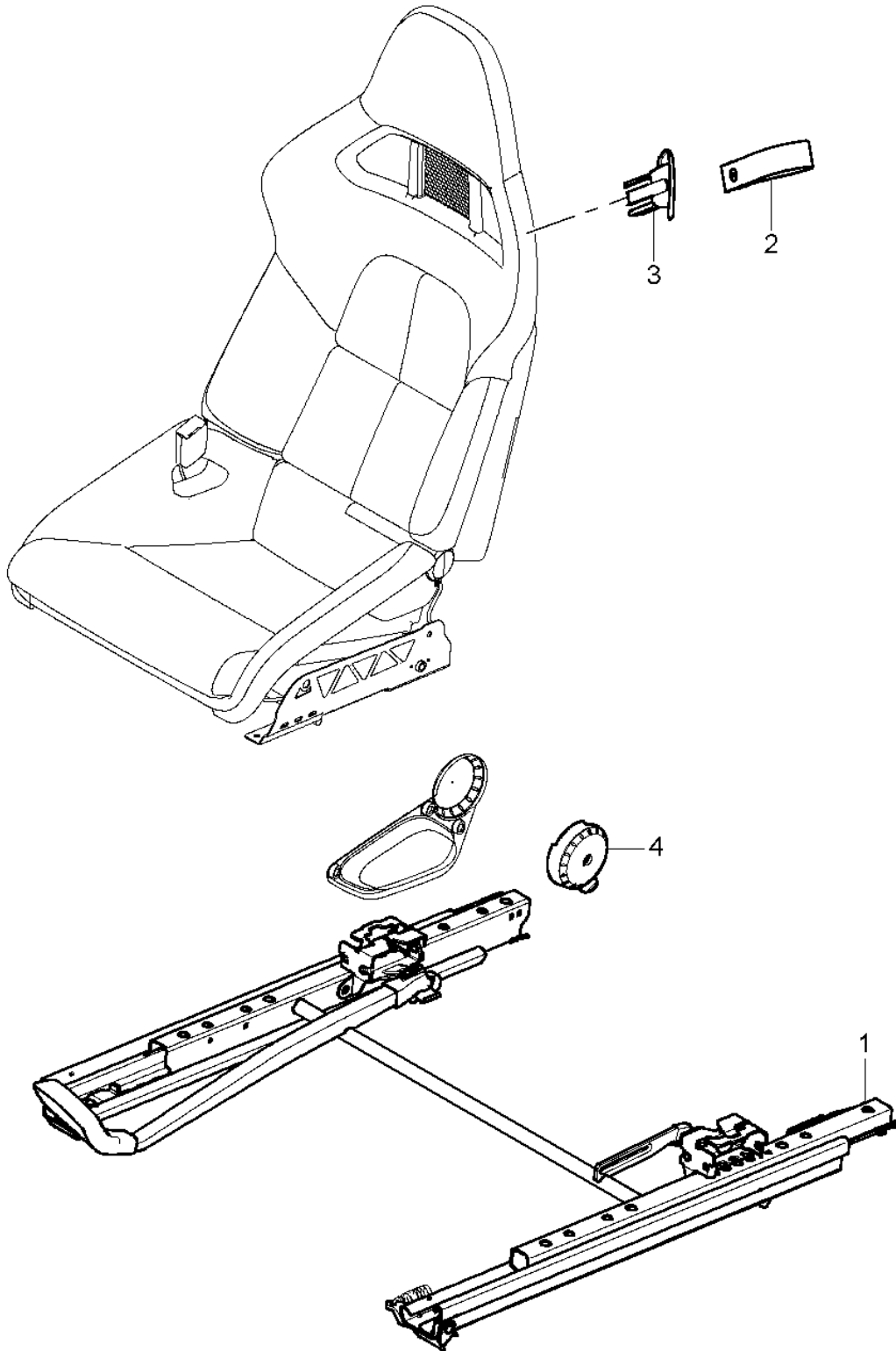
Pos	Part Number	Description	Remark	Qty	Model
13	997 612 689 00	Memory D - MJ 2008>> Wire set Lumbar support without:		1	PR:377,378
14	997 612 692 00	Memory Wire set backrest Lumbar with:		1	PR:377,537
14	997 612 692 00	Memory D >> - MJ 2007 Wire set backrest Lumbar with:		1	PR:378,538
14	997 612 692 01	Memory D >> - MJ 2007 Wire set backrest Lumbar with:		1	PR:377,537
14	997 612 692 01	Memory D - MJ 2008>> Wire set backrest Lumbar with:		1	PR:378,538
15	997 612 685 01	Memory D - MJ 2008>> Wire set backrest without:	left	1	PR:369,375, 377,437
(15)	997 612 686 01	Memory Wire set backrest without:	right	1	PR:370,376, 378,438
16	997 613 721 01	Memory switch for seat adjustment	left	1	PR:377,437, 537
(16)	997 613 721 01 V05	Memory switch Galvano silver			
	997 613 722 01	switch for seat adjustment	right	1	PR:378,438, 538
	997 613 722 01 V05	Memory switch Galvano silver			
17	997 613 713 00	switch for seat adjustment	left	1	PR:369,375
(17)	997 613 714 00	switch for seat adjustment Manually adjustable	right	1	PR:370,376
18	997 521 631 01	Actuator button backrest D >> - MJ 2007		1	PR:375,376, 377,378
18	997 521 631 01 V05	Galvano silver			
	997 521 631 02	Actuator button backrest D - MJ 2008>>		1	PR:375,376, 377,378
	997 521 631 02 V05	Galvano silver			
19	997 521 633 02	Actuator button Seat cushion D >> - MJ 2007		1	PR:377,378, 437,438
	997 521 633 02 V05	Galvano silver			
19	997 521 633 03	Actuator button Seat cushion		1	PR:377,378, 437,438

Model: 987 05 Model life 2005>>2008

Pos	Part Number	Description	Remark	Qty	Model
20	997 521 633 03 V05 997 613 717 01	D - MJ 2008>> Galvano silver switch for seat adjustment without: Memory D >> - MJ 2007	left	1	PR:377,437
20	997 613 717 01 V05 997 613 717 02	Galvano silver switch for seat adjustment without: Memory D - MJ 2008>>	left	1	PR:377,437
(20)	997 613 717 02 V05 997 613 718 01	Galvano silver switch for seat adjustment without: Memory D >> - MJ 2007	right	1	PR:378,438
(20)	997 613 718 01 V05 997 613 718 02	Galvano silver switch for seat adjustment without: Memory D - MJ 2008>>	right	1	PR:378,438
21	997 613 718 02 V05 997 618 233 05	Galvano silver Control unit for seat occupied sensor D - MJ 2006>>		1	PR:370,376, 378,438,560
22	997 521 646 00	Retainer for control units seat occupied recognition D - MJ 2006>>		1	PR:370,376, 378,438,560
23	997 612 688 00	Wire set seat occupied recognition D - MJ 2006>>		1	PR:370,376, 378,438,560
(24)	997 521 901 00	repair set Pliable shaft Console for engine mounting		1	
-	999 650 973 40	Clip Mount Wire set seat occupied recognition		1	

Model: 987 05

Model life 2005>>2008

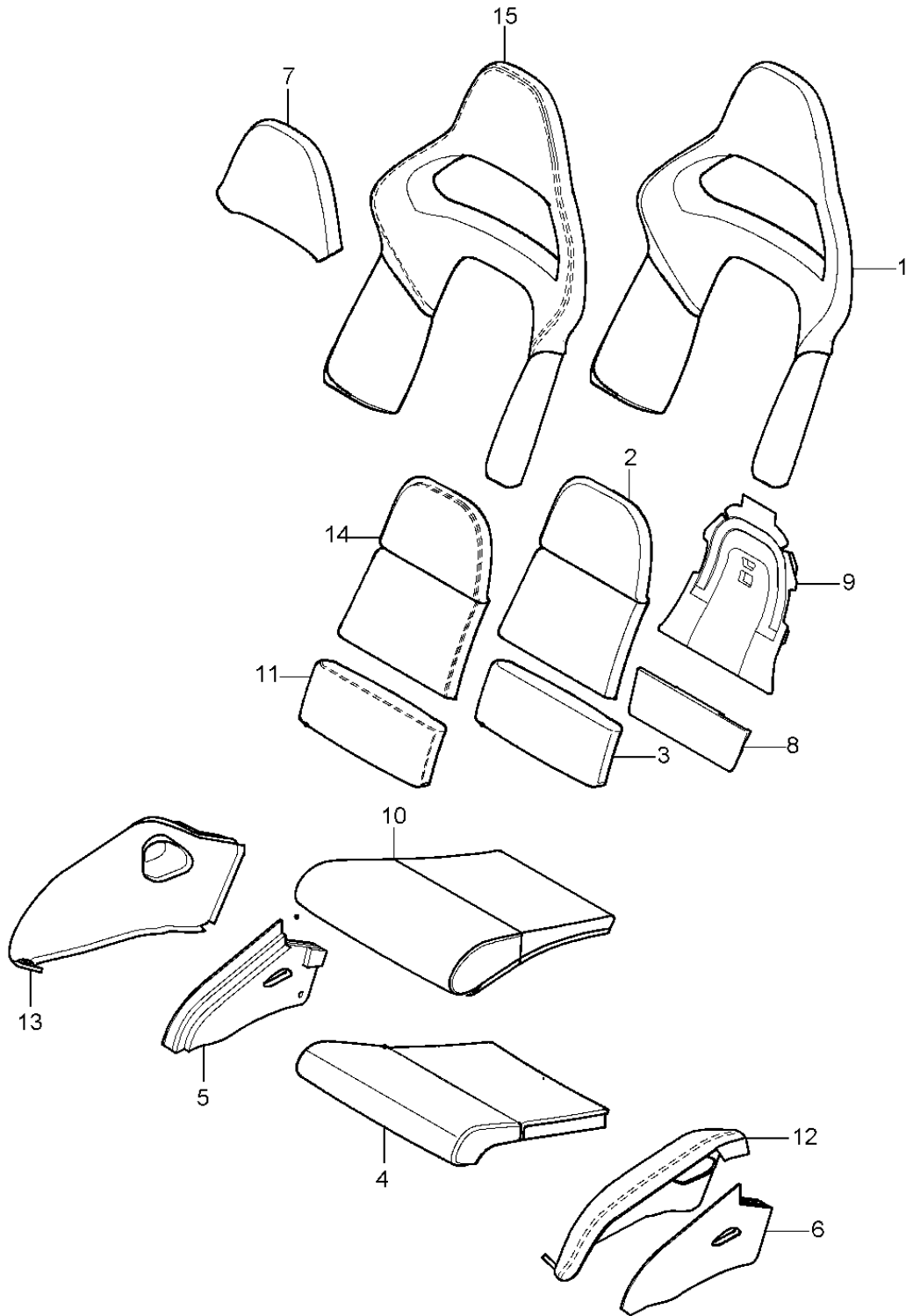


Model: 987 05 Model life 2005>>2008

Pos	Part Number	Description	Remark	Qty	Model
		bucket seat Collapsible (complete) Not available D - MJ 2008>>			
1	997 521 429 01	1 set of seat rails (drivers side)	left lhd	1	PR:098,388
(1)	997 521 430 01	1 set of seat rails (passenger side)	right lhd	1	PR:098,389
(1)	997 521 429 02	1 set of seat rails (passenger side)	left rhd	1	PR:099,388
(1)	997 521 430 02	1 set of seat rails (drivers side)	right rhd	1	PR:099,389
2	997 521 539 00	Pull loop Backrest frame	left	1	PR:388
	997 521 539 00 A80	Black			
(2)	997 521 540 00	Pull loop Backrest frame	right	1	PR:389
	997 521 540 00 A80	Black			
3	997 521 538 00	Rosette Pull loop Backrest frame	right	1	PR:389
	997 521 538 00 01C	Satin black			
(3)	997 521 537 00	Rosette Pull loop Backrest frame	left	1	PR:388
	997 521 537 00 01C	Satin black			
4	997 521 563 00	Trim Hinge	left inner	1	PR:388,389
	997 521 563 00 01C	Satin black			
(4)	997 521 564 00	Trim Hinge	right inner	1	PR:388,389
	997 521 564 00 01C	Satin black			

Model: 987 05

Model life 2005>>2008



Model: 987 05 Model life 2005>>2008

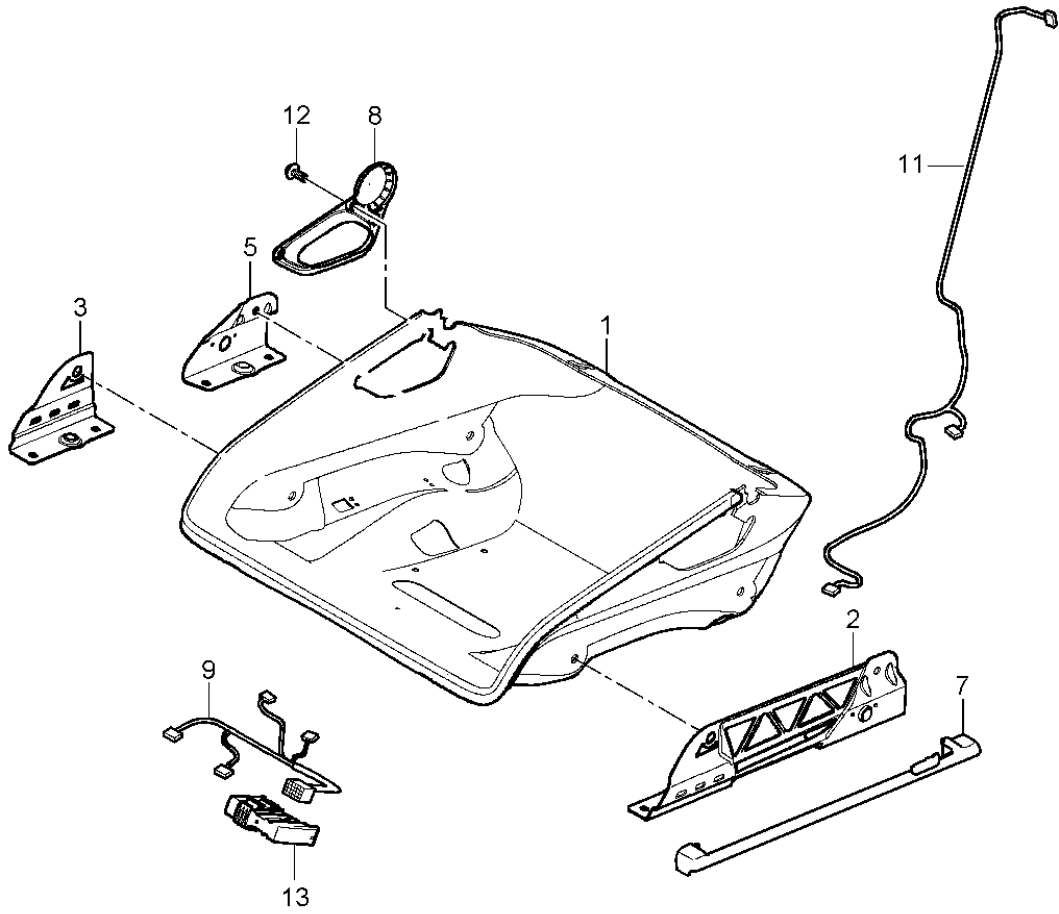
Pos	Part Number	Description	Remark	Qty	Model
1	997 521 447 00	Foam part Cover Seat and backrest surface bucket seat Collapsible D - MJ 2008>>	left a. right	2	
2	997 521 448 00	Foam part backrest Outer part		2	PR:388,389
3	997 521 441 00	Foam part Centre part Seat cushion	rear	2	PR:388,389
4	997 521 440 00	Foam part Seat cushion	front	2	PR:388,389
5	997 521 443 00	Foam part Seat cushion	left side outer	1	PR:388
(5)	997 521 444 00	Foam part Seat cushion	side inner left side	1	PR:388
6	997 521 446 00	Foam part Seat cushion	right side outer	1	PR:389
(6)	997 521 445 00	Foam part Seat cushion	right side inner right	1	PR:389
7	997 521 458 00	Foam part Head restraint		2	PR:388,389
8	997 521 456 00	Foam part Seat cushion	rear	1	PR:388,389
9	997 521 457 00	Foam part backrest		1	PR:388,389
10	997 521 380 00	Seat cover	left a. right front	1	PR:388,389, 983
	997 521 380 00 8YR	Black			
	997 521 380 00 5X5	Stone grey			
	997 521 380 00 8G1	Sand beige			
	997 521 380 00 3S8	sea blue			
	997 521 380 00 9N2	Terracotta			
	997 521 380 00 9Q3	Cocoa			
	997 521 380 00 D11	Dark grey/natural			
	997 521 380 00 T11	Brown/natural			
	997 521 380 00 N11	Carrera Red			
11	997 521 381 00	Seat cover	rear	1	PR:388,389, 983
	997 521 381 00 8YR	Black			
	997 521 381 00 5X5	Stone grey			
	997 521 381 00 8G1	Sand beige			
	997 521 381 00 3S8	sea blue			
	997 521 381 00 9N2	Terracotta			
	997 521 381 00 9Q3	Cocoa			
	997 521 381 00 D11	Dark grey/natural			
	997 521 381 00 T11	Brown/natural			
	997 521 381 00 N11	Carrera Red			
12	997 521 383 00	Cover	left side outer	1	PR:388,983
	997 521 383 00 8YR	Black			
	997 521 383 00 5X5	Stone grey			
	997 521 383 00 8G1	Sand beige			
	997 521 383 00 3S8	sea blue			

Model: 987 05 Model life 2005>>2008

Pos	Part Number	Description	Remark	Qty	Model				
13	997 521 383 00 9N2	Terracotta	left side inner	1	PR:388,983				
	997 521 383 00 9Q3	Cocoa							
	997 521 383 00 D11	Dark grey/natural							
	997 521 383 00 T11	Brown/natural							
	997 521 383 00 N11	Carrera Red							
	997 521 384 00	Seat cover (leather)							
	997 521 384 00 8YR	Black							
	997 521 384 00 5X5	Stone grey							
	997 521 384 00 8G1	Sand beige							
	997 521 384 00 3S8	sea blue							
	997 521 384 00 9N2	Terracotta							
	997 521 384 00 9Q3	Cocoa							
	(13)	997 521 384 00 D11				Dark grey/natural	right side outer	1	PR:389,983
997 521 384 00 T11		Brown/natural							
997 521 384 00 N11		Carrera Red							
997 521 386 00		Cover							
997 521 386 00 8YR		Black							
997 521 386 00 5X5		Stone grey							
997 521 386 00 8G1		Sand beige							
997 521 386 00 3S8		sea blue							
997 521 386 00 9N2		Terracotta							
997 521 386 00 9Q3		Cocoa							
997 521 386 00 D11		Dark grey/natural							
997 521 386 00 T11		Brown/natural							
(13)		997 521 386 00 N11	Carrera Red	right side inner	1	PR:389,983			
	997 521 385 00	Seat cover (leather)							
	997 521 385 00 8YR	Black							
	997 521 385 00 5X5	Stone grey							
	997 521 385 00 8G1	Sand beige							
	997 521 385 00 3S8	sea blue							
	997 521 385 00 9N2	Terracotta							
	997 521 385 00 9Q3	Cocoa							
	997 521 385 00 D11	Dark grey/natural							
	997 521 385 00 T11	Brown/natural							
	997 521 385 00 N11	Carrera Red							
	14	997 521 387 00	Backrest centre part w. cover					1	PR:388,389, 983
		997 521 387 00 8YR	Black						
997 521 387 00 5X5		Stone grey							
997 521 387 00 8G1		Sand beige							
997 521 387 00 3S8		sea blue							
997 521 387 00 9N2		Terracotta							
997 521 387 00 9Q3		Cocoa							
997 521 387 00 D11		Dark grey/natural							
997 521 387 00 T11		Brown/natural							
997 521 387 00 N11		Carrera Red							
15		997 521 388 00	backrest cover (leather)	outer	1	PR:388,389, 983			
		997 521 388 00 8YR	Black						
		997 521 388 00 5X5	Stone grey						
	997 521 388 00 8G1	Sand beige							
	997 521 388 00 3S8	sea blue							
	997 521 388 00 9N2	Terracotta							
	997 521 388 00 9Q3	Cocoa							
	997 521 388 00 D11	Dark grey/natural							
	997 521 388 00 T11	Brown/natural							
	997 521 388 00 N11	Carrera Red							

Model: 987 05

Model life 2005>>2008

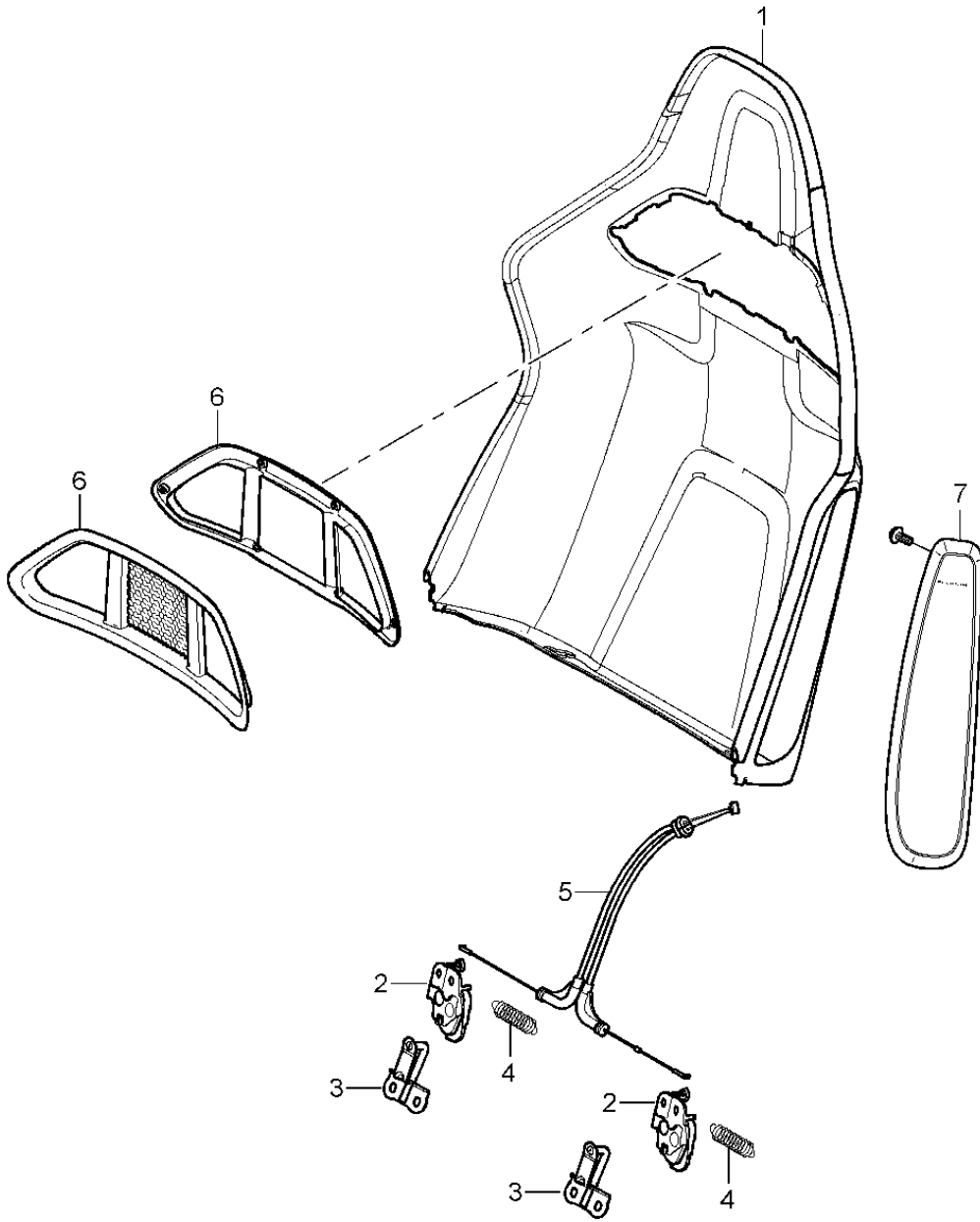


Model: 987 05 Model life 2005>>2008

Pos	Part Number	Description	Remark	Qty	Model
1	997 521 281 00	bucket seat Collapsible Seat frame Accessories D - MJ 2008>> Cup	left a. right	2	PR:388,389
(1)	997 521 182 00	Seat frame without: seat occupied recognition Cup Seat frame with: seat occupied recognition and Seat rail	right	1	PR:389,560
2	997 521 433 00	Adapter Seat frame Discontinued part	outer left	1	PR:388
(2)	997 521 434 00	Adapter Seat frame Discontinued part	outer right	1	PR:389
3	997 521 436 00	Adapter Seat frame Discontinued part	front, inner right	1	PR:388
4	997 521 435 00	Adapter Seat frame without: seat occupied recognition Discontinued part	front, inner left	1	PR:389
5	997 521 438 00	Adapter Seat frame Discontinued part	rear, inner right	1	PR:388
6	997 521 437 00	Adapter Seat frame without: seat occupied recognition Discontinued part	rear, inner left	1	PR:389
7	997 521 427 03	Cover Sensor seat occupied recognition	left	1	PR:389,560
(7)	997 521 427 03 01C 997 521 426 03	Satin black Cover Sensor seat occupied recognition	right	1	PR:389,560
8	997 521 426 03 01C 997 521 561 00	Satin black Trim Seat belt	left lower	1	PR:388,389
(8)	997 521 561 00 01C 997 521 562 00	Satin black Trim Seat belt	right lower	1	PR:388,389
9	997 521 562 00 01C 997 612 688 10	Satin black Wire set seat occupied recognition		1	PR:389,560
11	997 612 785 10	Wire set	left a. right	1	PR:388,389
12	999 141 049 01	Side airbag unit Oval-head screw Mount Trim Belt Seat cushion		3	
13	997 618 233 05	Control unit for seat occupied sensor		1	PR:560

Model: 987 05

Model life 2005>>2008

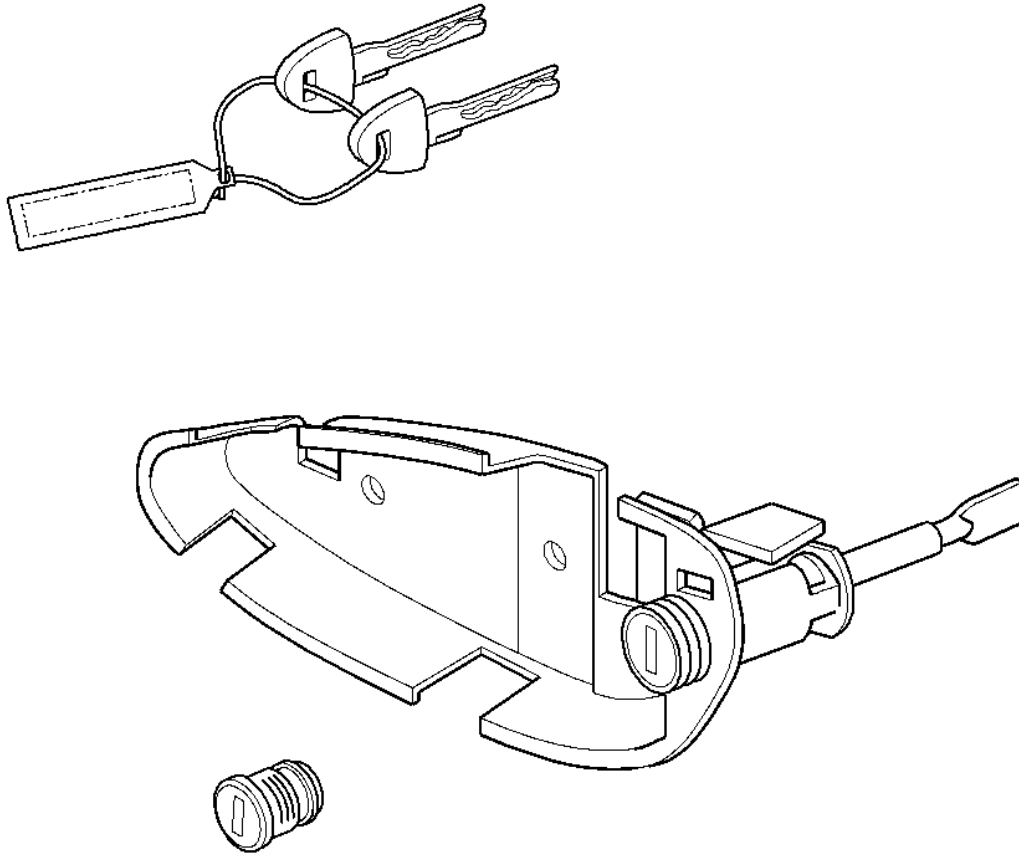


Model: 987 05 Model life 2005>>2008

Pos	Part Number	Description	Remark	Qty	Model
1	997 521 271 00	Backrest shell bucket seat Collapsible Accessories D - MJ 2008>>	left	1	PR:388
(1)	997 521 272 00	Backrest shell bucket seat Collapsible	right	1	PR:389
2	997 521 651 00	backrest lock	left	1	PR:388,389
(2)	997 521 652 00	backrest lock	right	1	PR:388,389
3	997 521 660 00	Closing element lock	left a. right	1	PR:388,389
4	997 521 650 00	Backrest shell tension spring lock	left a. right	1	PR:388,389
5	997 521 640 00	backrest Bowden cable Release	left a. right	1	PR:388,389
6	997 521 330 00	backrest Trim	front	1	PR:388,389
		Seat belt			
(6)	997 521 330 00 01C	Satin black			
	997 521 531 00	Trim	rear	1	PR:388,389
		Seat belt			
	997 521 531 00 01C	Satin black			
7	997 803 081 01	Side airbag unit	left	1	PR:388
	997 803 081 01 A03	Black			
(7)	997 803 082 01	Side airbag unit	right	1	PR:389
		Front seat			
	997 803 082 01 A03	Black			

Model: 987 05

Model life 2005>>2008



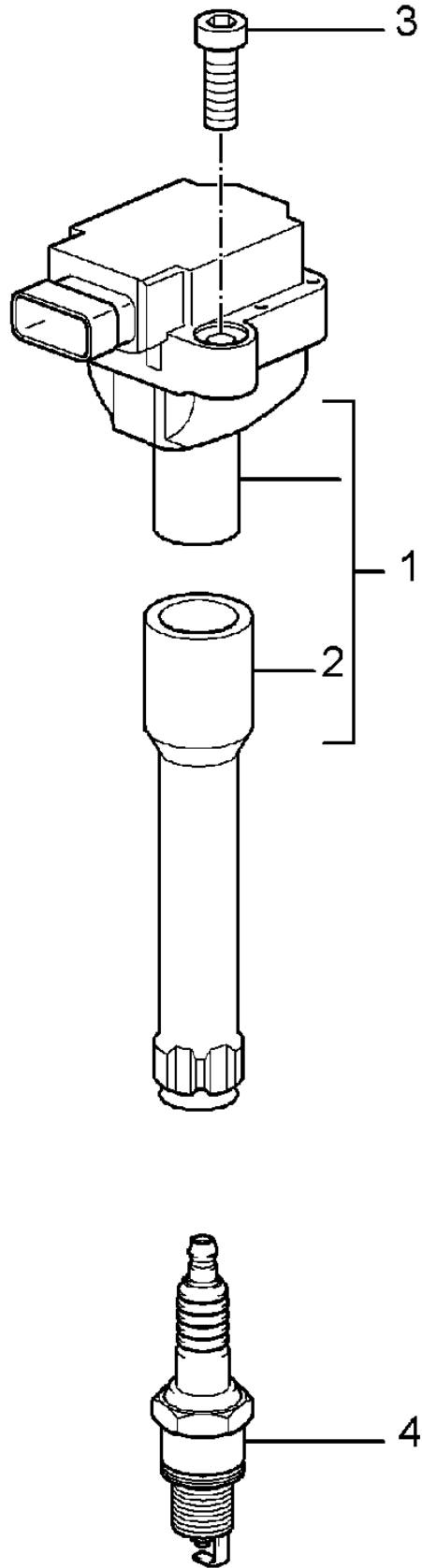
Model: 987 05

Model life 2005>>2008

Pos	Part Number	Description	Remark	Qty	Model
		repair kits Set of locks comprising: Bracket Door handle, exterior Glove compartment lock key Key fob			
-	997 538 011 00	1 set of lock cylinders with handheld trans. & emerg. key		1	PR:098
-	997 538 011 01	1 set of lock cylinders with handheld trans. & emerg. key		1	PR:099

Model: 987 05

Model life 2005>>2008



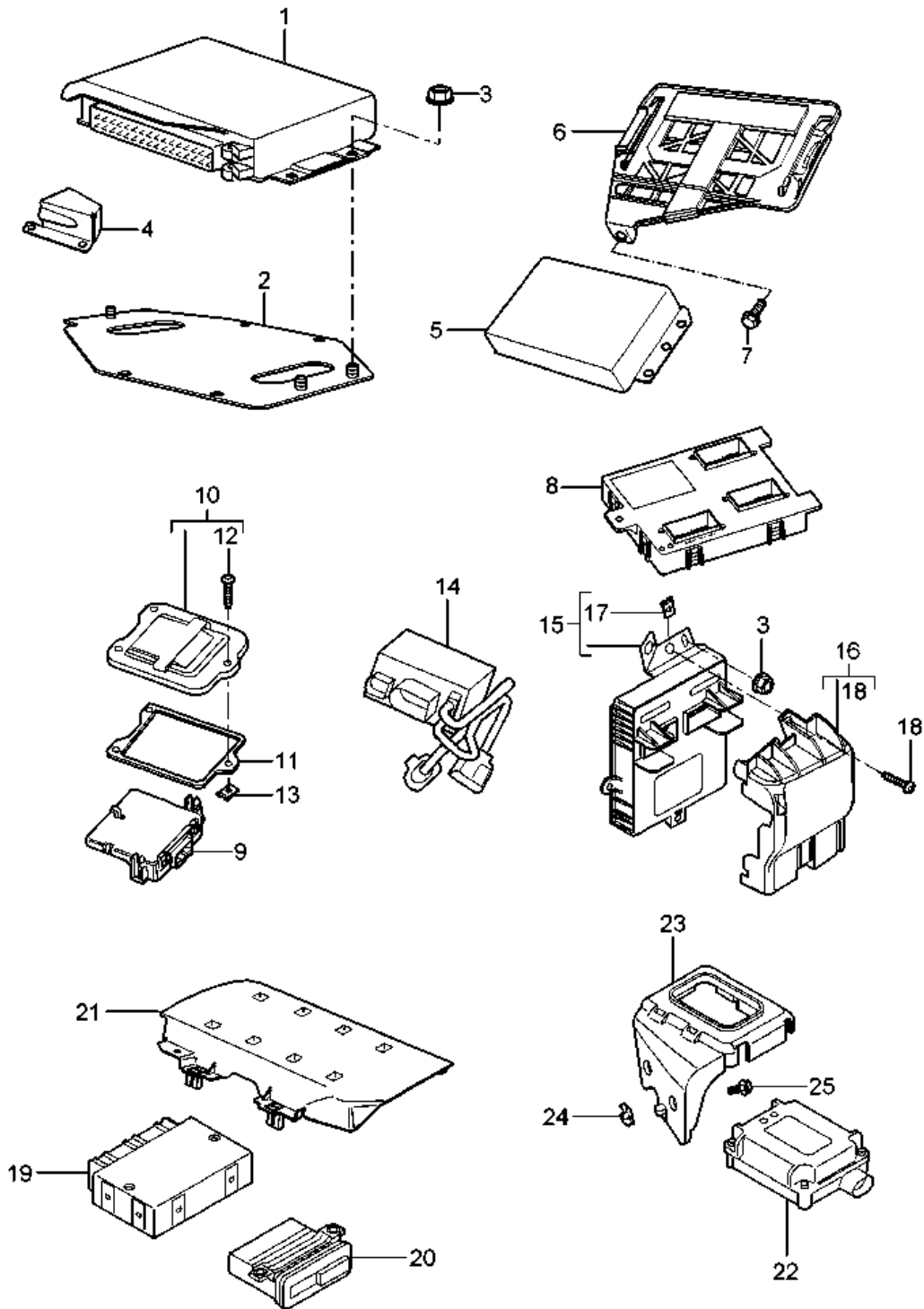
Model: 987 05

Model life 2005>>2008

Pos	Part Number	Description	Remark	Qty	Model
1	997 602 104 02	Ignition system ignition coil with spark plug connector		6	
			900 385 025 01	12	
		also use:			
2	996 602 105 00	spark plug connector		6	
3	900 387 008 01	Socket head bolt M 6 X 25		12	
(3)	900 385 025 01	Torx screw M 6 X 40		10	
4	999 170 223 90	Spark plug FGR 5KQE0		6	9625, 9626, 9720, 9721, 9722

Model: 987 05

Model life 2005>>2008



Model: 987 05 Model life 2005>>2008

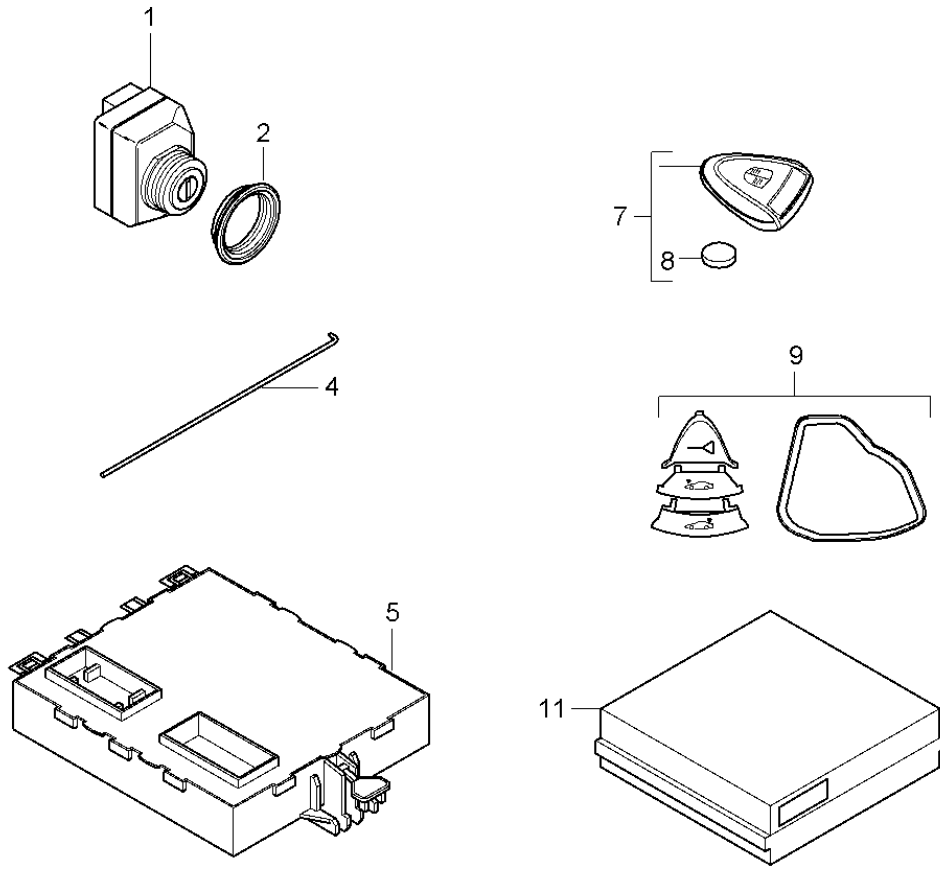
Pos	Part Number	Description	Remark	Qty	Model
1	997 618 603 05	Control units Control unit - dme - D >> - MJ 2006		1	
1	997 618 601 05	Control unit - dme - D - MJ 2007>>		1	PR:-660
1	997 618 603 05	Control unit - dme - D - MJ 2007>>		1	PR:660
2	987 618 029 00	Retainer for control units D >> - MJ 2006		1	
3	900 377 010 01	Hexagon nut M 6 D >> - MJ 2006		3	
(3)	999 084 635 01	Pull-off nut M 6 - SB		5	PR:536
(3)	999 084 629 01	Hexagon nut M 6		X	
4	986 618 131 00	Retaining plate Plug-protection D >> - MJ 2006		1	
(4)	987 618 131 01	Retaining plate Plug-protection D - MJ 2007>>		1	
5	987 618 270 02	Control unit Tiptronic D >> - MJ 2006		1	BOXSTER
5	987 618 272 07	Control unit Tiptronic D - MJ 2007>>		1	BOXSTER
(5)	987 618 320 02	Control unit Tiptronic D >> - MJ 2006		1	BOXSTER S
(5)	987 618 342 07	Control unit Tiptronic D - MJ 2007>>		1	BOXSTER S
6	987 618 155 02	Retainer for control units Vehicle electrical system D - MJ 2007>>		1	PR:249
7	900 378 035 01	Hexagon bolt M 6 X 16 Vehicle electrical system D - MJ 2007>>		1	PR:249
8	997 610 102 06	Onboard supply control unit No longer use the part here		1	
8	997 618 516 01	Onboard supply control unit		1	
9	997 610 107 04	Control unit for gateway		1	
10	997 572 419 03	Cover		1	
11	997 572 221 00	Seal		1	
12	900 143 094 09	panel screw ST 4,8 X 19		3	
13	999 591 855 01	panel nut ST 4,8		3	
14	997 618 436 01	Control unit Cooling air control Discontinued part		1	
14	997 618 436 02	Control unit Cooling air control		1	
15	997 618 511 01	Control unit FRONT luggage compartment		1	
(15)	997 610 105 11	Control unit FRONT luggage compartment		1	PR:601

Model: 987 05 Model life 2005>>2008

Pos	Part Number	Description	Remark	Qty	Model
16	997 551 736 00	Cover for control unit		1	
17	999 507 462 09	panel nut 4,8		1	
18	999 073 061 02	panel screw 4,8 X 16		1	
19	997 618 260 08	Control unit Rear end		1	
20	996 618 171 03	Control unit for parking aid		1	PR:635
21	997 618 371 01	Retainer for control units		1	
-		Sensor			PR:635
		see illustration:	802-005		
22	997 618 225 03	Control unit for opening garage door		1	PR:608
22	997 618 227 02	Control unit for opening garage door Discontinued part		1	PR:607
22	997 618 227 03	Control unit for opening garage door		1	PR:607
23	997 618 257 00	Bracket		1	
24	999 591 882 01	panel nut M 6		2	
25	900 075 505 01	Bolt with washer M 6 X 20		2	

Model: 987 05

Model life 2005>>2008



Model: 987 05 Model life 2005>>2008

Pos	Part Number	Description	Remark	Qty	Model
1	997 618 159 04	Control units Immobiliser Central locking system Ignition/starter switch PORSCHE ACCESS SYSTEM Control unit		1	
2	997 618 759 00	Ignition/starter switch Nut		1	
-	997 618 361 00	Cover Release		1	
4	970 618 761 00	Handheld transmitter Emergency operation Release		1	
5	997 618 171 14	Ignition/starter switch Control unit for central locking PORSCHE ACCESS SYSTEM D >> - MJ 2007 Discontinued part		1	PR:524,534, 544
5	997 618 171 15	Control unit for central locking PORSCHE ACCESS SYSTEM		1	PR:524,534, 544
5	997 618 172 09	Control unit for central locking PORSCHE ACCESS SYSTEM F >> 98-5S710 204 F >> 98-5U712 408 F >> 98-5U731 635 See technical information Discontinued part		1	PR:525,535, 545
5	997 618 172 14	Control unit for central locking PORSCHE ACCESS SYSTEM F 98-5S710 205>> F 98-5U712 409>> F 98-5U731 636>> D >> - MJ 2007 Discontinued part		1	PR:525,535, 545
5	997 618 172 15	Control unit for central locking PORSCHE ACCESS SYSTEM F 98-5S710 205>> F 98-5U712 409>> F 98-5U731 636>> Discontinued part		1	PR:525,535, 545
5	997 618 172 16	Control unit for central locking PORSCHE ACCESS SYSTEM F 98-5S710 205>> F 98-5U712 409>> F 98-5U731 636>>		1	PR:525,535, 545
5	997 618 173 09	Control unit for central locking PORSCHE ACCESS SYSTEM F >> 98-5S710 204 F >> 98-5U712 408 F >> 98-5U731 635 See technical information		1	PR:525,535, 545 "J.."
5	997 618 172 14	Control unit for central locking PORSCHE ACCESS SYSTEM F 98-5S710 205>> F 98-5U712 409>>		1	PR:525,535, 545 "J.."

Model: 987 05 Model life 2005>>2008

Pos	Part Number	Description	Remark	Qty	Model
5	997 618 172 15	F 98-5U731 636>> D >> - MJ 2007 Discontinued part Control unit for central locking PORSCHE ACCESS SYSTEM F 98-5S710 205>> F 98-5U712 409>> F 98-5U731 636>>		1	PR:525,535,545 "J.."
5	997 618 172 16	Discontinued part Control unit for central locking PORSCHE ACCESS SYSTEM F 98-5S710 205>> F 98-5U712 409>> F 98-5U731 636>>		1	PR:525,535,545 "J.."
-	997 612 051 00	Aerial cable for POS. 5 F >> 98-5S700 523 F >> 98-5S720 406 F >> 98-5U702 435 F >> 98-5U722 547	lhd	1	PR:098,524,534,544
-	997 612 051 50	Aerial cable for POS. 5 F >> 98-5S700 523 F >> 98-5S720 406 F >> 98-5U702 435 F >> 98-5U722 547	rhd	1	PR:099,524,534,544
-	997 612 050 00	Aerial cable for POS. 5 F >> 98-5S710 204 F >> 98-5U712 408 F >> 98-5U731 635	lhd	1	PR:098,525,535,545
-	997 612 050 50	Aerial cable for POS. 5 F >> 98-5S710 204 F >> 98-5U712 408 F >> 98-5U731 635	rhd	1	PR:099,525,535,545
-	997 612 051 01	Aerial cable for POS. 5 F 98-5S700 524>> F 98-5S720 407>> F 98-5U702 436>> F 98-5U722 548>>	lhd	1	PR:098,524,534,544
-	997 612 051 51	Aerial cable for POS. 5 F 98-5S700 524>> F 98-5S720 407>> F 98-5U702 436>> F 98-5U722 548>>	rhd	1	PR:099,524,534,544
-	997 612 050 01	Aerial cable	lhd	1	PR:098,525,

Model: 987 05 Model life 2005>>2008

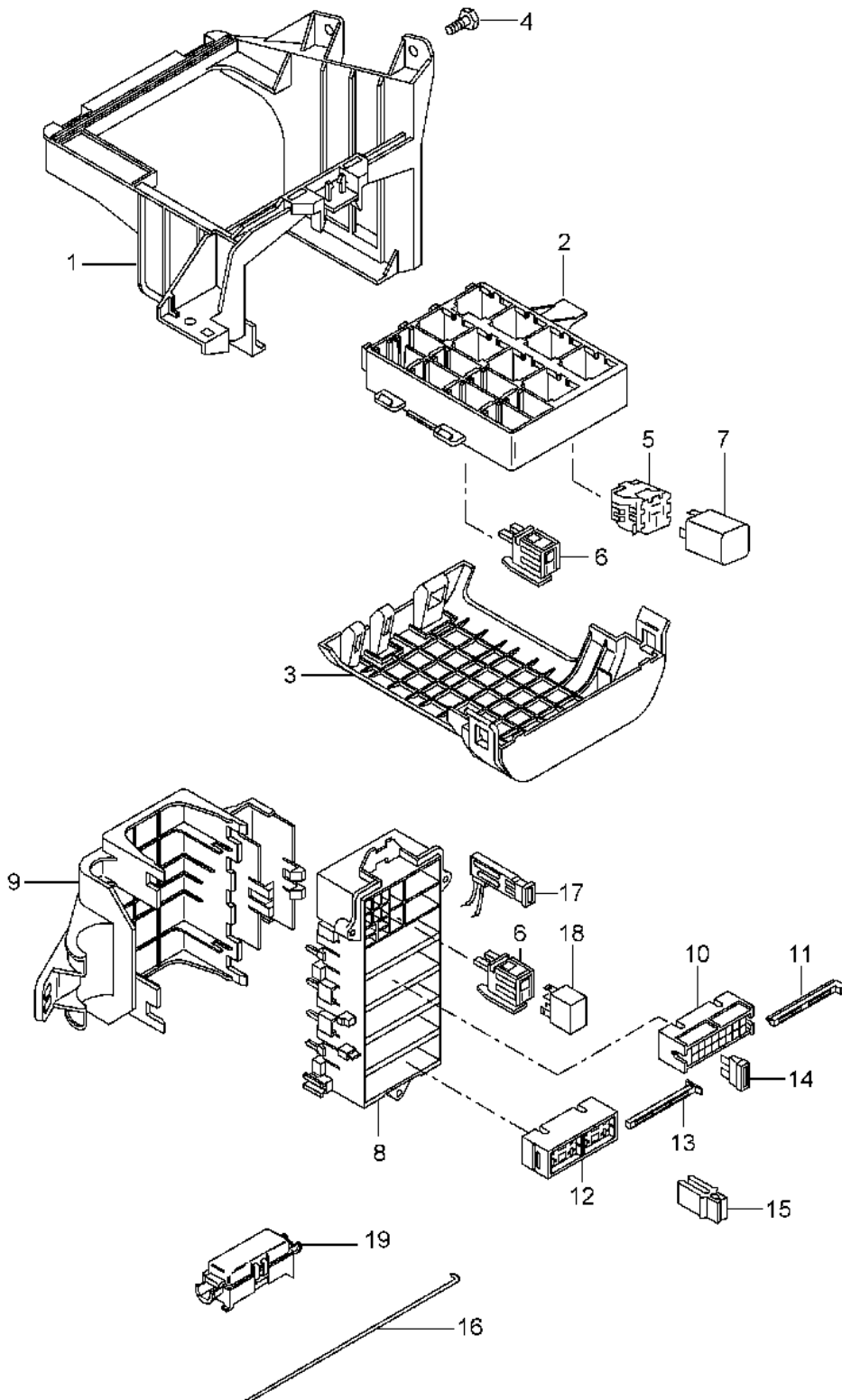
Pos	Part Number	Description	Remark	Qty	Model
-	997 612 050 51	for POS. 5 F 98-5S710 205>> F 98-5U712 409>> F 98-5U731 636>> Aerial cable	rhd	1	535, 545 PR:099, 525, 535, 545
-	987 637 253 00	for POS. 5 F 98-5S710 205>> F 98-5U712 409>> F 98-5U731 636>> use if required: Retainer for aerial		1	
-	999 073 225 09	panel screw 4,8 X 16 F 98-5S700 524>> F 98-5S720 407>> F 98-5U702 436>> F 98-5U722 548>> F 98-5S710 205>> F 98-5U712 409>> F 98-5U731 636>>		1	PR:524, 534, 544, 525, 535, 545
-	928 612 636 01	Protective hose F 98-5S700 524>> F 98-5S720 407>> F 98-5U702 436>> F 98-5U722 548>> F 98-5S710 205>> F 98-5U712 409>> F 98-5U731 636>>		1	PR:524, 534, 544, 525, 535, 545
-	997 612 053 00	Connecting line Aerial amplifier Control unit POS. 5	lhd	1	PR:524, 534, 544, 525, 535, 545 PR:098, 665
-	997 612 054 00	Connecting line Aerial amplifier Control unit POS. 5 F >> 98-5S700 523 F >> 98-5S720 406 F >> 98-5U702 435 F >> 98-5U722 547 F >> 98-5S710 204 F >> 98-5U712 408 F >> 98-5U731 635	rhd	1	PR:099, 665

Model: 987 05 Model life 2005>>2008

Pos	Part Number	Description	Remark	Qty	Model
-	997 612 053 00	Connecting line Aerial amplifier Control unit POS. 5 F 98-5S700 524>> F 98-5S720 407>> F 98-5U702 436>> F 98-5U722 548>>	lhd	1	PR:098,534, 665
-	997 612 054 00	Connecting line Aerial amplifier Control unit POS. 5 F 98-5S700 524>> F 98-5S720 407>> F 98-5U702 436>> F 98-5U722 548>>	rhd	1	PR:099,534, 665
-	997 612 053 01	Connecting line Aerial amplifier Control unit POS. 5	lhd	1	PR:098,535, 665
-	997 612 054 01	Connecting line Aerial amplifier Control unit POS. 5 F 98-5S710 205>> F 98-5U712 409>> F 98-5U731 636>>	rhd	1	PR:099,535, 665
-	997 612 064 51	Aerial cable VEHICLE TRACKING SYSTEM		1	PR:674
7	997 637 244 36	Handheld transmitter No longer use the part here		1	PR:524,534, 544
7	997 637 101 01	Handheld transmitter		1	PR:524,534, 544
7	997 637 244 37	Handheld transmitter D - MJ 2007>> No longer use the part here		1	PR:525,535, 545
7	997 637 103 01	Handheld transmitter		1	PR:525,535, 545
(7)	997 637 244 98	Handheld transmitter D - MJ 2005>> - MJ 2005 Discontinued part		1	PR:525,535, 545 "J.."
(7)	997 637 244 38	Handheld transmitter D - MJ 2007>> No longer use the part here		1	PR:525,535, 545 "J.."
(7)	997 637 105 01	Handheld transmitter		1	PR:525,535, 545 "J.."
8	999 611 108 00	Battery for hand sender		1	
9	000 043 400 14	repair set Key Handheld transmitter Version Grey See workshop manual KD-NR.: 966237		1	
11	997 618 210 01	Sensor for interior monitoring		1	
-		Alarm horn Tilt angle sensor see illustration:	903-000		PR:536,521

Model: 987 05

Model life 2005>>2008



Model: 987 05 Model life 2005>>2008

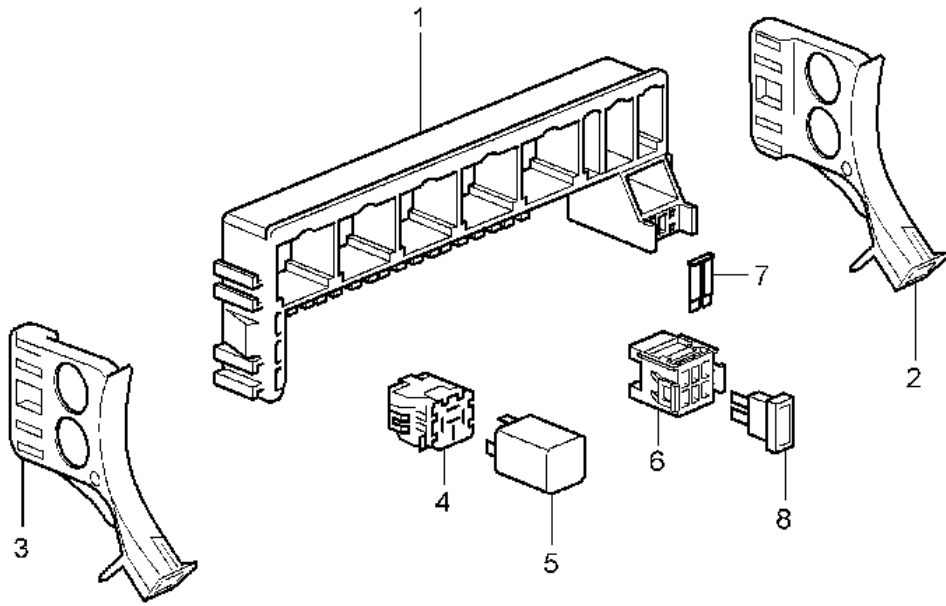
Pos	Part Number	Description	Remark	Qty	Model
		central electrics dashboard			
1	997 610 117 01	bracket for relay bracket	lhd	1	PR:098
(1)	997 610 118 00	bracket for relay bracket	rhd	1	PR:099
2	997 610 110 01	relay plate Mounting frame		1	
3	997 610 112 00	Cover Mounting frame		1	
4	900 378 155 01	Hexagon bolt M 6 X 16 ASP		2	
(4)	900 377 010 01	Hexagon nut M 6		1	
5	928 610 511 00	relay plate		X	
6	999 650 538 40	relay plate		X	
7		Relay			
(7)	999 657 014 90	Relay Convertible top Open		1	
		relay location/code no.:	S3		
(7)	999 657 014 90	Relay KL. X		1	
		relay location/code no.:	S4		
(7)	999 657 014 90	Relay Convertible top Close		1	
		relay location/code no.:	S5		
(7)	999 657 015 90	Relay KL. 86S		1	
		relay location/code no.:	S6		
(7)	999 657 015 90	Relay Rear window heating		1	
		relay location/code no.:	S7		
(7)	999 657 015 90	Relay Fuel pump		1	
		relay location/code no.:	S8		
(7)	999 657 013 90	Relay - dme -		1	
		relay location/code no.:	S11		
(7)	999 657 013 90	Relay heater		1	
		relay location/code no.:	S12		
(7)	999 657 013 90	Relay Headlight washer system		1	PR:288
		relay location/code no.:	S14		
(7)	999 657 013 90	Relay Starter		1	
		relay location/code no.:	S15		
(7)	999 657 013 90	Relay KL. 15		1	
		relay location/code no.:	S16		
8	997 610 340 00	Carrier		1	
9	997 610 341 00	Cover		1	
10	999 650 209 40	fuse holder		4	
11	999 650 210 40	slide valve		4	
12	999 650 750 40	fuse holder		1	
13	999 650 749 40	slide valve		1	
14	999 607 082 00	fuse 5 A		X	
(14)	999 607 083 00	fuse 7 , 5 A		X	
(14)	999 607 084 00	fuse 10 A		X	
(14)	999 607 085 00	fuse		X	

Model: 987 05 Model life 2005>>2008

Pos	Part Number	Description	Remark	Qty	Model
(14)	999 607 087 00	15 A fuse		X	
(14)	999 607 088 00	25 A fuse		X	
(14)	999 607 072 00	30 A fuse		X	
(14)	999 607 073 00	30 A Large fuse		X	
15	999 107 300 40	40 A Large Tool		X	
-	997 610 195 02	Assignment sticker fuse		X	
-	997 610 195 07	No longer use the part here Assignment sticker fuse		X	
16	997 618 761 00	Emergency operation Release		1	
16	970 618 761 00	Ignition/starter switch Discontinued part Emergency operation Release		1	
-		Ignition/starter switch Emergency operation Cover			
17	996 610 240 00	Terminal clamp		1	
18	999 657 014 90	Relay		1	
19	999 650 026 99	fuse holder		1	
19	997 610 915 00	No longer use the part here fuse holder		1	
-		with: fuse 80 A for Cooling air control Cover for housing fuse		X	
		see illustration:	807-002		

Model: 987 05

Model life 2005>>2008

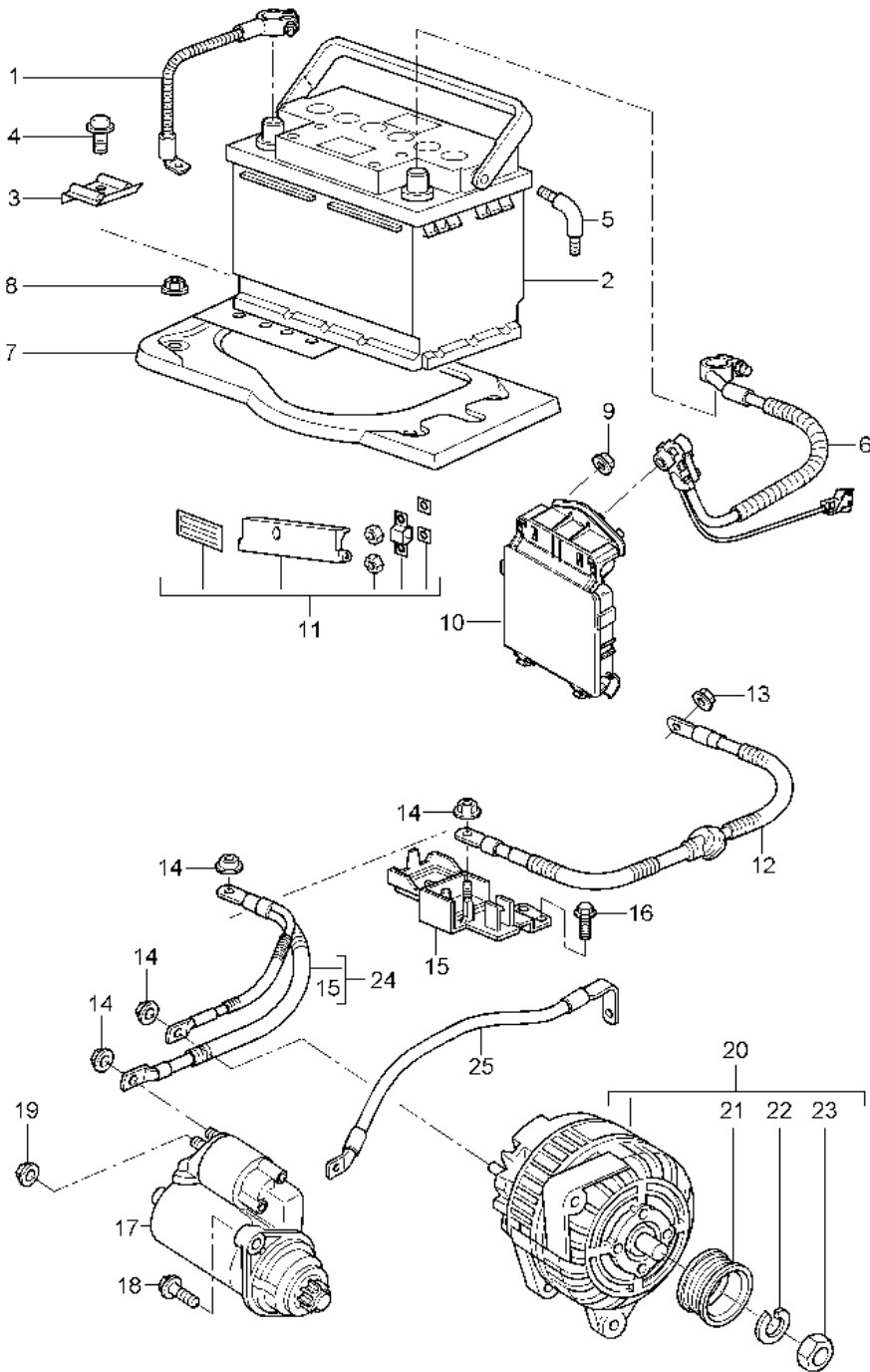


Model: 987 05 Model life 2005>>2008

Pos	Part Number	Description	Remark	Qty	Model
1	987 610 111 00	central electrics Rear end relay plate Mounting frame Discontinued part		1	
1	987 610 111 01	relay plate Mounting frame		1	
2	986 610 126 00	bracket for relay bracket	right	1	
3	986 610 127 00	bracket for relay bracket	left	1	
4	928 610 511 00	relay plate Large		X	
(4)	999 650 538 40	relay plate Small		X	
5		Relay			
(5)	964 615 215 00	Relay Air conditioning relay location/code no.:	S1	1	PR:573
(5)	999 657 018 90	Discontinued part relay for air conditioner relay location/code no.:	S1	1	PR:573
(5)	999 657 008 90	Relay Secondary pump relay location/code no.:	S2	1	PR:661
(5)	999 657 017 90	Discontinued part Relay Secondary pump relay location/code no.:	S2	1	PR:661
(5)	999 657 007 90	Relay Fan Engine bay relay location/code no.:	S8	1	
(5)	999 657 015 90	Discontinued part Relay Fan Engine bay relay location/code no.:	S8	1	
6	999 650 747 40	fuse holder		1	
7	999 650 748 40	Locking mechanism		1	
8	999 607 085 00	fuse 15 A		X	
(8)	999 607 073 00	fuse 40 A Large		X	PR:661

Model: 987 05

Model life 2005>>2008



Model: 987 05 Model life 2005>>2008

Pos	Part Number	Description	Remark	Qty	Model
		Battery			
		Power distributor			
		Starter			
		Alternator			
1	997 611 090 00	Earth line	lhd	1	PR:098
(1)	997 611 091 00	Earth line	rhd	1	PR:099
		use if required:			
-	900 377 010 01	Hexagon nut		1	
		M 6			
(2)	999 611 060 20	Battery		1	
		60 AH			
(2)	999 611 070 20	Battery		1	
		70 AH			
2	999 611 080 20	Battery		1	
		80 AH			
(2)	999 611 095 20	Battery		1	PR:200
		95 AH			
3	996 611 209 00	Rail		1	
		Battery			
4	900 378 017 01	Hexagon bolt		1	
		M 8 X 20			
5	893 915 507	Elbow fitting		1	
6	997 612 993 00	repair set	lhd	1	PR:098
		Cable			
		Battery			
		Power distributor			
		Discontinued part			
(6)	997 612 995 00	repair set	rhd	1	PR:099
		Cable			
		Battery			
		Power distributor			
		Discontinued part			
(6)	997 612 908 00	repair set	lhd	1	PR:098
		Wire set			
		Battery			
		Power distributor			
		see			
		Technical information			
		9789			
(6)	997 612 909 00	repair set	rhd	1	PR:099
		Wire set			
		Battery			
		Power distributor			
		see			
		Technical information			
		9789			
7	996 504 151 00	Battery console		1	
(7)	997 504 151 00	Carrier plate for battery		1	PR:200
8	999 084 630 01	Hexagon nut		4	
		VM 8 SB			
9	900 380 005 01	Nut		2	
		VM 8			
10	997 610 911 00	repair set		1	
		Replacement			
		Power distributor			
		comprising:			
-		Power distributor		1	
		without:			
-		Fuse element			
-		Hexagon nut		8	
		M 5			
-		Hexagon nut		3	
		M 8			

Model: 987 05 Model life 2005>>2008

Pos	Part Number	Description	Remark	Qty	Model
-		Seal label red		1	
11	997 610 912 00	repair set Replacement Fuse element comprising:		1	
-		Fuse element 50 AMPERE		1	
-		Fuse element 70 AMPERE		1	
-		Fuse element 80 AMPERE		1	
-		Hexagon nut M 5		4	
-		square washer		4	
-		Cover blue		1	
-		Seal label red			
11	997 610 913 00	repair set Replacement Fuse element comprising:		1	
-		Fuse element 150 AMPERE		1	
-		Hexagon nut M 8		2	
-		square washer		2	
-		Cover blue			
-		Seal label red		1	
12	987 612 090 02	Cable Power distributor To Connection point Engine	lhd	1	PR:098
(12)	987 612 096 00	Cable Power distributor To Connection point Engine	rhd	1	PR:099
13	900 084 123 02	Hexagon nut M 8		1	
14	900 377 003 03	Hexagon nut M 8		4	
15	986 611 201 01	Connection point (complete)		1	
16	900 385 009 01	Torx screw BM 6 X 16		2	
17	996 604 103 00	Starter 1,7 KW		1	
18	900 385 097 01	Torx screw BM 10 X 35		2	
19	900 377 010 01	Hexagon nut M 6		1	
20	997 603 012 06	Alternator with: pulley without: Freewheel		1	PR:249
20	997 603 022 04	D >> - MJ 2006 Alternator		1	PR:249

Model: 987 05 Model life 2005>>2008

Pos	Part Number	Description	Remark	Qty	Model
20	997 603 022 DX	with: pulley without: Freewheel D - MJ 2007>> Alternator		1	PR:249
(20)	997 603 012 01	with: pulley without: Freewheel D - MJ 2007>> Alternator		1	PR:480,481
(20)	997 603 012 07	with: pulley Freewheel D >> - MJ 2006 Alternator		1	PR:480,481
(20)	997 603 012 09	with: pulley Freewheel D >> - MJ 2006 Discontinued part Alternator		1	PR:480,481
(20)	997 603 012 JX	with: pulley Freewheel D >> - MJ 2006 Alternator		1	PR:480,481 -"CN."
(20)	997 603 022 05	with: pulley Freewheel D >> - MJ 2006 Alternator		1	PR:480,481
(20)	997 603 022 EX	with: pulley Freewheel D - MJ 2007>> Alternator		1	PR:480,481 -"CN."
21	996 603 151 55	with: pulley Freewheel D - MJ 2007>> pulley		1	PR:249
(21)	997 603 154 00	without: Freewheel pulley		1	PR:480,481
-	996 603 113 00	with: Freewheel Protective cap for 3-phase alternator		1	PR:249
-	996 603 153 50	Protective cap		1	PR:480,481
22	N 012 016 1	spring ring		1	
23	900 034 013 01	B 16 Hexagon nut M 16 X 1,5		1	
-		Fasteners Alternator			
-	900 385 097 01	Torx screw BM 10 X 35		1	
-	900 385 092 04	Torx screw BM 10 X 145		1	
24	987 607 019 01	Wire set Starter		1	

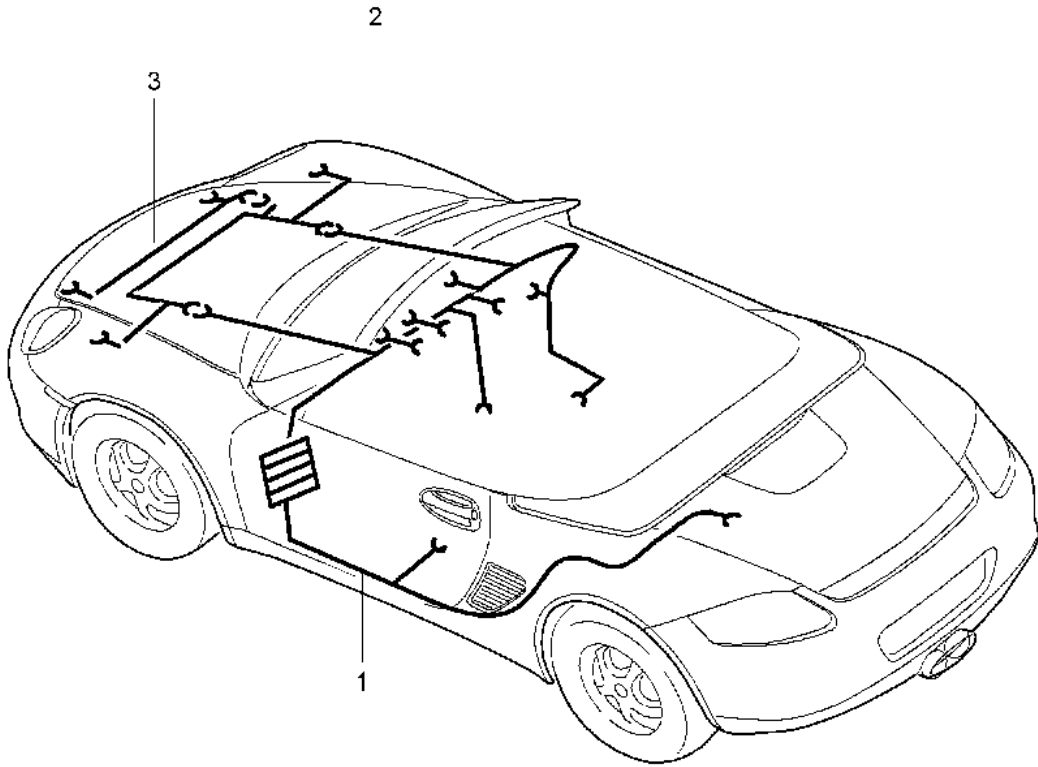
Model: 987 05

Model life 2005>>2008

Pos	Part Number	Description	Remark	Qty	Model
(24)	987 607 019 02	Alternator D >> - MJ 2006 Wire set Starter Alternator		1	
25	996 607 030 00	D - MJ 2007>> Earth line		1	
25	987 607 030 00	D - MJ 2005>> - MJ 2005 Earth line Body Engine		1	
26	997 610 916 00	D - MJ 2006>> repair set Screw bolt Power distributor comprising: Screw bolt Nut Seal label		1 1 2 1	

Model: 987 05

Model life 2005>>2008



Model: 987 05 Model life 2005>>2008

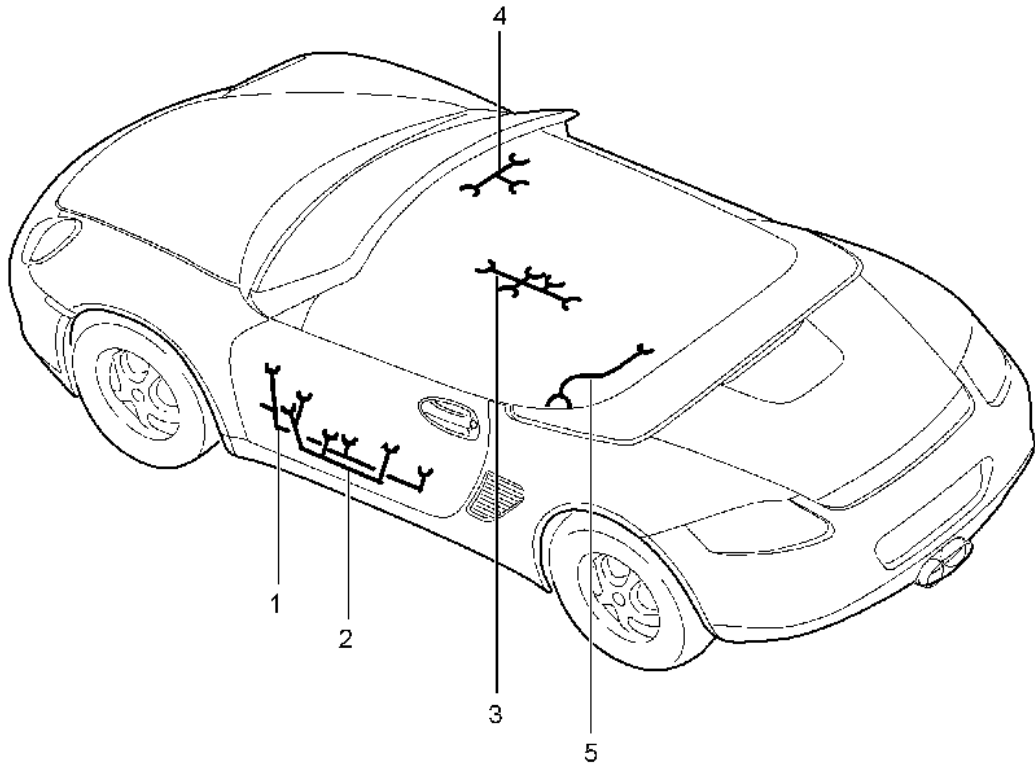
Pos	Part Number	Description	Remark	Qty	Model
1	987 612 903 00	Wiring looms Passenger compartment FRONT luggage compartment Trim Airbag Seat belt tensioner repair kits Shock absorbers anti-locking brake syst. -abs- brake pad wear display Front axle	front	1	
-	996 610 120 01	Wire set Passenger compartment Vehicle Ident. No. Indicate		1	
-	999 651 302 40	Bracket Socket Diagnostic connector		X	
-	999 651 284 40	Retaining clip Wire set Passenger compartment Sill		X	
2	987 612 520 10	Retaining clip Wire set Passenger compartment Sill		1	
2	987 612 520 11	Wire set FRONT luggage compartment See workshop manual KD-NR.: 971619 D - MJ 2006>> - MJ 2006 No longer use the part here		1	
(2)	987 612 521 10	Wire set FRONT luggage compartment See workshop manual KD-NR.: 971619 D - MJ 2006>> - MJ 2006 No longer use the part here		1	PR:601
(2)	987 612 521 11	Wire set FRONT luggage compartment See workshop manual KD-NR.: 971619 D - MJ 2006>> - MJ 2006 No longer use the part here		1	PR:601
-	997 610 215 01	Cable guide for Sensor Airbag		2	
3	987 612 501 01	Wire set Trim	front	1	
-	999 507 840 40	Cable holder for POS. 3		X	
-	997 612 781 25	Wire set Airbag (passenger side) Setting 1 Connector		1	
-	997 612 783 00	green Wire set Airbag		1	

Model: 987 05 Model life 2005>>2008

Pos	Part Number	Description	Remark	Qty	Model
-	997 612 783 25	(passenger side) Setting2 Connector yellow D >> - MJ 2007 Discontinued part Wire set Airbag		1	
-	997 612 992 00	(passenger side) Setting2 Connector yellow Wire set Control unit Airbag Connection point Door		2	
-		Wire set Airbag Seat			
-	997 612 793 01	see illustration: Wire set Seat belt tensioner	817-006	2	
-	997 612 950 00	repair set Wire set Shock absorbers	front	2	PR:475
-	997 612 961 00	Repair set for front axle Wire set anti-locking brake syst. -abs- brake pad wear display	left front	1	
-	997 612 960 00	Repair set for front axle Wire set anti-locking brake syst. -abs- brake pad wear display	right front	1	
-		repair set Wire set Rear axle see illustration:	902-020		

Model: 987 05

Model life 2005>>2008



Model: 987 05 Model life 2005>>2008

Pos	Part Number	Description	Remark	Qty	Model
1	997 612 642 00	Wiring looms doors Airbag Centre console Glove box hardtop Wire set	lhd	1	PR:098
1	997 612 642 05	Assembly frame Driver's door D - MJ 2005>> - MJ 2005 Wire set	lhd	1	PR:098
1	997 612 642 07	Assembly frame Driver's door D - MJ 2006>> - MJ 2006 Wire set	lhd	1	PR:098
(1)	997 612 644 00	Assembly frame Driver's door D - MJ 2007>> Wire set	rhd	1	PR:099
(1)	997 612 644 55	Assembly frame Driver's door D - MJ 2005>> - MJ 2005 Wire set	rhd	1	PR:099
(1)	997 612 644 57	Assembly frame Driver's door D - MJ 2006>> - MJ 2006 Wire set	rhd	1	PR:099
(1)	997 612 643 00	Assembly frame Driver's door D - MJ 2007>> Wire set	lhd	1	PR:098
(1)	997 612 643 55	Assembly frame Passenger's door D - MJ 2005>> - MJ 2005 Wire set	lhd	1	PR:098
(1)	997 612 643 57	Assembly frame Passenger's door D - MJ 2006>> - MJ 2006 Wire set	lhd	1	PR:098
(1)	997 612 645 00	Assembly frame Passenger's door D - MJ 2007>> Wire set	rhd	1	PR:099
(1)	997 612 645 05	Assembly frame Passenger's door D - MJ 2005>> - MJ 2005 Wire set	rhd	1	PR:099
(1)	997 612 645 07	Assembly frame Passenger's door D - MJ 2006>> - MJ 2006 Wire set	rhd	1	PR:099
-	997 612 780 00	Assembly frame Passenger's door D - MJ 2007>> Wire set		2	
-	997 612 780 16	Airbag D - MJ 2005>> - MJ 2005 Wire set		2	
2	997 612 647 00	Airbag D - MJ 2006>> Wire set door panel Driver's door	lhd	1	PR:098

Model: 987 05 Model life 2005>>2008

Pos	Part Number	Description	Remark	Qty	Model
2	997 612 647 05	D - MJ 2005>> - MJ 2005 Wire set door panel Driver's door	lhd	1	PR:098
2	997 612 647 07	D - MJ 2006>> - MJ 2006 Wire set door panel Driver's door	lhd	1	PR:098
2	997 612 647 10	F >> 98-8U703 080 F >> 98-8U723 054 D - MJ 2007>> - MJ 2008 Wire set door panel Driver's door	lhd	1	PR:098 BOXSTER BOXSTER S
(2)	997 612 650 00	F 98-8U703 081>> F 98-8U723 055>> D - MJ 2008>> Wire set door panel Driver's door	rhhd	1	PR:099
(2)	997 612 650 05	D - MJ 2005>> - MJ 2005 Wire set door panel Driver's door	rhhd	1	PR:099
(2)	997 612 650 07	D - MJ 2006>> - MJ 2006 Wire set door panel Driver's door	rhhd	1	PR:099
(2)	997 612 648 00	D - MJ 2007>> Wire set door panel Passenger's door	lhd	1	PR:098
(2)	997 612 648 05	D - MJ 2005>> - MJ 2005 Wire set door panel Passenger's door	lhd	1	PR:098
(2)	997 612 648 07	D - MJ 2006>> - MJ 2006 Wire set door panel Passenger's door	lhd	1	PR:098
(2)	997 612 648 10	F >> 98-8U703 080 F >> 98-8U723 054 D - MJ 2007>> - MJ 2008 Wire set door panel Passenger's door	lhd	1	PR:098 BOXSTER BOXSTER S
(2)	997 612 649 00	F 98-8U703 081>> F 98-8U723 055>> D - MJ 2008>> Wire set door panel Passenger's door	rhhd	1	PR:099
(2)	997 612 649 05	D - MJ 2005>> - MJ 2005 Wire set door panel Passenger's door	rhhd	1	PR:099
(2)	997 612 649 07	D - MJ 2006>> - MJ 2006 Wire set door panel Passenger's door	rhhd	1	PR:099
3	997 612 652 50	D - MJ 2007>> Wire set Centre console		1	

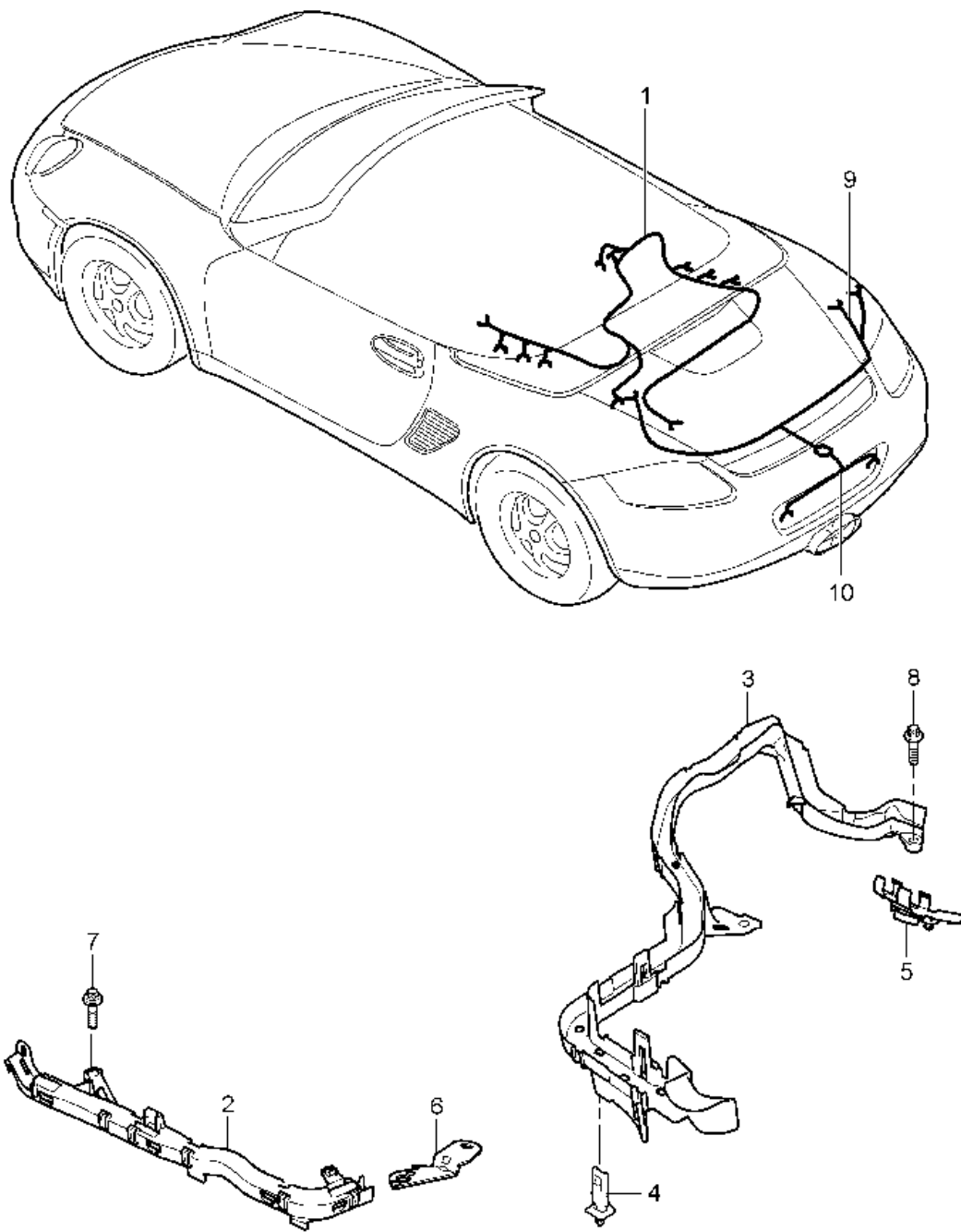
Model: 987 05

Model life 2005>>2008

Pos	Part Number	Description	Remark	Qty	Model
3	997 612 652 75	D - MJ 2005>> - MJ 2005 Wire set Centre console		1	
4	997 612 651 00	D - MJ 2006>> Wire set Glove box		1	
5	986 612 081 01	Wire set hardtop		1	PR:550
-		Wire set Convertible top see illustration:	811-005		

Model: 987 05

Model life 2005>>2008



Model: 987 05 Model life 2005>>2008

Pos	Part Number	Description	Remark	Qty	Model
1	987 607 001 02	Wiring looms Engine Rear end Licence plate light Parking aid repair kits for Shock absorbers anti-locking brake syst. -abs- brake pad wear display Rear axle Wire set Engine M >> 615 07982 Discontinued part		1	9625+ PR:481
1	987 607 001 04	Wire set Engine M >> 615 07982 D >> - MJ 2006 Discontinued part		1	9625+ PR:481
1	987 607 001 06	Wire set Engine D >> - MJ 2006		1	9625+ PR:481
1	987 607 011 08	Wire set Engine D - MJ 2007>> - MJ 2007 Discontinued part		1	9720+ PR:481
1	987 607 011 10	Wire set Engine D - MJ 2007>>		1	9720+ PR:481
1	987 607 010 06	Wire set Engine D - MJ 2007>> - MJ 2007 Discontinued part		1	9720+ PR:481, 660
1	987 607 010 08	Wire set Engine D - MJ 2007>>		1	9720+ PR:481, 660
1	987 607 001 61	Wire set Engine M >> 625 06879 Discontinued part		1	9625,9626+ PR:480
1	987 607 001 62	Wire set Engine M >> 625 06879 D >> - MJ 2006 Discontinued part		1	9625,9626+ PR:480
1	987 607 001 63	Wire set Engine D >> - MJ 2006		1	9625,9626+ PR:480
1	987 607 011 64	Wire set Engine D - MJ 2007>> - MJ 2007 Discontinued part		1	9720,9721+ PR:480
1	987 607 011 65	Wire set Engine D - MJ 2007>>		1	9720,9721, 9722+ PR:480

Model: 987 05 Model life 2005>>2008

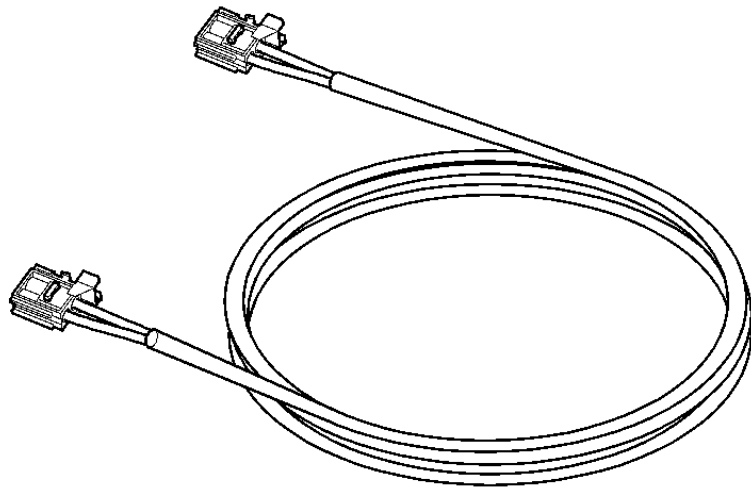
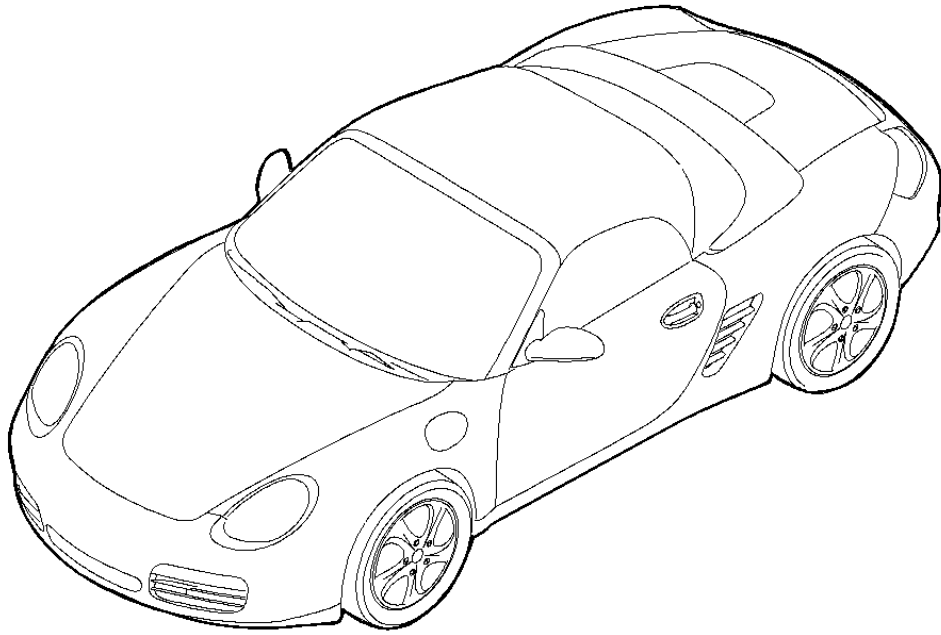
Pos	Part Number	Description	Remark	Qty	Model
1	987 607 010 63	Wire set Engine D - MJ 2007>> - MJ 2007 Discontinued part		1	9720,9721+ PR:480,660
1	987 607 010 64	Wire set Engine D - MJ 2007>>		1	9720,9721, 9722+ PR:480,660
1	987 607 001 03	Wire set Engine M >> 615 08206 M >> 625 07023 Discontinued part		1	9625,9626+ PR:249
1	987 607 001 05	Wire set Engine M >> 615 08206 M >> 625 07023 Discontinued part		1	9625,9626+ PR:249
1	987 607 001 07	Wire set Engine D >> - MJ 2006 Discontinued part		1	9625,9626+ PR:249
1	987 607 011 09	Wire set Engine D - MJ 2007>> - MJ 2007 Discontinued part		1	9720,9721+ PR:249
1	987 607 011 11	Wire set Engine D - MJ 2007>> - MJ 2008		1	9720,9721, 9722+
1	987 607 010 07	Wire set Engine D - MJ 2007>> - MJ 2007 Discontinued part		1	9720,9721+ PR:249,660
1	987 607 010 09	Wire set Engine D - MJ 2007>>		1	9720,9721, 9722+
-	999 702 324 40	Grommet		1	
2	987 607 116 00	Air mass meter Cable guide for Wire set 987.607.001.02/03/61 D - MJ 2007>>		2	
(2)	987 607 116 01	Cable guide for Wire set 987.607.001.04/05/06/07/62 987.607.010.06/07/08/09/63 987.607.010.64 987.607.011.08/09/10/11/64 987.607.011.65		2	
3	997 607 110 00	Cable guide Crankcase housing		1	
4	997 607 114 00	Bracket Cable guide		1	
5	987 607 126 00	Bracket Cable guide		1	
6	987 607 103 00	Bracket Cable guide		2	

Model: 987 05 Model life 2005>>2008

Pos	Part Number	Description	Remark	Qty	Model
7	900 385 001 02	Torx screw BM 8 X 20		2	
8	900 385 009 01	Torx screw BM 6 X 16		2	
9	987 612 904 00	Wire set Rear end Vehicle Ident. No. Indicate		1	
10	997 612 660 01	Wire set Licence plate light		1	
(10)	997 612 661 00	Wire set Parking aid Licence plate light		1	PR:635
(10)	997 612 661 01	Wire set Parking aid Licence plate light		1	PR:635
-	997 612 950 00	repair set Wire set Shock absorbers	rear	2	PR:475
-	987 612 963 00	Repair set for rear axle Wire set anti-locking brake syst. -abs-	left rear	1	
-	987 612 962 00	brake pad wear display Repair set for rear axle Wire set anti-locking brake syst. -abs-	right rear	1	
-		brake pad wear display repair set Wire set Front axle see illustration:	902-010		

Model: 987 05

Model life 2005>>2008



Model: 987 05 Model life 2005>>2008

Pos	Part Number	Description	Remark	Qty	Model
-		fibre optic wave conductor Module			
-	997 622 701 00	Passenger compartment fibre optic wave conductor Module	lhd	1	PR:098,670, 672,680,689, 692
-	997 622 701 50	fibre optic wave conductor Module	rhd	1	PR:099,670, 672,680,689, 692
-	997 622 702 00	fibre optic wave conductor Module	lhd	1	PR:098,666, 689
-	997 622 702 50	fibre optic wave conductor Module	rhd	1	PR:099,666, 689
-	997 622 703 00	fibre optic wave conductor Module	lhd	1	PR:098,666, 670,672,680, 692
-	997 622 703 50	fibre optic wave conductor Module	rhd	1	PR:099,666, 670,672,680, 692
-	999 650 091 40	Plug inserts		X	
-		fibre optic wave conductor Module			
-	997 610 122 00	FRONT luggage compartment Bracket		1	
-	996 610 132 00	Connection point Cable guide t-piece		X	
-	997 622 707 00	FRONT luggage compartment fibre optic wave conductor Module	lhd	1	PR:098,670, 672
-	997 622 707 50	fibre optic wave conductor Module	rhd	1	PR:099,670, 672
-	997 622 704 00	fibre optic wave conductor Module	lhd	1	PR:098,680
-	997 622 704 50	fibre optic wave conductor Module	rhd	1	PR:099,680
-	997 622 706 00	fibre optic wave conductor Module	lhd	1	PR:098,692
-	997 622 706 50	fibre optic wave conductor Module	rhd	1	PR:099,692
-	997 622 708 00	fibre optic wave conductor Module	lhd	1	PR:098,664, 692
-	997 622 710 00	fibre optic wave conductor Module	lhd	1	PR:098,670, 672,680
-	997 622 710 50	fibre optic wave conductor Module	rhd	1	PR:099,670, 672,680
-	997 622 714 00	fibre optic wave conductor Module	lhd	1	PR:098,670, 672,692
-	997 622 714 50	fibre optic wave conductor Module	rhd	1	PR:099,670, 672,692
-	997 622 715 00	fibre optic wave conductor Module	lhd	1	PR:098,664, 670,672,692
-	997 622 709 00	fibre optic wave conductor Module	lhd	1	PR:098,680, 692
-	997 622 709 50	fibre optic wave conductor Module	rhd	1	PR:099,680, 692
-	997 622 712 00	fibre optic wave conductor	lhd	1	PR:098,664, 680,692

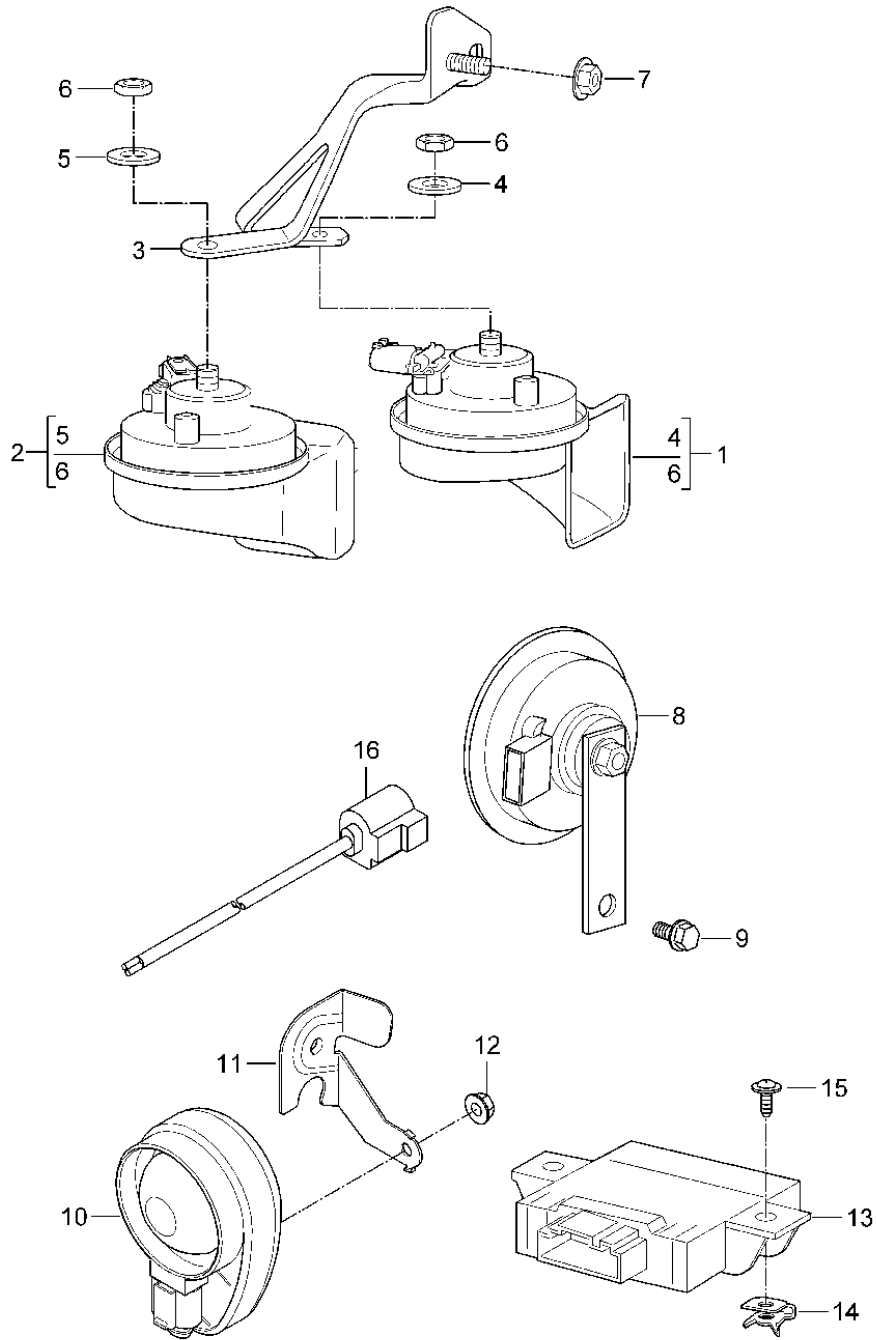
Model: 987 05

Model life 2005>>2008

Pos	Part Number	Description	Remark	Qty	Model
-	997 622 711 00	Module fibre optic wave conductor	lhd	1	PR:098,670, 672,680,692
-	997 622 711 50	Module fibre optic wave conductor	rhd	1	PR:099,670, 672,680,692
-	997 622 713 00	Module fibre optic wave conductor	lhd	1	PR:098,664, 670,672,680, 692
		Module			

Model: 987 05

Model life 2005>>2008



Model: 987 05 Model life 2005>>2008

Pos	Part Number	Description	Remark	Qty	Model
1	997 635 206 03	Fanfare Signal horn alarm system		1	
1	997 635 206 04	Fanfare High-pitched Discontinued part		1	
1	997 635 216 00	Fanfare High-pitched No longer use the part here		1	
-	997 612 947 00	Adapter cable see Technical information GR.9 NR.100/13 KD-NR.9050		1	
2	997 635 205 03	Fanfare Low-pitched Discontinued part		1	
2	997 635 205 04	Fanfare Low-pitched No longer use the part here		1	
(2)	997 635 215 00	Fanfare Low-pitched see Technical information GR.9 NR.100/13 KD-NR.9050		1	
-	997 612 947 00	Adapter cable see Technical information GR.9 NR.100/13 KD-NR.9050		1	
3	997 635 150 04	Bracket for fanfare Discontinued part		1	
3	997 635 150 05	Bracket for fanfare		1	
4		Washer High-pitched		1	
5		Washer Low-pitched		1	
6	900 034 001 03	Nut M 8 D >> - MJ 2007 Discontinued part		2	
6	900 034 001 04	Nut M 8		2	
7	900 377 003 03	Hexagon nut M 8		1	
8	996 637 117 03	Signal horn for alarm system		1	
8	996 637 117 05	Signal horn for alarm system Replacement for 996.637.117.03 use if required:	9P1 998 003 A	1	
9	900 075 459 01	Bolt with washer		1	

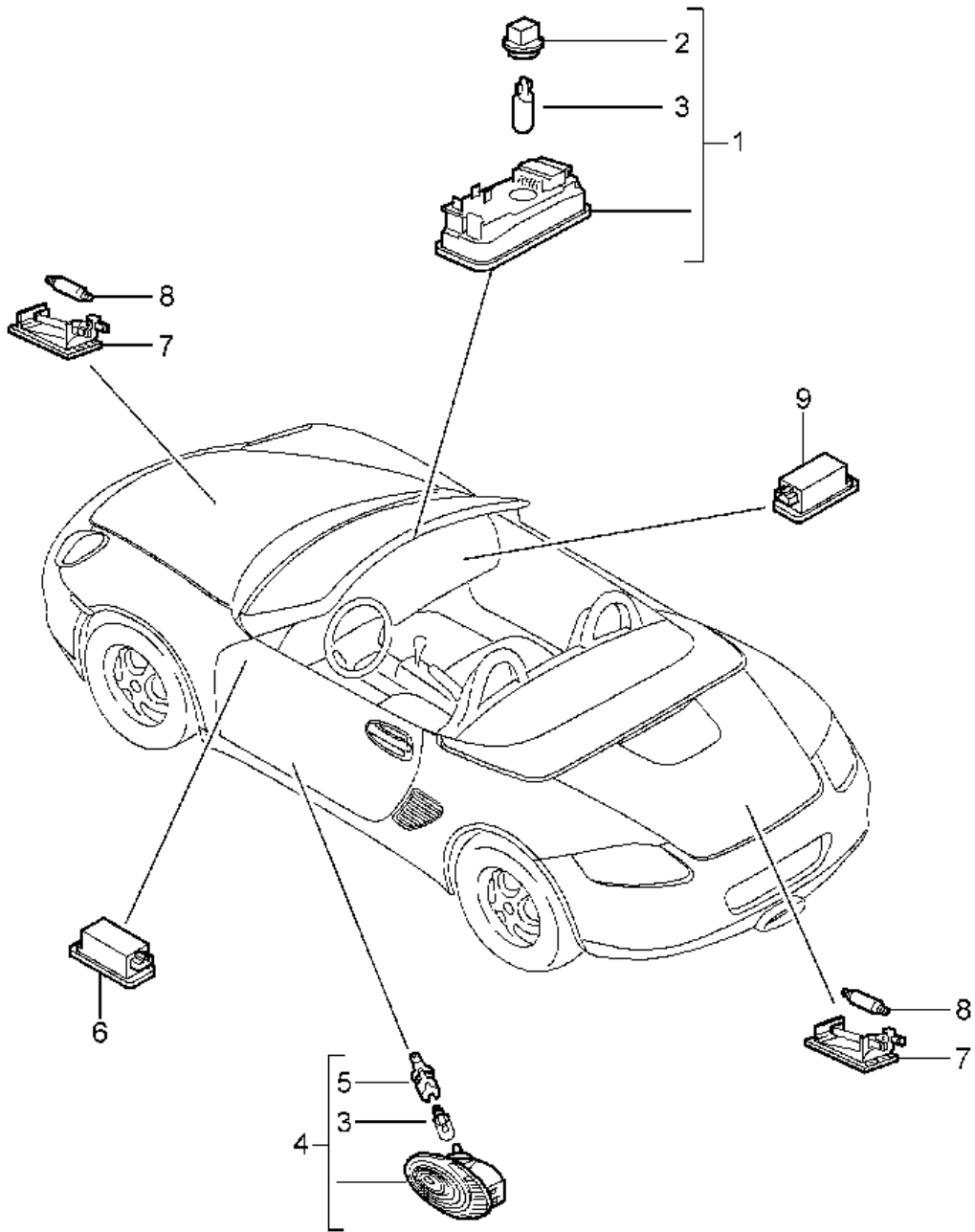
Model: 987 05

Model life 2005>>2008

Pos	Part Number	Description	Remark	Qty	Model
10	955 618 237 01	M 6 X 12 Z2 Alarm horn		1	PR:536
11	997 637 419 01	Bracket		1	PR:536
12	900 380 015 01	Hexagon nut M 6		1	PR:536
13	997 618 265 00	Control unit Tilt angle sensor		1	PR:521,536
14	999 591 742 01	panel nut 4,2		2	PR:521,536
15	999 073 155 09	panel screw 4,2 X 13		2	PR:521,536
16	9P1 998 003 A	Wire set Modification kit Signal horn		1	

Model: 987 05

Model life 2005>>2008

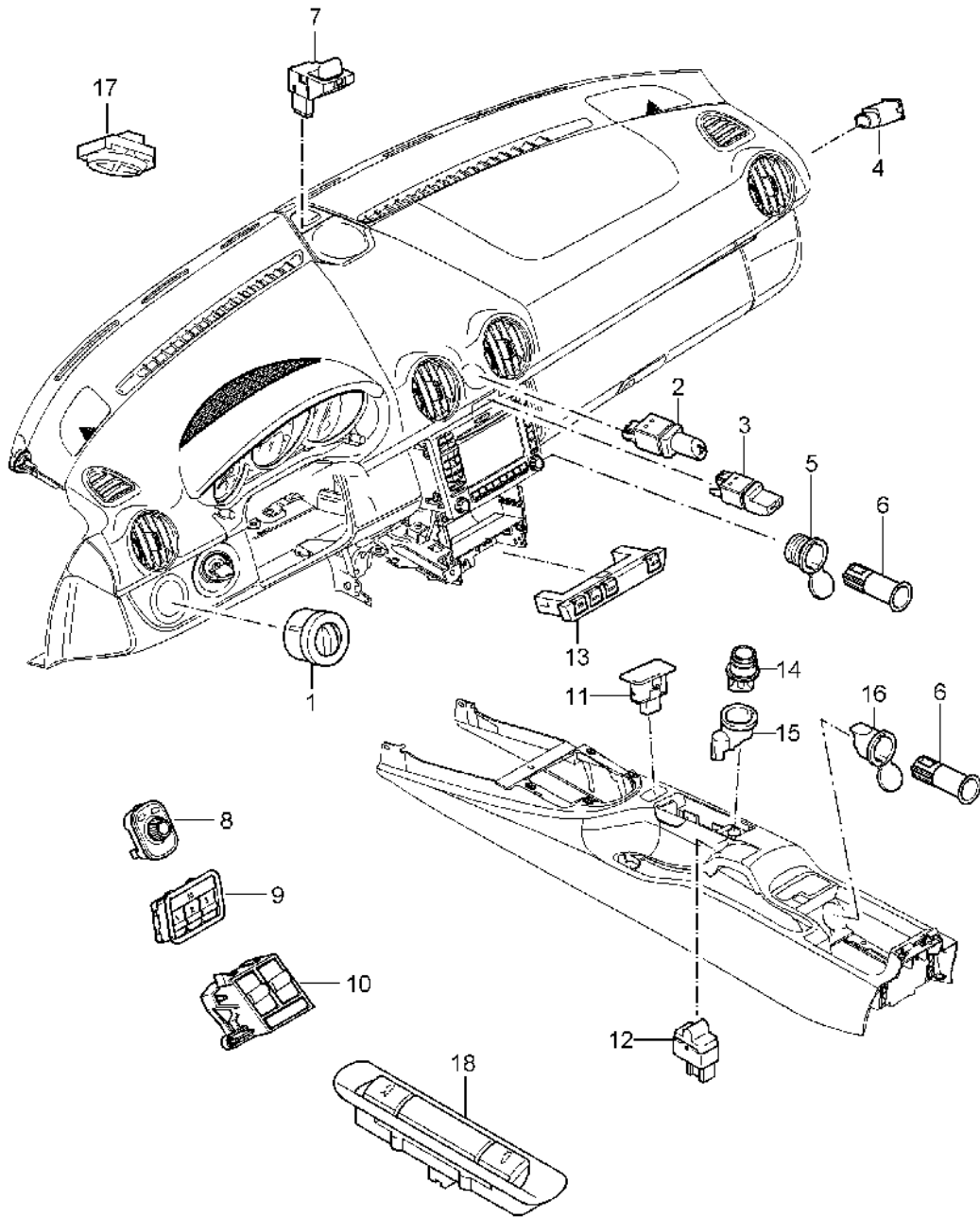


Model: 987 05 Model life 2005>>2008

Pos	Part Number	Description	Remark	Qty	Model
		Interior lights			
		Luggage compartment lamp			
		Engine compartment light			
		Glove box light			
		Footwell light			
1	987 632 053 00	interior light		1	
2	999 632 018 00	Bulb holder		1	
3	999 631 032 90	bulb		2	
		5 W			
4	996 632 132 01	Door warning light		2	
5	161 949 111	Bulb holder		1	
6	955 632 202 00	Light		2	
		Footwell			
7	997 632 201 00	Light	front and rear	2	
		Luggage compartment			
8	900 631 106 90	Linolite lamp		2	
		10 W			
9	997 632 071 00	Glove box light		1	
-	999 631 147 90	bulb		4	
		3 W			
		Vanity mirror			

Model: 987 05

Model life 2005>>2008



Model: 987 05 Model life 2005>>2008

Pos	Part Number	Description	Remark	Qty	Model
1	997 613 535 01	Switch switch for lighting		1	
	997 613 535 01 A05	Matt black			
2	987 613 120 02	Hazard warning light sw.		1	
	987 613 120 02 A05	Matt black			
3	987 613 143 00	Switch Central locking system Discontinued part		1	
	987 613 143 00 A05	Matt black			
3	987 613 143 01	Switch Central locking system		1	
	987 613 143 01 A05	Matt black			
4	955 613 165 02	Switch Airbag		1	
	955 613 165 02 9B9	Satin black			
5	997 652 103 00	clamping ring		1	
		with:			
6	955 652 107 00	Cover Socket		2	
7	997 653 251 00	Sensor Air conditioning		1	
8	997 613 241 00	Switch Exterior mirror Discontinued part		1	
	997 613 241 00 A05	Matt black			
8	997 613 241 01	Switch Exterior mirror		1	
	997 613 241 01 A05	Matt black			
9	997 613 103 00	Memory switch Discontinued part	left	1	PR:537
	997 613 103 00 A05	Matt black			
9	997 613 103 01	Memory switch	left	1	PR:537
	997 613 103 01 A05	Matt black			
(9)	997 613 104 00	Memory switch	right	1	PR:538
	997 613 104 00 A05	Matt black			
10	997 613 151 02	Switch for electric window regulator (drivers side)	lhd	1	PR:098
	997 613 151 02 A05	Matt black			
10	997 613 151 04	Switch for electric window regulator (drivers side) Discontinued part	lhd	1	PR:098
	997 613 151 04 A05	Matt black			
10	997 613 151 05	Switch for electric window regulator (drivers side)	lhd	1	PR:098
	997 613 151 05 A05	Matt black			
(10)	997 613 152 04	Switch for electric window regulator (drivers side) Discontinued part	rhd	1	PR:099
	997 613 152 04 A05	Matt black			
(10)	997 613 152 05	Switch for electric window regulator (drivers side)	rhd	1	PR:099
	997 613 152 05 A05	Matt black			
(10)	997 613 156 04	Switch for electric window regulator (passenger side) Discontinued part	lhd	1	PR:098
	997 613 156 04 A05	Matt black			
(10)	997 613 156 05	Switch for electric	lhd	1	PR:098

Model: 987 05

Model life 2005>>2008

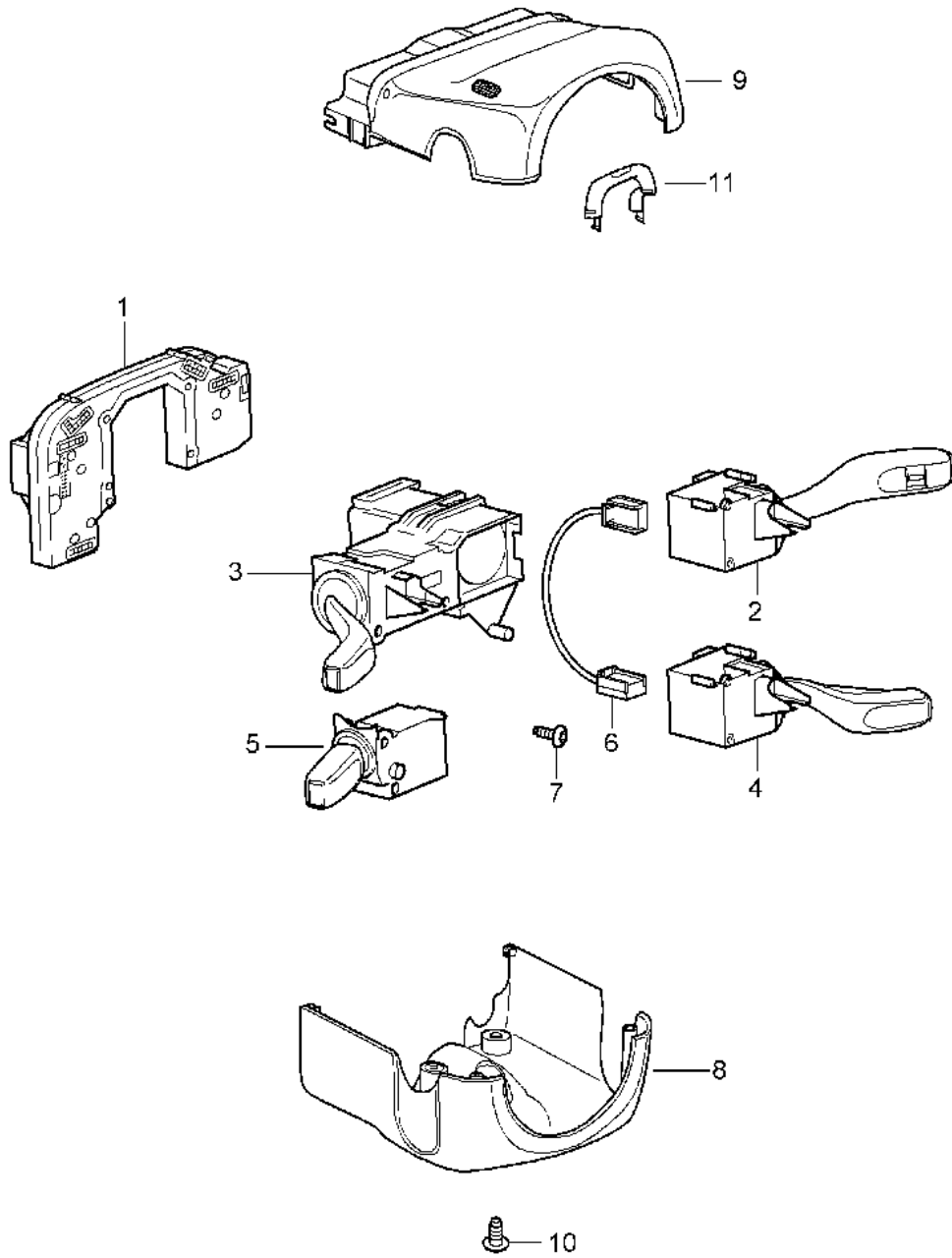
Pos	Part Number	Description	Remark	Qty	Model
		window regulator (passenger side)			
	997 613 156 05 A05	Matt black			
(10)	997 613 155 02	Switch for electric window regulator (passenger side)	rhd	1	PR:099
	997 613 155 02 A05	Matt black			
(10)	997 613 155 04	Switch for electric window regulator (passenger side)	rhd	1	PR:099
	997 613 155 04 A05	Matt black			
(10)	997 613 155 05	Switch for electric window regulator (passenger side)	rhd	1	PR:099
	997 613 155 05 A05	Matt black			
11	997 641 165 00	warning lamp Airbag Discontinued part		1	
	997 641 165 00 A05	Matt black			
11	997 641 165 01	warning lamp Airbag		1	
	997 641 165 01 A05	Matt black			
12	997 613 141 01	Switch for convertible roof control		1	
	997 613 141 01 A05	Matt black F >> 98-8U702 845 F >> 98-8U722 686			BOXSTER BOXSTER S
(12)	997 613 141 10	Switch for convertible roof control Discontinued part		1	
	997 613 141 10 A05	Matt black F 98-8U702 846>> F 98-8U722 687>>			BOXSTER BOXSTER S
(12)	997 613 141 11	Switch for convertible roof control Discontinued part		1	
	997 613 141 11 A05	Matt black F 98-8U702 846>> F 98-8U722 687>>			BOXSTER BOXSTER S
(12)	997 613 141 12	Switch for convertible roof control		1	
	997 613 141 12 A05	Matt black F 98-8U702 846>> F 98-8U722 687>>			BOXSTER BOXSTER S
13	997 613 139 00	Combined switch		1	PR:475,476, 639,640
	997 613 139 00 FMH	Volcano Grey/Black Mat			
(13)	997 613 137 00	Combined switch		1	PR:476,639, 640
	997 613 137 00 FMH	Volcano Grey/Black Mat			
(13)	997 613 135 00	Combined switch		1	PR:475,476
	997 613 135 00 FMH	Volcano Grey/Black Mat			
(13)	997 613 131 00	Combined switch D - MJ 2007>>		1	PR:XLF,475, 476
	997 613 131 00 FMH	Volcano Grey/Black Mat			
(13)	997 613 133 00	Combined switch		1	PR:476
	997 613 133 00 FMH	Volcano Grey/Black Mat			
(13)	997 613 129 00	Combined switch D - MJ 2007>>		1	PR:XLF,476
	997 613 129 00 FMH	Volcano Grey/Black Mat			
14	997 652 101 00	Cigarette lighter		1	
	997 652 101 00 A05	Matt black			
15	997 652 102 00	Headlight unit		1	

Model: 987 05 Model life 2005>>2008

Pos	Part Number	Description	Remark	Qty	Model
16	997 652 104 00	clamping ring		1	
		with:			
17	997 613 225 01	Cover Switch Garage door opener Discontinued part	left	1	PR:607,608
	997 613 225 01 A05	Matt black			
17	997 613 225 02	Switch Garage door opener	left	1	PR:607,608
	997 613 225 02 A05	Matt black			
(17)	997 613 227 01	Switch Garage door opener Discontinued part	right	1	PR:607,608
	997 613 227 01 A05	Matt black			
(17)	997 613 227 02	Switch Garage door opener	right	1	PR:607,608
	997 613 227 02 A05	Matt black			
(17)	997 613 235 00	Dummy cover		2	
	997 613 235 00 01C	Satin black			
18	997 613 105 01	Switch Cover Discontinued part	front and rear	1	
	997 613 105 01 A05	Matt black			
18	997 613 105 02	Switch Cover	front and rear	1	
	997 613 105 02 A05	Matt black			

Model: 987 05

Model life 2005>>2008



Model: 987 05 Model life 2005>>2008

Pos	Part Number	Description	Remark	Qty	Model
1	997 613 297 02	Steering column switch Electronic unit Discontinued part		1	
1	997 613 297 03	Electronic unit		1	
2	997 613 251 00	Wiper switch		1	
	997 613 251 00 01C	Satin black			
(2)	997 613 253 00	Wiper switch		1	PR:288
	997 613 253 00 01C	Satin black			
3	997 613 245 00	Direction indicator switch		1	
	997 613 245 00 01C	Satin black			
4	997 613 261 00	Switch Cruise control		1	PR:454
	997 613 261 00 01C	Satin black			
5	997 613 265 00	switch for on-board computer		1	PR:659
	997 613 265 00 01C	Satin black			
6	997 622 674 00	Wire set Cruise control		1	PR:454
7	N 909 068 01	Hex socket head locating bolt M 2,5 X 2,6 X 43,5-D		X	
8	997 552 475 02	Switch housing	lower	1	
	997 552 475 02 A03	Black			
(8)	997 552 475 03	Switch housing	lower	1	PR:454
	997 552 475 03 A03	Black			
8	997 552 979 00	Switch housing Leather D - MJ 2006>>	lower	1	PR:XNS
	997 552 979 00 A11	Black			
	997 552 979 00 5X6	Stone grey			
	997 552 979 00 8G2	Sand beige			
	997 552 979 00 3S9	sea blue			
	997 552 979 00 4P2	Palm green			
	997 552 979 00 9S5	Terracotta			
	997 552 979 00 9V6	Cocoa			
	997 552 979 00 D12	Dark grey/natural			
	997 552 979 00 T12	Brown/natural			
	997 552 979 00 N12	Carrera Red			
(8)	997 552 979 01	Switch housing Leather D - MJ 2006>>	lower	1	PR:XNS, 454
	997 552 979 01 A11	Black			
	997 552 979 01 5X6	Stone grey			
	997 552 979 01 8G2	Sand beige			
	997 552 979 01 3S9	sea blue			
	997 552 979 01 4P2	Palm green			
	997 552 979 01 9S5	Terracotta			
	997 552 979 01 9V6	Cocoa			
	997 552 979 01 D12	Dark grey/natural			
	997 552 979 01 T12	Brown/natural			
	997 552 979 01 N12	Carrera Red			
9	997 552 273 02	Switch housing	upper	1	
	997 552 273 02 A03	Black			
9	997 552 997 00	Switch housing Leather D - MJ 2006>>	upper	1	PR:XNS
	997 552 997 00 A11	Black			
	997 552 997 00 5X6	Stone grey			
	997 552 997 00 8G2	Sand beige			
	997 552 997 00 3S9	sea blue			
	997 552 997 00 4P2	Palm green			
	997 552 997 00 9S5	Terracotta			
	997 552 997 00 9V6	Cocoa			
	997 552 997 00 D12	Dark grey/natural			
	997 552 997 00 T12	Brown/natural			

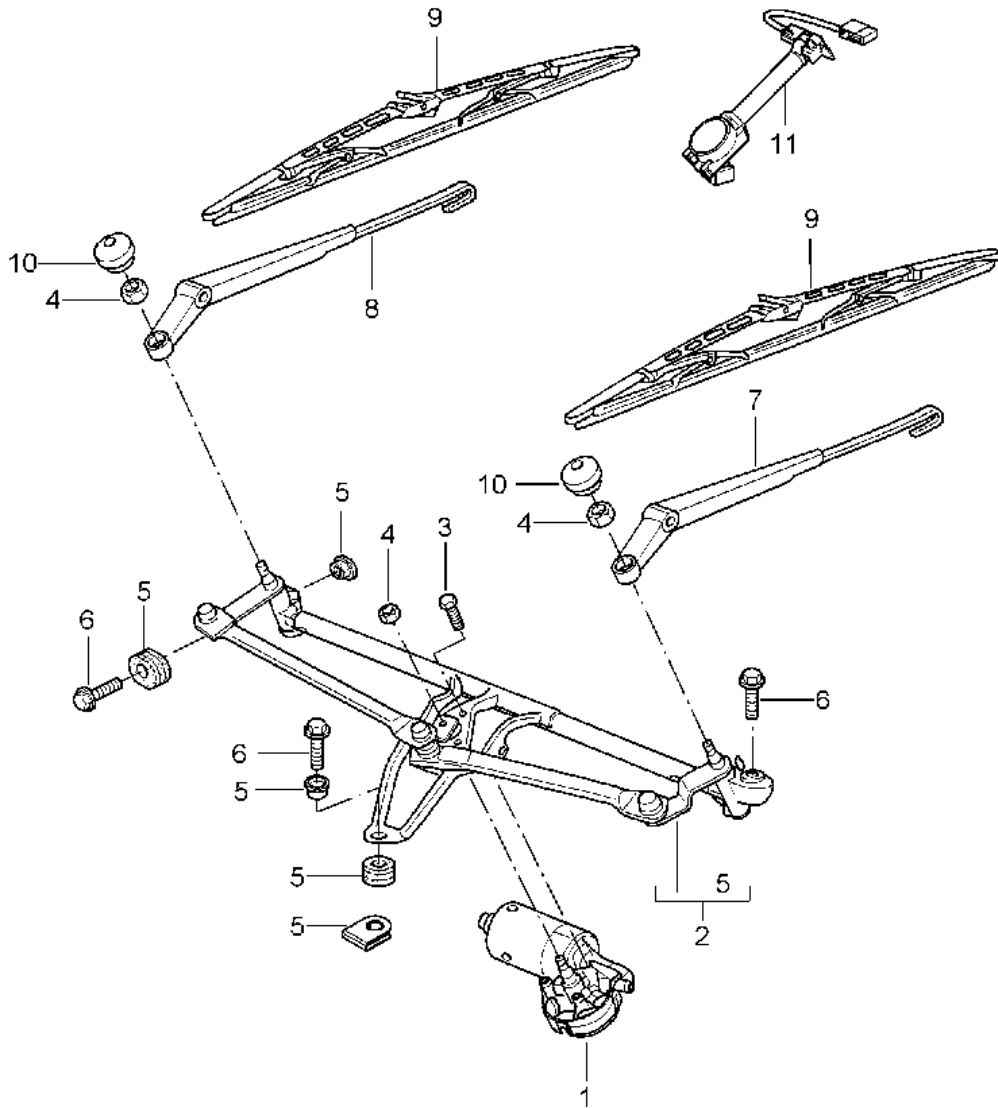
Model: 987 05

Model life 2005>>2008

Pos	Part Number	Description	Remark	Qty	Model
10	997 552 997 00 N12 999 919 136 01	Carrera Red fillister hd. bolt 3,5 X 18		3	
11	997 610 206 00	Cable guide		1	

Model: 987 05

Model life 2005>>2008



Model: 987 05 Model life 2005>>2008

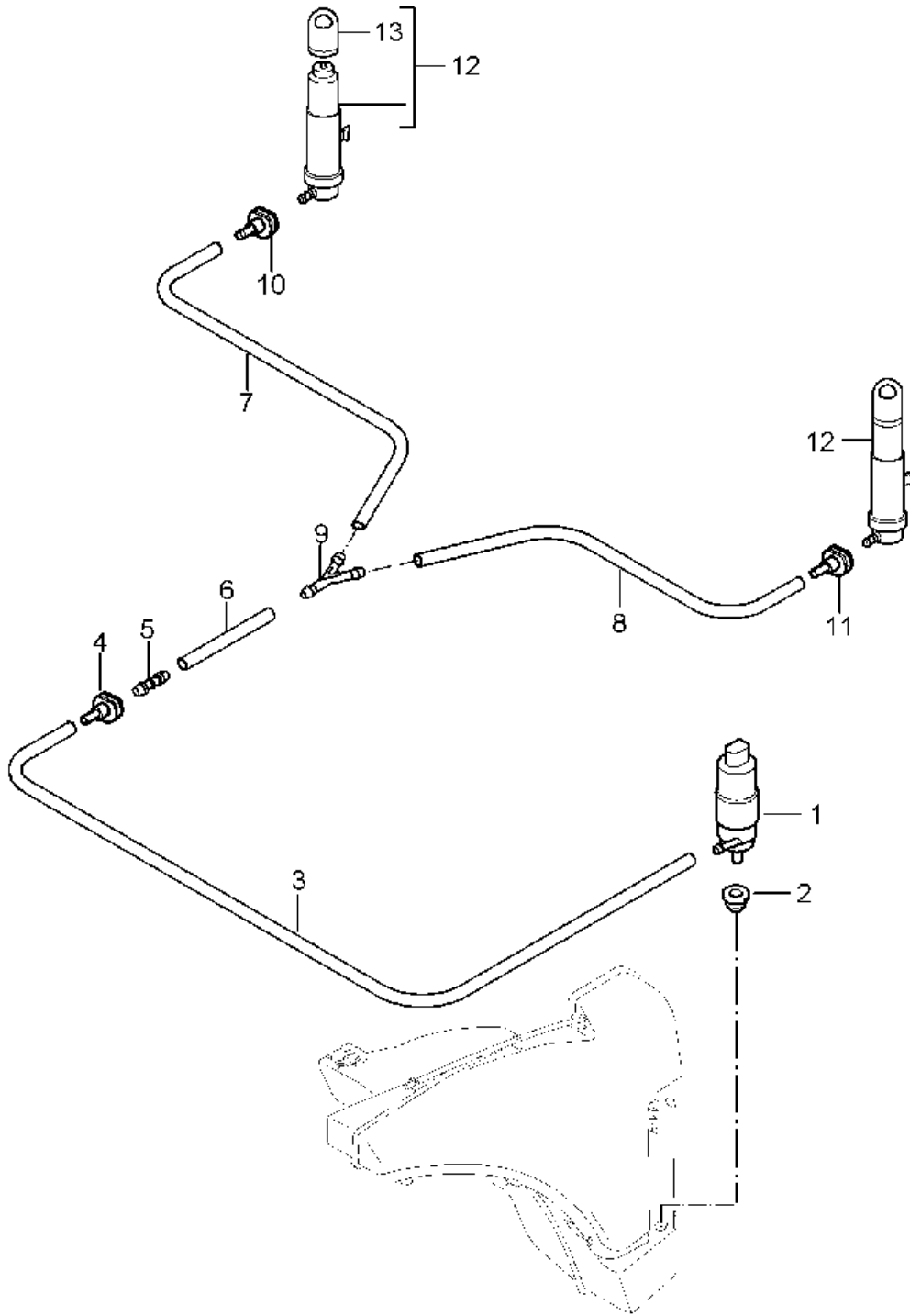
Pos	Part Number	Description	Remark	Qty	Model
		Windscreen wiper system, compl			
		Rain sensor			
1	997 624 105 01	Wiper motor	lhd	1	PR:098
(1)	997 624 106 01	Wiper motor	rhd	1	PR:099
2	997 628 235 01	Crank drive	lhd	1	PR:098
(2)	997 628 236 00	Crank drive	rhd	1	PR:099
		D >> - MJ 2007			
		Discontinued part			
(2)	997 628 236 01	Crank drive	rhd	1	PR:099
3	999 073 152 02	Torx screw		3	
		M 6 X 18			
4	900 076 064 02	Hexagon nut		3	
		M 8			
5	997 628 928 00	repair set		1	
		comprising:		1	
-		Bearing sleeve		1	
-		Rubber bush		1	
-		Bearing sleeve		1	
-		Rubber bush		1	
-		Clip		2	
6	999 075 075 01	Bolt with washer		3	
		M 6 X 22 SC			
7	987 628 027 00	Wiper arm	lhd	1	PR:098
		(drivers side)			
(7)	997 628 030 00	Wiper arm	rhd	1	PR:099
		(passenger side)			
8	997 628 029 00	Wiper arm	lhd	1	PR:098
		(passenger side)			
(8)	987 628 028 00	Wiper arm	rhd	1	PR:099
		(drivers side)			
9	996 628 901 08	1 set: wiper blades	front	1	
		(drivers side)			
		(passenger side)			
10	944 628 305 01	Cover cap		2	
11	987 612 693 25	Rain sensor		1	PR:267,268
		with:			
-	000 043 204 65	Wire set		1	
		Adhesive film			
		for			
		Rain sensor			

Model: 987 05 Model life 2005>>2008

Pos	Part Number	Description	Remark	Qty	Model
		Windscreen washer system			
1	997 528 701 01	Water reservoir		1	PR:288
(1)	997 528 701 00	Water reservoir		1	
2	996 528 711 00	Seal		1	
3	997 528 605 00	fuel filler neck		1	
4	996 528 607 00	Cover		1	
5	997 528 621 00	strainer		1	
6	996 528 615 01	Console		1	
-	999 137 091 40	Connector union		X	
		Repair material for Console 996.528.615.01			
7	900 378 154 01	Hexagon bolt AM 8 X 35 SB		1	
8	999 702 221 40	Grommet		2	
9	997 628 182 00	Windscreen washer system pump		1	
10	431 955 465 B	seal ring		2	
11	955 628 105 00	Water level switch		1	
12	955 528 721 00	Seal		1	
13	999 181 347 40	Breather line 273 MM		*	
-	999 181 815 40	Hose 5,0 X 2,5		*	
14		shorten to:	375 MM	1	
15		shorten to:	650 MM	1	
16		shorten to:	97 MM	1	
17		shorten to:	347 MM	1	
18	996 628 102 00	t-piece with:		1	
		strainer			
(18)	999 137 005 40	D - MJ 2005>> - MJ 2005 t-piece without:		1	
		strainer			
19	996 628 077 03	jet use if required:		2	
		D >> - MJ 2007			
19	997 628 077 00	jet use if required:		2	
		D - MJ 2008>> - MJ 2008			
-	997 612 976 00	repair set		2	
		Wire set			
20	999 901 017 42	Window cleaning solution 250 ML Summer		X	
20	999 901 033 40	Window cleaning solution 1000 ML Winter		X	

Model: 987 05

Model life 2005>>2008



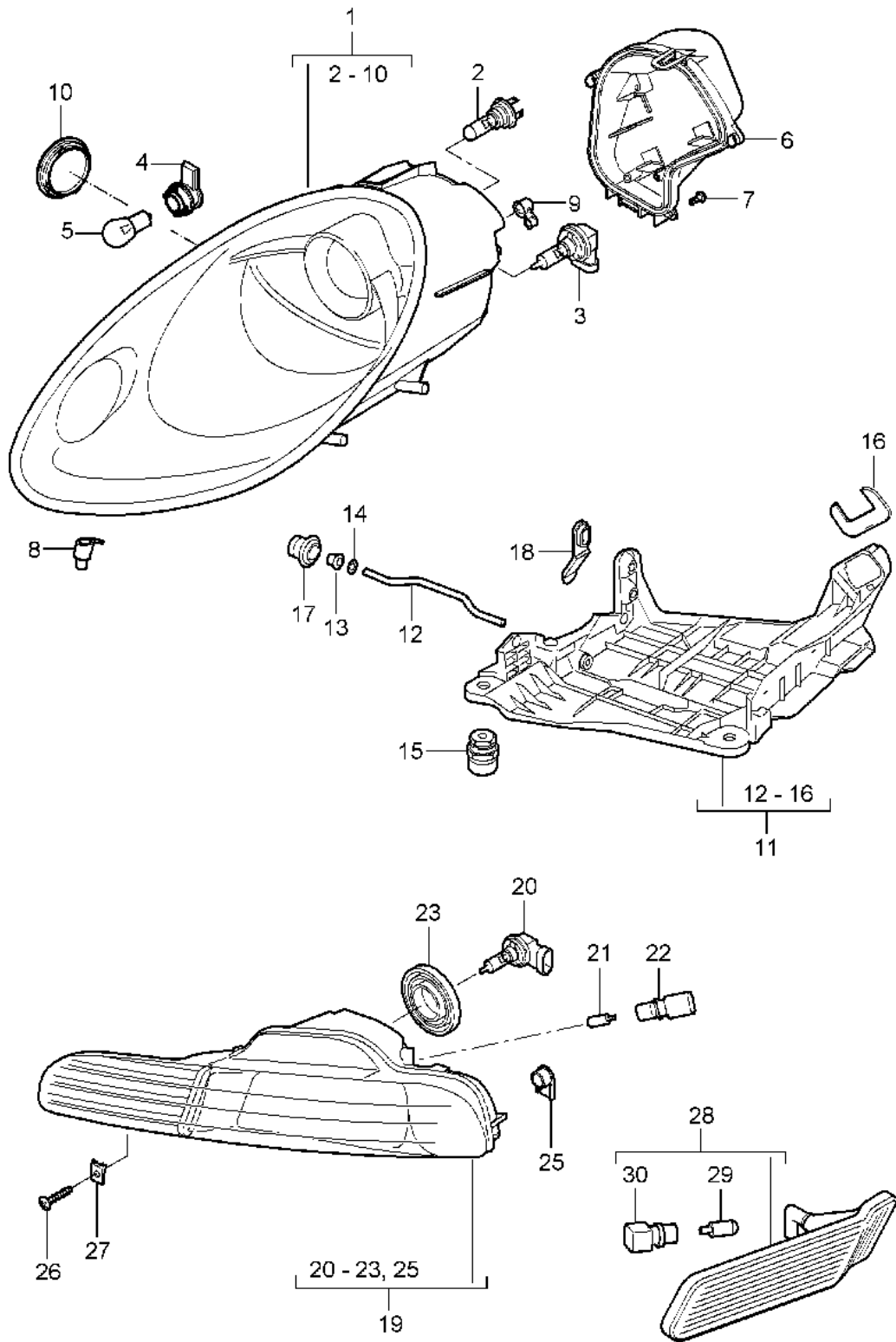
Model: 987 05

Model life 2005>>2008

Pos	Part Number	Description	Remark	Qty	Model
1	997 624 502 00	Headlight washer system Pump for headlight- washer system		1	PR:288
2	928 628 193 00	Seal		1	
-	000 043 204 79	Hose 8 X 3		*	
3		shorten to:	890 MM	1	
4	996 628 204 00	Coupling		1	
5	997 628 208 00	Hose connector		1	
-	999 181 760 40	Hose 10 X 3		*	
6		shorten to:	440 MM		
7		shorten to:	50 MM		
8		shorten to:	1850 MM		
9	999 137 093 40	Y-piece		1	
10	997 628 204 00	Coupling		1	
11	997 628 205 00	Coupling		1	
12	997 628 133 00	jet		2	
		D >> - MJ 2007 Discontinued part			
12	997 628 133 01	jet		2	
13	997 628 231 00	Nozzle head		2	

Model: 987 05

Model life 2005>>2008



Model: 987 05 Model life 2005>>2008

Pos	Part Number	Description	Remark	Qty	Model
		Headlights Additional headlight Turn signal repeater			
1	987 631 163 02	Headlights	left	1	
(1)	987 631 164 02	Headlights	right	1	
1	987 631 163 11	Headlights	left	1	PR:492
(1)	987 631 164 11	Headlights	right	1	PR:492
2	999 631 133 91	Halogen bulb H 7		2	
3	999 631 143 90	Halogen bulb H 9		2	
4	987 631 153 00	Bulb holder Turn signal indicator		2	
5	900 631 021 90	bulb 21 W		2	
6	997 631 101 00	Protective hood	left	1	
(6)	997 631 102 00	Protective hood	right	1	
7	997 631 191 00	Screw		4	
8	987 631 135 00	ventilation union		2	
9	997 631 249 00	Ventilation component		2	
10	987 631 107 00	End cap		2	
11	987 631 041 01	Mounting for main beam headl.	left	1	
(11)	987 631 042 01	Mounting for main beam headl.	right	1	
12	987 631 243 01	Retainer bracket		2	
13	997 631 272 00	Bearing bush		2	
14	900 116 004 09	Retaining washer		2	
15	997 631 194 00	Securing element Discontinued part		6	
15	997 631 194 02	Securing element		6	
16	997 631 245 00	Locking mechanism Connector housing		2	
17	999 703 413 40	Bungs		2	
18	993 631 170 03	Bungs		6	
-		Additional headlight			
19	987 631 081 02	Additional headlight Discontinued part	left	1	
19	987 631 081 03	Additional headlight Discontinued part	left	1	
19	987 631 081 04	Additional headlight	left	1	
(19)	987 631 082 02	Additional headlight Discontinued part	right	1	
(19)	987 631 082 03	Additional headlight Discontinued part	right	1	
(19)	987 631 082 04	Additional headlight	right	1	
20	999 631 142 90	Halogen bulb H 8		2	
21	999 631 033 90	bulb 5 W Position light for		2	
21	999 631 040 90	Additional headlight 987.631.081/082.00 bulb 5 W Position light for		2	
22	997 631 137 00	Additional headlight 987.631.081/082.02/03/04 Bulb holder Position light		2	
23	997 631 145 00	Cover cap		2	
(25)	997 631 293 00	Cover		2	
26	999 073 080 02	Bolt with washer		4	

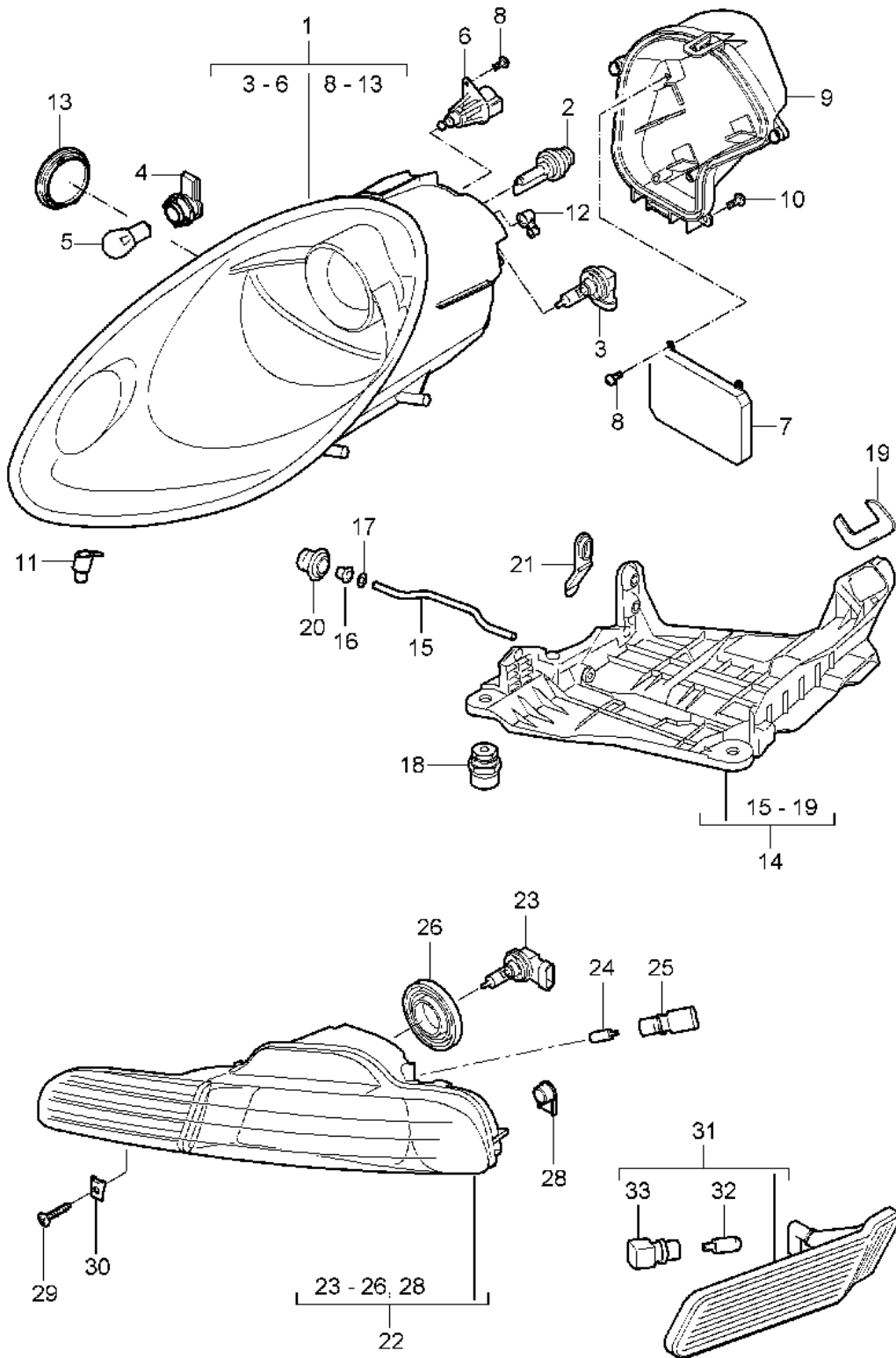
Model: 987 05

Model life 2005>>2008

Pos	Part Number	Description	Remark	Qty	Model
27	999 507 768 02	ST 4,2 X 16 panel nut		4	
28	987 631 033 02	ST 4,2 Turn signal repeater	left	1	
(28)	987 631 034 02	Turn signal repeater	right	1	
29	999 631 138 90	bulb 5 W yellow		2	
30	997 631 133 00	Bulb holder		2	

Model: 987 05

Model life 2005>>2008



Model: 987 05 Model life 2005>>2008

Pos	Part Number	Description	Remark	Qty	Model
-		Headlights Additional headlight Turn signal repeater Headlights without: Control unit and bulb XENON			PR:601
1	987 631 157 02	Headlights	left	1	
(1)	987 631 158 02	Headlights	right	1	
(1)	987 631 157 11	Headlights	left	1	PR:492
(1)	987 631 158 11	Headlights	right	1	PR:492
2	999 631 036 90	Gas discharge lamp - PHILIPS -		2	
3	999 631 144 91	Halogen bulb H 11		2	
4	987 631 153 00	Bulb holder Turn signal indicator		2	
5	900 631 021 90	bulb 21 W		2	
6	997 631 125 01	Servomotor Headlight range control F >> 98-5S700 582 F >> 98-5U702 552 F >> 98-5U722 699 F >> 98-5U702 536 F >> 98-5U722 678	left	1	PR:492
(6)	997 631 126 01	Servomotor Headlight range control F >> 98-5S700 582 F >> 98-5U702 552 F >> 98-5U722 699 F >> 98-5U702 536 F >> 98-5U722 678	right	1	PR:492
6	997 631 141 00	Servomotor Headlight range control F 98-5S700 583>> F 98-5U702 553>> F 98-5U722 700>> F 98-5U702 537>> F 98-5U722 679>>		2	PR:492
-		use if required:			
-	997 631 941 00	Adapter cable		2	
7	997 631 183 00	Control unit		2	
8	997 631 199 00	Screw		6	
9	997 631 101 00	Protective hood	left	1	
(9)	997 631 102 00	Protective hood	right	1	
10	997 631 191 00	Screw		8	
11	987 631 135 00	ventilation union		2	
12	997 631 249 00	Ventilation component		2	
13	987 631 107 00	End cap		2	
14	987 631 041 01	Mounting for main beam headl.	left	1	
(14)	987 631 042 01	Mounting for main beam headl.	right	1	
15	987 631 243 01	Retainer bracket		2	
16	997 631 272 00	Bearing bush		2	
17	900 116 004 09	Retaining washer		2	
18	997 631 194 00	Securing element Discontinued part		6	
18	997 631 194 02	Securing element		6	
19	997 631 245 00	Locking mechanism		2	
20	999 703 413 40	Connector housing Bungs		2	

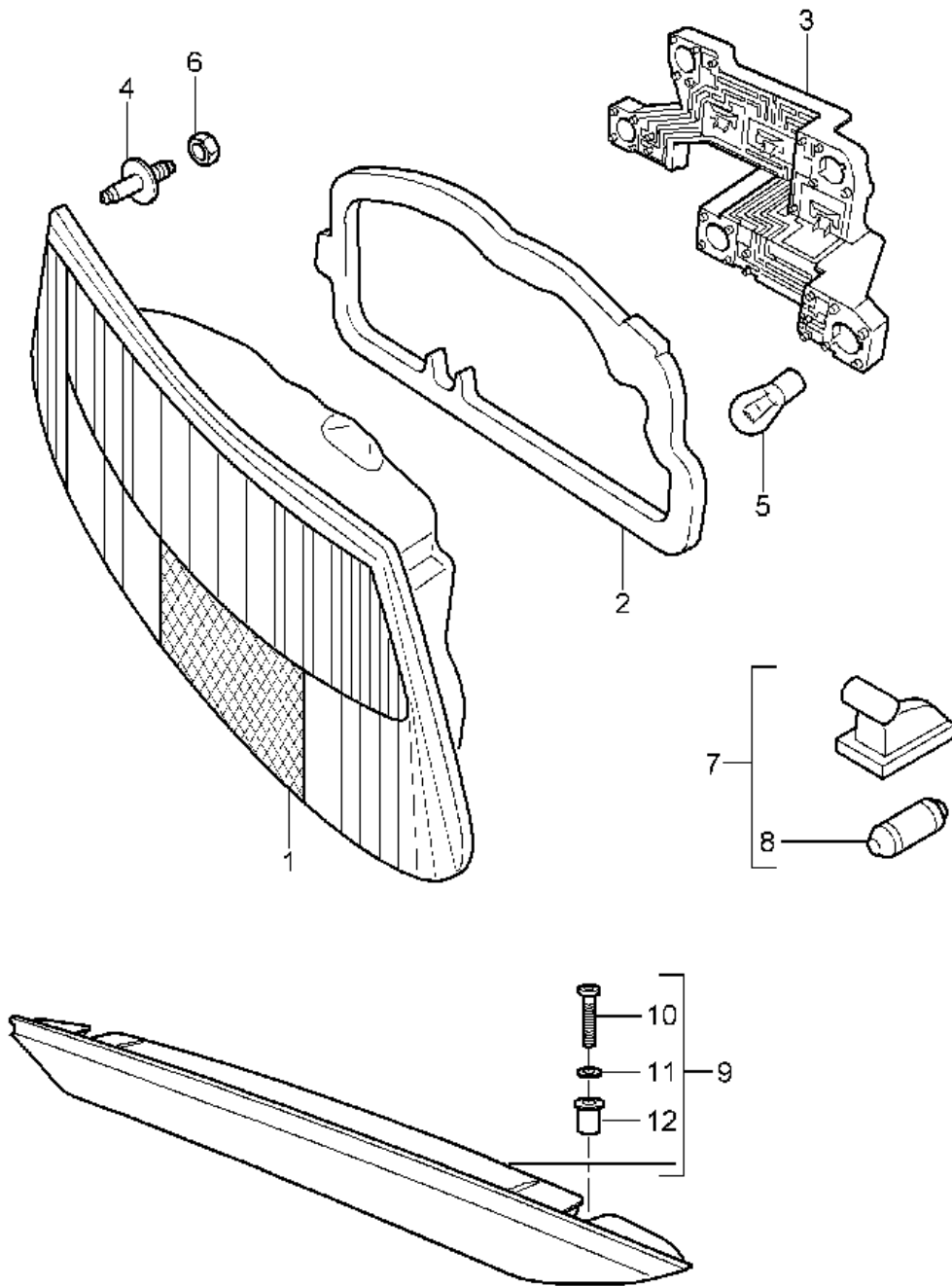
Model: 987 05

Model life 2005>>2008

Pos	Part Number	Description	Remark	Qty	Model
21	993 631 170 03	Bungs Additional headlight		6	
-		Additional headlight			
22	987 631 081 02	Additional headlight Discontinued part	left	1	
22	987 631 081 03	Additional headlight Discontinued part	left	1	
22	987 631 081 04	Additional headlight	left	1	
(22)	987 631 082 02	Additional headlight Discontinued part	right	1	
(22)	987 631 082 03	Additional headlight Discontinued part	right	1	
(22)	987 631 082 04	Additional headlight	right	1	
23	999 631 142 90	Halogen bulb H 8		2	
24	999 631 033 90	bulb 5 W Position light for Additional headlight 987.631.081/082.00		2	
24	999 631 040 90	bulb 5 W Position light for Additional headlight 987.631.081/082.02/03/04		2	
25	997 631 137 00	Bulb holder Position light		2	
26	997 631 145 00	Cover cap		2	
(28)	997 631 293 00	Cover		2	
29	999 073 080 02	Bolt with washer ST 4,2 X 16		4	
30	999 507 768 02	panel nut ST 4,2		4	
31	987 631 033 02	Turn signal repeater	left	1	
(31)	987 631 034 02	Turn signal repeater	right	1	
32	999 631 138 90	bulb 5 W yellow		2	
33	997 631 133 00	Bulb holder		2	

Model: 987 05

Model life 2005>>2008



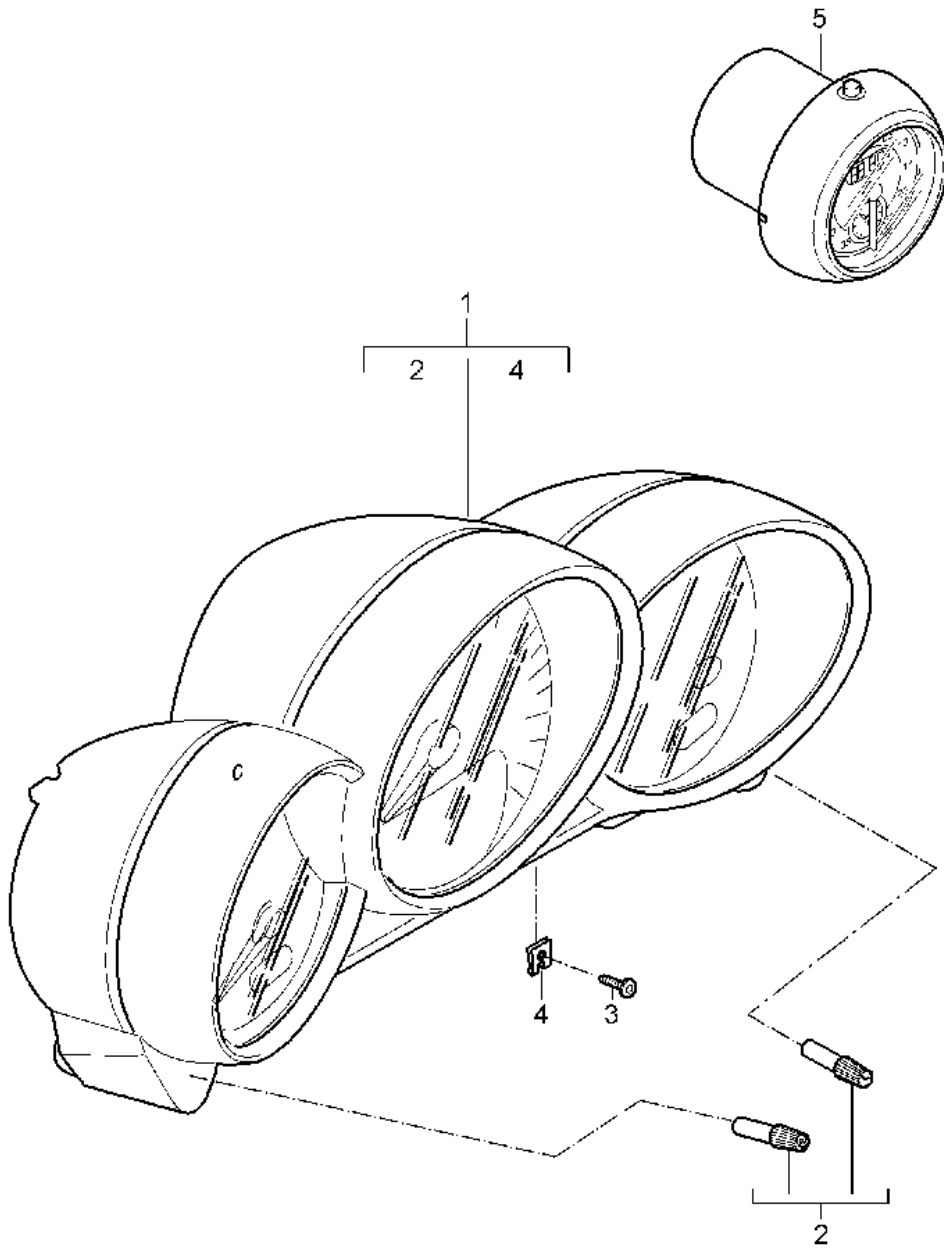
Model: 987 05

Model life 2005>>2008

Pos	Part Number	Description	Remark	Qty	Model
		Rear light			
		Licence plate light			
		Additional brake light			
1	987 631 445 03	Tail light housing	left	1	
(1)	987 631 446 03	Tail light housing	right	1	
(1)	987 631 981 00	Rear light (complete)	left	1	PR:XXF
(1)	987 631 982 00	D - MJ 2008>> - MJ 2008 Rear light (complete)	right	1	PR:XXF
		D - MJ 2008>> - MJ 2008			
2	987 631 440 00	Seal		2	
3	987 631 453 02	Bulb carrier	left	1	
(3)	987 631 454 02	Bulb carrier	right	1	
4	987 631 087 00	throttle control element		6	
5	900 631 022 90	bulb 21/5 W		1	
5	900 631 018 90	Tail light bulb 21 W white		1	
5	900 631 021 90	Back-up light bulb 21 W yellow		1	
5	900 631 017 90	Turn signal indicator bulb 21/4 W		1	
5	900 631 017 91	Rear fog light Tail light bulb 21/4 W		1	
6	999 076 056 01	Brake light Tail light Hexagon nut M 5		6	
7	997 631 620 01	Licence plate light Discontinued part		2	
7	997 631 620 02	Licence plate light		2	
8	900 631 025 90	bulb 12V 5W		2	
9	987 631 050 02	Additional brake light		1	
10	900 146 049 00	Socket head bolt M 5 X 25		2	
11	900 025 073 00	Washer		2	
12	999 500 128 00	Nut Sheetmetal press nut		2	

Model: 987 05

Model life 2005>>2008



Model: 987 05 Model life 2005>>2008

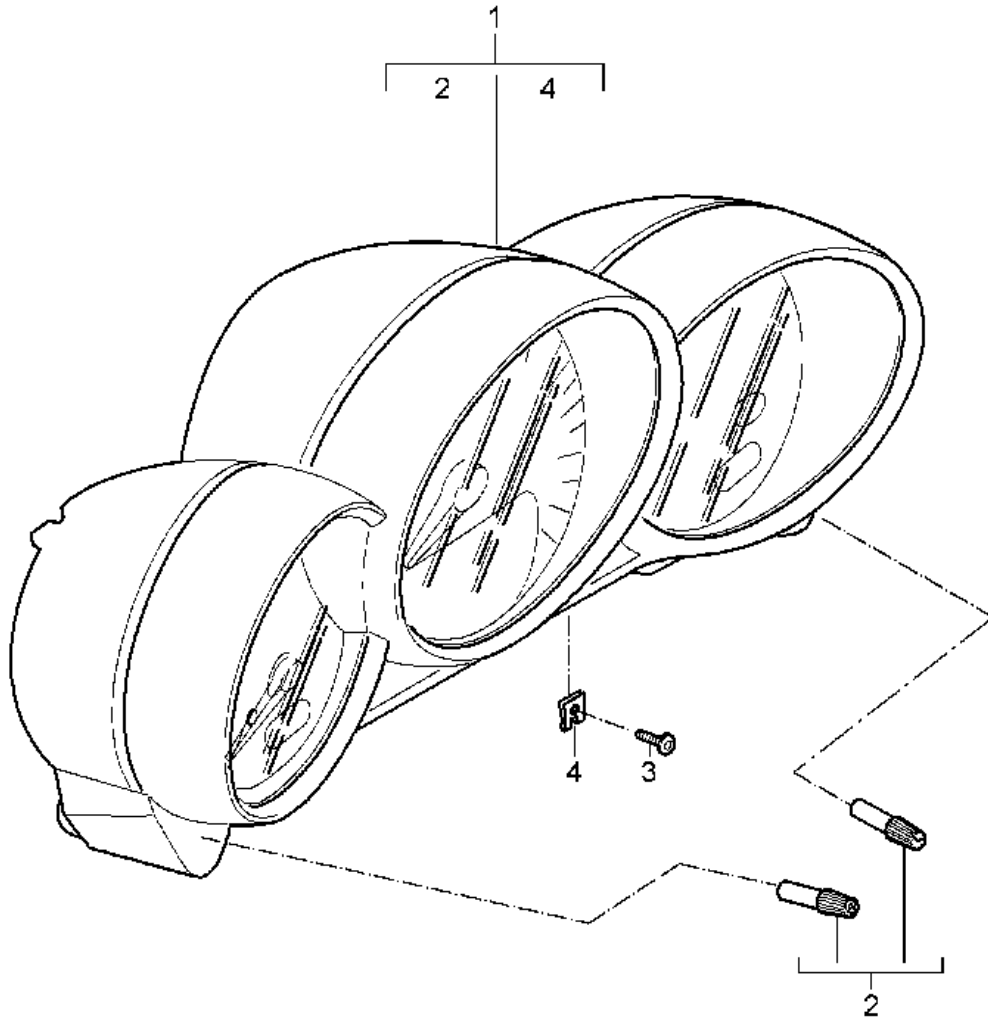
Pos	Part Number	Description	Remark	Qty	Model
-		Instruments Stopwatch See technical information GR. 9 NR. 5/09 KD - NR. 9025			
-		for B O X S T E R			
1	987 641 105 32	Combi-instrument (complete)		1	PR:480,481
	987 641 105 32 D07	Volcano grey			
(1)	987 641 106 32	Combi-instrument (complete)		1	PR:249
	987 641 106 32 D07	Volcano grey			
1	987 641 107 32	Combi-instrument (complete)		1	PR:480,481 "GB."
	987 641 107 32 D07	Volcano grey			
(1)	987 641 108 32	Combi-instrument (complete)		1	PR:249 "GB."
	987 641 108 32 D07	Volcano grey			
-		for B O X S T E R S			
(1)	987 641 115 32	Combi-instrument (complete)		1	PR:480
	987 641 115 32 D07	Volcano grey			
(1)	987 641 116 32	Combi-instrument (complete)		1	PR:249
	987 641 116 32 D07	Volcano grey			
1	987 641 117 30	Combi-instrument (complete)		1	PR:480 "GB."
		D >> - MJ 2007 Discontinued part			
	987 641 117 30 D07	Volcano grey			
1	987 641 117 32	Combi-instrument (complete)		1	PR:480 "GB."
	987 641 117 32 D07	Volcano grey			
(1)	987 641 118 32	Combi-instrument (complete)		1	PR:249 "GB."
	987 641 118 32 D07	Volcano grey			
(1)	987 641 165 00	Combi-instrument D - MJ 2008>> - MJ 2008		1	PR:480,754
	987 641 165 00 M7Z	GT Silver Metallic			
(1)	987 641 166 00	Combi-instrument D - MJ 2008>> - MJ 2008		1	PR:249,754
	987 641 166 00 M7Z	GT Silver Metallic			
(1)	987 641 167 00	Combi-instrument D - MJ 2008>> - MJ 2008		1	PR:480,754 "GB."
	987 641 167 00 M7Z	GT Silver Metallic			
(1)	987 641 168 00	Combi-instrument (complete) D - MJ 2008>> - MJ 2008		1	PR:249,754 "GB."
	987 641 168 00 M7Z	GT Silver Metallic			
(1)	987 641 185 00	Combi-instrument D - MJ 2008>> - MJ 2008		1	PR:480,757
	987 641 185 00 B9A	Carrara white			
(1)	987 641 186 00	Combi-instrument D - MJ 2008>> - MJ 2008		1	PR:249,757
	987 641 186 00 B9A	Carrara white			
(1)	987 641 187 00	Combi-instrument D - MJ 2008>> - MJ 2008		1	PR:480,757 "GB."

Model: 987 05 Model life 2005>>2008

Pos	Part Number	Description	Remark	Qty	Model
(1)	987 641 187 00 B9A 987 641 188 00	Carrara white Combi-instrument (complete) D - MJ 2008>> - MJ 2008		1	PR:480,757 "GB."
2	987 641 188 00 B9A 997 641 911 00	Carrara white knob throttle control element Trip meter and Clock		1	
3	999 073 155 09	panel screw 4,2 X 19		2	
4	999 507 403 02	U-clip 12,5		2	
-		Stopwatch			
5	987 641 301 23	Stopwatch D >> - MJ 2007 Discontinued part		1	BOXSTER PR:025,639, 640
5	987 641 301 23 V05 987 641 301 26	Galvano silver Stopwatch		1	BOXSTER PR:025,639, 640
(5)	987 641 301 26 V05 987 641 311 26	Galvano silver Stopwatch		1	BOXSTER S PR:026,639, 640
(5)	987 641 311 26 V05 987 641 321 00	Galvano silver Stopwatch		1	BOXSTER S PR:027,639, 640,757
	987 641 321 00 V05	D - MJ 2008>> - MJ 2008 Galvano silver			

Model: 987 05

Model life 2005>>2008



Model: 987 05 Model life 2005>>2008

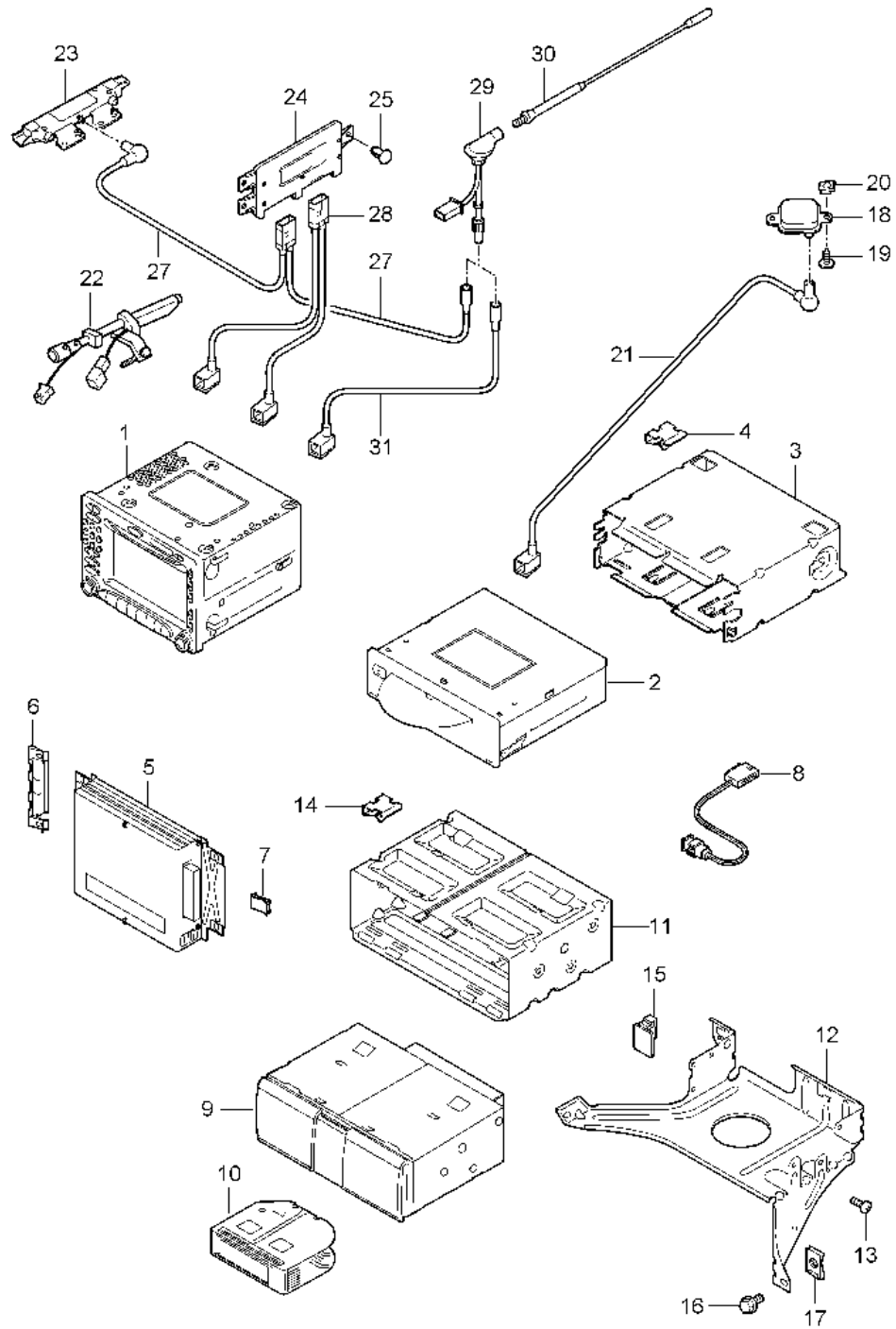
Pos	Part Number	Description	Remark	Qty	Model
-		Instruments Exclusive programme See technical information GR. 9 NR. 5/09 KD - NR. 9025			
-		for B O X S T E R			
1	987 641 980 45	Combi-instrument (complete) Dial Lacquered		1	PR:480,481
	987 641 980 45 5Z1	Sand beige			PR:XFD
	987 641 980 45 8X8	Terracotta			PR:XFE
	987 641 980 45 T13	Brown/natural			PR:XFF
	987 641 980 45 84A	guards red (Porsche)			PR:XFG
	987 641 980 45 12H	Speed yellow			PR:XFH
	987 641 980 45 B9A	Carrara white			PR:XFJ
(1)	987 641 980 46	Combi-instrument (complete) Dial Lacquered		1	PR:249
	987 641 980 46 5Z1	Sand beige			PR:XFD
	987 641 980 46 8X8	Terracotta			PR:XFE
	987 641 980 46 T13	Brown/natural			PR:XFF
	987 641 980 46 84A	guards red (Porsche)			PR:XFG
	987 641 980 46 12H	Speed yellow			PR:XFH
	987 641 980 46 B9A	Carrara white			PR:XFJ
1	987 641 980 47	Combi-instrument (complete) Dial Lacquered		1	PR:480,481 "GB."
	987 641 980 47 5Z1	Sand beige			PR:XFD
	987 641 980 47 8X8	Terracotta			PR:XFE
	987 641 980 47 T13	Brown/natural			PR:XFF
	987 641 980 47 84A	guards red (Porsche)			PR:XFG
	987 641 980 47 12H	Speed yellow			PR:XFH
	987 641 980 47 B9A	Carrara white			PR:XFJ
(1)	987 641 980 48	Combi-instrument (complete) Dial Lacquered		1	PR:249 "GB."
	987 641 980 48 5Z1	Sand beige			PR:XFD
	987 641 980 48 8X8	Terracotta			PR:XFE
	987 641 980 48 T13	Brown/natural			PR:XFF
	987 641 980 48 84A	guards red (Porsche)			PR:XFG
	987 641 980 48 12H	Speed yellow			PR:XFH
	987 641 980 48 B9A	Carrara white			PR:XFJ
-		for B O X S T E R S			
1	987 641 980 55	Combi-instrument (complete) Dial Lacquered		1	PR:480
	987 641 980 55 5Z1	Sand beige			PR:XFD
	987 641 980 55 8X8	Terracotta			PR:XFE
	987 641 980 55 T13	Brown/natural			PR:XFF
	987 641 980 55 84A	guards red (Porsche)			PR:XFG
	987 641 980 55 12H	Speed yellow			PR:XFH
	987 641 980 55 B9A	Carrara white			PR:XFJ
(1)	987 641 980 56	Combi-instrument (complete) Dial		1	PR:249

Model: 987 05 Model life 2005>>2008

Pos	Part Number	Description	Remark	Qty	Model		
1	987 641 980 56 5Z1	Lacquered Sand beige		1	PR:XFD		
	987 641 980 56 8X8	Terracotta			PR:XFE		
	987 641 980 56 T13	Brown/natural			PR:XFF		
	987 641 980 56 84A	guards red (Porsche)			PR:XFG		
	987 641 980 56 12H	Speed yellow			PR:XFH		
	987 641 980 56 B9A	Carrara white			PR:XFJ		
	987 641 980 57	Combi-instrument (complete) Dial			PR:480 "GB."		
	987 641 980 57 5Z1	Lacquered Sand beige			PR:XFD		
	987 641 980 57 8X8	Terracotta			PR:XFE		
	987 641 980 57 T13	Brown/natural			PR:XFF		
	987 641 980 57 84A	guards red (Porsche)			PR:XFG		
	987 641 980 57 12H	Speed yellow			PR:XFH		
	987 641 980 57 B9A	Carrara white			PR:XFJ		
	(1) 987 641 980 58	Combi-instrument (complete) Dial			PR:249 "GB."		
2	987 641 980 58 5Z1	Lacquered Sand beige		1	PR:XFD		
	987 641 980 58 8X8	Terracotta			PR:XFE		
	987 641 980 58 T13	Brown/natural			PR:XFF		
	987 641 980 58 84A	guards red (Porsche)			PR:XFG		
	987 641 980 58 12H	Speed yellow			PR:XFH		
	987 641 980 58 B9A	Carrara white			PR:XFJ		
	997 641 911 00	knob throttle control element Trip meter and Clock					
	3	999 073 155 09	panel screw			2	
			4,2 X 19				
	4	999 507 403 02	U-clip			2	

Model: 987 05

Model life 2005>>2008



Model: 987 05 Model life 2005>>2008

Pos	Part Number	Description	Remark	Qty	Model
-		Radio unit Amplifiers Navigation system Radio unit See catalogue Tequipment			
1	997 642 101 06	Control panel Discontinued part		1	PR:665
	997 642 101 06 FMH	Volcano Grey/Black Mat F >> 98-5S700 061 F >> 98-5U700 847 F >> 98-5U720 253 See technical information GR. 9 , NR. 1/04			
(1)	997 642 103 06	Control panel Discontinued part		1	PR:665,680
	997 642 103 06 FMH	Volcano Grey/Black Mat F >> 98-5S700 061 F >> 98-5U700 273 F >> 98-5S720 299 See technical information GR. 9 , NR. 1/04			
1	997 642 101 11	Control panel		1	PR:665
	997 642 101 11 FMH	Volcano Grey/Black Mat F >> 98-5S720 584 F >> 98-5U702 718 F >> 98-5U722 919			
(1)	997 642 103 11	Control panel		1	PR:665,680
	997 642 103 11 FMH	Volcano Grey/Black Mat F 98-5S700 062>> 98-5S720 584 F 98-5U700 274>> 98-5U702 718 F 98-5U720 300>> 98-5U722 919			
1	997 642 141 02	Control panel Discontinued part		1	PR:665
	997 642 141 02 FMH	Volcano Grey/Black Mat F 98-5S720 585>> F 98-5U702 719>> 98-6U704 749 F 98-5U722 920>> 98-6U723 352 See technical information GR. 9 , NR. 20/05			
1	997 642 141 03	Control panel		1	PR:665
	997 642 141 03 FMH	Volcano Grey/Black Mat F 98-5S720 585>> F 98-5U702 719>> 98-6U704 749 F 98-5U722 920>> 98-6U723 352 See technical information GR. 9 , NR. 20/05			
1	997 642 143 02	Control panel Discontinued part		1	PR:665,680
	997 642 143 02 FMH	Volcano Grey/Black Mat F 98-5S720 585>> F 98-5U702 719>> 98-6U704 749 F 98-5U722 920>> 98-6U723 352 See technical information GR. 9 , NR. 20/05			
1	997 642 143 03	Control panel		1	PR:665,680
	997 642 143 03 FMH	Volcano Grey/Black Mat F 98-5S720 585>> F 98-5U702 719>> 98-6U704 749 F 98-5U722 920>> 98-6U723 352 See technical information GR. 9 , NR. 20/05			
1	997 642 141 10	Control panel		1	PR:665

Model: 987 05 Model life 2005>>2008

Pos	Part Number	Description	Remark	Qty	Model
1	997 642 141 10 FMH 997 642 143 10 997 642 143 10 FMH	Volcano Grey/Black Mat F 98-6U704 750>> F 98-6U723 353>> Control panel Volcano Grey/Black Mat F 98-6U704 750>> F 98-6U723 353>>		1	PR:665,680
-	997 642 201 00 997 642 201 00 A05	Rot. knob Matt black for Control panel	left	1	
-	997 642 202 00 997 642 202 00 A05	Rot. knob Matt black for Control panel	right	1	
-	997 642 941 00	Trim drawer SIM card for Control panel		1	
-	900 187 038 02	panel screw ST 4,2 X 19 for Mount Radio unit and Control panel Centre console		1	
2	997 642 135 03	DVD-player Navigation system F >> 98-5U720 253 F >> 98-5S700 061 Discontinued part		1	PR:670
2	997 642 135 04	DVD-player Navigation system F >> 98-5S720 584 F >> 98-5U702 718 F >> 98-5U722 919		1	PR:670
2	997 642 137 02	DVD-player Navigation system F 98-5S720 585>> F 98-5U702 719>> 98-6U704 749 F 98-5U722 920>> 98-6U723 352		1	PR:670,672
2	997 642 157 00	DVD-player Navigation system F 98-6U704 750>> F 98-6U723 353>>		1	PR:670,672
-	997 642 235 02	DVD-ROM for navigation system F >> 98-5U720 253 F >> 98-5S700 061 Discontinued part		1	PR:610
-	997 642 239 02	DVD-ROM for navigation system F >> 98-5U720 253 F >> 98-5S700 061 Discontinued part		1	PR:611
-	997 642 241 02	DVD-ROM for navigation system F >> 98-5U720 253 F >> 98-5S700 061 Discontinued part		1	PR:612
-	997 642 243 02	DVD-ROM for navigation		1	PR:613

Model: 987 05 Model life 2005>>2008

Pos	Part Number	Description	Remark	Qty	Model
-	997 642 245 02	system F >> 98-5U720 253 F >> 98-5S700 061 DVD-ROM for navigation		1	PR:614
-	997 642 235 03	system F >> 98-5U720 253 F >> 98-5S700 061 DVD-ROM for navigation		1	PR:610
-	997 642 239 03	system F 98-5U720 254>> 98-5U722 919 F >> 98-5U702 718 F 98-5S700 062>> 98-5S720 584 DVD-ROM for navigation		1	PR:611
-	997 642 241 03	system F 98-5U720 254>> 98-5U722 919 F >> 98-5U702 718 F 98-5S700 062>> 98-5S720 584 DVD-ROM for navigation		1	PR:612
-	997 642 243 03	system F 98-5U720 254>> 98-5U722 919 F >> 98-5U702 718 F 98-5S700 062>> 98-5S720 584 DVD-ROM for navigation		1	PR:613
-	997 642 245 03	system F 98-5U720 254>> 98-5U722 919 F >> 98-5U702 718 F 98-5S700 062>> 98-5S720 584 DVD-ROM for navigation		1	PR:614
-	997 642 255 03	system F 98-5U722 920>> 98-6U723 352 F 98-5U702 719>> 98-6U704 749 F 98-5S720 585>> DVD-ROM for navigation		1	PR:610
-	997 642 259 02	system F 98-5U722 920>> 98-6U723 352 F 98-5U702 719>> 98-6U704 749 F 98-5S720 585>> DVD-ROM for navigation		1	PR:611
-	997 642 261 02	system F 98-5U722 920>> 98-6U723 352 F 98-5U702 719>> 98-6U704 749 F 98-5S720 585>> DVD-ROM for navigation		1	PR:612
-	997 642 263 02	system F 98-5U722 920>> 98-6U723 352 F 98-5U702 719>> 98-6U704 749 F 98-5S720 585>> DVD-ROM for navigation		1	PR:613
-	997 642 265 02	system F 98-5U722 920>> 98-6U723 352 F 98-5U702 719>> 98-6U704 749 F 98-5S720 585>> DVD-ROM for navigation		1	PR:614
-	997 642 265 03	Discontinued part DVD-ROM for navigation system F 98-5U722 920>> 98-6U723 352 F 98-5U702 719>> 98-6U704 749 F 98-5S720 585>>		1	PR:614

Model: 987 05 Model life 2005>>2008

Pos	Part Number	Description	Remark	Qty	Model
-	997 642 255 04	DVD-ROM for navigation system F 98-6U704 750>> F 98-6U723 353>> D >> - MJ 2006		1	PR:610
-	997 642 259 03	DVD-ROM for navigation system F 98-6U704 750>> F 98-6U723 353>> D >> - MJ 2006		1	PR:611
-	997 642 261 03	DVD-ROM for navigation system F 98-6U704 750>> F 98-6U723 353>> D >> - MJ 2006		1	PR:612
-	997 642 263 03	DVD-ROM for navigation system F 98-6U704 750>> F 98-6U723 353>> D >> - MJ 2006		1	PR:613
-	997 642 265 04	DVD-ROM for navigation system F 98-6U704 750>> F 98-6U723 353>> D >> - MJ 2006		1	PR:614
-	997 642 267 03	DVD-ROM for navigation system F 98-6U704 750>> F 98-6U723 353>> D >> - MJ 2006		1	PR:616
-	997 642 255 05	DVD-ROM for navigation system D - MJ 2007>> - MJ 2007		1	PR:610
-	997 642 255 06	DVD-ROM for navigation system D - MJ 2008>> - MJ 2008		1	PR:610
-	997 642 259 04	DVD-ROM for navigation system D - MJ 2007>> - MJ 2007		1	PR:611
-	997 642 259 05	DVD-ROM for navigation system D - MJ 2008>> - MJ 2008		1	PR:611
-	997 642 261 04	DVD-ROM for navigation system D - MJ 2007>> - MJ 2007		1	PR:612
-	997 642 261 05	DVD-ROM for navigation system D - MJ 2008>> - MJ 2008		1	PR:612
-	997 642 263 04	DVD-ROM for navigation system D - MJ 2007>> - MJ 2007		1	PR:613
-	997 642 263 05	DVD-ROM for navigation system D - MJ 2008>> - MJ 2008		1	PR:613
-	997 642 265 05	DVD-ROM for navigation system D - MJ 2007>> - MJ 2007		1	PR:614
-	997 642 265 06	DVD-ROM for navigation system D - MJ 2008>> - MJ 2008		1	PR:614
-	997 642 267 04	DVD-ROM for navigation system D - MJ 2007>> - MJ 2007		1	PR:616

Model: 987 05 Model life 2005>>2008

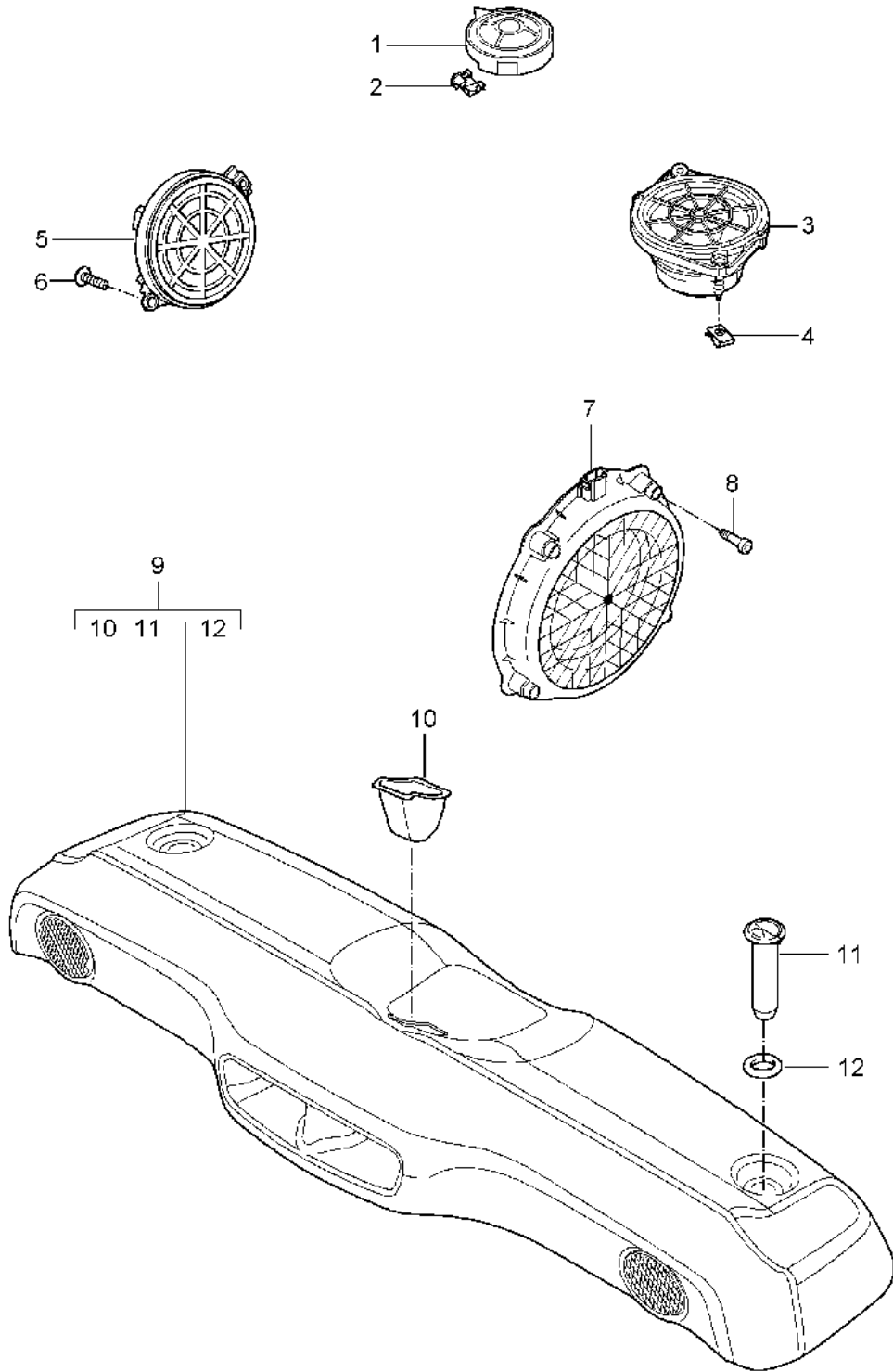
Pos	Part Number	Description	Remark	Qty	Model
-	997 642 267 05	DVD-ROM for navigation system		1	PR:616
-	997 642 148 02	D - MJ 2008>> - MJ 2008 CD-ROM for electronic driver's logbook D - MJ 2006>>		1	PR:641
3	997 642 231 00	Bracket DVD device		1	PR:670,672
4	997 645 342 01	U-clip		4	
5	987 645 331 01	Amplifiers		1	PR:490
(5)	997 645 333 06	Amplifiers F >> 98-5S700 061 F >> 98-5U700 273 F >> 98-5U720 299 See technical information GR. 9 , NR. 1/04 GR. 9 , NR. 8/04		1	PR:680 BOXSTER BOXSTER BOXSTER S
(5)	997 645 334 22	Amplifiers Note coding F 98-5S700 062>> F 98-5U700 274>> F 98-5U720 300>>		1	PR:680 BOXSTER BOXSTER BOXSTER S
(5)	997 645 334 32	D - MJ 2005>> - MJ 2005 Amplifiers Note coding D - MJ 2006>> - MJ 2006 Discontinued part		1	PR:680
(5)	997 645 334 33	Amplifiers Note coding D - MJ 2006>>		1	PR:680
6	997 645 340 00	Securing clip		1	PR:490,680
7	999 507 532 01	U-clip		2	PR:490,680
8	997 646 307 02	microphone		1	PR:680
(8)	997 646 307 01	microphone		1	PR:618,666,680
-	997 610 233 00	Cable guide microphone D >> - MJ 2007		1	
-	997 610 233 01	Cable guide microphone D - MJ 2008>> - MJ 2008		1	
9	997 645 140 02	CD changers D - MJ 2005>> - MJ 2005 Discontinued part		1	PR:692
9	997 645 140 03	CD changers CDC 4 Adjustment Installation Attention		1	PR:692
10	996 645 113 00	Magazine CD changers		1	PR:692
11	997 645 222 00	bracket for cd-changer		1	PR:692
12	997 645 221 00	bracket for cd-changer		1	PR:664,692
13	900 146 024 01	flat round head bolt M 5 X 8		6	PR:692
14	997 645 342 01	U-clip		4	PR:692
15	999 703 501 40	Securing element		2	PR:664,692
16	900 378 179 09	Hexagon bolt M 6 X 16		2	PR:664,692
17	999 507 766 02	panel nut M 6		2	PR:664,692
18	997 642 105 00	Aerial GPS		1	PR:670,672

Model: 987 05 Model life 2005>>2008

Pos	Part Number	Description	Remark	Qty	Model
19	999 073 210 00	panel screw 4,8 X 13		1	PR:670,672
20	999 507 441 01	panel nut 4,8		1	PR:670,672
21	997 612 060 25	Aerial connection line DVD device Navigation system		1	PR:670,672
22	986 647 105 00	Aerial amplifier Radio unit D - MJ 2005>> - MJ 2005 Discontinued part		1	PR:441,694
22	987 647 105 00	Aerial amplifier Radio unit		1	PR:441,694
-	987 612 052 50	Connecting line Aerial amplifier Radio unit		1	PR:441,694
23	997 647 117 00	Aerial amplifier	left	1	PR:440
(23)	997 647 118 00	Aerial amplifier	right	1	PR:440
24	997 647 124 00	Control unit		1	PR:440
25	999 591 904 40	Securing element		2	PR:440
27	997 612 066 00	Connecting line Aerial amplifier Control unit	lhd	1	PR:098,461, 665
(27)	997 612 066 50	Connecting line Aerial amplifier Control unit	rhd	1	PR:099,461, 665
(27)	997 612 055 00	Connecting line Aerial amplifier Control unit	lhd	1	PR:098,665
(27)	997 612 056 00	Connecting line Aerial amplifier Control unit	rhd	1	PR:099,665
(27)	997 612 062 50	Connecting line Aerial amplifier Control unit		1	PR:461,694
(28)	997 612 058 00	Connecting line Control unit Control panel or Radio unit		1	PR:665,694
29	997 647 221 00	aerial base		1	PR:461
30	997 647 223 00	rod-type aerial		1	PR:461
31	997 612 068 00	Connecting line aerial base Radio unit	lhd	1	PR:098,461, 694
(31)	997 612 068 50	Connecting line aerial base Radio unit	rhd	1	PR:099,461, 694
(31)	997 612 067 01	Connecting line aerial base Power supply		1	PR:461

Model: 987 05

Model life 2005>>2008

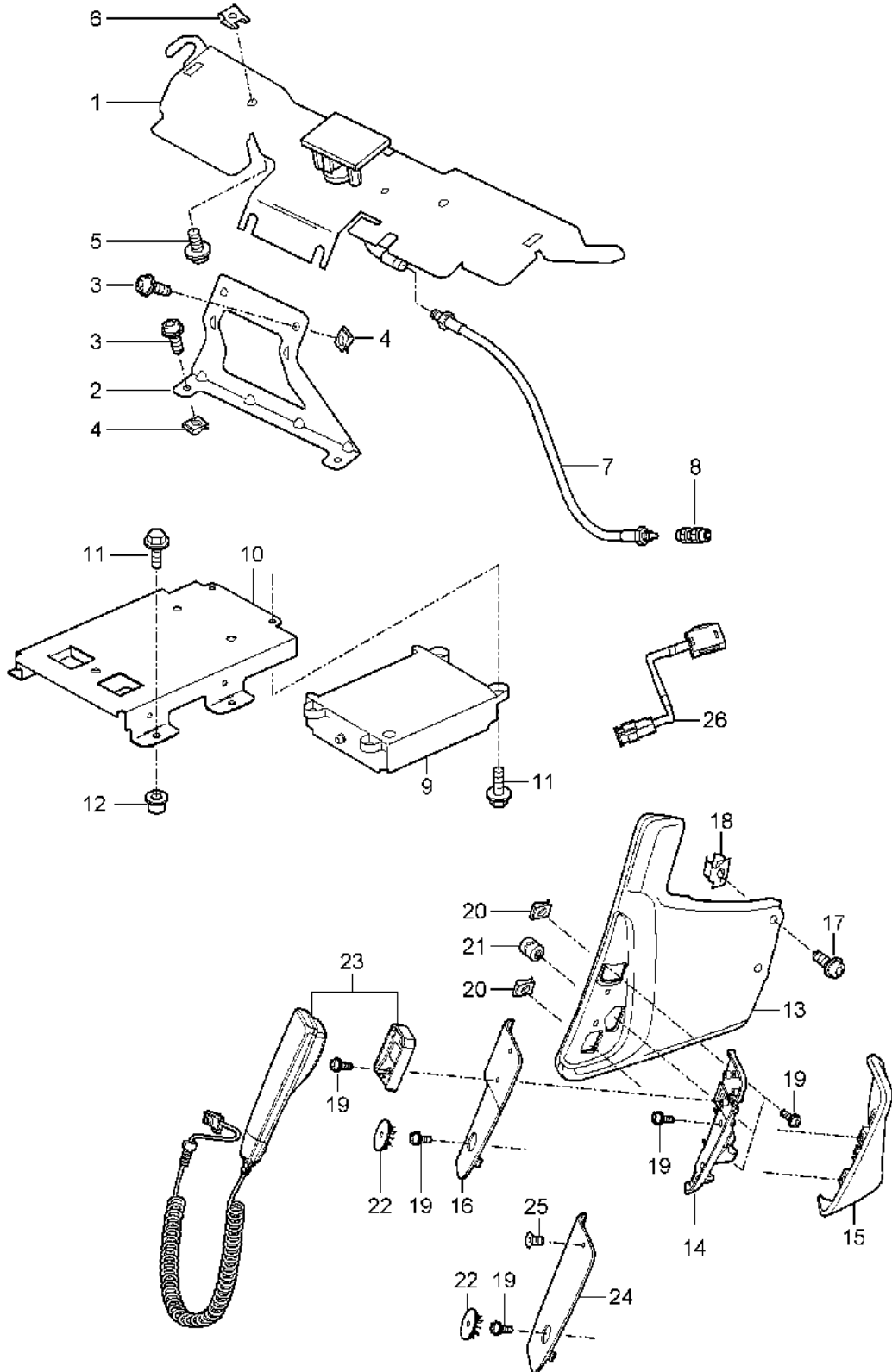


Model: 987 05 Model life 2005>>2008

Pos	Part Number	Description	Remark	Qty	Model
1	997 645 021 00	Loudspeaker Treble speaker dashboard		2	PR:441,490
(1)	997 645 025 00	Treble speaker dashboard		2	PR:680
2	999 591 303 01	U-clip		4	
3	997 645 033 00	Loudspeaker dashboard	center	1	PR:490
(3)	997 645 035 00	Loudspeaker dashboard	center	1	PR:680
4	999 507 971 01	panel nut 4,2		4	
5	997 645 543 00	Mid tone speaker Door		2	PR:490
(5)	997 645 545 00	Mid tone speaker Door		2	PR:680
6	999 919 164 09	fillister hd. bolt 5,0 X 12		4	
7	997 645 551 00	Bass loudspeaker		2	PR:441
(7)	997 645 553 00	Bass loudspeaker		2	PR:490
(7)	997 645 555 00	Bass loudspeaker		2	PR:680
8	900 067 012 03	Socket head bolt M 6 X 30		8	
9	987 645 564 01	Subwoofer		1	PR:680
	987 645 564 01 A10	Black			
	987 645 564 01 B10	Stone grey			
	987 645 564 01 T10	Sand beige			
	987 645 564 01 E10	sea blue			
	987 645 564 01 J10	Palm green			
	987 645 564 01 M10	Terracotta			
	987 645 564 01 R10	Cocoa			
	987 645 564 01 D11	Dark grey/natural			
	987 645 564 01 T11	Brown/natural			
	987 645 564 01 N10	Carrera Red			
10	986 551 427 00	Rosette		1	PR:680
	986 551 427 00 01C	Satin black for Subwoofer 987 645 564 00 ... F >> 98-5S700 089 F >> 98-5S720 072 F >> 98-5U721 685			
10	987 551 427 00	Rosette		1	PR:680
	987 551 427 00 01C	Satin black for Subwoofer 987 645 564 01 ... F 98-5S700 090>> F 98-5S720 073>> F 98-5U721 686>>			
11	986 551 429 00	catch		2	PR:680
	986 551 429 00 01C	Satin black			
12	986 551 543 00	pressure washer		2	PR:680
	986 551 543 00 01C	Satin black			

Model: 987 05

Model life 2005>>2008



Model: 987 05 Model life 2005>>2008

Pos	Part Number	Description	Remark	Qty	Model
1	997 647 125 01	Telephone			PR:618,666
(1)	997 647 126 01	Telephone aerial	lhd	1	PR:098
2	997 647 127 00	Telephone aerial	rhd	1	PR:099
(2)	997 647 128 00	Bracket	lhd	1	PR:098
3	999 073 236 0A	Bracket	rhd	1	PR:099
		fillister hd. bolt		4	
		M 6 X 10			
4	999 507 550 01	panel nut		4	
		M 6			
5	999 073 210 00	panel screw		2	
		4,8 X 13			
6	999 507 441 01	panel nut		2	
		4,8			
7	997 612 061 00	Connecting line		1	PR:618
(7)	997 612 065 00	Connecting line		1	PR:666
		for			
		Control unit			
		997.646.207.02			
(7)	997 612 065 05	Connecting line		1	PR:666
		for			
		Control unit			
		997.646.208.04/13			
		Discontinued part			
(7)	997 612 989 05	Connecting line		1	PR:666
		for			
		Control unit			
		997.646.208.04/13			
		997.646.209.00/01			
(7)	997 612 989 00	Connecting line		1	PR:666
		Adapter			
		for			
		Connecting line			
		997.612.065.00			
		To			
		Control unit			
		997.646.208.04/13			
8	964 646 318 00	Adapter plug		1	PR:618
9	997 646 207 02	Control unit for telephone		1	PR:666
		MOTOROLA			
		F >> 98-5U720 253			
		F >> 98-5S700 061			
		See technical information			
		GR. 9 , NR. 14/05			
9	997 646 208 04	Control unit for telephone		1	PR:666
		HARMAN - BECKER			
		F 98-5U720 254>> 98-5U722 919			
		F >> 98-5U702 718			
		F 98-5S700 062>> 98-5S720 584			
		See technical information			
		GR. 9 , NR. 14/05			
		use if required:			
-	997 612 989 00	Discontinued part		1	
		Connecting line			
		Adapter			
		for			
		Control unit			
		997.646.208.04			
9	997 646 208 13	Control unit for telephone		1	PR:666
		F 98-5U722 920>> 98-6U723 352			
		F 98-5U702 719>> 98-6U704 749			
		F 98-5S720 585>>			
		See technical information			
		GR. 9 , NR. 14/05			

Model: 987 05 Model life 2005>>2008

Pos	Part Number	Description	Remark	Qty	Model
-	997 612 989 00	use if required: Connecting line Adapter		1	
9	997 646 209 00	Control unit for telephone F 98-6U723 353>> F 98-6U704 750>>		1	PR:666
10	997 642 216 00	Bracket		1	PR:618,666
11	900 378 035 01	Hexagon bolt M 6 X 16		4	PR:618,666
12	999 500 078 00	press insert nut M 6		2	PR:618,666
(12)	999 507 766 02	D >> - MJ 2006 panel nut M 6 D - MJ 2007>>		2	PR:618,666
13	997 553 118 07	Leather panel	lhd	1	PR:098
	997 553 118 07 FSA	black/grey	side		
	997 553 118 07 FSB	Stone grey/stone grey			
	997 553 118 07 FSC	Sand beige/sand beige			
	997 553 118 07 FSD	Sea blue/grey			
	997 553 118 07 FSE	Palmgreen/palmgreen			
	997 553 118 07 FSF	Terracotta/terracotta			
	997 553 118 07 FSG	Cocoa/Cocoa			
	997 553 118 07 FSH	Darkgrey natural/grey			
	997 553 118 07 FSJ	Brown nat./brown nat.			
	997 553 118 07 FSP	Carrera Red/Carrera Red			
(13)	997 553 117 07	Leather panel	rhd	1	PR:099
	997 553 117 07 FSA	black/grey	side		
	997 553 117 07 FSB	Stone grey/stone grey			
	997 553 117 07 FSC	Sand beige/sand beige			
	997 553 117 07 FSD	Sea blue/grey			
	997 553 117 07 FSE	Palmgreen/palmgreen			
	997 553 117 07 FSF	Terracotta/terracotta			
	997 553 117 07 FSG	Cocoa/Cocoa			
	997 553 117 07 FSH	Darkgrey natural/grey			
	997 553 117 07 FSJ	Brown nat./brown nat.			
	997 553 117 07 FSP	Carrera Red/Carrera Red			
14	997 553 520 00	Adapter	lhd	1	PR:098
(14)	997 553 519 00	Adapter	rhd	1	PR:099
15	997 553 418 01	Trim	lhd	1	PR:098
	997 553 418 01 A11	Black			
	997 553 418 01 5X6	Stone grey			
	997 553 418 01 8G2	Sand beige			
	997 553 418 01 3S9	sea blue			
	997 553 418 01 4P2	Palm green			
	997 553 418 01 9S5	Terracotta			
	997 553 418 01 9V6	Cocoa			
	997 553 418 01 D12	Dark grey/natural			
	997 553 418 01 T12	Brown/natural			
	997 553 418 01 N12	Carrera Red			
(15)	997 553 417 01	Trim	rhd	1	PR:099
	997 553 417 01 A11	Black			
	997 553 417 01 5X6	Stone grey			
	997 553 417 01 8G2	Sand beige			
	997 553 417 01 3S9	sea blue			
	997 553 417 01 4P2	Palm green			
	997 553 417 01 9S5	Terracotta			
	997 553 417 01 9V6	Cocoa			
	997 553 417 01 D12	Dark grey/natural			
	997 553 417 01 T12	Brown/natural			
	997 553 417 01 N12	Carrera Red			

Model: 987 05 Model life 2005>>2008

Pos	Part Number	Description	Remark	Qty	Model
16	997 553 522 00	Carrier plate	lhd	1	PR:098,668
	997 553 522 00 01C	Satin black			
(16)	997 553 521 00	Carrier plate	rhd	1	PR:099,668
	997 553 521 00 01C	Satin black			
17	999 073 226 09	panel screw 4,2 X 16		2	
18	999 591 508 01	Cage nut 4,2		2	
19	999 073 155 09	panel screw 4,2 X 13		7	
20	999 507 028 01	panel nut 4,2		2	
21	999 507 645 02	Threaded piece 4,2		1	
22	997 553 751 00	Cover cap		1	
	997 553 751 00 01C	Satin black			
23	996 642 212 01	Telephone controls/receiver Discontinued part		1	PR:668
23	996 642 212 02	Telephone controls/receiver		1	PR:668
24	997 553 522 01	Carrier plate	lhd	1	PR:098,618
	997 553 522 01 01C	Satin black			
(24)	997 553 521 01	Carrier plate	rhd	1	PR:099,618
	997 553 521 01 01C	Satin black			
25	999 919 230 00	countersunk bolt 3 X 10		1	PR:618
26	997 646 307 00	microphone		1	PR:618,666
(26)	997 646 307 01	microphone		1	PR:618,666, 680
(26)	997 646 309 00	microphone D - MJ 2008>> - MJ 2008		1	PR:675
-	997 610 233 00	Cable guide microphone D >> - MJ 2007		1	
-	997 610 233 01	Cable guide microphone D - MJ 2008>> - MJ 2008		1	