

Model: 980 04**Model life 2004>>2006**

ORDER-INFO

THIS PARTS CATALOGUE CONTAINS ALL ORDER INFORMATION OF
TYPE 980 GT FROM MODEL YEAR 2004

IT IS AVAILABLE IN TWO EDITIONS IN THE FOLLOWING LANGUAGES:

EDITION

USA, CANADA - *

EDITION

ALL OTHER COUNTRIES - GERMAN

* - ENGLISH

- FRENCH

- ITALIAN

- SPANISH

UPDATING IS BEING PERFORMED BY CHANGING OF UPDATE.

THE EDITION CAN BE RECOGNIZED BY THE CURRENT NO.
IN THE BOTTOM LINE OF SUBJECT UPDATE.

THE PREVIOUS UPDATE SHOULD NO LONGER BE USED.

ALL ILLUSTRATIONS ARE SUBJECT TO CHANGE WITHOUT OBLIGATION.

THE SEATS FOR EACH MODEL ARE AVAILABLE IN THE PARTS CATALOGUE
"SEATS (STZ 19)".

Model: 980 04

Model life 2004>>2006

EXPLANAT.- VIN

EXPLANATION OF THE ABRIDGED VERSION OF THE VEHICLE IDENT. NUMBERS (VIN)

=====

USED IN THE CATALOGUE

=====

DIGIT:		1	2	3	4	5	6	7	8	9	10	11	12	13	14	15	16	17
--------	--	---	---	---	---	---	---	---	---	---	----	----	----	----	----	----	----	----

EXAMPLE:		W	P	0	Z	Z	Z	9	8	Z	4	L	0	0	0	1	2	5
----------	--	---	---	---	---	---	---	---	---	---	---	---	---	---	---	---	---	---

								===			=		=						=====
--	--	--	--	--	--	--	--	-----	--	--	---	--	---	--	--	--	--	--	-------

VEHICLE TYPE 1ST+2ND DIGIT-----+																			!
																			!
MODEL YEAR-----+																			!
																			!
MANUFACTURING LOCATION-----+																			!
																			!
VEHICLE TYPE 3RD DIGIT-----+																			!
																			!
SERIAL NUMBER-----+																			!

Model: 980 04

Model life 2004>>2006

SUMMARY TYPES

VEHICLE TYPE	MY	VIN	ENGINE TYPE
980 CARRERA GT	04 4	984L0 00061>10000	M80.01 450 KW
980 CARRERA GT (USA)	04 4	984L0 10001>20000	M80.01 450 KW
980 CARRERA GT	05 5	985L0 00061>10000	M80.01 450 KW
980 CARRERA GT (USA)	05 5	985L0 10001>20000	M80.01 450 KW
980 CARRERA GT	06 6	986L0 00061>10000	M80.01 450 KW
980 CARRERA GT (USA)	06 6	986L0 10001>20000	M80.01 450 KW

Model: 980 04

Model life 2004>>2006

EXPL. ENGINE-NO.

EXPLANATION OF THE MOTOR-NUMBERS USED IN THE CATALOGUE

=====

DIGIT:	1	2	3	4	5	6	7	8
EXAMPLE:	9	9	4	0	0	1	3	6
	=	=	=	=	=	=	=	=
	!	!	!	!	!	!	!	!
ENGINE TYPE (9 = 10-CYL.-ENGINE)-----+	!	!	!	!	!	!	!	!
	!	!	!	!	!	!	!	!
ENGINE VERSION-----+	!	!	!	!	!	!	!	!
	!	!	!	!	!	!	!	!
MODEL YEAR-----+	!	!	!	!	!	!	!	!
	!	!	!	!	!	!	!	!
SERIAL NUMBER-----+	!	!	!	!	!	!	!	!

Model: 980 04**Model life 2004>>2006**

SUMMARY ENGINES

VEHICLE TYPE	ENGINE		ENGINE NO.	TECHNICAL DATA
	TYPE	MY		
980 CARRERA GT	M80.01	04 4	994 00501>20000	10ZYL/5,7L/450 KW
980 CARRERA GT	M80.01	05 5	905 30501>60000	10ZYL/5,7L/450 KW
980 CARRERA GT	M80.01	06 6	906 30501>60000	10ZYL/5,7L/450 KW

Model: 980 04

Model life 2004>>2006

EXPL. TRANSM. NO.

EXPLANATION OF THE TRANSMISSION-NUMBERS USED IN THE CATALOGUE

DIGIT:	1	2	3	4	5	6	7	8	9	10	11
EXAMPLE:	G	8	0	0	1	2	0	0	5	4	3
	=	=====				=	=====				
	!		!			!			!		!
	!		!			!			!		!
TRANSMISSION TYPE-----+			!			!			!		!
			!			!			!		!
TRANSMISSION VERSION-----+						!			!		!
						!			!		!
INDEX OF VARIANTS-----+									!		!
									!		!
SERIAL NUMBER-----+											!

Model: 980 04**Model life 2004>>2006**

SUMM. TRANSMISS.

VEHICLE TYPE	TYPE	MY	TRANSMISSION NO.	TECHNICAL DATA
980 CARRERA GT	G80.01	04 4	G8001 2 002001>999999	6-GANG
980 CARRERA GT	G80.01	05 5	G8001 2 002001>999999	6-GANG
980 CARRERA GT	G80.01	06 6	G8001 2 002001>999999	6-GANG

Model: 980 04

Model life 2004>>2006

LEGENDS/NOTICES

LEGENDS AND NOTICES

=====

IN COLUMN -S- STATUS

- N NEW ADDITION
- P PART ALREADY IN PROGRAMME, BUT NEW AT THIS APPLICATION
- W DELETED AT THIS APPLICATION, BUT CONTINUED TO BE CARRIED
- K THIS PART MUST BE RE-ORDERED IF IT IS UNAVAILABLE WHEN THE ORDER IS FIRST PLACED. ORDER BACKLOGS ARE NOT PROCESSED.
- A STOCK TO BE USED UP
- U DELETED WITHOUT REPLACEMENT
- * PART ALSO OR ONLY AVAILABLE IN REPAIR KIT
- > ALSO AVAILABLE IN EXCHANGE

IN COLUMN - ILL. -

- 1 IDENTIFICATION NO. IN ILLUSTRATION
- (1) PART ONLY SIMILAR AS ILLUSTRATED
- PART IS NOT ILLUSTRATED

FIG.-NUMBERS FOR WHICH THERE IS SHOWN NO TEXT ARE NOT VALID FOR THIS EDITION OF CATALOGUE

IN COLUMN -PART NUMBER/CODE-

000 000 000 00 PART NUMBER EQUALS ORDERING NO., IF A CODE IS SHOWN, IT WILL HAVE TO BE PART OF ORDERING NUMBER

01C COLOUR CODE

IN COLUMN -TEXT

INSTALLATION WITH ENGINE OR CHASSIS NUMBER-RANGE

EXAMPLE:

Model: 980 04**Model life 2004>>2006**

M 66W 00389>>

FROM ENGINE NO.

F >>99WS6 00889

UP TO CHASSIS NO.

Model: 980 04

Model life 2004>>2006

LEGENDS/NOTICES

IN COLUMN - A -

IDENTIFICATION LETTER FOR PERIOD OF INSTALLATION
THAT IS REPEATED SEVERAL TIMES IN THE CATALOG GROUP.

EXPLANATION PLEASE FIND IN TEXT COLUMN OF THE CATALOG GROUP

IN COLUMN - QU - = NO. OF PIECES

- 1 NUMBER PER APPLICATION
- X NUMBER AS NEEDED
- * AVAILABLE ONLY IN RUNNING LENGTHS 1 = 1 METRE

IN COLUMN - MODEL/SYMBOL -

- I650 OPTIONAL EQUIPMENT - SEE M-NO. LIST
- 98 LIMITATION OF MODEL YEAR FOR INSTANCE: VALID UP TO
END OF MODEL YEAR 1997
- /LL LHD
- /RL RHD
- +
- /V FRONT I
I
- /H REAR I
I----> APPLIES TO
- /L LEFT I DIRECTION OF TRAVEL
I
- /R RIGHT I
-----+
- WW THE PART CAN BE USED INSTEAD OF THE
PRECEDING ONE.

Model: 980 04

Model life 2004>>2006

COUNTRY-EQIPM.

EQUIPMENT BY COUNTRY REGULATIONS

=====

(A)	AUSTRIA
(AG)	ARABIAN GULF STATES
(AUS)	AUSTRALIA
(B)	BELGIUM
(BR)	BRAZIL
(CDN)	CANADA
(CH)	SWITZERLAND
(D)	FEDERAL REPUBLIC OF GERMANY
(DK)	DENMARK
(E)	SPAIN
(F)	FRANCE
(GB)	GREAT BRITAIN
(GR)	GREECE
(HK)	HONGKONG
(I)	ITALY
(J)	JAPAN
(L)	LUXEMBURG
(N)	NORWAY
(NL)	NETHERLANDS
(NZ)	NEW ZEALAND
(P)	PORTUGAL
(RC)	TAIWAN
(S)	SWEDEN
(SA)	SAUDI ARABIA
(SF)	FINLAND
(USA)	UNITED STATES OF AMERICA
(ZA)	SOUTH AFRICA

Model: 980 04

Model life 2004>>2006

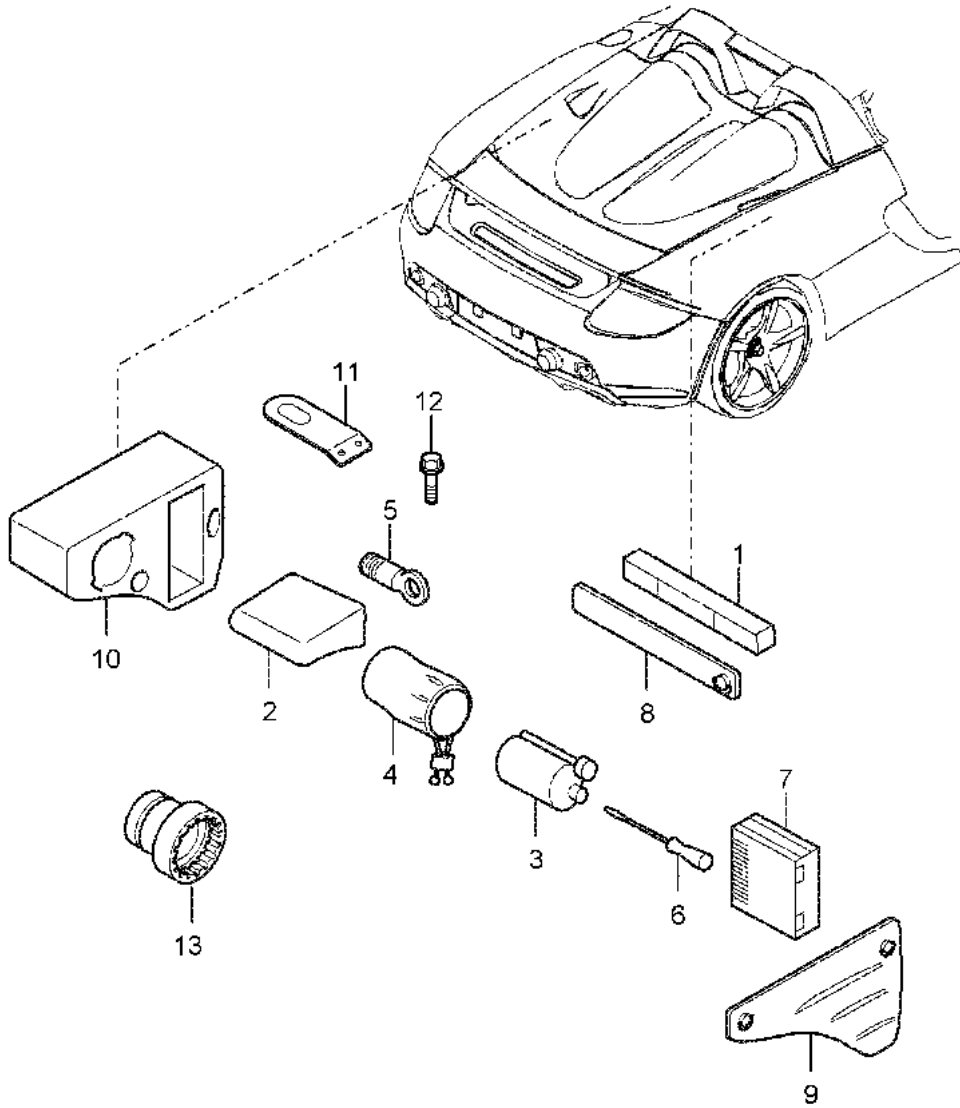
NR	Description
I068	PAP right-hand drive version
I074	PAP left-hand drive version
I193	Version for Japan
I215	Version for Saudi Arabia
I288	Headlamp washer
I382	Vertical seat adjustment, left
I383	Vertical seat adjustment, right
I384	Carrera GT bucket seat, left
I385	Carrera GT bucket seat, right
I386	Carrera GT bucket seat XT, left
I387	Carrera GT bucket seat XT, right
I465	Rear fog light, left
I466	Rear fog light, right
I482	Tire Pressure Monitoring TPM, 433 MHz
I483	315-MHz TPM, Tire Pressure Monitoring
I484	Version for USA
I492	Headlights for left-hand traffic
I506	Reflection-optimised interior
I534	Theft security system, 433 MHz
I535	Theft security system, 315 MHz
I536	-07 Alarm siren and tilt sensor 08- Alarm siren
I572	Manual air-conditioning system
I574	Without air conditioner
I577	Luggage set
I578	Carrera GT luggage set, Terracotta
I579	Carrera GT luggage set, Dark Grey
I659	On-board computer
I664	Orvr
I681	Carrera GT sound system
I690	CD radio "Porsche Online Pro"

Model: 980 04

Model life 2004>>2006

Model: 980 04

Model life 2004>>2006



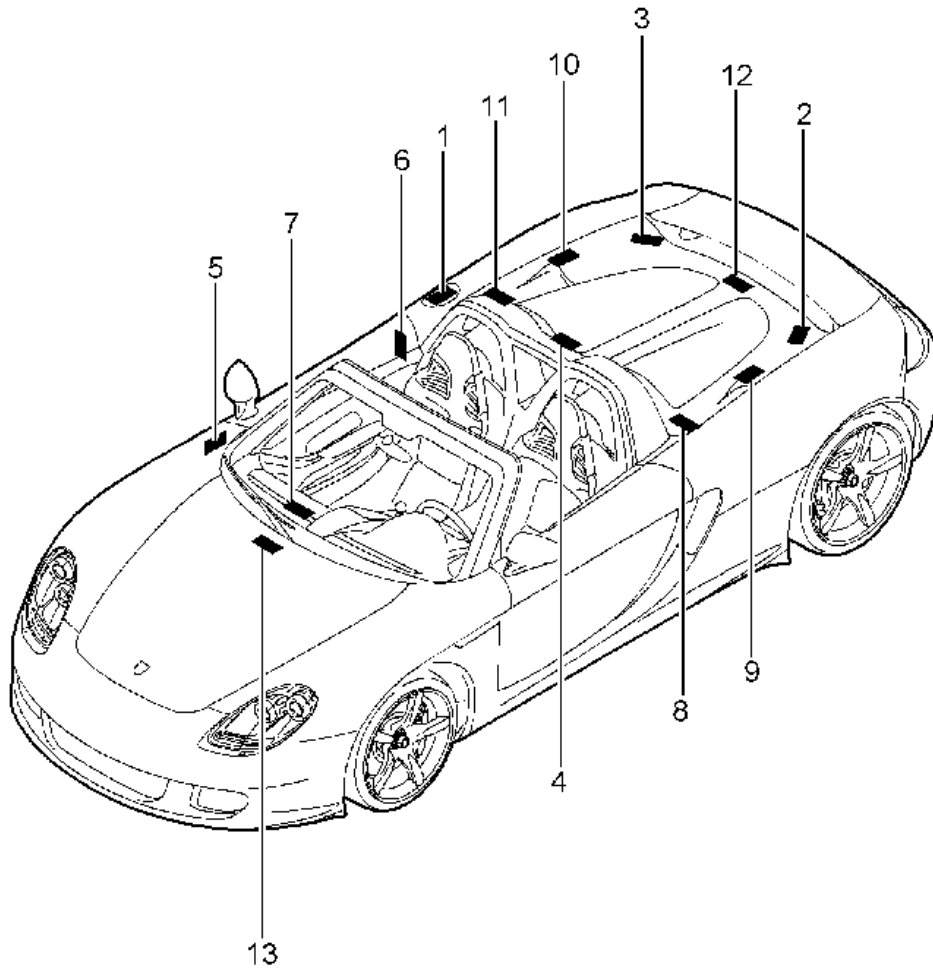
Model: 980 04

Model life 2004>>2006

Pos	Part Number	Description	Remark	Qty	Model
		Tool			
1	000 722 722 05	Warning triangle		1	
1	000 722 722 06	Warning triangle		1	
2	980 722 041 00	First-aid kit		1	
3	955 722 631 00	Compressed air bottle		1	
4	980 721 093 00	Cover		1	
		Bag			
5	996 721 151 00	Towing lug		1	
6	980 721 615 00	Screwdriver		1	
7		Compressor		1	
		See group			
		6/01/00			
8	980 505 409 00	Cover		1	
9	980 505 303 00	Cover		1	
-	980 505 503 00	Gasket		1	
		for			
		Pos. 9			
10	980 722 101 01	Foam part		1	
11	980 504 659 00	Eye		1	
12	900 378 260 A2	Hexagon-head bolt		2	
		M 8X20			
13	980 361 169 00	Socket wrench		1	

Model: 980 04

Model life 2004>>2006



Model: 980 04

Model life 2004>>2006

Pos	Part Number	Description	Remark	Qty	Model
1	980 701 287 00	Stickers Stickers Tyre pressure Sticker Tyre pressure Stickers Type of fuel		1	
1	996 006 117 00	Sticker 98 ROZ		1	
1	996 006 117 03	Sticker 93 RON/MON/2	(J)	1	
2	997 006 544 00	Sticker Engine oil - MOBIL 1 -		1	
2	7PP 010 786 T	Sticker Engine oil - MOBIL 1 -		1	
3	996 006 108 00	Sticker Emission control		1	I068
4	996 006 120 00	Indication sticker Expansion tank Coolant Stickers		1	
5	980 701 180 00	Airbag Sticker Child car seat		1	
8	980 701 141 00	Sticker Air conditioner		1	
9	980 701 170 00	Sticker First-aid kit		1	
9	980 701 721 00	Sticker Tool bag		1	
10	980 701 722 00	Sticker Warning triangle		1	
11	980 701 611 00	Sticker Ground distributor		1	
12	980 701 512 00	Sticker Danger of injury		1	
13	980 701 565 00	Sticker Targa roof		1	

Model: 980 04

Model life 2004>>2006



Model: 980 04

Model life 2004>>2006

Pos	Part Number	Description	Remark	Qty	Model
		Luggage set Boot			
-	980 802 301 00	Luggage set Ascot brown/natural		1	
-	980 802 301 01	Luggage set Terracotta		1	
-	980 802 301 02	Luggage set Dark grey		1	
-	000 043 206 78	Support for Garment bag Behind Seat Driver's side Use also:		2	
-	999 507 497 40	Expansion rivet		4	
-	980 721 331 00	Boot for Carrera GT		1	
-	980 721 341 00	Boot for Roof		1	

Model: 980 04

Model life 2004>>2006



Model: 980 04 Model life 2004>>2006

Pos	Part Number	Description	Remark	Qty	Model
		Adhesive Cleaning agent Lubricants Repair material			
-	986 559 990 03	Adhesive film		X	
		Double sided			
-	000 043 206 59	Adhesive tape		X	
		Double sided 5 MM			
-	999 911 078 40	Adhesive tape		X	
		50,8X0,20			
-	999 551 169 40	Tape		*	
		Damping strip			
-	000 043 157 00	Cleaning agent		X	
-	000 043 204 89	Oil		X	
		VITAMOL ZH-M 250 ML			
		Spoiler Driving mechanism			
-	000 043 203 33	Pentosin		X	
		1000 ML			
-	999 915 650 40	Adhesive		X	
		TEROMIX 6700			
-	999 551 196 40	Adhesive tape		*	
-	000 043 205 25	Sealing compound		X	
		SIKAFLEX 221			
-	000 043 206 29	Adhesive set		X	
		Body			
		Comprising:			
-	000 043 206 30	Adhesive		1	
		50 ML			
-	000 043 206 31	Tool		1	
		for			
		Adhesive set			
-	000 043 206 32	Mixing tube		1	
-	000 043 206 33	Activator		1	
-	000 043 300 35	Spraying can		X	
		MC LUBE SAILKOTE HIGH PERFORMANCE			
-	000 043 300 47	Set		1	
		Adhesive			
		Comprising:			
		EPX-SCOTCH-WELD 38 ML			
		Mixing tube			
		When required order also:			
-	000 043 300 48	Tool		1	
		for			
		EPX-SCOTCH-WELD			
-	000 043 205 81	Suitcase		X	
		Threaded insert			
		Threaded bush			
		Repair material			
		Comprising:			
		See group 0/03/01			

Model: 980 04

Model life 2004>>2006



Model: 980 04 Model life 2004>>2006

Pos	Part Number	Description	Remark	Qty	Model
-	000 043 205 81	Repair Suitcase for Threaded bush Threaded insert Suitcase		X	
-	000 043 205 68	Comprising: Suitcase		1	
-	999 504 250 00	Threaded sleeve 7/16"UNF		5	
-	999 025 282 00	Washer M 5		10	
-	999 025 283 00	Washer M 6		10	
-	999 500 115 00	Rivet Nut M 5		10	
-	999 500 117 00	Rivet Nut M 6		10	
-	000 043 205 53	Support for Tool		1	
-	000 043 205 54	Tool		1	
-	000 043 205 55	Tool		1	
-	000 043 205 56	Tool		1	
-	000 043 205 57	Tool		1	
-	000 043 205 58	Tool		1	
-	000 043 205 59	Tool		1	
-	000 043 205 60	Tool		1	
-	000 043 206 26	Tool		1	
-	000 043 205 62	Tool		1	
-	000 043 205 63	Tool		1	
-	000 043 300 97	Tool		1	
-	000 043 206 27	Tool		1	
-	999 504 254 00	Set M 5		1	
-	999 504 251 00	Threaded bush M 6		1	
-	999 504 252 00	Threaded bush M 8		1	
-	999 504 253 00	Threaded bush M 10		1	
-	999 504 255 A2	Set M 12		1	
-	999 048 010 00	Threaded bush M 5		5	
-	999 048 011 00	Threaded bush M 6		5	
-	999 915 650 40	Adhesive Replacement		1	
-	000 043 205 87	Threaded sleeve Threaded sleeve M 5		1	
-	000 043 205 88	Threaded sleeve M 6		1	
-	000 043 205 89	Threaded sleeve M 8		1	
-	000 043 205 90	Threaded sleeve M 10		1	
-	000 043 205 91	Threaded sleeve M 12		1	

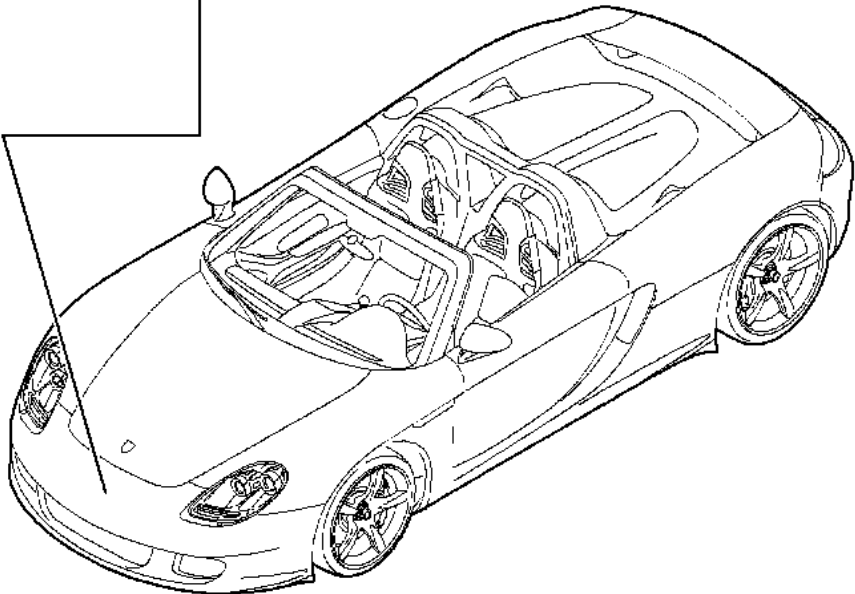
Model: 980 04

Model life 2004>>2006

FARBNUMMER
COLOUR NUMBER
NUMERO DE COULEUR
NUMERO COLORE
NUMERO DE COLOR

697 9 1
DIAMOND BLUE METALLIC
DIAMANT BLAU METALLIC
F5

FARBENNUNG
COLOUR
COULEUR
COLORE
COLOR



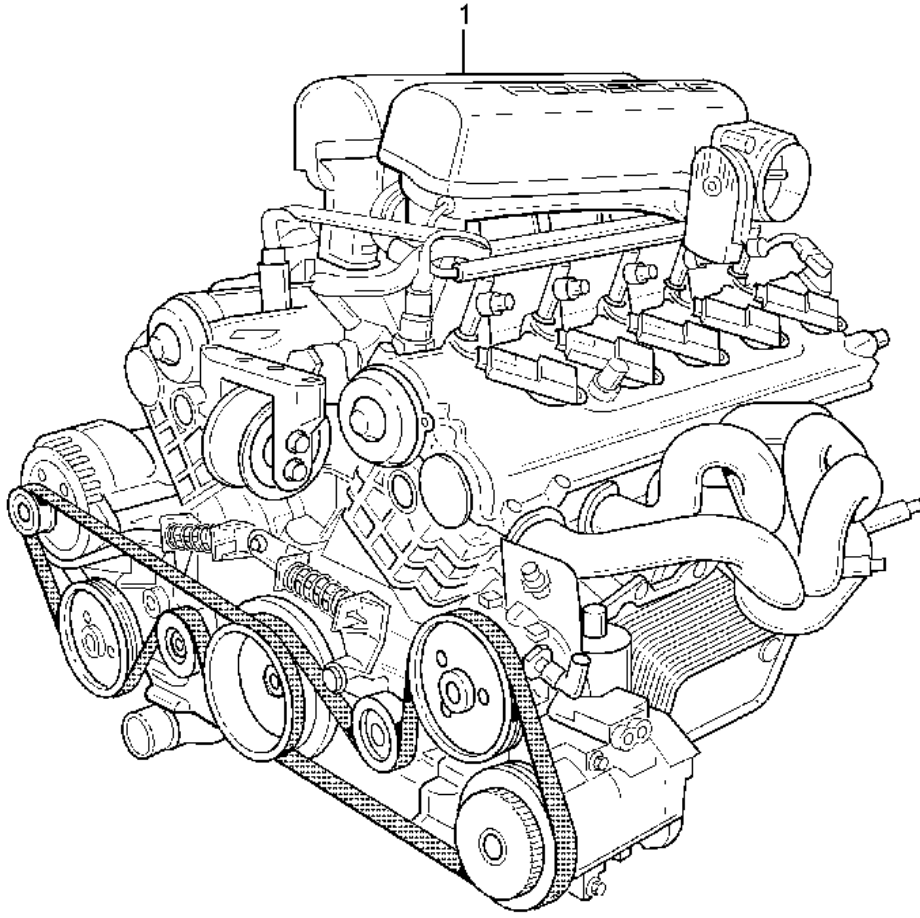
Model: 980 04

Model life 2004>>2006

Pos	Part Number	Description	Remark	Qty	Model
-	911 095 932 20	Paint touch-up applicator		X	
	911 095 932 20 041	Paint touch-up applicator Black			A 1
	911 095 932 20 80K	Guards red			G 1
	911 095 932 20 1C1	Fayence yellow			Q 2
-	911 095 933 20	Paint touch-up applicator Set		X	
		Comprising: Paint touch-up applicator Primer Paint touch-up applicator Clear lacquer			
	911 095 933 20 6B4	Seal grey metallic			Y 1
	911 095 933 20 C9Z	Basalt black metallic			Z 4
	911 095 933 20 M7Z	GT Silver Metallic			U 2

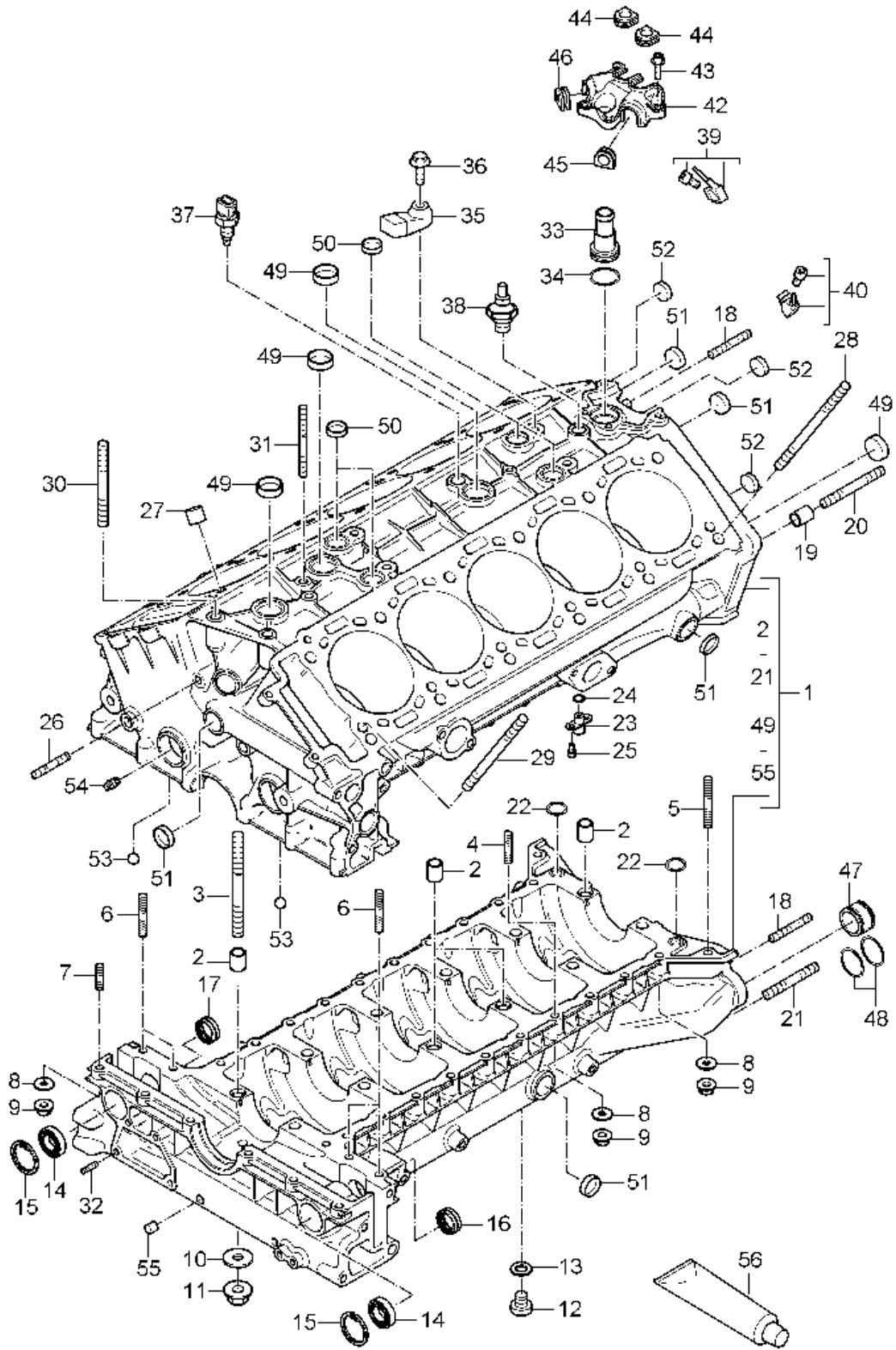
Model: 980 04

Model life 2004>>2006



Model: 980 04

Model life 2004>>2006



Model: 980 04 Model life 2004>>2006

Pos	Part Number	Description	Remark	Qty	Model
1	980 101 011 02	Crankcase Single parts Crankcase without Piston Use also: 980.101.198.00 980.101.172.00 996.101.172.70 980.101.815.00 980.101.817.00 999.062.102.02 980.101.813.00 999.707.429.40 980.101.053.03 999.707.188.40 999.218.024.02 980.107.845.00 999.707.243.40		1 4 1 23 2 2 4 1 2 5 5 10 9 9	M80.01
2	980 101 195 01	Dowel sleeve		4	
3	980 101 171 00	Stud M 12 X 1,5 X 130		12	
4	999 062 098 02	Stud BM 8 X 38		21	
5	999 062 049 02	Stud BM 8 X 82		1	
6	999 062 069 02	Stud BM 8 X 57		4	
7	999 062 009 02	Stud BM 8 X 28		6	
7	900 060 105 01	Stud BM 8 X 28		6	
8	900 031 001 02	Washer 8,4		32	
8	900 031 105 01	Washer 8,4		32	
9	900 817 002 02	Hexagon nut M 8		32	
10	980 101 351 00	Washer 12,1		12	
11	900 817 004 02	Hexagon nut M 12 X 1,5		12	
12	900 219 007 02	Screw plug M 10 X 1		5	
12	900 219 007 01	Screw plug M 10 X 1		5	
13	N 013 806 2	Sealing ring A 10 X 14		5	
14	900 052 051 00	Deep-groove ball bearing 12 X 32 X 10		2	
15	900 042 007 01	Circlip 32 X 1,2		2	
16	999 201 023 00	Needle sleeve 20 X 26 X 14		1	
17	999 201 073 00	Needle sleeve 20 X 26 X 12		1	
18	999 062 010 02	Stud BM 8 X 35		3	
19	980 101 199 00	Dowel sleeve		2	
20	980 101 823 00	Stud M 10 X 1,5 X 73		2	
-	944 104 361 00	Dowel sleeve for		2	

Model: 980 04 Model life 2004>>2006

Pos	Part Number	Description	Remark	Qty	Model
21	980 101 821 00	Flange Shaft sealing ring Crankshaft Stud M 10 X 1,5 X 65		2	
22	999 707 429 40	Sealing ring 11 X 1,3		2	
23	980 101 053 03	Spray nozzle Engine oil		5	
24	999 707 188 40	Sealing ring 10 X 1		5	
25	999 218 024 02	Pan-head screw M 5 X 12		10	
26	980 101 813 00	Stud M 8 X 1,25 X 51		1	
27	980 101 198 00	Dowel sleeve		4	
28	996 101 172 70	Stud M 10 X 185,5		23	
29	980 101 172 00	Stud M 10 X 165,5		1	
30	980 101 815 00	Stud M 10 X 106		2	
31	980 101 817 00	Stud M 8 X 89		2	
32	999 062 102 02	Stud BM 6 X 22		4	
33	980 101 911 01	Connection piece		1	
34	999 707 552 40	Sealing ring 26 X 2		1	
35	996 606 125 00	Knock sensor		4	
36	900 378 033 09	Hexagon-head bolt AM 8 X 30		4	
36	900 378 033 01	Hexagon-head bolt AM 8 X 30		4	
37	996 606 410 00	Temperature sensor		1	
38	980 606 203 00	Oil pressure sender		1	
39	980 606 112 00	Pulse sender Cyl. 1 - 5 with		1	
40	980 606 113 00	Pan-head screw Pulse sender Cylinders 6 - 10 with		1	
42	980 101 311 05	Pan-head screw Lid		1	
43	900 067 207 02	Combination screw M 6 X 20		4	
44	999 702 285 40	Grommet 6,5 X 14 X 3		2	
45	999 702 316 40	Grommet 9,5 X 14 X 3		1	
46	999 702 317 40	Grommet 4,75 X 14 X 3		1	
47	980 107 153 00	Joining socket		1	
48	999 707 498 40	O-ring 27 X 3		2	
49	900 036 040 02	Lid A 30		4	
50	900 036 056 02	Lid A 25		4	
51	900 036 046 02	Lid A 22		5	
52	900 036 055 02	Lid		3	

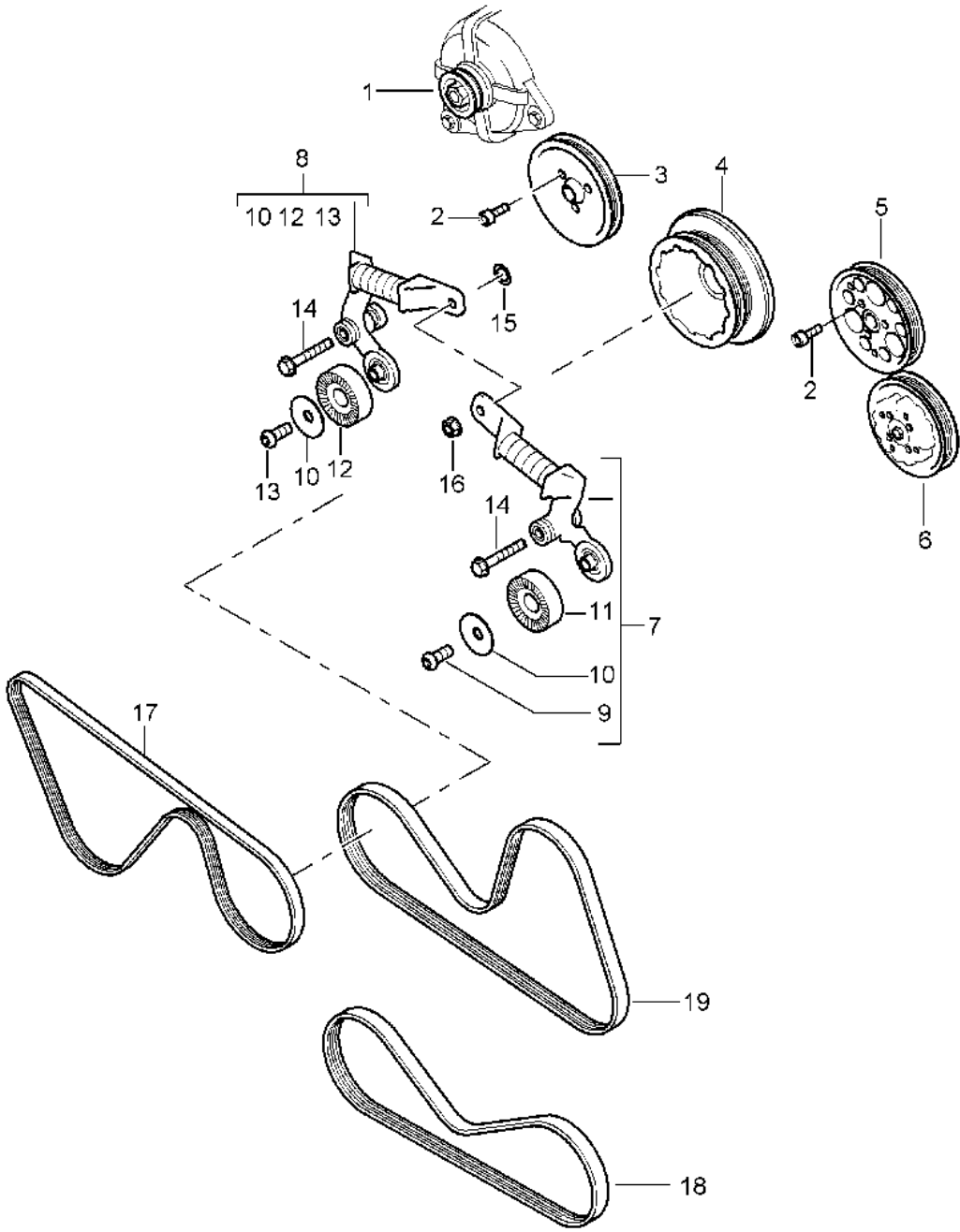
Model: 980 04

Model life 2004>>2006

Pos	Part Number	Description	Remark	Qty	Model
53	900 108 006 00	A 18 Ball 4,0		2	
54	999 504 164 02	Threaded insert M 6 X 12		2	
55	999 501 040 30	Stopper 9,7		1	
56	000 043 205 42	Sealing compound 1 50-g tube DREIBOND 5520		1	

Model: 980 04

Model life 2004>>2006

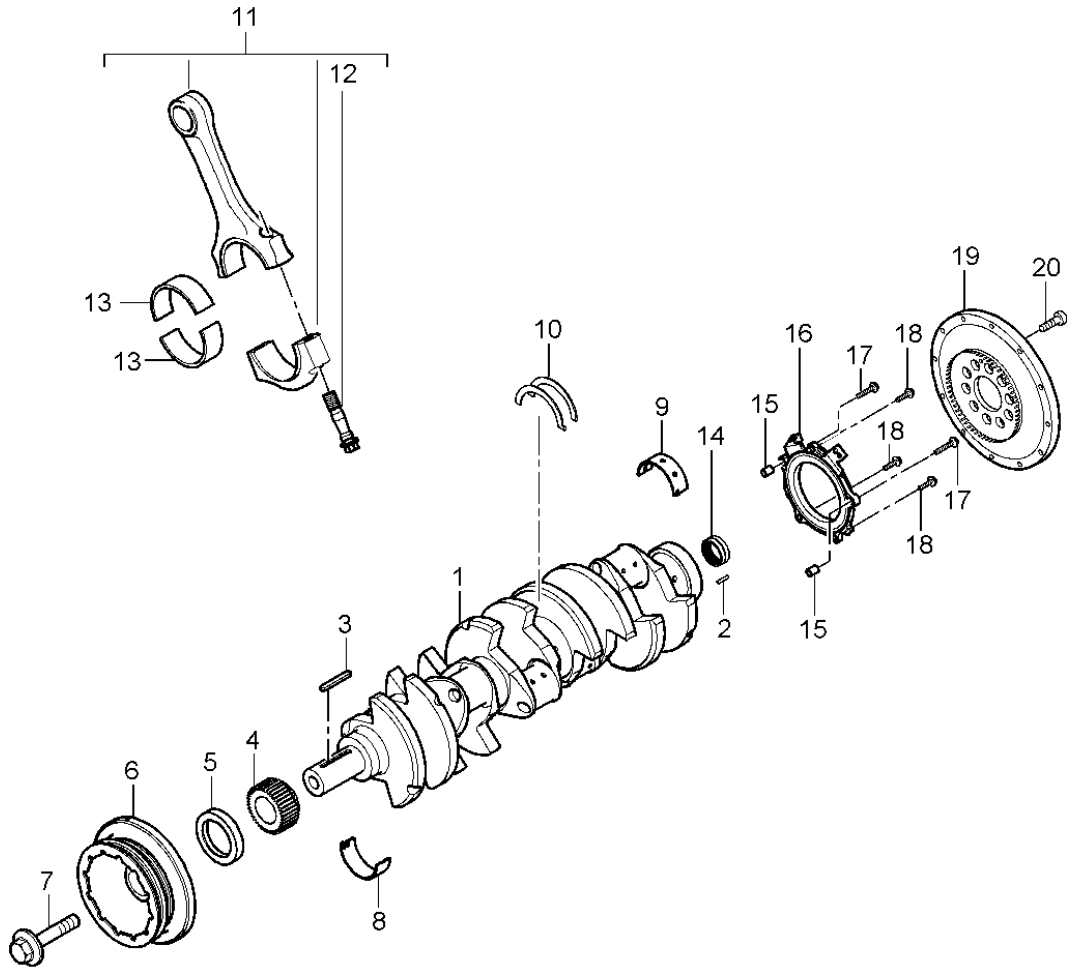


Model: 980 04 Model life 2004>>2006

Pos	Part Number	Description	Remark	Qty	Model
1		Belt tensioner Belt drive Pulley Generator See illustrations 9/02/05		1	M80.01
2	900 119 052 02	Pan-head screw M 8 X 16		6	
(2)	900 119 052 01	Pan-head screw M 8 X 16		6	
3	980 106 106 00	Pulley Water pump		1	
4		Vibration damper Crankshaft See illustrations 1/02/00		1	
5	980 147 511 00	Pulley Power-steering pump		1	
6		Pulley Compressor See illustrations 8/13/15		1	
7	980 102 351 01	Belt tensioner		1	
8	980 102 352 01	Belt tensioner		1	
9	999 073 281 09	Round head screw M 10 LH X 27		1	
10	980 102 391 00	Cover disc		2	
11	980 102 371 00	Tensioning roller		1	
12	980 102 372 00	Tensioning roller		1	
13	999 073 289 09	Round head screw M 10 X 27		1	
14	900 378 198 09	Hexagon-head bolt M 10 X 75		2	
15	980 102 751 00	Washer 16 X 0,14 X 8,1		1	
16	900 377 003 02	Hexagon nut M 8		1	
17	980 102 252 02	Poly-rib belt		1	
18	980 102 253 00	Poly-rib belt without air conditioner		1	I574
19	980 102 251 02	Poly-rib belt with air conditioner		1	I572

Model: 980 04

Model life 2004>>2006



Model: 980 04 Model life 2004>>2006

Pos	Part Number	Description	Remark	Qty	Model
		Crankshaft			M80.01
		Connecting rods			
1	980 102 021 00	Crankshaft		1	
2	900 302 022 00	Straight pin		1	
		4,0 X 14,0			
3	999 117 008 00	Woodruff key		1	
		A 5,96 X 4,0 X 50,0			
4	980 105 211 01	Gear wheel		1	
5	999 113 458 40	Shaft sealing ring		1	
		AS 50 X 70 X 10			
6	980 102 151 03	Vibration damper		1	
7	948 102 202 00	Screw		1	
8	980 101 139 00	Main bearing shell		6	
		Lower			
		Red			
(8)	980 101 139 01	Main bearing shell		6	
		Lower			
		Yellow			
(8)	980 101 139 02	Main bearing shell		6	
		Lower			
		Blue			
9	980 101 137 00	Main bearing shell		6	
		Upper			
		Red			
(9)	980 101 137 01	Main bearing shell		6	
		Upper			
		Yellow			
(9)	980 101 137 02	Main bearing shell		6	
		Upper			
		Blue			
10	980 101 131 00	Thrust washer		2	
		Upper			
11	980 103 975 00	Connecting rod		1	
		1 set			
		Comprising:			
		Connecting rod		10	
(11)	980 103 975 02	Connecting rod		1	
		1 set			
		Comprising:			
		Connecting rod		10	
12	996 103 176 95	Connecting rod bolt		20	
		M 10 X 1,25			
13	980 103 133 00	Connecting-rod bearing		20	
		Identification			
		Red			
(13)	980 103 133 01	Connecting-rod bearing		20	
		Identification			
		Yellow			
(13)	980 103 133 02	Connecting-rod bearing		20	
		Identification			
		Blue			
14	999 201 204 00	Needle sleeve		1	
		15 X 21 X 14			
15	944 104 361 00	Dowel sleeve		2	
16	980 101 072 01	Flange		1	
		with			
		Shaft sealing ring			
17	900 067 238 02	Combination screw		2	
		M 6 X 30			
18	900 067 207 02	Combination screw		3	
		M 6 X 20			
19	980 102 142 31	Flywheel		1	
20	930 102 206 00	Pan-head screw		10	

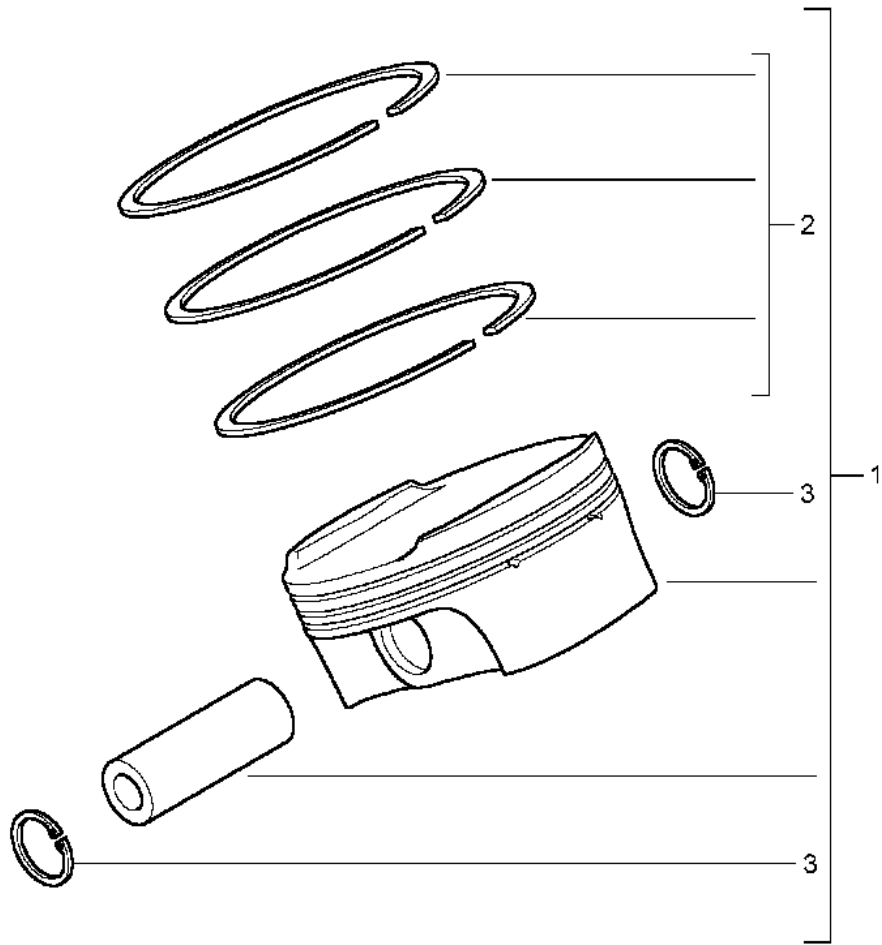
Model: 980 04

Model life 2004>>2006

Pos	Part Number	Description	Remark	Qty	Model
		M 10 X 1,25 X 19,5			

Model: 980 04

Model life 2004>>2006



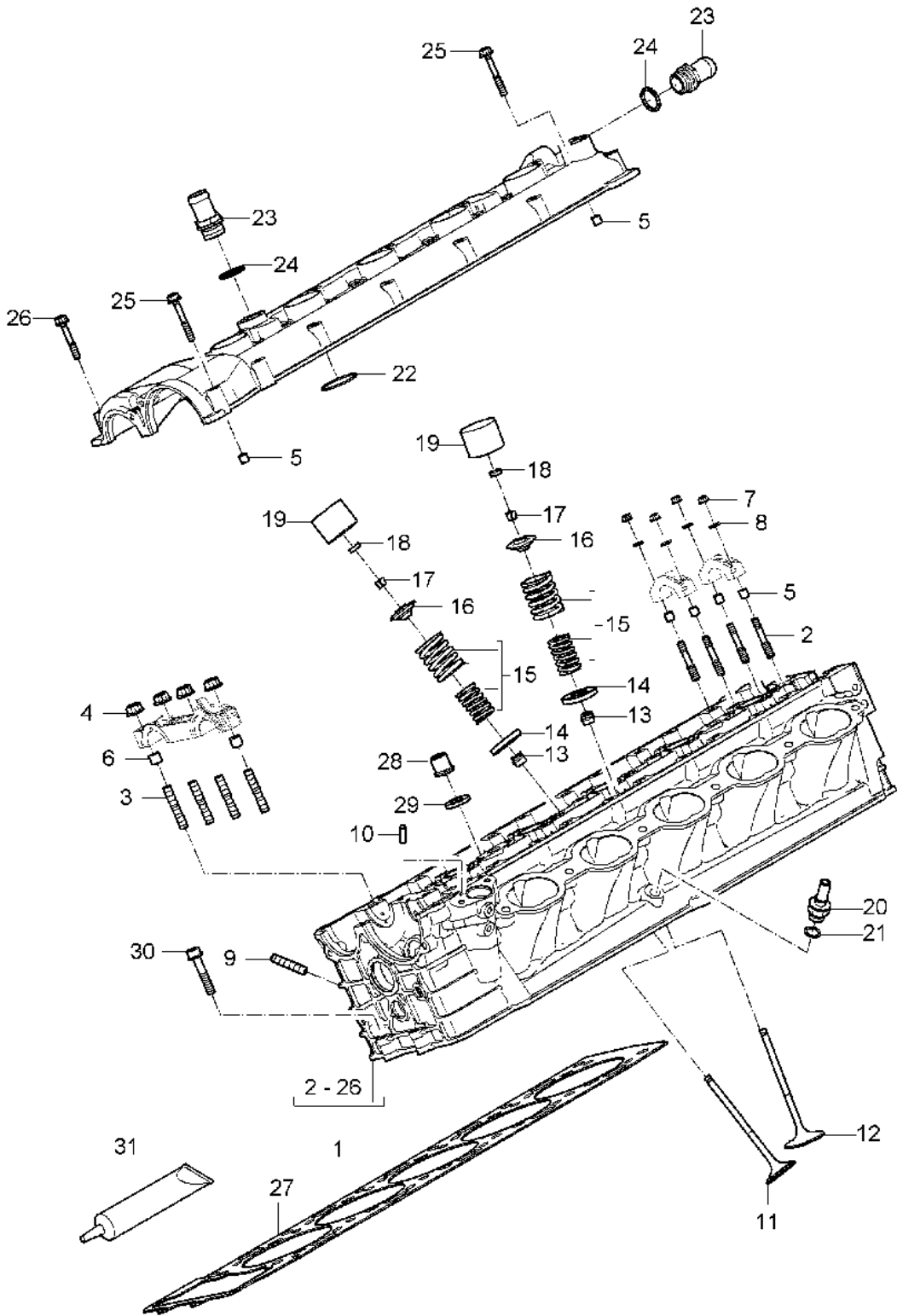
Model: 980 04

Model life 2004>>2006

Pos	Part Number	Description	Remark	Qty	Model
1	980 103 036 03	Piston Piston rings Piston Tolerance group 0 Cyl. 1 - 5		5	M80.01
(1)	980 103 035 03	Piston Tolerance group 0 Cylinders 6 - 10		5	
2	980 103 945 00	Set of piston rings		10	
3	980 103 373 00	Circlip		20	

Model: 980 04

Model life 2004>>2006



Model: 980 04 Model life 2004>>2006

Pos	Part Number	Description	Remark	Qty	Model
		Cylinder head Valve cover			M80.01
1	980 104 012 01	Cylinder head Complete with Valve cover Cyl. 1 - 5		1	
(1)	980 104 011 01	Cylinder head Complete with Valve cover Cylinders 6 - 10		1	
2	980 104 713 00	Stud		40	
3	999 062 115 02	Stud BM 8 X 32		8	
4	900 377 003 02	Hexagon nut M 8		8	
5	999 095 048 00	Dowel sleeve 8 X 8		44	
6	999 095 063 02	Dowel sleeve 11 X 10		2	
6	999 095 063 01	Dowel sleeve 11 X 10		2	
7	999 084 644 02	12-point nut M 6		40	
8	900 025 079 01	Washer 6		40	
9	999 062 005 02	Stud BM 8 X 18		30	
10	900 302 021 00	Straight pin 4 X 10		2	
11	980 105 113 01	Exhaust valve		20	
12	980 105 111 02	Intake valve		20	
13	996 105 115 52	Valve stem seal		40	
-	000 043 204 46	Sleeve for Repair Valve stem seal		1	
14	980 105 117 00	Concave washer Lower		40	
15	980 105 811 01	Set of valve springs		40	
16	980 105 121 01	Concave washer Upper		40	
17	980 105 123 00	Valve collet		80	
18		See illustrations 1/03/10		X	
19		See illustrations 1/03/10		X	
20	980 104 259 00	Connection piece		2	
21	900 123 003 30	Sealing ring A 10 X 14		2	
22	999 707 559 40	O-ring 28 X 1		10	
23	999 230 573 30	Screw socket		4	
24	900 123 118 30	Sealing ring A 22 X 27		4	
25	900 378 113 02	Hexagon-head bolt AM 6 X 45		4	
26	900 378 277 02	Hexagon-head bolt AM 6 X 40		46	
27	980 104 412 02	Cylinder head gasket Cyl. 1 - 5		1	
(27)	980 104 411 02	Cylinder head gasket		1	

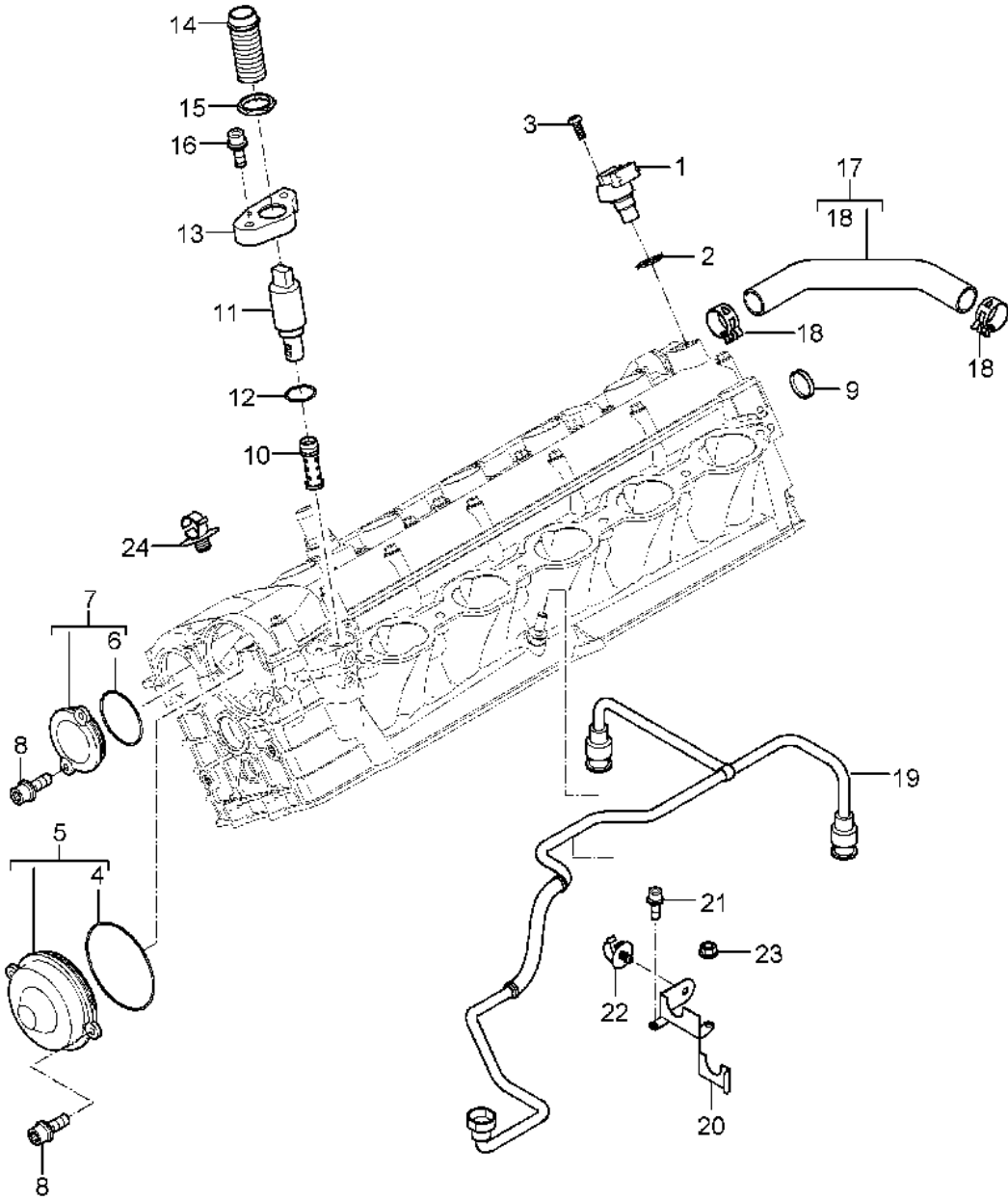
Model: 980 04

Model life 2004>>2006

Pos	Part Number	Description	Remark	Qty	Model
28	996 104 382 80	Cylinders 6 - 10 Cylinder head nut M 10		24	
29	980 104 351 00	Washer		24	
30	900 067 236 08	Pan-head screw M 6 X 40		4	
31	000 043 204 58	Sealing compound 1 tube 30 GR. DREIBOND FD 2210		1	

Model: 980 04

Model life 2004>>2006

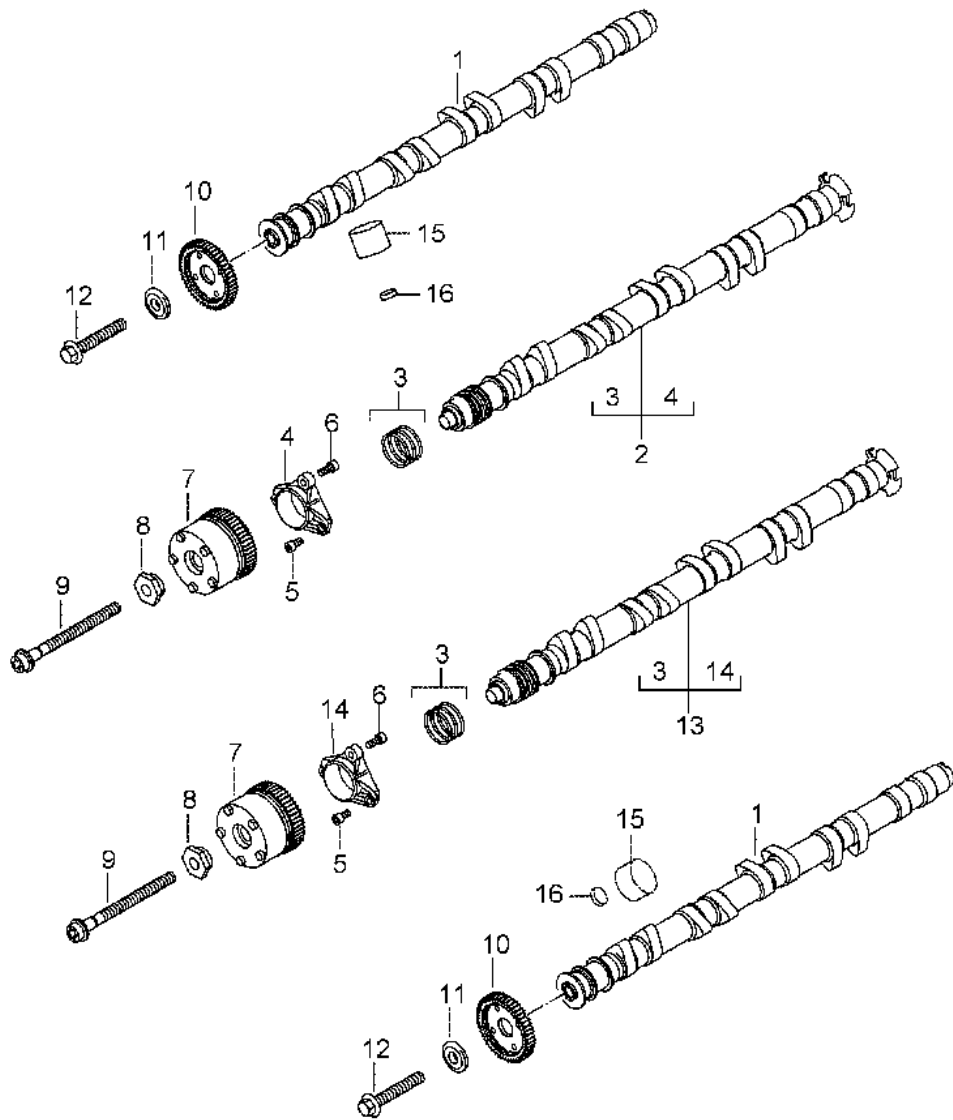


Model: 980 04 Model life 2004>>2006

Pos	Part Number	Description	Remark	Qty	Model
		Cylinder head			M80.01
		Valve cover			
		Accessories			
1	996 606 106 03	Hall sender		2	
2	999 707 404 40	O-ring		2	
		17,05 X 1,78			
3	900 067 117 09	Pan-head screw		2	
		M 6 X 16			
4	999 707 384 40	O-ring		2	
		85,00 X 2,5 N			
5	980 105 023 02	Lid		2	
6	999 707 298 40	O-ring		2	
		51,00 X 2,5 N			
7	980 105 024 02	Lid		2	
8	900 067 412 02	Combination screw		8	
		M 6 X 16			
9	999 036 008 40	Lid		4	
		35 X 8			
10	996 105 703 01	Oil strainer		2	
(10)	997 105 701 00	Oil strainer		2	
11	996 105 303 05	Actuator		2	
		Camshaft			
(11)	996 105 303 06	Actuator		2	
		Camshaft			
-	996 105 903 05	O-ring		2	
		for			
		Actuator			
12	999 707 184 40	O-ring		2	
		21,95 X 1,78			
13	980 104 256 00	Flange		2	
14	980 104 258 00	Sleeve		2	
15	980 104 956 00	Hexagon nut		2	
		M 33 X 1			
16	900 067 238 02	Combination screw		4	
		M 6 X 30			
(16)	900 067 238 01	Combination screw		4	
		M 6 X 30			
17	980 107 214 01	Breather hose		1	
		Cyl. 1 - 5			
(17)	980 107 215 01	Breather hose		1	
		Cylinders 6 - 10			
18	999 512 661 09	Hose clamp		4	
		B 30 X 12			
19	980 106 210 03	Vent line		1	
		Cylinder head			
		Expansion tank			
		Water cooling			
(19)	980 106 210 04	Vent line		1	
		Cylinder head			
		Expansion tank			
		Water cooling			
20	980 106 703 00	Support		1	
		Vent line			
		Clutch pipeline			
21	900 067 409 02	Combination screw		1	
		M 6 X 15			
22	999 507 675 40	Hose holder		1	
		7,5 - 8,0			
23		See illustrations		1	
		1/09/00			
24	999 511 239 40	Cable holder		4	
		6 - 12			

Model: 980 04

Model life 2004>>2006



Model: 980 04 Model life 2004>>2006

Pos	Part Number	Description	Remark	Qty	Model
1	980 105 315 00	Camshaft		2	M80.01
2	980 105 032 00	Camshaft Exhaust Camshaft Intake Cyl. 1 - 5		1	
3	996 105 280 90	Ring		6	
4	980 105 226 00	Bearing flange Cyl. 1 - 5		1	
5	N 014 740 2	Pan-head screw M 6 X 16		4	
(5)	N 014 740 11	Pan-head screw M 6 X 16		4	
6	900 067 354 02	Pan-head screw M 6 X 25		2	
7	980 105 051 01	Camshaft adjuster		2	
8	980 105 218 00	Sleeve		2	
9	948 104 181 01	Screw M 12 X 1,5 X 140		2	
10	980 105 275 01	Camshaft timing gear Exhaust		2	
11	980 105 573 00	Washer		2	
12	900 378 139 09	Hexagon-head bolt M 12 X 1,5 X 80		2	
12	900 378 139 01	Hexagon-head bolt M 12 X 1,5 X 80		2	
13	980 105 031 00	Camshaft Intake Cylinders 6 - 10		1	
14	980 105 225 00	Bearing flange Cylinders 6 - 10		1	
15	980 105 309 00	Hydraulic valve tappet		40	
(15)	980 105 309 01	Hydraulic valve tappet		40	
16	980 105 335 10	Adjusting shim 2,100 MM		X	
(16)	980 105 335 15	Adjusting shim 2,150 MM		X	
(16)	980 105 335 20	Adjusting shim 2,200 MM		X	
(16)	980 105 335 25	Adjusting shim 2,250 MM		X	
(16)	980 105 335 30	Adjusting shim 2,300 MM		X	
(16)	980 105 335 35	Adjusting shim 2,350 MM		X	
(16)	980 105 335 40	Adjusting shim 2,400 MM		X	
(16)	980 105 335 42	Adjusting shim 2,425 MM		X	
(16)	980 105 335 45	Adjusting shim 2,450 MM		X	
(16)	980 105 335 47	Adjusting shim 2,475 MM		X	
(16)	980 105 335 50	Adjusting shim 2,500 MM		X	
(16)	980 105 335 52	Adjusting shim 2,525 MM		X	
(16)	980 105 335 55	Adjusting shim 2,550 MM		X	
(16)	980 105 335 57	Adjusting shim 2,575 MM		X	
(16)	980 105 335 60	Adjusting shim 2,600 MM		X	

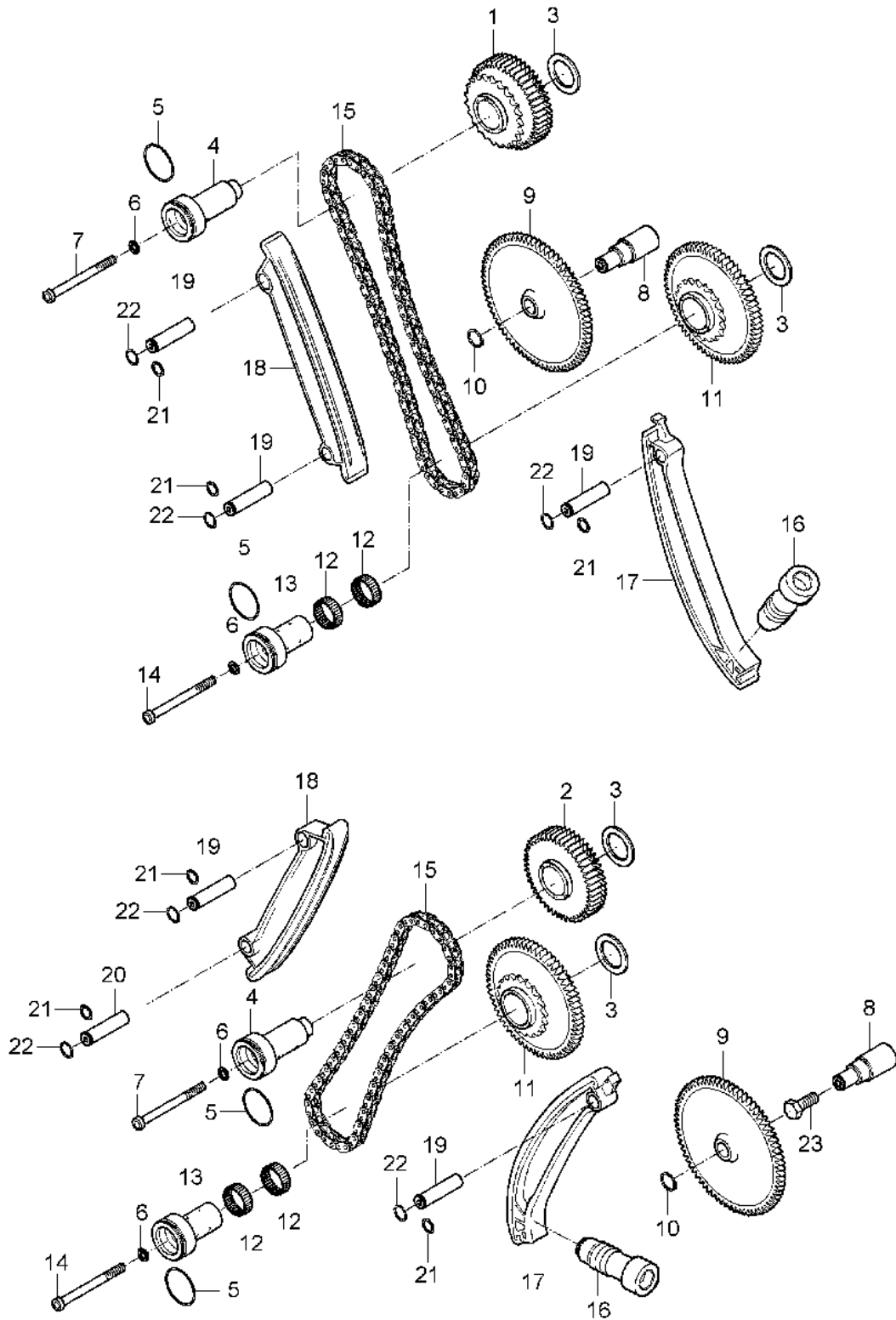
Model: 980 04

Model life 2004>>2006

Pos	Part Number	Description	Remark	Qty	Model
(16)	980 105 335 62	Adjusting shim 2,625 MM		X	
(16)	980 105 335 65	Adjusting shim 2,650 MM		X	
(16)	980 105 335 67	Adjusting shim 2,675 MM		X	
(16)	980 105 335 70	Adjusting shim 2,700 MM		X	
(16)	980 105 335 75	Adjusting shim 2,750 MM		X	
(16)	980 105 335 80	Adjusting shim 2,800 MM		X	

Model: 980 04

Model life 2004>>2006

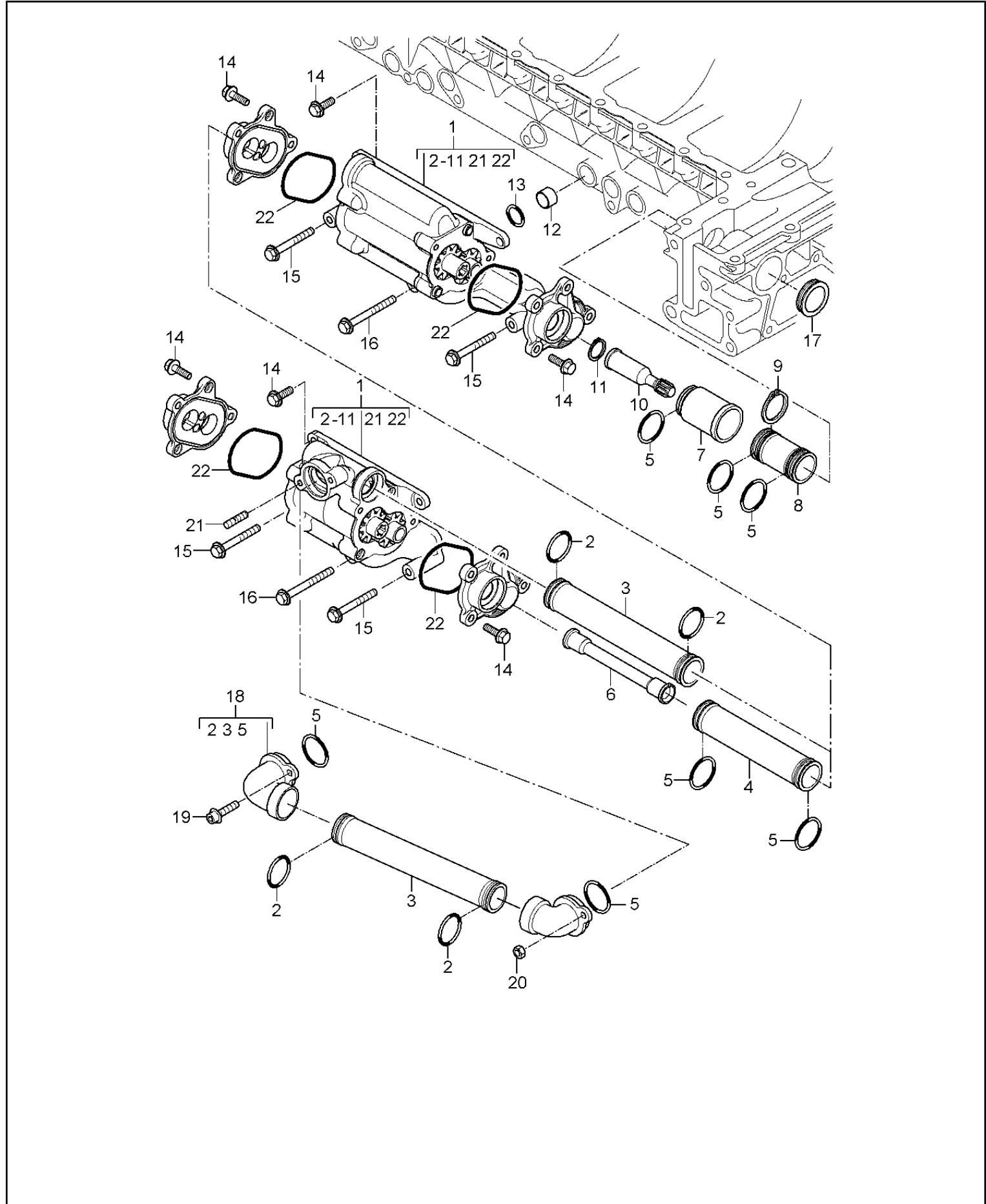


Model: 980 04 Model life 2004>>2006

Pos	Part Number	Description	Remark	Qty	Model
1	980 105 062 01	Valve control Gear wheel Cyl. 1 - 5		1	M80.01
2	980 105 061 01	Gear wheel Cylinders 6 - 10		1	
3	980 105 557 00	Thrust washer 1,80 MM		X	
(3)	980 105 557 01	Thrust washer 1,90 MM		X	
(3)	980 105 557 02	Thrust washer 2,00 MM		X	
(3)	980 105 557 03	Thrust washer 2,10 MM		X	
(3)	980 105 557 04	Thrust washer 2,20 MM		X	
4	980 105 553 01	Bearing pin		2	
5	999 701 028 40	O-ring 29,0 X 2,0		4	
6	999 699 024 40	Sealing ring 6,7 X 10 X 1		4	
7	999 510 025 01	Pan-head screw M 6 X 70		2	
8	980 105 231 00	Drive shaft		2	
9	980 105 221 01	Oil pump Drive wheel Oil pump		2	
10	900 041 005 01	Circlip 12 X 1		2	
11	980 105 251 01	Sprocket		2	
12	999 201 050 00	Needle sleeve 22 X 26 X 13		4	
13	980 105 551 01	Bearing pin		2	
14	900 067 062 02	Screw M 6 X 50		2	
15	980 105 321 00	Timing chain		2	
16	980 105 327 00	Chain adjuster		2	
17	980 105 323 00	Tensioner blade		2	
18	980 105 325 00	Guide rail		2	
19	980 105 555 02	Bearing pin		5	
20	980 105 555 03	Bearing pin		1	
21	999 701 972 40	O-ring 7,0 X 1,5 N		6	
22	900 042 043 01	Circlip 12 X 1		6	
23	900 075 490 09	Hexagon-head bolt M 6 X 8		1	

Model: 980 04

Model life 2004>>2006



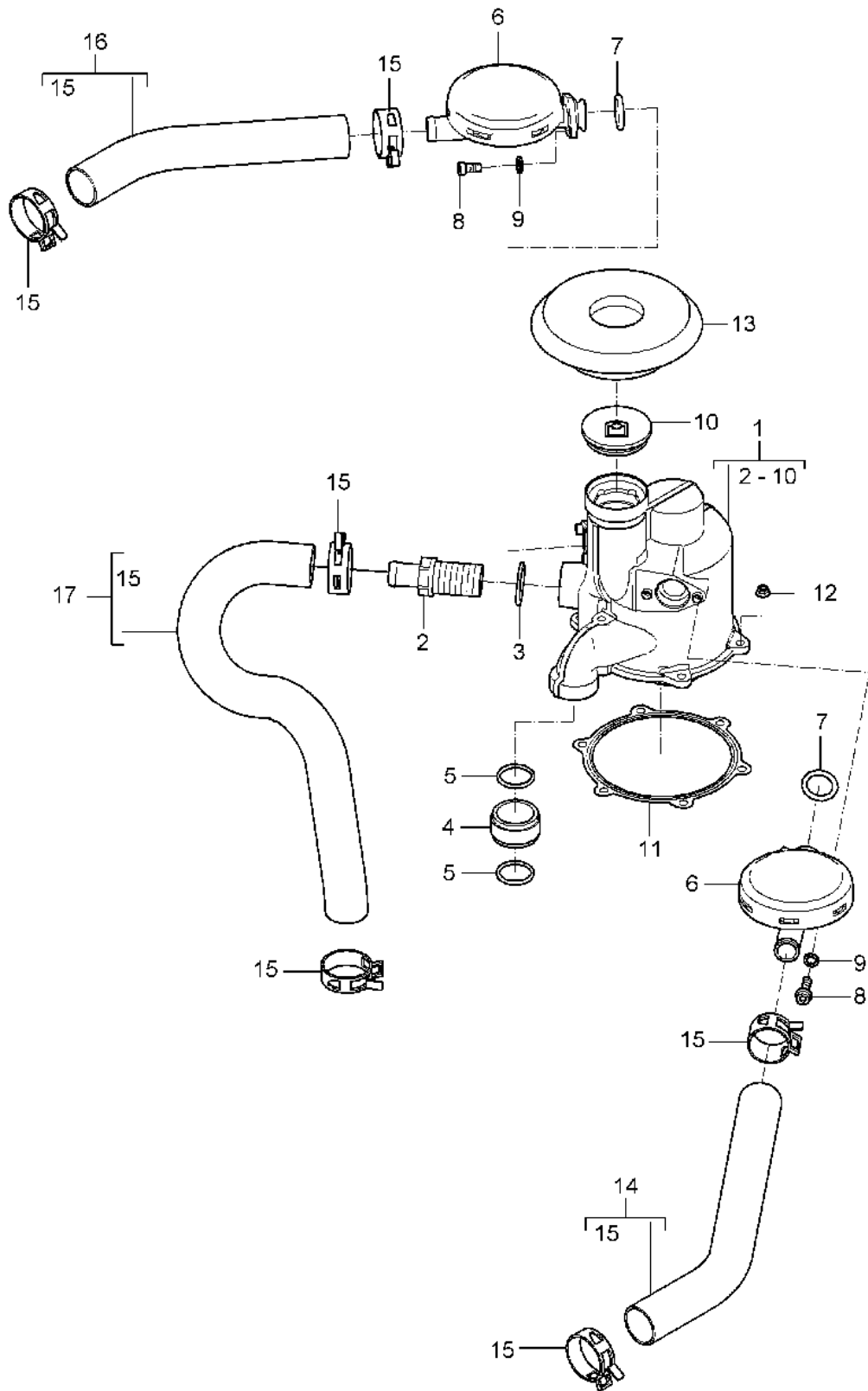
Model: 980 04

Model life 2004>>2006

Pos	Part Number	Description	Remark	Qty	Model
		Oil pump Driving mechanism Return pipe			M80.01
1	980 107 041 01	Oil pump		1	
2	900 331 039 40	O-ring 23 X 2,5		4	
3	980 107 436 00	Pressure pipe		1	
4	980 107 439 00	Protective tube		1	
5	900 331 038 40	O-ring 25 X 2,5		7	
6	980 107 442 01	Drive shaft		1	
7	980 107 437 00	Protective tube		1	
(7)	980 107 437 01	Protective tube		1	
8	980 107 438 00	Protective tube		1	
9	900 041 061 00	Circlip A 30		1	
10	980 107 441 01	Drive shaft		1	
11	900 041 060 00	Circlip A 11		1	
12	980 107 845 00	Dowel sleeve 14,0 X 16		9	
13	999 707 243 40	O-ring 15,6 X 1,78		9	
14	900 378 030 09	Hexagon-head bolt M 6 X 20		20	
15	900 378 032 09	Hexagon-head bolt M 6 X 50		4	
16	900 378 111 09	Hexagon-head bolt M 6 X 60		2	
(16)	900 378 111 01	Hexagon-head bolt M 6 X 60		2	
17	996 105 329 70	Lid		1	
18	980 107 071 00	Return pipe Complete		1	
19	900 067 412 02	Combination screw M 6 X 16		2	
20	980 301 561 00	Lock nut M 6 X 1		2	
21	900 060 046 09	Stud M 6 X 13		2	
22	900 331 049 40	O-ring 60 X 2		4	

Model: 980 04

Model life 2004>>2006



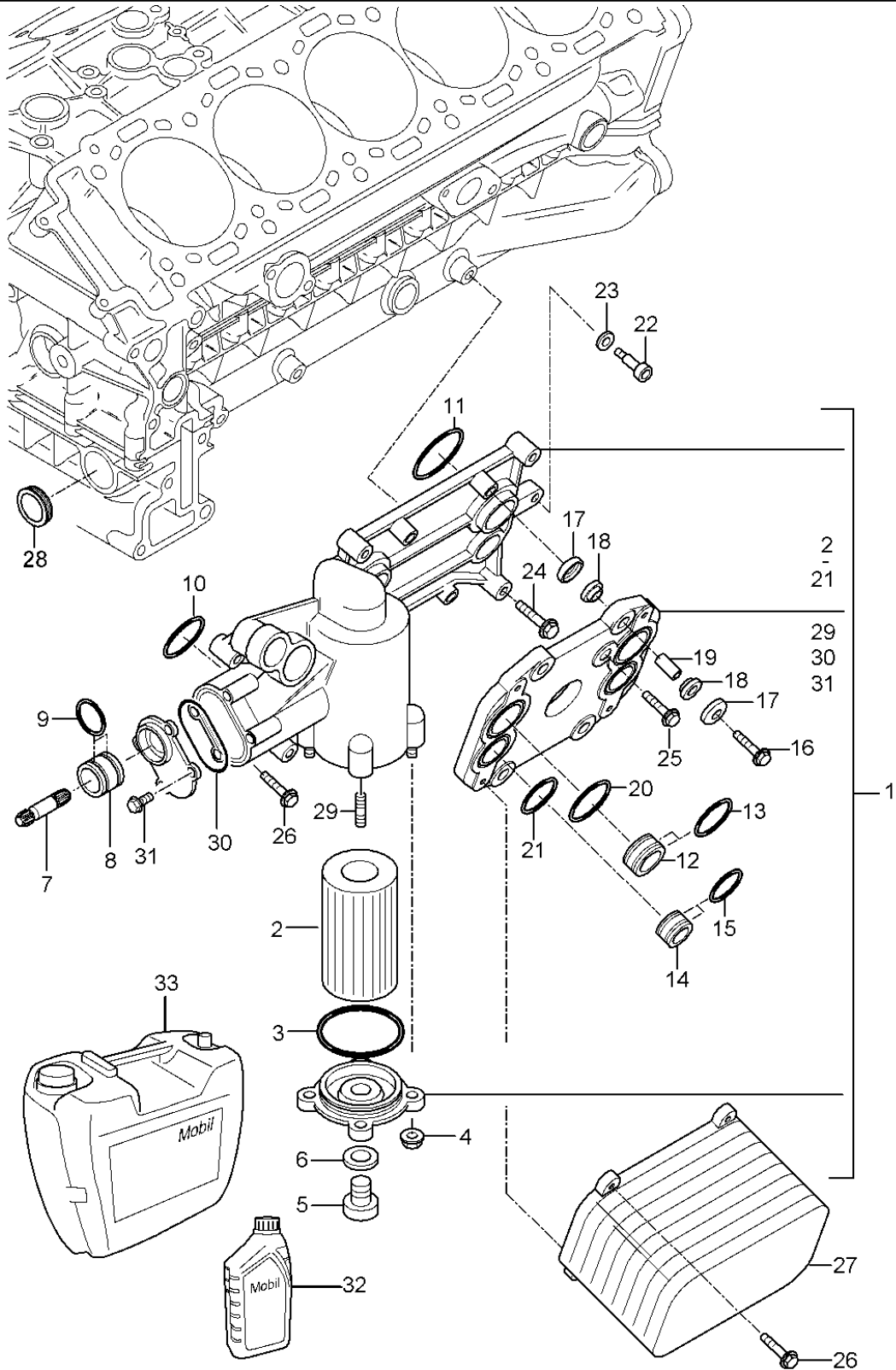
Model: 980 04

Model life 2004>>2006

Pos	Part Number	Description	Remark	Qty	Model
		Engine lubrication			M80.01
		Air/oil separator			
1	980 107 061 02	Air/oil separator		1	
		Complete			
2	980 107 823 00	Valve		1	
3	900 123 060 30	Sealing ring		1	
		A 24 X 29			
4	980 107 169 00	Joining socket		1	
5	980 107 907 00	O-ring		2	
		25 X 2,5			
6	980 107 211 00	Pressure valve		2	
7	980 107 908 00	O-ring		2	
		20 x 3			
8	900 067 003 02	Pan-head screw		4	
		M 5 X 15			
9	900 025 003 02	Washer		4	
		A 5,3			
9	900 025 080 01	Washer		4	
		A 5,3			
10	980 107 165 00	Lid		1	
11	980 301 399 00	Gasket		1	
12	980 301 561 00	Lock nut		6	
		M 6 X 1			
13	980 107 385 00	Rubber sleeve		1	
14	980 107 167 02	Hose	/L	1	
		Mount			
		Intake distributor			
15	999 512 552 00	Hose clamp		6	
		20 - 32 X 9			
15	999 512 552 01	Hose clamp		6	
		20 - 32 X 9			
16	980 107 168 02	Hose	/R	1	
		Mount			
		Intake distributor			
17	980 107 224 00	Breather hose		1	
		Crankcase			

Model: 980 04

Model life 2004>>2006



Model: 980 04

Model life 2004>>2006

Pos	Part Number	Description	Remark	Qty	Model
		Oil filter			M80.01
		Bracket			
1	980 107 043 04	Heat exchanger		1	
2	996 107 225 52	Bracket		1	
(2)	996 107 225 53	Filter element		1	
3	900 331 042 40	Filter element		1	
		O-ring		1	
		65 X 2,5			
4	900 380 015 09	Hexagon nut		4	
		M 6			
4	900 380 015 01	Hexagon nut		4	
		M 6			
5	900 219 006 02	Screw plug		1	
		M 12 X 1,5 X 15			
5	900 219 006 01	Screw plug		1	
		M 12 X 1,5 X 15			
6	900 123 006 25	Sealing ring		1	
		A 12 X 18 X 1,5			
7	980 107 107 01	Drive shaft		1	
8	980 107 108 02	Protective tube		1	
9	999 707 565 40	O-ring		2	
		26 X 2			
10	900 331 045 40	O-ring		1	
		39,2 X 3			
11	900 331 046 40	O-ring		1	
		33 X 3,5			
12	980 107 153 00	Joining socket		3	
		NW 25			
13	900 331 047 40	O-ring		6	
		27 X 3			
14	980 107 151 00	Joining socket		3	
		NW 20			
15	900 331 048 40	O-ring		6	
		22 X 3			
16	900 378 174 09	Hexagon-head bolt		4	
		AM 6 X 35			
17	980 107 387 00	Washer		8	
18	996 107 385 97	Rubber mounting		8	
19	996 107 389 91	Bearing sleeve		4	
		6,2 X 12,8			
20	900 331 043 40	O-ring		2	
		39 X 2,5			
21	900 331 044 40	O-ring		2	
		33 X 2,5			
22	999 217 159 00	Fit bolt		2	
		M 6 X 16			
23	900 025 042 02	Washer		2	
		8			
24	900 378 055 09	Hexagon-head bolt		5	
		AM 8 X 40			
25	900 378 177 09	Hexagon-head bolt		1	
		AM 6 X 30			
26	900 378 030 09	Hexagon-head bolt		5	
		M 6 X 20			
27	980 107 025 01	Heat exchanger		1	
28	996 105 329 70	Lid		1	
29	980 107 115 00	Stud		4	
		M 6 X 17			
30	900 331 040 40	O-ring		1	
		48 X 2,5			
31	900 378 035 09	Hexagon-head bolt		4	
		M 6 X 16			
32	000 043 301 19	Engine oil		X	

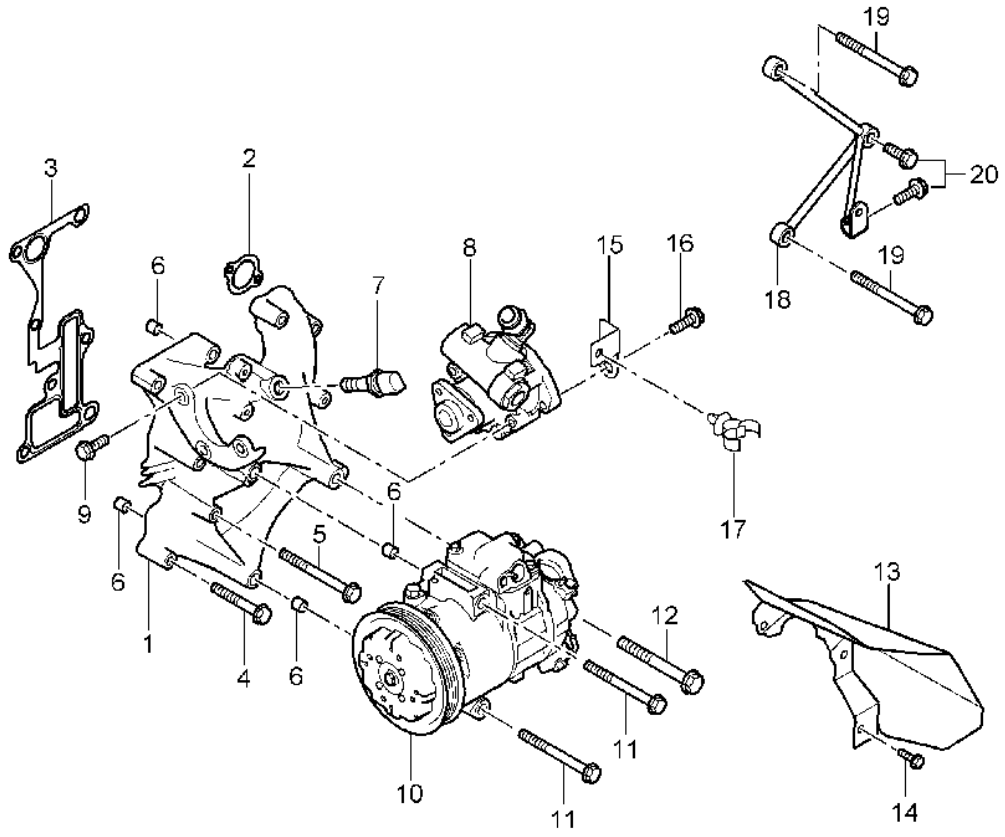
Model: 980 04

Model life 2004>>2006

Pos	Part Number	Description	Remark	Qty	Model
33	000 043 301 21	EXXON MOBIL 1 0W-40 1 LITER Container Information available Engine oil EXXON MOBIL 1 0W-40 20 LITER Container Information available		X	

Model: 980 04

Model life 2004>>2006



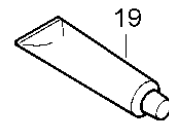
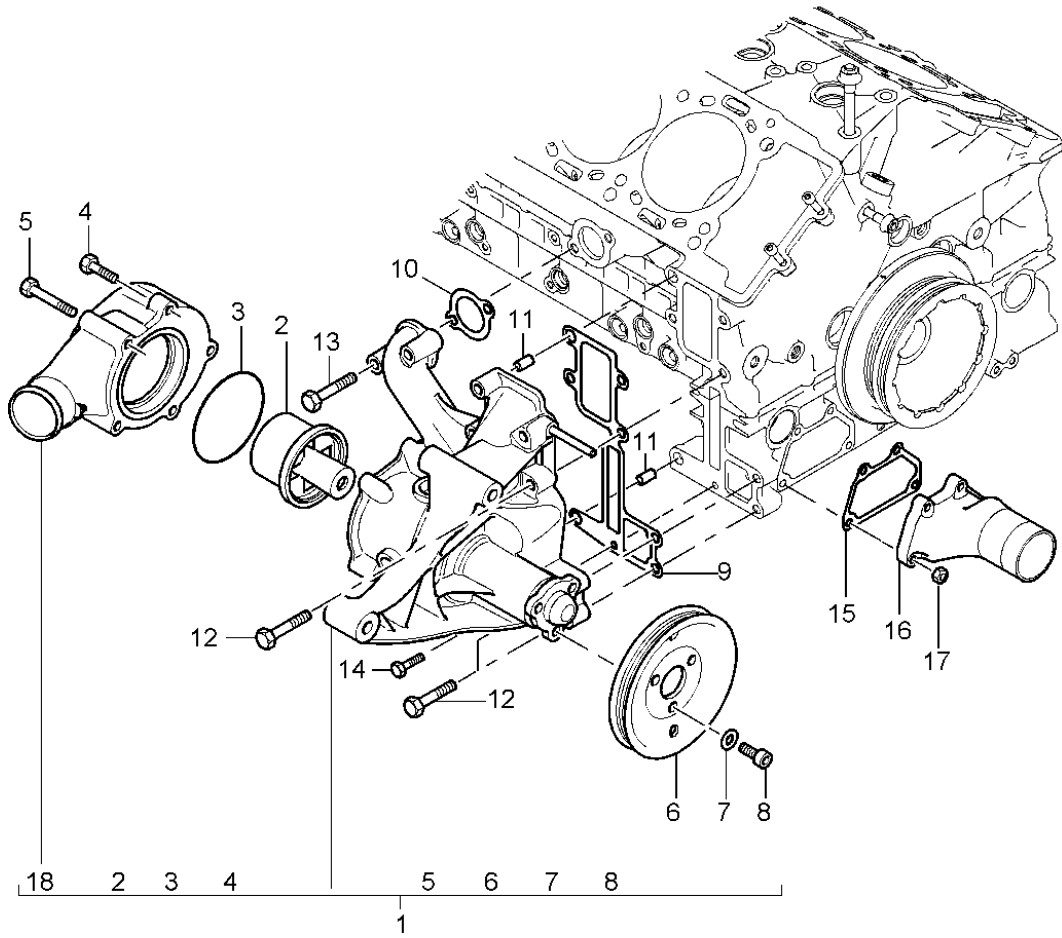
Model: 980 04

Model life 2004>>2006

Pos	Part Number	Description	Remark	Qty	Model
		Bracket			M80.01
		Power-steering pump			
		Compressor			
		Air conditioner			
1	980 147 151 02	Bracket		1	I572
(1)	980 147 153 00	Bracket		1	I574
2	980 106 421 00	Flange gasket		1	
3	980 101 411 00	Flange gasket		1	
4	900 378 224 09	Hexagon-head bolt AM 8 X 50		5	
5	900 378 104 09	Hexagon-head bolt AM 8 X 80		4	I572
(5)		Hexagon-head bolt AM 8 X 80		2	I574
6	999 095 063 02	Dowel sleeve 11M 6 X 10		4	
6	999 095 063 01	Dowel sleeve 11M 6 X 10		4	
7	996 606 410 00	Temperature sensor		1	
8		See group 4/03/03		1	
9	900 378 022 09	Hexagon-head bolt AM 8 X 25		3	
10		See group 8/13/15		1	
11	900 378 075 09	Hexagon-head bolt M 8 X 90		2	
12	900 378 142 09	Hexagon-head bolt M 10 X 90		1	
13	980 111 263 00	Heat shield		1	
14	900 378 036 09	Hexagon-head bolt M 6 X 12		3	
15	477 971 885	Support		1	I572
16	900 378 123 09	Hexagon-head bolt M 8 X 12		1	I572
17	999 511 239 40	Cable holder 6 - 12		1	
18	980 147 253 00	Bracket		1	I574
		Power-steering pump			
19	900 378 137 09	Hexagon-head bolt AM 8 X 95		2	I574
20	900 378 033 09	Hexagon-head bolt AM 8 X 30		2	I574
20	900 378 033 01	Hexagon-head bolt AM 8 X 30		2	I574

Model: 980 04

Model life 2004>>2006



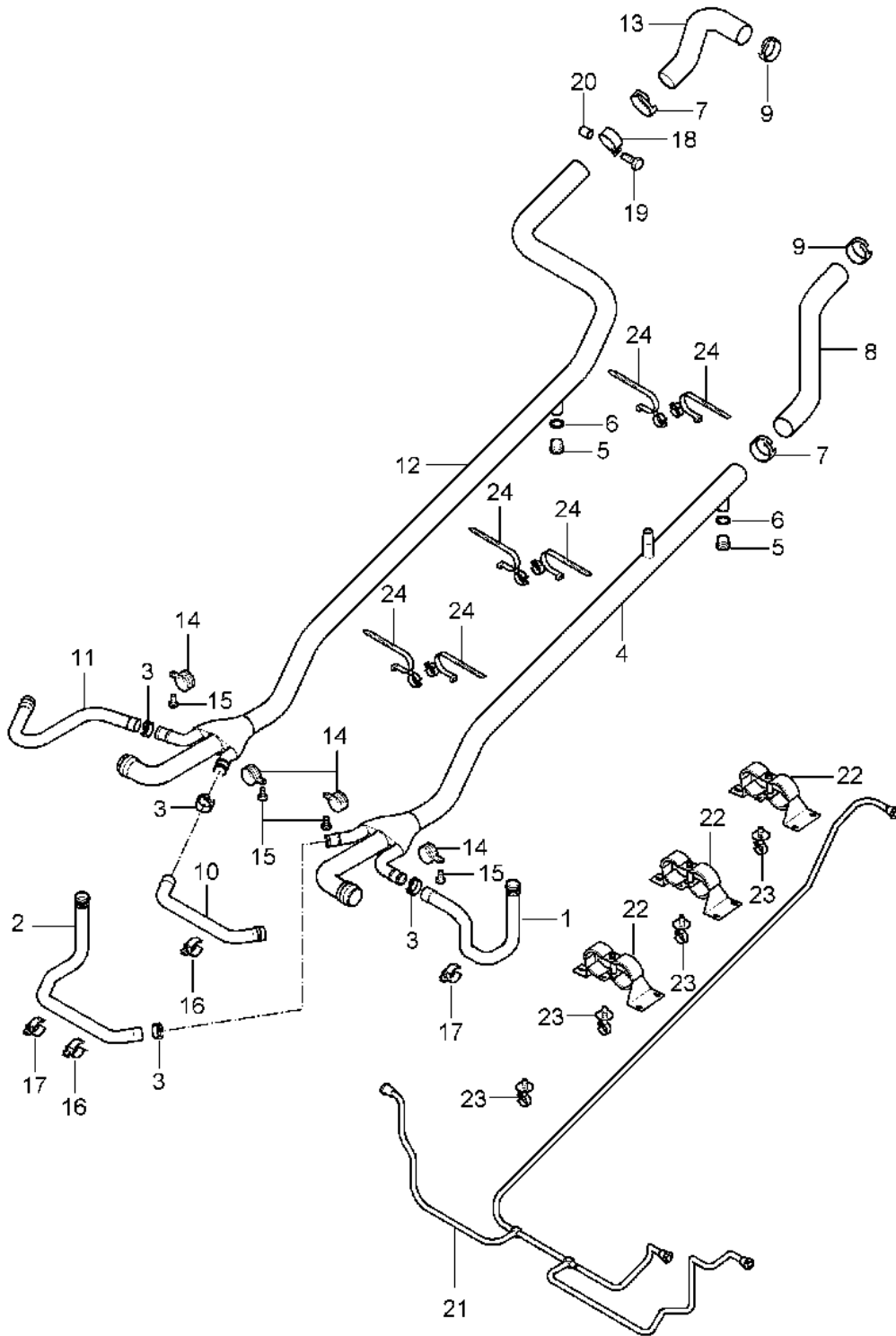
Model: 980 04

Model life 2004>>2006

Pos	Part Number	Description	Remark	Qty	Model
		Water pump Thermostat			M80.01
1	980 106 011 04	Water pump		1	
2	980 106 125 01	Thermostat insert		1	
(2)	980 106 125 03	Thermostat insert		1	
2	997 106 225 8A	Thermostat insert		1	
3	900 331 037 40	O-ring 101 X 3		1	
4	900 378 174 09	Hexagon-head bolt M 6 X 35		3	
5	900 378 151 09	Hexagon-head bolt AM 6 X 70		2	
(5)	900 385 027 01	Torx screw BM 6 X 70		2	
6	980 106 106 00	Pulley		1	
7	900 031 001 02	Washer 8,4		3	
7	900 031 105 01	Washer 8,4		3	
8	900 119 052 02	Pan-head screw M 8 X 16		3	
(8)	900 119 052 01	Pan-head screw M 8 X 16		6	
9	980 106 411 00	Flange gasket		1	
10	980 106 421 00	Flange gasket		1	
11	999 095 063 02	Dowel sleeve 11 M6 X 10		2	
11	999 095 063 01	Dowel sleeve 11 M6 X 10		2	
12	900 378 055 09	Hexagon-head bolt AM 8 X 40		3	
13	900 378 224 09	Hexagon-head bolt AM 8 X 50		6	
14	900 378 177 09	Hexagon-head bolt AM 6 X 30		1	
15	980 106 431 01	Flange gasket		1	
16	980 106 231 00	Flange		1	
17	900 377 010 09	Hexagon nut M 6		4	
18	980 106 921 00	Thermostat housing		1	
19	000 043 205 93	Grease 1 100-gramme tube KLUEBERPLUS S 06-100		X	

Model: 980 04

Model life 2004>>2006



Model: 980 04 Model life 2004>>2006

Pos	Part Number	Description	Remark	Qty	Model
1	980 106 621 02	Water cooling 1 Water hose Supply Mount Radiator Left Upper	/L	1	
2	980 106 622 02	Water hose Supply Mount Radiator Right Upper	/R	1	
3	999 512 700 09	Clip 35 X 12		4	
4	980 106 311 02	Water tube Supply		1	
5	900 219 006 02	Screw plug M 12 X 1,5		2	
5	900 219 006 01	Screw plug M 12 X 1,5		2	
6	900 123 101 30	Sealing ring A 12 X 18		2	
7	999 512 702 09	Clip 58 X 15		2	
8	980 106 629 00	Water hose Supply Flange Crankcase		1	
9	999 512 690 00	Hose clamp 50 - 70 X 12		2	
10	980 106 623 02	Water hose Return line Mount Radiator Left Lower	/L	1	
-	980 106 513 00	Retainer spring Quick-connecting lock Water hose Return line		1	
11	980 106 624 01	Water hose Return line Mount Radiator Right Lower	/R	1	
-	980 106 513 00	Retainer spring Quick-connecting lock Water hose Return line		1	
12	980 106 315 01	Water tube Return line		1	
13	980 106 631 01	Water hose Return line		1	
14	999 511 256 00	Water pump Pipe clamp 28		4	
15	999 015 026 09	Oval-head screw M 6 X 16		4	
16	996 106 414 55	Support		2	
17	980 106 414 00	Support		2	
18	999 511 254 00	Pipe clamp		1	

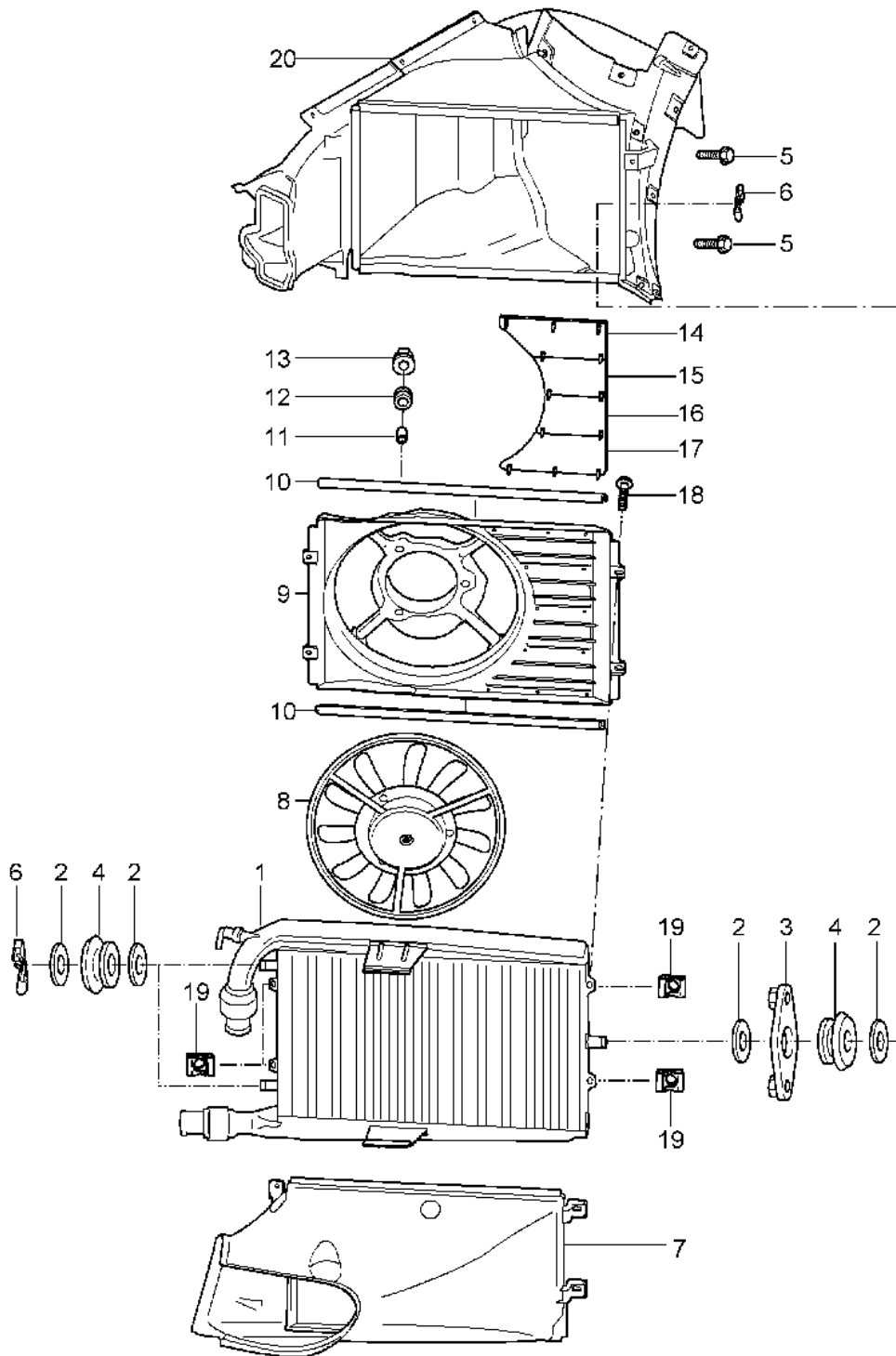
Model: 980 04

Model life 2004>>2006

Pos	Part Number	Description	Remark	Qty	Model
19	900 378 157 09	48 Hexagon-head bolt M 6 X 25		1	
20	980 106 761 00	Spacer		1	
21	980 106 227 04	Vent line		1	
22		See illustrations 8/13/00		3	
23	999 507 970 40	Line bracket 12,5 - 13,5		4	
24	999 511 238 40	Hose holder 10 - 52 / 13		6	

Model: 980 04

Model life 2004>>2006



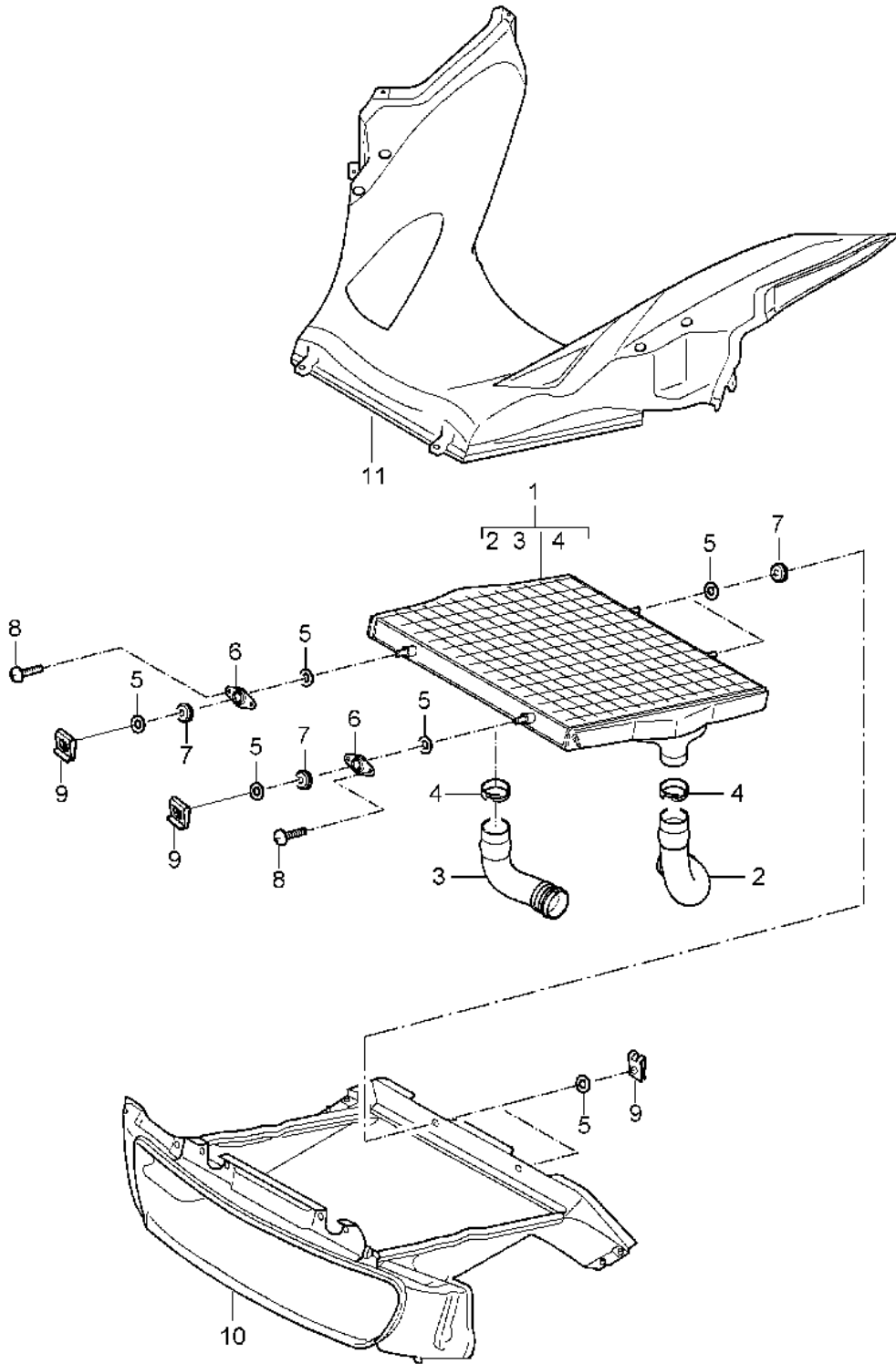
Model: 980 04

Model life 2004>>2006

Pos	Part Number	Description	Remark	Qty	Model
1	980 106 031 02	Water cooling 2 Radiator	/L	1	
(1)	980 106 032 02	Radiator	/R	1	
2	999 025 255 02	Washer 16,1 X 32 X 0,5		12	
3	980 106 235 00	Retaining bracket		2	
4	999 702 214 40	Grommet 14 X 20,5 X 7,5		6	
5	900 378 204 A2	Hexagon-head bolt M 6 X 12		4	
6	999 166 083 09	Tab washer SLB 14		6	
7		See illustrations 8/01/03		1	
8	980 624 128 01	Fan	/L	1	
(8)	980 624 127 01	Fan	/R	1	
9	980 504 641 02	Fan carrier		2	
10	000 043 206 07	Edge protection profile 11 X 6 X 15 X 390 MM		4	
11	996 624 175 00	Bush		6	
12	996 624 173 00	Rubber mounting		6	
13	900 377 001 A2	Hexagon nut M 6		6	
14	996 624 158 00	Air flap	/L	1	
(14)	996 624 157 00	Air flap	/R	1	
15	996 624 164 00	Air flap	/L	1	
(15)	996 624 163 00	Air flap	/R	1	
16	996 624 162 00	Air flap	/L	1	
(16)	996 624 161 00	Air flap	/R	1	
17	996 624 160 00	Air flap	/L	1	
(17)	996 624 159 00	Air flap	/R	1	
18	999 073 231 09	Tapping screw ST 4,8 X 16		8	
19	999 591 489 02	Speed nut ST 4,8		8	
(19)	999 591 489 01	Speed nut ST 4,8		8	
20		See illustrations 8/01/03		1	

Model: 980 04

Model life 2004>>2006



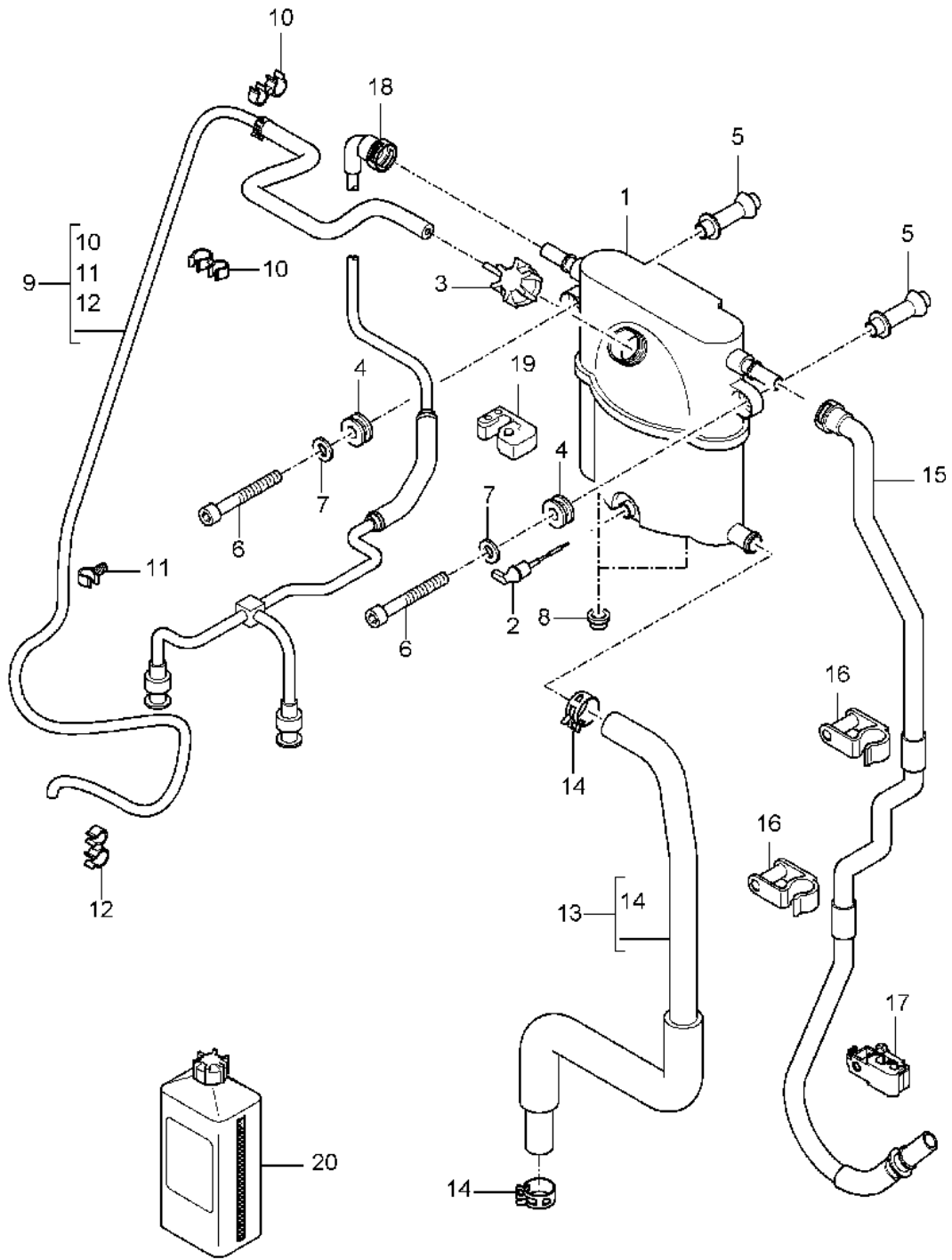
Model: 980 04

Model life 2004>>2006

Pos	Part Number	Description	Remark	Qty	Model
		Radiator Centre			
1	980 106 037 02	Radiator		1	
2	980 106 625 01	Water hose Supply		1	
3	980 106 627 01	Water hose Return line		1	
4	999 512 701 09	Clip 47 X 12		2	
5	999 025 255 02	Washer 16,1 X 32 X 0,5		8	
6	980 106 235 00	Retaining bracket		2	
7	999 702 214 40	Grommet 14 X 20,5 X 7,5		4	
8	900 378 204 A2	Hexagon-head bolt M 6 X 12		4	
9	999 166 083 09	Tab washer SLB 14		4	
10		See illustrations 8/01/03		1	
11		See illustrations 8/01/03		1	

Model: 980 04

Model life 2004>>2006



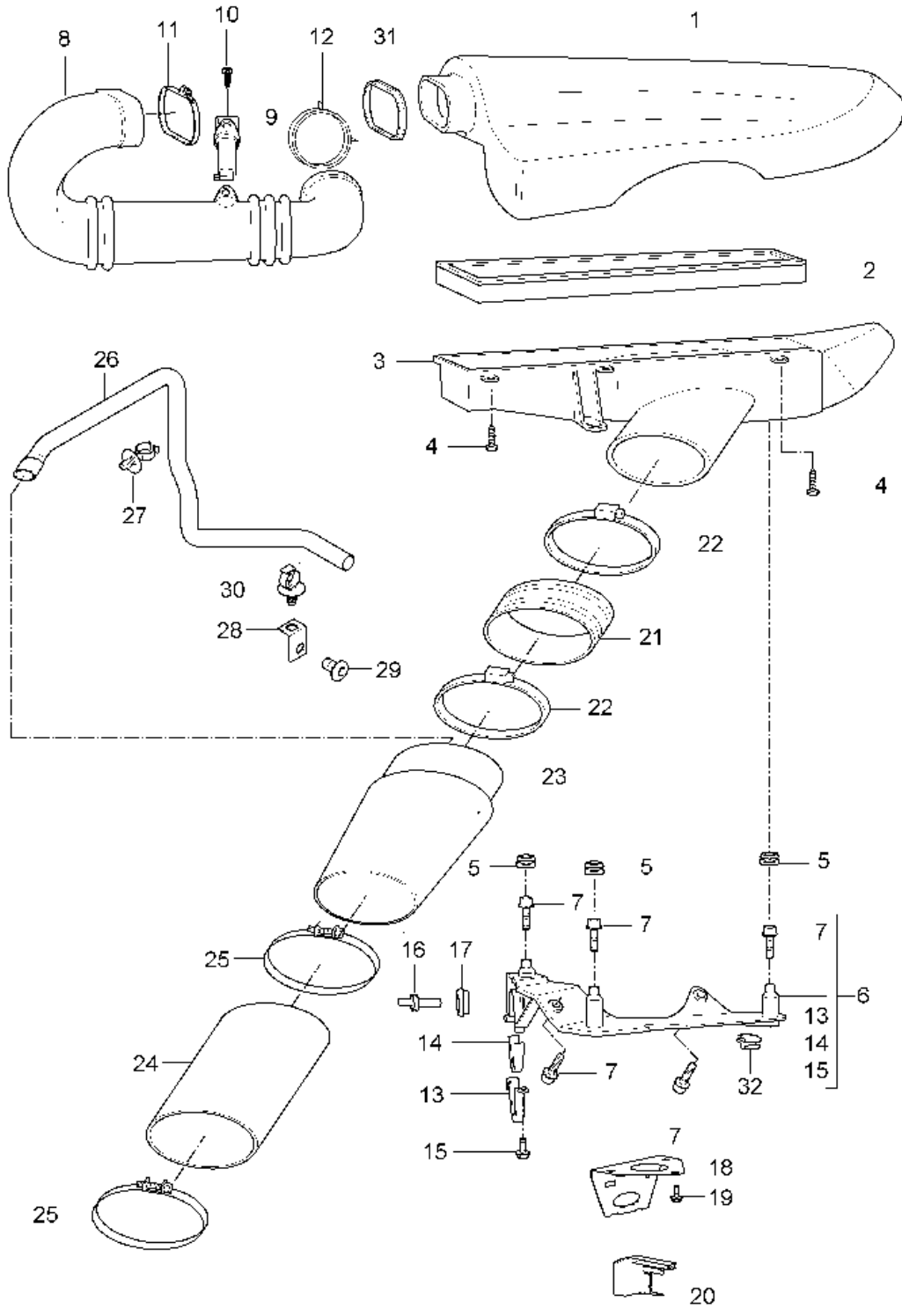
Model: 980 04

Model life 2004>>2006

Pos	Part Number	Description	Remark	Qty	Model
		Water cooling 3			
		Water reservoir			
1	980 106 151 03	Expansion tank		1	
2	996 641 503 00	Switch		1	
(2)	997 641 503 00	Switch		1	
3	980 106 391 00	Lid		1	
4	999 702 246 40	Grommet		2	
		12 X 17 X 3			
5	980 106 771 01	Sleeve		2	
6	900 067 082 02	Pan-head screw		2	
		M 6 X 65			
7	900 151 006 09	Washer		2	
		6,4			
8	999 703 496 40	Rubber mounting		2	
		10 X 9,5 X 17			
9	980 106 123 00	Overflow hose		1	
10	999 507 112 40	Line bracket		2	
11	999 507 045 40	Line bracket		1	
12	999 507 821 40	Line bracket		1	
13	980 106 850 00	Water hose		1	
		Water pump			
14	999 512 551 00	Hose clamp		2	
		25 - 40			
15	980 106 229 03	Vent line		1	
16	999 591 964 40	Support		2	
17	996 347 543 00	Cable holder		1	
-	999 919 213 A2	Stud		3	
		T 5 X 20			
18		See illustrations		1	
		1/03/05			
-	999 507 683 40	Cable holder		1	
		6,4			
19	999 591 922 40	Support		1	
		4,8 / 8,0			
-	999 919 213 A2	Stud		1	
		T 5 X 20			
20	000 043 203 78	Antifreeze		X	
		1 LITER			
		Container			
(20)	000 043 300 31	Antifreeze		X	
		20 LITER			
		Container			
(20)	000 043 301 03	Antifreeze		X	
		1 LITER			
		Container			
(20)	000 043 301 04	Antifreeze		X	
		20 LITER			
		Container			
(20)	000 043 301 47	Antifreeze		X	
		1 LTR.			
		Container			
(20)	000 043 301 48	Antifreeze		X	
		20 LTR.			
		Container			

Model: 980 04

Model life 2004>>2006



Model: 980 04

Model life 2004>>2006

Pos	Part Number	Description	Remark	Qty	Model
1	980 110 913 00	Air cleaner system Air cleaner cover Set Comprising: Air cleaner cover Cylinders 6 - 10 And Air cleaner cover Cyl. 1 - 5		1	
2	980 110 215 00	Air cleaner cartridge Cylinders 6 - 10		1	
(2)	980 110 214 00	Air cleaner cartridge Cyl. 1 - 5		1	
3	980 110 217 01	Air cleaner Lower part Cylinders 6 - 10		1	
(3)	980 110 216 01	Air cleaner Lower part Cyl. 1 - 5		1	
4	980 110 651 00	Lens-head screw		12	
5	980 110 623 00	Rubber mounting		6	
6	980 110 027 01	Mounting plate Cylinders 6 - 10		1	
(6)	980 110 028 01	Mounting plate Cyl. 1 - 5		1	
7	980 110 625 00	Pan-head screw		12	
8	980 110 263 01	Intake manifold Cylinders 6 - 10		1	
(8)	980 110 262 01	Intake manifold Cyl. 1 - 5		1	
9	986 606 125 01	Mass air flow meter		2	
10	999 919 160 07	Oval-head screw M 5 X 20		4	
11	999 512 563 00	Hose clamp 120-140 X 9,0 X 0,6		2	
12	999 512 620 02	Hose clamp 75-84		2	
13	980 110 237 01	Clip		2	
14	980 110 238 00	Rubber support		2	
15	900 385 041 09	Torx screw BM 6 X 12		2	
16	996 606 113 01	Temperature sensor Mount Mounting plate Cyl. 1 - 5		1	
(16)	997 606 213 00	Temperature sensor Mount Mounting plate Cyl. 1 - 5		1	
17	996 110 530 90	Grommet Temperature sensor		1	
18	980 606 208 01	Support		2	
19	900 075 361 02	Hexagon-head bolt M 5 X 12		6	
(19)	900 075 361 01	Hexagon-head bolt M 5 X 12		6	
20	996 606 107 02	Support Connector housing Oxygen sensor		2	
21	980 110 520 00	Hose		2	
22	999 512 406 00	Hose clamp A 100 - 120		4	
23	980 110 321 00	Water separator		2	

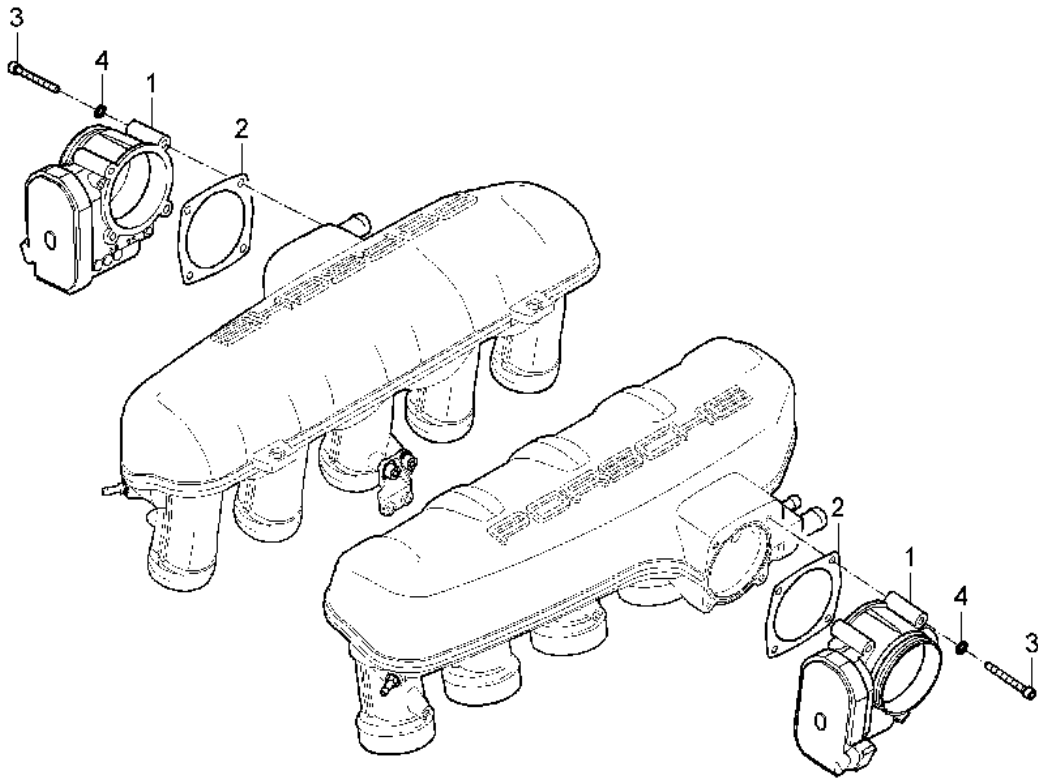
Model: 980 04

Model life 2004>>2006

Pos	Part Number	Description	Remark	Qty	Model
24	980 110 550 00	Moulded hose		2	
25	999 512 774 02	Hose clamp 112 - 125		4	
26	980 110 431 00	Water drain hose	/L	1	
(26)	980 110 432 00	Water drain hose	/R	1	
27	999 507 977 40	Hose holder 16		2	
28	980 110 421 00	Retaining bracket	/L	1	
(28)	980 110 422 00	Retaining bracket	/R	1	
29		See illustrations 8/01/75		X	
30	999 511 240 40	Cable holder 11 - 18		2	
31	980 110 511 00	Gasket		2	
32	999 507 625 02	Cable holder 9,0 - 10,0 Mount Line Oxygen sensor		2	

Model: 980 04

Model life 2004>>2006



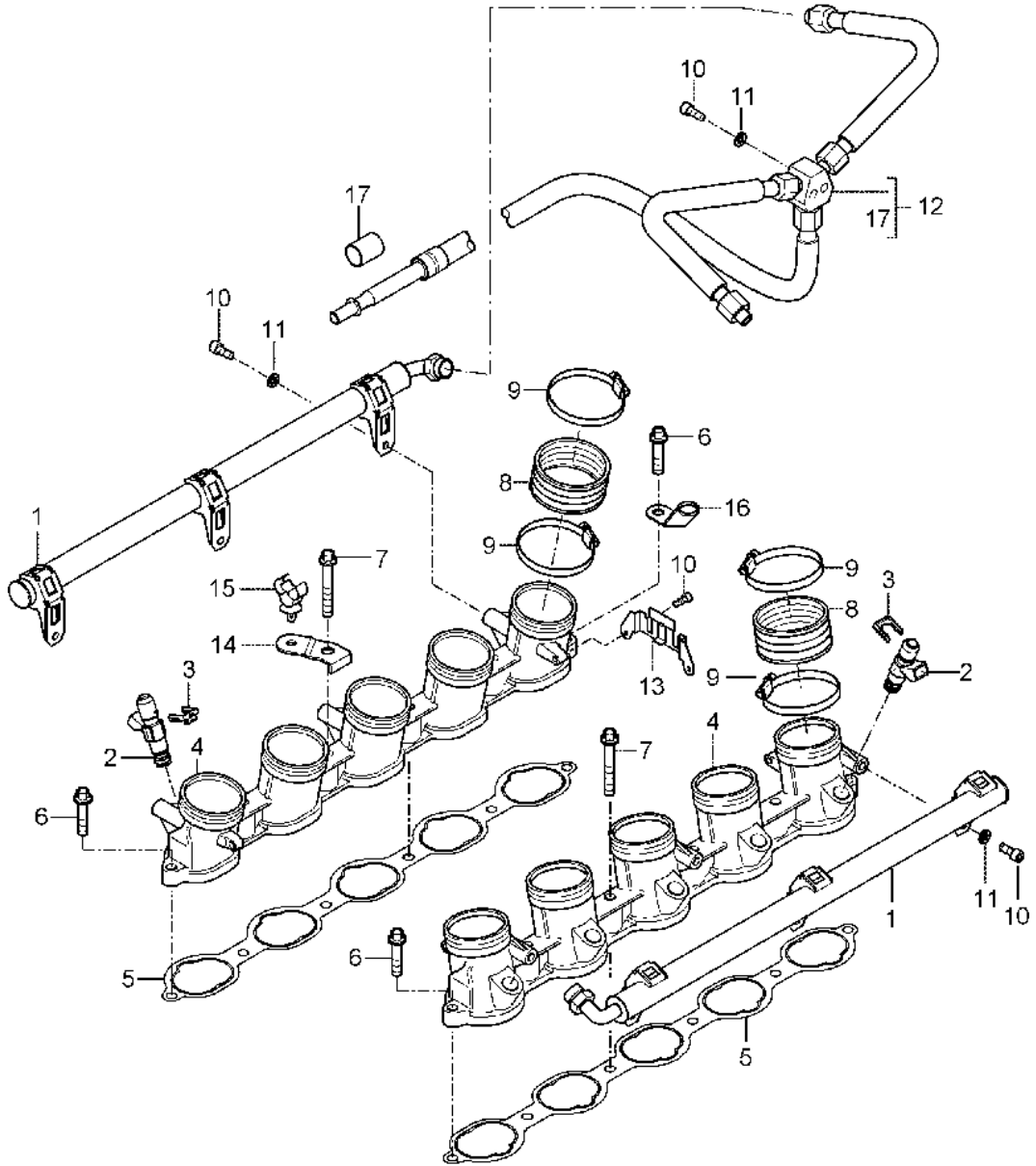
Model: 980 04

Model life 2004>>2006

Pos	Part Number	Description	Remark	Qty	Model
1	986 605 115 01	Throttle body		2	M80.01
2	980 110 417 00	Throttle body		2	
3	900 119 110 02	Flange gasket		2	
		Pan-head screw		8	
		M 6 X 52			
4	N 011 524 7	Washer		8	
		A 6,4			
4	N 011 524 27	Washer		8	
		A 6,4			

Model: 980 04

Model life 2004>>2006



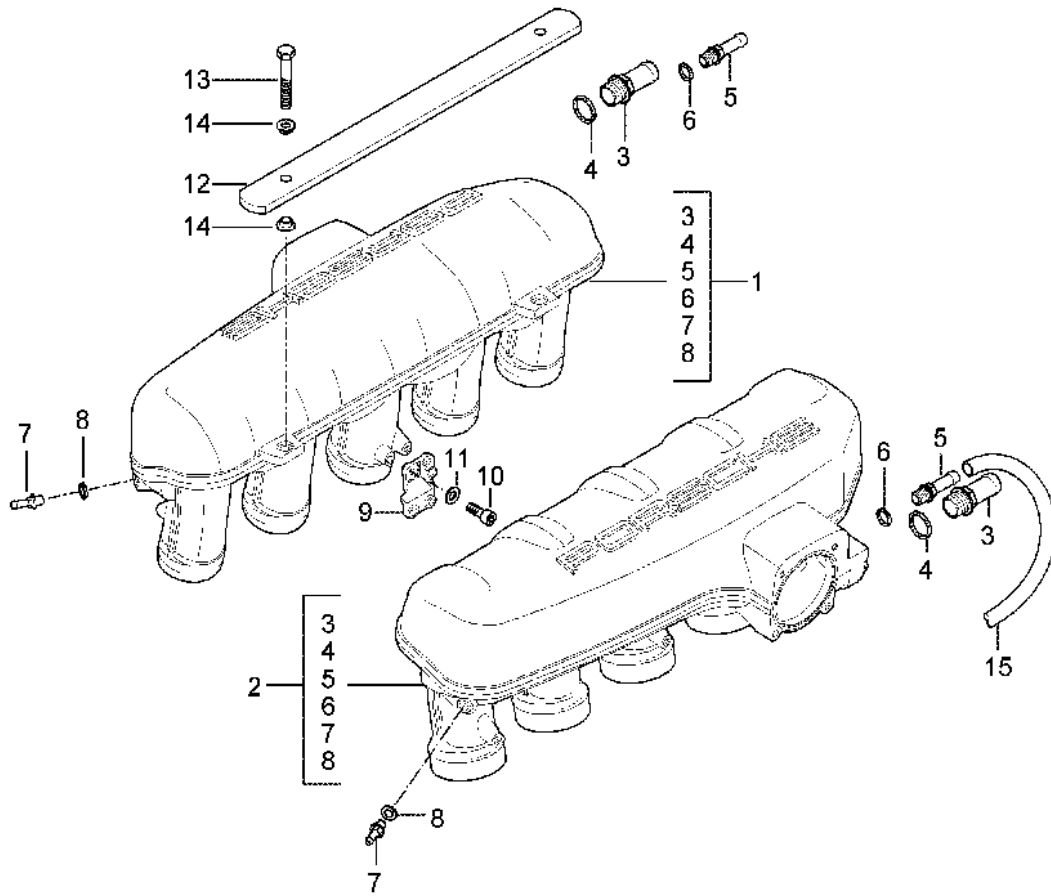
Model: 980 04

Model life 2004>>2006

Pos	Part Number	Description	Remark	Qty	Model
		Fuel collection pipe			M80.01
1	980 110 031 04	Fuel collection pipe		2	
2	980 606 132 01	Injector valve		10	
3	996 110 113 52	Retaining clip		10	
4	980 110 120 02	Intake manifold		2	
5	980 110 411 00	Flange gasket		2	
6	900 385 006 02	Torx screw BM 8 X 35		4	
7	900 385 036 02	Torx screw BM 8 X 55		8	
8	980 110 621 00	Rubber sleeve		10	
9	999 512 648 02	Hose clamp 60 - 80		20	
(9)	980 110 901 00	Hose clamp 60 - 80		20	
10	900 067 009 02	Pan-head screw M 6 X 15		10	
11	900 025 064 02	Washer A 6,4		8	
12	980 110 314 04	Pressure line		1	
(12)	980 110 314 05	Pressure line		1	
13	980 110 515 00	Support Pulse sender		1	
14	980 110 545 00	Support Pressure line		1	
15	999 511 240 40	Cable holder 11,0 - 18,0		1	
16		See illustrations 7/02/08		1	
17	980 110 387 00	Shrink-fit hose Pressure line		1	

Model: 980 04

Model life 2004>>2006



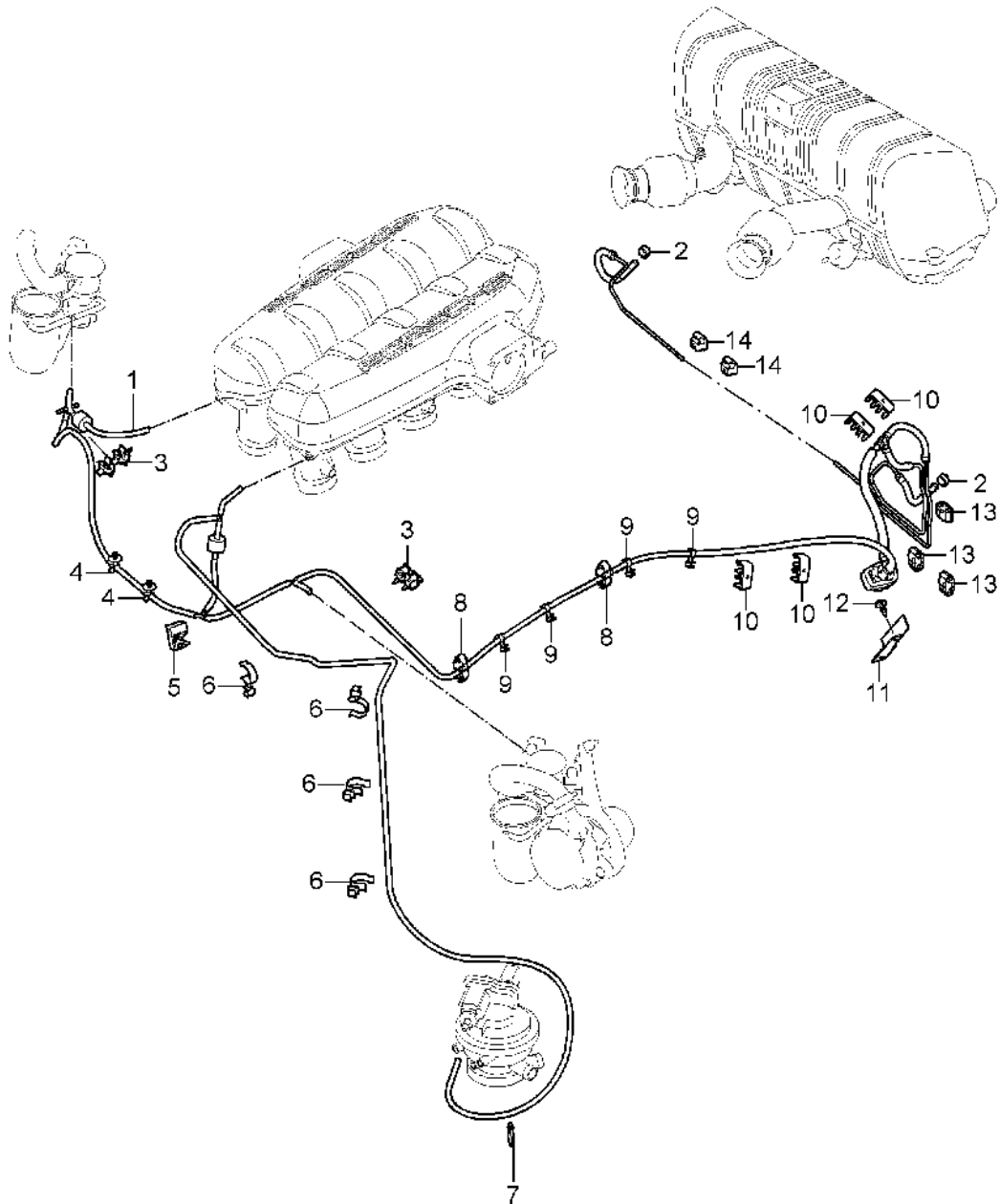
Model: 980 04

Model life 2004>>2006

Pos	Part Number	Description	Remark	Qty	Model
1	980 110 019 01	Intake distributor		1	M80.01
2	980 110 018 01	Intake distributor Cyl. 1 - 5		1	
3	980 110 231 01	Intake distributor Cylinders 6 - 10		2	
4	900 123 095 30	Screw socket NW 16		2	
5	980 110 233 01	Sealing ring A 21 X 26		2	
6	900 123 126 70	Screw socket NW 8		2	
7	980 110 235 01	Sealing ring C 12 X 15,5		2	
8	999 123 032 30	Screw socket NW 4		2	
9	980 110 513 00	Sealing ring A 6,2 X 12		1	
10	900 067 009 02	Support Pressure line		2	
11	900 025 064 02	Pan-head screw M 6 X 15		2	
12	980 110 415 00	Washer A 6,4		1	
13	900 378 029 12	Cover		2	
14	980 110 641 00	Hexagon-head bolt AM 6 X 40		4	
15		Washer See illustrations 2/01/20		1	

Model: 980 04

Model life 2004>>2006



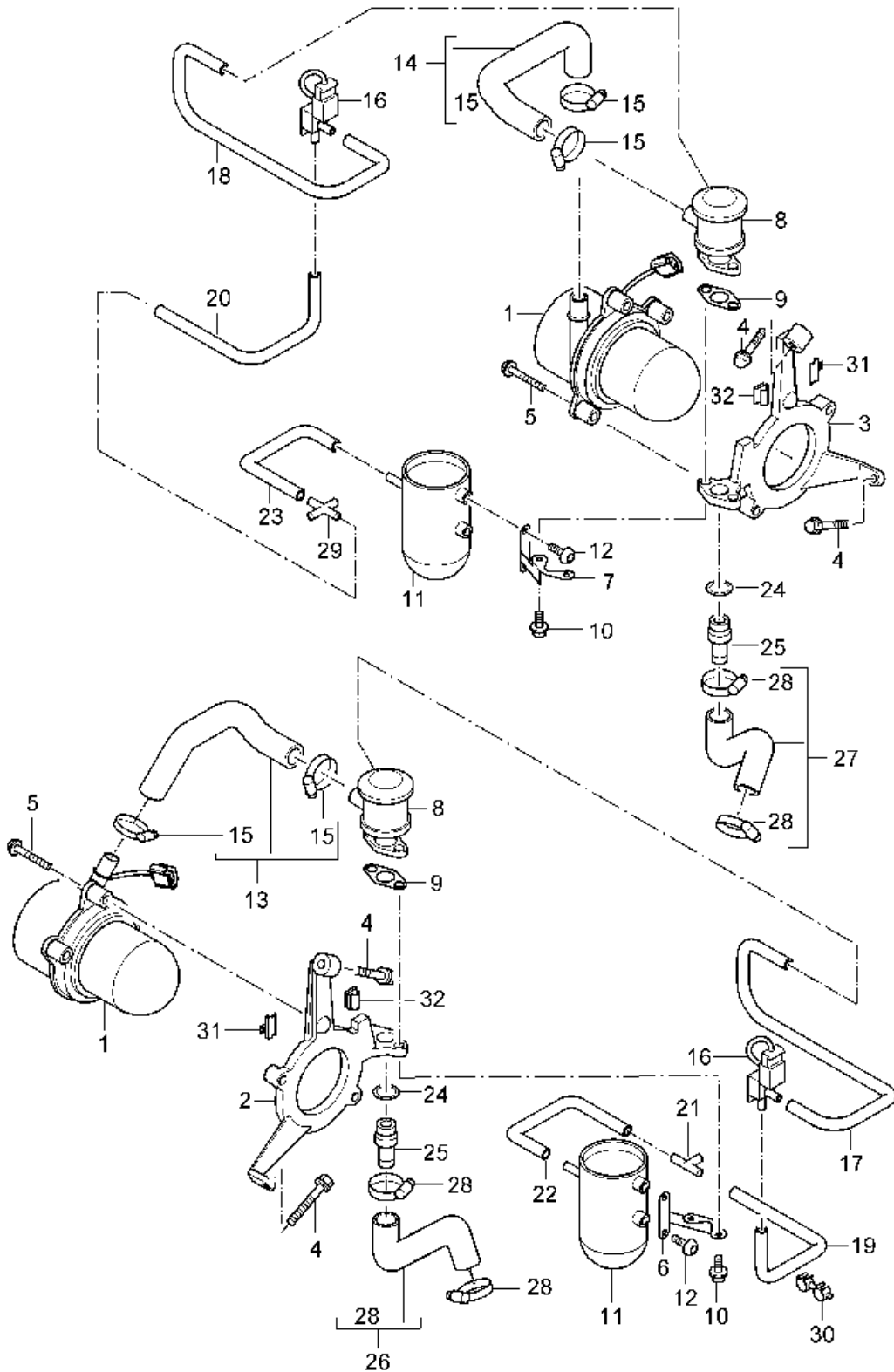
Model: 980 04

Model life 2004>>2006

Pos	Part Number	Description	Remark	Qty	Model
		Vacuum line			
		Intake distributor			
		Vacuum tank			
		Air injection			
		Control box			
		Rear muffler			
(1)	980 110 160 02	Vacuum line		1	
2	999 512 707 00	Hose clamp 9,6 - 11,3		2	
3	999 507 106 40	Hose holder 10 / 10		2	
4		See illustrations 1/09/00		2	
5	999 591 922 40	Support 4,8 / 8		1	
-	999 919 213 A2	Stud T 5 X 20		1	
8		See illustrations 6/04/15		2	
9		See illustrations 6/04/15		4	
10	999 507 487 40	Cable holder 10 / 10		4	
-	999 919 225 A2	Stud T 5 X 13		4	
11	980 110 517 00	Support Change-over valve		1	
12	999 073 268 09	Oval-head screw M 5 X 12		2	
13	811 611 797	Support 4,6 / 4,6		3	
-	999 919 225 A2	Stud T 5 X 13		2	
-	999 919 213 A2	Stud T 5 X 20		1	
14	999 591 930 40	Support 4,75		2	
-	999 919 225 A2	Stud T 5 X 13		2	

Model: 980 04

Model life 2004>>2006



Model: 980 04 Model life 2004>>2006

Pos	Part Number	Description	Remark	Qty	Model
1	997 605 104 00	Air injection		2	
(1)	997 605 104 02	Secondary pump		2	
2	980 113 241 00	Bracket		1	
3	980 113 242 00	Cylinders 6 - 10		1	
4	900 378 013 09	Bracket		1	
4	900 378 013 01	Cyl. 1 - 5		4	
5	955 113 325 00	Hexagon-head bolt		4	
6	980 113 515 01	AM 6 X 25		4	
7	980 113 516 00	Hexagon-head bolt		6	
8	996 113 249 01	AM 6 X 25		1	
(8)	996 113 249 02	Oval-head screw		1	
(8)	997 113 249 90	Retaining bracket		2	
9	993 113 258 51	Cylinders 6 - 10		2	
10	900 067 354 02	Retaining bracket		4	
11	993 110 140 03	Cyl. 1 - 5		2	
12	999 919 115 02	Shut-off valve		2	
13	980 113 207 00	Shut-off valve		2	
14	980 113 206 00	Gasket		1	
15	999 512 346 00	Pan-head screw		4	
16	996 605 123 01	M 6 X 25		2	
17	980 113 213 00	Vacuum tank		2	
18	980 113 210 00	Oval-head screw		1	
19	980 113 215 00	M 5 X 22		1	
20	980 113 212 00	Hose		1	
21	999 137 004 40	Secondary pump		1	
22	980 113 214 00	Cylinders 6 - 10		1	
23	980 113 211 00	Hose		1	
24	900 123 011 30	Secondary pump		4	
25	999 230 573 30	Cyl. 1 - 5		2	
26	980 113 209 00	Hose clamp		1	
27	980 113 208 00	A 16 - 27		1	
28	999 512 552 00	Change-over valve		2	
28	999 512 552 01	Moulded hose		1	
29		Moulded hose		1	
30		Moulded hose		1	
31	999 507 608 02	Moulded hose		1	
		T-piece		1	
		Moulded hose		1	
		Moulded hose		1	
		Moulded hose		1	
		Sealing ring		2	
		A 22 X 27		2	
		Screw socket		1	
		Hose		1	
		Valve cover		1	
		Cylinders 6 - 10		1	
		Hose		4	
		Valve cover		4	
		Cyl. 1 - 5		4	
		Hose clamp		4	
		A 20 - 32		4	
		Hose clamp		1	
		A 20 - 32		1	
		See illustrations		1	
		1/07/15		1	
		See illustrations		1	
		1/07/15		2	
		U-clamp		2	
		3,0 - 4,0			
		Mount			
		Connector			

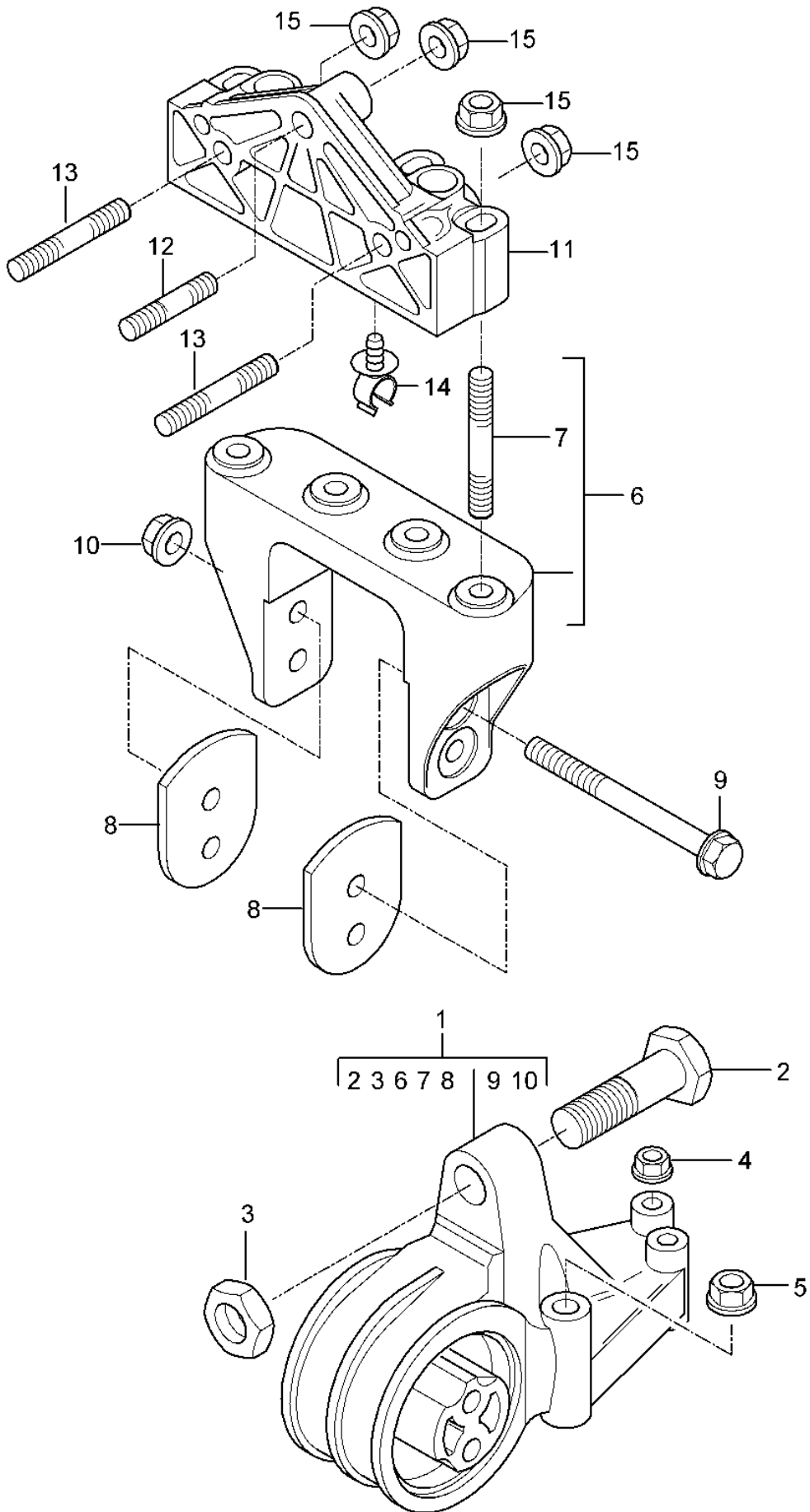
Model: 980 04

Model life 2004>>2006

Pos	Part Number	Description	Remark	Qty	Model
32	999 507 625 02	Secondary pump Cable holder 9,0 - 10,0 Mount Line Oxygen sensor		4	

Model: 980 04

Model life 2004>>2006



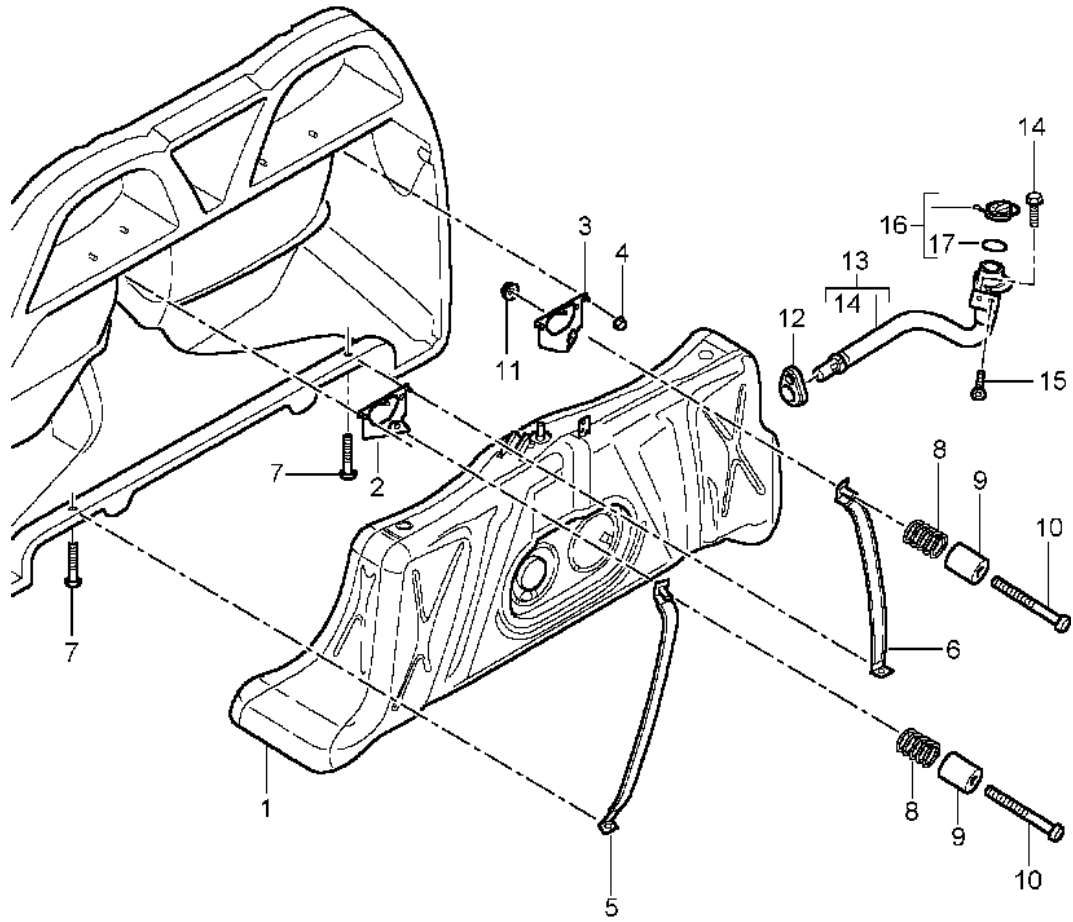
Model: 980 04

Model life 2004>>2006

Pos	Part Number	Description	Remark	Qty	Model
1	980 375 101 00	Engine suspension		1	
(1)	980 375 010 00	Engine carrier Engine carrier Complete		1	
2	980 375 855 00	Adjusting screw		1	
3	900 034 015 02	Hexagon nut M 20 X 1,5		1	
4	900 377 003 02	Hexagon nut M 8		2	
5	900 377 011 09	Hexagon nut M 10		2	
5	900 377 011 01	Hexagon nut M 10		2	
6	980 375 103 00	Cross member		1	
7	980 101 823 00	Stud M 10 X 1,5 X 73		4	
8	980 375 255 00	Stop		2	
9	900 378 167 09	Hexagon-head bolt M 10 X 110		2	
10	900 380 008 09	Lock nut M 10		9	
(10)	900 380 008 01	Hexagon nut M 10		2	
11	980 375 123 00	Bracket		1	
12	900 305 011 09	Stud M 10 FO X 50		1	
(12)	900 305 011 A2	Stud M 10 FO X 50		1	
13	900 305 012 09	Stud M 10 FO X 65		2	
(13)	900 305 012 A2	Stud M 10 FO X 65		2	
14	999 507 975 40	Hose holder 9,0		2	
15	900 380 008 01	Control line Hexagon nut M 10		7	

Model: 980 04

Model life 2004>>2006



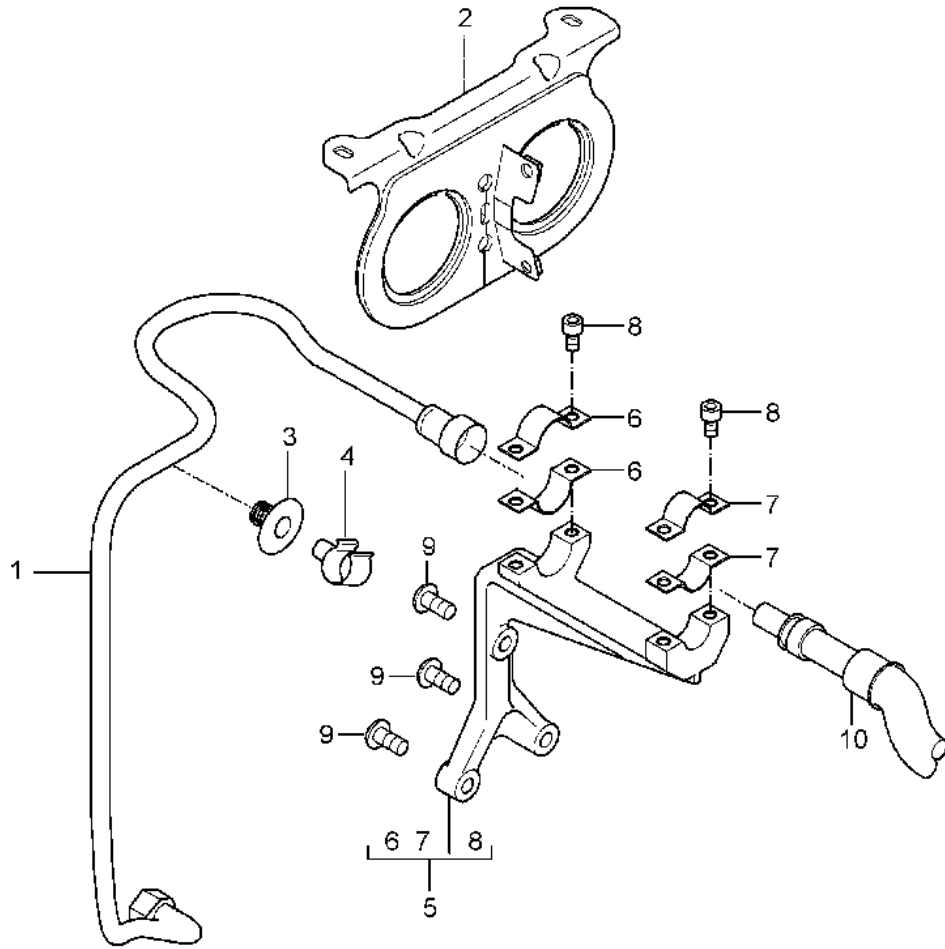
Model: 980 04

Model life 2004>>2006

Pos	Part Number	Description	Remark	Qty	Model
1	980 201 013 03	Fuel tank with Accessories		1	
(1)	980 201 013 04	Fuel tank Complete		1	
2	980 201 737 01	Support	/L	1	
3	980 201 738 01	Support	/R	1	
4	900 377 003 A2	Hexagon nut M 8		4	
5	980 201 105 01	Restraining strap	/L	1	
6	980 201 106 01	Restraining strap	/R	1	
7	999 015 029 A2	Oval-head screw M 6 X 40		2	
8	999 521 083 00	Compression spring		2	
9	980 201 749 00	Sleeve		2	
10	900 075 421 00	Hexagon-head bolt AM 8 X 90		2	
11	900 910 003 02	Lock nut M 8		2	
(11)	900 910 003 04	Lock nut M 8		2	
12	980 612 890 01	Grommet		1	
13	980 201 043 03	Filler neck		1	
14	900 378 035 A2	Hexagon-head bolt M 6 X 16		2	
15	999 015 026 A2	Oval-head screw M 6 X 16		2	
(15)	999 015 026 01	Oval-head screw M 6 X 16		2	
16	980 201 241 00	Fuel tank cap Information available		1	
17	191 201 557	Sealing ring Information available		1	

Model: 980 04

Model life 2004>>2006



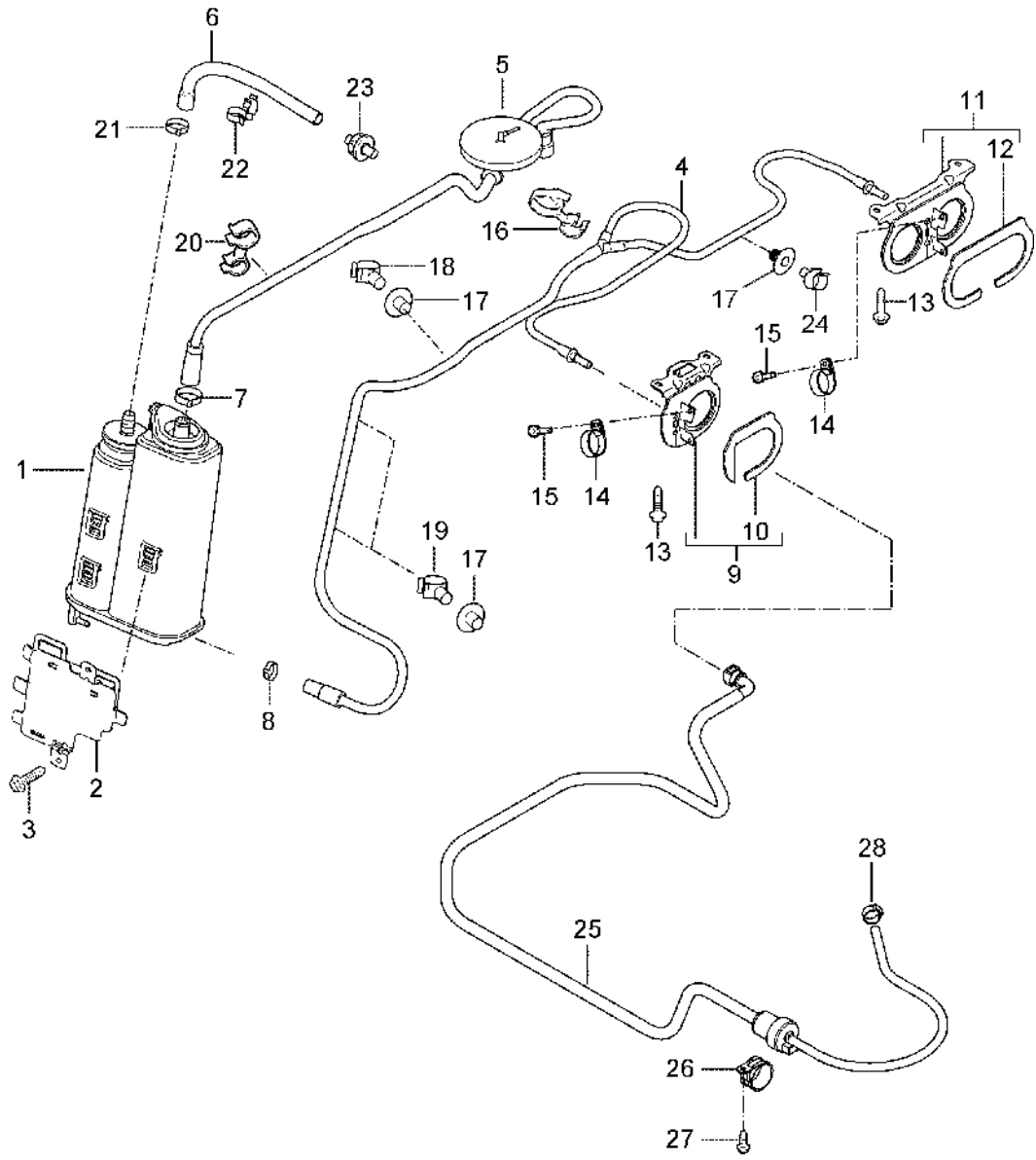
Model: 980 04

Model life 2004>>2006

Pos	Part Number	Description	Remark	Qty	Model
1	980 201 265 02	Fuel system Rear Pressure line Supply		1	
2		See illustrations 2/01/20		1	
3	999 507 444 40	Fastening part		1	
4	999 507 933 40	Hose holder 15		1	
5	980 110 275 00	Support Fuel line		1	
6	980 110 395 00	Spring support		2	
7	980 110 385 00	Spring support		2	
8	900 186 016 02	Pan-head screw M 4 X 10		4	
9	N 044 701 1	Pan-head screw M 5 X 22		3	
10		See illustrations 1/07/05		1	

Model: 980 04

Model life 2004>>2006



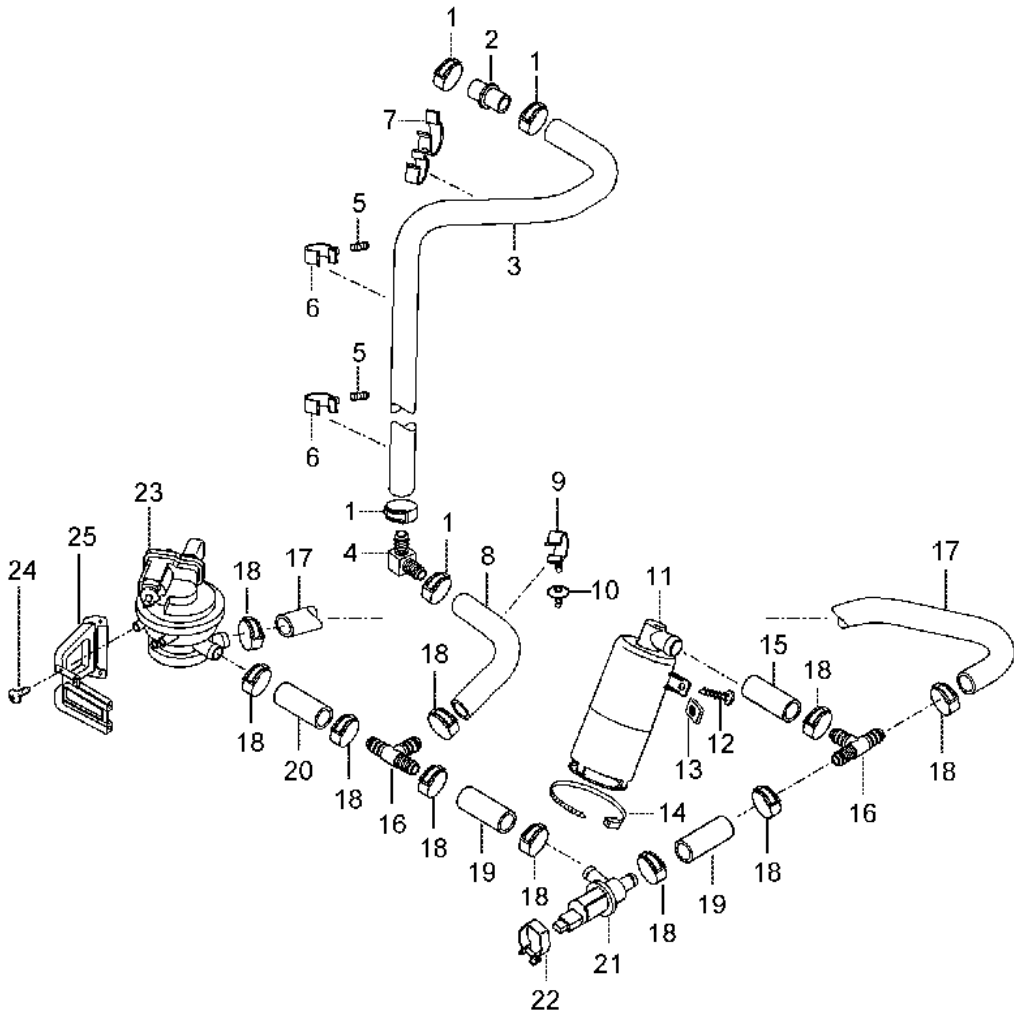
Model: 980 04

Model life 2004>>2006

Pos	Part Number	Description	Remark	Qty	Model
		Carbon canister with Accessories			
1	980 201 221 00	Carbon canister		1	
2	980 201 331 01	Support		1	
3	900 378 174 A2	Hexagon-head bolt M 6 X 35		3	
4	980 201 355 01	Purge-air line Information available		1	
5	980 201 725 02	Vent line		1	
6	980 201 713 01	Breather hose Information available		1	
7	999 512 660 09	Hose clamp B 29 X 12		1	
8	999 512 686 09	Hose clamp B 17 X 12		1	
9	980 504 135 00	Support	/L	1	
10	980 504 717 00	Foam part		1	
11	980 504 136 01	Support	/R	1	
12	980 504 718 01	Foam part		1	
13	999 015 026 A2	Oval-head screw M 6 X 16		4	
14	999 511 003 02	Clamp		2	
15	999 073 273 09	Oval-head screw M 5 X 10		2	
16	999 511 247 40	Line bracket		1	
17	999 507 444 40	Fastening part		4	
18	999 507 933 40	Hose holder 15		1	
19	999 591 767 40	Hose holder 12		2	
20	999 507 112 40	Line bracket		1	
21	999 512 657 09	Hose clamp B 26 X 12		1	
22	999 507 935 40	Line bracket A-01 22 /C-01 28		1	
23	999 702 064 50	Grommet 22 X 31 X 3		1	
24	999 507 092 40	Hose holder 10,5		1	
25	980 201 617 03	Purge-air line Information available	/L	1	
-	999 507 738 40	Line bracket 9,5 / 16,4		2	
-	999 919 213 A2	Stud T 5 X 20		1	
(25)	980 201 616 03	Purge-air line Information available	/R	1	
-	999 507 738 40	Line bracket 9,5 / 16,4		1	
-	999 507 112 40	Line bracket 12 / 15		1	
26	999 511 083 02	Pipe clamp 30 X 15		2	
27	900 075 361 02	Hexagon-head bolt M 5 X 12		2	
(27)	900 075 361 01	Hexagon-head bolt M 5 X 12		2	
28	999 512 650 09	Hose clamp B 14 X 12		2	

Model: 980 04

Model life 2004>>2006



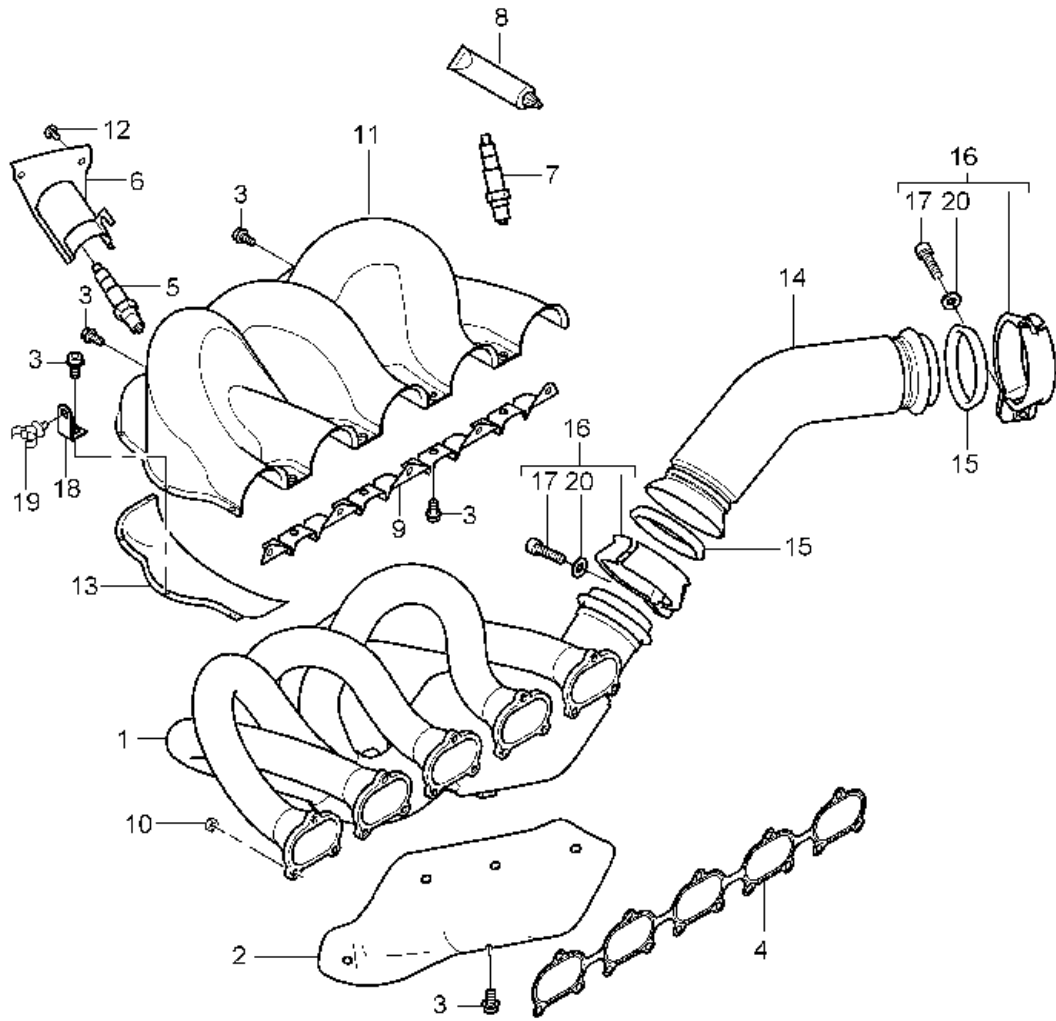
Model: 980 04

Model life 2004>>2006

Pos	Part Number	Description	Remark	Qty	Model
1	999 512 655 09	Carbon canister Air cleaner Hose clamp B 22 X 12		4	
2	999 137 040 40	Joining socket		1	
3	980 201 721 01	Connecting hose Information available		1	
4	999 137 061 40	Joining socket		1	
5	999 919 215 A2	Stud T 5 X 8 M 5		2	
6	999 591 808 40	Hose holder		2	
7	999 507 096 40	Hose holder		1	
(8)	980 201 709 00	A-01 22/E-01 25 Connecting hose Mount Air cleaner Information available		1	
9	999 507 013 40	Hose holder 22		1	
10	999 507 444 40	Fastening part		1	
11	955 201 253 00	Air cleaner		1	
12	999 073 226 A2	Tapping screw ST 4,2 X 16		1	
13	999 507 101 0A	Speed nut ST 4,2		1	
14	999 513 010 40	Tie-wrap		1	

Model: 980 04

Model life 2004>>2006

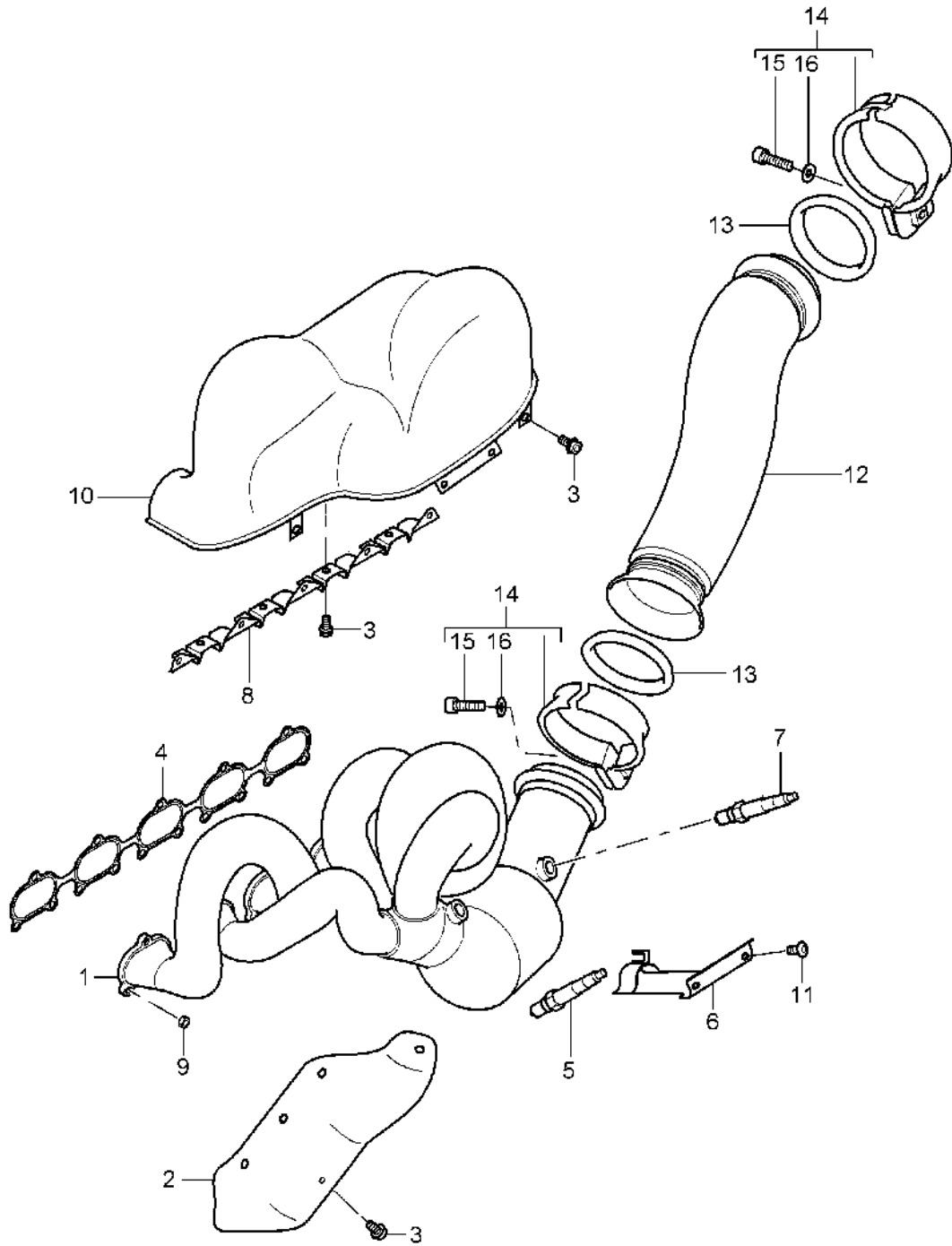


Model: 980 04 Model life 2004>>2006

Pos	Part Number	Description	Remark	Qty	Model
1	980 111 012 06	Exhaust system Exhaust manifold Catalytic converter Cyl. 1 - 5 Exhaust manifold with Catalytic converter		1	
2	980 111 242 01	Heat shield		1	
(2)	980 111 242 02	Heat shield		1	
3	900 067 274 02	Combination screw M 6 X 12		15	
4	980 111 411 00	Gasket		1	
5	996 606 128 00	Oxygen sensor in front of Catalytic converter		1	
(5)	996 606 128 01	Oxygen sensor in front of Catalytic converter		1	
-	999 591 746 02	Cable clamp 7,0 - 9,0 for Oxygen sensor Mount Support Transmission oil cooler		1	
-	999 591 746 01	Cable clamp 7,0 - 9,0 for Oxygen sensor Mount Support Transmission oil cooler		1	
6	980 111 213 03	Heat shield		1	
7	996 606 138 01	Oxygen sensor		1	
8	000 043 207 07	Grease for oxygen sensor		1	
9	980 111 423 00	Retaining strip		1	
10	999 084 628 02	Lock nut M 8		15	
(10)	900 910 003 03	Hexagon nut M 8		15	
11	980 111 212 05	Heat protection		1	
(11)	980 111 212 06	Heat protection		1	
12	900 623 007 00	Hexagon socket head bolt M 6 X 12		2	
13	980 111 253 00	Heat shield Generator		1	
14	980 111 152 00	Exhaust pipe		1	
15	980 111 561 00	Sealing ring		2	
16	980 111 563 01	Clip		2	
16	997 111 336 90	Clip		2	
17	980 111 973 00	Pan-head screw M 8 X 40		2	
18	477 971 881 A	Retaining bracket		1	
19	999 511 239 40	Cable holder 6,0 - 12,0		1	
20	980 111 963 00	Washer NL 8		4	

Model: 980 04

Model life 2004>>2006

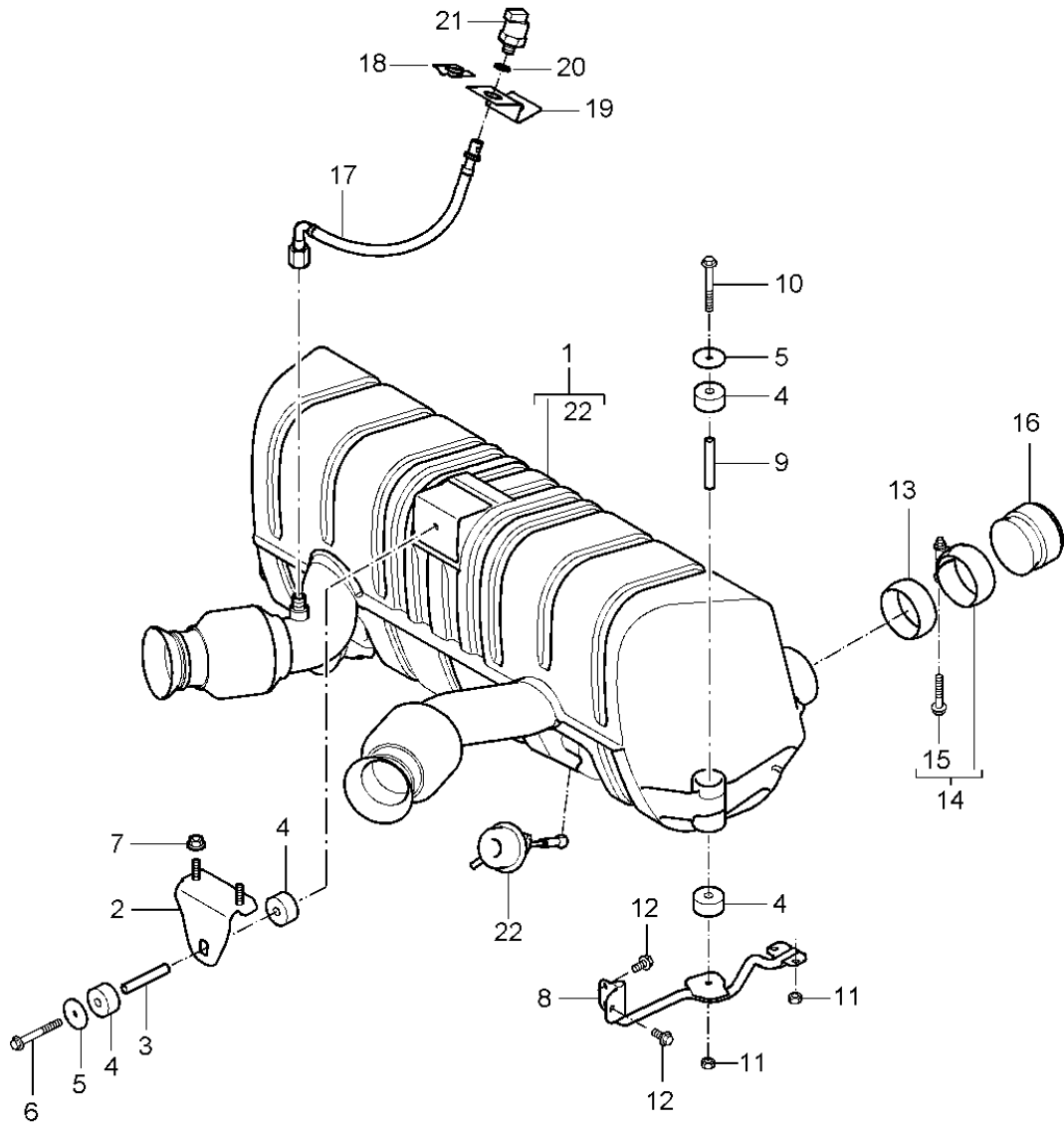


Model: 980 04 Model life 2004>>2006

Pos	Part Number	Description	Remark	Qty	Model
1	980 111 011 06	Exhaust system Exhaust manifold Catalytic converter Cylinders 6 - 10 Exhaust manifold with Catalytic converter		1	
2	980 111 241 01	Heat shield		1	
3	900 067 274 02	Combination screw M 6 X 12		11	
4	980 111 411 00	Gasket		1	
5	996 606 128 00	Oxygen sensor in front of Catalytic converter		1	
(5)	996 606 128 01	Oxygen sensor in front of Catalytic converter		1	
-	999 513 063 40	Cable holder with Tie-wrap 12 - 35 for Cable Oxygen sensor Mount Support Air conditioning cooler		2	
6	980 111 213 03	Heat shield		1	
7	996 606 138 01	Oxygen sensor After Catalytic converter		1	
8	980 111 423 00	Retaining strip		1	
9	999 084 628 02	Lock nut M 8		15	
(9)	900 910 003 03	Hexagon nut M 8		15	
10	980 111 211 05	Heat protection		1	
(10)	980 111 211 06	Heat protection		1	
11	900 623 007 00	Hexagon socket head bolt M 6 X 12		2	
12	980 111 151 00	Exhaust pipe		1	
13	980 111 561 00	Sealing ring		2	
14	980 111 563 01	Clip		2	
14	997 111 336 90	Clip		2	
15	980 111 973 00	Pan-head screw M 8 X 40		2	
16	980 111 963 00	Washer NL 8		4	

Model: 980 04

Model life 2004>>2006

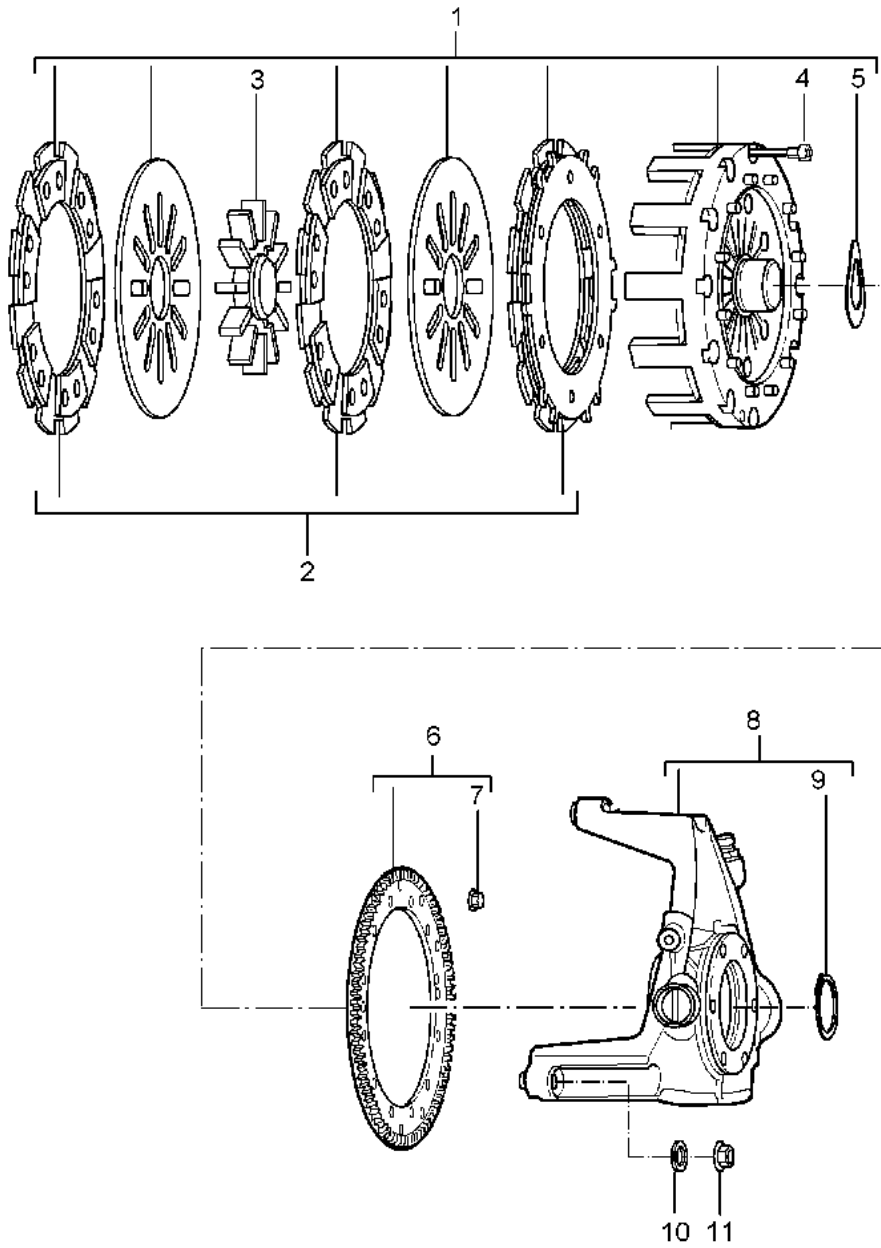


Model: 980 04 Model life 2004>>2006

Pos	Part Number	Description	Remark	Qty	Model
		Exhaust system			
		Rear muffler			
		Tail pipe			
1	980 111 123 02	Rear muffler		1	
2	980 111 231 00	Support		1	
3	980 111 235 00	Spacer sleeve		1	
4	996 111 229 00	Damping piece 40 X 20		6	
5	980 111 237 00	Washer		3	
6	900 378 153 09	Hexagon-head bolt AM 8 X 55		1	
(6)	900 378 153 01	Hexagon-head bolt AM 8 X 55		1	
7	999 084 121 00	Hexagon nut M 8		2	
8	980 111 227 00	Support		1	
(8)	980 111 228 00	Cylinders 6 - 10 Support Cyl. 1 - 5		1	
9	980 111 233 00	Spacer sleeve		2	
10	900 378 075 09	Hexagon-head bolt M 8 X 90		2	
11	900 380 005 09	Hexagon nut M 8		6	
12	900 378 260 A2	Hexagon-head bolt AM 8 X 20		6	
13	980 111 265 00	Sealing ring		2	
14	980 111 336 00	Clip		2	
15	900 074 339 02	Hexagon-head bolt M 8 X 70		2	
-	999 025 125 09	Washer A 8,4		2	
-	999 025 125 01	Washer A 8,4		2	
16	980 111 271 01	Tail pipe		2	
17	980 111 475 00	Pressure line Diagnostic		1	
-	000 043 020 00	Optimoly 1 100-gramme tube		X	
18	999 166 089 02	Lock KL 14,5		1	
19	980 111 477 00	Support		1	
20	900 123 005 20	Pressure line Sealing ring A 12 X 16		1	
21	980 605 115 00	Pressure sensor F >>985L0 00243		1	
(21)	980 605 115 01	Pressure sensor F 985L0 00244>>		1	
-	996 612 832 90	Connector housing Wiring harness Rear end F 985L0 00244>>		1	
22	980 111 981 00	Vacuum unit with Insulator And Lock nut M 5		2	

Model: 980 04

Model life 2004>>2006



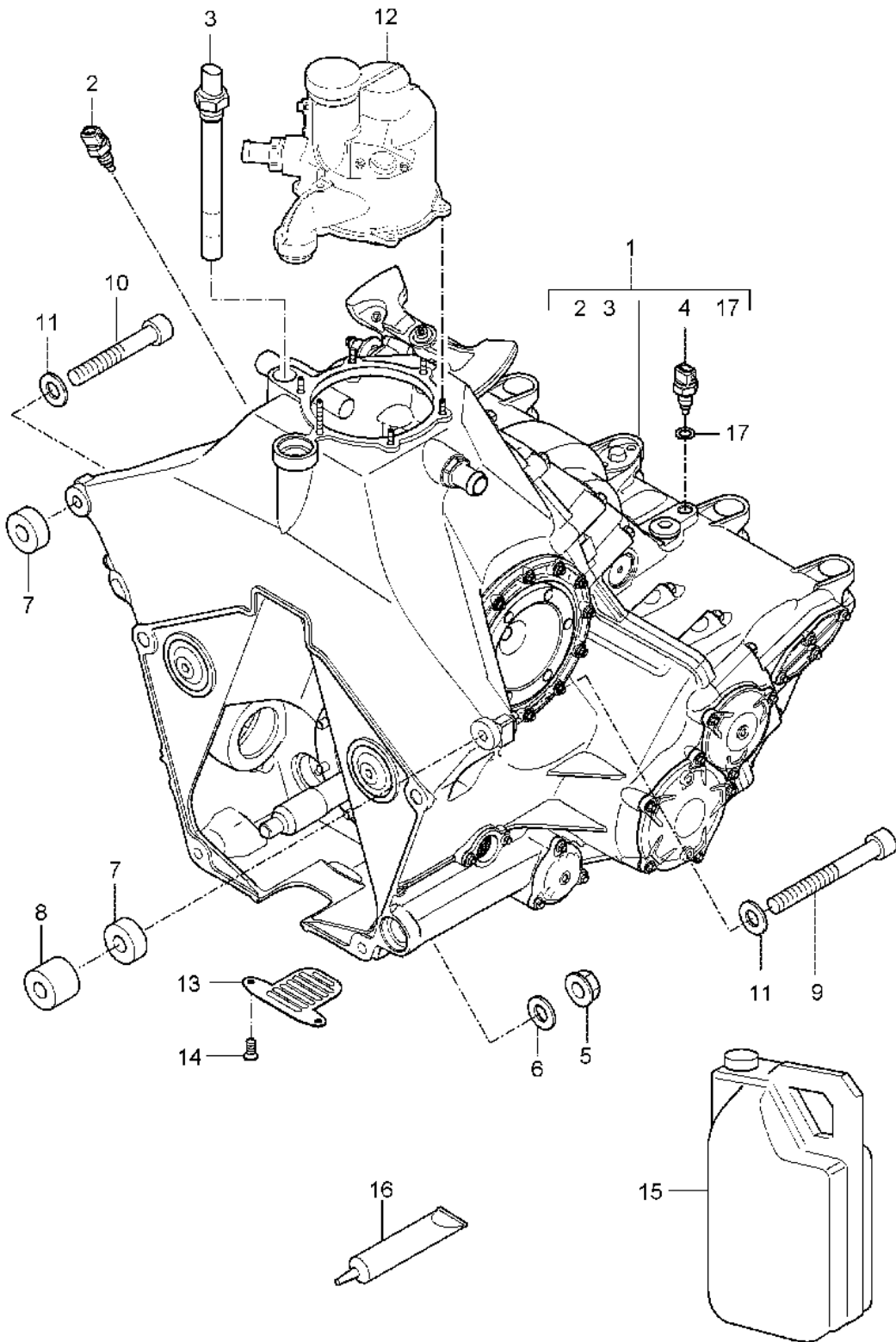
Model: 980 04

Model life 2004>>2006

Pos	Part Number	Description	Remark	Qty	Model
1	980 116 001 36	Clutch 1 PCCC (clutch) Complete		1	M80.01
2	980 116 906 00	Intermediate plate Repair kit Only Clutch Complete Use		1	
3	980 116 963 00	Hub		1	
4	980 116 147 00	Screw M 6		12	
5	980 116 957 00	Spring washer		1	
6	980 114 043 32	Starter ring		1	
7	980 114 531 00	Lock nut		12	
8	980 116 002 02	Release module		1	
9	980 116 937 00	Circlip		1	
10	900 031 001 02	Washer 8,4		3	
10	900 031 105 01	Washer 8,4		3	
11	900 817 002 02	Hexagon nut M 8		3	

Model: 980 04

Model life 2004>>2006



Model: 980 04 Model life 2004>>2006

Pos	Part Number	Description	Remark	Qty	Model
		Replacement transmission Ready for installation Threaded joint Engine			G80.01
1	980 300 020 02	Replacement transmission Complete without Transmission oil		1	
(1)	980 300 020 04	Replacement transmission Complete without Transmission oil		1	
2	996 606 410 00	Temperature sensor		1	
3	996 606 140 00	Oil-level sender		1	
4	996 606 133 00	Switch Reverse gear		1	
5	900 817 003 02	Lock nut M 10		4	
6	900 031 005 02	Washer 10,5		4	
6	900 031 005 03	Washer 10,5		4	
7	980 104 723 10	Spacer 9,80 MM Long		X	
(7)	980 104 723 20	Spacer 9,90 MM Long		X	
(7)	980 104 723 30	Spacer 10,00 MM Long		X	
(7)	980 104 723 40	Spacer 10,10 MM Long		X	
(7)	980 104 723 50	Spacer 10,20 MM Long		X	
(7)	980 104 723 60	Spacer 10,30 MM Long		X	
(7)	980 104 723 70	Spacer 10,40 MM Long		X	
(7)	980 104 723 80	Spacer 10,50 MM Long		X	
8	980 104 723 00	Spacer 20,00 MM Long		1	
9	900 067 254 04	Pan-head screw M 10 X 85		1	
10	900 067 121 04	Pan-head screw M 10 X 65		1	
11	900 031 005 04	Washer 10		2	
12		See illustrations 1/04/05		1	
13	980 301 178 00	Protective plate		1	
14	999 015 025 A2	Lens-head screw M 6 X 12		2	
15	000 043 300 89	Transmission oil MOBILUBE 1 SHC SAE 75 W 90		X	

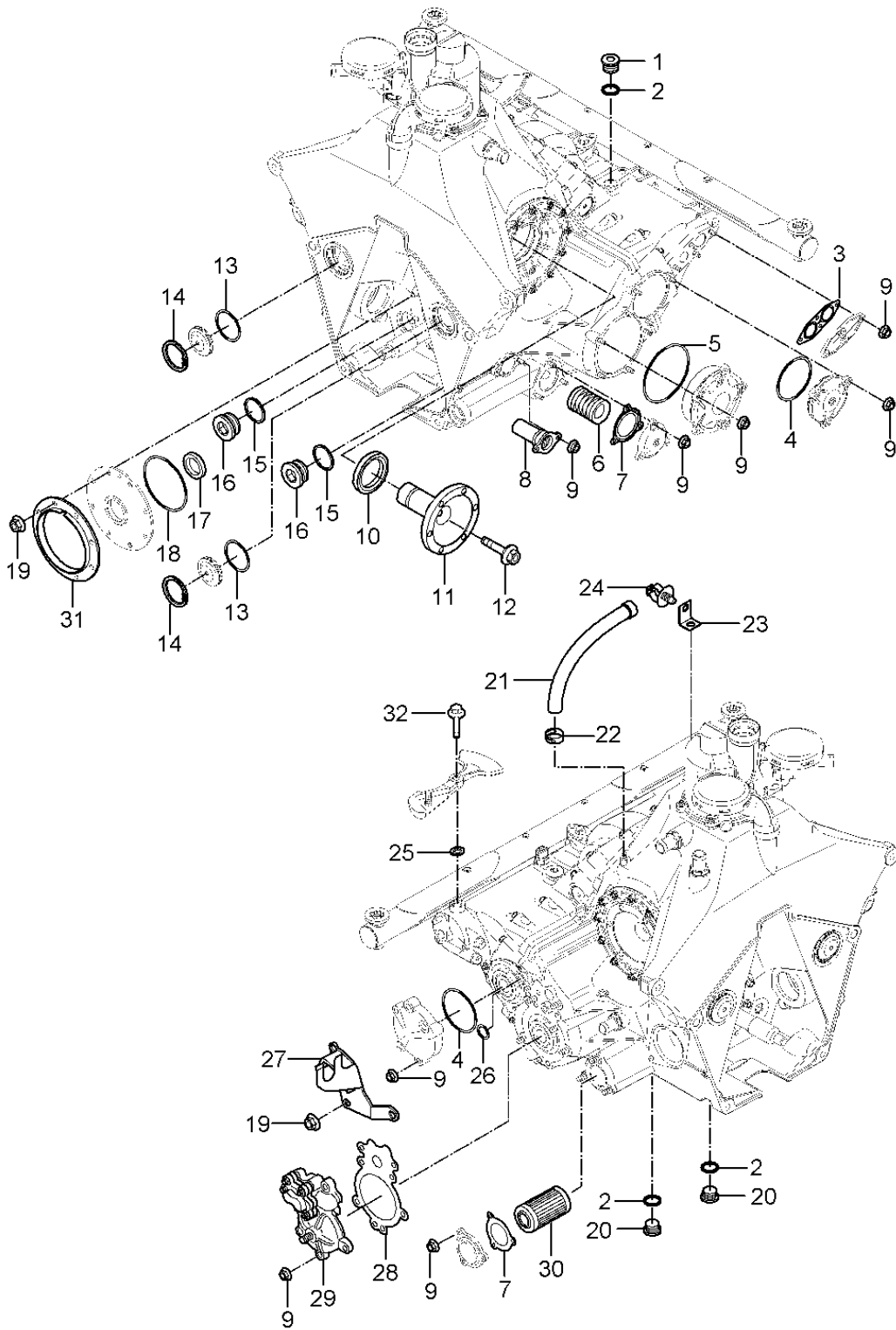
Model: 980 04

Model life 2004>>2006

Pos	Part Number	Description	Remark	Qty	Model
16	000 043 024 00	Container 20 LTR. Extreme-pressure grease 1 tube 80 GR.		X	
17	900 123 101 30	Sealing ring A 12 X 18		X	

Model: 980 04

Model life 2004>>2006



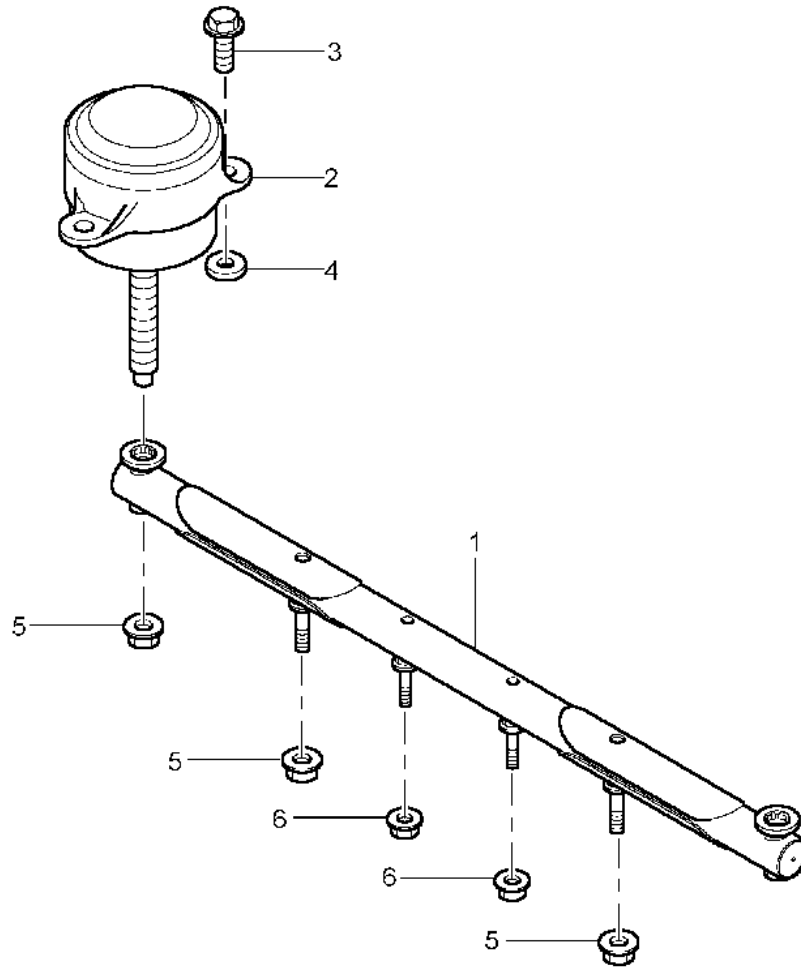
Model: 980 04

Model life 2004>>2006

Pos	Part Number	Description	Remark	Qty	Model
		Transmission case			G80.01
1	900 219 001 30	Screw plug M 22 X 1,5		1	
2	900 123 118 30	Sealing ring A 22 X 27		3	
3	980 301 359 00	Gasket		1	
4	999 701 071 40	O-ring 68 X 2,5		2	
5	999 707 562 40	O-ring 92 X 3,0		1	
6	980 207 470 00	Oil filter Engine		1	
7	980 301 379 00	Gasket		2	
8	980 116 072 00	Ventilation pipe Clutch		1	
9	980 301 561 00	Lock nut M 6 X 1		29	
10	999 113 356 40	Shaft sealing ring AS 48 X 68 X 10		1	
11	980 332 209 00	Joint flange		2	
12	900 074 068 02	Hexagon-head bolt M 10 X 85		2	
13	999 701 683 40	O-ring 42 X 2,5		2	
14	900 042 055 01	Circlip 50 X 2		2	
15	900 123 036 30	Sealing ring A 36 X 42 X 2		2	
16	900 219 022 30	Screw plug M 36 X 1,5		2	
17	900 112 112 40	Shaft sealing ring AS 32 X 47 X 10		1	
18	999 707 561 40	O-ring 86 X 2		1	
19	980 301 563 00	Lock nut M 8 X 1,25		11	
20	999 063 008 02	Screw plug with magnet M 22 X 1,5		2	
21	980 307 093 00	Vent hose		1	
22	999 512 650 09	Hose clamp		1	
23	477 971 881 B	Retaining bracket		1	
24	999 511 239 40	Cable holder		1	
25	900 112 113 40	Shaft sealing ring AS 16 X 28 X 7		1	
26	999 707 563 40	O-ring 7 X 2,5		1	
27	980 301 375 00	Support		1	
28	980 301 329 00	Gasket		1	
29	980 307 023 00	Oil pump		1	
30	980 307 149 00	Oil filter Transmission		1	
31	980 300 911 00	Retaining ring Release module		1	
32	000 043 301 11	Fastening screw M 6 X 12 Use also: 928.101.921.00		1	
				X	

Model: 980 04

Model life 2004>>2006



Model: 980 04

Model life 2004>>2006

Pos	Part Number	Description	Remark	Qty	Model
		Transmission suspension			G80.01
1	980 375 071 01	Cross member		1	
2	980 375 351 01	Hydraulic mount		2	
(2)	980 375 351 02	Hydraulic mount		2	
3	900 378 022 A2	Hexagon-head bolt AM 8 X 25		4	
4	980 375 615 00	Spacer		4	
5	900 380 010 09	Lock nut M 12 X 1,5		4	
6	900 380 008 09	Lock nut M 10		2	
6	900 380 008 01	Hexagon nut M 10		2	

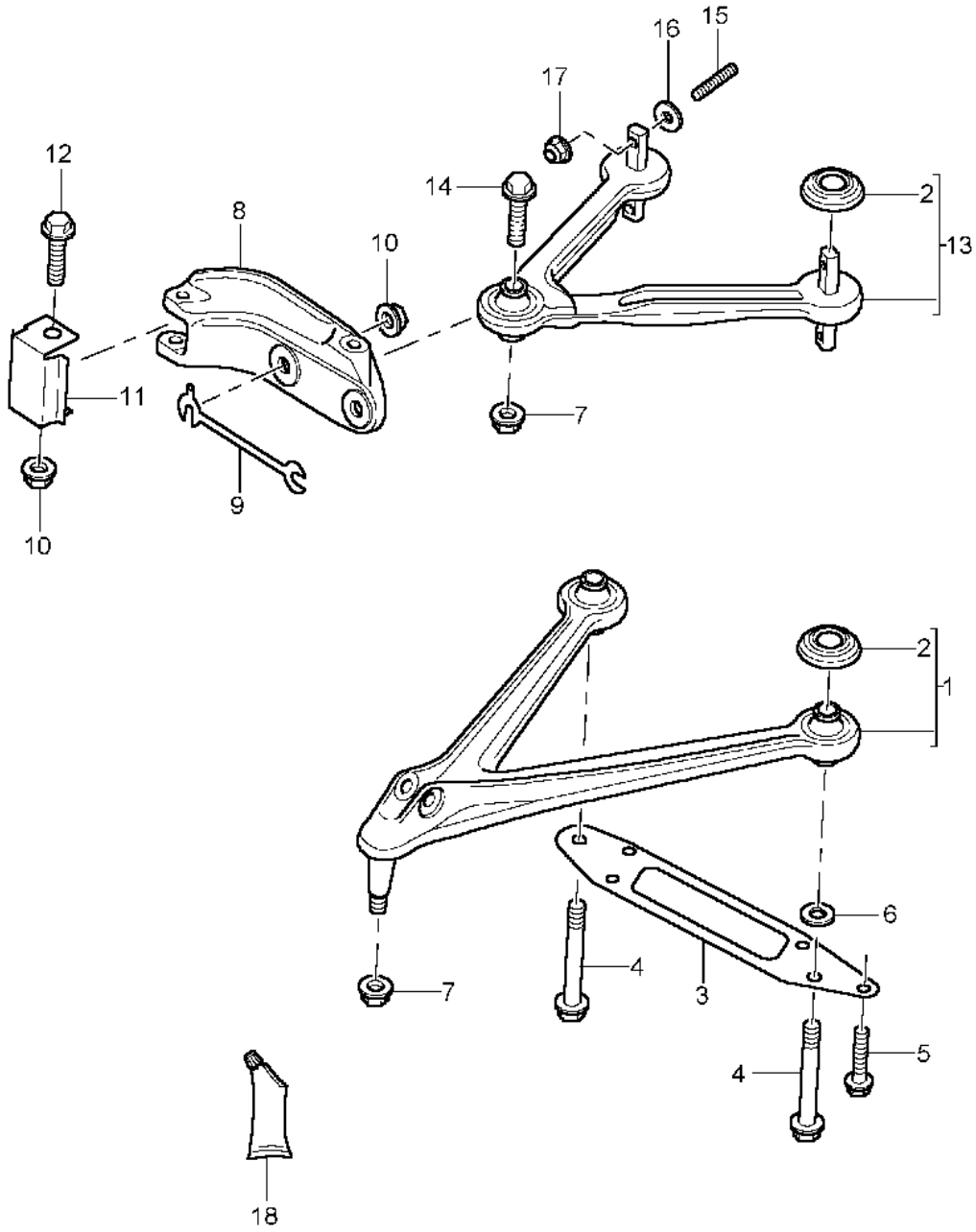
Model: 980 04

Model life 2004>>2006

Pos	Part Number	Description	Remark	Qty	Model
		Oil cooling Lines			G80.01
1	980 307 150 00	Transmission oil cooler		1	
2	980 307 455 00	Reinforcement plate		4	
3	900 378 017 A2	Hexagon-head bolt M 8 X 20		4	
4	980 307 080 02	Oil pipe Supply		1	
5	980 307 081 02	Oil pipe Return line		1	
6	999 230 647 02	Threaded joint M 16 X 1,5		2	
7	900 123 157 22	Sealing ring A 16 X 22		4	
8	980 307 250 00	Thermostat		1	
9	900 915 005 02	Connection piece		2	
10	980 307 060 02	Oil hose Supply		1	
11	980 307 061 02	Oil hose Return line		1	
12	999 707 440 40	O-ring 12 X 2,5		2	
13	980 307 255 00	Spacer sleeve		1	
14	900 378 032 09	Hexagon-head bolt AM 6 X 50		1	
15	999 919 213 A2	Stud T 5 X 20		2	
16	928 347 555 00	Clamp		2	
17	928 347 527 00	Rubber mounting		2	
18	999 507 110 40	Line bracket		1	
19	980 301 561 00	Lock nut		2	
20	980 624 131 01	Fan Information available		1	
21	900 380 003 02	Hexagon nut M 6		4	
22	999 591 746 02	Cable clamp 7,0 - 9,0 Mount Wiring harness Fan And Cable Oxygen sensor Airscoop		4	
(22)	999 591 746 01	Cable clamp 7,0 - 9,0 Mount Wiring harness Fan And Cable Oxygen sensor Airscoop		4	

Model: 980 04

Model life 2004>>2006



Model: 980 04

Model life 2004>>2006

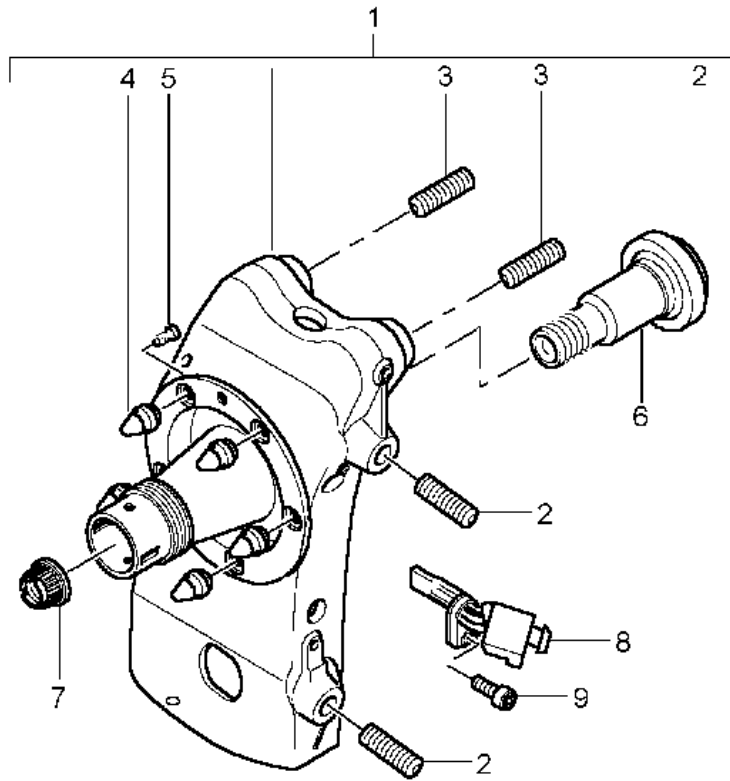
Pos	Part Number	Description	Remark	Qty	Model
1	980 341 053 00	Wishbone Steering arm Wishbone Lower		2	
2	999 593 122 43	Boot		20	
3	980 341 371 00	Supporting plate		2	
(3)	980 341 371 02	Supporting plate		2	
4	900 378 069 09	Hexagon-head bolt M 12 X 1,5 X 85		4	
5	900 378 070 09	Hexagon-head bolt M 10 X 30		8	
6	999 025 054 30	Washer 12 X 18 X 3,66		2	
7	999 084 445 09	Lock nut M 12 X 1,5		4	
8	980 341 331 01	Steering arm		2	
9	980 341 351 00	Spacer plate 1 MM		4	
(9)	980 341 351 01	Spacer plate 1 MM		4	
10	900 380 008 09	Lock nut M 10		6	
10	900 380 008 01	Hexagon nut M 10		6	
11	980 351 805 02	Cover plate Steering arm		2	
12	900 378 065 09	Hexagon-head bolt M 10 X 70		2	
13	980 341 051 00	Wishbone Upper		2	
14	900 378 020 09	Hexagon-head bolt M 12 X 1,5 X 90		2	
14	900 378 304 01	Hexagon-head bolt M 12 X 1,5 X 90		2	
15	900 305 013 A2	Stud M 10 X 25		8	
16	999 025 050 30	Washer 10,2 X 19,5 X 5		8	
17	900 817 003 02	Lock nut M 10		8	
18	000 043 205 34	Grease 1 tube 100 ML		X	

Model: 980 04 Model life 2004>>2006

Pos	Part Number	Description	Remark	Qty	Model
		Rocker arm			
		Push rod			
1	980 343 267 00	Rocker arm		2	
2	900 201 502 00	Needle-roller bearing		4	
(2)	900 201 503 00	Needle-roller bearing		4	
3	980 333 375 00	Adjusting shim		2	
4	980 333 367 00	Rocker shaft		2	
		Standard			
(4)	980 333 368 00	Rocker shaft		2	
		Oversize			
5	980 333 371 00	Thrust washer		4	
6	980 333 767 00	Stud		2	
		MJ 8 X 135			
7	980 343 779 01	Lid		2	
8		Tension strut		1	
		See illustrations			
		8/01/00			
9	900 151 043 00	Washer		2	
		8			
10	900 817 002 02	Hexagon nut		2	
		M 8			
11	980 343 257 01	Push rod	/L	1	
(11)	980 343 257 03	Push rod	/L	1	
(11)	980 343 257 04	Push rod	/L	1	
		suspension			
		10 MM			
		High			
		see			
		Retrofit kit			
		000.044.500.40			
(11)	980 343 258 01	Push rod	/R	1	
(11)	980 343 258 03	Push rod	/R	1	
(11)	980 343 258 04	Push rod	/R	1	
		suspension			
		10 MM			
		High			
		see			
		Retrofit kit			
		000.044.500.40			
12	999 593 124 43	Boot		8	
13	999 311 049 02	Fit bolt		2	
		MJ 10 X 50			
14	900 817 003 02	Lock nut		2	
		M 10			
15	900 378 100 09	Hexagon-head bolt		2	
		AM 10 X 45			
16	999 084 016 02	Lock nut		2	
		M 10			
17	900 028 023 00	Spring washer		2	
		B 10 X 18			
18	000 043 205 34	Grease		X	
		1 tube			
		100 ML			
(18)	000 043 981 00	Grease		X	
		1 tube			
		25 ML			

Model: 980 04

Model life 2004>>2006

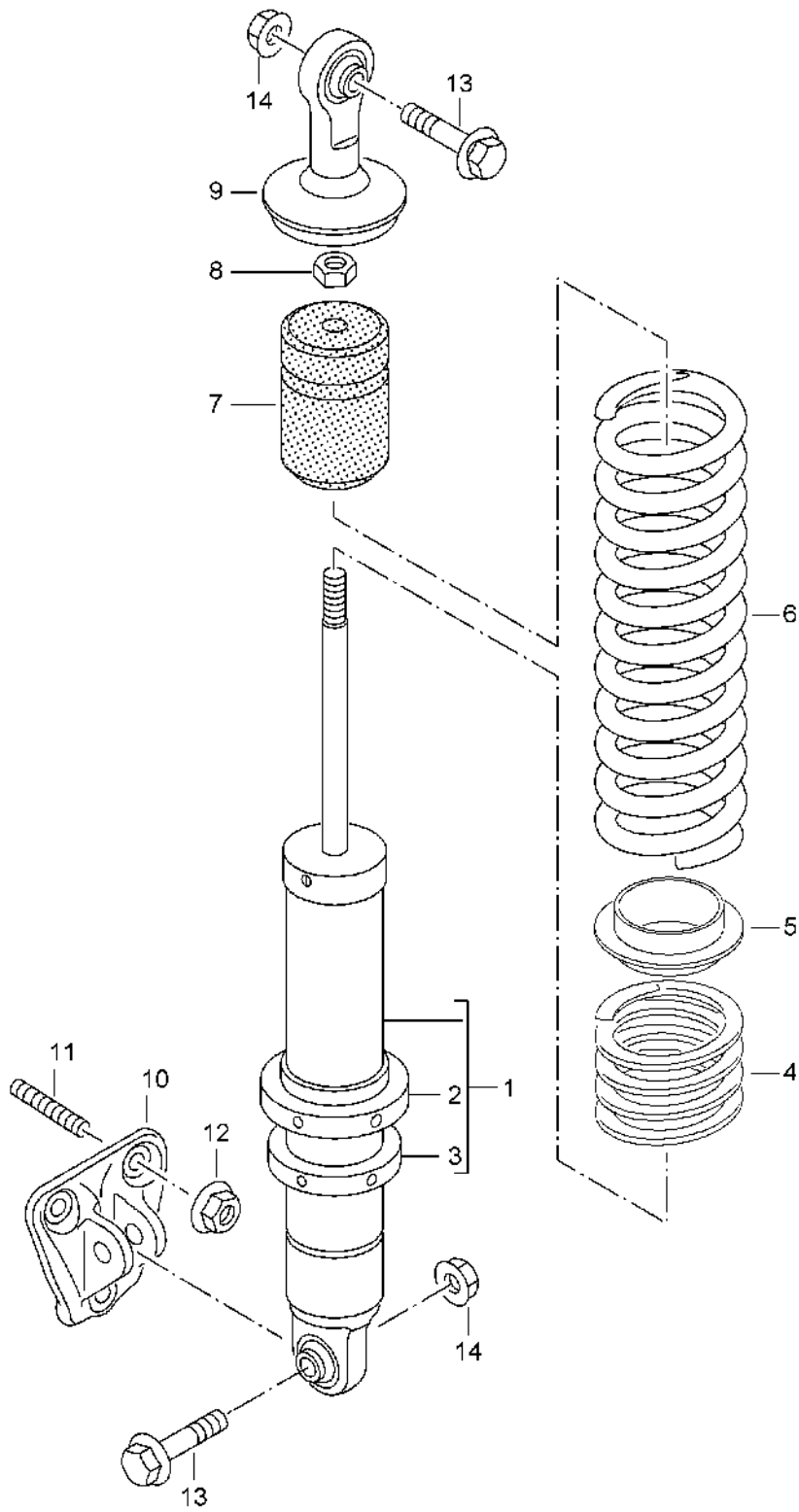


Model: 980 04 Model life 2004>>2006

Pos	Part Number	Description	Remark	Qty	Model
1	980 341 957 02	Wheel carrier Wheel carrier Complete Comprising: Wheel carrier Stud M 10 X 30 Stud M 12 X 1,5 X 50 Bearing Lid Hexagon-head bolt M 8 X 35 Wheel hub	/L	1	
(1)	980 341 958 02	Wheel carrier Complete Comprising: Wheel carrier Stud M 10 X 30 Stud M 12 X 1,5 X 50 Bearing Lid Hexagon-head bolt M 8 X 35 Wheel hub	/R	1	
2	999 218 116 09	Stud M 12 X 1,5 X 50		4	
3	900 305 014 09	Stud M 10 X 30		4	
4	9R1 331 614 00	Driving pin Aluminium		8	
(4)	980 331 618 00	Driving pin Titanium		2	
5	900 067 408 09	Pan-head screw M 8 X 25		10	
6	980 341 131 00	Tension bolt		2	
7	955 341 640 00	Lock nut M 24 X 1,5		2	
8	7H0 927 803	Speed sensor	/L	1	
(8)	7H0 927 804	Speed sensor	/R	1	
9	900 067 117 09	Pan-head screw M 6 X 16		2	

Model: 980 04

Model life 2004>>2006



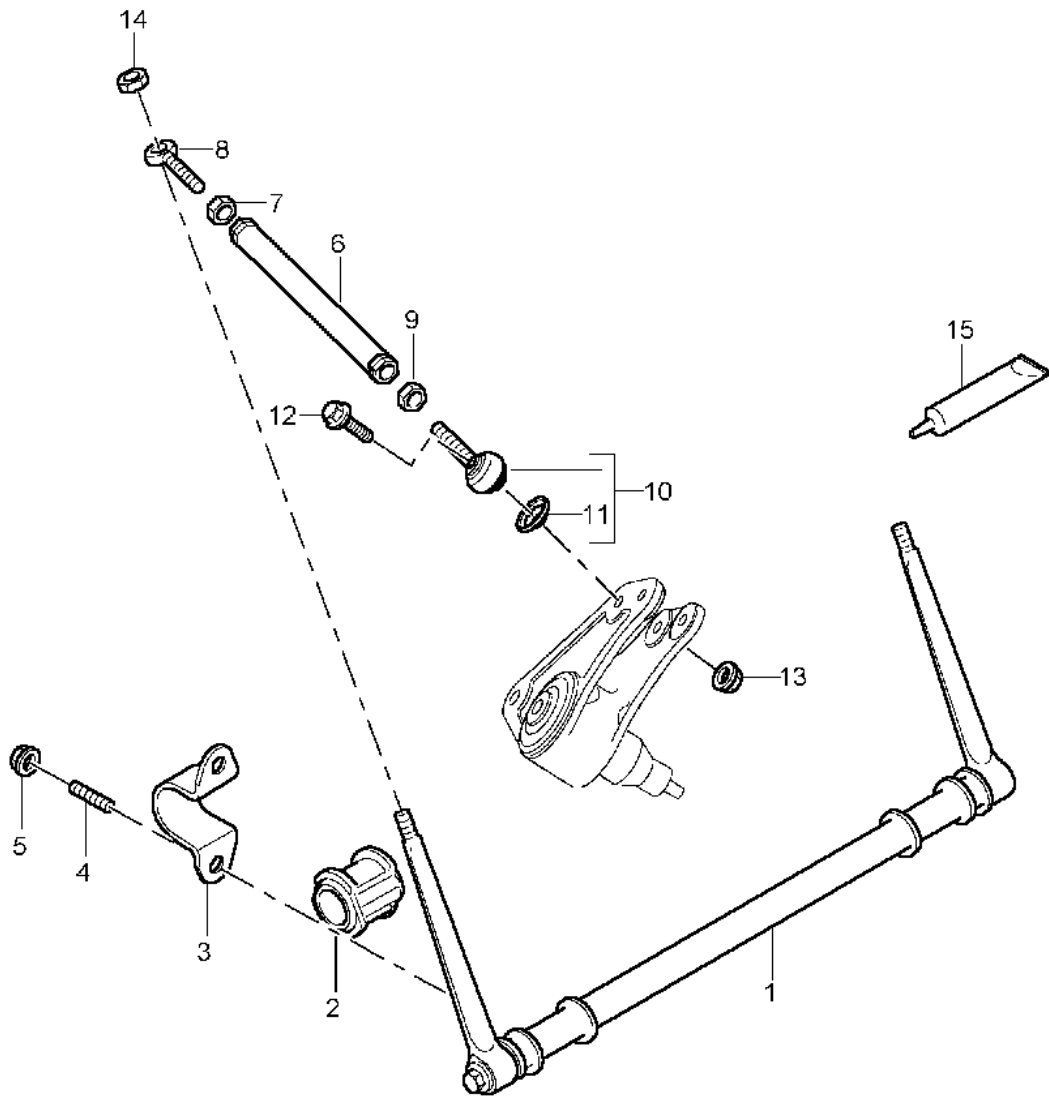
Model: 980 04

Model life 2004>>2006

Pos	Part Number	Description	Remark	Qty	Model
		suspension			
		Shock absorber strut			
		Bearing bracket			
1	980 343 041 03	Vibration damper		2	
2	980 333 505 00	Concave washer		2	
3	980 333 549 00	Ring		2	
4	980 343 301 00	Additional spring		2	
5	980 343 307 00	Centring ring		2	
6	980 343 531 00	Coil spring		2	
7	980 343 541 00	Rubber stop		2	
8	980 333 547 00	Hexagon nut		2	
		M 12 X 1			
9	980 333 513 01	Shock absorber eye		2	
10	980 333 281 01	Bearing bracket		2	
11	900 305 007 A2	Stud		6	
		M 8 FO X 30			
12	900 380 005 09	Hexagon nut		6	
		M 8			
13	999 311 049 02	Fit bolt		4	
		MJ 10 X 50			
14	900 817 003 02	Lock nut		4	
		M10			

Model: 980 04

Model life 2004>>2006



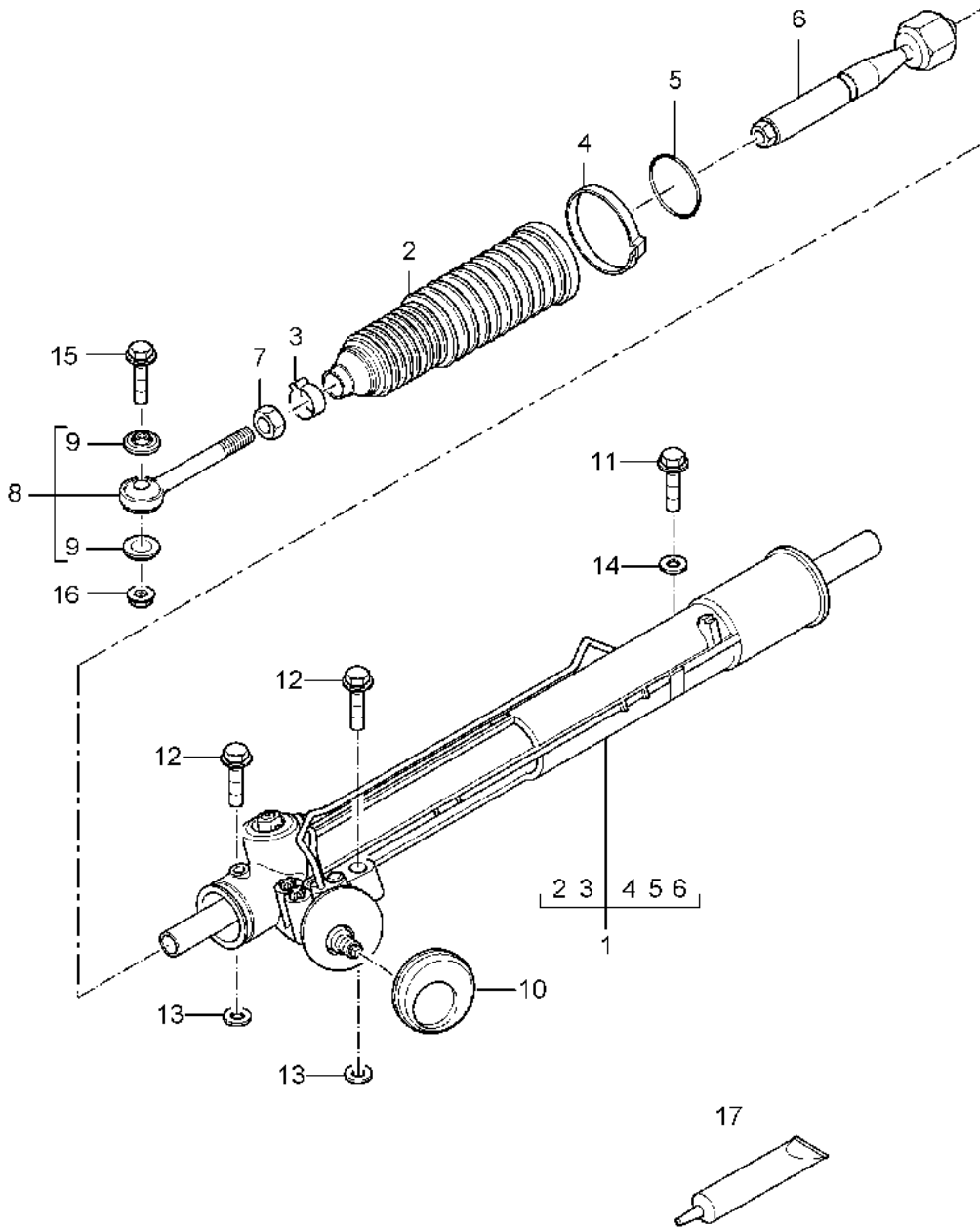
Model: 980 04

Model life 2004>>2006

Pos	Part Number	Description	Remark	Qty	Model
1	980 343 071 02	Stabiliser Stabiliser 18,7 MM		1	
2	980 343 792 00	Stabiliser mounting 19,3 MM		2	
3	996 343 777 01	Clip		2	
4	900 305 013 A2	Stud M 10 X 25		4	
5	900 380 008 09	Lock nut M 10		4	
5	900 380 008 01	Hexagon nut M 10		4	
6	980 343 610 00	Connecting rod		2	
7	900 034 045 09	Hexagon nut M 12 Right thread		2	
8	999 593 127 01	Swivel head Right thread		2	
9	900 034 044 09	Hexagon nut M 12 Left thread		2	
10	999 593 126 01	Swivel head Left thread		2	
11	999 593 120 43	Boot		2	
12	999 311 049 02	Fit bolt MJ 10 X 50		2	
13	900 817 003 02	Lock nut M 10		2	
14	900 817 002 02	Hexagon nut M 8		2	
15	000 043 205 34	Grease 1 tube 100 ML		X	

Model: 980 04

Model life 2004>>2006



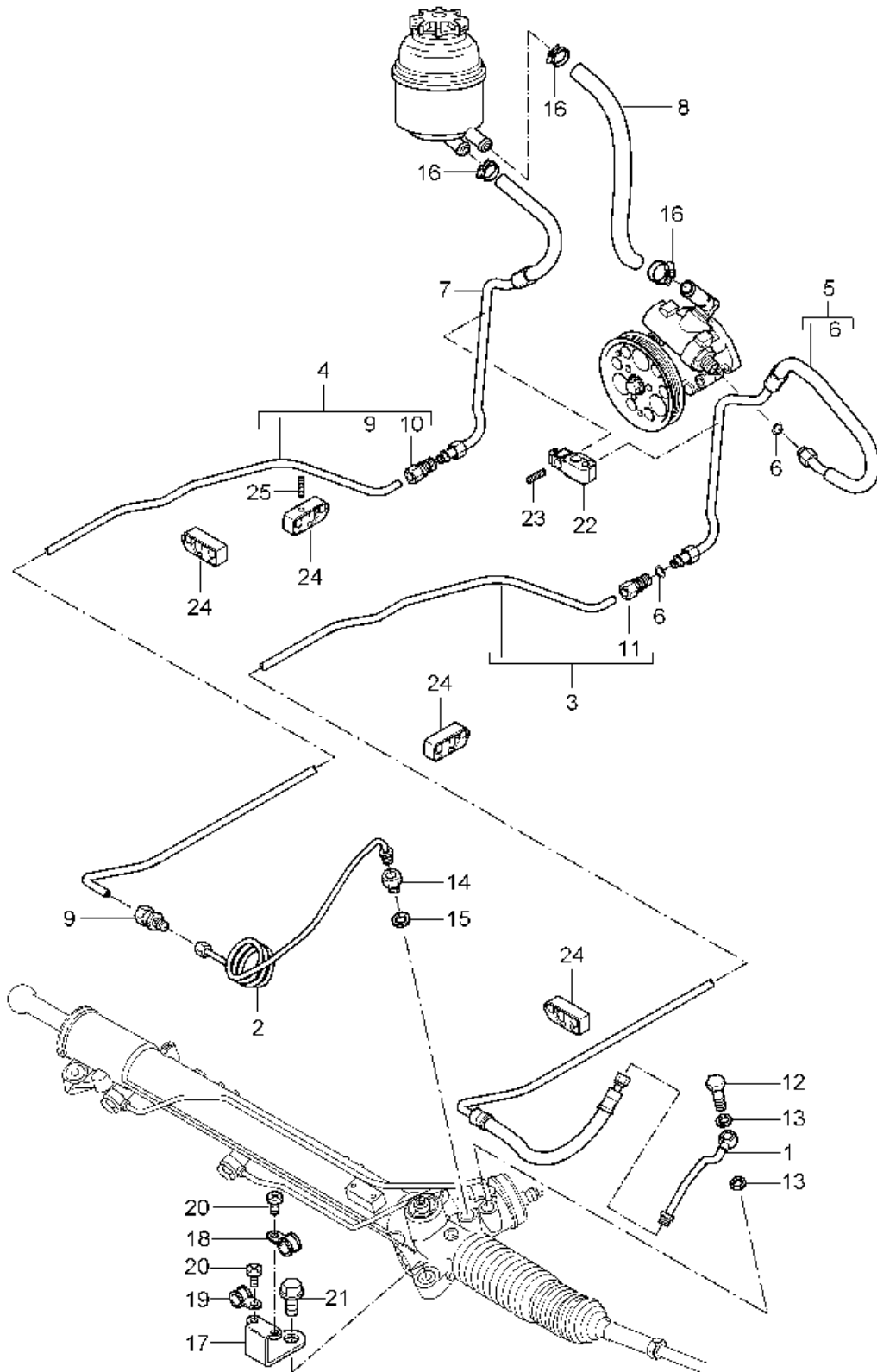
Model: 980 04

Model life 2004>>2006

Pos	Part Number	Description	Remark	Qty	Model
1	980 347 011 02	Power steering Steering gear Steering gear		1	
2	980 347 191 00	Bellows	/L	1	
(2)	980 347 192 00	Bellows	/R	1	
3	999 512 113 09	Hose clamp 24 X 10		2	
4	999 512 112 00	Hose clamp 68 X 7		2	
5	999 707 762 40	O-ring 57 X 2		2	
6	980 347 322 00	Joint		2	
7	999 034 037 09	Hexagon nut M 14 X 1,5		2	
8	999 593 121 01	Track rod		2	
9	999 593 121 43	Boot		4	
10	980 347 347 00	Gasket Information available		1	
11	900 378 265 09	Hexagon-head bolt AM 10 X 35		1	
12	900 378 266 09	Hexagon-head bolt M 10 X 60		2	
13	999 209 073 30	Washer 10,1 X 34 X 7,7		2	
14	999 025 278 40	Washer 10,5 X 21 X1,5		1	
15		Hexagon-head bolt See group 4/01/00 POS.12		2	
16		Hexagon nut See group 4/01/00 POS.10		2	
17	000 043 205 34	Grease 1 tube 100 ML		X	

Model: 980 04

Model life 2004>>2006



Model: 980 04 Model life 2004>>2006

Pos	Part Number	Description	Remark	Qty	Model
1	980 347 451 00	Power steering Lines Pressure line		1	
2	980 347 449 01	Steering gear Return line		1	
3	980 347 545 03	Steering gear Pressure line		1	
-	999 507 738 40	Tunnel Line bracket 9,5 / 16,4		1	
-	999 507 981 40	Line bracket 6,5 / 20 Mount		2	
4	980 347 539 03	Pressure line Tunnel Clutch pipeline Return line		1	
-	999 507 738 40	Tunnel Line bracket 9,5 / 16,4		1	
5	980 347 443 06	Pressure line Power-steering pump		1	
6	999 707 569 40	O-ring 8,5 X 1,5 X 11,5		2	
7	980 347 441 02	Return line Oil tank Information available		1	
(7)	980 347 441 03	Return line Oil tank		1	
8	980 347 333 00	Suction hose Oil tank		1	I572
(8)	980 347 335 00	Power-steering pump Suction hose Oil tank		1	I574
9	999 230 771 02	Power-steering pump Threaded joint GR 12/6		1	
10	999 230 631 02	Threaded joint SC L12		1	
11	900 099 015 02	Threaded joint SC L10		1	
12	999 230 395 02	Banjo bolt 10		1	
13	N 013 849 2	Sealing ring A 14 X 20		2	
14	999 136 052 02	Connection piece M 16 X 1,5		1	
15	900 123 019 20	Sealing ring A 16 X 22		1	
16	999 512 676 00	Hose clamp 16 - 25		3	
17	980 347 563 01	Support		1	
18	999 511 068 00	Clamp 10 X 12		1	
19	N 020 680 1	Clip 6 X 12		1	
20	999 073 268 A2	Oval-head screw M 5 X 12		2	
21		See illustrations 4/03/00		1	
22	996 347 543 00	Cable holder		1	
23	999 919 213 A2	Stud T5 X 20		1	

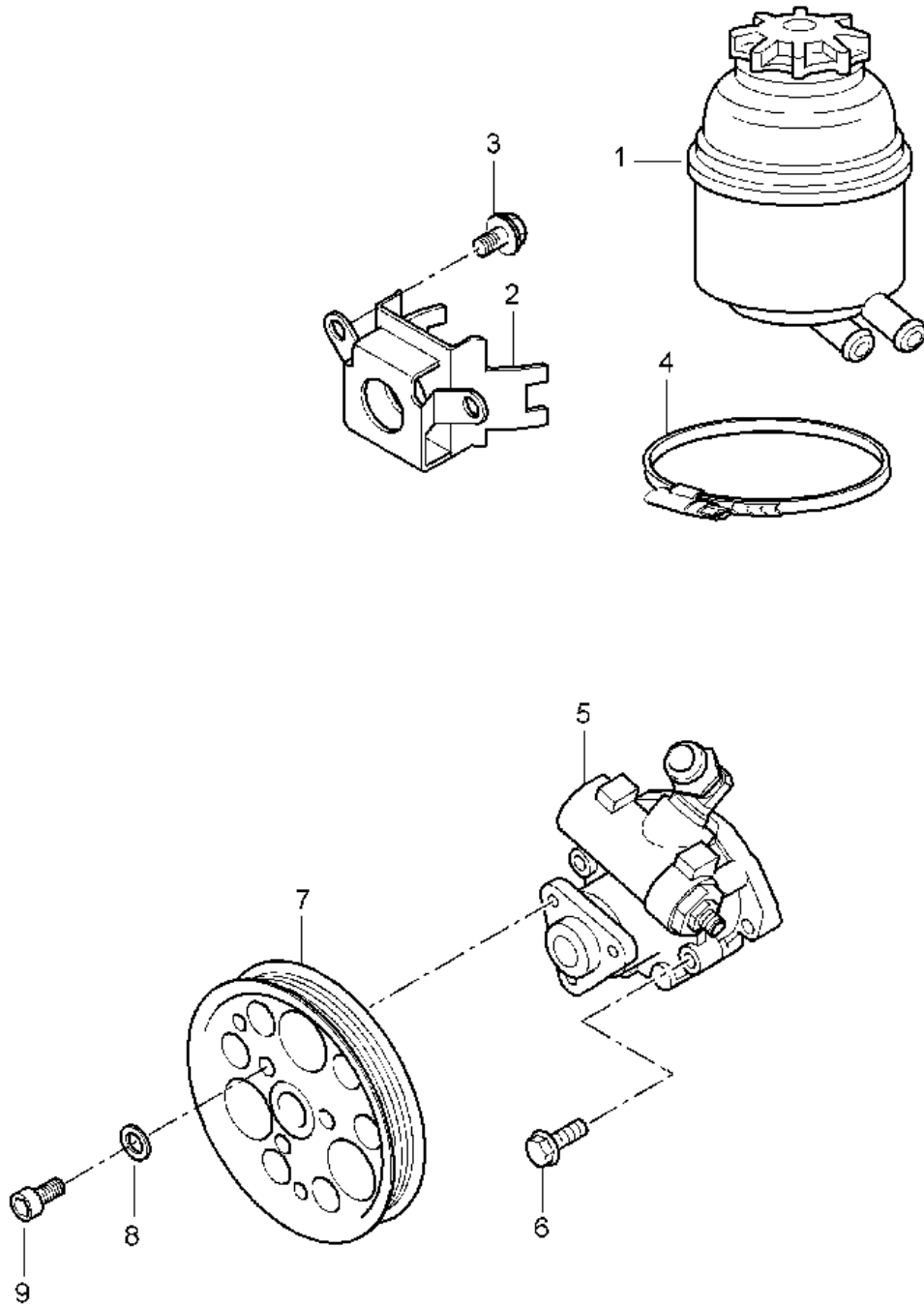
Model: 980 04

Model life 2004>>2006

Pos	Part Number	Description	Remark	Qty	Model
24	999 507 520 40	Line bracket 8 / 12 / 10		4	
-	999 513 054 40	Tie-wrap 3,5 - 45 Mount Line bracket 999.507.520.40		4	
25	999 919 231 A2	Stud T5 X 13		1	
-	999 507 374 40	Line bracket 10 / 10		1	

Model: 980 04

Model life 2004>>2006



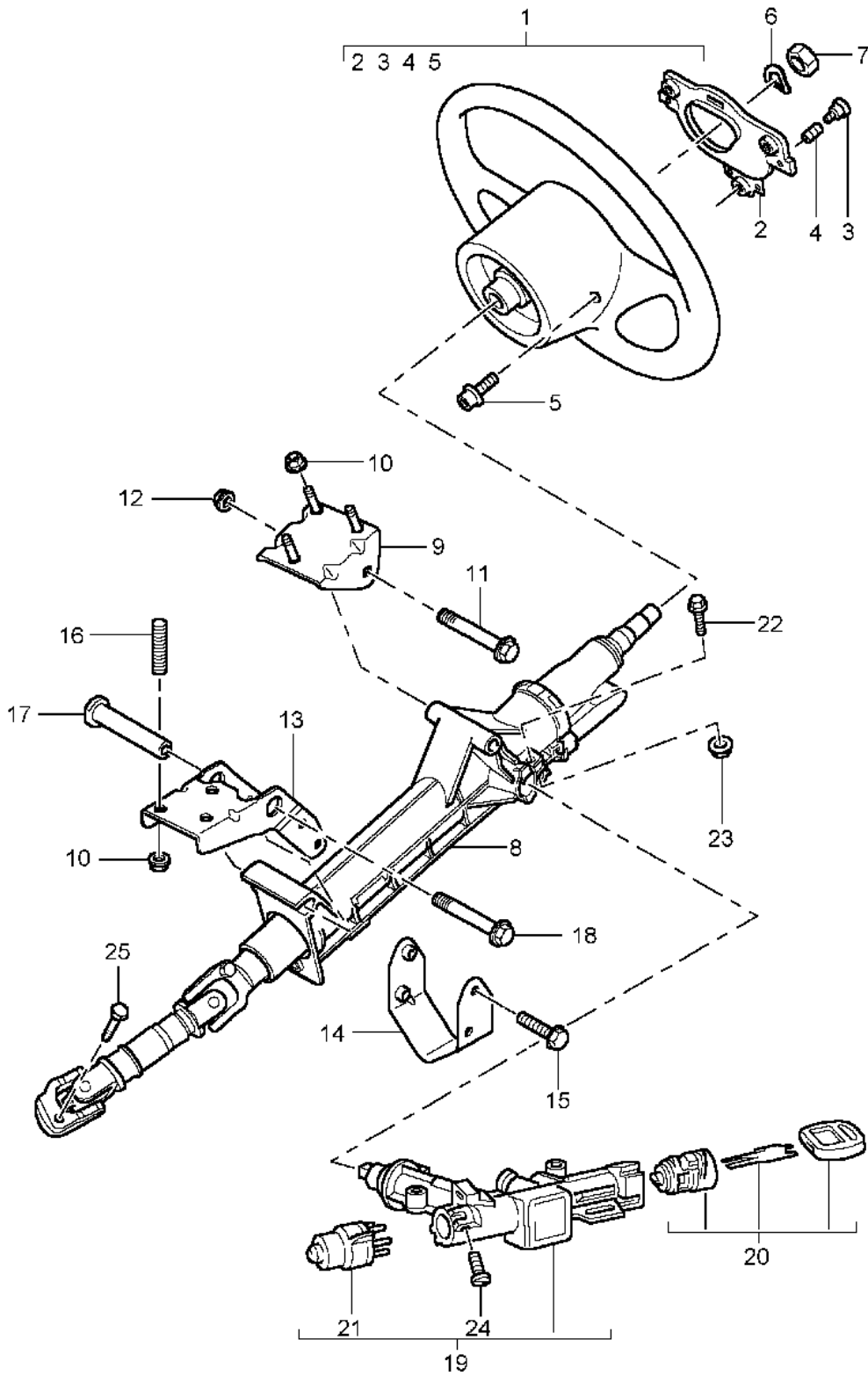
Model: 980 04

Model life 2004>>2006

Pos	Part Number	Description	Remark	Qty	Model
		Power steering			
		Power-steering pump			
		Oil tank			
1	980 347 015 02	Oil tank		1	
2	980 347 363 01	Support		1	
		Oil tank			
3	900 378 204 A2	Hexagon-head bolt		2	
		M 6 X 12			
4	999 512 350 02	Hose clamp		1	
		A 80 - 100			
5	980 314 050 03	Power-steering pump		1	
6	900 378 022 09	Hexagon-head bolt		3	
		AM 8 X 25			
7	980 147 511 00	Pulley		1	
		Power-steering pump			
8	900 031 001 02	Washer		3	
		8,4			
8	900 031 105 01	Washer		3	
		8,4			
9	900 119 052 02	Pan-head screw		3	
		M 8 X 16			
(9)	900 119 052 01	Pan-head screw		6	
		M 8 X 16			
-	000 043 203 33	Pentosin		X	
		CHF 11S			
		1 LITER			
-	000 043 206 56	Pentosin		X	
		CHF 202			
		1 LITER			

Model: 980 04

Model life 2004>>2006

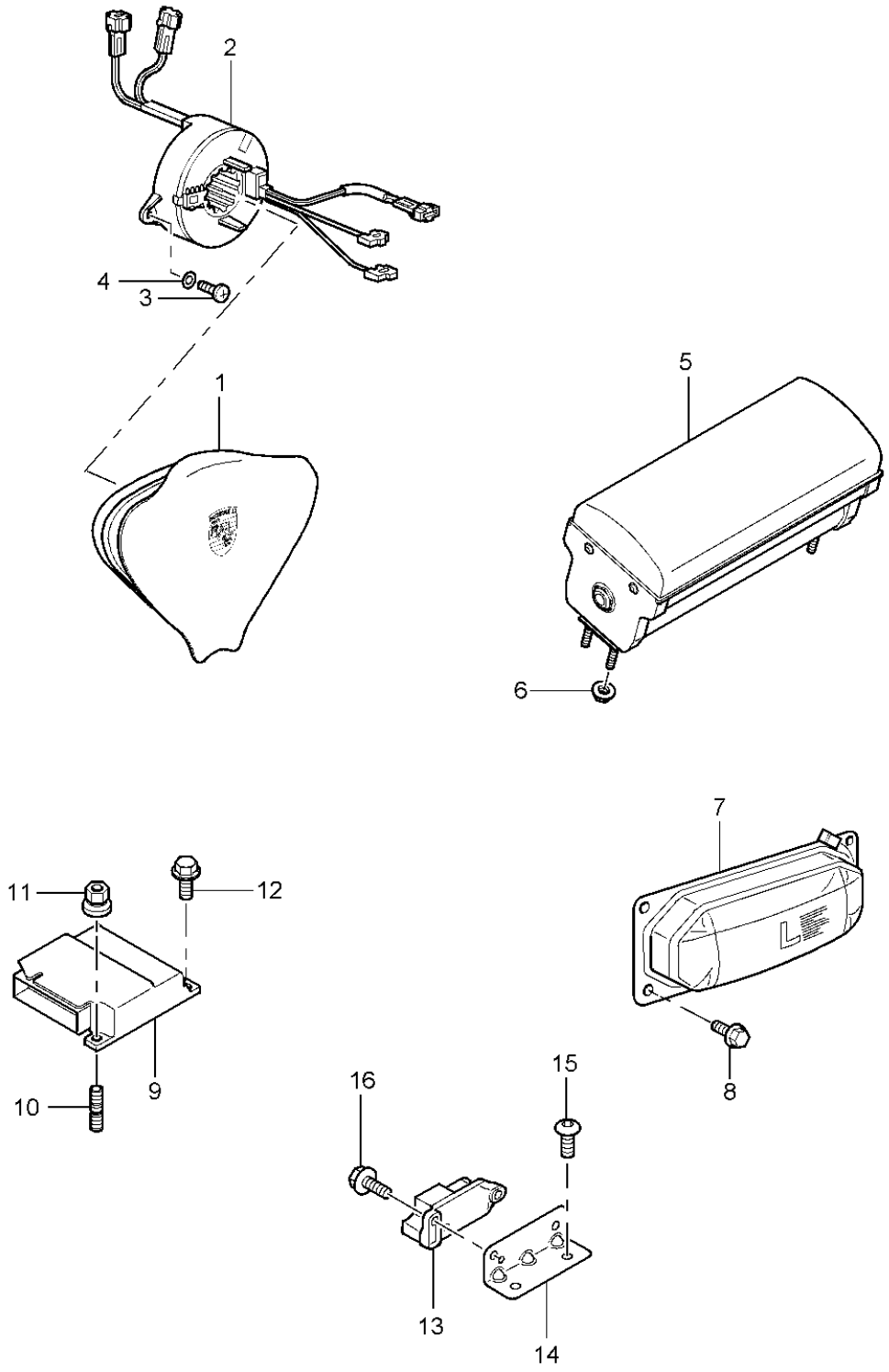


Model: 980 04 Model life 2004>>2006

Pos	Part Number	Description	Remark	Qty	Model
1	980 347 804 50	Steering wheels Steering column Steering shaft Steering wheel Leather		1	
	980 347 804 50 9N2	Terracotta			
	980 347 804 50 D11	Dark grey/natural			
	980 347 804 50 FKA	Ascot brown/natural Black/natural			
2	996 347 880 02	Retaining frame		1	
3	999 073 184 02	Round head screw M 5 X 10,7		3	
4	999 521 079 02	Compression spring		3	
5	999 073 183 02	Pan-head screw M 6 X 10,5		2	
6	N 012 238 1	Spring washer B 16		1	
7	900 078 006 01	Hexagon nut M 16 X 1,5		1	
8	980 347 007 00	Steering column Complete		1	
9	980 347 213 01	Support		1	
10	900 380 005 09	Hexagon nut M 8		6	
11	900 378 095 09	Hexagon-head bolt M 10 X 100		1	
12	900 380 008 09	Lock nut M 10		1	
12	900 380 008 01	Hexagon nut M 10		1	
13	980 347 215 01	Support		1	
(13)	980 347 215 02	Support		1	
14	980 347 221 00	Clip		1	
15	999 217 020 02	Hexagon-head bolt M6 X 10		4	
15	999 217 020 01	Hexagon-head bolt M6 X 10		4	
16	900 060 082 A2	Stud M 8 FO X 20		3	
17	980 347 219 00	Threaded sleeve		1	
18	900 378 254 09	Hexagon-head bolt M 10 X 40		1	
19	996 347 017 07	Steering lock		1	
20	996 347 917 02	Lock cylinder with stipulated lock number		1	
(20)	996 347 915 02	Lock cylinder W/o stipulated lock number		1	
21	4B0 905 849	Ignition starter switch		1	
22	900 378 157 09	Hexagon-head bolt AM 6 X 25		1	
23	900 380 015 09	Hexagon nut M 6		1	
23	900 380 015 01	Hexagon nut M 6		1	
24	996 347 901 00	Slotted screw		2	
25	999 217 042 09	Hexagon-head bolt M 8 X 35		1	

Model: 980 04

Model life 2004>>2006



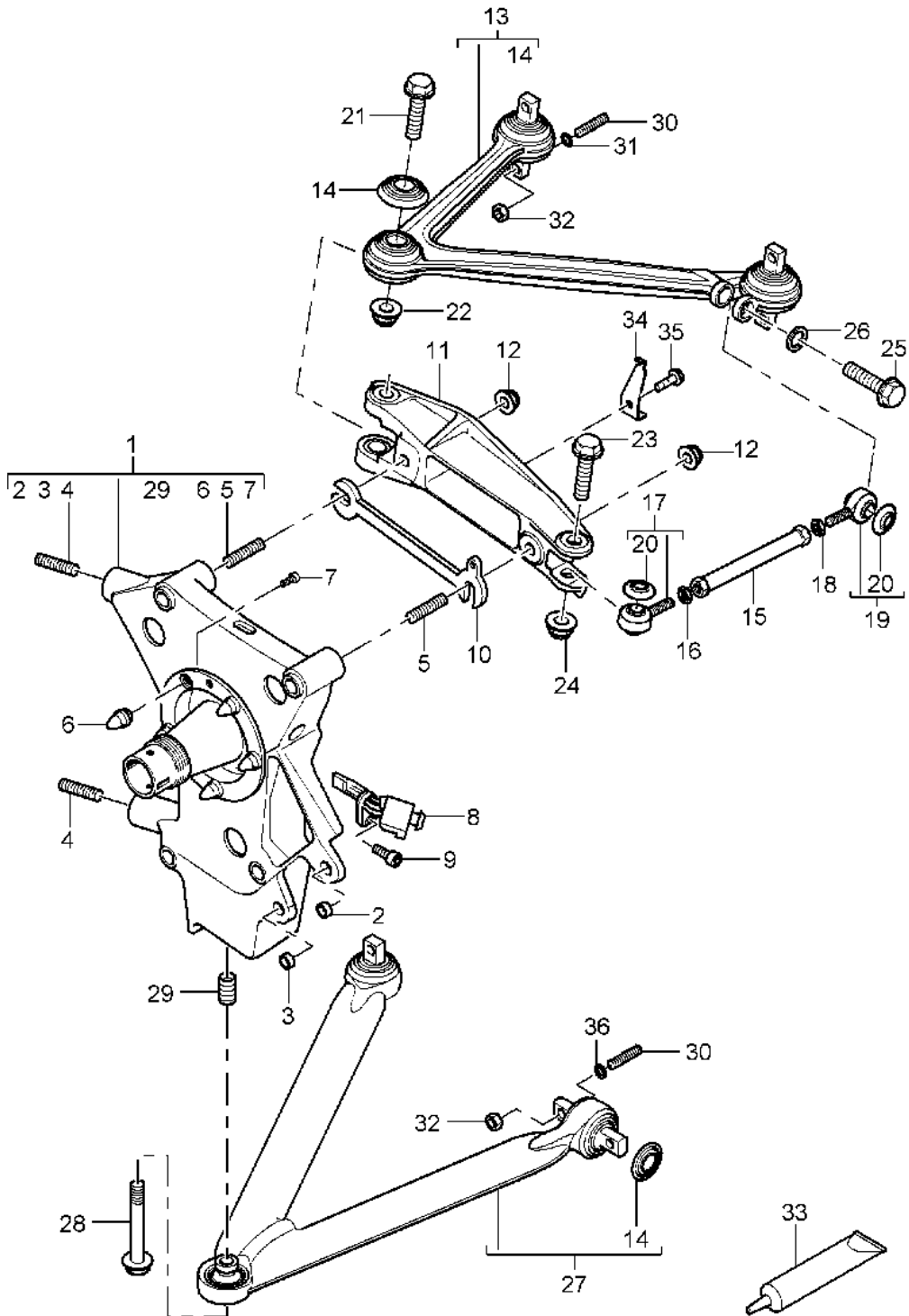
Model: 980 04

Model life 2004>>2006

Pos	Part Number	Description	Remark	Qty	Model
1	996 803 089 05	Airbag Airbag unit Leather Driver's side		1	
	996 803 089 05 9N2	Terracotta			
	996 803 089 05 D11	Dark grey/natural			
	996 803 089 05 R20	Ascot brown/natural			
1	996 803 089 09	Airbag unit Leather Driver's side		1	
	996 803 089 09 9N2	Terracotta			
	996 803 089 09 D11	Dark grey/natural			
	996 803 089 09 R20	Ascot brown/natural			
2	996 652 211 00	Support for contact		1	
3	900 146 024 07	Oval-head screw M 5 X 8		2	
4	900 028 007 07	Spring washer B 5		2	
5	980 803 071 00	Airbag unit Passenger's side		1	
6	900 380 015 09	Hexagon nut M6		4	
6	900 380 015 01	Hexagon nut M6		4	
7	996 803 091 00	Airbag unit Side airbag	/L	1	
(7)	996 803 092 00	Airbag unit Side airbag	/R	1	
8	900 378 035 A2	Hexagon-head bolt M 6 X 16		8	
9	996 618 219 02	Switch unit Airbag		1	
10	999 062 120 A2	Stud M 6 X 13		1	
11	999 084 635 02	Shear-off nut M 6		1	
12	900 378 125 A2	Hexagon-head bolt M 6 X 16		2	
13	980 618 221 00	Sensor Side airbag		2	
14	980 618 213 00	Support Sensor Side airbag		2	
15	999 015 026 A2	Oval-head screw M 6 X 16		4	
16	900 378 204 A2	Hexagon-head bolt M 6 x 12		4	

Model: 980 04

Model life 2004>>2006



Model: 980 04

Model life 2004>>2006

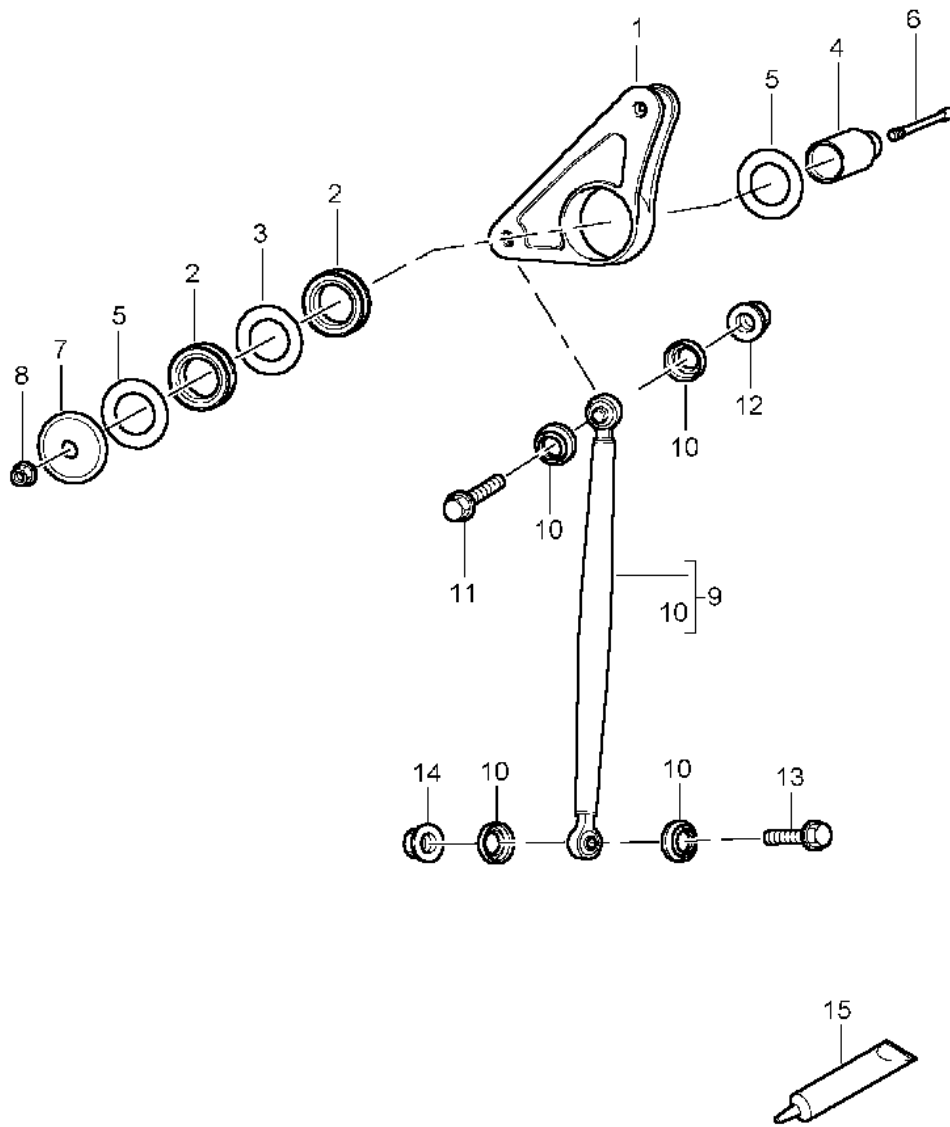
Pos	Part Number	Description	Remark	Qty	Model
1	980 331 911 00	Rear axle Wheel carrier Wishbone Wheel hub Wheel carrier Complete Comprising: Wheel carrier Stud M 10 X 30 Stud M 12 X 1,5 X 50 Bearing Lid Hexagon-head bolt M 8 X 35 Wheel hub Knurled nut M 8 Knurled nut M 10 Threaded insert M 10 X 20	/L	1	
(1)	980 331 912 00	Wheel carrier Complete Comprising: Wheel carrier Stud M 10 X 30 Stud M 12 X 1,5 X 50 Bearing Lid Hexagon-head bolt M 8 X 35 Wheel hub Knurled nut M 8 Knurled nut M 10 Threaded insert M 10 X 20	/R	1	
2	980 331 315 00	Knurled nut M 8		2	
3	980 331 317 00	Knurled nut M 10 Information available		2	
4	999 218 116 09	Stud M 12 X 1,5 X 50		4	
5	900 305 014 09	Stud M 10 X 30		4	
6	9R1 331 614 00	Driving pin		10	
7	900 067 408 09	Pan-head screw M 8 X 25		10	
8	7H0 927 803	Speed sensor	/L	1	
(8)	7H0 927 804	Speed sensor	/R	1	
9	900 067 117 09	Pan-head screw M 6 X 16		2	
10	980 331 351 00	Spacer plate 1 MM		4	
(10)	980 331 351 01	Spacer plate 1 MM		4	
11	980 331 113 00	Steering arm	-05	2	

Model: 980 04 Model life 2004>>2006

Pos	Part Number	Description	Remark	Qty	Model
(11)	980 331 113 01	Steering arm	06-	2	
12	900 380 008 09	Lock nut M 10		4	
12	900 380 008 01	Hexagon nut M 10		4	
13	980 331 043 00	Wishbone Upper		2	
14	999 593 122 43	Boot		24	
15	980 331 245 00	Track rod		2	
16	900 034 045 09	Hexagon nut Right thread M 12		2	
17	999 593 120 01	Swivel head Right thread		2	
18	900 034 044 09	Hexagon nut Left thread		2	
19	999 593 126 01	Swivel head Left thread		2	
20	999 593 120 43	Boot		4	
21	900 378 020 09	Hexagon-head bolt M 12 X 1,5 X 90		2	
21	900 378 304 01	Hexagon-head bolt M 12 X 1,5 X 90		2	
22	999 084 445 09	Lock nut M 12 X 1,5		2	
23	900 378 133 09	Hexagon-head bolt M 10 X 60		2	
24	900 380 008 09	Lock nut M 10		2	
24	900 380 008 01	Hexagon nut M 10		2	
25	900 074 192 09	Hexagon-head bolt M 10 X 55		2	
26	900 031 005 09	Washer 10		2	
27	980 331 041 01	Wishbone Lower		2	
28	980 331 601 00	Fit bolt M 10 X 81		2	
29	999 504 646 00	Threaded insert M 10 X 20		2	
30	900 305 013 A2	Stud M 10 X 25		16	
31	999 025 059 30	Washer 10,2 X 19,5 X 2,0		8	
32	900 817 003 02	Lock nut M 10		16	
33	000 043 205 34	Grease 1 tube 100 ML		X	
34	980 610 235 01	Support	/L	1	
(34)	980 610 236 01	Support	/R	1	
35	900 378 177 09	Hexagon-head bolt AM 6 X 30		2	
36	999 025 066 30	Washer 10,2 X 19,5 X 3,5		8	

Model: 980 04

Model life 2004>>2006



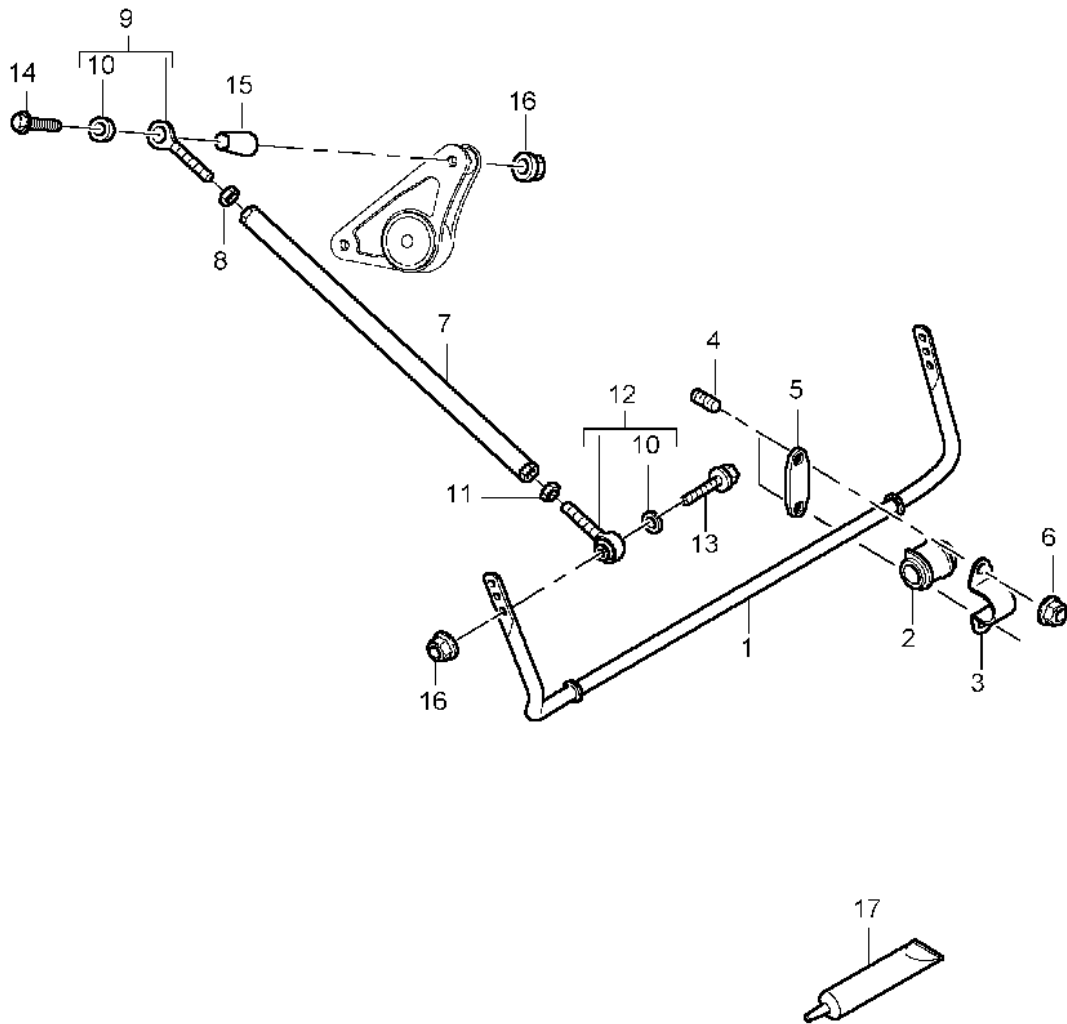
Model: 980 04

Model life 2004>>2006

Pos	Part Number	Description	Remark	Qty	Model
		Rear axle			
		Rocker arm			
		Push rod			
1	980 333 267 00	Rocker arm		2	
2	900 201 502 00	Needle-roller bearing		4	
(2)	900 201 503 00	Needle-roller bearing		4	
3	980 333 375 00	Adjusting shim		2	
4	980 333 367 00	Rocker shaft		2	
		Standard			
(4)	980 333 368 00	Rocker shaft		2	
		Oversize			
5	980 333 371 00	Thrust washer		4	
6	980 333 767 00	Stud		2	
		MJ 8 X 135			
7	980 333 779 00	Lid		2	
8	900 817 002 02	Hexagon nut		2	
		M 8			
9	980 333 257 01	Push rod	/L	1	
(9)	980 333 257 03	Push rod	/L	1	
(9)	980 333 257 04	Push rod	/L	1	
		suspension			
		10 MM			
		High			
		see			
		Retrofit kit			
		000.044.500.40			
(9)	980 333 258 01	Push rod	/R	1	
(9)	980 333 258 03	Push rod	/R	1	
(9)	980 333 258 04	Push rod	/R	1	
		suspension			
		10 MM			
		High			
		see			
		Retrofit kit			
		000.044.500.40			
10	999 593 124 43	Boot		8	
11	999 311 049 02	Fit bolt		2	
		MJ 10 X 50			
12	900 817 003 02	Lock nut		2	
		M 10			
13	900 378 249 09	Hexagon-head bolt		2	
		AM 10 X 55			
14	900 380 008 09	Lock nut		2	
		M 10			
14	900 380 008 01	Hexagon nut		2	
		M 10			
15	000 043 205 34	Grease		X	
		1 tube			
		100 ML			
(15)	000 043 981 00	Grease		X	
		1 tube			
		25 ML			

Model: 980 04

Model life 2004>>2006



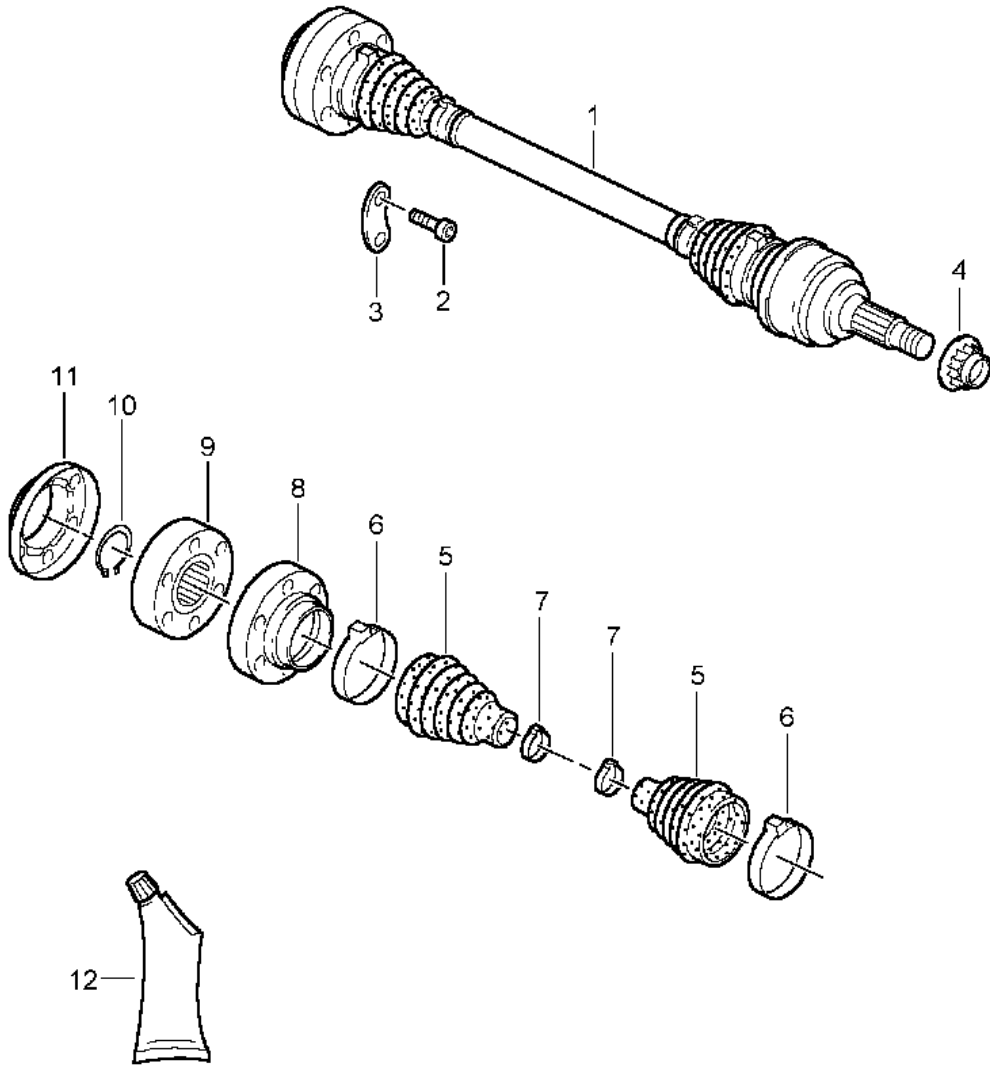
Model: 980 04

Model life 2004>>2006

Pos	Part Number	Description	Remark	Qty	Model
1	980 333 071 01	Stabiliser		1	
2	980 333 792 00	Stabiliser mounting 17,2 MM		2	
3	996 343 777 01	Clip		2	
4	900 305 013 A2	Stud M 10 X 25		4	
5	980 333 775 00	Spacer		2	
6	900 380 008 09	Lock nut M 10		4	
6	900 380 008 01	Hexagon nut M 10		4	
7	980 333 630 01	Connecting rod		2	
8	900 034 045 09	Hexagon nut M 12		2	
9	999 593 120 01	Right thread Swivel head Right thread		2	
10	999 593 120 43	Boot		4	
11	900 034 044 09	Hexagon nut M 12		2	
12	999 593 126 01	Left thread Swivel head Left thread		2	
13	999 311 048 02	Fit bolt MJ 10 X 40		2	
14	999 311 050 02	Fit bolt MJ 10 X 102		2	
15	980 333 403 00	Spacer sleeve		2	
16	900 817 003 02	Lock nut M 10		4	
17	000 043 205 34	Grease 1 tube 100 ML		X	

Model: 980 04

Model life 2004>>2006

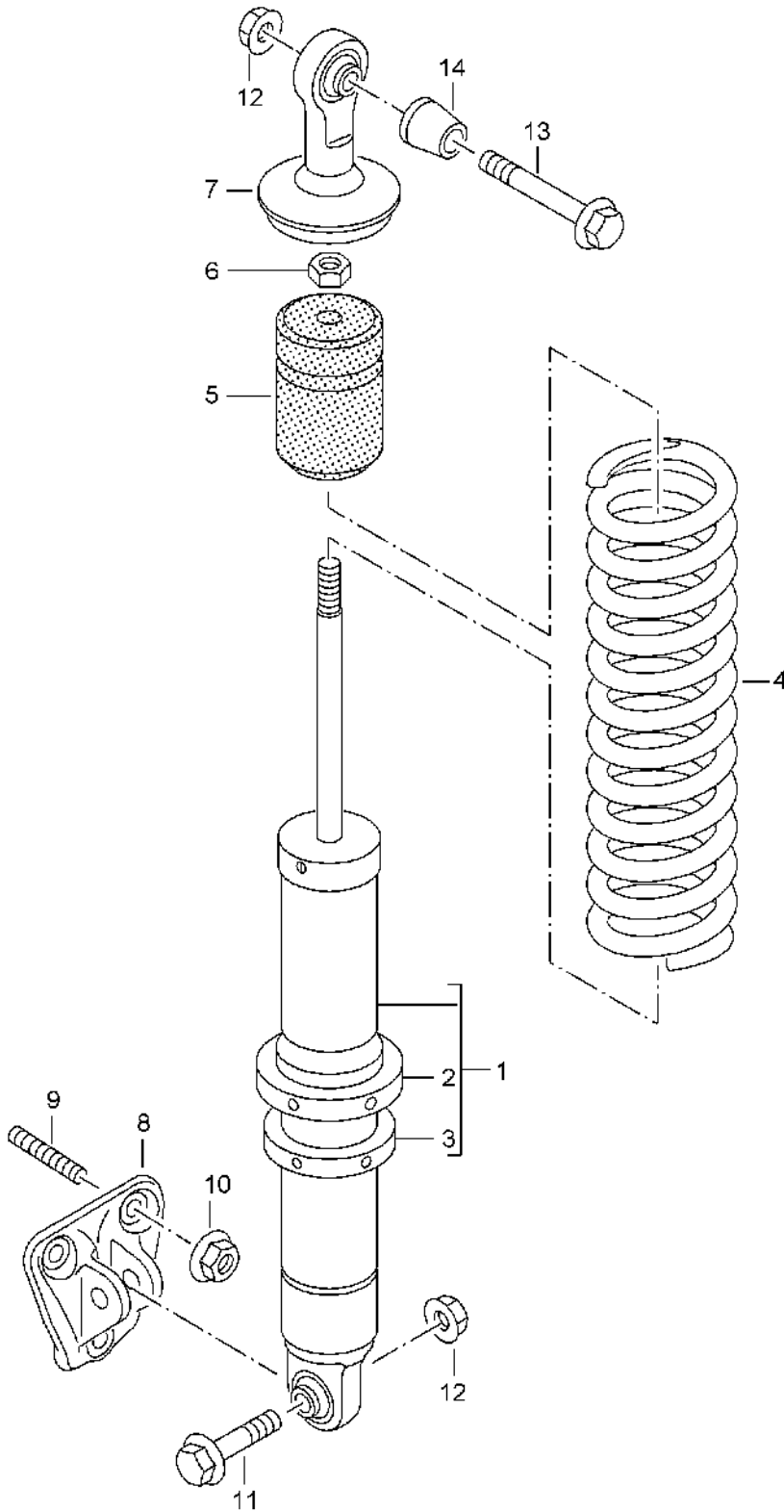


Model: 980 04 Model life 2004>>2006

Pos	Part Number	Description	Remark	Qty	Model
1	980 332 024 01	Drive shaft		2	
(1)	980 332 024 02	Drive shaft		2	
2	900 067 087 01	Pan-head screw M 10 X 55		12	
3	955 332 191 20	Plate		12	
(3)	955 332 191 21	Plate		12	
4	955 341 640 00	Lock nut M 24 X 1,5		2	
(4)	WHT 006 779	Lock nut M 24 X 1,5		2	
5	980 332 293 00	Bellows		4	
6	N 909 473 01	Clamp 75 X 10 X 1		4	
7	N 909 342 01	Clamp 37,5 X 10 X 0,8		4	
8	7L0 501 269 A	Bellow support for Bellows		2	
(8)	7L0 501 269 B	Bellow support for Bellows		2	
9	7L0 501 331 A	Constant-velocity joint		2	
10	N 012 375 1	Circlip 30 X 1,5		2	
11	980 332 267 00	Lid		2	
(11)	980 332 267 01	Lid		2	
12	000 043 110 01	Grease Grease for drive shaft 1 100-gramme tube		X	
(12)	000 043 205 36	Sealing compound Drive shaft STUCARIT 309 1 100-gramme tube		X	
-	000 043 204 85	Cavity preservation Spraying can 400 ML		X	

Model: 980 04

Model life 2004>>2006



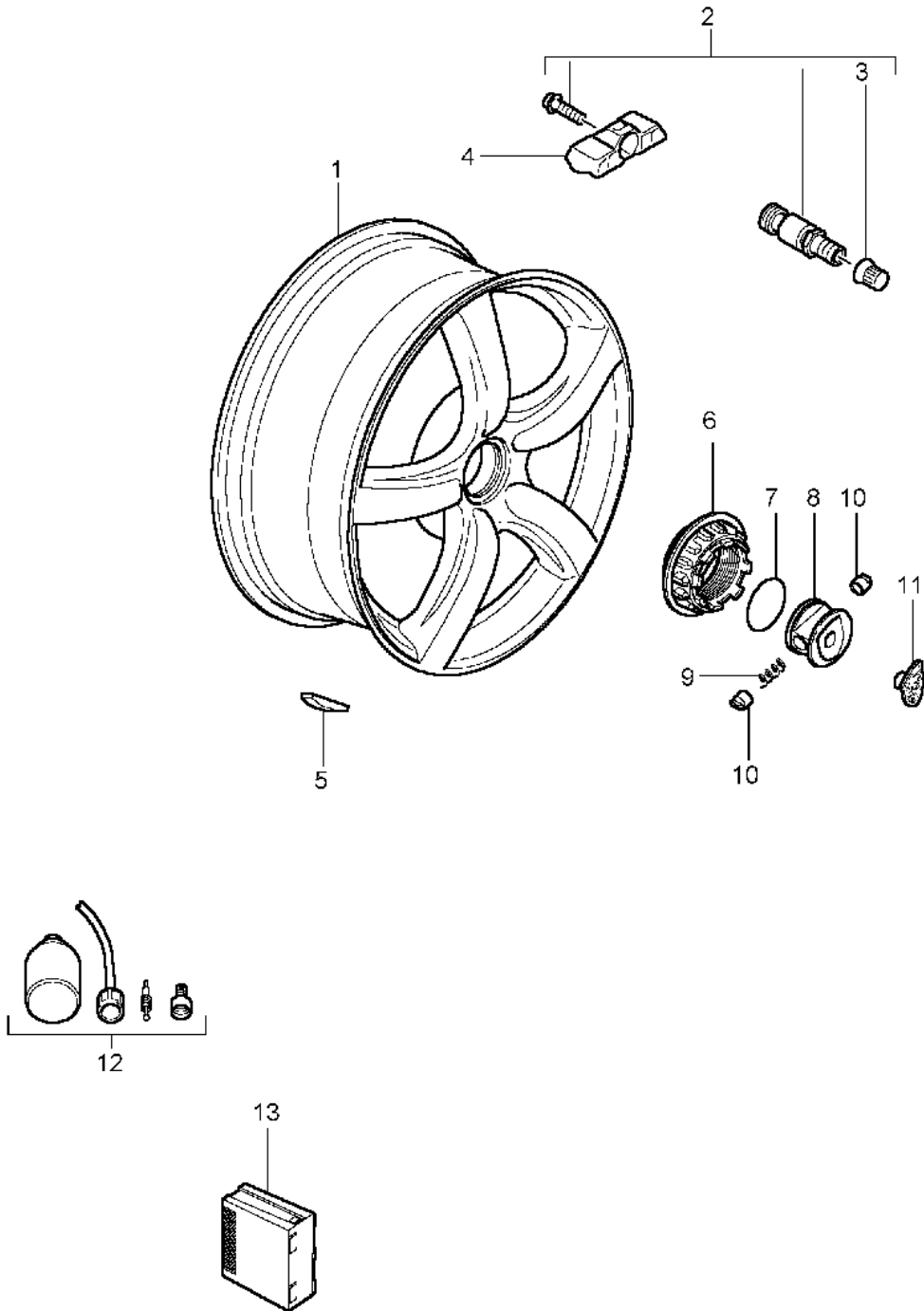
Model: 980 04

Model life 2004>>2006

Pos	Part Number	Description	Remark	Qty	Model
		suspension			
		Shock absorber strut			
		Bearing bracket			
1	980 333 051 03	Vibration damper		2	
2	980 333 505 00	Concave washer		2	
3	980 333 549 00	Ring		2	
4	980 333 531 01	Coil spring		2	
5	980 333 541 00	Rubber stop		2	
6	980 333 547 00	Hexagon nut		2	
		M 12 X 1			
7	980 333 513 01	Shock absorber eye		2	
8	980 333 281 01	Bearing bracket		2	
9	900 060 082 A2	Stud		6	
		M 8 X 20			
10	900 380 005 09	Hexagon nut		6	
		M 8			
11	999 311 049 02	Fit bolt		2	
		MJ 10 X 50			
12	900 817 003 02	Lock nut		4	
		M 10			
13	999 311 050 02	Fit bolt		2	
		MJ 10 X 102			
14	980 333 403 00	Spacer sleeve		2	

Model: 980 04

Model life 2004>>2006



Model: 980 04

Model life 2004>>2006

Pos	Part Number	Description	Remark	Qty	Model
1	980 362 158 08	Wheels Disc wheel 9,5 J X 19" ET 6,2	/V	2	
(1)	980 362 174 12	Disc wheel 12,5 J X 20" ET 39,3	/H	2	
2	955 361 053 00	Valve Aluminium		4	
3	N 908 729 01	Cap		4	
4		See illustrations 6/01/05		4	
5	955 361 410 50	Balance stick-on weight 5 G.		X	
(5)	1K0 601 178 C	Balance stick-on weight 5 G.		X	
(5)	997 361 405 00	Balance stick-on weight 5 G.		X	
(5)	955 361 410 00	Balance stick-on weight 10 G.		X	
(5)	1K0 601 179 C	Balance stick-on weight 10 G.		X	
(5)	997 361 410 00	Balance stick-on weight 10 G.		X	
(5)	955 361 411 50	Balance stick-on weight 15 G.		X	
(5)	1K0 601 181 C	Balance stick-on weight 15 G.		X	
(5)	997 361 415 00	Balance stick-on weight 15 G.		X	
(5)	955 361 411 00	Balance stick-on weight 20 G.		X	
(5)	1K0 601 182 C	Balance stick-on weight 20 G.		X	
(5)	997 361 420 00	Balance stick-on weight 20 G.		X	
(5)	955 361 412 50	Balance stick-on weight 25 G.		X	
(5)	1K0 601 183 C	Balance stick-on weight 25 G.		X	
(5)	997 361 425 00	Balance stick-on weight 25 G.		X	
(5)	955 361 412 00	Balance stick-on weight 30 G.		X	
(5)	1K0 601 184 C	Balance stick-on weight 30 G.		X	
(5)	997 361 430 00	Balance stick-on weight 30 G.		X	
(5)	955 361 413 50	Balance stick-on weight 35 G.		X	
(5)	1K0 601 185 C	Balance stick-on weight 35 G.		X	
(5)	997 361 435 00	Balance stick-on weight 35 G.		X	
(5)	955 361 413 00	Balance stick-on weight 40 G.		X	
(5)	1K0 601 186 C	Balance stick-on weight 40 G.		X	
(5)	997 361 440 00	Balance stick-on weight 40 G.		X	
(5)	955 361 414 50	Balance stick-on weight 45 G.		X	
(5)	1K0 601 187 C	Balance stick-on weight		X	

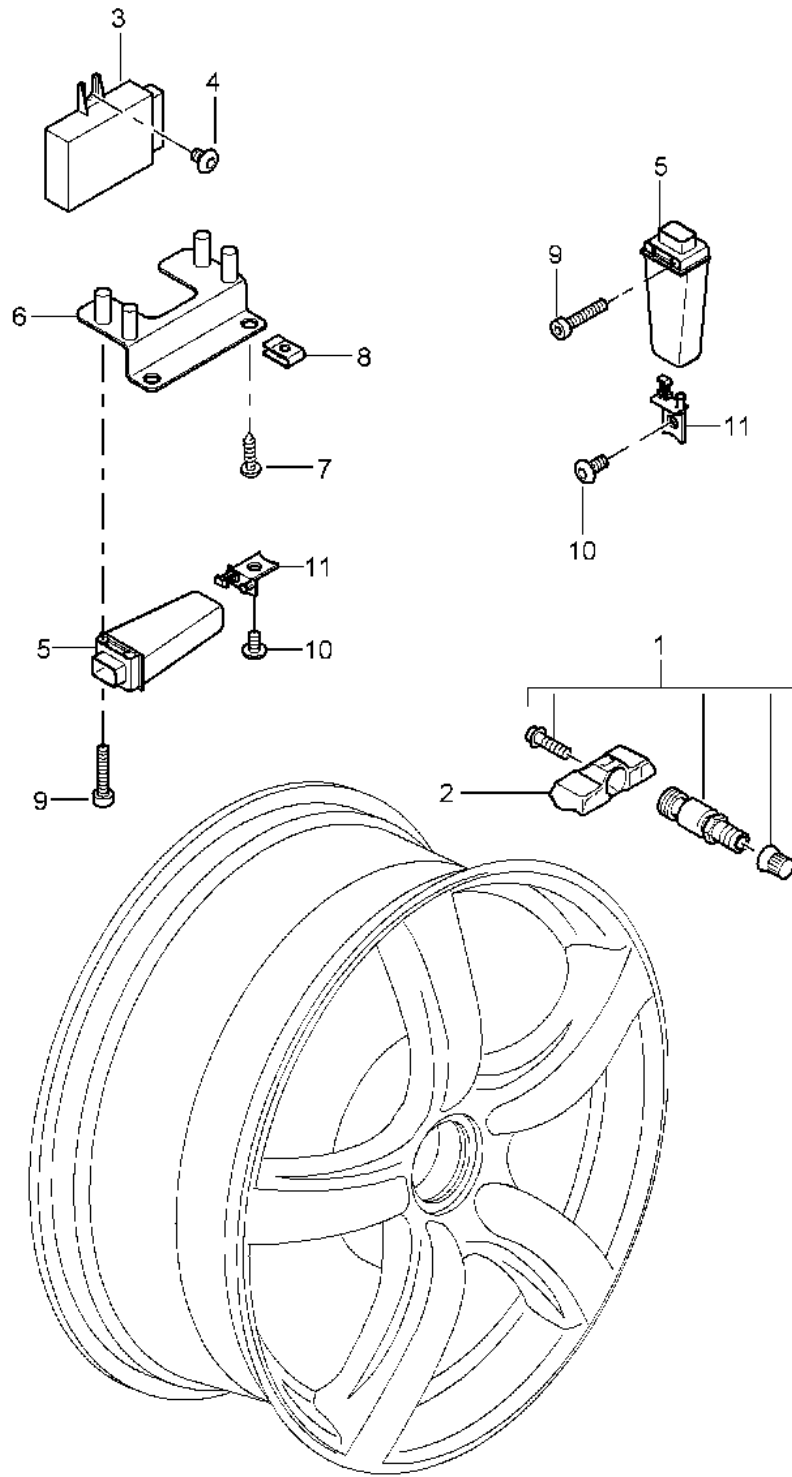
Model: 980 04

Model life 2004>>2006

Pos	Part Number	Description	Remark	Qty	Model
(5)	997 361 445 00	45 G. Balance stick-on weight		X	
(5)	955 361 414 00	45 G. Balance stick-on weight		X	
(5)	1K0 601 188 C	50 G. Balance stick-on weight		X	
(5)	997 361 450 00	50 G. Balance stick-on weight		X	
(5)	955 361 415 50	50 G. Balance stick-on weight		X	
(5)	1K0 601 189 C	55 G. Balance stick-on weight		X	
(5)	997 361 455 00	55 G. Balance stick-on weight		X	
(5)	955 361 415 00	55 G. Balance stick-on weight		X	
(5)	1K0 601 190 C	60 G. Balance stick-on weight		X	
(5)	997 361 460 00	60 G. Balance stick-on weight		X	
6	980 331 307 00	Nut Front and rear Central locking Right thread Identification Red	/L	2	
(6)	980 331 308 00	Nut Front and rear Central locking Left thread Identification Blue	/R	2	
7	999 707 410 40	O-ring 39,2 X 3		4	
8	980 341 739 00	Stopper Use also: 999.707.410.40		4	
(8)	980 341 739 01	Stopper Use also: 999.707.410.40		4	
9	980 341 741 00	Compression spring		4	
10	980 341 737 00	Pin		8	
11	980 361 303 00	Hub cap		4	
12	955 722 631 00	Compressed air bottle with Sealing compound		1	
13	996 652 053 00	Compressor		1	
13	997 652 051 00	Compressor		1	
13	997 652 055 00	Compressor		1	
-	955 721 247 00	Adapter for Compressor 996.652.053.00		1	
(13)	997 652 051 00	Compressor		1	
(13)	997 652 055 00	Compressor for Emergency wheel		1	
-	000 043 300 35	Spraying can MC LUBE SAILKOTE HIGH PERFORMANCE		1	

Model: 980 04

Model life 2004>>2006



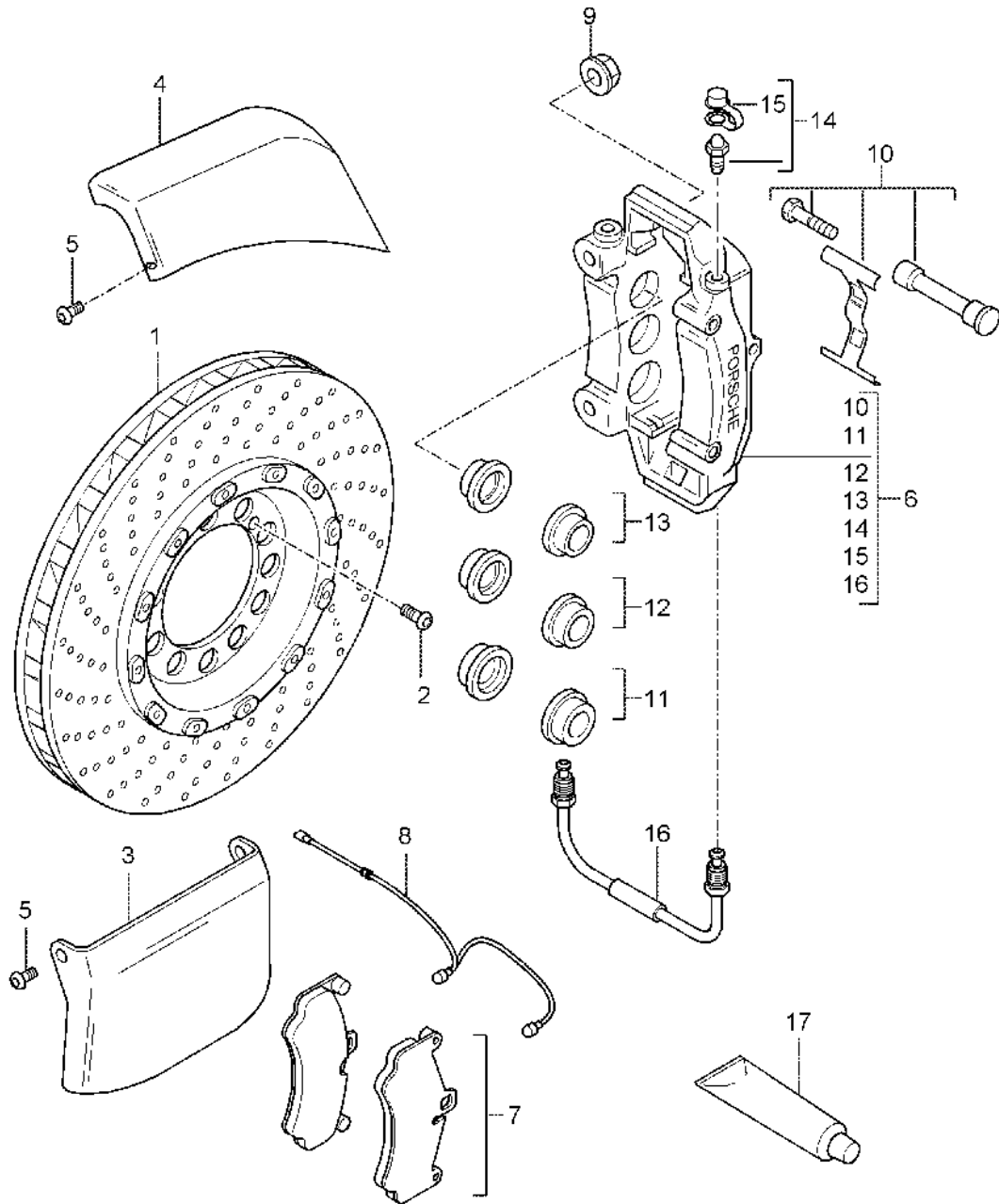
Model: 980 04

Model life 2004>>2006

Pos	Part Number	Description	Remark	Qty	Model
1		Tyre pressure monitoring See illustrations 6/01/00		4	I482/483
2	997 606 021 00	Sensor Tyre pressure monitoring Use also: 955.361.053.00		4	I482
(2)	997 606 021 01	Sensor Tyre pressure monitoring Use also: 955.361.053.00		4	I482
(2)	997 606 023 00	Sensor Tyre pressure monitoring Use also: 955.361.053.00		4	I483
(2)	997 606 023 01	Sensor Tyre pressure monitoring Use also: 955.361.053.00		4	I483
(2)	997 606 023 02	Sensor Tyre pressure monitoring Use also: 955.361.053.00	(J) - (ROK)	4	I074/193/483
(2)	997 606 025 00	Information available Sensor Tyre pressure monitoring Use also: 955.361.053.00	(ROK)	4	I483
3	980 618 103 00	Control unit Tyre pressure monitoring		1	
4	999 073 268 A2	Oval-head screw M 5 X 12		2	
5	997 606 101 00	Antenna Use also: 997.606.225.00		4	I482
(5)	997 606 103 00	Antenna Use also: 997.606.225.00		4	I483
6	980 606 181 00	Support Antenna Front axle		2	
7	999 073 231 09	Tapping screw ST 4,8 X 16		4	
8	999 507 668 02	Speed nut ST 4,8		4	
8	999 507 668 01	Speed nut ST 4,8		4	
9	N 019 909 1	Pan-head screw M 5 X 35		8	
10	999 073 269 09	Oval-head screw M 5 X 16		4	
11	997 606 225 00	Clip Mount Antenna		4	

Model: 980 04

Model life 2004>>2006



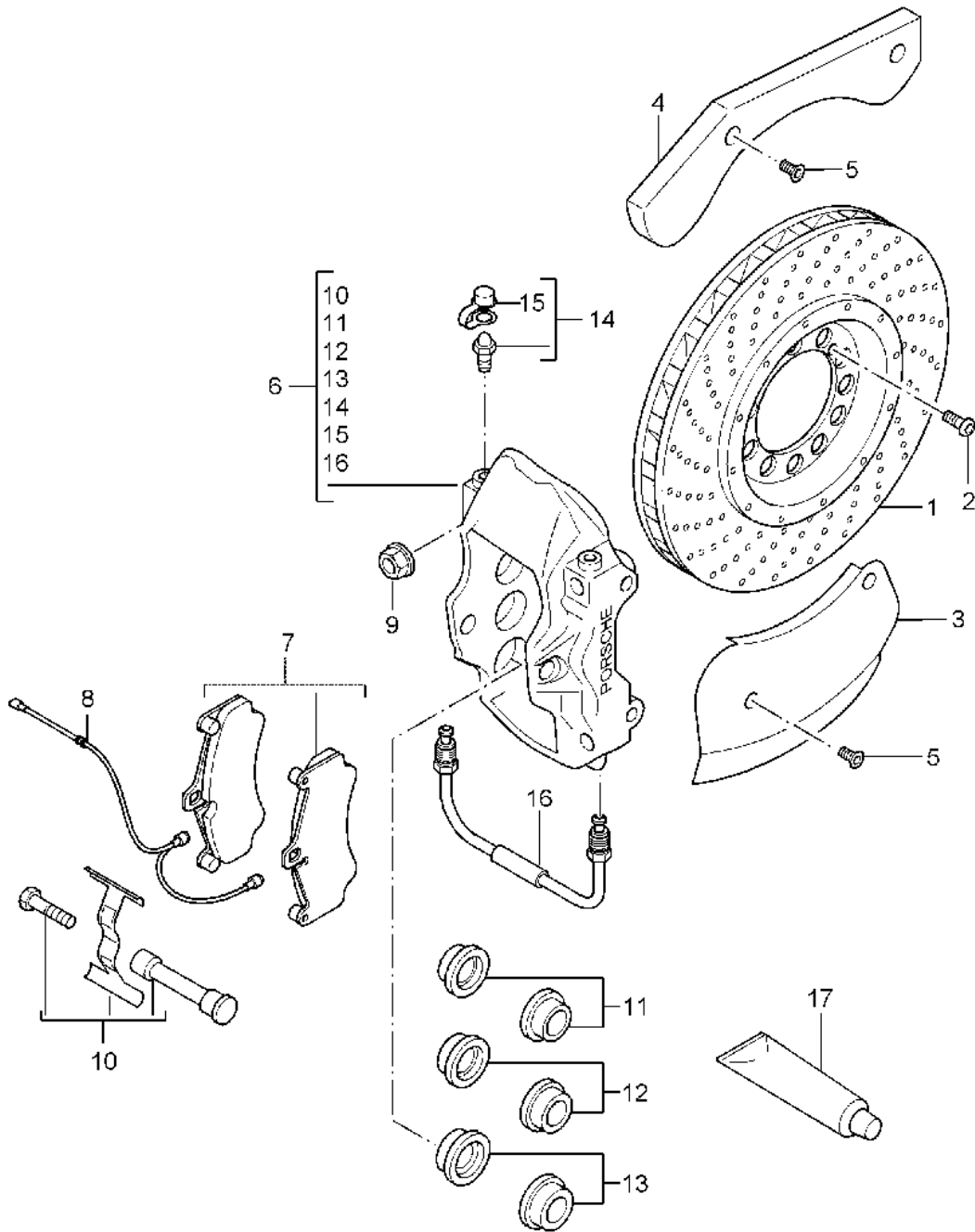
Model: 980 04

Model life 2004>>2006

Pos	Part Number	Description	Remark	Qty	Model
		Disc brake Front axle			
1	980 352 031 03	Brake disc	/L	1	
(1)	980 352 032 03	Brake disc	/R	1	
2	999 015 025 A2	Lens-head screw M 6 X 12		4	
3	980 351 801 00	Cover plate Lower	/L	1	
(3)	980 351 802 00	Cover plate Lower	/R	1	
4	980 351 803 00	Cover plate Upper	/L	1	
(4)	980 351 804 00	Cover plate Upper	/R	1	
5	900 623 007 00	Hexagon socket head bolt M 6 X 12		12	
6	980 351 421 00	Fixed calliper without pad	/L	1	
(6)	980 351 422 00	Fixed calliper without pad	/R	1	
7	980 351 939 00	Brake pad repair set Comprising: Brake pad Use also: Mounting parts		1 4	
-	996 352 086 01	Damping plate		6	
8	980 612 347 01	Warning contact		2	
9	900 817 004 02	Hexagon nut M 12 X 1,5		4	
10	996 351 959 30	Repair kit Mounting parts Comprising: Tension strut Spring Locking screw		1 2 2 2	
11	951 352 917 00	Repair kit Protection caps 28 MM		2	
12	996 351 915 00	Repair kit Protection caps 32 MM		2	
13	951 351 917 00	Repair kit Protection caps 36 MM		2	
14	930 351 919 00	Ventilation valve with Dust boot		4	
15	930 351 927 00	Dust boot		4	
15	930 351 927 01	Dust boot		4	
16	980 351 961 00	Connecting line		2	
17	000 043 117 00	Brake cylinder paste 50 GR.		X	
(17)	000 043 020 00	Optimoly 1 100-gramme tube		X	

Model: 980 04

Model life 2004>>2006

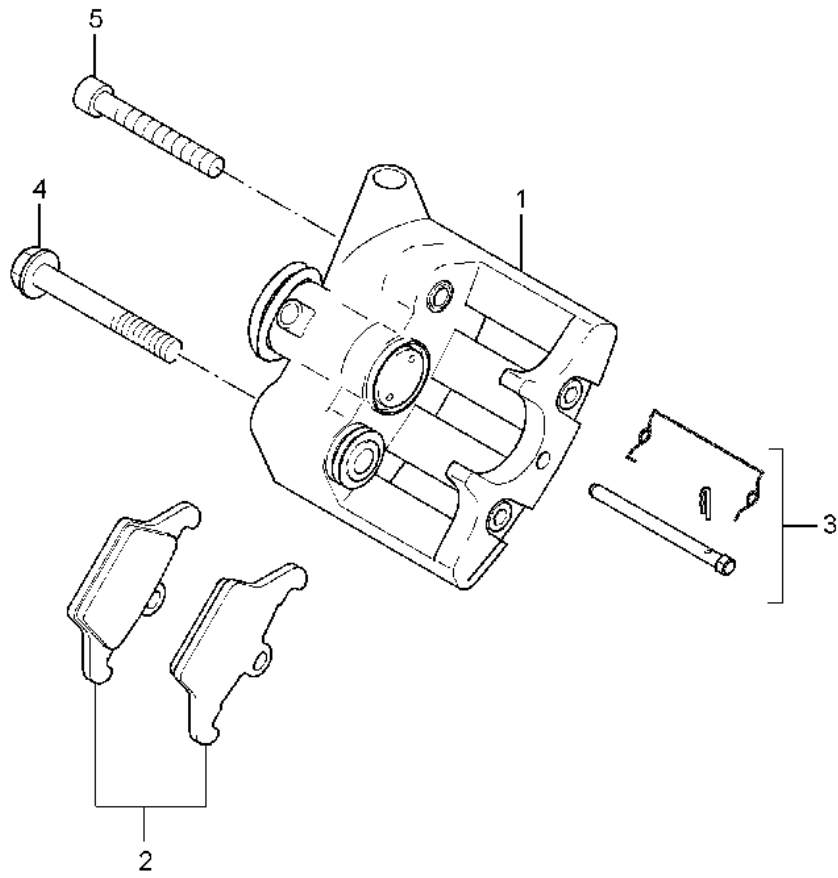


Model: 980 04 Model life 2004>>2006

Pos	Part Number	Description	Remark	Qty	Model
		Disc brake Rear axle			
1	980 352 031 03	Brake disc	/L	1	
(1)	980 352 032 03	Brake disc	/R	1	
2	999 015 025 A2	Lens-head screw M 6 X 12		4	
3	980 352 801 01	Cover plate Lower	/L	1	
(3)	980 352 802 01	Cover plate Lower	/R	1	
4	980 352 803 00	Cover plate Upper	/L	1	
(4)	980 352 804 00	Cover plate Upper	/R	1	
5	900 249 001 02	Countersunk-head screw M 6 X 15		8	
6	980 352 421 01	Fixed calliper without pad	/L	1	
(6)	980 352 422 01	Fixed calliper without pad	/R	1	
7	980 351 939 00	Brake pad repair set Comprising: Brake pad Use also: Mounting parts		1 4	
-	996 352 086 01	Damping plate		6	
8	997 612 677 00	Warning contact		2	
-	944 612 627 00	Line bracket 4,75 / 7,4 Mount Brake pad wear indicator Wiring harness		4	
9	900 817 004 02	Hexagon nut M 12 X 1,5		4	
10	996 351 959 30	Repair kit Mounting parts Comprising: Tension strut Spring		1 2 2	
11	951 352 917 00	Locking screw Repair kit Protection caps 28 MM		2 2	
12	951 352 917 01	Repair kit Protection caps 30 MM		2	
13	996 351 915 00	Repair kit Protection caps 32 MM		2	
14	930 351 919 00	Ventilation valve with Dust boot		4	
15	930 351 927 00	Dust boot		4	
15	930 351 927 01	Dust boot		4	
16	980 351 961 00	Connecting line		2	
17	000 043 117 00	Brake cylinder paste 50 GR.		X	
(17)	000 043 020 00	Optimoly 1 100-gramme tube		X	

Model: 980 04

Model life 2004>>2006



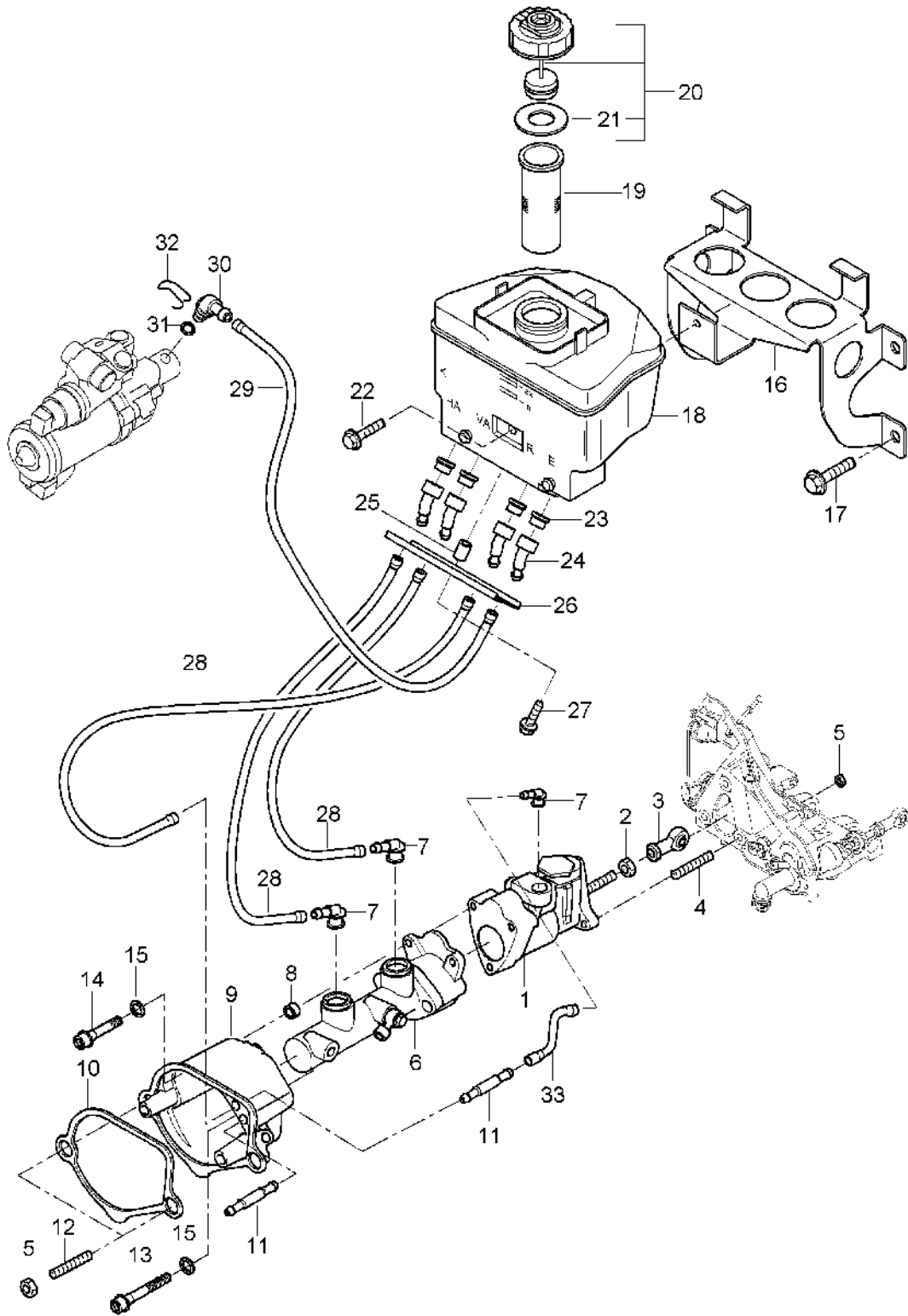
Model: 980 04

Model life 2004>>2006

Pos	Part Number	Description	Remark	Qty	Model
1	980 352 995 00	Fixed calliper for Handbrake Fixed calliper without pad	/L	1	
(1)	980 352 996 00	Fixed calliper without pad	/R	1	
2	980 352 949 02	Brake pad repair set Comprising: Brake pad		1 4	
3	980 352 915 00	Use also: Mounting parts Repair kit Mounting parts Comprising: Retaining pin Spring	/L	1 1 1	
(3)	980 352 916 00	Retaining spring Repair kit Mounting parts Comprising: Retaining pin Spring	/R	1 1 1	
4	900 378 264 09	Retaining spring Hexagon-head bolt AM 10 X 77		1 2	
5	900 067 406 09	Pan-head screw M 8 X 62		2	

Model: 980 04

Model life 2004>>2006



Model: 980 04 Model life 2004>>2006

Pos	Part Number	Description	Remark	Qty	Model
		Brake master cylinder			
		Brake booster			
		Brake fluid reservoir			
1	980 355 125 00	Brake booster		1	
2	900 157 002 02	Hexagon nut		1	
		M 10			
(2)	900 157 002 03	Hexagon nut		1	
		M 10			
3		See illustrations		1	
		7/02/00			
4	900 060 082 A2	Stud		3	
		M 8 X 20			
5	900 380 005 09	Hexagon nut		5	
		M 8			
6	980 355 025 01	Brake master cylinder		1	
7	911 355 323 00	Intake socket		3	
8	999 209 078 30	Spacer sleeve		3	
		8.3 X 2.85 X 9.5			
9	980 423 261 02	Housing		1	
10	980 423 561 01	Gasket		1	
11	980 423 293 02	Adapter		2	
12	900 060 083 09	Stud		2	
		BM 8 X 40			
13	900 067 435 01	Pan-head screw		1	
		M 8 X 75			
14	N 014 715 3	Pan-head screw		2	
		M 8 X 45			
(14)	900 067 103 01	Pan-head screw		2	
		M 8 X 45			
15	900 025 007 07	Washer		3	
		A 8			
16	980 355 463 03	Support		1	
		Brake fluid reservoir			
17	900 378 035 A2	Hexagon-head bolt		4	
		M 6 X 16			
18	993 355 113 50	Container		1	
		Brake fluid			
19	964 355 187 01	Restrictor bush		1	
20	993 355 181 50	Threaded cover		1	
		with			
		Bleeding			
21	911 355 908 00	Gasket		1	
22	900 378 125 A2	Hexagon-head bolt		1	
		M 6 X 16			
23	999 702 164 50	Rubber bush		4	
24	980 355 621 01	Adapter		4	
25	980 355 631 00	Threaded sleeve		1	
26	980 355 629 00	Retaining strip		1	
27	900 378 204 A2	Hexagon-head bolt		1	
		M 6 X 12			
28	980 355 429 00	Return line		3	
-	999 507 821 40	Line bracket		1	
		5,2 / 13,0			
		Mount			
		Return line			
		And			
		Brake line			
-	999 651 276 40	Cable holder		4	
		10,0 / 10,0			
		Return line			
29	980 355 317 01	Intake pipe		1	
-	999 507 821 40	Line bracket		1	
		5,2 / 13,0			

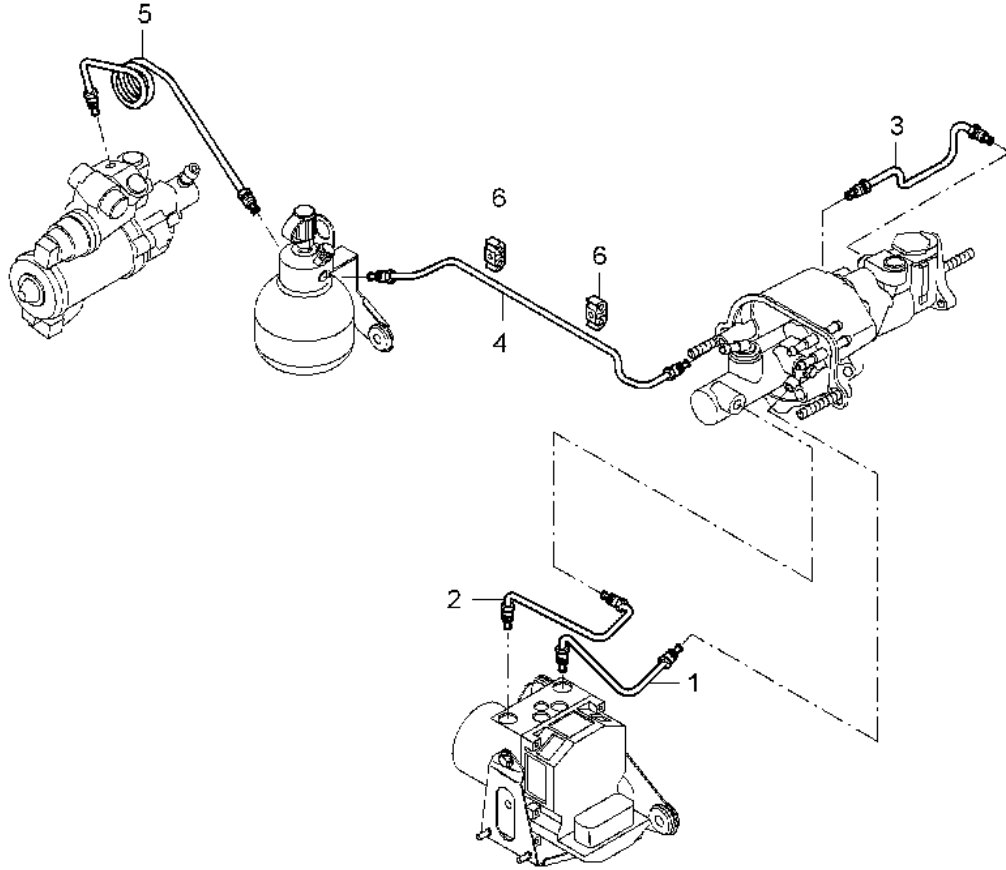
Model: 980 04

Model life 2004>>2006

Pos	Part Number	Description	Remark	Qty	Model
-	999 507 969 40	Mount Intake pipe And Brake line Hose holder 12,0 / 12,0 Mount Intake pipe And Pressure line Power steering		1	
30	980 355 633 00	Elbow		1	
31	999 707 075 40	O-ring 7,5 X 2		1	
32	999 021 003 00	Lock		1	
33	980 355 425 00	Return line		1	
-	000 043 203 66	Brake fluid SUPER DOT 4 1 LTR. Container		X	
-	000 043 205 25	Sealing compound SIKAFLEX 221 Seal Housing 980.423.261.02		X	

Model: 980 04

Model life 2004>>2006



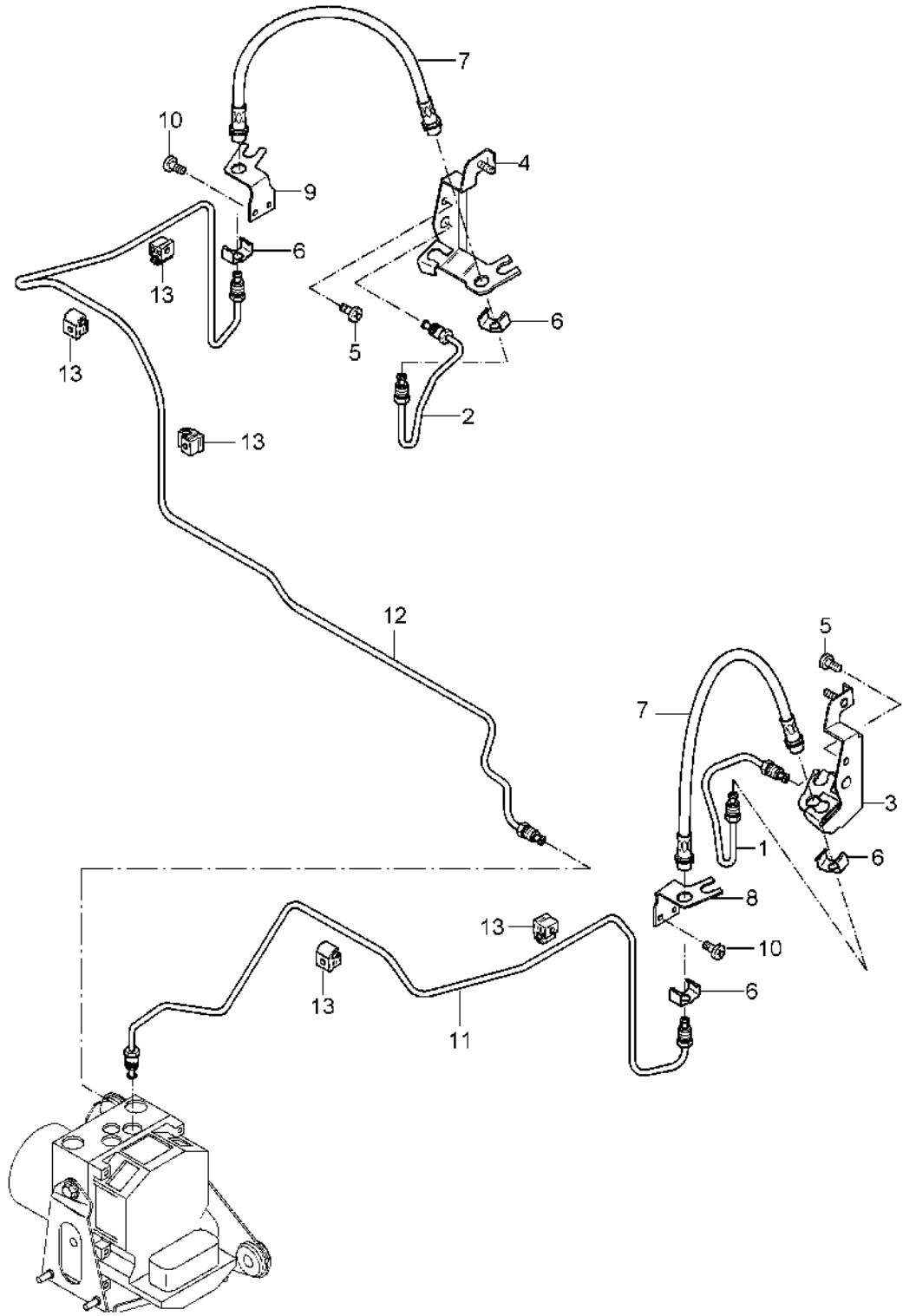
Model: 980 04

Model life 2004>>2006

Pos	Part Number	Description	Remark	Qty	Model
		Brake lines			
		Body front section			
1	980 355 311 02	Pressure line		1	
2	980 355 313 02	Pressure line		1	
3	980 355 353 01	Pressure line		1	
4	980 355 357 02	Pressure line		1	
5	980 355 457 00	Pressure line		1	
6	811 611 797	Support		2	

Model: 980 04

Model life 2004>>2006



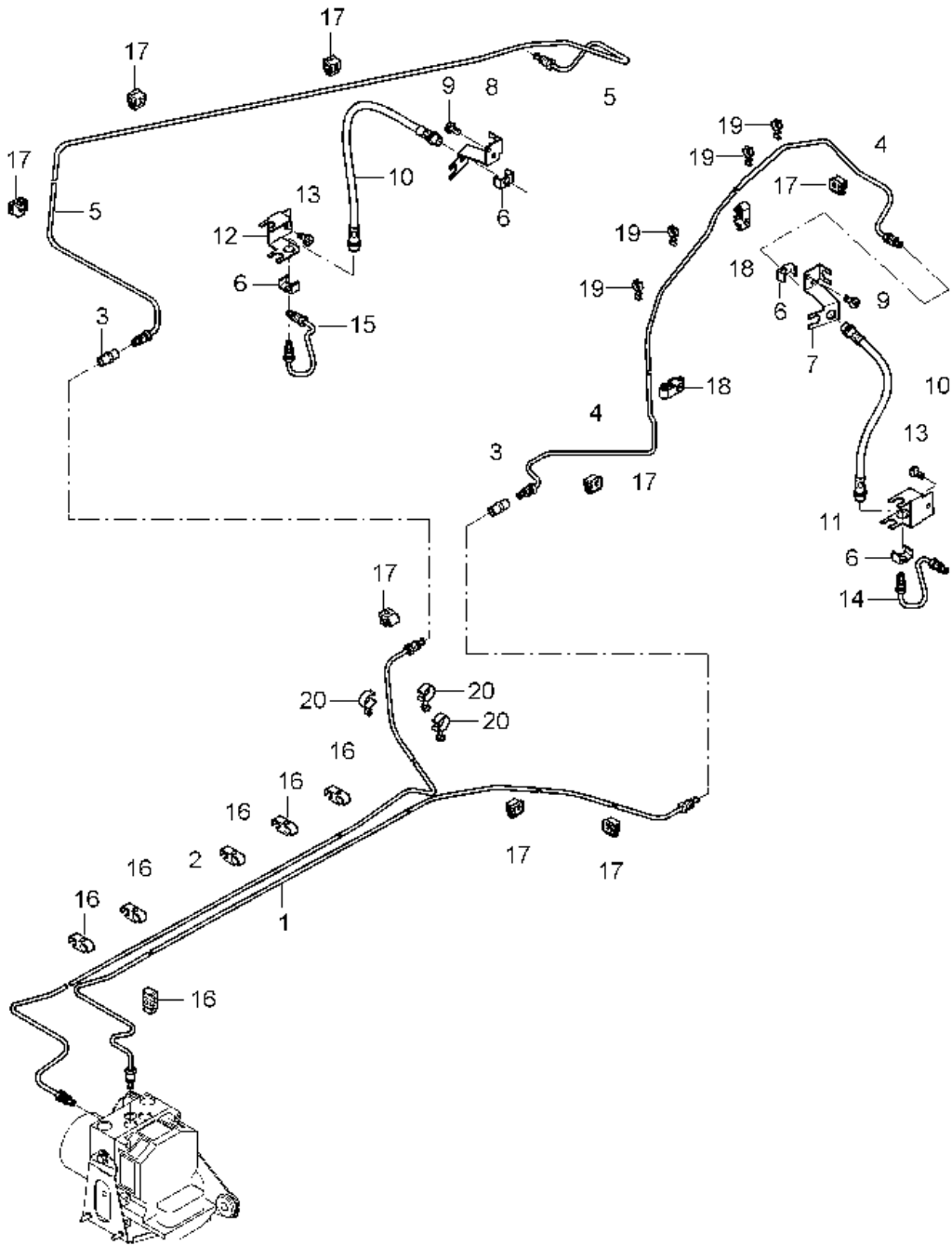
Model: 980 04

Model life 2004>>2006

Pos	Part Number	Description	Remark	Qty	Model
		Brake lines			
		Front axle			
1	980 355 581 00	Brake line	/L	1	
(1)	980 355 581 02	Brake line	/L	1	
2	980 355 582 00	Brake line	/R	1	
3	980 355 557 00	Support	/L	1	
4	980 355 558 00	Support	/R	1	
5	999 217 020 02	Hexagon-head bolt M 6 X 10		2	
(5)	999 217 020 01	Hexagon-head bolt M 6 X 10		2	
6	955 355 321 00	Retainer spring		4	
(6)	997 355 331 01	Retainer spring		4	
7	980 355 559 00	Brake hose		2	
8	980 355 571 00	Support	/L	1	
9	980 355 572 00	Support	/R	1	
10	999 073 268 A2	Oval-head screw M 5 X 12		4	
11	980 355 327 02	Brake line	/L	1	
12	980 355 326 01	Brake line	/R	1	
13	999 591 930 40	Support 4,75		5	
-	999 919 225 A2	Stud T 5 X 13		5	

Model: 980 04

Model life 2004>>2006



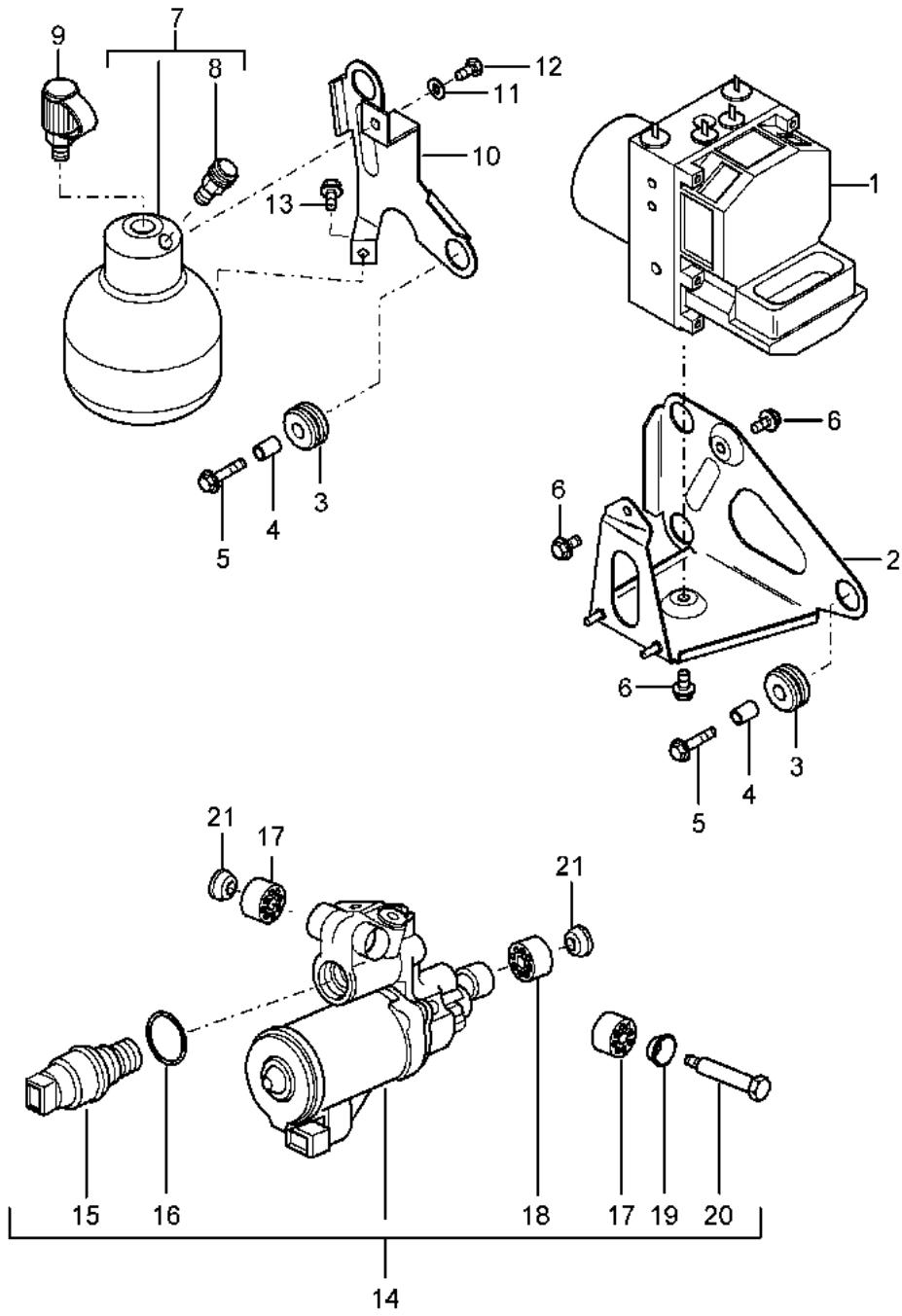
Model: 980 04

Model life 2004>>2006

Pos	Part Number	Description	Remark	Qty	Model
		Brake line			
		Underbody			
		Rear axle			
1	980 355 315 02	Brake line	/L	1	
2	980 355 316 02	Brake line	/R	1	
3	914 355 661 00	Intermediate piece		2	
4	980 355 189 01	Brake line	/L	1	
5	980 355 190 02	Brake line	/R	1	
6	955 355 321 00	Retainer spring		4	
(6)	997 355 331 01	Retainer spring		4	
7	980 355 573 01	Support	/L	1	
8	980 355 574 01	Support	/R	1	
9	999 073 268 A2	Oval-head screw M 5 X 12		4	
10	980 355 561 00	Brake hose		2	
11	980 355 555 01	Support	/L	1	
12	980 355 556 01	Support	/R	1	
13	999 217 020 02	Hexagon-head bolt M 6 X 10		2	
(13)	999 217 020 01	Hexagon-head bolt M 6 X 10		2	
14	980 355 585 01	Brake line	/L	1	
15	980 355 586 01	Brake line	/R	1	
16	811 611 797	Support 4,6 / 4,6		6	
17	999 591 930 40	Support 4,75		8	
-	999 919 225 A2	Stud T 5 X 13		13	
18	964 423 811 00	Support 4,7 / 8,0 / 4,7		2	
-	999 919 213 A2	Stud T 5 X 20		2	
19	999 507 095 40	Line bracket 7,5 / 5,2		4	
20	999 507 535 40	Line bracket 4,5 / 15,0 Mount Heater pipeline		3	

Model: 980 04

Model life 2004>>2006



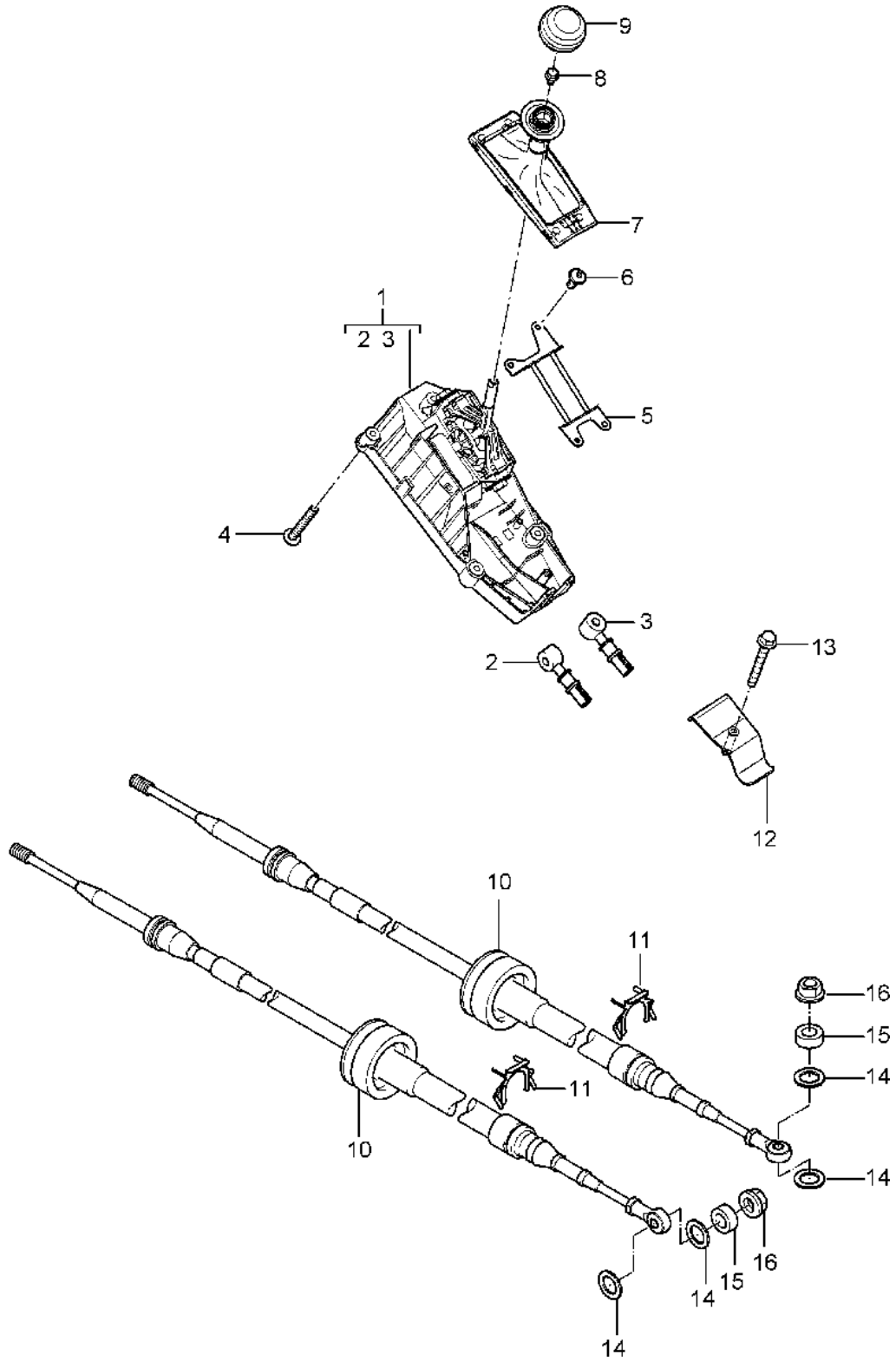
Model: 980 04

Model life 2004>>2006

Pos	Part Number	Description	Remark	Qty	Model
		Hydraulic unit Anti-lock brake system Control			
1	980 355 955 01	Hydraulic unit		1	
2	980 355 133 01	Support		1	
3	964 356 635 00	Rubber mounting		5	
4	955 343 633 00	Bearing sleeve		5	
5	900 075 482 A2	Combination screw M 6 X 30		5	
6	900 378 204 09	Hexagon-head bolt M 6 X 12		3	
7	993 355 109 03	Pressure accumulator		1	
8	964 355 809 00	Ventilation valve		1	
9	964 355 893 00	Valve		1	
10	993 355 451 01	Support		1	
11	900 025 004 09	Washer 6		1	
12	N 010 208 5	Hexagon-head bolt M 6 X 8		1	
13	900 378 036 09	Hexagon-head bolt M 6 X 12		1	
14	993 355 953 50	Pump		1	
15	964 606 904 00	Pressure switch		1	
16	999 707 094 40	O-ring 17,30 X 2,4		1	
17	964 355 906 00	Sleeve		2	
18	964 355 908 50	Sleeve		1	
19	999 025 202 02	Washer		1	
20	999 074 043 02	Hexagon-head bolt M 6 X 65		1	
21	999 025 202 02	Washer		2	

Model: 980 04

Model life 2004>>2006

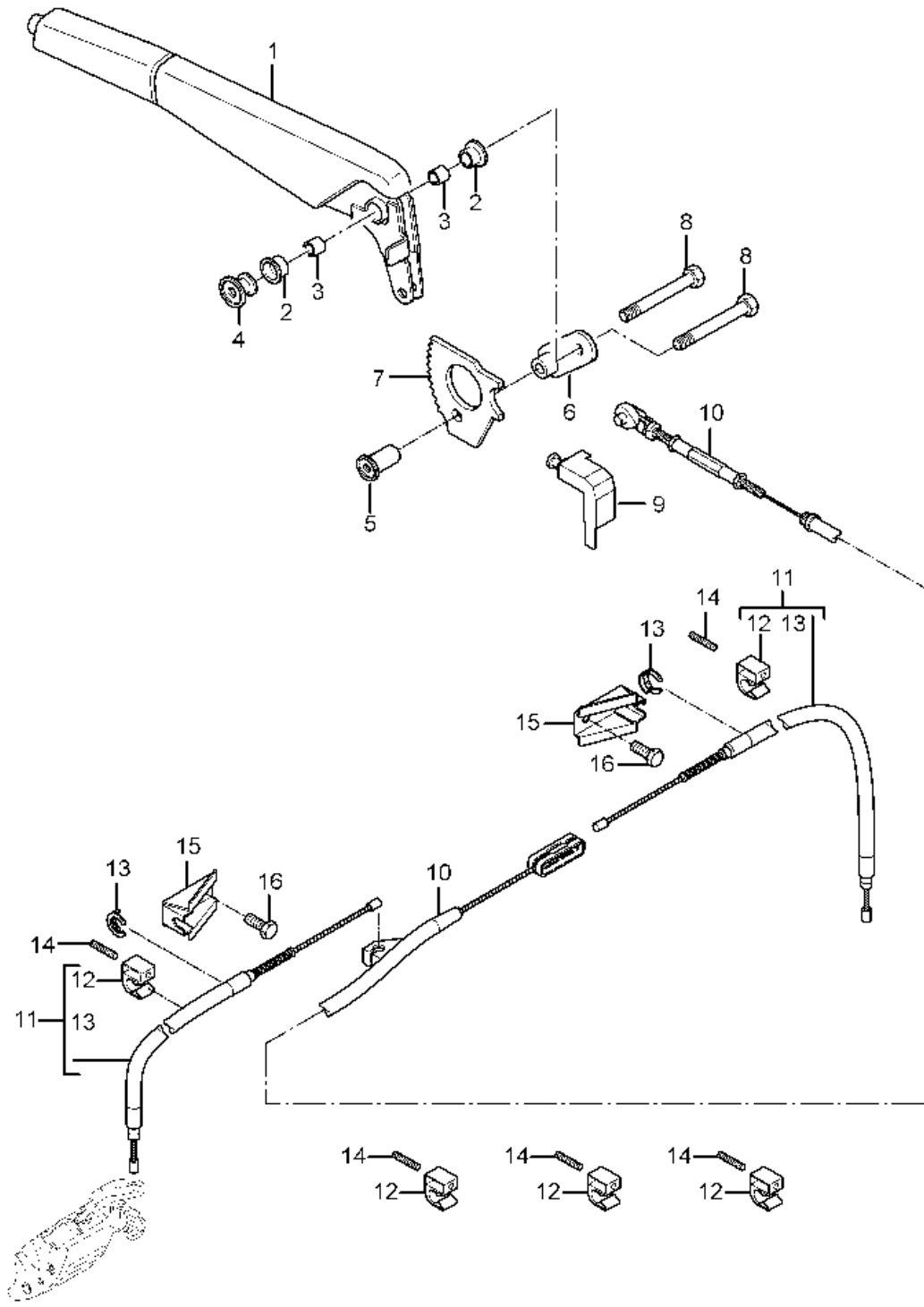


Model: 980 04 Model life 2004>>2006

Pos	Part Number	Description	Remark	Qty	Model
1	980 424 010 02	Transmission control Manual transmission		1	
2	996 424 145 01	Gearshift bracket		1	
-	996 424 445 00	Fastening part for Shift cable Adjustable		1	
3	996 424 147 00	Clip for Fastening part		1	
4	999 073 277 A2	Fastening part for Shift cable Adjustable		4	
5	980 424 020 01	Oval-head screw M 6 X 45		1	
6	999 073 268 A2	Stop Gearshift lever		4	
7	980 424 027 01	Oval-head screw M 5 X 12		1	
		Shift-lever knob Lower part with Leather bellows And Retaining frame			
	980 424 027 01 9N2	Terracotta			
	980 424 027 01 D11	Dark grey/natural			
	980 424 027 01 R20	Ascot brown/natural			
8	900 378 036 09	Hexagon-head bolt M 6 X 12		1	
9	980 424 271 00	Shift-lever knob Upper part Laminated wood		1	
	980 424 271 00 R30	Beech/beech			
10	980 424 040 02	Shift cable Set Comprising: Shift cable See technical manual Group 3 34/12/19		1	
				2	
11	986 424 411 00	Retainer spring		2	
12	980 424 805 01	Support		1	
13	900 378 032 09	Hexagon-head bolt AM 6 X 50		1	
14	980 424 575 00	Sealing ring		4	
15	980 424 585 00	Spacer		2	
16	980 301 561 00	Lock nut		2	

Model: 980 04

Model life 2004>>2006



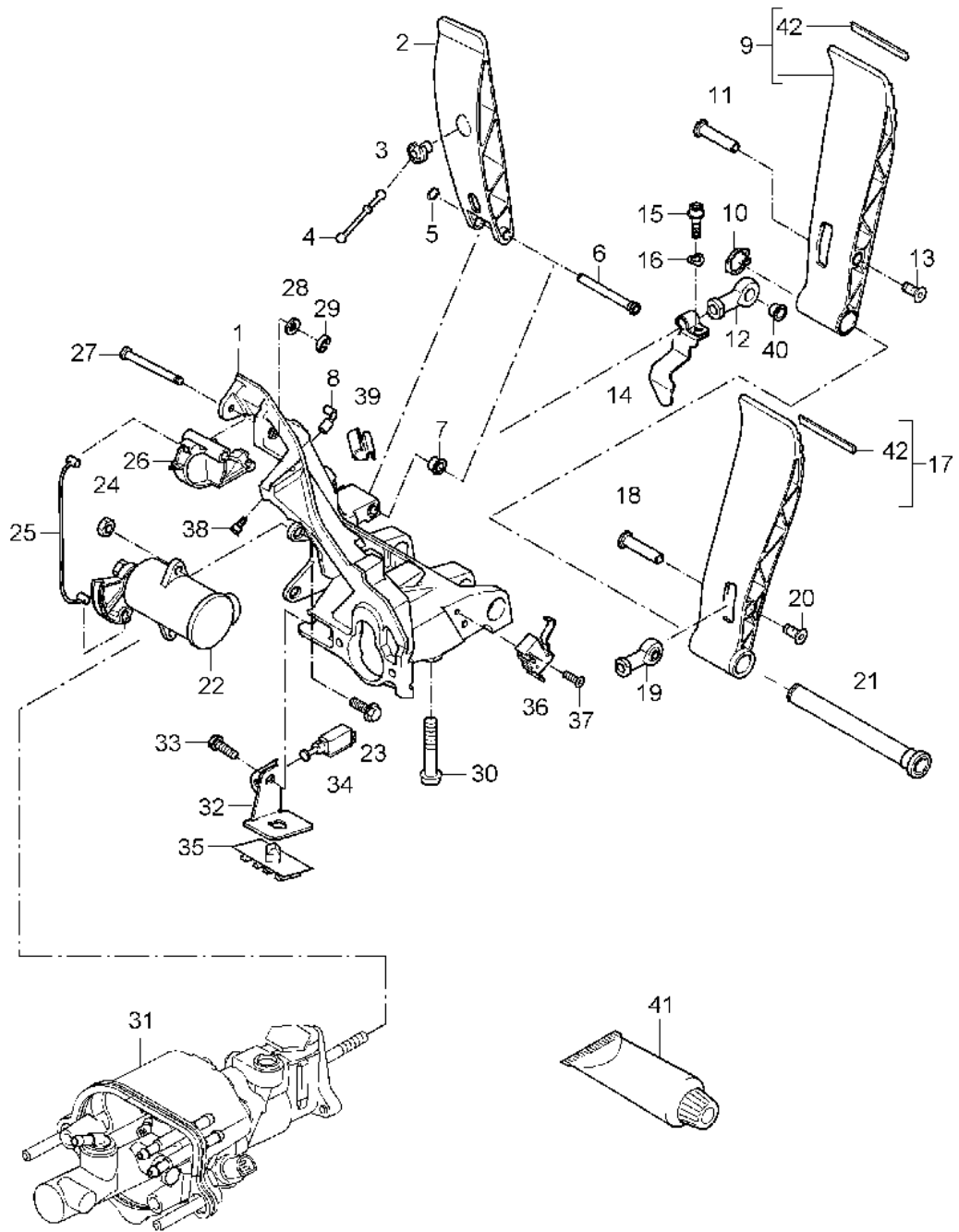
Model: 980 04

Model life 2004>>2006

Pos	Part Number	Description	Remark	Qty	Model
1	980 424 049 01	Handbrake Actuator Parking-brake lever Leather		1	
	980 424 049 01 9N2	Terracotta			
	980 424 049 01 D11	Dark grey/natural			
	980 424 049 01 FJE	Ascot brown/natural Black/natural			
2	999 924 039 00	Bush 12 X 14 X 9		2	
3	999 201 469 00	Inner ring 12 X 8 X 12,5		2	
4	980 424 543 00	Spacer sleeve		1	
5	980 424 545 00	Spacer sleeve		1	
6	980 424 551 00	Filler plate		1	
(6)	980 424 551 01	Filler plate		1	
7	914 424 541 00	Locking segment		1	
8	900 074 044 02	Hexagon-head bolt M 8 X 70		2	
9	996 613 112 01	Switch Handbrake		1	
10	980 424 071 01	Parking-brake cable Long		1	
11	980 424 073 00	Parking-brake cable Short		2	
12	999 591 814 40	Cable holder 9,90		4	
13	000 043 207 21	Securing clip Parking-brake cable		2	
14	999 074 119 A2	Stud T 5 X 15		4	
15	980 424 473 00	Support Parking-brake cable		2	
16	900 378 035 09	Hexagon-head bolt M 6 X 16		2	

Model: 980 04

Model life 2004>>2006



Model: 980 04 Model life 2004>>2006

Pos	Part Number	Description	Remark	Qty	Model
1	980 423 165 03	Pedals Bracket		1	
2	980 423 119 02	Pedals Accelerator pedal		1	
3	980 423 245 00	Insert Accelerator pedal		1	
4	996 423 181 01	Push rod		1	
5	900 116 003 02	Lock washer 4		1	
5	900 116 003 09	Lock washer 4		1	
6	980 423 247 00	Guide pin		1	
7	999 924 161 00	Bush 6 X 8 X 8		2	
8	980 423 395 03	Stop Accelerator pedal		1	
9	980 423 041 03	Brake pedal		1	
-	999 924 081 00	Bush 18 X 20 X 12		2	
10	N 012 418 1	Circlip 18 X 1,2		1	
11	980 423 177 00	Threaded sleeve		1	
12	980 423 281 01	Swivel head Brake pedal		1	
13	900 249 001 02	Countersunk-head screw M 6 X 15		1	
14	980 423 365 01	Stop Brake light switch		1	
15	999 218 084 02	Pan-head screw M 5 X 14		1	
16	900 028 047 00	Spring washer B 5		1	
(16)	900 028 007 07	Spring washer B 5		1	
17	980 423 069 03	Clutch pedal		1	
-	999 924 081 00	Bush 18 X 20 X 12		2	
18	980 423 175 00	Threaded sleeve		1	
19	996 355 831 80	Swivel head Clutch pedal		1	
20	900 249 034 02	Countersunk-head screw M5 X 12		1	
20	900 249 072 01	Countersunk-head screw M5 X 12		1	
21	980 423 283 01	Bearing shaft Clutch pedal		1	
22	996 606 115 00	Pedal sensor		1	
22	996 606 115 01	Pedal sensor		1	
23	900 378 188 09	Hexagon-head bolt M 6 X 20		2	
24	900 380 015 09	Hexagon nut M 6		2	
24	900 380 015 01	Hexagon nut M 6		2	
25	980 423 383 01	Cable Pedal sensor		1	
26	996 423 381 01	Drive plate		1	
27	980 423 385 00	Guide pin Drive plate		1	
28	900 025 073 00	Washer 5		1	
29	999 166 040 02	K1-lock 5		1	

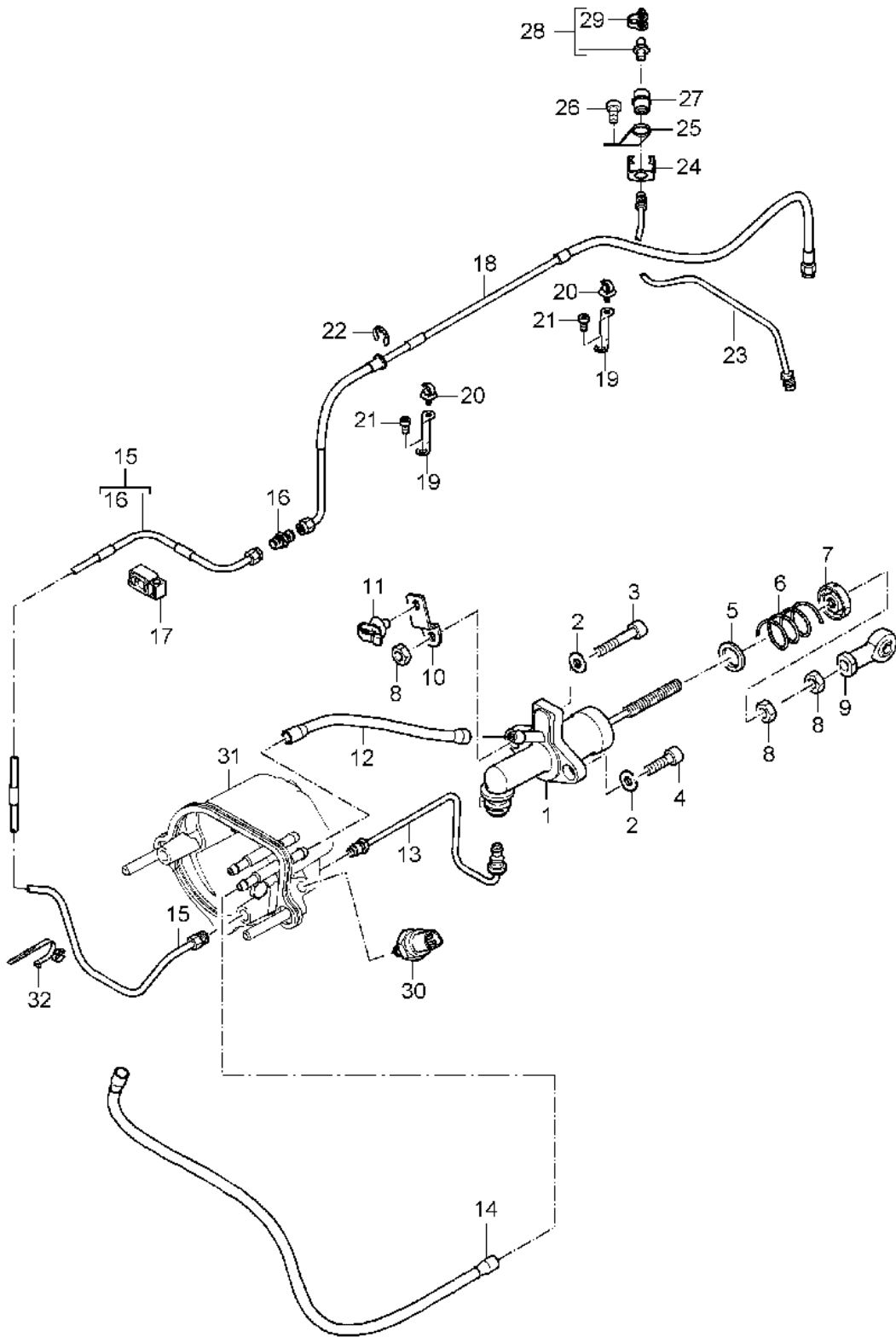
Model: 980 04

Model life 2004>>2006

Pos	Part Number	Description	Remark	Qty	Model
30	900 378 254 09	Hexagon-head bolt M 10 X 40		2	
31		See illustrations 6/04/00		1	
32	980 423 361 01	Support Brake light switch		1	
33	900 378 036 09	Hexagon-head bolt M 6 X 12		1	
34	996 613 113 01	Switch Brake pedal		1	
35	999 650 117 40	Fixing clip		1	
36	996 613 109 00	Switch Clutch pedal		1	
(36)	997 613 109 00	Switch Clutch pedal		1	
37	900 146 159 02	Round head screw M 3 X 20		1	
38	999 218 084 02	Pan-head screw M 5 X 14		1	
39	999 507 625 02	Cable holder 9 - 10		1	
40	999 924 103 00	Bush 10 X 12 X 7		2	
41	000 043 205 34	Grease 1 tube 100 ML		X	
-	980 025 211 00	Tread 8,21 X 3,5		*	
42		75 MM		8	

Model: 980 04

Model life 2004>>2006



Model: 980 04 Model life 2004>>2006

Pos	Part Number	Description	Remark	Qty	Model
		clutch actuation			
		Clutch master cylinder			
		Clutch pipeline			
1	980 423 171 00	Clutch master cylinder		1	
2	900 025 007 07	Washer		2	
		A 8.4			
3	900 067 081 09	Pan-head screw		1	
		M 8 X 35			
4	900 067 397 09	Pan-head screw		1	
		M 8 X 25			
5	999 209 074 30	Washer		1	
		19 X 26.7			
6	999 521 086 01	Compression spring		1	
		2 X 22 X 95			
(6)	999 521 086 02	Compression spring		1	
		2 X 22 X 95			
7	980 423 369 00	Concave washer		1	
		Clutch			
8	900 076 025 02	Hexagon nut		3	
		M 8			
8	900 076 064 02	Hexagon nut		3	
		M 8			
9		See illustrations		1	
		7/02/00			
10	477 971 883	Support		1	
		Wiring harness			
11	999 513 063 40	Cable holder		1	
		with			
		Tie-wrap			
		12 - 35			
12	980 423 137 00	Line		1	
13	980 423 107 02	Clutch pipeline		1	
14	980 423 147 00	Feed line		1	
		Brake fluid reservoir			
15	980 423 113 03	Clutch pipeline		1	
		Tunnel			
-	999 507 087 40	Hose holder		1	
		20,0 / 13,0 / 13,0			
		Mount			
		Pressure line			
		Clutch			
16	999 230 629 02	Threaded joint		1	
		EL 6			
17	996 347 543 00	Cable holder		1	
-	999 919 231 A2	Stud		1	
		T5 X 13			
18	980 423 377 01	Clutch pipeline		1	
(18)	980 423 377 02	Clutch pipeline		1	
19	980 101 623 00	Support		2	
20	999 507 699 40	Line bracket		2	
		7,8 - 8,5			
21	900 067 409 02	Combination screw		2	
		M 6 X 15			
22	999 166 089 02	Lock		1	
		14,5			
23	980 423 151 02	Vent line		1	
		Clutch			
24	955 355 321 00	Retainer spring		1	
(24)	997 355 331 01	Retainer spring		1	
25	980 423 351 01	Support		1	
		Vent line			
26		See illustrations		1	
		1/07/05			

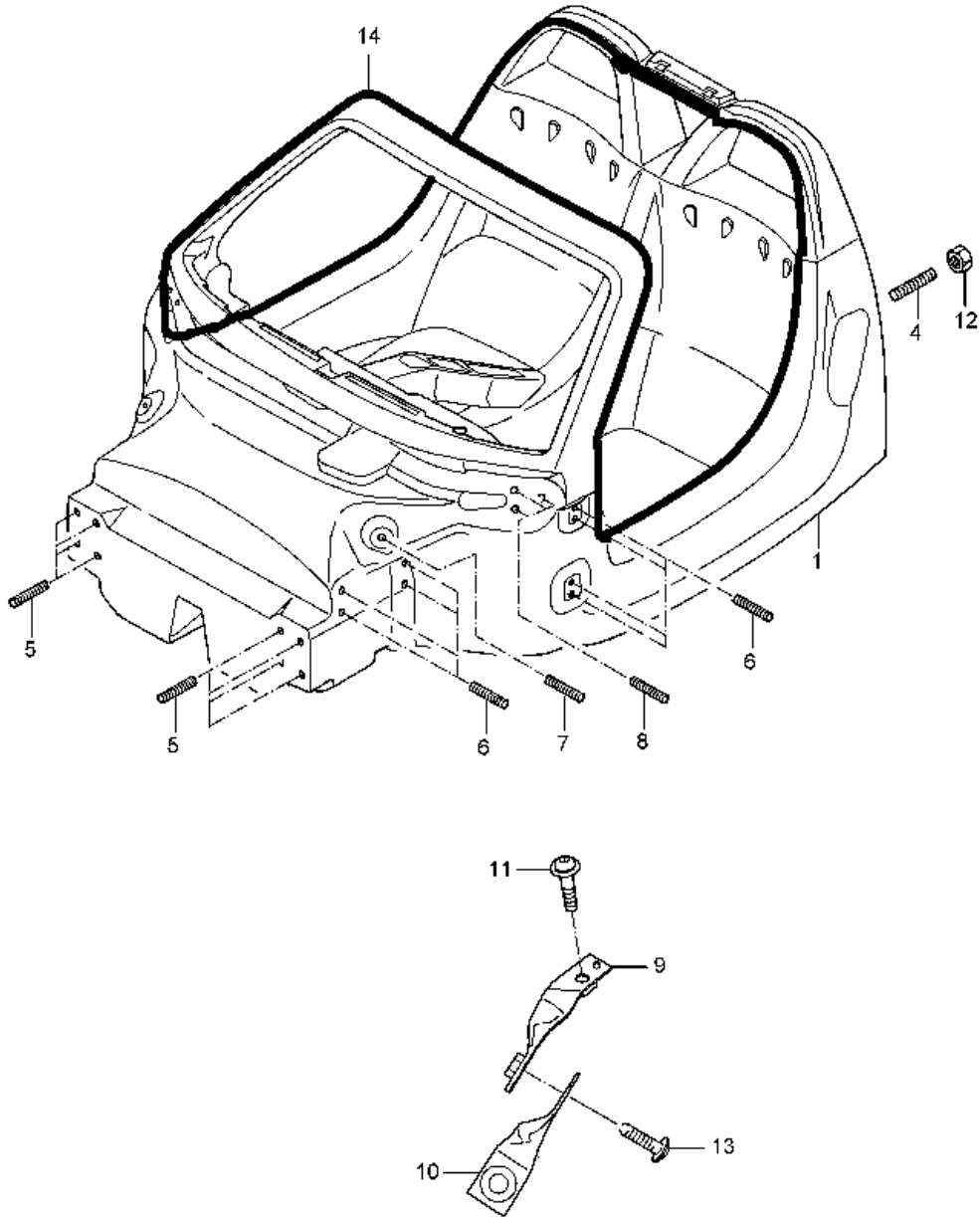
Model: 980 04

Model life 2004>>2006

Pos	Part Number	Description	Remark	Qty	Model
27	980 423 321 00	Connecting piece		1	
28	999 926 017 02	Ventilation valve		1	
29	930 351 927 00	Dust boot		1	
29	930 351 927 01	Dust boot		1	
30	980 613 114 00	Pressure switch		1	
31		Clutch pedal See illustrations 6/04/00		1	
32	999 511 257 40	Hose holder 6,0 / 8,0 - 50,0		1	

Model: 980 04

Model life 2004>>2006

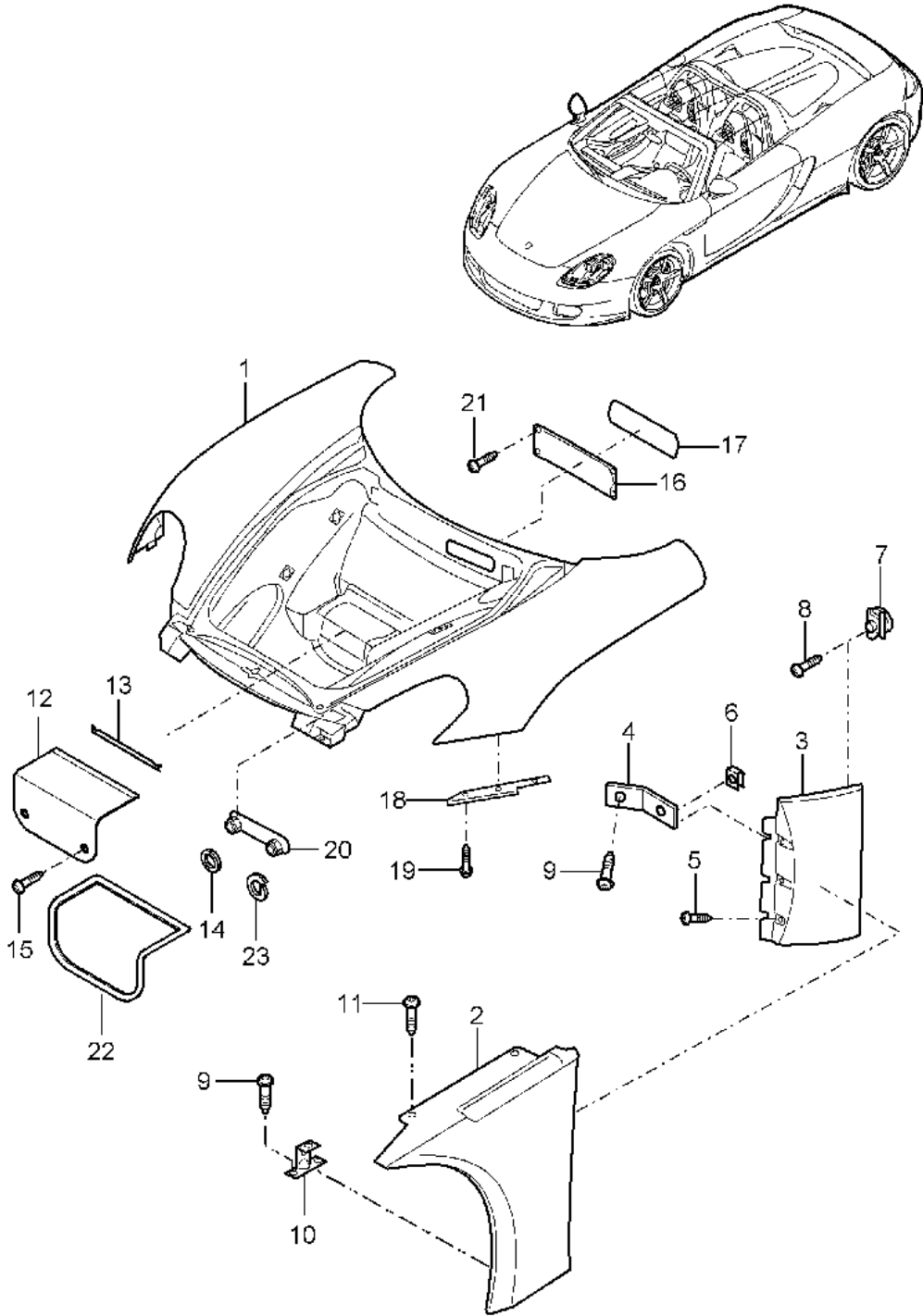


Model: 980 04 Model life 2004>>2006

Pos	Part Number	Description	Remark	Qty	Model
		Monocoque			
		Prime coated			
1	980 501 910 00	Monocoque		1	
4	900 305 010 A2	Stud		X	
		M 12X1,5			
5	900 305 007 A2	Stud		X	
		M 8X30			
6	900 305 013 A2	Stud		X	
		M 10X25			
7	980 333 767 00	Stud		X	
		M 8X18?			
8		See illustrations		X	
		4/02/00			
9	980 505 427 00	Tension strut	/L	1	
(9)	980 505 428 00	Tension strut	/R	1	
10	980 505 437 02	Tension strut	/L	1	
(10)	980 505 438 02	Tension strut	/R	1	
11	999 073 324 07	Oval-head screw		2	
		M 8 X 35			
12	999 084 445 A2	Hexagon nut		5	
		M 12X1,5			
13	999 073 104 09	Oval-head screw		2	
		M 8 x 16			
14	980 504 279 01	Gasket		1	
		Monocoque			
15	980 504 645 01	Support		1	
		Air guide			
16	999 591 512 40	Mounting parts		2	
		Gasket			
17	980 504 281 00	Gasket		1	
		Windscreen frame part			
		Inner			
18	980 504 283 01	Gasket		1	
		Windscreen frame part			
		Outer			
19	980 501 609 00	Threaded insert		8	

Model: 980 04

Model life 2004>>2006

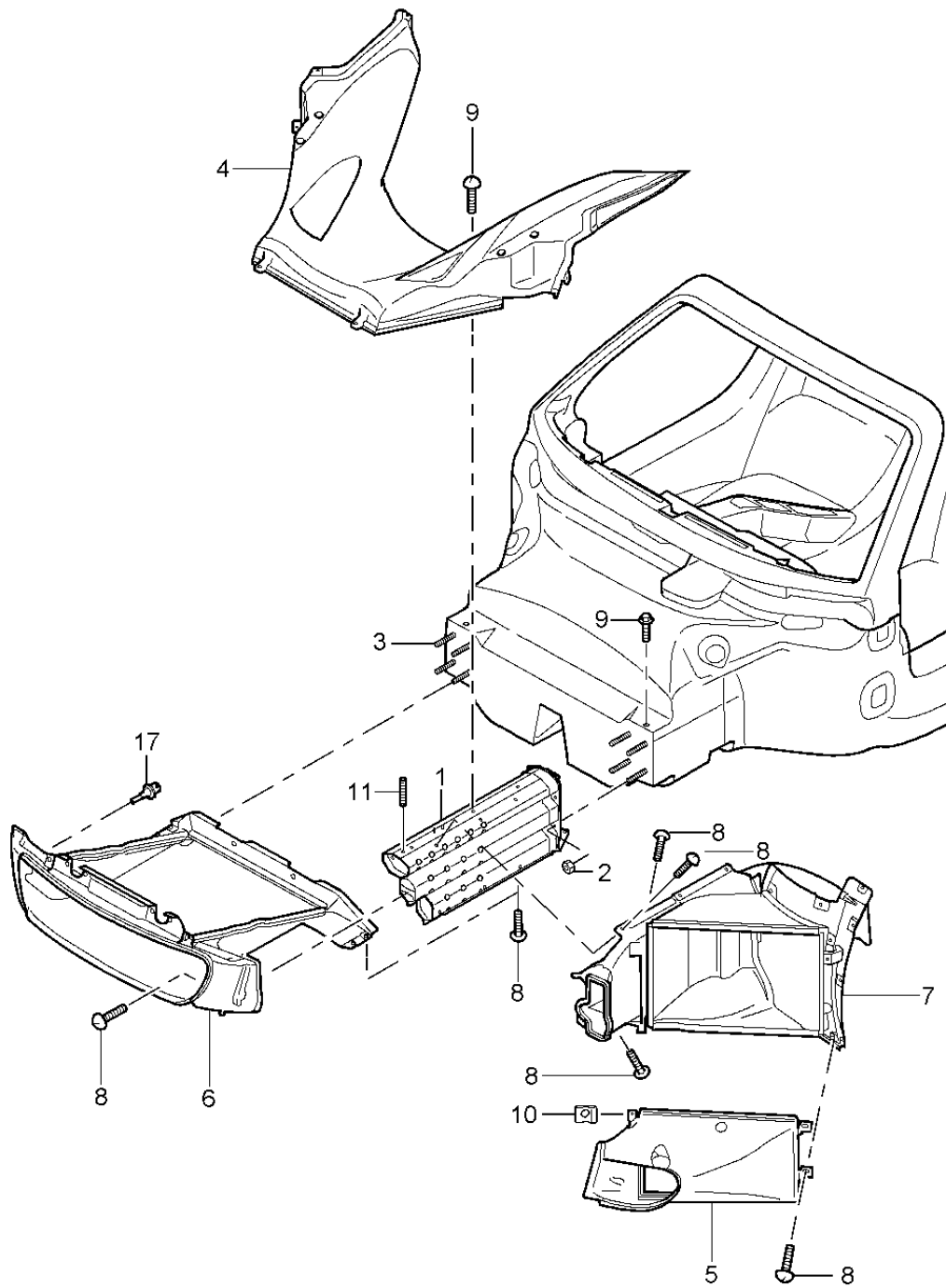


Model: 980 04 Model life 2004>>2006

Pos	Part Number	Description	Remark	Qty	Model
1	980 505 425 01	Body front section Lining		1	
	980 505 425 01 G2X	Prime coated			
2	980 505 213 01	Side section	/L	1	
	980 505 213 01 G2X	Prime coated			
(2)	980 505 214 01	Side section	/R	1	
	980 505 214 01 G2X	Prime coated			
3	980 505 421 01	Side section	/L	1	
	980 505 421 01 G2X	Prime coated			
(3)	980 505 422 01	Side section	/R	1	
	980 505 422 01 G2X	Prime coated			
4	980 505 615 02	Support		1	
(4)	980 505 635 00	Support		1	
5	999 073 297 A2	Oval-head screw M 6X16		X	
6	999 507 550 0A	Speed nut		X	
7	980 505 581 00	Captive nut		X	
8	999 073 254 A2	Oval-head screw M 6X30		X	
9	999 073 295 A2	Oval-head screw M 5X12		X	
10	980 559 611 01	Support		2	
11	999 073 254 A2	Oval-head screw M 6X30		X	
12	980 505 501 00	Lid 10913		1	
13	980 505 541 00	Hinge		1	
14	900 025 024 40	Washer 4, 3X9X0,8		2	
15	900 312 012 02	Stopper A 4X10		X	
16	980 572 505 02	Lid		1	
16	980 572 505 03	Body front section Lid		1	
17	980 572 611 00	Body front section Rubber seal		1	
18	980 505 713 01	Body front section Retainer plate	/L	1	
(18)	980 505 714 01	Retainer plate	/R	1	
19	999 073 252 A2	Oval-head screw M 6X20		4	
20	980 505 723 02	Retainer plate		2	
21	999 073 268 A2	Oval-head screw M 5X12		4	
22	980 505 609 00	Gasket		1	
23	999 507 068 01	Clamping washer 4,0		2	

Model: 980 04

Model life 2004>>2006

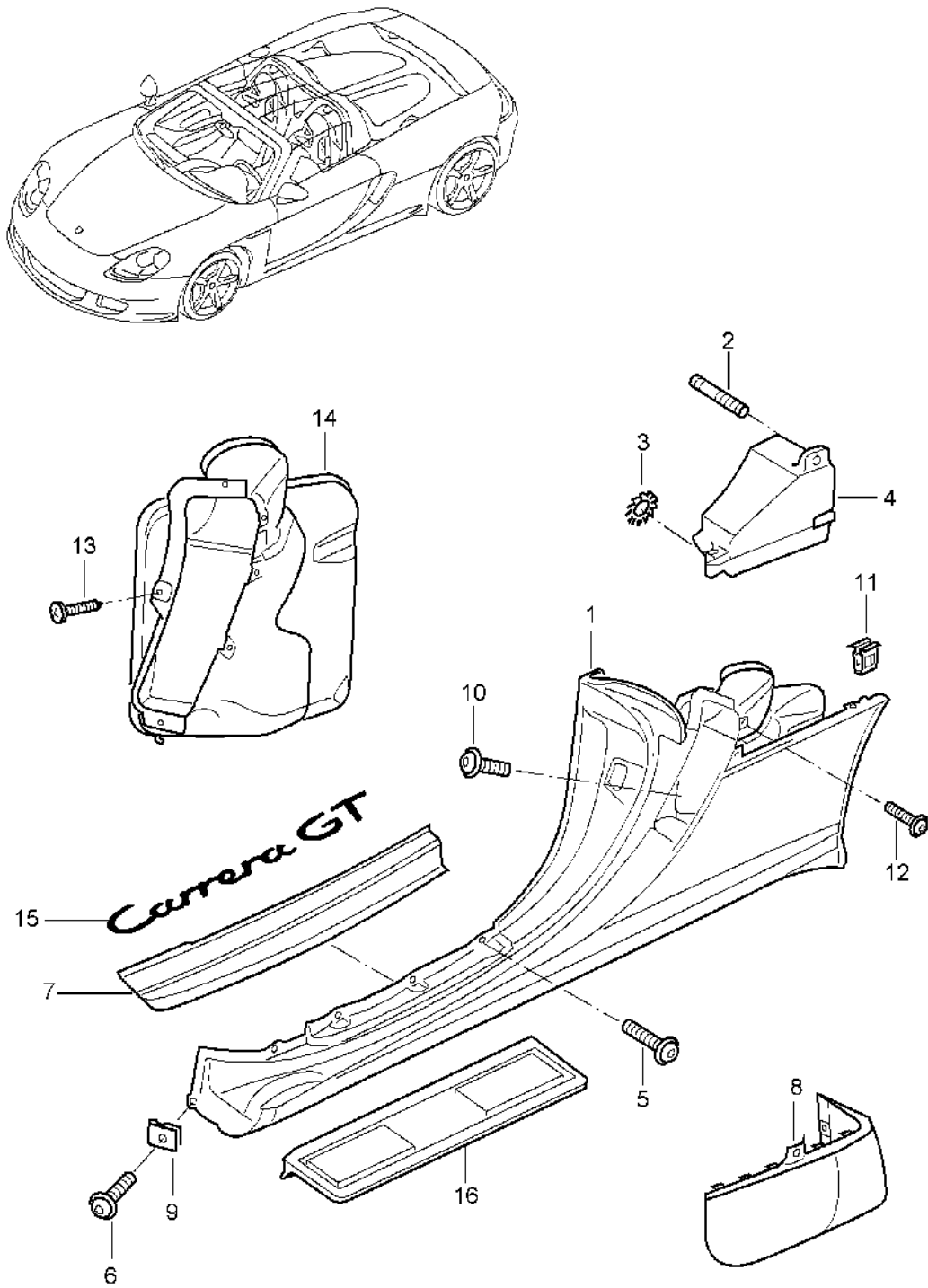


Model: 980 04 Model life 2004>>2006

Pos	Part Number	Description	Remark	Qty	Model
		Body front section			
1	980 501 311 01	Bracket	/L	1	
(1)	980 501 312 01	Bracket	/R	1	
2	900 380 005 A2	Hexagon nut M 8		8	
3	900 305 007 A2	Stud M 8X30		8	
4	980 504 311 03	Air guide Centre		1	
5	980 504 519 02	Air guide Lateral	/L	1	
(5)	980 504 520 02	Air guide Lateral	/R	1	
6	980 504 321 03	Air guide Centre		1	
(6)	980 504 321 04	Air guide Centre		1	
7	980 504 317 05	Air guide Lateral	/L	1	
(7)	980 504 317 06	Air guide Lateral	/L	1	
(7)	980 504 318 05	Air guide Lateral	/R	1	
(7)	980 504 318 06	Air guide Lateral	/R	1	
8	999 015 026 A2	Oval-head screw M 6X16		18	
9	999 073 261 A2	Oval-head screw M 8X25		X	
10	999 591 489 02	Speed nut ST 4,8		8	
(10)	999 591 489 01	Speed nut ST 4,8		8	
11	900 228 031 00	Threaded pin M 8X70		X	
12	999 084 121 00	Hexagon nut M 8		2	
13	900 034 046 00	Hexagon nut M 8		1	
14	980 025 563 00	Edge protection profile 5707 MM		X	
15	999 911 700 40	Tread 1774 MM		*	
16	999 073 311 A2	Combination screw		6	
17	958 505 535 00	Sensor		1	

Model: 980 04

Model life 2004>>2006

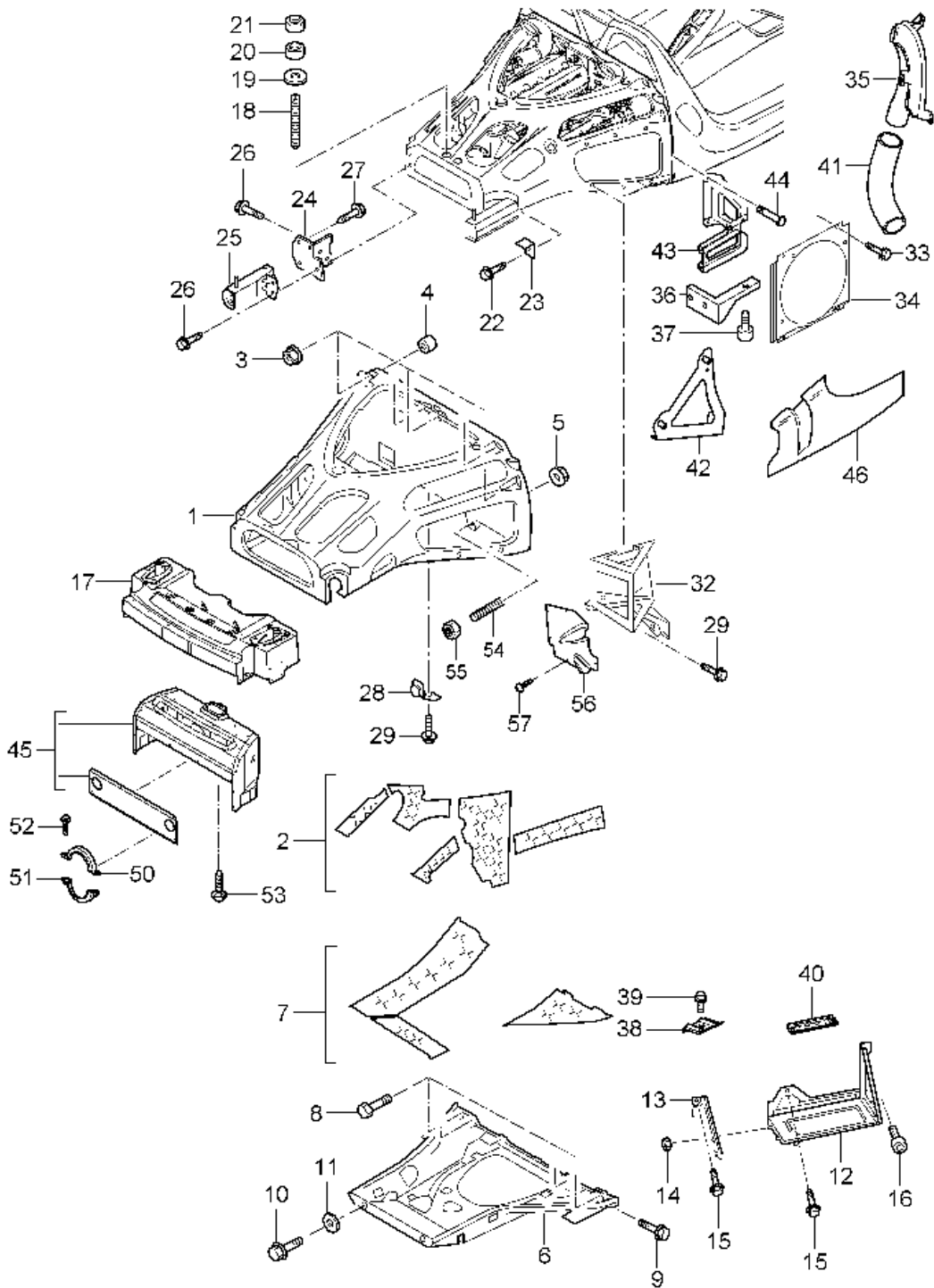


Model: 980 04 Model life 2004>>2006

Pos	Part Number	Description	Remark	Qty	Model
1	980 559 411 02	Door sill			
	980 559 411 02	Door sill	/L	1	
	980 559 411 02 G2X	Prime coated			
(1)	980 559 412 02	Door sill	/R	1	
	980 559 412 02 G2X	Prime coated			
2	999 073 252 A2	Oval-head screw		X	
		M 6X20			
3	N 903 350 04	Clamping washer		X	
4	980 559 601 00	Foam part		2	
5	999 073 252 A2	Oval-head screw		X	
		M 6X20			
6	999 015 026 A2	Oval-head screw		X	
		M 6X16			
7	980 559 311 01	Trim cover	/L	1	
	980 559 311 01 G2X	Prime coated			
(7)	980 559 312 01	Trim cover	/R	1	
	980 559 312 01 G2X	Prime coated			
8	980 559 393 00	Cover	/L	1	
	980 559 393 00 G2X	Prime coated			
(8)	980 559 394 00	Cover	/R	1	
	980 559 394 00 G2X	Prime coated			
9	999 507 550 0A	Speed nut		26	
10	999 015 026 A2	Oval-head screw		8	
		M 6X16			
11	999 507 696 00	U-clamp		12	
12	999 919 121 A2	Oval-head screw		2	
		M 5X16			
13	999 073 231 A2	Tapping screw		6	
14	980 504 323 01	Air guide		1	
		Transmission oil cooler			
(14)	980 504 121 02	Air guide		1	
		Condenser			
15	980 551 603 00	Logo	/L	1	
		Carrera GT			
(15)	980 551 604 00	Logo	/R	1	
		Carrera GT			
16	980 504 661 00	Protective strip		1	
(16)	980 504 662 00	Protective strip		1	
		for			
		Door sill			
-	980 559 793 00	Cover		1	
	980 559 793 00 01C	Black			
-	980 559 794 00	Cover		1	
	980 559 794 00 01C	Black			

Model: 980 04

Model life 2004>>2006



Model: 980 04 Model life 2004>>2006

Pos	Part Number	Description	Remark	Qty	Model
1	980 501 971 00	Rear end Unit carrier		1	
2	980 501 711 01	Upper part Heat protection Upper part Use also: POS.46		1	
3	999 084 445 A2	Hexagon nut M 12X1,5		5	
4	999 095 040 0A	Dowel sleeve M 6X12,5X18,5		2	
4	999 095 040 01	Dowel sleeve M 6X12,5X18,5		2	
5	900 380 008 A2	Hexagon nut M 10		2	
6	980 501 181 01	Unit carrier Lower part		1	
7	980 501 701 01	Heat protection Lower part Use also:		1	
-	999 915 650 40	Adhesive		X	
8	900 378 256 A2	Hexagon-head bolt M 12X1,5X65		4	
9	900 378 227 A2	Hexagon-head bolt M 8X28		4	
10	900 378 177 A2	Hexagon-head bolt M 6X30		5	
11	N 011 666 12	Washer		5	
12	980 504 601 01	Support Battery		1	
13	980 504 603 00	Support Battery		1	
14	900 380 005 A2	Hexagon nut M 8		2	
15	900 378 030 A2	Hexagon-head bolt M 6X20		5	
16	900 387 277 09	Pan-head screw M 8X35		1	
17	980 505 351 03	Cross member		1	
18	900 228 031 00	Threaded pin M 8X70		2	
19	900 025 074 00	Washer M 8		2	
20	900 380 005 A2	Hexagon nut M 8		2	
21	999 084 121 00	Hexagon nut		10	
(21)	900 034 046 00	Hexagon nut M8		10	
22	999 073 258 A2	Oval-head screw M 8X20		4	
23	980 505 551 00	Stop bracket		2	
24	980 501 413 01	Bracket		1	
(24)	980 501 414 01	Bracket		1	
25	980 501 411 01	Bracket Rear		1	
(25)	980 501 412 01	Bracket Rear		1	
26	900 378 227 A2	Hexagon-head bolt M 8X28		18	
27	900 378 074 09	Hexagon-head bolt M 8X16		8	
28	980 501 605 00	Stop Pulley		1	

Model: 980 04

Model life 2004>>2006

Pos	Part Number	Description	Remark	Qty	Model
29	999 015 026 A2	Oval-head screw M 6X16		1	
32	980 504 141 00	Support Transmission oil cooler		1	
(32)	980 504 543 02	Support Air conditioning cooler		1	
(32)	980 504 543 03	Support Air conditioning cooler		1	
33	999 073 252 A2	Oval-head screw M 6X20		4	
34	980 504 241 01	Support Fan Transmission oil cooler		1	
(34)	980 504 351 00	Support Fan Air conditioning cooler		1	
-	980 504 743 00	Lid Condenser		1	
35	980 504 719 00	Air guide Transmission oil cooler		1	
36	980 504 641 02	Fan carrier		2	
37	900 387 277 09	Pan-head screw M 8X35		1	
38	996 611 209 00	Rail		1	
39	900 378 017 09	Hexagon-head bolt M 8X20		1	
40	980 504 653 00	Adapter Battery		1	
-	999 217 020 02	Hexagon-head bolt M 6X10		1	
-	999 217 020 01	Hexagon-head bolt M 6X10		1	
41	980 504 721 00	Air guide		1	
42	980 504 545 01	Support Transmission oil cooler		1	
43	980 504 709 00	Support LECKDIAGNOSEPUMPE		1	
44	999 015 026 A2	Oval-head screw M 6X16		4	
-	980 501 601 00	Sound absorber		1	
45	980 504 201 02	Heat protection Rear muffler	04	1	
(45)	980 504 201 03	Heat protection Rear muffler	05-	1	
46	980 501 713 00	Heat protection Unit carrier Upper part	/L	1	
(46)	980 501 714 00	Heat protection Unit carrier Upper part	/R	1	
-	980 505 721 02	Heat protection Cross member Rear		1	
-	980 505 705 00	Heat protection Cross member Rear		1	
50	980 504 655 00	Clip Upper		2	
51	980 504 657 00	Clip Lower		2	
52	999 015 026 09	Oval-head screw M6 X 16		X	
53	999 015 025 A2	Lens-head screw		6	

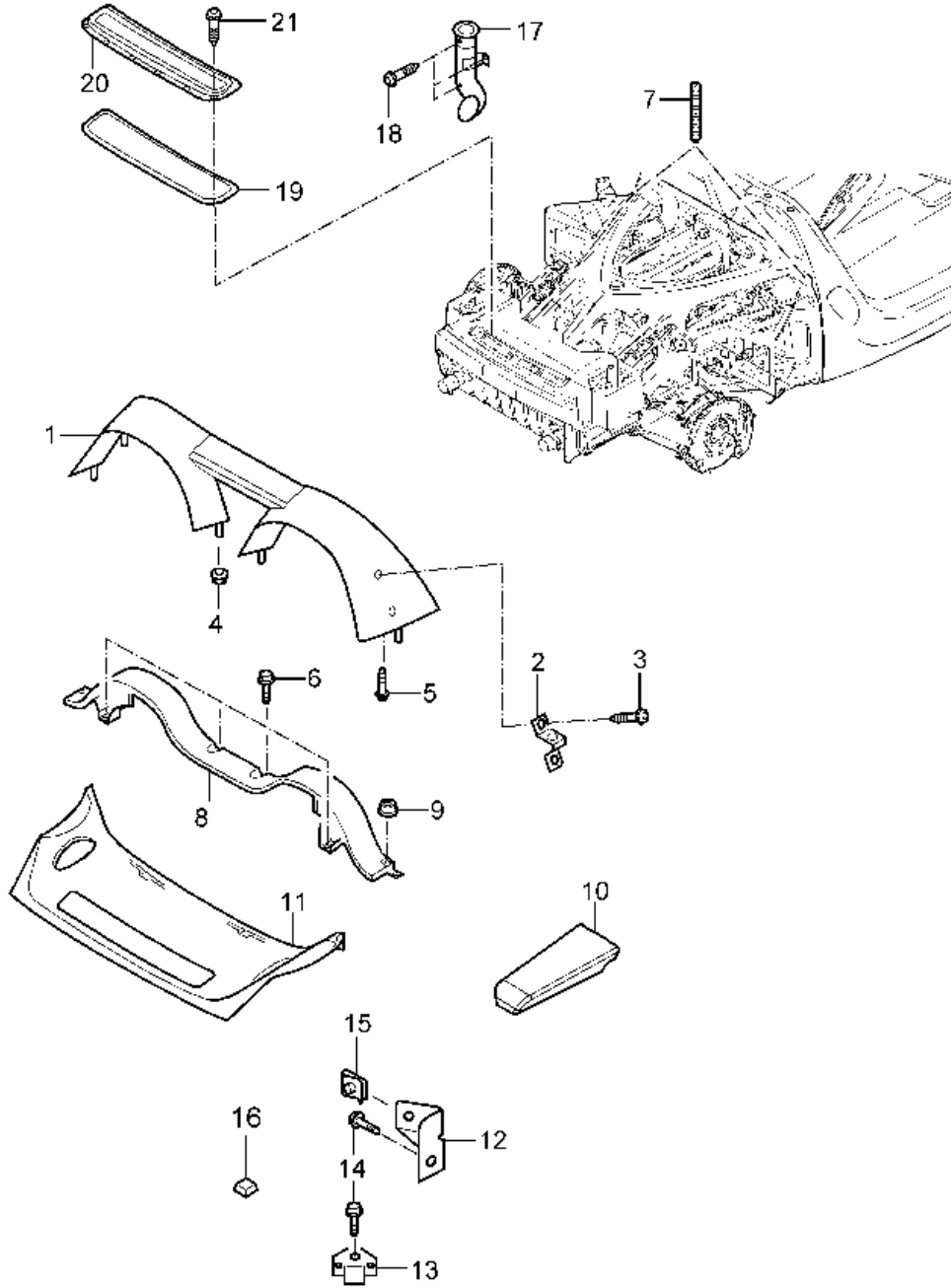
Model: 980 04

Model life 2004>>2006

Pos	Part Number	Description	Remark	Qty	Model
54	999 218 115 A2	M6 X 12 Stud		2	
55	900 380 008 A2	M10 x 40 Hexagon nut M10		2	

Model: 980 04

Model life 2004>>2006



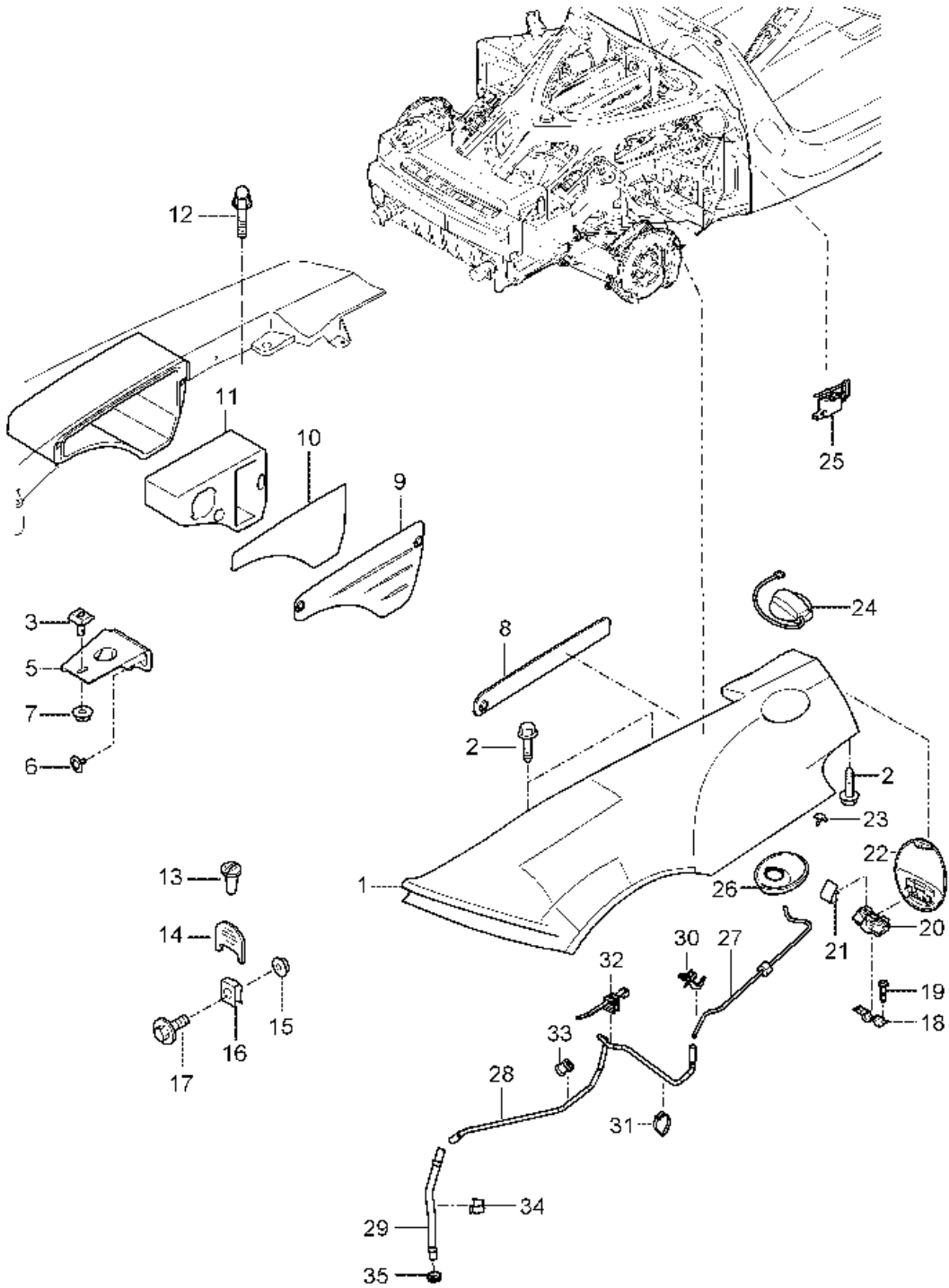
Model: 980 04

Model life 2004>>2006

Pos	Part Number	Description	Remark	Qty	Model
1	980 505 061 01	Rear end Accessories Lining Roll-over bar		1	
2	980 505 061 01 G2X 980 505 761 01	Prime coated Bracket Lining		2	
3	999 073 295 A2	Oval-head screw M 5X12		4	
4	999 084 213 A2	Hexagon nut M 6S		4	
5	999 073 296 A2	Oval-head screw M 6X16		2	
6	999 073 252 A2	Oval-head screw M 6X20		4	
7	900 228 032 00	Threaded pin M 8X45		2	
8	980 505 331 01 980 505 331 01 G2X	Rear centre panel Prime coated Front		1	
9	999 084 213 A2	Hexagon nut		2	
10	980 580 503 00 980 580 503 00 G2X	Lining Prime coated Roll-over bar		1	
11	980 505 341 04 980 505 341 04 G2X	Rear centre panel Prime coated Rear		1	
12	980 505 543 00	Stop bracket		1	
(12)	980 505 544 00	Stop bracket Stop bracket		1	
13	980 505 633 02	Retaining bracket		2	
14	999 015 025 A2	Lens-head screw M 6X12		8	
15	999 507 550 0A	Speed nut M6		2	
16	999 703 319 40	Buffer		2	
17	980 504 443 03	Brake ventilation	/L	1	
(17)	980 504 444 03	Brake ventilation	/R	1	
18	999 015 026 A2	Oval-head screw M 6X16		6	
19	980 505 731 00	Heat protection		1	
20	980 505 071 00	Cover		1	
21	999 073 268 A2	Oval-head screw M 5X12		8	

Model: 980 04

Model life 2004>>2006

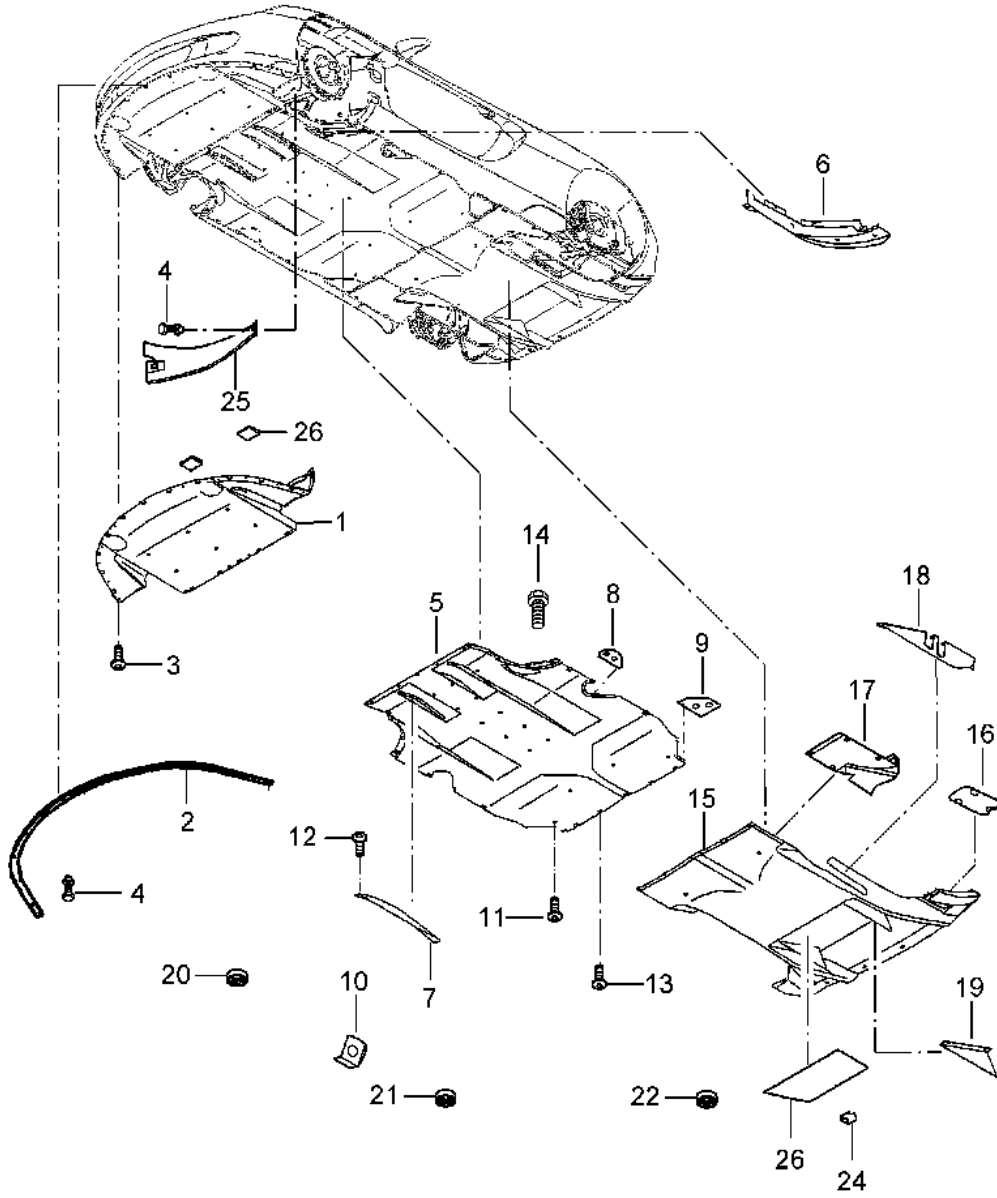


Model: 980 04 Model life 2004>>2006

Pos	Part Number	Description	Remark	Qty	Model
1	980 505 051 01	Wing Rear			
	980 505 051 01 G2X	Prime coated	/L	1	
(1)	980 505 052 01	Wing	/R	1	
	980 505 052 01 G2X	Prime coated			
2	999 015 026 A2	Oval-head screw M 6X16		8	
3	999 015 031 02	Torx screw M 6X20		X	
5	980 505 603 00	Support		1	
6	999 015 026 A2	Oval-head screw M 6X16		2	
7	999 084 213 A2	Hexagon nut M 6		3	
8	980 505 409 00	Cover		1	
9	980 505 303 00	Cover		1	
10	980 505 503 00	Gasket		1	
11	980 722 101 01	Foam part		1	
12	N 909 662 01	Ball pin		2	
13	999 590 053 00	Catch		3	
14	980 505 750 00	Filler piece		3	
15	999 507 550 0A	Speed nut		16	
16	999 507 668 0A	Speed nut		3	
17	980 505 535 01	Guide pin		3	
18	980 504 733 02	Support		1	
	980 504 733 02 GRV	Prime coated			
19	999 919 121 09	Oval-head screw M 5X16		2	
20	996 201 063 00	Hinge		1	
21	996 201 413 01	Spring		1	
22	980 504 133 01	Fuel filler flap		1	
	980 504 133 01 G2X	Prime coated			
23	996 201 513 00	Rubber stop		1	
24	980 201 241 00	Fuel tank cap		1	
		Information available			
25	997 624 113 00	Actuator		1	
26	980 201 741 01	Sleeve		1	
-	999 513 054 40	Tie-wrap 3,5-45		1	
27	980 201 751 00	Line		1	
28	980 201 753 00	Line		1	
29	980 201 755 00	Line		1	
30	999 507 675 40	Hose holder		1	
31	999 513 010 40	Tie-wrap		1	
32	999 507 093 40	Support		1	
33	999 511 153 02	Clip		1	
34	999 651 274 02	Support		1	
35	999 702 173 50	Rubber sleeve		1	
36	980 106 531 00	Damping piece		2	

Model: 980 04

Model life 2004>>2006



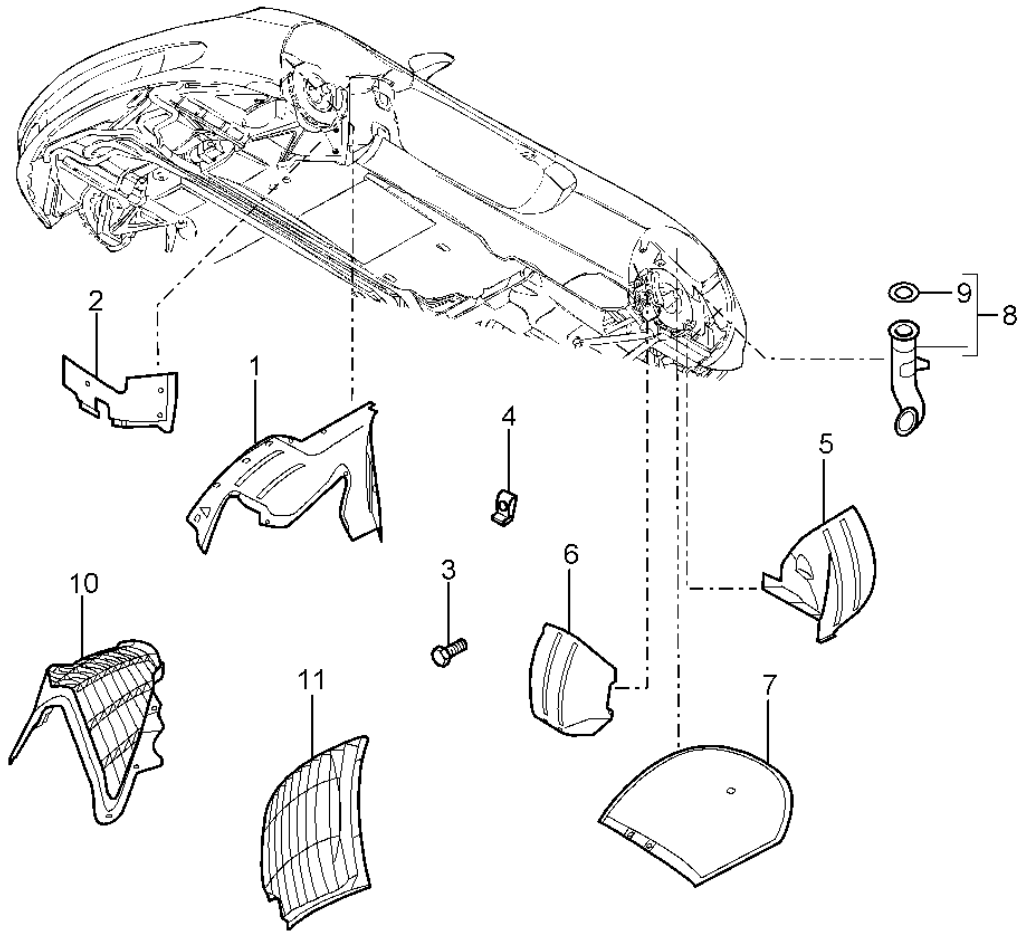
Model: 980 04

Model life 2004>>2006

Pos	Part Number	Description	Remark	Qty	Model
1	980 504 531 03	Underbody Underbody		1	
2	980 504 631 01	Front Spoiler		1	
3	999 015 026 A2	Oval-head screw M 6X16		X	
4	999 507 497 40	Expansion rivet		X	
5	980 504 533 02	Underbody Centre		1	
6	980 504 551 01	Underbody	/L	1	
(6)	980 504 552 01	Underbody	/R	1	
7	980 504 633 01	Air guide Underbody Lower	/L	1	
(7)	980 504 634 01	Air guide Underbody Lower	/R	1	
8	980 504 427 01	Cover Front	/L	1	
(8)	980 504 428 01	Cover Front	/R	1	
9	980 504 429 01	Cover Rear	/L	1	
(9)	980 504 430 01	Cover Rear	/R	1	
-	999 703 224 40	Cap for POS. 9		4	
10	999 507 550 0A	Speed nut		X	
11	999 073 254 A2	Oval-head screw M 6X30		X	
12	999 015 025 A2	Lens-head screw M 6X12		X	
13	999 015 026 A2	Oval-head screw M 6X16		X	
14	900 378 074 A2	Hexagon-head bolt M 8X16		X	
15	980 504 435 02	Underbody Rear		1	
16	980 504 635 00	Flap	/L	1	
(16)	980 504 636 00	Flap	/R	1	
17	980 504 437 01	Underbody	/L	1	
(17)	980 504 438 01	Underbody	/R	1	
18	980 504 625 02	Air guide Underbody Outer	/L	1	
(18)	980 504 626 02	Air guide Underbody Outer	/R	1	
19	980 504 629 00	Air guide Underbody	/L	1	
(19)	980 504 630 00	Air guide Underbody	/R	1	
20	980 504 461 00	Spacer		2	
21	980 504 471 00	Spacer		2	
22	980 504 481 00	Spacer		2	
24	999 507 716 01	U-clamp		X	
25	980 504 651 00	Air guide		1	
(25)	980 504 652 00	Air guide		1	
26	980 504 705 01	Heat protection		1	
-	999 911 710 40	Sealing strap		X	

Model: 980 04

Model life 2004>>2006



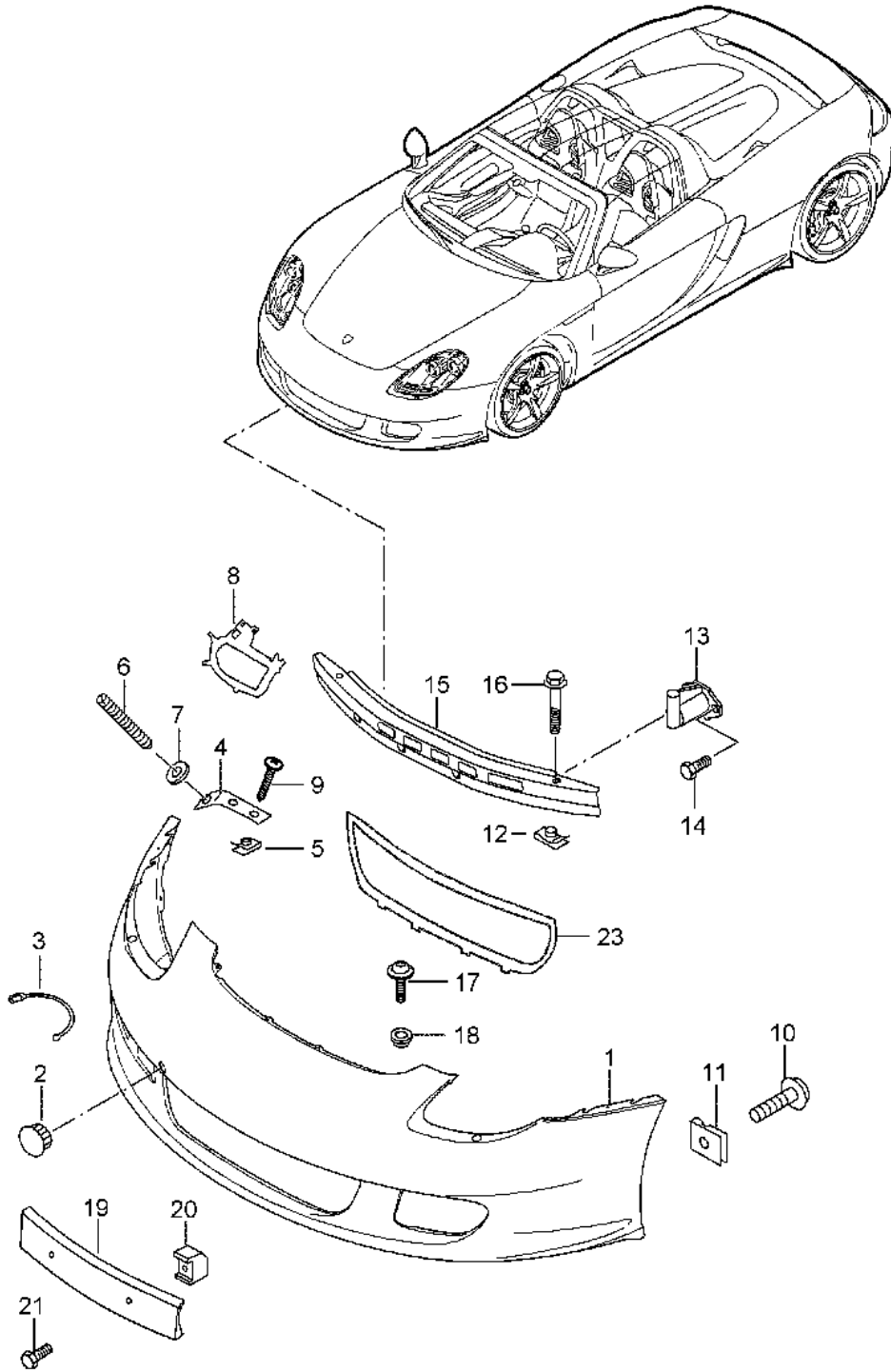
Model: 980 04

Model life 2004>>2006

Pos	Part Number	Description	Remark	Qty	Model
1	980 504 411 02	Wheel-housing liner Wheel-housing liner Front	/L	1	
(1)	980 504 412 02	Wheel-housing liner Wheel-housing liner Front	/R	1	
2	980 504 413 01	Wheel-housing liner Wheel-housing liner Front Lower	/L	1	
(2)	980 504 414 01	Wheel-housing liner Wheel-housing liner Front Lower	/R	1	
3	999 015 026 A2	Oval-head screw M 6X16		X	
4	999 507 550 0A	Speed nut		1	
5	980 504 425 02	Wheel-housing liner Wheel-housing liner Rear	/L 04	1	
5	980 504 425 03	Wheel-housing liner Wheel-housing liner Rear	/L 05-	1	
(5)	980 504 426 02	Wheel-housing liner Wheel-housing liner Rear	/R 04	1	
(5)	980 504 426 03	Wheel-housing liner Wheel-housing liner Rear	/R 05-	1	
6	980 504 421 01	Wheel-housing liner Wheel-housing liner Rear Front	/L 04	1	
6	980 504 421 02	Wheel-housing liner Wheel-housing liner Rear Front	/L 05-	1	
(6)	980 504 422 01	Wheel-housing liner Wheel-housing liner Rear Front	/R 04	1	
(6)	980 504 422 02	Wheel-housing liner Wheel-housing liner Rear Front	/R 05-	1	
7	980 504 423 02	Wheel-housing liner Wheel-housing liner Rear	/L	1	
(7)	980 504 424 02	Wheel-housing liner Wheel-housing liner Rear Upper	/R	1	
8	980 504 443 03	Brake ventilation Brake ventilation Rear	/L	1	
(8)	980 504 444 03	Brake ventilation Brake ventilation Rear	/R	1	
9	980 504 843 00	Spacer ring Technical information see Group 4 Nr. 13/07		1	
10	980 504 449 02	Air guide Air guide Centre	/L	1	
(10)	980 504 450 02	Air guide Air guide Centre	/R	1	
11	980 504 447 02	Air guide Air guide Lateral	/L	1	
(11)	980 504 448 02	Air guide Air guide Lateral	/R	1	

Model: 980 04

Model life 2004>>2006

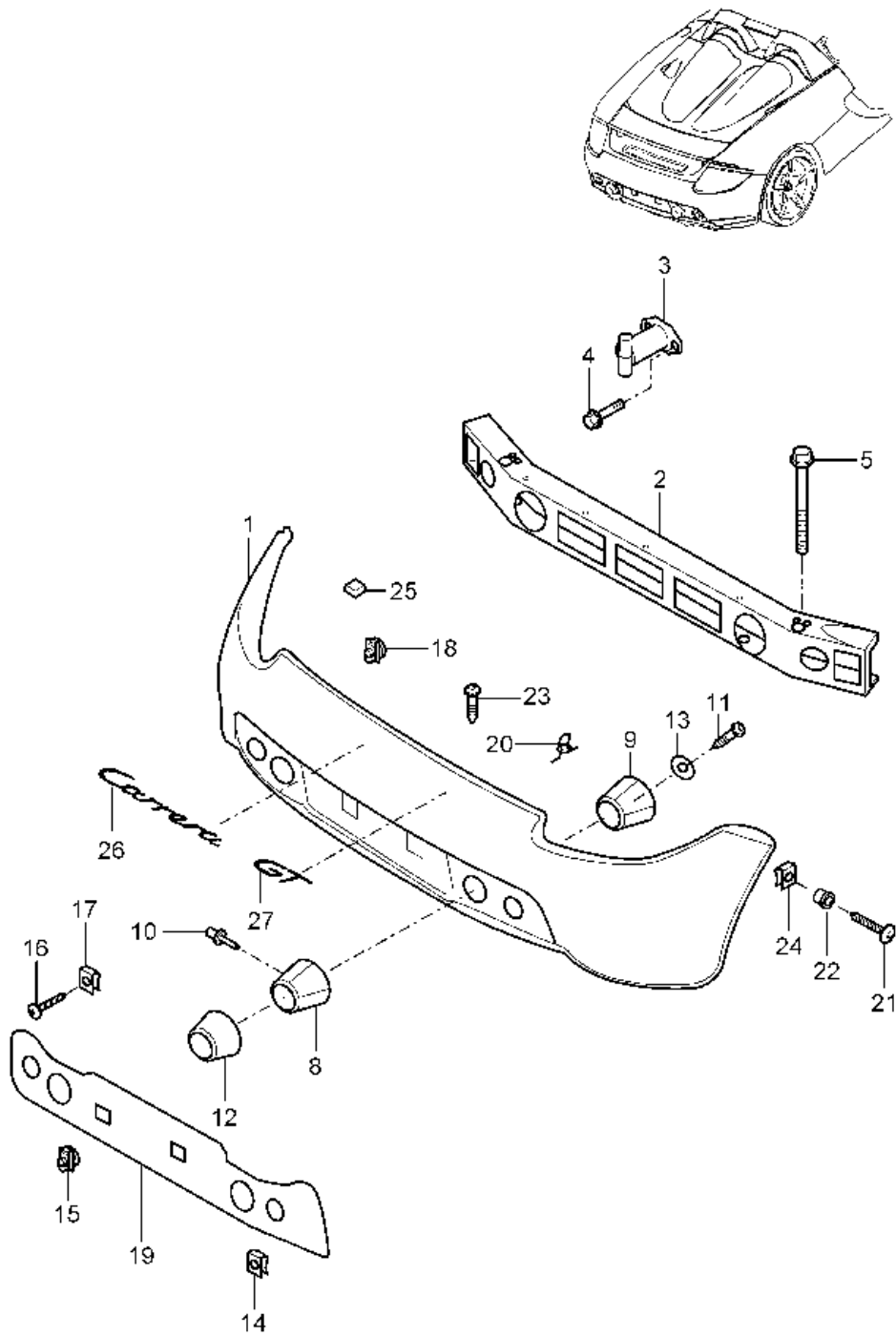


Model: 980 04 Model life 2004>>2006

Pos	Part Number	Description	Remark	Qty	Model
		Bumper			
		Front			
1	980 505 711 02	Lining		1	
	980 505 711 02 G2X	Prime coated			
2	964 505 103 00	Cap		1	
	964 505 103 00 G2X	Prime coated			
3	999 651 225 40	Safety rope		1	
4	980 505 619 00	Fixing device		1	
(4)	980 505 620 00	Fixing device		1	
5	999 507 668 0A	Speed nut		2	
6	900 312 012 02	Stopper		2	
7	999 507 068 01	Clamping washer		2	
8	980 505 563 00	Air inlet	/L	1	
	980 505 563 00 01C	Black			
(8)	980 505 564 00	Air inlet	/R	1	
	980 505 564 00 01C	Black			
9	999 073 231 A2	Tapping screw		4	
		4.8X16			
10	999 015 026 A2	Oval-head screw		6	
		M 6X16			
11	999 507 696 00	U-clamp		24	
12	999 507 550 0A	Speed nut		15	
13	980 505 121 00	Impact pipe		2	
14	900 075 457 02	Combination screw		4	
		M 8X30			
15	980 505 131 01	Bracket		1	
16	900 378 088 09	Hexagon-head bolt		2	
		M 12 x 100			
16	900 378 088 01	Hexagon-head bolt		2	
		M 12 x 100			
17	999 073 297 A2	Oval-head screw		4	
		M6X16			
18	999 209 025 17	Spacer sleeve		4	
19	980 701 105 00	Support		1	
	980 701 105 00 01C	Black			
20	980 701 801 00	Spacer	/L	2	
	980 701 801 00 01C	Black			
(20)	980 701 802 00	Spacer	/R	2	
	980 701 802 00 01C	Black			
21	999 919 206 07	Oval-head screw		2	
		M 5X12			
22	980 505 613 02	Support	/L	1	
(22)	980 505 614 02	Support	/R	1	
23	980 505 561 00	Ventilation grille		1	
	980 505 561 00 01C	Black			

Model: 980 04

Model life 2004>>2006



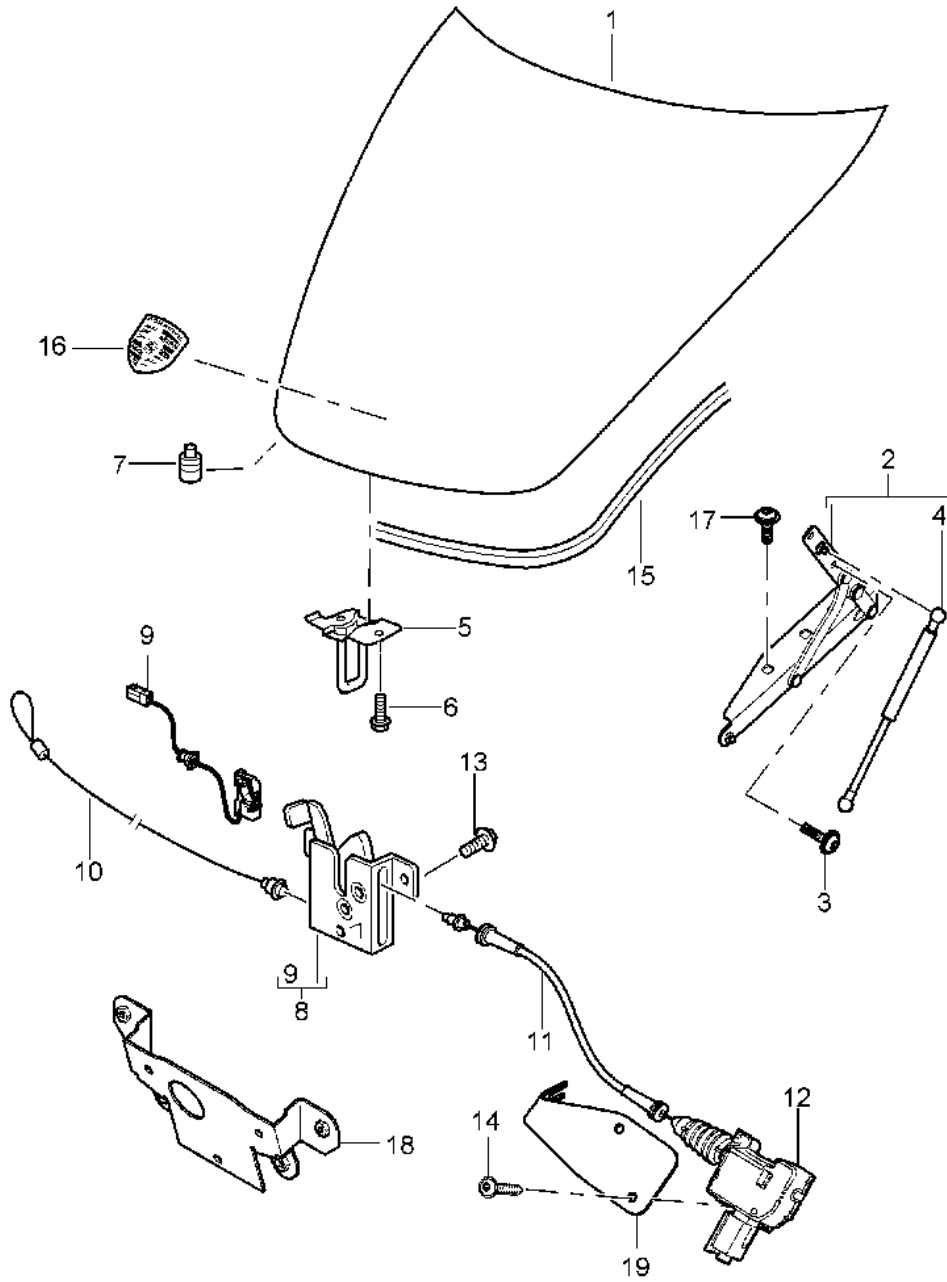
Model: 980 04

Model life 2004>>2006

Pos	Part Number	Description	Remark	Qty	Model
		Lining Rear			
1	980 505 211 05	Lining		1	
	980 505 211 05 G2X	Prime coated			
2	980 505 281 02	Bracket		1	
3	980 505 123 00	Impact pipe		2	
4	900 075 457 02	Combination screw M 8X30		4	
5	900 378 088 09	Hexagon-head bolt M 12X100		2	
5	900 378 088 01	Hexagon-head bolt M 12X100		2	
8	980 505 424 01	Ornamental exhaust pipe		2	
9	980 505 518 00	Guide Tail pipe		2	
10	999 190 142 30	Blind rivet		6	
11	999 073 337 A2	Oval-head screw M 5X20		X	
12	980 505 423 01	Ornamental exhaust pipe		2	
13	980 505 621 01	Heat protection		6	
14	999 507 550 0A	Speed nut		5	
15	999 507 590 0A	Captive nut		2	
16	999 073 231 A2	Tapping screw		13	
17	999 507 668 0A	Speed nut		4	
18	999 507 590 0A	Captive nut		9	
19	980 505 523 01	End plate		1	
20	999 507 676 0A	Clamp		X	
21	999 073 231 A2	Tapping screw		2	
22	999 209 025 17	Spacer sleeve		6	
23	999 073 297 A2	Oval-head screw M 6X16		6	
24	999 507 550 0A	Speed nut		6	
25	999 703 319 40	Buffer		2	
26	980 559 237 00	Logo Carrera		1	
27	980 559 239 00	Logo GT		1	

Model: 980 04

Model life 2004>>2006



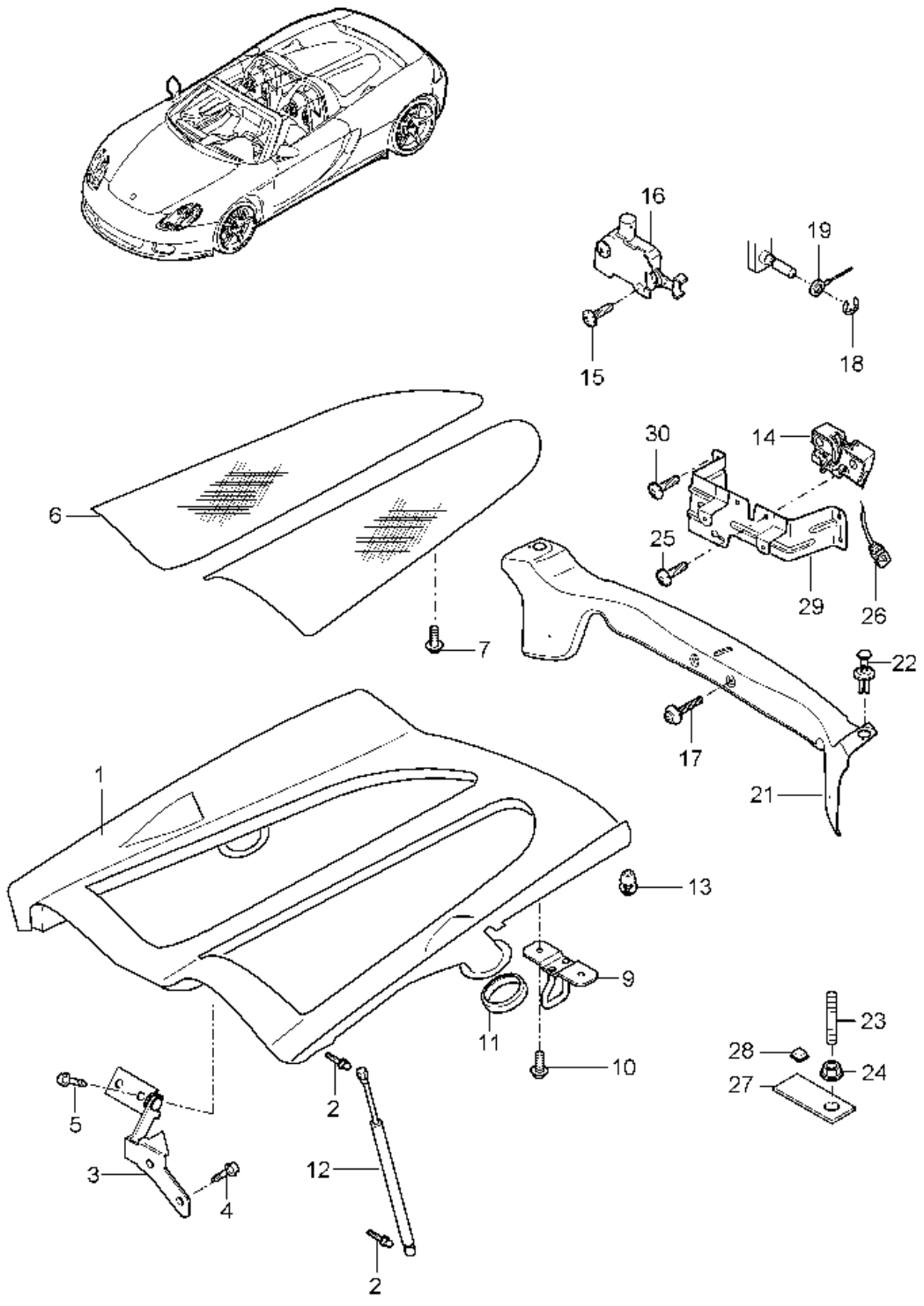
Model: 980 04

Model life 2004>>2006

Pos	Part Number	Description	Remark	Qty	Model
		Lid Front			
1	980 511 411 00	Lid		1	
	980 511 411 00 G2X	Prime coated			
2	980 511 421 01	Hinge	/L	1	
(2)	980 511 422 01	Hinge	/R	1	
3	999 073 252 A2	Oval-head screw M 6X20		4	
4	980 511 551 00	Gas-pressure spring		2	
5	996 511 051 02	Lock upper part		1	
6	999 015 026 A2	Oval-head screw M 6X16		2	
7	996 512 987 00	Adjusting screw		2	
8	980 511 053 00	Lock lower part		1	
9	996 613 206 00	Microswitch		1	
10	996 511 521 00	Emergency operation		1	
11	980 511 601 00	Cable		1	
12	980 624 117 00	Actuator		1	
13	999 015 026 A2	Oval-head screw M 6X16		2	
14	999 073 314 07	Oval-head screw M 6X16		4	
15	980 511 611 00	Gasket		1	
-	000 043 300 42	Use also: Form		1	
16	980 559 201 00	Lid emblem		1	
17	999 073 314 07	Oval-head screw M 6X16		8	
18	980 511 553 00	Bracket Lock lower part		1	
19	980 511 555 00	Bracket Actuator		1	

Model: 980 04

Model life 2004>>2006



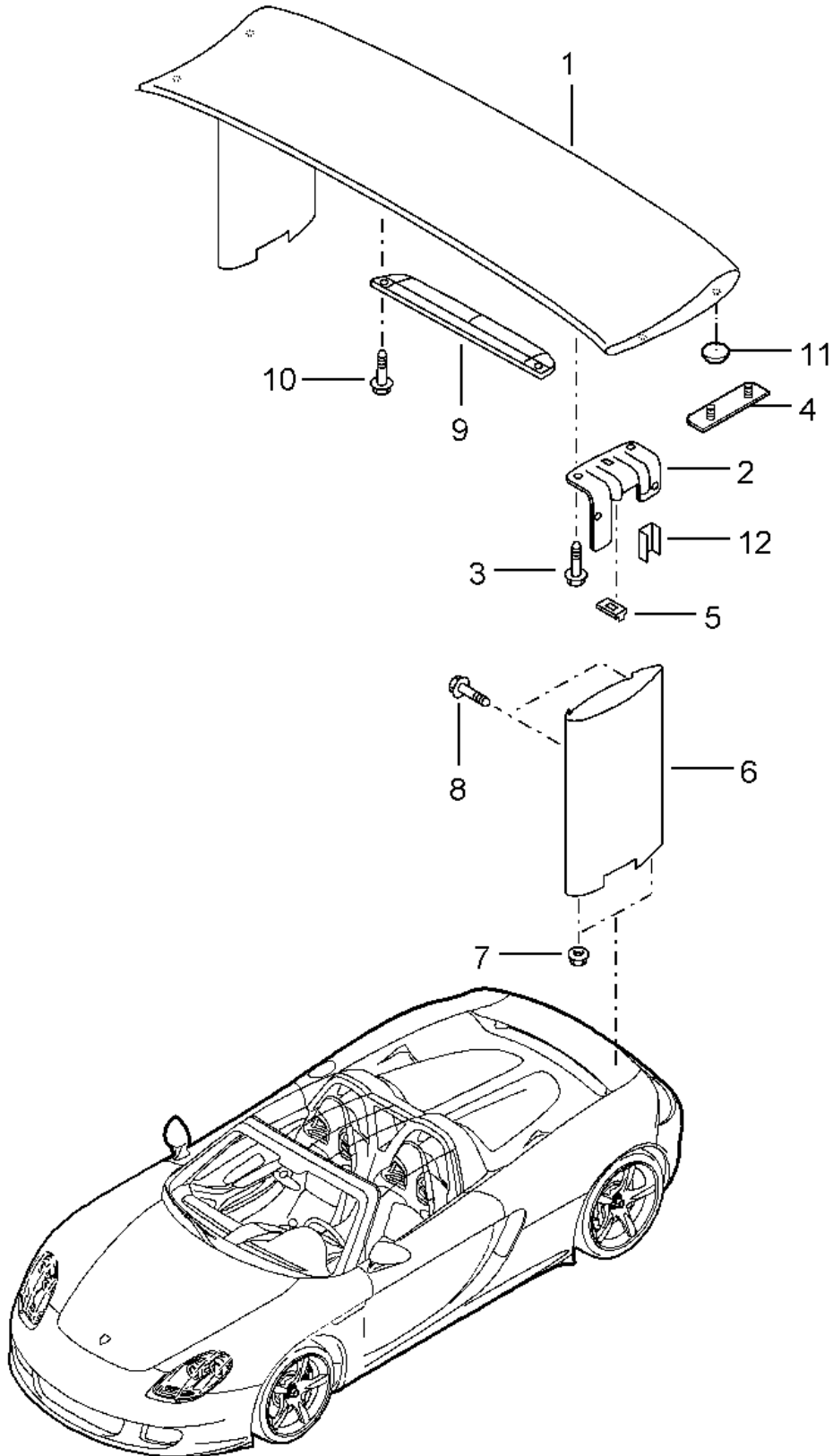
Model: 980 04

Model life 2004>>2006

Pos	Part Number	Description	Remark	Qty	Model
1	980 512 411 00	Lid		1	
		Rear			
	980 512 411 00 G2X	Lid			
		Prime coated			
2	N 909 662 01	Ball pin		2	
3	980 512 221 00	Hinge	/L	1	
(3)	980 512 222 00	Hinge	/R	1	
4	999 076 078 01	Hexagon nut		2	
		M 6			
5	999 073 297 A2	Oval-head screw		4	
		M 6X16			
6	980 512 225 00	Ventilation grille	/L	1	
(6)	980 512 226 00	Ventilation grille		1	
		M 6X16			
7	999 073 315 02	Oval-head screw		18	
		M 6X12			
9	997 512 213 01	Lock upper part		1	
10	999 073 315 02	Oval-head screw		2	
		M 6X16			
11	980 512 555 00	Gasket		1	
12	980 512 251 01	Gas-pressure spring		2	
13	996 512 987 00	Adjusting screw		4	
14	980 512 053 00	Lock		1	
15	999 015 026 A2	Oval-head screw		4	
		M 6X16			
16	980 624 118 00	Actuator		1	
17	N 104 422 01	Combination screw		2	
		M 6X40			
18	900 116 002 02	Lock washer		2	
19	996 512 521 00	Emergency operation		1	
20	N 909 662 01	Ball pin		2	
21	980 512 501 00	Cover		1	
22	999 591 941 40	Expansion rivet		6	
23	900 228 030 00	Threaded pin		4	
		M 6X35			
24	999 084 213 A2	Hexagon nut		4	
		M 6			
25	999 015 026 A2	Oval-head screw		4	
		M 6X16			
26	980 613 201 00	Microswitch		1	
27	980 624 235 00	Retaining bracket		1	
		Actuator			
28	999 703 319 40	Buffer		2	
		Rear centre panel			
		AUF TRÄGER			
29	980 512 553 00	Bracket		1	
30	999 015 026 A2	Oval-head screw		4	
		M 6X16			

Model: 980 04

Model life 2004>>2006



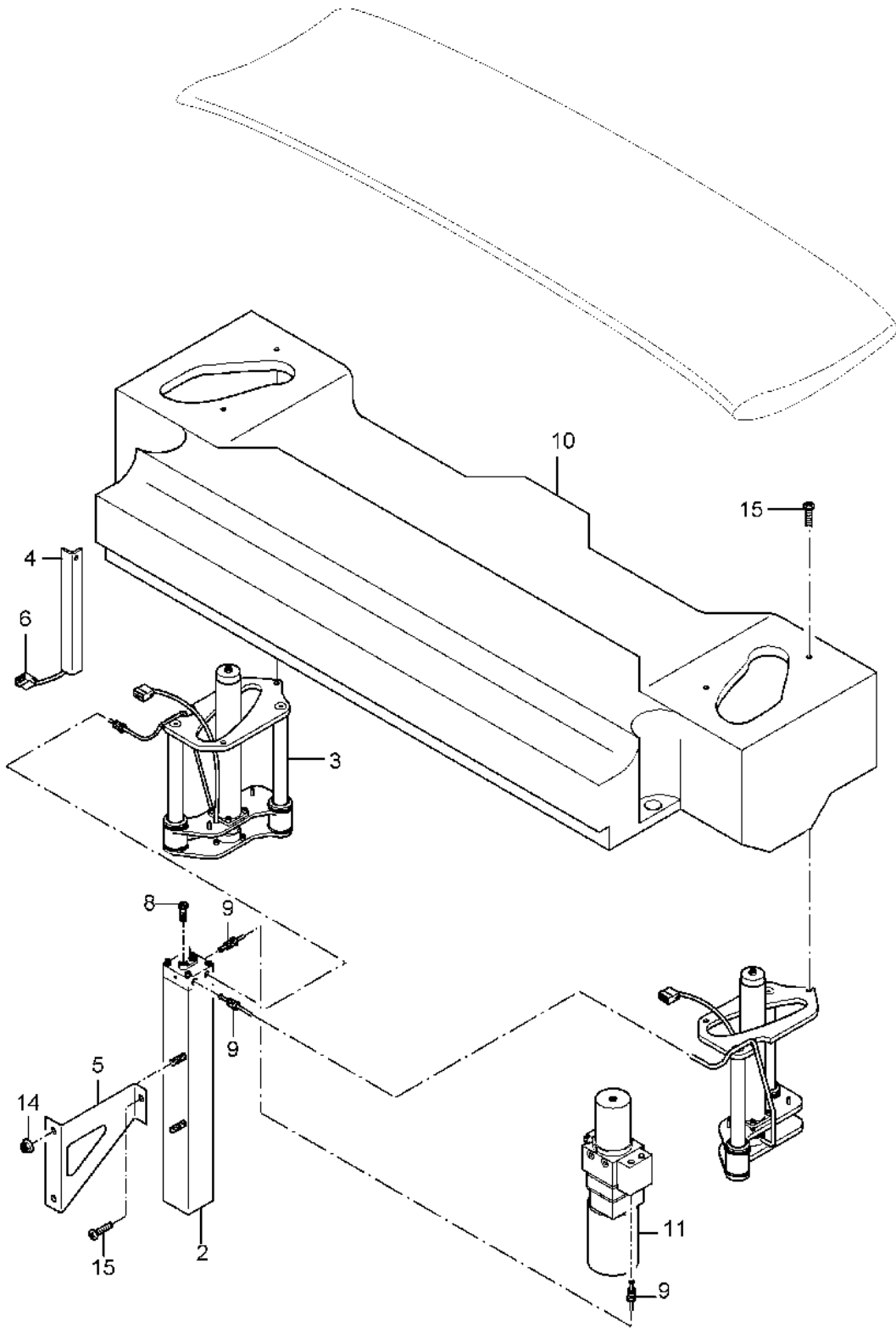
Model: 980 04

Model life 2004>>2006

Pos	Part Number	Description	Remark	Qty	Model
1	980 505 813 01	Rear spoiler		1	
	980 505 813 01 G2X	Spoiler Prime coated			
2	980 505 413 01	Adapter	/L	2	
(2)	980 505 414 01	Adapter	/R	2	
3	999 015 025 A2	Lens-head screw M 6X12		4	
4	980 505 661 00	Cover	/L	1	
	980 505 661 00 G2X	Prime coated			
(4)	980 505 662 00	Cover	/R	1	
	980 505 662 00 G2X	Prime coated			
5	999 507 778 0A	Terminal 7,4X18/1,5		2	
6	980 505 443 00	Bracket	/L	1	
(6)	980 505 444 00	Bracket	/R	1	
7	900 377 010 A2	Nut M 6		4	
8	999 073 252 A2	Oval-head screw M 6X20		8	
9		See group 9/05/05		1	
10		See group 9/05/05		2	
11	999 703 499 40	Buffer		4	
12	999 507 407 40	Clip		1	

Model: 980 04

Model life 2004>>2006

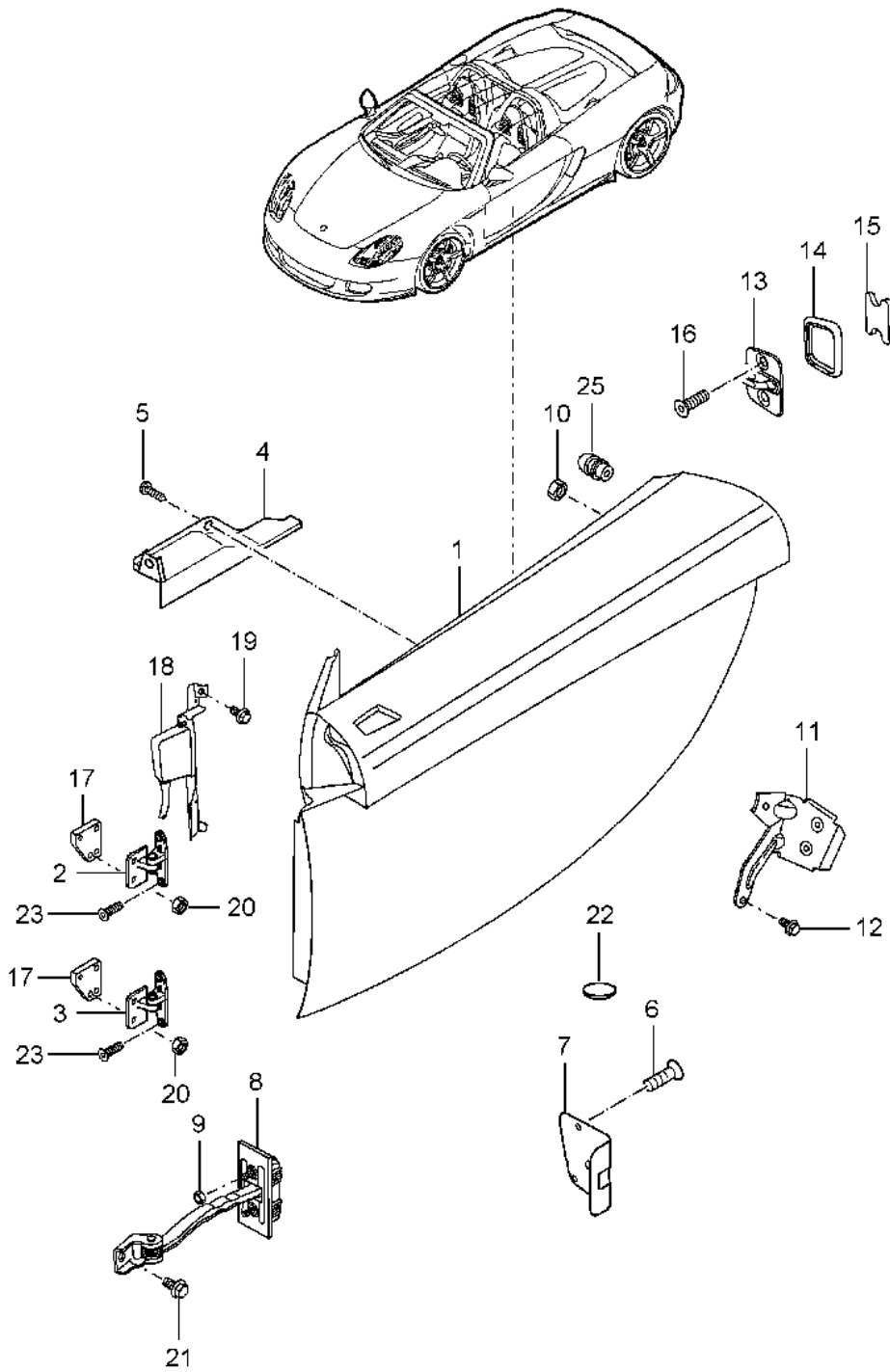


Model: 980 04 Model life 2004>>2006

Pos	Part Number	Description	Remark	Qty	Model
1	980 505 321 00	Rear spoiler Driving mechanism Driving mechanism		1	
2	980 355 051 00	Rear spoiler Complete Driving mechanism Spoiler		1	
3	980 505 811 00	Hinge	/L	1	
(3)	980 505 812 00	Hinge	/R	1	
4	980 355 331 01	Support	/L	1	
(4)	980 355 332 01	Rear spoiler Support	/R	1	
5	980 505 655 00	Rear spoiler Support	/L	1	
(5)	980 505 656 00	Support	/R	1	
6	980 613 901 00	Wiring harness	/L	1	
6	980 613 903 00	Wiring harness with Microswitch	/R	1	
7	980 612 813 00	Wiring harness Brake light		1	
8	980 355 471 00	Banjo bolt Set		1	
9	980 355 919 00	Set Hydraulic line		1	
10	980 505 351 03	Cross member		1	
11	980 355 057 00	Hydraulic unit		1	
12	999 507 407 40	Clip		1	
13	999 507 938 40	Cable holder Double		3	
14	900 377 010 A2	Nut M6		2	
15	999 073 252 A2	Oval-head screw M6X20		6	
16	999 507 937 40	Cable holder Simple		3	
17	999 507 739 40	Cable holder 4,5		1	
18	999 507 085 40	Clip		3	
19	999 015 025 A2	Lens-head screw M6X12		14	

Model: 980 04

Model life 2004>>2006

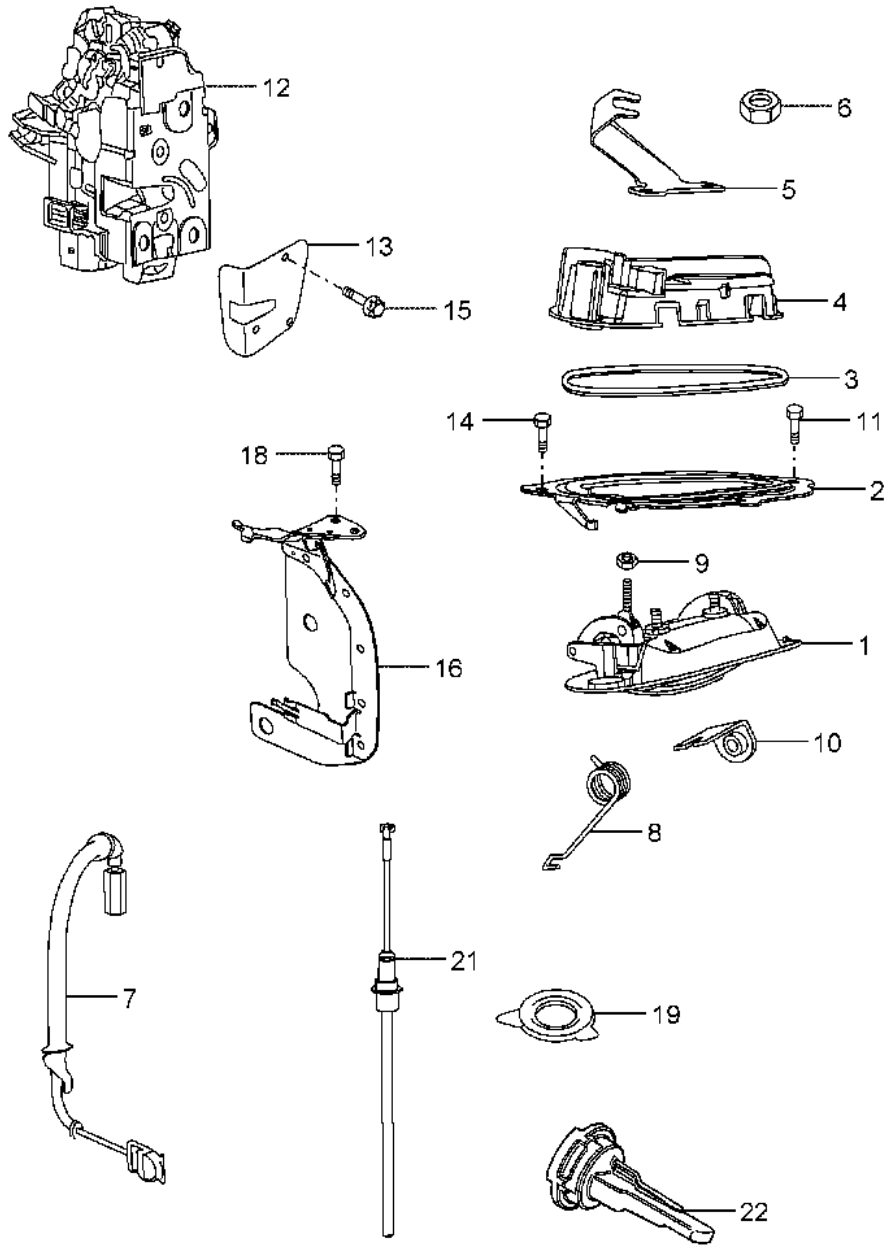


Model: 980 04 Model life 2004>>2006

Pos	Part Number	Description	Remark	Qty	Model
		Door			
		And			
		Installation parts			
1	980 531 011 01	Door	/L	1	
	980 531 011 01 G2X	Prime coated			
(1)	980 531 012 01	Door	/R	1	
	980 531 012 01 G2X	Prime coated			
2	980 531 121 01	Hinge	/L	1	
(2)	980 531 122 01	Hinge	/R	1	
3	980 531 131 01	Hinge	/L	1	
(3)	980 531 132 01	Hinge	/R	1	
4	980 645 241 00	Protection cap	/L	1	
(4)	980 645 242 00	Protection cap	/R	1	
5	999 073 305 A2	Tapping screw		6	
6	999 073 310 00	Hexagon-head bolt		4	
		M 8X25			
7	980 531 537 00	Cover	/L	1	
(7)	980 531 538 00	Cover	/R	1	
8	980 537 413 01	Door arrester		2	
9	900 377 010 A2	Nut		4	
		M 6			
10	999 073 280 00	Countersunk-head screw		8	
		M8X30			
11	980 501 333 02	Bracket	/L	1	
(11)	980 501 334 02	Bracket	/R	1	
12	N 019 530 3	Hexagon-head bolt		6	
		M 8X25			
13	3D4 837 033 D	Door lock striker		2	
		Closing element			
14	980 537 621 01	Gasket		2	
15	980 537 611 00	Spacer		2	
16	999 073 280 00	Countersunk-head screw		4	
		M 8X30			
17	980 531 421 00	Spacer		2	
18	980 610 307 00	Support		1	
(18)	980 610 308 00	Support		1	
19	999 073 259 09	Oval-head screw		4	
		M 6X8			
20	900 380 005 A2	Hexagon nut		8	
		M 8			
21	999 073 261 A2	Oval-head screw		2	
		M 8X24			
22	803 803 583	Rubber sleeve		4	
22	999 703 195 40	Rubber sleeve		4	
23	980 531 605 00	Strut	/L	1	
(23)	980 531 606 00	Strut	/R	1	
24	999 073 258 A2	Oval-head screw		4	
		M 8X20			
-	999 513 012 40	Tie-wrap		X	
		1,6-35			
25	996 512 987 00	Adjusting screw		2	
		Adjustable			
-	980 501 625 00	Threaded piece		2	
-	980 555 527 00	Support		1	
-	980 555 528 00	Support		1	
		Bowden cable			

Model: 980 04

Model life 2004>>2006

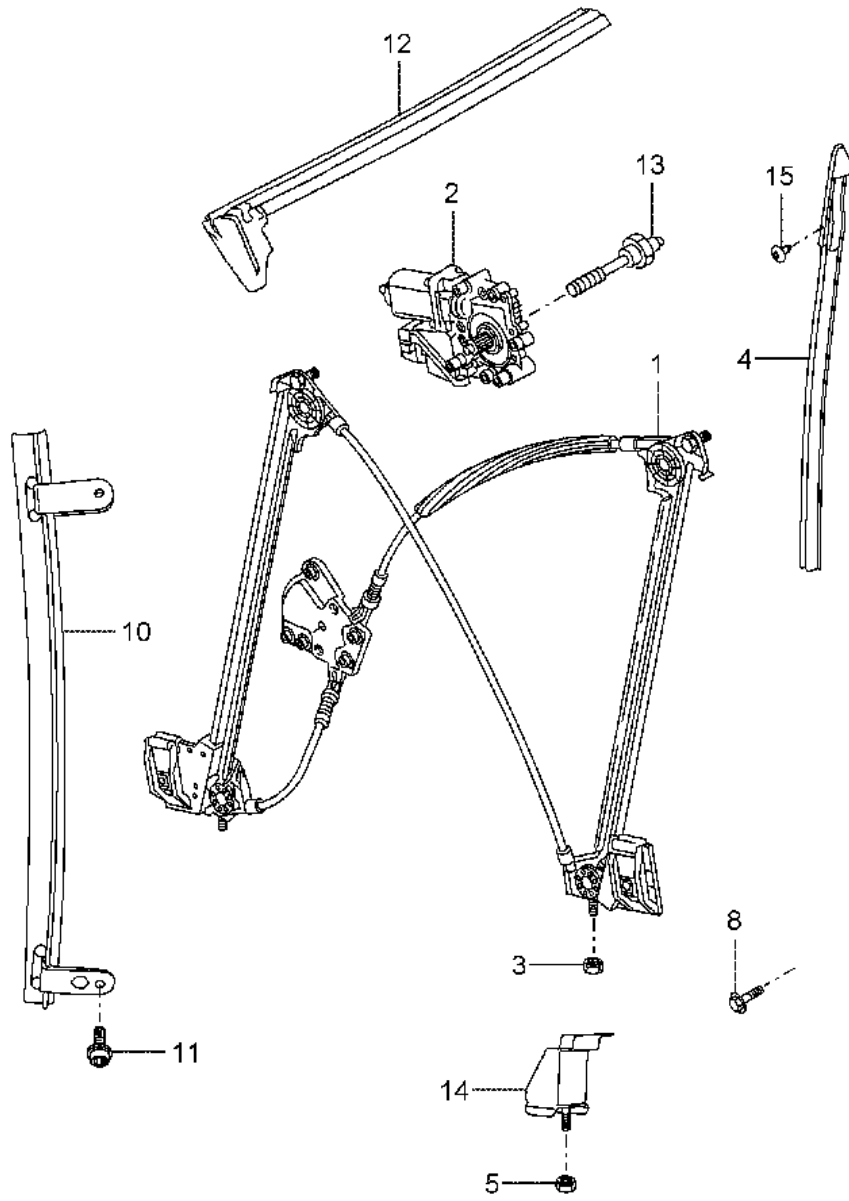


Model: 980 04 Model life 2004>>2006

Pos	Part Number	Description	Remark	Qty	Model
		Door handle			
		Door lock			
1	996 537 061 06	Outer door handle	/L	1	
	996 537 061 06 G2X	Prime coated			
(1)	996 537 062 06	Handle	/R	1	
	996 537 062 06 G2X	Prime coated			
2	980 537 519 00	Bracket	/L	1	
		Outer door handle			
(2)	980 537 520 00	Bracket	/R	1	
		Outer door handle			
3	980 537 605 00	Desk pad	/L	1	
		Outer door handle			
(3)	980 537 606 00	Desk pad	/R	1	
		Outer door handle			
4	996 537 063 03	Support	/L	1	
		Outer door handle			
(4)	996 537 064 03	Support	/R	1	
		Outer door handle			
5	980 537 501 00	Support	/L	1	
		Bowden cable			
(5)	980 537 502 00	Support	/R	1	
		Bowden cable			
6	980 531 611 00	Hexagon nut		2	
		M 4,5			
7	980 537 321 00	Cable	/L	1	
		Outer door handle			
(7)	980 537 322 00	Cable	/R	1	
		Outer door handle			
8	980 537 515 00	Spring	/L	1	
		Bowden cable			
(8)	980 537 516 00	Spring	/R	1	
		Bowden cable			
9	900 377 010 A2	Nut		4	
10	980 537 603 00	Connecting piece	/L	1	
(10)	980 537 604 00	Connecting piece	/R	1	
11	999 073 315 02	Oval-head screw		2	
		M 6X12			
12	8N1 837 015 B	Door lock	/L	1	
(12)	3B1 837 016 M	Door lock	/R	1	
13	980 531 537 00	Cover	/L	1	
		Door lock			
(13)		Cover	/R	1	
14	999 015 026 A2	Oval-head screw		6	
		M 6 X 16			
15	999 073 310 00	Hexagon-head bolt		4	
		M 8 X 25			
16	980 537 465 02	Support	/L	1	
		Lock cylinder			
18	900 623 013 00	Hexagon-head bolt		2	
		M 5X8			
19	980 537 601 00	Rosette		1	
		Lock cylinder			
21	980 537 319 01	Cable		2	
		Door opener			
-	000 043 300 35	Use also: Spraying can Lubricants		X	
23	980 537 563 01	Mounting		1	
		Lock cylinder			
24	996 537 623 01	Buffer		2	
25	996 537 625 00	Buffer		2	
-	997 538 931 00	Replacement key with stipulated lock number		X	

Model: 980 04

Model life 2004>>2006



Model: 980 04

Model life 2004>>2006

Pos	Part Number	Description	Remark	Qty	Model
1	980 542 275 01	Power windows	/L	1	
(1)	980 542 276 01	Power windows	/R	1	
2	996 624 101 05	Electric motor	/L	1	
(2)	996 624 102 05	Electric motor	/R	1	
3	900 377 010 A2	Nut M 6		X	
4	980 542 331 01	Window guide	/L	1	
(4)	980 542 332 01	Window guide	/R	1	
5	996 512 987 00	Adjusting screw		2	
8	999 073 268 A2	Oval-head screw M 5X12		4	
10	980 537 415 01	Guide rail	/L	1	
(10)	980 537 416 01	Guide rail	/R	1	
11	999 073 252 A2	Oval-head screw M 6X20		4	
12	980 542 121 00	Sealing for door slot	/L	1	
(12)	980 542 122 00	Sealing for door slot	/R	1	
13	996 542 711 00	Threaded bolt		6	
14	980 542 411 01	Support		2	
15	999 919 152 09	Oval-head screw		2	

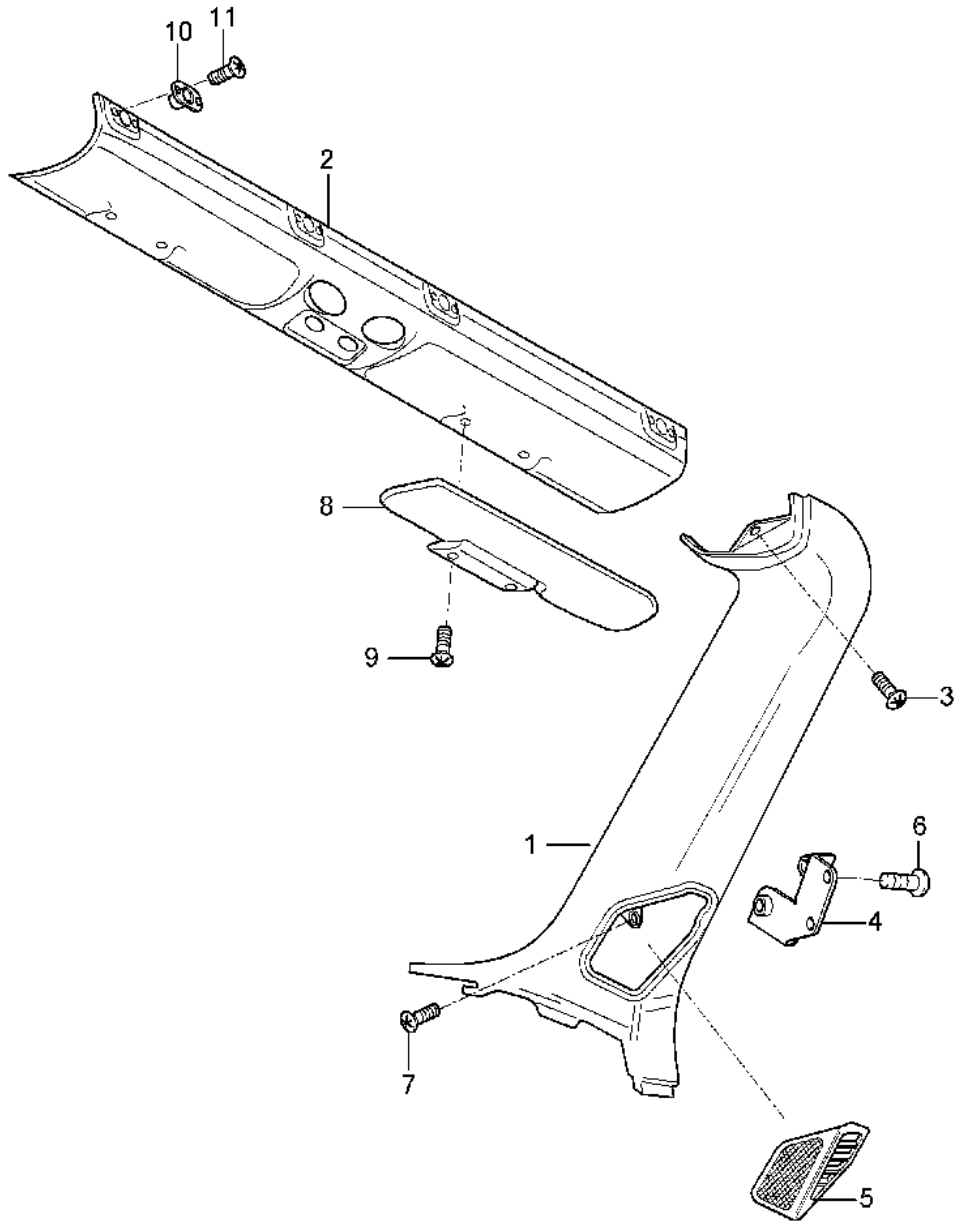
Model: 980 04

Model life 2004>>2006

Pos	Part Number	Description	Remark	Qty	Model
1	980 541 111 01	window glazing Windscreen		1	
		Use also:			
2	000 043 300 94	Adhesive set		X	
3	000 043 300 98	Connection piece		8	
4	980 565 431 00	Rear window	/L	1	
(4)	980 565 432 00	Rear window	/R	1	
		Use also:			
-	000 043 300 98	Connection piece Pos. 3		X	
-	000 043 300 43	Adhesive tape		X	
5	980 565 433 02	Rear window Centre		1	
		Use also:			
6	999 703 492 40	Buffer 3 mm		4	
7	980 542 111 00	Door window glass	/L	1	
(7)	980 542 112 00	Door window glass	/R	1	
8	980 542 601 00	Desk pad		2	
9	000 043 300 96	Wire Disassembly tool		X	

Model: 980 04

Model life 2004>>2006

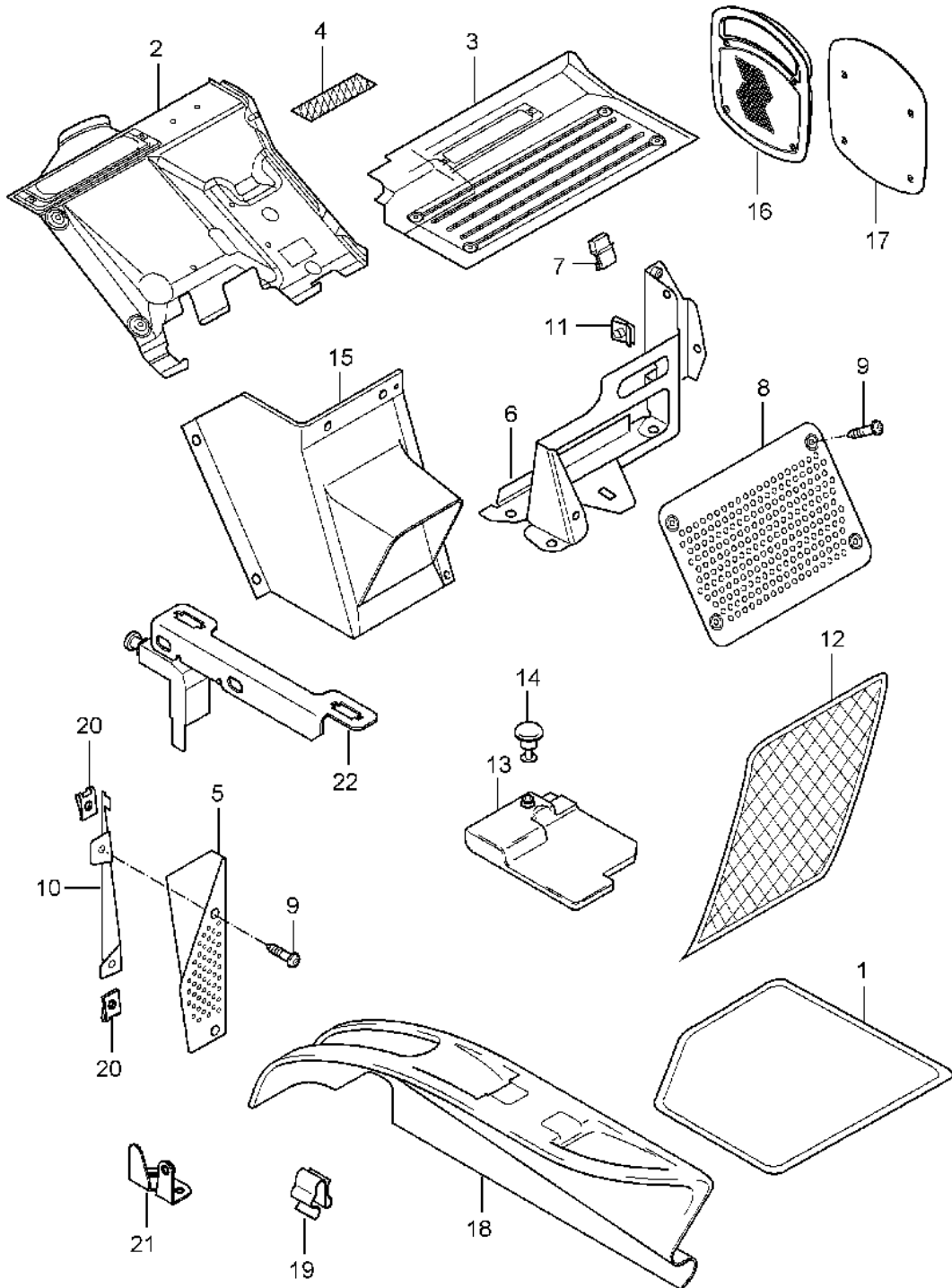


Model: 980 04 Model life 2004>>2006

Pos	Part Number	Description	Remark	Qty	Model
1	980 555 411 00	Sun visors Linings A-pillar Lining A-pillar	/L	1	
	980 555 411 00 D12	Dark grey/natural			
	980 555 411 00 R21	Ascot brown/natural			
	980 555 411 00 9S5	Terracotta			
(1)	980 555 412 00	Lining A-pillar	/R	1	
	980 555 412 00 D12	Dark grey/natural			
	980 555 412 00 R21	Ascot brown/natural			
	980 555 412 00 9S5	Terracotta			
2	980 555 413 00	Cowl panel covering		1	
	980 555 413 00 D12	Dark grey/natural			
	980 555 413 00 R21	Ascot brown/natural			
	980 555 413 00 9S5	Terracotta			
3	999 073 268 A2	Oval-head screw M 5X16		2	
4	980 555 627 02	Support	/L	1	
		Lining A-pillar			
(4)	980 555 628 02	Support Lining A-pillar	/R	1	
5	980 555 401 00	Loudspeaker grille	/L	1	
(5)	980 555 402 00	Loudspeaker grille	/R	1	
6	999 073 268 A2	Oval-head screw M 5X16		4	
7		Oval-head screw M 5X16		2	
8	980 731 131 00	Sun visor	/L	1	
	980 731 131 00 D12	Dark grey/natural			
	980 731 131 00 R21	Ascot brown/natural			
	980 731 131 00 9S5	Terracotta			
(8)	980 731 132 00	Sun visor	/R	1	
	980 731 132 00 D12	Dark grey/natural			
	980 731 132 00 R21	Ascot brown/natural			
	980 731 132 00 9S5	Terracotta			
9	999 073 268 A2	Oval-head screw M 5X16		4	
10	980 504 553 00	Rosette		4	
	980 504 553 00 01C	Satin black			
11	900 073 500 A2	Oval-head screw M 5X25		8	

Model: 980 04

Model life 2004>>2006



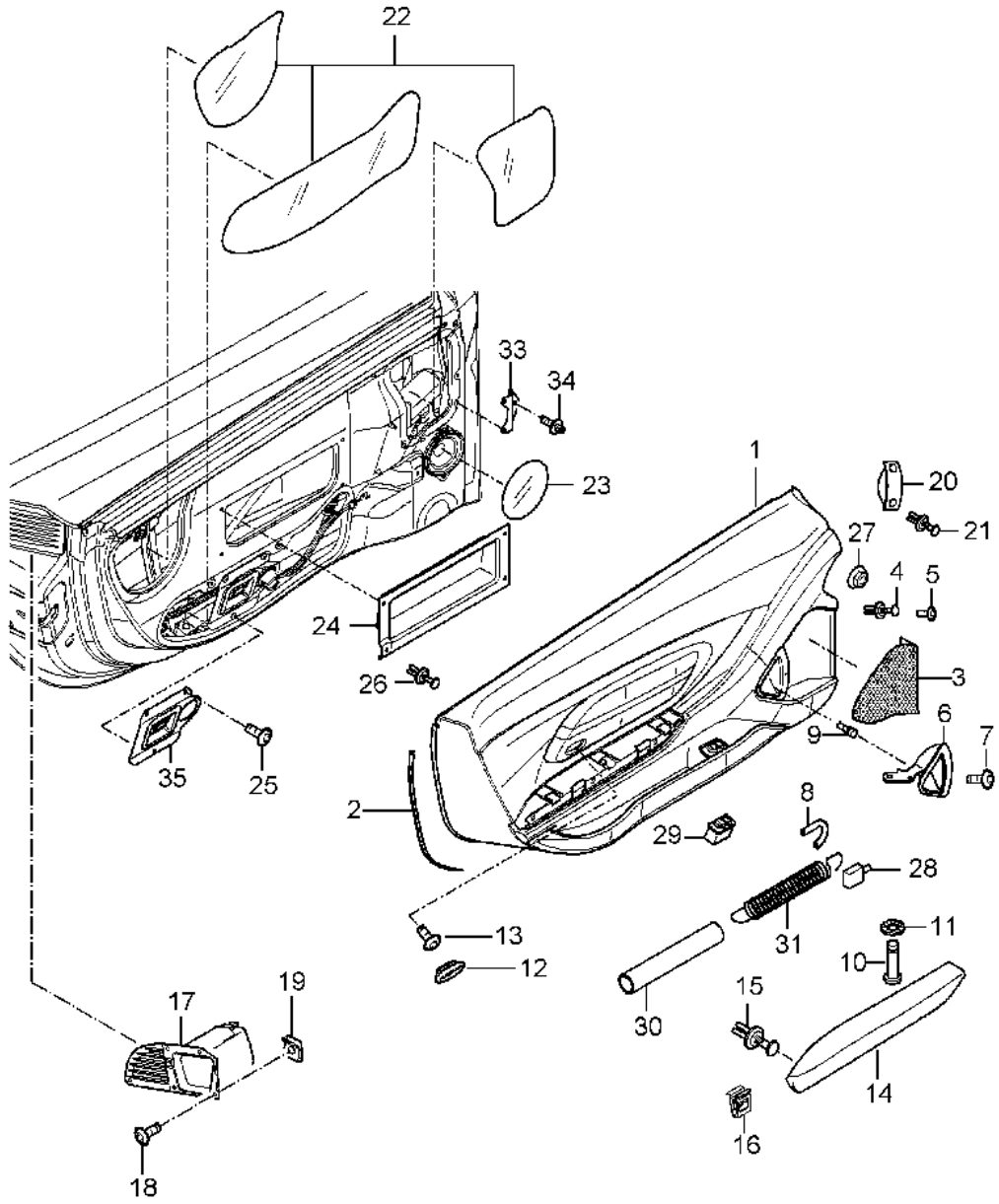
Model: 980 04

Model life 2004>>2006

Pos	Part Number	Description	Remark	Qty	Model
		Footwell			
		Carpet			
1	980 551 615 01	Carpet	/L	1	
	980 551 615 01 FKE	Black			
(1)	980 551 616 01	Carpet	/R	1	
	980 551 616 01 FKE	Black			
2	980 551 617 04	Cover		1	
		Pedals			
3	980 551 621 00	Cover		1	
		Footwell			
4	999 551 170 40	Tape		*	
5	980 551 611 01	Foot support		1	
6	980 551 705 01	Support		1	
7	999 591 700 01	U-clamp		1	
8	980 551 624 00	Insert		1	
9	999 073 268 A2	Oval-head screw		4	
		M 5X12			
10	980 551 723 00	Support		1	
		Foot support			
11	999 591 888 02	Speed nut		4	
12	980 551 635 00	Sound absorber	/L	2	
	980 551 635 00 A22	Black			
13	980 551 623 02	Lid		1	
		Central electrical system			
14	999 591 983 12	Tenax upper part		1	
15	980 551 619 00	Lining		1	
		Tunnel			
16	980 645 145 00	Trim cover		2	
17	980 645 181 00	Cover		2	
18	980 551 625 02	Cover		1	
	980 551 625 02 A05	Black mat			
19	999 591 380 02	Cable clamp		1	
		Cable holder			
19	999 591 380 01	Cable clamp		1	
		Cable holder			
20	999 507 371 02	Speed nut		2	
		M5			
21	980 551 801 00	Support		1	
		Parking-brake lever			
		Front			
22	980 551 803 02	Support		1	
		Parking-brake lever			
		Rear			

Model: 980 04

Model life 2004>>2006



Model: 980 04 Model life 2004>>2006

Pos	Part Number	Description	Remark	Qty	Model
1	980 555 011 03	Door trim panel	/L	1	
	980 555 011 03 FJY	Dark grey/natural			
	980 555 011 03 FJZ	Ascot brown/natural			
	980 555 011 03 FJX	Terracotta			
(1)	980 555 012 03	Door trim panel	/R	1	
	980 555 012 03 FJY	Dark grey/natural			
	980 555 012 03 FJZ	Ascot brown/natural			
	980 555 012 03 FJX	Terracotta			
2	980 555 523 00	Edge protection		1	
3	980 555 131 00	Trim cover	/L	1	
		Loudspeaker			
(3)	980 555 132 00	Trim cover	/R	1	
		Loudspeaker			
4	999 591 941 40	Expansion rivet		4	
5	999 073 250 09	Oval-head screw		2	
		M 5X15			
6	980 555 121 01	Door opener	/L	1	
	980 555 121 01 C70	Black			
7	999 067 043 02	Pan-head screw		2	
		M 5X12			
8	999 702 281 40	Grommet		2	
9	999 703 870 40	Rubber stop		2	
		Door opener			
10	999 166 084 02	Bolt		2	
		Door opener		2	
11	999 166 026 02	Lock		2	
12	996 555 623 02	Cap		2	
	996 555 623 02 V03	Sport silver			
13	999 067 043 02	Pan-head screw		2	
		M 5X10			
14	980 555 141 00	Armrest	/L	1	
	980 555 141 00 A11	Black			
	980 555 141 00 A51	Black/natural			
(14)	980 555 142 00	Armrest	/R	1	
	980 555 142 00 A11	Black			
	980 555 142 00 A51	Black/natural			
15	999 507 107 40	Clip		6	
16	999 507 716 01	U-clamp		6	
17	980 531 301 00	Shelf	/L	1	
	980 531 301 00 01C	Black			
(17)	980 531 302 00	Shelf	/R	1	
	980 531 302 00 01C	Black			
18	999 450 008 09	Tapping screw		10	
19	999 507 426 02	Speed nut		10	
20	980 555 617 00	Cover	/L	1	
(20)	980 555 618 00	Cover	/R	1	
21	999 591 941 40	Expansion rivet		4	
22	980 555 521 01	Sealing film	/L	2	
(22)	980 555 522 01	Sealing film	/R	1	
23	980 555 525 00	Sealing film	/L	1	
24	980 555 501 00	Sealing film	/R	1	
		Side airbag	/L		
(24)	980 555 502 00	Sealing film		1	
		Side airbag	/R		
25	999 073 250 09	Oval-head screw		4	
		M 5X15			
26	999 591 941 40	Expansion rivet		4	
27	999 076 066 09	Hexagon nut		2	
28	996 613 123 00	Microswitch		1	
29	993 613 241 00	Mirror changeover switch		1	
	993 613 241 00 01C				
30	996 555 635 00	Hose		2	

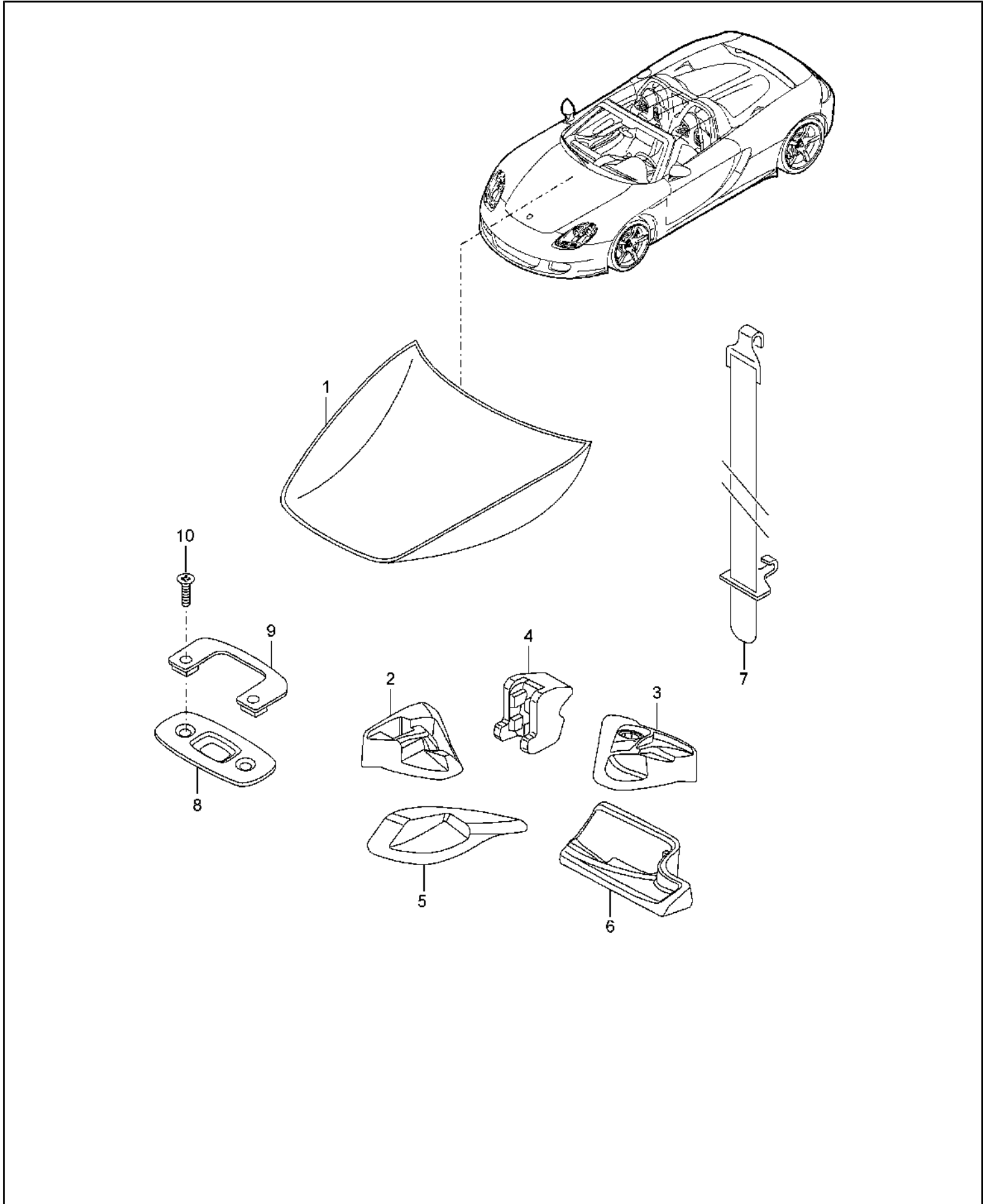
Model: 980 04

Model life 2004>>2006

Pos	Part Number	Description	Remark	Qty	Model
31	999 522 015 00	Tension spring		2	
33	980 555 705 00	Support		2	
34	980 555 707 00	Threaded piece		2	
35	980 573 603 00	Bleeding	/L	1	
(35)	980 573 604 00	Bleeding	/R	1	

Model: 980 04

Model life 2004>>2006



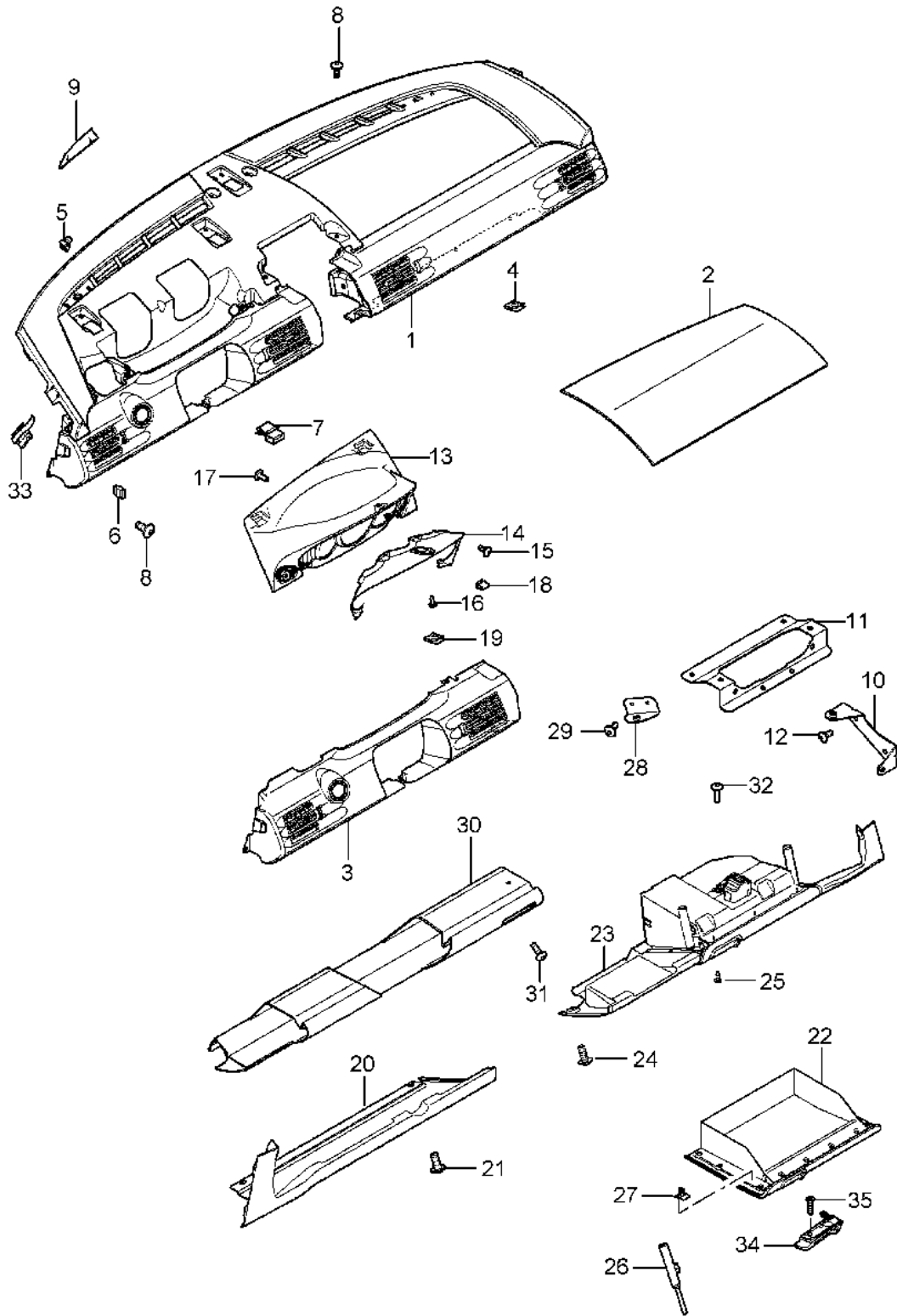
Model: 980 04

Model life 2004>>2006

Pos	Part Number	Description	Remark	Qty	Model
1	980 551 637 00	Luggage compartment trim		1	
	980 551 637 00 A22	Lining			
	980 551 637 00 A22	Black			
-	999 902 047 40	Velcro strip		*	
2	980 551 709 00	Foam part		1	
3	980 551 710 00	Foam part		1	
4	980 551 712 02	Foam part		1	
5	980 551 713 02	Foam part		1	
6	980 551 714 01	Foam part		1	
7	980 551 321 00	Belt		1	
		Upper			
	980 551 321 00 FKB	Terracotta			
	980 551 321 00 FKC	Dark grey/natural			
	980 551 321 00 FKD	Ascot brown/natural			
(7)	980 551 323 00	Belt		1	
		Lower			
	980 551 323 00 FKB	Terracotta			
	980 551 323 00 FKC	Dark grey/natural			
	980 551 323 00 FKD	Ascot brown/natural			
8	980 551 631 00	Mounting plate		4	
9	980 551 633 00	Counterplate		4	
10	900 249 072 00	Countersunk-head screw		8	
		M 5X12			

Model: 980 04

Model life 2004>>2006



Model: 980 04 Model life 2004>>2006

Pos	Part Number	Description	Remark	Qty	Model
1	980 552 011 01	Dashboard		1	
	980 552 011 01 9A4	Titanium metallic			
2	980 552 131 00	Lid		1	
	980 552 131 00 R21	Ascot brown/natural			
	980 552 131 00 9S5	Terracotta			
	980 552 131 00 D12	Dark grey			
3	980 552 321 01	Cover	/L	1	
	980 552 321 01 9A4	Titanium metallic			
(3)	980 552 322 01	Cover	/R	1	
	980 552 322 01 9A4	Titanium metallic			
4	999 591 460 02	Speed nut		3	
5	999 507 967 02	Clamp		4	
6	999 591 380 02	Cable clamp		2	
6	999 591 380 01	Cable clamp		2	
7	999 591 700 01	U-clamp		3	
8	999 073 268 A2	Oval-head screw		13	
		M5X12			
		Mount			
		Dashboard			
		with			
		Body			
9	980 552 607 01	Trim cover		1	
		Dashboard			
(9)	980 552 608 01	Trim cover		1	
		Dashboard			
10	980 552 643 00	Support	/L	1	
		Dashboard			
(10)	980 552 644 00	Support	/R	1	
		Dashboard			
11	980 552 603 01	Support		1	
		SCHALTAFEL			
12	999 073 268 A2	Oval-head screw		8	
		M5X12			
13	980 552 241 00	Air guide		1	
	980 552 241 00 FJQ	Ascot brown/natural			
	980 552 241 00 FJO	Terracotta			
	980 552 241 00 FJP	Dark grey			
14	980 552 543 00	Cover		1	
		Air guide			
15	999 073 268 A2	Oval-head screw		2	
		M5X12			
16	999 073 294 09	Tapping screw		1	
		ST3,5X8			
17	999 073 269 A2	Oval-head screw		2	
		M5X16			
		Mount			
		Cover			
		with			
		Dashboard			
18	999 507 109 02	Clamp		2	
19	999 591 460 02	Speed nut		1	
20	980 552 313 00	Dashboard	/L	1	
		Cover			
		Lower part			
	980 552 313 00 D12	Dark grey			
	980 552 313 00 R21	Ascot brown/natural			
	980 552 313 00 9S5	Terracotta			
21	999 073 268 A2	Oval-head screw		2	
		M5X12			
22	980 552 079 00	Glove compartment		1	
	980 552 079 00 D11	Dark grey/natural			
	980 552 079 00 R21	Ascot brown/natural			

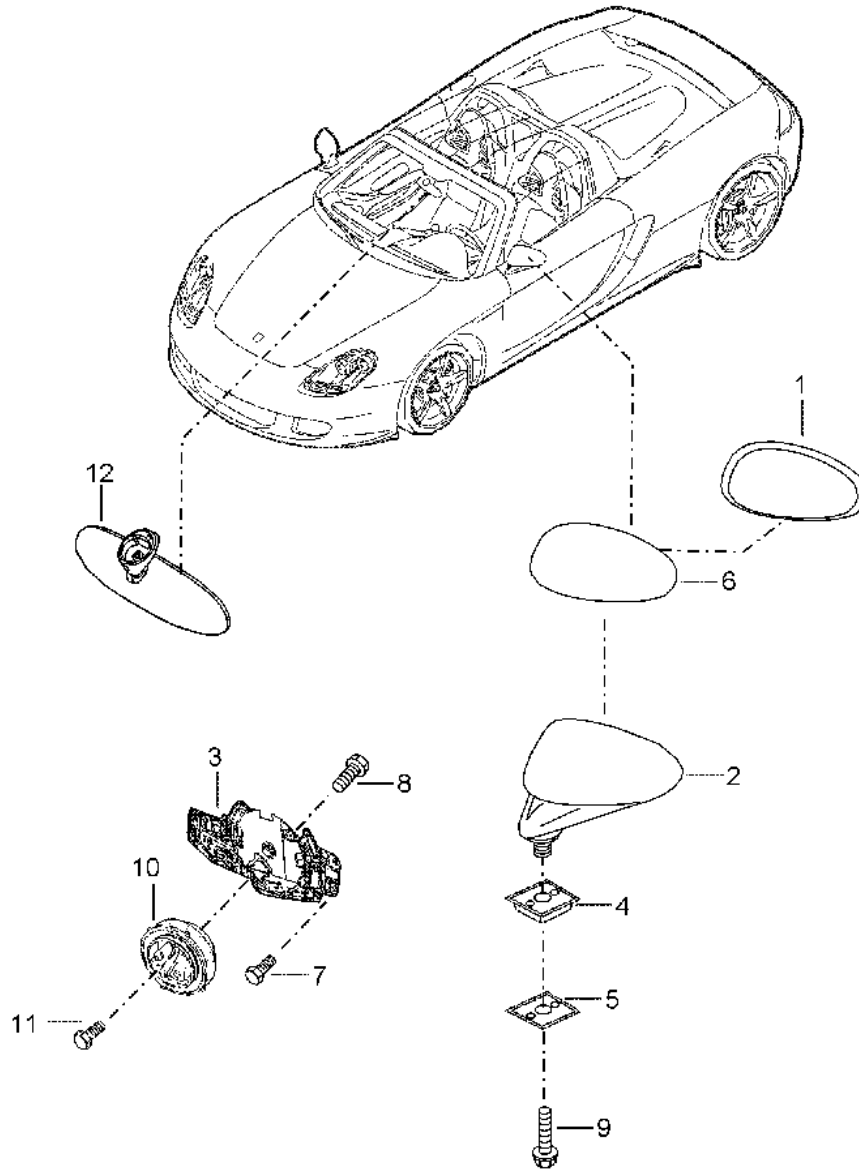
Model: 980 04

Model life 2004>>2006

Pos	Part Number	Description	Remark	Qty	Model
23	980 552 079 00 9S5	Terracotta		1	
	980 552 114 00	Dashboard Cover	/R		
		Lower part			
	980 552 114 00 FJH	Dark grey/natural			
	980 552 114 00 FJJ	Ascot brown/natural			
24	980 552 114 00 FJG	Terracotta		3	
	999 073 268 A2	Oval-head screw M5X12			
25	999 073 294 09	Tapping screw 3,5X8-F		3	
26	996 552 779 00	Damper		2	
27	996 552 879 00	Adapter		2	
28	980 552 727 00	Support	/R	1	
29	999 073 268 A2	Oval-head screw M5X12		2	
30	980 552 723 01	Knee protection strip	/L	1	
(30)	980 552 724 01	Knee protection strip	/R	1	
31	999 073 268 A2	Oval-head screw M5X12		5	
32	999 073 269 A2	Oval-head screw M6X18		4	
33	999 507 685 02	Clamp 4.8X7.0-1.0		4	
34	996 552 349 01	Handle		1	
	996 552 349 01 V03	Sport silver			
35	999 073 240 02	Screw M4X16		1	

Model: 980 04

Model life 2004>>2006



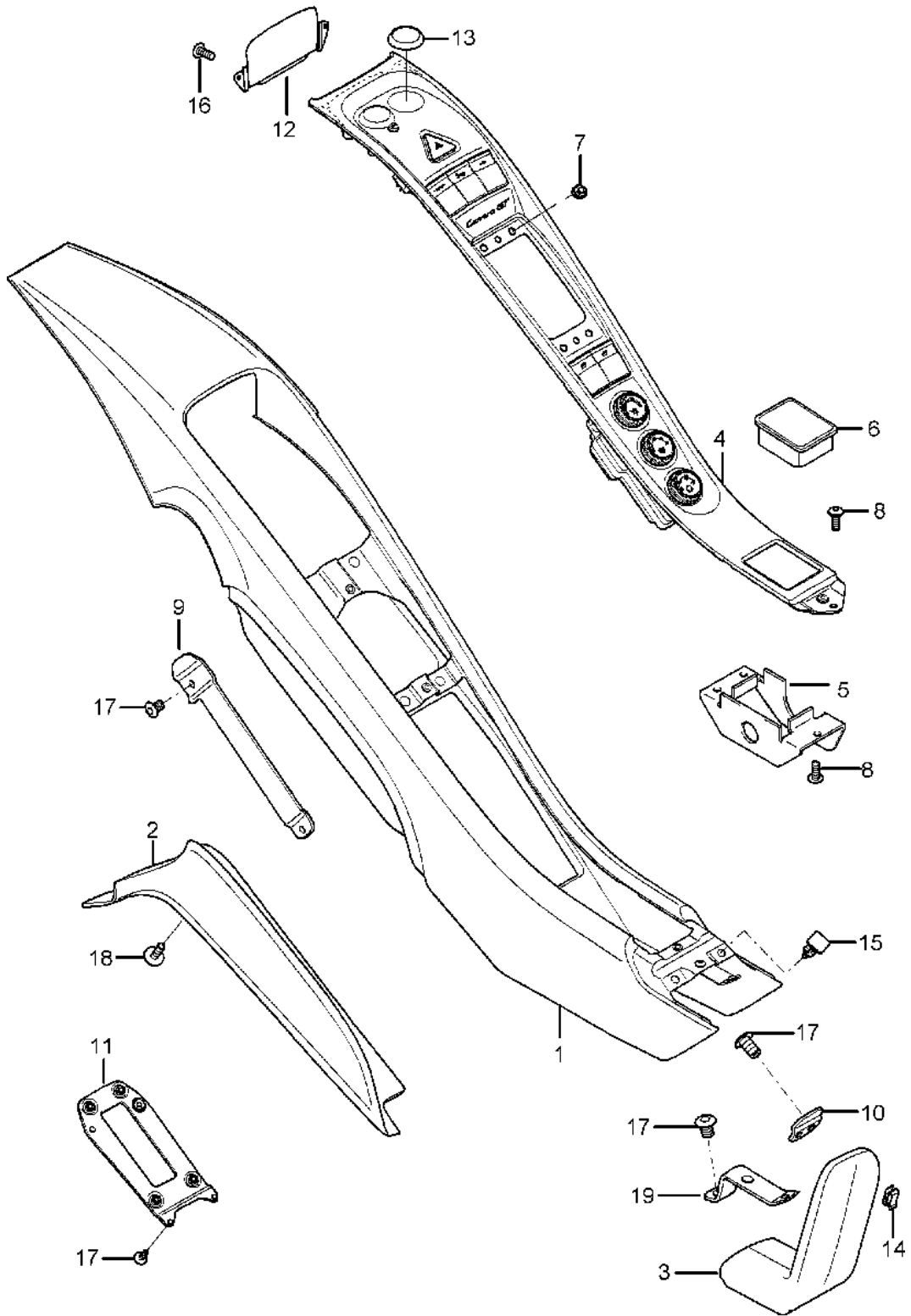
Model: 980 04

Model life 2004>>2006

Pos	Part Number	Description	Remark	Qty	Model
1	980 731 119 01	Door mirror			
		Interior mirror			
	980 731 119 01	Mirror housing	/L	1	
	980 731 119 01 G2X	Prime coated			
(1)	980 731 120 01	Mirror housing	/R	1	
	980 731 120 01 G2X	Prime coated			
2	980 731 319 00	Mounting	/L	1	
		Mirror housing			
	980 731 319 00 G2X	Prime coated			
(2)	980 731 320 00	Mounting	/R	1	
		Mirror housing			
	980 731 320 00 G2X	Prime coated			
3	980 731 321 00	Adapter	/L	1	
(3)	980 731 322 00	Adapter	/R	1	
4	980 731 219 01	Mirror base	/L	1	
(4)	980 731 220 01	Mirror base	/R	1	
5	980 731 419 00	Gasket	/L	1	
(5)	980 731 420 00	Gasket	/R	1	
6	980 731 035 02	Mirror glass	/L	1	
		Plane			
6	980 731 035 03	Mirror glass	/L	1	
		Aspherical			
6	980 731 038 03	Mirror glass	/R	1	
		Convex			
6	980 731 038 05	Mirror glass	/R	1	I215
		Convex			
7	999 919 109 02	Countersunk-head screw		4	
		M 3X12			
8	999 919 157 02	Oval-head screw		7	
		M 3X16			
9	999 073 253 A2	Oval-head screw		4	
		M 6X25			
10	980 624 223 00	Adjusting motor	/L	1	
(10)	955 624 047 00	Adjusting motor		1	
11	999 015 025 A2	Lens-head screw		X	
		M 6X12			
12	980 731 511 00	Interior mirror		1	
13	980 612 980 00	Wiring harness		2	
14	999 650 030 40	Plug socket		X	

Model: 980 04

Model life 2004>>2006

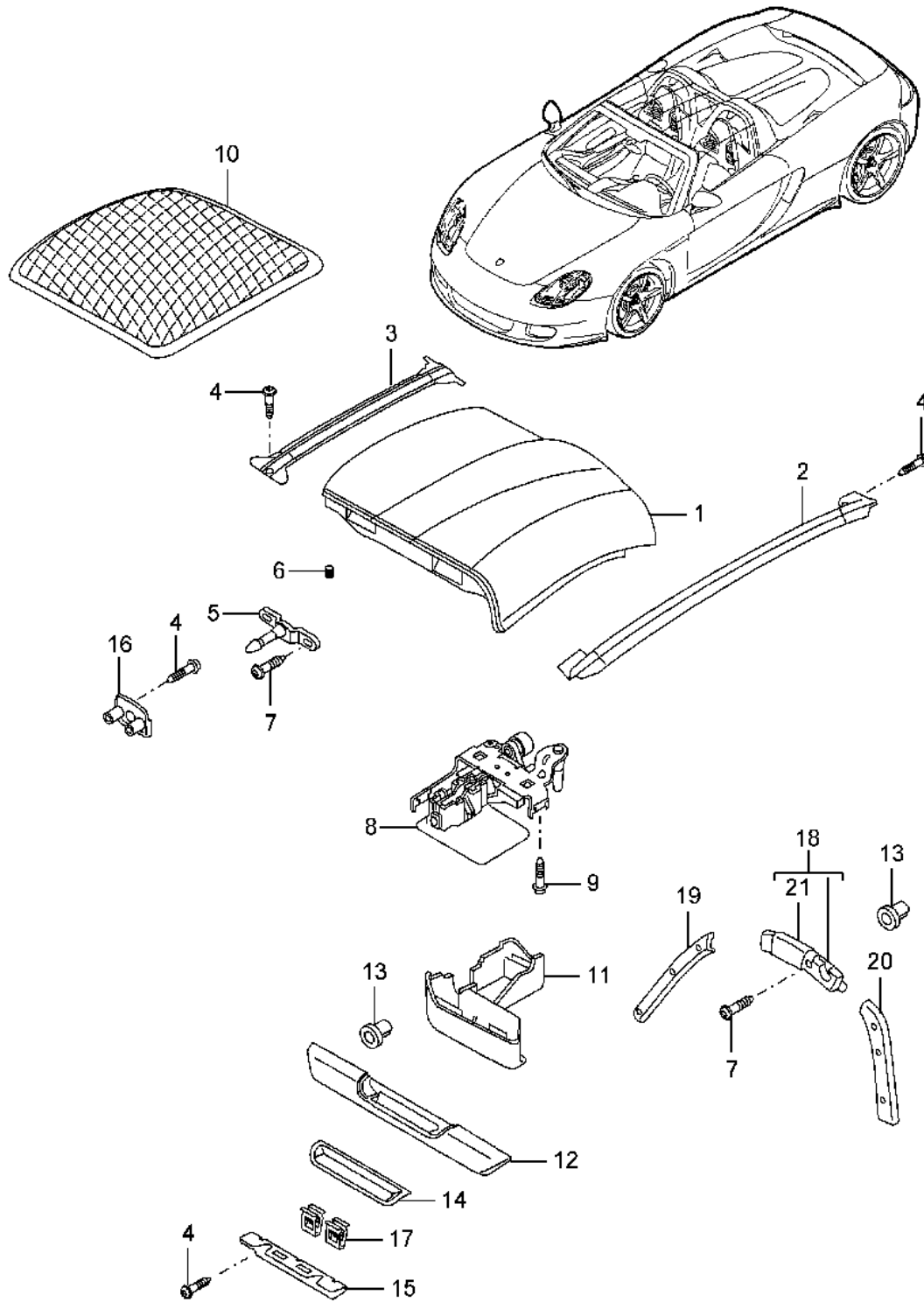


Model: 980 04 Model life 2004>>2006

Pos	Part Number	Description	Remark	Qty	Model
1	980 553 111 02	Centre console Lining		1	
	980 553 111 02 D12	Centre console Dark grey/natural			
	980 553 111 02 R21	Ascot brown/natural			
	980 553 111 02 9S5	Terracotta			
2	980 553 301 01	Side trim panel	/L	1	
	980 553 301 01 D12	Dark grey/natural			
	980 553 301 01 R21	Ascot brown/natural			
	980 553 301 01 9S5	Terracotta			
(2)	980 553 302 01	Side trim panel	/R	1	
	980 553 302 01 D12	Centre console Dark grey/natural			
	980 553 302 01 R21	Ascot brown/natural			
	980 553 302 01 9S5	Terracotta			
3	980 553 421 00	Armrest		1	
	980 553 421 00 D12	Centre console Dark grey/natural			
	980 553 421 00 R21	Ascot brown/natural			
	980 553 421 00 9S5	Terracotta			
4		Cover		1	I690
		Centre console Manually		1	
		Order			
5	980 553 603 00	Support		1	
		Ashtray			
6	980 553 461 00	Ashtray		1	
	980 553 461 00 C70	Matte			
		Chrome			
8	999 073 268 A2	Oval-head screw M5X12		X	
9	980 553 807 01	Support	/L	1	
		Side trim panel			
(9)	980 553 808 01	Support	/R	1	
		Side trim panel			
10	980 553 619 00	Support		1	
		Armrest			
11	980 553 809 01	Support		2	
		Side trim panel			
12	980 553 405 00	Cover		1	
13	980 553 403 00	Cover		2	
		Opening for radio			
14	999 507 716 01	U-clamp		1	
15	999 591 452 40	Special nut		2	
16	999 073 250 09	Oval-head screw M 5X15		2	
17	999 073 268 A2	Oval-head screw M 5X12		X	
18	999 073 250 09	Oval-head screw		4	
		Cover			
		M5X15			
19	980 553 505 00	Support		1	
20	980 553 617 00	Support		1	
		Lining			
		Centre console			

Model: 980 04

Model life 2004>>2006

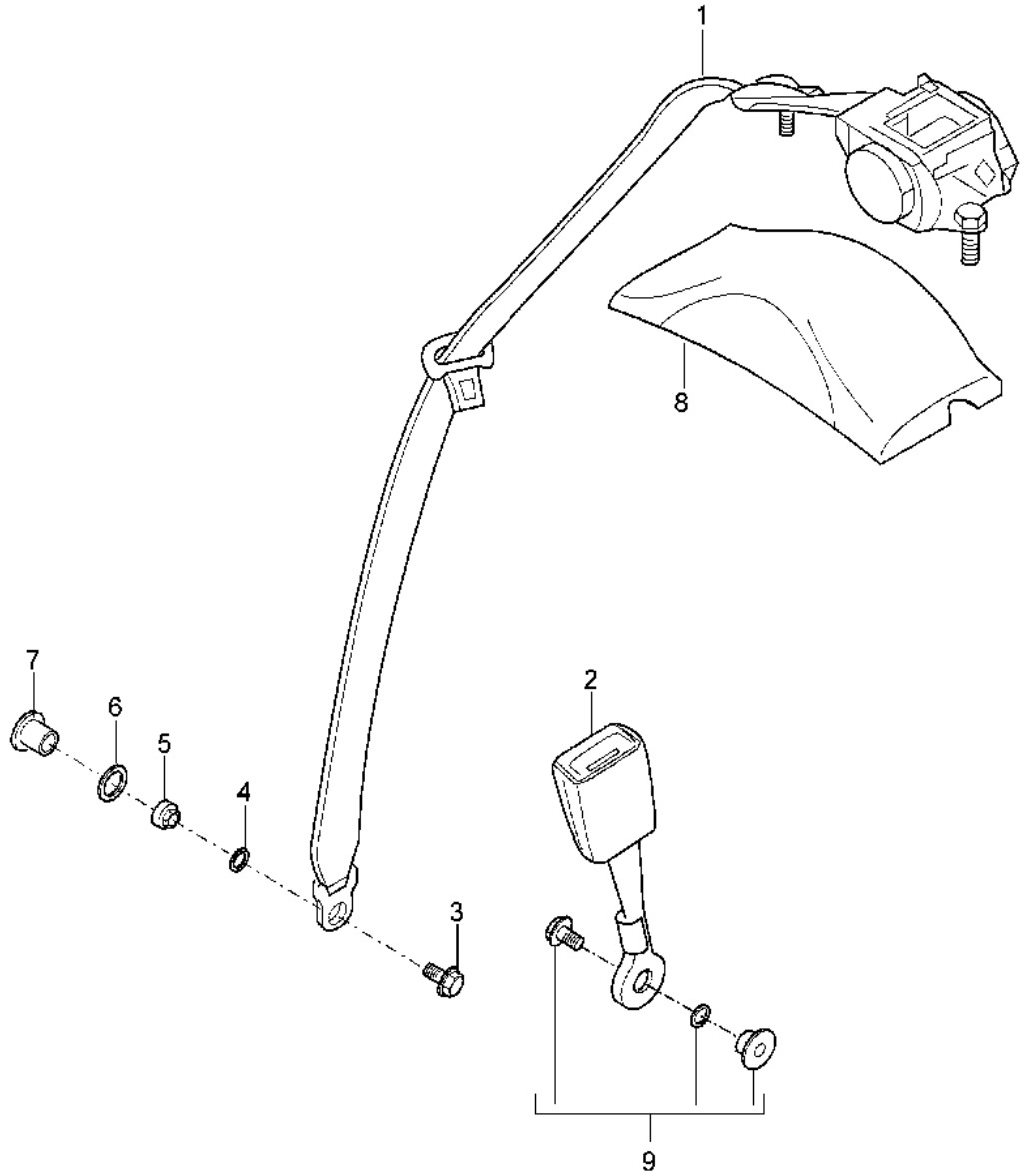


Model: 980 04 Model life 2004>>2006

Pos	Part Number	Description	Remark	Qty	Model
1	980 565 111 00	Roof			
	980 565 111 00	Roof	/L	1	
	980 565 111 00 G2X	Prime coated			
(1)	980 565 112 00	Roof	/R	1	
	980 565 112 00 G2X	Prime coated			
2	980 565 221 00	Gasket	/L	1	
(2)	980 565 222 00	Gasket	/R	1	
3	980 565 223 00	Gasket	/R	1	
4	999 073 268 A2	Oval-head screw		6	
		M 5X12			
5	980 565 201 01	Locating peg	/L	1	
6	999 703 488 40	Buffer		4	
7	999 073 254 A2	Oval-head screw		X	
		M 6X30			
8	980 565 213 02	Catch	/L	1	
	980 565 213 02 FJU	Satin aluminium			
(8)	980 565 214 02	Catch	/R	1	
	980 565 214 02 FJU	Satin aluminium			
9	999 073 311 A2	Combination screw		2	
		M 6X18			
10	980 555 631 00	Sound absorber	/L	1	
	980 555 631 00 A22	Black			
(10)	980 555 632 00	Sound absorber	/R	1	
	980 555 632 00 A22	Black			
11	980 565 417 00	Cover	/L	1	
	980 565 417 00 01C	Satin black			
11	980 565 418 00	Cover	/R	1	
	980 565 418 00 01C	Satin black			
12	980 580 605 00	Padding		1	
	980 580 605 00 A11	Black			
13	986 580 751 00	Clip		X	
14	980 565 519 00	Bracket		1	
	980 565 519 00 01C	Satin black			
15	980 565 601 00	Retaining bracket		1	
16	980 504 553 00	Rosette		2	
	980 504 553 00 01C	Satin black			
17	999 507 815 02	Clamp		2	
18	980 565 203 01	Mounting	/L	1	
	980 565 203 01 FJN	Black			
(18)	980 565 204 01	Mounting	/R	1	
	980 565 204 01 FJN	Black			
19	980 580 603 00	Padding	/L	1	
	980 580 603 00 A11	Black			
(19)	980 580 604 00	Padding	/R	1	
	980 580 604 00 A11	Black			
20	980 580 607 00	Padding	/L	1	
	980 580 607 00 A11	Black			
(20)	980 580 608 00	Padding	/R	1	
	980 580 608 00 A11	Black			
21	980 580 709 00	Support washer		2	

Model: 980 04

Model life 2004>>2006



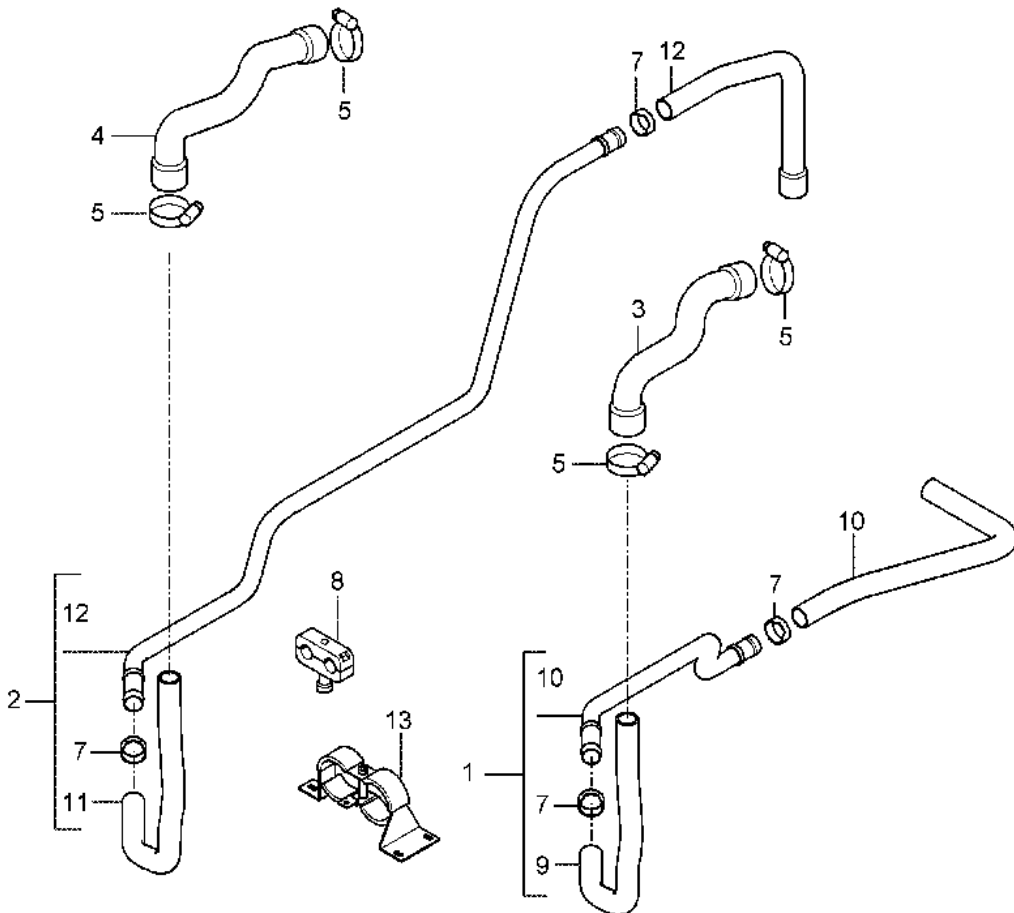
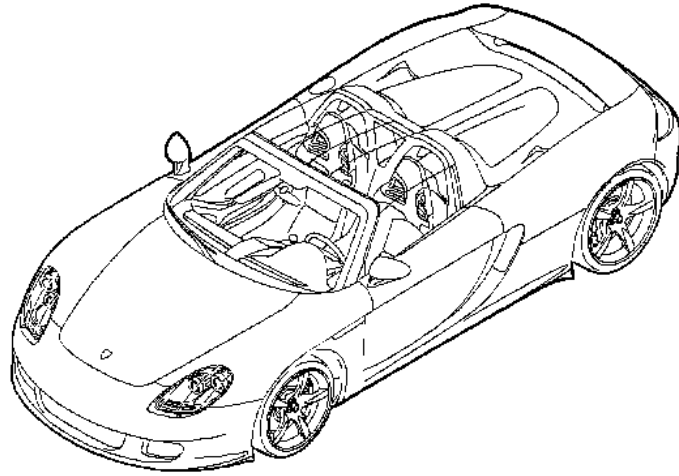
Model: 980 04

Model life 2004>>2006

Pos	Part Number	Description	Remark	Qty	Model
		Seat belt			
		3-point automat. seat belt			
1	980 803 023 01	Seat belt	/L	1	
(1)	980 803 024 01	Seat belt	/R	1	
2	980 803 183 00	Seat-belt buckle	/L	1	
(2)	980 803 183 01	Seat-belt buckle	/R	1	
3	999 075 072 09	Hexagon-head bolt 7/16-20 UNF		2	
4	211 857 771	Washer		2	
5	980 803 664 00	Spacer sleeve		1	I384/385
(5)	980 803 666 00	Spacer sleeve		1	I386/387
6	999 025 275 09	Washer		2	
7	999 048 005 09	Threaded bush	/L	1	
(7)	999 048 006 09	Threaded bush	/R	1	
8	980 555 417 01	Cover		1	
	980 555 417 01 G2X	Prime coated			
(8)	980 555 418 01	Cover		1	
	980 555 418 01 G2X	Prime coated			
9	980 521 425 00	Set of fastening parts		1	I384/385
9	980 521 425 01	Set of fastening parts		1	I386/387

Model: 980 04

Model life 2004>>2006



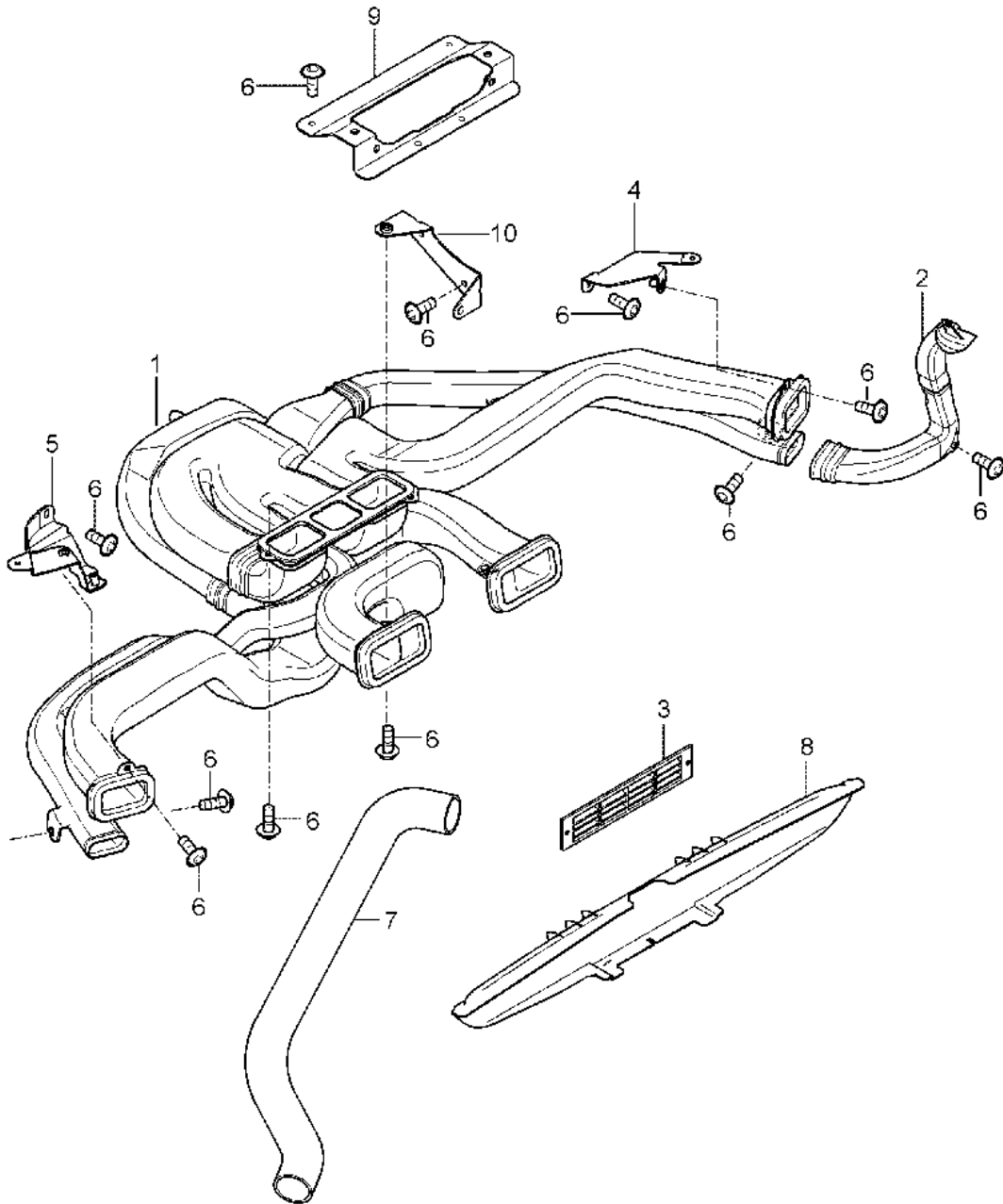
Model: 980 04

Model life 2004>>2006

Pos	Part Number	Description	Remark	Qty	Model
1	980 572 381 02	Heating Feed line Return line Hot air duct Supply		1	
2	980 572 383 02	Hot air duct Return line		1	
4	980 572 683 00	Heater hose Return line		1	
5	999 512 655 09	Hose clamp		X	
6	980 572 501 01	Heater hose		1	
7	999 512 674 00	Clip		X	
8	999 511 230 40	Cable holder		3	
9	980 572 681 00	Heater hose Supply		1	
10	980 572 687 00	Heater hose Supply		1	
12	980 572 685 00	Heater hose Return line		1	
13	980 504 605 01	Support Water tube		3	
17	999 073 269 A2	Oval-head screw		4	

Model: 980 04

Model life 2004>>2006



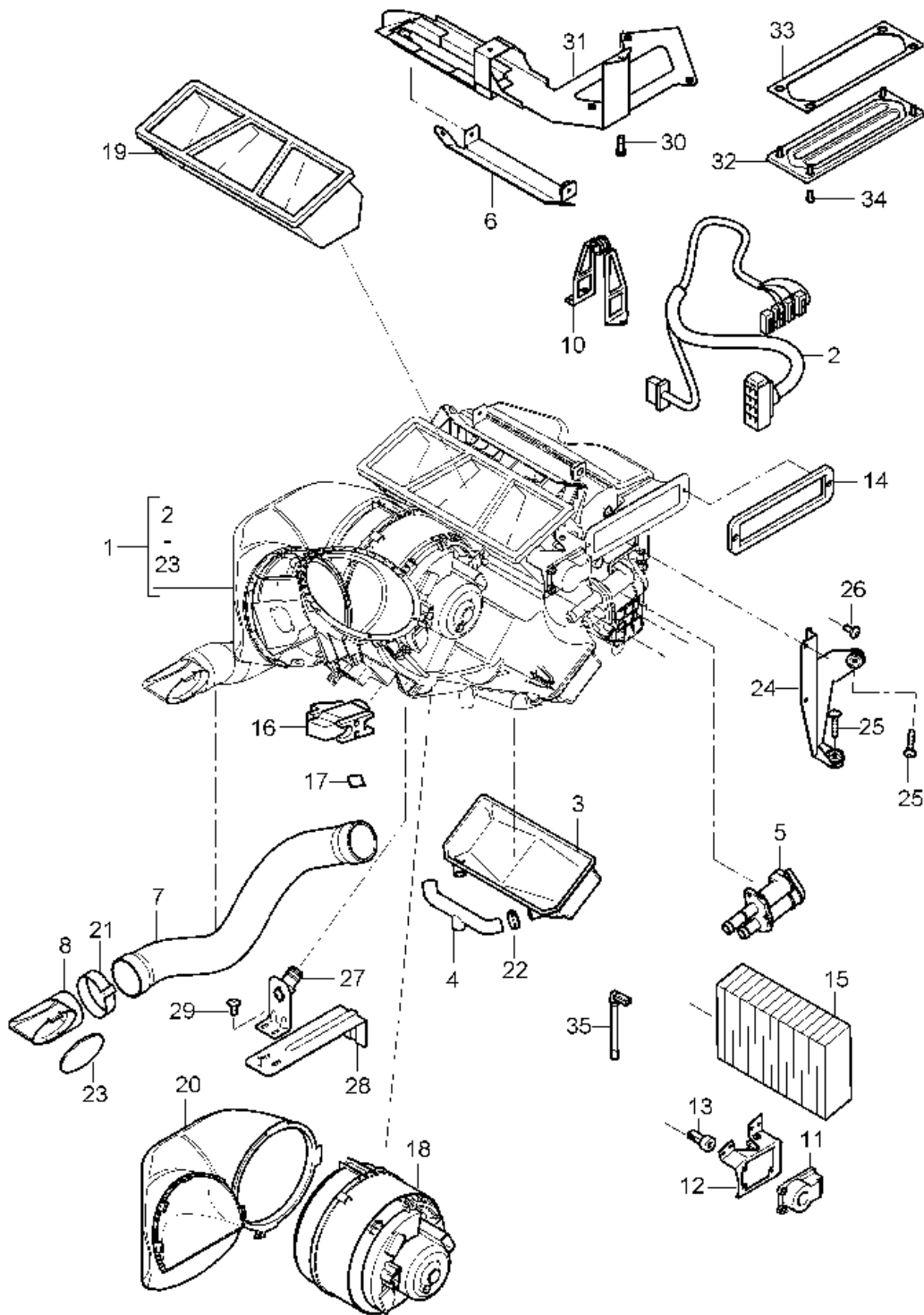
Model: 980 04

Model life 2004>>2006

Pos	Part Number	Description	Remark	Qty	Model
1	980 552 731 01	Heating Air distributor Air guide Centre		1	
2	980 552 733 01	Air guide Lateral	/L	1	
(2)	980 552 734 01	Air guide Lateral	/R	1	
3	980 551 627 00	Cover Footwell outlet vent		2	
4	980 504 645 01	Support Air guide		1	
5	980 552 653 02	Support Steering lock		1	
6	999 073 268 A2	Oval-head screw M5X12		20	
7	980 573 501 00	Air guide Footwell		1	
8	980 502 411 01	Closing plate Defroster		1	
9	980 552 603 00	Support Dashboard Centre		1	
10	980 552 643 00	Support Cover		1	
(10)	980 552 644 00	Support Cover		1	
11	980 573 415 01	Air distributor Footwell		1	

Model: 980 04

Model life 2004>>2006

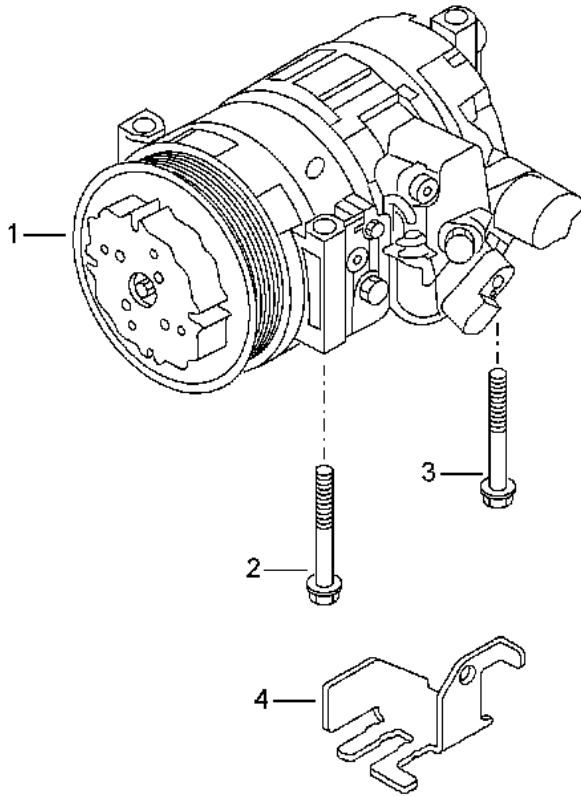
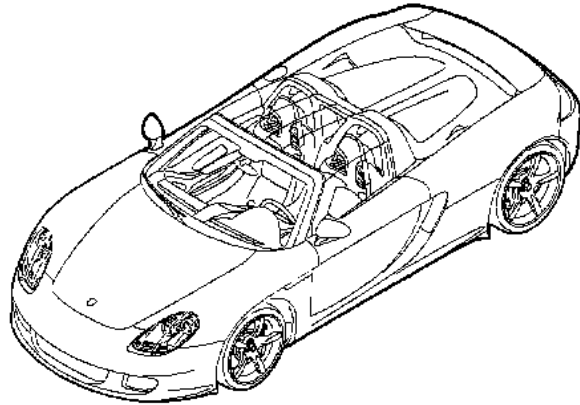


Model: 980 04 Model life 2004>>2006

Pos	Part Number	Description	Remark	Qty	Model
		Heater			
		Air conditioner			
		Single parts			
1	980 572 123 00	Heater		1	I574
(1)	980 573 123 01	Air conditioner		1	I572
2	980 612 047 00	Wiring harness		1	
3	980 572 427 01	Covering		1	
		Lower			
4	980 573 341 01	Water hose		1	
		Water drain hose			
5	980 573 417 01	Connection piece		1	
		Heat exchanger			
6	980 572 412 01	Support		1	
7	980 572 415 01	Bush		2	
		Footwell			
8	980 573 503 00	Adapter		1	
11	980 624 135 00	Electric motor		3	
12	980 572 607 00	Support		1	
13	980 572 601 01	Adapter		1	
14	980 573 605 00	Gasket		X	
		Air duct			
15	980 572 129 00	Heat exchanger		1	
16	980 573 101 00	Expansion valve		1	
17	980 572 101 00	Lid		1	
18	980 624 107 00	Blower		1	
19	980 573 415 01	Air distributor		1	
20	980 573 413 01	Air guide		1	
21	999 512 669 09	Hose clamp		1	
		\$23			
22	999 512 653 09	Hose clamp		1	
		\$20			
23	980 504 565 01	Frame		1	
24	980 572 414 02	Support		1	
27	980 572 413 02	Support		1	
28	980 610 131 00	Support		1	
		Cable guide			
29	999 073 268 A2	Oval-head screw		3	
		M5X12			
30	999 073 269 A2	Oval-head screw		5	
		M5X16			
31	980 572 311 01	Support		1	
		Upper			
32	980 572 505 03	Lid		1	
		Body front section			
33	980 572 611 00	Rubber seal		1	
34	999 073 268 A2	Oval-head screw		4	
		M5X12			
35	980 573 925 00	Temperature sensor		1	
		for			
		DURCHFÜHRUNG			
		KONDENSWASSER			
		Underbody			
-	980 572 327 01	Screw plug		1	
-	980 572 325 02	Sleeve		1	
-	999 707 193 40	O-ring		1	
-	955 347 569 00	Hose clamp		1	

Model: 980 04

Model life 2004>>2006



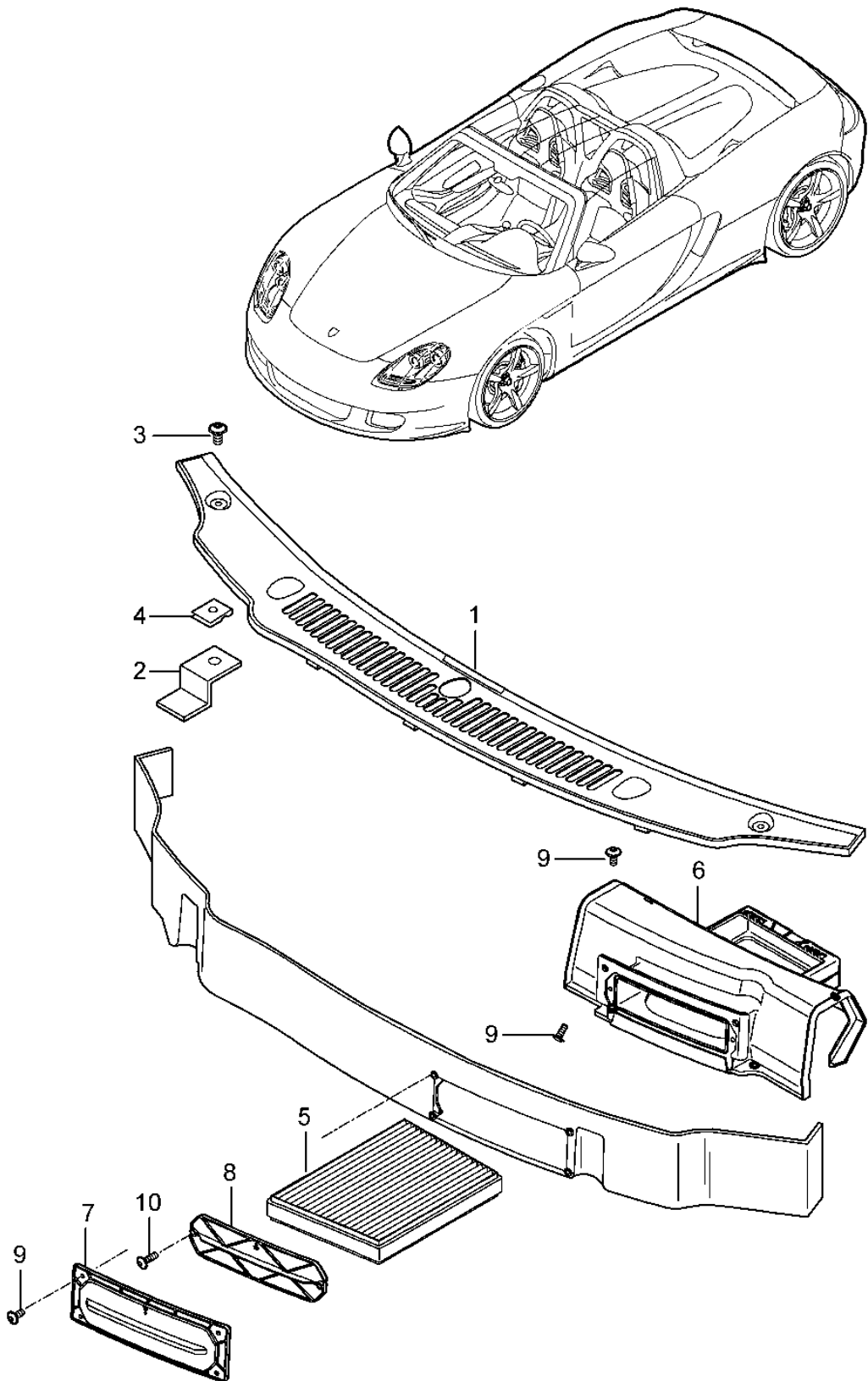
Model: 980 04

Model life 2004>>2006

Pos	Part Number	Description	Remark	Qty	Model
1	980 126 011 01	Compressor		1	
2	900 378 075 09	Compressor Hexagon-head bolt M 8X90		2	
3	900 378 142 09	Hexagon-head bolt M 10X90		1	
4	980 126 411 00	Support for Connector		1	

Model: 980 04

Model life 2004>>2006



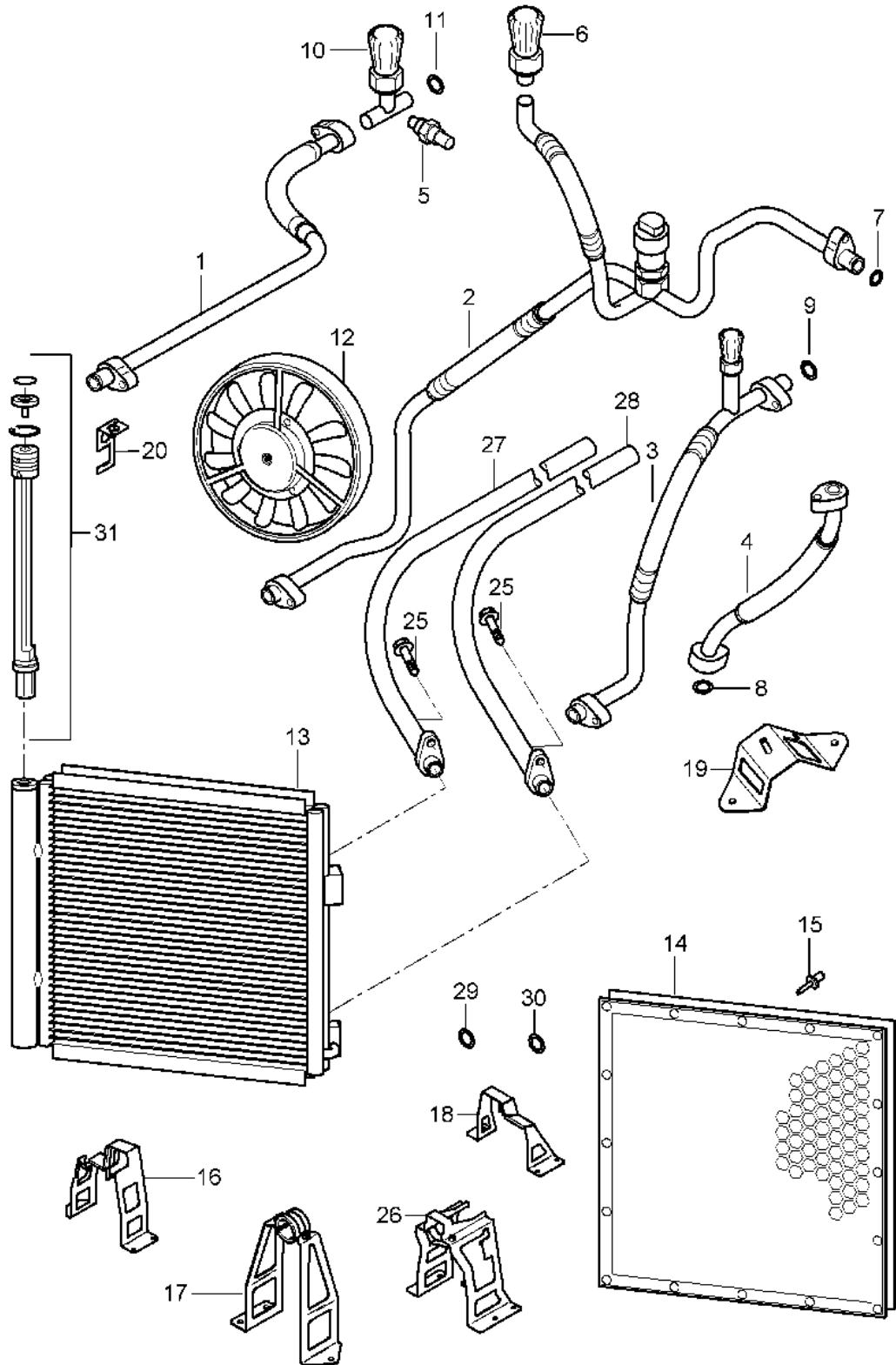
Model: 980 04

Model life 2004>>2006

Pos	Part Number	Description	Remark	Qty	Model
		Cover			
		Plenum panel			
		Particle filter			
1	980 572 121 01	Cover		1	
2	980 572 521 01	Support		2	
		Cover			
3	999 015 026 A2	Oval-head screw		2	
		M6X16			
4	999 591 882 02	Speed nut		2	
		M6			
4	999 591 882 01	Speed nut		2	
		M6			
5	980 571 419 01	Particle filter		1	
6	980 572 019 03	Housing		1	
7	980 572 505 03	Lid		1	
		Air cleaner			
8	980 572 507 02	Lid		1	
		Particle filter			
9	999 073 268 A2	Oval-head screw		4	
		M 5X12			
10	999 073 269 A2	Oval-head screw		4	
		M 5X16			

Model: 980 04

Model life 2004>>2006



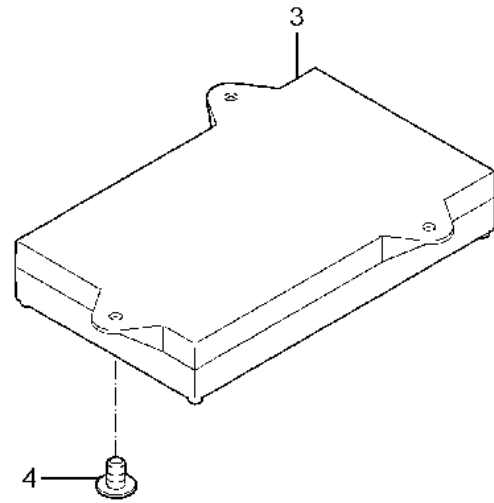
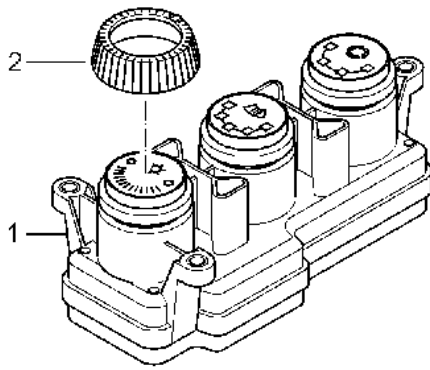
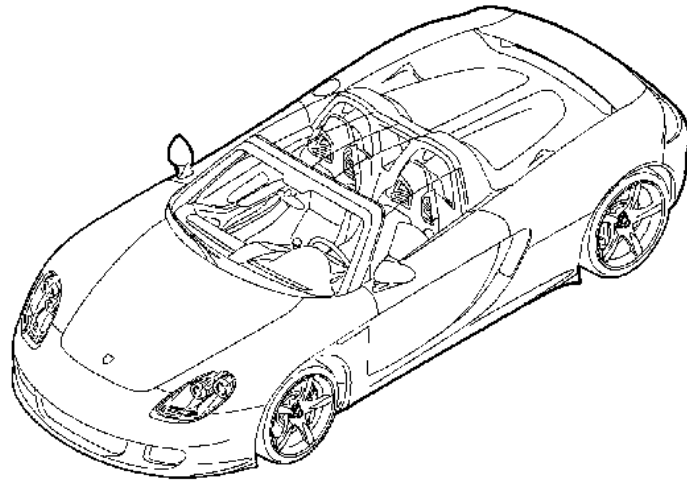
Model: 980 04

Model life 2004>>2006

Pos	Part Number	Description	Remark	Qty	Model
		Refrigerant circuit			
1	980 573 311 02	Pressure line		1	
2	980 573 313 02	Pressure line		1	
3	980 573 329 02	Intake pipe		1	
4	980 573 331 02	Intake pipe		1	
5	955 613 137 00	Pressure switch		1	
6	996 573 466 00	Valve		1	
7	999 707 556 41	O-ring 9,50X2,50		X	
8	999 707 439 41	O-ring 23,80X2,40		X	
9	999 707 558 41	O-ring 13,70X2,50N		X	
10	996 573 465 00	Valve		1	
11	999 707 555 41	O-ring 10,80X1,82		X	
-	999 707 557 41	O-ring 11.00X2.50		X	
12	980 624 131 01	Fan Information available		1	
13	980 573 323 01	Condenser		1	
14	980 573 363 00	Cover Condenser		1	
15	999 190 449 30	Blind rivet		15	
16	980 504 639 00	Support Tunnel		1	
17	980 504 637 00	Support Wiring harness		1	
18	980 504 609 02	Support Tunnel		1	
19	980 504 647 01	Support Refrigerant line		1	
20	980 610 153 00	Support Connection point Fan		1	
25	900 067 247 02	Combination screw M8X30		X	
25	900 067 247 01	Combination screw M8X30		X	
26	980 504 643 03	Support Wiring harness		1	
27	980 573 317 03	Intake pipe Tunnel		1	
28	980 573 325 02	Pressure line		1	
29	999 707 193 40	O-ring 28,00X2,5 SB		1	
30	999 707 531 41	O-ring 7,50X2,00		X	
31	980 573 923 00	Desiccator		1	

Model: 980 04

Model life 2004>>2006



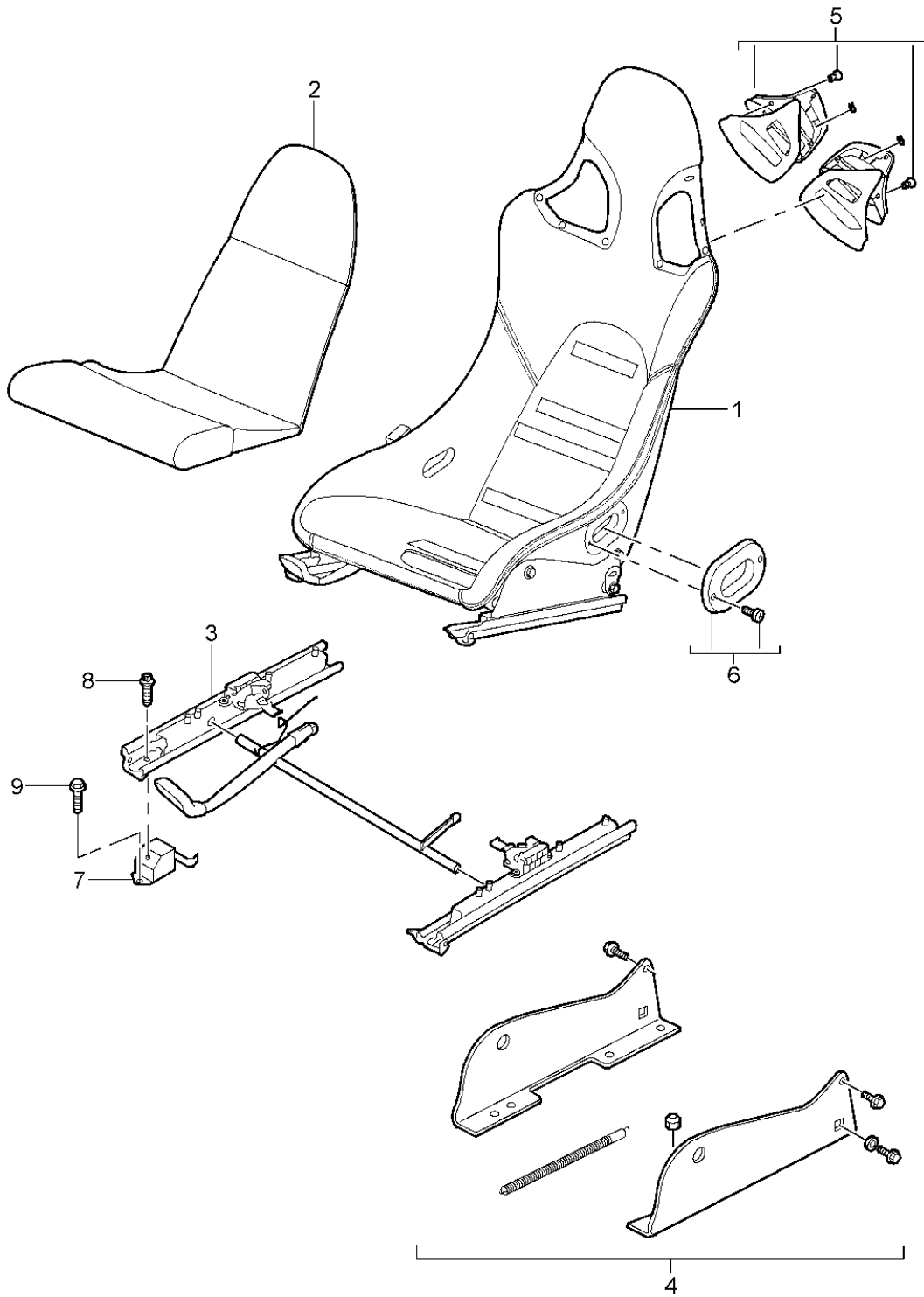
Model: 980 04

Model life 2004>>2006

Pos	Part Number	Description	Remark	Qty	Model
		Control part			
		Heating			
		Air conditioner			
1	980 653 103 00	Control part		1	
(1)	980 653 101 00	Control part		1	I572
2	980 653 201 00	Ring		3	
3	980 618 321 01	Control unit		1	
4	999 073 284 0A	Oval-head screw M 4X16		4	

Model: 980 04

Model life 2004>>2006



Model: 980 04 Model life 2004>>2006

Pos	Part Number	Description	Remark	Qty	Model
		Carrera GT Bucket seat Seat belt Seat-belt buckle See group 8/12/00 KATALOG 25	04-		CARRERA GT
1	980 521 401 02	Cup Seat Partial leather	/L /R	2	I384/385
	980 521 401 02 FJA	Terracotta			
	980 521 401 02 FJB	Dark grey/natural			
	980 521 401 02 FJC	Ascot brown/natural			
(1)	980 521 401 03	Cup Seat Partial leather	/L	1	I386
	980 521 401 03 FJA	Terracotta			
	980 521 401 03 FJB	Dark grey/natural			
	980 521 401 03 FJC	Ascot brown/natural			
(1)	980 521 402 03	Cup Seat Partial leather	/R	1	I387
	980 521 402 03 FJA	Terracotta			
	980 521 402 03 FJB	Dark grey/natural			
	980 521 402 03 FJC	Ascot brown/natural			
2	980 521 403 00	Set Seat cushion	/L /R	2	I384/385
	980 521 403 00 9N2	Terracotta			
	980 521 403 00 D11	Dark grey/natural			
	980 521 403 00 R20	Ascot brown/natural			
(2)	980 521 403 01	Set Seat cushion	/L	1	I386
	980 521 403 01 9N2	Terracotta			
	980 521 403 01 D11	Dark grey/natural			
	980 521 403 01 R20	Ascot brown/natural			
(2)	980 521 404 01	Set Seat cushion	/R	1	I387
	980 521 404 01 9N2	Terracotta			
	980 521 404 01 D11	Dark grey/natural			
	980 521 404 01 R20	Ascot brown/natural			
3	980 521 429 00	Seat rail Set	/L	1	
(3)	980 521 430 00	Seat rail Set	/R	1	
4	980 521 423 00	Adapter Seat Set	/L /R	1	I384/385
(4)	980 521 423 01	Adapter Seat Set	/L	1	I386
(4)	980 521 424 01	Adapter Seat Set	/R	1	I387
5	980 521 405 00	Cover Support for seatbelt Set Upper		1	
6	980 521 405 00 9A4	Titanium metallic			
	996 521 907 90	Parts kit Cover Guide Belt Lower		2	

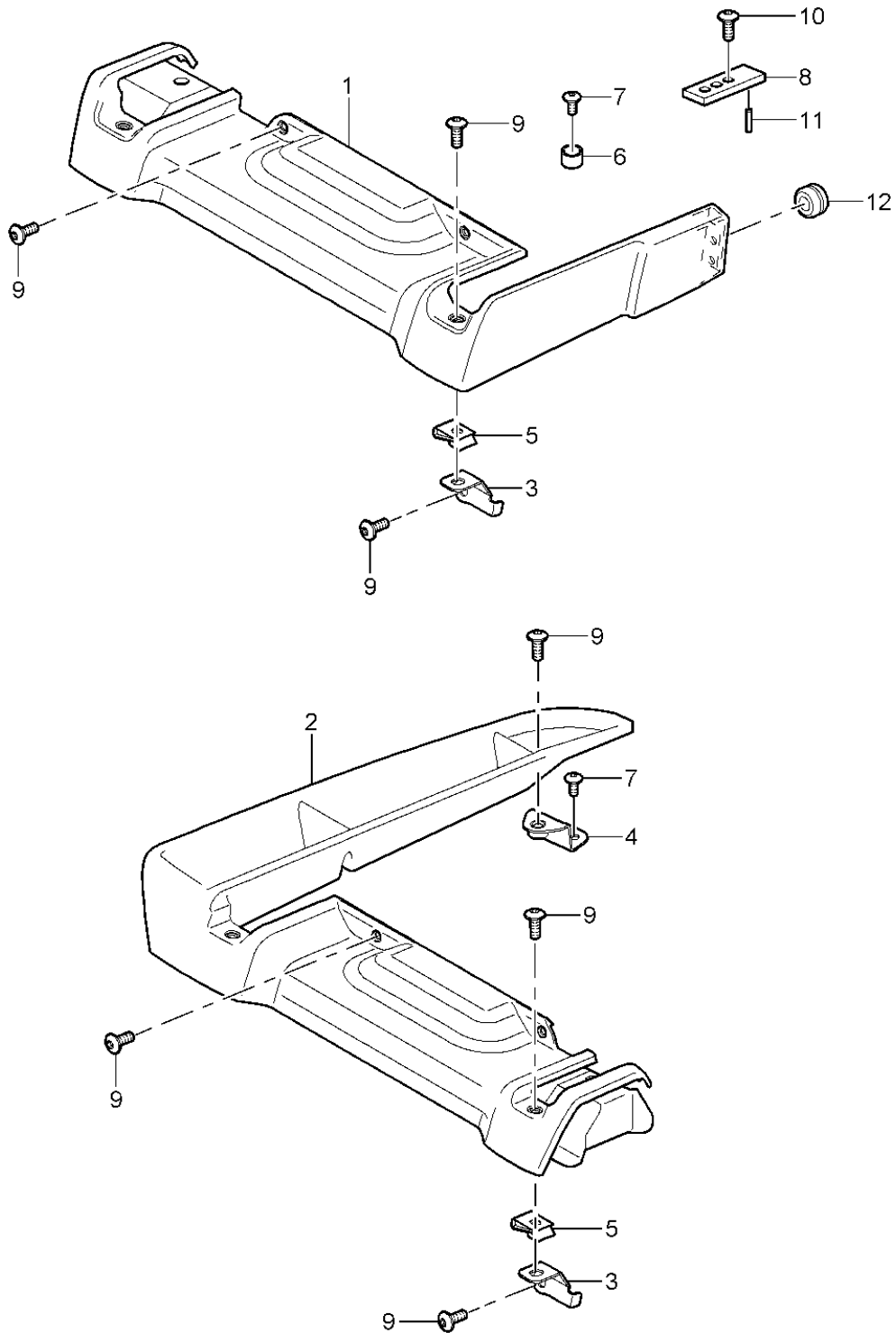
Model: 980 04

Model life 2004>>2006

Pos	Part Number	Description	Remark	Qty	Model
(7)	980 501 621 00	Support Bracket Deep	/L	2	
7	980 501 623 00	Support Bracket Deep	/R	1	
(7)	980 501 615 00	Support Bracket High	/L	1	I382/383
(7)	980 501 617 00	Support Bracket High	/R	1	I382/383
8	999 073 312 09	Screw Support M 10 X 30,6	/L /R	4	
9	900 378 276 A2	Hexagon-head bolt M 8 X 20 Mount Support Seat rail Monocoque Front	/L /R	8	
-	999 015 025 A2	Lens-head screw M6 x 12 Mount Bracket Seat rail Monocoque	/L /R	4	I382/383
-	999 015 026 A2	Oval-head screw M 6 X 16 Support Cover Seat rail		4	

Model: 980 04

Model life 2004>>2006



Model: 980 04 Model life 2004>>2006

Pos	Part Number	Description	Remark	Qty	Model
1	980 521 301 00	Carrera GT Bucket seat Mounting parts Cover Seat rail Driver's side High	04-	1	I382
(1)	980 521 301 01	Cover Seat rail Driver's side Deep		1	
2	980 521 302 00	Cover Seat rail Passenger's side High		1	I383
(2)	980 521 302 01	Cover Seat rail Passenger's side Deep		1	
3	980 521 701 00	Support Cover Seat rail Front		2	
4	980 521 704 00	Support Cover Seat rail Rear High		2	I383
(4)	980 521 704 01	Support Cover Seat rail Rear Deep		2	
5	999 507 550 02	Speed nut M6 Mount Cover Seat rail		2	
6	980 521 601 00	Bracket Seat rail High		2	I382/383
(6)	980 521 601 01	Bracket Seat rail Deep		2	
7	999 073 268 A2	Oval-head screw M5 X 12 Mount Bracket		2	
8	980 501 619 00	Bracket Seat rail Rear High		4	I382/383
9	999 015 026 09	Oval-head screw M6 X 16 Mount Cover		7	
10	999 015 025 A2	Lens-head screw Bracket M6 X 12		4	I382/383
11	900 302 052 00	Straight pin Bracket 6,0 X 20		4	I382/383
12	999 702 107 40	Grommet		2	

Model: 980 04

Model life 2004>>2006

Pos	Part Number	Description	Remark	Qty	Model
-	000 043 205 94	4,5 X 6,5 X 1,2 Conversion set Driver's side Deep		1	
-	000 043 205 95	Conversion set Passenger's side Deep		1	
-	000 043 205 96	Conversion set Driver's side High		1	I382
-	000 043 205 97	Conversion set Passenger's side High		1	I383

Model: 980 04

Model life 2004>>2006



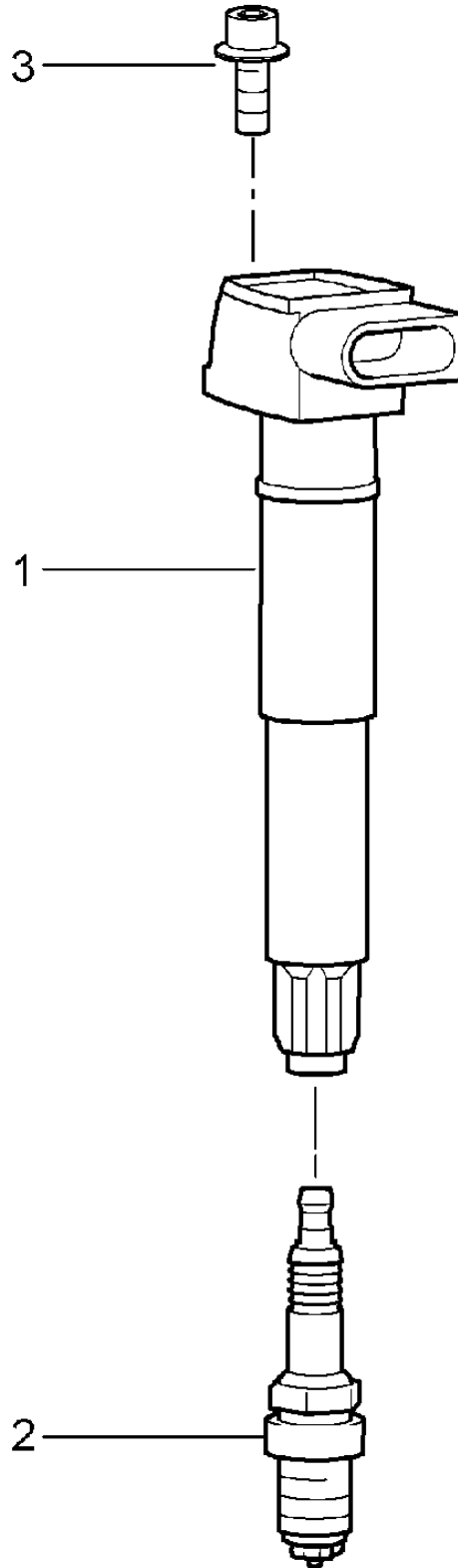
Model: 980 04

Model life 2004>>2006

Pos	Part Number	Description	Remark	Qty	Model
>>	980 538 001 00	Set of locks Set of locks Comprising: Lock cylinder Steering lock Lock cylinder Glove compartment Key Lock cylinder Door		1 1 1 1 1	

Model: 980 04

Model life 2004>>2006



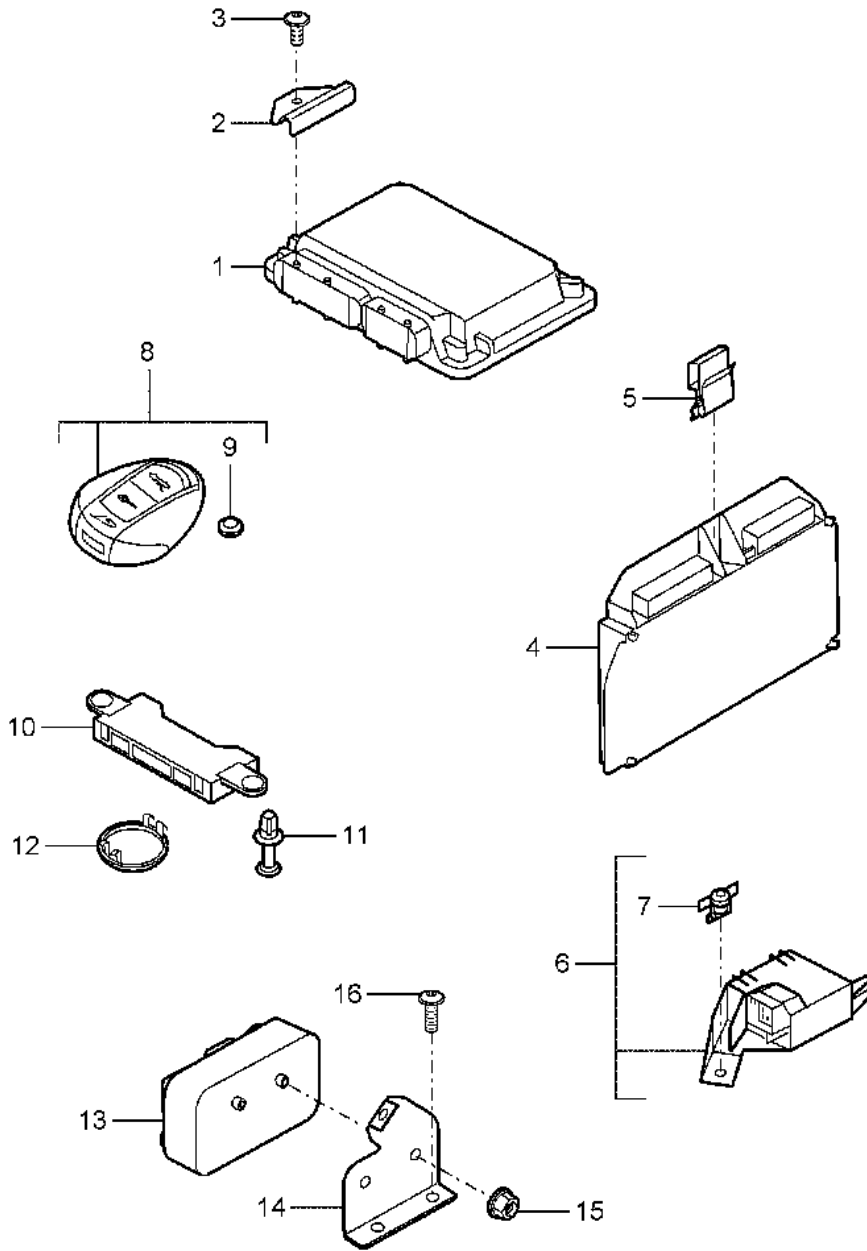
Model: 980 04

Model life 2004>>2006

Pos	Part Number	Description	Remark	Qty	Model
		Ignition system			
1	948 602 104 00	Ignition coil		10	
1	980 602 904 00	Ignition coil		10	
1	980 602 904 01	Ignition coil		10	
2	999 170 227 90	Spark plug		10	
		14 F-4 DPU			
3	900 067 412 02	Combination screw		10	
		M 6 X 16			

Model: 980 04

Model life 2004>>2006

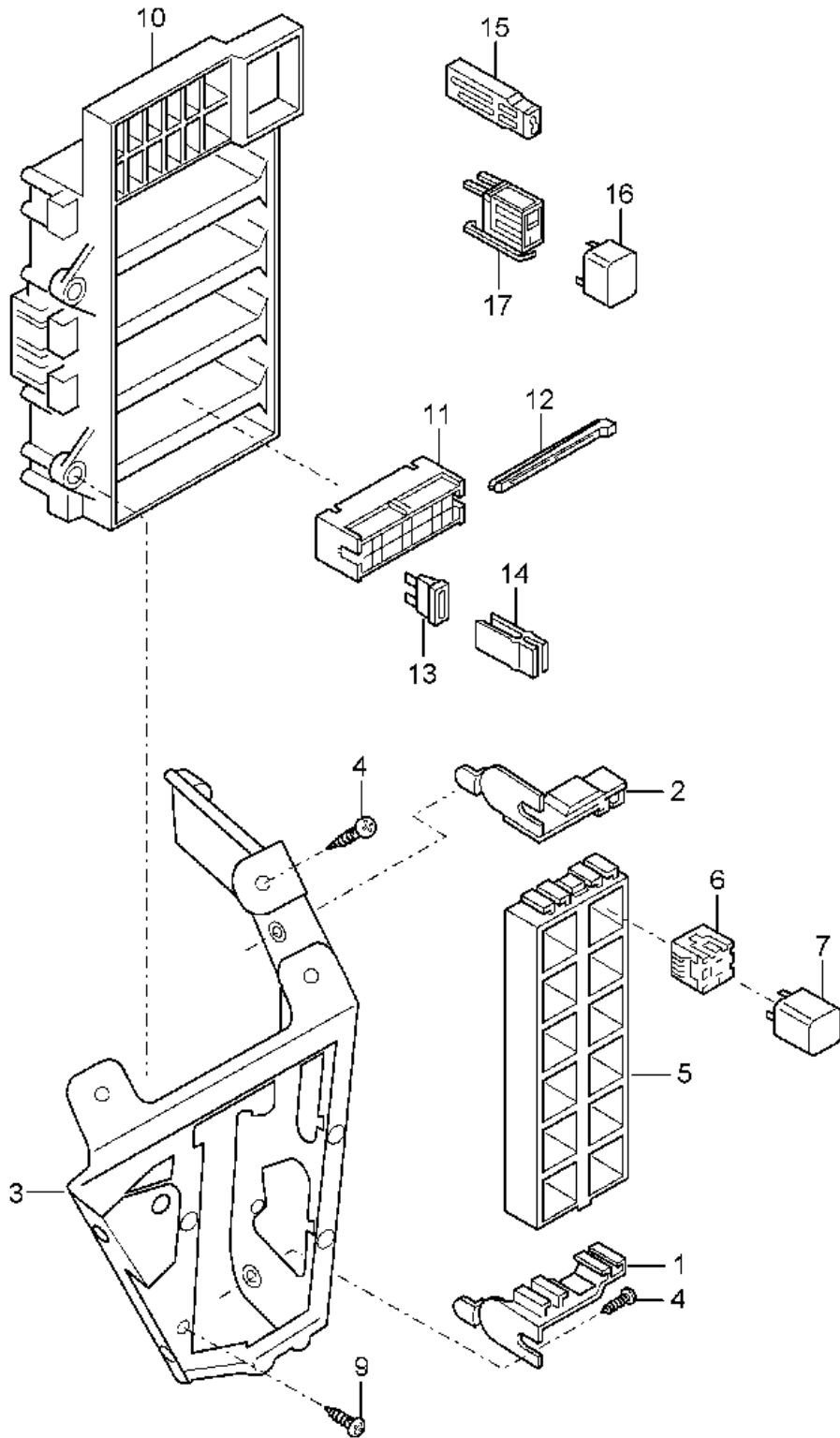


Model: 980 04 Model life 2004>>2006

Pos	Part Number	Description	Remark	Qty	Model
1	980 618 605 00	Control units Control unit - dme -		2	
1	980 618 605 20	Control unit - dme -		2	
2	980 618 131 00	Support Control unit - dme -		4	
3	999 073 268 A2	Oval-head screw M 5 X 12		4	
4	996 618 262 02	Control unit Immobiliser Central locking system Alarm system		1	I534
4	996 618 262 03	Control unit Immobiliser Central locking system Alarm system		1	I535
-	999 607 064 00	Lock 15 A for POS. 4		X	
5	999 591 700 01	U-clamp		1	
6	996 618 159 01	Signal transducer		1	
7	996 618 261 00	Locking device		1	
8	980 637 244 00	Handheld transmitter		1	I534
8	980 637 244 01	Handheld transmitter		1	I535
-	996 637 443 00	Crest Coloured for Handheld transmitter		1	
9	999 611 108 00	Battery		1	I534/535
10	996 618 210 02	Sensor Interior monitoring		1	I534/535
10	996 618 210 03	Sensor Interior monitoring for Interior colour Red		1	I534/535
11	999 591 627 40	Expansion rivet		2	
12	996 618 212 02	Trim cover Alarm siren Tilt sensor See group 9/03/00		2	I536 I536
13	980 618 215 02	Control unit Cooling air control		1	
14	980 624 231 00	Support		1	
15	900 377 001 A2	Hexagon nut M 6		2	
16	999 073 307 A2	Oval-head screw M 6 X 12		2	

Model: 980 04

Model life 2004>>2006



Model: 980 04 Model life 2004>>2006

Pos	Part Number	Description	Remark	Qty	Model
		Central electrical system			
		Dashboard			
1	996 610 126 00	Support		1	
2	996 610 127 00	Support		1	
3	980 610 126 01	Support		1	
3	980 610 126 02	Support		1	
4	999 073 268 A2	Oval-head screw M 5 X 12		6	
5	996 610 111 00	Relay carrier Support frame M 6		1	
6	928 610 511 00	Relay carrier		X	
7		Relay			
(7)	999 657 008 90	Relay		1	
		Pre-charge pump			
		Relay socket/code:	S1		
(7)	999 657 017 90	Relay		1	
		Pre-charge pump			
		Relay socket/code:	S1		
(7)	141 951 253 B	Relay		1	
		Heating			
		Relay socket/code:	S2		
(7)	996 615 111 00	Relay		1	
		Daytime driving lights			
		Relay socket/code:	S5/6		
(7)	141 951 253 B	Relay		1	
		Fanfare			
		Relay socket/code:	S7		
(7)	996 615 102 00	Relay		1	
		Alarm system			
		Central locking system			
		Relay socket/code:	S8		
(7)	141 951 253 B	Relay		1	
		Door mirror			
		Relay socket/code:	S9		
(7)		Relay		1	
		Fog headlamp			
		Relay socket/code:	S10		
(7)	996 618 113 00	Relay		1	I288
		Headlight washer system			
		Relay socket/code:	S11		
(7)	986 615 103 00	Relay		1	
		Wipe interval			
		Relay socket/code:	S12		
9	999 919 088 02	Oval-head screw 5,0 X 16		4	
10	996 610 211 01	Bracket		1	
11	999 650 209 40	Fuse holder		X	
12	999 650 210 40	Slide		X	
13	999 607 083 00	Lock		X	
		7 , 5 A			
(13)	999 607 084 00	Lock		X	
		10 A			
(13)	999 607 085 00	Lock		X	
		15 A			
(13)	999 607 087 00	Lock		X	
		25 A			
(13)	999 607 088 00	Lock		X	
		30 A			
14	996 610 214 00	Tool		X	
-	980 610 217 00	Assignment sticker		X	
		Lock			
		Emergency operation			

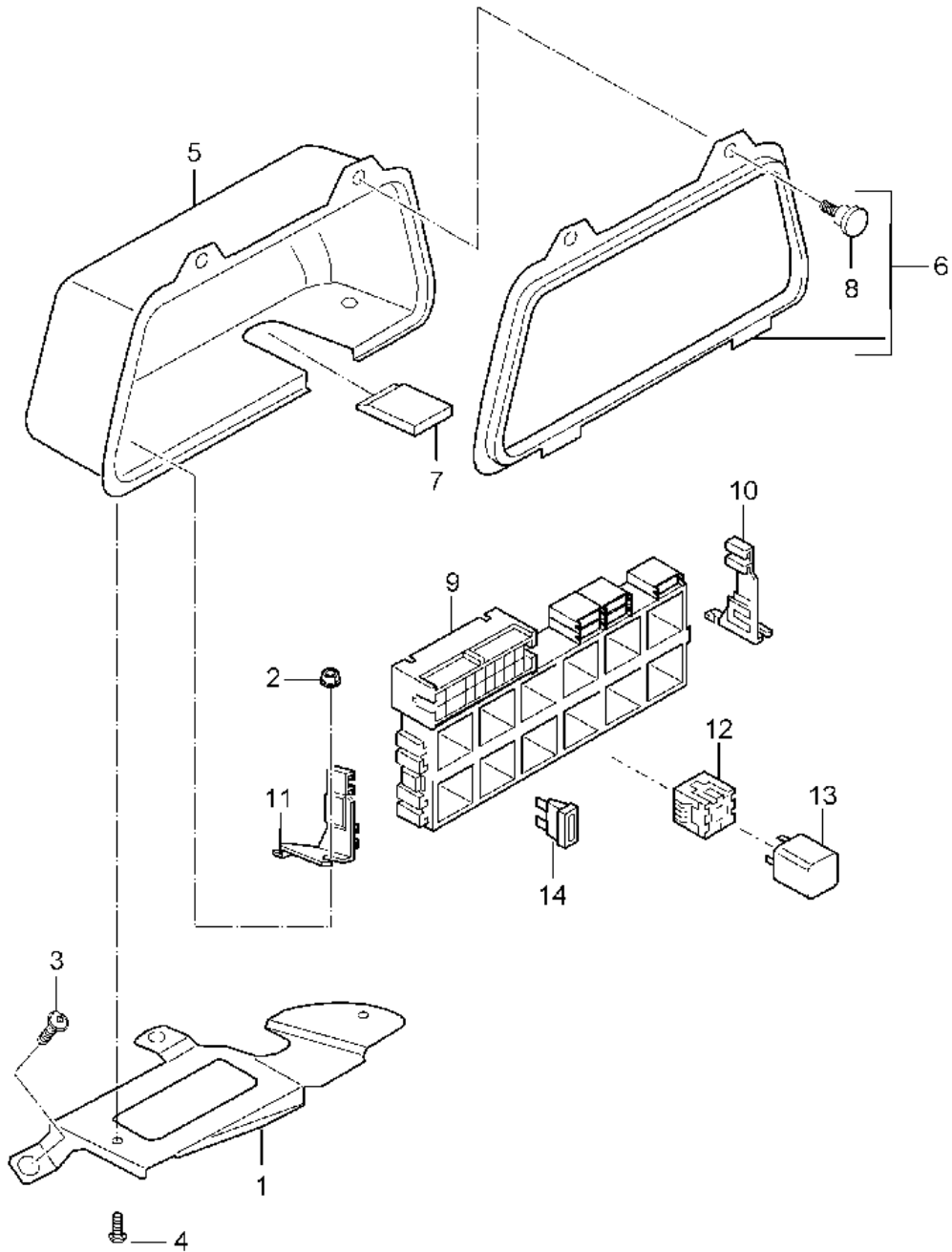
Model: 980 04

Model life 2004>>2006

Pos	Part Number	Description	Remark	Qty	Model
15	996 610 240 00	Lid Terminal clamp		1	
16	999 657 006 90	Relay		1	
17	999 650 538 40	Relay carrier 5-pole		1	

Model: 980 04

Model life 2004>>2006



Model: 980 04 Model life 2004>>2006

Pos	Part Number	Description	Remark	Qty	Model
		Central electrical system			
		Rear end			
1	980 610 145 01	Support		1	
2	900 377 010 A2	Nut		2	
		M 6			
3	999 015 026 A2	Oval-head screw		3	
		M 6 X 16			
4	999 073 297 A2	Oval-head screw		2	
		M 6 X 16			
5	980 610 141 01	Housing		1	
6	980 610 143 01	Central electrical system		1	
		Lid			
7	980 610 150 00	Central electrical system		1	
		Sealing rubber			
8	900 253 006 09	Knurled screw		2	
		M 5 X 12			
9	980 610 911 00	Relay carrier		1	
		Support frame			
10	996 610 126 00	Support		1	
		It is necessary to rework			
11	996 610 127 00	Support		1	
		It is necessary to rework			
12	928 610 511 00	Relay carrier		X	
13		Relay			
(13)	141 951 253 B	Relay		1	
		Fan			
		Air conditioner			
(13)	996 615 101 00	Relay socket/code:	S1	1	
		Relay			
		Fuel pump			
		- 1 -			
(13)	996 615 102 00	Relay socket/code:	S2	1	
		Relay			
		Spoiler			
(13)	141 951 253 B	Relay socket/code:	S3	1	
		Relay			
		KL. 15			
		Left			
(13)		Relay socket/code:	S4	1	
		Relay			
		Starter			
(13)	993 615 115 00	Relay socket/code:	S5	1	
		Relay			
		Secondary pump			
		- 1 -			
(13)	993 615 115 01	Relay socket/code:	S6	1	
		Relay			
		Secondary pump			
		- 1 -			
(13)	141 951 253 B	Relay socket/code:	S6	1	
		Relay			
		Fan			
		Transmission			
(13)	996 615 101 00	Relay socket/code:	S7	1	
		Relay			
		Fuel pump			
		- 2 -			
(13)	996 615 102 00	Relay socket/code:	S8	1	
		Relay			
		Spoiler			
(13)	141 951 253 B	Relay socket/code:	S9	1	
		Relay			
		KL. 15			

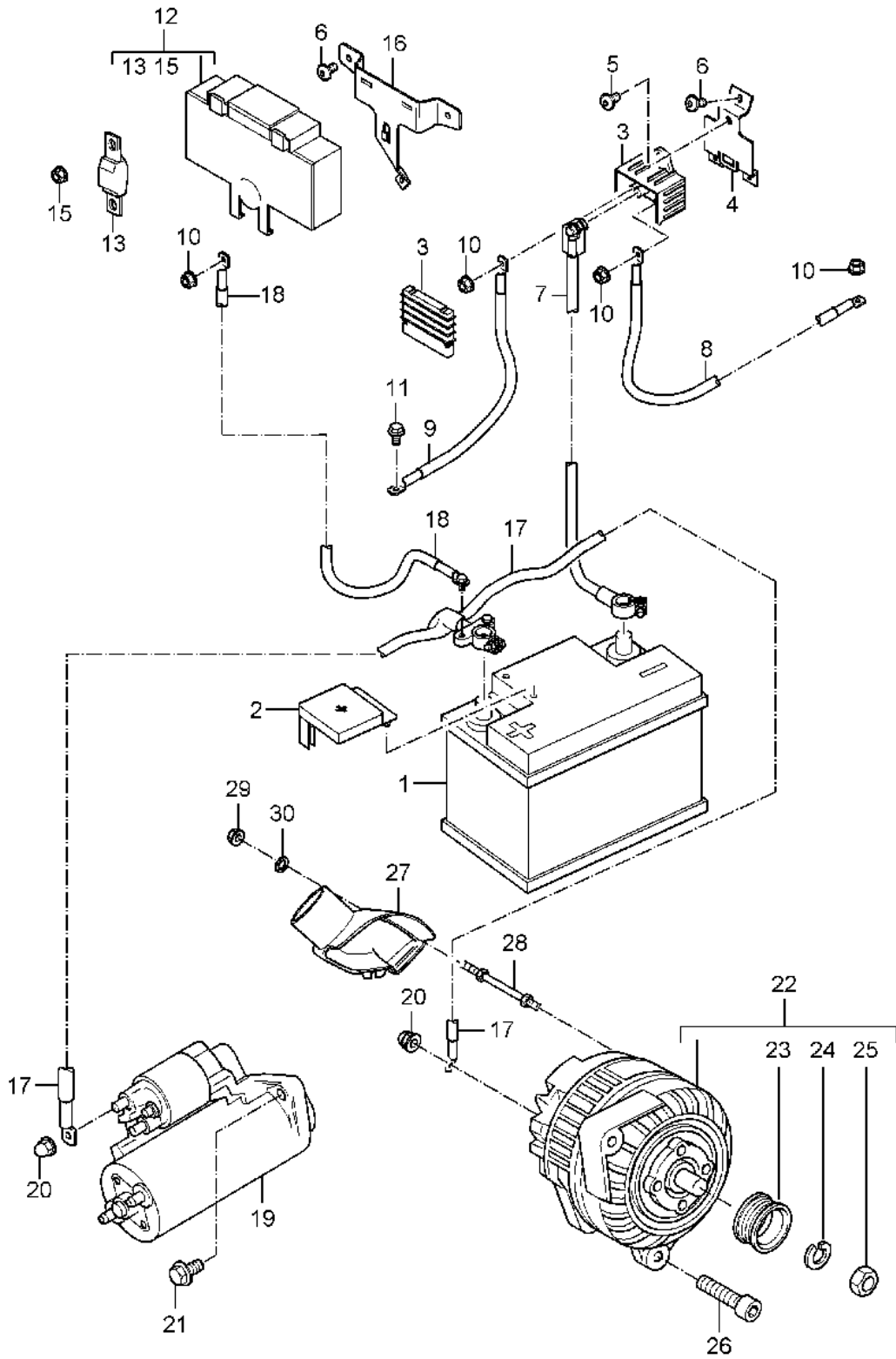
Model: 980 04

Model life 2004>>2006

Pos	Part Number	Description	Remark	Qty	Model
(13)		Right Relay socket/code: Relay - dme -	S10	1	
(13)	993 615 115 00	Relay socket/code: Relay Secondary pump - 2 -	S11	1	
(13)	993 615 115 01	Relay socket/code: Relay Secondary pump - 2 -	S12	1	
(14)	999 607 085 00	Relay socket/code: Lock 15 A	S12	X	
(14)	999 607 087 00	Lock 25 A		X	
(14)	999 607 089 00	Lock 40 A		X	
(14)	999 607 073 00	Lock 40 A Large		X	

Model: 980 04

Model life 2004>>2006



Model: 980 04

Model life 2004>>2006

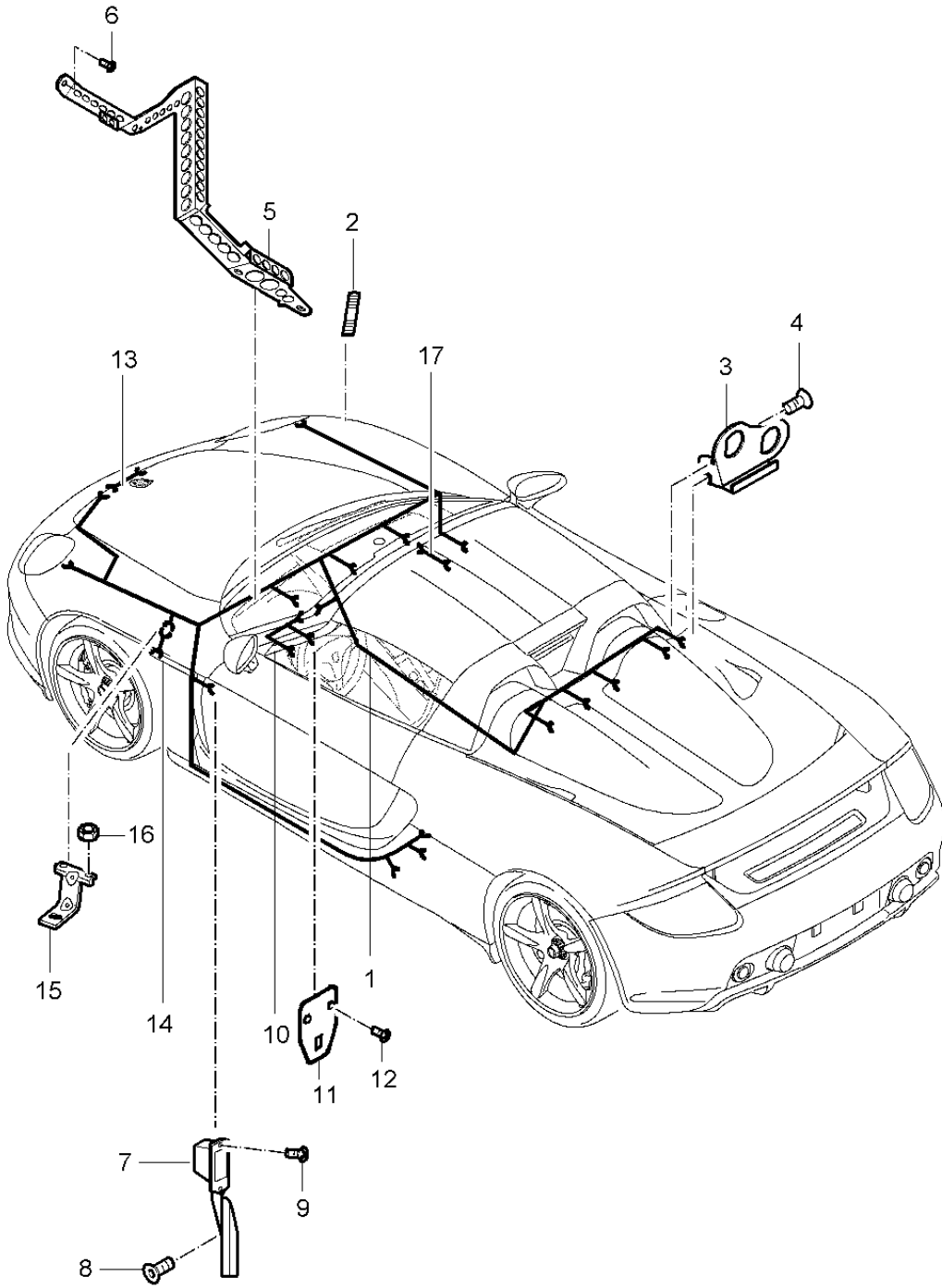
Pos	Part Number	Description	Remark	Qty	Model
		Battery Ground distributor Power distributor Starter Generator			
1	999 611 080 20	Battery 80 AH		1	
(1)	999 611 080 21	Battery 80 AH		1	
1	999 611 060 20	Battery 60 AH		1	
2	980 611 104 00	Pole covering Battery Support Battery See group 8/01/05		1	
3	980 611 311 00	Ground distributor		1	
4	980 611 301 01	Retaining bracket		1	
5	999 015 025 A2	Ground distributor Lens-head screw M 6 X 12		1	
6	999 015 026 A2	Oval-head screw M 6 X 16		6	
7	980 611 088 01	Ground cable Battery Ground distributor		1	
8	980 611 091 00	Ground distributor Ground cable Ground distributor Side member Front Right		1	
9	980 611 090 00	Ground cable Ground distributor		1	
10	900 380 005 09	Transmission Hexagon nut M 8		4	
11	900 378 260 09	Hexagon-head bolt M 8 X 20		1	
12	980 610 301 00	Power distributor Complete		1	
13	999 607 075 00	Fuse element 50 A		X	
(13)	999 607 076 00	Fuse element 80 A		X	
(13)	999 607 078 00	Fuse element 100 A		X	
15	900 084 122 02	Hexagon nut M 5		X	
(15)	900 084 031 02	Hexagon nut M 6		X	
16	980 610 147 00	Support Power distributor		1	
17	980 612 041 01	Cable Battery Generator Starter		1	
18	980 612 042 01	Cable Battery Power distributor		1	
19	996 604 103 00	Starter		1	
20	999 070 014 00	Cap nut		2	

Model: 980 04 Model life 2004>>2006

Pos	Part Number	Description	Remark	Qty	Model
(20)	900 377 010 A2	M 8 Nut		1	
21	900 378 101 09	M 6 Hexagon-head bolt		2	
22	997 603 012 06	AM 10 X 35 Generator with Pulley		1	
23	980 603 511 00	Use also: POS. 23 Pulley		1	
24	N 012 016 1	Lock ring		1	
25	900 034 013 01	B 16 Hexagon nut		1	
-	996 603 113 00	M 16 X 1,5 Protection cap for POS. 25		1	
26	900 378 167 09	Hexagon-head bolt M 10 X 110		1	
(26)	900 378 098 09	Hexagon-head bolt AM 10X 60		1	
27	980 504 723 01	Air guide Generator Hose See group 8/01/05 POS. 41		1	
28	980 504 725 00	Stud		1	
29	900 380 001 02	Nut M 5		1	
30	900 025 003 02	Washer		1	
30	900 025 080 01	Washer		1	

Model: 980 04

Model life 2004>>2006



Model: 980 04 Model life 2004>>2006

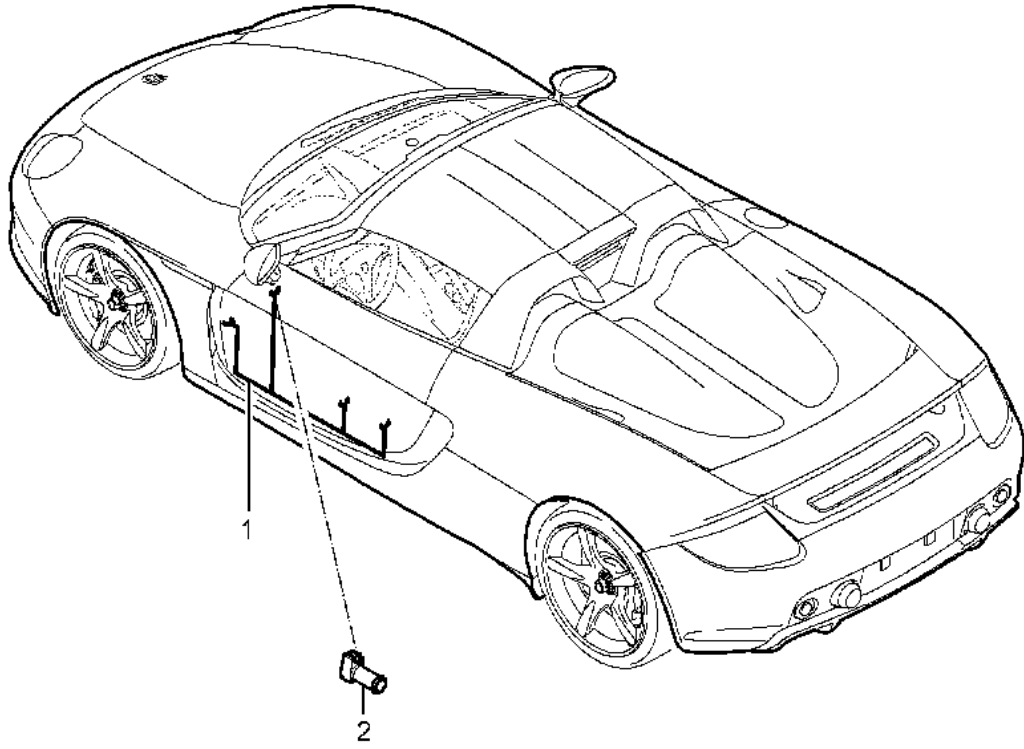
Pos	Part Number	Description	Remark	Qty	Model
		Wiring harnesses Passenger compartment Pedals Luggage compartment lamp Direction indicator light Glove compartment light Repair kit Anti-lock brake system Brake pad wear indicator Front axle			
1	980 612 101 00	Wiring harness Passenger compartment		1	
2	999 919 225 A2	Stud M 5/T 5 X 13,0		X	
(2)	999 919 214 A2	Stud M 5/T 5 X 40,0		X	
-	999 591 126 40	Tie-wrap for POS. 2 4,6 X 200 MM Retaining range 45 MM		X	
-	999 591 114 40	Tie-wrap for POS. 2 4,6 X 150 MM Retaining range 33 MM		X	
3	980 612 215 00	Support Connection point Wiring harness Passenger compartment Rear end		1	
4	999 015 026 A2	Oval-head screw M 6 X 16		2	
5	980 610 160 00	Cable guide		1	
6	999 073 297 A2	Oval-head screw M 6 X 16		3	
7	980 610 307 00	Support Connection point Door	/L	1	
(7)	980 610 308 00	Support Connection point Door	/R	1	
8	999 015 025 A2	Lens-head screw M 6 X 12		4	
9	999 073 259 09	Oval-head screw M 6 X 8		2	
10	980 612 151 00	Wiring harness Pedals		1	
11	980 610 166 00	Support Connection point Pedals		1	
12	999 073 268 A2	Oval-head screw M 5 X 12		2	
13	980 612 146 00	Wiring harness Luggage compartment lamp		1	
14	980 612 650 00	Wiring harness Direction indicator light		2	
15	980 610 114 01	Support Connection point		2	
(16)	999 073 295 A2	Oval-head screw M 5 X 12		4	

Model: 980 04 Model life 2004>>2006

Pos	Part Number	Description	Remark	Qty	Model
17	980 612 651 00	Wiring harness Glove compartment light		1	
-	999 650 564 40	Clip Microswitch Repair kit Wiring harness Anti-lock brake system Brake pad wear indicator Front axle		1	
-	980 612 951 00	Repair kit Wiring harness	/V /L	1	
-	980 612 950 00	Repair kit Wiring harness	/V /R	1	
-	944 612 627 00	Line bracket for Repair kit		10	
-	980 612 351 00	Connecting line Anti-lock brake system		2	
-	999 507 464 40	Support for Connecting line		2	
-	996 610 120 01	Support Plug socket Diagnostic connector Repair kit Wiring harness Rear axle See group 9/02/20		1	

Model: 980 04

Model life 2004>>2006



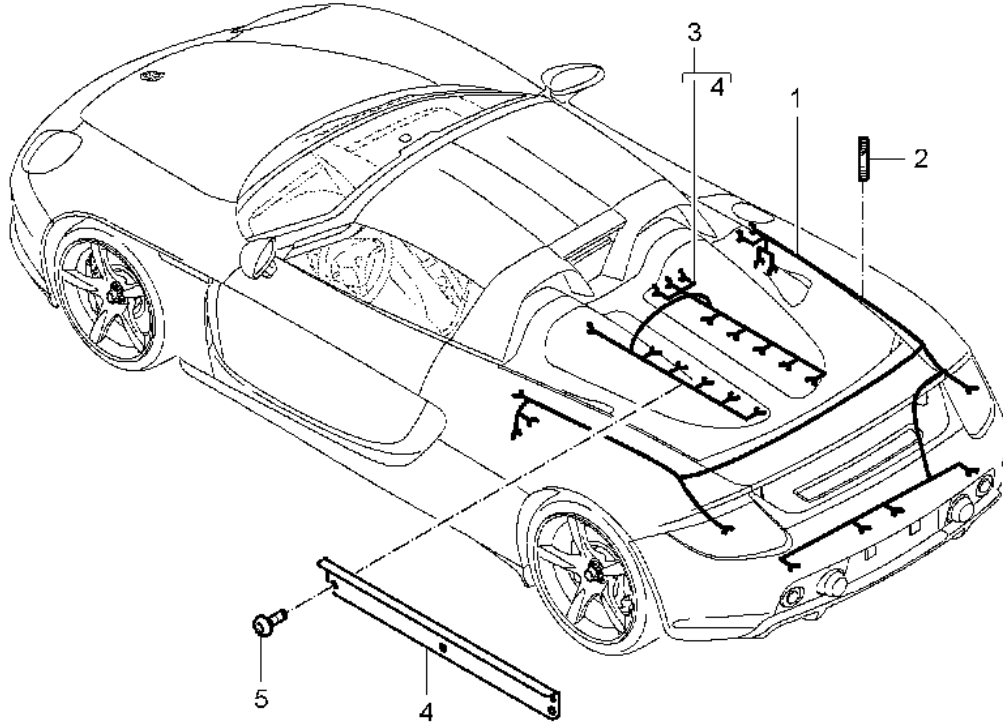
Model: 980 04

Model life 2004>>2006

Pos	Part Number	Description	Remark	Qty	Model
1	980 612 165 00	Wiring harnesses Driver's door Passenger's door		1	
(1)	980 612 166 00	Wiring harness Driver's door Passenger's door		1	
2	964 612 616 00	Use also: Plug socket 6-pole		1	

Model: 980 04

Model life 2004>>2006

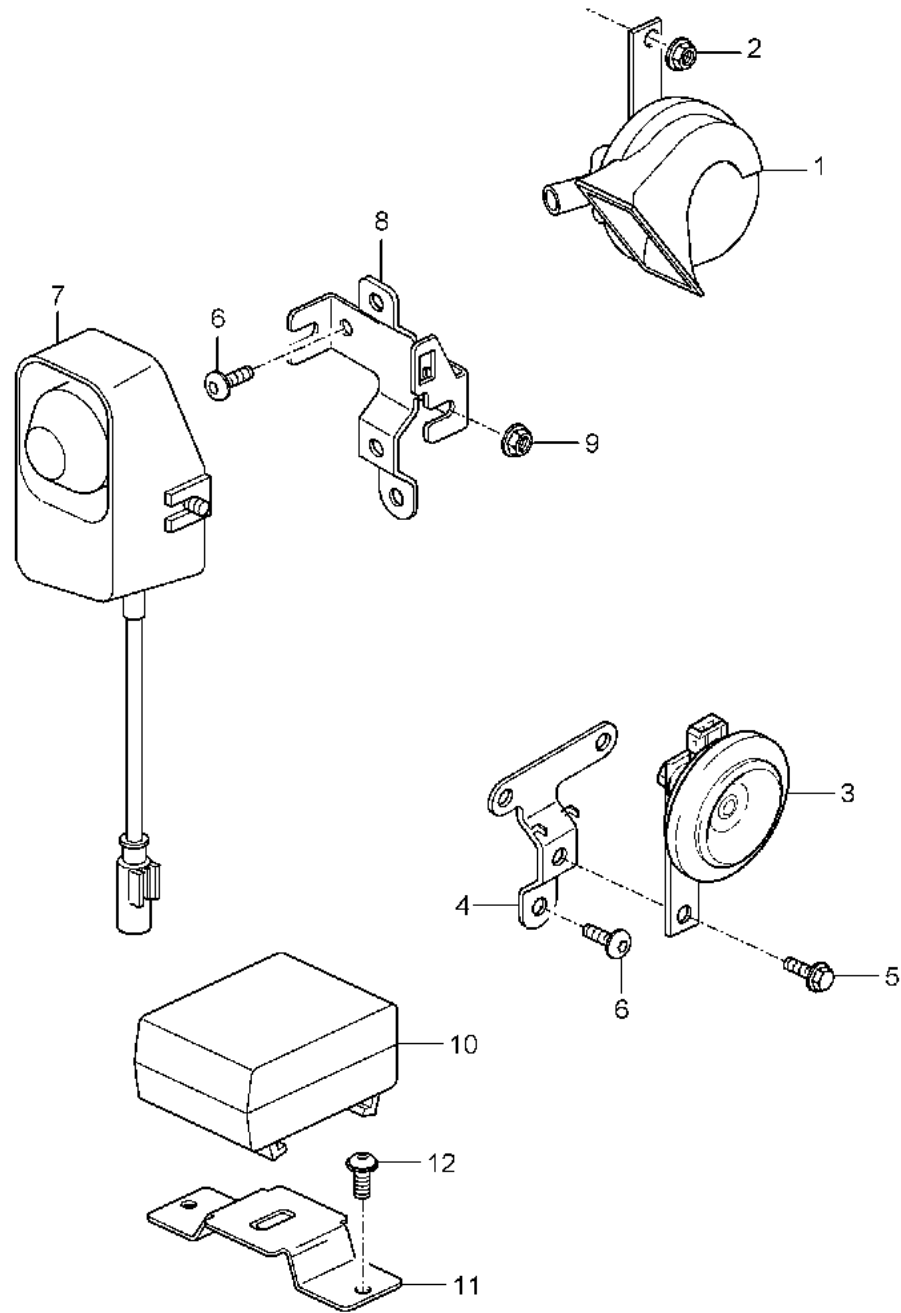


Model: 980 04 Model life 2004>>2006

Pos	Part Number	Description	Remark	Qty	Model
		Wiring harnesses Rear end Engine Repair kit Anti-lock brake system Brake pad wear indicator Rear axle			
1	980 612 801 00	Wiring harness Rear end		1	
1	980 612 801 01	F >>985L0 00243 Wiring harness Rear end		1	
2	999 919 225 A2	F 985L0 00244>> Stud T 5 X 13,0		X	
-	999 591 126 40	Tie-wrap for POS. 2 4,6 X 200 MM Retaining range 45 MM		X	
-	999 591 114 40	Tie-wrap for POS. 2 4,6 X 150 MM Retaining range 33 MM		X	
-	999 513 063 40	Cable holder for POS. 2 3,6 X 150 MM		X	
3	980 607 005 00	Wiring harness Engine		1	
4	980 607 301 02	Cable guide		2	
5	900 067 240 02	Combination screw M 6 X 12		6	
-	477 971 881 A	Retaining bracket		1	
-	999 511 239 40	Cable holder		4	
-	999 651 152 02	Cable clamp		1	
-	999 651 152 01	Cable clamp		1	
		Repair kit Wiring harness Anti-lock brake system Brake pad wear indicator Rear axle			
-	980 612 961 00	Repair kit	/H /L	1	
		Wiring harness			
-	980 612 960 00	Repair kit	/H /R	1	
		Wiring harness			
-	980 612 351 00	Connecting line Anti-lock brake system Repair kit Wiring harness Front axle See group 9/02/10		2	

Model: 980 04

Model life 2004>>2006



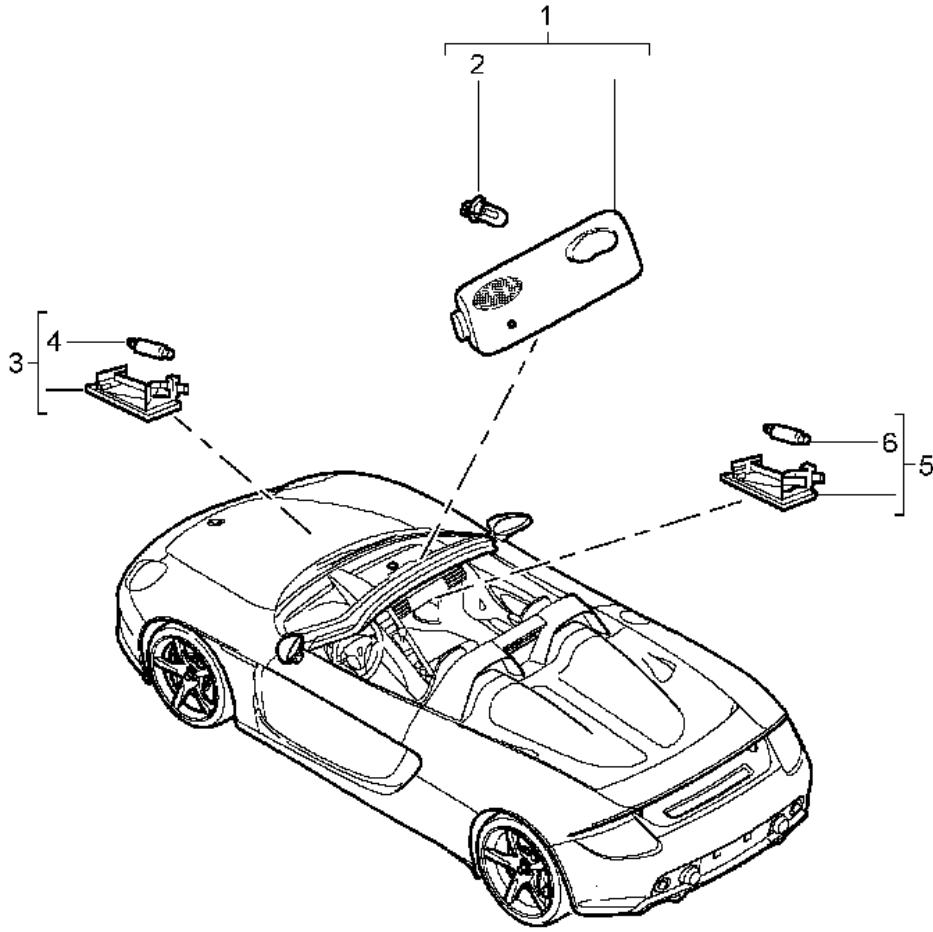
Model: 980 04

Model life 2004>>2006

Pos	Part Number	Description	Remark	Qty	Model
1	980 635 205 00	Fanfare Horn Alarm system		1	I536
(1)	980 635 206 00	Fanfare Low-pitched Fanfare High-pitched		1	
2	900 380 005 09	Hexagon nut M 8		2	
3	996 637 117 02	Horn for Alarm system		1	
3	996 637 117 03	Horn for Alarm system		1	
4	980 637 223 01	Support		1	
5	900 385 099 09	Screw BM 8 X 12		1	
6	999 073 307 A2	Oval-head screw M 6 X 12		X	
7	996 618 237 04	Alarm siren Use Support 980.637.221.01		1	I536
(7)	996 618 237 05	Alarm siren Use Support 980.637.221.01		1	I536
8	980 637 221 01	Support for Alarm siren 996.618.237.04		1	I536
(8)	980 637 221 02	Support for Alarm siren 996.618.237.05		1	I536
9	900 377 010 A2	Nut M 6		2	I536
10	996 618 265 01	Tilt sensor		1	I536
11	980 637 219 00	Support		1	I536
12	999 073 268 A2	Oval-head screw M 5 X 12		2	I536

Model: 980 04

Model life 2004>>2006



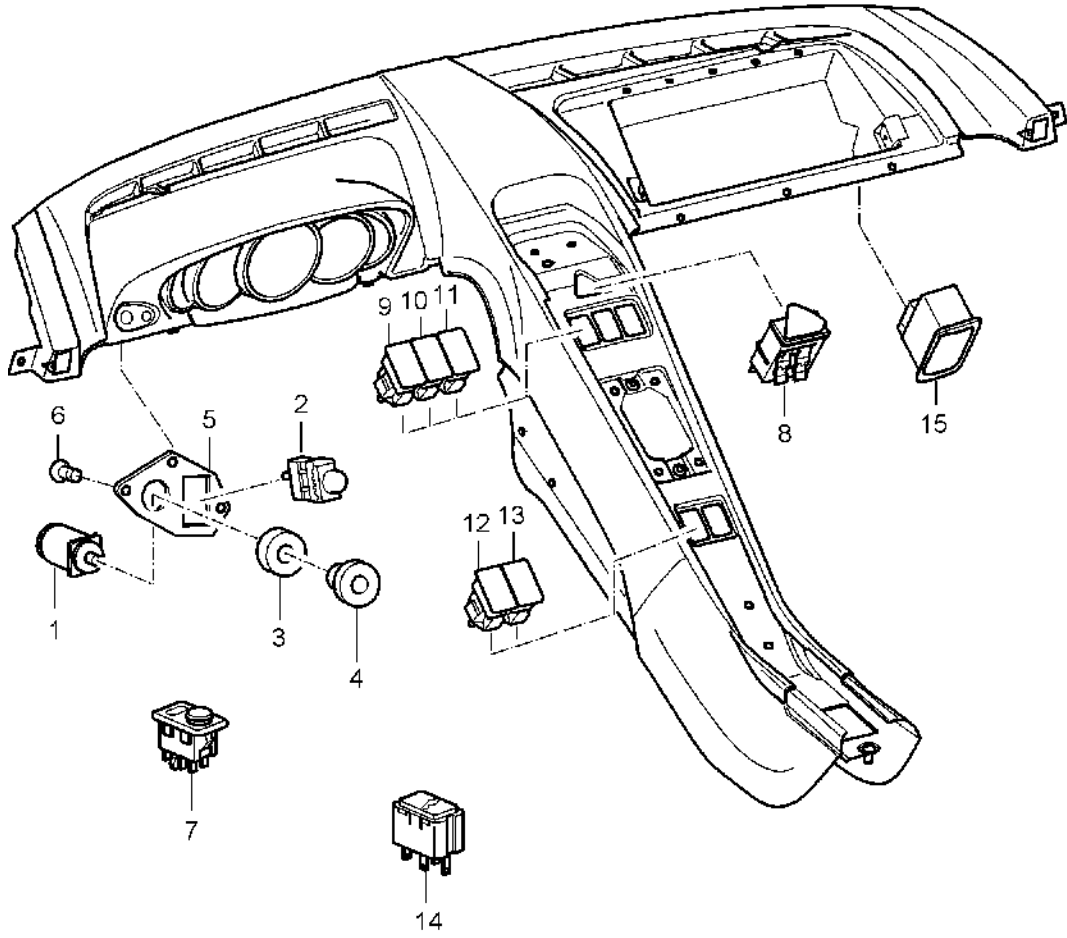
Model: 980 04

Model life 2004>>2006

Pos	Part Number	Description	Remark	Qty	Model
		Interior lights			
		Luggage compartment lamp			
		Glove compartment			
(1)	986 632 053 10	Interior light		1	
2	999 631 032 90	Bulb		1	
		5 W			
-	999 632 018 00	Bulb socket		1	
3	997 632 201 00	Light		1	
4	900 631 106 90	Linolite lamp		1	
		10 W			
5	928 632 101 00	Glove compartment light		1	
6	999 631 018 90	Bulb		1	
		3 W			

Model: 980 04

Model life 2004>>2006

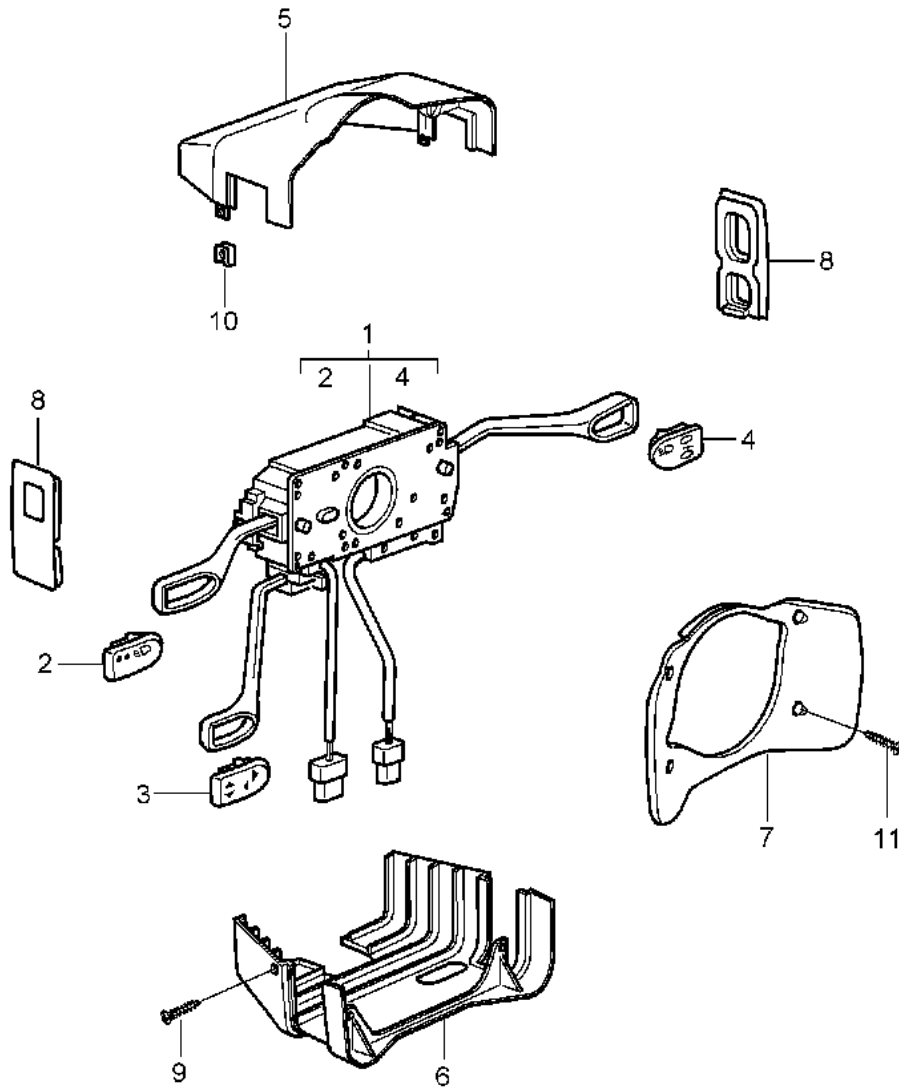


Model: 980 04 Model life 2004>>2006

Pos	Part Number	Description	Remark	Qty	Model
1	980 613 531 00	Switch Light switch		1	
2	980 613 541 00	Switch for rear fog light		1	
3	964 613 535 00	Rosette		1	
4	964 613 535 00 01C	Satin black		1	
	980 613 533 00	Rotary knob			
5	980 613 533 00 FJW	Mat chrome		1	
		Titanium grey			
		Support			
6	999 073 284 0A	Oval-head screw M 4 X 16		3	
7	993 613 241 00	Switch		1	
		Door mirror			
8	993 613 241 00 01C	Satin black		1	
		6N0 953 235 B	Hazard warning light sw.		
9	980 613 131 00	Tip switch		1	
		- ASR -			
10	980 613 131 00 C70	Mat chrome		1	
		980 613 133 00	Tip switch		
11	980 613 133 00 C70	Spoiler		1	
		980 613 135 00	Tip switch		
12	980 613 135 00 C70	Central locking system		1	
		980 613 151 00	Mat chrome		
13	980 613 151 00 C70	Tip switch	/L	1	
		980 613 152 00	Power windows		
14	980 613 152 00 C70	Mat chrome	/R	1	
		980 613 105 00	Tip switch		
(14)	980 613 105 00 A05	Lid		1	
		980 613 106 00	Front		
15	4B0 925 071 A	Black mat		1	
		980 613 106 00 A05	Tip switch		
15	4B0 925 071 A 2AQ	Lid		1	
		980 613 106 00 A05	Rear		
		Black mat			
		Plug socket			
		Glove compartment			
		Plug socket			
		Glove compartment			
		Black			

Model: 980 04

Model life 2004>>2006

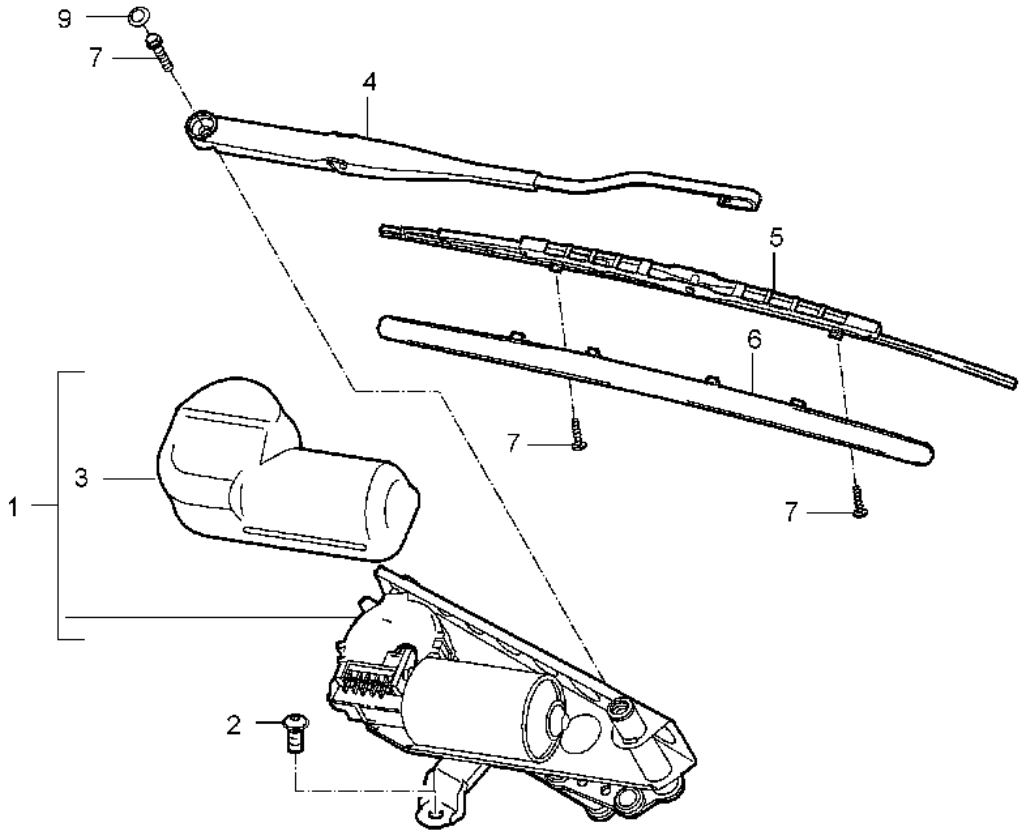


Model: 980 04 Model life 2004>>2006

Pos	Part Number	Description	Remark	Qty	Model
1	996 613 215 10 996 613 215 10 EWC	Steering column switch Steering column switch Black mat/satin black When required order also:		1	
2	996 613 509 10 996 613 509 10 A05	Cap with symbol Black mat Direction indicator light High beam		1	
3	996 613 503 10 996 613 503 10 A05	Cap with symbol Black mat		1	I659
4	996 613 507 10 996 613 507 10 A05	Cap with symbol Black mat		1	I288
5	996 552 273 01 996 552 273 01 A03	Switch housing Lacquered Black		1	
6	996 552 275 03 996 552 275 03 A03	Switch housing Lacquered Black		1	
7	996 552 277 00 996 552 277 00 A03	Cover Lacquered Black		1	
8	993 552 573 00 993 552 573 00 01C	Cover Satin black		1	
(8)	993 552 573 01 993 552 573 01 01C	Cover Satin black		1	
9	900 143 002 07	Tapping screw B 2,9 X 9,5		2	
10	999 591 888 02	Speed nut B 2,9		2	
11	900 143 072 02	Oval-head sheetmetal screw B 3,5 X 19		4	

Model: 980 04

Model life 2004>>2006



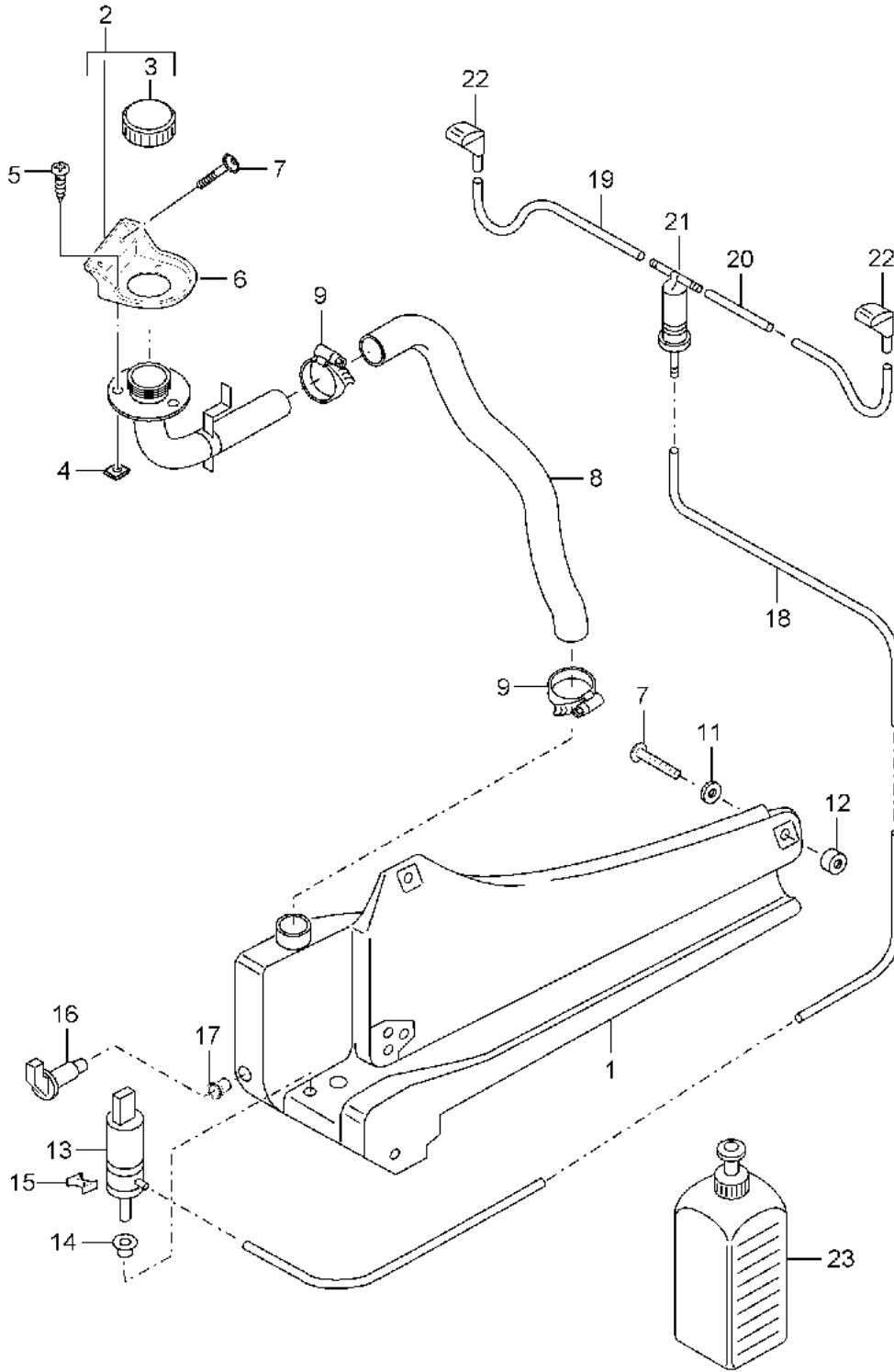
Model: 980 04

Model life 2004>>2006

Pos	Part Number	Description	Remark	Qty	Model
1	980 628 035 02	Windscreen wiper system Windscreen wiper system Complete		1	
2	999 073 252 A2	Oval-head screw M 6 X 20		3	
3	980 628 145 01	Cover Wiper motor		1	
4	980 628 027 00	Wiper arm		1	
5	980 628 031 00	Wiper blade with spoiler		1	
6	980 628 137 00	Spoiler Wiper blade		1	
7	999 919 140 A2	Oval-head screw 4,0 X 12		2	
8	900 378 017 A2	Hexagon-head bolt M 8 X 20		1	
9	944 628 305 01	Cap		1	

Model: 980 04

Model life 2004>>2006



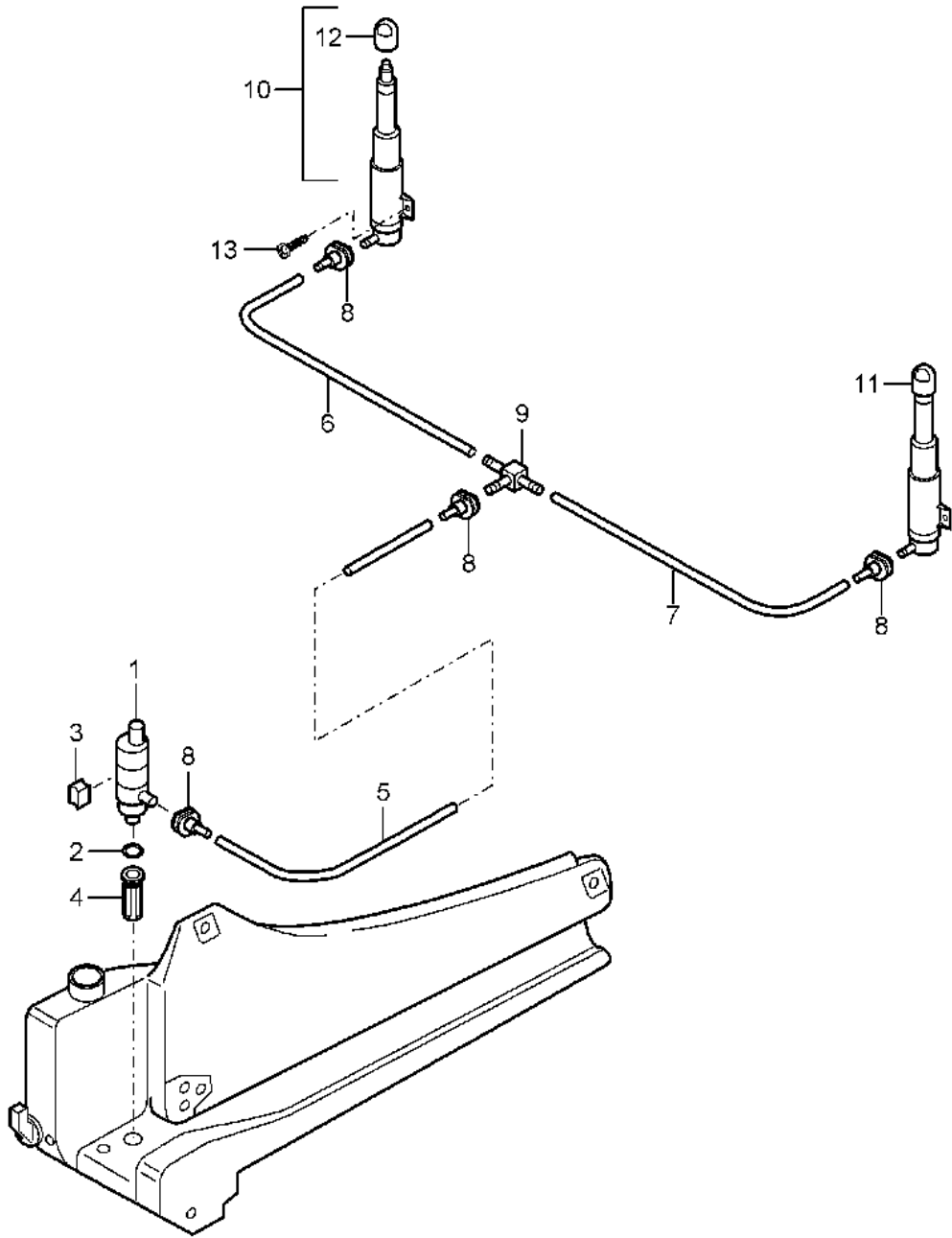
Model: 980 04

Model life 2004>>2006

Pos	Part Number	Description	Remark	Qty	Model
		Windscreen washer system			
1	980 528 511 02	Water reservoir		1	
2	996 528 605 00	Filler neck		1	
3	996 528 607 00	Lid		1	
4	999 507 668 0A	Speed nut 4,8		3	
5	999 073 231 09	Tapping screw 4,8 X 16		3	
6	980 501 613 00	Support		1	
7	999 015 026 A2	Oval-head screw M 6 X 16		5	
8	980 528 411 00	Hose		1	
9	999 512 677 00	Hose clamp 25 - 40		2	
11	999 025 268 09	Washer 6,4 X 18		3	
12	999 209 035 02	Spacer sleeve		3	
13	996 628 172 00	Pump		1	
14	431 955 465 B	Sealing ring		2	
15	993 628 213 00	Spacer		1	I288
16	996 628 105 00	Tank gauge switch		1	
17	996 528 721 00	Grommet		1	
-	999 181 815 40	Hose 5,0 X 2,5		*	
18		3090 MM		1	
19		250 MM		1	
20		720 MM		1	
21	996 628 102 00	T-piece		1	
22	996 628 077 01	Nozzle Not Adjustable		2	
(22)	980 628 077 00	Nozzle Adjustable	/L	1	
(22)	980 628 078 00	Nozzle Adjustable	/R	1	
-	980 628 477 00	When required order also: Clamp for Nozzle Adjustable		2	
23	999 901 017 41	Window cleaner 250 ML Summer		X	
23	999 901 033 40	Window cleaner 1000 ML Winter		X	

Model: 980 04

Model life 2004>>2006



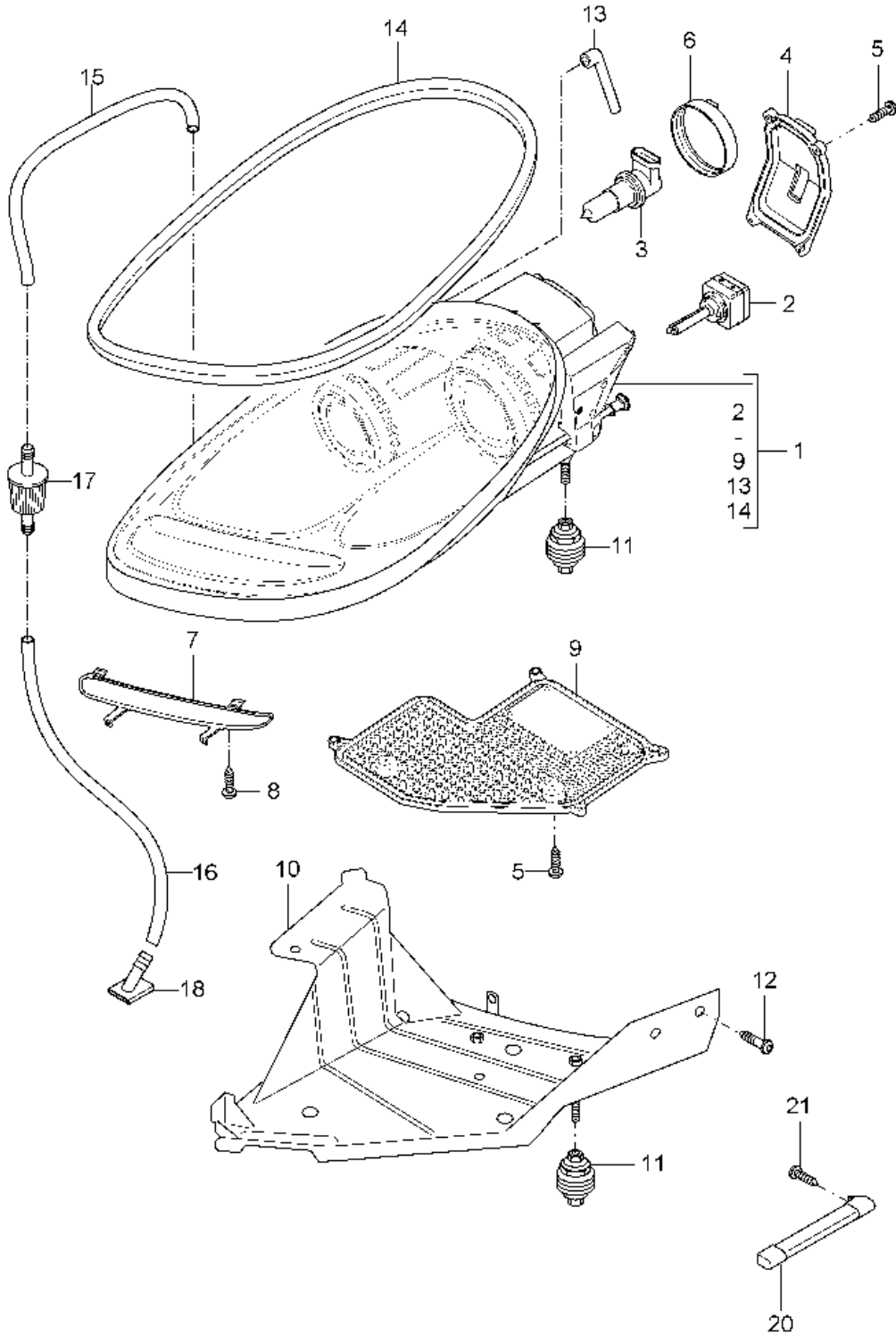
Model: 980 04

Model life 2004>>2006

Pos	Part Number	Description	Remark	Qty	Model
		Headlight washer system			I288
1	997 624 502 00	Pump		1	
2	999 707 323 40	O-ring 9,00 X 1,5		1	
3	993 628 213 00	Spacer		1	
4	996 628 393 00	Gasket with Strainer		1	
-	999 181 760 40	Hose 10 X 3		*	
5		3080 MM		1	
6		820 MM		1	
7		1125 MM		1	
8	997 628 204 00	Clutch		4	
9	980 628 453 00	T-piece		1	
10	980 628 133 00	Nozzle	/L	1	
11	980 628 134 00	Nozzle	/R	1	
12	997 628 333 00	Cap		2	
13	999 073 231 A2	Tapping screw 4,8 X 16		4	

Model: 980 04

Model life 2004>>2006



Model: 980 04 Model life 2004>>2006

Pos	Part Number	Description	Remark	Qty	Model
		Headlamp			
		Direction indicator light			
1	980 631 057 00	Headlamp	/L	1	
1	980 631 057 01	Headlamp	/L	1	
(1)	980 631 058 00	Headlamp	/R	1	
(1)	980 631 058 01	Headlamp	/R	1	
1	980 631 057 10	Headlamp	/L	1	I492
1	980 631 057 11	Headlamp	/L	1	I492
(1)	980 631 058 10	Headlamp	/R	1	I492
(1)	980 631 058 11	Headlamp	/R	1	I492
-	980 631 901 00	Repair kit		1	
		Wiring harness			
		Headlamp			
		See technical information			
		GR. 9 , NR. 2/04			
2	999 631 036 90	Bulb		2	
		- PHILIPS -			
3	999 631 145 90	Bulb		2	
		HB 3 A			
4	980 631 101 00	Protective cap		2	
		Dipped beam			
5	999 919 025 02	Oval-head screw		20	
		4 X 10			
6	980 631 105 00	Protective cap		2	
		High beam			
7	980 631 171 00	Headlight unit	/L	1	
		Direction indicator light			
		Position light			
(7)	980 631 172 00	Headlight unit	/R	1	
		Direction indicator light			
		Position light			
8	999 919 031 02	Oval-head screw		6	
		4 X 8			
9	980 631 103 00	Protective cap	/L	1	
		Direction indicator light			
		Position light			
(9)	980 631 104 00	Protective cap	/R	1	
		Direction indicator light			
		Position light			
10	980 631 411 00	Support	/L	1	
		Headlamp			
(10)	980 631 412 00	Support	/R	1	
		Headlamp			
11	996 631 078 00	Fastening part		10	
12	999 073 258 A2	Oval-head screw		10	
		M 8 X 20			
13	997 631 147 00	Breather adapter		2	
14	980 631 121 00	Retaining ring		2	
-	000 043 204 78	Hose		*	
		6,0 X 2,0			
15		500 MM		2	
16		200 MM		2	
17	980 631 173 00	Filter		2	
18	993 631 141 01	Breather adapter		2	
-	999 911 041 00	Edge protection		*	
		1000 MM		1	
-	999 513 021 40	Tie-wrap		2	
		When required order also:			
-	000 043 300 47	Set		1	
		Adhesive			
		EPX-SCOTCH-WELD			
-	000 043 300 48	Tool		1	
		for			

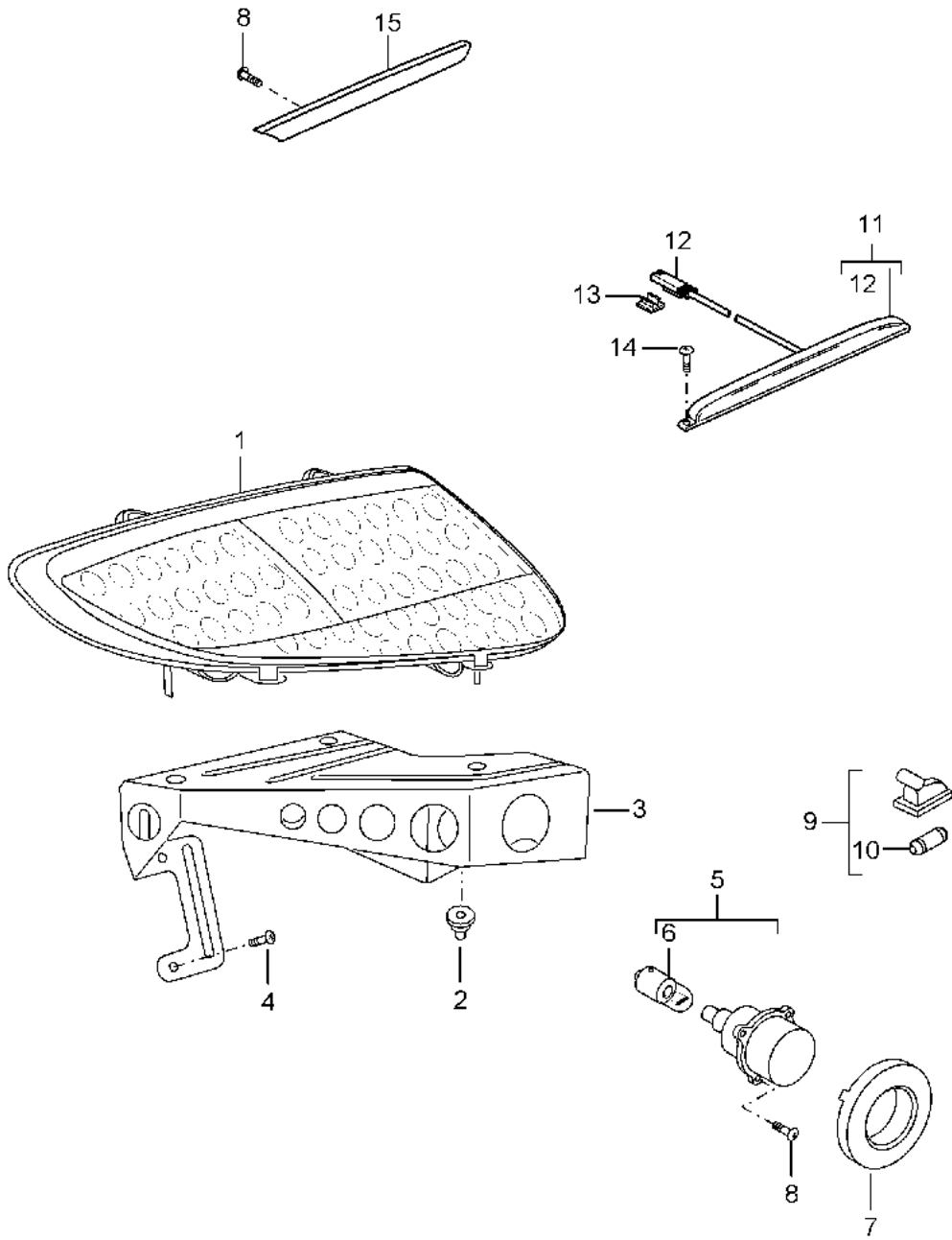
Model: 980 04

Model life 2004>>2006

Pos	Part Number	Description	Remark	Qty	Model
		EPX-SCOTCH-WELD			
		Direction indicator light			
		Side marker light			
20	980 631 037 00	Direction indicator light	/L	1	
(20)	980 631 038 00	Direction indicator light	/R	1	
21	999 919 140 A2	Oval-head screw 4,0 X 12		2	

Model: 980 04

Model life 2004>>2006



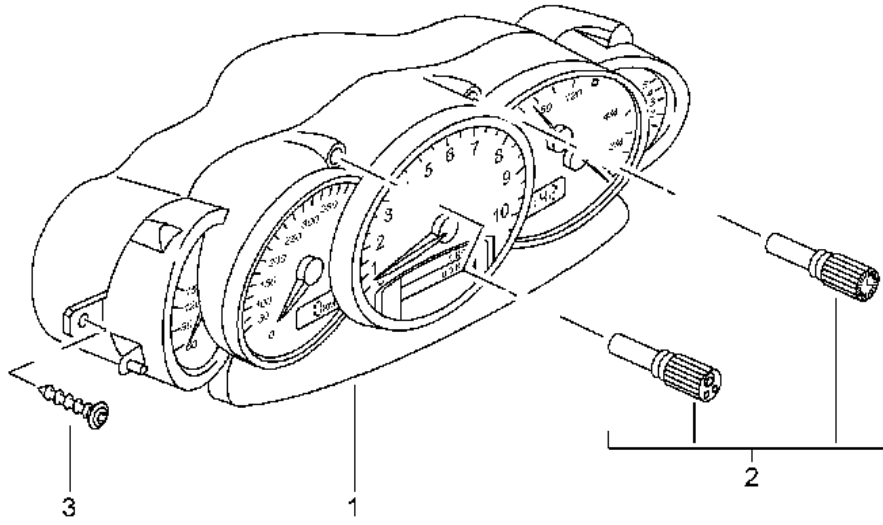
Model: 980 04

Model life 2004>>2006

Pos	Part Number	Description	Remark	Qty	Model
		Rear light			
		License plate light			
		Additional brake light			
1	980 631 407 00	Rear light	/L	1	
(1)	980 631 408 00	Rear light	/R	1	
2	996 631 078 00	Fastening part		6	
3	980 631 465 00	Support	/L	1	
(3)	980 631 466 00	Support	/R	1	
4	999 015 025 A2	Lens-head screw M 6 X 12		12	
5	980 631 081 00	Back-up light		1	
(5)	980 631 085 00	Rear fog light		1	
6	900 631 127 90	Bulb 21 W		2	
7	980 631 091 00	Reflector		2	
8	999 919 140 A2	Oval-head screw 4,0 X 12		8	
9	997 631 620 01	License plate light		2	
9	997 631 620 02	License plate light		2	
10	900 631 025 90	Bulb 5 W		2	
11	980 631 050 00	Additional brake light		1	
-	980 631 250 00	Cap for POS. 14		2	
12	999 652 913 40	Pin connector socket 2-pole		1	
13	999 507 407 40	Clip		1	
14	999 073 269 A2	Oval-head screw M 5 X 16		2	
15	980 631 125 00	Cover Roll-over bar		1	

Model: 980 04

Model life 2004>>2006



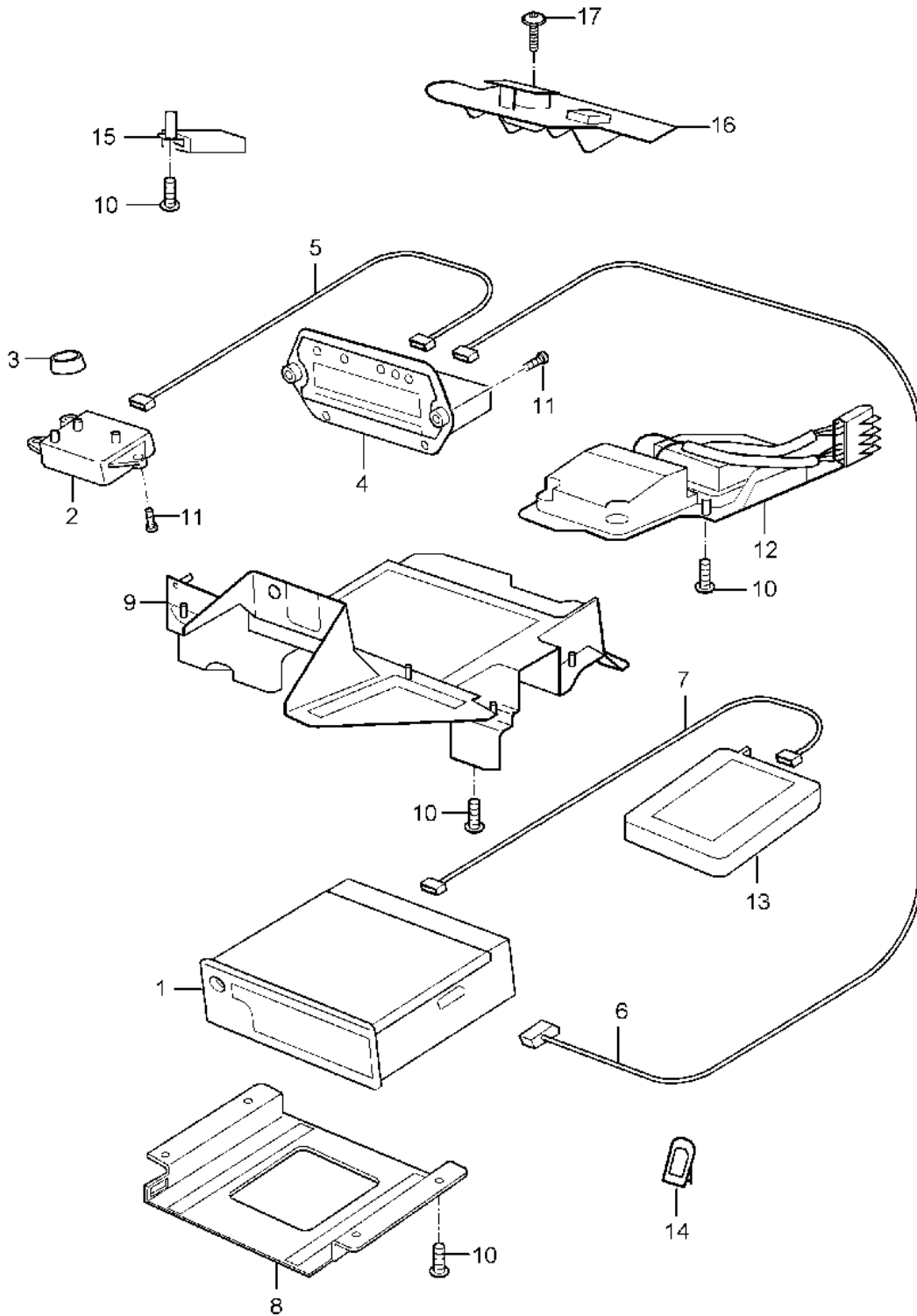
Model: 980 04

Model life 2004>>2006

Pos	Part Number	Description	Remark	Qty	Model
1	980 641 215 00	Instruments Complete Instrument cluster Complete		1	
	980 641 215 00 FJD	Rally black Titanium grey			
1	980 641 217 00	Instrument cluster Complete	(GB)	1	
	980 641 217 00 FJD	Rally yellow Titanium grey			
2	996 641 911 00	Knob Actuator Trip meter And Clock		1	
3	999 073 269 A2	Oval-head screw M 5 X 16		2	

Model: 980 04

Model life 2004>>2006

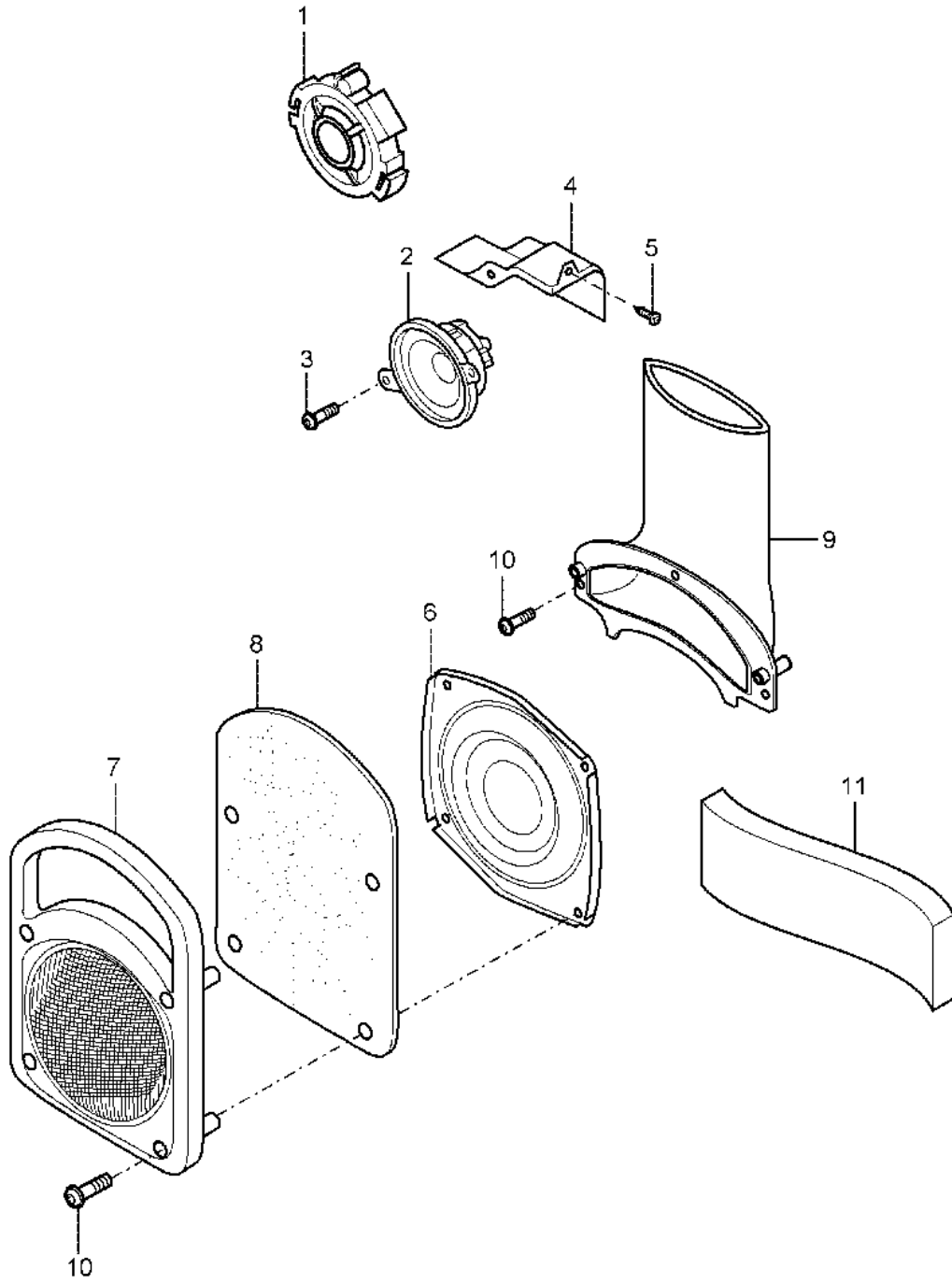


Model: 980 04 Model life 2004>>2006

Pos	Part Number	Description	Remark	Qty	Model
1	980 645 121 00	Radio Navigation system Telephone		1	
1	980 645 121 X	Radio Basic device		1	
-	980 642 030 00	CD-ROM Navigation system		1	
2	980 645 123 00	Control part Radio		1	
3	980 645 229 00	Rotary knob Control part		2	
4	980 645 125 00	Display unit Radio		1	
5	980 612 123 00	Wiring harness Control part Display unit		1	
(5)	980 612 131 00	Ground cable Control part Display unit		1	
6	980 612 121 00	Wiring harness Radio Basic device Display unit		1	
7	980 612 125 00	Wiring harness Radio Basic device Control unit		1	
8	980 645 225 00	Telephone Support frame Radio		1	
9	980 645 227 01	Support		1	
10	999 073 268 A2	Oval-head screw M 5 X 12		10	
11	999 073 284 0A	Oval-head screw M 4 X 16		7	
12	980 645 057 00	Booster		1	
13	980 646 025 00	Control unit Telephone		1	
14	980 646 307 00	Microphone Telephone		1	
15	980 647 105 00	Antenna booster Radio		1	
16	980 647 045 00	Antenna GPS Telephone		1	
17	900 067 255 02	Pan-head screw M 5 X 12		3	

Model: 980 04

Model life 2004>>2006



Model: 980 04

Model life 2004>>2006

Pos	Part Number	Description	Remark	Qty	Model
1	980 645 023 00	Loudspeaker Tweeter		2	
2	955 645 031 00	Mid-range loudspeaker		2	
3	999 015 030 0A	Oval-head screw M 4 X 8		4	
3	999 015 030 02	Oval-head screw M 4 X 8		4	
4	980 645 241 00	Protection cap	/L	1	
(4)	980 645 242 00	Protection cap	/R	1	
5	999 073 305 A2	Tapping screw 4,8 X 14		6	
6	980 645 013 00	Woofers with Loudspeaker grille		2	
7	980 645 145 00	Trim cover for cars without Sound system		2	
8	980 645 181 00	Cover for cars without Sound system		2	
9	980 645 035 00	Pipe Woofers		2	
10	900 067 070 A2	Pan-head screw M 5 X 12		14	
11	980 645 251 00	Sound absorbing plate Woofers		2	